

Allmand™

Brighter. Warmer. Safer.

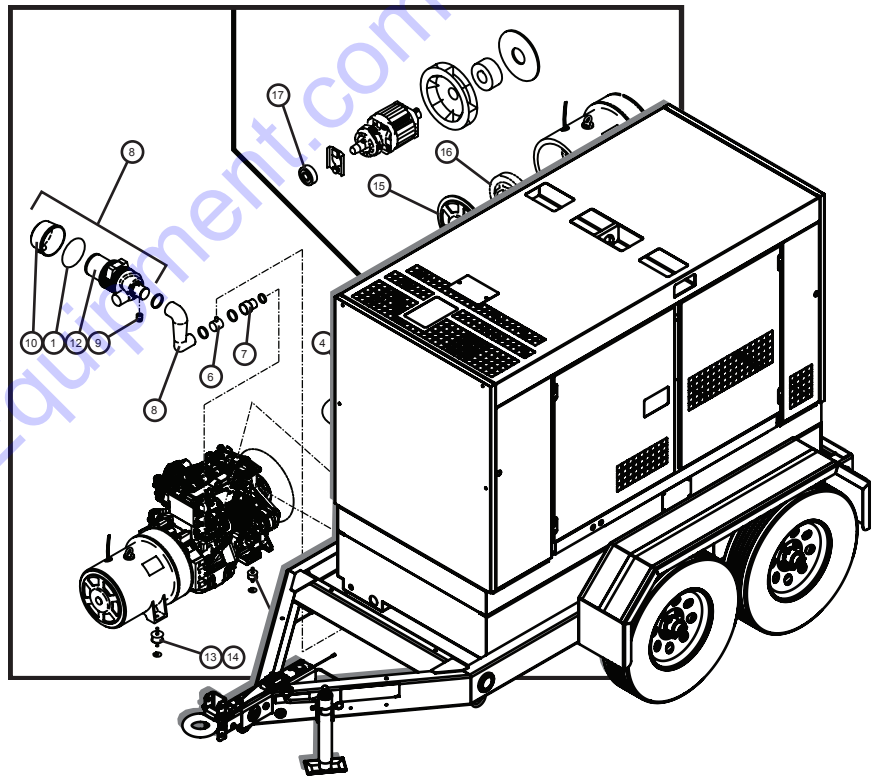
Portable
Industrial
Heaters

Portable
Light Towers

Portable
Light Stands

Solar Flashing
Arrow Boards

(en) Parts Manual
MAXI-POWER® 40



Copyright © 2017 Allmand Bros., Inc.
Holdrege, NE, USA. All rights reserved.

Part No.: 112161
Revision: A
Serial No.: 22-000001 and UP

Reliability, Performance, and Integrity Since 1938

**Discount
Equipment**

www.discount-equipment.com

PARTS FINDER

**Search Website
by Part Number**



**Search Manual
Library For Parts
Manual & Lookup Part
Numbers – Purchase
or Request Quote**

Search Manuals

Enter your information to help us find the right parts manual for your machine.

* Brand:

* Model:

* Serial:

* Part Number:

SEARCH

**Can't Find Part or
Manual? Request Help
by Manufacturer,
Model & Description**

Parts Order Form

Please fill in the following information to help us find the right part for your machine.

| | |
|---------------|----------------------|
| Manufacturer: | <input type="text"/> |
| Model: | <input type="text"/> |
| Description: | <input type="text"/> |
| Part Number: | <input type="text"/> |
| Quantity: | <input type="text"/> |
| Notes: | <input type="text"/> |

Discount-Equipment.com is your online resource for quality parts & equipment.

Florida: **561-964-4949** Outside Florida TOLL FREE: **877-690-3101**

Need parts?

Click on this link: <http://www.discount-equipment.com/category/5443-parts/> and choose one of the options to help get the right parts and equipment you are looking for. Please have the machine model and serial number available in order to help us get you the correct parts. If you don't find the part on the website or on one of the online manuals, please fill out the request form and one of our experienced staff members will get back to you with a quote for the right part that your machine needs.

We sell worldwide for the brands: Genie, Terex, JLG, MultiQuip, Mikasa, Essick, Whiteman, Mayco, Toro Stone, Diamond Products, Generac Magnum, Airman, Haulotte, Barreto, Power Blanket, Nifty Lift, Atlas Copco, Chicago Pneumatic, Allmand, Miller Curber, Skyjack, Lull, Skytrak, Tsurumi, Husquvarna Target, Stow, Wacker, Sakai, Mi-T-M, Sullair, Basic, Dynapac, MBW, Weber, Bartell, Bennar Newman, Haulotte, Ditch Runner, Menegotti, Morrison, Contec, Buddy, Crown, Edco, Wyco, Bomag, Laymor, EZ Trench, Bil-Jax, F.S. Curtis, Gehl Pavers, Heli, Honda, ICS/PowerGrit, IHI, Partner, Imer, Clipper, MMD, Koshin, Rice, CH&E, General Equipment, Amida, Coleman, NAC, Gradall, Square Shooter, Kent, Stanley, Tamco, Toku, Hatz, Kohler, Robin, Wisconsin, Northrock, Oztec, Toker TK, Rol-Air, APT, Wylie, Ingersoll Rand / Doosan, Innovatech, Con X, Ammann, Mecalac, Makinex, Smith Surface Prep, Small Line, Wanco, Yanmar

TABLE OF CONTENTS

1.0 TRAILER PARTS GROUP

| | |
|---------------------------------------|-------|
| Trailer Axle, Jack, and Coupler | (1.1) |
| Trailer Base Parts | (1.2) |
| Step Plate | (1.3) |

2.0 ENGINE AND COMPRESSOR GROUP

| | |
|---|-------|
| Engine Cooling and Exhaust Group | (2.1) |
| Generator and Engine Air Intake Group | (2.2) |
| Fuel Tank and Filters Group | (2.3) |

3.0 ELECTRICAL GROUP

| | |
|--|-------|
| Control Box Electrical Group | (3.1) |
| Outlet Panel and Engine Electrical Group | (3.2) |
| Tail Lights and Tail Light Harness | (3.3) |
| Cam Lock Group | (3.4) |
| Arctic Package | (3.5) |

4.0 DECALS

| | |
|---|-------|
| Left and Front Side Branding Decals | (4.1) |
| Right and Rear Side Branding Decals | (4.2) |
| Cam Lock and Arctic Package Decals | (4.3) |

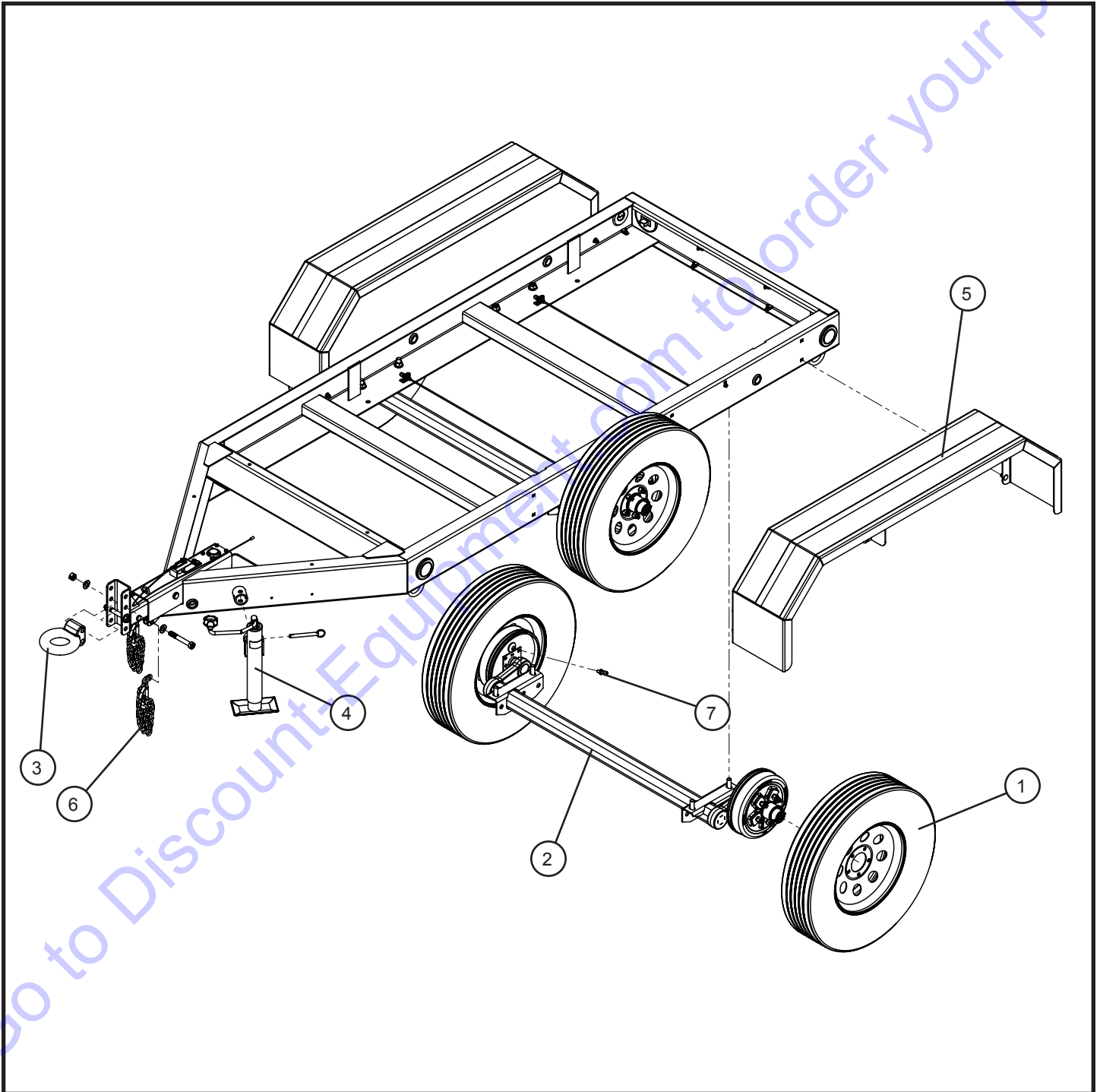
Maxi-Power 40

Go to Discount-Equipment.com to order your parts

PAGE LEFT BLANK
INTENTIONALLY

1.1 - Trailer Axle, Jack, and Coupler

SN 22-000001 and UP



Maxi-Power 40

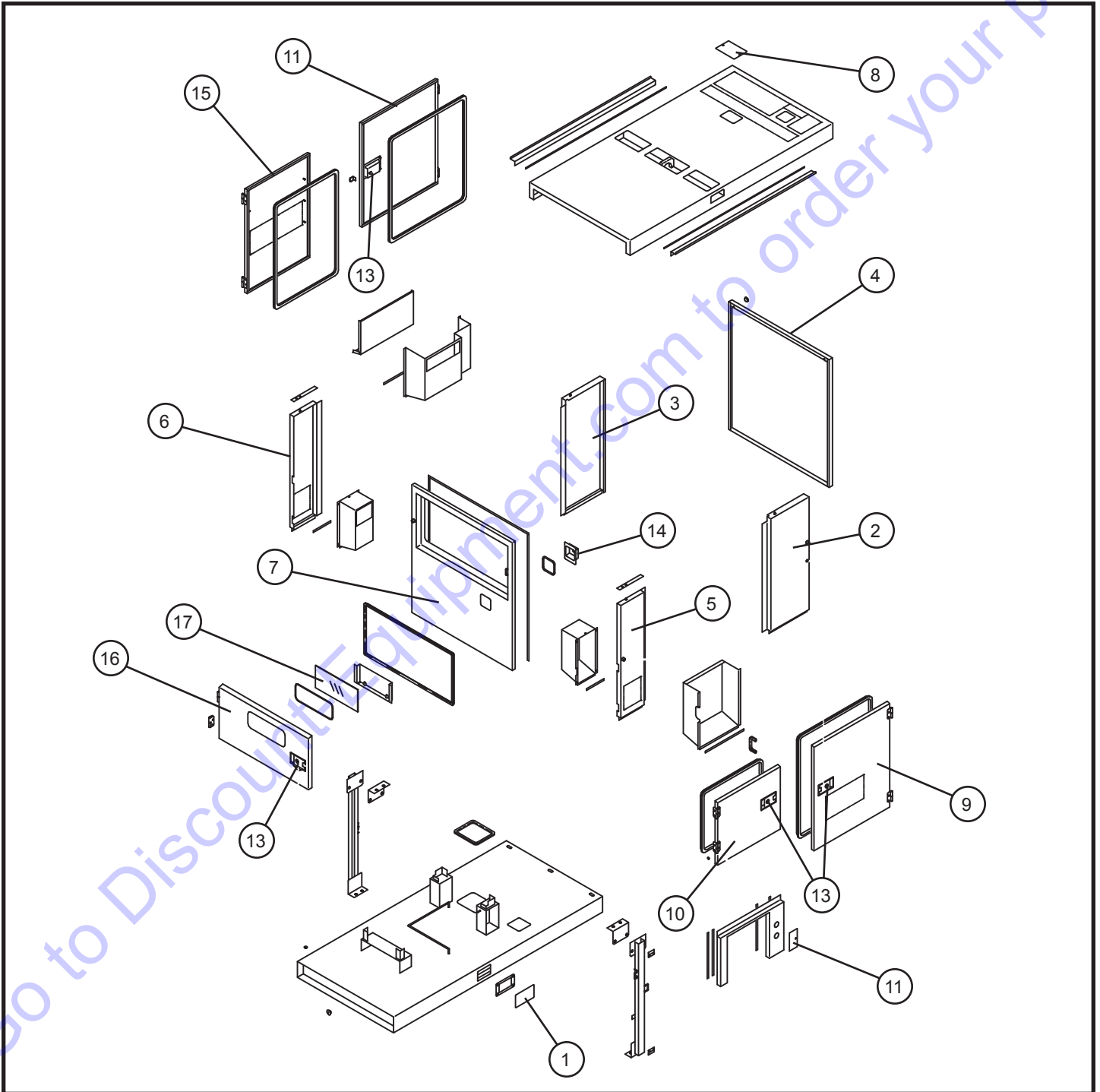
1.1 - Trailer Axle, Jack, and Coupler

SN 22-000001 and UP

| Item | Allmand No. | Hokuetsu No. | Part Description | Qty. |
|------|-------------|--------------|--|------|
| 1 | 113444 | n/a | WHEEL W/ TIRE ASSEMBLY, 2150 LB CAPACITY | 4 |
| 2 | 113447 | n/a | 3.5K TORSION AXLE (INCLUDES HARDWARE) | 2 |
| 3 | 113449 | n/a | 3" CHANNEL MOUNT TOW RING | 1 |
| 4 | 113450 | n/a | TUBE MOUNT 3K TOP WIND JACK | 1 |
| 5 | 113456 | n/a | MP 40/45/65 FENDER (INCLUDES HARDWARE AND GRIP TAPE) | 2 |
| | 113459 | n/a | MP 40/45/65 FENDER GRIP TAPE KIT | 2 |
| 6 | 113463 | n/a | MP 40/45/65 SAFETY TOW CHAINS | 2 |
| 7 | 113466 | n/a | MP 40/45/65 RUBBER BRAKE HOSE W/ END FITTINGS (NOT COMPLETELY SHOWN) | 1 |
| NS | 113461 | n/a | MASTER CYLINDER BRAKE ACTUATOR | 1 |
| NS | 113482 | n/a | MP 40/45/65 STEEL BRAKE LINE KIT | 1 |

1.2 - Trailer Base Parts

SN 22-000001 and UP



Maxi-Power 40

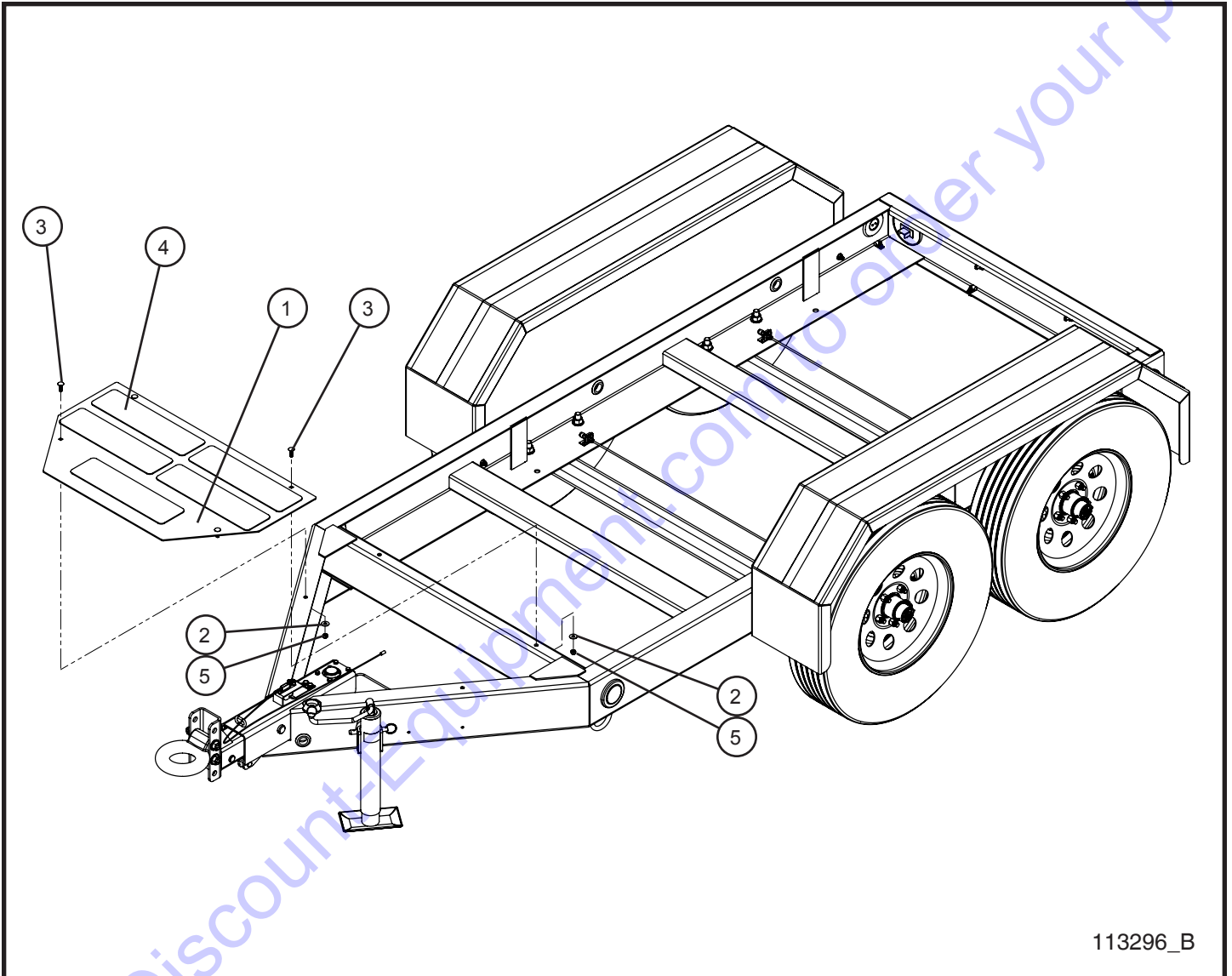
1.2 - Trailer Base Parts

SN 22-000001 and UP

| Item | Allmand No. | Hokuetsu No. | Part Description | Qty. |
|------|-------------|--------------|---|------|
| 1 | 110710 | 52350 44421 | LOWER RIGHT SIDE COVER | 1 |
| 2 | 110711 | 52100 94621 | RIGHT SIDE FRONT COVER MAXI-POWER 40 | 1 |
| 3 | 110721 | 52100 94720 | LEFT SIDE FRONT COVER MAXI-POWER 40 | 1 |
| 4 | 110720 | 52830 41100 | FRONT COVER MAXI-POWER 40/45/65 | 1 |
| 5 | 110659 | 52100 94522 | RIGHT SIDE REAR COVER MAXI-POWER 40 | 1 |
| 6 | 110925 | 52100 94422 | LEFT SIDE REAR COVER MAXI-POWER 40 | 1 |
| 7 | 110966 | 52100 87250 | REAR COVER MAXI-POWER | 1 |
| 8 | 110472 | 52350 89010 | TOP FRONT COVER | 1 |
| 9 | 110967 | 52450 27130 | RIGHT SIDE FRONT DOOR MAXI-POWER 40 | 1 |
| 10 | 110980 | 52450 11531 | RIGHT SIDE REAR DOOR MAXI-POWER 40 | 1 |
| 11 | 110538 | 52350 41920 | COVER | 1 |
| 12 | 110553 | 52450 11631 | LEFT SIDE FRONT DOOR MAXI-POWER 40/45 | 1 |
| 13 | 110499 | 52710 03601 | DOOR LATCH ASSEMBLY | 4 |
| 14 | 110681 | 52230 44800 | EMERGENCY STOP COVER | 1 |
| 15 | 110603 | 52450 04832 | LEFT SIDE REAR DOOR MAXI-POWER 40/45/65 | 1 |
| 16 | 110725 | 52450 04930 | REAR DOOR MAXI-POWER 40/45/65 | 1 |
| 17 | 110693 | 52416 19800 | REAR DOOR WINDOW MAXI-POWER 40/45/65 | 1 |

1.3 - Step Plate

SN 22-000001 and UP



113296_B

Maxi-Power 40

1.3 - Step Plate

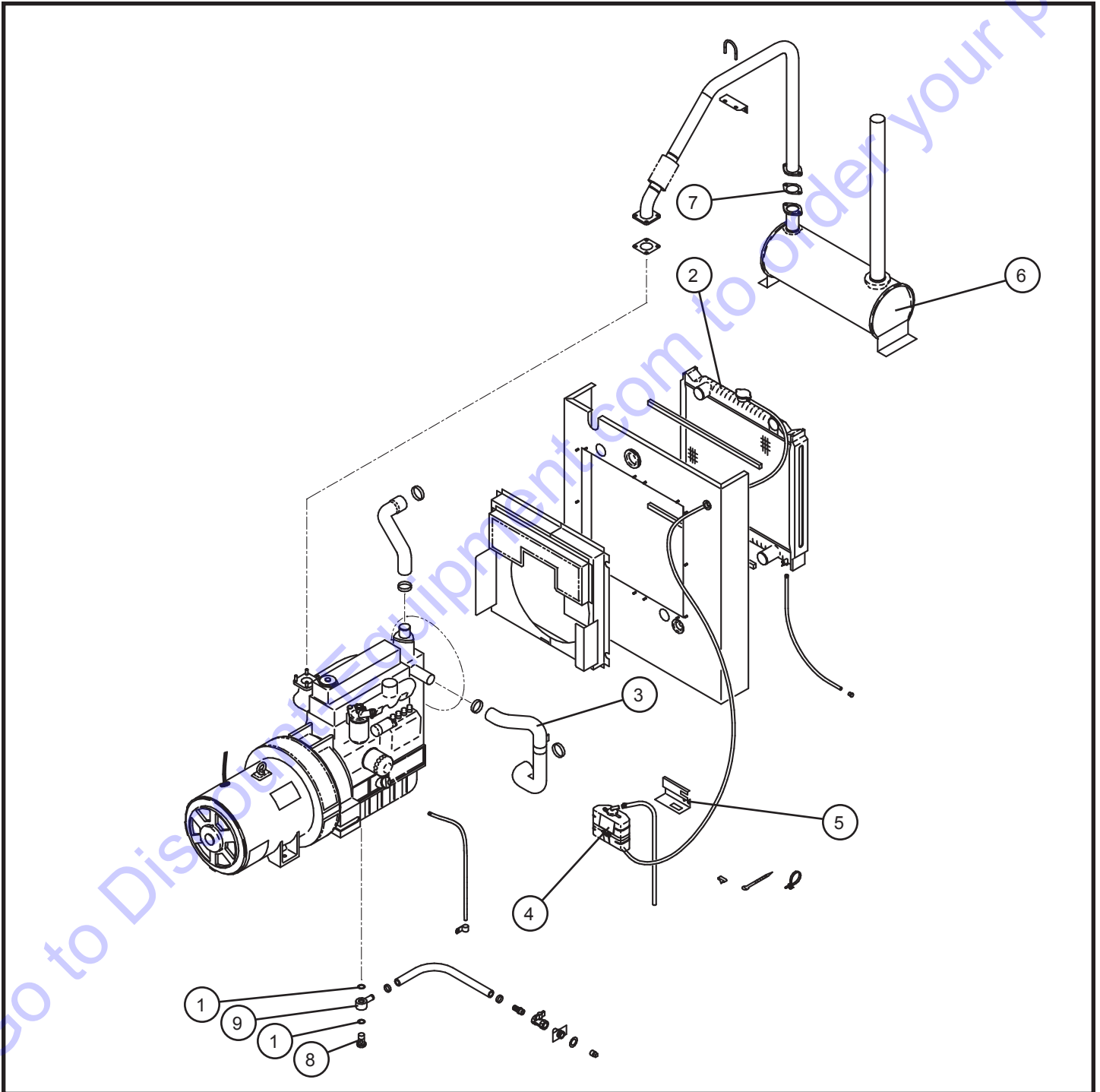
SN 22-000001 and UP

| Item | Allmand No. | Hokuetsu No. | Part Description | Qty. |
|------|-------------|--------------|-----------------------------|------|
| 1 | 113257P | n/a | STEP PLATE MAXI-POWER 40-65 | 1 |
| 2 | 047010 | n/a | 5/16 FLAT WASHER | 4 |
| 3 | 053020 | n/a | 5/16-18 x 1 CARRIAGE BOLT | 4 |
| 4 | 062006 | n/a | DIE CUT ANTI SKID TAPE | 5 |
| 5 | 044033 | n/a | 5/16-18 NYLOCK HEX NUT | 4 |

Go to Discount-Equipment.com to order your parts

2.1 - Engine Cooling and Exhaust Group

SN 22-000001 and UP



Maxi-Power 40

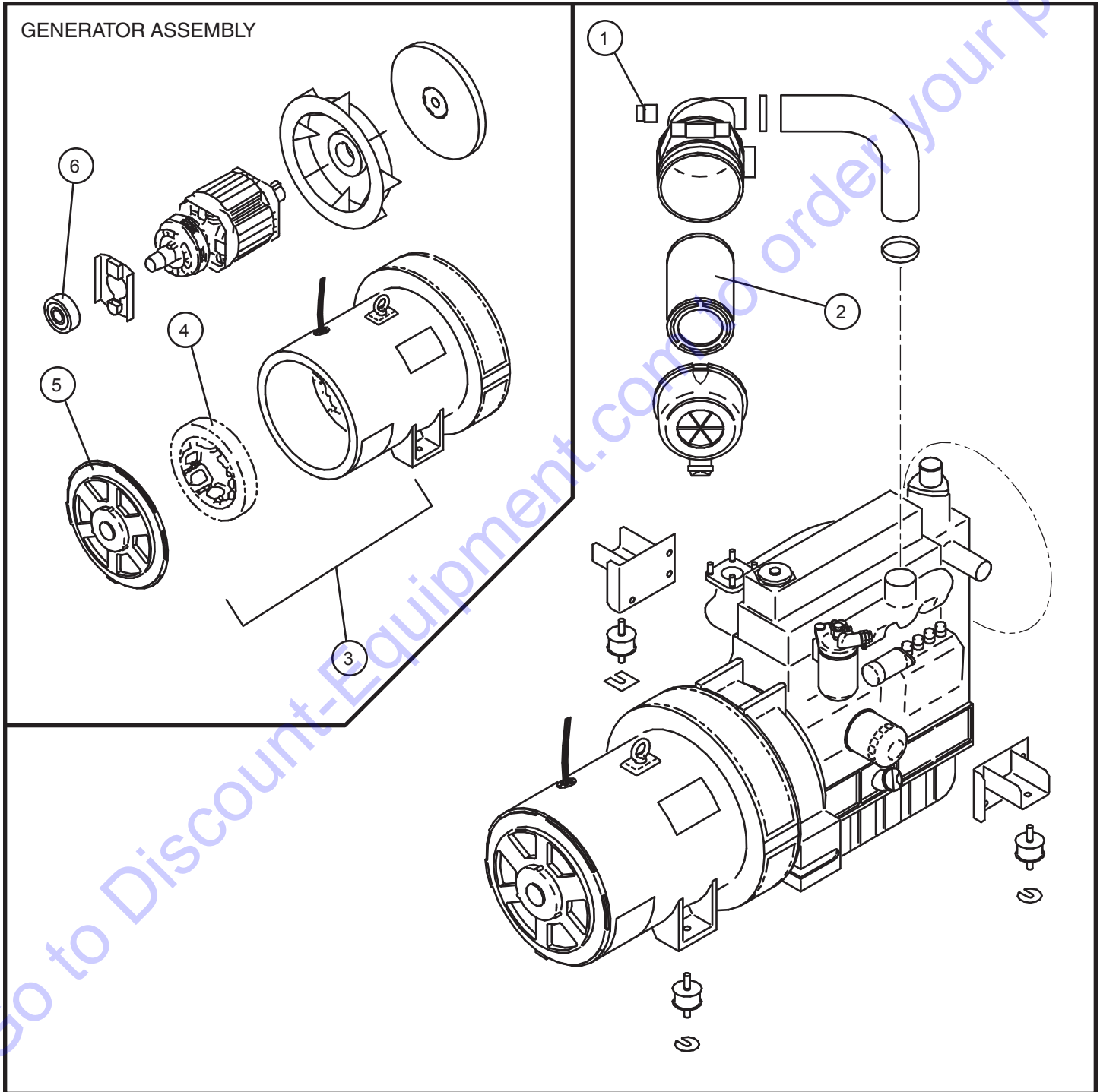
2.1 - Engine Cooling and Exhaust Group

SN 22-000001 and UP

| Item | Allmand No. | Hokuetsu No. | Part Description | Qty. |
|------|-------------|--------------|-----------------------|------|
| 1 | 110522 | 03407 16024 | GASKET | 2 |
| 2 | 111697 | 38100 40400 | RADIATOR | 1 |
| 3 | 111696 | 38524 68000 | HOSE | 1 |
| 4 | 110516 | 38590 01200 | RESERVE TANK ASSEMBLY | 1 |
| 5 | 110518 | 38591 01000 | BRACKET | 1 |
| 6 | 111695 | 42100 79400 | EXHAUST MUFFLER | 1 |
| 7 | 110719 | 42324 13600 | GASKET | 1 |
| 8 | 111693 | 43532 09400 | NIPPLE (BOLT) | 1 |
| 9 | 110702 | 43534 02102 | RING CONNECTOR | 1 |

2.2 - Generator and Engine Air Intake Group

SN 22-000001 and UP



Maxi-Power 40

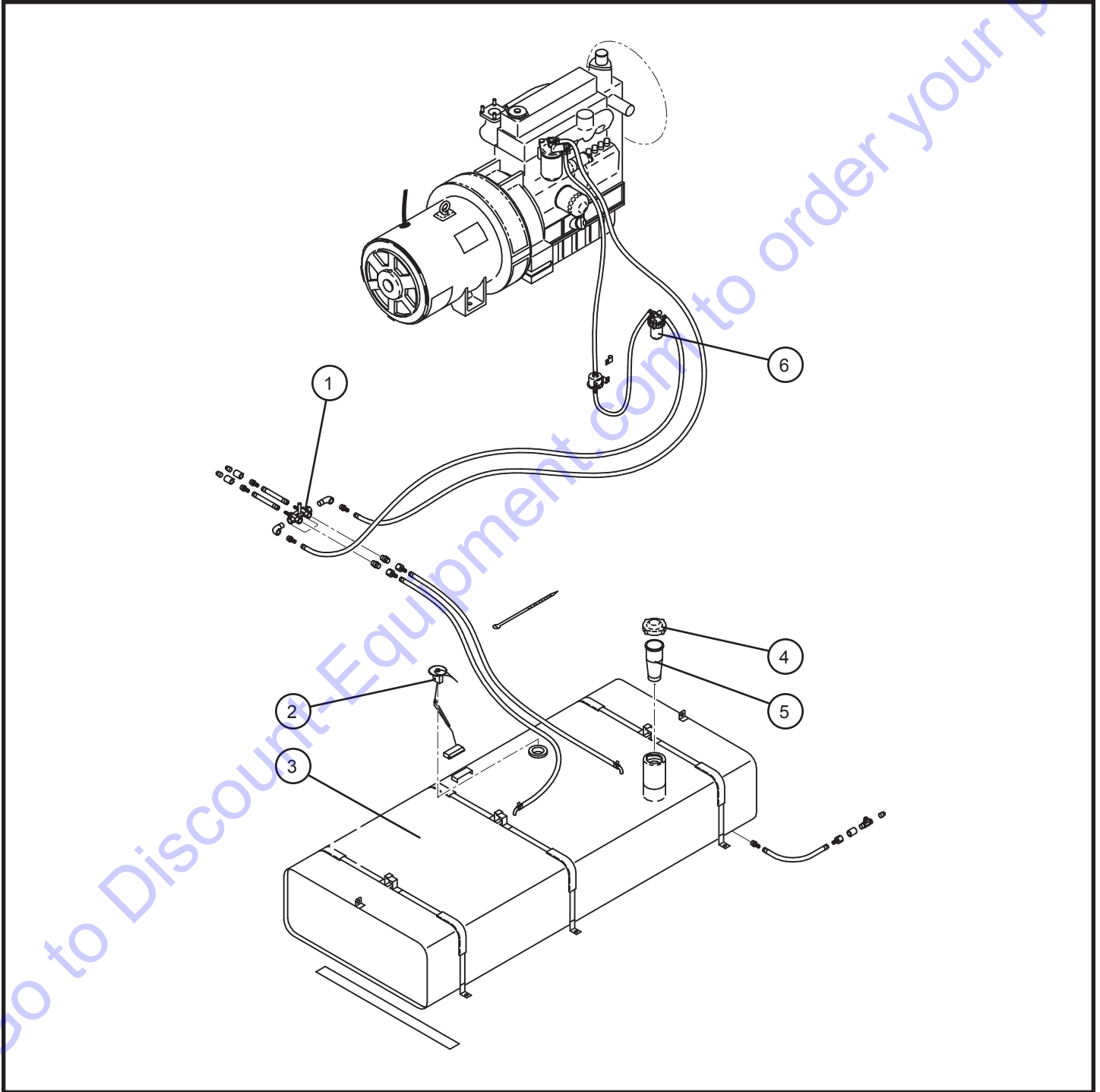
2.2 - Generator and Engine Air Intake Group

SN 22-000001 and UP

| Item | Allmand No. | Hokuetsu No. | Part Description | Qty. |
|------|-------------|--------------|--------------------------------------|------|
| 1 | 110740 | 32148 03000 | FILTER, SERVICE INDICATOR | 1 |
| 2 | 110634 | 32143 11700 | AIR FILTER ELEMENT | 1 |
| 3 | 111700 | 25200 11100 | MAXI-POWER 40 A.C.G. STATOR ASSEMBLY | 1 |
| 4 | 110730 | 25700 07600 | MAXI-POWER 40/45 EX. STATOR ASSEMBLY | 1 |
| 5 | 110724 | 25310 09600 | MAXI-POWER 40/45 CASING | 1 |
| 6 | 110722 | 21472 15700 | MAXI-POWER 40/45 BEARING (6308ZZ) | 1 |

2.3 - Fuel Tank and Filters Group

SN 22-000001 and UP



Maxi-Power 40

2.3 - Fuel Tank and Filters Group

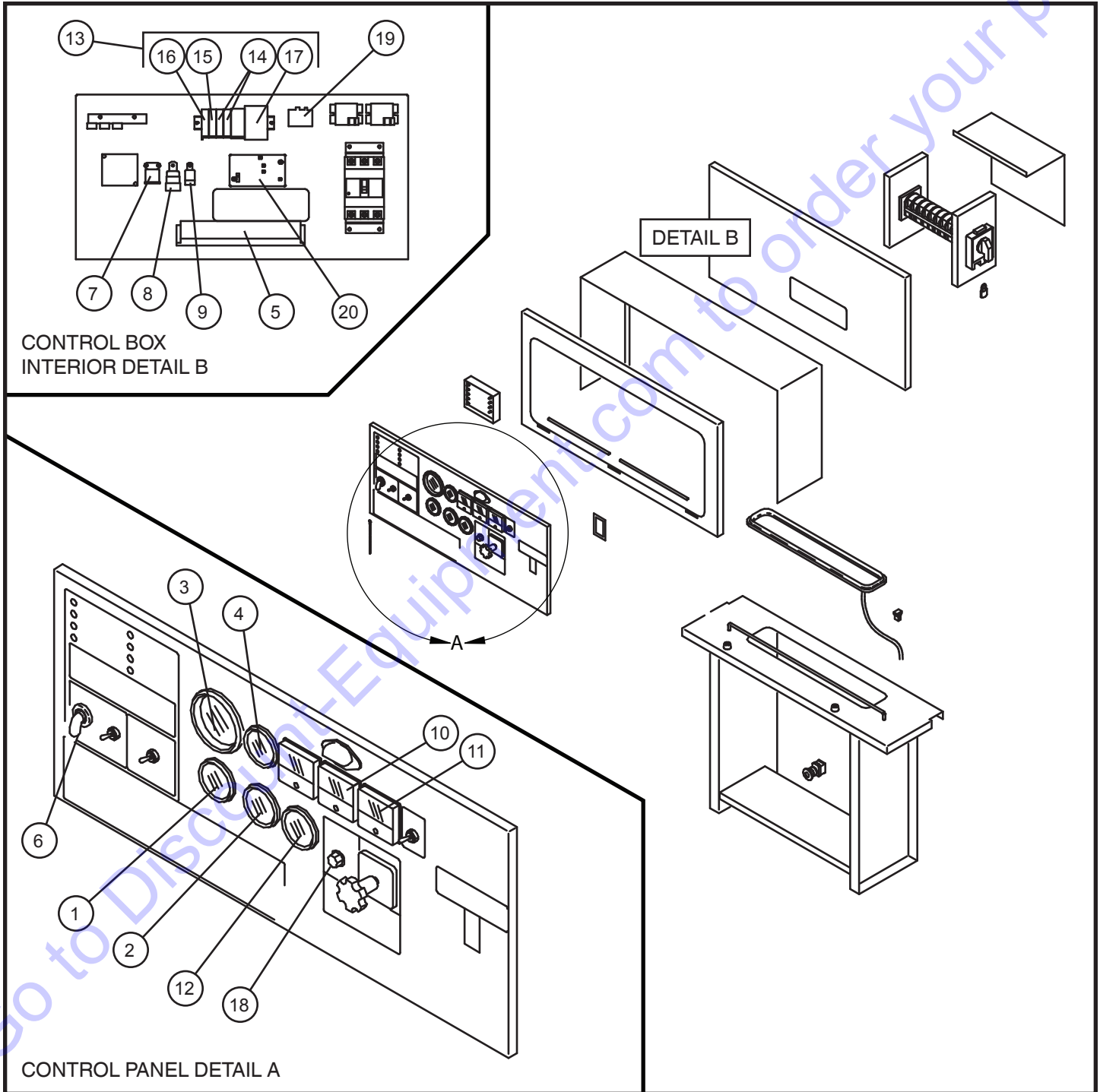
SN 22-000001 and UP

| Item | Allmand No. | Hokuetsu No. | Part Description | Qty. |
|------|-------------|--------------|------------------|------|
| 1 | 110968 | 35483 10101 | STOP VALVE | 1 |
| 2 | 110688 | 36159 03000 | SENDING UNIT | 1 |
| 3 | 111691 | 43100 70102 | FUEL TANK | 1 |
| 4 | 110496 | 43220 01300 | CAP | 1 |
| 5 | 110958 | 43210 01301 | STRAINER | 1 |
| 6 | 111690 | 43550 03100 | SEDIMENTER | 1 |

Go to Discount-Equipment.com to order your parts

3.1 - Control Box Electrical Group

SN 22-000001 and UP



Maxi-Power 40

3.1 - Control Box Electrical Group

SN 22-000001 and UP

| Item | Allmand No. | Hokuetsu No. | Part Description | Qty. |
|------|-------------|--------------|---------------------|------|
| 1 | 110485 | 36143 03600 | GAUGE, OIL PRESSURE | 1 |
| 2 | 110940 | 36145 06500 | THERMOMETER, WATER | 1 |
| 3 | 111688 | 36146 08800 | TACHOMETER | 1 |
| 4 | 110483 | 36158 00500 | FUEL GAUGE | 1 |
| 5 | 111687 | 44311 51300 | TERMINAL PLATE | 1 |
| 6 | 111685 | 44322 07200 | STARTER SWITCH | 1 |
| 7 | 110473 | 44346 13200 | RELAY (MAIN) | 1 |
| 8 | 111683 | 44346 15200 | RELAY (GLOW) | 1 |
| 9 | 111682 | 44346 15300 | RELAY (STARTER) | 1 |
| 10 | 110443 | 46153 04000 | VOLTMETER (AC) | 1 |
| 11 | 110644 | 46154 14500 | AMMETER (AC) | 1 |
| 12 | 110942 | 46154 15300 | AMMETER | 1 |
| 13 | 111679 | 46760 46211 | CONTROL PANEL | 1 |
| 14 | 110461 | 46177 08300 | RELAY | 2 |
| 15 | 110460 | 46177 08400 | RELAY | 1 |
| 16 | 110459 | 46177 08500 | RELAY | 1 |
| 17 | 111677 | 46879 45800 | CONTROLLER COMPLETE | 1 |
| 18 | 110541 | 46870 47901 | CONTROLLER | 1 |
| 19 | 110682 | 46928 01500 | THERMAL RELAY | 1 |
| 20 | 110679 | 46950 02600 | A.V.R. ASSEMBLY | 1 |
| NS | 110515 | 02201 08020 | FLANGE BOLT | 8 |

PARTS FINDER

**Search Website
by Part Number**



**Search Manual
Library For Parts
Manual & Lookup Part
Numbers – Purchase
or Request Quote**

Search Manuals

Enter your information to help us find the right parts manual for your machine.

* Brand:

* Model:

* Serial:

* Part Number:

SEARCH

**Can't Find Part or
Manual? Request Help
by Manufacturer,
Model & Description**

Parts Order Form

Please fill in the following information to help us find the right part for your machine.

| | |
|---------------|----------------------|
| Manufacturer: | <input type="text"/> |
| Model: | <input type="text"/> |
| Description: | <input type="text"/> |
| Part Number: | <input type="text"/> |
| Quantity: | <input type="text"/> |
| Notes: | <input type="text"/> |

Submit

Discount-Equipment.com is your online resource for quality parts & equipment.

Florida: **561-964-4949** Outside Florida TOLL FREE: **877-690-3101**

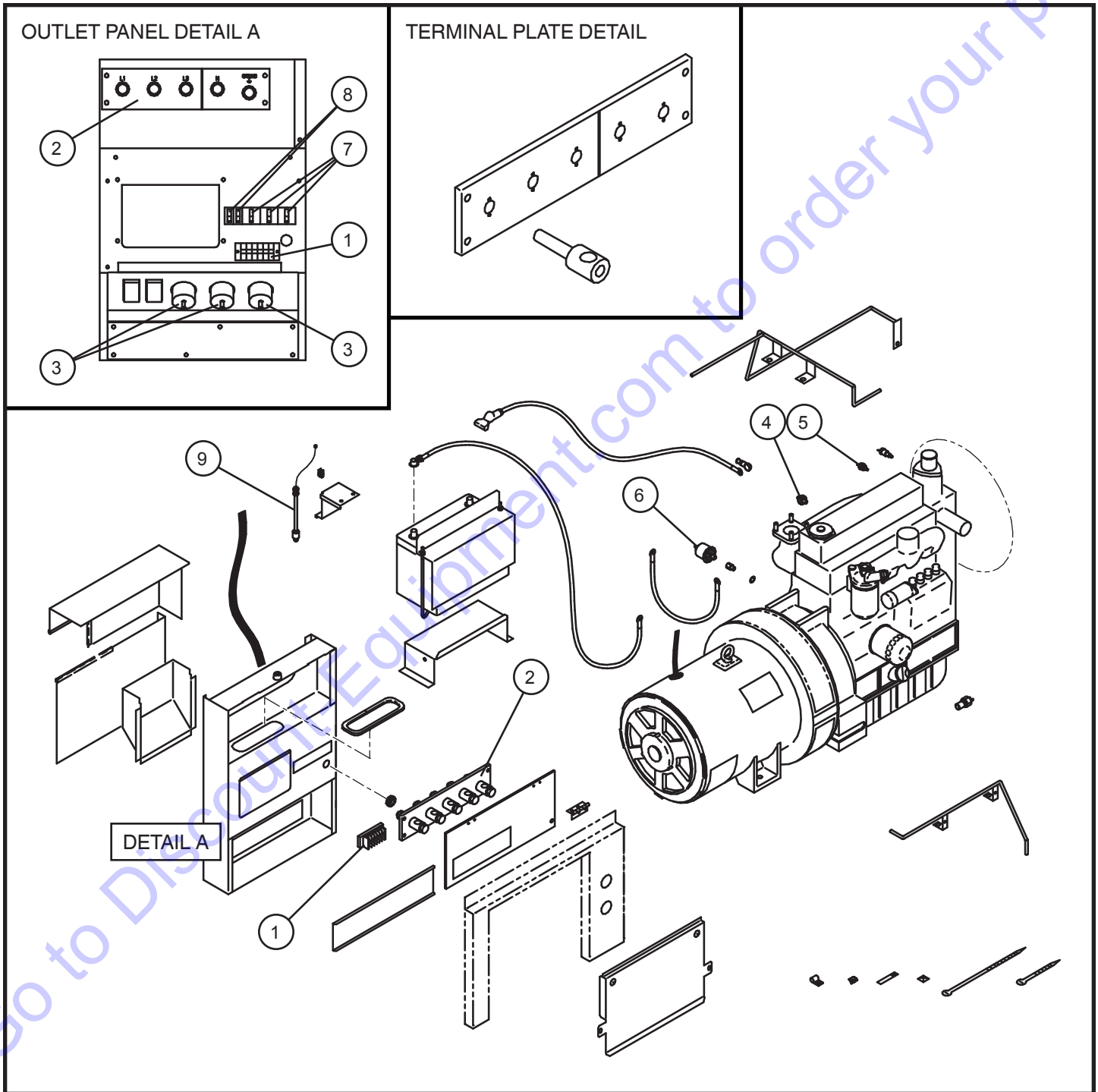
Need parts?

Click on this link: <http://www.discount-equipment.com/category/5443-parts/> and choose one of the options to help get the right parts and equipment you are looking for. Please have the machine model and serial number available in order to help us get you the correct parts. If you don't find the part on the website or on one of the online manuals, please fill out the request form and one of our experienced staff members will get back to you with a quote for the right part that your machine needs.

We sell worldwide for the brands: Genie, Terex, JLG, MultiQuip, Mikasa, Essick, Whiteman, Mayco, Toro Stone, Diamond Products, Generac Magnum, Airman, Haulotte, Barreto, Power Blanket, Nifty Lift, Atlas Copco, Chicago Pneumatic, Allmand, Miller Curber, Skyjack, Lull, Skytrak, Tsurumi, Husquvarna Target, Stow, Wacker, Sakai, Mi-T-M, Sullair, Basic, Dynapac, MBW, Weber, Bartell, Bennar Newman, Haulotte, Ditch Runner, Menegotti, Morrison, Contec, Buddy, Crown, Edco, Wyco, Bomag, Laymor, EZ Trench, Bil-Jax, F.S. Curtis, Gehl Pavers, Heli, Honda, ICS/PowerGrit, IHI, Partner, Imer, Clipper, MMD, Koshin, Rice, CH&E, General Equipment, Amida, Coleman, NAC, Gradall, Square Shooter, Kent, Stanley, Tamco, Toku, Hatz, Kohler, Robin, Wisconsin, Northrock, Oztec, Toker TK, Rol-Air, APT, Wylie, Ingersoll Rand / Doosan, Innovatech, Con X, Ammann, Mecalac, Makinex, Smith Surface Prep, Small Line, Wanco, Yanmar

3.2 - Outlet Panel and Engine Electrical Group

SN 22-000001 and UP



Maxi-Power 40

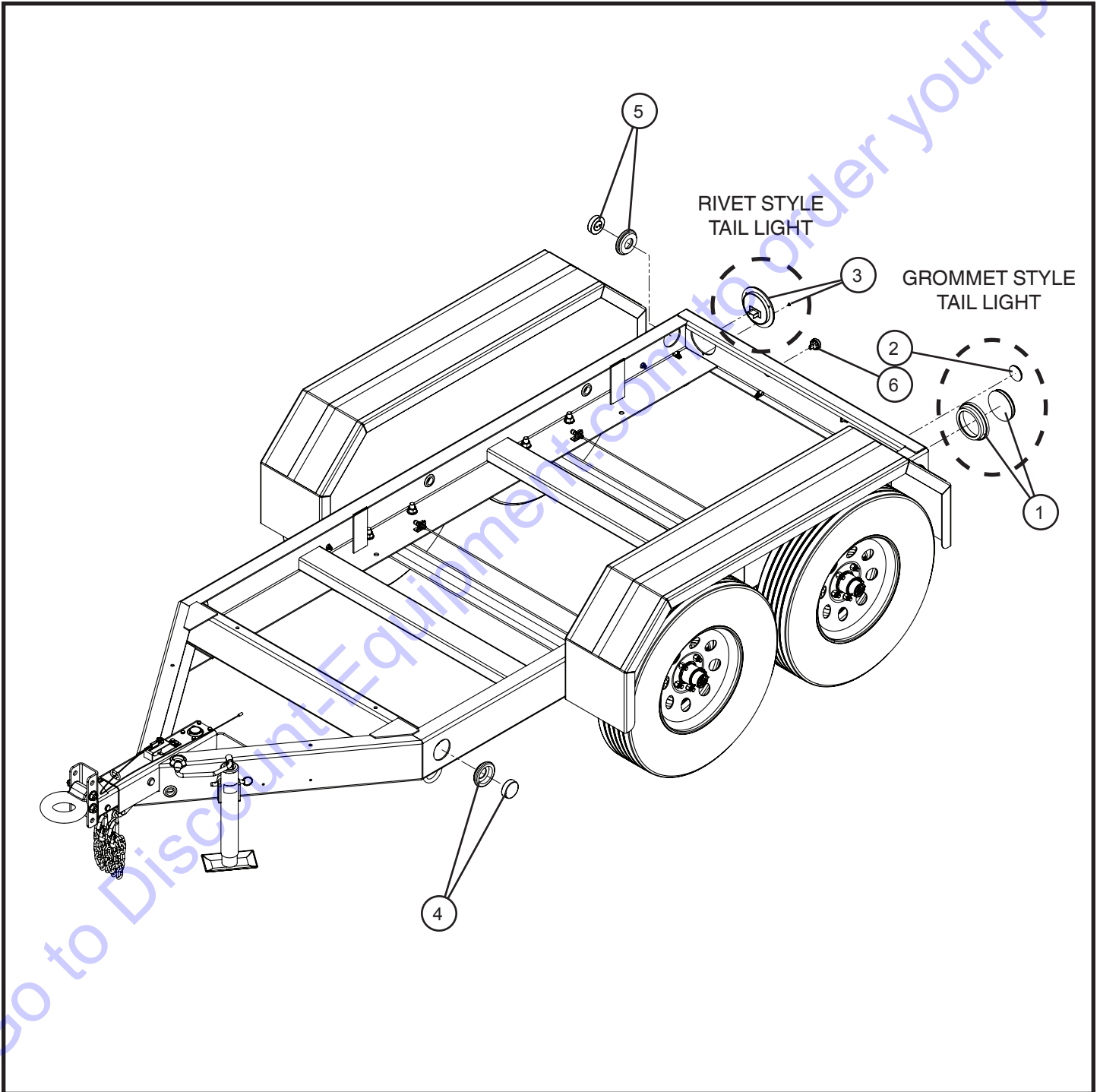
3.2 - Outlet Panel and Engine Electrical Group

SN 22-000001 and UP

| Item | Allmand No. | Hokuetsu No. | Part Description | Qty. |
|------|-------------|--------------|---------------------|------|
| 1 | 110491 | 44311 65600 | TERMINAL PLATE | 1 |
| 2 | 110655 | 44311 66300 | TERMINAL PLATE | 1 |
| 3 | 110468 | 44312 02800 | SOCKET | 3 |
| 4 | 111684 | 44328 20500 | PRESSURE SWITCH | 1 |
| 5 | 111681 | 44364 06200 | THERMO SENSOR | 1 |
| 6 | 110487 | 44365 00300 | OIL PRESSURE SENDER | 1 |
| 7 | 110464 | 46120 26900 | CIRCUIT BREAKER | 3 |
| | 110465 | 46120 34000 | CIRCUIT BREAKER | 3 |
| 8 | 110466 | 46120 26800 | CIRCUIT BREAKER | 2 |
| | 110467 | 46120 34100 | CIRCUIT BREAKER | 2 |
| 9 | 111678 | 46813 08101 | LEVEL SWITCH | 1 |
| NS | 110515 | 02201 08020 | FLANGE BOLT | 8 |

3.3 - Tail Lights and Tail Light Harness

SN 22-000001 and UP



Maxi-Power 40

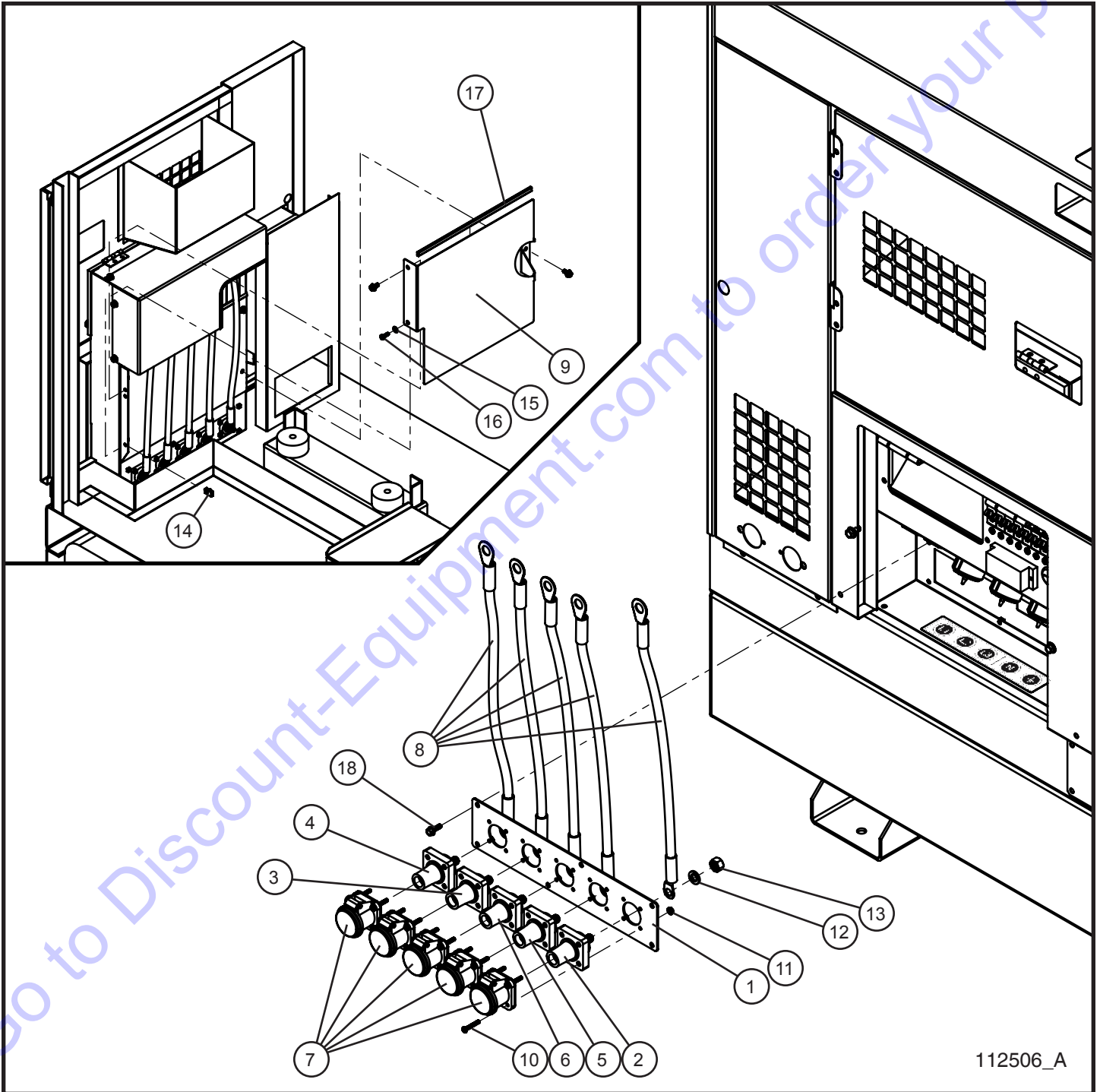
3.3 - Tail Lights and Tail Light Harness

SN 22-000001 and UP

| Item | Allmand No. | Hokuetsu No. | Part Description | Qty. |
|------|-------------|--------------|--|------|
| 1 | 113438 | n/a | 4" TAIL LIGHT W/ GROMMET | 2 |
| 2 | 113439 | n/a | TAIL LIGHT REFLECTOR (ONLY USED W/ GROMMET TAIL LIGHTS) | 2 |
| 3 | 113440 | n/a | 4" FLANGE MOUNT TAIL LIGHT W/ RIVETS | 2 |
| 4 | 113441 | n/a | 2.5" AMBER SIDE MARKER/REFLECTOR W/ GROMMET | 2 |
| 5 | 113442 | n/a | 2.5" RED SIDE MARKER/REFLECTOR W/ GROMMET | 2 |
| 6 | 113443 | n/a | 1.25" LICENSE PLATE LED LIGHT | 2 |
| NS | 113453 | n/a | TAIL LIGHT WIRE HARNESS MP 40/45/65 | 1 |

3.4 - Cam Lock Group

SN 22-000001 and UP



112506_A

Maxi-Power 40

3.4 - Cam Lock Group

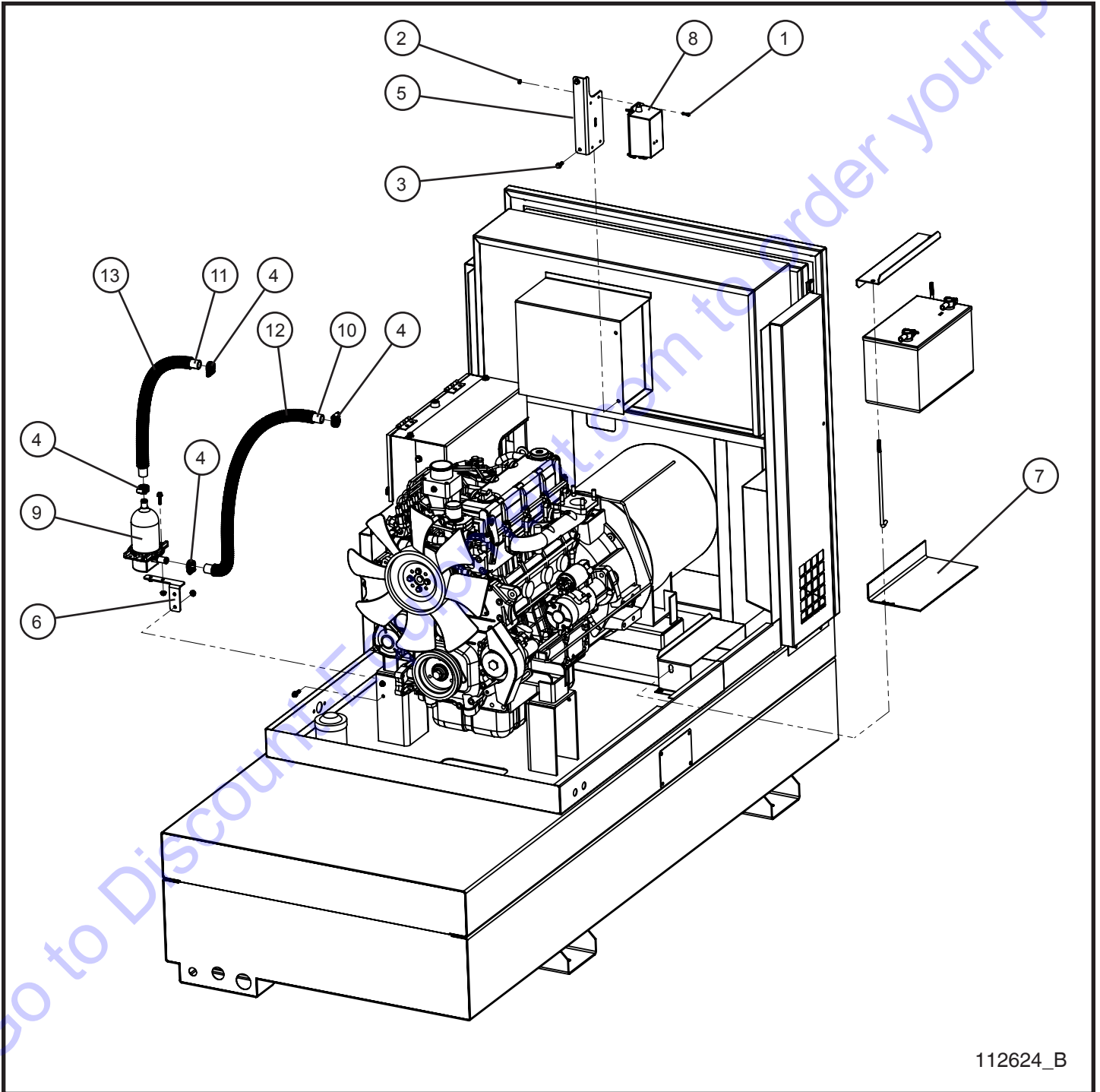
SN 22-000001 and UP

| Item | Allmand No. | Hokuetsu No. | Part Description | Qty. |
|------|-------------|--------------|---------------------------------------|------|
| 1 | 112508P | n/a | CAM LOCK MOUNT PLATE | 1 |
| 2 | 113246 | n/a | CAM LOCK GREEN FEMALE 90° 600V 400A | 1 |
| 3 | 113243 | n/a | CAM LOCK RED FEMALE 90° 600V 400A | 1 |
| 4 | 113242 | n/a | CAM LOCK BLACK FEMALE 90° 600V 400A | 1 |
| 5 | 113245 | n/a | CAM LOCK WHITE FEMALE 90° 600V 400A | 1 |
| 6 | 113244 | n/a | CAM LOCK BLUE FEMALE 90° 600V 400A | 1 |
| 7 | 112424 | n/a | CAM LOCK CLEAR COVER 90° | 5 |
| 8 | 112557 | n/a | CAM LOCK CABLE KIT 40/65 KVA | 1 |
| 9 | 112466P | n/a | CAM LOCK SHIELD MAXI-POWER 40 & 65 | 1 |
| 10 | 041035 | n/a | #10-24 x 1-1/4 PHILLIPS MACHINE SCREW | 20 |
| 11 | 044016 | n/a | #10-24 KEPS HEX NUT | 20 |
| 12 | 043085 | n/a | 1/2 SPLITLOCK WASHER | 5 |
| 13 | 044045 | n/a | 1/2-13 HEX NUT | 5 |
| 14 | 044106 | n/a | 1/4-20 EXTRUDED U NUT | 1 |
| 15 | 047009 | n/a | 1/4 FLAT WASHER | 1 |
| 16 | 046010 | n/a | 1/4-20 x 3/4 HEX HEAD BOLT | 1 |
| 17 | 030053 | n/a | 5/64 x 7/16 x 8.50 TRIM LOCK | 1 |
| 18 | 055001 | n/a | M6-1.0 x 20 HEX HEAD FLANGE BOLT | 6 |
| NS | 112422 | n/a | CAM LOCK 1/0 CABLE SCHEMATIC | 1 |

*NS - NOT SHOWN

3.5 - Arctic Package (1 of 2)

SN 22-000001 and UP



112624_B

Maxi-Power 40

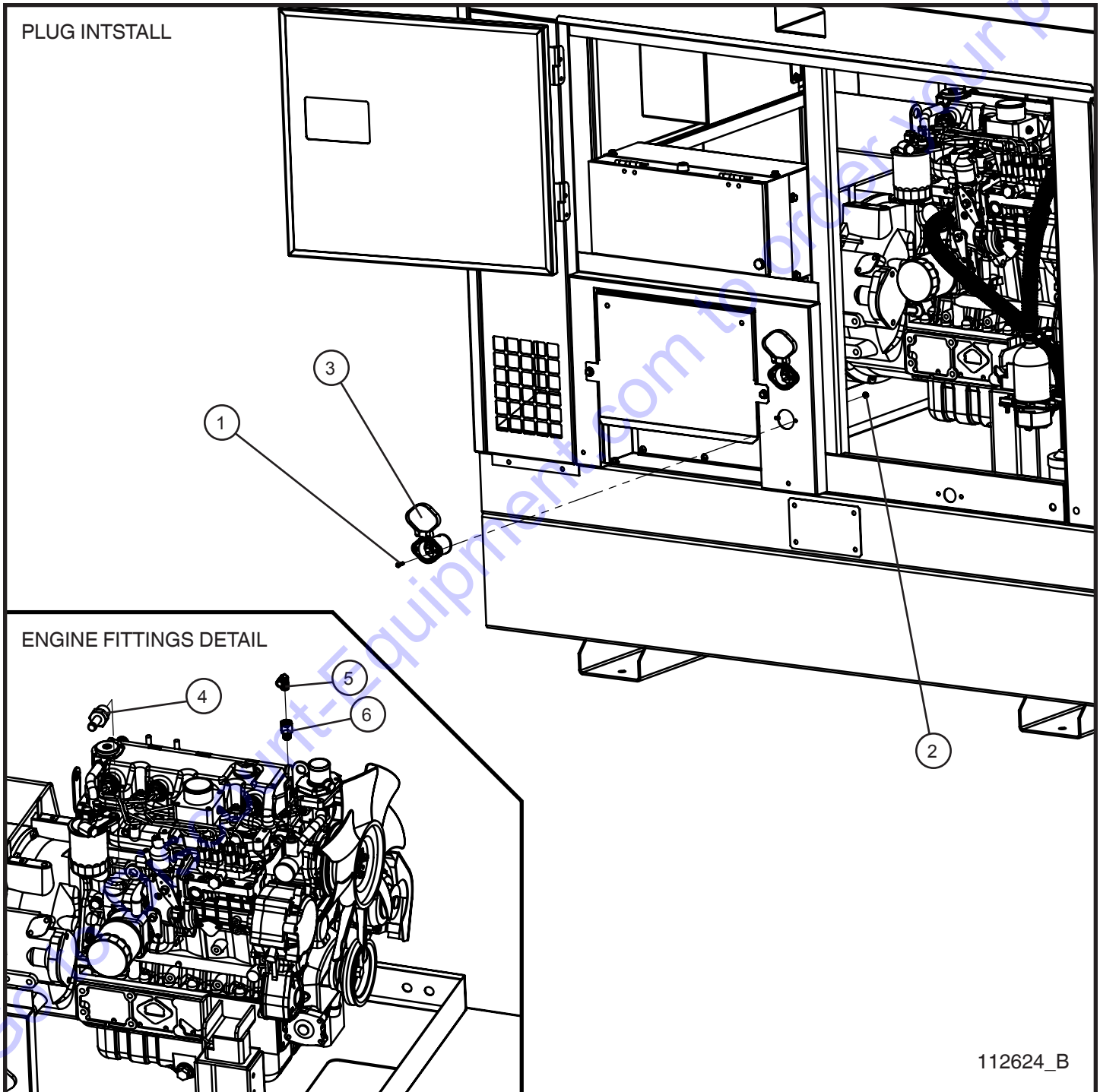
3.5 - Arctic Package (1 of 2)

SN 22-000001 and UP

| Item | Allmand No. | Hokuetsu No. | Part Description | Qty. |
|------|-------------|--------------|----------------------------------|------|
| 1 | 041027 | n/a | #10-24 x 3/4 PHILLIPS ROUND HEAD | 4 |
| 2 | 044016 | n/a | #10-24 KEPS HEX NUT | 4 |
| 3 | 055001 | n/a | M6-1.0 x 20 HEX HEAD FLANGE BOLT | 2 |
| 4 | 045033 | n/a | #10 HOSE CLAMP WORM GEAR | 4 |
| 5 | 112596P | n/a | BATTERY CHARGER MOUNT | 1 |
| 6 | 112593P | n/a | BLOCK HEATER MOUNT | 1 |
| 7 | 112635 | n/a | BATTERY HEATER MAXI-POWER 40 | 1 |
| 8 | 112636 | n/a | BATTERY CHARGER MAXI-POWER 40 | 1 |
| 9 | 112601 | n/a | BLOCK HEATER MAXI-POWER | 1 |
| 10 | 081025 | n/a | 5/8 HEATER HOSE x 28.00 | 1 |
| 11 | 081025 | n/a | 5/8 HEATER HOSE x 22.00 | 1 |
| 12 | 022211 | n/a | 1.0 LOOM GUARD x 26.00 | 1 |
| 13 | 022211 | n/a | 1.0 LOOM GUARD x 20.00 | 1 |
| NS | 043050 | n/a | 1/4 INTERNAL TOOTH LOCK WASHER | 1 |
| NS | 112638 | n/a | ARCTIC PACKAGE SCHEMATIC | 1 |

3.5 - Arctic Package (2 of 2)

SN 22-000001 and UP



Maxi-Power 40

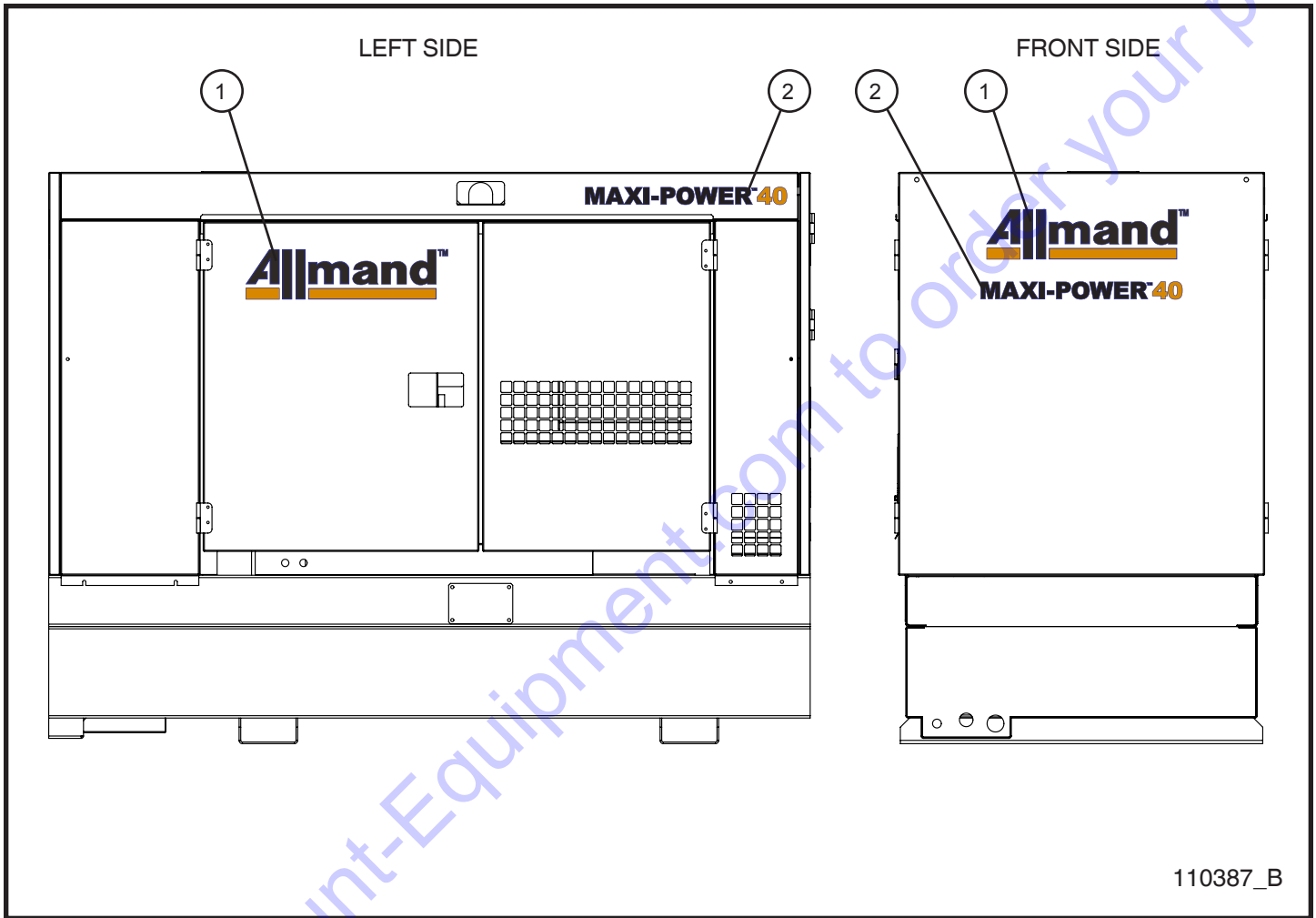
3.5 - Arctic Package (2 of 2)

SN 22-000001 and UP

| Item | Allmand No. | Hokuetsu No. | Part Description | Qty. |
|------|-------------|--------------|--|------|
| 1 | 041027 | n/a | #10-24 x 3/4 PHILLIPS ROUND HEAD | 4 |
| 2 | 044016 | n/a | #10-24 KEPS HEX NUT | 4 |
| 3 | 112621 | n/a | RECESSED PLUG MAXI-POWER 40, 45, & 150 | 2 |
| 4 | 112607 | n/a | FITTING 5/8" HOSE - 1" NPT | 1 |
| 5 | 112592 | n/a | 90° FITTING HOSE BARB | 1 |
| 6 | 104798 | n/a | FITTING ADAPTOR 3/8" BSPT TO 3/8" NPT | 1 |
| NS | 022202 | n/a | LOOM FLEX GUARD 3/8 x 36.00 | 1 |
| NS | 022207 | n/a | LOOM FLEX GUARD 5/8 x 32.00 | 1 |
| NS | 022207 | n/a | LOOM FLEX GUARD 5/8 x 50.00 | 1 |
| NS | 068090 | n/a | CABLE TIE 8" | 14 |
| NS | 112608 | n/a | PLUG 3-PRONG MALE | 1 |

4.1 - Left and Front Side Branding Decals

SN 22-000001 and UP



Maxi-Power 40

4.1 - Left and Front Side Branding Decals

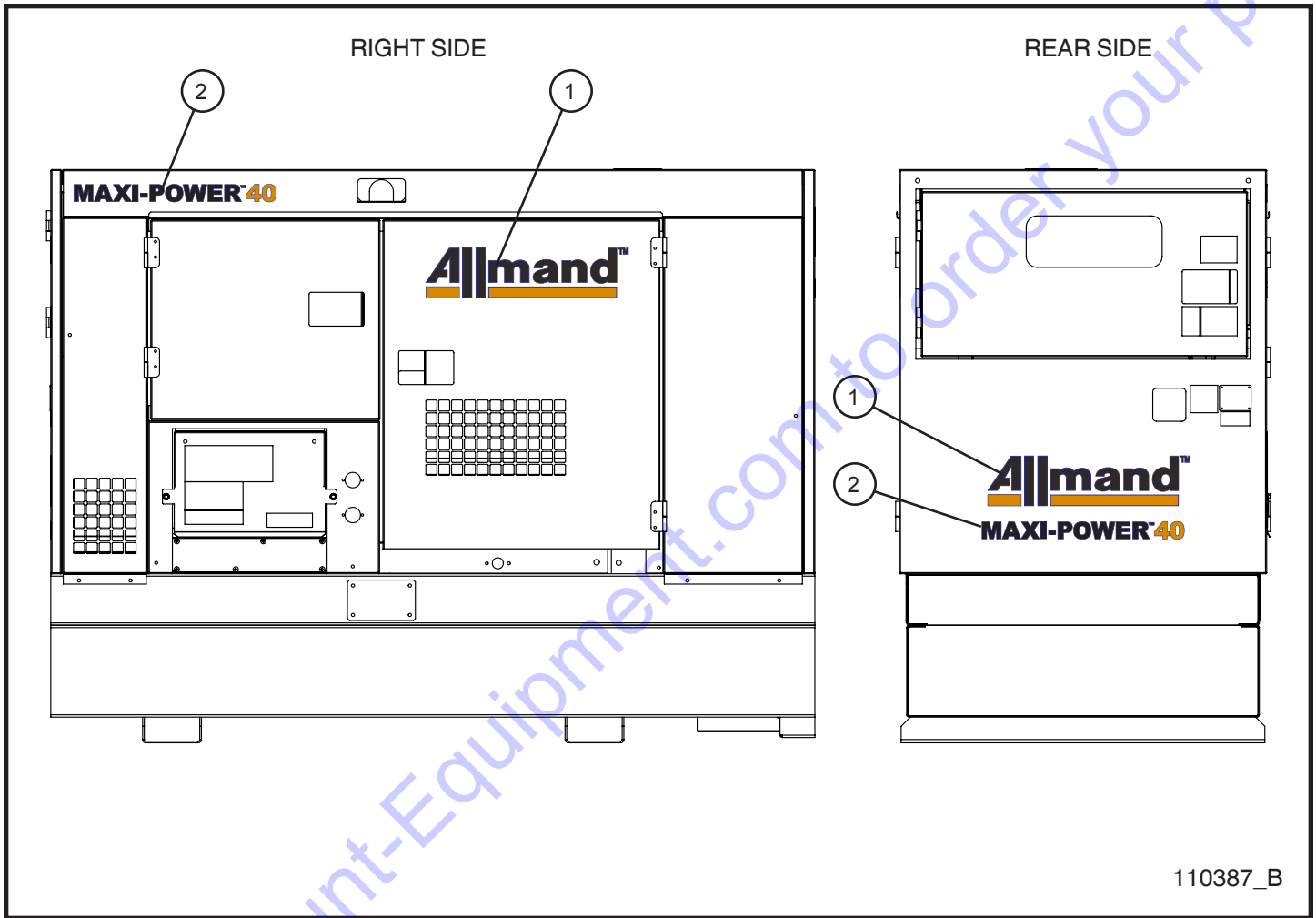
SN 22-000001 and UP

| Item | Allmand No. | Hokuetsu No. | Part Description | Qty. |
|------|-------------|--------------|------------------------------------|------|
| 1 | 110286 | n/a | SMALL BLACK ALLMAND BRANDING DECAL | 2 |
| 2 | 110300 | n/a | MAXI-POWER 40 DECAL | 2 |

Go to Discount-Equipment.com to order your parts

4.2 - Right and Rear Side Branding Decals

SN 22-000001 and UP



110387_B

Maxi-Power 40

4.2 - Right and Rear Side Branding Decals

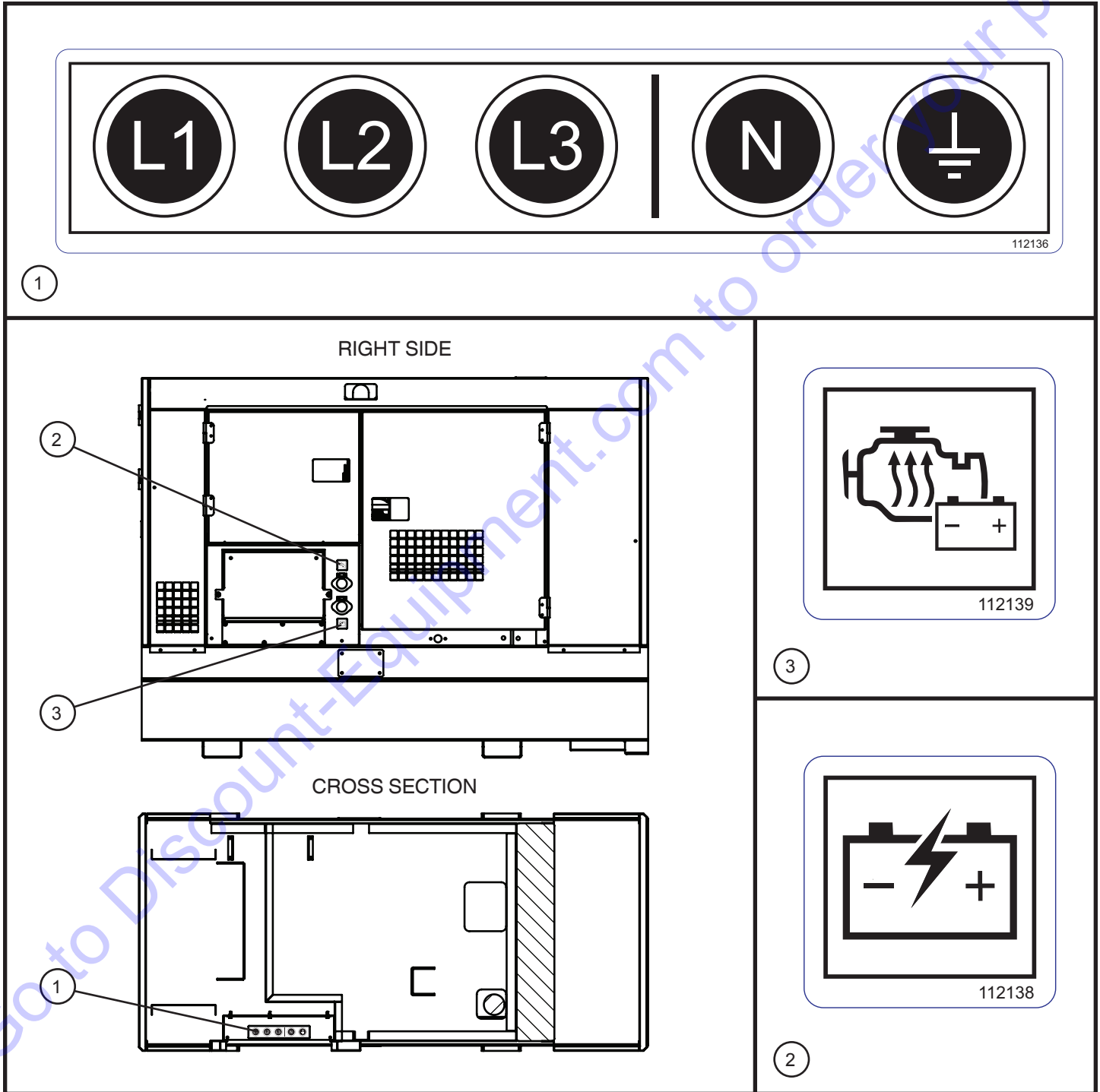
SN 22-000001 and UP

| Item | Allmand No. | Hokuetsu No. | Part Description | Qty. |
|------|-------------|--------------|------------------------------------|------|
| 1 | 110286 | n/a | SMALL BLACK ALLMAND BRANDING DECAL | 2 |
| 2 | 110300 | n/a | MAXI-POWER 40 DECAL | 2 |

Go to Discount-Equipment.com to order your parts

4.3 - Cam Lock and Arctic Package Decals

SN 22-000001 and UP



Maxi-Power 40

4.3 - Cam Lock and Arctic Package Decals

SN 22-000001 and UP

| Item | Allmand No. | Hokuetsu No. | Part Description | Qty. |
|------|-------------|--------------|---------------------------------|------|
| 1 | 112136 | n/a | CAM LOCK MAXI-POWER DECAL | 1 |
| 2 | 112138 | n/a | BATTERY CHARGER DECAL | 1 |
| 3 | 112139 | n/a | ENGINE AND BATTERY HEATER DECAL | 1 |

Go to Discount-Equipment.com to order your parts

PARTS FINDER

**Search Website
by Part Number**



**Search Manual
Library For Parts
Manual & Lookup Part
Numbers – Purchase
or Request Quote**

Search Manuals

Enter your information to help us find the right parts manual for your machine.

* Brand:

* Model:

* Serial:

* Part Number:

SEARCH

**Can't Find Part or
Manual? Request Help
by Manufacturer,
Model & Description**

Parts Order Form

Please fill in the following information to help us find the right part for your machine.

| | |
|---------------|----------------------|
| Manufacturer: | <input type="text"/> |
| Model: | <input type="text"/> |
| Description: | <input type="text"/> |
| Part Number: | <input type="text"/> |
| Quantity: | <input type="text"/> |
| Notes: | <input type="text"/> |

Discount-Equipment.com is your online resource for quality parts & equipment.

Florida: **561-964-4949** Outside Florida TOLL FREE: **877-690-3101**

Need parts?

Click on this link: <http://www.discount-equipment.com/category/5443-parts/> and choose one of the options to help get the right parts and equipment you are looking for. Please have the machine model and serial number available in order to help us get you the correct parts. If you don't find the part on the website or on one of the online manuals, please fill out the request form and one of our experienced staff members will get back to you with a quote for the right part that your machine needs.

We sell worldwide for the brands: Genie, Terex, JLG, MultiQuip, Mikasa, Essick, Whiteman, Mayco, Toro Stone, Diamond Products, Generac Magnum, Airman, Haulotte, Barreto, Power Blanket, Nifty Lift, Atlas Copco, Chicago Pneumatic, Allmand, Miller Curber, Skyjack, Lull, Skytrak, Tsurumi, Husquvarna Target, Stow, Wacker, Sakai, Mi-T-M, Sullair, Basic, Dynapac, MBW, Weber, Bartell, Bennar Newman, Haulotte, Ditch Runner, Menegotti, Morrison, Contec, Buddy, Crown, Edco, Wyco, Bomag, Laymor, EZ Trench, Bil-Jax, F.S. Curtis, Gehl Pavers, Heli, Honda, ICS/PowerGrit, IHI, Partner, Imer, Clipper, MMD, Koshin, Rice, CH&E, General Equipment, Amida, Coleman, NAC, Gradall, Square Shooter, Kent, Stanley, Tamco, Toku, Hatz, Kohler, Robin, Wisconsin, Northrock, Oztec, Toker TK, Rol-Air, APT, Wylie, Ingersoll Rand / Doosan, Innovatech, Con X, Ammann, Mecalac, Makinex, Smith Surface Prep, Small Line, Wanco, Yanmar

Allmand™



www.discount-equipment.com



Reliability, performance, and integrity since 1938

13-0267