

(en) **Parts Manual**
MAXI-POWER™ 65 T4F



www.discount-equipment.com

PARTS FINDER

**Search Website
by Part Number**



**Search Manual
Library For Parts
Manual & Lookup Part
Numbers – Purchase
or Request Quote**

Search Manuals

Enter your information to help us find the right parts manual for your machine.

* Brand:

* Model:

* Serial:

* Part Number:

SEARCH

**Can't Find Part or
Manual? Request Help
by Manufacturer,
Model & Description**

Parts Order Form

Please fill in the following information to help us find the right part for your machine.

Manufacturer:	<input type="text"/>
Model:	<input type="text"/>
Description:	<input type="text"/>
Part Number:	<input type="text"/>
Quantity:	<input type="text"/>
Notes:	<input type="text"/>

Submit

Discount-Equipment.com is your online resource for quality parts & equipment.

Florida: **561-964-4949** Outside Florida TOLL FREE: **877-690-3101**

Need parts?

Click on this link: <http://www.discount-equipment.com/category/5443-parts/> and choose one of the options to help get the right parts and equipment you are looking for. Please have the machine model and serial number available in order to help us get you the correct parts. If you don't find the part on the website or on one of the online manuals, please fill out the request form and one of our experienced staff members will get back to you with a quote for the right part that your machine needs.

We sell worldwide for the brands: Genie, Terex, JLG, MultiQuip, Mikasa, Essick, Whiteman, Mayco, Toro Stone, Diamond Products, Generac Magnum, Airman, Haulotte, Barreto, Power Blanket, Nifty Lift, Atlas Copco, Chicago Pneumatic, Allmand, Miller Curber, Skyjack, Lull, Skytrak, Tsurumi, Husquvarna Target, Stow, Wacker, Sakai, Mi-T-M, Sullair, Basic, Dynapac, MBW, Weber, Bartell, Bennar Newman, Haulotte, Ditch Runner, Menegotti, Morrison, Contec, Buddy, Crown, Edco, Wyco, Bomag, Laymor, EZ Trench, Bil-Jax, F.S. Curtis, Gehl Pavers, Heli, Honda, ICS/PowerGrit, IHI, Partner, Imer, Clipper, MMD, Koshin, Rice, CH&E, General Equipment, Amida, Coleman, NAC, Gradall, Square Shooter, Kent, Stanley, Tamco, Toku, Hatz, Kohler, Robin, Wisconsin, Northrock, Oztec, Toker TK, Rol-Air, APT, Wylie, Ingersoll Rand / Doosan, Innovatech, Con X, Ammann, Mecalac, Makinex, Smith Surface Prep, Small Line, Wanco, Yanmar

TABLE OF CONTENTS

1.0 TRAILER PARTS GROUP

Trailer Axle, Jack, and Coupler	(1.1)
Front and Top Enclosure Panels	(1.2)
Left Enclosure Panels and Doors	(1.3)
Right Enclosure Panels and Doors	(1.4)
Rear Enclosure Panels	(1.5)

2.0 ENGINE AND GENERATOR GROUP

Isuzu 4JJ1X Engine Group	(2.1)
Engine Finger and Fan Guards	(2.2)
Engine Air Intake Group	(2.3)
Engine Exhaust Group	(2.4)
Engine Cooling Group	(2.5)
Engine DEF System Group	(2.6)
Fuel Tank and Fuel Lines	(2.7)
Generator Assembly Group	(2.8)

3.0 ELECTRICAL GROUP

Control Box Group	(3.1)
Electrical Outlet Box Group	(3.2)
Battery Cables Group	(3.3)
Tail Lights and Tail Light Harness	(3.4)
Cam Lock Group	(3.5)
Battery Charger, Battery Heater, and Block Heater	(3.6)

Maxi-Power™ 65 T4F

TABLE OF CONTENTS

4.0 DECALS

Right and Top Side Enclosure Decals	(4.1)
Left and Front Side Enclosure Decals	(4.2)
Rear Side Enclosure and Control Box Decals	(4.3)
Electrical Decals	(4.4)
Trailer Interior Decals	(4.5)

Go to Discount-Equipment.com to order your parts

1.1 - Trailer Axle, Jack, and Coupler

To Be Determined

000000_A

Maxi-Power™ 65 T4F

SN 24-000500 and UP

1.1 - Trailer Axle, Jack, and Coupler

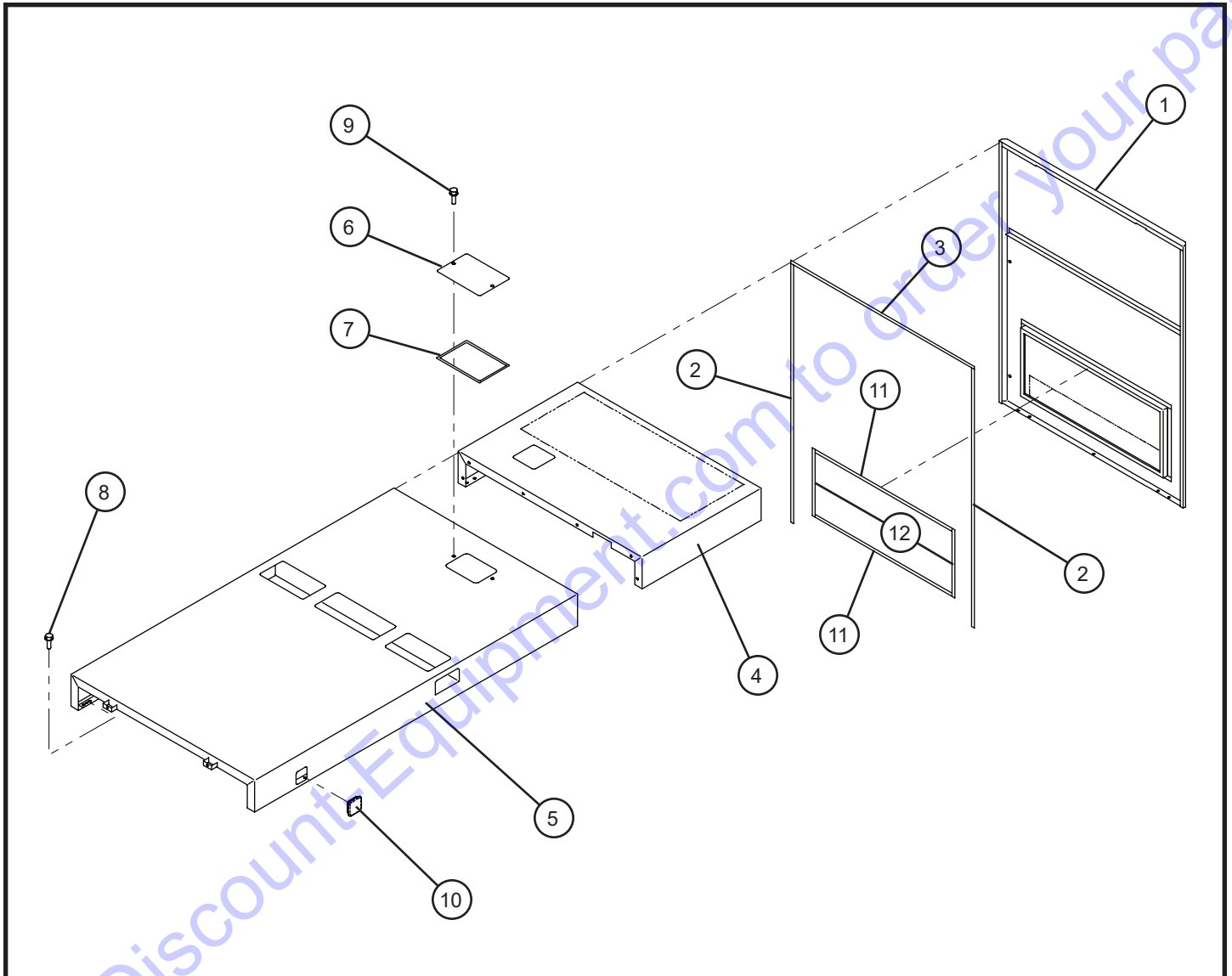
Item	Allmand No.	Part Description	Qty.
1	***	to be determined	
2	***		
3	***		
4	***		
5	***		
6	***		
7	***		
8	***		
9	***		
10	***		

NS - Not Shown

*** - Contact Allmand for more information.

Go to Discount-Equipment.com to order your parts

1.2 - Front and Top Enclosure Panels



Maxi-Power™ 65 T4F

SN 24-000500 and UP

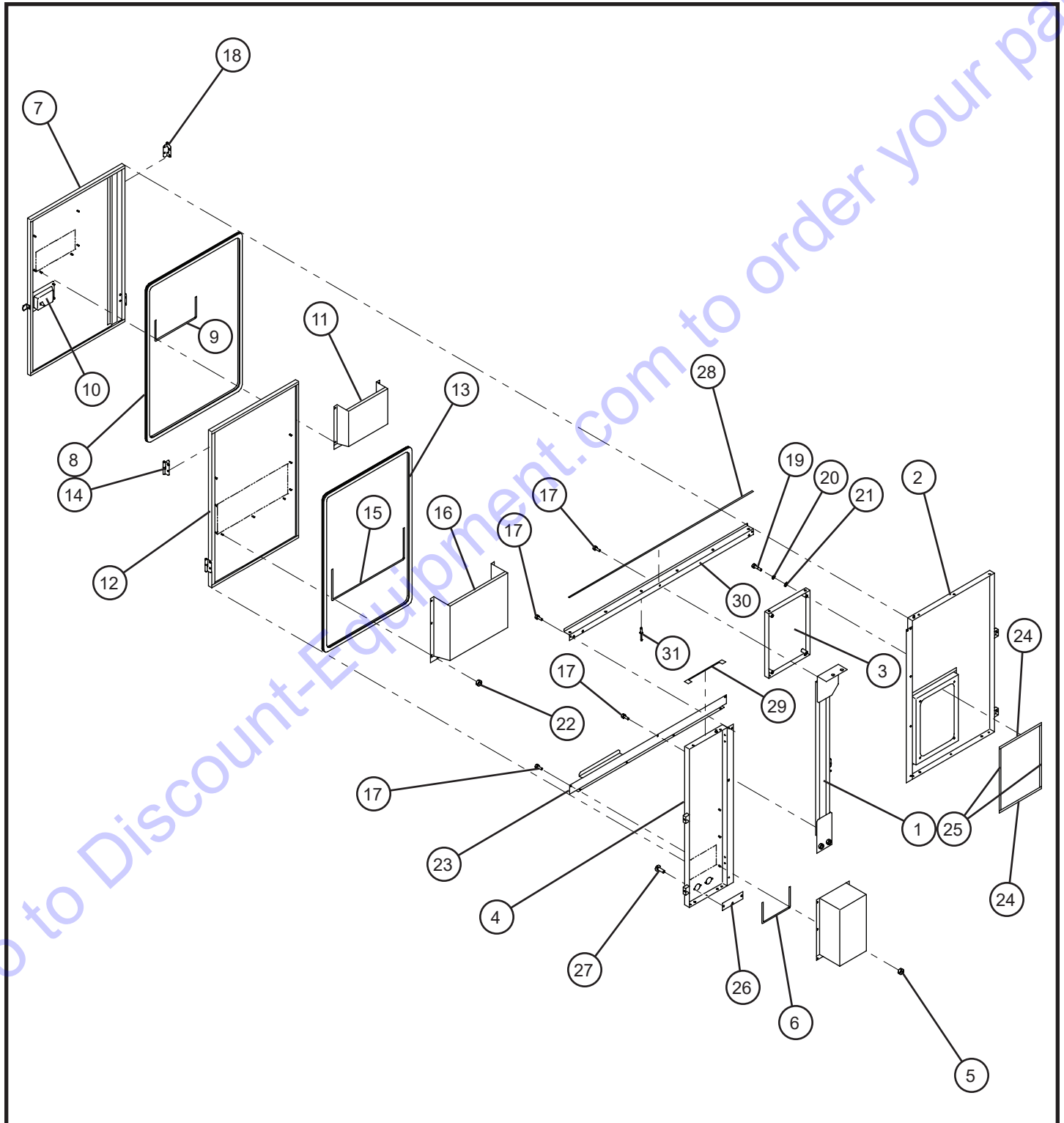
1.2 - Front and Top Enclosure Panels

Item	Allmand No.	Part Description	Qty.
1	***	COVER	1
2	***	SEAL RUBBER	2
3	116437	SEAL RUBBER	1
4	***	TOP COVER	1
5	***	TOP COVER	1
6	110472	COVER	1
7	***	SEAL RUBBER	1
8	***	BOLT, W/W	47
9	114244	BOLT, W/W	2
10	***	CAP	2
11	***	SEAL RUBBER	2
12	***	SEAL RUBBER	2
NS	***	URETHANE FOAM LINING KIT	1

NS - Not Shown

*** - Contact Allmand for more information.

1.3 - Left Enclosure Panels and Doors



Maxi-Power™ 65 T4F

SN 24-000500 and UP

1.3 - Left Enclosure Panels and Doors

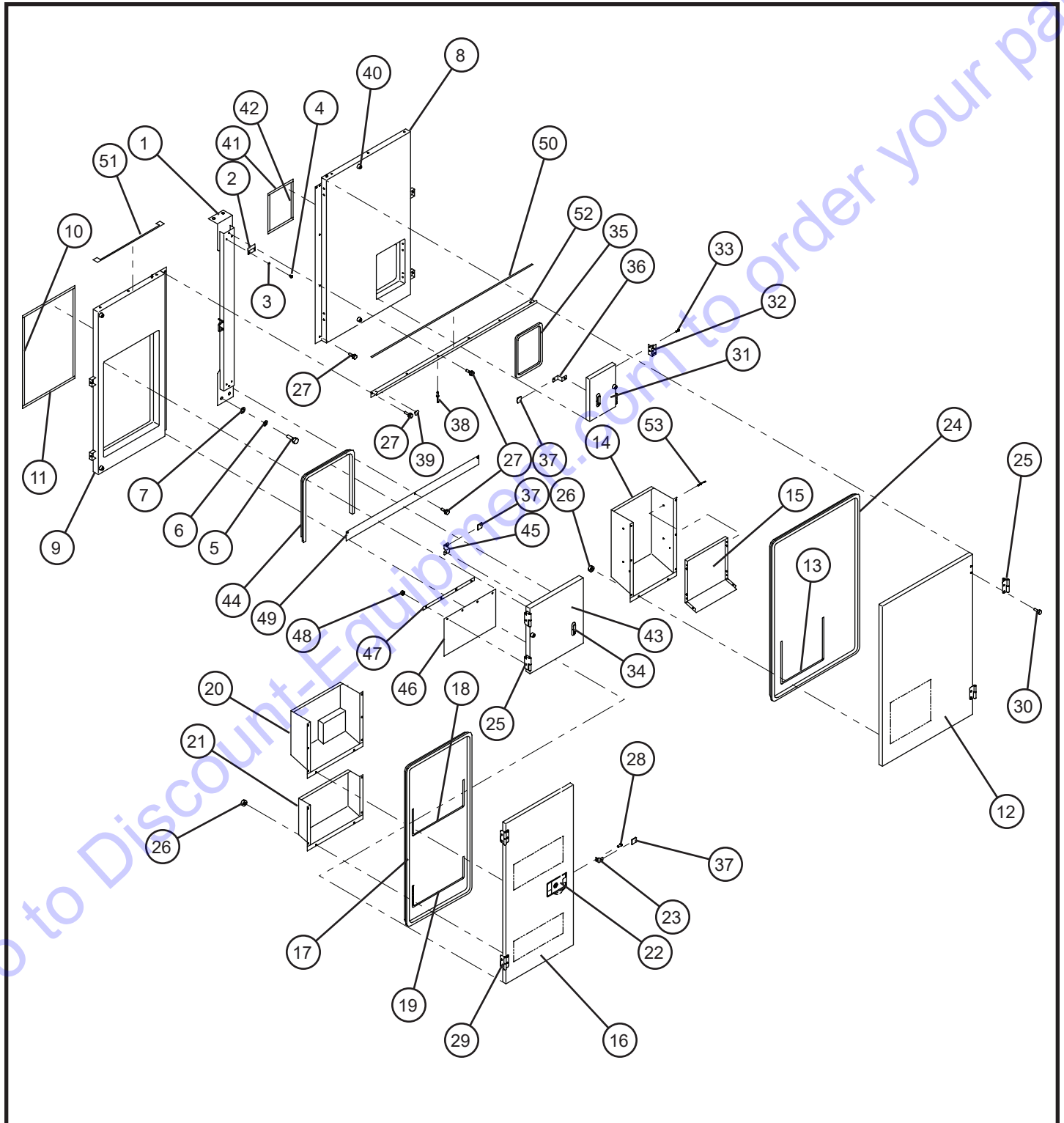
Item	Allmand No.	Part Description	Qty.
1	***	LIFTING BAIL	1
2	***	COVER	1
3	***	COVER	1
4	***	COVER	1
5	***	DUCT	1
6	***	SEAL RUBBER	1
7	118041	DOOR	1
8	112959	SEAL RUBBER	1
9	***	SEAL RUBBER	1
10	110499	LATCH ASS'Y	1
	112827	KEY(0200)	1
	112839	CUSHION RUBBER	1
11	***	DUCT	1
12	118042	DOOR	1
13	***	SEAL RUBBER	2
14	114302	HINGE	8
15	***	SEAL RUBBER	1
16	***	DUCT	1
17	***	BOLT, W/W	33
18	114303	HINGE	6
19	***	BOLT	4
20	113030	SPRING WASHER	4
21	113031	PLAIN WASHER	4
22	114248	HEXAGON FLANGE NUT	85
23	***	BRACKET	1
24	112924	SEAL RUBBER	2
25	***	SEAL RUBBER	2
26	112084	COVER	1
27	114246	SCREW	2
28	***	SEAL RUBBER	1
29	***	CUSHION RUBBER	1
30	***	BRACKET	1
31	114252	BLIND RIVET	16
NS	***	URETHANE FOAM LINING KIT	1

NS - Not Shown

*** - Contact Allmand for more information.

©2019 Allmand®

1.4 - Right Enclosure Panels and Doors



Maxi-Power™ 65 T4F

SN 24-000500 and UP

1.4 - Right Enclosure Panels and Doors

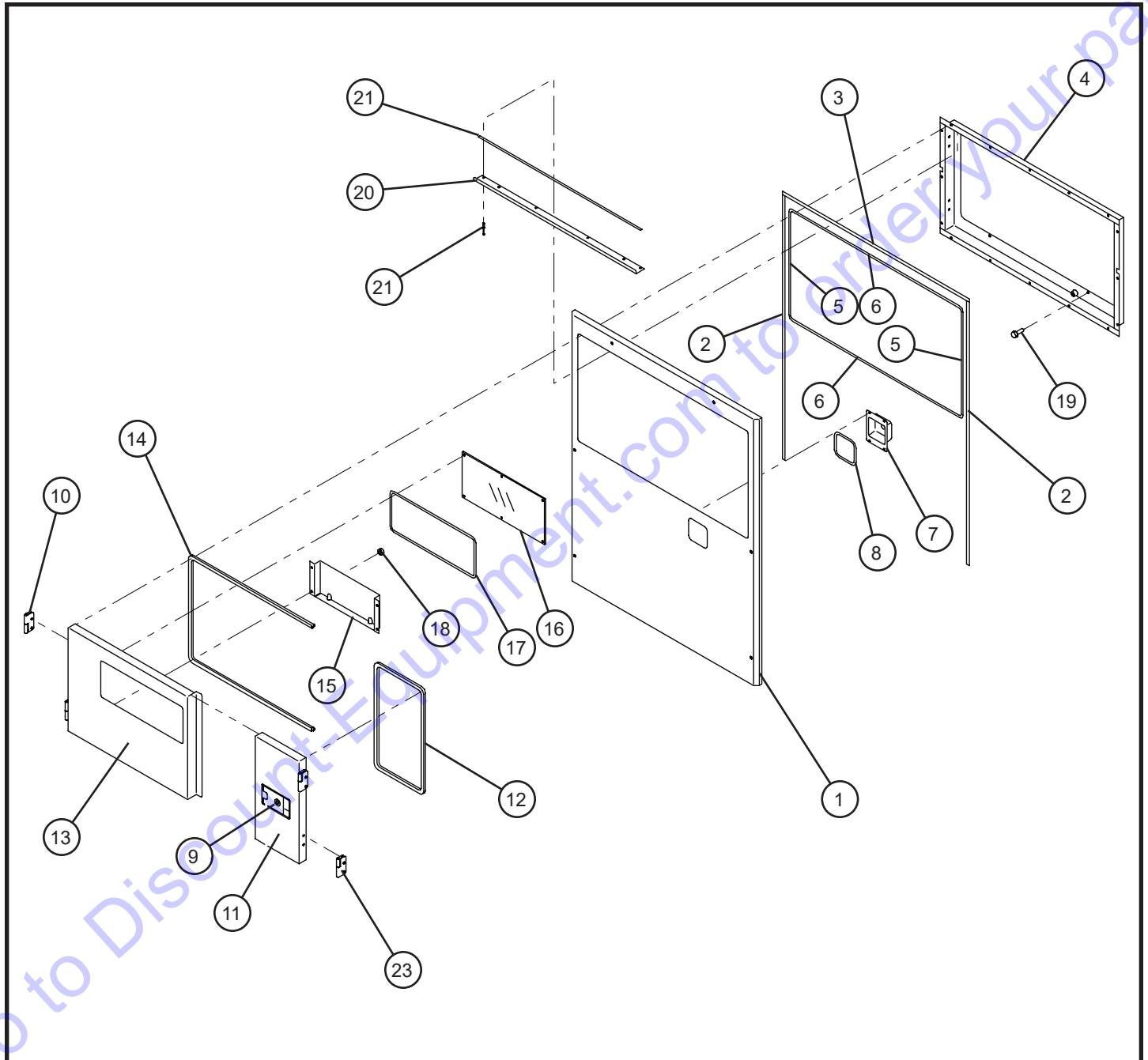
Item	Allmand No.	Part Description	Qty.
1	***	LIFTING BAIL	1
2	***	CUSHION RUBBER	4
3	***	PLAIN WASHER	8
4	***	CAP	8
5	***	BOLT	8
6	***	SPRING WASHER	8
7	***	PLAIN WASHER	8
8	***	COVER	1
9	***	COVER	1
10	114261	SEAL RUBBER	2
11	***	SEAL RUBBER	2
12	118039	DOOR	1
13	***	SEAL RUBBER	1
14	***	DUCT	1
15	***	DUCT	1
16	118040	DOOR	1
17	114255	SEAL RUBBER	1
18	***	SEAL RUBBER	1
19	***	SEAL RUBBER	1
20	***	DUCT	1
21	***	DUCT	1
22	110499	LATCH ASS'Y	1
	112827	KEY (0200)	1
	112839	CUSHION RUBBER	1
23	***	BRACKET	2
24	***	SEAL RUBBER	2
25	114302	HINGE	8
26	114248	HEXAGON FLANGE NUT	85
27	***	BOLT, W/W	33
28	***	SCREW	4
29	114303	HINGE	6
30	114242	BOLT	56
31	***	SIDE COVER	1
32	***	HINGE	2
33	***	SCREW	8
34	118045	LATCH ASS'Y	2
35	***	SEAL RUBBER	1
36	***	PLATE	1
37	***	CAP	4
38	114252	BLIND RIVET	16
39	114253	GROMMET	12
40	112962	RUBBER	12
41	114264	SEAL RUBBER	2
42	***	SEAL RUBBER	2
43	118046	DOOR	1
44	***	SEAL RUBBER	1
45	***	PLATE	1
46	116433	CUSHION RUBBER	1
47	***	PLATE	1
48	***	LOCKING NUT	4
49	***	BRACKET	1
50	***	SEAL RUBBER	1
51	***	CUSHION RUBBER	1
52	***	BRACKET	1
53	114251	BLIND RIVET	6
NS	***	URETHANE FOAM LINING KIT	1

NS - Not Shown

*** - Contact Allmand for more information.

©2019 Allmand®

1.5 - Rear Enclosure Panels



Maxi-Power™ 65 T4F

SN 24-000500 and UP

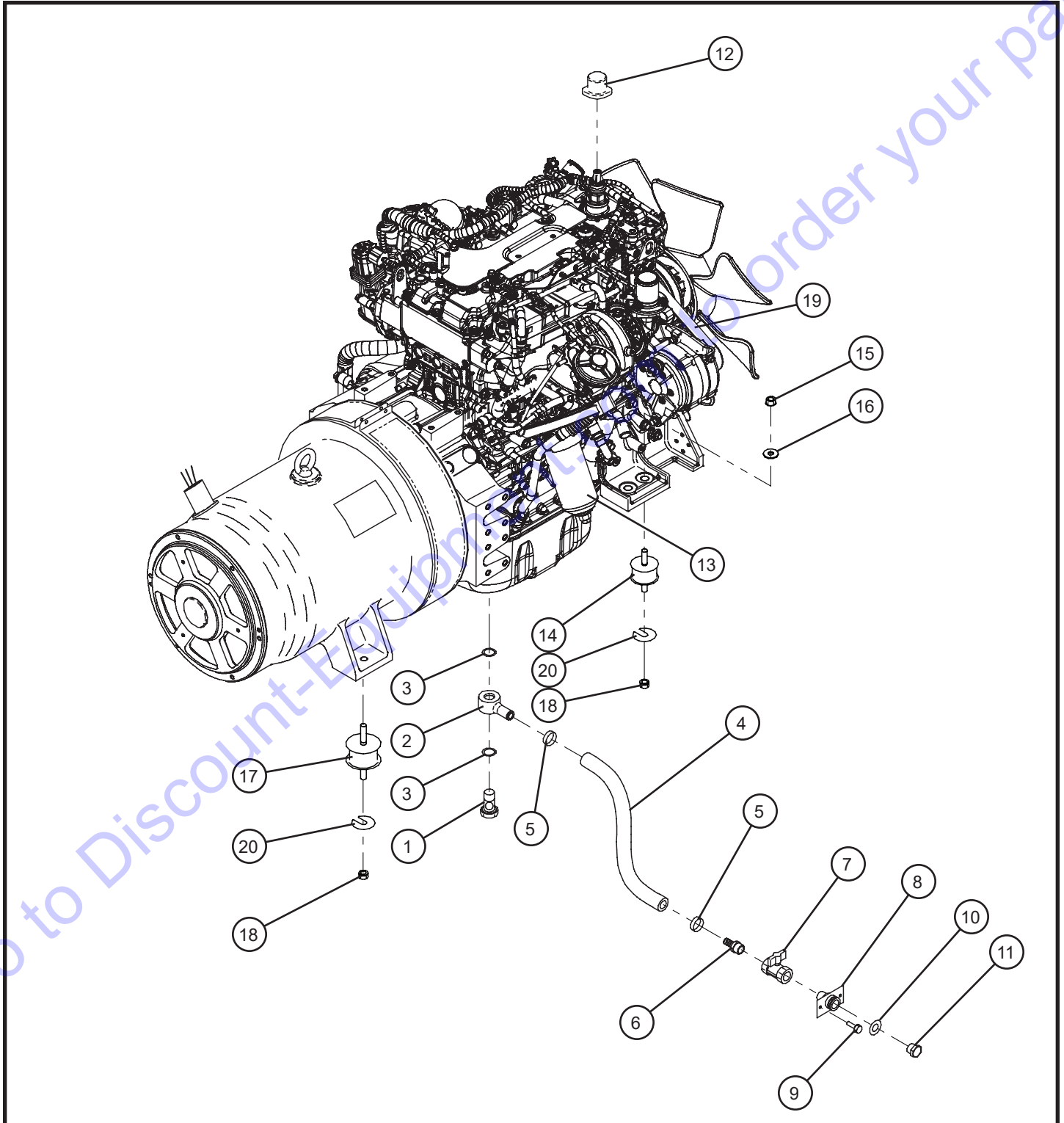
1.5 - Rear Enclosure Panels

Item	Allmand No.	Part Description	Qty.
1	***	COVER	1
2	***	SEAL RUBBER	2
3	116437	SEAL RUBBER	1
4	***	COVER	1
5	***	SEAL RUBBER	2
6	114269	SEAL RUBBER	2
7	110681	COVER	1
8	114270	SEAL RUBBER	1
9	110499	LATCH ASS'Y	1
	112827	KEY (0200)	1
	112839	CUSHION RUBBER	1
10	114302	HINGE	8
11	118043	DOOR	1
12	***	SEAL RUBBER	1
13	118044	DOOR	1
14	114254	SEAL RUBBER	1
15	112957	TOOL BOX	1
16	***	WINDOW GLASS	1
17	114269	SEAL RUBBER	2
18	114248	HEXAGON FLANGE NUT	85
19	***	BOLT, W/W	33
20	***	BRACKET	1
21	114252	BLIND RIVET	16
22	***	SEAL RUBBER	1
23	114303	HINGE	6
NS	***	URETHANE FOAM LINING KIT	1

NS - Not Shown

*** - Contact Allmand for more information.

2.1 - Isuzu 4JJ1X Engine Group



Maxi-Power™ 65 T4F

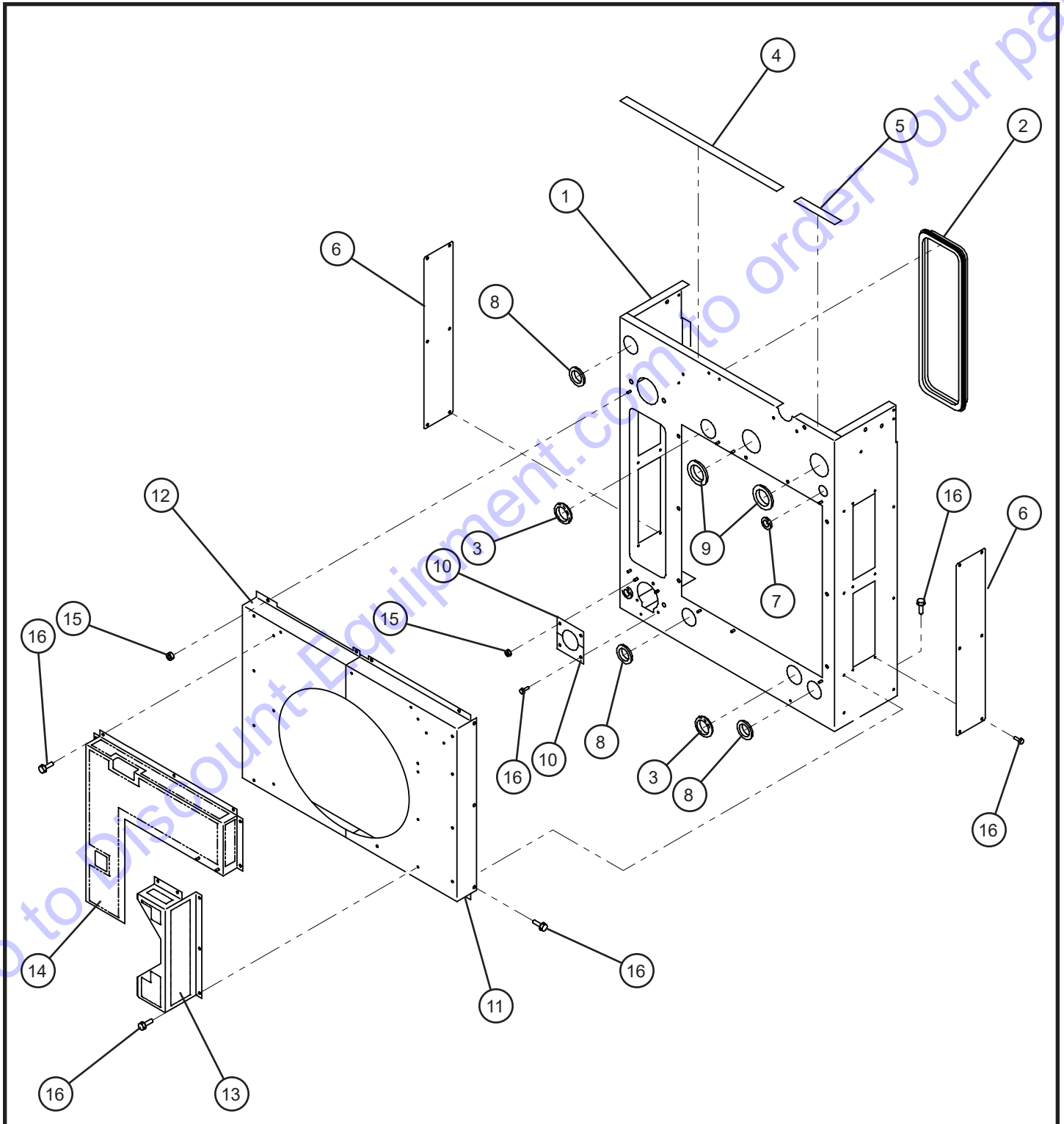
SN 24-000500 and UP

2.1 - Isuzu 4JJ1X Engine Group

Item	Allmand No.	Part Description	Qty.
1	110523	NIPPLE	1
2	110521	RING CONNECTOR	1
3	110522	GASKET	2
4	***	HOSE	1
5	***	HOSE CLIP	2
6	***	JOINT	1
7	110856	VALVE	1
8	***	JOINT	1
9	***	BOLT, W/W	2
10	***	CUSHION RUBBER	1
11	***	PLUG	1
12	***	CAP	1
13	111654	ENGINE OIL FILTER ELEMENT	1
14	110757	VIBRATION ISOLATOR ASS'Y	2
15	***	HEXAGON FLANGE NUT	2
16	***	WASHER	2
17	110759	VIBRATION ISOLATOR ASS'Y	2
18	114250	NUT, W/W	6
19	118051	BELT, COOLING FAN	1
20	***	SHIM	1

NS - Not Shown *** - Contact Allmand for more information.

2.2 - Engine Finger and Fan Guards



Maxi-Power™ 65 T4F

SN 24-000500 and UP

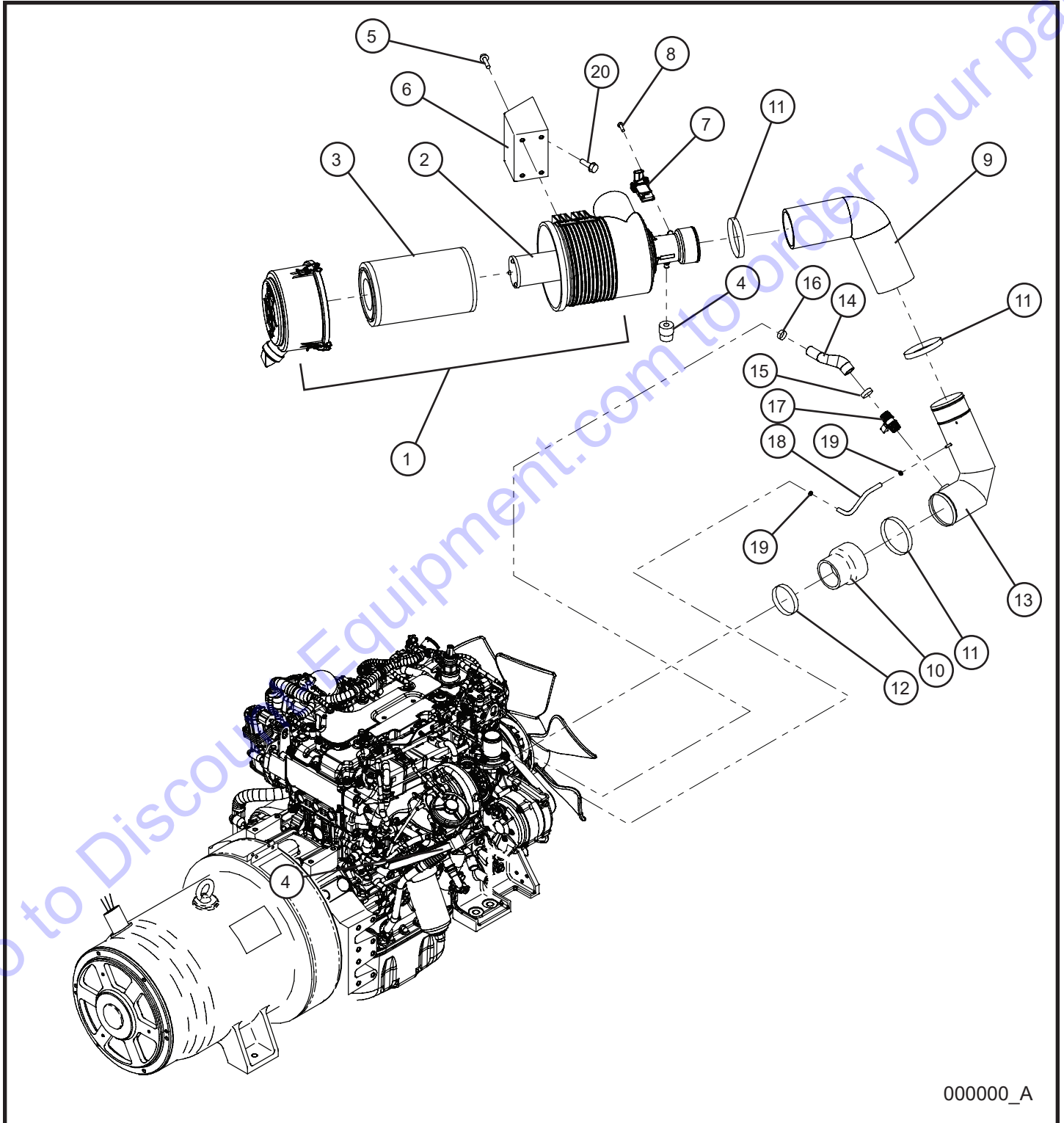
2.2 - Engine Finger and Fan Guards

Item	Allmand No.	Part Description	Qty.
1	***	COVER	1
2	***	SEAL RUBBER	1
3	110845	EYELET RING	2
4	***	SEAL RUBBER	1
5	***	SEAL RUBBER	1
6	***	COVER	2
7	***	GROMMET	2
8	***	GROMMET	3
9	***	GROMMET	2
10	***	COVER	2
11	***	SHROUD, FAN	1
12	***	SHROUD, FAN	1
13	***	GUARD, FAN	1
14	***	GUARD, FAN	1
15	114248	HEXAGON FLANGE NUT	12
16	110514	FLANGE BOLT	42

NS - Not Shown

*** - Contact Allmand for more information.

2.3 - Engine Intake Group



000000_A

Maxi-Power™ 65 T4F

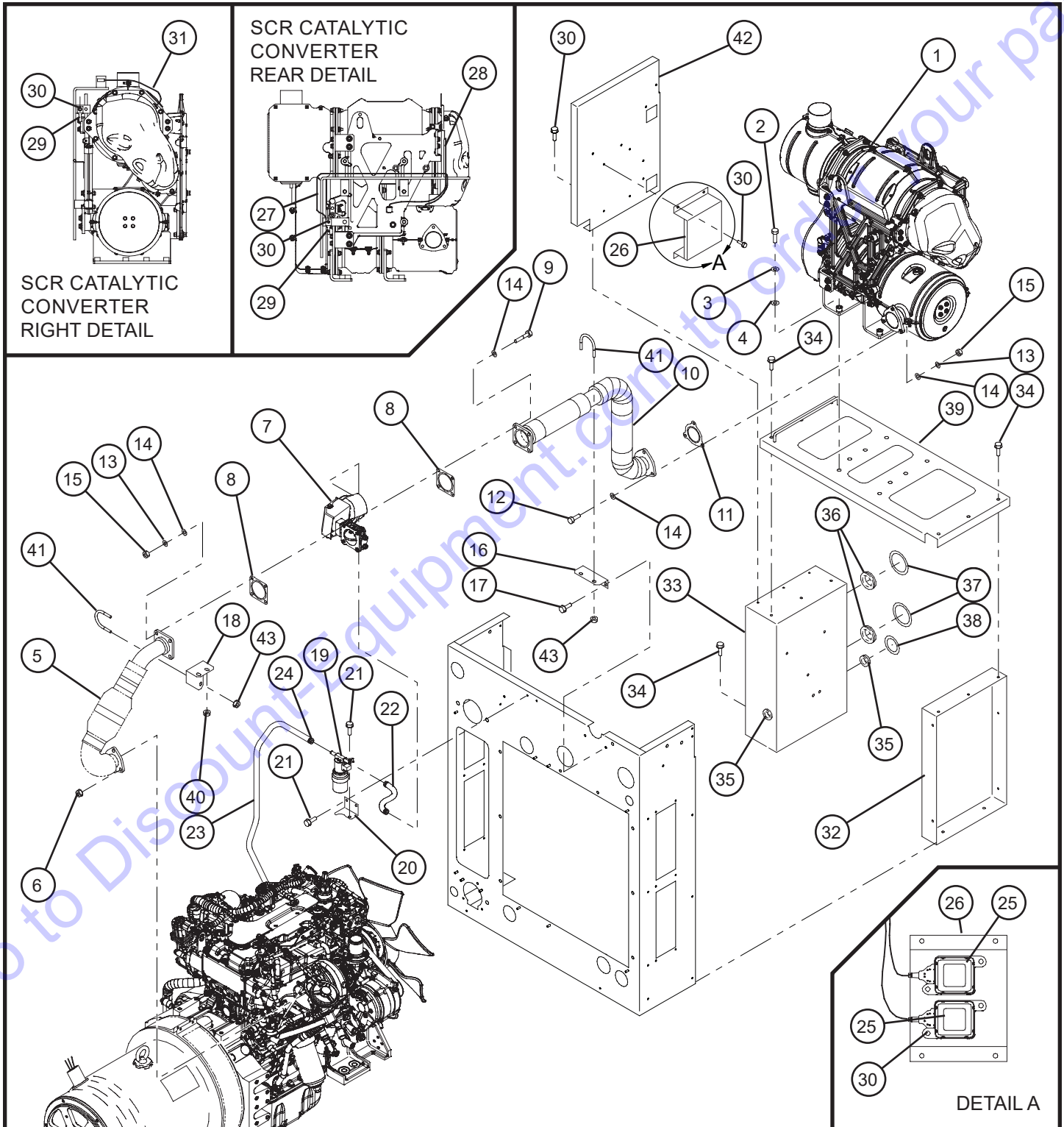
SN 24-000500 and UP

2.3 - Engine Intake Group

Item	Allmand No.	Part Description	Qty.
1	***	AIR FILTER ASS'Y	1
2	118000	ELEMENT	1
3	110877	ELEMENT	1
4	110637	FILTER,SERVICE INDICATOR	1
5	***	FLANGE BOLT	4
6	***	BRACKET	1
7	***	THERMO SENSOR	1
8	***	SCREW, W/W	2
9	***	HOSE	1
10	***	HOSE	1
11	***	HOSE CLIP	3
12	112991	HOSE CLIP	1
13	***	PIPE	1
14	***	HOSE	1
15	***	HOSE CLIP	1
16	***	HOSE CLIP	2
17	***	HEATER	1
18	***	HOSE	1
19	***	HOSE CLIP	2
20	110515	FLANGE BOLT	4

NS - Not Shown *** - Contact Allmand for more information.

2.4 - Engine Exhaust Group



Maxi-Power™ 65 T4F

SN 24-000500 and UP

2.4 - Engine Exhaust Group

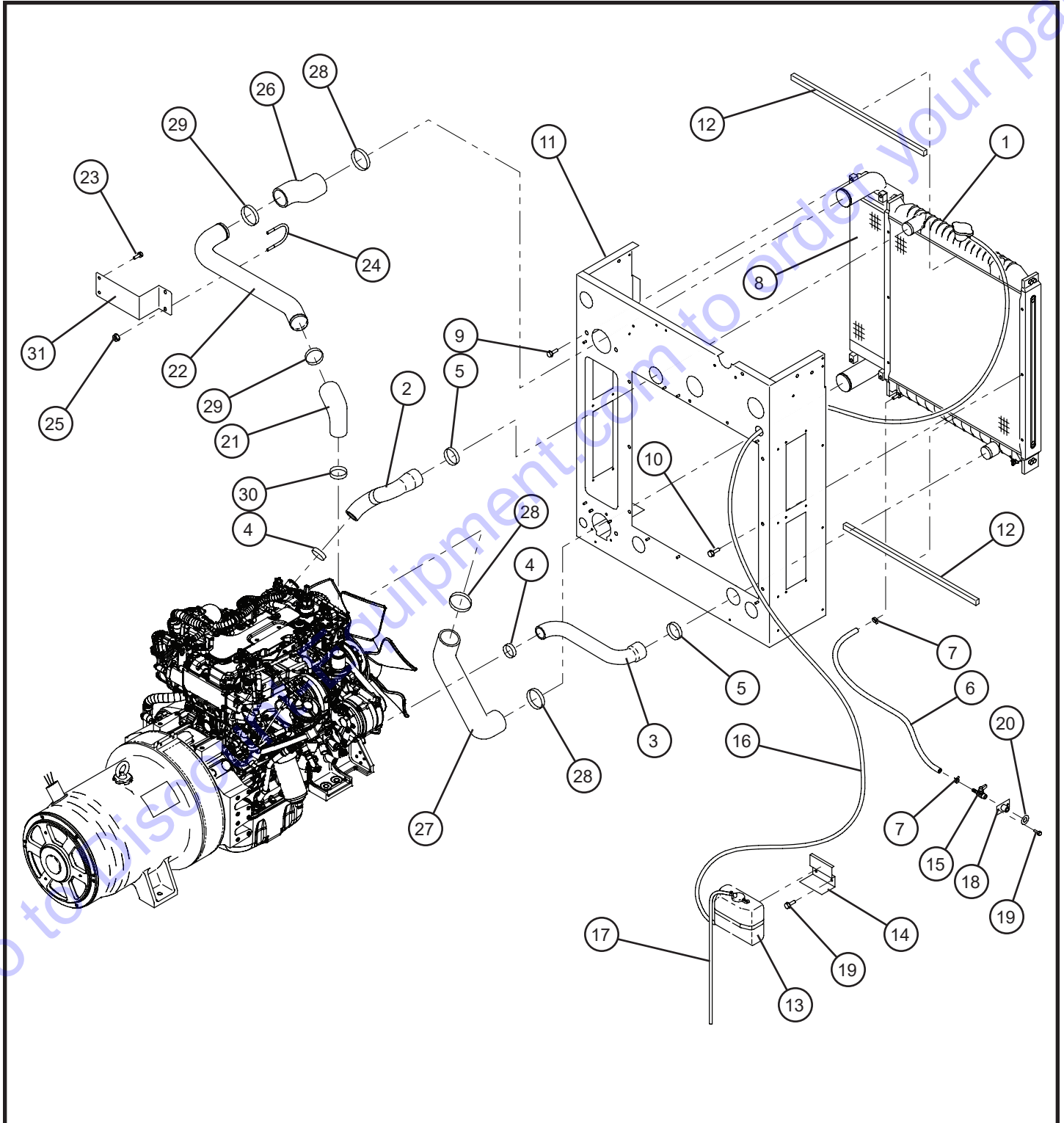
Item	Allmand No.	Part Description	Qty.
1	***	SCR CATALYTIC CONVERTER	1
2	***	BOLT	8
3	***	SPRING WASHER	8
4	***	PLAIN WASHER	8
5	118028	PIPE, EXHAUST	1
6	***	HEXAGON FLANGE NUT	3
7	***	EXHAUST VALVE ASS'Y	1
8	***	GASKET	2
9	114243	BOLT	4
10	***	PIPE, EXHAUST	1
11	***	GASKET	1
12	***	BOLT	3
13	113030	SPRING WASHER	7
14	113031	PLAIN WASHER	14
15	***	NUT	7
16	***	BRACKET	1
17	110515	FLANGE BOLT	2
18	***	BRACKET	1
19	***	SOLENOID VALVE	1
20	***	BRACKET	1
21	110514	FLANGE BOLT	3
22	***	HOSE	1
23	***	HOSE	1
24	***	HOSE CLIP	4
25	***	GAS SENSOR	2
26	***	COVER	1
27	***	THERMO SENSOR	1
28	***	THERMO SENSOR	1
29	***	BRACKET	2
30	***	BOLT, W/W	10
31	***	THERMO SENSOR	1
32	***	BRACKET	1
33	***	BRACKET	1
34	***	BOLT, W/W	16
35	***	GROMMET	2
36	***	GROMMET	2
37	***	CUSHION RUBBER	2
38	***	CUSHION RUBBER	1
39	***	BRACKET	1
40	***	HEXAGON FLANGE NUT	2
41	***	U-BOLT	2
42	***	BRACKET	1
43	114249	HEXAGON FLANGE NUT	4

NS - Not Shown

*** - Contact Allmand for more information.

©2019 Allmand®

2.5 - Engine Cooling Group



Maxi-Power™ 65 T4F

SN 24-000500 and UP

2.5 - Engine Cooling Group

Item	Allmand No.	Part Description	Qty.
1	118001	RADIATOR	1
	110507	CAP	1
2	118002	HOSE	1
3	110704	HOSE	1
4	***	HOSE CLIP	2
5	***	HOSE CLIP	2
6	***	HOSE	1
7	***	HOSE CLIP	2
8	***	INTER COOLER	1
9	***	FLANGE BOLT	4
10	***	FLANGE BOLT	6
11	***	COVER	1
12	***	SEAL RUBBER	2
13	110516	RESERVE TANK ASS'Y	1
	110517	HOSE CLIP	1
14	110705	BRACKET	1
15	***	AIR VALVE	1
16	***	HOSE	1
17	110519	HOSE	1
	110520	HOSE CLIP	1
18	***	JOINT	1
19	110514	FLANGE BOLT	42
20	***	CUSHION RUBBER	1
21	***	HOSE	1
22	***	PIPE	1
23	110515	FLANGE BOLT	4
24	***	U-BOLT	1
25	114249	HEXAGON FLANGE NUT	2
26	***	HOSE	1
27	***	HOSE	1
28	***	HOSE CLIP	3
29	***	HOSE CLIP	2
30	***	HOSE CLIP	1
31	***	BRACKET	1

NS - Not Shown

*** - Contact Allmand for more information.

PARTS FINDER

**Search Website
by Part Number**



**Search Manual
Library For Parts
Manual & Lookup Part
Numbers – Purchase
or Request Quote**

Search Manuals

Enter your information to help us find the right parts manual for your machine.

* Brand:

* Model:

* Serial:

* Part Number:

SEARCH

**Can't Find Part or
Manual? Request Help
by Manufacturer,
Model & Description**

Parts Order Form

Please fill in the following information to help us find the right part for your machine.

Manufacturer:	<input type="text"/>
Model:	<input type="text"/>
Description:	<input type="text"/>
Part Number:	<input type="text"/>
Quantity:	<input type="text"/>
Notes:	<input type="text"/>

Submit

Discount-Equipment.com is your online resource for quality parts & equipment.

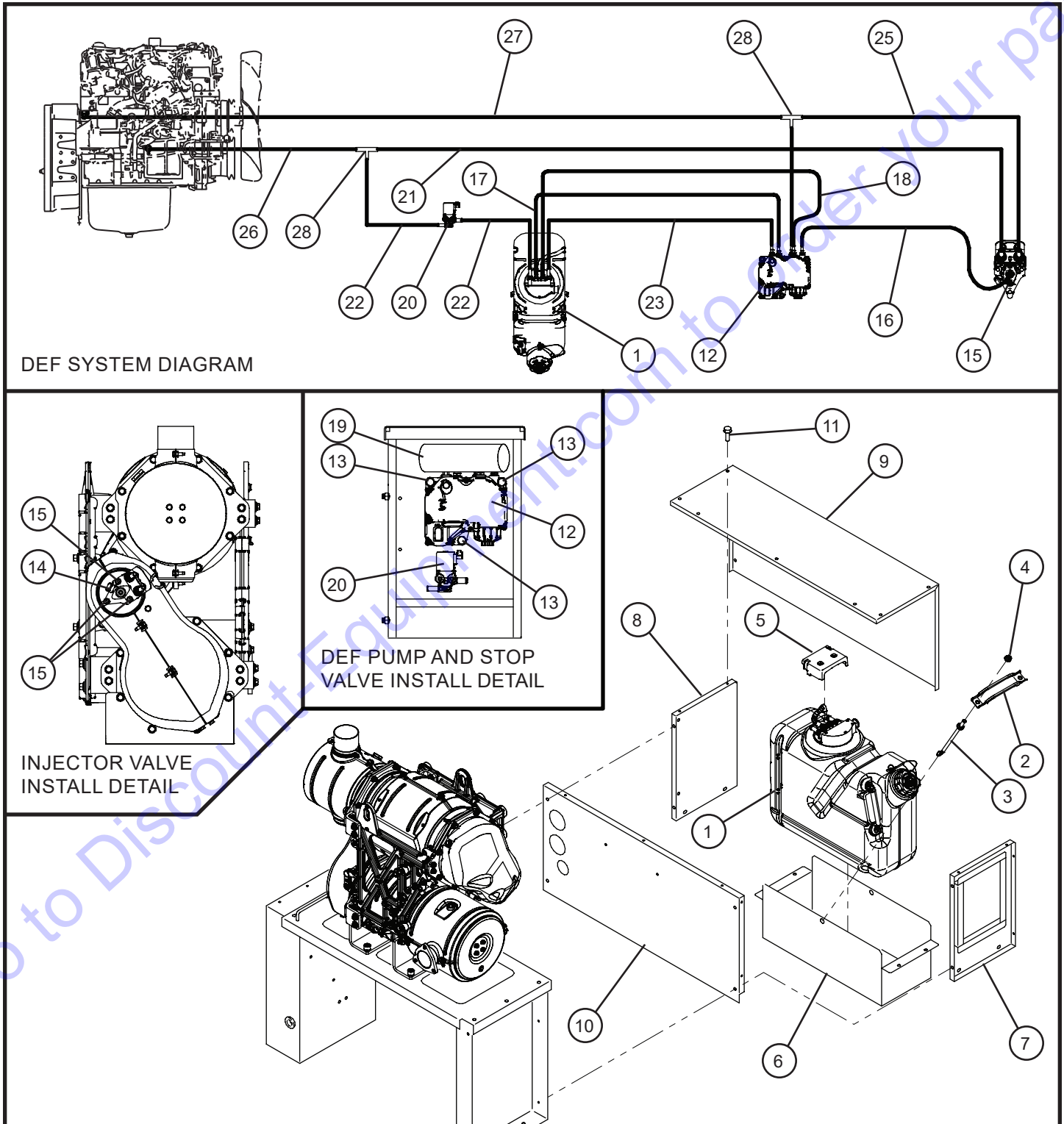
Florida: **561-964-4949** Outside Florida TOLL FREE: **877-690-3101**

Need parts?

Click on this link: <http://www.discount-equipment.com/category/5443-parts/> and choose one of the options to help get the right parts and equipment you are looking for. Please have the machine model and serial number available in order to help us get you the correct parts. If you don't find the part on the website or on one of the online manuals, please fill out the request form and one of our experienced staff members will get back to you with a quote for the right part that your machine needs.

We sell worldwide for the brands: Genie, Terex, JLG, MultiQuip, Mikasa, Essick, Whiteman, Mayco, Toro Stone, Diamond Products, Generac Magnum, Airman, Haulotte, Barreto, Power Blanket, Nifty Lift, Atlas Copco, Chicago Pneumatic, Allmand, Miller Curber, Skyjack, Lull, Skytrak, Tsurumi, Husquvarna Target, Stow, Wacker, Sakai, Mi-T-M, Sullair, Basic, Dynapac, MBW, Weber, Bartell, Bennar Newman, Haulotte, Ditch Runner, Menegotti, Morrison, Contec, Buddy, Crown, Edco, Wyco, Bomag, Laymor, EZ Trench, Bil-Jax, F.S. Curtis, Gehl Pavers, Heli, Honda, ICS/PowerGrit, IHI, Partner, Imer, Clipper, MMD, Koshin, Rice, CH&E, General Equipment, Amida, Coleman, NAC, Gradall, Square Shooter, Kent, Stanley, Tamco, Toku, Hatz, Kohler, Robin, Wisconsin, Northrock, Oztec, Toker TK, Rol-Air, APT, Wylie, Ingersoll Rand / Doosan, Innovatech, Con X, Ammann, Mecalac, Makinex, Smith Surface Prep, Small Line, Wanco, Yanmar

2.6 - Engine DEF System Group



Maxi-Power™ 65 T4F

SN 24-000500 and UP

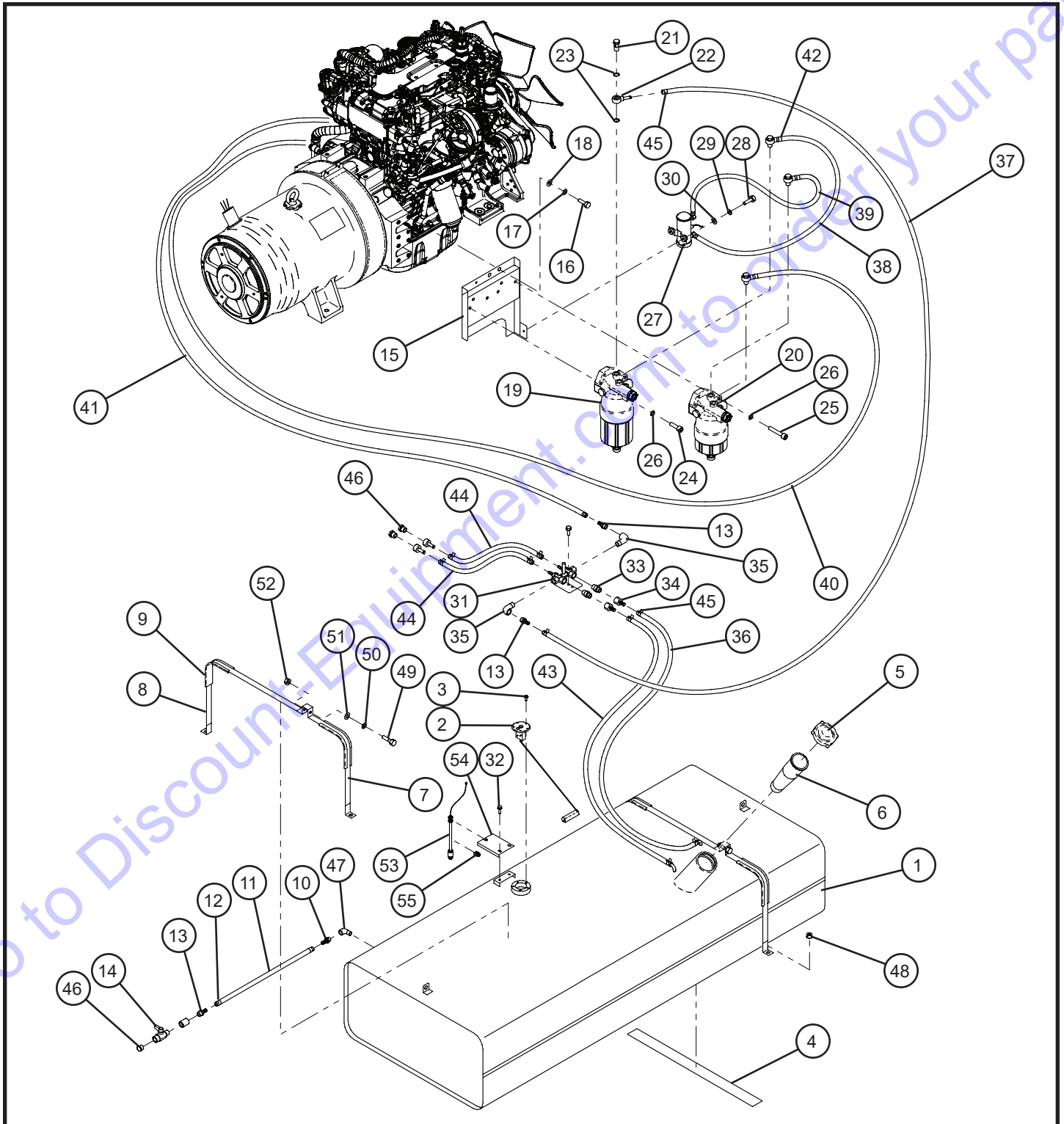
2.6 - Engine DEF System Group

Item	Allmand No.	Part Description	Qty.
1	***	DEF TANK	1
2	***	PLATE	1
3	***	BOLT	2
4	***	NUT	2
5	***	COVER	1
6	***	BRACKET	1
7	***	COVER	1
8	***	COVER	1
9	***	COVER	1
10	***	COVER	1
11	***	BOLT,W/W	32
12	***	DEF PUMP	1
	***	DEF DOSING UNIT FILTER	1
13	***	BOLT	3
	***	SPRING WASHER	3
	***	PLAIN WASHER	3
14	***	INJECTOR VALVE ASS'Y	1
15	***	NUT	3
16	***	HOSE	1
	***	CUSHION RUBBER	1
17	***	HOSE	1
18	***	HOSE	1
	***	CUSHION RUBBER	1
19	***	CUSHION RUBBER	1
20	***	STOP VALVE	1
	***	FLANGE BOLT	2
21	***	HOSE	1
22	***	HOSE	2
23	***	HOSE	1
24	***	HOSE	1
25	***	HOSE	1
26	***	HOSE	1
27	***	HOSE	1
28	***	TEE	2
NS	***	HOSE CLIP	16
NS	***	CONNECTOR	4

NS - Not Shown

*** - Contact Allmand for more information.

2.7 - Fuel Tank and Fuel Lines



Maxi-Power™ 65 T4F

SN 24-000500 and UP

2.7 - Fuel Tank and Fuel Lines

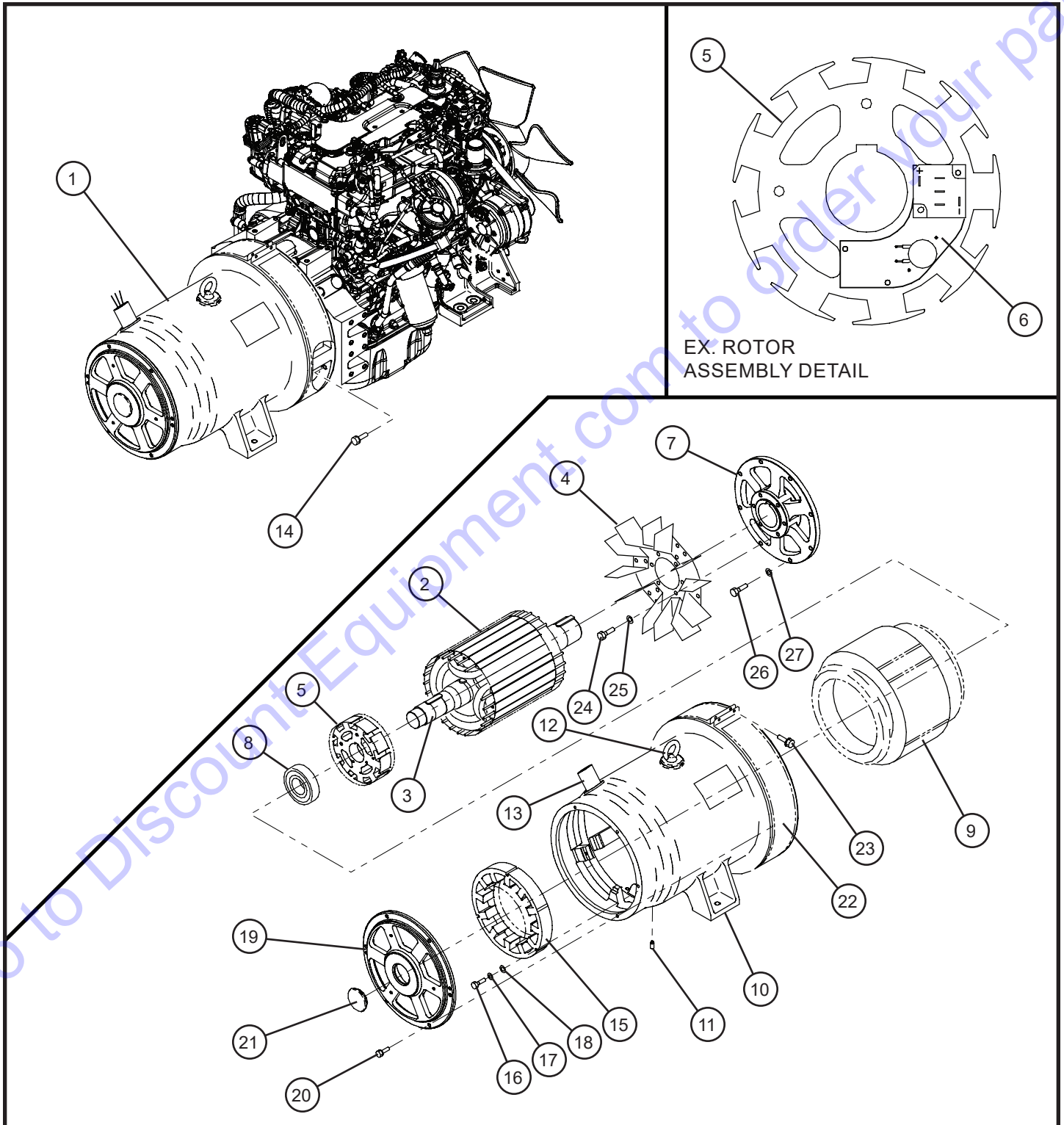
Item	Allmand No.	Part Description	Qty.
1	118029	FUEL TANK	1
	***	FUEL TANK	1
2	110726	SENDING UNIT	1
3	***	SCREW,W/W	5
4	***	CUSHION RUBBER	2
5	110495	CAP	1
	118030	CAP	1
6	110496	STRAINER	1
7	***	BELT	2
8	***	BELT	2
9	***	CUSHION RUBBER	4
10	***	JOINT	1
11	***	HOSE	1
12	***	HOSE CLIP	2
13	***	JOINT	3
14	***	AIR VALVE	1
15	***	BRACKET	1
16	***	BOLT	3
17	***	SPRING WASHER	3
18	***	PLAIN WASHER	3
19	110692	FILTER ASS'Y(PRE)	1
	110755	FILTER CARTRIDGE	1
20	***	FILTER ASS'Y(MAIN)	1
	118047	FILTER CARTRIDGE	1
21	***	NIPPLE	4
22	***	RING CONNECTOR	4
23	***	GASKET	8
24	***	SOCKET BOLT	4
25	***	SOCKET BOLT	2
26	***	SPRING WASHER	6
27	***	FUEL PUMP	1
28	***	BOLT	2
29	***	SPRING WASHER	2
30	***	PLAIN WASHER	2
31	110502	STOP VALVE	1
32	110514	FLANGE BOLT	4
33	116455	NIPPLE	2
34	116453	JOINT	2
35	***	ELBOW	2
36	***	HOSE	1
37	***	HOSE	1
38	***	HOSE	1
39	***	HOSE	1
40	***	HOSE	1
41	***	HOSE	1
42	***	HOSE CLIP	10
43	***	HOSE	1
44	***	HOSE	2
45	***	HOSE CLIP	8
46	***	PLUG	3
47	***	ELBOW	1
48	***	HEXAGON FLANGE NUT	4
49	***	BOLT	2
50	***	SPRING WASHER	2
51	***	PLAIN WASHER	2
52	114249	HEXAGON FLANGE NUT	2
53	110489	LEVEL SWITCH	1
54	***	BRACKET	1
55	114281	CLIP	1
NS	***	GASKET KIT FOR ELECTROMAGNETIC FUEL PUMP	1
NS	***	STRAINER (A) FOR ENGINE SUPPLY PUMP	1
NS	***	STRAINER (B) FOR ENGINE SUPPLY PUMP	3

NS - Not Shown

*** - Contact Allmand for more information.

©2019 Allmand®

2.8 - Generator Assembly Group



Maxi-Power™ 65 T4F

SN 24-000500 and UP

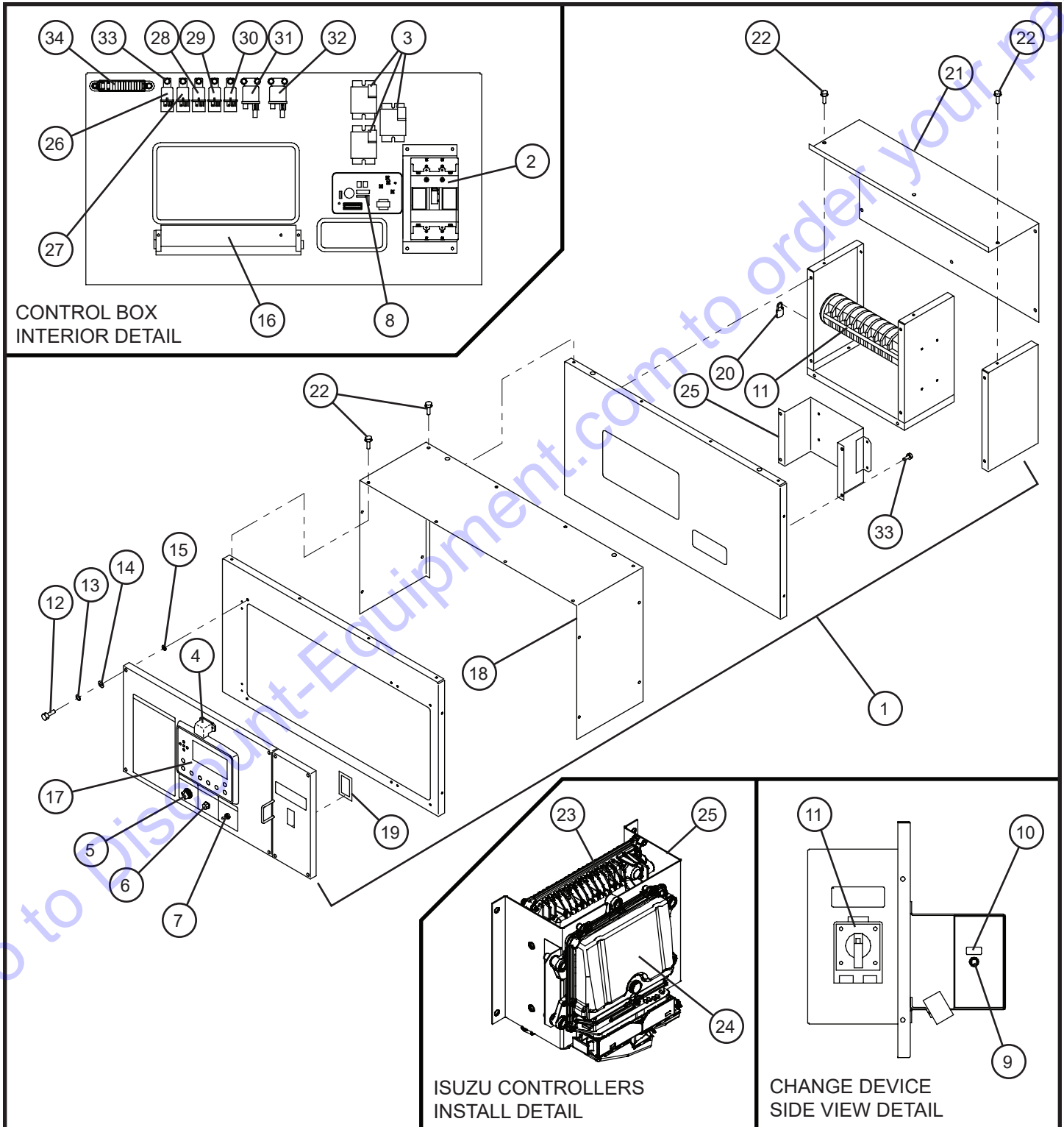
2.8 - Generator Assembly Group

Item	Allmand No.	Part Description	Qty.
1	***	GENERATOR	1
2	***	A.C.G.ROTOR ASS'Y	1
3	***	SHAFT	1
	***	KEY	1
	***	KEY	1
	***	KEY	1
4	***	FAN	1
5	***	EX.ROTOR ASS'Y	1
6	110526	WIRING BOARD	1
7	***	COUPLING,DRIVE	1
8	111723	BEARING	1
9	***	A.C.G.STATOR ASS'Y	1
10	***	CASING	1
11	***	SET SCREW	2
12	***	EYE BOLT	1
13	***	GROMMET	1
14	***	BOLT, W/W	12
15	***	EX.STATOR ASS'Y	1
16	***	BOLT	3
17	***	SPRING WASHER	3
18	***	PLAIN WASHER	3
19	***	CASING	1
20	***	BOLT, W/W	6
21	***	GROMMET	1
22	***	COVER	1
23	***	BOLT, W/W	2
24	***	BOLT	6
25	***	SPRING WASHER	6
26	***	BOLT	8
27	***	SPRING WASHER	8

NS - Not Shown

*** - Contact Allmand for more information.

3.1 - Control Box Group



Maxi-Power™ 65 T4F

SN 24-000500 and UP

3.1 - Control Box Group

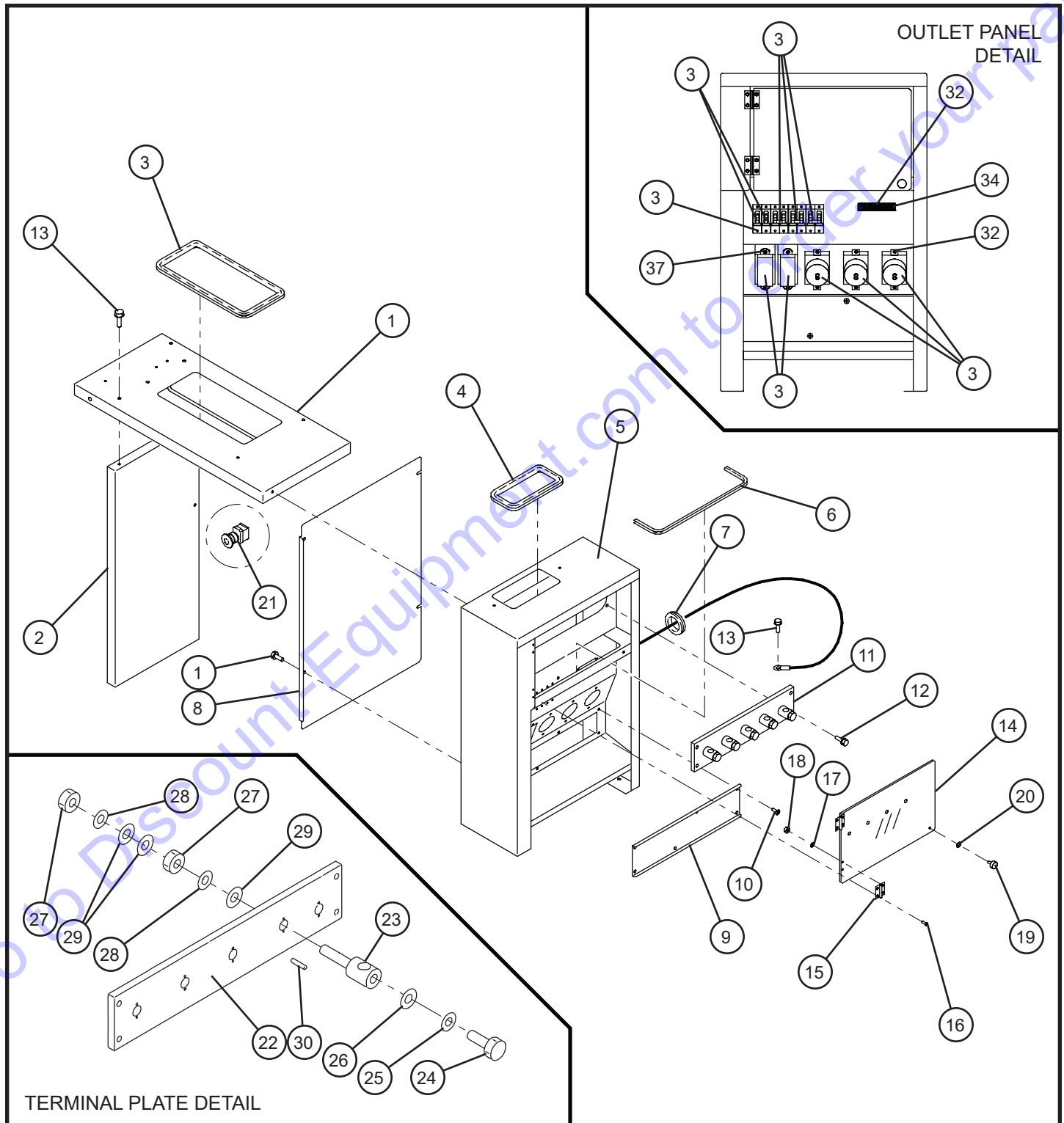
Item	Allmand No.	Part Description	Qty.
1	***	SWITCH BOARD ASS'Y	1
2	118031	CIRCUIT BREAKER	1
3	110898	CURRENT TRANSFORMER	3
4	***	ILLUMINATOR	1
5	116876	SELECT SWITCH	1
6	110454	CONTROLLER	1
	116826	KNOB	1
7	116816	SELECT SWITCH	1
8	118034	A.V.R ASS'Y	1
9	***	CIRCUIT BREAKER	1
10	***	PLATE (CP)	1
11	118035	CHANGE DEVICE,VOLTAGE	1
12	***	BOLT	8
13	***	SPRING WASHER	8
14	***	PLAIN WASHER	8
15	116411	WASHER	8
16	118036	TERMINAL PLATE	1
	118037	PLATE	1
17	***	CONTROLLER COMPLETE	1
18	***	COVER	1
19	***	LINING	1
20	111708	LOCK ASS'Y	1
21	***	COVER	1
22	110514	FLANGE BOLT	44
23	***	CONTROLLER	1
	***	BOLT, W/W	4
24	***	CONTROLLER	1
25	***	BRACKET	1
26	***	RELAY (MAIN)	1
27	***	RELAY (CCV)	1
28	***	RELAY (FUEL)	1
29	***	RELAY (MAGNETIC VALVE)	1
30	***	RELAY (STARTER CUT)	1
31	110478	RELAY (STARTER)	1
32	110477	RELAY (GLOW)	1
33	***	BOLT, W/W	17
34	118022	PLATE (FUSE)	1
NS	***	WIRING HARNESS (MAIN)	1
	***	BOLT	1
	***	SPRING WASHER	1
	***	PLAIN WASHER	1
NS	***	WIRING HARNESS (SCR)	1
NS	118038	WIRING HARNESS (GENERATOR)	1
NS	***	CABLE KIT (GENERATOR)	1

NS - Not Shown

*** - Contact Allmand for more information.

©2019 Allmand®

3.2 - Electrical Outlet Box Group



Maxi-Power™ 65 T4F

SN 24-000500 and UP

3.2 - Electrical Outlet Box Group

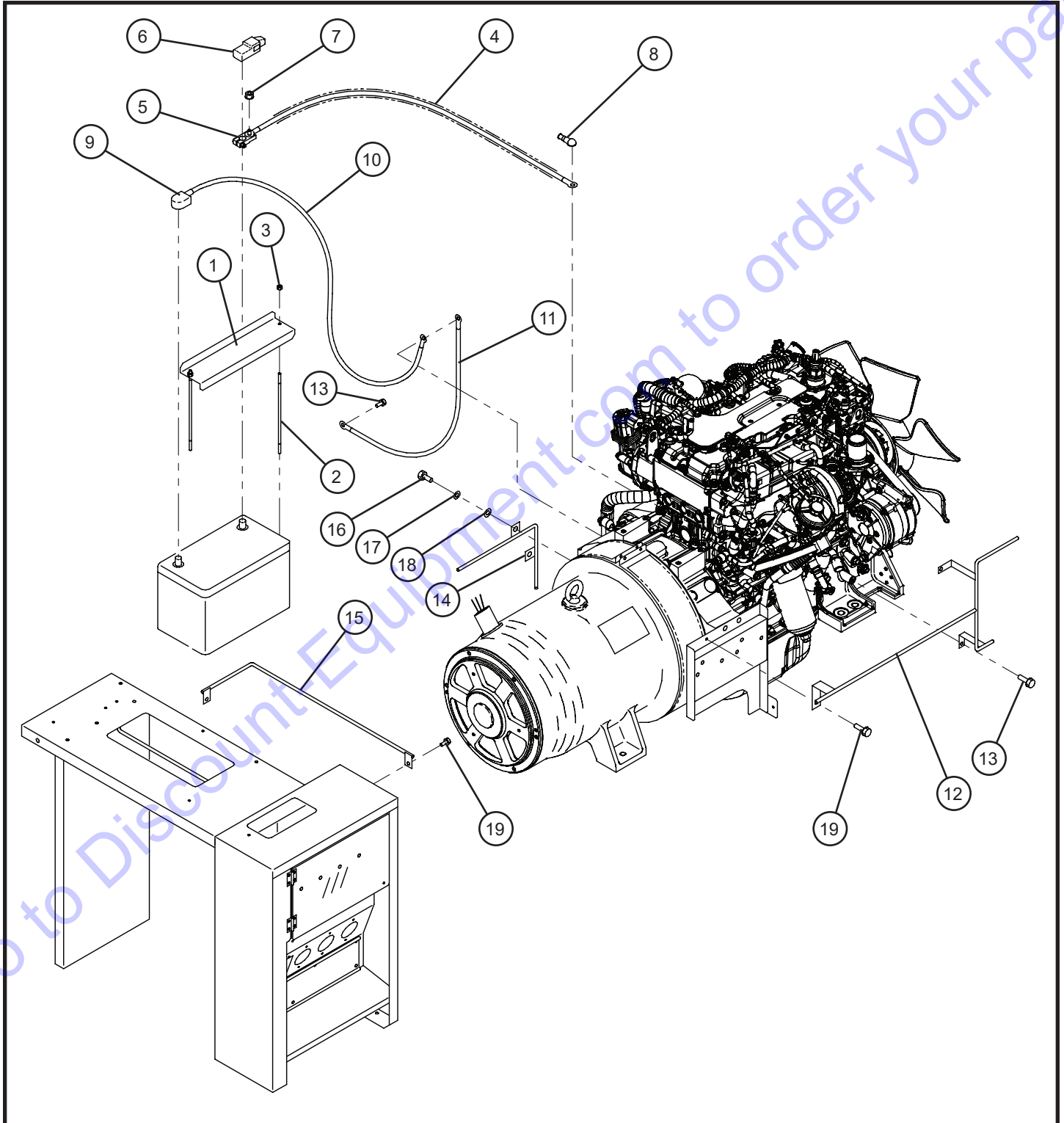
Item	Allmand No.	Part Description	Qty.
1	***	BRACKET	1
2	***	BRACKET	1
3	***	SEAL RUBBER	1
4	***	SEAL RUBBER	1
5	***	BOX	1
6	***	SEAL RUBBER	1
7	***	GROMMET	1
8	***	COVER	1
9	***	COVER	1
10	***	SCREW	6
11	110655	TERMINAL PLATE ASSEMBLY	1
12	110515	FLANGE BOLT	4
13	110514	FLANGE BOLT	44
14	***	WINDOW GLASS	1
15	***	HINGE	2
16	***	SCREW	8
17	***	PLAIN WASHER	4
18	***	HEXAGON FLANGE NUT	4
19	116410	BOLT	1
20	116411	WASHER	1
21	116879	BUTTON SWITCH (EMERGENCY STOP)	1
22	113036	PLATE	1
23	***	BOLT	5
24	112075	BOLT	5
25	113038	SPRING WASHER	5
26	113039	PLAIN WASHER	5
27	112076	NUT	10
28	113040	SPRING WASHER	10
29	113041	PLAIN WASHER	15
30	113042	PIN	10
31	***	TERMINAL PLATE	1
	***	SCREW	2
32	***	SPRING WASHER	2
	***	PLAIN WASHER	2
	***	NUT	2
33	110464	CIRCUIT BREAKER (2P, 50A)	3
	110465	CIRCUIT BREAKER (2P, 50A)	3
34	110650	CIRCUIT BREAKER (1P, 50A)	2
	110467	CIRCUIT BREAKER (1P, 50A)	2
	***	SCREW	16
35	***	SPRING WASHER	16
	***	PLAIN WASHER	16
36	116810	SOCKET	3
37	110469	SOCKET	2
	***	SCREW	10
38	***	NUT	10
	***	SPRING WASHER	10
	***	PLAIN WASHER	20
NS	***	CABLE KIT	1

NS - Not Shown

*** - Contact Allmand for more information.

©2019 Allmand®

3.3 - Battery Cables Group



Maxi-Power™ 65 T4F

SN 24-000500 and UP

3.3 - Battery Cables Group

Item	Allmand No.	Part Description	Qty.
1	***	COVER	1
2	***	ROD	2
3	114248	HEXAGON FLANGE NUT	2
4	***	CABLE	1
	***	CORRUGATED TUBE	1
5	***	TERMINAL	1
6	***	INSULATOR	1
7	114249	HEXAGON FLANGE NUT	1
8	***	INSULATOR	1
9	***	CABLE (INCLUDES INSULATOR)	1
10	***	INSULATOR	1
11	***	CABLE	1
12	***	GUIDE	1
13	110515	FLANGE BOLT	3
14	***	GUIDE	1
15	***	GUIDE	1
16	***	BOLT	2
17	***	SPRING WASHER	2
18	***	PLAIN WASHER	2
19	110514	FLANGE BOLT	5

NS - Not Shown *** - Contact Allmand for more information.

3.4 - Tail Lights and Tail Light Harness

To Be Determined

000000_A

Maxi-Power™ 65 T4F

SN 24-000500 and UP

3.4 - Tail Lights and Tail Light Harness

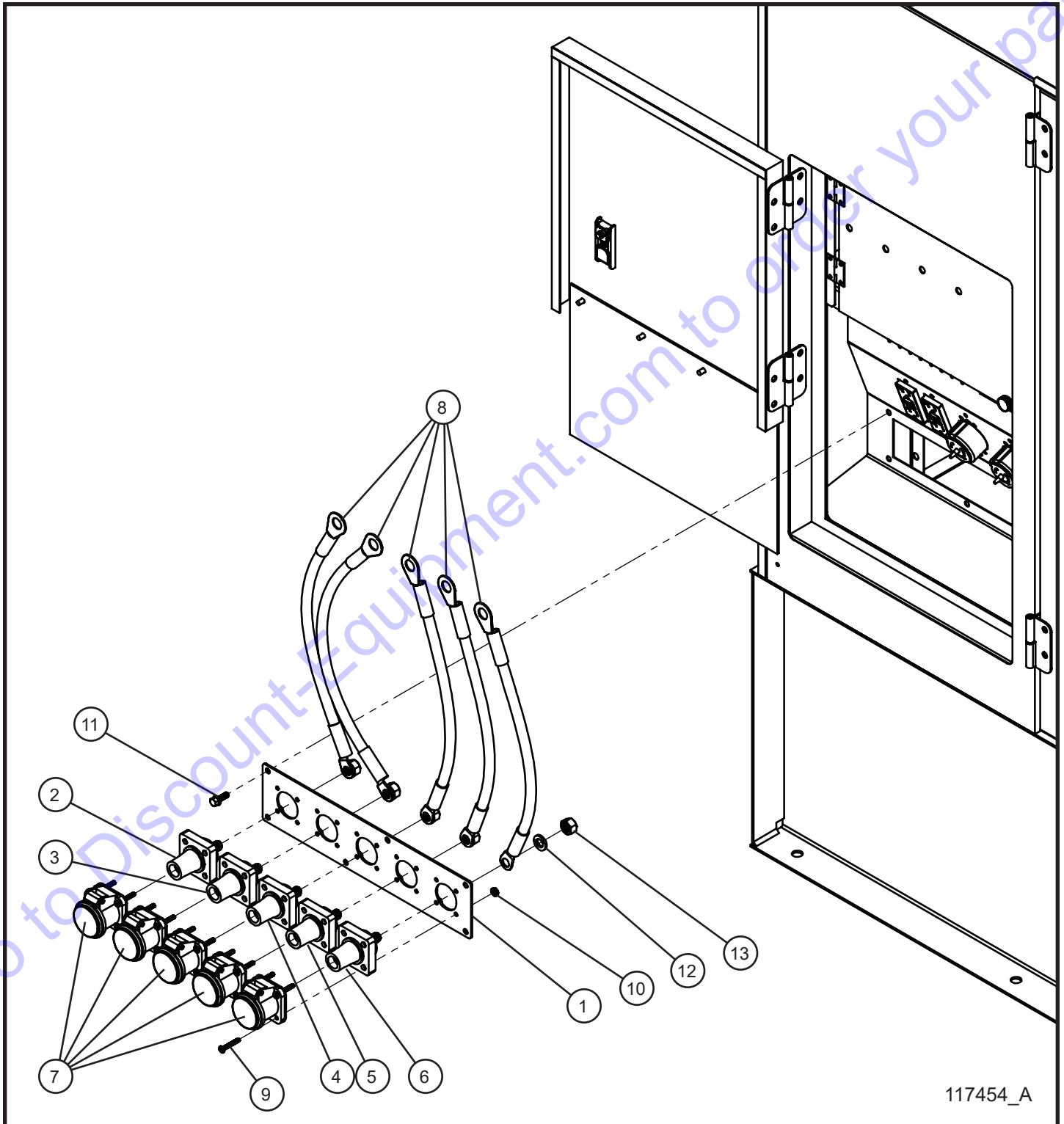
Item	Allmand No.	Part Description	Qty.
1	***	to be determined	
2	***		
3	***		
4	***		
5	***		
6	***		
7	***		
8	***		
9	***		
10	***		

NS - Not Shown

*** - Contact Allmand for more information.

Go to Discount-Equipment.com to order your parts

3.5 - Cam Locks Group



Maxi-Power™ 65 T4F

SN 24-000500 and UP

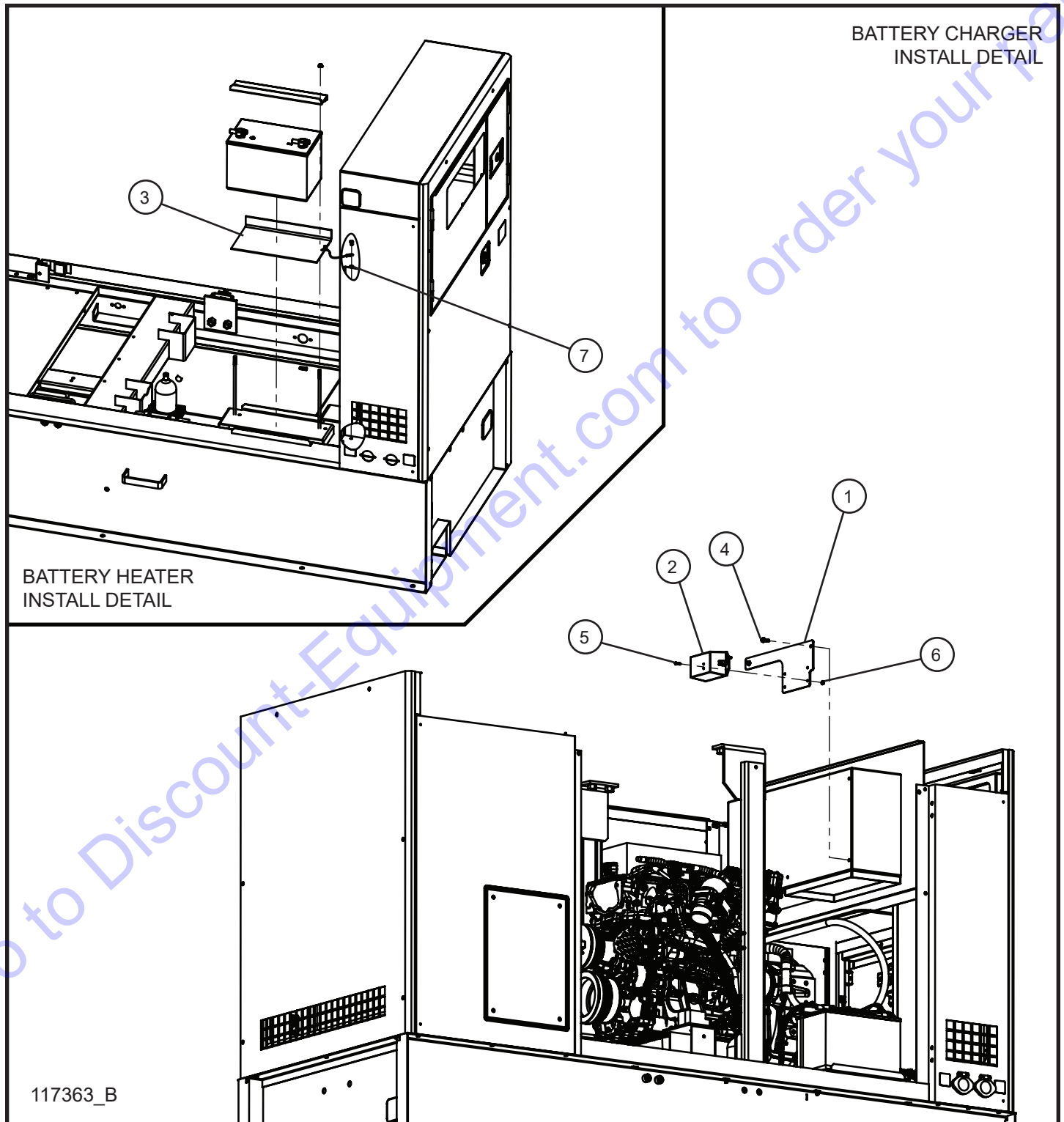
3.5 - Cam Locks Group

Item	Part No.	Part Description	Qty.
1	112508P	CAM LOCK MOUNT PLATE	1
2	113242	CAM LOCK BLACK FEMALE 90° 600V 400A	1
3	113243	CAM LOCK RED FEMALE 90° 600V 400A	1
4	113244	CAM LOCK BLUE FEMALE 90° 600V 400A	1
5	113245	CAM LOCK WHITE FEMALE 90° 600V 400A	1
6	113246	CAM LOCK GREEN FEMALE 90° 600V 400A	1
7	112424	CAM LOCK CLEAR COVER 90°	5
8	117453	MAXI-POWER 65 T4F CAM LOCK CABLE KIT	1
9	041035	#10-24 x 1-1/4 PHILLIPS MACHINE SCREW	20
10	044016	#10-24 KEPS HEX NUT	20
11	055001	M6-1.0 x 20 HEX HEAD FLANGE BOLT	6
12	043085	1/2 SPLITLOCK WASHER	5
13	044045	1/2-13 HEX NUT	5
NS	112422	CAM LOCK 1/0 CABLE SCHEMATIC	1

NS - Not Shown

*** - Contact Allmand for more information.

3.6 - Battery Charger, Battery Heater, and Block Heater (1 of 2)



Maxi-Power™ 65 T4F

SN 24-000500 and UP

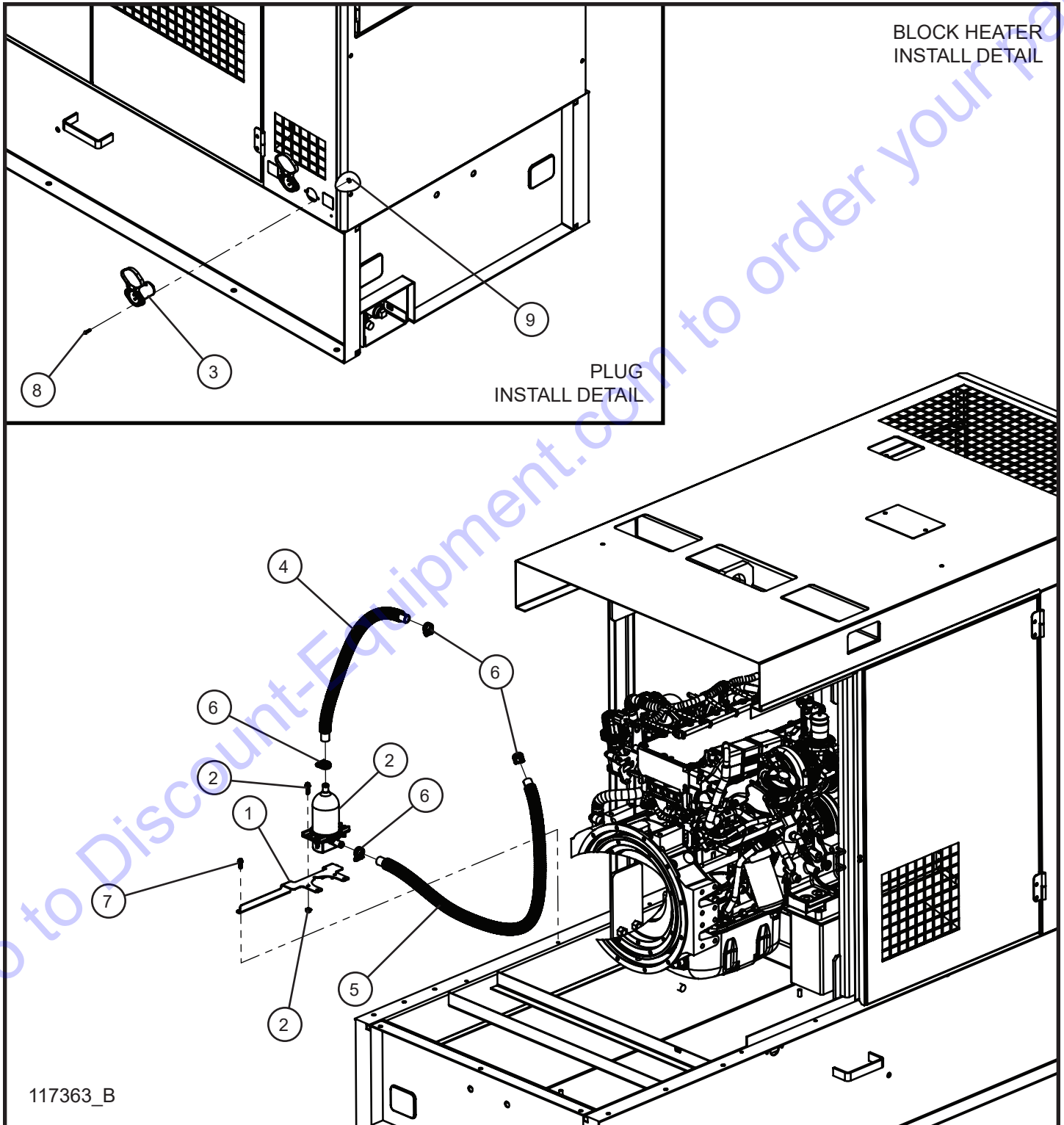
3.6 - Battery Charger, Battery Heater, and Block Heater (1 of 2)

Item	Part No.	Part Description	Qty.
1	117539P	MAXI-POWER 65 T4F BATTERY CHARGER MOUNT	1
2	117374	MAXI-POWER 65 T4F BATTERY CHARGER	1
3	117372	MAXI-POWER 65 T4F BATTERY HEATER	1
4	055001	M6-1.0 x 20 HEX HEAD FLANGE BOLT	2
5	041027	#10-24 x 3/4 PHILLIPS MACHINE SCREW	4
6	044016	#10-24 KEPS HEX NUT	4
7	043050	1/4 INTERNAL TOOTH LOCK WASHER	1
NS	022202	LOOM FLEX GUARD 3/8 x 25.00	1
NS	022202	LOOM FLEX GUARD 3/8 x 66.00	1
NS	112638	ARCTIC PACKAGE SCHEMATIC	1

NS - Not Shown

*** - Contact Allmand for more information.

3.6 - Battery Charger, Battery Heater, and Block Heater (2 of 2)



Maxi-Power™ 65 T4F

SN 24-000500 and UP

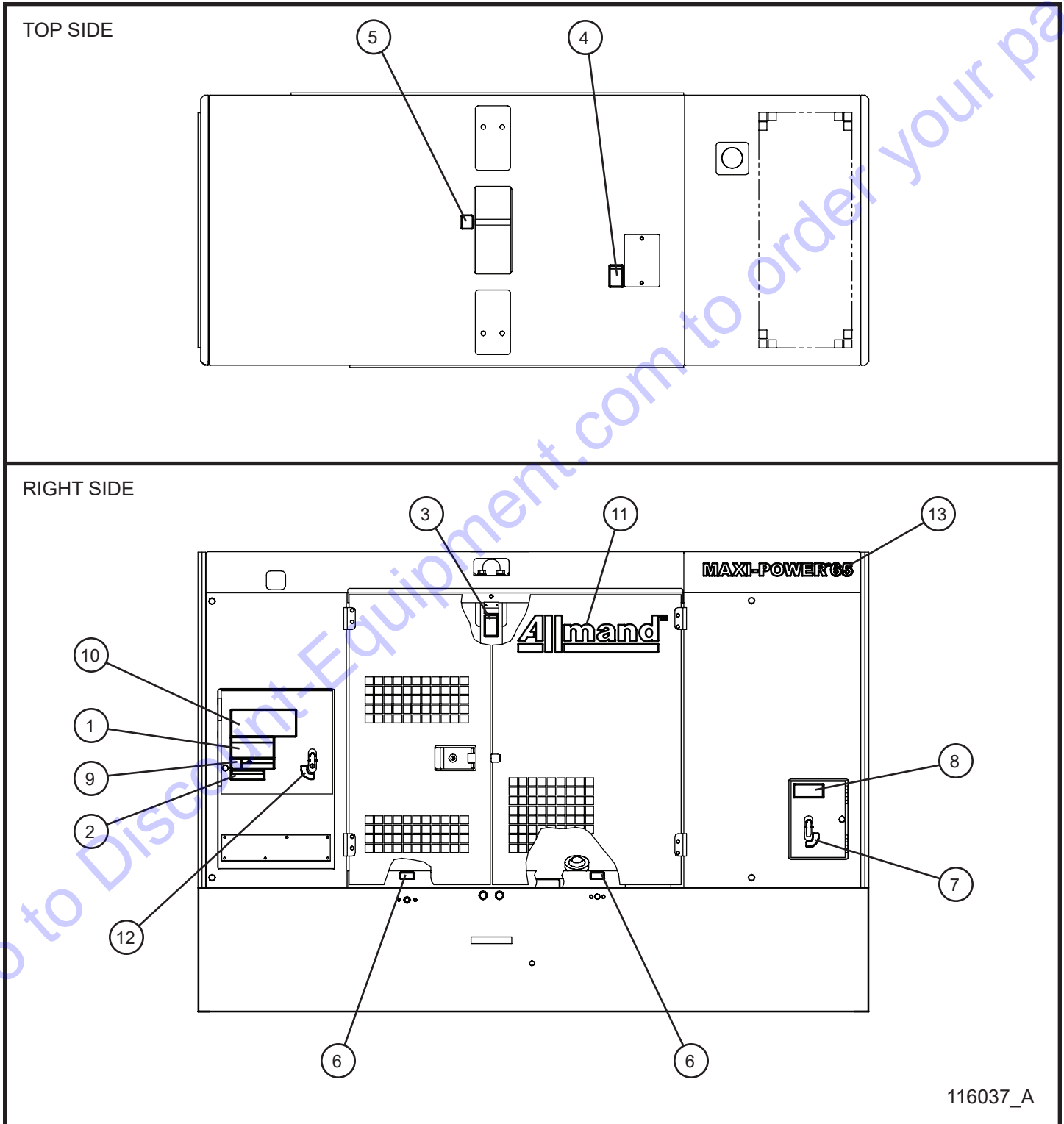
3.6 - Battery Charger, Battery Heater, and Block Heater (2 of 2)

Item	Part No.	Part Description	Qty.
1	117364P	MAXI-POWER 65 T4F BLOCK HEATER MOUNT	1
2	112601	MAXI-POWER BLOCK HEATER	1
3	112621	MAXI-POWER RECESSED PLUG	2
4	081025	HEATER HOSE 5/8 x 23.50	1
	022211	LOOM FLEX GUARD 1.0 x 21.50	1
5	081025	HEATER HOSE 5/8 x 43.00	1
	022211	LOOM FLEX GUARD 1.0 x 41.00	1
6	045033	#10 HOSE CLAMP	4
7	055001	M6-1.0 x 20 HEX HEAD FLANGE BOLT	2
8	041027	#10-24 x 3/4 PHILLIPS MACHINE SCREW	4
9	044016	#10-24 KEPS HEX NUT	4
NS	022202	LOOM FLEX GUARD 3/8 x 46.00	1
NS	112608	PLUG 3-PRONG MALE	1
NS	112638	ARCTIC PACKAGE SCHEMATIC	1

NS - Not Shown

*** - Contact Allmand for more information.

4.1 - Right and Top Side Enclosure Decals



Maxi-Power™ 65 T4F

SN 24-000500 and UP

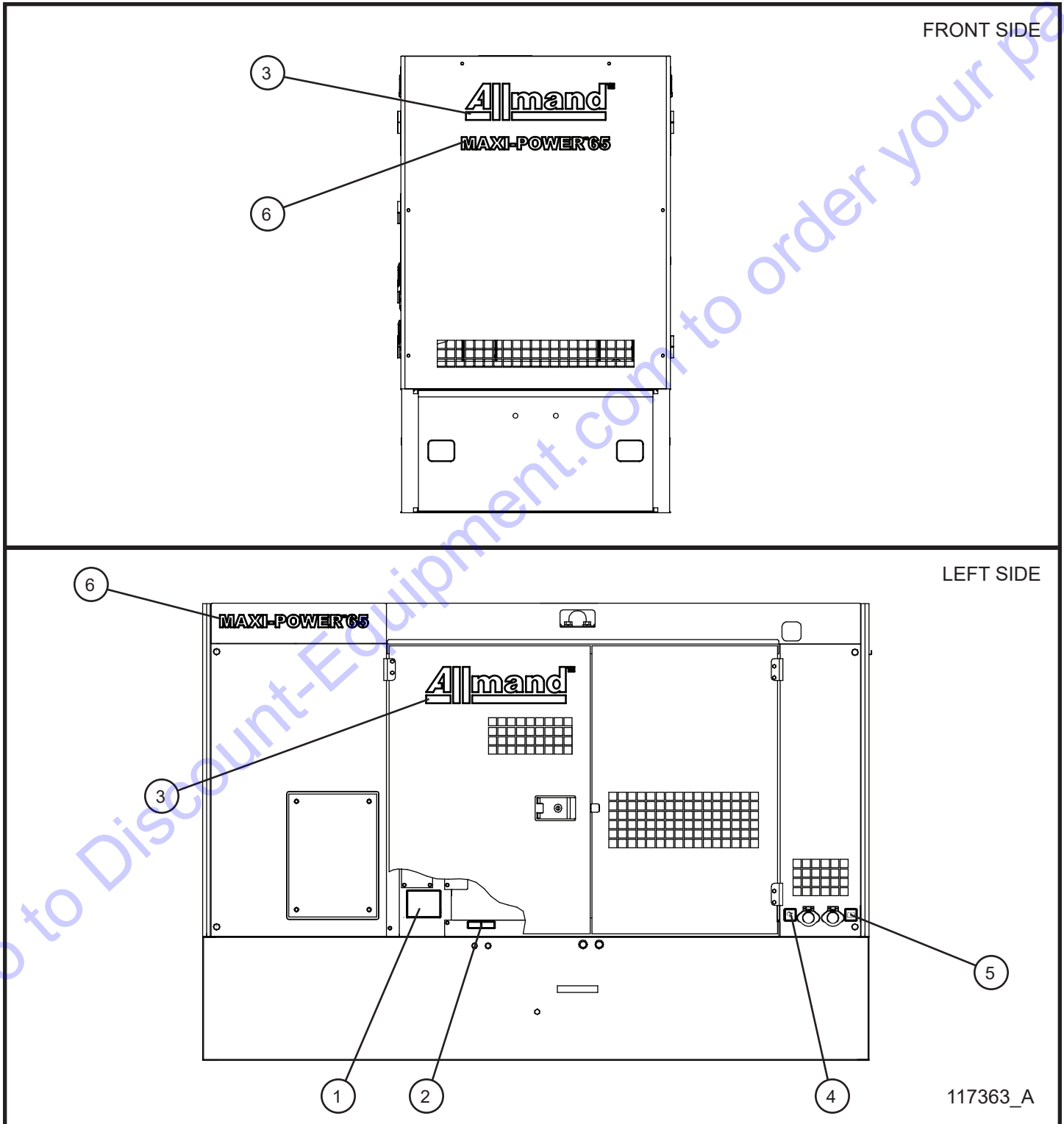
4.1 - Right and Top Side Enclosure Decals

Item	Allmand No.	Part Description	Qty.
1	112987	PLATE (HIGH VOLTAGE)	1
2	112989	PLATE (WARNING, ELECTRIC SHOCK)	1
3	114416	PLATE (CAUTION, HIGH TEMP.)	1
4	116786	PLATE (CAUTION, RADIATOR CAP)	1
5	116801	PLATE (LIFT POSITION)	1
6	116784	PLATE COMPLETE SET (FUEL, RADIATOR, ENGINE OIL, AND OIL FENCE DRAINS)	1
7	116798	PLATE (OPEN-CLOSE)	1
8	116803	PLATE (DEF ONLY)	1
9	112804	PLATE COMPLETE SET (CAUTION, CABLE)	1
10	118026	PLATE (OUTPUT)	1
11	110286	SMALL BLACK ALLMAND BRANDING DECAL	1
12	116799	PLATE (OPEN-CLOSE)	1
13	109015	MAXI-POWER 65 DECAL	1

NS - Not Shown

*** - Contact Allmand for more information.

4.2 - Left and Front Side Enclosure Decals



Maxi-Power™ 65 T4F

SN 24-000500 and UP

4.2 - Left and Front Side Enclosure Decals

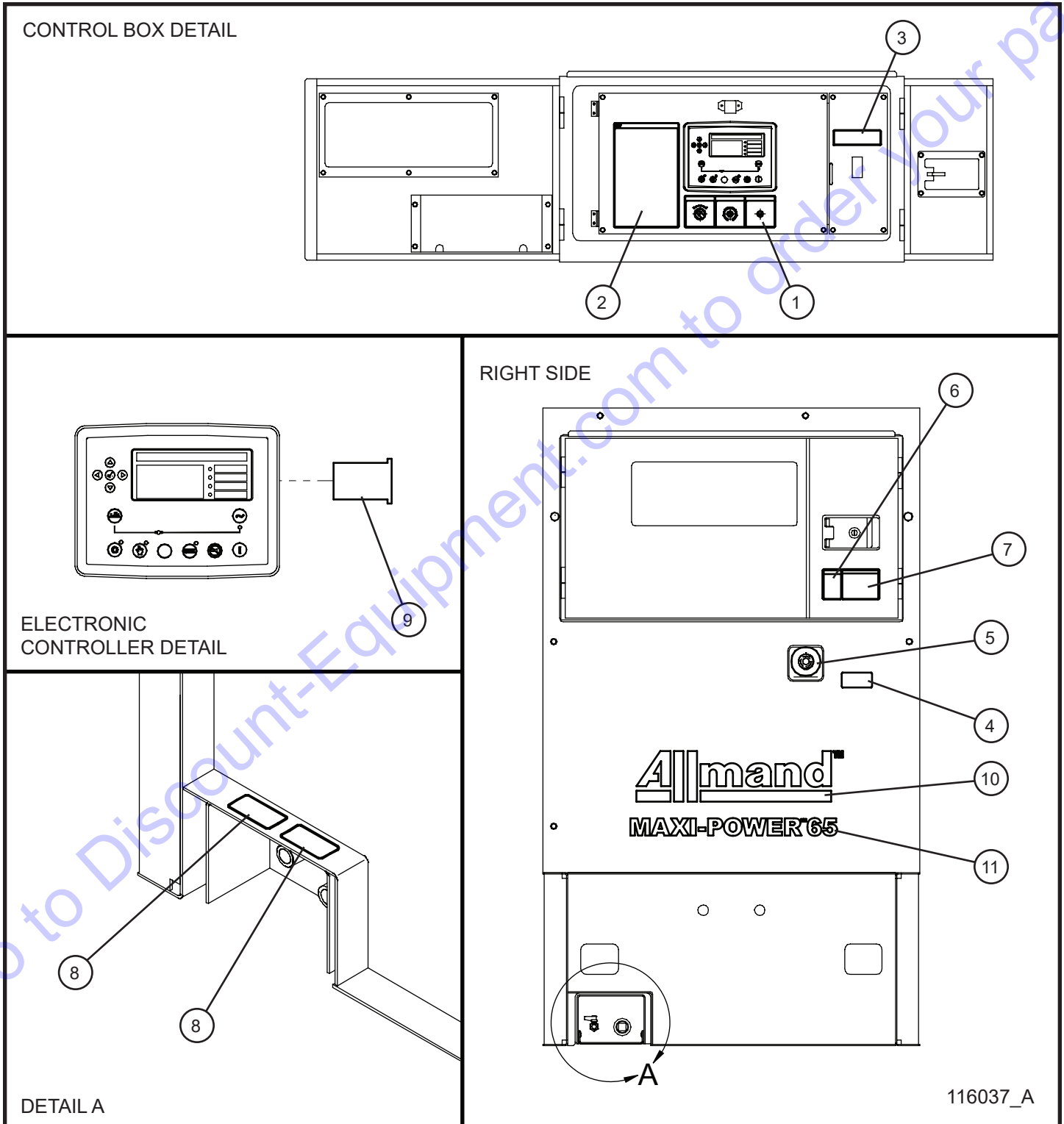
Item	Allmand No.	Part Description	Qty.
1	116795	PLATE (CHANGED FUEL REFILL)	1
2	116791	PLATE (FUEL RETURN, FUEL INLET)	1
3	110286	SMALL BLACK ALLMAND BRANDING DECAL	2
4	112138	BATTERY CHARGER DECAL	1
5	112139	ENGINE AND BATTERY HEATER DECAL	1
6	109015	MAXI-POWER 65 DECAL	2

NS - Not Shown

*** - Contact Allmand for more information.

Go to Discount-Equipment.com to order your parts

4.3 - Rear Side Enclosure and Control Box Decals



Maxi-Power™ 65 T4F

SN 24-000500 and UP

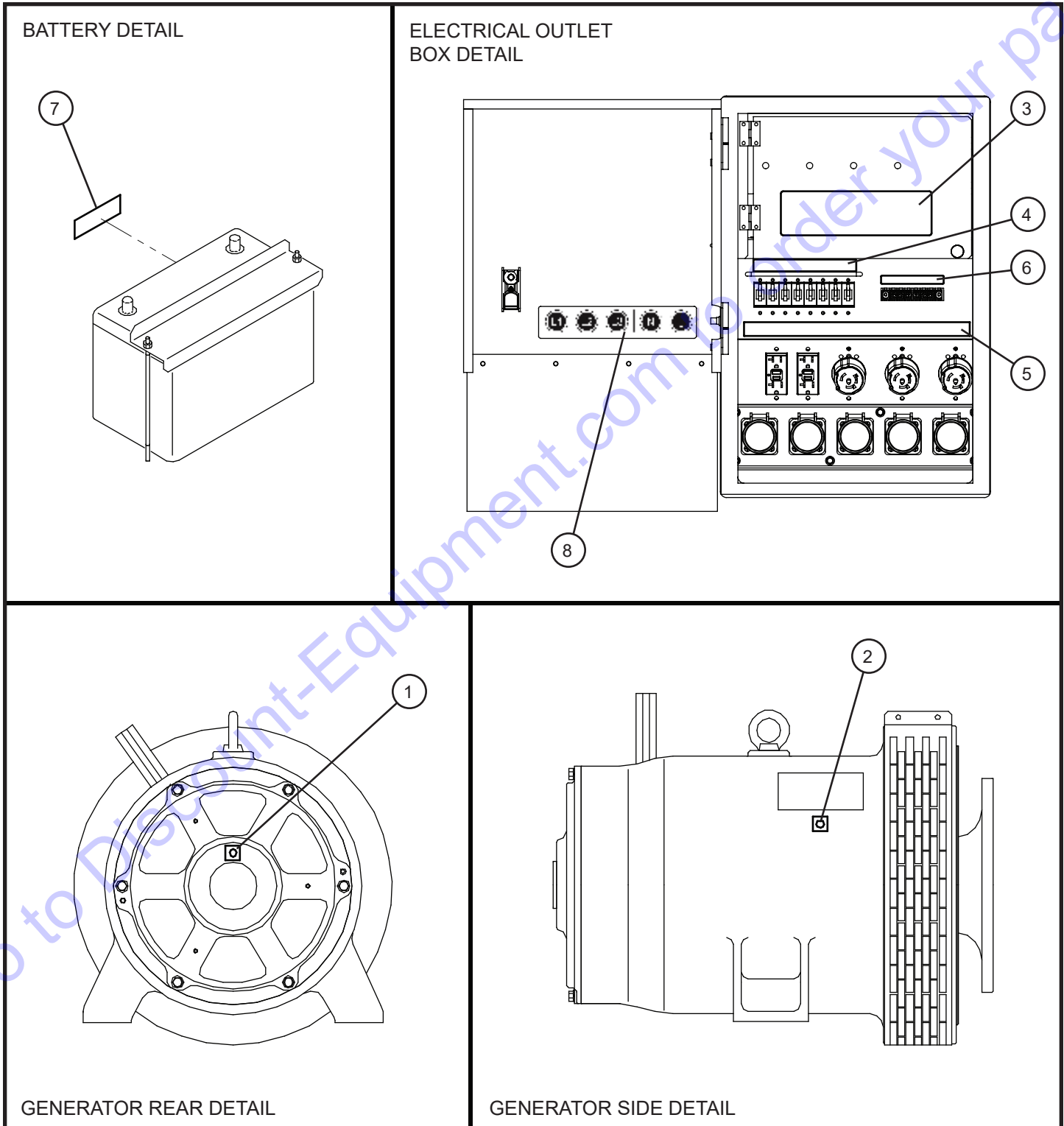
4.3 - Rear Side Enclosure and Control Box Decals

Item	Allmand No.	Part Description	Qty.
1	***	PLATE (IN-PANE)	1
2	***	PLATE (IN-PANE)	1
3	***	PLATE (CAUTION)	1
4	116800	PLATE (CALIFORNIA)	1
5	112844	PLATE (EMERGENCY STOP)	1
6	116787	PLATE (WARNING, EXHAUST GASES)	1
7	112811	PLATE (DANGER, EXHAUST GASES)	1
8	116784	PLATE COMPLETE SET (FUEL, RADIATOR, ENGINE OIL, AND OIL FENCE DRAINS)	1
9	116802	PLATE (DSE MONITOR)	1
10	110286	SMALL BLACK ALLMAND BRANDING DECAL	1
11	109015	MAXI-POWER 65 DECAL	1

NS - Not Shown

*** - Contact Allmand for more information.

4.4 - Electrical Decals



Maxi-Power™ 65 T4F

SN 24-000500 and UP

4.4 - Electrical Decals

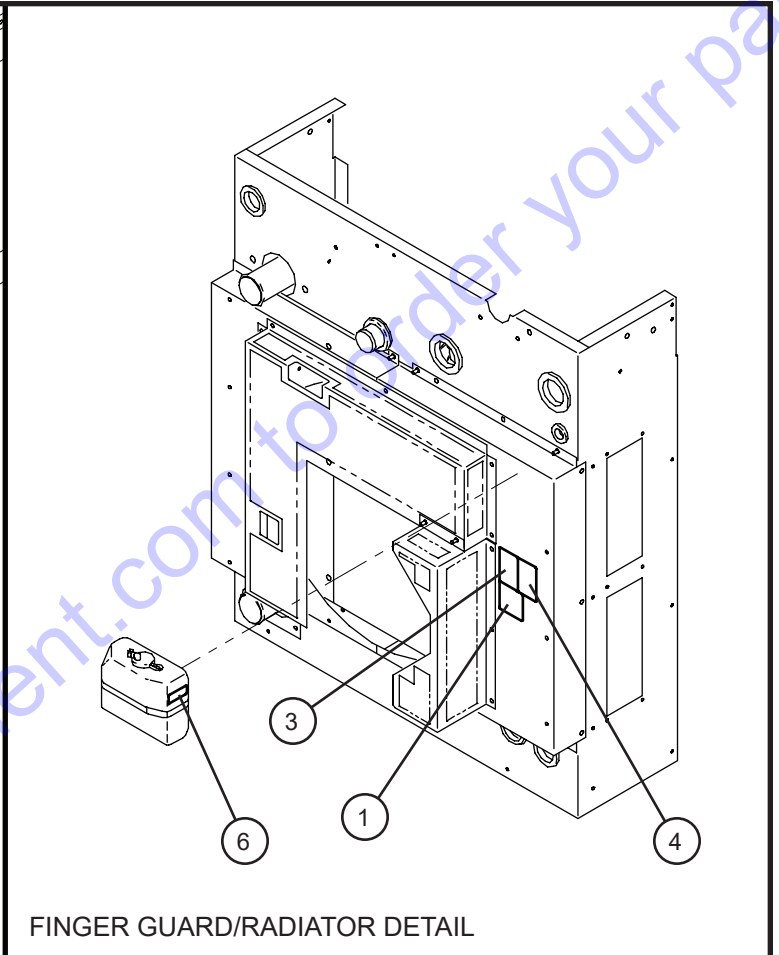
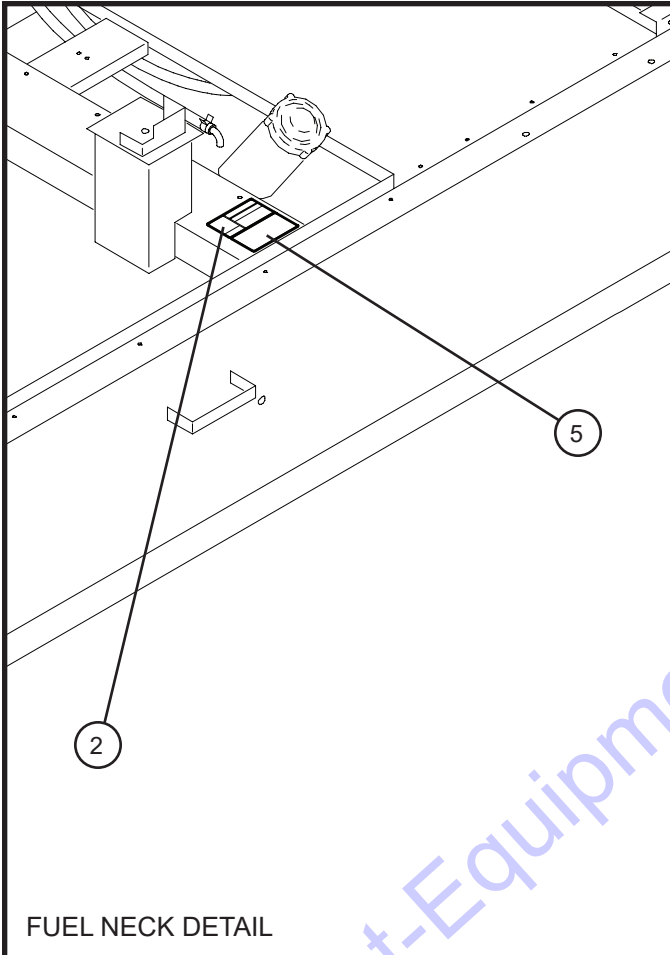
Item	Allmand No.	Part Description	Qty.
1	116782	PLATE (INDICATOR)	1
2	116783	PLATE (INDICATOR)	1
3	116779	PLATE (WIRING CHART)	1
4	116805	PLATE (BREAKER)	1
5	116796	PLATE (SOCKET)	1
6	116792	PLATE (2 WIRE TERMINAL PLATE)	1
7	116785	PLATE (DANGER, BATTERY)	1
8	112136	CAM LOCK MAXI-POWER DECAL	1
NS	112804	PLATE COMPLETE SET (CAUTION, CABLE)	1

NS - Not Shown

* * * - Contact Allmand for more information.

Go to Discount-Equipment.com to order your parts

4.5 - Trailer Interior Decals



Maxi-Power™ 65 T4F

SN 24-000500 and UP

4.5 - Trailer Interior Decals

Item	Allmand No.	Part Description	Qty.
1	116790	PLATE (LLC)	1
2	116793	PLATE (DIESEL FUEL)	1
3	114418	PLATE (WARNING, PULLEY)	1
4	116788	PLATE (WARNING, COOLING FAN)	1
5	118021	PLATE (NOTICE, DEF)	1
6	118027	PLATE (MAX)	1

NS - Not Shown

*** - Contact Allmand for more information.

Go to Discount-Equipment.com to order your parts

PARTS FINDER

**Search Website
by Part Number**



**Search Manual
Library For Parts
Manual & Lookup Part
Numbers – Purchase
or Request Quote**

Search Manuals

Enter your information to help us find the right parts manual for your machine.

* Brand:

* Model:

* Serial:

* Part Number:

SEARCH

**Can't Find Part or
Manual? Request Help
by Manufacturer,
Model & Description**

Parts Order Form

Please fill in the following information to help us find the right part for your machine.

Manufacturer:	<input type="text"/>
Model:	<input type="text"/>
Description:	<input type="text"/>
Part Number:	<input type="text"/>
Quantity:	<input type="text"/>
Notes:	<input type="text"/>

Discount-Equipment.com is your online resource for quality parts & equipment.

Florida: **561-964-4949** Outside Florida TOLL FREE: **877-690-3101**

Need parts?

Click on this link: <http://www.discount-equipment.com/category/5443-parts/> and choose one of the options to help get the right parts and equipment you are looking for. Please have the machine model and serial number available in order to help us get you the correct parts. If you don't find the part on the website or on one of the online manuals, please fill out the request form and one of our experienced staff members will get back to you with a quote for the right part that your machine needs.

We sell worldwide for the brands: Genie, Terex, JLG, MultiQuip, Mikasa, Essick, Whiteman, Mayco, Toro Stone, Diamond Products, Generac Magnum, Airman, Haulotte, Barreto, Power Blanket, Nifty Lift, Atlas Copco, Chicago Pneumatic, Allmand, Miller Curber, Skyjack, Lull, Skytrak, Tsurumi, Husquvarna Target, Stow, Wacker, Sakai, Mi-T-M, Sullair, Basic, Dynapac, MBW, Weber, Bartell, Bennar Newman, Haulotte, Ditch Runner, Menegotti, Morrison, Contec, Buddy, Crown, Edco, Wyco, Bomag, Laymor, EZ Trench, Bil-Jax, F.S. Curtis, Gehl Pavers, Heli, Honda, ICS/PowerGrit, IHI, Partner, Imer, Clipper, MMD, Koshin, Rice, CH&E, General Equipment, Amida, Coleman, NAC, Gradall, Square Shooter, Kent, Stanley, Tamco, Toku, Hatz, Kohler, Robin, Wisconsin, Northrock, Oztec, Toker TK, Rol-Air, APT, Wylie, Ingersoll Rand / Doosan, Innovatech, Con X, Ammann, Mecalac, Makinex, Smith Surface Prep, Small Line, Wanco, Yanmar

Maxi-Power™ 65 T4F

Allmand®

**Discount
Equipment**

www.discount-equipment.com

Go to Discount-Equipment.com to order your parts