

THE
BARRETO

MODEL 825TKL TRACK LOADER

HYDRAULIC TRACK LOADER EXPLODED VIEWS WITH PART NUMBERS

CONGRATULATIONS!

You are now the proud owner of the BARRETO Track Loader. The following pages have detailed views of the 825TKL Track Loader, along with corresponding part numbers. If you have any questions or need any replacement parts in the future, please contact us at your convenience.

THANK YOU for your patronage and confidence in BARRETO equipment.

Machine Identification Record

Machine model number _____

Machine serial number _____

Engine manufacturer _____

Engine model number _____

Engine serial number _____



PARTS FINDER

**Search Website
by Part Number**



**Search Manual
Library For Parts
Manual & Lookup Part
Numbers – Purchase
or Request Quote**

Search Manuals

Enter your information to search for a manual or parts manual for your equipment.

* Brand:

* Model:

* Serial:

* Part Number:

SEARCH

**Can't Find Part or
Manual? Request Help
by Manufacturer,
Model & Description**

Parts Order Form

Please fill in the following information to request help finding a part or manual.

Manufacturer:

Model:

Description:

Part Number:

Quantity:

Submit

Discount-Equipment.com is your online resource for quality parts & equipment.

Florida: **561-964-4949** Outside Florida TOLL FREE: **877-690-3101**

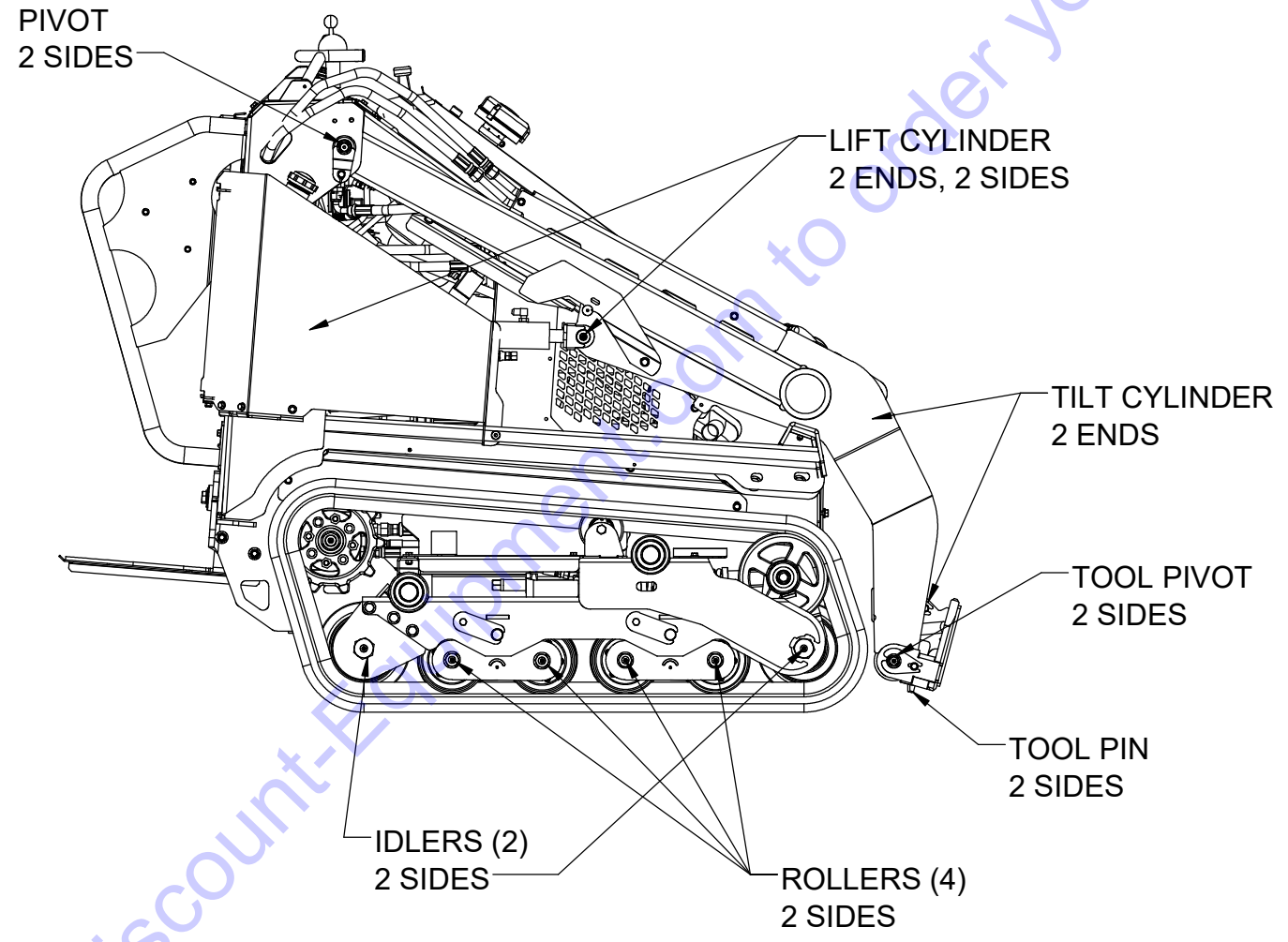
Need parts?

Click on this link: <http://www.discount-equipment.com/category/5443-parts/> and choose one of the options to help get the right parts and equipment you are looking for. Please have the machine model and serial number available in order to help us get you the correct parts. If you don't find the part on the website or on one of the online manuals, please fill out the request form and one of our experienced staff members will get back to you with a quote for the right part that your machine needs.

We sell worldwide for the brands: Genie, Terex, JLG, MultiQuip, Mikasa, Essick, Whiteman, Mayco, Toro Stone, Diamond Products, Generac Magnum, Airman, Haulotte, Barreto, Power Blanket, Nifty Lift, Atlas Copco, Chicago Pneumatic, Allmand, Miller Curber, Skyjack, Lull, Skytrak, Tsurumi, Husquvarna Target, Stow, Wacker, Sakai, Mi-T-M, Sullair, Basic, Dynapac, MBW, Weber, Bartell, Bennar Newman, Haulotte, Ditch Runner, Menegotti, Morrison, Contec, Buddy, Crown, Edco, Wyco, Bomag, Laymor, EZ Trench, Bil-Jax, F.S. Curtis, Gehl Pavers, Heli, Honda, ICS/PowerGrit, IHI, Partner, Imer, Clipper, MMD, Koshin, Rice, CH&E, General Equipment, Amida, Coleman, NAC, Gradall, Square Shooter, Kent, Stanley, Tamco, Toku, Hatz, Kohler, Robin, Wisconsin, Northrock, Oztec, Toker TK, Rol-Air, APT, Wylie, Ingersoll Rand / Doosan, Innovatech, Con X, Ammann, Mecalac, Makinex, Smith Surface Prep, Small Line, Wanco, Yanmar

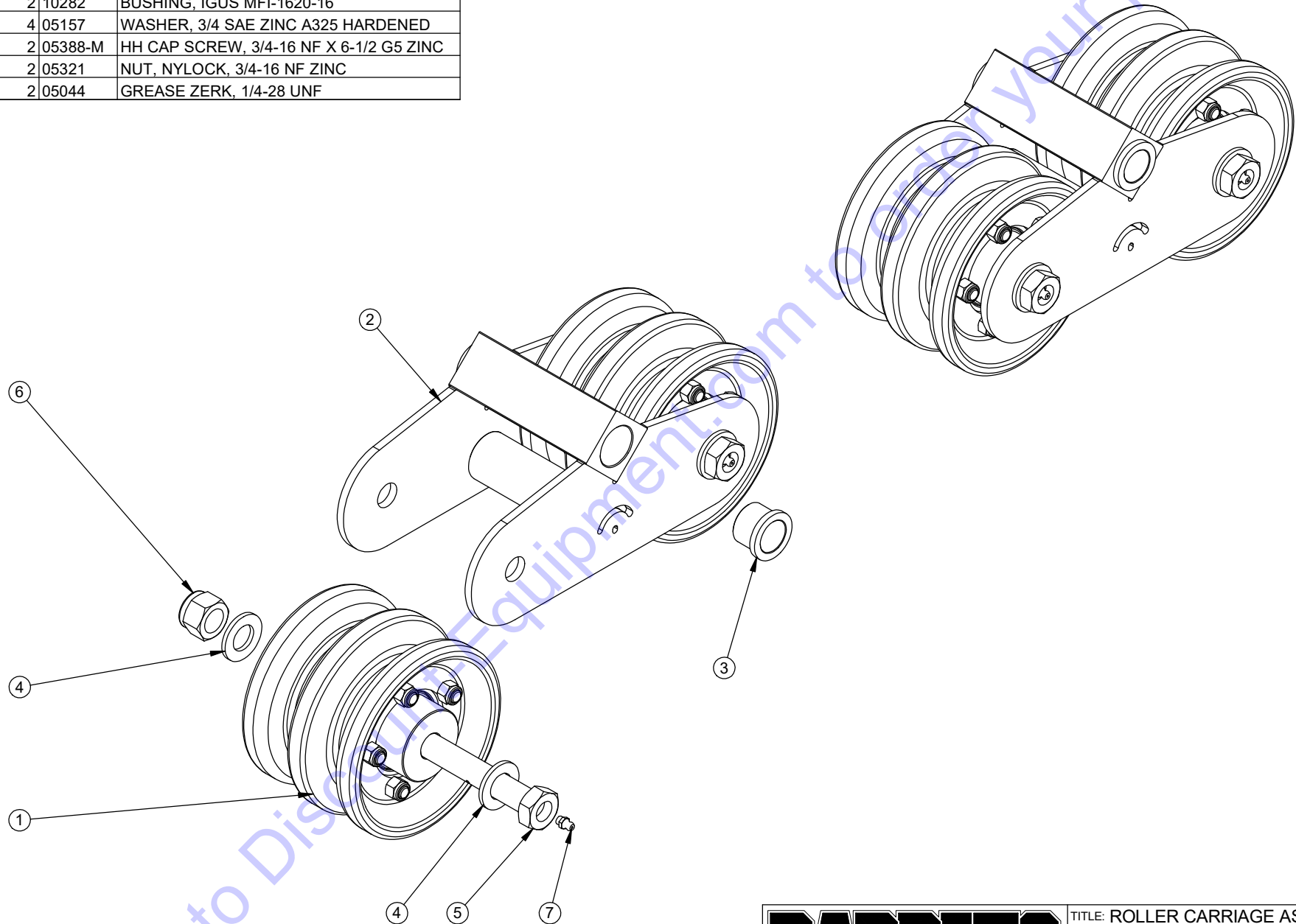
RELEASE DATE	XX/XX/XXXX
REVISED DATE	NEW
REVISION #	0

GREASE POINTS, EVERY 10 HOURS OPERATION



BARRETO	TITLE:
	PRODUCT LINE:
	SCALE: 1:16
	SHEET 1 OF 1
DWG# 25MTL-GREASE	

ITEM NO.	QTY.	PART NO.	DESCRIPTION
1	2	00552	ROLLER ASSEMBLY
2	1	13174	ROLLER CARRIAGE
3	2	10282	BUSHING, IGUS MFI-1620-16
4	4	05157	WASHER, 3/4 SAE ZINC A325 HARDENED
5	2	05388-M	HH CAP SCREW, 3/4-16 NF X 6-1/2 G5 ZINC
6	2	05321	NUT, NYLOCK, 3/4-16 NF ZINC
7	2	05044	GREASE ZERK, 1/4-28 UNF



BARRETO

TITLE: ROLLER CARRIAGE ASSEMBLY

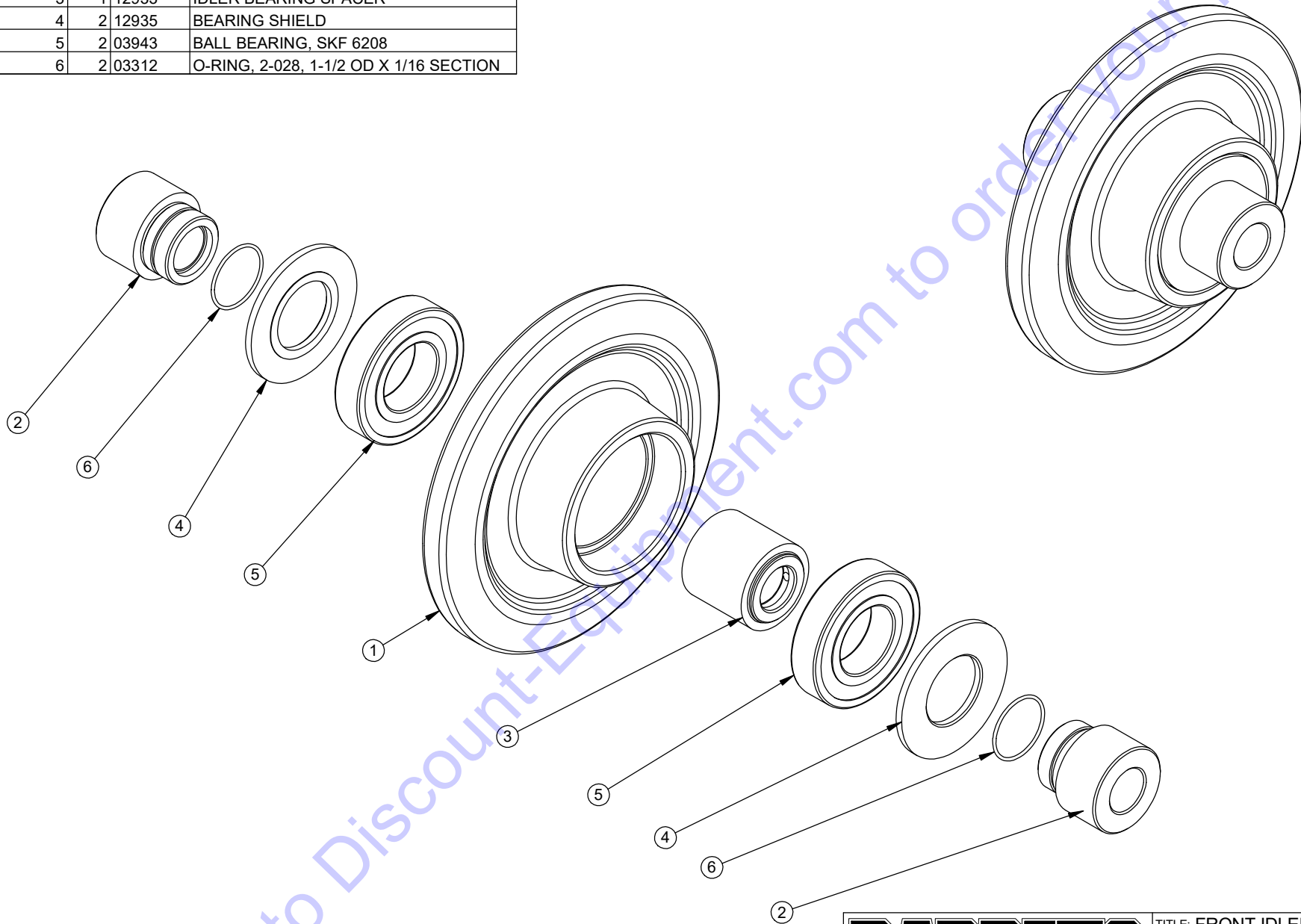
PRODUCT LINE: MINI SKIDSTEER DATE: 7/23/15

SCALE: 1:4

SHEET 1 OF 1

DWG# 00550

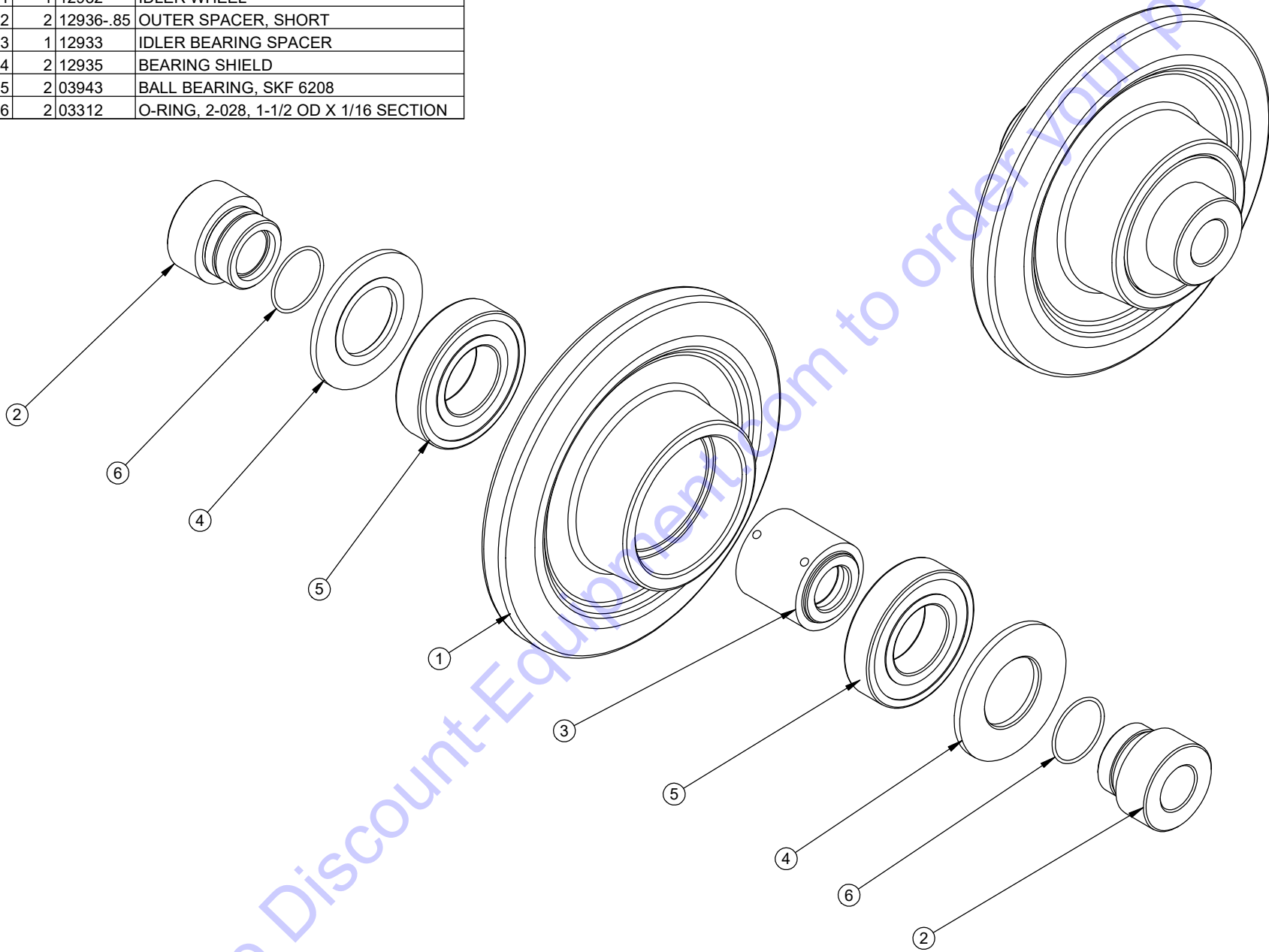
ITEM NO.	QTY.	PART NO.	DESCRIPTION
1	1	12932	IDLER WHEEL
2	2	12936-1.14	OUTER SPACER
3	1	12933	IDLER BEARING SPACER
4	2	12935	BEARING SHIELD
5	2	03943	BALL BEARING, SKF 6208
6	2	03312	O-RING, 2-028, 1-1/2 OD X 1/16 SECTION



BARRETO

TITLE: FRONT IDLER ASSEMBLY
 PRODUCT LINE: MINI SKIDSTEER DATE: 7/23/15
 SCALE: 1:3 SHEET 1 OF 1
 DWG# 00551FR

ITEM NO.	QTY.	PART NO.	DESCRIPTION
1	1	12932	IDLER WHEEL
2	2	12936-.85	OUTER SPACER, SHORT
3	1	12933	IDLER BEARING SPACER
4	2	12935	BEARING SHIELD
5	2	03943	BALL BEARING, SKF 6208
6	2	03312	O-RING, 2-028, 1-1/2 OD X 1/16 SECTION

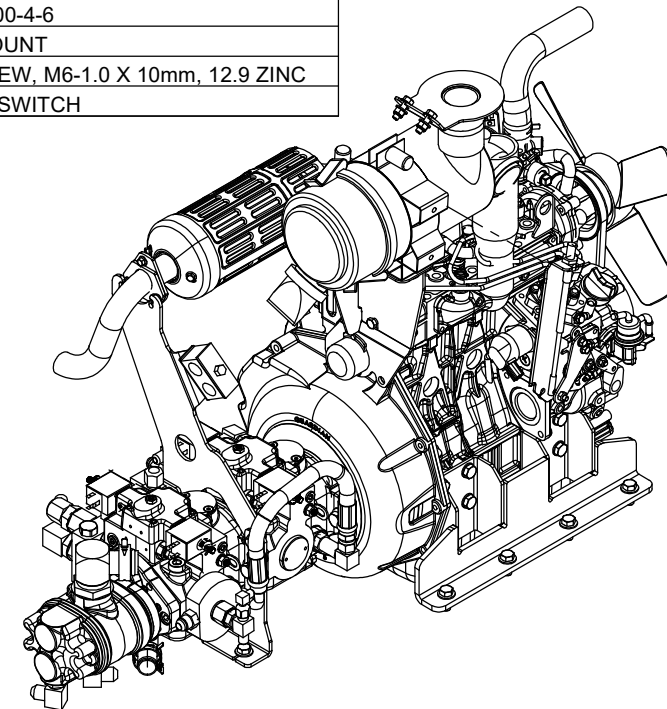


BARRETO

TITLE: REAR IDLER ASSEMBLY
 PRODUCT LINE: MINI SKIDSTEER DATE: 7/23/15
 SCALE: 1:3 SHEET 1 OF 1 DWG# 00551RR

TEM NO.	QTY.	PART NO.	DESCRIPTION	TEM NO.	QTY.	PART NO.	DESCRIPTION
1	1	13230	ENGINE, KUBOTA	48	1	13189-3	AIR SLEEVE
2	1	13003	BELL HOUSING	49	1	05455	AIR HOSE CLAMP
3	1	13155	MUFFLER, KUBOTA	50	1	13166K	MUFFLER SHIELD
4	2	12938 H	ENGINE MOUNT	51	1	05406	HH CAP SCREW, M8-1.25 X 16MM ZINC
5	1	12974H	PUMP SUPPORT BRACKET	52	1	03372	INCLINOMETER
6	3	05225	CLAMP, 1" ID HOSE, CTB-35 ST	53	2	05512	SCREW PPH, #6-32 X .375
7	1	13164	CLAMP, 1.25" ID HOSE, CTB-50 ST	54	1	04051	DRIVE PUMP, TANDEM MD10V
8	1	04530	FITTING, 4601-16-12	55	2	05300-01	HH CAP SCREW, 1/2-13 NC X 1-1/2 G5 ZINC
9	1	10396	FITTING, 4601-20-20	56	2	05102	WASHER, 1/2 SAE ZINC HARDENED
10	2	04211	FITTING, 6801-8-10	57	1	12863-8	CAP, JIC-8
11	1	04533	FITTING, 6801-8-8-LL	58	1	04611	FITTING, 6410-8-8
12	4	12380	HH CAP SCREW, M8-1.25 X 25MM ZINC	59	2	11038	FITTING, 6801-8-12
13	2	05508	FLANGE SCREW 12 PT, M10 - 1.5 X 30	60	1	10808	FITTING, 6400-8-12
14	4	N EW	HHFS M6 - 1.0 X 8mm, C8.8 ZN	61	2	05567	HHFS 5/16-18 X 1, G5, ZN
15	2	04554	FITTING, 6801-8-8	62	1	11083	FITTING, 6801-6-6-LL
16	16	05101	WASHER, 3/8 SAE ZINC	63	1	14417	DRAIN TRANSFER
17	16	05390	HH CAP SCREW, M10-1.25 X 20mm, 8.8, ZINC	64	1	04529	FITTING, 6410-8-6
18	1	04229	FITTING, 6802-8-12	65	1	10361	FITTING, 6409-8 PLUG
19	2	05060-01	HH CAP SCREW, 7/16-20 NF X 3/4 G5 ZINC	66	1	04247	FITTING, 6803-6-6-8
20	1	13167	RADIATOR HOSE, TOP	67	1	04248	FITTING, 6500-4-6
21	1	13168	RADIATOR HOSE, LOWER	68	1	14446	SENSOR MOUNT
22	1	13102 R1	EXHAUST END	69	2	05640	SHCAP SCREW, M6-1.0 X 10mm, 12.9 ZINC
23	1	13264	CABLE MOUNT	70	1	03370	PROXIMITY SWITCH
24	1	14337-END	THROTTLE CABLE END				
25	1	03510-1	BALL JOINT HOUSING, 10-32 UNF				
26	1	13265	CABLE ARM				
27	1	03510-2	BALLJOINT STUD, 1/4-28 UNF				
28	1	05266	NUT, GRIPCO, 1/4-28 NF G5 ZINC				
29	2	05069	WHIZ-LOCK 1/4 - 20 X 5/8				
30	2	05096	NUT, NYLOCK, 1/4-20 NC ZINC				
31	1	04053	EATON PUMP 16.7+8.2				
32	3	05051	WHIZ-LOCK 1/4 - 20 X 1/2				
33	1	1942032612	REMOTE FILTER MANIFOLD				
34	1	13292	MUFFLER BRACE				
35	1	11656	TUBE CLAMP				
36	2	05131	HHFS 5/16-18 X 3/4, G8, ZN				
37	4	05068	WASHER, 5/16 SAE ZINC				
38	4	05273	NUT, NYLOCK, 5/16-18 NC ZINC				
39	2	04520	FITTING, 6400-8-8				
40	10	05544	WASHER, 7/16 SAE ZINC				
41	8	05061	HH CAP SCREW, 7/16-20 NF X 1 G8 ZINC				
42	1	07022-5	DONALDSON FILTER ASSEMBLY				
43	1	14388	AIR FILTER MOUNT				
44	1	14391	AIR HOSE , 2.0 TO 1.5				
45	1	14303 R1	INTAKE FLANGE				
46	4	05541	WASHER, 5/16 FENDER ZINC				
47	2	12782	HH CAP SCREW, M8-1.25 X 20MM ZINC				

RELEASE DATE	XX/XX/XXXX
REVISED DATE	NEW
REVISION #	0



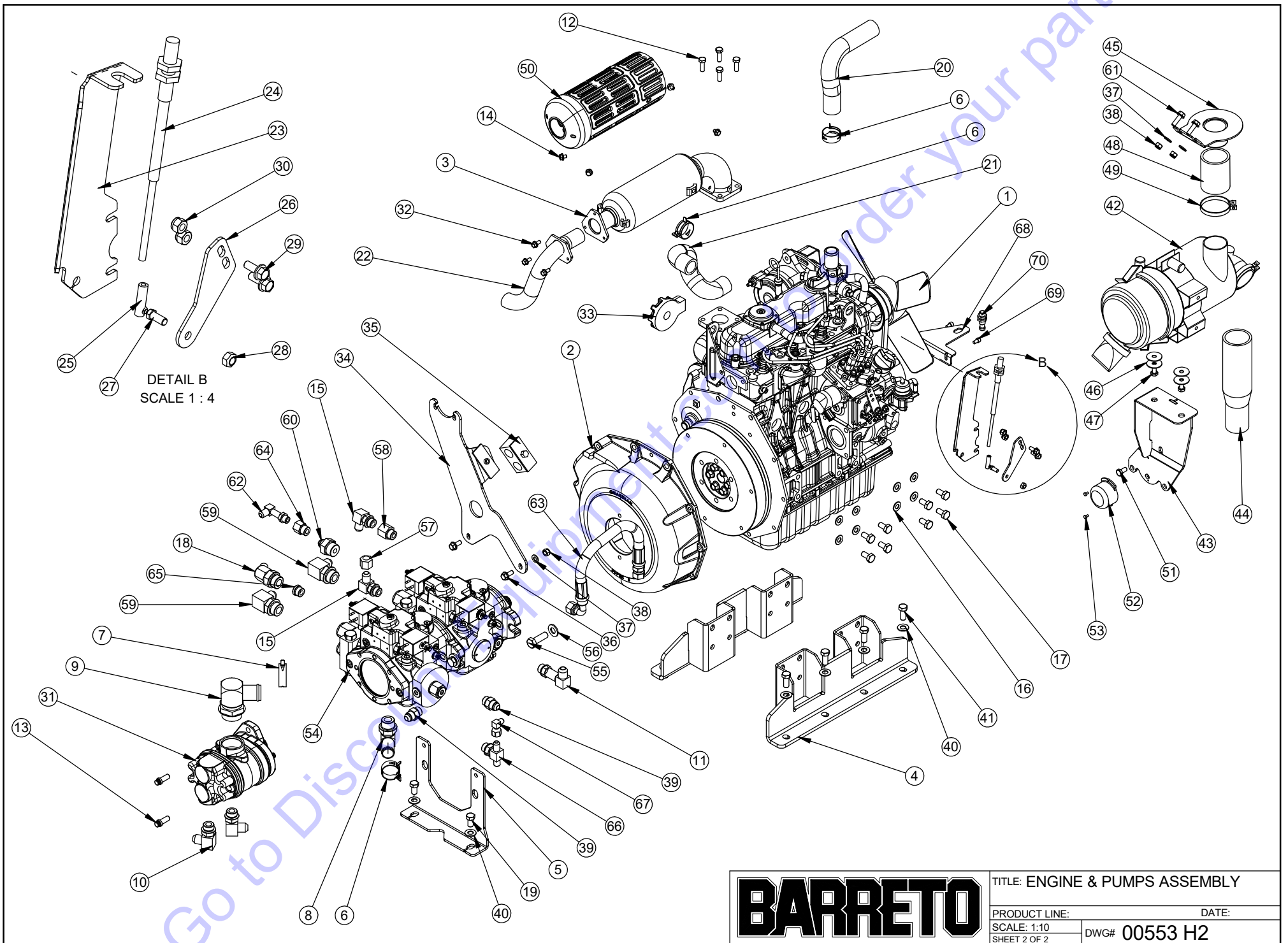
BARRETO

TITLE: ENGINE & PUMPS ASSEMBLY

PRODUCT LINE: MINI SKIDSTEER

SCALE: 1:10
SHEET 1 OF 2

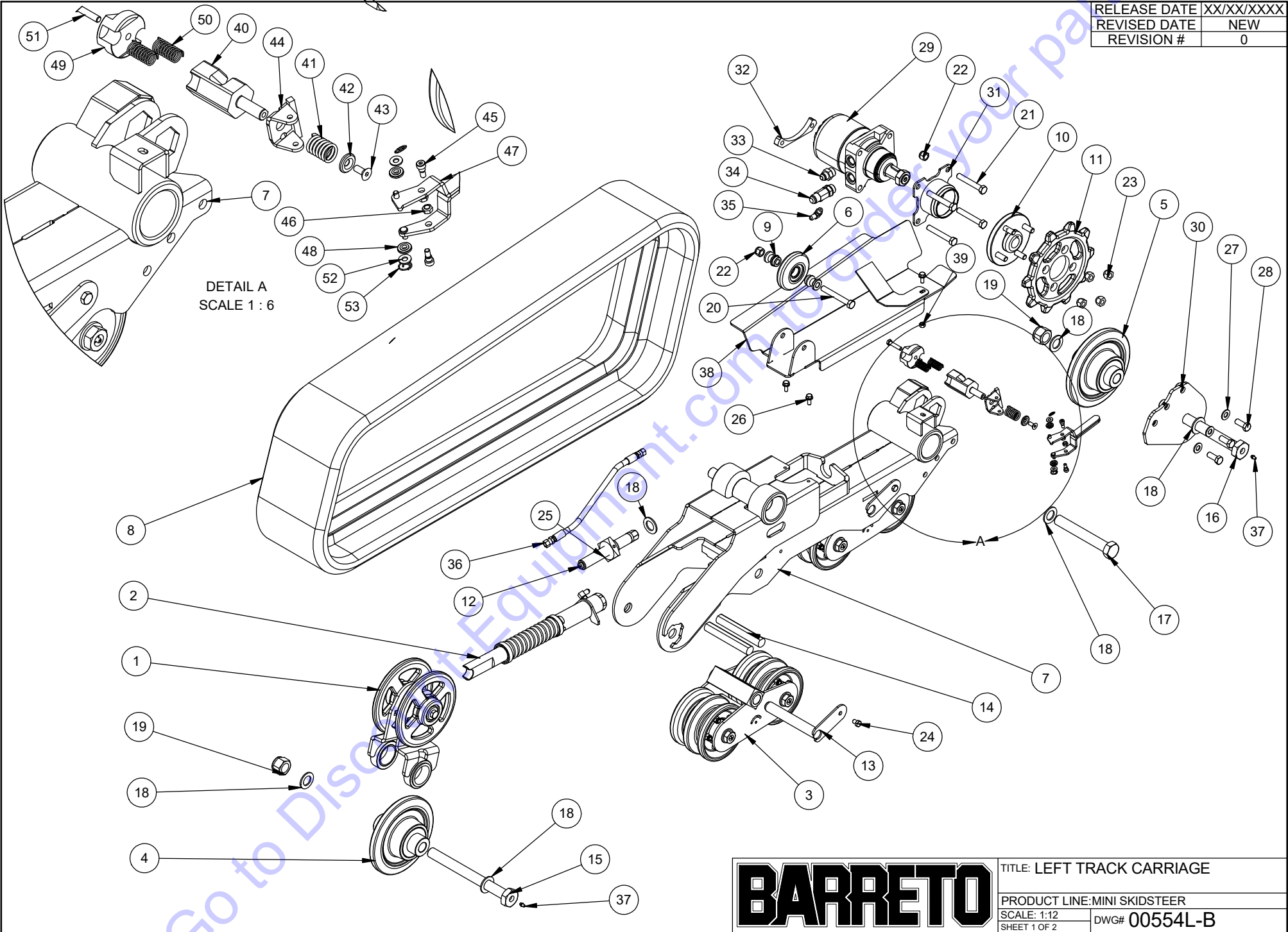
DWG# 00553 H2



BARRETO

TITLE: ENGINE & PUMPS ASSEMBLY	
PRODUCT LINE:	DATE:
SCALE: 1:10	DWG# 00553 H2
SHEET 2 OF 2	

RELEASE DATE	XX/XX/XXXX
REVISED DATE	NEW
REVISION #	0



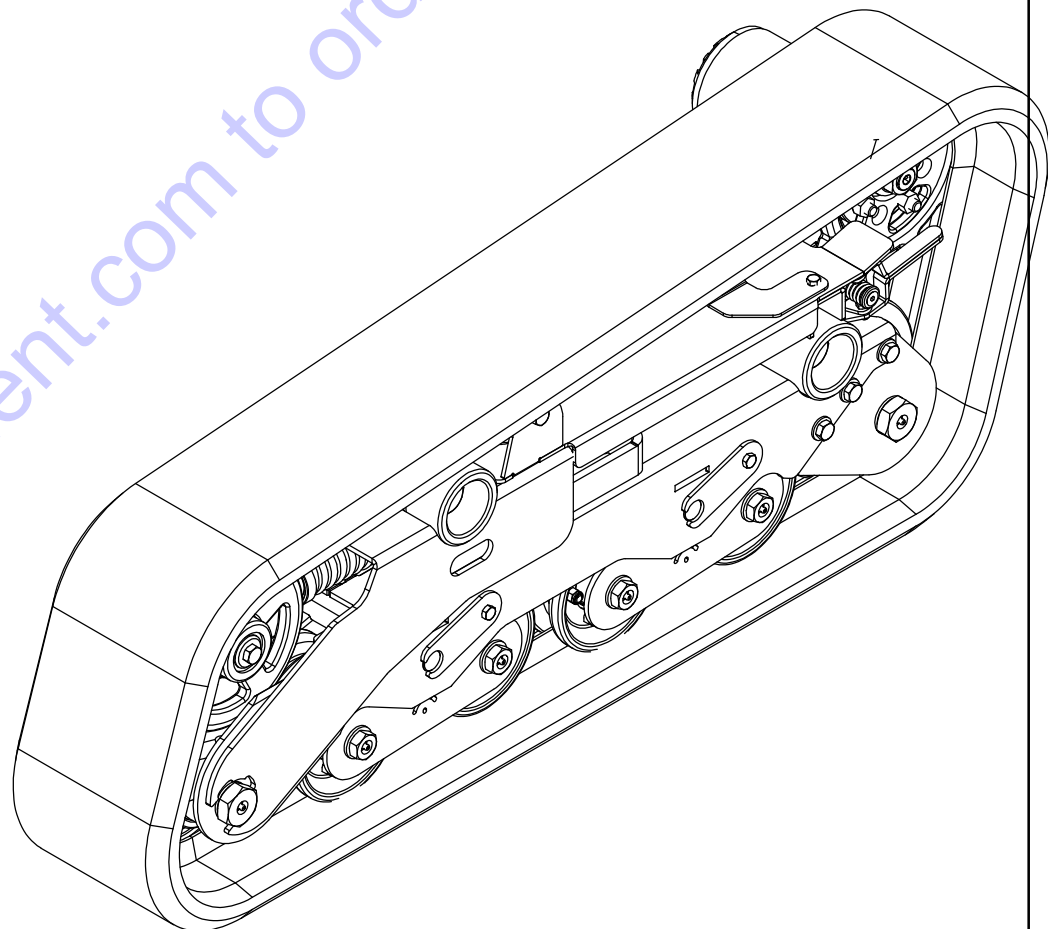
BARRETO

TITLE: LEFT TRACK CARRIAGE	
PRODUCT LINE: MINI SKIDSTEER	
SCALE: 1:12	DWG# 00554L-B
SHEET 1 OF 2	

ITEM NO.	QTY.	PART NO.	DESCRIPTION
1	1	00555	TENSION IDLER ASSEMBLY
2	1	00556 R2	TENSION CYLINDER
3	2	00550	ROLLER CARRIAGE ASSEMBLY
4	1	00551FR	FRONT IDLER ASSEMBLY
5	1	00551RR	REAR IDLER ASSEMBLY
6	1	00366	MID ROLLER ASSY
7	1	12926LB	LEFT CARRIAGE, W/ BRAKE
8	1	10965	TRACK, 230 X 44L X 72p
9	2	11144	ROLLER SPACER
10	1	10827	WHEEL HUB, 1-1/4" TAPERED, SOLID
11	1	10874	TRACK SPROCKET
12	1	12961	TENSION CYLINDER STUD
13	2	12927	ROLLER CARRIAGE TORSION PIN
14	4	12959	CARRIAGE TORSION SPRING
15	1	05383-M	HH CAP SCREW, 1-8 NC X 10-1/2 G5 ZINC
16	1	05384-M	HH CAP SCREW, 1-8 NC X 8 G5 ZINC
17	2	05460	HH CAP SCREW, 1-14 NF X 7 G5 ZN
18	7	03702-07	WASHER, 1 X 1-3/4 X 1/8 ZINC
19	2	05592	NUT, NYLOCK, 1-8 NC ZINC
20	1	05253	HH CAP SCREW, 1/2-13 NC X 3-3/4 G5 ZINC
21	4	05444	HH CAP SCREW, 1/2-13 NC X 3-1/4 G5 ZINC
22	2	05098	NUT, NYLOCK, 1/2-13 NC ZINC
23	4	05042	NUT, LUG, 1/2-20 NF
24	2	05055	HH CAP SCREW, 3/8-16 NC X 1/2 G5 ZINC
25	1	13184	TENSION ROD NUT
26	3	05131	HH FLANGE SCREW, 5/16-18 NC X 3/4 G8 ZINC
27	3	05102	WASHER, 1/2 SAE ZINC HARDENED
28	3	05323	HH CAP SCREW, 1/2-13 NC X 1-1/4 G5 ZINC
29	1	04027	TRACK DRIVE MOTOR, MINI SKID
30	1	13233L	IDLER MOUNT
31	1	13243	MOTOR GUARD
32	1	11712	NUT BAR
33	1	04522	FITTING, 6400-8-10
34	1	04526	FITTING, GP-6400-10-10-4
35	1	04555	FITTING, 6801-4-4
36	1	13159-L	TENSIONER HOSE, LEFT
37	2	05044	GREASE ZERK, 1/4-28 UNF
38	1	14347L R1	CARRIAGE COVER, LEFT
39	1	05002	NUT, GRIPCO, 5/16-18 NC G5 ZINC
40	1	14358 R1	LOCK
41	1	03353	SPRING, LEE LC-125L-02
42	1	14411	SPRING WASHER
43	1	10627	FSCS 5/16 NC X 3/4 ZN
44	1	14414B	SPRING CLEVIS
45	2	05596	SHSB, 5/16S X 1/4SL X 1/4 NC, BK OX
46	2	10773	NUT, GRIPCO, 1/4-20 NC G5 ZINC
47	1	14415	BRAKE LEVER

ITEM NO.	QTY.	PART NO.	DESCRIPTION
48	2	14412	BRAKE ROLLER
49	1	14360	SPRING CAP
50	2	03357-07	SPRING, LEE LC-065J-07
51	1	05294	HH CAP SCREW, 5/16-18 NC X 1-1/2 G5 ZINC
52	2	05081	WASHER, 1/4 SAE ZINC
53	2	05039	CIRCLE COTTER CC-3

OPTIONAL: 10966, TRACK 180 X 44L X 72P



BARRETO

TITLE: LEFT TRACK CARRIAGE

PRODUCT LINE: MINI SKIDSTEER

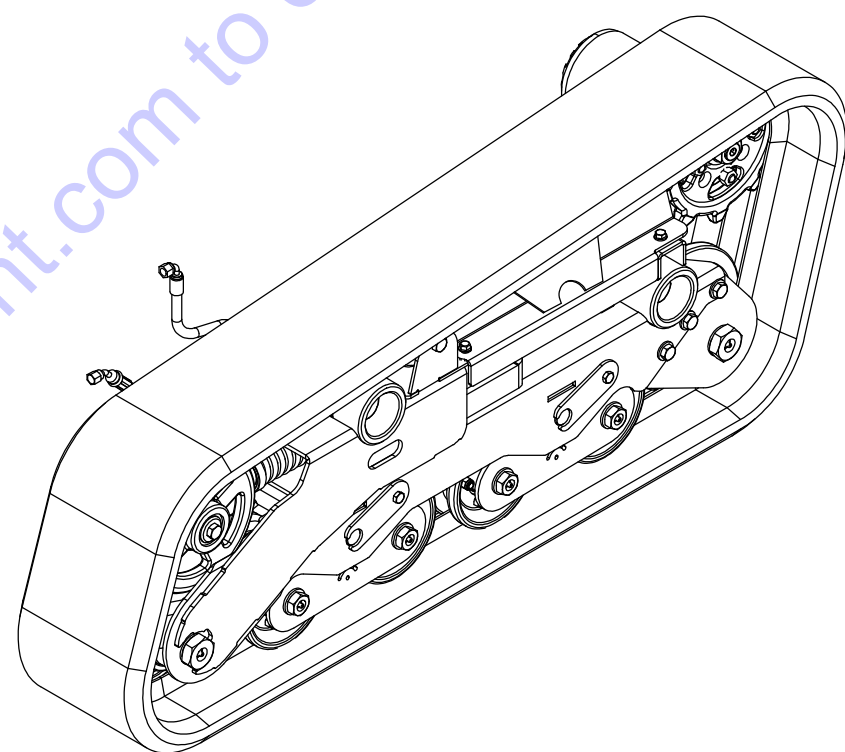
SCALE: 1:8
SHEET 2 OF 2

DWG# 00554L-B

ITEM NO.	QTY.	PART NO.	DESCRIPTION
1	1	00555	TENSION IDLER ASSEMBLY
2	1	00556 R2	TENSION CYLINDER
3	2	00550	ROLLER CARRIAGE ASSEMBLY
4	1	00551FR	FRONT IDLER ASSEMBLY
5	1	00551RR	REAR IDLER ASSEMBLY
6	1	00366	MID ROLLER ASSY
7	1	12926L R1	LEFT CARRIAGE, W/ BRAKE
8	1	14347L R2	SUPPORT MOUNT
9	1	10965	TRACK, 230 X 44L X 72p
10	2	11144	ROLLER SPACER
11	1	10827-BR	WHEEL HUB, 1-1/4" TAPERED, SOLID
12	1	10874	TRACK SPROCKET
13	1	12961	TENSION CYLINDER STUD
14	2	12927	ROLLER CARRIAGE TORSION PIN
15	4	12959	CARRIAGE TORSION SPRING
16	1	05383-M	HH CAP SCREW, 1-8 NC X 10-1/2 G5 ZINC
17	1	05384-M	HH CAP SCREW, 1-8 NC X 8 G5 ZINC
18	2	05460	HH CAP SCREW, 1-14 NF X 7 G5 ZN
19	7	03702-07	WASHER, 1 X 1-3/4 X 1/8 ZINC
20	2	05592	NUT, NYLOCK, 1-8 NC ZINC
21	1	05253	HH CAP SCREW, 1/2-13 NC X 3-3/4 G5 ZINC
22	4	05444	HH CAP SCREW, 1/2-13 NC X 3-1/4 G5 ZINC
23	2	05098	NUT, NYLOCK, 1/2-13 NC ZINC
24	4	05042	NUT, LUG, 1/2-20 NF
25	2	05055	HH CAP SCREW, 3/8-16 NC X 1/2 G5 ZINC
26	1	13184	TENSION ROD NUT
27	3	05131	HH FLANGE SCREW, 5/16-18 NC X 3/4 G8 ZINC
28	3	05102	WASHER, 1/2 SAE ZINC HARDENED
29	3	05323	HH CAP SCREW, 1/2-13 NC X 1-1/4 G5 ZINC
30	1	04027	TRACK DRIVE MOTOR, MINI SKID
31	1	13233L	IDLER MOUNT
32	1	13243	MOTOR GUARD
33	1	11712	NUT BAR
34	1	04522	FITTING, 6400-8-10
35	1	04521	FITTING, 6400-10-10-4
36	3	04555	FITTING, 6801-4-4
37	1	13159-L	TENSIONER HOSE, LEFT
38	2	05256	GREASE ZERK, 1/8 NPT
39	1	05273	NUT, NYLOCK, 5/16-18 NC ZINC
40	1	04616	BRAKE VALVE
41	1	14436L	LEFT CARRIAGE COVER
42	1	04218	FITTING, 6802-4-4
43	1	05595	NUT, JAM, 1-8 NC ZINC
44	2	05131	HHFS 5/16-18 X 1/2, G5, ZN
45	2	05088	HH CAP SCREW, 1/4-20 NC X 1-1/2 G5 ZINC
46	1	05044	GREASE ZERK, 1/4-28 UNF
47	1	00569 H2	BRAKE ASSEMBLY

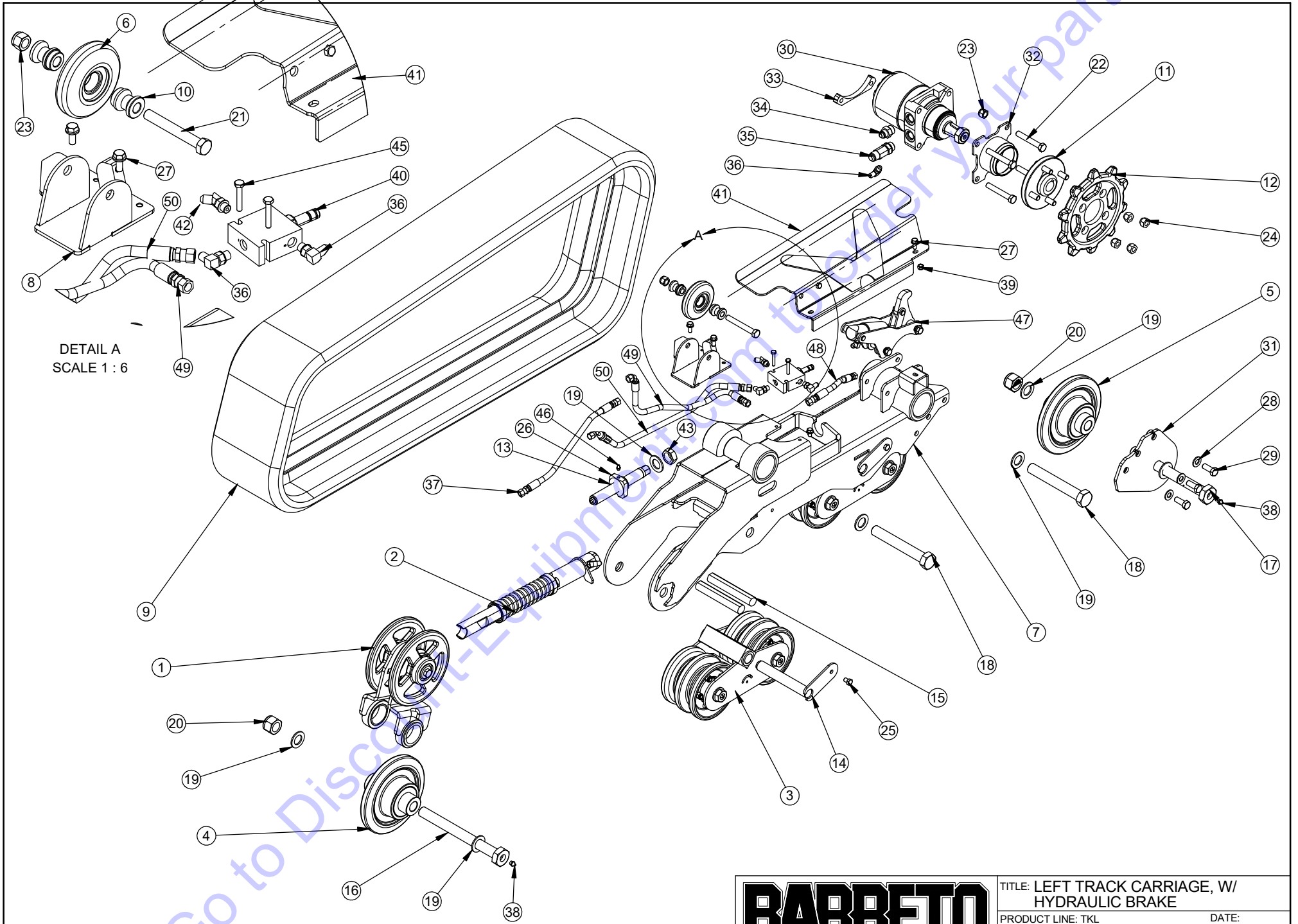
ITEM NO.	QTY.	PART NO.	DESCRIPTION
48	1	14424	HOSE, BRAKE VALVE / CYLINDER
49	1	14425	HOSE, BRAKE / CHARGE
50	1	14426	HOSE, BRAKE VALVE / TANK

RELEASE DATE	XX/XX/XXXX
REVISED DATE	NEW
REVISION #	0



BARRETO

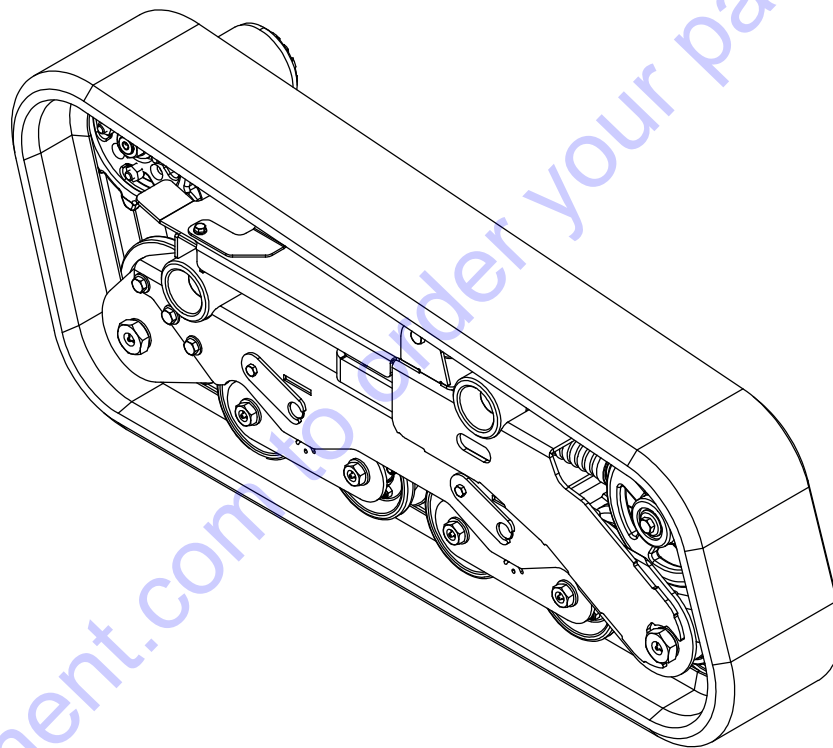
TITLE: LEFT TRACK CARRIAGE	
PRODUCT LINE: MINI SKIDSTEER	
SCALE: 1:10	DWG# 00554L-HB2
SHEET 1 OF 2	



BARRETO

TITLE: LEFT TRACK CARRIAGE, W/ HYDRAULIC BRAKE		DATE:
PRODUCT LINE: TKL		
SCALE: 1:12	DWG# 00554L-HB2	
SHEET 2 OF 2		

ITEM NO.	QTY.	PART NO.	DESCRIPTION
1	2	00550	ROLLER CARRIAGE ASSEMBLY
2	1	00551FR	FRONT IDLER ASSEMBLY
3	1	00551RR	REAR IDLER ASSEMBLY
4	1	00366	MID ROLLER ASSY
5	1	00555	TENSION IDLER ASSEMBLY
6	1	12926R R1	RIGHT CARRIAGE
7	1	12961	TENSION CYLINDER STUD
8	1	13184	TENSION ROD NUT
9	2	11144	ROLLER SPACER
10	1	10874	TRACK SPROCKET
11	1	10827	WHEEL HUB, 1-1/4" TAPERED, SOLID
12	1	13243	MOTOR GUARD
13	1	13233R	IDLER PLATE
14	2	12927	ROLLER CARRIAGE TORSION PIN
15	4	12959	CARRIAGE TORSION SPRING
16	1	11712	NUT BAR
17	1	04027R	TRACK DRIVE MOTOR, MINI SKID
18	1	04522	FITTING, 6400-8-10
19	1	05383-M	HH CAP SCREW, 1-8 NC X 10-1/2 G5 ZINC
20	1	05384-M	HH CAP SCREW, 1-8 NC X 8 G5 ZINC
21	2	05460	HH CAP SCREW, 1-14 NF X 7 G5 ZN
22	7	03702-07	WASHER, 1 X 1-3/4 X 1/8 ZINC
23	2	05592	NUT, NYLOCK, 1-8 NC ZINC
24	1	05253	HH CAP SCREW, 1/2-13 NC X 3-3/4 G5 ZINC
25	4	05444	HH CAP SCREW, 1/2-13 NC X 3-1/4 G5 ZINC
26	3	05323	HH CAP SCREW, 1/2-13 NC X 1-1/4 G5 ZINC
27	3	05102	WASHER, 1/2 SAE ZINC HARDENED
28	2	05098	NUT, NYLOCK, 1/2-13 NC ZINC
29	4	05042	NUT, LUG, 1/2-20 NF
30	2	05055	HH CAP SCREW, 3/8-16 NC X 1/2 G5 ZINC
31	3	05131	HH FLANGE SCREW, 5/16-18 NC X 3/4 G8 ZINC
32	1	04526	FITTING, GP-6400-10-10-4
33	1	04555	FITTING, 6801-4-4
34	2	13159-R	TENSIONER HOSE, RT
35	2	05256	GREASE ZERK, 1/8 NPT
36	1	14347R	CARRIAGE COVER, RIGHT
37	1	05002	NUT, GRIPCO, 5/16-18 NC G5 ZINC
38	1	10965	TRACK, 230 X 44L X 72p
39	1	00556 R2	TENSION CYLINDER
40	2	05595	NUT, JAM, 1-8 NC ZINC
41	1	05044	GREASE ZERK, 1/4-28 UNF



10966, TRACK OPTION, 180 X 44L X 72P

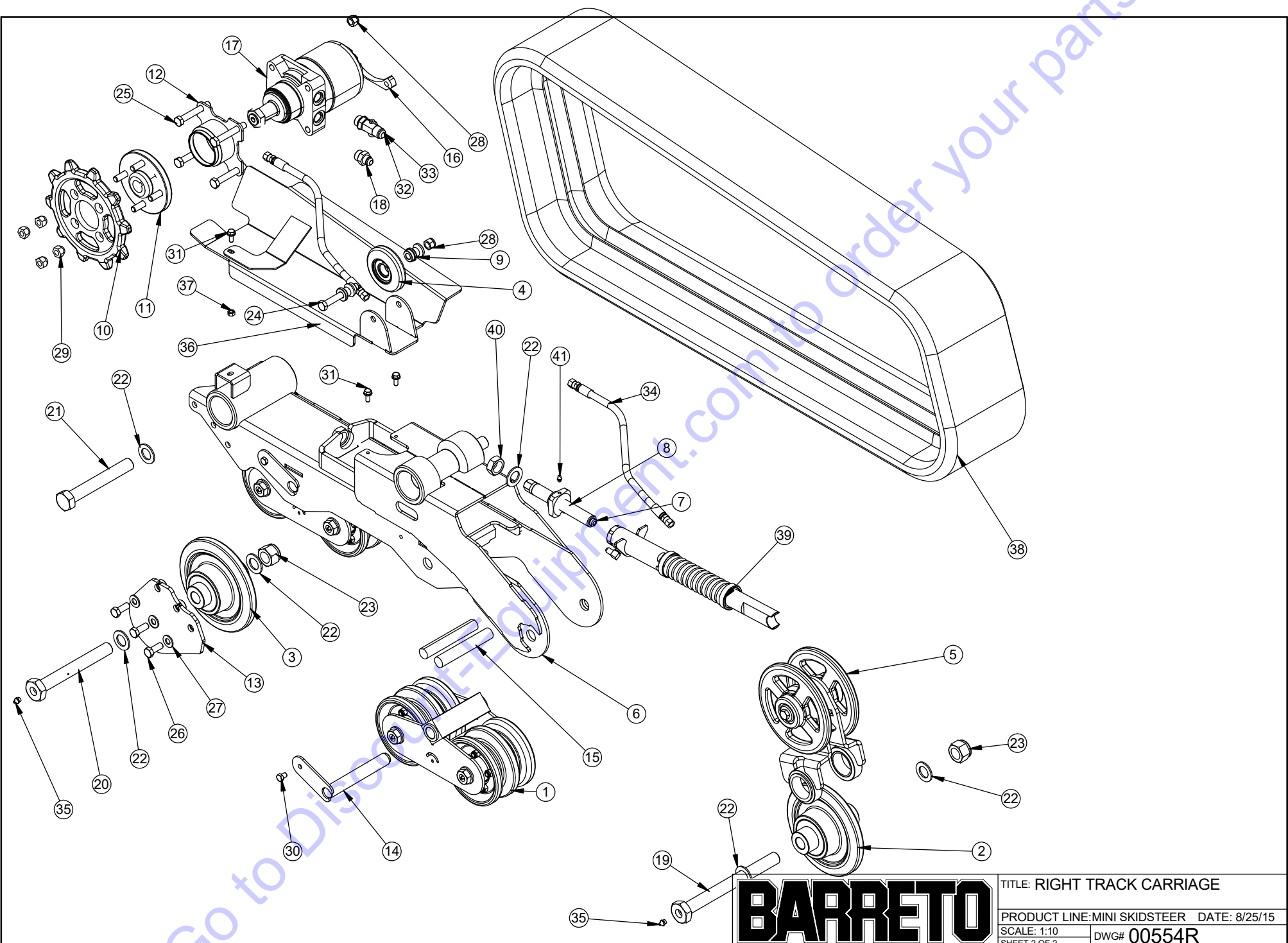
BARRETO

TITLE: RIGHT TRACK CARRIAGE

PRODUCT LINE: MINI SKIDSTEER DATE: 8/2/17

SCALE: 1:10
SHEET 1 OF 2

DWG# 00554R

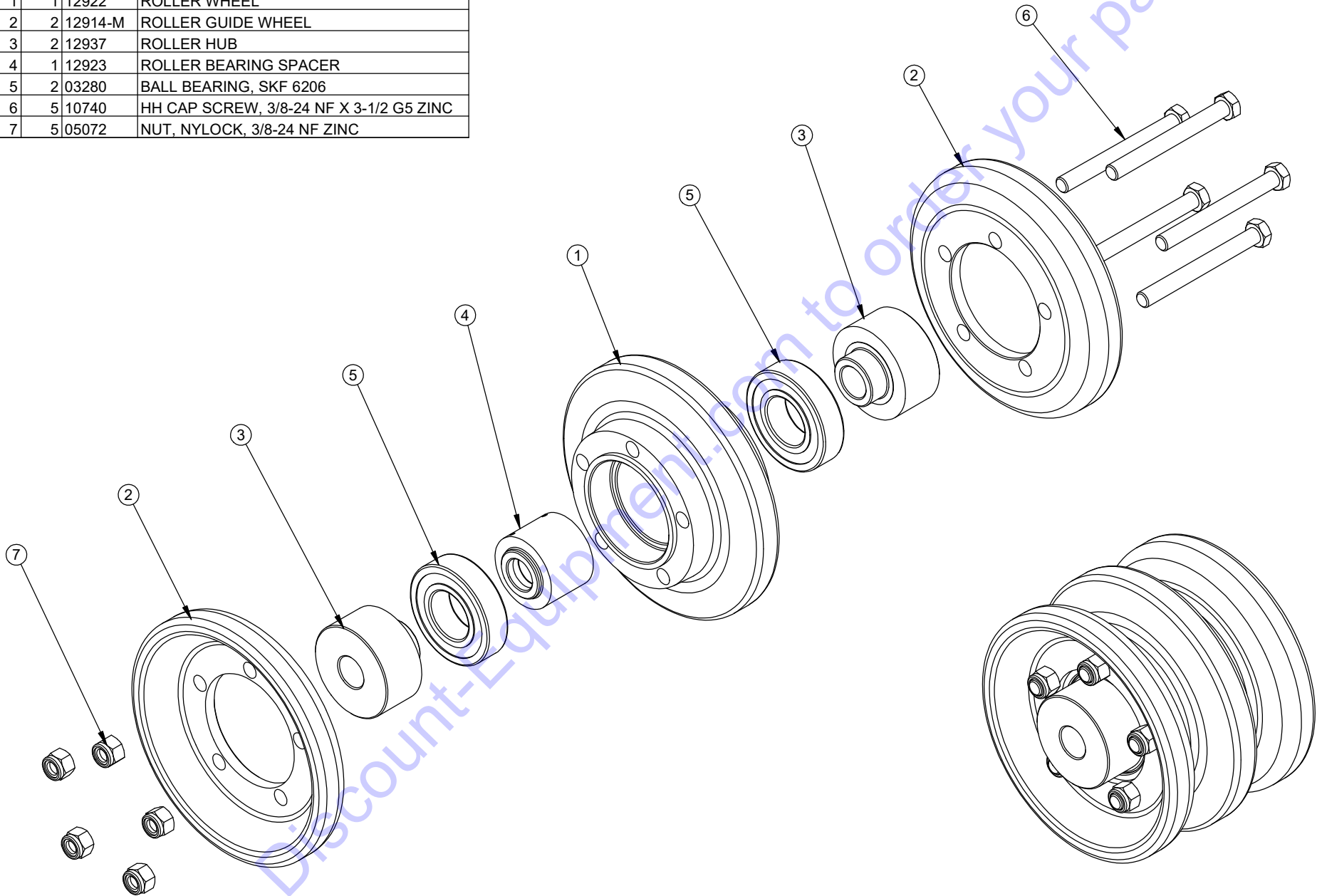


Go to Displacement.com to order your parts

BARRETO

TITLE: RIGHT TRACK CARRIAGE	
PRODUCT LINE: MINI SKIDSTEER	DATE: 8/25/15
SCALE: 1:10	DWG# 00554R
SHEET 2 OF 2	

ITEM NO.	QTY.	PART NO.	DESCRIPTION
1	1	12922	ROLLER WHEEL
2	2	12914-M	ROLLER GUIDE WHEEL
3	2	12937	ROLLER HUB
4	1	12923	ROLLER BEARING SPACER
5	2	03280	BALL BEARING, SKF 6206
6	5	10740	HH CAP SCREW, 3/8-24 NF X 3-1/2 G5 ZINC
7	5	05072	NUT, NYLOCK, 3/8-24 NF ZINC



BARRETO

TITLE: ROLLER ASSEMBLY

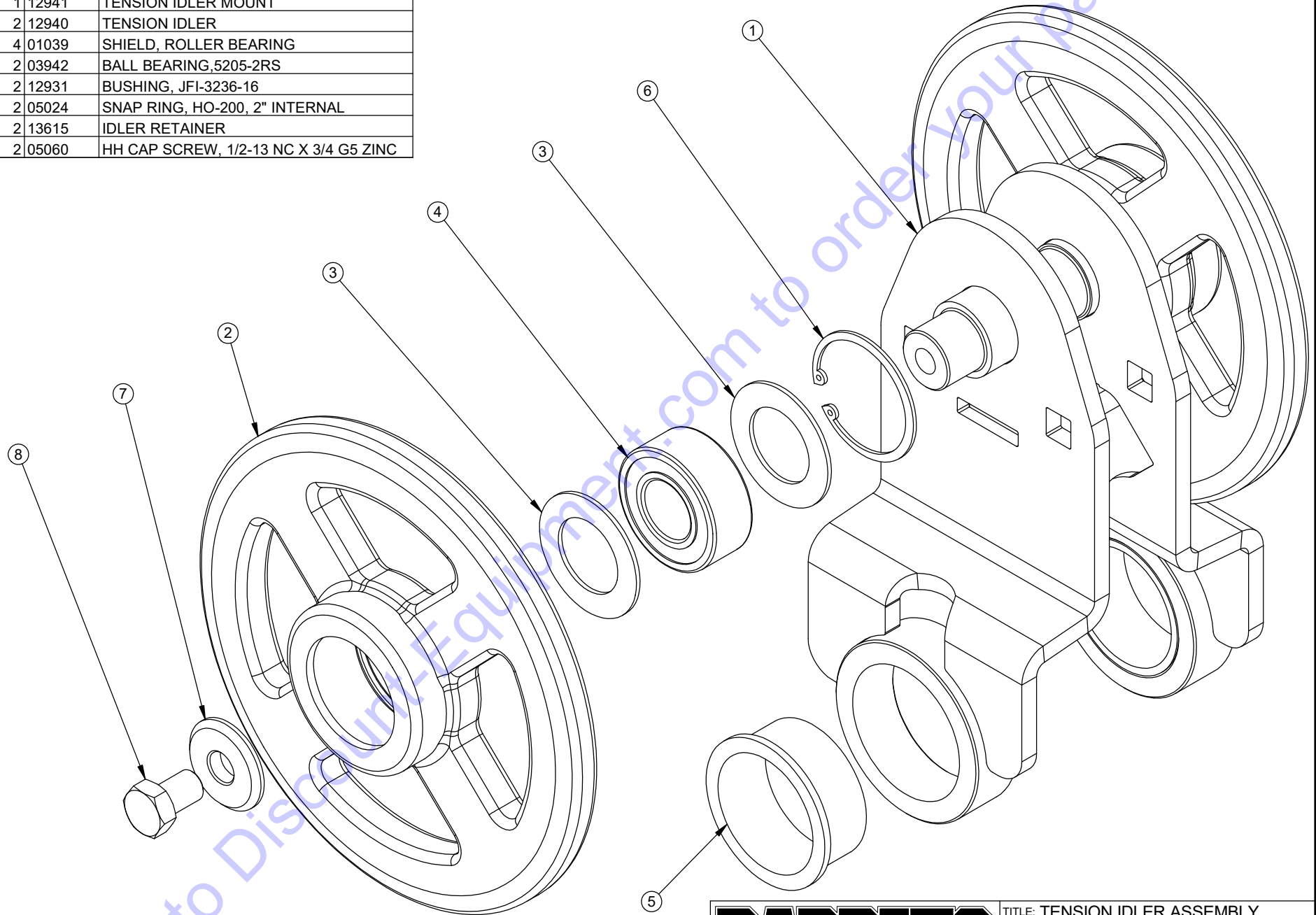
PRODUCT LINE: MINI SKIDSTEER DATE: 7/23/15

SCALE: 1:3

DWG# 00552

SHEET 1 OF 1

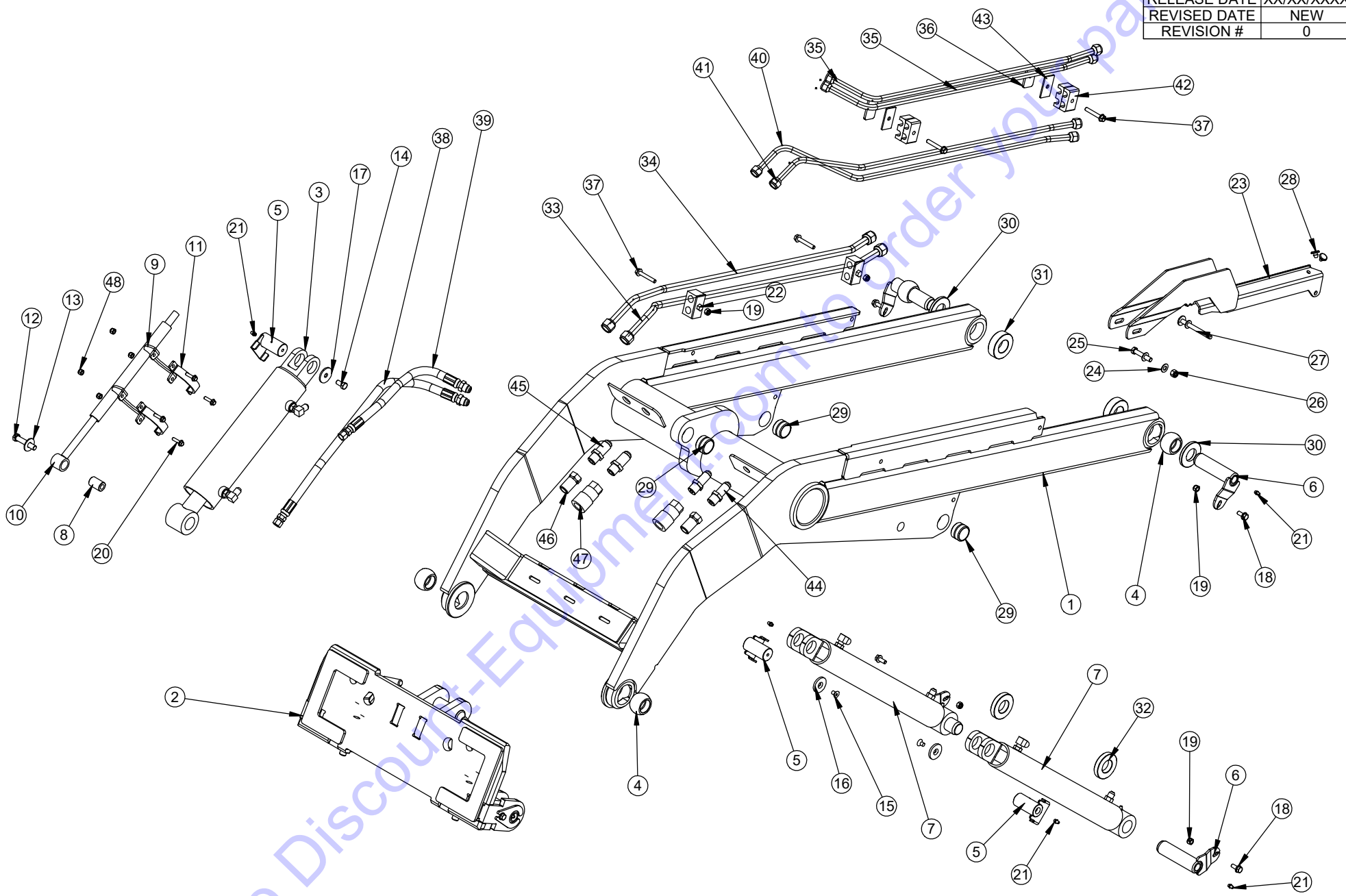
ITEM NO.	QTY.	PART NO.	DESCRIPTION
1	1	12941	TENSION IDLER MOUNT
2	2	12940	TENSION IDLER
3	4	01039	SHIELD, ROLLER BEARING
4	2	03942	BALL BEARING, 5205-2RS
5	2	12931	BUSHING, JFI-3236-16
6	2	05024	SNAP RING, HO-200, 2" INTERNAL
7	2	13615	IDLER RETAINER
8	2	05060	HH CAP SCREW, 1/2-13 NC X 3/4 G5 ZINC



BARRETO

TITLE: TENSION IDLER ASSEMBLY
 PRODUCT LINE: MINI SKIDSTEER DATE: 7/14/15
 SCALE: 1:2
 SHEET 1 OF 1 DWG# 00555

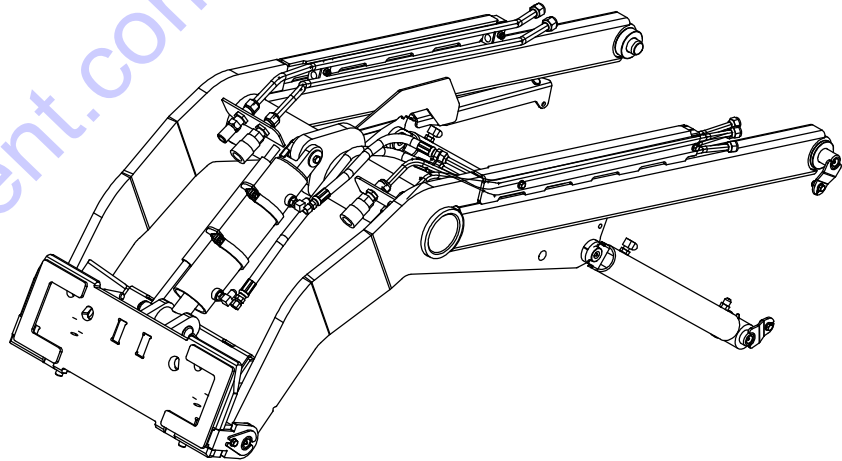
RELEASE DATE	XX/XX/XXXX
REVISED DATE	NEW
REVISION #	0



BARRETO	TITLE: LIFT ARM ASSEMBLY
	PRODUCT LINE: MINI SKIDSTEER
	SCALE: 1:12
	SHEET 1 OF 2
	DWG# 00557 R1

Go to Discount-Equipment.com to order your parts

TEM NO.	QTY.	PART NO.	DESCRIPTION	TEM NO.	QTY.	PART NO.	DESCRIPTION
1	1	12962 R1	LIFT ARM	41	1	14330AX1	HYD LINE, 2ND AUX, LINE 1
2	1	00564C	TOOL MOUNT ASSEMBLY	42	4	14307	TUBE CLAMP, .50"
3	1	12964-X10	TILT CYLINDER, 2.50 X 10	43	2	14349	TUBE PAD
4	4	14324	SPHERICAL EYE, 1.25	44	2	13344	BULKHEAD, 2706LN-08-08
5	3	12967	HINGE PIN, CYLINDER - LIFT ARM	45	2	13342	BULKHEAD 2706LN-08-10
6	4	12970-G	HINGE PIN, FRAME-LIFT ARM	46	2	13338	QUICK DISCONNECT, MALE
7	2	12963X16	LIFT CYLINDER, 2.0 X 16	47	2	13337	QUICK DISCONNECT, FEMALE
8	1	13141	BOLT SLEEVE, LEVEL INDICATOR	48	4	05096	NUT, NYLOCK, 1/4-20 NC ZINC
9	1	13142	LEVEL INDICATOR GUIDE				
10	1	13144	ATTACHMENT LEVEL INDICATOR				
11	2	13170 R1	CYLINDER CLAMP, LEVEL INDICATOR				
12	1	05177	HH CAP SCREW, 7/16-20 NF X 2-1/4 G5 ZINC				
13	1	05083	WASHER, 7/16 USS ZINC				
14	1	05057	HH CAP SCREW, 3/8-16 NC X 3/4 G5 ZINC				
15	2	05563	FSCS 5/16 NC X 1/2 ZN				
16	2	10626	PIVOT PIN WASHER				
17	1	05540	WASHER, 3/8 FENDER ZINC				
18	4	05131	HH FLANGE SCREW, 5/16-18 NC X 3/4 G8 ZINC				
19	6	05273	NUT, NYLOCK, 5/16-18 NC ZINC				
20	4	05404	HHFS 1/4-20 X 1, G5, ZN				
21	7	05044	GREASE ZERK, 1/4-28 UNF				
22	2	11983	TUBE CLAMP, 5/8"				
23	1	13211	LIFT LOCK				
24	2	05101	WASHER, 3/8 SAE ZINC				
25	1	05262	HH CAP SCREW, 3/8-16 NC X 2 G5 ZINC				
26	1	05073	NUT, NYLOCK, 3/8-16 NC ZINC				
27	1	03552	LOCK PIN, PL6-2500				
28	2	13130	BUTTON BUMPER E-3347				
29	3	10703	BUSHING, CONNEX 1.5X1.25X1				
30	2	13275	ARM SPACER, OUTER				
31	2	13268-.75	ARM SHIM, INNER				
32	2	13268-.46	ARM SHIM, INNER				
33	1	14327	HYD. LINE, AUX 1 - BOTTOM				
34	1	14329	HYD LINE, AUX 1 TOP				
35	2	14330	HYD LINE, TILT, LOWER, 3/8"				
36	2	14308	QUAD CLAMP CAP				
37	4	05566	HHFS 5/16-18 X 2, G5, ZN				
41	1	14330AX2	HYDRAULIC LINE, AUX 2, LINE 2				
42	1	14330AX1	HYDRAULIC LINE, AUX 2, LINE 1				
43	4	14307	TUBE CLAMP, .50"				
44	2	14349	TUBE PAD				
45	2	13344	FITTING, BULKHEAD 2706LN-08-08				
46	2	13342	FITTING, BULKHEAD 2706LN-08-10				
47	2	13338	QUICK DISCONNECT, MALE				
48	2	13337	QUICK DISCONNECT, FEMALE				
38	1	14326	HOSE, LOWER TILT, 3/8"				
39	1	14325	HOSE, TILT UPPER END, 3/8"				



BARRETO

TITLE: LIFT ARM ASSEMBLY
 X
 PRODUCT LINE: _____ DATE: _____
 SCALE: 1:64 SHEET 2 OF 2 DWG# 00557 R1

PARTS FINDER

**Search Website
by Part Number**



**Search Manual
Library For Parts
Manual & Lookup Part
Numbers – Purchase
or Request Quote**

Search Manuals

Enter your information to help us find the right parts manual for your machine.

* Brand:

* Model:

* Serial:

* Part Number:

SEARCH

**Can't Find Part or
Manual? Request Help
by Manufacturer,
Model & Description**

Parts Order Form

Please fill in the following information to help us find the right part for your machine.

Manufacturer:	<input type="text"/>
Model:	<input type="text"/>
Description:	<input type="text"/>
Part Number:	<input type="text"/>
Quantity:	<input type="text"/>
Notes:	<input type="text"/>

Submit

Discount-Equipment.com is your online resource for quality parts & equipment.

Florida: **561-964-4949** Outside Florida TOLL FREE: **877-690-3101**

Need parts?

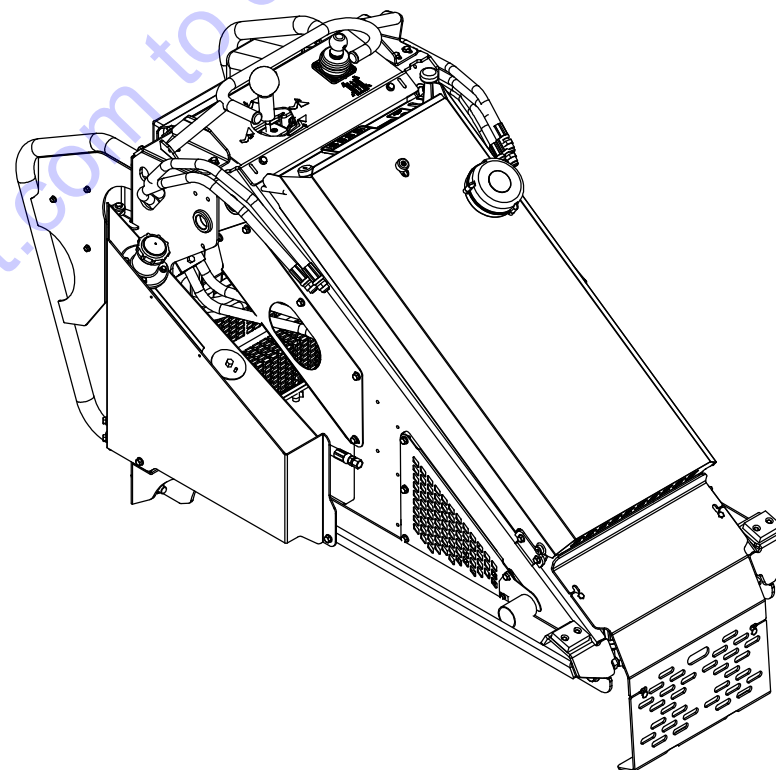
Click on this link: <http://www.discount-equipment.com/category/5443-parts/> and choose one of the options to help get the right parts and equipment you are looking for. Please have the machine model and serial number available in order to help us get you the correct parts. If you don't find the part on the website or on one of the online manuals, please fill out the request form and one of our experienced staff members will get back to you with a quote for the right part that your machine needs.

We sell worldwide for the brands: Genie, Terex, JLG, MultiQuip, Mikasa, Essick, Whiteman, Mayco, Toro Stone, Diamond Products, Generac Magnum, Airman, Haulotte, Barreto, Power Blanket, Nifty Lift, Atlas Copco, Chicago Pneumatic, Allmand, Miller Curber, Skyjack, Lull, Skytrak, Tsurumi, Husquvarna Target, Stow, Wacker, Sakai, Mi-T-M, Sullair, Basic, Dynapac, MBW, Weber, Bartell, Bennar Newman, Haulotte, Ditch Runner, Menegotti, Morrison, Contec, Buddy, Crown, Edco, Wyco, Bomag, Laymor, EZ Trench, Bil-Jax, F.S. Curtis, Gehl Pavers, Heli, Honda, ICS/PowerGrit, IHI, Partner, Imer, Clipper, MMD, Koshin, Rice, CH&E, General Equipment, Amida, Coleman, NAC, Gradall, Square Shooter, Kent, Stanley, Tamco, Toku, Hatz, Kohler, Robin, Wisconsin, Northrock, Oztec, Toker TK, Rol-Air, APT, Wylie, Ingersoll Rand / Doosan, Innovatech, Con X, Ammann, Mecalac, Makinex, Smith Surface Prep, Small Line, Wanco, Yanmar

ITEM NO.	QTY.	PART NO.	DESCRIPTION
1	1	00561	FUEL TANKS ASSEMBLY
2	1	00560 H1	CONTROL ASSEMBLY
3	1	00562 R1	COOLER ASSEMBLY
4	1	00565	FRONT COVERS
5	1	00567	REAR GUARDS
6	4	05069	WHIZ LOCK, 1/4-20 NC X 5/8 ZINC
7	1	14395	FLAP BACKING
8	1	13245	AIR DEFLECTOR
9	1	12949 R1	LIFT FRAME
10	1	13178	HOSE, AUX 1 BOTTOM
11	1	13177	HOSE, AUX 1 TOP
12	1	11656	TUBE CLAMP
13	1	12997	BATTERY MOUNT
14	1	13146	BATTERY CABLE, NEG
15	1	13145	BATTERY CABLE, POS
16	1	13101	BATTERY HOLDER
17	4	05567	HH FLANGE SCREW, 5/16-18 NC X 1" G8 ZINC
18	1	13100	BATTERY CLAMP
19	6	05068	WASHER, 5/16 SAE ZINC
20	4	05273	NUT, NYLOCK, 5/16-18 NC ZINC
21	1	12999	BATTERY, 12V, MT-34, 700 CCA
22	2	05566	HH CAP SCREW, 5/16-18 NC X 2 G5 ZINC
23	10	05272	WASHER, 5/8 SAE ZINC HARDENED
24	4	05335	HH CAP SCREW, 5/8-11 NC X 2-1/2 G5 ZINC
25	6	05099	NUT, NYLOCK, 5/8-11 NC ZINC
26	2	13234	WEDGE CONE
27	2	05386	HH CAP SCREW, 5/8-11 NC X 3 G5 ZINC
28	1	13290	FUSE MOUNT
29	1	14316	HOSE, RIGHT LIFT PISTON
30	1	14318	HOSE, LEFT ROD END
31	1	14315	HOSE, LEFT LIFT PISTON
32	1	14317	HOSE, RIGHT ROD END
33	1	13182H	HOSE, TILT 2 REAR
34	1	13181H	HOSE, TILT 1
35	1	13175B	HOSE, PUMP / AUX 1
36	1	13176B	HOSE, PUMP / LIFT VALVE
37	1	13278	HOSE, LIFT VALVE RETURN
38	2	05225	CLAMP, 1" ID HOSE, CTB-35 ST
39	1	14320	RETURN HOSE, LOWER
40	2	05049	WHIZ LOCK, 1/4-20 NC X 3/4 ZINC
41	1	03337	CIRCUIT BREAKER
42	2	14323	ARM STOP
43	4	05404	HHFS 1/4-20 X 1, G5, ZN
44	10	05096	NUT, NYLOCK, 1/4-20 NC ZINC
45	1	13266B	FUSE BOX MOUNT
46	1	14403	ECU MOUNT
47	1	03339	FUSE BOX

ITEM NO.	QTY.	PART NO.	DESCRIPTION
48	1	14330H1	HOSE, AUX2 A
49	1	14330H2	HOSE, AUX2 B
50	1	14321	DRIVE CONTROL ECU
51	4	05560	HH CAP SCREW, 1/4-20 NC X 2-1/4 G5 ZINC
52	4	05081	WASHER, 1/4 SAE ZINC

RELEASE DATE	XX/XX/XXXX
REVISED DATE	NEW
REVISION #	0



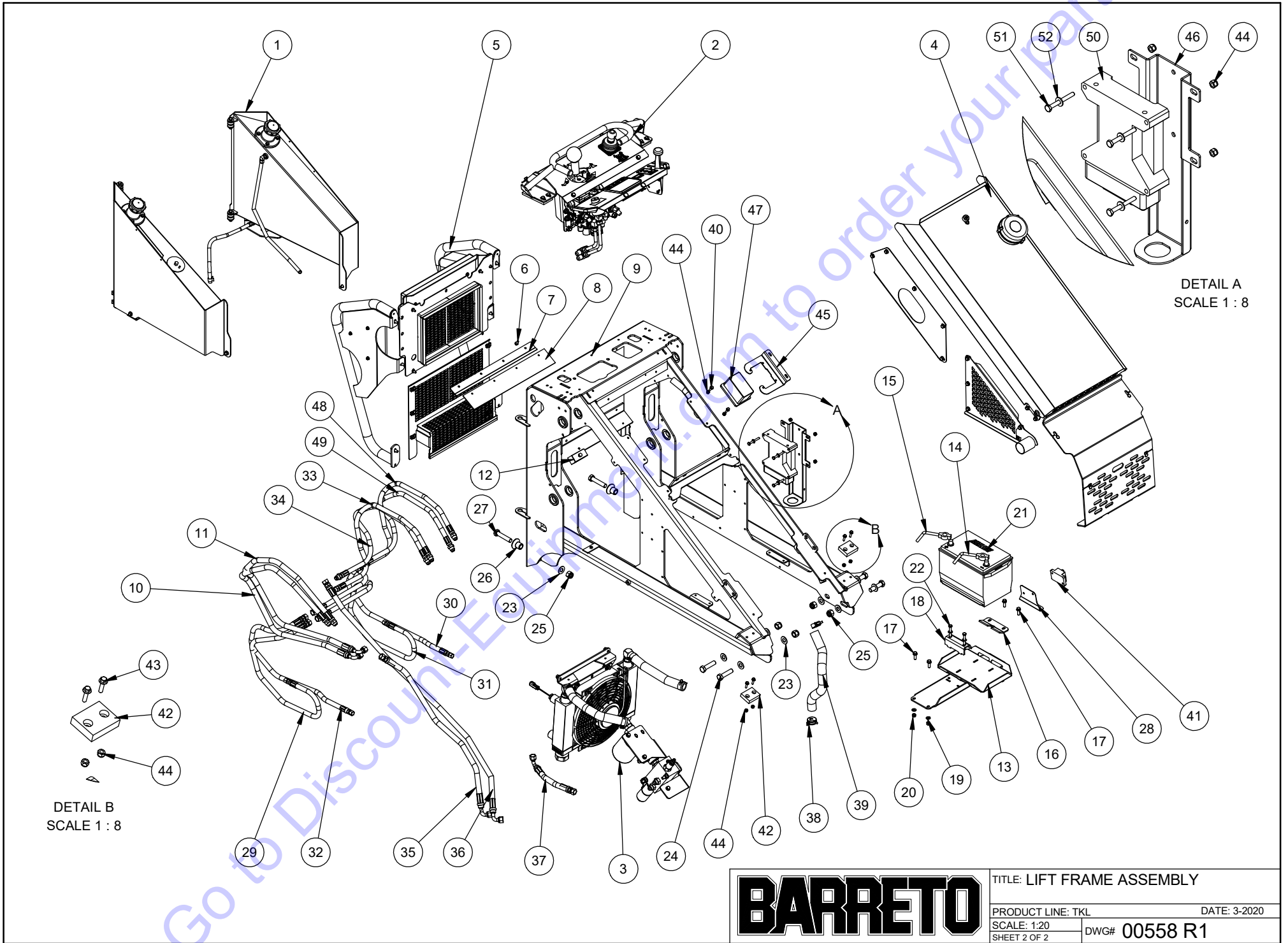
BARRETO

TITLE: LIFT FRAME ASSEMBLY

PRODUCT LINE: MINI SKID

SCALE: 1:16
SHEET 1 OF 2

DWG# 00558 R1



DETAIL A
SCALE 1 : 8

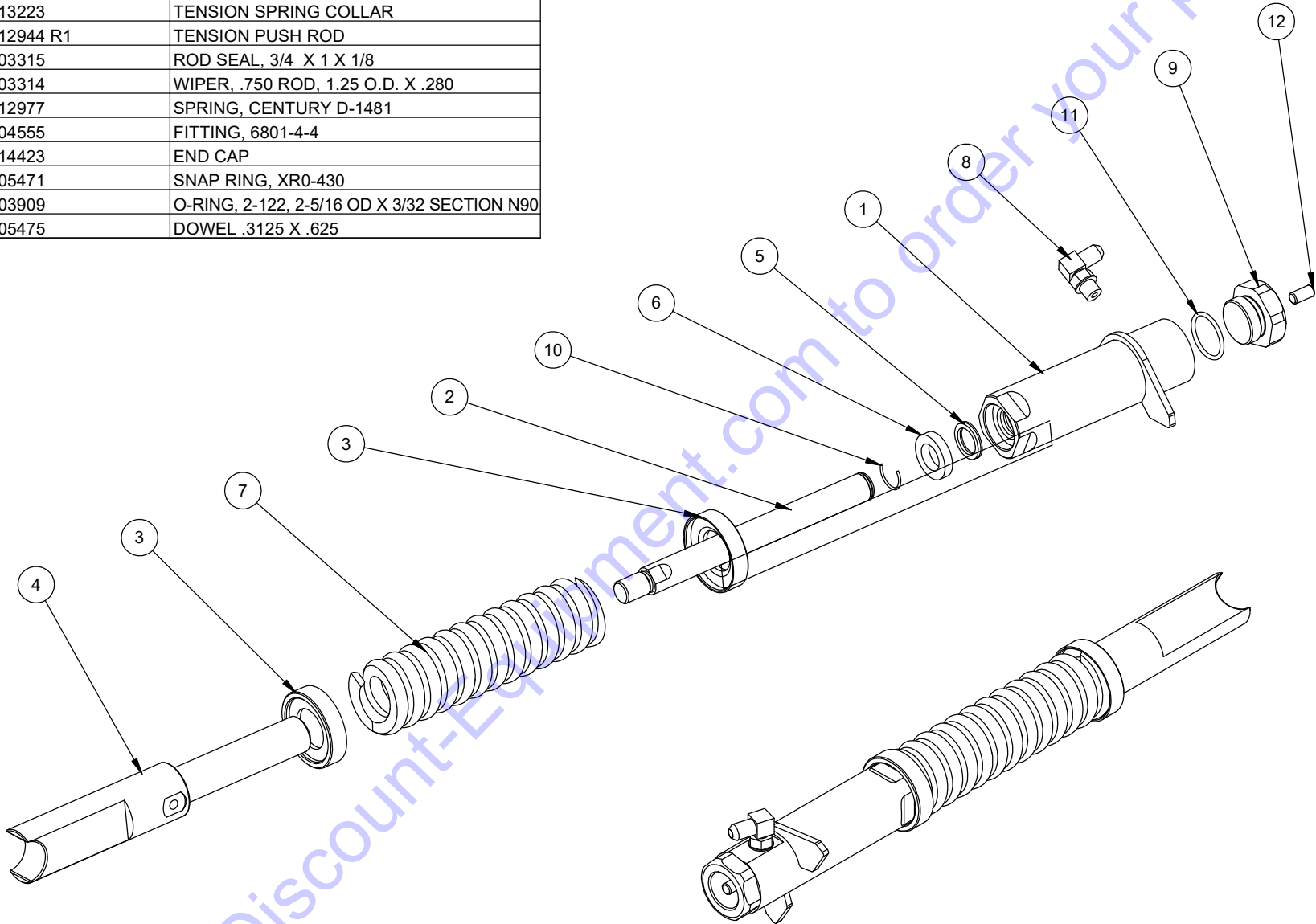
DETAIL B
SCALE 1 : 8

BARRETO

TITLE: LIFT FRAME ASSEMBLY	
PRODUCT LINE: TKL	DATE: 3-2020
SCALE: 1:20	DWG# 00558 R1
SHEET 2 OF 2	

ITEM NO.	QTY.	PART NO.	DESCRIPTION
1	1	12945 R1	TENSION CYLINDER
2	1	12946	TENSION PISTON
3	2	13223	TENSION SPRING COLLAR
4	1	12944 R1	TENSION PUSH ROD
5	1	03315	ROD SEAL, 3/4 X 1 X 1/8
6	1	03314	WIPER, .750 ROD, 1.25 O.D. X .280
7	1	12977	SPRING, CENTURY D-1481
8	1	04555	FITTING, 6801-4-4
9	1	14423	END CAP
10	1	05471	SNAP RING, XR0-430
11	1	03909	O-RING, 2-122, 2-5/16 OD X 3/32 SECTION N90
12	1	05475	DOWEL .3125 X .625

RELEASE DATE	XX/XX/XXXX
REVISED DATE	NEW
REVISION #	0

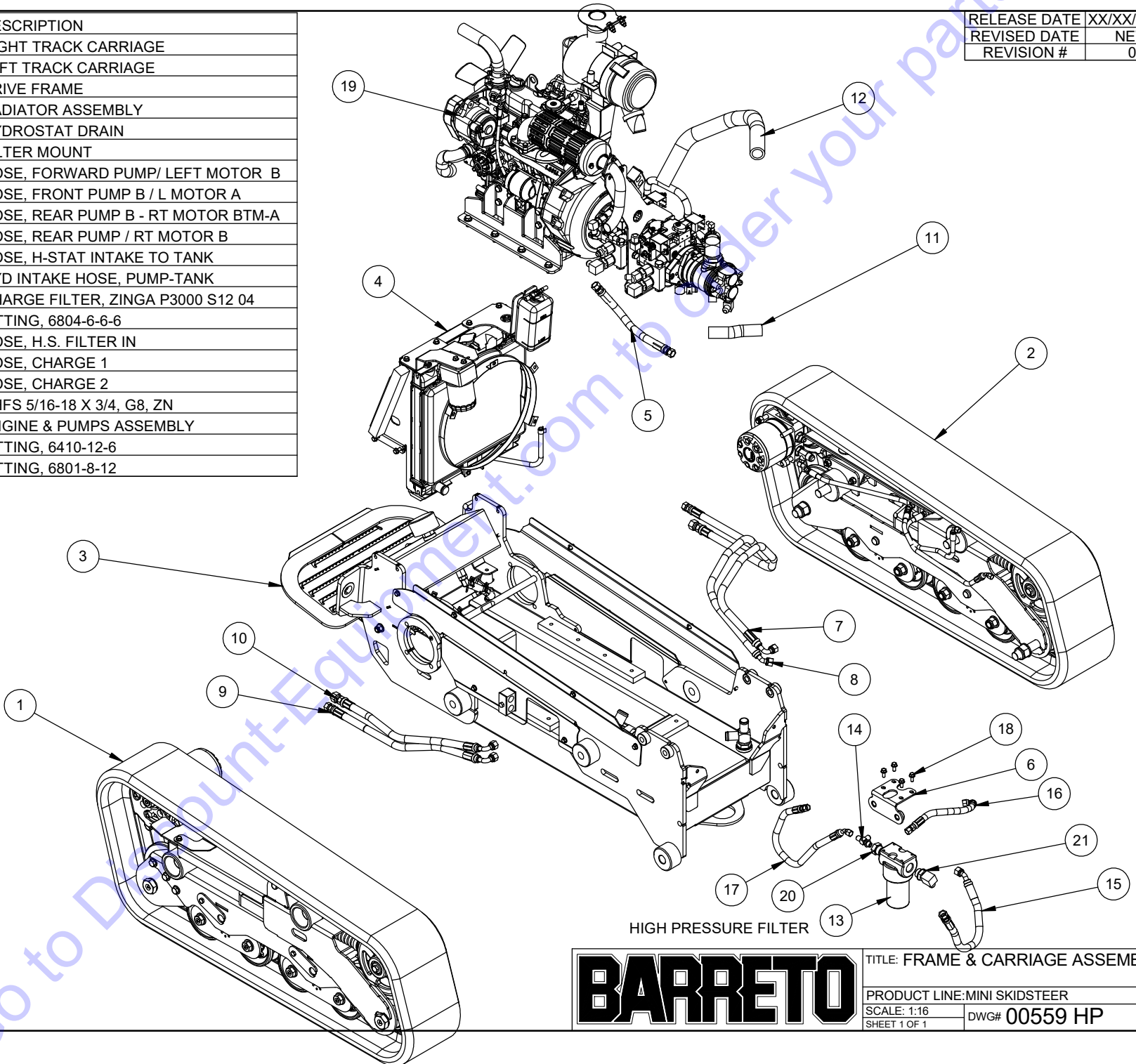


BARRETO

TITLE: TENSION CYLINDER	
PRODUCT LINE: MINISKID / TKL	
SCALE: 1:4	DWG# 00556 R2
SHEET 1 OF 1	

ITEM NO.	QTY.	PART NO.	DESCRIPTION
1	1	00554R	RIGHT TRACK CARRIAGE
2	1	00554L-HB2	LEFT TRACK CARRIAGE
3	1	00566	DRIVE FRAME
4	1	00563	RADIATOR ASSEMBLY
5	1	13173 R1	HYDROSTAT DRAIN
6	1	13272 R1	FILTER MOUNT
7	1	13157	HOSE, FORWARD PUMP/ LEFT MOTOR B
8	1	13158	HOSE, FRONT PUMP B / L MOTOR A
9	1	13161	HOSE, REAR PUMP B - RT MOTOR BTM-A
10	1	13160	HOSE, REAR PUMP / RT MOTOR B
11	1	13133	HOSE, H-STAT INTAKE TO TANK
12	1	13162	HYD INTAKE HOSE, PUMP-TANK
13	1	04051-F	CHARGE FILTER, ZINGA P3000 S12 04
14	1	04228	FITTING, 6804-6-6-6
15	1	14408	HOSE, H.S. FILTER IN
16	1	14409	HOSE, CHARGE 1
17	1	14410	HOSE, CHARGE 2
18	4	05567	HHFS 5/16-18 X 3/4, G8, ZN
19	1	00553 H2	ENGINE & PUMPS ASSEMBLY
20	1	04596	FITTING, 6410-12-6
21	1	11038	FITTING, 6801-8-12

RELEASE DATE	XX/XX/XXXX
REVISED DATE	NEW
REVISION #	0

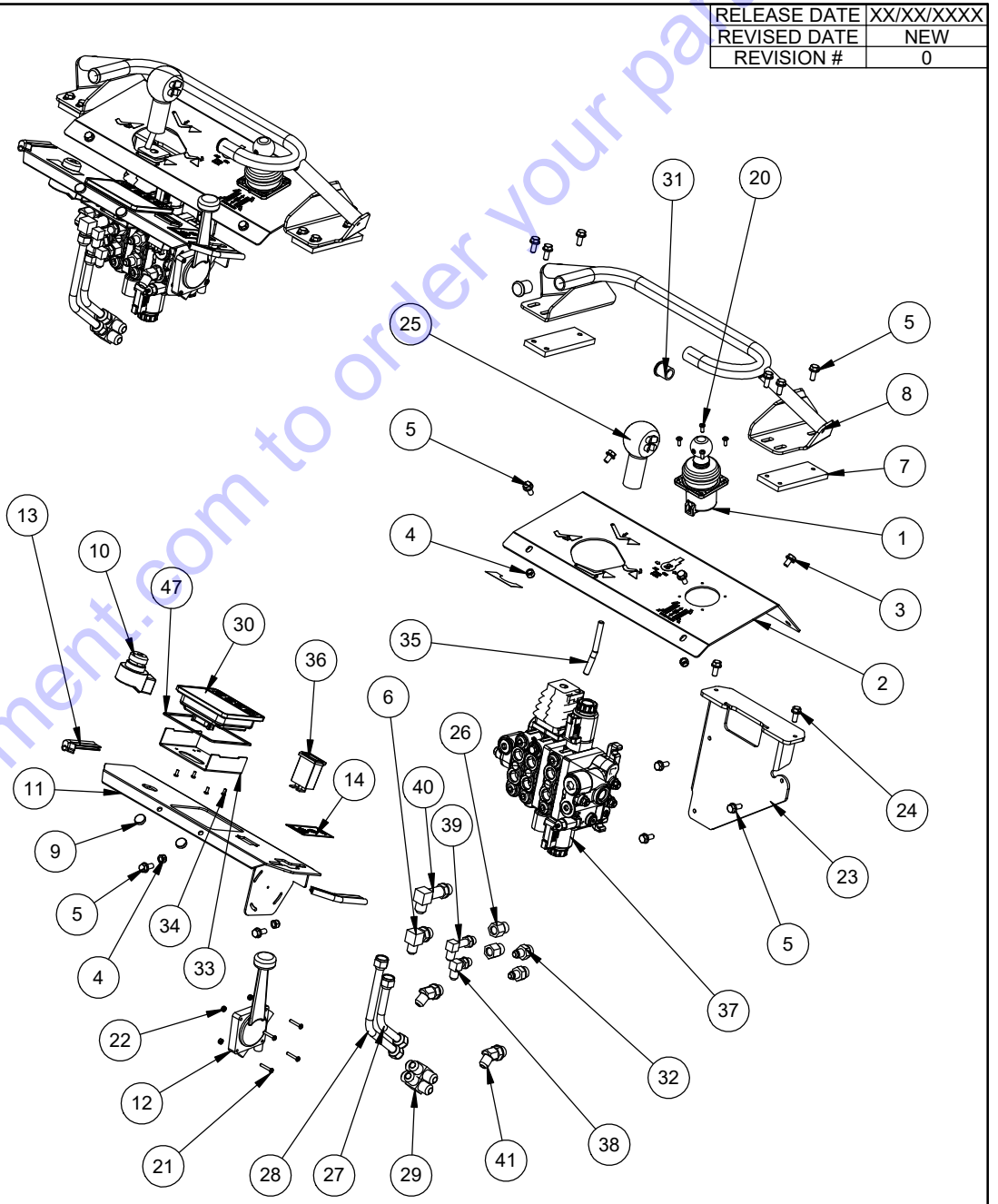


HIGH PRESSURE FILTER

BARRETO

TITLE: FRAME & CARRIAGE ASSEMBLY
 PRODUCT LINE: MINI SKIDSTEER
 SCALE: 1:16
 SHEET 1 OF 1
 DWG# 00559 HP

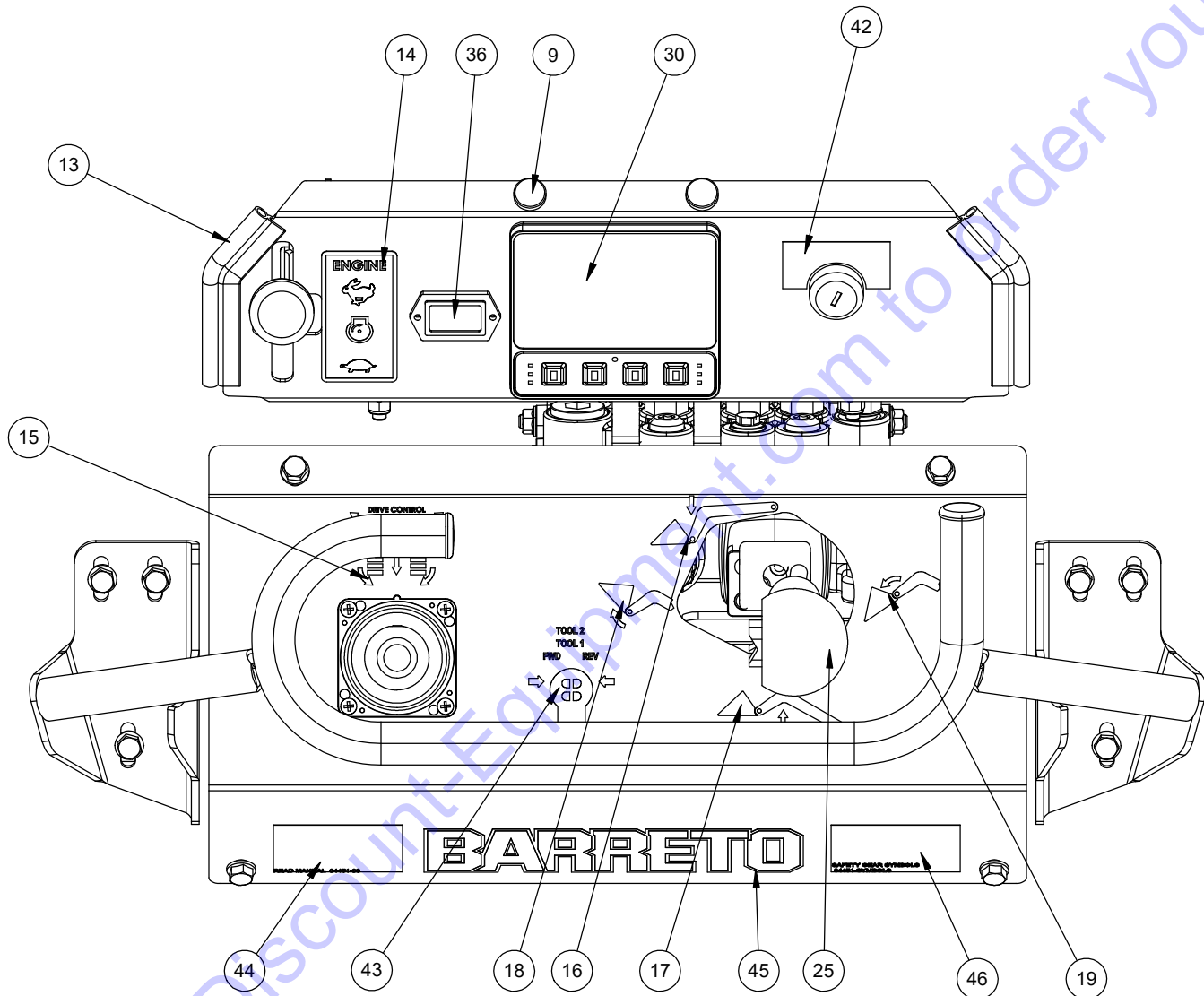
ITEM NO.	QTY.	PART NO.	DESCRIPTION
1	1	14333	TRACK CONTROL
2	1	13112 R1	MOUNT PLATE
3	2	05520	HH FLANGE SCREW, 5/16-18 NC X 1/2 G8 ZINC
4	4	05273	NUT, NYLOCK, 5/16-18 NC ZINC
5	13	05131	HH FLANGE SCREW, 5/16-18 NC X 3/4 G8 ZINC
6	1	04554	FITTING, 6801-8-8
7	2	13126	TAPPED BAR
8	1	13111	HAND REST
9	2	13130	BUTTON BUMPER, E-4270, 3/4 X 3/16
10	1	63591	KEY SWITCH
11	1	13128 R2	GAUGE PANEL
12	1	14337	THROTTLE LEVER
13	2	13267	EDGE SEAL
14	1	04440-05	DECAL, "THROTTLE CONTROL"
15	1	14340	DECAL, TRACK ILLUSTRATION
16	1	14341	DECAL, ARM DOWN ILLUST.
17	1	14342	DECAL, ARM UP ILLUST.
18	1	14343	DECAL, BUCKET TILT BACK
19	1	14344	DECAL, BUCKET DUMP
20	4	05233	SCREW #10-24 X 1/2 PPH
21	4	05628	SCREW #8-32 X 1" PHPP
22	4	05627	NUT, NYLOCK, 8-32 NC ZINC
23	1	14309 R2	VALVE MOUNT
24	2	05131	HHFS 5/16-18 X 3/4, G8, ZN
25	1	14332	ARM & TOOL CONTROL KNOB
26	2	04529	FITTING, 6410-8-6
27	1	14311	HYDRAULIC LINE, LIFT BOTTOM / TEE
28	1	14312	HYDRAULIC LINE, LIFT TOP / TEE
29	2	16573	FITTING, 2603-8-8-8
30	1	14350	DANFOSS DISPLAY SCREEN
31	2	12151	TUBE CAP, 1.0 X 7/8
32	2	04226	FITTING, 6400-6-8
33	1	14398	DISPLAY CLAMP
34	4	14398-A	SCREW, M4 TORX, INCLUDED WITH 14398
35	1	14396	LIFT STUD
36	1	14339	HOUR METER
37	1	13193H	VALVE, LIFT / DUMP / AUX 2 HYDAC
38	1	04538	FITTING, 6801-6-6
39	1	11083	FITTING, 6801-6-6-LL
40	1	04533	FITTING, 6801-8-8-LL
41	2	04210	FITTING, 6802-8-8
42	1	14345	DECAL, INGNITION, GLOW / START
43	1	14346	DECAL, TOOL F-N-R CONTROLS
44	1	04451-09	DECAL, "READ OWNERS MANUAL"
45	1	03040-11	DECAL, "BARRETO", 2-3/16 X 7-3/8
46	1	04451-SYMBOLS	DECAL, SAFETY GEAR SYMBOLS
47	1	14398-B	GASKET, INCLUDED WITH 14398



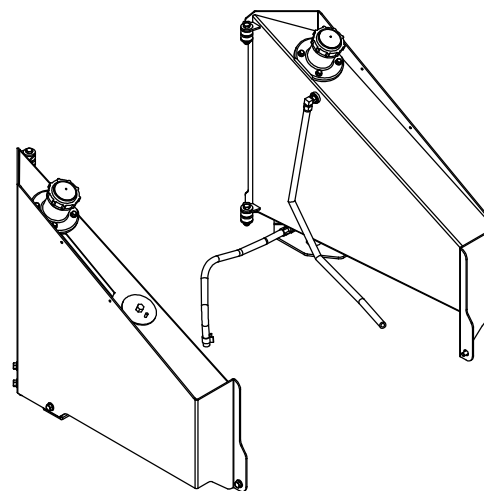
RELEASE DATE	XX/XX/XXXX
REVISED DATE	NEW
REVISION #	0



TITLE: CONTROL ASSEMBLY HYDAC VALVE	
PRODUCT LINE: TKL	
SCALE: 1:12	DWG# 00560 H1
SHEET 1 OF 2	



ITEM NO.	QTY.	PART NO.	DESCRIPTION
1	1	13106L R1	FUEL TANK, LEFT
2	2	13106-F	FILL NECK
3	2	03062-D	FUEL TANK CAP, GREEN / DIESEL
4	3	04555	FITTING, 6801-4-4
5	16	10655	O-RING, 2-011, 7/16 OD X 1/16 SECTION
6	8	05474	HHFS 1/4-20 X 3/4 G5, ZN
7	2	05520	HH FLANGE SCREW, 5/16-18 NC X 1/2 G8 ZINC
8	2	10492	O-RING, 2-224, 2 OD X 1/8 SECTION
9	1	13106R R1	FUEL TANK, RIGHT
10	1	13191-1	GAUGE SENDER
12	1	13183-L	FUEL HOSE, LEFT
13	1	13183-R	FUEL HOSE, RIGHT
14	4	05617	HOSE CLAMP, CTB-14
15	8	11113	CUSHION
16	8	05399	WASHER, 5/16 X 1 X 1/8 ZN
17	4	05054	HH CAP SCREW, 5/16-18 NC X 1-3/4 G5 ZINC
18	4	13270	SPACER, TANK CUSHION
19	4	05273	NUT, NYLOCK, 5/16-18 NC ZINC
20	1	13183-RET	FUEL RETURN HOSE
21	1	13288	WIRE CHANNEL
22	1	14390	FUEL LINE GUARD, RIGHT
23	1	14390L	FUEL LINE GUARD, LEFT
24	6	05131	HHFS 5/16-18 X 1/2, G5, ZN
25	2	14352	DECAL, DIESEL FUEL
26	2	04245	HOSE BARB, -5 -5
27	1	04246	HOSE BARB, -4 -3 BARB
28	2	03300	FITTING, 6409-4 PLUG



BARRETO

TITLE: FUEL TANKS ASSEMBLY

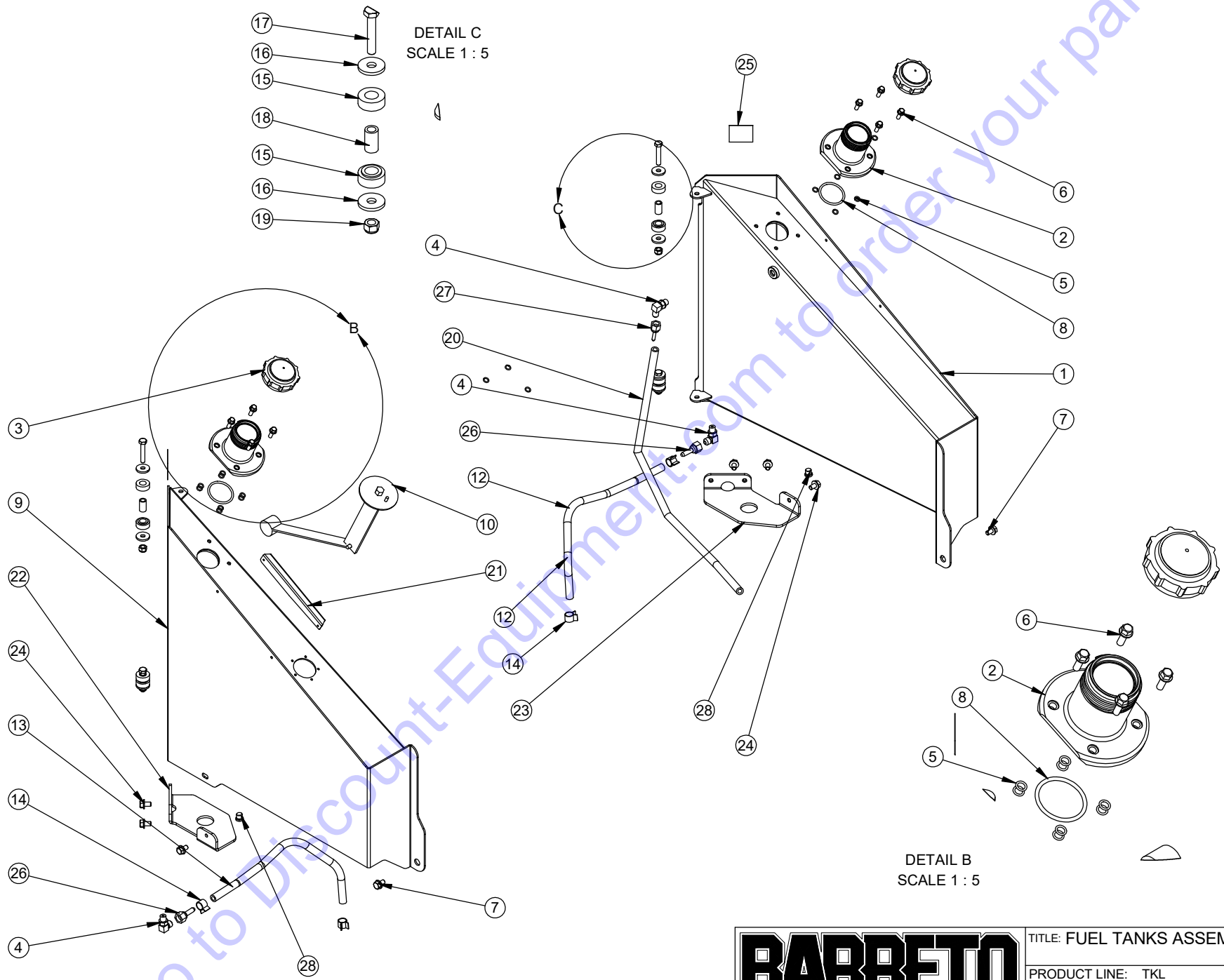
PRODUCT LINE:

DATE: /08

SCALE: 1:10

DWG# 00561

SHEET 1 OF 2



DETAIL C
SCALE 1 : 5

DETAIL B
SCALE 1 : 5

BARRETO

TITLE: FUEL TANKS ASSEMBLY

PRODUCT LINE: TKL

SCALE: 1:10

SHEET 2 OF 2

DWG# 00561

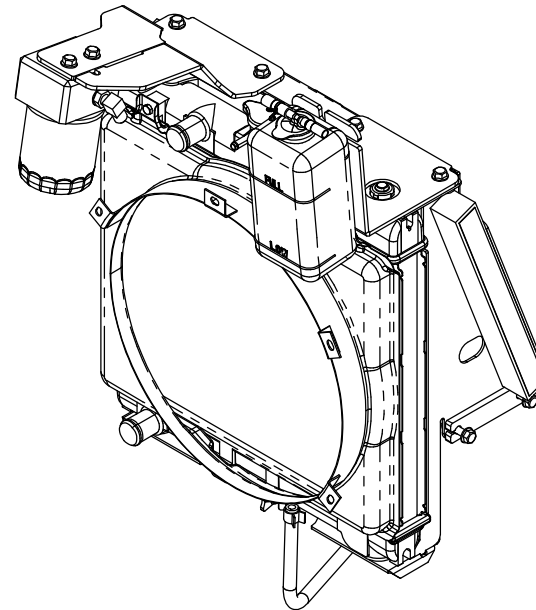
ITEM NO.	QTY.	PART NO.	DESCRIPTION	ITEM NO.	QTY.	PART NO.	DESCRIPTION
1	4	13196 ¹	RADIATOR CUSHION, 1G93272181	22	1	13230-4	OIL FILTER NIPPLE
2	3	13195	HH CAP SCREW, M6-1.0 X 15MM 8.8 ZINC	23	2	05131	HHFS 5/16-18 X 3/4, G8, ZN
3	1	13194 ¹	RADIATOR, KUBOTA 1G347-72061	24	2	04538 ¹	FITTING, 6801-6-6
4	1	13117	RADIATOR BRACKET	25	1	13214	FUEL FILTER MOUNT
5	1	13115	TOP MOUNT	26	1	13230-5	FUEL FILTER W/ VALVE
6	7	05520	HHFS 5/16-18 X 1/2, G5, ZN	27	1	05568	HH CAP SCREW, 5/16-18 NC X 2-1/2 G5 ZINC
7	1	13262	EDGE SEAL	28	1	05273 ¹	NUT, NYLOCK, 5/16-18 NC ZINC
8	4	05138	HHFS 5/16-18 X 1-1/4, G5, ZN	29	2	05411	HHFS 1/4-20 X 1/2, G5, ZN
9	2	13231	SPACER	30	1	13183-P	FUEL HOSE, TO ENGINE
10	4	05002	NUT, GRIPCO, 5/16-18 NC G5 ZINC	31	2	13019	ADHESIVE FOAM SEAL
11	4	05365	CLIP NUT, 1/4-20	32	1	13180 R1	FUEL JUNCTION
12	2	05556	HH CAP SCREW, 1/4-20 NC X 1-3/4 G5 ZINC				
13	1	13183-F	FUEL HOSE, TO FILTER				
14	4	05617	HOSE CLAMP, CTB-14				
15	3	04612	FITTING, 4601-5-6				
16	2	05081	WASHER, 1/4 SAE ZINC				
17	1	13260B-1	FILTER MOUNT				
18	1	13230-2	KUBOTA OIL FILTER				
19	1	13230-3	COOLANT RESERVOIR				
20	1	14305 ¹	RESERVOIR MOUNT				
21	1	14385 ¹	FILTER HEAD				

¹ THESE PARTS AVAILABLE FROM KUBOTA DEALERS

REF. 20: KUBOTA PART 16271-32093

REF. 21: KUBOTA PART 1553172403

REF. 28: KUBOTA PART 1G31343013



BARRETO

TITLE: RADIATOR ASSEMBLY

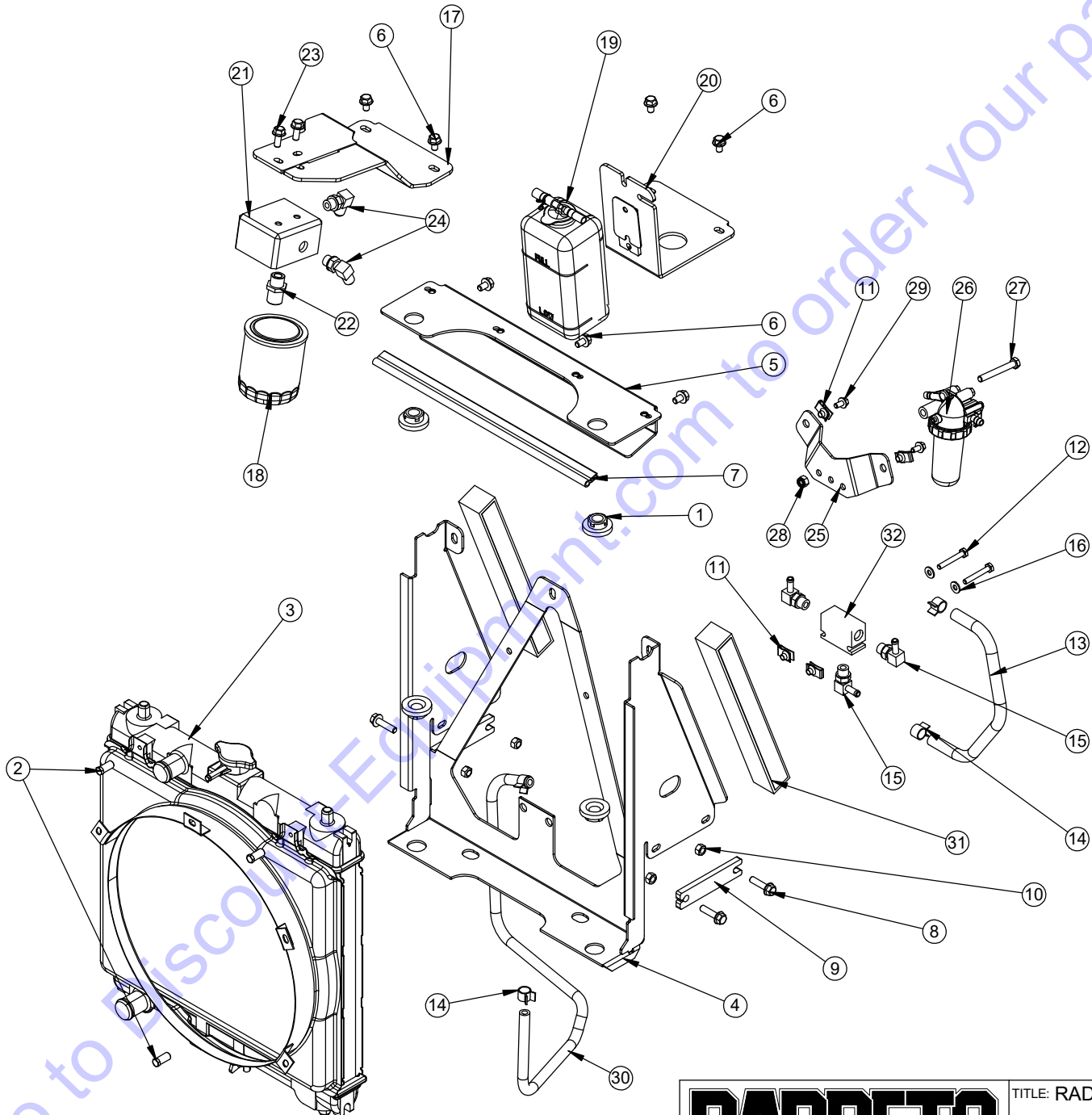
PRODUCT LINE: MINI SKID

DATE: 11-15

SCALE: 1:8

SHEET 1 OF 2

DWG# 00563



Go to www.misco.com to order your parts

BARRETO

TITLE: RADIATOR ASSEMBLY

PRODUCT LINE: MINI SKID

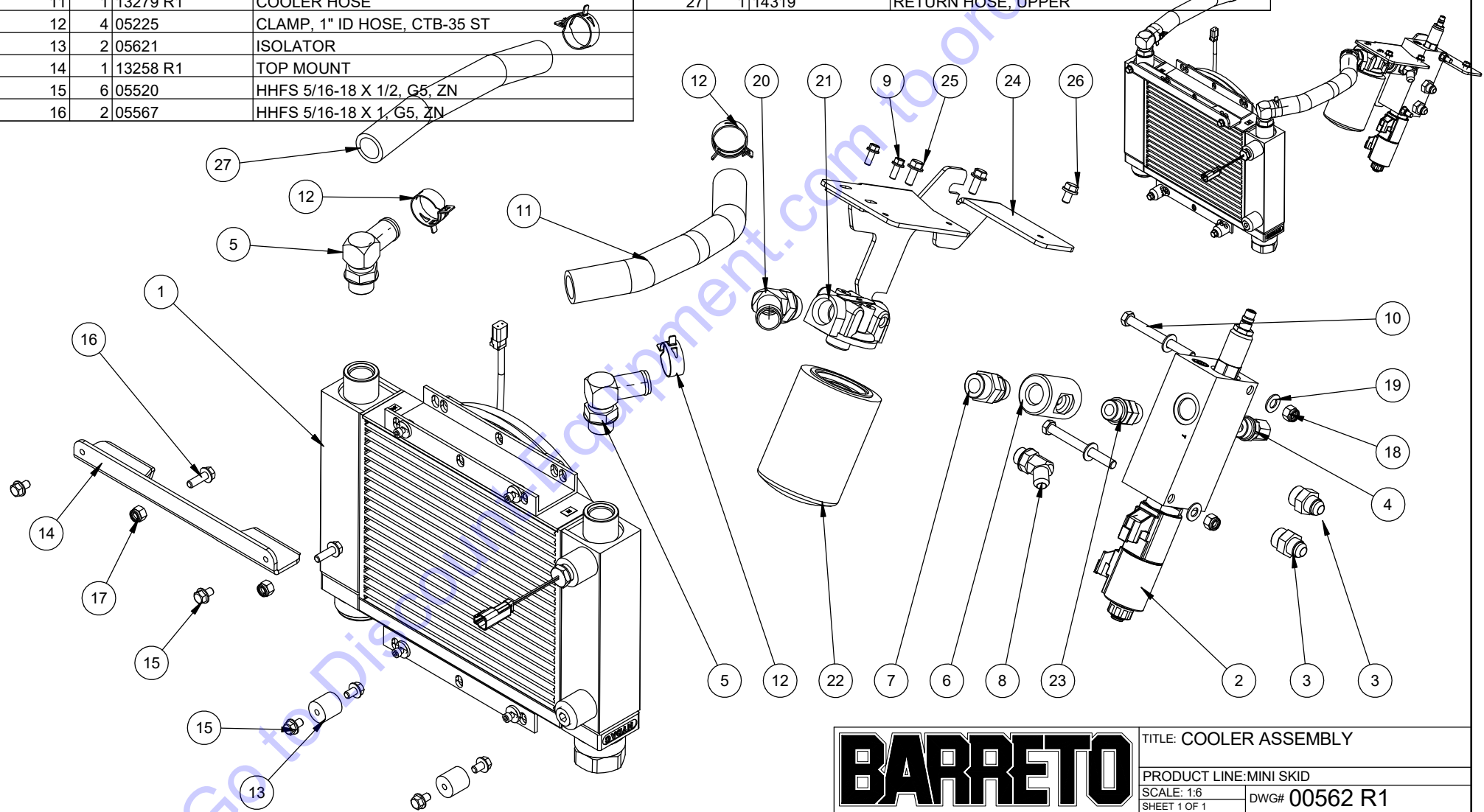
DATE:

SCALE: 1:8

DWG# 00563

SHEET 2 OF 2

ITEM NO.	QTY.	PART NO.	DESCRIPTION	ITEM NO.	QTY.	PART NO.	DESCRIPTION	RELEASE DATE	XX/XX/XXXX
1	1	12901F	OIL COOLER, FLIPPED, HYDAC	17	2	05073	NUT, NYLOCK, 3/8-16 NC ZINC	REVISED DATE	NEW
2	1	13186	AUXILIARY VALVE, COMATROL 11172619	18	2	05072	NUT, NYLOCK, 3/8-24 NF ZINC	REVISION #	0
3	2	04522	FITTING, 6400-8-10	19	4	05101	WASHER, 3/8 SAE ZINC		
4	1	04557	FITTING, 6802-8-10	20	1	10456	FITTING, 4603-16-12		
5	2	04530	FITTING, 4601-16-12	21	1	04212-OR-U	FILTER HEAD, #12 O-RING, BOTH TAPPED		
6	1	13719	JUNCTION	22	1	03952	FILTER, HYDRAULIC OIL, WITH BY-PASS		
7	1	11006	FITTING, 6407-12-10	23	1	04521	FITTING, 6407-10-10		
8	1	04210	FITTING, 6802-8-8	24	1	13263B	AUX VALVE MOUNT		
9	2	05069	WHIZ-LOCK 1/4 - 20 X 5/8	25	2	05131	HHFS 5/16-18 X 3/4, G8, ZN		
10	2	05313	HH CAP SCREW, 3/8-24 NF X 3-3/4 G8 ZN	26	1	05520	HH FLANGE SCREW, 5/16-18 NC X 1/2 G8 ZINC		
11	1	13279 R1	COOLER HOSE	27	1	14319	RETURN HOSE, UPPER		
12	4	05225	CLAMP, 1" ID HOSE, CTB-35 ST						
13	2	05621	ISOLATOR						
14	1	13258 R1	TOP MOUNT						
15	6	05520	HHFS 5/16-18 X 1/2, G5, ZN						
16	2	05567	HHFS 5/16-18 X 1, G5, ZN						



BARRETO

TITLE: COOLER ASSEMBLY

PRODUCT LINE: MINI SKID

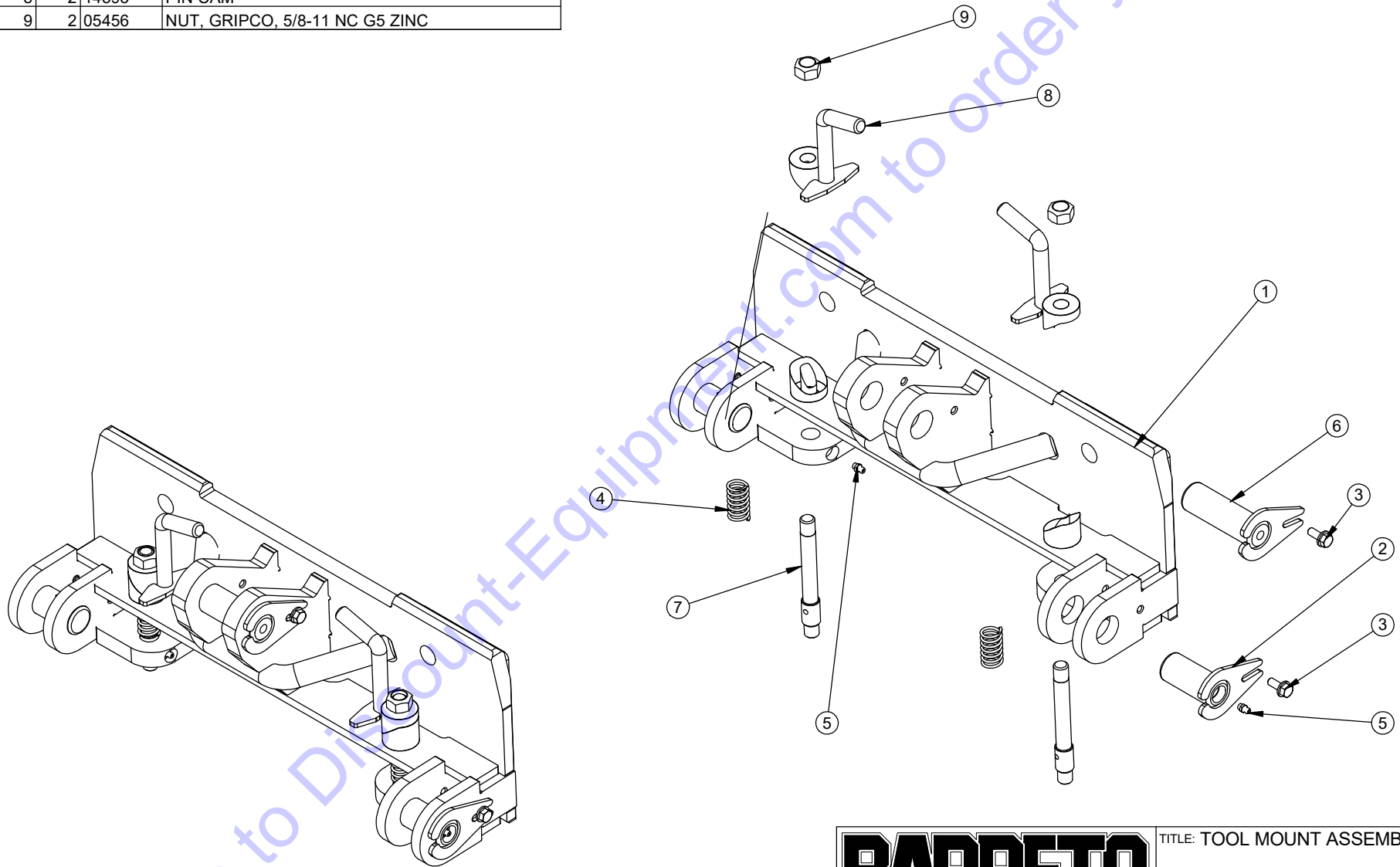
SCALE: 1:6

SHEET 1 OF 1

DWG# 00562 R1

ITEM NO.	QTY.	PART NO.	DESCRIPTION
1	1	12969C	ATTACHMENT PLATE
2	2	13276	MOUNT PLATE PIN
3	3	05131	HH FLANGE SCREW, 5/16-18 NC X 3/4 G8 ZINC
4	2	03355	SPRING
5	4	05044	GREASE ZERK, 1/4-28 UNF
6	1	12991	TILT PIN
7	2	12985C	ATTACHMENT PIN
8	2	14393	PIN CAM
9	2	05456	NUT, GRIPCO, 5/8-11 NC G5 ZINC

RELEASE DATE	XX/XX/XXXX
REVISED DATE	NEW
REVISION #	0



BARRETO

TITLE: TOOL MOUNT ASSEMBLY

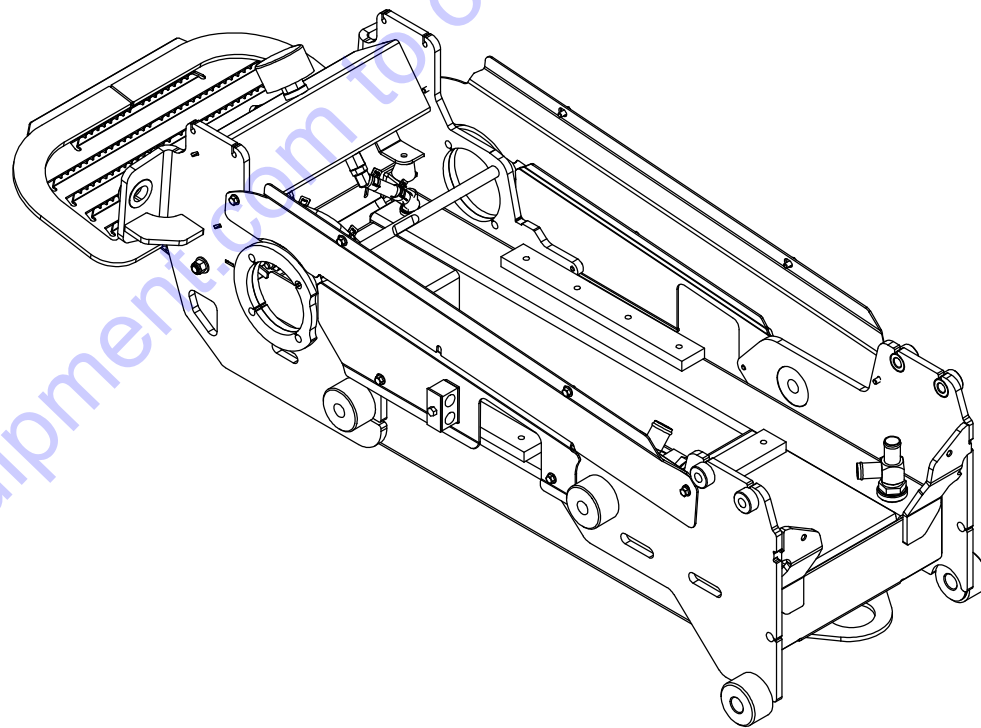
PRODUCT LINE:

SCALE: 1:6

SHEET 1 OF 1

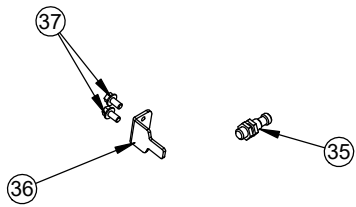
DWG# 00564C

TEM NO.	QTY.	PART NO.	DESCRIPTION
1	1	12928 H	FRAME / TANK
2	1	12976	RIDE PLATFORM
3	1	13001	SKID PLATE
4	2	11656	TUBE CLAMP
5	4	05567	HHFS 5/16-18 X 3/4, G8, ZN
6	4	05138	HHFS 5/16-18 X 1, G5, ZN
7	1	03503	SIGHT GAUGE
8	1	12998	FILLER / VENT CAP
9	4	12131	CLAMP, 1/2" HOSE, CTB-20
10	1	14383	FILL HOSE
11	4	04216	FITTING, 4603-8-8
12	1	14384	VENT HOSE
13	1	13273	BRACE ROD
14	2	05273	NUT, NYLOCK, 5/16-18 NC ZINC
15	4	05187	HHFS 3/8-16 X 5/8, G5, ZN
16	4	05075	NUT, NYLOCK, 1/2-20 NF ZINC
17	4	05102	WASHER, 1/2 SAE ZINC HARDENED
18	2	05102M	WASHER, 12MM DIN 125 ZINC
19	4	05251	HH CAP SCREW, 1/2-20 NF X 2 G5 ZINC
20	1	10361	FITTING, 6409-8 PLUG
21	1	04237	HYD ADAPTER, 6410-32-24
22	1	12982	SUCTION SCREEN, SAE 32 100
23	2	11258	RUBBER BUMPER
24	4	10958	RUBBER BUSHING
25	4	12891	RIDE PLATE BUSHING
26	1	04236	FITTING, 4601-20-24
27	1	13298	BRACE ROD
28	1	13299	STUD, 1/2-13 X 2.75, G5, PLATED
29	1	16575P	FITTING, 4605-16-16-16 PORTED -4
30	1	13135-R2	LOWER COVER, RH
31	1	13135-L2	LOWER COVER, LH
32	1	13207-R	FENDER, RH
33	4	05131	HHFS 5/16-18 X 1/2, G5, ZN
34	1	13207-L	FENDER, LH
35	1	03370	PROXIMITY SWITCH
36	1	13282 R1	SWITCH TRIGGER
37	2	05051	WHIZ-LOCK 1/4 - 20 X 1/2
38	1	04611	FITTING, 6410-8-8
39	1	04233	FITTING, 6410-16-12
40	1	11038	FITTING, 6801-8-12
41	1	04560	FITTING, 6400-4-4

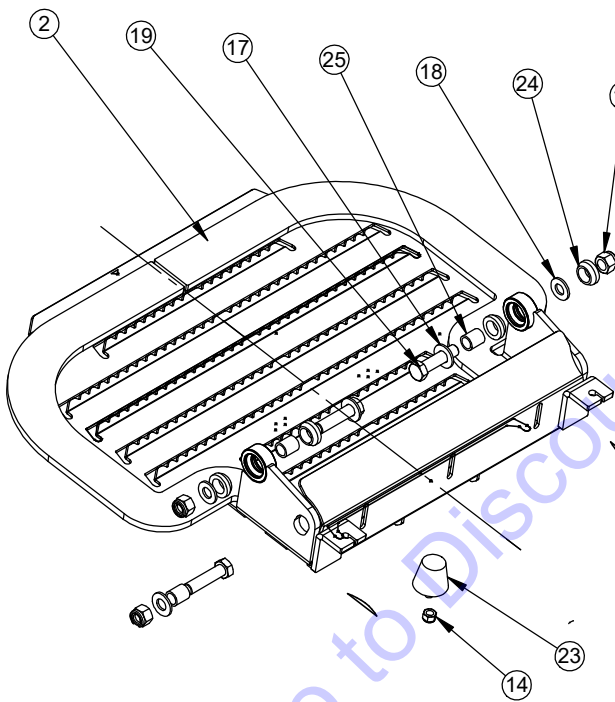
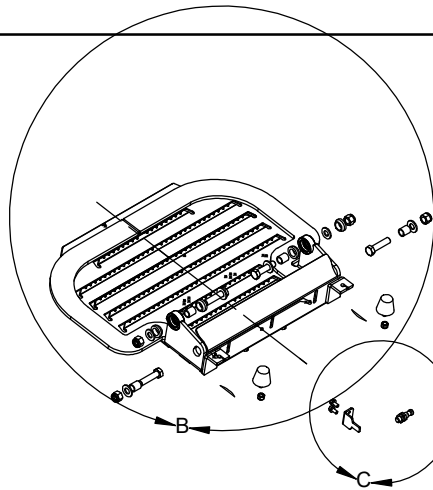


BARRETO

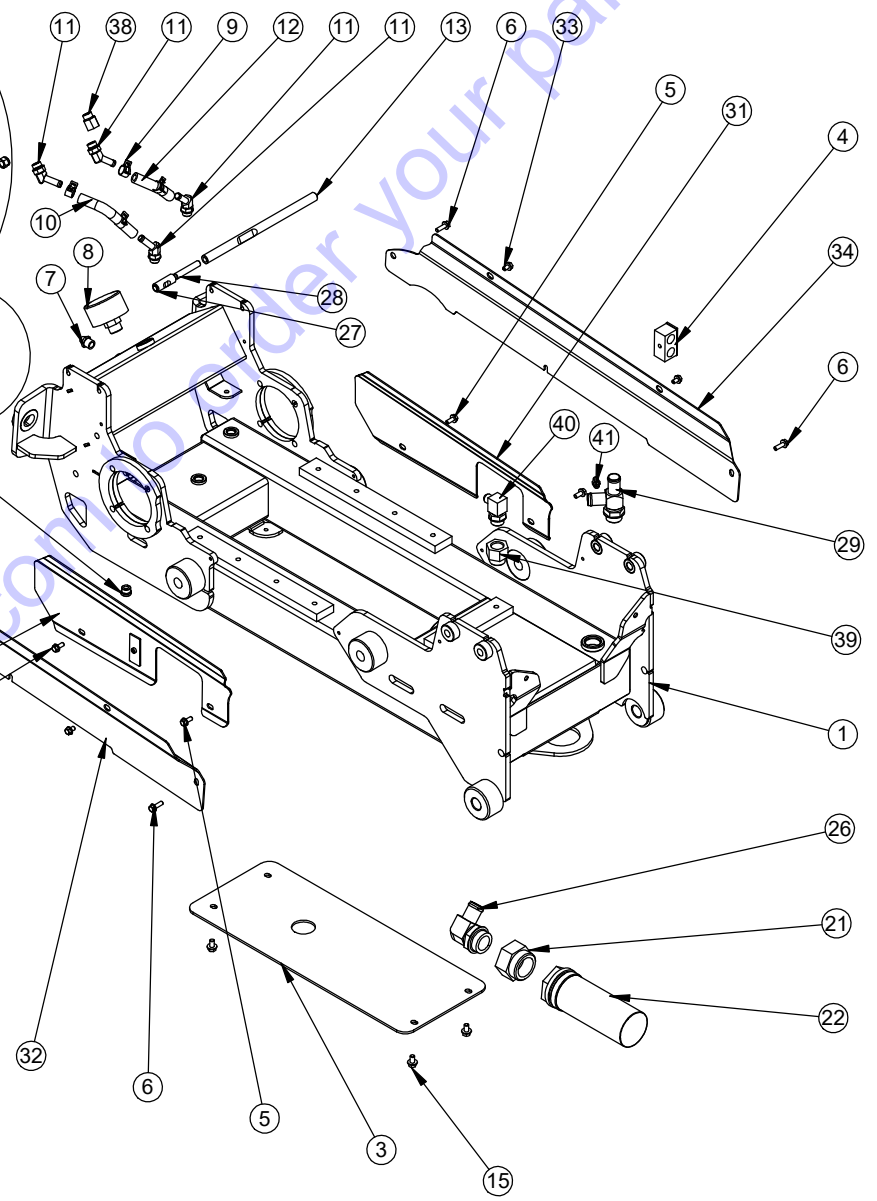
TITLE: DRIVE FRAME	
PRODUCT LINE: MINI SKID	DATE: 8-2017
SCALE: 1:16	DWG# 00566
SHEET 1 OF 2	



SAFETY SWITCH
DETAIL C
SCALE 1 : 8



DETAIL B
SCALE 1 : 8

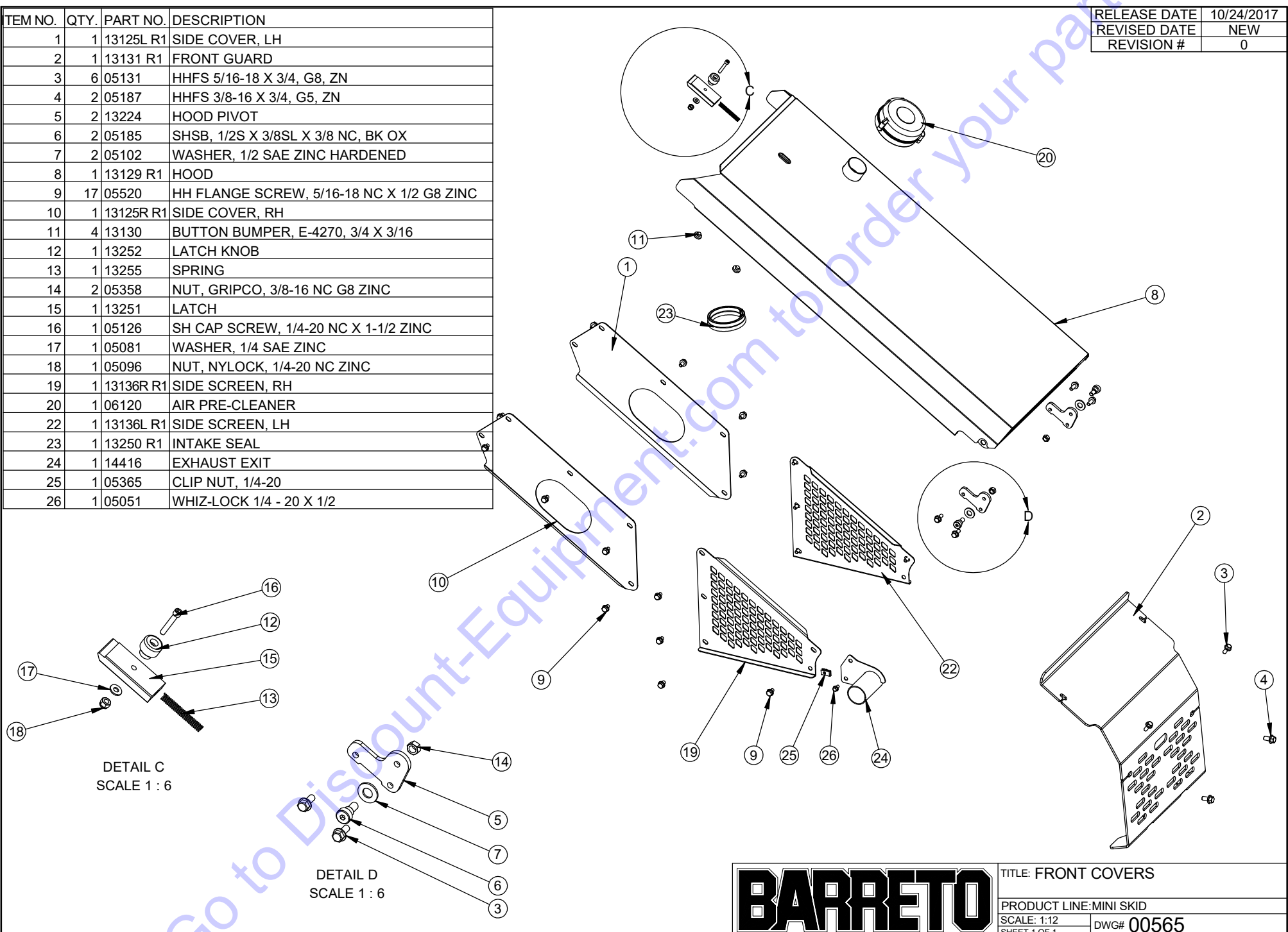


BARRETO

TITLE: DRIVE FRAME	
PRODUCT LINE: MINI SKID	DATE: 8-2017
SCALE: 1:16	DWG# 00566
SHEET 2 OF 2	

TEM NO.	QTY.	PART NO.	DESCRIPTION
1	1	13125L R1	SIDE COVER, LH
2	1	13131 R1	FRONT GUARD
3	6	05131	HHFS 5/16-18 X 3/4, G8, ZN
4	2	05187	HHFS 3/8-16 X 3/4, G5, ZN
5	2	13224	HOOD PIVOT
6	2	05185	SHSB, 1/2S X 3/8SL X 3/8 NC, BK OX
7	2	05102	WASHER, 1/2 SAE ZINC HARDENED
8	1	13129 R1	HOOD
9	17	05520	HH FLANGE SCREW, 5/16-18 NC X 1/2 G8 ZINC
10	1	13125R R1	SIDE COVER, RH
11	4	13130	BUTTON BUMPER, E-4270, 3/4 X 3/16
12	1	13252	LATCH KNOB
13	1	13255	SPRING
14	2	05358	NUT, GRIPCO, 3/8-16 NC G8 ZINC
15	1	13251	LATCH
16	1	05126	SH CAP SCREW, 1/4-20 NC X 1-1/2 ZINC
17	1	05081	WASHER, 1/4 SAE ZINC
18	1	05096	NUT, NYLOCK, 1/4-20 NC ZINC
19	1	13136R R1	SIDE SCREEN, RH
20	1	06120	AIR PRE-CLEANER
22	1	13136L R1	SIDE SCREEN, LH
23	1	13250 R1	INTAKE SEAL
24	1	14416	EXHAUST EXIT
25	1	05365	CLIP NUT, 1/4-20
26	1	05051	WHIZ-LOCK 1/4 - 20 X 1/2

RELEASE DATE	10/24/2017
REVISED DATE	NEW
REVISION #	0

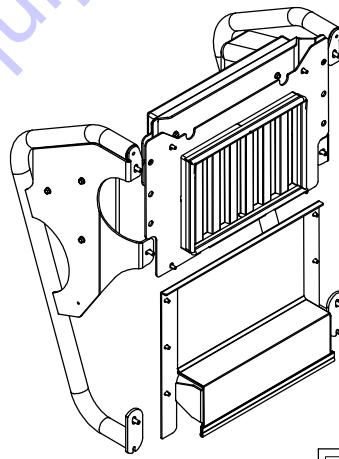
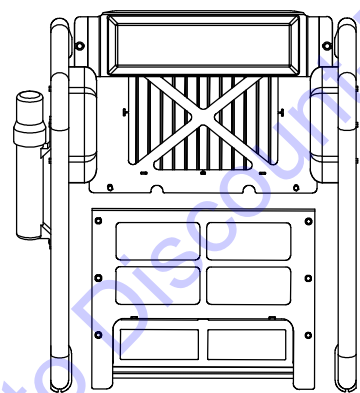
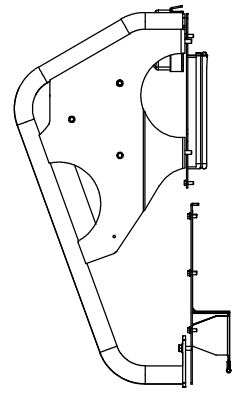
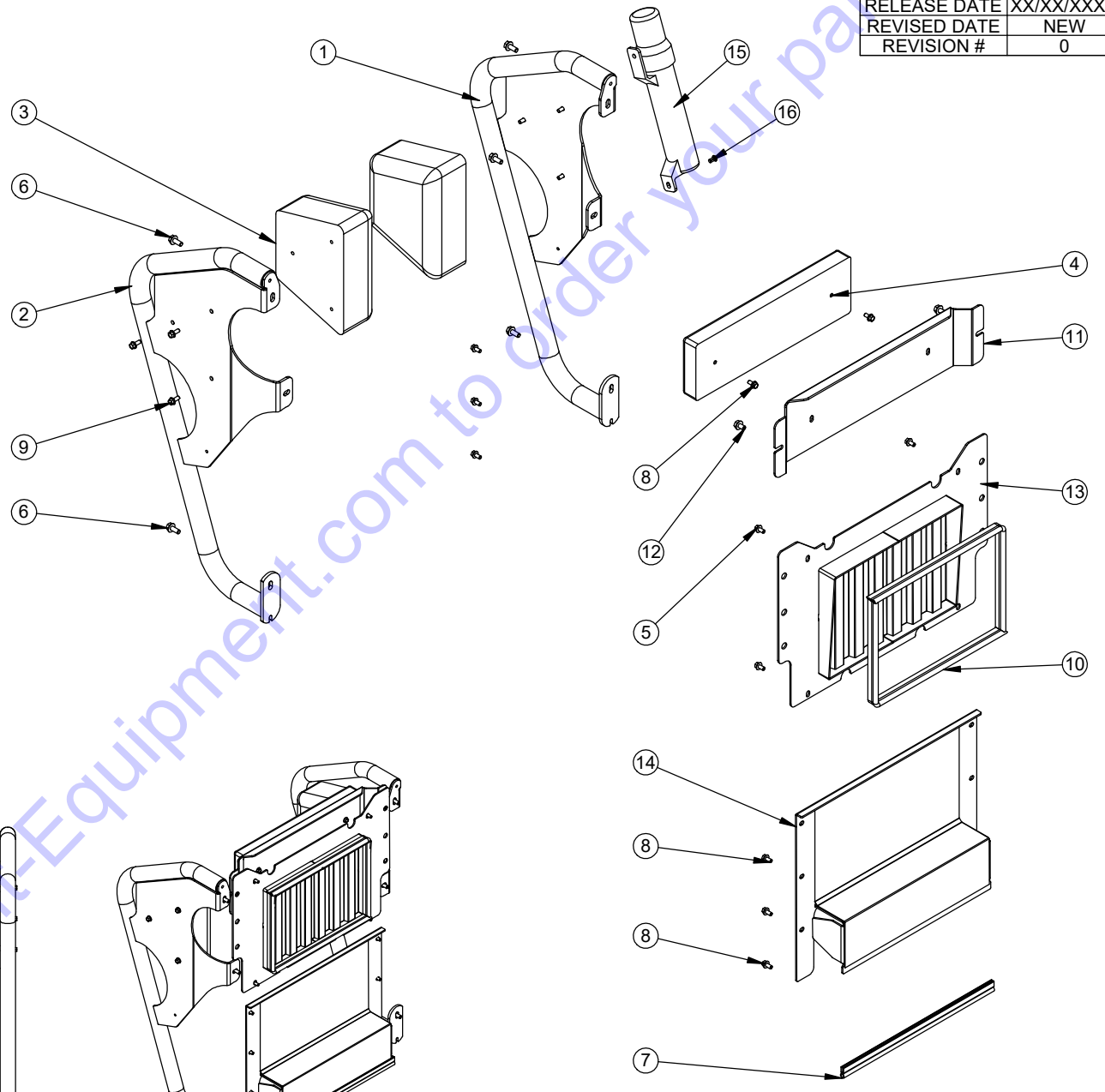


BARRETO

TITLE: FRONT COVERS	
PRODUCT LINE: MINI SKID	
SCALE: 1:12	DWG# 00565
SHEET 1 OF 1	

ITEM NO.	QTY.	PART NO.	DESCRIPTION
1	1	12972-L	SIDE GUARD, LEFT
2	1	12972-R	SIDE GUARD, RIGHT
3	2	13198	HIP PAD
4	1	13280	FRONT PAD
5	4	05411	HHFS 1/4-20 X 1/2, G5, ZN
6	6	05131	HHFS 5/16-18 X 3/4, G8, ZN
7	1	13262	EDGE SEAL
8	8	05051	WHIZ-LOCK 1/4 - 20 X 1/2
9	6	05069	WHIZ LOCK, 1/4-20 NC X 5/8 ZINC
10	2	14310	COOLER SEAL
11	1	13269	PAD MOUNT
12	2	05520	HHFS 5/16-18 X 1/2, G5, ZN
13	1	13249 R1	COOLER SCREEN
14	1	13244 R2	LOWER REAR SCREEN
15	1	12090	INSTRUCTION CANISTER
16	1	05507	BHSCS, 1/4 NC X 1/2 ZN

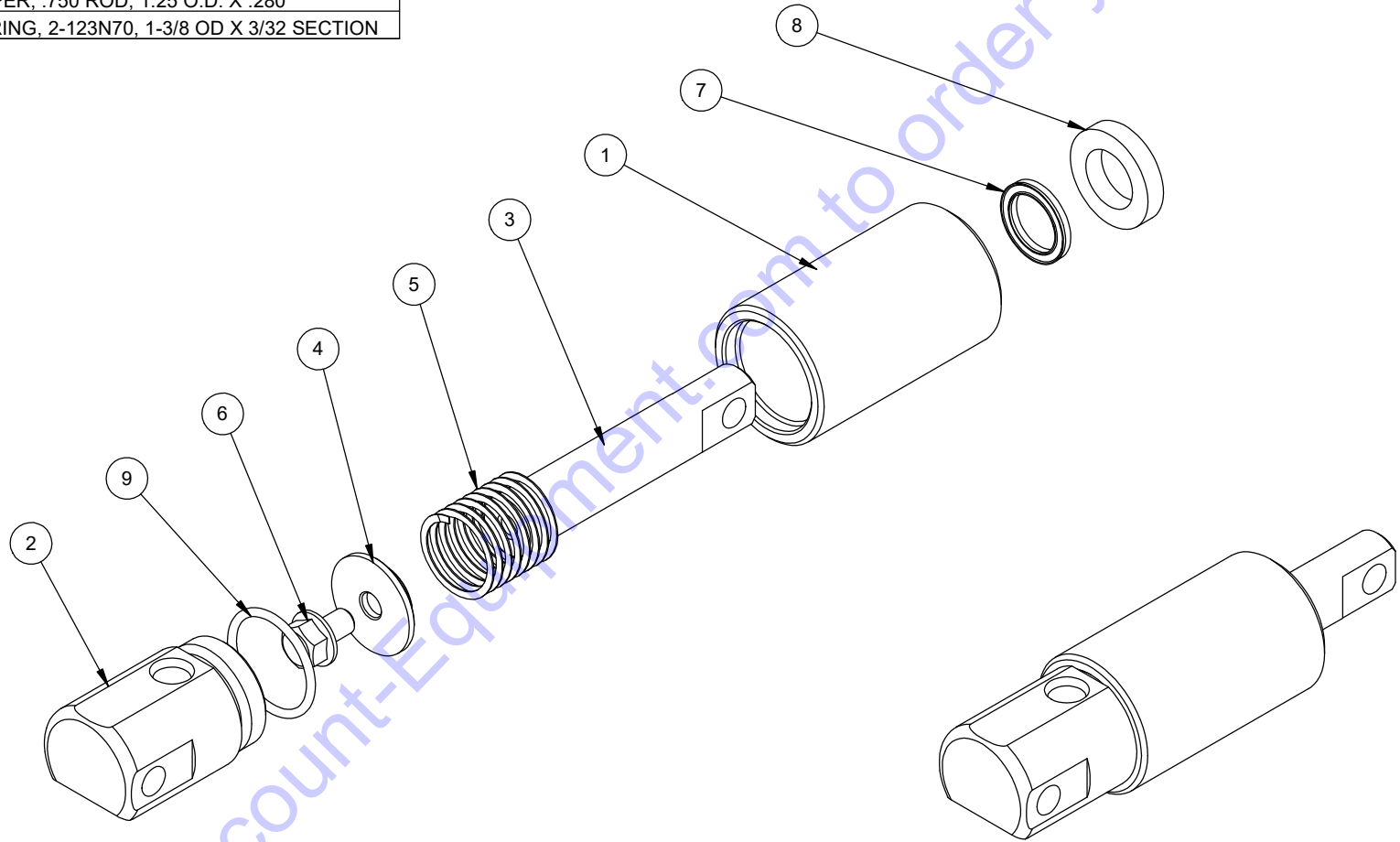
RELEASE DATE	XX/XX/XXXX
REVISED DATE	NEW
REVISION #	0



BARRETO TITLE: REAR GUARDS
 PRODUCT LINE: MINI SKID
 SCALE: 1:16 SHEET 1 OF 1 DWG# 00567

TEM NO.	QTY.	PART NO.	DESCRIPTION
1	1	14444	BRAKE CYLINDER
2	1	14445	CYLINDER END
3	1	14434X2	BRAKE ROD
4	1	14449	ROD CAP
5	1	05623	SPRING, SMALLEY C112-H10
6	1	05131	HHFS 5/16-18 X 1/2, G5, ZN
7	1	03315	ROD SEAL, 3/4 X 1 X 1/8
8	1	03314	WIPER, .750 ROD, 1.25 O.D. X .280
9	1	NEW	O-RING, 2-123N70, 1-3/8 OD X 3/32 SECTION

RELEASE DATE	XX/XX/XXXX
REVISED DATE	NEW
REVISION #	0



BARRETO

TITLE: BRAKE CYLINDER

PRODUCT LINE: TKL

SCALE: 1:2

SHEET 1 OF 1

DWG# 00590

PARTS FINDER

**Search Website
by Part Number**



**Search Manual
Library For Parts
Manual & Lookup Part
Numbers – Purchase
or Request Quote**

Search Manuals

Enter your information to help us find the right parts manual for your machine.

* Brand:

* Model:

* Serial:

* Part Number:

SEARCH

**Can't Find Part or
Manual? Request Help
by Manufacturer,
Model & Description**

Parts Order Form

Please fill in the following information to help us find the right part for your machine.

Manufacturer:	<input type="text"/>
Model:	<input type="text"/>
Description:	<input type="text"/>
Part Number:	<input type="text"/>
Quantity:	<input type="text"/>
Notes:	<input type="text"/>

Submit

Discount-Equipment.com is your online resource for quality parts & equipment.

Florida: **561-964-4949** Outside Florida TOLL FREE: **877-690-3101**

Need parts?

Click on this link: <http://www.discount-equipment.com/category/5443-parts/> and choose one of the options to help get the right parts and equipment you are looking for. Please have the machine model and serial number available in order to help us get you the correct parts. If you don't find the part on the website or on one of the online manuals, please fill out the request form and one of our experienced staff members will get back to you with a quote for the right part that your machine needs.

We sell worldwide for the brands: Genie, Terex, JLG, MultiQuip, Mikasa, Essick, Whiteman, Mayco, Toro Stone, Diamond Products, Generac Magnum, Airman, Haulotte, Barreto, Power Blanket, Nifty Lift, Atlas Copco, Chicago Pneumatic, Allmand, Miller Curber, Skyjack, Lull, Skytrak, Tsurumi, Husquvarna Target, Stow, Wacker, Sakai, Mi-T-M, Sullair, Basic, Dynapac, MBW, Weber, Bartell, Bennar Newman, Haulotte, Ditch Runner, Menegotti, Morrison, Contec, Buddy, Crown, Edco, Wyco, Bomag, Laymor, EZ Trench, Bil-Jax, F.S. Curtis, Gehl Pavers, Heli, Honda, ICS/PowerGrit, IHI, Partner, Imer, Clipper, MMD, Koshin, Rice, CH&E, General Equipment, Amida, Coleman, NAC, Gradall, Square Shooter, Kent, Stanley, Tamco, Toku, Hatz, Kohler, Robin, Wisconsin, Northrock, Oztec, Toker TK, Rol-Air, APT, Wylie, Ingersoll Rand / Doosan, Innovatech, Con X, Ammann, Mecalac, Makinex, Smith Surface Prep, Small Line, Wanco, Yanmar