



Model

CC800M

BLOCK SAW

PARTS LIST

November 2018

Part # xxxxxx

PARTS FINDER

**Search Website
by Part Number**



**Search Manual
Library For Parts
Manual & Lookup Part
Numbers – Purchase
or Request Quote**

Search Manuals

Enter your information to help us find the right parts manual for your machine.

* Brand:

* Model:

* Serial:

* Part Number:

SEARCH

**Can't Find Part or
Manual? Request Help
by Manufacturer,
Model & Description**

Parts Order Form

Please fill in the following information to help us find the right part for your machine.

MANUFACTURER:

MODEL:

DESCRIPTION:

DATE:

NAME:

PHONE:

EMAIL:

ADDRESS:

CITY:

STATE:

ZIP:

SEARCH

Discount-Equipment.com is your online resource for quality parts & equipment.

Florida: **561-964-4949** Outside Florida TOLL FREE: **877-690-3101**

Need parts?

Click on this link: <http://www.discount-equipment.com/category/5443-parts/> and choose one of the options to help get the right parts and equipment you are looking for. Please have the machine model and serial number available in order to help us get you the correct parts. If you don't find the part on the website or on one of the online manuals, please fill out the request form and one of our experienced staff members will get back to you with a quote for the right part that your machine needs.

We sell worldwide for the brands: Genie, Terex, JLG, MultiQuip, Mikasa, Essick, Whiteman, Mayco, Toro Stone, Diamond Products, Generac Magnum, Airman, Haulotte, Barreto, Power Blanket, Nifty Lift, Atlas Copco, Chicago Pneumatic, Allmand, Miller Curber, Skyjack, Lull, Skytrak, Tsurumi, Husquvarna Target, Stow, Wacker, Sakai, Mi-T-M, Sullair, Basic, Dynapac, MBW, Weber, Bartell, Bennar Newman, Haulotte, Ditch Runner, Menegotti, Morrison, Contec, Buddy, Crown, Edco, Wyco, Bomag, Laymor, EZ Trench, Bil-Jax, F.S. Curtis, Gehl Pavers, Heli, Honda, ICS/PowerGrit, IHI, Partner, Imer, Clipper, MMD, Koshin, Rice, CH&E, General Equipment, Amida, Coleman, NAC, Gradall, Square Shooter, Kent, Stanley, Tamco, Toku, Hatz, Kohler, Robin, Wisconsin, Northrock, Oztec, Toker TK, Rol-Air, APT, Wylie, Ingersoll Rand / Doosan, Innovatech, Con X, Ammann, Mecalac, Makinex, Smith Surface Prep, Small Line, Wanco, Yanmar

Proposition 65
State of California

Warning !

Engine exhaust and some its constituents are known to the State of California to cause cancer, birth defects, and/or other reproductive harm.

Notification of Spark Arrester Requirement for
State of California

It is a violation of Section 4442 or 4443 to use or operate the engine on any forest-covered, brush-covered, or grass-covered land unless the engine is equipped with a spark arrester, as defined in Section 4442, maintained in effective working order or the engine is constructed, equipped, and maintained for the prevention of fire pursuant to Section 4443.

Quick Reference Service: Filters & Belts

<u>DP Part No.</u>	<u>Description</u>	<u>Manufacturer's Part No.</u>
2702018	Air Filter for 8 & 11 HP Honda	Honda #17210-ZE3-505
2501098	Belt for 8 & 11 HP Honda & 9 HP Lifan	Gates BX28
2501089	Belt for 5 & 7.5 HP Baldor with 20" Blade	Gates BX64
2505151	Belt for 7.5 Baldor with 24" Blade	Gates BX63

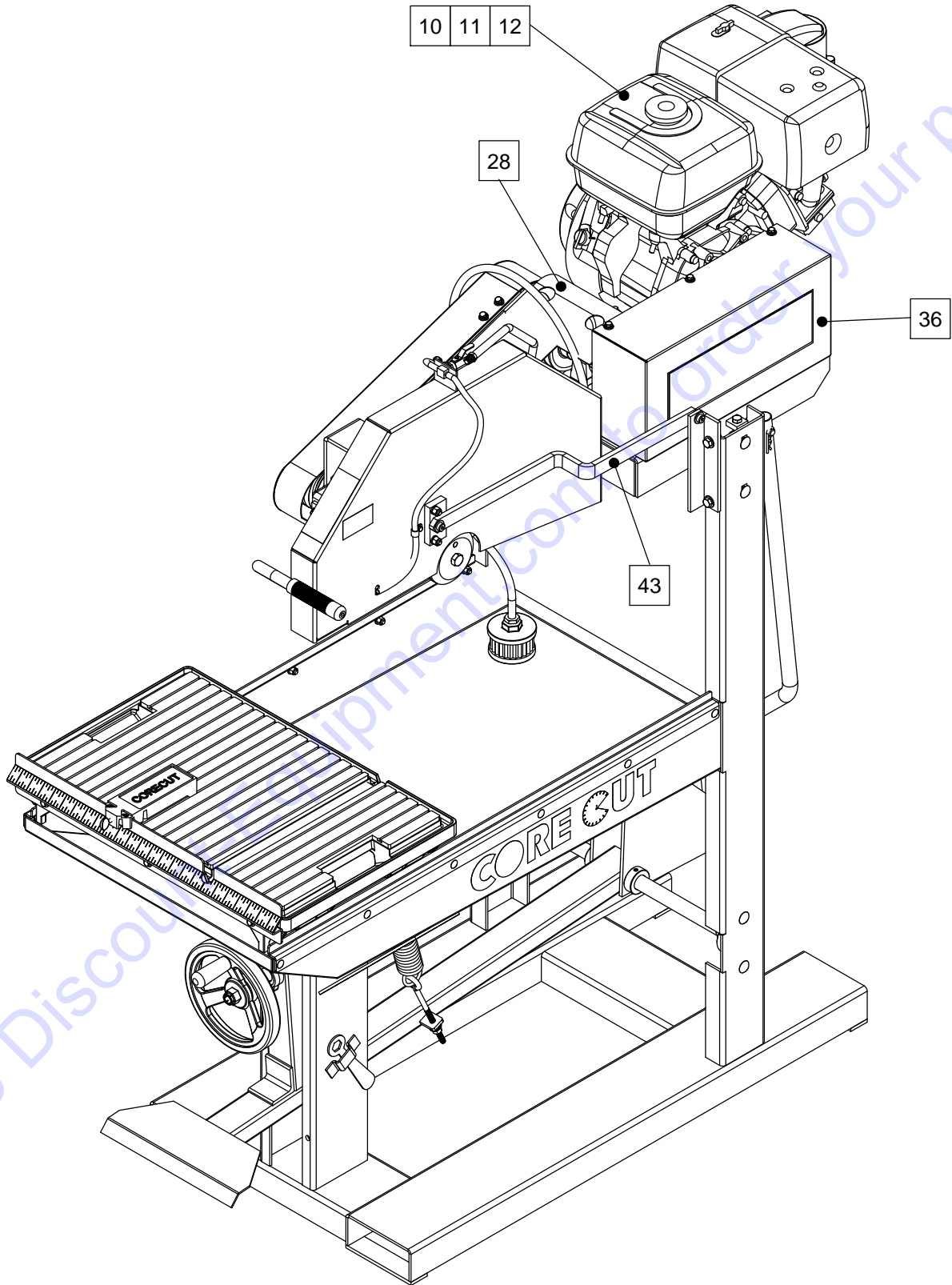
Intentionally Blank

Go to Discount-Equipment.com to order your parts

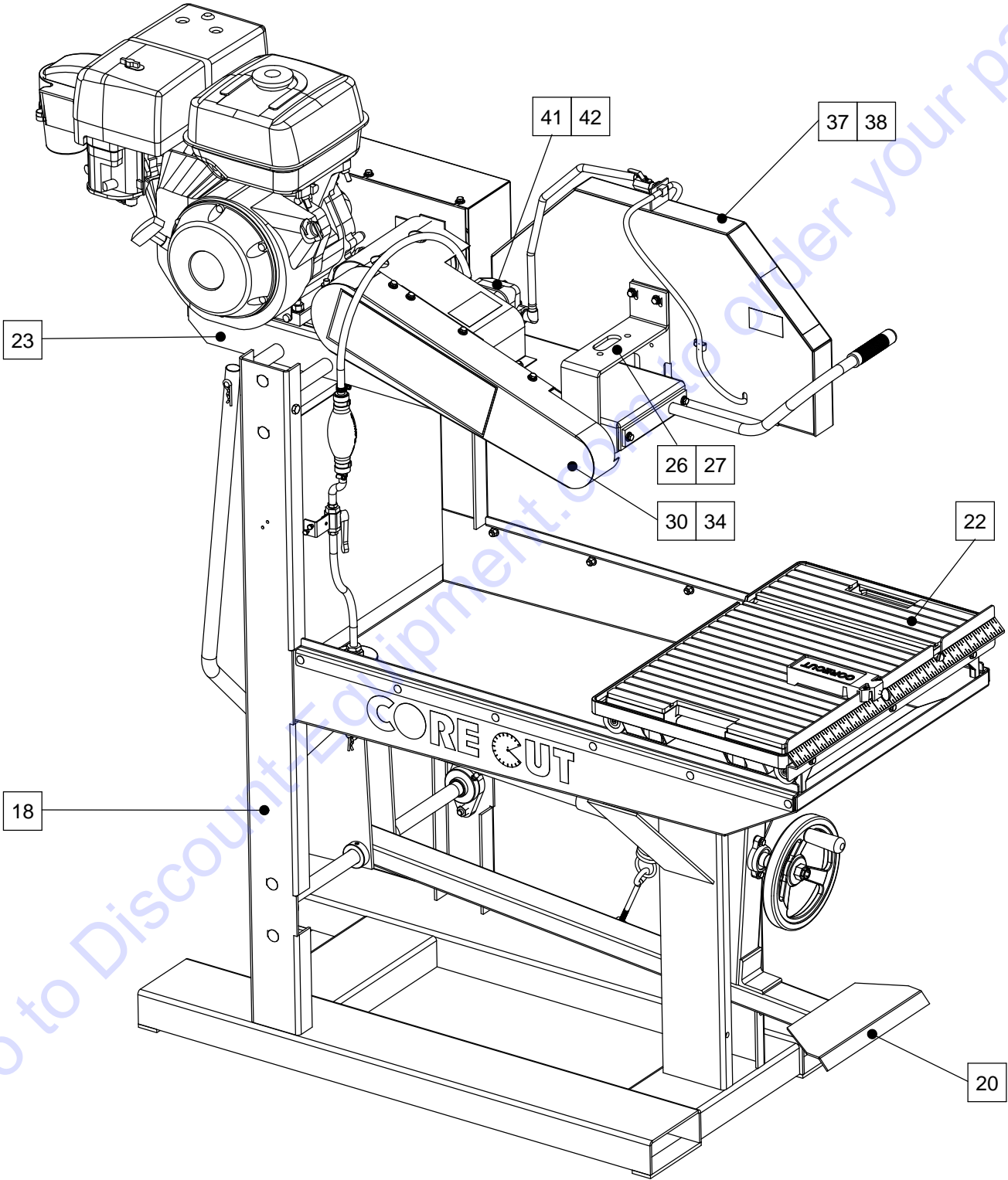
TABLE OF CONTENTS

Description	Page No.	Description	Page No.
Pictorial Page Index – Gas Saw	6-7	Electric Motor Belt Drive – 7.5HP with 24” Blade	33
Pictorial Page Index – Electric Saw	8-9	Gas Engine Belt Guard Assembly	34
8HP Gas Engine Mount Assembly and Oil Drain Hose	10	Electric Motor Belt Guard Assembly.....	35
9HP Gas Engine Mount Assembly and Oil Drain Hose	11	Gas Engine Jackshaft Belt Guard Assembly.....	36
11HP Gas Engine Mount Assembly and Oil Drain Hose	12	Blade Guard for 20 “ Blade.....	37
5HP-1PH Electric Motor Mount Assembly	13	Blade Guard for 24” Blade	38
5HP-3PH Electric Motor Mount Assembly	14	Water Pump Assembly Gas Engine.....	39
7.5HP-1PH Electric Motor Mount Assembly	15	Diaphragm Pump Assembly.....	40
7.5HP- 3PH Electric Motor Mount Assembly	16	Water Pump Assembly – 155V.....	41
7.5HP- 3PH- 380V Elec. Motor Mt. Assembly...	17	Water Pump Assembly – 230V.....	42
Frame Assembly.....	18	Leveling Arm Assembly.....	43
Foot Pedal Assembly	20-21	Starter Box Assembly 220V,3PH.....	44-45
Conveyor Cart.....	22	Starter Box Assembly 380V/460V, 3PH	46-47
Upper Frame Head Weldment.....	23	Power Box Assembly 3PH 5 and 7.5HP-230V ...	48-49
Blade Shaft Assembly without Pulley	24	Power Box Assembly 3PH 5 & 7.5HP-380V/460V.....	50-51
Electric Blade Shaft Assembly with Pulley.....	25	Power Box Assembly 3PH 7.5HP 380V	52-53
Gas Blade Shaft Assembly with Pulley	26	Models and Specifications	54
Pivot Plate.....	27	Warranty	Rear Cover
Jackshaft Assembly.....	28-29		
Gas Engine Belt Drive	30		
Electric Motor Belt Drive – 5HP	31		
Electric Motor Belt Drive – 7.5HP with 20” Blade	32		

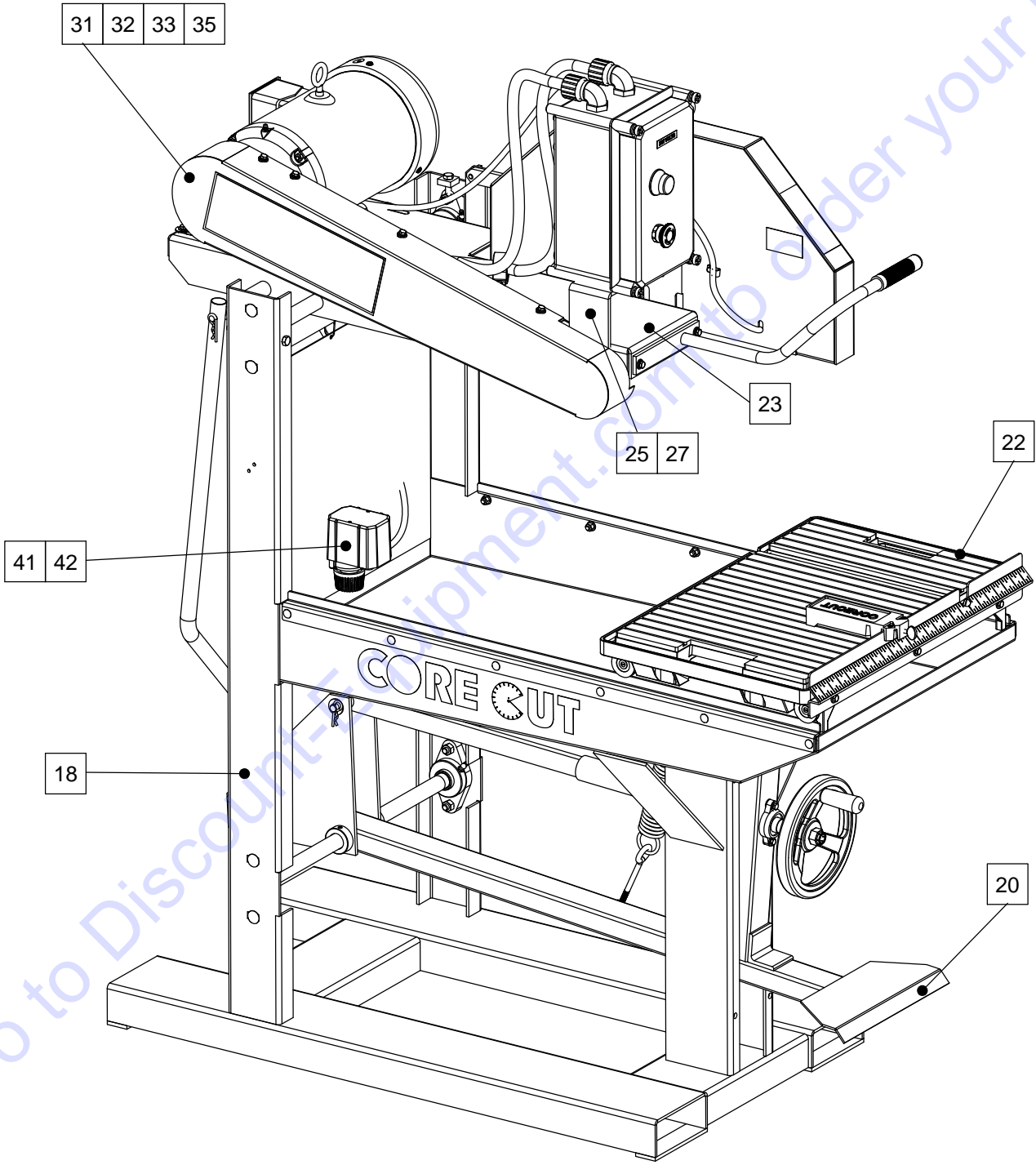
CC800M Gas Saw
Pictorial Page Index



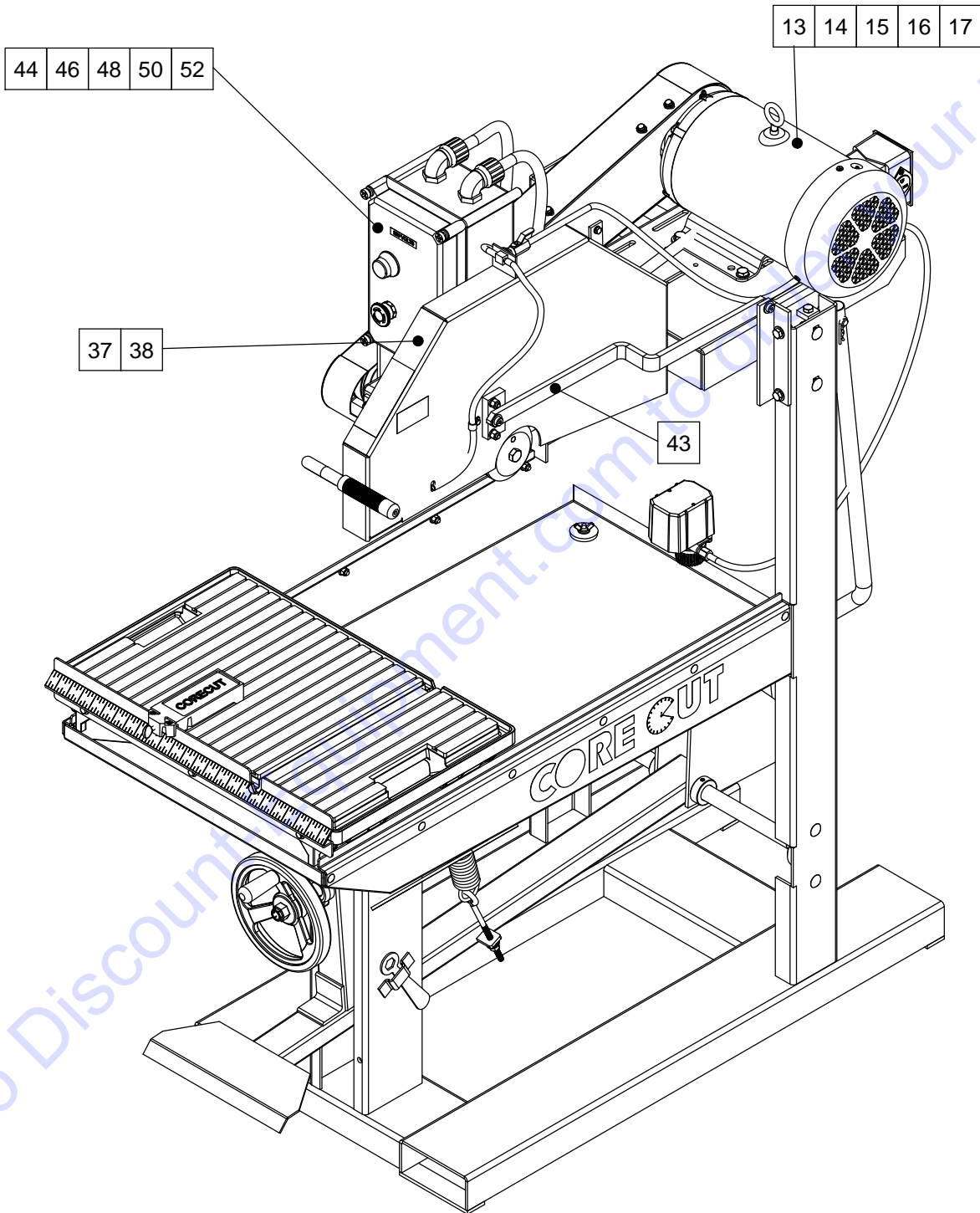
CC800M Gas Saw
Pictorial Page Index



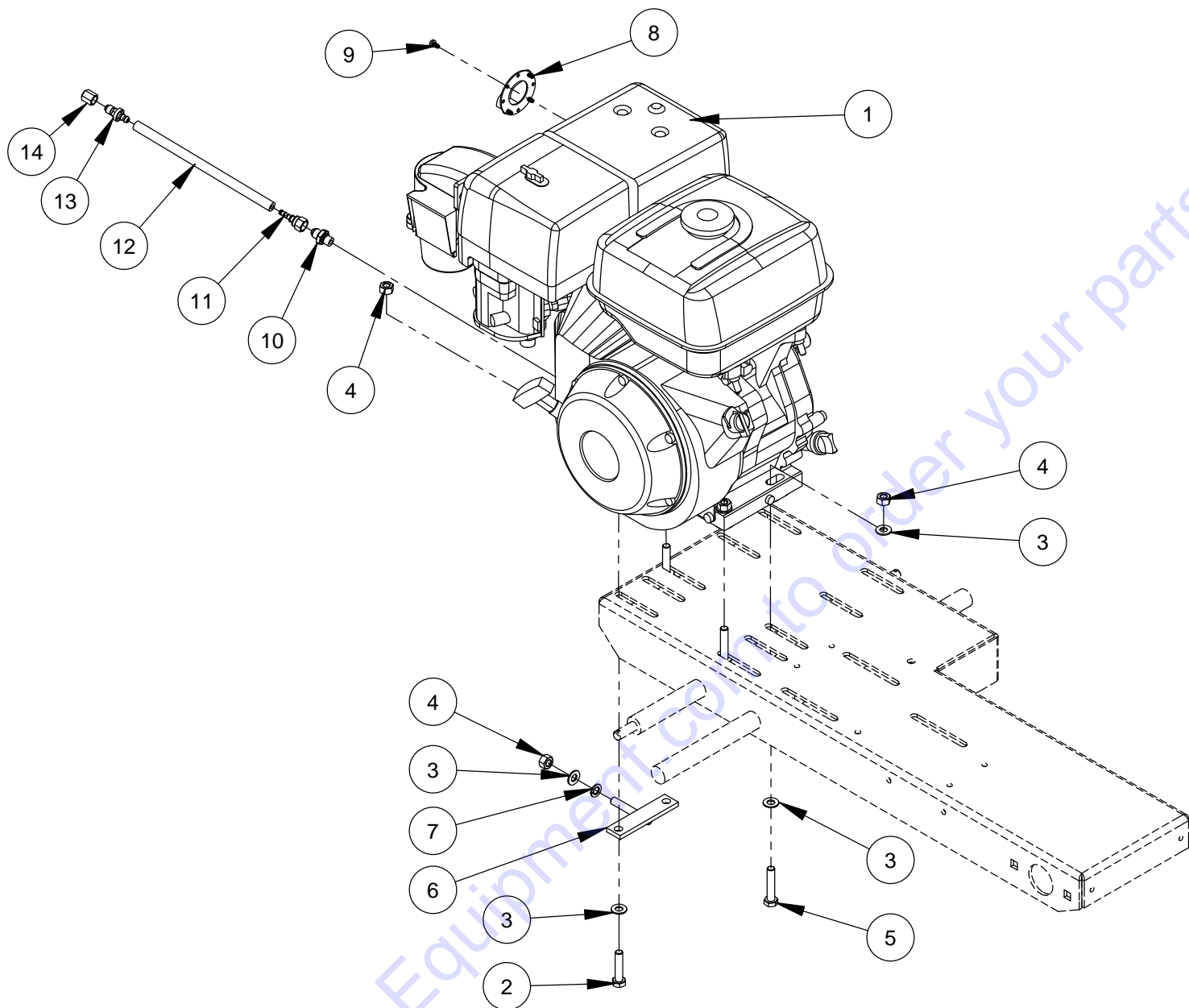
CC800M Electric Saw
Pictorial Page Index



CC800M Electric Saw
Pictorial Page Index



8 HP Gas Engine Mount Assembly #6014114

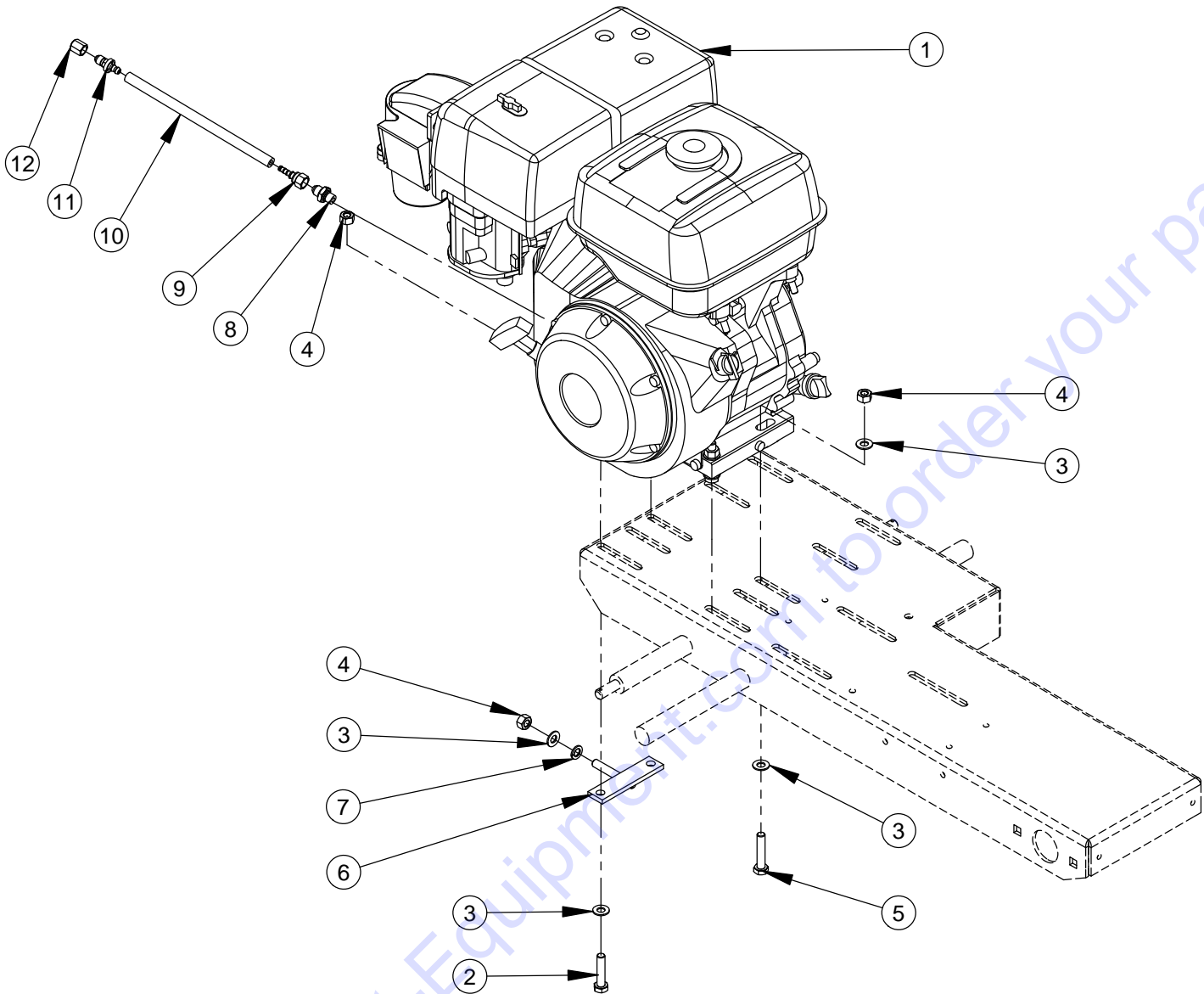


ITEM	PART NO.	QTY.	DESCRIPTION
1	2600160	1	Engine, 8HP Honda GX270
2	2900317	2	Cap Screw, Hex Hd., M10-1.5 x 45mm
3	2900014	7	Flat Washer, 3/8" SAE
4	2900304	5	Lock Nut, M10-1.5 Nylon Insert
5	2900337	2	Cap Screw, Hex Hd., M10-1.5 x 50mm, Full Thd.
6	6040263	1	Belt Adjustment Assembly
7	2900321	1	Lock Washer, M10 Split
8	2700554	1	Muffler Deflector, 11-13 HP Honda
9	2900021	4	Tap Screw, Pan Hd., #10-24 x 3/8"

Oil Drain Hose #6048042

ITEM	PART NO.	QTY.	DESCRIPTION
10	3200539	1	Adapter, M12x1.5 Male to 5/16" M. JIC
11	3200540	1	Fitting, 5/16" F. JIC to 1/4" Pushlock
12	6049037	1	1/4" x 9.00" Oil Drain Hose
13	3200040	1	Fitting, 1/4" M. JIC to 1/4" Push Lock
14	3200006	1	Cap, 1/4" JIC

9 HP Gas Engine Mount Assembly #6014116

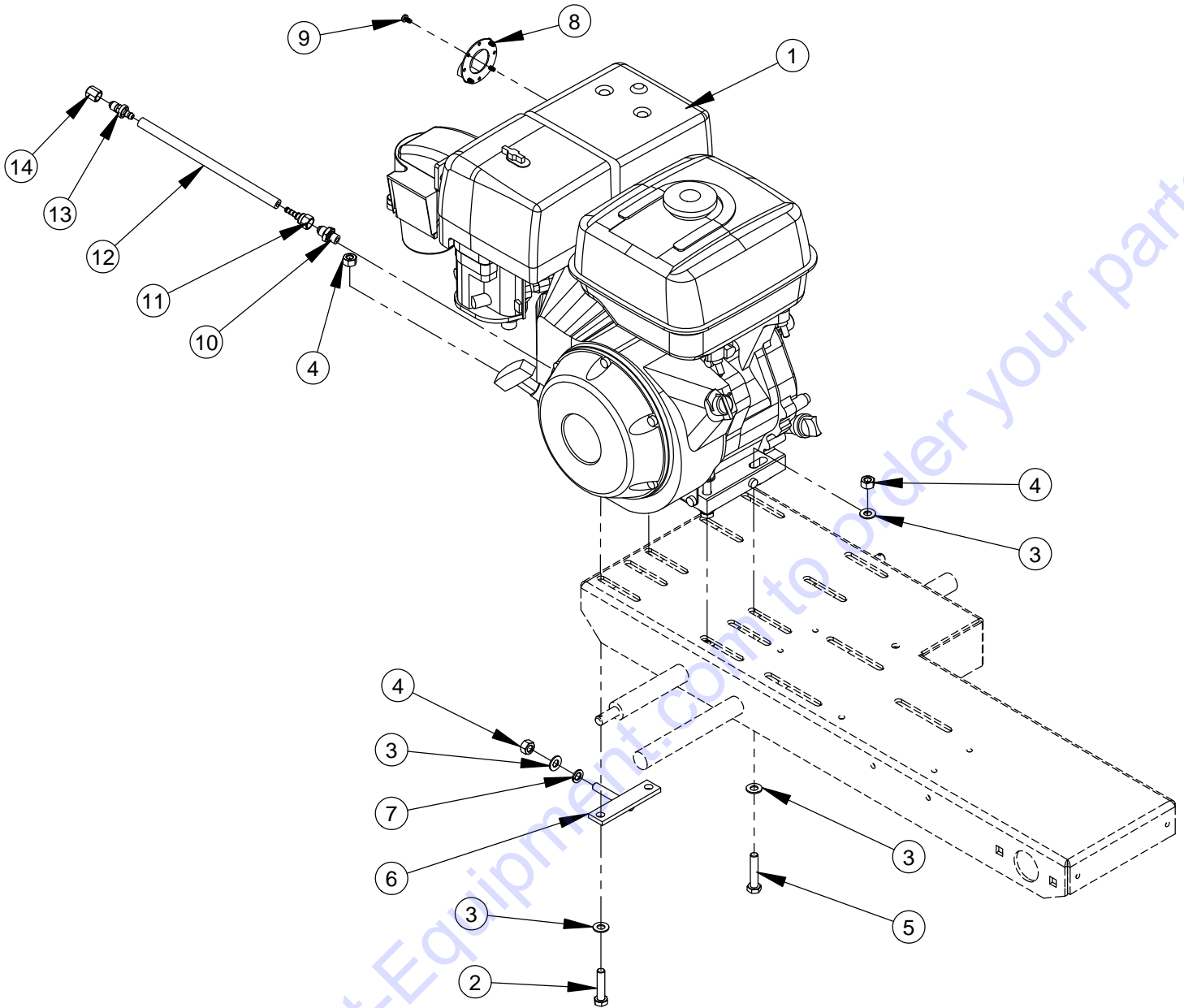


ITEM	PART NO.	QTY.	DESCRIPTION
1	2601711	1	Engine, 9 HP Lifan LF177F
2	2900317	2	Cap Screw, Hex Hd., M10-1.5 x 45mm
3	2900014	7	Flat Washer, 3/8" SAE
4	2900304	5	Lock Nut, M10-1.5 Nylon Insert
5	2900337	2	Cap Screw, Hex Hd., M10-1.5 x 50mm, Full Thd.
6	6040263	1	Belt Adjustment Assembly
7	2900321	1	Lock Washer, M10 Split

Oil Drain Hose #6048042

ITEM	PART NO.	QTY.	DESCRIPTION
8	3200539	1	Adapter, M12x1.5 Male to 5/16" M. JIC
9	3200540	1	Fitting, 5/16" F. JIC to 1/4" Pushlock
10	6049037	1	1/4" x 9.00" Oil Drain Hose
11	3200040	1	Fitting, 1/4" M. JIC to 1/4" Push Lock
12	3200006	1	Cap, 1/4" JIC

11 HP Gas Engine Mount Assembly #6014115

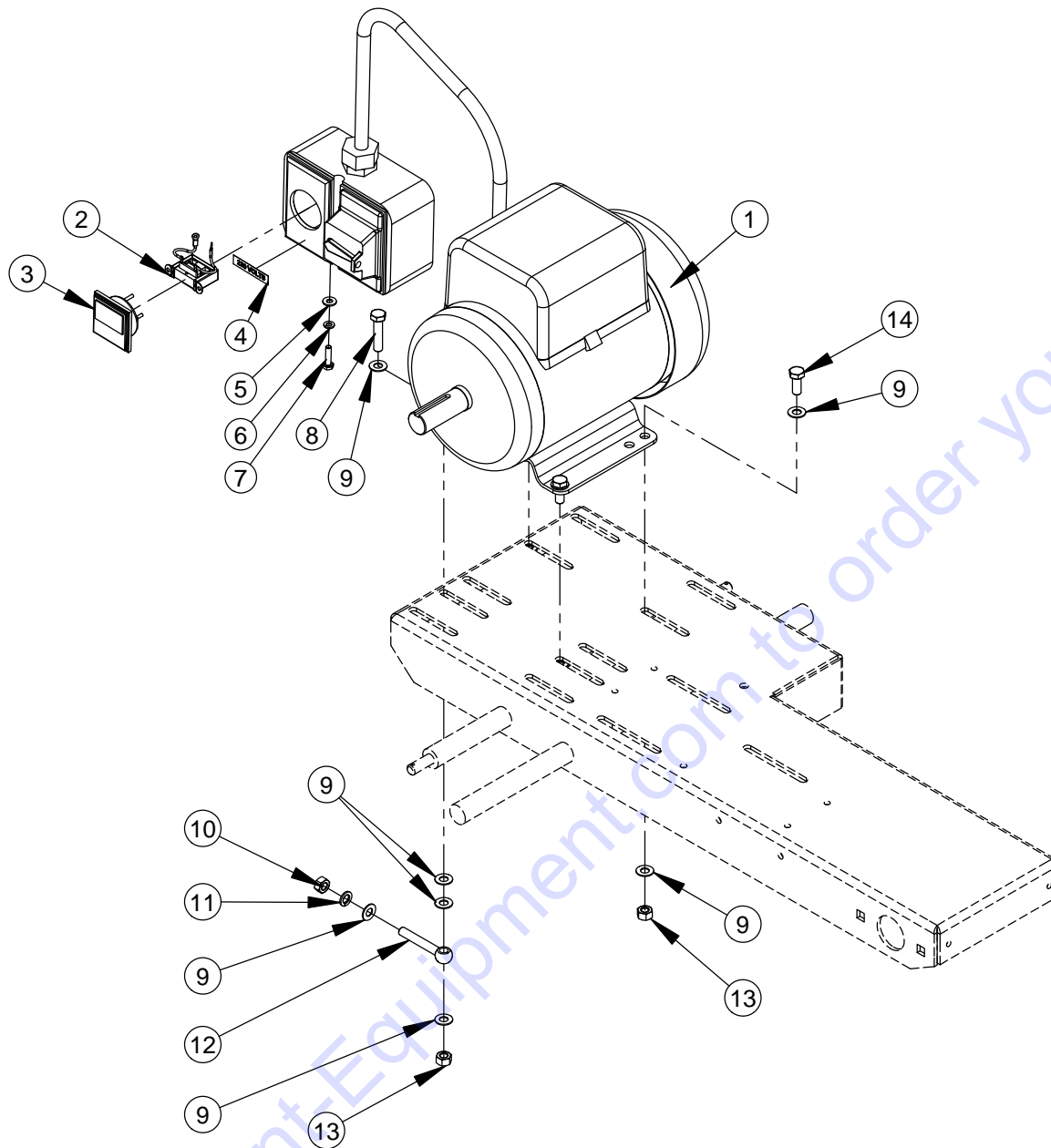


ITEM	PART NO.	QTY.	DESCRIPTION
1	2600116	1	Engine,11 HP Honda GX390
2	2900317	2	Cap Screw, Hex Hd., M10-1.5 x 45mm
3	2900014	7	Flat Washer, 3/8" SAE
4	2900304	5	Lock Nut, M10-1.5 Nylon Insert
5	2900337	2	Cap Screw, Hex Hd., M10-1.5 x 50mm, Full Thd.
6	6040263	1	Belt Adjustment Assembly
7	2900321	1	Lock Washer, M10 Split
8	2700554	1	Muffler Deflector, 11-13 HP Honda
9	2900021	4	Tap Screw, Pan Hd., #10-24 x 3/8"

Oil Drain Hose #6048042

ITEM	PART NO.	QTY.	DESCRIPTION
10	3200539	1	Adapter, M12x1.5 Male to 5/16" M. JIC
11	3200540	1	Fitting, 5/16" F. JIC to 1/4" Pushlock
12	6049037	1	1/4" x 9.00" Oil Drain Hose
13	3200040	1	Fitting, 1/4" M. JIC to 1/4" Push Lock
14	3200006	1	Cap, 1/4" JIC

5HP - 1Phase Electric Motor Mount Assembly #6030243

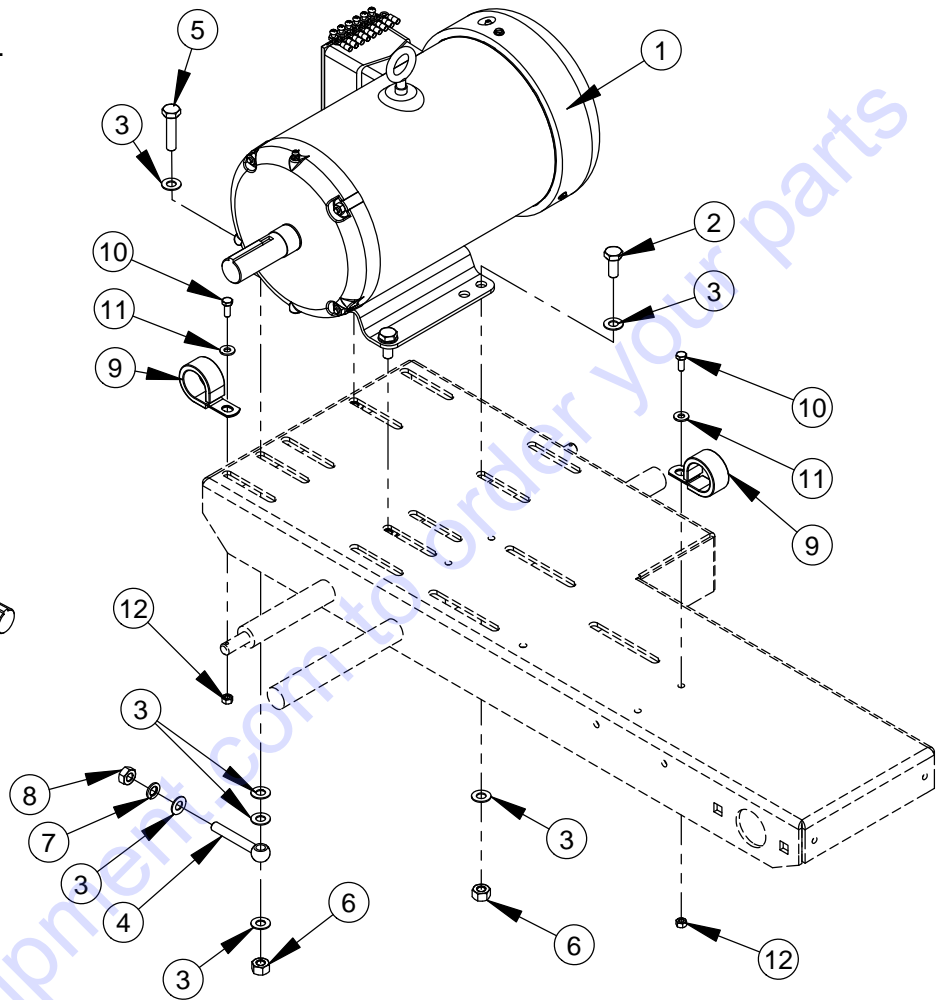
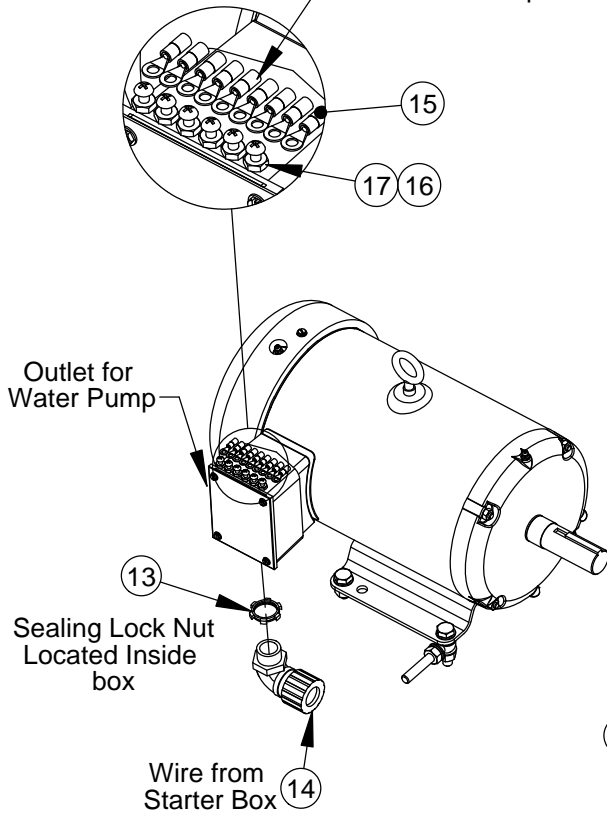


ITEM	PART NO.	QTY.	DESCRIPTION
1	2600260	1	Electric Baldor Motor, 5HP - 1PH, 230V
2	2800085	1	Transformer, 115V
3	2800253	1	Amp Meter w/ Bracket, 0-40 AC
4	1800810	1	Voltage Label, 230V
5	2900009	2	Flat Washer, 1/4" SAE
6	2900024	2	Lock Washer, 1/4" Split
7	2900008	2	Cap Screw, Hex Hd., 1/4-20 x 1"
8	2900317	1	Cap Screw, Hex Hd., M10 x 45mm
9	2900014	11	3/8" SAE Flat Washer
10	2900325	1	Hex Nut, M10-1.5
11	2900321	1	Lock Washer, M10 Split
12	2900595	1	Eyebolt, M10 x 70mm
13	2900304	4	Lock Nut, M10-1.5 Nylon Insert
14	2900333	3	Cap Screw, Hex Hd., M10-1.5 x 25mm

5HP - 3Phase Electric Motor Mount Assembly #6030244

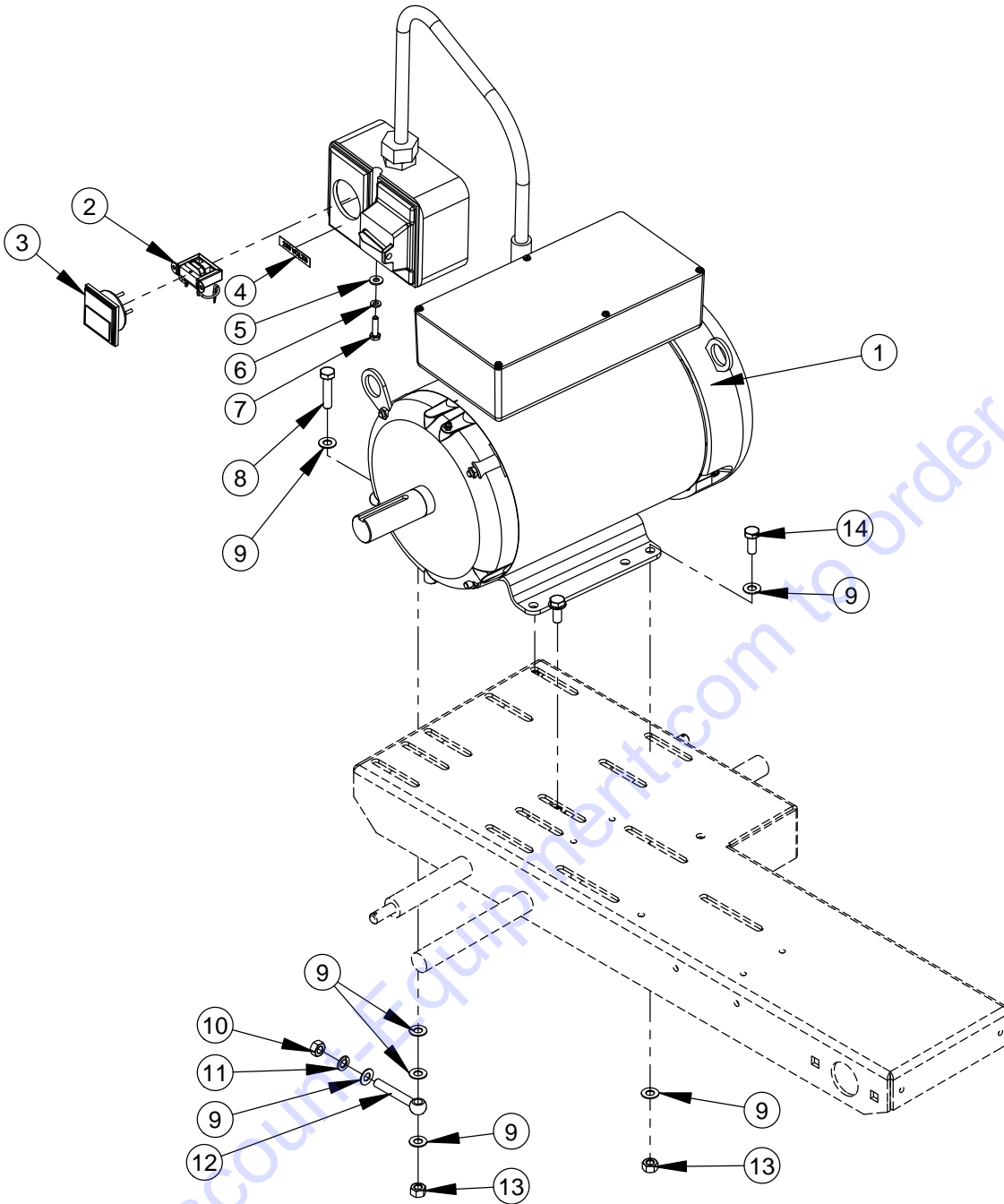
DETAIL A
SCALE 1 : 3

Crimp to each of 9 motor wires, use fasteners as required.



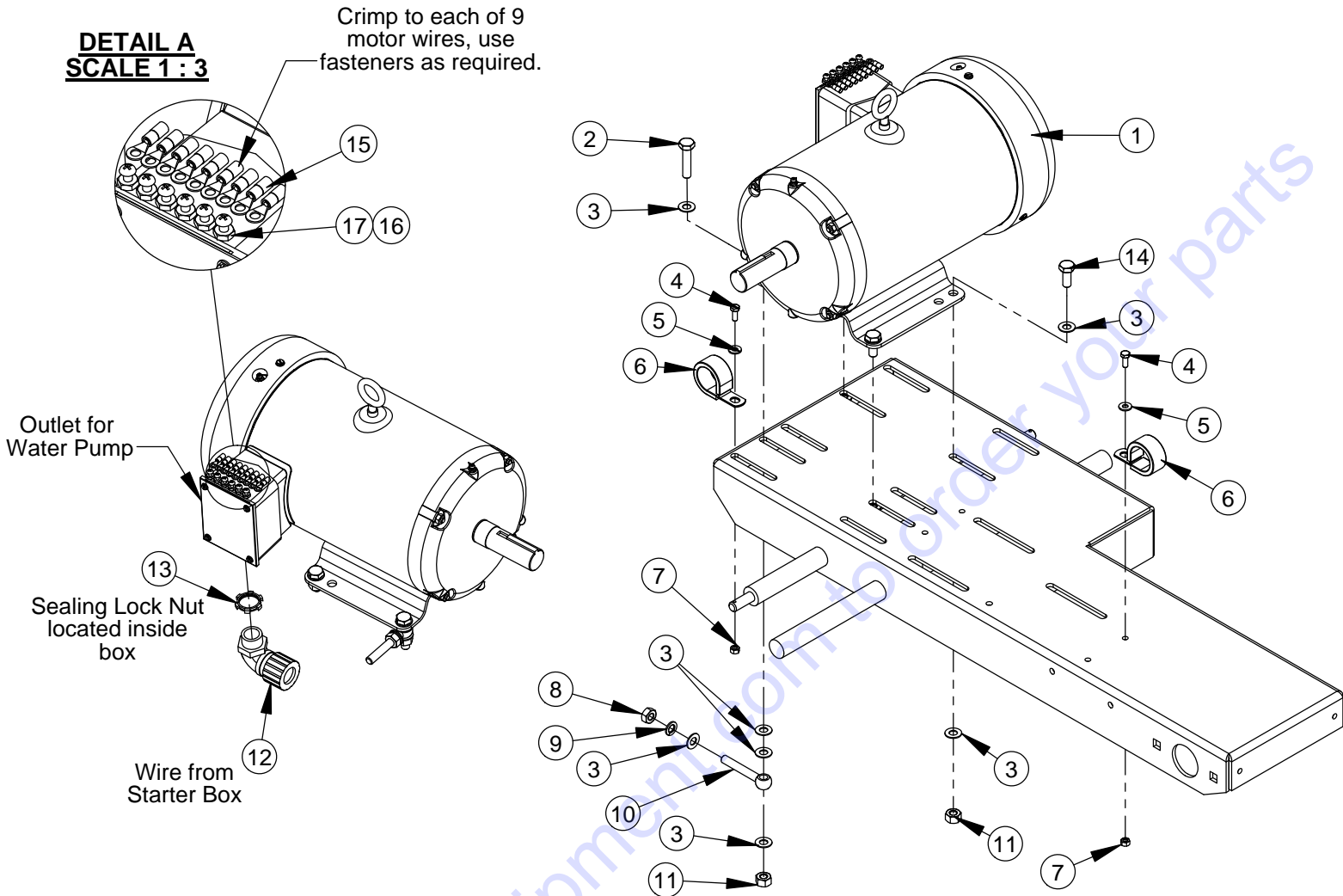
ITEM	PART NO.	QTY.	DESCRIPTION
1	2600262	1	Electric Motor 5HP-3PH Baldor
2	2900333	3	Cap Screw, Hex Hd., M10-1.5 x 25mm
3	2900014	11	3/8" SAE Flat Washer
4	2900595	1	Eyebolt, M10 x 70mm
5	2900317	1	Cap Screw, Hex Hd., M10 x 45mm
6	2900304	4	Lock Nut, M10-1.5 Nylon Insert
7	2900321	1	Lock Washer, M10 Split
8	2900325	1	Hex Nut, M10-1.5
9	2504923	2	Hose Clamp, 1 1/4" x 1/2" Wide
10	2900341	2	Cap Screw, Hex Hd., M6-1.0 x 16mm
11	2900009	2	Flat Washer, 1/4" SAE
12	2900302	2	Lock Nut, M6-1.0 Nylon Insert
13	2800050	1	Lock Nut, 3/4" Sealing
14	2802052	1	Cord Connector, 3/4" Thd., .63-75" Cord, 90 Deg.
15	2800083	9	Terminal, #10 Ring (16-14 AWG) Blue
16	2900114	6	Machine Screw, Rd. Hd., #8-32 x 3/8"
17	2900115	6	Lock Nut, #8-32 Nylon

7.5HP - 1 Phase Electric Motor Mount Assembly #6030245



ITEM	PART NO.	QTY.	DESCRIPTION
1	2600261	1	7.25HP - 1 Phase Electric Baldor Motor
2	2800085	1	Transformer, 115V
3	2800253	1	Amp Meter w/ Bracket, 0-40 AC
4	1800810	1	Voltage Label, 230V
5	2900009	2	Flat Washer, 1/4" SAE
6	2900024	2	Lock Washer, 1/4" Split
7	2900008	2	Cap Screw, Hex Hd., 1/4-20 x 1"
8	2900317	1	Cap Screw, Hex Hd., M10 x 45mm
9	2900014	11	3/8" SAE Flat Washer
10	2900325	1	Hex Nut, M10-1.5
11	2900321	1	Lock Washer, M10 Split
12	2900595	1	Eyebolt, M10 x 70mm
13	2900304	4	Lock Nut, M10-1.5 Nylon Insert
14	2900333	3	Cap Screw, Hex Hd., M10-1.5 x 25mm

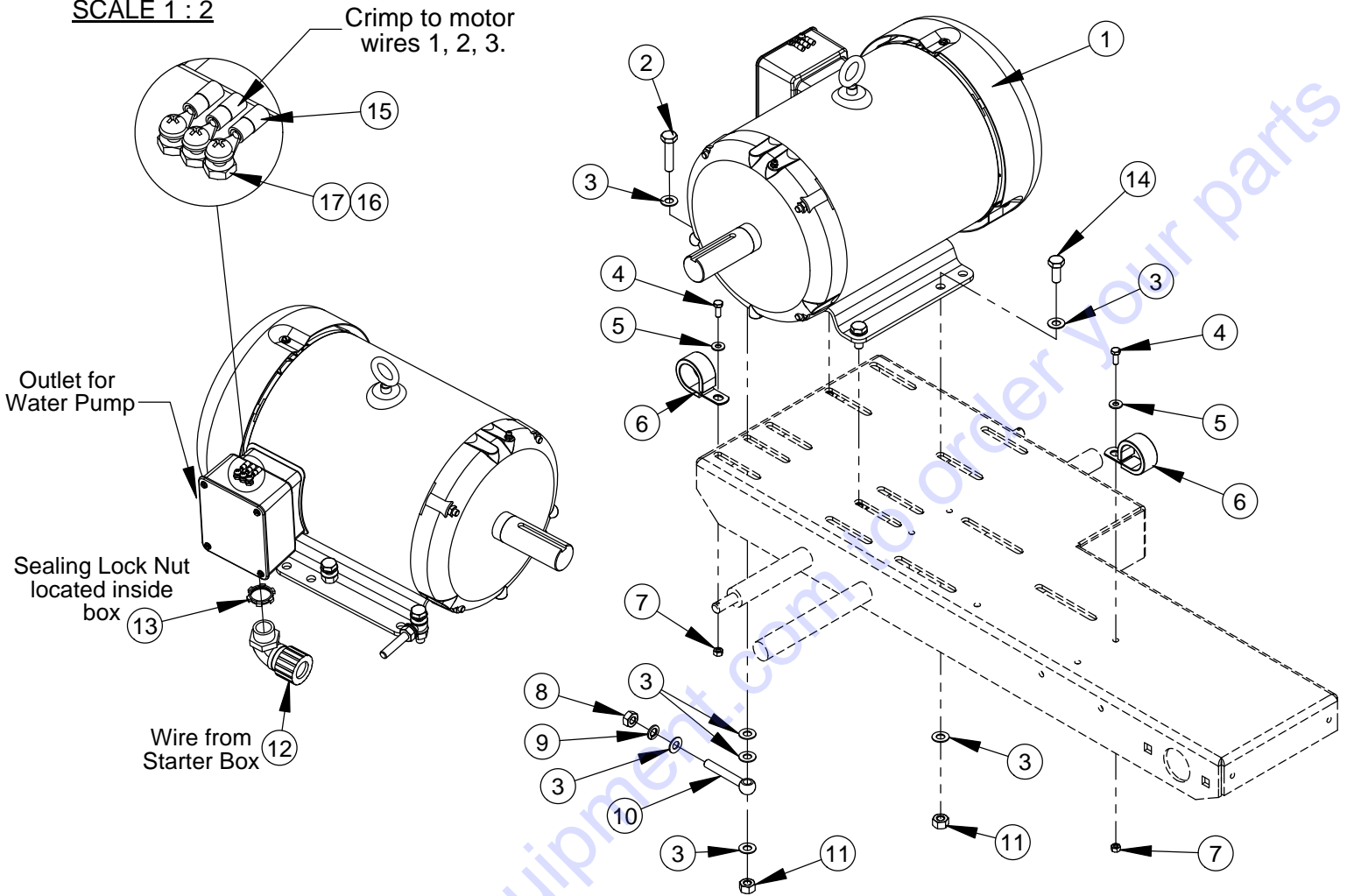
7.5 HP - 3 Phase Electric Motor Mount Assembly #6030246



ITEM	PART NO.	QTY.	DESCRIPTION
1	2601709	1	Electric Motor 7.5HP-3PH Baldor
2	2900317	1	Cap Screw, Hex Hd., M10 x 45mm
3	2900014	11	3/8" SAE Flat Washer
4	2900341	2	Cap Screw, Hex Hd., M6-1.0 x 16mm
5	2900009	2	Flat Washer, 1/4" SAE
6	2504923	2	Hose Clamp, 1 1/4" x 1/2" Wide
7	2900302	2	Lock Nut, M6-1.0 Nylon Insert
8	2900325	1	Hex Nut, M10-1.5
9	2900321	1	Lock Washer, M10 Split
10	2900595	1	Eyebolt, M10 x 70mm
11	2900304	4	Lock Nut, M10-1.5 Nylon Insert
12	2802052	1	Cord Connector, 3/4" Thd., .63-75" Cord, 90 Deg.
13	2800050	1	Lock Nut, 3/4" Sealing
14	2900333	3	Cap Screw, Hex Hd., M10-1.5 x 25mm
15	2800083	9	Terminal, #10 Ring (16-14 AWG) Blue
16	2900114	6	Machine Screw, Rd. Hd., #8-32 x 3/8"
17	2900115	6	Lock Nut, #8-32 Nylon

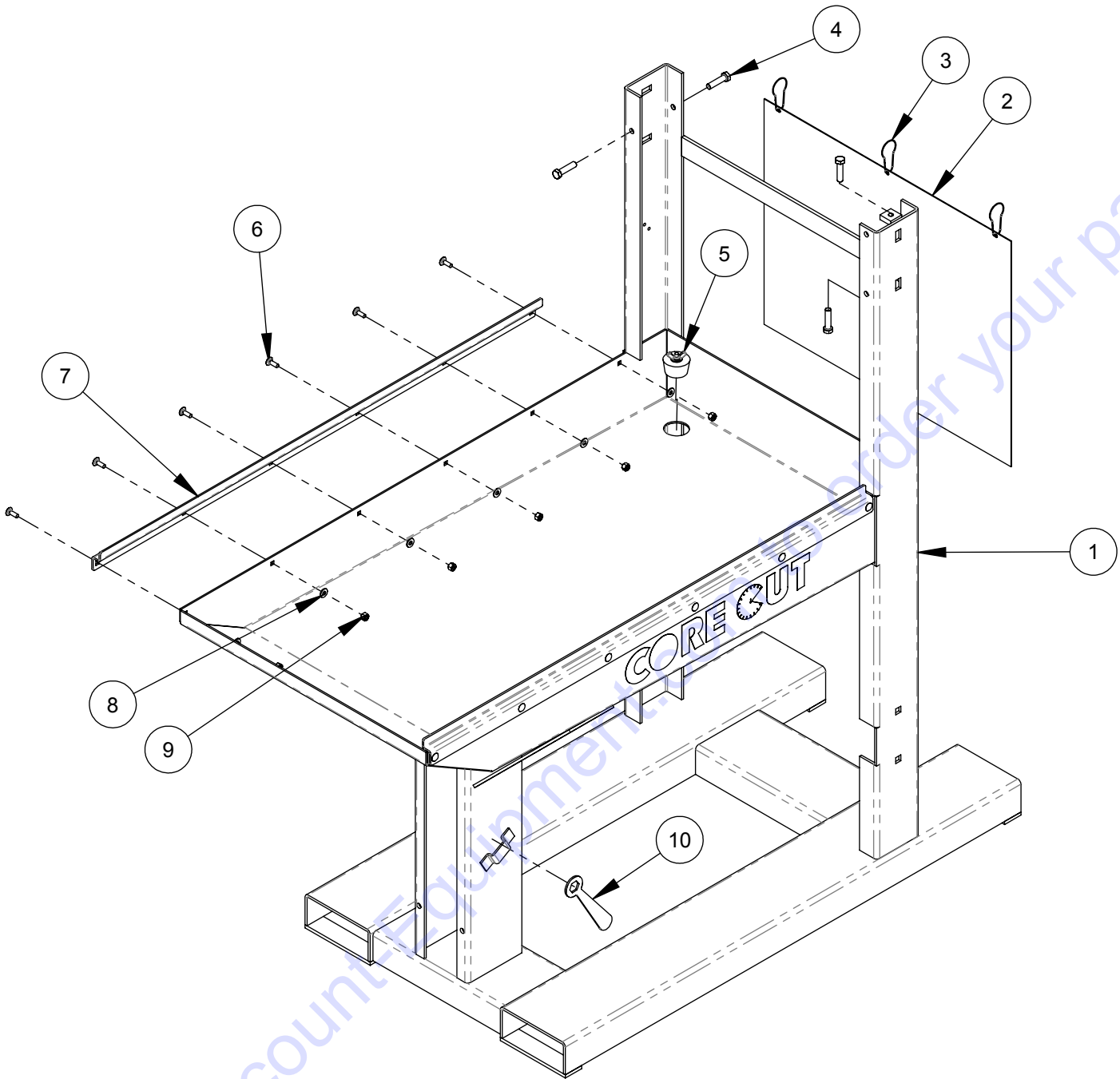
7.5HP - 3 Phase Electric Motor Mount Assembly #6030332 (380 V)

DETAIL A
SCALE 1 : 2



ITEM	PART NO.	QTY.	DESCRIPTION
1	2600048	1	Electric Baldor Motor 7.5HP 3PH 380V
2	2900317	1	Cap Screw, Hex Hd., M10 x 45mm
3	2900014	11	3/8" SAE Flat Washer
4	2900341	2	Cap Screw, Hex Hd., M6-1.0 x 16mm
5	2900009	2	Flat Washer, 1/4" SAE
6	2504923	2	Hose Clamp, 1 1/4" x 1/2" Wide
7	2900302	2	Lock Nut, M6-1.0 Nylon Insert
8	2900325	1	Hex Nut, M10-1.5
9	2900321	1	Lock Washer, M10 Split
10	2900595	1	Eyebolt, M10 x 70mm
11	2900304	4	Lock Nut, M10-1.5 Nylon Insert
12	2802052	1	Cord Connector, 3/4" Thd., .63-75" Cord, 90 Deg.
13	2800050	1	Lock Nut, 3/4" Sealing
14	2900333	3	Cap Screw, Hex Hd., M10-1.5 x 25mm
15	2800083	3	Terminal, #10 Ring (16-14 AWG) Blue
16	2900114	3	Machine Screw, Rd. Hd., #8-32 x 3/8"
17	2900115	3	Lock Nut, #8-32 Nylon

CC800M Block Saw Frame Assembly #6030237

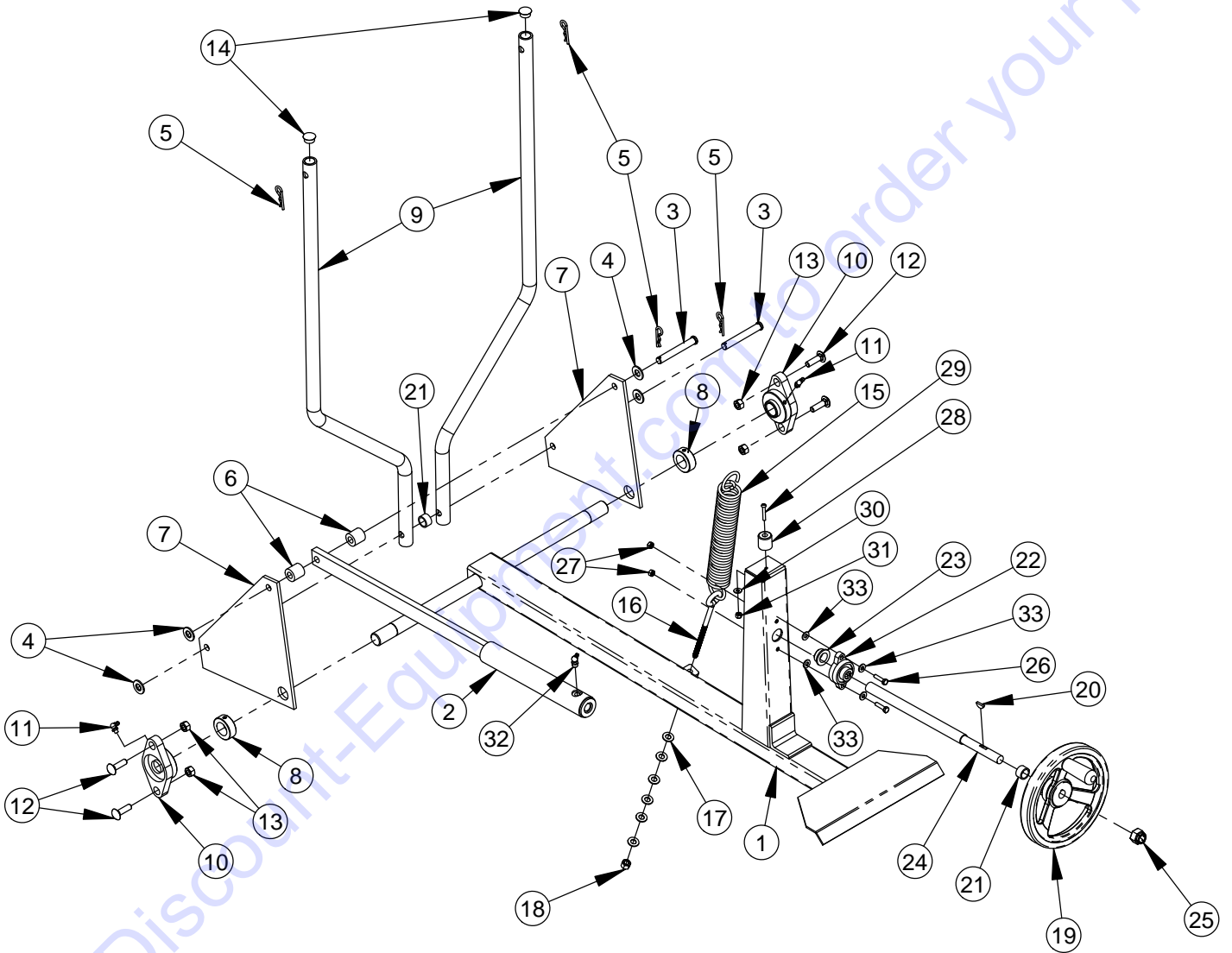


ITEM	PART NO.	QTY.	DESCRIPTION
1	6030222	1	Frame Weldment, Block Saw
2	6030165	1	Splash Curtain, Block Saw
3	2500816	3	Curtain Ring, 1"
4	2900674	4	Cap Screw, Hex Hd., 3/8-24 x 1-1/2"
5	2500580	1	Plug, Rubber Drain
6	2900591	12	Carriage Bolt, 1/4-20 x 3/4"
7	6030129	2	Block Saw Rail
8	2900009	12	Flat Washer, 1/4" SAE
9	2900010	12	Lock Nut, 1/4-20 Nylon
10	6030021	1	Hex Wrench, 3/4"

Intentionally Blank

Go to Discount-Equipment.com to order your parts

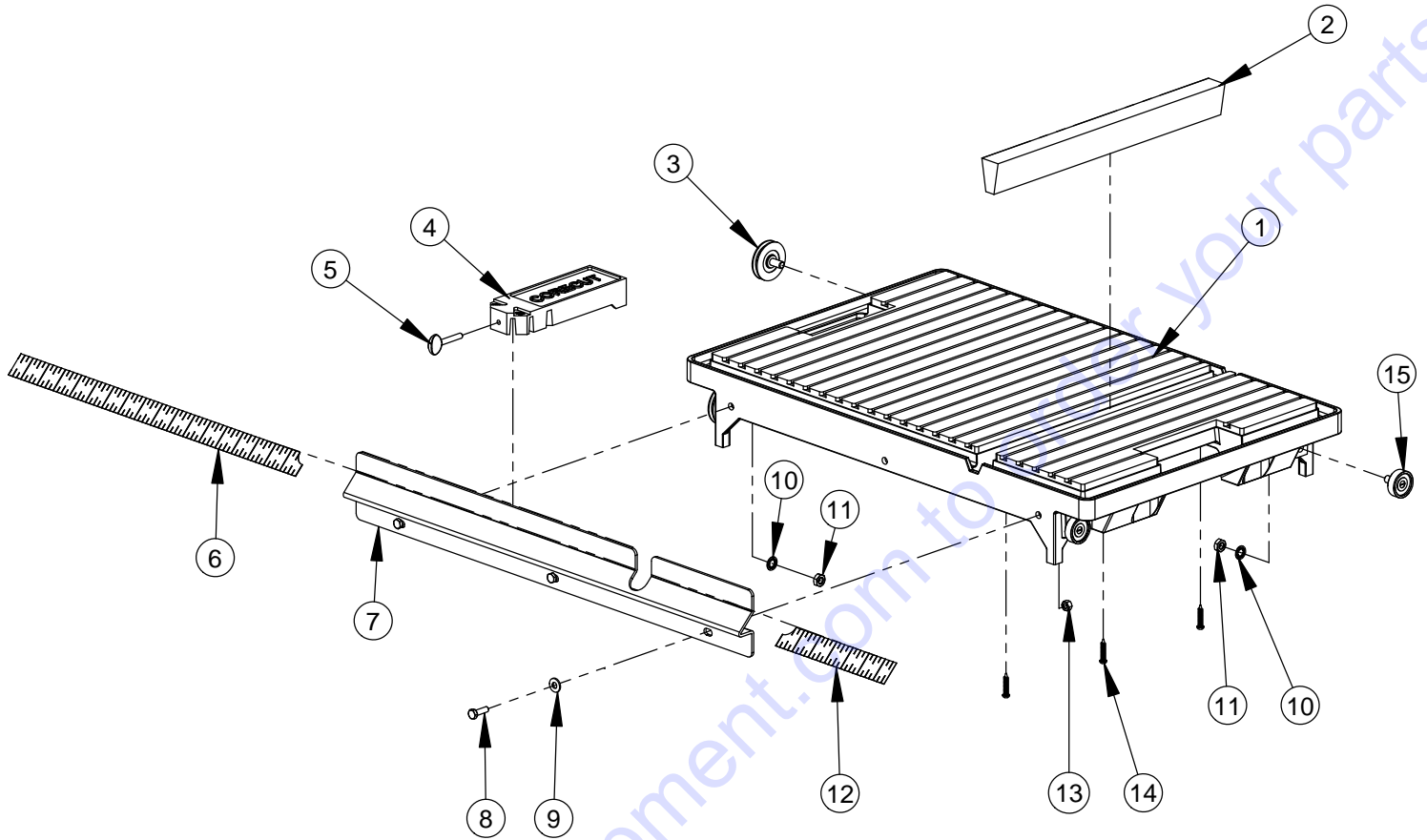
Foot Pedal Assembly #6030150



Foot Pedal Assembly #6030150

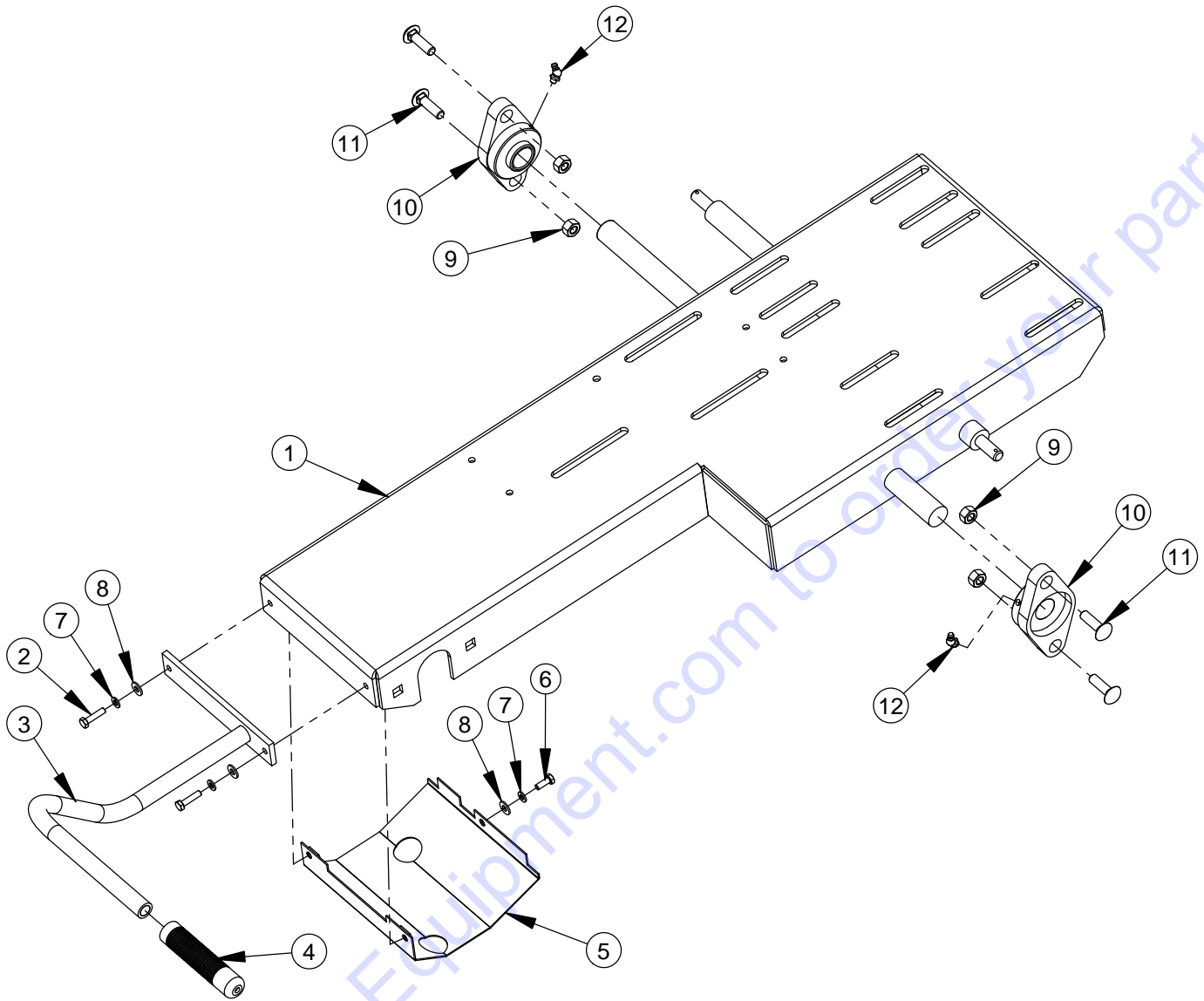
ITEM	PART NO.	QTY.	DESCRIPTION
1	6030112	1	Foot Pedal Assy. (Weldment)
2	6030113	1	Adjustment Shaft
3	2900590	2	1/2" x 3-1/2" Clevis Pin
4	2900058	4	Flat Washer, 1/2" SAE
5	2900276	4	Hairpin Cotter, 1/8" x 1/2" to 3/4"
6	6030126	2	Spacer, 1"
7	6030125	2	Pivot Plate, Block Saw
8	2502143	2	Set Collar, 1-1/16"
9	6030376	2	Connection Rod Arm
10	2500012	2	Bearing-1" Flange
11	2900061	2	Grease Fitting, 1/4-28 x 90 Degree
12	2900372	4	Carriage Bolt M10 x 35
13	2900304	4	Lock Nut, M10-1.5 Nylon Insert
14	2500463	2	Plug, 3/4" Hole
15	2500559	1	Lee Spring LE-031 D8
16	2900602	1	Eye Bolt, 3/8-16 x 6"
17	2900014	6	Flat Washer, 3/8" SAE
18	2900018	1	Locknut, 3/8-16, Nylon
19	2500800	1	Handwheel, 8" x 5/8"
20	2900352	1	Woodruff Key, 5/32 x 3/4, #506
21	6047931	2	Spacer Tube 7/8 x 1/2
22	2500807	1	Bearing, 5/8", Two Bolt Flange
23	6030167	1	Friction Screw Feed Washer
24	6047929	1	Adjustment Screw
25	2900355	1	Lock Nut, 5/8-18, Flex Top
26	2900311	2	Cap Screw, Hex Hd., M6-1.0 x 25mm
27	2900302	2	Lock Nut, M6-1.0 Nylon Insert
28	2501093	1	Bumper, 1"
29	2900172	1	Machine Screw, Rd. Hd., #10-24 x 1-1/4"
30	2900016	1	Flat Washer, #10 USS
31	2900017	1	Lock Nut, #10-24 Nylon
32	2900193	1	Grease Fitting, 1/8" NPT x 45 degree
33	2900009	4	Flat Washer, 1/4" SAE

16 x 25 Conveyor Cart Assembly #6030130



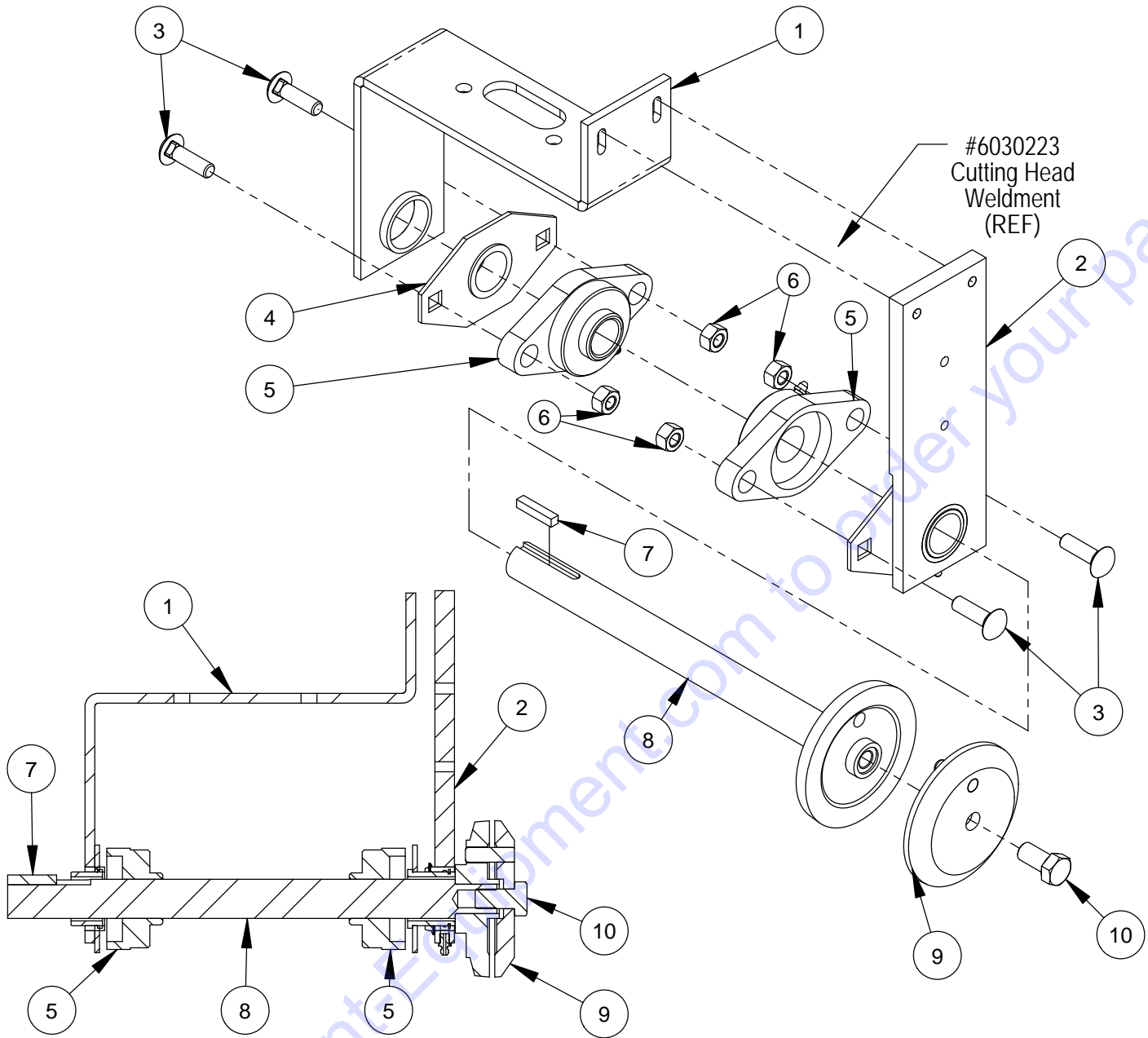
ITEM	PART NO.	QTY.	DESCRIPTION
1	6030124	1	Conveyor Cart, 16" x 25", Block Saw
2	6030164	1	16 x 25 Painted Cart Insert, Block Saw
3	2501859	2	Cart Wheel
4	6030022	1	Rip Guide (Tapped) Block Saw
5	2900540	1	Thumb Screw, M6 X 30mm
6	2501196	1	Rule, Adhesive 18" R-L
7	6030159	1	16 x 25 Measuring Stop
8	2900310	3	Cap Screw, Hex Hd., M6-1.0 x 20mm
9	2900009	3	Flat Washer, 1/4" SAE
10	2900284	4	Lock Washer, 5/16" Internal Tooth
11	2900283	4	Jam Nut, 5/16-18
12	2500659	1	Rule, Adhesive 12" L-R
13	2900302	3	Lock Nut, M6-1.0 Nylon Insert
14	2900070	3	Wood Screw, #8 X 1.00"
15	2506421	2	Cart Wheel Flat

CC800M Upper Frame - Head Weldment Assembly #6030175



ITEM	PART NO.	QTY.	DESCRIPTION
1	6030223	1	Cutting Head Weldment, CC800 Block Saw
2	2900311	2	Cap Screw, Hex Hd., M6-1.0 x 25mm
3	6030156	1	Handle Weldment
4	2500663	1	Grip
5	6030180	1	Blade Shaft Cover Plate
6	2900341	1	Cap Screw, Hex Hd., M6-1.0 x 16mm
7	2900024	3	Lock Washer, 1/4" Split
8	2900009	3	Flat Washer, 1/4" SAE
9	2900304	4	Lock Nut, M10-1.5 Nylon Insert
10	2500012	2	Bearing-1" Flange
11	2900372	4	Carriage Bolt M10 x 35
12	2900184	2	Grease Fitting, 1/4" NPT x 45 degree

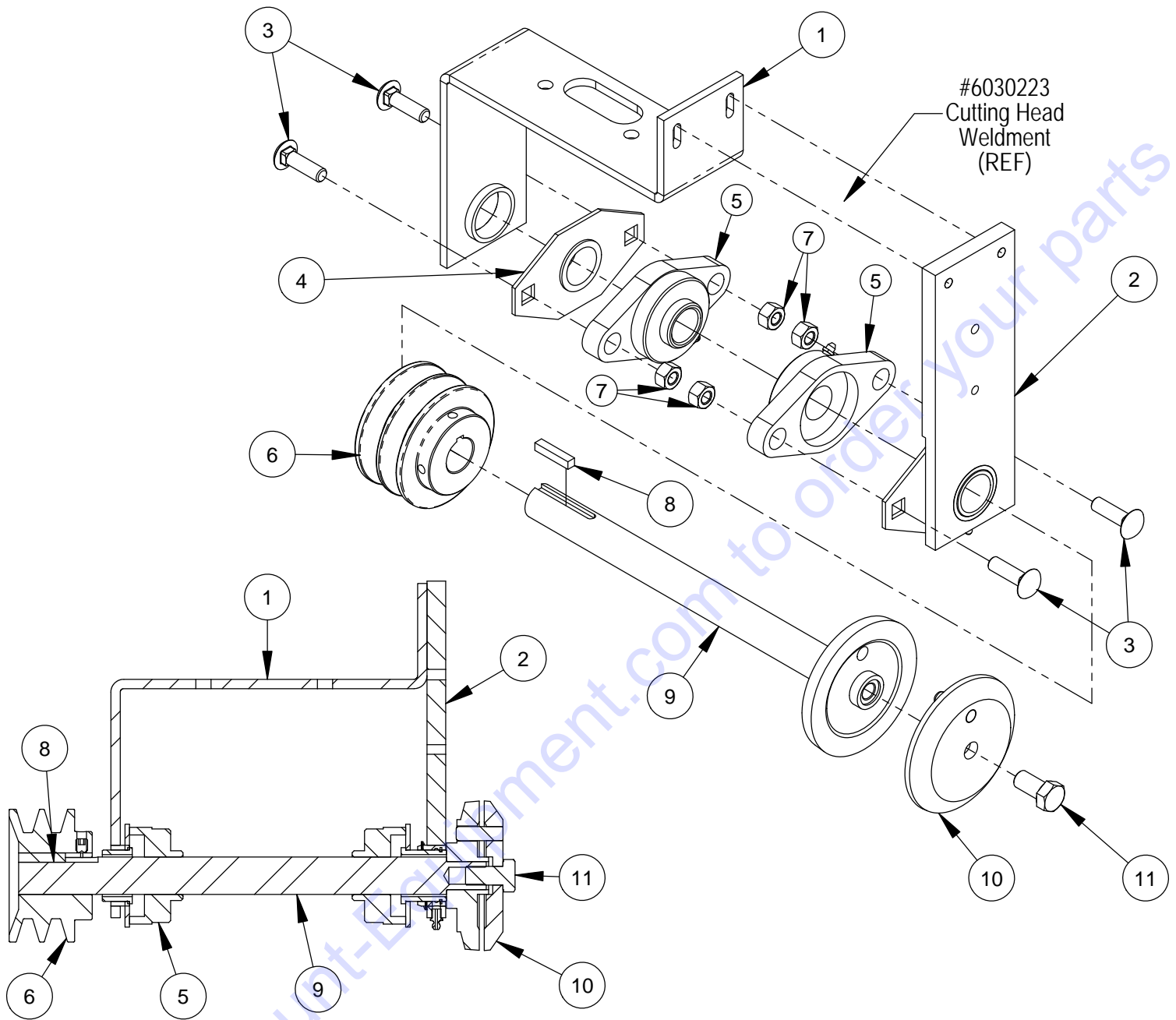
Block Saw Blade Shaft Assembly #6030444 (Without Pulley)



SECTION A-A

ITEM	PART NO.	QTY.	DESCRIPTION
1	6030322	1	Switch Plate Assembly
2	6030009	1	Pivot Plate Assembly
3	2900372	4	Carriage Bolt M10 x 35
4	6030122	1	Blade Guard Pivot Spacer
5	2500012	2	Bearing-1" Flange
6	2900304	4	Lock Nut, M10-1.5 Nylon Insert
7	6010169	1	Key, 1/4" Sq. x 1-1/4"
8	6030316	1	Blade Shaft Assembly
9	6030314	1	Outer Flange, 4" w/ Pin
10	2900182	1	Cap Screw, Hex Hd., 1/2-20 x 1"

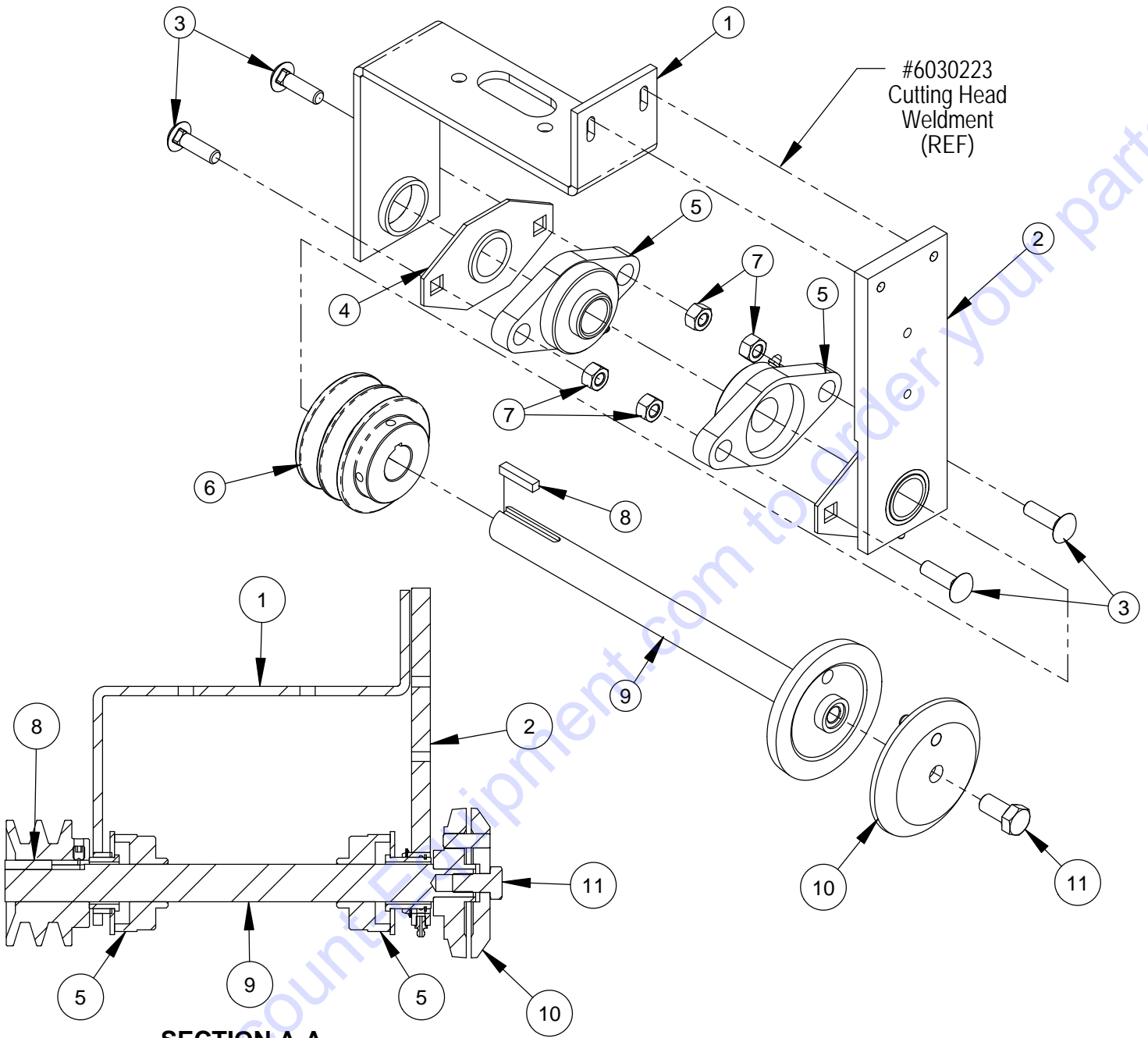
Electric Block Saw Blade Shaft Assembly #6030455



SECTION A-A

ITEM	PART NO.	QTY.	DESCRIPTION
1	6030322	1	Switch Plate Assembly
2	6030009	1	Pivot Plate Assembly
3	2900372	4	Carriage Bolt M10 x 35
4	6030122	1	Blade Guard Pivot Spacer
5	2500012	2	Bearing-1" Flange
6	2501092	1	Pulley, 2BK34X1-3.55" Double Groove w/Setscrews
7	2900304	4	Lock Nut, M10-1.5 Nylon Insert
8	6010169	1	Key, 1/4" Sq. x 1-1/4"
9	6030316	1	Blade Shaft Assembly
10	6030314	1	Outer Flange, 4" w/ Pin
11	2900182	1	Cap Screw, Hex Hd., 1/2-20 x 1"

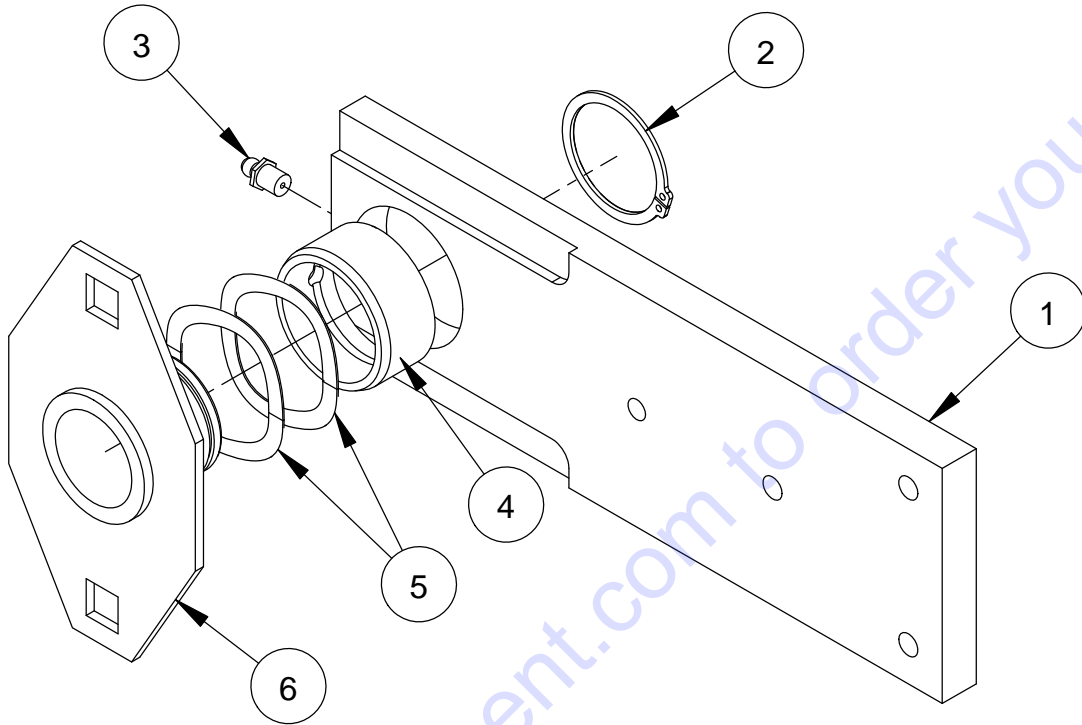
Gas Block Saw Blade Shaft Assembly #6030456



SECTION A-A

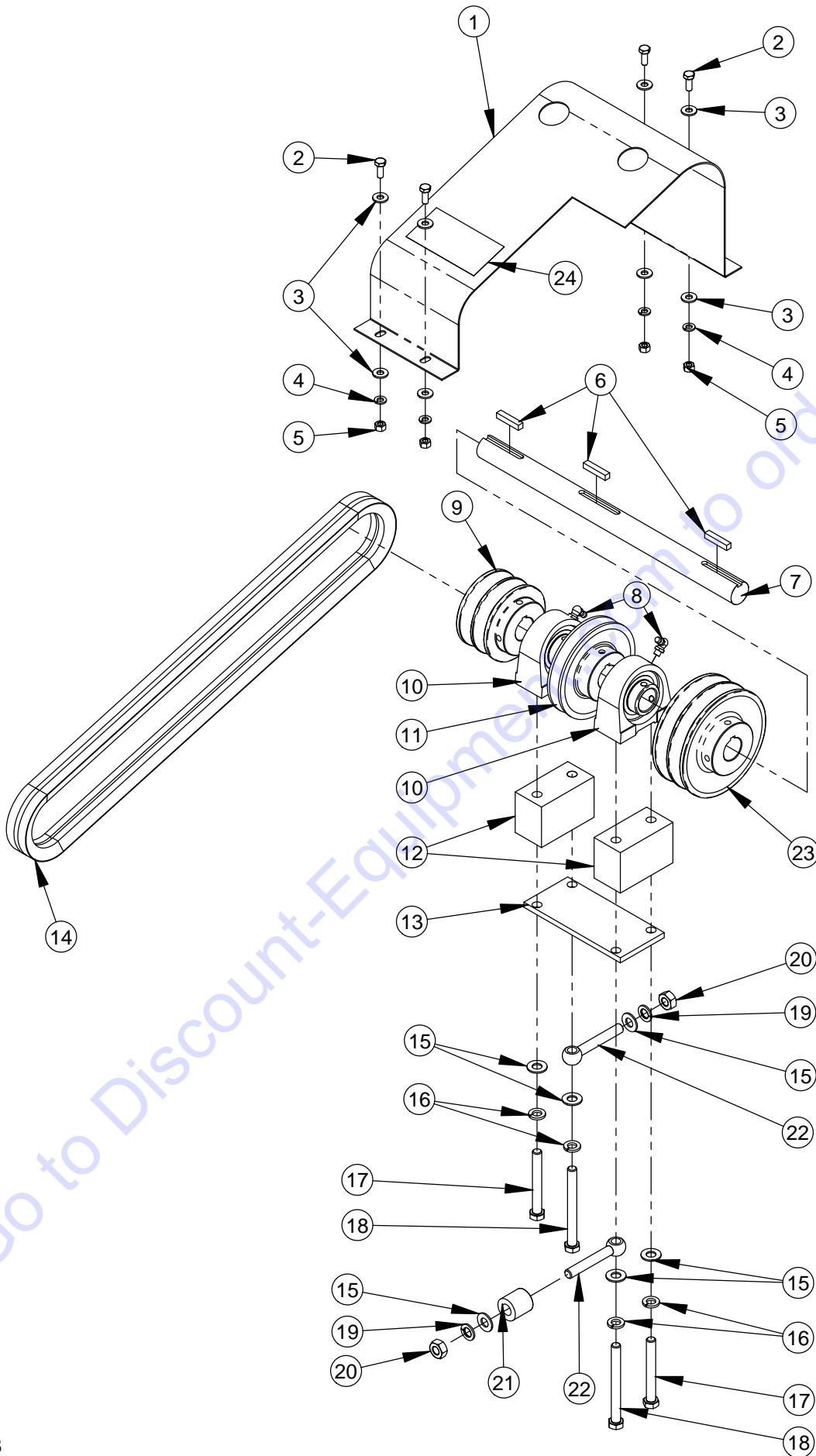
ITEM	PART NO.	QTY.	DESCRIPTION
1	6030322	1	Switch Plate Assembly
2	6030009	1	Pivot Plate Assembly
3	2900372	4	Carriage Bolt M10 x 35
4	6030122	1	Blade Guard Pivot Spacer
5	2500012	2	Bearing-1" Flange
6	2501362	1	Pulley, 2BK32X1"-3.35" Double Groove w/Setscrews
7	2900304	4	Lock Nut, M10-1.5 Nylon Insert
8	6010169	1	Key, 1/4" Sq. x 1-1/4"
9	6030316	1	Blade Shaft Assembly
10	6030314	1	Outer Flange, 4" w/ Pin
11	2900182	1	Cap Screw, Hex Hd., 1/2-20 x 1"

Pivot Plate Assembly #6030009



ITEM	PART NO.	QTY.	DESCRIPTION
1	6030057	1	Blade Guard Pivot Plate
2	2400090	1	Retaining Ring, 1-3/8
3	2900614	1	Grease Fitting, 1/4-28 Str. Thrd
4	6030367	1	Bearing
5	2501173	2	Wave Disc Spring, 1-3/8"
6	6030000	1	Blade Guard Pivot Spacer

Gas Block Saw Jackshaft Assembly #6030149



PARTS FINDER

**Search Website
by Part Number**



**Search Manual
Library For Parts
Manual & Lookup Part
Numbers – Purchase
or Request Quote**

Search Manuals

Enter your information to help us find the right parts manual for your machine.

* Brand:

* Model:

* Serial:

* Part Number:

SEARCH

**Can't Find Part or
Manual? Request Help
by Manufacturer,
Model & Description**

Parts Order Form

Please fill in the following information to help us find the right part for your machine.

Manufacturer:	<input type="text"/>
Model:	<input type="text"/>
Description:	<input type="text"/>
Part Number:	<input type="text"/>
Quantity:	<input type="text"/>
Notes:	<input type="text"/>

Submit

Discount-Equipment.com is your online resource for quality parts & equipment.

Florida: **561-964-4949** Outside Florida TOLL FREE: **877-690-3101**

Need parts?

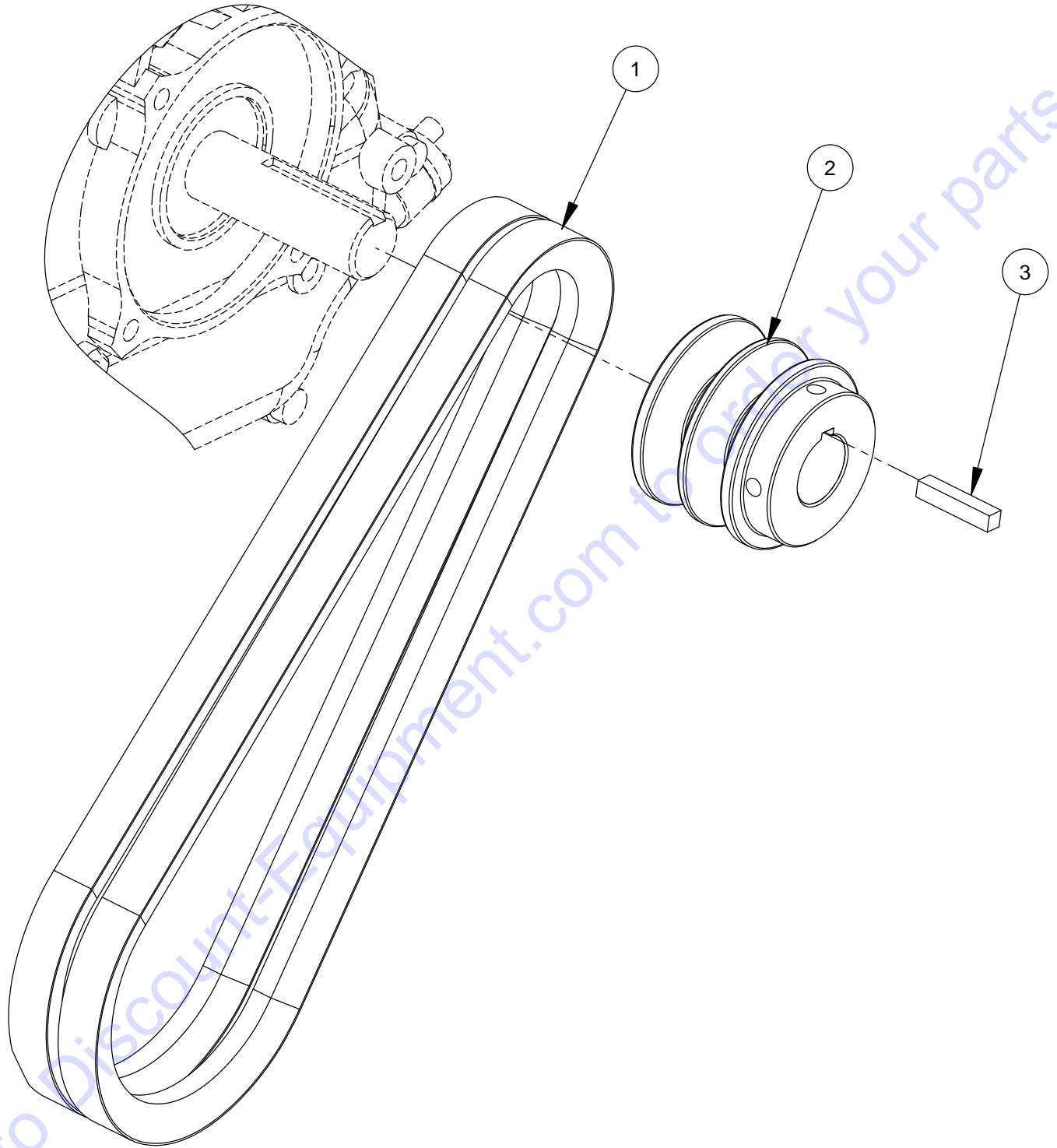
Click on this link: <http://www.discount-equipment.com/category/5443-parts/> and choose one of the options to help get the right parts and equipment you are looking for. Please have the machine model and serial number available in order to help us get you the correct parts. If you don't find the part on the website or on one of the online manuals, please fill out the request form and one of our experienced staff members will get back to you with a quote for the right part that your machine needs.

We sell worldwide for the brands: Genie, Terex, JLG, MultiQuip, Mikasa, Essick, Whiteman, Mayco, Toro Stone, Diamond Products, Generac Magnum, Airman, Haulotte, Barreto, Power Blanket, Nifty Lift, Atlas Copco, Chicago Pneumatic, Allmand, Miller Curber, Skyjack, Lull, Skytrak, Tsurumi, Husquvarna Target, Stow, Wacker, Sakai, Mi-T-M, Sullair, Basic, Dynapac, MBW, Weber, Bartell, Bennar Newman, Haulotte, Ditch Runner, Menegotti, Morrison, Contec, Buddy, Crown, Edco, Wyco, Bomag, Laymor, EZ Trench, Bil-Jax, F.S. Curtis, Gehl Pavers, Heli, Honda, ICS/PowerGrit, IHI, Partner, Imer, Clipper, MMD, Koshin, Rice, CH&E, General Equipment, Amida, Coleman, NAC, Gradall, Square Shooter, Kent, Stanley, Tamco, Toku, Hatz, Kohler, Robin, Wisconsin, Northrock, Oztec, Toker TK, Rol-Air, APT, Wylie, Ingersoll Rand / Doosan, Innovatech, Con X, Ammann, Mecalac, Makinex, Smith Surface Prep, Small Line, Wanco, Yanmar

Gas Block Saw Jackshaft Assembly #6030149

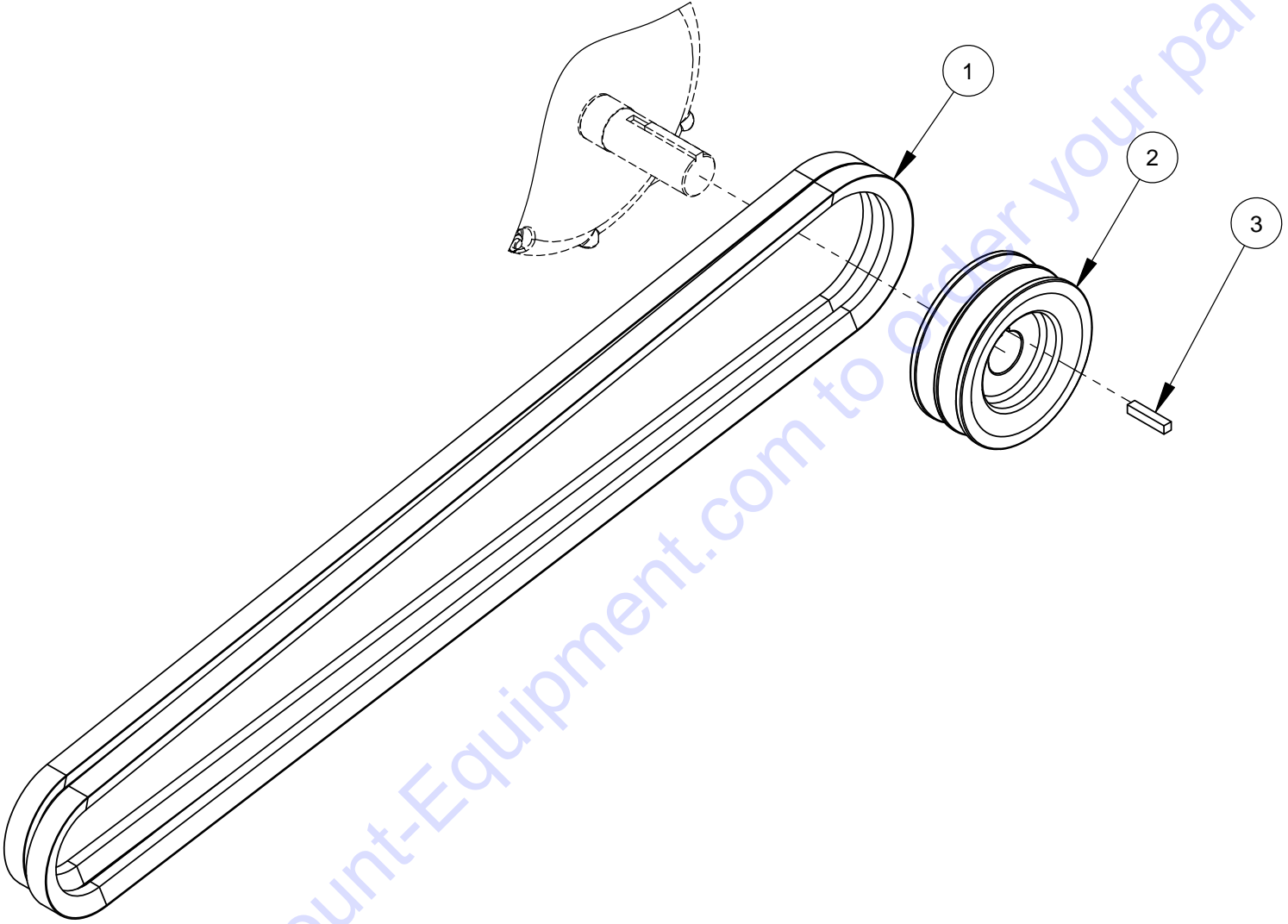
ITEM	PART NO.	Default/QT Y.	DESCRIPTION
1	6030139	1	Jack Shaft Guard, Block Saw
2	2900341	4	Cap Screw, Hex Hd., M6-1.0 x 16mm
3	2900009	8	Flat Washer, 1/4" SAE
4	2900024	4	Lock Washer, 1/4" Split
5	2900302	4	Lock Nut, M6-1.0 Nylon Insert
6	6010169	3	Key, 1/4" Sq. x 1-1/4"
7	6030158	1	Jack Shaft, Block Saw #2
8	2900061	2	Grease Fitting, 1/4-28 x 90 Degree
9	2501362	1	Pulley, 2BK32X1"-3.35" Double Groove w/Setscrews
10	2500732	2	Pillow Block Bearing 1"
11	2501193	1	Pulley, 4.25" Single Groove w/Setscrew
12	6030157	2	Jack Shaft Bearing Spacer
13	6030161	1	Plate
14	2501099	2	V-Belt BX44
15	2900014	6	Flat Washer, 3/8" SAE
16	2900006	4	Lock Washer, 3/8" Split
17	2900035	2	Cap Screw, Hex Hd., 3/8-16 x 3"
18	2900057	2	Cap Screw, Hex Hd., 3/8-16 x 3-3/4"
19	2900321	2	Lock Washer, M10 Split
20	2900325	2	Hex Nut, M10-1.5
21	6030126	1	Spacer, 1"
22	2900595	2	Eyebolt, M10 x 70mm
23	2501100	1	Pulley, 2BK50X1"-4.75" Double Groove w/Setscrews
24	1800648	1	Exposed Pulley Warning Label

CC800M Gas Engine Belt Drive Assembly #6030330



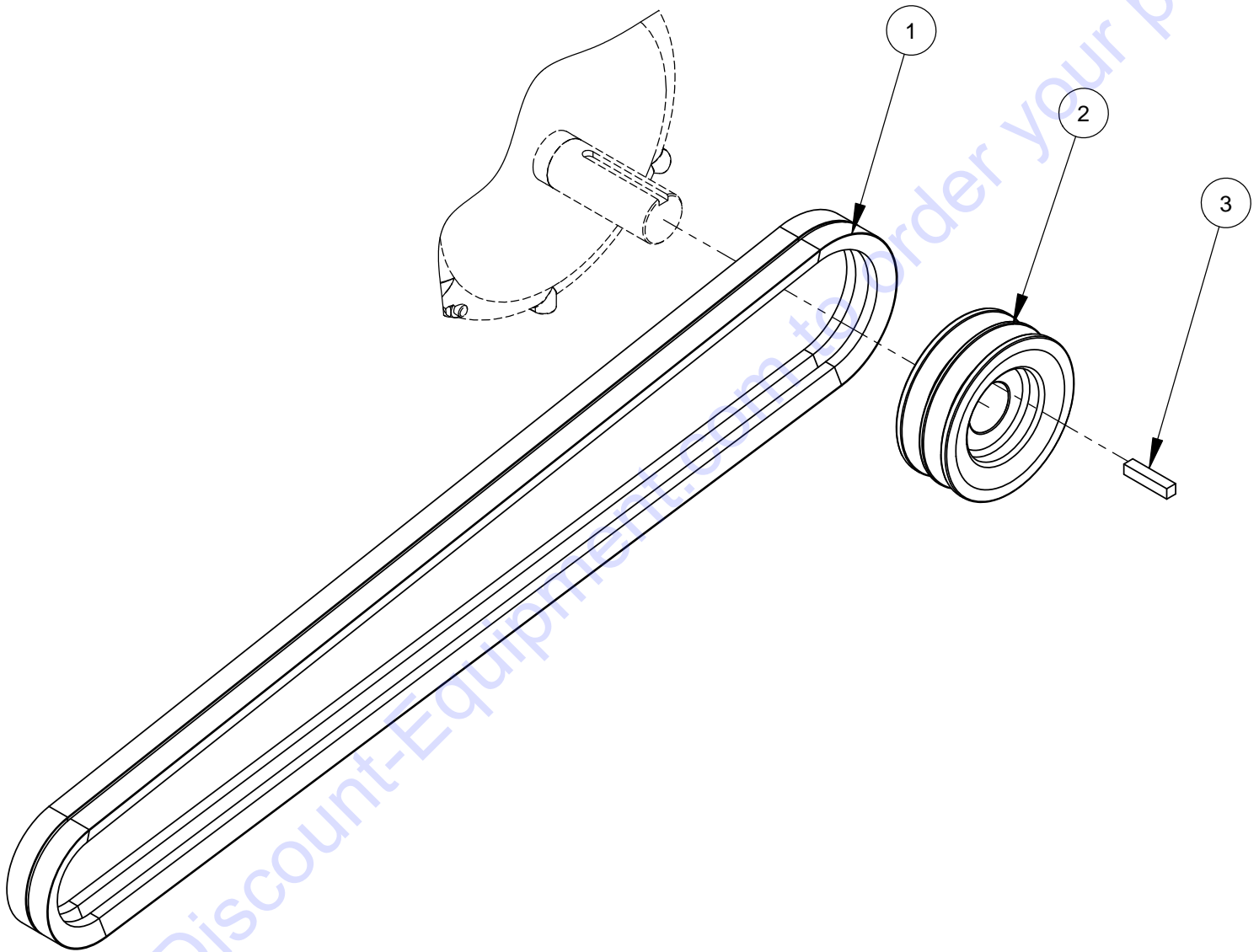
ITEM	PART NO.	QTY.	DESCRIPTION
1	2501098	2	V-Belt BX28
2	2501210	1	Pulley, 2BK27X1"-2.70" Double Groove w/Setscrews
3	6010169	1	Key, 1/4" Sq. x 1-1/4"

CC800M Electric Motor Belt Drive Assembly # 6030333
5HP 1Phase and 3 Phase



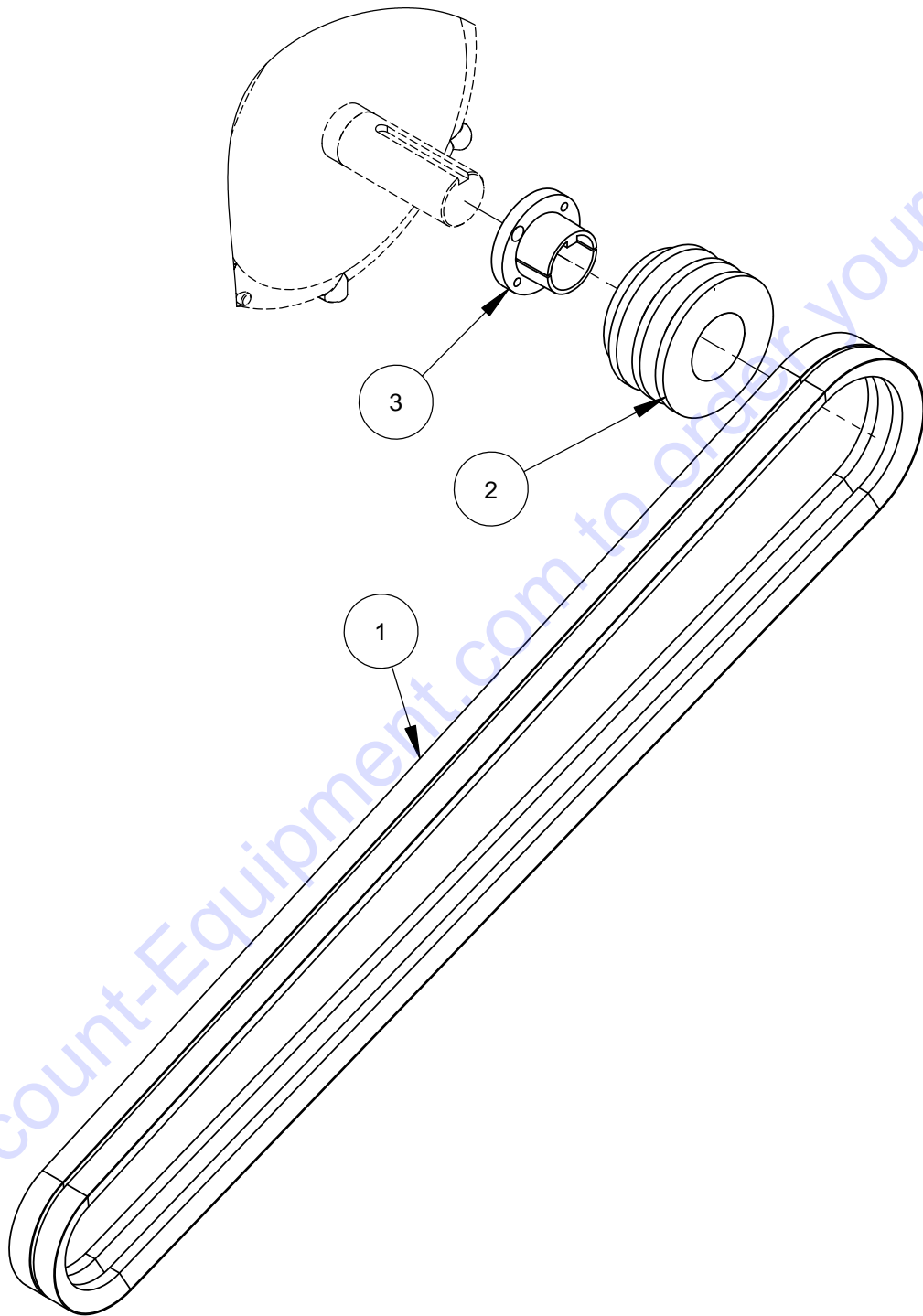
ITEM	PART NO.	QTY.	DESCRIPTION
1	2501089	2	V-Belt BX64
2	2501090	1	Pulley, 2BK45X1-1/8"-4.5" Double Groove w/Setscrews
3	6010169	1	Key, 1/4" Sq. x 1-1/4"

CC800M Electric Motor Belt Drive Assembly # 6030334
7.5HP with 20" Blade



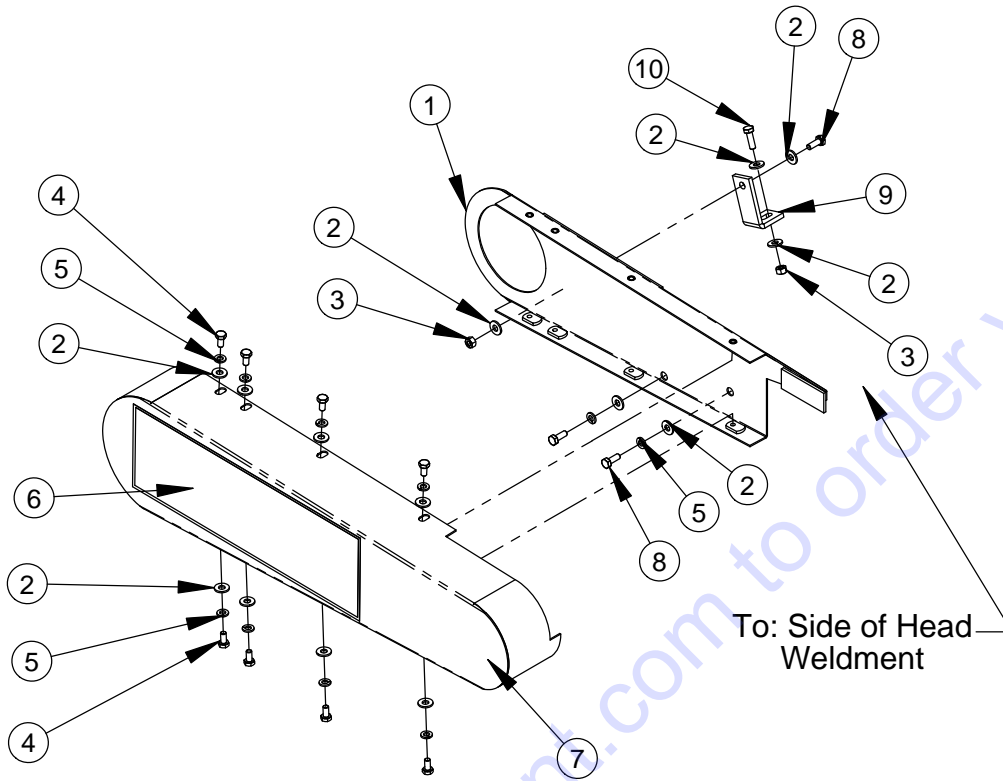
ITEM	PART NO.	QTY.	DESCRIPTION
1	2501089	2	V-Belt BX64
2	2501091	1	Pulley, 2BK45X1- 1 3/8"-4.5" Double Groove w/Setscrews
3	6048046	1	Key, 5/16" Sq. x 1-1/2"

CC800M Electric Motor Belt Drive Assembly #6030335
7.5HP with 24" Blade



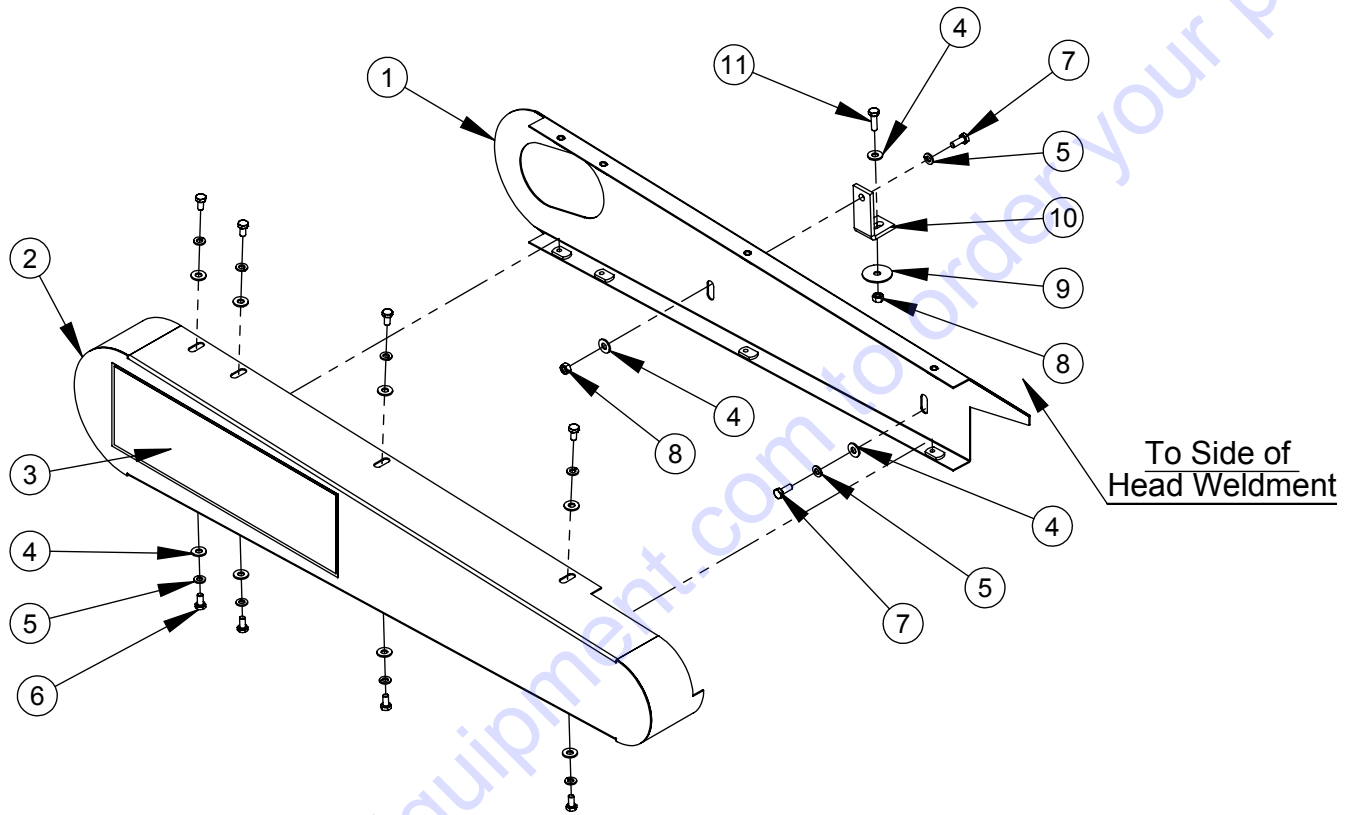
ITEM	PART NO.	Default/QTY.	DESCRIPTION
1	2505151	2	V-Belt BX63
2	2505152	1	Sheave
3	2505156	1	Bushing, Taper H 1 - 3/8" with Key

Belt Guard Assembly #6030147 - CC800M Gas Engine Only



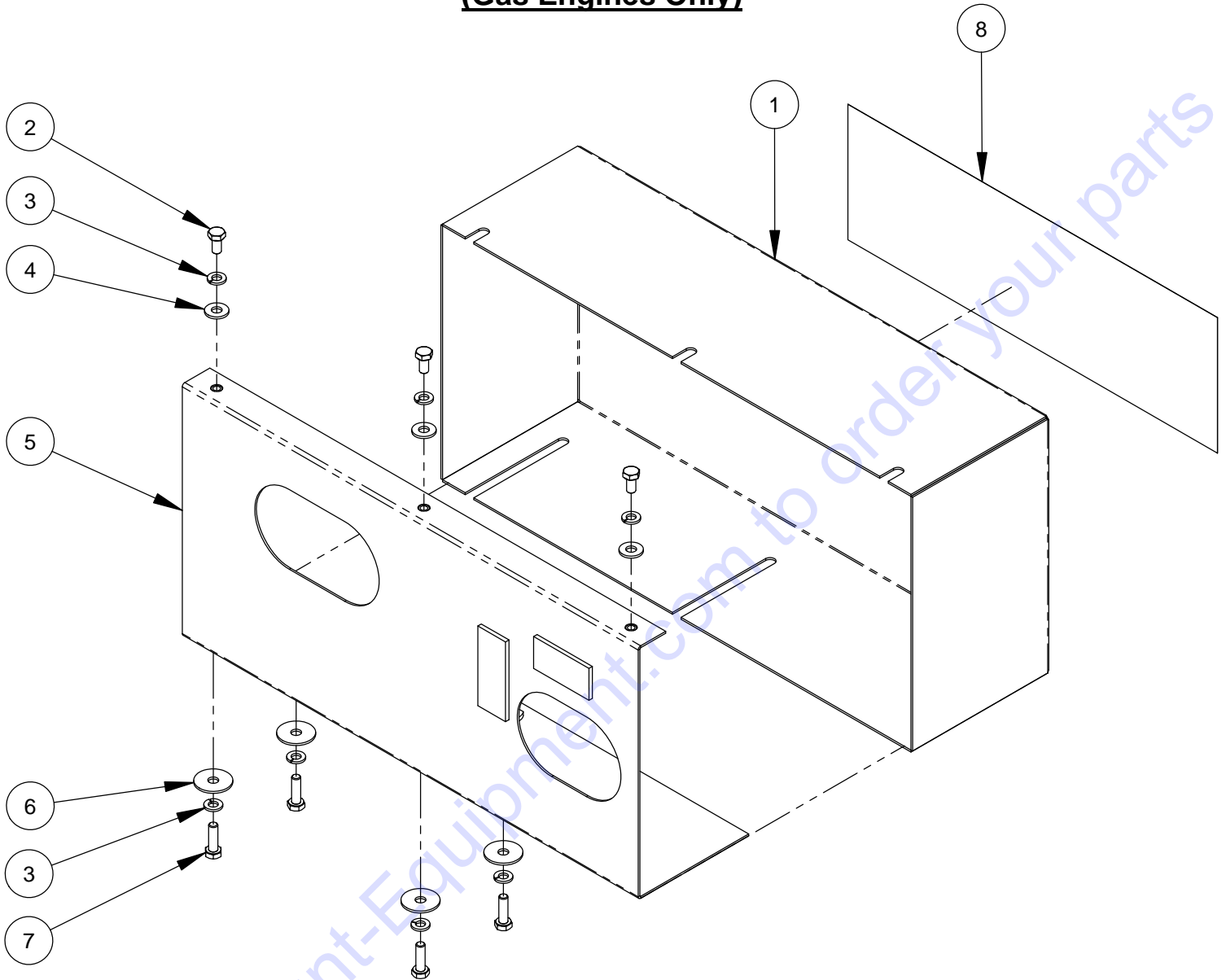
ITEM	PART NO.	QTY.	DESCRIPTION
1	6030136	1	Belt Guard Bracket, Block Saw, Gas
2	2900009	14	Flat Washer, 1/4" SAE
3	2900302	2	Lock Nut, M6-1.0 Nylon Insert
4	2900544	8	Cap Screw, Hex Hd., M6-1.0 x 12mm
5	2900024	10	Lock Washer, 1/4" Split
6	1800529	1	CC800M Decal
7	6030135	1	Belt Guard Weldment, Block Saw, Gas
8	2900341	3	Cap Screw, Hex Hd., M6-1.0 x 16mm
9	6030065	1	Belt Guard Brace
10	2900310	1	Cap Screw, Hex Hd., M6-1.0 x 20mm

**CC800M Belt Guard Assembly #6030153
(Electric Models Only)**



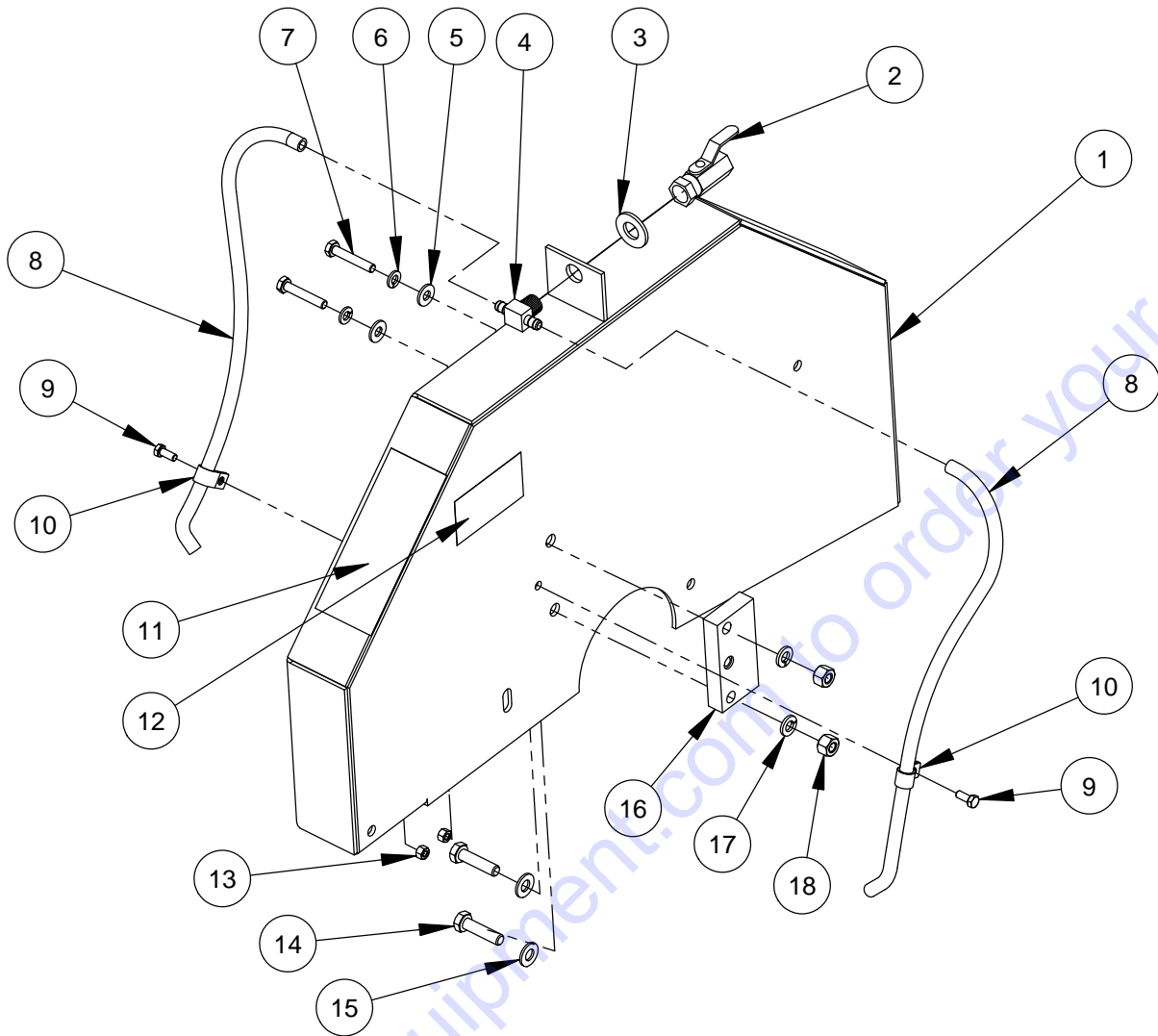
ITEM	PART NO.	QTY.	DESCRIPTION
1	6030116	1	Belt Guard Bracket, Block Saw (Elec.)
2	6030115	1	Belt Guard Block Saw (Electric)
3	1800529	1	CC800M Decal
4	2900009	11	Flat Washer, 1/4" SAE
5	2900024	10	Lock Washer, 1/4" Split
6	2900544	8	Cap Screw, Hex Hd., M6-1.0 x 12mm
7	2900341	2	Cap Screw, Hex Hd., M6-1.0 x 16mm
8	2900302	2	Lock Nut, M6-1.0 Nylon Insert
9	2900083	1	Fender Washer, 1/4" x 1-1/4"
10	6030065	1	Belt Guard Brace
11	2900310	1	Cap Screw, Hex Hd., M6-1.0 x 20mm

Jackshaft Belt Guard Assembly #6030148
(Gas Engines Only)



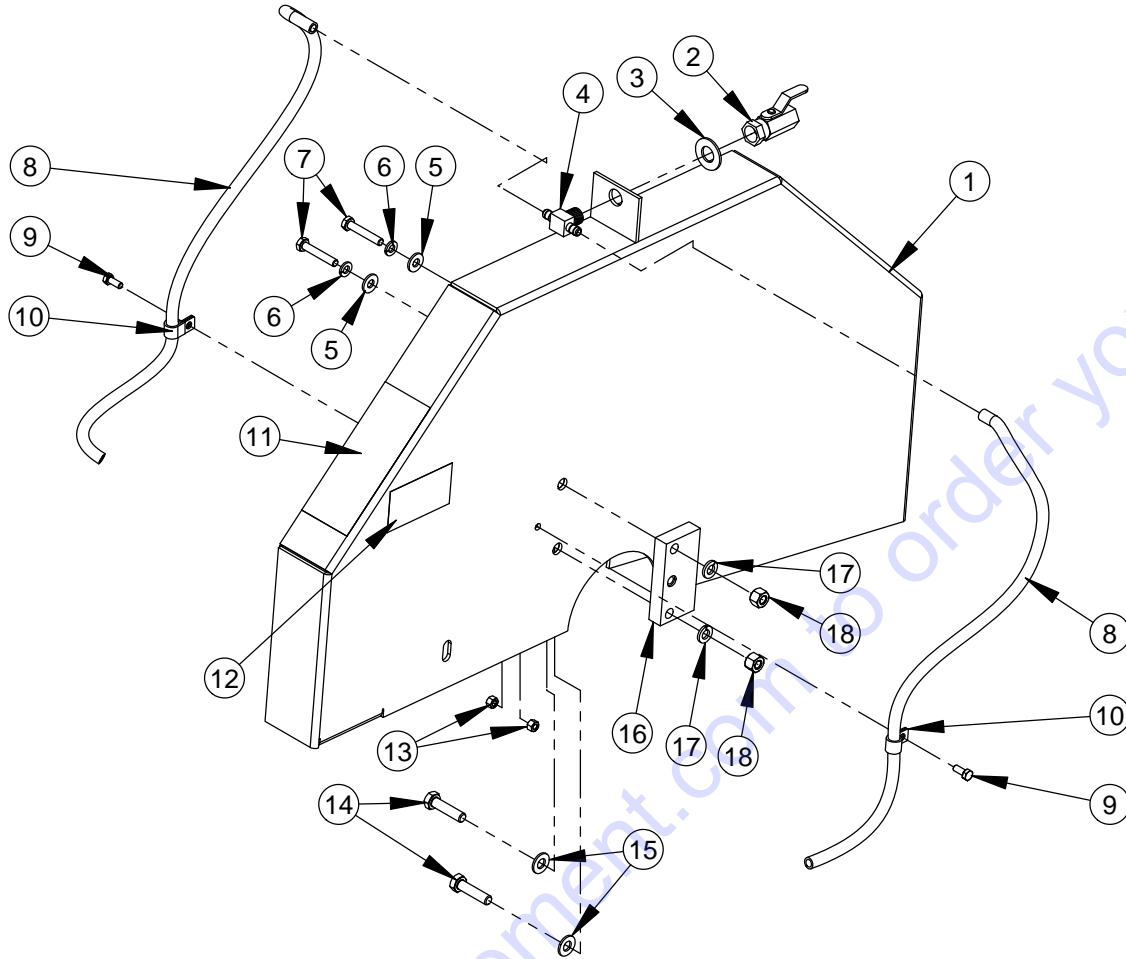
ITEM	PART NO.	QTY.	DESCRIPTION
1	6030137	1	Belt Guard, Gas Block Saw
2	2900544	3	Cap Screw, Hex Hd., M6-1.0 x 12mm
3	2900024	7	Lock Washer, 1/4" Split
4	2900009	3	Flat Washer, 1/4" SAE
5	6030138	1	Belt Guard Bracket, Block Saw #2
6	2900083	4	Fender Washer, 1/4" I.D. x 1-1/4" O.D.
7	2900310	4	Cap Screw, Hex Hd., M6-1.0 x 20mm
8	1800529	1	CC800M Decal

20" Blade Guard Assembly #6030151



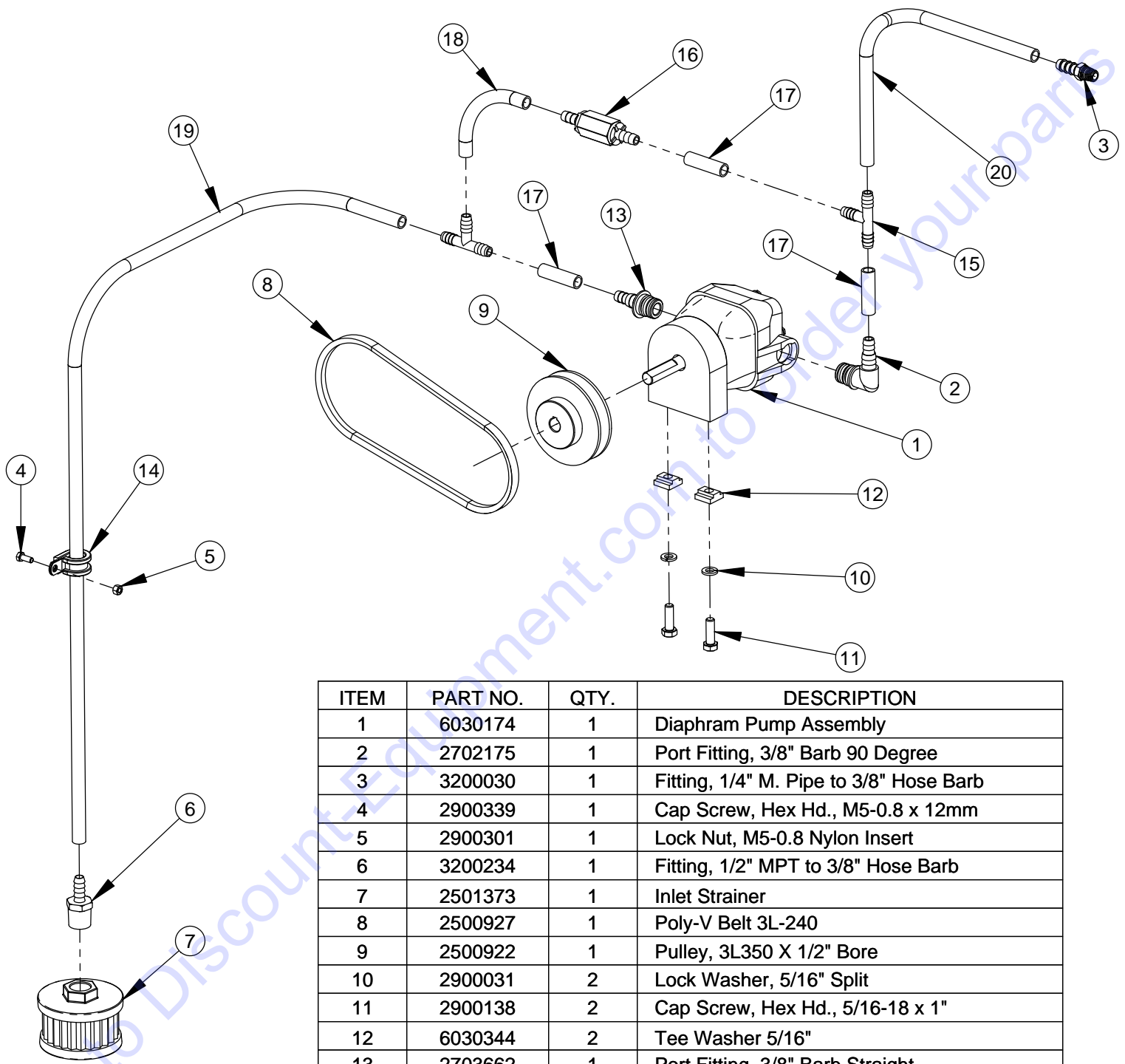
ITEM	PART NO.	QTY.	DESCRIPTION
1	6030143	1	20" Blade Guard
2	3200233	1	Petcock, 1/4" Female Pipe
3	2900058	1	Flat Washer, 1/2" SAE
4	3200232	1	Tee, 1/4" M. Pipe to 1/4" Hose Barb
5	2900009	2	Flat Washer, 1/4" SAE
6	2900024	2	Lock Washer, 1/4" Split
7	2900312	2	Cap Screw, Hex Hd., M6-1.0 x 35mm
8	6030162	2	Water Hose, 20" Guard, Block Saw
9	2900339	2	Cap Screw, Hex Hd., M5-0.8 x 12mm
10	3200039	2	Clamp, 3/8"
11	1800001	1	Warning Label
12	1800456	2	Core Cut Blade Guard Label
13	2900301	2	Lock Nut, M5-0.8 Nylon Insert
14	2900217	2	Cap Screw, Hex Hd., 5/16-18 x 1-1/4"
15	2900022	2	Flat Washer, 5/16" SAE
16	6030356	1	Mounting Plate
17	2900031	2	Lock Washer, 5/16" Split
18	2900039	2	Lock Nut, 5/16-18 Nylon

24" Blade Guard Assembly #6030133



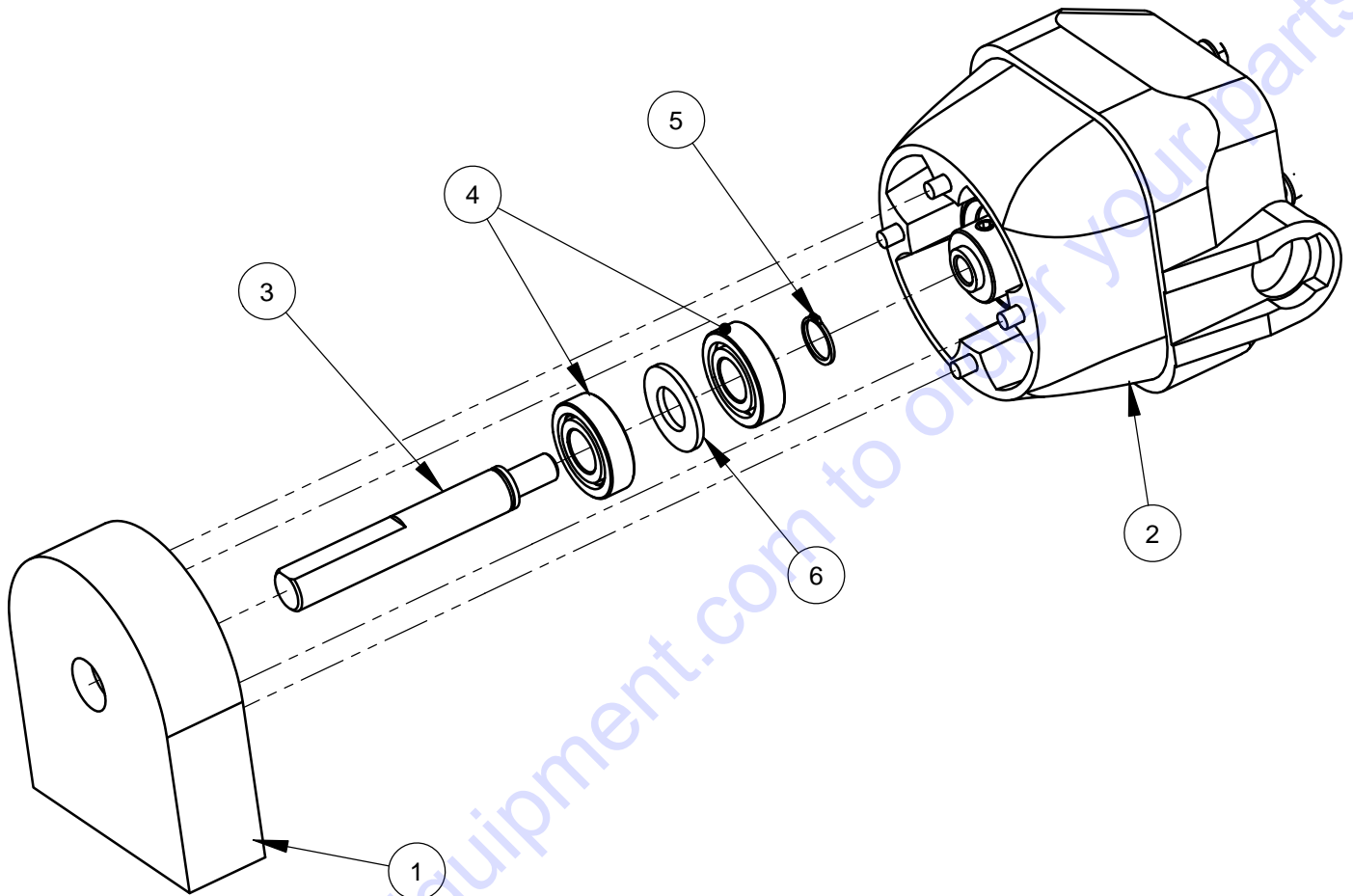
ITEM	PART NO.	QTY.	DESCRIPTION
1	6030123	1	24" BLADE GUARD
2	3200233	1	Petcock, 1/4" Female Pipe
3	2900058	1	1/2 FLAT WASHER
4	3200232	1	Tee, 1/4" M. Pipe to 1/4" Hose Barb
5	2900009	2	Flat Washer, 1/4" SAE
6	2900024	2	Lock Washer, 1/4" Split
7	2900312	2	Cap Screw, Hex Hd., M6-1.0 x 35mm
8	6030163	2	Water Hose 24" Guard
9	2900339	2	Cap Screw, Hex Hd., M5-0.8 x 12mm
10	3200039	2	Clamp, 3/8"
11	1800001	1	Warning Label
12	1800456	2	Core Cut Blade Guard Label
13	2900301	2	Lock Nut, M5-0.8 Nylon Insert
14	2900217	2	Cap Screw, Hex Hd., 5/16-18 x 1-1/4"
15	2900022	2	Flat Washer, 5/16" SAE
16	6030356	1	Mounting Plate
17	2900031	2	Lock Washer, 5/16" Split
18	2900039	2	Lock Nut, 5/16-18 Nylon

CC800M Water Pump Assembly #6030154 - Gas Engine



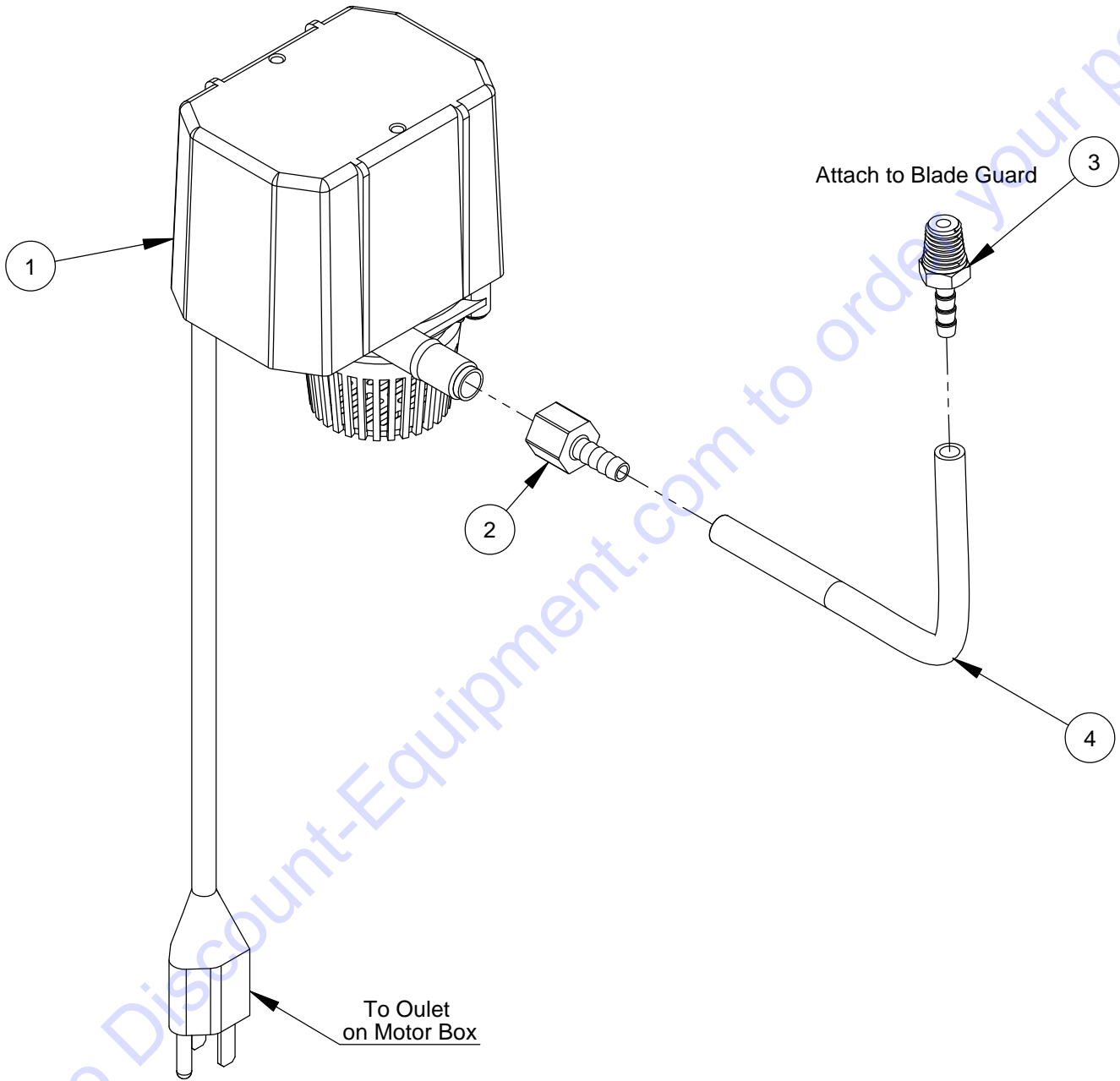
ITEM	PART NO.	QTY.	DESCRIPTION
1	6030174	1	Diaphragm Pump Assembly
2	2702175	1	Port Fitting, 3/8" Barb 90 Degree
3	3200030	1	Fitting, 1/4" M. Pipe to 3/8" Hose Barb
4	2900339	1	Cap Screw, Hex Hd., M5-0.8 x 12mm
5	2900301	1	Lock Nut, M5-0.8 Nylon Insert
6	3200234	1	Fitting, 1/2" MPT to 3/8" Hose Barb
7	2501373	1	Inlet Strainer
8	2500927	1	Poly-V Belt 3L-240
9	2500922	1	Pulley, 3L350 X 1/2" Bore
10	2900031	2	Lock Washer, 5/16" Split
11	2900138	2	Cap Screw, Hex Hd., 5/16-18 x 1"
12	6030344	2	Tee Washer 5/16"
13	2703662	1	Port Fitting, 3/8" Barb Straight
14	2500999	1	Clamp, 5/8" Hose
15	3202937	2	Barbed Tee, Nylon 3/8
16	3202936	1	Check Valve, 10psi cracking
17	6013219	3	Hose 3/8" ID X 1.75"
18	6013220	1	Hose 3/8" ID X 5"
19	6013222	1	Hose 3/8" ID X 38"
20	6013221	1	Hose 3/8" ID X 20"

Diaphragm Pump Assembly #6030174



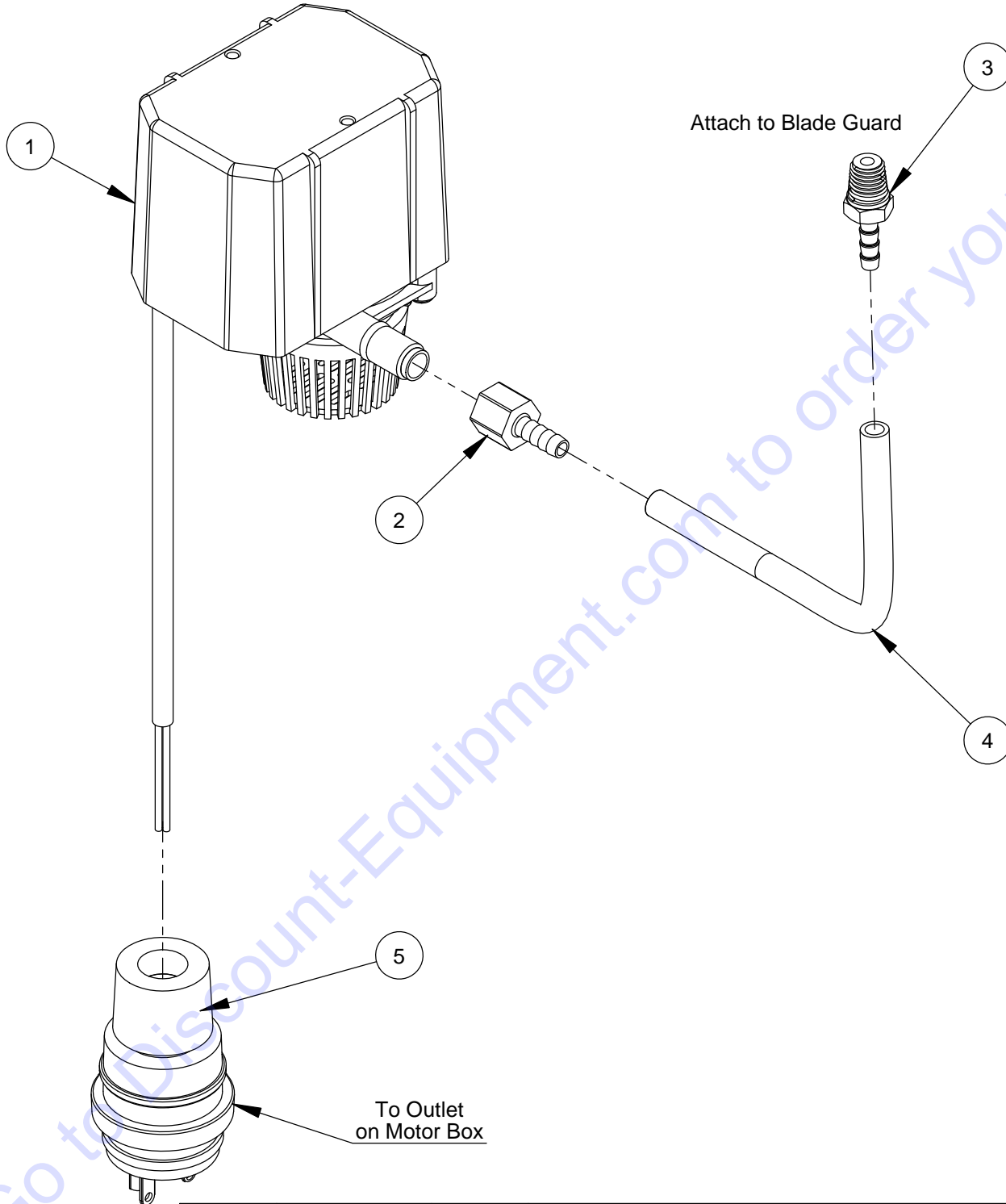
ITEM	PART NO.	QTY.	DESCRIPTION
1	6030173	1	Pump Bearing Stand
2	2600288	1	Diaphragm Pump
3	6030172	1	Diaphragm Pump Shaft
4	2500696	2	Bearing, 1/2 x 1-1/8 x 5/16
5	2500697	1	Retaining Ring, 1/2" Ext. 5100-50
6	2900239	1	Friction Washer, 1/2"

CC800M Water Pump Assembly #6030132
(1PH Electric Motor Only)



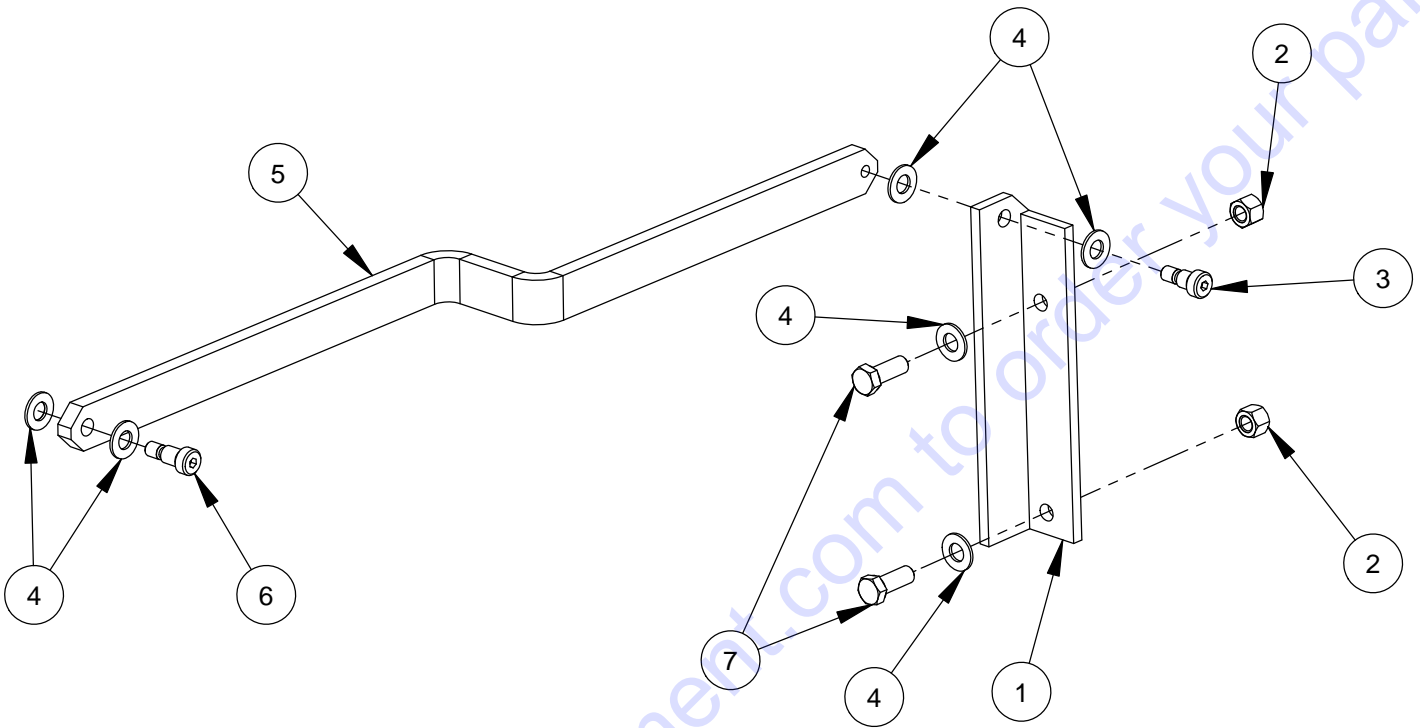
ITEM	PART NO.	QTY.	DESCRIPTION
1	2600220	1	Water Pump, 115V Submersible, 300GPH (5GPM)
2	3200231	1	Fitting, 1/4 FPT to 1/4 Hose Barb
3	3200019	1	Fitting, 1/4" M. Pipe to 1/4" Hose Barb
4	6030035	1	Hose, 1/4 x 3/8 x 40"

CC800M Water Pump Assembly #6030141
(3PH Electric Motor Only)



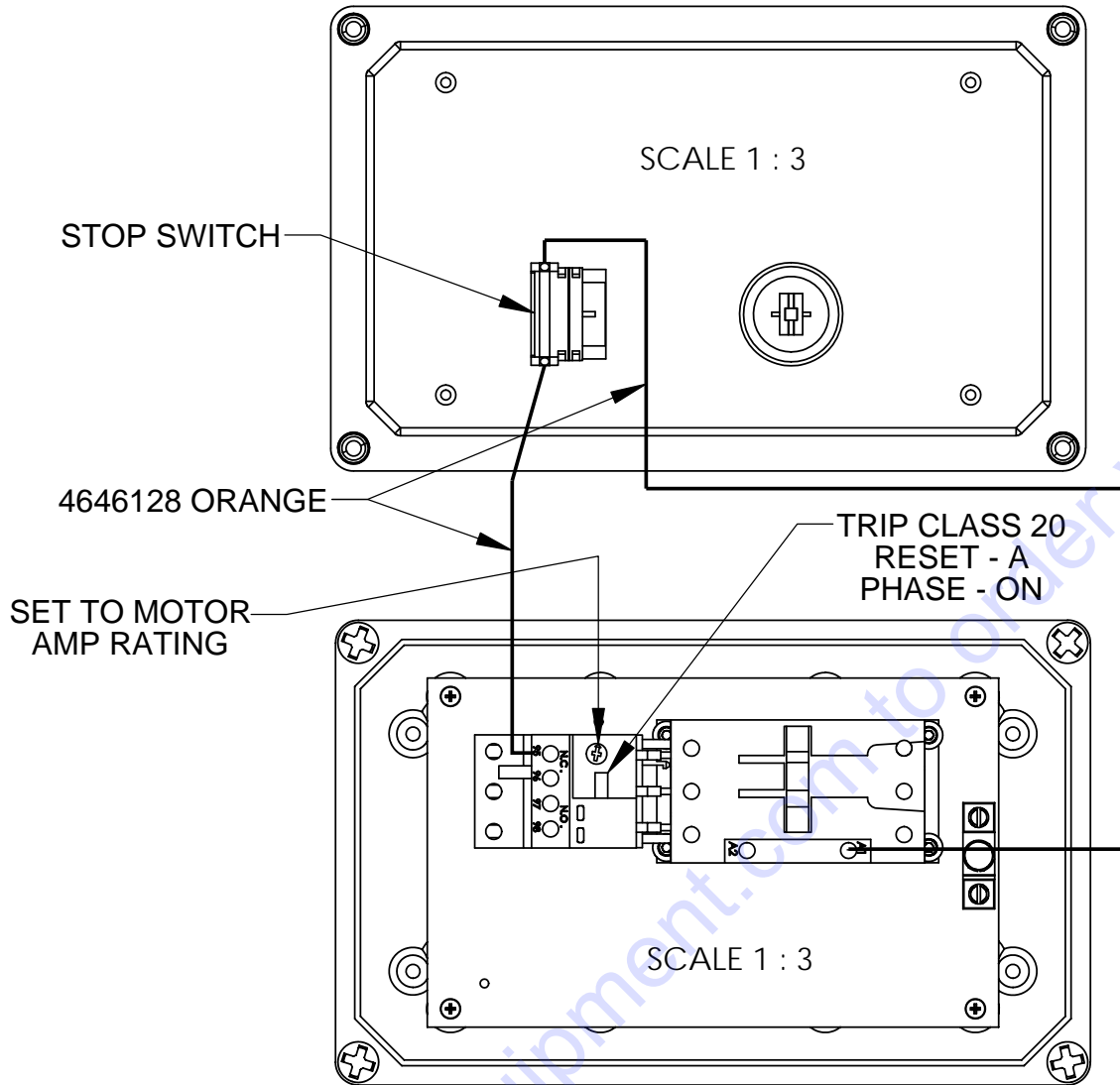
ITEM	PART NO.	QTY.	DESCRIPTION
1	2600273	1	Water Pump, 220V Submersible, 300GPH(5GPM)
2	3200231	1	Fitting, 1/4 FPT to 1/4 Hose Barb
3	3200019	1	Fitting, 1/4" M. Pipe to 1/4" Hose Barb
4	6030035	1	Hose, 1/4 x 3/8 x 40"
5	2801620	1	Plug, 15A 250V Sealed

Leveling Arm Assembly #6030239



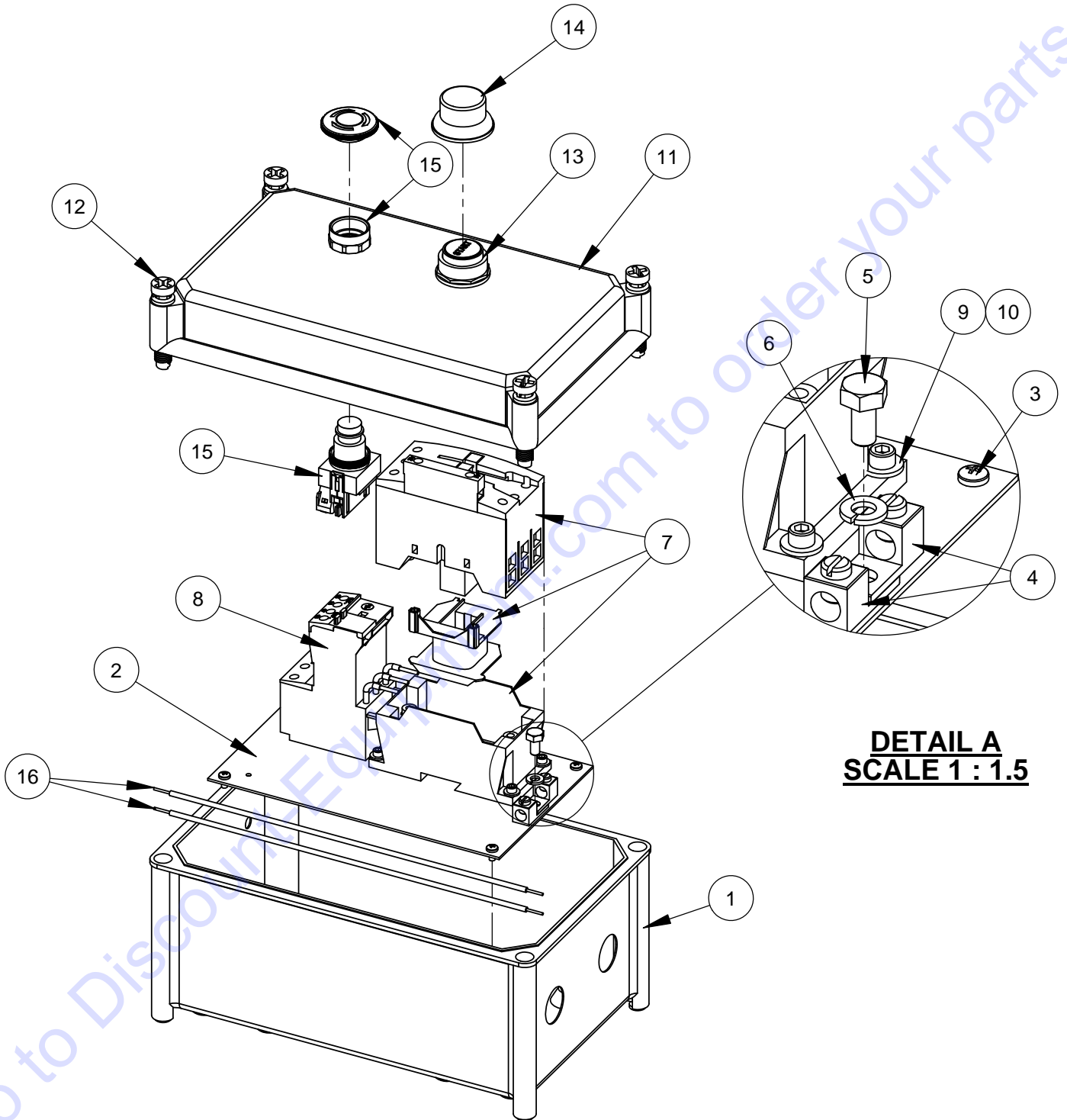
ITEM	PART NO.	QTY.	DESCRIPTION
1	6030358	1	Leveling Arm Attachment
2	2900018	2	Locknut, 3/8-16, Nylon
3	2900253	1	Shoulder Screw, 3/8 x 3/8" (5/16-18)
4	2900014	6	Flat Washer, 3/8" SAE
5	6030357	1	Block Saw Leveling Arm
6	2900672	1	Shoulder Screw, 3/8" x 1/2" (5/16-18)
7	2900005	2	Cap Screw, Hex Hd., 3/8-16 x 1"

6011553 STARTER BOX 220V, 3 Ph

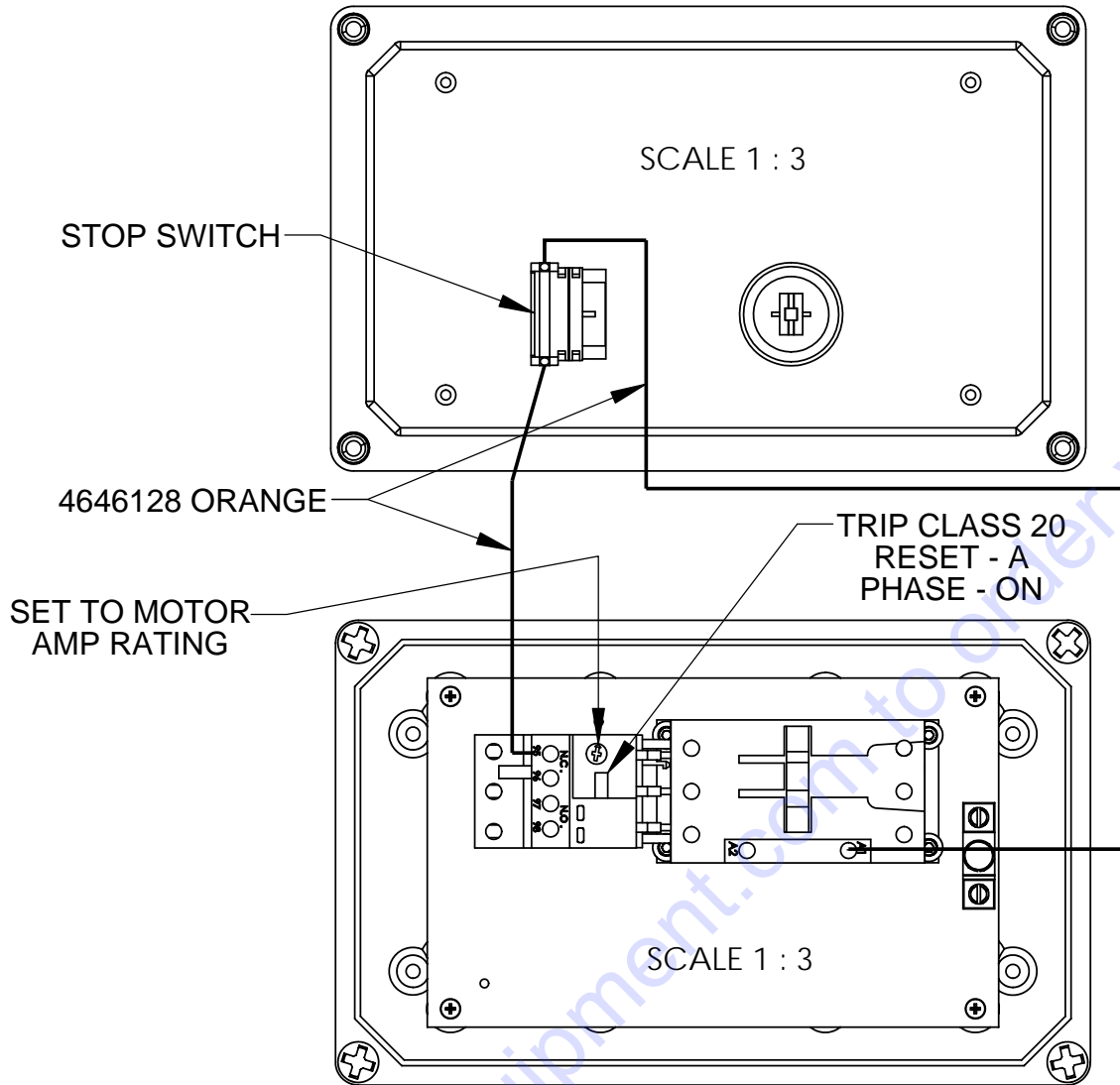


ITEM	PART NO.	QTY.	DESCRIPTION
1	6040667	1	Starter Box Base
	2702419	1	Electrical Box (Base)
2	6040598	1	Sub-plate
3	2900676	4	Machine Screw, Pan Hd., M4-0.7 x 8mm
4	2800315	2	Grounding Lug
5	2901891	1	Cap Screw, Hex Hd., 1/4-28 x 1/2"
6	2900024	1	Lock Washer, 1/4" Split
7	2801704	1	Contactor, 220-240V (includes coil)
	2801265	1	Replacement Coil, 220-240V
8	2801699	1	Overload Relay, 9-45 AMP
9	2901437	4	Flat Washer, #10
10	2901827	4	Cap Screw, Soc. Hd., #8-32 x 5/8"
11	6048339	1	Cover, Electric Box, 2 Hole
12	2701414	4	Fastener, Electrical Box Top
13	4600166	1	Start Switch
14	2800222	1	Clear Protective Boot
15	2801636	1	E-Stop Switch, 600V, NC
16	4646128	2	Wire, 14 Gage, Orange, 12"

6011577 STARTER BOX 380-460V, 3 Ph.

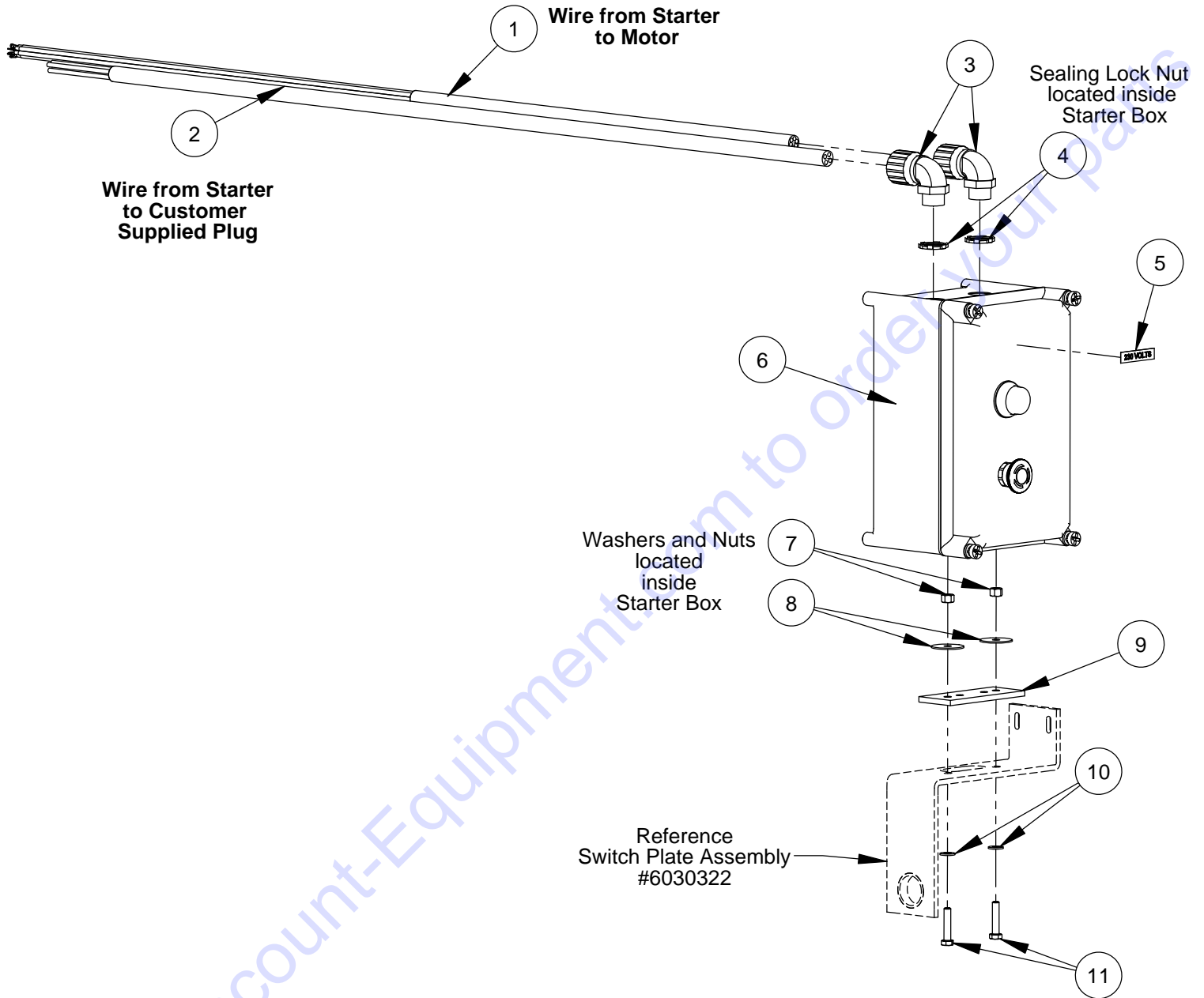


6011577 STARTER BOX 380V-460V, 3 Ph



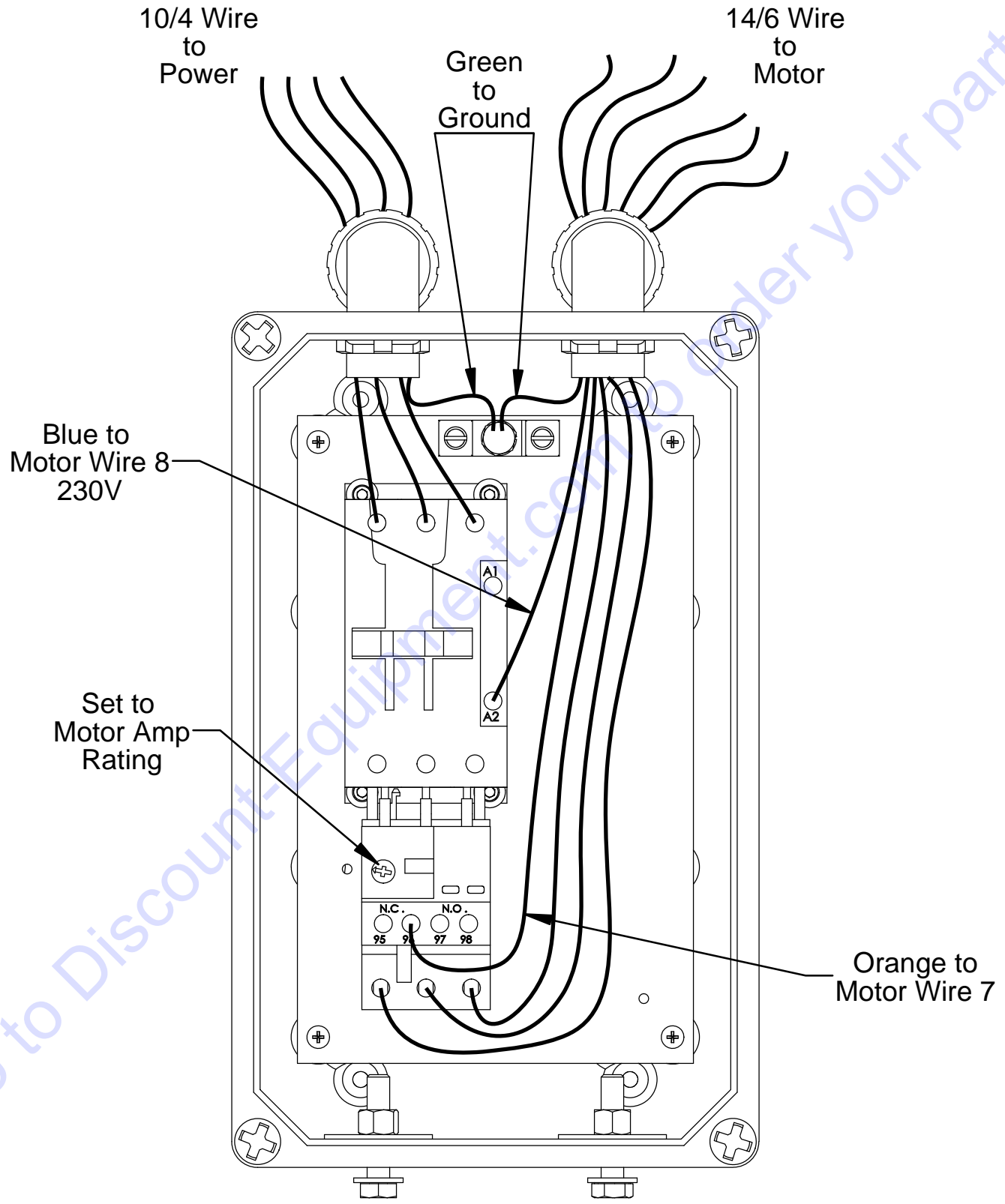
ITEM	PART NO.	QTY.	DESCRIPTION
1	6040667	1	Starter Box Base
	2702419	1	Electrical Box (Base)
2	6040598	1	Sub-plate
3	2900676	4	Machine Screw, Pan Hd., M4-0.7 x 8mm
4	2800315	2	Grounding Lug
5	2901891	1	Cap Screw, Hex Hd., 1/4-28 x 1/2"
6	2900024	1	Lock Washer, 1/4" Split
7	2801704	1	Contactor, 220-240V (includes coil)
	2801265	1	Replacement Coil, 220-240V
8	2801281	1	Overload Relay, 4-20 AMP
9	2901437	4	Flat Washer, #10
10	2901827	4	Cap Screw, Soc. Hd., #8-32 x 5/8"
11	6048339	1	Cover, Electric Box, 2 Hole
12	2701414	4	Fastener, Electrical Box Top
13	4600166	1	Start Switch
14	2800222	1	Clear Protective Boot
15	2801636	1	E-Stop Switch, 600V, NC
16	4646128	2	Wire, 14 Gage, Orange, 12"

6030340 Starter Box Assembly 3PH - 5 and 7.5 HP - 230V



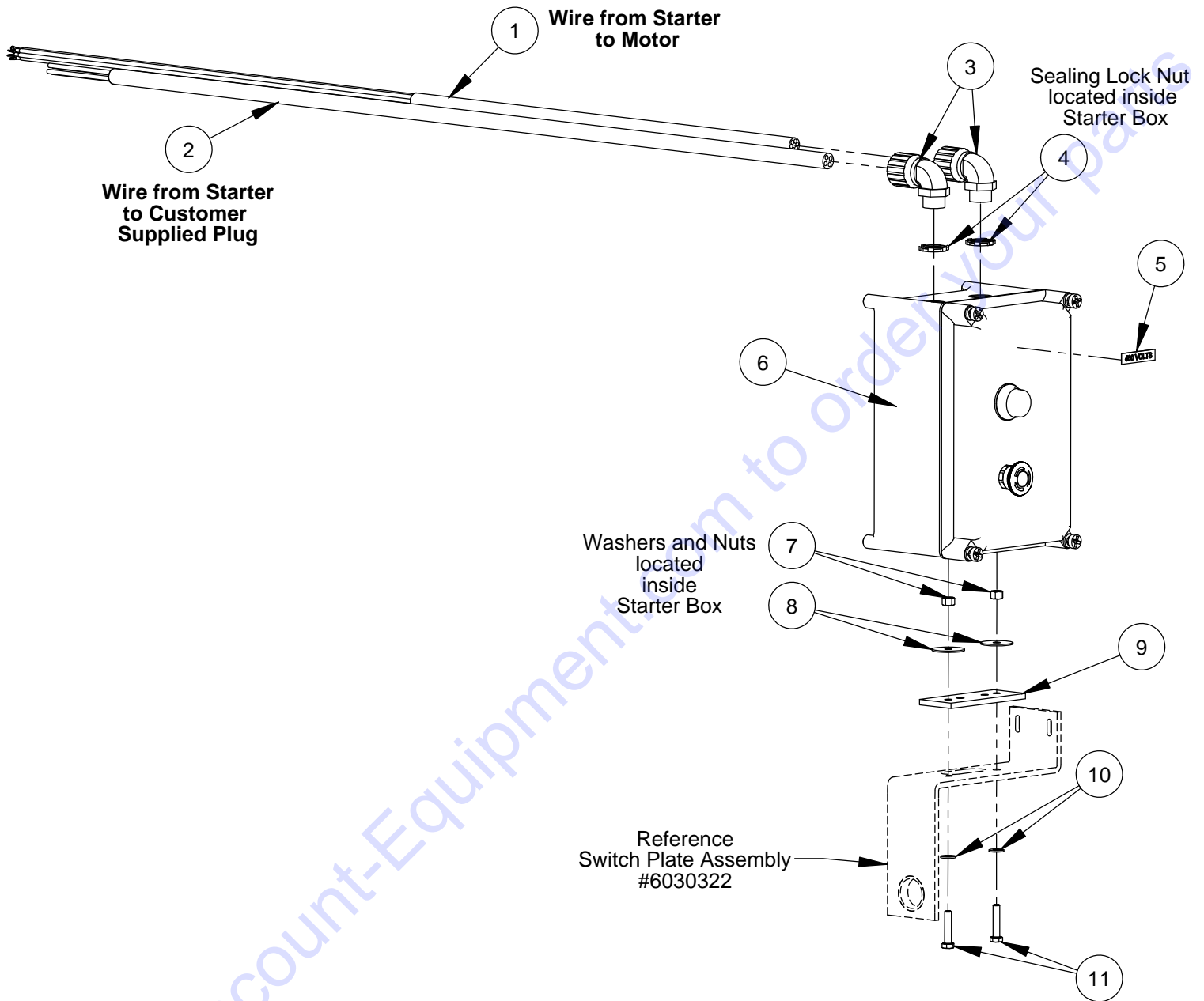
ITEM	PART NO.	QTY.	DESCRIPTION
1	6070254	1	Cord, 14/6 x 96" w/ #10 Ring Terminals
2	6070253	1	Cord, SO 10/4 X 96"
3	2802052	2	Cord Connector, 3/4" Thd., .63-75" Cord, 90 Deg.
4	2800050	2	Lock Nut, 3/4" Sealing
5	1800810	1	Voltage Label, 230V
6	6011553	1	Starter Box
7	2900039	2	Lock Nut, 5/16-18 Nylon
8	2900969	2	Fender Washer, 5/16" x 1-1/2"
9	6030183	1	Plate, 1/4 x 2 x 5
10	2900022	2	Flat Washer, 5/16" SAE
11	2900508	2	Cap Screw, Hex Hd., 5/16-18 x 1-1/2"

6030340 Starter Box Assembly
3PH - 5 and 7.5 HP - 230V



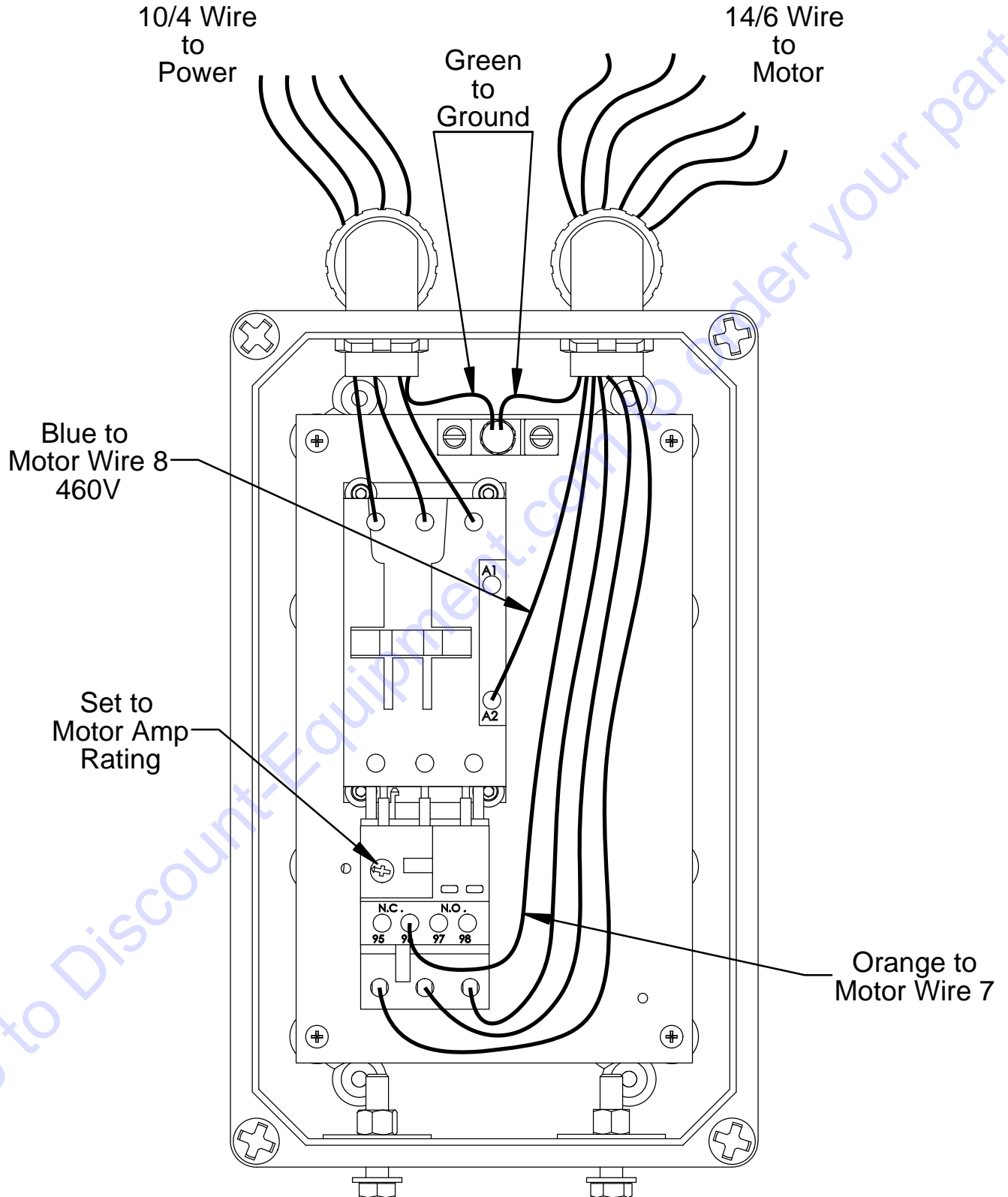
Go to DiscountEquipment.com to order your parts

6030341 Starter Box Assembly 3PH - 5 and 7.5 HP - 380V/460V

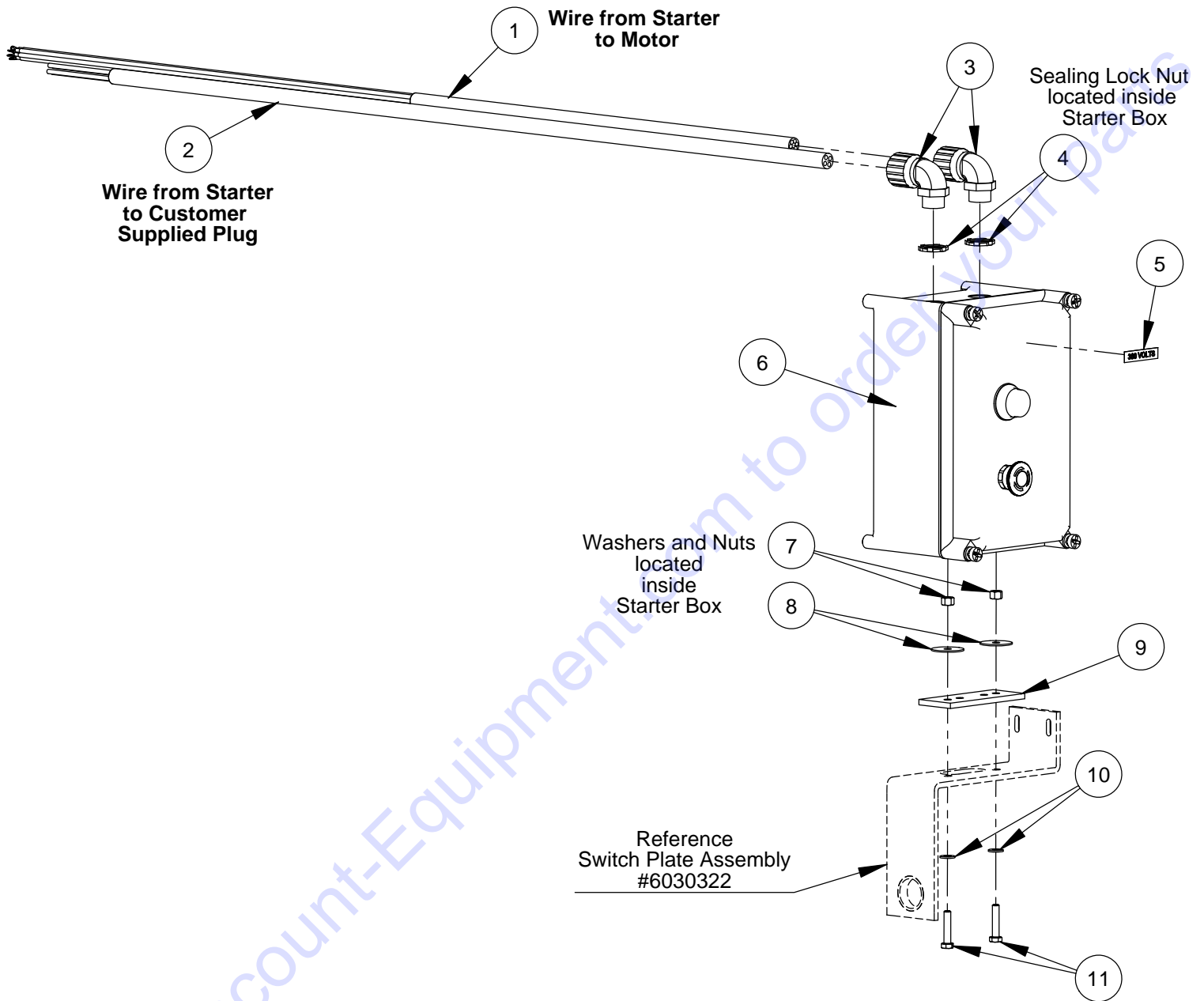


ITEM	PART NO.	QTY.	DESCRIPTION
1	6070254	1	Cord, 14/6 x 96" w/ #10 Ring Terminals
2	6070253	1	Cord, SO 10/4 X 96"
3	2802052	2	Cord Connector, 3/4" Thd., .63-75" Cord, 90 Deg.
4	2800050	2	Lock Nut, 3/4" Sealing
5	1800811	1	Voltage Label
6	6011577	1	Starter Box, 380V/460V
7	2900039	2	Lock Nut, 5/16-18 Nylon
8	2900969	2	Fender Washer, 5/16" x 1-1/2"
9	6030183	1	Plate, 1/4 x 2 x 5
10	2900022	2	Flat Washer, 5/16" SAE
11	2900508	2	Cap Screw, Hex Hd., 5/16-18 x 1-1/2"

6030341 Starter Box Assembly
3PH - 5 and 7.5 HP - 380V/460V

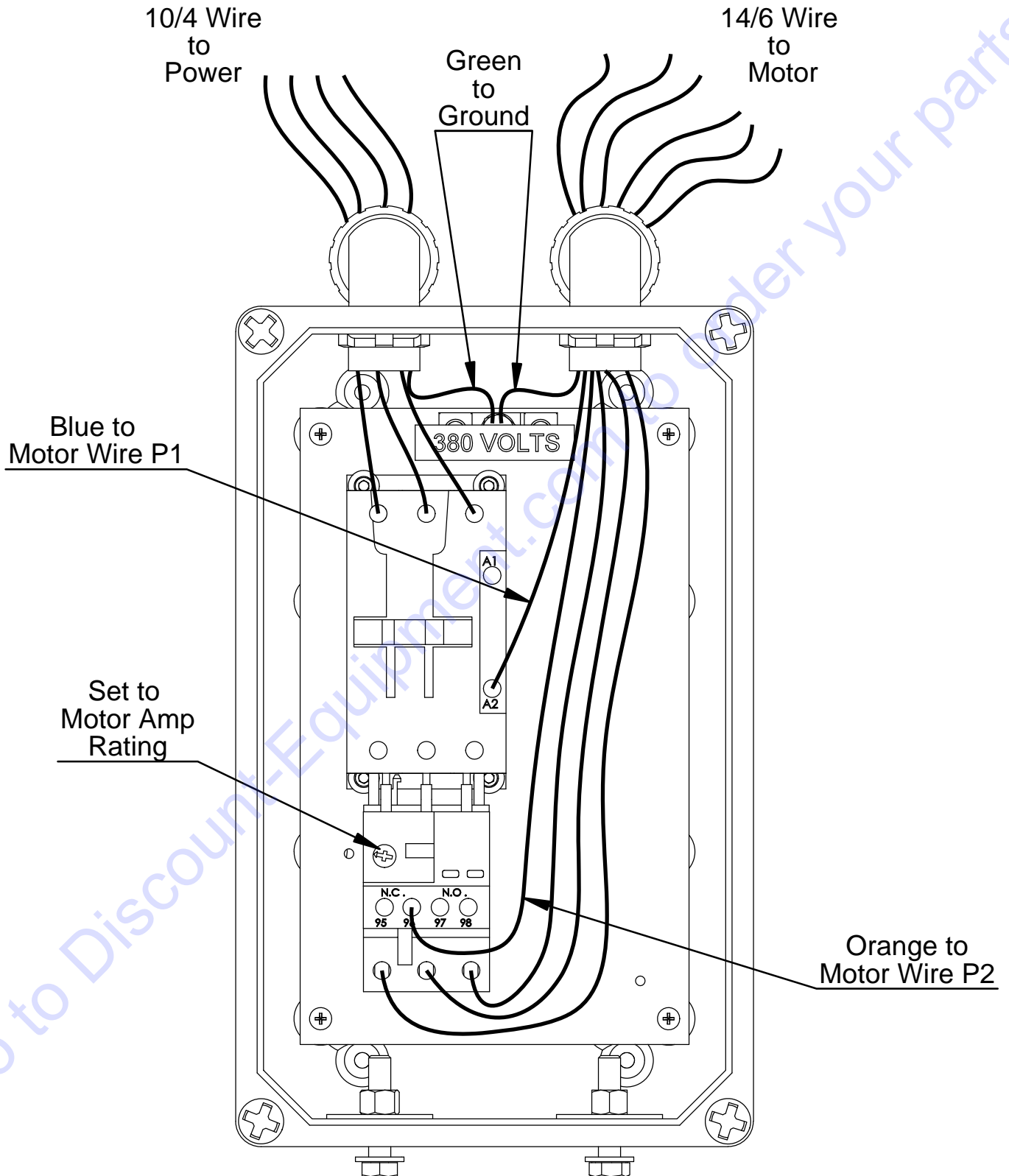


Power Box Assembly #6030339
3PH - 7.5 HP - 380V



ITEM	PART NO.	QTY.	DESCRIPTION
1	6070254	1	Cord, 14/6 x 96" w/ #10 Ring Terminals
2	6070253	1	Cord, SO 10/4 X 96"
3	2802052	2	Cord Connector, 3/4" Thd., .63-75" Cord, 90 Deg.
4	2800050	2	Lock Nut, 3/4" Sealing
5	1801985	1	Voltage Label, 380V
6	6011553	1	Starter Box
7	2900039	2	Lock Nut, 5/16-18 Nylon
8	2900969	2	Fender Washer, 5/16" x 1-1/2"
9	6030183	1	Plate, 1/4 x 2 x 5
10	2900022	2	Flat Washer, 5/16" SAE
11	2900508	2	Cap Screw, Hex Hd., 5/16-18 x 1-1/2"

Power Box Assembly #6030339
3PH - 7.5 HP - 380V



Models and Specifications

Blade Capacity:	20" and 24"
Maximum Depth of Cut:	8" and 10" Respectively
Arbor Diameter:	1"
Blade Drive:	Matched set of premium gripnotch V-belts

Electric Models

Model	Make	HP	Phase	Voltage	Hertz	Amps	*RPM at Motor Output Shaft	*RPM at Blade Shaft	Blade Size
CC850M-E1-20	Baldor	5	1	230	60	23	1750 rpm	2200 rpm	20"
CC850M-E3-20		5	3	230/460		13.4/6.7			20"
CC875M-E1-20		7.5	1	230		30			20"
CC875M-E3-20		7.5	3	230/460		18.8/9.4			20"
CC875M-E1-24		7.5	1	230		30		1750 rpm	24"
CC875M-E3-24		7.5	3	230/460		18.8/9.4			24"

* Values are approximate.

Gas Models

Model	Make	*HP	*Fuel Capacity	*Oil Capacity	Air Cleaner	RPM at Motor Output Shaft	RPM at Blade Shaft	Blade Size
CC809H-20	Honda	8.5	1.40 gal.	1.2 qt.	3 Stage -Cyclone	3600 rpm	2050 rpm	20"
CC809L-20	Lifan	9	1.7 gal.	1.0 qt.				20"
CC813H-20	Honda	11.7	1.61gal.	1.2 qt.				20"
CC813H-24	Honda	11.7	1.61 gal.	1.2 qt.				24"

*Per manufacturer specifications.

EQUIPMENT AND PARTS WARRANTY

Discount-equipment warrants all equipment sold by it against defects in workmanship or materials for a period of one (1) year from the date of shipment to Customer.

The responsibility of Discount-equipment under this Warranty is limited to replacement or repair of defective parts, of such parts as shall appear to us upon inspection at such parts, to have been defective in material or workmanship, with expense for transportation and labor borne by Customer.

In no event shall Discount-equipment be liable for consequential or incidental damages arising out of the failure of any Product to operate properly.

Integral units such as engines, electric motors, batteries, transmissions, etc., are excluded from this Warranty and are subject to the prime manufacturer's warranty.

**THIS WARRANTY IS IN LIEU OF ALL OTHER WARRANTIES,
EXPRESSED OR IMPLIED, AND ALL SUCH OTHER WARRANTIES ARE
HEREBY DISCLAIMED.**



