



M-1

**CORE RIG
PARTS LIST**

July 6, 2015

Part # 1806015

PARTS FINDER

**Search Website
by Part Number**



**Search Manual
Library For Parts
Manual & Lookup Part
Numbers – Purchase
or Request Quote**

Search Manuals

Enter your information to help us find the right parts manual for your machine.

* Brand:

* Model:

* Serial:

* Part Number:

SEARCH

**Can't Find Part or
Manual? Request Help
by Manufacturer,
Model & Description**

Parts Order Form

Please fill in the following information to help us find the right part for your machine.

Manufacturer:	<input type="text"/>
Model:	<input type="text"/>
Description:	<input type="text"/>
Part Number:	<input type="text"/>
Quantity:	<input type="text"/>
Notes:	<input type="text"/>

Submit

Discount-Equipment.com is your online resource for quality parts & equipment.

Florida: **561-964-4949** Outside Florida TOLL FREE: **877-690-3101**

Need parts?

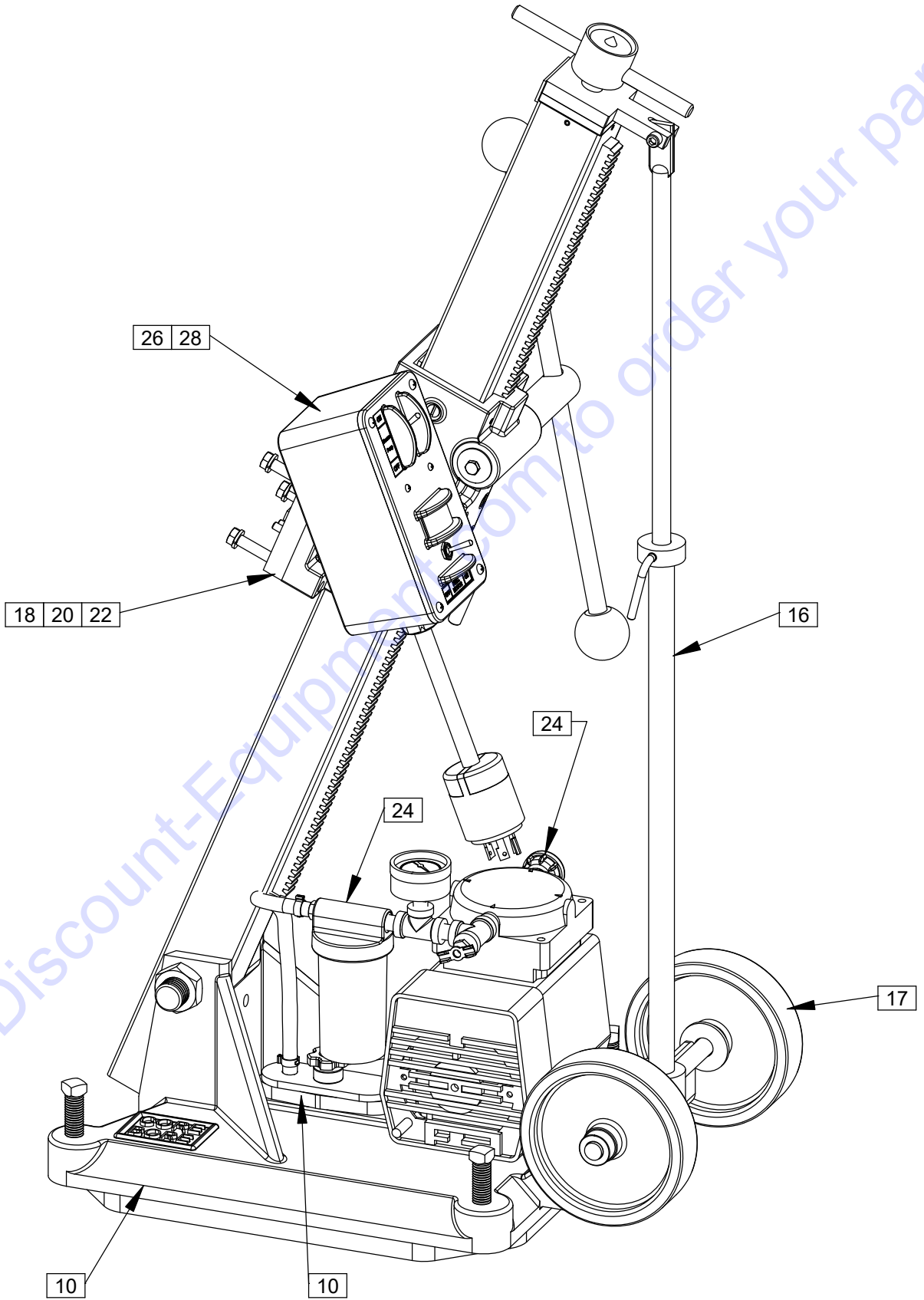
Click on this link: <http://www.discount-equipment.com/category/5443-parts/> and choose one of the options to help get the right parts and equipment you are looking for. Please have the machine model and serial number available in order to help us get you the correct parts. If you don't find the part on the website or on one of the online manuals, please fill out the request form and one of our experienced staff members will get back to you with a quote for the right part that your machine needs.

We sell worldwide for the brands: Genie, Terex, JLG, MultiQuip, Mikasa, Essick, Whiteman, Mayco, Toro Stone, Diamond Products, Generac Magnum, Airman, Haulotte, Barreto, Power Blanket, Nifty Lift, Atlas Copco, Chicago Pneumatic, Allmand, Miller Curber, Skyjack, Lull, Skytrak, Tsurumi, Husquvarna Target, Stow, Wacker, Sakai, Mi-T-M, Sullair, Basic, Dynapac, MBW, Weber, Bartell, Bennar Newman, Haulotte, Ditch Runner, Menegotti, Morrison, Contec, Buddy, Crown, Edco, Wyco, Bomag, Laymor, EZ Trench, Bil-Jax, F.S. Curtis, Gehl Pavers, Heli, Honda, ICS/PowerGrit, IHI, Partner, Imer, Clipper, MMD, Koshin, Rice, CH&E, General Equipment, Amida, Coleman, NAC, Gradall, Square Shooter, Kent, Stanley, Tamco, Toku, Hatz, Kohler, Robin, Wisconsin, Northrock, Oztec, Toker TK, Rol-Air, APT, Wylie, Ingersoll Rand / Doosan, Innovatech, Con X, Ammann, Mecalac, Makinex, Smith Surface Prep, Small Line, Wanco, Yanmar

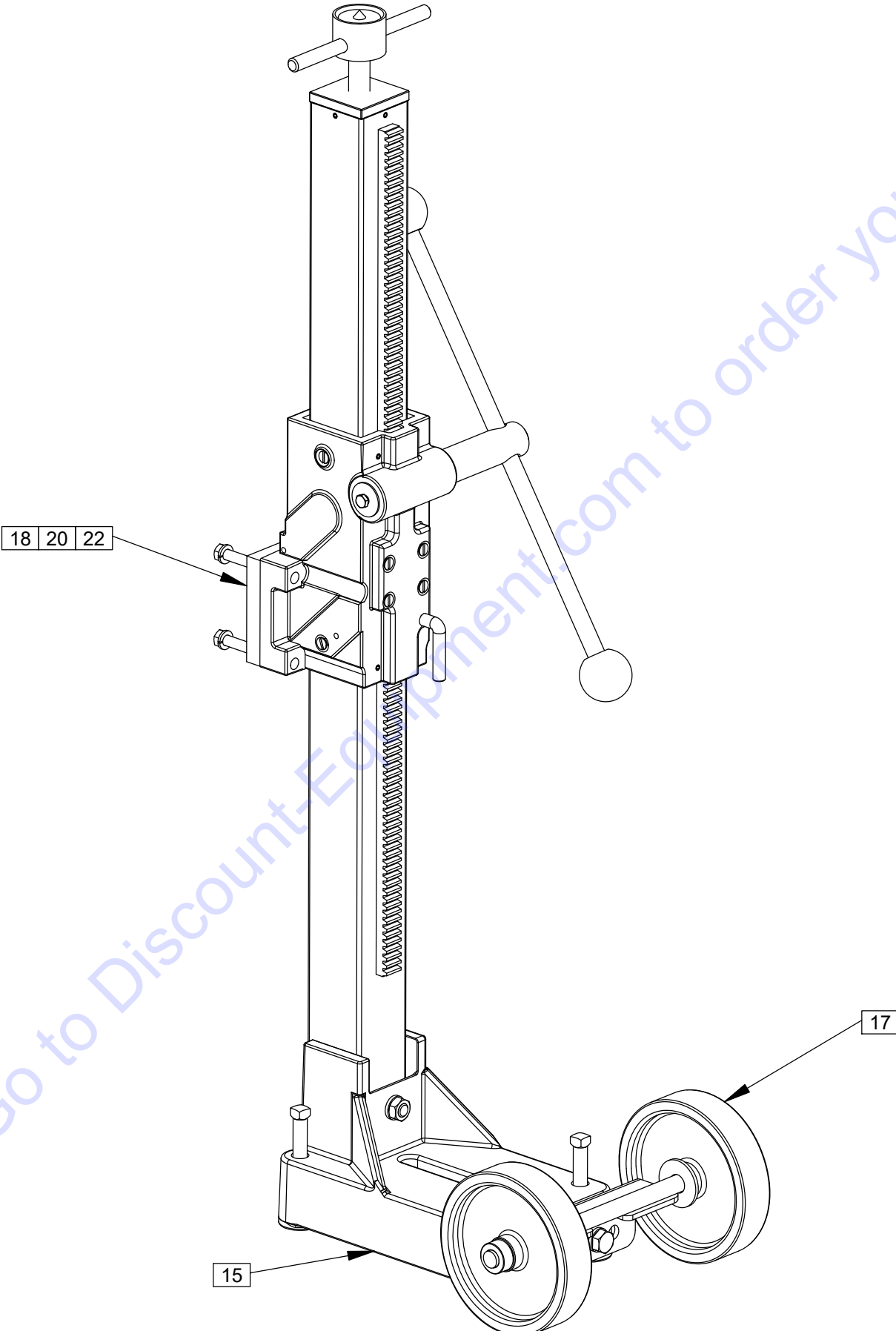
Table of Contents

Pictorial Page Index – Angle Complete Combination Stand without Motor.....	4
Pictorial Page Index – Standard Complete Anchor Stand without Motor.....	5
Pictorial Page Index – Angle Complete Anchor Stand without Motor	6
Pictorial Page Index – Complete Combination Stand without Motor.....	7
Angle Anchor and Standard Anchor Stands	8
Angle and Standard Combination Stands.....	9
Angle Combination Base Assembly.....	10 - 11
Combination Base Assembly.....	12 - 13
Angle Anchor Base Assembly	14
Anchor Base Assembly.....	15
Angle Brace Assembly.....	16
Wheel Assembly	17
Carriage Assembly with Motor Mount - CB700 and Weka Motors.....	18 - 19
Carriage Assembly with Motor Mount – CB748 and Milwaukee Motors	20 - 21
Motor Mount Assemblies – Weka and Milwaukee Motors	22
Vacuum Pump Assembly.....	24 -25
Dual Switch/Dual Outlet Control Panel (115V)	26 - 27
Dual Switch/Dual Outlet Control Panel (115V) for Weka Motor	28 - 29
Masts with Gear Rack.....	30
Angle Masts with Gear Rack	31
Warranty	Rear Cover

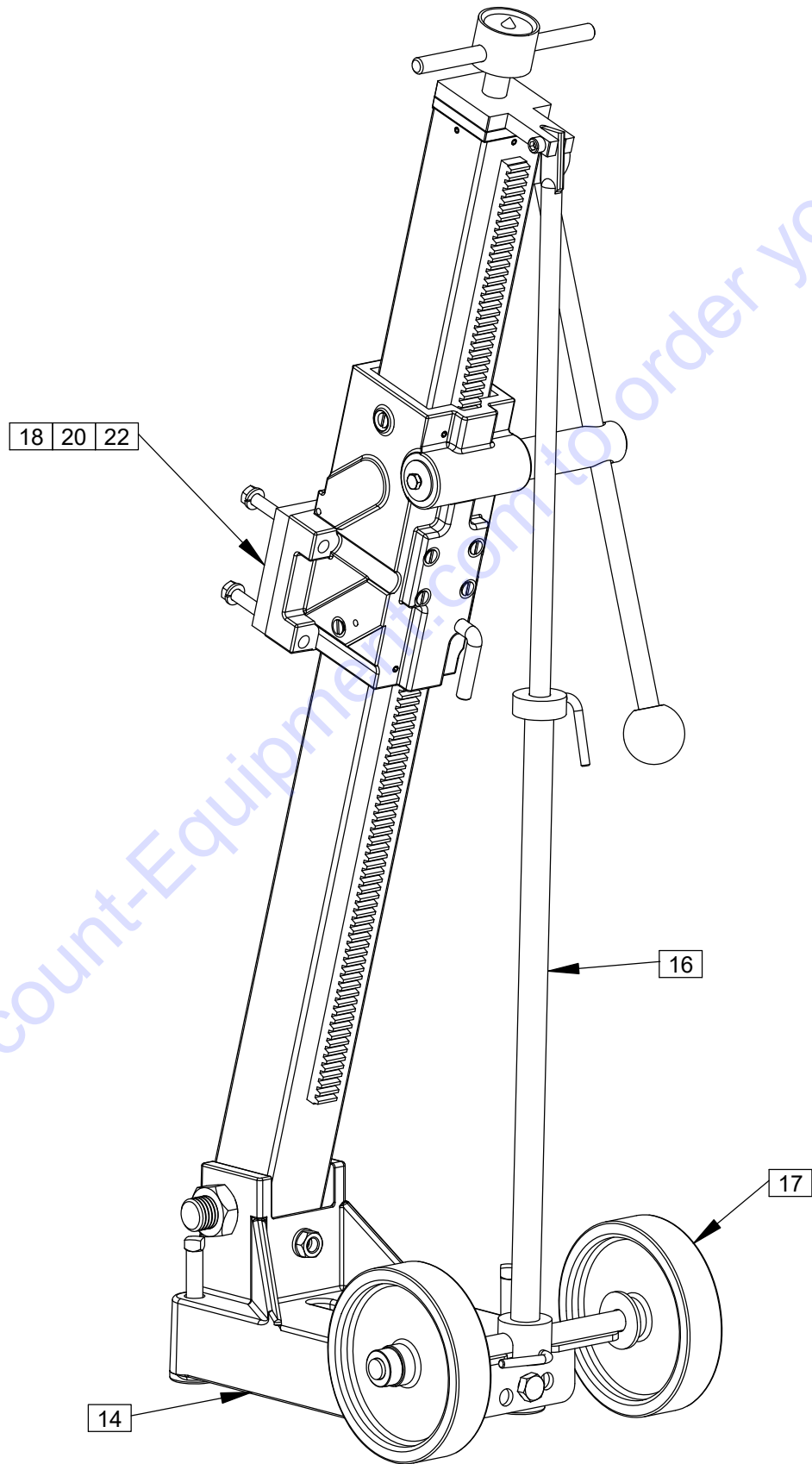
M-1 Angle Complete Combination Stand without Motor
Pictorial Page



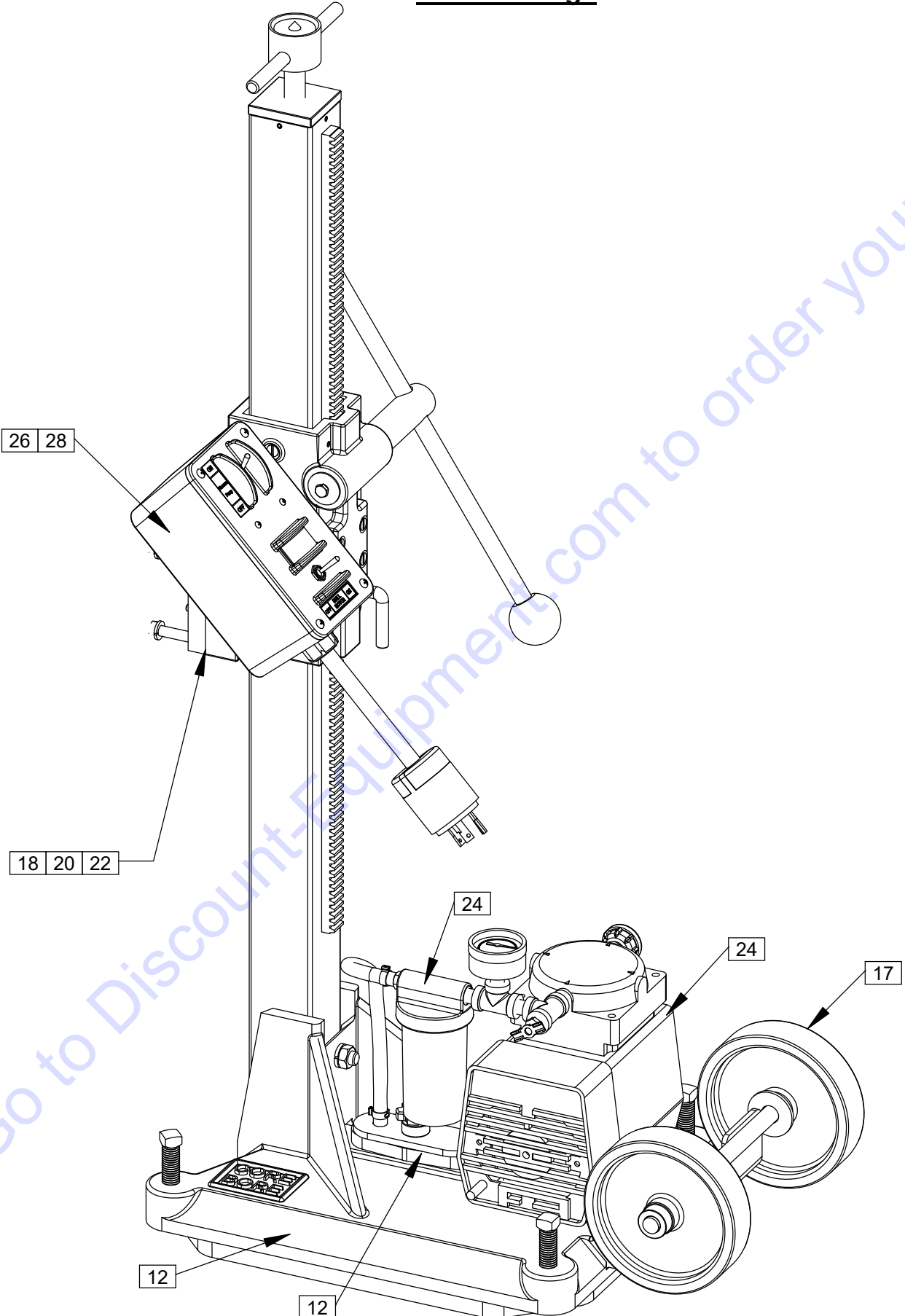
M-1 Standard Complete Anchor Stand without Motor
Pictorial Page Index



M-1 Angle Complete Anchor Stand without Motor
Pictorial Page Index

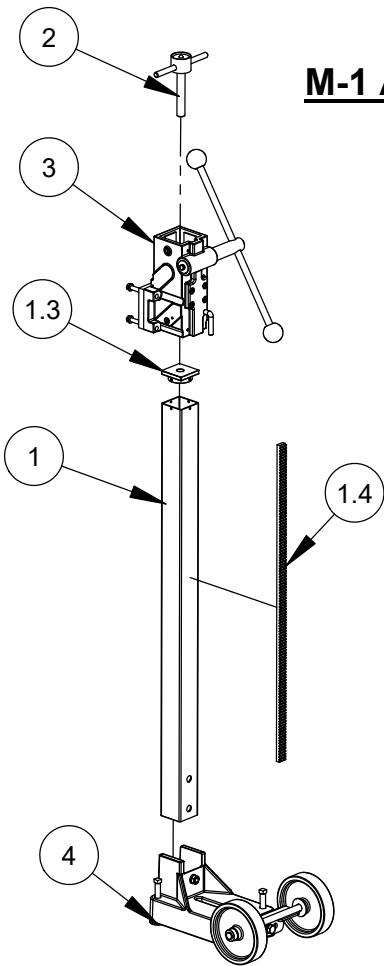


M-1 Complete Combination Stand without Motor
Pictorial Page



Go to Discount-Equipment.com to order your parts

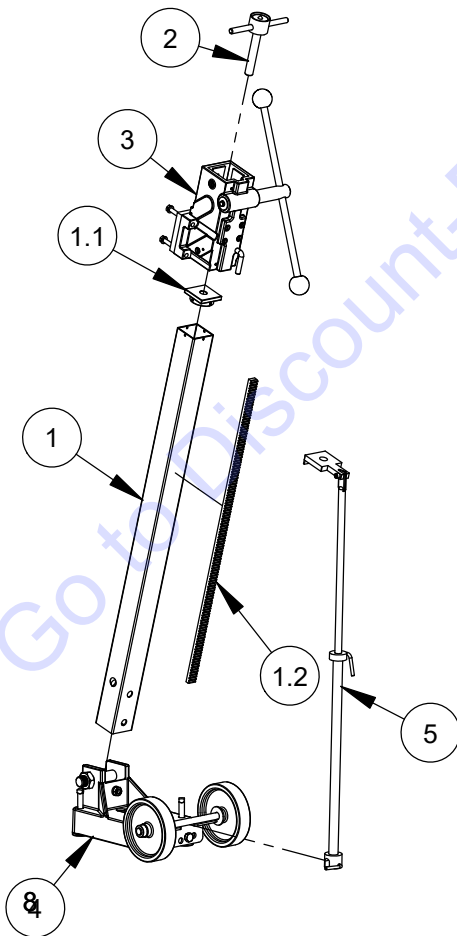
M-1 Angle Anchor and Standard Anchor Stands
CB748 and Milwaukee Motors



Anchor Stand #4246055

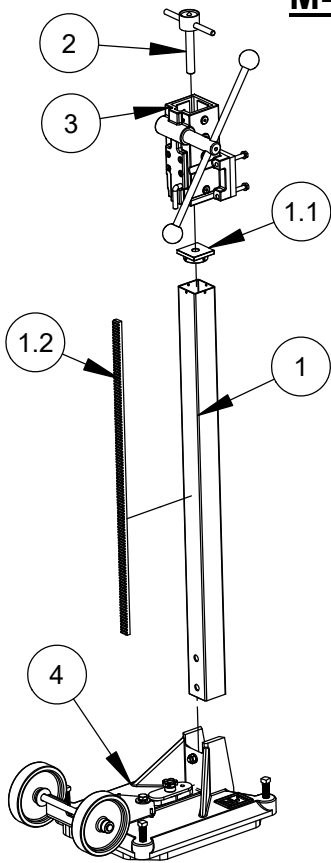
ITEM	PART NO.	QTY.	DESCRIPTION
1	4645015	1	Rig Mast - 42"
1.3	4645073	1	Mast Top with Pins
1.4	2400053	1	Gear Rack - 32"
2	4645016	1	Ceiling Jack
3	4645044	1	Carriage Assembly
4	4246060	1	Anchor Base Assembly

Angle Anchor Stand #4246070



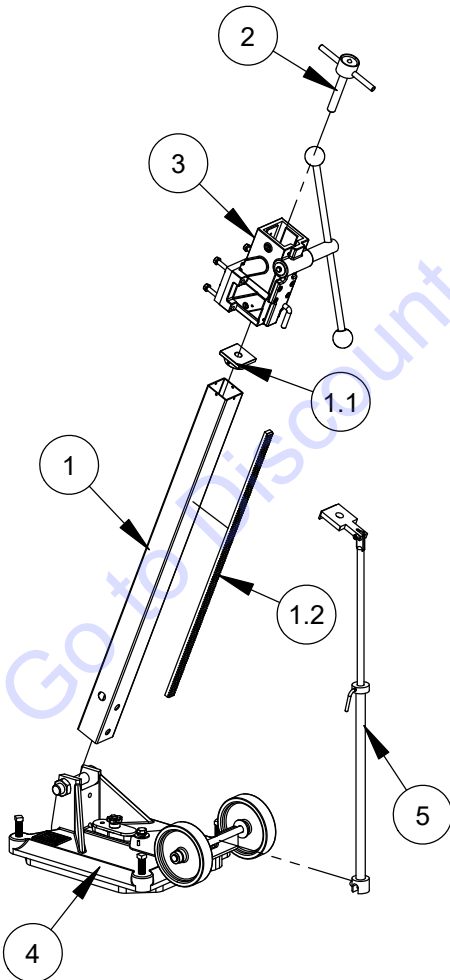
ITEM	PART NO.	QTY.	DESCRIPTION
1	4645068	1	Rig Mast - 42"
1.1	4645073	1	Mast Top with Pins
1.2	2400053	1	Gear Rack - 32"
2	4645016	1	Ceiling Jack
3	4645044	1	Carriage Assembly
4	4645077	1	Anchor Angle Base Assembly
5	4645072	1	Angle Brace Assembly

**M-1 Angled and Standard Combination Stands
CB748 and Milwaukee Motors**



Combination Stand #4245065

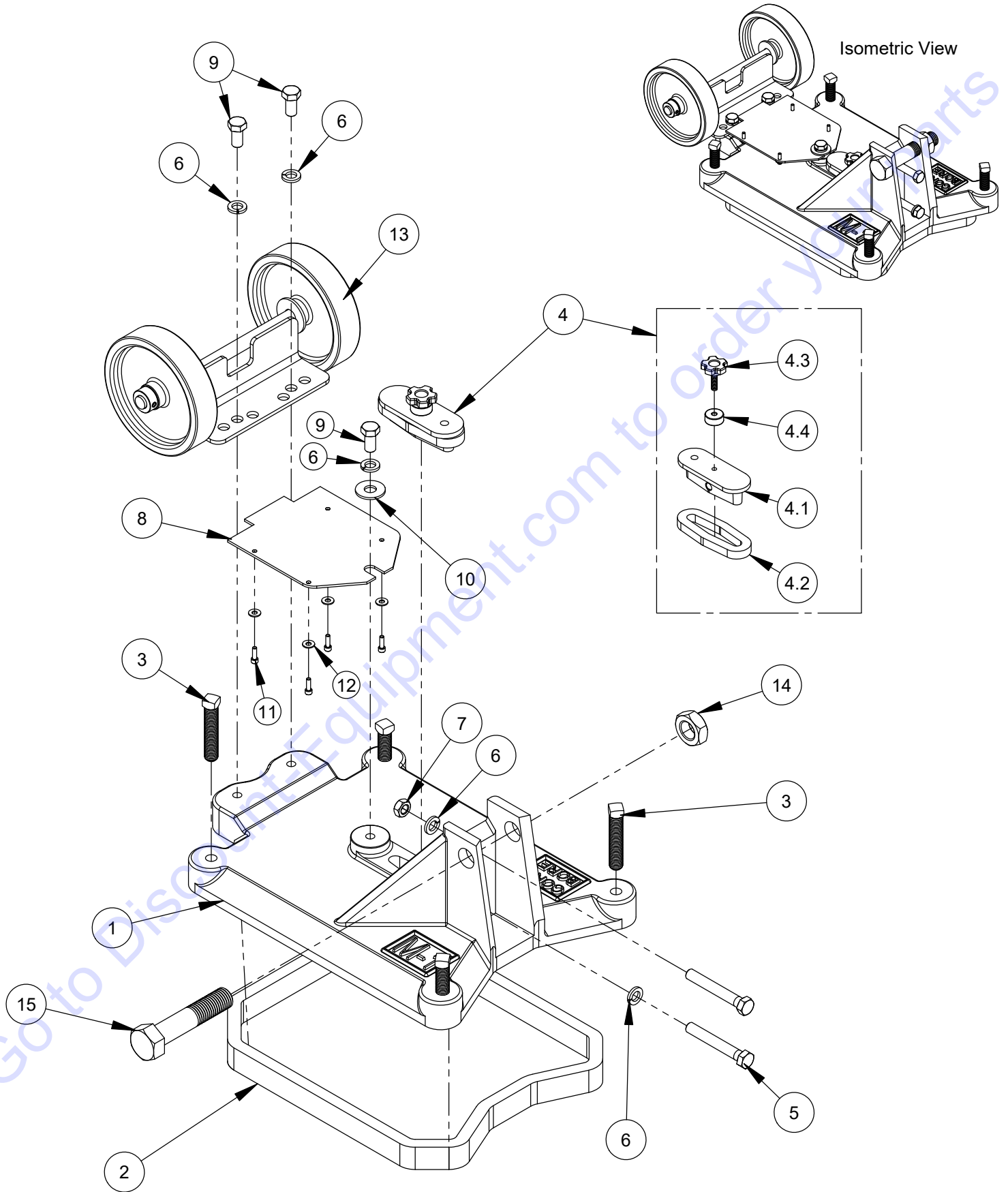
ITEM	PART NO.	QTY.	DESCRIPTION
1	4645015	1	Rig Mast - 42"
1.1	4645073	1	Mast Top with Pins
1.2	2400053	1	Gear Rack - 32"
2	4645016	1	Ceiling Jack
3	4645044	1	Carriage Assembly
4	4245070	1	Combination Base Assembly



Angle Combination Stand #4245062

ITEM	PART NO.	QTY.	DESCRIPTION
1	4645068	1	Rig Mast - 42"
1.1	4645073	1	Mast Top with Pins
1.2	2400053	1	Gear Rack - 32"
2	4645016	1	Ceiling Jack
3	4645044	1	Carriage Assembly
4	4645079	1	Angle Comgination Base Assembly
5	4645072	1	Angle Brace Assembly

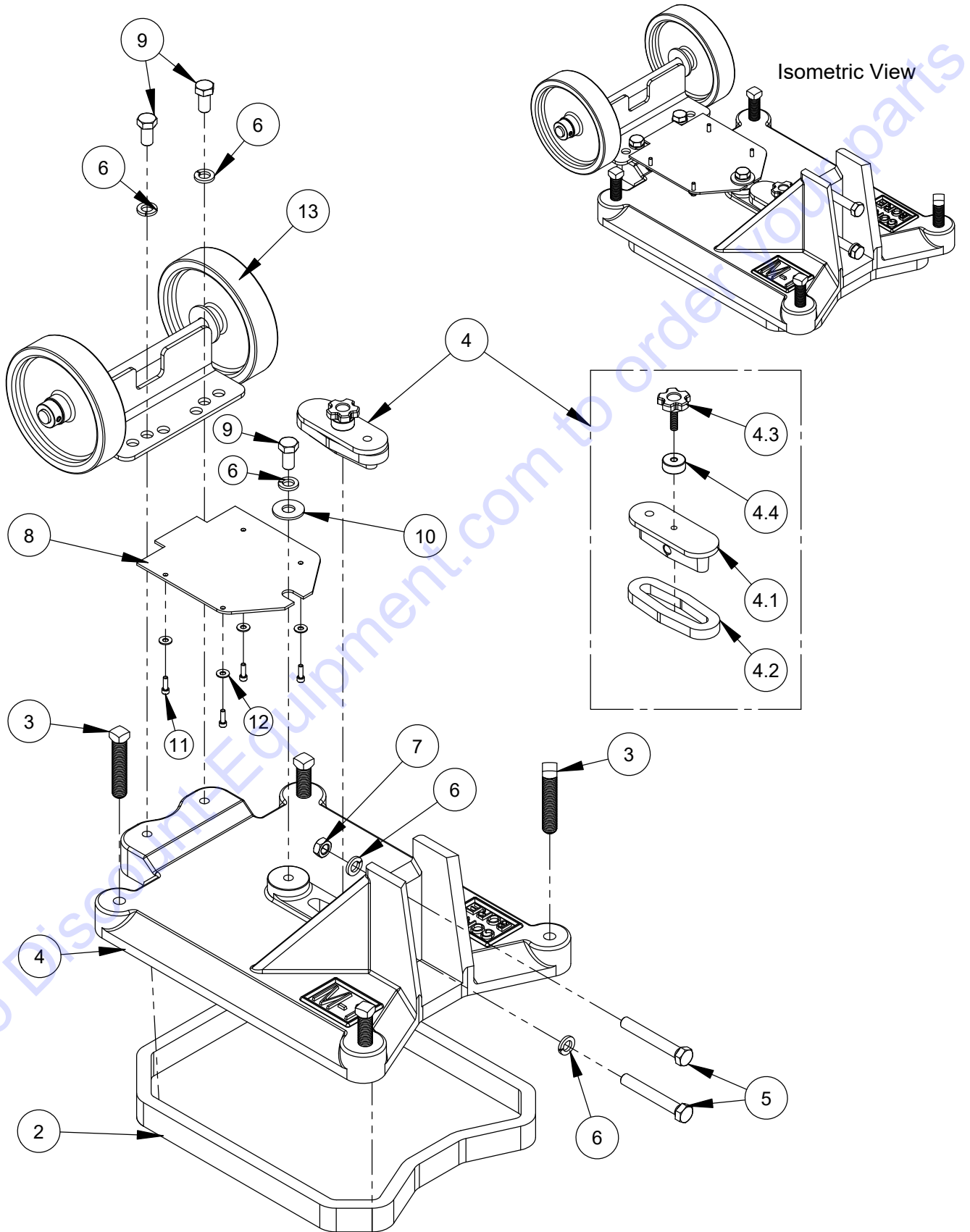
M-1 Angle Combination Base Assembly #4645079



M-1 Angle Combination Base Assembly #4645079

ITEM	PART NO.	QTY.	DESCRIPTION
1	4645074	1	Combination Base
2	4645020	1	Vacuum Gasket
3	2900081	4	Set Screw, Sq. Hd., 5/8-11 x 3"
4	4600046	1	Slot Cap Assembly
4.1	4600004	1	Slot Cap with Balls
4.2	2400003	1	Slot Cap Gasket
4.3	2400130	1	Slot Cap Knob
4.4	2400169	1	Knob Gasket
5	2900080	2	Cap Screw, Hex Hd., 1/2-13 x 3-1/2"
6	2900084	5	Lock Washer, 1/2" Split
7	2900129	1	Jam Nut, 1/2-13
8	4645022	1	Vacuum Platform
9	2900086	3	Cap Screw, Hex Hd., 1/2-13 x 1"
10	2900127	1	Flat Washer, 1/2" USS
11	2900087	4	Cap Screw, Soc. Hd., #10-32 x 5/8"
12	2900016	4	Flat Washer, #10 USS
13	4645046	1	Wheel Assembly
14	2900098	1	Jam Nut, 1"-8
15	2900097	1	Cap Screw, Hex Hd., 1-8 x 4-3/4"

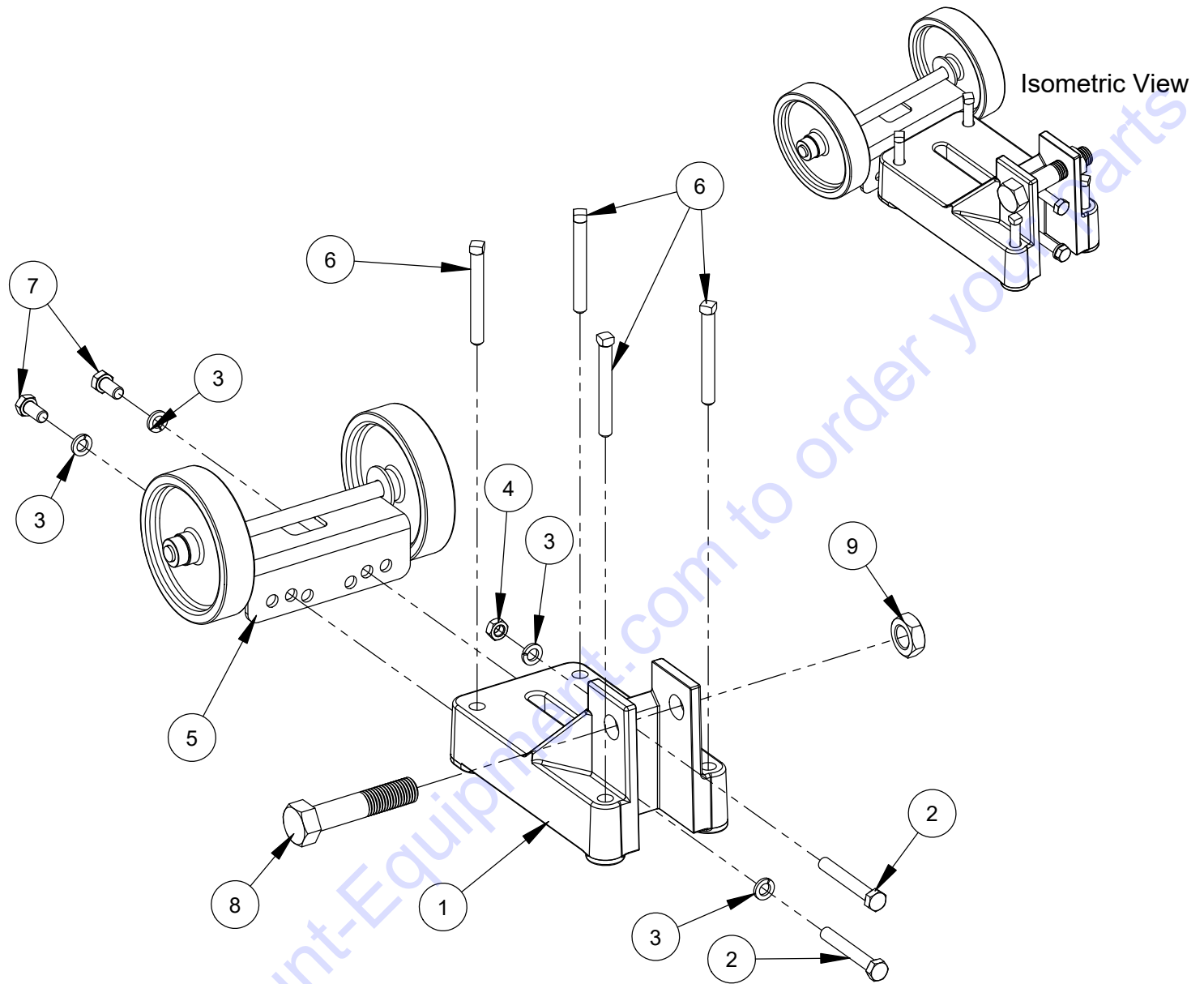
M-1 Combination Base Assembly #4245070



M-1 Combination Base Assembly #4245070

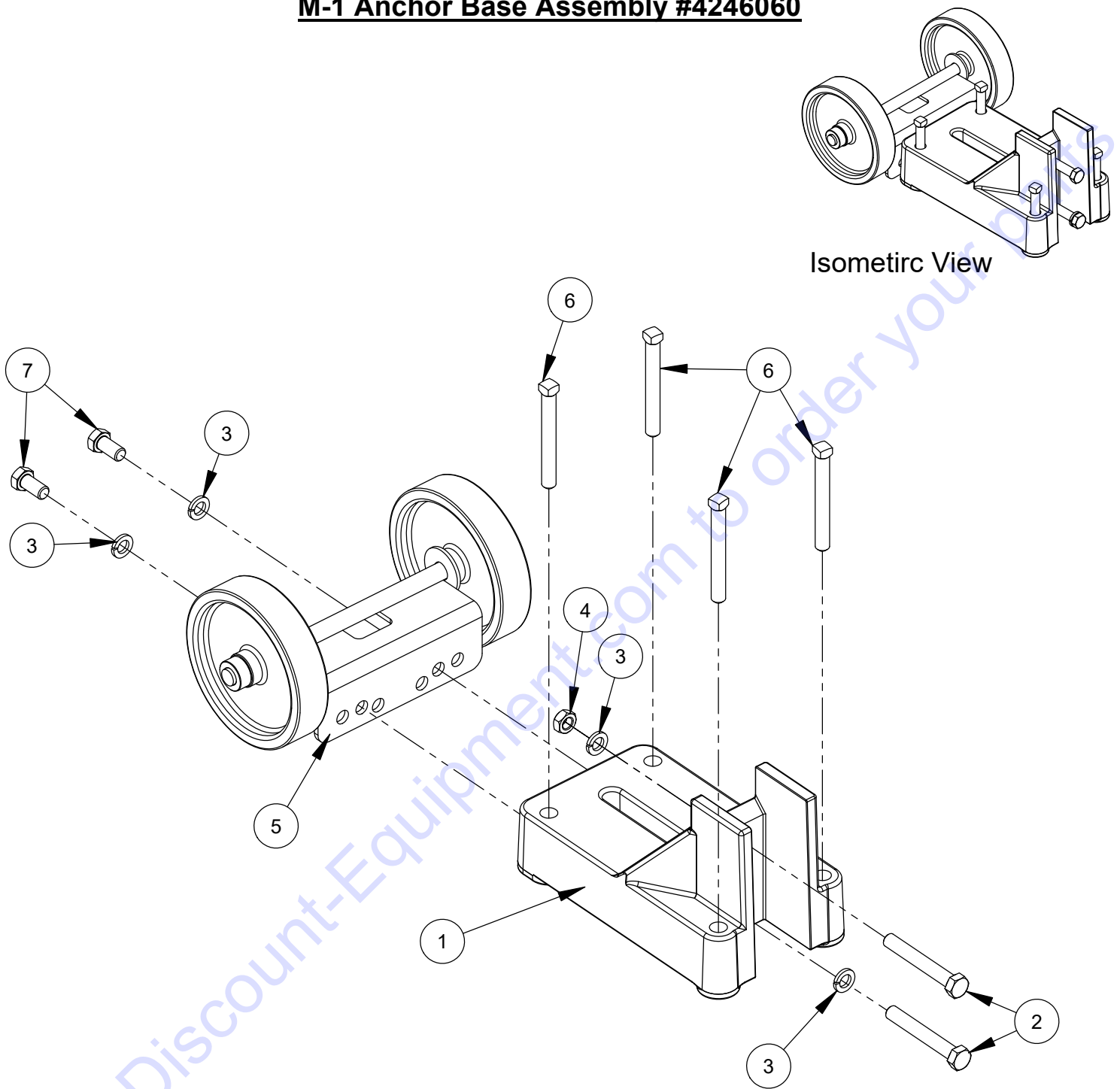
ITEM	PART NO.	QTY.	DESCRIPTION
4	4645019	1	M-1 Combination Base
2	4645020	1	Vacuum Gasket
3	2900081	4	Set Screw, Sq. Hd., 5/8-11 x 3"
4	4600046	1	Slot Cap Assembly
4.1	4600004	1	Slot Cap with Balls
4.2	2400003	1	Slot Cap Gasket
4.3	2400130	1	Slot Cap Knob
4.4	2400169	1	Knob Gasket
5	2900080	2	Cap Screw, Hex Hd., 1/2-13 x 3-1/2"
6	2900084	5	Lock Washer, 1/2" Split
7	2900129	1	Jam Nut, 1/2-13
8	4645022	1	Vacuum Platform
9	2900086	3	Cap Screw, Hex Hd., 1/2-13 x 1"
10	2900127	1	Flat Washer, 1/2" USS
11	2900087	4	Cap Screw, Soc. Hd., #10-32 x 5/8"
12	2900016	4	Flat Washer, #10 USS
13	4645046	1	Wheel Assembly

M-1 Angle Anchor Base #4645077



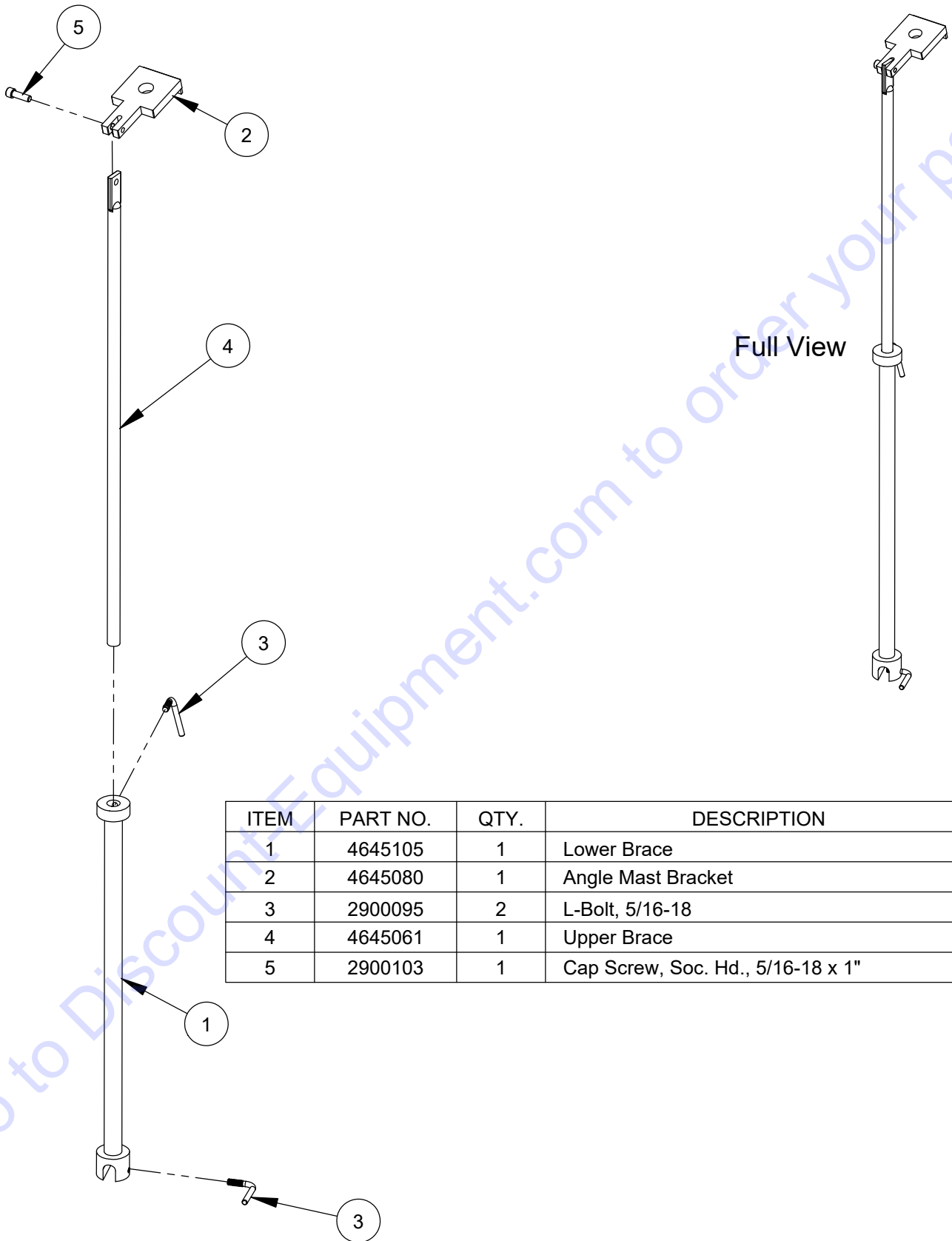
ITEM	PART NO.	QTY.	DESCRIPTION
1	4645076	1	Anchor Base
2	2900080	2	Cap Screw, Hex Hd., 1/2-13 x 3-1/2"
3	2900084	4	Lock Washer, 1/2" Split
4	2900129	1	Jam Nut, 1/2-13
5	4645046	1	Wheel Assembly
6	2900027	4	Set Screw, Sq. Hd., 1/2-13 x 4"
7	2900086	2	Cap Screw, Hex Hd., 1/2-13 x 1"
8	2900097	1	Cap Screw, Hex Hd., 1-8 x 4-3/4"
9	2900098	1	Jam Nut, 1-8

M-1 Anchor Base Assembly #4246060



ITEM	PART NO.	QTY.	DESCRIPTION
1	4645038	1	Anchor Base
2	2900080	2	Cap Screw, Hex Hd., 1/2-13 x 3-1/2"
3	2900084	4	Lock Washer, 1/2" Split
4	2900129	1	Jam Nut, 1/2-13
5	4645046	1	Wheel Assembly
6	2900027	4	Set Screw, Sq. Hd., 1/2-13 x 4"
7	2900086	2	Cap Screw, Hex Hd., 1/2-13 x 1"

M-1 Angle Brace Assembly for 42" Mast #4645072



ITEM	PART NO.	QTY.	DESCRIPTION
1	4645105	1	Lower Brace
2	4645080	1	Angle Mast Bracket
3	2900095	2	L-Bolt, 5/16-18
4	4645061	1	Upper Brace
5	2900103	1	Cap Screw, Soc. Hd., 5/16-18 x 1"

PARTS FINDER

**Search Website
by Part Number**



**Search Manual
Library For Parts
Manual & Lookup Part
Numbers – Purchase
or Request Quote**

Search Manuals

Enter your information to help us find the right parts manual for your machine.

* Brand:

* Model:

* Serial:

* Part Number:

SEARCH

**Can't Find Part or
Manual? Request Help
by Manufacturer,
Model & Description**

Parts Order Form

Please fill in the following information to help us find the right part for your machine.

Manufacturer:	<input type="text"/>
Model:	<input type="text"/>
Description:	<input type="text"/>
Part Number:	<input type="text"/>
Quantity:	<input type="text"/>
Notes:	<input type="text"/>

Submit

Discount-Equipment.com is your online resource for quality parts & equipment.

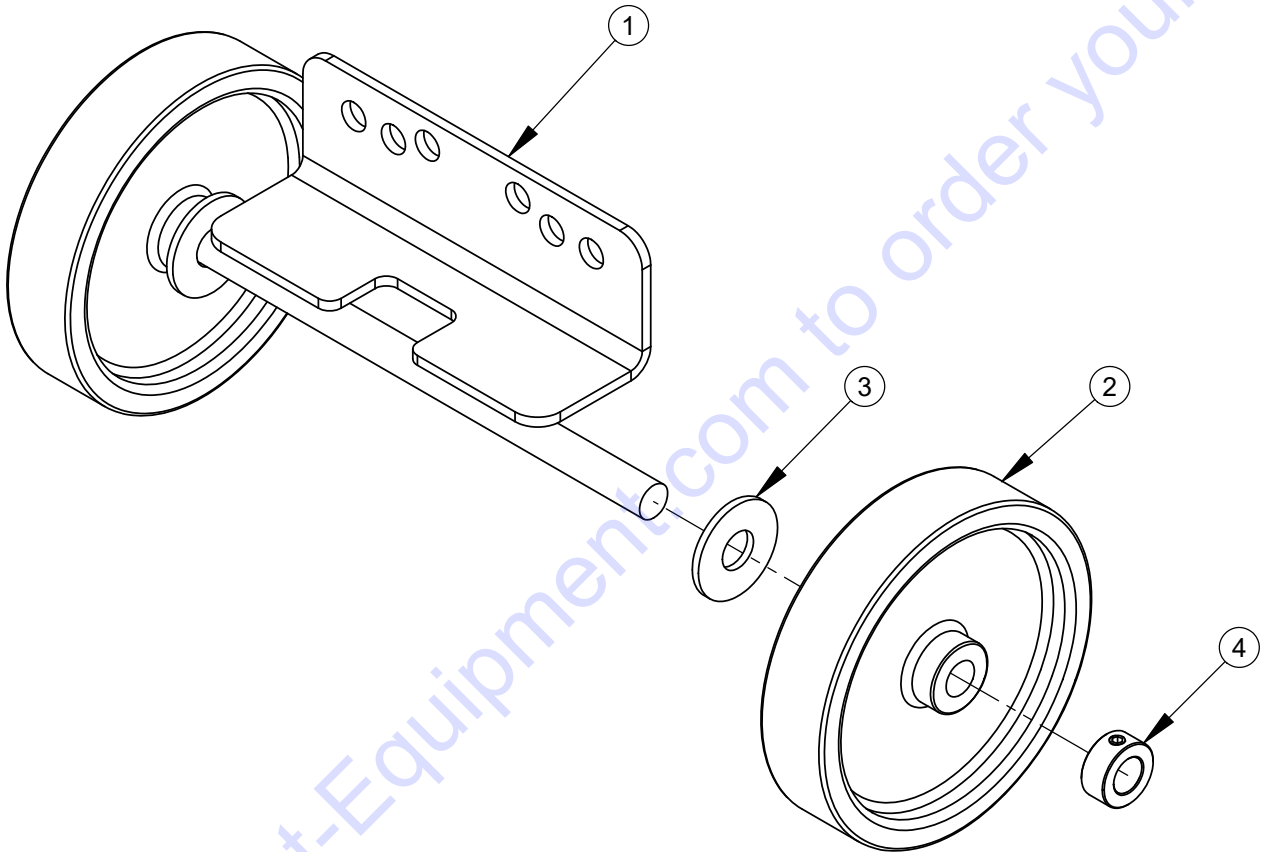
Florida: **561-964-4949** Outside Florida TOLL FREE: **877-690-3101**

Need parts?

Click on this link: <http://www.discount-equipment.com/category/5443-parts/> and choose one of the options to help get the right parts and equipment you are looking for. Please have the machine model and serial number available in order to help us get you the correct parts. If you don't find the part on the website or on one of the online manuals, please fill out the request form and one of our experienced staff members will get back to you with a quote for the right part that your machine needs.

We sell worldwide for the brands: Genie, Terex, JLG, MultiQuip, Mikasa, Essick, Whiteman, Mayco, Toro Stone, Diamond Products, Generac Magnum, Airman, Haulotte, Barreto, Power Blanket, Nifty Lift, Atlas Copco, Chicago Pneumatic, Allmand, Miller Curber, Skyjack, Lull, Skytrak, Tsurumi, Husquvarna Target, Stow, Wacker, Sakai, Mi-T-M, Sullair, Basic, Dynapac, MBW, Weber, Bartell, Bennar Newman, Haulotte, Ditch Runner, Menegotti, Morrison, Contec, Buddy, Crown, Edco, Wyco, Bomag, Laymor, EZ Trench, Bil-Jax, F.S. Curtis, Gehl Pavers, Heli, Honda, ICS/PowerGrit, IHI, Partner, Imer, Clipper, MMD, Koshin, Rice, CH&E, General Equipment, Amida, Coleman, NAC, Gradall, Square Shooter, Kent, Stanley, Tamco, Toku, Hatz, Kohler, Robin, Wisconsin, Northrock, Oztec, Toker TK, Rol-Air, APT, Wylie, Ingersoll Rand / Doosan, Innovatech, Con X, Ammann, Mecalac, Makinex, Smith Surface Prep, Small Line, Wanco, Yanmar

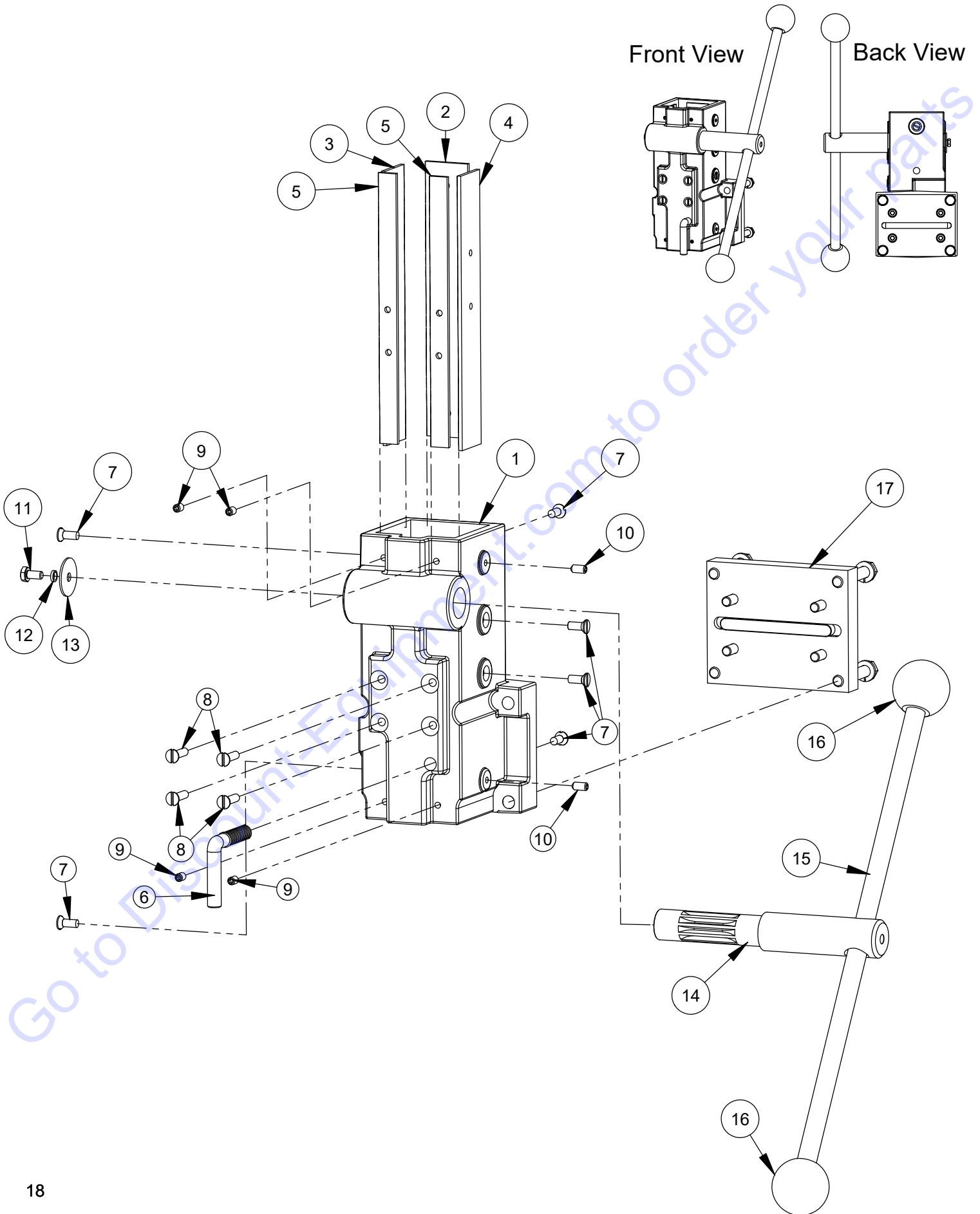
Wheel Assembly #4645046
for Anchor Stand



ITEM	PART NO.	QTY.	DESCRIPTION
1	4646077	1	Wheel Mount Bracket Assembly
2	2400004	2	Wheel, 6"
3	2900128	2	Flat Washer, 5/8" USS
4	2500008	2	Set Collar, 5/8" with Set Screw

Go to Discount-Equipment.com to order your parts

M-1 Carriage Assembly with Motor Mount
CB700 and Weka Motors
#4645108



M-1 Carriage Assembly with Motor Mount
CB700 and Weka Motors
#4645108

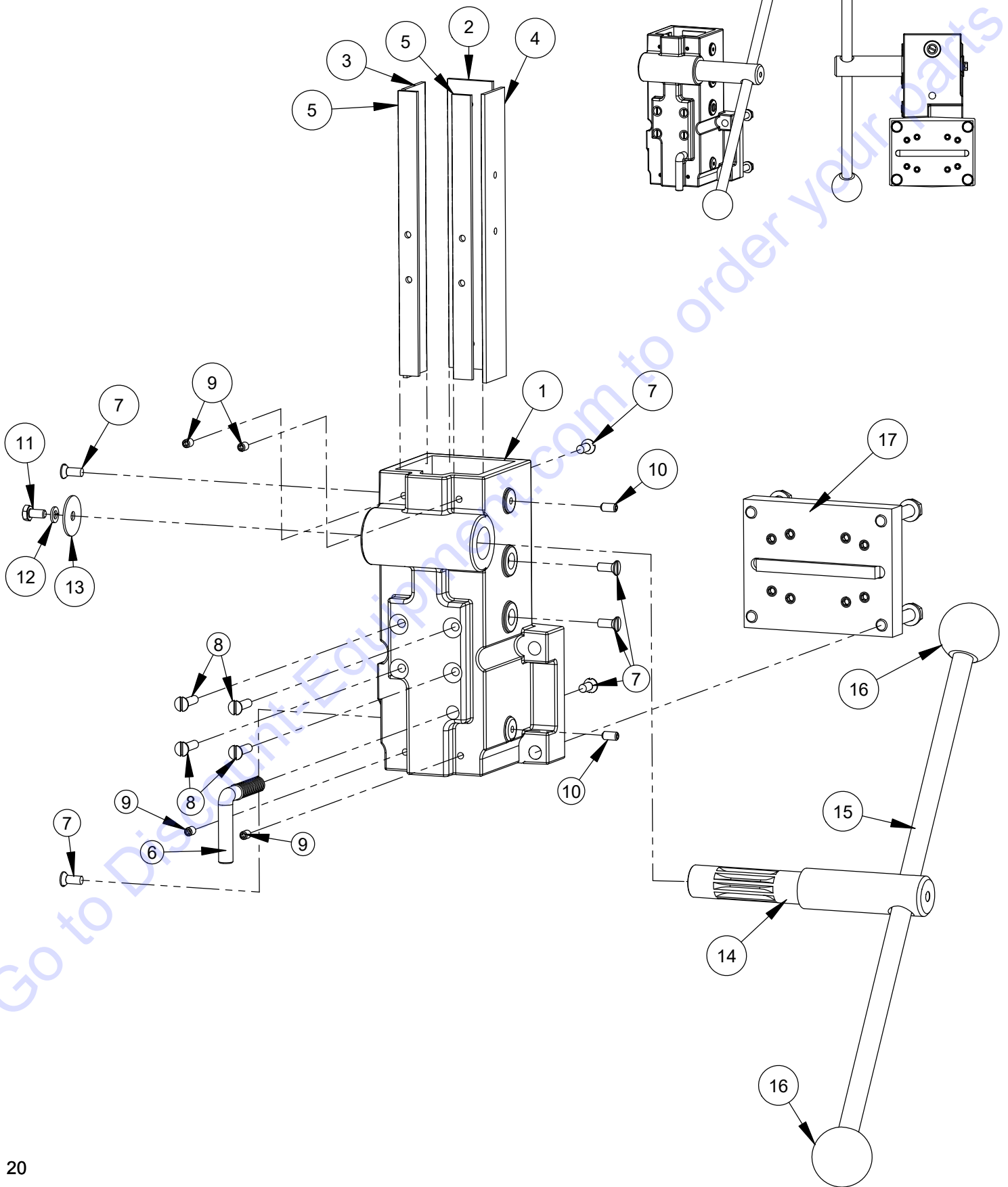
ITEM	PART NO.	QTY.	DESCRIPTION
1	4645018	1	M-1 Carriage
2	4645003	1	Non-adjusting Shim 1/8" x 1-1/2" x 9"
3	4645027	1	Non-adjusting Shim 1/8" x 1-1/2" x 9"
4	4645008	1	Adjusting Shim 1/8" x 1-1/2" x 9"
5	4645007	2	Adjusting Shim 1/8" x 5/8" x 8-7/8"
6	2900078	1	"L"-Bolt, 1/2-13
7	2900074	6	Cap Screw, Flat Hd., 1/4-20 x 5/8" Brass
8	2900075	4	Cap Screw, Flat Hd., 1/4-20 x 1" Brass
9	2900101	4	Set Screw, Soc. Hd., 1/4-20 x 3/8"
10	2900076	2	Set Screw, Soc. Hd., 1/4-20 x 1/2"
11	2900082	1	Cap Screw, Hex Hd., 1/4-20 x 1/2"
12	2900404	1	Lock Washer, 1/4" Split High Collar
13	2900083	1	Fender Washer, 1/4" x 1-1/4"
14	4645012	1	M-1 Pinion Gear
15	4645013	1	M-1 Handle 5/8" Diameter x 18"
16	2400001	2	Handle Knob
17	4648031	1	Motor Mount Assembly

Go to Discount Equipment to order your parts

M-1 Carriage Assembly with Motor Mount
CB748 and Milwaukee Motors
#4645044

Front View

Back View



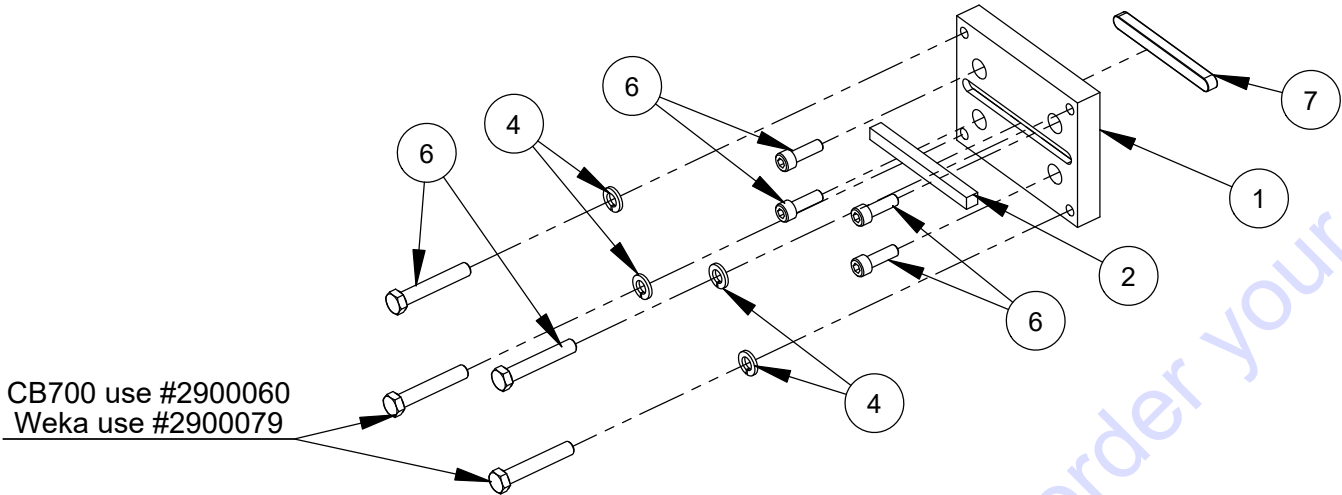
M-1 Carriage Assembly with Motor Mount
CB748 and Milwaukee Motors
#4645044

ITEM	PART NO.	QTY.	DESCRIPTION
1	4645018	1	M-1 Carriage
2	4645003	1	Non-adjusting Shim 1/8" x 1-1/2" x 9"
3	4645027	1	Non-adjusting Shim 1/8" x 1-1/2" x 9"
4	4645008	1	Adjusting Shim 1/8" x 1-1/2" x 9"
5	4645007	2	Adjusting Shim 1/8" x 5/8" x 8-7/8"
6	2900078	1	"L"-Bolt, 1/2-13
7	2900074	6	Cap Screw, Flat Hd., 1/4-20 x 5/8" Brass
8	2900075	4	Cap Screw, Flat Hd., 1/4-20 x 1" Brass
9	2900101	4	Set Screw, Soc. Hd., 1/4-20 x 3/8"
10	2900076	2	Set Screw, Soc. Hd., 1/4-20 x 1/2"
11	2900082	1	Cap Screw, Hex Hd., 1/4-20 x 1/2"
12	2900024	1	Lock Washer, 1/4" Split
13	2900083	1	Fender Washer, 1/4" x 1-1/4"
14	4645012	1	M-1 Pinion Gear
15	4645013	1	M-1 Handle 5/8" Diameter x 18"
16	2400001	2	Handle Knob
17	4645023	1	Motor Mount Assembly

Go to Discount Equipment to order your parts

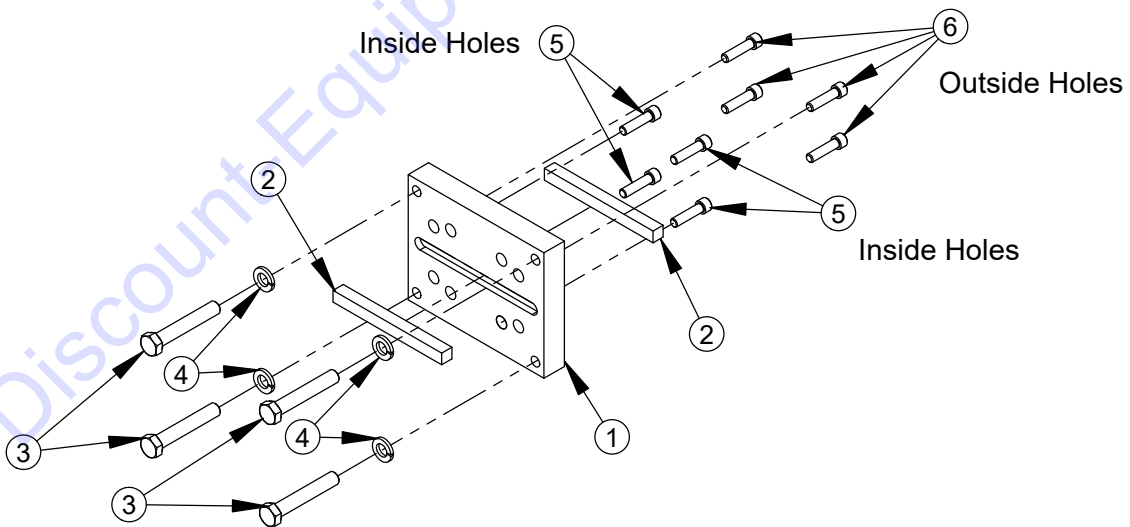
Motor Mount Assemblies

CB700 and Weka Motors #4648031



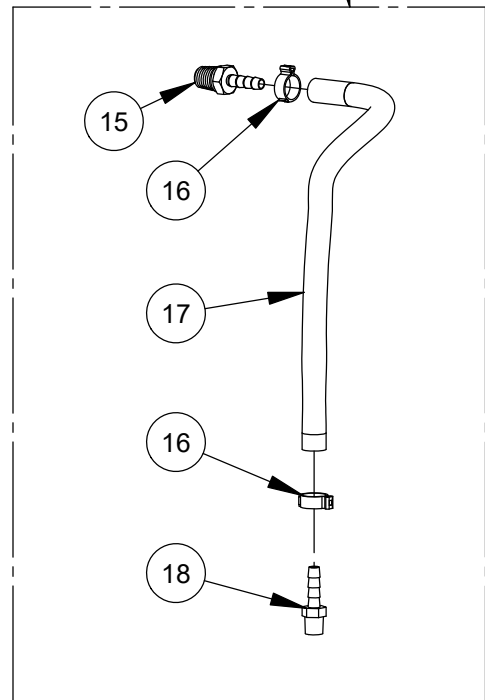
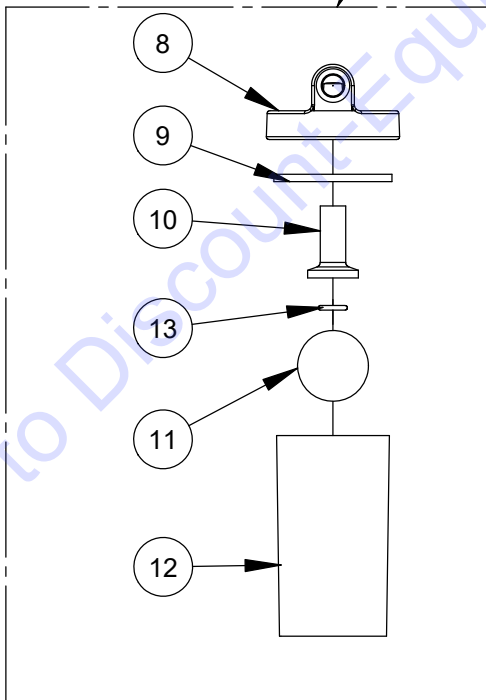
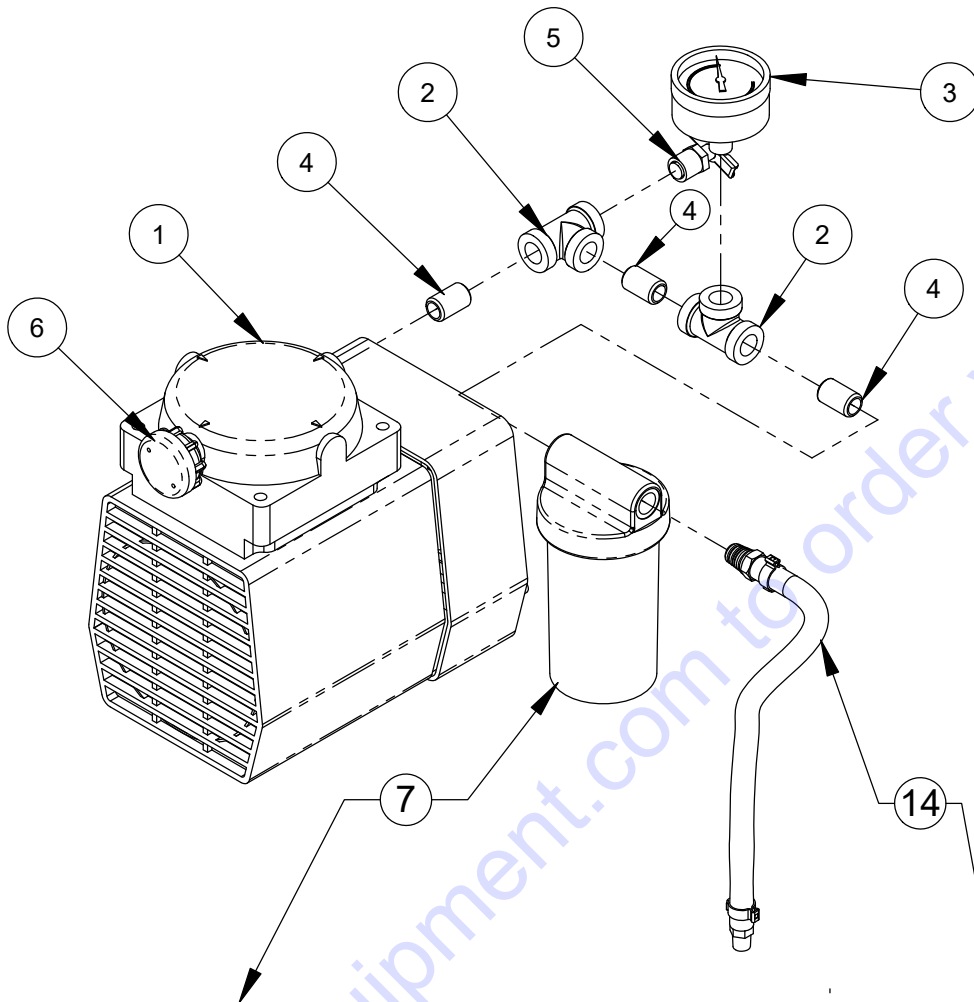
ITEM	PART NO.	QTY.	DESCRIPTION
1	4648032	1	Motor Mount Plate
2	4645006	1	Key, 3/8" Sq. x 4"
6	2900079	4	Cap Screw, Hex Hd., 3/8-16 x 2-1/4"
4	2900006	4	Lock Washer, 3/8" Split
5	2900060	2	Cap Screw, Hex Hd., 3/8-16 x 2"
6	2900161	4	Cap Screw, Soc. Hd., M8-1.25 x 25mm
7	2900263	1	Parallel Key, 10mm x 8mm x 100mm

CB784 and Milwaukee Motors #4645023



ITEM	PART NO.	QTY.	DESCRIPTION
1	4645010	1	Motor Mount Plate
2	4645006	2	Key, 3/8" Sq. x 4"
3	2900079	4	Cap Screw, Hex Hd., 3/8-16 x 2-1/4"
4	2900006	4	Lock Washer, 3/8" Split
5	2900089	4	Cap Screw, Soc. Hd., 1/4-28 x 1"
6	2900088	4	Cap Screw, Soc. Hd., 1/4-20 x 1"

Vacuum Pump Assembly 115V #4244075



Vacuum Pump Assembly 115V #4244075

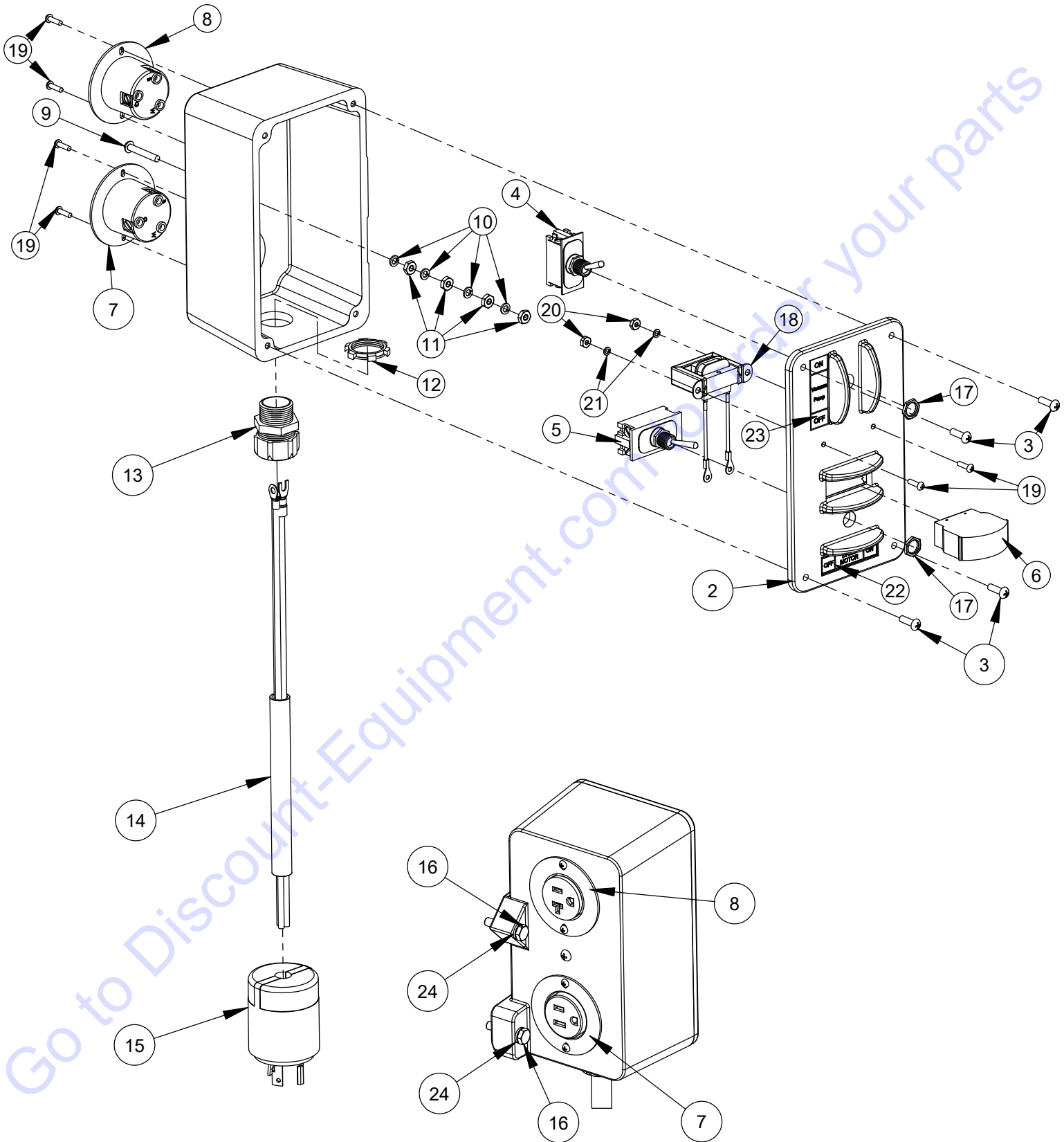
ITEM	PART NO.	QTY.	DESCRIPTION
1	2600016	1	Vacuum Pump, 115 Volt with Water Jar
2	3200010	2	Pipe Tee, 1/4" FPT
3	2700164	1	Gauge, Vacuum
4	3200007	3	Close Nipple, 1/4 NPT
5	3200035	1	Petcock, 1/4" NPT
6	2700168	1	Muffler
7	2700171	1	Water Jar Assembly

ITEM	PART NO.	QTY.	DESCRIPTION
8	2700014	1	Water Jar Lid
9	2700017	1	Water Jar Gasket
10	2700015	1	Funnel Fitting
11	2700172	1	Float Ball
12	2700170	1	Water Trap Jar
13	2700016	1	O-Ring

ITEM	PART NO.	QTY.	DESCRIPTION
14	4699490	1	Hose Assembly

ITEM	PART NO.	QTY.	DESCRIPTION
15	3200019	1	Fitting, 1/4" M. Pipe to 1/4" Hose Barb
16	3200017	2	Clamp, Pinch On
17	4699430	1	Air Hose
18	3200018	1	Fitting, 1/8" M. Pipe to 1/4" Hose Barb

Dual Switch/Dual Outlet Control Panel 115V #4243000

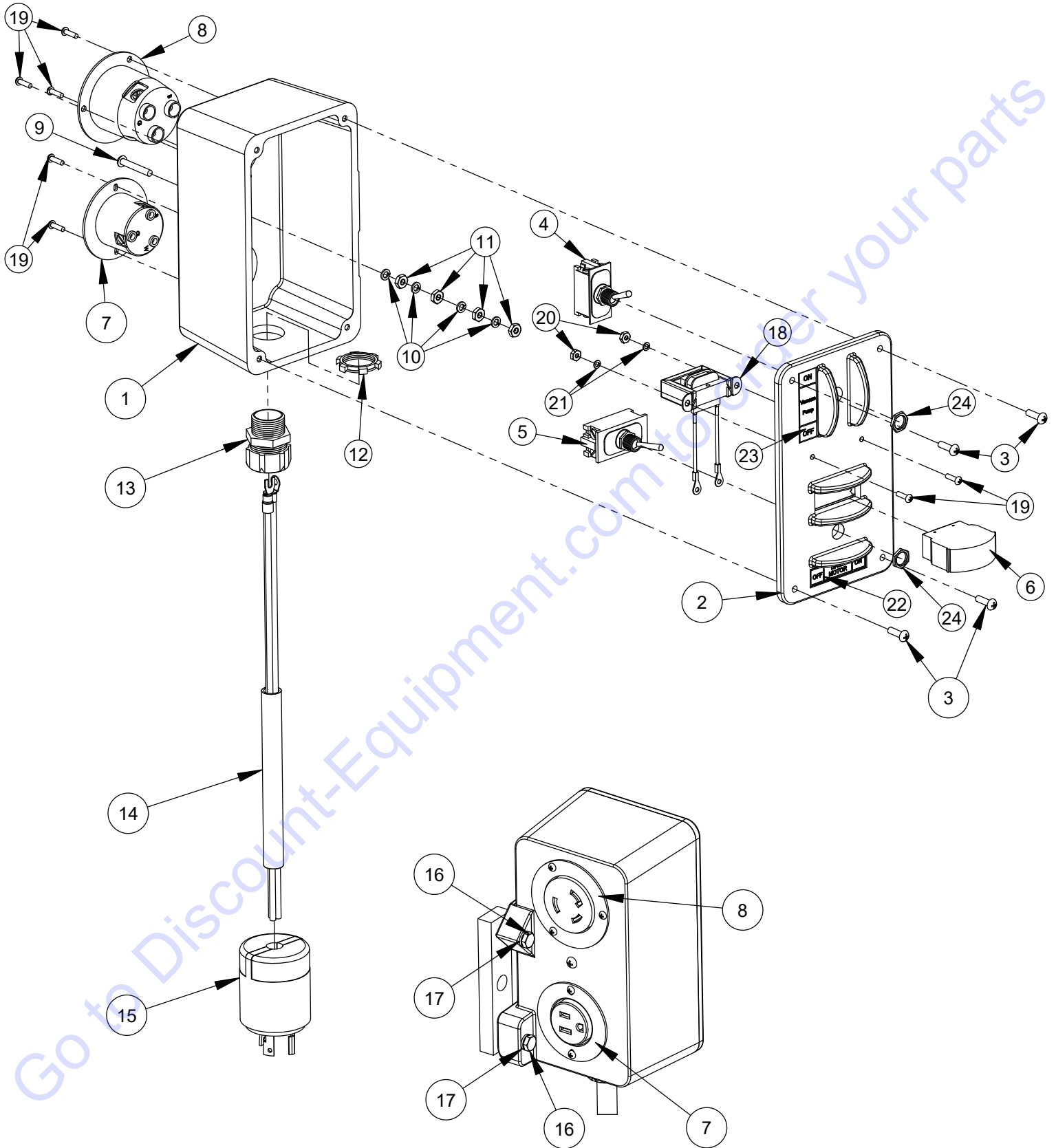


Back View of Control Panel

Dual Switch/Dual Outlet Control Panel 115V #4243000

ITEM	PART NO.	QTY.	DESCRIPTION
1	4699440	1	Control Box Body
2	4699460	1	Cover Plate
3	2900159	4	Machine Screw, Rd. Hd., #10-24 x 5/8"
4	2800016	1	Toggle Switch 16Amp/125V
5	2800017	1	Toggle Switch 20Amp/125V
6	2800020	1	Amp Meter 115V, 0-25 Amp
7	2800018	1	Flanged Outlet, 15 Amp, 125 Volt
8	2800896	1	Flanged Outlet, 15 Amp, 125 Volt
9	2900172	1	Machine Screw, Rd. Hd., #10-24 x 1-1/4"
10	2900038	4	Lock Washer, #10 Split
11	2900050	4	Hex Nut, #10-24
12	2800050	1	Lock Nut, 3/4" Sealing
13	2800043	1	Connector, 3/4" Cord
14	4699500	1	Line Cord for 115 Volt -14"
15	2800023	1	Plug, 125V, 30A, Twist Lock
16	2900052	2	Cap Screw, Hex Hd., 1/4-20 x 1-1/4"
17	2900204	2	Nut, Toggle Switch, 15/32"-32
18	2800085	1	AC Current Transformer
19	2900090	6	Machine Screw, Rd. Hd., #6-32 x 1/2"
20	2900091	2	Hex Nut, #6-32
21	2900092	2	Lock Washer, #6 Split
22	1800253	1	ON/OFF Drill Motor Label
23	1800254	1	ON/OFF Vacuum Pump Label
24	2900024	2	Lock Washer, 1/4" Split

**Dual Switch/Dual Outlet Control Panel 115V #4277594
for Weka Motor**

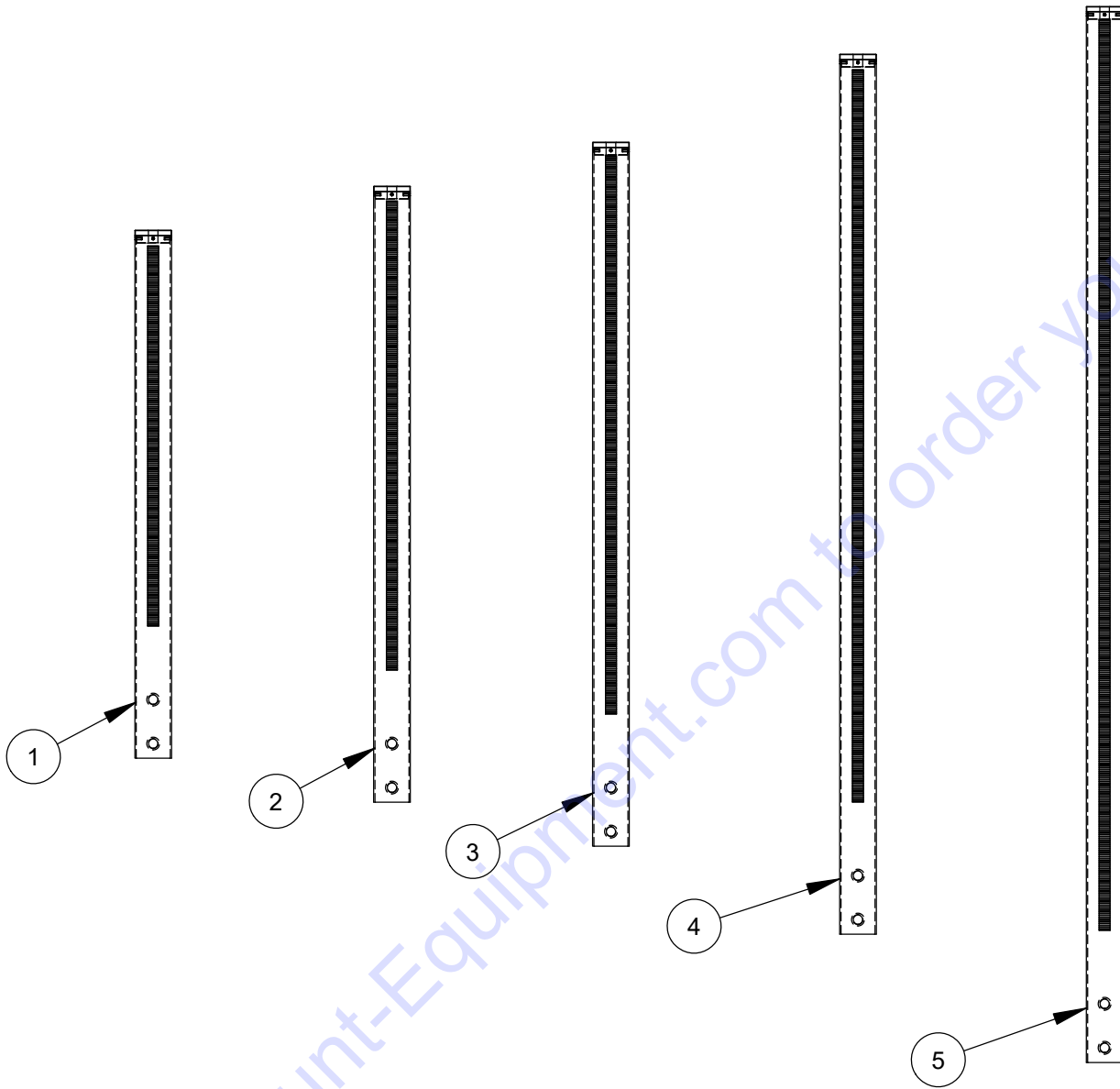


Back View of Control Panel

Dual Switch/Dual Outlet Control Panel 115V #4277594
for Weka Motor

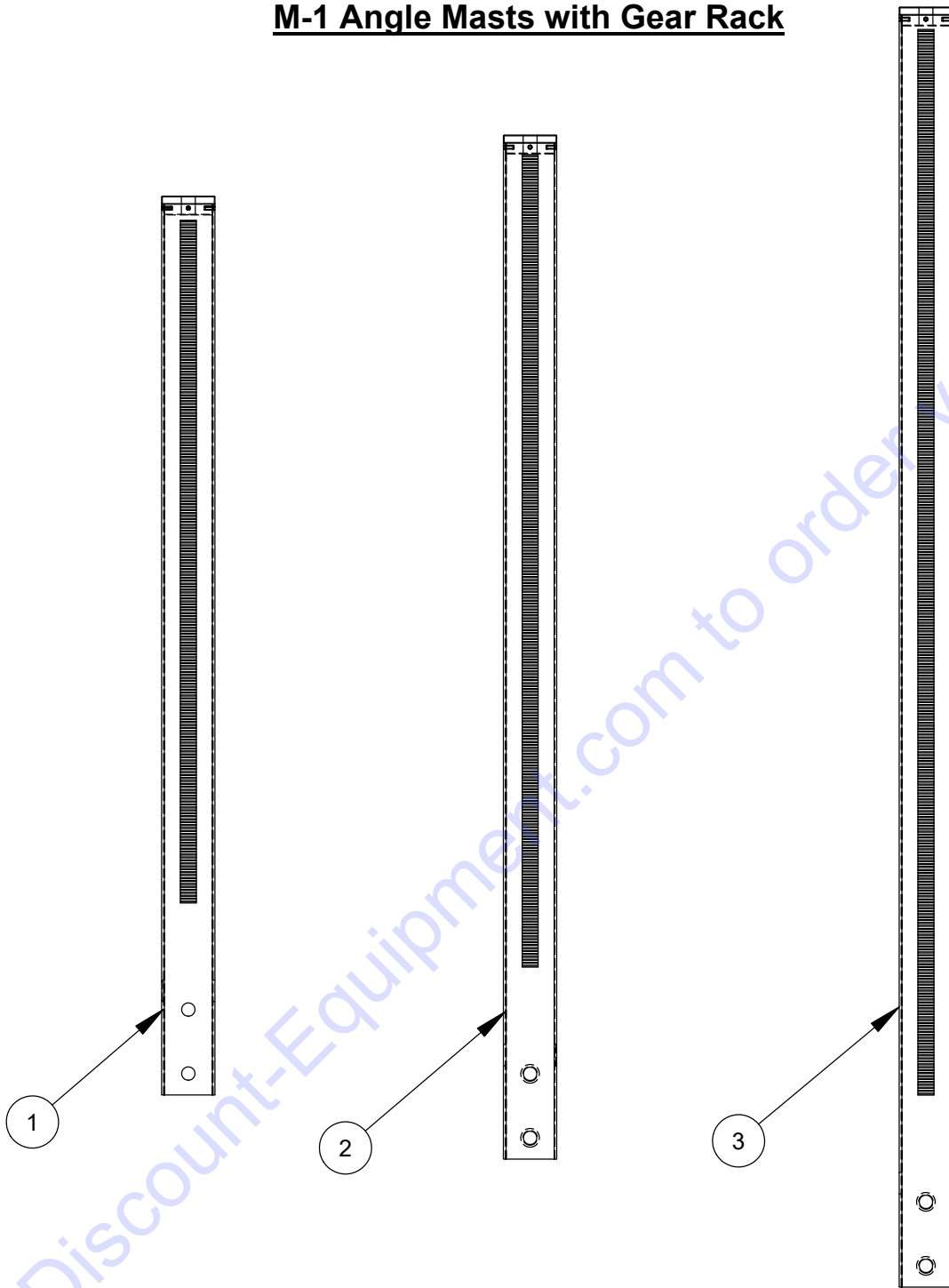
ITEM	PART NO.	QTY.	DESCRIPTION
1	4699957	1	Control Box
2	4699460	1	Cover Plate
3	2900159	4	Machine Screw, Rd. Hd., #10-24 x 5/8"
4	2800016	1	Toggle Switch 16Amp/125V
5	2800017	1	Toggle Switch 20Amp/125V
6	2800558	1	Amp Meter 115V, 0-30 Amp
7	2800018	1	Flanged Outlet, 15 Amp, 125 Volt
8	2800039	1	Flanged Outlet, 30 Amp, 125 Volt
9	2900172	1	Machine Screw, Rd. Hd., #10-24 x 1-1/4"
10	2900038	4	Lock Washer, #10 Split
11	2900050	4	Hex Nut, #10-24
12	2800050	1	Lock Nut, 3/4" Sealing
13	2800171	1	Connector, 3/4" Cord
14	4699506	1	Line Cord for 115 Volt - 14"
15	2800023	1	Plug, 125V, 30A, Twist Lock
16	2900052	2	Cap Screw, Hex Hd., 1/4-20 x 1-1/4"
17	2900024	2	Lock Washer, 1/4" Split
18	2800085	1	AC Current Transformer
19	2900090	7	Machine Screw, Rd. Hd., #6-32 x 1/2"
20	2900091	2	Hex Nut, #6-32
21	2900092	2	Lock Washer, #6 Split
22	1800253	1	ON/OFF Drill Motor Label
23	1800254	1	ON/OFF Vacuum Pump Label
24	2900204	2	Nut, Toggle Switch, 15/32"-32
25	4699958	1	Control Box Bracket

M-1 Masts with Gear Rack



ITEM	PART NO.	QTY.	DESCRIPTION
1	4645084	1	Mast - 36"
2	4645015	1	Mast - 42"
3	4645081	1	Mast - 48"
4	4645082	1	Mast - 60"
5	4645083	1	Mast - 72"

M-1 Angle Masts with Gear Rack



ITEM	PART NO.	QTY.	DESCRIPTION
1	4645068	1	Angle Mast - 42"
2	4645086	1	Angle Mast - 48"
3	4645085	1	Angle Mast - 60"

EQUIPMENT AND PARTS WARRANTY

Discount-equipment warrants all equipment sold by it against defects in workmanship or materials for a period of one (1) year from the date of shipment to Customer.

The responsibility of Discount-equipment under this Warranty is limited to replacement or repair of defective parts, of such parts as shall appear to us upon inspection at such parts, to have been defective in material or workmanship, with expense for transportation and labor borne by Customer.

In no event shall Discount-equipment be liable for consequential or incidental damages arising out of the failure of any Product to operate properly.

Integral units such as engines, electric motors, batteries, transmissions, etc., are excluded from this Warranty and are subject to the prime manufacturer's warranty.

**THIS WARRANTY IS IN LIEU OF ALL OTHER WARRANTIES,
EXPRESSED OR IMPLIED, AND ALL SUCH OTHER WARRANTIES ARE
HEREBY DISCLAIMED.**



PARTS FINDER

**Search Website
by Part Number**



**Search Manual
Library For Parts
Manual & Lookup Part
Numbers – Purchase
or Request Quote**

Search Manuals

Enter your information to help us find the right parts manual for your machine.

* Brand:

* Model:

* Serial:

* Part Number:

SEARCH

**Can't Find Part or
Manual? Request Help
by Manufacturer,
Model & Description**

Parts Order Form

Please fill in the following information to help us find the right part for your machine.

Manufacturer:	<input type="text"/>
Model:	<input type="text"/>
Description:	<input type="text"/>
Part Number:	<input type="text"/>
Quantity:	<input type="text"/>
Notes:	<input type="text"/>

Submit

Discount-Equipment.com is your online resource for quality parts & equipment.

Florida: **561-964-4949** Outside Florida TOLL FREE: **877-690-3101**

Need parts?

Click on this link: <http://www.discount-equipment.com/category/5443-parts/> and choose one of the options to help get the right parts and equipment you are looking for. Please have the machine model and serial number available in order to help us get you the correct parts. If you don't find the part on the website or on one of the online manuals, please fill out the request form and one of our experienced staff members will get back to you with a quote for the right part that your machine needs.

We sell worldwide for the brands: Genie, Terex, JLG, MultiQuip, Mikasa, Essick, Whiteman, Mayco, Toro Stone, Diamond Products, Generac Magnum, Airman, Haulotte, Barreto, Power Blanket, Nifty Lift, Atlas Copco, Chicago Pneumatic, Allmand, Miller Curber, Skyjack, Lull, Skytrak, Tsurumi, Husquvarna Target, Stow, Wacker, Sakai, Mi-T-M, Sullair, Basic, Dynapac, MBW, Weber, Bartell, Bennar Newman, Haulotte, Ditch Runner, Menegotti, Morrison, Contec, Buddy, Crown, Edco, Wyco, Bomag, Laymor, EZ Trench, Bil-Jax, F.S. Curtis, Gehl Pavers, Heli, Honda, ICS/PowerGrit, IHI, Partner, Imer, Clipper, MMD, Koshin, Rice, CH&E, General Equipment, Amida, Coleman, NAC, Gradall, Square Shooter, Kent, Stanley, Tamco, Toku, Hatz, Kohler, Robin, Wisconsin, Northrock, Oztec, Toker TK, Rol-Air, APT, Wylie, Ingersoll Rand / Doosan, Innovatech, Con X, Ammann, Mecalac, Makinex, Smith Surface Prep, Small Line, Wanco, Yanmar