

PARTS MANUAL



www.Discount-Equipment.com

MULTIQUIP®

MODELS

WT5HP

WTE5HP

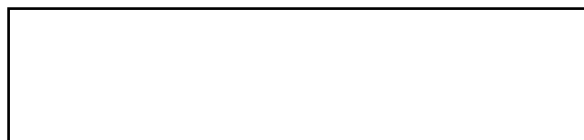
WT5HPSG

WATER TRAILERS

(HONDA GX160U1TX2NH1 GASOLINE ENGINE)

(QP205SHLF HIGH PRESSURE CENTRIFUGAL PUMP)

Revision #2 (05/15/20)



THIS MANUAL MUST ACCOMPANY THE EQUIPMENT AT ALL TIMES.

PN 59249

PARTS FINDER

**Search Website
by Part Number**



**Search Manual
Library For Parts
Manual & Lookup Part
Numbers – Purchase
or Request Quote**

Search Manuals

Enter the information below to search for a manual or parts manual for your part.

* Brand:

* Model:

* Serial:

* Part Number:

* Quantity:

**Can't Find Part or
Manual? Request Help
by Manufacturer,
Model & Description**

Parts Order Form

Please fill in the information below to request help finding a part or manual.

Manufacturer:

Model:

Description:

Quantity:

Discount-Equipment.com is your online resource for quality parts & equipment.

Florida: **561-964-4949** Outside Florida TOLL FREE: **877-690-3101**

Need parts?

Click on this link: <http://www.discount-equipment.com/category/5443-parts/> and choose one of the options to help get the right parts and equipment you are looking for. Please have the machine model and serial number available in order to help us get you the correct parts. If you don't find the part on the website or on once of the online manuals, please fill out the request form and one of our experienced staff members will get back to you with a quote for the right part that your machine needs.

We sell worldwide for the brands: Genie, Terex, JLG, MultiQuip, Mikasa, Essick, Whiteman, Mayco, Toro Stone, Diamond Products, Generac Magnum, Airman, Haulotte, Barreto, Power Blanket, Nifty Lift, Atlas Copco, Chicago Pneumatic, Allmand, Miller Curber, Skyjack, Lull, Skytrak, Tsurumi, Husquvarna Target, , Stow, Wacker, Sakai, Mi-T- M, Sullair, Basic, Dynapac, MBW, Weber, Bartell, Bennar Newman, Haulotte, Ditch Runner, Menegotti, Morrison, Contec, Buddy, Crown, Edco, Wyco, Bomag, Laymor, Barreto, EZ Trench, Bil-Jax, F.S. Curtis, Gehl Pavers, Heli, Honda, ICS/PowerGrit, IHI, Partner, Imer, Clipper, MMD, Koshin, Rice, CH&E, General Equipment, ,AMida, Coleman, NAC, Gradall, Square Shooter, Kent, Stanley, Tamco, Toku, Hatz, Kohler, Robin, Wisconsin, Northrock, Oztec, Toker TK, Rol-Air, Small Line, Wanco, Yanmar

WT5HP/WTE5HP/WT5HPSG Water Trailers

Table Of Contents.....	2
Explanation Of Code In Remarks Column.....	4
Suggested Spare Parts	5

Component Drawings

Nameplate And Decals Assembly	6-7
Water Tank Assembly	8-9
Engine Mounting And Hose Assembly	10-11
Manifold Assembly.....	12-13
Hose Reel Assembly	14-15
Manifold Valve Assembly	16-17
Rear Spray Valve Assembly	18-19
Tank Cradle Mounting Assembly	20-21
Tank Cradle Assembly	22-23
Hydraulic Trailer Assembly	24-27
Electric Trailer Assembly.....	28-31

NOTICE

Specifications and part numbers are subject to change without notice.

Go to Discount-Equipment.com to order your parts

EXPLANATION OF CODE IN REMARKS COLUMN

The following section explains the different symbols and remarks used in the Parts section of this manual. Use the help numbers found on the back page of the manual if there are any questions.

NOTICE

The contents and part numbers listed in the parts section are subject to change **without notice**. Multiquip does not guarantee the availability of the parts listed.

SAMPLE PARTS LIST

NO.	PART NO.	PART NAME	QTY.	REMARKS
1	12345	BOLT	1	INCLUDES ITEMS W/%
2%		WASHER, 1/4 IN.		NOT SOLD SEPARATELY
2%	12347	WASHER, 3/8 IN. ...	1	MQ-45T ONLY
3	12348	HOSE	A/R	MAKE LOCALLY
4	12349	BEARING	1	S/N 2345B AND ABOVE

NO. Column

Unique Symbols — All items with same unique symbol (@, #, +, %, or >) in the number column belong to the same assembly or kit, which is indicated by a note in the “Remarks” column.

Duplicate Item Numbers — Duplicate numbers indicate multiple part numbers, which are in effect for the same general item, such as different size saw blade guards in use or a part that has been updated on newer versions of the same machine.

NOTICE

When ordering a part that has more than one item number listed, check the remarks column for help in determining the proper part to order.

PART NO. Column

Numbers Used — Part numbers can be indicated by a number, a blank entry, or TBD.

TBD (To Be Determined) is generally used to show a part that has not been assigned a formal part number at the time of publication.

A blank entry generally indicates that the item is not sold separately or is not sold by Multiquip. Other entries will be clarified in the “Remarks” Column.

QTY. Column

Numbers Used — Item quantity can be indicated by a number, a blank entry, or A/R.

A/R (As Required) is generally used for hoses or other parts that are sold in bulk and cut to length.

A blank entry generally indicates that the item is not sold separately. Other entries will be clarified in the “Remarks” Column.

REMARKS Column

Some of the most common notes found in the “Remarks” Column are listed below. Other additional notes needed to describe the item can also be shown.

Assembly/Kit — All items on the parts list with the same unique symbol will be included when this item is purchased.

Indicated by:

“INCLUDES ITEMS W/(unique symbol)”

Serial Number Break — Used to list an effective serial number range where a particular part is used.

Indicated by:

“S/N XXXXX AND BELOW”

“S/N XXXX AND ABOVE”

“S/N XXXX TO S/N XXX”

Specific Model Number Use — Indicates that the part is used only with the specific model number or model number variant listed. It can also be used to show a part is NOT used on a specific model or model number variant.

Indicated by:

“XXXXX ONLY”

“NOT USED ON XXXX”

“Make/Obtain Locally” — Indicates that the part can be purchased at any hardware shop or made out of available items. Examples include battery cables, shims, and certain washers and nuts.

“Not Sold Separately” — Indicates that an item cannot be purchased as a separate item and is either part of an assembly/kit that can be purchased, or is not available for sale through Multiquip.

SUGGESTED SPARE PARTS

WT5HP/WTE5HP WATER TRAILER WITH QP205SHLF PUMP AND GX160U1TX2NH1 HONDA ENGINE

1 to 3 units

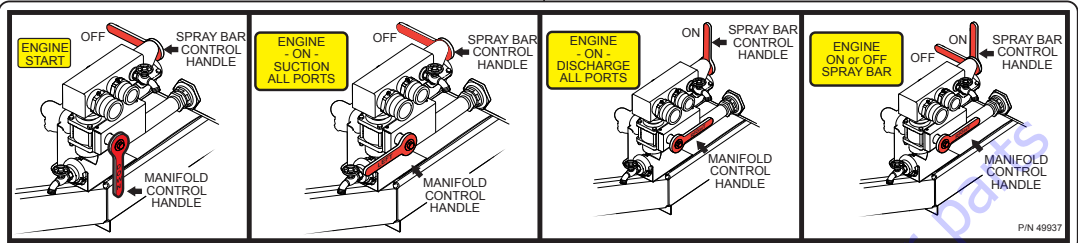
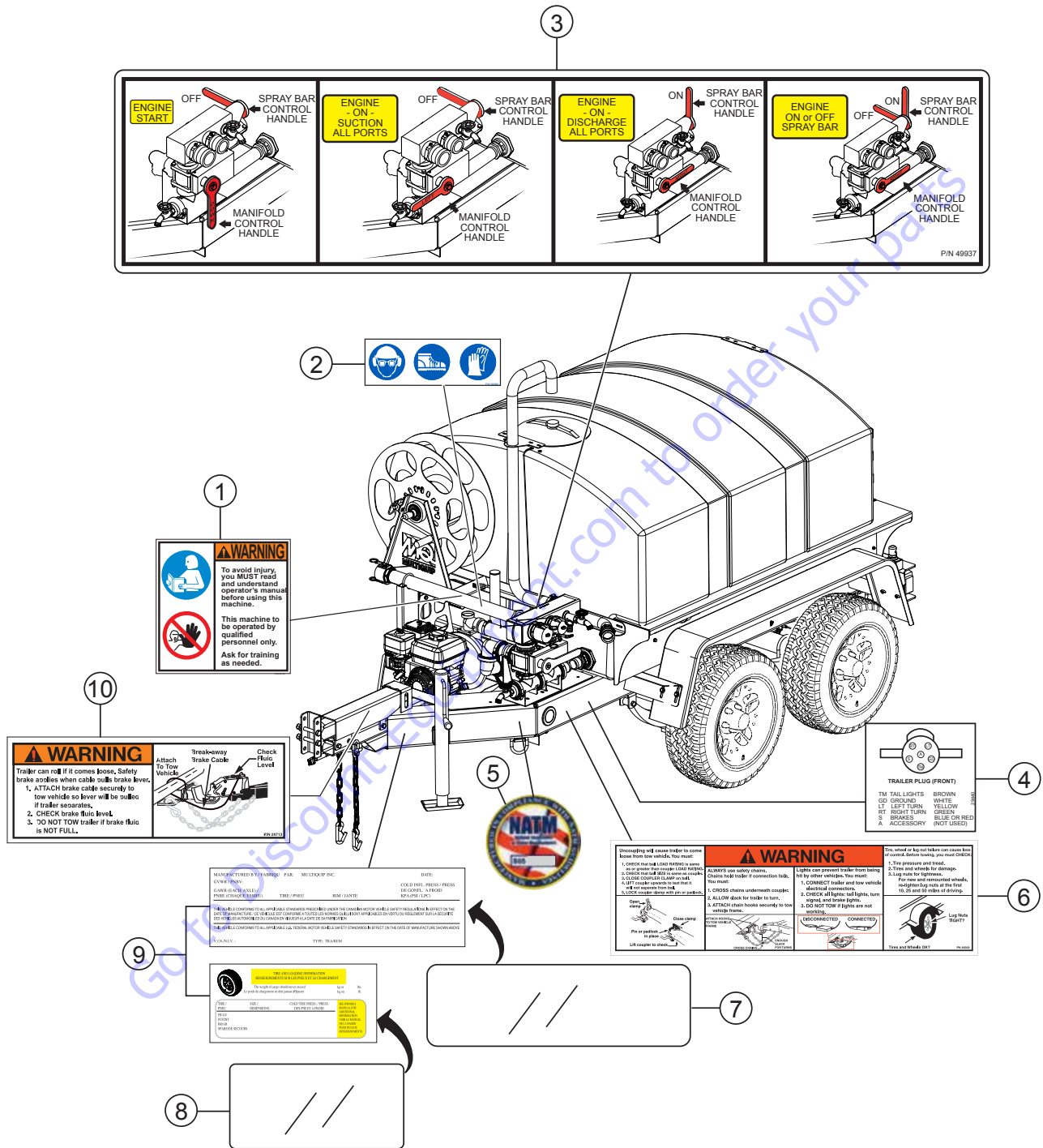
Qty.	P/N	Description
1.....	KIT205.....	MECHANICAL SEAL KIT
1.....	.0631211100ASSY	DRAIN CAP ASSEMBLY
2.....	.17210ZE1822.....	ELEMENT, AIR CLEANER
3.....	.9807955846.....	SPARK PLUG
1.....	.28462ZH8003.....	ROPE, RECOIL STARTER
1.....	.17620Z0T305.....	CAP, FUEL W/ GASKET

NOTICE

Part numbers on this Suggested Spare Parts list may supersede/replace the part numbers shown in the following parts lists.

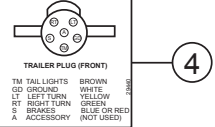
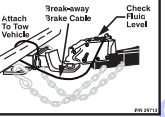
Go to Discount-Equipment.com to order your parts

NAMEPLATE AND DECALS ASSY.



WARNING
To avoid injury you **MUST** read and understand operator's manual before using this machine.
This machine to be operated by qualified personnel only. Ask for training as needed.

WARNING
Trailer can roll if it comes loose, Safety brake applies when cable pulls brake lever.
1. ATTACH brake cable securely to tow vehicle so lever will be pulled if trailer separates.
2. CHECK brake fluid level.
3. DO NOT TOW trailer if brake fluid is NOT FULL.



WARNING
Unloading will cause trailer to come loose from the vehicle. Do not:
1. Check that all LOGS RESTS in same and proper position. Test brakes.
2. Check that all WDS in same or make a CROSS COUPLER SAFETY TEST.
3. Lift coupler handles to test that:
- If not secure from lock, use or push.
- LOGS never drive into or push.

WARNING
Always use safety chains.
Always use proper trailer connection technique.
1. CROSS chains underneath coupler.
2. ALLOW deck for trailer to turn.
3. ATTACH chain hooks according to tow vehicle frame.

WARNING
Tow, wind or log not taken can cause fire or avoid trailer moving, you must practice:
1. The pressure and load.
2. The air brake for storage.
3. Log rate for tightness.
For use and removal of what, red/green log rate at the first 10, 20 and 30 miles of driving.
Log Rate Starters
Tow and Winch Only

MANUFACTURED BY: HANSON PUMP AND EQUIPMENT CO. INC. DATE: _____
 OWNER: _____
 MAKE: _____ MODEL: _____
 YEAR: _____
 SERIAL: _____
 VIN: _____

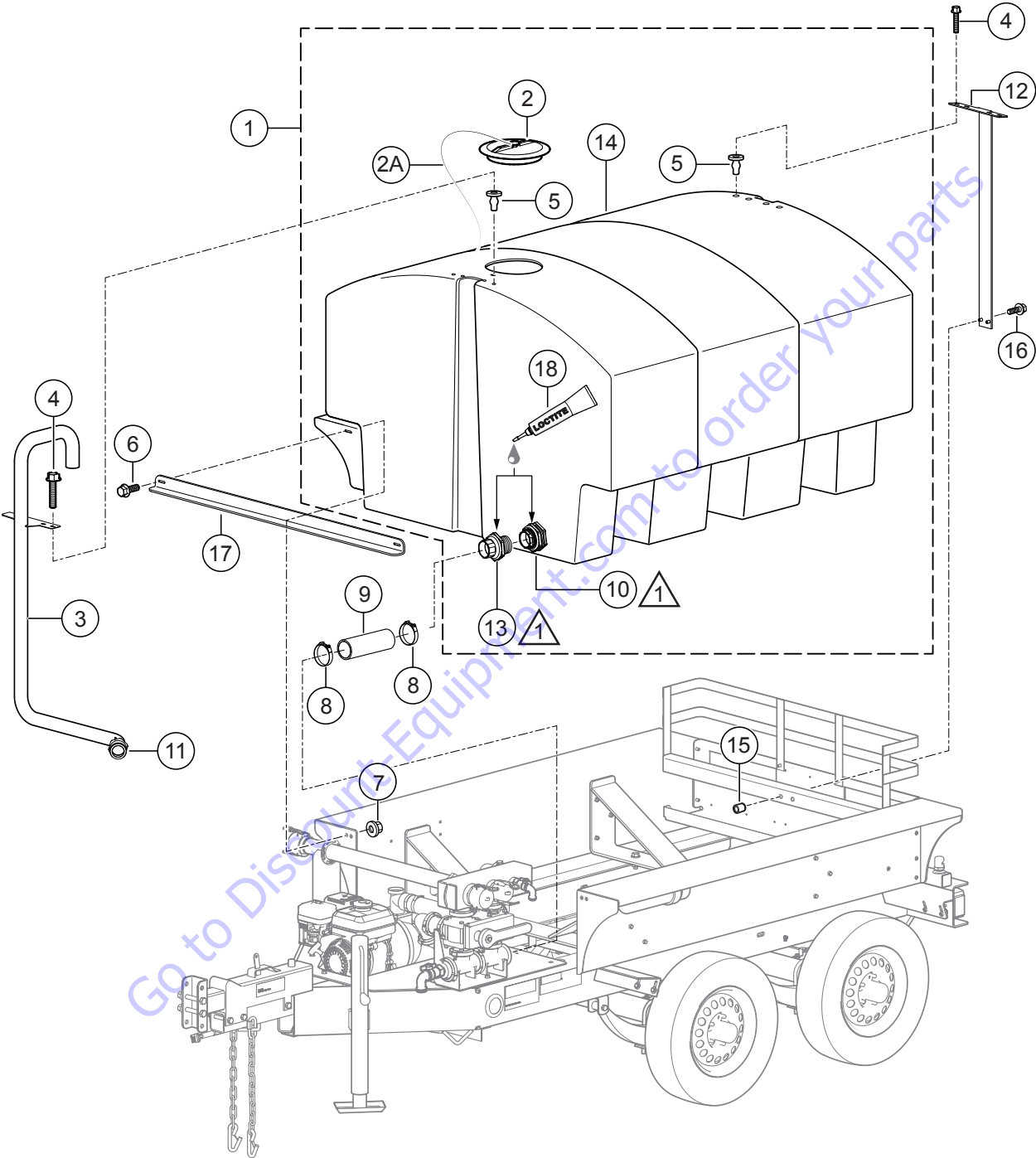
WARNING
This unit is for use only as intended. Do not use for any other purpose.
 NAMEPLATE INFORMATION: _____
 SERIAL NUMBER: _____
 MAKE: _____
 MODEL: _____
 YEAR: _____
 VIN: _____

NAMEPLATE AND DECALS ASSY.

<u>NO.</u>	<u>PART NO.</u>	<u>PART NAME</u>	<u>QTY.</u>	<u>REMARKS</u>
1	35137	DECAL, READ MANUAL ASK FOR TRAINING	1	
2	36099	DECAL, ISO PROTECTIVE CLOTHING	1	
3	49937	DECAL, VALVE OPERATION, WTC	1	
4	29440	DECAL, PLUG WIRING	1	
5	EE56342	DECAL, NATM COMPLIANCE	1	
6	34627	DECAL, TOWING, WARNING	1	
7	EE56313	OVERLAY, VIN LABEL	1	
8	EE56314	OVERLAY, TIRE LABEL	1	
9		LABEL, VIN AND TIRE	1CONTACT MQ PARTS DEPT.
10	29713	DECAL, BRAKE FLUID CHECK	1	

Go to Discount-Equipment.com to order your parts

WATER TANK ASSY.

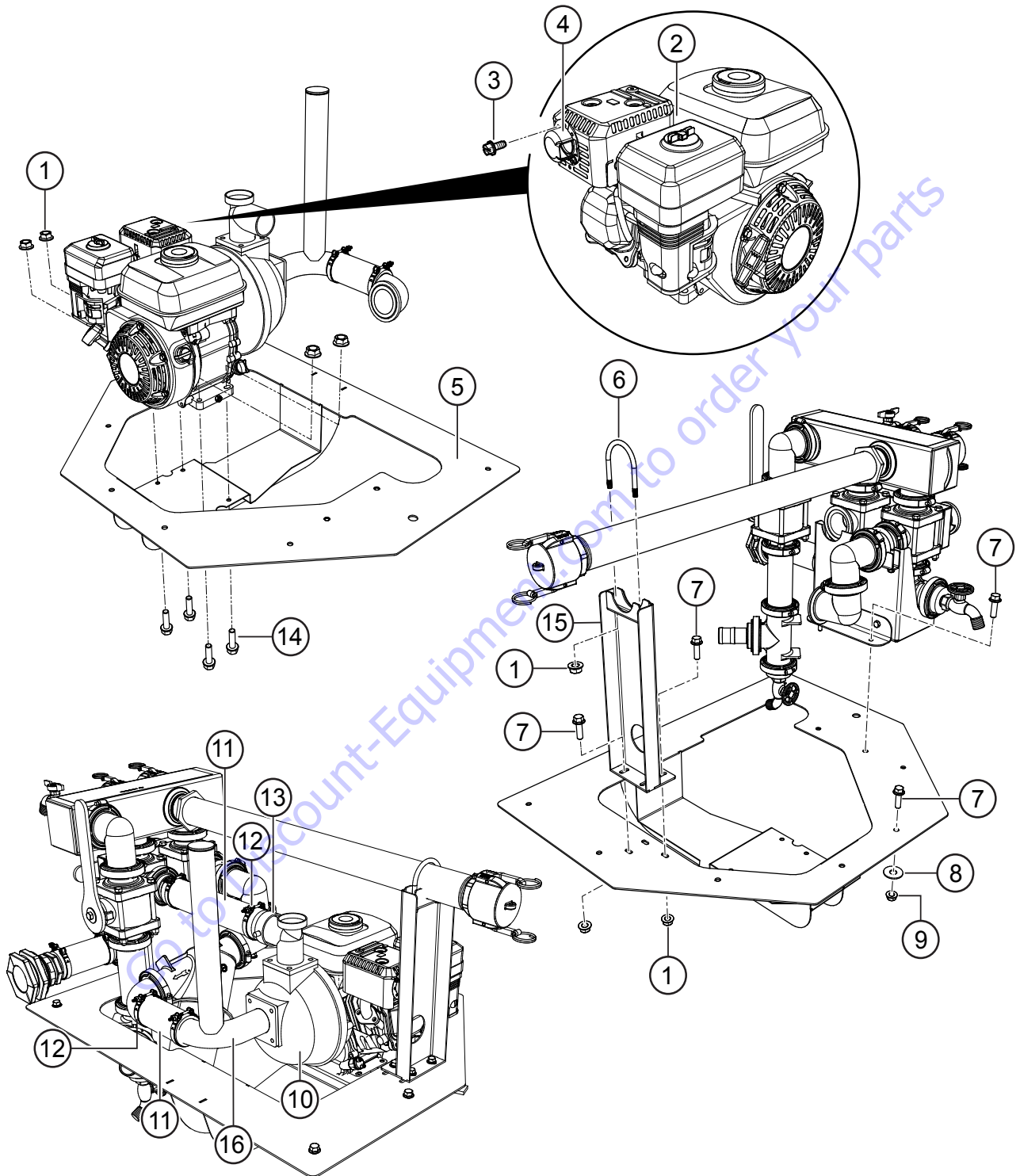


1 NOTE: APPLY LOCTITE 572 TO ITEM # 10 AND # 13

WATER TANK ASSY.

<u>NO.</u>	<u>PART NO.</u>	<u>PART NAME</u>	<u>QTY.</u>	<u>REMARKS</u>
1	49769	TANK ASSY., 525 GAL.....	1.....	INCLUDES ITEMS W/#
2#	49906	LID, TANK, W/ LANYARD.....	1.....	INCLUDES ITEMS W/@
2A@#	49910	LANYARD, LID	1	
3	49765	RISER, HYDRANT FILL, ASSY.	1	
4	23619	SCREW, HHFS 1/4"-20 X 1-1/4"	8	
5#	34159	NUT, BLIND 1/4"-20, BULB TYPE	8	
6	49048	SCREW, HHFS 1/4"-20 X 3/4" GRD 5	8	
7	49070	NUT, HFS, 1/4"-20	4	
8	49783	CLAMP, HOSE, BARREL, 2.2-2.5	2	
9	59012	HOSE, PUMP DISCHARGE, 2" X 12" (4.5")	1.....	1PC=1FT
10#	49768	FITTING, BULKHEAD, 2" BNJ	1	
11	49672	FITTING, 2" FNPT X 2" M	1	
12	49893	BRACKET, TANK SUPPORT	1	
13#	49903	FITTING, 2" MNPT X 2" BARB	1	
14#		TANK, 525 GAL.....	1.....	NOT SOLD SEPARATELY
15	19266	NUT, BLIND 1/4"-20 X .027-.165	2	
16	9167	SCREW, HHFS 3/8"-16 X 2.25	2	
17	49636	END STRAP, TANK CRADLE	1	
18#	60096	LOCTITE #572, WHITE	AR	

ENGINE MOUNTING AND HOSE ASSY.

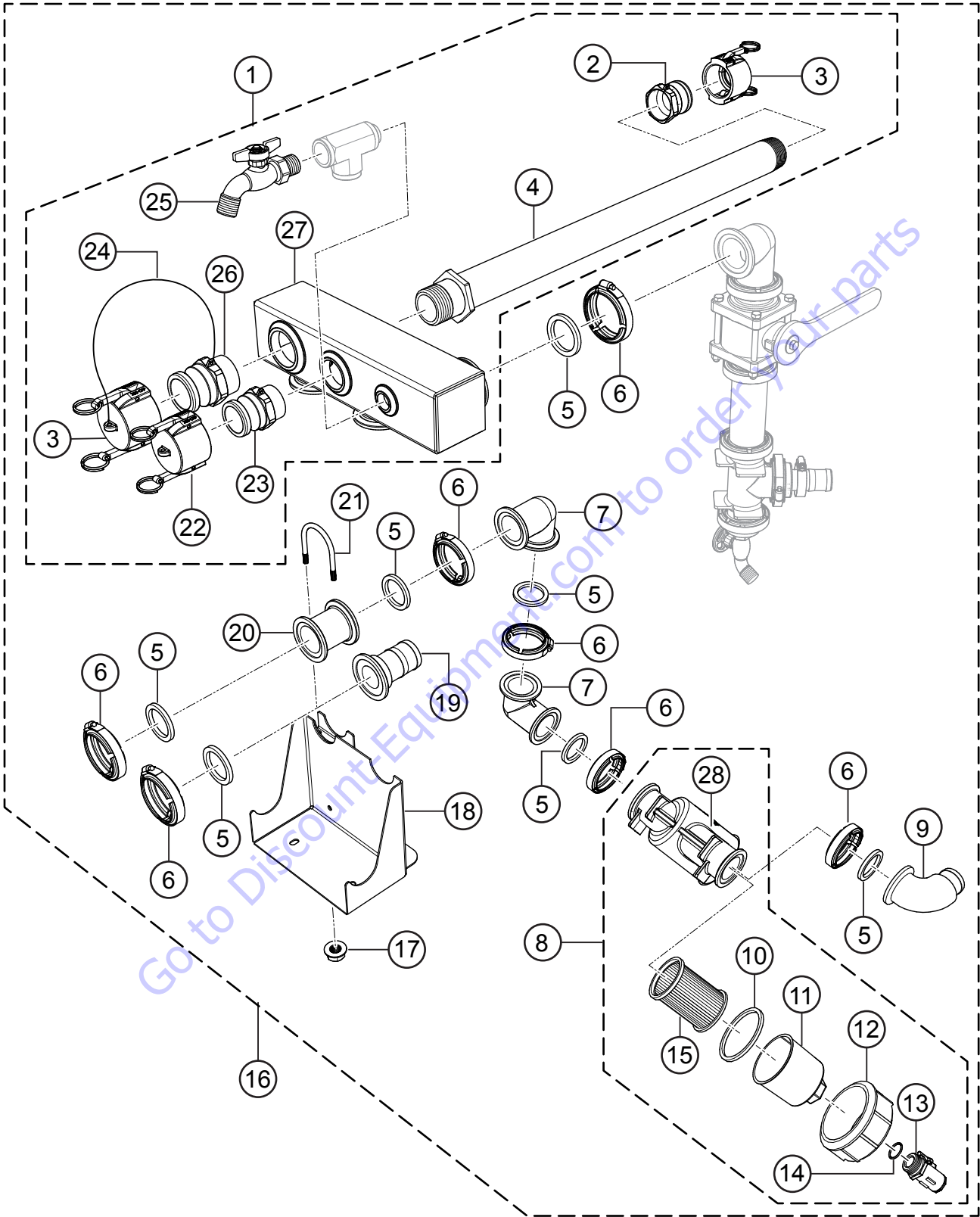


ENGINE MOUNTING AND HOSE ASSY.

<u>NO.</u>	<u>PART NO.</u>	<u>PART NAME</u>	<u>QTY.</u>	<u>REMARKS</u>
1	49071	NUT, HFS, 5/16"-18	9	
2	GX160U1TX2NH1	ENGINE, HONDA	1	
3	1273	SCREW, HHWTC 8-32 X 3/8"	2	
4	1834	DEFLECTOR ASSY., EXHAUST ENGINE	1	
5	59174	DECK PLATE, PUMP MOUNT	1	
6	49997	U-BOLT, 5/16"-18 X 2-1/2" X 3-3/16"	1	
7	9091	SCREW, HHFS 5/16"-18 X 1 GRD 5	5	
8	3233	WASHER, FENDER, 3/8" X 1-1/2"	8	
9	10133	NUT, NYLOC 3/8"-16	8	
10	QP205SHLF	PUMP, QP205SH LESS FRAME	1	
11	59012	HOSE, PUMP DISCHARGE, 2" X 12"	2	1PC=1FT
12	49783	CLAMP, HOSE, BARREL, 2.2-2.5	4	
13	59221	FITTING, 2" BARB X 2" FNPS	1	
14	21906	SCREW, HHFS 5/16"-18 X 1-1/2" GRD 5	4	
15	59002	SUPPORT, SIDE SPRAY, SADDLE STYLE	1	
16	59170	PUMP INLET	1	

Go to Discount-Equipment.com to order your parts

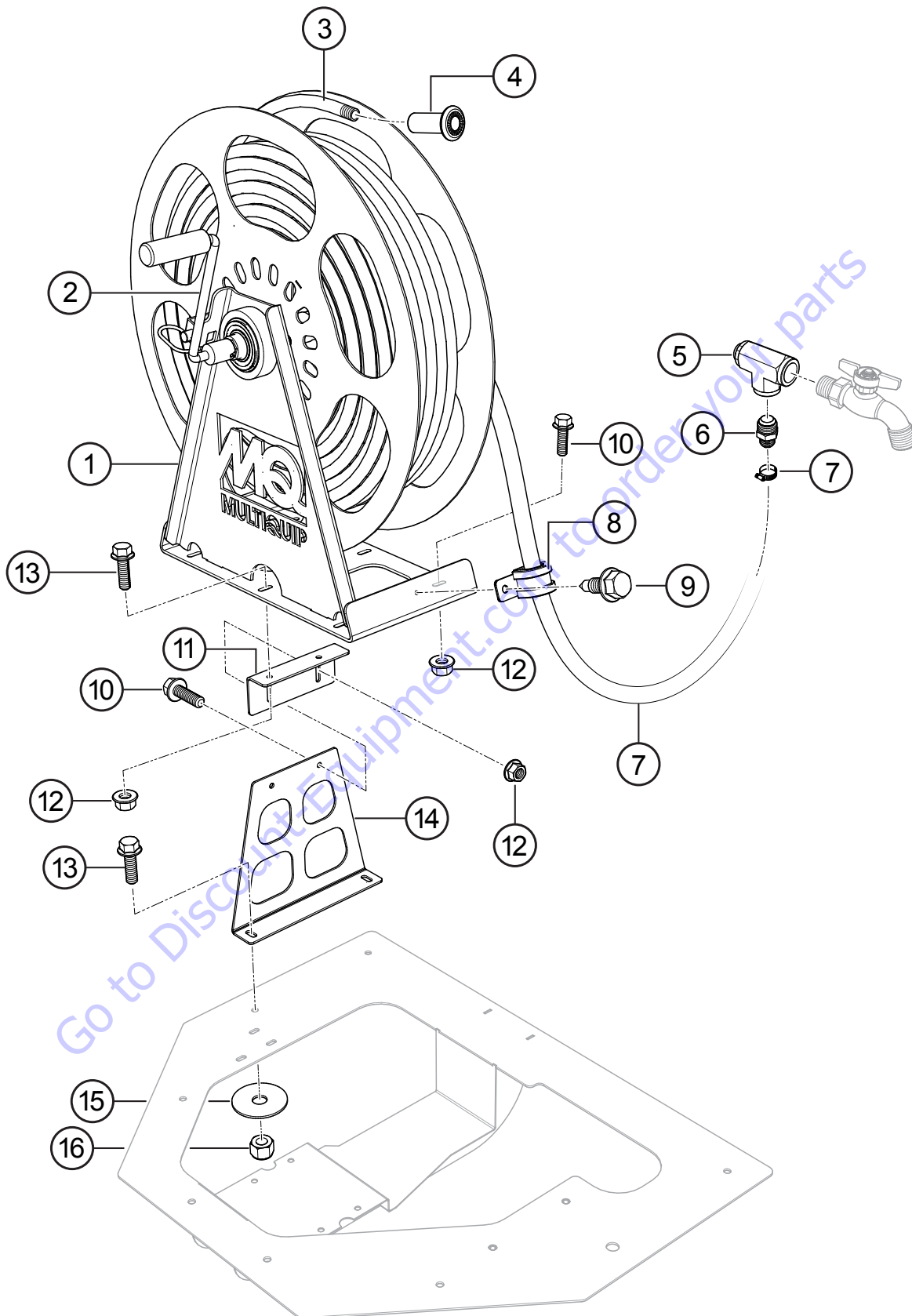
MANIFOLD ASSY.



MANIFOLD ASSY.

<u>NO.</u>	<u>PART NO.</u>	<u>PART NAME</u>	<u>QTY.</u>	<u>REMARKS</u>
1#	49731	MANIFOLD, UPPER, ASSEMBLY	1.....	INCLUDES ITEMS W/\$
2#\$	49672	FITTING, 2" FNPT X 2" M	1	
3#\$	49667	CAP, DUST, 2" CAM LEVER	2	
4#\$	49676	FITTING, NIPPLE, 2"MP X 34" L, BLK	1	
5#	49663	GASKET, 2" FP, EDPM, BNJ	7	
6#	49664	CLAMP, HOSE, WORM, 2" FP	7	
7#	49669	FITTING, 90°, 2" FP, BNJ	2	
8#	59225	STRAINER 2" FP-4 MESH	1.....	INCLUDES ITEMS W/%
9#	59224	FITTING 90 2" FP X 2" BARB	1	
10#%	59225-07	2" BODY GASKET	1	
11#%	59225-03	2" FLANGED Y STRAINER CAP	1	
12#%	59225-04	2" FLANGED Y STRAINER RING	1	
13#%	59230	VALVE 1" MNPT X 1/2" FNPT PLASTIC	1	
14#%	59225-05	2" PLUG GASKET	1	
15#%	59225-01	4 SS MESH SCREEN	1	
16	59217	MANIFOLD ASSEMBLY	1.....	INCLUDES ITEMS W/#
17#	49071	NUT, HFS, 5/16"-18	2	
18#	49998	MANIFOLD SUPPORT	1	
19#	49899	FITTING, 2" FP X 2" BARB	1	
20#	49735	FITTING, NIPPLE, 2" FP X 3" L	1	
21#	49997	U-BOLT, 5/16"-18 X 2-1/2" X 3-3/16"	1	
22#\$	49668	CAP, DUST, 1-1/2"	1	
23#\$	49673	FITTING, 1-1/2" MNPT X 1-1/2" M	1	
24#\$	49732	LANYARD, 11" POLY	2	
25#\$	49683	HOSE BIBB, 3/4" MNPT	1	
26#\$	49671	FITTING, 2" MNPT X 2" M	1	
27#\$	49675	MANIFOLD, VALVE ASSEMBLY	1	
28#%	59225-02	2" FLANGED Y STRAINER BODY	1	

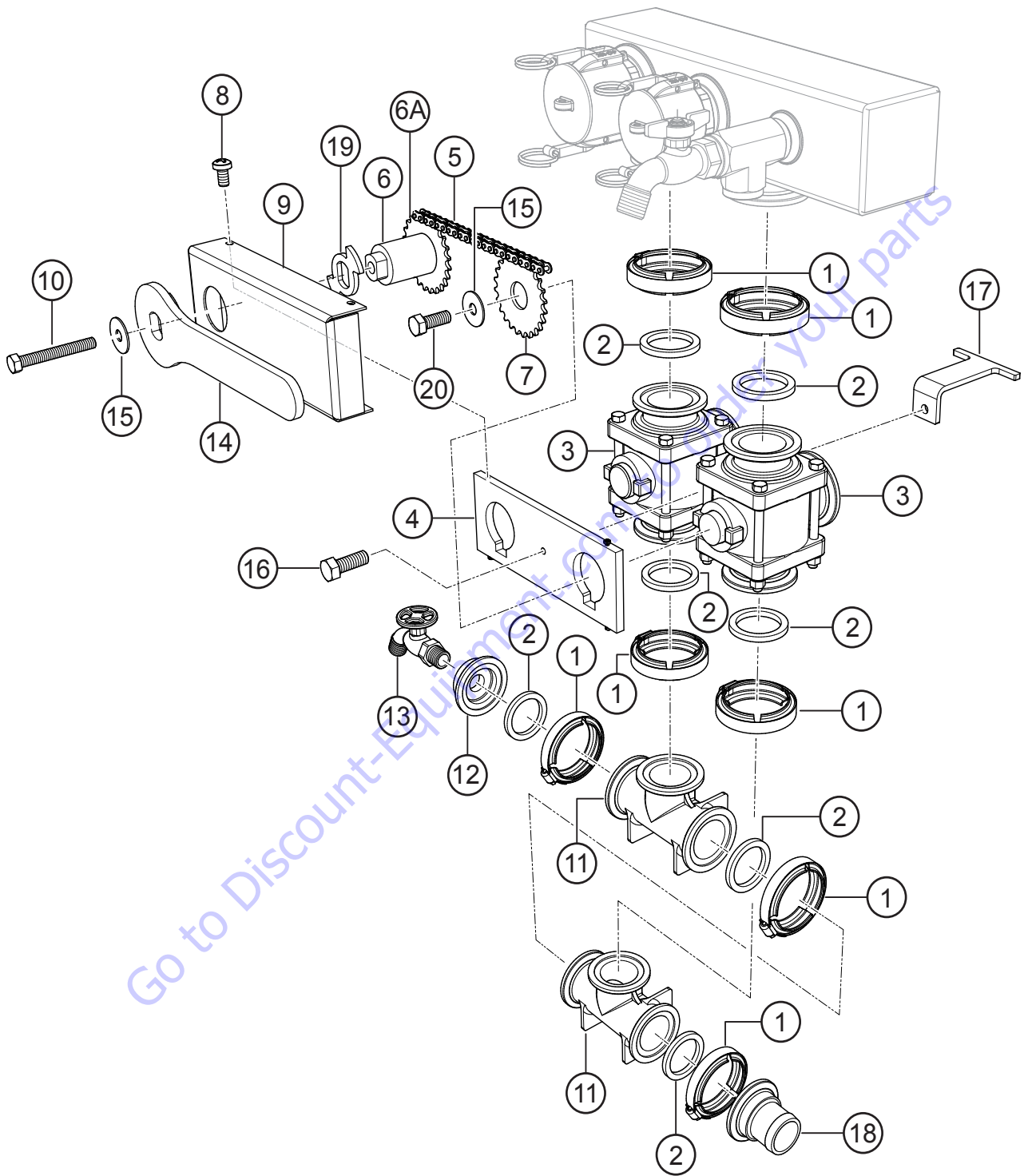
HOSE REEL ASSY.



HOSE REEL ASSY.

<u>NO.</u>	<u>PART NO.</u>	<u>PART NAME</u>	<u>QTY.</u>	<u>REMARKS</u>
1	59136	DRUM ASSY., HOSE REEL	1	
2	59010	HANDLE, ROCK WINCH	1	
3	59157	HOSE, 50" X 1" MALE NPT	1	
4	59158	NOZZLE, FOG 1" NPT	1	
5	59156	FITTING, RUN TEE	1	
6	59160	FITTING, HOSE BARB TO MALE NPT16-12	1	
7	21552	CLAMP, HOSE WORM #16	1	
8	22852	CLAMP, CUSHIONED LOOP #24	1	
9	9509	SCREW, 12 X 3/4" SELF TAP	1	
10	9091	SCREW, HHFS 5/16"-18 X 1 GRD 5	7	
11	59161	BRACKET, HOSE REEL UPPER	1	
12	49071	NUT, HFS, 5/16"-18	7	
13	22106	SCREW, HHFS 3/8"-16 X 1.25	2	
14	59155	MOUNT PLATE, HOSE REEL	1	
15	3233	WASHER, FENDER, 3/8" X 1-1/2"	2	
16	10133	NUT, NYLOC 3/8"-16	2	

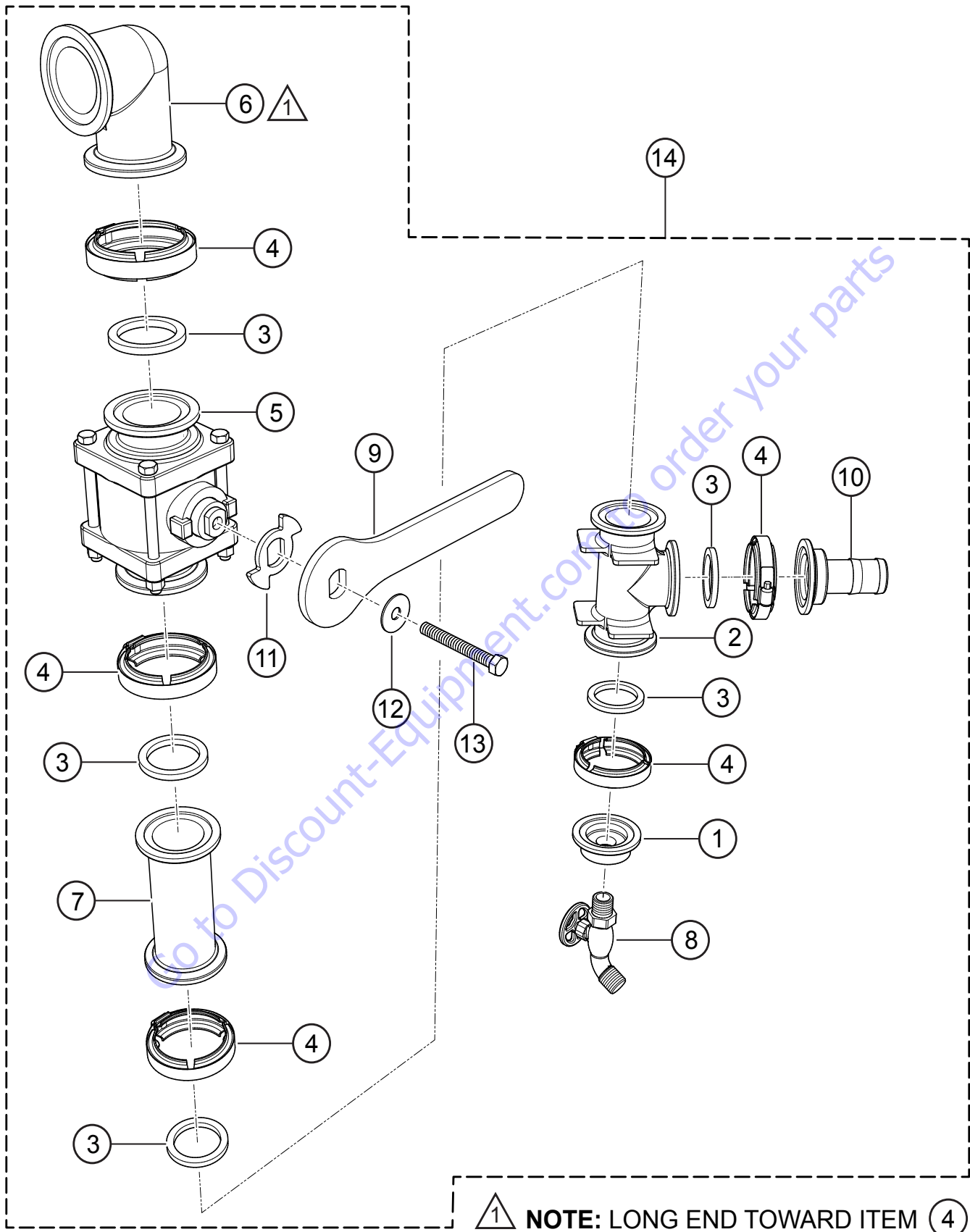
MANIFOLD VALVE ASSY.



MANIFOLD VALVE ASSY.

<u>NO.</u>	<u>PART NO.</u>	<u>PART NAME</u>	<u>QTY.</u>	<u>REMARKS</u>
1	49664	CLAMP, HOSE WORM, 2" FP, BNJ	7	
2	49663	GASKET, 2" FP, EPDM, BNJ	7	
3	49665	VALVE, 2" FP, 3 WAY, BOTTOM LOAD, BNJ	2	
4	49643	SEPARATOR PLATE, VALVE SELECTOR	1	
5	49738	CHAIN	1	
6	49641	HUB, DRIVE, VALVE SELECTOR	1	
6A	49638	SPROCKET BLANK, VALVE SELECTOR	1	
7	49640	SPROCKET, DRIVEN, VALVE SELEC.	1	
8	0304	SCREW, PHP 10-24 X 1/4"	4	
9	49647	GUARD, VALVE SELECTOR	1	
10	0169	SCREW, HHC 3/8"-16 X 3"	1	
11	49662	FITTING, TEE, 2" FP, BNJ	2	
12	49660	FITTING, 2" FP X 3/4" FNPT, BNJ	1	
13	49683	HOSE BIB, 3/4" MNPT	1	
14	49907	HANDLE, VALVE 2" FP	1	
15	28290-001	WASHER, FENDER 3/8" X 1-1/4"	1	
16	23619	SCREW, HHFS 1/4"-20 X 1-1/4"	1	
17	49898	BRACKET, GUARD RETAINER	1	
18	49900	FITTING, 2" FPX 2" BARB	1	
19	49894	CAM, HANDLE	1	
20	0205	SCREW, HHC 3/8"-16 X 1"	1	

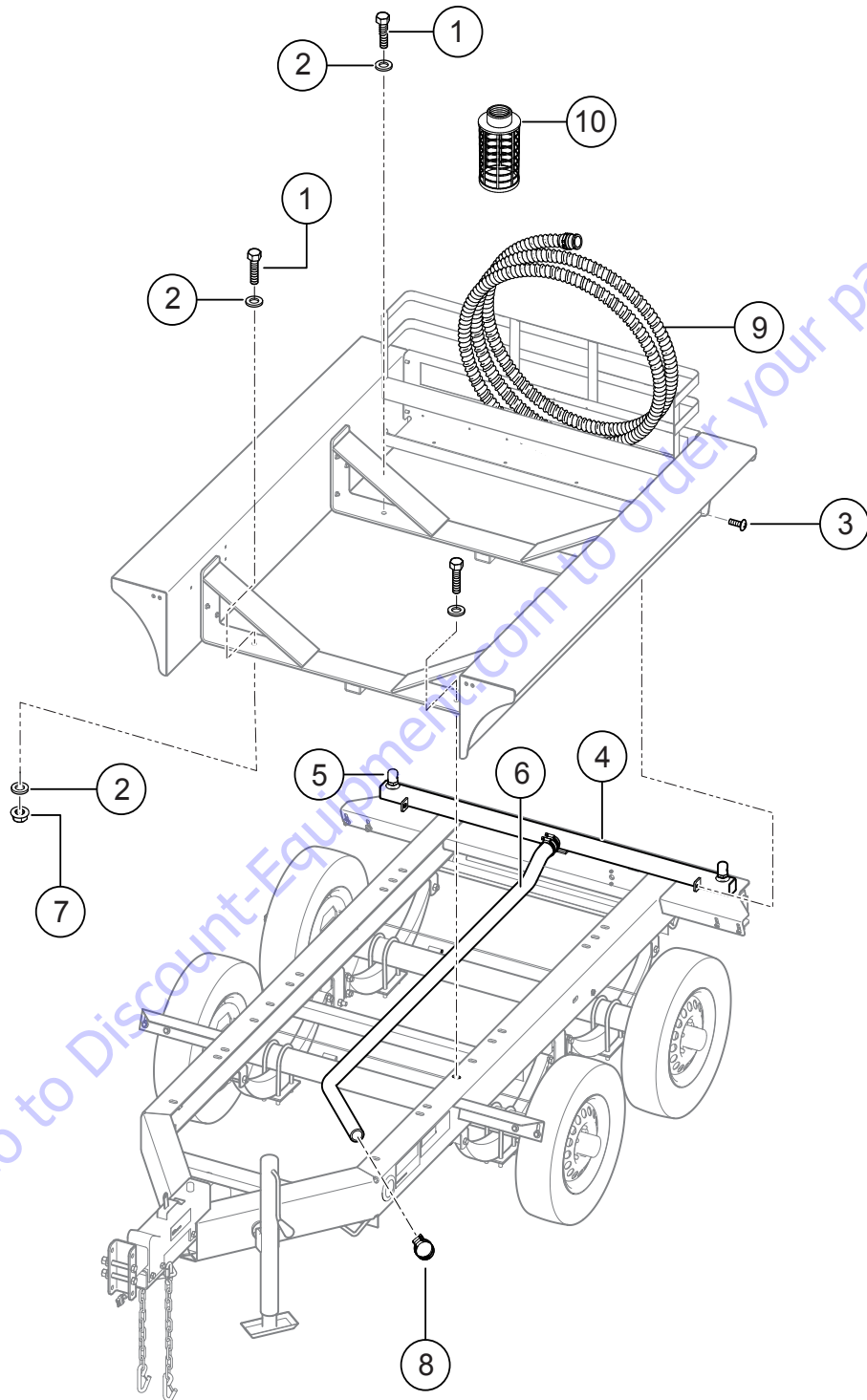
REAR SPRAY VALVE ASSY.



REAR SPRAY VALVE ASSY.

<u>NO.</u>	<u>PART NO.</u>	<u>PART NAME</u>	<u>QTY.</u>	<u>REMARKS</u>
1#\$	49660	FITTING, 2" FP X 3/4" FNPT, BNJ	1	
2#\$	49662	FITTING, TEE, 2" FP, BNJ	1	
3#\$	49663	GASKET, 2" FP, EPDM, BNJ	5	
4#\$	49664	CLAMP, HOSE WORM, 2" FP, BNJ	5	
5#	49666	VALVE, 2" FP, BNJ	1	
6#	49669	FITTING, 90°, 2" FP, BNJ	1	
7#	49670	FITTING, NIPPLE, 2" FP X 6" L, BNJ	1	
8#\$	49683	HOSE BIB, 3/4" MNPT	1	
9#	49901	PADDLE, HANDLE	1	
10#\$	59011	FITTING, 2" FP X 1-1/2" BARB, BNJ	1	
11#	49894	CAM, HANDLE	1	
12#	28290-001	WASHER, FENDER, 3/8" X 1-1/4"	1	
13#	0169	SCREW, HHC 3/8"-16 X 3"	1	
14	49733	VALVE ASSY, REAR SPRAY	1.....	INCLUDES ITEMS W/#

TANK CRADLE MOUNTING ASSY.

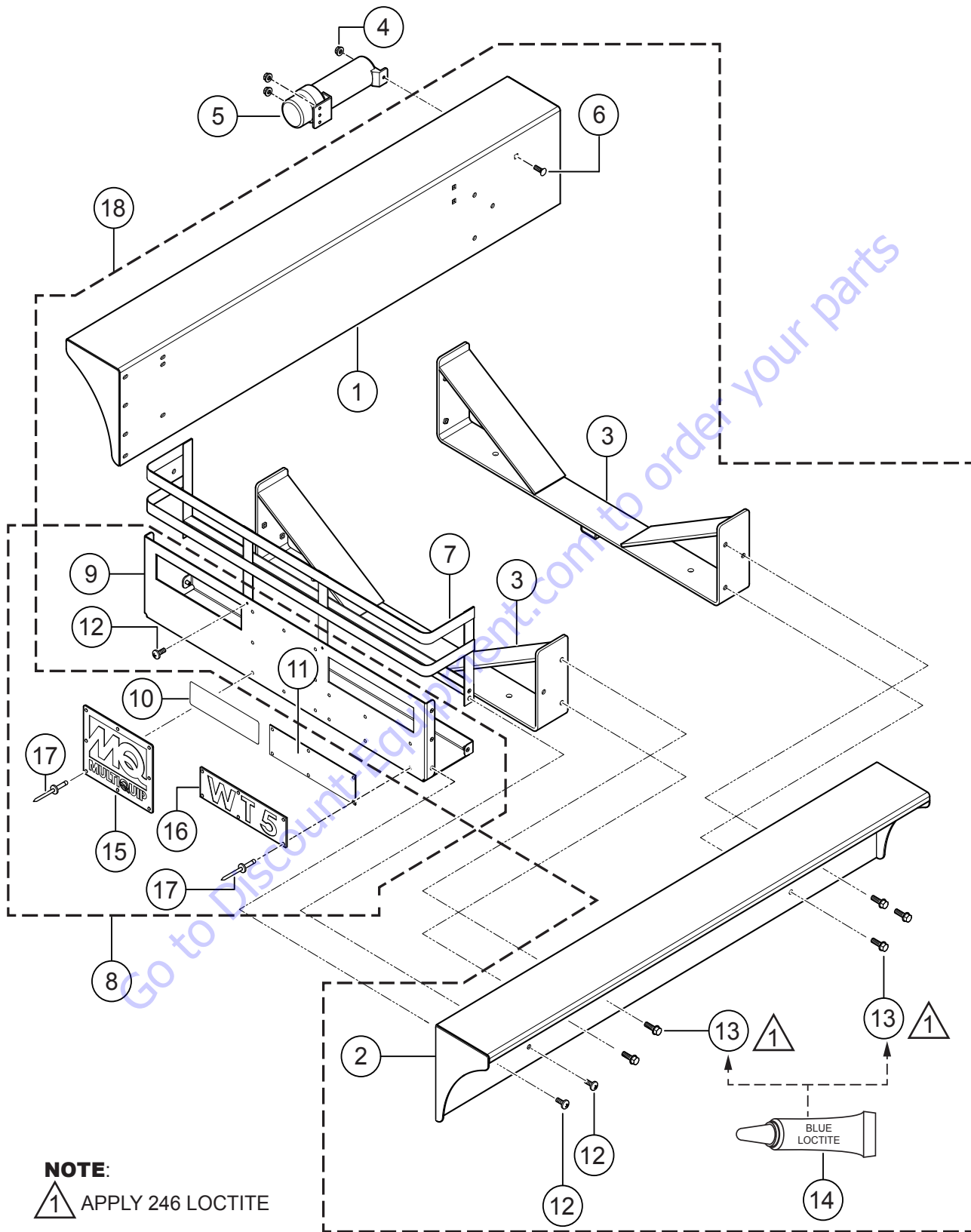


TANK CRADLE MOUNTING ASSY.

<u>NO.</u>	<u>PART NO.</u>	<u>PART NAME</u>	<u>QTY.</u>	<u>REMARKS</u>
1	915311	SCREW, HHC 5/8"-11 X 2" GRD 8	4	
2	933246	WASHER, FLAT 5/8" SAE GRD 9	8	
3	49048	SCREW, HHFS 1/4"-20 X 3/4" GRD 5	8	
4	49780	SPRAY BAR, REAR	1	
5	49781	NOZZLE, SPRAY, 3/4"	2	
6	59014	HOSE, RUBBER, 1-1/2", 125 PSI (7 FT.)	7	1PC=1FT
7	937188	NUT, NYLOC 5/8"-11, GRD 8	4	
8	12277	CLAMP, HOSE WORM #36	4	
9	HSQ220	HOSE, SUCTION, 2" X 20' QUICK COUP.	1	
10	0742303050	PLASTIC STRAINER	1	

Go to Discount-Equipment.com to order your parts

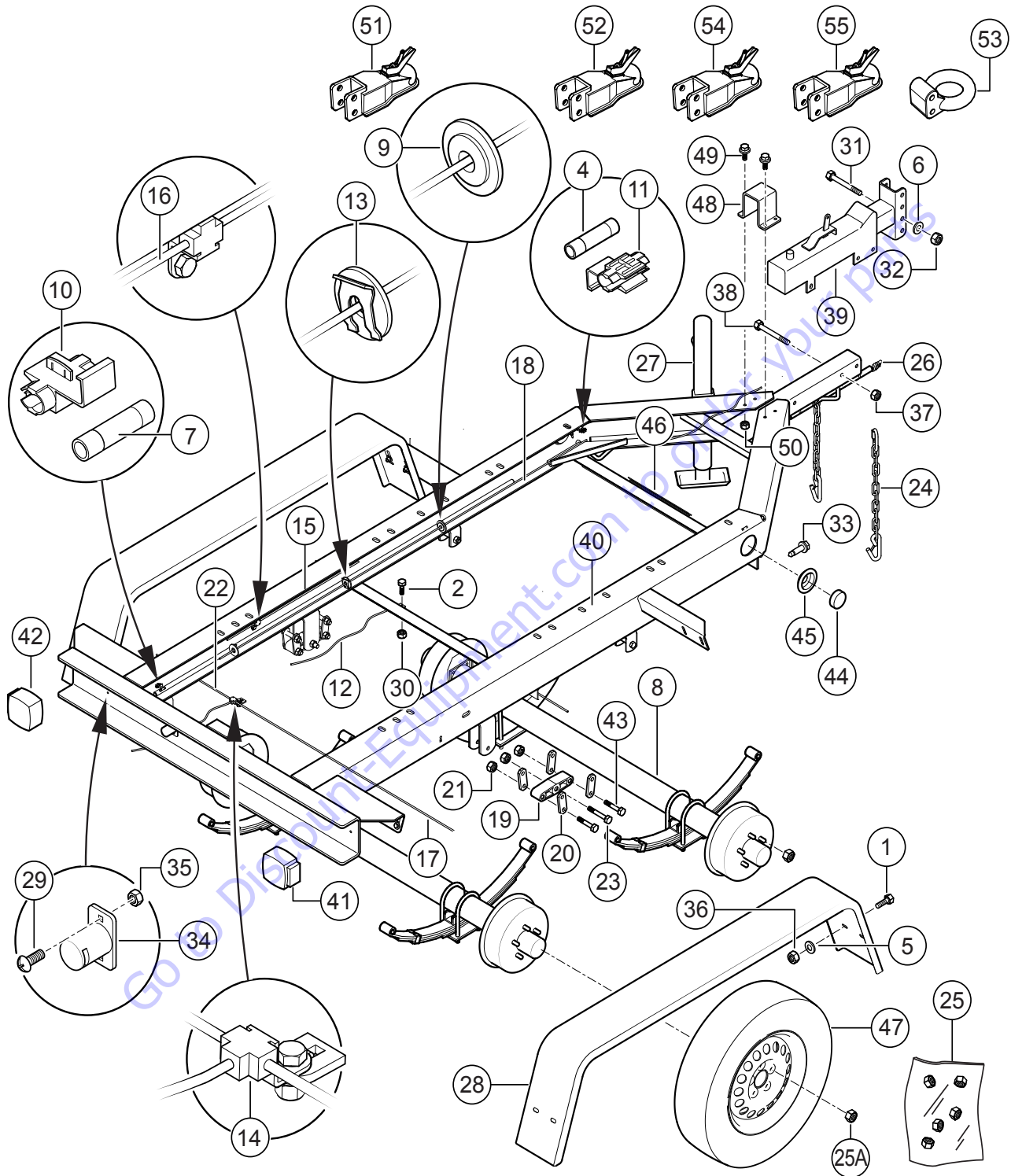
TANK CRADLE ASSY.



TANK CRADLE ASSY.

<u>NO.</u>	<u>PART NO.</u>	<u>PART NAME</u>	<u>QTY.</u>	<u>REMARKS</u>
1%	49635	CRADLE, SHELF, LH	1	
1@	49635-SG	CRADLE, SHELF LH GREEN	1	WT5HPSG ONLY
2%	49634	CRADLE, SHELF, RH	1	
2@	49634	CRADLE SHELF, RH GREEN	1	WT5HPSG ONLY
3%	49629	CRADLE BASE	2	
3@	49629-SG	CRADLE BASE.....	2	WT5HPSG ONLY
4	49070	NUT, FLANGED 1/4"-20	3	
5	23297	MANUAL HOLDER	1	
6	29712	BOLT, CARRIAGE 1/4"-20 X 3/4"	3	
7%@	49622	BASKET, REAR, UPPER	1	
8	49626	BASKET, REAR, ASSY.	1	INCLUDES ITEMS W/#
8	49626-SG	BASKET, REAR, ASSY., GREEN	1	INCLUDES ITEMS W/\$
9%#	49625	BASKET, REAR, TRAY	1	
9\$@	49625-SG	BASKET, REAR, TRAY, GREEN.....	1	WT5HPSG ONLY
10#	49618	DECAL, CRADLE BADGE	1	
10\$	59048	DECAL, CRADLE BADGE-SG	1	WT5HPSG ONLY
11#\$	49624	BADGE, CRADLE, BACKING	1	
12%@\$	49048	SCREW, HHFS 1/4"-20 X 3/4" GRD 5	14	
13%@	9091	SCREW, HHFS 5/16"-18 X 1' GRD 5	12	
14	60097	LOCTITE, #246 BLUE	AR	
15#	49617	BADGE, CRADLE, REAR	1	
15\$	59047	BADGE, CRADLE, REAR-SG	1	WT5HPSG ONLY
16#\$	49623	BADGE, CRADLE	1	
17#\$	19847	RIVET, POP, ALUM., 3/16" X 1/8"-1/4" GRIP	14	
18	49637	TANK CRADLE ASSY.	1	INCLUDES ITEMS W/%
18	49637-SG	TANK CRADLE ASSY., GREEN	1	INCLUDES ITEMS W/@ WT5HPSG ONLY

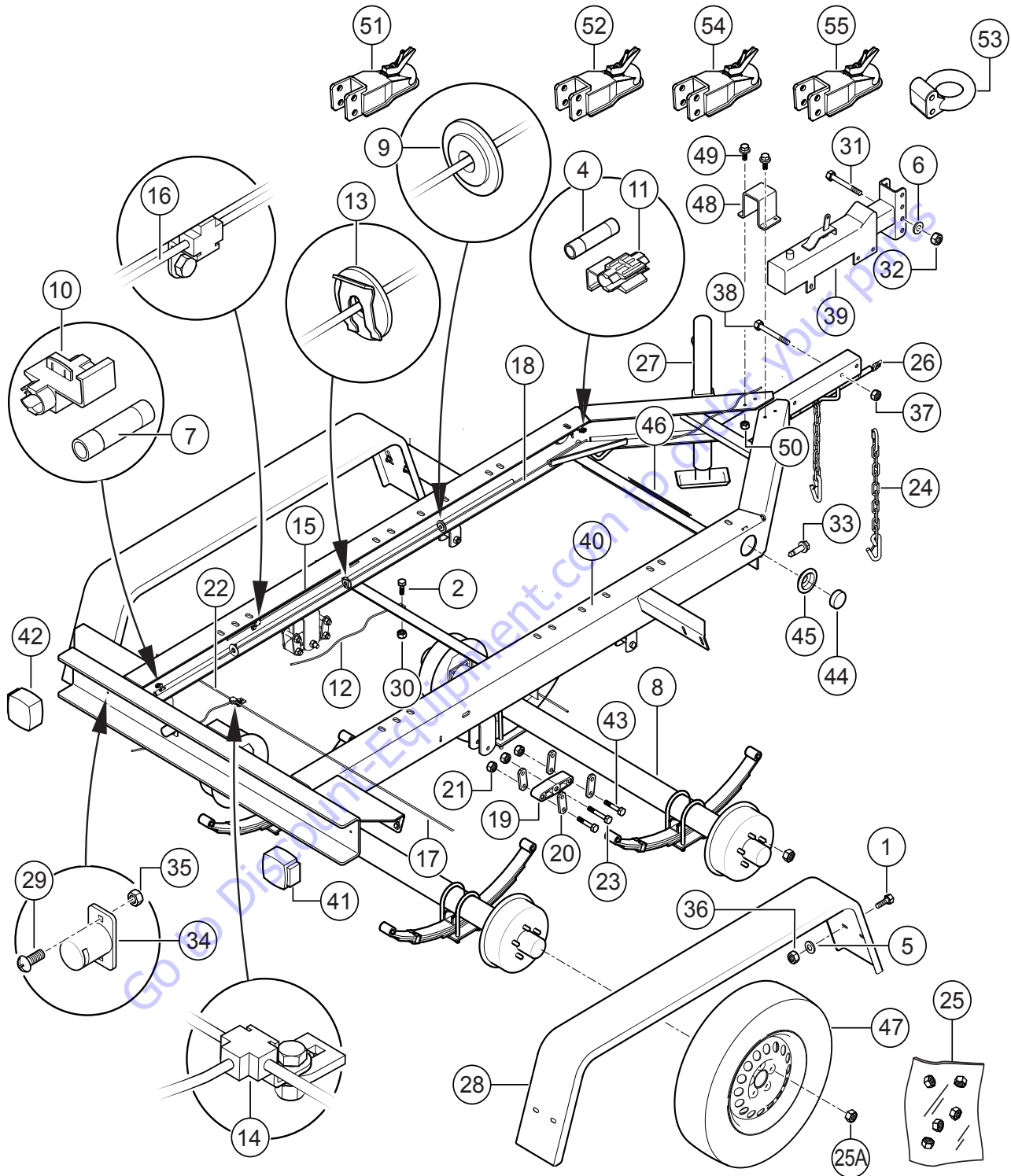
HYDRAULIC TRAILER ASSY.



HYDRAULIC TRAILER ASSY.

<u>NO.</u>	<u>PART NO.</u>	<u>PART NAME</u>	<u>QTY.</u>	<u>REMARKS</u>
1	0205	SCREW, HHC 3/8"-16 X 1"	8	
2	0655	SCREW, HHC 5/16"-18 X 3/4"	3	
4	2540	CONNECTOR, BUTT SPLICE, 16-14	3	
5	4001	WASHER, FLAT USS 3/8" PLTD.	16	
6	4684	WASHER, FLAT SAE 5/8" PLTD.	2	
7	9512	INSULATOR, WIRING .50 DIA.	8	
8	19070	AXLE	2	
9	19468	GROMMET, 3/16" X 1/2" ID. X 1-1/4" OD.	1	
10	19761	TERMINAL, SPLICE 16-14 CLSD', BLUE	1	
11	19762	TERMINAL, SPLICE 16-14 CLSD', BRN/WHT	1	
12	19763	HOSE, DOT BRAKE, 3/16" X 19", MALE/FEM	3	
13	29226	TAB, SPRING LOCK	3	
14	29227	TEE, BRAKE LINE 3/16" W/ STRAP	3	
15	29236	TUBE, BRAKE 5.5"	1	
16	29237	TUBE, BRAKE 3/16" X 20"	1	
17	29238	TUBE, BRAKE 3/16" X 41-1/2"	2	
18	29239	BRAKE LINE 74"	1	
19	29246	EQUALIZER, TANDEM AXLE	2	
20	29247	SHACKLE, AXLE MOUNTING	8	
21	29249	NUT, 9/16"-18 AXLE MOUNTING N-2	14	
22	29251	TUBE, BRAKE 15"	2	
23	29317	SCREW, 9/16" X 3-1/2" AXLE MOUNTING	2	
24	49537	CHAIN, SAFETY TOWING, 6600 LB.	2	
25	29755	KIT, LUG NUTS, 1/2"-20 PLTD.....	1	INCLUDES ITEMS W/%
25A%	29194	NUT, LUG 1/2"-20 TAPERED CONE, PLTD.	20	
26	29784	HARNESS ASSY. 48" LOOM W/4 PIN CONN.	1	
27	49116	JACK, SWIVEL 15" LIFT, 5/8" PIN	1	
28	49842	FENDER, TANDEM 8" X 15.5" X 66"	2	
29	5065 B	SCREW, PHP 10-32 X 1/2"	4	
30	5283	NUT, NYLOC 5/16"-18	3	

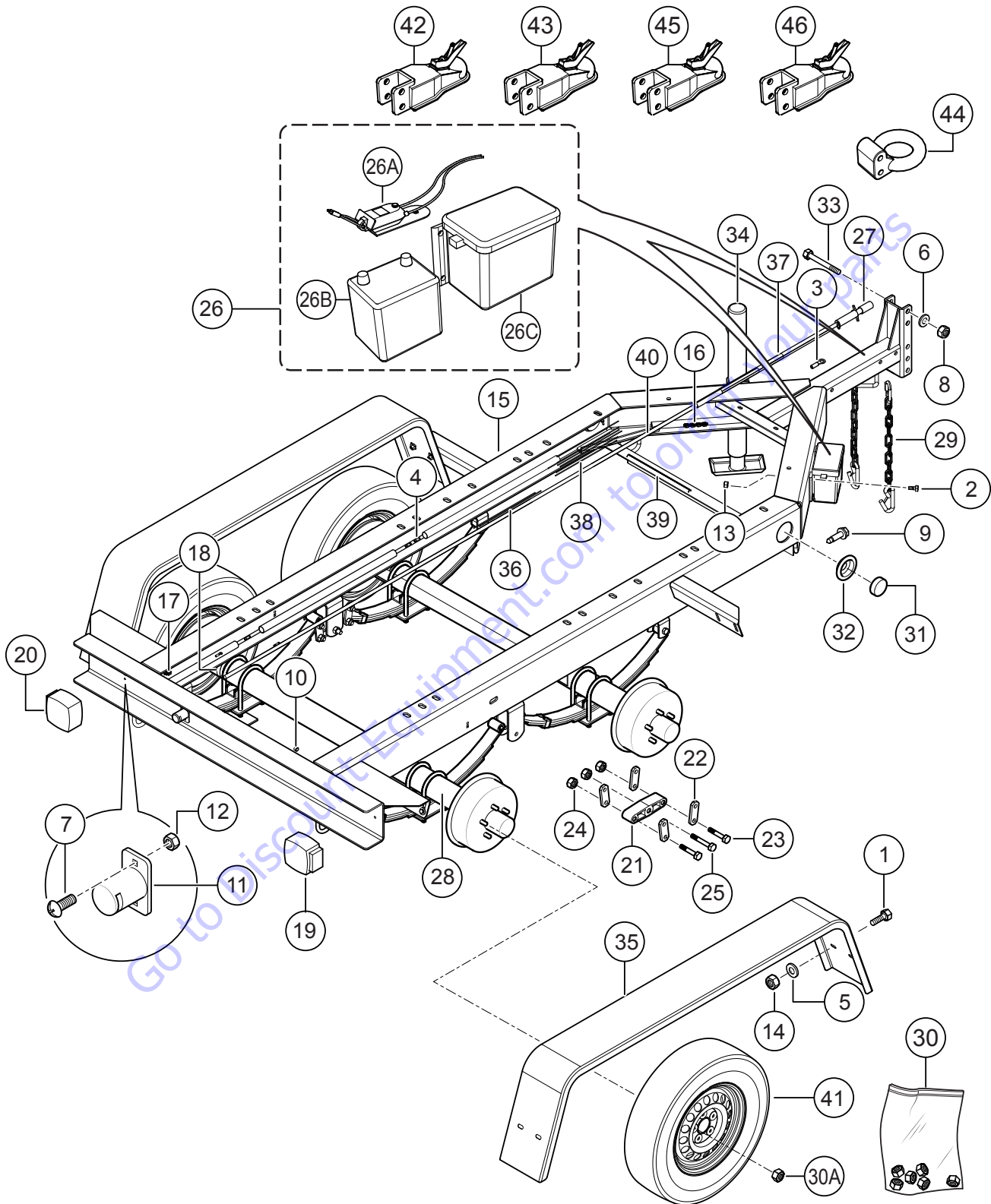
HYDRAULIC TRAILER ASSY. (CONTINUED)



HYDRAULIC TRAILER ASSY. (CONTINUED)

<u>NO.</u>	<u>PART NO.</u>	<u>PART NAME</u>	<u>QTY.</u>	<u>REMARKS</u>
31	37826	SCREW, HHC 5/8"-11 X 4-3/4" GRD 8	2	
32	9503	NUT, NYLOC 5/8"-11	2	
33	9509	SCREW, TEK 12 X 3/4" SELF TAP	3	
34	9514	LIGHT ASSY., LICENSE PLATE	2	
35	10019	NUT, NYLOC 10-32	4	
36	10133	NUT, NYLOC 3/8"-16	8	
37	10176	NUT, NYLOC 1/2"-13	3	
38	10306	SCREW, HHC 1/2"-13 X 4-1/2"	3	
39	19067	ACTUATOR, BRAKE	1	
40	19748	FRAME	1	
41	29242	LIGHT, TAIL RT (CURB) SIDE	1	
42	29243	LIGHT, TAIL LT (ROAD) SIDE	1	
43	29248	SCREW, HHC 9/16"-18 X 3"	12	
44	29898	LIGHT, 2-1/2" SIDE MARKER, AMBER	2	
45	29900	GROMMET W/WIRE KIT, 2-1/2"	2	
46	60018	WIRE, 16 GA. BROWN, SAE J1128.....	4	1PC=1FT
47	EE44304	WHEEL ASSY., ST205/75D-14 L/R,"C"	4	
48	49975	BRAKE HOSE COVER, BOLT- ON	1	
49	49048	SCREW, HHFS 1/4"-20 X 3/4" GRD 5	4	
50	49070	NUT, FLANGED 1/4"-20 SERRATED PLTD.	4	
51	EE43253	HITCH, BALL, 2-5/16" (STANDARD).....	1	CONTACT UNIT SALES DEPT.
52	29228	HITCH, BALL, 2" ADJUSTABLE (OPTION).....	1	CONTACT UNIT SALES DEPT.
53	29369	HITCH, PINTLE, 3" ADJUSTABLE(OPTION)....	1	CONTACT UNIT SALES DEPT.
54	EE56638	HITCH, BULLDOG, 2-5/16" BALL, ADJ. (OPT.)	1	CONTACT UNIT SALES DEPT.
55	EE57033	HITCH, BULLDOG, 2" BALL, ADJ. (OPT.).....	1	CONTACT UNIT SALES DEPT.

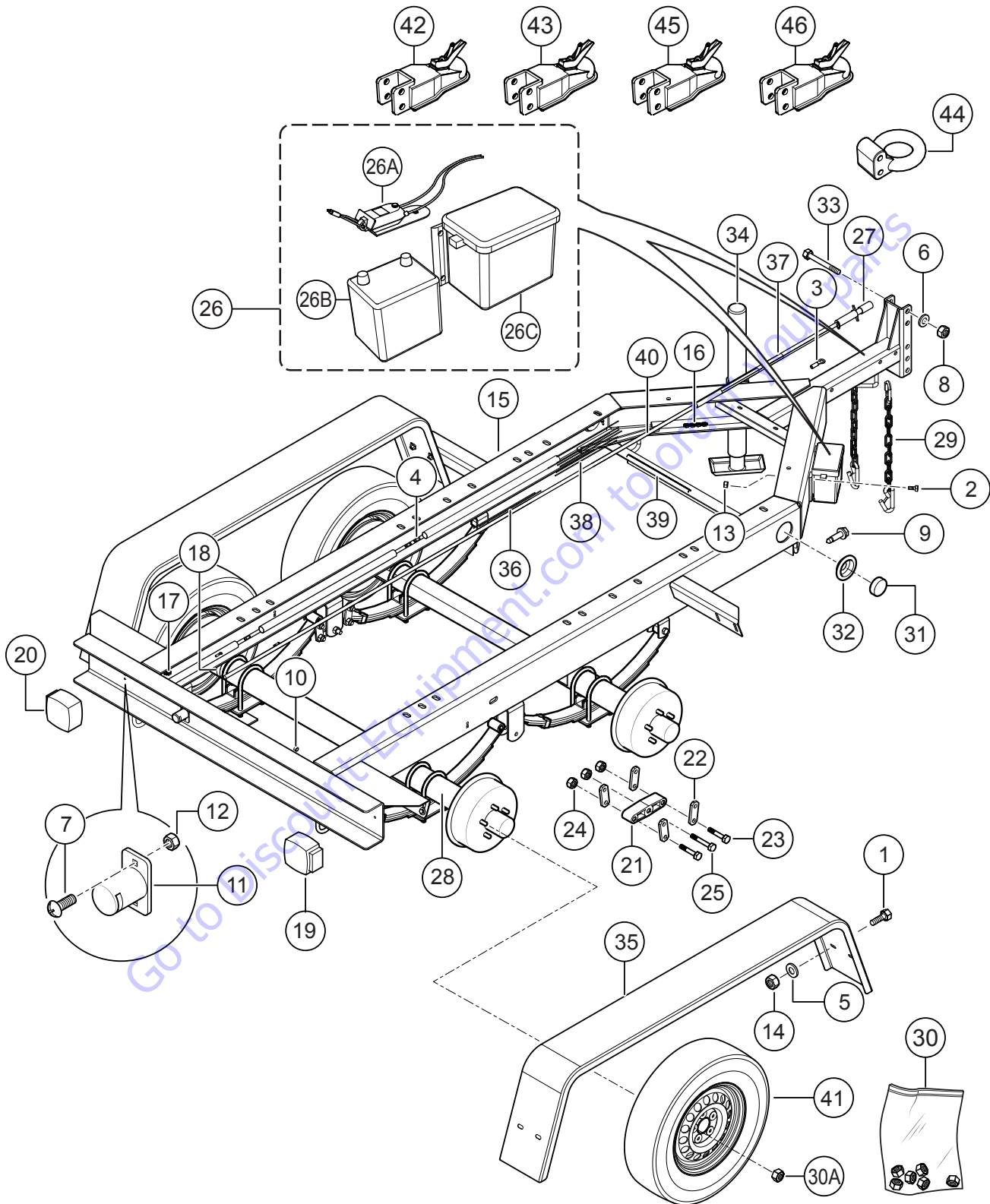
ELECTRIC TRAILER ASSY.



ELECTRIC TRAILER ASSY.

<u>NO.</u>	<u>PART NO.</u>	<u>PART NAME</u>	<u>QTY.</u>	<u>REMARKS</u>
1	0205	SCREW, HHC 3/8"-16 X 1.0	8	
2	0730	SCREW, HHC 1/4"-20 X 1	4	
3	1319	TERMINAL, RING 16-14 1/4" LOOP	2	
4	2540	CONNECTOR, BUTT SPLICE, 16-14	4	
5	4001	WASHER, FLAT USS 3/8" PLD	16	
6	4684	WASHER, FLAT SAE 5/8" PLTD	2	
7	5065 B	SCREW, PHP 10-32 X 1/2"	4	
8	9503	NUT, NYLOC 5/8"-11	2	
9	9509	SCREW, TEK 12 X 3/4" SELF TAP	4	
10	9512	INSULATOR, WIRING .50 DIA.	4	
11	9514	LIGHT ASSY., LICENSE PLATE	2	
12	10019	NUT, NYLOC 10-32	4	
13	10024	NUT, NYLOC 1/4"-20	4	
14	10133	NUT, NYLOC 3/8"-16	8	
15	19748E	FRAME,	1	
16	19761	TERM., SPLICE 16-14 CLOSED, BLUE	4	
17	19762	TERM., SPLICE 16-14 CLOSED, BRN/WHT	1	
18	29218	CLAMP, HOSE WORM, 2-1/2" TO 3-1/2"	2	
19	29242	LIGHT, TAIL RT (CURB) SIDE	1	
20	29243	LIGHT, TAIL LH (ROAD) SIDE	1	
21	29246	EQUALIZER, TANDEM AXLE	2	
22	29247	SHACKLE, AXLE MOUNTING	8	
23	29248	SCREW, HHC 9/16"-18	12	
24	29249	NUT, 9/16"-18 AXLE MOUNTING N-2	14	
25	29317	SCREW, 9/16" X 3-1/2" AXLE MOUNTING	2	
26	29366	KIT, BREAK-AWAY	1	INCLUDES ITEMS W/#
26A#	EE43519	SWITCH, BREAK-AWAY, KIT	1	
26B#	EE57140	BATTERY, BREAK-AWAY, KIT	1	
26C#	EE57141	BOX, BATTERY, BREAK-AWAY, KIT	1	
27	29367	PLUG/SPRING, 6 POLE TRAILER	1	
27	EE55622	7-PIN CONNECTOR.....	1	OPTION
28	29396	AXLE ASSEMBLY	2	
29	49537	CHAIN, SAFETY TOWING, 6600 LB.	2	
30	29755	KIT, LUG NUTS, 1/2"-20 PLTD.....	1	INCLUDES ITEMS W/%
30A%	29194	NUT, LUG 1/4"-20 TAPERED CONE, PLTD.	20	
31	29898	LIGHT, 2-1/2" SIDE MARKER, AMBER	2	
32	29900	GROMMET W/WIRE KIT, 2-1/2"	2	
33	37826	SCREW, HHC 5/8"-11 X 4-3/4" GRD 8	2	
34	49116	JACK, SWIVEL 15" LIFT, 5/8" PIN	1	
35	49842	FENDER, TANDEM 8 X 15.5 X 65.25	2	
36	60018	WIRE, 16 GA BROWN, SAE J1128.....	4	1PC=1FT
37	60037	LOOM, 5/8" DIA. HI-TEMP, BLK	3	
38	60043	WIRE, 16 GA. GREEN, SAE J1128.....	7	1PC=1FT

ELECTRIC TRAILER ASSY.(CONTINUED)



ELECTRIC TRAILER ASSY.(CONTINUED)

<u>NO.</u>	<u>PART NO.</u>	<u>PART NAME</u>	<u>QTY.</u>	<u>REMARKS</u>
39	60221	LOOM, .375 SPLIT	5.....	1PC=1FT
40	60257	WIRE, TRAILER, 6 COND. 14GA	19.....	1PC=1FT
41	EE44304	WHEEL ASSY., ST205/75D-14 L/R,"C"	4	
42	EE43253	HITCH, BALL 2-5/16" (STANDARD)	1.....	CONTACT UNIT SALES DEPT.
43	29228	HITCH, BALL 2" ADJUSTABLE (OPTION)	1.....	CONTACT UNIT SALES DEPT.
44	29369	HITCH, PINTLE 3" ADJUSTABLE, (OPTION) ...	1.....	CONTACT UNIT SALES DEPT.
45	EE56638	HITCH, BULLDOG, 2-5/16" BALL, ADJ. (OPT.)	1.....	CONTACT UNIT SALES DEPT.
46	EE57033	HITCH, BULLDOG, 2" BALL, ADJ. (OPT.).....	1.....	CONTACT UNIT SALES DEPT.

Go to Discount-Equipment.com to order your parts

PARTS FINDER

**Search Website
by Part Number**



**Search Manual
Library For Parts
Manual & Lookup Part
Numbers – Purchase
or Request Quote**

Search Manuals

Enter your information to search for manuals and parts.

* Brand:

* Model:

* Serial:

* Part Number:

SEARCH

**Can't Find Part or
Manual? Request Help
by Manufacturer,
Model & Description**

Parts Order Form

Please fill in the following information:

Manufacturer:

Model:

Description:

Quantity:

Part Number:

Part Name:

Part Description:

Part Location:

Part Condition:

Part Status:

Part Price:

Part Weight:

Part Dimensions:

Part Material:

Part Color:

Part Finish:

Part Notes:

Part Images:

Part Attachments:

Part Specifications:

Part Certifications:

Part Compliance:

Part Safety:

Part Environmental:

Part Performance:

Part Reliability:

Part Durability:

Part Efficiency:

Part Productivity:

Part Quality:

Part Consistency:

Part Accuracy:

Part Precision:

Part Detail:

Part Craftsmanship:

Part Innovation:

Part Creativity:

Part Problem Solving:

Part Teamwork:

Part Communication:

Part Leadership:

Part Motivation:

Part Inspiration:

Part Encouragement:

Part Support:

Part Guidance:

Part Assistance:

Part Help:

Part Advice:

Part Information:

Part Knowledge:

Part Skills:

Part Abilities:

Part Talents:

Part Strengths:

Part Weaknesses:

Part Opportunities:

Part Challenges:

Part Obstacles:

Part Solutions:

Part Strategies:

Part Tactics:

Part Techniques:

Part Methods:

Part Procedures:

Part Processes:

Part Systems:

Part Frameworks:

Part Models:

Part Theories:

Part Concepts:

Part Principles:

Part Laws:

Part Rules:

Part Guidelines:

Part Standards:

Part Best Practices:

Part Industry Trends:

Part Market Research:

Part Competitive Analysis:

Part Customer Feedback:

Part Employee Surveys:

Part Performance Reviews:

Part Quality Assurance:

Part Risk Management:

Part Crisis Management:

Part Business Plan:

Part Financial Statements:

Part Tax Returns:

Part Insurance Policies:

Part Legal Documents:

Part Contracts:

Part Agreements:

Part Licenses:

Part Permits:

Part Certifications:

Part Registrations:

Part Trademarks:

Part Patents:

Part Copyrights:

Part Intellectual Property:

Part Confidentiality:

Part Non-Disclosure:

Part Privacy Policies:

Part Terms of Service:

Part User Agreements:

Part End User License:

Part Software Licenses:

Part Hardware Licenses:

Part Service Licenses:

Part Maintenance Licenses:

Part Training Licenses:

Part Consulting Licenses:

Part Coaching Licenses:

Part Mentoring Licenses:

Part Tutoring Licenses:

Part Teaching Licenses:

Part Research Licenses:

Part Academic Licenses:

Part Professional Licenses:

Part Medical Licenses:

Part Nursing Licenses:

Part Dental Licenses:

Part Veterinary Licenses:

Part Law Licenses:

Part Engineering Licenses:

Part Architecture Licenses:

Part Planning Licenses:

Part Surveying Licenses:

Part Geology Licenses:

Part Environmental Licenses:

Part Safety Licenses:

Part Security Licenses:

Part Information Technology Licenses:

Part Telecommunications Licenses:

Part Energy Licenses:

Part Transportation Licenses:

Part Aviation Licenses:

Part Maritime Licenses:

Part Space Licenses:

Part Nuclear Licenses:

Part Atomic Licenses:

Part Biotechnology Licenses:

Part Nanotechnology Licenses:

Part Robotics Licenses:

Part Artificial Intelligence Licenses:

Part Quantum Licenses:

Part Blockchain Licenses:

Part Cryptocurrency Licenses:

Part Digital Marketing Licenses:

Part Social Media Licenses:

Part Content Marketing Licenses:

Part Email Marketing Licenses:

Part Search Engine Optimization Licenses:

Part Pay Per Click Licenses:

Part Affiliate Marketing Licenses:

Part Influencer Marketing Licenses:

Part Public Relations Licenses:

Part Advertising Licenses:

Part Sales Licenses:

Part Marketing Licenses:

Part Business Development Licenses:

Part Project Management Licenses:

Part Human Resources Licenses:

Part HR Licenses:

Part Recruitment Licenses:

Part Training Licenses:

Part Performance Management Licenses:

Part Compensation Licenses:

Part Benefits Licenses:

Part Employee Relations Licenses:

Part Labor Relations Licenses:

Part Unions Licenses:

Part Collective Bargaining Licenses:

Part Contract Negotiation Licenses:

Part Dispute Resolution Licenses:

Part Arbitration Licenses:

Part Mediation Licenses:

Part Litigation Licenses:

Part Trial Practice Licenses:

Part Legal Research Licenses:

Part Legal Writing Licenses:

Part Legal Analysis Licenses:

Part Legal Reasoning Licenses:

Part Legal Ethics Licenses:

Part Legal History Licenses:

Part Legal Theory Licenses:

Part Legal Philosophy Licenses:

Part Legal Education Licenses:

Part Legal Research Licenses:

Part Legal Writing Licenses:

Part Legal Analysis Licenses:

Part Legal Reasoning Licenses:

Part Legal Ethics Licenses:

Part Legal History Licenses:

Part Legal Theory Licenses:

Part Legal Philosophy Licenses:

Part Legal Education Licenses:

Part Legal Research Licenses:

Part Legal Writing Licenses:

Part Legal Analysis Licenses:

Part Legal Reasoning Licenses:

Part Legal Ethics Licenses:

Part Legal History Licenses:

Part Legal Theory Licenses:

Part Legal Philosophy Licenses:

Part Legal Education Licenses:

Discount-Equipment.com is your online resource for quality parts & equipment.

Florida: **561-964-4949** Outside Florida TOLL FREE: **877-690-3101**

Need parts?

Click on this link: <http://www.discount-equipment.com/category/5443-parts/> and choose one of the options to help get the right parts and equipment you are looking for. Please have the machine model and serial number available in order to help us get you the correct parts. If you don't find the part on the website or on once of the online manuals, please fill out the request form and one of our experienced staff members will get back to you with a quote for the right part that your machine needs.

We sell worldwide for the brands: Genie, Terex, JLG, MultiQuip, Mikasa, Essick, Whiteman, Mayco, Toro Stone, Diamond Products, Generac Magnum, Airman, Haulotte, Barreto, Power Blanket, Nifty Lift, Atlas Copco, Chicago Pneumatic, Allmand, Miller Curber, Skyjack, Lull, Skytrak, Tsurumi, Husquvarna Target, , Stow, Wacker, Sakai, Mi-T- M, Sullair, Basic, Dynapac, MBW, Weber, Bartell, Bennar Newman, Haulotte, Ditch Runner, Menegotti, Morrison, Contec, Buddy, Crown, Edco, Wyco, Bomag, Laymor, Barreto, EZ Trench, Bil-Jax, F.S. Curtis, Gehl Pavers, Heli, Honda, ICS/PowerGrit, IHI, Partner, Imer, Clipper, MMD, Koshin, Rice, CH&E, General Equipment, ,AMida, Coleman, NAC, Gradall, Square Shooter, Kent, Stanley, Tamco, Toku, Hatz, Kohler, Robin, Wisconsin, Northrock, Oztec, Toker TK, Rol-Air, Small Line, Wanco, Yanmar

PARTS MANUAL

HERE'S HOW TO GET HELP

PLEASE HAVE THE MODEL AND SERIAL
NUMBER ON-HAND WHEN CALLING

Go to Discount-Equipment.com to order your parts

Your Local Dealer is:



www.Discount-Equipment.com



PN: 59249