



Water Trailer Series

WT5HR Hose Reel Kit Installation



www.Discount-Equipment.com

The following instructions are intended to assist the user in the installation of the WT5HR Hose Reel Kit for use on the WT5C, WTE5C, WT5CSG Series water trailers. Please read all assembly instructions before installing the kit.

REQUIRED TOOLS

- 1/2" ratchet w/ 1/2" socket extension
- 1/2" open-ended wrench
- 10" crescent wrench
- 3/16" allen wrench
- Hand Drill w/ 11/32" drill bit
- Pipe thread tape or pipe joint compound
- Loctite® 242, BLUE

PARTS

Verify that all parts are accounted for. See Figure 1 and Table 1.

Table 1. WT5HR Water Trailer Hose Reel Kit				
Item No.	Part No.	Description	QTY.	Remarks
1	WT5HR	Kit, WT5HR Water Trailer Hose Reel	1	Includes items 2-14
2	9091	Screw, HHFS 5/16-18 X 1" GR5	7	
3	49071	Nut, Flanged 5/16-18 Serrated PLTD	7	
4	21552	Clamp, Hose Worm, #16	1	
5	59155	Mount Plate, Hose Reel	1	
6	59161	Bracket, Hose Reel Upper	1	
7	59158	Nozzle, Fog, 1" NPT - Plastic	1	
8	59156	Fitting, Run Tee 12MP-12FP-12FP	1	
9	59136	Assembly, Hose Reel Drum	1	Includes item 10
10	59010	Handle, Rock Winch, LT	1	
11	59157	Hose, Contractor, 50' X 1" Male NPT	50	1PC=1FT
12	59159	Hose, Contractor 5' X 1" Male NPT	5	1PC=1FT
13	59160	Fitting, Hose Barb To Male NPT16-12	1	
14	59189	Instructions, Hose Reel, WT5HR	1	

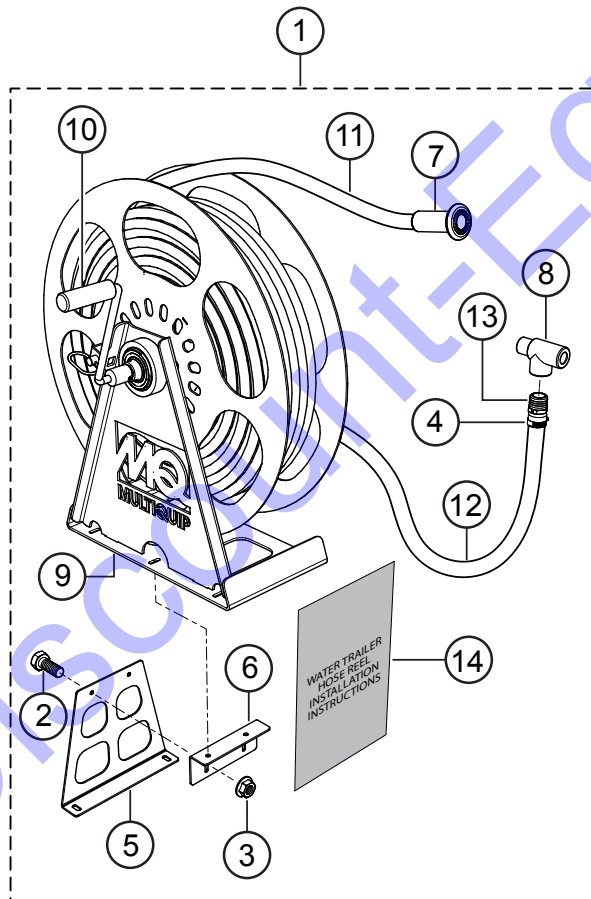


Figure 1. WT5HR Water Trailer Hose Reel Kit

WORK SAFELY!

PREPARATION

1. Ensure the engine/water pump are turned off.
2. Place the Water Trailer in a safe working environment: on a level surface with tire chocks in place.
3. Level the Water Trailer utilizing the front jack stand.

HOSE REEL INSTALLATION AND TESTING

1. Check that there is no water in the main manifold.
2. Using a hand drill with an 1 1/32" drill bit, drill three holes in the horizontal rail frame as shown in **Figure 2, A**.

NOTICE

Some water trailer units have three pre-drilled holes on the horizontal rail frame. Step 1 may be skipped if your water trailer unit has the three pre-drilled holes.

3. Using an 1/2" ratchet and socket, remove the deck plate fasteners (2) below the horizontal rail frame as shown in **Figure 2, B**.
4. Using an 1/2" ratchet and socket, loosely secure the hose reel mounting plate (P/N 59155) using the previously removed deck plate fasteners as shown in **Figure 2, B**.
5. Using an 1/2" ratchet and socket, secure the hose reel upper bracket (P/N 51961) to the hose reel mounting plate (P/N 59155) using the two provided 5/16-18 X 1" HHFS screws (P/N 9091) and 5/16-18 flanged nuts (P/N 49071) as shown in **Figure 2, B**.
6. Align the hose reel drum assembly (P/N 59136) rear holes (3) with the holes (3) drilled into the horizontal rail frame. The center of the hose reel drum assembly will align with the hose reel upper bracket installed in Step 4. See **Figure 2, C**.
7. Using an 1/2" ratchet and socket, secure the hose reel drum assembly to the horizontal rail frame and the hose reel bracket using five provided 5/16-18 X 1" HHFS screws (P/N 9091) and 5/16-18 flanged nuts (P/N 49071). See **Figure 2, C**.

8. Apply 242 Blue Loctite® to the 5/16-18 X 1" HHFS screws (5) and 5/16-18 flanged nuts (5) and torque to 13 ft-lbs. (17.6 N•m). Check that all fasteners and hose reel mounts and brackets are secured. See **Figure 2, C**.

NOTICE

The main hose reel drum assembly weighs approximately 75 pounds and assistance is highly recommended when installing and securing the hose reel drum assembly to the hose reel bracket installed in Step 4.

9. Place the hose reel handle (P/N 59010) onto the hose reel drum bearing shaft as shown in See **Figure 2, D**.
10. Align the hose reel drum bearing shaft and hose reel handle set-points, and apply 242 Blue Loctite® to the two provided set screws. Tighten the two set screws to secure the hose reel handle to the hose reel drum bearing shaft. See **Figure 2, D**.
11. Using a crescent wrench, remove the hose bib port from the main manifold. Retain the hose bib port as it will be reinstalled. See **Figure 3, E**.
12. Locate the tee fitting (P/N 59156) in the kit, and apply a pipe-joint compound to the threads of the tee fitting. Install the tee fitting into the main manifold in place of the hose bib port. See **Figure 3, F**.
13. Apply pipe-joint compound to the threads of the hose barb fitting. Install the hose barb fitting into the tee fitting bottom port. See **Figure 3, F**.
14. Apply pipe-joint compound to the hose bib port threads and secure the hose bib port to the tee fitting. See **Figure 3, F**.
15. Route the five foot section of hose (P/N 51959) from the hose reel swivel coupler along the front of the water tank and the top of the diamond deck plate. The hose should be routed under the main manifold and up to meet the tee fitting. Ensure the hose is not pinched or crimped. See **Figure 3, F**.
16. Test the total integrity of the Hose Reel Assembly by filling the water trailer with water, starting the engine and engaging the Control Handle to the discharge position (3 O'CLOCK position) and twisting the Fog Nozzle to a spray position.

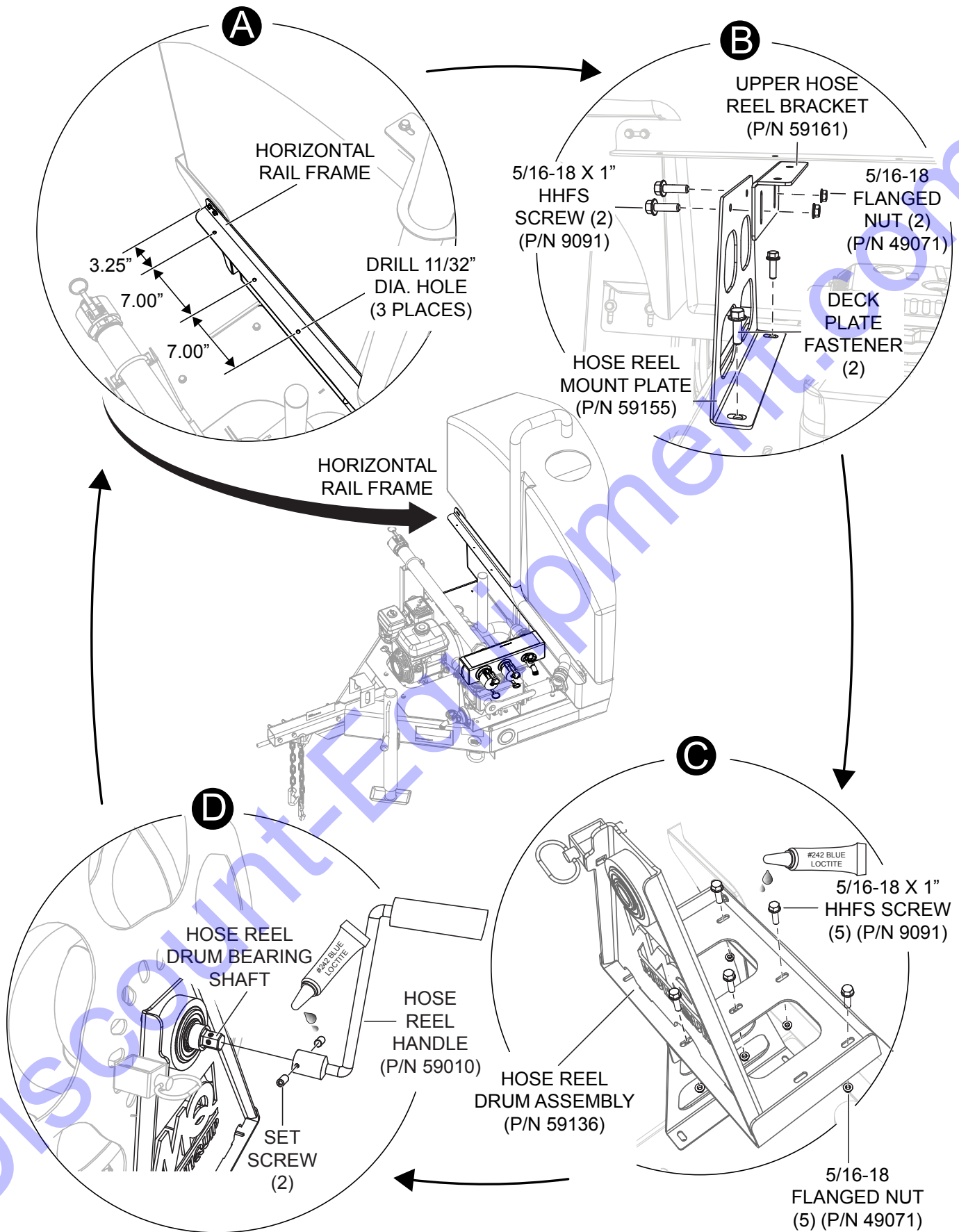


Figure 2. Hose Reel Assembly Installation

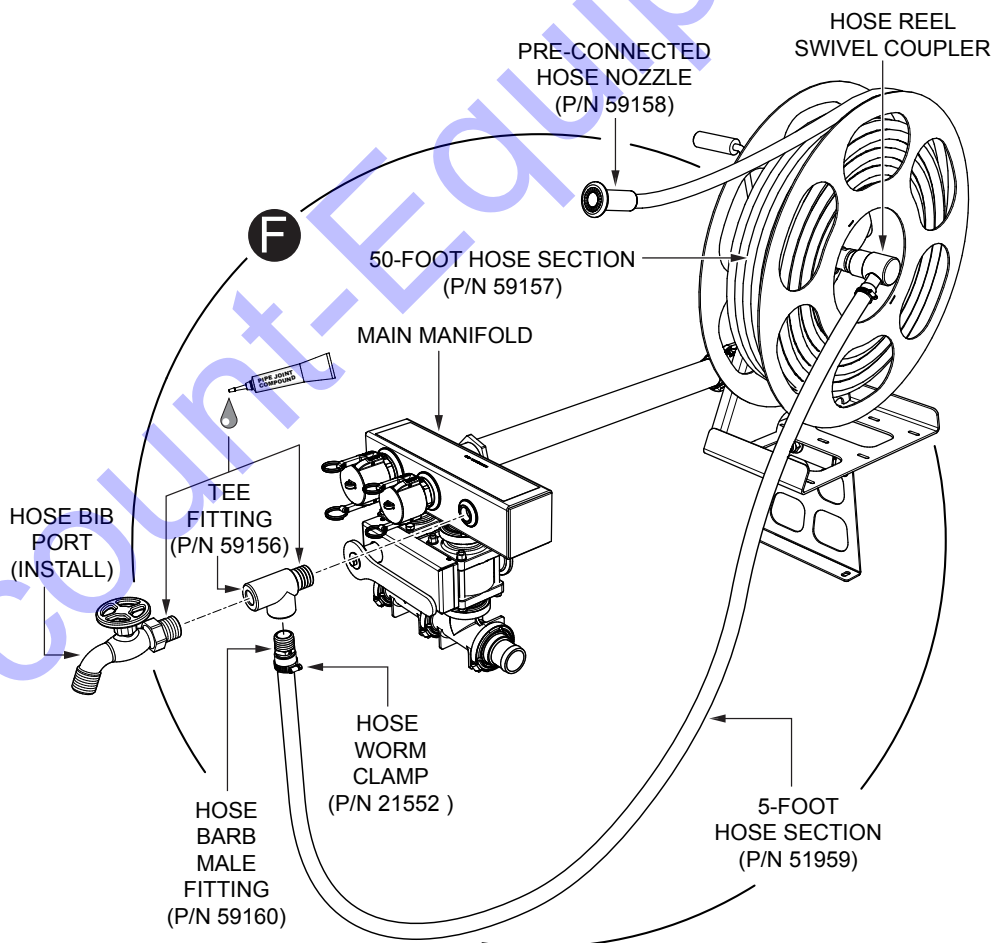
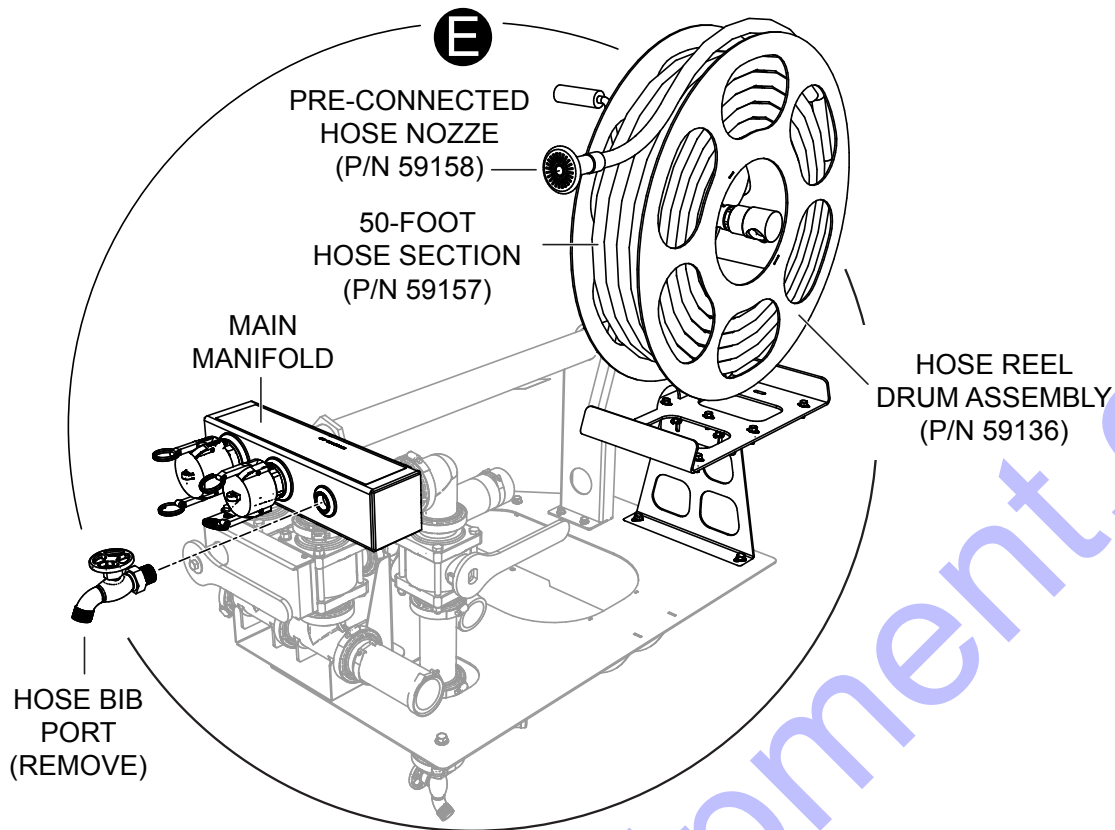
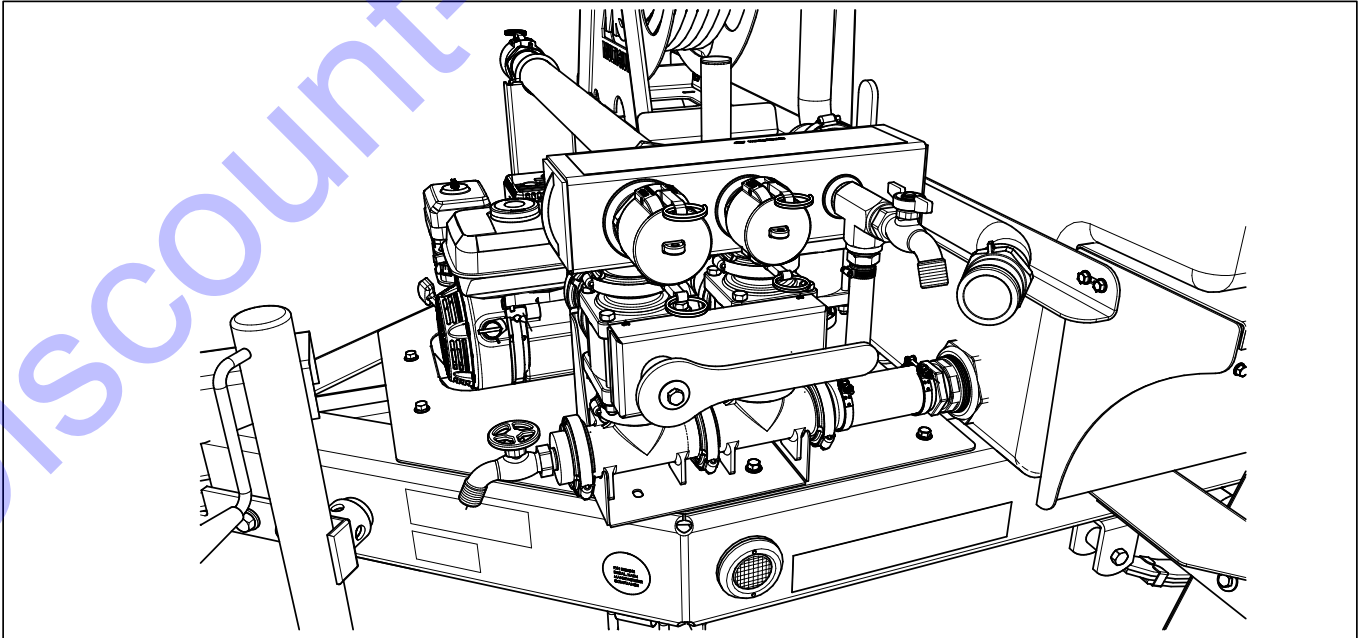
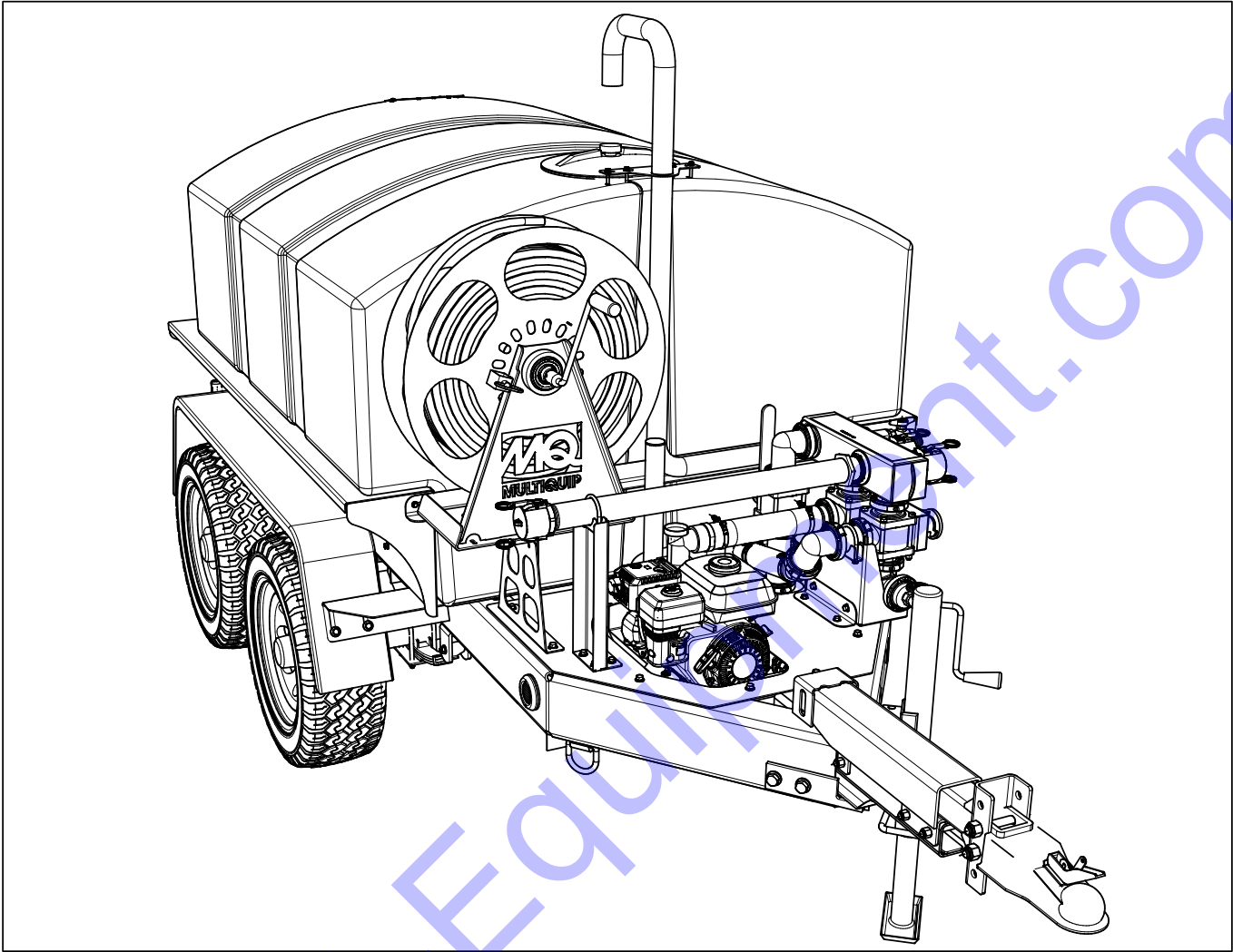


Figure 3. Hose Reel Assembly Installation

COMPLETE ASSEMBLY





Water Trailer Series
WT5HR Hose Reel Kit Installation

HERE'S HOW TO GET HELP

PLEASE HAVE THE MODEL AND SERIAL
NUMBER ON-HAND WHEN CALLING

Your Local Dealer is:



www.Discount-Equipment.com

