



TRLR70XF Trailer

Brake Hose Cover Installation



www.Discount-Equipment.com

The following instructions are intended to assist the user in the installation of the Brake Hose Cover Kit for use on the TRLR70XF Trailer and WT5C Water Trailer. Please read all assembly instructions before installing the kit.

REQUIRED TOOLS

- 3/8" Ratchet with 3/8" and 7/16" sockets
- Drill and 5/16" drill bit.

PARTS

Verify that all parts are accounted for. See Figure 1 and Table 1.

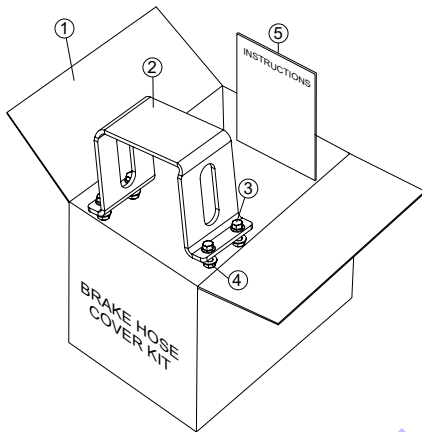


Figure 1. Brake Hose Cover Kit

Table 1. Brake Hose Kit

| Item No. | Part No. | Description | QTY. | Remarks |
|----------|----------|------------------------------------|------|--------------------|
| 1 | 49976 | Kit, Brake Hose Cover | 1 | Includes items 2-5 |
| 2 | 49975 | Brake Hose Cover, Bolt On | 1 | |
| 3 | 49048 | Screw, HHF 1/4-20 x 3/4 GR5 | 4 | |
| 4 | 49070 | Nut, Flanged 1/4-20 Serrated PLTD | 4 | |
| 5 | 49979 | Instructions, Brake Hose Cover Kit | 1 | |

WORK SAFELY!

Only a **qualified service technician** with proper training should perform this installation. Follow all shop safety rules when performing this installation.

PREPARATION

1. Make sure the unit is turned off and engine is cool.
2. Place the trailer in an area free of dirt and debris.

3. Make sure trailer is placed on secure level ground with chock blocks underneath each wheel to prevent rolling.

BRAKE HOSE COVER INSTALLATION

1. Locate brake hose cover P/N 49975 and remove screws and nuts if attached.
2. Next, place brake hose cover **over the brake line fitting** as shown in Figure 2 with the notched side of the cover facing towards the brake actuator.
3. Using a scribe, transfer the hole pattern on the brake line cover to the trailer frame.
4. Using a 5/16" drill bit, drill four holes as shown in Figure 2. Deburr all holes.
5. Using the 3/8" and 7/16" sockets, secure the brake hose cover to the trailer frame with the supplied 1/4-20 x 3/4 screws, P/N 49048 and 1/4-20 serrated flanged nuts, P/N 49070.
6. Tighten all four flanged nuts securely.

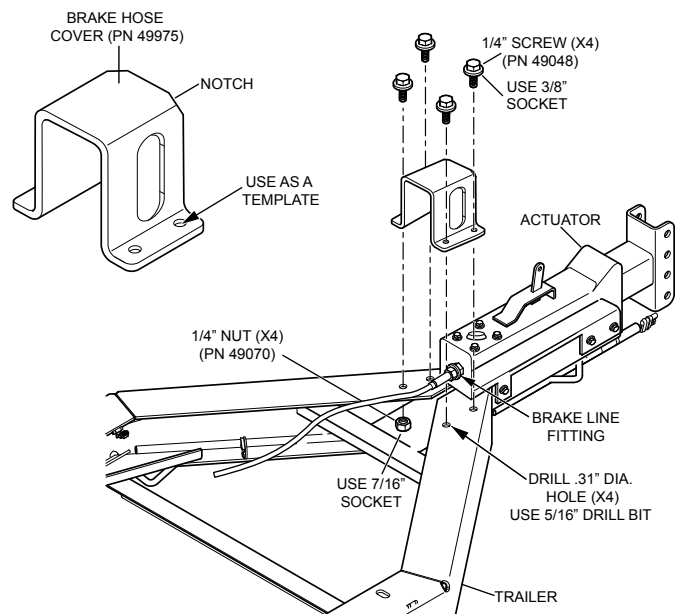


Figure 2. Brake Hose Cover Installation



TRLR70XF Trailer

Brake Hose Cover Installation

HERE'S HOW TO GET HELP

PLEASE HAVE THE MODEL AND SERIAL
NUMBER ON-HAND WHEN CALLING

Your Local Dealer is:



www.Discount-Equipment.com

