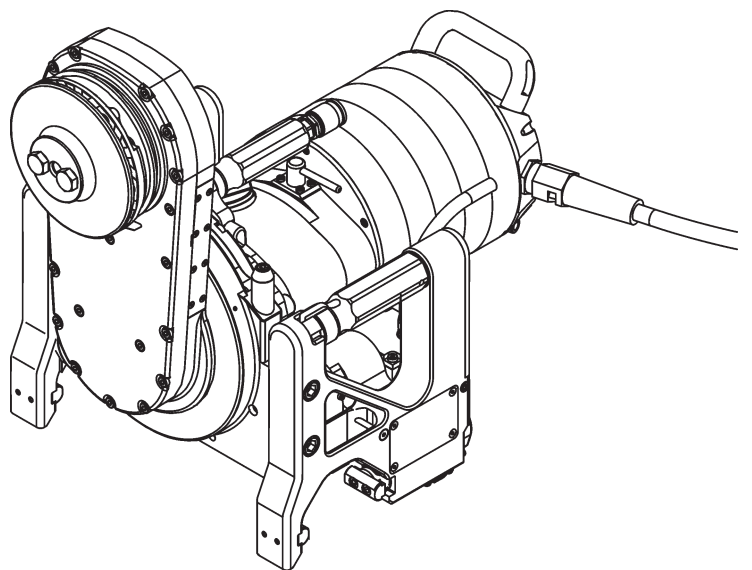


Ersatzteilliste

Spare Parts List / Liste des pièces détachées / Lista delle parti di ricambio

WSE2226 ★ ★ ★

Index 000



PARTS FINDER

**Search Website
by Part Number**



**Search Manual
Library For Parts
Manual & Lookup Part
Numbers – Purchase
or Request Quote**

Search Manuals

Enter your information to help us find the right parts manual for your machine.

* Brand:

* Model:

* Serial:

* Part Number:

SEARCH

**Can't Find Part or
Manual? Request Help
by Manufacturer,
Model & Description**

Parts Order Form

Please fill in the following information to help us find the right part for your machine.

Manufacturer:	<input type="text"/>
Model:	<input type="text"/>
Description:	<input type="text"/>
Part Number:	<input type="text"/>
Quantity:	<input type="text"/>
Notes:	<input type="text"/>

Submit

Discount-Equipment.com is your online resource for quality parts & equipment.

Florida: **561-964-4949** Outside Florida TOLL FREE: **877-690-3101**

Need parts?

Click on this link: <http://www.discount-equipment.com/category/5443-parts/> and choose one of the options to help get the right parts and equipment you are looking for. Please have the machine model and serial number available in order to help us get you the correct parts. If you don't find the part on the website or on one of the online manuals, please fill out the request form and one of our experienced staff members will get back to you with a quote for the right part that your machine needs.

We sell worldwide for the brands: Genie, Terex, JLG, MultiQuip, Mikasa, Essick, Whiteman, Mayco, Toro Stone, Diamond Products, Generac Magnum, Airman, Haulotte, Barreto, Power Blanket, Nifty Lift, Atlas Copco, Chicago Pneumatic, Allmand, Miller Curber, Skyjack, Lull, Skytrak, Tsurumi, Husquvarna Target, Stow, Wacker, Sakai, Mi-T-M, Sullair, Basic, Dynapac, MBW, Weber, Bartell, Bennar Newman, Haulotte, Ditch Runner, Menegotti, Morrison, Contec, Buddy, Crown, Edco, Wyco, Bomag, Laymor, EZ Trench, Bil-Jax, F.S. Curtis, Gehl Pavers, Heli, Honda, ICS/PowerGrit, IHI, Partner, Imer, Clipper, MMD, Koshin, Rice, CH&E, General Equipment, Amida, Coleman, NAC, Gradall, Square Shooter, Kent, Stanley, Tamco, Toku, Hatz, Kohler, Robin, Wisconsin, Northrock, Oztec, Toker TK, Rol-Air, APT, Wylie, Ingersoll Rand / Doosan, Innovatech, Con X, Ammann, Mecalac, Makinex, Smith Surface Prep, Small Line, Wanco, Yanmar

Verwendung der Ersatzteilliste

Die Ersatzteilliste ist keine Montage- oder Demontageanleitung. Diese Ersatzteilliste dient ausschliesslich zum einfachen und schnellen Finden von Ersatzteilen, die bei der untenstehenden Adresse bestellt werden können.

Sicherheitsvorschrift



Gefahr

Montieren oder demontieren von Baugruppen kann Risiken bergen, auf die in dieser Ersatzteilliste nicht hingewiesen wird.

Das Verwenden dieser Ersatzteilliste für Montage- oder Demontagezwecke ist strikte verboten. Für Montage- und Demontearbeiten sind ausschliesslich die entsprechenden Beschreibungen in der Betriebsanleitung zu befolgen.

Nichtbeachten dieser Vorschrift kann zu Verletzungen führen, die im schlimmsten Fall auch den Tod zur Folge haben könnten.

Bestellungen

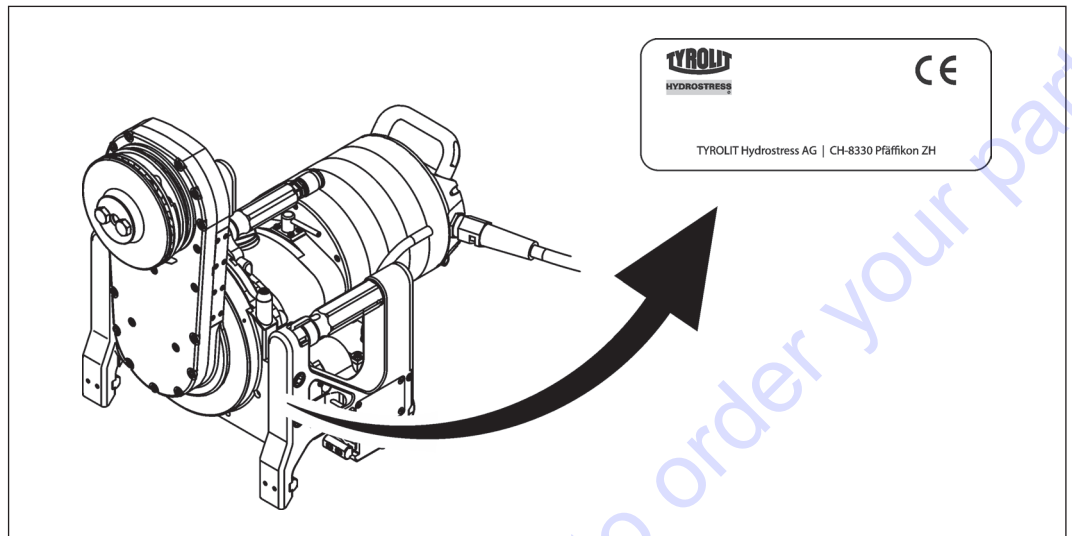


Information

Um Falschliefungen zu vermeiden sollten vor der Versendung die Angaben in der Bestellung auf Richtigkeit und Vollständigkeit (siehe unter Bestellangaben) überprüft werden. Es ist auch darauf zu achten, dass die Lieferadresse vollständig angegeben ist.

Ersatzteilliste

Bestellangaben



Bei Bestellungen von Ersatzteilen benötigen wir folgende Angaben:

- Maschinentyp gemäss Typenschild (z.B. WSE2226 ★★★)
- Maschinennummer gemäss Typenschild (z.B. 10989700)
- Maschinenindex gemäss Typenschild (z.B. 000)
- Ersatzteilnummer gemäss Ersatzteilliste (z.B. 961901)

Für Bestellungen, Fragen und Informationen wenden Sie sich bitte an die zuständige Niederlassung.

How to use the spare parts list

The spare parts list is not intended as instructions for assembly or dismantling work. It is exclusively intended to help you to quickly and easily find spare parts, which can then be ordered at the address below.

Safety regulations



Danger

The assembling or dismantling of modules can involve risks which are not identified in this spare parts list.
The use of this spare parts list for assembly or dismantling purposes is strictly forbidden. For assembly or dismantling tasks it is essential to only follow the corresponding descriptions in the operating manual.
If this regulation is not heeded injuries may be incurred which in the worst case can also be fatal.

Ordering

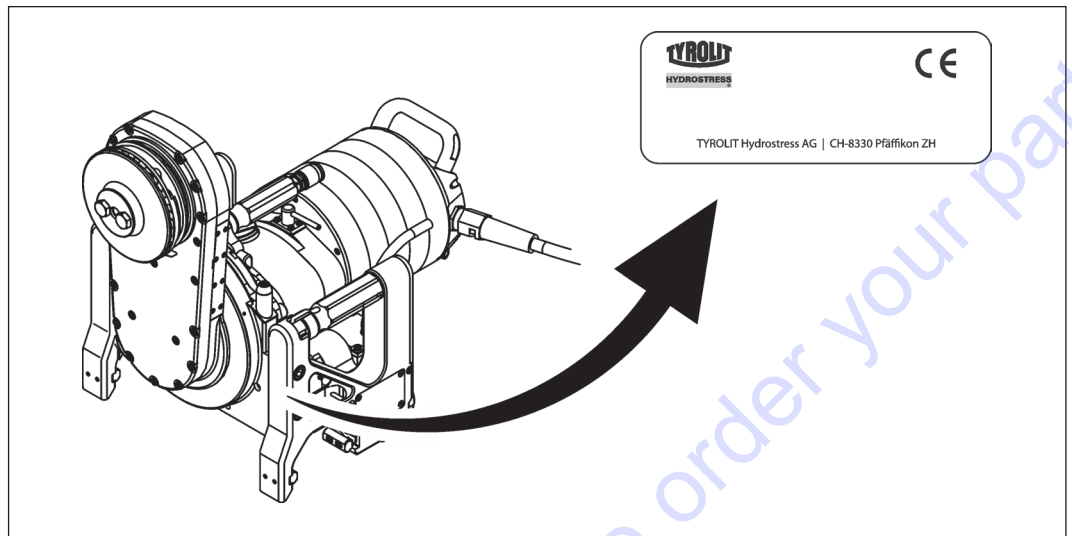


Information

To avoid incorrect deliveries you should check the order details for correctness and completeness (see under ordering details) prior shipment.
You should ensure that the delivery address is given in full.

Spare Parts List

Ordering details



When spare parts are ordered we need the following details:

- Machine type according to nameplate (e.g. WSE2226★★★)
- Machine number according to nameplate (e.g. 10989700)
- Machine index according to nameplate (e.g. 000)
- Spare part number according to the spare parts list (e.g. 961901)

For orders, questions and information please contact Discount-equipment.

Utilisation de la liste des pièces détachées

La liste des pièces détachées n'est pas une instruction de montage ou de démontage. Cette liste sert exclusivement à trouver simplement et rapidement les pièces détachées, qui peuvent être commandées à l'adresse mentionnée ci-dessous.

Prescription de sécurité



Danger

Le montage ou le démontage des modules peut présenter des risques dont il n'est pas fait mention dans cette liste des pièces détachées.
Il est strictement interdit d'employer cette liste des pièces détachées à des fins de montage ou de démontage. Pour les opérations de montage et de démontage, il faut exclusivement suivre les descriptions correspondantes dans le mode d'emploi.
Le non-respect de la présente prescription peut conduire à des blessures, pouvant même entraîner la mort.

Commandes

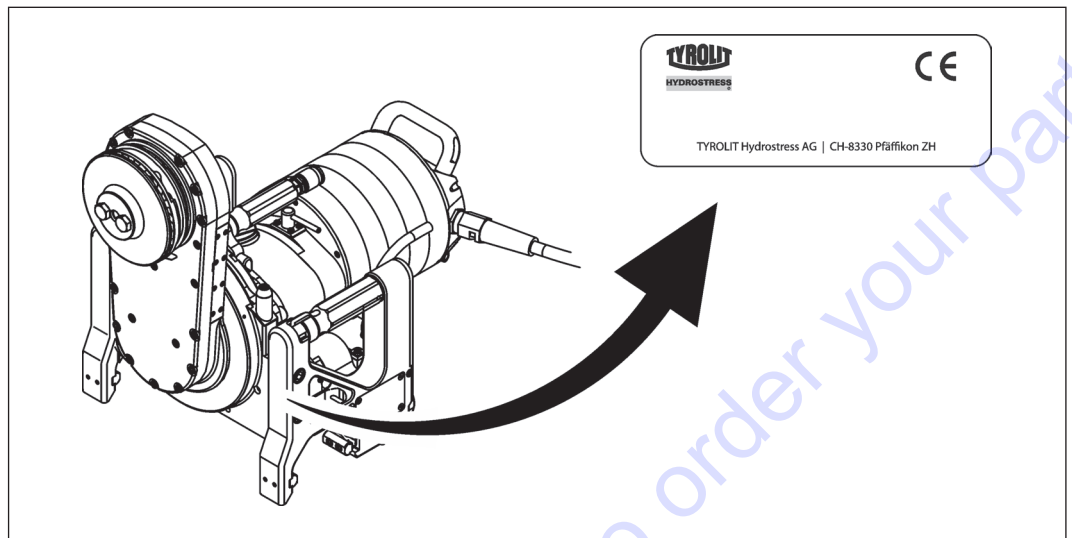


Information

Pour éviter des livraisons inappropriées, il est conseillé de vérifier avant l'expédition l'exactitude et l'exhaustivité des indications fournies dans la commande (voir Données de commande).
Il faut aussi veiller à bien indiquer l'adresse de livraison en entier.

Liste des pièces détachées

Données de commande



Lors de la commande de pièces détachées, nous avons besoin des données suivantes :

- Type de machine selon la plaque signalétique (p.ex. WSE2226★★★)
- Numéro de machine selon la plaque signalétique (p.ex. 10989700)
- Indice de machine selon la plaque signalétique (p.ex. 000)
- Numéro de pièce détachée selon la liste des pièces détachées (p.ex. 961901)

Pour les commandes, questions et informations, vous êtes prié de vous adresser à la filiale compétente.

Uso della lista delle parti di ricambio

La lista delle parti di ricambio non è un manuale d'istruzioni per montaggio o smontaggio. Questa lista delle parti di ricambio serve esclusivamente per trovare in modo semplice e rapido parti di ricambio che possono essere ordinate all'indirizzo riportato qui sotto.

Norme di sicurezza



Pericolo

Il montaggio o lo smontaggio di componenti della macchina può comportare pericoli che non sono indicati in questa lista delle parti di ricambio. E' assolutamente vietato servirsi di questa lista delle parti di ricambio per scopo di montaggio o di smontaggio. Per operazioni di montaggio o smontaggio occorre seguire esclusivamente le relative istruzioni nel manuale per l'uso della macchina. La mancata osservanza di queste norme può comportare lesioni, e nel caso peggiore anche la morte.

Ordinazioni

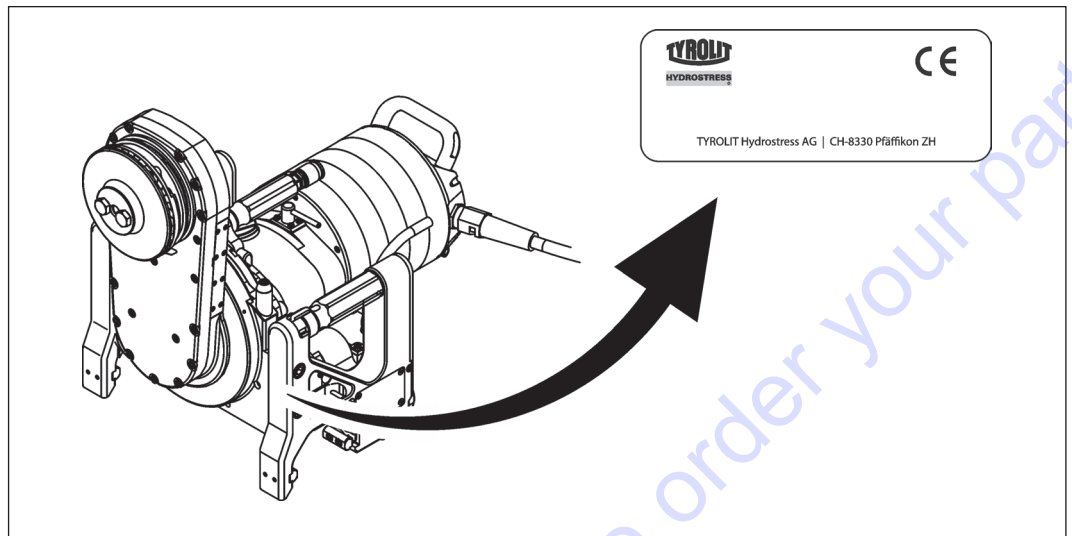


Information

Per evitare forniture incorrette, occorre verificare prima dell'invio dell'ordinazione se i dati indicati in essa sono corretti e completi (vedere la lista dei dati per l'ordinazione). Occorre verificare anche se l'indirizzo per la consegna è esatto e completo..

Lista delle parti di ricambio

Dati per l'ordinazione



Per ordinazioni di parti di ricambio ci occorrono i dati seguenti:

- Tipo di macchina indicato sulla targhetta della macchina (per es. WSE2226★★★)
- Numero della macchina indicato sulla targhetta della macchina (per es. 10989700)
- Indice della macchina indicato sulla targhetta della macchina (per es. 000)
- Numero della parte di ricambio secondo la lista di parti di ricambio (per es. 961901)

Per ordinazioni, domande o richieste d'informazioni Vi preghiamo di rivolgerVi all'agenzia competente.

Go to DiscountShipments.com to order your parts

10991969

10991330

10991251

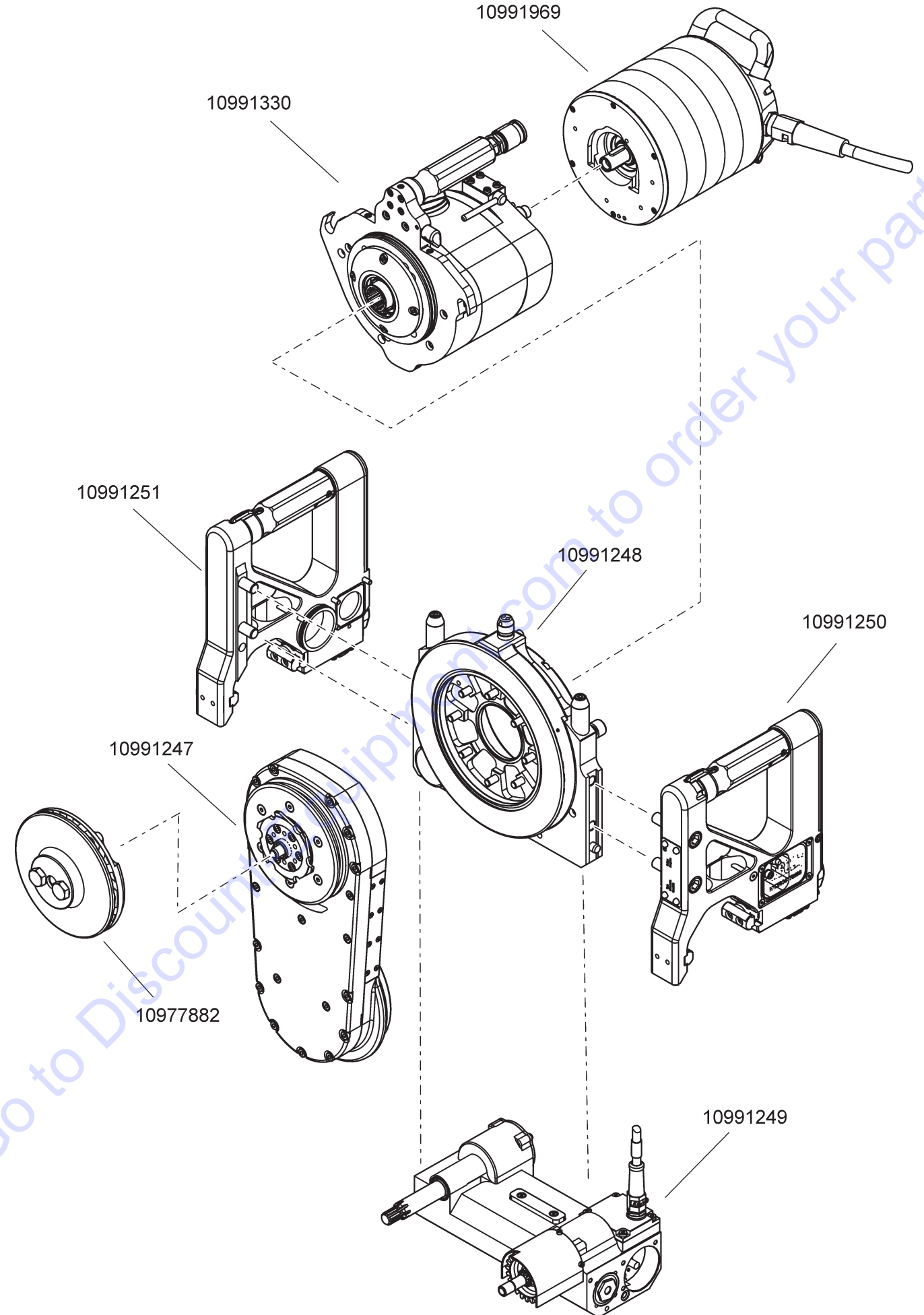
10991248

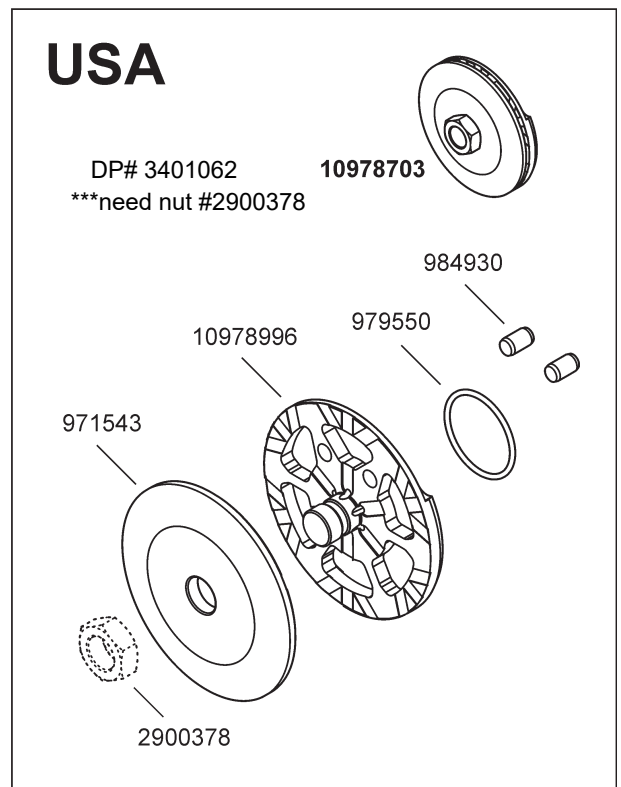
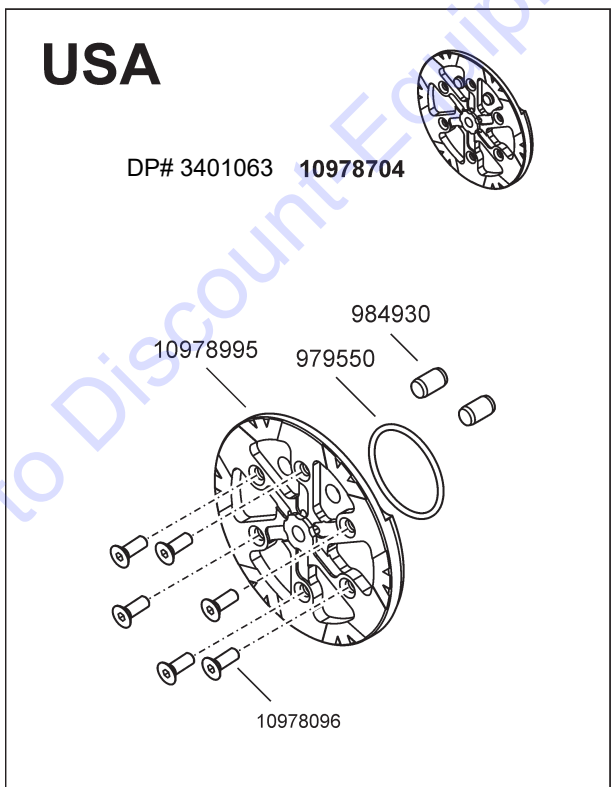
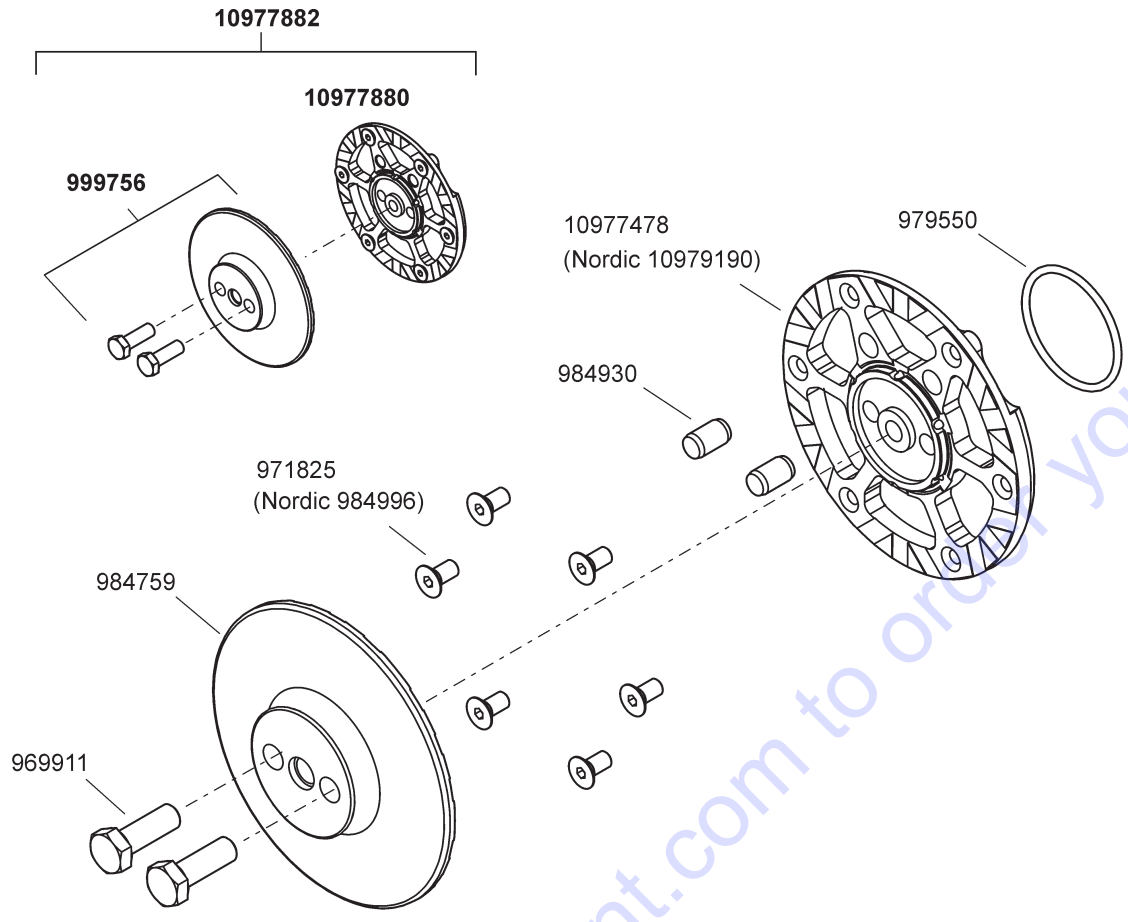
10991250

10991247

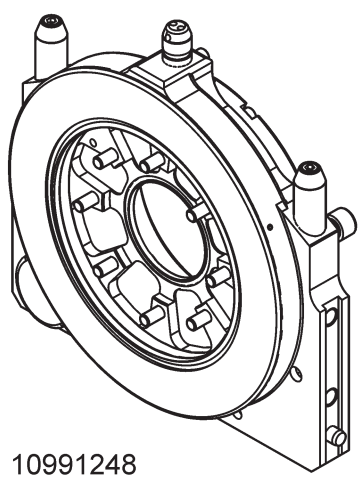
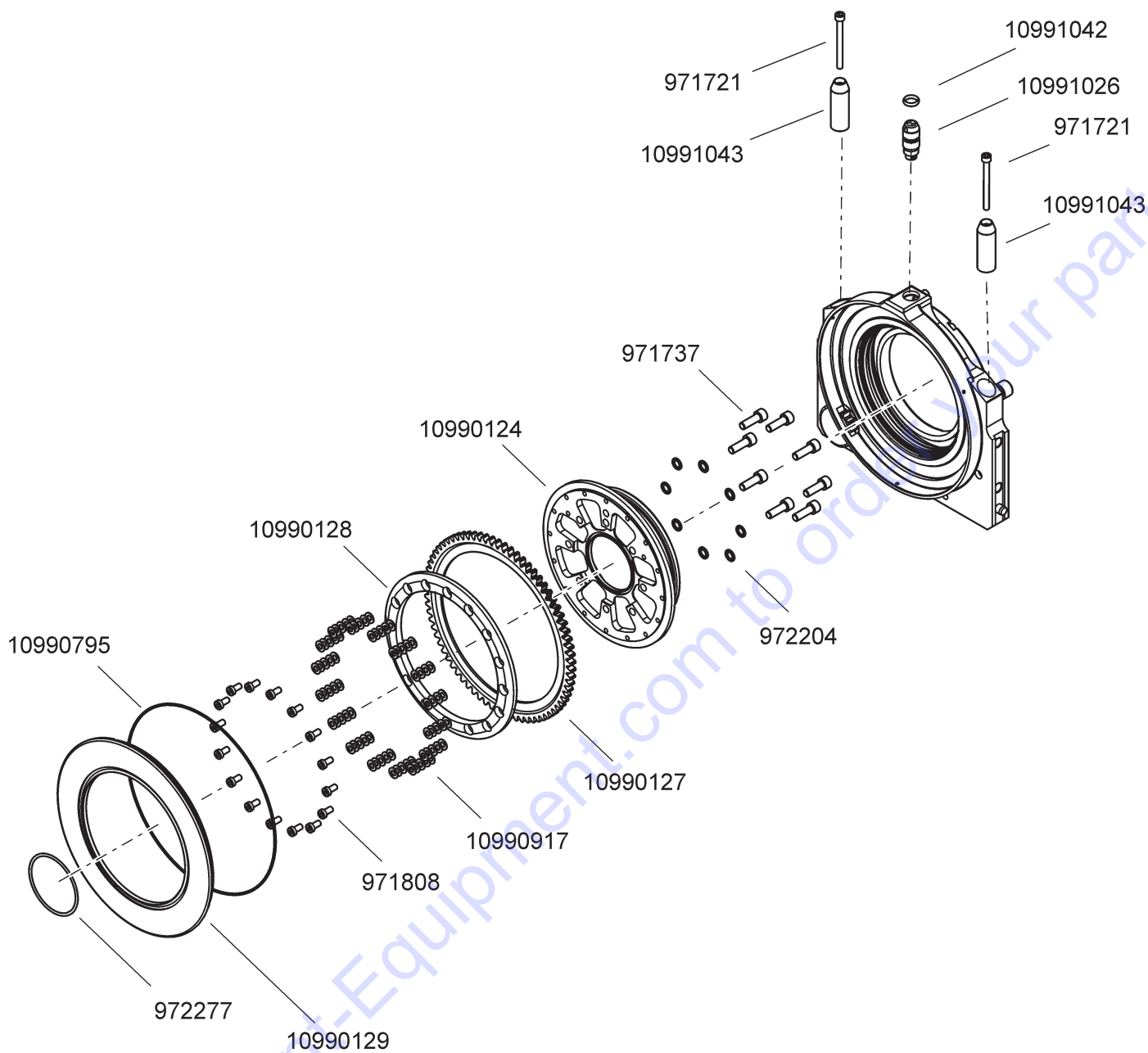
10977882

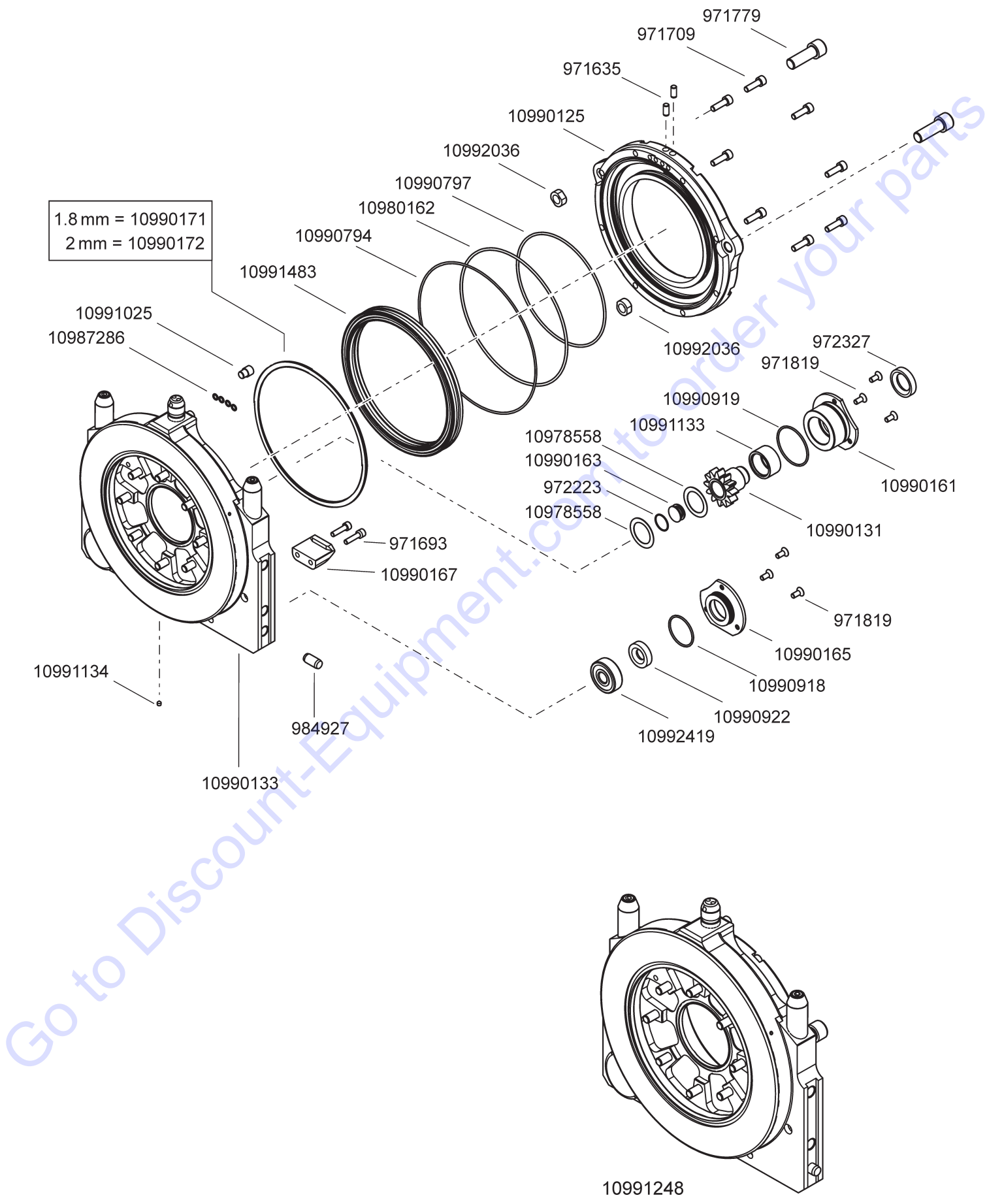
10991249





Go to Discount-Equipment.com to order your parts





PARTS FINDER

**Search Website
by Part Number**



**Search Manual
Library For Parts
Manual & Lookup Part
Numbers – Purchase
or Request Quote**

Search Manuals

Enter your information to help us find the right parts manual for your machine.

* Brand:

* Model:

* Serial:

* Part Number:

SEARCH

**Can't Find Part or
Manual? Request Help
by Manufacturer,
Model & Description**

Parts Order Form

Please fill in the following information to help us find the right part for your machine.

Manufacturer:	<input type="text"/>
Model:	<input type="text"/>
Description:	<input type="text"/>
Part Number:	<input type="text"/>
Quantity:	<input type="text"/>
Notes:	<input type="text"/>

Submit

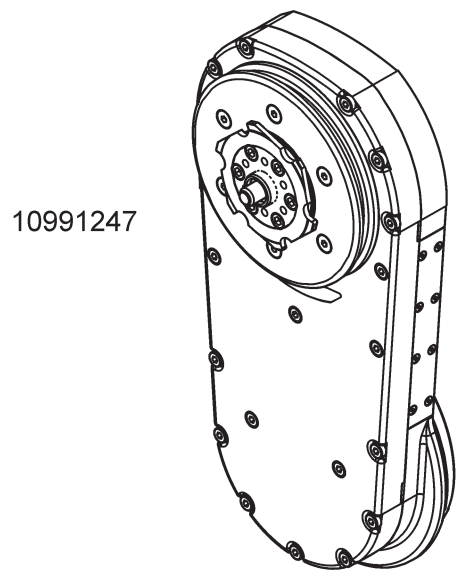
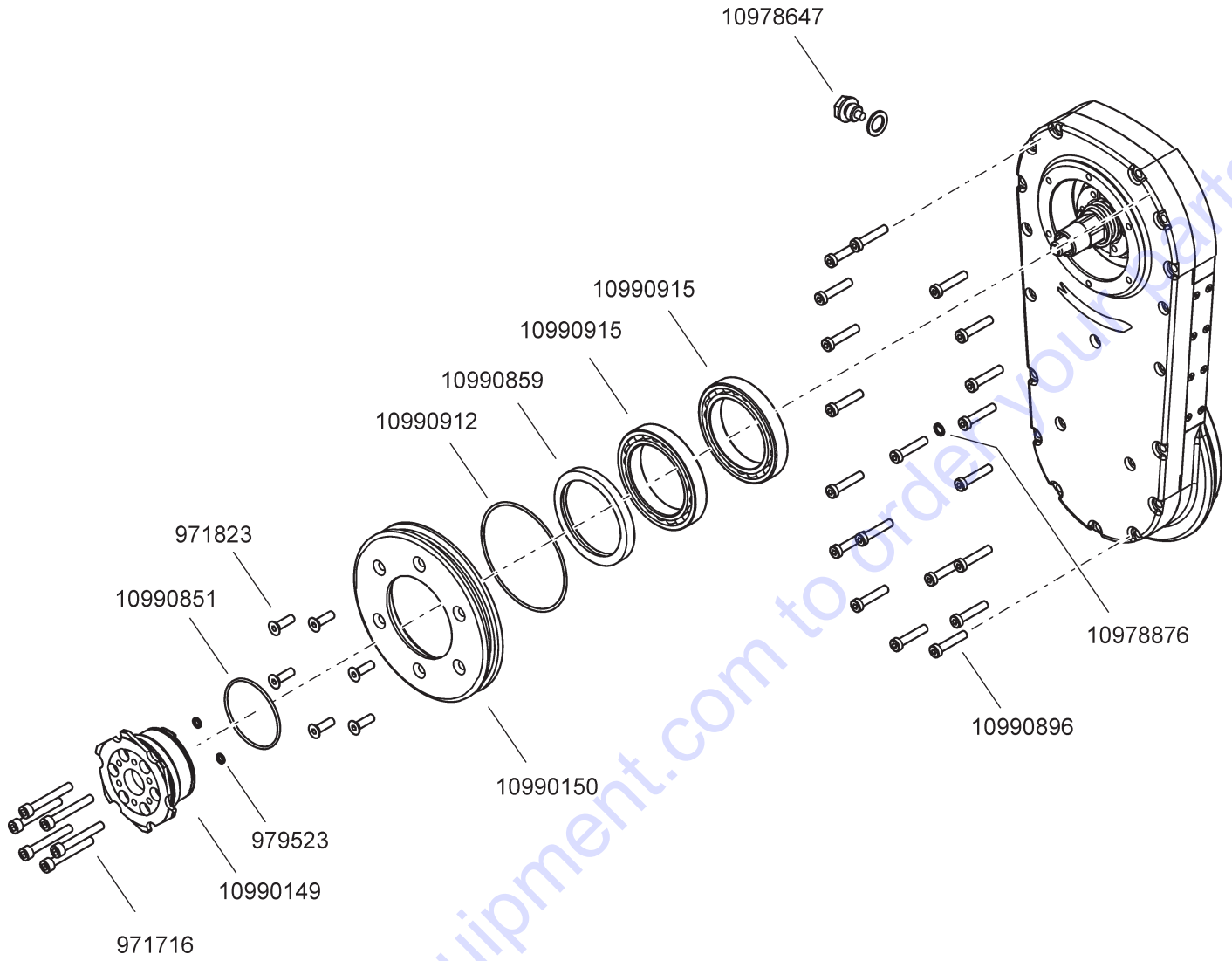
Discount-Equipment.com is your online resource for quality parts & equipment.

Florida: **561-964-4949** Outside Florida TOLL FREE: **877-690-3101**

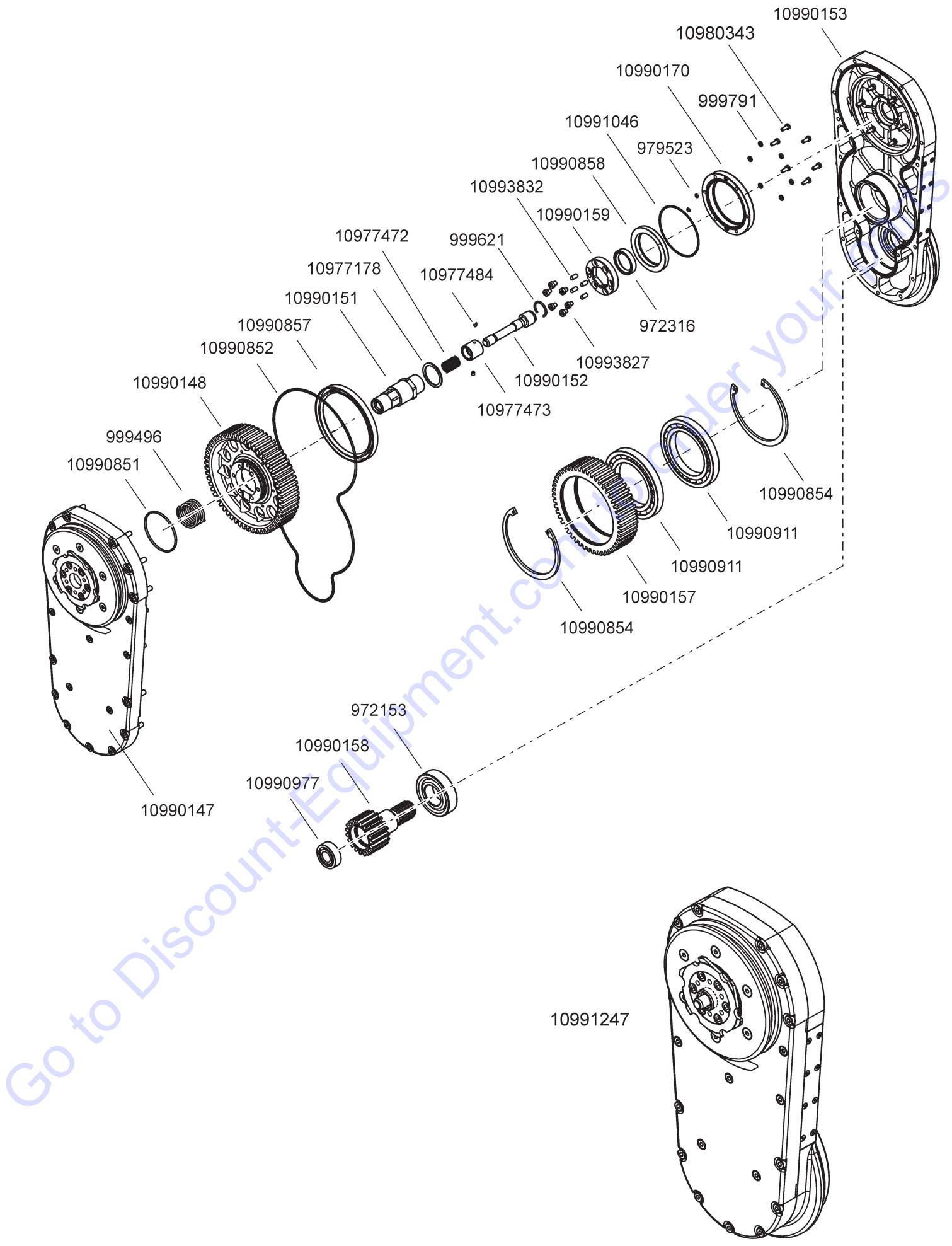
Need parts?

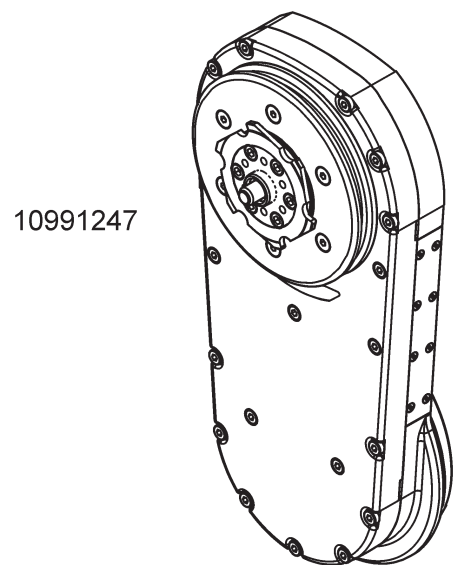
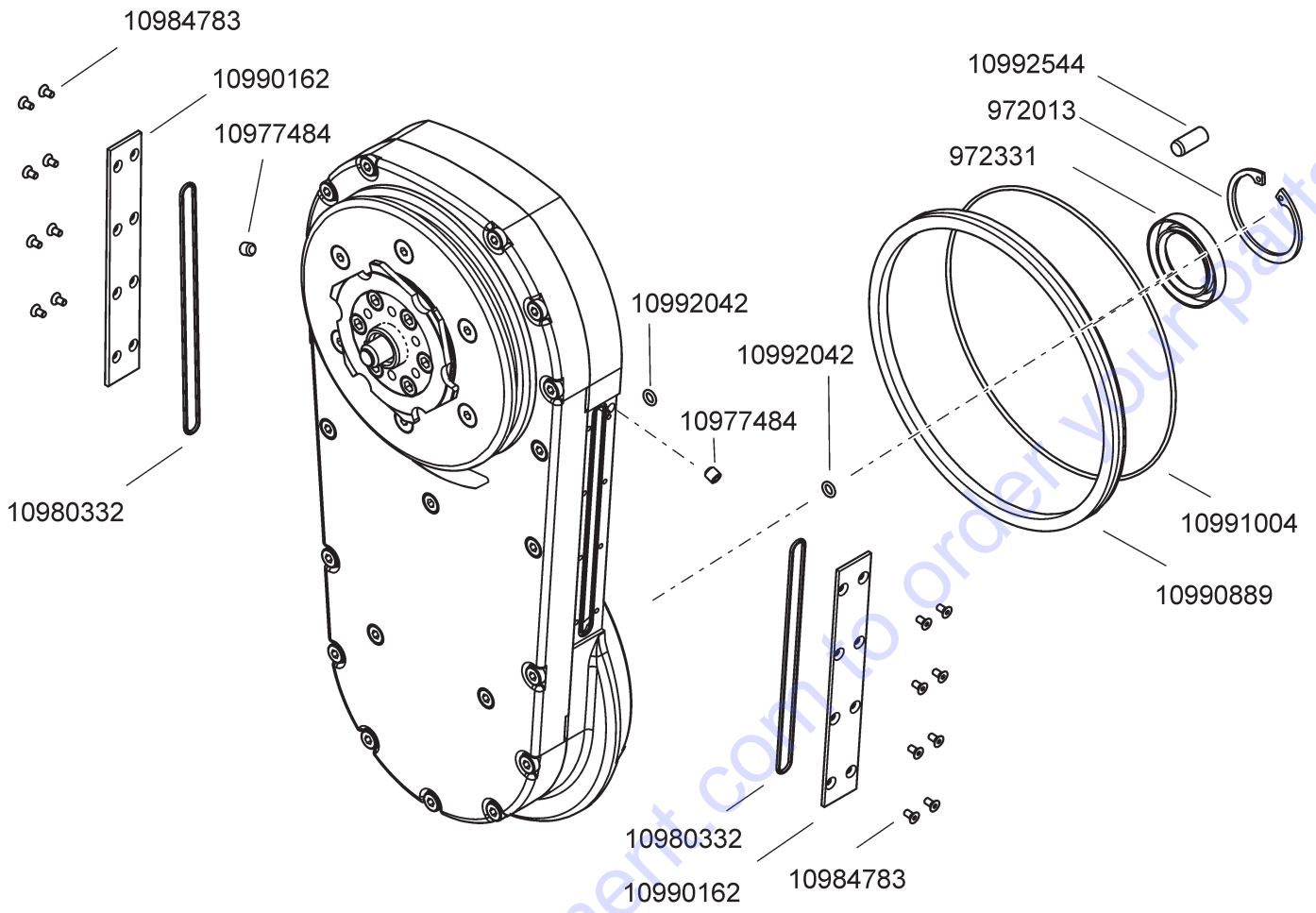
Click on this link: <http://www.discount-equipment.com/category/5443-parts/> and choose one of the options to help get the right parts and equipment you are looking for. Please have the machine model and serial number available in order to help us get you the correct parts. If you don't find the part on the website or on one of the online manuals, please fill out the request form and one of our experienced staff members will get back to you with a quote for the right part that your machine needs.

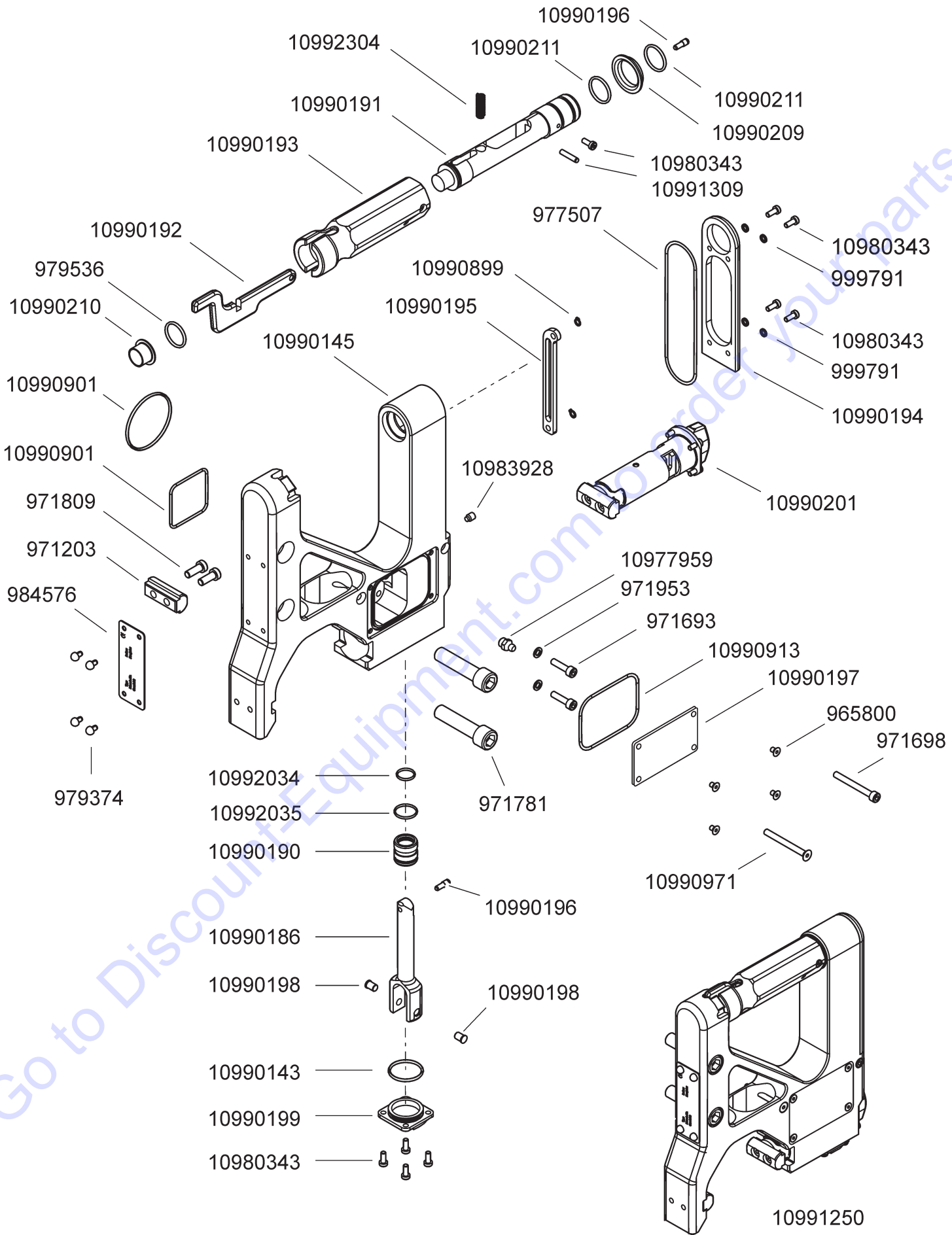
We sell worldwide for the brands: Genie, Terex, JLG, MultiQuip, Mikasa, Essick, Whiteman, Mayco, Toro Stone, Diamond Products, Generac Magnum, Airman, Haulotte, Barreto, Power Blanket, Nifty Lift, Atlas Copco, Chicago Pneumatic, Allmand, Miller Curber, Skyjack, Lull, Skytrak, Tsurumi, Husquvarna Target, Stow, Wacker, Sakai, Mi-T-M, Sullair, Basic, Dynapac, MBW, Weber, Bartell, Bennar Newman, Haulotte, Ditch Runner, Menegotti, Morrison, Contec, Buddy, Crown, Edco, Wyco, Bomag, Laymor, EZ Trench, Bil-Jax, F.S. Curtis, Gehl Pavers, Heli, Honda, ICS/PowerGrit, IHI, Partner, Imer, Clipper, MMD, Koshin, Rice, CH&E, General Equipment, Amida, Coleman, NAC, Gradall, Square Shooter, Kent, Stanley, Tamco, Toku, Hatz, Kohler, Robin, Wisconsin, Northrock, Oztec, Toker TK, Rol-Air, APT, Wylie, Ingersoll Rand / Doosan, Innovatech, Con X, Ammann, Mecalac, Makinex, Smith Surface Prep, Small Line, Wanco, Yanmar

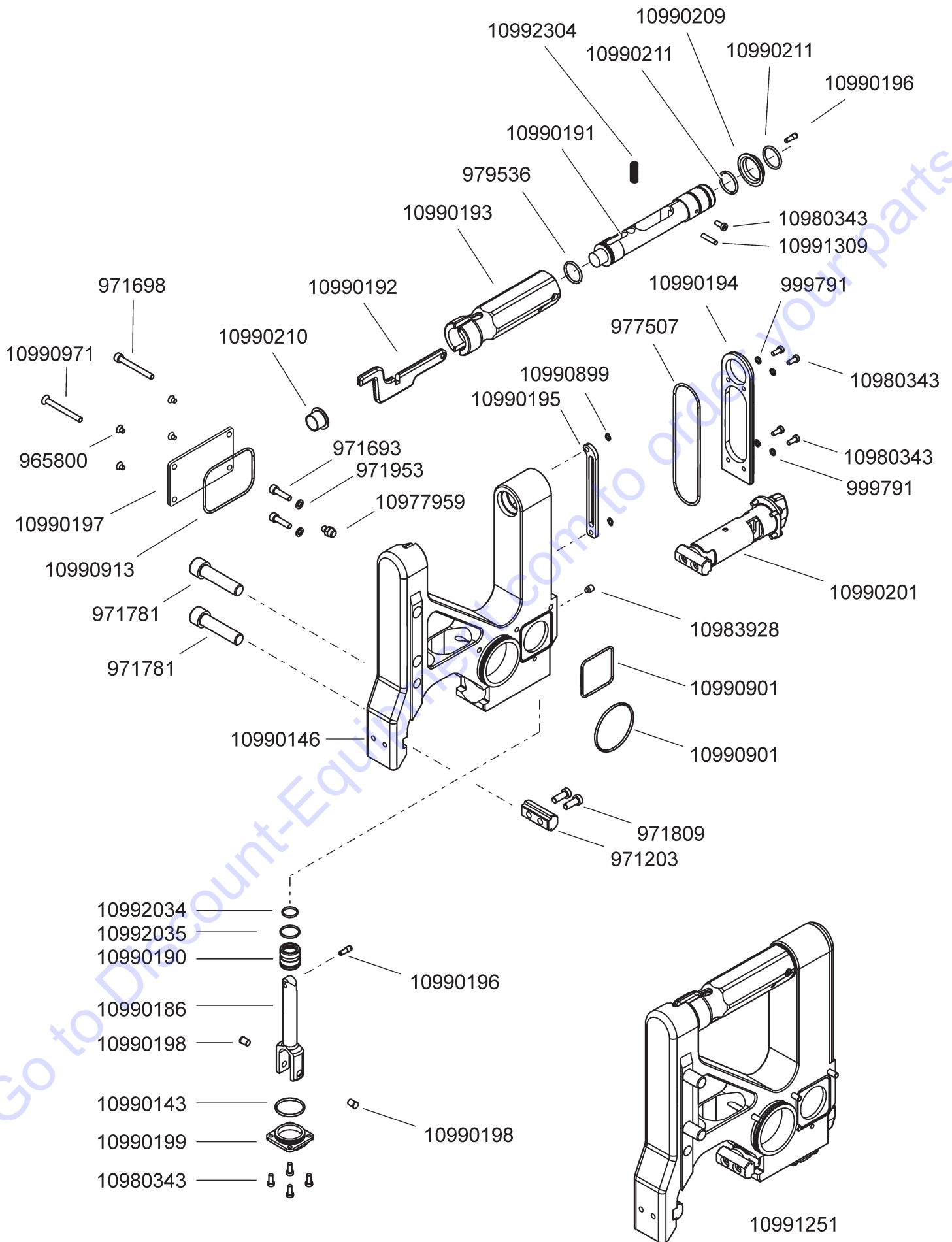


Go to Discount-Equipment.com to order your parts

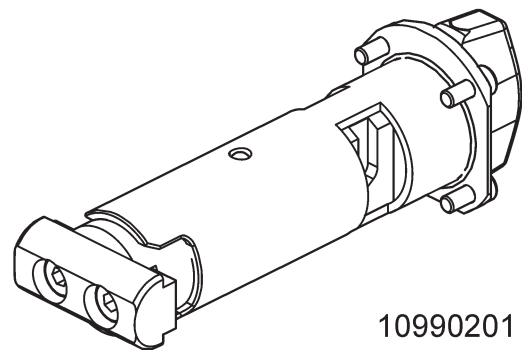
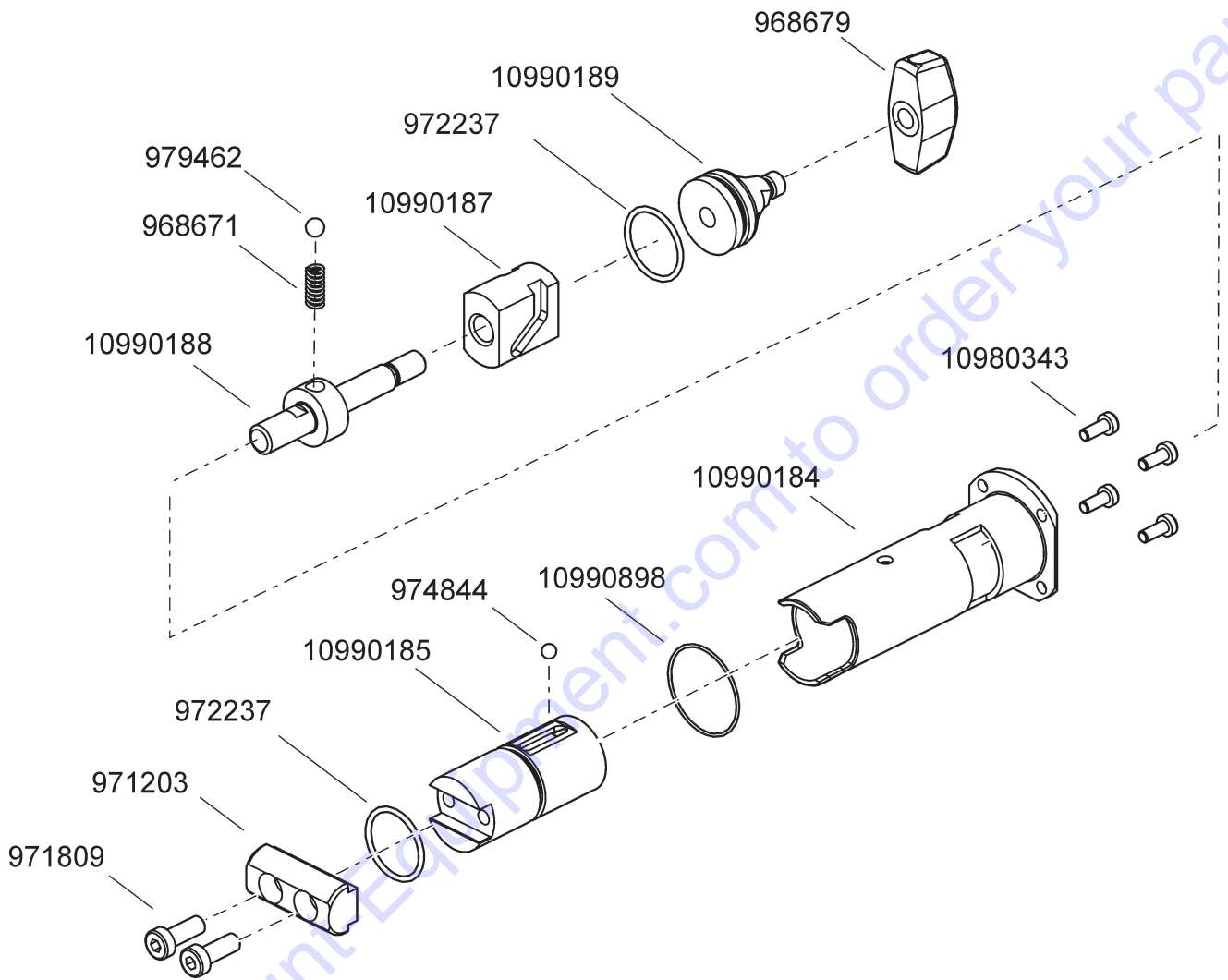




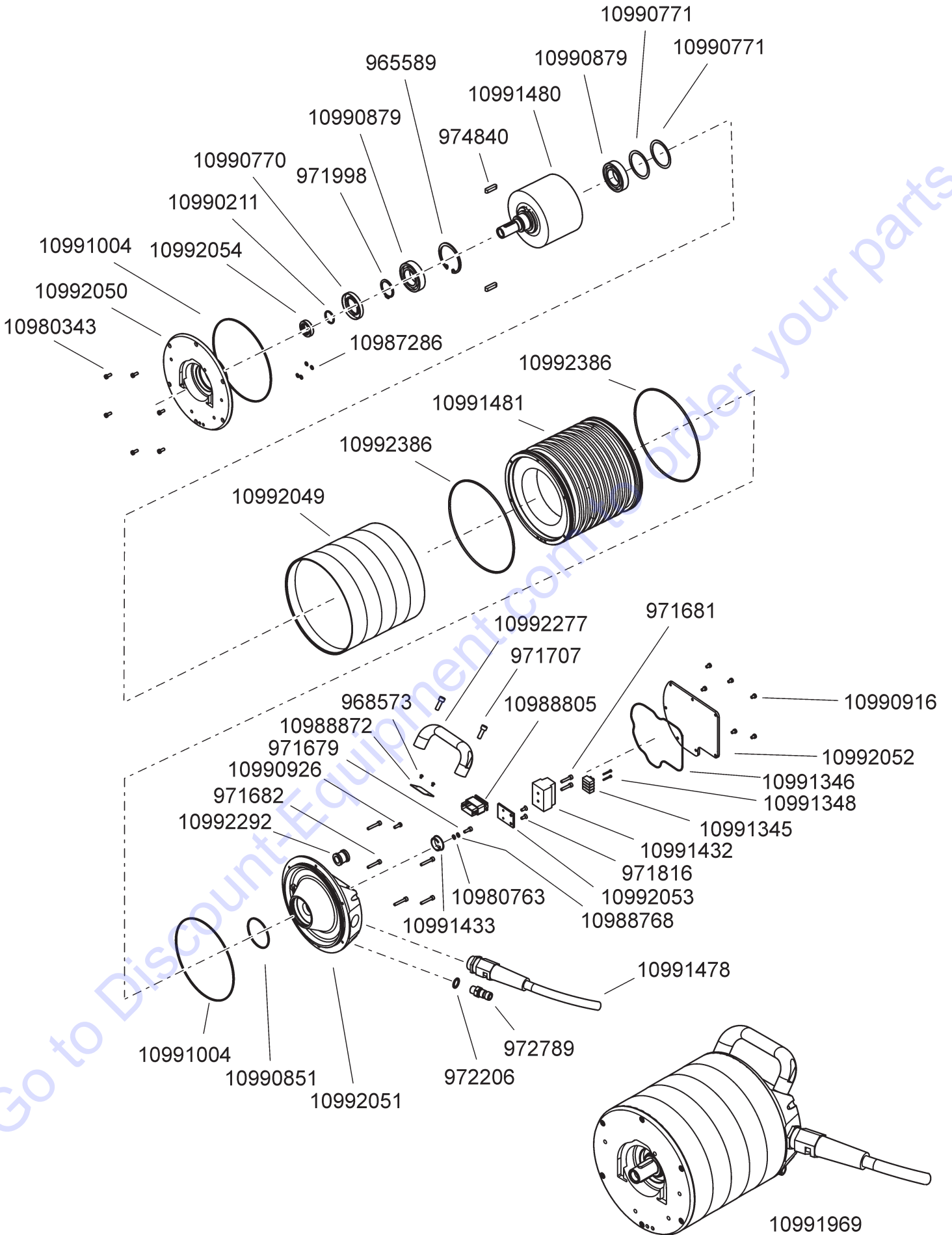




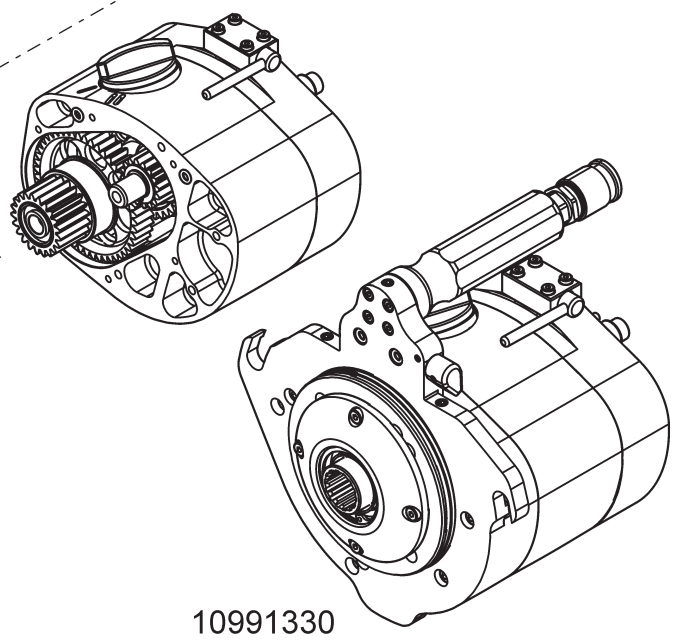
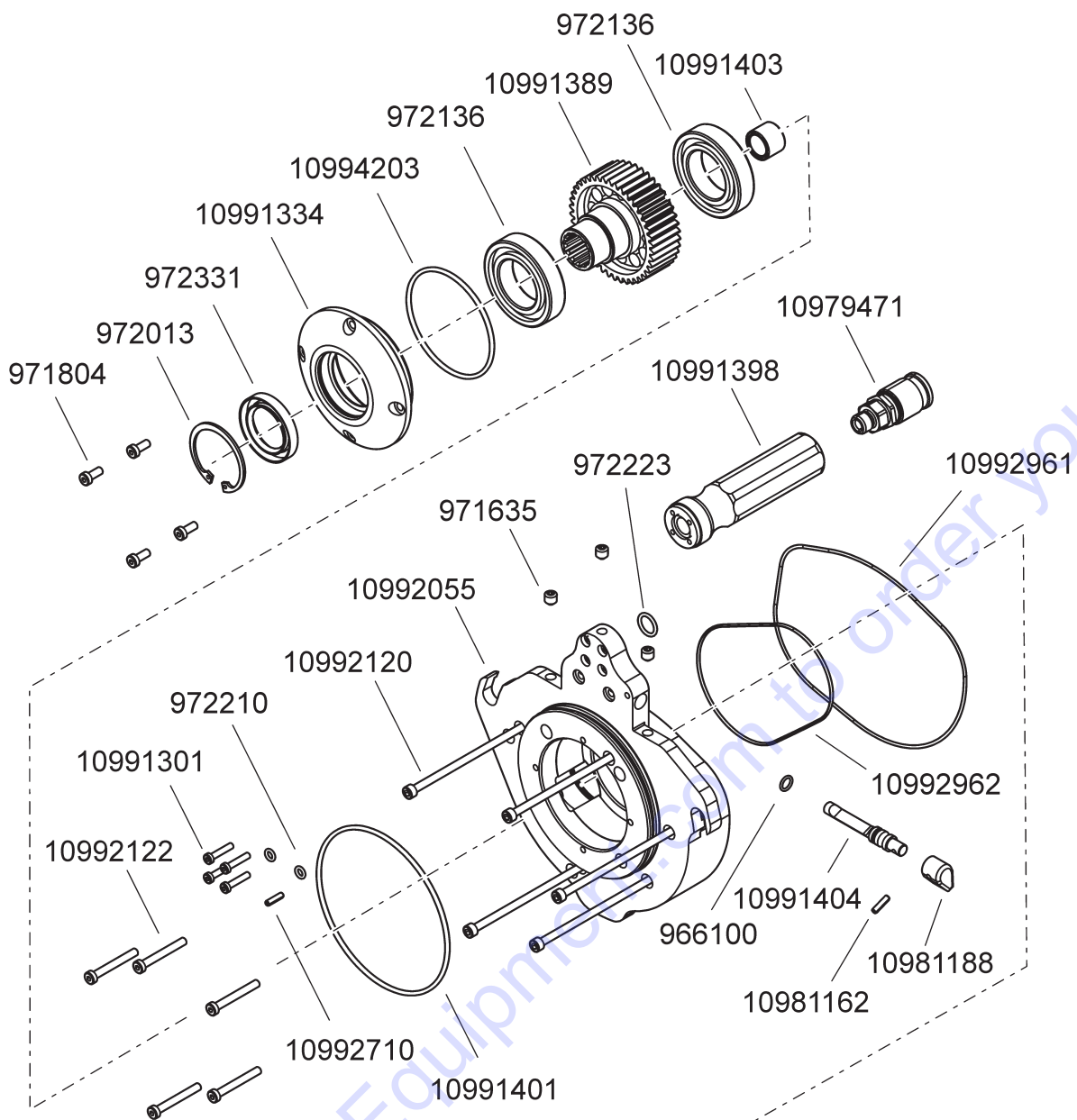
Go to DiscountEquipment.com to order your parts



10990201



Go to Discount-Equipment.com to order your parts



10991330

WSE2226

TYROLIT	DESCRIPTION	DP
962269	O-ring 10.00x2.00 N 70	2706793
962286	Threadedoin M6x6	3403978
965589	Circlip bore dia 55	3402106
965643	Bag PE 115x155/0.075	3403825
965800	Countersunk screw M4x6	3403826
966100	O-ring 8.00x2.00 N 70	3401400
968573	Grooved nail 3x4	3403661
968671	Pr. Spring 5/1.0x17	3401112
968679	Wing nut M8	3403827
969231	Needle bush HK 2016	3403629
969911	Hex. screw M12x35	3403663
971203	Guiding prism bronze	3400617
971635	Threadedpin M8x8	3403828
971672	Socket screw M3x6	3403829
971679	Socket screw M4x12	3403830
971681	Socket screw M4x20	3403667
971682	Socket screw M4x25	3403831
971693	Socket screw M5x20	3403669
971698	Socket screw M5x45	3403832
971707	Socket screw M6x18	3403833
971709	Socket screw M6x20	3403487
971716	Socket screw M6x45	3400921
971721	Socket screw M6x65	3403361
971737	Socket screw M8x25	3403834
971779	Socket screw M12x35	3403835
971781	Socket screw M12x45	3403836
971804	Socket screw flhd M5x12	3403611
971805	Socket screw flhd M5x20	3403837
971808	Socket screw flhd M6x12	3400103
971809	Socket screw flhd M6x16	3400709
971816	Countersunk screw M4x10	3403622
971819	Countersunk screw M5x12	3403838
971823	Countersunk screw M6x20	3403839
971825	Countersunk screw M8x16	3401900
971953	Washer M5	3403840
971992	Circlip shaft dia 15	4600241
971993	Circlip shaft dia 16	3403159
971995	Circlip shaft dia 20	3401188
971996	Circlip shaft dia 25	3400807
971998	Circlip shaft dia 30	3402040

WSE2226

TYROLIT	DESCRIPTION	DP
972006	Circlip bore dia 21	3400515
972013	Circlip bore dia 47	3400514
972028	Shaft key 6x6x40	3403841
972136	Gr. ball bearing 6007	3403623
972140	Gr. ball bearing 6906	3400269
972153	Gr. ball bear. 6206-2RS	3401360
972179	Ang.b.bear. 3203/5203-2RS	3400516
972204	MEGU seal 8.5/13.4x1.00	3401999
972206	MEGU seal 13.8/18.7x1.25	3403608
972210	O-ring 5.00x2.50 N 70	3400501
972213	O-ring 7.00x2.50 N 70	3401037
972223	O-ring 12.00x2.50 N 70	3401137
972237	O-ring 22.00x2.00 N 70	3403373
972242	O-ring 25.00x2.00 N 70	3403843
972256	O-ring 36.00x2.50 N 70	3401038
972277	O-ring 68.00x2.50 N 70	3403844
972316	Sh.seal A 25/35/7 NBR RF	3401145
972327	Sh.seal A 20/32/7 NBR RF	3403845
972331	Sh.seal A 30/47/7 NBR RF	3400719
972789	Plug nipple 1/4" A1-WRO13	3400257
974840	Shaft key 6x6x25	3403676
974844	Ball dia 4.762	3403846
975924	TY-HS type plate 80x30	3402010
976086	HS brand sign 90x20	3403847
976426	Circlip shaft dia 14	3403848
977507	O-ring 100.00x2.00 N 70	3403849
977509	MEGU seal 5.7/9.0x1.00	3401350
979374	Grooved nail 4x6	3403484
979378	Circlip shaft dia 12	3403851
979462	Ball dia 6	3400854
979523	O-ring 3.00x1.50 N 70	3400009
979536	O-ring 20.00x2.00 N 70	3403492
979550	O-ring 54.00x4.00 N 70	3401157
980225	Cable tie TY24MX140x3.6	3403681
984759	Blade cover	3403682
984927	Str. pin 10h8 x 20 RF	3403852
984930	Straight pin 12m6 x 20	3401197
999496	Pr. spring dia32/2.5x71.5	3401258
999621	Circlip int Ø22	3403272
999756	Blade cover qu.rel.flange	3403854

WSE2226

TYROLIT	DESCRIPTION	DP
999791	MEGU seal 4.5/7.0x1.00	3403324
10977101	Transparent case A6	3403855
10977178	Spring washer	3401260
10977472	Pr. spring 13.5/0.9x56.7	3403207
10977474	Hub ring	3401257
10977478	Blade flange N-type	3403688
10977484	Threaded pin M4x5	3403273
10977880	Blade flange new cpl.	3403856
10977882	Blade flange ST cpl.	3401123
10977959	Grease nipple H1 M8	3403857
10978558	Distance washer 25/35/0.5	3400159
10978647	Drain plug w/magnet 1/4	3403621
10978876	MEGU seal 6.7/10.0x1.00	3403307
10979011	Gear oil Klüber EG 4-150	3403858
10979471	Coupling LP-006-0-WR013	3403707
10980162	O-ring 158.42x2.62 N 70	3403859
10980332	O-ring 90.00x1.50 N 70	3403860
10980343	Socket screw flhd M4x10	3403508
10980763	Curved spring washer M4	3403726
10981162	Coiled spring pin 4x14	3403732
10981188	Turning knob	3403733
10981565	Safety sign ST	3403861
10982722	Torque wrench 60Nm 1/2"	3403979
10982724	Torque wrench cpl.	3401307
10982734	Terminal block 5pole/1mm ²	3403738
10983316	Slotted screw M2x14	3403741
10983928	Threaded pin M6x8	3403862
10984783	Countersunk screw M3x6	3403345
10986409	Ang. ball bear. 3005-2RS	3403863
10987286	O-ring 5.00x1.50 N 70	3403744
10988720	Packaging bottle 200ccm	3403864
10988768	Serrated washer M4	3403747
10988805	Operating hour meter	3403748
10988872	TY-HS type plate 38x30	3403749
10990123	Cable fitting M6 brass	3403865
10990124	Swivelling ring	3403866
10990125	Motor flange	3403323
10990126	Screw	3403867
10990127	Swivelling gear	3403458
10990128	Pressure ring	3403868

WSE2226

TYROLIT	DESCRIPTION	DP
10990129	Cover ring	3403869
10990130	Motor ring	3403870
10990131	Swivelling pinion	3403459
10990132	Swivelling shaft	3403455
10990133	Support	3403871
10990134	Feed unit housing	3403872
10990135	Worm gear	3403456
10990136	Worm gear	3403457
10990137	Cover cable box	3403873
10990138	Bearing cover	3403874
10990139	Sealing cover	3403875
10990142	Drive pinion	3403454
10990143	O-ring 26x2.00 N 70	3403876
10990145	Side part left	3403877
10990146	Side part right	3403878
10990147	Swivelling arm cover	3403879
10990148	Hub gear	3403460
10990149	Blade flange	3403603
10990150	Blade guard guidance	3403880
10990151	Clamping sleeve	3403512
10990152	Hub screw	3403448
10990153	Swivelling arm	3403533
10990157	Intermediate gear	3403461
10990158	Main drive pinion	3403881
10990159	Lock	3403549
10990161	Swivel bearing cover	3403882
10990162	Water cover	3403883
10990163	Sealing cover	3403884
10990165	Feed bearing cover	3403885
10990167	Motor arrestor	3403886
10990168	Drive shaft	3403453
10990170	Sealing ring	3403887
10990171	Distance washer 1.8mm	3403888
10990184	Lining bush	3403889
10990185	Rest bush	3403890
10990186	Fork pusher	3403518
10990187	Slotted gate	3403520
10990188	Spindle	3403891
10990189	Handle support	3403510
10990190	Pusher bearing	3403892

WSE2226

TYROLIT	DESCRIPTION	DP
10990191	Handle core	3403511
10990192	Lock lever	3403893
10990193	Handle	3403894
10990194	Cover	3403895
10990195	Lever	3403501
10990196	Lever Pin	3403500
10990197	Lateral cover	3403896
10990198	Bolt	3403519
10990199	End cover	3403897
10990201	Carriage guide	3403898
10990208	O-ring 48.00x2.00 N 70	3403899
10990209	Fl. Bushing JFM-2528-06	3403900
10990210	Fl. Bushing JFM-1517-12	3403901
10990211	O-ring 21x2.00 N 70	3403902
10990212	Slotted screw M1.6x5	3403903
10990770	Sh. seal A 30/50/7 FPM	3403904
10990771	Spacer disc dia 45	3403759
10990794	O-ring 175.00x2.00 N 70	3403905
10990795	O-ring 224.00x2.00 N 70	3403906
10990797	O-ring 130.00x2.50 N 70	3403907
10990818	Gr. ball bear. 6804-2RS	3403908
10990851	O-ring 56.00x2.00 N 70	3403605
10990852	O-ring 270.00x2.00 N 70	3403909
10990854	Circlip bore dia 100	3403910
10990857	Shaft seal A 90/110/8 NBR	3403606
10990858	Shaft seal A 52/68/8 NBR	3403602
10990859	Shaft seal A 65/80/8 NBR	3403819
10990879	Gr. ball bear. 6006-2Z C4	3403911
10990889	V-seal TWVA 155-165	3403912
10990896	Socket screw flhd M6x30	3403372
10990898	O-ring 30.00x1.50 N 70	3403913
10990899	Circlip shaft dia 5	3403502
10990901	O-ring 50.00x2.00 N 70	3403914
10990911	Gr. ball bearing 16013	3403595
10990912	O-ring 88.00x2.0 N 70	3403820
10990913	O-ring 68.00x2.00 N 70	3403915
10990915	Angular ball bearing 7912	3403593
10990916	Socket screw flhd M4x6	3403787
10990917	Disc spring Ø12.5/6.2x0.7	3403916
10990918	O-ring 34.00x2.00 N 70	3403807

WSE2226

TYROLIT	DESCRIPTION	DP
10990919	O-ring 44.00x2.00 N 70	3403917
10990922	Sh. seal A 12/28/7 NBR RF	3403918
10990926	Socket screw flhd M4x12	3403919
10990927	Socket screw flhd M4x8	3403920
10990934	Cable assy drive motor	3403921
10990971	Countersunk screw M5x50	3403638
10990977	Cyl. roller bear. NJ202	3403922
10991004	O-ring 150.0x2.00 N 70	3403923
10991025	Lock pin	3403924
10991026	Centre bolt	3403925
10991042	O-ring 12.00x3.00 N 70	3403926
10991043	Pintle	3403927
10991046	O-ring 71.00x1.50 N 70	3403607
10991133	Needle bush HK 2516	3403928
10991134	Treaded pin M4x5	3403808
10991247	Swivel arm assy WSE2226	N/A
10991248	Support assy WSE2226	3403531
10991249	Drive unit assy WSE2226	N/A
10991250	Side part l. assy WSE2226	3403929
10991251	Side part r. assy WSE2226	3403930
10991295	Grooved ball bearing 6010	3403630
10991301	Socket screw flhd M4x16	3403931
10991302	Socket screw flhd M5x25	3403932
10991309	Straight pin 4h6 x 20	3403509
10991326	Intermed. gear z33 / z48	3403464
10991329	Drive shaft	3403933
10991330	Spur gear unit WSE2226	3403339
10991331	Control gear z22	3403466
10991333	Drive gear z16	3403467
10991334	Bearing flange	3403934
10991335	Drive gear z21	3403465
10991345	Terminal block 4pole/1mm ²	3403935
10991346	O-ring 140.00x2.00 N 70	3403657
10991348	Socket screw M2x16	3403936
10991389	Driven gear z42	3403463
10991398	Handle	3403980
10991401	O-ring 115.00x3.00 N 70	3403981
10991402	Socket screw flhd M4x20	3403937
10991403	Needle sleeve HK 1516	3403624
10991404	Rotary valve	3403777

WSE2226

TYROLIT	DESCRIPTION	DP
10991432	Terminal block 3pole/6mm ²	3403813
10991433	Drain plug M25x1.5	3403938
10991434	Rounded washer M8	3403939
10991478	Mot.cable assy WSE2226 8m	3403586
10991480	Rotor WSE2226 motor	3403809
10991481	Stator WSE2226 motor	3403940
10991483	Four point bearing 74062A	3403941
10991793	Needle cage K15x19x17	3403596
10991969	P2-Motor WSE2226	3403338
10991990	Gear wheel cover	3403942
10991991	Motor rest	3403943
10992033	Geared motor 200W i=32	3403823
10992034	O-ring 14.00x1.50 N 70	3403944
10992035	O-ring 17.00x1.50 N 70	3403945
10992036	Nut M12 special	3403946
10992042	O-ring 5.00x2.0 N 70	3403597
10992049	Sleeve	3403947
10992050	A-flange	3403948
10992051	B-flange	3403802
10992052	Cover	3403949
10992053	Clamp support	3403950
10992054	Sealing ring	3403951
10992055	Gearbox flange	3403772
10992057	Intermediate housing	3403952
10992058	Clutch housing	3403953
10992059	Selector shaft	3403954
10992060	Shifting collar	3403955
10992061	Clutch cover	3403956
10992062	Clutch shaft	3403957
10992063	Reset fork	3403521
10992091	Indexing pin	3403958
10992117	Pulling bolt	3403522
10992118	Lever	3403548
10992119	Control button	3403959
10992120	Socket screw M5x140	3403960
10992121	Socket screw M8x65 12.9	3403961
10992122	Socket screw flhd M5x40	3403336
10992124	Straight pin 3h6 x 16	3403982
10992194	Sh. seal A 20/28/7 NBR RF	3403962
10992277	Bow-type handle	3403963

WSE2226

TYROLIT	DESCRIPTION	DP
10992292	Cable sleeve 12x20x3 DA	3403964
10992295	Sh. seal A 17/32/7 NBR RF	3403965
10992297	Spacer disc dia 26	3403966
10992304	Pr. spring 6.3/1.0x30.5	3403967
10992386	O-ring 175.00x2.50 N 70	3403968
10992387	Pin	3403969
10992388	Pr. spring 5.0/0.63x26	3403812
10992406	Geared motor 200W i=21	3403822
10992419	Gr. ball bear. 6301-2RS	3403970
10992521	Needle bearing NA 4902	3403628
10992544	Straight pin 8h6 x 20	3403971
10992709	Shaft key 5x5x30	3403775
10992710	Coiled spring pin 4x10 hy	3403803
10992711	Shim ring dia 45/57x0.5	3403972
10992712	Free-wheel clutch	3403523
10992745	Shim ring dia 15/22x1.0	3403973
10992960	O-ring 155.00x2.00 N 70	3403626
10992961	O-ring 160.00x2.00 N 70	3403614
10992962	O-ring 110.00x2.00 N 70	3403625
10992963	Pr. spring 5.8/0.8x17.5	3403974
10993113	O-ring 97.00x2.00 N 70	3403598
10993827	Socket screw flhd M5x8	3403975
10993832	Staight pin 5h6 x 14	3403976
10994203	O-ring 74.00x3.00 N 70	3403977

PARTS FINDER

**Search Website
by Part Number**



**Search Manual
Library For Parts
Manual & Lookup Part
Numbers – Purchase
or Request Quote**

Search Manuals

Enter your information to help us find the right parts manual for your machine.

* Brand:

* Model:

* Serial:

* Part Number:

SEARCH

**Can't Find Part or
Manual? Request Help
by Manufacturer,
Model & Description**

Parts Order Form

Please fill in the following information to help us find the right part for your machine.

Manufacturer:	<input type="text"/>
Model:	<input type="text"/>
Description:	<input type="text"/>
Part Number:	<input type="text"/>
Quantity:	<input type="text"/>
Notes:	<input type="text"/>

Submit

Discount-Equipment.com is your online resource for quality parts & equipment.

Florida: **561-964-4949** Outside Florida TOLL FREE: **877-690-3101**

Need parts?

Click on this link: <http://www.discount-equipment.com/category/5443-parts/> and choose one of the options to help get the right parts and equipment you are looking for. Please have the machine model and serial number available in order to help us get you the correct parts. If you don't find the part on the website or on one of the online manuals, please fill out the request form and one of our experienced staff members will get back to you with a quote for the right part that your machine needs.

We sell worldwide for the brands: Genie, Terex, JLG, MultiQuip, Mikasa, Essick, Whiteman, Mayco, Toro Stone, Diamond Products, Generac Magnum, Airman, Haulotte, Barreto, Power Blanket, Nifty Lift, Atlas Copco, Chicago Pneumatic, Allmand, Miller Curber, Skyjack, Lull, Skytrak, Tsurumi, Husquvarna Target, Stow, Wacker, Sakai, Mi-T-M, Sullair, Basic, Dynapac, MBW, Weber, Bartell, Bennar Newman, Haulotte, Ditch Runner, Menegotti, Morrison, Contec, Buddy, Crown, Edco, Wyco, Bomag, Laymor, EZ Trench, Bil-Jax, F.S. Curtis, Gehl Pavers, Heli, Honda, ICS/PowerGrit, IHI, Partner, Imer, Clipper, MMD, Koshin, Rice, CH&E, General Equipment, Amida, Coleman, NAC, Gradall, Square Shooter, Kent, Stanley, Tamco, Toku, Hatz, Kohler, Robin, Wisconsin, Northrock, Oztec, Toker TK, Rol-Air, APT, Wylie, Ingersoll Rand / Doosan, Innovatech, Con X, Ammann, Mecalac, Makinex, Smith Surface Prep, Small Line, Wanco, Yanmar