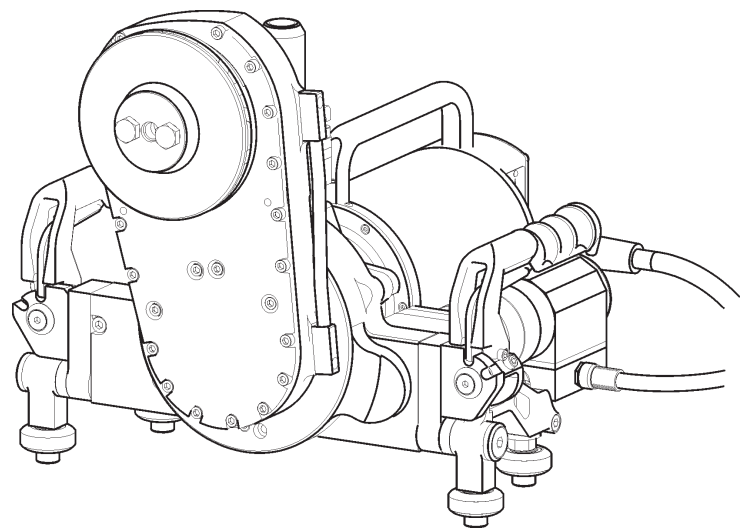


Ersatzteilliste

Spare Parts List / Liste des pièces détachées / Lista delle parti di ricambio

WSE1217★ ★ ★

Index 000



PARTS FINDER

**Search Website
by Part Number**



**Search Manual
Library For Parts
Manual & Lookup Part
Numbers – Purchase
or Request Quote**

Search Manuals

Enter your information to help us find the right parts manual for your machine.

* Brand:

* Model:

* Serial:

* Part Number:

SEARCH

**Can't Find Part or
Manual? Request Help
by Manufacturer,
Model & Description**

Parts Order Form

Please fill in the following information to help us find the right part for your machine.

Manufacturer:	<input type="text"/>
Model:	<input type="text"/>
Description:	<input type="text"/>
Part Number:	<input type="text"/>
Quantity:	<input type="text"/>
Notes:	<input type="text"/>

Submit

Discount-Equipment.com is your online resource for quality parts & equipment.

Florida: **561-964-4949** Outside Florida TOLL FREE: **877-690-3101**

Need parts?

Click on this link: <http://www.discount-equipment.com/category/5443-parts/> and choose one of the options to help get the right parts and equipment you are looking for. Please have the machine model and serial number available in order to help us get you the correct parts. If you don't find the part on the website or on one of the online manuals, please fill out the request form and one of our experienced staff members will get back to you with a quote for the right part that your machine needs.

We sell worldwide for the brands: Genie, Terex, JLG, MultiQuip, Mikasa, Essick, Whiteman, Mayco, Toro Stone, Diamond Products, Generac Magnum, Airman, Haulotte, Barreto, Power Blanket, Nifty Lift, Atlas Copco, Chicago Pneumatic, Allmand, Miller Curber, Skyjack, Lull, Skytrak, Tsurumi, Husquvarna Target, Stow, Wacker, Sakai, Mi-T-M, Sullair, Basic, Dynapac, MBW, Weber, Bartell, Bennar Newman, Haulotte, Ditch Runner, Menegotti, Morrison, Contec, Buddy, Crown, Edco, Wyco, Bomag, Laymor, EZ Trench, Bil-Jax, F.S. Curtis, Gehl Pavers, Heli, Honda, ICS/PowerGrit, IHI, Partner, Imer, Clipper, MMD, Koshin, Rice, CH&E, General Equipment, Amida, Coleman, NAC, Gradall, Square Shooter, Kent, Stanley, Tamco, Toku, Hatz, Kohler, Robin, Wisconsin, Northrock, Oztec, Toker TK, Rol-Air, APT, Wylie, Ingersoll Rand / Doosan, Innovatech, Con X, Ammann, Mecalac, Makinex, Smith Surface Prep, Small Line, Wanco, Yanmar

Verwendung der Ersatzteilliste

Die Ersatzteilliste ist keine Montage- oder Demontageanleitung. Diese Ersatzteilliste dient ausschliesslich zum einfachen und schnellen Finden von Ersatzteilen, die bei der untenstehenden Adresse bestellt werden können.

Sicherheitsvorschrift



Gefahr

Montieren oder demontieren von Baugruppen kann Risiken bergen, auf die in dieser Ersatzteilliste nicht hingewiesen wird.

Das Verwenden dieser Ersatzteilliste für Montage- oder Demontagezwecke ist strikte verboten. Für Montage- und Demontearbeiten sind ausschliesslich die entsprechenden Beschreibungen in der Betriebsanleitung zu befolgen.

Nichtbeachten dieser Vorschrift kann zu Verletzungen führen, die im schlimmsten Fall auch den Tod zur Folge haben könnten.

Bestellungen

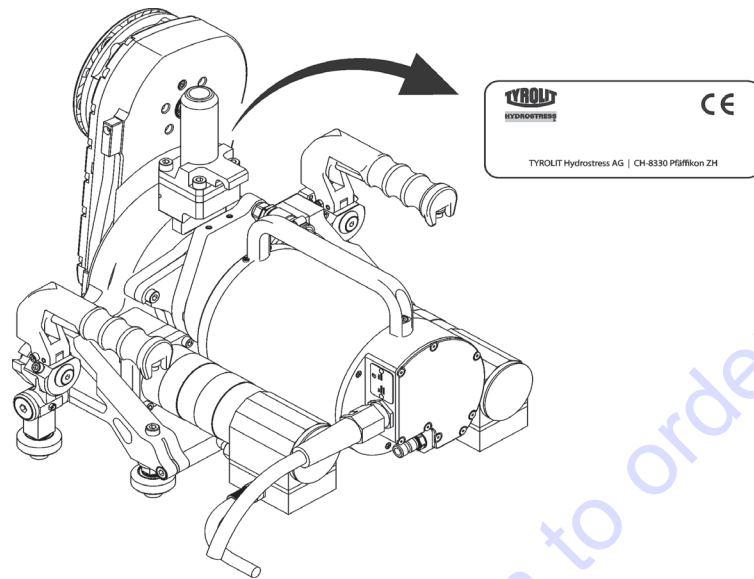


Information

Um Falschliefereien zu vermeiden sollten vor der Versendung die Angaben in der Bestellung auf Richtigkeit und Vollständigkeit (siehe unter Bestellangaben) überprüft werden. Es ist auch darauf zu achten, dass die Lieferadresse vollständig angegeben ist.

Ersatzteilliste

Bestellangaben



Bei Bestellungen von Ersatzteilen benötigen wir folgende Angaben:

- Maschinentyp gemäss Typenschild (z.B. WSE1217★★★)
- Maschinennummer gemäss Typenschild (z.B. 20030000)
- Maschinenindex gemäss Typenschild (z.B. 000)
- Ersatzteilnummer gemäss Ersatzteilliste (z.B. 961901)

Für Bestellungen, Fragen und Informationen wenden Sie sich bitte an die zuständige Niederlassung.

How to use the spare parts list

The spare parts list is not intended as instructions for assembly or dismantling work. It is exclusively intended to help you to quickly and easily find spare parts, which can then be ordered at the address below.

Safety regulations



Danger

The assembling or dismantling of modules can involve risks which are not identified in this spare parts list.
The use of this spare parts list for assembly or dismantling purposes is strictly forbidden. For assembly or dismantling tasks it is essential to only follow the corresponding descriptions in the operating manual.
If this regulation is not heeded injuries may be incurred which in the worst case can also be fatal.

Ordering

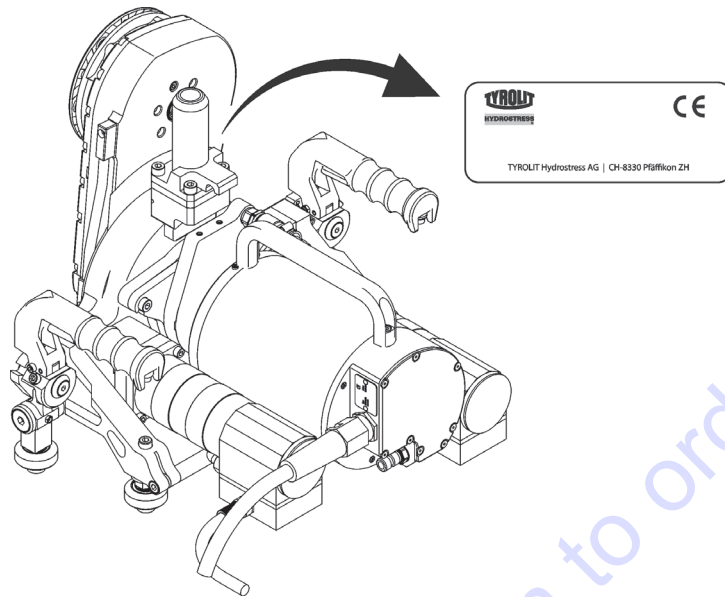


Information

To avoid incorrect deliveries you should check the order details for correctness and completeness (see under ordering details) prior shipment.
You should ensure that the delivery address is given in full.

Spare Parts List

Ordering details



When spare parts are ordered we need the following details:

- Machine type according to nameplate (e.g. WSE1217★★★)
- Machine number according to nameplate (e.g. 20030000)
- Machine index according to nameplate (e.g. 000)
- Spare part number according to the spare parts list (e.g. 961901)

For orders, questions and information please contact Discount-equipment

Utilisation de la liste des pièces détachées

La liste des pièces détachées n'est pas une instruction de montage ou de démontage. Cette liste sert exclusivement à trouver simplement et rapidement les pièces détachées, qui peuvent être commandées à l'adresse mentionnée ci-dessous.

Prescription de sécurité



Danger

Le montage ou le démontage des modules peut présenter des risques dont il n'est pas fait mention dans cette liste des pièces détachées.
Il est strictement interdit d'employer cette liste des pièces détachées à des fins de montage ou de démontage. Pour les opérations de montage et de démontage, il faut exclusivement suivre les descriptions correspondantes dans le mode d'emploi.
Le non-respect de la présente prescription peut conduire à des blessures, pouvant même entraîner la mort.

Commandes

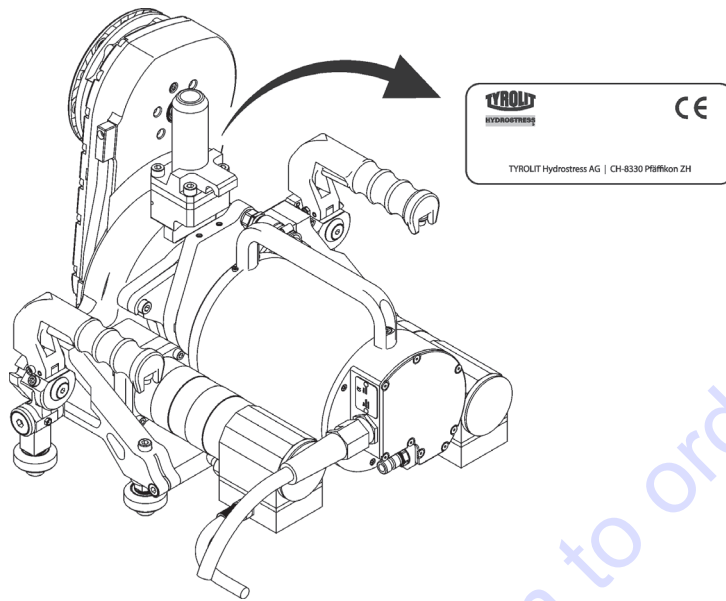


Information

Pour éviter des livraisons inappropriées, il est conseillé de vérifier avant l'expédition l'exactitude et l'exhaustivité des indications fournies dans la commande (voir Données de commande).
Il faut aussi veiller à bien indiquer l'adresse de livraison en entier.

Liste des pièces détachées

Données de commande



Lors de la commande de pièces détachées, nous avons besoin des données suivantes :

- Type de machine selon la plaque signalétique (p.ex. WSE1217★★★)
- Numéro de machine selon la plaque signalétique (p.ex. 20030000)
- Indice de machine selon la plaque signalétique (p.ex. 000)
- Numéro de pièce détachée selon la liste des pièces détachées (p.ex. 961901)

Pour les commandes, questions et informations, vous êtes prié de vous adresser à la filiale compétente.

Uso della lista delle parti di ricambio

La lista delle parti di ricambio non è un manuale d'istruzioni per montaggio o smontaggio. Questa lista delle parti di ricambio serve esclusivamente per trovare in modo semplice e rapido parti di ricambio che possono essere ordinate all'indirizzo riportato qui sotto.

Norme di sicurezza



Pericolo

Il montaggio o lo smontaggio di componenti della macchina può comportare pericoli che non sono indicati in questa lista delle parti di ricambio. E' assolutamente vietato servirsi di questa lista delle parti di ricambio per scopo di montaggio o di smontaggio. Per operazioni di montaggio o smontaggio occorre seguire esclusivamente le relative istruzioni nel manuale per l'uso della macchina. La mancata osservanza di queste norme può comportare lesioni, e nel caso peggiore anche la morte.

Ordinazioni

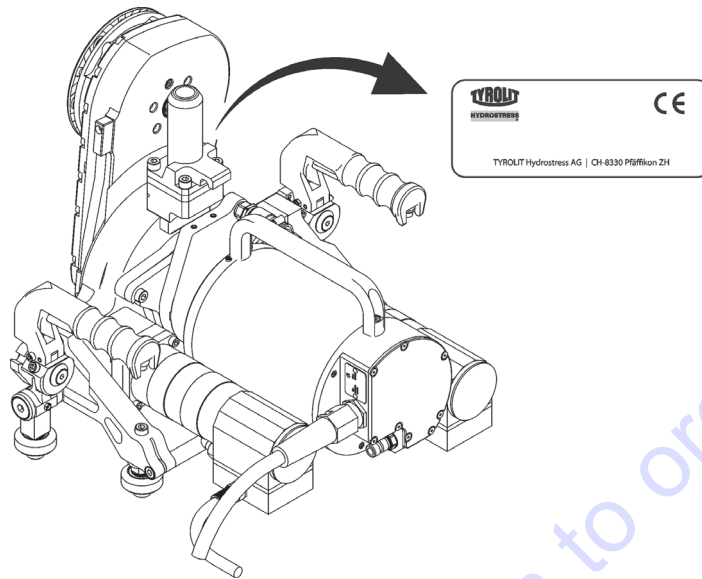


Information

Per evitare forniture incorrette, occorre verificare prima dell'invio dell'ordinazione se i dati indicati in essa sono corretti e completi (vedere la lista dei dati per l'ordinazione). Occorre verificare anche se l'indirizzo per la consegna è esatto e completo..

Lista delle parti di ricambio

Dati per l'ordinazione

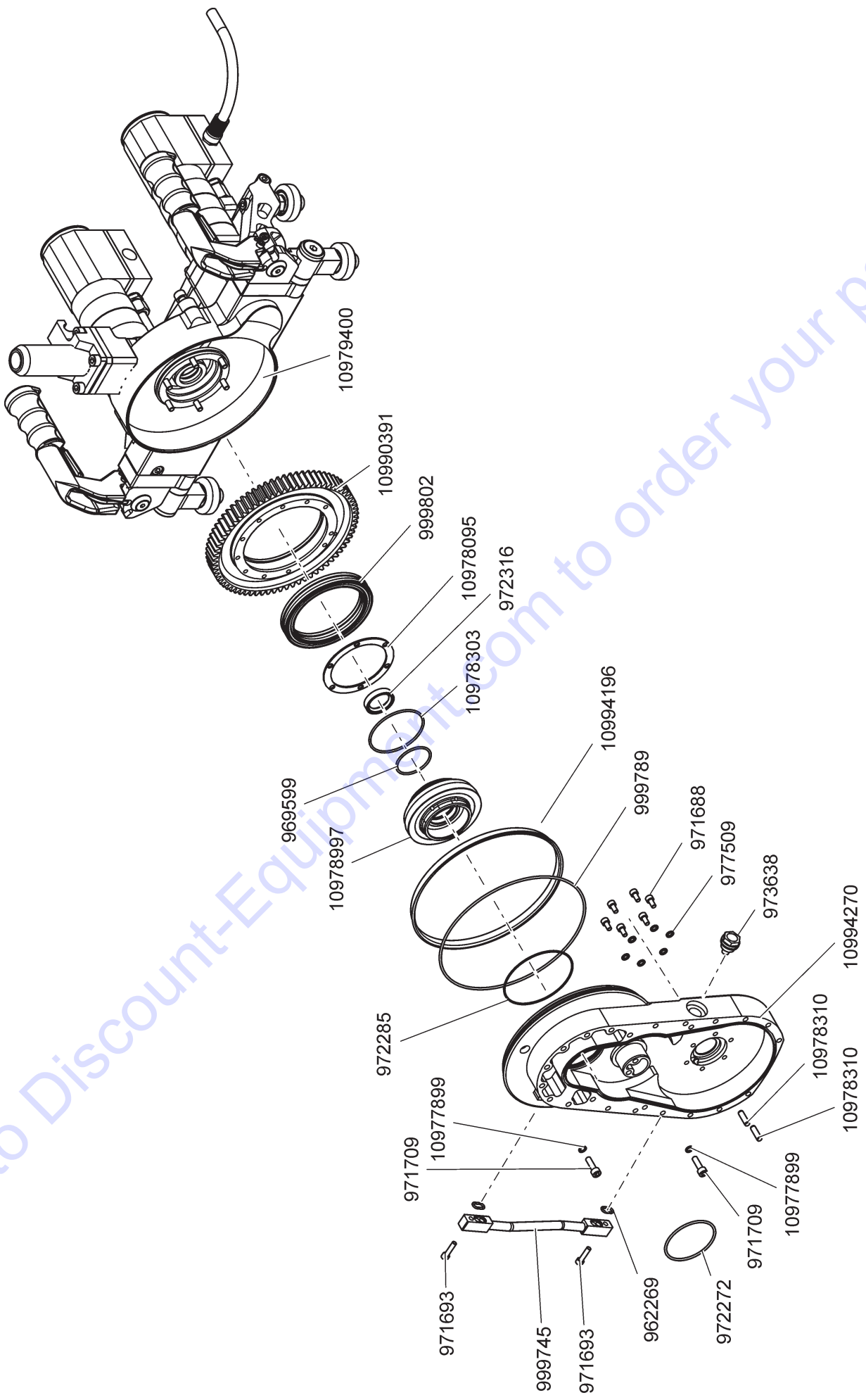


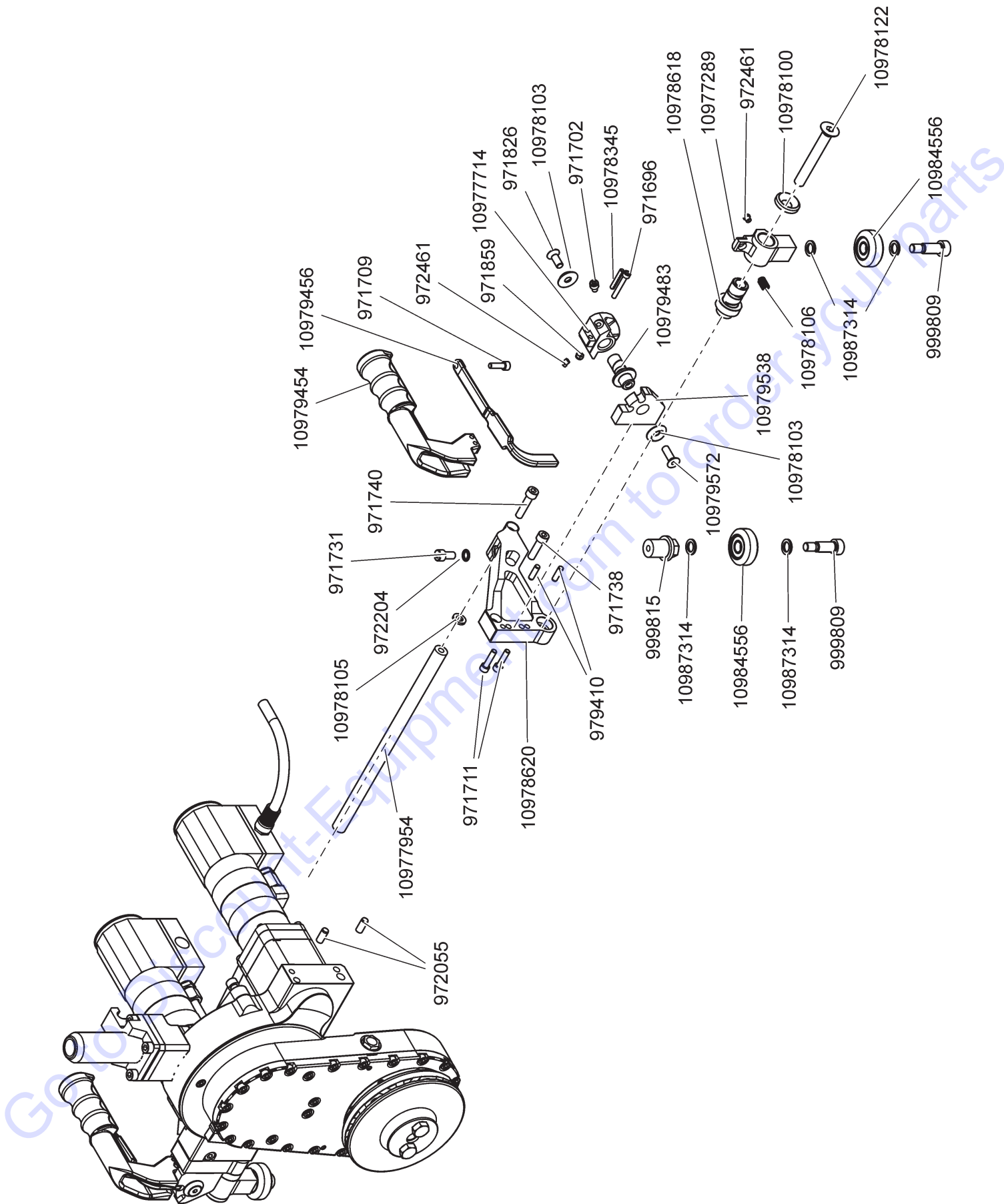
Per ordinazioni di parti di ricambio ci occorrono i dati seguenti:

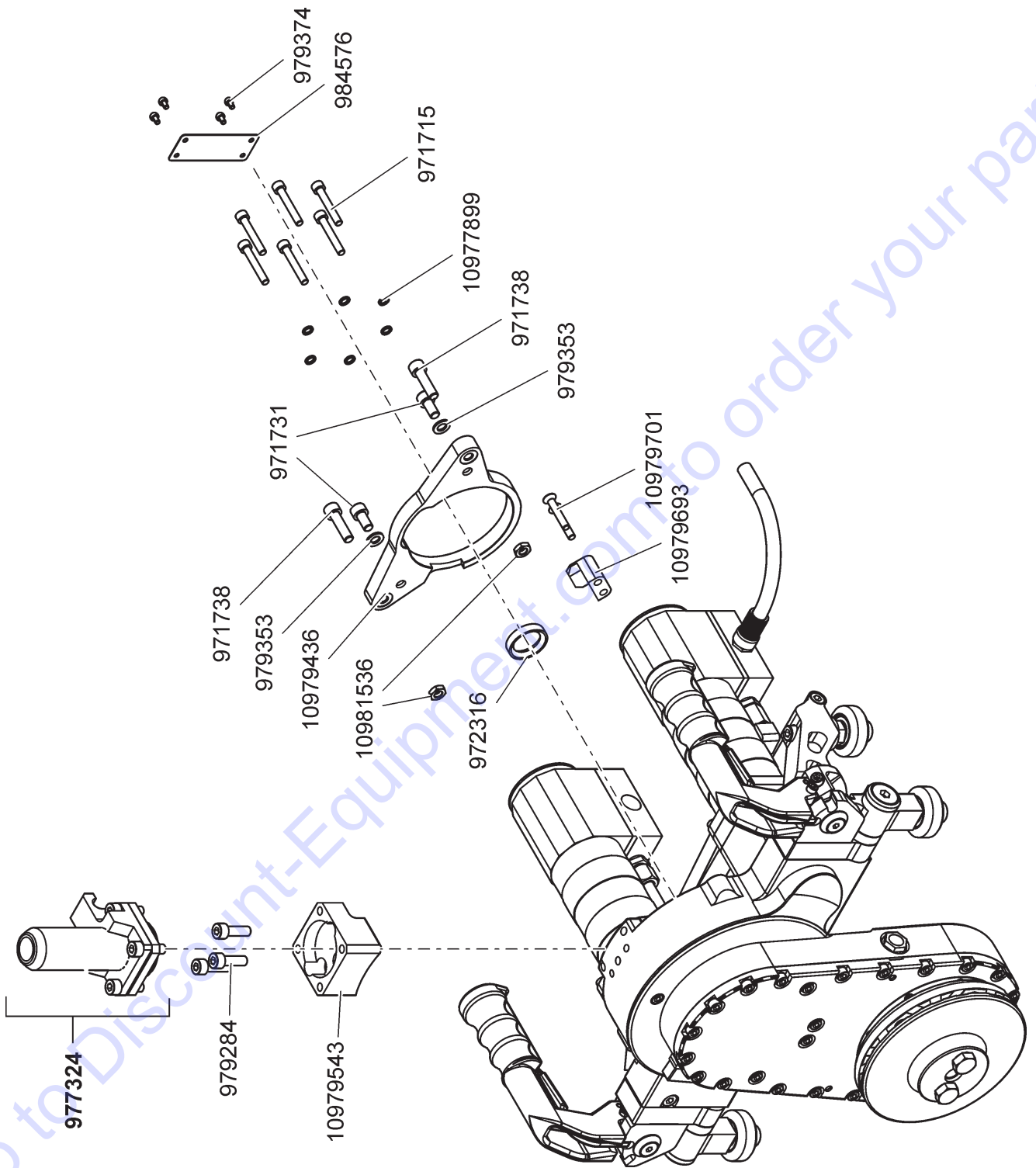
- Tipo di macchina indicato sulla targhetta della macchina (per es. WSE1217★★★)
- Numero della macchina indicato sulla targhetta della macchina (per es. 20030000)
- Indice della macchina indicato sulla targhetta della macchina (per es. 000)
- Numero della parte di ricambio secondo la lista di parti di ricambio (per es. 961901)

Per ordinazioni, domande o richieste d'informazioni Vi preghiamo di rivolgerVi all'agenzia competente.

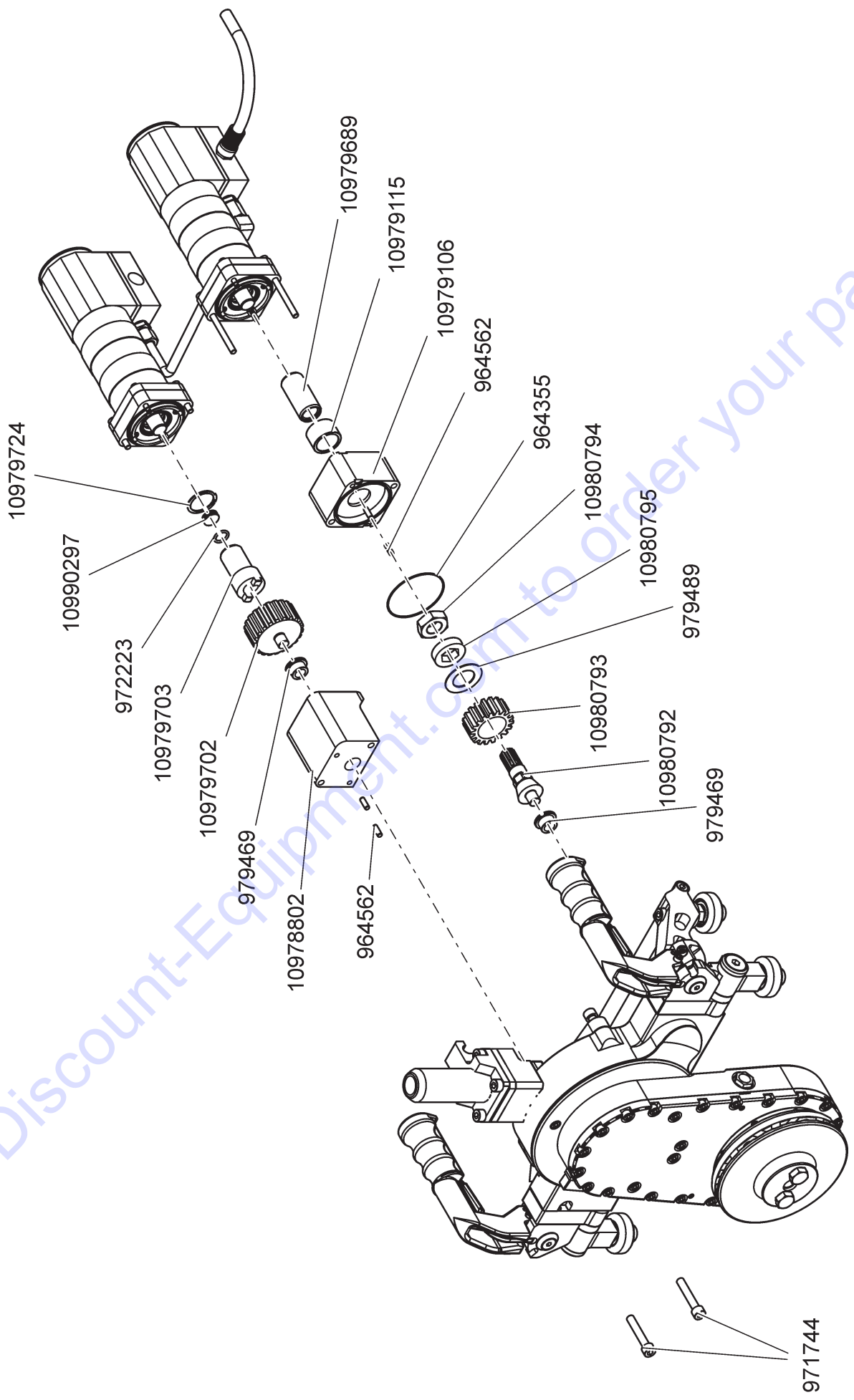
Go to Discount-Equipment.com to order your parts



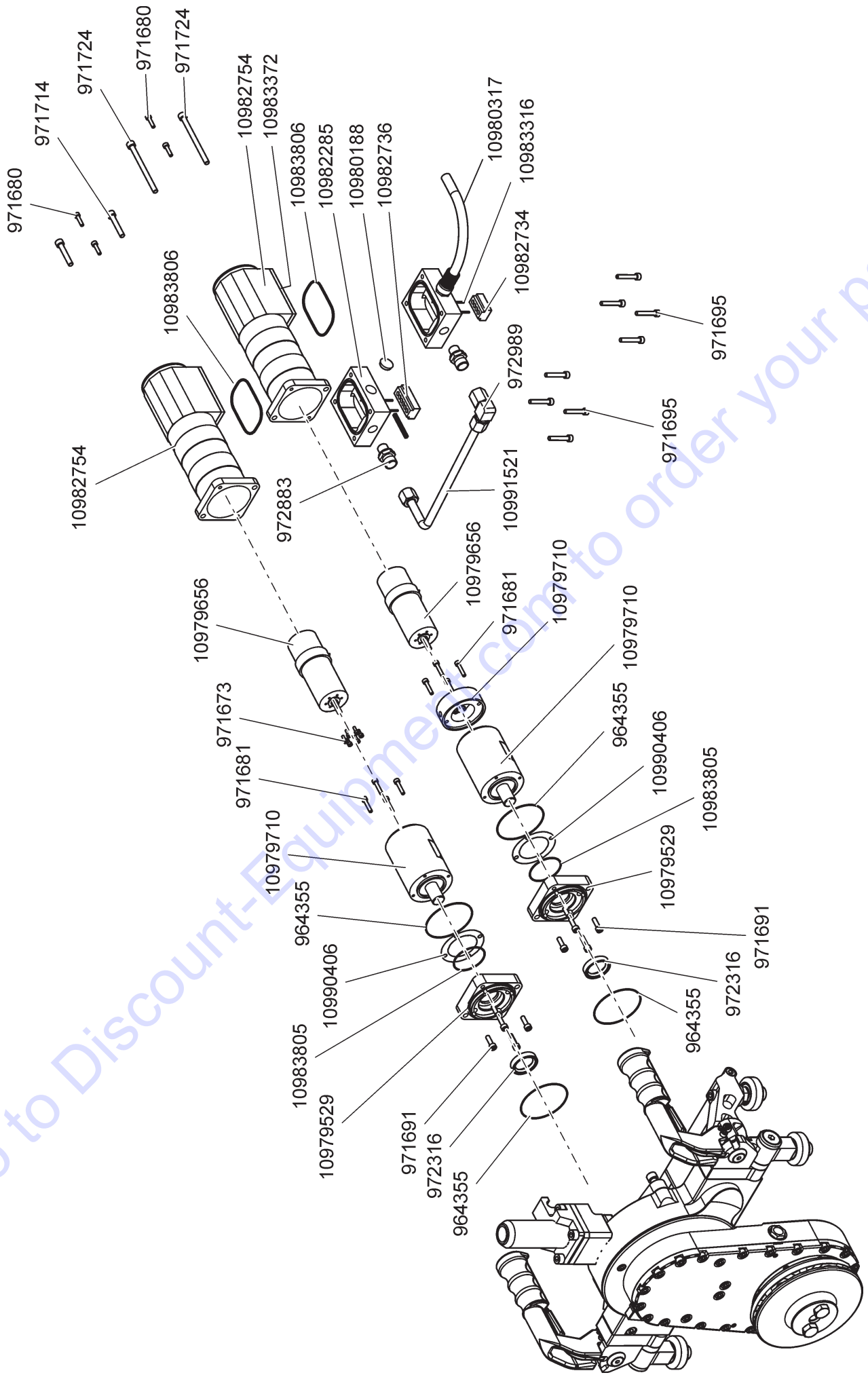


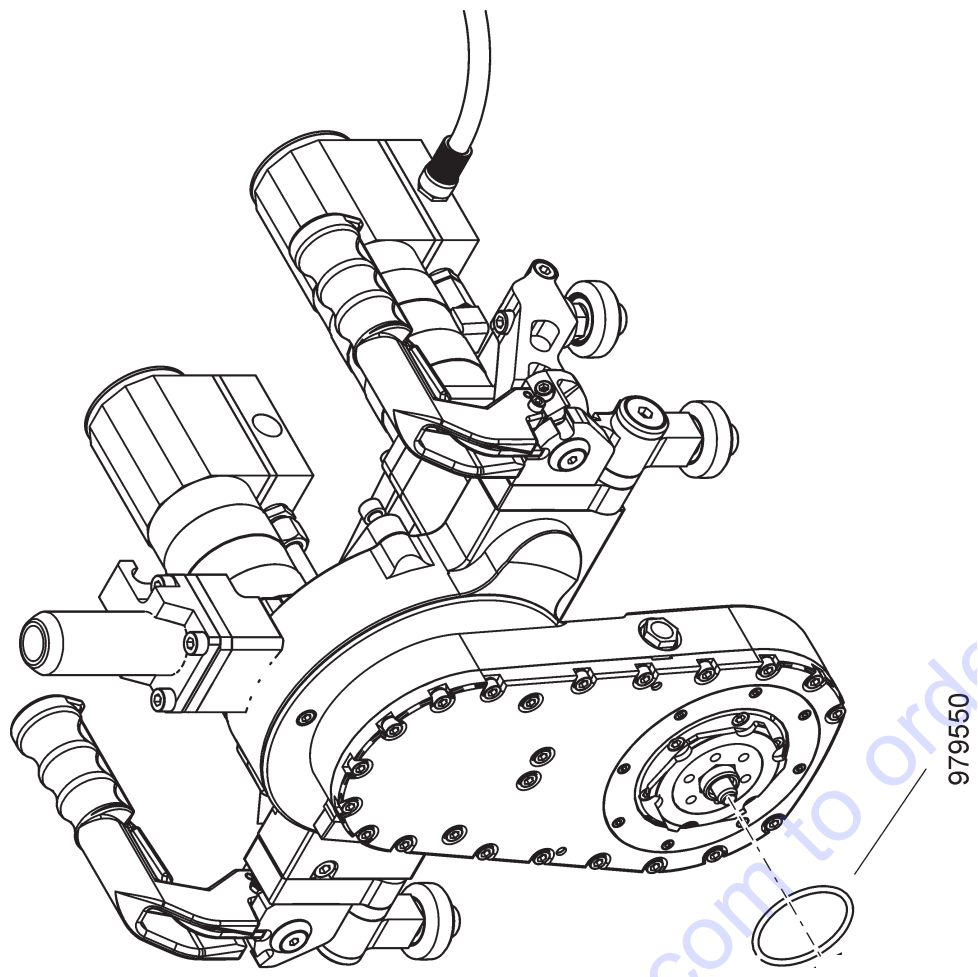
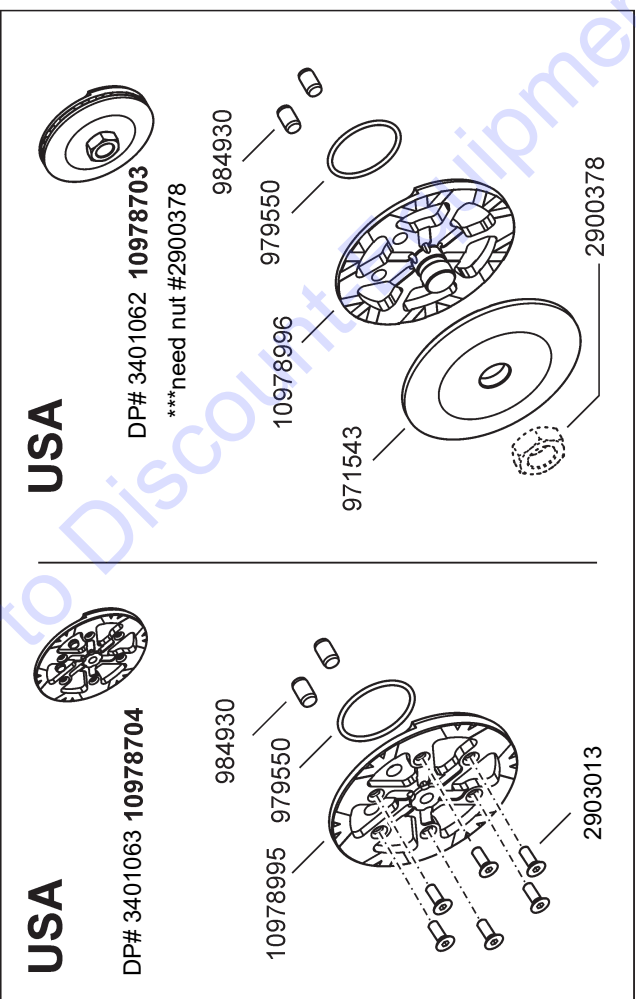


Go to Discount-Equipment.com to order your parts



Go to Discount-Equipment.com to order your parts





Go to DiscountEquipment.com to order your parts

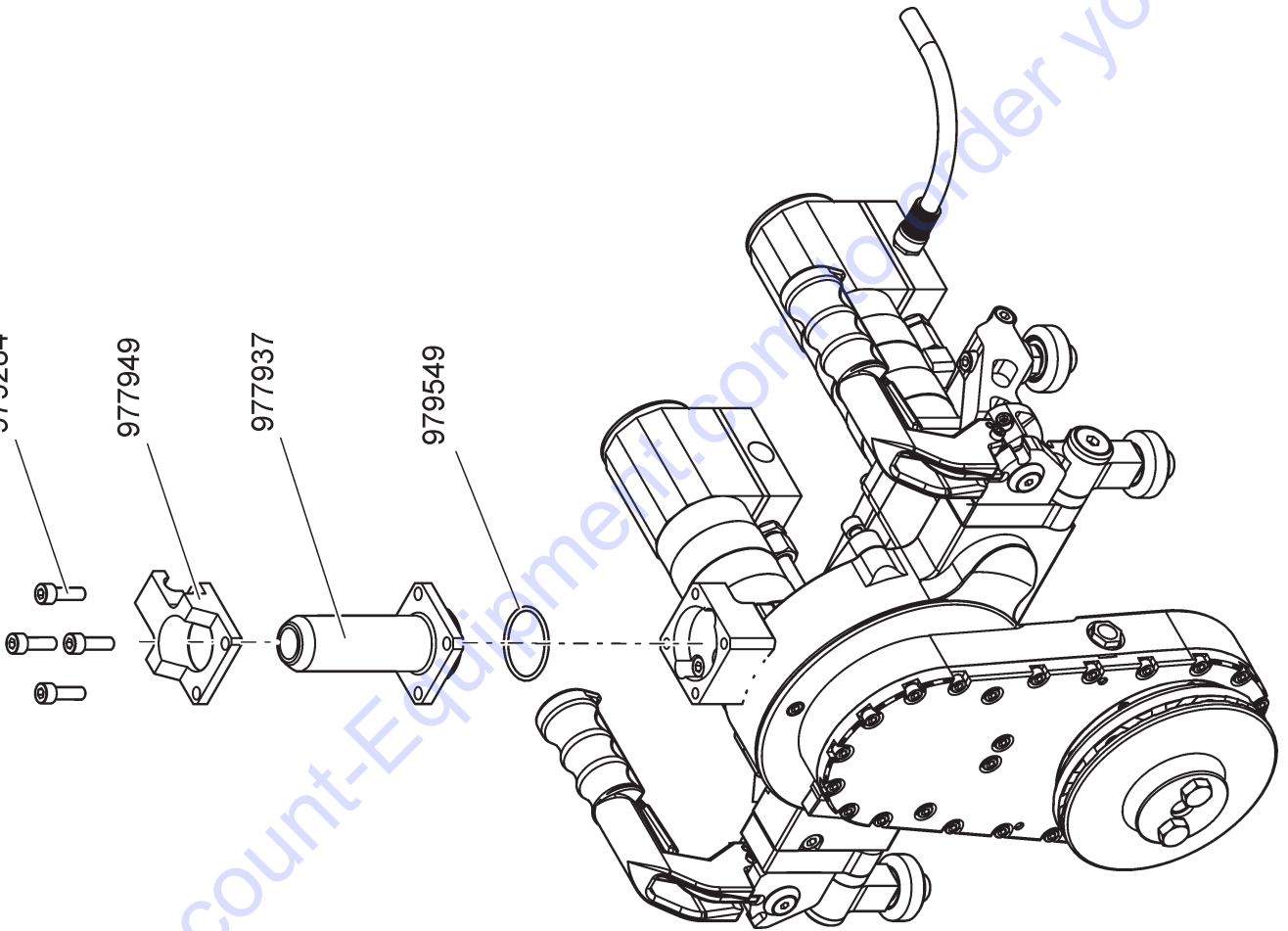
Go to Discount-Equipment.com to order your parts

979284

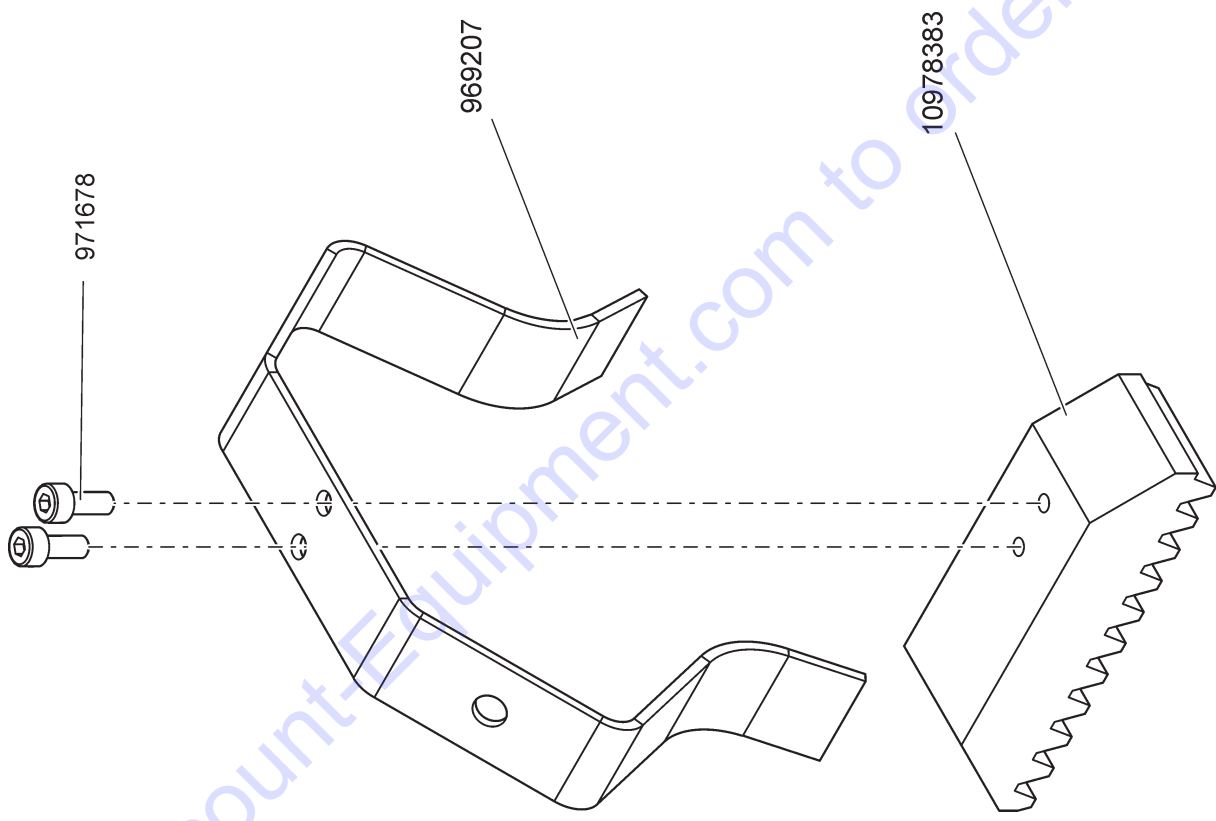
977949

977937

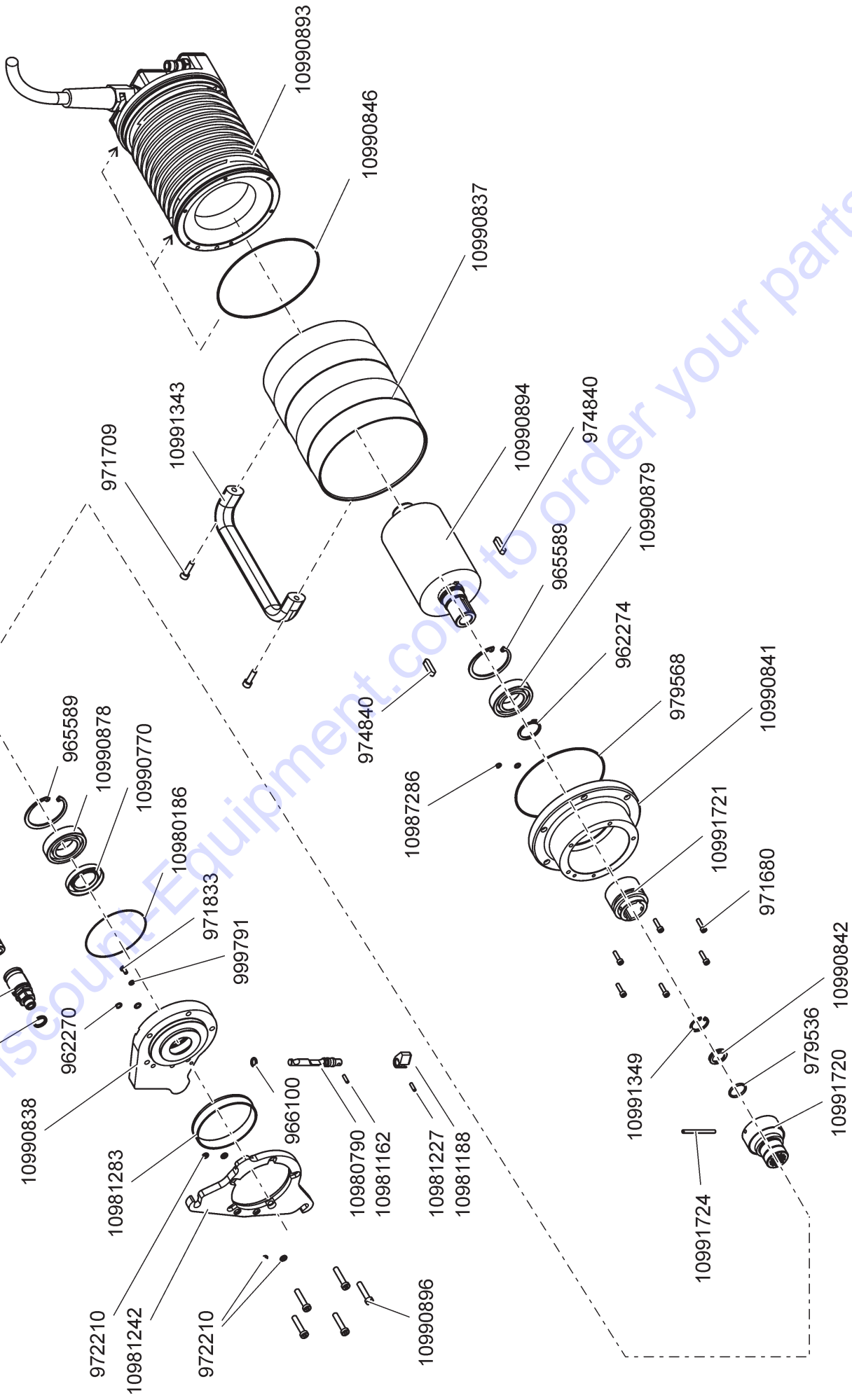
979549



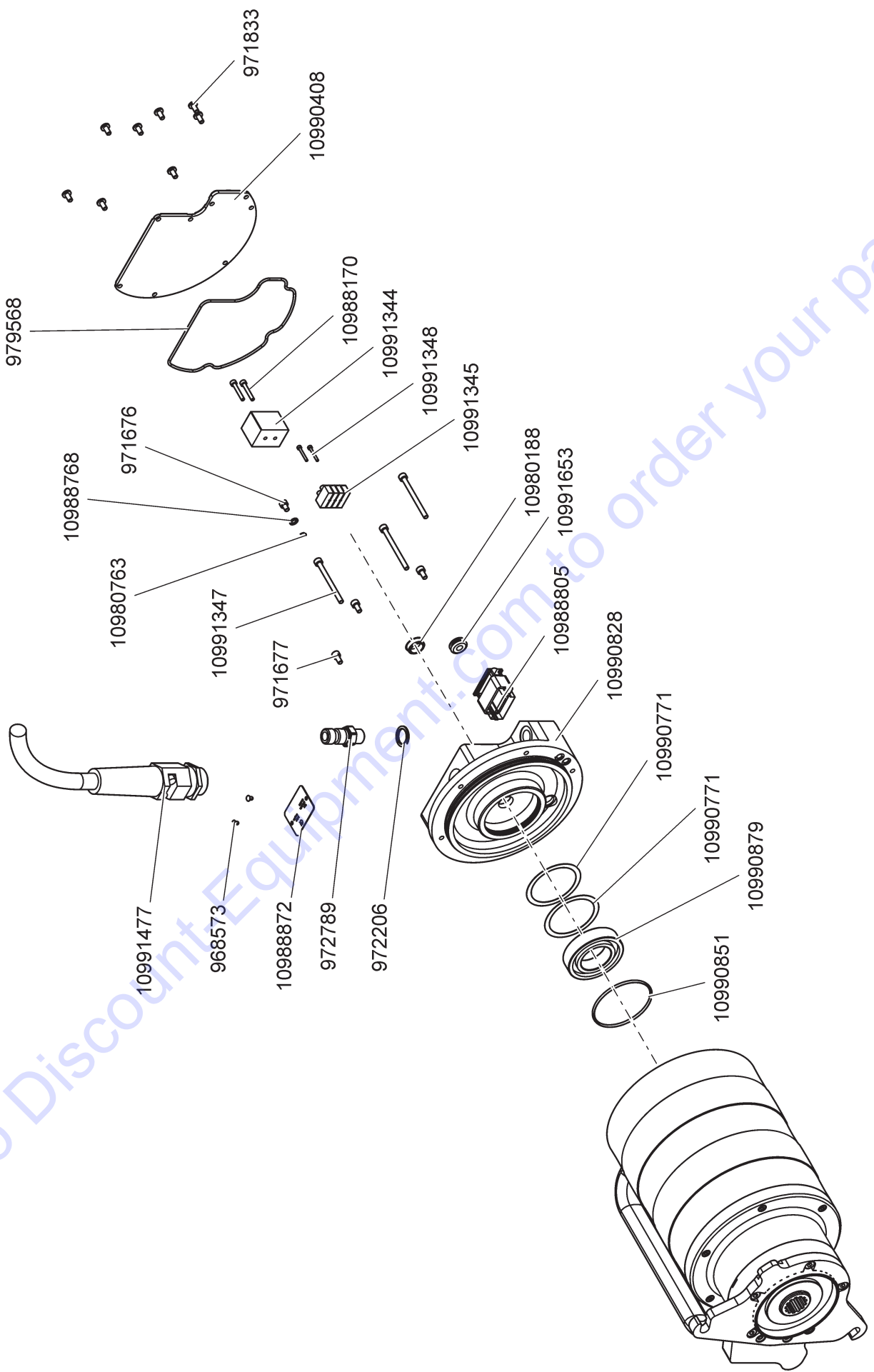
Go to Discount-Equipment.com to order your parts



Go to DiscountEquipment.com to order your parts



Go to DiscountEquipment.com to order your parts



WSE1217

TYROLIT	DESCRIPTION	DP
962269	O-ring 10.00x2.00 N 70	2706793
962270	O-ring 6.07x1.78 N 70	3403658
962274	Circlip shaft dia 28	3403659
964355	O-ring 62.00x1.50 N 70	2702791
964562	Straight pin 5m6 x 14	3403163
964631	Gr. ball bear. 6202	3403660
965589	Circlip bore dia 55	3402106
966100	O-ring 8.00x2.00 N 70	3401400
968573	Grooved nail 3x4	3403661
969207	Stop clamp	3403662
969599	O-ring 40.00x2.50 N 70	3402098
969911	Hex. screw M12x35	3403663
971673	Socket screw M3x8	3403664
971676	Socket screw M4x6	3403665
971677	Socket screw M4x8	2900761
971678	Socket screw M4x10	3401361
971680	Socket screw M4x16	3403666
971681	Socket screw M4x20	3403667
971688	Socket screw M5x10	3403668
971691	Socket screw M5x16	3400347
971693	Socket screw M5x20	3403669
971695	Socket screw M5x30	3403670
971696	Socket screw M5x35	3403671
971702	Socket screw M6x8	3400204
971709	Socket screw M6x20	3403487
971711	Socket screw M6x25	2900561
971713	Socket screw M6x30	3400085
971714	Socket screw M6x35	3400579
971715	Socket screw M6x40	2900185
971721	Socket screw M6x65	3403361
971724	Socket screw M6x80	3403187
971731	Socket screw M8x16	2900267
971738	Socket screw M8x30	3403672
971740	Socket screw M8x35	3402019
971744	Socket screw M8x45	3403172
971825	Countersunk screw M8x16	3401900
971826	Countersunk screw M8x20	3403391
971833	All.screwextr.flhd M4x8	3401290
971859	Lock nut M5 thin head	3403673

WSE1217

TYROLIT	DESCRIPTION	DP
971994	Circlip shaft dia 18	3400341
972055	Straight pin 8m6 x 20	3401913
972204	MEGU seal 8.5/13.4x1.00	3401999
972206	MEGU seal 13.8/18.7x1.25	3403608
972210	O-ring 5.00x2.50 N 70	3400501
972223	O-ring 12.00x2.50 N 70	3401137
972264	O-ring 45.00x2.50 N 70	3403278
972272	O-ring 59.00x3.00 N 70	3402139
972285	O-ring 85.00x3.00 N 70	3400411
972316	Sh.seal A 25/35/7 NBR RF	3401145
972461	Grease nipple D1 M6	4600263
972789	Plug nipple 1/4" A1-WRO13	3400257
972860	Edge sealing ring G1/4	3400637
972883	Str. fitting M14x1,5/10L	3403674
972989	Elbow union pipe 10L	3400448
973591	Hose clip JCS 17-25	3403675
973638	Drain plug w/magnet 3/8	3400240
974840	Shaft key 6x6x25	3403676
975924	Type plate small neutral	3402010
977509	MEGU seal 5.7/9.0x1.00	3401350
977937	Centering bolt	3403677
977949	Centering plate US	3401233
979284	Socket screw M8x25	2900161
979353	Washer M8	2903233
979374	Grooved nail 4x6	3403484
979410	Straight pin 6m6 x 20	3401153
979411	Straight pin 6h6 x 20	3403678
979469	Flanged sleeve 12/18x12	3403679
979489	Axial washer AS 2542	3403680
979536	O-ring 20.00x2.00 N 70	3403492
979549	O-ring 42.00x3.00 N 70	3400174
979550	O-ring 54.00x4.00 N 70	3401157
979568	O-ring 118.00x2.00 N 70	3403334
979581	Sh.seal A 50/65/8 NBR RF	3403280
980225	Cable tie TY24MX140x3.6	3403681
984576	see new number 975924	N/A
984759	Blade cover	3403682
984930	Straight pin 12m6 x 20	3401197
999496	Pr. spring dia32/2.5x71.5	3401258
999621	Circlip int Ø22	3403272

TYROLIT	DESCRIPTION	DP
999715	Blade hub	3403371
999716	Clamping sleeve	3403271
999718	Hub screw M12x60	3403270
999731	Hub bush	3403325
999745	Water line	3403683
999779	Bearing cover	3403360
999789	O-ring 176.00x3.00 N 70	3403330
999791	MEGU seal 4.5/7.0x1.00	3403324
999792	Circlip bore dia 65	3403328
999793	Circlip bore dia 72	3403333
999794	Sh.seal A 95/110/7 NBR RF	3403279
999799	Gr. ball bear. 6304-2RS	3403329
999800	Ang. ball bear. 3818-2RS	3403282
999802	Four point bearing 68460A	3403684
999809	Shoulder screw 12x25/M10	3403685
999815	Holder eccentric roll	3403686
10977178	Spring washer	3401260
10977289	Roll holder	3403687
10977472	Pr. spring 13.5/0.9x56.7	3403207
10977473	Hub ring	3401257
10977478	Blade flange N-type	3403688
10977484	Threaded pin M4x5	3403273
10977714	Swivelling crank	3403689
10977899	MEGU seal 6.2/9.2x1.00	3403326
10977907	O-ring 222.00x2.00 N 70	3403375
10977913	O-ring 133.02x2.62 N 70	3403276
10977954	Connection rod	3403690
10978095	Distance washer 1.8	3403691
10978100	Washer Ø30/13x6	3403692
10978103	Washer M8 countersunk	3403793
10978105	Spacer 2.5	3403694
10978106	Pr. spring 8/1.0x28.5	3403695
10978122	Countersunk screw M12x90	3403696
10978303	O-ring 66.00x2.50 N 70	3403277
10978345	Rollpin tooth.slot 5x30	3403697
10978383	Arrester rail stopper	3403698
10978618	Lever bolt	3403699
10978620	Holding plate left	3403700
10978802	Traction drive housing	3403701
10978997	Drive shaft bearing	3403702

WSE1217

TYROLIT	DESCRIPTION	DP
10979106	Distance piece	3403703
10979115	Bearing bush 25/32x20	3403704
10979400	Support plate	3403396
10979436	Motor locking flange	3403705
10979454	Handle	3401240
10979456	Latch	3403706
10979471	Coupling LP-006-0-WR013	3403707
10979472	Holding plate right	3403708
10979483	Handle bolt M8	3403709
10979529	Flange feed motor	3403710
10979538	Handle holder left	3403711
10979539	Handle holder right	3403712
10979543	Connecting flange	3403713
10979572	Countersunk screw M8x25	3403483
10979656	Motor incl. brake	3403714
10979689	Shaft coupling	3403715
10979693	Motor arrestor	3403716
10979701	Countersunk screw M6x35	3403717
10979702	Drive pinion	3403718
10979703	Drive shaft	3403719
10979710	Plan. gearbox PLE60 i=256	3403720
10979724	Circlip V bore dia 32	3403721
10979735	Hose nip. LP-006-1-SL013	3403722
10980186	O-ring 80.00x1.50 N 70	3403723
10980188	Drain plug M16x1.5	3403724
10980265	Allen wrench size 10 long	3403217
10980317	Cable assy feed motor	3403725
10980763	Curved spring washer M4	3403726
10980790	Rotary valve	3403727
10980792	Swivelling shaft	3403728
10980793	Swivelling pinion	3403729
10980794	Nut M18x1	3403730
10980795	Locking device ring	3403731
10981162	Coiled spring pin 4x14	3403732
10981188	Turning knob	3403733
10981227	Coiled spring pin 4x12	3403734
10981242	Motor plate	3403735
10981283	Centre ring el. motor	3403646
10981536	Hexagon nut M8 x0.5D	3403736
10982285	Feed motor cover	3403737

WSE1217

TYROLIT	DESCRIPTION	DP
10982734	Terminal block 5pole/1mm ²	3403738
10982736	Terminal block 7pole/1mm ²	3403739
10982754	Feed motor housing	3403740
10983316	Slotted screw M2x14	3403741
10983372	Sealing cover 5mm	3403742
10983805	O-ring 42.00x1.50 N 70	3403497
10983806	O-ring 64.00x2.00 N 70	3403743
10984556	Guide roll	3403489
10987286	O-ring 5.00x1.50 N 70	3403744
10987314	Shim ring dia 12/18x2	3403745
10988170	Socket screw M3x20 12.9	3403746
10988768	Serrated washer M4	3403747
10988805	Operating hour meter	3403748
10988872	TY-HS type plate 38x30	3403749
10990297	Sealing washer	3403750
10990389	Hub pinion z68	3403751
10990391	Swivelling gear	3403647
10990394	Intermediate gear z47	3403752
10990395	Main drive pinion z20	3403753
10990396	Main drive shaft	3403754
10990398	Swivel arm cover	3403755
10990406	Friction film Ekagrip	3403756
10990408	Cover	3403757
10990770	Sh. seal A 30/50/7 FPM	3403810
10990771	Spacer disc dia 45	3403759
10990828	B-flange	3403760
10990837	Sleeve	3403648
10990838	Motor flange	3403649
10990841	A-flange	3403650
10990842	Sealing plug	3403651
10990846	O-ring 140.00x2.50 N 70	3403652
10990851	O-ring 56x2.00 N 70	3403605
10990878	Gr. ball bear. 6006-2RS	3403761
10990879	Gr. ball bear. 6006-2Z C4	3403762
10990893	Stator WSE1217	3403619
10990894	Rotor WSE1217	3403618
10990896	Socket screw flhd M6x30	3403372
10991343	Bow-type handle	3403763
10991344	Terminal block 3pole/4mm ²	3403637

WSE1217

TYROLIT	DESCRIPTION	DP
10991345	Terminal block 4pole/1mm2	3403764
10991347	Socket screw M4x50	3403765
10991348	Socket screw M2x16	3403766
10991349	Circlip bore dia 24	3403767
10991350	Cyl. roll.bear. NUP207ECP	3403768
10991477	Elect cable assy motor 8m	3403351
10991521	Connecting tube w/wire	3403653
10991653	Cable sleeve 12x16x3 DA	3403769
10991720	Clutch flange wall saw	3403770
10991721	Clutch flange motor	3403654
10991724	Straight pin 6m6 x 50	3403771
10994196	Ring	3403655
10994270	Swivel arm housing	3403656



Go to Discount-Equipment.com to order your parts

PARTS FINDER

**Search Website
by Part Number**



**Search Manual
Library For Parts
Manual & Lookup Part
Numbers – Purchase
or Request Quote**

Search Manuals

Enter your information to help us find the right manual for your machine.

* Brand:

* Model:

* Serial:

* Part Number:

SEARCH

**Can't Find Part or
Manual? Request Help
by Manufacturer,
Model & Description**

Parts Order Form

Please fill in the following information to help us find the right part for your machine.

Manufacturer:	<input type="text"/>
Model:	<input type="text"/>
Description:	<input type="text"/>
Part Number:	<input type="text"/>
Quantity:	<input type="text"/>
Notes:	<input type="text"/>

Submit

Discount-Equipment.com is your online resource for quality parts & equipment.

Florida: **561-964-4949** Outside Florida TOLL FREE: **877-690-3101**

Need parts?

Click on this link: <http://www.discount-equipment.com/category/5443-parts/> and choose one of the options to help get the right parts and equipment you are looking for. Please have the machine model and serial number available in order to help us get you the correct parts. If you don't find the part on the website or on one of the online manuals, please fill out the request form and one of our experienced staff members will get back to you with a quote for the right part that your machine needs.

We sell worldwide for the brands: Genie, Terex, JLG, MultiQuip, Mikasa, Essick, Whiteman, Mayco, Toro Stone, Diamond Products, Generac Magnum, Airman, Haulotte, Barreto, Power Blanket, Nifty Lift, Atlas Copco, Chicago Pneumatic, Allmand, Miller Curber, Skyjack, Lull, Skytrak, Tsurumi, Husquvarna Target, Stow, Wacker, Sakai, Mi-T-M, Sullair, Basic, Dynapac, MBW, Weber, Bartell, Bennar Newman, Haulotte, Ditch Runner, Menegotti, Morrison, Contec, Buddy, Crown, Edco, Wyco, Bomag, Laymor, EZ Trench, Bil-Jax, F.S. Curtis, Gehl Pavers, Heli, Honda, ICS/PowerGrit, IHI, Partner, Imer, Clipper, MMD, Koshin, Rice, CH&E, General Equipment, Amida, Coleman, NAC, Gradall, Square Shooter, Kent, Stanley, Tamco, Toku, Hatz, Kohler, Robin, Wisconsin, Northrock, Oztec, Toker TK, Rol-Air, APT, Wylie, Ingersoll Rand / Doosan, Innovatech, Con X, Ammann, Mecalac, Makinex, Smith Surface Prep, Small Line, Wanco, Yanmar