



# INDUSTRIAL DUTY

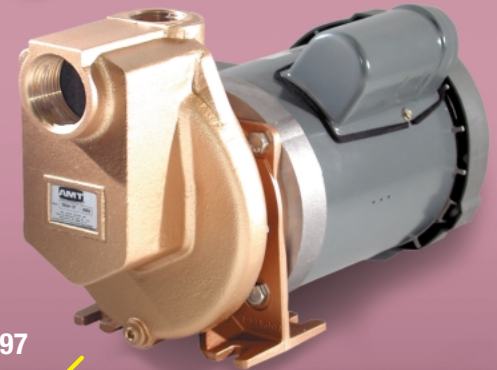
## 1-1/2" Self-Priming Centrifugal Pumps

- Available in: **Bronze or 300 Series Investment Cast Stainless Steel Construction with 300 Series Stainless Steel Impeller**
- **Viton® or Teflon® Mechanical Seal and O-Ring**
- **1-1/2" NPT Suction & Discharge Ports**
- **Maximum Working Pressure 75 PSI**
- **Maximum Temperature**

Bronze	200° F
Stainless Steel	250° F
- **Maximum Flow 132 GPM**
- **Maximum Head 63 Ft.**
- **Self-priming to 6 Ft.**
- **Self-cleaning, Semi-open Impellers**
- **Totally Enclosed Fan Cooled (TEFC) Motors**
- **3/4 to 2 HP Single or Three Phase Motors**



Model 3890-98  
Stainless Steel



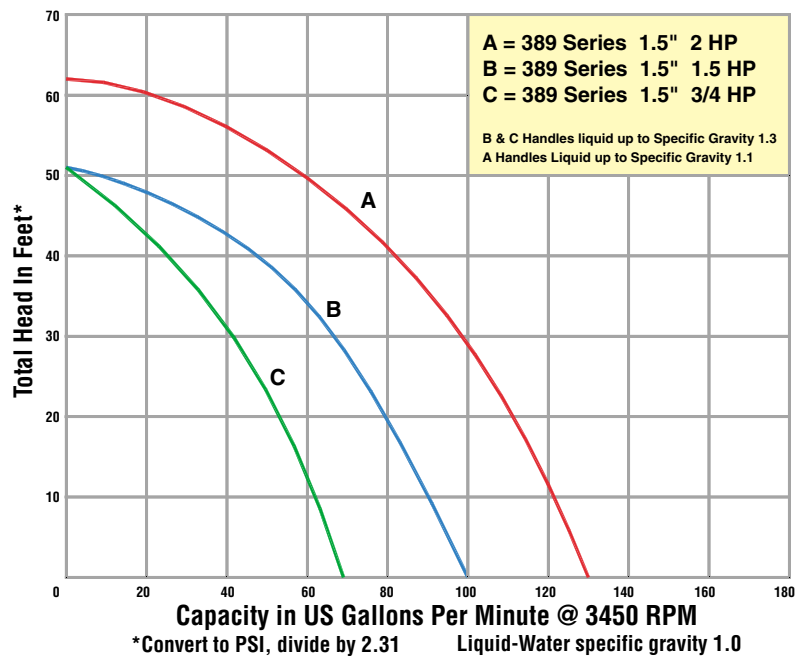
Model 3890-97  
Bronze

AMT Self-Priming 300 Series Stainless Steel or Bronze Centrifugal pumps are designed for a wide range of applications including chemical processes, waste water treatment and pumping agriculture fertilizers/fumigants. All models are equipped with Totally Enclosed Fan Cooled (TEFC) motors. 300 Series Stainless Steel models are fitted with Teflon® mechanical seal and O-ring, while Bronze models come standard with Viton® mechanical seal and O-ring. Pumps are self-priming to 6 ft. All pumps are designed to handle viscosities to 100 SSU and select models handle specific gravities to 1.3.

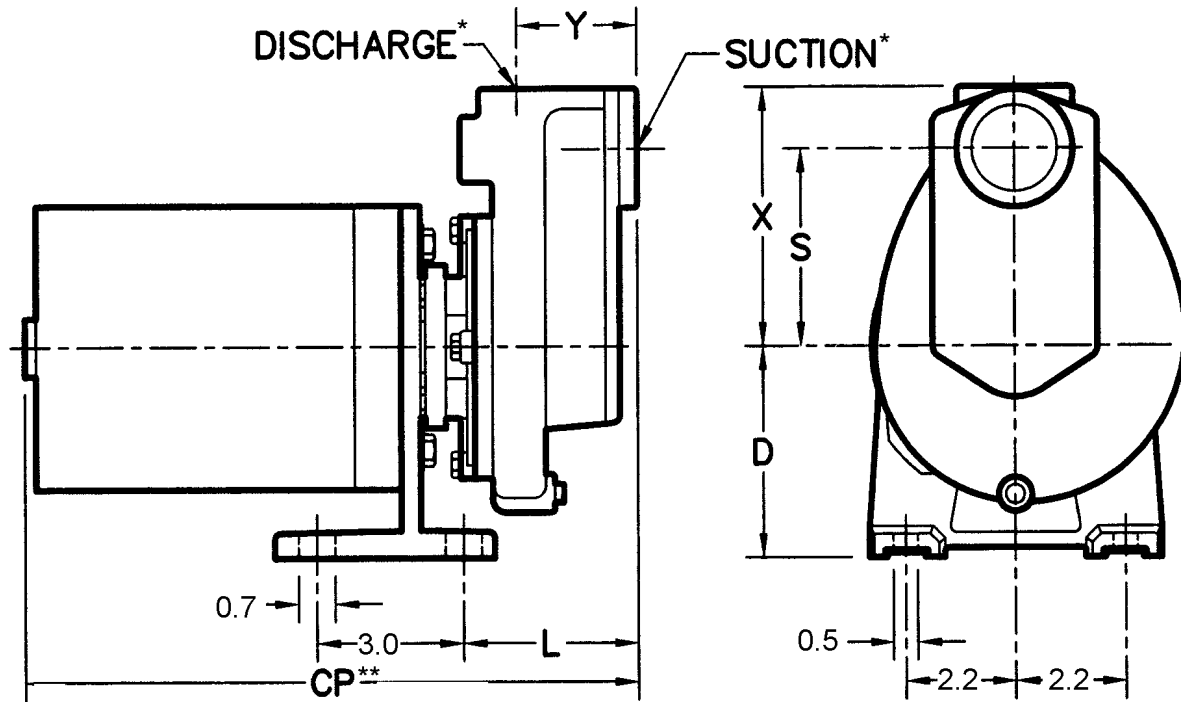
AMT Self-Priming 300 Stainless Steel or Bronze Centrifugal pumps are reliable, cost effective and low maintenance. Many are readily available "Off-the-Shelf" for fast 24 hour shipment. For use with non-flammable liquids compatible with pump component materials.

Viton® and Teflon® are registered trademarks of E.I. DuPont

Performance of Centrifugal Pumps



# 1-1/2" Self-Priming Stainless Steel or Bronze Pumps



## Pump Dimensional & Specification Data

Model No. ‡	CURVE	HP	PH	ENC	Voltage @ 60 Hz	Full Load Amps	SUC*	DIS*	CP**	D	L	S	X	Y	‡ (-97) Bronze Ship Wt.	‡ (-98) S. Steel Ship Wt.
3890	C	3/4	1	TEFC	115/230	9 / 5	1-1/2"	1-1/2"	15.1	4.2	4.5	4.0	5.2	3.9	45 Lbs.	43 Lbs.
3891	B	1-1/2	1	TEFC	115/230	18 / 9	1-1/2"	1-1/2"	16.6	4.2	4.5	4.0	5.2	3.9	56 Lbs.	53 Lbs.
3892	C	3/4	3	TEFC	230/460	3 / 2	1-1/2"	1-1/2"	14.5	4.2	4.5	4.0	5.2	3.9	41 Lbs.	40 Lbs.
3893	B	1-1/2	3	TEFC	230/460	5 / 3	1-1/2"	1-1/2"	15.6	4.2	4.5	4.0	5.2	3.9	48 Lbs.	47 Lbs.
3894	A	2	3	TEFC	230/460	6 / 3	1-1/2"	1-1/2"	15.6	4.2	4.5	4.0	5.2	3.9	51 Lbs.	50 Lbs.
3899	A	2	-	PED	-	-	1-1/2"	1-1/2"	12.4	4.2	5.2	4.0	5.2	3.9	34 Lbs.	30 Lbs.

(\*) Standard NPT (female) pipe thread.

(\*\*) This dimension may vary due to motor manufacturer's specifications.

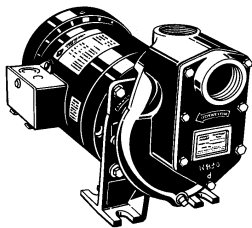
(+) 3-Phase models can also operate on 50 Hz (This will change Full Load Amps and Service Factor, RPM and Priming Capabilities).

**NOTE:** Dimensions have a tolerance of  $\pm 1/8"$ .

**NOTE:** Electric supply for **ALL** motors must be within  $\pm 10\%$  of nameplate voltage rating (e.g. 230V  $\pm 10\%$  = 207 to 253).

‡ : Add suffix -97 or -98 for specific model (ex: 3890-97)

## Standard Features



- Bronze or Stainless Steel Construction with Stainless Steel Impeller
- Viton® or Teflon® Mechanical Seal and O-Ring
- 1-1/2" NPT Suction & Discharge Ports
- Maximum Temperature:
  - Bronze 200° F
  - Stainless Steel 250° F
- Self-priming to 6 ft.
- Self-cleaning, Semi-open Impeller
- Pedestal Models Feature Epoxy Coated Bearing Housing with 3/4" Diameter Stainless Steel Shaft with 3/16" Keyway and Sealed Ball Bearings
- Totally Enclosed Fan Cooled (TEFC) Motors
- 3/4 to 2 HP Single or Three Phase Motors
- "Off-the-Shelf" Availability on Many Models

**ots**  
OFF THE SHELF  
**PUMPS**

Viton® and Teflon® are registered trademarks of E.I. DuPont

See price book page 24

The Gorman-Rupp Company reserves the right to discontinue any model or change specifications at any time without incurring any obligation.

CP65-66/0706