



CONCRETE SAW PARTS LIST

**MODELS:
CC7574DD
CC7574DD-3**

May 2017

Part # 1803074

PARTS FINDER

**Search Website
by Part Number**



**Search Manual
Library For Parts
Manual & Lookup Part
Numbers – Purchase
or Request Quote**

Search Manuals

Enter your information to help us find the right parts manual for your machine.

* Brand:

* Model:

* Serial:

* Part Number:

SEARCH

**Can't Find Part or
Manual? Request Help
by Manufacturer,
Model & Description**

Parts Order Form

Please fill in the following information to help us find the right part for your machine.

Manufacturer:	<input type="text"/>
Model:	<input type="text"/>
Description:	<input type="text"/>
Part Number:	<input type="text"/>
Quantity:	<input type="text"/>
Notes:	<input type="text"/>

Submit

Discount-Equipment.com is your online resource for quality parts & equipment.

Florida: **561-964-4949** Outside Florida TOLL FREE: **877-690-3101**

Need parts?

Click on this link: <http://www.discount-equipment.com/category/5443-parts/> and choose one of the options to help get the right parts and equipment you are looking for. Please have the machine model and serial number available in order to help us get you the correct parts. If you don't find the part on the website or on one of the online manuals, please fill out the request form and one of our experienced staff members will get back to you with a quote for the right part that your machine needs.

We sell worldwide for the brands: Genie, Terex, JLG, MultiQuip, Mikasa, Essick, Whiteman, Mayco, Toro Stone, Diamond Products, Generac Magnum, Airman, Haulotte, Barreto, Power Blanket, Nifty Lift, Atlas Copco, Chicago Pneumatic, Allmand, Miller Curber, Skyjack, Lull, Skytrak, Tsurumi, Husquvarna Target, Stow, Wacker, Sakai, Mi-T-M, Sullair, Basic, Dynapac, MBW, Weber, Bartell, Bennar Newman, Haulotte, Ditch Runner, Menegotti, Morrison, Contec, Buddy, Crown, Edco, Wyco, Bomag, Laymor, EZ Trench, Bil-Jax, F.S. Curtis, Gehl Pavers, Heli, Honda, ICS/PowerGrit, IHI, Partner, Imer, Clipper, MMD, Koshin, Rice, CH&E, General Equipment, Amida, Coleman, NAC, Gradall, Square Shooter, Kent, Stanley, Tamco, Toku, Hatz, Kohler, Robin, Wisconsin, Northrock, Oztec, Toker TK, Rol-Air, APT, Wylie, Ingersoll Rand / Doosan, Innovatech, Con X, Ammann, Mecalac, Makinex, Smith Surface Prep, Small Line, Wanco, Yanmar

CC7574 Single Speed Saw:

CC7574 RPM CHART							
BLADE SIZE	BLADE RPM	LOWER SHEAVES	UPPER SHEAVES	ENGINE RPM	BELT SIZE	FLANGE SIZE	MAX CUT DEPTH
20"	2,300	4.50"	6.50"	2,600	3VX385	5"	7-1/4"
26"	1,875	4.75"	5.60"	2,600	3VX375	5"	10-1/4"
30"	1,675	4.75"	5.00"	2,600	3VX366	5"	12-1/4"
36"	1,375	4.75"	6.50"	2,600	3VX385	6"	14-3/4"
42"	1,125	4.75"	5.30"	2,600	3VX375	7"	17-1/4"
48"	1,000	4.75"	4.75"	2,600	3VX366	8"	19-3/4"

CC7574-3 Speed Saw:

CC7574 3 SPEED RPM CHART - 30"/26"/20"								
BLADE SIZE	BLADE RPM	GEAR POSITION	MAX CUT DEPTH	LOWER SHEAVES	UPPER SHEAVES	ENGINE RPM	BELT SIZE	FLANGE SIZE
20"	2,650	H (high)	7-1/4"	4.75"	4.75"	2,600	3VX450	5"
26"	1,950	M (mid)	10-1/4"	4.75"	4.75"	2,600	3VX450	5"
30"	1,500	L (low)	12-1/4"	4.75"	4.75"	2,600	3VX450	5"

CC7574 3 SPEED RPM CHART - 42"/36"/26"									
BLADE SIZE	BLADE RPM	GEAR POSITION	MAX CUT DEPTH	LOWER SHEAVES	UPPER SHEAVES	ENGINE RPM	BELT SIZE	FLANGE SIZE	
26"	1,975	H (high)	9-1/4"	4.75"	5.60"	2,600	3VX475	7"	
36"	1,450	M (mid)	14-1/4"	4.75"	5.60"	2,600	3VX475	7"	
42"	1,125	L (low)	17-1/4"	4.75"	5.60"	2,600	3VX475	7"	

CC7574 3 SPEED RPM CHART - 36"/30"/20"								
BLADE SIZE	BLADE RPM	GEAR POSITION	MAX CUT DEPTH	LOWER SHEAVES	UPPER SHEAVES	ENGINE RPM	BELT SIZE	FLANGE SIZE
20"	2,400	H (high)	6-3/4"	4.50"	6.50"	2,600	3VX475	6"
30"	1,775	M (mid)	11-3/4"	4.50"	6.50"	2,600	3VX475	6"
36"	1,375	L (low)	14-3/4"	4.50"	6.50"	2,600	3VX475	6"

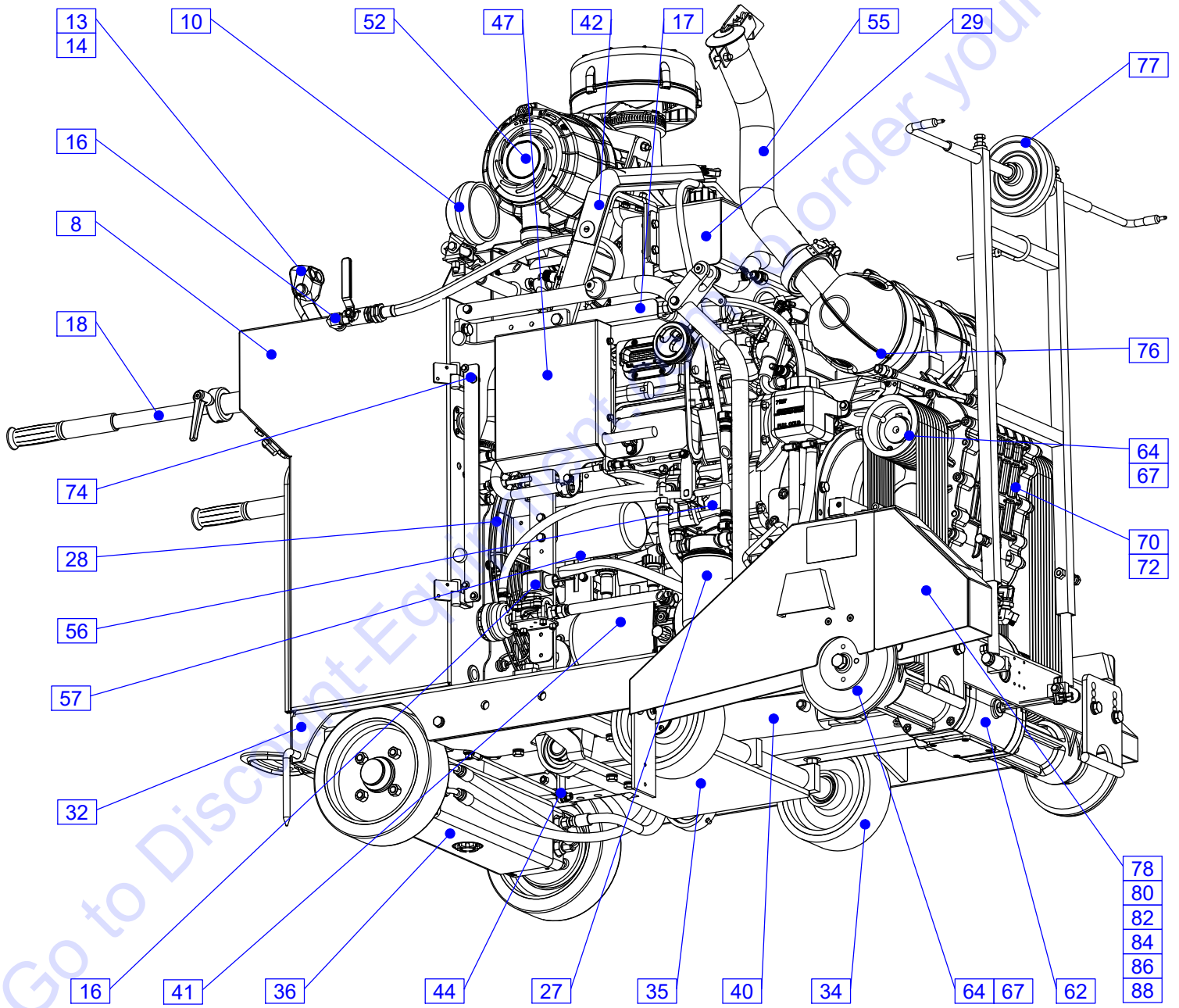
CC7574 3 SPEED RPM CHART - 48"/42"/30"									
BLADE SIZE	BLADE RPM	GEAR POSITION	MAX CUT DEPTH	LOWER SHEAVES	UPPER SHEAVES	ENGINE RPM	BELT SIZE	FLANGE SIZE	
30"	1,675	H (high)	10-3/4"	4.75"	4.75"	2,600	3VX450	8"	
42"	1,225	M (mid)	16-3/4"	4.75"	4.75"	2,600	3VX450	8"	
48"	950	L (low)	19-3/4"	4.75"	4.75"	2,600	3VX450	8"	

⚠ WARNING ⚠
 The engine exhaust from this product contains chemicals known to the State of California to cause cancer, birth defects or other reproductive harm.

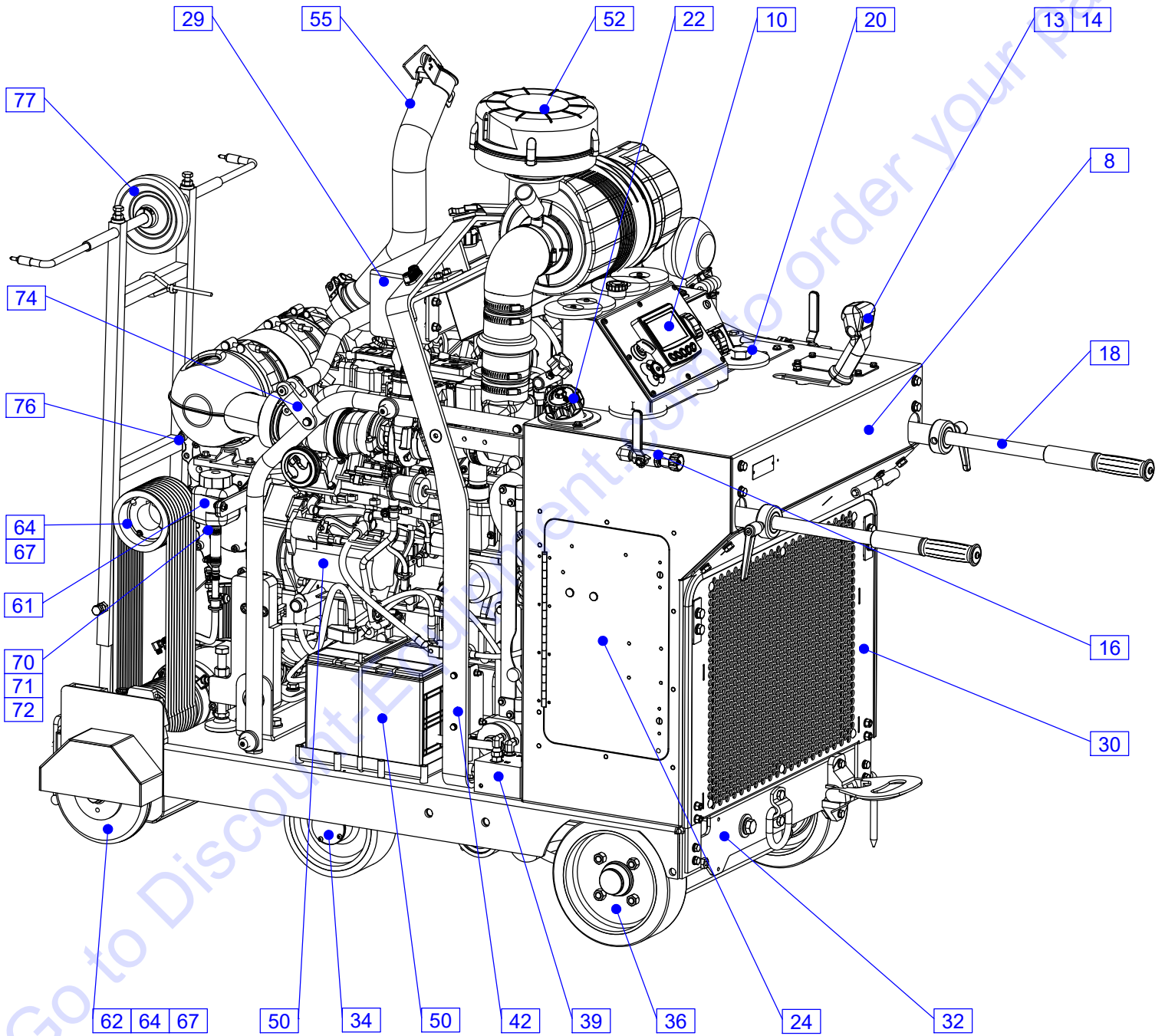
Table of Contents

Pictorial Page Index.....	4,5	Air Intake Assembly.....	52,53
Controls Legend.....	6	Fan Assembly.....	54
Quick Reference Service Filters/Belts/Fluids	7	Exhaust Pipe Assembly.....	55
Frame Upright Assembly.....	8,9	Hydro Pump Assembly.....	56
Instrument Box Assembly.....	10,11	Reservoir Tank Assembly.....	57
Power Block Assembly.....	12	Oil Pump & Cooler Assembly.....	58
Control Grip Assembly.....	13	In-Line Cooler Assembly.....	59
Speed Control Lever Assembly.....	14,15	Expansion Tank Assembly.....	61
Water Supply Assembly.....	16	Blade Shaft Assembly.....	62,63
Fuel Cooler Assembly.....	17	Belt Drive Assembly for 1-Speed Saw.....	64-66
Handle Bar Assembly.....	18	Belt Drive Assembly for 3-Speed Saw.....	67-68
Double Rod Cylinder Assembly.....	19	Flywheel Coupling Assembly.....	69
Depth Indicator Assembly.....	20	Bevel Gear Box.....	70
Depth Indicator Cable Assembly.....	21	Clutch Assembly.....	71
Fuel Tank Assembly.....	22,23	3-Speed Transmission Assembly.....	72-73
Fuel Door Assembly.....	24,25	Frame Doors Assembly.....	74-75
Fuel Filter Mount Assembly.....	27	Hood Assembly.....	76
Fan Shroud Assembly.....	28	Dual Front Pointer Assembly.....	77
Expansion Tank Assembly.....	29	20" Blade Guard Assembly.....	78,79
Radiator Assembly.....	30,31	26" Blade Guard Assembly.....	80,81
Frame Base Assembly.....	32,33	30" Blade Guard Assembly.....	82,83
Front Wheel Assembly.....	34	36" Blade Guard Assembly.....	84,85
Front Axle Assembly.....	35	42" Blade Guard Assembly.....	86,87
Rear Axle Assembly.....	36,37	48" Blade Guard Assembly.....	88,89
Valve Block Assembly.....	39	Optional Weight Kit (55 Pounds).....	91
Hydraulic Cylinder Assembly.....	40	Optional Clutch Switch Assembly.....	92
Hydraulic Lift Pump Assembly.....	41	Decal Group.....	93
Frame Lift Assembly.....	42,43	Single Speed Conversion Charts.....	94
Depth Stop Assembly.....	44,45	3 Speed Conversion Chart.....	95
ECU Assembly.....	47	Warranty.....	96
Battery Assembly.....	48,49		
Engine Assembly.....	50,51		

Pictorial Page Index



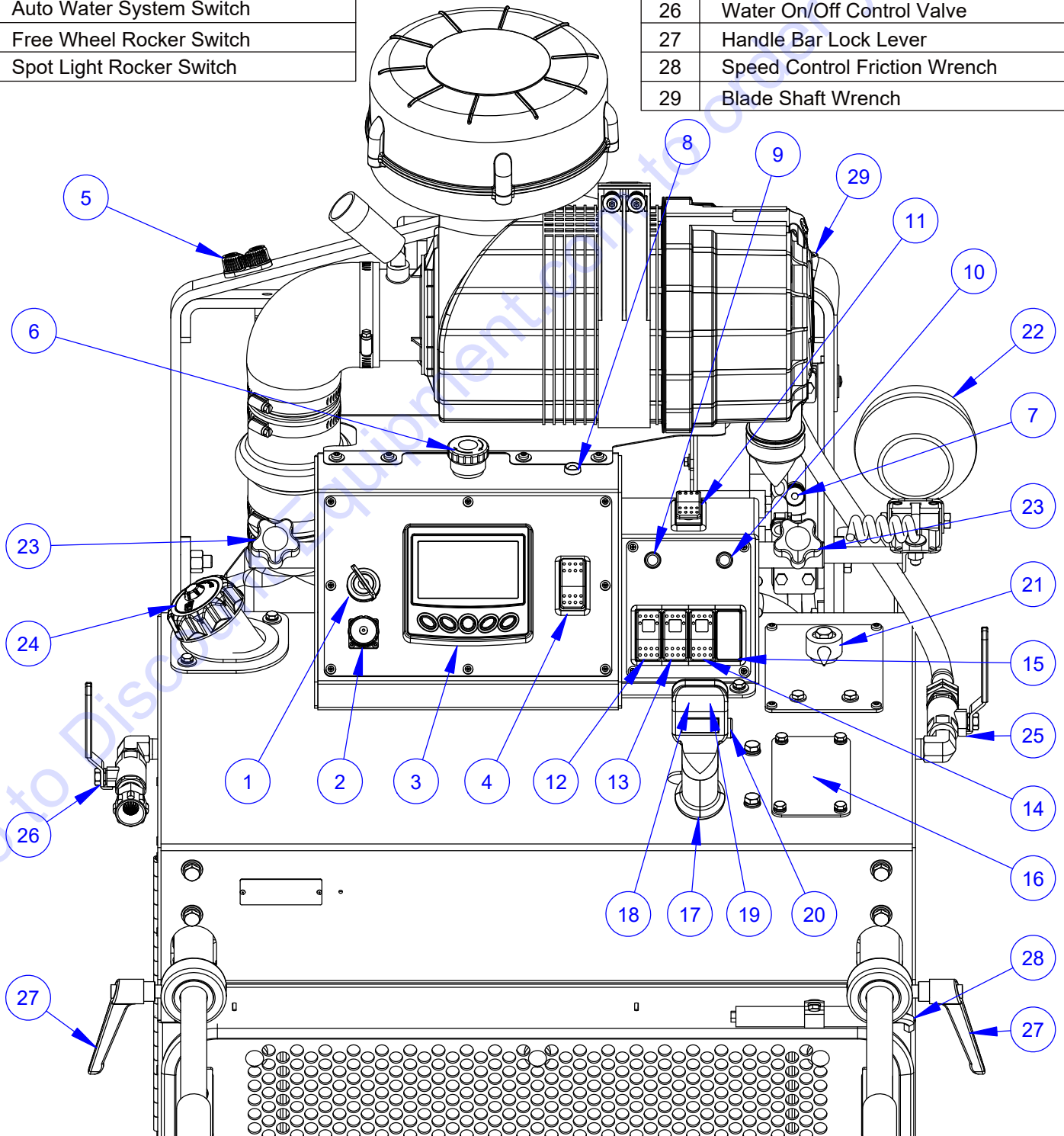
Pictorial Page Index



Controls Legend

1	Ignition Switch
2	Diagnosis Port
3	Engine Display Panel
4	Engine Throttle Rocker Switch
5	Pointer Rope Cleat
6	Emergency Stop Button
7	Lowering Speed Control Valve
8	Blade Gearbox Temp Light
9	Low Blade Water Light
10	Blade Depth Set Light
11	Blade Depth Stop Rocker Switch
12	Auto Water System Switch
13	Free Wheel Rocker Switch
14	Spot Light Rocker Switch

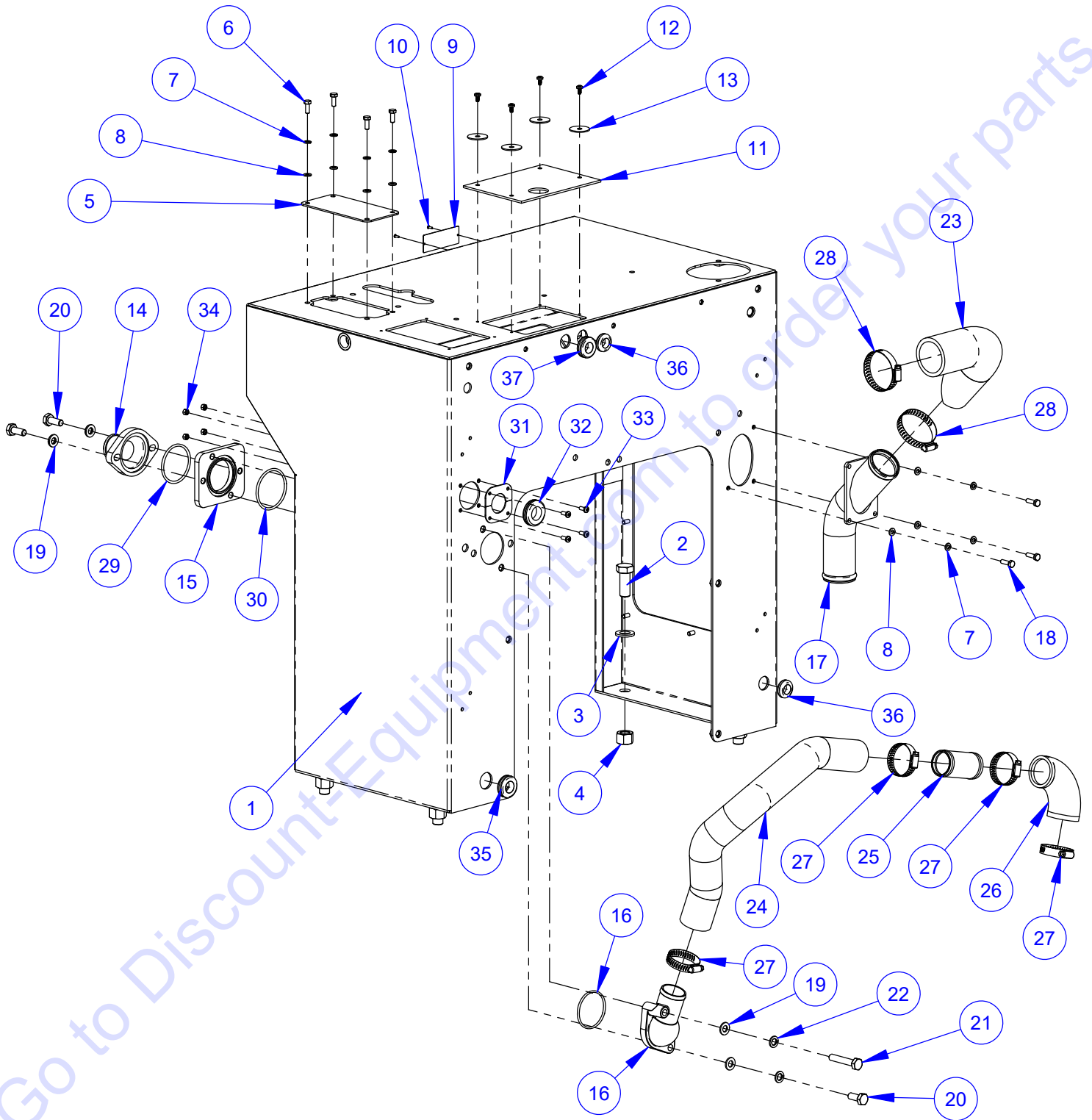
15	Water Pump Switch (Optional)
16	Blade Clutch Switch (Optional)
17	Travel Speed Control Lever
18	Saw Raise Push Button
19	Saw Lower Push Button
20	Tilt Handle Bar Push Button
21	Cutting Depth Indicator
22	Spot Light
23	Spot Light Adjustment Knob
24	Fuel Filler Cap
25	Water Metering Control Valve
26	Water On/Off Control Valve
27	Handle Bar Lock Lever
28	Speed Control Friction Wrench
29	Blade Shaft Wrench



Quick Reference Service Filters / Belts / Fluids

DP Part No.	Description	Manufacturer's Part No.
2701775	Engine Oil Filter	Deutz 117 4416
2703636	Fuel Pre-Filter	Deutz 0413 0241
2703656	Fuel Filter	Deutz 0413 2776
2501352	Outer Primary Air Filter	Donaldson #P828889
2501353	Inner Safety Air Filter	Donaldson #P829333
3201971	Hydraulic Oil Filter	Zinga AE-10L
2503875	Blade Shaft Belt	Gates #3VX366
2500037	Blade Shaft Belt	Gates #3VX375
2503876	Blade Shaft Belt	Gates #3VX385
2500794	Blade Shaft Belt	Gates #3VX450
2500468	Engine Oil (8.5 Quarts)	SAE 15W-40
2505718	Engine Coolant (3 Gallons)	Antifreeze Pre-mixed
2503930	Bevel Gearbox Oil (3 Quarts)	SAE 75W-90 Synthetic
2503930	3-Speed Transmission Oil (3 Quarts)	SAE 75W-90 Synthetic
2503954	Blade Gearbox Fluid (2 Quarts)	Synthetic ATF
2500468	Lift Pump Fluid (2 Quarts)	SAE 15W-40
2500468	Wheel Motors / Pump Fluid (2 Quarts)	SAE 15W-40

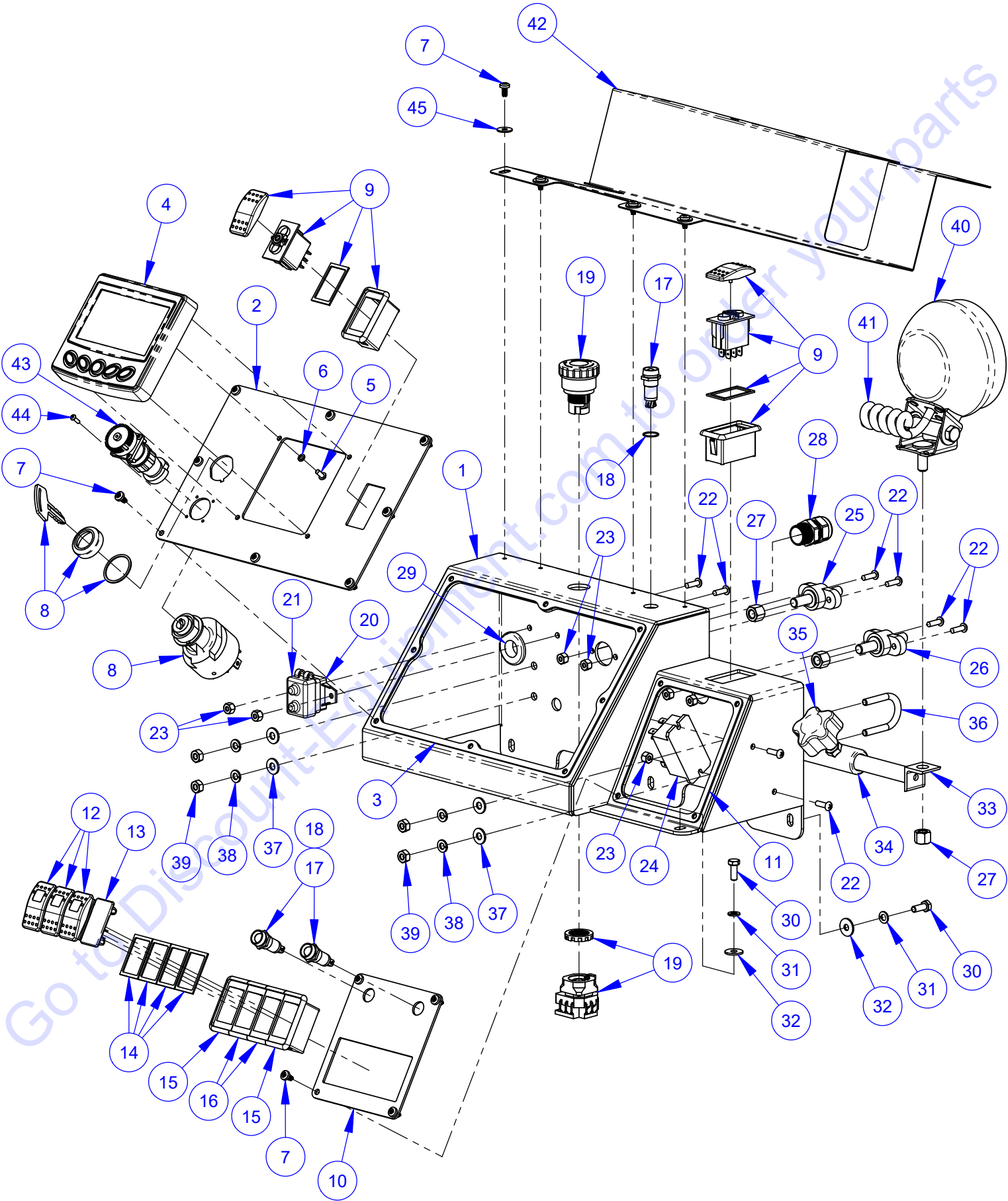
Frame Upright Assembly #6097028



Frame Upright Assembly #6097028

ITEM	PART NO.	QTY.	DESCRIPTION
1	6017595	1	Frame Upright
2	2900731	4	Cap Screw, Hex Hd., M16-2.0 x 40mm
3	2901358	4	Flat Washer, M16
4	2900670	4	Lock Nut, M16-2.0 Nylon Insert
5	6017212	1	Cover Plate
6	2900341	4	Cap Screw, Hex Hd., M6-1.0 x 16mm
7	2900765	7	Lock Washer, M6 Split
8	2901494	7	Flat Washer, M6
9	1800169	1	Serial Number Plate, US
10	2900096	2	Rivet, 3/32" Dia.
11	6017442	1	Panel Gasket
12	2900021	4	Tap Screw, Pan Hd., #10-24 x 3/8"
13	2900083	4	Fender Washer, 1/4" x 1-1/4"
14	6017005	1	Water Neck (Modified)
15	6097045	1	Water Neck Mount Plate
16	2508004	1	Water Neck with O-Ring
17	6017920	1	Coolant Bulkhead Elbow
18	2900310	3	Cap Screw, Hex Hd., M6-1.0 x 20mm
19	2901356	4	Flat Washer, M10
20	2900333	3	Cap Screw, Hex Hd., M10-1.5 x 25mm
21	2901348	1	Cap Screw, Hex Hd., M10 x 55mm
22	2900321	4	Lock Washer, M10 Split
23	6097065	1	Coolant Hose Elbow, 2"
24	6097063	1	Formed Coolant Hose, 1-5/8" I.D.
25	2508007	1	Union, Beaded 1.625"OD x 3"LG
26	6097064	1	Coolant Hose Elbow, 1-5/8" I.D.
27	3202142	4	Hose Clamp #24
28	3200095	2	Hose Clamp #32
29	2503774	1	O-Ring #228
30	2508005	1	AS568-229
31	6019271	2	Split Grommet Plate
32	2506039	1	Grommet, 7/8" I.D.
33	2900794	4	Machine Screw, Pan Hd., M5-0.8 x 12mm
34	2900301	4	Lock Nut, M5-0.8 Nylon Insert
35	2500203	1	Grommet, 3/4" I.D.
36	2508013	2	Grommet, 5/8" I.D.
37	2508018	1	Grommet, 11/16" I.D.

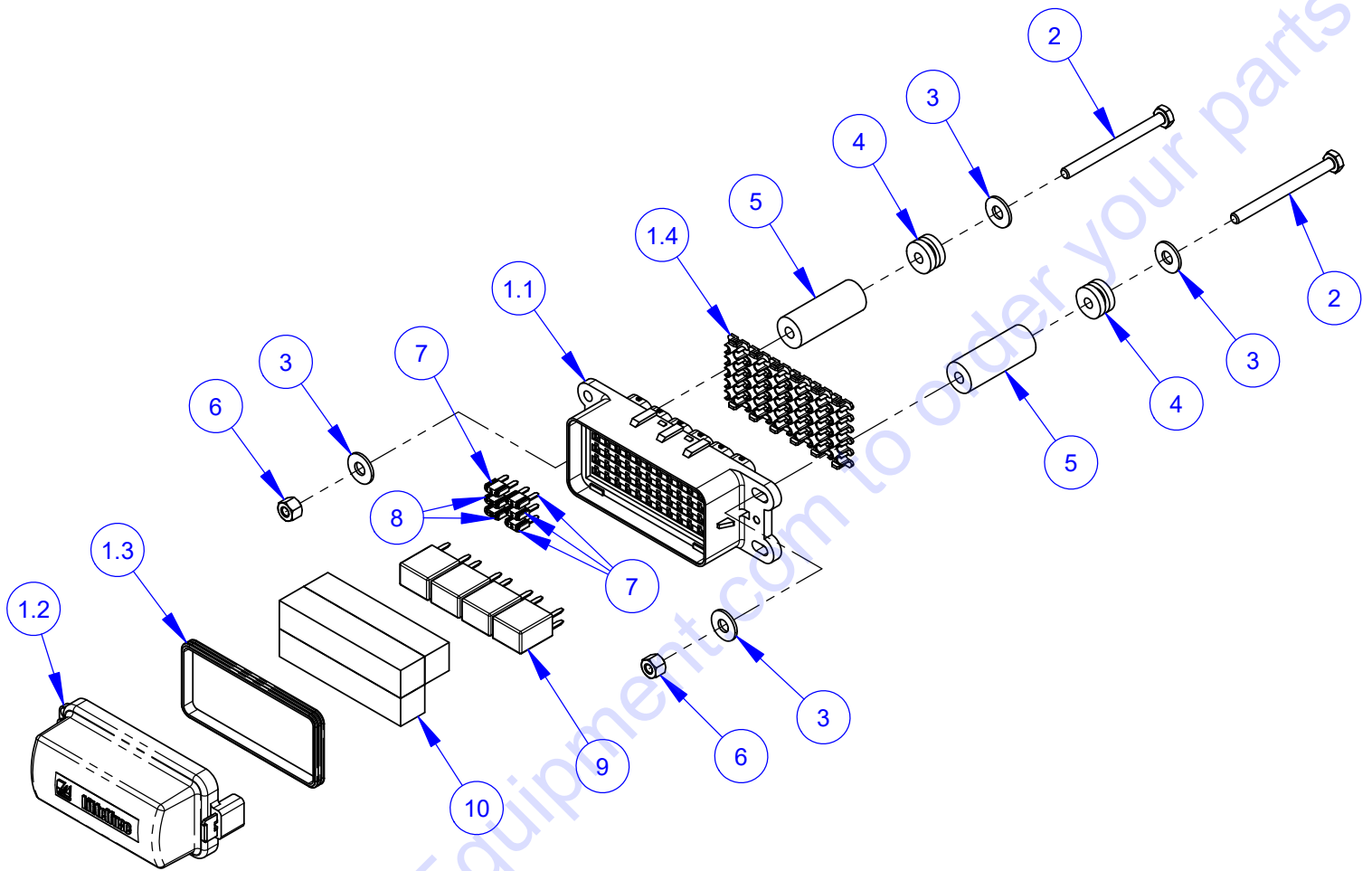
Instrument Box Assembly #6017603



Instrument Box Assembly #6017603

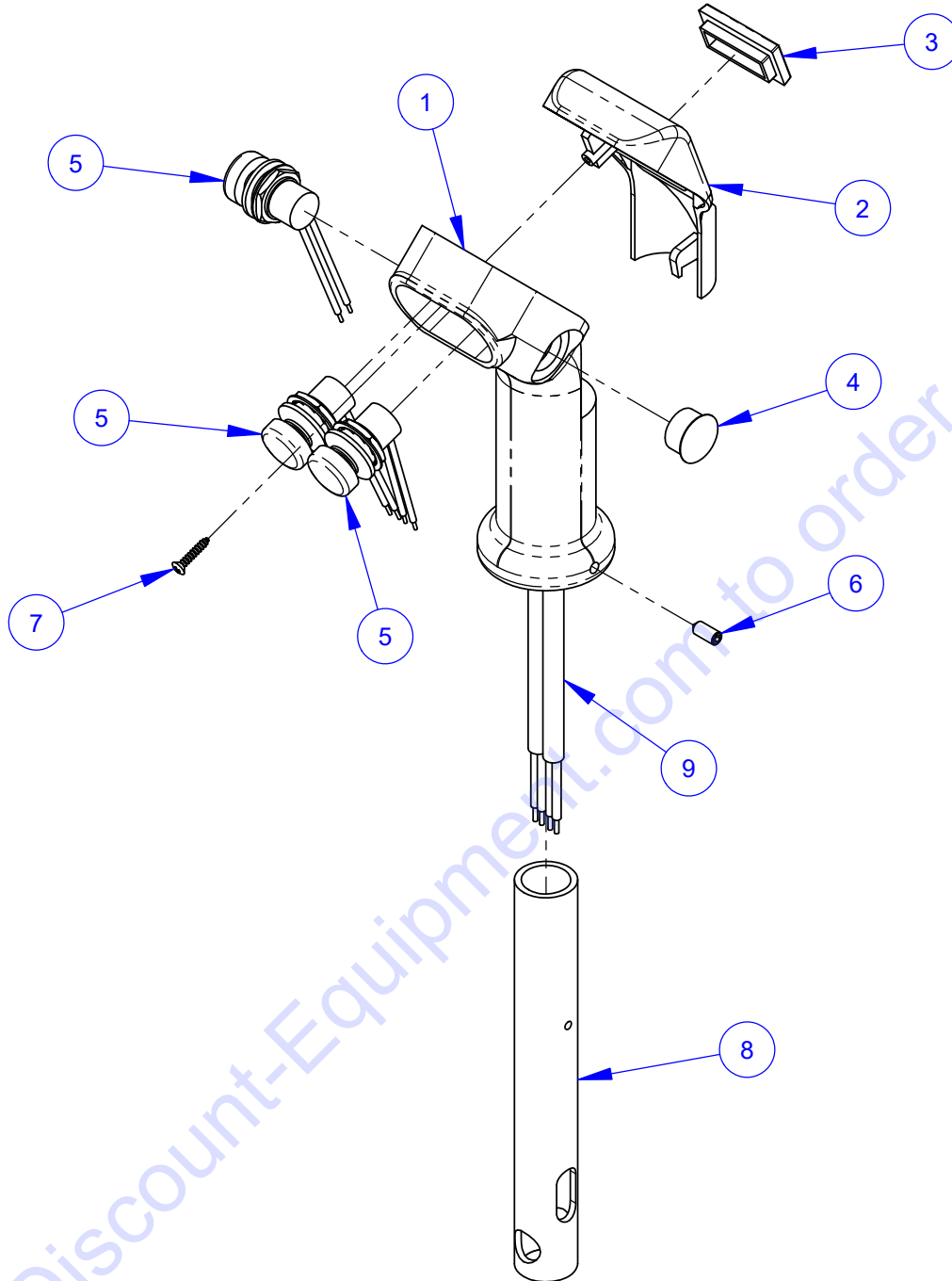
ITEM	PART NO.	QTY.	DESCRIPTION
1	6017607	1	Instrument Box
2	6097030	1	Instrument Panel
3	6017526	1	Instrument Panel Gasket
4	2801040	1	Murphy Display
5	2900114	4	Machine Screw, Rd. Hd., #8-32 x 3/8"
6	2900677	4	Lock Washer, #8 Split
7	2900021	16	Tap Screw, Pan Hd., #10-24 x 3/8"
8	2705001	1	Ignition Switch & Keys
	2705000	1	Ignition Keys Only (Pair)
9	6019158	2	Rocker Switch Assembly
	2800258	1	Rocker Switch Body
	2800259	1	Rocker Switch Actuator
	2800260	1	Rocker Mount Panel
	2800261	1	Rocker Panel Gasket
10	6017496	1	Switch Panel
11	6017527	1	Switch Panel Gasket
12	2800808	3	Rocker Switch
13	2800262	1	Rocker Mount Panel Plug
14	2800261	4	Rocker Panel Gasket
15	2800615	2	Rocker Mount End Panel
16	2800616	2	Rocker Mount Middle Panel
17	2800915	3	Indicator Light (Red)
18	2503982	3	O-Ring
19	2801367	1	E-Stop Switch
20	2801276	1	Circuit Breaker, 50 Amp
21	2800364	1	Circuit Breaker Boot
22	2900159	8	Machine Screw, Rd. Hd., #10-24 x 5/8"
23	2900017	8	Lock Nut, #10-24 Nylon
24	2801262	1	Relay, 30 Amp, 12V, DPST
25	2800627	1	Power Stud Block (Red)
26	2800626	1	Ground Stud Block (Black)
27	2900018	3	Locknut, 3/8-16, Nylon
28	2800623	1	Cord Grip, 1/2" NPT Nylon
29	2508018	1	Grommet, 11/16" I.D.
30	2900341	6	Cap Screw, Hex Hd., M6-1.0 x 16mm
31	2900765	6	Lock Washer, M6 Split
32	2901359	6	Fender Washer, M6
33	6010106	1	Light Bar
34	6017049	1	Light Mount Tube
35	2400157	2	Hand Lock Knob, 5/16-18 x 1"
36	2900241	2	U-Bolt, 1/2" Pipe
37	2900009	4	Flat Washer, 1/4" SAE
38	2900024	4	Lock Washer, 1/4" Split
39	2900125	4	Hex Nut, 1/4-20
40	2500194	1	Spot Light, 12 Volt
41	6017086	1	Coiled Light Cord (1 Foot)
42	6097053	1	Air Shield
43	6093103	1	Diagnostic Port Assembly
44	2907104	4	Cap Screw, Button Hd., M3 x 0.5 x 10mm
45	2900770	4	Fender Washer, M5

Power Block Assembly #6017924



ITEM	PART NO.	QTY.	DESCRIPTION
1	6017534	1	Fuse Block Assembly
1.1	2801282	1	Fuse Block Base
1.2	2801283	1	Fuse Block Cover
1.3	2801284	1	Fuse Block Gasket
1.4	2801285	6	Fuse Block TPA
2	2900667	2	Cap Screw, Hex Hd., 1/4-20 x 3"
3	2900126	4	Flat Washer, 1/4" USS
4	2503986	2	Grommet, 1/4" I.D.
5	6017535	2	Spacer, 2"
6	2900010	2	Lock Nut, 1/4-20 Nylon
7	2801489	4	Fuse, 5 Amp Mini (Tan)
8	2801439	2	Fuse, 10 Amp Mini (Red)
9	2801641	4	Relay, 35 Amp Micro
10	6017491	3	Foam Cushion, 3/4" Thick

Control Grip Assembly #6017182

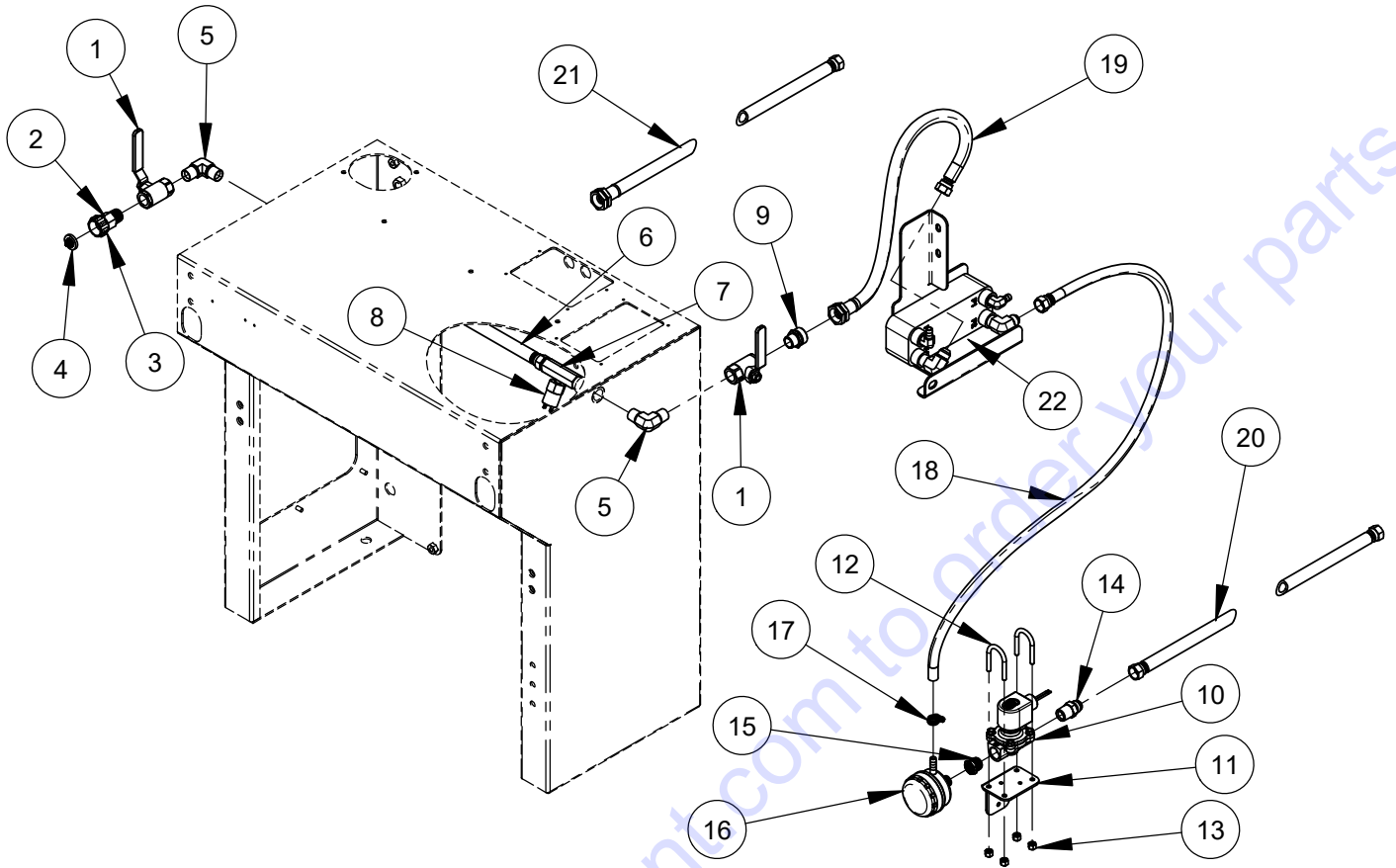


ITEM	PART NO.	QTY.	DESCRIPTION
1	2501280	1	Control Grip Body
2	2501281	1	Control Grip Cover
3	2500644	1	Plug, Rectangular
4	2500694	1	Plug, 5/8" Hole
5	2800373	3	Pushbutton Switch (B&W)
6	2900453	1	Set Screw, Soc. Hd., M5-0.8 x 12mm
7	2900452	1	Machine Screw, Oval Hd., #4 x 5/8"
8	6017025	1	Speed Control Tube
9	6091218	1	Control Grip Harness

Speed Control Lever Assembly #6017577

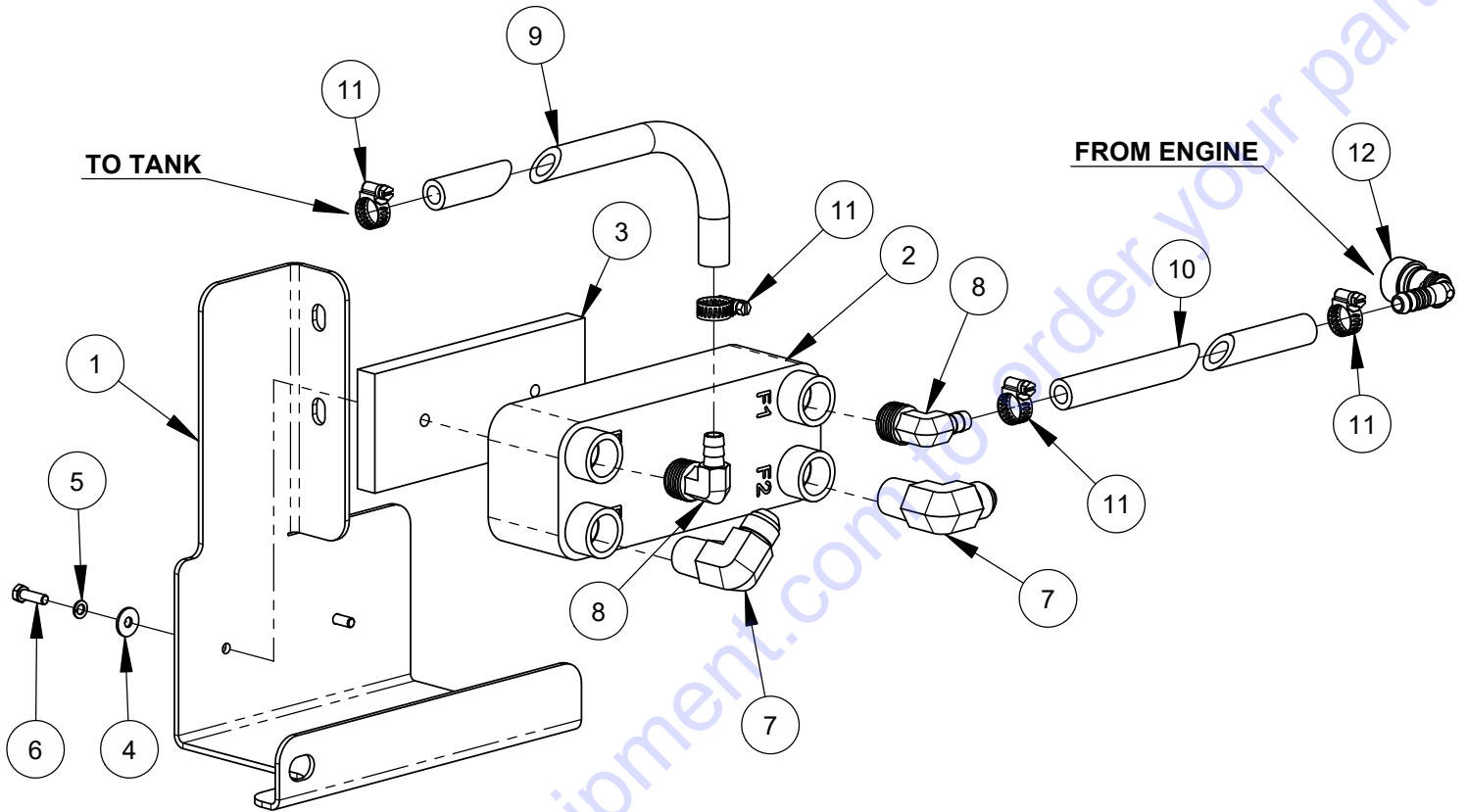
ITEM	PART NO.	QTY.	DESCRIPTION
1	6017575	1	Speed Control Frame
2	6017023	1	Pivot Housing
3	2502384	1	Bearing Cup
4	2502383	1	Bearing Cone
5	2900825	1	Shoulder Screw, 3/4" x 1-1/4" (5/8-11)
6	2502385	1	Grease Cap
7	6017576	1	Swing Arm
8	2900978	3	Cap Screw, Flat Hd., #10-24 x 1/2"
9	6011234	1	Friction Disc, 3/4" x 2-1/2" x 3/8"
10	2900478	1	Belleville Washer, 5/8"
11	2900256	1	Jam Nut, 5/8-11
12	2900360	2	Cap Screw, Hex Hd., M8-1.25 x 25mm
13	2900763	2	Lock Washer, M8 Split
14	2901336	2	Flat Washer, M8
15	2800927	1	Neutral Safety Switch
16	2900665	1	Belleville Washer, 1/2"
17	2502386	2	Spring Plunger M8
18	2900343	2	Hex Nut, M8-1.25
19	2900826	1	Shoulder Screw, 1/2" x 1-1/2" (3/8-16)
20	2900014	1	Flat Washer, 3/8" SAE
21	2900018	1	Locknut, 3/8-16, Nylon
22	2505015	1	Control Cable 35"
23	2500791	1	Rod End, #10-32 Female
24	2900188	2	Hex Nut, #10-32
25	2900688	1	Lock Nut, #10-32 Nylon
26	2800916	1	Anchor Mount Zip Tie
27	6017182	1	Control Grip Assembly
28	6017583	1	Spacer, 5/8" x 1-1/4"
29	2901877	1	Cap Screw, Soc. Hd., #10-32 x 2-1/4"

Water Supply Assembly #6017618



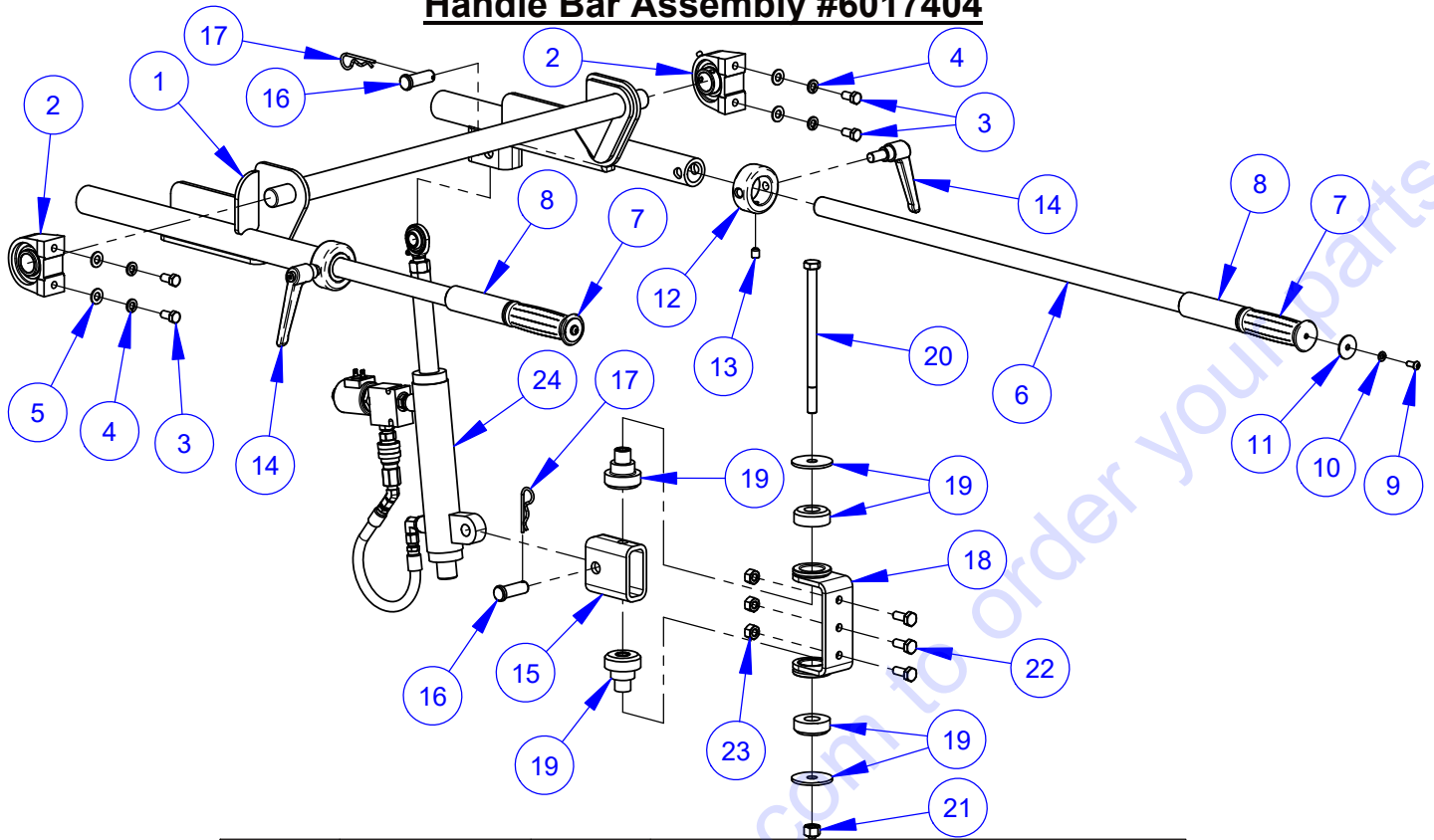
ITEM	PART NO.	QTY.	DESCRIPTION
1	3200027	2	Water Valve
2	3200008	1	Close Nipple, 1/2" NPT
3	3200022	1	Fitting, 1/2" F. Pipe to 3/4" F. Garden
4	3200025	1	Hose Filter Washer
5	3200166	2	Elbow, 1/2" Male Pipe
6	6017239	1	Water Hose Assembly 23"
7	6017240	1	Adapter, 1/2" JIC to 1/2" Pipe
8	2800060	1	Water Pressure Safety Switch
9	3200155	1	Fitting, 1/2" M. Pipe to 3/4" M. Garden
10	3202880	1	Water Solenoid Valve
11	6017481	1	Valve Bracket
12	2900369	2	U-Bolt, 3/4" Pipe
13	2900010	4	Lock Nut, 1/4-20 Nylon
14	3200283	1	Adapter, 1/2" M. Pipe x 1/2" M. JIC
15	3200701	1	Reducer, 1/2" M. to 3/8" F. Pipe
16	2703425	1	Inlet Strainer
17	3200390	1	Hose Clamp #6
18	6017629	1	Hose Assembly 3/8" x 47"
19	6017628	1	Hose Assembly 1/2" x 29"
20	6017608	1	Hose Assembly 1/2" x 42"
21	6017525	1	Hose Assembly 1/2" x 100"
22	6017617	1	Fuel Cooler Assembly

Fuel Cooler Assembly #6017617



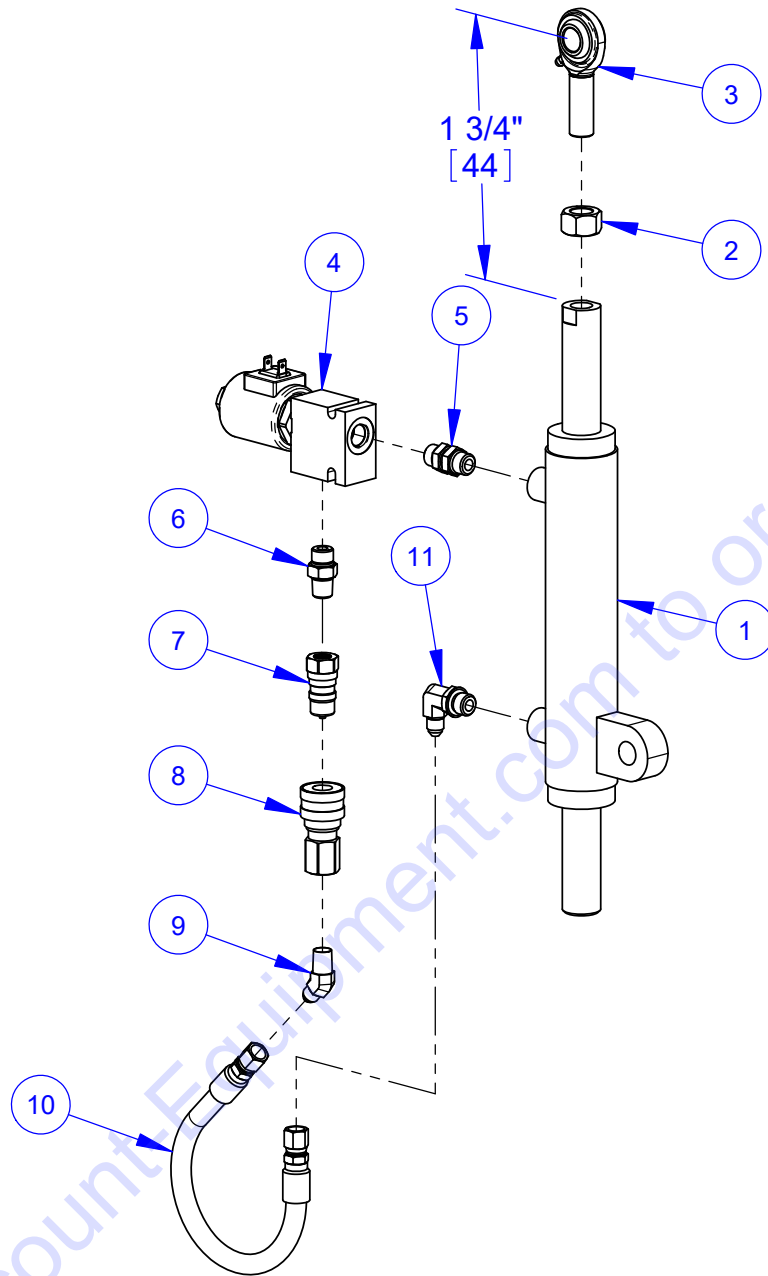
ITEM	PART NO.	QTY.	DESCRIPTION
1	6097056	1	Fuel Cooler Bracket
2	2506054	1	Fuel Cooler
3	6019280	1	Cooler Cushion
4	2900770	2	Fender Washer, M5
5	2900767	2	Lock Washer, M5 Split
6	2902006	2	Cap Screw, Hex Hd., M5-0.8 x 16mm
7	3201461	2	Elbow, 1/2" M. JIC to 1/2" M. Pipe
8	3202868	2	Elbow, 1/2" M. NPTF to 3/8" Hose Barb
9	6017631	1	Fuel Hose, 3/8" I.D. x 20"
10	6017630	1	Fuel Hose, 3/8" I.D. x 14"
11	3200390	4	Hose Clamp #6
12	3206392	1	Quick Connect Elbow Fitting, 3/8" Barb

Handle Bar Assembly #6017404



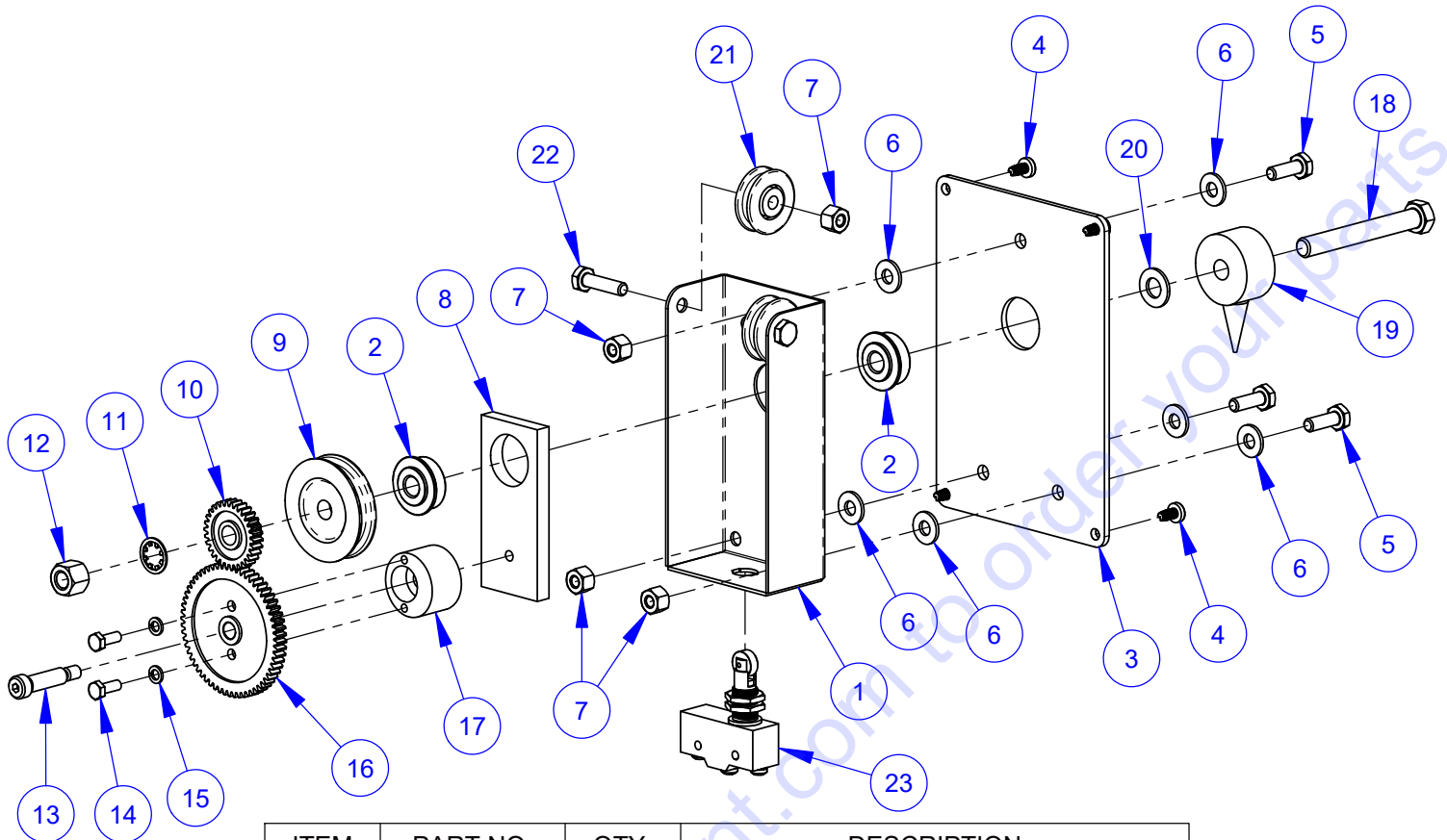
ITEM	PART NO.	QTY	DESCRIPTION
1	6017026	1	Handle Holder Frame
2	2500732	2	Pillow Block Bearing 1"
3	2900196	4	Cap Screw, Hex Hd., 3/8-16 x 3/4"
4	2900006	4	Lock Washer, 3/8" Split
5	2900014	4	Flat Washer, 3/8" SAE
6	6010014	2	Handle Bar, 36" Long
7	2500636	2	Handle Grip
8	2501955	2	Handle Stop Grip
9	2900863	2	Cap Screw, Button Hd., 1/4-20 x 5/8"
10	2900024	2	Lock Washer, 1/4" Split
11	2900083	2	Fender Washer, 1/4" x 1-1/4"
12	6017377	2	Lock Collar
13	2901341	2	Set Screw, Soc. Hd., M10-1.5 x 12mm
14	2502390	2	Adjustable Lever 1/2-13 x 1"
15	6017301	1	Isolator Mount Tube
16	2900828	2	Clevis Pin, 5/8" x 1-3/4"
17	2900829	2	Hairpin Cotter, 1/8" x 5/8" to 7/8"
18	6017302	1	Isolator Mount Bracket
19	2503789	2	Vibration Isolator
20	2901342	1	Cap Screw, Hex Hd., M12-1.75 x 200mm
21	2900327	1	Lock Nut, M12-1.75 Nylon Insert
22	2900333	3	Cap Screw, Hex Hd., M10-1.5 x 25mm
23	2900304	3	Lock Nut, M10-1.5 Nylon Insert
24	6017243	1	Double Rod Cylinder Assembly

Double Rod Cylinder Assembly #6017243



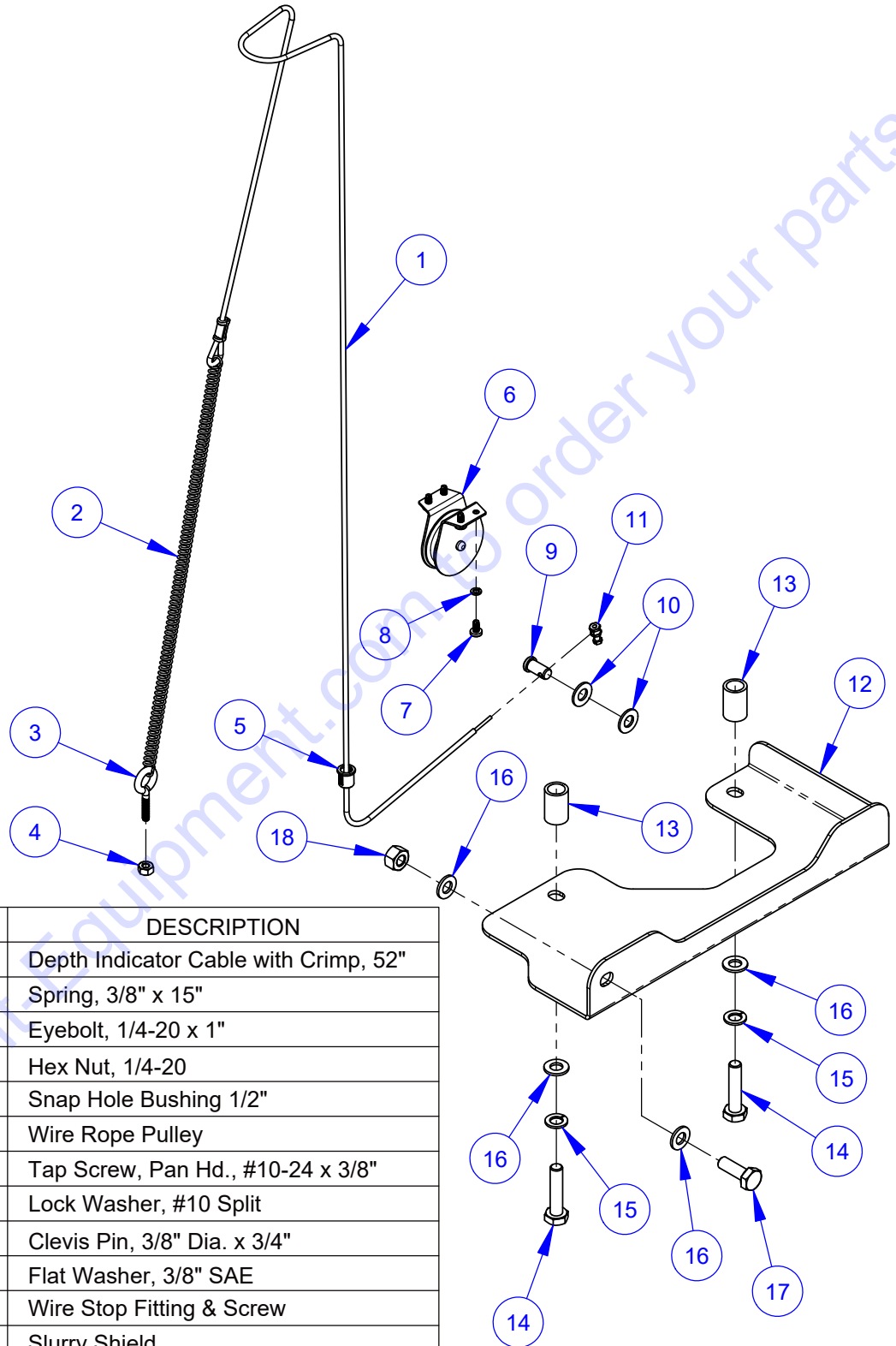
ITEM	PART NO.	QTY	DESCRIPTION
1	2503725	1	Cylinder, Double Rod
2	2900255	1	Hex Nut, 5/8-18
3	2503732	1	Rod End, 5/8-18 Male
4	3201660	1	Valve, Solenoid Blocking
5	3201661	1	Union, 3/8" to 3/8" O-Ring
6	3201662	1	Adapter, 3/8" O-Ring to 1/4" M. Pipe
7	3200381	1	Nipple, 1/4" Q.D.
8	3200382	1	Coupler, 1/4" Q.D.
9	3201663	1	Elbow, 1/4" M. Pipe to 1/4" M. JIC (45 deg)
10	6017196	1	Hose Assembly 1/4" x 14"
11	3200551	1	Elbow, 3/8" O-Ring to 1/4" M. JIC

Depth Indicator Assembly #6017060



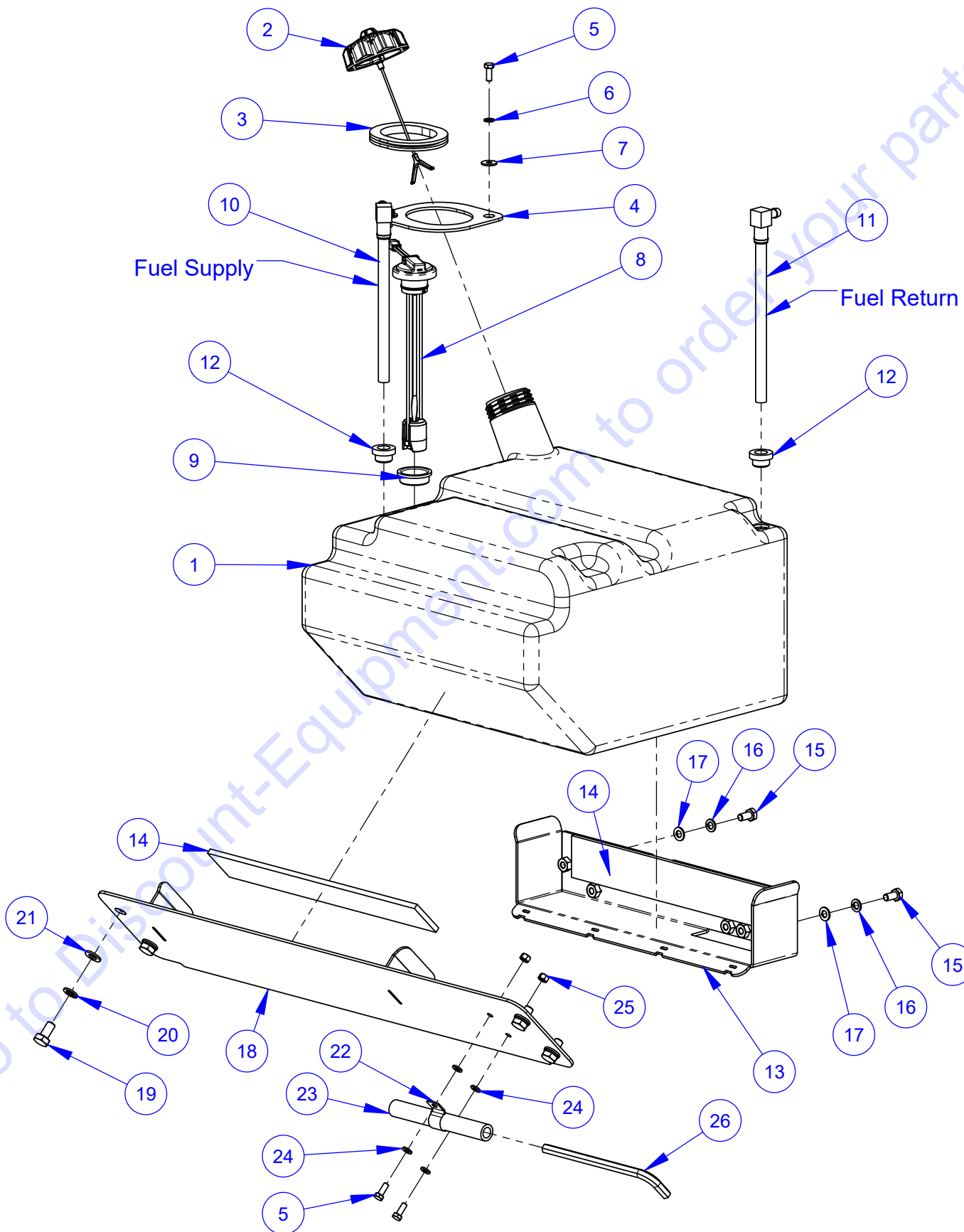
ITEM	PART NO.	QTY.	DESCRIPTION
1	6017031	1	Depth Indicator Bracket
2	2500145	2	Flange Bearing, 3/8"
3	6017032	1	Depth Indicator Panel
4	2900021	4	Tap Screw, Pan Hd., #10-24 x 3/8"
5	2900144	3	Cap Screw, Hex Hd., 1/4-20 x 3/4"
6	2900009	6	Flat Washer, 1/4" SAE
7	2900010	5	Lock Nut, 1/4-20 Nylon
8	6017033	1	Gear Set Plate
9	6017147	1	Cable Pulley
10	6017034	1	Gear, 30 Tooth
11	2900254	1	Lock Washer, 3/8" Internal Tooth
12	2900018	1	Locknut, 3/8-16, Nylon
13	2900855	1	Shoulder Screw, 5/16" x 1" (1/4-20)
14	2900448	2	Machine Screw, Hex Hd., #10-32 x 1/2"
15	2900038	2	Lock Washer, #10 Split
16	6017035	1	Gear, 60 Tooth
17	6017036	1	Cam
18	2900035	1	Cap Screw, Hex Hd., 3/8-16 x 3"
19	6010091	1	Depth Indicator Pointer
20	2901383	1	Friction Washer, 3/8"
21	2500155	2	Cable Pulley, 1-1/4"
22	2900008	2	Cap Screw, Hex Hd., 1/4-20 x 1"
23	2800609	1	Limit Switch, Roller Plunger

Depth Indicator Cable Assembly #6017408A



ITEM	PART NO.	QTY	DESCRIPTION
1	6017149	1	Depth Indicator Cable with Crimp, 52"
2	2500196	1	Spring, 3/8" x 15"
3	2900548	1	Eyebolt, 1/4-20 x 1"
4	2900125	1	Hex Nut, 1/4-20
5	2503731	1	Snap Hole Bushing 1/2"
6	2503724	1	Wire Rope Pulley
7	2900021	4	Tap Screw, Pan Hd., #10-24 x 3/8"
8	2900038	4	Lock Washer, #10 Split
9	2900261	1	Clevis Pin, 3/8" Dia. x 3/4"
10	2900014	2	Flat Washer, 3/8" SAE
11	2501189	1	Wire Stop Fitting & Screw
12	6017233	1	Slurry Shield
13	6048127	2	Spacer Tube, 1-1/8" Long
14	2900317	2	Cap Screw, Hex Hd., M10-1.5 x 45mm
15	2900321	2	Lock Washer, M10 Split
16	2901356	4	Flat Washer, M10
17	2900223	1	Cap Screw, Hex Hd., M10-1.5 x 30mm
18	2900304	1	Lock Nut, M10-1.5 Nylon Insert

Fuel Tank Assembly #6017609



Fuel Tank Assembly #6017609

ITEM	PART NO.	QTY.	DESCRIPTION
1	6017578	1	Fuel Tank CC7574DD
2	2506060	1	Fuel Tank Cap, Diesel
3	2503706	1	Fuel Tank Grommet
4	6017043	1	Filler Flange Plate
5	2900341	4	Cap Screw, Hex Hd., M6-1.0 x 16mm
6	2900765	2	Lock Washer, M6 Split
7	2901359	2	Fender Washer, M6
8	2503962	1	Fuel Level Sender
9	2503963	1	Grommet, Fuel Sender
10	6017528	1	Tank Elbow with Tube
11	6019309	1	Tank Elbow with Tube
12	2504684	2	Bushing, Tank (Rubber)
13	6017385	1	Tank Tray
14	6017015	2	Fuel Tank Pad 13-1/2"
15	2900868	2	Cap Screw, Hex Hd., M8-1.25 x 16mm
16	2900763	2	Lock Washer, M8 Split
17	2901336	2	Flat Washer, M8
18	6017042	1	Access Panel
19	2900314	4	Cap Screw, Hex Hd., M10-1.5 x 20mm
20	2900321	4	Lock Washer, M10 Split
21	2901356	4	Flat Washer, M10
22	3201887	1	Hose Clamp
23	6017238	1	Hose, 1/2" I.D. x 6"
24	2901494	4	Flat Washer, M6
25	2900302	2	Lock Nut, M6-1.0 Nylon Insert
26	2501923	1	L-Key, 3/8" Hex

Go to Discount Equipment to order your parts

Fuel Door Assembly #6017624

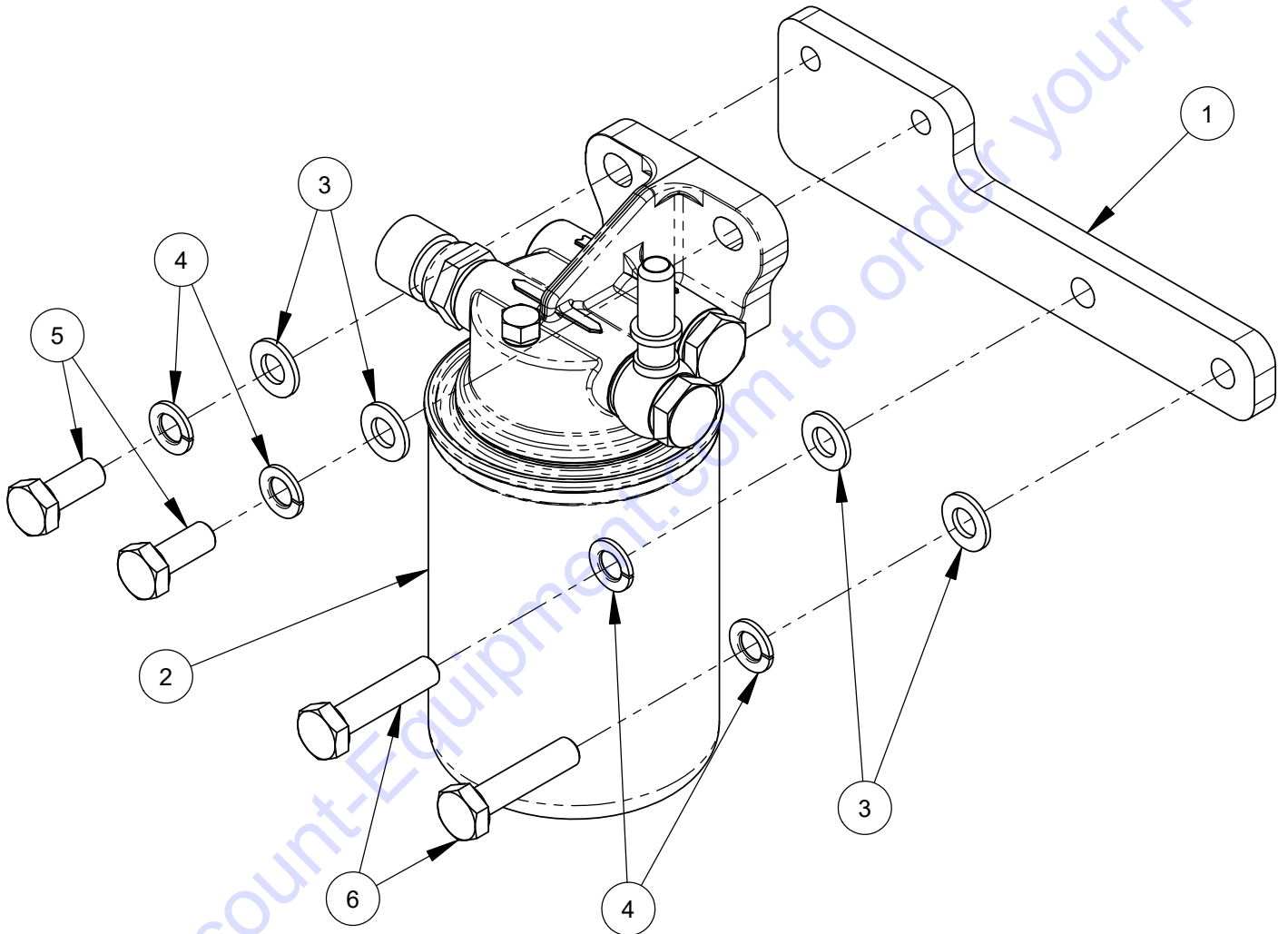
ITEM	PART NO.	QTY.	DESCRIPTION
1	6017615	1	Door Flange Assembly
2	6017605	1	Door Assembly
3	2504748	1	Hinge
4	2900457	15	Lock Nut, M4-0.7 Nylon Insert
5	2504747	2	Spring Latch
6	2902220	4	Lock Nut, M3-0.5 Nylon Insert
7	2706148	1	Fuel Pump w/ Clamps, Deutz
8	2703923	1	Deutz Fuel Pre-Filter Assembly
	2703636	1	Deutz Fuel Pre-Filter
9	2900304	2	Lock Nut, M10-1.5 Nylon Insert
10	3202966	1	Elbow, M16 M. to 1/2" M. JIC
11	3202959	1	Adapter, M15 M. to 3/4" M. JIC
12	3202958	1	Elbow, 1/2" Barb to 3/4-16 Swivel
13	6017584	1	Fuel Tube Assembly
14	2505445	3	Clamp, 3/8" ID
15	6017594	1	Fuel Tube
16	2900302	10	Lock Nut, M6-1.0 Nylon Insert
17	6017930	1	Fuel Hose, 1/2" I.D. x 2.75"
18	6017929	1	Fuel Hose, 3/8" I.D. x 2.5"
19	3202884	4	Hose Clamp, 5/8" Spring Band
20	3200016	4	Hose Clamp #8
21	6017932	1	Fuel Hose, 1/2" I.D. x 25"
22	6017931	1	Fuel Hose, 3/8" I.D. x 67"
23	2800926	1	Door Interlock Switch

Go to Discount-Equipment.com to order your parts

Intentionally Blank

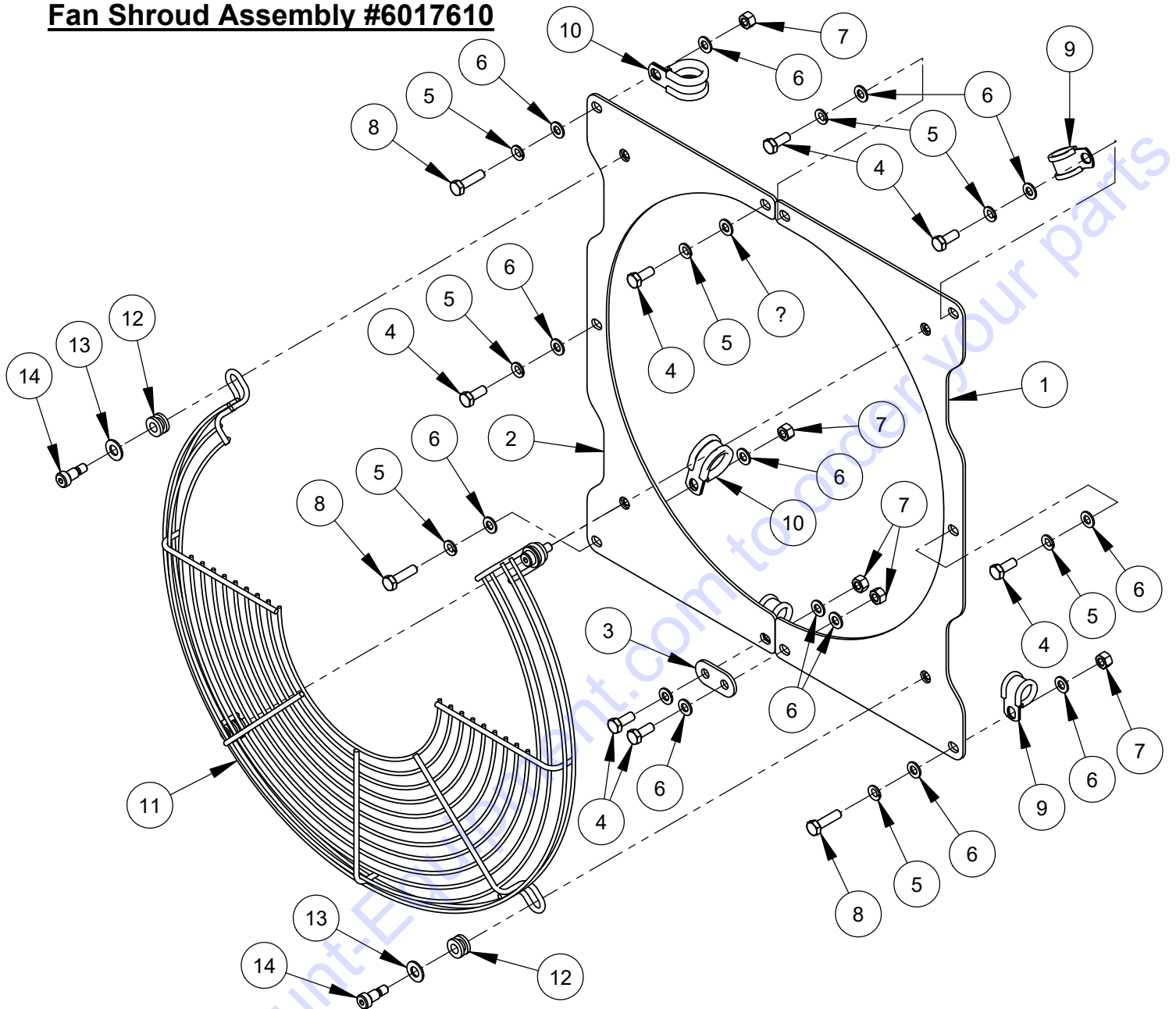
Go to Discount-Equipment.com to order your parts

Fuel Filter Mount Assembly #6017626



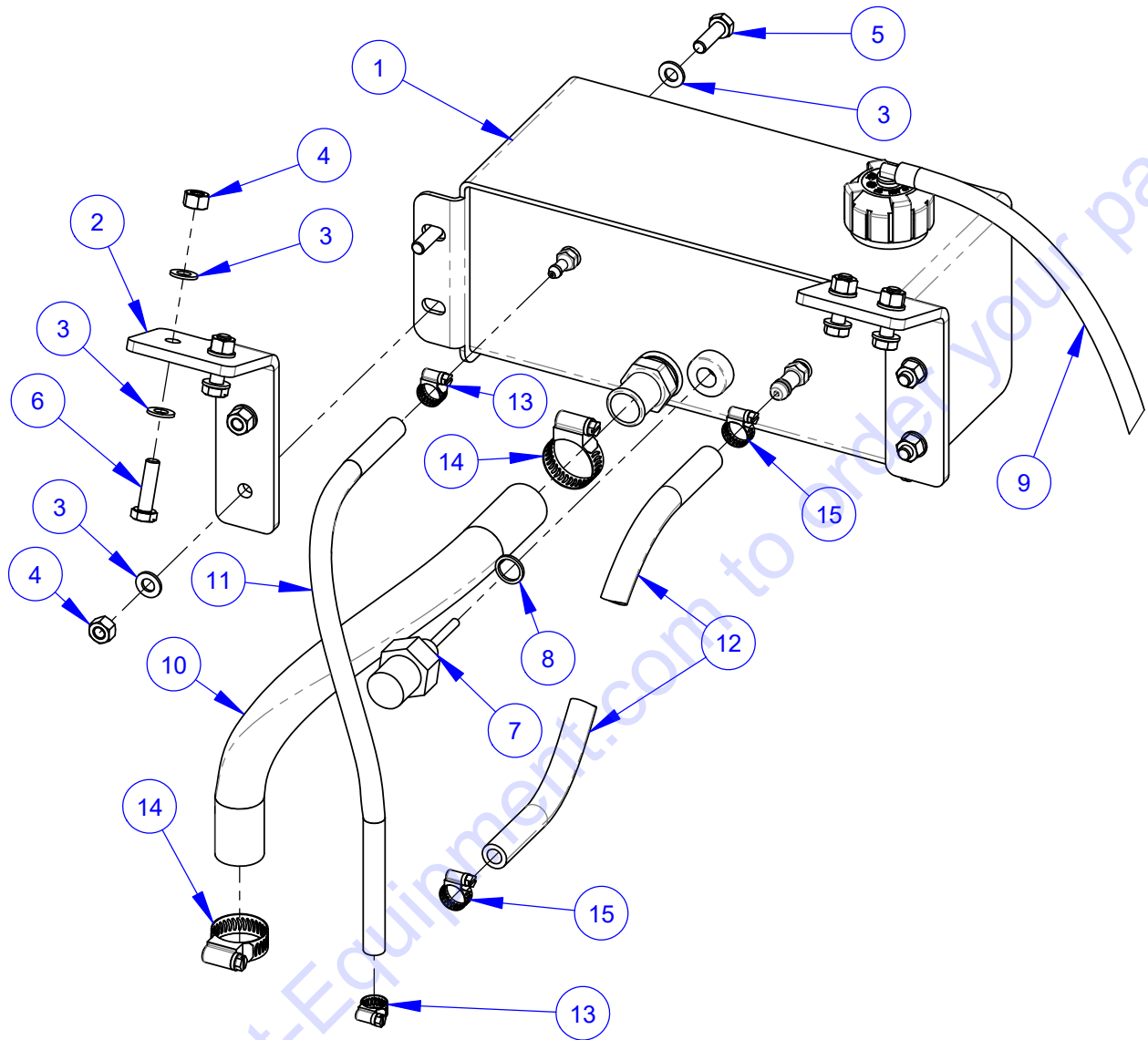
ITEM	PART NO.	QTY.	DESCRIPTION
1	6012242	1	Fuel Filter Bracket
2	2705534	1	Deutz Fuel Filter Assembly
	2703656	1	Deutz Fuel Filter
3	2901356	4	Flat Washer, M10
4	2900321	4	Lock Washer, M10 Split
5	2900333	2	Cap Screw, Hex Hd., M10-1.5 x 25mm
6	2900317	2	Cap Screw, Hex Hd., M10-1.5 x 45mm

Fan Shroud Assembly #6017610



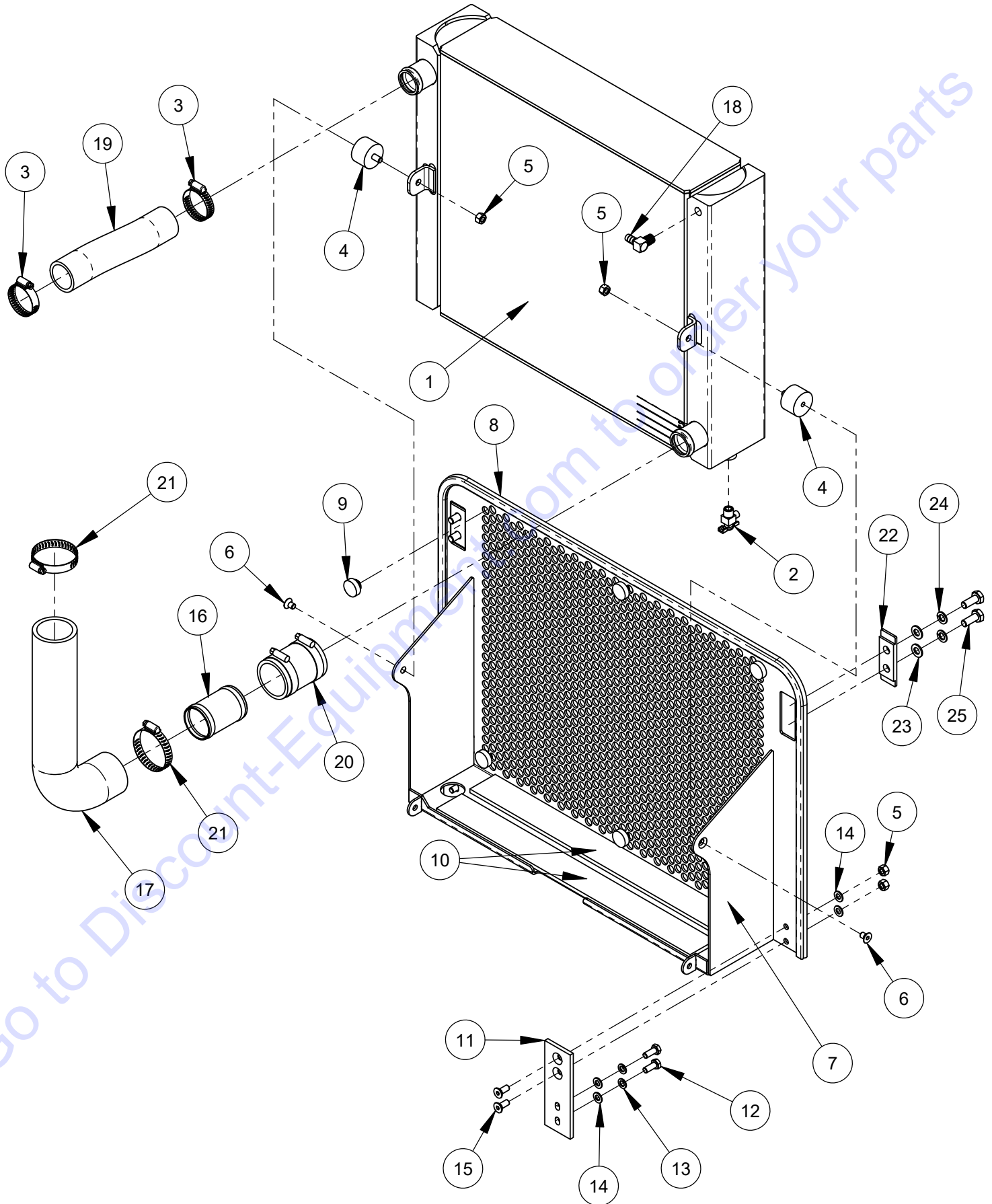
ITEM	PART NO.	QTY.	DESCRIPTION
1	6017037A	1	Fan Shroud (Left)
2	6017037B	1	Fan Shroud (Right)
3	6017038	1	Link
4	2900329	7	Cap Screw, Hex Hd., M8-1.25 x 20mm
5	2900763	8	Lock Washer, M8 Split
6	2901336	15	Flat Washer, M8
7	2900303	5	Lock Nut, M8-1.25 Nylon Insert
8	2900313	3	Cap Screw, Hex Hd., M8-1.25 x 30mm
9	2801151	3	Hose Clamp, 3/4" x 3/4" Wide
10	3201729	2	Hose Clamp, 1" x 3/4" Wide
11	6017923	1	Fan Guard
12	2503711	4	Grommet, 3/8" I.D.
13	2900014	4	Flat Washer, 3/8" SAE
14	2900672	4	Shoulder Screw, 3/8" x 1/2" (5/16-18)

Expansion Tank Assembly #6017601



ITEM	PART NO.	QTY.	DESCRIPTION
1	2508003	1	Assy, Degas Tank
2	6097082	2	Coolant Tank Bracket
3	2901336	16	Flat Washer, M8
4	2900303	8	Lock Nut, M8-1.25 Nylon Insert
5	2900360	4	Cap Screw, Hex Hd., M8-1.25 x 25mm
6	2900313	4	Cap Screw, Hex Hd., M8-1.25 x 30mm
7	2801730	1	Coolant Level Sensor
8	2902115	1	Sealing Washer, M14
9	6010889	1	Hose, 1/4" I.D. x 48"
10	6097061	1	Coolant Hose, 7/8" I.D. x 15"
11	6017625	1	Coolant Hose, 1/4" I.D. x 15"
12	6097062	1	Coolant Hose, 3/8" I.D. x 50"
13	3200062	2	Hose Clamp #4
14	3400614	2	Hose Clamp #12
15	3200390	2	Hose Clamp #6

Radiator Assembly #6017606

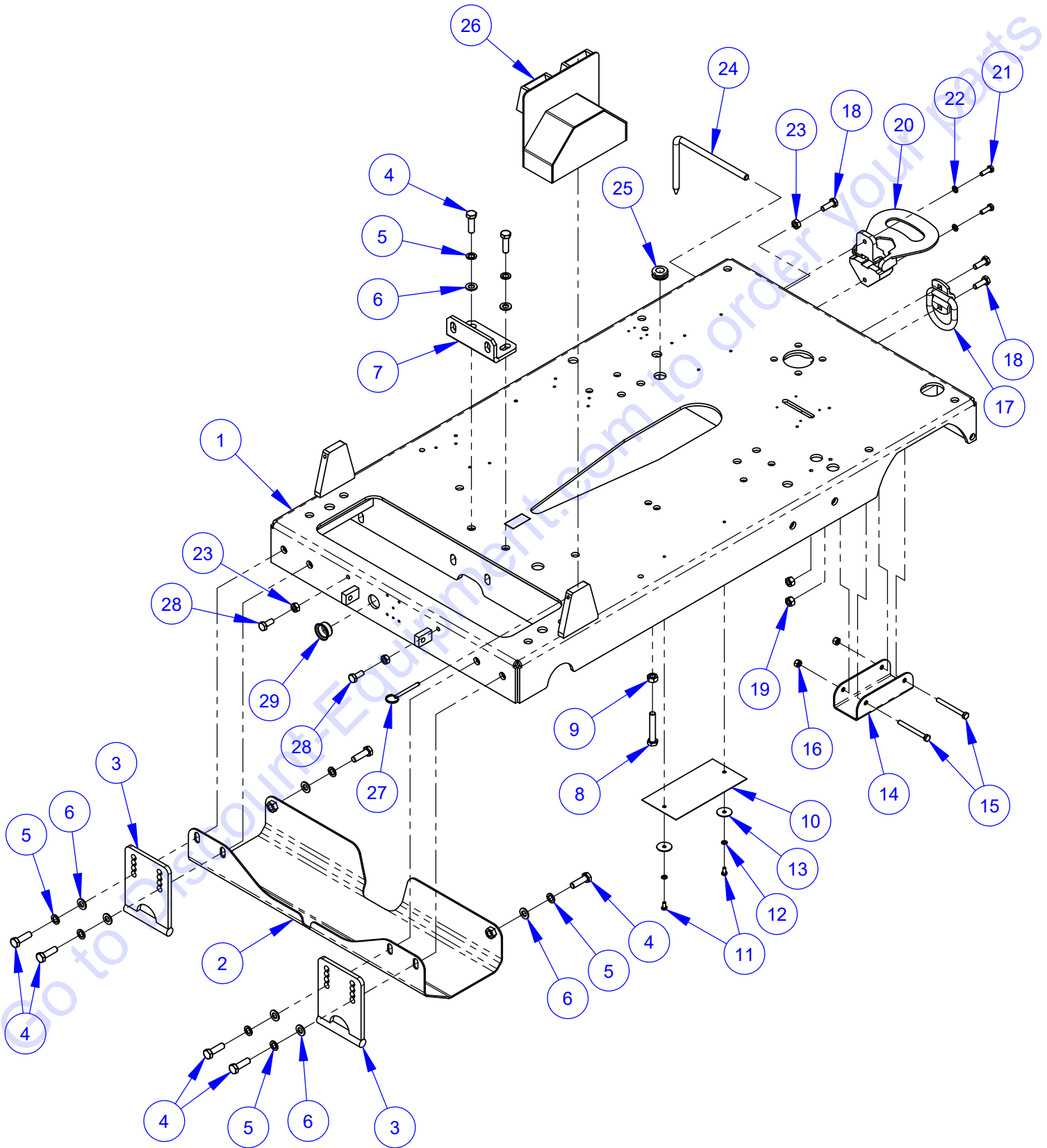


Radiator Assembly #6017606

ITEM	PART NO.	QTY.	DESCRIPTION
1	2504737	1	Radiator
2	3202143	1	Drain Valve, 1/4" NPT
3	3202142	2	Hose Clamp #24
4	2503886	2	Vibration Isolator, M8-1.25
5	2900303	6	Lock Nut, M8-1.25 Nylon Insert
6	2901344	2	Cap Screw, Flat Hd., M8-1.25 x 12mm
7	6017572	1	Radiator Door
8	6017013	1	Edge Trim Seal 65"
9	2502389	6	Button Bumper
10	6017014	2	Radiator Pad 20"
11	6017922	2	Radiator Mounting Strap
12	2900329	4	Cap Screw, Hex Hd., M8-1.25 x 20mm
13	2900763	4	Lock Washer, M8 Split
14	2901336	8	Flat Washer, M8
15	2900611	4	Cap Screw, Flat Hd., M8-1.25 x 20mm
16	3206385	1	Union, Beaded 2"OD x 3"LG
17	6017611	1	Radiator Hose, 2" Elbow
18	3200475	1	Elbow, 1/4" M. Pipe to 3/8" Hose Barb
19	6017621	1	Radiator Hose, 1-1/2" x 8-1/4"
20	3206384	1	Coupler, Hose; 2 to 1.5in
21	3200095	2	Hose Clamp #32
22	6017633	2	Retainer Plate
23	2901356	4	Flat Washer, M10
24	2900321	4	Lock Washer, M10 Split
25	2900333	4	Cap Screw, Hex Hd., M10-1.5 x 25mm

Go to DiscountEquipment.com to order your parts

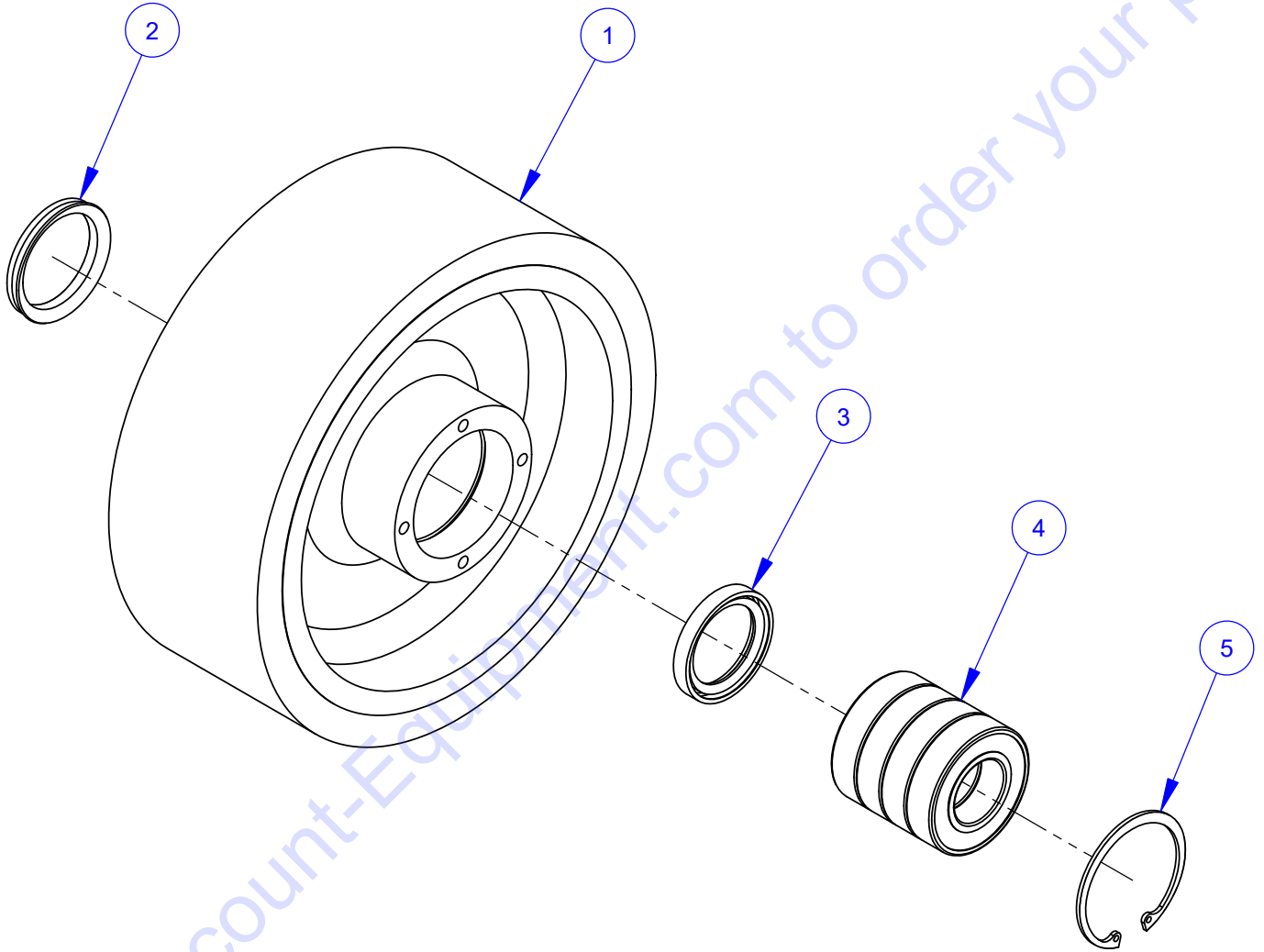
Frame Base Assembly #6017412



Frame Base Assembly #6017412

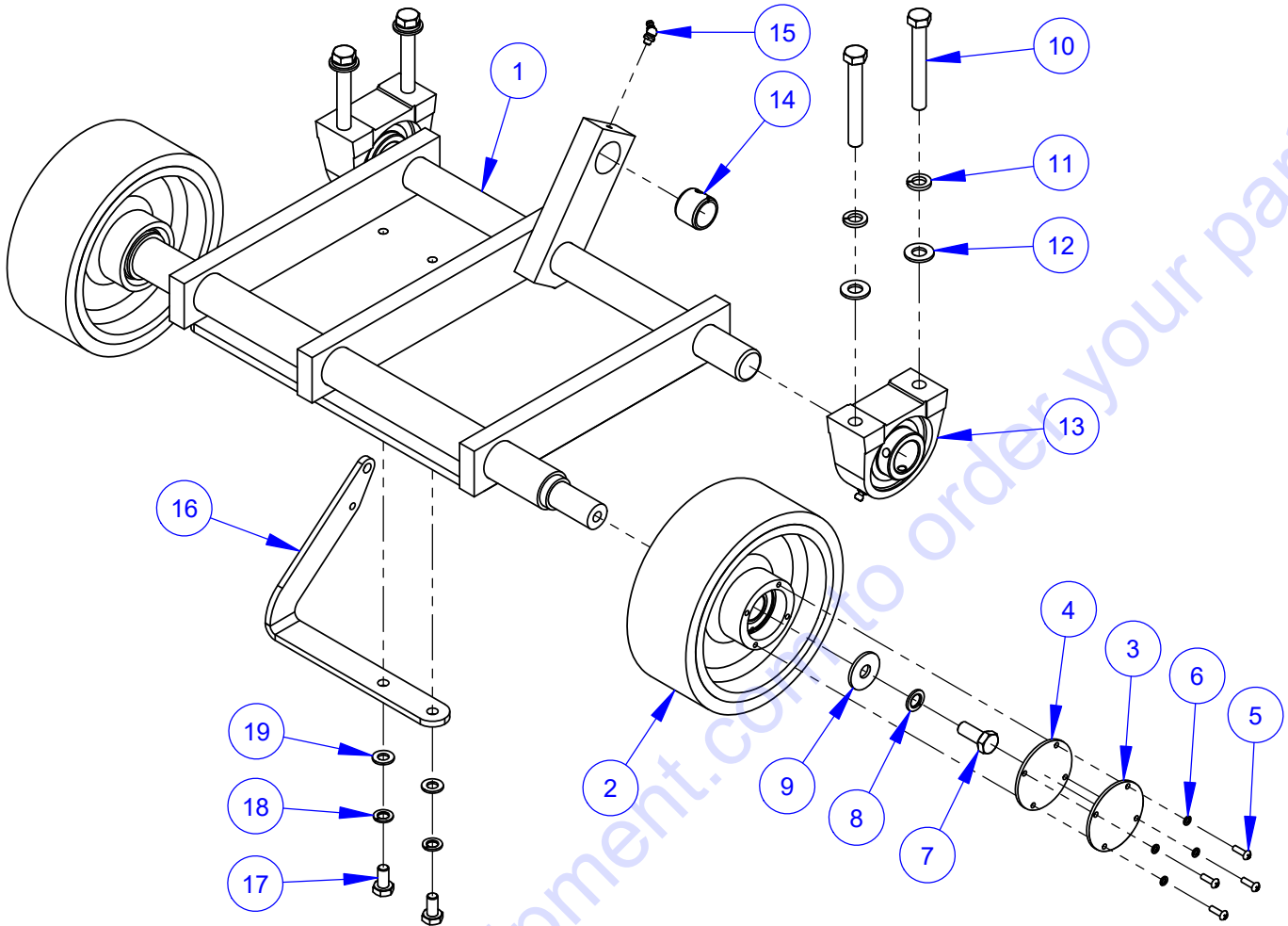
ITEM	PART NO.	QTY	DESCRIPTION
1	6017360	1	Frame Base Weldment
2	6017375	1	Skid Guard
3	6017157	2	Skid Plate
4	2900331	8	Cap Screw, Hex Hd., M12-1.75 x 40mm
5	2900699	8	Lock Washer, M12 Split
6	2901357	8	Flat Washer, M12
7	6018124	1	Transmission Mounting Bracket
8	2901347	2	Tap Bolt, Hex Hd., M12-1.75 x 70mm
9	2900482	2	Hex Nut, M12-1.75
10	6017544	2	Slurry Glide Strip
11	2900544	4	Cap Screw, Hex Hd., M6-1.0 x 12mm
12	2900765	4	Lock Washer, M6 Split
13	2900083	4	Fender Washer, 1/4" x 1-1/4"
14	6017323	2	Rail Shoe
15	2901141	4	Cap Screw, Hex Hd., M8-1.25 x 80mm
16	2900303	4	Lock Nut, M8-1.25 Nylon Insert
17	2504368	1	Tie Down
18	2900223	3	Cap Screw, Hex Hd., M10-1.5 x 30mm
19	2900304	2	Lock Nut, M10-1.5 Nylon Insert
20	2503798	1	Foot Rest, Folding
21	2900360	2	Cap Screw, Hex Hd., M8-1.25 x 25mm
22	2900763	2	Lock Washer, M8 Split
23	2900325	3	Hex Nut, M10-1.5
24	6010683	1	Rear Pointer Rod
25	2503742	1	Grommet, 11/16" I.D.
26	6010645	1	Shaft/Flange Guard (Wide)
27	2900156	1	Lock Pin with Ring
28	2900333	2	Cap Screw, Hex Hd., M10-1.5 x 25mm
29	2503791	1	Plug, 1-1/4" Hole

Front Wheel Assembly #6010581



ITEM	PART NO.	QTY.	DESCRIPTION
1	2501390	1	Wheel, 8" Front
2	2501428	1	Seal, 1-1/2" V-Ring
3	2501391	1	Seal, 1-1/4" x 1-3/4" x 1/4"
4	2501418	4	Ball Bearing, 1" x 2" x 1/2"
5	2501392	1	Retaining Ring, 2" Internal

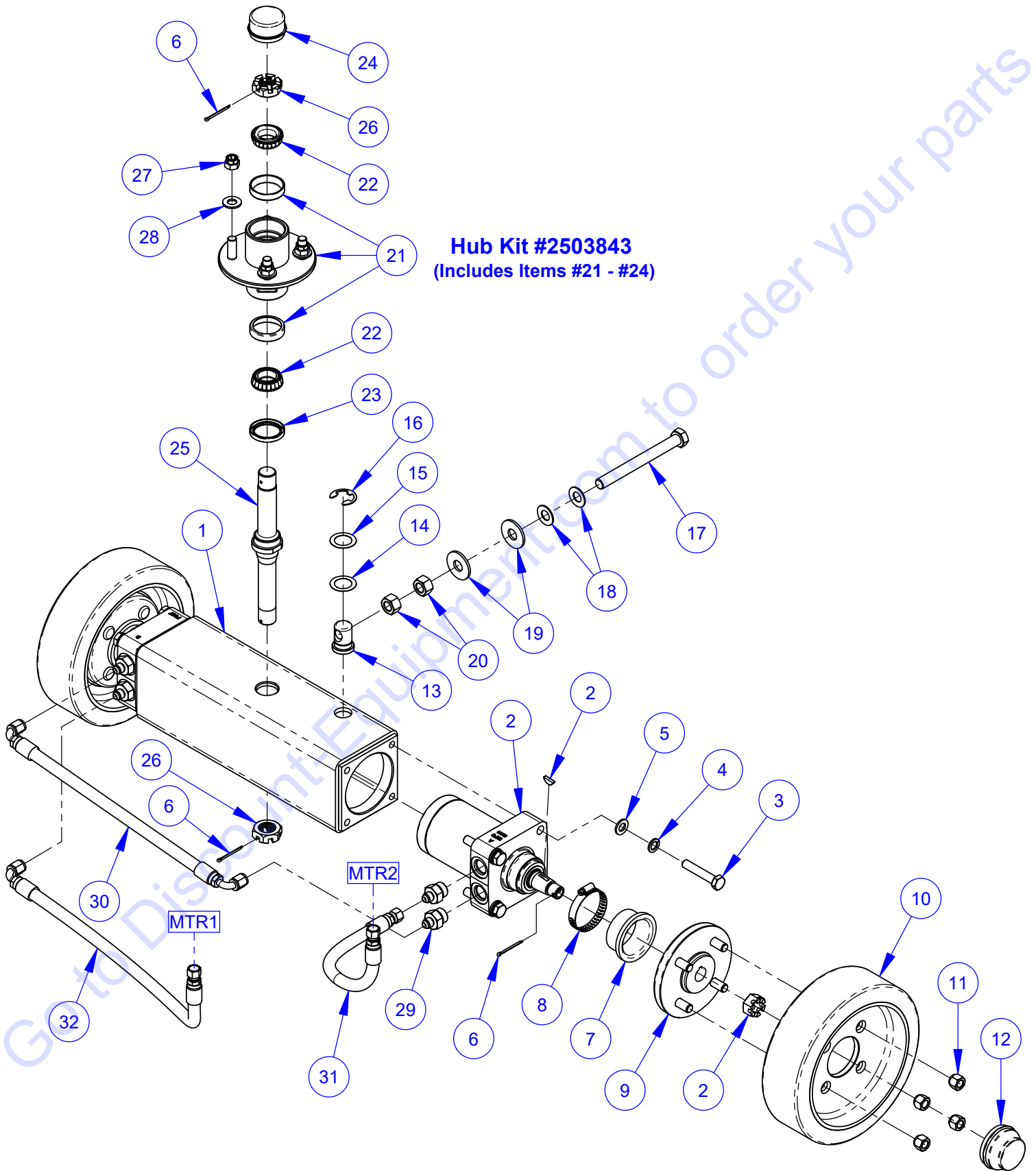
Front Axle Assembly #6017413



ITEM	PART NO.	QTY	DESCRIPTION
1	6017382	1	Front Axle Weldment
2	6010581	2	Wheel Assembly, 8" Front
3	6010536	2	Wheel Cover
4	2501393	2	Wheel Cover Gasket
5	2900159	8	Machine Screw, Rd. Hd., #10-24 x 5/8"
6	2900038	8	Lock Washer, #10 Split
7	2900330	2	Cap Screw, Hex Hd., M12-1.75 x 30mm
8	2900699	2	Lock Washer, M12 Split
9	2901339	2	Fender Washer, M12
10	2900400	4	Cap Screw, Hex Hd., 1/2-13 x 3-3/4"
11	2900084	4	Lock Washer, 1/2" Split
12	2900058	4	Flat Washer, 1/2" SAE
13	2500158	2	Pillow Block Bearing 1-1/4"
14	2504635	1	Spring Bushing, 1" Long
15	2900184	1	Grease Fitting, 1/4" NPT x 45 degree
16	6017144	1	Front Axle Arm
17	2900314	2	Cap Screw, Hex Hd., M10-1.5 x 20mm
18	2900321	2	Lock Washer, M10 Split
19	2901356	2	Flat Washer, M10

Rear Axle Assembly #6017414

Hub Kit #2503843
(Includes Items #21 - #24)



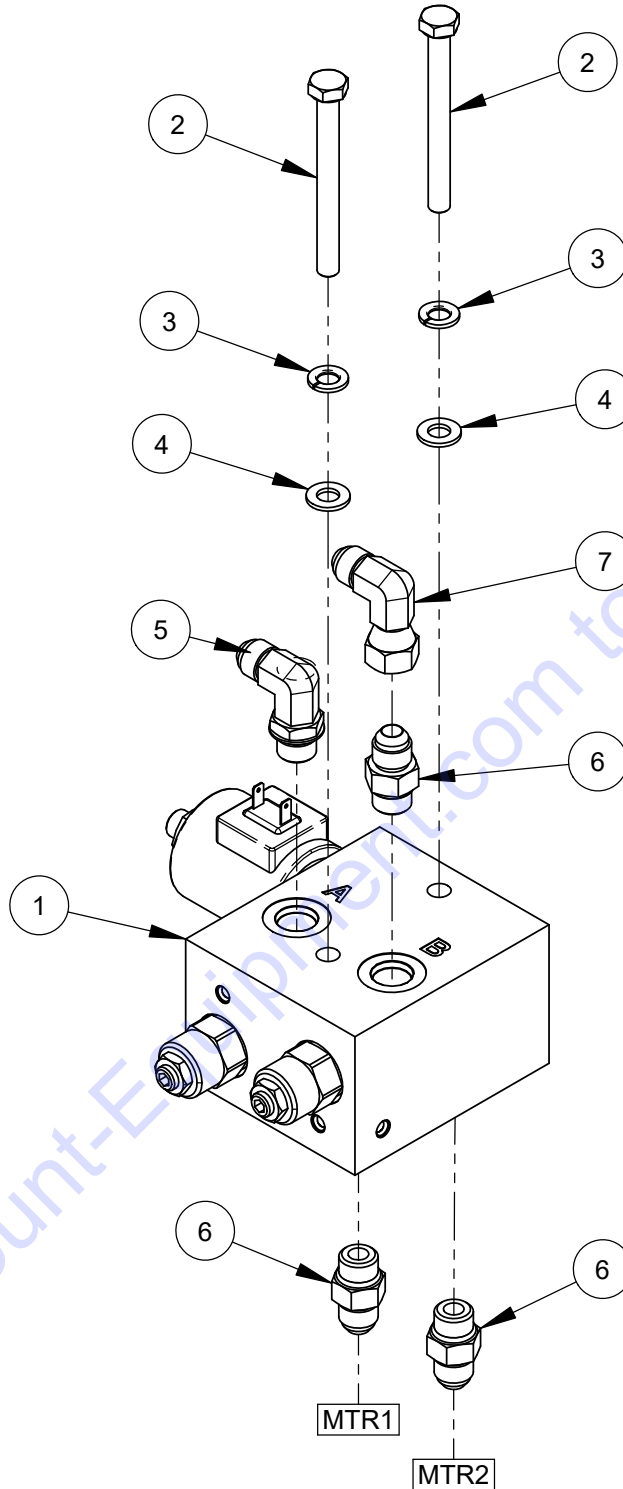
Rear Axle Assembly #6017414

ITEM	PART NO.	QTY	DESCRIPTION
1	6017383	1	Motor Mount Tube Weldment
2	2600654	2	Parker Wheel Motor
	2901327	1	Woodruff Key #9, 3/16" x 3/4"
	2703207	1	Hex Slotted Nut, 3/4-16
3	2900359	8	Cap Screw, Hex Hd., M12-1.75 x 65mm
4	2900699	8	Lock Washer, M12 Split
5	2901357	8	Flat Washer, M12
6	2900950	4	Cotter Pin, 1/8" x 1-1/2"
7	2506071	2	Sleeve Reducer, 2-1/2" to 2-1/4" I.D.
8	3200095	2	Hose Clamp #32
9	2502175	2	Wheel Hub
10	2503880	2	Wheel, 10" Rear
11	2900975	8	Lug Nut, 1/2-20
12	2502176	2	Hub Cap
13	6017378	1	Swivel, M16
14	2900938	1	Shim, 1" x 1-1/2" x .010"
15	2900940	1	Shim, 1" x 1-1/2" x .015"
16	2501224	1	E-Ring, 1"
17	2901351	1	Tap Bolt, Hex Hd., M16-2.0 x 160mm
18	2900478	2	Belleville Washer, 5/8"
19	2900721	2	Flat Washer, 5/8" USS Hardened
20	2901352	2	Hex Nut, M16-2.0
21	2503794	1	Hub with Bearing Cups
	2501222	2	Tapered Bearing Cup
22	2503766	2	Tapered Bearing Cone, 1-1/16"
23	2503767	1	Seal, Double Lip 1-1/2" ID
24	2503795	1	Grease Cap 2"
25	6017322	1	Kingpin
26	2707220	2	Hex Nut, 1"-14 Slotted
27	2900833	4	Lock Nut, 1/2-20 Flex Top
28	2900058	4	Flat Washer, 1/2" SAE
29	3201724	4	Adapter, 5/8" O-Ring to 3/8" M. JIC
30	6017020	1	Hose Assembly, 3/8" x 18-1/4"
31	6017295	1	Hose Assembly 3/8" x 14"
32	6017296	1	Hose Assembly 3/8" x 25"

Intentionally Blank

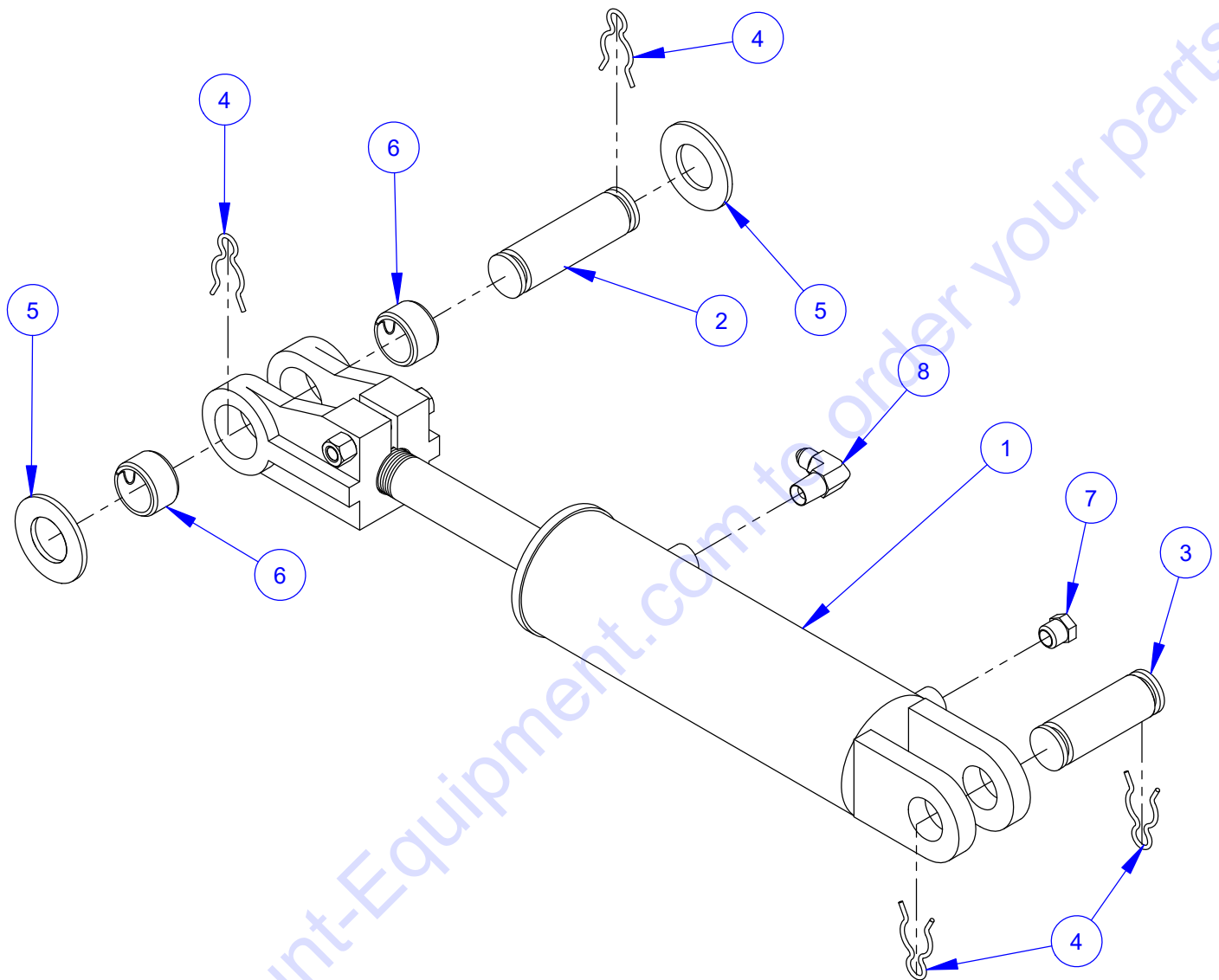
Go to Discount-Equipment.com to order your parts

Valve Block Assembly #6017925



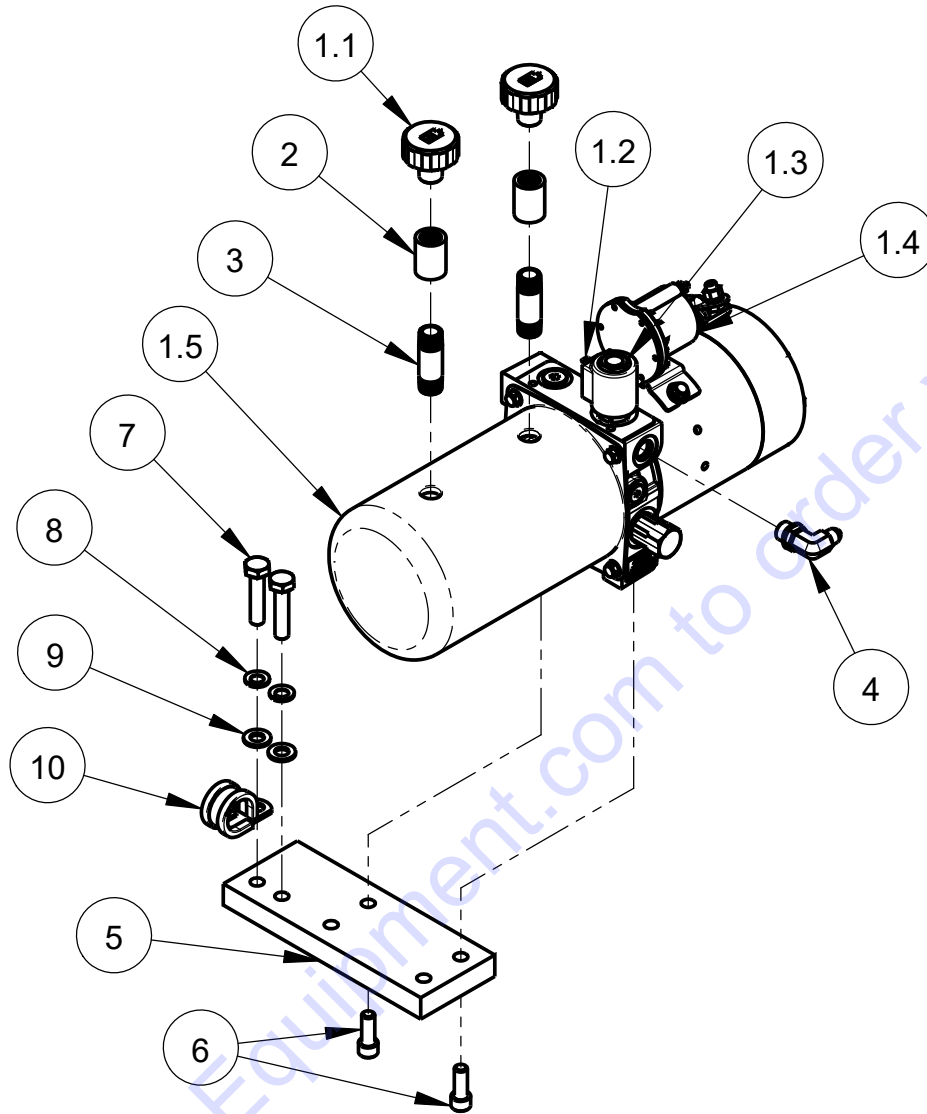
ITEM	PART NO.	QTY.	DESCRIPTION
1	3201664	1	Valve Block Unit
2	2901141	2	Cap Screw, Hex Hd., M8-1.25 x 80mm
3	2900763	2	Lock Washer, M8 Split
4	2901336	2	Flat Washer, M8
5	3200271	1	Elbow, 3/8" O-Ring to 3/8" M. JIC
6	3200263	3	Adapter, 3/8" O-Ring to 3/8" M. JIC
7	3202842	1	Elbow, 3/8" M. JIC to 3/8" F. JIC

Hydraulic Cylinder Assembly #6017103



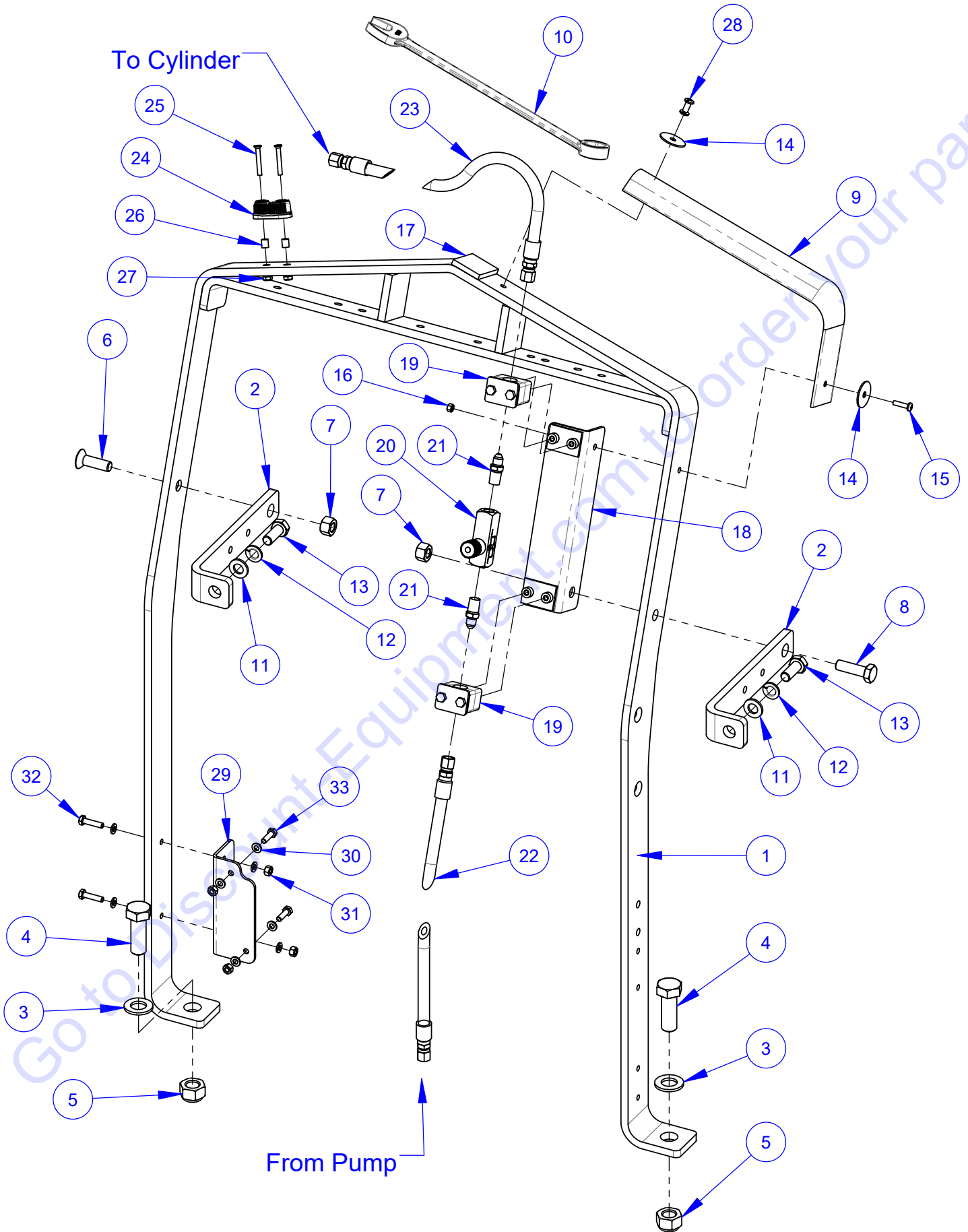
ITEM	PART NO.	QTY.	DESCRIPTION
1	6017457	1	Hydraulic Cylinder (Drilled)
	6017458	1	Cylinder Rod Clevis (Drilled)
	2501012	1	Seal Repair Kit
2	6010119	1	Cylinder Pin, 1" Dia. x 3-1/2" Long
3	6010031	1	Cylinder Pin, 1" Dia. x 3" Long
4	2900064	4	Hair Pin Cotter, 3/4"
5	2900295	2	Flat Washer, 1" SAE
6	2504599	2	Spring Bushing, 3/4" Long
7	3200067	1	Breather Vent, 1/4" NPT
8	3200057	1	Elbow, 1/4" M. Pipe to 1/4" M. JIC

Hydraulic Lift Pump Assembly #6019229



ITEM	PART NO.	QTY.	DESCRIPTION
1	2600437	1	Hydraulic Pump Unit
1.1	2700321	2	Breather Cap
1.2	2700243	1	Valve Coil
1.3	2700244	1	Valve Stem
1.4	2703210	1	Solenoid Start Switch
1.5	2600437A	1	Power Unit
2	3200120	2	Pipe Coupling, 3/8" NPT
3	3200123	2	Pipe Nipple, 3/8" NPT x 2"
4	3200551	1	Elbow, 3/8" O-Ring to 1/4" M. JIC
5	6017138	1	Pump Mount Spacer
6	2900175	2	Cap Screw, Soc. Hd., 3/8-16 x 1"
7	2900317	2	Cap Screw, Hex Hd., M10-1.5 x 45mm
8	2900321	2	Lock Washer, M10 Split
9	2901356	2	Flat Washer, M10
10	3201729	1	Hose Clamp, 1" x 3/4" Wide

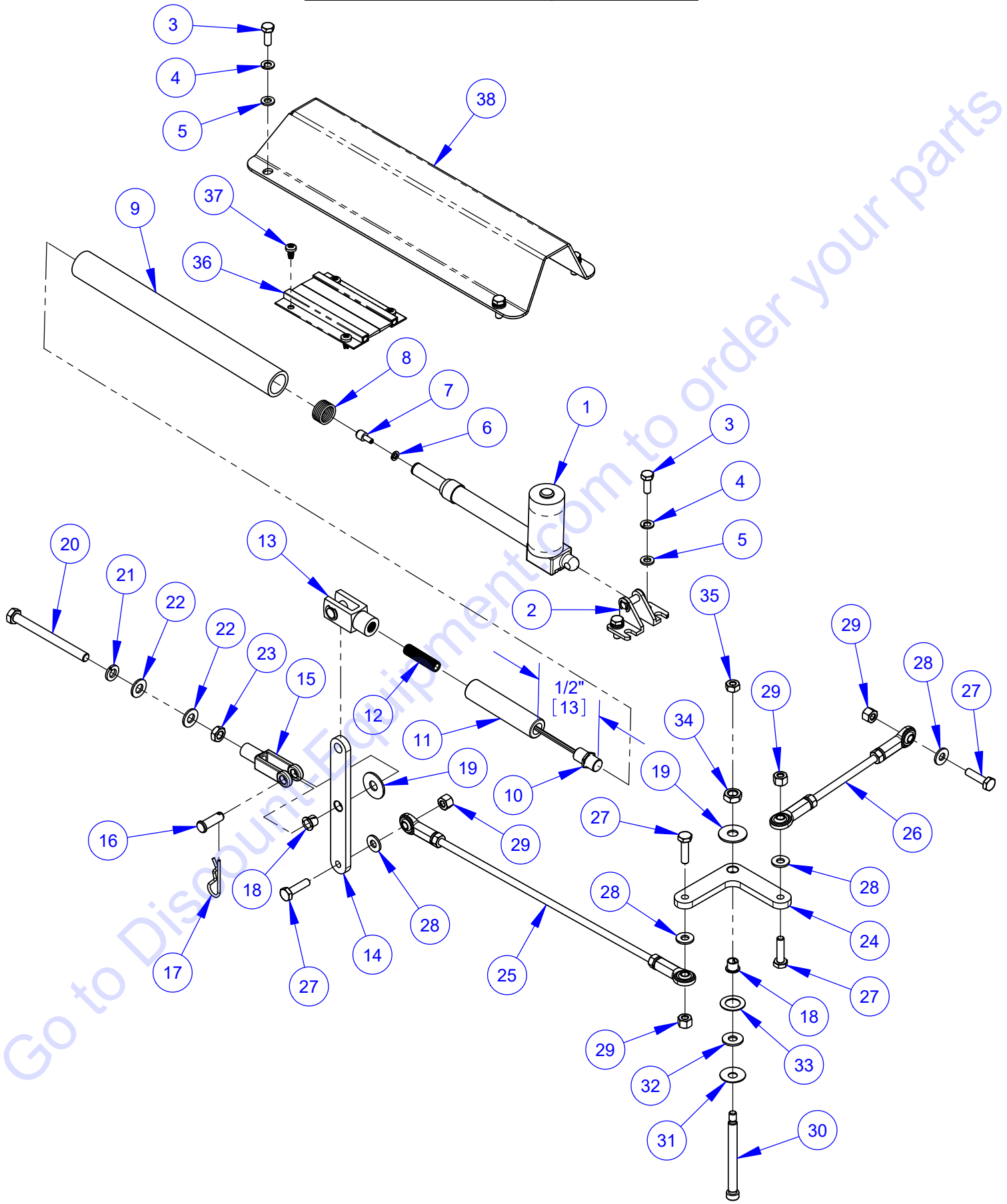
Frame Lift Assembly #6017616



Frame Lift Assembly #6017616

ITEM	PART NO.	QTY.	DESCRIPTION
1	6017566	1	Frame Lift
2	6017567	2	Frame Lift Brace
3	2901362	2	Flat Washer, M18
4	2901361	2	Cap Screw, Hex Hd., M18-2.5 x 50mm
5	2901363	2	Lock Nut, M18-2.5 Nylon Insert
6	2901354	1	Cap Screw, Flat Hd., M12-1.75 x 40mm
7	2900327	2	Lock Nut, M12-1.75 Nylon Insert
8	2900331	1	Cap Screw, Hex Hd., M12-1.75 x 40mm
9	6017439	1	Wrench Sock
10	2503704	1	Wrench, 15/16" Combination
11	2901357	2	Flat Washer, M12
12	2900699	2	Lock Washer, M12 Split
13	2900330	2	Cap Screw, Hex Hd., M12-1.75 x 30mm
14	2900083	2	Fender Washer, 1/4" x 1-1/4"
15	2901377	1	Machine Screw, Pan Hd., M5-0.8 x 20mm
16	2900301	1	Lock Nut, M5-0.8 Nylon Insert
17	6017447	1	Wrench Pad 1-1/2"
18	6097057	1	Bracket, Cyl. Valve Assy.
19	2508010	2	Pipe Clamp Assembly
20	3200056	1	Flow Control Valve, 1/4" NPT
21	3200418	2	Adapter, 1/4" M. Pipe to 1/4" M. JIC
22	6017635	1	Hose Assembly, 1/4" x 36"
23	6017634	1	Hose Assembly 1/4" x 85"
24	2501427	1	Rope Cleat
25	2907237	2	Screw, Flat Head, #10-32 X 1-3/8"
26	2907238	2	Spacer; .192" X 5/16" X 3/8"
27	2902007	2	Jam Lock Nut, #10-24 Nylon
28	2907239	1	Binding Post, 1/4" Barrel, #10-24 Thread
29	6097081	1	Electrical Accessory Bracket
30	2901494	8	Flat Washer, M6
31	2900302	4	Lock Nut, M6-1.0 Nylon Insert
32	2900311	2	Cap Screw, Hex Hd., M6-1.0 x 25mm
33	2900310	2	Cap Screw, Hex Hd., M6-1.0 x 20mm

Depth Stop Assembly #6017419A



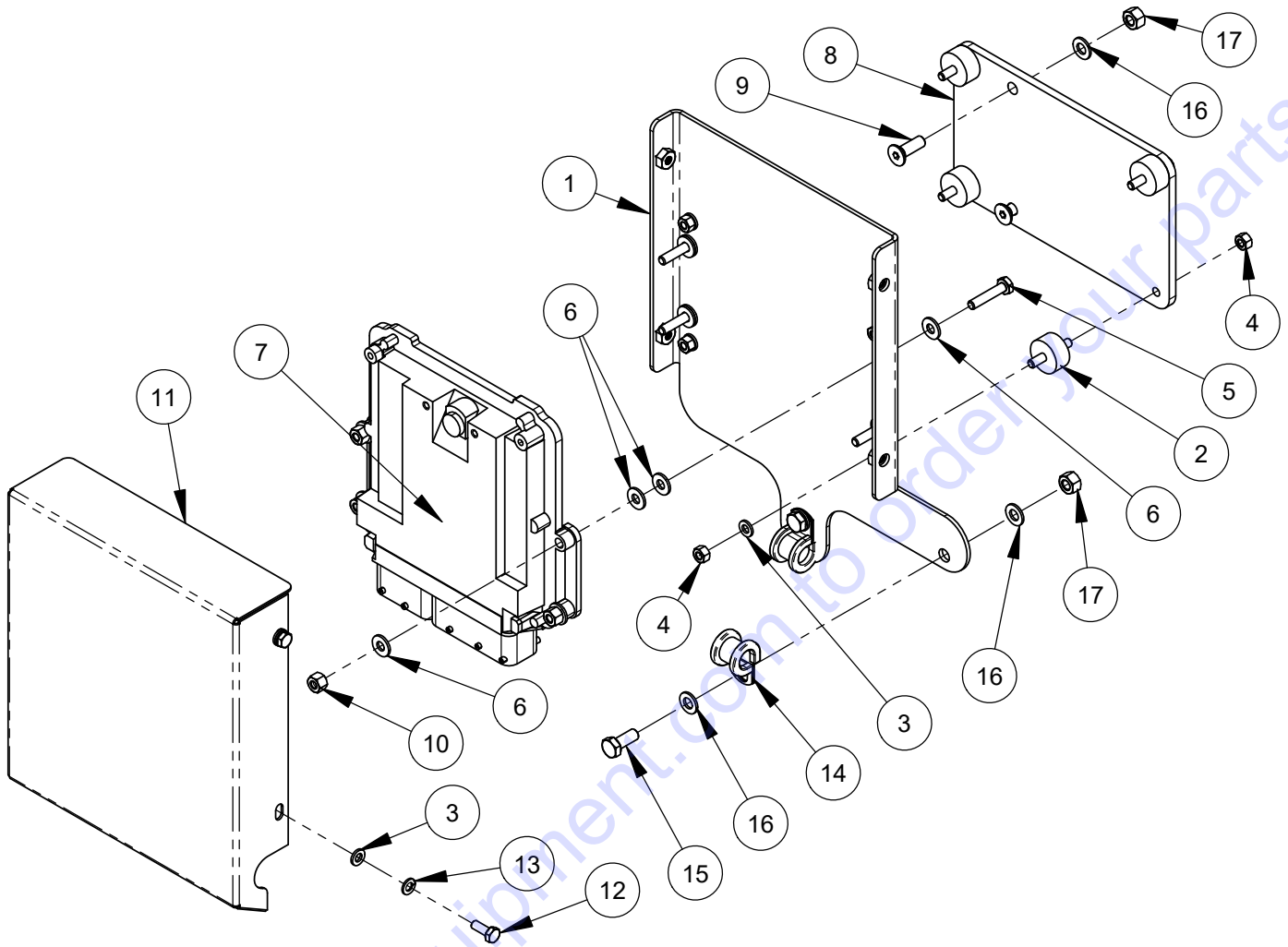
Depth Stop Assembly #6017419A

ITEM	PART NO.	QTY	DESCRIPTION
1	2503726	1	Actuator
2	2503727	1	Pivot Bracket with Pin
3	2900341	6	Cap Screw, Hex Hd., M6-1.0 x 16mm
4	2900765	6	Lock Washer, M6 Split
5	2901494	6	Flat Washer, M6
6	2900038	1	Lock Washer, #10 Split
7	2800638	1	Actuator Magnet
8	2503729	6	O-Ring #016
9	6017116	1	Guide Tube
10	2800637	1	Magnetic Proximity Sensor
11	6017117	1	Slide Shaft
12	6017118	1	Hollow Stud, 3/8-24 x 1-1/2"
13	2503728	1	Clevis, 3/8-24 Nylon
14	6017119	1	Linkage Arm
15	2900878	1	Yoke, 5/16-24
16	2900879	1	Clevis Pin, 5/16" Dia. x 15/16"
17	2900262	1	Hairpin Cotter
18	2503730	2	Flanged Bearing, 5/16" ID
19	2900153	2	Friction Washer, 3/8"
20	2900880	1	Cap Screw, Hex Hd., 5/16-24 x 3-1/2"
21	2900031	1	Lock Washer, 5/16" Split
22	2900022	2	Flat Washer, 5/16" SAE
23	2900049	1	Jam Nut, 5/16-24
24	6017120	1	Bell Crank
25	6017198	1	Linkage Assembly 13-3/4" Eye to Eye
26	6017199	1	Linkage Assembly 6-1/2" Eye to Eye
27	2900008	4	Cap Screw, Hex Hd., 1/4-20 x 1"
28	2900009	4	Flat Washer, 1/4" SAE
29	2900010	4	Lock Nut, 1/4-20 Nylon
30	2900902	1	Shoulder Screw, 5/16" x 3" (1/4-20)
31	2900252	1	Belleville Washer, 5/16"
32	2900126	1	Flat Washer, 1/4" USS
33	2900890	1	Friction Washer, 1/2" Nylatron
34	2900782	1	Jam Nut, 3/8-16
35	2900125	1	Hex Nut, 1/4-20
36	6017122	2	Strip Brush
37	2900021	4	Tap Screw, Pan Hd., #10-24 x 3/8"
38	6017232	1	Actuator Cover

Intentionally Blank

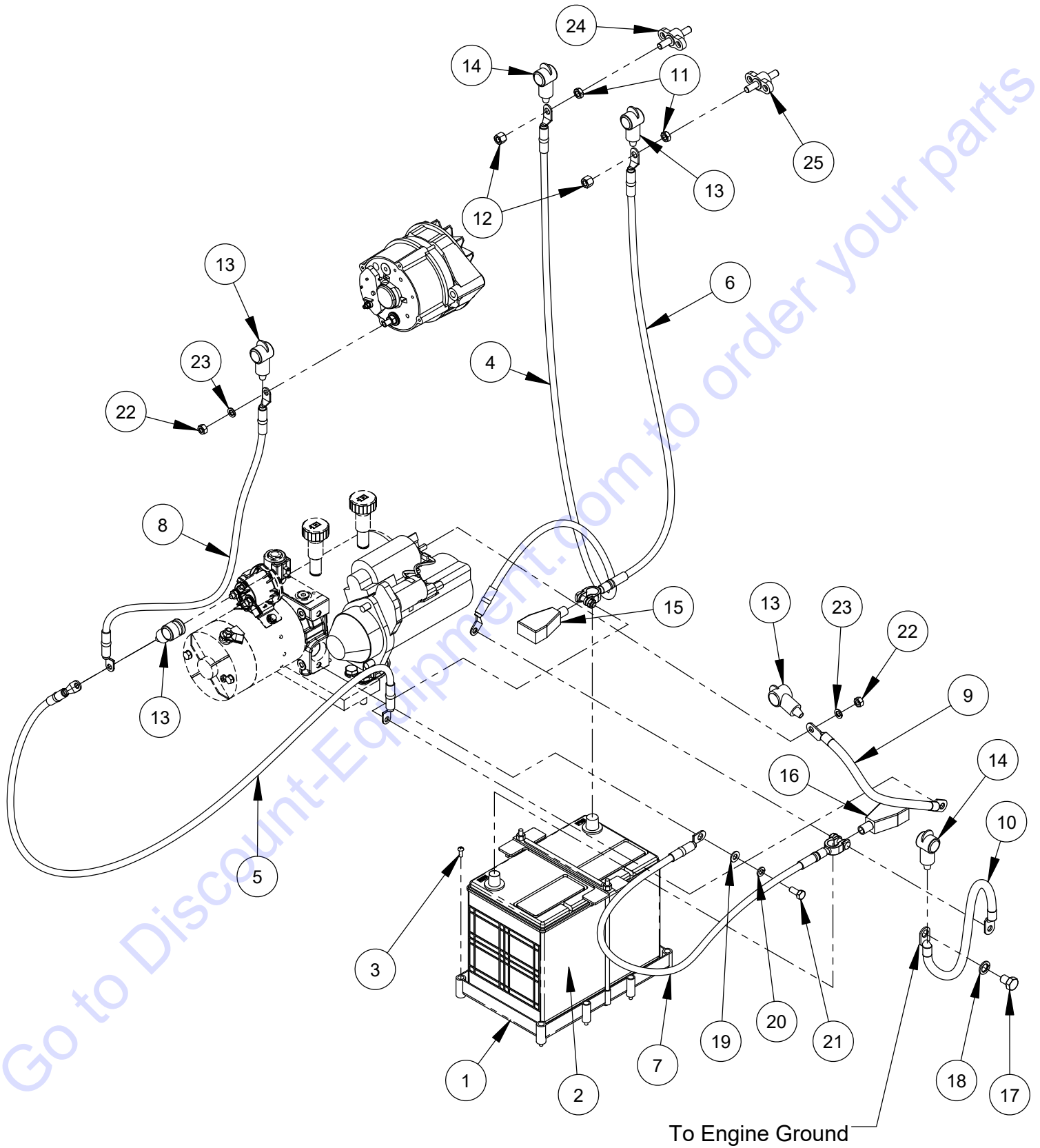
Go to Discount-Equipment.com to order your parts

ECU Assembly #6017588



ITEM	PART NO.	QTY.	DESCRIPTION
1	6017590	1	ECU Back Plate
2	2505966	4	Vibration Isolator, M6
3	2901494	8	Flat Washer, M6
4	2900302	8	Lock Nut, M6-1.0 Nylon Insert
5	2900052	4	Cap Screw, Hex Hd., 1/4-20 x 1-1/4"
6	2900009	16	Flat Washer, 1/4" SAE
7	2801279	1	Electronic Control Module
8	6017589	1	ECU Mounting Plate
9	2902044	2	Cap Screw, Flat Hd., M8 x 25
10	2900010	4	Lock Nut, 1/4-20 Nylon
11	6017591	1	ECU Cover
12	2900341	4	Cap Screw, Hex Hd., M6-1.0 x 16mm
13	2900765	4	Lock Washer, M6 Split
14	2501434	2	Hose Clamp, 5/8" x 3/4" Wide
15	2900329	2	Cap Screw, Hex Hd., M8-1.25 x 20mm
16	2901336	6	Flat Washer, M8
17	2900303	4	Lock Nut, M8-1.25 Nylon Insert

Battery Assembly #6017627



Battery Assembly #6017627

ITEM	PART NO.	QTY.	DESCRIPTION
1	2504752	1	Battery Tray Assy
2	2800465	1	Battery, 12 Volt Group Size 24
3	2900708	8	Machine Screw, Rd. Hd., #10-32 x 1/2"
4	2808209	1	Battery Cable, 59" Negative (Black)
5	2808207	1	Battery Cable, 50" Positive (Red)
6	2808208	1	Battery Cable, 48" Positive (Red)
7	2808205	1	Battery Cable, 32" Negative (Black)
8	2808206	1	Battery Cable, 23" Positive (Red)
9	2801287	1	Battery Cable, 16" Red
10	2801288	1	Battery Cable, 14" Black
11	2900782	2	Jam Nut, 3/8-16
12	2900018	2	Locknut, 3/8-16, Nylon
13	2800197	4	Battery Boot, Small (Red)
14	2800198	2	Battery Boot, Small (Black)
15	2800256	1	Battery Boot, Large (Red)
16	2800257	1	Battery Boot, Large (Black)
17	2907097	1	Hex cap screw, M12 x 1.75 x 16
18	2900699	1	Lock Washer, M12 Split
19	2900022	1	Flat Washer, 5/16" SAE
20	2900031	1	Lock Washer, 5/16" Split
21	2900019	1	Cap Screw, Hex Hd., 5/16-18 x 3/4"
22	2900343	2	Hex Nut, M8-1.25
23	2900763	2	Lock Washer, M8 Split
24	2800626	1	Ground Stud Block (Black)
25	2800627	1	Power Stud Block (Red)

Go to DiscountEquipment.com to order your parts

PARTS FINDER

**Search Website
by Part Number**



**Search Manual
Library For Parts
Manual & Lookup Part
Numbers – Purchase
or Request Quote**

Search Manuals

Enter your information to help us find the right parts manual for your machine.

* Brand:

* Model:

* Serial:

* Part Number:

SEARCH

**Can't Find Part or
Manual? Request Help
by Manufacturer,
Model & Description**

Parts Order Form

Please fill in the following information to help us find the right part for your machine.

Manufacturer:	<input type="text"/>
Model:	<input type="text"/>
Description:	<input type="text"/>
Part Number:	<input type="text"/>
Quantity:	<input type="text"/>
Notes:	<input type="text"/>

Submit

Discount-Equipment.com is your online resource for quality parts & equipment.

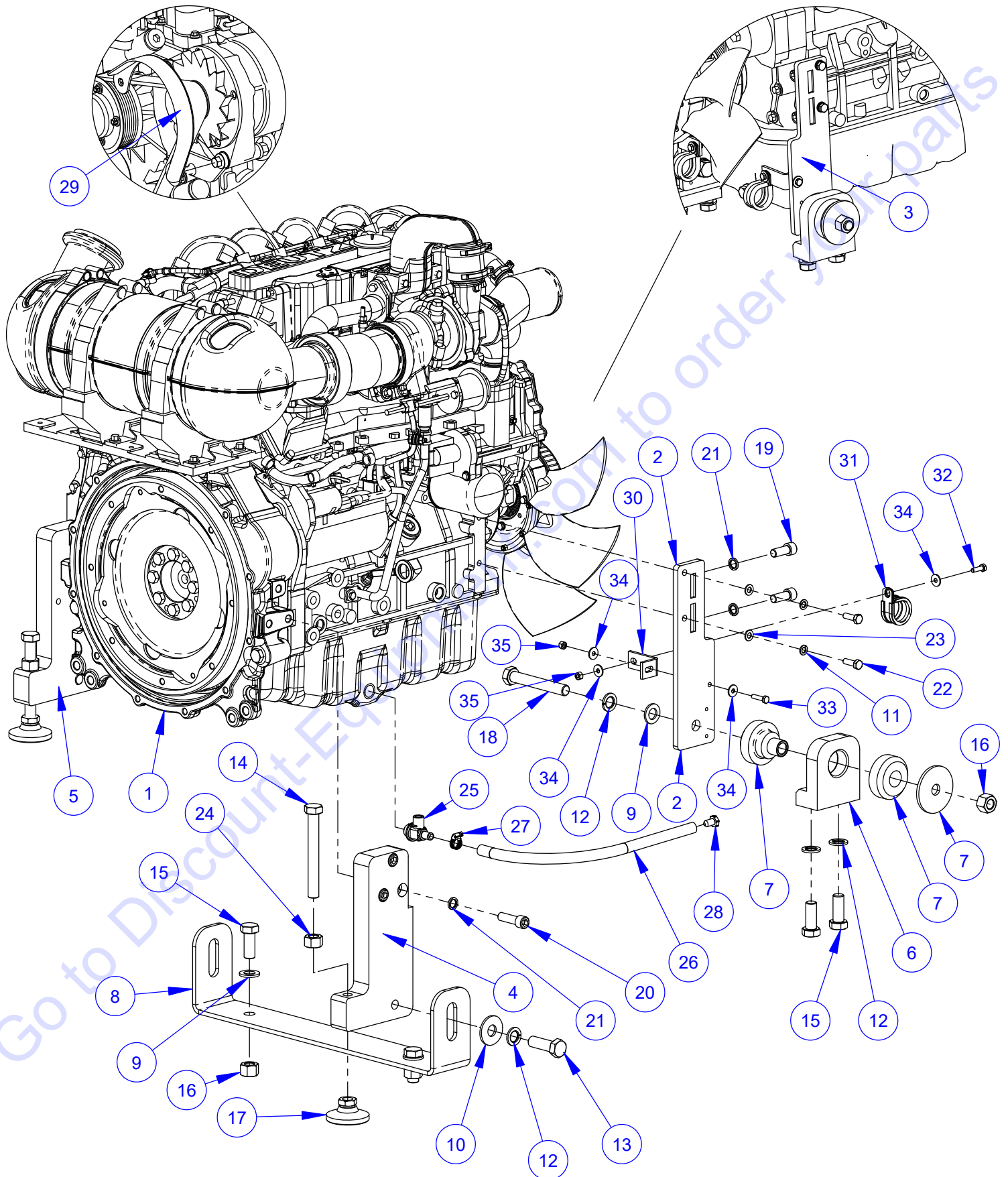
Florida: **561-964-4949** Outside Florida TOLL FREE: **877-690-3101**

Need parts?

Click on this link: <http://www.discount-equipment.com/category/5443-parts/> and choose one of the options to help get the right parts and equipment you are looking for. Please have the machine model and serial number available in order to help us get you the correct parts. If you don't find the part on the website or on one of the online manuals, please fill out the request form and one of our experienced staff members will get back to you with a quote for the right part that your machine needs.

We sell worldwide for the brands: Genie, Terex, JLG, MultiQuip, Mikasa, Essick, Whiteman, Mayco, Toro Stone, Diamond Products, Generac Magnum, Airman, Haulotte, Barreto, Power Blanket, Nifty Lift, Atlas Copco, Chicago Pneumatic, Allmand, Miller Curber, Skyjack, Lull, Skytrak, Tsurumi, Husquvarna Target, Stow, Wacker, Sakai, Mi-T-M, Sullair, Basic, Dynapac, MBW, Weber, Bartell, Bennar Newman, Haulotte, Ditch Runner, Menegotti, Morrison, Contec, Buddy, Crown, Edco, Wyco, Bomag, Laymor, EZ Trench, Bil-Jax, F.S. Curtis, Gehl Pavers, Heli, Honda, ICS/PowerGrit, IHI, Partner, Imer, Clipper, MMD, Koshin, Rice, CH&E, General Equipment, Amida, Coleman, NAC, Gradall, Square Shooter, Kent, Stanley, Tamco, Toku, Hatz, Kohler, Robin, Wisconsin, Northrock, Oztec, Toker TK, Rol-Air, APT, Wylie, Ingersoll Rand / Doosan, Innovatech, Con X, Ammann, Mecalac, Makinex, Smith Surface Prep, Small Line, Wanco, Yanmar

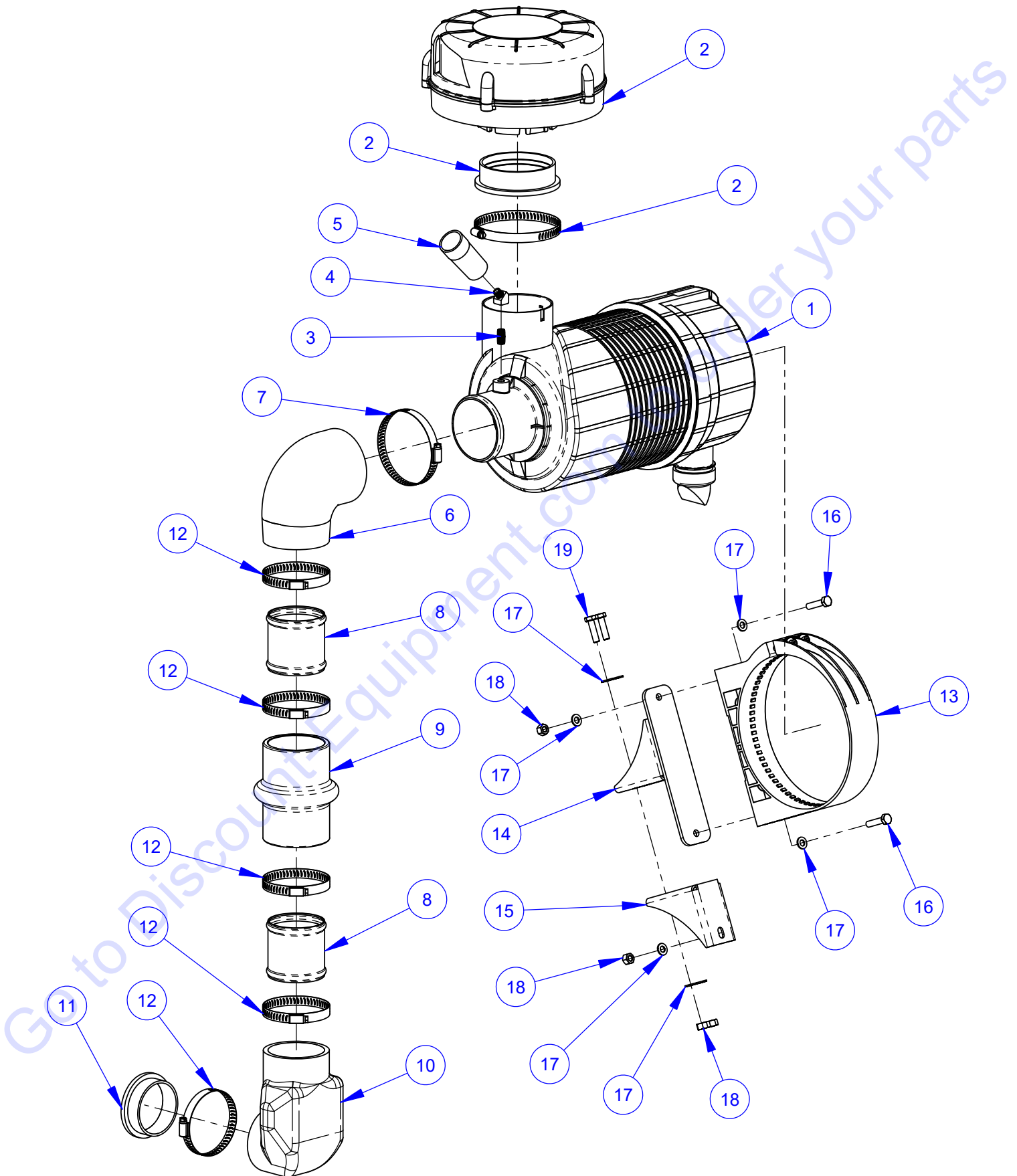
Engine Assembly #6017592



Engine Assembly #6017592

ITEM	PART NO.	QTY.	DESCRIPTION
1	2600681	1	Engine, Deutz Model TD 2.9 L4
2	6015136	1	Engine Mount, LH
3	6015137	1	Engine Mount, RH
4	6012237	1	Engine Foot, LH
5	6012241	1	Engine Foot, RH
6	6017381	2	Engine Pivot Block
7	2503788	2	Vibration Isolator
8	6017156	1	Engine Cradle
9	2901358	4	Flat Washer, M16
10	2900721	2	Flat Washer, 5/8" USS Hardened
11	2900763	4	Lock Washer, M8 Split
12	2900716	8	Lock Washer, M16 Split
13	2901367	2	Cap Screw, Hex Hd., M16-2.0 x 50mm
14	2901350	2	Tap Bolt, Hex Hd., M16-2.0 x 130mm
15	2900731	6	Cap Screw, Hex Hd., M16-2.0 x 40mm
16	2900670	4	Lock Nut, M16-2.0 Nylon Insert
17	2901353	2	Swivel Pad, M16-2.0
18	2901349	2	Cap Screw, Hex Hd., M16-2.0 x 110mm
19	2900788	4	Cap Screw, Soc. Hd., M12-1.75 x 30mm
20	2900408	6	Cap Screw, Soc. Hd. M12 x 1.75 x 40mm
21	2902039	10	Spring Washer, M12 Split
22	2900360	4	Cap Screw, Hex Hd., M8-1.25 x 25mm
23	2901336	4	Flat Washer, M8
24	2901352	2	Hex Nut, M16-2.0
25	3200814	1	Oil Drain Valve, M18x1.5
26	6010364	1	Oil Drain Hose, 3/8" I.D. x 14"
27	3200390	1	Hose Clamp #6
28	3200741	1	Hose Plug
29	6097046	1	Alternator Bracket
30	6030065	2	Right Angle Bracket
31	2504465	2	Hose Clamp, 1-1/4" x 3/4" Wide
32	2900310	2	Cap Screw, Hex Hd., M6-1.0 x 20mm
33	2900311	2	Cap Screw, Hex Hd., M6-1.0 x 25mm
34	2901359	8	Fender Washer, M6
35	2900302	4	Lock Nut, M6-1.0 Nylon Insert

Air Intake Assembly #6017593

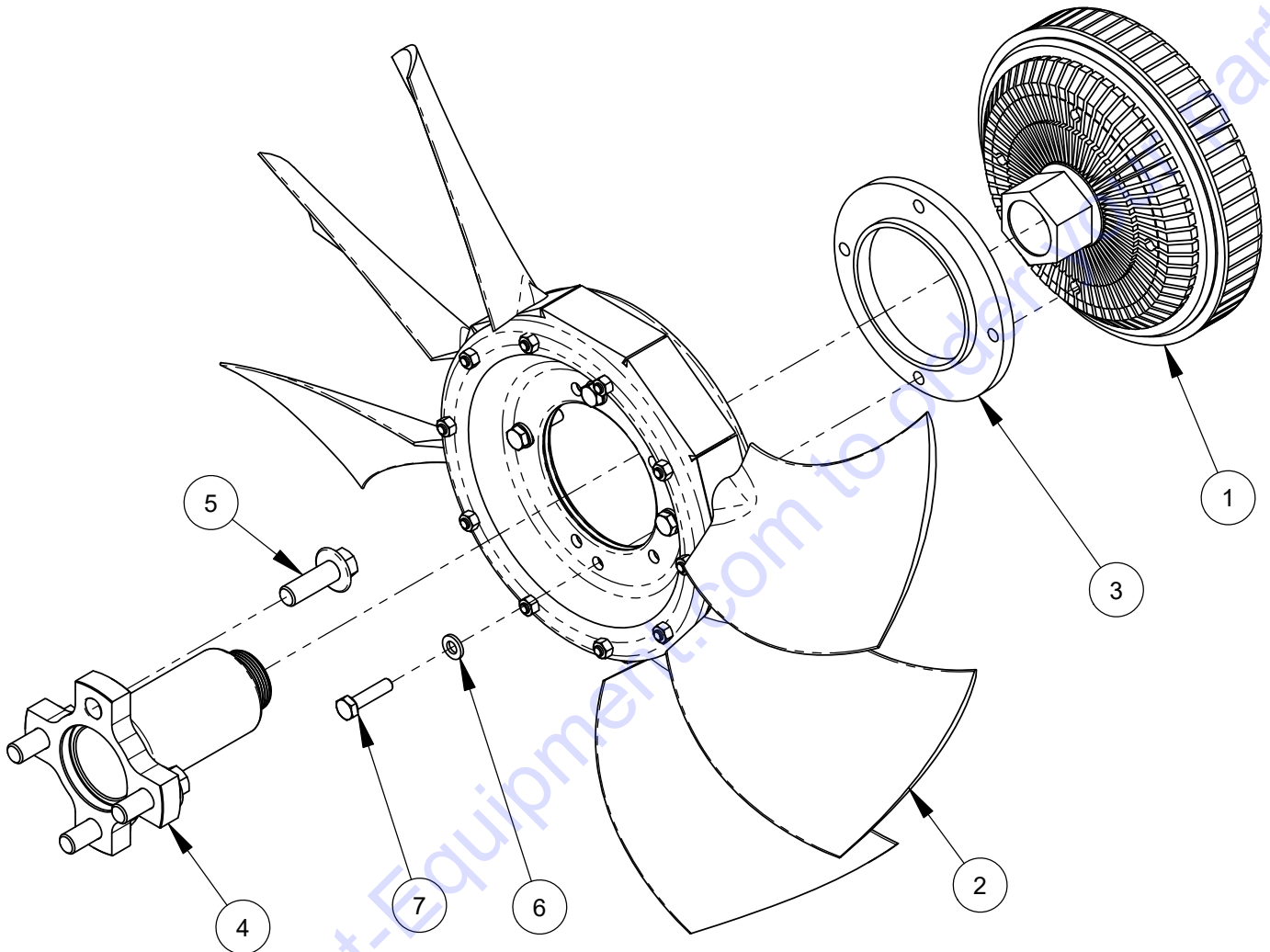


Air Intake Assembly #6017593

ITEM	PART NO.	QTY.	DESCRIPTION
1	2501350	1	Air Cleaner Complete
2	2501504	1	Pre-Cleaner w/Clamp & Adapter Ring
3	3200117	1	Close Nipple, 1/8" NPT
4	3200099	1	Street Elbow, 1/8" NPT x 45 Deg.
5	2500423	1	Restriction Indicator
6	2500458	1	Hose Elbow, 3" to 3-1/2" I.D.
7	3200198	1	Hose Clamp #64
8	2508008	2	Beaded Coupler; 3"
9	2508006	1	Hump Connector; 3" X 3"
10	2501660	1	Hose Elbow, 3" I.D. Cobra
11	2504929	1	Reducer, 3" - 2-3/4"
12	3200197	5	Hose Clamp #52
13	2501351	1	Mounting Band, Polymer
14	6097052	1	Air Cleaner Bar Weldment
15	6097054	1	Air Cleaner Bracket
16	2900760	2	Cap Screw, Hex Hd., M8-1.25 x 35mm
17	2901336	8	Flat Washer, M8
18	2900303	4	Lock Nut, M8-1.25 Nylon Insert
19	2900313	2	Cap Screw, Hex Hd., M8-1.25 x 30mm

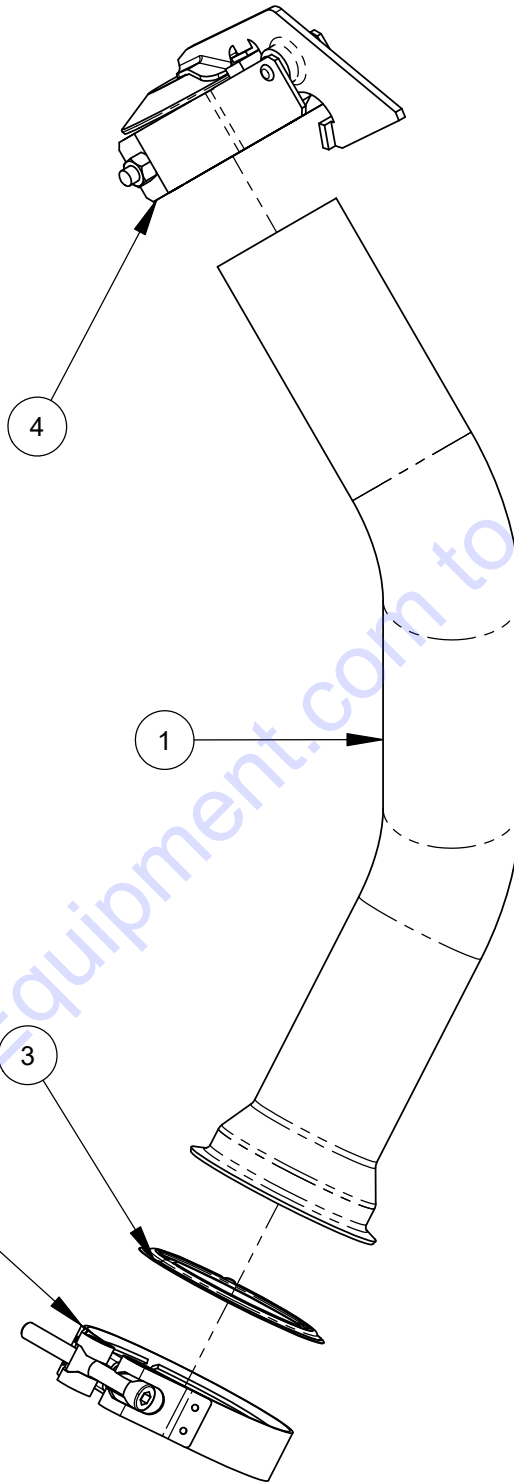
Go to Discount-Equipment.com to order your parts

Clutch Fan Assembly #6017600



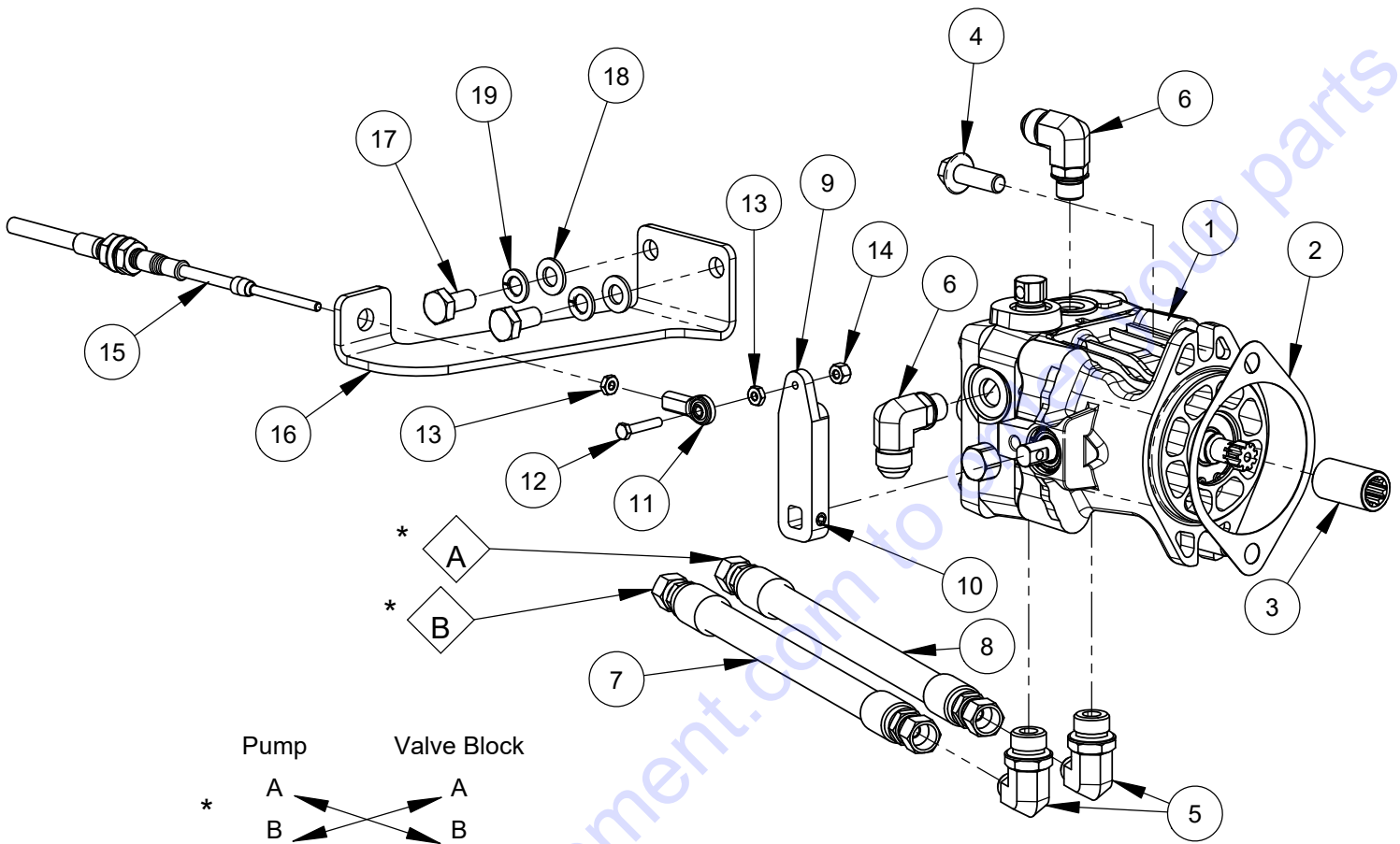
ITEM	PART NO.	QTY.	DESCRIPTION
1	6017599	1	Fan Clutch
2	6017598	1	Cooling Fan, 17" 6-Blade
3	6017597	1	Fan Clutch Adapter Ring
4	6017602	1	Fan Adapter
5	2902074	4	Cap Screw, Hex Flange, M10-1.5 x 30mm
6	2901494	4	Flat Washer, M6
7	2900311	4	Cap Screw, Hex Hd., M6-1.0 x 25mm

Exhaust Pipe Assembly #6017604



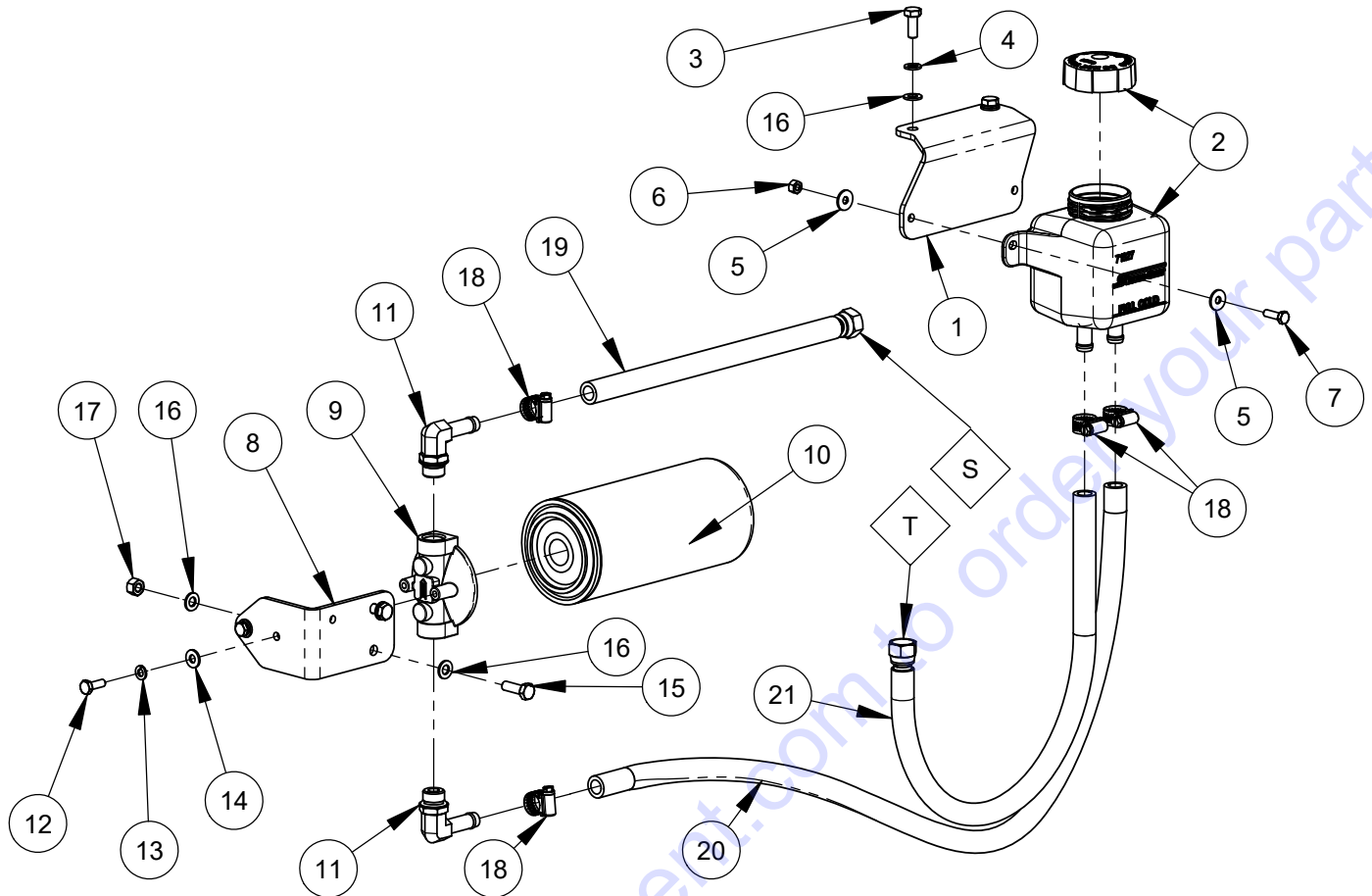
ITEM	PART NO.	QTY.	DESCRIPTION
1	6011651	1	Exhaust Tail Pipe
2	2703682	1	Exhaust Clamp
3	2703680	1	Exhaust Flange Gasket
4	2700608	1	Rain Cap 2-1/2"

Hydro Pump Assembly #6017585



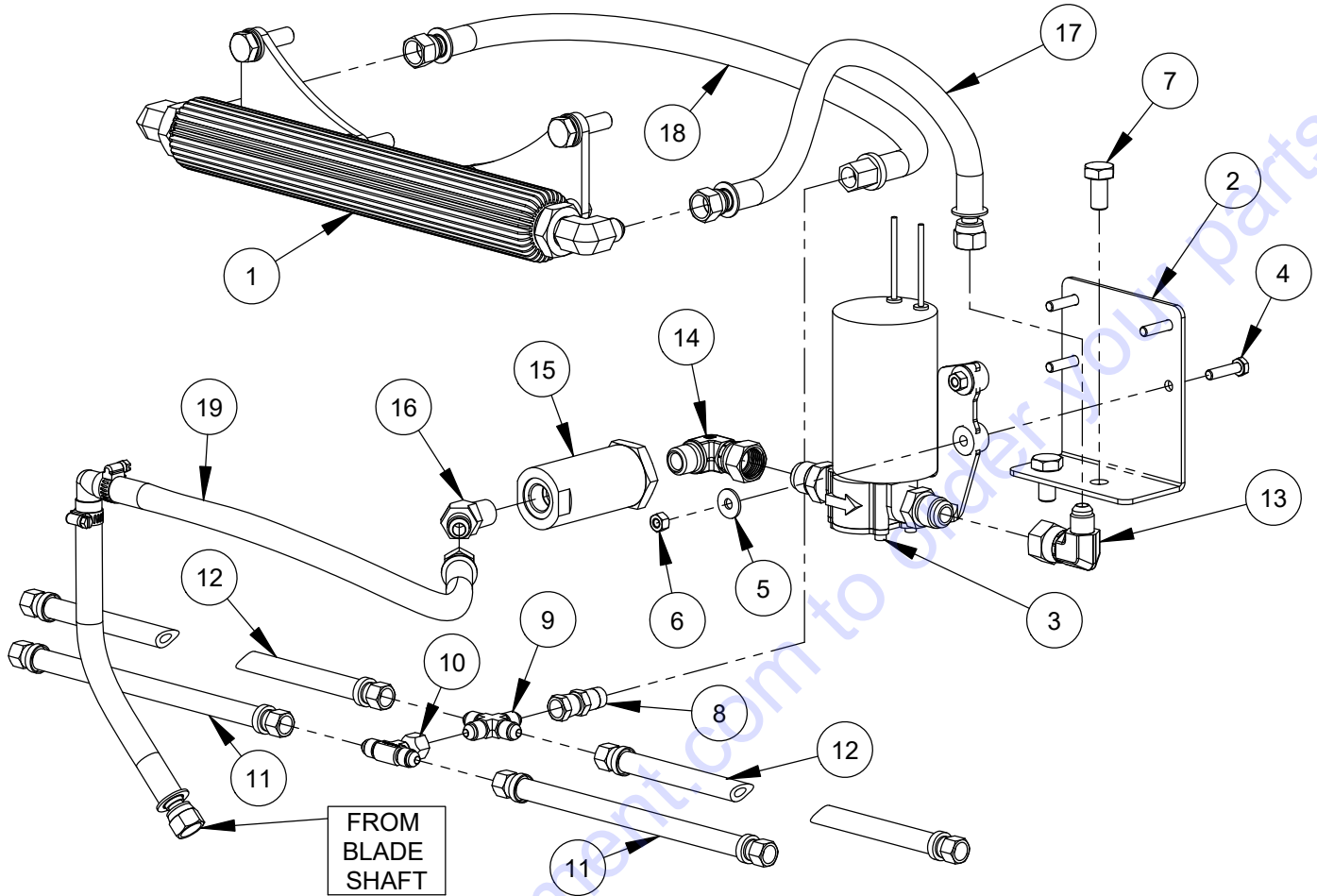
ITEM	PART NO.	QTY.	DESCRIPTION
1	2603346	1	Hydro Pump
2	3200816	1	Gasket, SAE-A Flange
3	2703642	1	PTO Coupler
4	2902074	2	Cap Screw, Hex Flange, M10-1.5 x 30mm
5	3201725	2	Elbow, 1/2" O-Ring to 3/8" M. JIC
6	3202086	2	Elbow, 3/8" O-Ring to 1/2" M. JIC
7	6017623	1	Hose Assembly 3/8" x 43"
8	6017622	1	Hose Assembly 3/8" x 40"
9	6017137	1	Control Arm
10	2900429	1	Set Screw, Soc. Hd., 5/16-24 x 1/2"
11	2500791	1	Rod End, #10-32 Female
12	2900687	1	Machine Screw, Hex Hd., #10-32 x 1"
13	2900188	2	Hex Nut, #10-32
14	2900688	1	Lock Nut, #10-32 Nylon
15	2505015	1	Control Cable 35"
16	6017569	1	Control Cable Bracket
17	2900314	2	Cap Screw, Hex Hd., M10-1.5 x 20mm
18	2901356	2	Flat Washer, M10
19	2900321	2	Lock Washer, M10 Split

Reservoir Tank Assembly #6017582



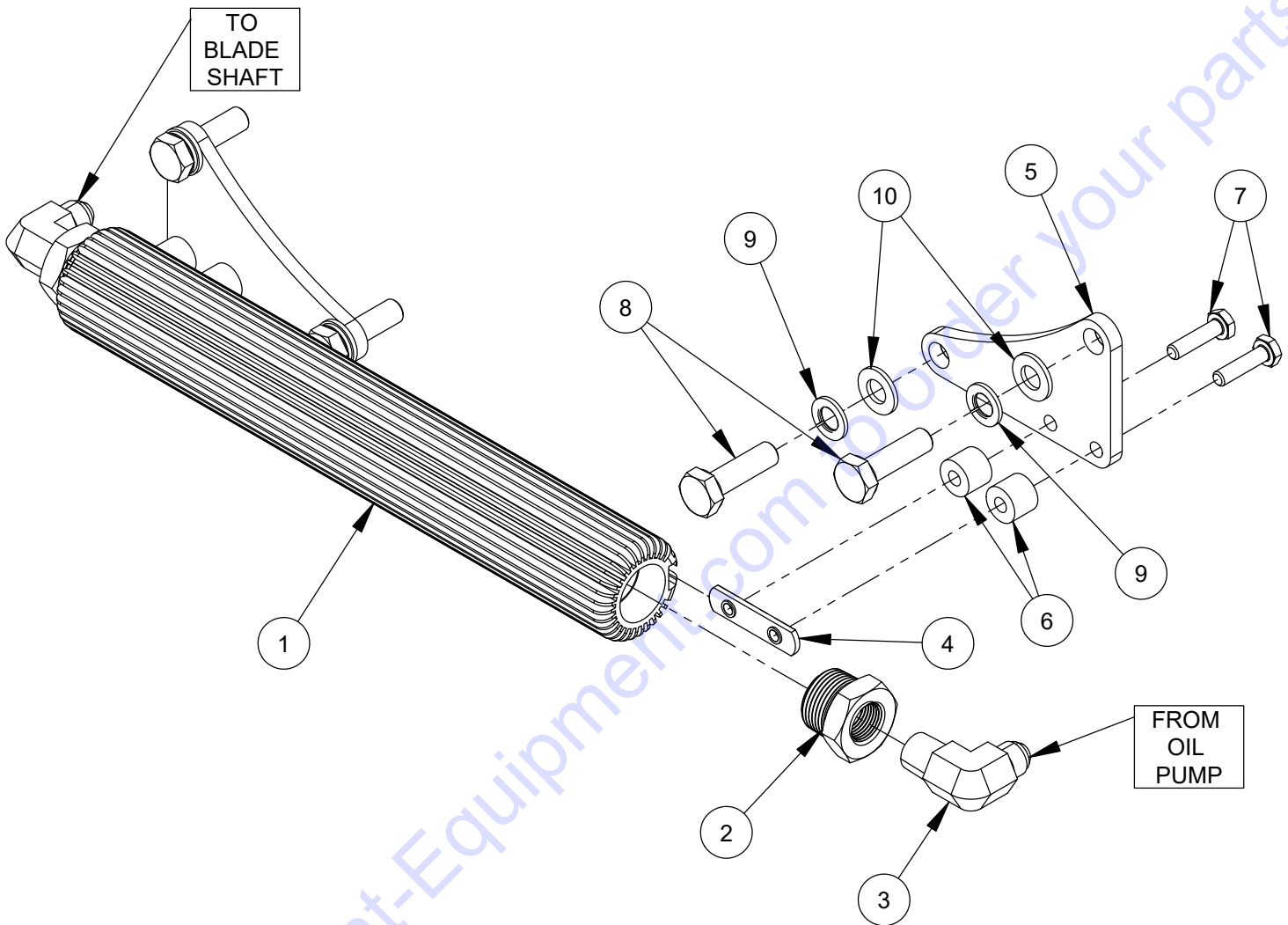
ITEM	PART NO.	QTY.	DESCRIPTION
1	6019226	1	Tank Mount Bracket
2	2503796	1	Reservoir Tank & Cap
3	2900329	2	Cap Screw, Hex Hd., M8-1.25 x 20mm
4	2900763	2	Lock Washer, M8 Split
5	2901359	4	Fender Washer, M6
6	2900302	2	Lock Nut, M6-1.0 Nylon Insert
7	2900310	2	Cap Screw, Hex Hd., M6-1.0 x 20mm
8	6019228	1	Filter Mount Bracket
9	3201970	1	Filter Head
10	3201971	1	Filter Element
11	3201896	2	Elbow, 1/2" O-Ring to 1/2" Hose Bead
12	2900144	2	Cap Screw, Hex Hd., 1/4-20 x 3/4"
13	2900024	2	Lock Washer, 1/4" Split
14	2900009	2	Flat Washer, 1/4" SAE
15	2900360	2	Cap Screw, Hex Hd., M8-1.25 x 25mm
16	2901336	6	Flat Washer, M8
17	2900303	2	Lock Nut, M8-1.25 Nylon Insert
18	3200016	4	Hose Clamp #8
19	6017926	1	Hose Assembly 1/2" x 12"
20	6017928	1	Hose, 1/2" I.D. x 37"
21	6017927	1	Hose Assembly 1/2" x 22"

Oil Pump & Cooler Assembly #6017636



ITEM	PART NO.	QTY.	DESCRIPTION
1	6017638	1	In-Line Cooler Assembly
2	6017632	1	Pump Mounting Bracket
3	2600846	1	Oil Pump, 12 Volt
4	2900311	4	Cap Screw, Hex Hd., M6-1.0 x 25mm
5	2901359	4	Fender Washer, M6
6	2900302	4	Lock Nut, M6-1.0 Nylon Insert
7	2900314	2	Cap Screw, Hex Hd., M10-1.5 x 20mm
8	3200219	1	Adapter, 1/4" M. Pipe to 1/4" F. JIC
9	3201892	1	Union Cross, 1/4" Male JIC
10	3202747	1	Tee, 1/4" M/F JIC Branch
11	6017492	2	Hose Assembly 1/4" x 9"
12	6017445	2	Hose Assembly 1/4" x 24"
13	3202499	1	Elbow, 3/8" M. JIC to 1/2" F. JIC
14	3202497	1	Elbow, 3/8" M. Pipe to 1/2" F. JIC
15	3201940	1	Mini Inline Filter (90 Micron)
	3201941	1	Filter Cartridge (90 Micron)
16	3202045	1	Elbow, 3/8" M. Pipe to 3/8" M. JIC (45 deg)
17	6017639	1	Hose Assembly 3/8" x 14"
18	6017640	1	Hose Assembly 3/8" x 12"
19	6017641	1	Hose Assembly 3/8" x 21"

In-Line Cooler Assembly #6017638

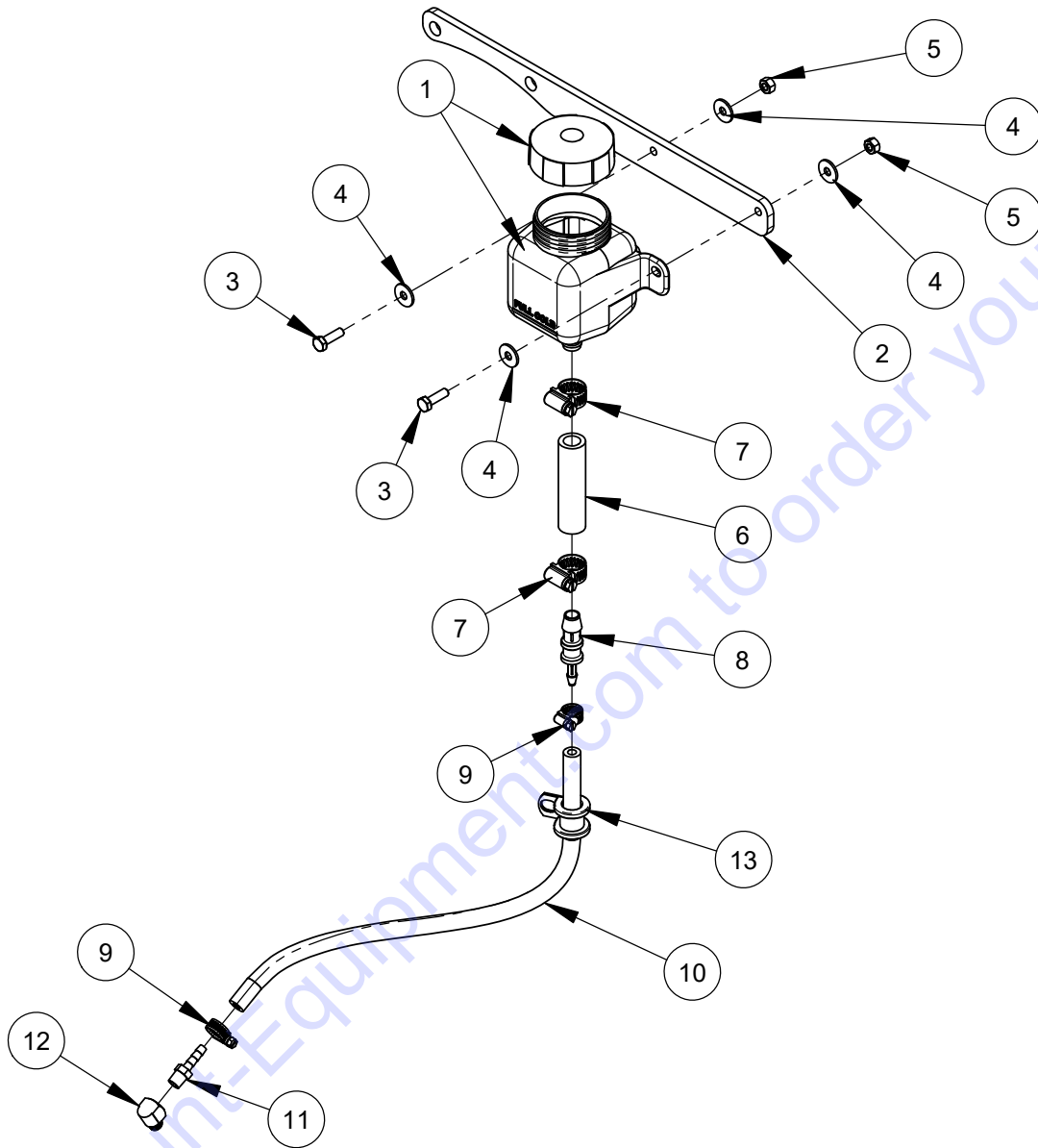


ITEM	PART NO.	QTY.	DESCRIPTION
1	2506055	1	Cooler, In-Line
2	3205941	2	3/4 X 3/8 Hex Reducer Bushing
3	3201466	2	Elbow, 3/8" M. Pipe to 3/8" M. JIC
4	2902083	2	Tee Nut
5	6017637	2	Blade Shaft Oil Cooler Mounting Bracket
6	2902084	4	Spacer 1/4 X 5/8 X 1
7	2900008	4	Cap Screw, Hex Hd., 1/4-20 x 1"
8	2900315	4	Cap Screw, Hex Hd., M10-1.5 x 35mm
9	2900321	4	Lock Washer, M10 Split
10	2901356	4	Flat Washer, M10

Intentionally Blank

Go to Discount-Equipment.com to order your parts

Expansion Tank Assembly #6017581



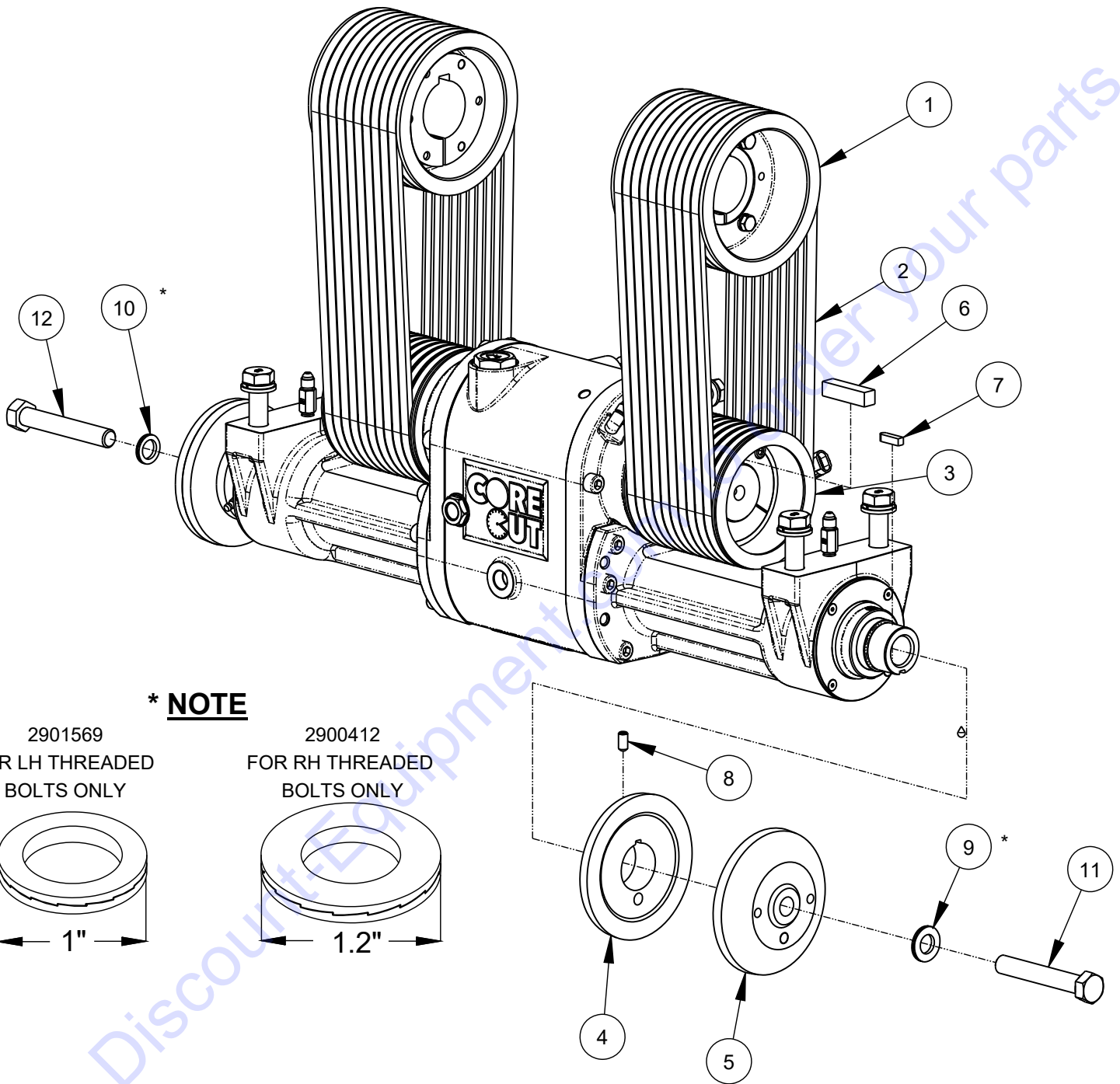
ITEM	PART NO.	QTY.	DESCRIPTION
1	2502039	1	Expansion Tank & Cap
2	6019224	1	Tank Mount Bar
3	2900310	2	Cap Screw, Hex Hd., M6-1.0 x 20mm
4	2901359	4	Fender Washer, M6
5	2900302	2	Lock Nut, M6-1.0 Nylon Insert
6	6010435	1	Hose, 1/2" I.D. x 3"
7	3200016	2	Hose Clamp #8
8	3202844	1	Connector, 1/2" to 1/4" Hose Barb
9	3200062	2	Hose Clamp #4
10	6040264	1	Hose, 1/4" I.D. x 16" Long
11	3200018	1	Fitting, 1/8" M. Pipe to 1/4" Hose Barb
12	3200156	1	Street Elbow, 1/8" NPT
13	2501434	1	Hose Clamp, 5/8" x 3/4" Wide

**Blade Shaft Assembly #6018186 (Option A) or #6018141 (Option B) for 1-Speed Saw
 Blade Shaft Assembly #6018230 (Option A) or #6018232 (Option B) for 3-Speed Saw**

ITEM	PART NO.	QTY.	DESCRIPTION
1	1801977	1	Expansion Tank Label
2	2401311	1	Loctite #567 Thread Sealant
3	2401316	1	Loctite #262 Red
4	2500939	4	O-Ring, AS568A - 010
5	2501434	1	Hose Clamp, 5/8" x 3/4" Wide
6	2502046	1	Grease, Fuchs Synthetic
7	2503834	1	Oil Fill Cap
8	2503872	1	Sight Glass, Oil Level
9	2503954	1	Synthetic ATF
10	2800169	1	Magnetic Sensor w/Jam Nut
11	2800892	1	Temperature Sender 3/8" NPT
12	2900061	4	Grease Fitting, 1/4-28 x 90 Degree
13	2900330	2	Cap Screw, Hex Hd., M12 x 1.75 x 30mm
14	2900699	2	Lock Washer, M12 Split
15	2900716	4	Lock Washer, M16 Split
16	2900805	1	Sealing Washer, 5/8"
17	2901357	2	Flat Washer, M12
18	2901358	4	Flat Washer, M16
19	2901593	4	HHCS: M16-2x70
20	3200001	2	Plug, 1/8" NPT
21	3201466	1	Elbow, 3/8" M. Pipe to 3/8" M. JIC
22	3201893	2	Adapter, 1/8" M. Pipe to 1/4" M. JIC
23	3201999	1	Magnetic Pipe Plug, 3/8" NPT
24	3202748	2	Elbow, 1/4" M. JIC to 1/8" M. Pipe (45 deg)

Go to Discount Equipment to order your parts

Belt Drive Assembly #6017450 (Option A) and #6017451 (Option B) for 1-Speed Saw



(SEE NEXT 2 PAGES FOR ITEMS #1 THRU #6)

ITEM	PART NO.	QTY	DESCRIPTION
7	6010040	2	Key, 1/4" Sq. x 15/16"
8	2900418	2	Set Screw, Soc. Hd., 5/16-18 x 5/8"
9	2900412	1	Wedge Lock Washer Pair, 5/8"
10	2901569	1	Wedge Lock Washer Pair, 5/8" LH
11	2900146	1	Cap Screw, Hex Hd., 5/8-11 x 4"
12	2900130	1	Cap Screw, Hex Hd., 5/8-11 x 4" LH

* See Note

* See Note

Belt Drive Assembly #6017450 (Option A) for 1-Speed Saw

20" BLADE DRIVE #6017450A			
ITEM	PART NO.	QTY	DESCRIPTION
1	6017438	2	Sheave, 6.5" x 10 Groove w/Bushing
	2501902	1	Sheave, 6.5" x 10 Groove QD Style
	2500153	1	QD Bushing, SK x 2" w/Fasteners
2	2503876	20	V-Belt, 3VX385
3	6017434	2	Sheave, 4.5" x 10 Groove w/Bushing
	2501381	1	Sheave, 4.5" x 10 Groove Taper Style
	2501411	1	Taper Bushing, 2" w/Setscrews & Key
4	6010255	2	Inner Flange 5"
5	6047907	2	Outer Flange 5" with Pin
	2900197	1	Dowel Pin, 3/8" Dia. x 2"
6	6011564	2	Key, 1/2" x 7/16" x 2"

26" BLADE DRIVE #6017450B			
ITEM	PART NO.	QTY	DESCRIPTION
1	6013157	2	Sheave, 5.6" x 10 Groove w/Bushing
	2500209	1	Sheave, 5.6" x 10 Groove QD Style
	2500153	1	QD Bushing, SK x 2" w/Fasteners
2	2500037	20	V-Belt, 3VX375
3	6017435	2	Sheave, 4.75" x 10 Groove w/Bushing
	2503792	1	Sheave, 4.75" x 10 Groove Taper Style
	2500937	1	Taper Bushing, 2" w/Setscrews
4	6010255	2	Inner Flange 5"
5	6047907	2	Outer Flange 5" with Pin
	2900197	1	Dowel Pin, 3/8" Dia. x 2"
6	6013061	2	Key, 1/2" Sq. x 2"

30" BLADE DRIVE #6017450C			
ITEM	PART NO.	QTY	DESCRIPTION
1	6017436	2	Sheave, 5" x 10 Groove w/Bushing
	2500655	1	Sheave, 5" x 10 Groove Taper Style
	2500937	1	Taper Bushing, 2" w/Setscrews
2	2503875	20	V-Belt, 3VX366
3	6017435	2	Sheave, 4.75" x 10 Groove w/Bushing
	2503792	1	Sheave, 4.75" x 10 Groove Taper Style
	2500937	1	Taper Bushing, 2" w/Setscrews
4	6010255	2	Inner Flange 5"
5	6047907	2	Outer Flange 5" with Pin
	2900197	1	Dowel Pin, 3/8" Dia. x 2"
6	6013061	2	Key, 1/2" Sq. x 2"

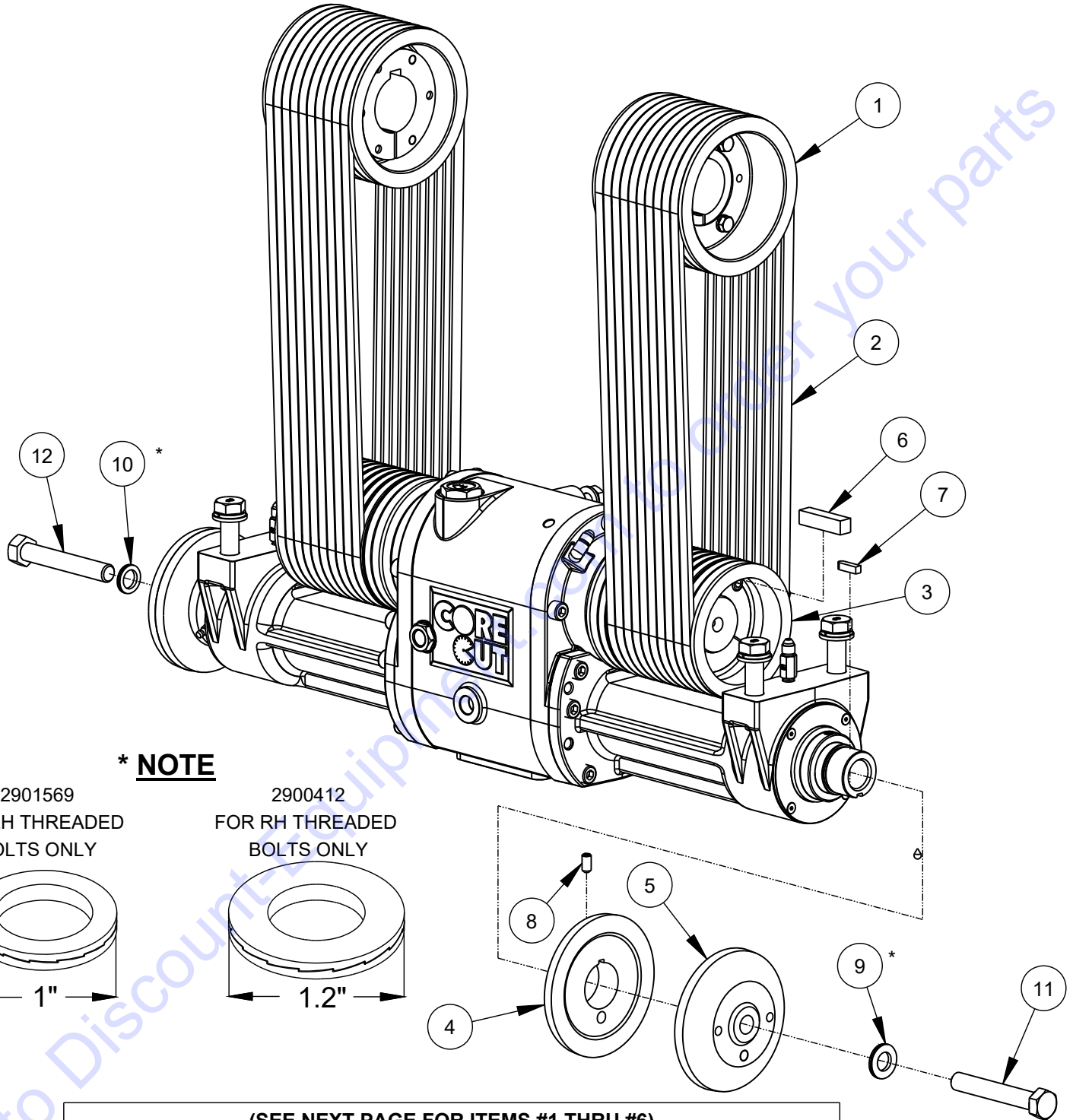
Belt Drive Assembly #6017451 (Option B) for 1-Speed Saw

36" BLADE DRIVE #6017451A			
ITEM	PART NO.	QTY	DESCRIPTION
1	6017438	2	Sheave, 6.5" x 10 Groove w/Bushing
	2501902	1	Sheave, 6.5" x 10 Groove QD Style
	2500153	1	QD Bushing, SK x 2" w/Fasteners
2	2503876	20	V-Belt, 3VX385
3	6017435	2	Sheave, 4.75" x 10 Groove w/Bushing
	2503792	1	Sheave, 4.75" x 10 Groove Taper Style
	2500937	1	Taper Bushing, 2" w/Setscrews
4	6010038	2	Inner Flange 6"
5	6010039	2	Outer Flange 6" with Pin
	2900197	1	Dowel Pin, 3/8" Dia. x 2"
6	6013061	2	Key, 1/2" Sq. x 2"

42" BLADE DRIVE #6017451B			
ITEM	PART NO.	QTY	DESCRIPTION
1	6017437	2	Sheave, 5.3" x 10 Groove w/Bushing
	2500516	1	Sheave, 5.3" x 10 Groove QD Style
	2500153	1	QD Bushing, SK x 2" w/Fasteners
2	2500037	20	V-Belt, 3VX375
3	6017435	2	Sheave, 4.75" x 10 Groove w/Bushing
	2503792	1	Sheave, 4.75" x 10 Groove Taper Style
	2500937	1	Taper Bushing, 2" w/Setscrews
4	6017230	2	Inner Flange 7"
5	6017231	2	Outer Flange 7" with Pin
	2900197	1	Dowel Pin, 3/8" Dia. x 2"
6	6013061	2	Key, 1/2" Sq. x 2"

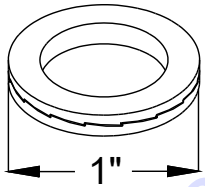
48" BLADE DRIVE #6017451C			
ITEM	PART NO.	QTY	DESCRIPTION
1	6017435	4	Sheave, 4.75" x 10 Groove w/Bushing
	2503792	1	Sheave, 4.75" x 10 Groove Taper Style
	2500937	1	Taper Bushing, 2" w/Setscrews
2	2503875	20	V-Belt, 3VX366
4	6013017	2	Inner Flange 8"
5	6013018	2	Outer Flange 8" with Pin
	2900197	1	Dowel Pin, 3/8" Dia. x 2"
6	6013061	2	Key, 1/2" Sq. x 2"

Belt Drive Assembly #6017452 for 3-Speed Saw

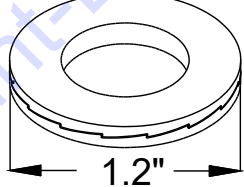


*** NOTE**

2901569
FOR LH THREADED
BOLTS ONLY



2900412
FOR RH THREADED
BOLTS ONLY



(SEE NEXT PAGE FOR ITEMS #1 THRU #6)

ITEM	PART NO.	QTY.	DESCRIPTION
7	6010040	2	Key, 1/4" Sq. x 15/16"
8	2900418	2	Set Screw, Soc. Hd., 5/16-18 x 5/8"
9	2900412	1	Wedge Lock Washer Pair, 5/8"
10	2901569	1	Wedge Lock Washer Pair, 5/8" LH
11	2900146	1	Cap Screw, Hex Hd., 5/8-11 x 4"
12	2900130	1	Cap Screw, Hex Hd., 5/8-11 x 4" LH

* See Note

* See Note

Belt Drive Assembly #6017452 for 3-Speed Saw

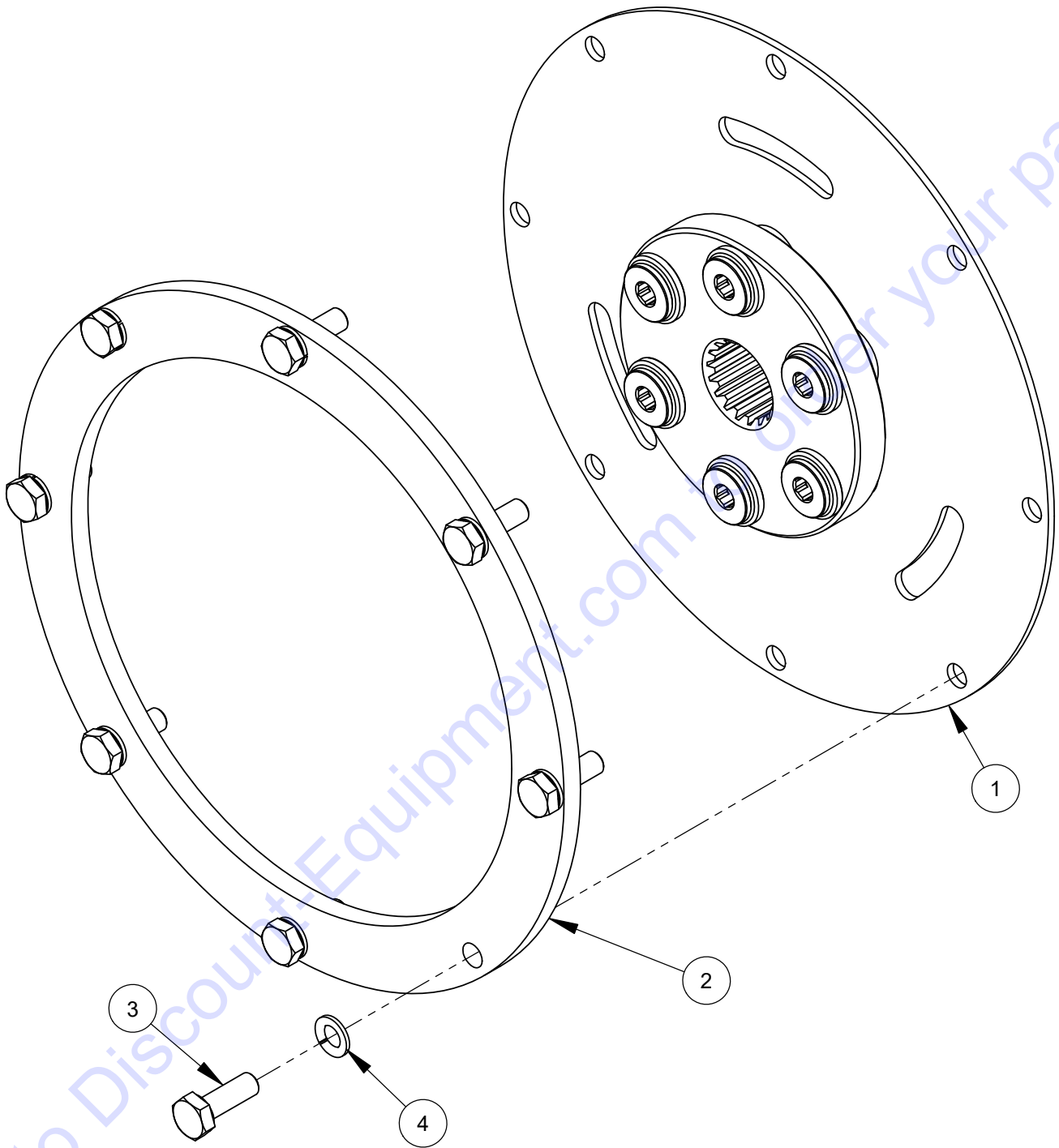
30/26/20 BLADE DRIVE #6017452A			
ITEM	PART NO.	QTY.	DESCRIPTION
1	6017435	4	Sheave, 4.75" x 10 Groove w/Bushing
	2503792	1	Sheave, 4.75" x 10 Groove Taper Style
	2500937	1	Taper Bushing, 2" w/Setscrews
2	2500794	20	Belt, 3VX450
4	6010255	2	Inner Flange 5"
5	6047907	2	Outer Flange 5" with Pin
6	6013061	2	Key, 1/2" Sq. x 2"

36/30/20 BLADE DRIVE #6017452B			
ITEM	PART NO.	QTY	DESCRIPTION
1	6017438	2	Sheave, 6.5" x 10 Groove w/Bushing
	2501902	1	Sheave, 6.5" x 10 Groove QD Style
	2500153	1	QD Bushing, SK x 2" w/Fasteners
2	2500298	20	V-Belt, 3VX475
3	6017434	2	Sheave, 4.5" x 10 Groove w/Bushing
	2501381	1	Sheave, 4.5" x 10 Groove Taper Style
	2501411	1	Taper Bushing, 2" w/Setscrews & Key
4	6010038	2	Inner Flange 6"
5	6010039	2	Outer Flange 6" with Pin
6	6011564	2	Key, 1/2" x 7/16" x 2"

42/36/26 BLADE DRIVE #6017452C			
ITEM	PART NO.	QTY	DESCRIPTION
1	6013157	2	Sheave, 5.6" x 10 Groove w/Bushing
	2500209	1	Sheave, 5.6" x 10 Groove QD Style
	2500153	1	QD Bushing, SK x 2" w/Fasteners
2	2500298	20	V-Belt, 3VX475
3	6017435	2	Sheave, 4.75" x 10 Groove w/Bushing
	2503792	1	Sheave, 4.75" x 10 Groove Taper Style
	2500937	1	Taper Bushing, 2" w/Setscrews
4	6017230	2	Inner Flange 7"
5	6017231	2	Outer Flange 7" with Pin
6	6013061	2	Key, 1/2" Sq. x 2"

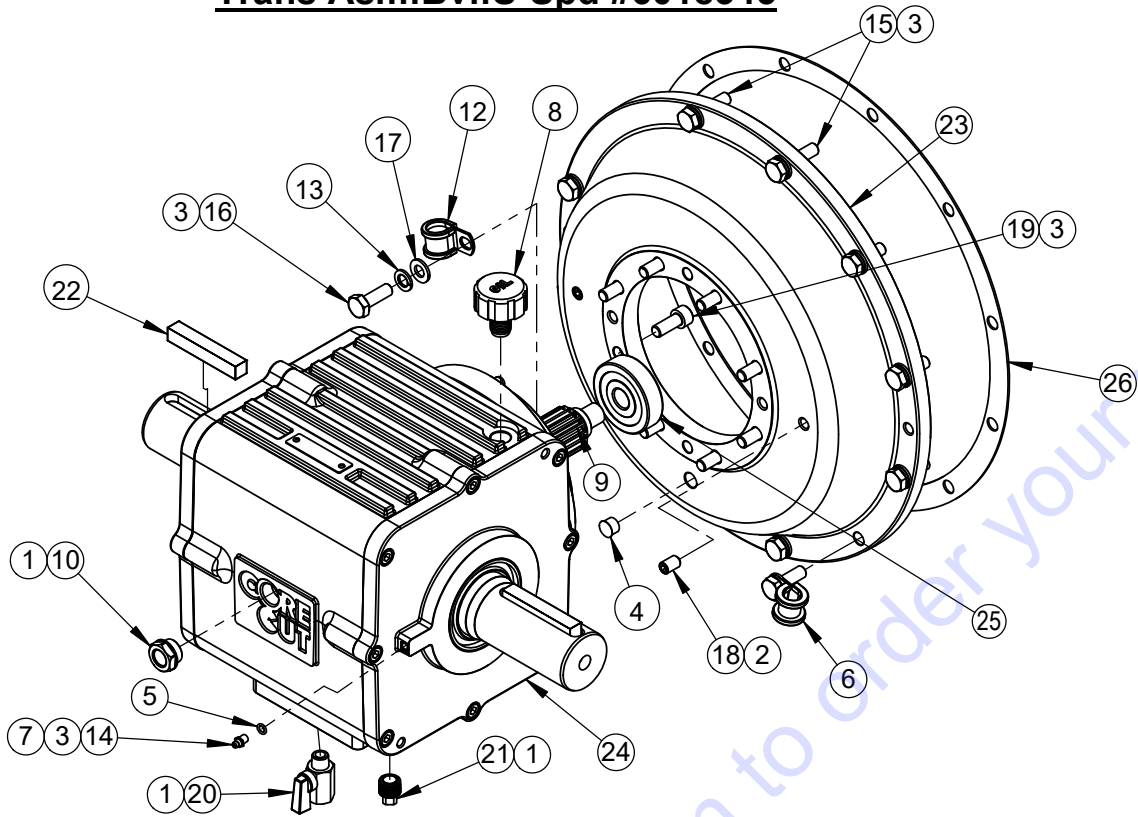
48/42/30 BLADE DRIVE #6017452D			
ITEM	PART NO.	QTY	DESCRIPTION
1	6017435	4	Sheave, 4.75" x 10 Groove w/Bushing
	2503792	1	Sheave, 4.75" x 10 Groove Taper Style
	2500937	1	Taper Bushing, 2" w/Setscrews
2	2500794	20	Belt, 3VX450
4	6013017	2	Inner Flange 8"
5	6013018	2	Outer Flange 8" with Pin
6	6013061	2	Key, 1/2" Sq. x 2"

Flywheel Coupling Assembly #6017614



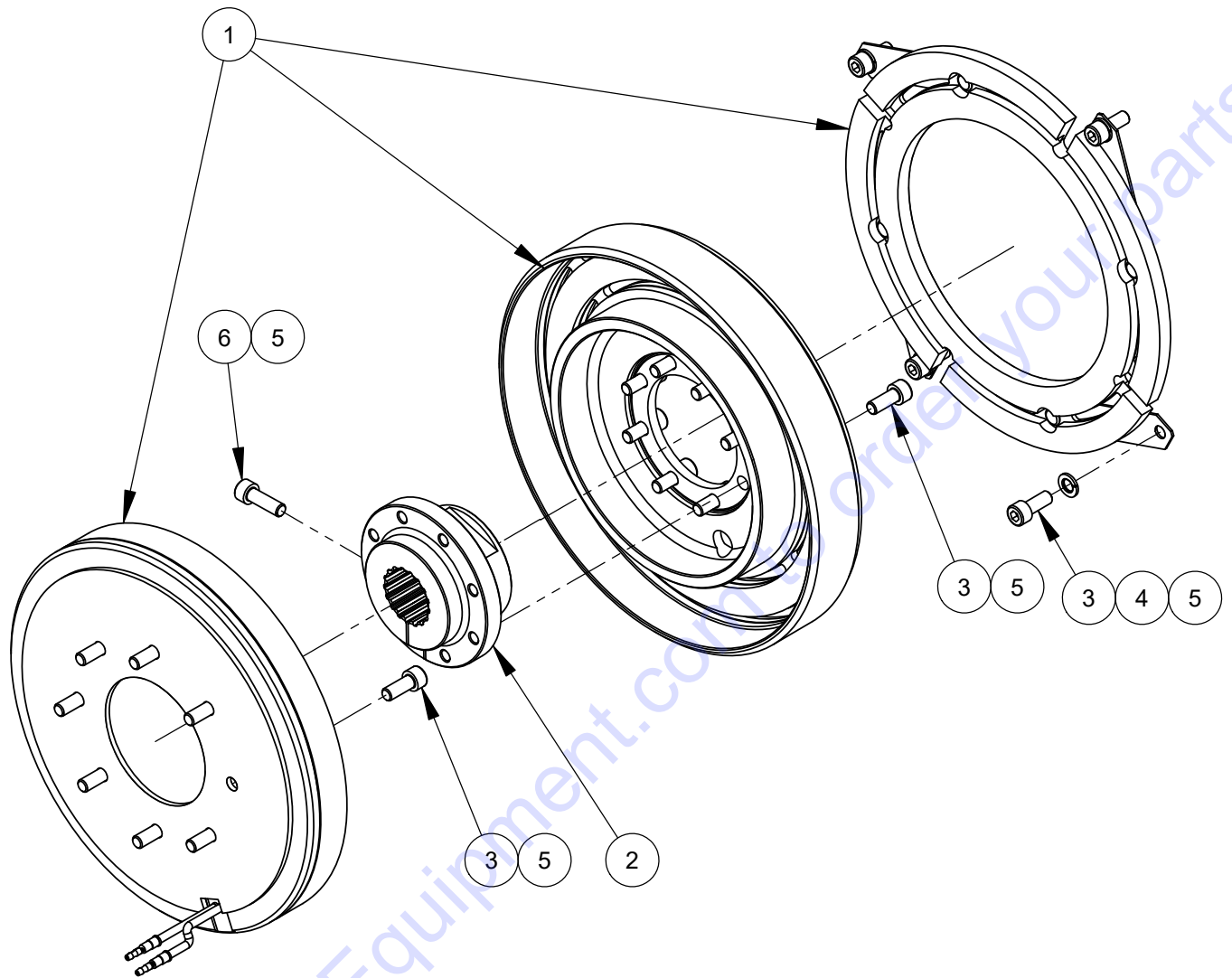
ITEM	PART NO.	QTY.	DESCRIPTION
1	2502183	1	Flywheel Coupling
2	6017113	1	Spacer Ring (SAE #10)
3	2900223	8	Cap Screw, Hex Hd., M10-1.5 x 30mm
4	2900321	8	Lock Washer, M10 Split

Trans Asm:Bvl:S-Spd #6018345



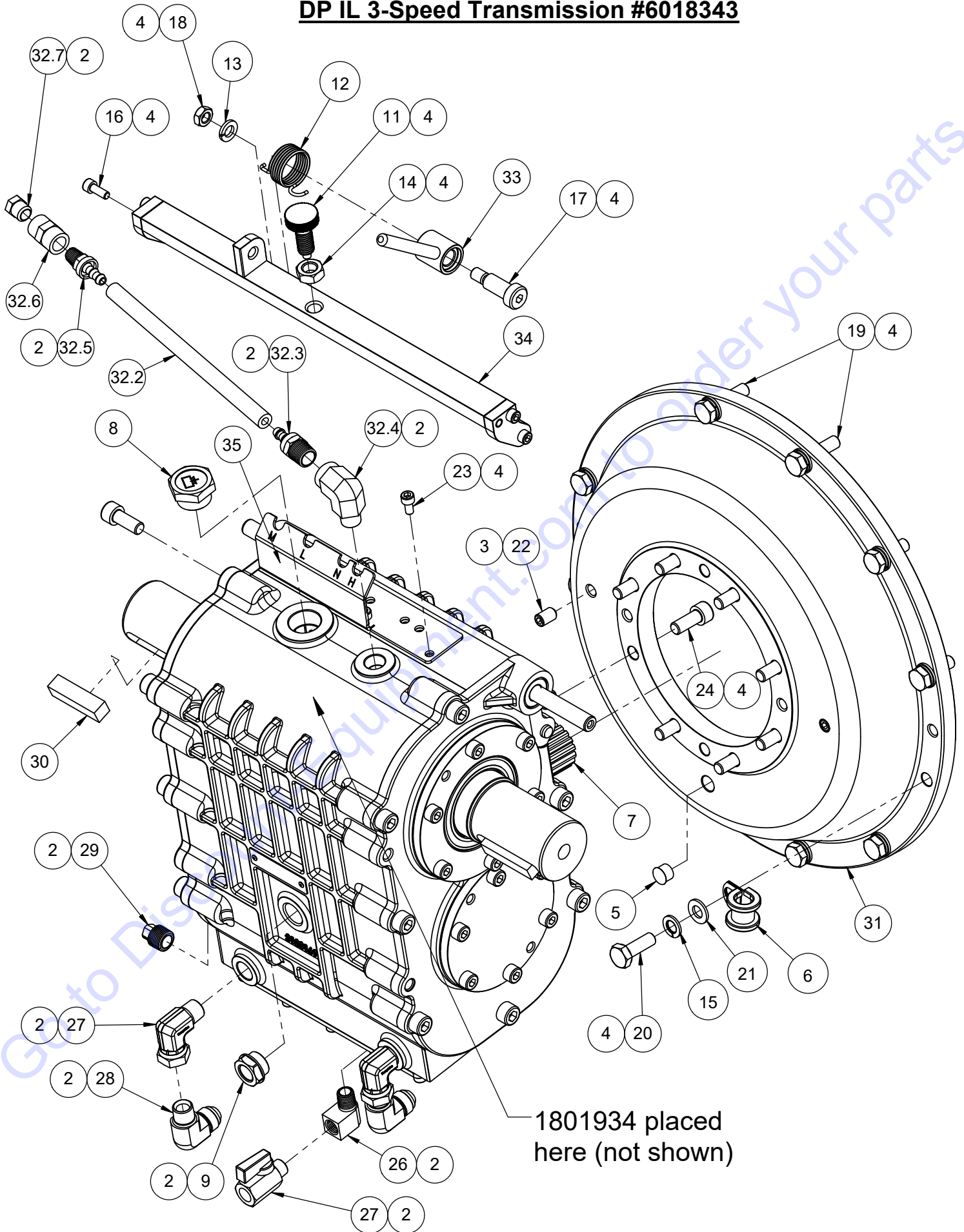
ITEM	PART NO.	QTY.	DESCRIPTION
1	2401311	AR	Loctite #567 Thread Sealant
2	2401315	AR	Loctite #242 Blue
3	2401316	AR	Loctite #262 Red
4	2500204	1	Plug, 1/2" Hole
5	2500939	2	O-Ring, AS568A - 010
6	2501434	1	Hose Clamp, 5/8" x 3/4" Wide
7	2502046	AR	Grease, Fuchs Synthetic
8	2503720	1	Filler Breather Cap, 3/8" NPT
9	2503829	AR	Loctite Anti-Seize
10	2503872	1	Sight Glass, Oil Level
11	2503930	3qt	Gear Oil, 75W90 Synthetic
12	2801151	1	Hose Clamp, 3/4" x 3/4" Wide
13	2900321	11	Lock Washer, M10 Split
14	2900614	2	Grease Fitting, 1/4-28 Str. Thrd
15	2900316	2	Cap Screw, Hex Hd., M10-1.5 x 40mm
16	2900223	9	Cap Screw, Hex Hd., M10-1.5 x 30mm
17	2901356	11	Flat Washer, M10
18	2901500	2	Set Screw, Soc. Hd., M10-1.25 x 16mm
19	2903166	8	Cap Screw, Soc. Hd., M10-1.5 x 25mm
20	3200108	1	Ball Valve, 1/4" NPT
21	3201999	2	Magnetic Pipe Plug, 3/8" NPT
22	6011561	2	Key: 1/2" Sq x 3.0"
23	6018170	1	Bevel Gear Box Flange
24	6018346	1	Trans Asm:Bvl:S-Spd:M
25	2504742	1	Deep Groove Ball Bearing 6403
26	6018242	1	Bellhousing Shim

Clutch Assembly #6018348



ITEM	PART NO.	QTY.	DESCRIPTION
1	2504741	1	Clutch
2	6018341	1	Clutch Drive Hub
3	2900243	20	Cap Screw, Soc. Hd., M8-1.25 x 20mm
4	2900763	4	Lock Washer, M8 Split
5	2401316	1	Loctite #262 Red
6	2900161	1	Cap Screw, Soc. Hd., M8-1.25 x 25mm

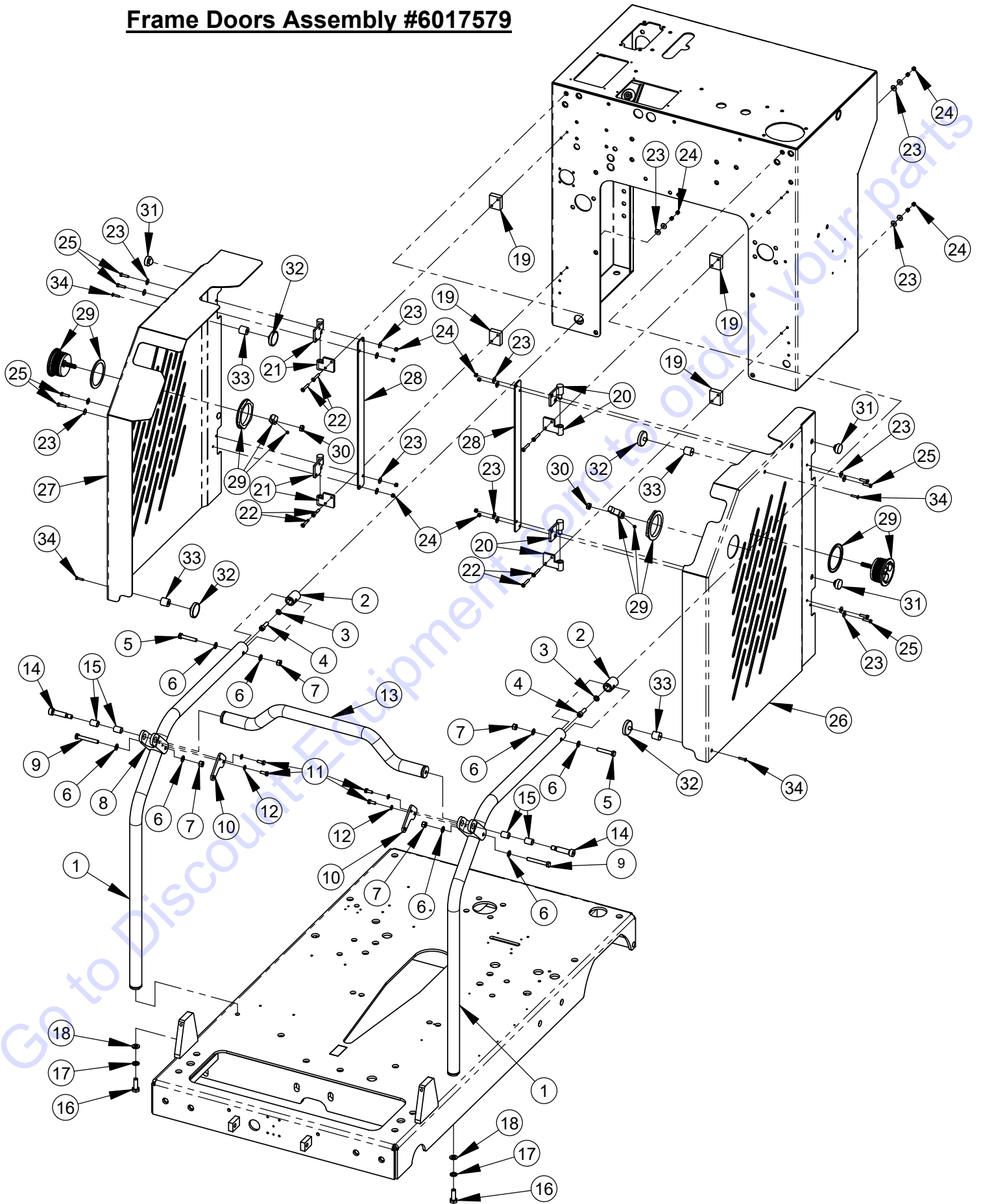
DP IL 3-Speed Transmission #6018343



DP IL 3-Speed Transmission #6018343

ITEM	PART NO.	QTY.	DESCRIPTION
1	1801934	1	3-Speed Shifter Label
2	2401311	AR	Loctite #567 Thread Sealant
3	2401315	AR	Loctite #242 Blue
4	2401316	AR	Loctite #262 Red
5	2500204	1	Plug, 1/2" Hole
6	2501434	1	Hose Clamp, 5/8" x 3/4" Wide
7	2503829	AR	Loctite Anti-Seize
8	2503834	1	Oil Fill Cap
9	2503872	1	Sight Glass, Oil Level
10	2503930	3 qt	Gear Oil, 75W90 Synthetic
11	2503990	1	Spring Loaded Plunger, 1/2-13
12	2503991	1	Torsion Spring, .090 x 1.25
13	2900006	1	Lock Washer, 3/8" Split
14	2900129	1	Jam Nut, 1/2-13
15	2900321	11	Lock Washer, M10 Split
16	2900553	2	Cap Screw, Soc. Hd., M6-1.0 x 16mm
17	2900587	1	Shoulder Screw, 1/2" x 1" (3/8-16)
18	2900782	1	Jam Nut, 3/8-16
19	2900316	2	Cap Screw, Hex Hd., M10-1.5 x 40mm
20	2900223	9	Cap Screw, Hex Hd., M10-1.5 x 30mm
21	2901356	11	Flat Washer, M10
22	2901500	2	Set Screw, Soc. Hd., M10-1.25 x 16mm
23	2901621	3	Cap Screw, Soc. Hd., M6-1.0 x 12mm
24	2903166	8	Cap Screw, Soc. Hd., M10-1.5 x 25mm
26	3200012	1	Street Elbow, 1/4" NPT
27	3200108	1	Ball Valve, 1/4" NPT
27	3202853	2	Elbow, 3/8" MPT - 3/8" FPT 90 Deg. Swivel
28	3201886	2	Elbow, 1/2" M. JIC to 3/8" M. Pipe
29	3201999	1	Magnetic Pipe Plug, 3/8" NPT
30	6013061	2	Key, 1/2" Sq. x 2"
31	6018170	1	Bevel Gear Box Flange
32	6018243	1	Vent Tube Assembly
32.1	2401311	1	Loctite #567 Thread Sealant
32.2	3200063	1	1/4" Pushlok Hose
32.3	3200070	1	Fitting, 3/8" MPT to 1/4" Pushlok
32.4	3201657	1	Street Elbow, 3/8" NPT
32.5	3201270	1	Fitting, 1/4" M. Pipe to 1/4" Push Lock
32.6	3201110	1	Coupling, 1/4" NPT
32.7	3200067	1	Breather Vent, 1/4" NPT
33	6018258	1	Shift Lever Assembly
34	6018259	1	Shift Bracket Assembly
35	6018340	1	Detent Gate

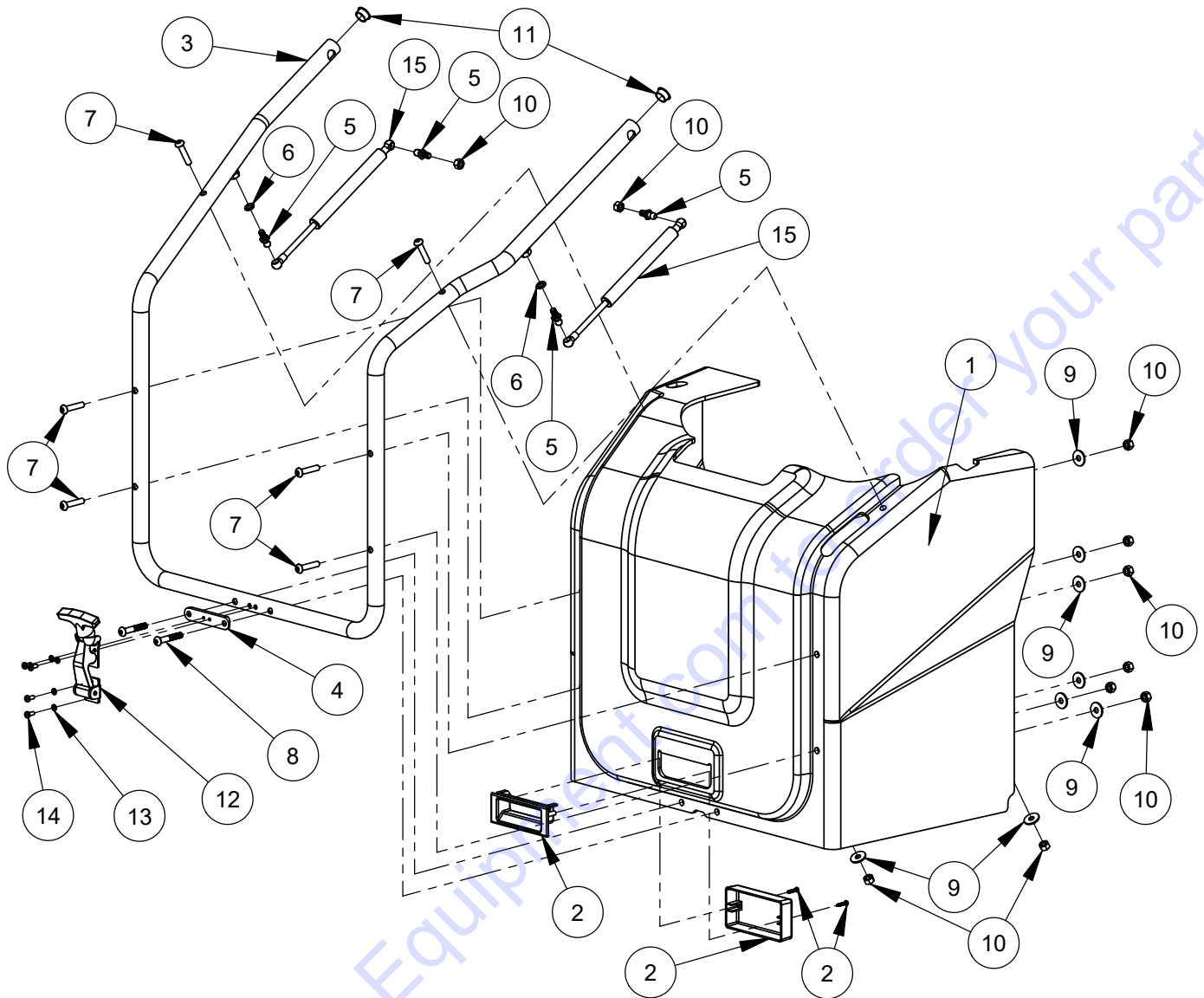
Frame Doors Assembly #6017579



Frame Doors Assembly #6017579

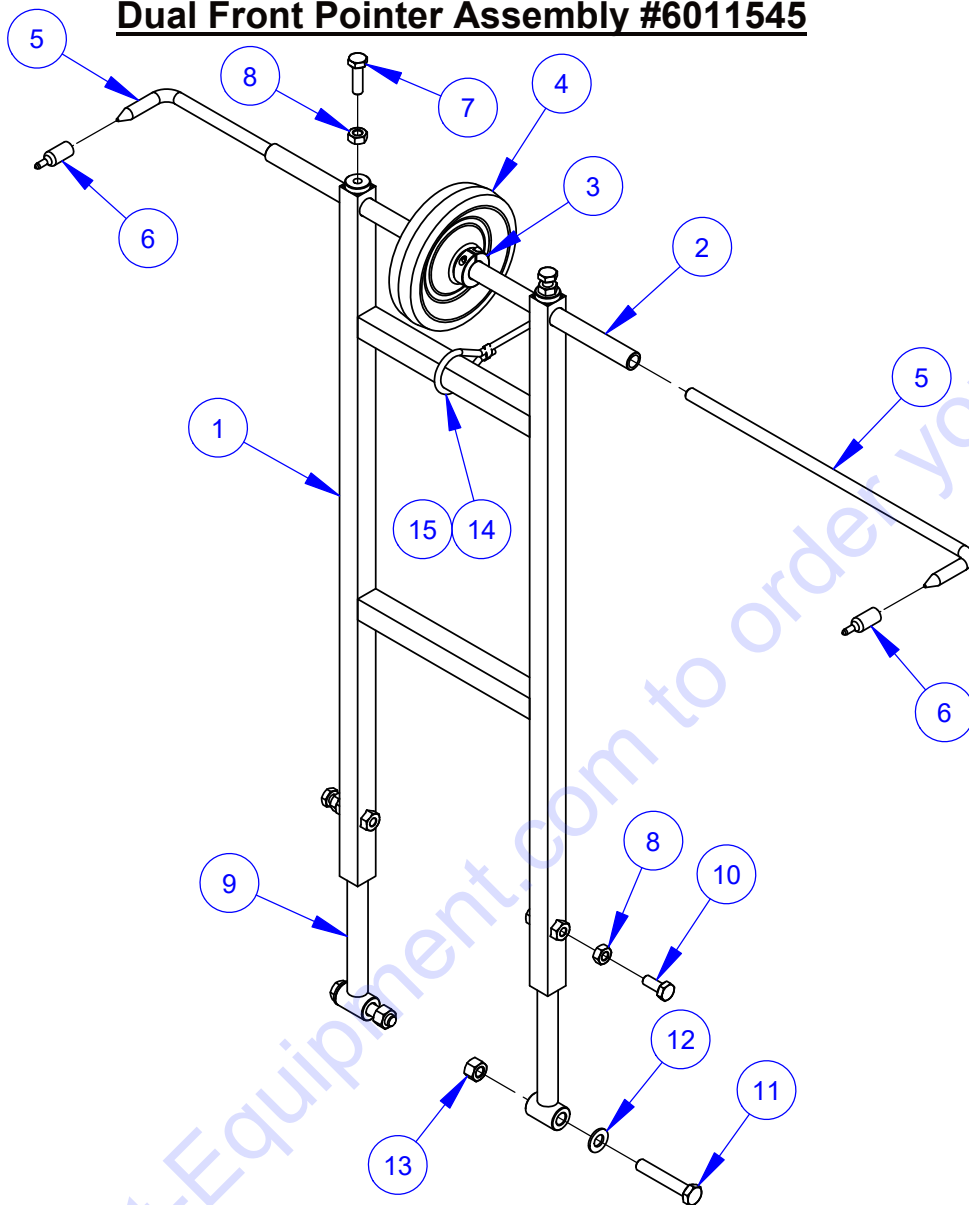
ITEM	PART NO.	QTY.	DESCRIPTION
1	6017368	2	Panel Tube
2	6017370	2	Tube Mount Sleeve
3	2900763	2	Lock Washer, M8 Split
4	2900161	2	Cap Screw, Soc. Hd., M8-1.25 x 25mm
5	2900336	2	Cap Screw, Hex Hd., M8-1.25 x 45mm
6	2901336	8	Flat Washer, M8
7	2900303	4	Lock Nut, M8-1.25 Nylon Insert
8	6017366	2	Tube Link
9	2900747	2	Cap Screw, Hex Hd., M8-1.25 x 60mm
10	6017367	2	Gas Spring Mount
11	2900341	4	Cap Screw, Hex Hd., M6-1.0 x 16mm
12	2900765	4	Lock Washer, M6 Split
13	6017369	1	Cross Tube
14	2900931	2	Shoulder Bolt, 12mm x 40mm (M10-1.5)
15	2503884	4	Sleeve Bearing, 12mm x 15mm x 20mm
16	2900223	2	Cap Screw, Hex Hd., M10-1.5 x 30mm
17	2900321	2	Lock Washer, M10 Split
18	2901356	2	Flat Washer, M10
19	6017372	4	Hinge Spacer
20	2503695	2	Hinge, Lift-off R.H.
21	2503696	2	Hinge, Lift-off L.H.
22	2901365	8	Machine Screw, Pan Hd., M5-0.8 x 30mm
23	2900770	24	Fender Washer, M5
24	2900301	16	Lock Nut, M5-0.8 Nylon Insert
25	2900309	8	Cap Screw, Hex Hd., M5-0.8 x 20mm
26	6017562	1	Side Door, Left
27	6017563	1	Side Door, Right
28	6017389	2	Bridge Bar
29	2503877	2	Latch Assembly
30	2900782	2	Jam Nut, 3/8-16
31	2502389	4	Button Bumper
32	2503988	4	Magnet Catch, Encased
33	2503989	4	Bumper, Magnet
34	2901384	4	Machine Screw, Flat Hd., M4-0.7 x 20mm

Hood Assembly #6017580



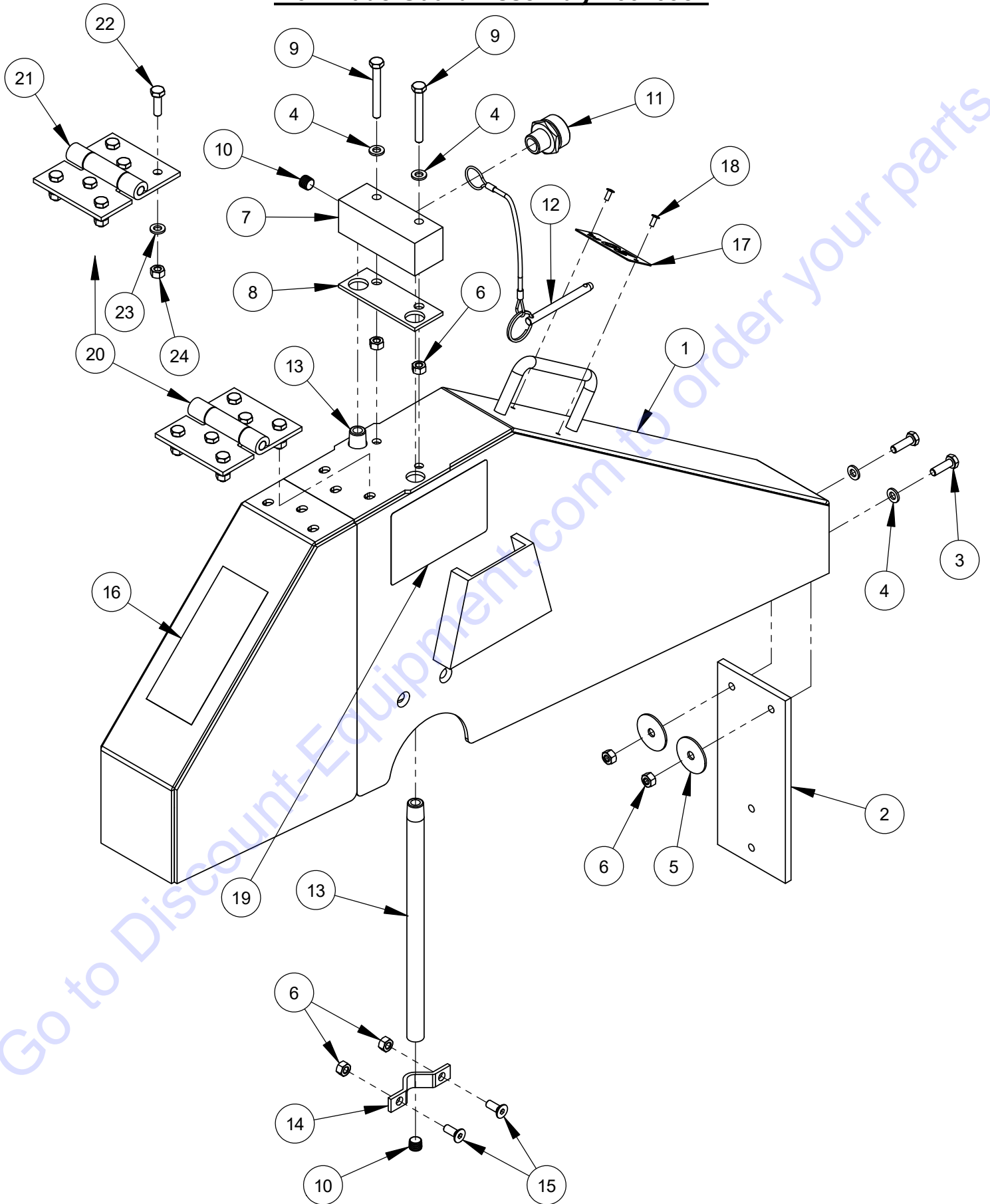
ITEM	PART NO.	QTY.	DESCRIPTION
1	6017565	1	Hood
2	2503885	1	Pull Handle, Flush
3	6017564	1	Hood Tube
4	6017443	1	Latch Catch
5	2503883	4	Ball Stud 10mm (M8-1.25 Thread)
6	2900763	2	Lock Washer, M8 Split
7	2901381	6	Cap Screw, Button Hd., M8-1.25 x 40mm
8	2901366	2	Cap Screw, Button Hd., M8-1.25 x 50mm
9	2900383	8	Fender Washer, M8
10	2900303	10	Lock Nut, M8-1.25 Nylon Insert
11	2500463	2	Plug, 3/4" Hole
12	2501141	1	Draw Latch
13	2900767	4	Lock Washer, M5 Split
14	2900794	4	Machine Screw, Pan Hd., M5-0.8 x 12mm
15	2506050	2	Gas Spring

Dual Front Pointer Assembly #6011545



ITEM	PART NO.	QTY.	DESCRIPTION
1	6011538	1	Front Pointer Frame, Dual, Metric
2	6011539	1	Pointer Tube, 20"
3	2504577	2	Shaft Collar, 3/4" Split
4	2504581	1	Wheel, 6"
5	6011536	2	Front Pointer Rod, 16"
6	2500740	2	Pointer Cap
7	2900315	2	Cap Screw, Hex Hd., M10-1.5 x 35mm
8	2900325	4	Hex Nut, M10-1.5
9	6011152	2	Front Pointer Arm
10	2900333	2	Cap Screw, Hex Hd., M10-1.5 x 25mm
11	2901345	2	Cap Screw, Hex Hd., M12-1.75 x 70mm
12	2900239	2	Friction Washer, 1/2"
13	2900327	2	Lock Nut, M12-1.75 Nylon Insert
14	6017241	1	Pointer Rope 11 Foot
15	3200221	2	Pinch Clamp, Two Ear

20" Blade Guard Assembly #6010952

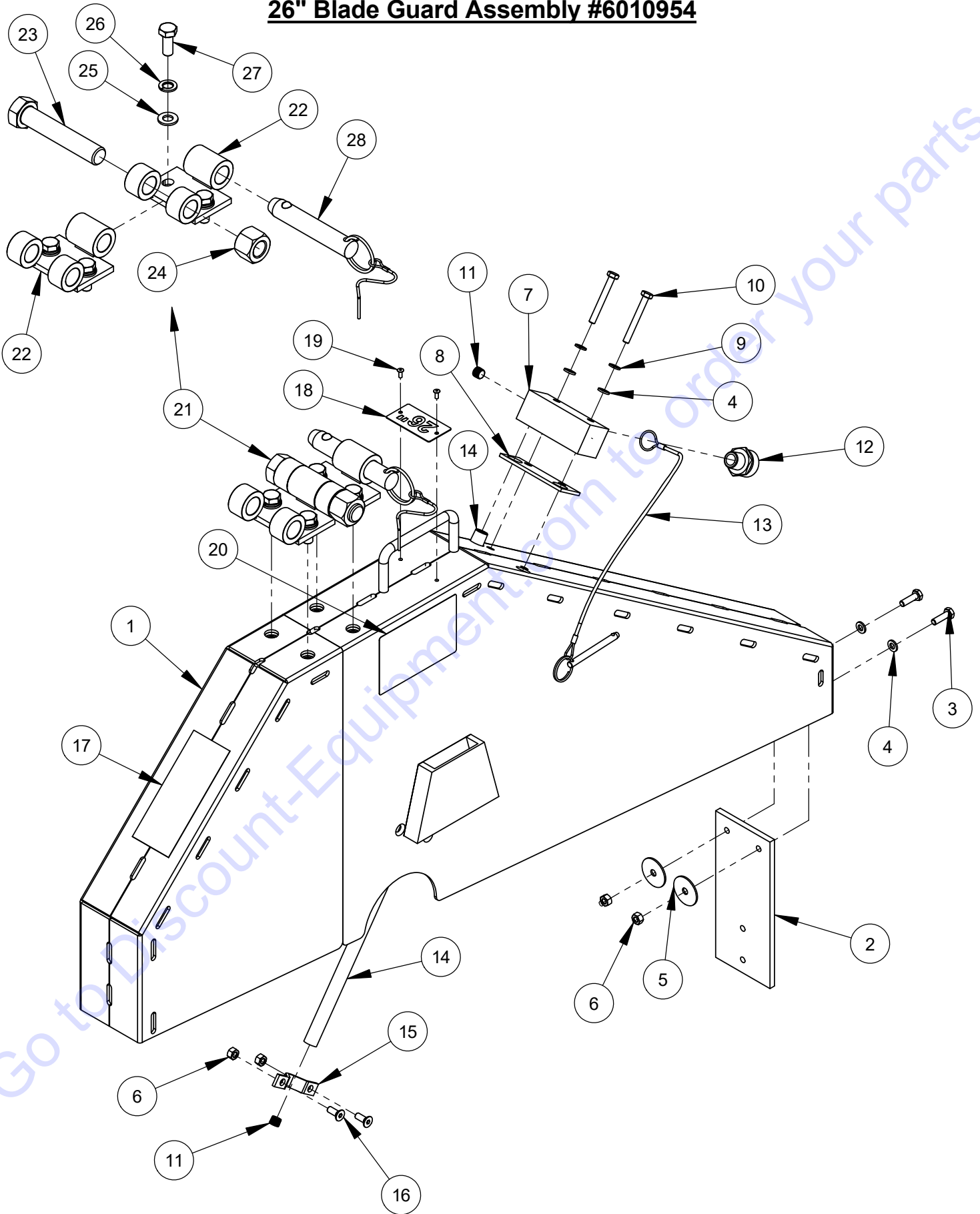


20" Blade Guard Assembly #6010952

ITEM	PART NO.	QTY.	DESCRIPTION
1	6010603	1	20" Blade Guard Front & Rear Only
2	6010081	1	Splash Flap
3	2900310	2	Cap Screw, Hex Hd., M6-1.0 x 20mm
4	2901494	4	Flat Washer, M6
5	2900083	2	Fender Washer, 1/4" x 1-1/4"
6	2900302	8	Lock Nut, M6-1.0 Nylon Insert
7	6010261	1	Water Manifold
8	2500830	1	Water Manifold Gasket
9	2901355	2	Cap Screw, Hex Hd., M6-1.0 x 50mm
10	3200001	3	Plug, 1/8" NPT
11	3200002	1	Fitting, 3/8" M. Pipe to 3/4" M. Garden
12	2900278	1	Lanyard with Lock Pin
13	6010085	2	Water Tube for 20" Guard
14	6048155	2	Water Tube Clamp
15	2900308	4	Cap Screw, Flat Hd., M6-1.0 x 16mm
16	1800001	1	Warning Label
17	1801369D	1	Blade Guard Size Tag
18	2900287	2	Rivet, 1/8" Dia.
19	1802090	2	Label, Wedge Locking Washer
20	6048027	1	Hinge Assembly

ITEM	PART NO.	QTY.	DESCRIPTION
21	2500270	1	Blade Guard Hinge
22	2900310	6	Cap Screw, Hex Hd., M6-1.0 x 20mm
23	2901494	6	Flat Washer, M6
24	2900302	6	Lock Nut, M6-1.0 Nylon Insert

26" Blade Guard Assembly #6010954

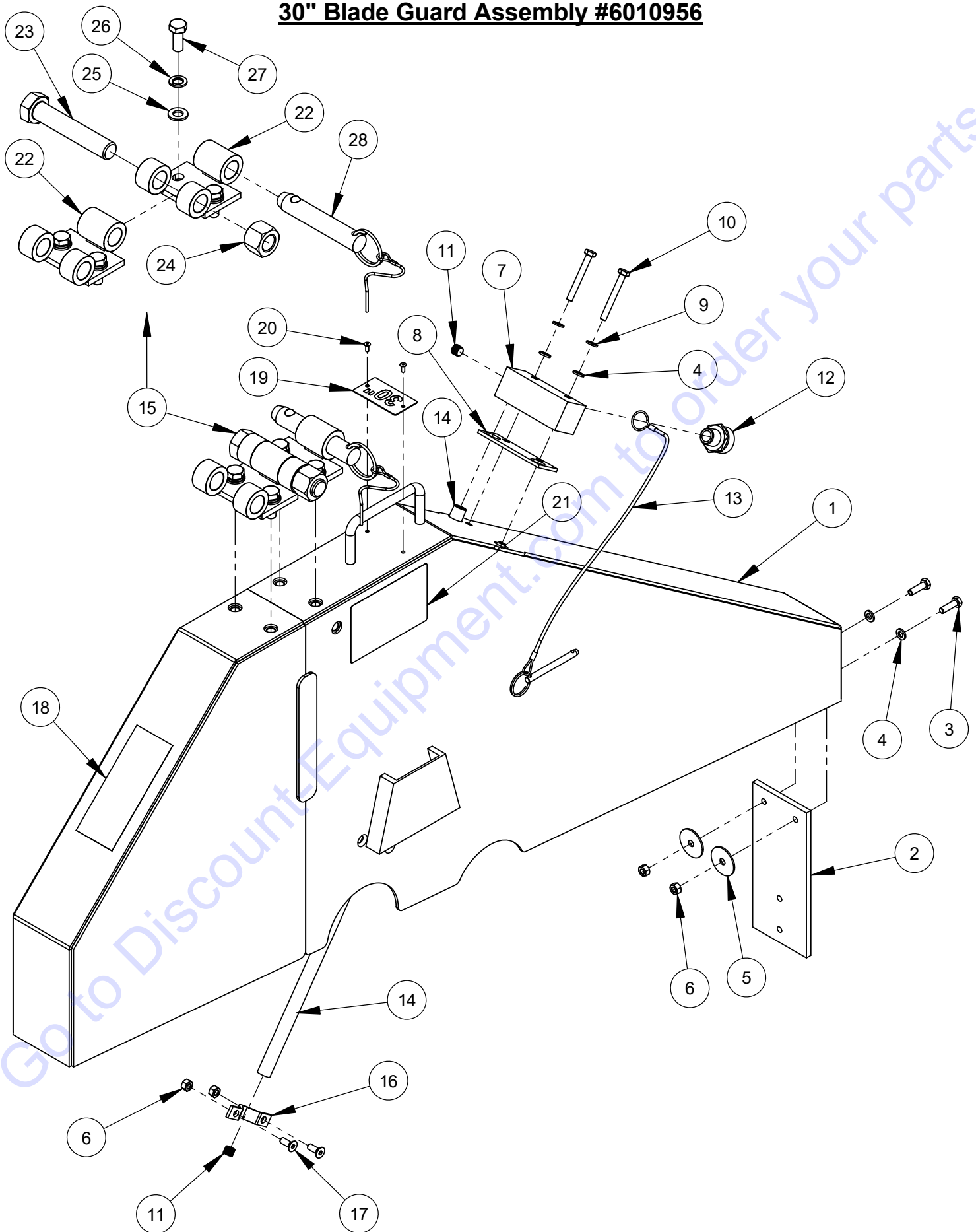


26" Blade Guard Assembly #6010954

ITEM	PART NO.	QTY.	DESCRIPTION
1	6010955	1	26" Blade Guard Front & Rear Only
2	6010081	1	Splash Flap
3	2900310	2	Cap Screw, Hex Hd., M6-1.0 x 20mm
4	2901494	4	Flat Washer, M6
5	2900083	2	Fender Washer, 1/4" x 1-1/4"
6	2900302	6	Lock Nut, M6-1.0 Nylon Insert
7	6010261	1	Water Manifold
8	2500830	1	Water Manifold Gasket
9	2900765	2	Lock Washer, M6 Split
10	2901355	2	Cap Screw, Hex Hd., M6-1.0 x 50mm
11	3200001	3	Plug, 1/8" NPT
12	3200002	1	Fitting, 3/8" M. Pipe to 3/4" M. Garden
13	2900279	1	Lanyard with Lock Pin
14	6010086	2	Water Tube for 26" Guard
15	6048155	2	Water Tube Clamp
16	2900308	4	Cap Screw, Flat Hd., M6-1.0 x 16mm
17	1800001	1	Warning Label
18	1801369F	1	Blade Guard Size Tag
19	2900287	2	Rivet, 1/8" Dia.
20	1802090	2	Label, Wedge Locking Washer
21	6010873	1	Universal Hinge Assembly

ITEM	PART NO.	QTY	DESCRIPTION
22	6010871	2	Hinge Weldment, Universal
23	2900479	1	Cap Screw, Hex Hd., 3/4-10 x 4"
24	2900467	1	Lock Nut, 3/4-10 Nylon
25	2901356	4	Flat Washer, M10
26	2900321	4	Lock Washer, M10 Split
27	2900333	4	Cap Screw, Hex Hd., M10-1.5 x 25mm
28	2503824	1	Detent Pin, 3/4" x 3" Grip

30" Blade Guard Assembly #6010956

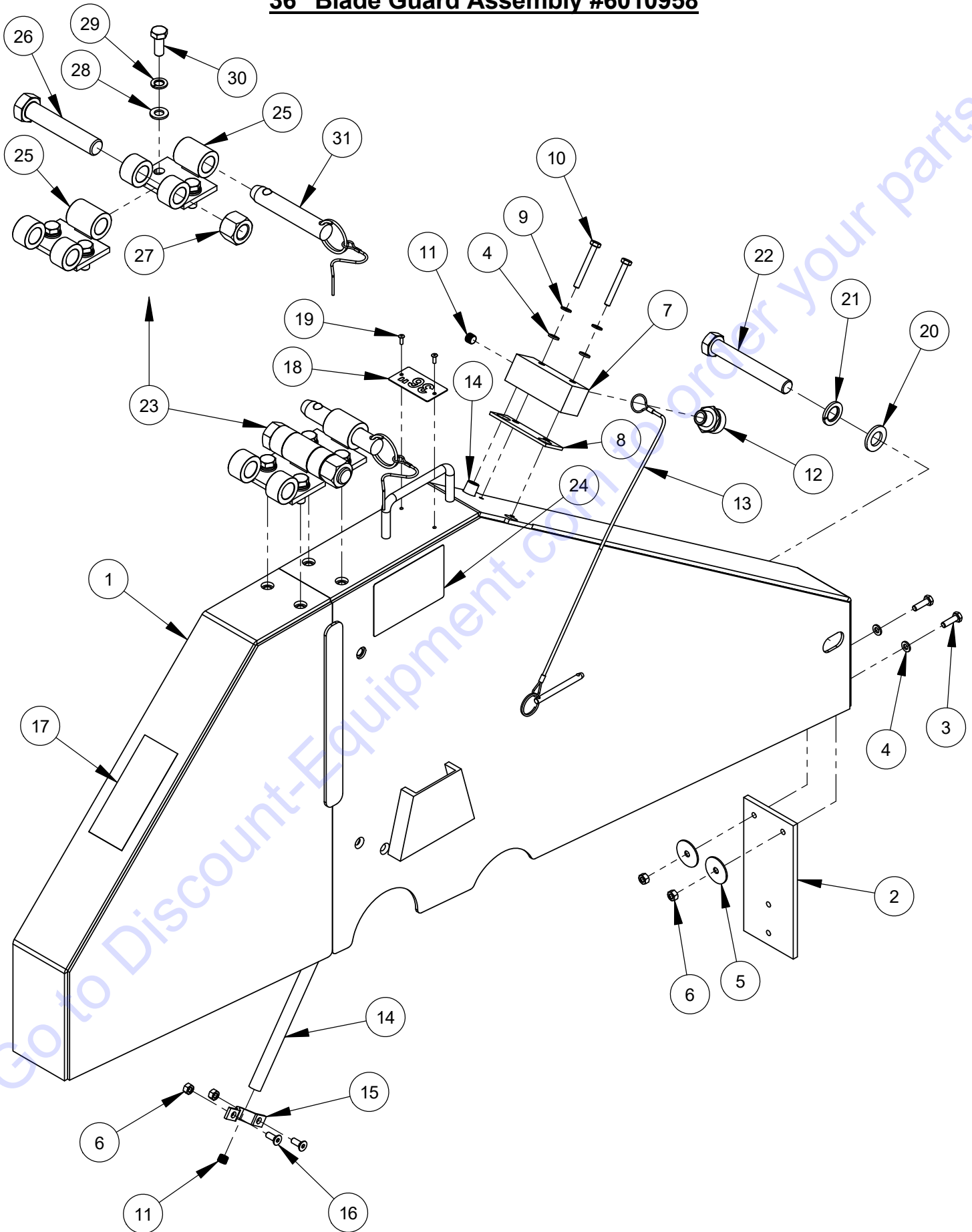


30" Blade Guard Assembly #6010956

ITEM	PART NO.	QTY.	DESCRIPTION
1	6010957	1	30" Blade Guard Front & Rear Only
2	6010081	1	Splash Flap
3	2900310	2	Cap Screw, Hex Hd., M6-1.0 x 20mm
4	2901494	4	Flat Washer, M6
5	2900083	2	Fender Washer, 1/4" x 1-1/4"
6	2900302	6	Lock Nut, M6-1.0 Nylon Insert
7	6010261	1	Water Manifold
8	2500830	1	Water Manifold Gasket
9	2900765	2	Lock Washer, M6 Split
10	2901355	2	Cap Screw, Hex Hd., M6-1.0 x 50mm
11	3200001	3	Plug, 1/8" NPT
12	3200002	1	Fitting, 3/8" M. Pipe to 3/4" M. Garden
13	2900279	1	Lanyard with Lock Pin
14	6010087	2	Water Tube for 30" Guard
15	6010873	1	Universal Hinge Assembly
16	6048155	2	Water Tube Clamp
17	2900308	4	Cap Screw, Flat Hd., M6-1.0 x 16mm
18	1800001	1	Warning Label
19	1801369G	1	Blade Guard Size Tag
20	2900287	2	Rivet, 1/8" Dia.
21	1802090	2	Label, Wedge Locking Washer

ITEM	PART NO.	QTY	DESCRIPTION
22	6010871	2	Hinge Weldment, Universal
23	2900479	1	Cap Screw, Hex Hd., 3/4-10 x 4"
24	2900467	1	Lock Nut, 3/4-10 Nylon
25	2901356	4	Flat Washer, M10
26	2900321	4	Lock Washer, M10 Split
27	2900333	4	Cap Screw, Hex Hd., M10-1.5 x 25mm
28	2503824	1	Detent Pin, 3/4" x 3" Grip

36" Blade Guard Assembly #6010958

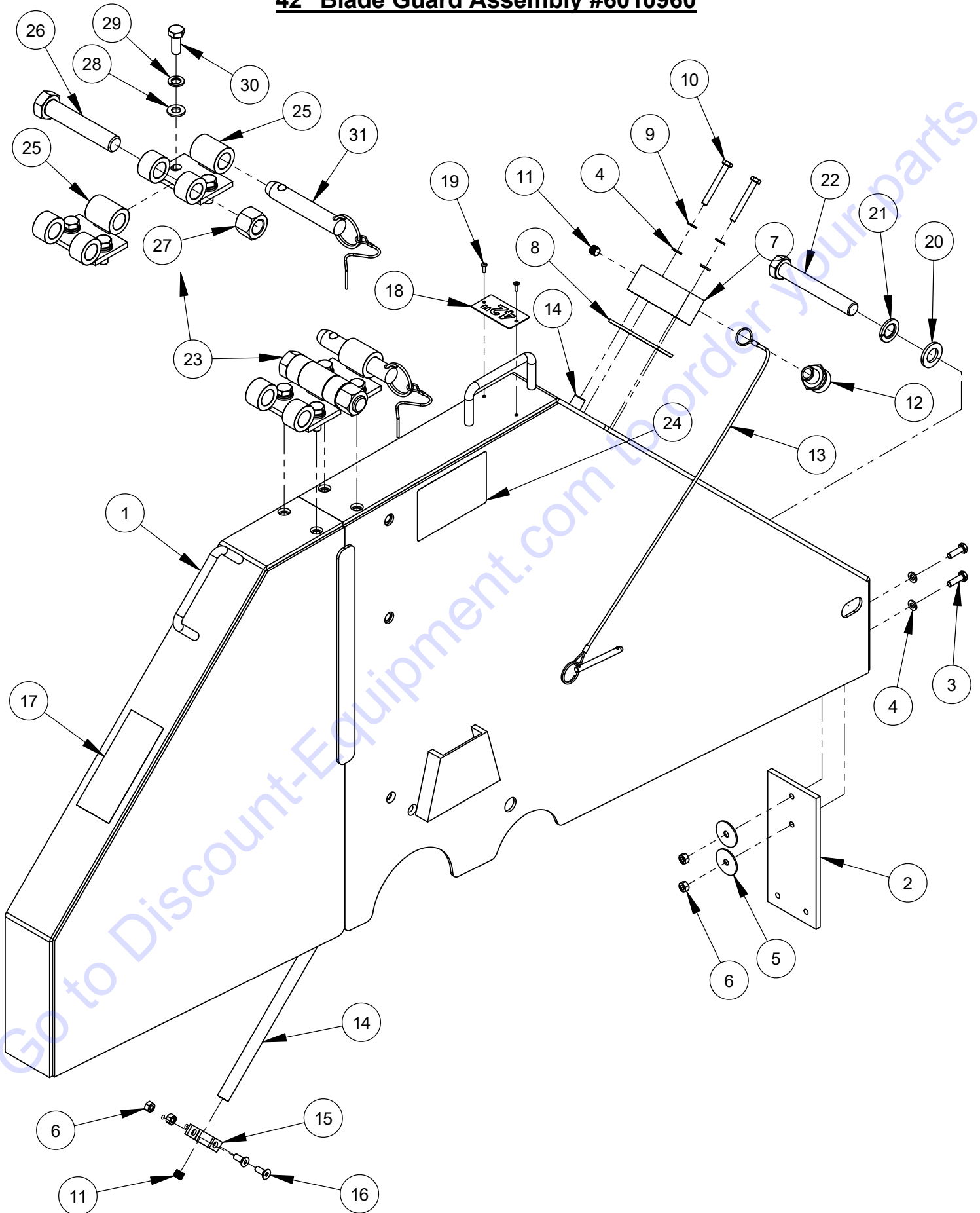


36" Blade Guard Assembly #6010958

ITEM	PART NO.	QTY.	DESCRIPTION
1	6010959	1	36" Blade Guard Front & Rear Only
2	6010081	1	Splash Flap
3	2900310	2	Cap Screw, Hex Hd., M6-1.0 x 20mm
4	2901494	4	Flat Washer, M6
5	2900083	2	Fender Washer, 1/4" x 1-1/4"
6	2900302	6	Lock Nut, M6-1.0 Nylon Insert
7	6010261	1	Water Manifold
8	2500830	1	Water Manifold Gasket
9	2900765	2	Lock Washer, M6 Split
10	2901355	2	Cap Screw, Hex Hd., M6-1.0 x 50mm
11	3200001	3	Plug, 1/8" NPT
12	3200002	1	Fitting, 3/8" M. Pipe to 3/4" M. Garden
13	2900280	1	Lanyard with Lock Pin
14	6010088	2	Water Tube for 36" Guard
15	6048155	2	Water Tube Clamp
16	2900308	4	Cap Screw, Flat Hd., M6-1.0 x 16mm
17	1800001	1	Warning Label
18	1801369H	1	Blade Guard Size Tag
19	2900639	2	Rivet, 1/8" Dia.
20	2901358	1	Flat Washer, M16
21	2900716	1	Lock Washer, M16 Split
22	2901349	1	Cap Screw, Hex Hd., M16-2.0 x 110mm
23	6010873	1	Universal Hinge Assembly
24	1802090	2	Label, Wedge Locking Washer

ITEM	PART NO.	QTY	DESCRIPTION
25	6010871	2	Hinge Weldment, Universal
26	2900479	1	Cap Screw, Hex Hd., 3/4-10 x 4"
27	2900467	1	Lock Nut, 3/4-10 Nylon
28	2901356	4	Flat Washer, M10
29	2900321	4	Lock Washer, M10 Split
30	2900333	4	Cap Screw, Hex Hd., M10-1.5 x 25mm
31	2503824	1	Detent Pin, 3/4" x 3" Grip

42" Blade Guard Assembly #6010960

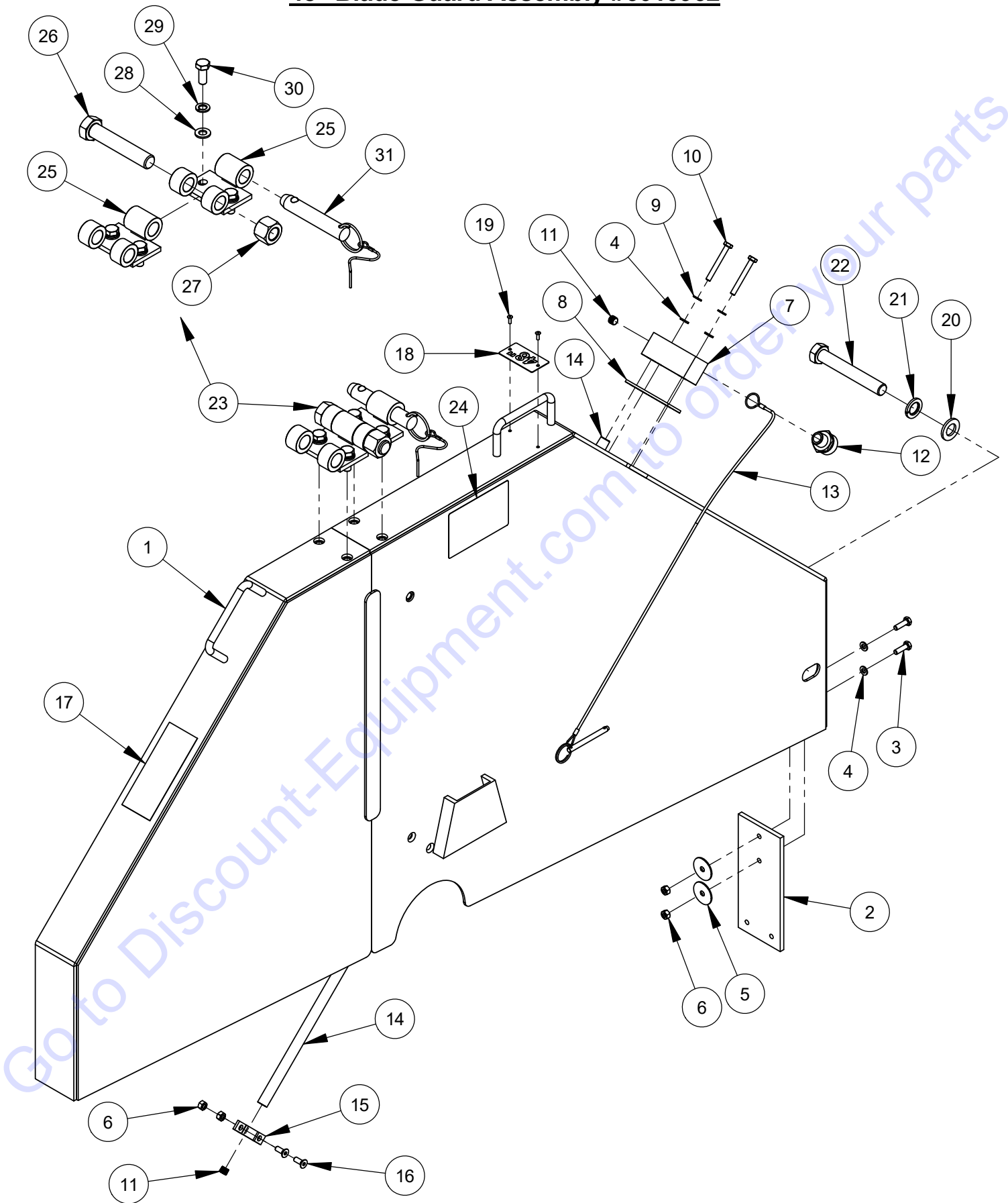


42" Blade Guard Assembly #6010960

ITEM	PART NO.	QTY	DESCRIPTION
1	6010961	1	42" Blade Guard Front & Rear Only
2	6010081	1	Splash Flap
3	2900310	2	Cap Screw, Hex Hd., M6-1.0 x 20mm
4	2901494	4	Flat Washer, M6
5	2900083	2	Fender Washer, 1/4" x 1-1/4"
6	2900302	6	Lock Nut, M6-1.0 Nylon Insert
7	6048123	1	Water Manifold
8	2500829	1	Water Manifold Gasket
9	2900765	2	Lock Washer, M6 Split
10	2901355	2	Cap Screw, Hex Hd., M6-1.0 x 50mm
11	3200001	3	Plug, 1/8" NPT
12	3200002	1	Fitting, 3/8" M. Pipe to 3/4" M. Garden
13	2900280	1	Lanyard with Lock Pin
14	6010114	2	Water Tube for 42" Guard
15	6048155	2	Water Tube Clamp
16	2900308	4	Cap Screw, Flat Hd., M6-1.0 x 16mm
17	1800001	1	Warning Label
18	1801369I	1	Blade Guard Size Tag
19	2900639	2	Rivet, 1/8" Dia.
20	2901358	1	Flat Washer, M16
21	2900716	1	Lock Washer, M16 Split
22	2901349	1	Cap Screw, Hex Hd., M16-2.0 x 110mm
23	6010873	1	Universal Hinge Assembly
24	1802090	2	Label, Wedge Locking Washer

ITEM	PART NO.	QTY	DESCRIPTION
25	6010871	2	Hinge Weldment, Universal
26	2900479	1	Cap Screw, Hex Hd., 3/4-10 x 4"
27	2900467	1	Lock Nut, 3/4-10 Nylon
28	2901356	4	Flat Washer, M10
29	2900321	4	Lock Washer, M10 Split
30	2900333	4	Cap Screw, Hex Hd., M10-1.5 x 25mm
31	2503824	1	Detent Pin, 3/4" x 3" Grip

48" Blade Guard Assembly #6010962



48" Blade Guard Assembly #6010962

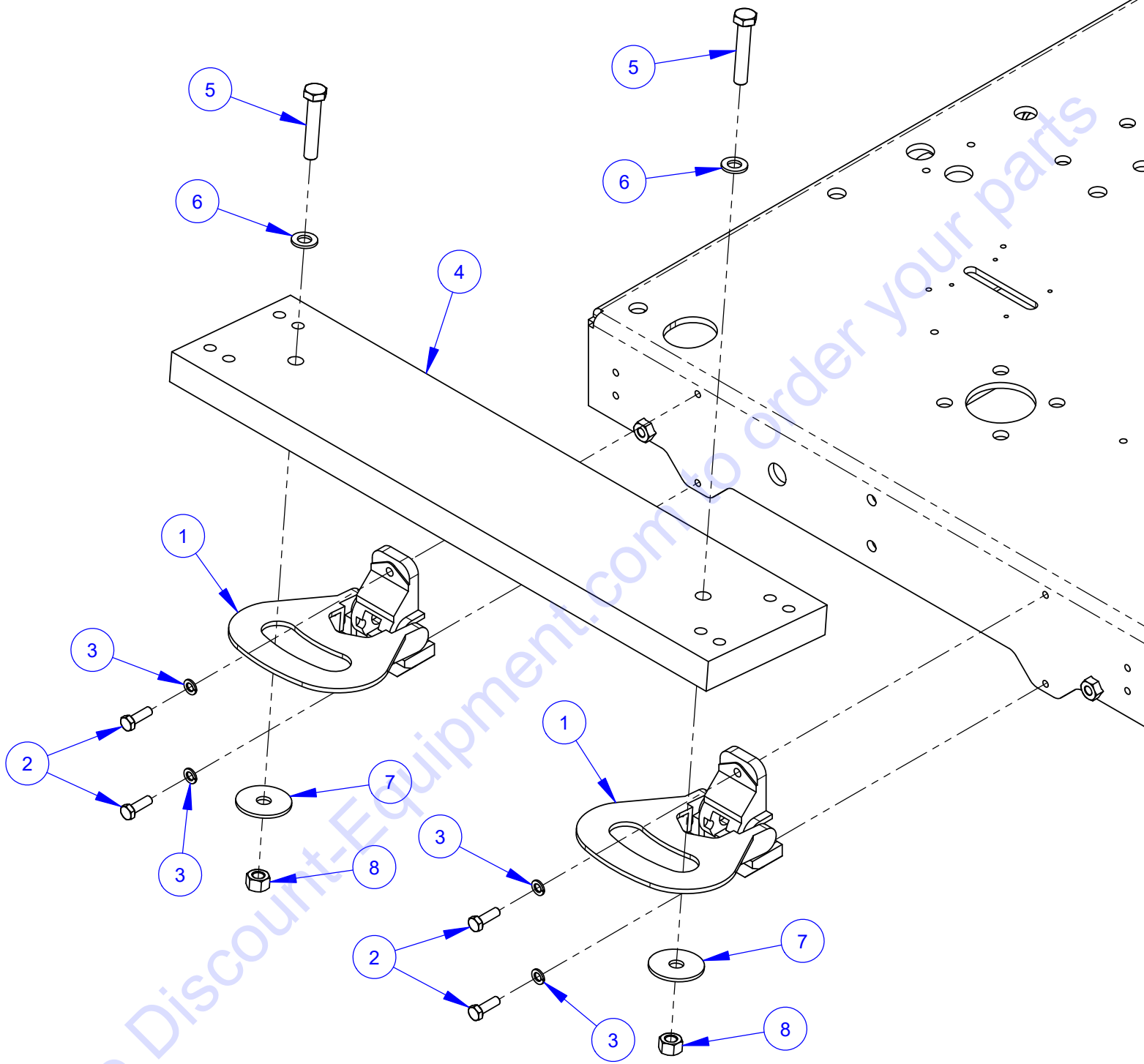
ITEM	PART NO.	QTY	DESCRIPTION
1	6010963	1	48" Blade Guard Front & Rear Only
2	6010081	1	Splash Flap
3	2900310	2	Cap Screw, Hex Hd., M6-1.0 x 20mm
4	2901494	4	Flat Washer, M6
5	2900083	2	Fender Washer, 1/4" x 1-1/4"
6	2900302	6	Lock Nut, M6-1.0 Nylon Insert
7	6048123	1	Water Manifold
8	2500829	1	Water Manifold Gasket
9	2900765	2	Lock Washer, M6 Split
10	2901355	2	Cap Screw, Hex Hd., M6-1.0 x 50mm
11	3200001	3	Plug, 1/8" NPT
12	3200002	1	Fitting, 3/8" M. Pipe to 3/4" M. Garden
13	2900281	1	Lanyard with Lock Pin
14	6010115	2	Water Tube for 48" Guard
15	6048155	2	Water Tube Clamp
16	2900308	4	Cap Screw, Flat Hd., M6-1.0 x 16mm
17	1800001	1	Warning Label
18	1801369J	1	Blade Guard Size Tag
19	2900639	2	Rivet, 1/8" Dia.
20	2901358	1	Flat Washer, M16
21	2900716	1	Lock Washer, M16 Split
22	2901349	1	Cap Screw, Hex Hd., M16-2.0 x 110mm
23	6010873	1	Universal Hinge Assembly
24	1802090	2	Label, Wedge Locking Washer

ITEM	PART NO.	QTY	DESCRIPTION
25	6010871	2	Hinge Weldment, Universal
26	2900479	1	Cap Screw, Hex Hd., 3/4-10 x 4"
27	2900467	1	Lock Nut, 3/4-10 Nylon
28	2901356	4	Flat Washer, M10
29	2900321	4	Lock Washer, M10 Split
30	2900333	4	Cap Screw, Hex Hd., M10-1.5 x 25mm
31	2503824	1	Detent Pin, 3/4" x 3" Grip

Intentionally Blank

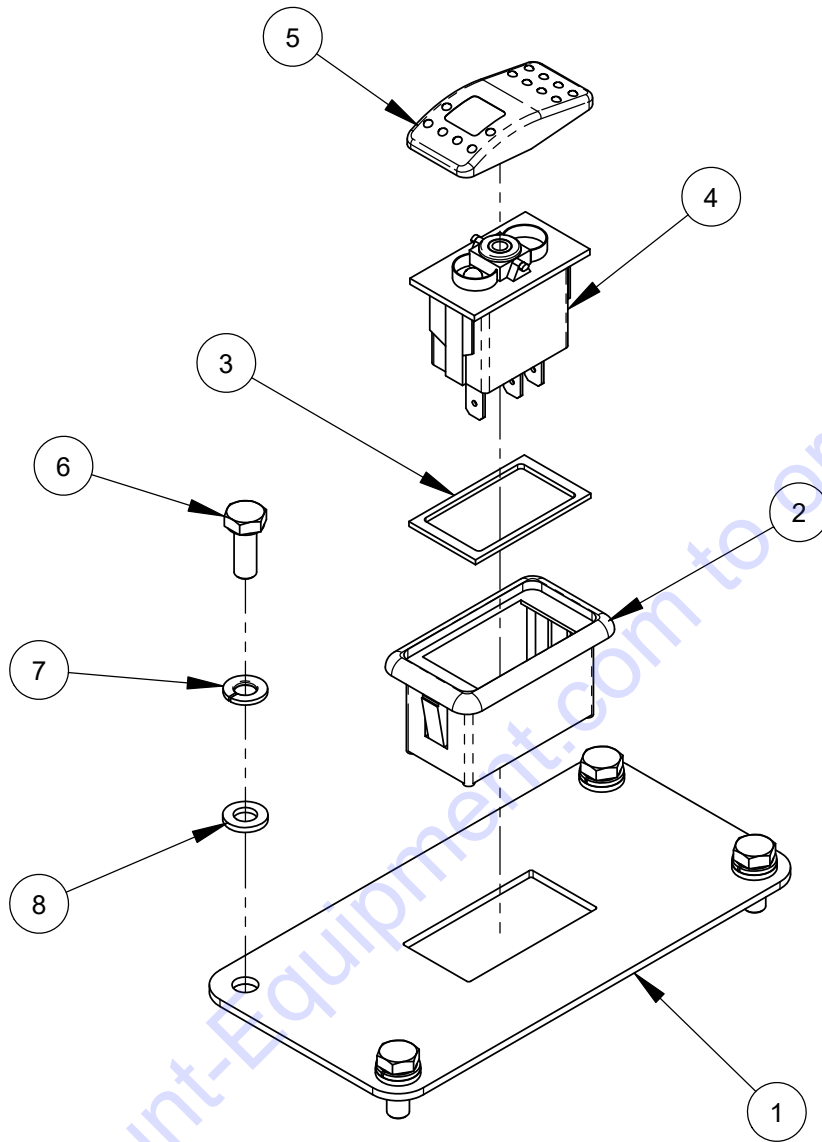
Go to Discount-Equipment.com to order your parts

Optional Weight Kit (55 Pounds) #6017428



ITEM	PART NO.	QTY	DESCRIPTION
1	2503798	2	Foot Rest, Folding
2	2900360	4	Cap Screw, Hex Hd., M8-1.25 x 25mm
3	2900763	4	Lock Washer, M8 Split
4	6013042	1	Saw Weight, 55 Pound
5	2900359	2	Cap Screw, Hex Hd., M12-1.75 x 65mm
6	2901357	2	Flat Washer, M12
7	2900854	2	Fender Washer, 1/2" x 2"
8	2900327	2	Lock Nut, M12-1.75 Nylon Insert

Clutch Switch Assembly #6017612



ITEM	PART NO.	QTY.	DESCRIPTION
1	6097031	1	Cover Plate
2	2800260	1	Rocker Mount Panel
3	2800261	1	Rocker Panel Gasket
4	2808117	1	Rocker Switch
5	2800614	1	Rocker Switch Actuator
6	2900341	4	Cap Screw, Hex Hd., M6-1.0 x 16mm
7	2900765	4	Lock Washer, M6 Split
8	2901494	4	Flat Washer, M6

Decal Group



#1802539 (QTY. 2)



#1802620



#1801893

CC7574 SINGLE SPEED RPM CHART

BLADE SIZE	BLADE RPM	LOWER SHEAVES	UPPER SHEAVES	ENGINE RPM	BELT SIZE	FLANGE SIZE	MAX CUT DEPTH
20"	2,300	4.50"	6.50"	2,600	3VX385	5"	7-1/4"
26"	1,875	4.75"	5.00"	2,600	3VX375	5"	10-1/4"
30"	1,675	4.75"	5.00"	2,600	3VX366	5"	12-1/4"
36"	1,375	4.75"	6.50"	2,600	3VX385	6"	14-3/4"
42"	1,125	4.75"	5.30"	2,600	3VX375	7"	17-1/4"
48"	1,000	4.75"	4.75"	2,600	3VX366	8"	19-3/4"

LEVER CONTROLS

FORWARD

REVERSE

WARNING / ADVISORIES

CC7574 3 SPEED RPM CHART - 30"/26"/20"

BLADE SIZE	BLADE RPM	GEAR POSITION	MAX CUT DEPTH	LOWER SHEAVES	UPPER SHEAVES	ENGINE RPM	BELT SIZE	FLANGE SIZE
20"	2,650	H (high)	7-1/4"	4.75"	4.75"	2,600	3VX450	5"
26"	1,950	M (mid)	10-1/4"	4.75"	4.75"	2,600	3VX450	5"
30"	1,500	L (low)	12-1/4"	4.75"	4.75"	2,600	3VX450	5"

1802512A

CC7574 3 SPEED RPM CHART - 36"/30"/20"

BLADE SIZE	BLADE RPM	GEAR POSITION	MAX CUT DEPTH	LOWER SHEAVES	UPPER SHEAVES	ENGINE RPM	BELT SIZE	FLANGE SIZE
20"	2,400	H (high)	6-3/4"	4.50"	6.50"	2,600	3VX475	6"
30"	1,775	M (mid)	11-3/4"	4.50"	6.50"	2,600	3VX475	6"
36"	1,375	L (low)	14-3/4"	4.50"	6.50"	2,600	3VX475	6"

1802512B

CC7574 3 SPEED RPM CHART - 42"/36"/26"

BLADE SIZE	BLADE RPM	GEAR POSITION	MAX CUT DEPTH	LOWER SHEAVES	UPPER SHEAVES	ENGINE RPM	BELT SIZE	FLANGE SIZE
26"	1,975	H (high)	9-1/4"	4.75"	5.60"	2,600	3VX475	7"
36"	1,450	M (mid)	14-1/4"	4.75"	5.60"	2,600	3VX475	7"
42"	1,125	L (low)	17-1/4"	4.75"	5.60"	2,600	3VX475	7"

1802512C

CC7574 3 SPEED RPM CHART - 48"/42"/30"

BLADE SIZE	BLADE RPM	GEAR POSITION	MAX CUT DEPTH	LOWER SHEAVES	UPPER SHEAVES	ENGINE RPM	BELT SIZE	FLANGE SIZE
30"	1,675	H (high)	10-3/4"	4.75"	4.75"	2,600	3VX450	8"
42"	1,225	M (mid)	16-3/4"	4.75"	4.75"	2,600	3VX450	8"
48"	950	L (low)	19-3/4"	4.75"	4.75"	2,600	3VX450	8"

1802512D

DIGITAL CONTROLS

STOP START

FAST

SLOW ENGINE THROTTLE

REAR AXLE ADJUSTMENT

EMERGENCY

WARNING FLAMMABLE FUEL

FLUID LEVEL FULL COLD

1802503

1802502

1802501

1801393

1801628

1801389

1801629

1802504

5631081

Sheet #1802564

Sheet #1802512

Single Speed Conversion Charts

WARNING: Do not exceed blade speed (RPM) shown for each blade size.
Excessive blade speed could result in blade breakage and serious personal injury!

Blade Size	Blade Shaft		Engine		Max. Depth of Cut
	No Load RPM	Sheave Size	No Load RPM	Sheave Size	
20"	2,300	4.5"	2,600	6.5"	7-1/4"
26"	1,875	4.75"	2,600	5.6"	10-1/4"
30"	1,675	4.75"	2,600	5"	12-1/4"
36"	1,375	4.75"	2,600	6.5"	14-3/4"
42"	1,125	4.75"	2,600	5.3"	17-1/4"
48"	1,000	4.75"	2,600	4.75"	19-3/4"

WARNING: When changing blade size, use chart shown below for selecting items that must be changed.

Model CC7574	20"	26"	30"	36"	42"	48"
Blade Shaft Assembly	6018186 (Option A)	6018186 (Option A)	6018186 (Option A)	6018141 (Option B)	6018141 (Option B)	6018141 (Option B)
Blade Guard Assembly	6010952	6010954	6010956	6010958	6010960	6010962
Upper Sheaves (2) (Sheave Size)	6017438 (6.5")	6013157 (5.6")	6017436 (5")	6017438 (6.5")	6017437 (5.3")	6017435 (4.75")
Lower Sheaves (2) (Sheave Size)	6017434 (4.5")	6017435 (4.75")	6017435 (4.75")	6017435 (4.75")	6017435 (4.75")	6017435 (4.75")
Drive Belts (20) (Belt Size)	2503876 (3VX385)	2500037 (3VX375)	2503875 (3VX366)	2503876 (3VX385)	2500037 (3VX375)	2503875 (3VX366)
Inner Flanges (2) (Flange Size)	6010255 (5")	6010255 (5")	6010255 (5")	6010038 (6")	6017230 (7")	6013017 (8")
Outer Flanges (2) (Flange Size)	6047907 (5")	6047907 (5")	6047907 (5")	6010039 (6")	6017231 (7")	6013018 (8")
Skid Plate Mounting Holes	Bottom Set	Bottom Set	Bottom Set	Middle Set	Middle Set	Top Set
Tachometer Pulses	27	27	27	34	34	34

3 Speed Conversion Chart

WARNING: When changing blade size, use chart shown below for selecting items that must be changed.

Model CC7574-3 Speed	30/26/20	36/30/20	42/36/26	48/42/30
Blade Shaft Assembly	6018230 (Option A)	6018232 (Option B)	6018232 (Option B)	6018232 (Option B)
Blade Guard Assembly	6010956	6010958	6010960	6010962
Upper Sheaves (2) (Sheave Size)	6017435 (4.75")	6017438 (6.5")	6013157 (5.6")	6017435 (4.75")
Lower Sheaves (2) (Sheave Size)	6017435 (4.75")	6017434 (4.5")	6017435 (4.75")	6017435 (4.75")
Drive Belts (20) (Belt Size)	2500794 (3VX450)	2500298 (3VX475)	2500298 (3VX475)	2500794 (3VX450)
Inner Flanges (2) (Flange Size)	6010255 (5")	6010038 (6")	6017230 (7")	6013017 (8")
Outer Flanges (2) (Flange Size)	6047907 (5")	6010039 (6")	6017231 (7")	6013018 (8")
RPM Chart Decal	1802512A	1802512B	1802512C	1802512D
Skid Plate Mounting Holes	Bottom Set	Middle Set	Middle Set	Top Set
Tachometer Pulses	27	34	34	34

EQUIPMENT AND PARTS WARRANTY

Discount-equipment warrants all equipment sold by it against defects in workmanship or materials for a period of one (1) year from the date of shipment to Customer.

The responsibility of Discount-equipment under this Warranty is limited to replacement or repair of defective parts, of such parts as shall appear to us upon inspection at such parts, to have been defective in material or workmanship, with expense for transportation and labor borne by Customer.

In no event shall Discount-equipment be liable for consequential or incidental damages arising out of the failure of any Product to operate properly.

Integral units such as engines, electric motors, batteries, transmissions, etc., are excluded from this Warranty and are subject to the prime manufacturer's warranty.

**THIS WARRANTY IS IN LIEU OF ALL OTHER WARRANTIES,
EXPRESSED OR IMPLIED, AND ALL SUCH OTHER WARRANTIES ARE
HEREBY DISCLAIMED.**



PARTS FINDER

**Search Website
by Part Number**



**Search Manual
Library For Parts
Manual & Lookup Part
Numbers – Purchase
or Request Quote**

Search Manuals

Enter your information to help us find the right parts manual for your machine.

* Brand:

* Model:

* Serial:

* Part Number:

SEARCH

**Can't Find Part or
Manual? Request Help
by Manufacturer,
Model & Description**

Parts Order Form

Please fill in the following information to help us find the right part for your machine.

Manufacturer:	<input type="text"/>
Model:	<input type="text"/>
Description:	<input type="text"/>
Part Number:	<input type="text"/>
Quantity:	<input type="text"/>
Notes:	<input type="text"/>

Discount-Equipment.com is your online resource for quality parts & equipment.

Florida: **561-964-4949** Outside Florida TOLL FREE: **877-690-3101**

Need parts?

Click on this link: <http://www.discount-equipment.com/category/5443-parts/> and choose one of the options to help get the right parts and equipment you are looking for. Please have the machine model and serial number available in order to help us get you the correct parts. If you don't find the part on the website or on one of the online manuals, please fill out the request form and one of our experienced staff members will get back to you with a quote for the right part that your machine needs.

We sell worldwide for the brands: Genie, Terex, JLG, MultiQuip, Mikasa, Essick, Whiteman, Mayco, Toro Stone, Diamond Products, Generac Magnum, Airman, Haulotte, Barreto, Power Blanket, Nifty Lift, Atlas Copco, Chicago Pneumatic, Allmand, Miller Curber, Skyjack, Lull, Skytrak, Tsurumi, Husquvarna Target, Stow, Wacker, Sakai, Mi-T-M, Sullair, Basic, Dynapac, MBW, Weber, Bartell, Bennar Newman, Haulotte, Ditch Runner, Menegotti, Morrison, Contec, Buddy, Crown, Edco, Wyco, Bomag, Laymor, EZ Trench, Bil-Jax, F.S. Curtis, Gehl Pavers, Heli, Honda, ICS/PowerGrit, IHI, Partner, Imer, Clipper, MMD, Koshin, Rice, CH&E, General Equipment, Amida, Coleman, NAC, Gradall, Square Shooter, Kent, Stanley, Tamco, Toku, Hatz, Kohler, Robin, Wisconsin, Northrock, Oztec, Toker TK, Rol-Air, APT, Wylie, Ingersoll Rand / Doosan, Innovatech, Con X, Ammann, Mecalac, Makinex, Smith Surface Prep, Small Line, Wanco, Yanmar