



# **CONCRETE SAW PARTS LIST**

**MODELS:  
CC7574DK  
CC7574DK-3**

May 2020

Part #1802460

# PARTS FINDER

**Search Website  
by Part Number**



**Search Manual  
Library For Parts  
Manual & Lookup Part  
Numbers – Purchase  
or Request Quote**

**Search Manuals**

Enter your information to help us find the right parts manual for your machine.

\* Brand:

\* Model:

\* Serial:

\* Part Number:

SEARCH

**Can't Find Part or  
Manual? Request Help  
by Manufacturer,  
Model & Description**

**Parts Order Form**

Please fill in the following information to help us find the right part for your machine.

Manufacturer:	<input type="text"/>
Model:	<input type="text"/>
Description:	<input type="text"/>
Part Number:	<input type="text"/>
Quantity:	<input type="text"/>
Notes:	<input type="text"/>

Submit

Discount-Equipment.com is your online resource for quality parts & equipment.

Florida: **561-964-4949** Outside Florida TOLL FREE: **877-690-3101**

**Need parts?**

Click on this link: <http://www.discount-equipment.com/category/5443-parts/> and choose one of the options to help get the right parts and equipment you are looking for. Please have the machine model and serial number available in order to help us get you the correct parts. If you don't find the part on the website or on one of the online manuals, please fill out the request form and one of our experienced staff members will get back to you with a quote for the right part that your machine needs.

We sell worldwide for the brands: Genie, Terex, JLG, MultiQuip, Mikasa, Essick, Whiteman, Mayco, Toro Stone, Diamond Products, Generac Magnum, Airman, Haulotte, Barreto, Power Blanket, Nifty Lift, Atlas Copco, Chicago Pneumatic, Allmand, Miller Curber, Skyjack, Lull, Skytrak, Tsurumi, Husquvarna Target, Stow, Wacker, Sakai, Mi-T-M, Sullair, Basic, Dynapac, MBW, Weber, Bartell, Bennar Newman, Haulotte, Ditch Runner, Menegotti, Morrison, Contec, Buddy, Crown, Edco, Wyco, Bomag, Laymor, EZ Trench, Bil-Jax, F.S. Curtis, Gehl Pavers, Heli, Honda, ICS/PowerGrit, IHI, Partner, Imer, Clipper, MMD, Koshin, Rice, CH&E, General Equipment, Amida, Coleman, NAC, Gradall, Square Shooter, Kent, Stanley, Tamco, Toku, Hatz, Kohler, Robin, Wisconsin, Northrock, Oztec, Toker TK, Rol-Air, APT, Wylie, Ingersoll Rand / Doosan, Innovatech, Con X, Ammann, Mecalac, Makinex, Smith Surface Prep, Small Line, Wanco, Yanmar

## CC7574 Single Speed Saw:

CC7574 RPM CHART							
BLADE SIZE	BLADE RPM	LOWER SHEAVES	UPPER SHEAVES	ENGINE RPM	BELT SIZE	FLANGE SIZE	MAX CUT DEPTH
20"	2,300	4.50"	6.50"	2,600	3VX385	5"	7-1/4"
26"	1,875	4.75"	5.60"	2,600	3VX375	5"	10-1/4"
30"	1,675	4.75"	5.00"	2,600	3VX366	5"	12-1/4"
36"	1,375	4.75"	6.50"	2,600	3VX385	6"	14-3/4"
42"	1,125	4.75"	5.30"	2,600	3VX375	7"	17-1/4"
48"	1,000	4.75"	4.75"	2,600	3VX366	8"	19-3/4"

## CC7574-3 Speed Saw:

CC7574 3 SPEED RPM CHART - 30"/26"/20"								
BLADE SIZE	BLADE RPM	GEAR POSITION	MAX CUT DEPTH	LOWER SHEAVES	UPPER SHEAVES	ENGINE RPM	BELT SIZE	FLANGE SIZE
20"	2,650	H (high)	7-1/4"	4.75"	4.75"	2,600	3VX450	5"
26"	1,950	M (mid)	10-1/4"	4.75"	4.75"	2,600	3VX450	5"
30"	1,500	L (low)	12-1/4"	4.75"	4.75"	2,600	3VX450	5"

CC7574 3 SPEED RPM CHART - 42"/36"/26"									
BLADE SIZE	BLADE RPM	GEAR POSITION	MAX CUT DEPTH	LOWER SHEAVES	UPPER SHEAVES	ENGINE RPM	BELT SIZE	FLANGE SIZE	
26"	1,975	H (high)	9-1/4"	4.75"	5.60"	2,600	3VX475	7"	
36"	1,450	M (mid)	14-1/4"	4.75"	5.60"	2,600	3VX475	7"	
42"	1,125	L (low)	17-1/4"	4.75"	5.60"	2,600	3VX475	7"	

CC7574 3 SPEED RPM CHART - 36"/30"/20"								
BLADE SIZE	BLADE RPM	GEAR POSITION	MAX CUT DEPTH	LOWER SHEAVES	UPPER SHEAVES	ENGINE RPM	BELT SIZE	FLANGE SIZE
20"	2,400	H (high)	6-3/4"	4.50"	6.50"	2,600	3VX475	6"
30"	1,775	M (mid)	11-3/4"	4.50"	6.50"	2,600	3VX475	6"
36"	1,375	L (low)	14-3/4"	4.50"	6.50"	2,600	3VX475	6"

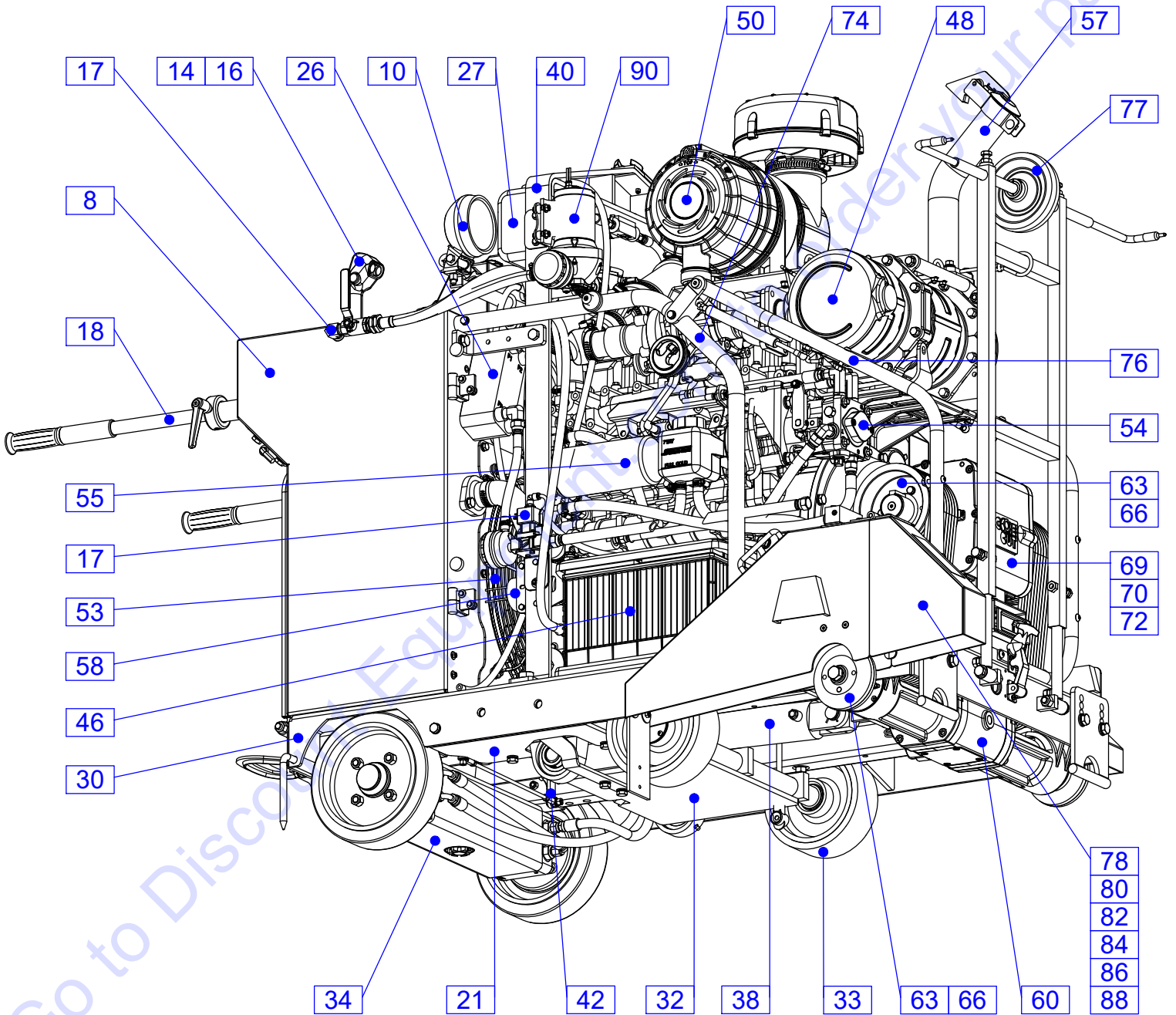
CC7574 3 SPEED RPM CHART - 48"/42"/30"									
BLADE SIZE	BLADE RPM	GEAR POSITION	MAX CUT DEPTH	LOWER SHEAVES	UPPER SHEAVES	ENGINE RPM	BELT SIZE	FLANGE SIZE	
30"	1,675	H (high)	10-3/4"	4.75"	4.75"	2,600	3VX450	8"	
42"	1,225	M (mid)	16-3/4"	4.75"	4.75"	2,600	3VX450	8"	
48"	950	L (low)	19-3/4"	4.75"	4.75"	2,600	3VX450	8"	

**⚠ WARNING ⚠**  
 The engine exhaust from this product contains chemicals known to the State of California to cause cancer, birth defects or other reproductive harm.

## Table of Contents

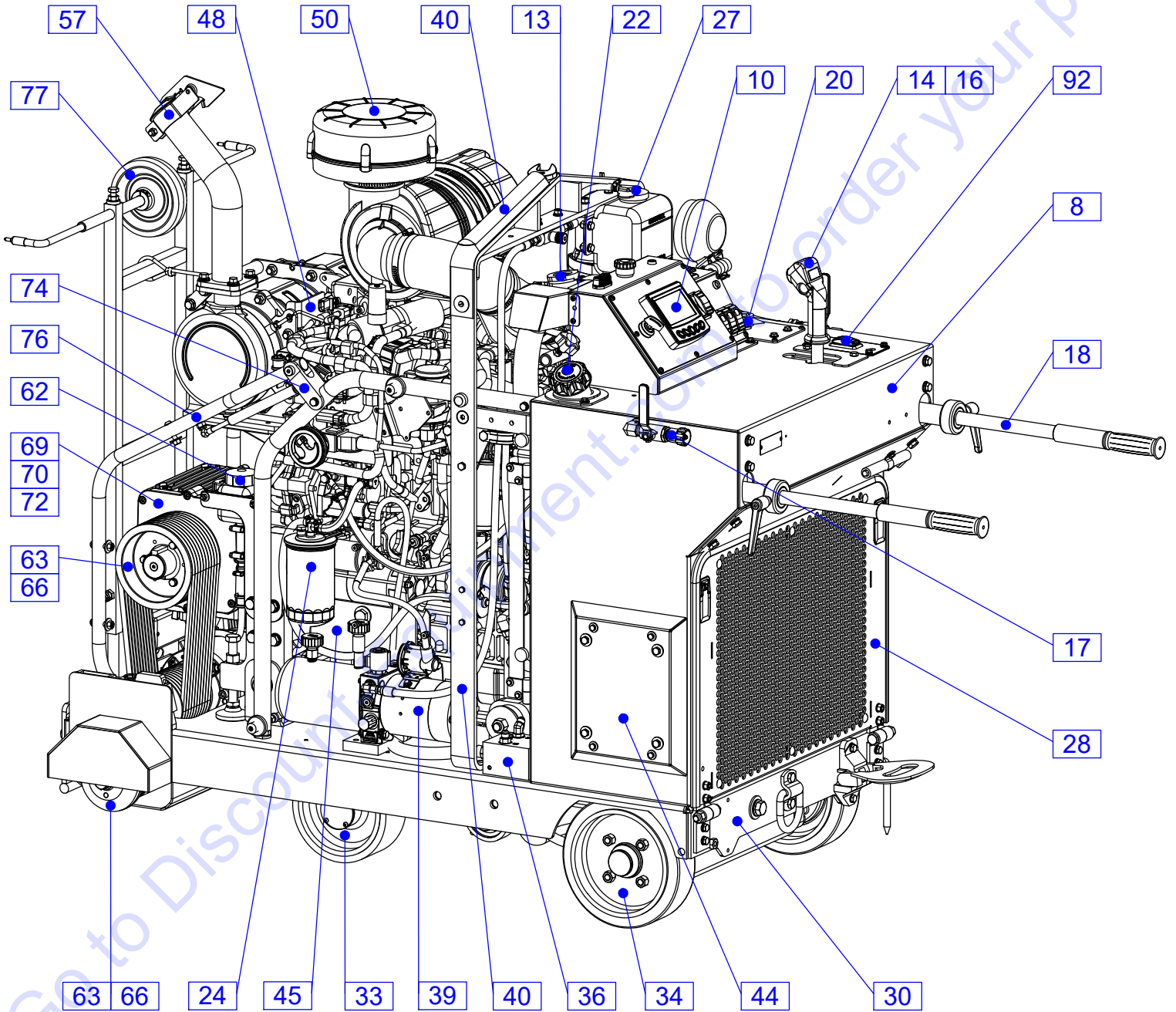
Pictorial Page Index.....	4,5	Air Intake Assembly.....	50,51
Controls Legend.....	6	Fan Assembly.....	52
Quick Reference Service Filters/Belts/Fluids	7	Fan Shroud Assembly.....	53
Frame Upright Assembly.....	8,9	Hydro Pump Assembly.....	54
Instrument Box Assembly.....	10,11	Reservoir Tank Assembly.....	55
Power Block Assembly.....	12	Oil Cooler Assembly.....	56
Filler Neck Assembly.....	13	Exhaust Pipe Assembly.....	57
Speed Control Lever Assembly.....	14,15	Oil Pump & Cooler Assembly.....	58
Control Grip Assembly.....	16	In-line Cooler Assembly.....	59
Water Supply Assembly.....	17	Blade Shaft Assembly.....	60,61
Handle Bar Assembly.....	18	Expansion Tank Assembly.....	62
Double Rod Cylinder Assembly.....	19	Belt Drive Assembly for 1-Speed Saw.....	63-65
Depth Indicator Assembly.....	20	Belt Drive Assembly for 3-Speed Saw.....	66,67
Depth Indicator Cable Assembly.....	21	Flywheel Coupling Assembly.....	68
Fuel Tank Assembly.....	22,23	Bevel Gear Box without Clutch.....	69
Fuel Supply Assembly.....	24,25	Bevel Gear Box with Clutch.....	70,71
Fuel Cooler Assembly.....	26	3-Speed Transmission Assembly.....	72,73
Coolant Tank Assembly.....	27	Frame Doors Assembly.....	74,75
Radiator Assembly.....	28,29	Hood Assembly.....	76
Frame Base Assembly.....	30,31	Dual Front Pointer Assembly.....	77
Front Axle Assembly.....	32	20" Blade Guard Assembly.....	78,79
Front Wheel Assembly.....	33	26" Blade Guard Assembly.....	80,81
Rear Axle Assembly.....	34,35	30" Blade Guard Assembly.....	82,83
Valve Block Assembly.....	36	36" Blade Guard Assembly.....	84,85
Hydraulic Cylinder Assembly.....	38	42" Blade Guard Assembly.....	86,87
Hydraulic Lift Pump Assembly.....	39	48" Blade Guard Assembly.....	88,89
Frame Lift Assembly.....	40,41	Optional Water Pump Assembly.....	90
Depth Stop Assembly.....	42,43	Optional Weight Kit (55 Pounds).....	91
ECU Assembly.....	44	Optional Clutch Switch Assembly.....	92
Breaker Panel Assembly.....	45	Decal Group.....	93
Battery Assembly.....	46,47	Single Speed Conversion Charts.....	94
Engine Assembly.....	48,49	3 Speed Conversion Chart.....	95
		Warranty.....	96

# Pictorial Page Index





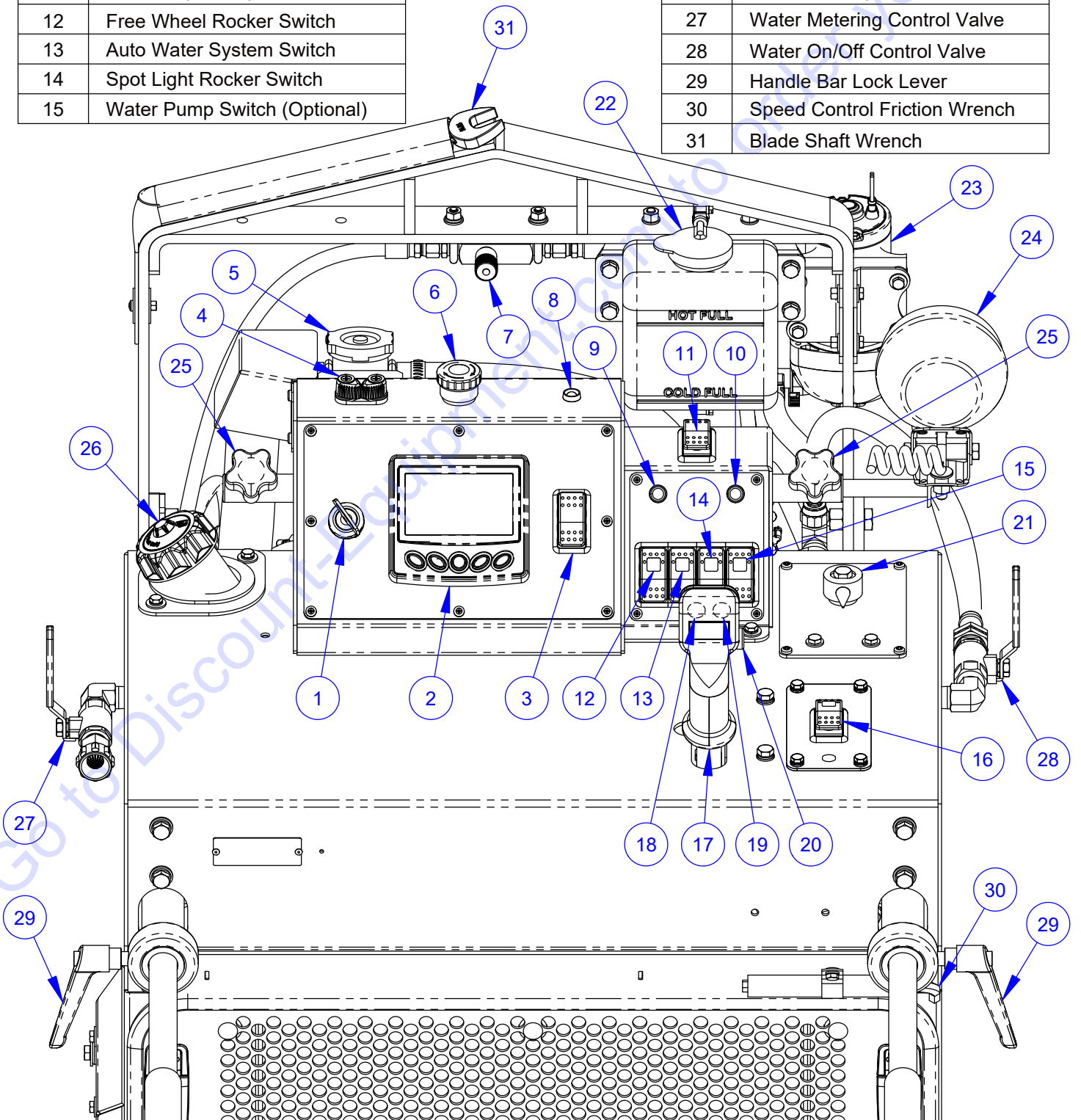
# Pictorial Page Index



1	Ignition Switch
2	Engine Display Panel
3	Engine Throttle Rocker Switch
4	Pointer Rope Cleat
5	Radiator Filler Cap
6	Emergency Stop Button
7	Lowering Speed Control Valve
8	Blade Gearbox Temp Light
9	Low Blade Water Light
10	Blade Depth Set Light
11	Blade Depth Stop Rocker Switch
12	Free Wheel Rocker Switch
13	Auto Water System Switch
14	Spot Light Rocker Switch
15	Water Pump Switch (Optional)

### Controls Legend

16	Blade Clutch Switch (Optional)
17	Travel Speed Control Lever
18	Saw Raise Push Button
19	Saw Lower Push Button
20	Tilt Handle Bar Push Button
21	Cutting Depth Indicator
22	Coolant Recovery Tank Cap
23	Water Pump (Optional)
24	Spot Light
25	Spot Light Adjustment Knob
26	Fuel Filler Cap
27	Water Metering Control Valve
28	Water On/Off Control Valve
29	Handle Bar Lock Lever
30	Speed Control Friction Wrench
31	Blade Shaft Wrench

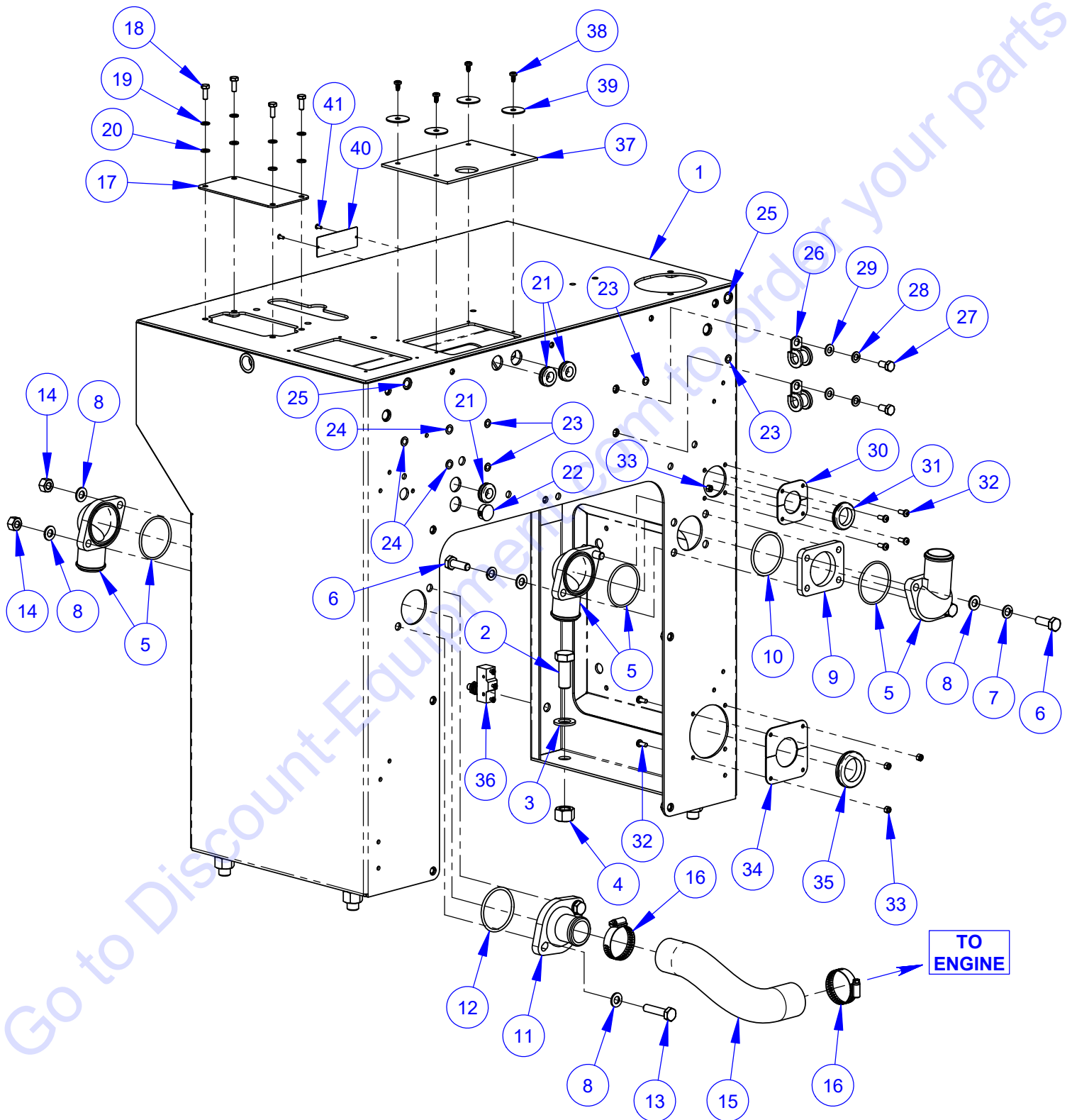


## Quick Reference Service Filters / Belts / Fluids

<b>DP Part No.</b>	<b>Description</b>	<b>Manufacturer's Part No.</b>
2702630	Engine Oil Filter	Kubota #HH1CO-32430
2705215	Engine Fuel Filter	Kubota #1G390-43170
2705214	Water Separator Filter	Kubota #1J430-43060
2501352	Outer Primary Air Filter	Donaldson #P828889
2501353	Inner Safety Air Filter	Donaldson #P829333
3201971	Hydraulic Oil Filter	Zinga AE-10L
3201941	Mini In-Line Oil Filter	Arrow #EK9052V-90
2503875	Blade Shaft Belt	Gates #3VX366
2500037	Blade Shaft Belt	Gates #3VX375
2503876	Blade Shaft Belt	Gates #3VX385
2500794	Blade Shaft Belt	Gates #3VX450
2500298	Blade Shaft Belt	Gates #3VX475
2500468	Engine Oil (3 Gallons)	SAE 15W-40 (API CJ-4)
2503719	Engine Coolant (3 Gallons)	Antifreeze (Pre-mixed)
2503930	Bevel Gearbox Oil (3 Quarts)	SAE 75W-90 Synthetic
2503930	3-Speed Transmission Oil (3 Quarts)	SAE 75W-90 Synthetic
2503954	Blade Gearbox Fluid (2 Quarts)	Synthetic ATF
2500468	Lift Pump Fluid (2 Quarts)	SAE 15W-40
2500468	Wheel Motors / Pump Fluid (2 Quarts)	SAE 15W-40



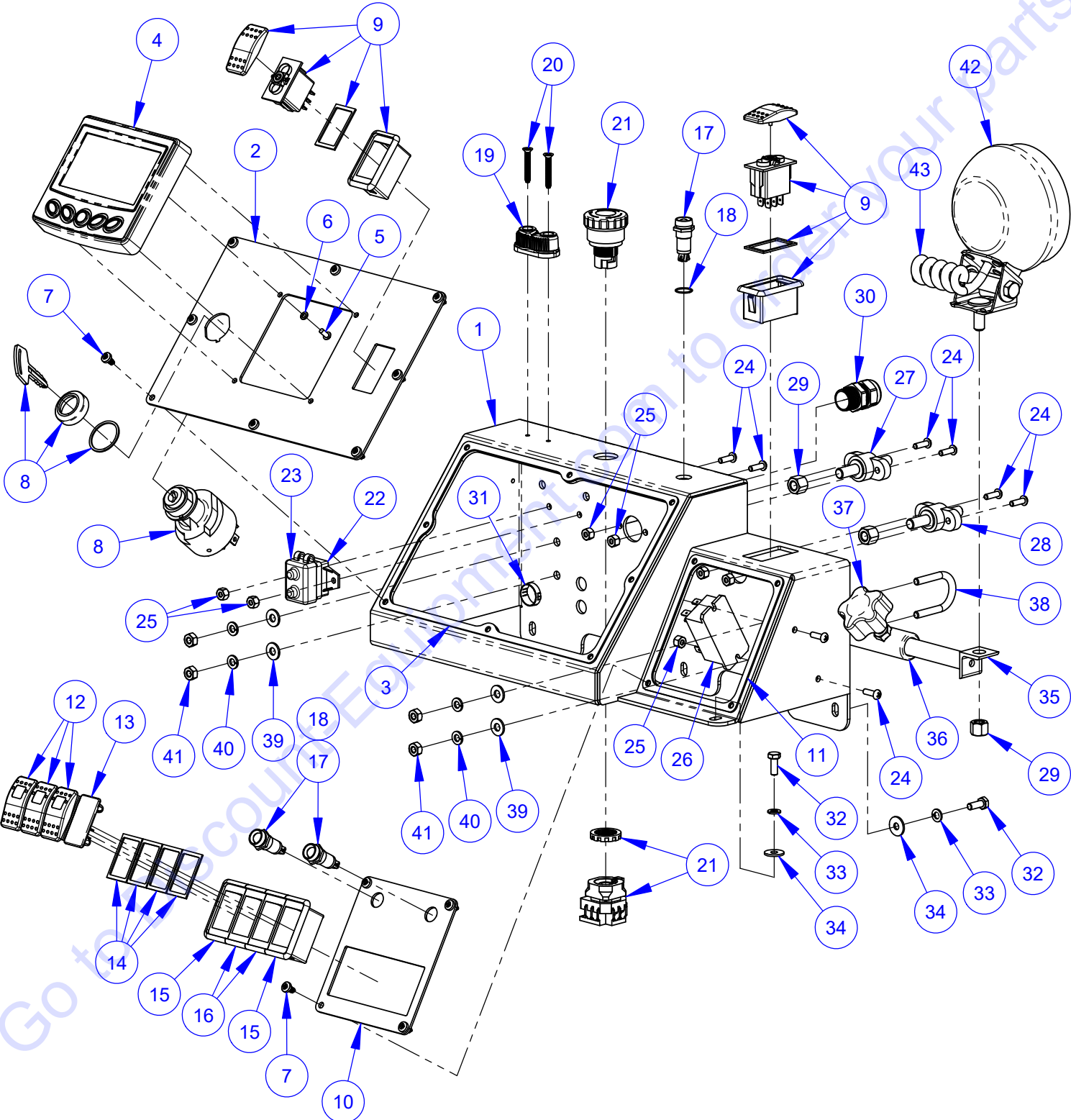
# Frame Upright Assembly #6017504



## Frame Upright Assembly #6017504

ITEM	PART NO.	QTY.	DESCRIPTION
1	6017361	1	Frame Upright
2	2900731	4	Cap Screw, Hex Hd., M16-2.0 x 40mm
3	2901358	4	Flat Washer, M16
4	2900670	4	Lock Nut, M16-2.0 Nylon Insert
5	2502399	3	Water Neck with O-Ring
6	2900223	4	Cap Screw, Hex Hd., M10-1.5 x 30mm
7	2900321	4	Lock Washer, M10 Split
8	2901356	8	Flat Washer, M10
9	6017376	1	Water Neck Mount Plate
10	2503735	1	O-Ring #227
11	6017005	1	Water Neck (Modified)
12	2503774	1	O-Ring #228
13	2900317	2	Cap Screw, Hex Hd., M10-1.5 x 45mm
14	2900304	2	Lock Nut, M10-1.5 Nylon Insert
15	3201976	1	Coolant Hose, 1-1/2"
16	3202142	2	Hose Clamp #24
17	6017212	1	Cover Plate
18	2900341	4	Cap Screw, Hex Hd., M6-1.0 x 16mm
19	2900765	4	Lock Washer, M6 Split
20	2901494	4	Flat Washer, M6
21	2503712	3	Grommet, 9/16" I.D.
22	2503746	1	Plug, 13/16" Hole
23	2503744	4	Plug, 1/4" Hole (Tapered)
24	2503749	3	Plug, 5/16" Hole (Tapered)
25	2503889	2	Plug, 3/8" Hole (Tapered)
26	2501434	2	Hose Clamp, 5/8" x 3/4" Wide
27	2900868	2	Cap Screw, Hex Hd., M8-1.25 x 16mm
28	2900763	2	Lock Washer, M8 Split
29	2901336	2	Flat Washer, M8
30	6019271	2	Split Grommet Plate
31	2506040	1	Grommet, 1" I.D.
32	2900794	7	Machine Screw, Pan Hd., M5-0.8 x 12mm
33	2900301	7	Lock Nut, M5-0.8 Nylon Insert
34	6017480	2	Split Grommet Plate
35	2506049	1	Grommet, 1-5/16" I.D.
36	2800926	1	Door Interlock Switch
37	6017442	1	Panel Gasket
38	2900021	4	Tap Screw, Pan Hd., #10-24 x 3/8"
39	2900083	4	Fender Washer, 1/4" x 1-1/4"
40	1800169	1	Serial Number Plate, US
41	2900287	2	Rivet, 1/8" Dia.

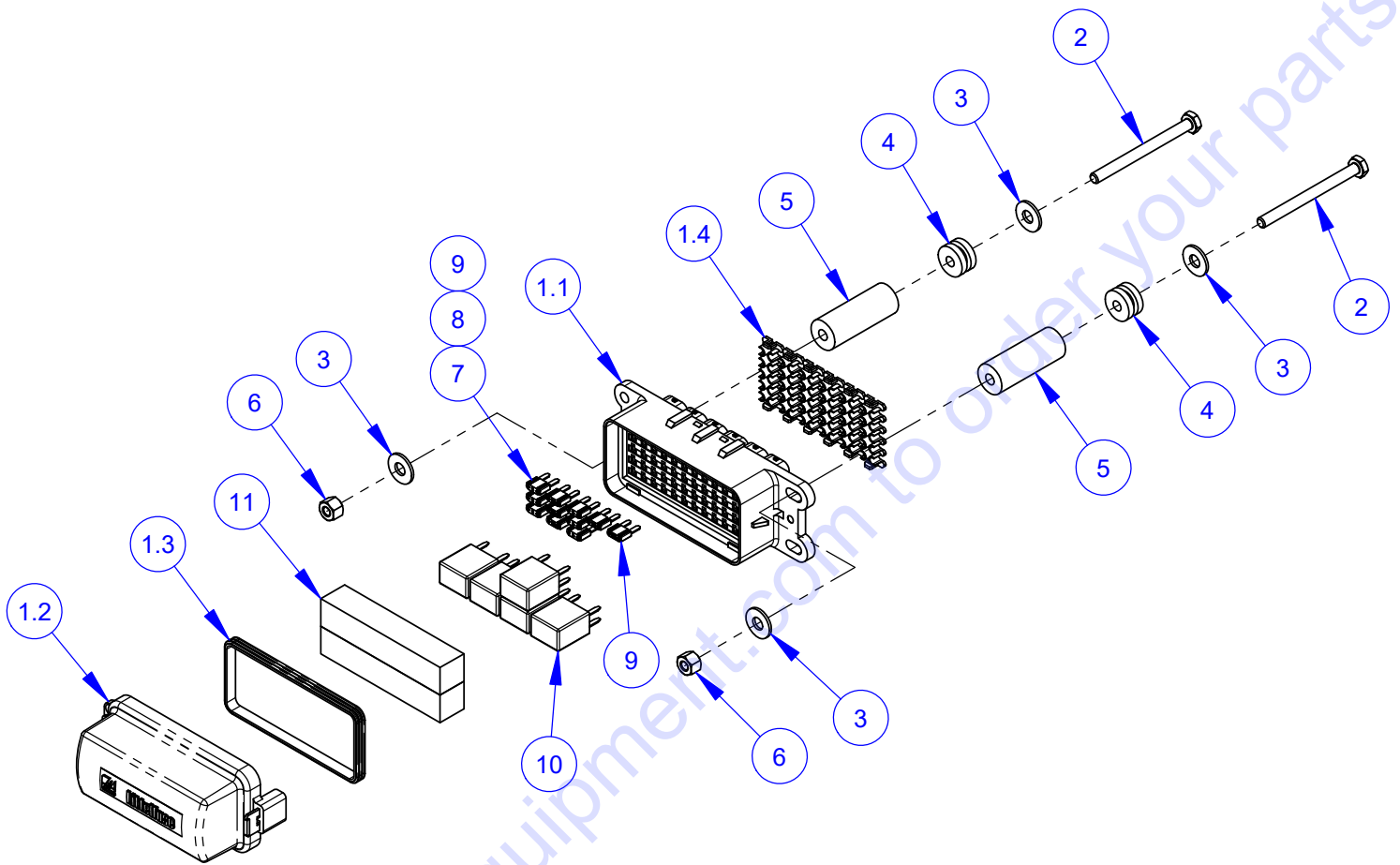
**Instrument Box Assembly #6017505**



## **Instrument Box Assembly #6017505**

ITEM	PART NO.	QTY.	DESCRIPTION
1	6017494	1	Instrument Box
2	6017495	1	Instrument Panel
3	6017526	1	Instrument Panel Gasket
4	2801040	1	Murphy Display
5	2900114	4	Machine Screw, Rd. Hd., #8-32 x 3/8"
6	2900677	4	Lock Washer, #8 Split
7	2900021	12	Tap Screw, Pan Hd., #10-24 x 3/8"
8	2705001	1	Ignition Switch & Keys
	2705000	1	Ignition Keys Only (Pair)
9	6019158	2	Rocker Switch Assembly
	2800258	1	Rocker Switch Body
	2800259	1	Rocker Switch Actuator
	2800260	1	Rocker Mount Panel
	2800261	1	Rocker Panel Gasket
10	6017496	1	Switch Panel
11	6017527	1	Switch Panel Gasket
12	2800808	3	Rocker Switch
13	2800262	1	Rocker Mount Panel Plug
14	2800261	4	Rocker Panel Gasket
15	2800615	2	Rocker Mount End Panel
16	2800616	2	Rocker Mount Middle Panel
17	2800915	3	Indicator Light (Red)
18	2503982	3	O-Ring
19	2501427	1	Rope Cleat
20	2900483	2	Tap Screw, Flat Hd., #10-24 x 1-1/4"
21	2801367	1	E-Stop Switch
22	2801276	1	Circuit Breaker, 50 Amp
23	2800364	1	Circuit Breaker Boot
24	2900159	8	Machine Screw, Rd. Hd., #10-24 x 5/8"
25	2900017	8	Lock Nut, #10-24 Nylon
26	2801262	1	Relay, 30 Amp, 12V, DPST
27	2800627	1	Power Stud Block (Red)
28	2800626	1	Ground Stud Block (Black)
29	2900018	3	Locknut, 3/8-16, Nylon
30	2800623	1	Cord Grip, 1/2" NPT Nylon
31	2503746	1	Plug, 13/16" Hole
32	2900341	6	Cap Screw, Hex Hd., M6-1.0 x 16mm
33	2900765	6	Lock Washer, M6 Split
34	2901359	6	Fender Washer, M6
35	6010106	1	Light Bar
36	6017049	1	Light Mount Tube
37	2400157	2	Hand Lock Knob, 5/16-18 x 1"
38	2900241	2	U-Bolt, 1/2" Pipe
39	2900009	4	Flat Washer, 1/4" SAE
40	2900024	4	Lock Washer, 1/4" Split
41	2900125	4	Hex Nut, 1/4-20
42	2500194	1	Spot Light, 12 Volt
43	6017086	1	Coiled Light Cord (1 Foot)

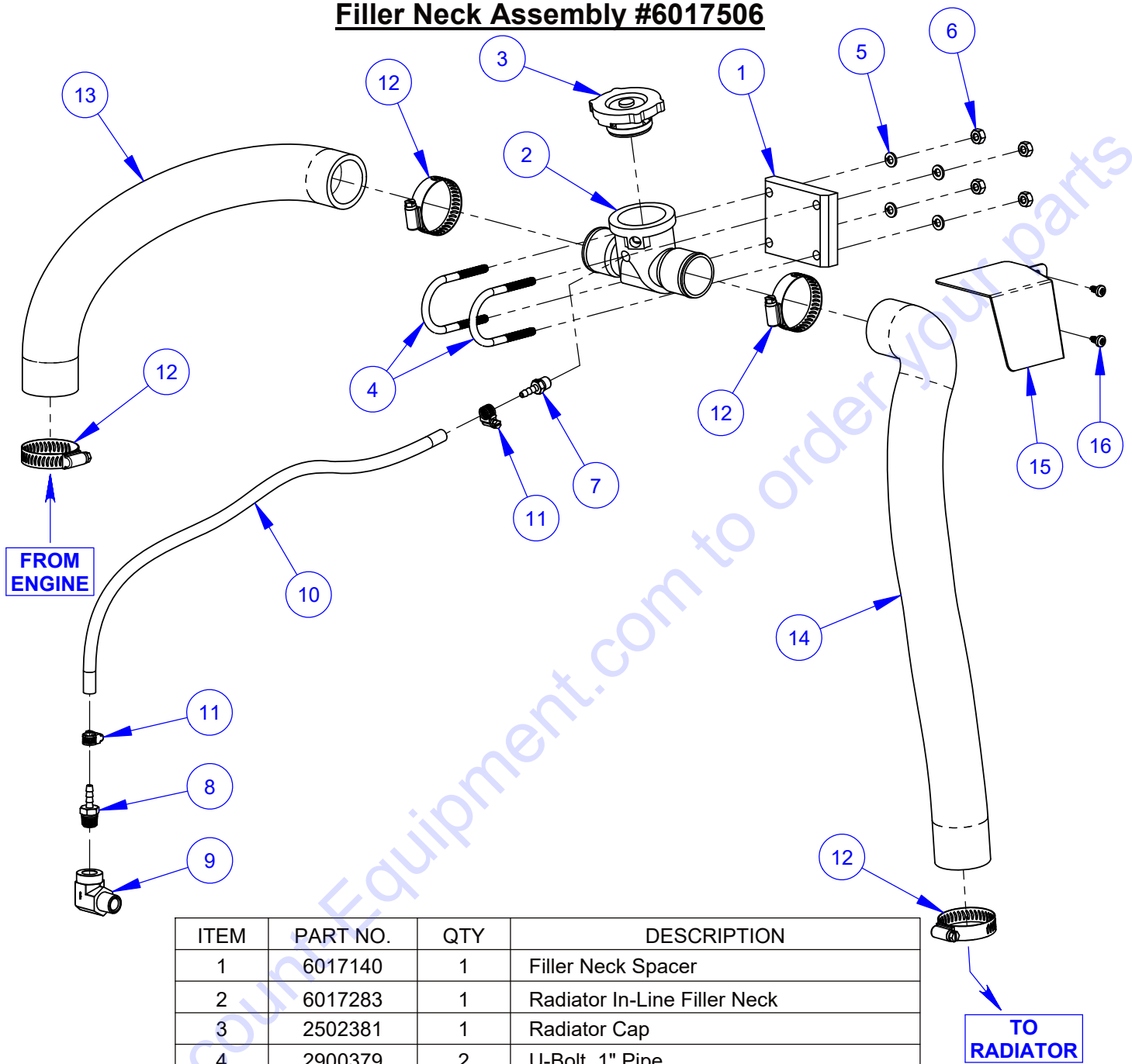
## Power Block Assembly #6017530



ITEM	PART NO.	QTY.	DESCRIPTION
1	6017534	1	Fuse Block Assembly
1.1	2801282	1	Fuse Block Base
1.2	2801283	1	Fuse Block Cover
1.3	2801284	1	Fuse Block Gasket
1.4	2801285	6	Fuse Block TPA
2	2900667	2	Cap Screw, Hex Hd., 1/4-20 x 3"
3	2900126	4	Flat Washer, 1/4" USS
4	2503986	2	Grommet, 1/4" I.D.
5	6017535	2	Spacer, 2"
6	2900010	2	Lock Nut, 1/4-20 Nylon
7	2801489	6	Fuse, 5 Amp Mini (Tan)
8	2801439	3	Fuse, 10 Amp Mini (Red)
9	2801590	2	Fuse, 20 Amp Mini (Yellow)
10	2801641	5	Relay, 35 Amp Micro
11	6017491	2	Foam Cushion, 3/4" Thick

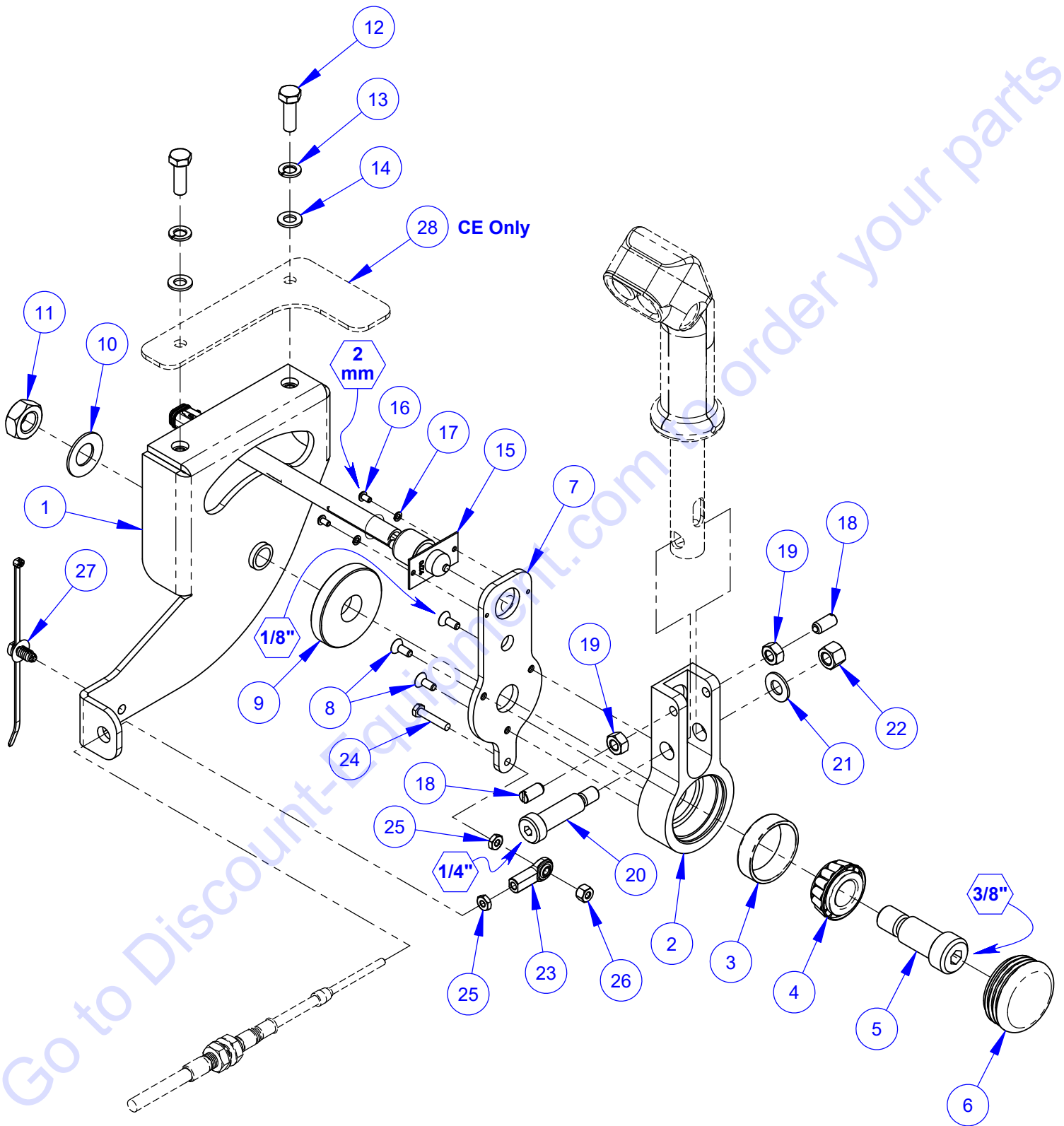


## Filler Neck Assembly #6017506



ITEM	PART NO.	QTY	DESCRIPTION
1	6017140	1	Filler Neck Spacer
2	6017283	1	Radiator In-Line Filler Neck
3	2502381	1	Radiator Cap
4	2900379	2	U-Bolt, 1" Pipe
5	2900024	4	Lock Washer, 1/4" Split
6	2900125	4	Hex Nut, 1/4-20
7	3200187	1	Fitting, 1/8" M. Pipe to 3/16" Hose Barb
8	3200210	1	Fitting, 1/4" M. Pipe to 3/16" Hose Barb
9	3205586	1	Street Elbow, 3/8" M. to 1/4" F. Pipe
10	6017642	1	Hose, 3/16" I.D. x 24"
11	3200062	2	Hose Clamp #4
12	3202142	4	Hose Clamp #24
13	3201977	1	Coolant Hose, 1-1/2"
14	3202840	1	Coolant Hose, 1-1/2"
15	6017393	1	Hose Cover
16	2900021	2	Tap Screw, Pan Hd., #10-24 x 3/8"

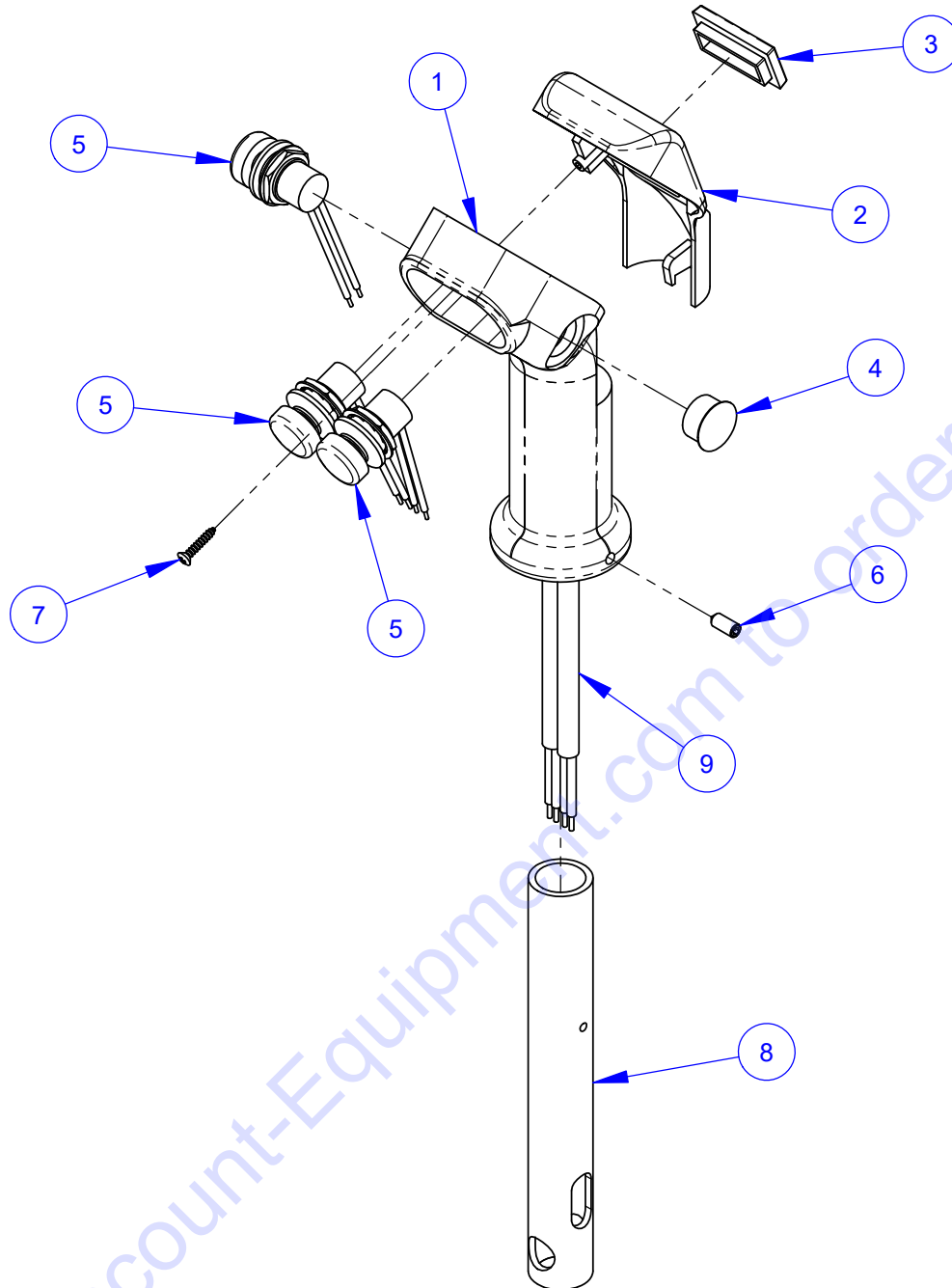
# Speed Control Lever Assembly #6001022



## Speed Control Lever Assembly #6001022

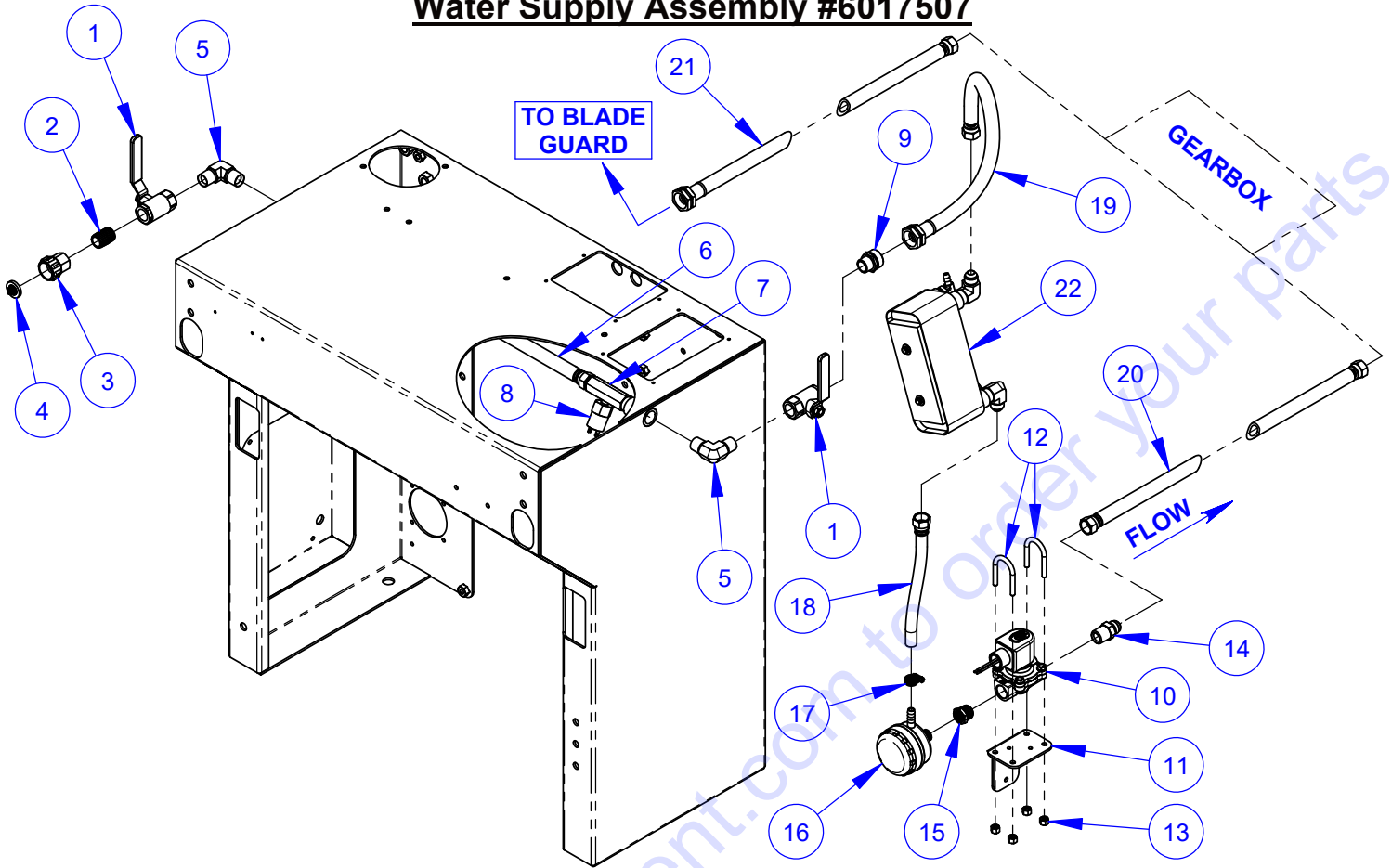
ITEM	PART NO.	QTY	DESCRIPTION
1	6017384	1	Speed Control Frame
2	6017023	1	Pivot Housing
3	2502384	1	Bearing Cup
4	2502383	1	Bearing Cone
5	2900825	1	Shoulder Screw, 3/4" x 1-1/4" (5/8-11)
6	2502385	1	Grease Cap
7	6001269	1	Swing Arm
8	2900978	3	Cap Screw, Flat Hd., #10-24 x 1/2"
9	6011234	1	Friction Disc, 3/4" x 2-1/4" x 3/8"
10	2900478	1	Belleville Washer, 5/8"
11	2900256	1	Jam Nut, 5/8-11
12	2900360	2	Cap Screw, Hex Hd., M8-1.25 x 25mm
13	2900763	2	Lock Washer, M8 Split
14	2901336	2	Flat Washer, M8
15	6016671	1	Switch, Neutral, Assembly
16	2907098	2	Cap Screw, Button Hd., #6-32 x 1/4"
17	2900092	2	Lock Washer, #6 Split
18	2502386	2	Spring Plunger M8
19	2900343	2	Hex Nut, M8-1.25
20	2900826	1	Shoulder Screw, 1/2" x 1-1/2" (3/8-16)
21	2900014	1	Flat Washer, 3/8" SAE
22	2900018	1	Locknut, 3/8-16, Nylon
23	2500791	1	Rod End, #10-32 Female
24	2900687	1	Machine Screw, Hex Hd., #10-32 x 1"
25	2900188	2	Hex Nut, #10-32
26	2900688	1	Lock Nut, #10-32 Nylon
27	2800916	1	Anchor Mount Zip Tie
28	6017319	1	Limiter Plate (CE)

## Control Grip Assembly #6017620



ITEM	PART NO.	QTY.	DESCRIPTION
1	2501280	1	Control Grip Body
2	2501281	1	Control Grip Cover
3	2500644	1	Plug, Rectangular
4	2500694	1	Plug, 5/8" Hole
5	2800373	3	Pushbutton Switch (B&W)
6	2900453	1	Set Screw, Soc. Hd., M5-0.8 x 12mm
7	2900452	1	Machine Screw, Oval Hd., #4 x 5/8"
8	6017025	1	Speed Control Tube
9	6091236	1	Control Grip Harness
10	2800002	2	Wire Nut (Grey)
11	2800621	1	Wire Nut (Blue)

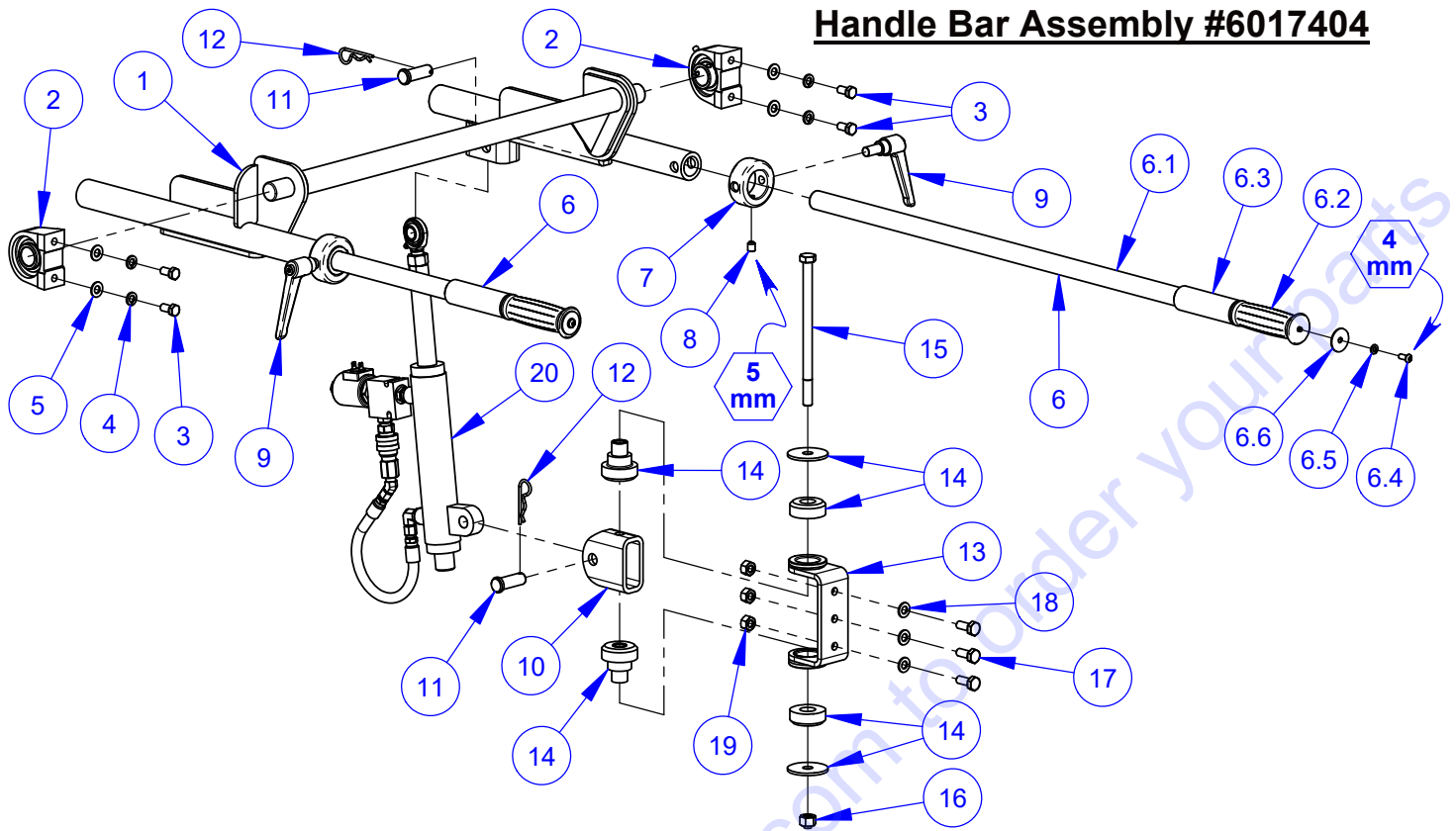
## Water Supply Assembly #6017507



ITEM	PART NO.	QTY	DESCRIPTION
1	3200027	2	Water Valve
2	3200008	1	Close Nipple, 1/2" NPT
3	3200022	1	Fitting, 1/2" F. Pipe to 3/4" F. Garden
4	3200025	1	Hose Filter Washer
5	3200166	2	Elbow, 1/2" Male Pipe
6	6017239	1	Hose Assembly 1/2" x 23-1/2"
7	6017240	1	Adapter, 1/2" JIC to 1/2" Pipe
8	2800060	1	Water Pressure Safety Switch
9	3200155	1	Fitting, 1/2" M. Pipe to 3/4" M. Garden
10	3202880	1	Water Solenoid Valve
11	6017481	1	Valve Bracket
12	2900369	2	U-Bolt, 3/4" Pipe
13	2900010	4	Lock Nut, 1/4-20 Nylon
14	3200283	1	Adapter, 1/2" M. Pipe x 1/2" M. JIC
15	3200701	1	Reducer, 1/2" M. to 3/8" F. Pipe
16	2703425	1	Inlet Strainer
17	3200390	1	Hose Clamp #6
18	6017557	1	Hose Assembly 3/8" x 8"
19	6017523	1	Hose Assembly 1/2" x 18"
20	6017608	1	Hose Assembly 1/2" x 42"
21	6017525	1	Hose Assembly 1/2" x 100"
22	6017549	1	Fuel Cooler Assembly

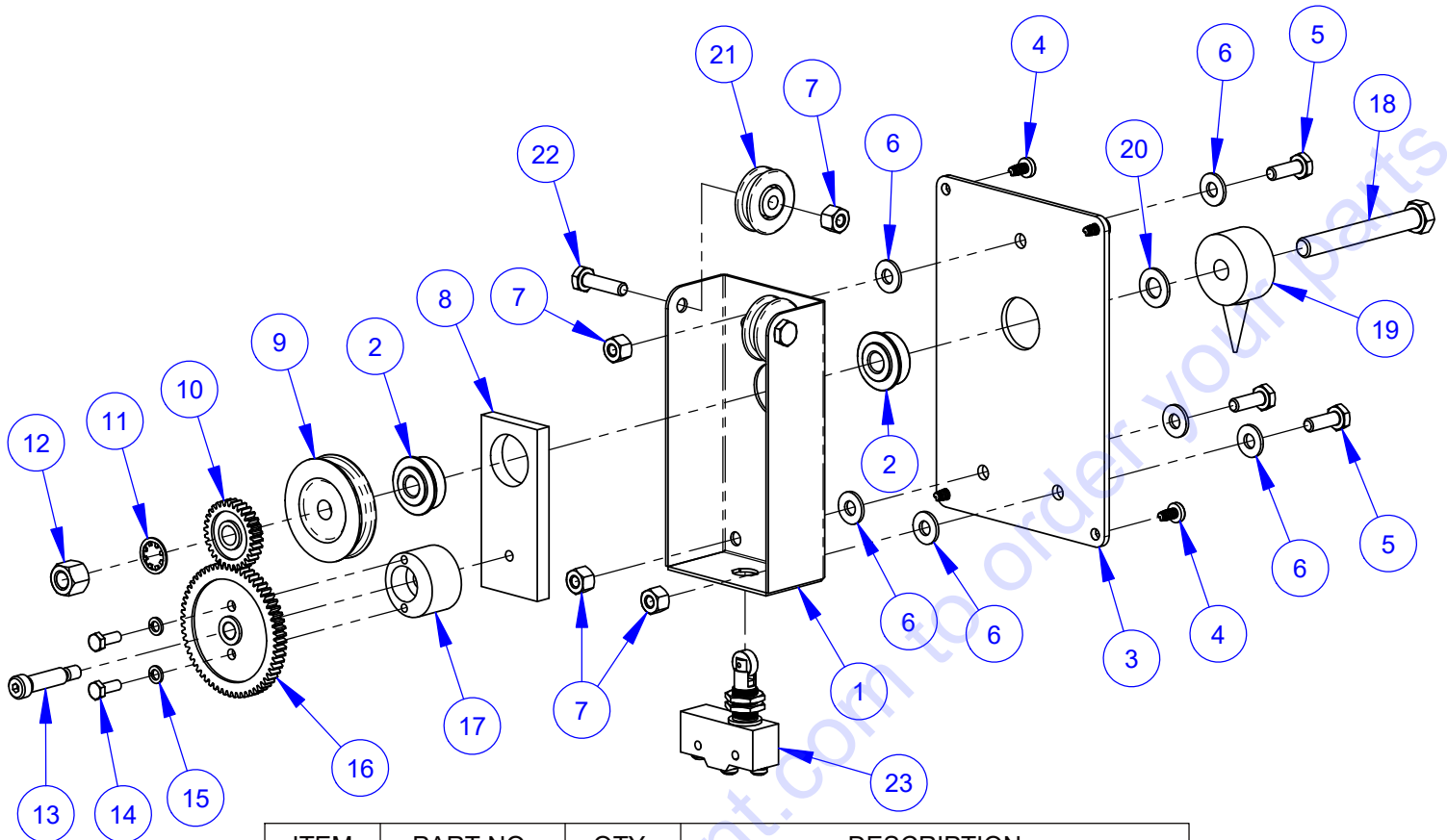


## Handle Bar Assembly #6017404



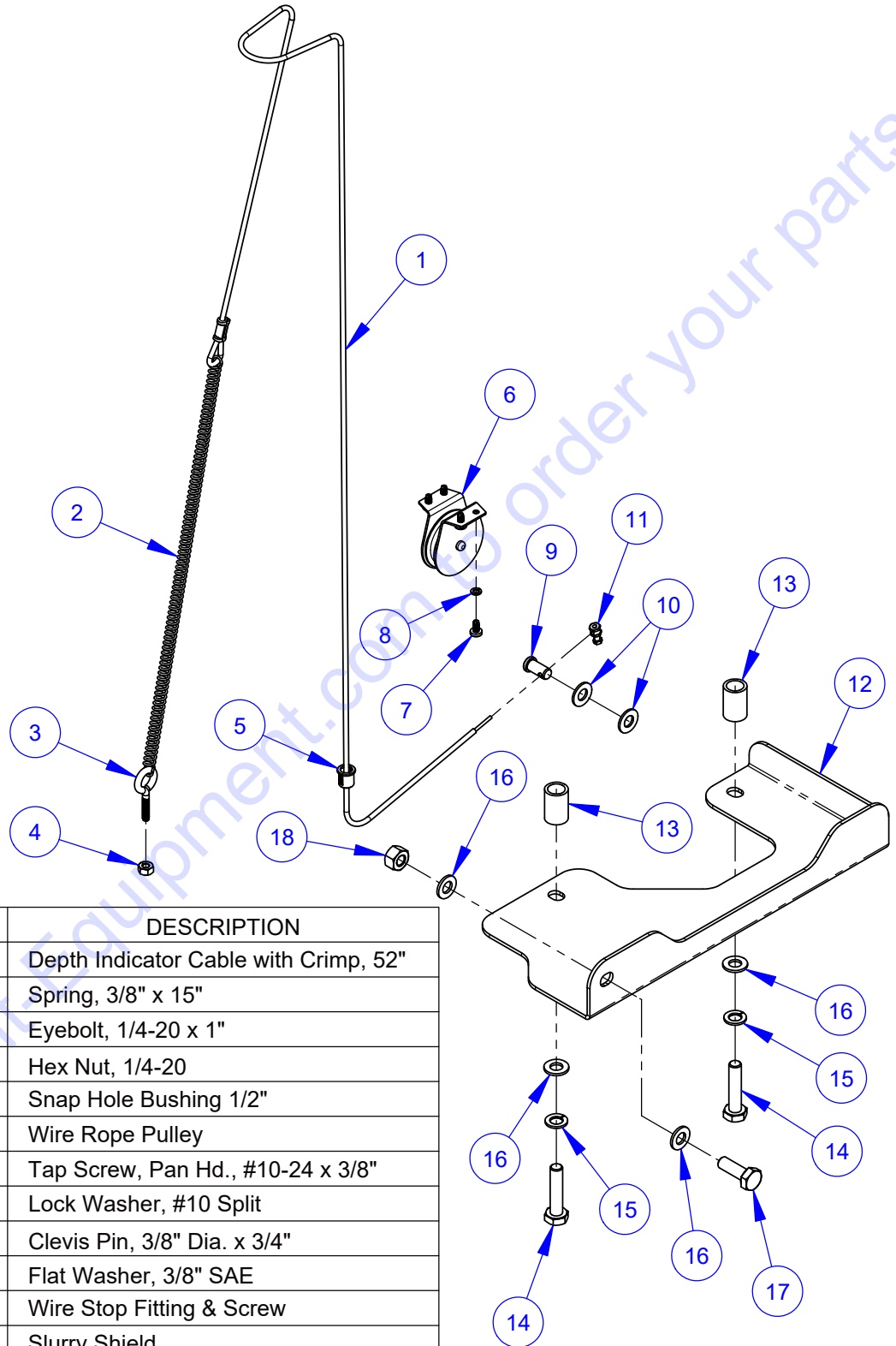
ITEM	PART NO.	QTY	DESCRIPTION
1	6017026	1	Handle Holder Frame
2	2500732	2	Pillow Block Bearing 1"
3	2900196	4	Cap Screw, Hex Hd., 3/8-16 x 3/4"
4	2900006	4	Lock Washer, 3/8" Split
5	2900014	4	Flat Washer, 3/8" SAE
6	6016065	2	Handle Bar Unit
6.1	6010014	1	Handle Bar, 36" Long
6.2	2500636	1	Handle Grip
6.3	2501955	1	Handle Stop Grip
6.4	2900863	1	Cap Screw, Button Hd., 1/4-20 x 5/8"
6.5	2900024	1	Lock Washer, 1/4" Split
6.6	2900083	1	Fender Washer, 1/4" x 1-1/4"
7	6017377	2	Lock Collar
8	2901341	2	Set Screw, Soc. Hd., M10-1.5 x 12mm
9	2502390	2	Adjustable Lever 1/2-13 x 1"
10	6017301	1	Isolator Mount Tube
11	2900828	2	Clevis Pin, 5/8" x 1-3/4"
12	2900829	2	Hairpin Cotter, 1/8" x 5/8" to 7/8"
13	6017302	1	Isolator Mount Bracket
14	2503789	2	Vibration Isolator
15	2901342	1	Cap Screw, Hex Hd., M12-1.75 x 200mm
16	2900327	1	Lock Nut, M12-1.75 Nylon Insert
17	2900333	3	Cap Screw, Hex Hd., M10-1.5 x 25mm
18	2901356	3	Flat Washer, M10
19	2900304	3	Lock Nut, M10-1.5 Nylon Insert
20	6017243	1	Double Rod Cylinder Assembly

## Depth Indicator Assembly #6017060



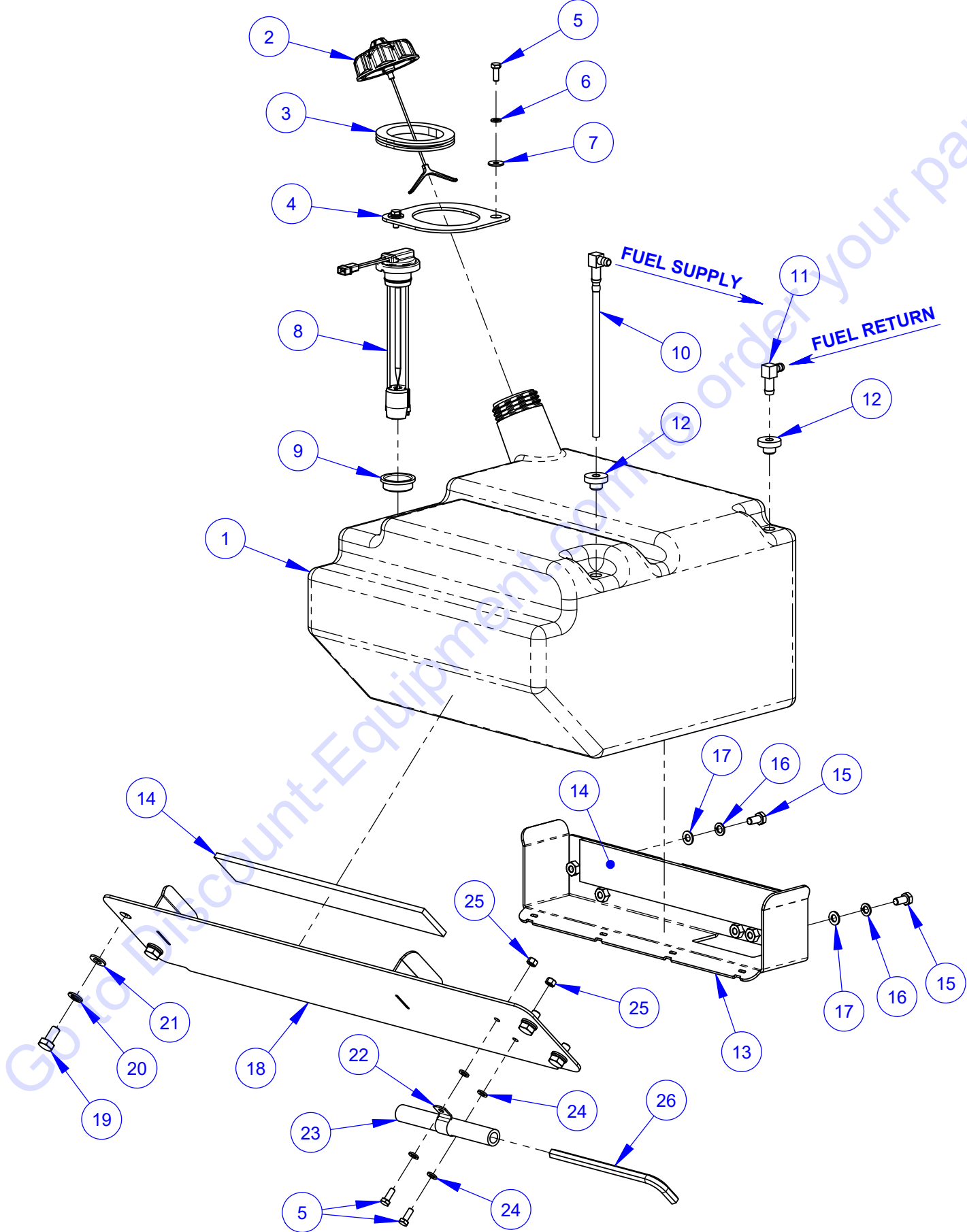
ITEM	PART NO.	QTY.	DESCRIPTION
1	6017031	1	Depth Indicator Bracket
2	2500145	2	Flange Bearing, 3/8"
3	6017032	1	Depth Indicator Panel
4	2900021	4	Tap Screw, Pan Hd., #10-24 x 3/8"
5	2900144	3	Cap Screw, Hex Hd., 1/4-20 x 3/4"
6	2900009	6	Flat Washer, 1/4" SAE
7	2900010	5	Lock Nut, 1/4-20 Nylon
8	6017033	1	Gear Set Plate
9	6017147	1	Cable Pulley
10	6017034	1	Gear, 30 Tooth
11	2900254	1	Lock Washer, 3/8" Internal Tooth
12	2900018	1	Locknut, 3/8-16, Nylon
13	2900855	1	Shoulder Screw, 5/16" x 1" (1/4-20)
14	2900448	2	Machine Screw, Hex Hd., #10-32 x 1/2"
15	2900038	2	Lock Washer, #10 Split
16	6017035	1	Gear, 60 Tooth
17	6017036	1	Cam
18	2900035	1	Cap Screw, Hex Hd., 3/8-16 x 3"
19	6010091	1	Depth Indicator Pointer
20	2901383	1	Friction Washer, 3/8"
21	2500155	2	Cable Pulley, 1-1/4"
22	2900008	2	Cap Screw, Hex Hd., 1/4-20 x 1"
23	2800609	1	Limit Switch, Roller Plunger

## Depth Indicator Cable Assembly #6017408A



ITEM	PART NO.	QTY	DESCRIPTION
1	6017149	1	Depth Indicator Cable with Crimp, 52"
2	2500196	1	Spring, 3/8" x 15"
3	2900548	1	Eyebolt, 1/4-20 x 1"
4	2900125	1	Hex Nut, 1/4-20
5	2503731	1	Snap Hole Bushing 1/2"
6	2503724	1	Wire Rope Pulley
7	2900021	4	Tap Screw, Pan Hd., #10-24 x 3/8"
8	2900038	4	Lock Washer, #10 Split
9	2900261	1	Clevis Pin, 3/8" Dia. x 3/4"
10	2900014	2	Flat Washer, 3/8" SAE
11	2501189	1	Wire Stop Fitting & Screw
12	6017233	1	Slurry Shield
13	6048127	2	Spacer Tube, 1-1/8" Long
14	2900317	2	Cap Screw, Hex Hd., M10-1.5 x 45mm
15	2900321	2	Lock Washer, M10 Split
16	2901356	4	Flat Washer, M10
17	2900223	1	Cap Screw, Hex Hd., M10-1.5 x 30mm
18	2900304	1	Lock Nut, M10-1.5 Nylon Insert

# Fuel Tank Assembly #6017508

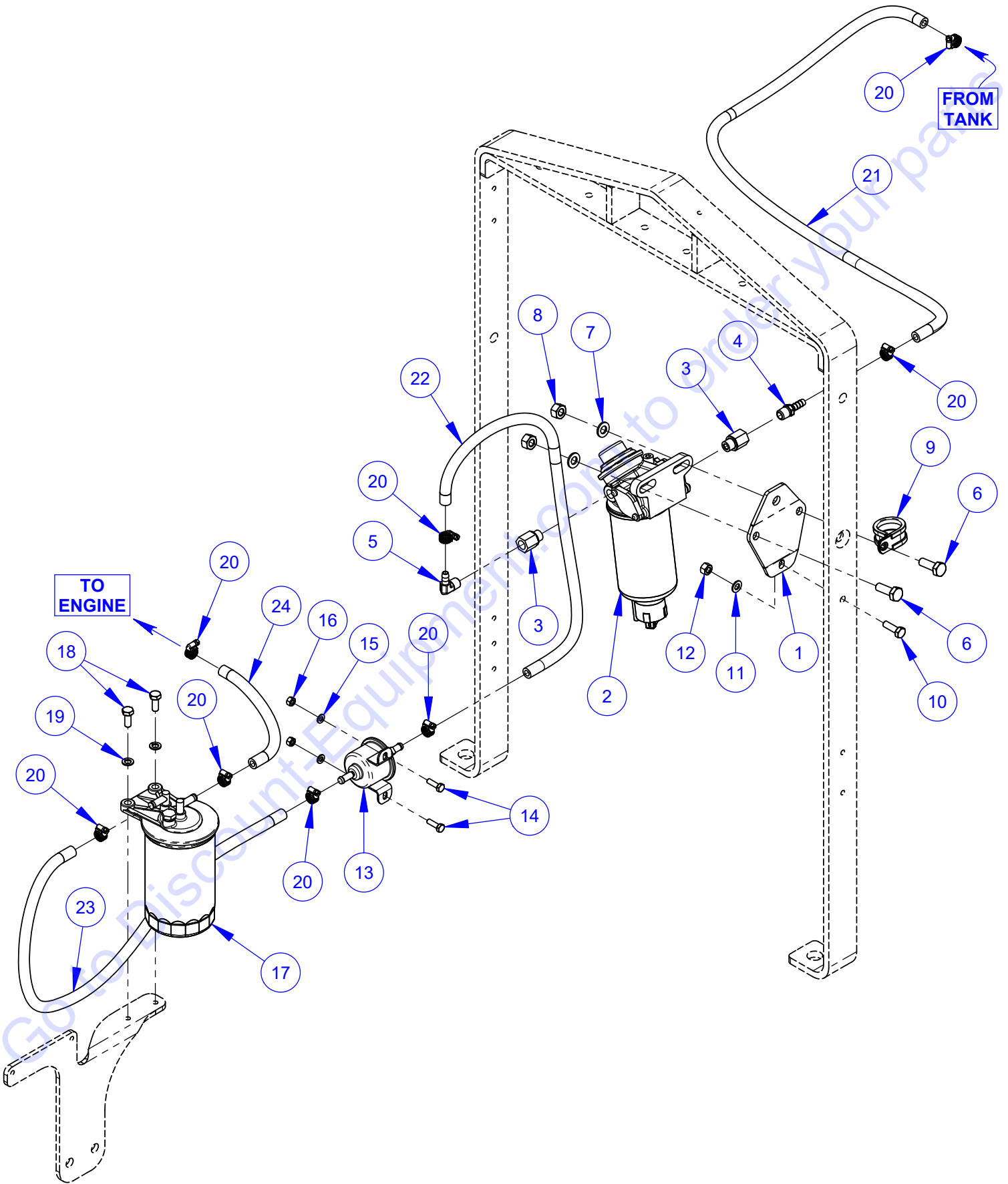


## Fuel Tank Assembly #6017508

ITEM	PART NO.	QTY	DESCRIPTION
1	6017441	1	Fuel Tank
2	2506060	1	Fuel Tank Cap, Diesel
3	2503706	1	Fuel Tank Grommet
4	6017043	1	Filler Flange Plate
5	2900341	4	Cap Screw, Hex Hd., M6-1.0 x 16mm
6	2900765	2	Lock Washer, M6 Split
7	2901359	2	Fender Washer, M6
8	2505168	1	Fuel Level Sender 7"
9	2503963	1	Grommet, Fuel Sender
10	2503708	1	Tank Elbow with Tube
11	2503707	1	Tank Elbow, 5/16" Barb
12	2501215	2	Bushing, Tank (Rubber)
13	6017385	1	Tank Tray
14	6017015	2	Fuel Tank Pad 13-1/2"
15	2900868	2	Cap Screw, Hex Hd., M8-1.25 x 16mm
16	2900763	2	Lock Washer, M8 Split
17	2901336	2	Flat Washer, M8
18	6017042	1	Access Panel
19	2900314	4	Cap Screw, Hex Hd., M10-1.5 x 20mm
20	2900321	4	Lock Washer, M10 Split
21	2901356	4	Flat Washer, M10
22	3201887	1	Hose Clamp
23	6017238	1	Hose, 1/2" I.D. x 6"
24	2901494	4	Flat Washer, M6
25	2900302	2	Lock Nut, M6-1.0 Nylon Insert
26	2501923	1	L-Key, 3/8" Hex



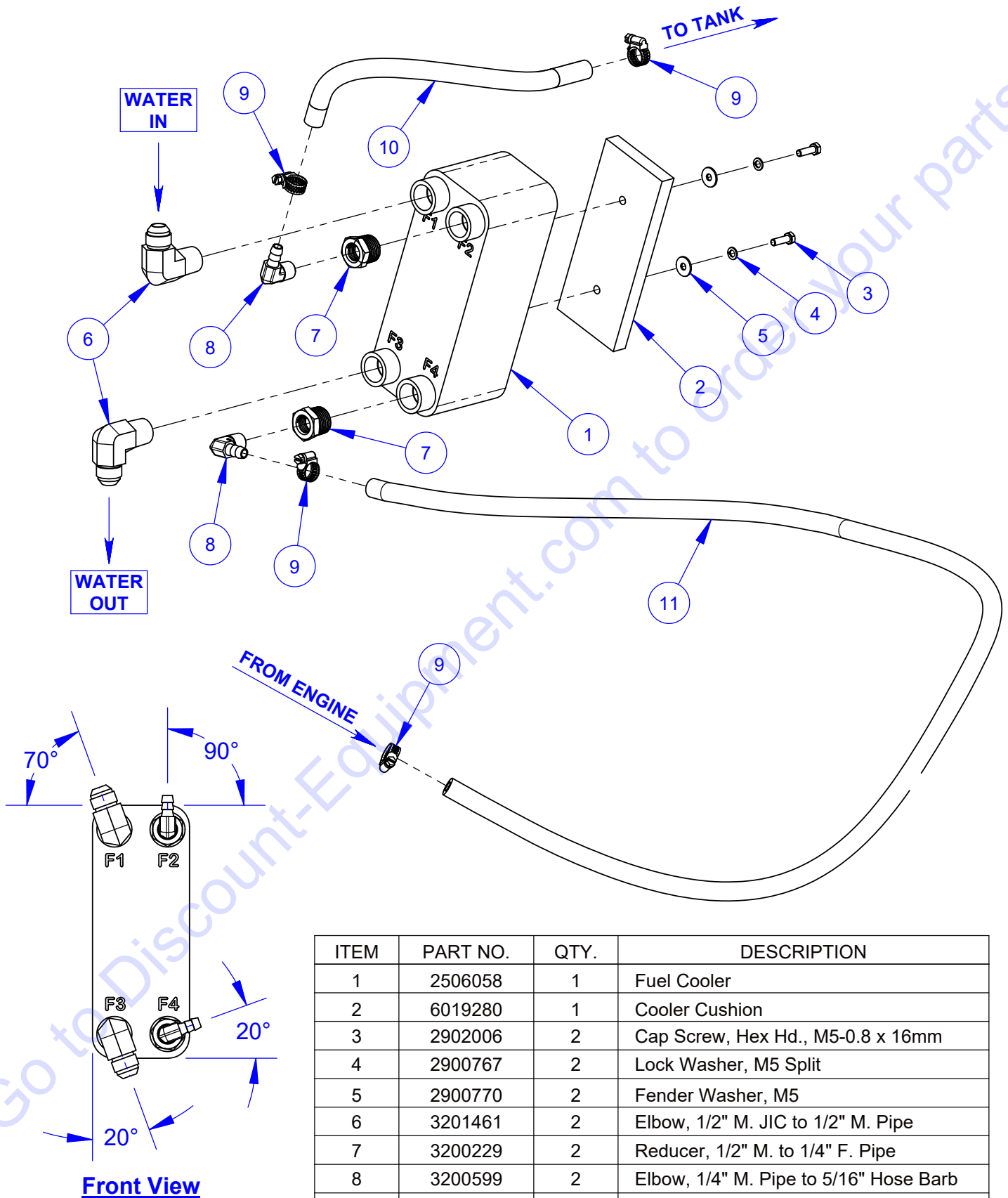
# Fuel Supply Assembly #6017509



## Fuel Supply Assembly #6017509

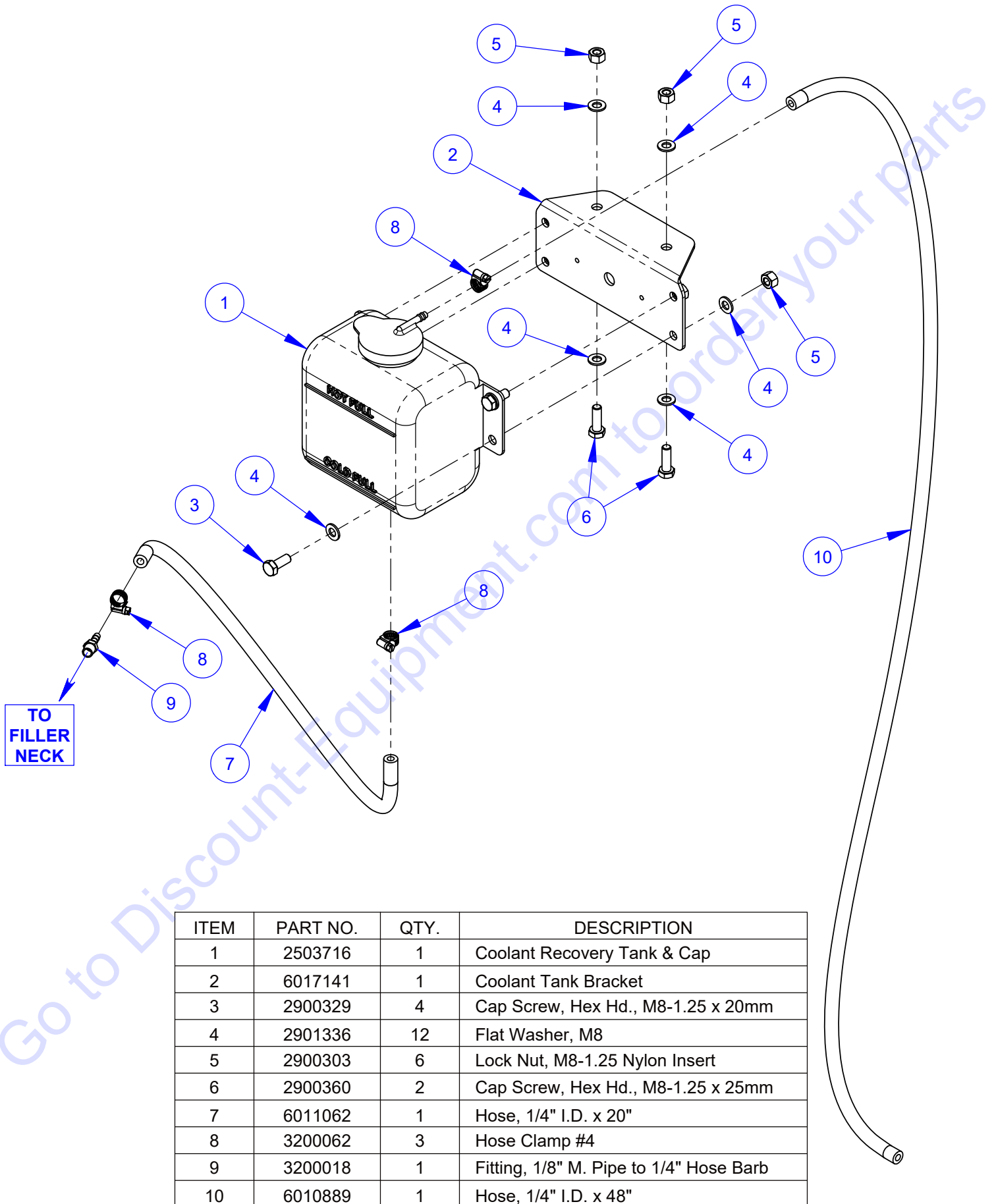
ITEM	PART NO.	QTY.	DESCRIPTION
1	6017555	1	Water Separator Support
2	2705152	1	Water Separator Unit
	2705214	1	Water Separator Cartridge
	2808214	1	Sensor Assembly, W.I.F.
3	3201269	2	Adapter, M14x1.5 M. to 1/4" F. Pipe
4	3201304	1	Fitting, 1/4" M. Pipe to 5/16" Hose Barb
5	3200599	1	Elbow, 1/4" M. Pipe to 5/16" Hose Barb
6	2900223	2	Cap Screw, Hex Hd., M10-1.5 x 30mm
7	2901356	2	Flat Washer, M10
8	2900304	2	Lock Nut, M10-1.5 Nylon Insert
9	2504465	1	Hose Clamp, 1-1/4" x 3/4" Wide
10	2900360	1	Cap Screw, Hex Hd., M8-1.25 x 25mm
11	2901336	1	Flat Washer, M8
12	2900303	1	Lock Nut, M8-1.25 Nylon Insert
13	2705151	1	Fuel Pump, Electric
14	2900310	2	Cap Screw, Hex Hd., M6-1.0 x 20mm
15	2901494	2	Flat Washer, M6
16	2900302	2	Lock Nut, M6-1.0 Nylon Insert
17	2705153	1	Fuel Filter Assembly
	2705215	1	Fuel Filter Cartridge
18	2900329	2	Cap Screw, Hex Hd., M8-1.25 x 20mm
19	2900763	2	Lock Washer, M8 Split
20	3200062	8	Hose Clamp #4
21	6019272	1	Fuel Hose, 5/16" I.D. x 36"
22	6013096	1	Fuel Hose, 5/16" I.D. x 25"
23	6010693	1	Fuel Hose, 5/16" I.D. x 30"
24	6017529	1	Fuel Hose, 5/16" I.D. x 8"

## Fuel Cooler Assembly #6017549



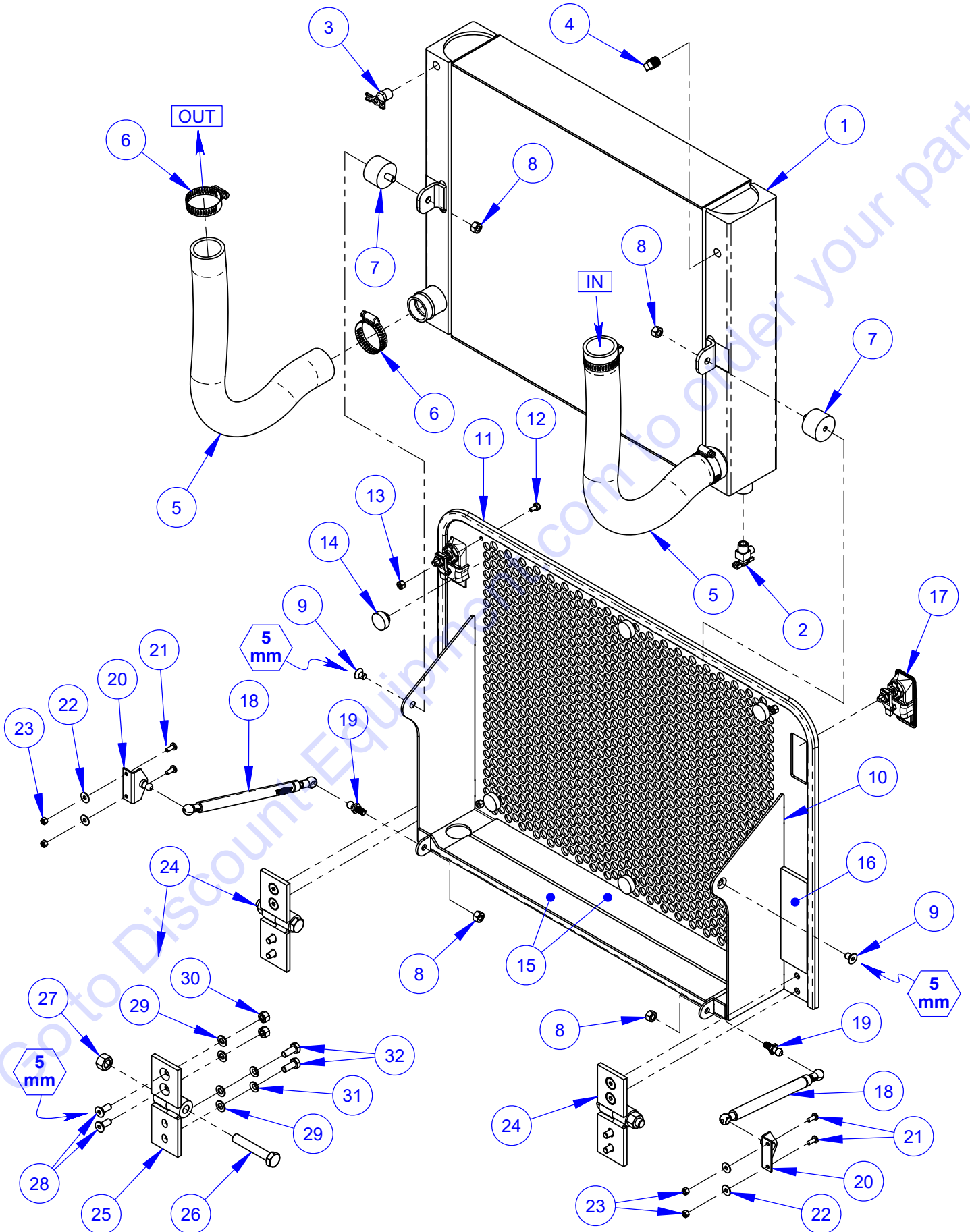
ITEM	PART NO.	QTY.	DESCRIPTION
1	2506058	1	Fuel Cooler
2	6019280	1	Cooler Cushion
3	2902006	2	Cap Screw, Hex Hd., M5-0.8 x 16mm
4	2900767	2	Lock Washer, M5 Split
5	2900770	2	Fender Washer, M5
6	3201461	2	Elbow, 1/2" M. JIC to 1/2" M. Pipe
7	3200229	2	Reducer, 1/2" M. to 1/4" F. Pipe
8	3200599	2	Elbow, 1/4" M. Pipe to 5/16" Hose Barb
9	3200062	4	Hose Clamp #4
10	6010452	1	Fuel Hose, 5/16" I.D. x 10"
11	6047957	1	Fuel Hose, 5/16" I.D. x 48"

## Coolant Tank Assembly #6017511



ITEM	PART NO.	QTY.	DESCRIPTION
1	2503716	1	Coolant Recovery Tank & Cap
2	6017141	1	Coolant Tank Bracket
3	2900329	4	Cap Screw, Hex Hd., M8-1.25 x 20mm
4	2901336	12	Flat Washer, M8
5	2900303	6	Lock Nut, M8-1.25 Nylon Insert
6	2900360	2	Cap Screw, Hex Hd., M8-1.25 x 25mm
7	6011062	1	Hose, 1/4" I.D. x 20"
8	3200062	3	Hose Clamp #4
9	3200018	1	Fitting, 1/8" M. Pipe to 1/4" Hose Barb
10	6010889	1	Hose, 1/4" I.D. x 48"

# Radiator Assembly #6017410



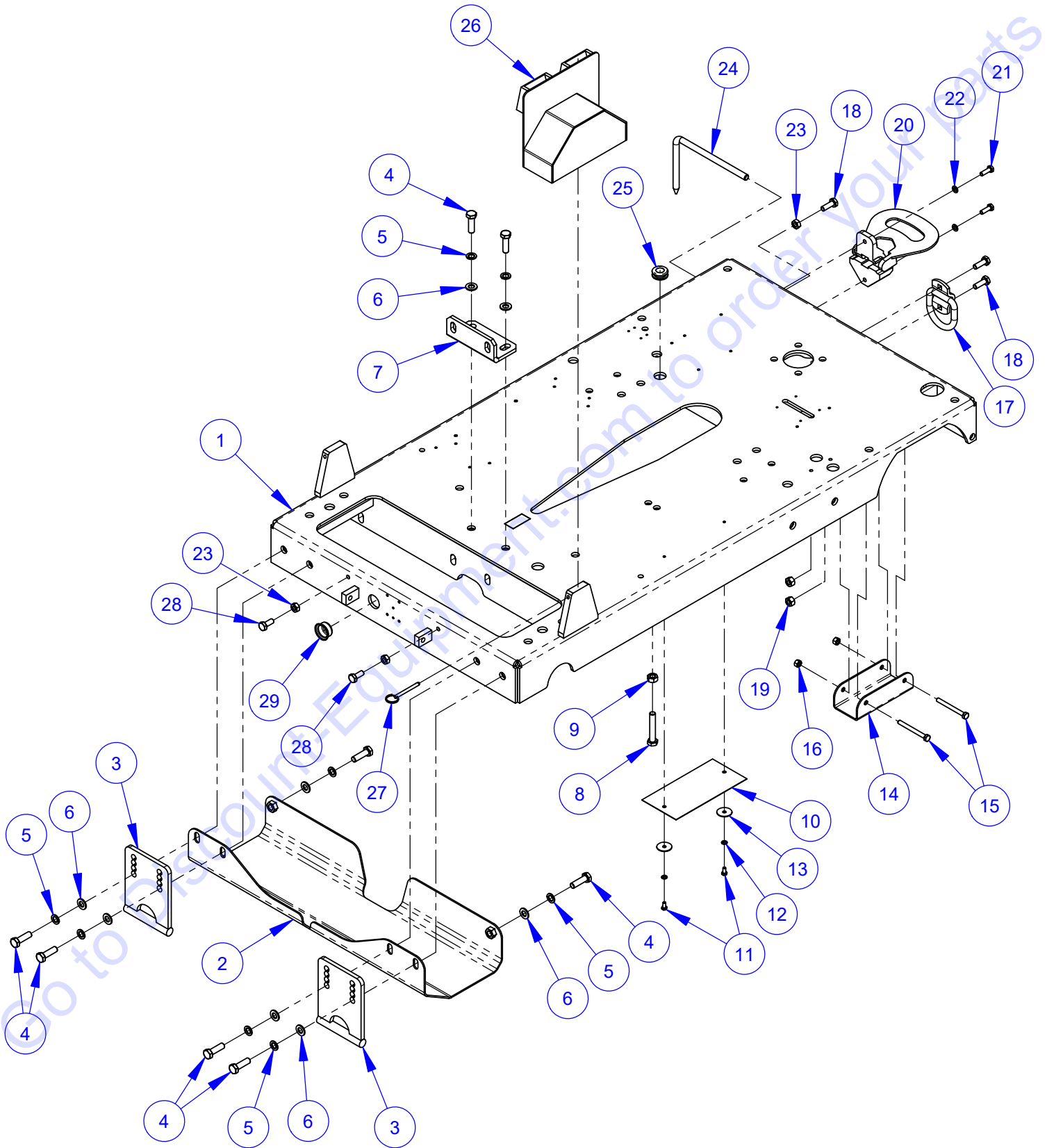
## Radiator Assembly #6017410

ITEM	PART NO.	QTY	DESCRIPTION
1	2502190	1	Radiator
2	3202143	1	Drain Valve, 1/4" NPT
3	3200035	1	Petcock, 1/4" NPT
4	3200206	1	Pipe Plug, 1/4" NPT
5	3202141	2	Radiator Hose, 1-1/2" x 22"
6	3202142	4	Hose Clamp #24
7	2503886	2	Vibration Isolator, M8-1.25
8	2900303	4	Lock Nut, M8-1.25 Nylon Insert
9	2901344	2	Cap Screw, Flat Hd., M8-1.25 x 12mm
10	6017012	1	Radiator Door
11	6017013	1	Edge Trim Seal 65"
12	2505988	4	Snap Stud, #10-32
13	2900688	4	Lock Nut, #10-32 Nylon
14	2502389	6	Button Bumper
15	6017014	2	Radiator Pad 20"
16	6017267	1	Rubber Strip 6"
17	2502196	2	Latch Assembly
18	2502374	2	Damper, Extension
19	2503883	2	Ball Stud 10mm (M8-1.25 Thread)
20	2501144	2	Mounting Ball L-Bracket
21	2900794	4	Machine Screw, Pan Hd., M5-0.8 x 12mm
22	2900770	4	Fender Washer, M5
23	2900301	4	Lock Nut, M5-0.8 Nylon Insert
24	6017411	2	Hinge Assembly

ITEM	PART NO.	QTY	DESCRIPTION
25	6017379	1	Radiator Door Hinge
26	2901345	1	Cap Screw, Hex Hd., M12-1.75 x 70mm
27	2900327	1	Lock Nut, M12-1.75 Nylon Insert
28	2900611	2	Cap Screw, Flat Hd., M8-1.25 x 20mm
29	2901336	4	Flat Washer, M8
30	2900303	2	Lock Nut, M8-1.25 Nylon Insert
31	2900763	2	Lock Washer, M8 Split
32	2900329	2	Cap Screw, Hex Hd., M8-1.25 x 20mm



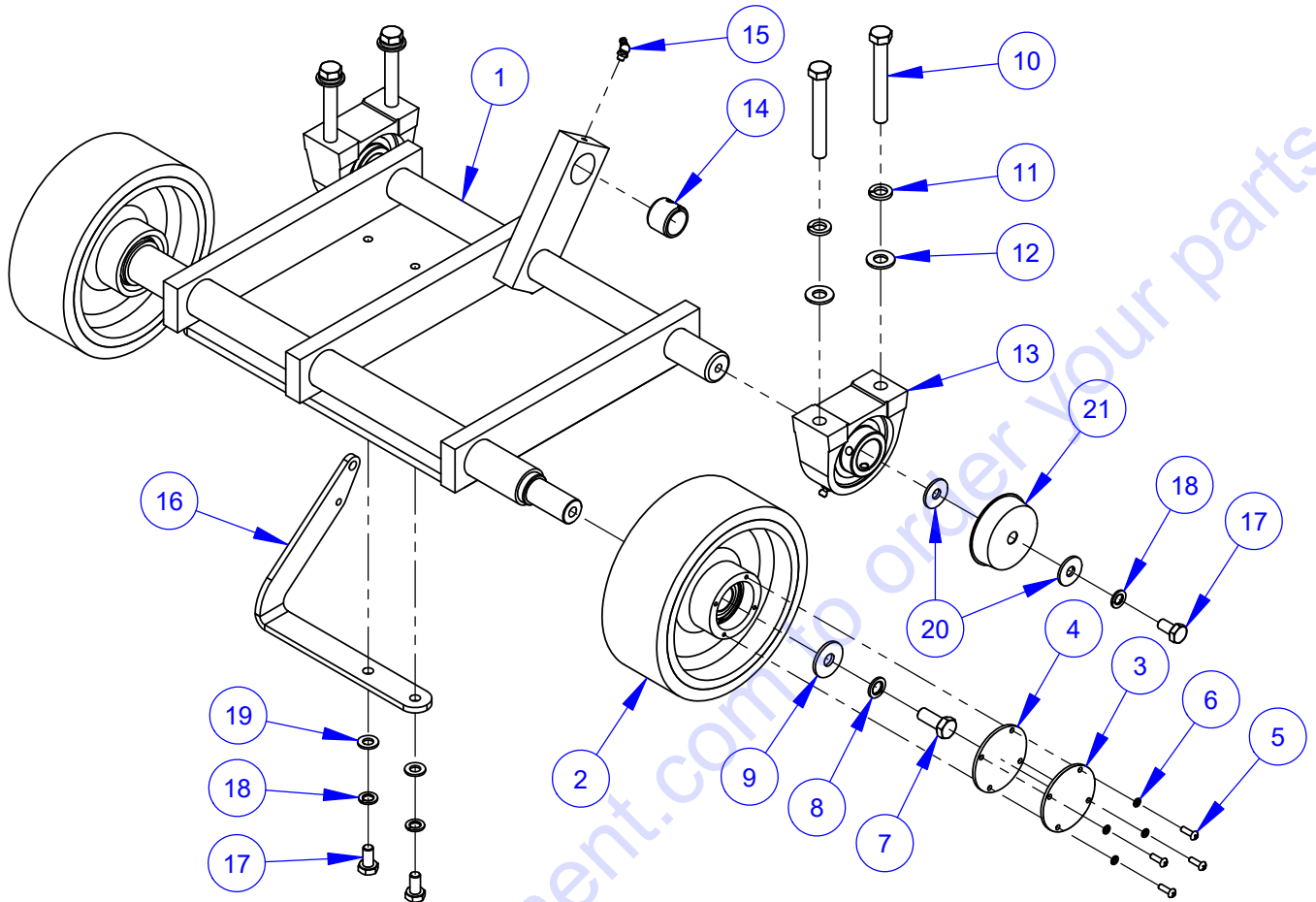
# Frame Base Assembly #6017412



## Frame Base Assembly #6017412

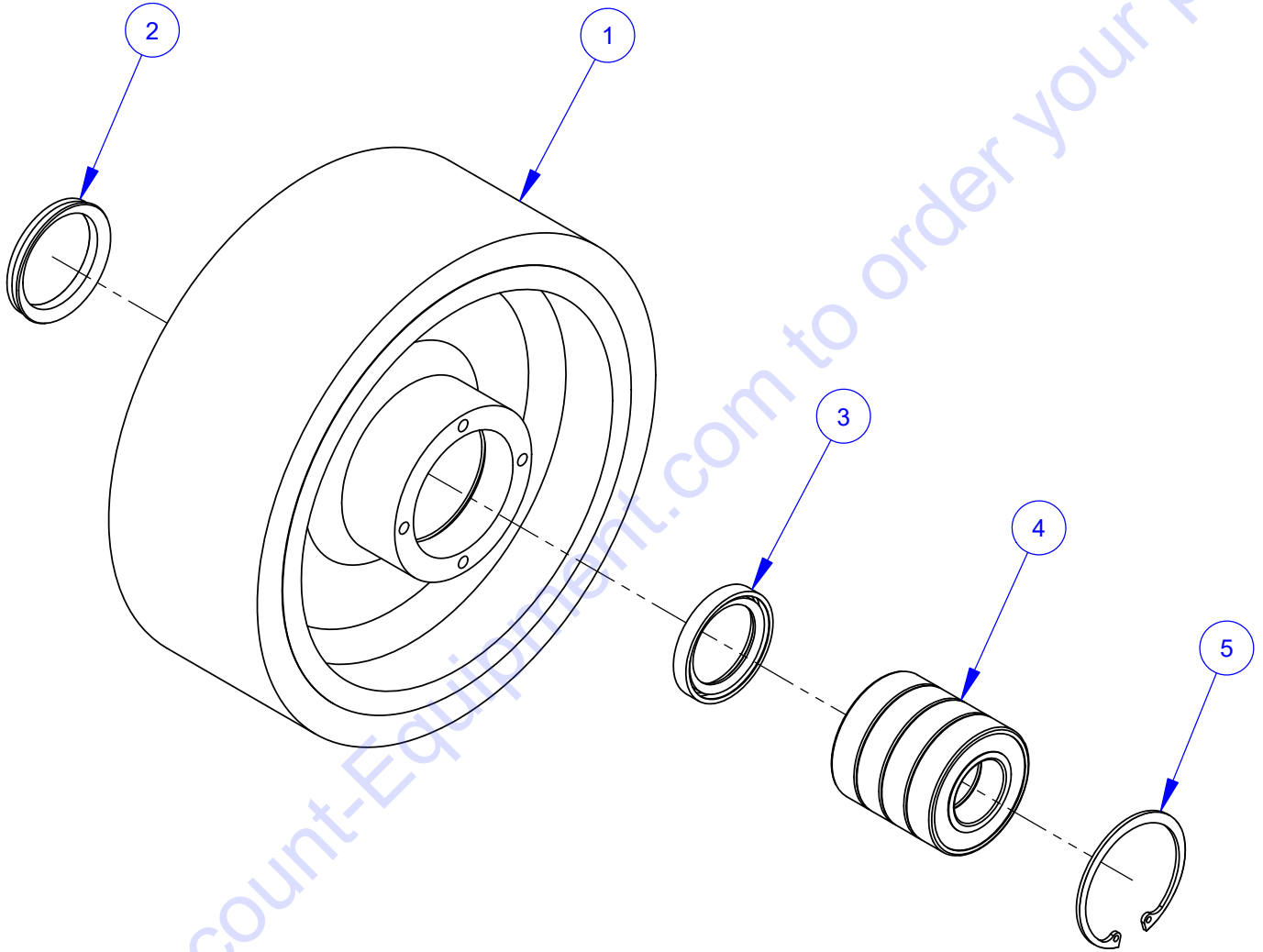
ITEM	PART NO.	QTY	DESCRIPTION
1	6017360	1	Frame Base Weldment
2	6017375	1	Skid Guard
3	6017157	2	Skid Plate
4	2900331	8	Cap Screw, Hex Hd., M12-1.75 x 40mm
5	2900699	8	Lock Washer, M12 Split
6	2901357	8	Flat Washer, M12
7	6018124	1	Transmission Mounting Bracket
8	2901347	2	Tap Bolt, Hex Hd., M12-1.75 x 70mm
9	2900482	2	Hex Nut, M12-1.75
10	6017544	2	Slurry Glide Strip
11	2900544	4	Cap Screw, Hex Hd., M6-1.0 x 12mm
12	2900765	4	Lock Washer, M6 Split
13	2900083	4	Fender Washer, 1/4" x 1-1/4"
14	6017323	2	Rail Shoe
15	2901141	4	Cap Screw, Hex Hd., M8-1.25 x 80mm
16	2900303	4	Lock Nut, M8-1.25 Nylon Insert
17	2504368	1	Tie Down
18	2900223	3	Cap Screw, Hex Hd., M10-1.5 x 30mm
19	2900304	2	Lock Nut, M10-1.5 Nylon Insert
20	2503798	1	Foot Rest, Folding
21	2900360	2	Cap Screw, Hex Hd., M8-1.25 x 25mm
22	2900763	2	Lock Washer, M8 Split
23	2900325	3	Hex Nut, M10-1.5
24	6010683	1	Rear Pointer Rod
25	2503742	1	Grommet, 11/16" I.D.
26	6010645	1	Shaft/Flange Guard (Wide)
27	2900156	1	Lock Pin with Ring
28	2900333	2	Cap Screw, Hex Hd., M10-1.5 x 25mm
29	2503791	1	Plug, 1-1/4" Hole

## Front Axle Assembly #6017413



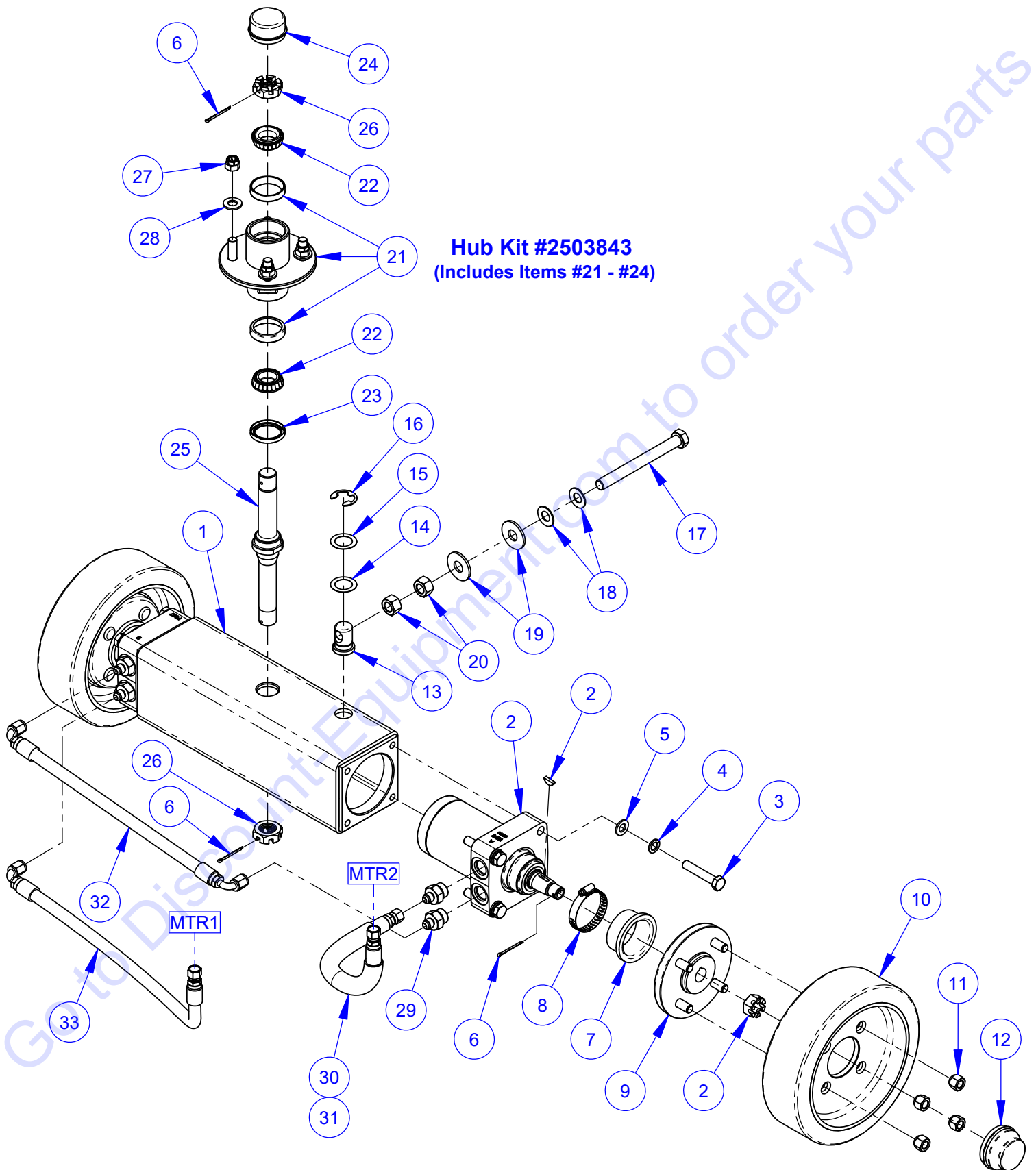
ITEM	PART NO.	QTY	DESCRIPTION
1	6017382	1	Front Axle Weldment
2	6010581	2	Wheel Assembly, 8" Front
3	6010536	2	Wheel Cover
4	2501393	2	Wheel Cover Gasket
5	2900159	8	Machine Screw, Rd. Hd., #10-24 x 5/8"
6	2900038	8	Lock Washer, #10 Split
7	2900330	2	Cap Screw, Hex Hd., M12-1.75 x 30mm
8	2900699	2	Lock Washer, M12 Split
9	2901339	2	Fender Washer, M12
10	2900400	4	Cap Screw, Hex Hd., 1/2-13 x 3-3/4"
11	2900084	4	Lock Washer, 1/2" Split
12	2900058	4	Flat Washer, 1/2" SAE
13	2500158	2	Pillow Block Bearing 1-1/4"
14	2504635	1	Spring Bushing, 1" Long
15	2900184	1	Grease Fitting, 1/4-28 x 45 degree
16	6017144	1	Front Axle Arm
17	2900314	4	Cap Screw, Hex Hd., M10-1.5 x 20mm
18	2900321	4	Lock Washer, M10 Split
19	2901356	2	Flat Washer, M10
20	2901360	4	Fender Washer, M10
21	6016095	2	Bearing End Cap

## Front Wheel Assembly #6010581



ITEM	PART NO.	QTY.	DESCRIPTION
1	2501390	1	Wheel, 8" Front
2	2501428	1	Seal, 1-1/2" V-Ring
3	2501391	1	Seal, 1-1/4" x 1-3/4" x 1/4"
4	2501418	4	Ball Bearing, 1" x 2" x 1/2"
5	2501392	1	Retaining Ring, 2" Internal

# Rear Axle Assembly #6017414

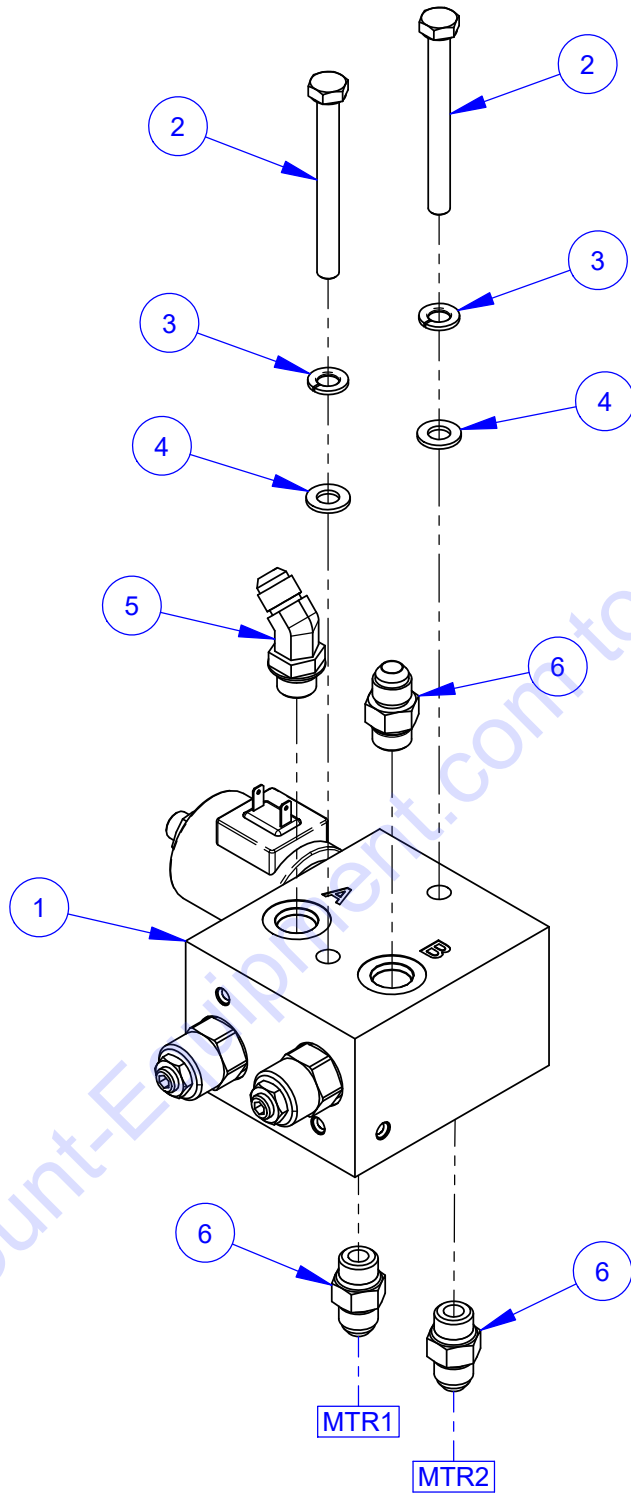


## Rear Axle Assembly #6017414

ITEM	PART NO.	QTY	DESCRIPTION
1	6017383	1	Motor Mount Tube Weldment
2	2600654	2	Parker Wheel Motor
	2901327	1	Woodruff Key #9, 3/16" x 3/4"
	2703207	1	Hex Slotted Nut, 3/4-16
3	2900359	8	Cap Screw, Hex Hd., M12-1.75 x 65mm
4	2900699	8	Lock Washer, M12 Split
5	2901357	8	Flat Washer, M12
6	2900950	4	Cotter Pin, 1/8" x 1-1/2"
7	2506071	2	Sleeve Reducer, 2-1/2" to 2-1/4" I.D.
8	3200095	2	Hose Clamp #32
9	2502175	2	Wheel Hub
10	2503880	2	Wheel, 10" Rear
11	2900975	8	Lug Nut, 1/2-20
12	2502176	2	Hub Cap
13	6017378	1	Swivel, M16
14	2900938	1	Shim, 1" x 1-1/2" x .010"
15	2900940	1	Shim, 1" x 1-1/2" x .015"
16	2501224	1	E-Ring, 1"
17	2901351	1	Tap Bolt, Hex Hd., M16-2.0 x 160mm
18	2900478	2	Belleville Washer, 5/8"
19	2900721	2	Flat Washer, 5/8" USS Hardened
20	2901352	2	Hex Nut, M16-2.0
21	2503794	1	Hub with Bearing Cups
	2501222	2	Tapered Bearing Cup
22	2503766	2	Tapered Bearing Cone, 1-1/16"
23	2503767	1	Seal, Double Lip 1-1/2" ID
24	2503795	1	Grease Cap 2"
25	6017322	1	Kingpin
26	2707220	2	Hex Nut, 1"-14 Slotted
27	2900833	4	Lock Nut, 1/2-20 Flex Top
28	2900058	4	Flat Washer, 1/2" SAE
29	3201724	4	Adapter, 5/8" O-Ring to 3/8" M. JIC
30	6016235	1	Hose Sleeving 9"
31	6017295	1	Hose Assembly 3/8" x 14"
32	6017020	1	Hose Assembly 3/8" x 18-1/4"
33	6017296	1	Hose Assembly 3/8" x 25"

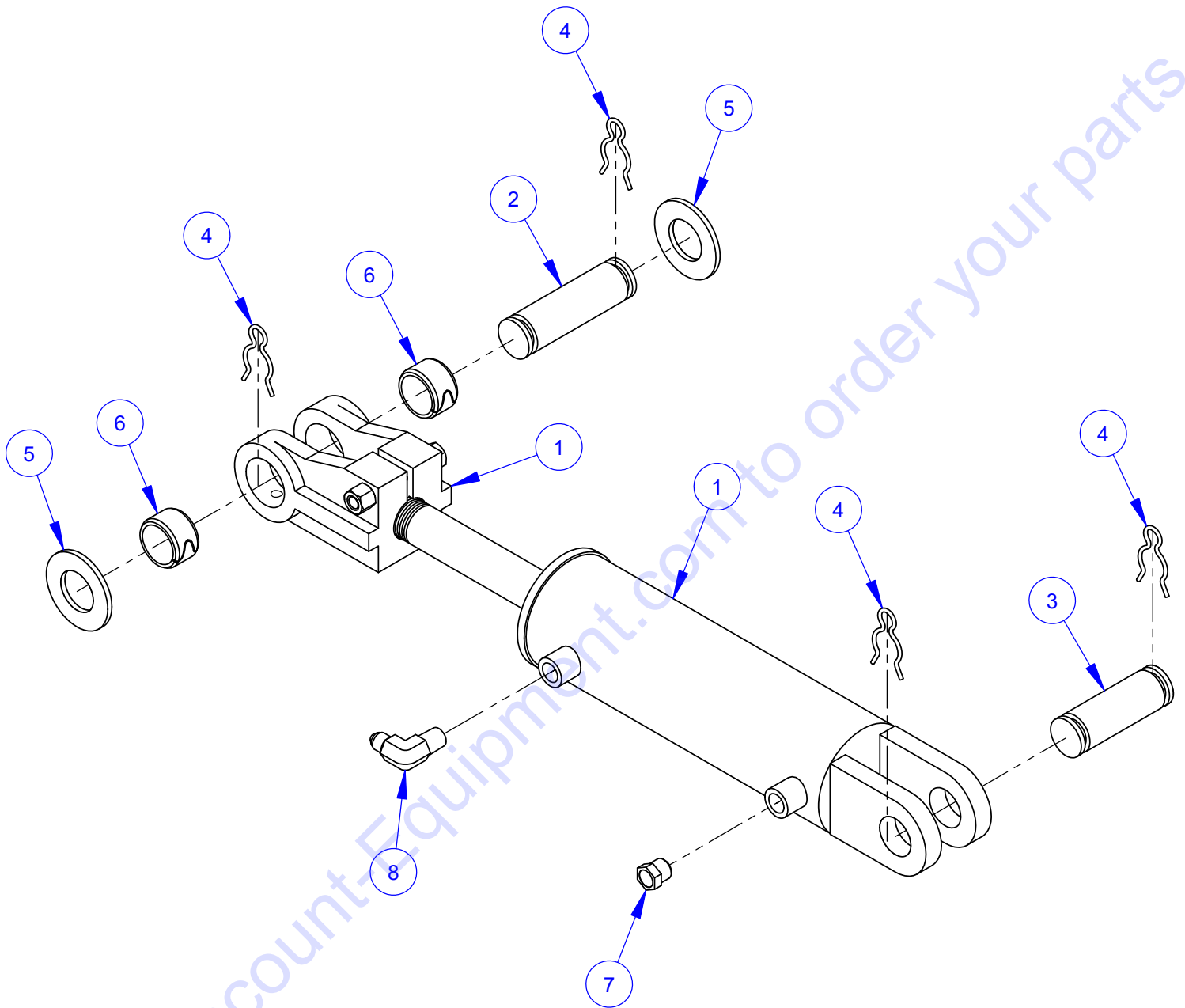


## Valve Block Assembly #6017552



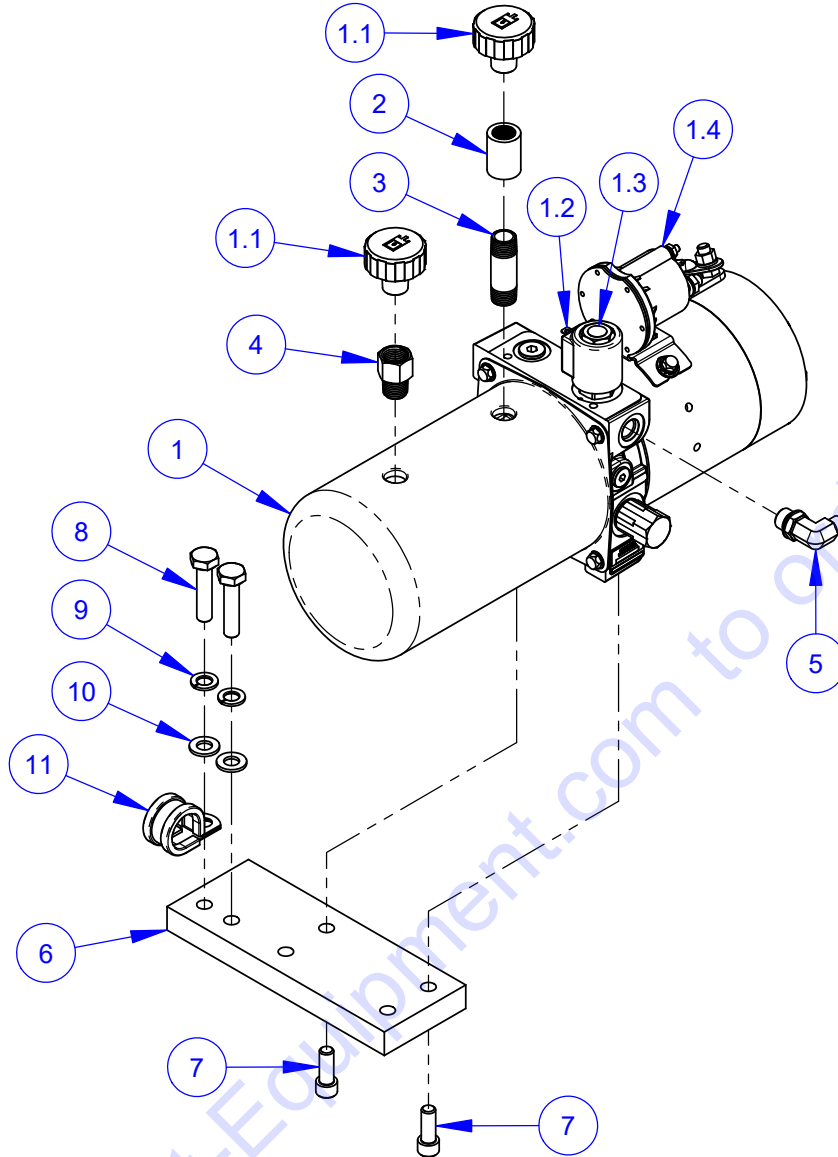
ITEM	PART NO.	QTY.	DESCRIPTION
1	3201664	1	Valve Block Unit
2	2901141	2	Cap Screw, Hex Hd., M8-1.25 x 80mm
3	2900763	2	Lock Washer, M8 Split
4	2901336	2	Flat Washer, M8
5	3201981	1	Elbow, 3/8" O-Ring to 3/8" M. JIC (45 Deg)
6	3200263	3	Adapter, 3/8" O-Ring to 3/8" M. JIC

## Hydraulic Cylinder Assembly #6017103



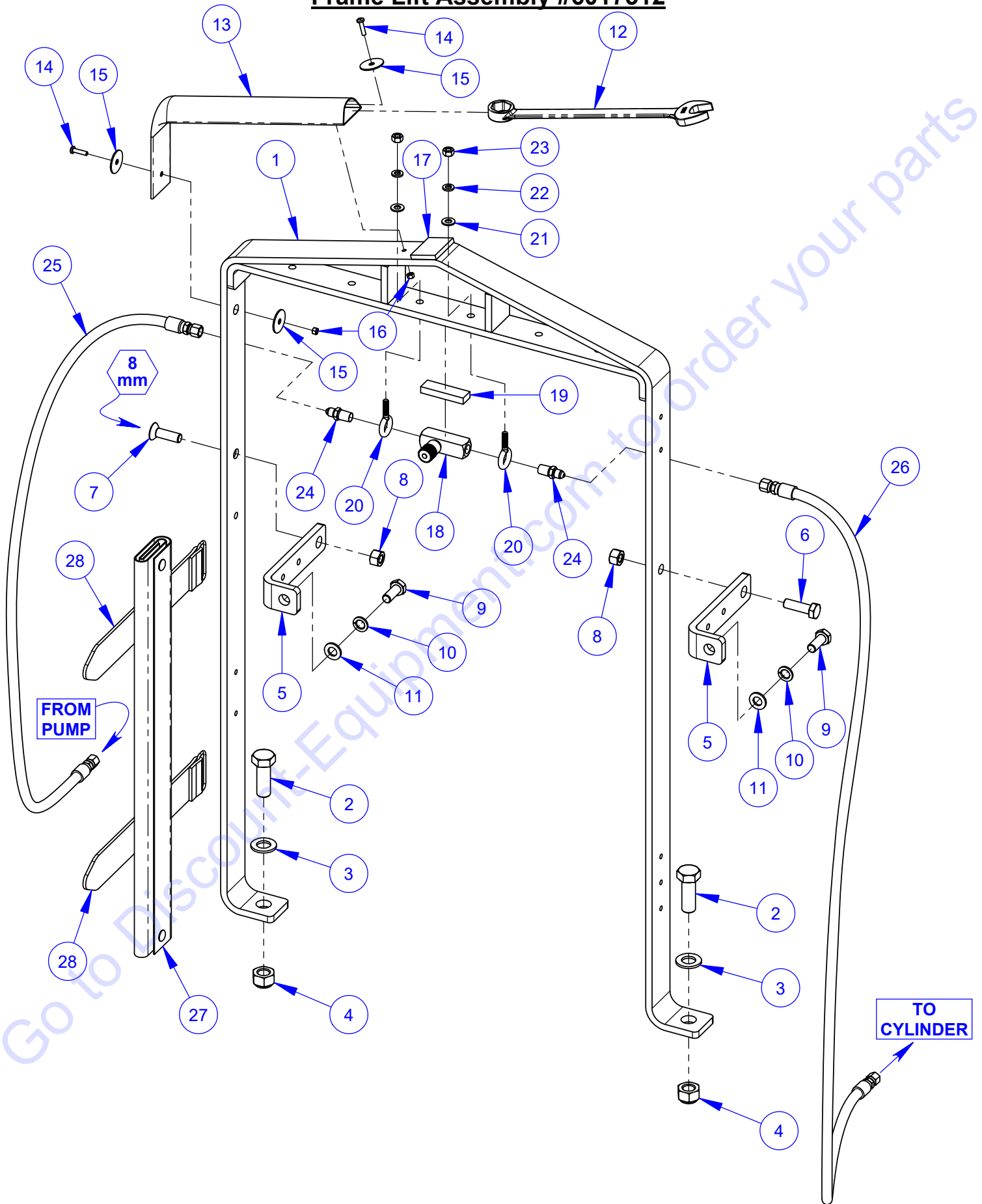
ITEM	PART NO.	QTY	DESCRIPTION
1	6017457	1	Hydraulic Cylinder (Drilled)
	6017458	1	Cylinder Rod Clevis (Drilled)
	2501012	1	Seal Repair Kit
2	6010119	1	Cylinder Pin, 1" Dia. x 3-1/2" Long
3	6010031	1	Cylinder Pin, 1" Dia. x 3" Long
4	2900064	4	Hair Pin Cotter, 3/4"
5	2900295	2	Flat Washer, 1" SAE
6	2504599	2	Spring Bushing, 3/4" Long
7	3200067	1	Breather Vent, 1/4" NPT
8	3200057	1	Elbow, 1/4" M. Pipe to 1/4" M. JIC

## Hydraulic Lift Pump Assembly #6017416



ITEM	PART NO.	QTY.	DESCRIPTION
1	2600437	1	Hydraulic Pump Unit
1.1	2700321	2	Breather Cap
1.2	2700243	1	Valve Coil
1.3	2700244	1	Valve Stem
1.4	2703210	1	Solenoid Start Switch
2	3200120	1	Pipe Coupling, 3/8" NPT
3	3200123	1	Pipe Nipple, 3/8" NPT x 2"
4	3202110	1	Adapter, 3/8" NPT (M to F)
5	3200551	1	Elbow, 3/8" O-Ring to 1/4" M. JIC
6	6017138	1	Pump Mount Spacer
7	2900175	2	Cap Screw, Soc. Hd., 3/8-16 x 1"
8	2900317	2	Cap Screw, Hex Hd., M10-1.5 x 45mm
9	2900321	2	Lock Washer, M10 Split
10	2901356	2	Flat Washer, M10
11	3201729	1	Hose Clamp, 1" x 3/4" Wide

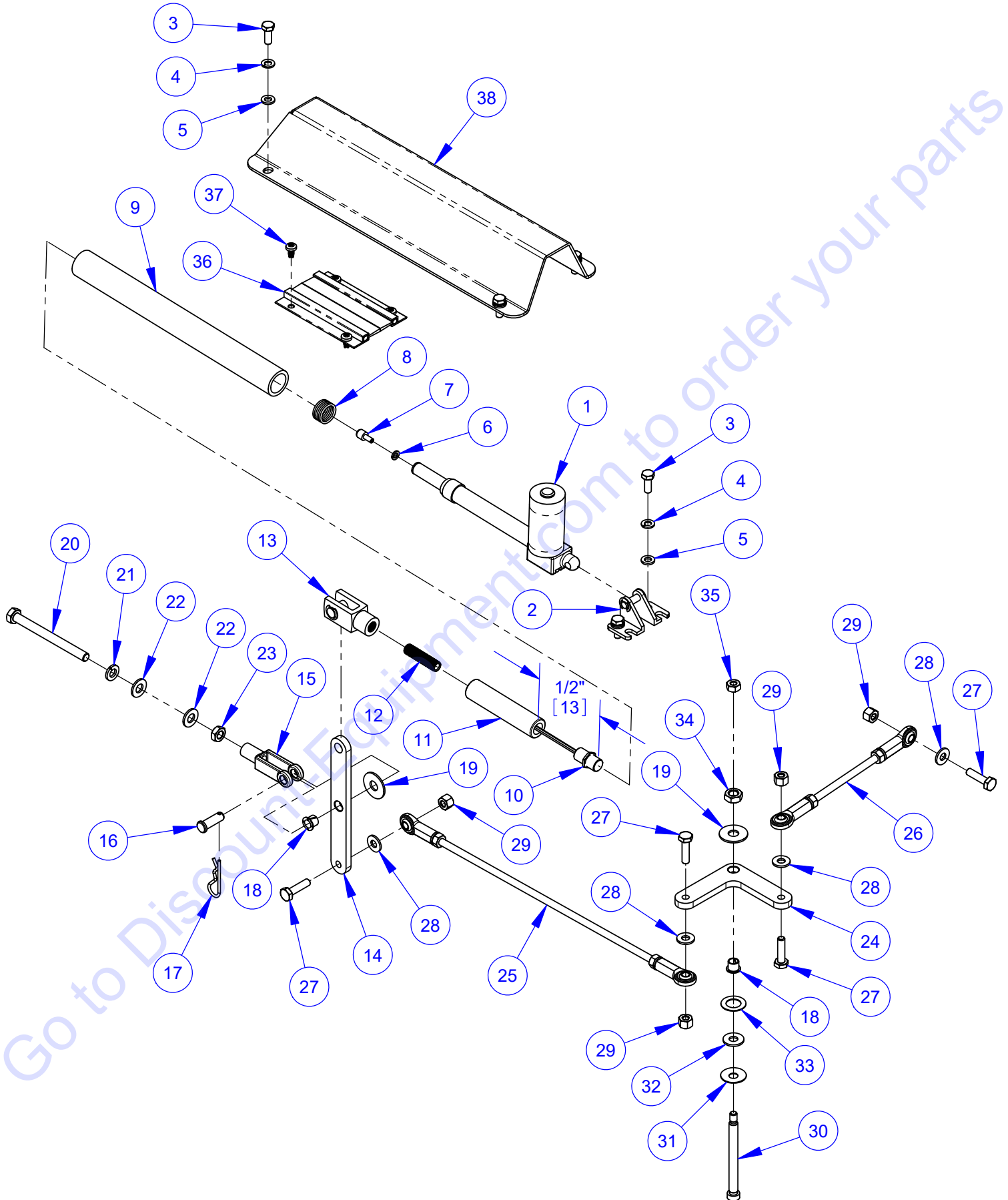
# Frame Lift Assembly #6017512



## Frame Lift Assembly #6017512

ITEM	PART NO.	QTY	DESCRIPTION
1	6017482	1	Frame Lift
2	2901361	2	Cap Screw, Hex Hd., M18-2.5 x 50mm
3	2901362	2	Flat Washer, M18
4	2901363	2	Lock Nut, M18-2.5 Nylon Insert
5	6017136	2	Frame Lift Brace
6	2900331	1	Cap Screw, Hex Hd., M12-1.75 x 40mm
7	2901354	1	Cap Screw, Flat Hd., M12-1.75 x 40mm
8	2900327	2	Lock Nut, M12-1.75 Nylon Insert
9	2900330	2	Cap Screw, Hex Hd., M12-1.75 x 30mm
10	2900699	2	Lock Washer, M12 Split
11	2901357	2	Flat Washer, M12
12	2503704	1	Wrench, 15/16" Combination
13	6017439	1	Wrench Sock
14	2901377	2	Machine Screw, Pan Hd., M5-0.8 x 20mm
15	2900083	3	Fender Washer, 1/4" x 1-1/4"
16	2900301	2	Lock Nut, M5-0.8 Nylon Insert
17	6017447	1	Wrench Pad 1-1/2"
18	3200056	1	Flow Control Valve, 1/4" NPT
19	6017142	1	Valve Spacer Block
20	2900720	2	Eyebolt, 5/16-18 x 1"
21	2900022	2	Flat Washer, 5/16" SAE
22	2900031	2	Lock Washer, 5/16" Split
23	2900141	2	Hex Nut, 5/16-18
24	3200418	2	Adapter, 1/4" M. Pipe to 1/4" M. JIC
25	6017521	1	Hose Assembly 1/4" x 48"
26	6017522	1	Hose Assembly 1/4" x 60"
27	6017643	1	Radiator Canvas Cover
28	2505989	2	Tie Strap

# Depth Stop Assembly #6017419A

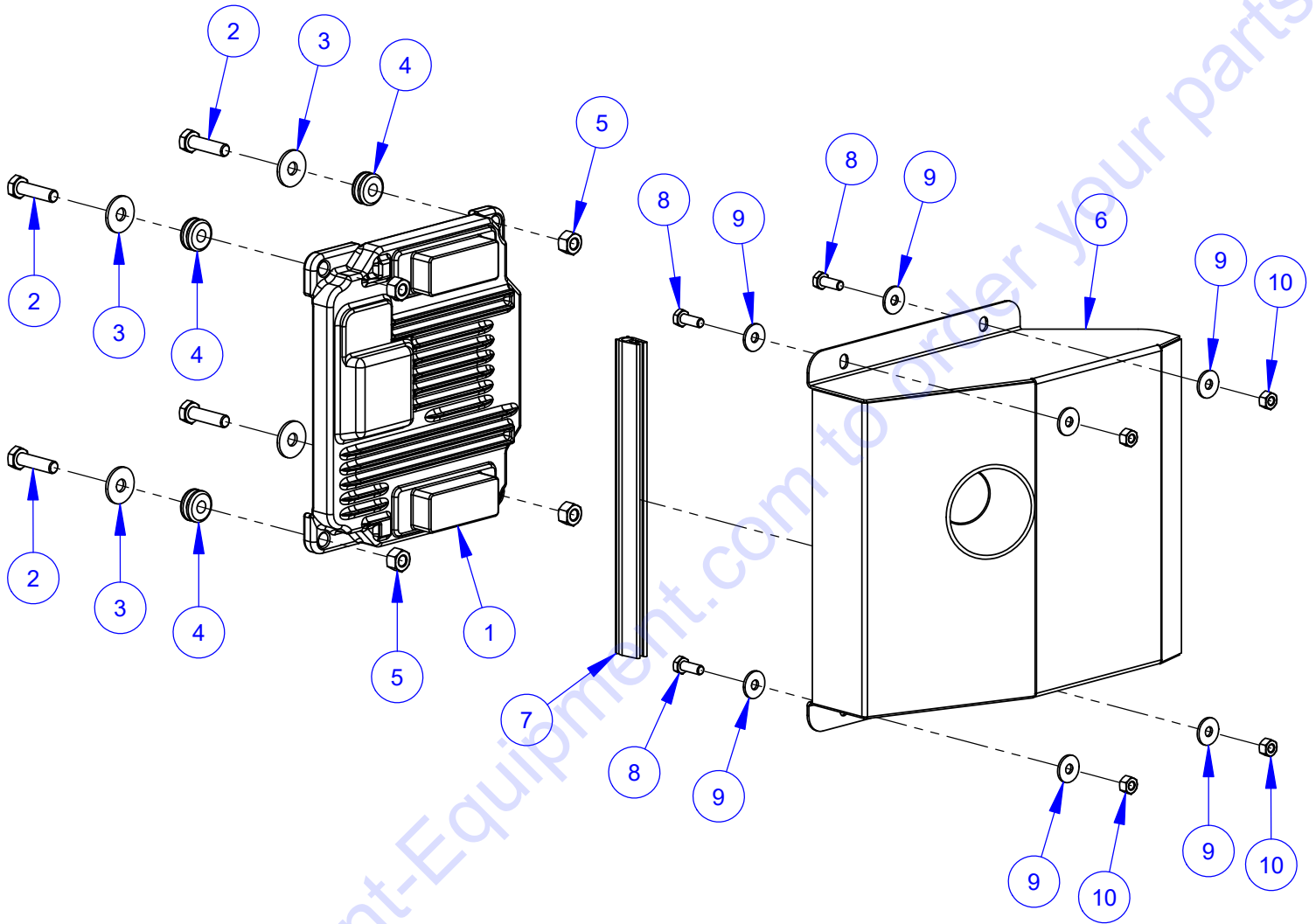




## Depth Stop Assembly #6017419A

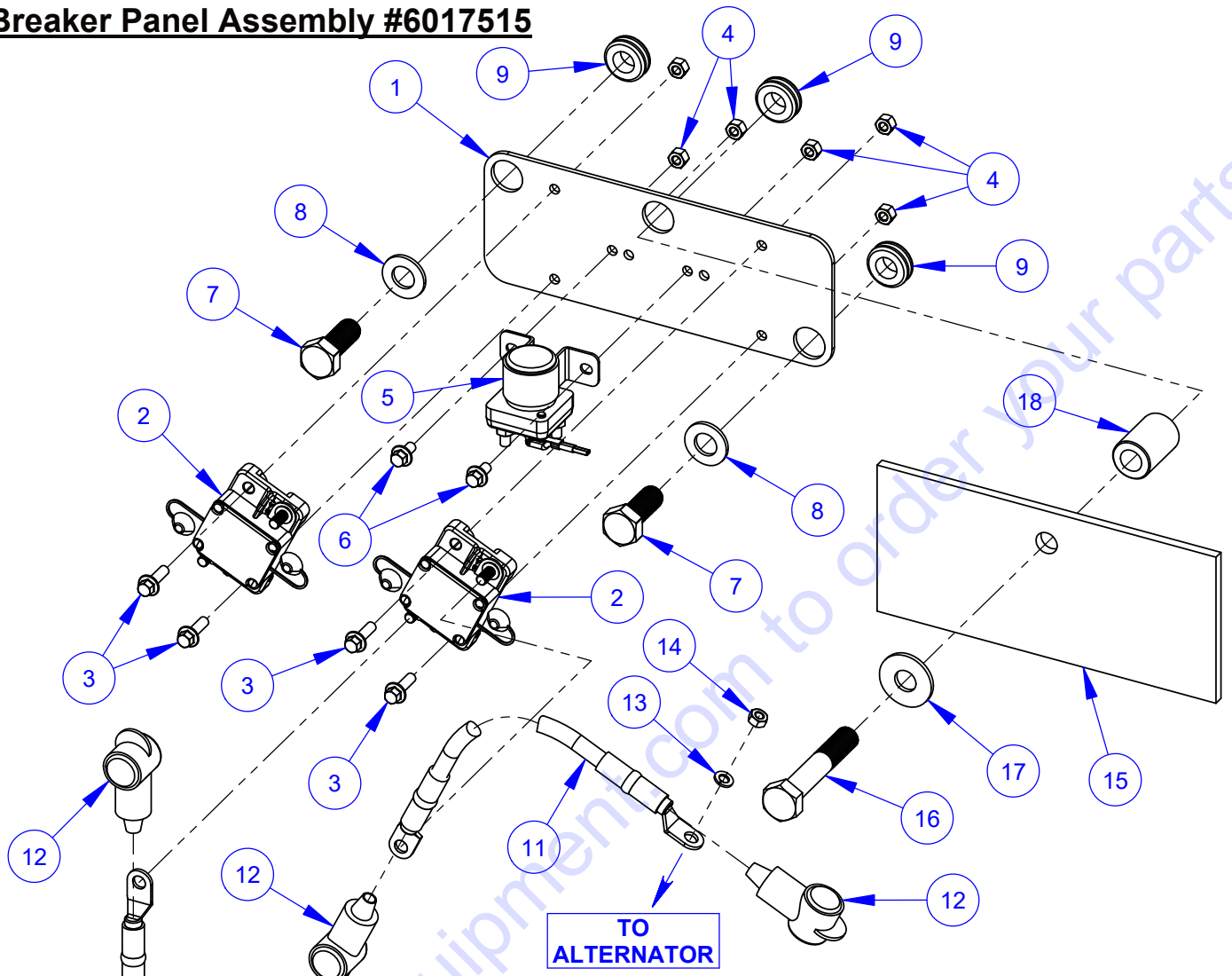
ITEM	PART NO.	QTY	DESCRIPTION
1	2503726	1	Actuator
2	2503727	1	Pivot Bracket with Pin
3	2900341	6	Cap Screw, Hex Hd., M6-1.0 x 16mm
4	2900765	6	Lock Washer, M6 Split
5	2901494	6	Flat Washer, M6
6	2900038	1	Lock Washer, #10 Split
7	2800638	1	Actuator Magnet
8	2503729	6	O-Ring #016
9	6017116	1	Guide Tube
10	2800637	1	Magnetic Proximity Sensor
11	6017117	1	Slide Shaft
12	6017118	1	Hollow Stud, 3/8-24 x 1-1/2"
13	2503728	1	Clevis, 3/8-24 Nylon
14	6017119	1	Linkage Arm
15	2900878	1	Yoke, 5/16-24
16	2900879	1	Clevis Pin, 5/16" Dia. x 15/16"
17	2900262	1	Hairpin Cotter
18	2503730	2	Flanged Bearing, 5/16" ID
19	2900153	2	Friction Washer, 3/8"
20	2900880	1	Cap Screw, Hex Hd., 5/16-24 x 3-1/2"
21	2900031	1	Lock Washer, 5/16" Split
22	2900022	2	Flat Washer, 5/16" SAE
23	2900049	1	Jam Nut, 5/16-24
24	6017120	1	Bell Crank
25	6017198	1	Linkage Assembly 13-3/4" Eye to Eye
26	6017199	1	Linkage Assembly 6-1/2" Eye to Eye
27	2900008	4	Cap Screw, Hex Hd., 1/4-20 x 1"
28	2900009	4	Flat Washer, 1/4" SAE
29	2900010	4	Lock Nut, 1/4-20 Nylon
30	2900902	1	Shoulder Screw, 5/16" x 3" (1/4-20)
31	2900252	1	Belleville Washer, 5/16"
32	2900126	1	Flat Washer, 1/4" USS
33	2900890	1	Friction Washer, 1/2" Nylatron
34	2900782	1	Jam Nut, 3/8-16
35	2900125	1	Hex Nut, 1/4-20
36	6017122	2	Strip Brush
37	2900021	4	Tap Screw, Pan Hd., #10-24 x 3/8"
38	6017232	1	Actuator Cover

## ECU Assembly #6017516



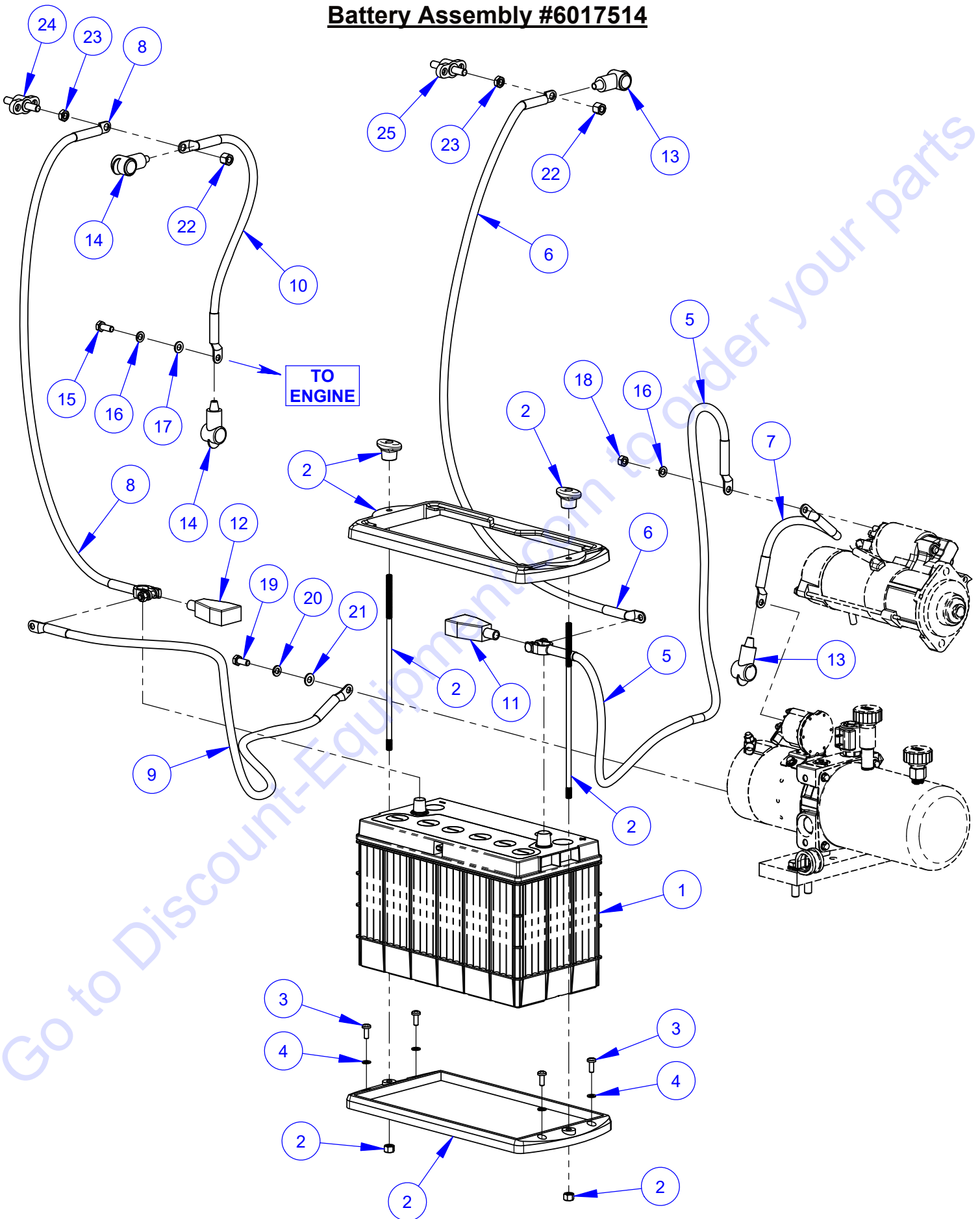
ITEM	PART NO.	QTY.	DESCRIPTION
1	2705148	1	Engine Control Unit (ECU)
2	2900313	4	Cap Screw, Hex Hd., M8-1.25 x 30mm
3	2900383	4	Fender Washer, M8
4	2506011	4	Grommet, 5/16" I.D.
5	2900303	4	Lock Nut, M8-1.25 Nylon Insert
6	6017498	1	ECU Cover
7	6019259	1	Edge Trim Seal 8-1/4"
8	2900341	4	Cap Screw, Hex Hd., M6-1.0 x 16mm
9	2901359	8	Fender Washer, M6
10	2900302	4	Lock Nut, M6-1.0 Nylon Insert

# Breaker Panel Assembly #6017515



ITEM	PART NO.	QTY.	DESCRIPTION
1	6017493	1	Breaker Panel
2	2801277	2	Circuit Breaker, 100 Amp
3	2900328	4	Cap Screw, Hex Flange, M6-1.0 x 20mm
4	2900302	6	Lock Nut, M6-1.0 Nylon Insert
5	2808227	1	Glow Plug Relay
6	2901370	2	Cap Screw, Hex Flange, M6-1.0 x 12mm
7	2900874	2	Cap Screw, Hex Hd., M14-1.5 x 35mm
8	2900326	2	Flat Washer, M14
9	2503712	3	Grommet, 9/16" I.D.
10	2800095	1	Solenoid Cable, 14" Positive (Red)
11	2800907	1	Solenoid Cable, 24" Positive (Red)
12	2800197	4	Battery Boot, Small (Red)
13	2900765	1	Lock Washer, M6 Split
14	2900305	1	Hex Nut, M6-1.0
15	6017545	1	Panel Curtain
16	2902011	1	Cap Screw, Hex Hd., M14-1.5 x 80mm
17	2900127	1	Flat Washer, 1/2" USS
18	6017546	1	Spacer, 1-1/2" Long

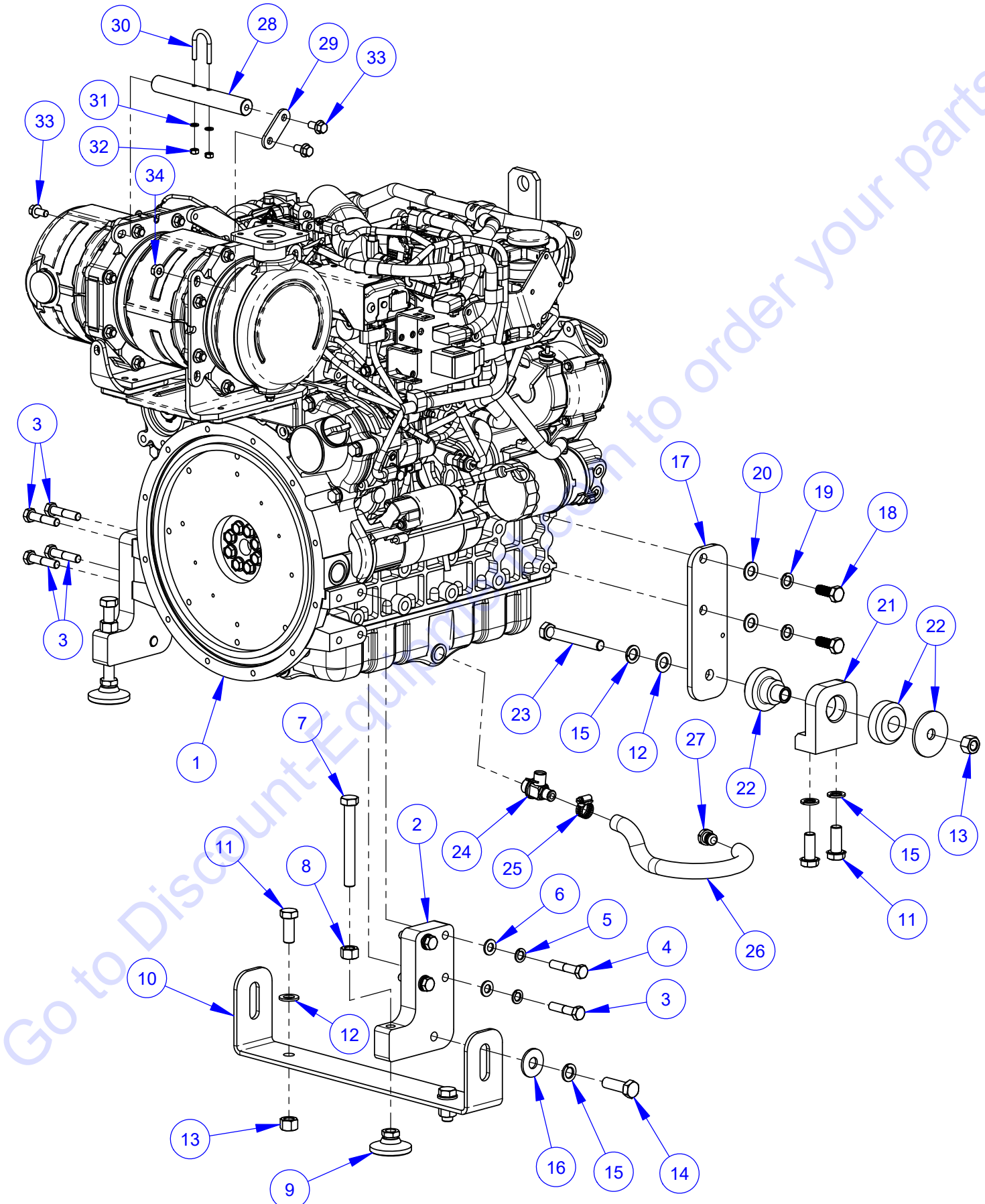
# Battery Assembly #6017514



## Battery Assembly #6017514

ITEM	PART NO.	QTY.	DESCRIPTION
1	2801299	1	Battery, 12 Volt Group Size 31
2	6017543	1	Battery Tray (Notched)
	2506053B	1	Battery Tray Top
	2506053C	2	Ratchet Knob 5/16-18
	2506053D	2	Tie Rod, 5/16-18
	2900039	2	Lock Nut, 5/16-18 Nylon
3	2901368	4	Machine Screw, Pan Hd., M6-1.0 x 16mm
4	2900765	4	Lock Washer, M6 Split
5	2801296	1	Battery Cable, 48" Positive (Red)
6	2801297	1	Cable, 42" Positive (Red)
7	2801298	1	Cable, 14" Positive (Red)
8	2801506	1	Battery Cable, 32" Negative (Black)
9	2801507	1	Cable, 42" Negative (Black)
10	2801508	1	Cable, 16" Negative (Black)
11	2800256	1	Battery Boot, Large (Red)
12	2800257	1	Battery Boot, Large (Black)
13	2800197	2	Battery Boot, Small (Red)
14	2800198	2	Battery Boot, Small (Black)
15	2900329	1	Cap Screw, Hex Hd., M8-1.25 x 20mm
16	2900763	2	Lock Washer, M8 Split
17	2901336	1	Flat Washer, M8
18	2900343	1	Hex Nut, M8-1.25
19	2900019	1	Cap Screw, Hex Hd., 5/16-18 x 3/4"
20	2900031	1	Lock Washer, 5/16" Split
21	2900022	1	Flat Washer, 5/16" SAE
22	2900018	2	Locknut, 3/8-16, Nylon
23	2900782	2	Jam Nut, 3/8-16
24	2800626	1	Ground Stud Block (Black)
25	2800627	1	Power Stud Block (Red)

# Engine Assembly #6017500

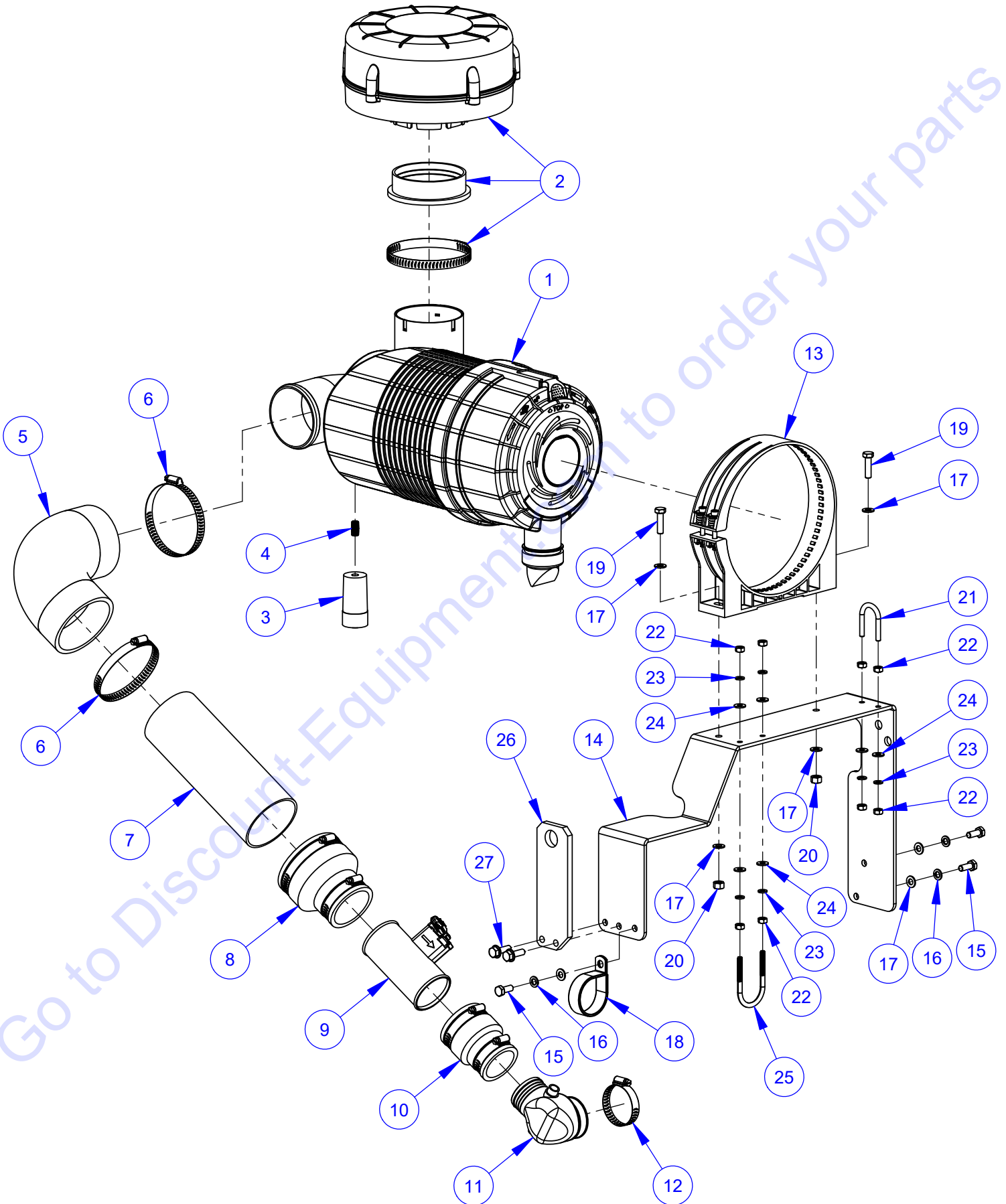




## Engine Assembly #6017500

ITEM	PART NO.	QTY	DESCRIPTION
1	2600678	1	Engine, Kubota Model V3307
2	6017380	2	Engine Foot
3	2901573	6	Cap Screw, Hex Hd., M12-1.25 x 55mm
4	2900886	2	Cap Screw, Hex Hd., M12-1.25 x 60mm
5	2900699	8	Lock Washer, M12 Split
6	2901357	8	Flat Washer, M12
7	2901350	2	Tap Bolt, Hex Hd., M16-2.0 x 130mm
8	2901352	2	Hex Nut, M16-2.0
9	2901353	2	Swivel Pad, M16-2.0
10	6017156	1	Engine Cradle
11	2900731	6	Cap Screw, Hex Hd., M16-2.0 x 40mm
12	2901358	4	Flat Washer, M16
13	2900670	4	Lock Nut, M16-2.0 Nylon Insert
14	2901367	2	Cap Screw, Hex Hd., M16-2.0 x 50mm
15	2900716	8	Lock Washer, M16 Split
16	2900721	2	Flat Washer, 5/8" USS Hardened
17	6017154	2	Engine Leg
18	2900874	4	Cap Screw, Hex Hd., M14-1.5 x 35mm
19	2900875	4	Lock Washer, M14 Split
20	2900326	4	Flat Washer, M14
21	6017381	2	Engine Pivot Block
22	2503788	2	Vibration Isolator
23	2901349	2	Cap Screw, Hex Hd., M16-2.0 x 110mm
24	3200813	1	Oil Drain Valve, M22x1.5
25	3200016	1	Hose Clamp #8
26	6017021	1	Oil Drain Hose, 5/8" I.D. x 12"
27	3201728	1	Hose Plug
28	6017488	1	Rope Guide Bar
29	6017489	1	Rope Guide Link
30	2900241	1	U-Bolt, 1/2" Pipe
31	2900024	2	Lock Washer, 1/4" Split
32	2900125	2	Hex Nut, 1/4-20
33	2901394	3	Flange Bolt, Hex Hd., M10-1.25 x 20mm
34	2901398	1	Hex Flange Nut, M10-1.25

# Air Intake Assembly #6017501

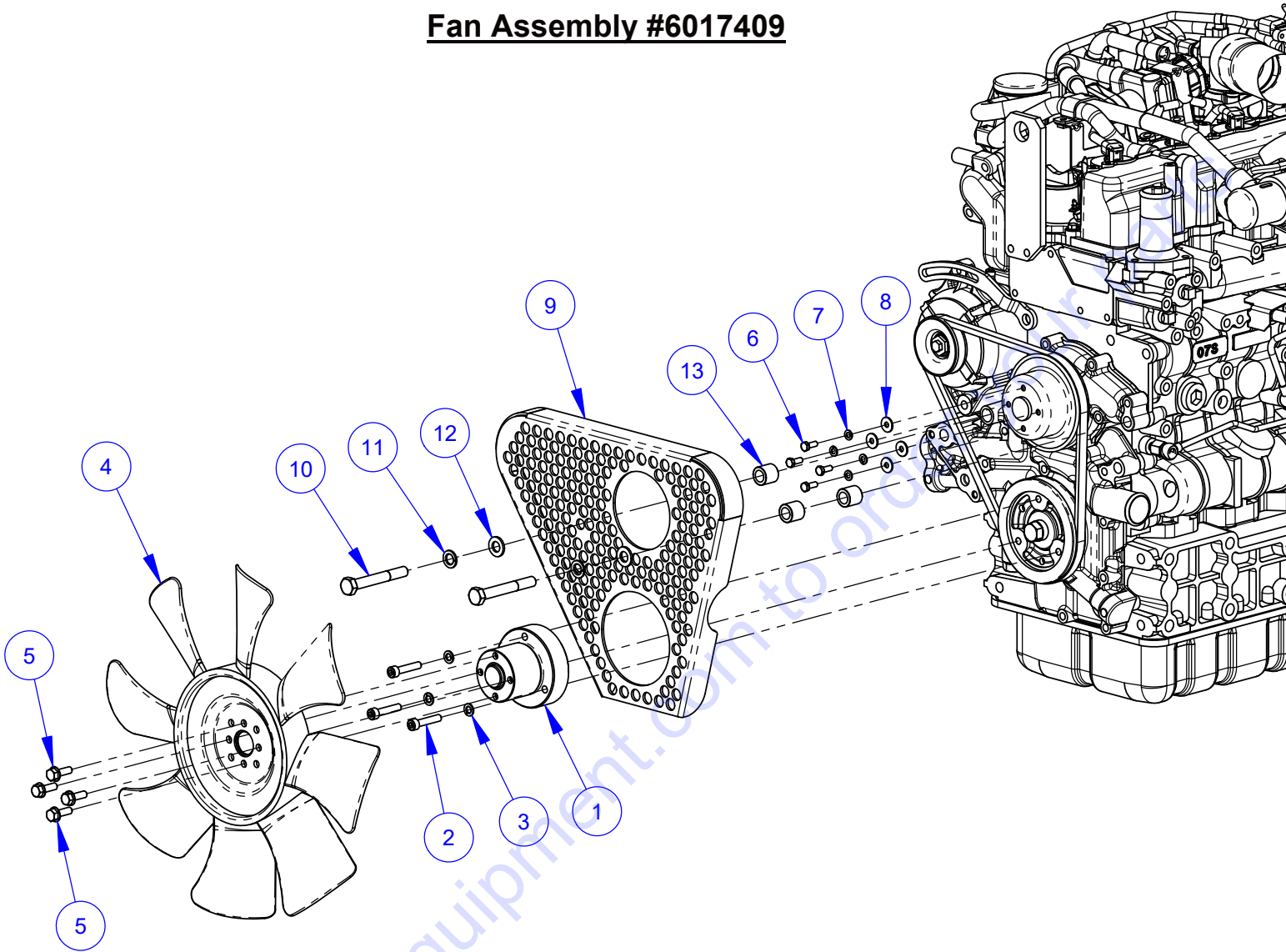


## Air Intake Assembly #6017501

ITEM	PART NO.	QTY.	DESCRIPTION
1	2502182	1	Air Cleaner Complete
	2501352	1	Outer Primary Filter
	2501353	1	Inner Safety Filter
	2500239	1	Rubber Dust Ejector Boot
2	2501504	1	Pre-Cleaner w/Clamp & Adapter Ring
3	2500423	1	Restriction Indicator
4	3200117	1	Close Nipple, 1/8" NPT
5	2500427	1	Hose Elbow, 3-1/2" I.D.
6	3200198	2	Hose Clamp #64
7	6017490	1	Air Intake Tube
8	2506036	1	Hose Coupling Reducer w/Clamps
	3200198	1	Hose Clamp #64
	3200096	1	Hose Clamp #40
9	2705147	1	MAF Sensor
10	2506034	1	Hose Coupling Reducer w/Clamps
	3200095	1	Hose Clamp #32
	3200096	1	Hose Clamp #40
11	2506012	1	Hose Elbow, 2"
12	3200095	1	Hose Clamp #32
13	2501351	1	Mounting Band, Polymer
14	6017476	1	Air Cleaner Platform
15	2900329	3	Cap Screw, Hex Hd., M8-1.25 x 20mm
16	2900763	3	Lock Washer, M8 Split
17	2901336	7	Flat Washer, M8
18	2506056	1	Hose Clamp, 2" x 3/4" Wide
19	2900313	2	Cap Screw, Hex Hd., M8-1.25 x 30mm
20	2900303	2	Lock Nut, M8-1.25 Nylon Insert
21	2900241	1	U-Bolt, 1/2" Pipe
22	2900125	8	Hex Nut, 1/4-20
23	2900024	6	Lock Washer, 1/4" Split
24	2900009	6	Flat Washer, 1/4" SAE
25	2900379	1	U-Bolt, 1" Pipe
26	2704974	1	Engine Lift Hook
27	2901560	2	Cap Screw, Hex Flange, M8-1.25 x 25mm

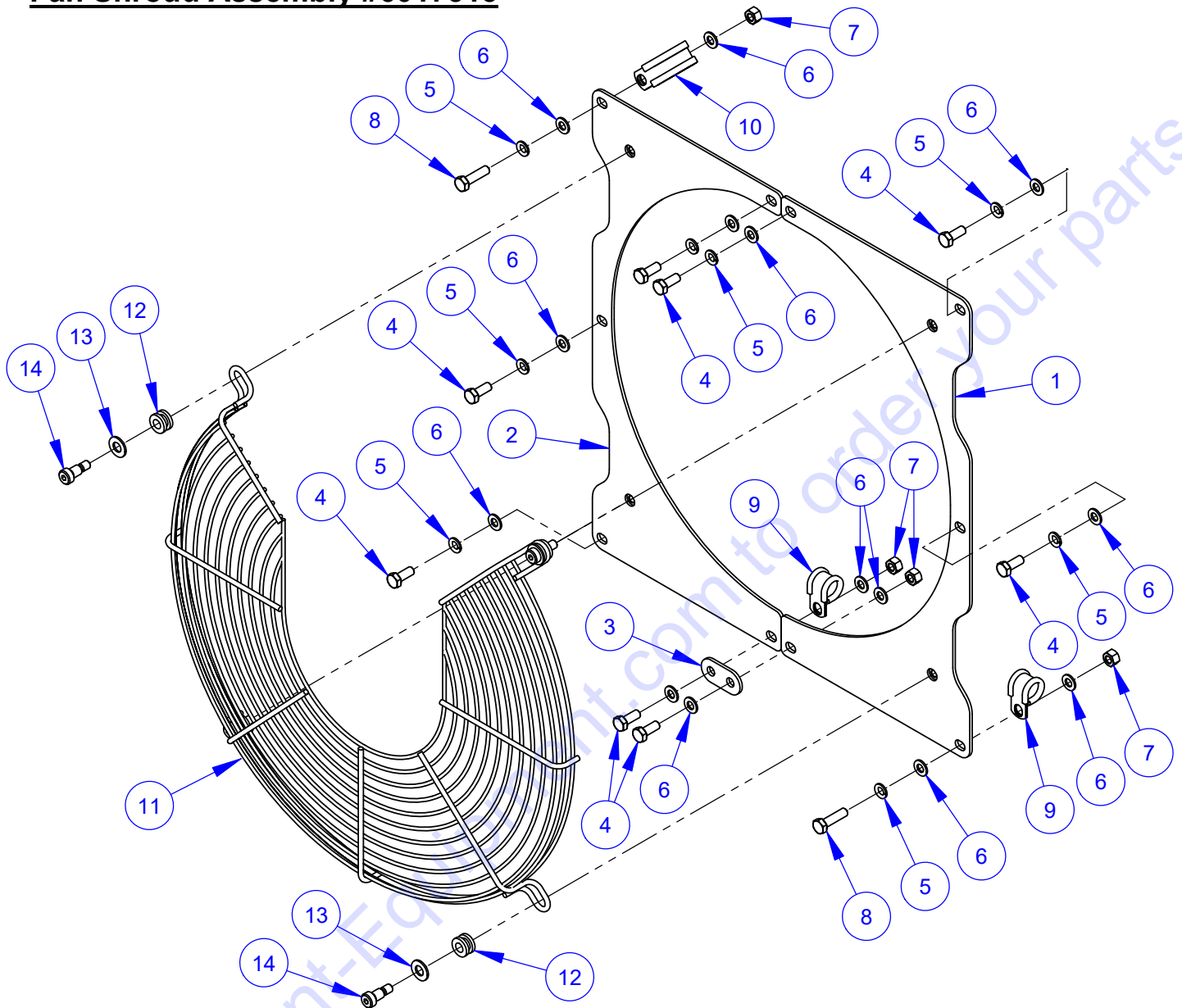


## Fan Assembly #6017409



ITEM	PART NO.	QTY	DESCRIPTION
1	6017398	1	Fan Hub Adapter
2	2900398	3	Cap Screw, Soc. Hd., M8-1.25 x 40mm
3	2900763	3	Lock Washer, M8 Split
4	6017470	1	Cooling Fan, 17"
5	2901560	4	Cap Screw, Hex Flange, M8-1.25 x 25mm
6	2900341	4	Cap Screw, Hex Hd., M6-1.0 x 16mm
7	2900765	4	Lock Washer, M6 Split
8	2901359	4	Fender Washer, M6
9	6017133	1	Belt Guard
10	2900881	2	Cap Screw, Hex Hd., M12-1.25 x 90mm
11	2900699	2	Lock Washer, M12 Split
12	2901357	2	Flat Washer, M12
13	6017134	3	Spacer, 21mm long

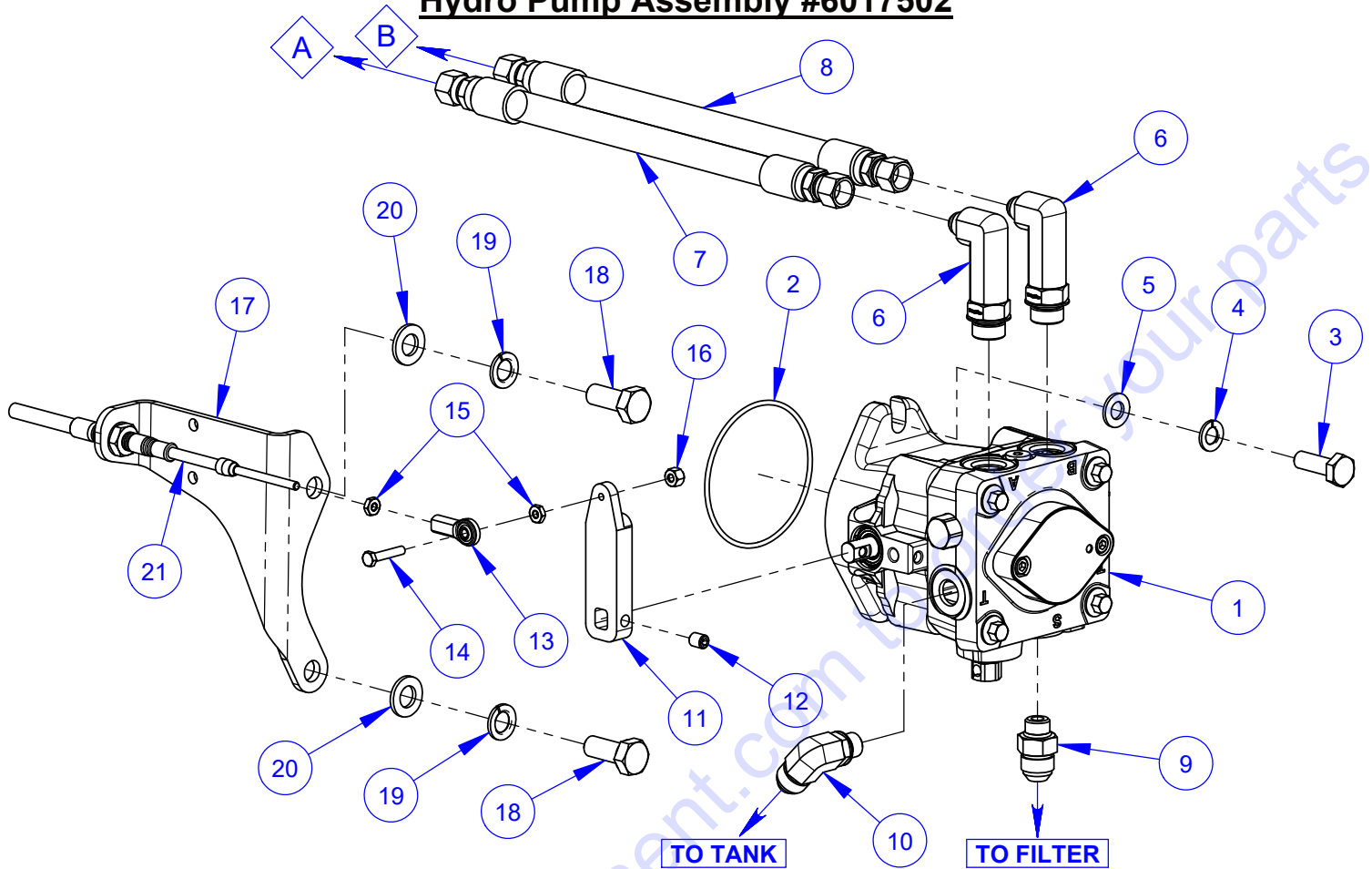
## Fan Shroud Assembly #6017513



ITEM	PART NO.	QTY.	DESCRIPTION
1	6017037A	1	Fan Shroud (Left)
2	6017037B	1	Fan Shroud (Right)
3	6017038	1	Link
4	2900329	8	Cap Screw, Hex Hd., M8-1.25 x 20mm
5	2900763	8	Lock Washer, M8 Split
6	2901336	14	Flat Washer, M8
7	2900303	4	Lock Nut, M8-1.25 Nylon Insert
8	2900313	2	Cap Screw, Hex Hd., M8-1.25 x 30mm
9	2801151	2	Hose Clamp, 3/4" x 3/4" Wide
10	2504465	1	Hose Clamp, 1-1/4" x 3/4" Wide
11	2503705	1	Fan Guard
12	2503711	4	Grommet, 3/8" I.D.
13	2900014	4	Flat Washer, 3/8" SAE
14	2900672	4	Shoulder Screw, 3/8" x 1/2" (5/16-18)



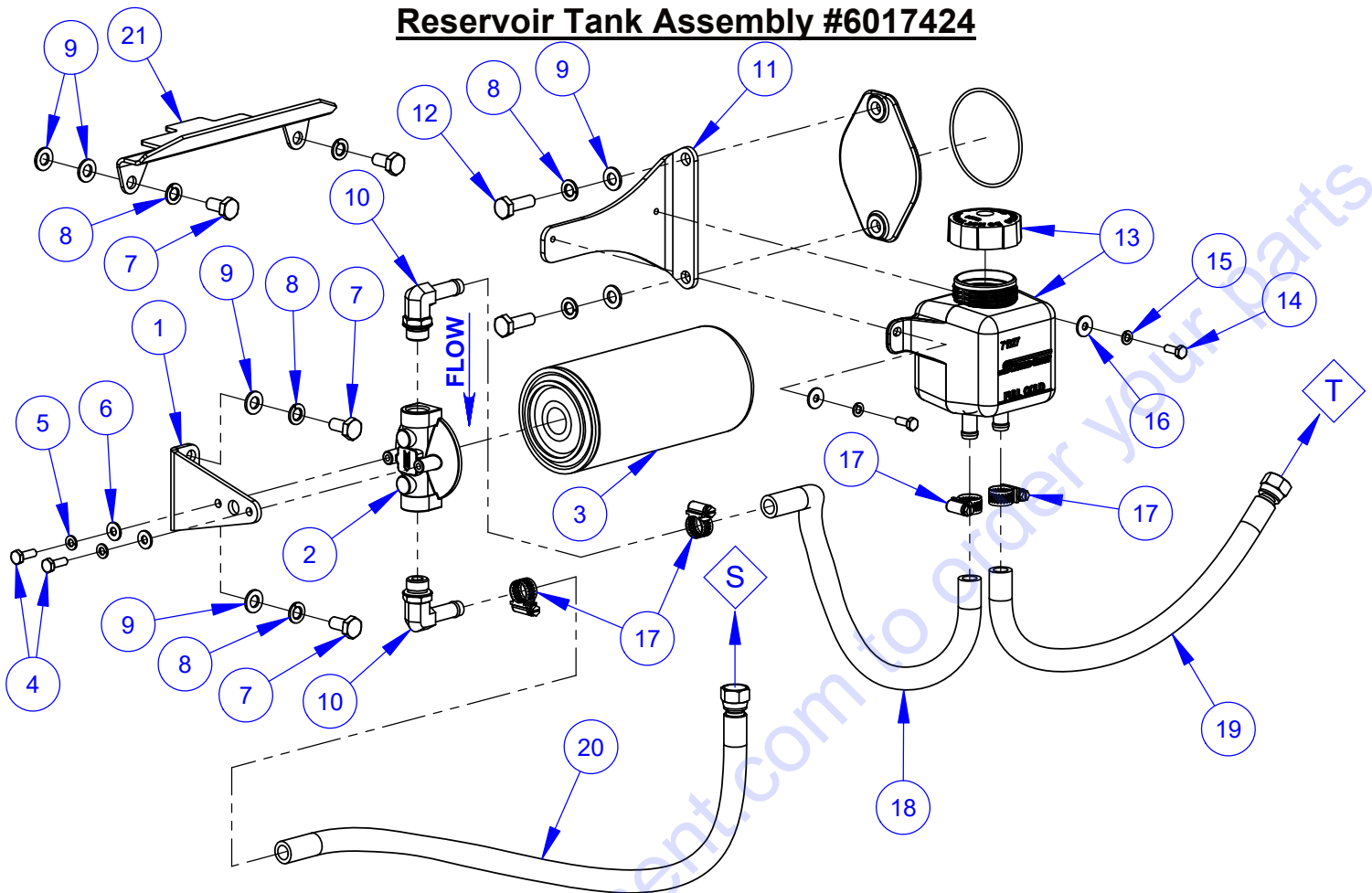
## Hydro Pump Assembly #6017502



ITEM	PART NO.	QTY.	DESCRIPTION
1	2600550	1	Hydro Pump
2	2503897	1	O-Ring, AS568A-152 Viton
3	2900870	2	Cap Screw, Hex Hd., M10-1.25 x 30mm
4	2900321	2	Lock Washer, M10 Split
5	2901356	2	Flat Washer, M10
6	3202843	2	Elbow, 1/2" O-Ring to 3/8" M. JIC
7	6017541	1	Hose Assembly 3/8" x 64"
8	6017542	1	Hose Assembly 3/8" x 68"
9	3200266	1	Adapter, 3/8" O-Ring to 1/2" M. JIC
10	3202086	1	Elbow, 3/8" O-Ring to 1/2" M. JIC
11	6017137	1	Control Arm
12	2900429	1	Set Screw, Soc. Hd., 5/16-24 x 1/2"
13	2500791	1	Rod End, #10-32 Female
14	2900687	1	Machine Screw, Hex Hd., #10-32 x 1"
15	2900188	2	Hex Nut, #10-32
16	2900688	1	Lock Nut, #10-32 Nylon
17	6017217	1	Control Cable Bracket
18	2900746	2	Cap Screw, Hex Hd., M12-1.25 x 30mm
19	2900699	2	Lock Washer, M12 Split
20	2901357	2	Flat Washer, M12
21	2503781	1	Control Cable 41"

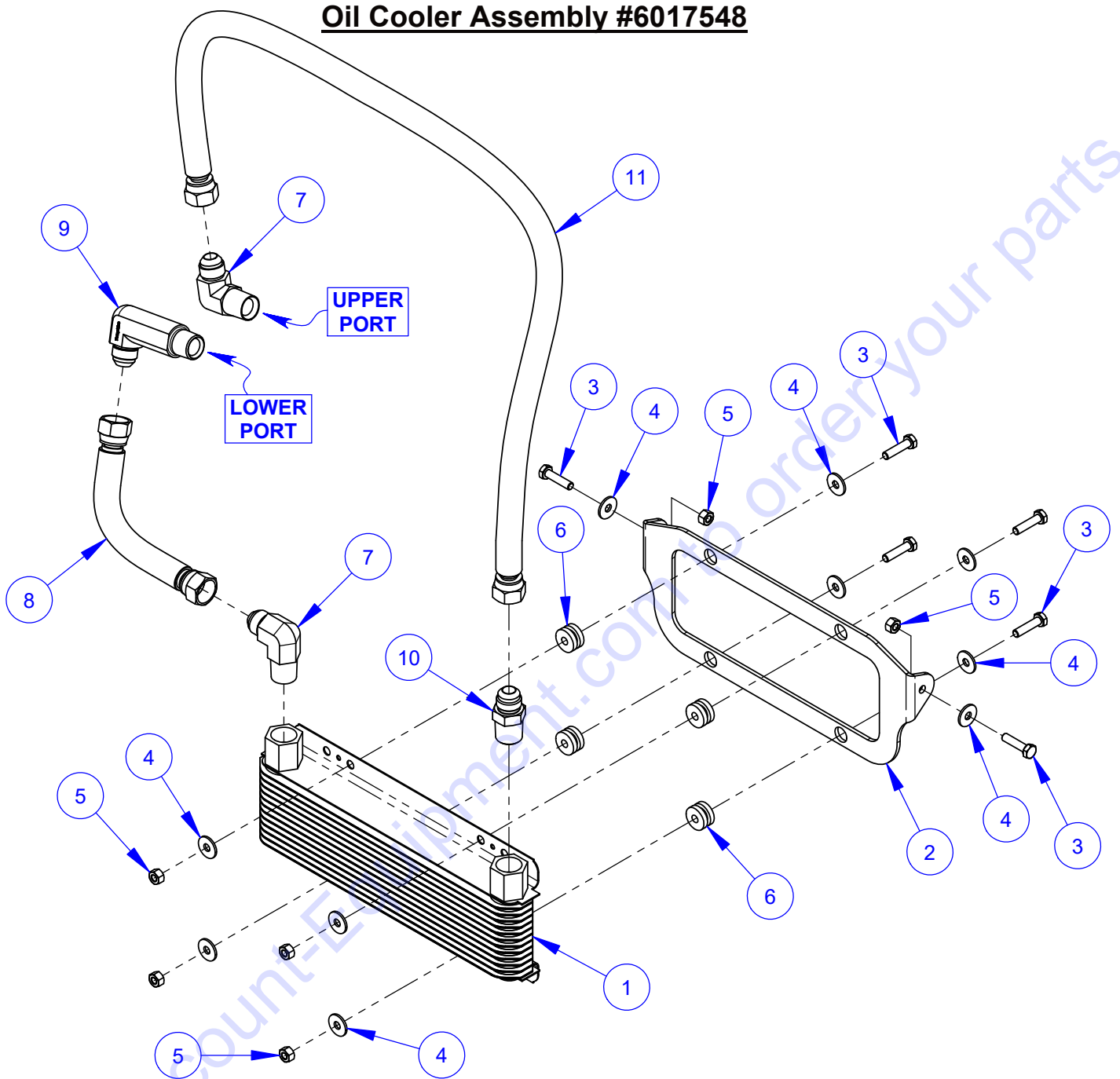


## Reservoir Tank Assembly #6017424



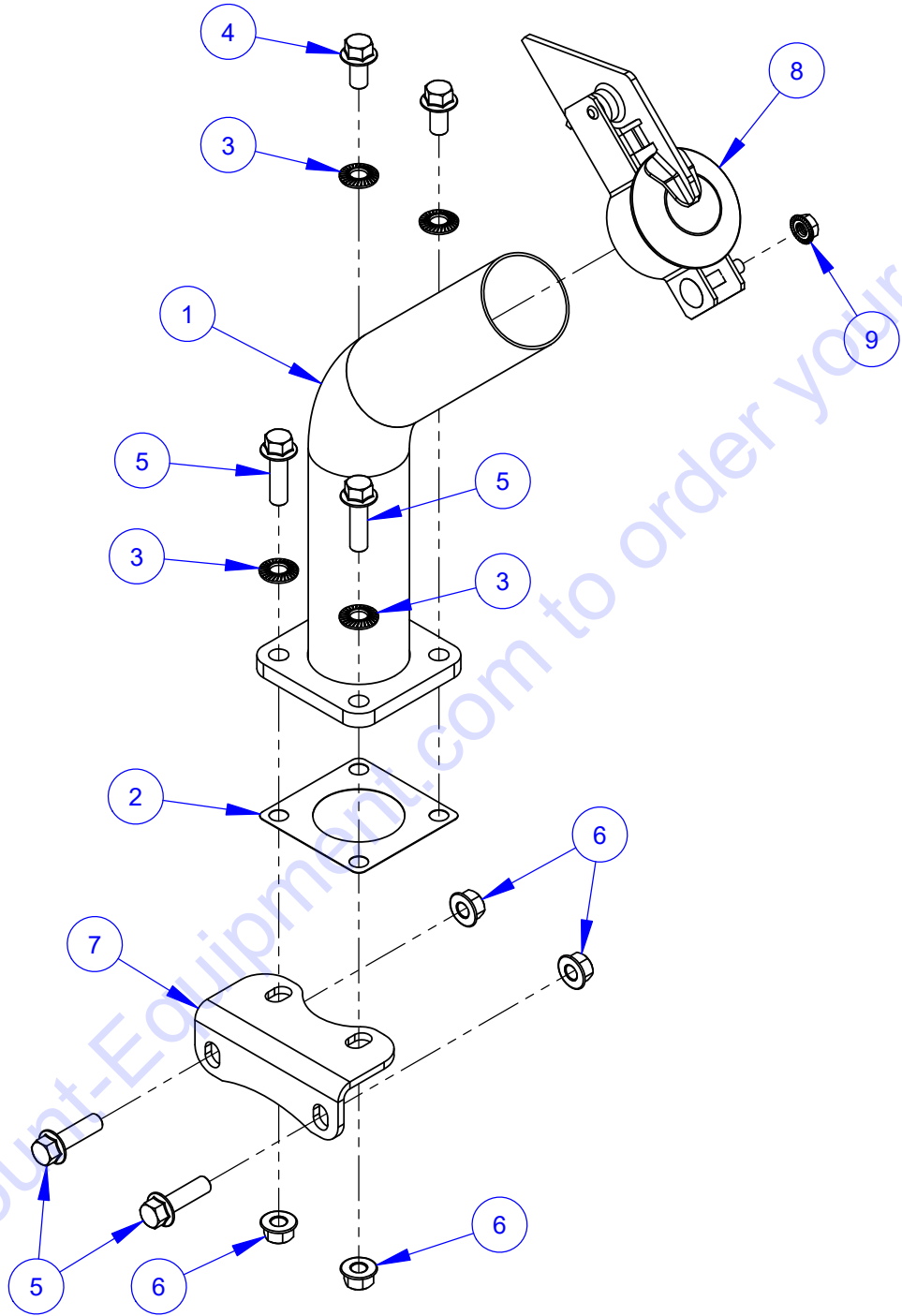
ITEM	PART NO.	QTY.	DESCRIPTION
1	6017356	1	Oil Filter Mount Bracket
2	3201970	1	Filter Head
3	3201971	1	Filter Element
4	2900144	2	Cap Screw, Hex Hd., 1/4-20 x 3/4"
5	2900024	2	Lock Washer, 1/4" Split
6	2900009	2	Flat Washer, 1/4" SAE
7	2901021	4	Cap Screw, Hex Hd., M10-1.25 x 20mm
8	2900321	6	Lock Washer, M10 Split
9	2901356	6	Flat Washer, M10
10	3201896	2	Elbow, 1/2" O-Ring to 1/2" Hose Bead
11	6017355	1	Tank Mount Bracket
12	2900870	2	Cap Screw, Hex Hd., M10-1.25 x 30mm
13	2503796	1	Reservoir Tank & Cap
14	2900341	2	Cap Screw, Hex Hd., M6-1.0 x 16mm
15	2900765	2	Lock Washer, M6 Split
16	2901359	2	Fender Washer, M6
17	3200016	4	Hose Clamp #8
18	6017395	1	Hose, 1/2" I.D. x 20"
19	6017396	1	Hose Assembly 1/2" x 17"
20	6017397	1	Hose Assembly 1/2" x 28"
21	6017469	1	Heat Shield

## Oil Cooler Assembly #6017548



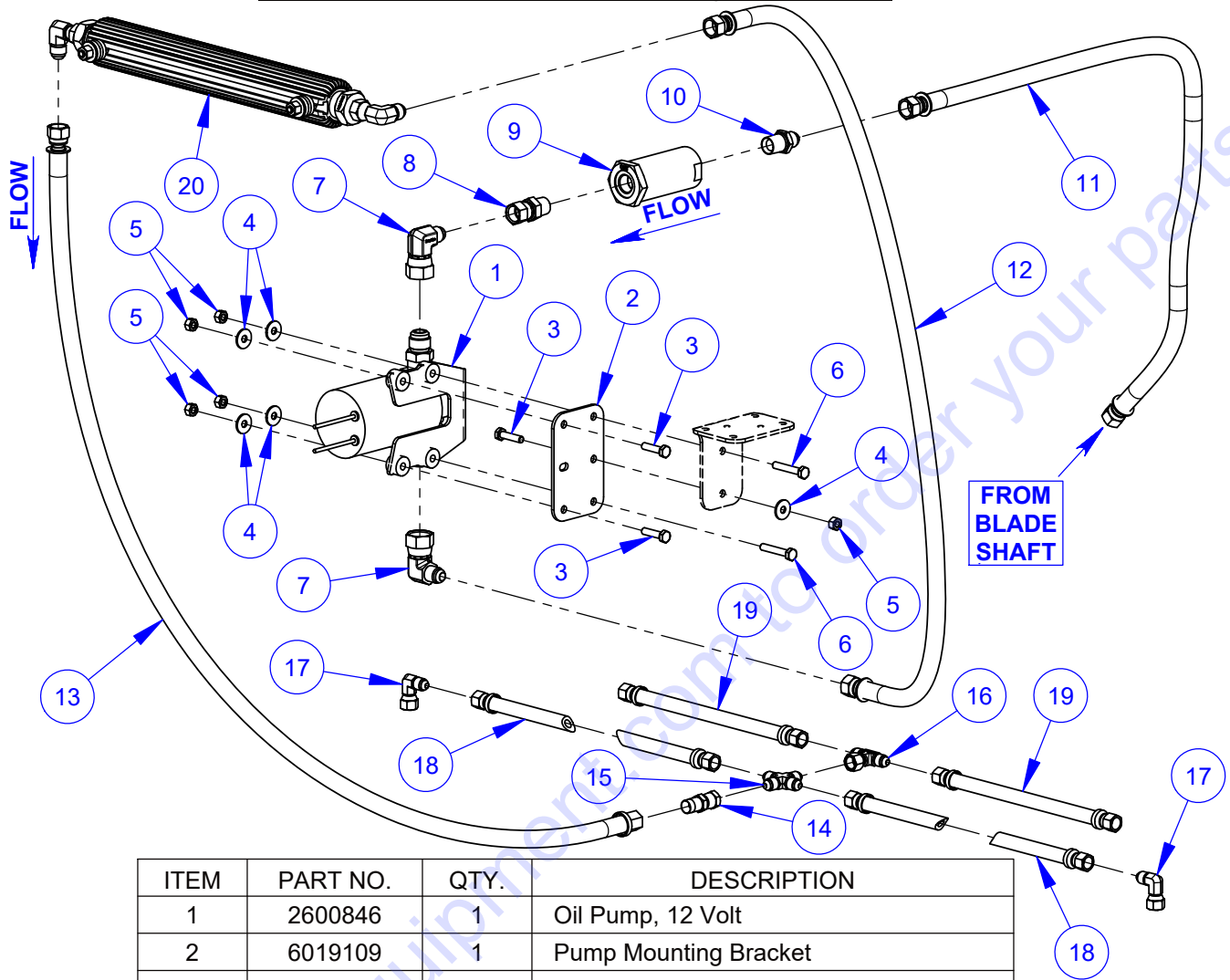
ITEM	PART NO.	QTY.	DESCRIPTION
1	2506059	1	Super Cooler, Oil
2	6017556	1	Cooler Mount Bracket
3	2900311	6	Cap Screw, Hex Hd., M6-1.0 x 25mm
4	2901359	10	Fender Washer, M6
5	2900302	6	Lock Nut, M6-1.0 Nylon Insert
6	2503986	4	Grommet, 1/4" I.D.
7	3201461	2	Elbow, 1/2" M. JIC to 1/2" M. Pipe
8	6017561	1	Hose Assembly 1/2" x 8"
9	3202846	1	Elbow, 1/2" M. JIC to 1/2" M. Pipe XL
10	3200283	1	Adapter, 1/2" M. Pipe x 1/2" M. JIC
11	6017524	1	Hose Assembly 1/2" x 38"

## Exhaust Pipe Assembly #6019209



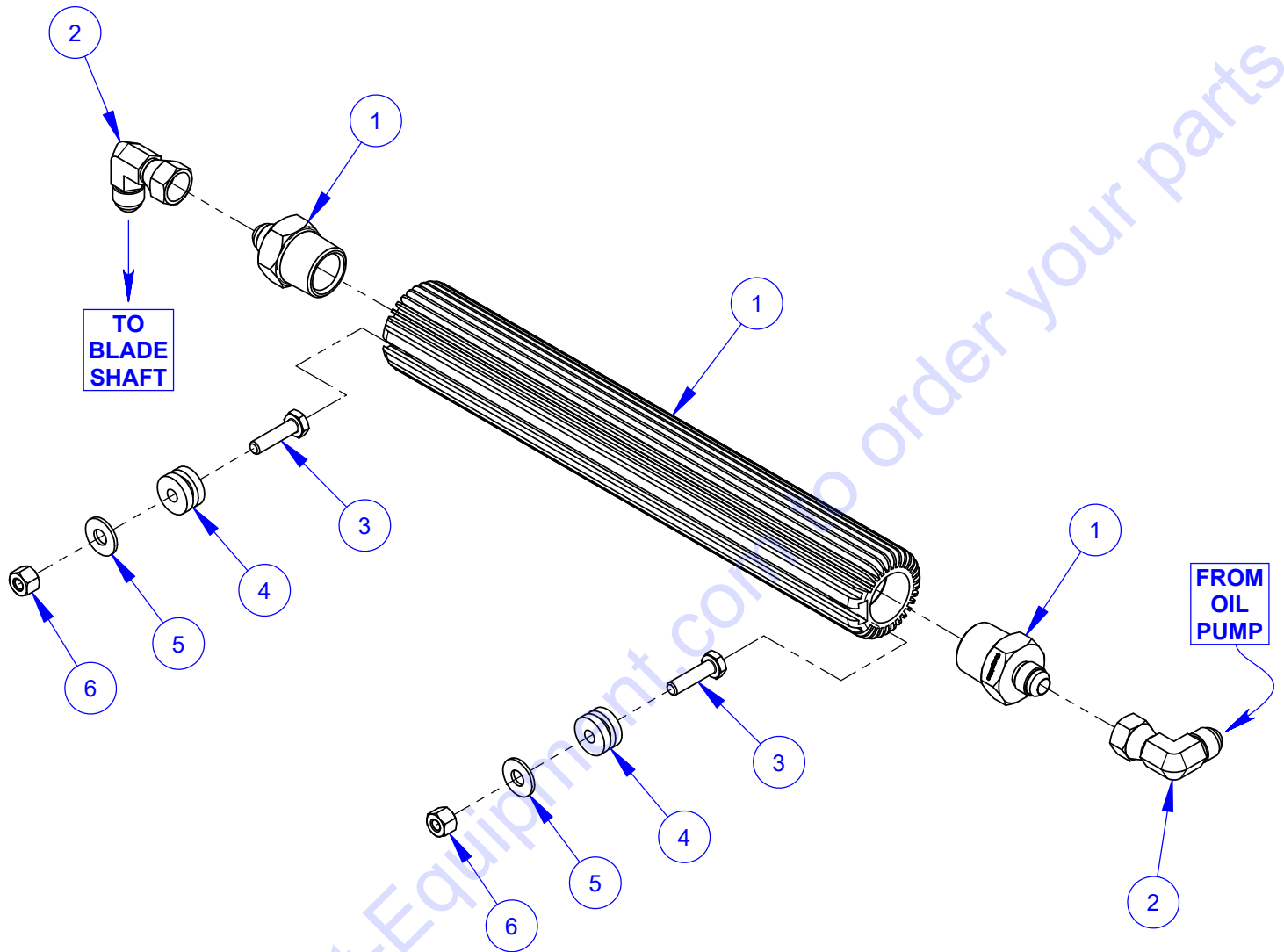
ITEM	PART NO.	QTY.	DESCRIPTION
1	6019236	1	Exhaust Tailpipe
2	2705154	1	Exhaust Flange Gasket
3	2900474	4	Belleville Washer
4	2901394	2	Flange Bolt, Hex Hd., M10-1.25 x 20mm
5	2902294	4	Flange Bolt, Hex Hd., M10-1.25 x 35mm
6	2901398	4	Hex Flange Nut, M10-1.25
7	6016291	1	Tailpipe Support Bracket
8	2704973	1	Rain Cap 2-1/4"
9	2900852	1	5/16-18 Flange Lock Nut, Serrated

## Oil Pump & Cooler Assembly #6017517



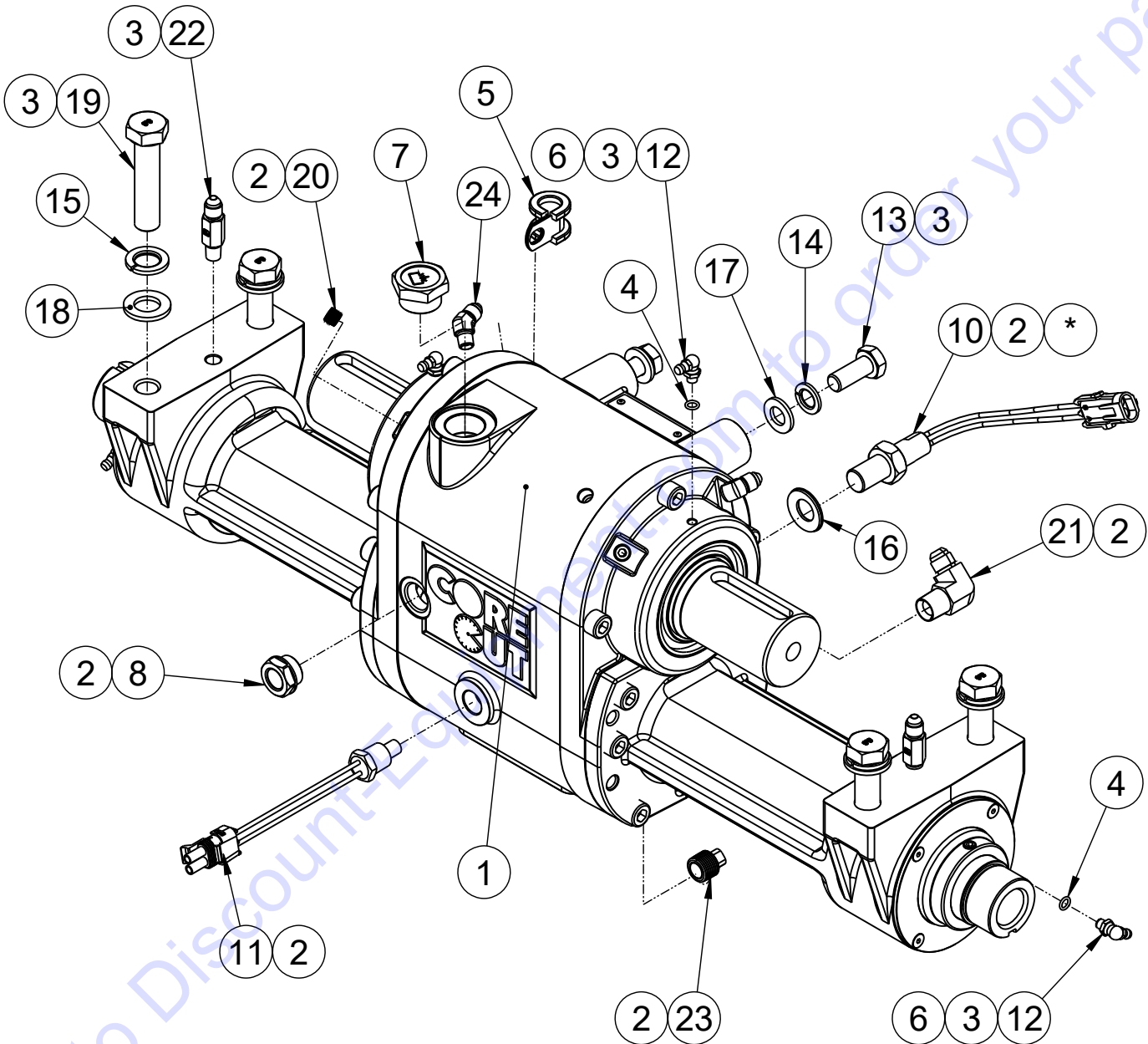
ITEM	PART NO.	QTY.	DESCRIPTION
1	2600846	1	Oil Pump, 12 Volt
2	6019109	1	Pump Mounting Bracket
3	2900311	3	Cap Screw, Hex Hd., M6-1.0 x 25mm
4	2901359	5	Fender Washer, M6
5	2900302	5	Lock Nut, M6-1.0 Nylon Insert
6	2900312	2	Cap Screw, Hex Hd., M6-1.0 x 35mm
7	3202499	2	Elbow, 3/8" M. JIC to 1/2" F. JIC
8	3202881	1	Adapter, 3/8" F. JIC to 3/8" M. Pipe
9	3201940	1	Mini Inline Filter (90 Micron)
	3201941	1	Filter Cartridge (90 Micron)
10	3201467	1	Fitting, 3/8" M. JIC to 3/8" M. Pipe
11	6017531	1	Hose Assembly 3/8" x 36"
12	6017532	1	Hose Assembly 3/8" x 32"
13	6017533	1	Hose Assembly 3/8" x 46"
14	3200219	1	Adapter, 1/4" M. Pipe to 1/4" F. JIC
15	3201892	1	Union Cross, 1/4" Male JIC
16	3202747	1	Tee, 1/4" M/F JIC Branch
17	3201241	2	Elbow, 1/4" M. JIC to 1/4" F. JIC
18	6017445	2	Hose Assembly 1/4" x 24"
19	6017492	2	Hose Assembly 1/4" x 9"
20	6017518	1	In-Line Cooler Assembly

## In-Line Cooler Assembly #6017518



ITEM	PART NO.	QTY.	DESCRIPTION
1	2506055	1	Cooler, In-Line
	3202841	2	Adapter, 3/4" M. Pipe to 3/8" M. JIC
2	3202842	2	Elbow, 3/8" M. JIC to 3/8" F. JIC
3	2900008	2	Cap Screw, Hex Hd., 1/4-20 x 1"
4	2503986	2	Grommet, 1/4" I.D.
5	2900126	2	Flat Washer, 1/4" USS
6	2900010	2	Lock Nut, 1/4-20 Nylon

**Blade Shaft Assembly #6018186 (Option A) or #6018141 (Option B) for 1-Speed Saw  
 Blade Shaft Assembly #6018230 (Option A) or #6018232 (Option B) for 3-Speed Saw**



\* SCREW 2800169 INTO PORT UNTIL SENSOR TIP JUST TOUCHES OD OF 34T GEAR. BACK SENSOR OUT 1/2 TURN & LOCK IN POSITION WITH JAM NUT SUPPLIED WITH SENSOR. BE SURE INPUT SHAFT ROTATES FREELY

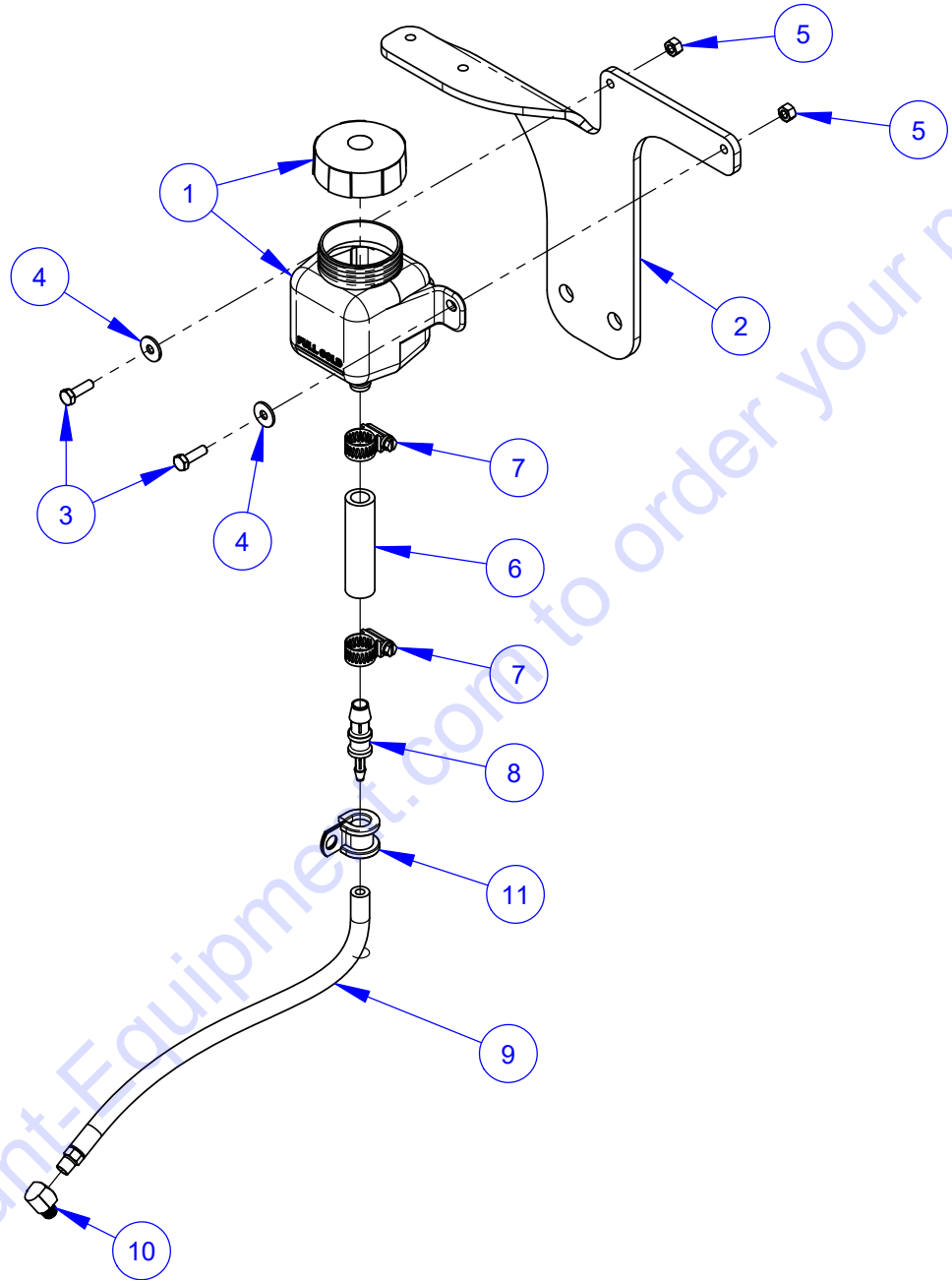
**Blade Shaft Assembly #6018186 (Option A) or #6018141 (Option B) for 1-Speed Saw**  
**Blade Shaft Assembly #6018230 (Option A) or #6018232 (Option B) for 3-Speed Saw**

ITEM	PART NO.	QTY.	DESCRIPTION
1	1801977	1	Expansion Tank Label
2	2401311	1	Loctite #567 Thread Sealant
3	2401316	1	Loctite #262 Red
4	2500939	4	O-Ring, AS568A - 010
5	2501434	1	Hose Clamp, 5/8" x 3/4" Wide
6	2502046	1	Grease, Fuchs Synthetic
7	2503834	1	Oil Fill Cap
8	2503872	1	Sight Glass, Oil Level
9	2503954	1	Synthetic ATF
10	2800169	1	Magnetic Sensor w/Jam Nut
11	2800892	1	Temperature Sender 3/8" NPT
12	2900061	4	Grease Fitting, 1/4-28 x 90 Degree
13	2900330	2	Cap Screw, Hex Hd., M12 x 1.75 x 30mm
14	2900699	2	Lock Washer, M12 Split
15	2900716	4	Lock Washer, M16 Split
16	2900805	1	Sealing Washer, 5/8"
17	2901357	2	Flat Washer, M12
18	2901358	4	Flat Washer, M16
19	2901593	4	HHCS: M16-2x70
20	3200001	2	Plug, 1/8" NPT
21	3201466	1	Elbow, 3/8" M. Pipe to 3/8" M. JIC
22	3201893	2	Adapter, 1/8" M. Pipe to 1/4" M. JIC
23	3201999	1	Magnetic Pipe Plug, 3/8" NPT
24	3202748	2	Elbow, 1/4" M. JIC to 1/8" M. Pipe (45 deg)

Go to Discount Equipment to order your parts

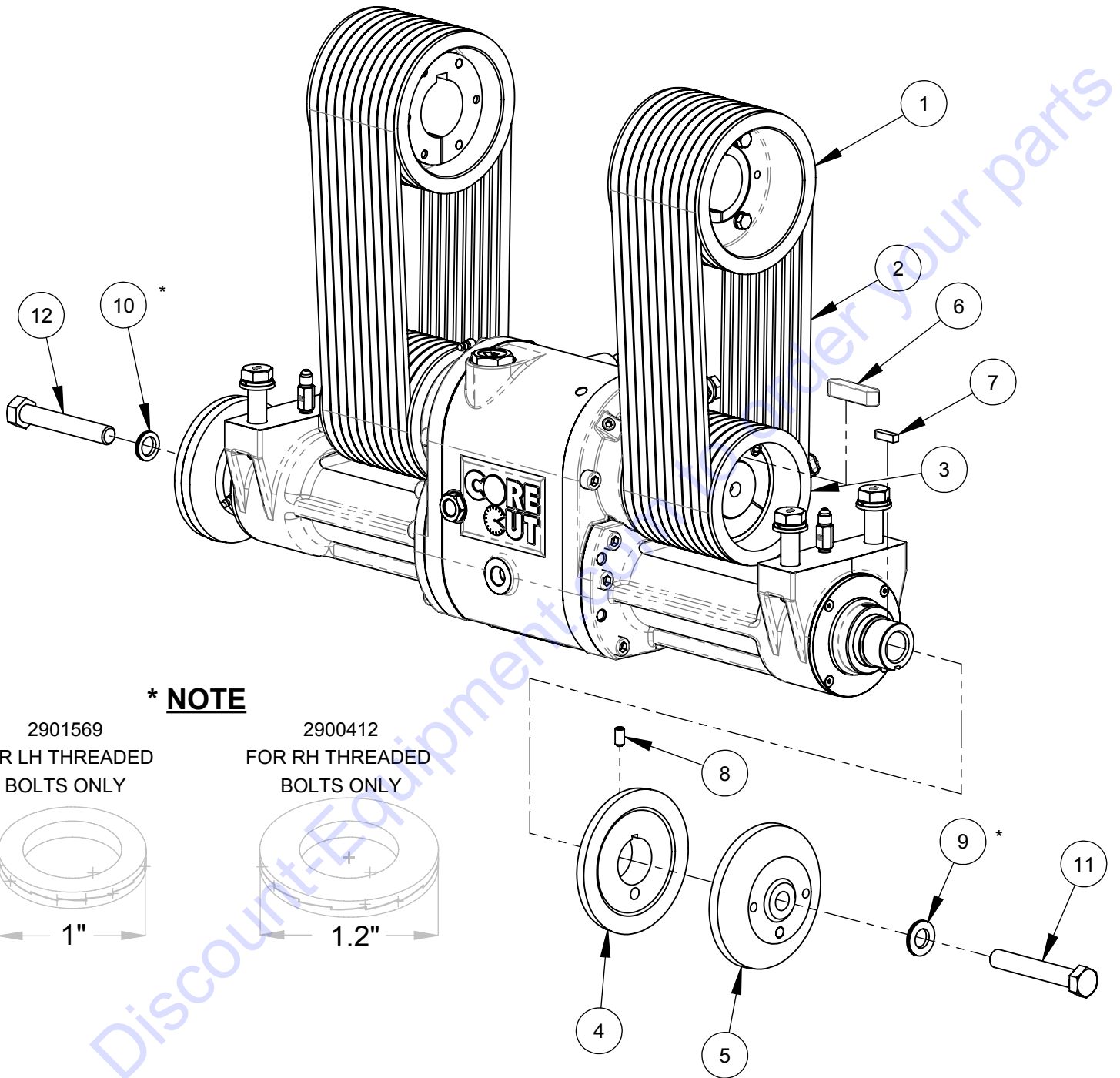


## Expansion Tank Assembly #6017551



ITEM	PART NO.	QTY.	DESCRIPTION
1	2502039	1	Expansion Tank & Cap
2	6017537	1	Support Bracket
3	2900310	2	Cap Screw, Hex Hd., M6-1.0 x 20mm
4	2901359	2	Fender Washer, M6
5	2900302	2	Lock Nut, M6-1.0 Nylon Insert
6	6010435	1	Hose, 1/2" I.D. x 3"
7	3200016	2	Hose Clamp #8
8	3202844	1	Reducer, 1/2" to 1/4" Hose Barb
9	6017464	1	Hose Assembly 1/4" x 16.6"
10	3200156	1	Street Elbow, 1/8" NPT
11	2501434	1	Hose Clamp, 5/8" x 3/4" Wide

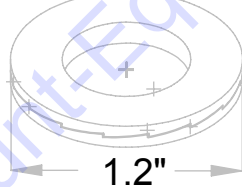
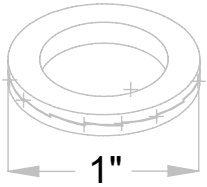
**Belt Drive Assembly #6017450 (Option A) and #6017451 (Option B) for 1-Speed Saw**



**\* NOTE**

2901569  
FOR LH THREADED  
BOLTS ONLY

2900412  
FOR RH THREADED  
BOLTS ONLY



(SEE NEXT 2 PAGES FOR ITEMS #1 THRU #6)			
ITEM	PART NO.	QTY	DESCRIPTION
7	6010040	2	Key, 1/4" Sq. x 15/16"
8	2900418	2	Set Screw, Soc. Hd., 5/16-18 x 5/8"
9	2900412	1	Wedge Lock Washer Pair, 5/8"
10	2901569	1	Wedge Lock Washer Pair, 5/8" LH
11	2900146	1	Cap Screw, Hex Hd., 5/8-11 x 4"
12	2900130	1	Cap Screw, Hex Hd., 5/8-11 x 4" LH

\* See Note

\* See Note

**Belt Drive Assembly #6017450 (Option A) for 1-Speed Saw**

<b>20" BLADE DRIVE #6017450A</b>			
ITEM	PART NO.	QTY	DESCRIPTION
1	6017438	2	Sheave, 6.5" x 10 Groove w/Bushing
	2501902	1	Sheave, 6.5" x 10 Groove QD Style
	2500153	1	QD Bushing, SK x 2" w/Fasteners
2	2503876	20	V-Belt, 3VX385
3	6017434	2	Sheave, 4.5" x 10 Groove w/Bushing
	2501381	1	Sheave, 4.5" x 10 Groove Taper Style
	2501411	1	Taper Bushing, 2" w/Setscrews & Key
4	6010255	2	Inner Flange 5"
5	6047907	2	Outer Flange 5" with Pin
	2900197	1	Dowel Pin, 3/8" Dia. x 2"
6	6011682	2	Machine Key 1/2 X 7/16 X 2-1/4

<b>26" BLADE DRIVE #6017450B</b>			
ITEM	PART NO.	QTY	DESCRIPTION
1	6013157	2	Sheave, 5.6" x 10 Groove w/Bushing
	2500209	1	Sheave, 5.6" x 10 Groove QD Style
	2500153	1	QD Bushing, SK x 2" w/Fasteners
2	2500037	20	V-Belt, 3VX375
3	6017435	2	Sheave, 4.75" x 10 Groove w/Bushing
	2503792	1	Sheave, 4.75" x 10 Groove Taper Style
	2500937	1	Taper Bushing, 2" w/Setscrews
4	6010255	2	Inner Flange 5"
5	6047907	2	Outer Flange 5" with Pin
	2900197	1	Dowel Pin, 3/8" Dia. x 2"
6	6011683	2	Machine Key 1/2 X 1/2 X 2-1/4

<b>30" BLADE DRIVE #6017450C</b>			
ITEM	PART NO.	QTY	DESCRIPTION
1	6017436	2	Sheave, 5" x 10 Groove w/Bushing
	2500655	1	Sheave, 5" x 10 Groove Taper Style
	2500937	1	Taper Bushing, 2" w/Setscrews
2	2503875	20	V-Belt, 3VX366
3	6017435	2	Sheave, 4.75" x 10 Groove w/Bushing
	2503792	1	Sheave, 4.75" x 10 Groove Taper Style
	2500937	1	Taper Bushing, 2" w/Setscrews
4	6010255	2	Inner Flange 5"
5	6047907	2	Outer Flange 5" with Pin
	2900197	1	Dowel Pin, 3/8" Dia. x 2"
6	6011683	2	Machine Key 1/2 X 1/2 X 2-1/4

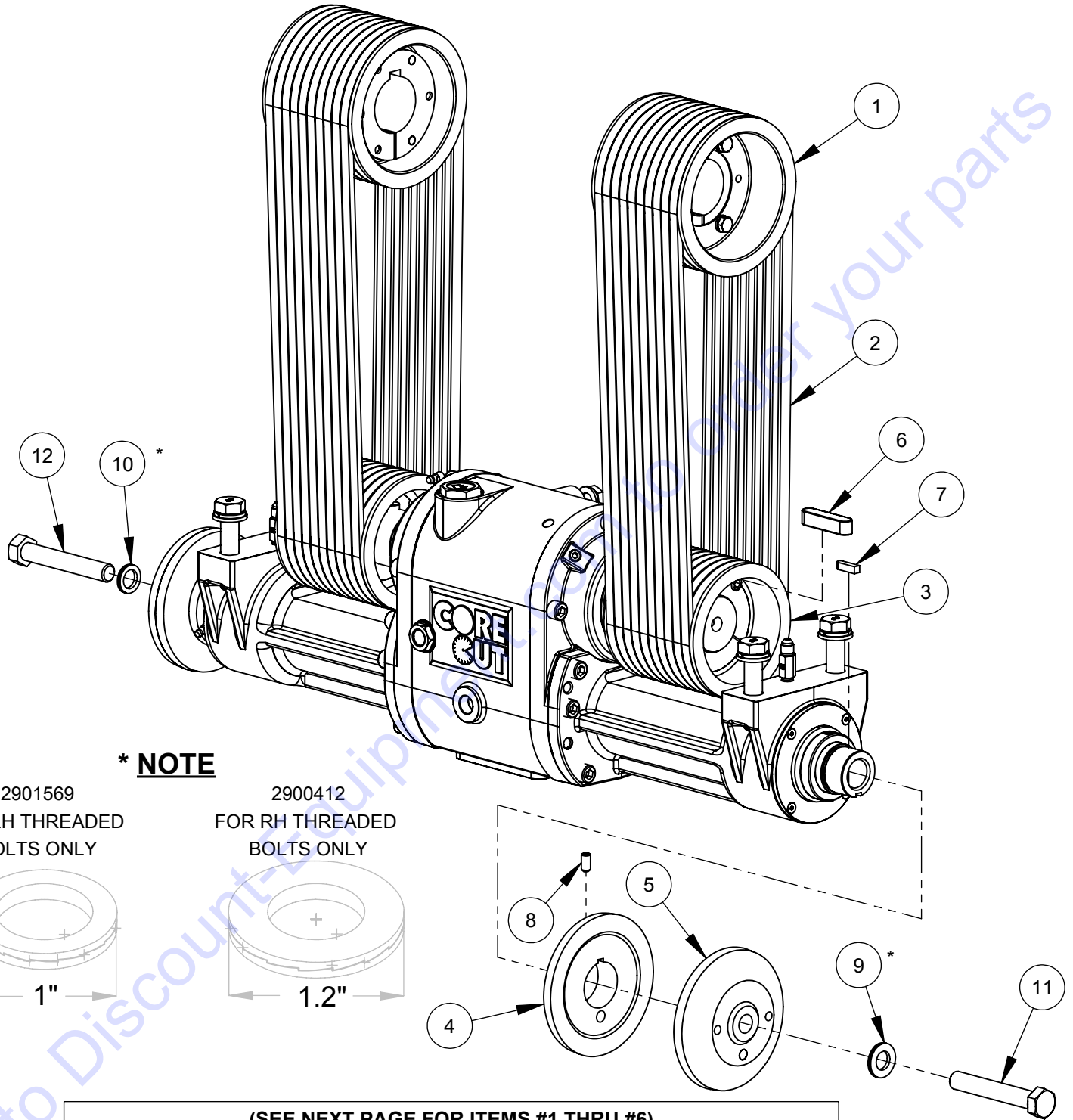
## **Belt Drive Assembly #6017451 (Option B) for 1-Speed Saw**

<b>36" BLADE DRIVE #6017451A</b>			
ITEM	PART NO.	QTY	DESCRIPTION
1	6017438	2	Sheave, 6.5" x 10 Groove w/Bushing
	2501902	1	Sheave, 6.5" x 10 Groove QD Style
	2500153	1	QD Bushing, SK x 2" w/Fasteners
2	2503876	20	V-Belt, 3VX385
3	6017435	2	Sheave, 4.75" x 10 Groove w/Bushing
	2503792	1	Sheave, 4.75" x 10 Groove Taper Style
	2500937	1	Taper Bushing, 2" w/Setscrews
4	6010038	2	Inner Flange 6"
5	6010039	2	Outer Flange 6" with Pin
	2900197	1	Dowel Pin, 3/8" Dia. x 2"
6	6011683	2	Machine Key 1/2 X 1/2 X 2-1/4

<b>42" BLADE DRIVE #6017451B</b>			
ITEM	PART NO.	QTY	DESCRIPTION
1	6017437	2	Sheave, 5.3" x 10 Groove w/Bushing
	2500516	1	Sheave, 5.3" x 10 Groove QD Style
	2500153	1	QD Bushing, SK x 2" w/Fasteners
2	2500037	20	V-Belt, 3VX375
3	6017435	2	Sheave, 4.75" x 10 Groove w/Bushing
	2503792	1	Sheave, 4.75" x 10 Groove Taper Style
	2500937	1	Taper Bushing, 2" w/Setscrews
4	6017230	2	Inner Flange 7"
5	6017231	2	Outer Flange 7" with Pin
	2900197	1	Dowel Pin, 3/8" Dia. x 2"
6	6011683	2	Machine Key 1/2 X 1/2 X 2-1/4

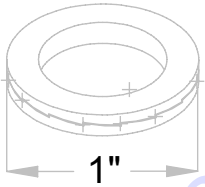
<b>48" BLADE DRIVE #6017451C</b>			
ITEM	PART NO.	QTY	DESCRIPTION
1	6017435	4	Sheave, 4.75" x 10 Groove w/Bushing
	2503792	1	Sheave, 4.75" x 10 Groove Taper Style
	2500937	1	Taper Bushing, 2" w/Setscrews
2	2503875	20	V-Belt, 3VX366
4	6013017	2	Inner Flange 8"
5	6013018	2	Outer Flange 8" with Pin
	2900197	1	Dowel Pin, 3/8" Dia. x 2"
6	6011683	2	Machine Key 1/2 X 1/2 X 2-1/4

## Belt Drive Assembly #6017452 for 3-Speed Saw

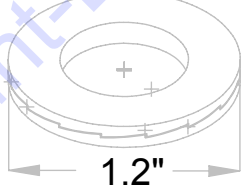


**\* NOTE**

2901569  
FOR LH THREADED  
BOLTS ONLY



2900412  
FOR RH THREADED  
BOLTS ONLY



(SEE NEXT PAGE FOR ITEMS #1 THRU #6)			
ITEM	PART NO.	QTY.	DESCRIPTION
7	6010040	2	Key, 1/4" Sq. x 15/16"
8	2900418	2	Set Screw, Soc. Hd., 5/16-18 x 5/8"
9	2900412	1	Wedge Lock Washer Pair, 5/8"
10	2901569	1	Wedge Lock Washer Pair, 5/8" LH
11	2900146	1	Cap Screw, Hex Hd., 5/8-11 x 4"
12	2900130	1	Cap Screw, Hex Hd., 5/8-11 x 4" LH

\* See Note

\* See Note

## **Belt Drive Assembly #6017452 for 3-Speed Saw**

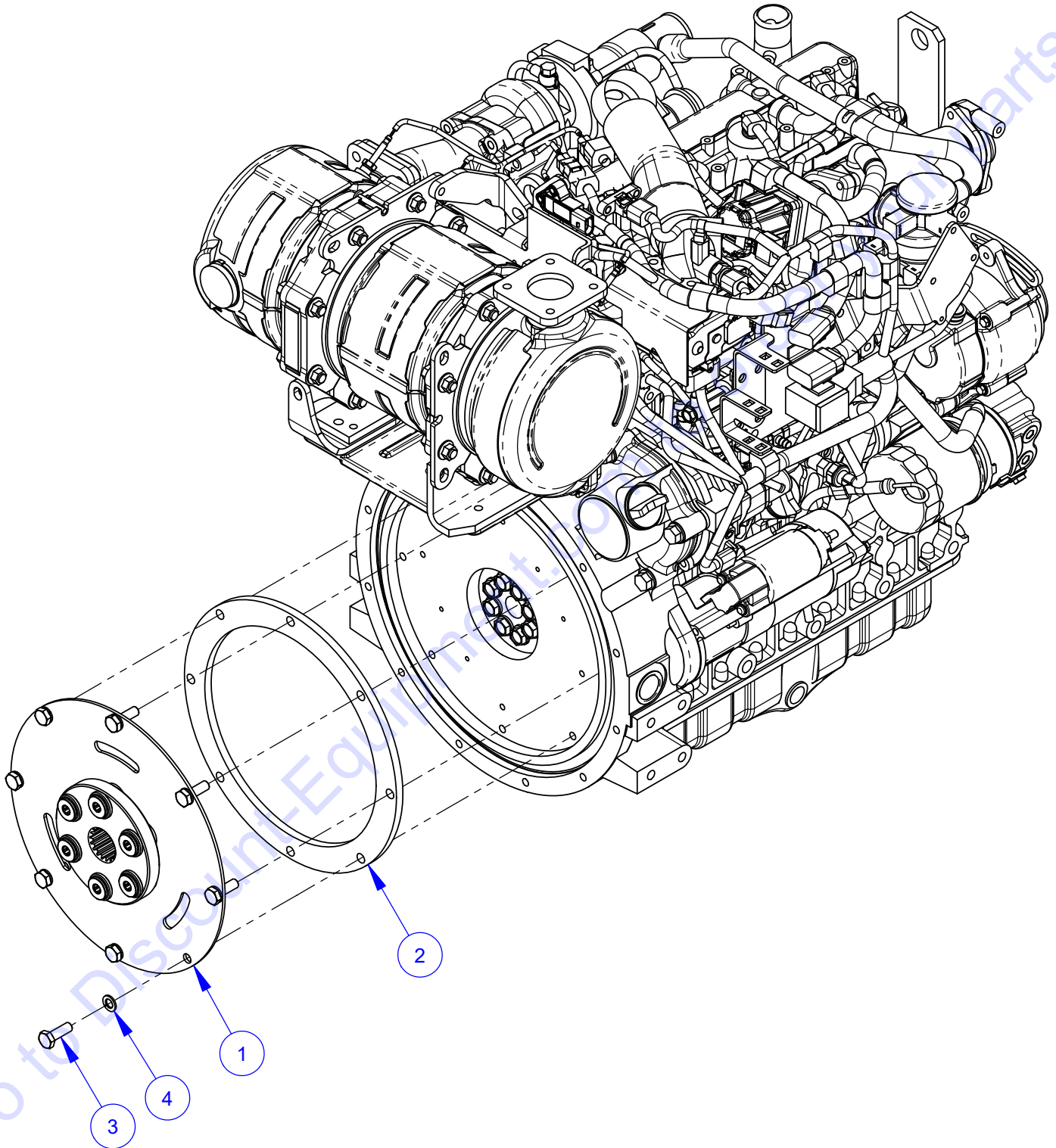
<b>30/26/20 BLADE DRIVE #6017452A</b>			
ITEM	PART NO.	QTY.	DESCRIPTION
1	6017435	4	Sheave, 4.75" x 10 Groove w/Bushing
	2503792	1	Sheave, 4.75" x 10 Groove Taper Style
	2500937	1	Taper Bushing, 2" w/Setscrews
2	2500794	20	Belt, 3VX450
4	6010255	2	Inner Flange 5"
5	6047907	2	Outer Flange 5" with Pin
6	6011683	2	Machine Key 1/2 X 1/2 X 2-1/4

<b>36/30/20 BLADE DRIVE #6017452B</b>			
ITEM	PART NO.	QTY	DESCRIPTION
1	6017438	2	Sheave, 6.5" x 10 Groove w/Bushing
	2501902	1	Sheave, 6.5" x 10 Groove QD Style
	2500153	1	QD Bushing, SK x 2" w/Fasteners
2	2500298	20	V-Belt, 3VX475
3	6017434	2	Sheave, 4.5" x 10 Groove w/Bushing
	2501381	1	Sheave, 4.5" x 10 Groove Taper Style
	2501411	1	Taper Bushing, 2" w/Setscrews & Key
4	6010038	2	Inner Flange 6"
5	6010039	2	Outer Flange 6" with Pin
6	6011682	2	Machine Key 1/2 X 7/16 X 2-1/4

<b>42/36/26 BLADE DRIVE #6017452C</b>			
ITEM	PART NO.	QTY	DESCRIPTION
1	6013157	2	Sheave, 5.6" x 10 Groove w/Bushing
	2500209	1	Sheave, 5.6" x 10 Groove QD Style
	2500153	1	QD Bushing, SK x 2" w/Fasteners
2	2500298	20	V-Belt, 3VX475
3	6017435	2	Sheave, 4.75" x 10 Groove w/Bushing
	2503792	1	Sheave, 4.75" x 10 Groove Taper Style
	2500937	1	Taper Bushing, 2" w/Setscrews
4	6017230	2	Inner Flange 7"
5	6017231	2	Outer Flange 7" with Pin
6	6011683	2	Machine Key 1/2 X 1/2 X 2-1/4

<b>48/42/30 BLADE DRIVE #6017452D</b>			
ITEM	PART NO.	QTY	DESCRIPTION
1	6017435	4	Sheave, 4.75" x 10 Groove w/Bushing
	2503792	1	Sheave, 4.75" x 10 Groove Taper Style
	2500937	1	Taper Bushing, 2" w/Setscrews
2	2500794	20	Belt, 3VX450
4	6013017	2	Inner Flange 8"
5	6013018	2	Outer Flange 8" with Pin
6	6011683	2	Machine Key 1/2 X 1/2 X 2-1/4

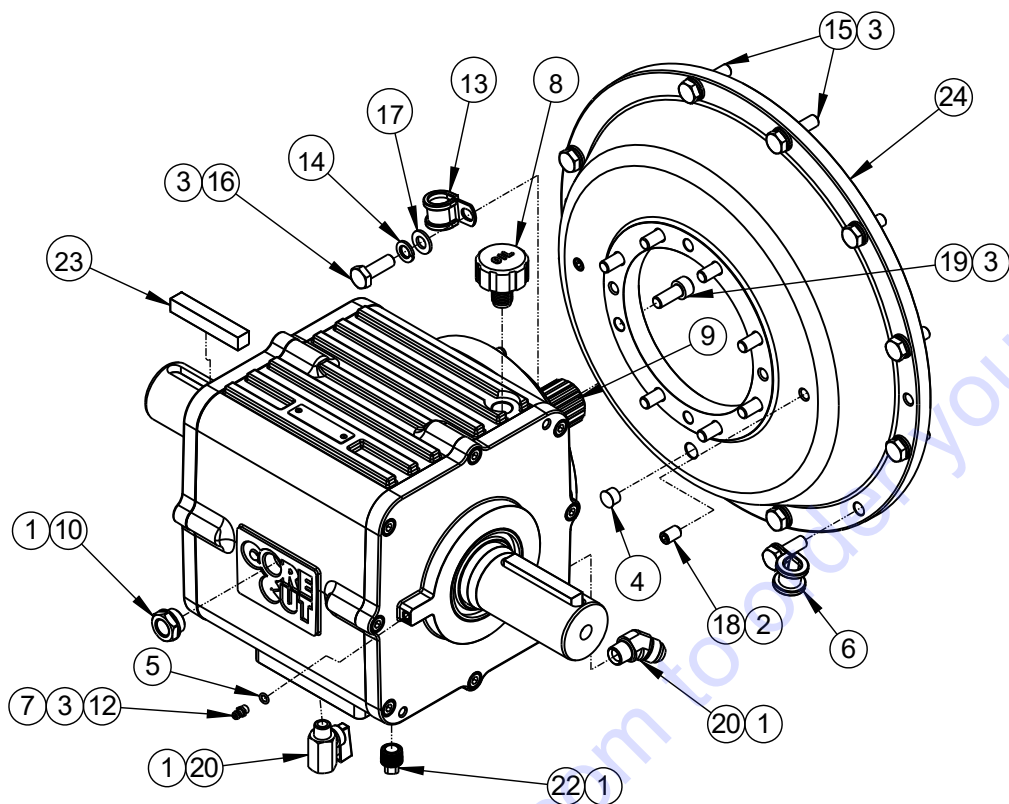
## Flywheel Coupling Assembly #6017106



ITEM	PART NO.	QTY	DESCRIPTION
1	2502183	1	Flywheel Coupling
2	6017113	1	Spacer Ring (SAE #10)
3	2900870	8	Cap Screw, Hex Hd., M10-1.25 x 30mm
4	2900321	8	Lock Washer, M10 Split

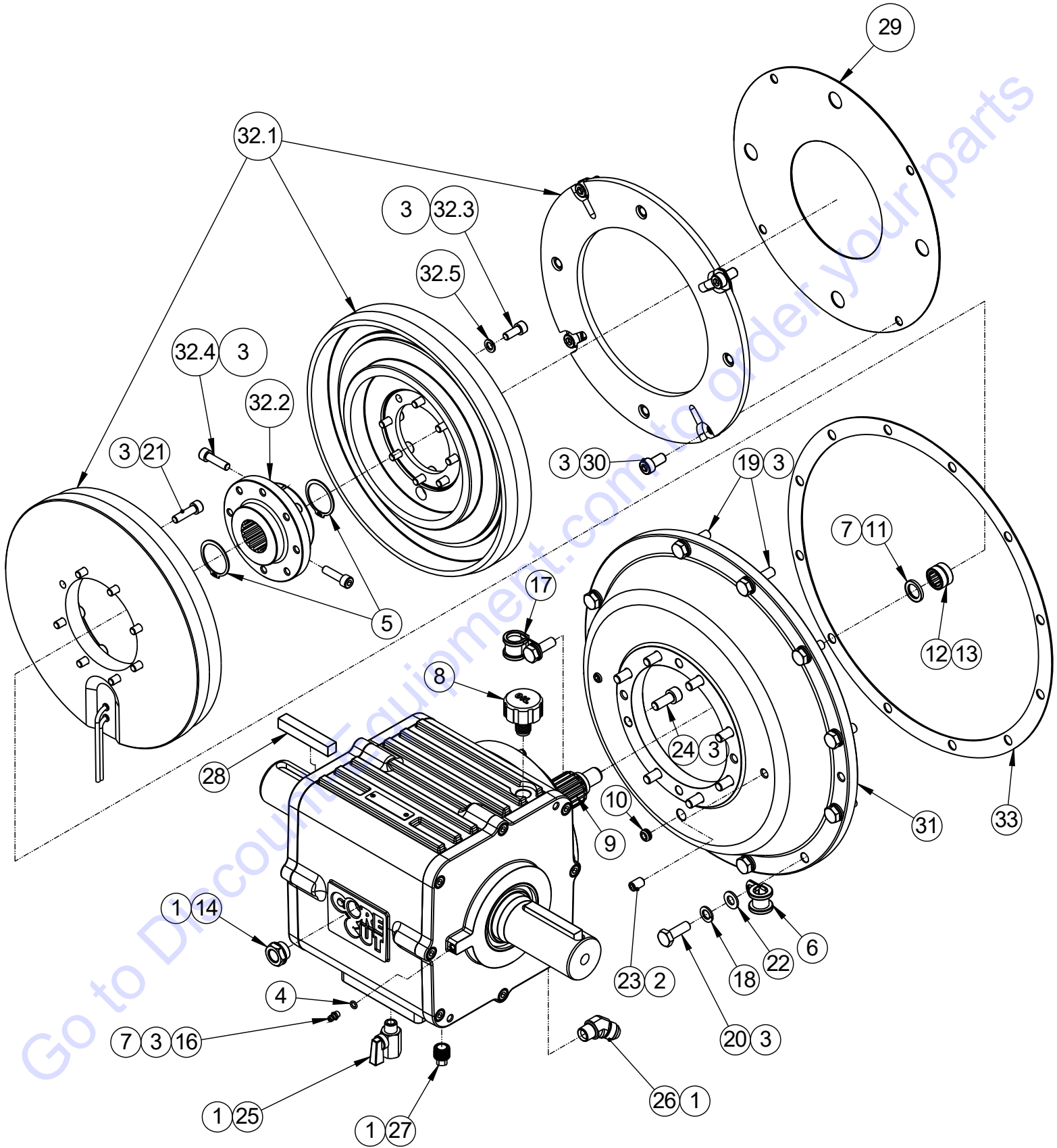


## Trans Asm:Bvl:S-Spd:M #6018158



ITEM	PART NO.	QTY.	DESCRIPTION
1	2401311	AR	Loctite #567 Thread Sealant
2	2401315	AR	Loctite #242 Blue
3	2401316	AR	Loctite #262 Red
4	2500204	1	Plug, 1/2" Hole
5	2500939	2	O-Ring, AS568A - 010
6	2501434	1	Hose Clamp, 5/8" x 3/4" Wide
7	2502046	AR	Grease, Fuchs Synthetic
8	2503720	1	Filler Breather Cap, 3/8" NPT
9	2503829	AR	Loctite Anti-Seize
10	2503872	1	Sight Glass, Oil Level
11	2503930	3qt	Gear Oil, 75W90 Synthetic
12	2703023	2	1/4-28 x 1/2 Grease Fitting
13	2801151	1	Hose Clamp, 3/4" x 3/4" Wide
14	2900321	11	Lock Washer, M10 Split
15	2900799	2	Cap Screw, Hex Hd., M10-1.25 x 40mm
16	2900870	9	Cap Screw, Hex Hd., M10 x 1.25 x 30mm
17	2901356	11	Flat Washer, M10
18	2901500	2	Set Screw, Soc. Hd., M10-1.25 x 16mm
19	2903166	8	Cap Screw, Soc. Hd., M10-1.5 x 25mm
20	3200108	1	Ball Valve, 1/4" NPT
20	3201889	2	Elbow, 1/2"M.JIC to 3/8"M.NPT, 45 deg
22	3201999	2	Magnetic Pipe Plug, 3/8" NPT
23	6011561	2	Key: 1/2" Sq x 3.0"
24	6018170	1	Bevel Gear Box Flange

**Trans Asm:Bvl:S-Spd:M:Clutch #6018168**

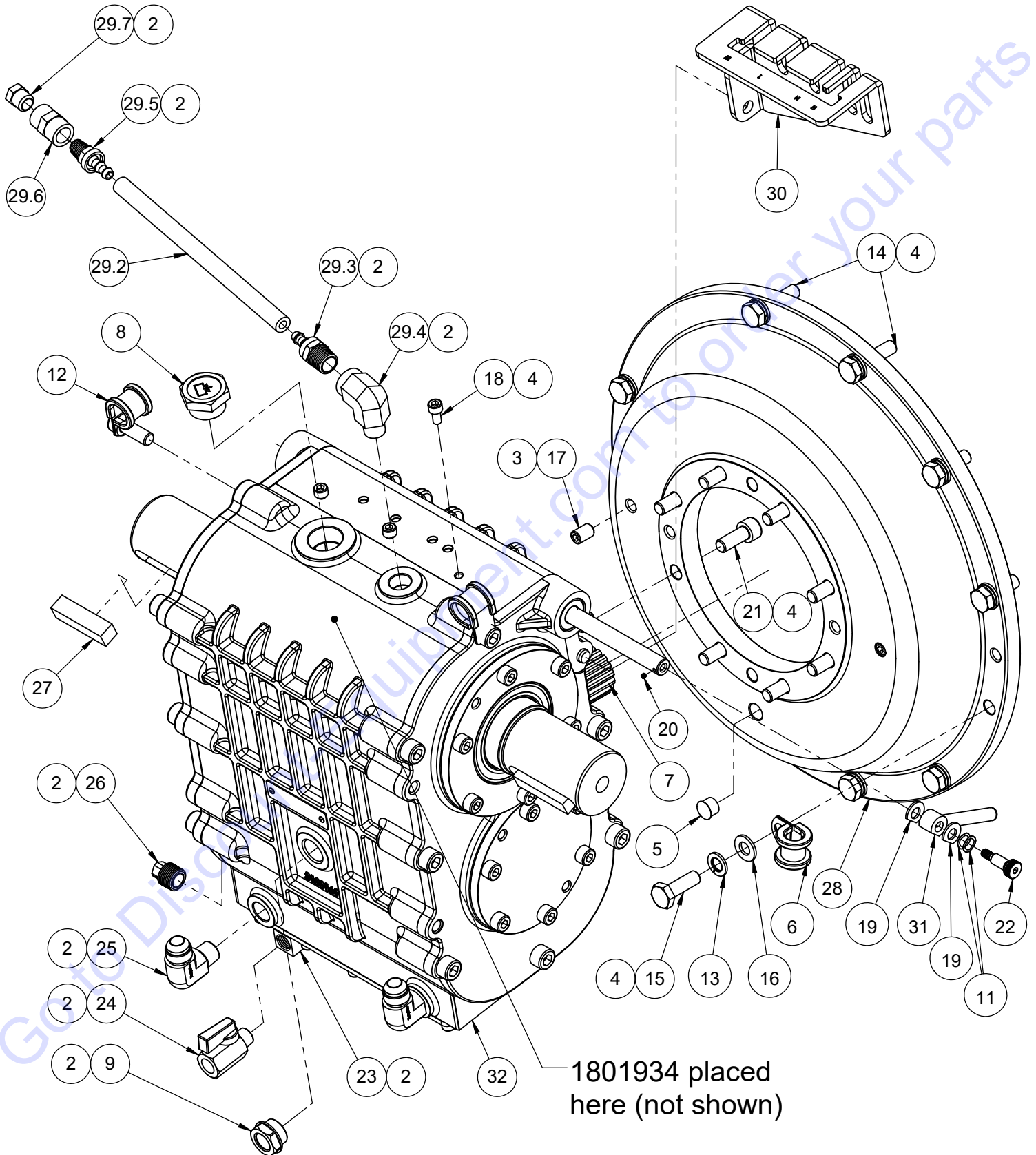


## Trans Asm:Bvl:S-Spd:M:Clutch #6018168

ITEM	PART NO.	QTY.	DESCRIPTION
1	2401311	AR	Loctite #567 Thread Sealant
2	2401315	AR	Loctite #242 Blue
3	2401316	AR	Loctite #262 Red
4	2500939	2	O-Ring, AS568A - 010
5	2501202	2	Retaining Ring, 1-1/2" External
6	2501434	1	Hose Clamp, 5/8" x 3/4" Wide
7	2502046	AR	Grease, Fuchs Synthetic
8	2503720	1	Filler Breather Cap, 3/8" NPT
9	2503829	AR	Loctite Anti-Seize
10	2503830	1	3/8" Rubber Grommet
11	2503838	1	Grease Seal 17 x 25 x 3mm
12	2503839	1	Needle Bearing 17 x 25 x 16
13	2503840	AR	Loctite #635 Green
14	2503872	1	Sight Glass, Oil Level
15	2503930	3qt	Gear Oil, 75W90 Synthetic
16	2703023	2	1/4-28 x 1/2 Grease Fitting
17	2801151	1	Hose Clamp, 3/4" x 3/4" Wide
18	2900321	11	Lock Washer, M10 Split
19	2900799	2	Cap Screw, Hex Hd., M10-1.25 x 40mm
20	2900870	9	Cap Screw, Hex Hd., M10-1.25 x 30mm
21	2900911	8	Cap Screw, Soc. Hd., M8-1.25 x 30mm
22	2901356	11	Flat Washer, M10
23	2901500	2	Set Screw, Soc. Hd., M10-1.25 x 16mm
24	2903166	8	Cap Screw, Soc. Hd., M10 x 1.5 x 25mm
25	3200108	1	Ball Valve, 1/4" NPT
26	3201889	2	Elbow, 1/2"M.JIC to 3/8"M.NPT, 45 deg
27	3201999	2	Magnetic Pipe Plug, 3/8" NPT
28	6011561	2	Key: 1/2" Sq x 3.0"
29	6018085	1	Armature Spacer
30	6018128	4	Cap Screw, Soc. Hd., M10-1.25 x 20mm Modified
31	6018170	1	Bevel Gear Box Flange
32	6018181	1	Electric Clutch Assembly
32.1	2503822	1	Warner Electric Clutch
32.2	6018180	1	Clutch Drive Hub
32.3	2900243	8	Cap Screw, Soc. Hd., M8 x 1.25 x 20mm
32.4	2900911	2	Cap Screw, Soc. Hd., M8-1.25 x 30mm
32.5	2900763	8	Lock Washer, M8 Split
33	6018242	*1	Bellhousing Shim

\*Typical quantity is (1) per assembly. Only add a second shim if clutch is not fully disengaging (dragging).

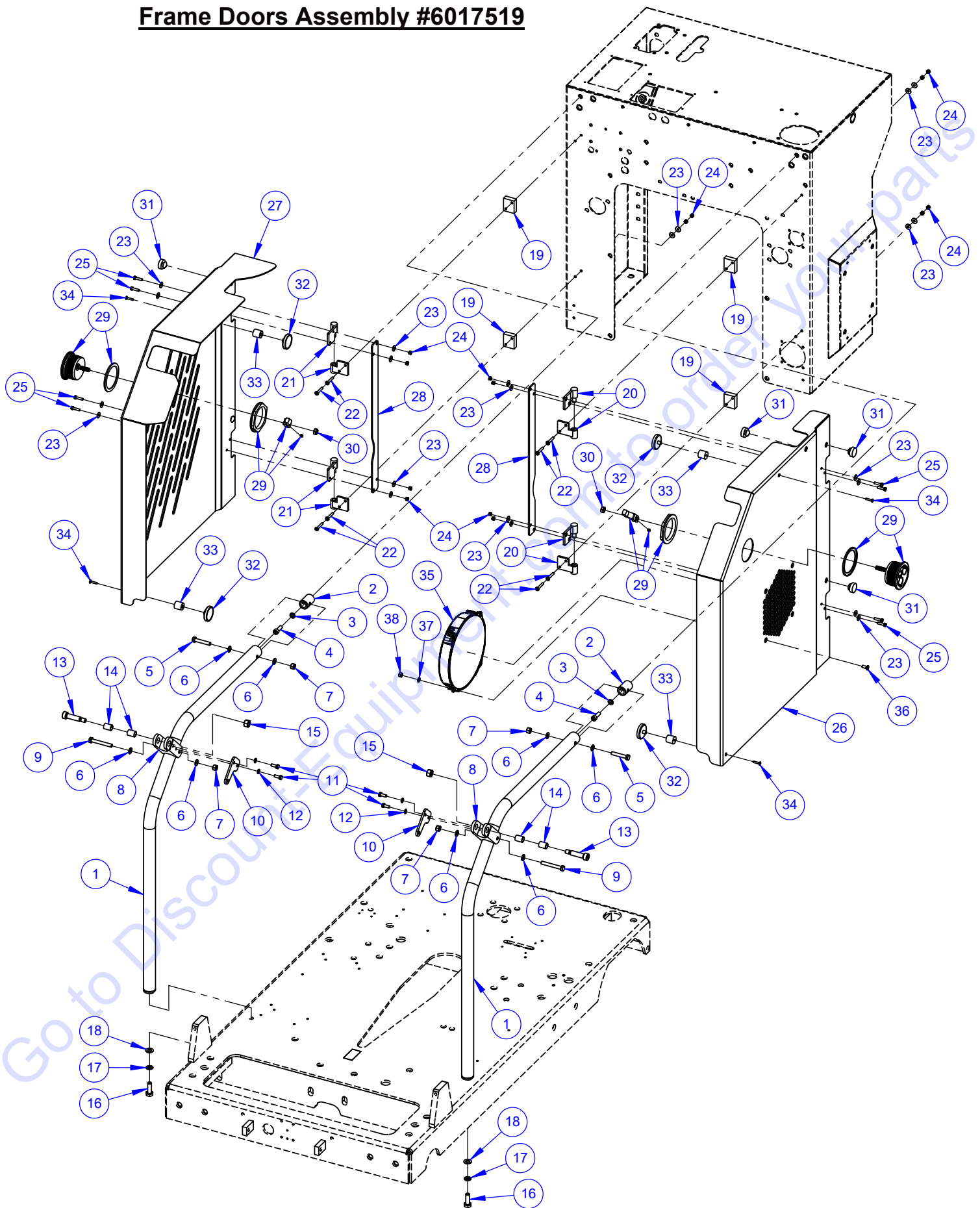
# DP IL 3-Speed Transmission #6018351



## DP IL 3-Speed Transmission #6018351

ITEM	PART NO.	QTY.	DESCRIPTION
1	1801934	1	3-Speed Shifter Label
2	2401311	A/R	Loctite #567 Thread Sealant
3	2401315	A/R	Loctite #242 Blue
4	2401316	A/R	Loctite #262 Red
5	2500204	1	Plug, 1/2" Hole
6	2501434	1	Hose Clamp, 5/8" x 3/4" Wide
7	2503829	A/R	Loctite Anti-Seize
8	2503834	1	Oil Fill Cap
9	2503872	1	Sight Glass, Oil Level
10	2503930	3 QT	Gear Oil, 75W90 Synthetic
11	2504951	2	Wave Spring
12	2801151	2	Hose Clamp, 3/4" x 3/4" Wide
13	2900321	11	Lock Washer, M10 Split
14	2900799	2	Cap Screw, Hex Hd., M10-1.25 x 40mm
15	2900870	9	Cap Screw, Hex Hd., M10-1.25 x 30mm
16	2901356	11	Flat Washer, M10
17	2901500	2	Set Screw, Soc. Hd., M10-1.25 x 16mm
18	2901621	3	Cap Screw, Soc. Hd., M6-1.0 x 12mm
19	2901977	2	Washer: Anti-Rotation
20	2901978	1	Set Screw, Soc. Hd., M3-0.5 x 3
21	2903166	8	Cap Screw, Soc. Hd., M10-1.5 x 25mm
22	2907096	1	Shoulder Screw 8mm X 16mm Shoulder X M6-1
23	3200012	1	Street Elbow, 1/4" NPT
24	3200108	1	Ball Valve, 1/4" NPT
25	3201886	2	Elbow, 1/2" M. JIC to 3/8" M. Pipe
26	3201999	1	Magnetic Pipe Plug, 3/8" NPT
27	6013061	2	Key, 1/2" Sq. x 2"
28	6018170	1	Bevel Gear Box Flange
29	6018243	1	Vent Tube Assembly
29.1	2401311	1	Loctite #567 Thread Sealant
29.2	3200063	1	1/4" Pushlok Hose
29.3	3200070	1	Fitting, 3/8" MPT to 1/4" Pushlok
29.4	3201657	1	Street Elbow, 3/8" NPT
29.5	3201270	1	Fitting, 1/4" M. Pipe to 1/4" Push Lock
29.6	3201110	1	Coupling, 1/4" NPT
29.7	3200067	1	Breather Vent, 1/4" NPT
30	6018318	1	Shift Bracket
31	6018327	1	Shift Lever Asm
32	6018350	1	Core Transmission Assembly

# Frame Doors Assembly #6017519



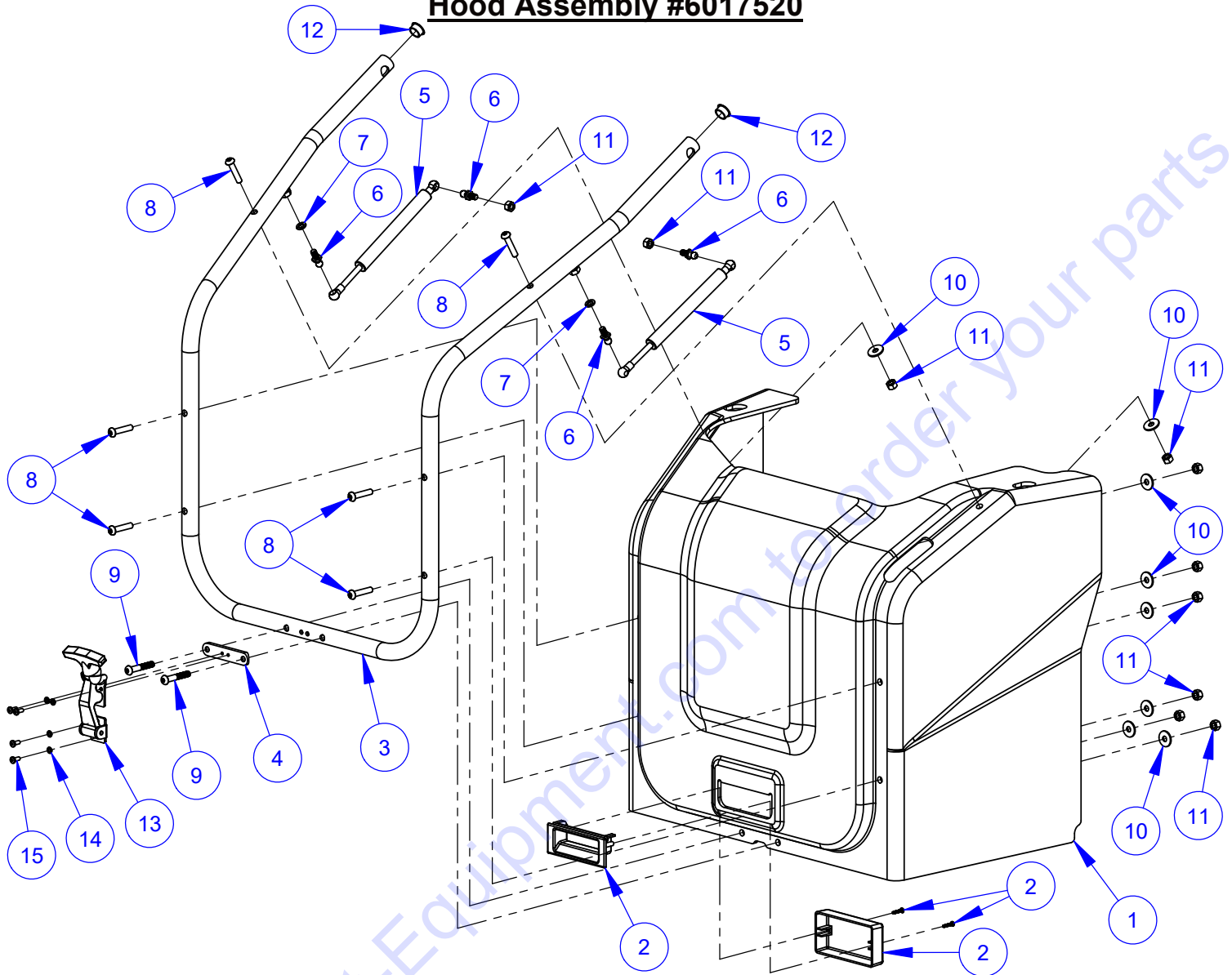


## Frame Doors Assembly #6017519

ITEM	PART NO.	QTY.	DESCRIPTION
1	6017368	2	Panel Tube
2	6017370	2	Tube Mount Sleeve
3	2900763	2	Lock Washer, M8 Split
4	2900161	2	Cap Screw, Soc. Hd., M8-1.25 x 25mm
5	2900336	2	Cap Screw, Hex Hd., M8-1.25 x 45mm
6	2901336	8	Flat Washer, M8
7	2900303	4	Lock Nut, M8-1.25 Nylon Insert
8	6017366	2	Tube Link
9	2900747	2	Cap Screw, Hex Hd., M8-1.25 x 60mm
10	6017367	2	Gas Spring Mount
11	2900341	4	Cap Screw, Hex Hd., M6-1.0 x 16mm
12	2900765	4	Lock Washer, M6 Split
13	2900931	2	Shoulder Bolt, 12mm x 40mm (M10-1.5)
14	2503884	4	Sleeve Bearing, 12mm x 15mm x 20mm
15	2900304	2	Lock Nut, M10-1.5 Nylon Insert
16	2900223	2	Cap Screw, Hex Hd., M10-1.5 x 30mm
17	2900321	2	Lock Washer, M10 Split
18	2901356	2	Flat Washer, M10
19	6017372	4	Hinge Spacer
20	2503695	2	Hinge, Lift-off R.H.
21	2503696	2	Hinge, Lift-off L.H.
22	2901365	8	Machine Screw, Pan Hd., M5-0.8 x 30mm
23	2900770	24	Fender Washer, M5
24	2900301	16	Lock Nut, M5-0.8 Nylon Insert
25	2900309	8	Cap Screw, Hex Hd., M5-0.8 x 20mm
26	6017560	1	Side Door, Left
27	6017485	1	Side Door, Right
28	6017389	2	Bridge Bar
29	2503877	2	Latch Assembly
30	2900782	2	Jam Nut, 3/8-16
31	2502389	5	Button Bumper
32	2503988	4	Magnet Catch, Encased
33	2503989	4	Bumper, Magnet
34	2901384	4	Machine Screw, Flat Hd., M4-0.7 x 20mm
35	2600696	1	Fan, 12V Electric 7-1/2"
36	2900308	4	Cap Screw, Flat Hd., M6-1.0 x 16mm
37	2901494	4	Flat Washer, M6
38	2900302	4	Lock Nut, M6-1.0 Nylon Insert

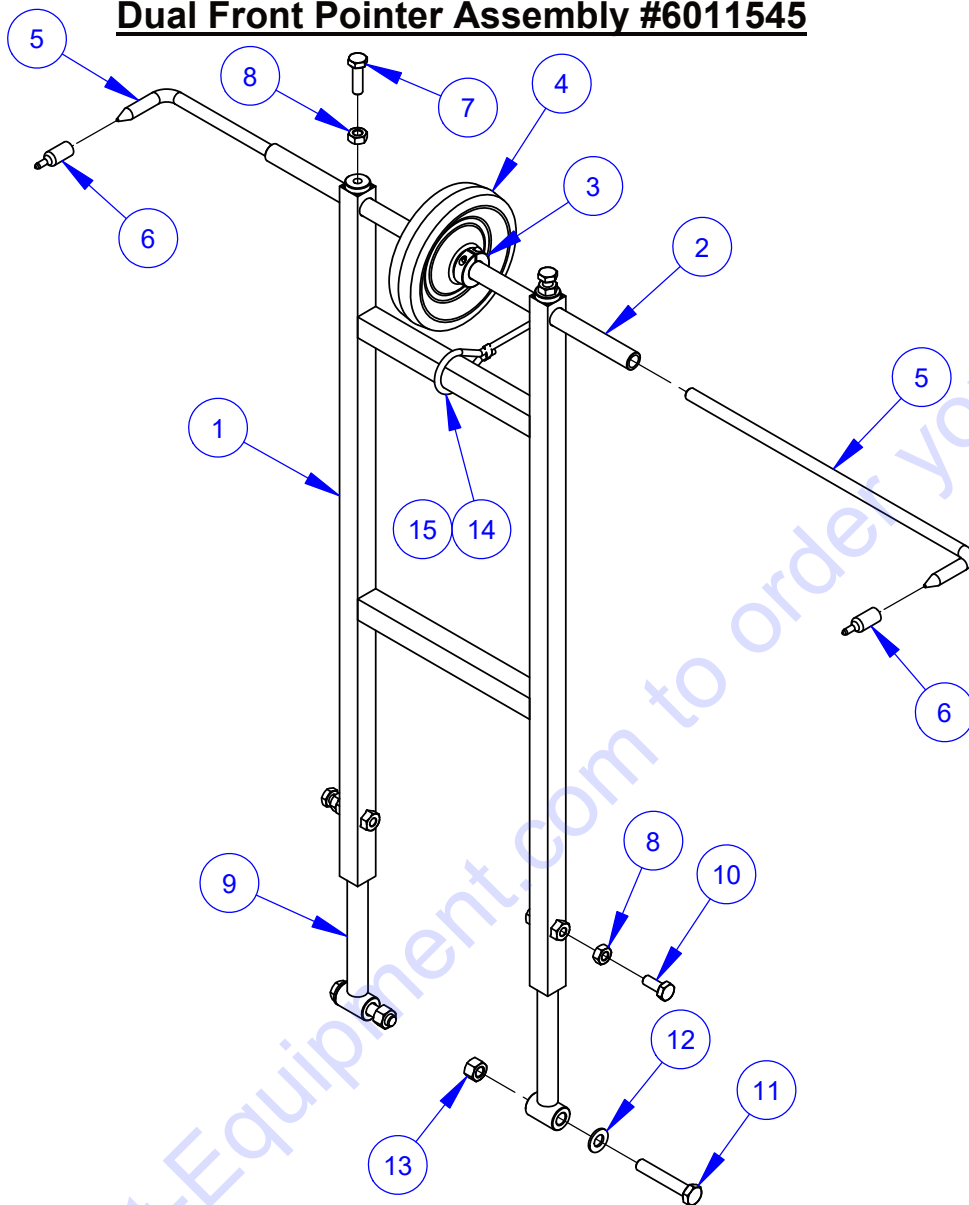


## Hood Assembly #6017520



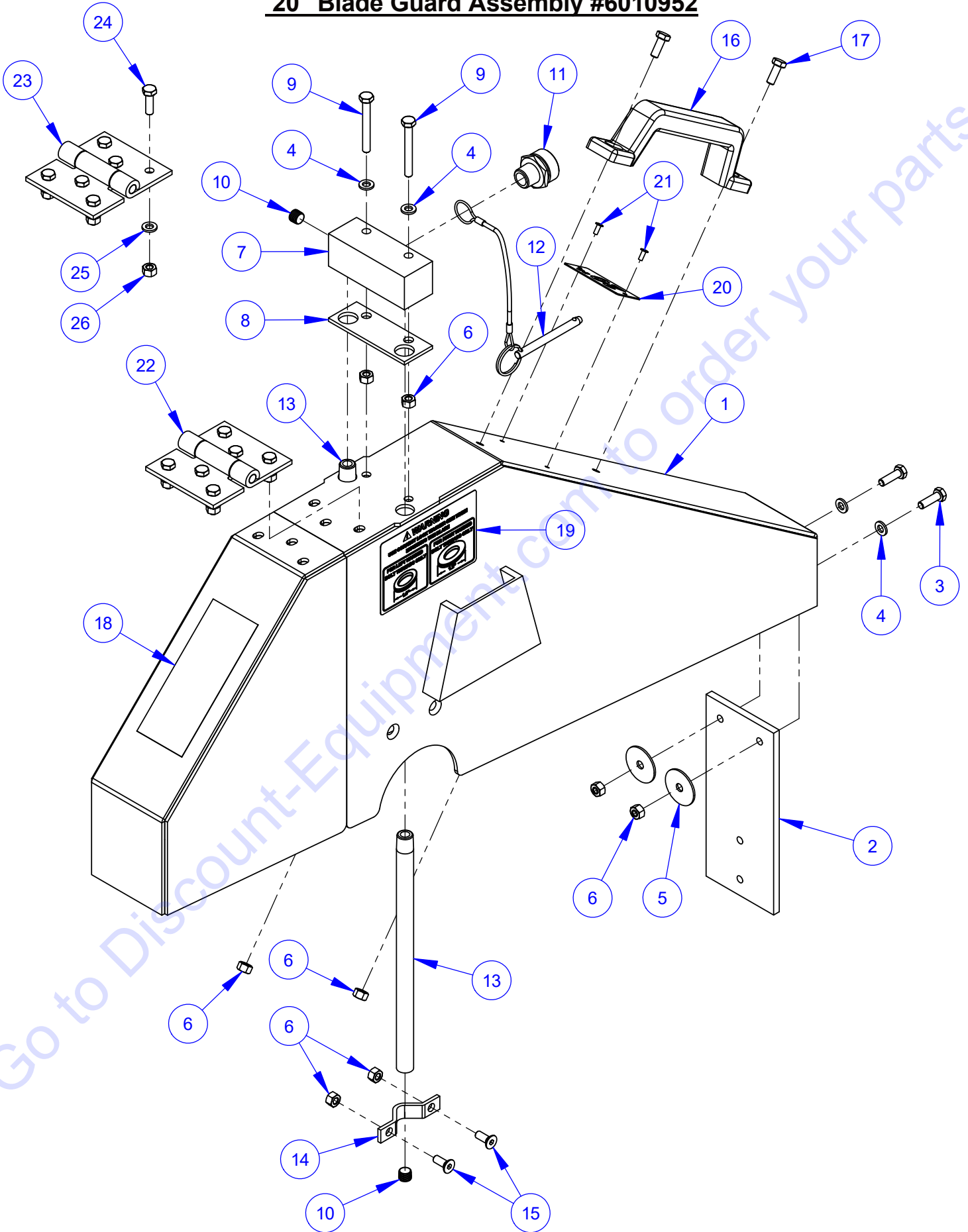
ITEM	PART NO.	QTY.	DESCRIPTION
1	6017483	1	Hood
2	2503885	1	Pull Handle, Flush
3	6017365	1	Hood Tube
4	6017443	1	Latch Catch
5	2506050	2	Gas Spring
6	2503883	4	Ball Stud 10mm (M8-1.25 Thread)
7	2900763	2	Lock Washer, M8 Split
8	2901381	6	Cap Screw, Button Hd., M8-1.25 x 40mm
9	2901366	2	Cap Screw, Button Hd., M8-1.25 x 50mm
10	2900383	8	Fender Washer, M8
11	2900303	10	Lock Nut, M8-1.25 Nylon Insert
12	2500463	2	Plug, 3/4" Hole
13	2501141	1	Draw Latch
14	2900767	4	Lock Washer, M5 Split
15	2900794	4	Machine Screw, Pan Hd., M5-0.8 x 12mm

## Dual Front Pointer Assembly #6011545



ITEM	PART NO.	QTY.	DESCRIPTION
1	6011538	1	Front Pointer Frame, Dual, Metric
2	6011539	1	Pointer Tube, 20"
3	2504577	2	Shaft Collar, 3/4" Split
4	2504581	1	Wheel, 6"
5	6011536	2	Front Pointer Rod, 16"
6	2500740	2	Pointer Cap
7	2900315	2	Cap Screw, Hex Hd., M10-1.5 x 35mm
8	2900325	4	Hex Nut, M10-1.5
9	6011152	2	Front Pointer Arm
10	2900333	2	Cap Screw, Hex Hd., M10-1.5 x 25mm
11	2901345	2	Cap Screw, Hex Hd., M12-1.75 x 70mm
12	2900239	2	Friction Washer, 1/2"
13	2900327	2	Lock Nut, M12-1.75 Nylon Insert
14	6011659	1	Pointer Rope 13 Foot
15	3200221	2	Pinch Clamp, Two Ear

# 20" Blade Guard Assembly #6010952

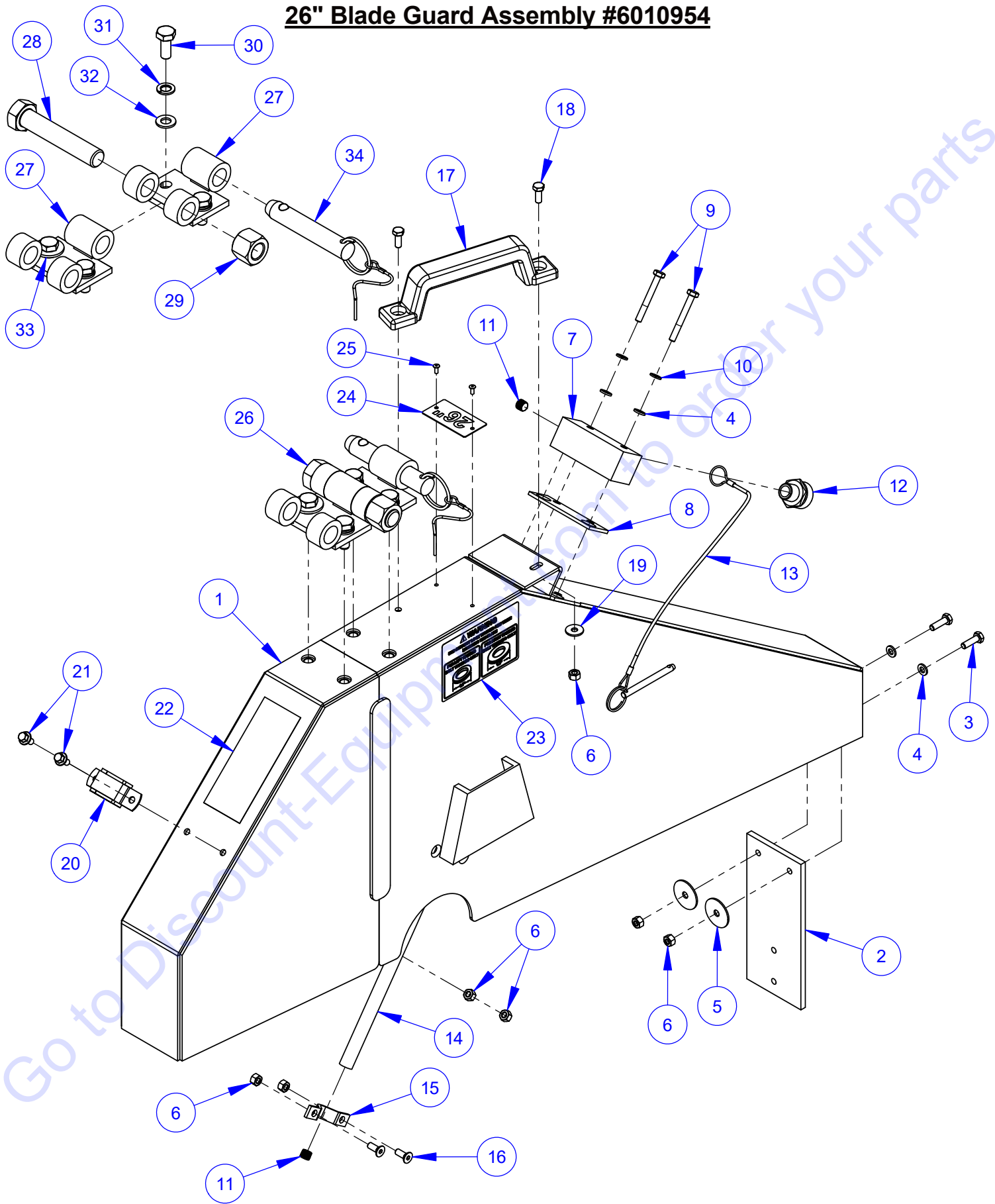


## 20" Blade Guard Assembly #6010952

ITEM	PART NO.	QTY.	DESCRIPTION
1	6010603	1	20" Blade Guard Front & Rear Only
2	6010081	1	Splash Flap
3	2900310	2	Cap Screw, Hex Hd., M6-1.0 x 20mm
4	2901494	4	Flat Washer, M6
5	2900083	2	Fender Washer, 1/4" x 1-1/4"
6	2900302	10	Lock Nut, M6-1.0 Nylon Insert
7	6010261	1	Water Manifold
8	2500830	1	Water Manifold Gasket
9	2901355	2	Cap Screw, Hex Hd., M6-1.0 x 50mm
10	3200001	3	Plug, 1/8" NPT
11	3200002	1	Fitting, 3/8" M. Pipe to 3/4" M. Garden
12	2900278	1	Lanyard with Lock Pin
13	6010085	2	Water Tube for 20" Guard
14	6048155	2	Water Tube Clamp
15	2900308	4	Cap Screw, Flat Hd., M6-1.0 x 16mm
16	2506125	1	Grab Handle
17	2900341	2	Cap Screw, Hex Hd., M6-1.0 x 16mm
18	1800001	1	Warning Label
19	1802090	2	Label, Wedge Locking Washer
20	1801369D	1	Blade Guard Size Tag
21	2900287	2	Rivet, 1/8" Dia.
22	6048027	1	Hinge Assembly

ITEM	PART NO.	QTY.	DESCRIPTION
23	2500270	1	Blade Guard Hinge
24	2900310	6	Cap Screw, Hex Hd., M6-1.0 x 20mm
25	2901494	6	Flat Washer, M6
26	2900302	6	Lock Nut, M6-1.0 Nylon Insert

# 26" Blade Guard Assembly #6010954

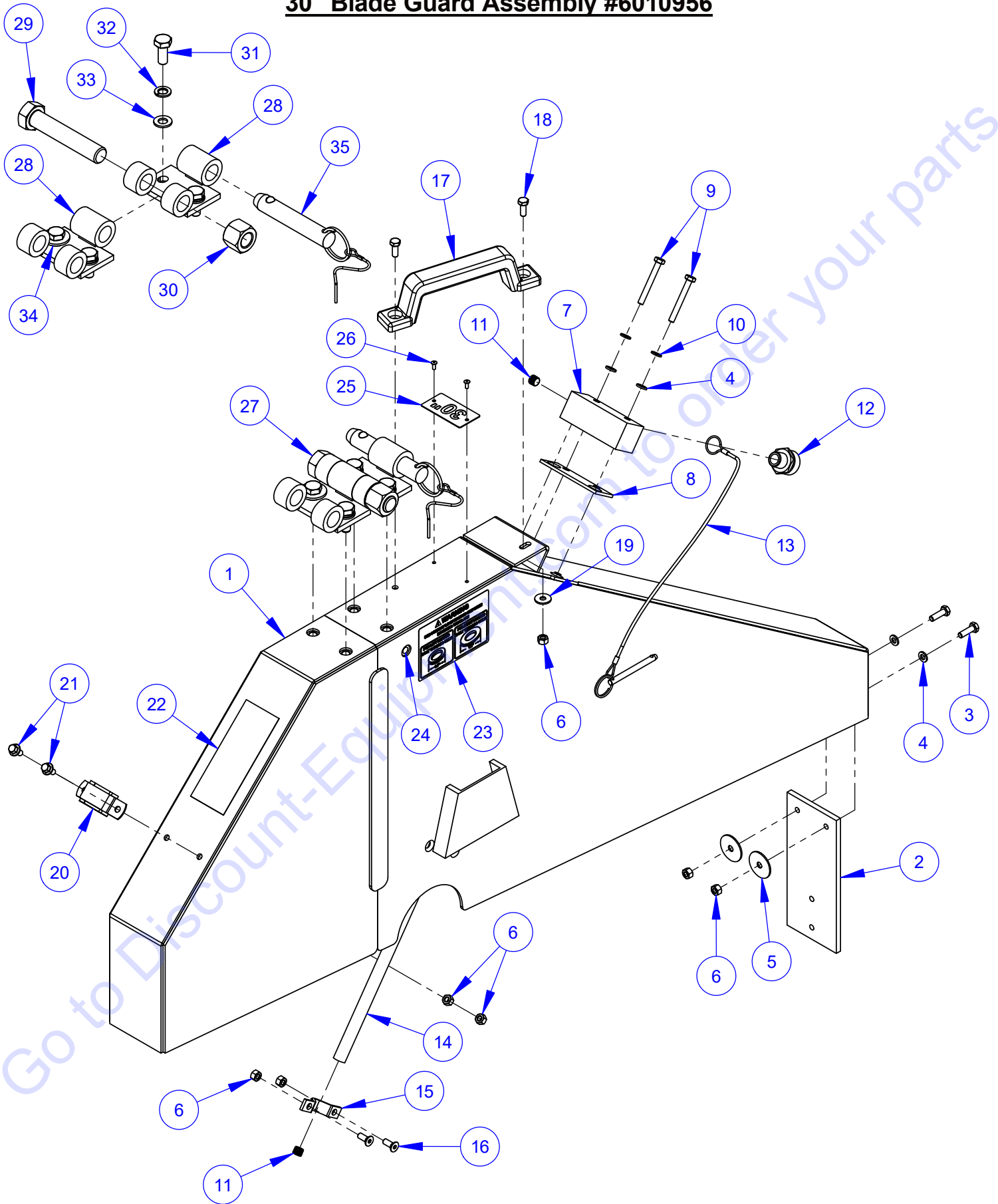


## **26" Blade Guard Assembly #6010954**

ITEM	PART NO.	QTY.	DESCRIPTION
1	6010955	1	26" Blade Guard Front & Rear Only
2	6010081	1	Splash Flap
3	2900310	2	Cap Screw, Hex Hd., M6-1.0 x 20mm
4	2901494	4	Flat Washer, M6
5	2900083	2	Fender Washer, 1/4" x 1-1/4"
6	2900302	10	Lock Nut, M6-1.0 Nylon Insert
7	6010261	1	Water Manifold
8	2500830	1	Water Manifold Gasket
9	2901355	2	Cap Screw, Hex Hd., M6-1.0 x 50mm
10	2900765	2	Lock Washer, M6 Split
11	3200001	3	Plug, 1/8" NPT
12	3200002	1	Fitting, 3/8" M. Pipe to 3/4" M. Garden
13	2900279	1	Lanyard with Lock Pin
14	6010086	2	Water Tube for 26" Guard
15	6048155	2	Water Tube Clamp
16	2900308	4	Cap Screw, Flat Hd., M6-1.0 x 16mm
17	2506125	1	Grab Handle
18	2900341	2	Cap Screw, Hex Hd., M6-1.0 x 16mm
19	2901359	1	Fender Washer, M6
20	3202935	1	Cushion Clamp
21	2901370	2	Cap Screw, Hex Flange, M6-1.0 x 12mm
22	1800001	1	Warning Label
23	1802090	2	Label, Wedge Locking Washer
24	1801369F	1	Blade Guard Size Tag
25	2900287	2	Rivet, 1/8" Dia.
26	6010873	1	Universal Hinge Assembly

ITEM	PART NO.	QTY	DESCRIPTION
27	6010871	2	Hinge Weldment, Universal
28	2900479	1	Cap Screw, Hex Hd., 3/4-10 x 4"
29	2900467	1	Lock Nut, 3/4-10 Nylon
30	2900333	4	Cap Screw, Hex Hd., M10-1.5 x 25mm
31	2900321	4	Lock Washer, M10 Split
32	2901356	4	Flat Washer, M10
33	2901360	1	Fender Washer, M10
34	2503824	1	Detent Pin with Lanyard

# 30" Blade Guard Assembly #6010956



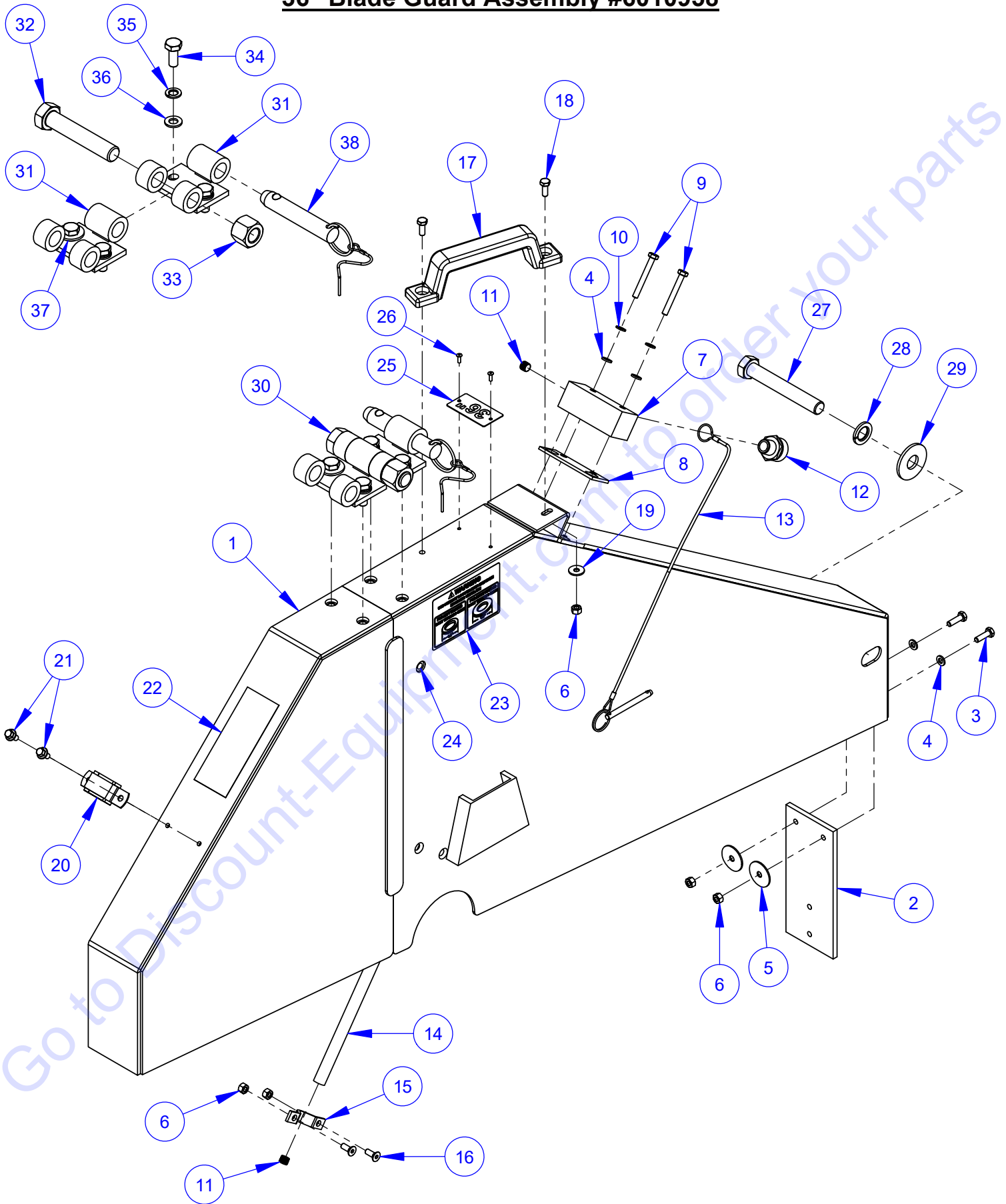


## **30" Blade Guard Assembly #6010956**

ITEM	PART NO.	QTY.	DESCRIPTION
1	6010957	1	30" Blade Guard Front & Rear Only
2	6010081	1	Splash Flap
3	2900310	2	Cap Screw, Hex Hd., M6-1.0 x 20mm
4	2901494	4	Flat Washer, M6
5	2900083	2	Fender Washer, 1/4" x 1-1/4"
6	2900302	10	Lock Nut, M6-1.0 Nylon Insert
7	6010261	1	Water Manifold
8	2500830	1	Water Manifold Gasket
9	2901355	2	Cap Screw, Hex Hd., M6-1.0 x 50mm
10	2900765	2	Lock Washer, M6 Split
11	3200001	3	Plug, 1/8" NPT
12	3200002	1	Fitting, 3/8" M. Pipe to 3/4" M. Garden
13	2900279	1	Lanyard with Lock Pin
14	6010087	2	Water Tube for 30" Guard
15	6048155	2	Water Tube Clamp
16	2900308	4	Cap Screw, Flat Hd., M6-1.0 x 16mm
17	2506125	1	Grab Handle
18	2900341	2	Cap Screw, Hex Hd., M6-1.0 x 16mm
19	2901359	1	Fender Washer, M6
20	3202935	1	Cushion Clamp
21	2901370	2	Cap Screw, Hex Flange, M6-1.0 x 12mm
22	1800001	1	Warning Label
23	1802090	2	Label, Wedge Locking Washer
24	2503749	2	Plug, 5/16" Hole (Tapered)
25	1801369G	1	Blade Guard Size Tag
26	2900287	2	Rivet, 1/8" Dia.
27	6010873	1	Universal Hinge Assembly

ITEM	PART NO.	QTY	DESCRIPTION
28	6010871	2	Hinge Weldment, Universal
29	2900479	1	Cap Screw, Hex Hd., 3/4-10 x 4"
30	2900467	1	Lock Nut, 3/4-10 Nylon
31	2900333	4	Cap Screw, Hex Hd., M10-1.5 x 25mm
32	2900321	4	Lock Washer, M10 Split
33	2901356	4	Flat Washer, M10
34	2901360	1	Fender Washer, M10
35	2503824	1	Detent Pin with Lanyard

# 36" Blade Guard Assembly #6010958

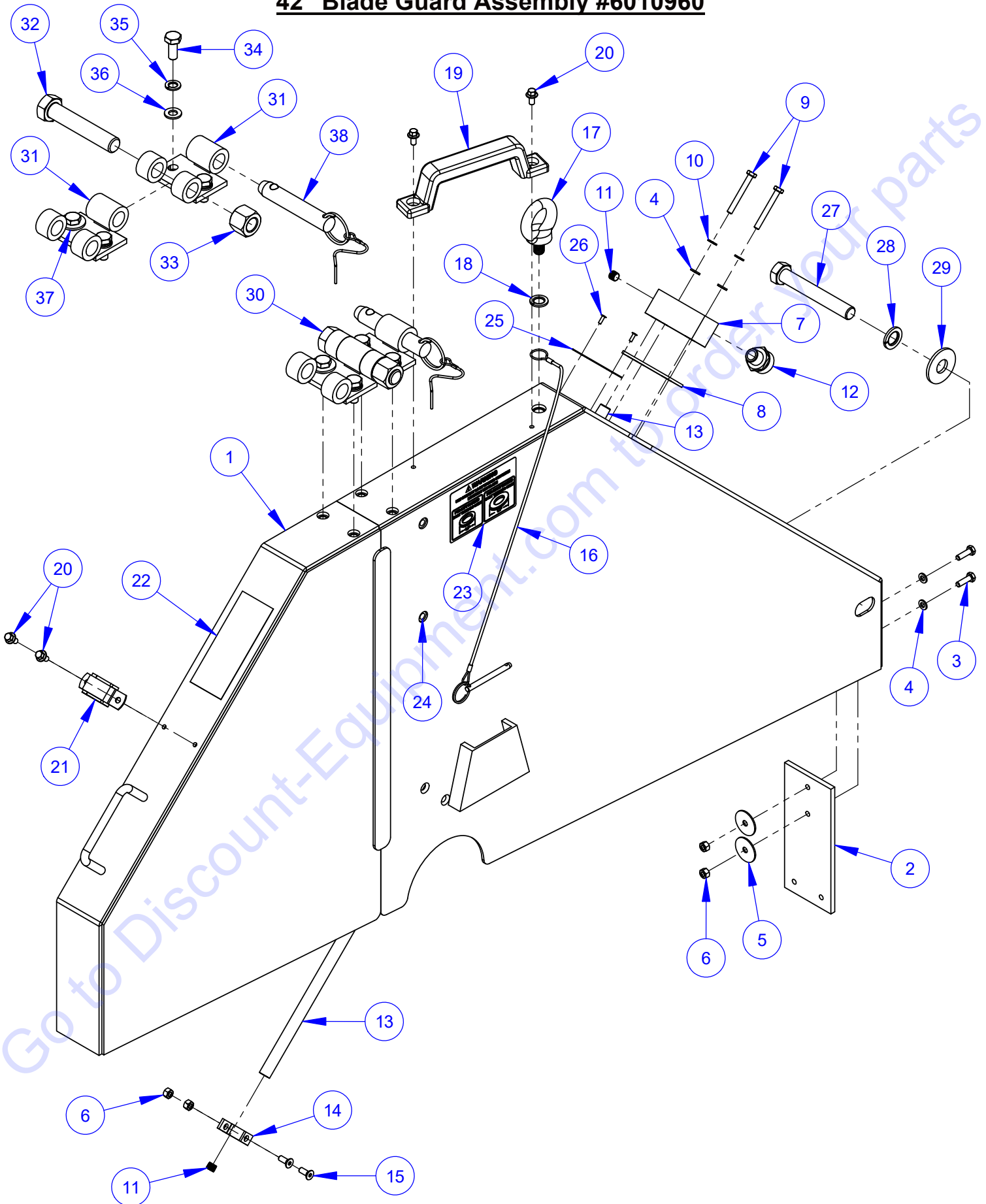


## 36" Blade Guard Assembly #6010958

ITEM	PART NO.	QTY.	DESCRIPTION
1	6010959	1	36" Blade Guard Front & Rear Only
2	6010081	1	Splash Flap
3	2900310	2	Cap Screw, Hex Hd., M6-1.0 x 20mm
4	2901494	4	Flat Washer, M6
5	2900083	2	Fender Washer, 1/4" x 1-1/4"
6	2900302	8	Lock Nut, M6-1.0 Nylon Insert
7	6010261	1	Water Manifold
8	2500830	1	Water Manifold Gasket
9	2901355	2	Cap Screw, Hex Hd., M6-1.0 x 50mm
10	2900765	2	Lock Washer, M6 Split
11	3200001	3	Plug, 1/8" NPT
12	3200002	1	Fitting, 3/8" M. Pipe to 3/4" M. Garden
13	2900280	1	Lanyard with Lock Pin
14	6010088	2	Water Tube for 36" Guard
15	6048155	2	Water Tube Clamp
16	2900308	4	Cap Screw, Flat Hd., M6-1.0 x 16mm
17	2506125	1	Grab Handle
18	2900341	2	Cap Screw, Hex Hd., M6-1.0 x 16mm
19	2901359	1	Fender Washer, M6
20	3202935	1	Cushion Clamp
21	2901370	2	Cap Screw, Hex Flange, M6-1.0 x 12mm
22	1800001	1	Warning Label
23	1802090	2	Label, Wedge Locking Washer
24	2503749	2	Plug, 5/16" Hole (Tapered)
25	1801369H	1	Blade Guard Size Tag
26	2900639	2	Rivet, 1/8" Dia.
27	2901349	1	Cap Screw, Hex Hd., M16-2.0 x 110mm
28	2900716	1	Lock Washer, M16 Split
29	2900128	1	Flat Washer, 5/8" USS
30	6010873	1	Universal Hinge Assembly

ITEM	PART NO.	QTY	DESCRIPTION
31	6010871	2	Hinge Weldment, Universal
32	2900479	1	Cap Screw, Hex Hd., 3/4-10 x 4"
33	2900467	1	Lock Nut, 3/4-10 Nylon
34	2900333	4	Cap Screw, Hex Hd., M10-1.5 x 25mm
35	2900321	4	Lock Washer, M10 Split
36	2901356	4	Flat Washer, M10
37	2901360	1	Fender Washer, M10
38	2503824	1	Detent Pin with Lanyard

# 42" Blade Guard Assembly #6010960

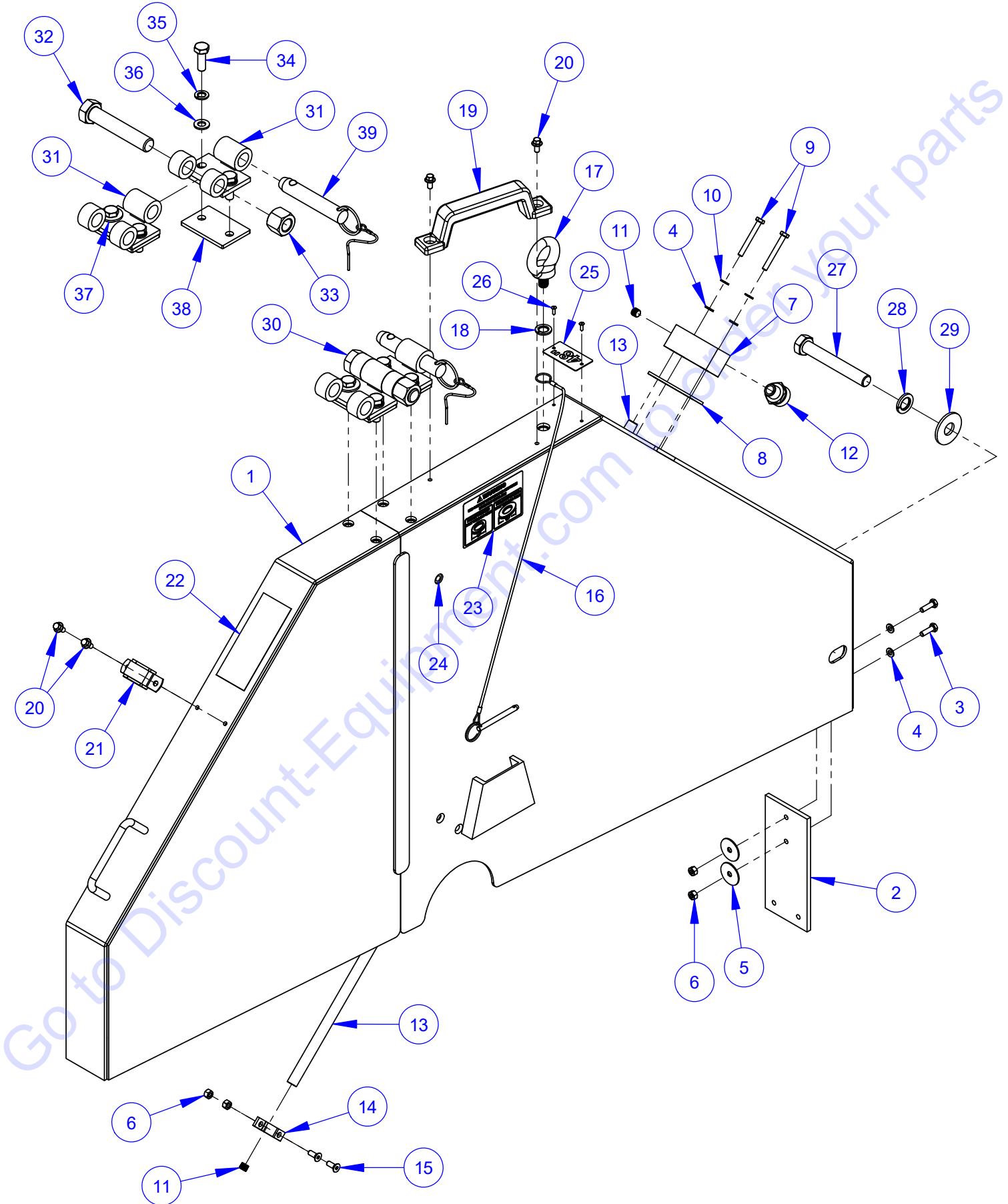


## **42" Blade Guard Assembly #6010960**

ITEM	PART NO.	QTY	DESCRIPTION
1	6010961	1	42" Blade Guard Front & Rear Only
2	6010081	1	Splash Flap
3	2900310	2	Cap Screw, Hex Hd., M6-1.0 x 20mm
4	2901494	4	Flat Washer, M6
5	2900083	2	Fender Washer, 1/4" x 1-1/4"
6	2900302	6	Lock Nut, M6-1.0 Nylon Insert
7	6048123	1	Water Manifold
8	2500829	1	Water Manifold Gasket
9	2901355	2	Cap Screw, Hex Hd., M6-1.0 x 50mm
10	2900765	2	Lock Washer, M6 Split
11	3200001	3	Plug, 1/8" NPT
12	3200002	1	Fitting, 3/8" M. Pipe to 3/4" M. Garden
13	6010114	2	Water Tube for 42" Guard
14	6048155	2	Water Tube Clamp
15	2900308	4	Cap Screw, Flat Hd., M6-1.0 x 16mm
16	2900280	1	Lanyard with Lock Pin
17	2902138	1	Eye Bolt, M12-1.75
18	2900699	1	Lock Washer, M12 Split
19	2506125	1	Grab Handle
20	2901370	4	Cap Screw, Hex Flange, M6-1.0 x 12mm
21	3202935	1	Cushion Clamp
22	1800001	1	Warning Label
23	1802090	2	Label, Wedge Locking Washer
24	2503749	4	Plug, 5/16" Hole (Tapered)
25	1801369I	1	Blade Guard Size Tag
26	2900639	2	Rivet, 1/8" Dia.
27	2901349	1	Cap Screw, Hex Hd., M16-2.0 x 110mm
28	2900716	1	Lock Washer, M16 Split
29	2900128	1	Flat Washer, 5/8" USS
30	6010873	1	Universal Hinge Assembly

ITEM	PART NO.	QTY	DESCRIPTION
31	6010871	2	Hinge Weldment, Universal
32	2900479	1	Cap Screw, Hex Hd., 3/4-10 x 4"
33	2900467	1	Lock Nut, 3/4-10 Nylon
34	2900333	4	Cap Screw, Hex Hd., M10-1.5 x 25mm
35	2900321	4	Lock Washer, M10 Split
36	2901356	4	Flat Washer, M10
37	2901360	1	Fender Washer, M10
38	2503824	1	Detent Pin with Lanyard

# 48" Blade Guard Assembly #6010962



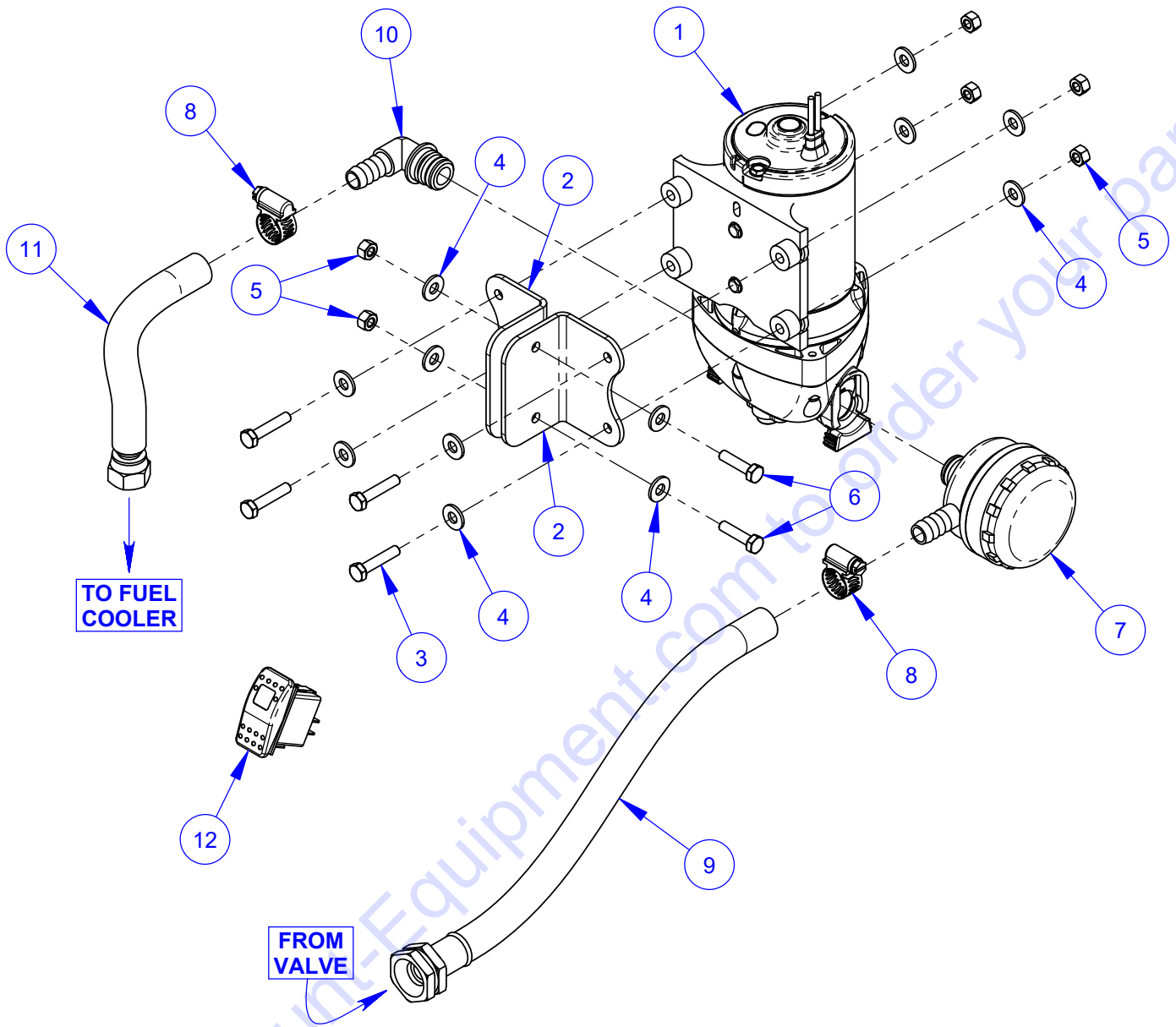
## **48" Blade Guard Assembly #6010962**

ITEM	PART NO.	QTY	DESCRIPTION
1	6010963	1	48" Blade Guard Front & Rear Only
2	6010081	1	Splash Flap
3	2900310	2	Cap Screw, Hex Hd., M6-1.0 x 20mm
4	2901494	4	Flat Washer, M6
5	2900083	2	Fender Washer, 1/4" x 1-1/4"
6	2900302	6	Lock Nut, M6-1.0 Nylon Insert
7	6048123	1	Water Manifold
8	2500829	1	Water Manifold Gasket
9	2901355	2	Cap Screw, Hex Hd., M6-1.0 x 50mm
10	2900765	2	Lock Washer, M6 Split
11	3200001	3	Plug, 1/8" NPT
12	3200002	1	Fitting, 3/8" M. Pipe to 3/4" M. Garden
13	6010115	2	Water Tube for 48" Guard
14	6048155	2	Water Tube Clamp
15	2900308	4	Cap Screw, Flat Hd., M6-1.0 x 16mm
16	2900281	1	Lanyard with Lock Pin
17	2902138	1	Eye Bolt, M12-1.75
18	2900699	1	Lock Washer, M12 Split
19	2506125	1	Grab Handle
20	2901370	4	Cap Screw, Hex Flange, M6-1.0 x 12mm
21	3202935	1	Cushion Clamp
22	1800001	1	Warning Label
23	1802090	2	Label, Wedge Locking Washer
24	2503749	2	Plug, 5/16" Hole (Tapered)
25	1801369J	1	Blade Guard Size Tag
26	2900639	2	Rivet, 1/8" Dia.
27	2901349	1	Cap Screw, Hex Hd., M16-2.0 x 110mm
28	2900716	1	Lock Washer, M16 Split
29	2900128	1	Flat Washer, 5/8" USS
30	6016089	1	Hinge Assembly, 48" Guard

ITEM	PART NO.	QTY	DESCRIPTION
31	6010871	2	Hinge Weldment, Universal
32	2900479	1	Cap Screw, Hex Hd., 3/4-10 x 4"
33	2900467	1	Lock Nut, 3/4-10 Nylon
34	2900223	4	Cap Screw, Hex Hd., M10-1.5 x 30mm
35	2900321	4	Lock Washer, M10 Split
36	2901356	4	Flat Washer, M10
37	2901360	1	Fender Washer, M10
38	6016019	2	Hinge Spacer
39	2503824	1	Detent Pin with Lanyard

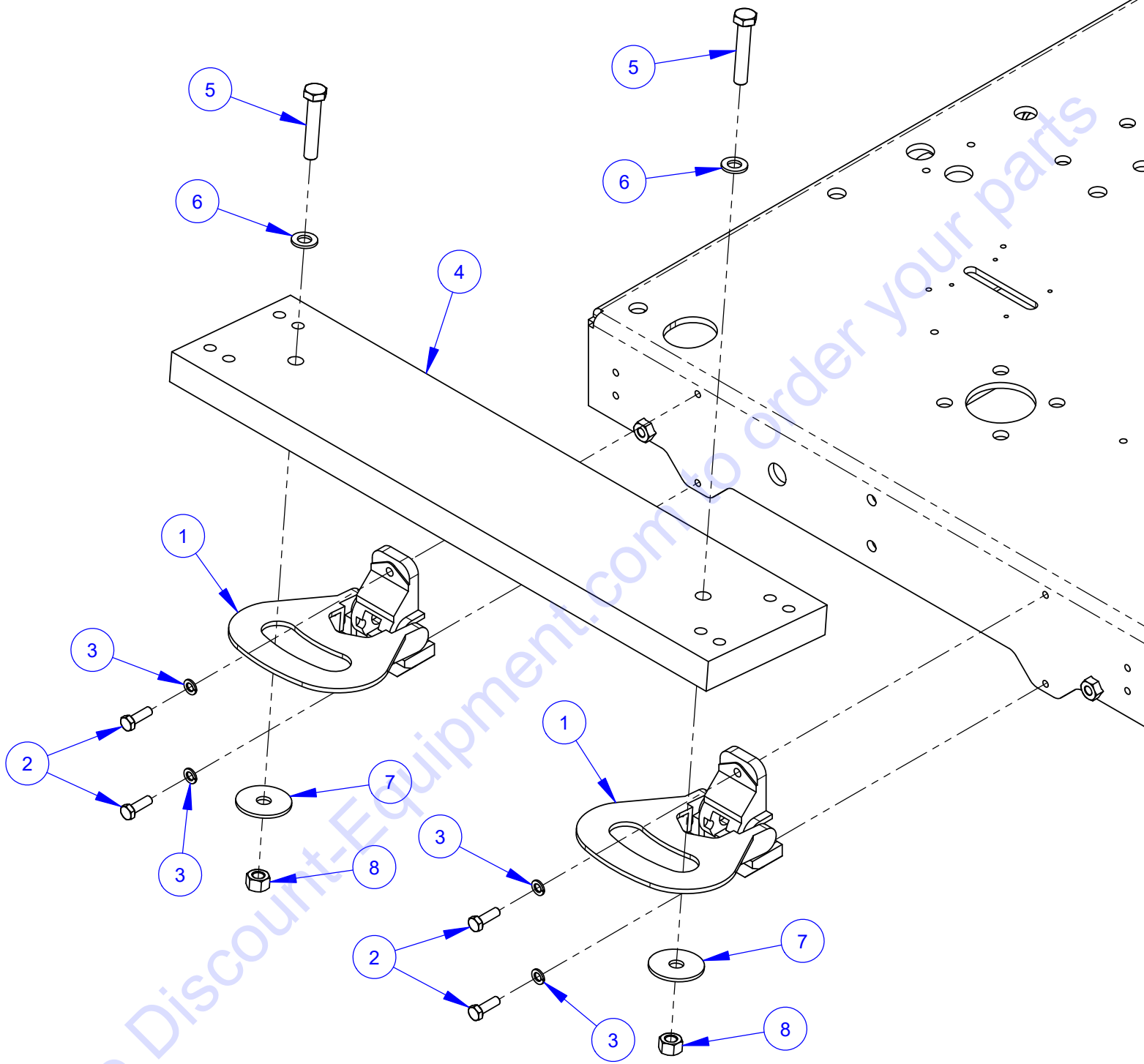


## Optional Water Pump Assembly #6017547



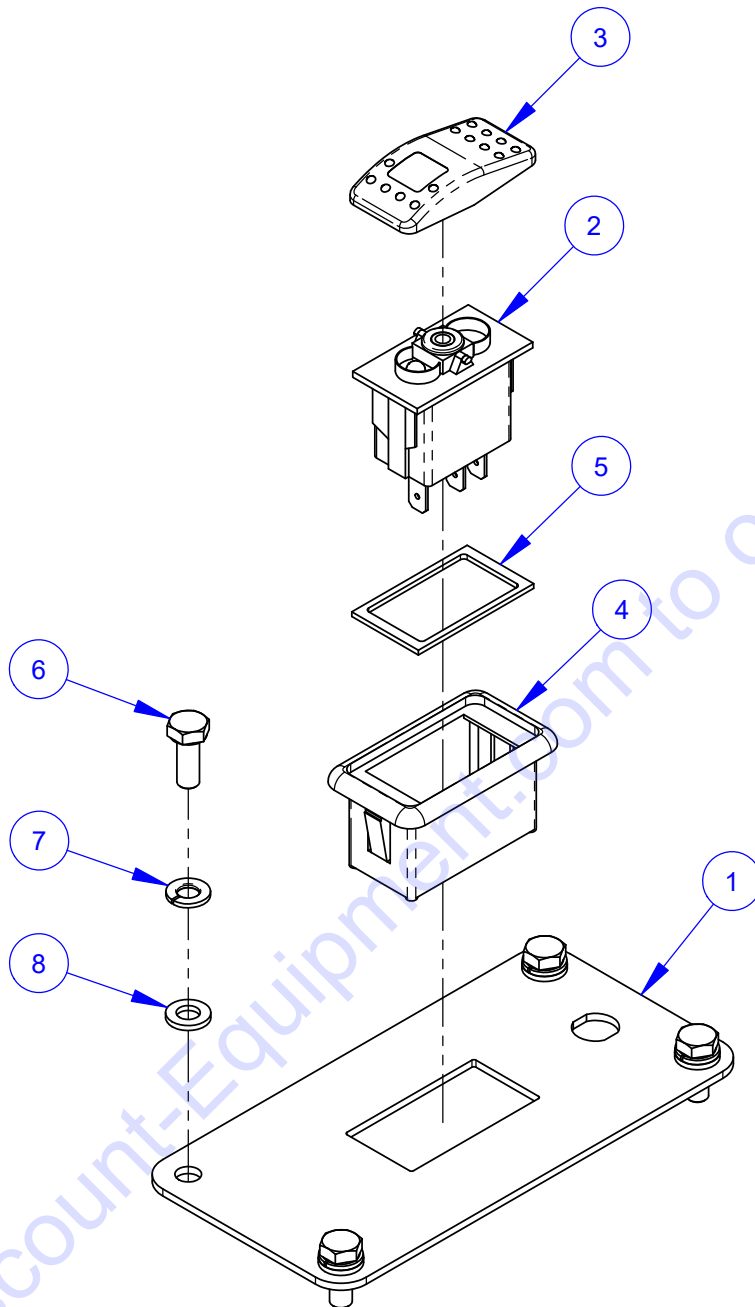
ITEM	PART NO.	QTY.	DESCRIPTION
1	2600655	1	Water Pump, 12V Diaphragm
2	6017539	2	Water Pump Flange Mount
3	2900342	4	Cap Screw, Hex Hd., M6-1.0 x 30mm
4	2900009	12	Flat Washer, 1/4" SAE
5	2900302	6	Lock Nut, M6-1.0 Nylon Insert
6	2900311	2	Cap Screw, Hex Hd., M6-1.0 x 25mm
7	2703198	1	Inlet Strainer
8	3200016	2	Hose Clamp #8
9	6017558	1	Hose Assembly 1/2" x 14"
10	2701694	1	Port Fitting, 1/2" Barb x 90 Degree
11	6017559	1	Hose Assembly 1/2" x 7"
12	2800808	1	Rocker Switch

## Optional Weight Kit (55 Pounds) #6017428



ITEM	PART NO.	QTY	DESCRIPTION
1	2503798	2	Foot Rest, Folding
2	2900360	4	Cap Screw, Hex Hd., M8-1.25 x 25mm
3	2900763	4	Lock Washer, M8 Split
4	6013042	1	Saw Weight, 55 Pound
5	2900359	2	Cap Screw, Hex Hd., M12-1.75 x 65mm
6	2901357	2	Flat Washer, M12
7	2900854	2	Fender Washer, 1/2" x 2"
8	2900327	2	Lock Nut, M12-1.75 Nylon Insert

## Optional Clutch Switch Assembly #6017570



ITEM	PART NO.	QTY.	DESCRIPTION
1	6017284	1	Cover Plate
2	2808117	1	Rocker Switch
3	2800614	1	Rocker Switch Actuator
4	2800260	1	Rocker Mount Panel
5	2800261	1	Rocker Panel Gasket
6	2900341	4	Cap Screw, Hex Hd., M6-1.0 x 16mm
7	2900765	4	Lock Washer, M6 Split
8	2901494	4	Flat Washer, M6

# Decal Group



#1802539 (QTY. 2)



#1802620



#1801893

**CC7574 SINGLE SPEED RPM CHART**

BLADE SIZE	BLADE RPM	LOWER SHEAVES	UPPER SHEAVES	ENGINE RPM	BELT SIZE	FLANGE SIZE	MAX CUT DEPTH
20"	2,300	4.50"	6.50"	2,600	3VX385	5"	7-1/4"
26"	1,875	4.75"	5.00"	2,600	3VX375	5"	10-1/4"
30"	1,675	4.75"	5.00"	2,600	3VX366	5"	12-1/4"
36"	1,375	4.75"	6.50"	2,600	3VX385	6"	14-3/4"
42"	1,125	4.75"	5.30"	2,600	3VX375	7"	17-1/4"
48"	1,000	4.75"	4.75"	2,600	3VX366	8"	19-3/4"

**LEVER CONTROLS**

**FORWARD**

**REVERSE**

**WARNING / ADVERTENCIA**

ALWAYS WEAR PERSONAL PROTECTIVE EQUIPMENT

**CC7574 3 SPEED RPM CHART - 30"/26"/20"**

BLADE SIZE	BLADE RPM	GEAR POSITION	MAX CUT DEPTH	LOWER SHEAVES	UPPER SHEAVES	ENGINE RPM	BELT SIZE	FLANGE SIZE
20"	2,650	H (high)	7-1/4"	4.75"	4.75"	2,600	3VX450	5"
26"	1,950	M (mid)	10-1/4"	4.75"	4.75"	2,600	3VX450	5"
30"	1,500	L (low)	12-1/4"	4.75"	4.75"	2,600	3VX450	5"

1802512A

**CC7574 3 SPEED RPM CHART - 36"/30"/20"**

BLADE SIZE	BLADE RPM	GEAR POSITION	MAX CUT DEPTH	LOWER SHEAVES	UPPER SHEAVES	ENGINE RPM	BELT SIZE	FLANGE SIZE
20"	2,400	H (high)	6-3/4"	4.50"	6.50"	2,600	3VX475	6"
30"	1,775	M (mid)	11-3/4"	4.50"	6.50"	2,600	3VX475	6"
36"	1,375	L (low)	14-3/4"	4.50"	6.50"	2,600	3VX475	6"

1802512B

**CC7574 3 SPEED RPM CHART - 42"/36"/26"**

BLADE SIZE	BLADE RPM	GEAR POSITION	MAX CUT DEPTH	LOWER SHEAVES	UPPER SHEAVES	ENGINE RPM	BELT SIZE	FLANGE SIZE
26"	1,975	H (high)	9-1/4"	4.75"	5.60"	2,600	3VX475	7"
36"	1,450	M (mid)	14-1/4"	4.75"	5.60"	2,600	3VX475	7"
42"	1,125	L (low)	17-1/4"	4.75"	5.60"	2,600	3VX475	7"

1802512C

**CC7574 3 SPEED RPM CHART - 48"/42"/30"**

BLADE SIZE	BLADE RPM	GEAR POSITION	MAX CUT DEPTH	LOWER SHEAVES	UPPER SHEAVES	ENGINE RPM	BELT SIZE	FLANGE SIZE
30"	1,675	H (high)	10-3/4"	4.75"	4.75"	2,600	3VX450	8"
42"	1,225	M (mid)	16-3/4"	4.75"	4.75"	2,600	3VX450	8"
48"	950	L (low)	19-3/4"	4.75"	4.75"	2,600	3VX450	8"

1802512D

**DIGITAL CONTROLS**

**STOP START**

**FAST**

**SLOW**

**ENGINE THROTTLE**

**REAR AXLE ADJUSTMENT**

**OFF**

**WARNING FLAMMABLE FUEL**

**FLUID LEVEL FULL COLD**

**EMERGENCY**

**BLADE STOP**

**BLADE LOWERING SPEED**

**1802503**

**1802502**

**1802501**

**1801893**

**1801628**

**1802504**

**1801629**

Sheet #1802564

Sheet #1802512

## Single Speed Conversion Charts

**WARNING:** Do not exceed blade speed (RPM) shown for each blade size.  
Excessive blade speed could result in blade breakage and serious personal injury!

Blade Size	Blade Shaft		Engine		Max. Depth of Cut
	No Load RPM	Sheave Size	No Load RPM	Sheave Size	
20"	2,300	4.5"	2,600	6.5"	7-1/4"
26"	1,875	4.75"	2,600	5.6"	10-1/4"
30"	1,675	4.75"	2,600	5"	12-1/4"
36"	1,375	4.75"	2,600	6.5"	14-3/4"
42"	1,125	4.75"	2,600	5.3"	17-1/4"
48"	1,000	4.75"	2,600	4.75"	19-3/4"

**WARNING:** When changing blade size, use chart shown below for selecting items that must be changed.

Model CC7574	20"	26"	30"	36"	42"	48"
Blade Shaft Assembly	6018186 (Option A)	6018186 (Option A)	6018186 (Option A)	6018141 (Option B)	6018141 (Option B)	6018141 (Option B)
Blade Guard Assembly	6010952	6010954	6010956	6010958	6010960	6010962
Upper Sheaves (2) (Sheave Size)	6017438 (6.5")	6013157 (5.6")	6017436 (5")	6017438 (6.5")	6017437 (5.3")	6017435 (4.75")
Lower Sheaves (2) (Sheave Size)	6017434 (4.5")	6017435 (4.75")	6017435 (4.75")	6017435 (4.75")	6017435 (4.75")	6017435 (4.75")
Drive Belts (20) (Belt Size)	2503876 (3VX385)	2500037 (3VX375)	2503875 (3VX366)	2503876 (3VX385)	2500037 (3VX375)	2503875 (3VX366)
Inner Flanges (2) (Flange Size)	6010255 (5")	6010255 (5")	6010255 (5")	6010038 (6")	6017230 (7")	6013017 (8")
Outer Flanges (2) (Flange Size)	6047907 (5")	6047907 (5")	6047907 (5")	6010039 (6")	6017231 (7")	6013018 (8")
Skid Plate Mounting Holes	Bottom Set	Bottom Set	Bottom Set	Middle Set	Middle Set	Top Set
Tachometer Pulses	27	27	27	34	34	34

### 3 Speed Conversion Chart

**WARNING:** When changing blade size, use chart shown below for selecting items that must be changed.

<b>Model CC7574-3 Speed</b>	<b>30/26/20</b>	<b>36/30/20</b>	<b>42/36/26</b>	<b>48/42/30</b>
Blade Shaft Assembly	6018230 (Option A)	6018232 (Option B)	6018232 (Option B)	6018232 (Option B)
Blade Guard Assembly	6010956	6010958	6010960	6010962
Upper Sheaves (2) (Sheave Size)	6017435 (4.75")	6017438 (6.5")	6013157 (5.6")	6017435 (4.75")
Lower Sheaves (2) (Sheave Size)	6017435 (4.75")	6017434 (4.5")	6017435 (4.75")	6017435 (4.75")
Drive Belts (20) (Belt Size)	2500794 (3VX450)	2500298 (3VX475)	2500298 (3VX475)	2500794 (3VX450)
Inner Flanges (2) (Flange Size)	6010255 (5")	6010038 (6")	6017230 (7")	6013017 (8")
Outer Flanges (2) (Flange Size)	6047907 (5")	6010039 (6")	6017231 (7")	6013018 (8")
RPM Chart Decal	1802512A	1802512B	1802512C	1802512D
Skid Plate Mounting Holes	Bottom Set	Middle Set	Middle Set	Top Set
Tachometer Pulses	27	34	34	34

## **EQUIPMENT AND PARTS WARRANTY**

Discount-equipment warrants all equipment sold by it against defects in workmanship or materials for a period of one (1) year from the date of shipment to Customer.

The responsibility of Discount-equipment under this Warranty is limited to replacement or repair of defective parts, of such parts as shall appear to us upon inspection at such parts, to have been defective in material or workmanship, with expense for transportation and labor borne by Customer.

In no event shall Discount-equipment be liable for consequential or incidental damages arising out of the failure of any Product to operate properly.

Integral units such as engines, electric motors, batteries, transmissions, etc., are excluded from this Warranty and are subject to the prime manufacturer's warranty.

**THIS WARRANTY IS IN LIEU OF ALL OTHER WARRANTIES,  
EXPRESSED OR IMPLIED, AND ALL SUCH OTHER WARRANTIES ARE  
HEREBY DISCLAIMED.**





# PARTS FINDER

**Search Website  
by Part Number**



**Search Manual  
Library For Parts  
Manual & Lookup Part  
Numbers – Purchase  
or Request Quote**

**Search Manuals**

Enter your information to help us find the right parts manual for your machine.

\* Brand:

\* Model:

\* Serial:

\* Part Number:

SEARCH

**Can't Find Part or  
Manual? Request Help  
by Manufacturer,  
Model & Description**

**Parts Order Form**

Please fill in the following information to help us find the right part for your machine.

MANUFACTURER:

MODEL:

DESCRIPTION:

SEARCH

Discount-Equipment.com is your online resource for quality parts & equipment.

Florida: **561-964-4949** Outside Florida TOLL FREE: **877-690-3101**

**Need parts?**

Click on this link: <http://www.discount-equipment.com/category/5443-parts/> and choose one of the options to help get the right parts and equipment you are looking for. Please have the machine model and serial number available in order to help us get you the correct parts. If you don't find the part on the website or on one of the online manuals, please fill out the request form and one of our experienced staff members will get back to you with a quote for the right part that your machine needs.

We sell worldwide for the brands: Genie, Terex, JLG, MultiQuip, Mikasa, Essick, Whiteman, Mayco, Toro Stone, Diamond Products, Generac Magnum, Airman, Haulotte, Barreto, Power Blanket, Nifty Lift, Atlas Copco, Chicago Pneumatic, Allmand, Miller Curber, Skyjack, Lull, Skytrak, Tsurumi, Husquvarna Target, Stow, Wacker, Sakai, Mi-T-M, Sullair, Basic, Dynapac, MBW, Weber, Bartell, Bennar Newman, Haulotte, Ditch Runner, Menegotti, Morrison, Contec, Buddy, Crown, Edco, Wyco, Bomag, Laymor, EZ Trench, Bil-Jax, F.S. Curtis, Gehl Pavers, Heli, Honda, ICS/PowerGrit, IHI, Partner, Imer, Clipper, MMD, Koshin, Rice, CH&E, General Equipment, Amida, Coleman, NAC, Gradall, Square Shooter, Kent, Stanley, Tamco, Toku, Hatz, Kohler, Robin, Wisconsin, Northrock, Oztec, Toker TK, Rol-Air, APT, Wylie, Ingersoll Rand / Doosan, Innovatech, Con X, Ammann, Mecalac, Makinex, Smith Surface Prep, Small Line, Wanco, Yanmar