



GA Series Portable Generators

Wheel Kit Instructions for GA36HR, GA6HR and GA6HRS

The following instructions are intended to assist the user in the installation of the Wheel Kit. Please read all assembly instructions before installing the kit.

REQUIRED TOOLS

- 1/4" Drive Ratchet with Socket Set
- Snap Ring Tool

WORK SAFELY!

Follow all shop safety rules when performing this installation. Make sure work area is clean and free of debris.

PARTS

Verify that all parts are accounted for. See Table 1 below and Figure 1 on page 3.

Table 1. GA Series Generator Wheel Kit

Item No.	Part No.	Description	QTY.	Item No.	Part No.	Description	QTY.
1	A3417400303	Axle, Transport Wheel	1	10	A3417400804	Handle, LS	1
2	A3417400404	Bracket, Axle Frame	2	11	W0805003103	Rubber Hand Grip	2
3	L0120236304A	Bracket, Mounting Axle	4	12	0016908020	Bolt, M8X20 With Flat/Lock Washers	16
4	Y0605802053	Wheel	2	13	0016906015	Bolt, M6X15 With Flat Lock Washers	8
5	Y0080000020	Snap Ring	2	14	0010108025	Bolt, M8X25	2
6	A3417400904	Support Stand	2	15	0207608000	Nut, M8	2
7	A3417401304	Bracket, Handle RS	1	16	0041208000	Washer, Flat M8	2
8	A3417401404	Bracket, Handle LS	1	17	0601851116	Washer, Plastic	4
9	A3417400704	Handle, RS	1	18	0012308020	Bolt, M8X20 With Flat/Lock Washers	6

PROCEDURE

Reference Figure 1 for all instructions.

Wheel/Axle Installation (Step 1)

1. Place generator on secure level ground where it will not slip or slide.
2. Using four **M8X20 bolts** (item 12), that includes a lock washer and flat washer, attach **axle frame brackets** (item 2) to the bottom right and left sides of the pipe frame. Tighten securely.
3. Place the four **axle mounting brackets** (item 3) onto **axle** (item 1).
4. Next, using eight **M8X20 bolts** (item 12), that includes a lock washer and flat washer secure the **four axle mounting brackets** (item 3) to the left and right side **axle frame brackets** (item 2). Tighten securely.
5. Place **wheels** (item 4) onto axle and secure wheels to axle with with **snap ring** (item 5).

Stand Installation (Step 2)

1. Using eight **M6X15 bolts** (item 13), that includes a lock washer and flat washer, attach **support stands** (item 6) to pipe frame. Tighten securely.

Handle Installation (Step 3)

1. Using two **M8X20 bolts** (item 18), that includes a lock washer and flat washer attach **left-side handle bracket** (item 8) to pipe frame. Tighten securely.
2. Lubricate (grease) free end of **left-side handle** (item 10) and slide rubber **hand grip** (item 11) onto handle.
3. Using a **M8X25 bolt** (item 14), **M8 flat washer** (item 16), two **plastic washers** (item 17) and **flanged lock nut** (item 15), attach **left-side handle** (item 10) to **left-side handle bracket** (item 8). Do not over tighten.
4. Repeat for **right-side handle** (item 9).

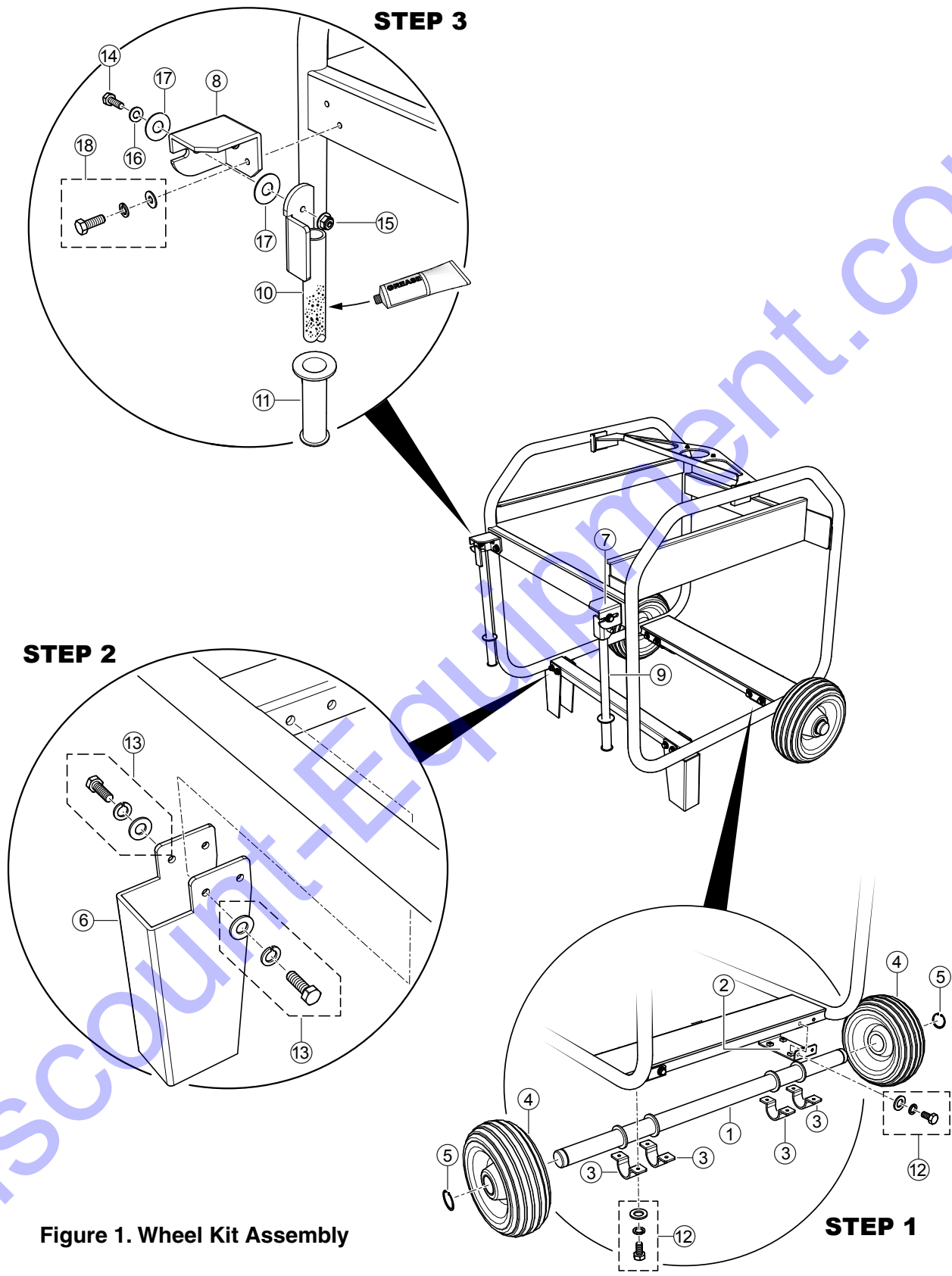


Figure 1. Wheel Kit Assembly



GA Series Portable Generators

Wheel Kit Instructions for GA36HR, GA6HR and GA6HRS

HERE'S HOW TO GET HELP

PLEASE HAVE THE MODEL AND SERIAL
NUMBER ON-HAND WHEN CALLING

Your Local Dealer is:



www.Discount-Equipment.com

