



CONCRETE SAW PARTS LIST

**MODEL
CC150XL-EE**

March 2021

Part # 1802416

PARTS FINDER

**Search Website
by Part Number**



**Search Manual
Library For Parts
Manual & Lookup Part
Numbers – Purchase
or Request Quote**

Search Manuals

Enter your information to help us find the right parts manual for your machine.

* Brand:

* Model:

* Serial:

* Part Number:

SEARCH

**Can't Find Part or
Manual? Request Help
by Manufacturer,
Model & Description**

Parts Order Form

Please fill in the following information to help us find the right part for your machine.

Manufacturer:	<input type="text"/>
Model:	<input type="text"/>
Description:	<input type="text"/>
Part Number:	<input type="text"/>
Quantity:	<input type="text"/>
Notes:	<input type="text"/>

Submit

Discount-Equipment.com is your online resource for quality parts & equipment.

Florida: **561-964-4949** Outside Florida TOLL FREE: **877-690-3101**

Need parts?

Click on this link: <http://www.discount-equipment.com/category/5443-parts/> and choose one of the options to help get the right parts and equipment you are looking for. Please have the machine model and serial number available in order to help us get you the correct parts. If you don't find the part on the website or on one of the online manuals, please fill out the request form and one of our experienced staff members will get back to you with a quote for the right part that your machine needs.

We sell worldwide for the brands: Genie, Terex, JLG, MultiQuip, Mikasa, Essick, Whiteman, Mayco, Toro Stone, Diamond Products, Generac Magnum, Airman, Haulotte, Barreto, Power Blanket, Nifty Lift, Atlas Copco, Chicago Pneumatic, Allmand, Miller Curber, Skyjack, Lull, Skytrak, Tsurumi, Husquvarna Target, Stow, Wacker, Sakai, Mi-T-M, Sullair, Basic, Dynapac, MBW, Weber, Bartell, Bennar Newman, Haulotte, Ditch Runner, Menegotti, Morrison, Contec, Buddy, Crown, Edco, Wyco, Bomag, Laymor, EZ Trench, Bil-Jax, F.S. Curtis, Gehl Pavers, Heli, Honda, ICS/PowerGrit, IHI, Partner, Imer, Clipper, MMD, Koshin, Rice, CH&E, General Equipment, Amida, Coleman, NAC, Gradall, Square Shooter, Kent, Stanley, Tamco, Toku, Hatz, Kohler, Robin, Wisconsin, Northrock, Oztec, Toker TK, Rol-Air, APT, Wylie, Ingersoll Rand / Doosan, Innovatech, Con X, Ammann, Mecalac, Makinex, Smith Surface Prep, Small Line, Wanco, Yanmar

Table of Contents

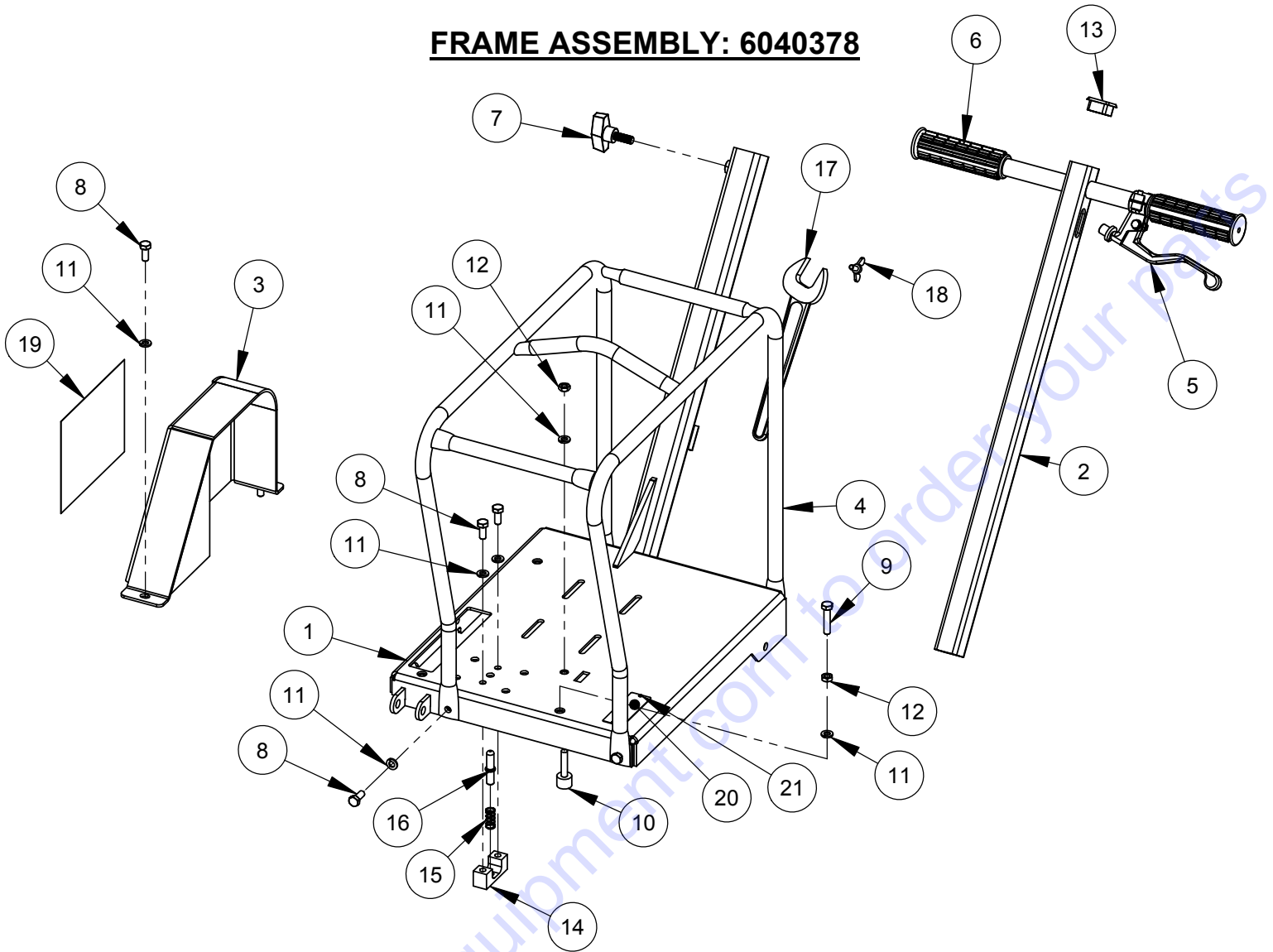
<u>Description</u>	<u>Page No.</u>
Frame Assembly.....	4
Carriage Assembly.....	5
Motor Assembly.....	6
Blade Shaft Assembly.....	7
Spring Box Assembly 6"	8-9
Pointer Assembly.....	10
Warranty.....	12

Quick Reference Replacement/Service Parts

<u>DP Part No.</u>	<u>Description</u>
2505180	Skid Plate - 6/8" Blade - .156 Slot
2500380	(1) V-Belt-3V300

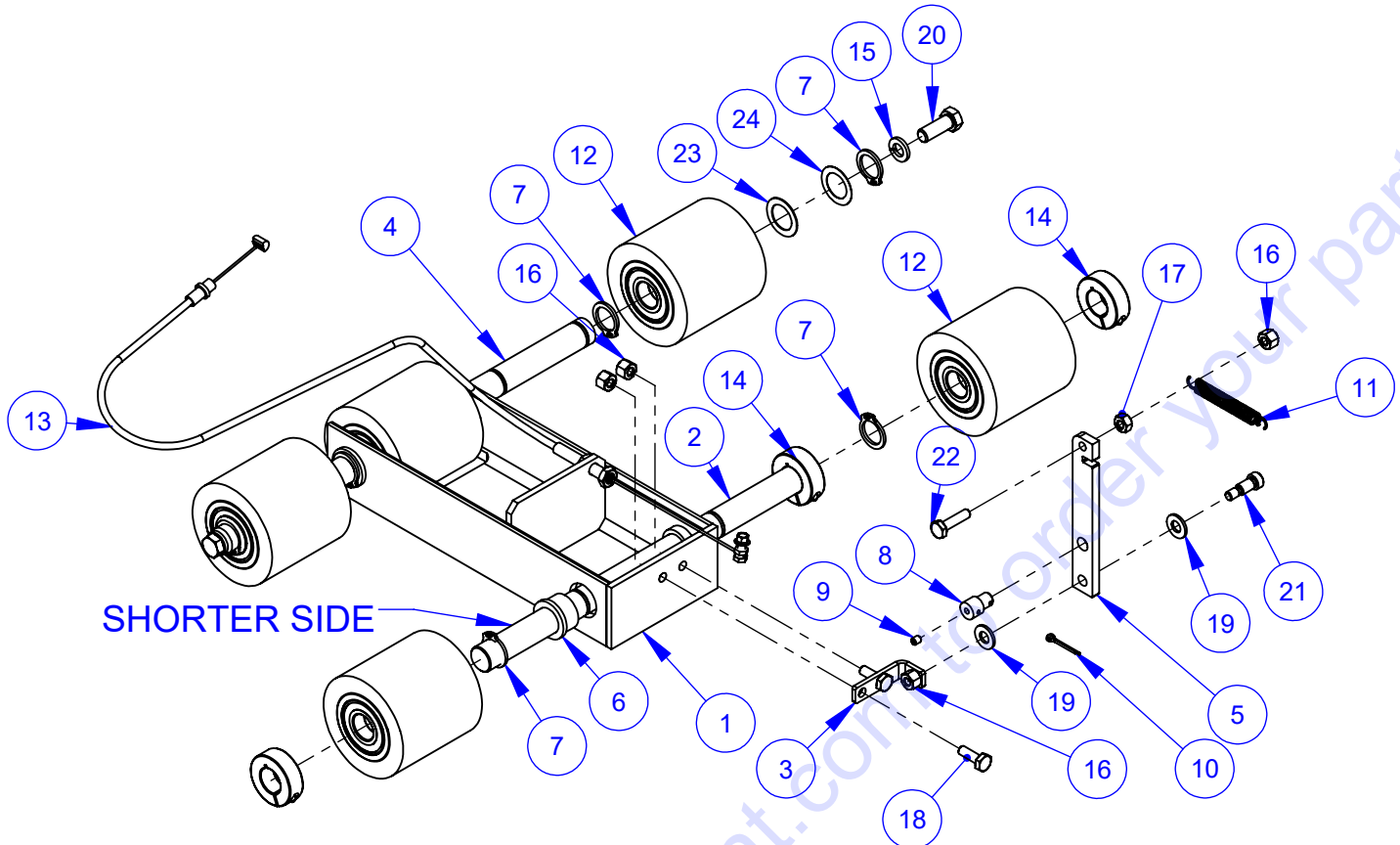
Go to Discount-Equipment.com to order your parts

FRAME ASSEMBLY: 6040378



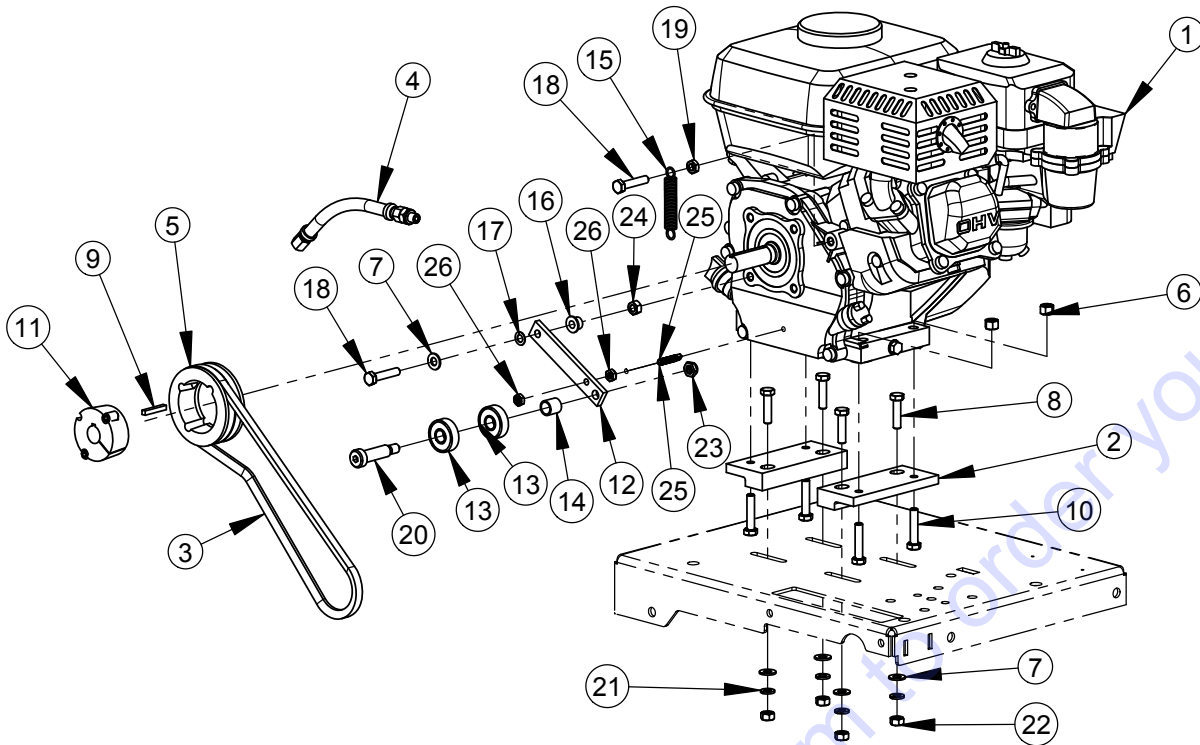
ITEM	PART NO.	QTY.	DESCRIPTION
1	6040748	1	Frame Weldment
2	6040749	1	Handle Weldment
3	6040755	1	Guard, Belt
4	6040615	1	Lift Cage
5	6010619	1	Bracket, Handlebar Lever
6	2500001	2	7/8" Handle Grip
7	2503942	1	T Handle Locking Knob /w 3/8-16 Stud
8	2900019	8	Cap Screw, Hex Hd., 5/16-18 x 3/4"
9	2900508	1	Cap Screw, Hex Hd., 5/16-18 x 1-1/2"
10	2504808	1	Bumper w/ 5/16-18 threaded stud
11	2900031	10	Lock Washer, 5/16" Split
12	2900283	2	Jam Nut, 5/16-18
13	2503823	1	Plug, 1-1/4 Square Tube
14	6040560	1	Blade Stop Block
15	2501192	1	Spring, Comp. .48 x .042 x 1.00 Long
16	6040561	1	Blade Stop
17	2500256	1	Wrench, 1-1/16" Open End
18	2900307	1	Wing Screw, M6 x 16mm
19	1802419	1	CC150XL Core Cut Decal
20	1800169	1	Serial Number Plate, US
21	2900053	2	Rivet, 3/32" Dia.

AXLE ASSEMBLY: 6040379



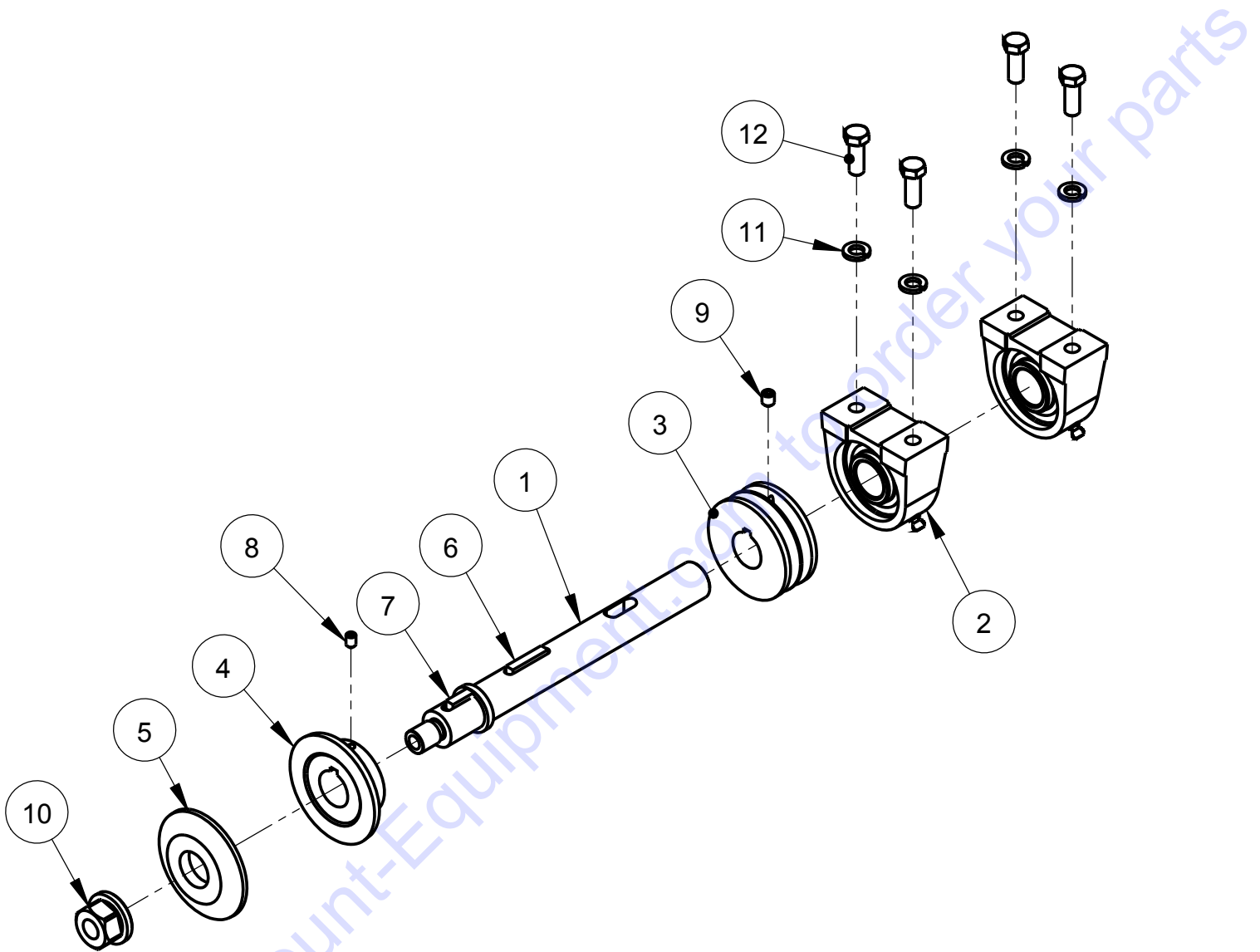
ITEM	PART NO.	QTY.	DESCRIPTION
1	6040750	1	Axle Weldment
2	6040751	1	Shaft, Front Axle
3	6040754	1	Bracket, Lift
4	6040549	1	Shaft, Rear Axle
5	6040814	1	Lift Plate
6	2503189	4	Bearing, Flanged Bronze 3/4 ID
7	2504805	8	Retaining Ring, .75 Ext. Heavy Duty
8	6048212	1	Pivot Pin
9	2900059	1	Set Screw, Soc. Hd., #10-32 x 1/4"
10	2900034	1	Cotter Pin, 3/32" x 3/4"
11	2500066	1	Spring, Ext 3/8 X .055 X 5"
12	2503641	5	Wheel 3 X 3 X 3/4" Poly
13	2506324	1	Cable Assembly
14	2504577	3	Shaft Collar, 3/4" Split
15	2900006	2	Lock Washer, 3/8" Split
16	2900010	4	Lock Nut, 1/4-20 Nylon
17	2900125	1	Hex Nut, 1/4-20
18	2900144	2	Cap Screw, Hex Hd., 1/4-20 x 3/4"
19	2900022	2	Flat Washer, 5/16" SAE
20	2900005	2	Cap Screw, Hex Hd., 3/8-16 x 1"
21	2900051	1	Shoulder Screw, 5/16" x 1/2" (1/4-20)
22	2900008	1	Cap Screw, Hex Hd., 1/4-20 x 1"
23	2505348	AR	Shim, 3/4" x 1-1/8" x .030"
24	2900942	AR	Shim, 3/4" x 1-1/8" x .015"

MOTOR ASSEMBLY: 6040350-HONDA
6040727- BRIGGS
6040590-LIFAN



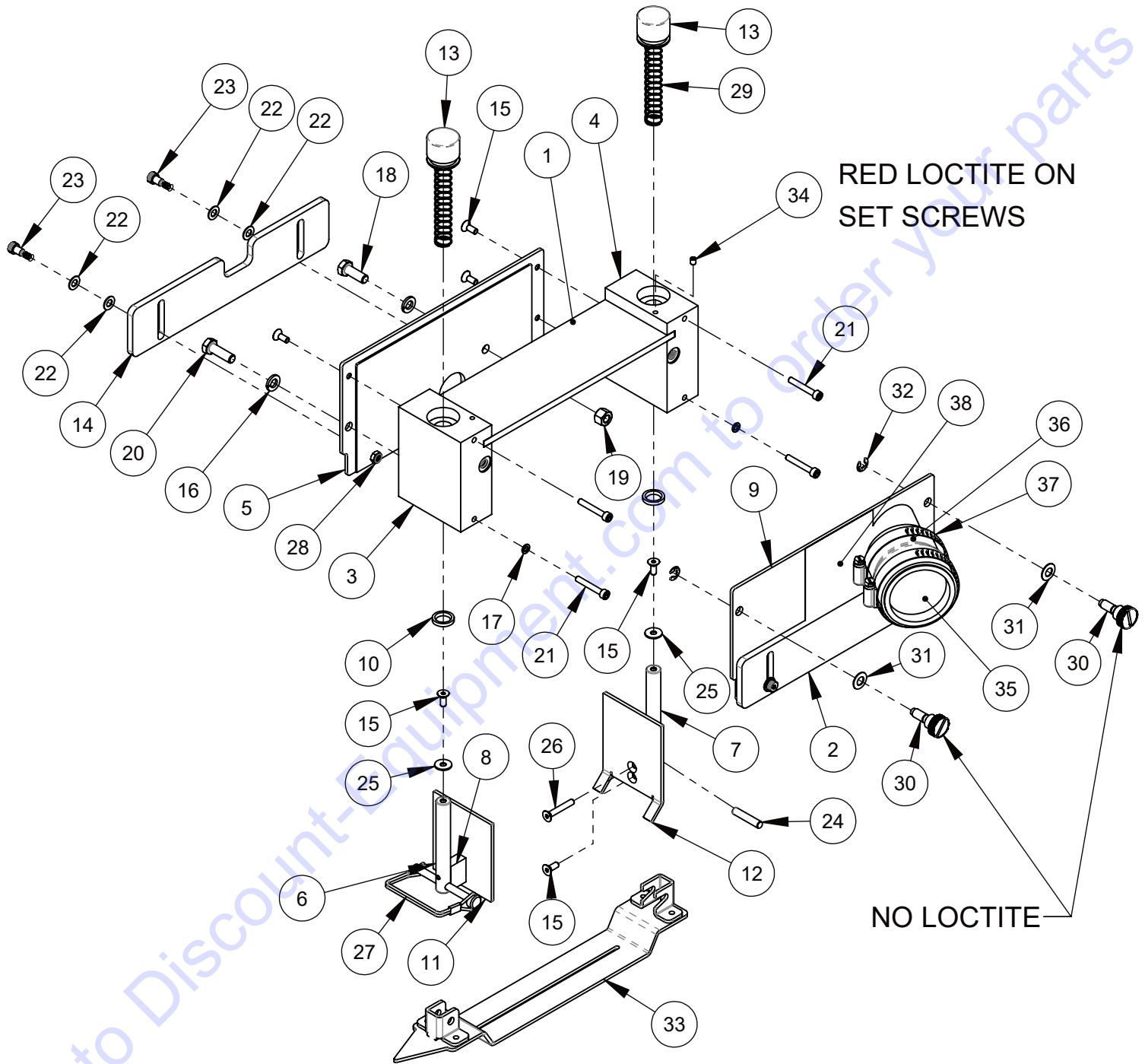
ITEM	PART NO.	QTY.	DESCRIPTION
1	2600091	1	Engine, Honda 4.8 HP (GX160)
	2600601	1	Engine, Briggs & Stratton 5.5HP
	2601708	1	Engine, Lifan LF168F
2	6030051	2	Mount, Engine Honda GX160
3	2500380	1	V-Belt, 3VX300
4	6030108	1	Oil Drain Assembly (Honda & Lifan)
	6030249	1	Oil Drain Assembly (Briggs)
5	2504694	1	Sheave, 3.35-2 Groove (2-3V-3.35-TB)
6	2900039	4	Lock Nut, 5/16-18 Nylon
7	2900022	5	Flat Washer, 5/16" SAE
8	2900217	4	Cap Screw, Hex Hd., 5/16-18 x 1-1/4"
9	6048229	1	Key, 3/16" Sq. x 1-1/4"
10	2900508	4	Cap Screw, Hex Hd., 5/16-18 x 1-1/2"
11	2501191	1	Taper Bushing, 3/4" with setscrews
12	6040562	1	Plate, Belt Tensioner
13	2502276	2	Ball Bearing, 1/2 x 1-3/8 x 7/16 (1621-ZZ)
14	6040563	1	Bushing, Steel 1/2 ID x 5/8 OD x 5/8 Long
15	2503190	1	Spring, Ext..48 x .063 x 3.00 Long
16	2504848	1	Bearing, Bronze Fl. SF-1016-6
17	2900889	1	Friction Washer, 5/16"
18	2900945	2	Cap Screw, Hex Hd., 5/16-24 x 1-1/2"
	2504997	1	Cap Screw, Hex Hd., 1/2-20 x 1-1/2" (Briggs)
19	2900049	1	Jam Nut, 5/16-24
	2900109	1	Jam Nut, 1/2-20 (Briggs)
20	2900826	1	Shoulder Screw, 1/2" x 1-1/2" (3/8-16)
21	2900031	4	Lock Washer, 5/16" Split
22	2900141	4	Hex Nut, 5/16-18
23	2903246	1	Jam Lock Nut, 3/8-16
24	2900946	1	Hex Nut, 5/16-24
25	2504972	1	1/4-20 X 1-1/4" Spring Anchor
26	2902126	2	Jam Lock Nut, 1/4-20

BLADE SHAFT ASSEMBLY: 6040380



ITEM	PART NO.	QTY.	DESCRIPTION
1	6040752	1	Blade Shaft
2	2500732	2	Pillow Block Bearing 1"
3	6041067	1	Pulley, 2-3V-2.75, 1" Bore
4	6041069	1	Flange, Inner Blade 3"
5	6041070	1	Flange, Outer Blade 3"
6	6010169	1	Key, 1/4" Sq. x 1-1/4"
7	6040081	1	Key, 1/4" Sq. x 3/4"
8	2900101	1	Set Screw, Soc. Hd., 1/4-20 x 3/8"
9	2900142	1	Set Screw, Soc. Hd., 5/16-18 x 3/8"
10	2900065	1	Flange Nut, 5/8-11 R.H.
11	2900006	4	Lock Washer, 3/8" Split
12	2900005	4	Cap Screw, Hex Hd., 3/8-16 x 1"

SPRING BOX ASSEMBLY # 6040664



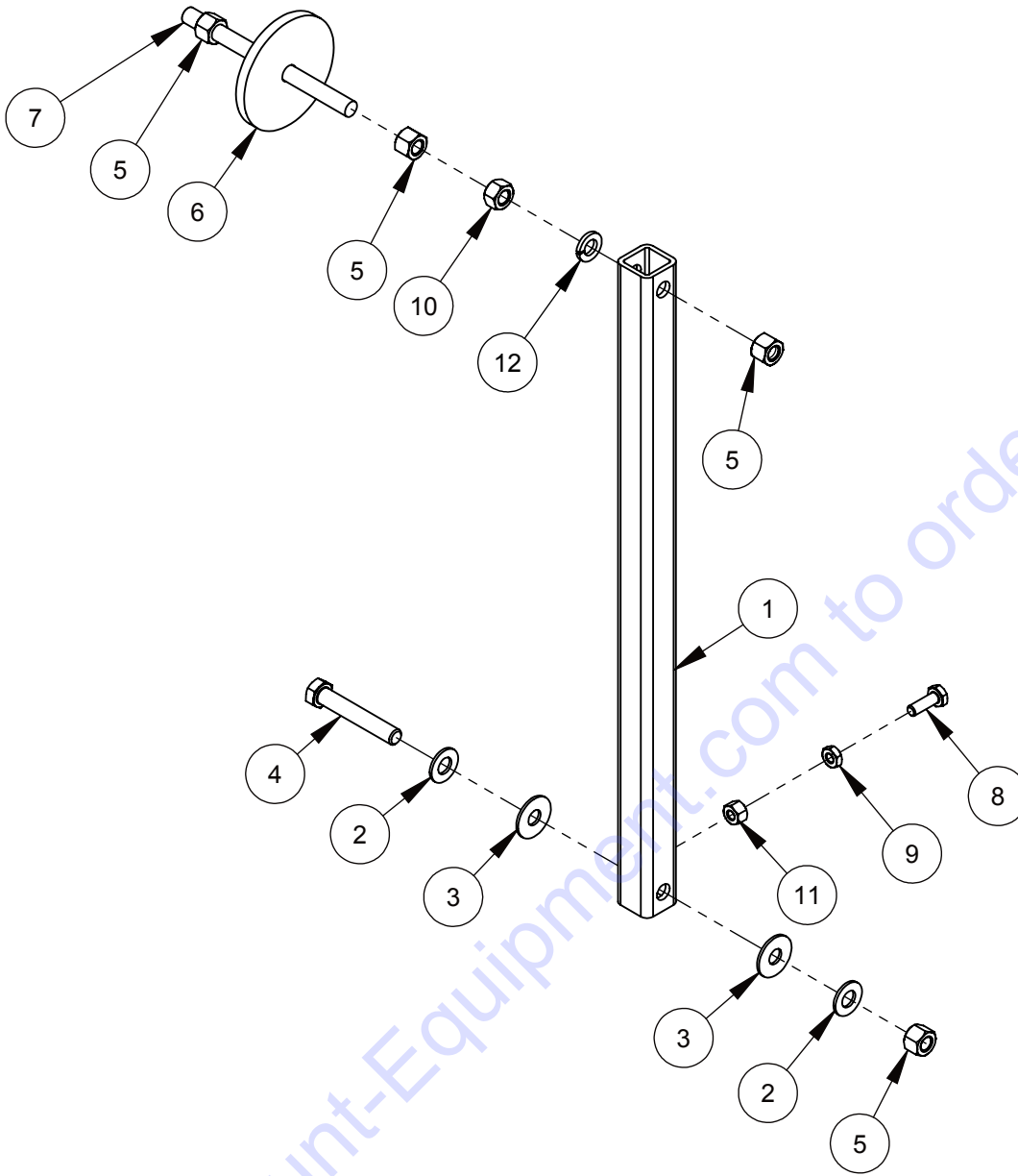
ASSEMBLY NOTE:

1. APPLY 2502046 SYNTHETIC GREASE TO OD OF COMPRESSION SPRINGS
2. APPLY BLUE LOCTITE ON ALL THREADS UNLESS NOTED

SPRING BOX ASSEMBLY # 6040664

ITEM	PART NO.	QTY.	DESCRIPTION
1	6040655	1	Cover, Top Spring Box
2	6040662	1	Cover, Outer Lexan
3	6040654	1	Spring Block, Rear 6"
4	6040653	1	Spring Block, Front 6"
5	6040652	1	Cover, Inner Spring Box
6	6040658	1	Shaft, Spring Block Rear
7	6040657	1	Shaft, Spring Block Front
8	6040659	2	Block, Dust Diverter
9	6040774	1	Vac Attachment Cover Weldment
10	2504593	2	Shaft Seal, 1/2" Shaft
11	6040813	1	Diverter, Rear Dust
12	6040660	1	Diverter, Front Dust
13	6040656	2	Spring Block Cap
14	6040663	1	Cover, Inner Lexan
15	2900456	7	Cap Screw, Flat Hd., #10-32 x 1/2"
16	2900031	2	Lock Washer, 5/16" Split
17	2900038	2	Lock Washer, #10 Split
18	2900668	1	Cap Screw, Hex Hd., 5/16-18 x 7/8"
19	2900039	1	Lock Nut, 5/16-18 Nylon
20	2900138	1	Cap Screw, Hex Hd., 5/16-18 x 1"
21	2901584	4	Cap Screw, Soc. Hd., #10-32 x 1-1/4"
22	2901585	8	Flat Washer, 1/4" Nylon
23	2902008	4	Shoulder Screw, 1/4" x 5/16 (#10-24)
24	2900577	1	Dowel Pin, 1/4" Dia x 1-1/4"
25	2900770	2	Fender Washer, M5
26	2907093	2	Cap Screw, Flat Hd., #10-32 x 1-1/4"
27	2901589	1	Pin, Safety 1/4"
28	2902007	4	Jam Lock Nut, #10-24 Nylon
29	2504643	2	Spring, Comp. .60 x .045 x 3.50 Long
30	6040385	2	Captive Thumb Screw, 5/16-18
31	2901963	2	Washer, Belleville 5/16"
32	2504645	2	Retaining Ring, 5/16 Ext.
33	2505180	1	Skid Plate Weldent - 6/8" Blade - .156 slot
34	2900059	2	Set Screw, Soc. Hd., #10-32 x 1/4"
35	2505177	1	Plug, Tapered Round 2-1/4"
36	2506008	1	Hose Reducer, 2.25"-2" ID
37	3200096	2	Hose Clamp #40
38	1802443	1	DP Symbol Decal
39	2502046	AR	Grease, Fuchs Synthetic

POINTER ASSEMBLY: 6041088



ITEM	PART NO.	QTY.	DESCRIPTION
1	6041085	1	Pointer
2	2900014	2	Flat Washer, 3/8" SAE
3	2900153	2	Friction Washer, 3/8"
4	2900079	1	Cap Screw, Hex Hd., 3/8-16 x 2-1/4"
5	2900018	4	Lock Nut, 3/8-16 Nylon
6	6041086	1	Guide Wheel
7	6041087	1	3/8-16 X 5.00" Threaded Rod
8	2900144	1	Cap Screw, Hex Hd., 1/4-20 x 3/4"
9	2900358	1	Jam Nut, 1/4-20
10	2900033	1	Hex Nut, 3/8-16
11	2900010	1	Lock Nut, 1/4-20 Nylon
12	2900006	1	Lock Washer, 3/8" Split

EQUIPMENT AND PARTS WARRANTY

Discount-equipment warrants all equipment sold by it against defects in workmanship or materials for a period of one (1) year from the date of shipment to Customer.

The responsibility of Discount-equipment under this Warranty is limited to replacement or repair of defective parts, of such parts as shall appear to us upon inspection at such parts, to have been defective in material or workmanship, with expense for transportation and labor borne by Customer.

In no event shall Discount-equipment be liable for consequential or incidental damages arising out of the failure of any Product to operate properly.

Integral units such as engines, electric motors, batteries, transmissions, etc., are excluded from this Warranty and are subject to the prime manufacturer's warranty.

**THIS WARRANTY IS IN LIEU OF ALL OTHER WARRANTIES,
EXPRESSED OR IMPLIED, AND ALL SUCH OTHER WARRANTIES ARE
HEREBY DISCLAIMED.**



PARTS FINDER

**Search Website
by Part Number**



**Search Manual
Library For Parts
Manual & Lookup Part
Numbers – Purchase
or Request Quote**

Search Manuals

Enter your information to help us find the right parts manual for your machine.

* Brand:

* Model:

* Serial:

* Part Number:

SEARCH

**Can't Find Part or
Manual? Request Help
by Manufacturer,
Model & Description**

Parts Order Form

Please fill in the following information to help us find the right part for your machine.

MANUFACTURER:

MODEL:

DESCRIPTION:

DATE:

TIME:

PHONE:

EMAIL:

ADDRESS:

CITY:

STATE:

ZIP:

COUNTRY:

SEARCH

Discount-Equipment.com is your online resource for quality parts & equipment.

Florida: **561-964-4949** Outside Florida TOLL FREE: **877-690-3101**

Need parts?

Click on this link: <http://www.discount-equipment.com/category/5443-parts/> and choose one of the options to help get the right parts and equipment you are looking for. Please have the machine model and serial number available in order to help us get you the correct parts. If you don't find the part on the website or on one of the online manuals, please fill out the request form and one of our experienced staff members will get back to you with a quote for the right part that your machine needs.

We sell worldwide for the brands: Genie, Terex, JLG, MultiQuip, Mikasa, Essick, Whiteman, Mayco, Toro Stone, Diamond Products, Generac Magnum, Airman, Haulotte, Barreto, Power Blanket, Nifty Lift, Atlas Copco, Chicago Pneumatic, Allmand, Miller Curber, Skyjack, Lull, Skytrak, Tsurumi, Husquvarna Target, Stow, Wacker, Sakai, Mi-T-M, Sullair, Basic, Dynapac, MBW, Weber, Bartell, Bennar Newman, Haulotte, Ditch Runner, Menegotti, Morrison, Contec, Buddy, Crown, Edco, Wyco, Bomag, Laymor, EZ Trench, Bil-Jax, F.S. Curtis, Gehl Pavers, Heli, Honda, ICS/PowerGrit, IHI, Partner, Imer, Clipper, MMD, Koshin, Rice, CH&E, General Equipment, Amida, Coleman, NAC, Gradall, Square Shooter, Kent, Stanley, Tamco, Toku, Hatz, Kohler, Robin, Wisconsin, Northrock, Oztec, Toker TK, Rol-Air, APT, Wylie, Ingersoll Rand / Doosan, Innovatech, Con X, Ammann, Mecalac, Makinex, Smith Surface Prep, Small Line, Wanco, Yanmar