

PARTS MANUAL



www.Discount-Equipment.com

AR14H VIBRATORY TANDEM- RIDE-ON ROLLER (HONDA GX630RHKAF GASOLINE ENGINE)

Revision #2 (01/27/21)



THIS MANUAL MUST ACCOMPANY THE EQUIPMENT AT ALL TIMES.

PARTS FINDER

**Search Website
by Part Number**



**Search Manual
Library For Parts
Manual & Lookup Part
Numbers – Purchase
or Request Quote**

A screenshot of the "Search Manuals" form. The form has a title "Search Manuals" and a subtitle "Please provide information to help us locate the manual and/or parts you need." It includes fields for "Brand", "Model", "Serial", "Part Number", and "Quantity". There is a "Search" button at the bottom.

**Can't Find Part or
Manual? Request Help
by Manufacturer,
Model & Description**

A screenshot of the "Parts Order Form". The form has a title "Parts Order Form" and a subtitle "Please fill in as much information as possible." It includes fields for "Manufacturer", "Model", "Description", "Part Number", "Quantity", "Date Received", "Order Code", "Phone", "Fax", "E-mail", and "Name". There is a "Submit" button at the bottom.

Discount-Equipment.com is your online resource for quality parts & equipment.

Florida: **561-964-4949** Outside Florida TOLL FREE: **877-690-3101**

Need parts?

Click on this link: <http://www.discount-equipment.com/category/5443-parts/> and choose one of the options to help get the right parts and equipment you are looking for. Please have the machine model and serial number available in order to help us get you the correct parts. If you don't find the part on the website or on one of the online manuals, please fill out the request form and one of our experienced staff members will get back to you with a quote for the right part that your machine needs.

We sell worldwide for the brands: Genie, Terex, JLG, MultiQuip, Mikasa, Essick, Whiteman, Mayco, Toro Stone, Diamond Products, Generac Magnum, Airman, Haulotte, Barreto, Power Blanket, Nifty Lift, Atlas Copco, Chicago Pneumatic, Allmand, Miller Curber, Skyjack, Lull, Skytrak, Tsurumi, Husquvarna Target, , Stow, Wacker, Sakai, Mi-T- M, Sullair, Basic, Dynapac, MBW, Weber, Bartell, Bennar Newman, Haulotte, Ditch Runner, Menegotti, Morrison, Contec, Buddy, Crown, Edco, Wyco, Bomag, Laymor, Barreto, EZ Trench, Bil-Jax, F.S. Curtis, Gehl Pavers, Heli, Honda, ICS/PowerGrit, IHI, Partner, Imer, Clipper, MMD, Koshin, Rice, CH&E, General Equipment, ,AMida, Coleman, NAC, Gradall, Square Shooter, Kent, Stanley, Tamco, Toku, Hatz, Kohler, Robin, Wisconsin, Northrock, Oztec, Toker TK, Rol-Air, Small Line, Wanco, Yanmar

TABLE OF CONTENTS

AR14H Ride-On Tandem Roller

Table Of Contents.....	2
Explanation Of Code In Remarks Column.....	4
Suggested Spare Parts	5

Component Drawings

Nameplate And Decals Assembly	6-9
Right-Side Rear Roller Assembly	10-11
Left-Side Rear Roller Assembly	12-15
Right-Side Front Roller Assembly.....	16-17
Exciter Assembly	18-19
Hydraulic Drive Motor Assembly.....	20-21
Hydraulic Cylinder Steering Assembly	22-23
Hydraulic Motor Vibratory Assembly.....	24-25
Hydraulic Pump/Filter Assembly.....	26-27
Hydraulic Block/Pump/Filter Assembly	28-29
Articulation Assembly	30-31
Steering Cylinder Assembly	32-33
Chassis Body 1 Assembly	34-35
Chassis Body 2 Assembly	36-37
Engine Assembly	38-39
Hood Assembly	40-41
Muffler Assembly	42-43
Scraper Assembly	44-45
Battery And Fuel Tank Assembly.....	46-47
Safety Bar Assembly	48-49
Seat Assembly.....	50-51
Steering Column Assembly	52-53
Steering Assembly.....	54-55
Water Tank And Filter Assembly.....	56-57
Manifold Assembly.....	58-59

Honda GX630RHKAF Gasoline Engine

Fan Cover Assembly.....	60-61
Carburetor Assembly	62-63
Air Cleaner Assembly	64-65
Fuel Pump Assembly.....	66-67
Fly Wheel Assembly	68-69
Cylinder Head Assembly	70-71
Ignition Coil Assembly	72-73
Starter Motor Assembly.....	74-75
Control Assembly	76-77
Crankcase Assembly	78-79
Rectifier Assembly.....	80-81
Crankcase Cover Assembly	82-83
Crankshaft Assembly.....	84-85
Piston Assembly	86-87
Camshaft Assembly.....	88-89
Label Assembly	90-91

NOTICE

Specifications and part numbers are subject to change without notice.

EXPLANATION OF CODE IN REMARKS COLUMN

The following section explains the different symbols and remarks used in the Parts section of this manual. Use the help numbers found on the back page of the manual if there are any questions.

NOTICE

The contents and part numbers listed in the parts section are subject to change **without notice**. Multiquip does not guarantee the availability of the parts listed.

SAMPLE PARTS LIST

NO.	PART NO.	PART NAME	QTY.	REMARKS
1	12345	BOLT	1	INCLUDES ITEMS W/%
2%		WASHER, 1/4 IN.		NOT SOLD SEPARATELY
2%	12347	WASHER, 3/8 IN. ...	1	MQ-45T ONLY
3	12348	HOSE	A/R	MAKE LOCALLY
4	12349	BEARING	1	S/N 2345B AND ABOVE

NO. Column

Unique Symbols — All items with same unique symbol (@, #, +, %, or >) in the number column belong to the same assembly or kit, which is indicated by a note in the “Remarks” column.

Duplicate Item Numbers — Duplicate numbers indicate multiple part numbers, which are in effect for the same general item, such as different size saw blade guards in use or a part that has been updated on newer versions of the same machine.

NOTICE

When ordering a part that has more than one item number listed, check the remarks column for help in determining the proper part to order.

PART NO. Column

Numbers Used — Part numbers can be indicated by a number, a blank entry, or TBD.

TBD (To Be Determined) is generally used to show a part that has not been assigned a formal part number at the time of publication.

A blank entry generally indicates that the item is not sold separately or is not sold by Multiquip. Other entries will be clarified in the “Remarks” Column.

QTY. Column

Numbers Used — Item quantity can be indicated by a number, a blank entry, or A/R.

A/R (As Required) is generally used for hoses or other parts that are sold in bulk and cut to length.

A blank entry generally indicates that the item is not sold separately. Other entries will be clarified in the “Remarks” Column.

REMARKS Column

Some of the most common notes found in the “Remarks” Column are listed below. Other additional notes needed to describe the item can also be shown.

Assembly/Kit — All items on the parts list with the same unique symbol will be included when this item is purchased.

Indicated by:

“INCLUDES ITEMS W/(unique symbol)”

Serial Number Break — Used to list an effective serial number range where a particular part is used.

Indicated by:

“S/N XXXXX AND BELOW”

“S/N XXXX AND ABOVE”

“S/N XXXX TO S/N XXX”

Specific Model Number Use — Indicates that the part is used only with the specific model number or model number variant listed. It can also be used to show a part is NOT used on a specific model or model number variant.

Indicated by:

“XXXXX ONLY”

“NOT USED ON XXXX”

“Make/Obtain Locally” — Indicates that the part can be purchased at any hardware shop or made out of available items. Examples include battery cables, shims, and certain washers and nuts.

“Not Sold Separately” — Indicates that an item cannot be purchased as a separate item and is either part of an assembly/kit that can be purchased, or is not available for sale through Multiquip.

SUGGESTED SPARE PARTS

AR14H RIDE-ON ROLLER

Qty.	P/N	Description
1	803120	CABLE, THROTTLE
1	506239	CABLE, CHOKE
1	513324	CABLE, FORWARD/REVERSE
1	521329	WATER PUMP
1	803724	SWITCH, IGNITION W/KEYS
3	35100Z6L003	KEY, IGNITION SWITCH
6	506221	OIL FILTER, HYDRAULIC
6	508667	ELEMENT OIL, HYDRAULIC
1	98263	CAP, HYDRAULIC TANK
2	801532	FILTER, WATER
1	520820	CAP, FUEL TANK
1	42435	CAP, WATER TANK
4	802621	SCRAPER BLD./RUBBER FR.
4	803078	SCRAPERBLD./RUBBERREAR
4	803081	SCRAPER BLD. INTERNAL

HONDA GX630RHKAF GASOLINE ENGINE

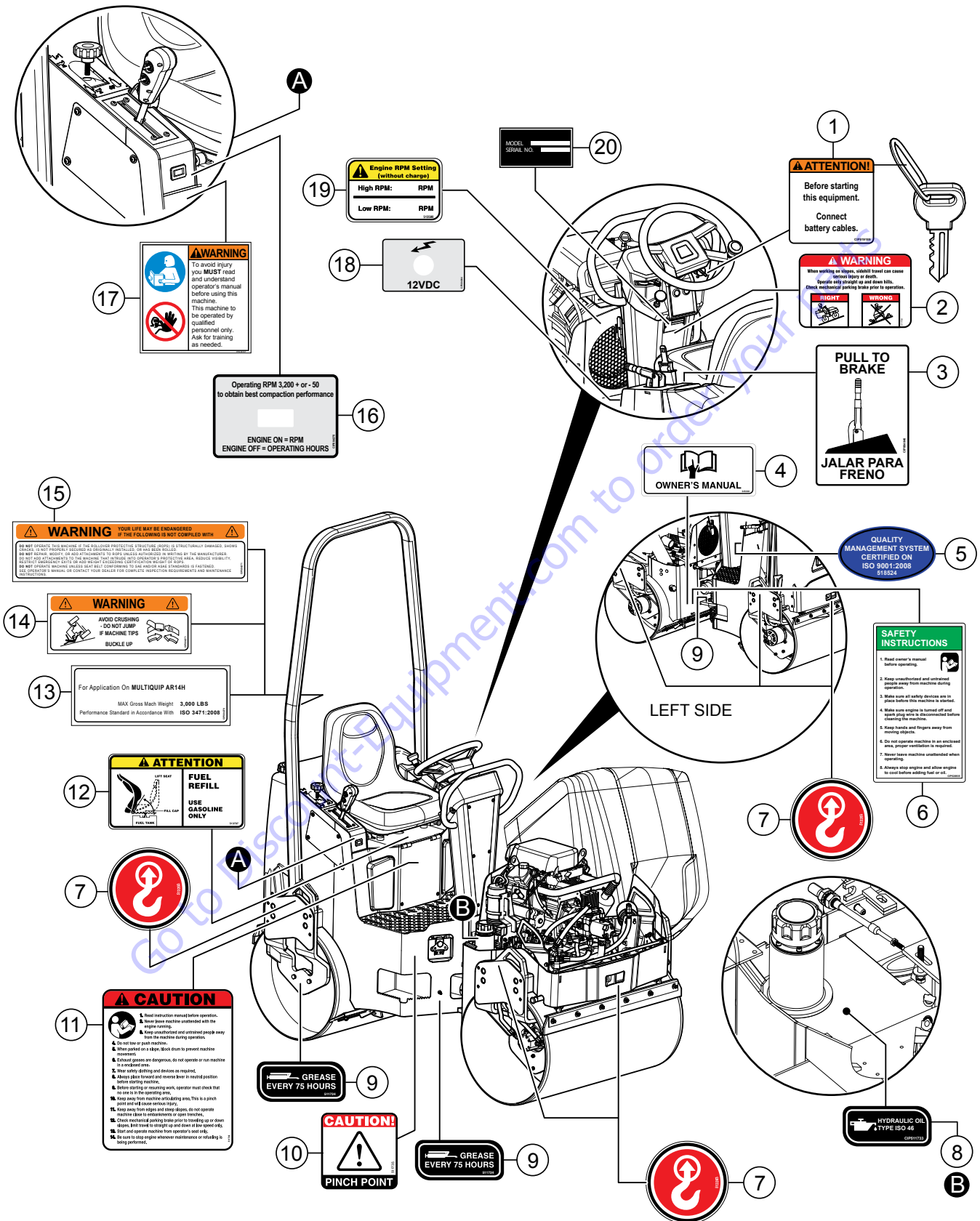
6	980795587G	SPARK PLUG, (ZFR5F)
3	16910Z6L003	FILTER, FUEL ENGINE
6	15400RTA004	CARTRIDGE OIL FILTER
3	17210Z6L010	ELEMENT SET
1	17218Z6L000	FILTER OUTER

NOTICE

Part numbers on this Suggested Spare Parts list may supersede/replace the part numbers shown in the following parts lists.

Go to Discount-Equipment.com to order your parts

NAMEPLATE AND DECALS ASSY.

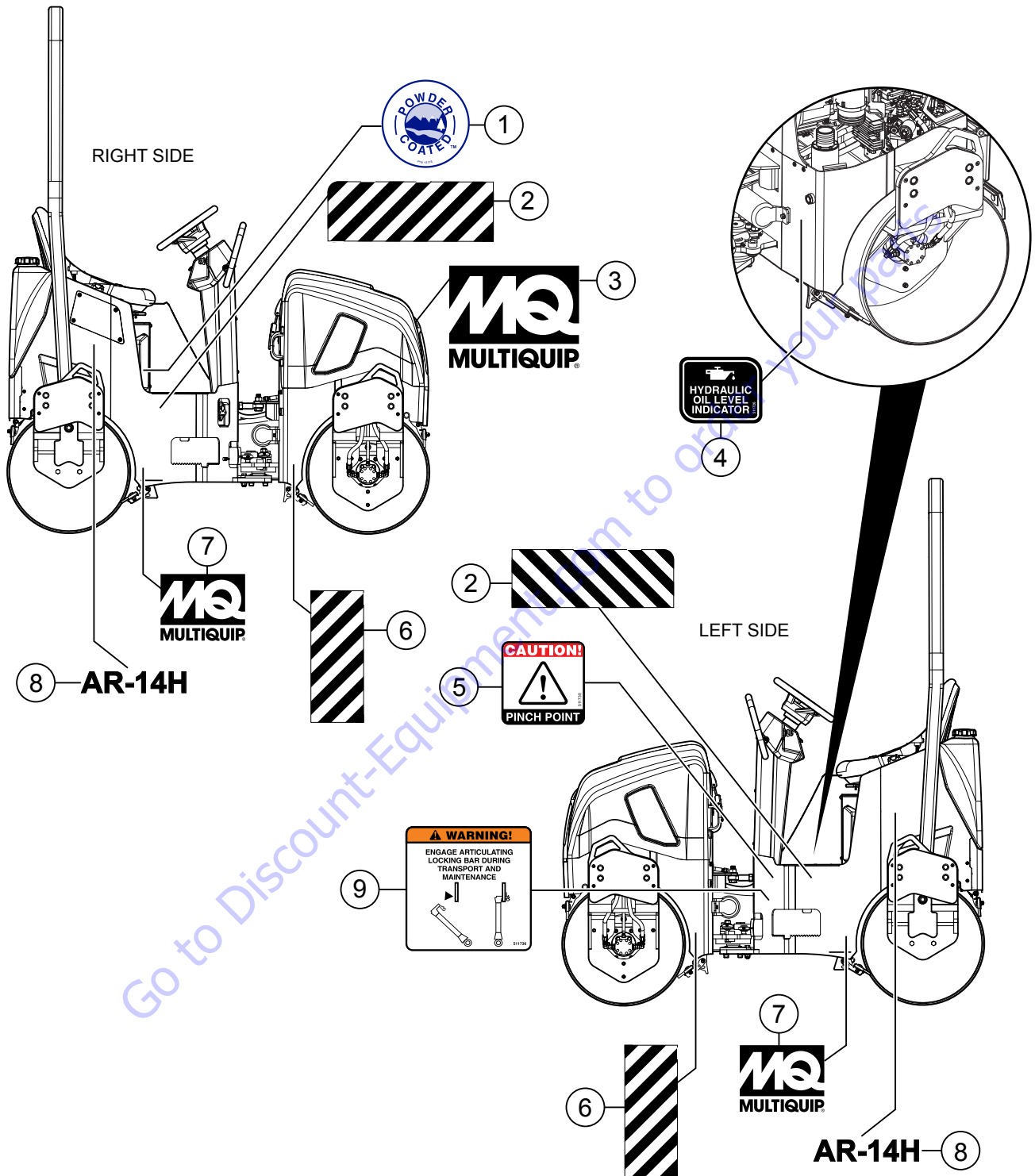


NAMEPLATE AND DECALS ASSY.

<u>NO.</u>	<u>PART NO.</u>	<u>PART NAME</u>	<u>QTY.</u>	<u>REMARKS</u>
1	519189	DECAL: WARNING, BATTERY CABLES	1	
2	511738	DECAL: DANGER, WORKING ON SLOPES	1	
3	804046	DECAL: PULL TO BRAKE	1	
4	34536	DECAL: READ OWNER'S MANUAL	1	
5	518524	DECAL: QUALITY MANAGEMENT ISO	1	
6	520935	DECAL: SAFETY INSTRUCTIONS	1	
7	513393	DECAL: SECURING POINT INDICATOR.....4.....	4	POINT ARROW UP
8	511733	DECAL: HYDRAULIC OIL INDICATOR	1	
9	511724	DECAL: GREASE EVERY 75 HOURS	2	
10	511735	DECAL: PINCH POINT	1	
11	511739	DECAL: CAUTION, READ INSTRUCTIONS	1	
12	513707	DECAL: ATTENTION, FUEL REFILL	1	
13	804270	DECAL: APPLICATION, MQ AR14H	1	
14	804269	DECAL: WARNING SEAT BELT	1	
15	804271	DECAL: WARNING, ROPS	1	
16	804275	DECAL: OPERATING ENGINE RPM	1	
17	35137	DECAL: READ MANUAL ASK FOR TRAINING	1	
18	804044	DECAL: 12 VDC ACCESSORY	1	
19	513580	DECAL: ENGINE RPM SETTING, NO CHR.G.	1	
20		SERIAL PLATE	1	CONTACT MQ PARTS DEPT.

Go to Discount-Equipment.com to order your parts

NAMEPLATE AND DECALS ASSY. CONTINUED

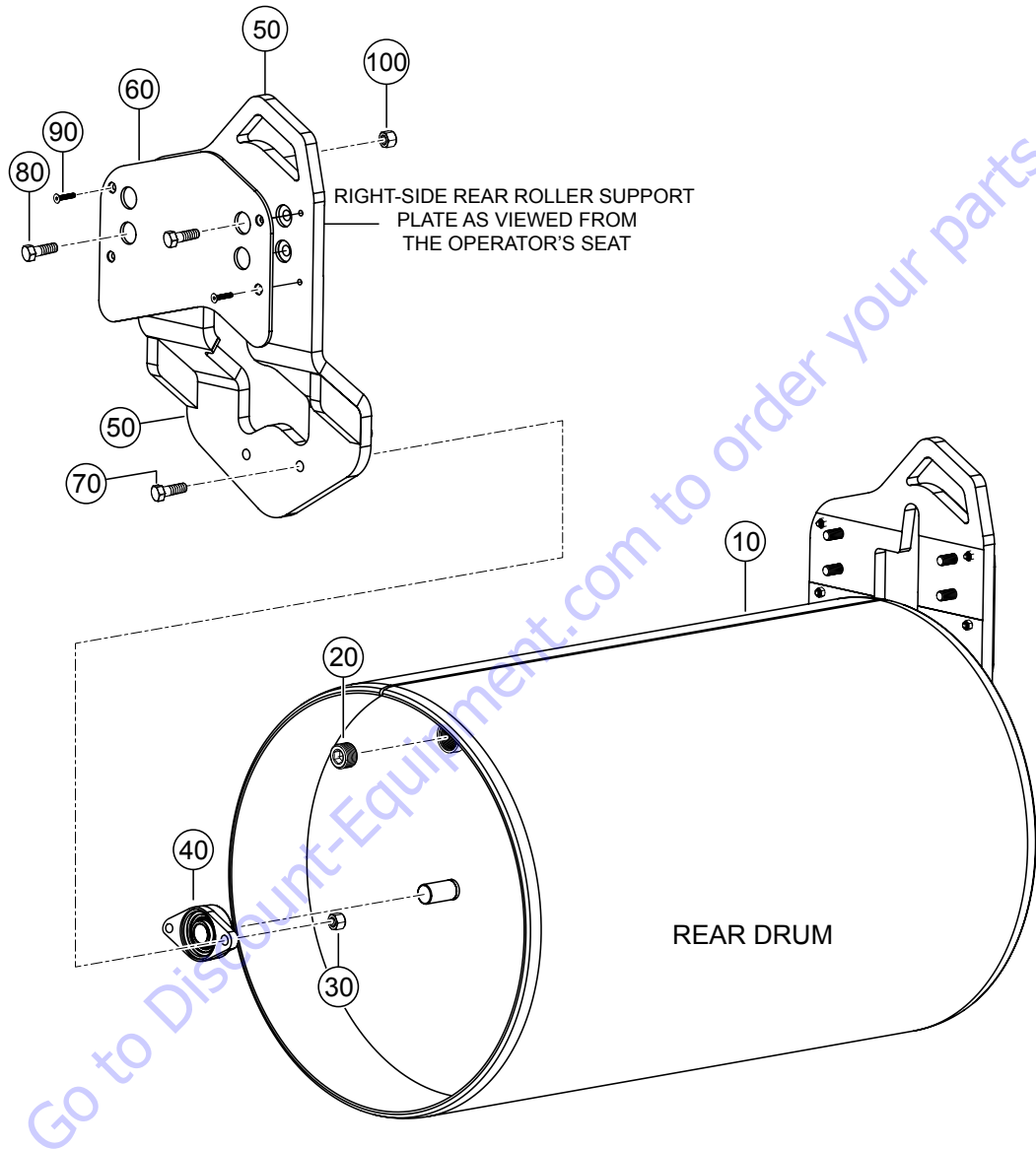


NAMEPLATE AND DECALS ASSY. CONTINUED

<u>NO.</u>	<u>PART NO.</u>	<u>PART NAME</u>	<u>QTY.</u>	<u>REMARKS</u>
1	13118	DECAL: POWDER COATED	1	
2	513469	DECAL: CAUTION STRIPE PATTERN	1.....	HORIZONTAL PLACEMENT
3	804120	DECAL: MQ LOGO, LARGE	1	
4	511726	DECAL: HYDRAULIC OIL LEVEL INDICATOR	1	
5	511735	DECAL: PINCH POINT	1	
6	511718	DECAL: CAUTION STRIPE PATTERN	2.....	VERTICAL PLACEMENT
7	513688	DECAL: MQ LOGO, SMALL	2	
8	804042	DECAL: AR-14H MQ LOGO	2	
9	511736	DECAL: WARNING, ENGAGE LOCK BAR	1	

Go to Discount-Equipment.com to order your parts

RIGHT-SIDE REAR ROLLER ASSY.



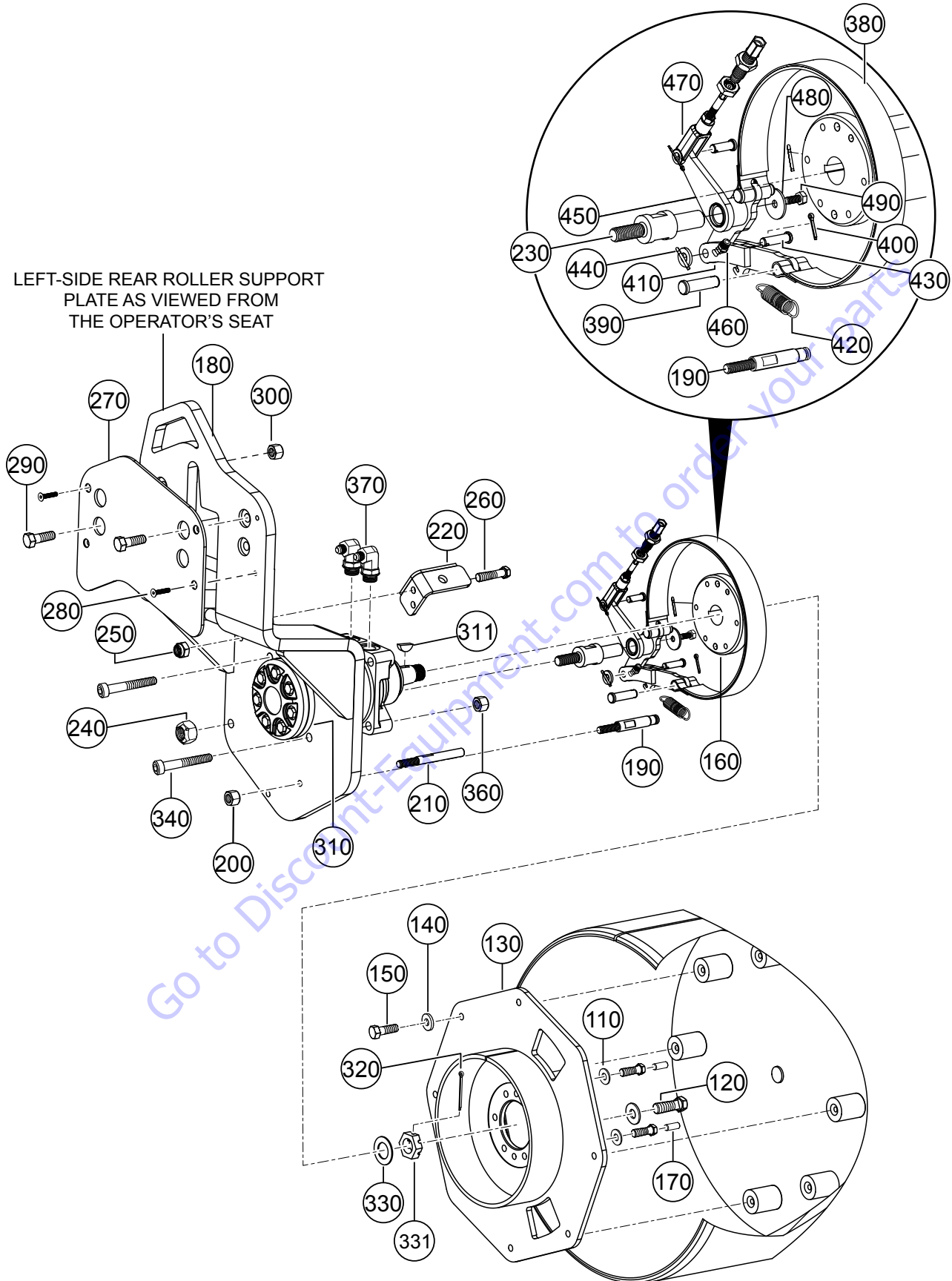
RIGHT-SIDE REAR ROLLER ASSY.

<u>NO.</u>	<u>PART NO.</u>	<u>PART NAME</u>	<u>QTY.</u>	<u>REMARKS</u>
10	800718	ROLLER, REAR	1	
20	505988	PLUG, 5/8" ALLEN HEAD	1	
30	492584	NUT, LOCK 1/2" DIA. NC	2	
40	503735	BEARING, FLANGE	1	
50	800724	REAR ROLLER SUPPORT PLATE, RS	1	
60	802783	COVER, RIGHT REAR	1	
70	492396	HEX HEAD CAP SCREW, 1/2" NCX2" G5	2	
80	EM963692	BOLT 1/2" UNCX1-1/2"	4	REPLACES P/N 492394
90	802408	CNTR. SNK. SCREW, 1/4" NCX1-1/4" G5	4	
100	492581	NUT 1/4"-20, NYLON LOCKNUT	4	

Go to Discount-Equipment.com to order your parts

LEFT-SIDE REAR ROLLER ASSY.

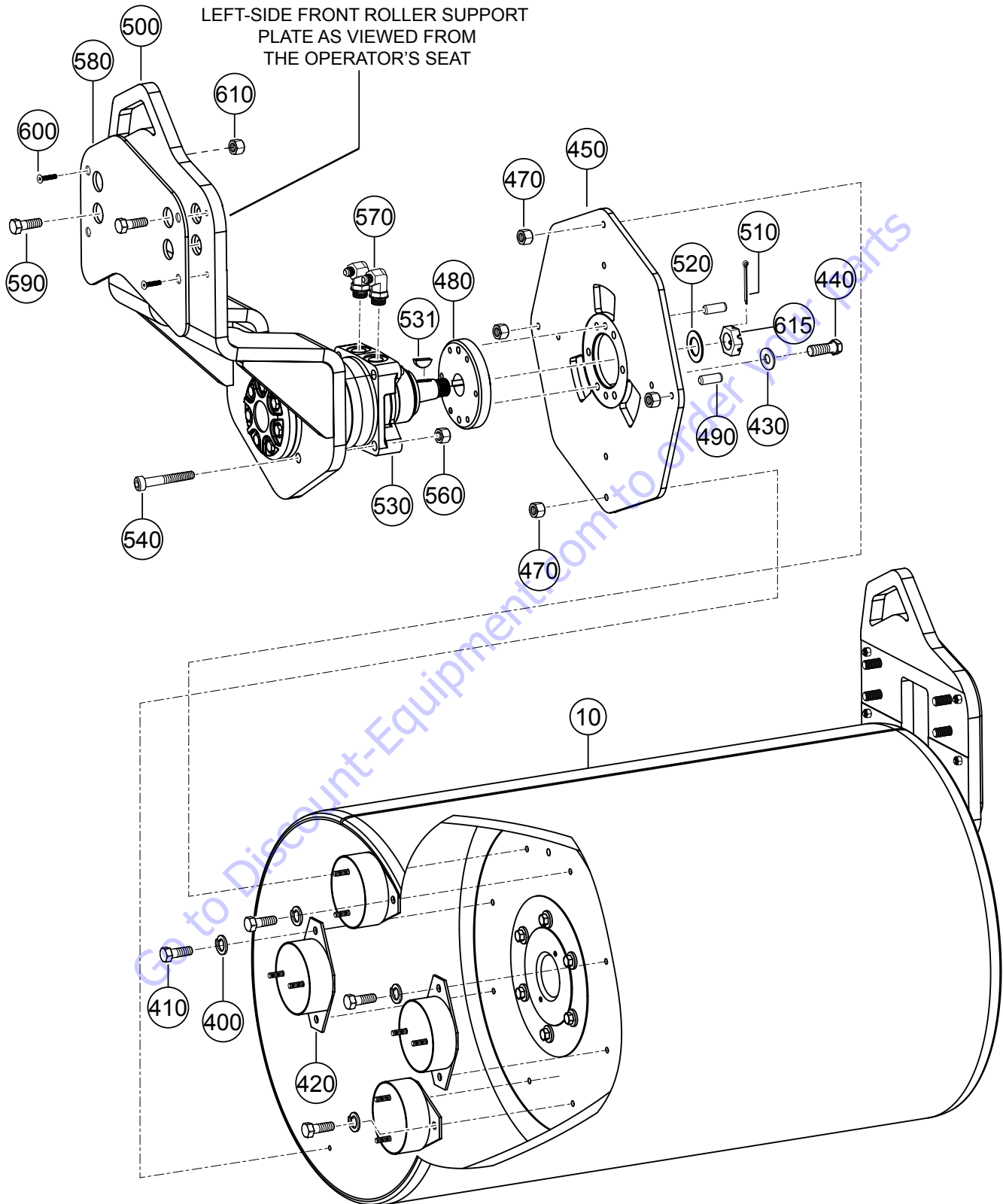
LEFT-SIDE REAR ROLLER SUPPORT
PLATE AS VIEWED FROM
THE OPERATOR'S SEAT



LEFT-SIDE REAR ROLLER ASSY.

NO.	PART NO.	PART NAME	QTY.	REMARKS
110	3019092	WASHER, 3/8"	6.....	REPLACES P/N 508346
120	EM963610	CAP SCREW	6.....	REPLACES P/N 492375
130	802187	DRIVE PLATE	1	
140	3019092	WASHER, 3/8"	6.....	REPLACES P/N 508346
150	EM963610	BOLT, 3/8"	6.....	REPLACES P/N 492376
160	505984	HUB	1	
170	EM503803	PINS, DOWEL 3/8"X 1"	2.....	REPLACES P/N 503803
180	800730	REAR ROLLER SUPPORT PLATE, LS	1	
190	802977	SHAFT, BRAKE	1	
200	505081	NUT HEX 7/16"	2	
210	802978	SHAFT, BRAKE	1	
220	802241	BRACKET, BRAKE	1	
230	802976	SHAFT, BRAKE PIVOT	1	
240	504724	NYLOCK NUT 5/8" NC G5	1	
250	EM969013	NYLOCK NUT	2.....	REPLACES P/N 492583
260	492378	BOLT, G5, HHCS	2	
270	800743	COVER, LEFT REAR	1	
280	802408	COUNTER SUNK BOLT 1/4: NC X 1-1/4"	4	
290	EM963692	BOLT 1/2" UNCX1-1/2"	4.....	REPLACES P/N 492394
300	492581	NUT 1/4"-20 NYLON LOCKNUT	4	
310	515396	MOTOR, HYDRAULIC	1	
311	07011-015	KEY, WOODRUFF #1008 5/16" X 1"	1	
320	EM924006	PIN, COTTER	1.....	REPLACES P/N 491690
330	511159	WASHER, FLAT 1"	1	
331	025113	CASTLE NUT, 1"-20 THREAD	1	
340	802915	HEX HEAD BOLT 1/2" NC X 3" G8	4	
360	492584	NUT, LOCK 1/2" DIA. NC	4	
370	506191	FITTING	2	
380	29298-001	BRAKE BAND ASSEMBLY	1	
390	530344	PIN CLEVIS 1/2"	2	
400	EM491686	PIN COTTER	3.....	REPLACES P/N 491686
410	802083	SUPPORT, BRAKE	1	
420	802233	SPRING, BRAKE	1	
430	530343	PIN CLEVIS 3/8"	1	
440	3019092	WASHER, FLAT 3/8"	1.....	REPLACES P/N 506488
450	802079	BRACKET, BRAKE	1	
460	491701	FITTING ZERK	1	
470	530342	YOKE, ADJUSTABLE	1	
480	100536	WASHER, BRAKE	1	
490	492363	BOLT 5/16" DIA. NCX3/4" G5	1	

LEFT-SIDE FRONT ROLLER ASSY.

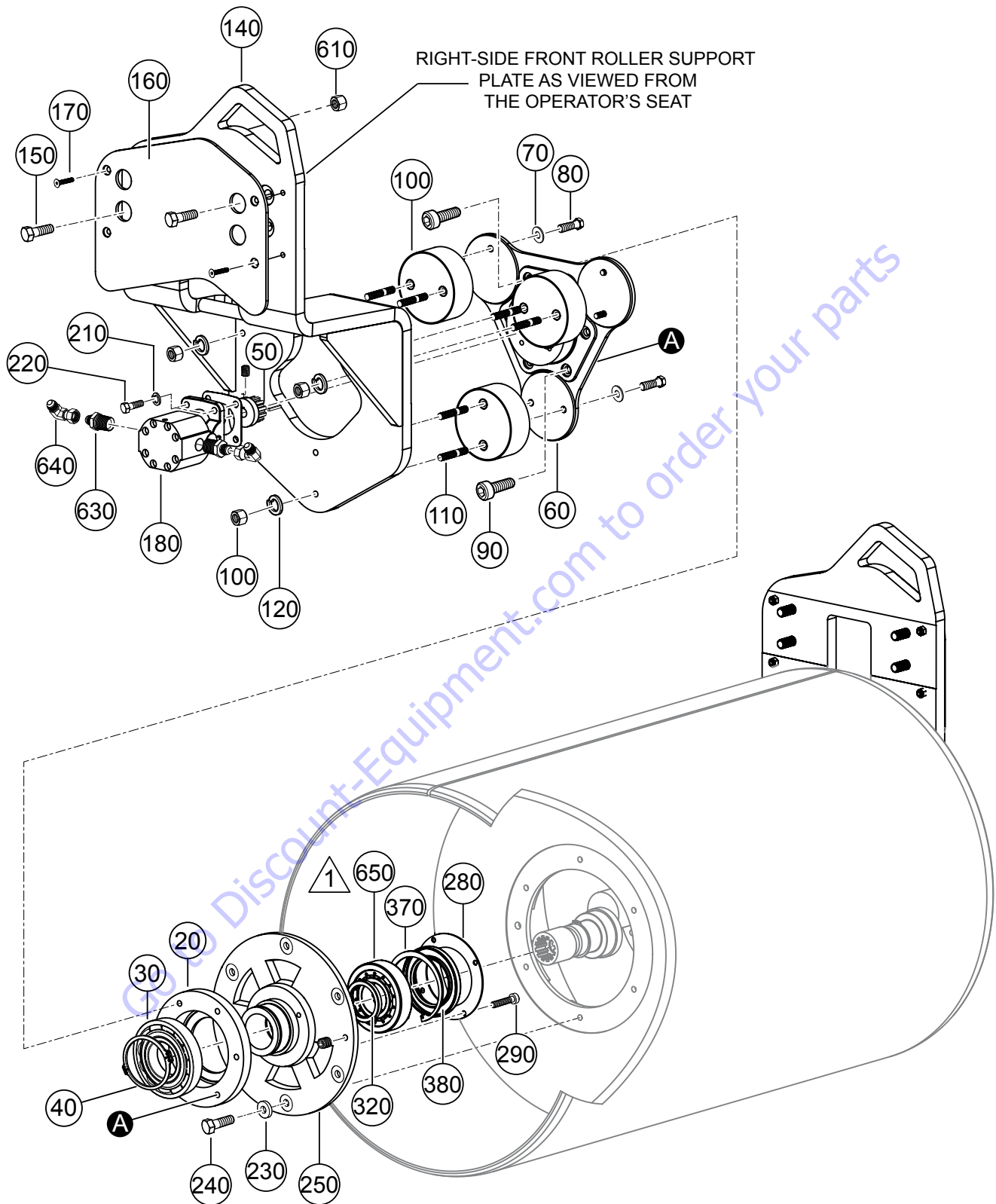


LEFT-SIDE FRONT ROLLER ASSY.

<u>NO.</u>	<u>PART NO.</u>	<u>PART NAME</u>	<u>QTY.</u>	<u>REMARKS</u>
10	800734	ROLLER, FRONT	1	
400	0166 A	WASHER, LOCK 3/8" DIA.	8.....	REPLACES P/N 492624
410	EM963610	CAP SCREW	8.....	REPLACES P/N 492375
420	800711	RUBBER SHOCK MOUNT	4	
430	3019092	WASHER 3/8"	6.....	REPLACES P/N 508346
440	EM963610	CAP SCREW	6.....	REPLACES P/N 492375
450	800742	DRIVE PLATE	1	
470	2105164	NUT, NYLON 5/16-18	8.....	REPLACES P/N 492582
480	505984	HUB	1	
490	EM503803	PINS DOWEL 3/8X1"	2.....	REPLACES P/N 503803
500	800737	FRONT ROLLER SUPPORT PLATE, LS	1	
510	EM924006	PIN COTTER	1.....	REPLACES P/N 491690
520	511159	WASHER, 1"	1	
530	515396	MOTOR, HYDRAULIC	1	
531	07011-015	KEY, WOODRUFF #1008 5/16" X 1"	1	
540	802915	BEARING, EXCITER SHAFT	4	
560	492584	NUT, LOCK 1/2" DIA. NC	4	
570	506191	FITTING	2	
580	800743	RETAINER	1	
590	EM963692	BOLT, 1/2" UNCX1-1/2"	4.....	REPLACES P/N 492394
600	802408	COUNTER SUNK BLT. 1/4" NC X 1-1.4" G8	4	
610	492581	NUT, 1/4"-20 NYLON LOCKNUT	8	
615	025113	CASTLE NUT, 1-20 THREAD	1	

Go to Discount-Equipment.com to order your parts

RIGHT-SIDE FRONT ROLLER ASSY.

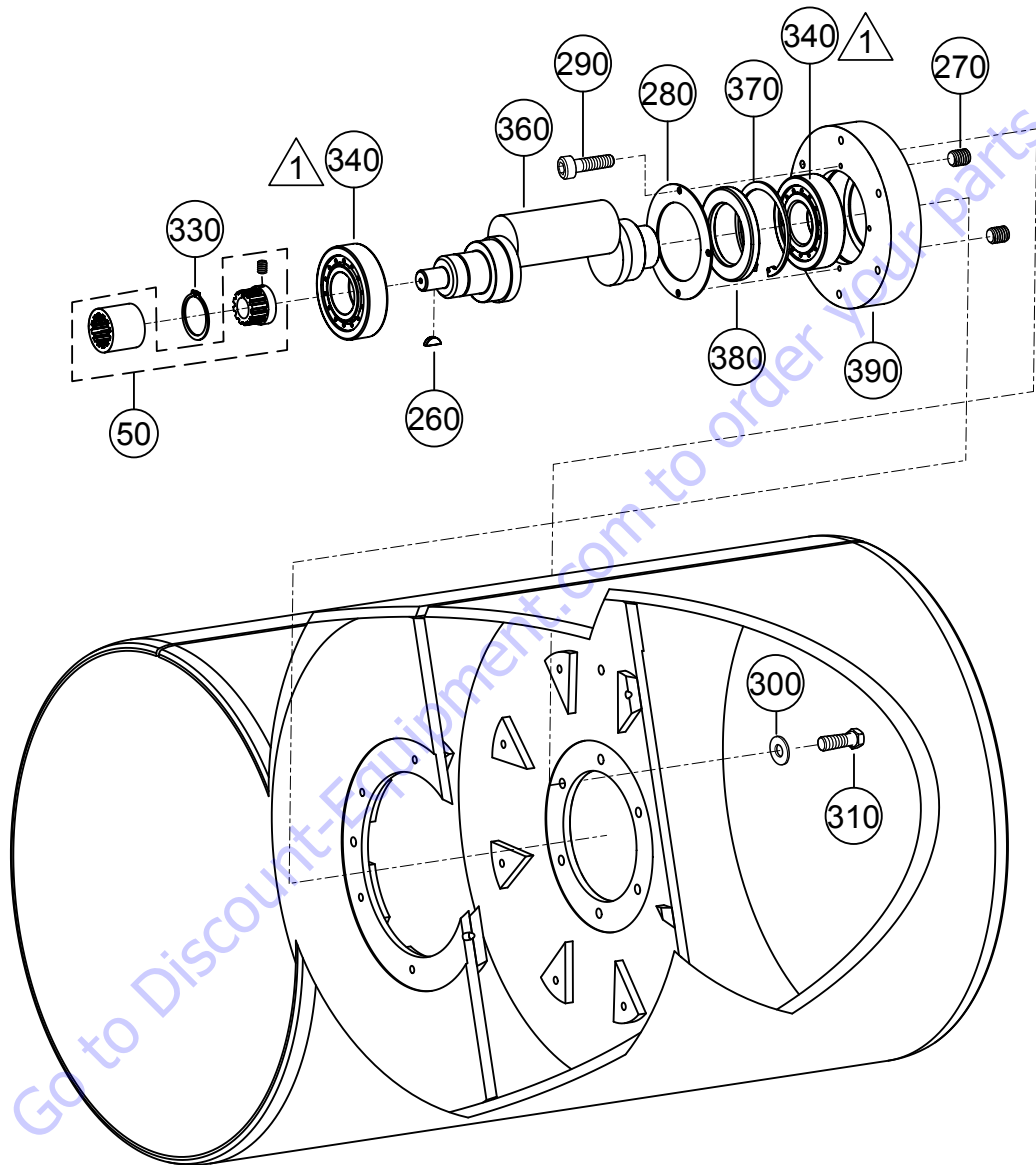


NOTES:
 1 APPLY GREASE CASTROL LONGTIME PD-2.

RIGHT-SIDE FRONT ROLLER ASSY.

<u>NO.</u>	<u>PART NO.</u>	<u>PART NAME</u>	<u>QTY.</u>	<u>REMARKS</u>
20	506145	HOUSING BEARING	1	
30	506147	BEARING	1	
40	506136	RING RETAINING	1	
50	508665	COUPLER	1	
60	506142	MOUNT, VIBRATION	1	
70	EM923023	WASHER, FLAT 5/16"	6	REPLACES P/N 492597
80	011208025	BOLT, 8X25T	6	REPLACES P/N 508342
90	492264	BOLT, 3/8" X 1"	6	
100	506141	SHOCK MOUNT	3	
110	508340	STUD M8X40	6	
120	EM923343	WASHER, LOCK 5/16"	6	REPLACES P/N 492623
140	800739	FRONT ROLLER SUPPORT PLATE, RS	1	
150	EM963692	BOLT, 1/2"UNCX1-1/2"	4	REPLACES P/N 492394
160	802783	SUPPORT, LEFT REAR	1	
170	802408	HEX HEAD BOLT 1/4" NC X 1-1/4": G8	4	
180	506220	PUMP, HYDRAULIC	1	
210	EM923343	WASHER, LOCK 5/16"	4	REPLACES P/N 492623
220	492363	BOLT, 5/16" DIA. NC X 3/4" G5	4	
230	3019092	WASHER 3/8"	6	REPLACES P/N 508346
240	EM963610	CAP SCREW	6	REPLACES P/N 492375
250	513285	HOUSING BEARING RIGHT	1	
280	801222	SHIM	2	
290	492254	BOLT, 1/4" NC X 3/4" G8	8	
320	506144	SEAL	1	
370	506135	RING RETAINING	2	
380	513286	OIL SEAL 65X100X9	2	
610	492581	NUT 1/4"-20 NYLON LOCKNUT	8	
630	491382	ELBOW, 90°	2	
640	519967	FITTING, STRAIGHT	2	
650	506131	BEARING	2	

EXCITER ASSY.



NOTES:

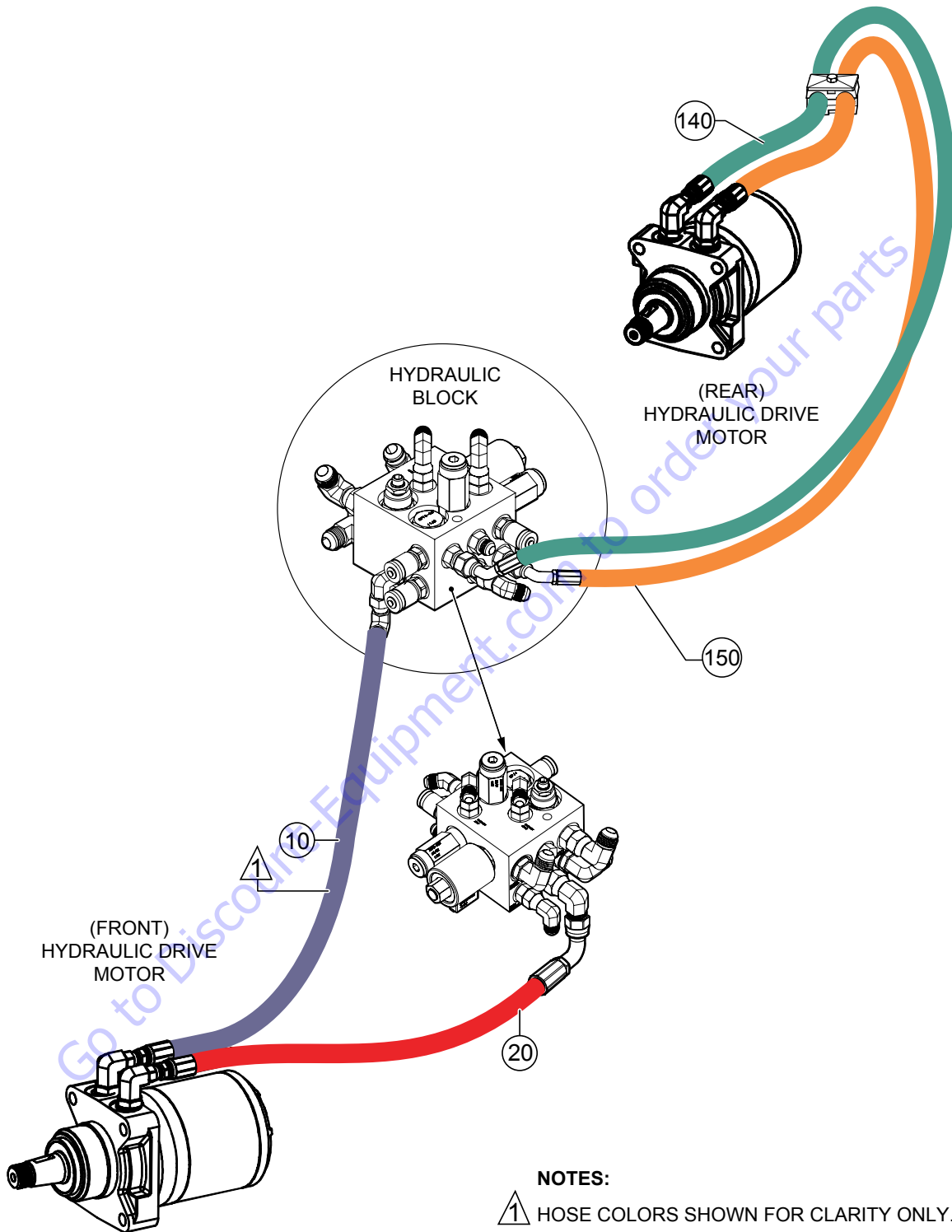
1 APPLY GREASE CASTROL LONGTIME PD-2.

EXCITER ASSY.

<u>NO.</u>	<u>PART NO.</u>	<u>PART NAME</u>	<u>QTY.</u>	<u>REMARKS</u>
50	508665	COUPLER ASSY.	1	
260	EM927040	KEY WOODRUFF	1	REPLACES P/N 506250
270	492467	SCREW, ALLEN 5/16"	4	
280	801222	SHIM	2	
290	492254	BOLT, 1/4" NC X 3/4" G8	8	
300	3019092	WASHER 3/8"	6	REPLACES P/N 508346
310	EM963610	CAP SCREW	6	REPLACES P/N 492375
330	490964	RING, RETAINING	1	
340	506131	BEARING	2	
360	803052	SHAFT, VIBRATORY	1	
370	506135	RING, RETAINING	2	
380	513286	OIL, SEAL 65X100X9	2	
390	513287	HOUSING BEARING LEFT	1	

Go to Discount-Equipment.com to order your parts

HYDRAULIC DRIVE MOTOR ASSY.

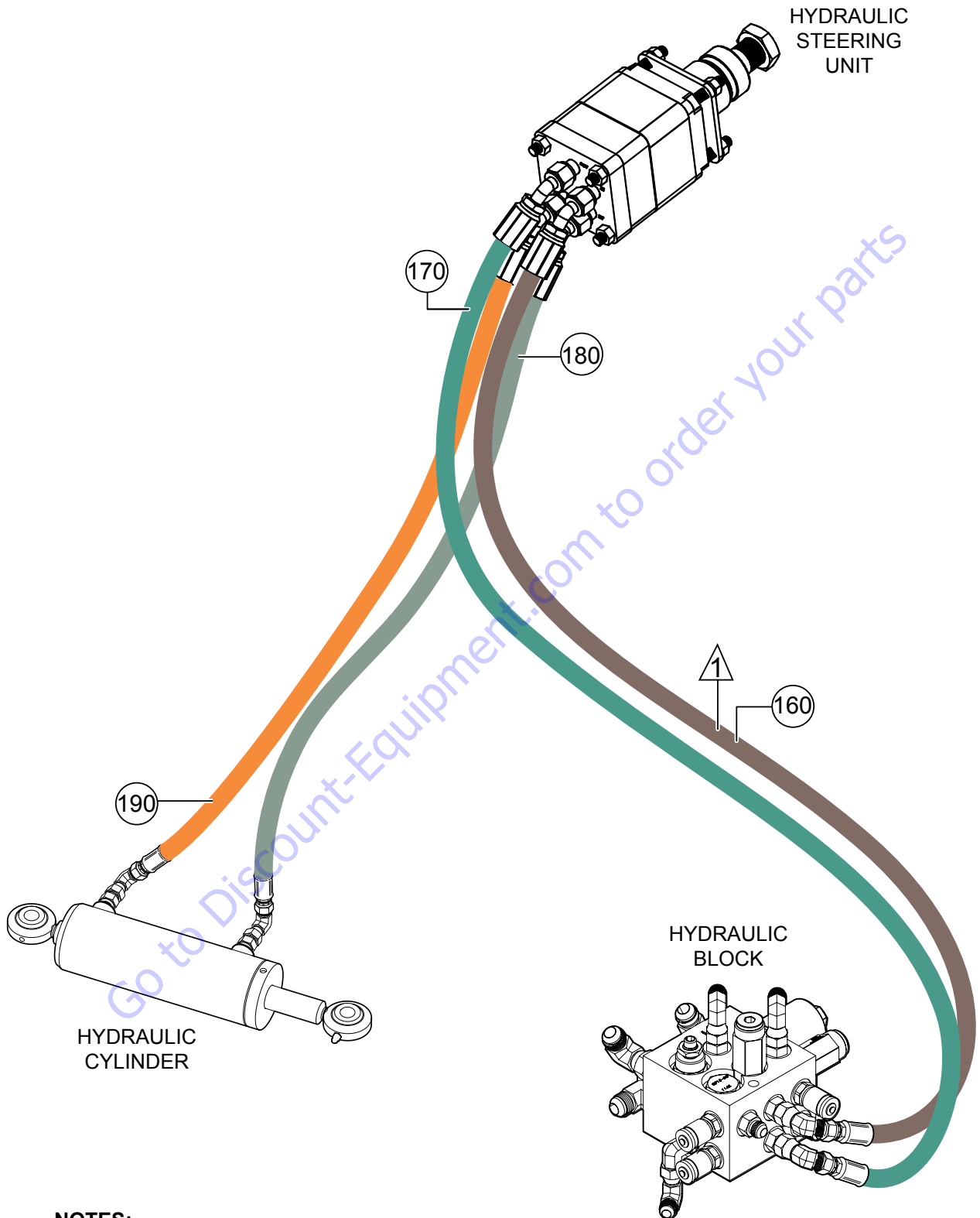


HYDRAULIC DRIVE MOTOR ASSY.

<u>NO.</u>	<u>PART NO.</u>	<u>PART NAME</u>	<u>QTY.</u>	<u>REMARKS</u>
10	802917	HOSE, HYDRAULIC - DRIVE MOTOR	1	
20	802918	HOSE, HYDRAULIC - DRIVE MOTOR	1	
140	802930	HOSE, HYDRAULIC - MANIFOLD	1	
150	802931	HOSE, HYDRAULIC - MANIFOLD	1	

Go to Discount-Equipment.com to order your parts

HYDRAULIC CYLINDER STEERING ASSY.



NOTES:

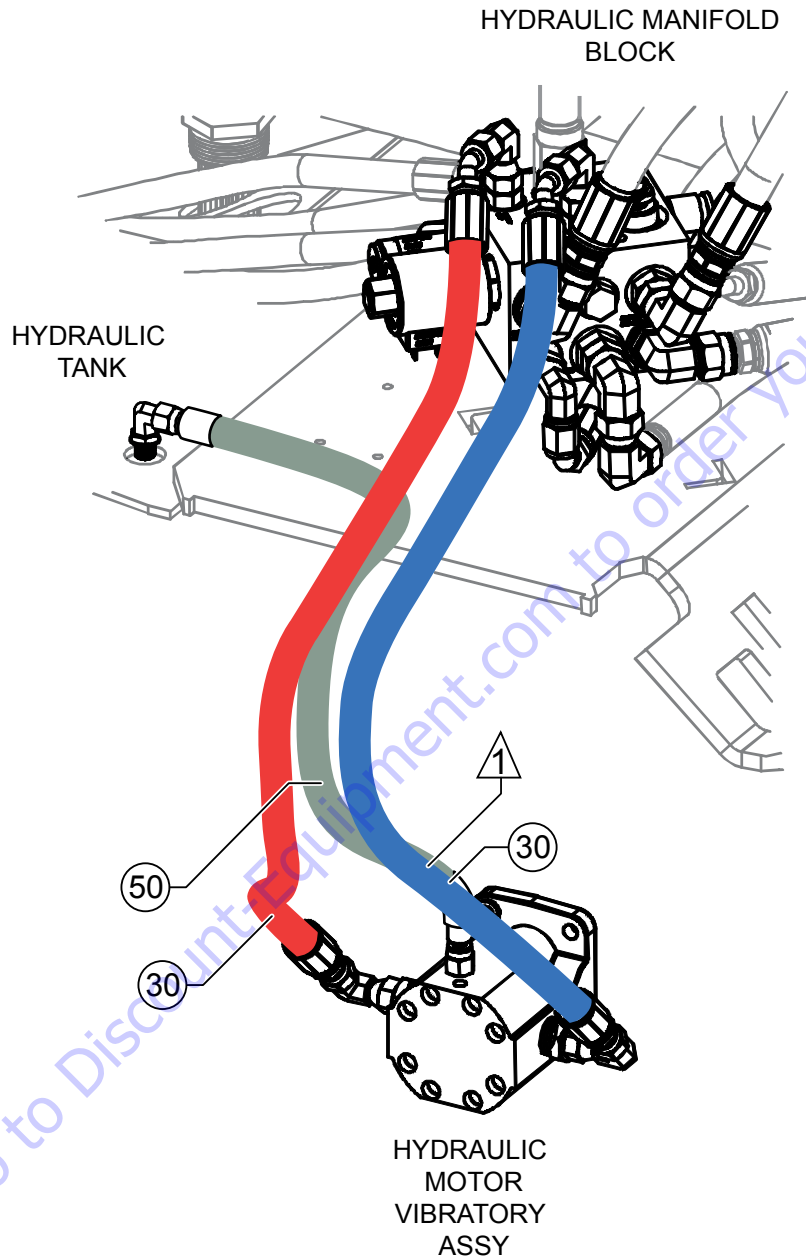
△ 1 HOSE COLORS SHOWN FOR CLARITY ONLY.

HYDRAULIC CYLINDER STEERING ASSY.

<u>NO.</u>	<u>PART NO.</u>	<u>PART NAME</u>	<u>QTY.</u>	<u>REMARKS</u>
160	802932	HOSE, HYDRAULIC - MANIFOLD	1	
170	802933	HOSE, HYDRAULIC - MANIFOLD	1	
180	802934	HOSE, HYDRAULIC - STEERING PUMP	1	
190	802935	HOSE, HYDRAULIC - STEERING PUMP	1	

Go to Discount-Equipment.com to order your parts

HYDRAULIC MOTOR VIBRATORY ASSY.



NOTES:

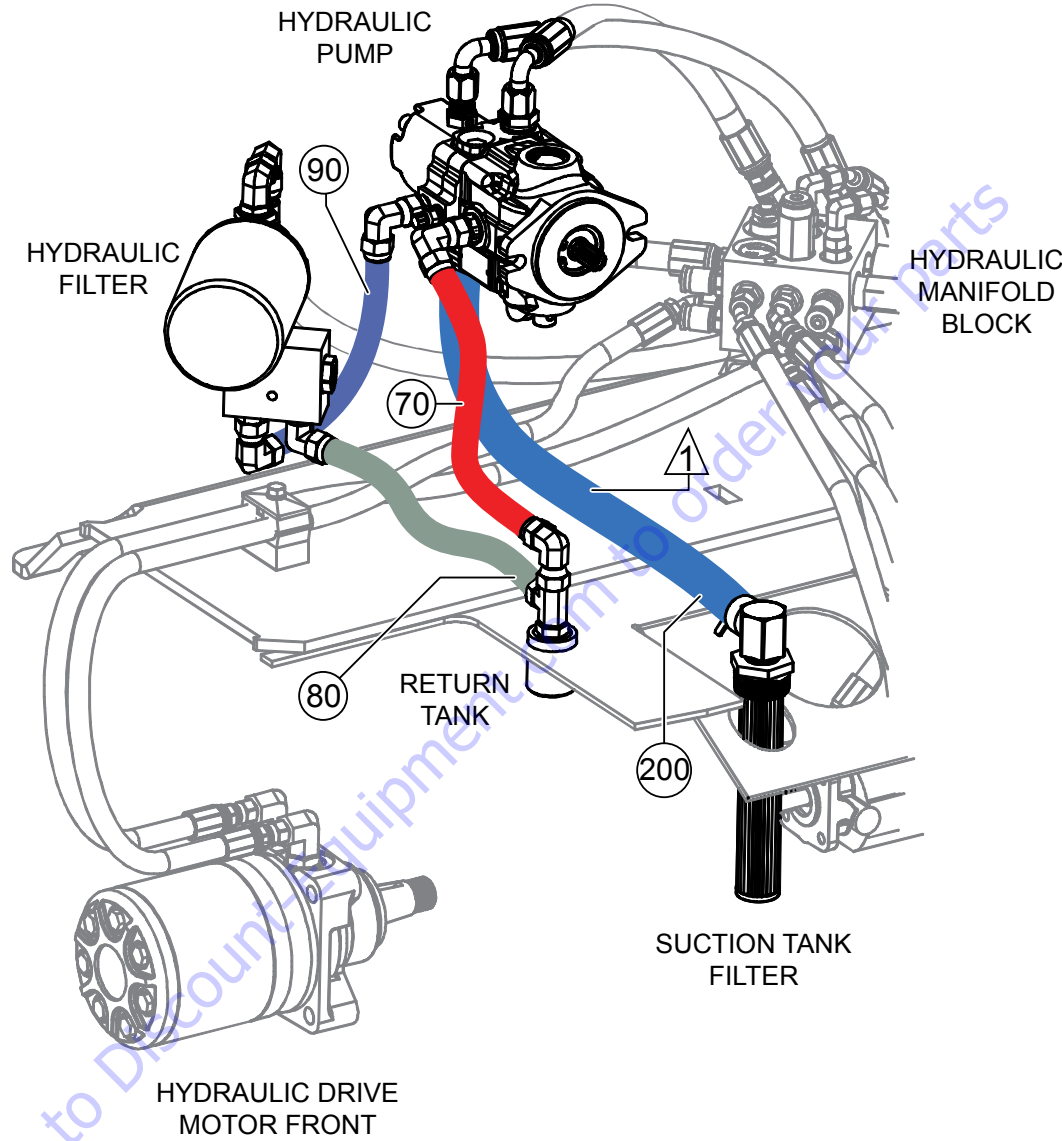
1 HOSE COLORS SHOWN FOR CLARITY ONLY.

HYDRAULIC MOTOR VIBRATORY ASSY.

<u>NO.</u>	<u>PART NO.</u>	<u>PART NAME</u>	<u>QTY.</u>	<u>REMARKS</u>
30	802919	HOSE, HYDRAULIC - VIBRATION MOTOR	2	
50	802921	HOSE, HYDRAULIC - VIBRATION MOTOR	1	

Go to Discount-Equipment.com to order your parts

HYDRAULIC PUMP/FILTER ASSY.



NOTES:

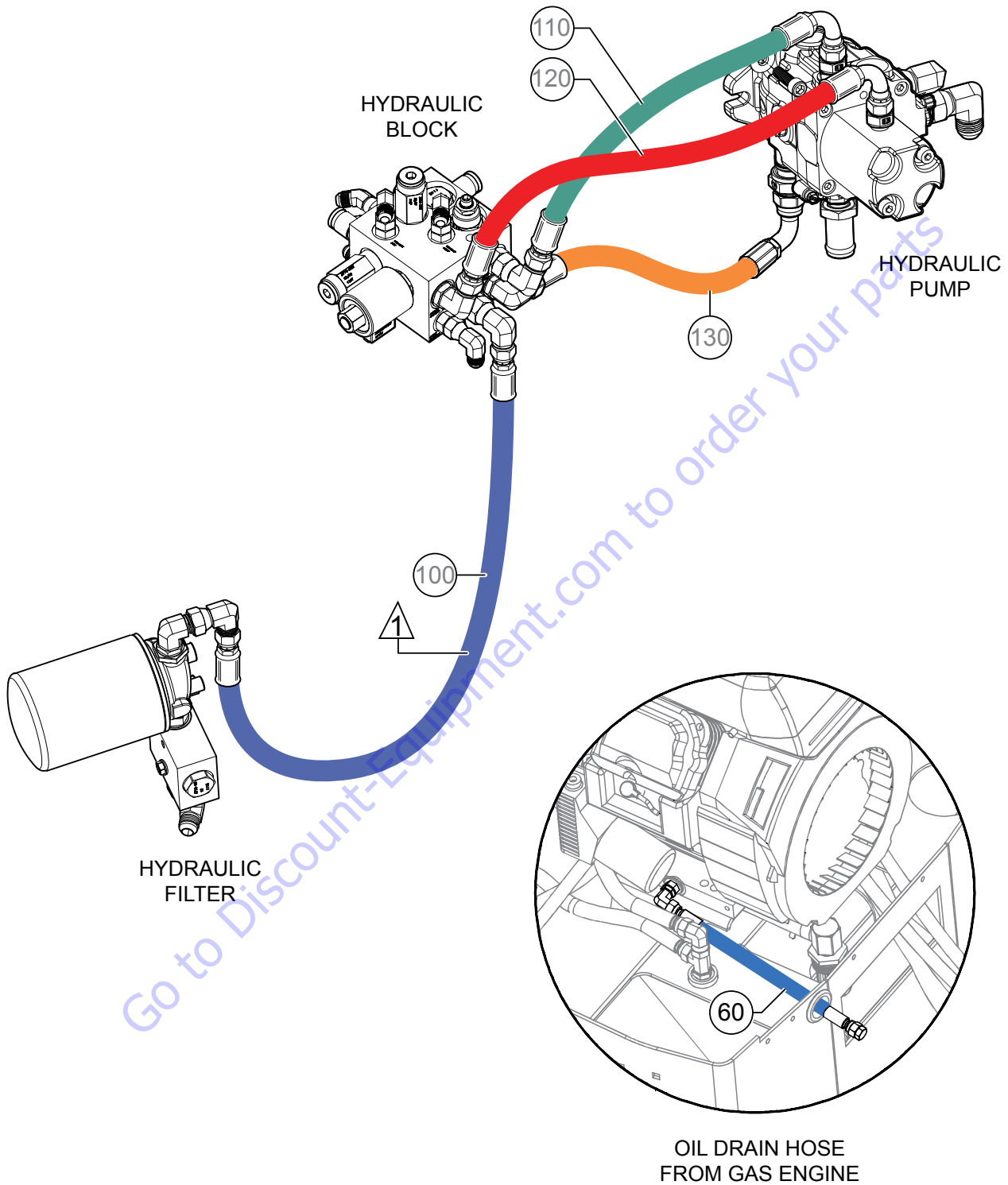
⚠ HOSE COLORS SHOWN FOR CLARITY ONLY.

HYDRAULIC PUMP/FILTER ASSY.

<u>NO.</u>	<u>PART NO.</u>	<u>PART NAME</u>	<u>QTY.</u>	<u>REMARKS</u>
70	802923	HOSE, HYDRAULIC, AXEL PUMP	1	
80	802924	HOSE, HYDRAULIC, RETURN MANIFOLD	1	
90	802925	HOSE, HYDRAULIC, RETURN MANIFOLD	1	
200	802937	HOSE, SUCTION	1	

Go to Discount-Equipment.com to order your parts

HYDRAULIC BLOCK/PUMP/FILTER ASSY.



NOTES:

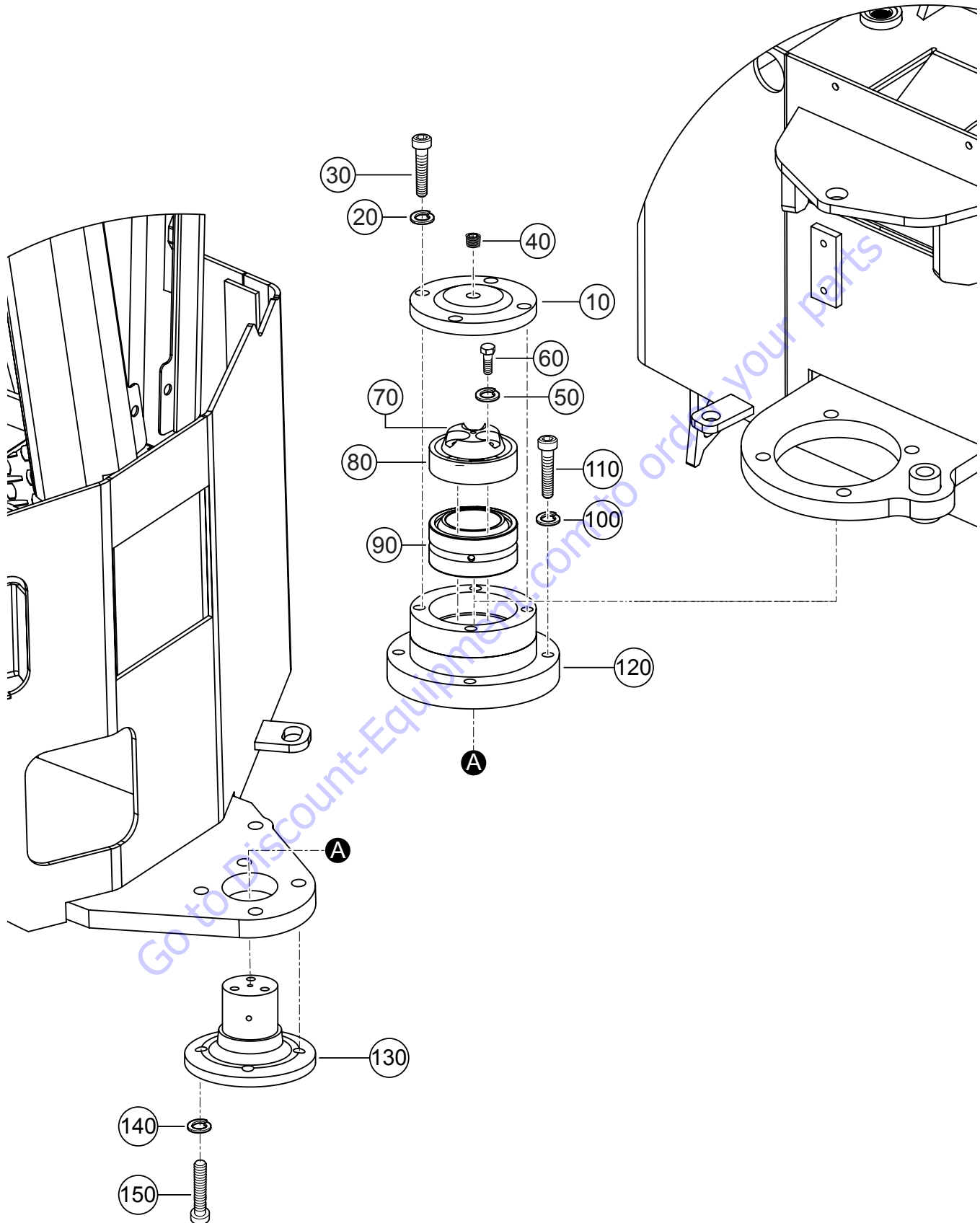
△ HOSE COLORS SHOWN FOR CLARITY ONLY.

HYDRAULIC BLOCK/PUMP/FILTER ASSY.

<u>NO.</u>	<u>PART NO.</u>	<u>PART NAME</u>	<u>QTY.</u>	<u>REMARKS</u>
60	802922	HOSE, ENGINE OIL DRAIN	1	
100	802926	HOSE, HYDRAULIC - RETURN FILTER	1	
110	802927	HOSE, HYDRAULIC - AXEL PUMP	1	
120	802928	HOSE, HYDRAUIC - GEAR PUMP	1	
130	802929	HOSE, HYDRAULIC, AXLE PUMP	1	

Go to Discount-Equipment.com to order your parts

ARTICULATION ASSY.

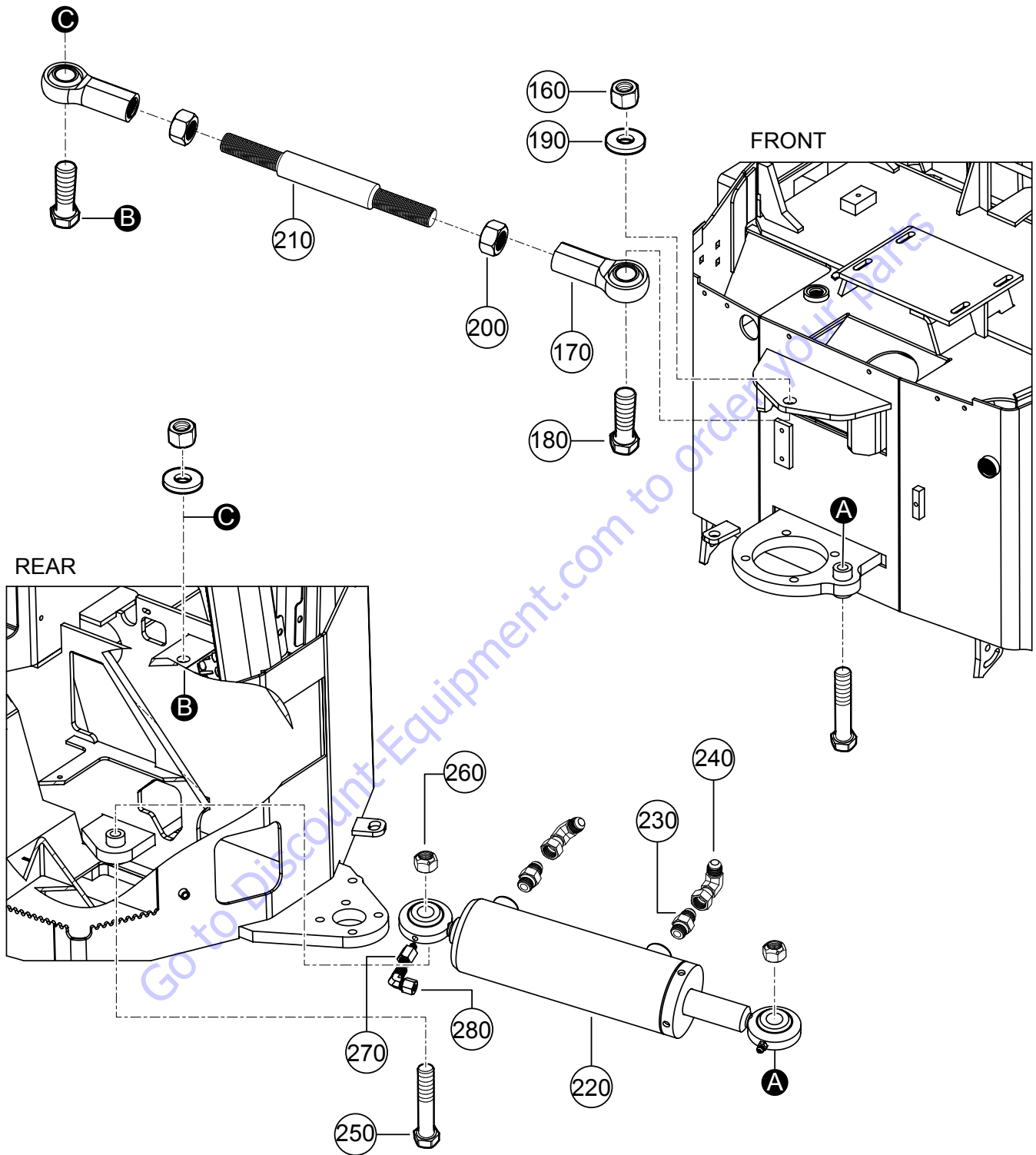


ARTICULATION ASSY.

<u>NO.</u>	<u>PART NO.</u>	<u>PART NAME</u>	<u>QTY.</u>	<u>REMARKS</u>
10	513299	COVER, ARTICULATING JOINT	1	
20	6109180	WASHER, LOCK 1/2" DIA.	4	REPLACES P/N 492626
30	492276	BOLT 1/2" NC X 1-1/2"	4	
40	508880	PLUG, ALLEN HEAD, 1/8" NPT	1	
50	0166A	WASHER, LOCK 3/8" DIA.	3	REPLACES P/N 492624
60	EM963610	BOLT, 3/8"	3	REPLACES P/N 492376
70	513300	RETAINER PLATE	1	
80	513301	SPACER	1	
90	506164	BEARING	1	
100	6109180	WASHER LOCK 1/2" DIA.	4	REPLACES P/N 492626
110	510717	BOLT 1/2 X 1-3/4"	4	
120	513302	BASE, ARTICULATING JOINT	1	
130	513303	JOINT ARTICULATING	1	
140	6109180	WASHER, LOCK 1/2" DIA.	4	REPLACES P/N 492626
150	492276	BOLT 1/2" NC X 1-1/2" G8.8 G	4	

Go to Discount-Equipment.com to order your parts

STEERING CYLINDER ASSY.

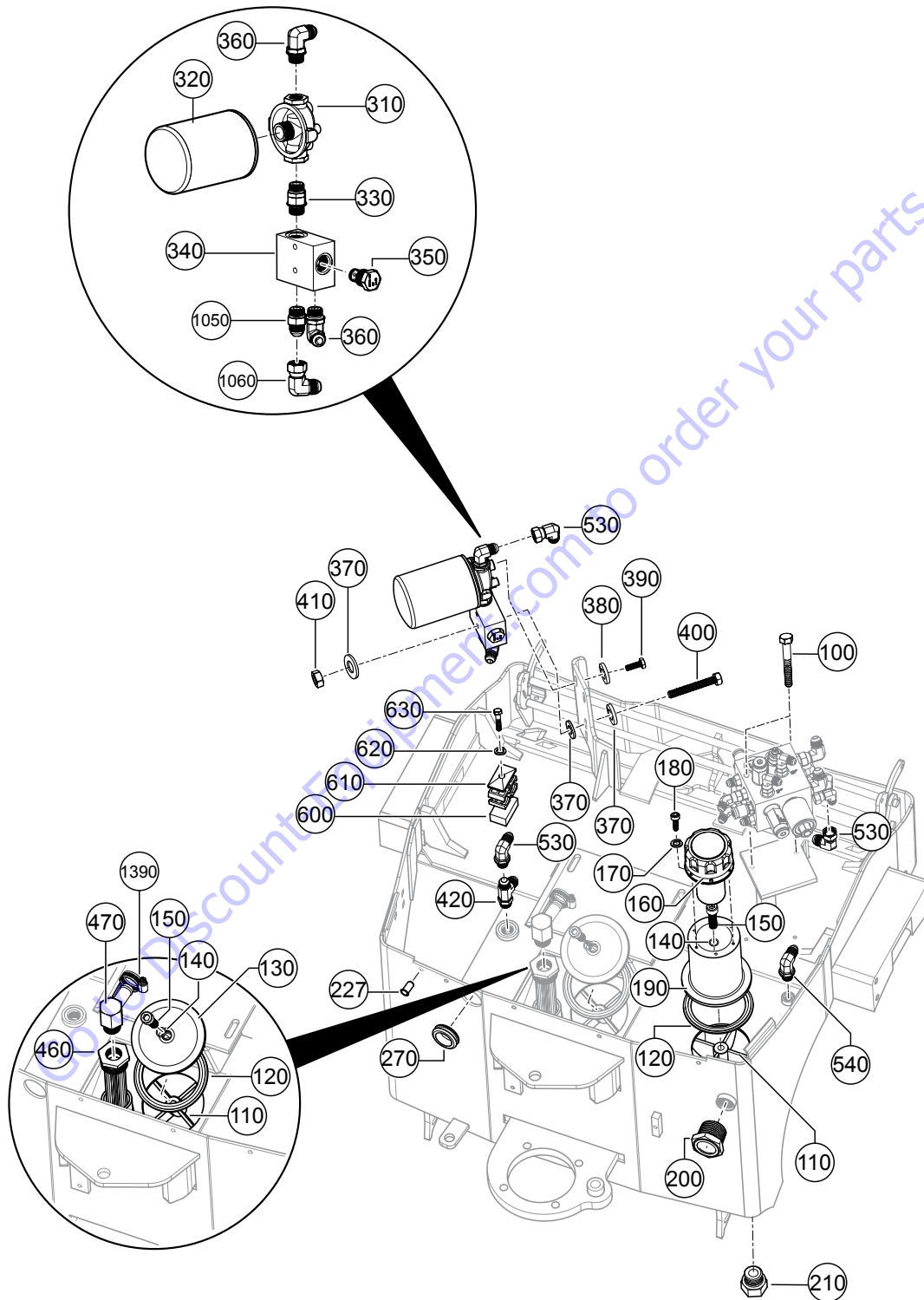


STEERING CYLINDER ASSY.

<u>NO.</u>	<u>PART NO.</u>	<u>PART NAME</u>	<u>QTY.</u>	<u>REMARKS</u>
160	514201	NUT, 3/4" NC, G5	2	
170	513294	ROD END	2	
180	EM401489	MOUNTING BOLT	2.....	REPLACES P/N 514347
190	507444	SPACER	2	
200	EM968266	NUT 3/4"	2.....	REPLACES P/N 513295
210	802624	ROD, STABILIZER	1	
220	802375	CYLINDER, HYDRAULIC	1	
230	511808	ADAPTER STRAIGHT	2	
240	519967	ELBOW, 90	2	
250	492413	BOLT 5/8" UNC X 3-1/2"	2	
260	504724	NUT, 5/8" NC G5	2	
270	802964	ADAPTER, STRAIGHT	1	
280	EM505491	ELBOW 45 DEG 1/8"	1.....	REPLACES P/N 505491

Go to Discount-Equipment.com to order your parts

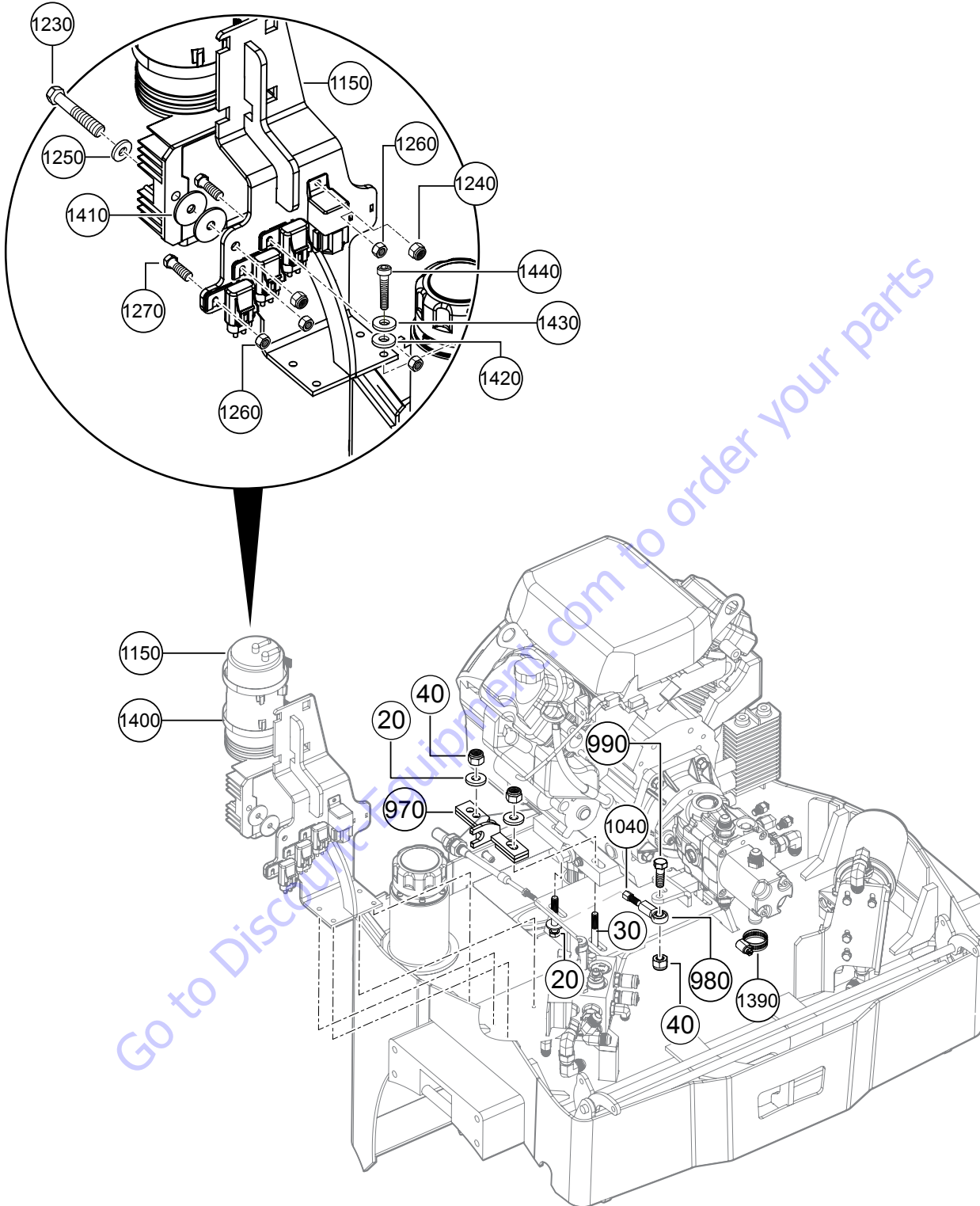
CHASSIS BODY 1 ASSY.



CHASSIS BODY 1 ASSY.

<u>NO.</u>	<u>PART NO.</u>	<u>PART NAME</u>	<u>QTY.</u>	<u>REMARKS</u>
100	503114	SCREW, HHC 5/16-18 X 3-1/2	2	
110	520461	BREATHER	2	
120	801791	SEAL	2	
130	520460	COVER	1	
140	520343	O-RING	2	
150	510717	BOLT 1/2 X 1-3/4"	2	
160	98263	CAP, HYDRAULIC SUCTION	1	
170	3103160	WASHER, LOCK 3/16"	6	REPLACES P/N 492621
180	492267	BOLT, ALLEN 10 X 32 X 26"	6	
190	800792	EXTENSION ADAPTER	1	
200	490181	SIGHT GLASS	1	
210	506205	PLUG	1	
227	100602	NUT, INSERT	6	
270	13212	GROMMET, 1-1/4 ID	1	
310	508664	FILTER HEAD	1	
320	508667	ELEMENT OIL	1	
330	506204	FITTING	1	
340	802518	MANIFOLD BLOCK, OIL RETURN	1	
350	508670	VALVE, CHECK	1	
360	25507	MOTOR PLATE/SHAFT ASSY.	2	
370	492595	WASHER, FLAT 3/16"	6	
380	2101402	WASHER, LOCK 1/4" DIA.	2	REPLACES P/N 492622
390	492356	BOLT 1/4" X 3/4"	2	
400	2508	SCREW, HHC 1/4-20X2-1/4	2	REPLACES P/N 512414
410	492581	NUT 1/4"-20 NYLON LOCKNUT	2	
420	802715	ADAPTER T FITTING	1	
460	506221	FILTER, HYDRAULIC	1	
470	802725	ADAPTER FITTING	1	
530	506195	FITTING	2	
540	25429	FLAP, FRONT WATER SHIELD	1	
600	505976	CLAMP	2	SET OF TWO PIECES
610	506185	PLATE, CORNER	1	
620	EM923343	WASHER, LOCK 5/16"	1	REPLACES P/N 492623
630	2105162	SCREW, HHC	1	REPLACES P/N 492367
1050	506193	FITTING	1	
1060	506195	FITTING	1	
1390	506207	CLAMP, HOSE	2	

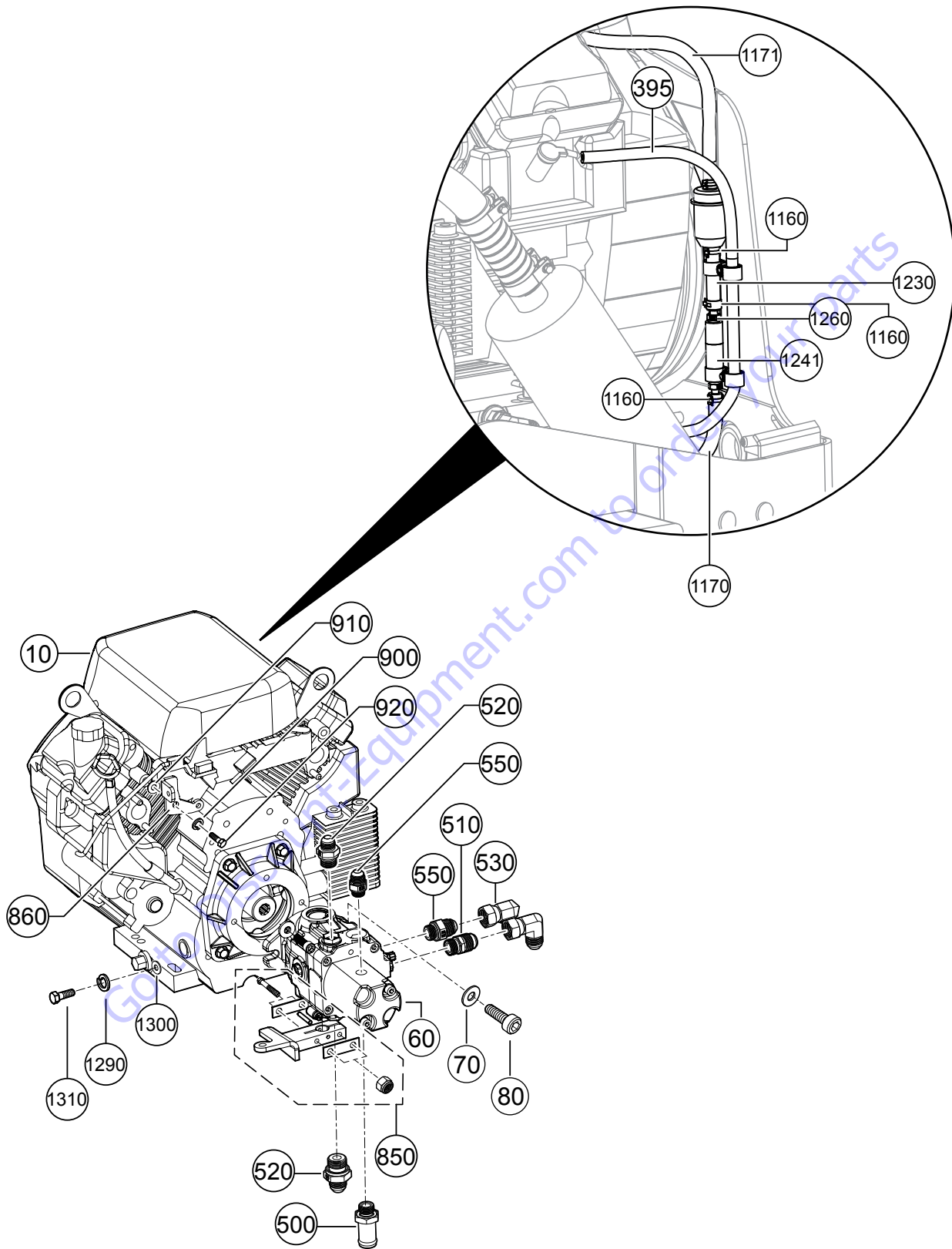
CHASSIS BODY 2 ASSY.



CHASSIS BODY 2 ASSY.

<u>NO.</u>	<u>PART NO.</u>	<u>PART NAME</u>	<u>QTY.</u>	<u>REMARKS</u>
20	3019092	WASHER, FLAT 3/8".....	8.....	REPLACES P/N 492598
30	EM217	BOLT.....	2.....	REPLACES P/N 492381
40	EM969013	NUT 3/8" NC INS. NYLON G8.....	5.....	REPLACES P/N 492583
970	802991	SUPPORT, CABLE	1	
980	EM959080	ROD, END.....	1.....	REPLACES P/N 959080
990	EM963610	BOLT, 3/8".....	1.....	REPLACES P/N 492376
1040	520519	EXTENSION ROD	1	
1150	23506	CANISTER, CARBON 800CC	1	
1230	2105162	SCREW, HHC.....	2.....	REPLACES P/N 492367
1240	2105164	NUT, NYLON 5/16-18.....	2.....	REPLACES P/N 492582
1250	509161	WASHER 5/8"	2	
1260	503119	NUT LOCK	4	
1270	EM503115	SCREW.....	4.....	REPLACES P/N 503115
1390	506207	CLAMP, HOSE	2	
1400	493108	CLAMP	2	
1410	100536	WASHER, BRAKE	4	
1420	492595	WASHER, FLAT 3/16	4	
1430	2101402	WASHER, LOCK 1/4" DIA.....	4.....	REPLACES P/N 492622
1440	492256	SCREW, ALLEN HEAD 1/4X1" 20-NC	4	

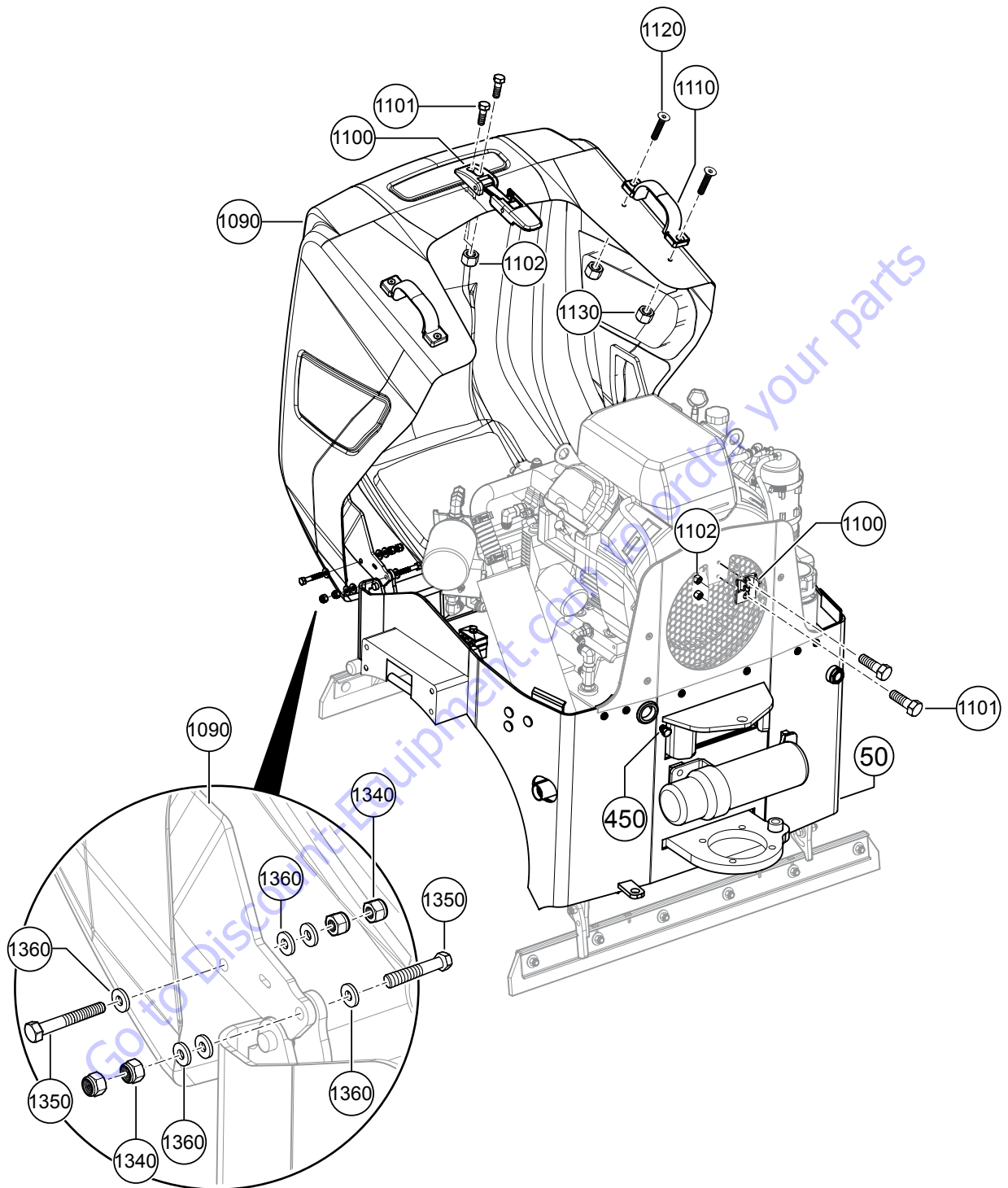
ENGINE ASSY.



ENGINE ASSY.

<u>NO.</u>	<u>PART NO.</u>	<u>PART NAME</u>	<u>QTY.</u>	<u>REMARKS</u>
10	802003	ENGINE, HONDA 20HP-SPLINE SHAFT	1	
60	801989	HYDRAULIC PUMP	1	
70	3019092	WASHER, 3/8"	2	REPLACES P/N 508346
80	EM175	SCREW, 3/8" NC X 1-1/4" G5	2	
395	800417	HOSE, 75"	7	1 PC=1 FT.
500	802726	ADAPTER FITTING	1	
510	802717	ADAPTER FITTING	1	
520	518821	ADAPTER FITTING	2	
530	506195	FITTING	5	
550	802718	ADAPTER FITTING	2	
850	802986	LEVER, HYDRAULIC PUMP	1	
860	803121	BRACKET, THROTTLE	1	
900	EM923343	WASHER, LOCK 5/16"	1	REPLACES P/N 492623
910	EM923057	WASHER, 1/4"	1	REPLACES P/N 492596
920	011208025	BOLT, 8X25T	1	REPLACES P/N 508342
1160	800416	REDUCER, HOSE	1	
1171	520611	HOSE, 15"	2	1 PC=1 FT.
1230	2105162	SCREW, HHC	2	REPLACES P/N 492367
1240	2105164	NUT, NYLON 5/16-18	2	REPLACES P/N 492582
1241	520117	CHECK VALVE, FUEL	1	
1260	503119	NUT LOCK	4	
1290	2101402	WASHER, LOCK 1/4" DIA.	1	REPLACES P/N 492622
1300	492595	WASHER, FLAT 3/16 FS1	1	
1310	EM506599	BOLT, HEX 6MM X 15.....	1	REPLACES P/N 506599

HOOD ASSY.

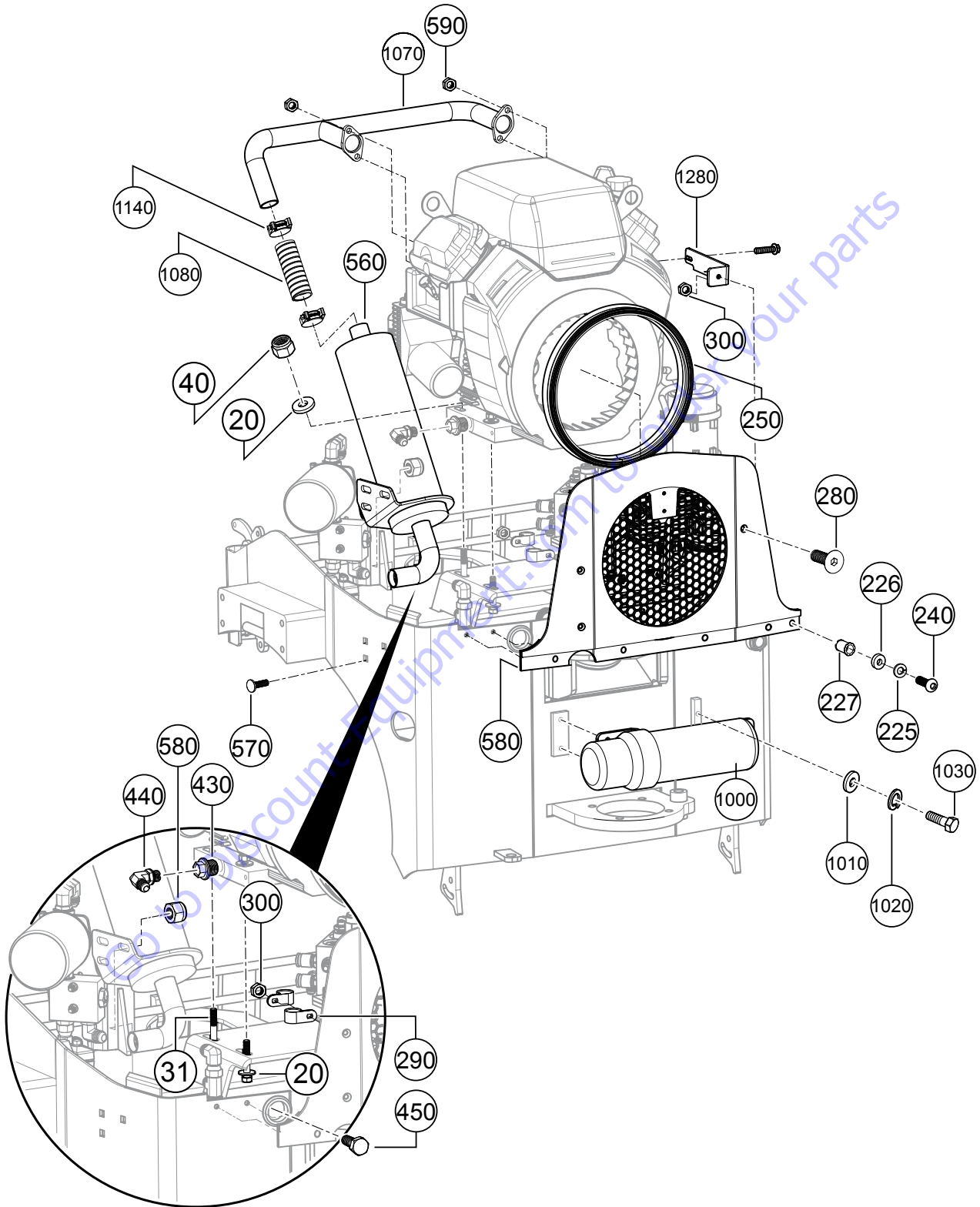


HOOD ASSY.

<u>NO.</u>	<u>PART NO.</u>	<u>PART NAME</u>	<u>QTY.</u>	<u>REMARKS</u>
50	800785	MAIN FRAME, FRONT	1	
450	513619	FITTING	1	
1090	803130	COVER, ENGINE	1	
1100	803930	LATCH, RUBBER	1	
1101	EM503115	SCREW.....	4.....	REPLACES P/N 503115
1102	503119	NUT, LOCK	4	
1110	802751	HANDLE, COVER	2	
1120	513312	BOLT, 1/4" X 1"	4	
1130	492581	NUT, 1/4"-20 NYLON LOCKNUT	4	
1340	2105164	NUT, NYLON 5/16-18	8.....	REPLACES P/N 492582
1350	2105162	SCREW, HHC	4.....	REPLACES P/N 492367
1360	509161	WASHER, 5/16"	12	

Go to Discount-Equipment.com to order your parts

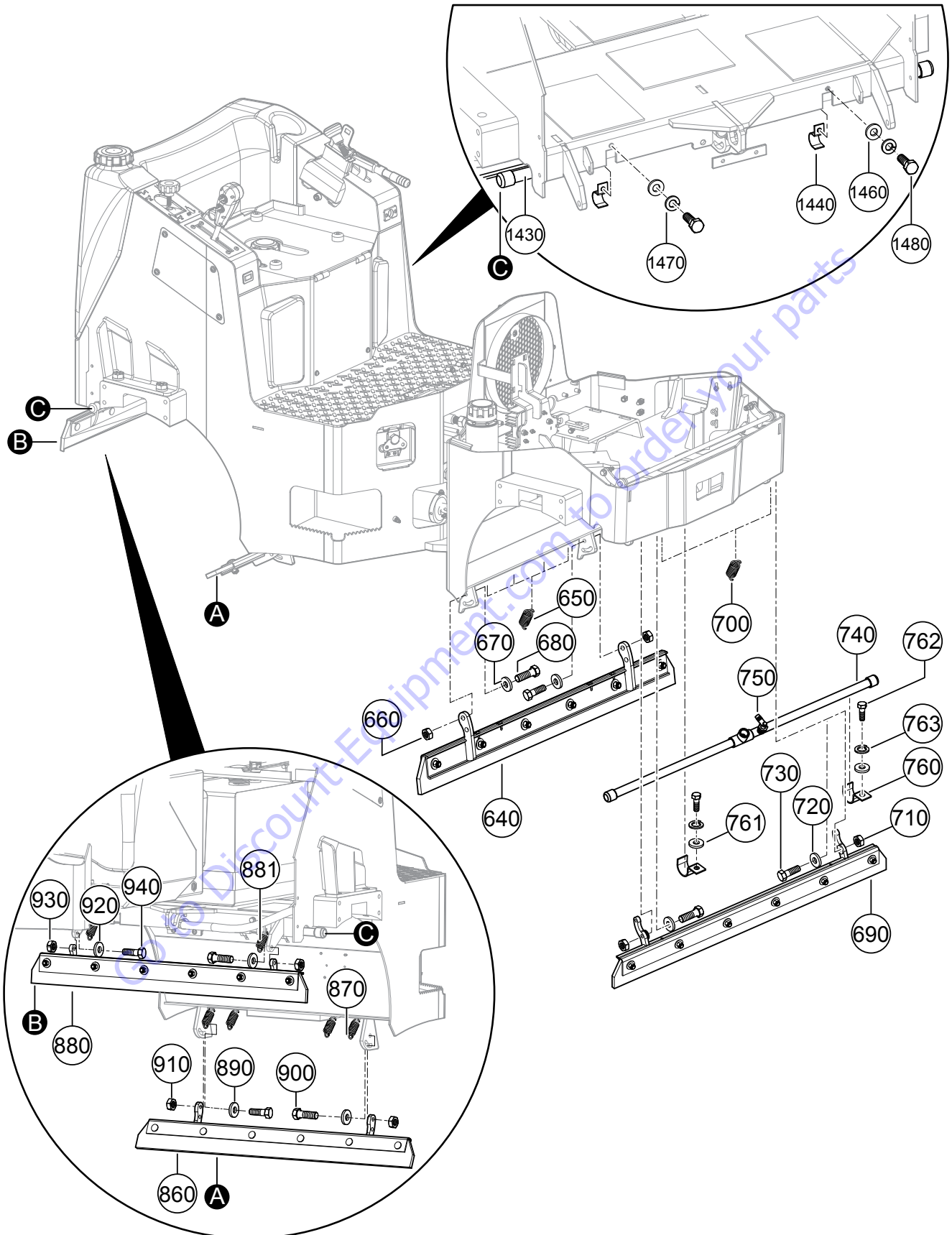
MUFFLER ASSY.



MUFFLER ASSY.

<u>NO.</u>	<u>PART NO.</u>	<u>PART NAME</u>	<u>QTY.</u>	<u>REMARKS</u>
20	3019092	WASHER, FLAT 3/8".....	8.....	REPLACES P/N 492598
31	492380	SCREW, HHC 3/8" X NC X 2 1/4" G5	2	
40	EM969013	NUT 3/8" NC INS. NYLON G8	5.....	REPLACES P/N 49258
225	2101402	WASHER, LOCK 1/4" DIA.	6.....	REPLACES P/N 492622
226	492595	WASHER, FLAT 3/16"	6	
227	100602	NUT, INSERT	6	
240	100443	SCREW, M6X20	6	
250	520230	SEAL, COVER	1	
280	513314	SCREW HD 1/4" X 3/4"	3	
290	511807	STRAP, NYLON 5/8	3	
300	492581	NUT, 1/4"-20 NYLON LOCKNUT	3	
430	520342	ADAPTER FITTING, ENGINE OIL DRAIN	1	
440	506196	ELBOW	1	
450	513619	FITTING	1	
560	802849	MUFFLER, ENGINE	1	
570	513452	BOLT 3/8" X 1-1/4" G5	3	
580	EM969013	NUT 3/8" NC INS. NYLON G8.	3.....	REPLACES P/N 492583
590	020108060	NUT M8.....	4.....	REPLACES P/N 508341
1000	23297	HOLDER, MANUAL	1	
1010	508344	WASHER, 5/16"	3	
1020	EM923343	WASHER, LOCK 5/16"	3.....	REPLACES P/N 492623
1030	492362	NUT 5/16" X 5/8"	3	
1070	803383	EXHAUST PIPE, ENGINE	1	
1080	516774	TUBE, FLEX SS.....	1.....	REPLACES P/N 514711
1140	803398	CLAMP	2	
1280	803425	BRACKET, ENGINE	1	

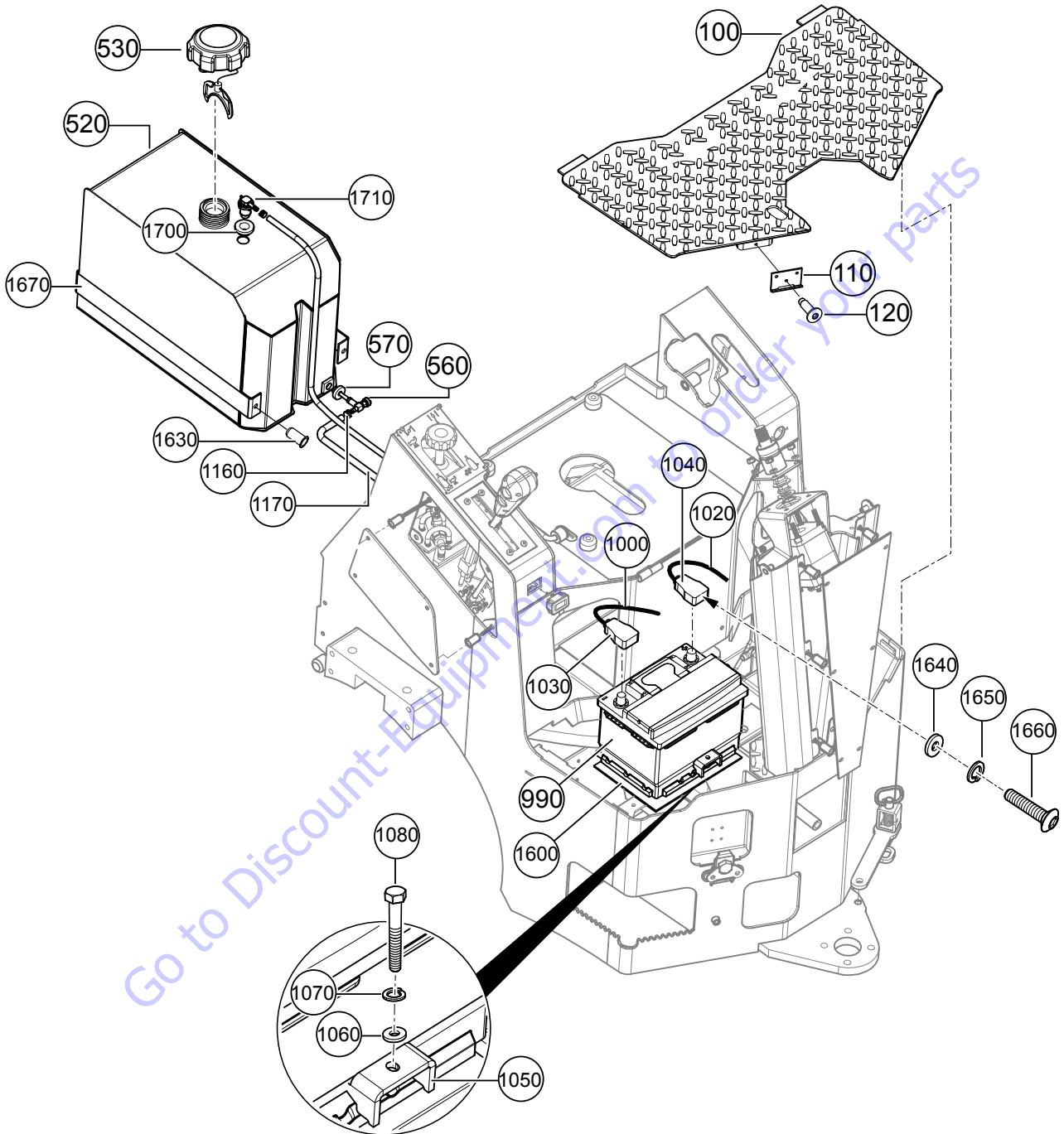
SCRAPER ASSY.



SCRAPER ASSY.

<u>NO.</u>	<u>PART NO.</u>	<u>PART NAME</u>	<u>QTY.</u>	<u>REMARKS</u>
640	803081	SCRAPER/BLADE INTERNAL ASSY.	1	
650	802756	SPRING	4	
660	EM969013	NUT 3/8" NC INS. NYLON G8	2	REPLACES P/N 492583
670	504679	WASHER, FLAT 3/8	2	
680	EM963057	BOLT, 3/8" DIA.	2	REPLACES P/N 492313
690	802621	SCRAPER BLADE/RUBBER EXT. FRONT	1	
700	802756	SPRING	2	
710	EM969013	NUT 3/8" NC INS. NYLON G8.	2	REPLACES P/N 492583
720	504679	WASHER, FLAT 3/8	4	
730	492378	BOLT, HHCS G5	2	
740	803073	SPRAY BAR	1	
750	506071	ELBOW PVC	1	
760	505389	CLAMP	2	
761	EM923057	WASHER, 1/4"	2	REPLACES P/N 492596
762	492356	BOLT, 1/4"X3/4"	2	
763	2101402	WASHER, LOCK 1/4" DIA.	2	REPLACES P/N 492622
860	803081	SCRAPER/BLADE INTERNAL ASSY.	1	
870	802756	SPRING	4	
880	803078	SCRAPER BLADE/RUBBER REAR EXT.	1	
881	802756	SPRING	1	
890	3019092	WASHER, FLAT 3/8"	2	REPLACES P/N 506488
900	EM963057	HHCS, 3/8" X 1-1/2"	2	REPLACES P/N 492313
910	EM969013	NUT, NYLOK	2	REPLACES P/N 492583
920	3019092	WASHER, FLAT 3/8"	2	REPLACES P/N 506488
930	EM969013	NUT, NYLOK	2	REPLACES P/N 492583
940	EM963057	HHCS, 3/8" X 1-1/2"	2	REPLACES P/N 492313
1430	803073	SPRAY BAR	1	
1440	505389	CLAMP	2	
1460	508344	WASHER, FLAT 5/16"	2	
1470	EM923343	WASHER LOCK 5/16"	2	REPLACES P/N 492623
1480	492363	BOLT 5/16" DIA. NCX3/4" G5	2	

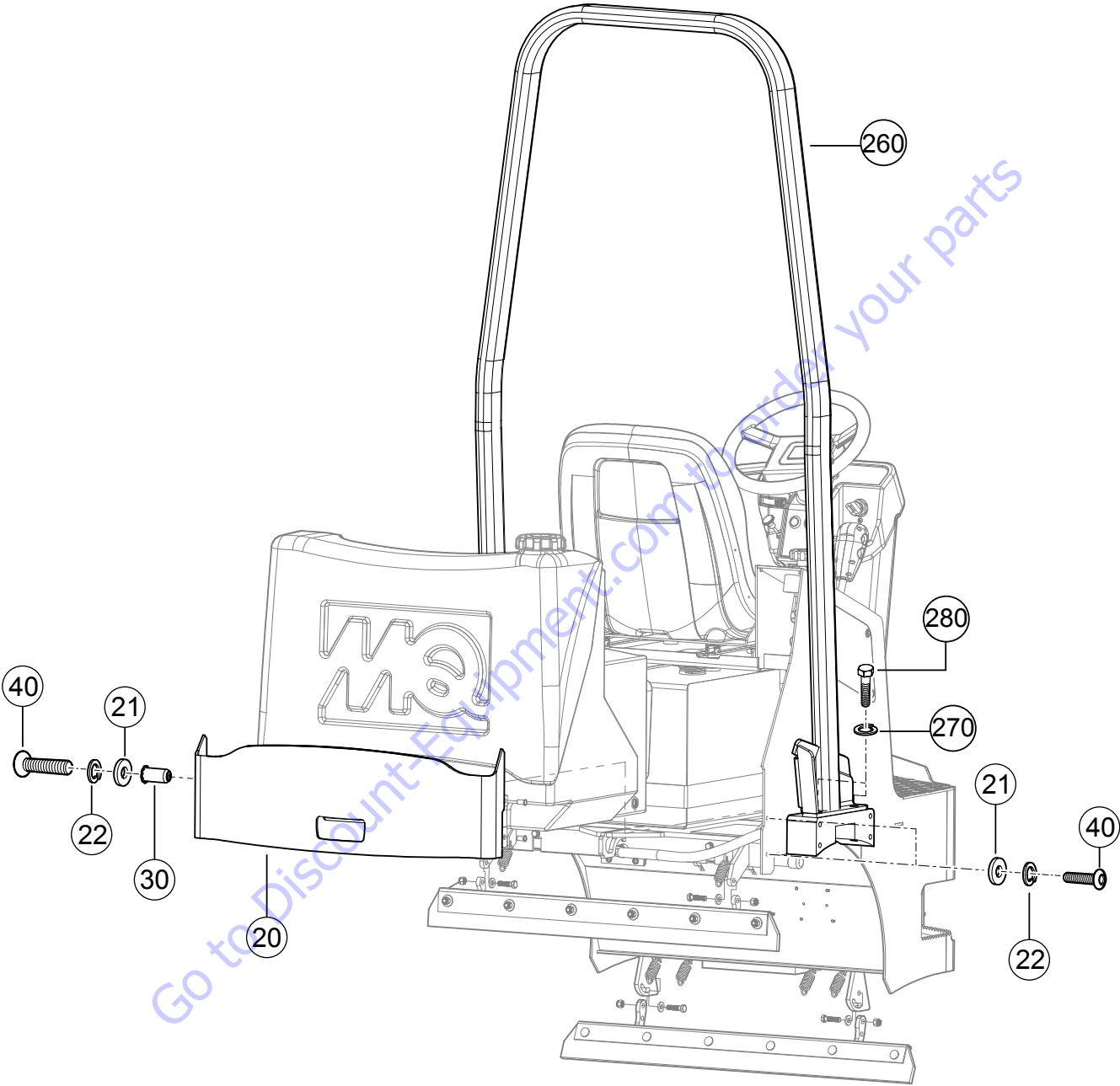
BATTERY AND FUEL TANK ASSY.



BATTERY AND FUEL TANK ASSY.

<u>NO.</u>	<u>PART NO.</u>	<u>PART NAME</u>	<u>QTY.</u>	<u>REMARKS</u>
100	802609	PLATE, FLOOR	1	
110	517296	KEEPER, LATCH	1	
120	6630207	RIVET	7	
520	802614	TANK, FUEL	1	
530	520820	CAP, FUEL EPA	1	
560	20795	VALVE, SCREENED DAPCO	1	
570	19633	BUSHING, RUBBER FUEL DAPCO	1	
990	514391	BATTERY, 12V, GROUP 42 R	1	
1000	515114	CABLE, NEGATIVE BATTERY	1	
1030	505624	BATTERY, TERMINAL COVER	1	
1040	506266	BATTERY, TERMINAL COVER	1	
1050	804232	BRACKET, BATTERY HOLD DOWN	2	
1060	492595	WASHER, FLAT 3/16"	2	
1070	2101402	WASHER, LOCK 1/4" DIA	2	REPLACES P/N 492622
1080	512185	SCREW HHC 1/4-20 X 1-3/4"	2	
1160	802574	TENSION CLAMP	5	
1170	520611	HOSE 1/4", FUEL EPA, 40"	4	1 PC=1 FT.
1600	520177	BASE, BATTERY	1	
1630	100602	NUT, INSERT	2	
1640	492595	WASHER, FLAT 3/16"	2	
1650	2101402	WASHER, LOCK 1/4" DIA.	2	REPLACES P/N 492622
1660	100443	SCREW M6X20	2	
1670	803439	BRACKET, FUEL TANK	1	
1700	203403	GROMMET, REMOTE VENT	1	
1710	202772	VENT, ROV VALVE	1	

SAFETY BAR ASSY.

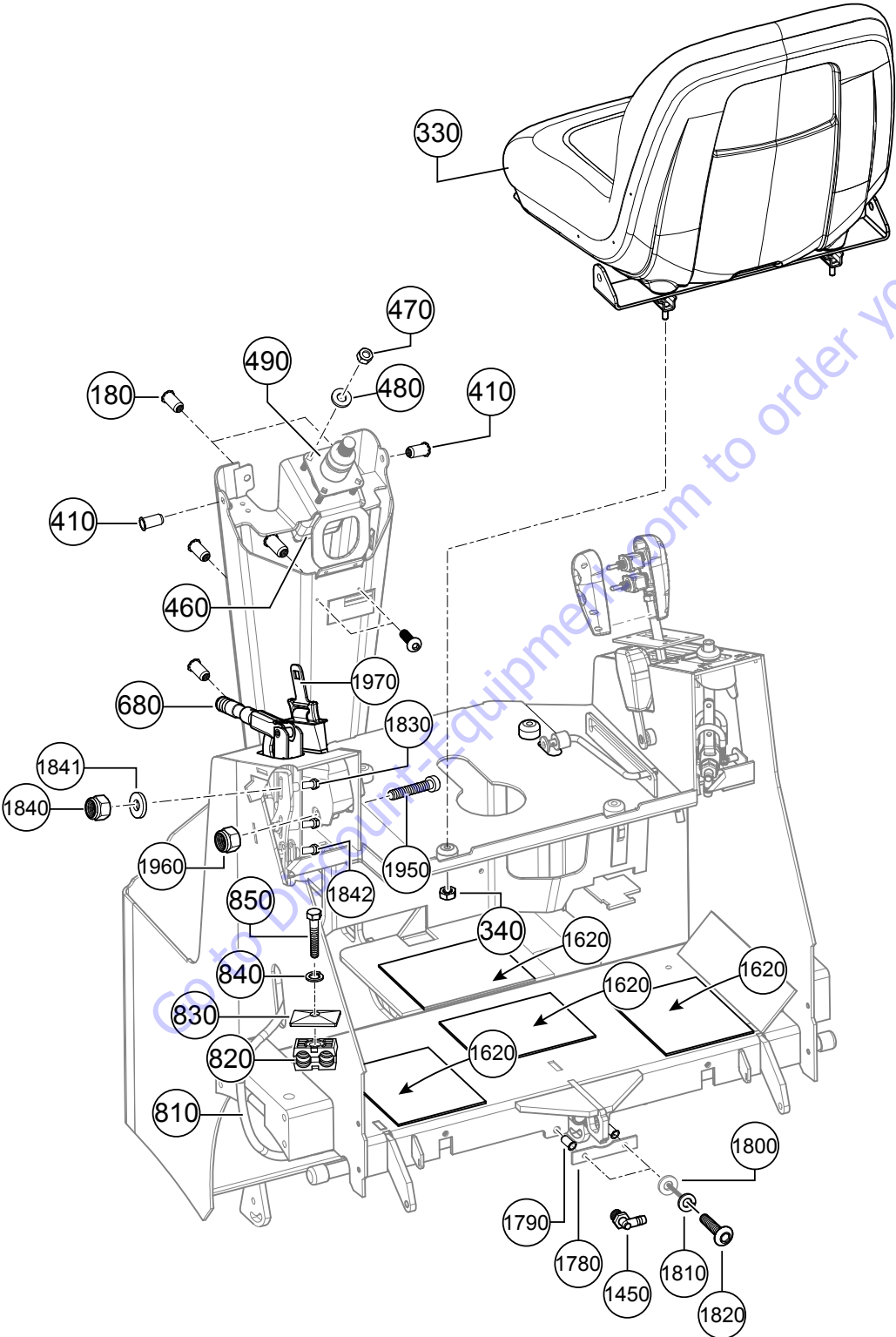


SAFETY BAR ASSY.

<u>NO.</u>	<u>PART NO.</u>	<u>PART NAME</u>	<u>QTY.</u>	<u>REMARKS</u>
20	802887	COVER, REAR	1	
21	492595	WASHER, FLAT 3/16"	4	
22	2101402	WASHER, LOCK 1/4" DIA	4.....	REPLACES P/N 492622
30	100602	NUT, INSERT	4	
40	100443	SCREW M6X20	4	
260	803533	ROPS	1	
270	492628	LOCK, WASHER 3/4"	4	
280	803908	HEX HEAD BOLT 3/4" NC X 1-1/4" G5	4	

Go to Discount-Equipment.com to order your parts

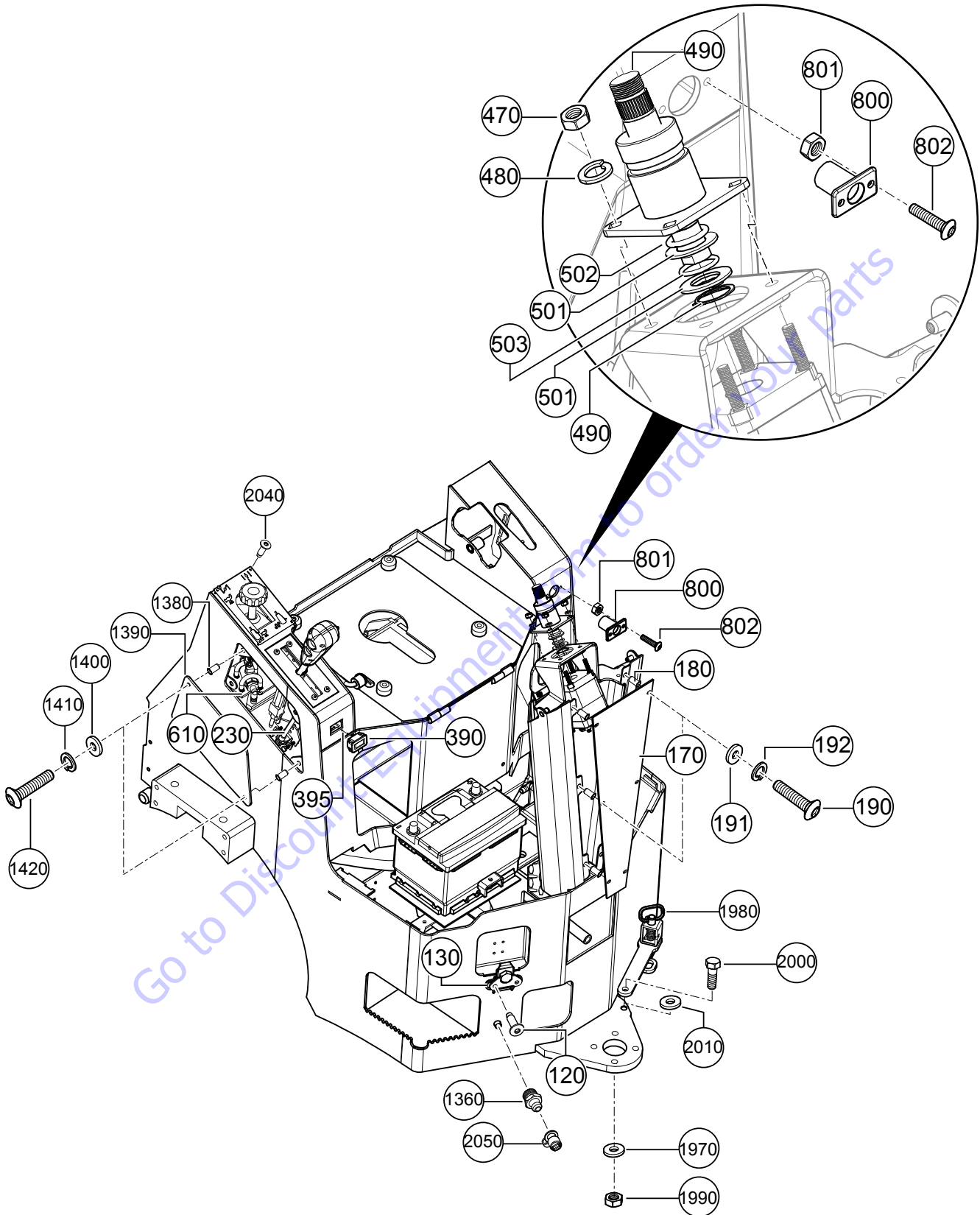
SEAT ASSY.



SEAT ASSY.

<u>NO.</u>	<u>PART NO.</u>	<u>PART NAME</u>	<u>QTY.</u>	<u>REMARKS</u>
180	100602	NUT, INSERT	6	
330	802409	SEAT	1	INCLUDES ITEM W/#
340#		NUT, 5/16" NC	4	
410	100602	NUT, INSERT	4	
460	506186	HYDRAGUIDE	1	
470	509143	NUT 5/16"	4	
480	EM923343	WASHER, LOCK 5/16"	4	REPLACES P/N 492623
490	506186-1	COLUMN, STEERING	1	
680	18057	LEVER, BRAKE ASSY.	1	
810	802396	CABLE, BRAKE	1	
820	505976	CLAMP	2	SET OF 2 PIECES
830	506185	PLATE CORNER	1	
840	EM923343	WASHER, LOCK 5/16"	1	REPLACES P/N 492623
850	2105162	SCREW HHC	1	REPLACES P/N 492367
1450	506071	ELBOW PVC	1	
1620	508302	PAD, RUBBER TANK	4	
1780	803560	SUPPORT BRACKET FOR SPRAYER	1	
1790	100602	NUT, INSERT	2	
1800	492595	WASHER, FLAT 3/16"	2	
1810	2101402	WASHER, LOCK 1/4" DIA	2	REPLACES P/N 49262
1820	100443	SCREW M6X20	2	
1830	2105162	SCREW HHC	3	REPLACES P/N 492367
1840	2105164	NUT, NYLON 5/16-18"	3	REPLACES P/N 492582
1841	EM923057	WASHER, FLAT 1/4"	2	REPLACES P/N 492596
1842	EM923343	WASHER, LOCK 5/16"	1	REPLACES P/N 492623
1950	801310	BOLT, M12X50	1	
1960	100081	NUT, M12 NYLOK	2	
1970	34606	SEAT BELT, ROPS	1	

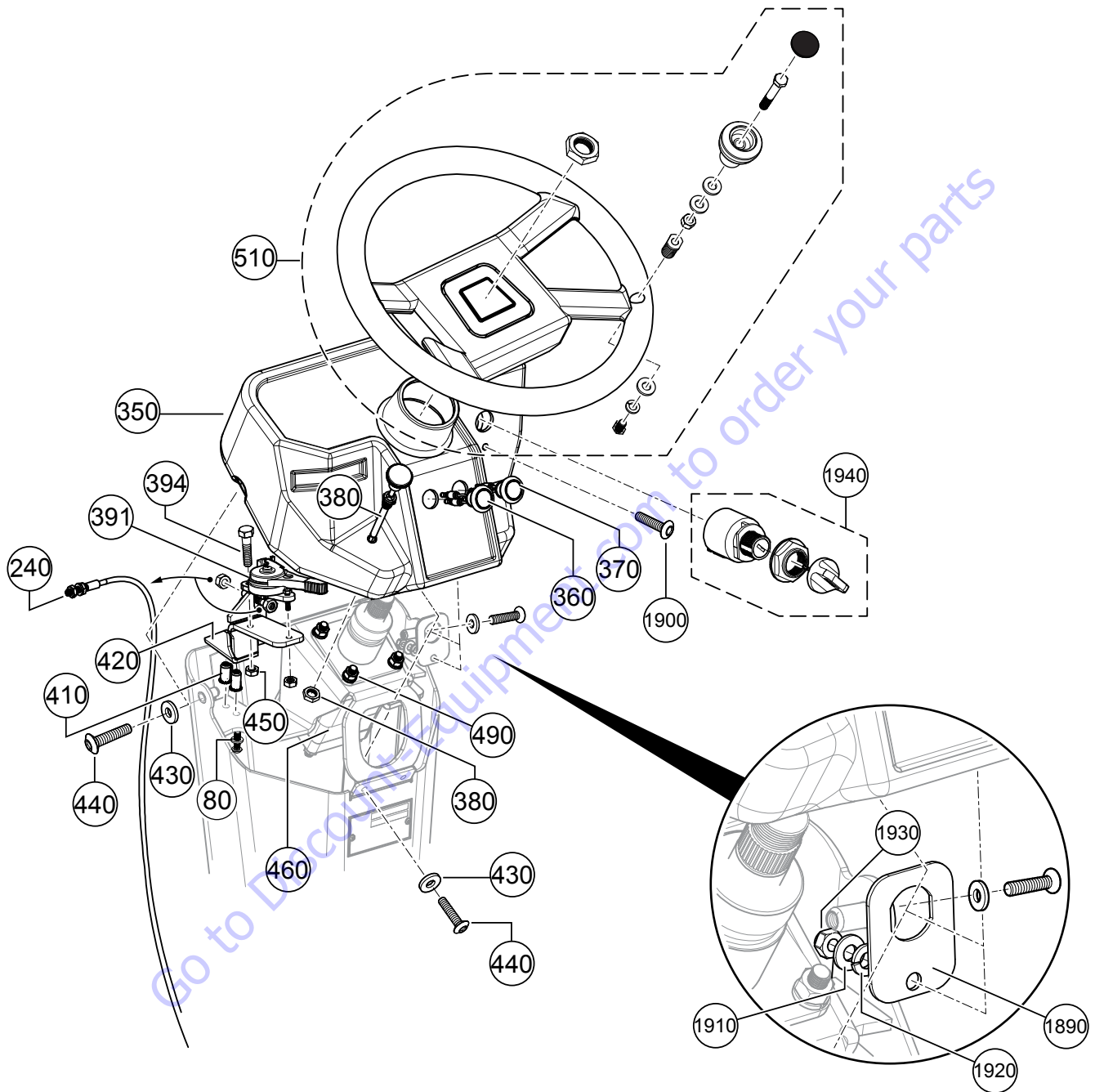
STEERING COLUMN ASSY.



STEERING COLUMN ASSY.

<u>NO.</u>	<u>PART NO.</u>	<u>PART NAME</u>	<u>QTY.</u>	<u>REMARKS</u>
120	6630207	RIVET	7	
130	517295	LATCH, BUTTERFLY	1	
170	802635	PANEL, ACCESS	1	
180	100602	NUT, INSERT	6	
190	100443	SCREW M6 X M20	6	
191	492595	WASHER, FLAT 3/16"	6	
192	2101402	WASHER, LOCK 1/4" DIA	6	REPLACES P/N 492622
230	513324	CABLE FORWARD AND REVERSE	1	
390	800803	HOUR/TACHOMETER	1	
395	800417	HOSE, WIRE SHIELD	1.9	
470	509143	NUT 5/16"	4	
480	EM923343	WASHER, LOCK 5/16"	4	REPLACES P/N 492623
490	506186-1	COLUMN, STEERING	1	
501	507444	SPACER	2	
502	801873	O-RING	1	
503	803572	O-RING	1	
610	513322	VALVE BALL	1	
800	802500	RECEPTACLE, CHARGER 12V	1	
801	503119	NUT, LOCK	2	
802	803418	SCREW, 3/16" NC X 3/4" G5	2	
1360	EM916001	FITTING, GREASE	1	REPLACES P/N 491698
1380	100602	NUT, INSERT	4	
1390	803011	COVER, ACCESS PANEL	1	
1400	100531	WASHER	4	
1410	2101402	WASHER, LOCK 1/4" DIA	4	REPLACES P/N 492622
1420	DULT100443J	SCREW M6 X 20 P-1 G2	4	
1970	34606	SEAT BELT, ROPS	1	
1980	803755	BAR, ARTICULATION LOCK	1	
1990	492584	NUT, LOCK 1/2" DIA. NC	1	
2000	492396	BOLT, 1/2" NC X 2"	1	
2010	492599	WASHER, 1/2"	3	
2040	512881	RIVET BRAKE LINING	4	REPLACES P/N 503723
2050	491008	FITTING PROTECTOR	2	

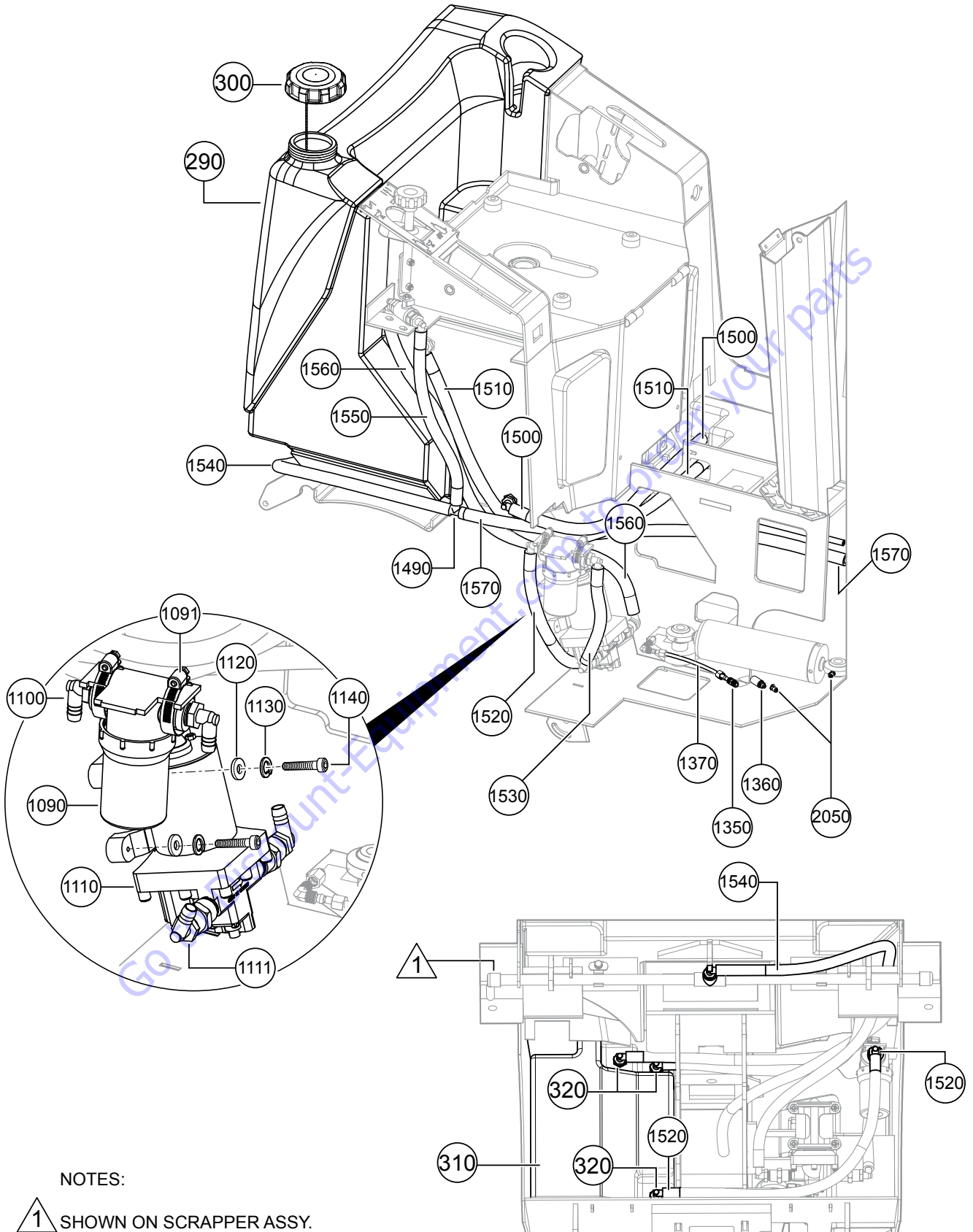
STEERING ASSY.



STEERING ASSY.

<u>NO.</u>	<u>PART NO.</u>	<u>PART NAME</u>	<u>QTY.</u>	<u>REMARKS</u>
80	2101402	WASHER, LOCK 1/4" DIA.	2.....	REPLACES P/N 492622
240	803120	THROTTLE CABLE	1	
350	802602	COVER, INSTRUMENT	1	
360	801709	LIGHT, AMBER	1	
370	801708	LIGHT, RED	1	
380	506239	CABLE CHOKE	1	
391	803129	LEVER, THROTTLE	1	
394	EM503115	SCREW.....	2.....	REPLACES P/N 503115
410	100602	NUT, INSERT	4	
420	803163	BRACKET, THROTTLE LEVER	1	
430	492595	WASHER, FLAT 3/16"	4	
440	100443	SCREW M6 X M20	6	
450	503119	NUT, LOCK	2	
460	506186	HYDRAGUIDE HGF10120	1	
490	506186-1	COLUMN, STEERING	1	
510	801040	STEERING WHEEL, WITH KNOB	1	
1890	803582	PLATE	1	
1900	100443	SCREW M6 X 20	1	
1910	492595	WASHER, FLAT 3/16"	1	
1920	2101402	WASHER, LOCK 1/4" DIA.	1.....	REPLACES P/N 492622
1930	100078	NUT, M6 NYLON G8.8	1	
1940	35100Z6L003	IGNITION SWITCH W/KEYS		

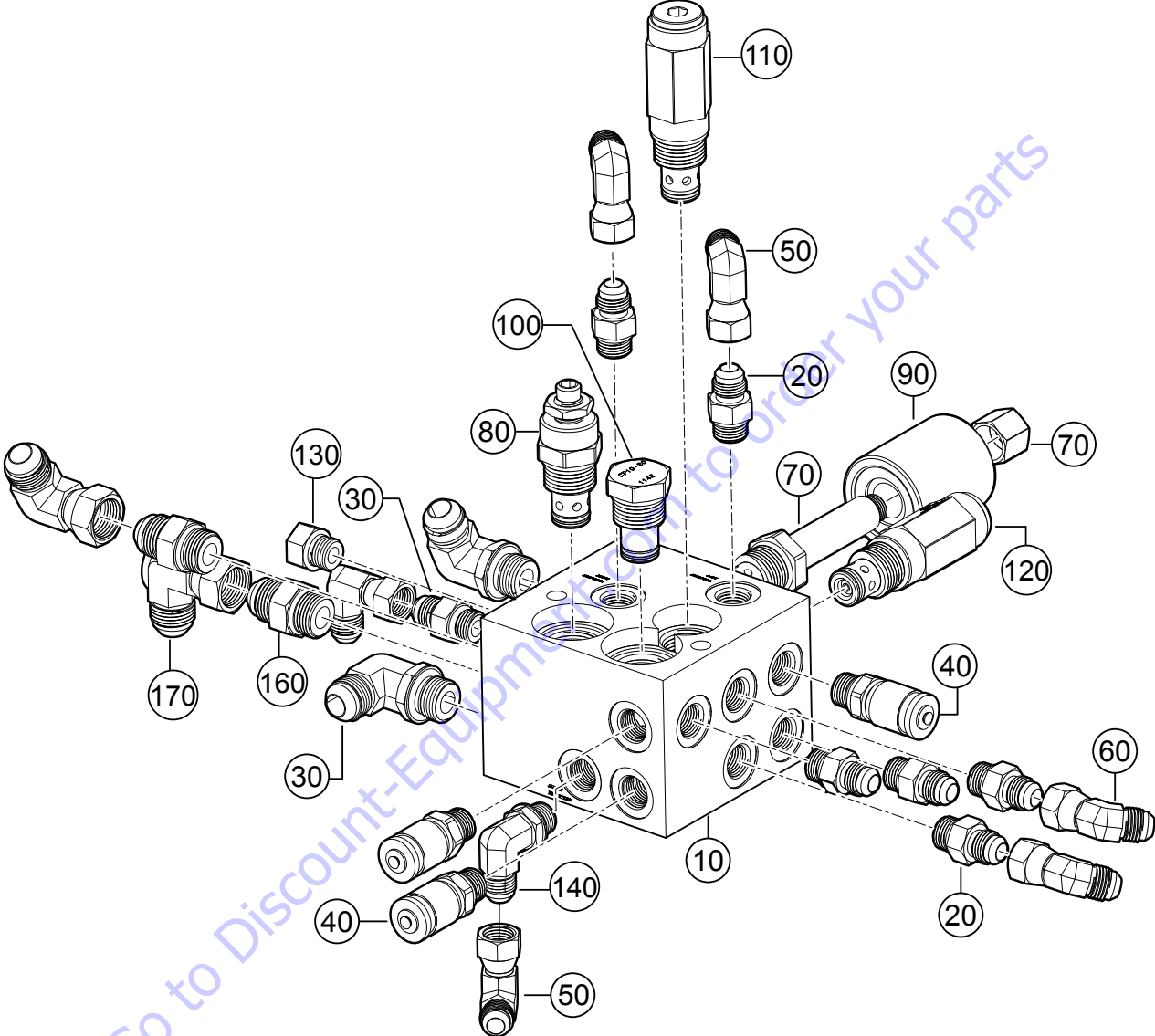
WATER TANK AND FILTER ASSY.



WATER TANK AND FILTER ASSY.

<u>NO.</u>	<u>PART NO.</u>	<u>PART NAME</u>	<u>QTY.</u>	<u>REMARKS</u>
290	803116	TANK, WATER	1	
300	42435	CAP, WATER TANK	1	
310	802613	WATER TANK, LOWER	1	
320	506071	ELBOW PVC	3	
1090	801532	FILTER, WATER	1	
1091	517328	WORM CLAMP	2	
1100	506071	ELBOW PVC	6	
1110	521329	WATER PUMP	1	
1111	519888	FITTING, ELBOW	2	
1120	492595	WASHER, FLAT 3/16"	4	
1130	2101402	WASHER, LOCK 1/4" DIA.	4	REPLACES P/N 492622
1140	492256	SCREW, ALLEN HD 1/4" X 1" 20-NC	4	
1350	505489	ADAPTER, FITTING	1	
1360	EM916001	FITTING, GREASE	1	REPLACES P/N 491698
1370	505516	HOSE, GREASE, 6.3"	1	1 PC=1 FT.
1490	513379	ADAPTER	1	
1500	519618	HOSE, WATER 1/2", 24"	2	1 PC=1 FT.
1510	519618	HOSE, WATER 1/2", 37.5"	4	1 PC=1 FT.
1520	519618	HOSE, WATER 1/2", 26"	3	1 PC=1 FT.
1530	519618	HOSE, WATER 1/2", 9"	1	1 PC=1 FT.
1540	519618	HOSE, WATER 1/2", 27.5"	3	1 PC=1 FT.
1550	519618	HOSE, WATER 1/2", 14.2"	2	1 PC=1 FT.
1560	519618	HOSE, WATER 1/2", 34.65"	3	1 PC=1 FT.
1570	519618	HOSE, WATER 1/2", 67"	16	1 PC=1 FT.
2050	491008	FITTING PROTECTOR	2	

MANIFOLD ASSY.

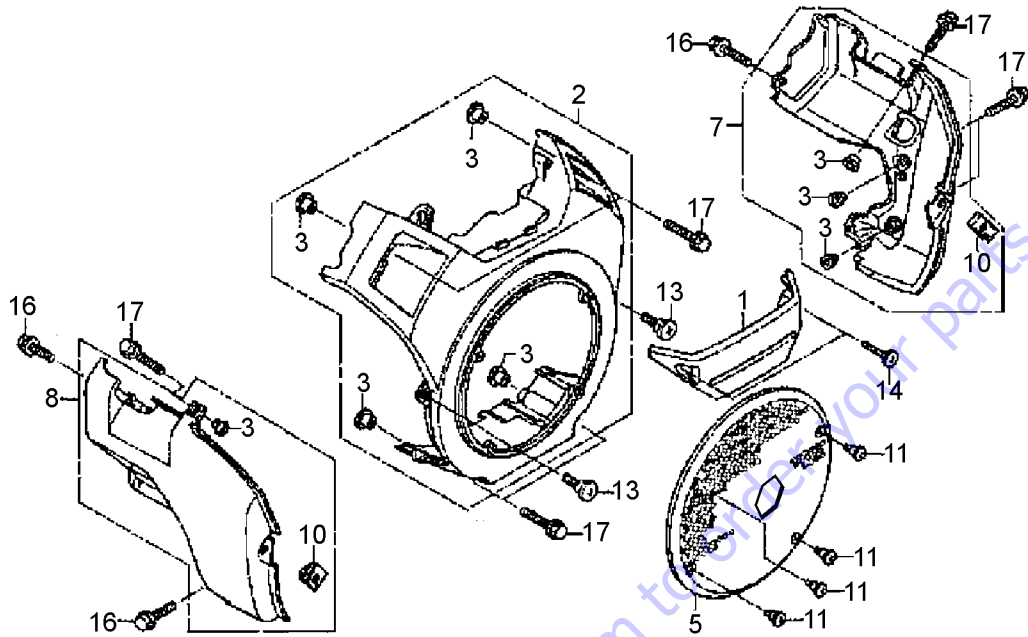


MANIFOLD ASSY.

<u>NO.</u>	<u>PART NO.</u>	<u>PART NAME</u>	<u>QTY.</u>	<u>REMARKS</u>
10	515502	MANIFOLD	1	
20	511808	ADAPTER STRAIGHT	7	
30	EM25507	FITTING	2	
40	506182	COUPLING PSI TEST	3	
50	519967	ADAPTER ELBOW	4	
60	512234	ADAPTER ELBOW	2	
70	506245	VALVE SOLENOID, VIBRATION	1	
80	506247	VALVE NEEDLE, TOW	1	
90	507885	COIL	1	
100	507772	PLUG	1	
110	507774	VALVE RELIEF	1	
120	506246	VALVE RELIEF	1	
130	506205	PLUG	1	
140	506196	ELBOW	1	
160	506193	FITTING	2	
170	506195	FITTING	2	

Go to Discount-Equipment.com to order your parts

HONDA GX630RHKAF FAN COVER ASSY.

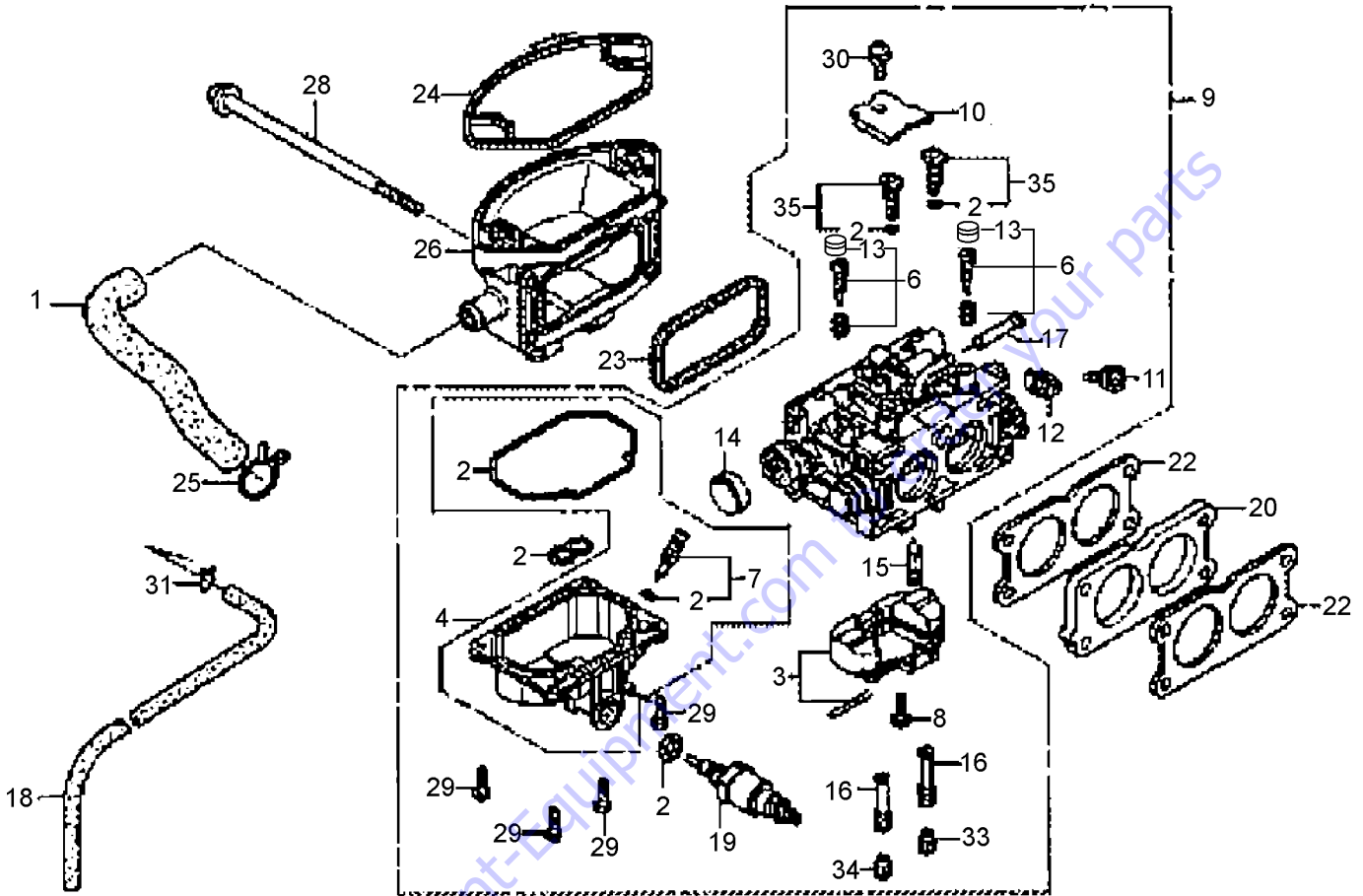


HONDA GX630RHKAF FAN COVER ASSY.

<u>NO.</u>	<u>PART NO.</u>	<u>PART NAME</u>	<u>QTY.</u>	<u>REMARKS</u>
1	16715Z6L000	COVER, FUEL PUMP	1	
2	19610Z6L000ZA	COVER COMP., FAN *R280*	1	INCLUDES ITEMS W/\$
3\$%#	19619Z0A300	COLLAR, FAN COVER	10	
5	19621Z6L800	PROTECTOR, FAN COVER	1	
7	19641Z6L000	SHROUD, R. LOWER	1	INCLUDES ITEMS W/%
8	19642Z6L000	SHROUD, L. LOWER	1	INCLUDES ITEMS W/#
10%#	84601HA7670	NUT, FENDER SETTING	2	
11	90005ZCK000	SCREW, SPECIAL, 4X10	4	
13	90380GM9740	SCREW, SPECIAL, 6X15	2	
14	9391325580	SCREW, TAPPING, 5X20	2	
16	957010601600	BOLT, FLANGE, 6X16	3	
17	957010602000	BOLT, FLANGE, 6X20	10	

Go to Discount-Equipment.com to order your parts

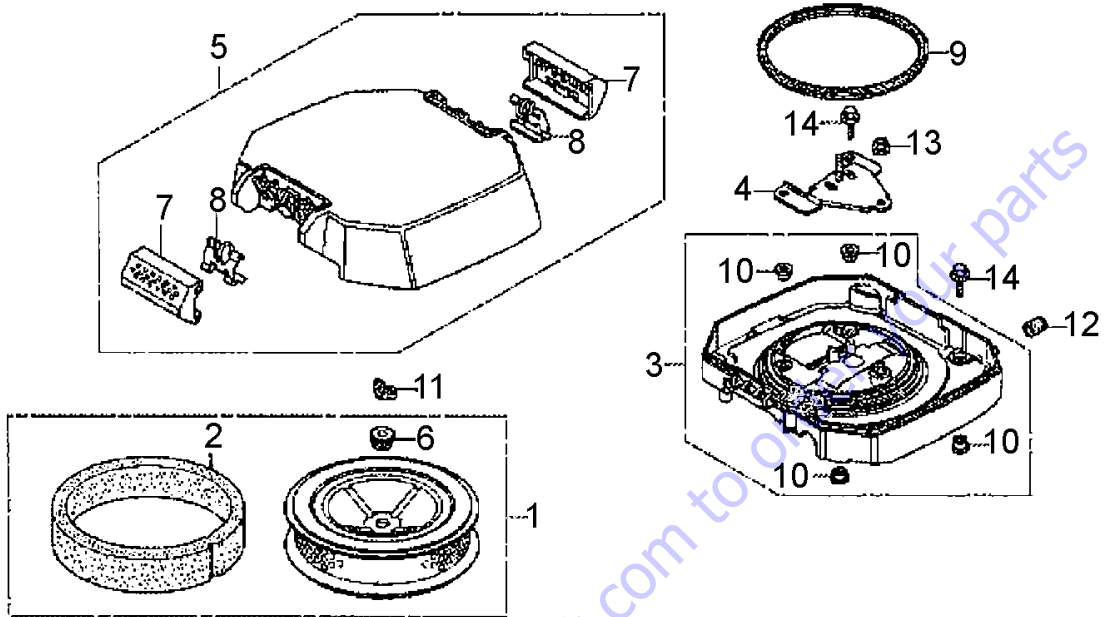
HONDA GX630RHKAF CARBURETOR ASSY.



HONDA GX630RHKAF CARBURETOR ASSY.

<u>NO.</u>	<u>PART NO.</u>	<u>PART NAME</u>	<u>QTY.</u>	<u>REMARKS</u>
1	15721Z6L000	TUBE, BREATHER	1	
2#%&	16010Z6L003	GASKET SET	1	
3\$	16013Z6L003	FLOAT SET	1	
4\$	16015Z6L003	CHAMBER SET, FLOAT	1	INCLUDES ITEMS W/%
6\$	16016Z6L801	SCREW SET	2	
7%\$	16024124760	SCREW SET, DRAIN	1	INCLUDES ITEMS W/#
8\$	16081Z6L003	SCREW, FLOAT	1	
9	16100Z9E023	CARBURETOR ASSY.	1	INCLUDES ITEMS W/\$
10\$	16113Z6L003	PLATE	1	
11\$	16124ZE0005	SCREW, THROTTLE STOP	1	
12\$	16126Z6L003	ARM, THROTTLE LINKAGE	1	
13\$	16134Z6L801	CAP, ADJUSTING SCREW	2	
14\$	16148141881	CAP, CHOKE DUST	1	
15\$	16155Z6L003	VALVE COMP., FLOAT	1	
16\$	16166Z9E003	NOZZLE, MAIN	2	
17\$	16176Z2GD51	SCREEN, FUEL STRAINER	1	
18	16198Z6L000	TUBE, DRAIN	1	
19\$	16200Z6L003	VALVE ASSY., SOLENOID	1	
20	16211Z6L000	INSULATOR, CARBURETOR	1	
22	16221Z6L000	PACKING, CARBURETOR	2	
23	17228Z6L000	PACKING, AIR CLEANER	1	
24	17229Z6L000	SEAL, AIR CLEANER CASE	1	
25	17369KB4670	CLIP, BREATHER TUBE	1	
26	17410Z6L000	ELBOW COMP., AIR CLEANER	1	
28	90003Z6L000	BOLT, FLANGE, 6X106	4	
29\$	93500040121H	SCREW, PAN, 4X12	4	
30\$	938920501018	SCREW-WASHER, 5X10	1	
31	9500202080	CLIP, TUBE	1	
33\$	99101ZH80980	JET, MAIN, #98	1	
33\$	99101ZH81020	JET, MAIN, #102	1	
33\$	99101ZH81100	JET, MAIN, #110	1	
34\$	99101ZH80980	JET, MAIN, #98	1	
34\$	99101ZH81020	JET, MAIN, #102	1	
34\$	99101ZH81100	JET, MAIN, #110	1	
35\$	99204ZE20400	JET SET, PILOT, #40	2	INCLUDES ITEMS W/&

HONDA GX630RHKAF AIR CLEANER ASSY.

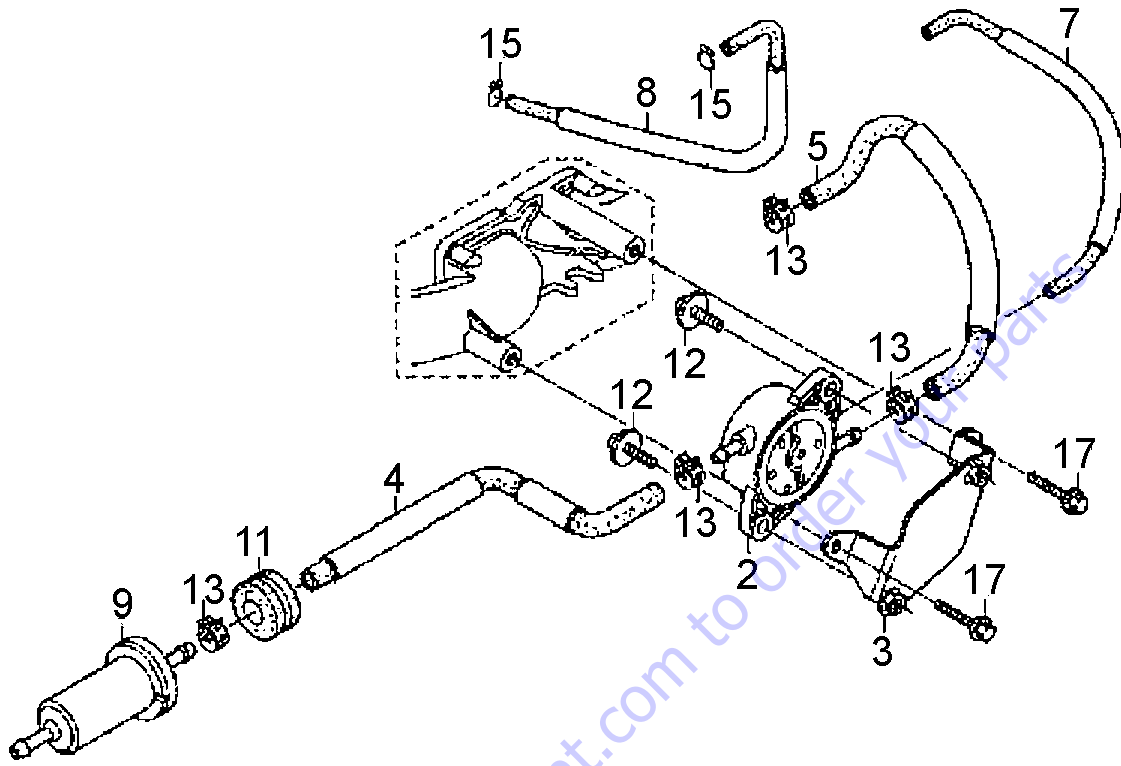


HONDA GX630RHKAF AIR CLEANER ASSY.

<u>NO.</u>	<u>PART NO.</u>	<u>PART NAME</u>	<u>QTY.</u>	<u>REMARKS</u>
1	17210Z6L010	ELEMENT COMP., AIR CLEANER	1.....	INCLUDES ITEMS W/#
2#	17218Z6L000	FILTER, OUTER	1	
3	17220Z6L000	CASE COMP., AIR CLEANER	1.....	INCLUDES ITEMS W/%
4	17223Z6L000	STAY COMP., AIR CLEANER ELEMENT	1	
5	17230Z6L000	COVER COMP., AIR CLEANER	1.....	INCLUDES ITEMS W/\$
6#	17232Z2E000	GROMMET, AIR CLEANER	1	
7\$	17235Z6L300	KNOB, AIR CLEANER COVER	2	
8\$	17236Z6L300	SPRING, AIR CLEANER CASE COVER	2	
9	17417Z6L000	PACKING, AIR CLEANER CASE	1	
10%	19619Z0A300	COLLAR, FAN COVER	4	
11	90325044000	NUT, TOOL BOX SETTING	1	
12	90802Z6L000	CAP, SEALING	1	
13	9405006000	NUT, FLANGE, 6MM	1	
14	957010601800	BOLT, FLANGE, 6X18	4	

Go to Discount-Equipment.com to order your parts

HONDA GX630RHKAF FUEL PUMP ASSY.

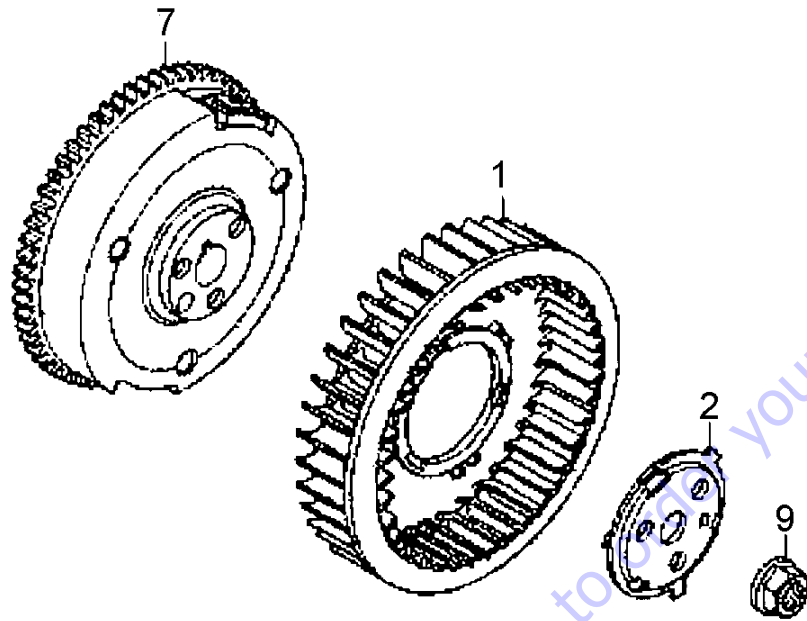


HONDA GX630RHKAF FUEL PUMP ASSY.

<u>NO.</u>	<u>PART NO.</u>	<u>PART NAME</u>	<u>QTY.</u>	<u>REMARKS</u>
2	16700Z6L003	PUMP ASSY., FUEL	1	
3	16711Z6L000	STAY, FUEL PUMP	1	
4	16850Z6L020	TUBE COMP. A, FUEL	1	
5	16860Z6L000	TUBE COMP. B, FUEL	1	
7	16870Z6L000	TUBE, PURGE	1	
8	16882Z6L000	TUBE, DIAPHRAGM	1	
9	16910Z6L003	FUEL FILTER, IN-LINE	1	
11	80152958680	RUBBER, RR. FENDER	1	
12	938940601600	SCREW-WASHER, 6X16	2	
13	950024100008	CLAMP, TUBE	4	
15	9500270000	CLIP, TUBE	2	
17	957010601400	BOLT, FLANGE, 6X14	2	

Go to Discount-Equipment.com to order your parts

HONDA GX630RHKAF FLY WHEEL ASSY.

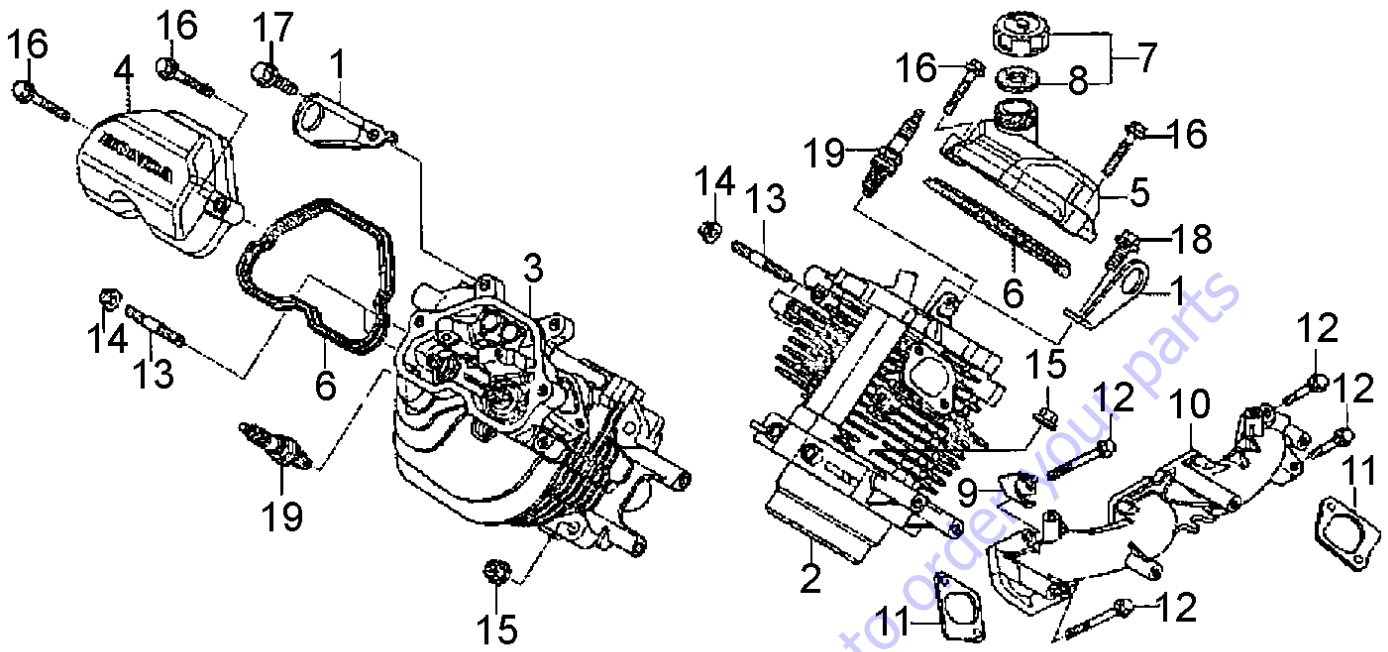


HONDA GX630RHKAF FLY WHEEL ASSY.

<u>NO.</u>	<u>PART NO.</u>	<u>PART NAME</u>	<u>QTY.</u>	<u>REMARKS</u>
1	19511Z6L000	FAN, COOLING	1	
2	19513Z6L000	PLATE, COOLING FAN SETTING	1	
7	31110Z6L801	FLYWHEEL COMP.	1	
9	90201Z6L000	NUT, SPECIAL 20MM	1	

Go to Discount-Equipment.com to order your parts

HONDA GX630RHKAF CYLINDER HEAD ASSY.



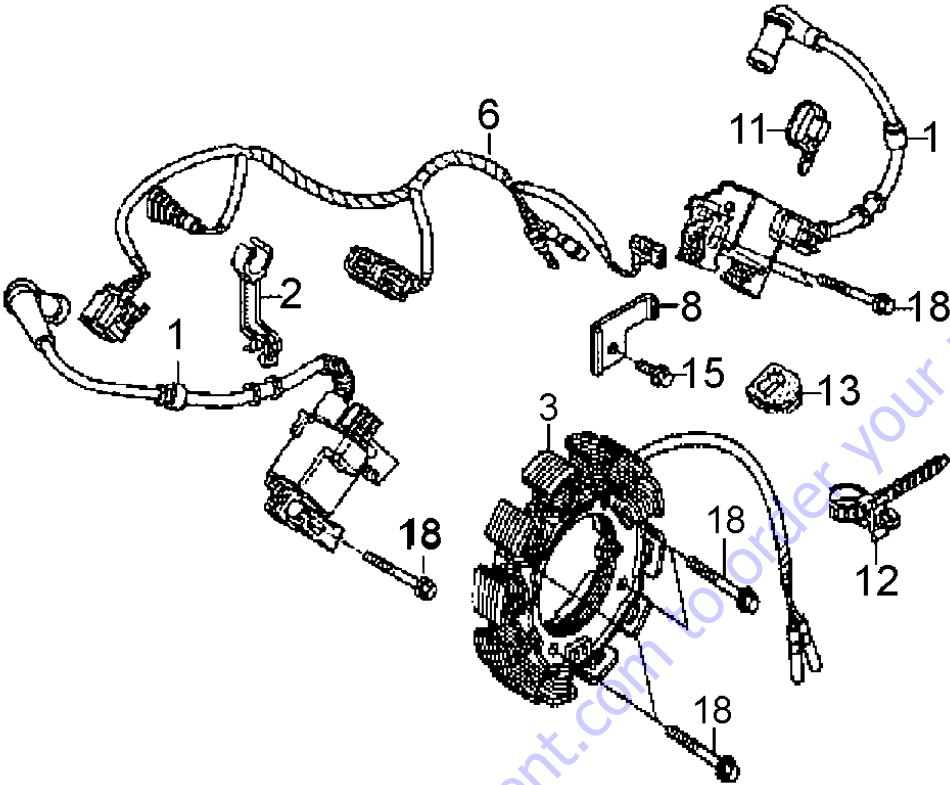
Go to Discount-Equipment.com to order your parts

HONDA GX630RHKAF CYLINDER HEAD ASSY.

<u>NO.</u>	<u>PART NO.</u>	<u>PART NAME</u>	<u>QTY.</u>	<u>REMARKS</u>
1	11911Z6L000	HANGER, ENGINE	2	
2	12110Z6L010	HEAD COMP., CYLINDER (#1)	1	
3	12120Z6L010	HEAD COMP., CYLINDER (#2)	1	
4	12311Z6L000	COVER, CYLINDER HEAD	1	
5	12311Z6L800	COVER, CYLINDER HEAD	1	
6	12312Z6L000	PACKING, HEAD COVER	2	
7	15600Z6L000	CAP ASSY., OIL FILLER	1.....	INCLUDES ITEMS W/\$
8\$	15625Z6L000	PACKING, OIL FILLER CAP	1	
9	16722Z6L010	STAY, FUEL TUBE GROMMET	1	
10	17101Z6L010	MANIFOLD, INTAKE	1	
11	17151Z6L010	PACKING, INTAKE MANIFOLD	2	
12	90006Z6L000	BOLT, FLANGE, 8X55	4	
13	92900080220E	BOLT, STUD, 8X22	4	
14	9405008000	NUT, FLANGE, 8MM	4	
15	9405010000	NUT, FLANGE, 10MM	8	
16	957010603000	BOLT, FLANGE, 6X30	4	
17	957010801600	BOLT, FLANGE, 8X16	1	
18	957010801600	BOLT, FLANGE, 8X16	1	
19	980795587G	PLUG, SPARK	2	

Go to Discount-Equipment.com to order your parts

HONDA GX630RHKAF IGNITION COIL ASSY.

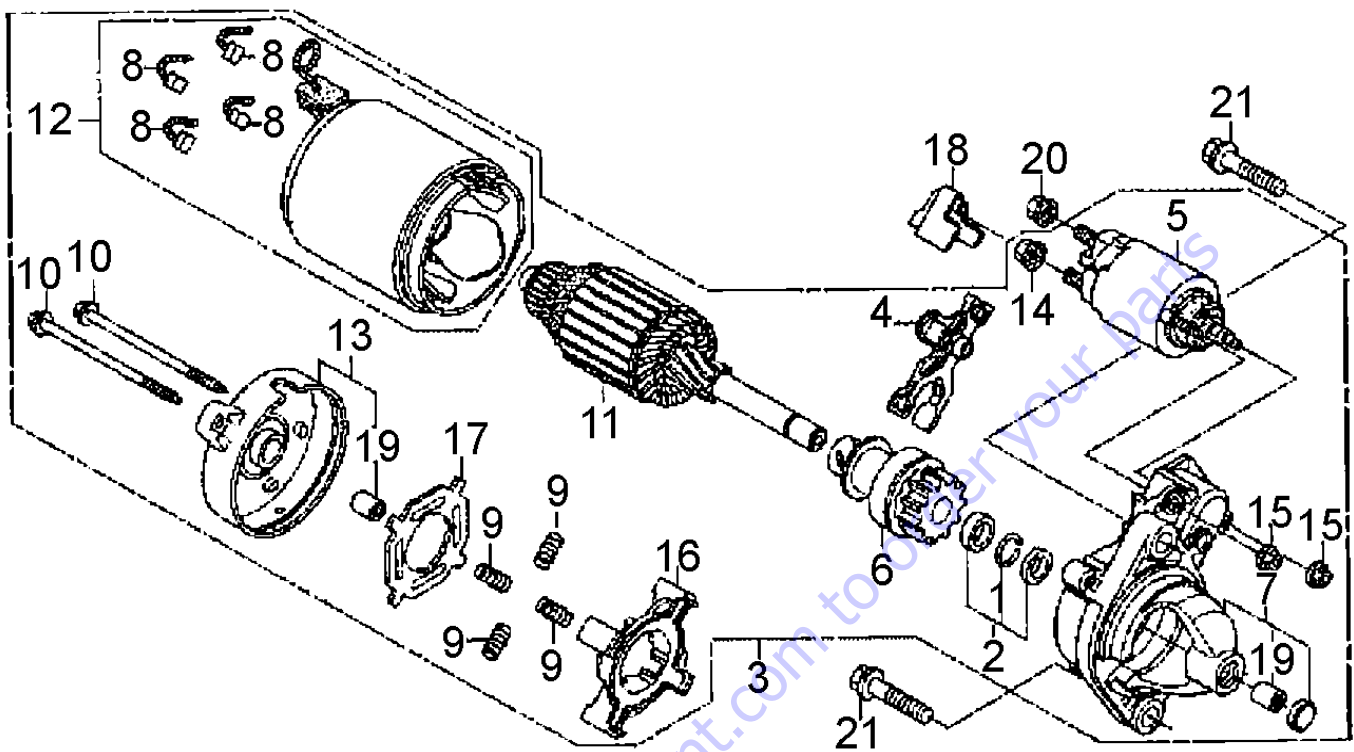


HONDA GX630RHKAF IGNITION COIL ASSY.

<u>NO.</u>	<u>PART NO.</u>	<u>PART NAME</u>	<u>QTY.</u>	<u>REMARKS</u>
1	30500Z6L023	COIL ASSY., IGNITION	2	
2	30551Z6L000	CLAMP, HIGH TENSION CORD	1	
3	31630Z6L811	COIL ASSY., CHARGE (26A)	1	
6	32110Z6L000	HARNESS ASSY., ENGINE WIRE	1	
8	32114Z6L000	BRACKET, HARNESS	1	
11	90650KV6003	BAND, WIRE, 95MM	1	
12	90672SB2003	STRAP, CABLE, 105MM (BLACK)	1	
13	91601Z6L000	GROMMET, CORD	1	
15	957010601200	BOLT, FLANGE, 6X12	1	
18	957010603200	BOLT, FLANGE, 6X32	6	

Go to Discount-Equipment.com to order your parts

HONDA GX630RHKAF STARTER MOTOR ASSY.

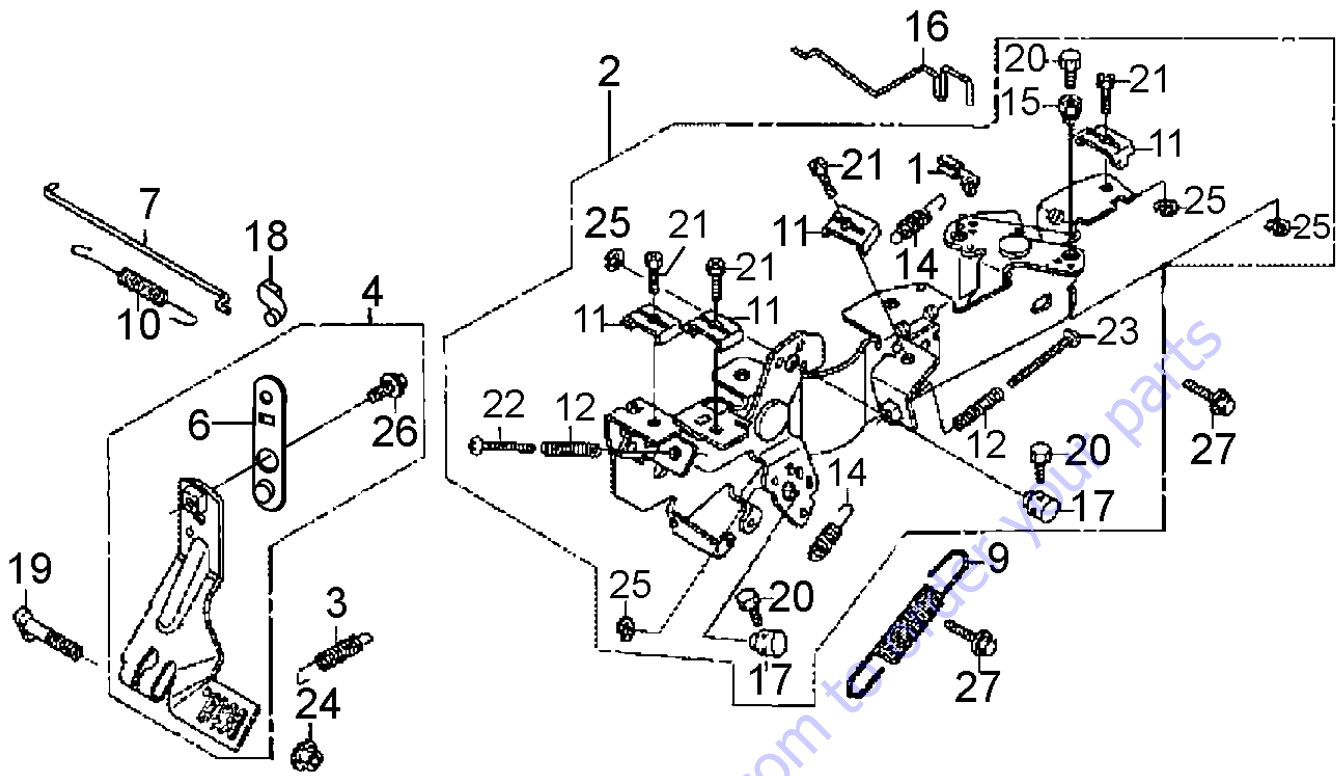


HONDA GX630RHKAF STARTER MOTOR ASSY.

<u>NO.</u>	<u>PART NO.</u>	<u>PART NAME</u>	<u>QTY.</u>	<u>REMARKS</u>
1#&	30201PH9004	RING, SNAP	1	
2#	30202PZ1003	COLLAR SET, CLUTCH STOP	1.....	INCLUDES ITEMS W/&
3	31200Z6L003	MOTOR ASSY., STARTER	1.....	INCLUDES ITEMS W/#
4#	31203PH9004	LEVER, PINION DRIVE	1	
5#	31204ZJ1H02	SWITCH ASSY., MAGNET	1	
6#	31207ZE9H01	CLUTCH COMP., OVERRUNNING	1	
7#	31208Z6L003	HOUSING COMP., DRIVE SIDE	1	INCLUDES ITEMS W/@
8#\$	31211PH9004	BRUSH	4	
9#	31212PH9004	SPRING, BRUSH	4	
10#	31214PH9004	BOLT, THROUGH	2	
11#	31217Z0A003	ARMATURE COMP.	1	
12#	31218P64N01	YOKE COMP.	1.....	INCLUDES ITEMS W/\$
13#	31219Z6L003	FRAME COMP., COMMUTATOR END	1.....	INCLUDES ITEMS W/%
14#	31220PH9004	NUT, HEX 8MM	1	
15#	31223PA0006	NUT, HEX	2	
16#	31231PH9004	HOLDER, BRUSH	1	
17#	31233PH9004	INSULATOR, BRUSH HOLDER	1	
18	31234Z6L000	COVER, TERMINAL	1	
19#%@	91002ZG4801	BEARING A	2	
20	9407008080	NUT-WASHER, 8MM	1	
21	957011004000	BOLT, FLANGE 10X40	2	

Go to Discount-Equipment.com to order your parts

HONDA GX630RHKAF CONTROL ASSY.

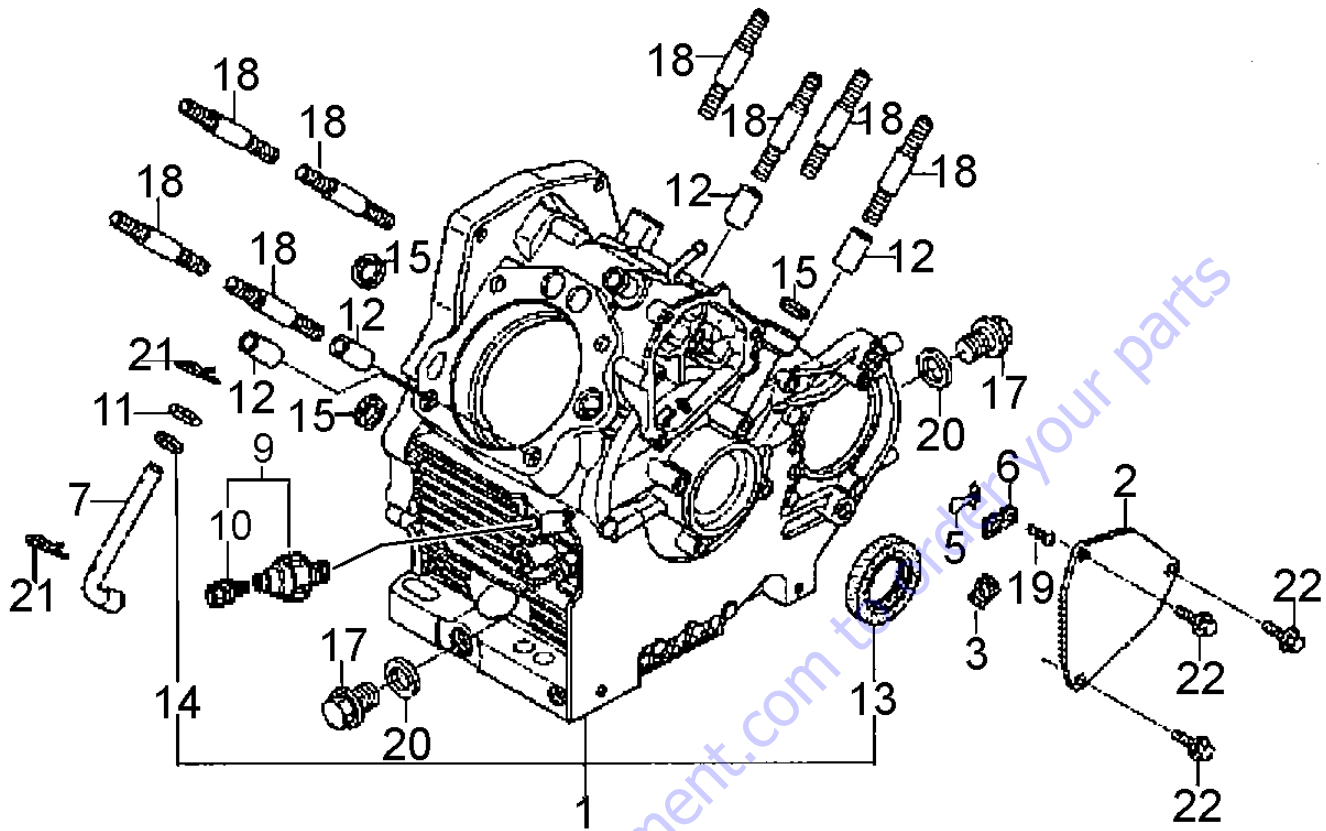


HONDA GX630RHKAF CONTROL ASSY.

<u>NO.</u>	<u>PART NO.</u>	<u>PART NAME</u>	<u>QTY.</u>	<u>REMARKS</u>
1\$	16263Z0G010	JOINT, ROD	1	
2	16500Z6L812	CONTROL ASSY.....	1	INCLUDES ITEMS W/\$
3	16534Z6L000	SPRING, STARTER	1	
4	16550Z6L020	ARM COMP., GOVERNOR.....	1	INCLUDES ITEMS W/%
6%	16553Z6L010	ARM, SUB	1	
7	16555Z6L010	ROD, GOVERNOR	1	
9	16561Z6L000	SPRING, GOVERNOR	1	
10	16562Z6L010	SPRING, THROTTLE RETURN	1	
11\$	16576891000	HOLDER, CABLE	4	
12\$	16584883300	SPRING, CONTROL ADJUSTING	2	
14\$	16592ZJ1000	SPRING, CABLE RETURN	2	
15\$	16594883010	HOLDER, WIRE	2	
16	16611Z6L010	ROD, CHOKE CONTROL	1	
17\$	16617Z6L000	HOLDER, CABLE	2	
18	17957Z6L003	BUSH, LINKAGE	1	
19	90015ZE3790	BOLT, GOVERNOR ARM	1	
20\$	92301040060H	BOLT, RECESSED, 4X6	4	
21\$	92301050160A	BOLT, RECESSED, 5X16	4	
22\$	93500050300A	SCREW, PAN, 5X30	1	
23\$	93500050450A	SCREW, PAN, 5X45	1	
24	9405006000	NUT, FLANGE, 6MM	1	
25\$	9454005018	E-RING, 5MM	4	
26%	957010601000	BOLT, FLANGE, 6X10	1	
27	957010601400	BOLT, FLANGE, 6X14	2	

Go to Discount-Equipment.com to order your parts

HONDA GX630RHKAF CRANKCASE ASSY.

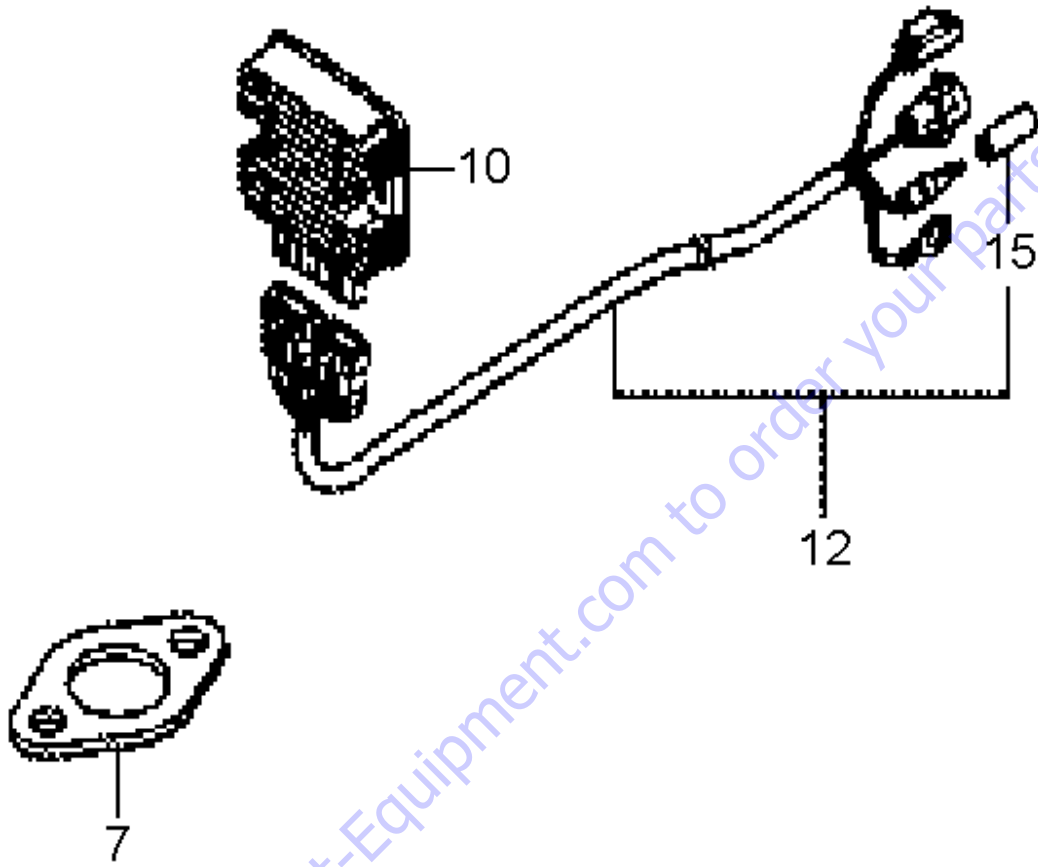


HONDA GX630RHKAF CRANKCASE ASSY.

<u>NO.</u>	<u>PART NO.</u>	<u>PART NAME</u>	<u>QTY.</u>	<u>REMARKS</u>
1	11100Z6L010	CRANKCASE ASSY.	1.....	INCLUDES ITEMS W/\$
2	12356Z6L000	COVER, BREATHER	1	
3	12367Z6L000	FILTER, BREATHER	1	
5	15571ZM7003	VALVE, OIL OUTLET	1	
6	15572Z6L000	PLATE, STOPPER	1	
7	16541Z6L010	SHAFT, GOVERNOR ARM	1	
9	37240ZG5004	SWITCH, OIL PRESSURE	1	
10	90002ZG5004	SCREW-WASHER, 4X8	1	
11	90404Z6L000	WASHER, FLAT 10MM	1	
12	90709Z6L000	DOWEL PIN, 12X20	4	
13\$	91201Z6L003	OIL SEAL, 38X58X9	1	
14\$	91203Z6L003	OIL SEAL, 10X16X5	1	
15	91308Z6L003	PACKING, OIL PASS	3	
17	9280020000	BOLT, DRAIN PLUG, 20MM	2	
18	92900100400B	BOLT, STUD, 10X40	8	
19	93500030080A	SCREW, PAN, 3X8	1	
20	9410920000	WASHER, DRAIN PLUG, 20MM	2	
21	9425110000	PIN, LOCK 10MM	2	
22	957010601400	BOLT, FLANGE 6X14	3	

Go to Discount-Equipment.com to order your parts

HONDA GX630RHKAF RECTIFIER ASSY.

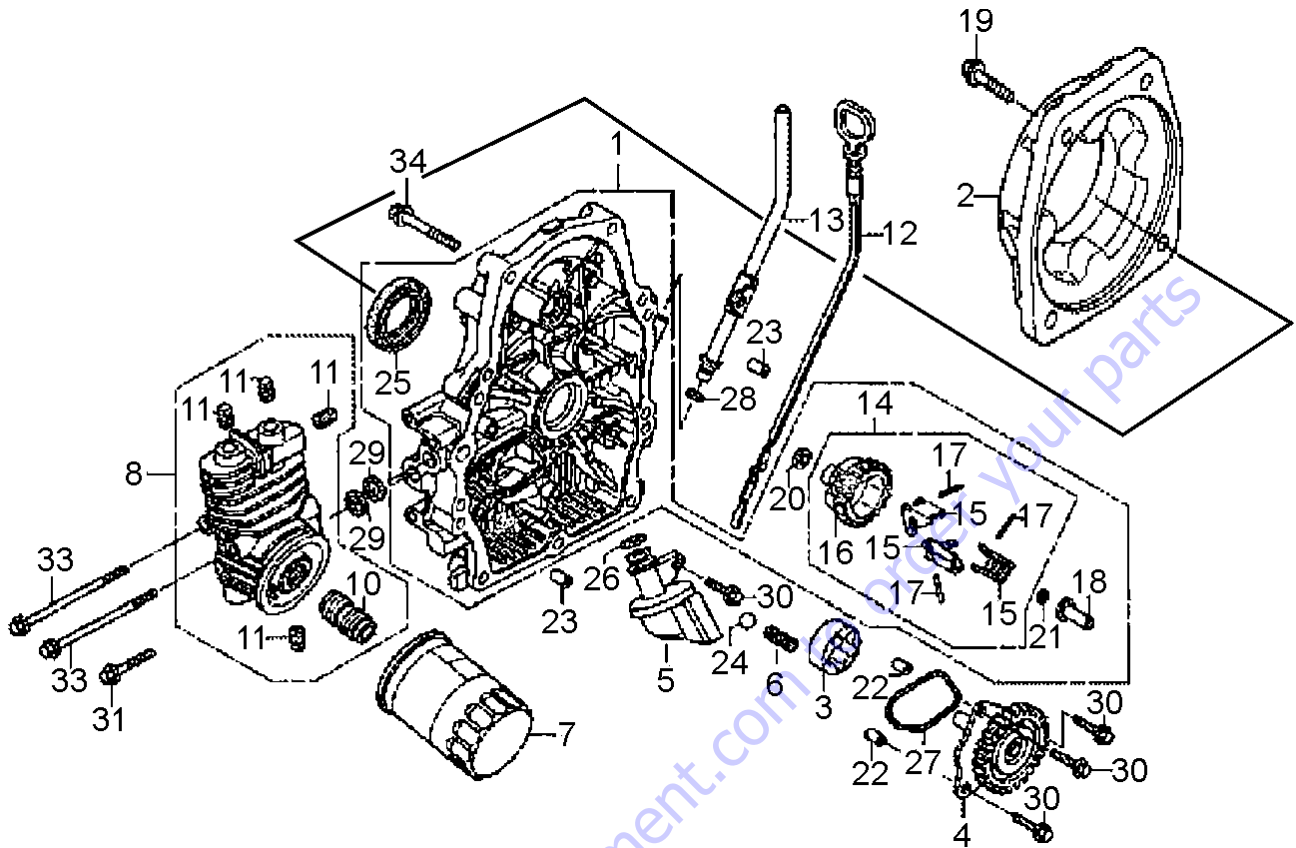


HONDA GX630RHKAF RECTIFIER ASSY.

<u>NO.</u>	<u>PART NO.</u>	<u>PART NAME</u>	<u>QTY.</u>	<u>REMARKS</u>
7	18333ZE3801	GASKET, EX. PIPE	2	
10	31750Z6L004	RECTIFIER ASSY., REGULATOR, 30A	1	
12	32105Z6L800	HARNESS ASSY., SUB WIRE	1	
15	32824ZV5003	PLUG, OUTER CONNECTOR	1	

Go to Discount-Equipment.com to order your parts

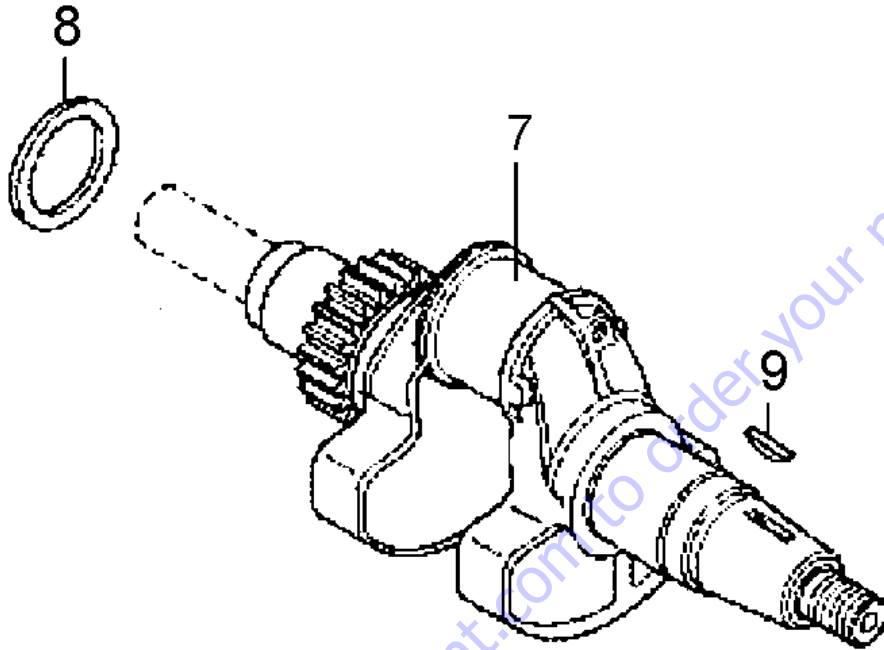
HONDA GX630RHKAF CRANKCASE COVER ASSY.



HONDA GX630RHKAF CRANKCASE COVER ASSY.

<u>NO.</u>	<u>PART NO.</u>	<u>PART NAME</u>	<u>QTY.</u>	<u>REMARKS</u>
1	11300Z6L010	COVER ASSY., CRANKCASE	1.....	INCLUDES ITEMS W/#
2	11312Z6L000	COVER, MOUNT CASE	1	
3	15133Z6L000	ROTOR, OIL PUMP OUTER	1	
4	15140Z6L010	GEAR COMP., OIL PUMP	1	
5	15220Z6L000	STRAINER COMP., OIL	1	
6	15232Z6L000	SPRING, RELIEF VALVE	1	
7	15400RTA004	CARTRIDGE, OIL FILTER	1	
8	15410Z6L000	BASE COMP., OIL FILTER	1.....	INCLUDES ITEMS W/\$
10\$	15423Z6L000	HOLDER, OIL FILTER	1	
11\$	15424Z6L000	BOLT, SEALING	4	
12	15655Z6L000	GAUGE COMP., OIL LEVEL	1	
13	15665Z6L000	PIPE COMP., OIL LEVEL	1	
14#	16510Z6L010	GOVERNOR ASSY.	1.....	INCLUDES ITEMS W/%
15#%	16511Z6L310	WEIGHT, GOVERNOR	3	
16#%	16512Z6L310	HOLDER, GOVERNOR WEIGHT	1	
17#%	16513Z6L000	PIN, GOVERNOR WEIGHT	3	
18#	16531Z6L000	SLIDER, GOVERNOR	1	
19	90003Z6L800	BOLT, HEX 3/8-16 UNC	4	
20#	90403Z6L000	WASHER, 6X16	1	
21#	90602ZE1000	CLIP, GOVERNOR HOLDER	1	
22	90707Z6L000	DOWEL PIN, 8X10	2	
23	90708Z6L000	DOWEL PIN, 8X14	2	
24	90902Z6L000	BALL, STEEL, #15	1	
25#	91202Z6L003	OIL SEAL, 38X58X9	1	
26	91301Z6L003	O-RING, 14.8X2.4	1	
27	91302Z6L003	O-RING, OIL PUMP	1	
28	91308-PH9000	O-RING, 8.8X1.9	1	
29	91308Z6L003	PACKING, OIL PASS	2	
30	957010602000	BOLT, FLANGE, 6X20	4	
31	957010602800	BOLT, FLANGE, 6X28	1	
33	957010609000	BOLT, FLANGE, 6X90	2	
34	957010804500	BOLT, FLANGE, 8X45	9	

HONDA GX630RHKAF CRANKSHAFT ASSY.

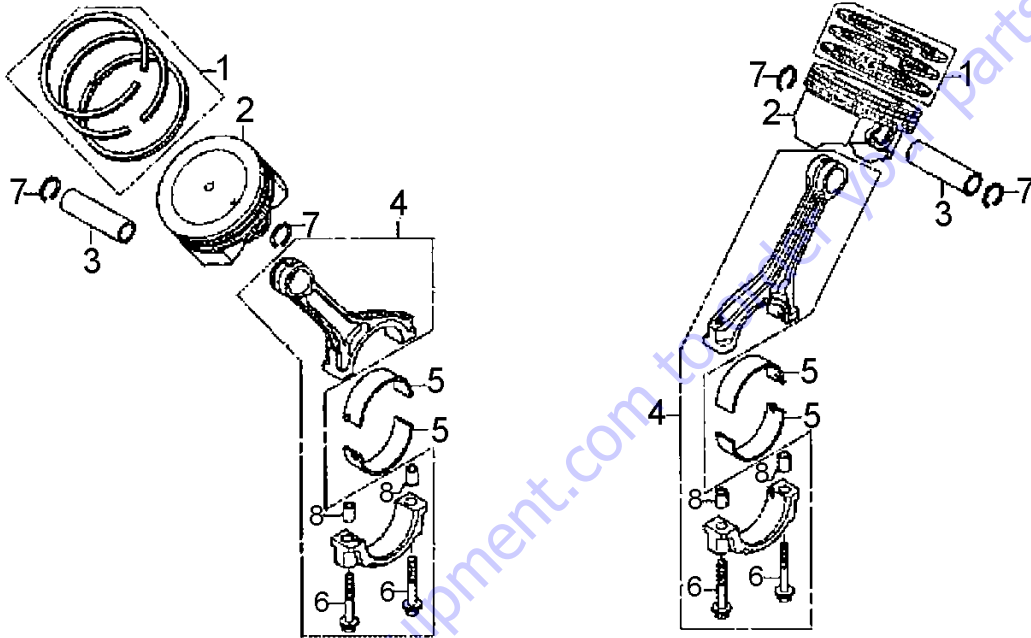


HONDA GX630RHKAF CRANKSHAFT ASSY.

<u>NO.</u>	<u>PART NO.</u>	<u>PART NAME</u>	<u>QTY.</u>	<u>REMARKS</u>
7	13310Z6L680	CRANKSHAFT COMP.	1	
8	90402Z6L000	WASHER, CRANKSHAFT THRUST	1	
9	90741ZE2000	KEY, SPECIAL WOODRUFF, 25X18	1	

Go to Discount-Equipment.com to order your parts

HONDA GX630RHKAF PISTON ASSY.

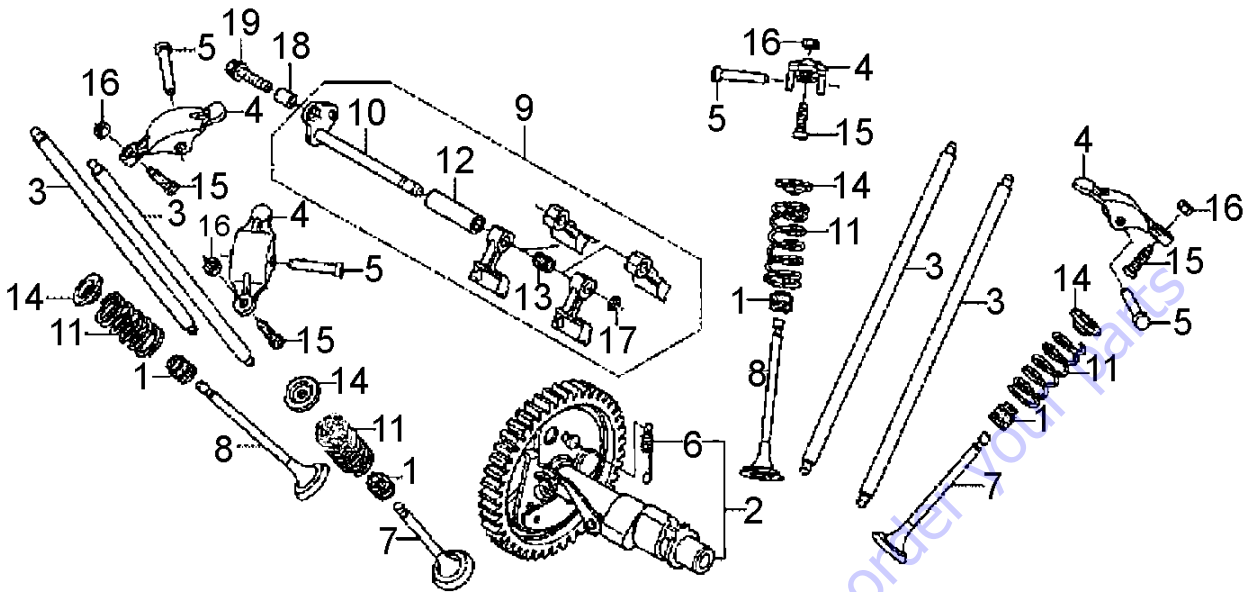


HONDA GX630RHKAF PISTON ASSY.

<u>NO.</u>	<u>PART NO.</u>	<u>PART NAME</u>	<u>QTY.</u>	<u>REMARKS</u>
1	13010Z6L003	RING SET, PISTON (STD.)	2	
2	13101Z6L010	PISTON	2	
3	13111Z6L000	PIN, PISTON	2	
4	13210Z6L000	ROD ASSY., CONNECTING	2.....	INCLUDES ITEMS W/#
5	13211Z6L003	BEARING A, CONNECTING ROD	4	
6#	90001Z6L000	BOLT, CONNECTING ROD, 7X38	4	
7	90551ZE1000	CLIP, PISTON PIN, 18MM	4	
8#	90705Z6L000	DOWEL PIN, 9X10	4	

Go to Discount-Equipment.com to order your parts

HONDA GX630RHKAF CAMSHAFT ASSY.

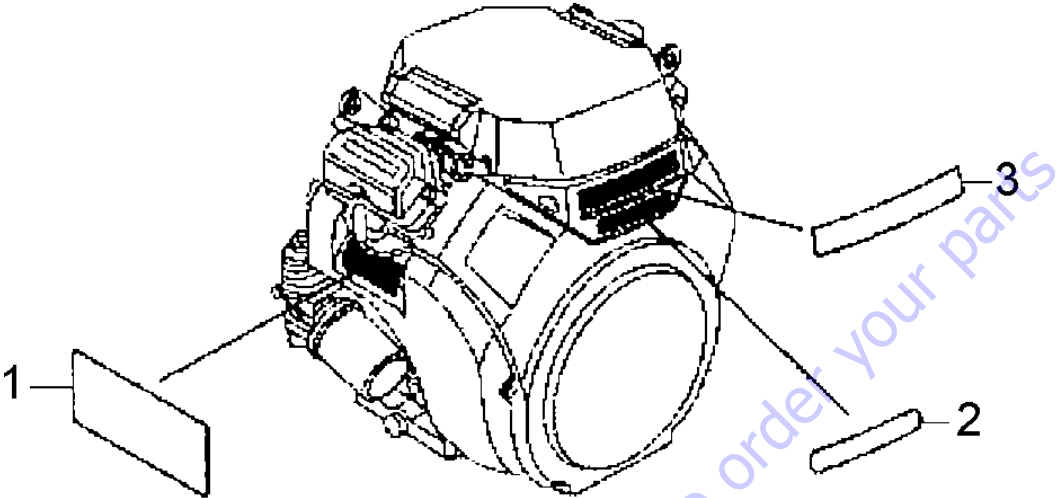


HONDA GX630RHKAF CAMSHAFT ASSY.

<u>NO.</u>	<u>PART NO.</u>	<u>PART NAME</u>	<u>QTY.</u>	<u>REMARKS</u>
1	12208Z6L003	SEAL, VALVE STEM	4	
2	14100Z6L000	CAMSHAFT ASSY.	1	INCLUDES ITEMS W/#
3	14410Z6L000	ROD COMP., PUSH	4	
4	14431Z6L000	ARM, VALVE ROCKER	4	
5	14461Z6L000	SHAFT, ROCKER ARM	4	
6#	14568Z6L000	SPRING, WEIGHT RETURN	1	
7	14711Z6L000	VALVE, IN.	2	
8	14721Z6L000	VALVE, EX.	2	
9	14730Z6L000	LIFTER ASSY., VALVE	1	INCLUDES ITEMS W/\$
10\$	14735Z6L000	SHAFT COMP., VALVE LIFTER	1	
11	14751Z6L000	SPRING, VALVE	4	
12\$	14763Z6L000	COLLAR, VALVE LIFTER	1	
13\$	14764Z6L000	SPRING, VALVE LIFTER	1	
14	14771ZE1000	RETAINER, IN. VALVE SPRING	4	
15	90012Z6L000	SCREW, TAPPET ADJUSTING	4	
16	90206Z6L000	NUT, TAPPET ADJUSTING	4	
17\$	90602ZE1000	CLIP, GOVERNOR HOLDER	1	
18	90707Z6L000	DOWEL PIN, 8X10	1	
19	957010602200	BOLT, FLANGE, 6X22	1	

Go to Discount-Equipment.com to order your parts

HONDA GX630RHKAF LABEL ASSY.



HONDA GX630RHKAF LABEL ASSY.

<u>NO.</u>	<u>PART NO.</u>	<u>PART NAME</u>	<u>QTY.</u>	<u>REMARKS</u>
1	87516ZCN000	MARK, OPERATOR CAUTION (ENGLISH)	1	
2	87521Z6N000	EMBLEM (GX630)	1	
3	87531Z6L000	MARK, HONDA	1	

Go to Discount-Equipment.com to order your parts

PARTS FINDER

**Search Website
by Part Number**



**Search Manual
Library For Parts
Manual & Lookup Part
Numbers – Purchase
or Request Quote**

Search Manuals

Enter your information to search for manuals and parts.

* Brand:

* Model:

* Serial:

* Part Number:

SEARCH

**Can't Find Part or
Manual? Request Help
by Manufacturer,
Model & Description**

Parts Order Form

Please fill in the following information:

Manufacturer:

Model:

Description:

Quantity:

Part Number:

Part Name:

Part Description:

Part Category:

Part Location:

Part Status:

Part Condition:

Part Material:

Part Color:

Part Weight:

Part Dimensions:

Part Notes:

Submit

Discount-Equipment.com is your online resource for quality parts & equipment.

Florida: **561-964-4949** Outside Florida TOLL FREE: **877-690-3101**

Need parts?

Click on this link: <http://www.discount-equipment.com/category/5443-parts/> and choose one of the options to help get the right parts and equipment you are looking for. Please have the machine model and serial number available in order to help us get you the correct parts. If you don't find the part on the website or on one of the online manuals, please fill out the request form and one of our experienced staff members will get back to you with a quote for the right part that your machine needs.

We sell worldwide for the brands: Genie, Terex, JLG, MultiQuip, Mikasa, Essick, Whiteman, Mayco, Toro Stone, Diamond Products, Generac Magnum, Airman, Haulotte, Barreto, Power Blanket, Nifty Lift, Atlas Copco, Chicago Pneumatic, Allmand, Miller Curber, Skyjack, Lull, Skytrak, Tsurumi, Husquvarna Target, , Stow, Wacker, Sakai, Mi-T- M, Sullair, Basic, Dynapac, MBW, Weber, Bartell, Bennar Newman, Haulotte, Ditch Runner, Menegotti, Morrison, Contec, Buddy, Crown, Edco, Wyco, Bomag, Laymor, Barreto, EZ Trench, Bil-Jax, F.S. Curtis, Gehl Pavers, Heli, Honda, ICS/PowerGrit, IHI, Partner, Imer, Clipper, MMD, Koshin, Rice, CH&E, General Equipment, ,AMida, Coleman, NAC, Gradall, Square Shooter, Kent, Stanley, Tamco, Toku, Hatz, Kohler, Robin, Wisconsin, Northrock, Oztec, Toker TK, Rol-Air, Small Line, Wanco, Yanmar

PARTS MANUAL

HERE'S HOW TO GET HELP

PLEASE HAVE THE MODEL AND SERIAL
NUMBER ON-HAND WHEN CALLING

Go to Discount-Equipment.com to order your parts

Your Local Dealer is:



www.Discount-Equipment.com

