



# **CONCRETE SAW PARTS LIST**

**MODEL  
CC3700E-3**

June 2016

Part # 1801948

# PARTS FINDER

**Search Website  
by Part Number**



**Search Manual  
Library For Parts  
Manual & Lookup Part  
Numbers – Purchase  
or Request Quote**

**Search Manuals**

Enter your information to help us find the right parts manual for your machine.

\* Brand:

\* Model:

\* Serial:

\* Part Number:

SEARCH

**Can't Find Part or  
Manual? Request Help  
by Manufacturer,  
Model & Description**

**Parts Order Form**

Please fill in the following information to help us find the right part for your machine.

Manufacturer:	<input type="text"/>
Model:	<input type="text"/>
Description:	<input type="text"/>
Part Number:	<input type="text"/>
Quantity:	<input type="text"/>
Notes:	<input type="text"/>

Submit

Discount-Equipment.com is your online resource for quality parts & equipment.

Florida: **561-964-4949** Outside Florida TOLL FREE: **877-690-3101**

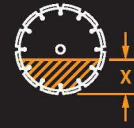
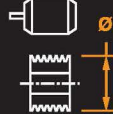
**Need parts?**

Click on this link: <http://www.discount-equipment.com/category/5443-parts/> and choose one of the options to help get the right parts and equipment you are looking for. Please have the machine model and serial number available in order to help us get you the correct parts. If you don't find the part on the website or on one of the online manuals, please fill out the request form and one of our experienced staff members will get back to you with a quote for the right part that your machine needs.

We sell worldwide for the brands: Genie, Terex, JLG, MultiQuip, Mikasa, Essick, Whiteman, Mayco, Toro Stone, Diamond Products, Generac Magnum, Airman, Haulotte, Barreto, Power Blanket, Nifty Lift, Atlas Copco, Chicago Pneumatic, Allmand, Miller Curber, Skyjack, Lull, Skytrak, Tsurumi, Husquvarna Target, Stow, Wacker, Sakai, Mi-T-M, Sullair, Basic, Dynapac, MBW, Weber, Bartell, Bennar Newman, Haulotte, Ditch Runner, Menegotti, Morrison, Contec, Buddy, Crown, Edco, Wyco, Bomag, Laymor, EZ Trench, Bil-Jax, F.S. Curtis, Gehl Pavers, Heli, Honda, ICS/PowerGrit, IHI, Partner, Imer, Clipper, MMD, Koshin, Rice, CH&E, General Equipment, Amida, Coleman, NAC, Gradall, Square Shooter, Kent, Stanley, Tamco, Toku, Hatz, Kohler, Robin, Wisconsin, Northrock, Oztec, Toker TK, Rol-Air, APT, Wylie, Ingersoll Rand / Doosan, Innovatech, Con X, Ammann, Mecalac, Makinex, Smith Surface Prep, Small Line, Wanco, Yanmar

**CC3700E - 3 SPEED RPM CHART**

BLADE SIZE	BLADE RPM	GEAR POSITION	MOTOR SHEAVE	MOTOR RPM	MAX CUT DEPTH
14"	2,925	H (High)	6.5"	1,800	3-3/4"
20"	2,520	H (High)	5.6"	1,800	6-3/4"
26"	1,950	M (Medium)	6.5"	1,800	9-3/4"
30"	1,680	M (Medium)	5.6"	1,800	11-3/4"
36"	1,300	L (Low)	6.5"	1,800	14-3/4"
42"	1,120	L (Low)	5.6"	1,800	17-3/4"



**WARNING**

- Always check the bladeshaft RPM before mounting blade.
- Only use blades with a rated speed higher than the bladeshaft speed.
- Never exceed the maximum RPM stamped on blade. Overspeeding the blade can cause blade breakage and serious personal injury.
- When changing blade size, always adjust bladeshaft RPM according to the speed chart to match recommended blade RPM.
- Do not use a blade flange size smaller than indicated for each blade.
- Never operate saw without the blade guard in place or allow rotating blade exposure to exceed 180 degrees.
- Never stand in line with the blade path when starting or operating saw.
- Never use damaged blades or equipment.
- Refer to operator's manual for additional information about safety, operation and maintenance.

**ADVERTENCIA**

- Asegúrese de verificar la velocidad en RPM del eje de la hoja de sierra antes de montar la hoja.
- Use solamente hojas de sierras cuyas velocidades de operación fueron establecidas para velocidades superiores a las velocidades del eje de la hoja.
- Nunca exceda la velocidad de operación máxima en RPM estampada en la hoja de sierra. Operar la hoja a una velocidad superior a la establecida puede causar la rotura de la hoja y serios lesiones corporales.
- Cuando cambie el tamaño de la hoja de sierra, asegúrese de ajustar la velocidad en RPM del eje de la hoja de acuerdo con la velocidad mencionada en la tabla para que concuerde con la velocidad en RPM establecida para la hoja de sierra.
- No utilice un tamaño más pequeño de pestanías de hoja de sierra que el indicado en cada hoja de sierra.
- Nunca opere la sierra sin haber colocado los protectores en sus lugares correspondientes ni permita que la parte expuesta de la hoja de sierra en rotación exceda los 180 grados.
- No se coloque en la misma dirección que va la hoja de la sierra al arrancar la sierra o cuando esté operando la sierra.
- Nunca use o repare ni hojas de sierra que estén dañadas.
- Para obtener más información sobre la seguridad de operación, funcionamiento y mantenimiento del equipo, lea el manual del operador.



**WARNING**

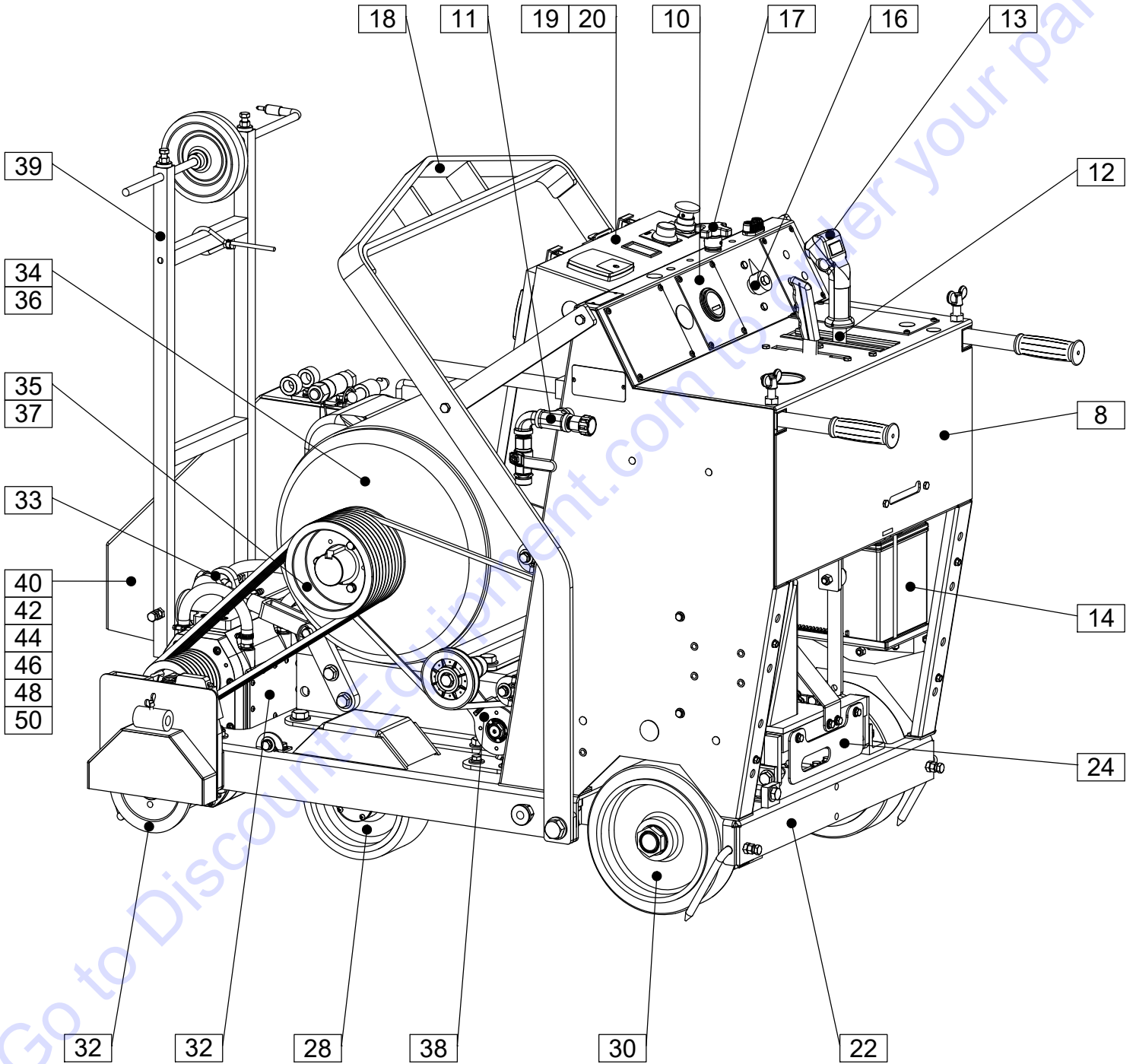


**The engine exhaust from this product contains chemicals known to the State of California to cause cancer, birth defects or other reproductive harm.**

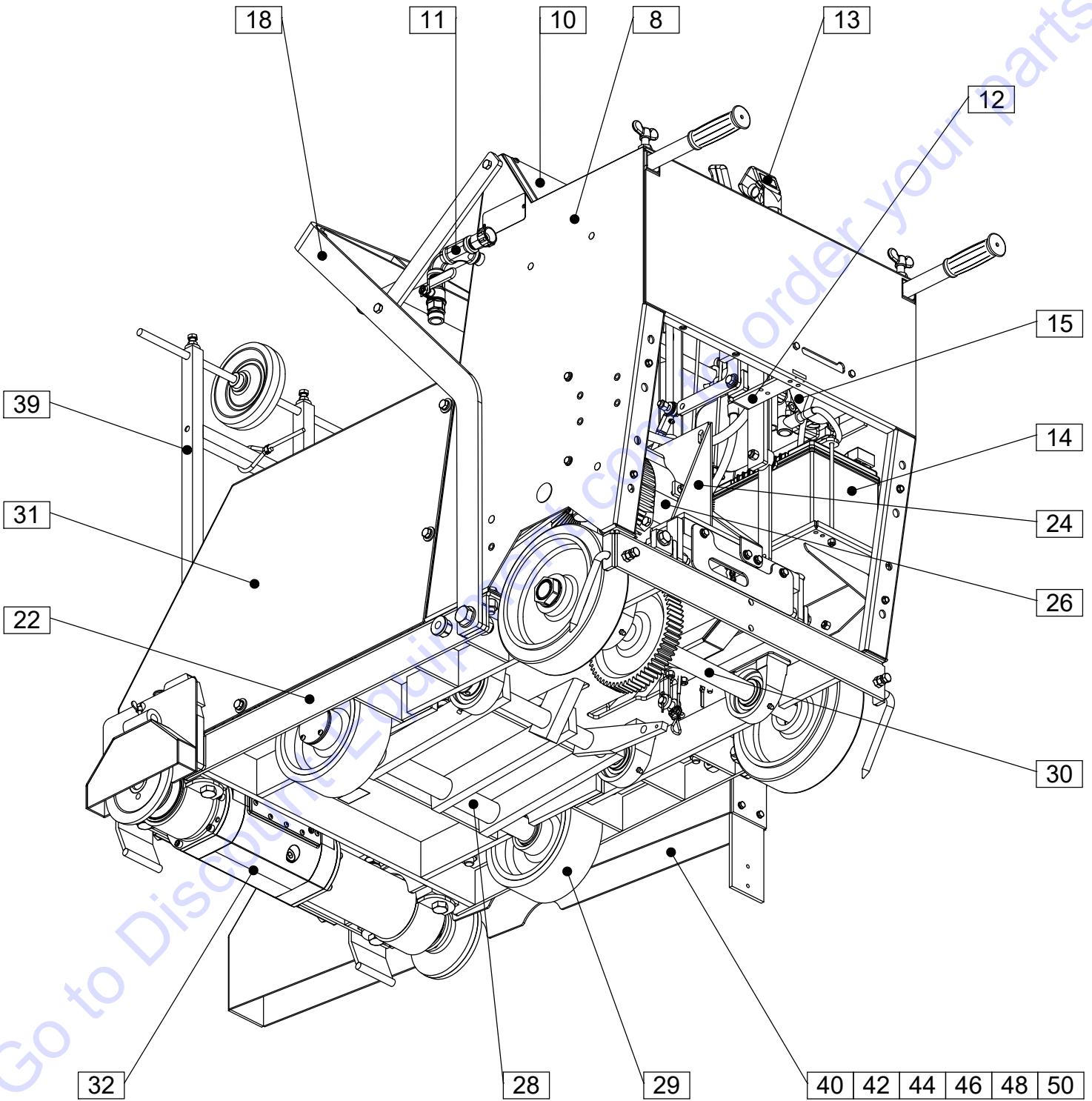
## Table of Contents

Pictorial Index.....	4,5	30hp Motor Assembly.....	36
Controls Legend.....	6	30hp Belt Drive Assembly.....	37
Notes.....	7	40hp Motor Assembly.....	38
Frame Upright Assembly.....	8,9	40hp Belt Drive Assembly.....	39
Instrument Panel Assembly.....	10	Rotary Tensioner Assembly.....	40
Water Supply Assembly.....	11	Front Pointer Assembly.....	41
Control Lever Assembly.....	12	14” Blade Guard Assembly.....	42,43
Control Grip Assembly.....	13	20” Blade Guard Assembly.....	44,45
Battery Assembly.....	14	26” Blade Guard Assembly.....	46,47
Hydraulic Pump Assembly.....	15	30” Blade Guard Assembly.....	48,49
Depth Indicator Assembly.....	16	36” Blade Guard Assembly.....	50,51
Depth Stop Assembly.....	17	42” Blade Guard Assembly.....	52,53
Frame Lift Assembly.....	18	Optional Soft Start Unit Assembly.....	54
Starter Box Assembly.....	19	Optional Spot Light Assembly.....	55
Starter Box Unit.....	20,21	Optional Spot Light Assembly.....	56
Frame Base Assembly.....	22	Optional Water Pump Assembly.....	57
Hydraulic Cylinder Assembly.....	23	Optional Parking Brake Assembly.....	58,59
Rear Drive Assembly.....	24,25	Optional Blade Stacking Assembly.....	60,61
Eaton Transmission Assembly.....	26	Optional Blade Spacing Assembly.....	62,63
Linkage Assembly.....	27	Optional Blade Spacing Assembly.....	64,65
Front Axle Assembly.....	28	Optional Speed Metering Valve Assembly.....	66
Front Wheel Assembly.....	29	Starter Box, DC Travel Option.....	67
Rear Axle Assembly.....	30	DC Power Travel Option .....	68,69
Belt Guard Assembly.....	31	Decal Group.....	71
3 Speed Transmission Assembly.....	32,33	Wiring Diagram.....	72
3 Speed Blade Shaft Assembly.....	34	Blade Speed Conversion Chart.....	73
Belt Tensioner Assembly.....	35	Warranty.....	76

# Pictorial Page Index

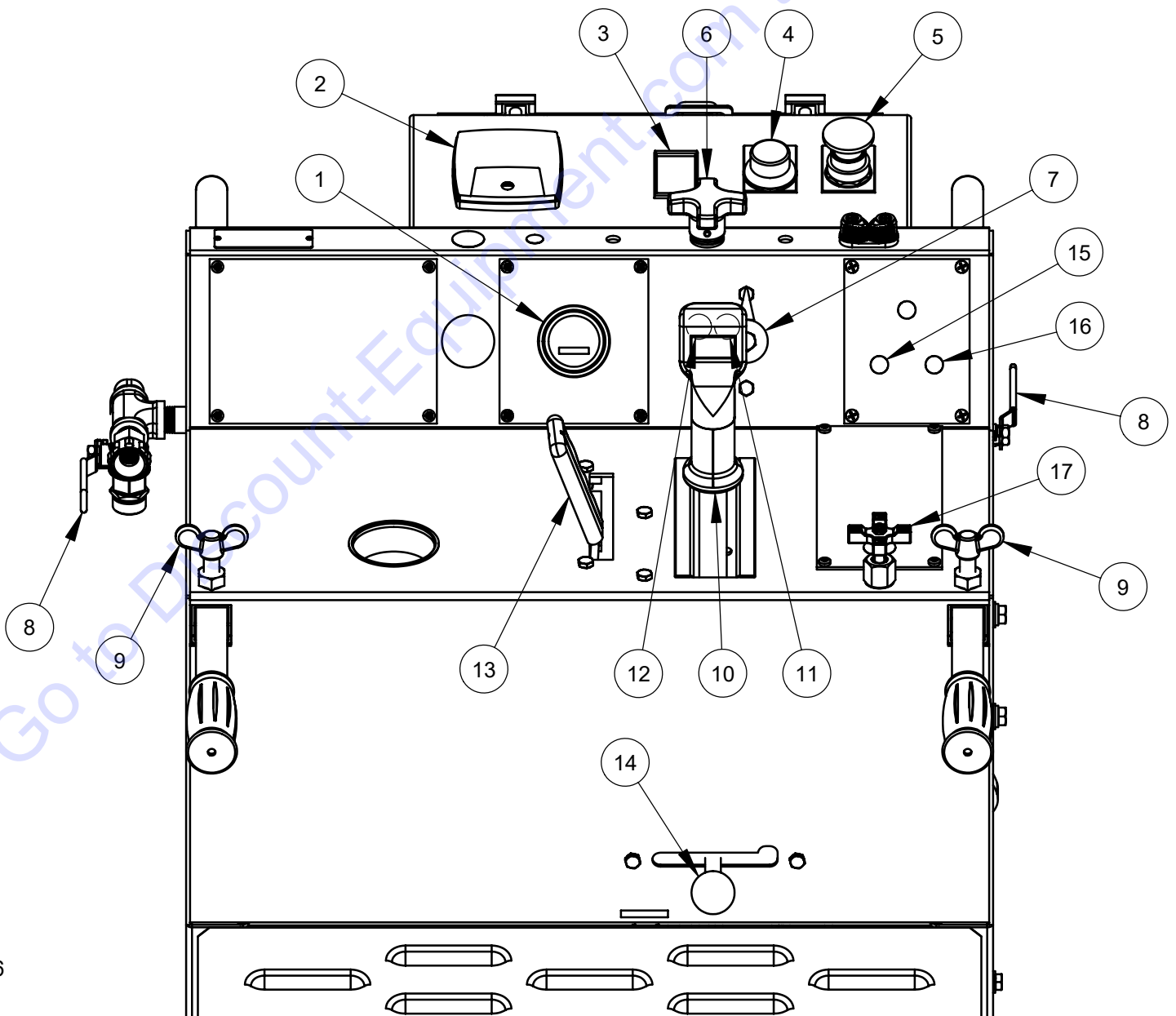


# Pictorial Page Index

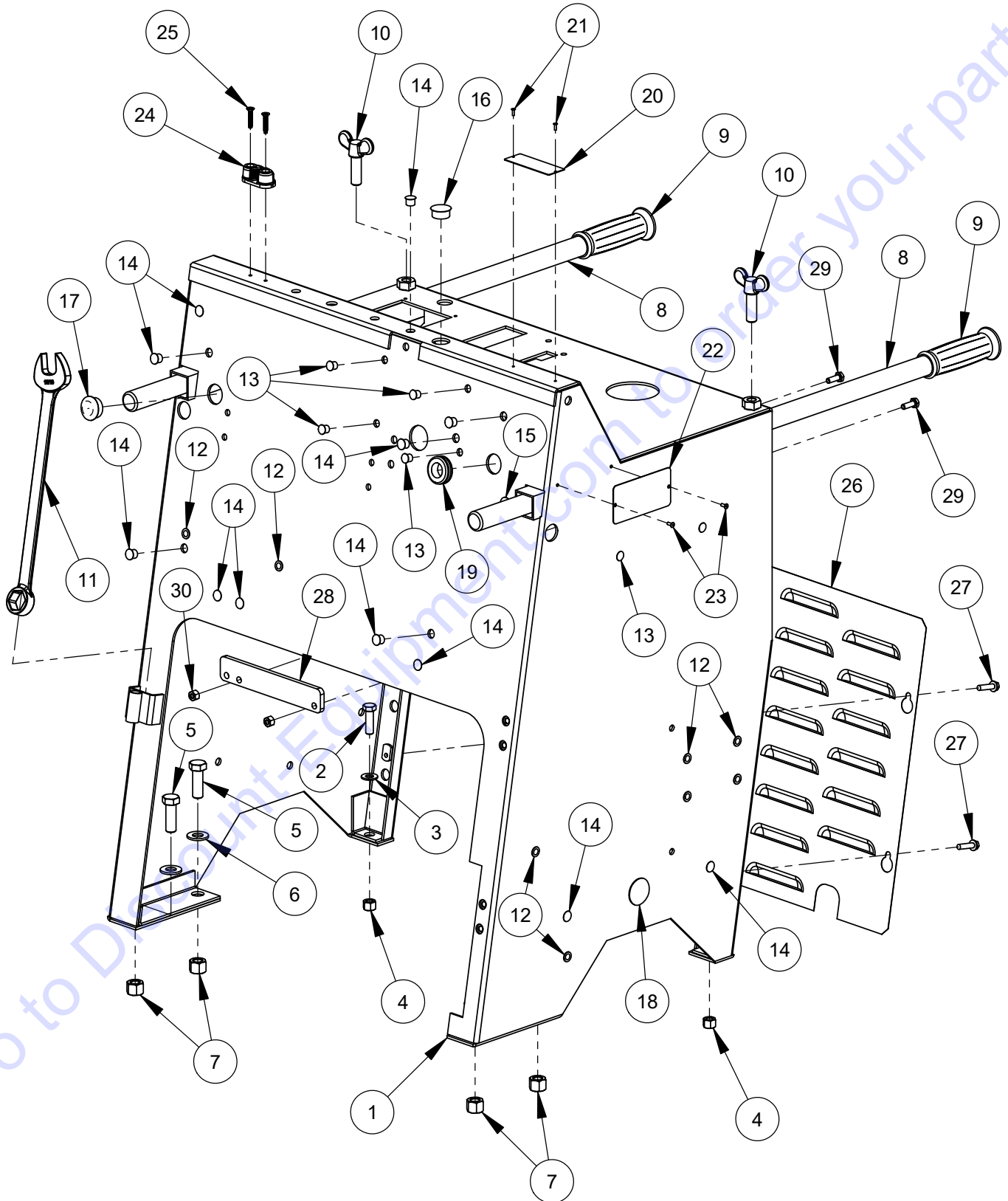


## Controls Legend

- |   |                         |    |                                          |
|---|-------------------------|----|------------------------------------------|
| 1 | Hour Meter              | 10 | Speed Control Lever                      |
| 2 | Amp Meter               | 11 | Lower Pushbutton                         |
| 3 | Battery Charge Meter    | 12 | Raise Pushbutton                         |
| 4 | Motor Start Button      | 13 | Transmission Engagement Lever *          |
| 5 | Motor Stop Button       | 14 | Transmission Engagement Lever **         |
| 6 | Depth Stop Knob         | 15 | Water Pump Switch (Optional)             |
| 7 | Cutting Depth Indicator | 16 | Spotlight Switch (Optional)              |
| 8 | Water Valve             | 17 | Lowering Speed Metering Valve (Optional) |
| 9 | Handle Lock Knobs       |    |                                          |
- \* For Eaton Transmission Only  
\*\* For Sundstrand Transmission Only



# Frame Upright Assembly #6012147

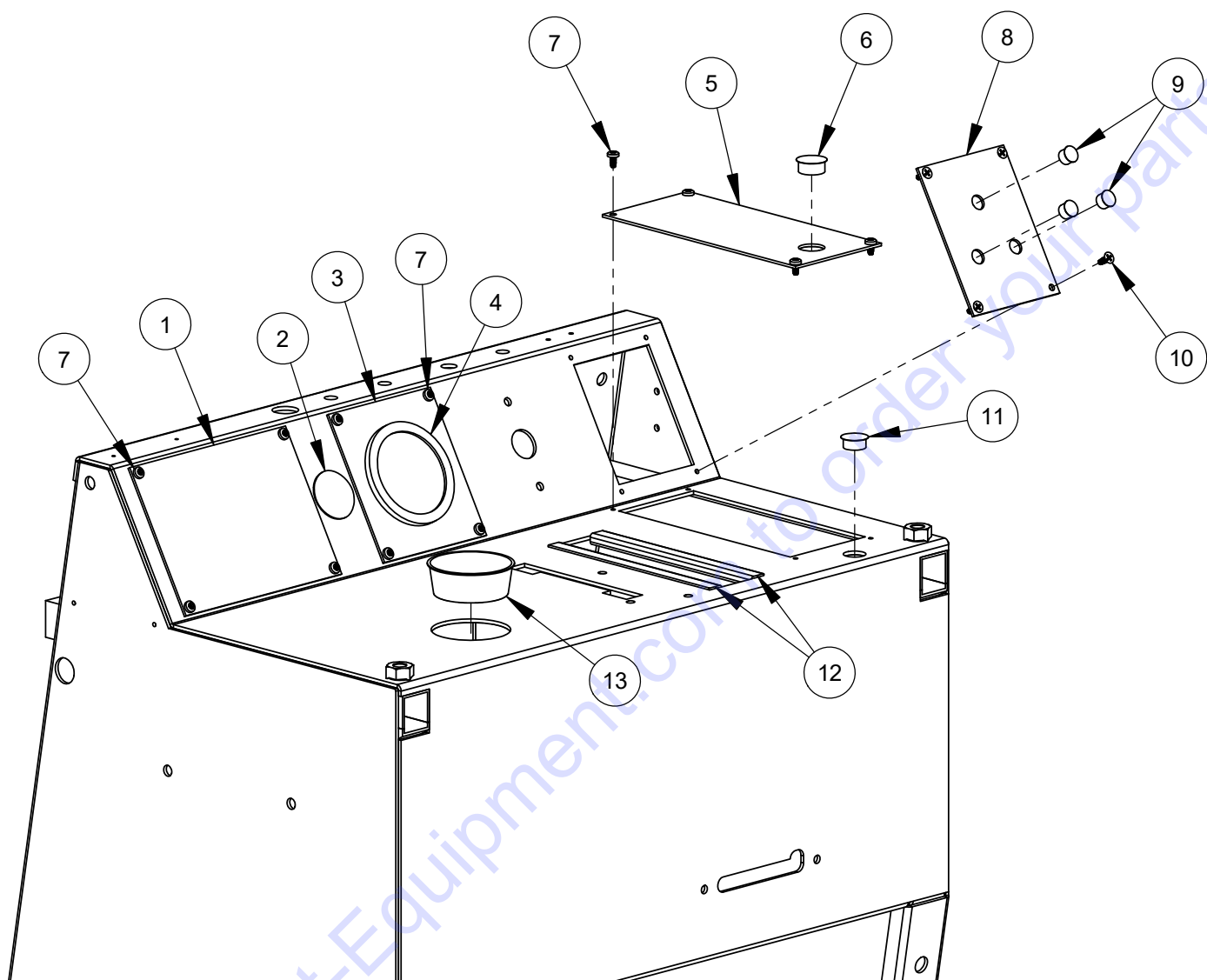




## Frame Upright Assembly #6012147

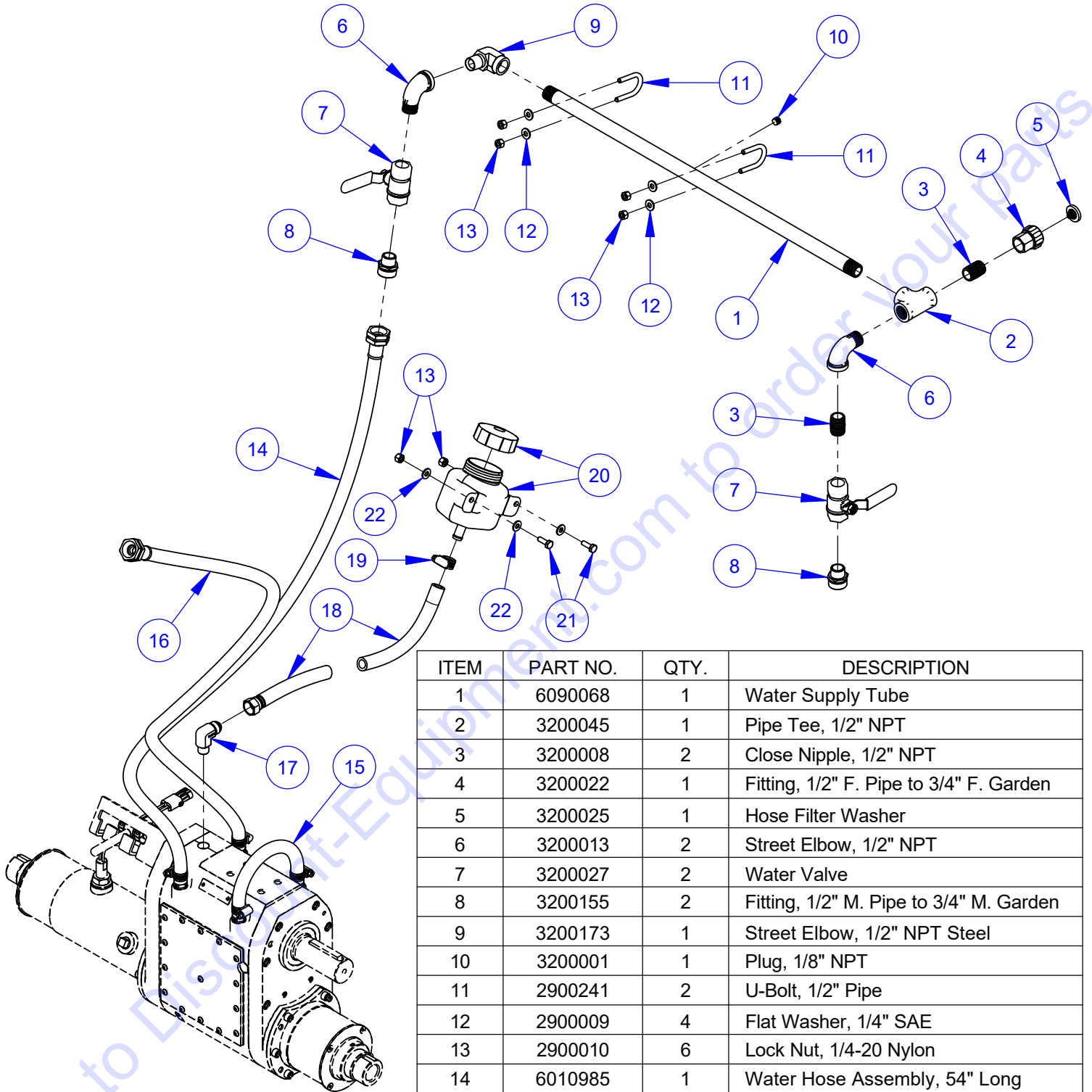
ITEM	PART NO.	QTY.	DESCRIPTION
1	6012138	1	Frame Upright Weldment
2	2900013	2	Cap Screw, Hex Hd., 3/8-16 x 1-1/4"
3	2900014	2	Flat Washer, 3/8" SAE
4	2900018	2	Lock Nut, 3/8-16 Nylon
5	2900499	4	Cap Screw, Hex Hd., 1/2-13 x 1-1/2"
6	2900058	4	Flat Washer, 1/2" SAE
7	2900026	4	Lock Nut, 1/2-13 Nylon
8	6010014	2	Handle Bar, 36" Long
9	2500636	2	Handle Grip
10	2900430	2	Hand Lock Knob, 1/2-13 x 1-1/2"
11	2503704	1	Wrench, 15/16" Combination
12	2503749	8	Plug, 5/16" Hole (Tapered)
13	2500462	6	Plug, 3/8" Hole
14	2501287	12	Plug, 7/16" Hole
15	2503783	1	Plug, 9/16" Hole
16	2500549	1	Plug, 7/8" Hole
17	2500489	1	Plug, 1" Hole
18	2501146	1	Plug, 1-1/4" Hole
19	2500203	1	Grommet, 3/4" I.D.
20	1800169	1	Serial Number Plate, US
21	2900096	2	Rivet, 3/32" Dia.
22	1800377	1	Serial Number Plate, CE
23	2900287	2	Rivet, 1/8" Dia.
24	2501427	1	Rope Cleat
25	2900483	2	Tap Screw, Flat Hd., #10-24 x 1"
26	6012008	1	Rear Cover Screen
27	2900180	4	Cap Screw, Hex Flange Hd., 1/4-20 x 1"
28	6010166	1	Gate Cover Bar
29	2900144	2	Cap Screw, Hex Hd., 1/4-20 x 3/4"
30	2900010	2	Lock Nut, 1/4-20 Nylon

## Instrument Panel Assembly #6012235



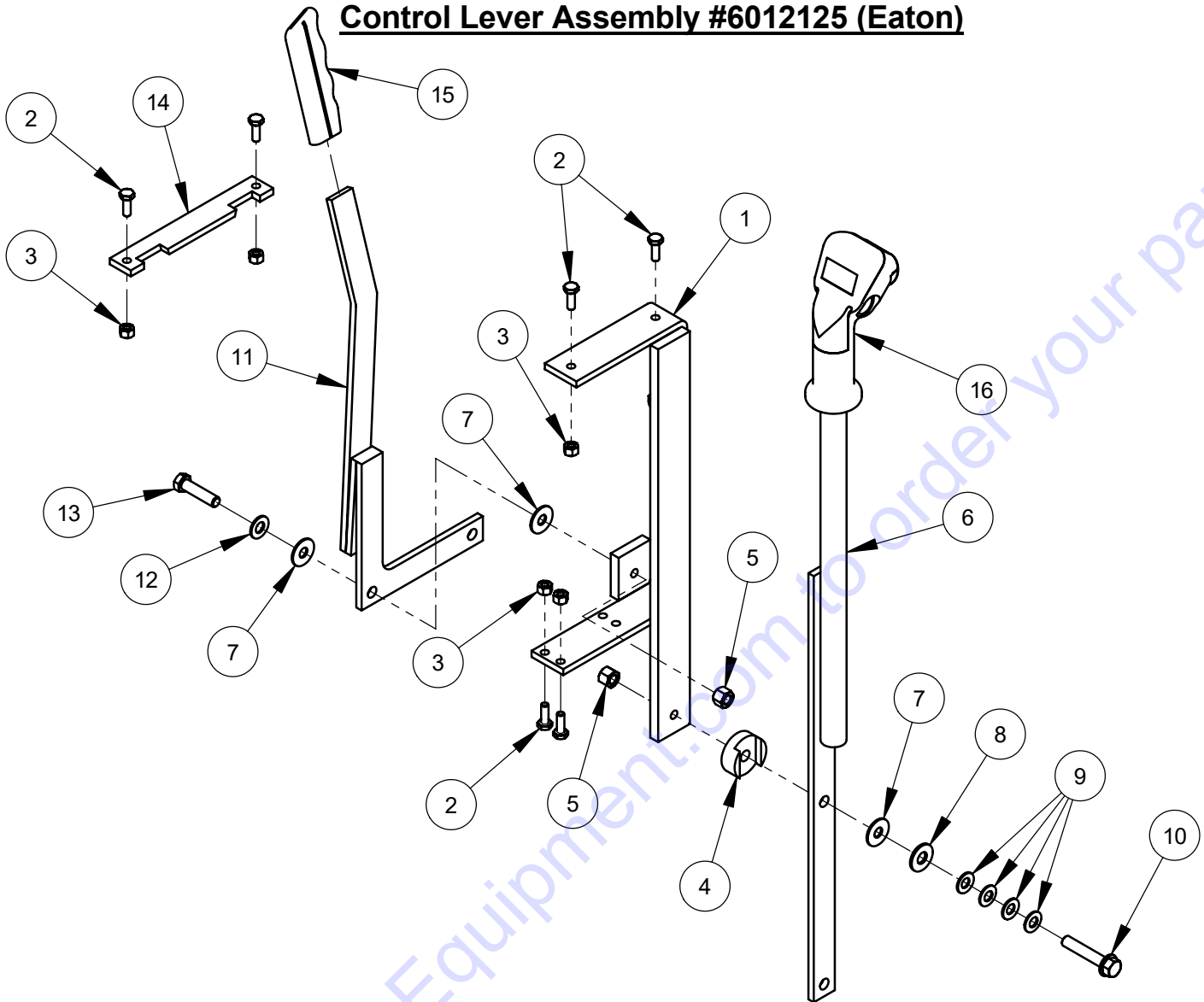
ITEM	PART NO.	QTY.	DESCRIPTION
1	6012030	1	Dash Cover Panel
2	2500554	1	Plug, 1-1/2" Hole
3	6010241	1	Meter Panel (Tach/Hour)
4	6010416	1	Tach/Hour Meter (VDO) Calibrated 60
5	6011024	1	Hydraulic Pump Cover Plate
6	2500549	1	Plug, 7/8" Hole
7	2900021	12	Tap Screw, Pan Hd., #10-24 x 3/8"
8	6010098	1	Switch Plate
9	2500204	3	Plug, 1/2" Hole
10	2900445	4	Tap Screw, Flat Hd., #10-24 x 1/2"
11	2500463	1	Plug, 3/4" Hole
12	6011031	2	Edge Trim
13	2500381	1	Plug, 2-5/8" Tapered Hole

## Water Supply Assembly #6012219



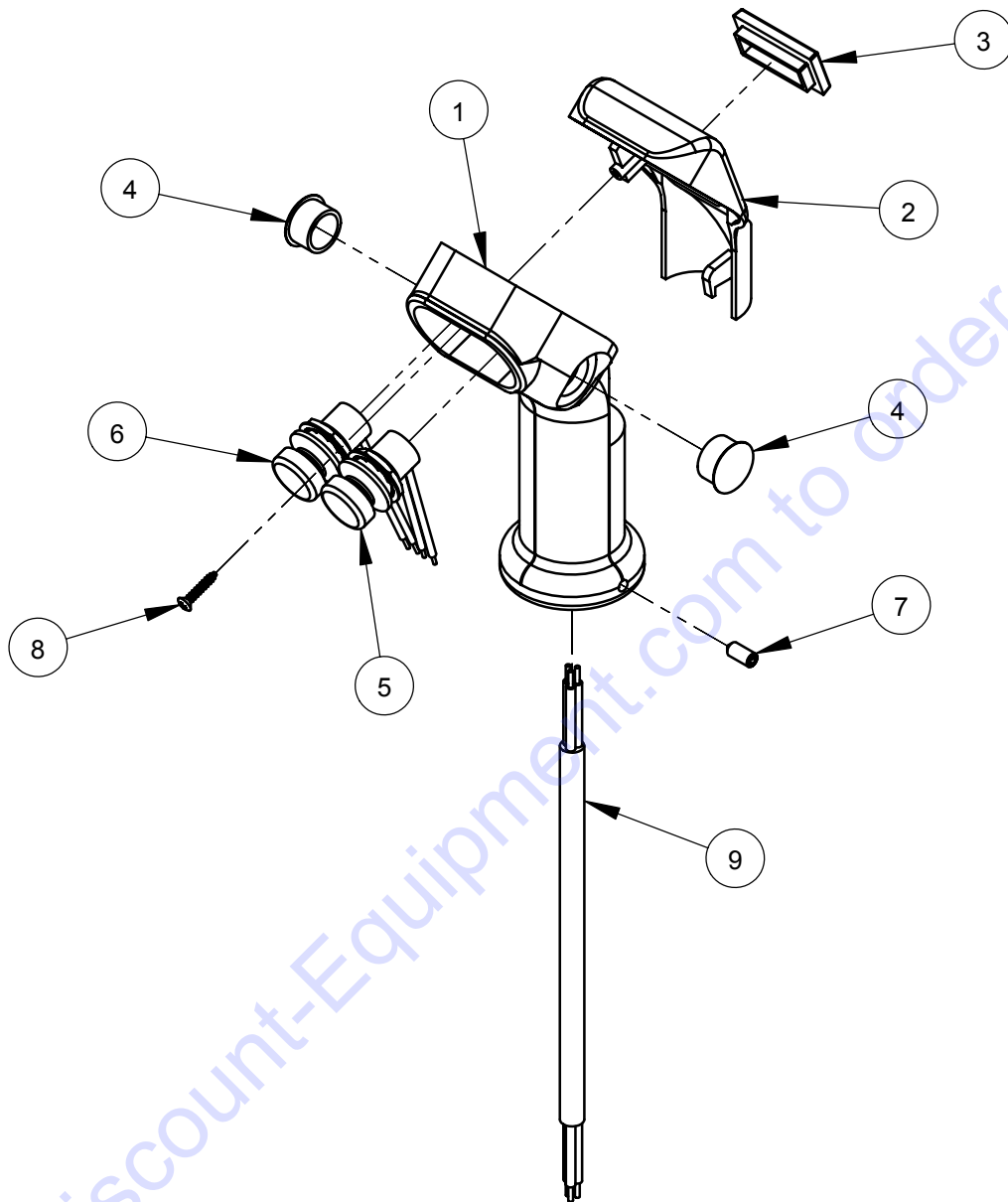
ITEM	PART NO.	QTY.	DESCRIPTION
1	6090068	1	Water Supply Tube
2	3200045	1	Pipe Tee, 1/2" NPT
3	3200008	2	Close Nipple, 1/2" NPT
4	3200022	1	Fitting, 1/2" F. Pipe to 3/4" F. Garden
5	3200025	1	Hose Filter Washer
6	3200013	2	Street Elbow, 1/2" NPT
7	3200027	2	Water Valve
8	3200155	2	Fitting, 1/2" M. Pipe to 3/4" M. Garden
9	3200173	1	Street Elbow, 1/2" NPT Steel
10	3200001	1	Plug, 1/8" NPT
11	2900241	2	U-Bolt, 1/2" Pipe
12	2900009	4	Flat Washer, 1/4" SAE
13	2900010	6	Lock Nut, 1/4-20 Nylon
14	6010985	1	Water Hose Assembly, 54" Long
15	6010986	1	Water Hose Assembly, 11" Long
16	6010987	1	Water Hose Assembly, 42" Long
17	3201886	1	Elbow, 1/2" M. JIC to 3/8" M. Pipe
18	6011562	1	Vent Hose Assembly, 48" Long
19	3200016	1	Hose Clamp #8
20	2502039	1	Expansion Tank & Cap
21	2900144	2	Cap Screw, Hex Hd., 1/4-20 x 3/4"
22	2900009	4	Flat Washer, 1/4" SAE

## Control Lever Assembly #6012125 (Eaton)



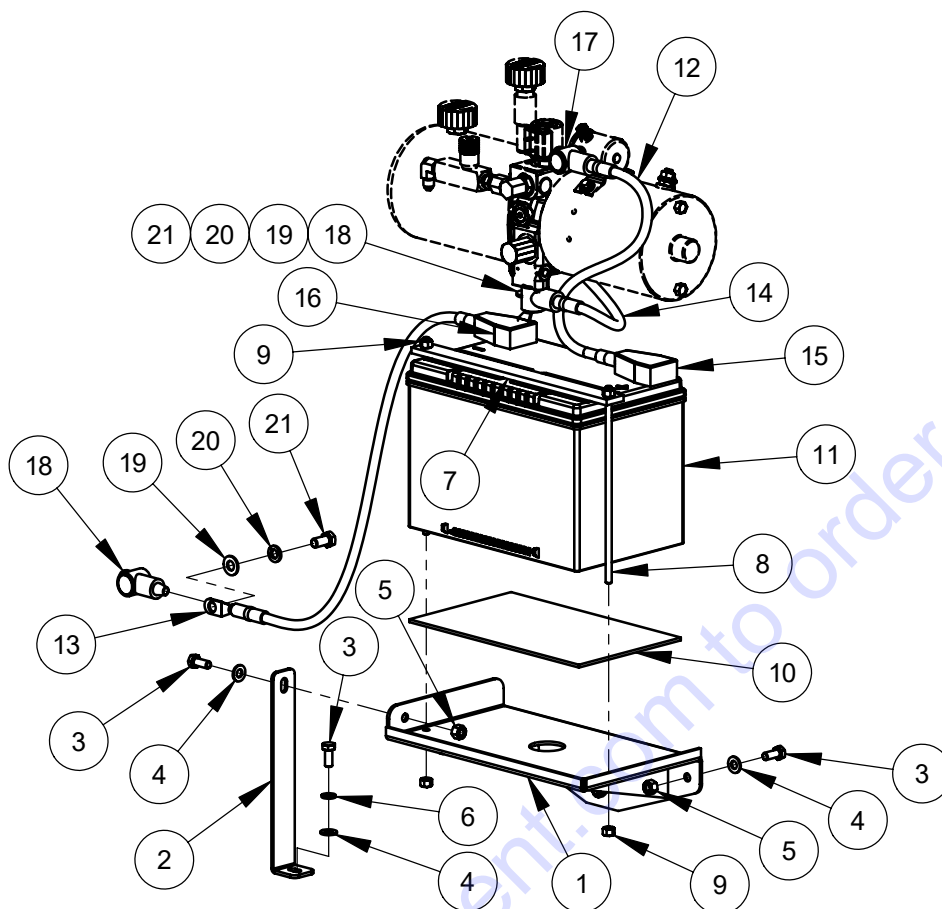
ITEM	PART NO.	QTY.	DESCRIPTION
1	6012057	1	Lever Support Weldment
2	2900144	6	Cap Screw, Hex Hd., 1/4-20 x 3/4"
3	2900010	6	Lock Nut, 1/4-20 Nylon
4	6010055	1	Friction Spacer
5	2900018	2	Lock Nut, 3/8-16 Nylon
6	6011414	1	Speed Control Lever
7	2900153	3	Friction Washer, 3/8"
8	2900473	1	Flat Washer, 3/8" USS
9	2900474	4	Belleville Washer, 3/8"
10	2900472	1	Cap Screw, Hex Flange Hd., 3/8-16 x 2"
11	6010057	1	Engagement Lever Weldment
12	2900014	1	Flat Washer, 3/8" SAE
13	2900029	1	Cap Screw, Hex Hd., 3/8-16 x 1-1/2"
14	6010058	1	Gate Plate
15	2500002	1	Lever Grip
16	6010319	1	Control Grip Assembly

## Control Grip Assembly #6010319



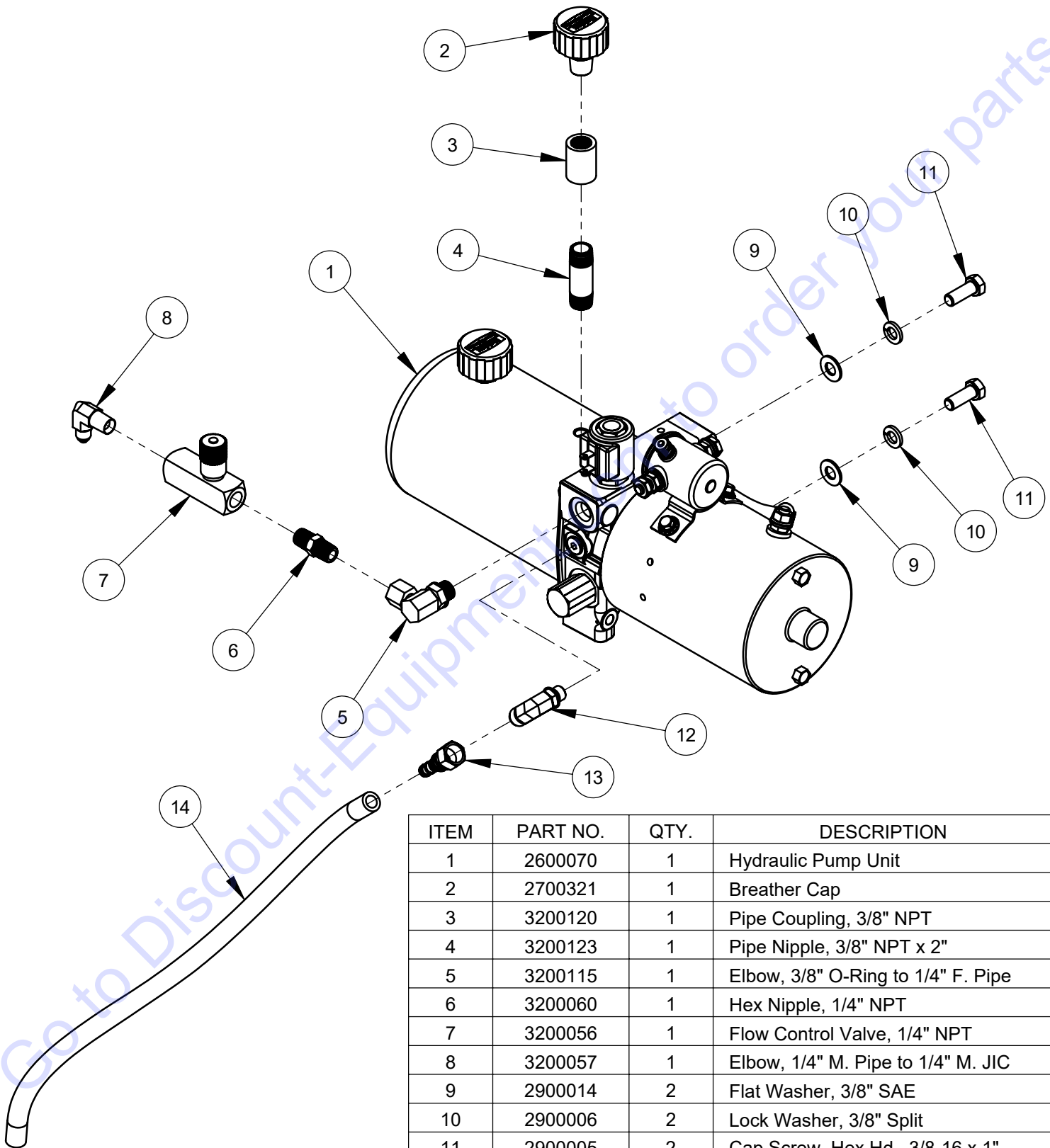
ITEM	PART NO.	QTY.	DESCRIPTION
1	2501280	1	Control Grip Body
2	2501281	1	Control Grip Cover
3	2500644	1	Plug, Rectangular
4	2500694	2	Plug, 5/8" Hole
5	2800372	1	Pushbutton Switch, Raise
6	2800373	1	Pushbutton Switch, Lower
7	2900453	1	Set Screw, Soc. Hd., M5 x 12mm
8	2900452	1	Machine Screw, Oval Hd., #4 x 5/8"
9	2800393	1	Harness, Hydraulic Pump

## Battery Assembly #6012131



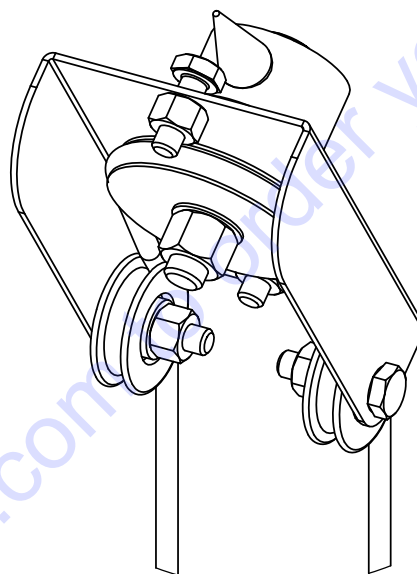
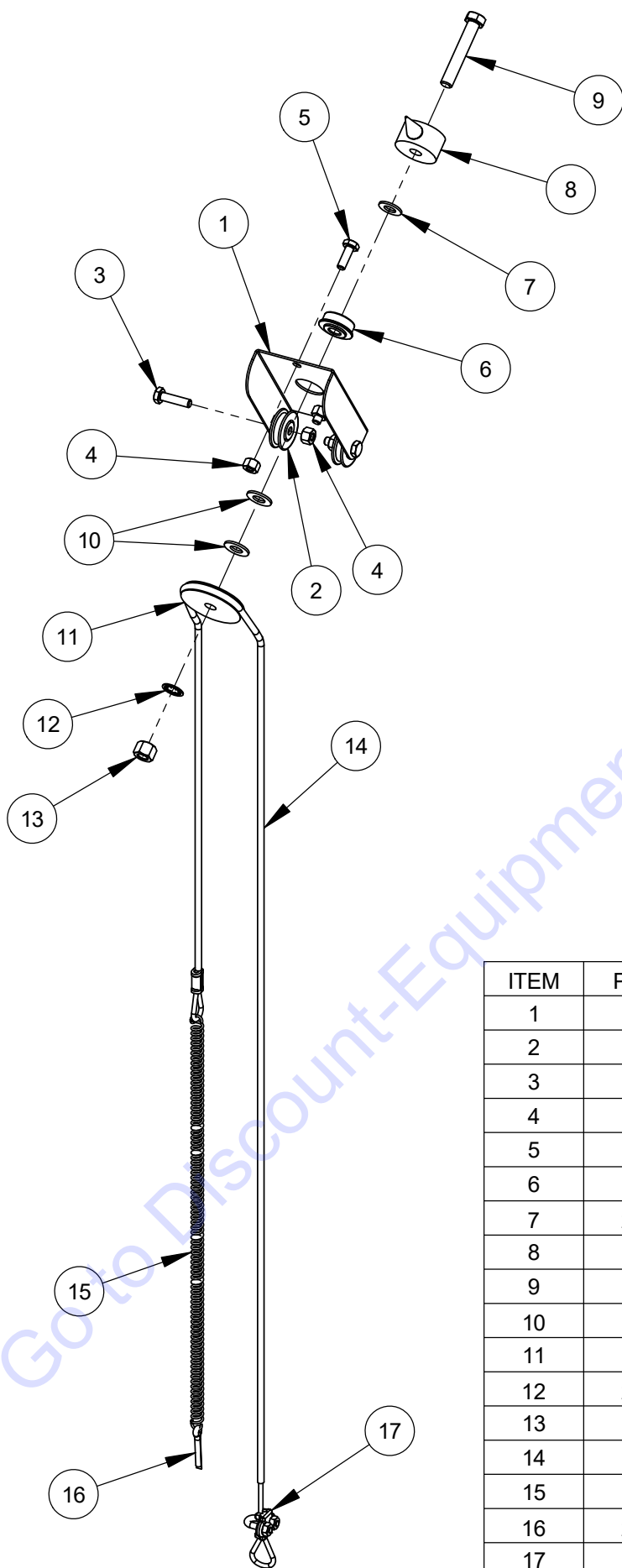
ITEM	PART NO.	QTY.	DESCRIPTION
1	6010670	1	Battery Platform
2	6010554	1	Battery Support Brace
3	2900019	5	Cap Screw, Hex Hd., 5/16-18 x 3/4"
4	2900022	5	Flat Washer, 5/16" SAE
5	2900039	4	Lock Nut, 5/16-18 Nylon
6	2900031	1	Lock Washer, 5/16" Split
7	6010017	1	Battery Top Brace
8	6010018	2	Rod, 1/4-20 x 8-1/2"
9	2900010	4	Lock Nut, 1/4-20 Nylon
10	6010016	1	Battery Pad
11	2700208	1	Battery, 12 Volt Group Size 34
12	2800071	1	Battery Cable, Positive (Red)
13	2800072	1	Battery Cable, Negative (Black)
14	2800182	1	Battery Cable, 14" Negative (Black)
15	2800256	1	Battery Boot, Large (Red)
16	2800257	1	Battery Boot, Large (Black)
17	2800197	1	Battery Boot, Small (Red)
18	2800198	2	Battery Boot, Small (Black)
19	2900014	2	Flat Washer, 3/8" SAE
20	2900006	2	Lock Washer, 3/8" Split
21	2900196	2	Cap Screw, Hex Hd., 3/8-16 x 3/4"

**Hydraulic Pump Assembly #6011077**  
(Includes Items #1 - #11)



ITEM	PART NO.	QTY.	DESCRIPTION
1	2600070	1	Hydraulic Pump Unit
2	2700321	1	Breather Cap
3	3200120	1	Pipe Coupling, 3/8" NPT
4	3200123	1	Pipe Nipple, 3/8" NPT x 2"
5	3200115	1	Elbow, 3/8" O-Ring to 1/4" F. Pipe
6	3200060	1	Hex Nipple, 1/4" NPT
7	3200056	1	Flow Control Valve, 1/4" NPT
8	3200057	1	Elbow, 1/4" M. Pipe to 1/4" M. JIC
9	2900014	2	Flat Washer, 3/8" SAE
10	2900006	2	Lock Washer, 3/8" Split
11	2900005	2	Cap Screw, Hex Hd., 3/8-16 x 1"
12	3200116	1	Elbow, 1/4" O-Ring to 3/8" M. JIC
13	3200046	1	Fitting, 3/8" F. JIC to 3/8" Push Lock
14	6010059	1	Clear Hose, 3/8" I.D. x 19"

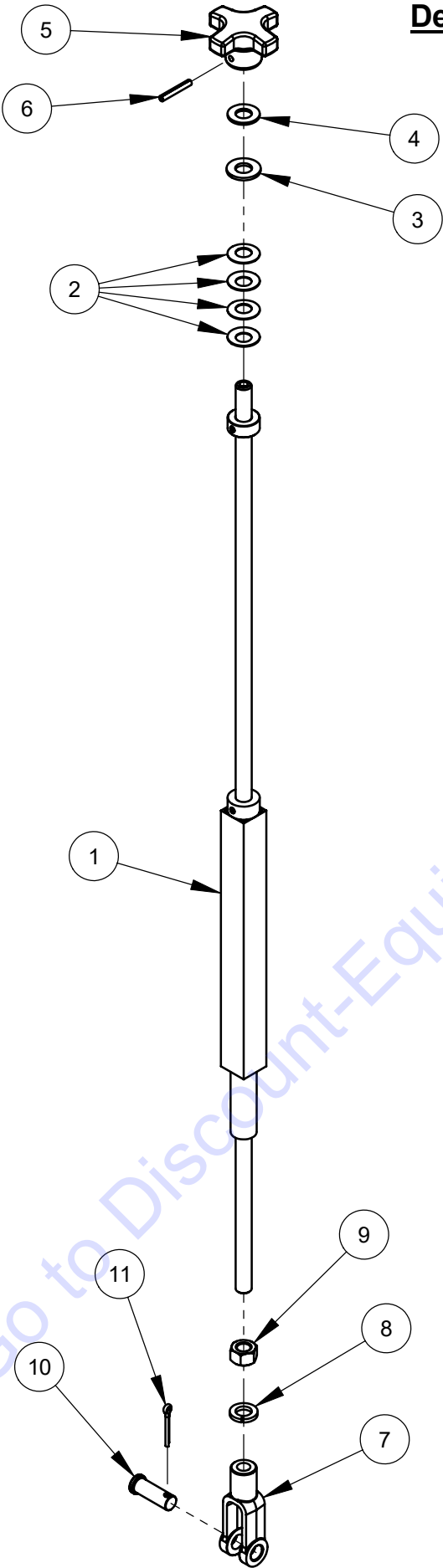
## Depth Indicator Assembly #6010214



ITEM	PART NO.	QTY.	DESCRIPTION
1	6010092	1	Depth Indicator Mount Bracket
2	2500155	2	Cable Pulley, 1-1/4"
3	2900008	2	Cap Screw, Hex Hd., 1/4-20 x 1"
4	2900010	4	Lock Nut, 1/4-20 Nylon
5	2900144	2	Cap Screw, Hex Hd., 1/4-20 x 3/4"
6	2500145	1	Flange Bearing, 3/8"
7	2901383	1	Friction Washer, 3/8"
8	6010091	1	Depth Indicator Pointer
9	2900079	1	Cap Screw, Hex Hd., 3/8-16 x 2-1/4"
10	2900014	2	Flat Washer, 3/8" SAE
11	6010093	1	Cable Pulley, 2"
12	2900254	1	Lock Washer, 3/8" Internal Tooth
13	2900018	1	Lock Nut, 3/8-16 Nylon
14	6010094	1	Depth Indicator Cable with Crimp, 48"
15	2500196	1	Spring, 3/8" x 15"
16	2900055	1	Cotter Pin, 3/16" x 1"
17	2500214	1	Cable Clamp

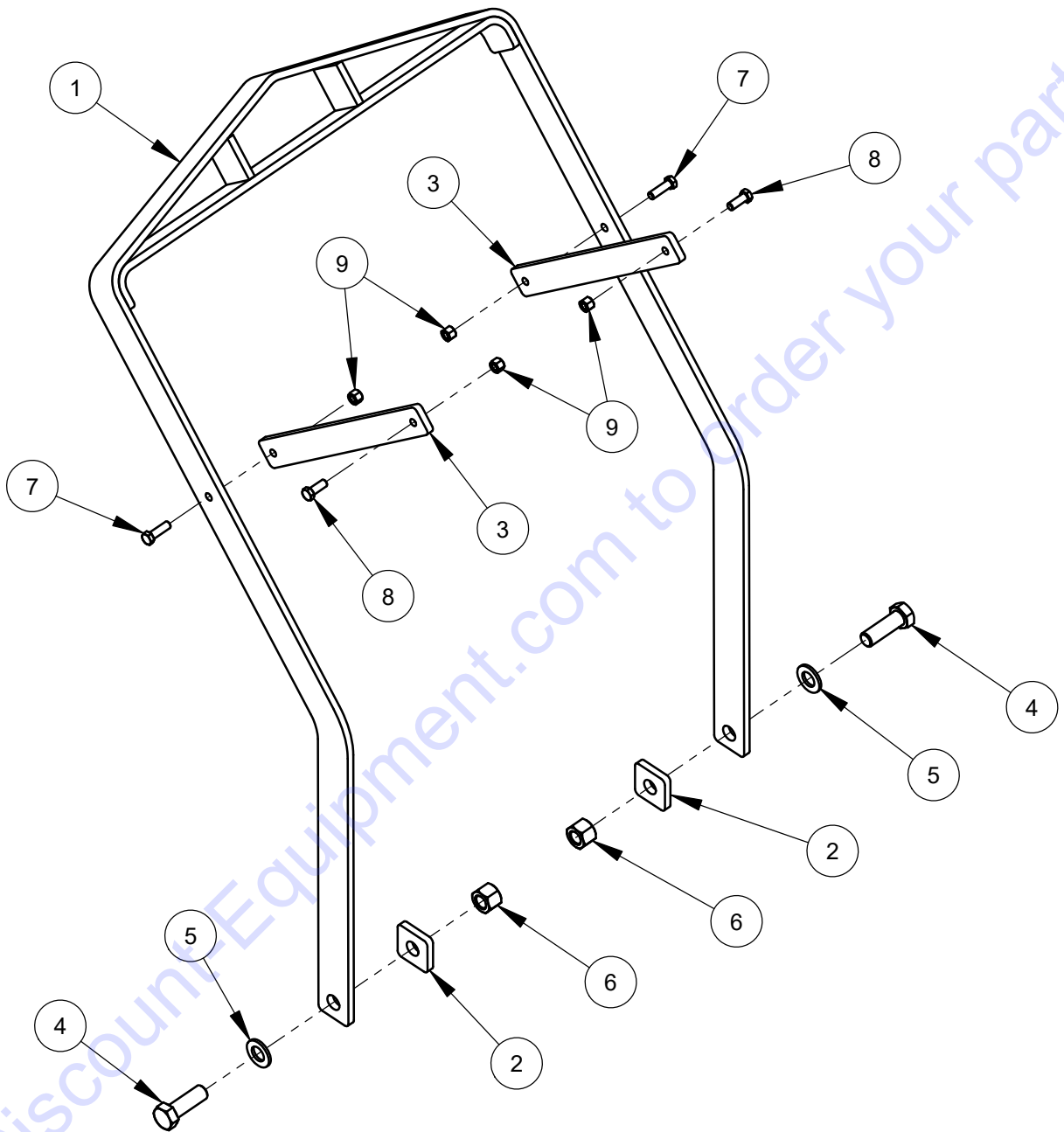


**Depth Stop Assembly #6010215**



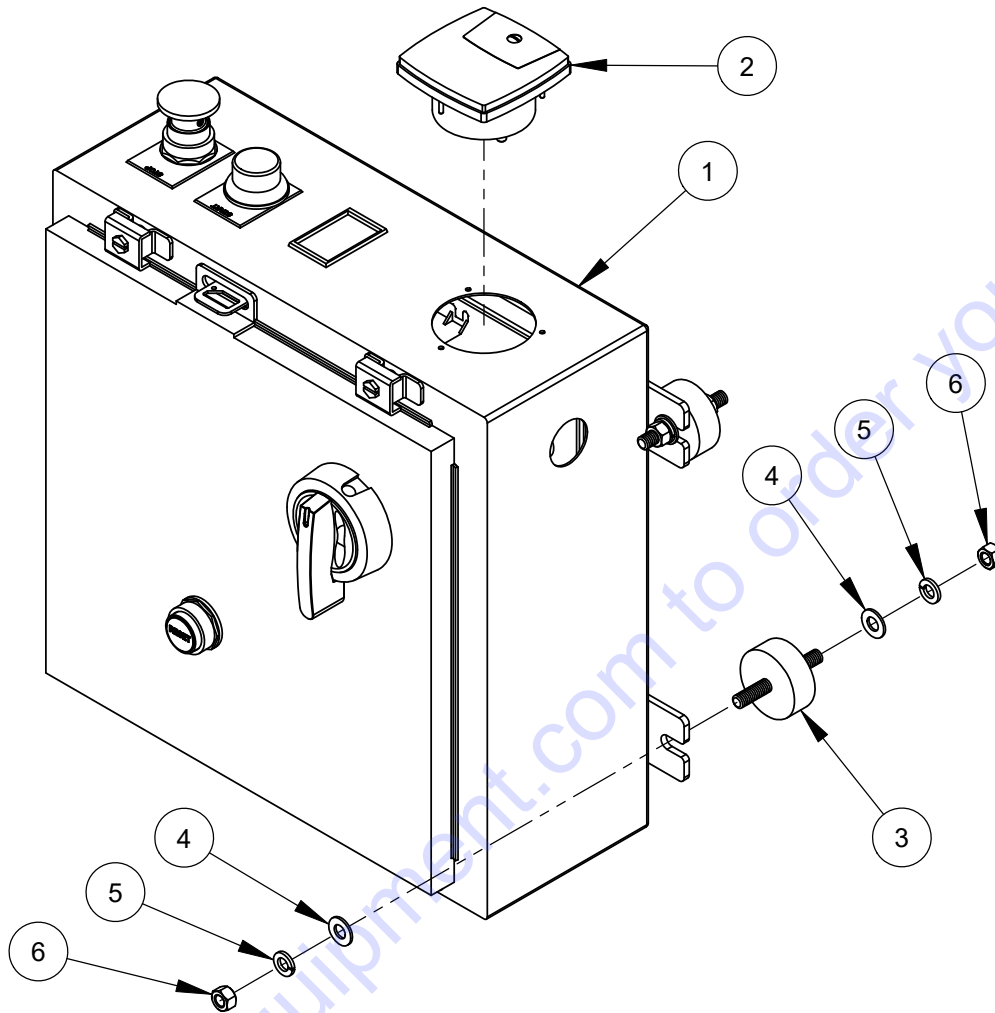
ITEM	PART NO.	QTY.	DESCRIPTION
1	6010097	1	Depth Stop Weldment
2	2900665	4	Belleville Washer, 1/2"
3	2900058	1	Flat Washer, 1/2" SAE
4	2900239	1	Friction Washer, 1/2"
5	6010095	1	Depth Stop Knob
6	2900132	1	Roll Pin, 3/16" x 1-1/4"
7	2900158	1	Yoke, 1/2-13
8	2900084	1	Lock Washer, 1/2" Split
9	2900037	1	Hex Nut, 1/2-13
10	2900007	1	Clevis Pin, 1/2" Dia. x 1-3/8"
11	2900004	1	Cotter Pin, 1/8" x 1"

## Frame Lift Assembly #6012192



ITEM	PART NO.	QTY.	DESCRIPTION
1	6012193	1	Frame Lift
2	6013053	2	Frame Lift Spacer
3	6012194	2	Frame Lift Brace
4	2900465	2	Cap Screw, Hex Hd., 3/4-10 x 2-1/4"
5	2900003	2	Flat Washer, 3/4" SAE
6	2900467	2	Lock Nut, 3/4-10 Nylon
7	2900013	2	Cap Screw, Hex Hd., 3/8-16 x 1-1/4"
8	2900005	2	Cap Screw, Hex Hd., 3/8-16 x 1"
9	2900018	4	Lock Nut, 3/8-16 Nylon

## Starter Box Assembly #6012130



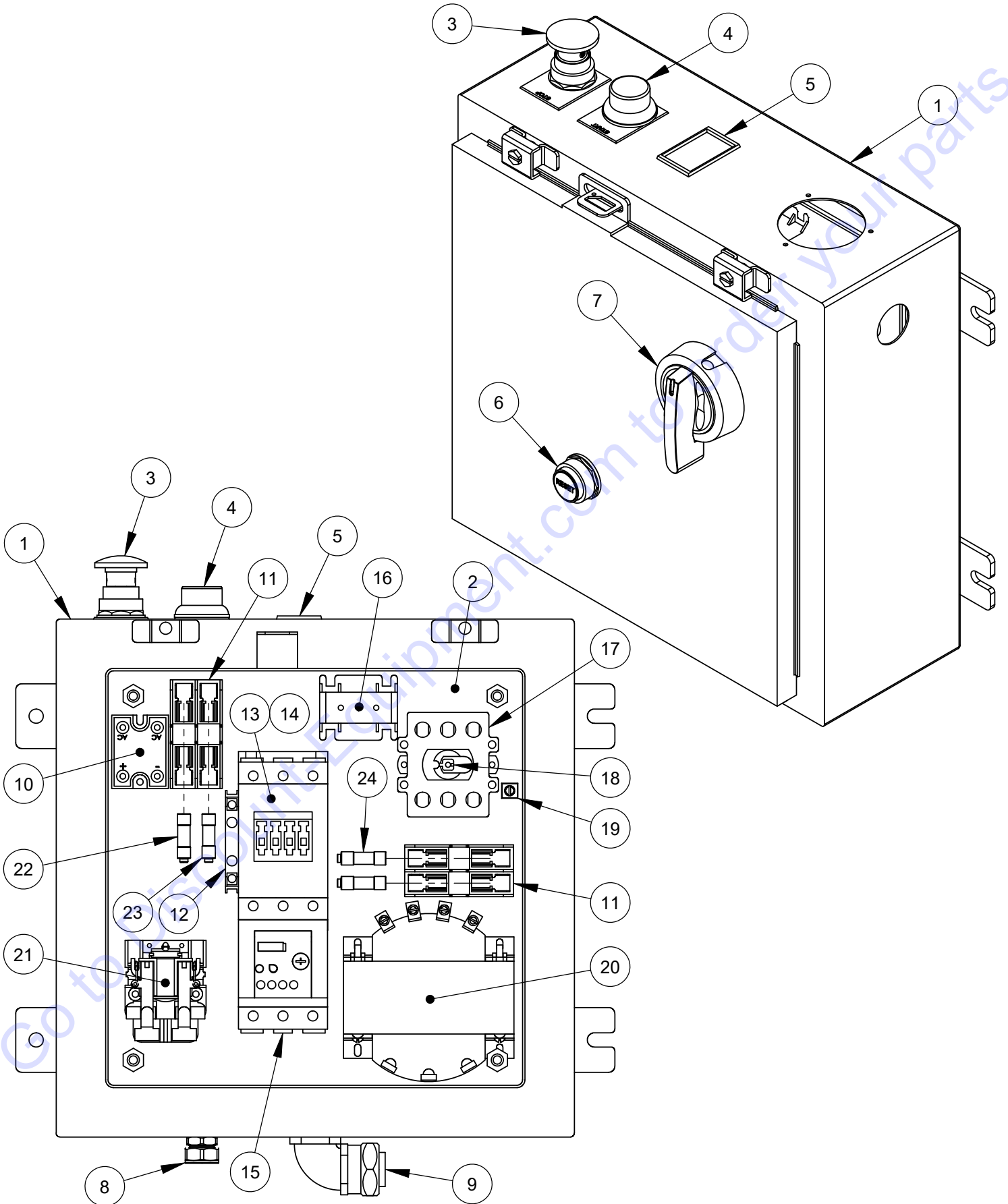
### FOR 30HP MOTOR

ITEM	PART NO.	QTY.	DESCRIPTION
1	2800215	1	Starter Box Unit
2	2800203	1	Amp Meter 30HP
3	2500678	4	Vibration Isolator, 3/8-16
4	2900014	8	Flat Washer, 3/8" SAE
5	2900006	8	Lock Washer, 3/8" Split
6	2900033	8	Hex Nut, 3/8-16

### FOR 40HP MOTOR

ITEM	PART NO.	QTY.	DESCRIPTION
1	2800215	1	Starter Box Unit
2	2800141	1	Amp Meter 40HP
3	2500678	4	Vibration Isolator, 3/8-16
4	2900014	8	Flat Washer, 3/8" SAE
5	2900006	8	Lock Washer, 3/8" Split
6	2900033	8	Hex Nut, 3/8-16

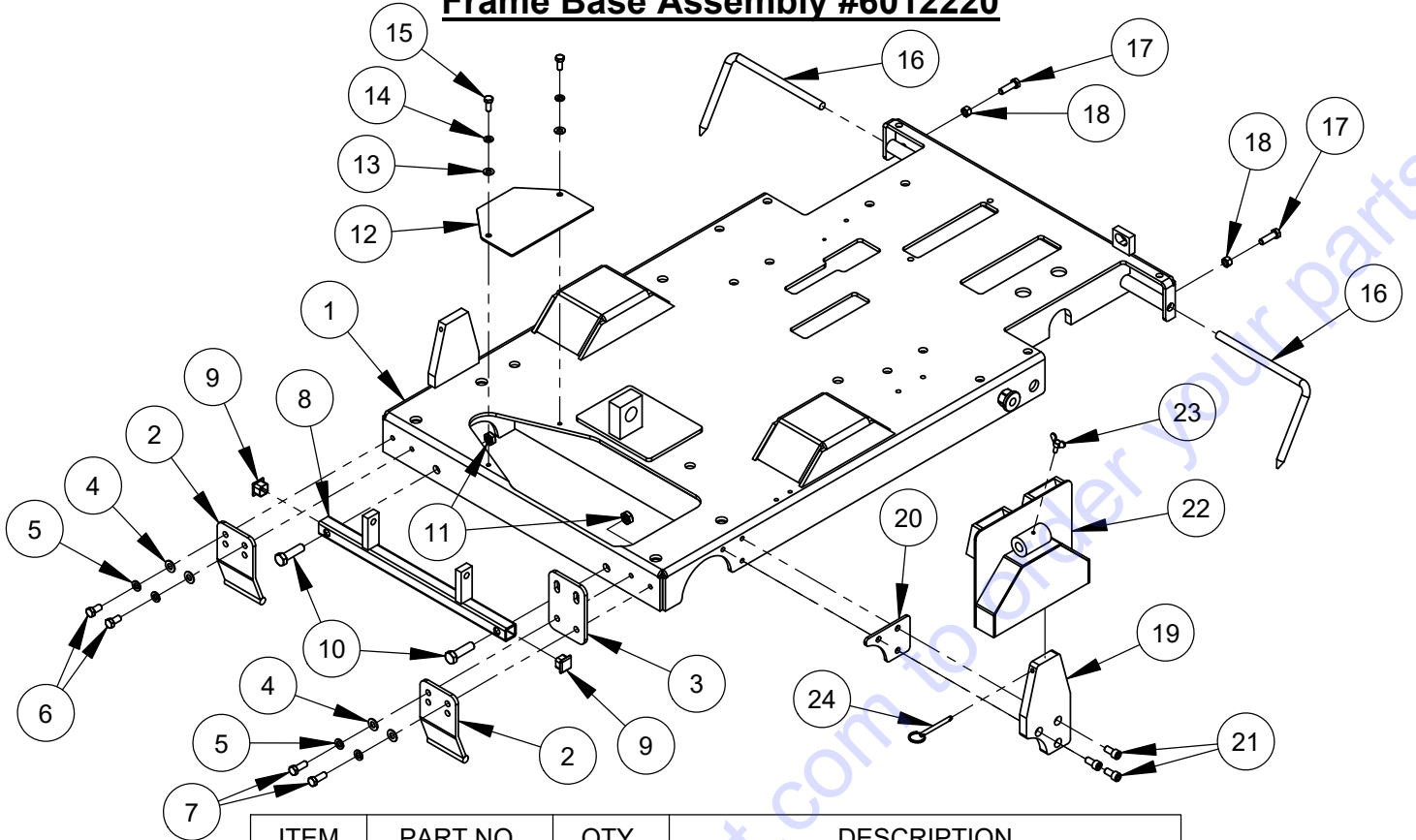
# Starter Box Unit #2800215



## Starter Box Unit #2800215

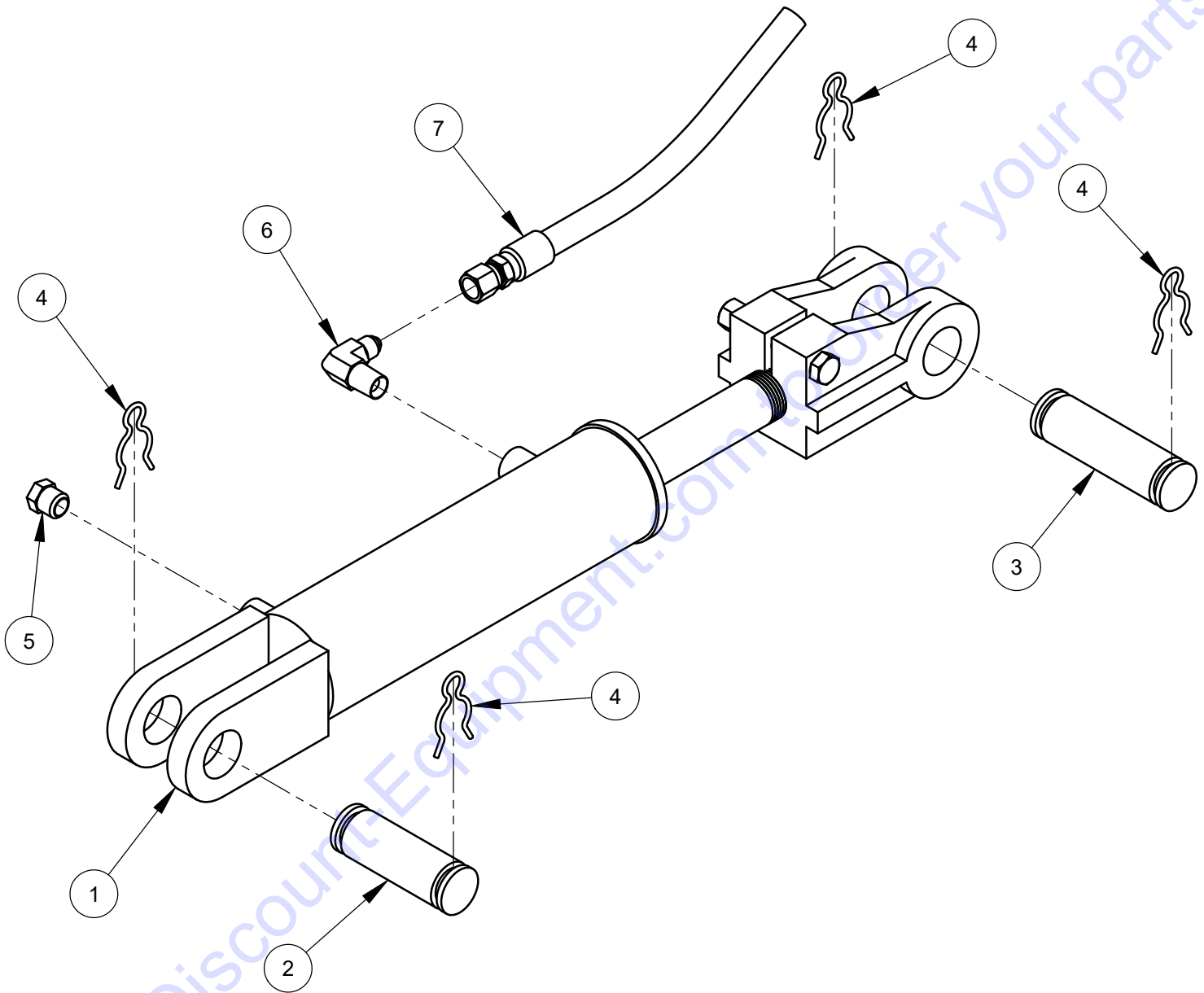
ITEM	PART NO.	QTY.	DESCRIPTION
1	2800240	1	Enclosure
2	2800249	1	Subpanel
3	6011329	1	Stop Button Assembly
	2800599	1	Stop Button Body & Cap
	2800200	1	Contact Block (N.C.)
	1800922	1	Stop Label
4	6011097	1	Start Button Assembly
	2701390	1	Start Button Body
	2701392	1	Contact Block (N.O.)
	2800317	1	Green Button Cap
	2800222	1	Clear Protective Boot
	1800923	1	Start Label
5	2800224	1	Battery Charge Ammeter
6	2800245	1	Reset Button
7	2707338	1	Disconnect Handle
8	2800552	1	Connector, 1/2" Cord
9	2800312	2	Connector, 1" Sealtite Elbow
10	2701274	1	Rectifier Bridge
11	2800299	2	Fuse Holder, 30A-600V Dual
12	2800400	1	Auxiliary Contact (N.O.)
13	2800401	1	Motor Contactor, Siemens
14	2800402	1	Coil, 24V-AC
15	2800403	1	Overload Relay, 25-100A
16	2800248	1	Current Transformer
17	2707339	1	Disconnect Block
18	2707337	1	Disconnect Shaft
19	2800315	1	Grounding Lug
20	2701299	1	Transformer, 500VA
21	2701295	1	Power Relay, 12V-DC
22	2701066	1	Fuse, ATQR 10A
23	2701307	1	Fuse, ATMR 25A
24	2701273	2	Fuse, ATQR 4A

## Frame Base Assembly #6012220



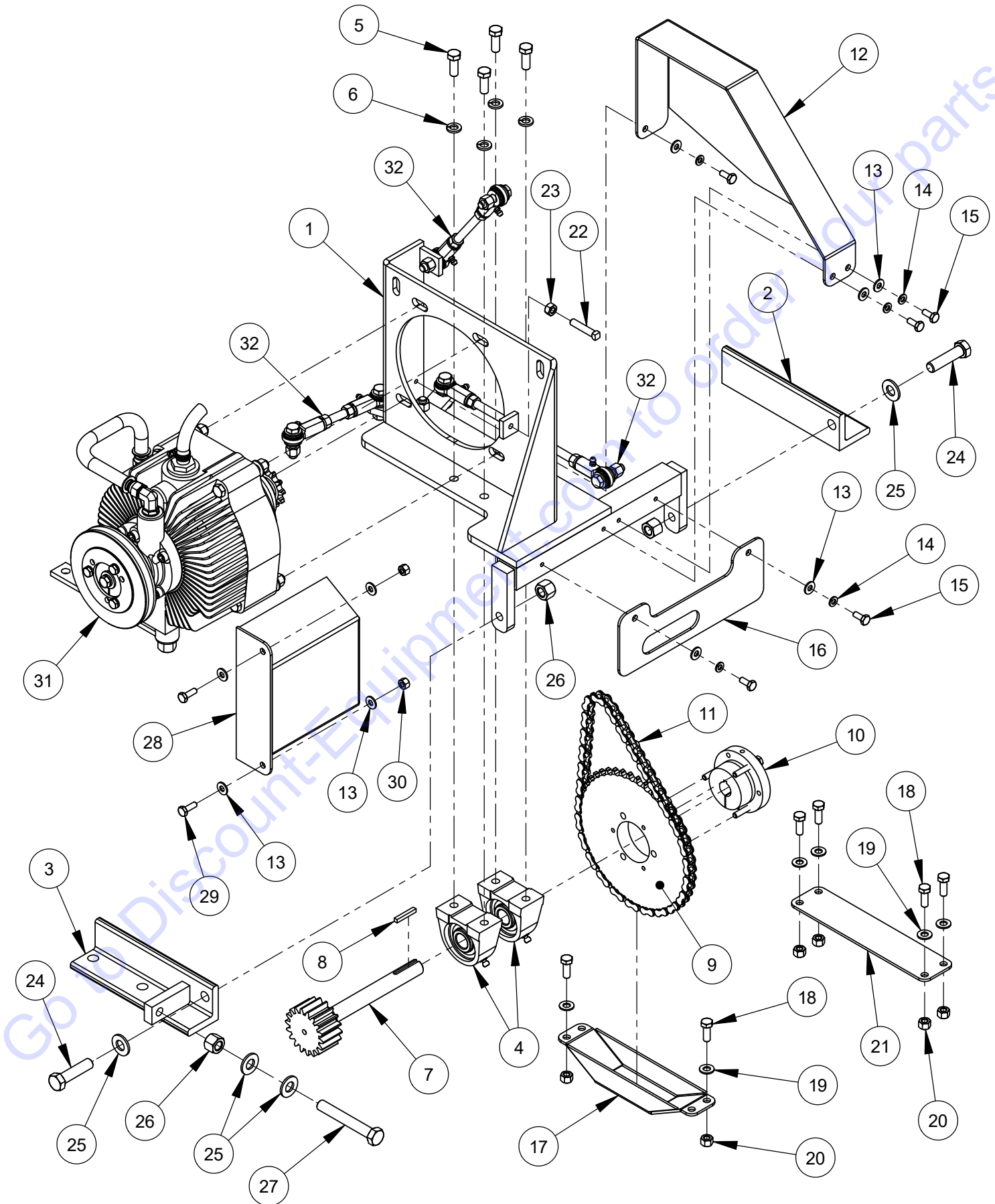
ITEM	PART NO.	QTY.	DESCRIPTION
1	6012210	1	Frame Base
2	6011021	2	Skid Plate
3	6012213	1	Guard Attachment Plate
4	2900014	4	Flat Washer, 3/8" SAE
5	2900006	4	Lock Washer, 3/8" Split
6	2900196	2	Cap Screw, Hex Hd., 3/8-16 x 3/4"
7	2900005	2	Cap Screw, Hex Hd., 3/8-16 x 1"
8	6012217	1	Pointer Mount
9	2500573	2	Plug, 1" Square Tube
10	2900139	2	Cap Screw, Hex Hd., 1/2-13 x 1-3/4"
11	2900543	2	Jam Lock Nut, 1/2-13
12	6010974	1	Cover Plate
13	2900022	2	Flat Washer, 5/16" SAE
14	2900031	2	Lock Washer, 5/16" Split
15	2900019	2	Cap Screw, Hex Hd., 5/16-18 x 3/4"
16	6010683	2	Rear Pointer Rod
17	2900013	2	Cap Screw, Hex Hd., 3/8-16 x 1-1/4"
18	2900033	2	Hex Nut, 3/8-16
19	6012215	1	Tapered Guard Mount
20	6012216	1	Guard Mount Spacer
21	2900976	3	Cap Screw, Soc. Hd., 3/8-16 x 3/4"
22	6010555	1	Shaft/Flange Guard (Narrow)
23	2900307	1	Wing Screw, M6 x 16mm
24	2900156	1	Lock Pin with Ring

## Hydraulic Cylinder Assembly #6010467



ITEM	PART NO.	QTY.	DESCRIPTION
1	2500178	1	Hydraulic Cylinder
2	6010031	1	Cylinder Pin, 3"
3	6010119	1	Cylinder Pin, 3-1/2"
4	2900064	4	Hair Pin Cotter, 3/4"
5	3200067	1	Cylinder Breather, 1/4" NPT
6	3200057	1	Elbow, 1/4" M. Pipe to 1/4" M. JIC
7	3200054	1	Hose Assembly, 32" Long

# Rear Drive Assembly #6012222





## Rear Drive Assembly #6012222

ITEM	PART NO.	QTY.	DESCRIPTION
1	6010068	1	Transmission Platform Weldment
2	6010027	1	Mount Foot, Right Hand
3	6010028	1	Mount Foot, Adjustable
4	2500159	2	Pillow Block Bearing, 3/4"
5	2900005	4	Cap Screw, Hex Hd., 3/8-16 x 1"
6	2900006	4	Lock Washer, 3/8" Split
7	6010664	1	Transmission Jackshaft 18T
8	6048229	1	Key, 3/16" Sq. x 1-1/4"
9	2500148	1	Sprocket, #40 x 45 Tooth
10	2500149	1	QD Bushing, SDS x 3/4" w/Fasteners
11	6010069	1	Chain, #40 x 56 Pitch
12	6010671	1	Chain Guard
13	2900009	9	Flat Washer, 1/4" SAE
14	2900024	5	Lock Washer, 1/4" Split
15	2900023	5	Cap Screw, Hex Hd., 1/4-20 x 5/8"
16	6010679	1	Gear Guard
17	6010674	1	Sprocket Guard
18	2900668	6	Cap Screw, Hex Hd., 5/16-18 x 7/8"
19	2900022	6	Flat Washer, 5/16" SAE
20	2900039	6	Lock Nut, 5/16-18 Nylon
21	6010678	1	Cover Plate (Wide)
22	2900140	1	Set Screw, Sq. Hd., 5/16-18 x 1-1/2"
23	2900141	1	Hex Nut, 5/16-18
24	2900106	2	Cap Screw, Hex Hd., 1/2-13 x 2"
25	2900058	4	Flat Washer, 1/2" SAE
26	2900026	3	Lock Nut, 1/2-13 Nylon
27	2900542	1	Tap Bolt, Hex Hd., 1/2-13 x 3-1/2"
28	6010673	1	Fan Guard
29	2900144	2	Cap Screw, Hex Hd., 1/4-20 x 3/4"
30	2900010	2	Lock Nut, 1/4-20 Nylon
31	6012223	1	Eaton Transmission Assembly
32	6012124	1	Linkage Assembly

# PARTS FINDER

**Search Website  
by Part Number**



**Search Manual  
Library For Parts  
Manual & Lookup Part  
Numbers – Purchase  
or Request Quote**

**Search Manuals**

Enter your information to help us find the right parts manual for your machine.

\* Brand:

\* Model:

\* Serial:

\* Part Number:

SEARCH

**Can't Find Part or  
Manual? Request Help  
by Manufacturer,  
Model & Description**

**Parts Order Form**

Please fill in the following information to help us find the right part for your machine.

Manufacturer:	<input type="text"/>
Model:	<input type="text"/>
Description:	<input type="text"/>
Part Number:	<input type="text"/>
Quantity:	<input type="text"/>
Notes:	<input type="text"/>

Discount-Equipment.com is your online resource for quality parts & equipment.

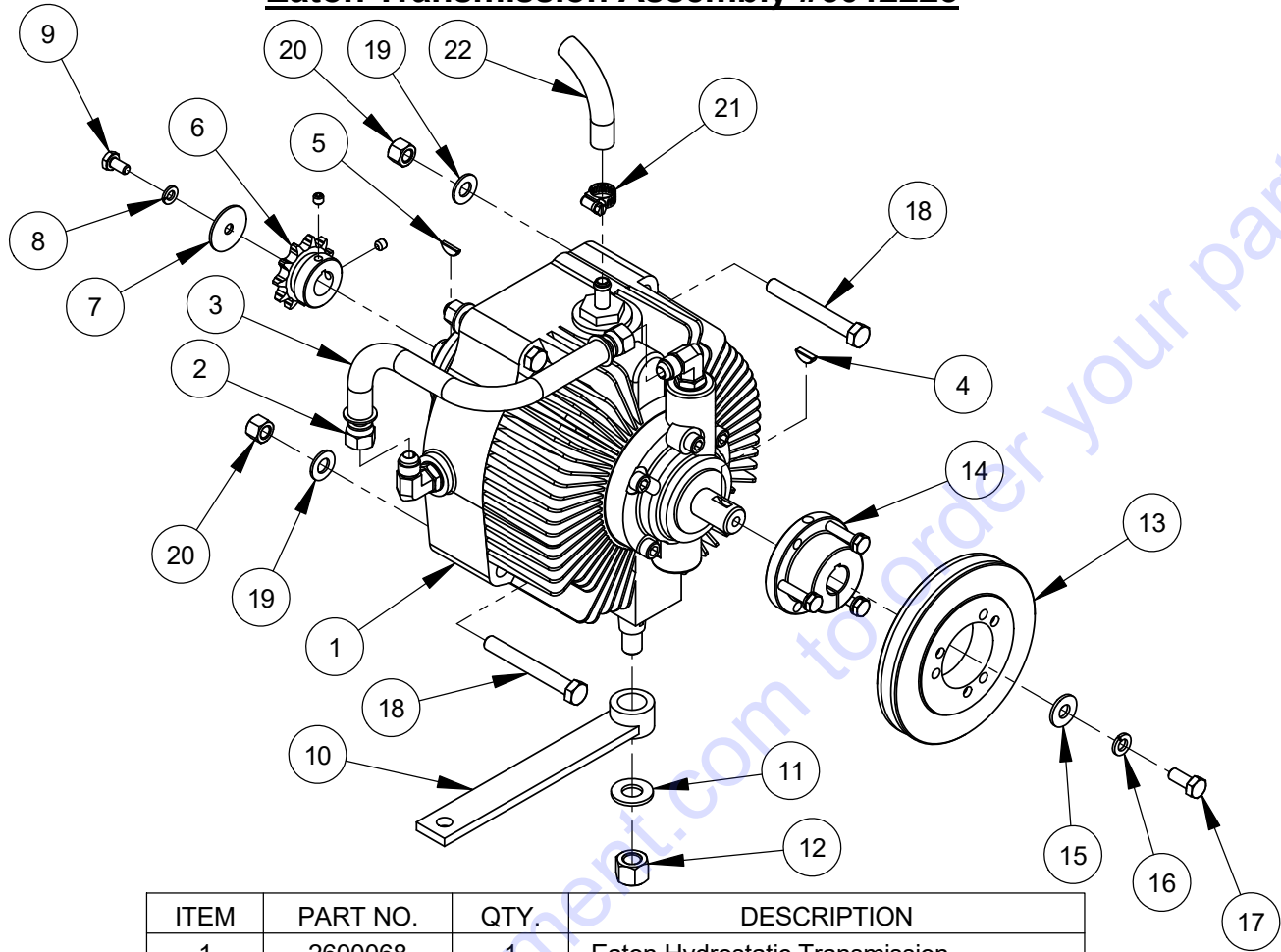
Florida: **561-964-4949** Outside Florida TOLL FREE: **877-690-3101**

**Need parts?**

Click on this link: <http://www.discount-equipment.com/category/5443-parts/> and choose one of the options to help get the right parts and equipment you are looking for. Please have the machine model and serial number available in order to help us get you the correct parts. If you don't find the part on the website or on one of the online manuals, please fill out the request form and one of our experienced staff members will get back to you with a quote for the right part that your machine needs.

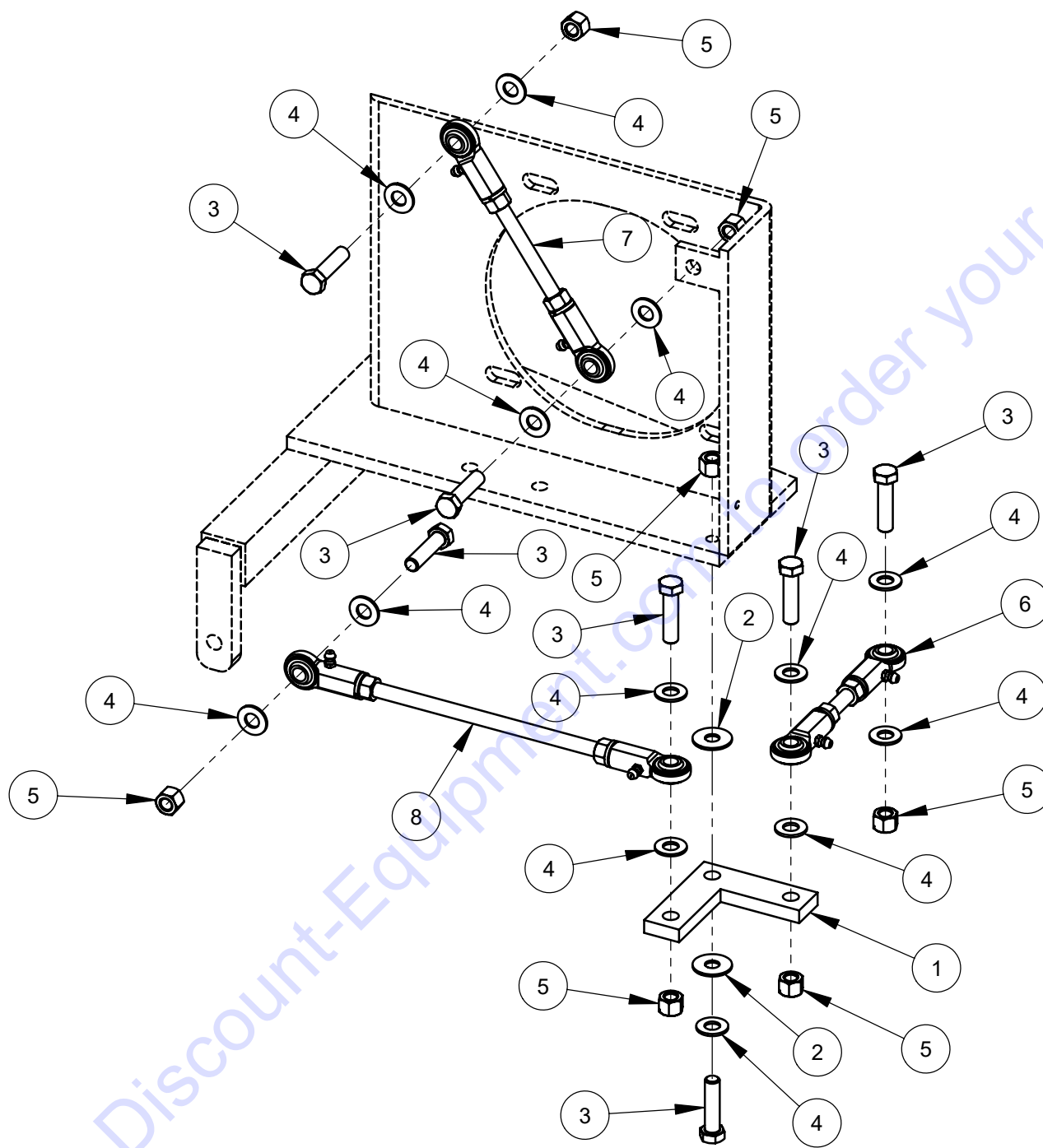
We sell worldwide for the brands: Genie, Terex, JLG, MultiQuip, Mikasa, Essick, Whiteman, Mayco, Toro Stone, Diamond Products, Generac Magnum, Airman, Haulotte, Barreto, Power Blanket, Nifty Lift, Atlas Copco, Chicago Pneumatic, Allmand, Miller Curber, Skyjack, Lull, Skytrak, Tsurumi, Husquvarna Target, Stow, Wacker, Sakai, Mi-T-M, Sullair, Basic, Dynapac, MBW, Weber, Bartell, Bennar Newman, Haulotte, Ditch Runner, Menegotti, Morrison, Contec, Buddy, Crown, Edco, Wyco, Bomag, Laymor, EZ Trench, Bil-Jax, F.S. Curtis, Gehl Pavers, Heli, Honda, ICS/PowerGrit, IHI, Partner, Imer, Clipper, MMD, Koshin, Rice, CH&E, General Equipment, Amida, Coleman, NAC, Gradall, Square Shooter, Kent, Stanley, Tamco, Toku, Hatz, Kohler, Robin, Wisconsin, Northrock, Oztec, Toker TK, Rol-Air, APT, Wylie, Ingersoll Rand / Doosan, Innovatech, Con X, Ammann, Mecalac, Makinex, Smith Surface Prep, Small Line, Wanco, Yanmar

## Eaton Transmission Assembly #6012223



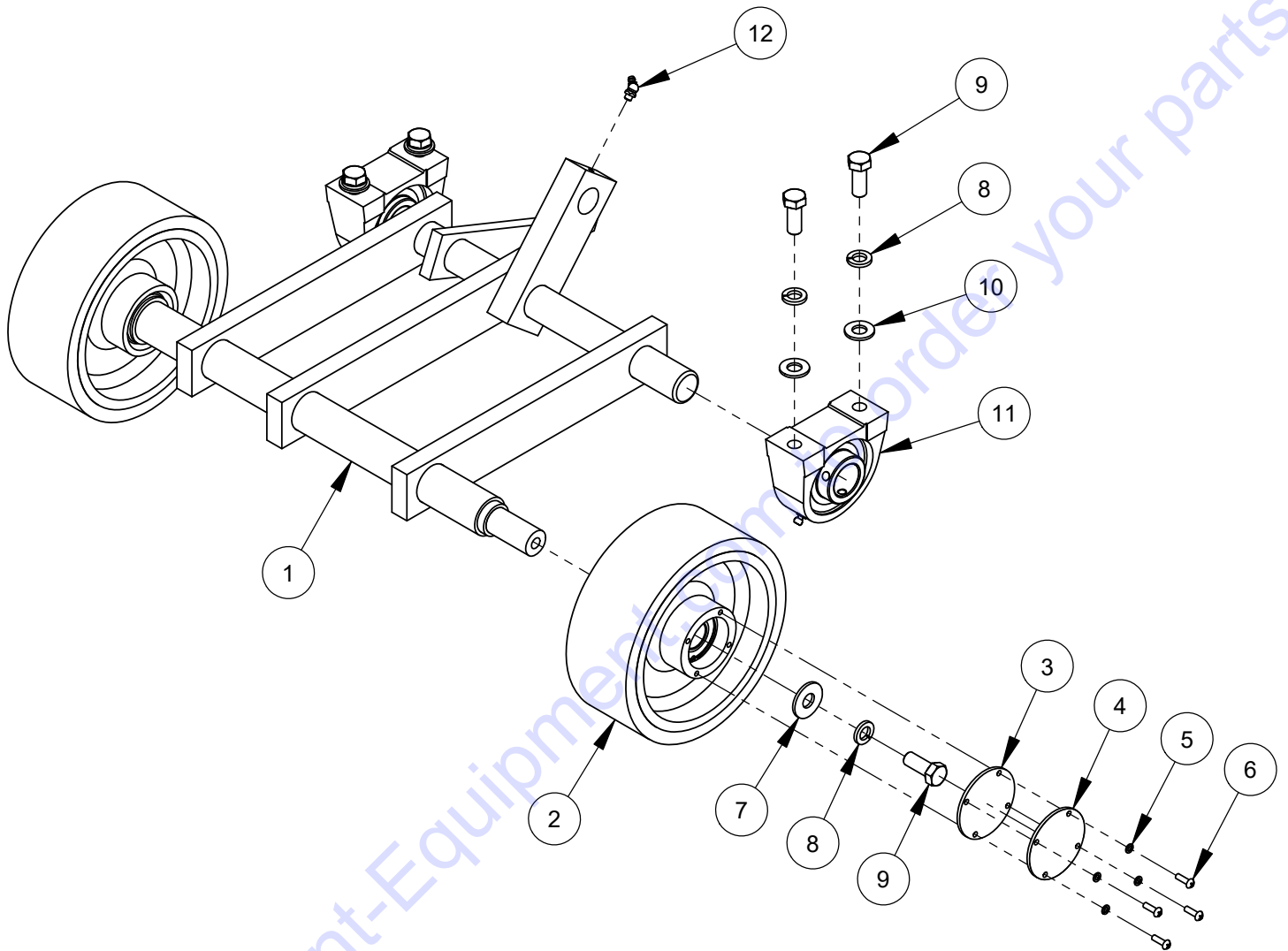
ITEM	PART NO.	QTY.	DESCRIPTION
1	2600068	1	Eaton Hydrostatic Transmission
2	3200046	2	Fitting, 3/8" F. JIC to 3/8" Push Lock
3	6010060	1	Oil Recirculation Hose, 3/8" I.D. x 9"
4	2900143	1	Woodruff Key #61, 3/16" x 5/8"
5	2900063	1	Woodruff Key #405, 1/8" x 5/8"
6	2500150	1	Sprocket, #40 x 11 Tooth w/Setscrews
7	2900083	1	Fender Washer, 1/4" x 1-1/4"
8	2900024	1	Lock Washer, 1/4" Split
9	2900082	1	Cap Screw, Hex Hd., 1/4-20 x 1/2"
10	6010064	1	Shift Lever
11	2900058	1	Flat Washer, 1/2" SAE
12	2900026	1	Lock Nut, 1/2-13 Nylon
13	2503994	1	Sheave, 5"
14	2503845	1	QD Bushing, SH x 3/4" w/Fasteners
15	2900567	1	Flat Washer, 5/16" USS
16	2900031	1	Lock Washer, 5/16" Split
17	2900019	1	Cap Screw, Hex Hd., 5/16-18 x 3/4"
18	2900035	4	Cap Screw, Hex Hd., 3/8-16 x 3"
19	2900014	4	Flat Washer, 3/8" SAE
20	2900018	4	Lock Nut, 3/8-16 Nylon
21	3200062	1	Hose Clamp #4
22	6010059	1	Clear Hose, 3/8" I.D. x 19"

## Linkage Assembly #6012124



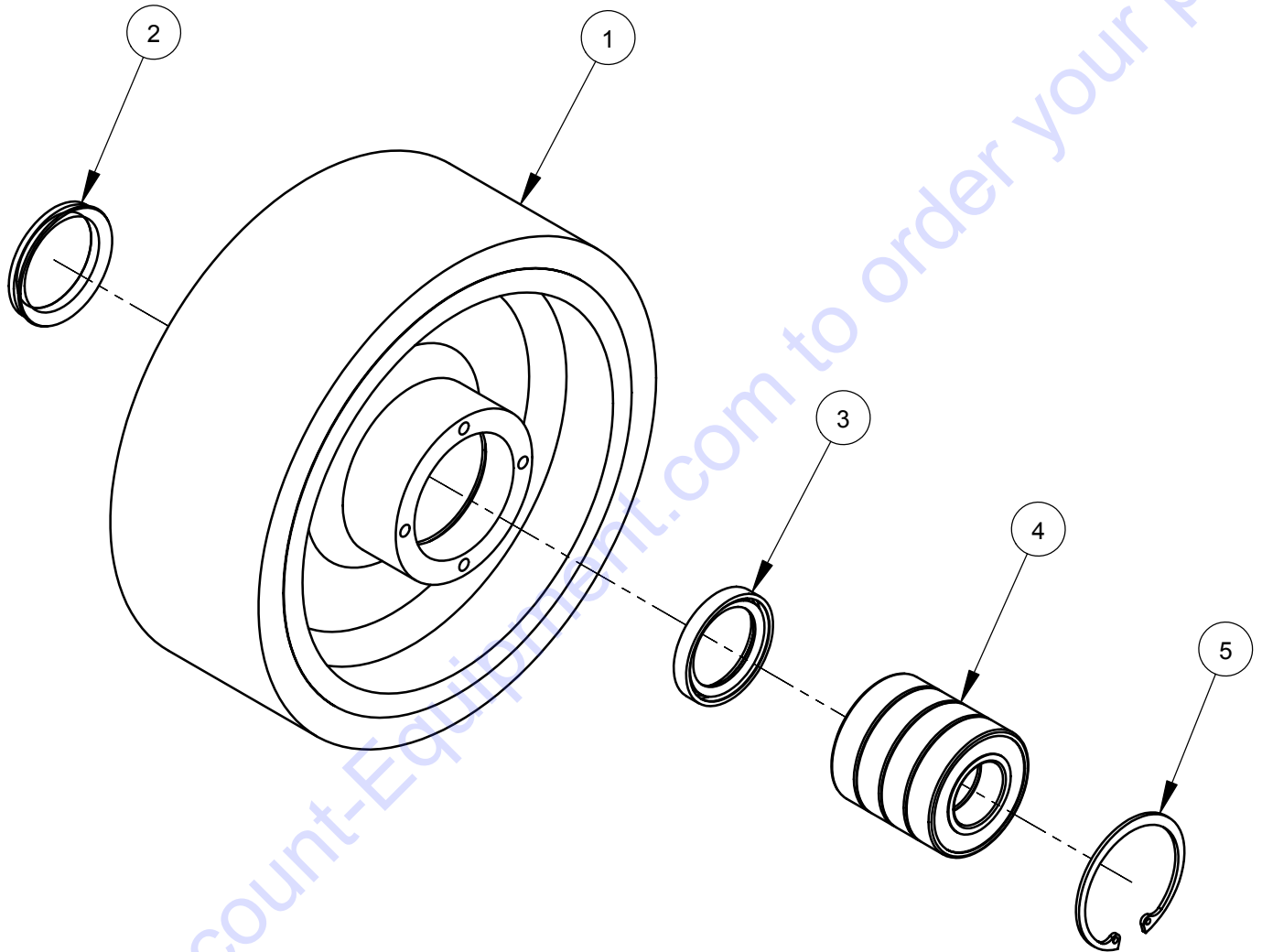
ITEM	PART NO.	QTY.	DESCRIPTION
1	6012058	1	Bell Crank
2	2900153	2	Friction Washer, 3/8"
3	2900029	7	Cap Screw, Hex Hd., 3/8-16 x 1-1/2"
4	2900014	13	Flat Washer, 3/8" SAE
5	2900018	7	Lock Nut, 3/8-16 Nylon
6	6010704	1	Linkage Assembly 5-1/8"
7	6012094	1	Linkage Assembly 6-3/4"
8	6012095	1	Linkage Assembly 10-1/2"

## Front Axle Assembly #6012221



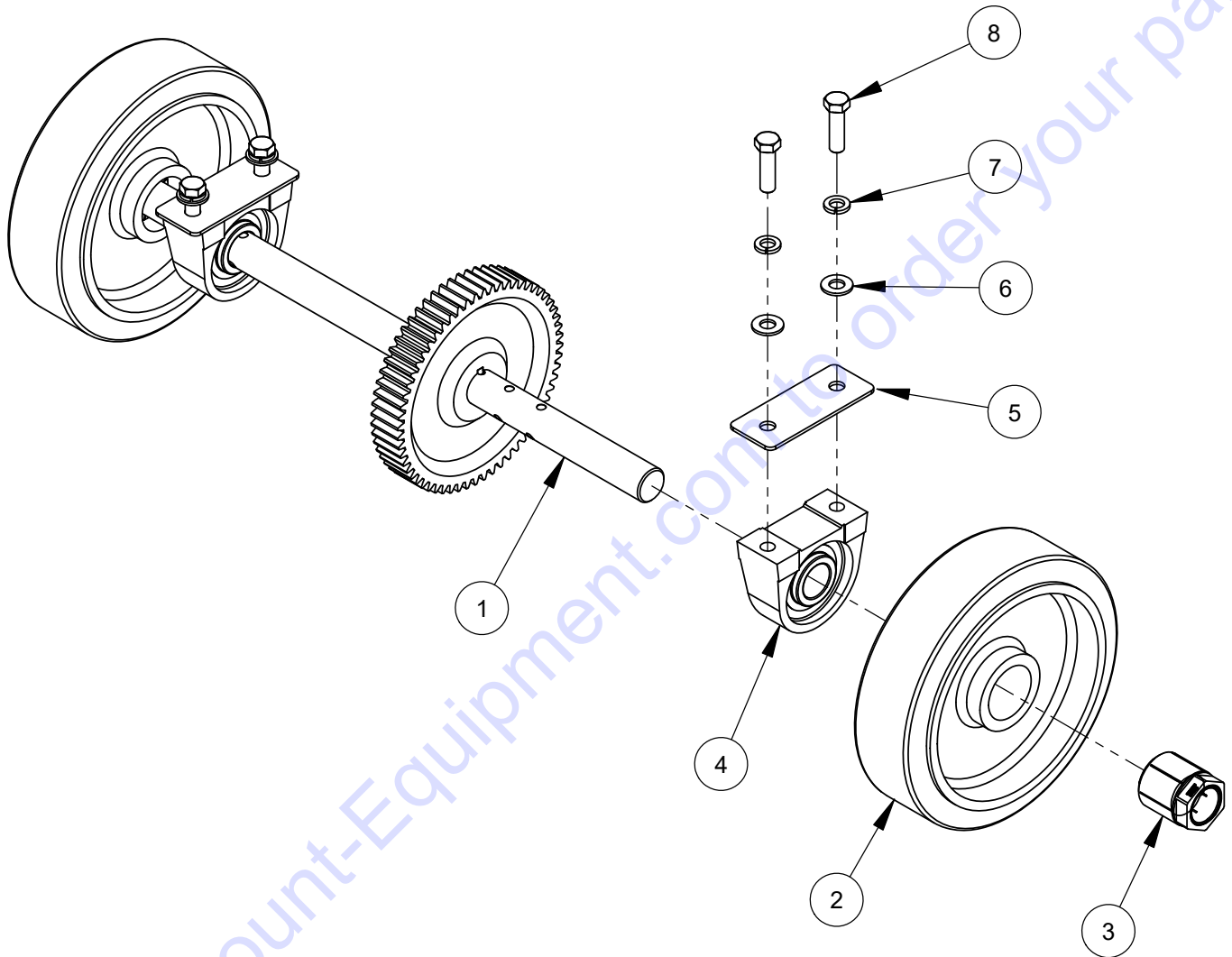
ITEM	PART NO.	QTY.	DESCRIPTION
1	6012218	1	Front Axle Weldment
2	6010581	2	Wheel Assembly, 8" Front
3	2501393	2	Wheel Cover Gasket
4	6010536	2	Wheel Cover
5	2900038	8	Lock Washer, #10 Split
6	2900159	8	Machine Screw, Rd. Hd., #10-24 x 5/8"
7	2900127	2	Flat Washer, 1/2" USS
8	2900084	6	Lock Washer, 1/2" Split
9	2900025	6	Cap Screw, Hex Hd., 1/2-13 x 1-1/4"
10	2900058	4	Flat Washer, 1/2" SAE
11	2500158	2	Pillow Block Bearing 1-1/4"
12	2900184	1	Grease Fitting, 1/4" NPT x 45 degree

## Front Wheel Assembly #6010581



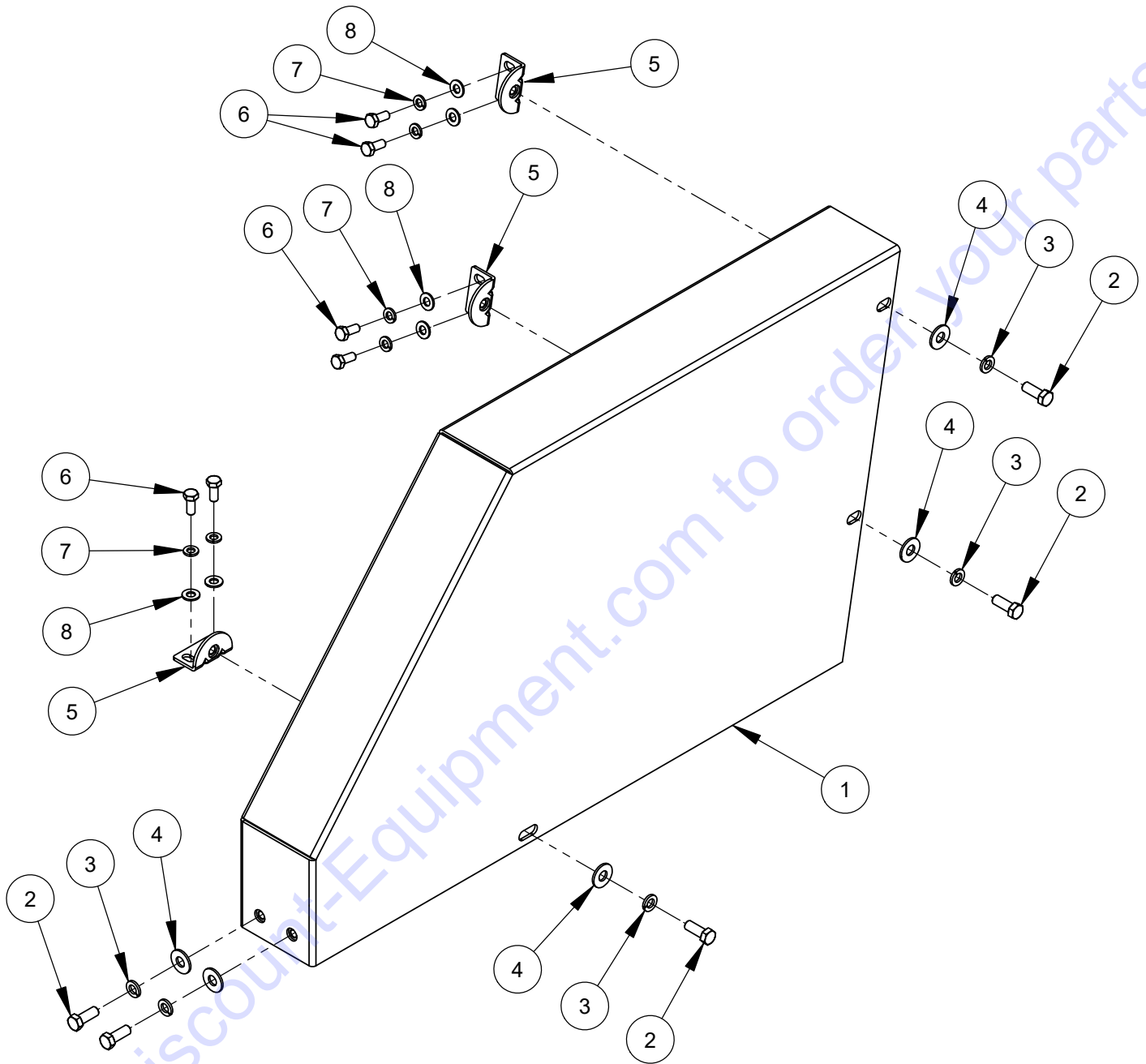
ITEM	PART NO.	QTY.	DESCRIPTION
1	2501390	1	Wheel, 8" Front
2	2501428	1	Seal, 1-1/2" V-Ring
3	2501391	1	Seal, 1-1/4" x 1-3/4" x 1/4"
4	2501418	4	Ball Bearing, 1" x 2" x 1/2"
5	2501392	1	Retaining Ring, 2" Internal

## Rear Axle Assembly #6012117



ITEM	PART NO.	QTY.	DESCRIPTION
1	6012118	1	Rear Axle Weldment w/60 Tooth Gear
2	2500873	2	Wheel, 10" Rear with 2" Bore
3	2500874	2	Trantorque Bushing, 1-1/4"
4	2500158	2	Pillow Block Bearing 1-1/4"
5	6010024	2	Rear Axle Bearing Spacer, 1/8"
6	2900058	4	Flat Washer, 1/2" SAE
7	2900084	4	Lock Washer, 1/2" Split
8	2900139	4	Cap Screw, Hex Hd., 1/2-13 x 1-3/4"

## Belt Guard Assembly #6012231



ITEM	PART NO.	QTY	DESCRIPTION
1	6012214	1	Belt Guard
2	2900005	5	Cap Screw, Hex Hd., 3/8-16 x 1"
3	2900006	5	Lock Washer, 3/8" Split
4	2900473	5	Flat Washer, 3/8" USS
5	6010558	3	Guard Mounting Tab, 3/8-16
6	2900019	6	Cap Screw, Hex Hd., 5/16-18 x 3/4"
7	2900031	6	Lock Washer, 5/16" Split
8	2900022	6	Flat Washer, 5/16" SAE

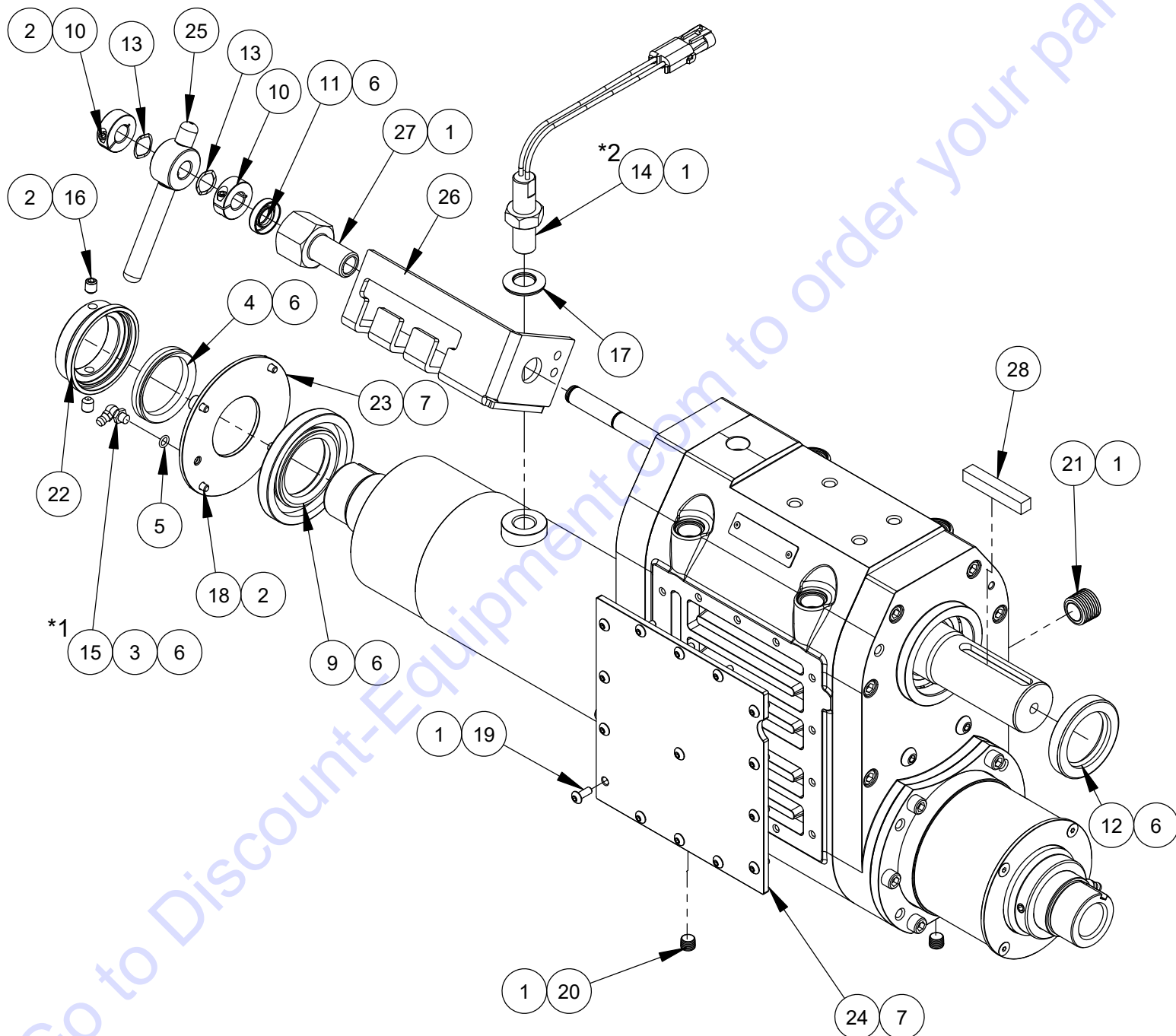


## Transmission Assembly 3-Spd 29"

### For Complete Assembly:

Use **6018400** for CC4144D, CC4130E & CC3730E

Use **6018410** for CC3740E



### NOTE:

1. It may be necessary to grind grease fitting 2900061 flush to back of seal retainer 6018049 when assembled with O-ring 2500939 prior to mounting to bladeshaft housings. Orient all fittings as shown.
2. Screw magnetic sensor into port until sensor tip touches OD of 60T gear, back sensor out 1/2 turn and lock in place with jam nut supplied with sensor.

## Transmission Assembly 3-Spd 29"

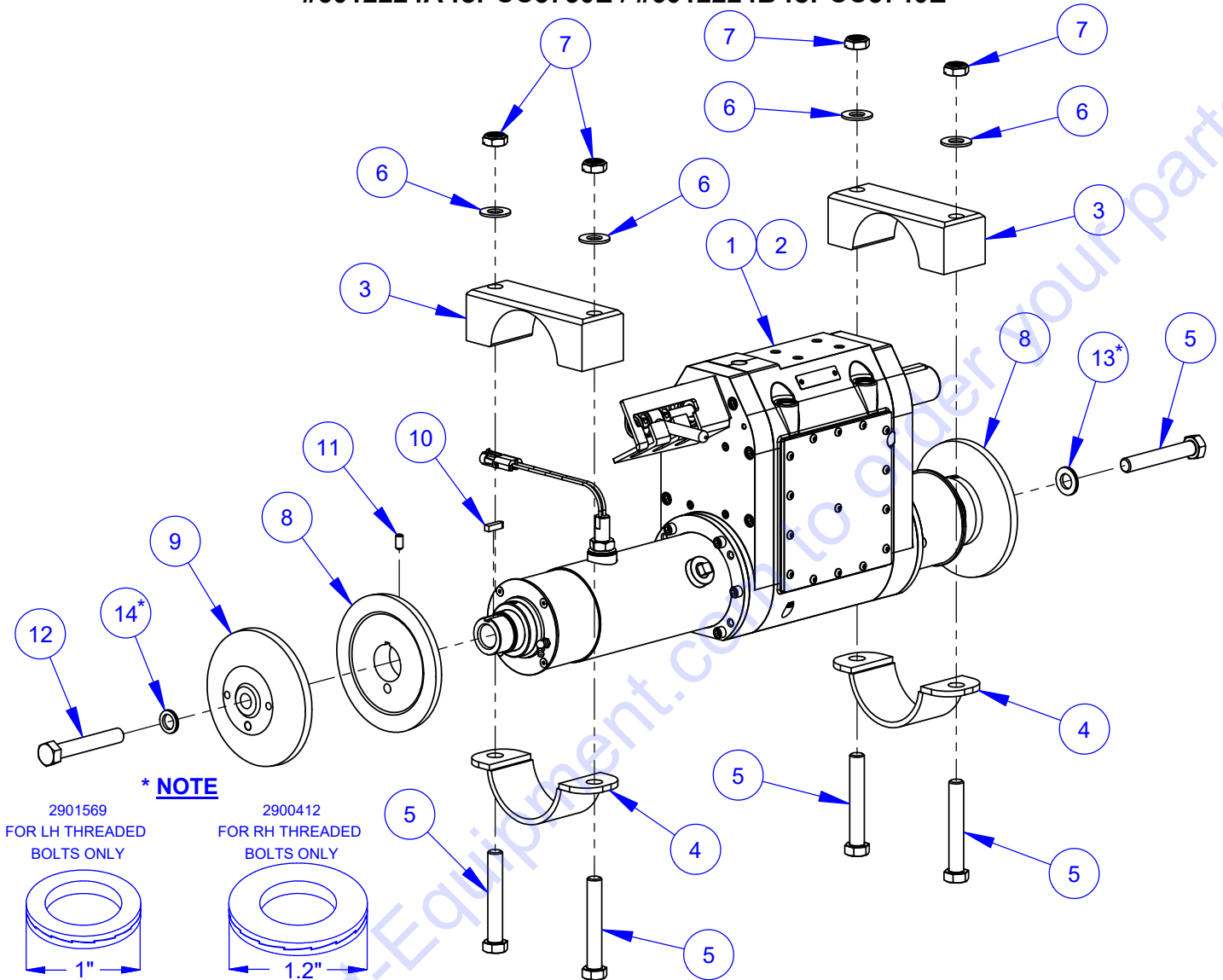
### For Complete Assembly:

Use **6018400** for CC4144D, CC4130E & CC3730E

Use **6018410** for CC3740E

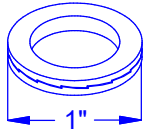
ITEM	PART NO.	QTY.	DESCRIPTION
1	2401311	AR	Loctite #567 Thread Sealant
2	2401315	AR	Loctite #242 Blue
3	2401316	AR	Loctite #262 Red
4	2500751	2	Seal, 1-3/4" V-Ring
5	2500939	2	O-Ring, AS568A - 010
6	2502046	AR	Grease, Fuchs Synthetic
7	2503802	AR	Permatex Ultra Black
8	2503930	3 qt	Gear Oil, 75W90 Synthetic
9	2503944	2	Oil Seal, 45 x 85 x 10mm
10	2504769	2	1/2" Split Shaft Collar
11	2506441	1	Oil Seal, 1/2 x 1.00 x 1/4"
12	2506443	1	Oil Seal, 40 x 60 x 10mm
13	2506445	2	1/2" Wave Washer
14	2800169	1	Magnetic Sensor w/Jam Nut
15	2900061	2	Grease Fitting, 1/4-28 x 90 Degree
16	2900142	4	Set Screw, Soc. Hd., 5/16-18 x 3/8"
17	2900805	1	Sealing Washer, 5/8"
18	2900978	8	Cap Screw, Flat Hd., #10-24 x 1/2"
19	2901312	30	Cap Screw, Button Hd., #10-24 x 1/2"
20	3200001	2	Plug, 1/8" NPT
21	3202334	1	1/2" NPTF Magnetic Pipe Plug
22	6018028	2	V-Ring Cover
23	6018049	2	Seal Retainer
24	6018056	2	Heat Exchanger Cover Plate
25	6018063	1	Shift Lever Assembly
26	6018064	1	Shift Bracket
27	6018065	1	Shifter Housing
28	6047959	1	Key, 3/8" Sq. x 2-1/4"

### **3 Speed Blade Shaft Assembly #6012224** **#6012224A for CC3730E / #6012224B for CC3740E**

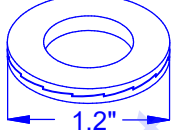


**\* NOTE**

2901569  
FOR LH THREADED  
BOLTS ONLY



2900412  
FOR RH THREADED  
BOLTS ONLY

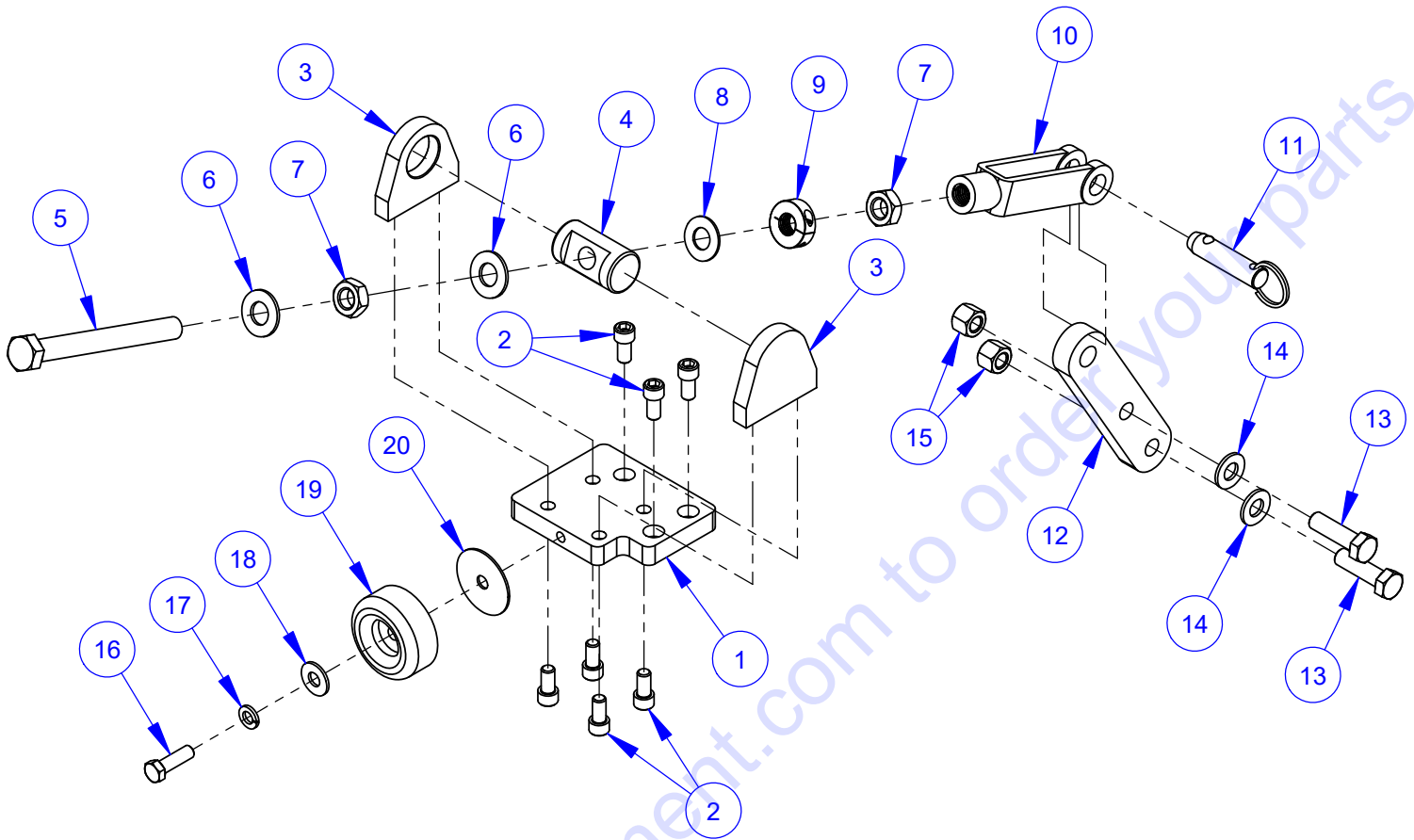


ITEM	PART NO.	6012224A QTY.	6012224B QTY.	DESCRIPTION
1	6018400	1	-	Trans Asm: 3-Spd 29"
2	6018410	-	1	Trans Asm: 3-Spd 29" HD
3	6010980	2	2	Clamp Block
4	6010981	2	2	Saddle Clamp
5	2900146	5	5	Cap Screw, Hex Hd., 5/8-11 x 4"
6	2900002	4	4	Flat Washer, 5/8" SAE
7	2900753	4	4	Jam Lock Nut, 5/8-11
8	6010038	2	2	Inner Flange 6"
9	6010039	1	1	Outer Flange 6" with Pin
10	6010040	2	2	Key, 1/4" Sq. x 15/16"
11	2900418	2	2	Set Screw, Soc. Hd., 5/16-18 x 5/8"
12	2900130	1	1	Cap Screw, Hex Hd., 5/8-11 x 4" LH
13	2900412	1	1	Wedge Lock Washer Pair, 5/8"
14	2901569	1	1	Wedge Lock Washer Pair, 5/8" LH

\* See Note

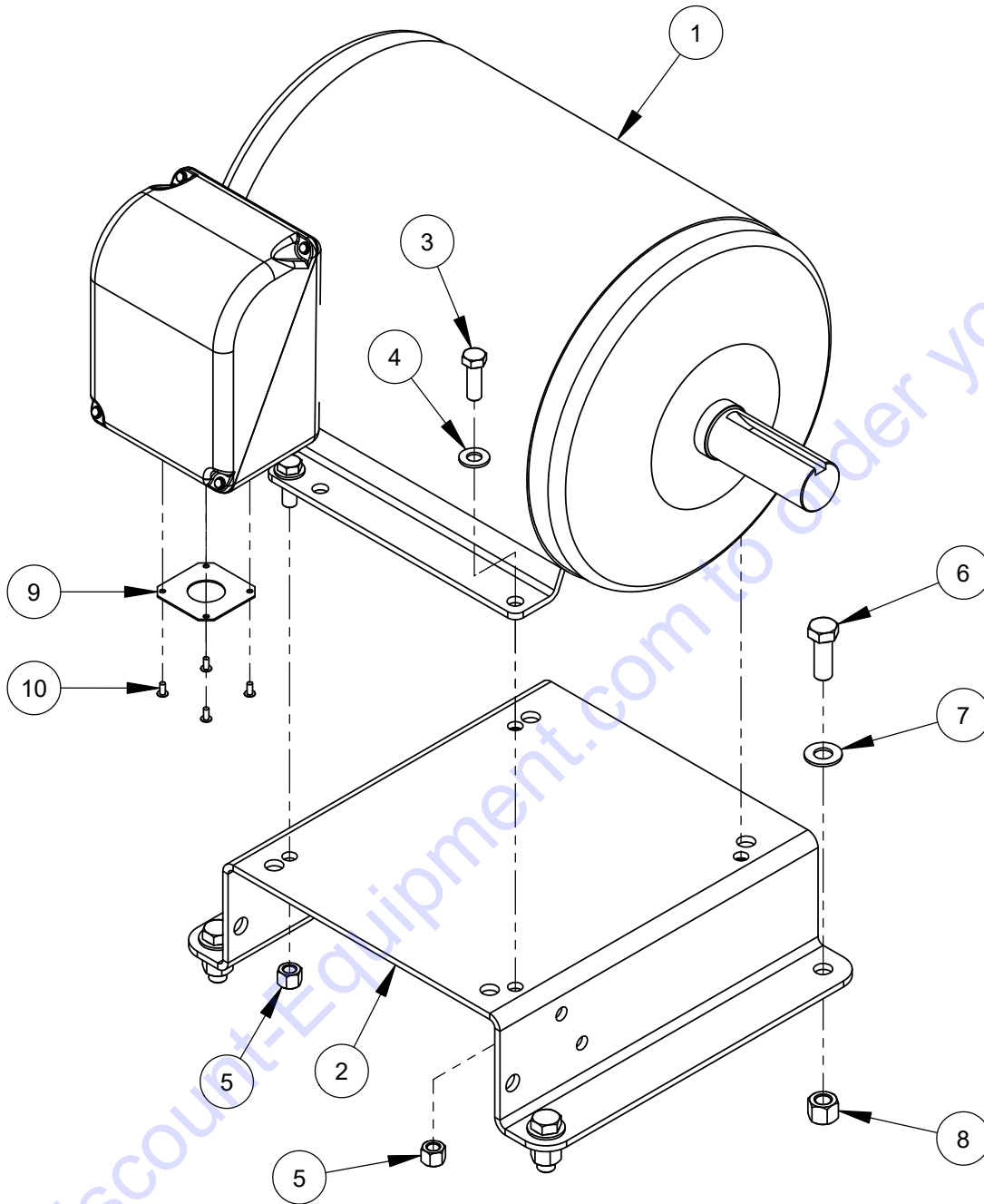
\* See Note

## Belt Tensioner Assembly #6012225



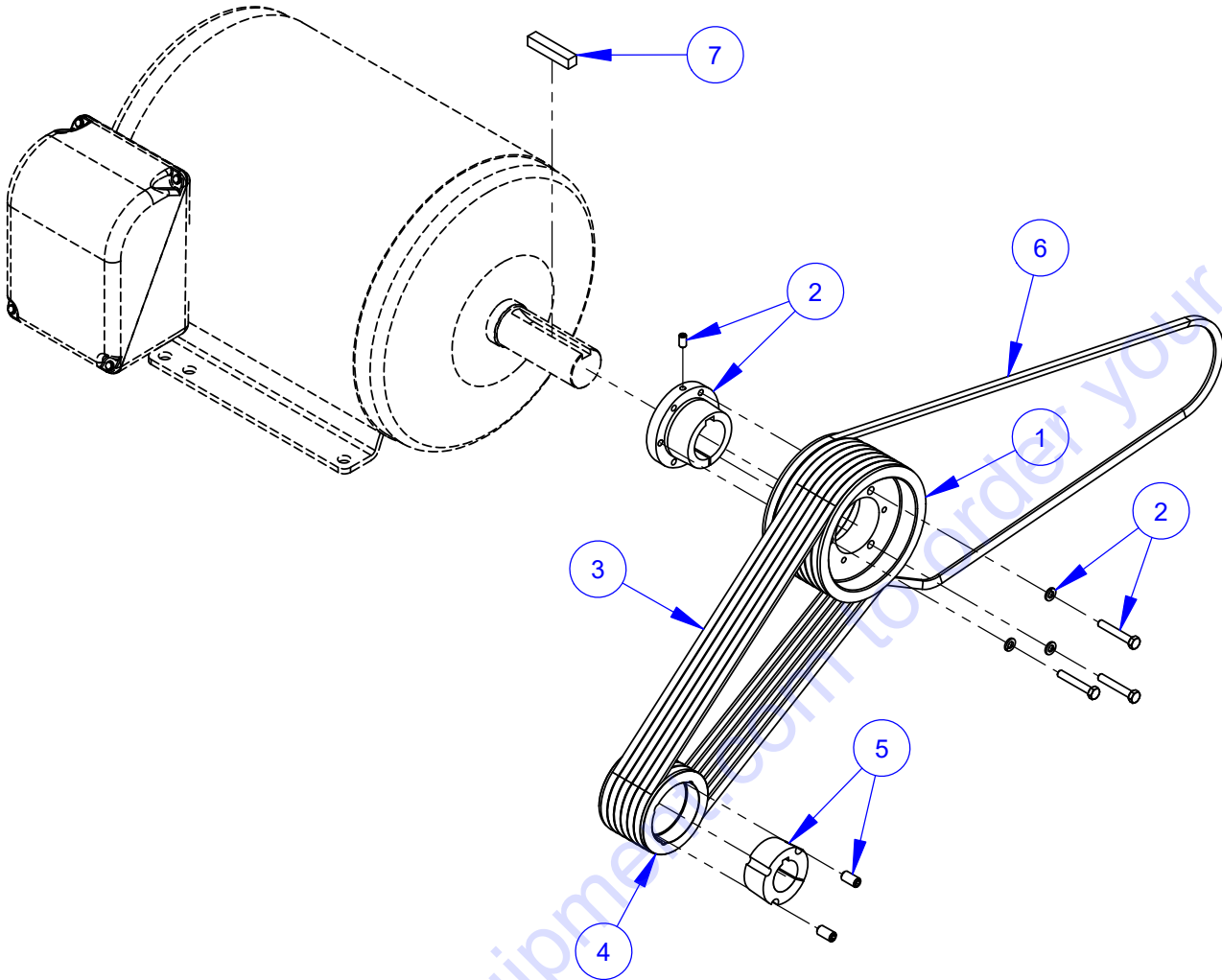
ITEM	PART NO.	QTY.	DESCRIPTION
1	6012208	1	Clevis Base
2	2900976	7	Cap Screw, Soc. Hd., 3/8-16 x 3/4"
3	6010978	2	Clevis Flange
4	6010976	1	Clevis Pin
5	2900907	1	Tap Bolt, Hex Hd., 5/8-11 x 6"
6	2900002	2	Flat Washer, 5/8" SAE
7	2900256	2	Jam Nut, 5/8-11
8	2901561	1	Thrust Washer, 5/8"
9	2503968	1	Collar, 5/8-11 Split
10	2503967	1	Yoke, 5/8-11
11	2901371	1	Lock Pin with Ring
12	6012209	1	Tensioner Anchor Arm
13	2900139	2	Cap Screw, Hex Hd., 1/2-13 x 1-3/4"
14	2900058	2	Flat Washer, 1/2" SAE
15	2900026	2	Lock Nut, 1/2-13 Nylon
16	2900013	1	Cap Screw, Hex Hd., 3/8-16 x 1-1/4"
17	2900006	1	Lock Washer, 3/8" Split
18	2900473	1	Flat Washer, 3/8" USS
19	2501767	1	Rubber Bumper
20	2901375	1	Fender Washer, 3/8" x 2"

## 30hp Motor Assembly #6012226



ITEM	PART NO.	QTY.	DESCRIPTION
1	2600182	1	Motor, 30hp Lincoln
2	6012211	1	Motor Platform
3	2900499	4	Cap Screw, Hex Hd., 1/2-13 x 1-1/2"
4	2900058	4	Flat Washer, 1/2" SAE
5	2900026	4	Lock Nut, 1/2-13 Nylon
6	2900147	4	Cap Screw, Hex Hd., 5/8-11 x 1-3/4"
7	2900002	4	Flat Washer, 5/8" SAE
8	2900135	4	Lock Nut, 5/8-11 Nylon
9	2500676	1	Motor Cord Adapter Plate
10	2900201	4	Rivet, 3/16" Dia.

## 30hp Belt Drive Assembly #6012227



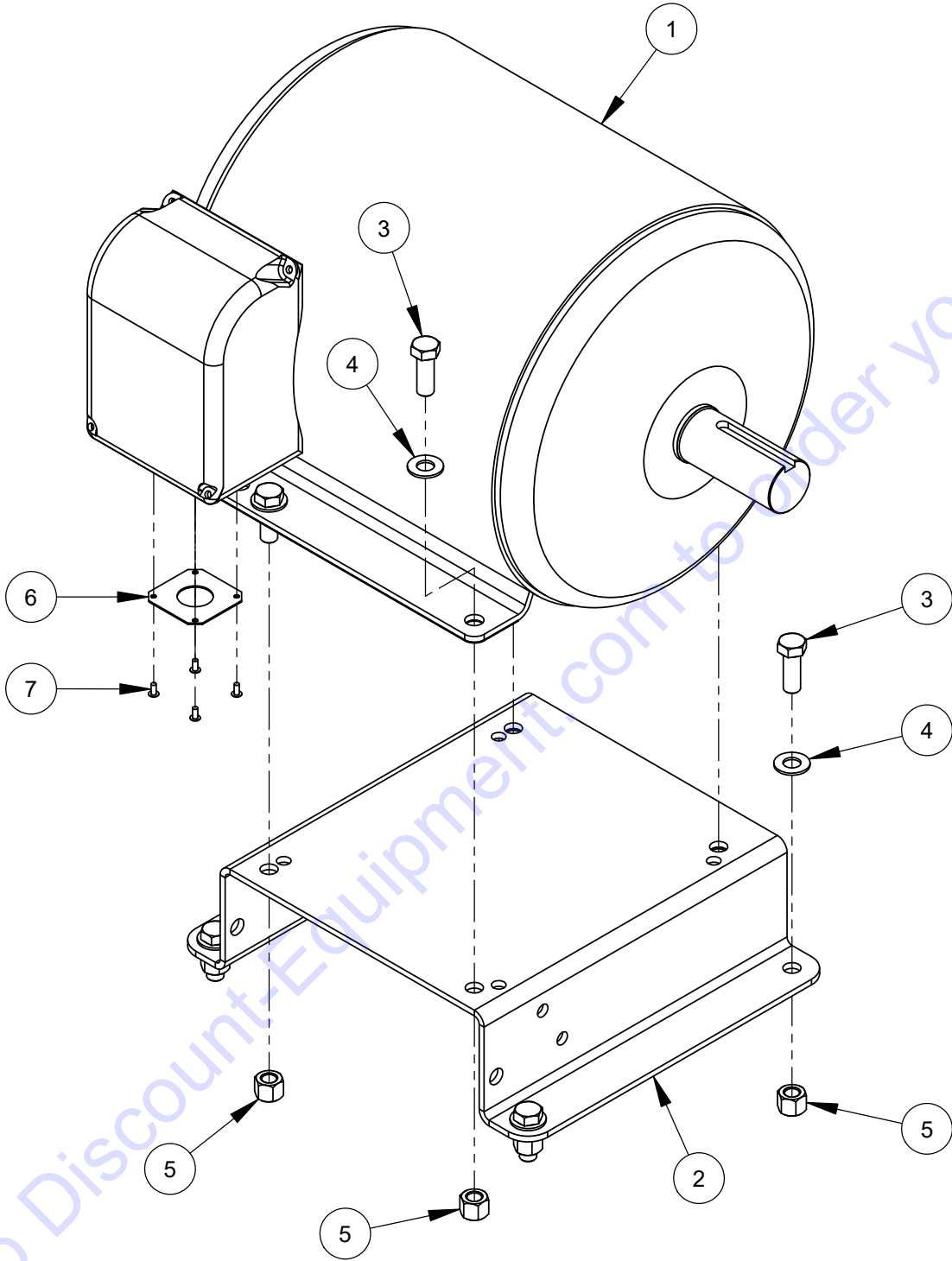
### 14/26/36 BLADE DRIVE #6012227A

ITEM	PART NO.	QTY.	DESCRIPTION
1	2503755	1	Sheave, 6.5" x 8 Groove QD Style
2	2500932	1	QD Bushing, SK x 1-7/8" w/Fasteners
3	2503185	6	V-Belt, 3VX464
4	6045158	1	Sheave, 4"-3V-6 Groove 2012
5	2503811	1	Taper Bushing, 1-1/2" w/Setscrews
6	2503996	1	V-Belt, 3VX650
7	6018187	1	Key, 1/2" Square x 2-1/2" Long

### 20/30/42 BLADE DRIVE #6012227B

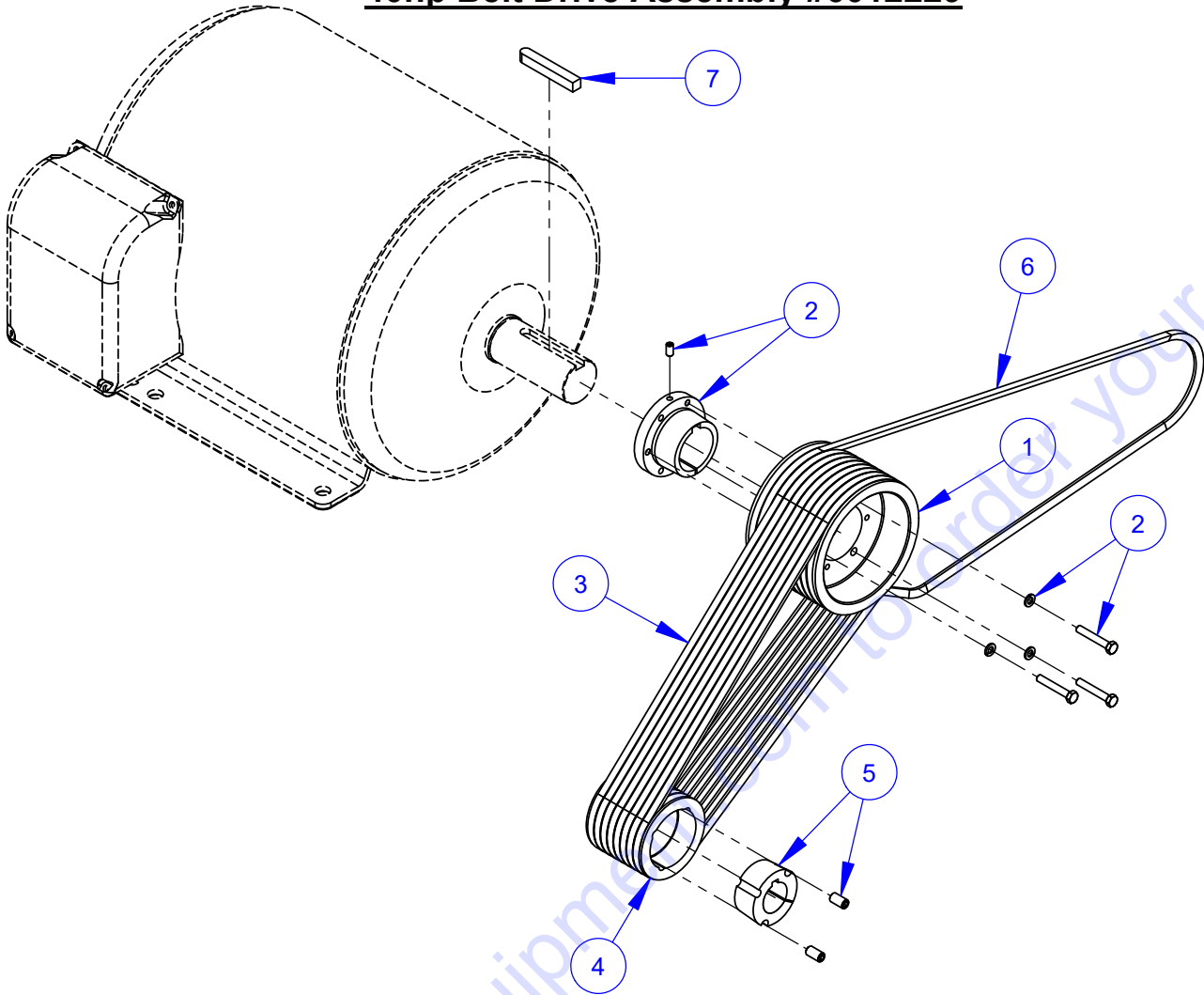
ITEM	PART NO.	QTY.	DESCRIPTION
1	2500172	1	Sheave, 5.6" x 8 Groove QD Style
2	2500932	1	QD Bushing, SK x 1-7/8" w/Fasteners
3	2500794	6	V-Belt, 3VX450
4	6045158	1	Sheave, 4"-3V-6 Groove 2012
5	2503811	1	Taper Bushing, 1-1/2" w/Setscrews
6	2503998	1	V-Belt, 3VX630
7	6018187	1	Key, 1/2" Square x 2-1/2" Long

## 40hp Motor Assembly #6012228



ITEM	PART NO.	QTY.	DESCRIPTION
1	2600185	1	Motor, 40hp Lincoln
2	6012211	1	Motor Platform
3	2900147	8	Cap Screw, Hex Hd., 5/8-11 x 1-3/4"
4	2900002	8	Flat Washer, 5/8" SAE
5	2900135	8	Lock Nut, 5/8-11 Nylon
6	2500676	1	Motor Cord Adapter Plate
7	2900201	4	Rivet, 3/16" Dia.

## 40hp Belt Drive Assembly #6012229



### 14/26/36 BLADE DRIVE #6012229A

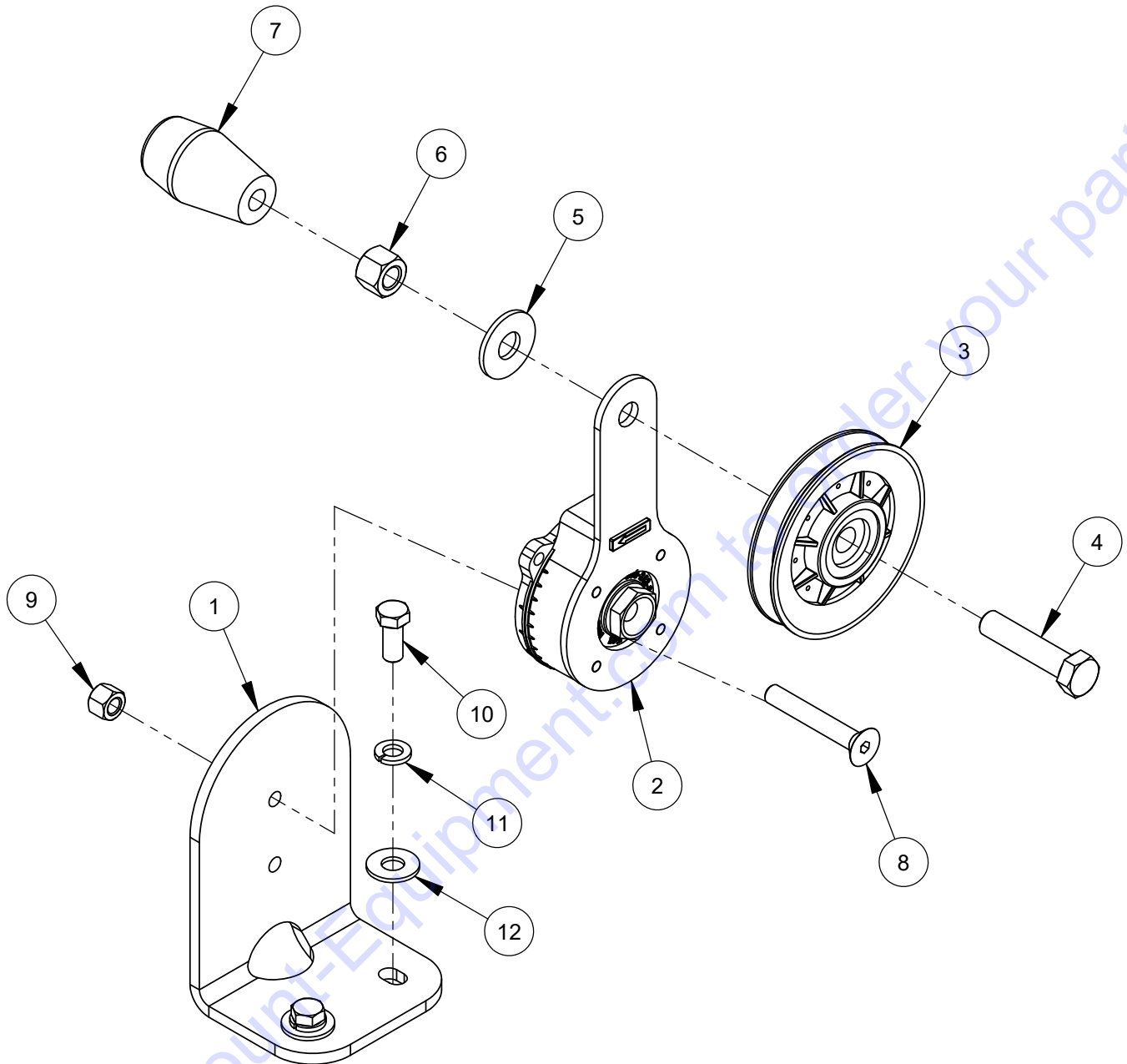
ITEM	PART NO.	QTY.	DESCRIPTION
1	2501902	1	Sheave, 6.5" x 10 Groove QD Style
2	2500934	1	QD Bushing, SK x 2-1/8" w/Fasteners
3	2500298	8	V-Belt, 3VX475
4	2501382	1	Sheave, 4" x 8 Groove Taper Style
5	2503811	1	Taper Bushing, 1-1/2" w/Setscrews
6	2503996	1	V-Belt, 3VX650
7	6018178	1	Key, 1/2" Sq. x 3-7/16"

### 20/30/42 BLADE DRIVE #6012229B

ITEM	PART NO.	QTY.	DESCRIPTION
1	2500209	1	Sheave, 5.6" x 10 Groove QD Style
2	2500934	1	QD Bushing, SK x 2-1/8" w/Fasteners
3	2503185	8	V-Belt, 3VX464
4	2501382	1	Sheave, 4" x 8 Groove Taper Style
5	2503811	1	Taper Bushing, 1-1/2" w/Setscrews
6	2503998	1	V-Belt, 3VX630
7	6018178	1	Key, 1/2" Sq. x 3-7/16"

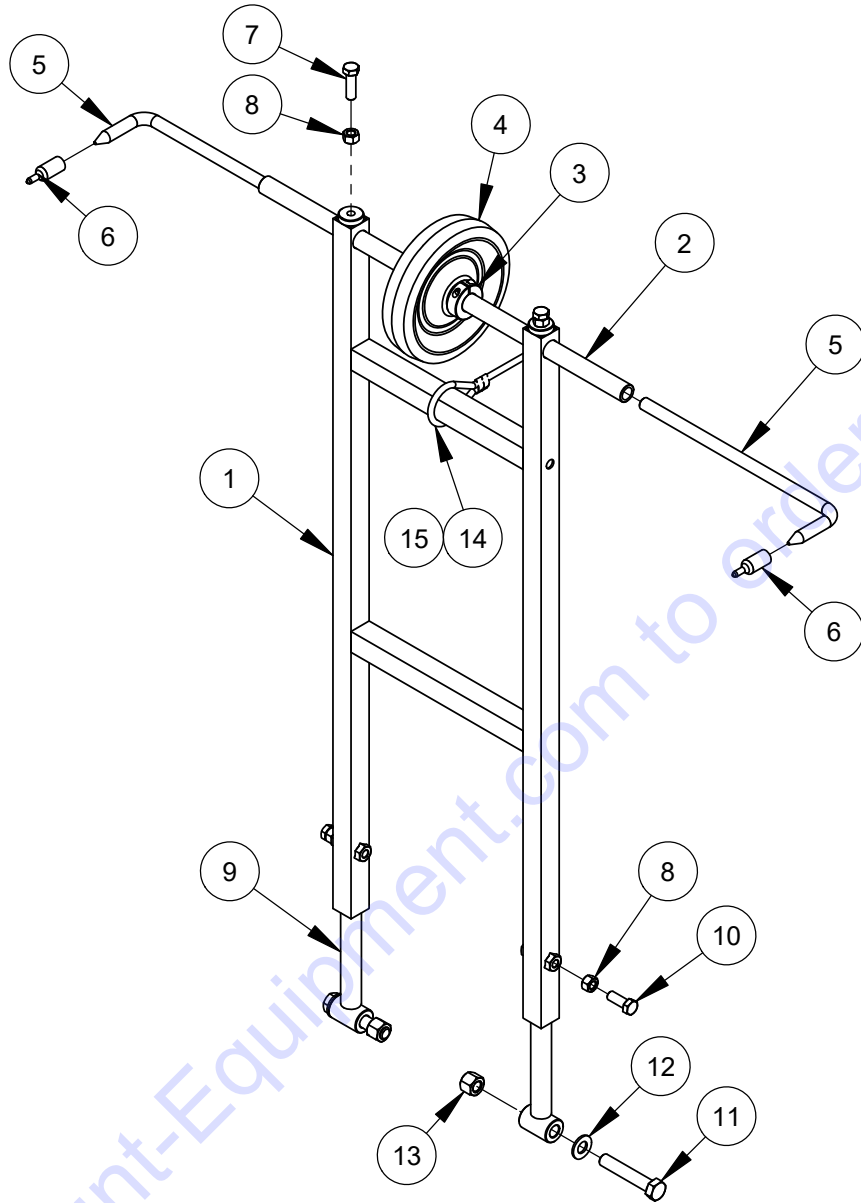


## Rotary Tensioner Assembly #6012230



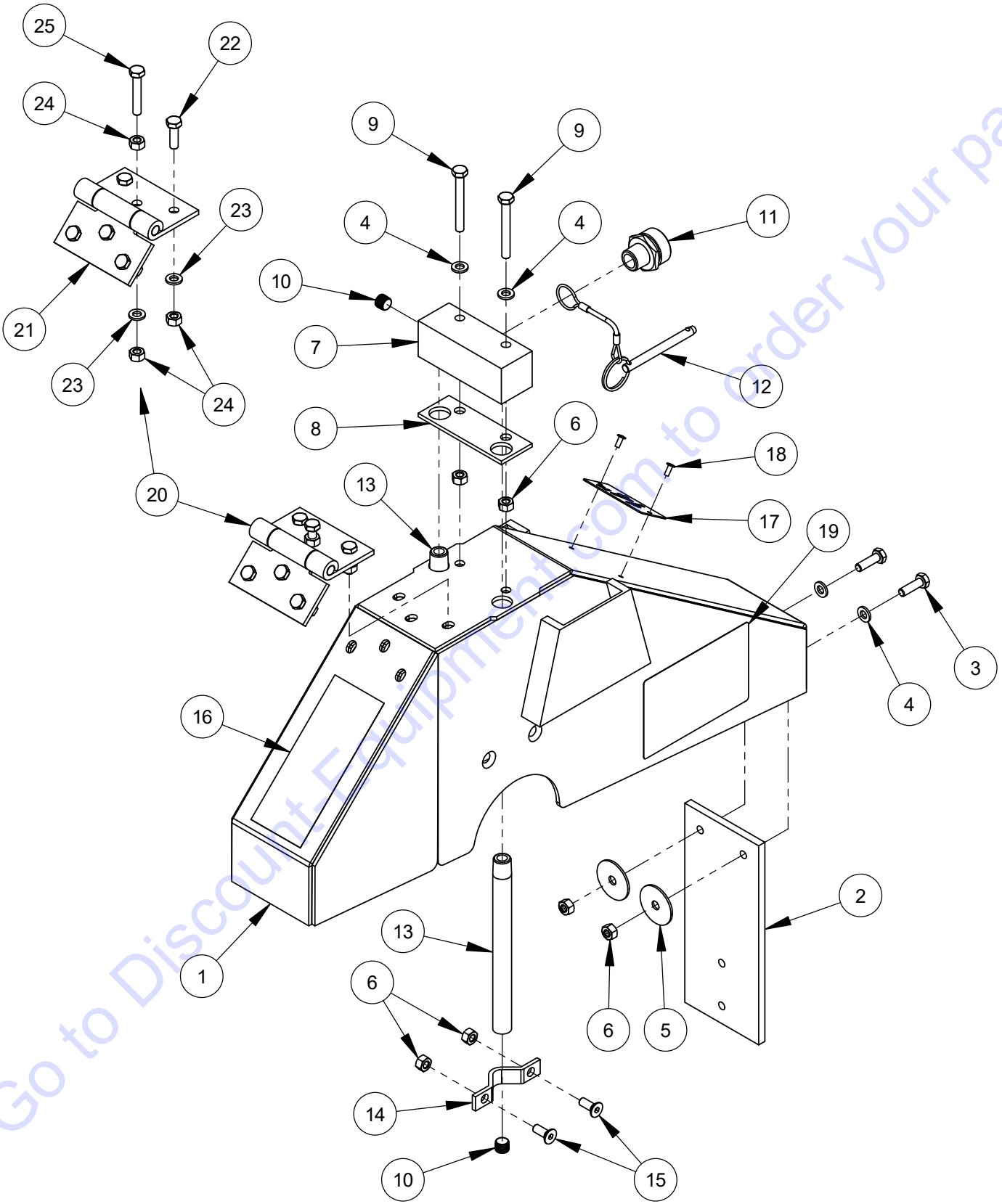
ITEM	PART NO.	QTY.	DESCRIPTION
1	6012212	1	Tensioner Mount Bracket
2	2503992	1	Rotary Tensioner
3	2501751	1	Idler Pulley 4"
4	2900192	1	Cap Screw, Hex Hd., 1/2-13 x 2-1/4"
5	2900127	1	Flat Washer, 1/2" USS
6	2900026	1	Lock Nut, 1/2-13 Nylon
7	2501754	1	Knob, 1/2-13 Tapered
8	2900953	1	Cap Screw, Flat Hd., 3/8-16 x 2-1/2"
9	2900018	1	Lock Nut, 3/8-16 Nylon
10	2900621	2	Cap Screw, Hex Hd., 3/8-16 x 7/8"
11	2900006	2	Lock Washer, 3/8" Split
12	2900473	2	Flat Washer, 3/8" USS

## Dual Front Pointer Assembly #6011540



ITEM	PART NO.	QTY.	DESCRIPTION
1	6011537	1	Front Pointer Frame
2	6011539	1	Pointer Tube, 20"
3	2504577	2	Shaft Collar, 3/4" Split
4	2504581	1	Wheel, 6"
5	6011535	2	Front Pointer Rod, 11"
6	2500740	2	Pointer Cap
7	2900013	2	Cap Screw, Hex Hd., 3/8-16 x 1-1/4"
8	2900033	4	Hex Nut, 3/8-16
9	6011152	2	Front Pointer Arm
10	2900005	2	Cap Screw, Hex Hd., 3/8-16 x 1"
11	2900105	2	Cap Screw, Hex Hd., 1/2-13 x 2-3/4"
12	2900239	2	Friction Washer, 1/2"
13	2900026	2	Lock Nut, 1/2-13 Nylon
14	6017241	1	Pointer Rope 11 Foot
15	3200221	2	Pinch Clamp, Two Ear

# 14" Blade Guard Assembly #6010950

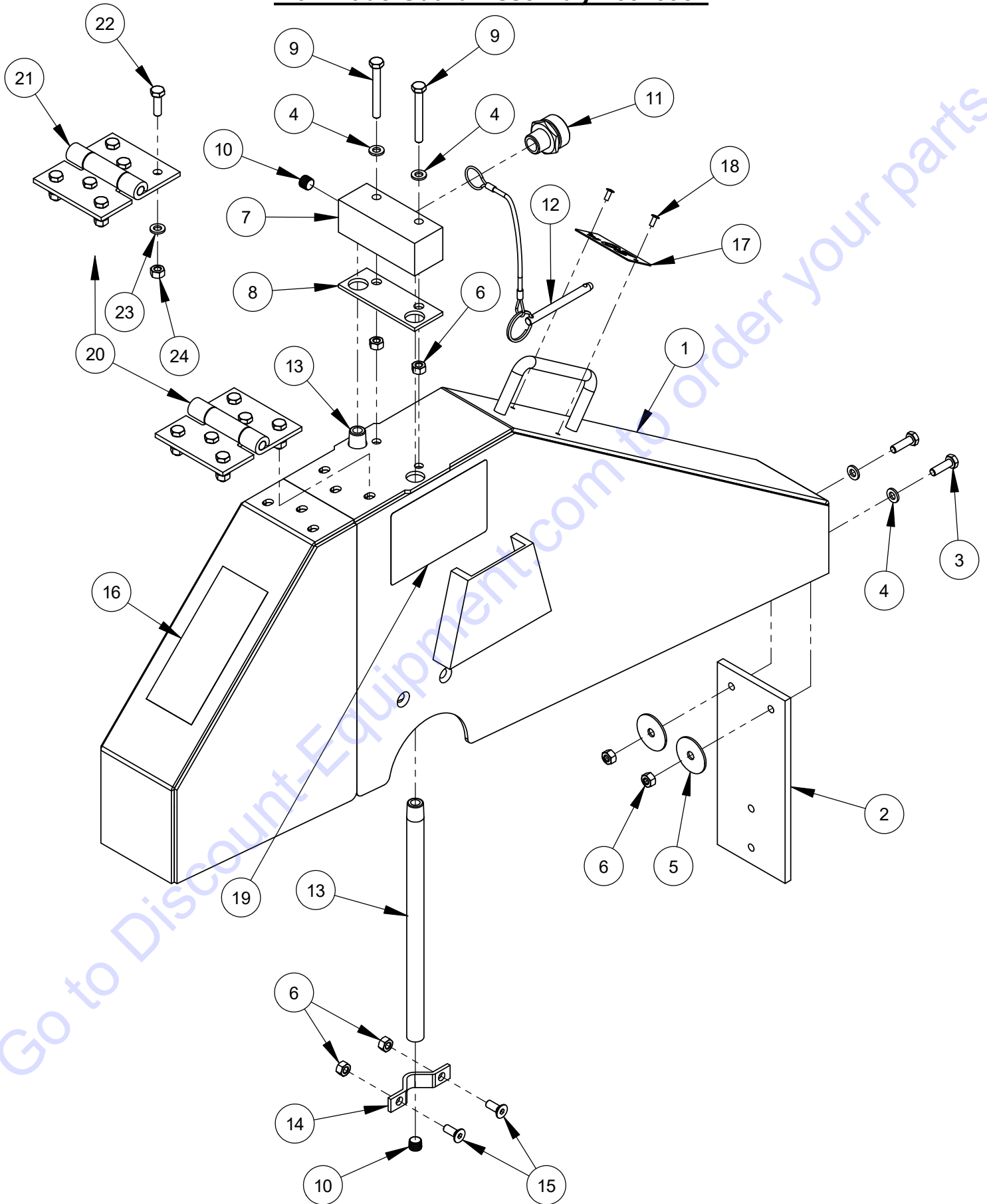


## 14" Blade Guard Assembly #6010950

ITEM	PART NO.	QTY.	DESCRIPTION
1	6010601	1	14" Blade Guard Front & Rear Only
2	6010081	1	Splash Flap
3	2900310	2	Cap Screw, Hex Hd., M6-1.0 x 20mm
4	2901494	4	Flat Washer, M6
5	2900083	2	Fender Washer, 1/4" x 1-1/4"
6	2900302	8	Lock Nut, M6-1.0 Nylon Insert
7	6010261	1	Water Manifold
8	2500830	1	Water Manifold Gasket
9	2901355	2	Cap Screw, Hex Hd., M6-1.0 x 50mm
10	3200001	3	Plug, 1/8" NPT
11	3200002	1	Fitting, 3/8" M. Pipe to 3/4" M. Garden
12	2900278	1	Lanyard with Lock Pin
13	6048283	2	Water Tube for 14" Guard
14	6048155	2	Water Tube Clamp
15	2900308	4	Cap Screw, Flat Hd., M6-1.0 x 16mm
16	1800001	1	Warning Label
17	1801369A	1	Blade Guard Size Tag
18	2900287	2	Rivet, 1/8" Dia.
19	1802090	2	Label, Wedge Locking Washer
20	6048026	1	Hinge Assembly

ITEM	PART NO.	QTY.	DESCRIPTION
21	2500270	1	Blade Guard Hinge
22	2900310	5	Cap Screw, Hex Hd., M6-1.0 x 20mm
23	2901494	6	Flat Washer, M6
24	2900302	7	Lock Nut, M6-1.0 Nylon Insert
25	2900312	1	Cap Screw, Hex Hd., M6-1.0 x 35mm

# 20" Blade Guard Assembly #6010952

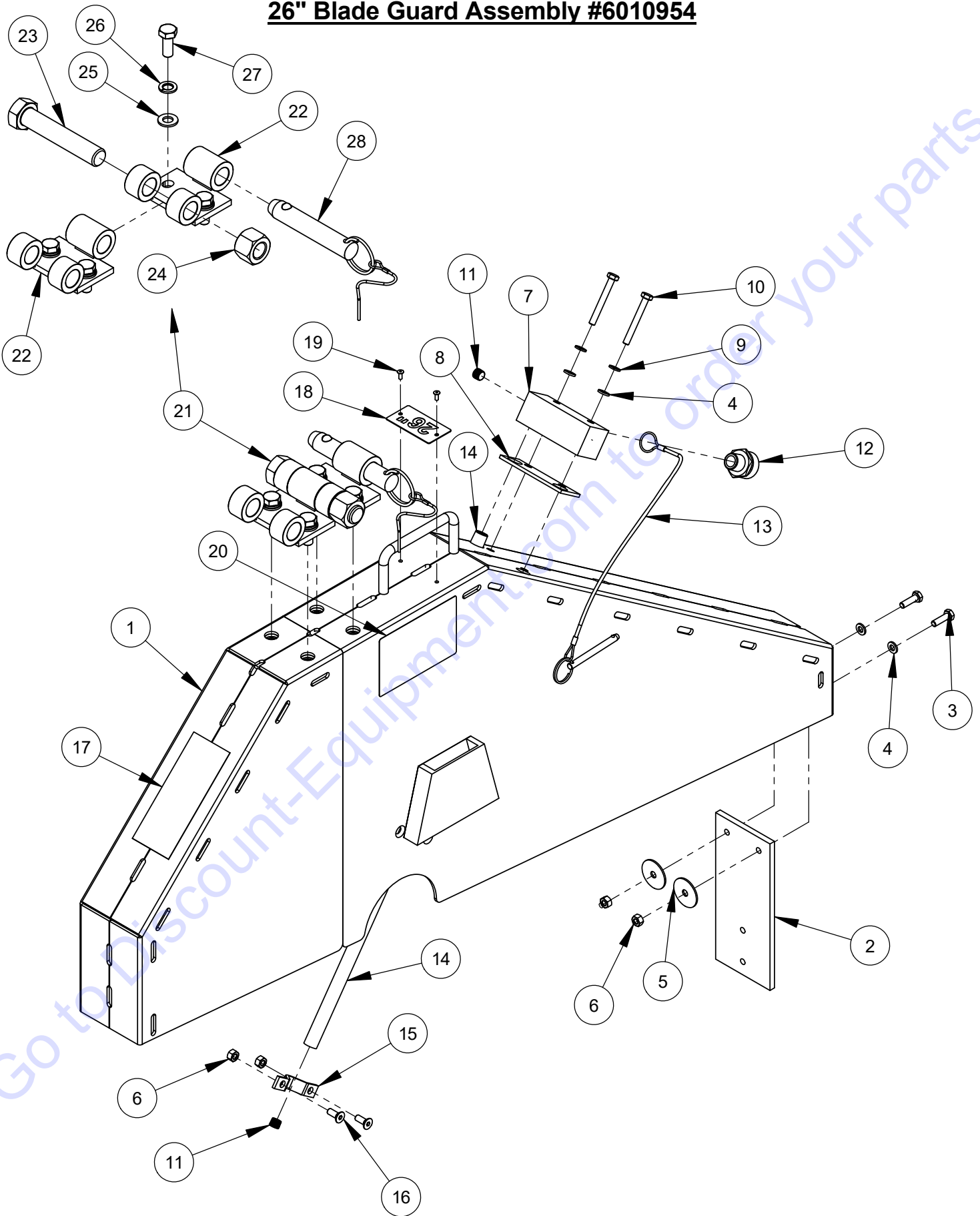


## 20" Blade Guard Assembly #6010952

ITEM	PART NO.	QTY.	DESCRIPTION
1	6010603	1	20" Blade Guard Front & Rear Only
2	6010081	1	Splash Flap
3	2900310	2	Cap Screw, Hex Hd., M6-1.0 x 20mm
4	2901494	4	Flat Washer, M6
5	2900083	2	Fender Washer, 1/4" x 1-1/4"
6	2900302	8	Lock Nut, M6-1.0 Nylon Insert
7	6010261	1	Water Manifold
8	2500830	1	Water Manifold Gasket
9	2901355	2	Cap Screw, Hex Hd., M6-1.0 x 50mm
10	3200001	3	Plug, 1/8" NPT
11	3200002	1	Fitting, 3/8" M. Pipe to 3/4" M. Garden
12	2900278	1	Lanyard with Lock Pin
13	6010085	2	Water Tube for 20" Guard
14	6048155	2	Water Tube Clamp
15	2900308	4	Cap Screw, Flat Hd., M6-1.0 x 16mm
16	1800001	1	Warning Label
17	1801369D	1	Blade Guard Size Tag
18	2900287	2	Rivet, 1/8" Dia.
19	1802090	2	Label, Wedge Locking Washer
20	6048027	1	Hinge Assembly

ITEM	PART NO.	QTY.	DESCRIPTION
21	2500270	1	Blade Guard Hinge
22	2900310	6	Cap Screw, Hex Hd., M6-1.0 x 20mm
23	2901494	6	Flat Washer, M6
24	2900302	6	Lock Nut, M6-1.0 Nylon Insert

# 26" Blade Guard Assembly #6010954



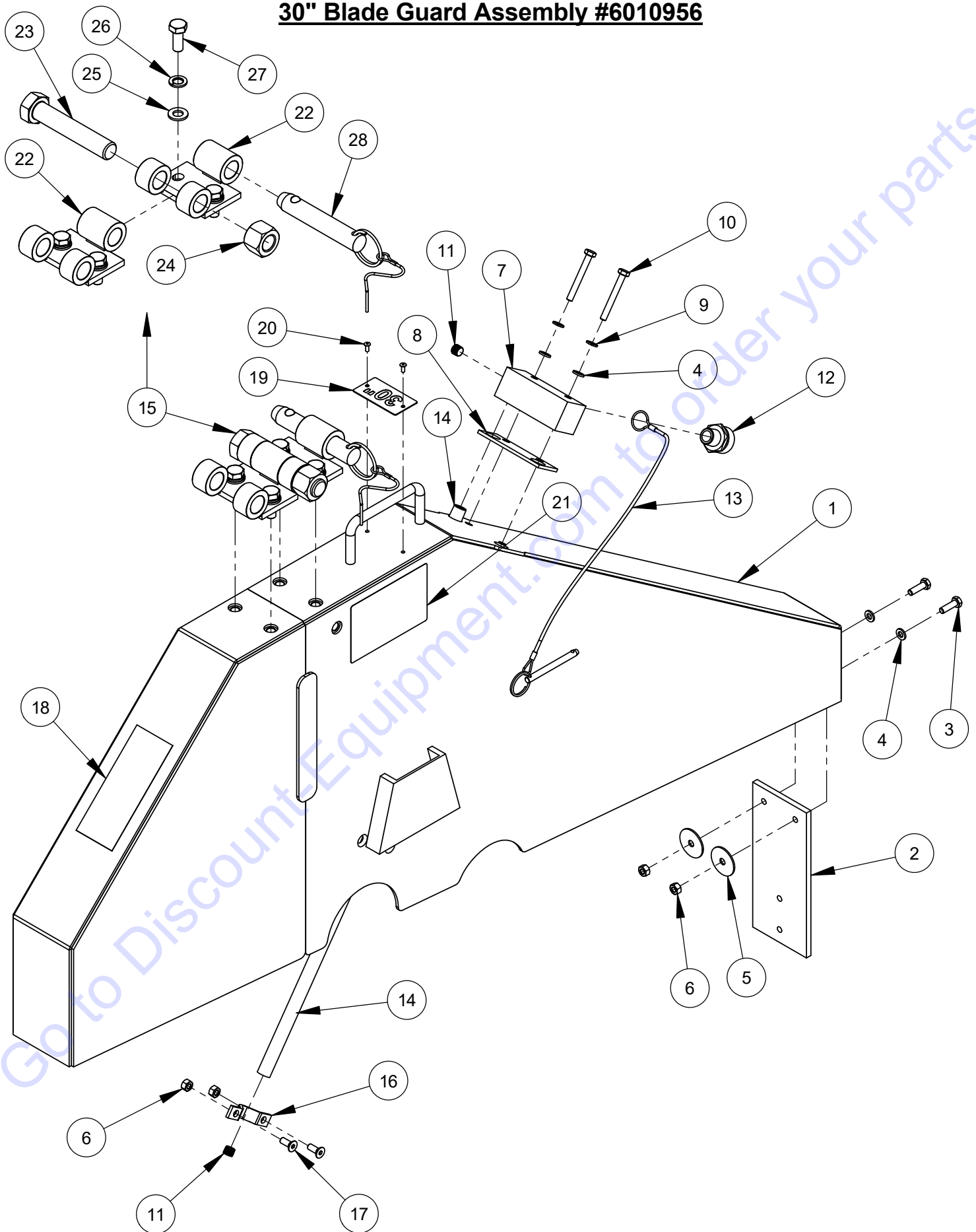
## 26" Blade Guard Assembly #6010954

ITEM	PART NO.	QTY.	DESCRIPTION
1	6010955	1	26" Blade Guard Front & Rear Only
2	6010081	1	Splash Flap
3	2900310	2	Cap Screw, Hex Hd., M6-1.0 x 20mm
4	2901494	4	Flat Washer, M6
5	2900083	2	Fender Washer, 1/4" x 1-1/4"
6	2900302	6	Lock Nut, M6-1.0 Nylon Insert
7	6010261	1	Water Manifold
8	2500830	1	Water Manifold Gasket
9	2900765	2	Lock Washer, M6 Split
10	2901355	2	Cap Screw, Hex Hd., M6-1.0 x 50mm
11	3200001	3	Plug, 1/8" NPT
12	3200002	1	Fitting, 3/8" M. Pipe to 3/4" M. Garden
13	2900279	1	Lanyard with Lock Pin
14	6010086	2	Water Tube for 26" Guard
15	6048155	2	Water Tube Clamp
16	2900308	4	Cap Screw, Flat Hd., M6-1.0 x 16mm
17	1800001	1	Warning Label
18	1801369F	1	Blade Guard Size Tag
19	2900287	2	Rivet, 1/8" Dia.
20	1802090	2	Label, Wedge Locking Washer
21	6010873	1	Universal Hinge Assembly

ITEM	PART NO.	QTY	DESCRIPTION
22	6010871	2	Hinge Weldment, Universal
23	2900479	1	Cap Screw, Hex Hd., 3/4-10 x 4"
24	2900467	1	Lock Nut, 3/4-10 Nylon
25	2901356	4	Flat Washer, M10
26	2900321	4	Lock Washer, M10 Split
27	2900333	4	Cap Screw, Hex Hd., M10-1.5 x 25mm
28	2503824	1	Detent Pin, 3/4" x 3" Grip



# 30" Blade Guard Assembly #6010956



## 30" Blade Guard Assembly #6010956

ITEM	PART NO.	QTY.	DESCRIPTION
1	6010957	1	30" Blade Guard Front & Rear Only
2	6010081	1	Splash Flap
3	2900310	2	Cap Screw, Hex Hd., M6-1.0 x 20mm
4	2901494	4	Flat Washer, M6
5	2900083	2	Fender Washer, 1/4" x 1-1/4"
6	2900302	6	Lock Nut, M6-1.0 Nylon Insert
7	6010261	1	Water Manifold
8	2500830	1	Water Manifold Gasket
9	2900765	2	Lock Washer, M6 Split
10	2901355	2	Cap Screw, Hex Hd., M6-1.0 x 50mm
11	3200001	3	Plug, 1/8" NPT
12	3200002	1	Fitting, 3/8" M. Pipe to 3/4" M. Garden
13	2900279	1	Lanyard with Lock Pin
14	6010087	2	Water Tube for 30" Guard
15	6010873	1	Universal Hinge Assembly
16	6048155	2	Water Tube Clamp
17	2900308	4	Cap Screw, Flat Hd., M6-1.0 x 16mm
18	1800001	1	Warning Label
19	1801369G	1	Blade Guard Size Tag
20	2900287	2	Rivet, 1/8" Dia.
21	1802090	2	Label, Wedge Locking Washer

ITEM	PART NO.	QTY	DESCRIPTION
22	6010871	2	Hinge Weldment, Universal
23	2900479	1	Cap Screw, Hex Hd., 3/4-10 x 4"
24	2900467	1	Lock Nut, 3/4-10 Nylon
25	2901356	4	Flat Washer, M10
26	2900321	4	Lock Washer, M10 Split
27	2900333	4	Cap Screw, Hex Hd., M10-1.5 x 25mm
28	2503824	1	Detent Pin, 3/4" x 3" Grip

# PARTS FINDER

**Search Website  
by Part Number**



**Search Manual  
Library For Parts  
Manual & Lookup Part  
Numbers – Purchase  
or Request Quote**

**Search Manuals**

Enter your information to help us find the right parts manual for your equipment.

\* Brand:

\* Model:

\* Serial:

\* Part Number:

SEARCH

**Can't Find Part or  
Manual? Request Help  
by Manufacturer,  
Model & Description**

**Parts Order Form**

Please fill in the following information to help us find the right part for your equipment.

Manufacturer:	<input type="text"/>
Model:	<input type="text"/>
Description:	<input type="text"/>
Part Number:	<input type="text"/>
Quantity:	<input type="text"/>
Notes:	<input type="text"/>

Submit

Discount-Equipment.com is your online resource for quality parts & equipment.

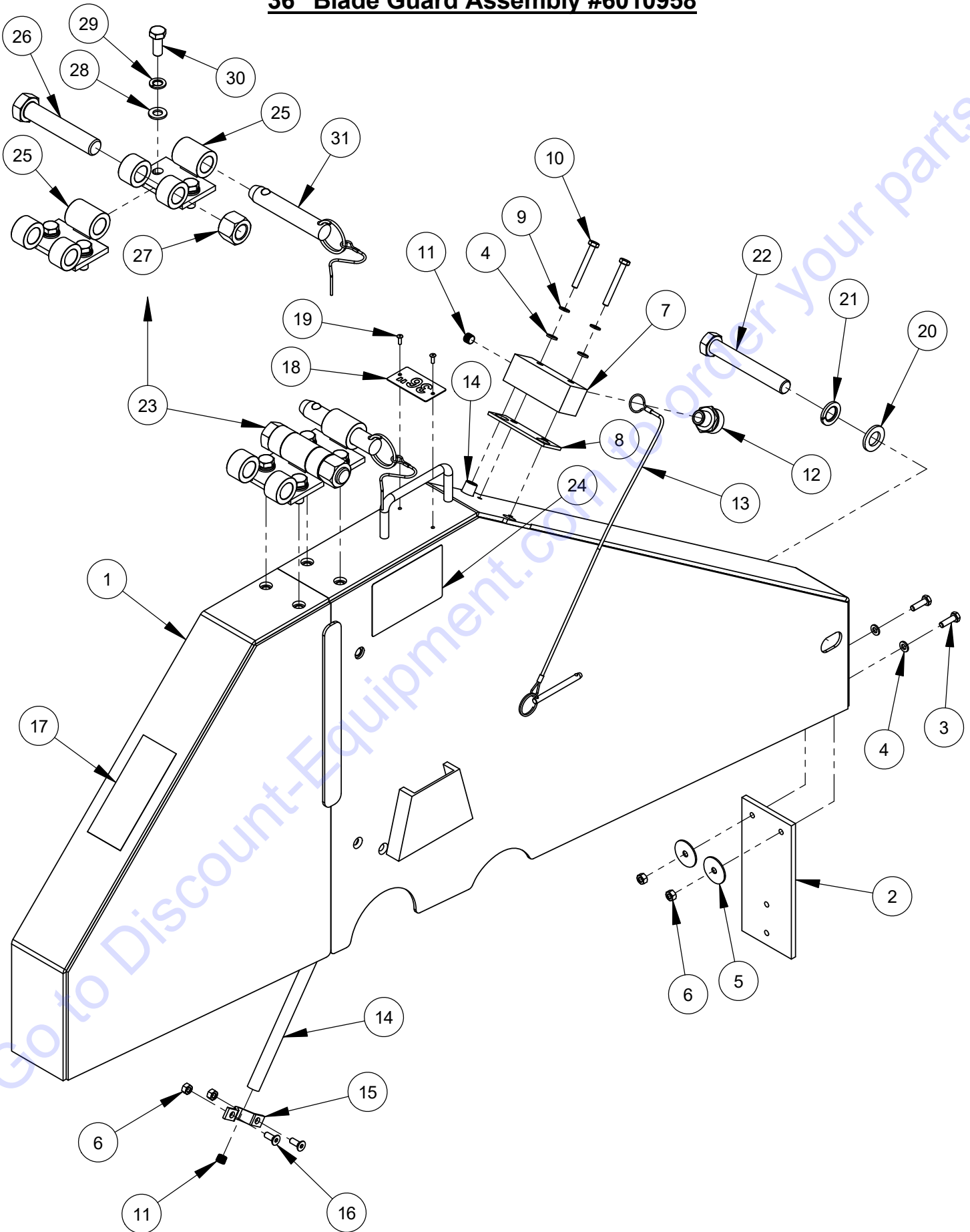
Florida: **561-964-4949** Outside Florida TOLL FREE: **877-690-3101**

**Need parts?**

Click on this link: <http://www.discount-equipment.com/category/5443-parts/> and choose one of the options to help get the right parts and equipment you are looking for. Please have the machine model and serial number available in order to help us get you the correct parts. If you don't find the part on the website or on one of the online manuals, please fill out the request form and one of our experienced staff members will get back to you with a quote for the right part that your machine needs.

We sell worldwide for the brands: Genie, Terex, JLG, MultiQuip, Mikasa, Essick, Whiteman, Mayco, Toro Stone, Diamond Products, Generac Magnum, Airman, Haulotte, Barreto, Power Blanket, Nifty Lift, Atlas Copco, Chicago Pneumatic, Allmand, Miller Curber, Skyjack, Lull, Skytrak, Tsurumi, Husquvarna Target, Stow, Wacker, Sakai, Mi-T-M, Sullair, Basic, Dynapac, MBW, Weber, Bartell, Bennar Newman, Haulotte, Ditch Runner, Menegotti, Morrison, Contec, Buddy, Crown, Edco, Wyco, Bomag, Laymor, EZ Trench, Bil-Jax, F.S. Curtis, Gehl Pavers, Heli, Honda, ICS/PowerGrit, IHI, Partner, Imer, Clipper, MMD, Koshin, Rice, CH&E, General Equipment, Amida, Coleman, NAC, Gradall, Square Shooter, Kent, Stanley, Tamco, Toku, Hatz, Kohler, Robin, Wisconsin, Northrock, Oztec, Toker TK, Rol-Air, APT, Wylie, Ingersoll Rand / Doosan, Innovatech, Con X, Ammann, Mecalac, Makinex, Smith Surface Prep, Small Line, Wanco, Yanmar

# 36" Blade Guard Assembly #6010958

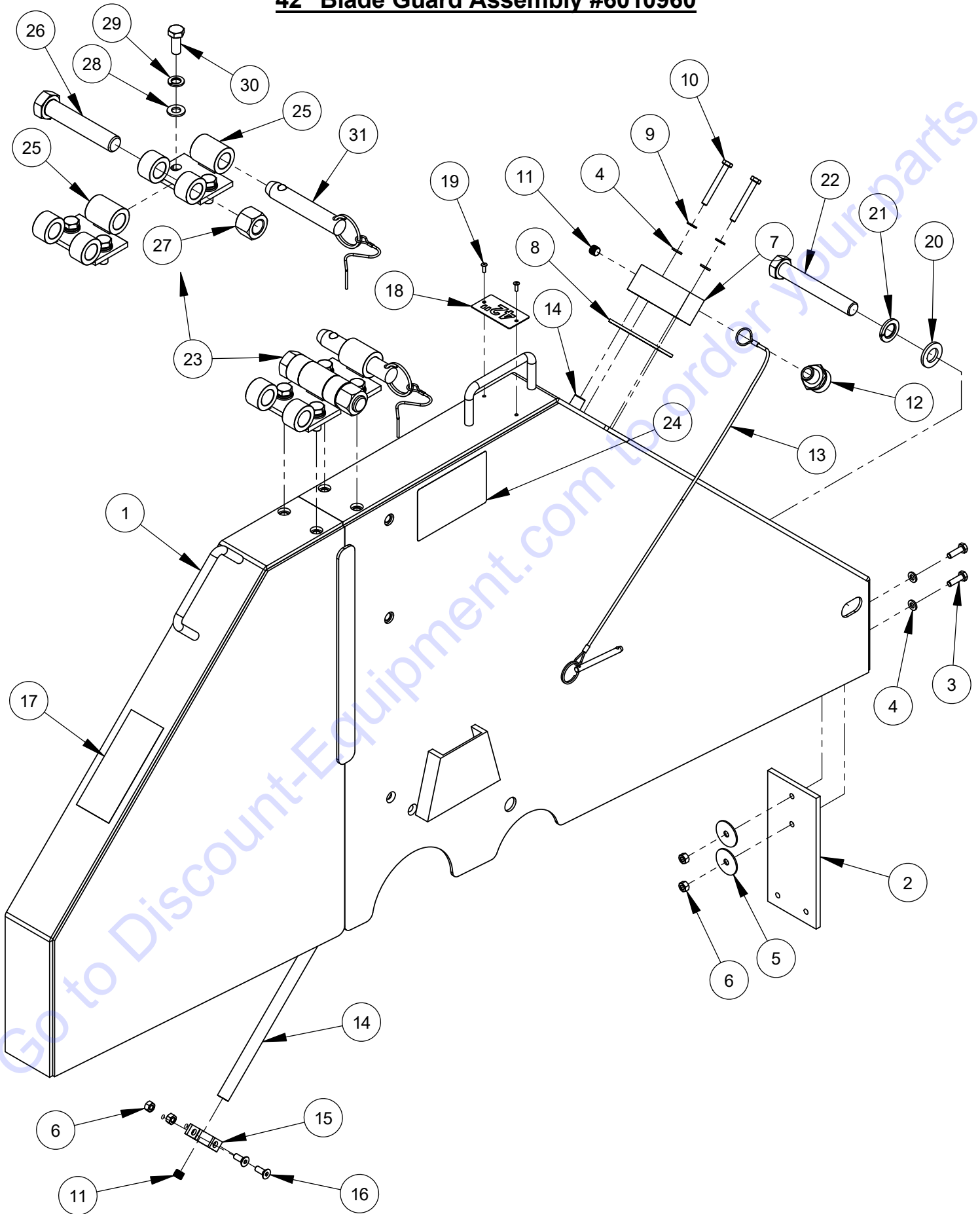


## 36" Blade Guard Assembly #6010958

ITEM	PART NO.	QTY.	DESCRIPTION
1	6010959	1	36" Blade Guard Front & Rear Only
2	6010081	1	Splash Flap
3	2900310	2	Cap Screw, Hex Hd., M6-1.0 x 20mm
4	2901494	4	Flat Washer, M6
5	2900083	2	Fender Washer, 1/4" x 1-1/4"
6	2900302	6	Lock Nut, M6-1.0 Nylon Insert
7	6010261	1	Water Manifold
8	2500830	1	Water Manifold Gasket
9	2900765	2	Lock Washer, M6 Split
10	2901355	2	Cap Screw, Hex Hd., M6-1.0 x 50mm
11	3200001	3	Plug, 1/8" NPT
12	3200002	1	Fitting, 3/8" M. Pipe to 3/4" M. Garden
13	2900280	1	Lanyard with Lock Pin
14	6010088	2	Water Tube for 36" Guard
15	6048155	2	Water Tube Clamp
16	2900308	4	Cap Screw, Flat Hd., M6-1.0 x 16mm
17	1800001	1	Warning Label
18	1801369H	1	Blade Guard Size Tag
19	2900639	2	Rivet, 1/8" Dia.
20	2901358	1	Flat Washer, M16
21	2900716	1	Lock Washer, M16 Split
22	2901349	1	Cap Screw, Hex Hd., M16-2.0 x 110mm
23	6010873	1	Universal Hinge Assembly
24	1802090	2	Label, Wedge Locking Washer

ITEM	PART NO.	QTY	DESCRIPTION
25	6010871	2	Hinge Weldment, Universal
26	2900479	1	Cap Screw, Hex Hd., 3/4-10 x 4"
27	2900467	1	Lock Nut, 3/4-10 Nylon
28	2901356	4	Flat Washer, M10
29	2900321	4	Lock Washer, M10 Split
30	2900333	4	Cap Screw, Hex Hd., M10-1.5 x 25mm
31	2503824	1	Detent Pin, 3/4" x 3" Grip

# 42" Blade Guard Assembly #6010960

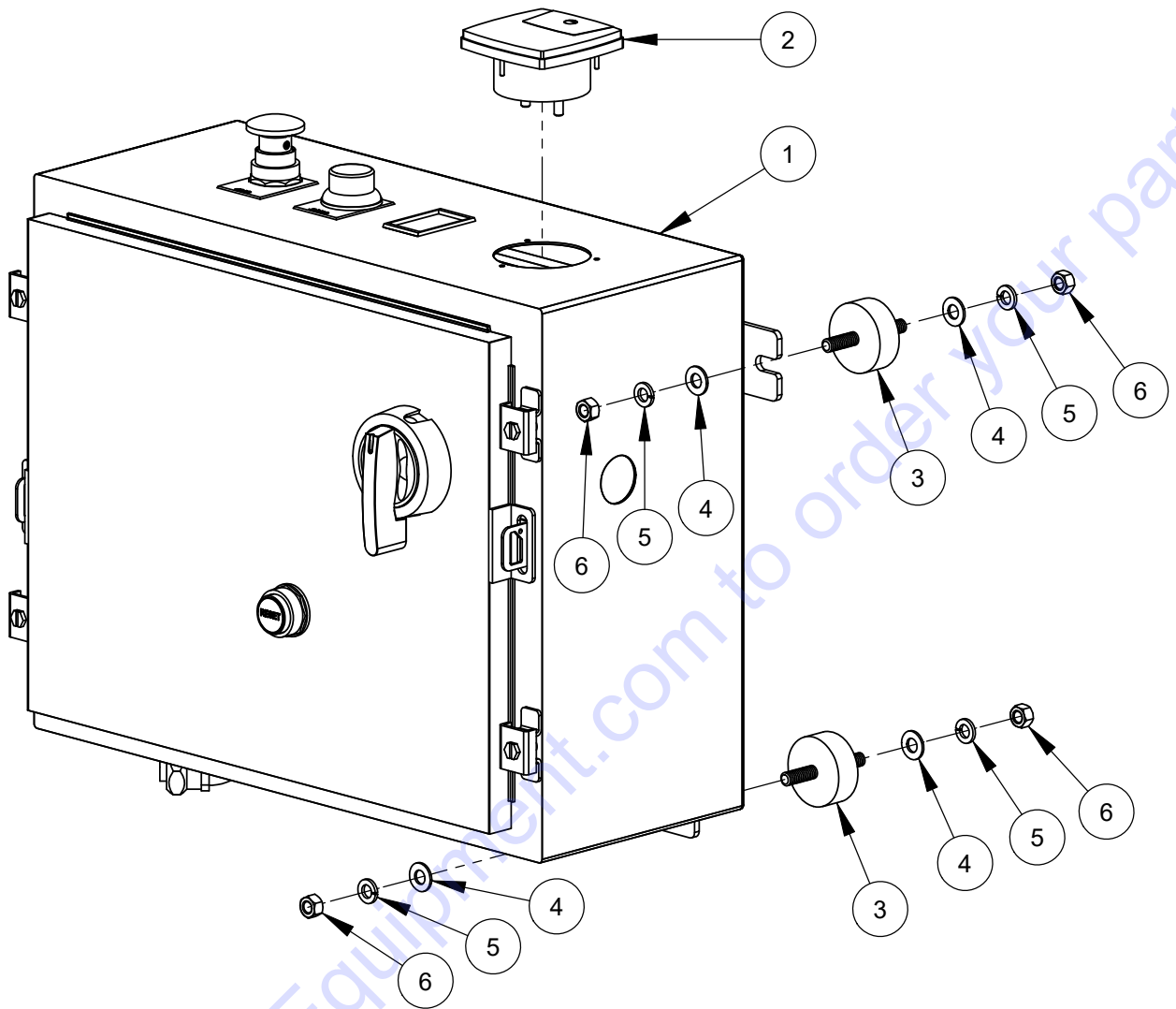


## 42" Blade Guard Assembly #6010960

ITEM	PART NO.	QTY	DESCRIPTION
1	6010961	1	42" Blade Guard Front & Rear Only
2	6010081	1	Splash Flap
3	2900310	2	Cap Screw, Hex Hd., M6-1.0 x 20mm
4	2901494	4	Flat Washer, M6
5	2900083	2	Fender Washer, 1/4" x 1-1/4"
6	2900302	6	Lock Nut, M6-1.0 Nylon Insert
7	6048123	1	Water Manifold
8	2500829	1	Water Manifold Gasket
9	2900765	2	Lock Washer, M6 Split
10	2901355	2	Cap Screw, Hex Hd., M6-1.0 x 50mm
11	3200001	3	Plug, 1/8" NPT
12	3200002	1	Fitting, 3/8" M. Pipe to 3/4" M. Garden
13	2900280	1	Lanyard with Lock Pin
14	6010114	2	Water Tube for 42" Guard
15	6048155	2	Water Tube Clamp
16	2900308	4	Cap Screw, Flat Hd., M6-1.0 x 16mm
17	1800001	1	Warning Label
18	1801369I	1	Blade Guard Size Tag
19	2900639	2	Rivet, 1/8" Dia.
20	2901358	1	Flat Washer, M16
21	2900716	1	Lock Washer, M16 Split
22	2901349	1	Cap Screw, Hex Hd., M16-2.0 x 110mm
23	6010873	1	Universal Hinge Assembly
24	1802090	2	Label, Wedge Locking Washer

ITEM	PART NO.	QTY	DESCRIPTION
25	6010871	2	Hinge Weldment, Universal
26	2900479	1	Cap Screw, Hex Hd., 3/4-10 x 4"
27	2900467	1	Lock Nut, 3/4-10 Nylon
28	2901356	4	Flat Washer, M10
29	2900321	4	Lock Washer, M10 Split
30	2900333	4	Cap Screw, Hex Hd., M10-1.5 x 25mm
31	2503824	1	Detent Pin, 3/4" x 3" Grip

## Optional Soft Start Unit Assembly #6012181



### FOR 30HP MOTOR

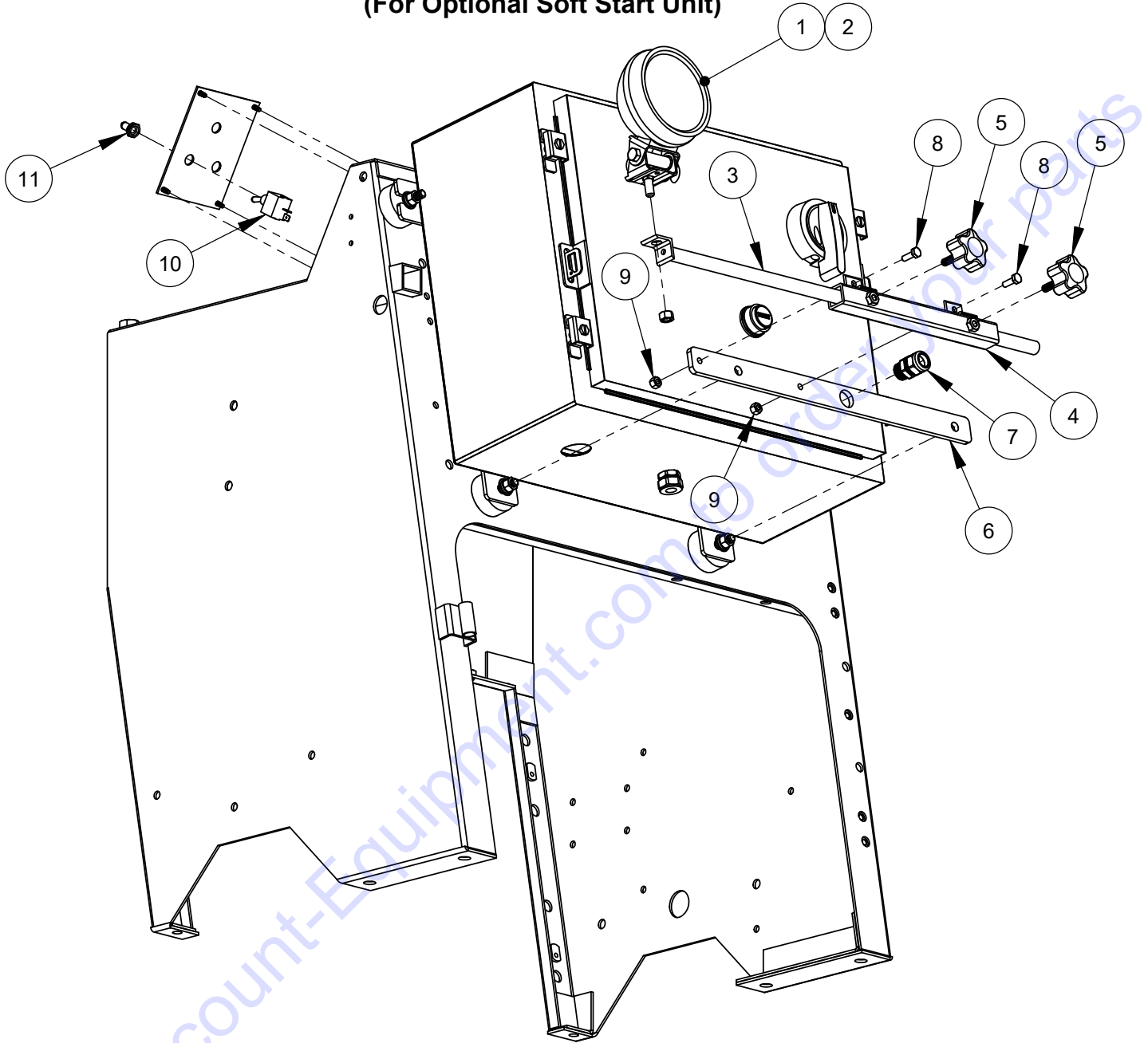
ITEM	PART NO.	QTY.	DESCRIPTION
1	2800650	1	Soft Start Control Box
2	2800203	1	Amp Meter 30HP
3	2500678	4	Vibration Isolator, 3/8-16
4	2900014	8	Flat Washer, 3/8" SAE
5	2900006	8	Lock Washer, 3/8" Split
6	2900033	8	Hex Nut, 3/8-16

### FOR 40HP MOTOR

ITEM	PART NO.	QTY.	DESCRIPTION
1	2800650	1	Soft Start Control Box
2	2800141	1	Amp Meter 40HP
3	2500678	4	Vibration Isolator, 3/8-16
4	2900014	8	Flat Washer, 3/8" SAE
5	2900006	8	Lock Washer, 3/8" Split
6	2900033	8	Hex Nut, 3/8-16

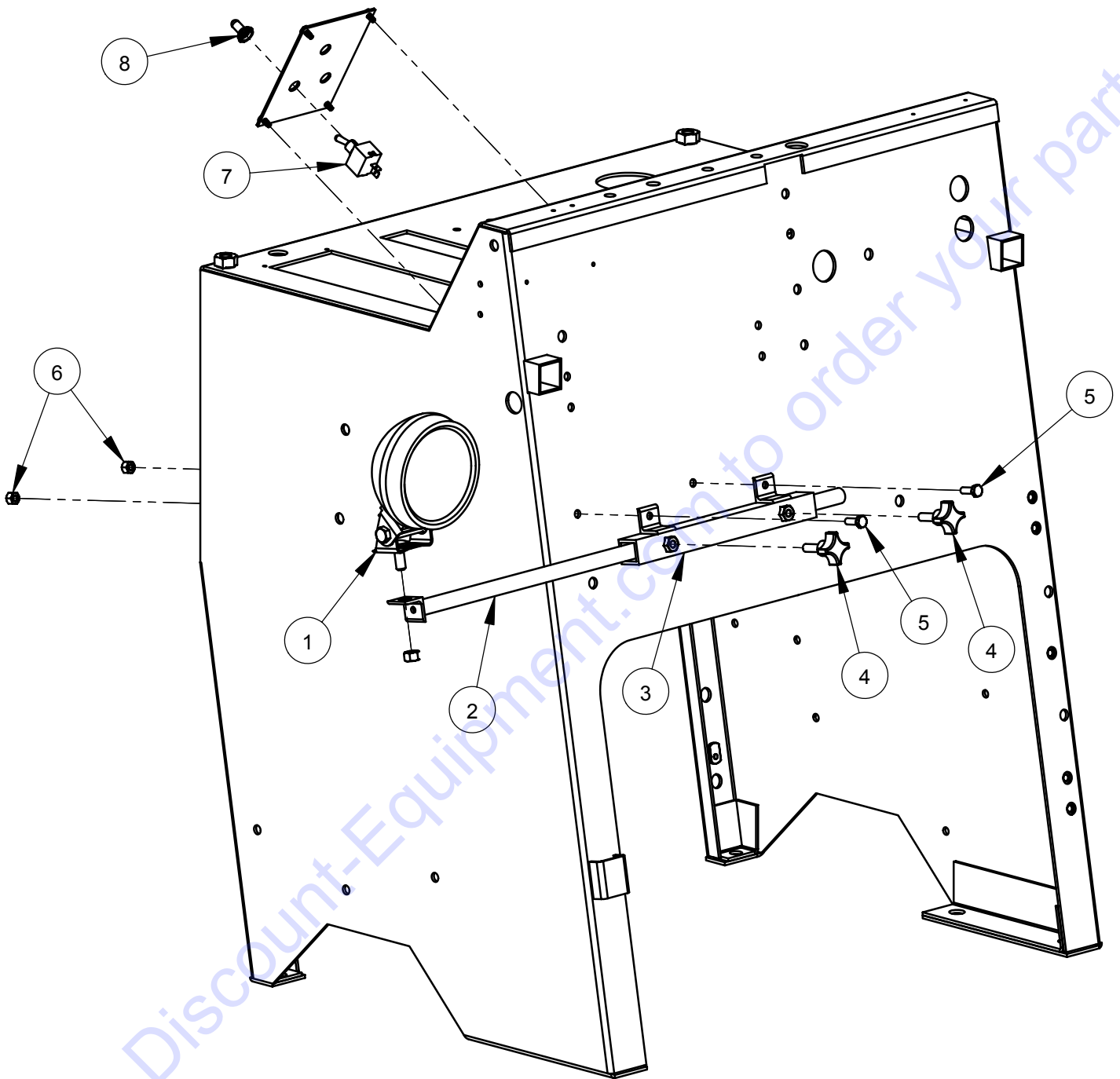


**Optional Spot Light Assembly #6012182**  
**(For Optional Soft Start Unit)**



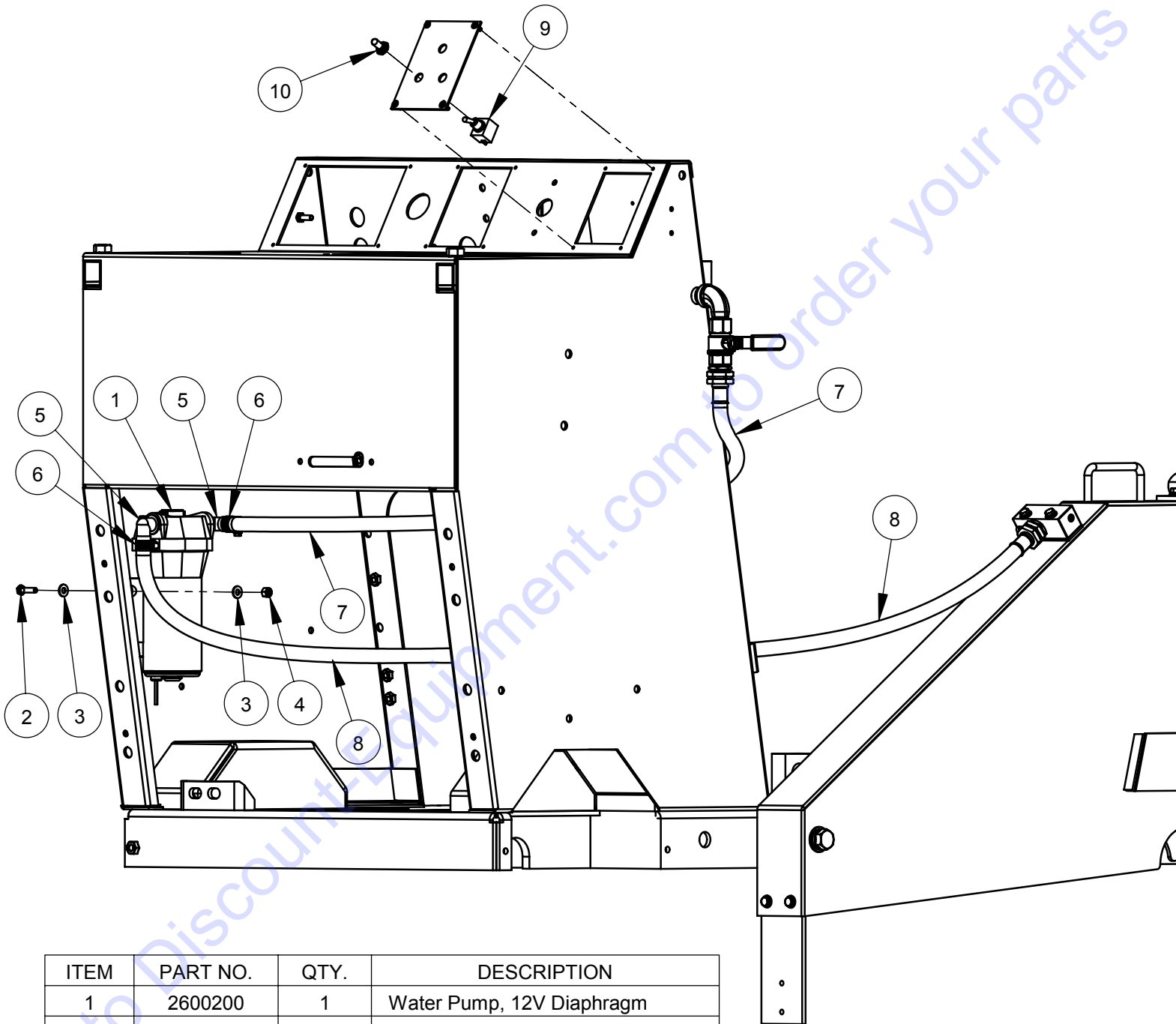
ITEM	PART NO.	QTY.	DESCRIPTION
1	2500194	1	Spot Light, 12 Volt
2	6017086	1	Coiled Light Cord (1 Foot)
3	6010106	1	Light Bar
4	6010107	1	Light Bar Mount Bracket
5	2400157	2	Hand Lock Knob, 5/16-18 x 1"
6	6012183	1	Light Attachment Bar
7	2800623	1	Cord Grip, 1/2" NPT Nylon
8	2900144	2	Cap Screw, Hex Hd., 1/4-20 x 3/4"
9	2900010	2	Lock Nut, 1/4-20 Nylon
10	2800062	1	Toggle Switch On/Off
11	2800063	1	Switch Boot

## Optional Spot Light Assembly #6010112



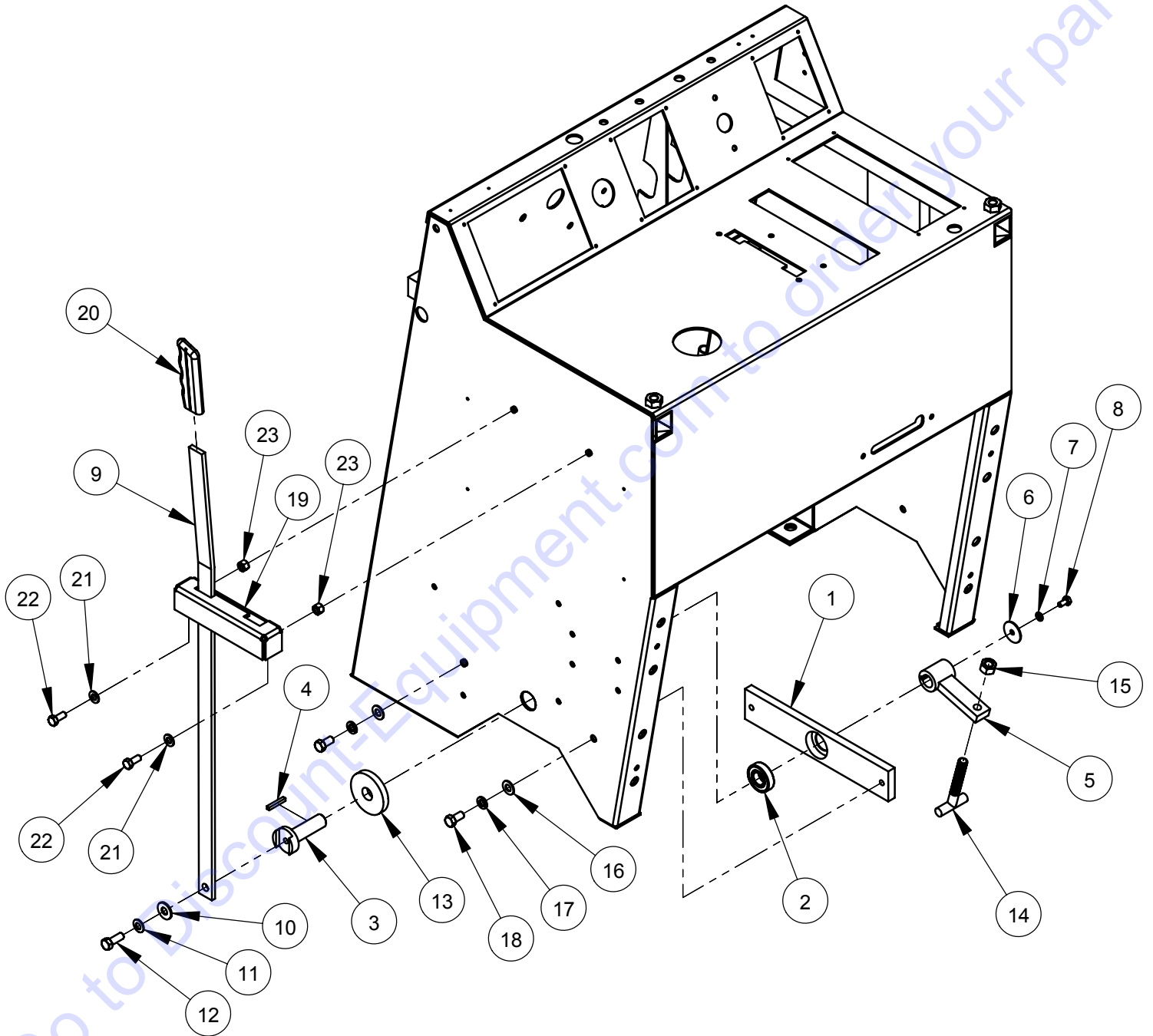
ITEM	PART NO.	QTY.	DESCRIPTION
1	2500194	1	Spot Light, 12 Volt
2	6010106	1	Light Bar
3	6010107	1	Light Bar Mount Bracket
4	2400157	2	Hand Lock Knob, 5/16-18 x 1"
5	2900144	2	Cap Screw, Hex Hd., 1/4-20 x 3/4"
6	2900010	2	Lock Nut, 1/4-20 Nylon
7	2800062	1	Toggle Switch
8	2800063	1	Switch Boot

## Optional Water Pump Assembly #6011032



ITEM	PART NO.	QTY.	DESCRIPTION
1	2600200	1	Water Pump, 12V Diaphragm
2	2900008	4	Cap Screw, Hex Hd., 1/4-20 x 1"
3	2900009	8	Flat Washer, 1/4" SAE
4	2900010	4	Lock Nut, 1/4-20 Nylon
5	2701694	2	Port Fitting, 1/2" Barb x 90 Degree
6	3200016	2	Hose Clamp #8
7	6010302	1	Hose Assembly, 4 Foot
8	6010303	1	Hose Assembly, 5 Foot
9	2800062	1	Toggle Switch
10	2800063	1	Switch Boot

# Optional Parking Brake Assembly #6011228



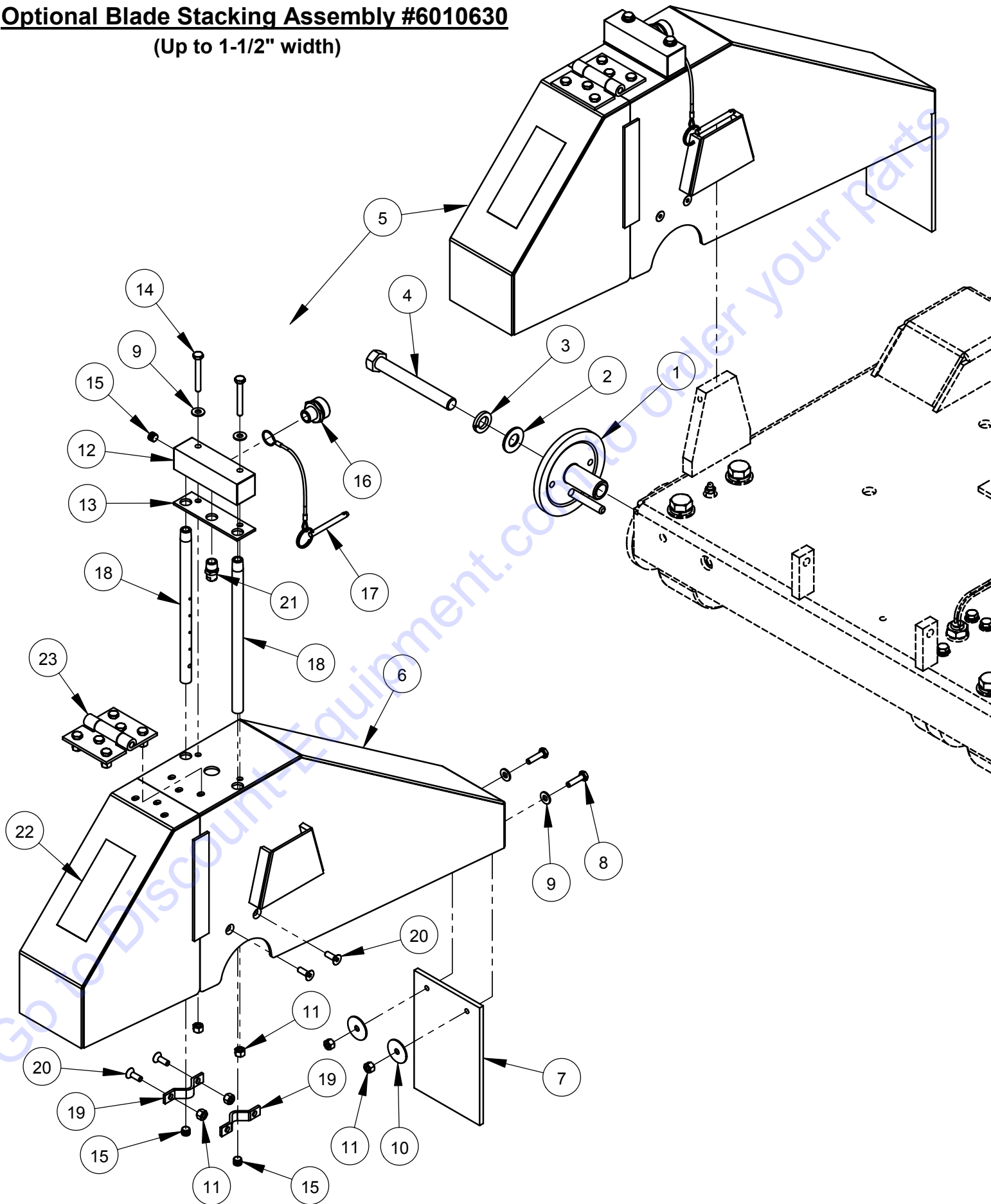
## Optional Parking Brake Assembly #6011228

ITEM	PART NO.	QTY.	DESCRIPTION
1	6011229	1	Bearing Housing Bar
2	2501664	1	Ball Bearing, 3/4" x 1-5/8" x 7/16"
3	6011230	1	Pivot Pin
4	6048229	1	Key, 3/16" Sq. x 1-1/4"
5	6011231	1	Pivot Arm
6	2900083	1	Fender Washer, 1/4" x 1-1/4"
7	2900024	1	Lock Washer, 1/4" Split
8	2900082	1	Cap Screw, Hex Hd., 1/4-20 x 1/2"
9	6011232	1	Brake Lever
10	2900473	1	Flat Washer, 3/8" USS
11	2900474	1	Belleville Washer, 3/8"
12	2900005	1	Cap Screw, Hex Hd., 3/8-16 x 1"
13	6011234	1	Friction Washer, 3/4" x 2-1/2" x 3/8"
14	2900632	1	T-Bolt, 1/2-13
15	2900037	1	Hex Nut, 1/2-13
16	2900014	2	Flat Washer, 3/8" SAE
17	2900006	2	Lock Washer, 3/8" Split
18	2900196	2	Cap Screw, Hex Hd., 3/8-16 x 3/4"
19	6011233	1	Lever Gate
20	2500002	1	Lever Grip
21	2900022	2	Flat Washer, 5/16" SAE
22	2900019	2	Cap Screw, Hex Hd., 5/16-18 x 3/4"
23	2900039	2	Lock Nut, 5/16-18 Nylon

Go to Discount Junction to order your parts

# Optional Blade Stacking Assembly #6010630

(Up to 1-1/2" width)



**Optional Blade Stacking Assembly #6010630**  
**(Up to 1-1/2" width)**

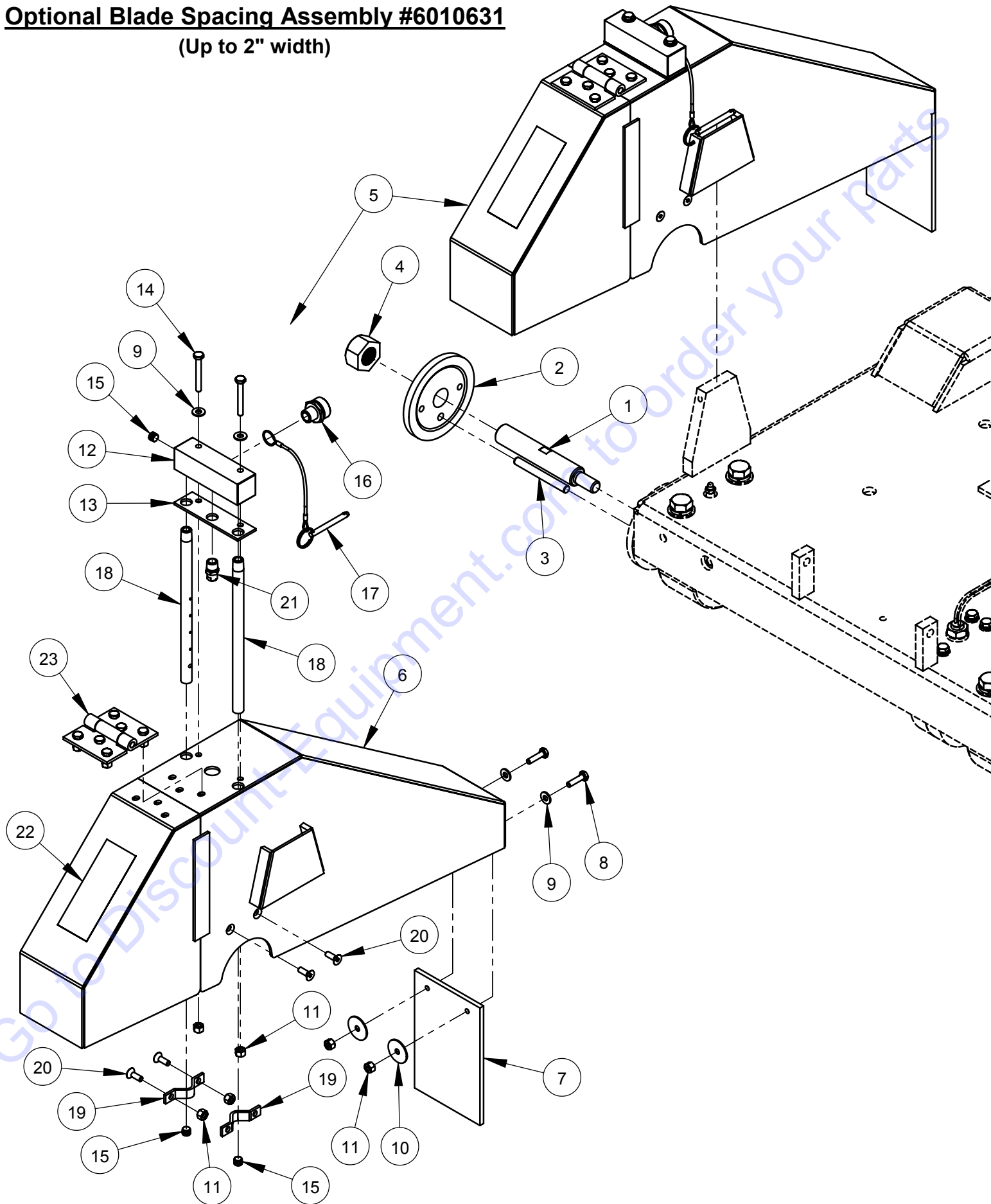
ITEM	PART NO.	QTY.	DESCRIPTION
1	6010159	1	Outer Flange 4-1/2" with Pin
2	2900002	1	Flat Washer, 5/8" SAE
3	2900113	1	Lock Washer, 5/8" Split
4	2900210	1	Cap Screw, Hex Hd., 5/8"-11 x 5" LH
5	6010620	1	20" Wide Blade Guard Assembly

ITEM	PART NO.	QTY.	DESCRIPTION
6	6010621	1	20" Wide Blade Guard Front & Rear Only
7	6010296	1	Splash Flap
8	2900008	2	Cap Screw, Hex Hd., 1/4-20 x 1"
9	2900009	4	Flat Washer, 1/4" SAE
10	2900083	2	Fender Washer, 1/4" x 1-1/4"
11	2900010	8	Lock Nut, 1/4-20 Nylon
12	6010288	1	Water Manifold
13	2500988	1	Water Manifold Gasket
14	2900294	2	Cap Screw, Hex Hd., 1/4-20 x 2"
15	3200001	3	Plug, 1/8" NPT
16	3200002	1	Fitting, 3/8" M. Pipe to 3/4" M. Garden
17	2900278	1	Lanyard with Lock Pin
18	6010085	2	Water Tube for 20" Guard
19	6048155	2	Water Tube Clamp
20	2900020	4	Cap Screw, Flat Hd., 1/4-20 x 3/4"
21	3200208	1	Nozzle, 1/4" NPT
22	1800001	1	Warning Label
23	6010251	1	Hinge Assembly for 20" Guard

Go to Discount Equipment to order your parts

# Optional Blade Spacing Assembly #6010631

(Up to 2" width)





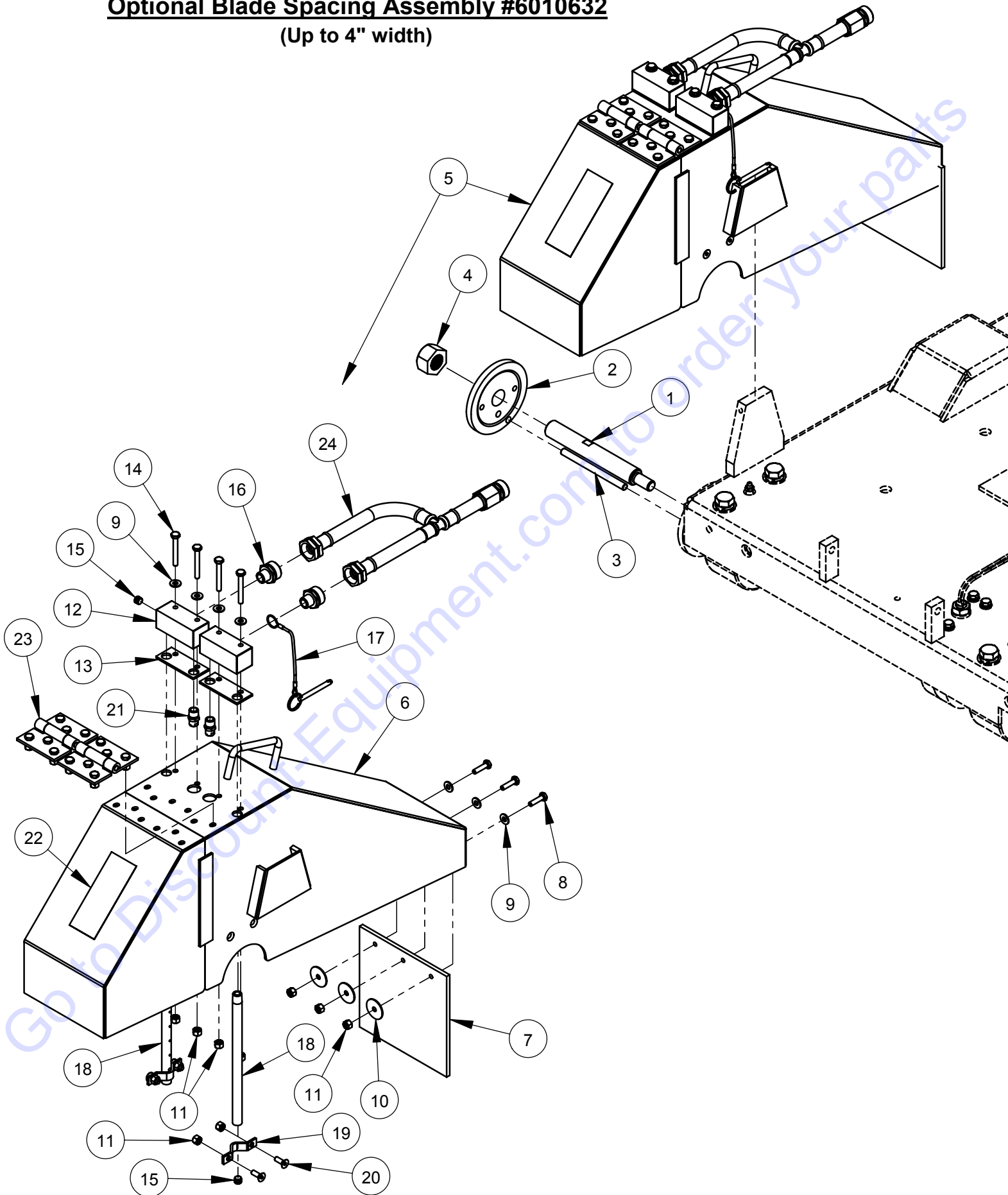
**Optional Blade Spacing Assembly #6010631**  
**(Up to 2" width)**

ITEM	PART NO.	QTY.	DESCRIPTION
1	6010186	1	Blade Shaft Extension, Left Hand Thread
2	6010187	1	Outer Flange 4-1/2"
3	2900218	1	Dowel Pin, 3/8" Dia. x 3-1/2"
4	2900212	1	Hex Nut, 1"-14 Left Hand
5	6010620	1	20" Wide Blade Guard Assembly

ITEM	PART NO.	QTY.	DESCRIPTION
6	6010621	1	20" Wide Blade Guard Front & Rear Only
7	6010296	1	Splash Flap
8	2900008	2	Cap Screw, Hex Hd., 1/4-20 x 1"
9	2900009	4	Flat Washer, 1/4" SAE
10	2900083	2	Fender Washer, 1/4" x 1-1/4"
11	2900010	8	Lock Nut, 1/4-20 Nylon
12	6010288	1	Water Manifold
13	2500988	1	Water Manifold Gasket
14	2900294	2	Cap Screw, Hex Hd., 1/4-20 x 2"
15	3200001	3	Plug, 1/8" NPT
16	3200002	1	Fitting, 3/8" M. Pipe to 3/4" M. Garden
17	2900278	1	Lanyard with Lock Pin
18	6010085	2	Water Tube for 20" Guard
19	6048155	2	Water Tube Clamp
20	2900020	4	Cap Screw, Flat Hd., 1/4-20 x 3/4"
21	3200208	1	Nozzle, 1/4" NPT
22	1800001	1	Warning Label
23	6010251	1	Hinge Assembly for 20" Guard

Go to Discount Equipment to order your parts

**Optional Blade Spacing Assembly #6010632**  
(Up to 4" width)



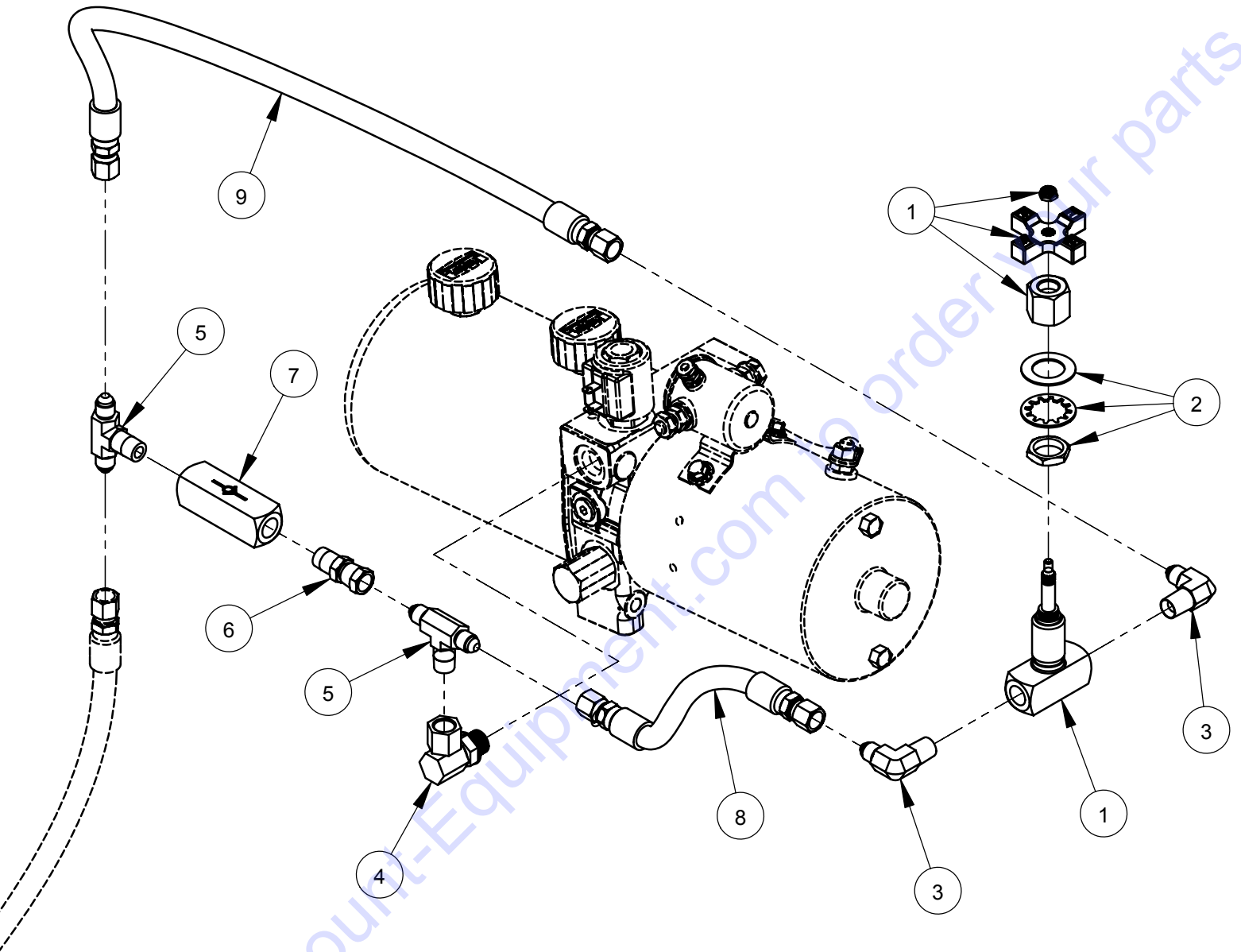
**Optional Blade Spacing Assembly #6010632**  
**(Up to 4" width)**

ITEM	PART NO.	QTY.	DESCRIPTION
1	6010309	1	Blade Shaft Extension, Left Hand Thread
2	6010187	1	Outer Flange 4-1/2"
3	6010359	1	Drive Pin, 3/8" Dia. x 5"
4	2900212	1	Hex Nut, 1"-14 Left Hand
5	6010622	1	20" Wide Blade Guard Assembly

ITEM	PART NO.	QTY.	DESCRIPTION
6	6010623	1	20" Wide Blade Guard Front & Rear Only
7	6010366	1	Splash Flap
8	2900008	3	Cap Screw, Hex Hd., 1/4-20 x 1"
9	2900009	7	Flat Washer, 1/4" SAE
10	2900083	3	Fender Washer, 1/4" x 1-1/4"
11	2900010	11	Lock Nut, 1/4-20 Nylon
12	6048123	2	Water Manifold
13	2500829	2	Water Manifold Gasket
14	2900294	4	Cap Screw, Hex Hd., 1/4-20 x 2"
15	3200001	4	Plug, 1/8" NPT
16	3200002	2	Fitting, 3/8" M. Pipe to 3/4" M. Garden
17	2900278	1	Lanyard with Lock Pin
18	6010085	2	Water Tube for 20" Guard
19	6048155	2	Water Tube Clamp
20	2900020	4	Cap Screw, Flat Hd., 1/4-20 x 3/4"
21	3200208	2	Nozzle, 1/4" NPT
22	1800001	1	Warning Label
23	6010251	2	Hinge Assembly for 20" Guard
24	6010588	1	Hose Assembly, Dual Inlet

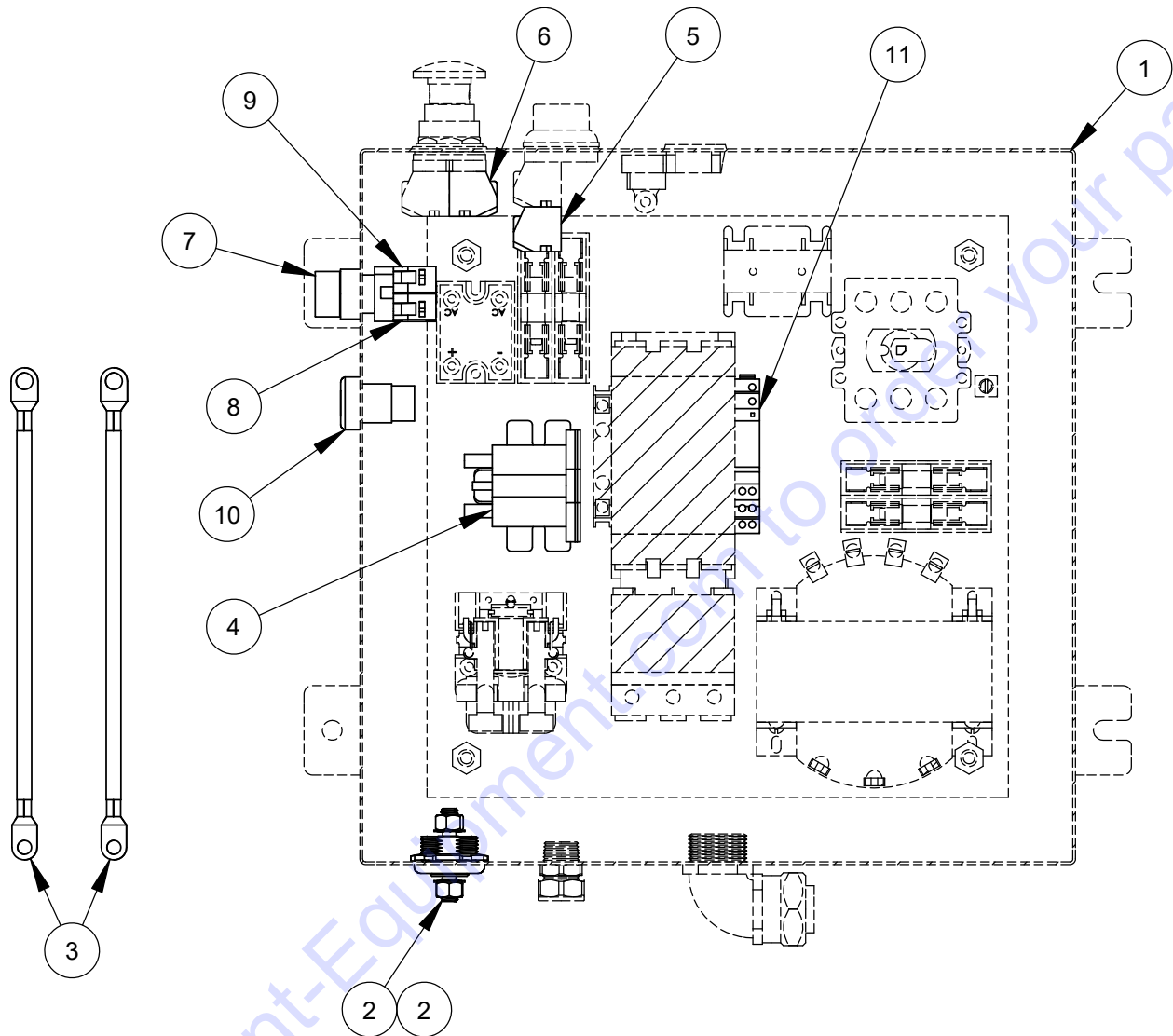
Go to [DiscountTurf.com](http://www.discountturf.com) to order your parts

## Optional Lowering Speed Metering Valve Assembly #6010227



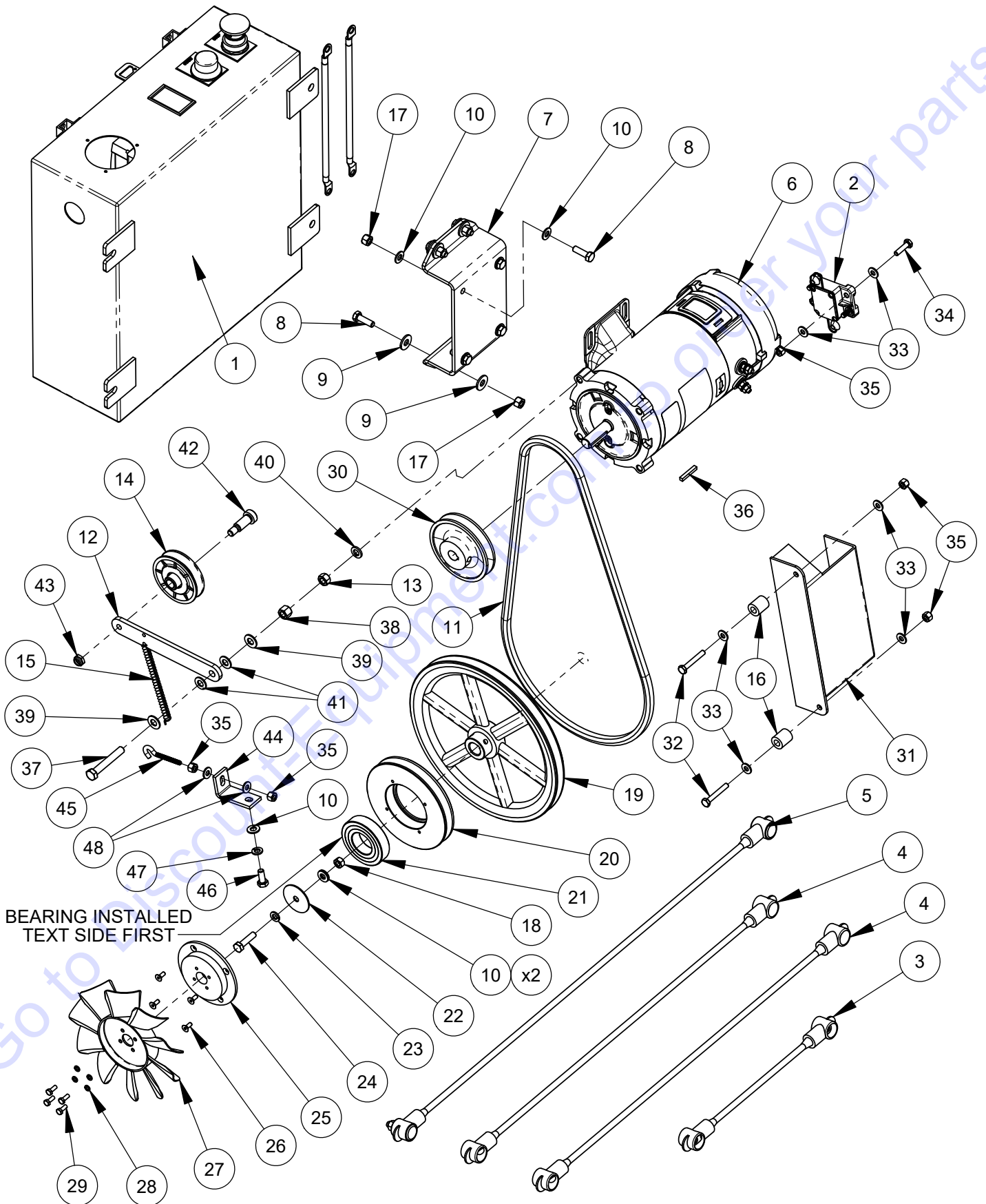
ITEM	PART NO.	QTY.	DESCRIPTION
1	3200211	1	Valve, 1/4" Metering
2	3200212	1	Panel Mounting Kit
3	3200057	2	Elbow, 1/4" M. Pipe to 1/4" M. JIC
4	3200115	1	Elbow, 3/8" O-Ring to 1/4" F. Pipe
5	3200213	2	Tee, 1/4" M. JIC to 1/4" M. Pipe
6	3200219	1	Adapter, 1/4" M. Pipe to 1/4" F. JIC
7	3200218	1	Check Valve
8	6010247	1	Hose Assembly, 8" Long
9	6010248	1	Hose Assembly, 20" Long

**Starter Box Assembly 230/460V for DC Travel Option  
# 6011590A**



ITEM	PART NO.	Default/QTY.	DESCRIPTION
1	2800215	1	Starter Box Unit
2	2802012	2	Battery Feed Stud
3	2800570	2	Battery Cable Assy., Red
4	2703210	1	Solenoid Start Switch
5	2701392	1	Contact Block (N.O.)
6	2800200	1	Contact Block (N.C.)
7	2802963	1	Selector Switch, 2 Position
8	3402113	1	N.O. Contact Block
9	3402114	1	N.C. Contact Black
10	2801801	1	Sounder Alarm
11	2801711	1	Relay, DPDT 12V DC

**DC Power Travel Option 230/460V**  
**#6011620**



**DC Power Travel Option 230/460V**  
**#6011620**

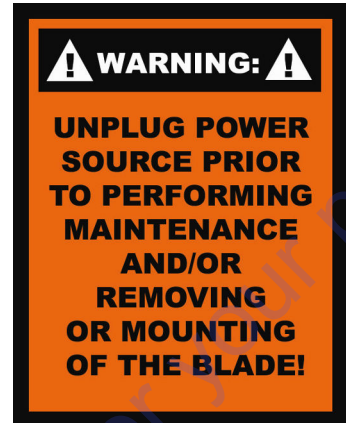
ITEM	PART NO.	QTY.	DESCRIPTION
1	6011590	1	Starter Box Assembly 230/460V for DC Travel Option
2	2802011	1	Circuit Breaker, 80 Amp
3	4646225	1	Battery Cable Assy., Red
4	2801715	2	Battery Cable Assy., Red
5	4646016	1	Battery Cable Assy., Black
6	2600882	1	3/4HP Leeson Motor. 12VDC 1750 RPM
7	6012205	1	Motor Platform
8	2900138	8	Cap Screw, Hex Hd., 5/16-18 x 1"
9	2900567	8	Flat Washer, 5/16" USS
10	2900022	11	Flat Washer, 5/16" SAE
11	2505270	1	Double V-Belt, AA-49
12	6048218	1	Idler Arm
13	2900033	1	Hex Nut, 3/8-16
14	2503920	1	Idler Pulley, 3" V-Type
15	2500230	1	Spring, 3/8" x 5-1/2"
16	6010515	2	Spacer, 7/8" Long
17	2900039	8	Lock Nut, 5/16-18 Nylon
18	2900141	1	Hex Nut, 5/16-18
19	6012232	1	Clutch Pulley 10.25"
20	6012233	1	Clutch Sheave 5.5"
21	2505380	1	Bearing, one way locking
22	2901504	1	Fender Washer, 5/16 x 1-3/4 x 1/16"
23	2900031	1	Lock Washer, 5/16" Split
24	2900217	1	Cap Screw, Hex Hd., 5/16-18 x 1-1/4"
25	6041175	1	Fan Spacer
26	2900978	4	Cap Screw, Flat Hd., #10-24 x 1/2"
27	2500519	1	Cooling Fan, 7"
28	2900038	4	Lock Washer, #10 Split
29	2900448	4	Machine Screw, Hex Hd., #10-32 x 1/2"
30	2505714	1	Sheave, 3.95"
31	6018295	1	DC Drive Fan Guard
32	2900392	2	Cap Screw, Hex Hd., 1/4-20 x 1-3/4"
33	2900009	8	Flat Washer, 1/4" SAE
34	2900008	2	Cap Screw, Hex Hd., 1/4-20 x 1"
35	2900010	6	Lock Nut, 1/4-20 Nylon
36	6048229	1	Key, 3/16" Sq. x 1-1/4"
37	2900521	1	Tap Bolt, Hex Hd., 3/8-16 x 2-1/2"
38	2900018	1	Locknut, 3/8-16, Nylon
39	2900014	2	Flat Washer, 3/8" SAE
40	2900006	1	Lock Washer, 3/8" Split
41	2901383	2	Friction Washer, 3/8"
42	2900587	1	Shoulder Screw, 1/2" x 1" (3/8-16)
43	2903246	1	Jam Lock Nut, 3/8-16
44	6030065	1	Corner Bracket
45	2902043	1	Hook, 1/4-20 Threaded
46	2900019	1	Cap Screw, Hex Hd., 5/16-18 x 3/4"
47	2900031	1	Lock Washer, 5/16" Split
48	2900009	2	Flat Washer, 1/4" SAE

# Decal Group

# CORE CUT

## CC3700

CORE CUT DECAL  
#1800289 (Qty. 3)



WARNING DECAL  
#1801075

DIAMOND PRODUCTS

CORE CUT

333 PROSPECT STREET  
ELYRIA, OHIO 44035 USA  
PHONE 1-800-321-9336  
www.diamondproducts.com

### CC3700E - 3 SPEED RPM CHART

BLADE SIZE	BLADE RPM	GEAR POSITION	MOTOR SHEAVE	MOTOR RPM	MAX CUT DEPTH
14"	2,925	H (High)	6.5"	1,800	3-3/4"
20"	2,520	H (High)	5.6"	1,800	6-3/4"
26"	1,950	M (Medium)	6.5"	1,800	9-3/4"
30"	1,680	M (Medium)	5.6"	1,800	11-3/4"
36"	1,300	L (Low)	6.5"	1,800	14-3/4"
42"	1,120	L (Low)	5.6"	1,800	17-3/4"

#### WARNING

- Always check the bladeshaft RPM before mounting blade.
- Only use blades with a rated speed higher than the bladeshaft speed.
- Never exceed the maximum RPM stamped on blade. Overspeeding the blade can cause blade breakage and serious personal injury.
- When changing blade size, always adjust bladeshaft RPM according to the speed chart to match recommended blade RPM.
- Do not use a blade flange size smaller than indicated for each blade.
- Never operate saw without the blade guard in place or allow rotating blade exposure to exceed 180 degrees.
- Never stand in line with the blade path when starting or operating saw.
- Never use damaged blades or equipment.
- Refer to operator's manual for additional information about safety, operation and maintenance.

#### ADVERTENCIA

\* Antes de montar la hoja asegúrese de verificar el RPM de la hoja de la sierra para saber de cuánto RPM es. Solo use hojas de sierra con una velocidad de rotación mayor o igual a la velocidad de rotación recomendada para la hoja.

\* Nunca exceda el RPM máximo impreso en la hoja. Exceder el RPM puede causar rotura de la hoja y lesiones personales graves.

\* Cuando cambie el tamaño de la hoja, siempre ajuste el RPM de acuerdo a la tabla de velocidades.

\* No use una flange de tamaño menor que el indicado para cada hoja.

\* Nunca opere la sierra sin la guarda de la hoja en su lugar o permita que la exposición de la hoja exceda los 180 grados.

\* Nunca se quede en línea con el camino de la hoja al iniciar o operar la sierra.

\* Nunca use hojas dañadas o equipo.

\* Consulte el manual del operador para obtener información adicional sobre la seguridad, el funcionamiento y el mantenimiento.

RPM CHART DECAL  
#1801947



WARNING DECAL  
#1800001

SAW LABELS SHEET  
#1800351

#### RECOMMENDED POWER CORD GAUGE

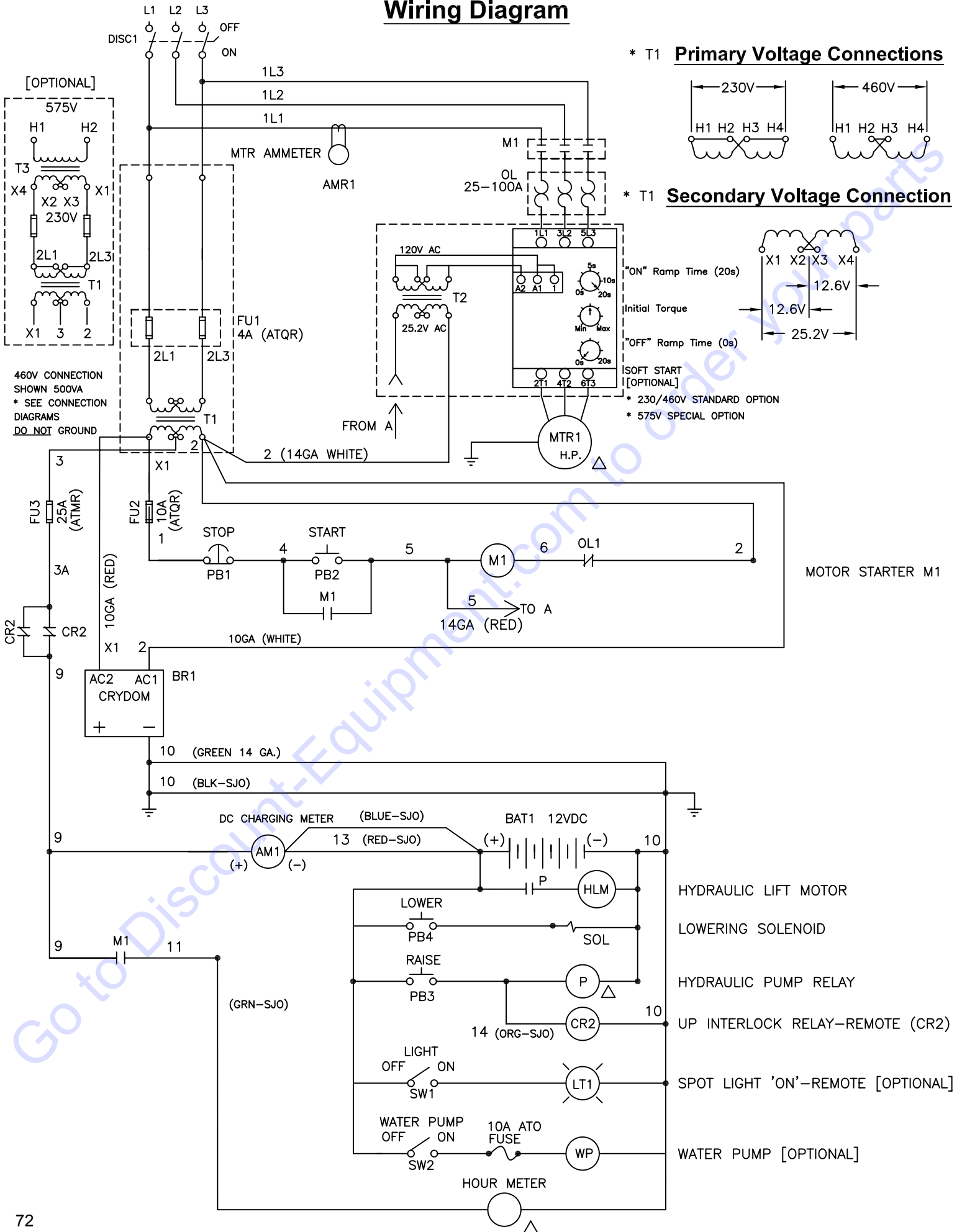
HORSE POWER	PHASE	VOLTAGE	AMPS	50' CORD	100' CORD	150' CORD	200' CORD
5hp	1ph	230v	23A	#10	#8	#6	#4
5hp	3ph	230v	12A	#14	#12	#10	#8
5hp	3ph	460v	6A	#14	#14	#12	#10
7.5hp	1ph	230v	33A	#8	#6	#6	#4
10hp	3ph	230v	24A	#10	#8	#6	#4
10hp	3ph	460v	12A	#14	#12	#10	#8
20hp	3ph	230v	52A	#6	#6	#4	#2
20hp	3ph	460v	26A	#10	#8	#6	#4
25hp	3ph	230v	58A	#6	#6	#4	#2
25hp	3ph	460v	29A	#10	#8	#6	#4
30hp	3ph	230v	74A	#6	#4	#2	#1
30hp	3ph	460v	37A	#6	#6	#4	#2
40hp	3ph	460v	48A	#6	#6	#4	#2
50hp	3ph	460v	62A	#4	#4	#2	#0

CAUTION: Use of a wire gauge that is too small will cause loss of power or overheating and will damage the electric motor.

POWER CORD DECAL  
#1800376



# Wiring Diagram



## Blade Speed Conversion Charts

**WARNING:** Do not exceed blade speed (RPM) shown for each blade size.  
Excessive blade speed could result in blade breakage and serious personal injury!

Blade Size	Blade Shaft		Motor		Max. Depth of Cut
	No Load RPM	Sheave Size	No Load RPM	Sheave Size	
14"	2,925	4"	1,800	6.5"	3-3/4"
20"	2,520	4"	1,800	5.6"	6-3/4"
26"	1,950	4"	1,800	6.5"	9-3/4"
30"	1,680	4"	1,800	5.6"	11-3/4"
36"	1,300	4"	1,800	6.5"	14-3/4"
42"	1,120	4"	1,800	5.6"	17-3/4"

**WARNING:** When changing blade size, use chart shown below for selecting items that must be changed.

Model CC3700E-3	14"	20"	26"	30"	36"	42"
Blade Guard Assembly	6010950	6010952	6010954	6010956	6010958	6010960
30hp Motor Sheave (Sheave Size)	2503755 (6.5")	2500172 (5.6")	2503755 (6.5")	2500172 (5.6")	2503755 (6.5")	2500172 (5.6")
30hp Drive Belts (6) (Belt Size)	2503185 (3VX464)	2500794 (3VX450)	2503185 (3VX464)	2500794 (3VX450)	2503185 (3VX464)	2500794 (3VX450)
40hp Motor Sheave (Sheave Size)	2501902 (6.5")	2500209 (5.6")	2501902 (6.5")	2500209 (5.6")	2501902 (6.5")	2500209 (5.6")
40hp Drive Belts (8) (Belt Size)	2500298 (3VX475)	2503185 (3VX464)	2500298 (3VX475)	2503185 (3VX464)	2500298 (3VX475)	2503185 (3VX464)
Transmission Belt (Belt Size)	2503996 (3VX650)	2503998 (3VX630)	2503996 (3VX650)	2503998 (3VX630)	2503996 (3VX650)	2503998 (3VX630)

## **EQUIPMENT AND PARTS WARRANTY**

Discount-equipment warrants all equipment sold by it against defects in workmanship or materials for a period of one (1) year from the date of shipment to Customer.

The responsibility of Discount-equipment under this Warranty is limited to replacement or repair of defective parts, of such parts as shall appear to us upon inspection at such parts, to have been defective in material or workmanship, with expense for transportation and labor borne by Customer.

In no event shall Discount-equipment be liable for consequential or incidental damages arising out of the failure of any Product to operate properly.

Integral units such as engines, electric motors, batteries, transmissions, etc., are excluded from this Warranty and are subject to the prime manufacturer's warranty.

**THIS WARRANTY IS IN LIEU OF ALL OTHER WARRANTIES,  
EXPRESSED OR IMPLIED, AND ALL SUCH OTHER WARRANTIES ARE  
HEREBY DISCLAIMED.**



# PARTS FINDER

**Search Website  
by Part Number**



**Search Manual  
Library For Parts  
Manual & Lookup Part  
Numbers – Purchase  
or Request Quote**

**Search Manuals**

Enter your information to help us find the right parts manual for your machine.

\* Brand:

\* Model:

\* Serial:

\* Part Number:

SEARCH

**Can't Find Part or  
Manual? Request Help  
by Manufacturer,  
Model & Description**

**Parts Order Form**

Please fill in the following information to help us find the right part for your machine.

Manufacturer:	<input type="text"/>
Model:	<input type="text"/>
Description:	<input type="text"/>
Part Number:	<input type="text"/>
Quantity:	<input type="text"/>
Notes:	<input type="text"/>

Submit

Discount-Equipment.com is your online resource for quality parts & equipment.

Florida: **561-964-4949** Outside Florida TOLL FREE: **877-690-3101**

**Need parts?**

Click on this link: <http://www.discount-equipment.com/category/5443-parts/> and choose one of the options to help get the right parts and equipment you are looking for. Please have the machine model and serial number available in order to help us get you the correct parts. If you don't find the part on the website or on one of the online manuals, please fill out the request form and one of our experienced staff members will get back to you with a quote for the right part that your machine needs.

We sell worldwide for the brands: Genie, Terex, JLG, MultiQuip, Mikasa, Essick, Whiteman, Mayco, Toro Stone, Diamond Products, Generac Magnum, Airman, Haulotte, Barreto, Power Blanket, Nifty Lift, Atlas Copco, Chicago Pneumatic, Allmand, Miller Curber, Skyjack, Lull, Skytrak, Tsurumi, Husquvarna Target, Stow, Wacker, Sakai, Mi-T-M, Sullair, Basic, Dynapac, MBW, Weber, Bartell, Bennar Newman, Haulotte, Ditch Runner, Menegotti, Morrison, Contec, Buddy, Crown, Edco, Wyco, Bomag, Laymor, EZ Trench, Bil-Jax, F.S. Curtis, Gehl Pavers, Heli, Honda, ICS/PowerGrit, IHI, Partner, Imer, Clipper, MMD, Koshin, Rice, CH&E, General Equipment, Amida, Coleman, NAC, Gradall, Square Shooter, Kent, Stanley, Tamco, Toku, Hatz, Kohler, Robin, Wisconsin, Northrock, Oztec, Toker TK, Rol-Air, APT, Wylie, Ingersoll Rand / Doosan, Innovatech, Con X, Ammann, Mecalac, Makinex, Smith Surface Prep, Small Line, Wanco, Yanmar