



CONCRETE SAW PARTS LIST





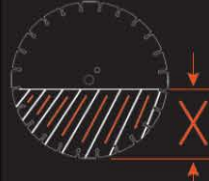
**MODEL
CC5555-3**

January 2019

Part #1802668

CC5555 RPM CHART

BLADE SIZE	BLADE RPM	GEAR POSITION	ENGINE RPM	MAX. CUT DEPTH
14"	3,400	H (High)	3,400	3-3/4"
16"	3,400	H (High)	3,400	4-3/4"
18"	2,235	M (Medium)	3,400	5-3/4"
20"	2,235	M (Medium)	3,400	6-3/4"
24"	2,235	M (Medium)	3,400	8-3/4"
26"	1,470	L (Low)	3,400	9-3/4"
30"	1,470	L (Low)	3,400	11-3/4"
36"	1,470	L (Low)	3,400	14-3/4"



WARNING



The engine exhaust from this product contains chemicals known to the State of California to cause cancer, birth defects or other reproductive harm.

Table of Contents

Quick Reference Service Filters / Belts.....	4	Engine Assembly	40,41
Controls Legend	5	ECU Mount Assembly	43
Pictorial Index	6, 7	Exhaust Assembly.....	44,45
Upright Assembly.....	9	Air Intake Assembly	46
Rear Access Panel Assembly	10	Cooling Assembly	47
Access Panel, Right Side.....	11	Radiator Assembly.....	48,49
Access Panel, Left Side	12	Coolant Tank Assembly	50
Fuel Door Assembly.....	13	Electric Fan Assembly.....	51
Instrument Panel Assembly	14	PTO Assembly, 3-Speed.....	52,53
Control Panel Assembly.....	15	Rotary Tensioner Assembly	54
Fuse Block Assembly.....	16	Differential Jackshaft Assembly.....	55
Electrical Fan Circuit Breaker Mount.....	17	Belt Drive Assembly	56
Speed Control Assembly.....	18	Frame Lift Assembly	57
Speed Control Grip Assembly	19	Alternator Belt Guard Assembly	58
Water Supply Assembly.....	21	PTO Belt Guard Assembly	59
Fuel Supply Assembly	22, 23	Front Pointer Assembly.....	60
Fuel Tank Assembly	24	14" Blade Guard Assembly	61
Fuel Cooler Assembly.....	25	20" Blade Guard Assembly	62
Hydraulic Pump Assembly	26	26" Blade Guard Assembly	63
Battery Assembly	27	30" Blade Guard Assembly	64
Frame Base Assembly.....	28, 29	36" Blade Guard Assembly	65
Differential Transmission Assembly	30, 31	Optional Spot Light Assembly	66
Positraction Assembly.....	32	Optional Water Pump Assembly.....	67
Front Axle Assembly	33	Optional ASO Flow Control Valve	68
Transmission Assembly, 3-Speed.....	34, 35	Decal Group.....	69
3-Speed Blade Shaft Assembly.....	36	Notes	70,71
Expansion Tank Assembly.....	37	Warranty	72
Turnbuckle Tensioning Assembly	38		
Rotary Sensor Assembly.....	39		

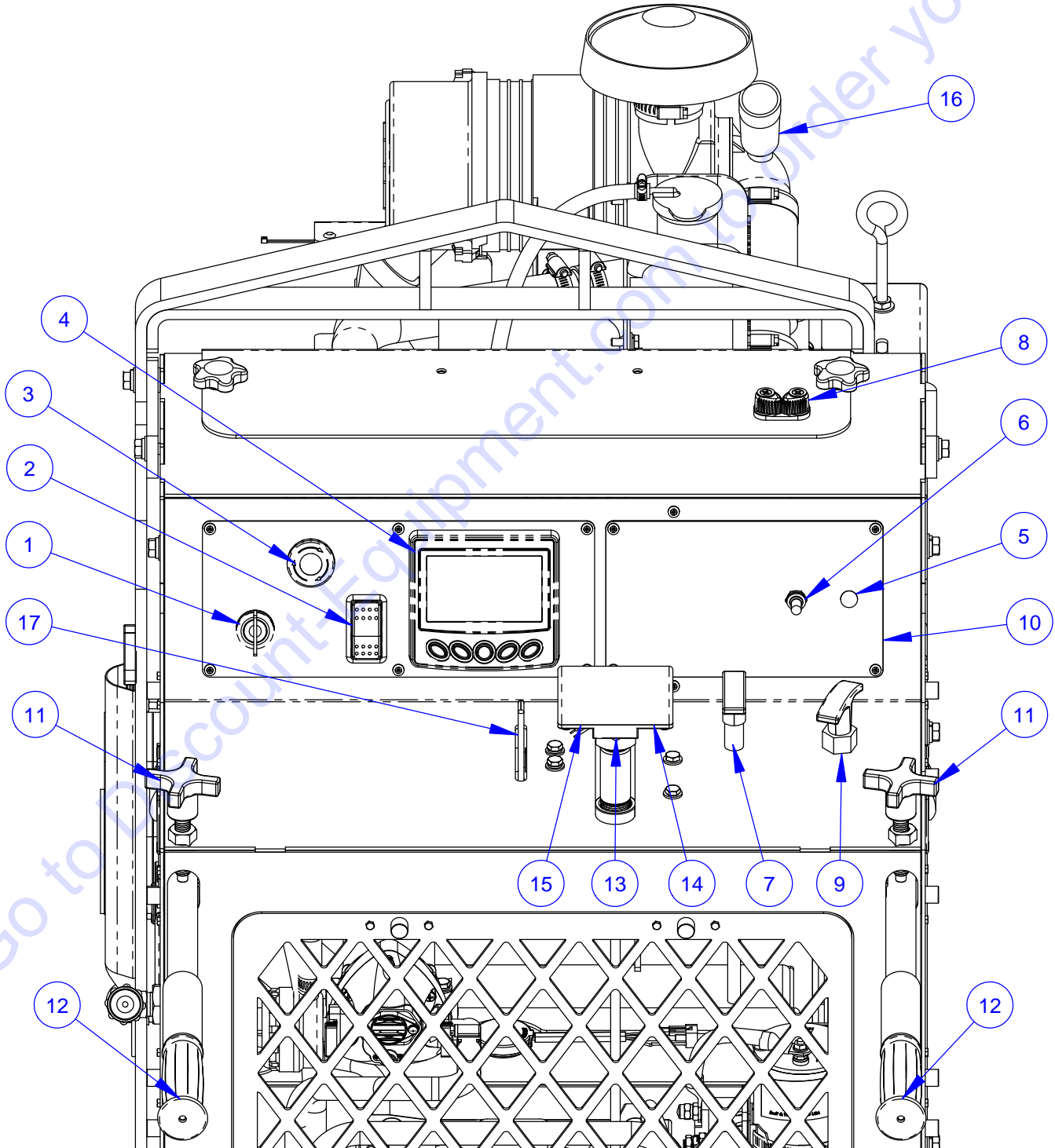
Quick Reference Service Filters / Belts / Fluids

DP Part No.	Description	Manufacturer's Part No.
2705012	Engine Oil Filter	Kubota #HH160-32093
2705227	Engine Fuel Filter	Kubota #12581-43012
2501211	Outer Primary Air Filter	Donaldson #P821575
2501212	Inner Safety Air Filter	Donaldson #P822858
2503875	Blade Shaft Belts (7)	Gates #3VX366
2500037	Engine to Jackshaft Belt	Gates #3VX375
2501968	Eaton Transmission Belt	Gates #AX36
2504996	Alternator Belt	Dayco, 15405
2500103	Engine Oil (5 Quarts)	SAE 10W-30
2503719	Engine Coolant (3 Gallons)	Antifreeze (Pre-mixed)
2503930	Blade Shaft Fluid (3 Quarts)	Gear Oil, 75W-90 Synthetic
2500219	Lift Pump Fluid (1.5 Quarts)	Automatic Transmission Fluid (ATF)

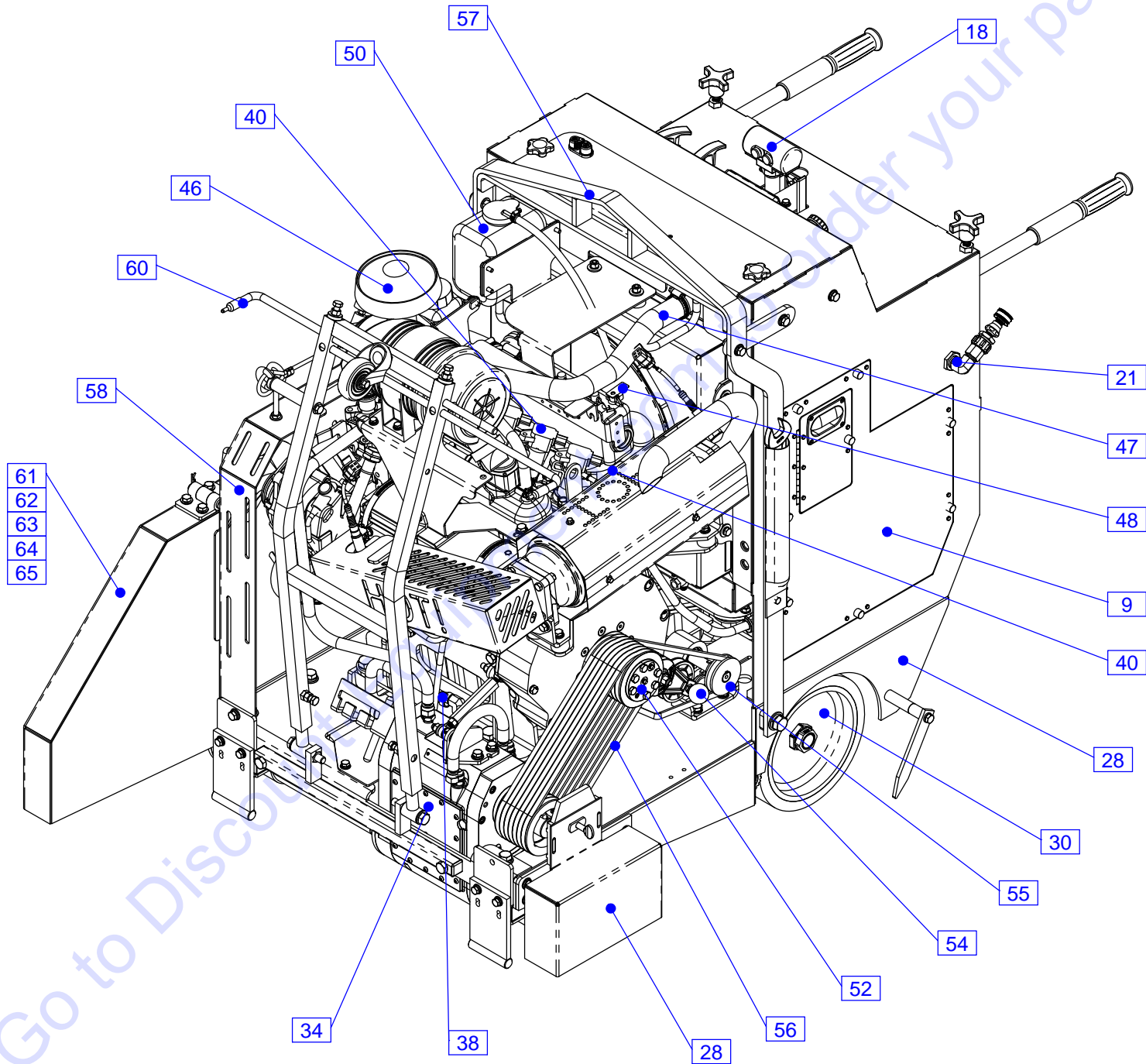
Control Legend

1	Ignition Switch
2	Engine Throttle Rocker Switch
3	Emergency Stop Button
4	Engine Display Panel
5	Water Pump Switch (Optional)
6	Spot Light Switch (Optional)
7	Free Wheel Engagement
8	Pointer Rope Cleat

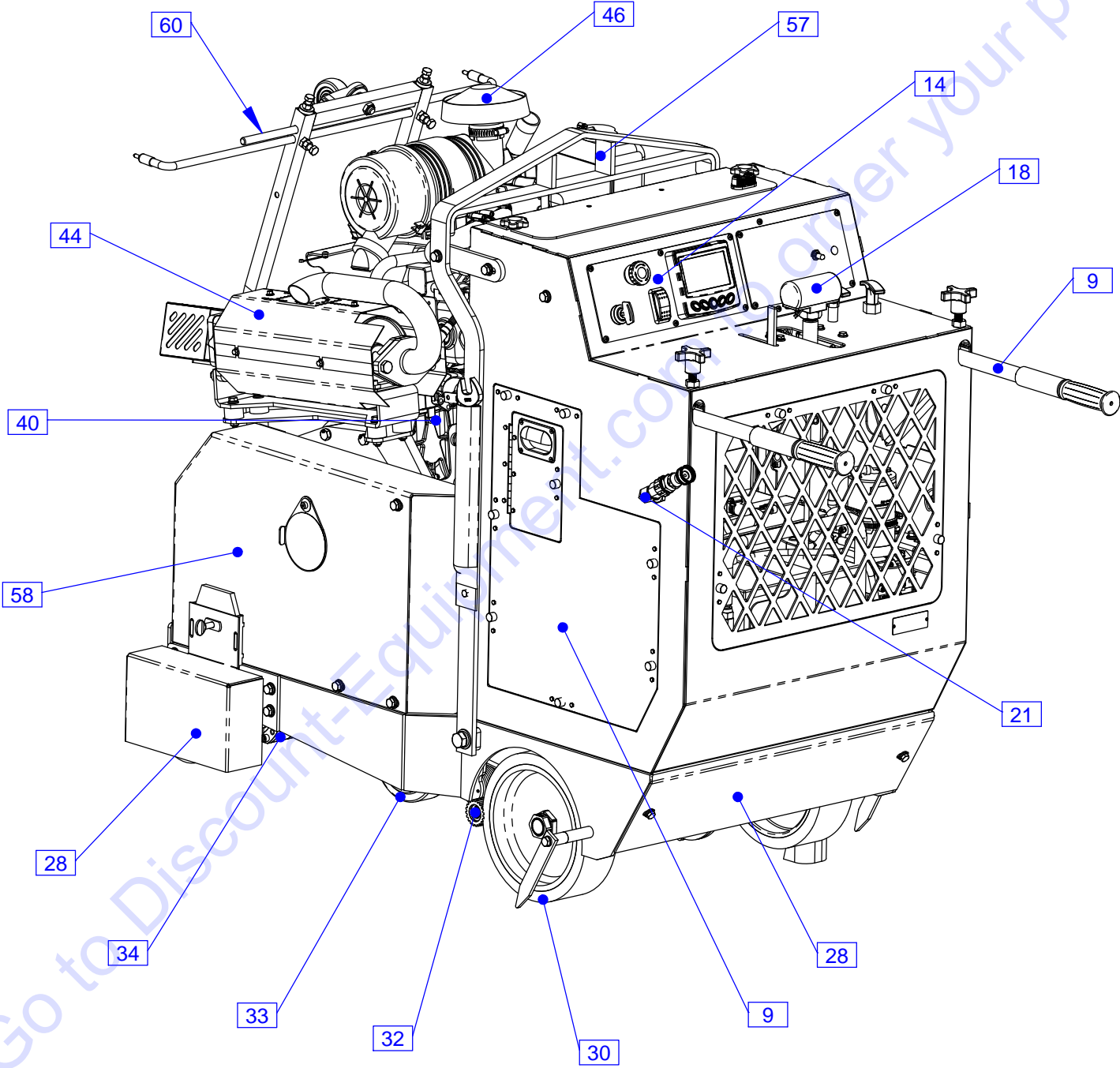
9	Positraction Engagement
10	Fuse Panel
11	Handle Bar Lock Knob
12	Handle Bar
13	Speed Control Lever
14	Saw Lower Push Button
15	Saw Raise Push Button
16	Air Cleaner Restriction Indicator
17	Water Valve



Pictorial Page Index

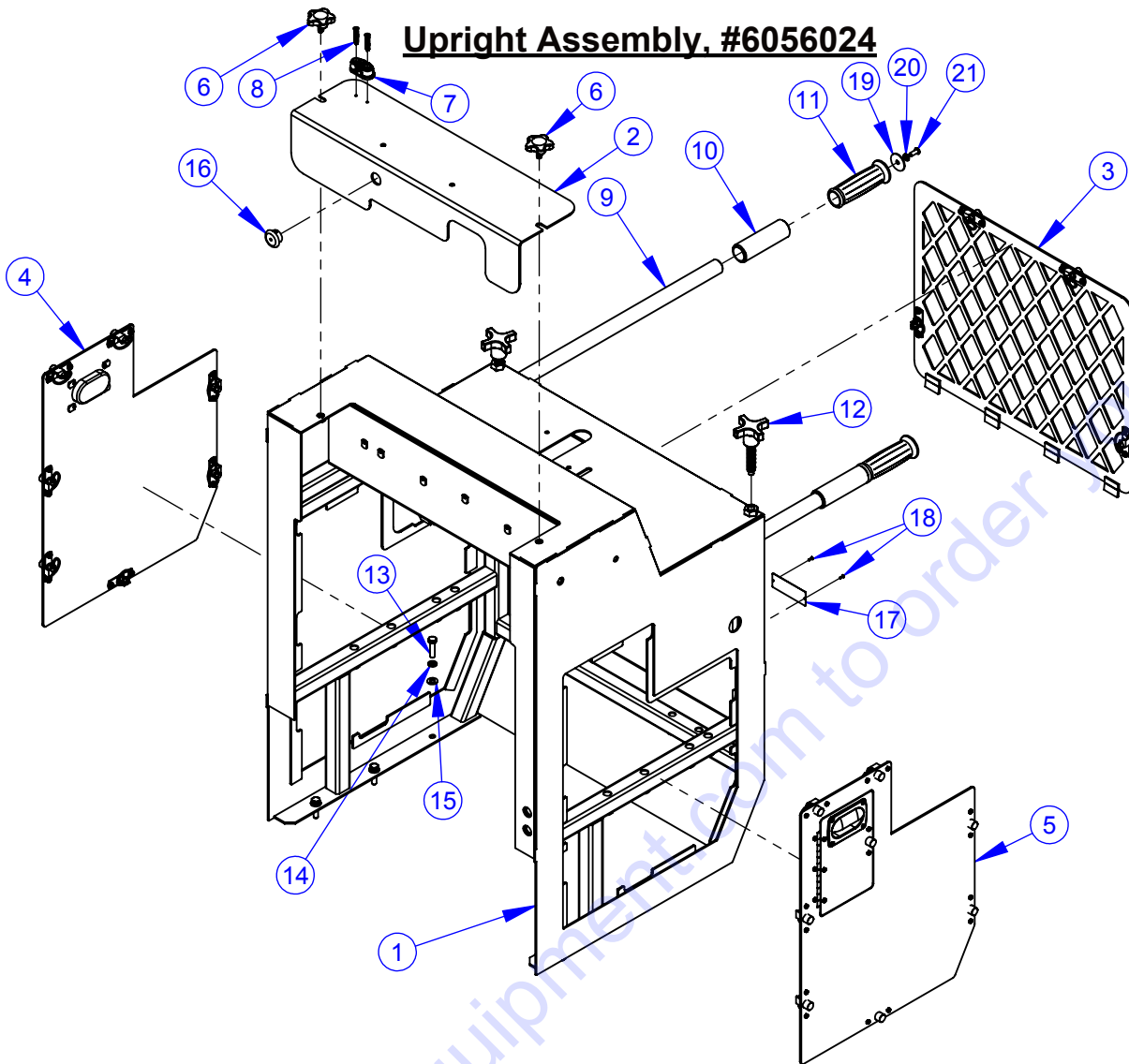


Pictorial Index Page



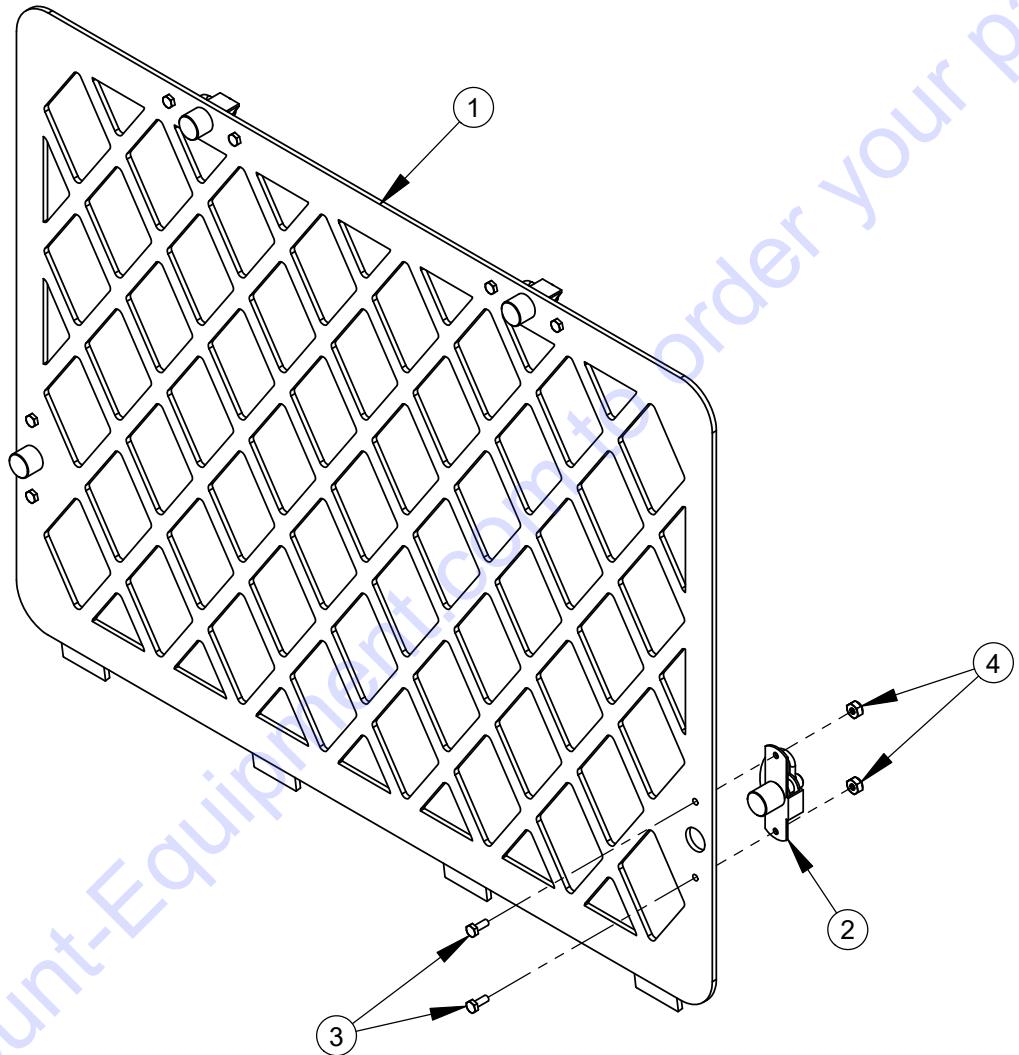
Go to Discount-Equipment.com to order your parts

Upright Assembly, #6056024



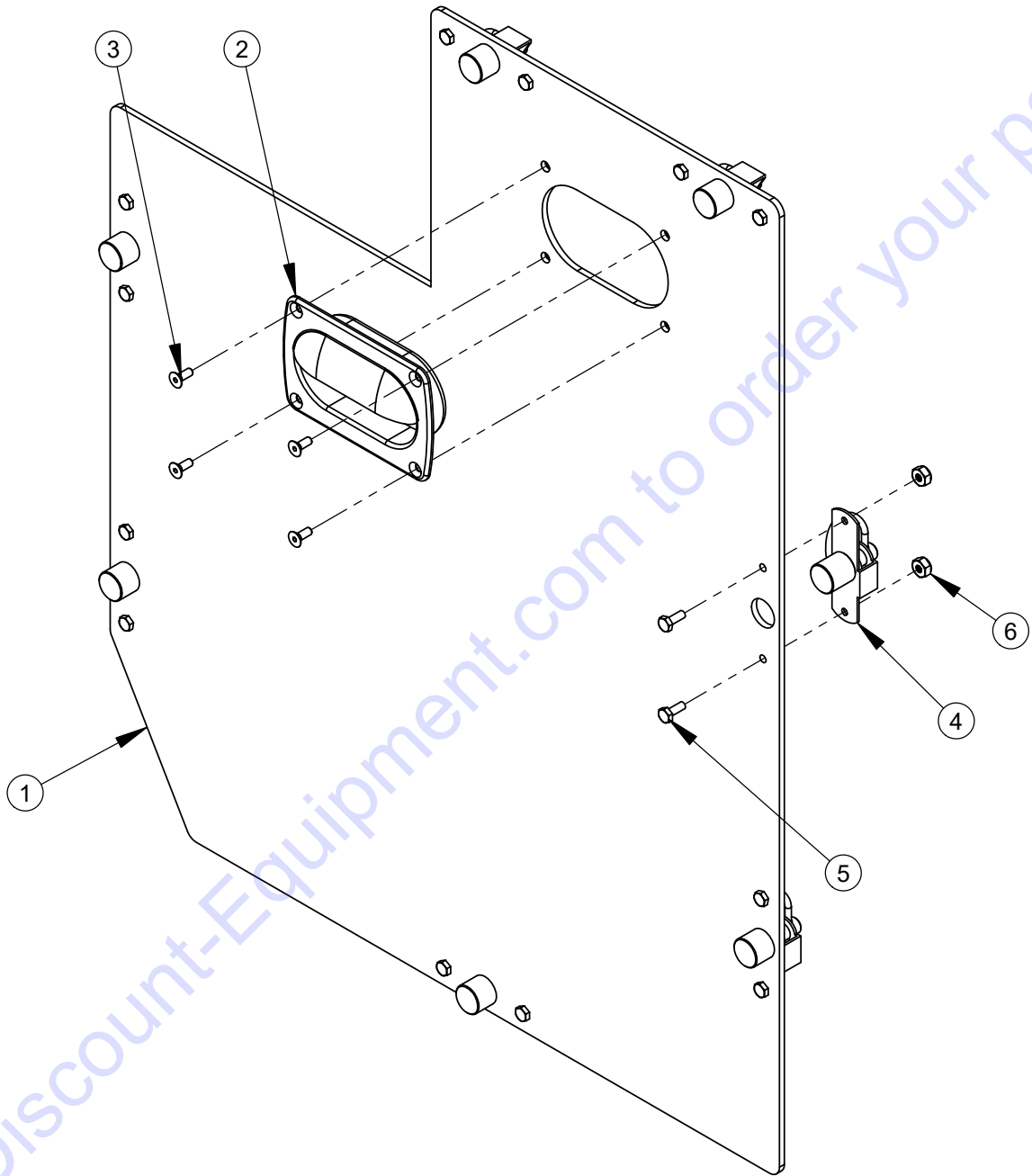
ITEM	PART NO.	QTY.	DESCRIPTION
1	6056586	1	Upright Weldment
2	6056598	1	Radiator Cover Weldment
3	6056550	1	Rear Access Panel Assembly
4	6056596	1	Access Panel, Right Side
5	6056597	1	Access Panel, Left Side
6	2504922	2	Hand Lock Knob, 5/16-18 x 3/4"
7	2501427	1	Rope Cleat
8	2900483	2	Tap Screw, Flat Hd., #10-24 x 1-1/4"
9	6010014	2	Handle Bar, 36" Long
10	2501955	2	Handle Stop Grip
11	2500636	2	Handle Grip
12	2504993	2	Knob, 1/2"-13 x 2-1/4"
13	2900217	6	Cap Screw, Hex Hd., 5/16-18 x 1-1/4"
14	2900031	6	Lock Washer, 5/16" Split
15	2900022	6	Flat Washer, 5/16" SAE
16	2506095	1	Plug, 7/8" Hole
17	1800169	1	Serial Number Plate, US
18	2900096	2	Rivet, 3/32" Dia.
19	2900083	2	Fender Washer, 1/4" x 1-1/4"
20	2900024	2	Lock Washer, 1/4" Split
21	2900863	2	Cap Screw, Button Hd., 1/4-20 x 5/8"

Rear Access Panel Assembly, #6056550



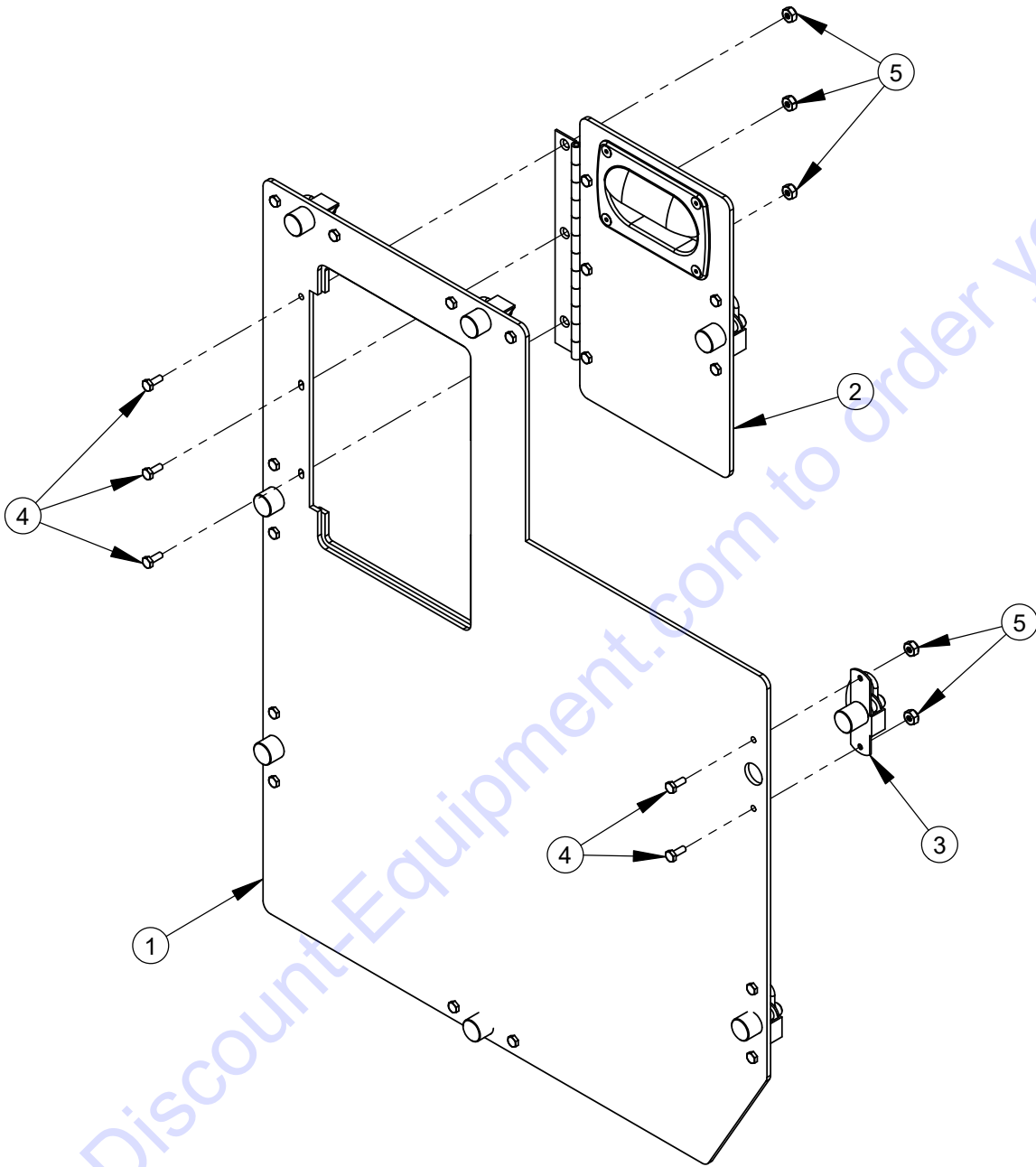
ITEM	PART NO.	QTY.	DESCRIPTION
1	6056546	1	Rear Access Panel Weldment
2	2504985	4	Spring-Cam Latch, Knob
3	2900624	8	Machine Screw, Hex Hd., #6-32 x 3/8"
4	2901325	8	Lock Nut, #6-32 Nylon

Access Panel, Right Side, #6056596



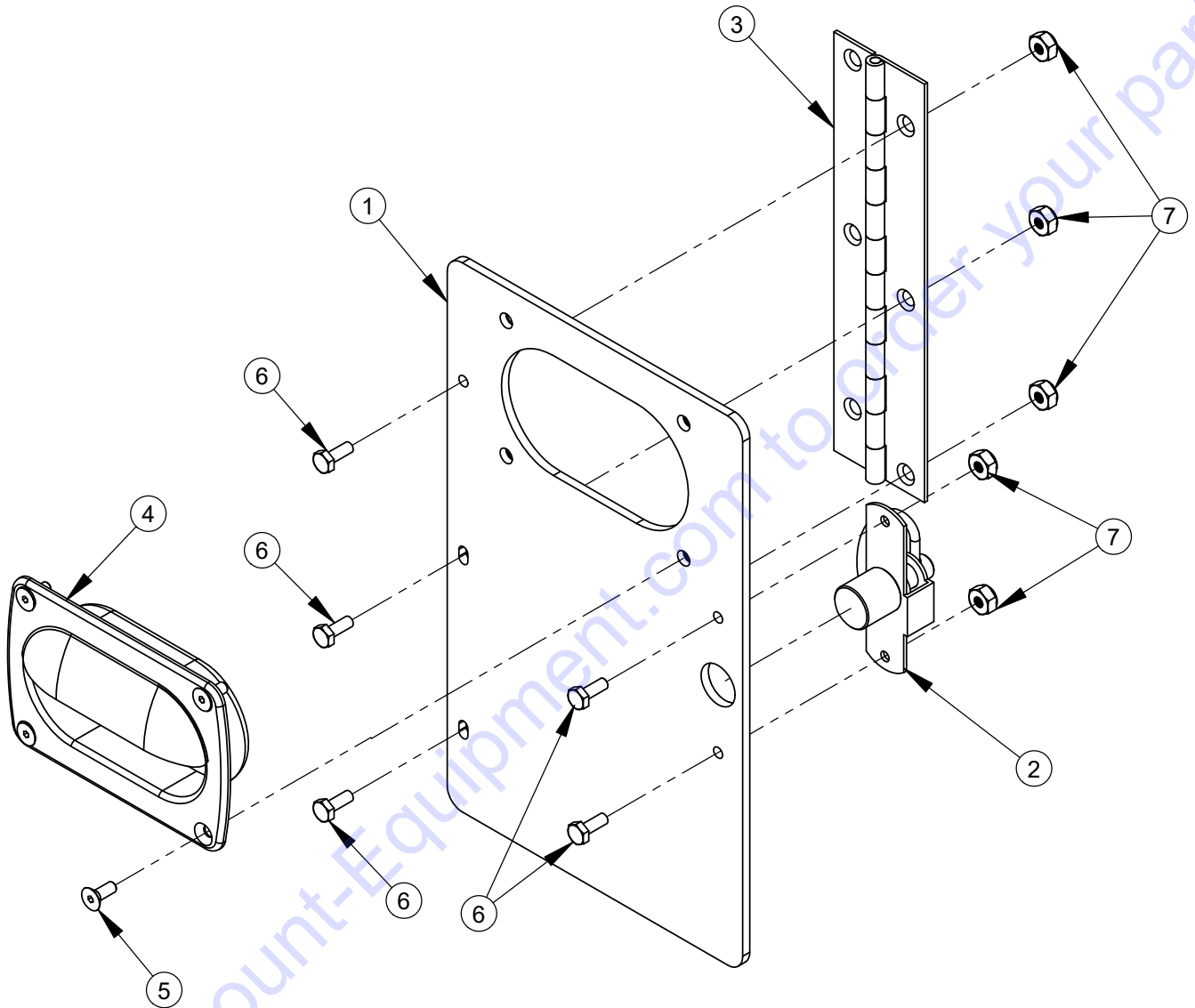
ITEM	PART NO.	QTY.	DESCRIPTION
1	6056594	1	Access Panel Weldment, Right Side
2	2504866	1	Pull Handle, Recessed
3	2900917	4	Machine Screw, Flat Hd., #6-32 x 3/8"
4	2504985	7	Spring-Cam Latch, Knob
5	2900624	14	Machine Screw, Hex Hd., #6-32 x 3/8"
6	2901325	14	Lock Nut, #6-32 Nylon

Access Panel, Left Side, #6056597



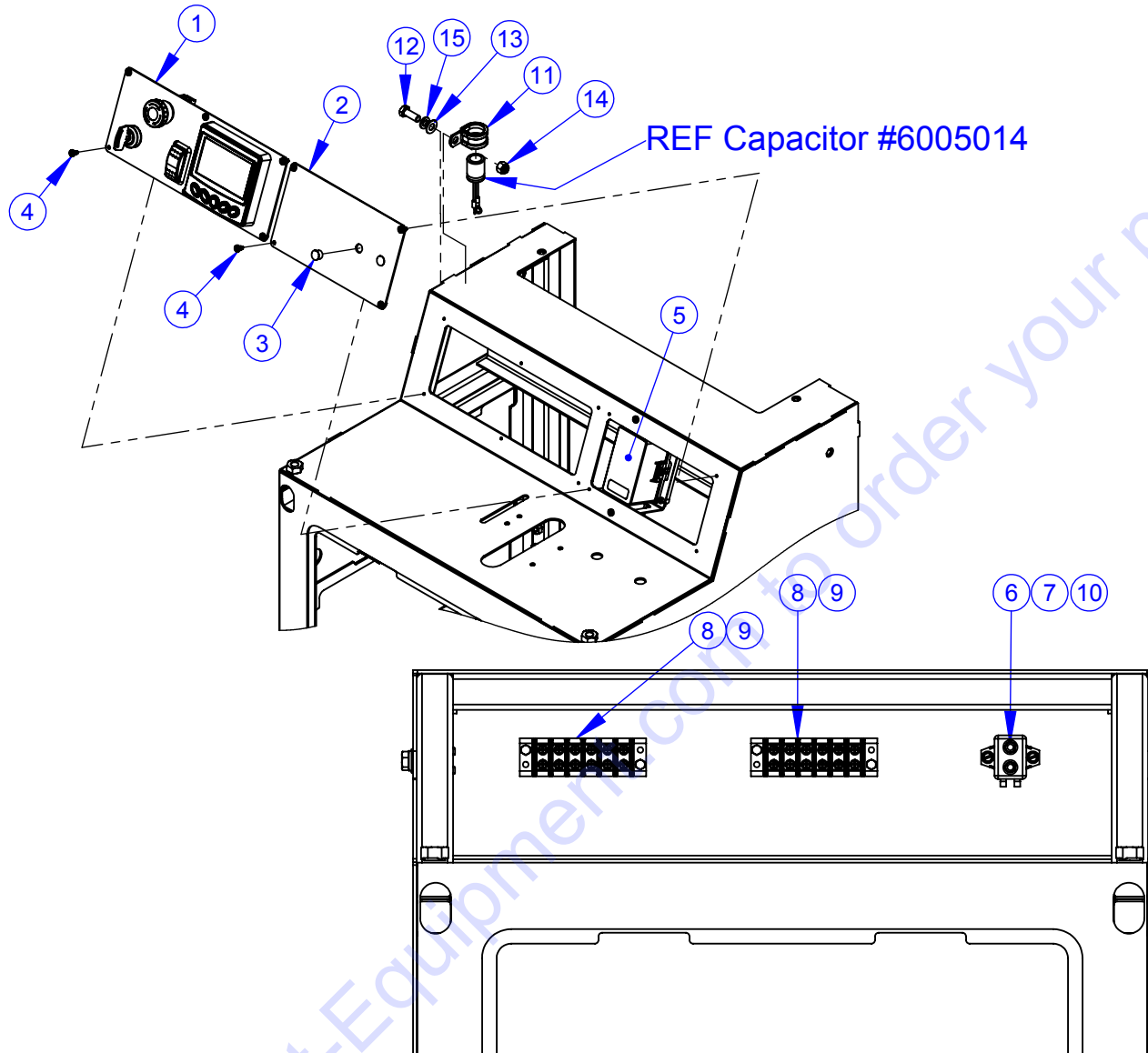
ITEM	PART NO.	QTY.	DESCRIPTION
1	6056595	1	Access Panel Weldment, Left Side
2	6056657	1	Fuel Door Assembly
3	2504985	7	Spring-Cam Latch, Knob
4	2900624	17	Machine Screw, Hex Hd., #6-32 x 3/8"
5	2901325	17	Lock Nut, #6-32 Nylon

Fuel Door Assembly, #6056657



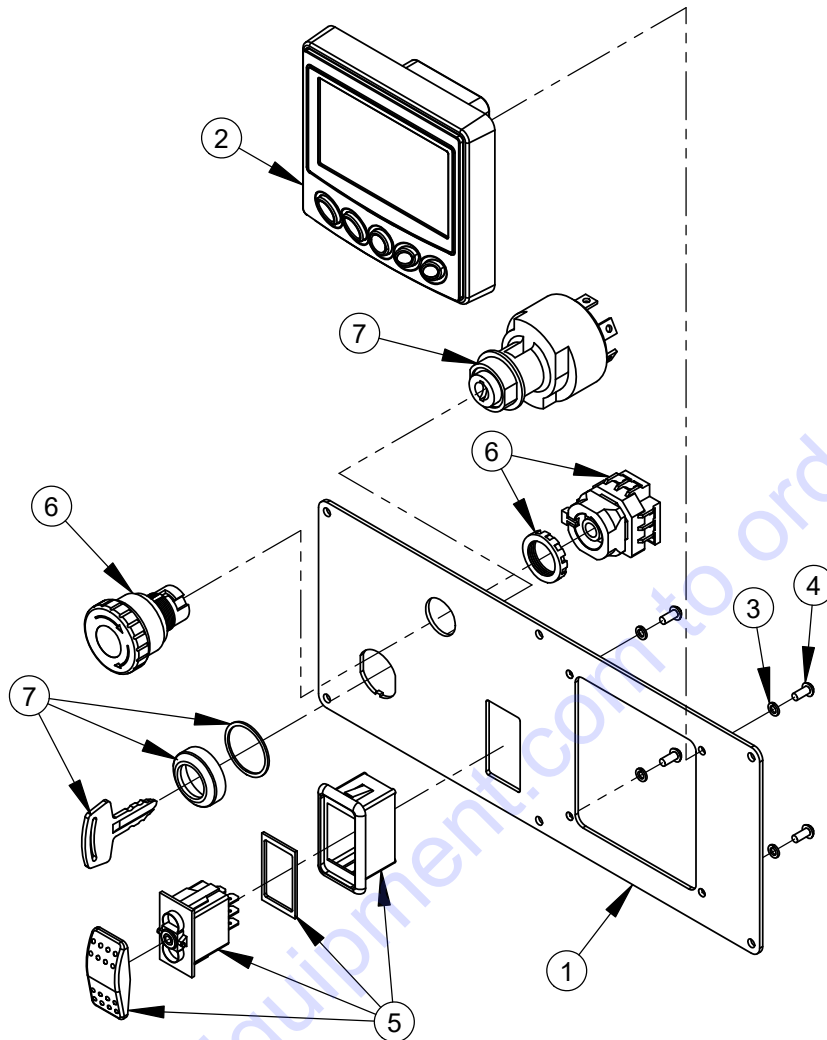
ITEM	PART NO.	QTY.	DESCRIPTION
1	6056658	1	Fuel Door Weldment
2	2504985	1	Spring-Cam Latch, Knob
3	2504988	1	Hinge, Surface Mount
4	2504866	1	Pull Handle, Recessed
5	2900917	4	Machine Screw, Flat Hd., #6-32 x 3/8"
6	2900624	5	Machine Screw, Hex Hd., #6-32 x 3/8"
7	2901325	5	Lock Nut, #6-32 Nylon

Instrument Panel Assembly, #6056025



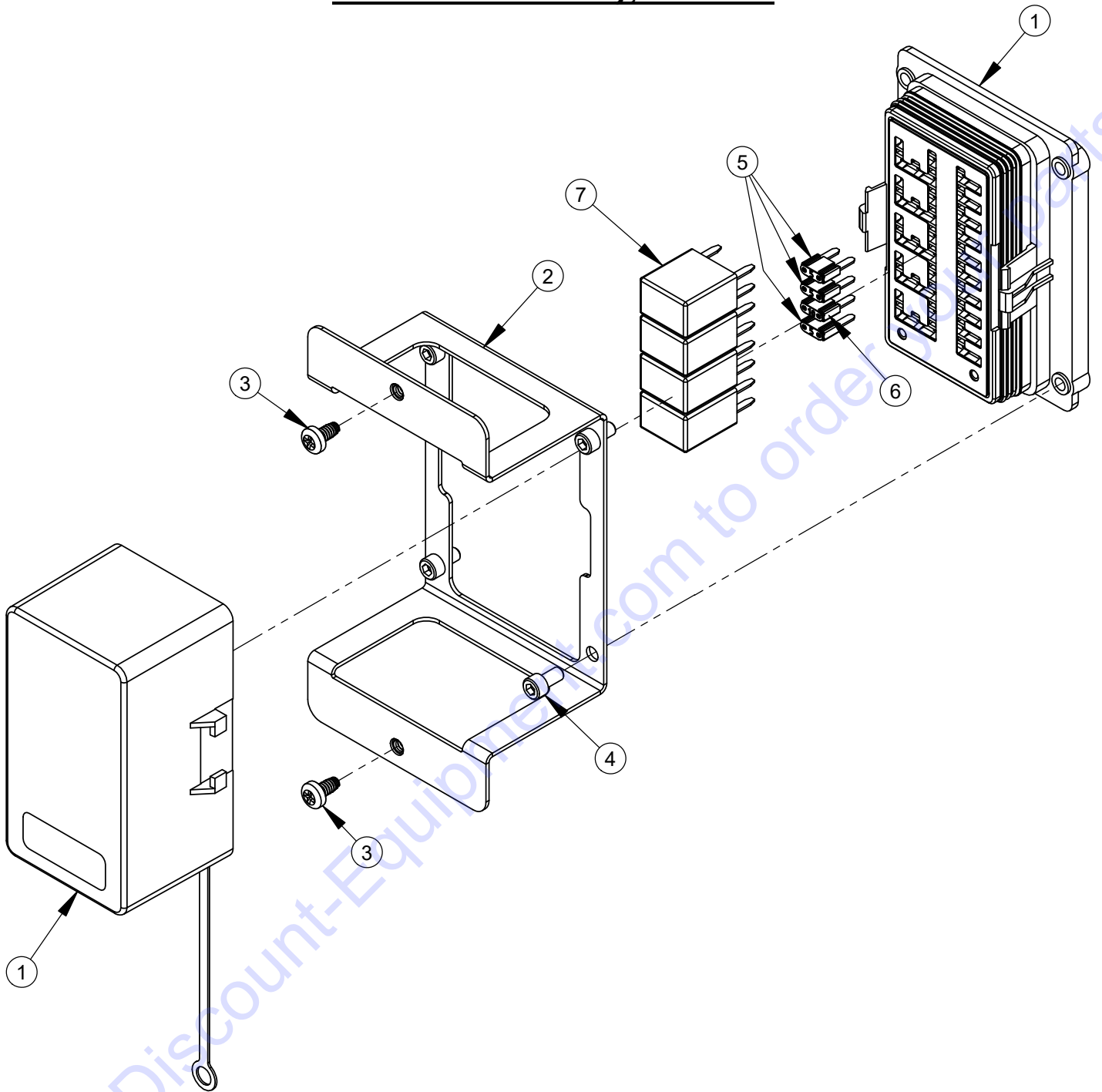
ITEM	PART NO.	QTY.	DESCRIPTION
1	6056626	1	Control Panel Assembly
2	6056043	1	Fuse/Switch Cover Plate
3	2500204	2	Plug, 1/2" Hole
4	2900021	10	Tap Screw, Pan Hd., #10-24 x 3/8"
5	6056624	1	Fuse Block Assembly
6	2801276	1	Circuit Breaker, 50 Amp
7	2800364	1	Circuit Breaker Boot
8	2800139	2	Terminal Block, 6 Position
9	2900015	4	Machine Screw, Hex Hd., #10-24 x 3/4"
10	2901412	2	Machine Screw, Hex Flange Hd., #10-24 x 1/2"
11	3201729	1	Hose Clamp, 1" x 3/4" Wide
12	2900005	1	Cap Screw, Hex Hd., 3/8-16 x 1"
13	2900014	1	3/8" SAE Flat Washer
14	2900018	1	Lock Nut, 3/8-16 Nylon
15	2900006	1	Lock Washer, 3/8" Split

Control Panel Assembly, #6056626



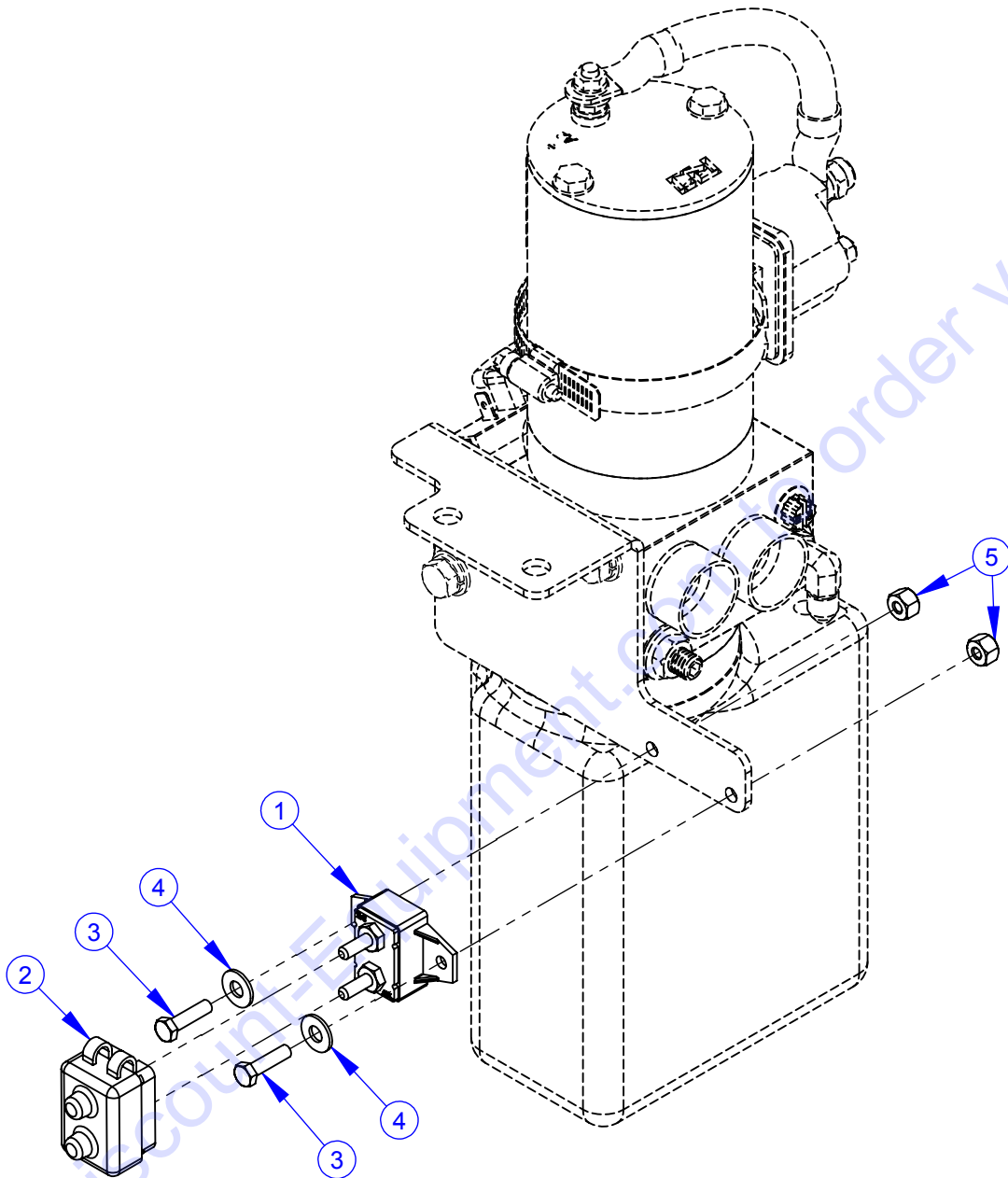
ITEM	PART NO.	QTY.	DESCRIPTION
1	6056605	1	Instrument Panel, Murphy Display
2	2801040	1	Murphy 4.3" Display
3	2900677	4	Lock Washer, #8 Split
4	2900114	4	Machine Screw, Rd. Hd., #8-32 x 3/8"
5	6019158	1	Rocker Switch Assembly
	2800258	1	Rocker Switch Body
	2800259	1	Rocker Switch Actuator
	2800260	1	Rocker Mount Panel
	2800261	1	Rocker Panel Gasket
6	2801367	1	E-Stop Switch
	2801367B	1	Contact
	2801367A	1	Cap
	2801367C	1	Nut
7	2705001	1	Ignition Switch & Keys
	2705001A	1	Ignition Switch
	2705001B	1	Switch Ring Nut
	2705001C	1	Switch Gasket
	2705000	1	Ignition Keys Only (Pair)

Fuse Block Assembly, #6056624



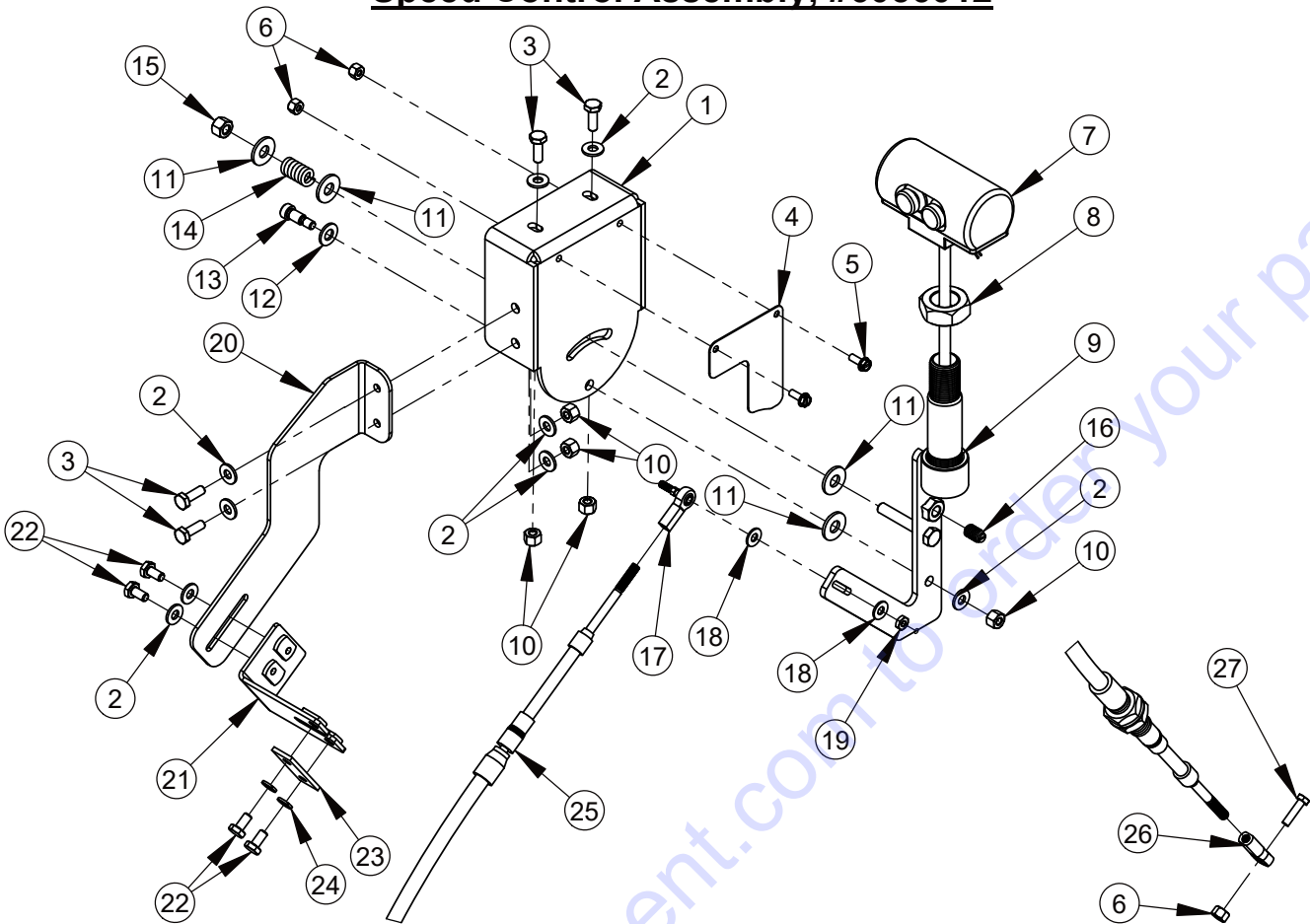
ITEM	PART NO.	QTY.	DESCRIPTION
1	2804405	1	Fuse Block with Cover
	2804405A	1	Fuse Block Base
	2804405B	1	Fuse Block Cover
2	6056575	1	Fuse Block Mount Weldment
3	2900021	2	Tap Screw, Pan Hd., #10-24 x 3/8"
4	2900117	4	Cap Screw, Soc. Hd., #10-24 x 3/8"
5	2801489	3	Fuse, 5 Amp Mini (Tan)
6	2801439	1	Fuse, 10 Amp Mini (Red)
7	2801641	4	Relay, 35 Amp Micro

Electrical Fan Circuit Breaker Mount Assembly, #6056034



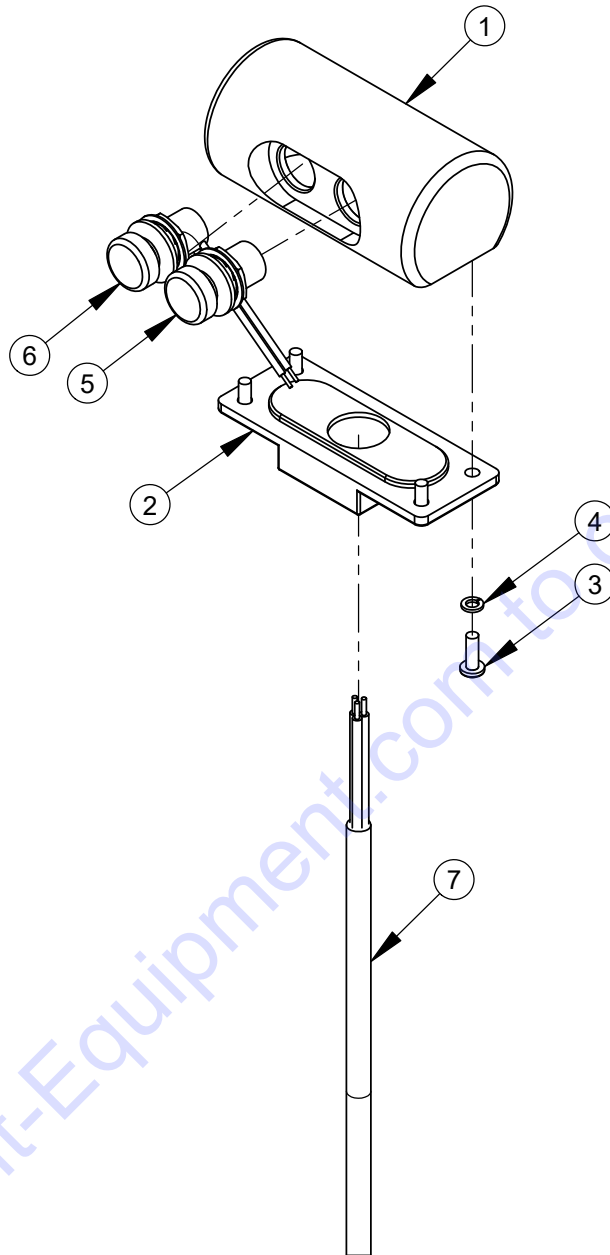
ITEM	PART NO.	QTY.	DESCRIPTION
1	2800643	1	Circuit Breaker, 40 Amp
2	2800364	1	Circuit Breaker Boot
3	2900015	2	Machine Screw, Hex Hd., #10-24 x 3/4"
4	2900016	2	Flat Washer, #10 USS
5	2900017	2	Lock Nut, #10-24 Nylon

Speed Control Assembly, #6056012



ITEM	PART NO.	QTY.	DESCRIPTION
1	6056558	1	Speed Control Mount
2	2900009	9	Flat Washer, 1/4" SAE
3	2900144	4	Cap Screw, Hex Hd., 1/4-20 x 3/4"
4	6056559	1	Speed Control Neutral Plate
5	2901412	2	Machine Screw, Hex Flange Hd., #10-24 x 1/2"
6	2900017	3	Lock Nut, #10-24 Nylon
7	6056564	1	Speed Control Grip Assembly
8	2900626	1	Jam Nut, 7/8-14
9	6056560	1	Speed Control Lever Weldment
10	2900010	5	Lock Nut, 1/4-20 Nylon
11	2900567	4	Flat Washer, 5/16" USS
12	2900022	1	Flat Washer, 5/16" SAE
13	2900051	1	Shoulder Screw, 5/16" x 1/2" (1/4-20)
14	2504841	1	Compression Spring, .53" OD x 1.03" x.105"
15	2900039	1	Lock Nut, 5/16-18 Nylon
16	2504840	1	Ball-Nose Plunger, 3/8"-16 x 5/8"
17	2504842	1	Ball Joint Linkage, 90 Degree
18	2900016	2	Flat Washer, #10 USS
19	2900188	1	Hex Nut, #10-32
20	6056606	1	Speed Control Cable Bracket
21	6056607	1	Cable Adjustment Bracket Weldment
22	2900082	4	Cap Screw, Hex Hd., 1/4-20 x 1/2"
23	6056647	1	Cable Stop
24	2900024	2	Lock Washer, 1/4" Split
25	2503904	1	Control Cable, 56"
26	2500791	1	Rod End, #10-32 Female
27	2900015	1	Machine Screw, Hex Hd., #10-24 x 3/4"

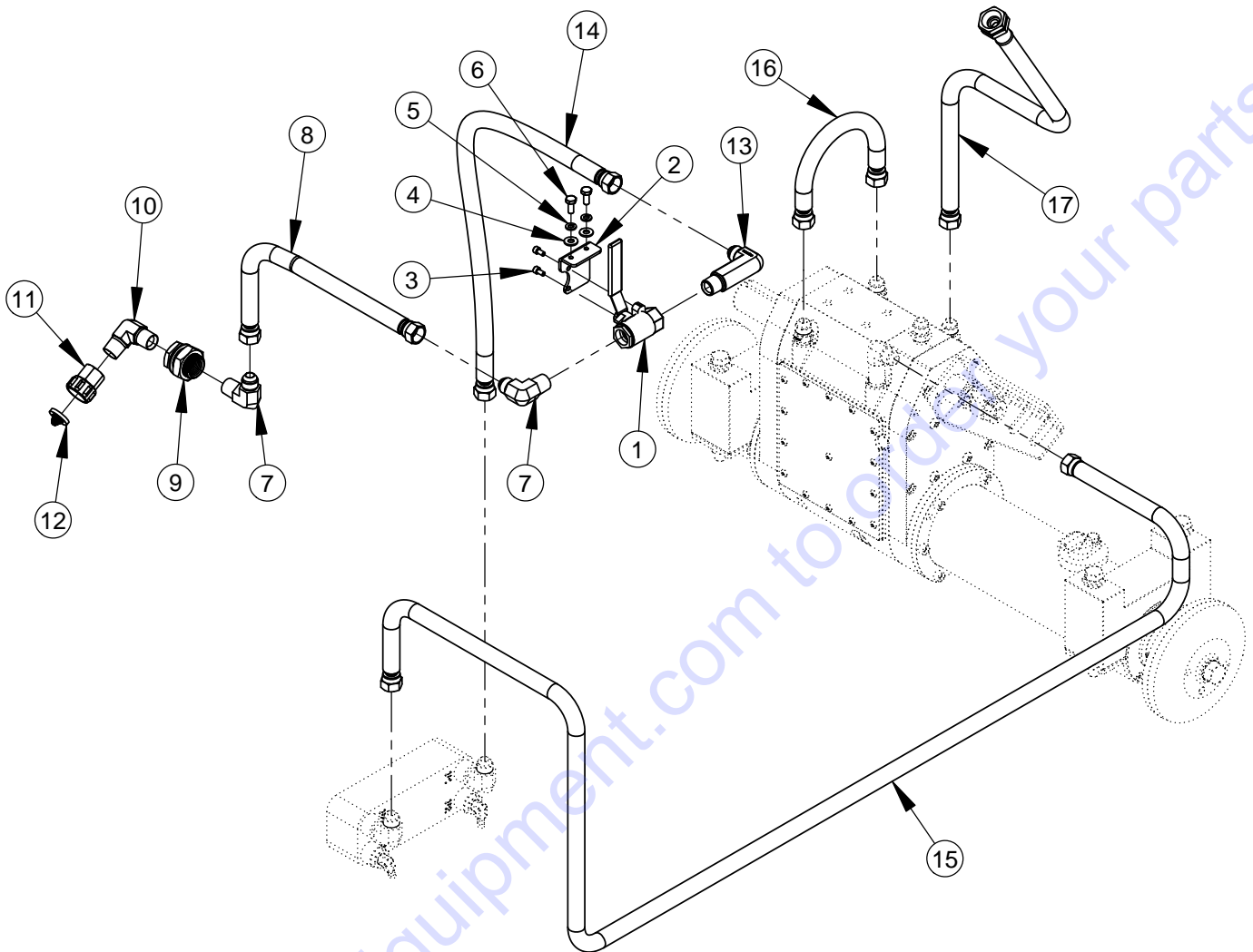
Speed Control Grip Assembly #6056564



ITEM	PART NO.	QTY.	DESCRIPTION
1	6056562	1	Speed Control Grip, Top
2	6056563	1	Speed Control Grip, Base
3	2900838	4	Machine Screw, Pan Hd., #8-32 x 1/2"
4	2900677	4	Lock Washer, #8 Split
5	2800372	1	Pushbutton Switch (B&G)
6	2800373	1	Pushbutton Switch (B&W)
7	6095033	1	Harness, Speed Control Grip
8	2800002	3	Wire Nut (Grey) (Not Shown)

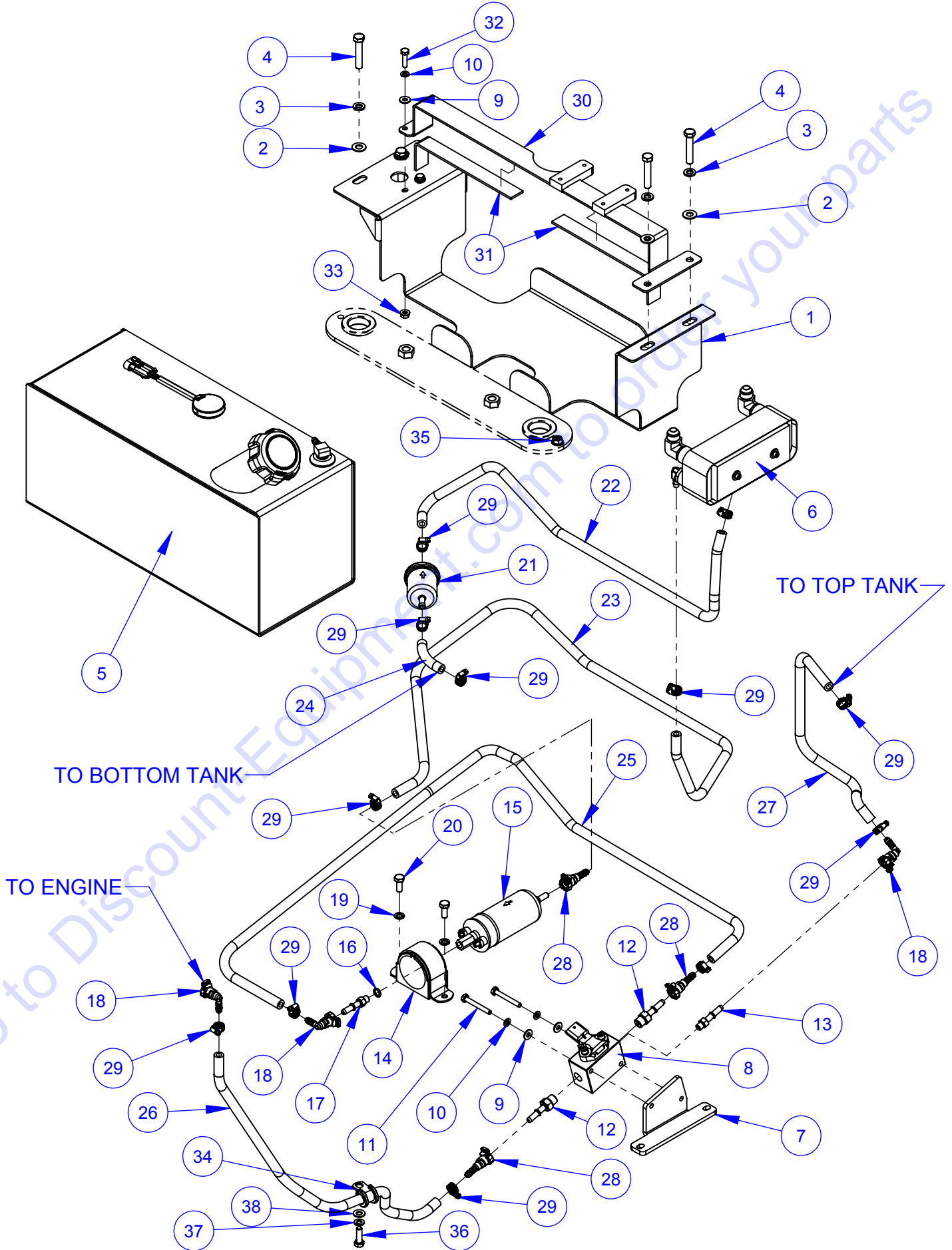
Go to Discount-Equipment.com to order your parts

Water Supply Assembly, #6056027



ITEM	PART NO.	QTY.	DESCRIPTION
1	3200026	1	Water Valve, 1/2"
2	6045447	1	Water Valve Mounting Bracket
3	2900117	2	Cap Screw, Soc. Hd., #10-24 x 3/8"
4	2900009	2	Flat Washer, 1/4" SAE
5	2900024	2	Lock Washer, 1/4" Split
6	2900023	2	Cap Screw, Hex Hd., 1/4-20 x 5/8"
7	3201461	2	Elbow, 1/2" M. JIC to 1/2" M. Pipe
8	6056625	1	Water Hose Assembly, 14"
9	3202928	1	Bulkhead Adapter, 1/2" FPT
10	3200166	1	Elbow, 1/2" Male Pipe
11	3200022	1	Fitting, 1/2" F. Pipe to 3/4" F. Garden
12	3200025	1	Hose Filter Washer
13	3202846	1	Elbow, 1/2" M. JIC to 1/2" M. Pipe XL
14	6056627	1	Water Hose Assembly, 24"
15	6056628	1	Water Hose Assembly, 74"
16	6056629	1	Water Hose Assembly, 12"
17	6056630	1	Water Hose Assembly, 60"

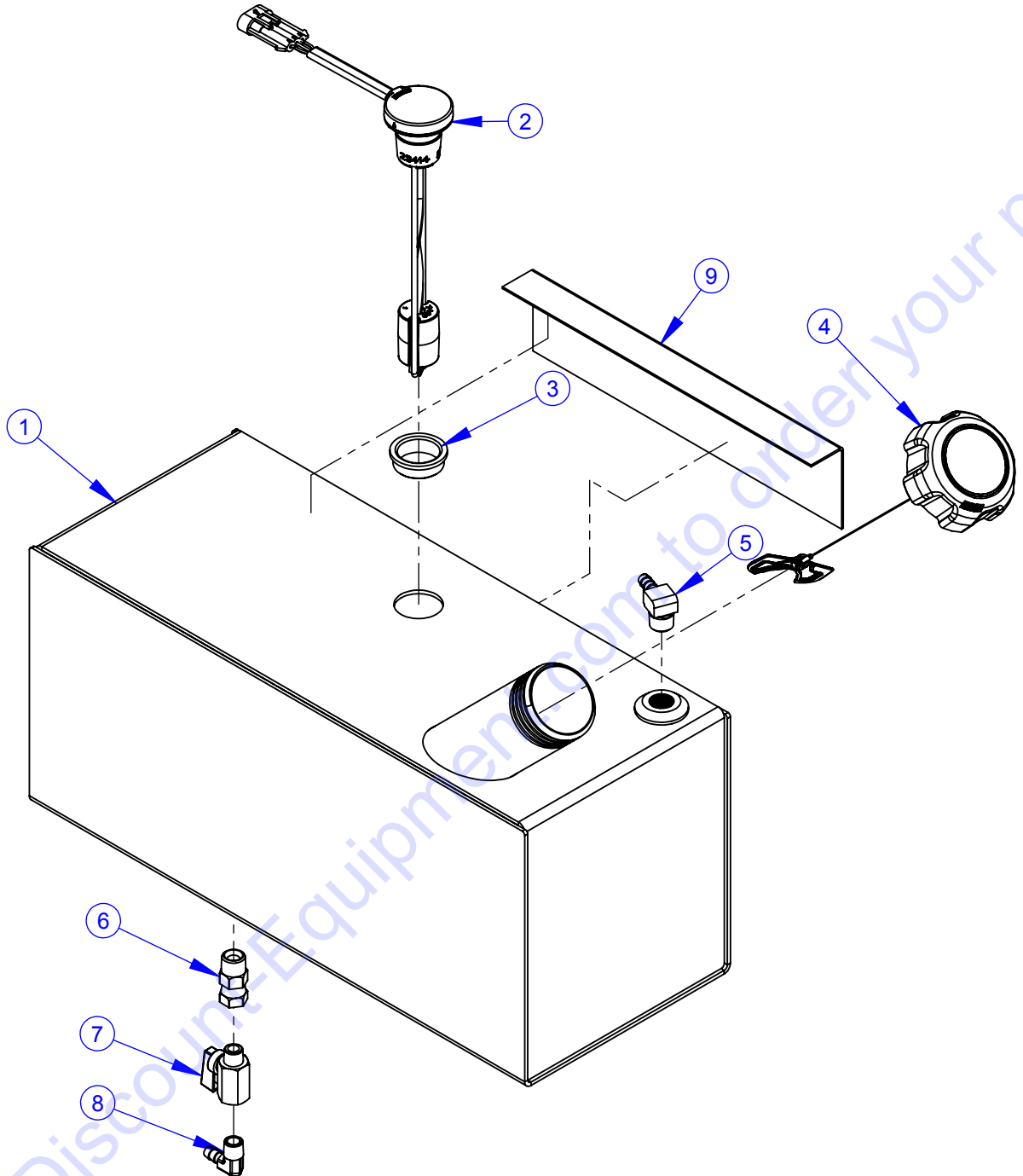
Fuel Supply Assembly, #6056028



Fuel Assembly, #6056028

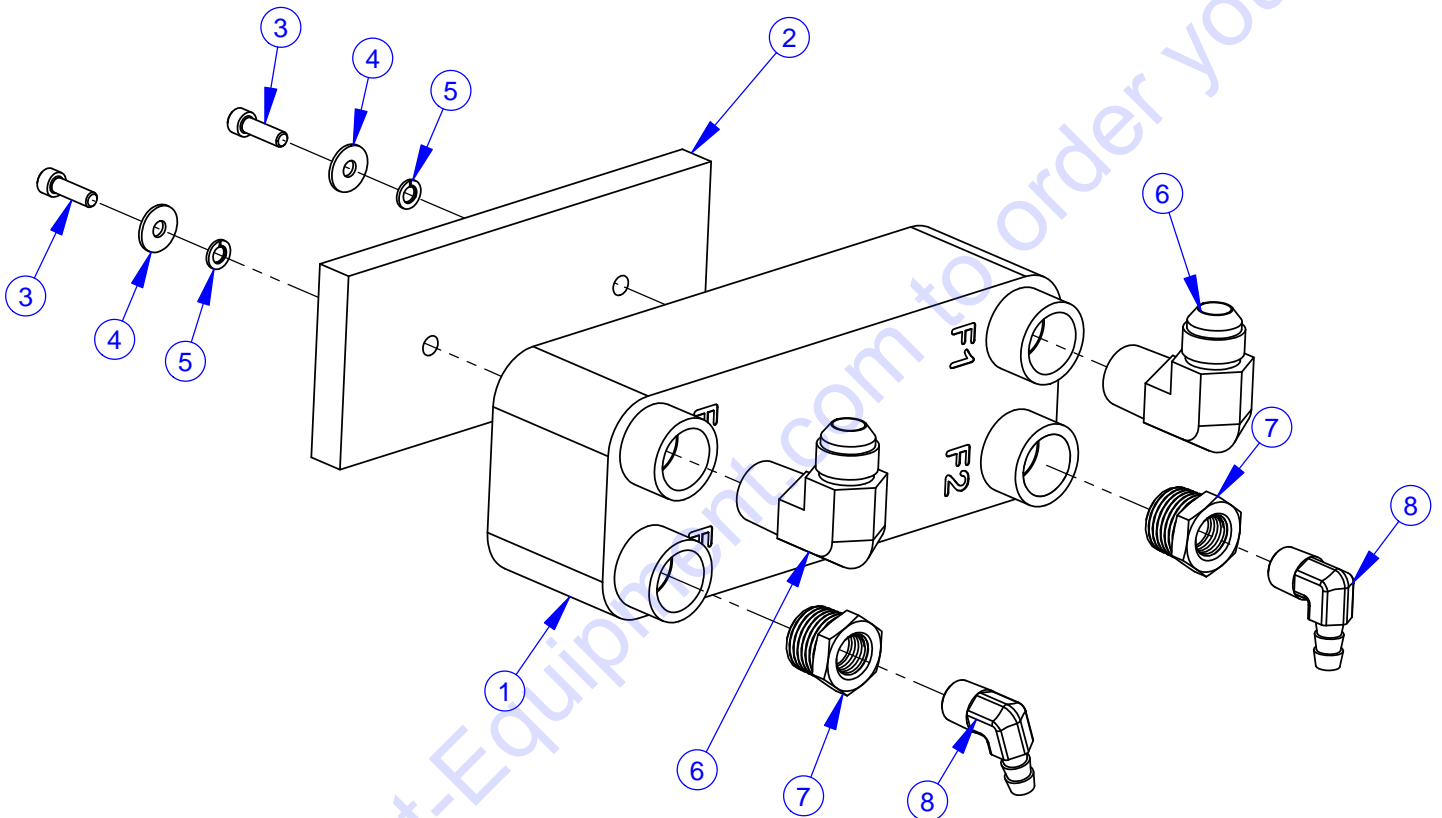
ITEM	PART NO.	QTY.	DESCRIPTION
1	6056591	1	Fuel Tank Mounting Bracket
2	2900014	4	Flat Washer, 3/8" SAE
3	2900006	4	Lock Washer, 3/8" Split
4	2900060	4	Cap Screw, Hex Hd., 3/8-16 x 2"
5	6056013	1	Fuel Tank Assembly
6	6056631	1	Fuel Cooler Assembly
7	6056677	1	Bracket, Fuel Pressure Manifold
8	2705225	1	Fuel Pressure Manifold
9	2900009	4	Flat Washer, 1/4" SAE
10	2900024	4	Lock Washer, 1/4" Split
11	2900294	2	Cap Screw, Hex Hd., 1/4-20 x 2"
12	3202103	2	Fitting, 5/16" QC Stem to 3/8" O-Ring
13	3202104	1	Fitting, 5/16" QC Stem to 3/16" O-Ring
14	3202101	1	Clamp, 2-1/8" Cushion
15	2705226	1	Fuel Pump
16	2705229	1	Copper Washer M10
17	3202105	1	Adapter, 5/16" QC Stem to M10x1
18	3202106	3	Elbow, 5/16" QC to 5/16" Hose Barb
19	2900763	2	Lock Washer, M8 Split
20	2900329	2	Capscrew, Hex Hd., M8 x 1.25 x 20mm
21	2705227	1	Fuel Filter
22	6019283	1	Fuel Hose, 5/16" I.D. x 32"
23	6019279	1	Fuel Hose, 5/16" I.D. x 40"
24	6010456	1	Fuel Line Hose, 5/16" ID x 3"
25	6047957	1	Fuel Hose, 5/16" I.D. x 48"
26	6010693	1	Fuel Hose, 5/16" I.D. x 30"
27	6019277	1	Fuel Hose, 5/16" I.D. x 18"
28	3202107	3	Fitting, 5/16" QC to 5/16" Hose Barb
29	3200062	12	Hose Clamp #4
30	6056684	1	Fuel Tank Hold Down Weldment
31	2500216	2	Foam Tape, 1/8" x 1" x 10"
32	2900008	2	Cap Screw, Hex Hd., 1/4-20 x 1"
33	2902145	2	Hex Flange Nut, 1/4-20
34	2501434	1	Hose Clamp, 5/8" x 3/4" Wide
35	2900852	1	5/16-18 Flange Lock Nut, Serrated
36	2900138	1	Cap Screw, Hex Hd., 5/16-18 x 1"
37	2900031	1	Lock Washer, 5/16" Split
38	2900022	1	Flat Washer, 5/16" SAE

Fuel Tank Assembly, #6056013



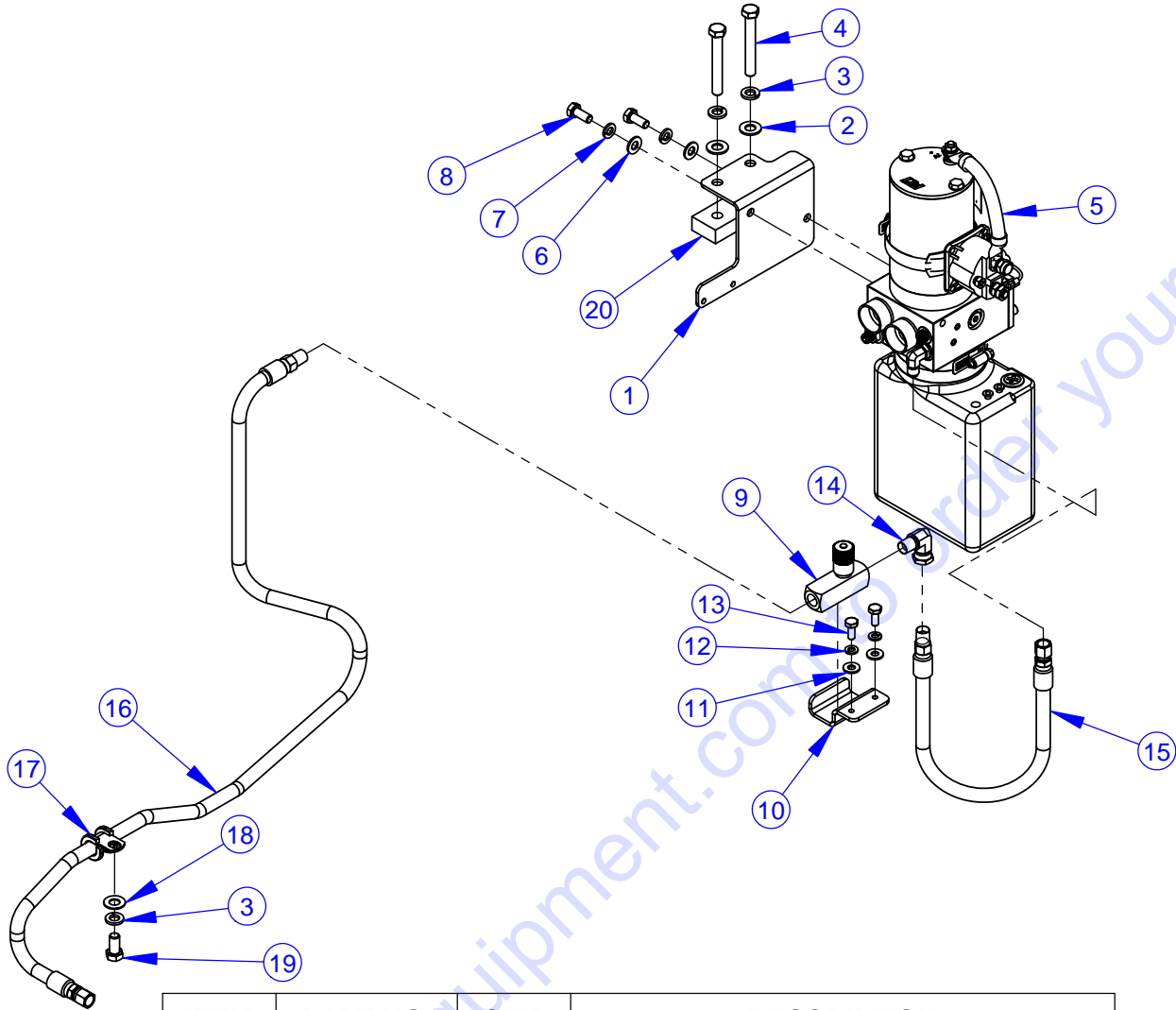
ITEM	PART NO.	QTY.	DESCRIPTION
1	6056590	1	Fuel Tank Weldment
2	2506075	1	Fuel Multi-Level Sender
3	2506076	1	Grommet, Fuel Sender
4	2506032	1	Fuel Tank Cap, Unleaded
5	3201385	1	Elbow, 3/8" M. Pipe to 5/16" Hose Barb
6	3200058	1	Adapter, 3/8" MPT to 1/4" FPT
7	3200108	1	Ball Valve, 1/4" NPT
8	3200599	1	Elbow, 1/4" M. Pipe to 5/16" Hose Barb
9	2505174	12	Rubber Tape 4" x 1/16"

Fuel Cooler Assembly, #6056631



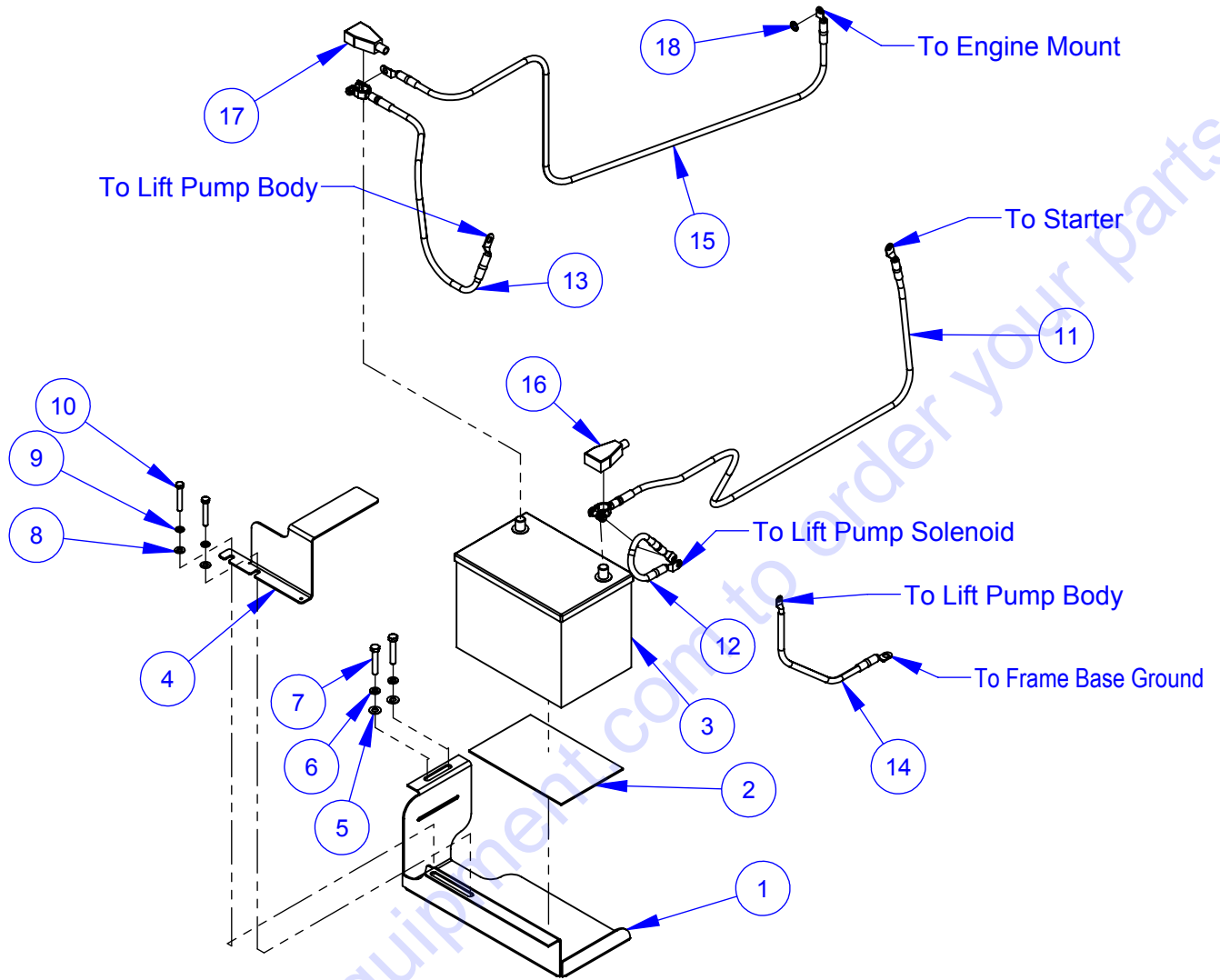
ITEM	PART NO.	QTY.	DESCRIPTION
1	2506054	1	Fuel Cooler
2	6019280	1	Cooler Cushion
3	2900087	2	Cap Screw, Soc. Hd., #10-32 x 5/8"
4	2900770	2	Fender Washer, M5
5	2900767	2	Lock Washer, M5 Split
6	3201461	2	Elbow, 1/2" M. JIC to 1/2" M. Pipe
7	3200229	2	Reducer, 1/2" M. to 1/4" F. Pipe
8	3200599	2	Elbow, 1/4" M. Pipe to 5/16" Hose Barb

Hydraulic Pump Assembly, #6056029



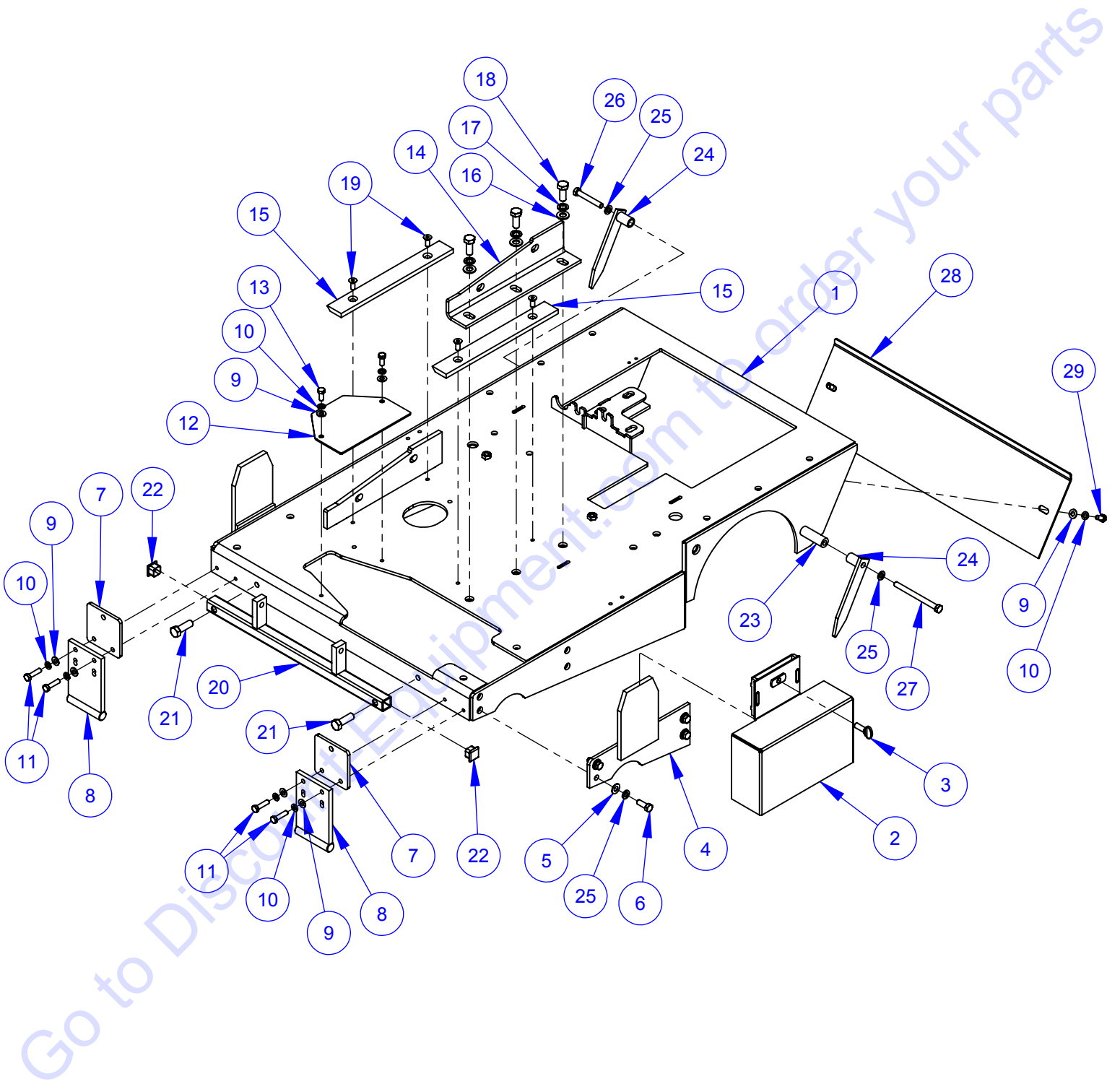
ITEM	PART NO.	QTY.	DESCRIPTION
1	6056687	1	Lift Pump Mounting Bracket
2	2900014	2	Flat Washer, 3/8" SAE
3	2900006	3	Lock Washer, 3/8" Split
4	2900028	2	Cap Screw, Hex Hd., 3/8-16 x 2-3/4"
5	2600724	1	Electro/Hyd Pump Unit
6	2900022	2	Flat Washer, 5/16" SAE
7	2900031	2	Lock Washer, 5/16" Split
8	2900019	2	Cap Screw, Hex Hd., 5/16-18 x 3/4"
9	3200056	1	Flow Control Valve, 1/4" NPT
10	6045062	1	Flow Control Mount
11	2900009	2	Flat Washer, 1/4" SAE
12	2900024	2	Lock Washer, 1/4" Split
13	2900023	2	Cap Screw, Hex Hd., 1/4-20 x 5/8"
14	3200059	1	Elbow, 1/4" M. to 1/4" F. Pipe Swivel
15	6056686	1	Hydraulic Hose Assembly, 1/4" x 17.2"
16	6056640	1	Hyd. Hose Assembly, 1/4" x 43"
17	2501434	1	Hose Clamp, 5/8" x 3/4" Wide
18	2900014	1	Flat Washer, 3/8" SAE
19	2900196	1	Cap Screw, Hex Hd., 3/8-16 x 3/4"
20	6056685	1	Spacer, 0.625" x 3.20" x 1.25"

Battery Assembly, #6056030



ITEM	PART NO.	QTY.	DESCRIPTION
1	6056669	1	Battery Mounting Tray
2	6010442	1	Battery Pad
3	2801656	1	Battery, 12 Volt AGM Group Size 24
4	6056678	1	Battery Hold Down Bracket
5	2900014	2	Flat Washer, 3/8" SAE
6	2900006	2	Lock Washer, 3/8" Split
7	2900060	2	Cap Screw, Hex Hd., 3/8-16 x 2"
8	2900022	2	Flat Washer, 5/16" SAE
9	2900031	2	Lock Washer, 5/16" Split
10	2900494	2	Cap Screw, Hex Hd., 5/16-18 x 2"
11	2800073	1	Battery Cable, 64" Positive (Red)
12	2800095	1	Solenoid Cable, 14" Positive (Red)
13	2800072	1	Battery Cable, 30" Negative (Black)
14	2800853	1	Ground Cable, 4ga SAE J1127 x 18"
15	2808209	1	Battery Cable, 59" Negative (Black)
16	2800256	1	Battery Boot, Large (Red)
17	2800257	1	Battery Boot, Large (Black)
18	2900254	1	Lock Washer, 3/8" Internal Tooth

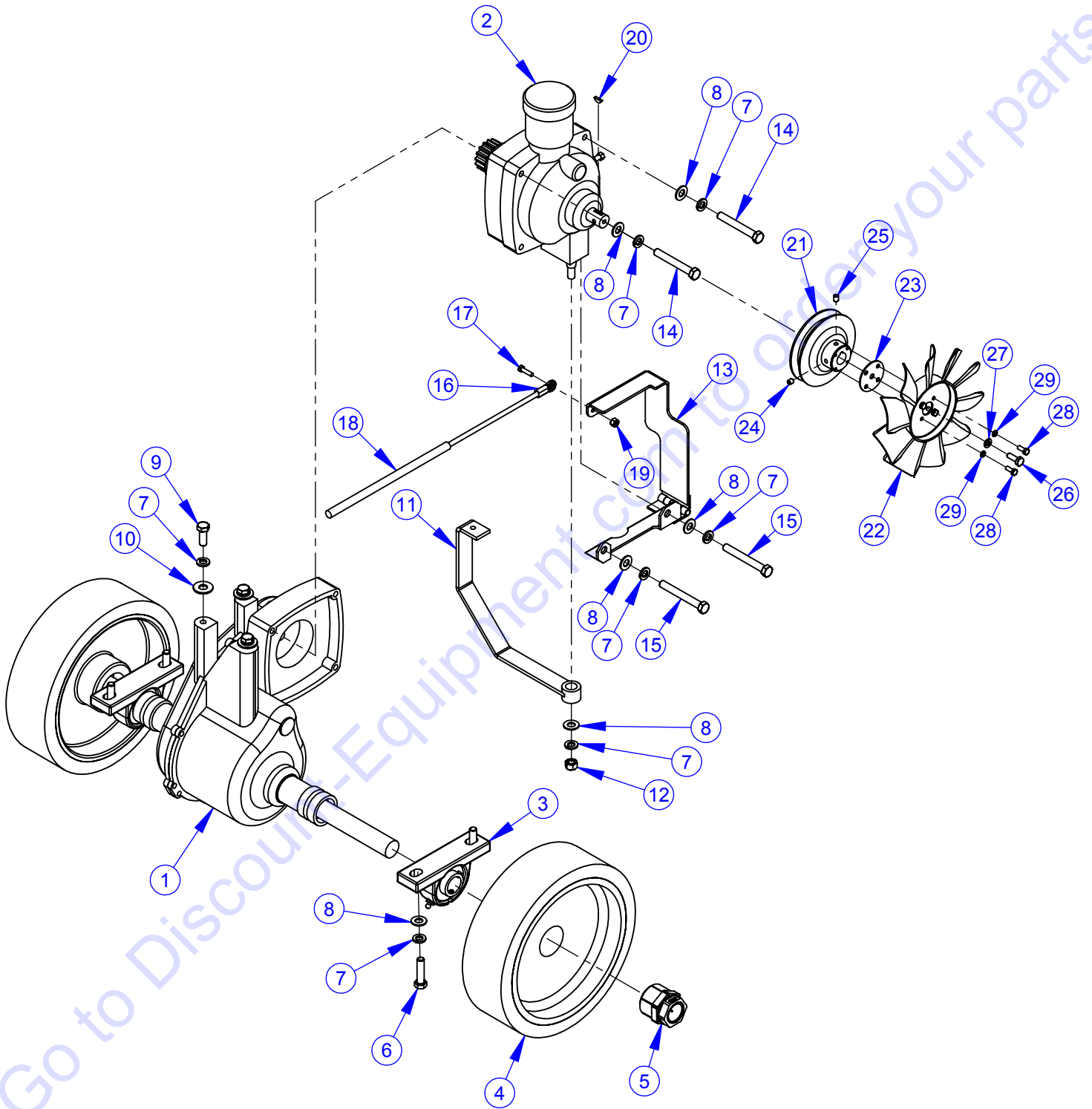
Frame Base Assembly, 3-Speed, #6056017



Frame Base Assembly, 3-Speed, #6056017

ITEM	PART NO.	QTY.	DESCRIPTION
1	6056587	1	Frame Base Weldment
2	6045435	1	Shaft Guard Assembly
3	2900500	1	Thumb Screw, 3/8-16 x 1"
4	6056731	1	Side Guard Mount Weldment
5	2900014	4	Flat Washer, 3/8" SAE
6	2900005	4	Cap Screw, Hex Hd., 3/8-16 x 1"
7	6056581	2	Guard Attachment Plate
8	6056522	2	Skid Plate Weldment
9	2900022	8	Flat Washer, 5/16" SAE
10	2900031	8	Lock Washer, 5/16" Split
11	2900217	4	Cap Screw, Hex Hd., 5/16-18 x 1-1/4"
12	6010974	1	Cover Plate
13	2900019	2	Cap Screw, Hex Hd., 5/16-18 x 3/4"
14	6056600	1	Adjustable Engine Bracket
15	6056603	2	Engine Vibration Pad
16	2901357	3	Flat Washer, M12
17	2900699	3	Lock Washer, M12 Split
18	2900330	3	Cap Screw, Hex Hd., M12-1.75 x 30mm
19	2900611	4	Cap Screw, Flat Hd., M8-1.25 x 20mm
20	6010979	1	Pointer Mount
21	2900499	2	Cap Screw, Hex Hd., 1/2-13 x 1-1/2"
22	2500573	2	Plug, 1" Square Tube
23	2506067	1	Spacer, .75" x .38" x 2.25"
24	6010022	2	Rear Pointer
25	2900006	6	Lock Washer, 3/8" Split
26	2900596	1	Cap Screw, Hex Hd., 3/8-16 x 2-1/2"
27	2900375	1	Cap Screw, Hex Hd., 3/8-16 x 4-1/2"
28	6056599	1	Frame Base Rear Cover
29	2900883	2	Cap Screw, Hex Hd., 5/16-18 x 5/8"

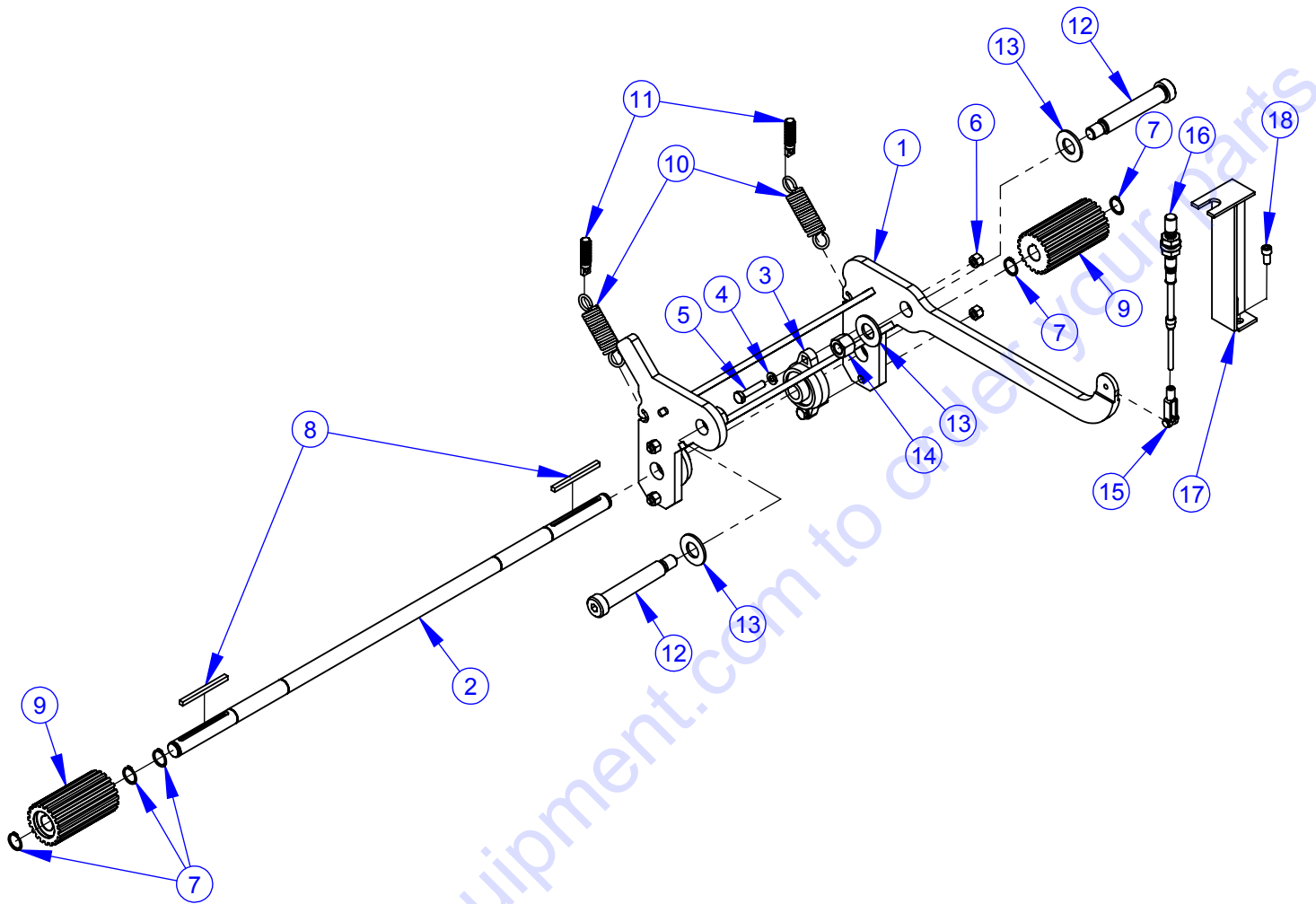
Differential Transmission Assembly, #6056020



Differential Transmission Assembly, #6056020

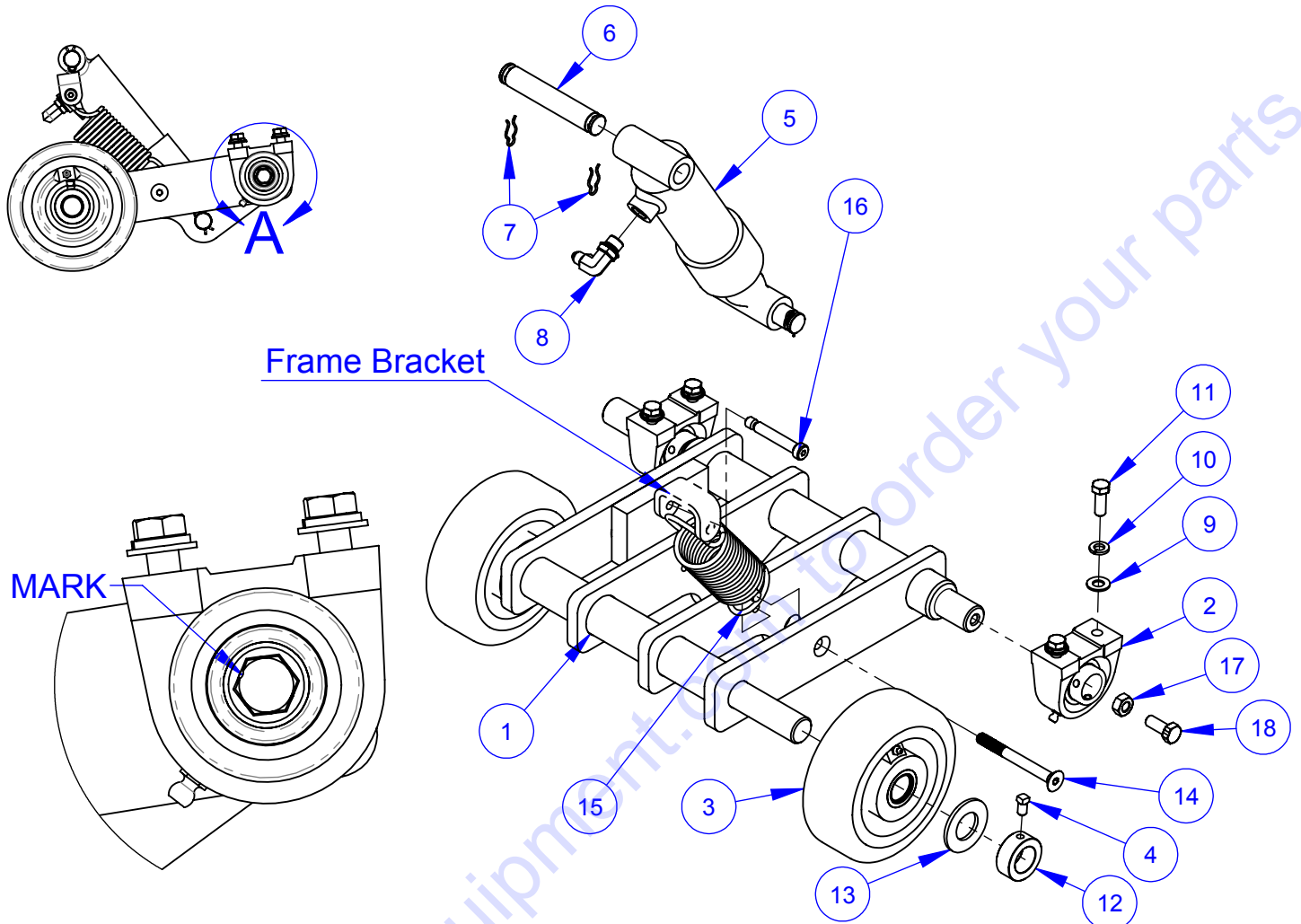
ITEM	PART NO.	QTY.	DESCRIPTION
1	2600206	1	Peerless Transaxle 1325-A
2	6045208	1	Eaton 7 Dimpled Shaft Trans with Gear
3	2500013	2	Bearing, 1" Pillowblock
4	2500996	2	Wheel 10 x 3 1.75 Bore
5	2500867	2	Trantorque Bushing, 1"
6	2900029	4	Cap Screw, Hex Hd., 3/8-16 x 1-1/2"
7	2900006	12	Lock Washer, 3/8" Split
8	2900014	9	Flat Washer, 3/8" SAE
9	2900005	3	Cap Screw, Hex Hd., 3/8-16 x 1"
10	2900473	3	Flat Washer, 3/8", USS
11	6056613	1	Shift Lever Weldment
12	2900033	1	Hex Nut, 3/8-16
13	6056534	1	Neutral Lever Weldment
14	2900028	2	Cap Screw, Hex Hd., 3/8-16 x 2-3/4"
15	2900035	2	Cap Screw, Hex Hd., 3/8-16 x 3"
16	2500791	1	Rod End, #10-32 Female
17	2900015	1	Machine Screw, Hex Hd., #10-24 x 3/4"
18	2501510	1	Throttle Cable
19	2900017	1	Lock Nut, #10-24 Nylon
20	2900068	1	Woodruff Key #404, 1/8" W x 1/2" Dia.
21	6011149	1	Cup Pulley 4 "- A Groove
22	2500519	1	Cooling Fan, 7"
23	6045130	1	Fan Pulley Spacer
24	2901133	1	Set Screw, Soc. Cone Point, 1/4-20 x 3/8"
25	2900101	1	Set Screw, Soc. Hd., 1/4-20 x 3/8"
26	2900144	1	Cap Screw, Hex Hd., 1/4-20 x 3/4"
27	2900024	1	Lock Washer, 1/4" Split
28	2900448	4	Machine Screw, Hex Hd., #10-32 x 1/2"
29	2900038	4	Lock Washer, #10 Split

Positraction Assembly, #6056008



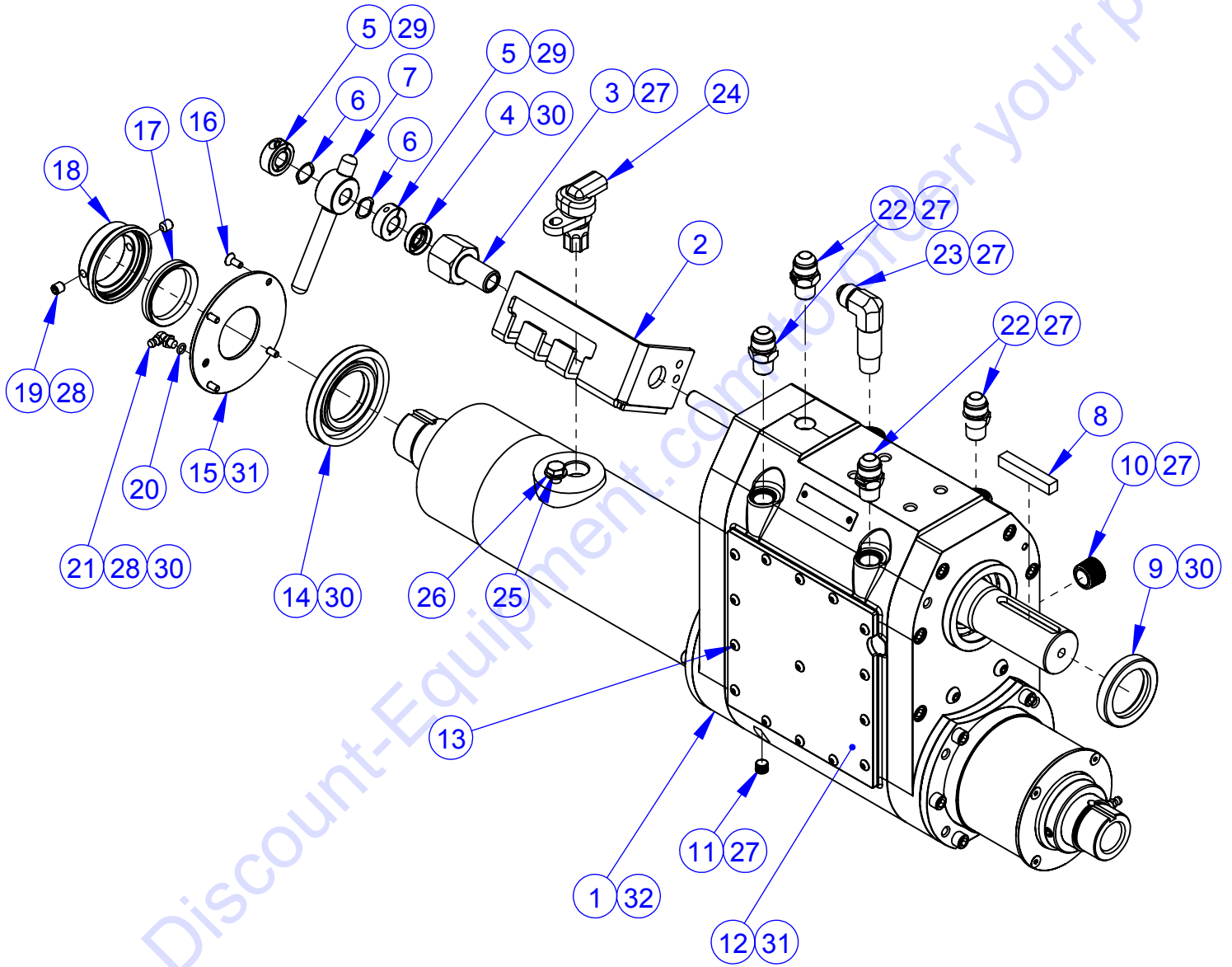
ITEM	PART NO.	QTY.	DESCRIPTION
1	6056523	1	Positraction Weldment
2	6056524	1	Positraction Axle, 5/8" x 24"
3	2500807	2	Bearing, 5/8", Two Bolt Flange
4	2900024	4	Lock Washer, 1/4" Split
5	2900052	4	Cap Screw, Hex Hd., 1/4-20 x 1-1/4"
6	2900010	4	Lock Nut, 1/4-20 Nylon
7	2500364	6	Retaining Ring, 5/8" External
8	2504744	2	Key, Undersized, 3/16" Sq. x 2-1/2"
9	6056525	2	Sprocket, 20T, 1.79 OD
10	2503940	2	Extension Spring, 3/4 x .105 x 3.00"
11	2901385	2	Spring Anchor 3/8 x 1-5/8"
12	2900824	2	Shoulder Screw, 5/8" x 3-1/4" (1/2-13)
13	2900002	4	Flat Washer, 5/8" SAE
14	2900026	2	Lock Nut, 1/2-13 Nylon
15	2504867	1	Clevis Rod End, #10-32 x 1-9/16"
16	2504870	1	Turn-Lock Cable
17	6056645	1	Positraction Bracket
18	2900122	2	Cap Screw, Soc. Hd., 1/4-20 x 1/2"

Front Axle Assembly #6056006



ITEM	PART NO.	QTY.	DESCRIPTION
1	6045165	1	Front Axle Weldment
2	2500732	2	Pillow Block Bearing 1"
3	2500299	2	Wheel, 6" Front
4	2900431	2	Set Screw, Sq. Hd., 5/16-18 x 1/2"
5	2501541	1	Hydraulic Cylinder, 1-3/4" x 5"
6	6045056	2	Cylinder Pin, 3/4" x 4-1/2"
7	2900784	4	Hair Pin Clip, 1/2"
8	3200551	1	Elbow, 3/8" O-Ring to 1/4" M. JIC
9	2900014	4	Flat Washer, 3/8" SAE
10	2900006	4	Lock Washer, 3/8" Split
11	2900005	4	Cap Screw, Hex Hd., 3/8-16 x 1"
12	2500009	2	Set Collar, 1" ID
13	2900295	2	Flat Washer, 1" SAE
14	2902139	1	FHCS, 3/8"-16 x 3-3/4"
15	2504990	1	Spring, Extension, 6.5" x 2" OD
16	2902092	1	Shoulder Bolt, 3/8" x 2" (3/8-16")
17	2900325	1	Hex Nut, M10-1.5
18	2801533	1	Marker Screw, M10-1.5 x 25mm

Transmission Assembly, 3-Speed, #6018419



PARTS FINDER

**Search Website
by Part Number**



**Search Manual
Library For Parts
Manual & Lookup Part
Numbers – Purchase
or Request Quote**

Search Manuals

Enter your information to help us find the right parts manual for your machine.

* Brand:

* Model:

* Serial:

* Part Number:

SEARCH

**Can't Find Part or
Manual? Request Help
by Manufacturer,
Model & Description**

Parts Order Form

Please fill in the following information to help us find the right part for your machine.

Manufacturer:	<input type="text"/>
Model:	<input type="text"/>
Description:	<input type="text"/>
Part Number:	<input type="text"/>
Quantity:	<input type="text"/>
Notes:	<input type="text"/>

Submit

Discount-Equipment.com is your online resource for quality parts & equipment.

Florida: **561-964-4949** Outside Florida TOLL FREE: **877-690-3101**

Need parts?

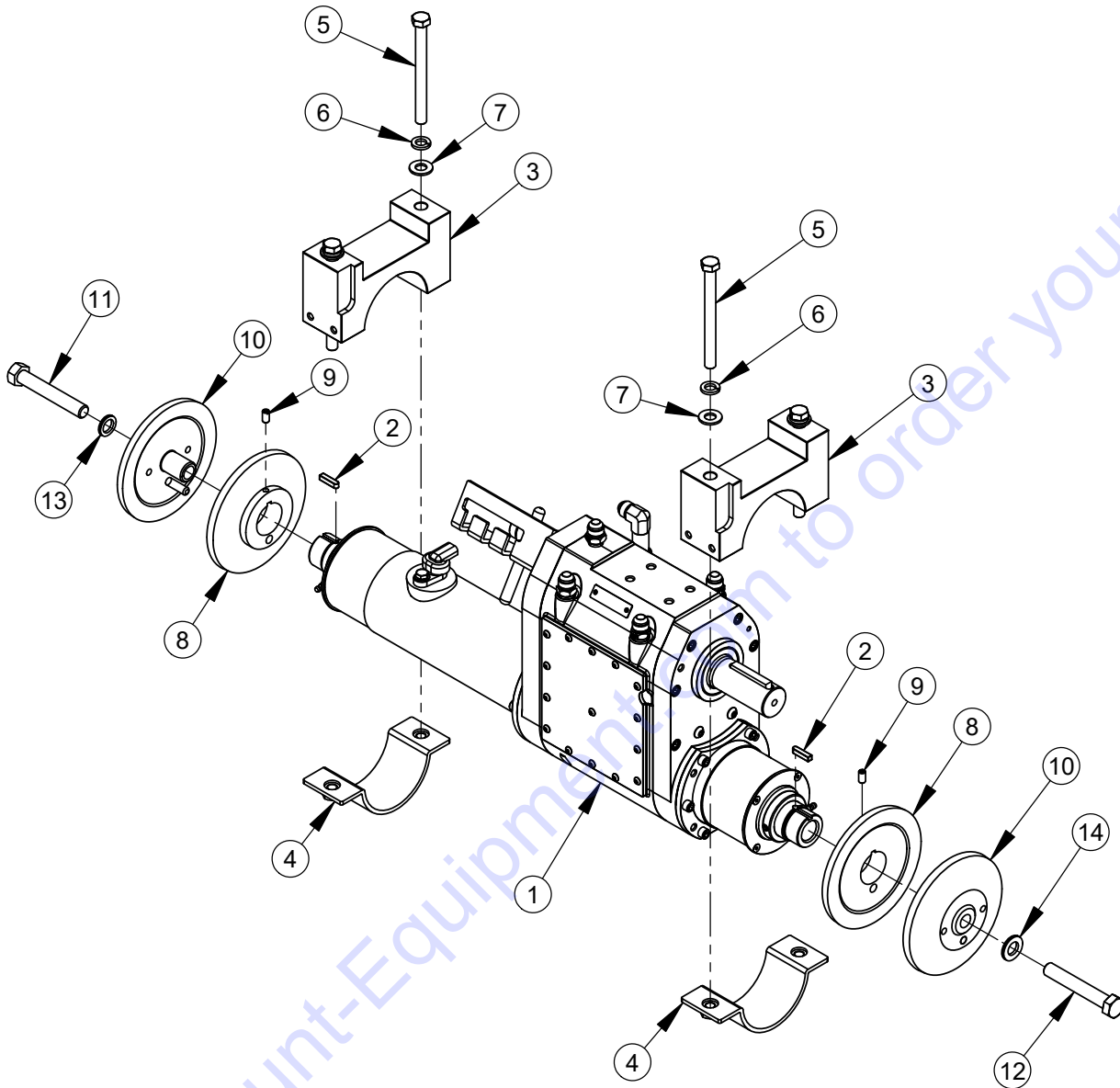
Click on this link: <http://www.discount-equipment.com/category/5443-parts/> and choose one of the options to help get the right parts and equipment you are looking for. Please have the machine model and serial number available in order to help us get you the correct parts. If you don't find the part on the website or on one of the online manuals, please fill out the request form and one of our experienced staff members will get back to you with a quote for the right part that your machine needs.

We sell worldwide for the brands: Genie, Terex, JLG, MultiQuip, Mikasa, Essick, Whiteman, Mayco, Toro Stone, Diamond Products, Generac Magnum, Airman, Haulotte, Barreto, Power Blanket, Nifty Lift, Atlas Copco, Chicago Pneumatic, Allmand, Miller Curber, Skyjack, Lull, Skytrak, Tsurumi, Husquvarna Target, Stow, Wacker, Sakai, Mi-T-M, Sullair, Basic, Dynapac, MBW, Weber, Bartell, Bennar Newman, Haulotte, Ditch Runner, Menegotti, Morrison, Contec, Buddy, Crown, Edco, Wyco, Bomag, Laymor, EZ Trench, Bil-Jax, F.S. Curtis, Gehl Pavers, Heli, Honda, ICS/PowerGrit, IHI, Partner, Imer, Clipper, MMD, Koshin, Rice, CH&E, General Equipment, Amida, Coleman, NAC, Gradall, Square Shooter, Kent, Stanley, Tamco, Toku, Hatz, Kohler, Robin, Wisconsin, Northrock, Oztec, Toker TK, Rol-Air, APT, Wylie, Ingersoll Rand / Doosan, Innovatech, Con X, Ammann, Mecalac, Makinex, Smith Surface Prep, Small Line, Wanco, Yanmar

Transmission Assembly, 3-Speed, #6018419

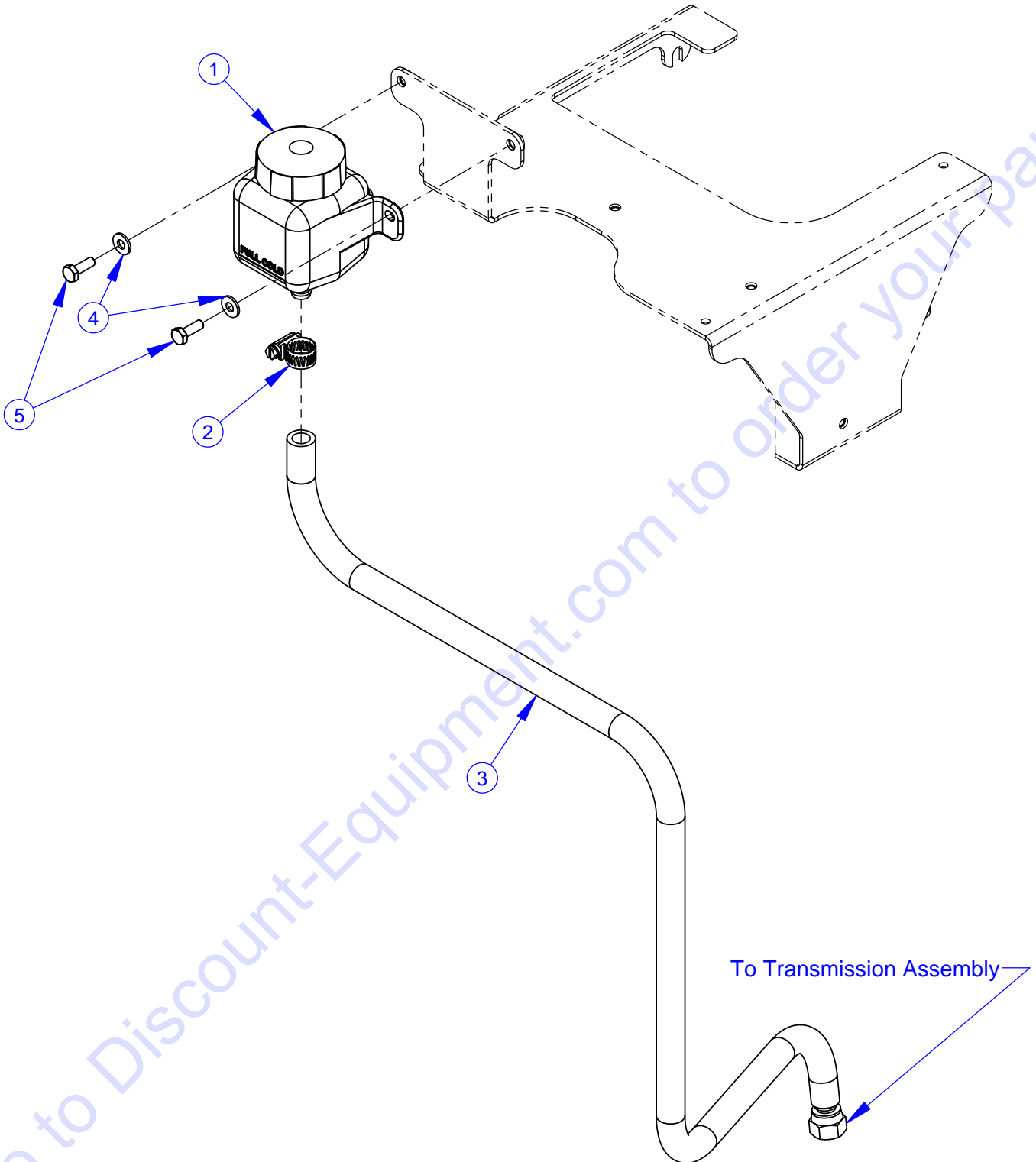
ITEM	PART NO.	QTY.	DESCRIPTION
1	6018415	1	Core 3-Spd 31.36" HD Asm
2	6018064	1	Shift Bracket
3	6018065	1	Shifter Housing
4	2506441	1	Oil Seal, 1/2 x 1.00 x 1/4"
5	2504769	2	Shaft Collar, 1/2" Split
6	2506445	2	1/2" Wave Washer
7	6018063	1	Shift Lever Assembly
8	6047959	1	Key, 3/8" Sq. x 2-1/4"
9	2506443	1	Oil Seal, 40 x 60 x 10mm
10	3202334	1	1/2" NPTF Magnetic Pipe Plug
11	3200001	2	Plug, 1/8" NPT
12	6018056	2	Heat Exchanger Cover Plate
13	2901312	30	Cap Screw, Button Hd., #10-24 x 1/2"
14	2503944	2	Oil Seal, 45 x 85 x 10mm
15	6018049	2	Seal Retainer
16	2900978	8	Cap Screw, Flat Hd., #10-24 x 1/2"
17	2500751	2	Seal, 1-3/4" V-Ring
18	6018028	2	V-Ring Cover
19	2900142	4	Set Screw, Soc. Hd., 5/16-18 x 3/8"
20	2500939	2	O-Ring, AS568A - 010
21	2900061	2	Grease Fitting, 1/4-28 x 90 Degree
22	3200969	4	Adapter, 3/8" M. Pipe to 1/2" M. JIC
23	3202929	1	Elbow, 1/2" M. JIC to 3/8" M. Pipe, Extra Long
24	2801642	1	Speed Sensor
25	2900868	1	Cap Screw, Hex Hd., M8-1.25 x 16mm
26	2900022	1	Flat Washer, 5/16" SAE
27	2401311	1	Loctite #567 Thread Sealant
28	2401315	1	Loctite #242 Blue
29	2401316	1	Loctite #262 Red
30	2502046	1	Grease, Fuchs Synthetic
31	2503802	1	Permatex Ultra Black
32	2503930	1	Gear Oil, 75W90 Synthetic

3-Speed Blade Shaft Assembly, #6056021



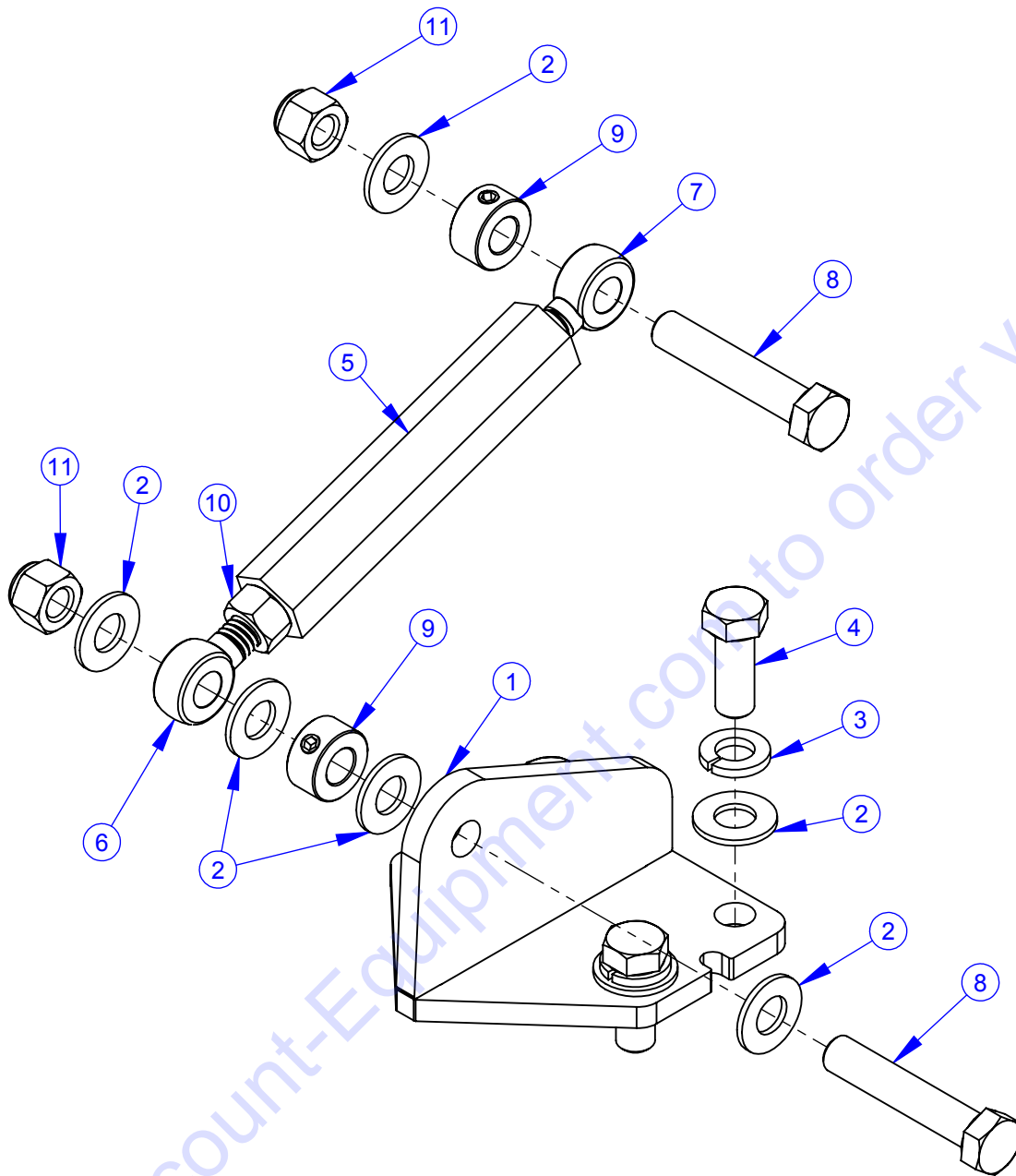
ITEM	PART NO.	QTY.	DESCRIPTION
1	6018419	1	Trans Asm: 3-Spd: 31.36" HD
2	6011677	2	Key, 1/4" Sq. x 1.06
3	6011368	2	Transmission Mount
4	6045364	2	Clamp Mounting
5	2900466	4	Cap Screw, Hex Hd., 1/2-13 x 5-1/2"
6	2900084	4	Lock Washer, 1/2" Split
7	2900058	4	Flat Washer, 1/2" SAE
8	6010038	2	Inner Flange 6"
9	2900418	2	Set Screw, Soc. Hd., 5/16-18 x 5/8"
10	6010039	2	Outer Flange 6" with Pin
11	2900130	1	Cap Screw, Hex Hd., 5/8-11 x 4" LH
12	2900146	1	Cap Screw, Hex Hd., 5/8-11 x 4"
13	2901569	1	Wedge Lock Washer Pair, 5/8" LH
14	2900412	1	Wedge Lock Washer Pair, 5/8"

Expansion Tank Assembly, #6056664



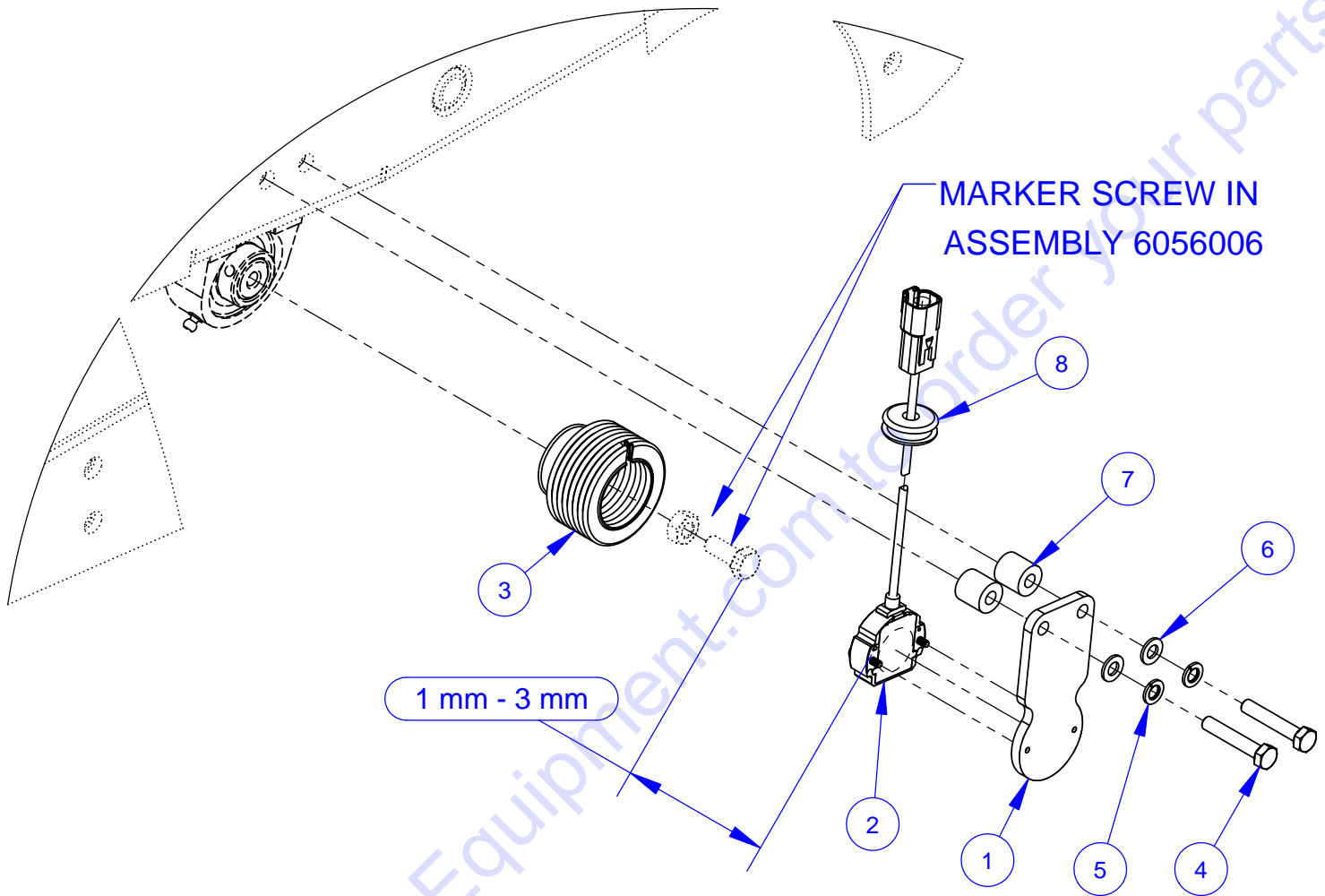
ITEM	PART NO.	QTY.	DESCRIPTION
1	2502039	1	Expansion Tank & Cap
2	3200016	1	Hose Clamp #8
3	6056663	1	Hose, Expansion Tank, 42"
4	2900009	2	Flat Washer, 1/4" SAE
5	2900144	2	Cap Screw, Hex Hd., 1/4-20 x 3/4"

Turnbuckle Tensioning Assembly #6056622



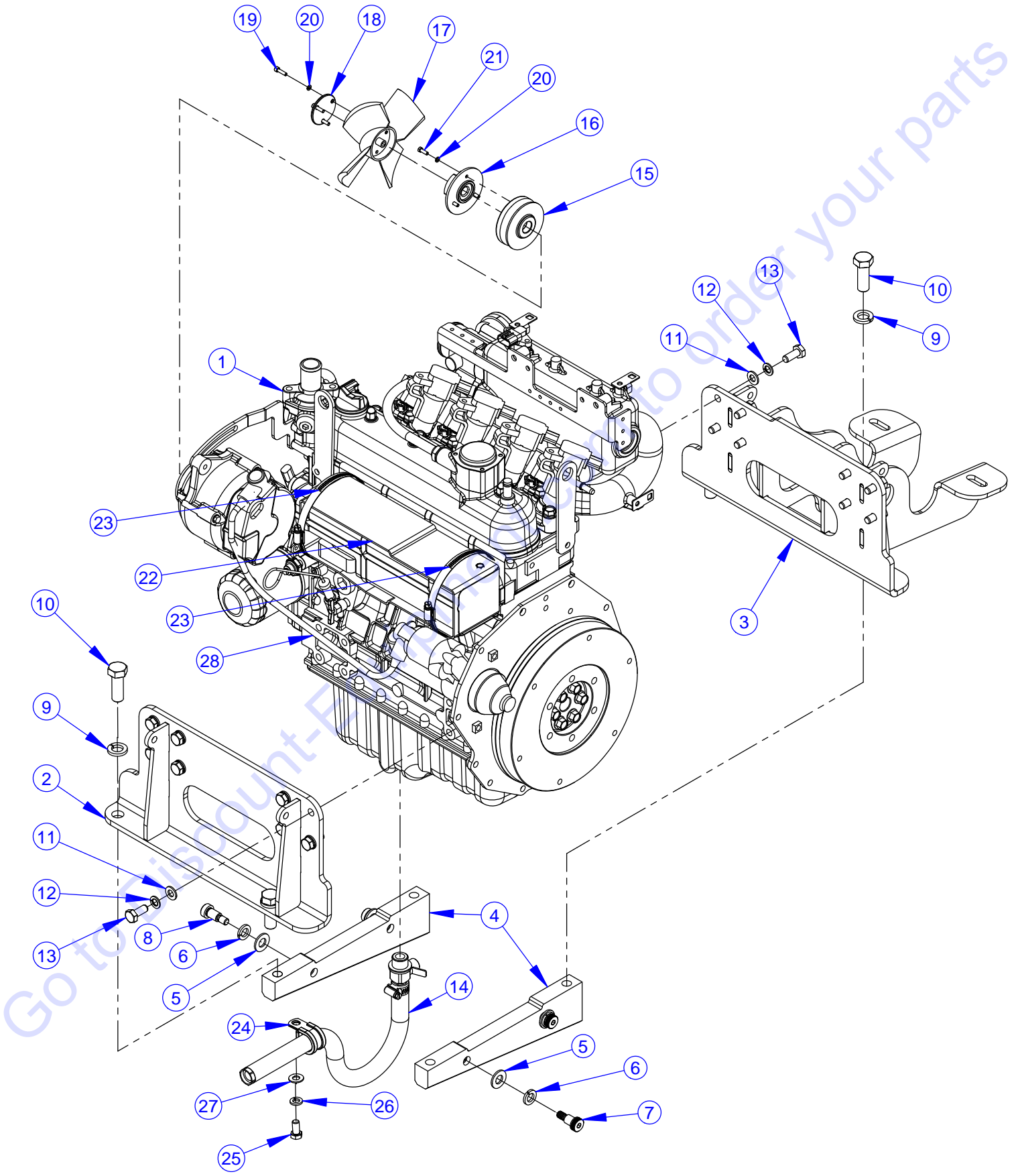
ITEM	PART NO.	QTY.	DESCRIPTION
1	6056039	1	Belt Tension Bracket
2	2900014	9	Flat Washer, 3/8" SAE
3	2900006	4	Lock Washer, 3/8" Split
4	2900005	4	Cap Screw, Hex Hd., 3/8-16 x 1"
5	6056041	1	Coupling Nut, 3/8"-16 x 4", RH/LH
6	6056040	1	Rod End, RH, 3/8"-16 x 1.9375
7	6056044	1	Rod End: LH 3/8"-16 X 1.9375
8	2900060	2	Cap Screw, Hex Hd., 3/8-16 x 2"
9	2501603	2	Set Collar, 3/8" with Set Screw
10	2900033	1	Hex Nut, 3/8-16
11	2900018	2	Lock Nut, 3/8-16 Nylon

Rotary Sensor Assembly, #6056036



ITEM	PART NO.	QTY.	DESCRIPTION
1	6016186	1	Sensor Mount Plate
2	6016220	1	Rotary Sensor
3	6056661	1	Bellows, Rotary Sensor
4	2900336	2	Cap Screw, Hex Hd., M8-1.25 x 45mm
5	2900763	2	Lock Washer, M8 Split
6	2901336	2	Flat Washer, M8
7	2504991	2	Spacer, .75" x .325" x .75"
8	2506118	1	Grommet, 3/8" I.D.

Engine Assembly, #6056022



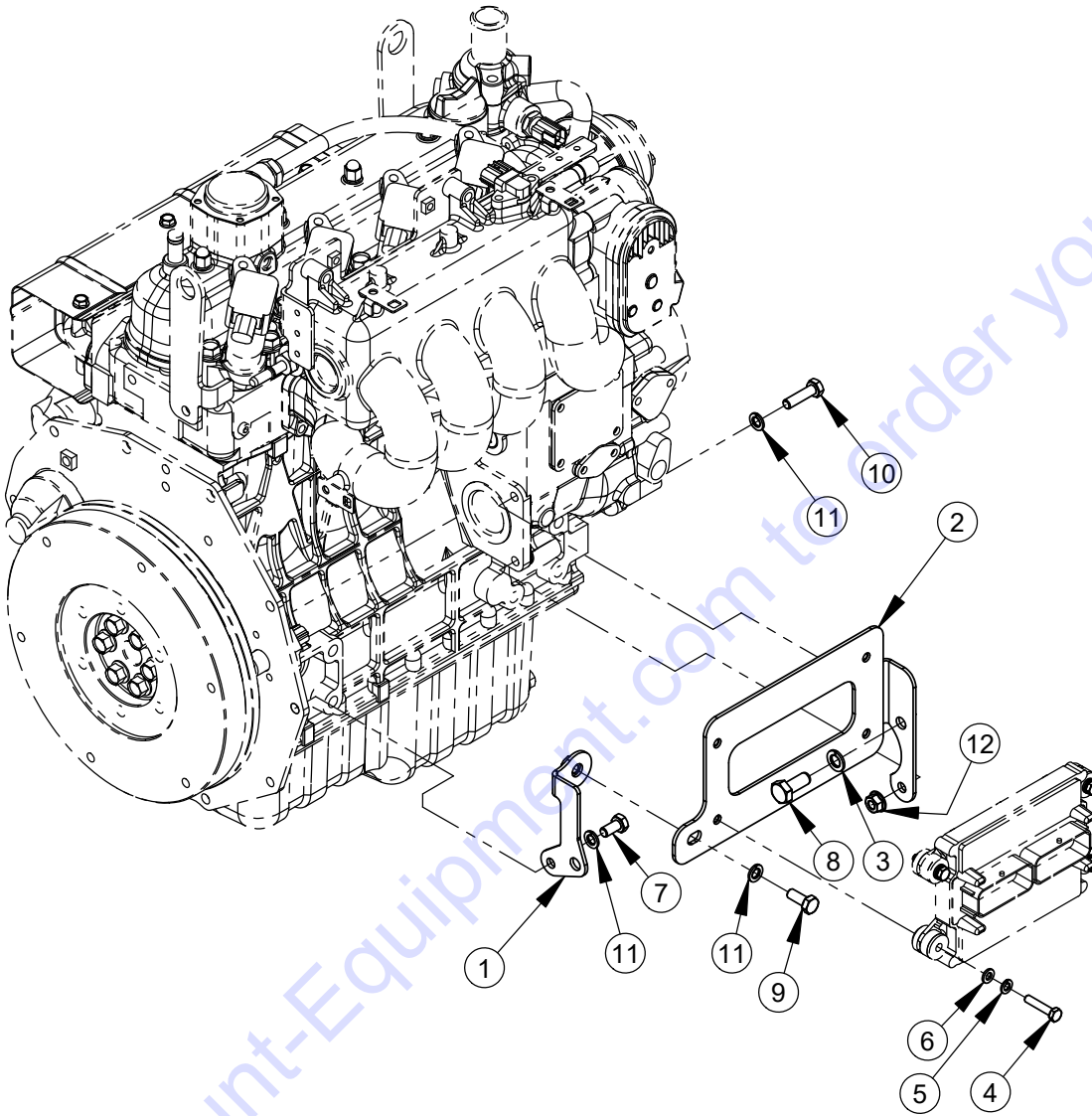
Engine Assembly, #6056022

ITEM	PART NO.	QTY.	DESCRIPTION
1	2600676	1	Kubota WG1605 Gasoline Engine
2	6056510	1	Engine Support, Front
3	6056511	1	Engine Support, Rear
4	6056601	2	Engine Rail
5	2900058	4	Flat Washer, 1/2" SAE
6	2900084	4	Lock Washer, 1/2" Split
7	2902299	2	Shoulder Screw, 1/2" x 5/8" x 3/8"-16
8	2900259	2	Shoulder Screw, 1/2" x 3/4" (3/8-16)
9	2900113	4	Lock Washer, 5/8" Split
10	2900147	4	Cap Screw, Hex Hd., 5/8-11 x 1-3/4"
11	2901356	16	Flat Washer, M10
12	2900321	16	Lock Washer, M10 Split
13	2900749	16	Cap Screw, Hex Hd., M10-1.25 x 25mm
14	6045309	1	Oil Drain Valve Assembly
15	2505169	1	Pulley, V-Belt, 2.7 OD, Alternator CC5500GK
16	6056754	1	Mounting Plate, Fan
17	2505170	1	Fan 6", CCW Rotation with MTG Holes
18	6056755	1	Plate, Fan
19	2901827	3	Cap Screw, Soc. Hd., #8-32 x 5/8"
20	2900677	6	Lock Washer, #8 Split
21	2902141	3	Cap Screw, Hex Hd., #8-32 x 1/2"
22	6056679	.75	Exhaust Wrap
23	3202934	2	Hose Clamp #72
24	3201729	1	Hose Clamp, 1" x 3/4" Wide
25	2900196	1	Cap Screw, Hex Hd., 3/8-16 x 3/4"
26	2900006	1	Lock Washer, 3/8" Split
27	2900014	1	Flat Washer, 3/8" SAE
28	2801715	1	Battery Cable Assy., Red

Go to Discount Equipment to order your parts

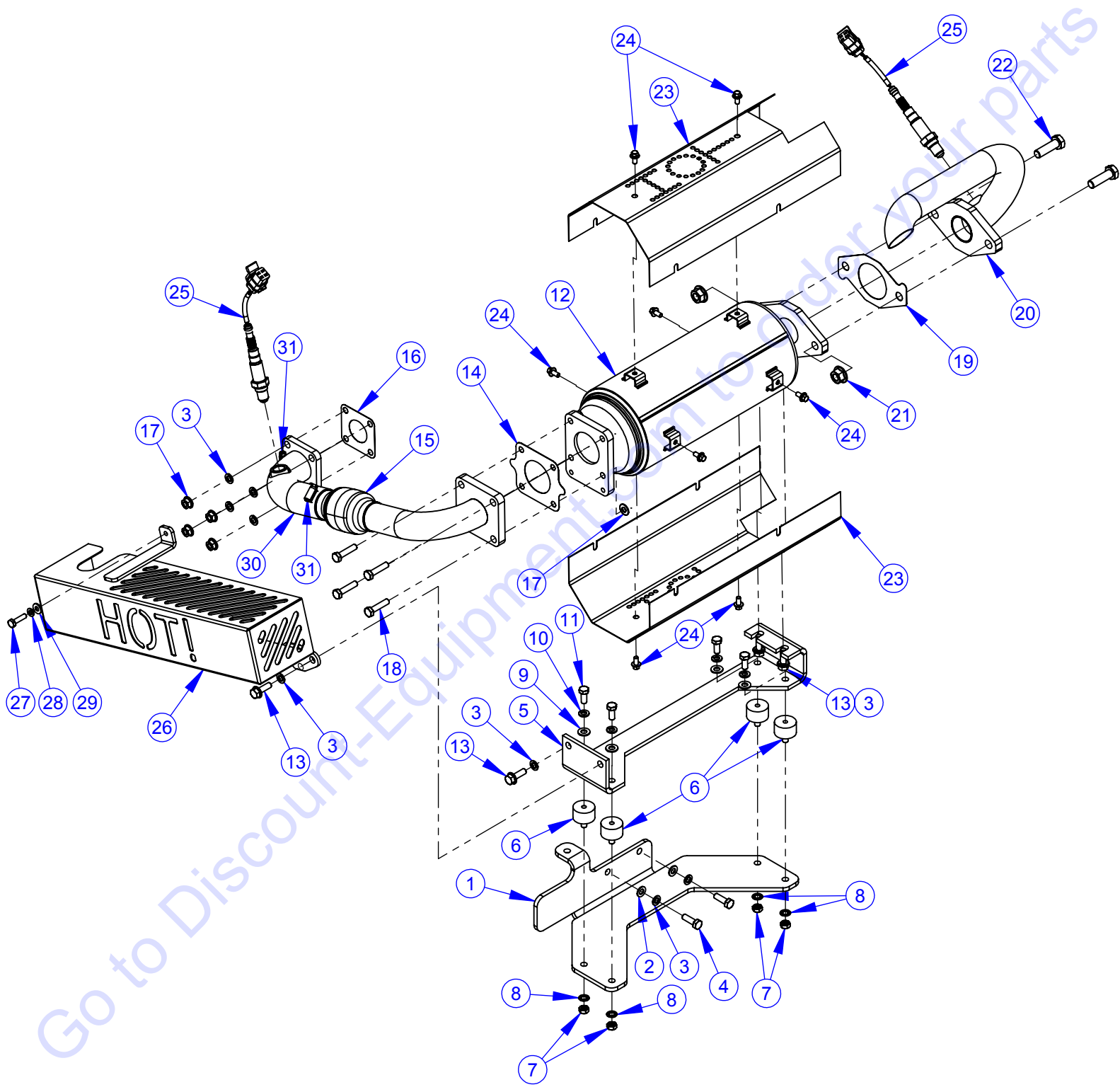
Go to Discount-Equipment.com to order your parts

ECU Mount Assembly, #6056753



ITEM	PART NO.	QTY.	DESCRIPTION
1	6056612	1	ECU Bracket, Small, Weldment
2	6056611	1	ECU Bracket, Large, Weldment
3	2900321	1	Lock Washer, M10 Split
4	2900342	4	Cap Screw, Hex Hd., M6-1.0 x 30mm
5	2900765	4	Lock Washer, M6 Split
6	2901494	4	Flat Washer, M6
7	2900868	1	Cap Screw, Hex Hd., M8-1.25 x 16mm
8	2900749	1	Cap Screw, Hex Hd., M10-1.25 x 25mm
9	2900329	1	Capscrew, Hex Hd., M8 x 1.25 x 20mm
10	2900313	1	Cap Screw, Hex Hd., M8-1.25 x 30mm
11	2900763	3	Lock Washer, M8 Split
12	2902012	1	Hex Flange Nut, M8-1.25

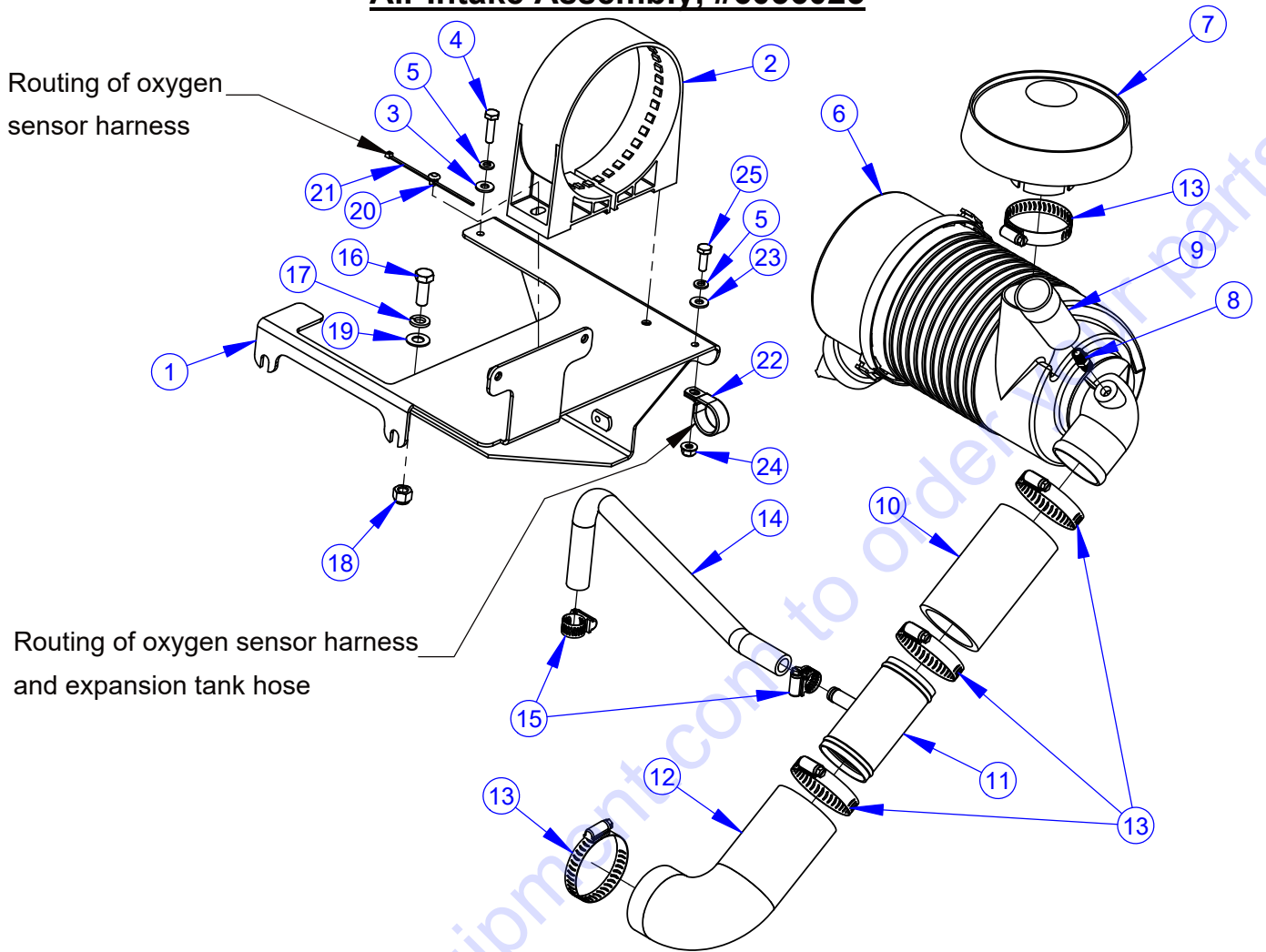
Exhaust Assembly, #6056001



Exhaust Assembly #6056001

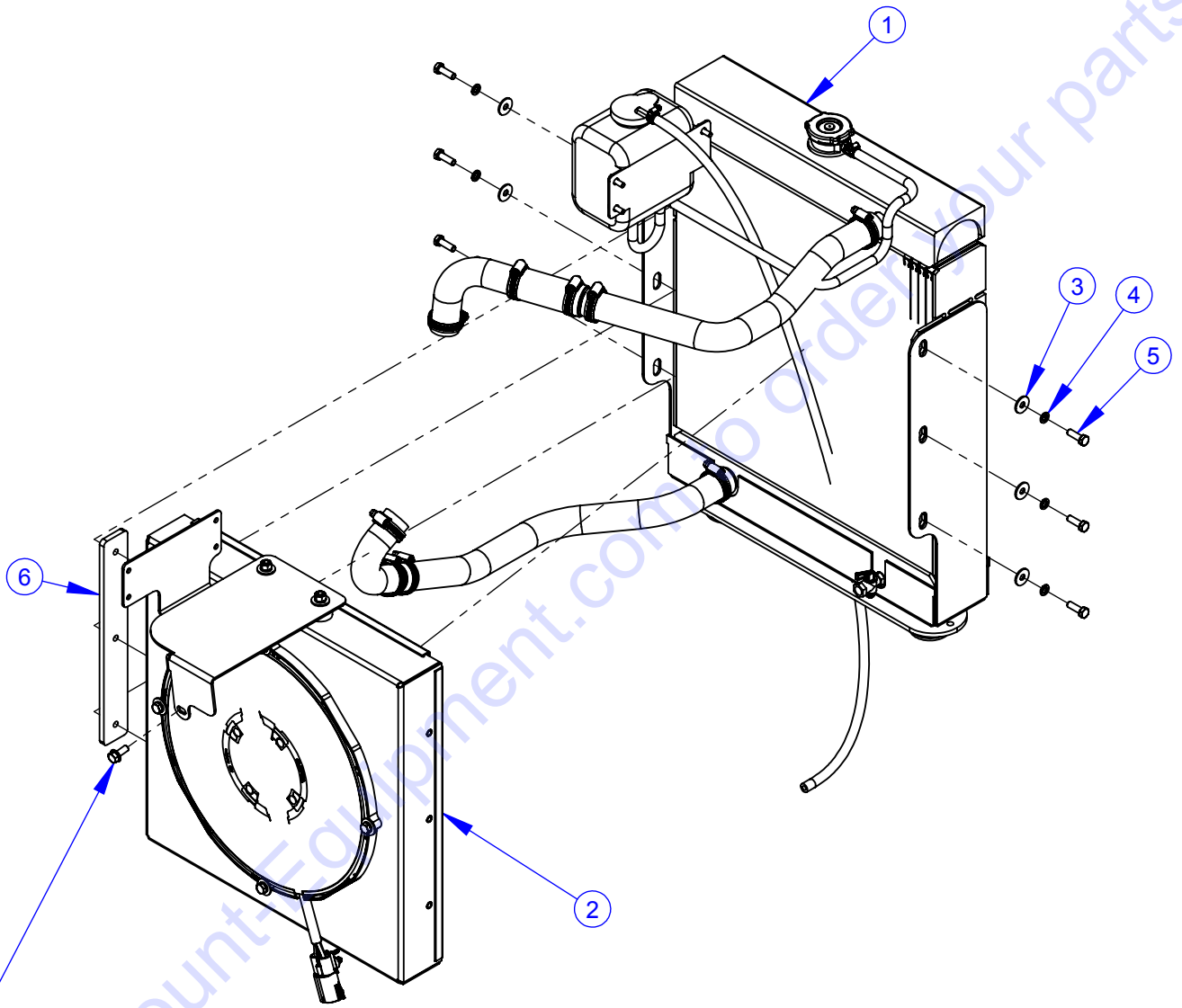
ITEM	PART NO.	QTY.	DESCRIPTION
1	6056537	1	Exhaust Mounting Bracket
2	2901336	2	Flat Washer, M8
3	2900763	10	Lock Washer, M8 Split
4	2900360	2	Cap Screw, Hex Hd., M8-1.25 x 25mm
5	6056538	1	Cat Muffler Mount
6	2504837	4	Vibration Isolator, 5/16-18, Hi-Temp
7	2901884	4	Jam Locknut, 5/16-18" Nylon
8	2900284	4	Lock Washer, 5/16" Internal Tooth
9	2900022	4	Flat Washer, 5/16" SAE
10	2900031	4	Lock Washer, 5/16" Split
11	2900019	4	Cap Screw, Hex Hd., 5/16-18 x 3/4"
12	2705217	1	Catalytic Muffler
13	2901560	4	Cap Screw, Hex Flange, M8-1.25 x 25mm
14	2705224	1	Catalyst Inlet Gasket
15	2705231	1	Manifold Exhaust Flexpipe
16	2705230	1	Exhaust Manifold Gasket
17	2902012	8	Hex Flange Nut, M8-1.25
18	2900760	4	Cap Screw, Hex Hd., M8-1.25 x 35mm
19	2705222	1	Catalyst Outlet Gasket
20	6019394	1	Exhaust Tail Pipe
21	2901976	2	Hex Flange Nut, M12-1.75
22	2900331	2	Cap Screw, Hex Hd., M12-1.75 x 40mm
23	2705232	2	Muffler Heat Shield
24	2901370	8	Cap Screw, Hex Flange, M6-1.0 x 12mm
25	2705223	2	Oxygen Sensor
26	6056675	1	Exhaust Cover, CC5500GK
27	2900008	1	Cap Screw, Hex Hd., 1/4-20 x 1"
28	2900024	1	Lock Washer, 1/4" Split
29	2900009	1	Flat Washer, 1/4" SAE
30	6056679	0.25	Exhaust Wrap
31	3202142	2	Hose Clamp #24

Air Intake Assembly, #6056023



ITEM	PART NO.	QTY.	DESCRIPTION
1	6056676	1	Air Filter Mount Bracket Weldment
2	2500986	1	Mounting Band, Polymer
3	2900009	2	Flat Washer, 1/4" SAE
4	2900008	2	Cap Screw, Hex Hd., 1/4-20 x 1"
5	2900024	3	Lock Washer, 1/4" Split
6	2504970	1	Air Cleaner Assembly
7	2504971	1	Filter Hood
8	2505106	1	Safety Filter Fitting, 1/8" NPT
9	2500423	1	Restriction Indicator
10	6056616	1	Hose Straight, 2" I.D. x 4.5"
11	2705218	1	Air Intake Pipe
12	6056615	1	Hose Elbow, 2" I.D. x 8.25"
13	3200095	5	Hose Clamp #32
14	6056617	1	Hose, Crankcase Vent
15	3200016	2	Hose Clamp #8
16	2900005	1	Cap Screw, Hex Hd., 3/8-16 x 1"
17	2900006	1	Lock Washer, 3/8" Split
18	2900018	1	Lock Nut, 3/8-16 Nylon
19	2900014	1	3/8" SAE Flat Washer
20	2801661	1	Cable Tie Mount, Push
21	2800084	1	Zip Tie, 4"
22	2503923	1	Clamp, 1" x 1/2"
23	2900009	1	Flat Washer, 1/4" SAE
24	2902145	1	1/4"-20 Flange Nut, Lock
25	2900144	1	Cap Screw, Hex Hd., 1/4-20 x 3/4"

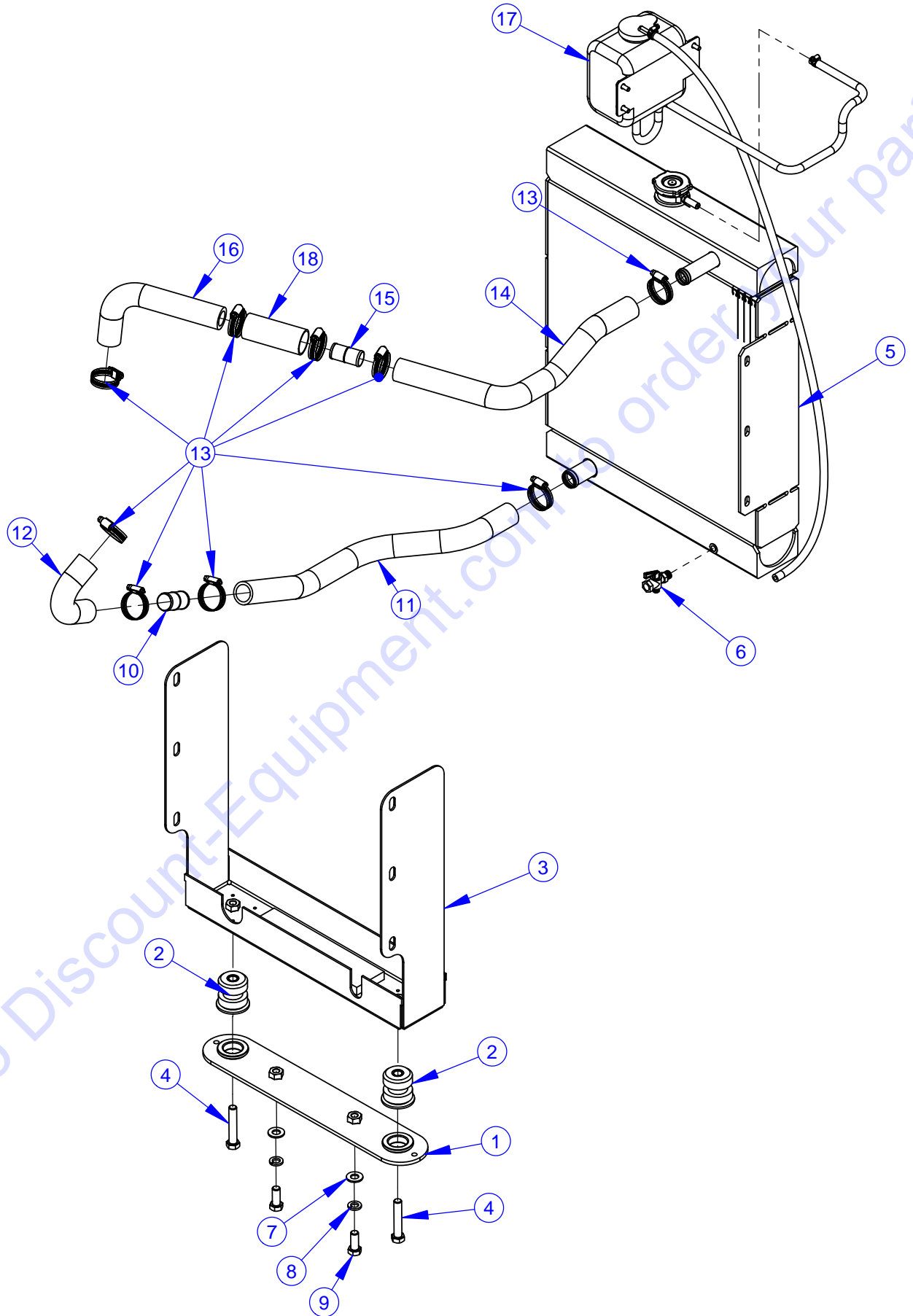
Cooling Assembly, #6056009



M8 x 16mm Flange Head Capscrew
existing from engine

ITEM	PART NO.	QTY.	DESCRIPTION
1	6056532	1	Radiator Assembly
2	6056533	1	Electric Fan Assembly
3	2900383	6	Fender Washer, M8
4	2900763	6	Lock Washer, M8 Split
5	2900360	6	Cap Screw, Hex Hd., M8-1.25 x 25mm
6	6056688	1	Spacer, Radiator Mount

Radiator Assembly, #6056532

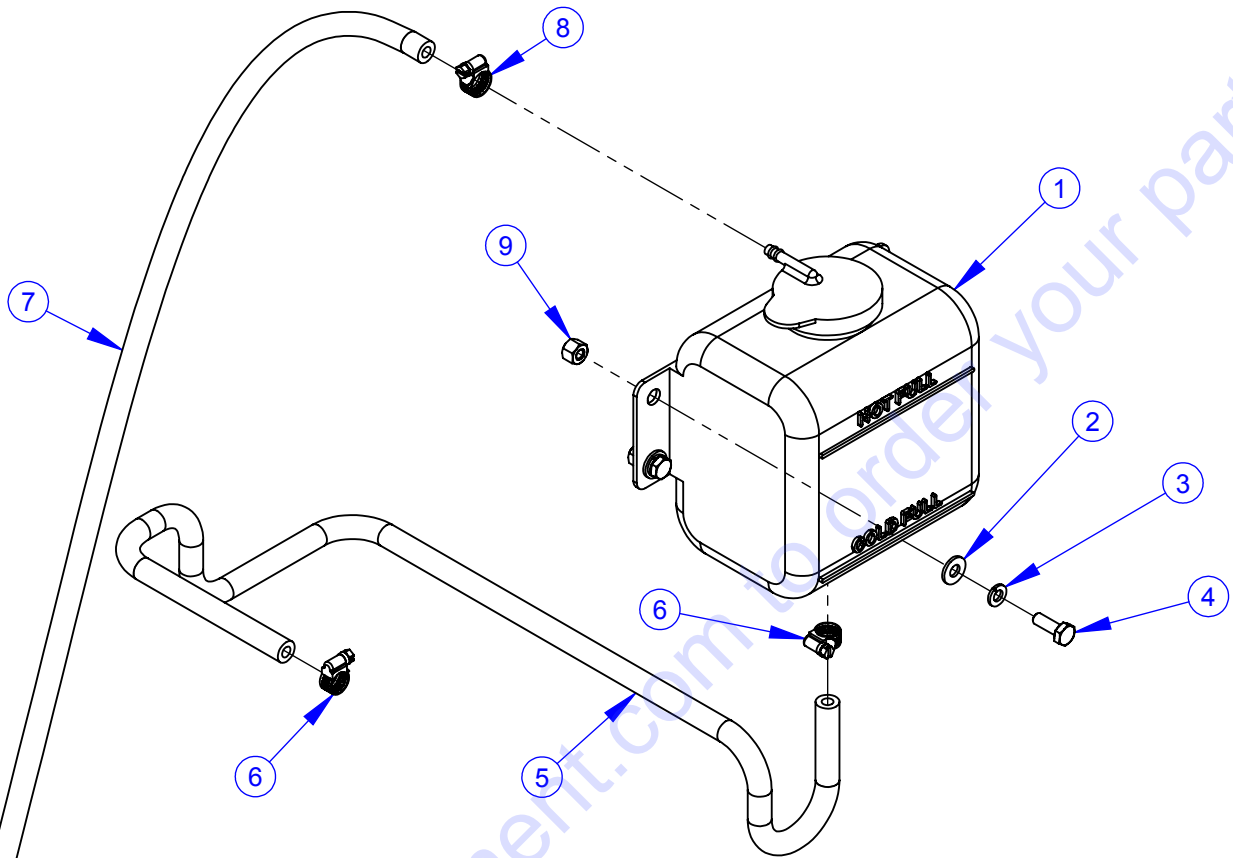


Radiator Assembly, #6056532

ITEM	PART NO.	QTY.	DESCRIPTION
1	6056526	1	Isolator Mounting Plate Weldment
2	2503789	2	Vibration Isolator
3	6056527	1	Radiator Bottom Mount Weldment
4	2900541	2	Tap Bolt, Hex Hd., 1/2-13 x 2-3/4"
5	2507501	1	Radiator
6	3200034	1	Petcock, 1/4" MPT - FPT
7	2900058	2	Flat Washer, 1/2" SAE
8	2900084	2	Lock Washer, 1/2" Split
9	2900025	2	Cap Screw, Hex Hd., 1/2-13 x 1-1/4"
10	3202926	1	Hose Joiner, 1-1/8"
11	6056618	1	Coolant Hose, Lower Radiator
12	6056619	1	Coolant Hose, Lower Engine
13	3400615	9	Hose Clamp, #20
14	6056620	1	Coolant Hose, Upper Radiator
15	3202927	1	Hose Joiner, 1"
16	6056621	1	Coolant Hose, Upper Engine
17	6056660	1	Coolant Tank Assembly
18	3202939	4	Sleeving, Nylon 1 1/2" ID

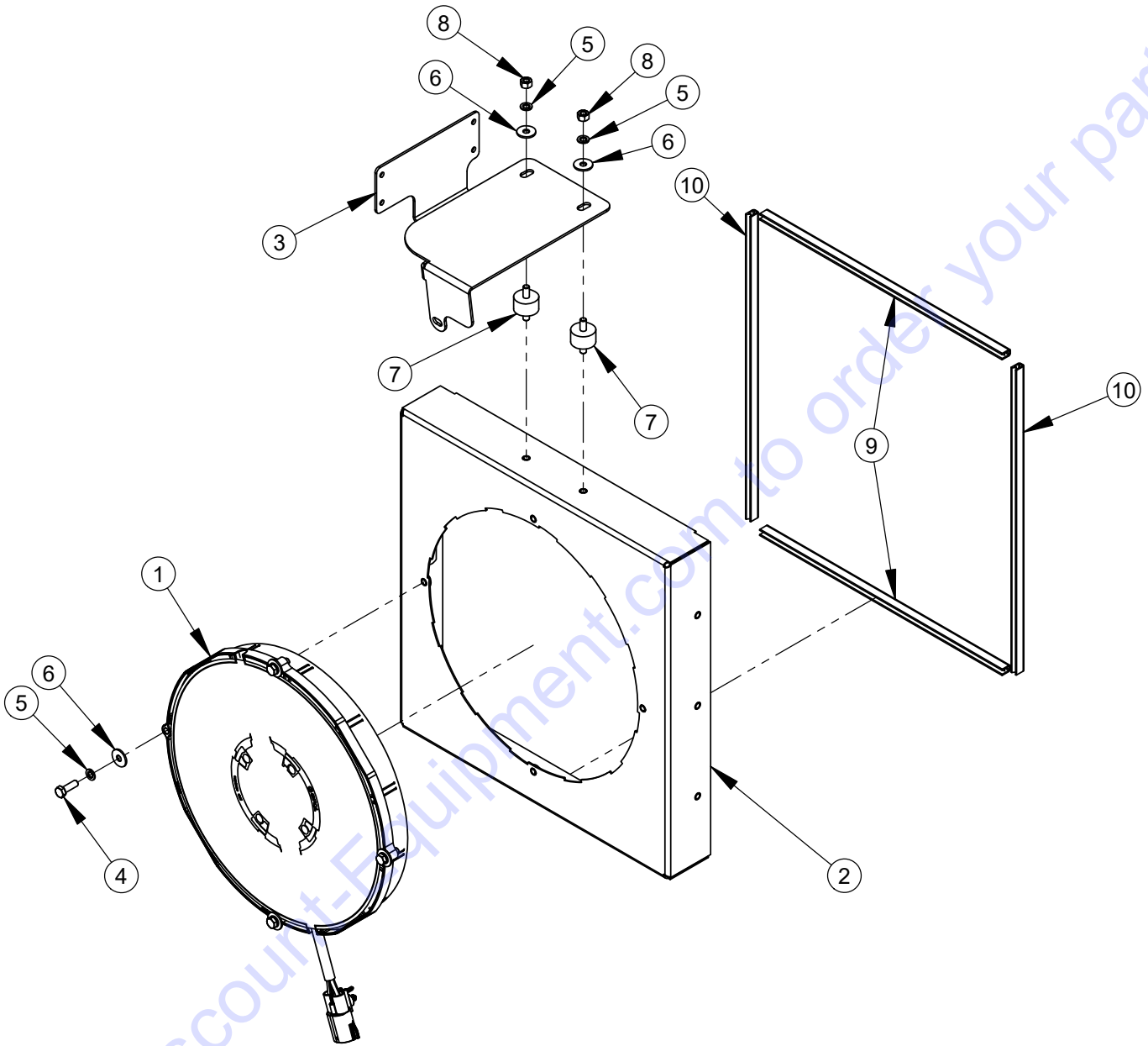
Go to Discount-Equipment.com to order your parts

Coolant Tank Assembly, #6056660



ITEM	PART NO.	QTY.	DESCRIPTION
1	2503716	1	Coolant Recovery Tank & Cap
2	2900009	4	Flat Washer, 1/4" SAE
3	2900024	4	Lock Washer, 1/4" Split
4	2900144	4	Cap Screw, Hex Hd., 1/4-20 x 3/4"
5	6056732	1	Hose, 1/4" x 31" Long
6	3200062	2	Hose Clamp #4
7	6010889	1	Hose, 1/4" I.D. x 48"
8	3200062	1	Hose Clamp #4
9	2900010	4	Lock Nut, 1/4-20 Nylon

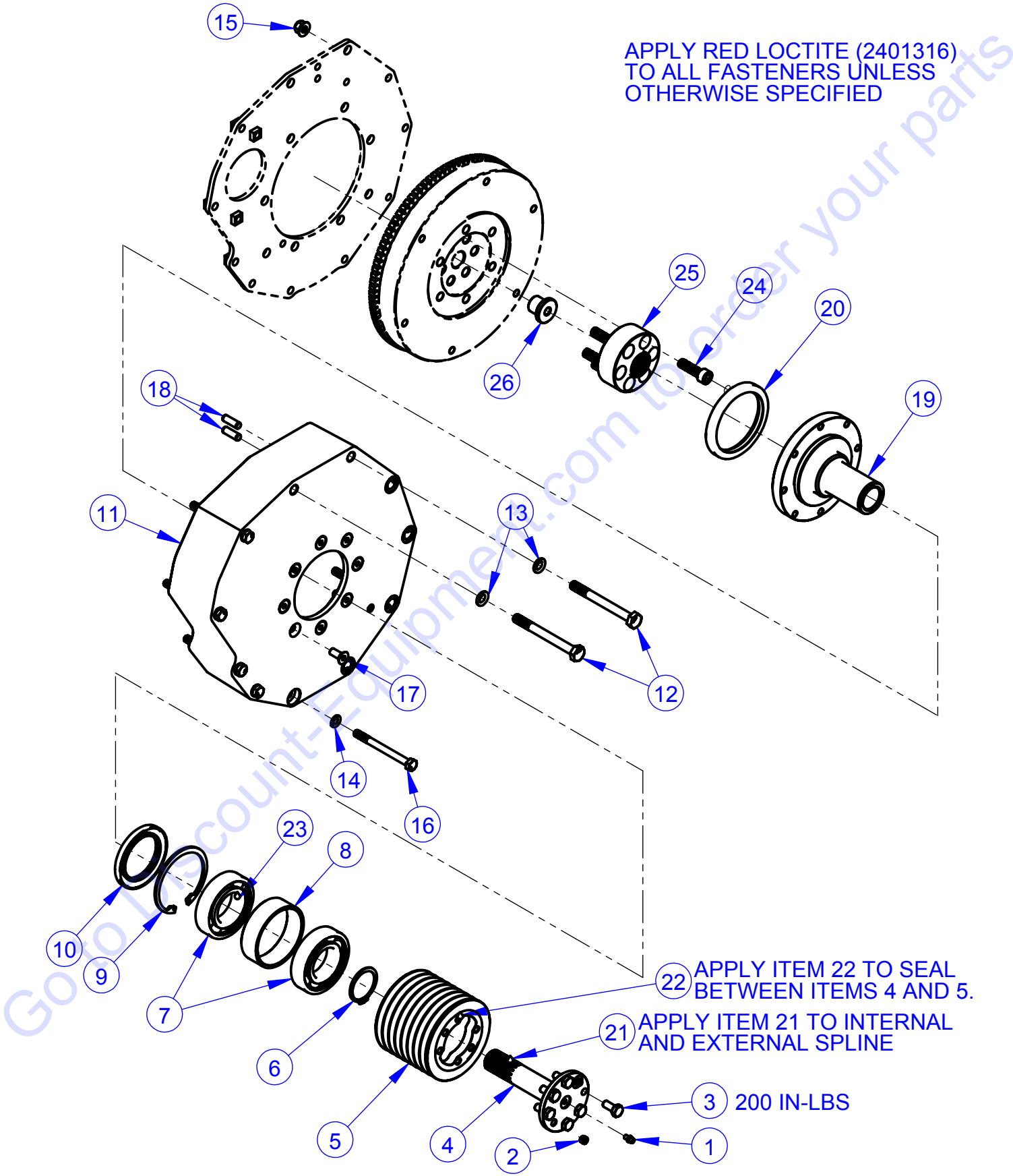
Electric Fan Assembly, #6056533



ITEM	PART NO.	QTY.	DESCRIPTION
1	2600697	1	Fan, 12V (14")
2	6056529	1	Fan Shroud Weldment
3	6056528	1	Upper Radiator Mount
4	2900360	4	Cap Screw, Hex Hd., M8-1.25 x 25mm
5	2900763	6	Lock Washer, M8 Split
6	2900383	6	Fender Washer, M8
7	2503787	2	Vibration Isolator M8
8	2900303	2	Lock Nut, M8-1.25 Nylon Insert
9	6056530	2	Edge Trim 17"
10	6056531	2	Edge Trim 18-1/2"

PTO Assembly, 3-Speed #6056018
Includes Items #1 - #23
Items #24 thru #26 shown for reference

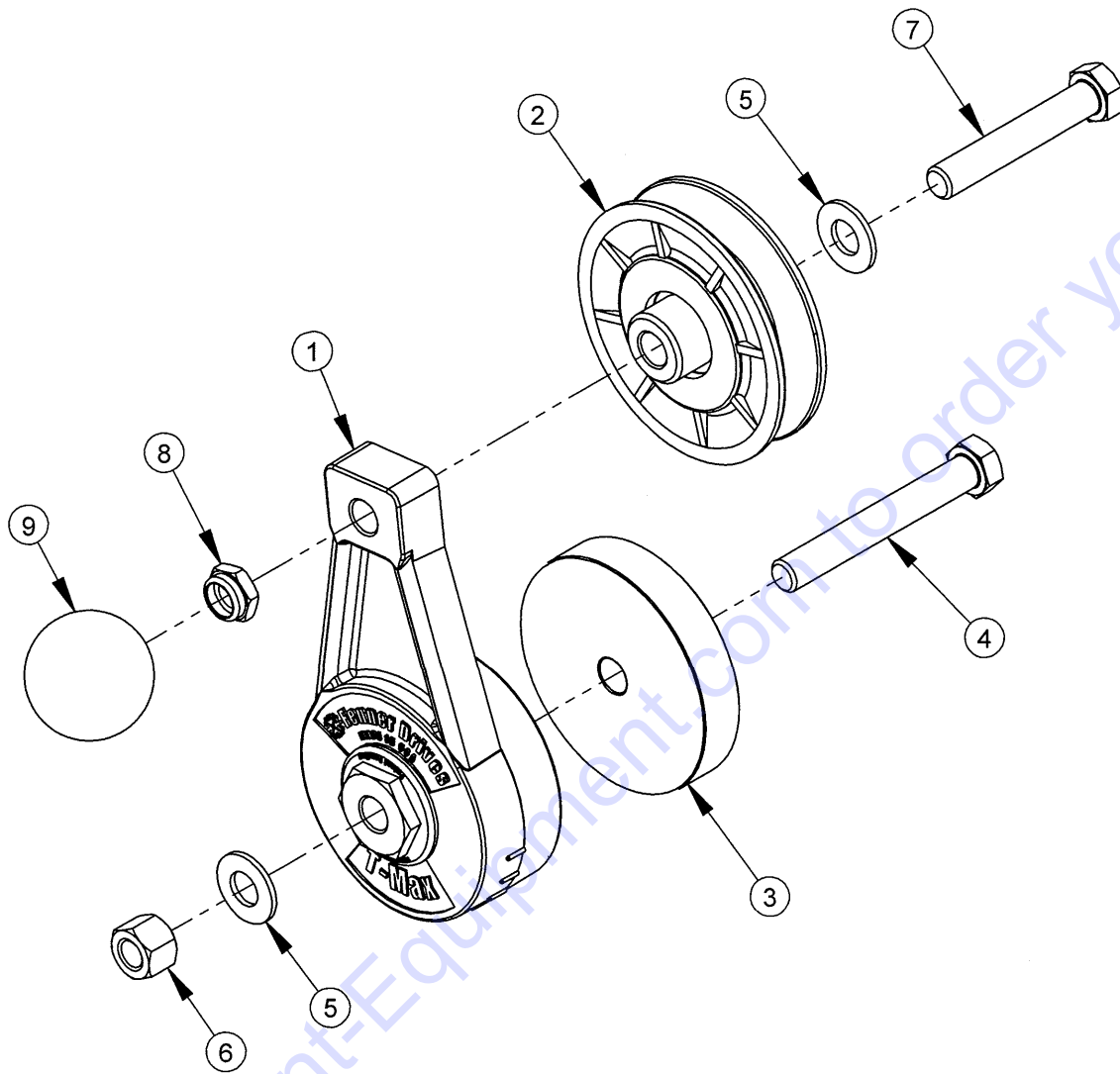
APPLY RED LOCTITE (2401316)
 TO ALL FASTENERS UNLESS
 OTHERWISE SPECIFIED



PTO Assembly, 3-Speed #6056018
Includes Items #1 - #23
Items #24 thru #26 shown for reference

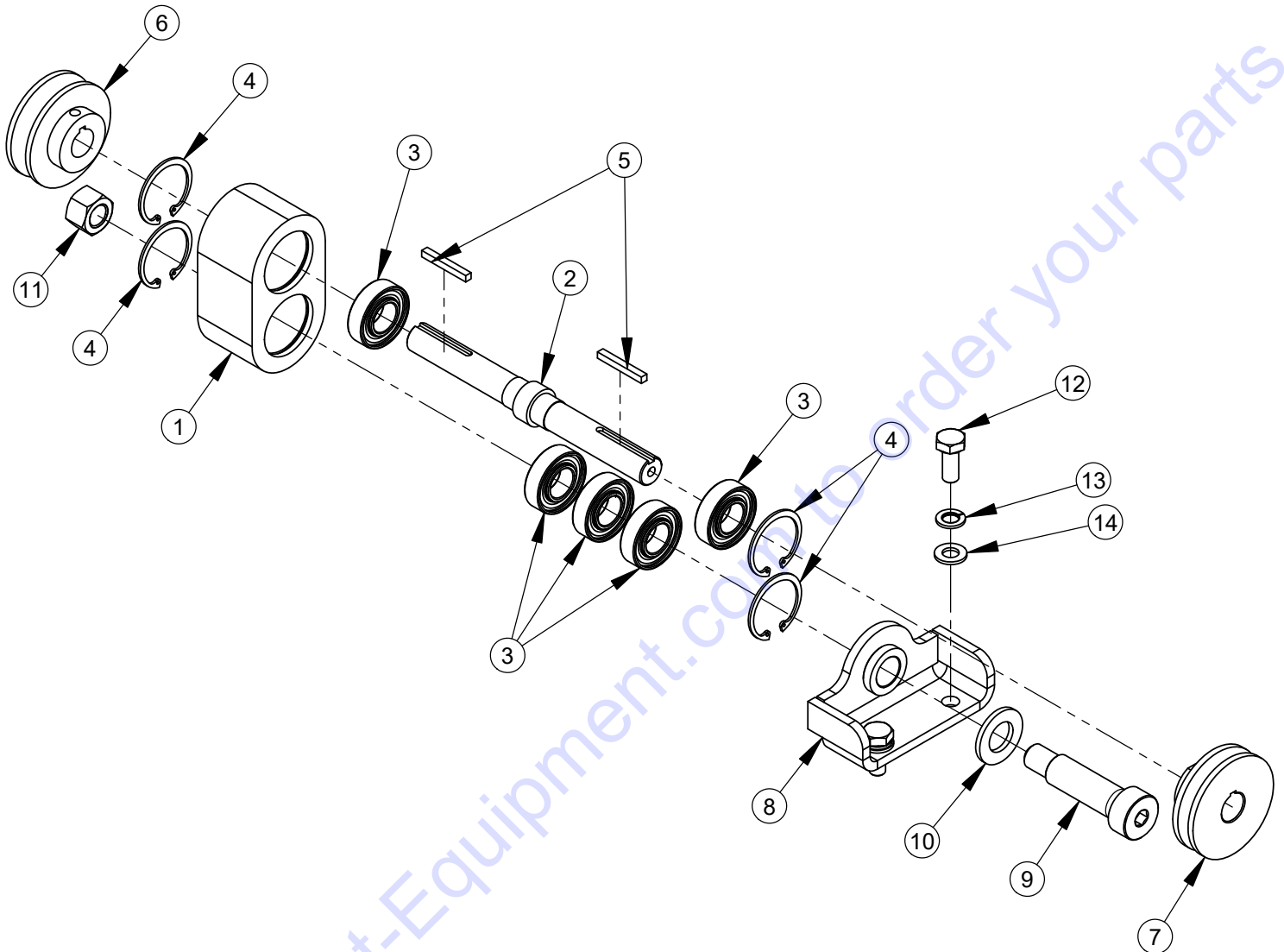
ITEM	PART NO.	QTY.	DESCRIPTION
1	2900909	2	Grease Fitting, Straight Drive, 3/16"
2	3201727	1	1/16" NPTF Pipe Plug
3	2902144	6	M8 x 1.25 x 18 Hex Head Cap Screw
4	6056503	1	Splined Drive Shaft
5	6056518	1	Sheave, 3V 4.12" 8 Groove PTO
6	2503901	1	Retaining Ring, 1-9/16" External
7	2503961	2	Ball Bearing, 40 x 80 x 18mm Open
8	6018373	1	Bearing Outer Ring Spacer
9	2503900	1	Retaining Ring, 3-5/32" Internal
10	2503977	1	Seal, 55 x 80 x 8mm
11	6056504	1	Machined PTO Cover
12	2901887	2	Cap Screw, Hex Hd., M10-1.25 x 100mm
13	2900321	2	Lock Washer, M10 Split
14	2900763	9	Lock Washer, M8 Split
15	2902142	3	Flange Nut, Lock, M8 x 1.25
16	2902118	9	Cap Screw, Hex Hd., M8-1.25 x 90mm
17	2900611	8	Cap Screw, Flat Hd., M8-1.25 x 20mm
18	2900791	2	Dowel Pin, 8mm Dia x 24mm
19	6056501	1	Shaft Support Sleeve
20	2502372	1	Grease Seal, 3 x 3-3/4 x 3/8"
21	2504994	AR	Grease, Molykote G-N
22	2503802	0.1	Permatex Ultra Black
23	2505163	0.2	Mobil Polyrex EM Grease

Rotary Tensioner Assembly #6056014



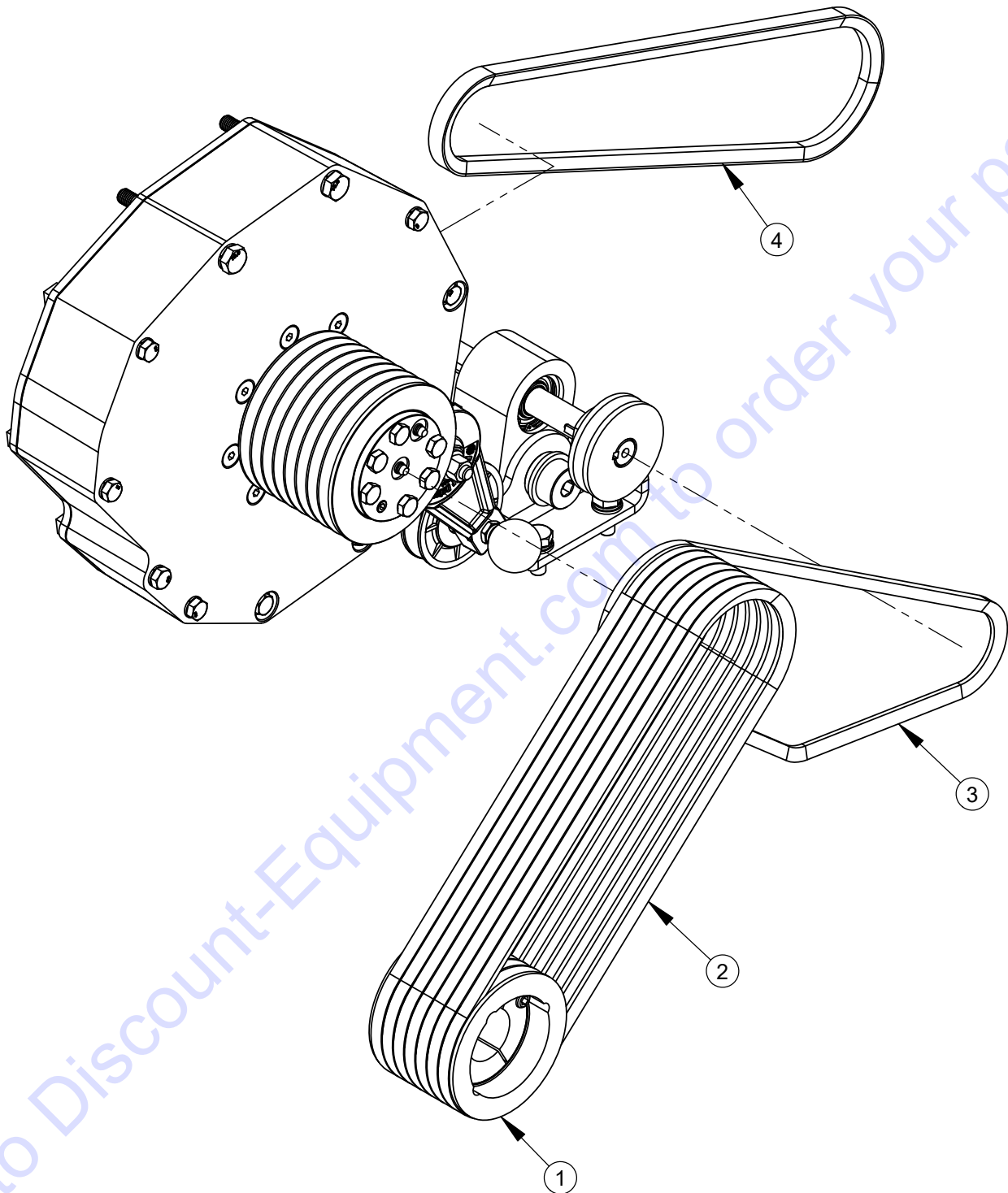
ITEM	PART NO.	QTY.	DESCRIPTION
1	2504855	1	Rotary Tensioner
2	2504980	1	Idler Pulley, 3" V-Type
3	6056614	1	Spacer, Rotary Tensioner
4	2900028	1	Cap Screw, Hex Hd., 3/8-16 x 2-3/4"
5	2900014	2	Flat Washer, 3/8" SAE
6	2900018	1	Locknut, 3/8-16, Nylon
7	2900079	1	Cap Screw, Hex Hd., 3/8-16 x 2-1/4"
8	2903246	1	Jam Lock Nut, 3/8-16
9	2400206	1	Knob, Ball, 1-3/8" x 3/8-16

Differential Jackshaft Assembly, #6056016



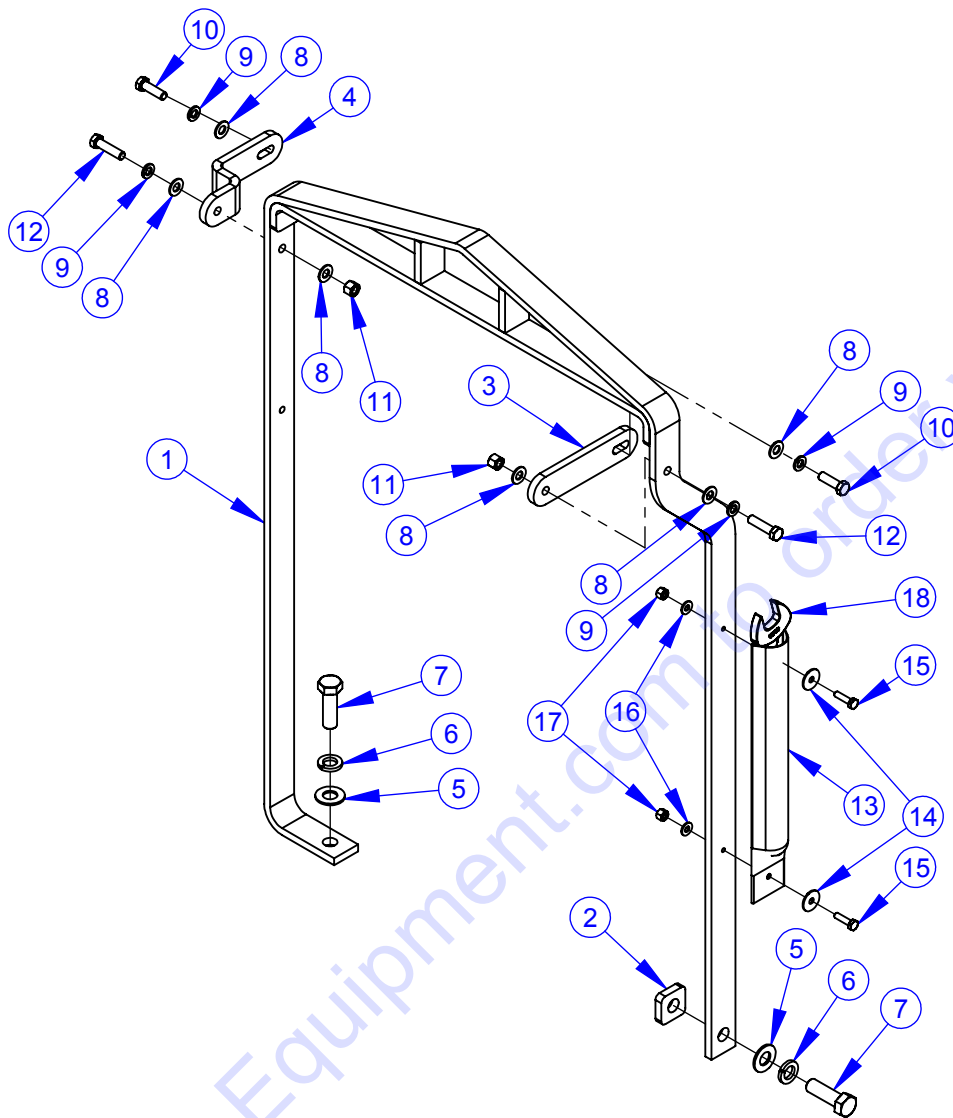
ITEM	PART NO.	QTY.	DESCRIPTION
1	6056540	1	Jackshaft Pivot Housing
2	6056541	1	Idler Jackshaft
3	2501743	5	Ball Bearing, 20mm x 42mm x 12mm
4	2501748	4	Retaining Ring, 42mm Internal
5	2504732	2	Key, 3/16" Sq. x 1-1/2"
6	2503202	1	Pulley, 2.75" Single Groove
7	6045199	1	Pulley, 2.75" Single Groove w/Setscrews
8	6056650	1	Jack Shaft Mounting Bracket
9	2902127	1	Shoulder Bolt, 20MM x 60MM (M16-2.0)
10	2900003	1	Flat Washer, 3/4" SAE
11	2900670	1	Lock Nut, M16-2.0 Nylon Insert
12	2900333	2	Cap Screw, Hex Hd., M10-1.5 x 25mm
13	2900321	2	Lock Washer, M10 Split
14	2901356	2	Flat Washer, M10

Belt Drive Assembly, #6056033



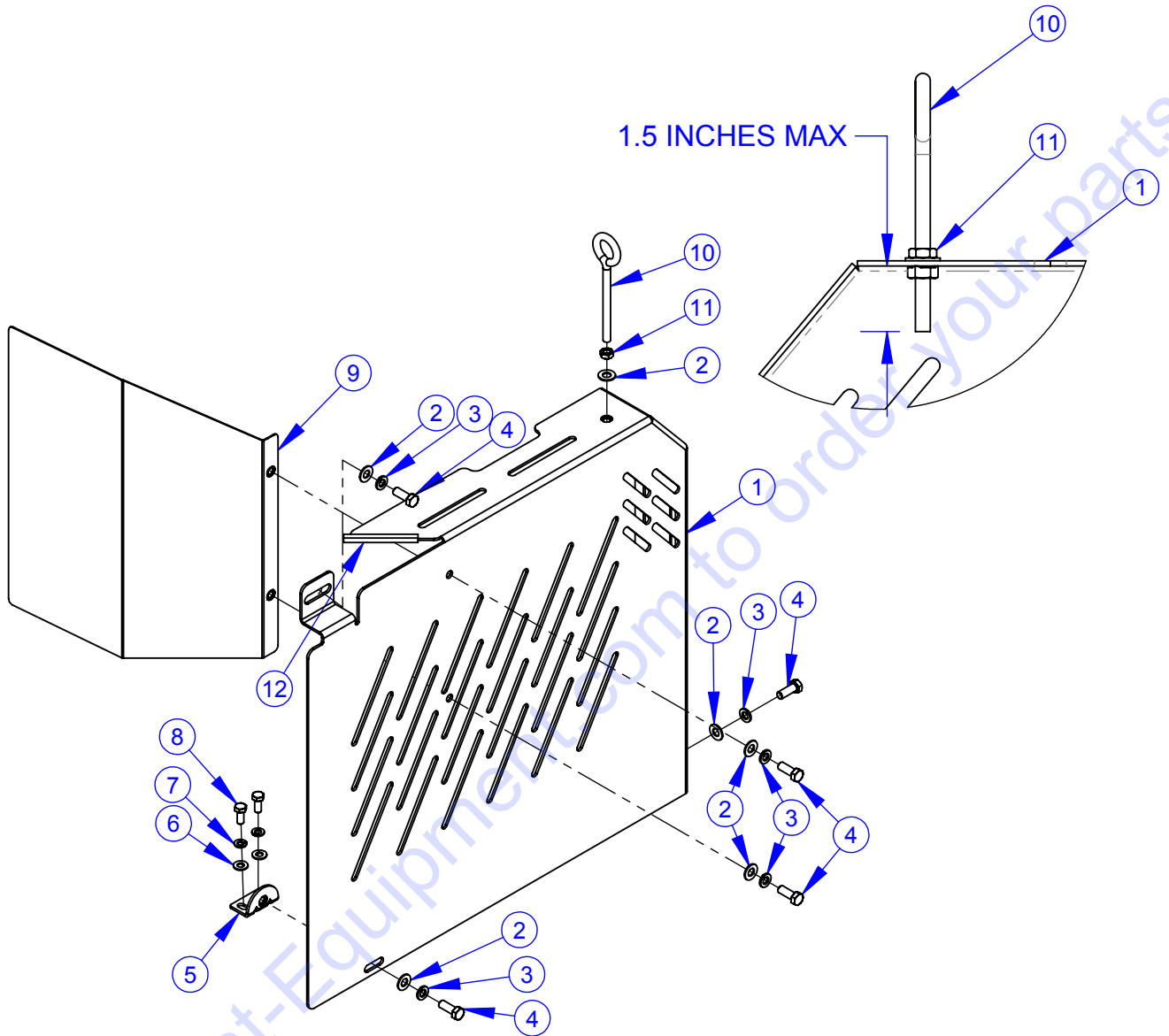
ITEM	PART NO.	QTY.	DESCRIPTION
1	6056641	1	Sheave, 4.12 x 7 Groove w/ Bushing
	6056585	1	Sheave, 3V-4.12-7G, 2012
	2503811	1	Taper Bushing, 1-1/2" w/Setscrews
2	2503875	7	V-Belt, 3VX366
3	2500037	1	V-Belt, 3VX375
4	2501968	1	V-Belt, AX36

Frame Lift Assembly, #6056026



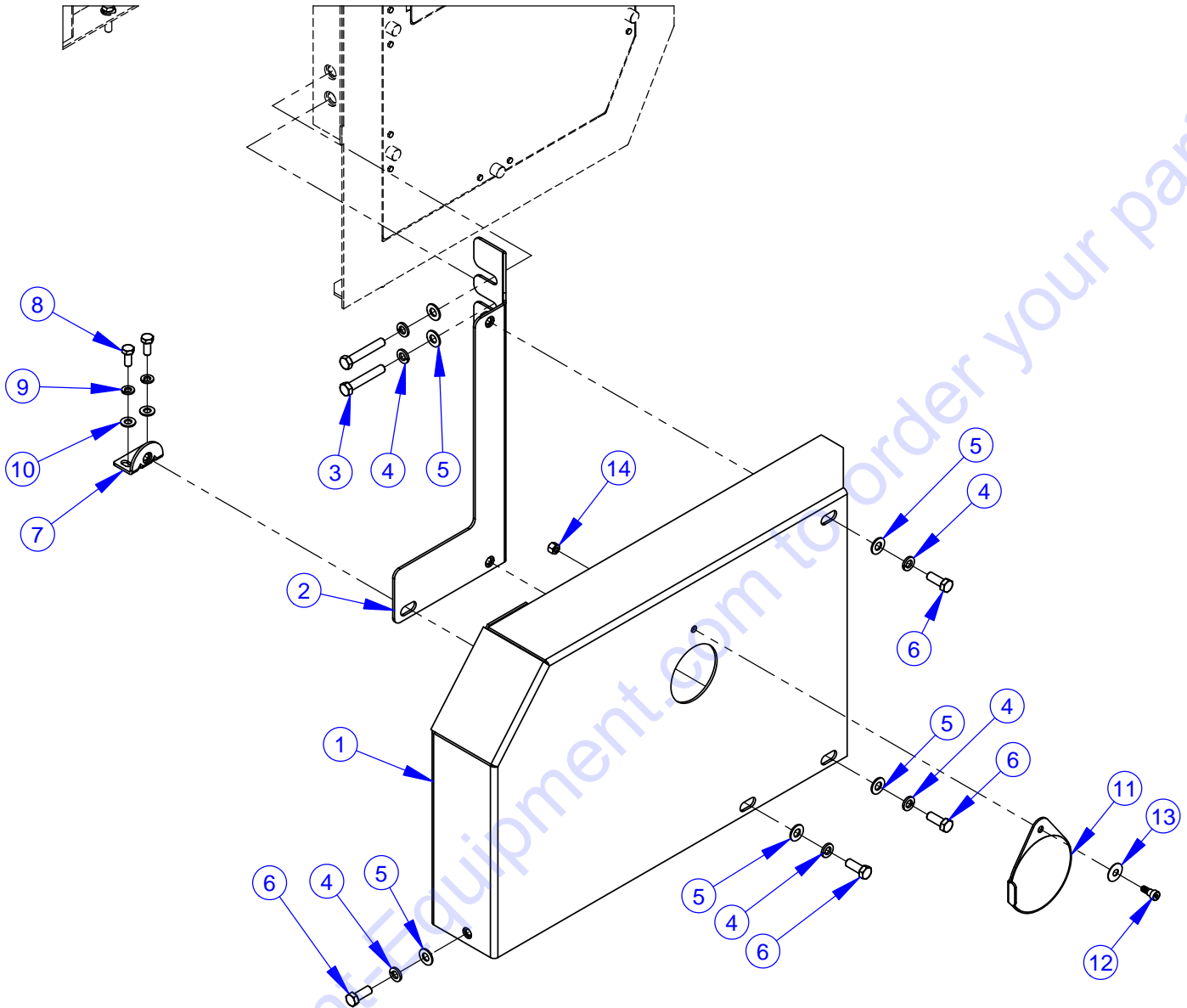
ITEM	PART NO.	QTY.	DESCRIPTION
1	6056552	1	Frame Lift Weldment
2	6056604	1	Frame Lift Spacer
3	6056553	1	Frame Lift Brace, Straight
4	6056554	1	Frame Lift Brace, Bent
5	2900002	2	Flat Washer, 5/8" SAE
6	2900113	2	Lock Washer, 5/8" Split
7	2900136	2	Cap Screw, Hex Hd., 5/8-11 x 2"
8	2900014	6	Flat Washer, 3/8" SAE
9	2900006	4	Lock Washer, 3/8" Split
10	2900013	2	Cap Screw, Hex Hd., 3/8-16 x 1-1/4"
11	2900018	2	Locknut, 3/8-16, Nylon
12	2900029	2	Cap Screw, Hex Hd., 3/8-16 x 1-1/2"
13	6017268	1	Wrench Sock
14	2900083	2	Fender Washer, 1/4" I.D. x 1-1/4" O.D.
15	2900008	2	Cap Screw, Hex Hd., 1/4-20 x 1"
16	2900009	2	Flat Washer, 1/4" SAE
17	2900010	2	Lock Nut, 1/4-20 Nylon
18	2503704	1	Wrench, 15/16" Combination

Alternator Belt Guard Assembly, #6056031



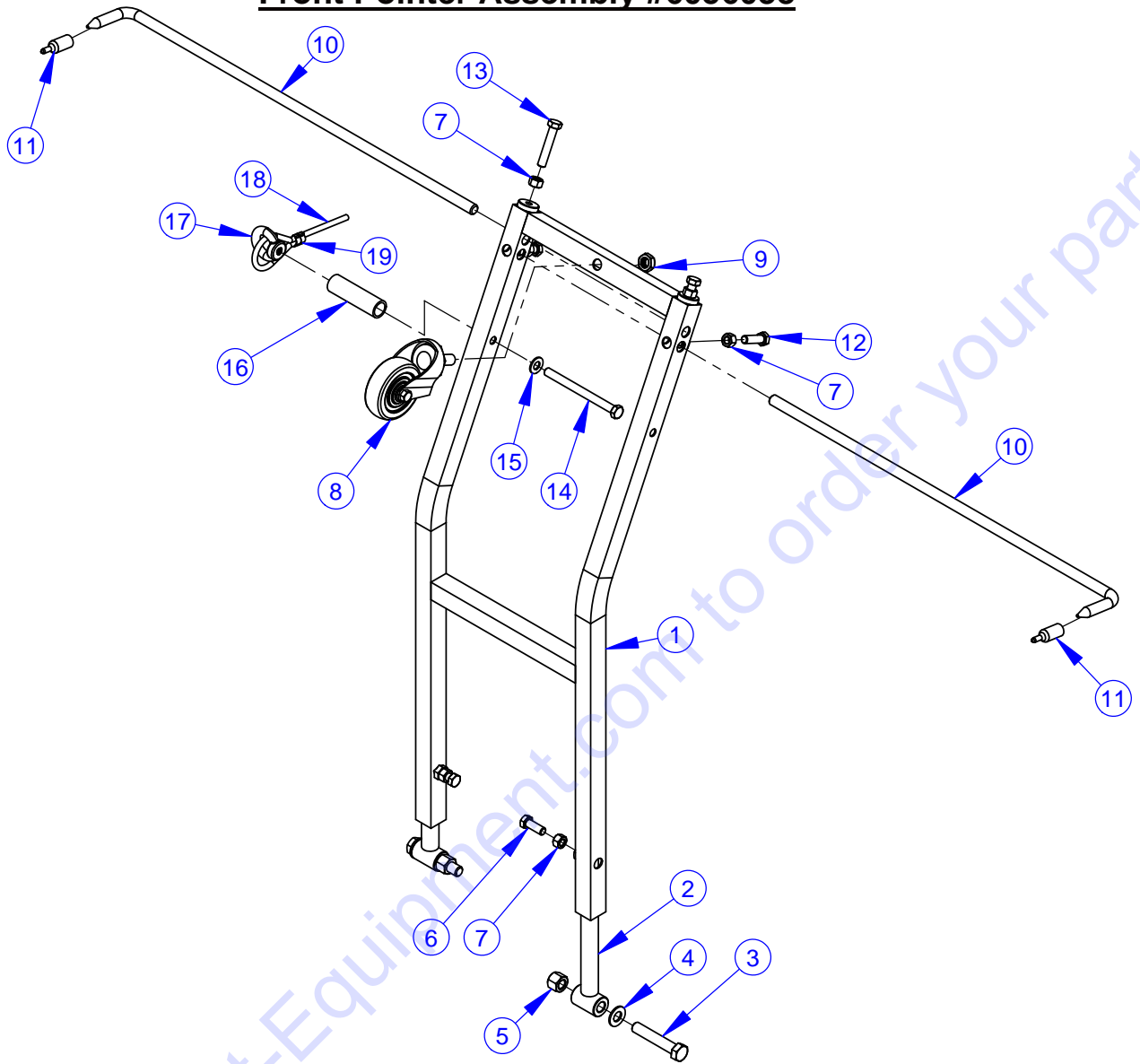
ITEM	PART NO.	QTY.	DESCRIPTION
1	6056610	1	Alternator Belt Guard
2	2900014	6	Flat Washer, 3/8" SAE
3	2900006	5	Lock Washer, 3/8" Split
4	2900005	5	Cap Screw, Hex Hd., 3/8-16 x 1"
5	6010558	1	Mounting Tab 90 Deg.
6	2900022	2	Flat Washer, 5/16" SAE
7	2900031	2	Lock Washer, 5/16" Split
8	2900019	2	Cap Screw, Hex Hd., 5/16-18 x 3/4"
9	6091762	1	Air Shield Weldment
10	2900964	1	Eyebolt, 3/8-16 x 6"
11	2900782	1	Jam Nut, 3/8-16
12	6016233	1	Edge Trim 3-1/2"

PTO Belt Guard Assembly, #6056032



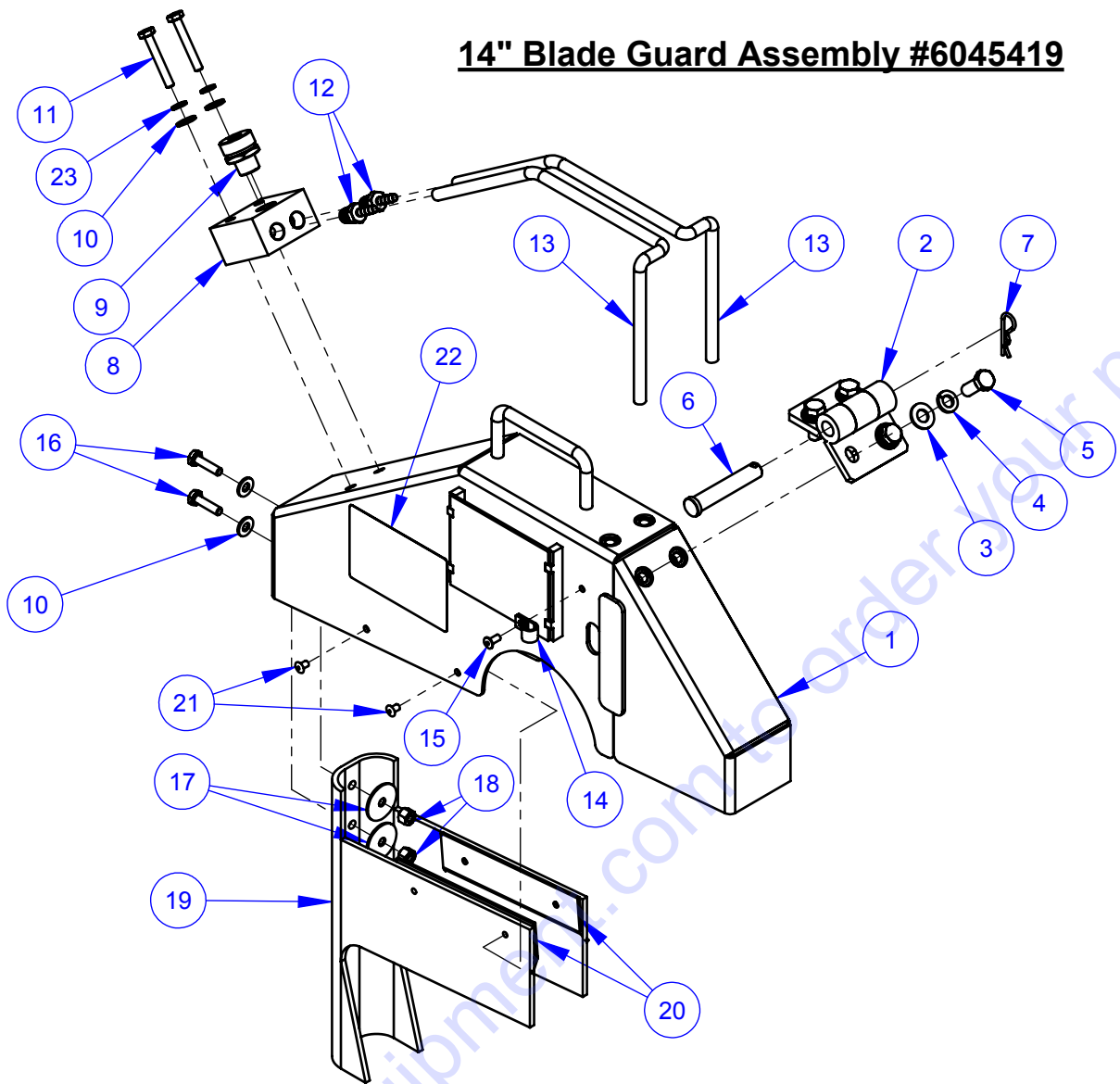
ITEM	PART NO.	QTY.	DESCRIPTION
1	6056608	1	Belt Guard
2	6056609	1	Belt Guard Attachment Plate
3	2900079	2	Cap Screw, Hex Hd., 3/8-16 x 2-1/4"
4	2900006	6	Lock Washer, 3/8" Split
5	2900014	6	Flat Washer, 3/8" SAE
6	2900005	4	Cap Screw, Hex Hd., 3/8-16 x 1"
7	6010558	1	Mounting Tab 90 Deg.
8	2900019	2	Cap Screw, Hex Hd., 5/16-18 x 3/4"
9	2900031	2	Lock Washer, 5/16" Split
10	2900022	2	Flat Washer, 5/16" SAE
11	6010768	1	Swing Cover Plate with Label
12	2900246	1	Shoulder Screw, 5/16" x 1/4" (1/4-20)
13	2900252	1	Belleville Washer, 5/16"
14	2900010	1	Lock Nut, 1/4-20 Nylon

Front Pointer Assembly #6056038



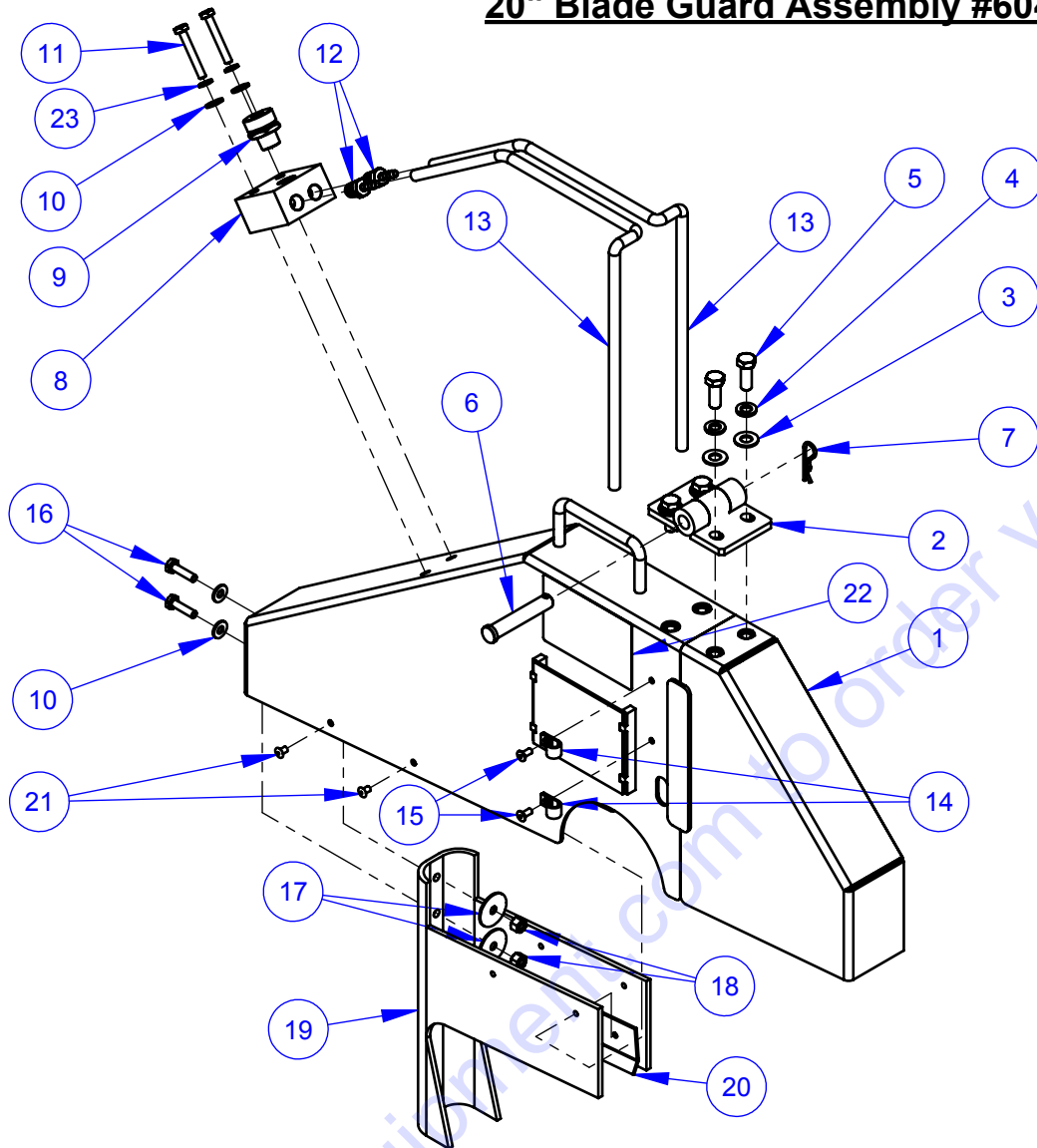
ITEM	PART NO.	QTY.	DESCRIPTION
1	6091733	1	Front Pointer Frame
2	6011692	2	Front Pointer Arm
3	2900105	2	Cap Screw, Hex Hd., 1/2-13 x 2-3/4"
4	2900239	2	Friction Washer, 1/2"
5	2900026	2	Lock Nut, 1/2-13 Nylon
6	2900005	2	Cap Screw, Hex Hd., 3/8-16 x 1"
7	2900033	6	Hex Nut, 3/8-16
8	2501379	1	Caster, 3"
9	2900543	1	Jam Lock Nut, 1/2-13
10	6010009	2	Front Pointer Rod
11	2500740	2	Pointer Cap
12	2900013	2	Cap Screw, Hex Hd., 3/8-16 x 1-1/4"
13	2900366	2	Tap Screw, Hex Hd., 3/8-16 x 2"
14	2900375	1	Cap Screw, Hex Hd., 3/8-16 x 4-1/2"
15	2900014	1	Flat Washer, 3/8" SAE
16	6010989	1	Spacer, 3" Long
17	2900885	1	Eye Nut, 3/8-16
18	6017241	1	Pointer Rope 11 Foot
19	3200221	2	Pinch Clamp, Two Ear

14" Blade Guard Assembly #6045419



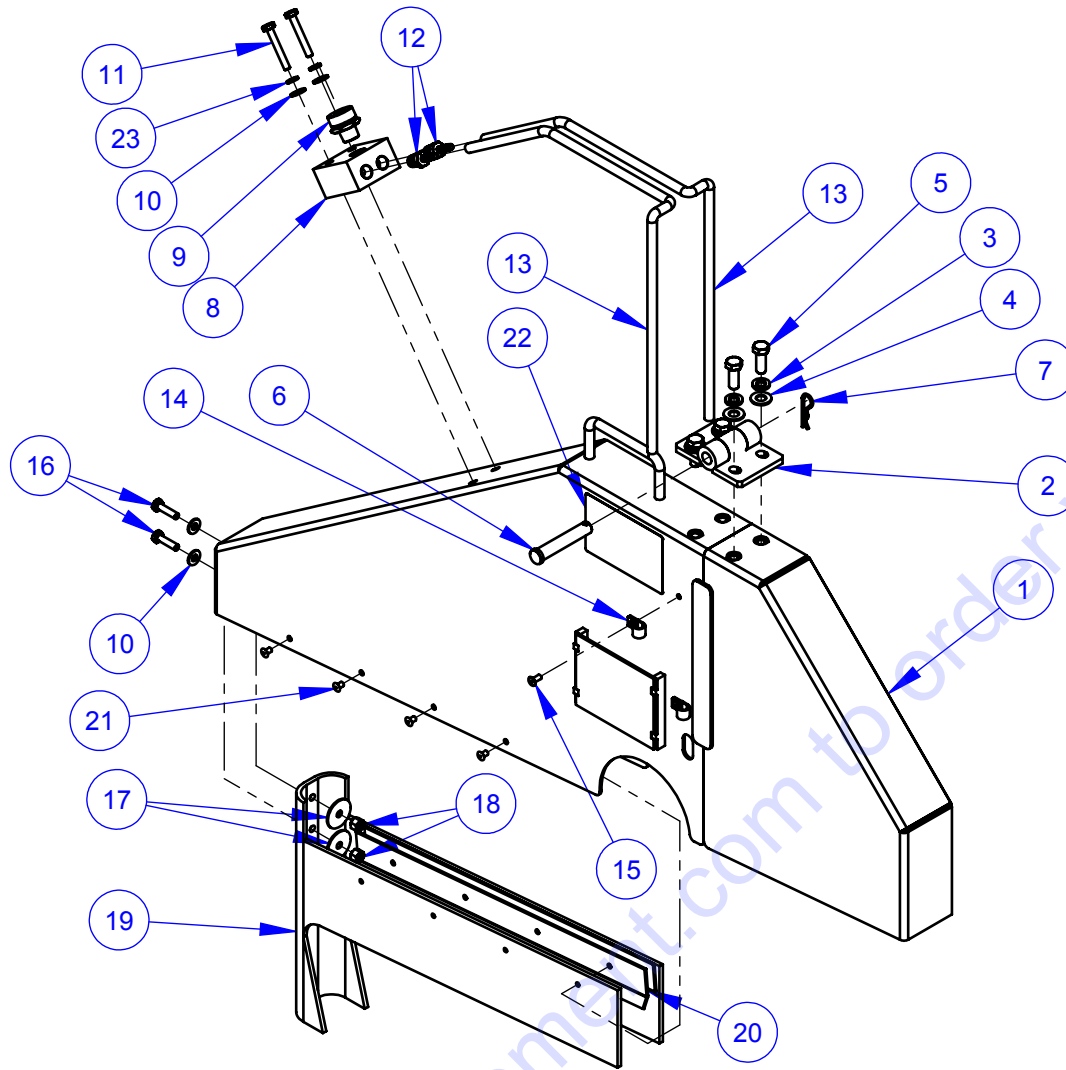
ITEM	PART NO.	QTY.	DESCRIPTION
1	6045424	1	14" Blade Guard Only
2	6041135	1	Hinge
3	2900014	4	Flat Washer, 3/8" SAE
4	2900006	4	Lock Washer, 3/8" Split
5	2900005	4	Cap Screw, Hex Hd., 3/8-16 x 1"
6	2900607	1	Clevis Pin, 1/2" x 2-3/4"
7	2900262	1	Hairpin Cotter
8	6045162	1	Water Manifold
9	3200002	1	Fitting, 3/8" M. Pipe to 3/4" M. Garden
10	2900009	4	Flat Washer, 1/4" SAE
11	2900392	2	Cap Screw, Hex Hd., 1/4-20 x 1-3/4"
12	3200019	2	Fitting, 1/4" M. Pipe to 1/4" Hose Barb
13	6045110	2	Hose, 1/4" x 3/8" x 15"
14	3200039	2	Clamp, 3/8"
15	2900201	2	Rivet, 3/16" Dia.
16	2900008	2	Cap Screw, Hex Hd., 1/4-20 x 1"
17	2900083	2	Fender Washer, 1/4" x 1-1/4"
18	2900010	2	Lock Nut, 1/4-20 Nylon
19	6045178	1	Splash Flap
20	6045179	2	Splash Flap Retaining Strip
21	2900071	4	Rivet, 3/16"
22	1802090	2	Label, Wedge Locking Washer
23	2900024	2	Lock Washer, 1/4" Split

20" Blade Guard Assembly #6045420



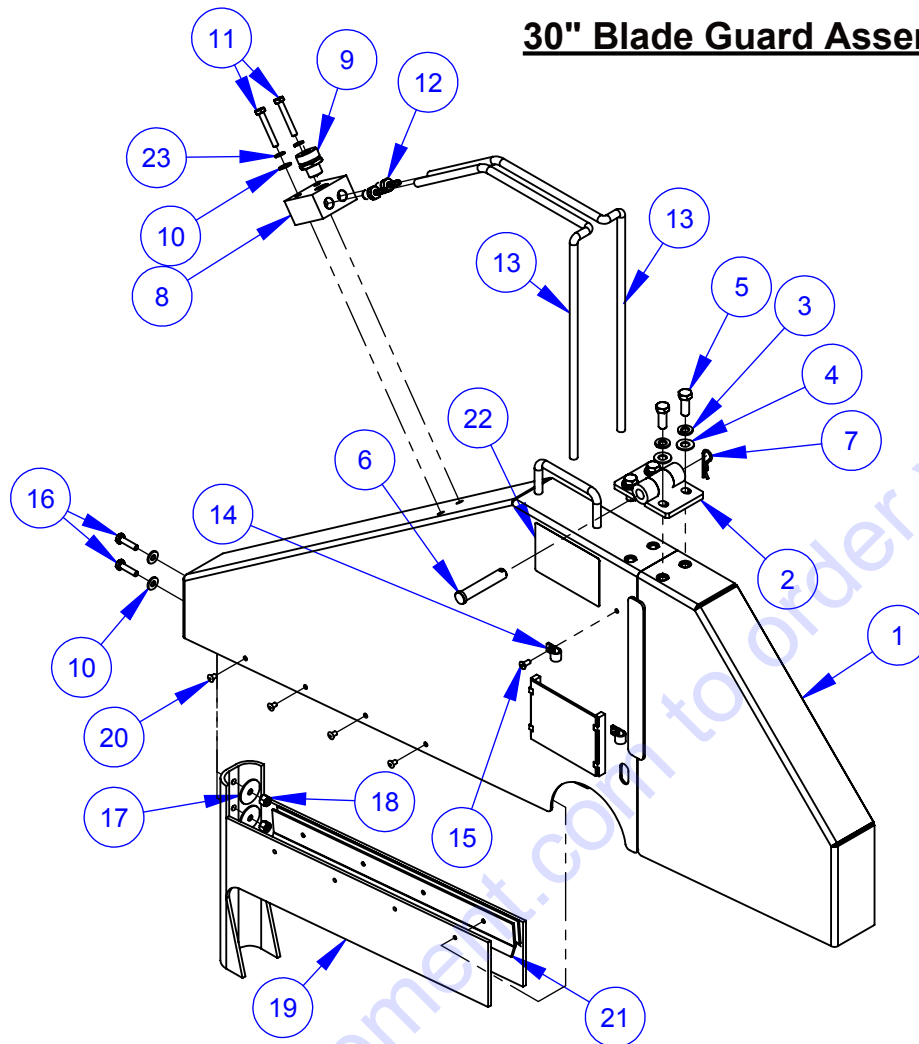
ITEM	PART NO.	QTY.	DESCRIPTION
1	6045425	1	20" Blade Guard Only
2	6041135	1	Hinge
3	2900014	4	Flat Washer, 3/8" SAE
4	2900006	4	Lock Washer, 3/8" Split
5	2900005	4	Cap Screw, Hex Hd., 3/8-16 x 1"
6	2900607	1	Clevis Pin, 1/2" x 2-3/4"
7	2900262	1	Hairpin Cotter
8	6045162	1	Water Manifold
9	3200002	1	Fitting, 3/8" M. Pipe to 3/4" M. Garden
10	2900009	4	Flat Washer, 1/4" SAE
11	2900392	2	Cap Screw, Hex Hd., 1/4-20 x 1-3/4"
12	3200019	2	Fitting, 1/4" M. Pipe to 1/4" Hose Barb
13	6045109	2	Hose, 1/4" x 3/8" x 19"
14	3200039	4	Clamp, 3/8"
15	2900201	4	Rivet, 3/16" Dia.
16	2900008	2	Cap Screw, Hex Hd., 1/4-20 x 1"
17	2900083	2	Fender Washer, 1/4" x 1-1/4"
18	2900010	2	Lock Nut, 1/4-20 Nylon
19	6045178	1	Splash Flap
20	6045179	2	Splash Flap Retaining Strip
21	2900071	4	Rivet, 3/16"
22	1802090	2	Label, Wedge Locking Washer
23	2900024	2	Lock Washer, 1/4" Split

26" Blade Guard Assembly #6045421



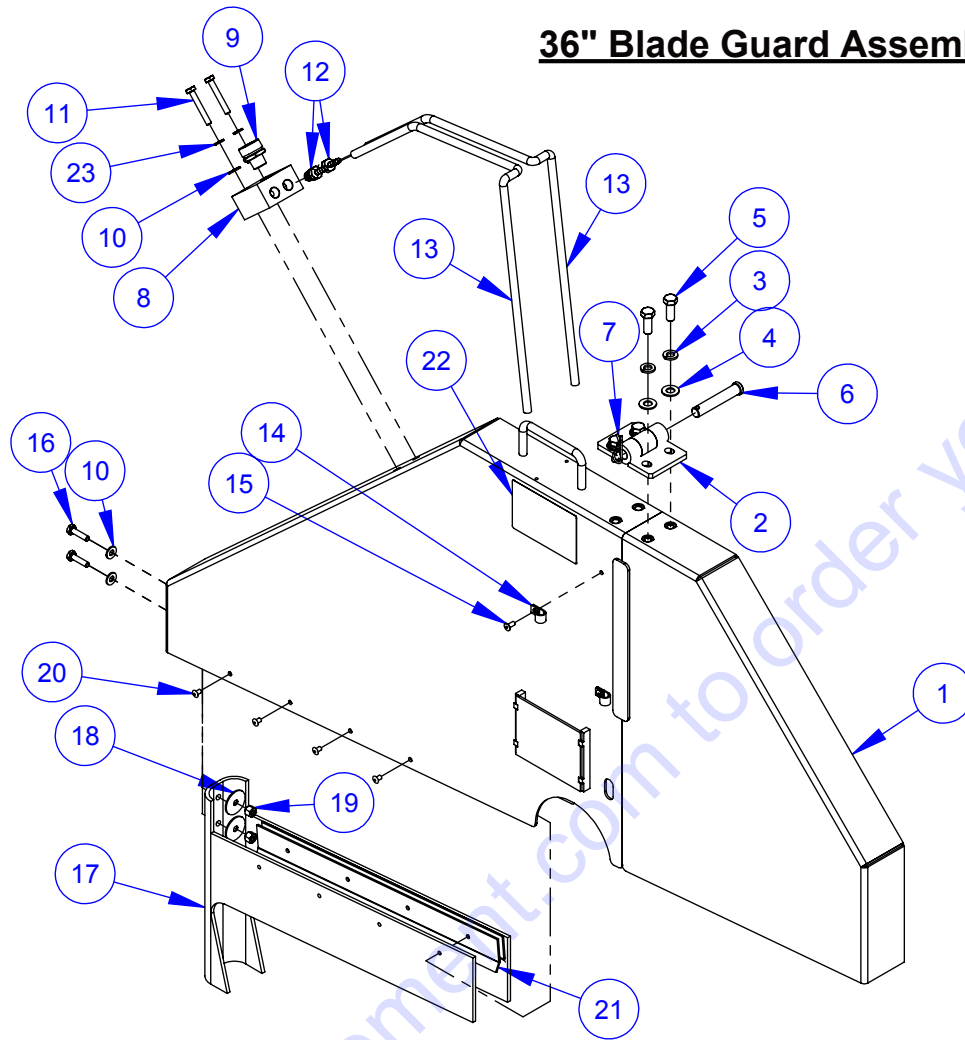
ITEM	PART NO.	QTY.	DESCRIPTION
1	6045426	1	26" Blade Guard Only
2	6041135	1	Hinge
3	2900006	4	Lock Washer, 3/8" Split
4	2900014	4	Flat Washer, 3/8" SAE
5	2900005	4	Cap Screw, Hex Hd., 3/8-16 x 1"
6	2900607	1	Clevis Pin, 1/2" x 2-3/4"
7	2900262	1	Hairpin Cotter
8	6045162	1	Water Manifold
9	3200002	1	Fitting, 3/8" M. Pipe to 3/4" M. Garden
10	2900009	4	Flat Washer, 1/4" SAE
11	2900392	2	Cap Screw, Hex Hd., 1/4-20 x 1-3/4"
12	3200019	2	Fitting, 1/4" M. Pipe to 1/4" Hose Barb
13	6045106	2	Hose, 1/4" x 3/8" x 25"
14	3200039	4	Clamp, 3/8"
15	2900201	4	Rivet, 3/16" Dia.
16	2900008	2	Cap Screw, Hex Hd., 1/4-20 x 1"
17	2900083	2	Fender Washer, 1/4" x 1-1/4"
18	2900010	2	Lock Nut, 1/4-20 Nylon
19	6045174	1	Splash Flap
20	6045172	2	Splash Flap Retaining Strip (Long)
21	2900071	8	Rivet, 3/16"
22	1802090	2	Label, Wedge Locking Washer
23	2900024	2	Lock Washer, 1/4" Split

30" Blade Guard Assembly, #6056670



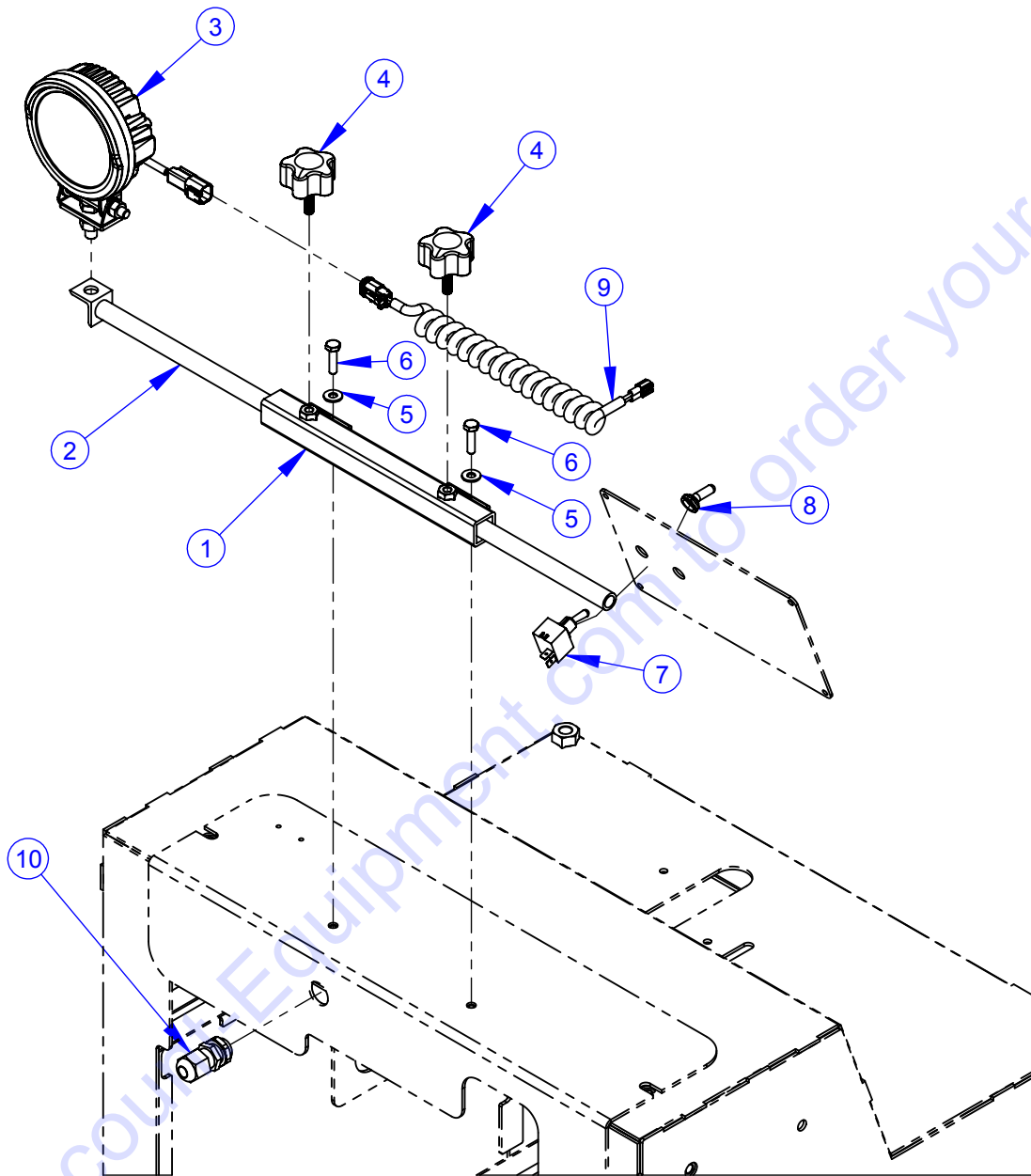
ITEM	PART NO.	QTY.	DESCRIPTION
1	6045427	1	30" Blade Guard Only
2	6041135	1	Hinge
3	2900006	4	Lock Washer, 3/8" Split
4	2900014	4	Flat Washer, 3/8" SAE
5	2900005	4	Cap Screw, Hex Hd., 3/8-16 x 1"
6	2900607	1	Clevis Pin, 1/2" x 2-3/4"
7	2900262	1	Hairpin Cotter
8	6045162	1	Water Manifold
9	3200002	1	Fitting, 3/8" M. Pipe to 3/4" M. Garden
10	2900009	4	Flat Washer, 1/4" SAE
11	2900392	2	Cap Screw, Hex Hd., 1/4-20 x 1-3/4"
12	3200019	2	Fitting, 1/4" M. Pipe to 1/4" Hose Barb
13	6045107	2	Hose, 1/4" x 3/8" x 25"
14	3200039	4	Clamp, 3/8"
15	2900201	4	Rivet, 3/16" Dia.
16	2900008	2	Cap Screw, Hex Hd., 1/4-20 x 1"
17	2900083	2	Fender Washer, 1/4" x 1-1/4"
18	2900010	2	Lock Nut, 1/4-20 Nylon
19	6045174	1	Splash Flap
20	2900071	8	Rivet, 3/16"
21	6045172	2	Splash Flap Retaining Strip (Long)
22	1802090	2	Label, Wedge Locking Washer
23	2900024	2	Lock Washer, 1/4" Split

36" Blade Guard Assembly. #6056671



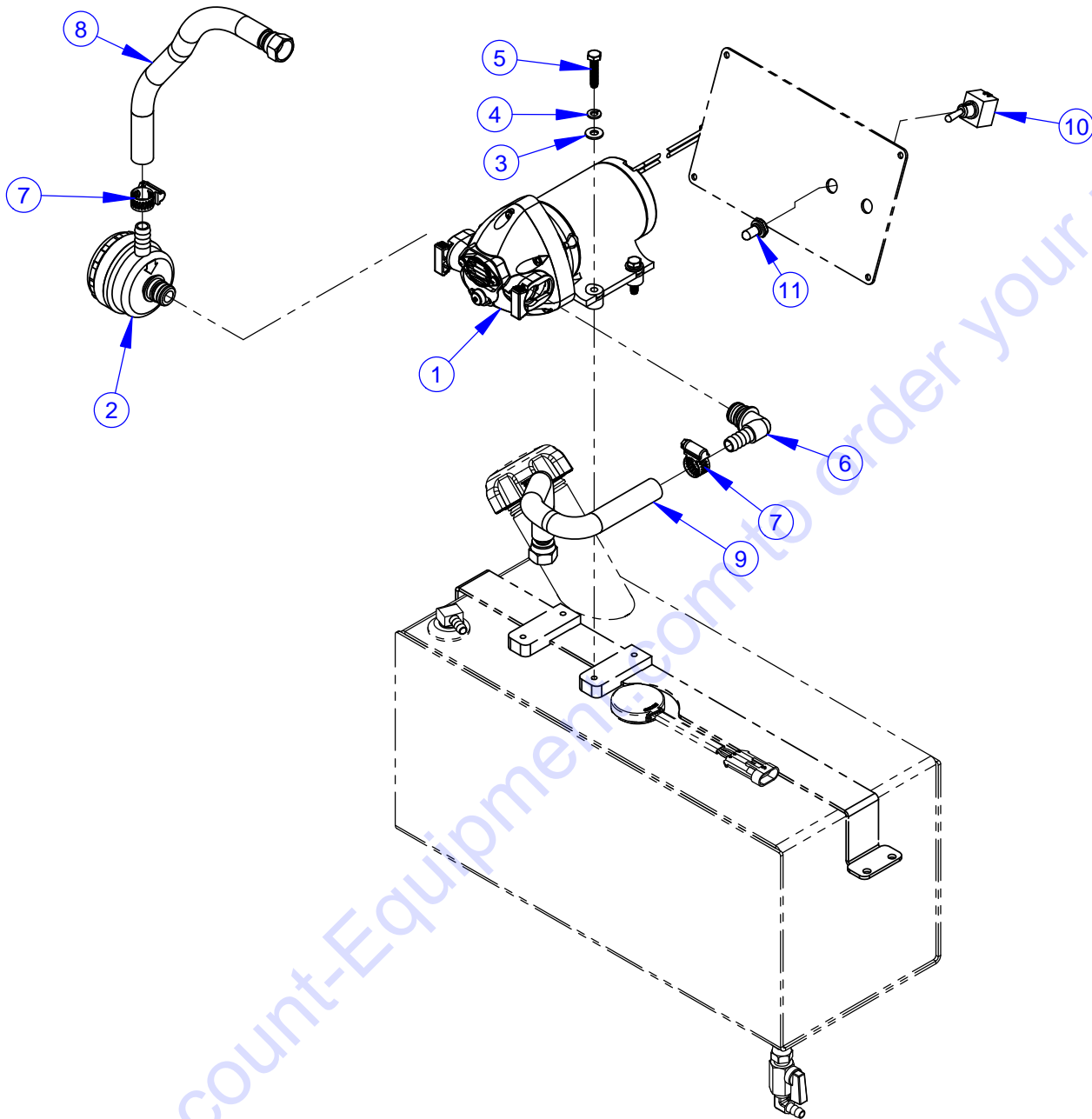
ITEM	PART NO.	QTY.	DESCRIPTION
1	6045428	1	36" Blade Guard Only
2	6041135	1	Hinge
3	2900006	4	Lock Washer, 3/8" Split
4	2900014	4	Flat Washer, 3/8" SAE
5	2900005	4	Cap Screw, Hex Hd., 3/8-16 x 1"
6	2900607	1	Clevis Pin, 1/2" x 2-3/4"
7	2900262	1	Hairpin Cotter
8	6045162	1	Water Manifold
9	3200002	1	Fitting, 3/8" M. Pipe to 3/4" M. Garden
10	2900009	4	Flat Washer, 1/4" SAE
11	2900392	2	Cap Screw, Hex Hd., 1/4-20 x 1-3/4"
12	3200019	2	Fitting, 1/4" M. Pipe to 1/4" Hose Barb
13	6045319	2	Hose, 1/4" x 3/8" x 29"
14	3200039	4	Clamp, 3/8"
15	2900201	4	Rivet, 3/16" Dia.
16	2900008	2	Cap Screw, Hex Hd., 1/4-20 x 1"
17	6045174	1	Splash Flap
18	2900083	2	Fender Washer, 1/4" x 1-1/4"
19	2900010	2	Lock Nut, 1/4-20 Nylon
20	2900071	8	Rivet, 3/16"
21	6045172	2	Splash Flap Retaining Strip (Long)
22	1802090	2	Label, Wedge Locking Washer
23	2900024	2	Lock Washer, 1/4" Split

Optional Spot Light Assembly, #6056035



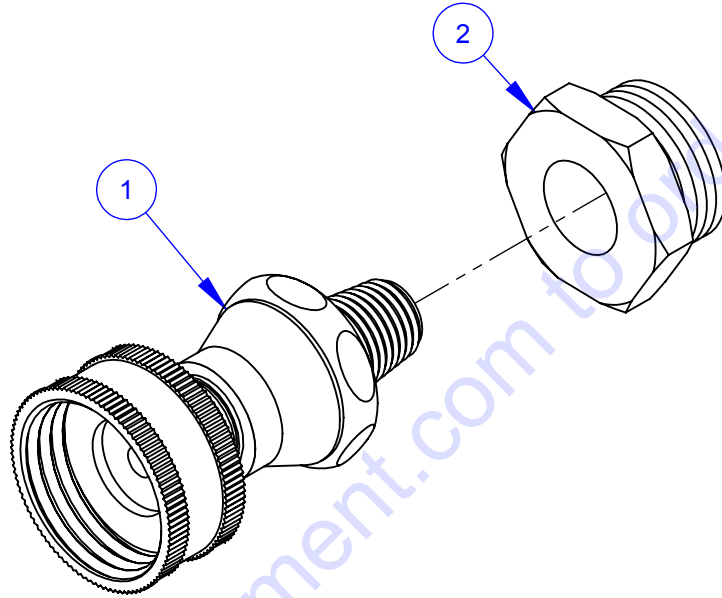
ITEM	PART NO.	QTY.	DESCRIPTION
1	6010107	1	Light Bar Mount Bracket
2	6010106	1	Light bar
3	6016224	1	Light, 12 Volt LED Spot
4	2400157	2	Hand Lock Knob, 5/16-18 x 1"
5	2900009	2	Flat Washer, 1/4" SAE
6	2900008	2	Cap Screw, Hex Hd., 1/4-20 x 1"
7	2800062	1	Toggle Switch On/Off
8	2800063	1	Toggle Switch Boot
9	6016225	1	Coiled Light Cord (1 Foot)
10	2801509	1	Cable Gland

Optional Water Pump Assembly #6056019



ITEM	PART NO.	QTY.	DESCRIPTION
1	6016226	1	Water Pump, Diaphragm
2	2703198	1	Inlet Strainer
3	2900009	4	Flat Washer, 1/4" SAE
4	2900024	4	Lock Washer, 1/4" Split
5	2900052	4	1/4-20 x 1.25" Hex Head Cap Screw
6	2701694	1	Port Fitting, 1/2" Barb x 90 Degree
7	3200016	2	Hose Clamp #8
8	6056682	1	Water Hose Assembly, 17"
9	6056681	1	Water Hose Assembly, 16"
10	2800062	1	Toggle Switch On/Off
11	2800063	1	Toggle Switch Boot

Optional ASO Flow Control Valve, #6056037



ITEM	PART NO.	QTY.	DESCRIPTION
1	3202944	1	ASO, Flow Control Valve
2	3200023	1	Fitting, 3/4" M. Garden to 1/4" F. Pipe

Decal Group

FREE WHEEL ENGAGEMENT **POSITRACTION ENGAGEMENT**

SLOW **FAST**
 BLADE LOWERING SPEED VELOCIDAD DE BAJADA DEL ARBOL
 LENTO RAPIDO

WATER PUMP **NO**

UNLEADED FUEL ONLY

CONTROL GRIP

FORWARD **STOP** **REVERSE**

WARNING
 NEVER OPEN CAP WHEN HOT

EMERGENCY STOP

STOP ON START

ENGINE THROTTLE
FAST **SLOW**

WATER PUMP **SPOT LIGHT**
 BOMBA DE AGUA PROYECTOR DE LUZ
ON **ON**
OFF **OFF**

1802677 DIAMOND KIT

CORE CUT
CC5555

#1802677

#1802675

EQUIPMENT AND PARTS WARRANTY

Discount-equipment warrants all equipment sold by it against defects in workmanship or materials for a period of one (1) year from the date of shipment to Customer.

The responsibility of Discount-equipment under this Warranty is limited to replacement or repair of defective parts, of such parts as shall appear to us upon inspection at such parts, to have been defective in material or workmanship, with expense for transportation and labor borne by Customer.

In no event shall Discount-equipment be liable for consequential or incidental damages arising out of the failure of any Product to operate properly.

Integral units such as engines, electric motors, batteries, transmissions, etc., are excluded from this Warranty and are subject to the prime manufacturer's warranty.

**THIS WARRANTY IS IN LIEU OF ALL OTHER WARRANTIES,
EXPRESSED OR IMPLIED, AND ALL SUCH OTHER WARRANTIES ARE
HEREBY DISCLAIMED.**



PARTS FINDER

**Search Website
by Part Number**



**Search Manual
Library For Parts
Manual & Lookup Part
Numbers – Purchase
or Request Quote**

Search Manuals

Enter your information to help us find the right parts manual for your machine.

* Brand:

* Model:

* Serial:

* Part Number:

SEARCH

**Can't Find Part or
Manual? Request Help
by Manufacturer,
Model & Description**

Parts Order Form

Please fill in the following information to help us find the right part for your machine.

Manufacturer:	<input type="text"/>
Model:	<input type="text"/>
Description:	<input type="text"/>
Part Number:	<input type="text"/>
Quantity:	<input type="text"/>
Notes:	<input type="text"/>

Discount-Equipment.com is your online resource for quality parts & equipment.

Florida: **561-964-4949** Outside Florida TOLL FREE: **877-690-3101**

Need parts?

Click on this link: <http://www.discount-equipment.com/category/5443-parts/> and choose one of the options to help get the right parts and equipment you are looking for. Please have the machine model and serial number available in order to help us get you the correct parts. If you don't find the part on the website or on one of the online manuals, please fill out the request form and one of our experienced staff members will get back to you with a quote for the right part that your machine needs.

We sell worldwide for the brands: Genie, Terex, JLG, MultiQuip, Mikasa, Essick, Whiteman, Mayco, Toro Stone, Diamond Products, Generac Magnum, Airman, Haulotte, Barreto, Power Blanket, Nifty Lift, Atlas Copco, Chicago Pneumatic, Allmand, Miller Curber, Skyjack, Lull, Skytrak, Tsurumi, Husquvarna Target, Stow, Wacker, Sakai, Mi-T-M, Sullair, Basic, Dynapac, MBW, Weber, Bartell, Bennar Newman, Haulotte, Ditch Runner, Menegotti, Morrison, Contec, Buddy, Crown, Edco, Wyco, Bomag, Laymor, EZ Trench, Bil-Jax, F.S. Curtis, Gehl Pavers, Heli, Honda, ICS/PowerGrit, IHI, Partner, Imer, Clipper, MMD, Koshin, Rice, CH&E, General Equipment, Amida, Coleman, NAC, Gradall, Square Shooter, Kent, Stanley, Tamco, Toku, Hatz, Kohler, Robin, Wisconsin, Northrock, Oztec, Toker TK, Rol-Air, APT, Wylie, Ingersoll Rand / Doosan, Innovatech, Con X, Ammann, Mecalac, Makinex, Smith Surface Prep, Small Line, Wanco, Yanmar