



# **CONCRETE SAW PARTS LIST**

## **MODEL**

**CC3725E / CC3730E**

**CC3740E**

June 2016

Part # 1800774

# PARTS FINDER

**Search Website  
by Part Number**



**Search Manual  
Library For Parts  
Manual & Lookup Part  
Numbers – Purchase  
or Request Quote**

**Search Manuals**

Enter your information to help us find the right parts manual for your machine.

\* Brand:

\* Model:

\* Serial:

\* Part Number:

SEARCH

**Can't Find Part or  
Manual? Request Help  
by Manufacturer,  
Model & Description**

**Parts Order Form**

Please fill in the following information to help us find the right part for your machine.

Manufacturer:	<input type="text"/>
Model:	<input type="text"/>
Description:	<input type="text"/>
Part Number:	<input type="text"/>
Quantity:	<input type="text"/>
Notes:	<input type="text"/>

Discount-Equipment.com is your online resource for quality parts & equipment.

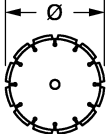

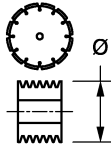
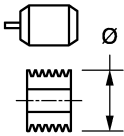
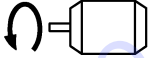
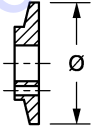
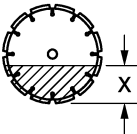
Florida: **561-964-4949** Outside Florida TOLL FREE: **877-690-3101**

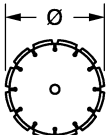

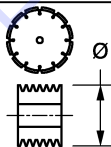
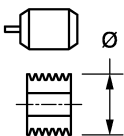
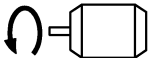
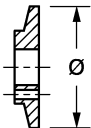
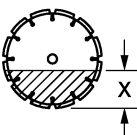
**Need parts?**

Click on this link: <http://www.discount-equipment.com/category/5443-parts/> and choose one of the options to help get the right parts and equipment you are looking for. Please have the machine model and serial number available in order to help us get you the correct parts. If you don't find the part on the website or on one of the online manuals, please fill out the request form and one of our experienced staff members will get back to you with a quote for the right part that your machine needs.

We sell worldwide for the brands: Genie, Terex, JLG, MultiQuip, Mikasa, Essick, Whiteman, Mayco, Toro Stone, Diamond Products, Generac Magnum, Airman, Haulotte, Barreto, Power Blanket, Nifty Lift, Atlas Copco, Chicago Pneumatic, Allmand, Miller Curber, Skyjack, Lull, Skytrak, Tsurumi, Husquvarna Target, Stow, Wacker, Sakai, Mi-T-M, Sullair, Basic, Dynapac, MBW, Weber, Bartell, Bennar Newman, Haulotte, Ditch Runner, Menegotti, Morrison, Contec, Buddy, Crown, Edco, Wyco, Bomag, Laymor, EZ Trench, Bil-Jax, F.S. Curtis, Gehl Pavers, Heli, Honda, ICS/PowerGrit, IHI, Partner, Imer, Clipper, MMD, Koshin, Rice, CH&E, General Equipment, Amida, Coleman, NAC, Gradall, Square Shooter, Kent, Stanley, Tamco, Toku, Hatz, Kohler, Robin, Wisconsin, Northrock, Oztec, Toker TK, Rol-Air, APT, Wylie, Ingersoll Rand / Doosan, Innovatech, Con X, Ammann, Mecalac, Makinex, Smith Surface Prep, Small Line, Wanco, Yanmar

**⚠ WARNING: NEVER EXCEED THE MAXIMUM RPM STAMPED ON BLADE!**  
 Excessive speed can cause blade breakage resulting in serious personal injury or death!

CC3725E / CC3730E RPM CHART						
BLADE SIZE	BLADE RPM	BLADESHAFT SHEAVE	MOTOR SHEAVE	MOTOR RPM	FLANGE SIZE	MAX CUT DEPTH
14"	3,050	3.12"	5.3"	1,800	4-1/2"	4-1/2"
20"	2,350	3.65"	4.75"	1,800	4-1/2"	7-1/2"
26"	1,800	4.12"	4.12"	1,800	4-1/2"	10-1/2"
30"	1,550	4.75"	4.12"	1,800	6"	11-3/4"
36"	1,375	4.75"	3.65"	1,800	6"	14-3/4"
						

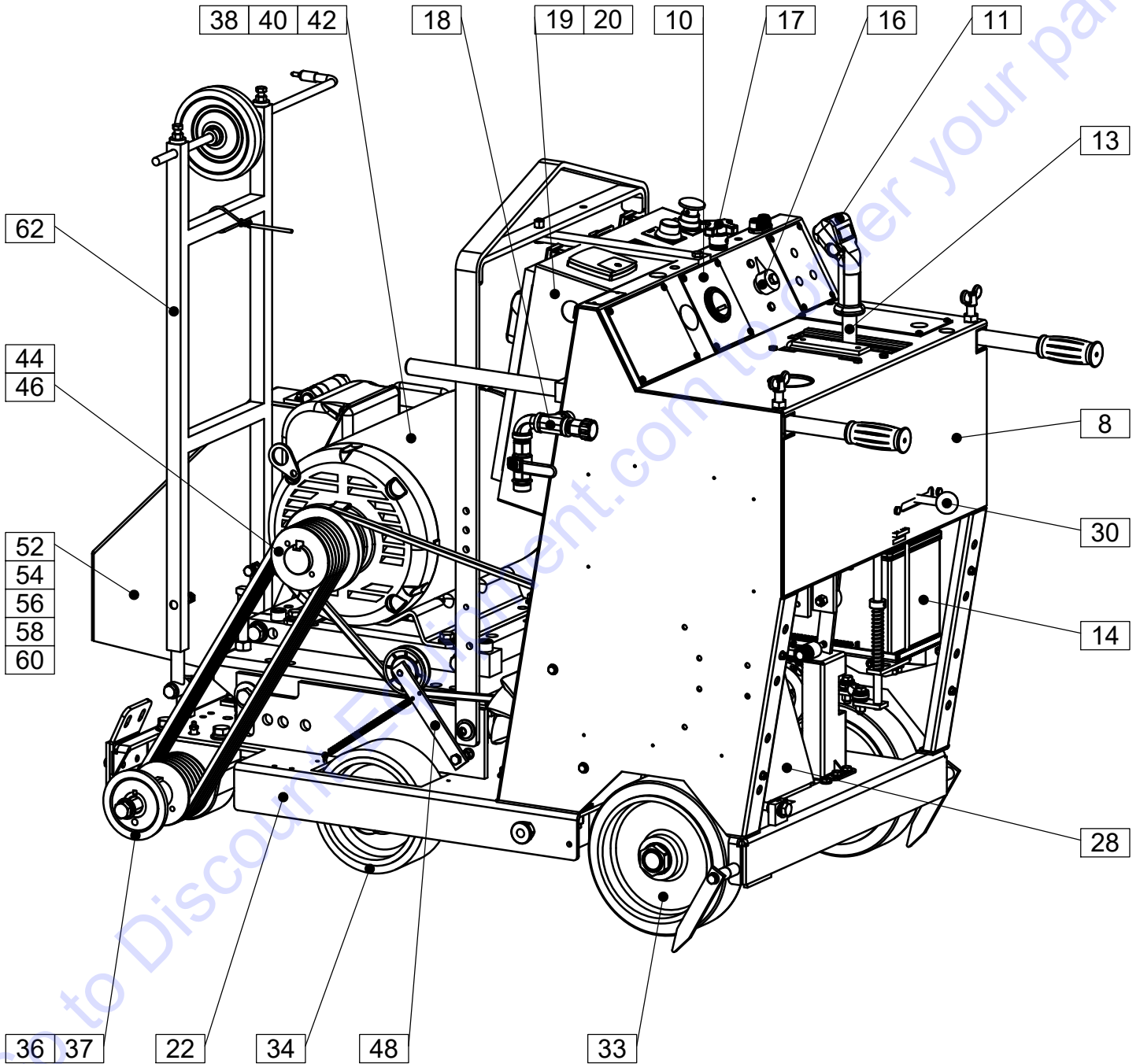
CC3740E RPM CHART						
BLADE SIZE	BLADE RPM	BLADESHAFT SHEAVE	MOTOR SHEAVE	MOTOR RPM	FLANGE SIZE	MAX CUT DEPTH
20"	2,500	4"	5.6"	1,800	4-1/2"	7-1/2"
26"	2,000	4.5"	5"	1,800	4-1/2"	10-1/2"
30"	1,700	5"	4.75"	1,800	6"	11-3/4"
36"	1,350	5.3"	4"	1,800	6"	14-3/4"
						

**⚠ WARNING ⚠**  
 The engine exhaust from this product contains chemicals known to the State of California to cause cancer, birth defects or other reproductive harm.

## **Table of Contents**

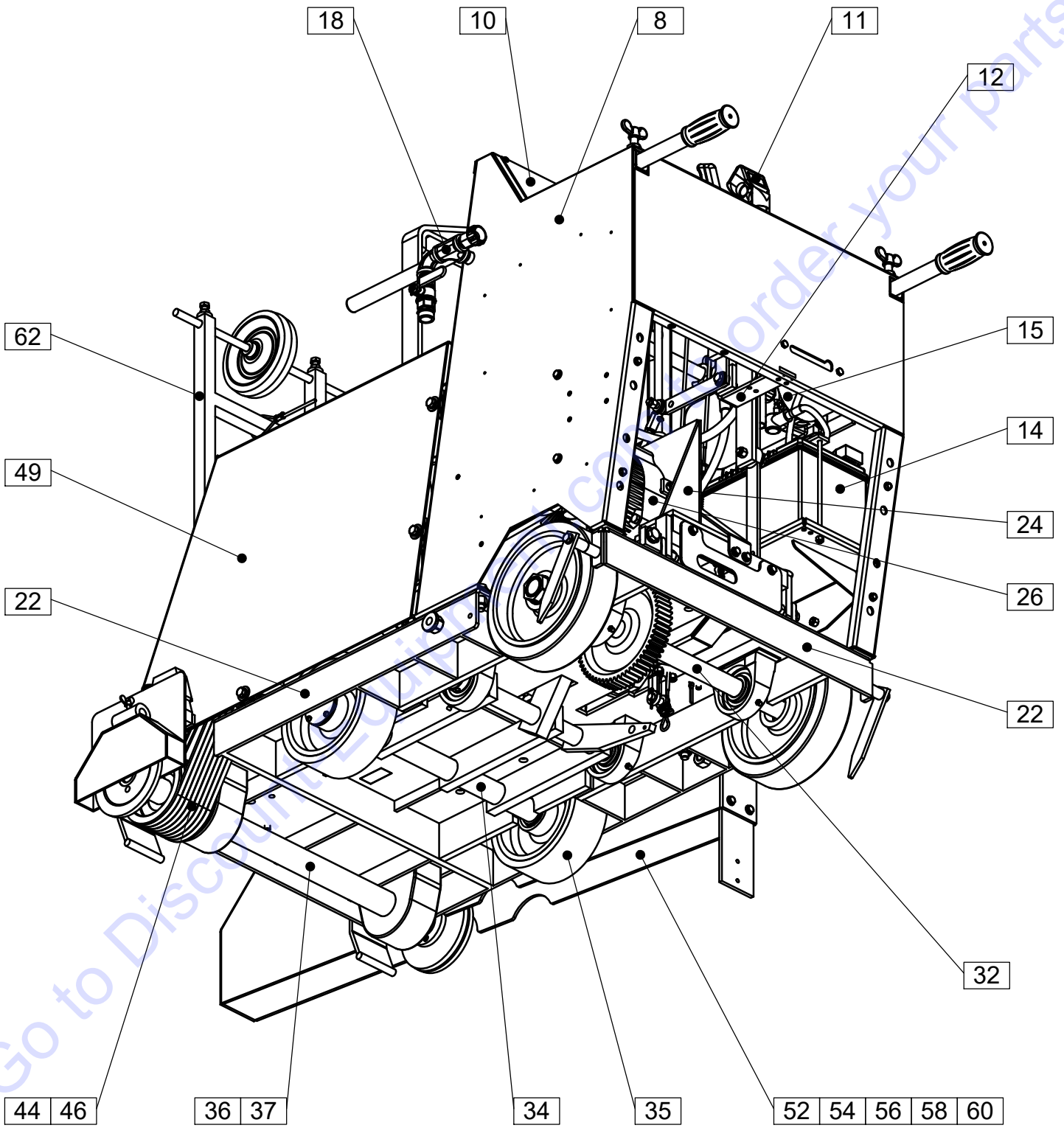
Pictorial Page Index.....	4,5	25hp Motor Mount Assembly.....	38,39
Controls Legend.....	6	30hp Motor Mount Assembly.....	40,41
Notes.....	7	40hp Motor Mount Assembly.....	42,43
Frame Upright Assembly.....	8,9	25hp & 30hp Belt Drive Assembly.....	44,45
Instrument Panel Assembly.....	10	40hp Belt Drive Assembly.....	46,47
Control Grip Assembly.....	11	Idler Assembly.....	48
Control Lever Assembly (Eaton).....	12	Belt Guard Assembly.....	49
Control Lever Assembly (Sundstrand).....	13	Power Transformer Assembly (575V).....	50
Battery Assembly.....	14	Power Transformer Assembly (50Hz).....	51
Hydraulic Pump Assembly.....	15	14" Blade Guard Assembly.....	52,53
Depth Indicator Assembly.....	16	20" Blade Guard Assembly.....	54,55
Depth Stop Assembly.....	17	26" Blade Guard Assembly.....	56,57
Water Supply Assembly.....	18	30" Blade Guard Assembly.....	58,59
Starter Box Assembly.....	19	36" Blade Guard Assembly.....	60,61
Starter Box Unit.....	20,21	Front Pointer Assembly.....	62
Frame Base Assembly.....	22	Optional Soft Start Control Assembly.....	63
Hydraulic Cylinder Assembly.....	23	Optional Speed Metering Valve Assembly.....	64
Rear Drive Assembly (Eaton).....	24,25	Optional Water Pump Assembly.....	65
Eaton Transmission Assembly.....	26	Optional Spot Light Assembly.....	66
Linkage Assembly.....	27	Optional Magnetic Spot Light Assembly.....	67
Rear Drive Assembly (Sundstrand).....	28,29	Optional Parking Brake Assembly.....	68,69
Free Wheeling Clutch Assembly (Sundstrand).....	30,31	Optional Blade Stacking Assembly.....	70,71
Rear Axle Assembly (Eaton / Gear).....	32	Optional Blade Spacing Assembly.....	72,73
Rear Axle Assembly (Sundstrand / Chain).....	33	Optional Blade Spacing Assembly.....	74,75
Front Axle Assembly.....	34	DC Power travel Option.....	76,77
Front Wheel Assembly.....	35	Starter Box, DC Travel Option.....	79
Blade Shaft Assembly (Blades 14" - 26").....	36	Decal Group.....	80
Blade Shaft Assembly (Blades 30" - 36").....	37	Wiring Diagram.....	81
		Blade Speed Conversion Charts.....	82,83
		Warranty.....	84

## Pictorial Page Index



**Shown with Sundstrand Transmission**

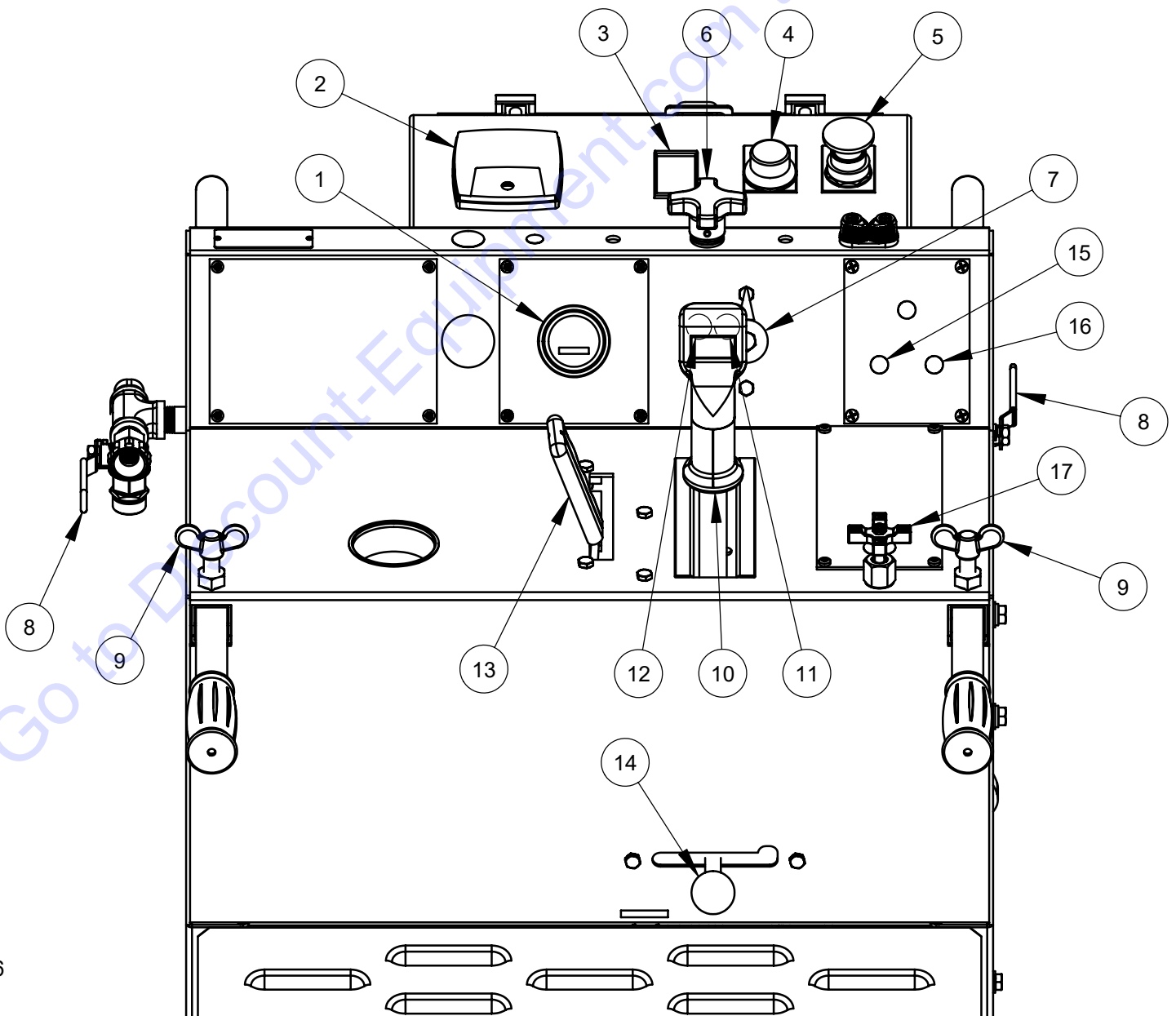
# Pictorial Page Index



Shown with Eaton Transmission

## Controls Legend

- |   |                         |    |  |
|---|-------------------------|----|--|
| 1 | Hour Meter              | 10 | Speed Control Lever                      |
| 2 | Amp Meter               | 11 | Lower Pushbutton                         |
| 3 | Battery Charge Meter    | 12 | Raise Pushbutton                         |
| 4 | Motor Start Button      | 13 | Transmission Engagement Lever *          |
| 5 | Motor Stop Button       | 14 | Transmission Engagement Lever **         |
| 6 | Depth Stop Knob         | 15 | Water Pump Switch (Optional)             |
| 7 | Cutting Depth Indicator | 16 | Spotlight Switch (Optional)              |
| 8 | Water Valve             | 17 | Lowering Speed Metering Valve (Optional) |
| 9 | Handle Lock Knobs       |    |  |
- \* For Eaton Transmission Only  
\*\* For Sundstrand Transmission Only





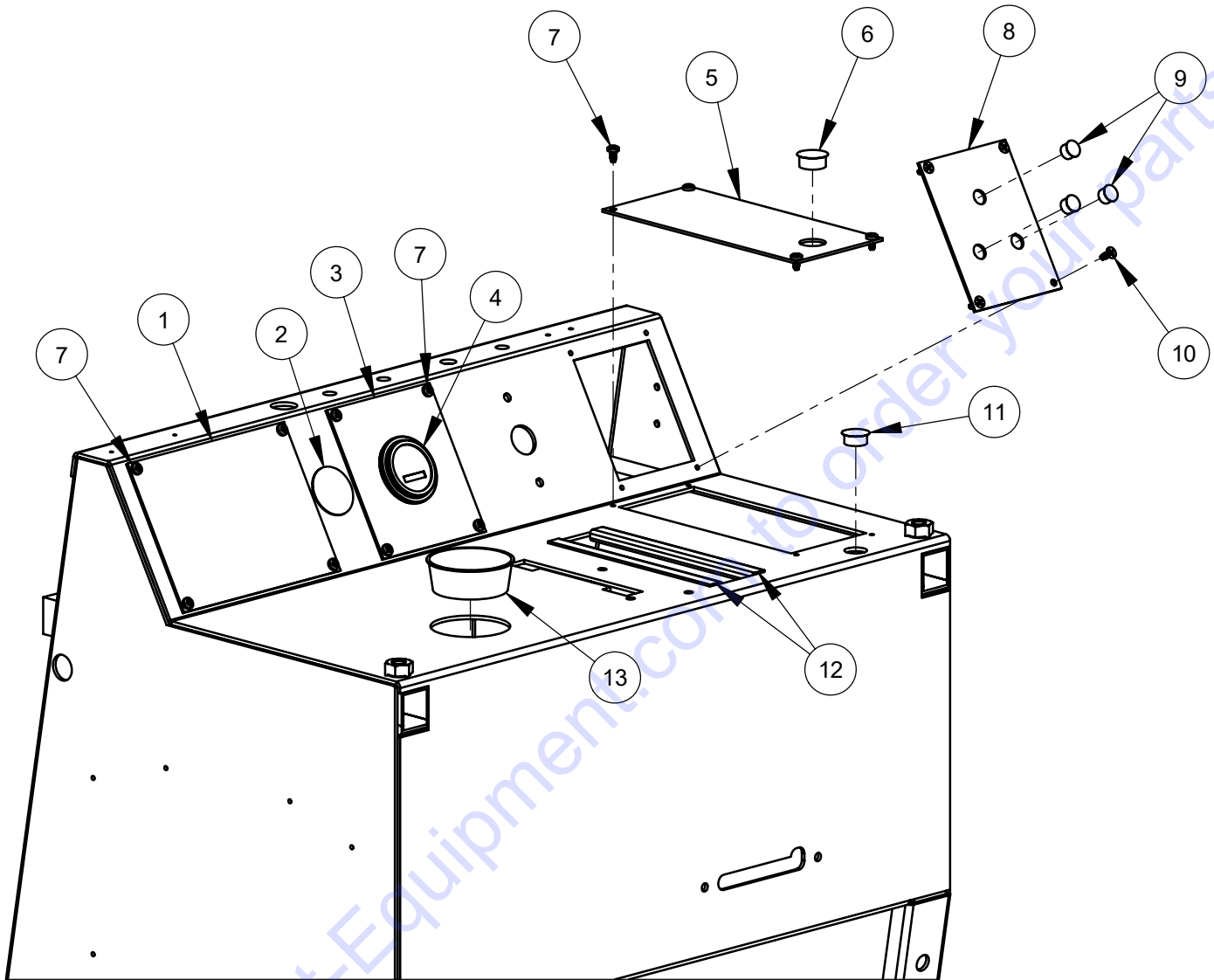




## Frame Upright Assembly #6012147

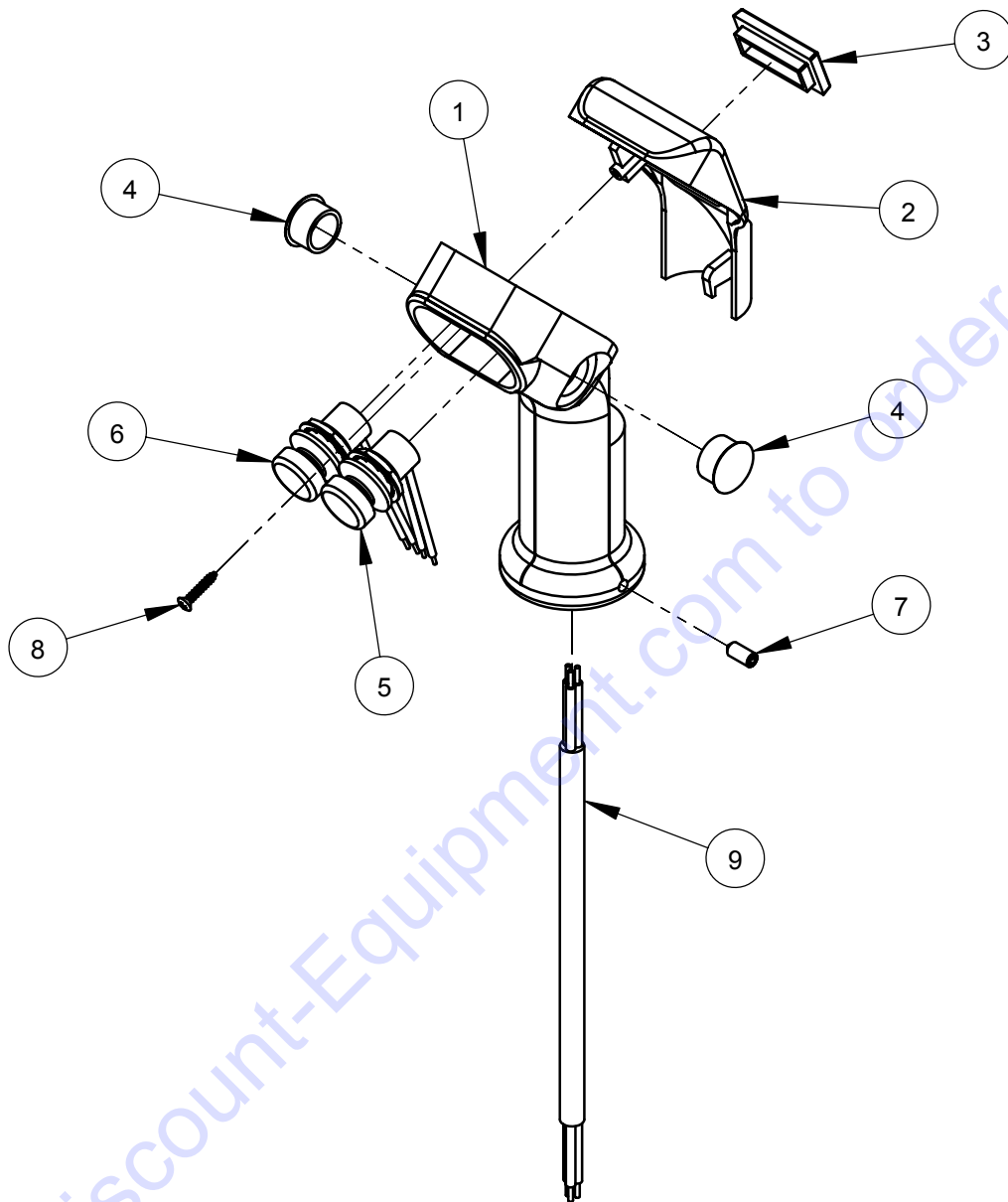
ITEM	PART NO.	QTY.	DESCRIPTION
1	6012138	1	Frame Upright Weldment
2	2900013	2	Cap Screw, Hex Hd., 3/8-16 x 1-1/4"
3	2900014	2	Flat Washer, 3/8" SAE
4	2900018	2	Lock Nut, 3/8-16 Nylon
5	2900499	4	Cap Screw, Hex Hd., 1/2-13 x 1-1/2"
6	2900058	4	Flat Washer, 1/2" SAE
7	2900026	4	Lock Nut, 1/2-13 Nylon
8	6010014	2	Handle Bar, 36" Long
9	2500636	2	Handle Grip
10	2900430	2	Hand Lock Knob, 1/2-13 x 1-1/2"
11	2503704	1	Wrench, 15/16" Combination
12	2500462	4	Plug, 3/8" Hole
13	2501287	5	Plug, 7/16" Hole
14	2500549	1	Plug, 7/8" Hole
15	2500489	1	Plug, 1" Hole
16	2500203	1	Grommet, 3/4" I.D.
17	1800169	1	Serial Number Plate, US
18	2900096	2	Rivet, 3/32" Dia.
19	1800377	1	Serial Number Plate, CE
20	2900287	2	Rivet, 1/8" Dia.
21	2501427	1	Cable Cleat
22	2900483	2	Tap Screw, Flat Hd., #10-24 x 1"
23	6012008	1	Rear Cover Screen
24	2900180	4	Cap Screw, Hex Flange Hd., 1/4-20 x 1"
25	6010166	1	Gate Cover Bar
26	2900144	2	Cap Screw, Hex Hd., 1/4-20 x 3/4"
27	2900010	2	Lock Nut, 1/4-20 Nylon

## Instrument Panel Assembly #6012129



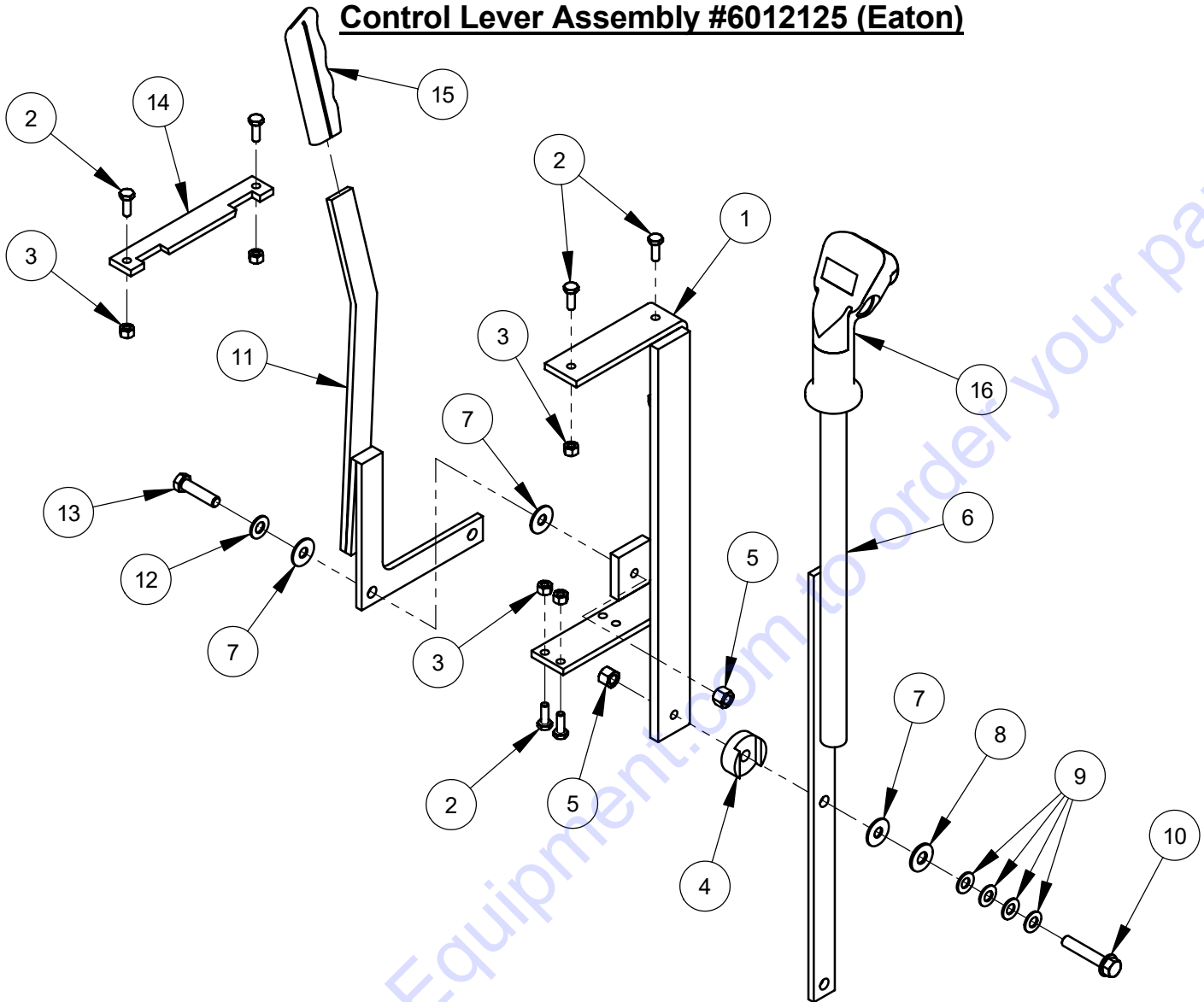
ITEM	PART NO.	QTY.	DESCRIPTION
1	6012030	1	Dash Cover Panel
2	2500554	1	Plug, 1-1/2" Hole
3	6010240	1	Meter Panel (Hour)
4	2800064	1	Hour Meter
5	6011024	1	Hydraulic Pump Cover Plate
6	2500549	1	Plug, 7/8" Hole
7	2900021	12	Tap Screw, Pan Hd., #10-24 x 3/8"
8	6010098	1	Switch Plate
9	2500204	3	Plug, 1/2" Hole
10	2900445	4	Tap Screw, Flat Hd., #10-24 x 1/2"
11	2500463	1	Plug, 3/4" Hole
12	6011031	2	Edge Trim
13	2500381	1	Plug, 2-5/8" Tapered Hole

## Control Grip Assembly #6010319



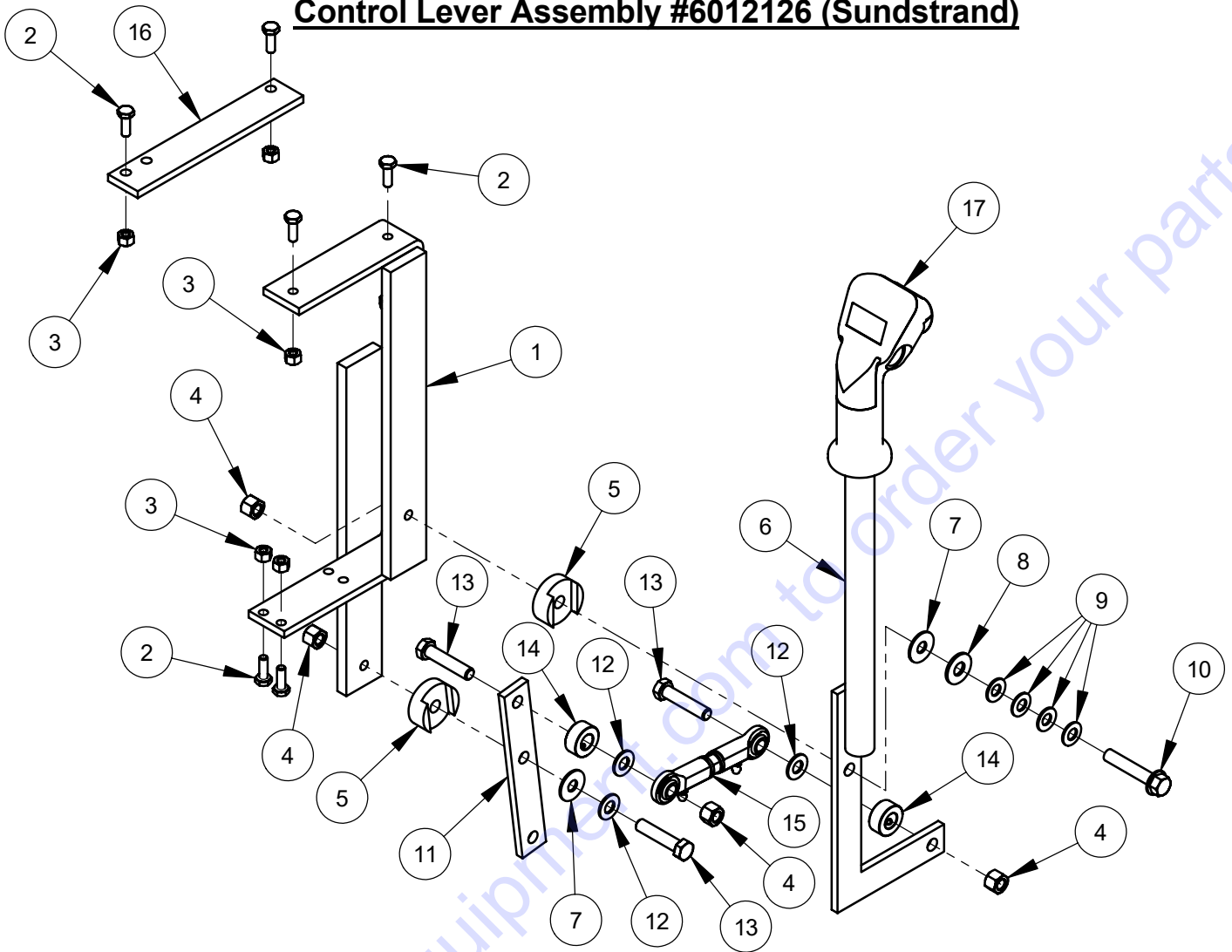
ITEM	PART NO.	QTY.	DESCRIPTION
1	2501280	1	Control Grip Body
2	2501281	1	Control Grip Cover
3	2500644	1	Plug, Rectangular
4	2500694	2	Plug, 5/8" Hole
5	2800372	1	Pushbutton Switch, Raise
6	2800373	1	Pushbutton Switch, Lower
7	2900453	1	Set Screw, Soc. Hd., M5 x 12mm
8	2900452	1	Machine Screw, Oval Hd., #4 x 5/8"
9	2800393	1	Harness, Hydraulic Pump

## Control Lever Assembly #6012125 (Eaton)



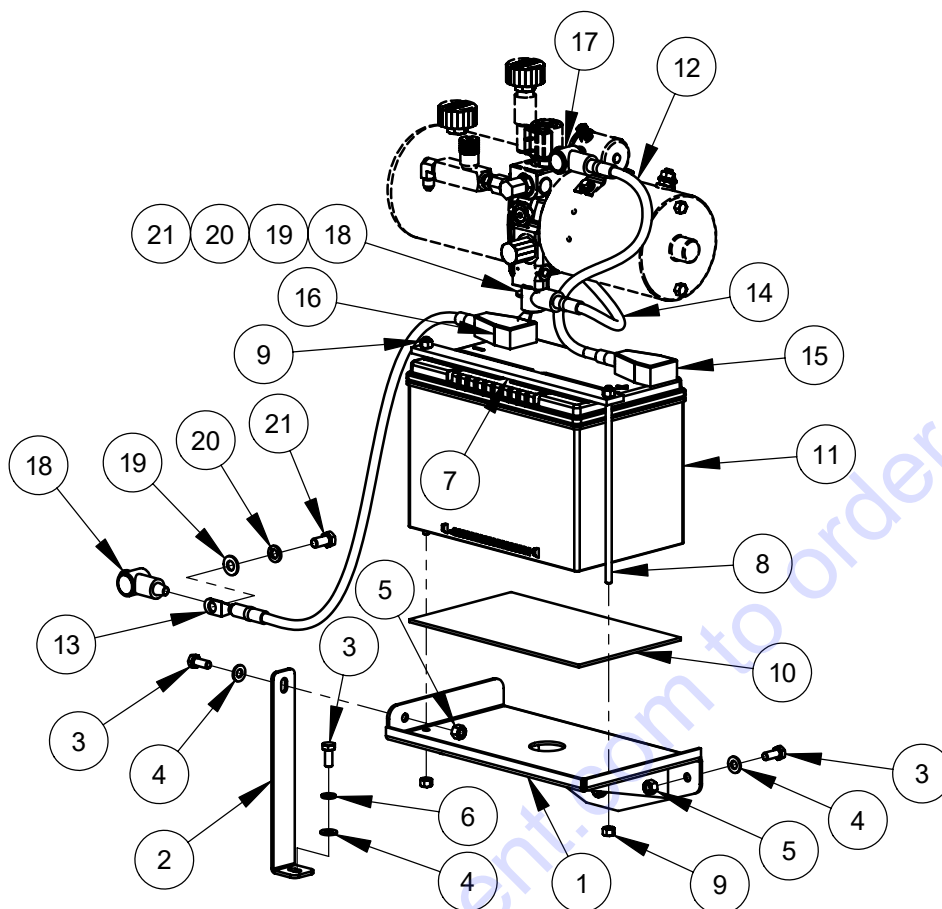
ITEM	PART NO.	QTY.	DESCRIPTION
1	6012057	1	Lever Support Weldment
2	2900144	6	Cap Screw, Hex Hd., 1/4-20 x 3/4"
3	2900010	6	Lock Nut, 1/4-20 Nylon
4	6010055	1	Friction Spacer
5	2900018	2	Lock Nut, 3/8-16 Nylon
6	6011414	1	Speed Control Lever
7	2900153	3	Friction Washer, 3/8"
8	2900473	1	Flat Washer, 3/8" USS
9	2900474	4	Belleville Washer, 3/8"
10	2900472	1	Cap Screw, Hex Flange Hd., 3/8-16 x 2"
11	6010057	1	Engagement Lever Weldment
12	2900014	1	Flat Washer, 3/8" SAE
13	2900029	1	Cap Screw, Hex Hd., 3/8-16 x 1-1/2"
14	6010058	1	Gate Plate
15	2500002	1	Lever Grip
16	6010319	1	Control Grip Assembly

## Control Lever Assembly #6012126 (Sundstrand)



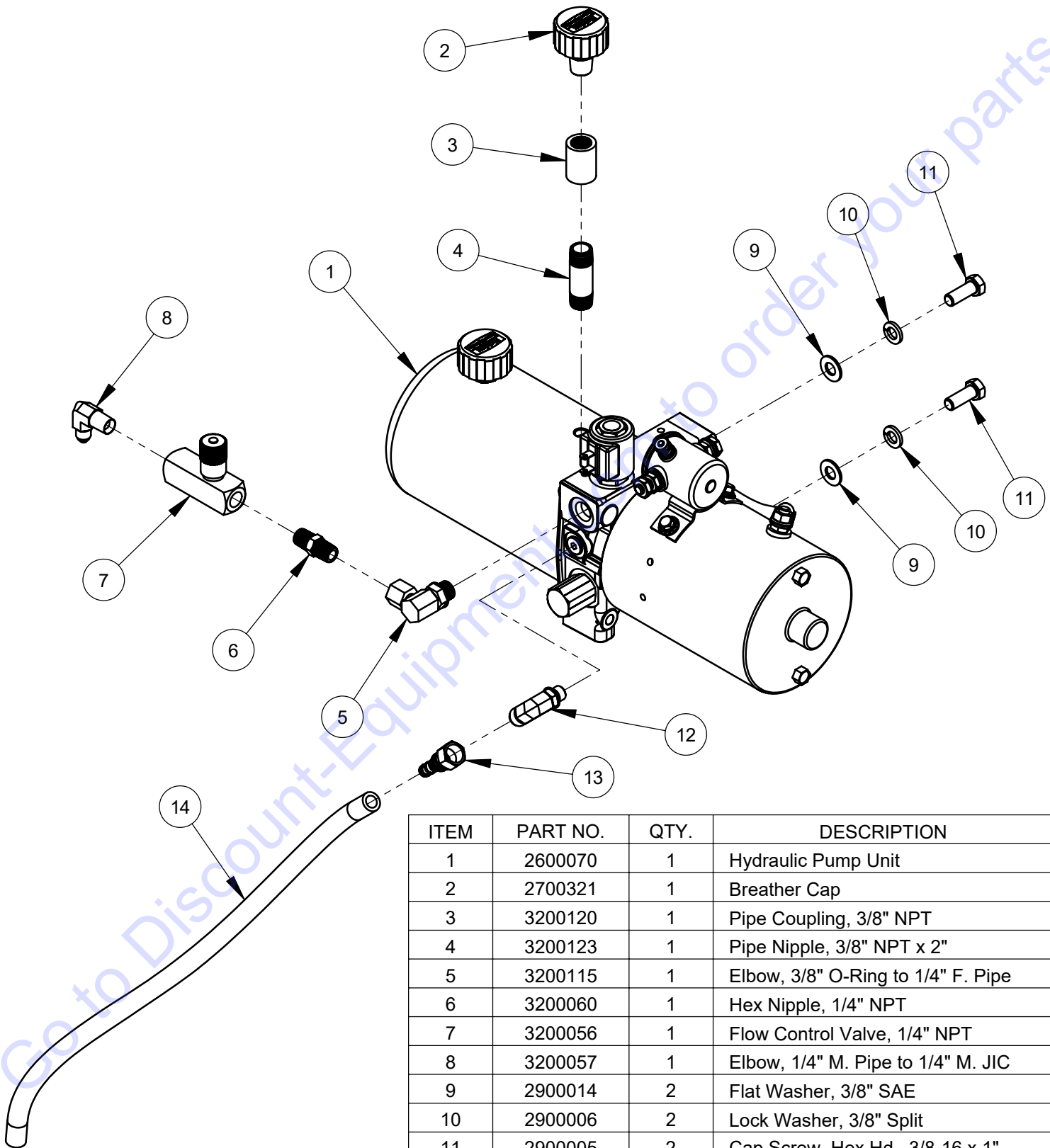
ITEM	PART NO.	QTY.	DESCRIPTION
1	6011018	1	Lever Support Weldment
2	2900144	6	Cap Screw, Hex Hd., 1/4-20 x 3/4"
3	2900010	6	Lock Nut, 1/4-20 Nylon
4	2900018	4	Lock Nut, 3/8-16 Nylon
5	6010055	2	Friction Spacer
6	6010315	1	Speed Control Lever
7	2900153	2	Friction Washer, 3/8"
8	2900473	1	Flat Washer, 3/8" USS
9	2900474	4	Belleville Washer, 3/8"
10	2900472	1	Cap Screw, Hex Flange Hd., 3/8-16 x 2"
11	6011017	1	Linkage Lever
12	2900014	3	Flat Washer, 3/8" SAE
13	2900047	3	Cap Screw, Hex Hd., 3/8-16 x 1-3/4"
14	2500007	2	Set Collar, 1/2" with Set Screw
15	6011301	1	Linkage Assembly 3-3/4"
16	6010166	1	Gate Cover Bar
17	6010319	1	Control Grip Assembly

## Battery Assembly #6012131



ITEM	PART NO.	QTY.	DESCRIPTION
1	6010670	1	Battery Platform
2	6010554	1	Battery Support Brace
3	2900019	5	Cap Screw, Hex Hd., 5/16-18 x 3/4"
4	2900022	5	Flat Washer, 5/16" SAE
5	2900039	4	Lock Nut, 5/16-18 Nylon
6	2900031	1	Lock Washer, 5/16" Split
7	6010017	1	Battery Top Brace
8	6010018	2	Rod, 1/4-20 x 8-1/2"
9	2900010	4	Lock Nut, 1/4-20 Nylon
10	6010016	1	Battery Pad
11	2700208	1	Battery, 12 Volt Group Size 34
12	2800071	1	Battery Cable, Positive (Red)
13	2800072	1	Battery Cable, Negative (Black)
14	2800182	1	Battery Cable, 14" Negative (Black)
15	2800256	1	Battery Boot, Large (Red)
16	2800257	1	Battery Boot, Large (Black)
17	2800197	1	Battery Boot, Small (Red)
18	2800198	2	Battery Boot, Small (Black)
19	2900014	2	Flat Washer, 3/8" SAE
20	2900006	2	Lock Washer, 3/8" Split
21	2900196	2	Cap Screw, Hex Hd., 3/8-16 x 3/4"

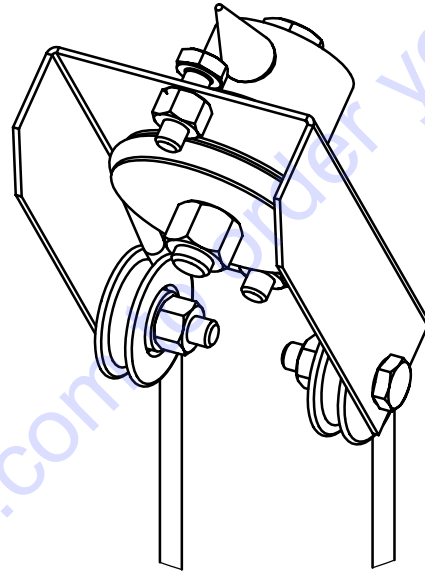
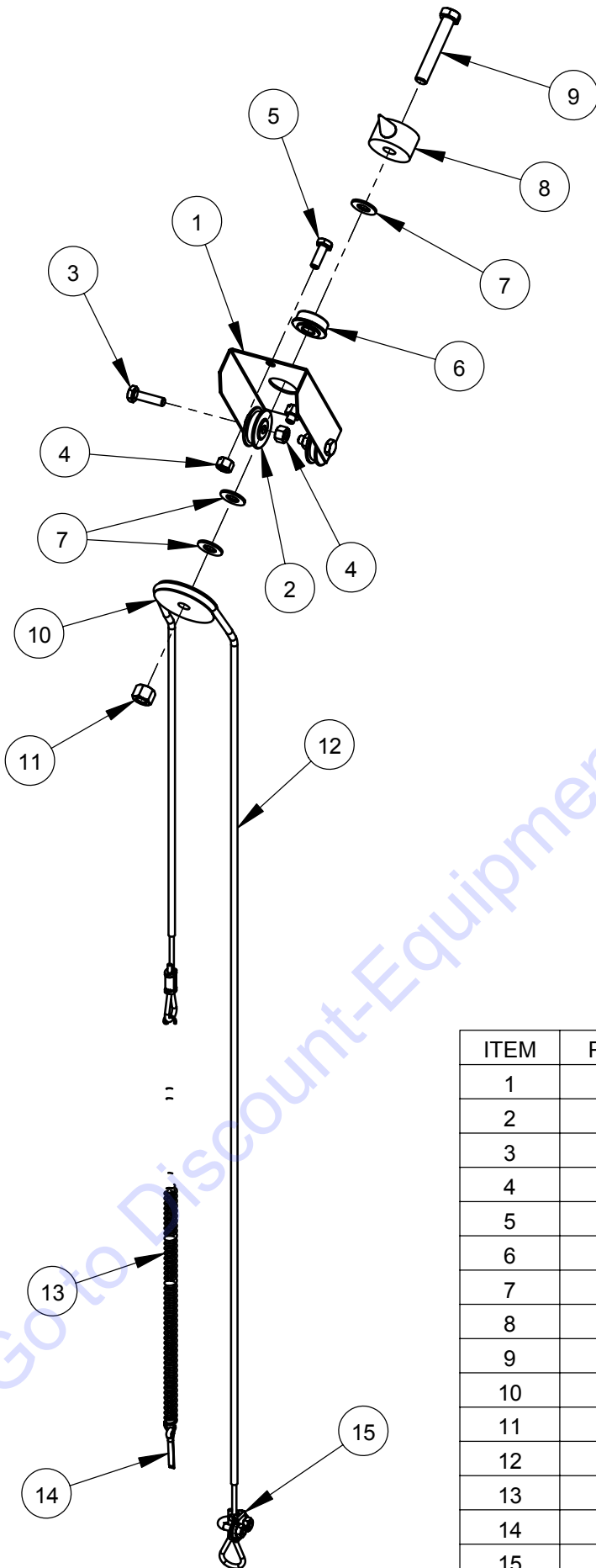
**Hydraulic Pump Assembly #6011077**  
(Includes Items #1 - #11)



ITEM	PART NO.	QTY.	DESCRIPTION
1	2600070	1	Hydraulic Pump Unit
2	2700321	1	Breather Cap
3	3200120	1	Pipe Coupling, 3/8" NPT
4	3200123	1	Pipe Nipple, 3/8" NPT x 2"
5	3200115	1	Elbow, 3/8" O-Ring to 1/4" F. Pipe
6	3200060	1	Hex Nipple, 1/4" NPT
7	3200056	1	Flow Control Valve, 1/4" NPT
8	3200057	1	Elbow, 1/4" M. Pipe to 1/4" M. JIC
9	2900014	2	Flat Washer, 3/8" SAE
10	2900006	2	Lock Washer, 3/8" Split
11	2900005	2	Cap Screw, Hex Hd., 3/8-16 x 1"
12	3200116	1	Elbow, 1/4" O-Ring to 3/8" M. JIC
13	3200046	1	Fitting, 3/8" F. JIC to 3/8" Push Lock
14	6010059	1	Clear Hose, 3/8" I.D. x 19"

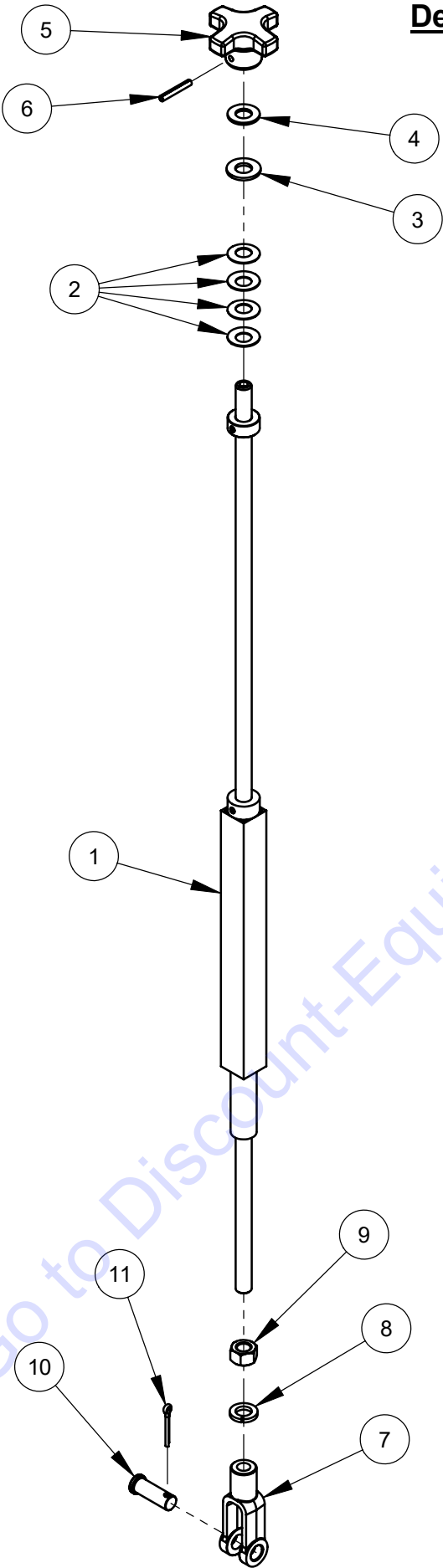


## Depth Indicator Assembly #6010214



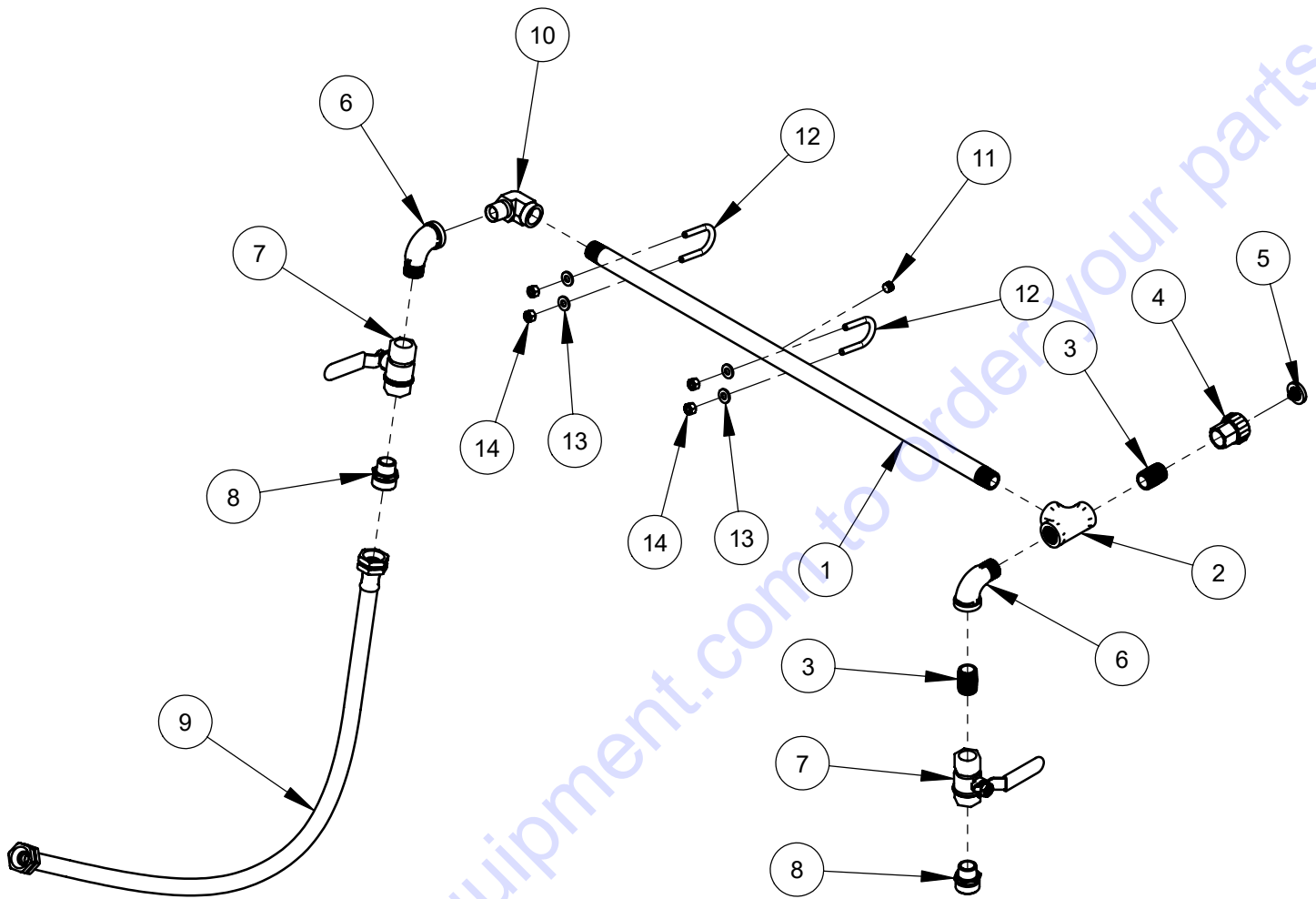
ITEM	PART NO.	QTY.	DESCRIPTION
1	6010092	1	Depth Indicator Mount Bracket
2	2500155	2	Cable Pulley, 1-1/4"
3	2900008	2	Cap Screw, Hex Hd., 1/4-20 x 1"
4	2900010	4	Lock Nut, 1/4-20 Nylon
5	2900144	2	Cap Screw, Hex Hd., 1/4-20 x 3/4"
6	2500145	1	Flange Bearing, 3/8"
7	2900014	3	Flat Washer, 3/8" SAE
8	6010091	1	Depth Indicator Pointer
9	2900079	1	Cap Screw, Hex Hd., 3/8-16 x 2-1/4"
10	6010093	1	Cable Pulley, 2"
11	2900018	1	Lock Nut, 3/8-16 Nylon
12	6010094	1	Depth Indicator Cable with Crimp, 48"
13	2500196	1	Spring, 3/8" x 15"
14	2900055	1	Cotter Pin, 3/16" x 1"
15	2500214	1	Cable Clamp

**Depth Stop Assembly #6010215**



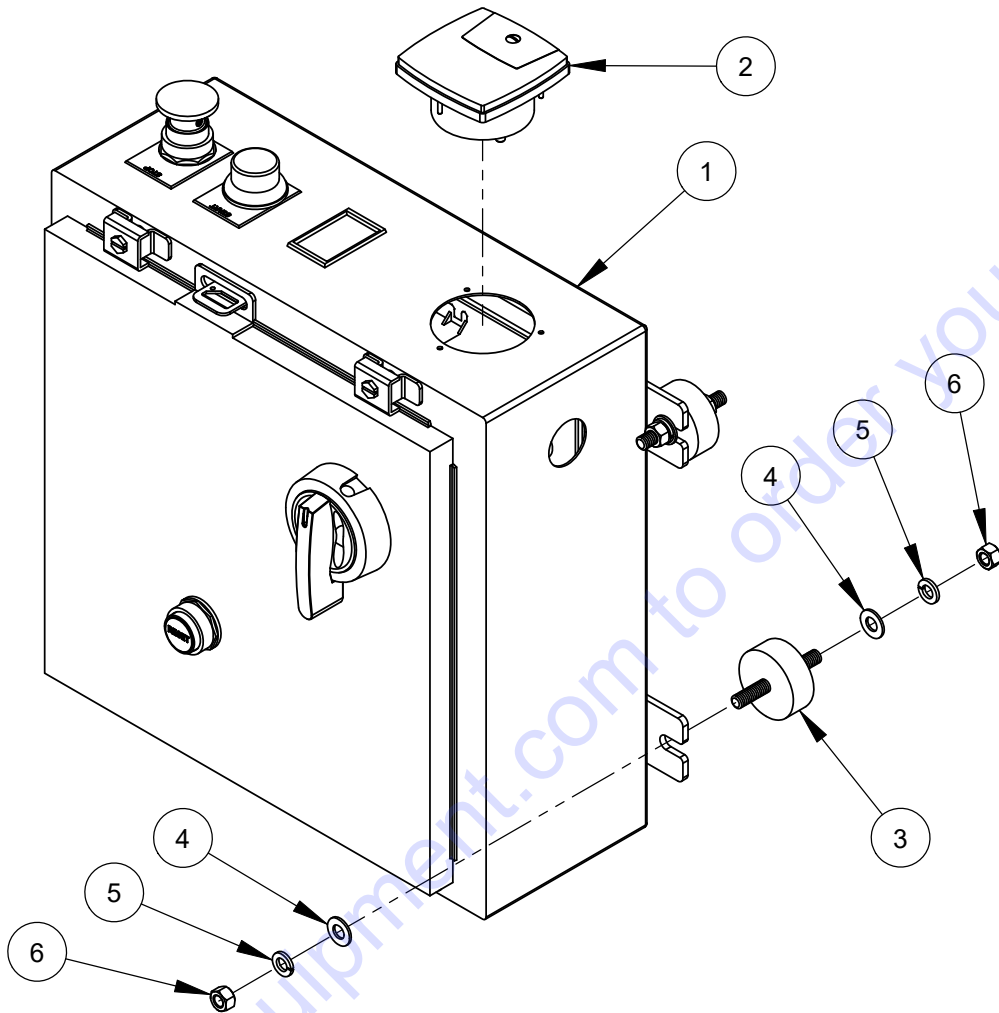
ITEM	PART NO.	QTY.	DESCRIPTION
1	6010097	1	Depth Stop Weldment
2	2900665	4	Belleville Washer, 1/2"
3	2900058	1	Flat Washer, 1/2" SAE
4	2900239	1	Friction Washer, 1/2"
5	6010095	1	Depth Stop Knob
6	2900132	1	Roll Pin, 3/16" x 1-1/4"
7	2900158	1	Yoke, 1/2-13
8	2900084	1	Lock Washer, 1/2" Split
9	2900037	1	Hex Nut, 1/2-13
10	2900007	1	Clevis Pin, 1/2" Dia. x 1-3/8"
11	2900004	1	Cotter Pin, 1/8" x 1"

## Water Supply Assembly #6012127



ITEM	PART NO.	QTY.	DESCRIPTION
1	6090068	1	Water Supply Tube
2	3200045	1	Pipe Tee, 1/2" NPT
3	3200008	2	Close Nipple, 1/2" NPT
4	3200022	1	Fitting, 1/2" F. Pipe to 3/4" F. Garden
5	3200025	1	Hose Filter Washer
6	3200013	2	Street Elbow, 1/2" NPT
7	3200027	2	Water Valve
8	3200155	2	Fitting, 1/2" M. Pipe to 3/4" M. Garden
9	6010021	1	Water Hose Assembly, 42" Long
10	3200173	1	Street Elbow, 1/2" NPT Steel
11	3200001	1	Plug, 1/8" NPT
12	2900241	2	U-Bolt, 1/2" Pipe
13	2900009	4	Flat Washer, 1/4" SAE
14	2900010	4	Lock Nut, 1/4-20 Nylon

## Starter Box Assembly #6012130



### FOR 25HP MOTOR

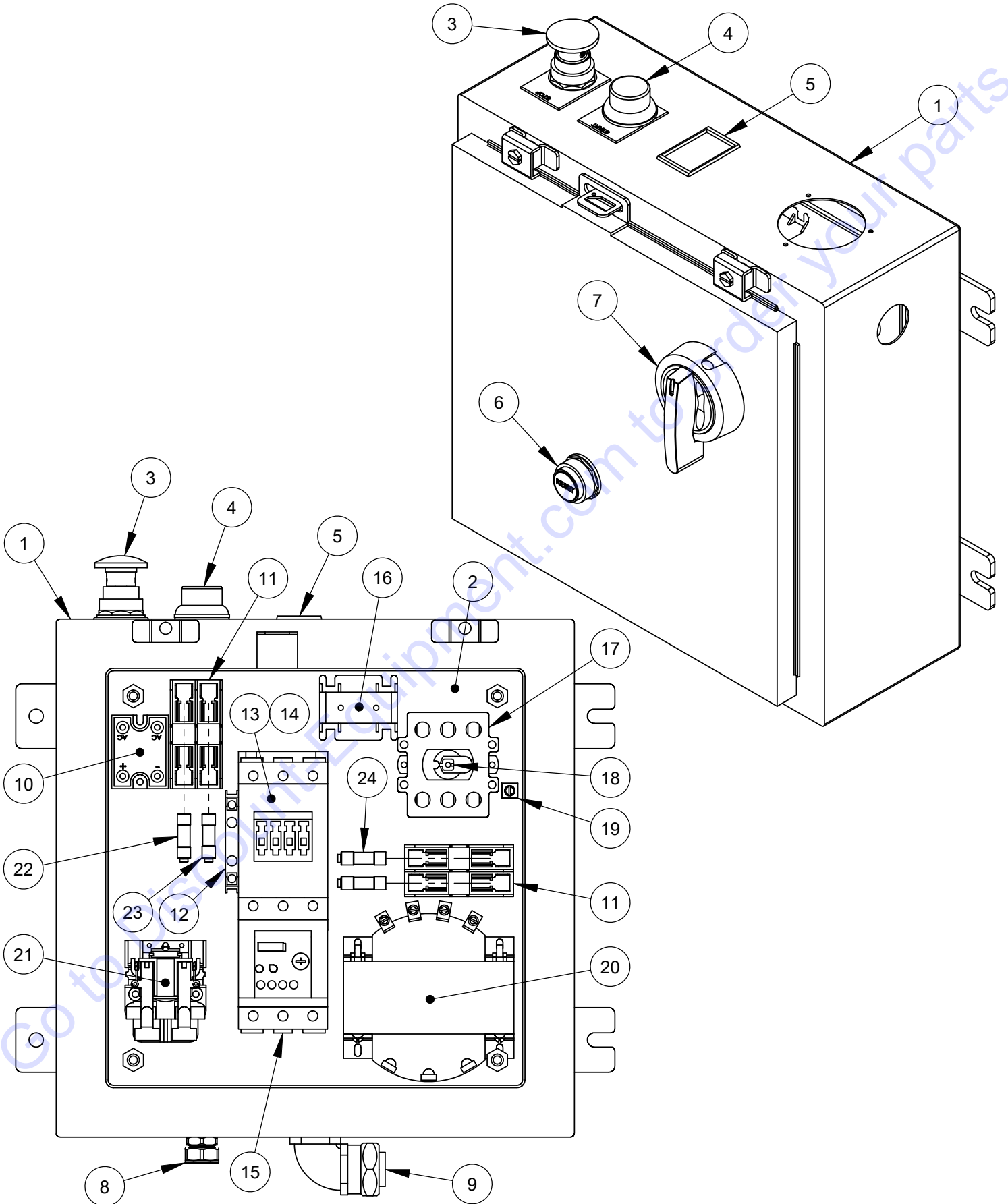
ITEM	PART NO.	QTY	DESCRIPTION
1	2800215	1	Starter Box Unit
2	2800217	1	Amp Meter 25HP
3	2500678	4	Vibration Isolator, 3/8-16
4	2900014	8	Flat Washer, 3/8" SAE
5	2900006	8	Lock Washer, 3/8" Split
6	2900033	8	Hex Nut, 3/8-16

### FOR 30HP MOTOR

### FOR 40HP MOTOR

ITEM	PART NO.	QTY	DESCRIPTION	ITEM	PART NO.	QTY	DESCRIPTION
1	2800215	1	Starter Box Unit	1	2800215	1	Starter Box Unit
2	2800203	1	Amp Meter 30HP	2	2800141	1	Amp Meter 40HP
3	2500678	4	Vibration Isolator, 3/8-16	3	2500678	4	Vibration Isolator, 3/8-16
4	2900014	8	Flat Washer, 3/8" SAE	4	2900014	8	Flat Washer, 3/8" SAE
5	2900006	8	Lock Washer, 3/8" Split	5	2900006	8	Lock Washer, 3/8" Split
6	2900033	8	Hex Nut, 3/8-16	6	2900033	8	Hex Nut, 3/8-16

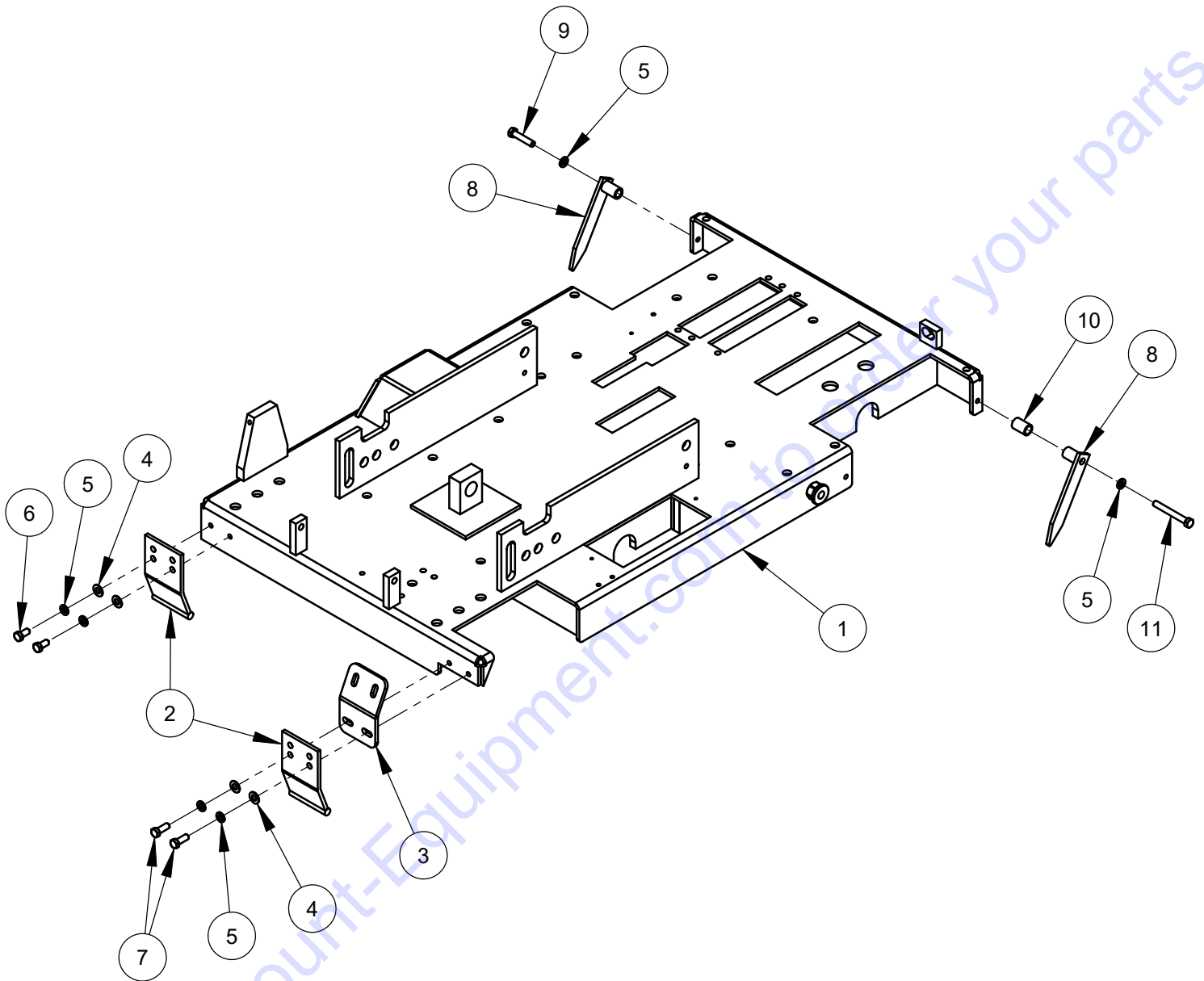
# Starter Box Unit #2800215



## Starter Box Unit #2800215

ITEM	PART NO.	QTY.	DESCRIPTION
1	2800240	1	Enclosure
2	2800249	1	Subpanel
3	6011329	1	Stop Button Assembly
	2800599	1	Stop Button Body & Cap
	2800200	1	Contact Block (N.C.)
	1800922	1	Stop Label
4	6011097	1	Start Button Assembly
	2701390	1	Start Button Body
	2701392	1	Contact Block (N.O.)
	2800317	1	Green Button Cap
	2800222	1	Clear Protective Boot
	1800923	1	Start Label
5	2800224	1	Battery Charge Ammeter
6	2800245	1	Reset Button
7	2707338	1	Disconnect Handle
8	2800552	1	Connector, 1/2" Cord
9	2800312	2	Connector, 1" Sealtite Elbow
10	2701274	1	Rectifier Bridge
11	2800299	2	Fuse Holder, 30A-600V Dual
12	2800400	1	Auxiliary Contact (N.O.)
13	2800401	1	Motor Contactor, Siemens
14	2800402	1	Coil, 24V-AC
15	2800403	1	Overload Relay, 25-100A
16	2800248	1	Current Transformer
17	2707339	1	Disconnect Block
18	2707337	1	Disconnect Shaft
19	2800315	1	Grounding Lug
20	2701299	1	Transformer, 500VA
21	2701295	1	Power Relay, 12V-DC
22	2701066	1	Fuse, ATQR 10A
23	2701307	1	Fuse, ATMR 25A
24	2701273	2	Fuse, ATQR 4A

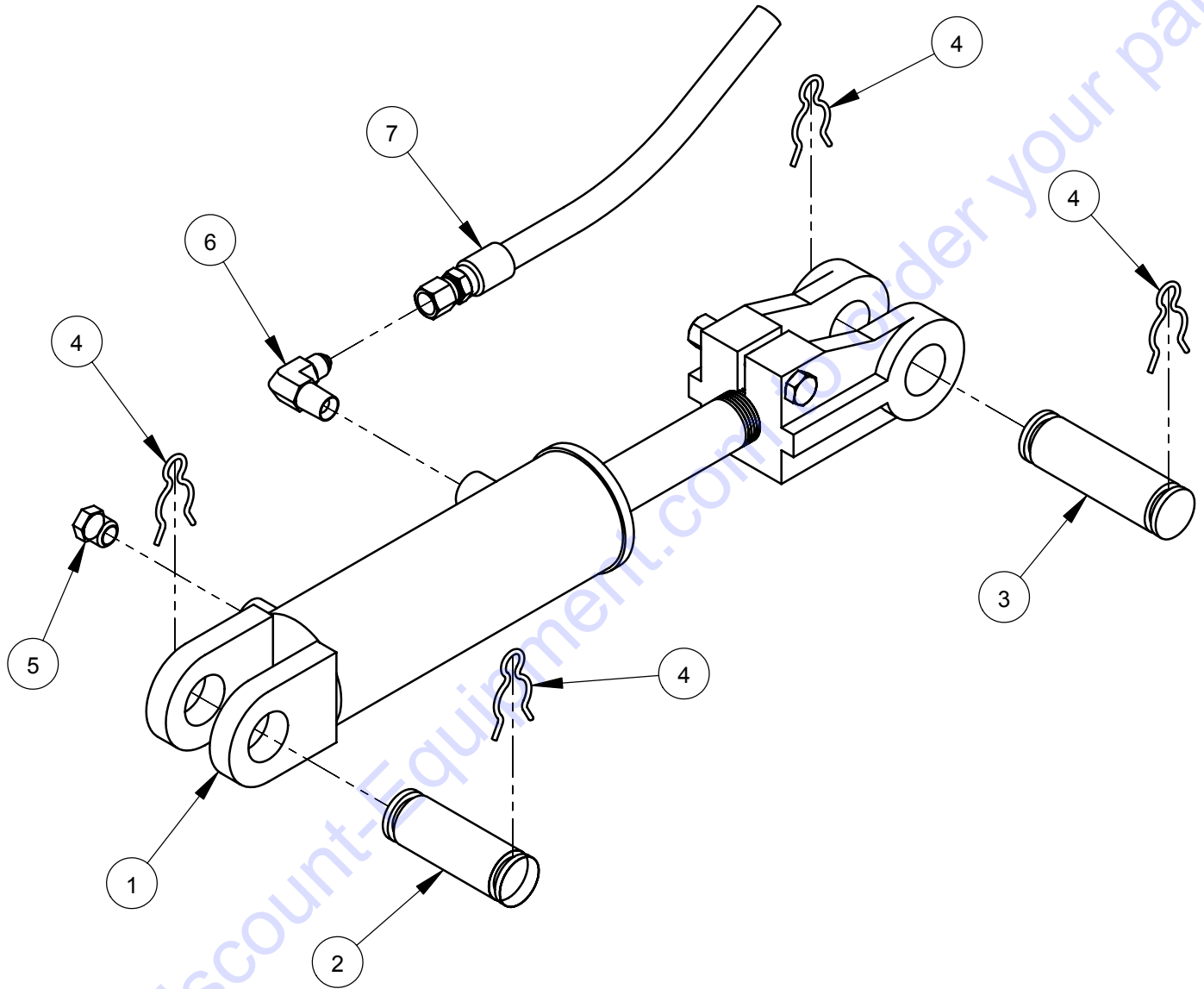
## Frame Base Assembly #6012173



ITEM	PART NO.	QTY.	DESCRIPTION
1	6012000A	1	Frame Base
2	6011021	2	Skid Plate
3	6012090	1	Guard Attachment Plate (25 degree)
4	2900014	4	Flat Washer, 3/8" SAE
5	2900006	6	Lock Washer, 3/8" Split
6	2900196	2	Cap Screw, Hex Hd., 3/8-16 x 3/4"
7	2900005	2	Cap Screw, Hex Hd., 3/8-16 x 1"
8	6010022	2	Rear Pointer
9	2900047	1	Cap Screw, Hex Hd., 3/8-16 x 1-3/4"
10	6048127	1	Spacer Tube, 1-1/8" Long
11	2900035	1	Cap Screw, Hex Hd., 3/8-16 x 3"

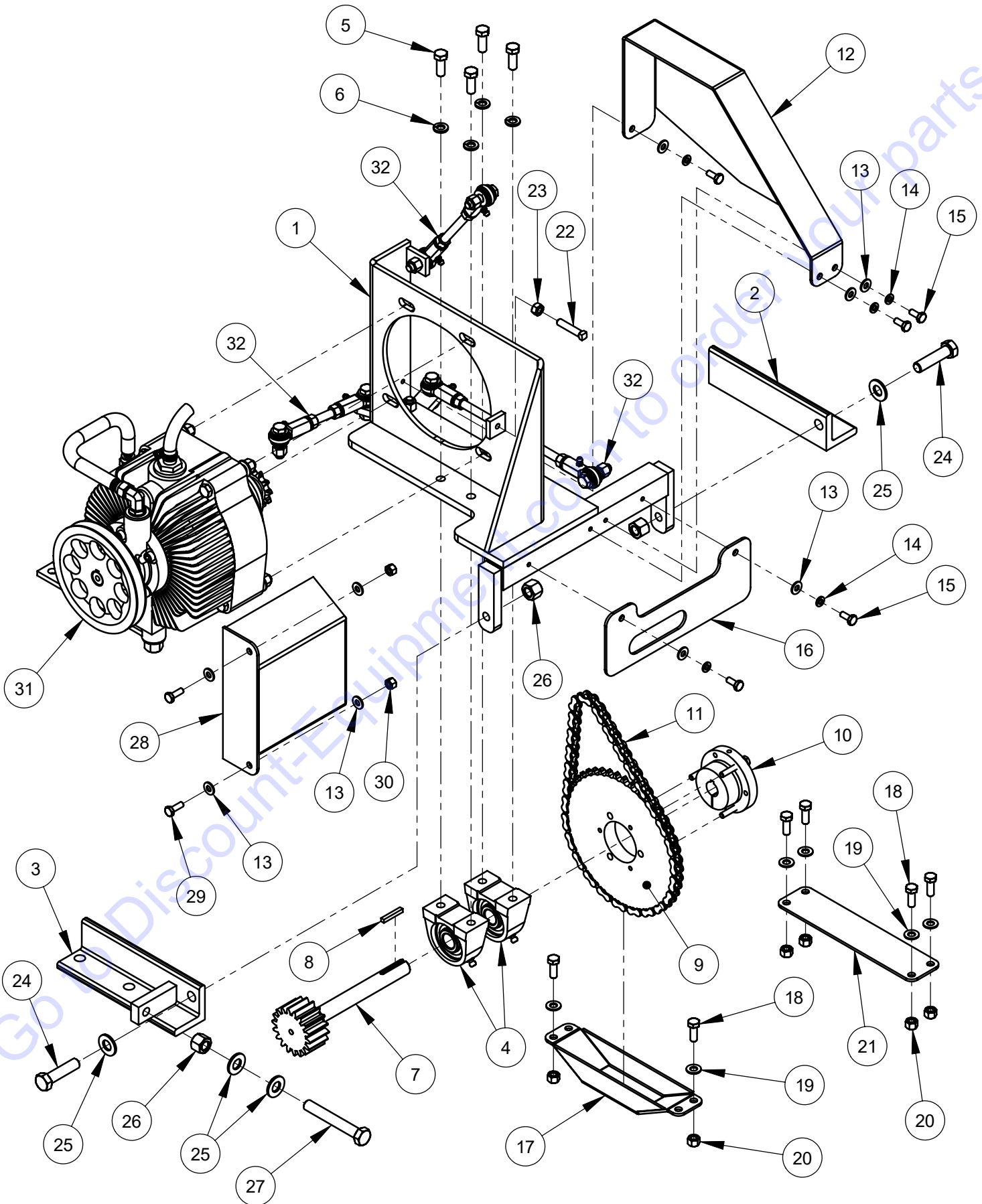


## Hydraulic Cylinder Assembly #6010714



ITEM	PART NO.	QTY.	DESCRIPTION
1	2500177	1	Hydraulic Cylinder
2	6010031	1	Cylinder Pin, 3"
3	6010119	1	Cylinder Pin, 3-1/2"
4	2900064	4	Hair Pin Cotter, 3/4"
5	3200067	1	Cylinder Breather, 1/4" NPT
6	3200057	1	Elbow, 1/4" M. Pipe to 1/4" M. JIC
7	3200054	1	Hose Assembly, 32" Long

# Rear Drive Assembly #6012166 (Eaton)



## Rear Drive Assembly #6012166 (Eaton)

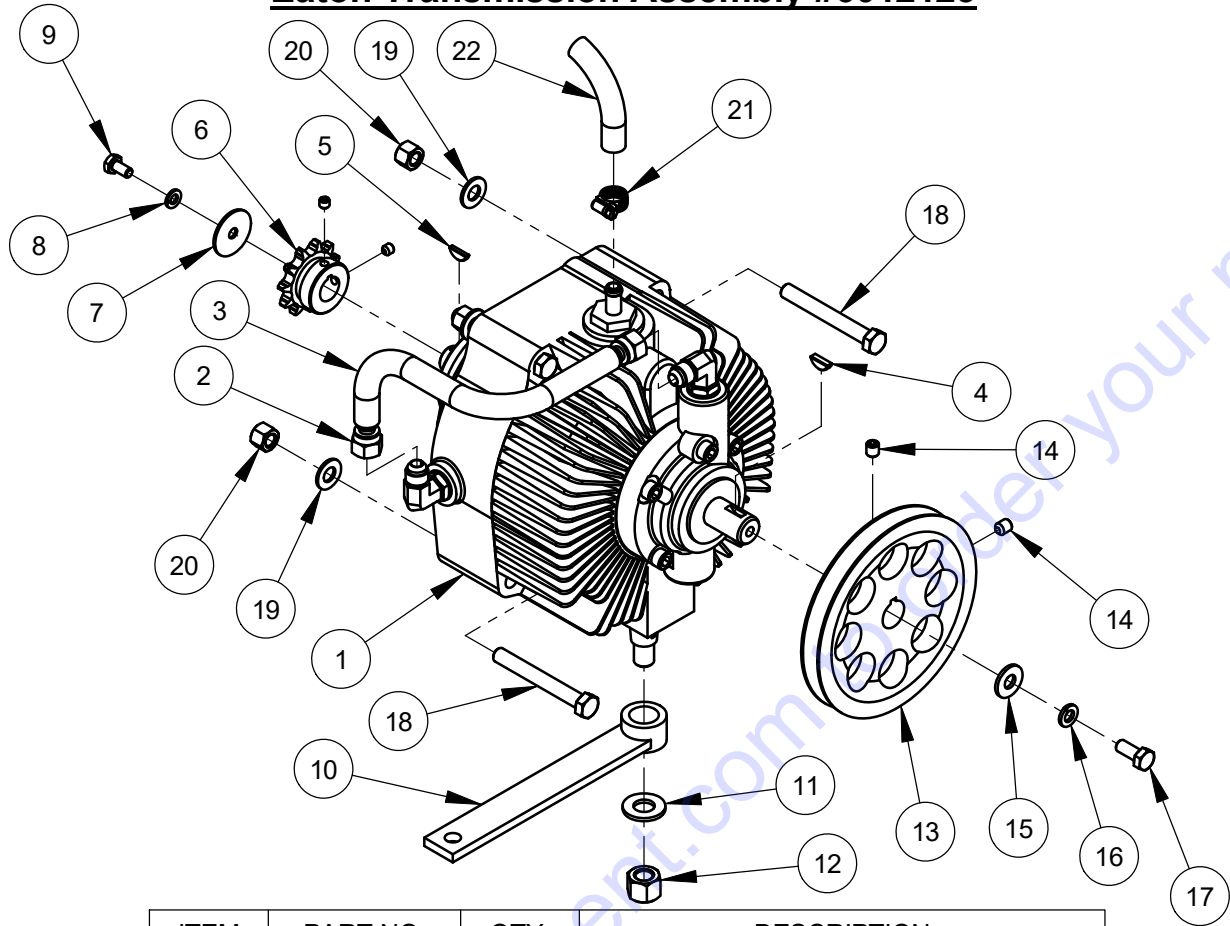
ITEM	PART NO.	QTY.	DESCRIPTION
1	6010068	1	Transmission Platform Weldment
2	6010027	1	Mount Foot, Right Hand
3	6010028	1	Mount Foot, Adjustable
4	2500159	2	Pillow Block Bearing, 3/4"
5	2900005	4	Cap Screw, Hex Hd., 3/8-16 x 1"
6	2900006	4	Lock Washer, 3/8" Split
7	6010664	1	Transmission Jackshaft 18T
8	6048229	1	Key, 3/16" Sq. x 1-1/4"
9	2500148	1	Sprocket, #40 x 45 Tooth
10	2500149	1	QD Bushing, SDS x 3/4" w/Fasteners
11	6010069	1	Chain, #40 x 56 Pitch
12	6010671	1	Chain Guard
13	2900009	9	Flat Washer, 1/4" SAE
14	2900024	5	Lock Washer, 1/4" Split
15	2900023	5	Cap Screw, Hex Hd., 1/4-20 x 5/8"
16	6010679	1	Gear Guard
17	6010674	1	Sprocket Guard
18	2900668	6	Cap Screw, Hex Hd., 5/16-18 x 7/8"
19	2900022	6	Flat Washer, 5/16" SAE
20	2900039	6	Lock Nut, 5/16-18 Nylon
21	6010678	1	Cover Plate (Wide)
22	2900140	1	Set Screw, Sq. Hd., 5/16-18 x 1-1/2"
23	2900141	1	Hex Nut, 5/16-18
24	2900106	2	Cap Screw, Hex Hd., 1/2-13 x 2"
25	2900058	4	Flat Washer, 1/2" SAE
26	2900026	3	Lock Nut, 1/2-13 Nylon
27	2900542	1	Tap Bolt, Hex Hd., 1/2-13 x 3-1/2"
28	6010673	1	Fan Guard
29	2900144	2	Cap Screw, Hex Hd., 1/4-20 x 3/4"
30	2900010	2	Lock Nut, 1/4-20 Nylon
31	6012123	1	Eaton Transmission Assembly
32	6012124	1	Linkage Assembly

For saws prior to  
January 2008:  
Use #6013101



Go to Discounted Pricing to Order your parts

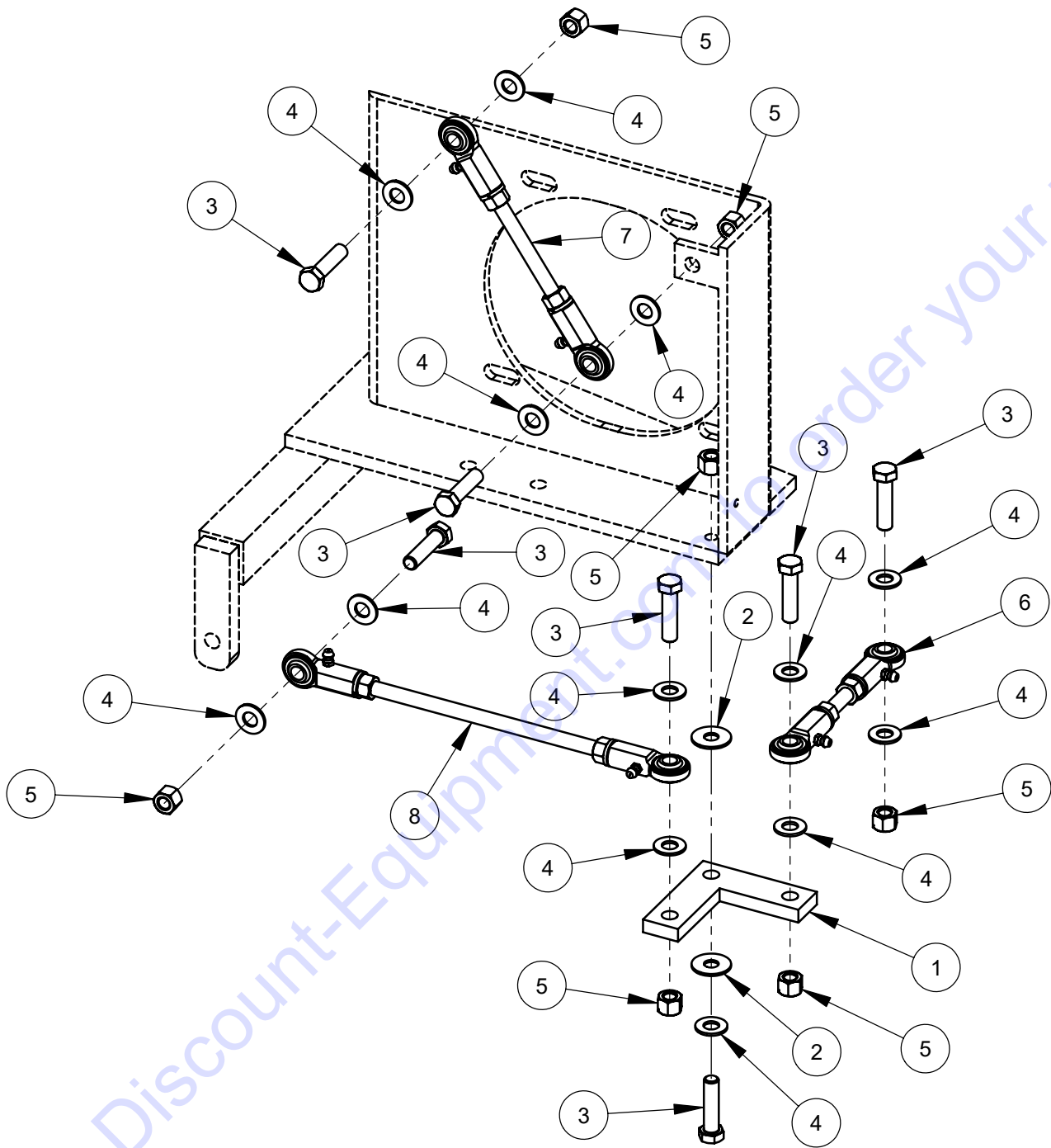
## Eaton Transmission Assembly #6012123



ITEM	PART NO.	QTY.	DESCRIPTION
1	2600068	1	Eaton Hydrostatic Transmission
2	3200046	2	Fitting, 3/8" F. JIC to 3/8" Push Lock
3	6010060	1	Oil Recirculation Hose, 3/8" I.D. x 9"
4	2900143	1	Woodruff Key #61, 3/16" x 5/8"
5	2900063	1	Woodruff Key #405, 1/8" x 5/8"
6	2500150	1	Sprocket, #40 x 11 Tooth w/Setscrews
7	2900083	1	Fender Washer, 1/4" x 1-1/4"
8	2900024	1	Lock Washer, 1/4" Split
9	2900082	1	Cap Screw, Hex Hd., 1/4-20 x 1/2"
10	6010064	1	Shift Lever
11	2900058	1	Flat Washer, 1/2" SAE
12	2900026	1	Lock Nut, 1/2-13 Nylon
13	6010682	1	Transmission Pulley 5.5"
14	2900142	2	Set Screw, Soc. Hd., 5/16-18 x 3/8"
15	2900567	1	Flat Washer, 5/16" USS
16	2900031	1	Lock Washer, 5/16" Split
17	2900019	1	Cap Screw, Hex Hd., 5/16-18 x 3/4"
18	2900035	4	Cap Screw, Hex Hd., 3/8-16 x 3"
19	2900014	4	Flat Washer, 3/8" SAE
20	2900018	4	Lock Nut, 3/8-16 Nylon
21	3200062	1	Hose Clamp #4
22	6010059	1	Clear Hose, 3/8" I.D. x 19"

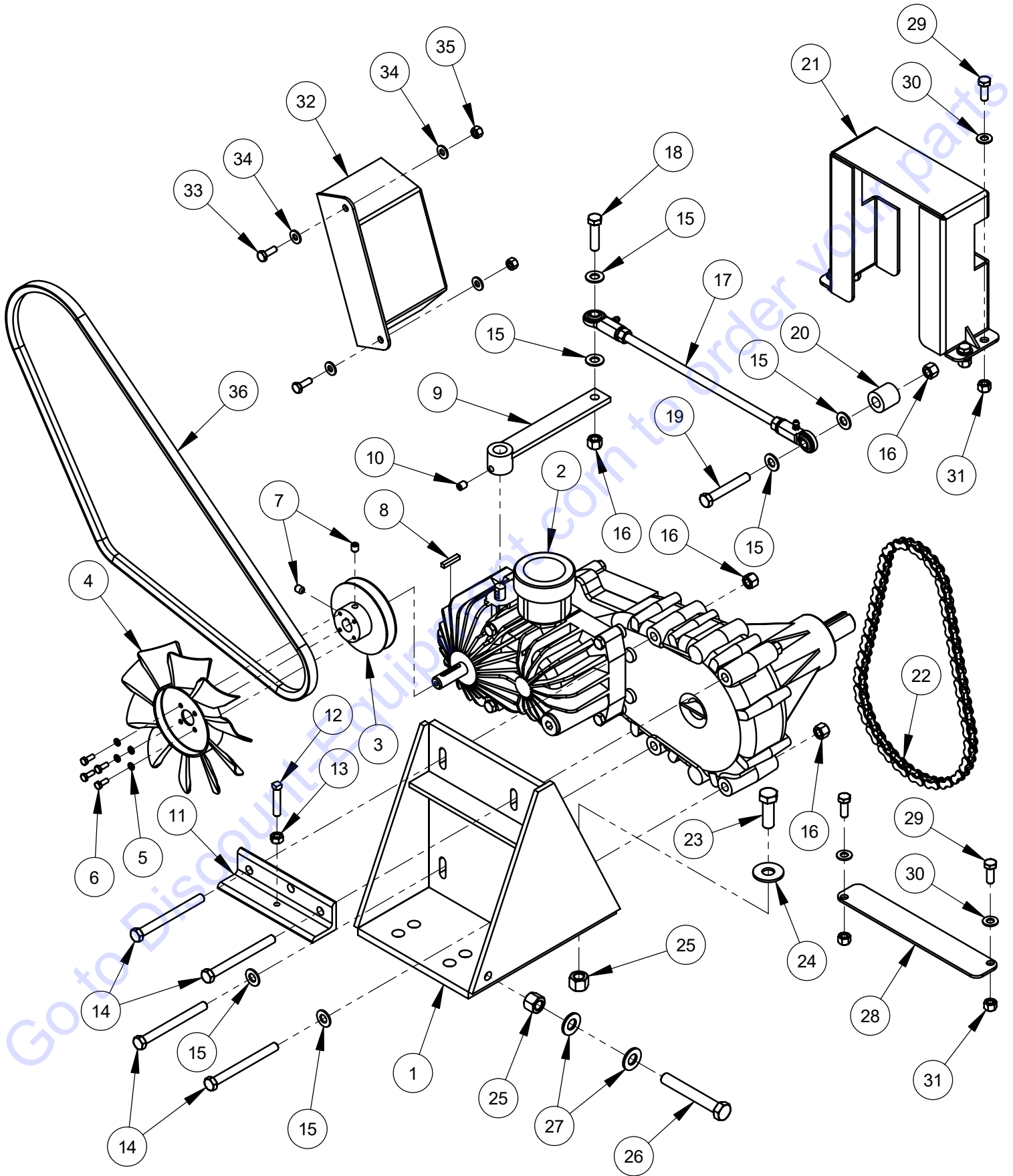
**For saws prior to  
January 2008:  
Use #6010061**

## Linkage Assembly #6012124



ITEM	PART NO.	QTY.	DESCRIPTION
1	6012058	1	Bell Crank
2	2900153	2	Friction Washer, 3/8"
3	2900029	7	Cap Screw, Hex Hd., 3/8-16 x 1-1/2"
4	2900014	13	Flat Washer, 3/8" SAE
5	2900018	7	Lock Nut, 3/8-16 Nylon
6	6010704	1	Linkage Assembly 5-1/8"
7	6012094	1	Linkage Assembly 6-3/4"
8	6012095	1	Linkage Assembly 10-1/2"

# Rear Drive Assembly #6012119 (Sundstrand)

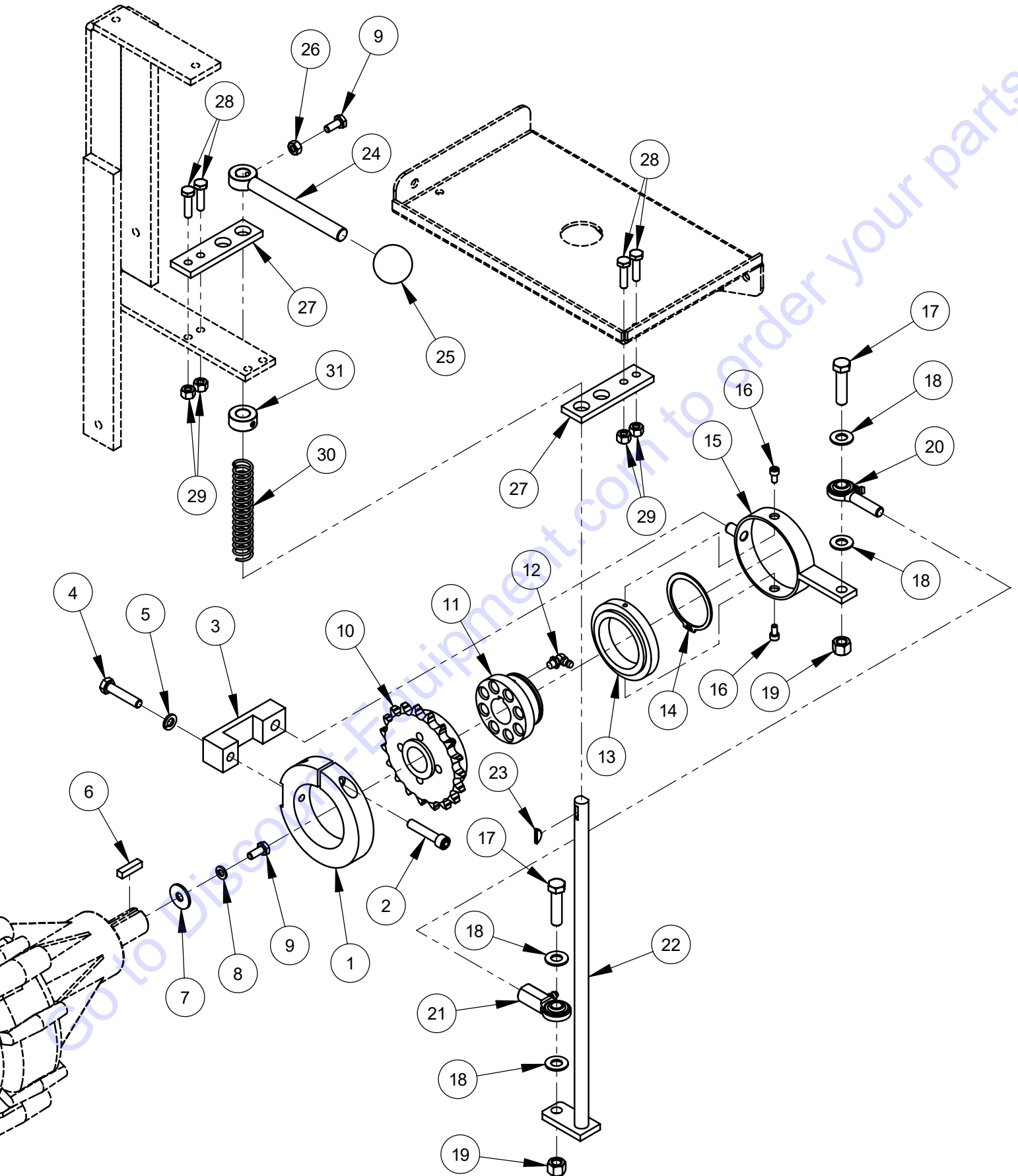


## Rear Drive Assembly #6012119 (Sundstrand)

ITEM	PART NO.	QTY.	DESCRIPTION
1	6010118	1	Transmission Platform
2	2600021	1	Hydrostatic Transaxle Assembly
3	6011037	1	Transmission Pulley 3.5"
4	2500519	1	Cooling Fan, 7"
5	2900038	4	Lock Washer, #10 Split
6	2900448	4	Machine Screw, Hex Hd., #10-32 x 1/2"
7	2900142	2	Set Screw, Soc. Hd., 5/16-18 x 3/8"
8	6010170	1	Key, 3/16" Sq. x 1"
9	6010129	1	Shift Lever
10	2900429	1	Set Screw, Soc. Hd., 5/16-24 x 1/2"
11	6010120	1	Chain Tensioning Bracket
12	2900140	1	Set Screw, Sq. Hd., 5/16-18 x 1-1/2"
13	2900141	1	Hex Nut, 5/16-18
14	2900160	4	Cap Screw, Hex Hd., 3/8-16 x 4"
15	2900014	6	Flat Washer, 3/8" SAE
16	2900018	6	Lock Nut, 3/8-16 Nylon
17	6011302	1	Linkage Assembly 13-1/2"
18	2900029	1	Cap Screw, Hex Hd., 3/8-16 x 1-1/2"
19	2900596	1	Cap Screw, Hex Hd., 3/8-16 x 2-1/2"
20	6030126	1	Spacer, 1"
21	6010672B	1	Chain Guard
22	6010130	1	Chain, #50 x 50 pitch
23	2900499	1	Cap Screw, Hex Hd., 1/2-13 x 1-1/2"
24	2900127	1	Flat Washer, 1/2" USS
25	2900026	2	Lock Nut, 1/2-13 Nylon
26	2900542	1	Tap Bolt, Hex Hd., 1/2-13 x 3-1/2"
27	2900058	2	Flat Washer, 1/2" SAE
28	6010677	1	Cover Plate (Narrow)
29	2900668	6	Cap Screw, Hex Hd., 5/16-18 x 7/8"
30	2900022	6	Flat Washer, 5/16" SAE
31	2900039	6	Lock Nut, 5/16-18 Nylon
32	6012136	1	Fan Guard
33	2900144	2	Cap Screw, Hex Hd., 1/4-20 x 3/4"
34	2900009	4	Flat Washer, 1/4" SAE
35	2900010	2	Lock Nut, 1/4-20 Nylon
36	6012017	1	Link Belt



# Free Wheeling Clutch Assembly #6010179 (Sundstrand)



# PARTS FINDER

**Search Website  
by Part Number**



**Search Manual  
Library For Parts  
Manual & Lookup Part  
Numbers – Purchase  
or Request Quote**

**Search Manuals**

Enter your information to help us find the right parts manual for your machine.

\* Brand:

\* Model:

\* Serial:

\* Part Number:

SEARCH

**Can't Find Part or  
Manual? Request Help  
by Manufacturer,  
Model & Description**

**Parts Order Form**

Please fill in the following information to help us find the right part for your machine.

Manufacturer:	<input type="text"/>
Model:	<input type="text"/>
Description:	<input type="text"/>
Part Number:	<input type="text"/>
Quantity:	<input type="text"/>
Notes:	<input type="text"/>

Submit

Discount-Equipment.com is your online resource for quality parts & equipment.

Florida: **561-964-4949** Outside Florida TOLL FREE: **877-690-3101**

**Need parts?**

Click on this link: <http://www.discount-equipment.com/category/5443-parts/> and choose one of the options to help get the right parts and equipment you are looking for. Please have the machine model and serial number available in order to help us get you the correct parts. If you don't find the part on the website or on one of the online manuals, please fill out the request form and one of our experienced staff members will get back to you with a quote for the right part that your machine needs.

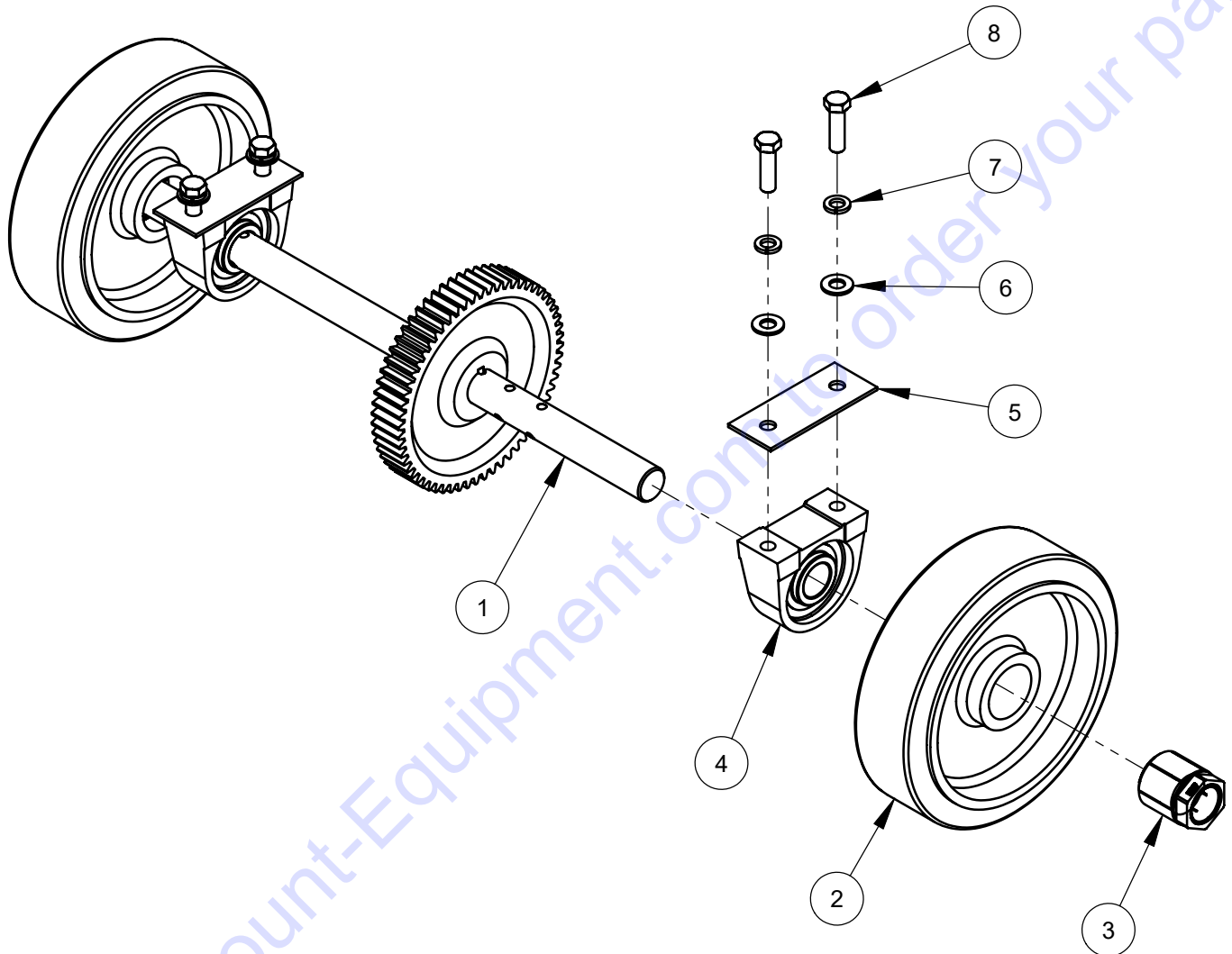
We sell worldwide for the brands: Genie, Terex, JLG, MultiQuip, Mikasa, Essick, Whiteman, Mayco, Toro Stone, Diamond Products, Generac Magnum, Airman, Haulotte, Barreto, Power Blanket, Nifty Lift, Atlas Copco, Chicago Pneumatic, Allmand, Miller Curber, Skyjack, Lull, Skytrak, Tsurumi, Husquvarna Target, Stow, Wacker, Sakai, Mi-T-M, Sullair, Basic, Dynapac, MBW, Weber, Bartell, Bennar Newman, Haulotte, Ditch Runner, Menegotti, Morrison, Contec, Buddy, Crown, Edco, Wyco, Bomag, Laymor, EZ Trench, Bil-Jax, F.S. Curtis, Gehl Pavers, Heli, Honda, ICS/PowerGrit, IHI, Partner, Imer, Clipper, MMD, Koshin, Rice, CH&E, General Equipment, Amida, Coleman, NAC, Gradall, Square Shooter, Kent, Stanley, Tamco, Toku, Hatz, Kohler, Robin, Wisconsin, Northrock, Oztec, Toker TK, Rol-Air, APT, Wylie, Ingersoll Rand / Doosan, Innovatech, Con X, Ammann, Mecalac, Makinex, Smith Surface Prep, Small Line, Wanco, Yanmar

## **Free Wheeling Clutch Assembly #6010179 (Sundstrand)**

ITEM	PART NO.	QTY.	DESCRIPTION
1	6011043	1	Clutch Clamp
2	2900233	1	Cap Screw, Soc. Hd., 5/16-18 x 1-1/2"
3	6011044	1	Clutch Brace
4	2900508	1	Cap Screw, Hex Hd., 5/16-18 x 1-1/2"
5	2900031	1	Lock Washer, 5/16" Split
6	6011089	1	Key, 1/4" Sq. x 1" Long
7	2900383	1	Fender Washer, M8
8	2900024	1	Lock Washer, 1/4" Split
9	2900023	2	Cap Screw, Hex Hd., 1/4-20 x 5/8"
10	6012055	1	Clutch Sprocket Assembly, 19 Tooth
11	6011088	1	Clutch Hub
12	2900061	1	Grease Fitting, 1/4-28 x 90 Degree
13	6011041	1	Clutch Ring with Bearing
14	2500374	1	Retaining Ring, 2" External
15	6011042	1	Clutch Yoke
16	2900117	2	Cap Screw, Soc. Hd., #10-24 x 3/8"
17	2900029	2	Cap Screw, Hex Hd., 3/8-16 x 1-1/2"
18	2900014	4	Flat Washer, 3/8" SAE
19	2900018	2	Lock Nut, 3/8-16 Nylon
20	2500886	1	Rod End, 3/8-24 Male
21	2500152	1	Rod End, 3/8-24 Female
22	6011050	1	Engagement Lever
23	2900063	1	Woodruff Key #405, 1/8" x 5/8"
24	6011051	1	Engagement Handle
25	2400007	1	Knob, 1/2-20 x 1-3/8" Dia.
26	2900125	1	Hex Nut, 1/4-20
27	6011099	2	Lever Guide
28	2900008	4	Cap Screw, Hex Hd., 1/4-20 x 1"
29	2900010	4	Lock Nut, 1/4-20 Nylon
30	2500375	1	Compression Spring
31	2500007	1	Set Collar, 1/2" with Set Screw

## Rear Axle Assembly #6012117\* (Eaton / Gear)

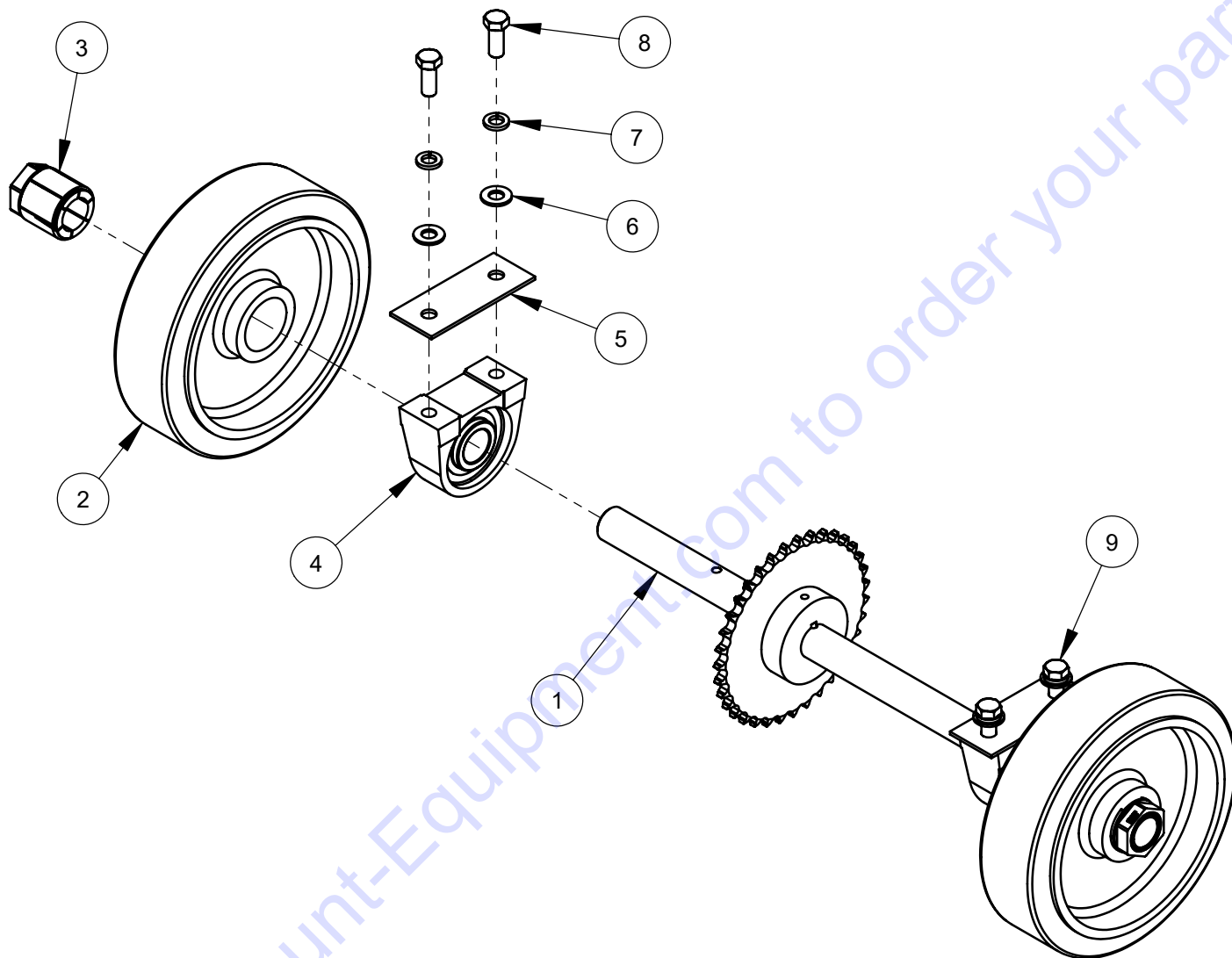
\*Use #6012063 for saws prior to January 2008



ITEM	PART NO.	QTY.	DESCRIPTION
1	6012118	1	Rear Axle Weldment w/60 Tooth Gear
2	2500873	2	Wheel, 10" Rear with 2" Bore
3	2500874	2	Trantorque Bushing, 1-1/4"
4	2500158	2	Pillow Block Bearing 1-1/4"
5	6010024	2	Rear Axle Bearing Spacer, 1/8"
6	2900058	4	Flat Washer, 1/2" SAE
7	2900084	4	Lock Washer, 1/2" Split
8	2900139	4	Cap Screw, Hex Hd., 1/2-13 x 1-3/4"

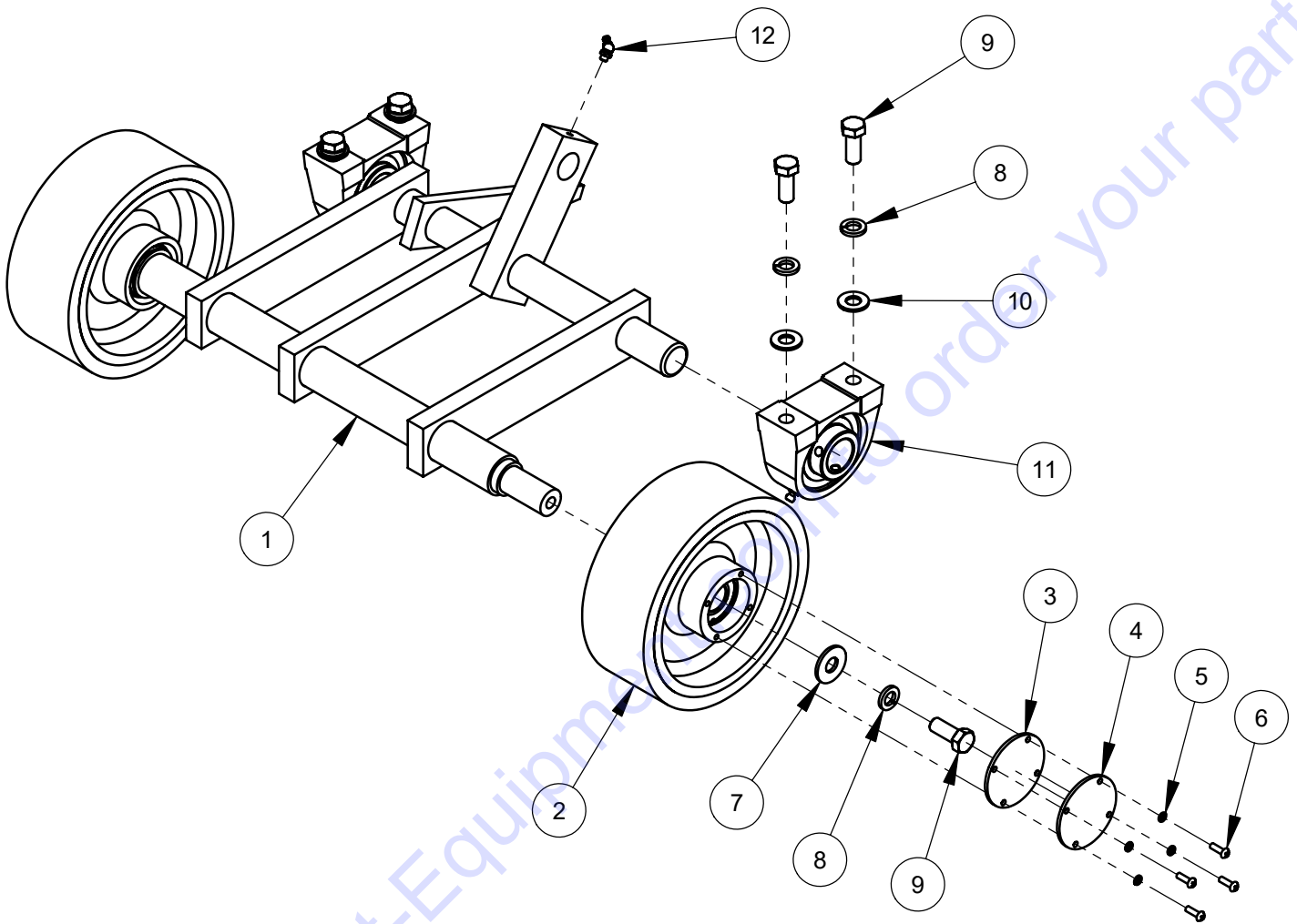
**For saws prior to  
January 2008:  
Use #6012064**

## Rear Axle Assembly #6012050 (Sundstrand / Chain)



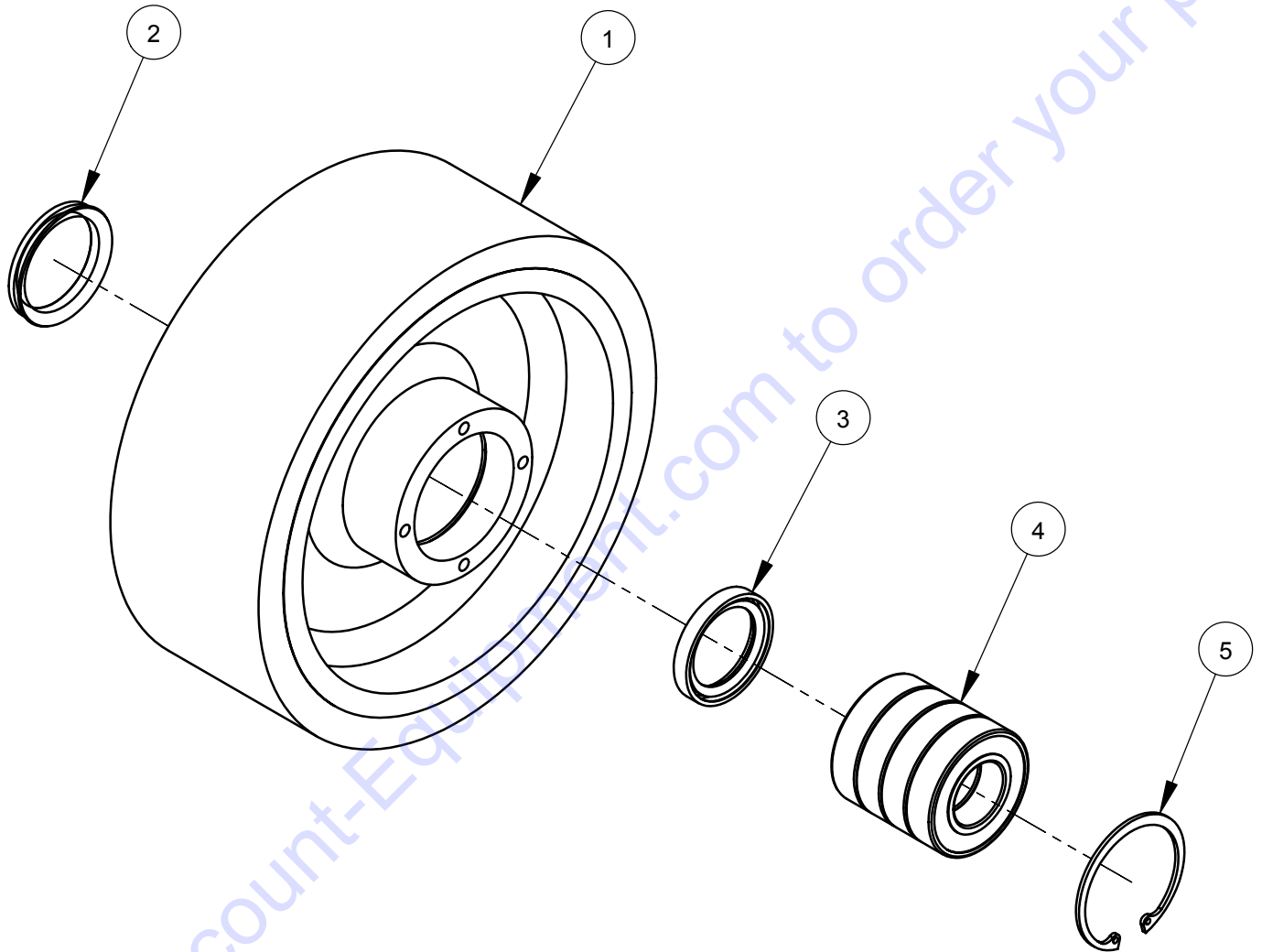
ITEM	PART NO.	QTY.	DESCRIPTION
1	6012051	1	Rear Axle Weldment w/35 Tooth Sprocket
2	2500873	2	Wheel, 10" Rear with 2" Bore
3	2500874	2	Trantorque Bushing, 1-1/4"
4	2500158	2	Pillow Block Bearing 1-1/4"
5	6010024	2	Rear Axle Bearing Spacer, 1/8"
6	2900058	4	Flat Washer, 1/2" SAE
7	2900084	4	Lock Washer, 1/2" Split
8	2900025	2	Cap Screw, Hex Hd., 1/2-13 x 1-1/4"
9	2900139	2	Cap Screw, Hex Hd., 1/2-13 x 1-3/4"

## Front Axle Assembly #6012091



ITEM	PART NO.	QTY.	DESCRIPTION
1	6012092	1	Front Axle Weldment
2	6010581	2	Wheel Assembly, 8" Front
3	2501393	2	Wheel Cover Gasket
4	6010536	2	Wheel Cover
5	2900038	8	Lock Washer, #10 Split
6	2900159	8	Machine Screw, Rd. Hd., #10-24 x 5/8"
7	2900127	2	Flat Washer, 1/2" USS
8	2900084	6	Lock Washer, 1/2" Split
9	2900025	6	Cap Screw, Hex Hd., 1/2-13 x 1-1/4"
10	2900058	4	Flat Washer, 1/2" SAE
11	2500158	2	Pillow Block Bearing 1-1/4"
12	2900184	1	Grease Fitting, 1/8" NPT x 45 degree

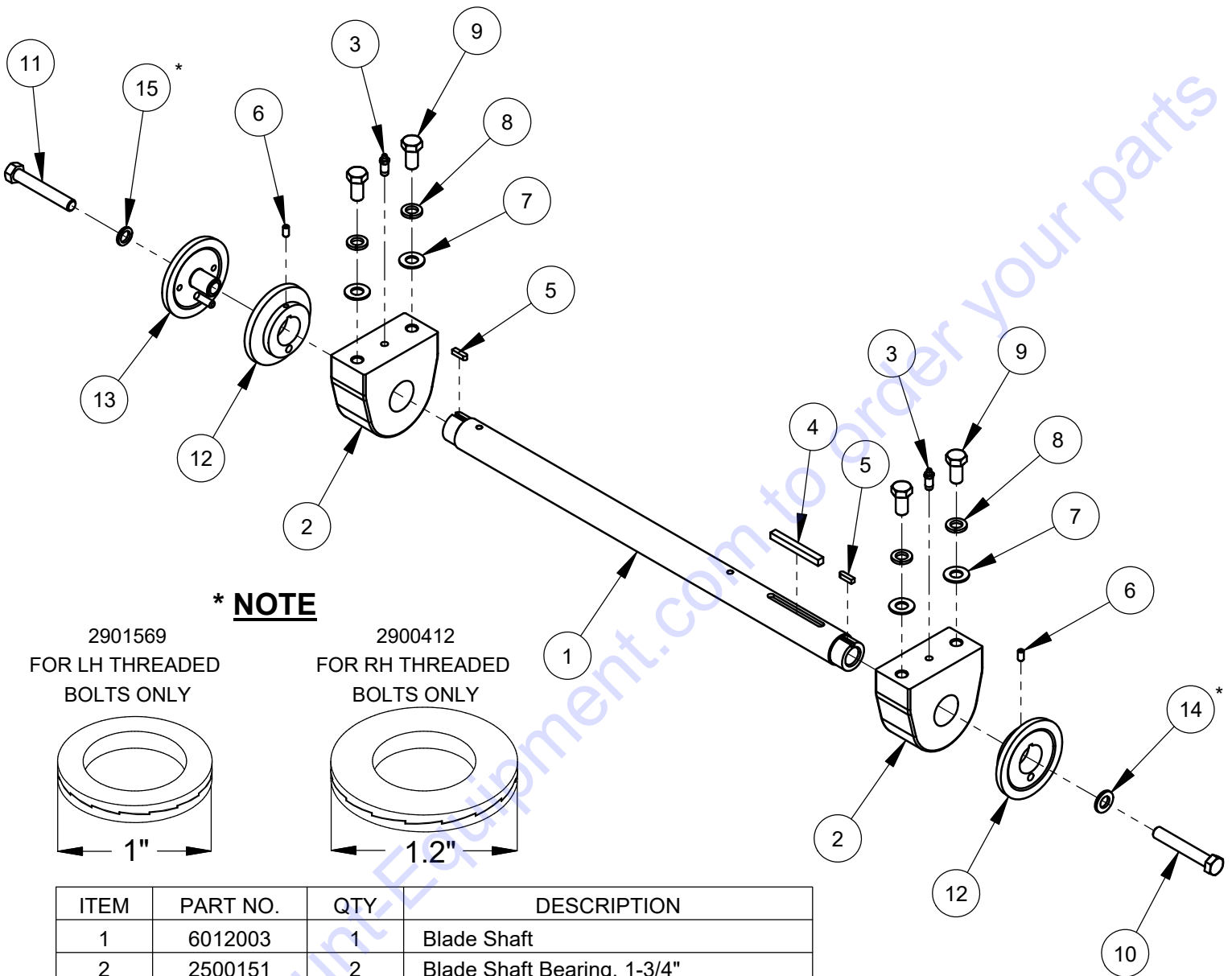
## Front Wheel Assembly #6010581



ITEM	PART NO.	QTY.	DESCRIPTION
1	2501390	1	Wheel, 8" Front
2	2501428	1	Seal, 1-1/2" V-Ring
3	2501391	1	Seal, 1-1/4" x 1-3/4" x 1/4"
4	2501418	4	Ball Bearing, 1" x 2" x 1/2"
5	2501392	1	Retaining Ring, 2" Internal



## Blade Shaft Assembly #6012011 (Blades 14" - 26")



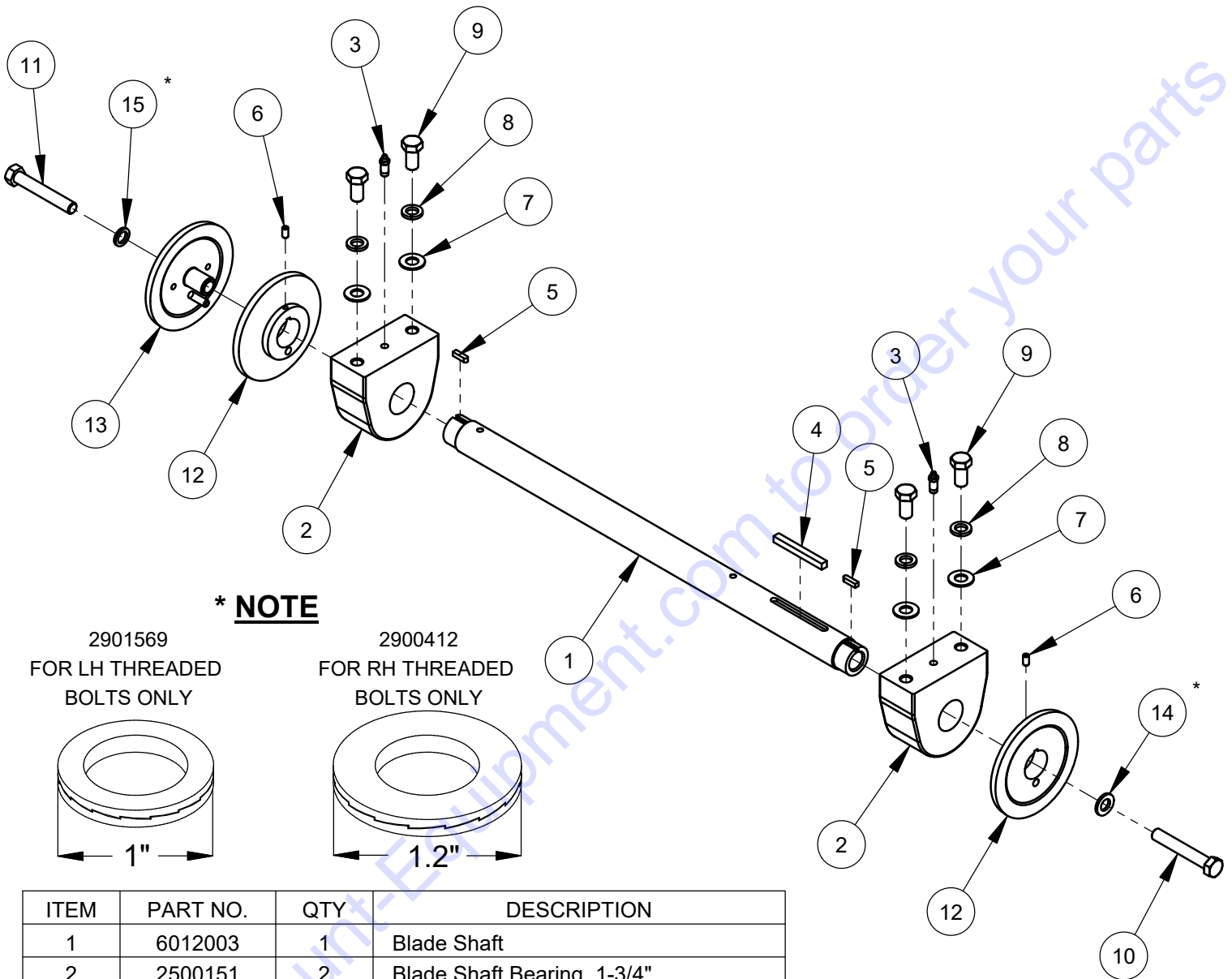
ITEM	PART NO.	QTY	DESCRIPTION
1	6012003	1	Blade Shaft
2	2500151	2	Blade Shaft Bearing, 1-3/4"
3	2900198	2	Grease Fitting, 1/8" NPT x 1-1/4"
4	6012065	1	Key, 3/8" Sq. x 3-1/2"
5	6010040	2	Key, 1/4" Sq. x 15/16"
6	2900418	2	Set Screw, Soc. Hd., 5/16-18 x 5/8"
7	2900002	4	Flat Washer, 5/8" SAE
8	2900113	4	Lock Washer, 5/8" Split
9	2900512	4	Cap Screw, Hex Hd., 5/8-11 x 1-1/4"
10	2900146	1	Cap Screw, Hex Hd., 5/8-11 x 4"
11	2900130	1	Cap Screw, Hex Hd., 5/8-11 x 4" LH
12	6010036	2	Inner Flange 4-1/2"
13	6010037	1	Outer Flange 4-1/2" with Pin
	2900197	1	Dowel Pin, 3/8" Dia. x 2"
14	2900412	1	Lock Washer, Wedge 5/8"
15	2901569	1	Lock Washer, Wedge 5/8" LH

\* See Note

\* See Note

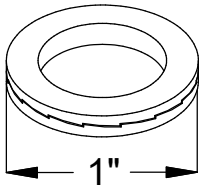


## Blade Shaft Assembly #6012012 (Blades 30" - 36")

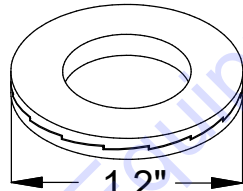


**\* NOTE**

2901569  
FOR LH THREADED  
BOLTS ONLY



2900412  
FOR RH THREADED  
BOLTS ONLY

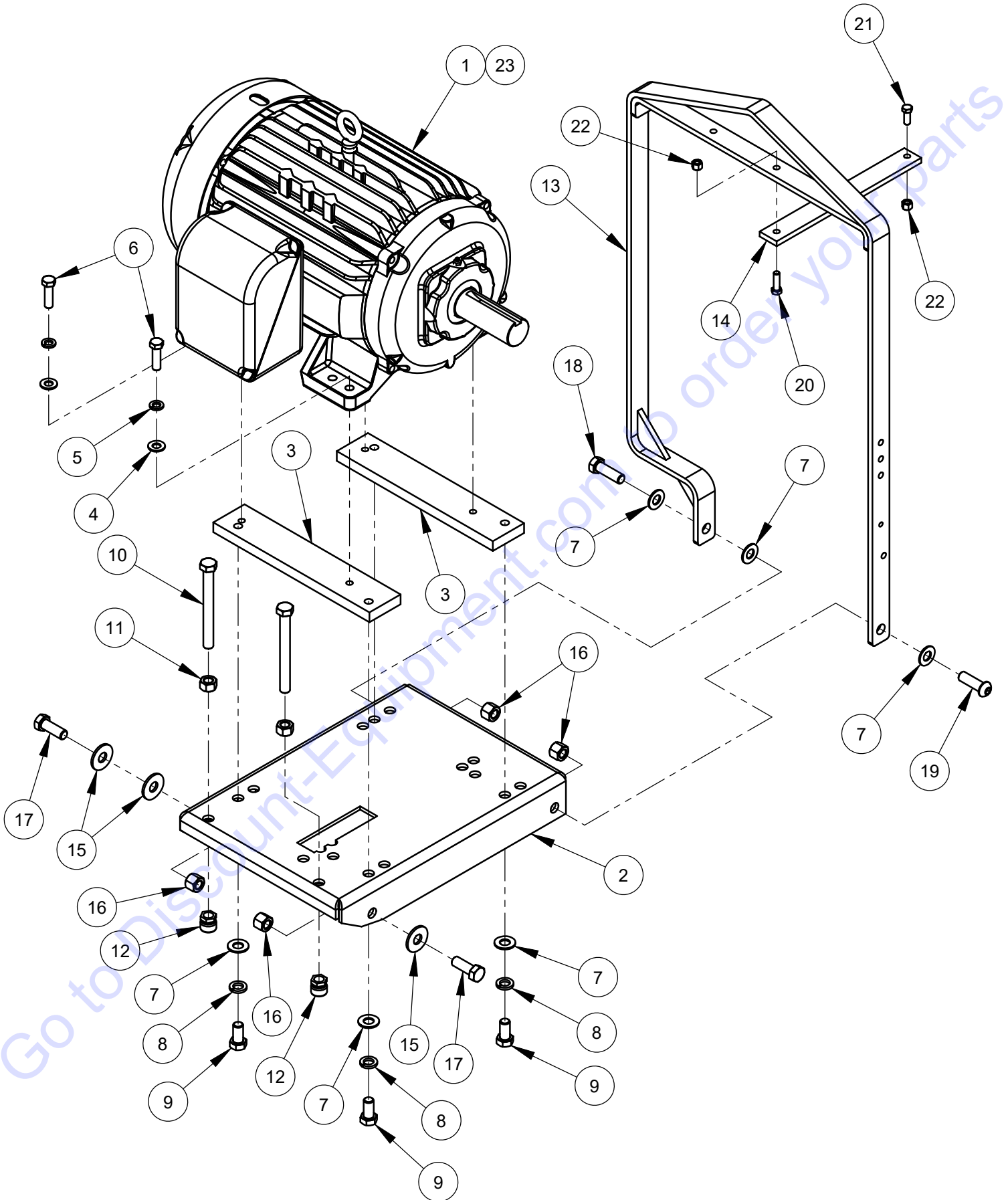


ITEM	PART NO.	QTY	DESCRIPTION
1	6012003	1	Blade Shaft
2	2500151	2	Blade Shaft Bearing, 1-3/4"
3	2900198	2	Grease Fitting, 1/8" NPT x 1-1/4"
4	6012065	1	Key, 3/8" Sq. x 3-1/2"
5	6010040	2	Key, 1/4" Sq. x 15/16"
6	2900418	2	Set Screw, Soc. Hd., 5/16-18 x 5/8"
7	2900002	4	Flat Washer, 5/8" SAE
8	2900113	4	Lock Washer, 5/8" Split
9	2900512	4	Cap Screw, Hex Hd., 5/8-11 x 1-1/4"
10	2900146	1	Cap Screw, Hex Hd., 5/8-11 x 4"
11	2900130	1	Cap Screw, Hex Hd., 5/8-11 x 4" LH
12	6010038	2	Inner Flange 6"
13	6010039	1	Outer Flange 6" with Pin
	2900197	1	Dowel Pin, 3/8" Dia. x 2"
14	2900412	1	Lock Washer, Wedge 5/8"
15	2901569	1	Lock Washer, Wedge 5/8" LH

\* See Note

\* See Note

# 25hp Motor Mount Assembly #6012144

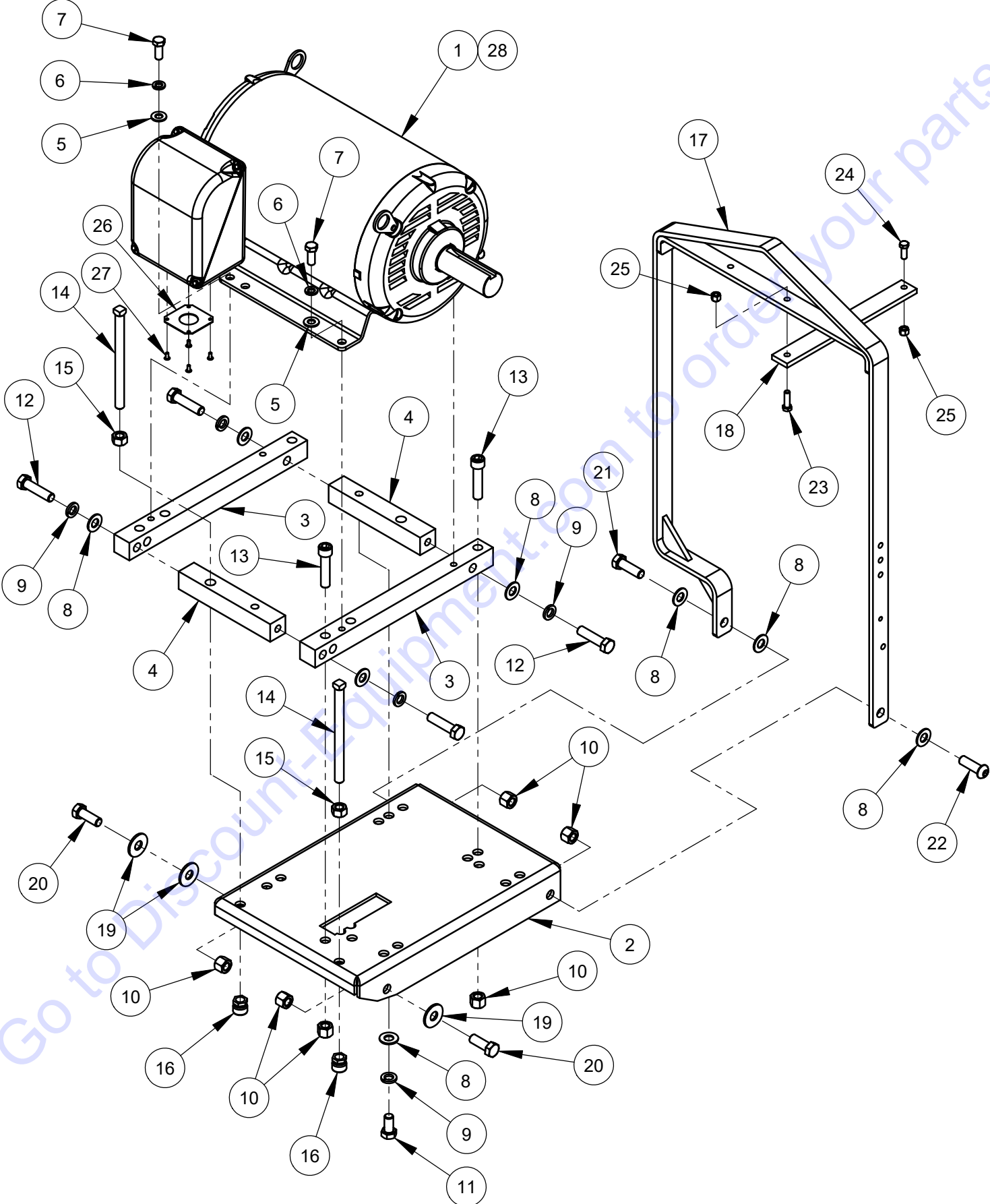


## 25hp Motor Mount Assembly #6012144

ITEM	PART NO.	QTY.	DESCRIPTION
1	2600133	1	Motor, 25hp Leeson
2	6010011	1	Engine Base Weldment
3	6012018	2	Motor Spacer
4	2900058	4	Flat Washer, 1/2" SAE
5	2900084	4	Lock Washer, 1/2" Split
6	2900139	4	Cap Screw, Hex Hd., 1/2-13 x 1-3/4"
7	2900002	7	Flat Washer, 5/8" SAE
8	2900113	4	Lock Washer, 5/8" Split
9	2900512	4	Cap Screw, Hex Hd., 5/8-11 x 1-1/4"
10	2900104	2	Tap Bolt, Hex Hd., 5/8-11 x 6"
11	2900112	2	Hex Nut, 5/8-11
12	2900446	2	Swivel Pad Nut, 5/8-11
13	6010012	1	Frame Lift
14	6010013	1	Frame Lift Brace
15	2900721	3	Flat Washer, 5/8" USS Hardened
16	2900135	4	Lock Nut, 5/8-11 Nylon
17	2900147	2	Cap Screw, Hex Hd., 5/8-11 x 1-3/4"
18	2900136	1	Cap Screw, Hex Hd., 5/8-11 x 2"
19	2900286	1	Cap Screw, Button Hd., 5/8-11 x 2"
20	2900013	1	Cap Screw, Hex Hd., 3/8-16 x 1-1/4"
21	2900005	1	Cap Screw, Hex Hd., 3/8-16 x 1"
22	2900018	2	Lock Nut, 3/8-16 Nylon
23	2600347	1	Motor, 25hp Leeson (575 Volt)

Go to Discount Equipment to order your parts

**30hp Motor Mount Assembly #6012145**

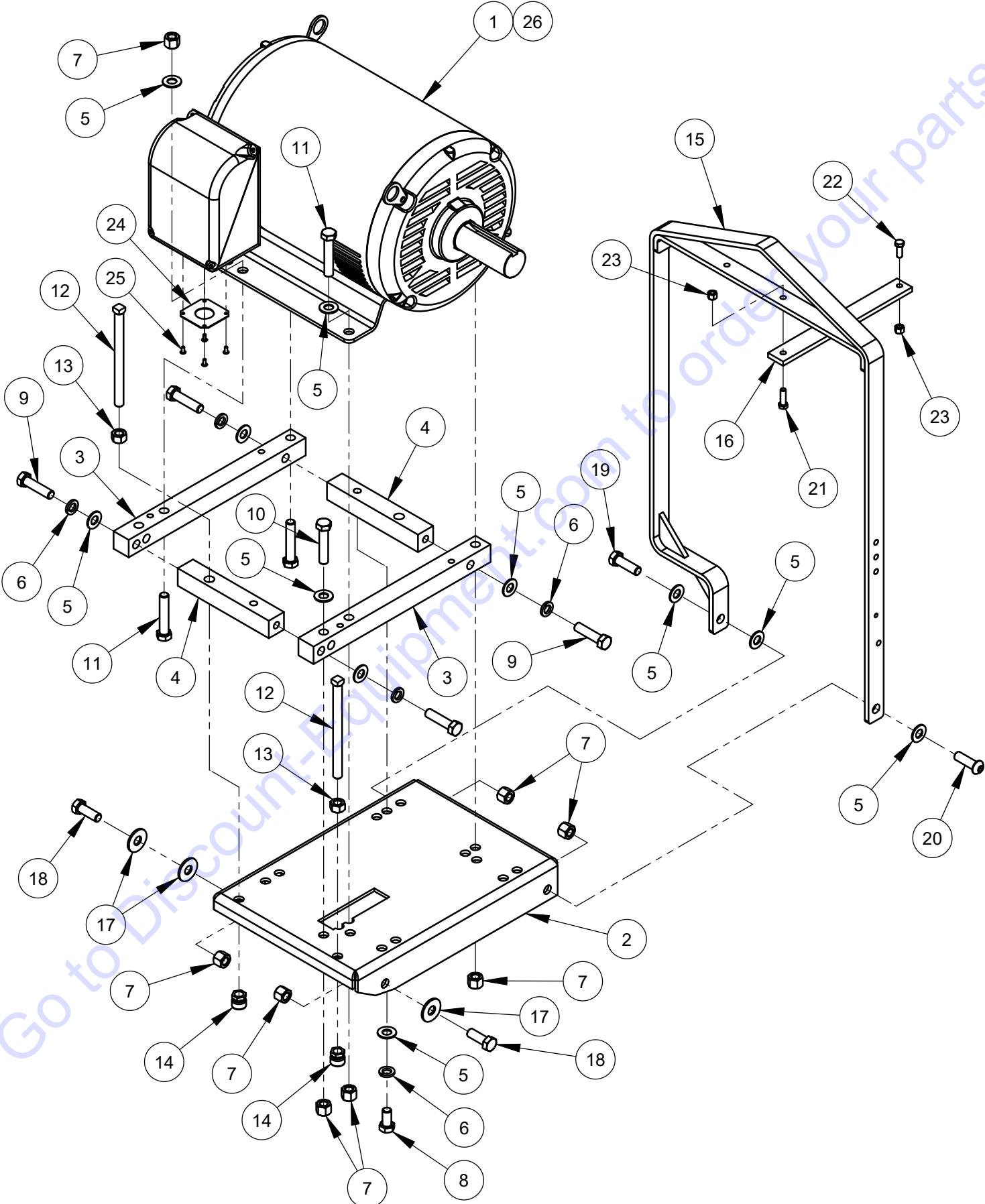


## 30hp Motor Mount Assembly #6012145

ITEM	PART NO.	QTY.	DESCRIPTION
1	2600182	1	Motor, 30hp Lincoln
2	6010011	1	Engine Base Weldment
3	6012034	2	Motor Spacer
4	6012035	2	Motor Connect Spacer
5	2900058	4	Flat Washer, 1/2" SAE
6	2900084	4	Lock Washer, 1/2" Split
7	2900025	4	Cap Screw, Hex Hd., 1/2-13 x 1-1/4"
8	2900002	8	Flat Washer, 5/8" SAE
9	2900113	5	Lock Washer, 5/8" Split
10	2900135	6	Lock Nut, 5/8-11 Nylon
11	2900512	1	Cap Screw, Hex Hd., 5/8-11 x 1-1/4"
12	2900527	4	Cap Screw, Hex Hd., 5/8-11 x 2-1/2"
13	2900558	2	Cap Screw, Soc. Hd., 5/8-11 x 2-3/4"
14	2900385	2	Set Screw, Sq. Hd., 5/8-11 x 8"
15	2900112	2	Hex Nut, 5/8-11
16	2900446	2	Swivel Pad Nut, 5/8-11
17	6010012	1	Frame Lift
18	6010013	1	Frame Lift Brace
19	2900721	3	Flat Washer, 5/8" USS Hardened
20	2900147	2	Cap Screw, Hex Hd., 5/8-11 x 1-3/4"
21	2900136	1	Cap Screw, Hex Hd., 5/8-11 x 2"
22	2900286	1	Cap Screw, Button Hd., 5/8-11 x 2"
23	2900013	1	Cap Screw, Hex Hd., 3/8-16 x 1-1/4"
24	2900005	1	Cap Screw, Hex Hd., 3/8-16 x 1"
25	2900018	2	Lock Nut, 3/8-16 Nylon
26	2500676	1	Motor Cord Adapter Plate
27	2900201	4	Rivet, 3/16" Dia.
28	2600238	1	Motor, 30hp Lincoln (575 Volt)

Go to Discount Equipment to order your parts

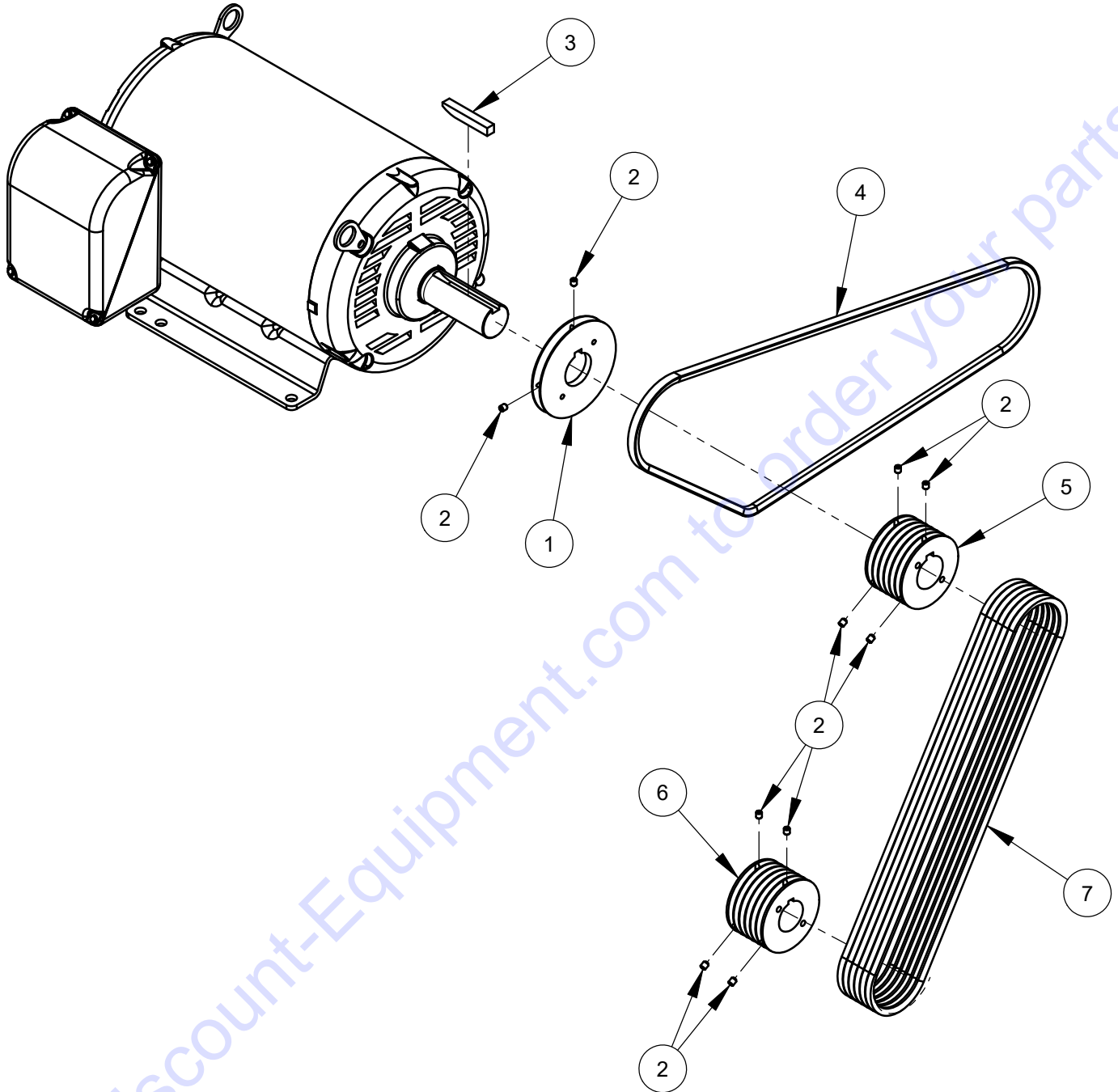
**40hp Motor Mount Assembly #6012146**



## 40hp Motor Mount Assembly #6012146

ITEM	PART NO.	QTY.	DESCRIPTION
1	2600185	1	Motor, 40hp Lincoln
2	6010011	1	Engine Base Weldment
3	6012034	2	Motor Spacer
4	6012035	2	Motor Connect Spacer
5	2900002	13	Flat Washer, 5/8" SAE
6	2900113	5	Lock Washer, 5/8" Split
7	2900135	9	Lock Nut, 5/8-11 Nylon
8	2900512	1	Cap Screw, Hex Hd., 5/8-11 x 1-1/4"
9	2900527	4	Cap Screw, Hex Hd., 5/8-11 x 2-1/2"
10	2900195	1	Cap Screw, Hex Hd., 5/8-11 x 3"
11	2900137	4	Cap Screw, Hex Hd., 5/8-11 x 3-1/4"
12	2900385	2	Set Screw, Sq. Hd., 5/8-11 x 8"
13	2900112	2	Hex Nut, 5/8-11
14	2900446	2	Swivel Pad Nut, 5/8-11
15	6010012	1	Frame Lift
16	6010013	1	Frame Lift Brace
17	2900721	3	Flat Washer, 5/8" USS Hardened
18	2900147	2	Cap Screw, Hex Hd., 5/8-11 x 1-3/4"
19	2900136	1	Cap Screw, Hex Hd., 5/8-11 x 2"
20	2900286	1	Cap Screw, Button Hd., 5/8-11 x 2"
21	2900013	1	Cap Screw, Hex Hd., 3/8-16 x 1-1/4"
22	2900005	1	Cap Screw, Hex Hd., 3/8-16 x 1"
23	2900018	2	Lock Nut, 3/8-16 Nylon
24	2500676	1	Motor Cord Adapter Plate
25	2900201	4	Rivet, 3/16" Dia.
26	2600250	1	Motor, 40hp Lincoln (575 Volt)

## 25hp & 30hp Belt Drive Assembly #6012174



**14" BLADE DRIVE #6012174A**

ITEM	PART NO.	QTY	DESCRIPTION
1	6012019	1	Pulley, Accessory Drive
2	2900142	6	Set Screw, Soc. Hd., 5/16-18 x 3/8"
3	6011095	1	Key, 1/2" Sq. x 3-1/4" Bevel End
4	6012068	1	Link Belt
5	6011093	1	Sheave, 5.3" x 6 Groove w/Bushing
	2500369	1	Sheave, 5.3" x 6 Groove Taper Style
	2500392	1	Taper Bushing, 1-7/8" w/Setscrews
6	6012005	1	Sheave, 3.12" x 6 Groove x 1-3/4" Bore
7	2500371	6	V-Belt, 3VX500



## 25hp & 30hp Belt Drive Assembly #6012174

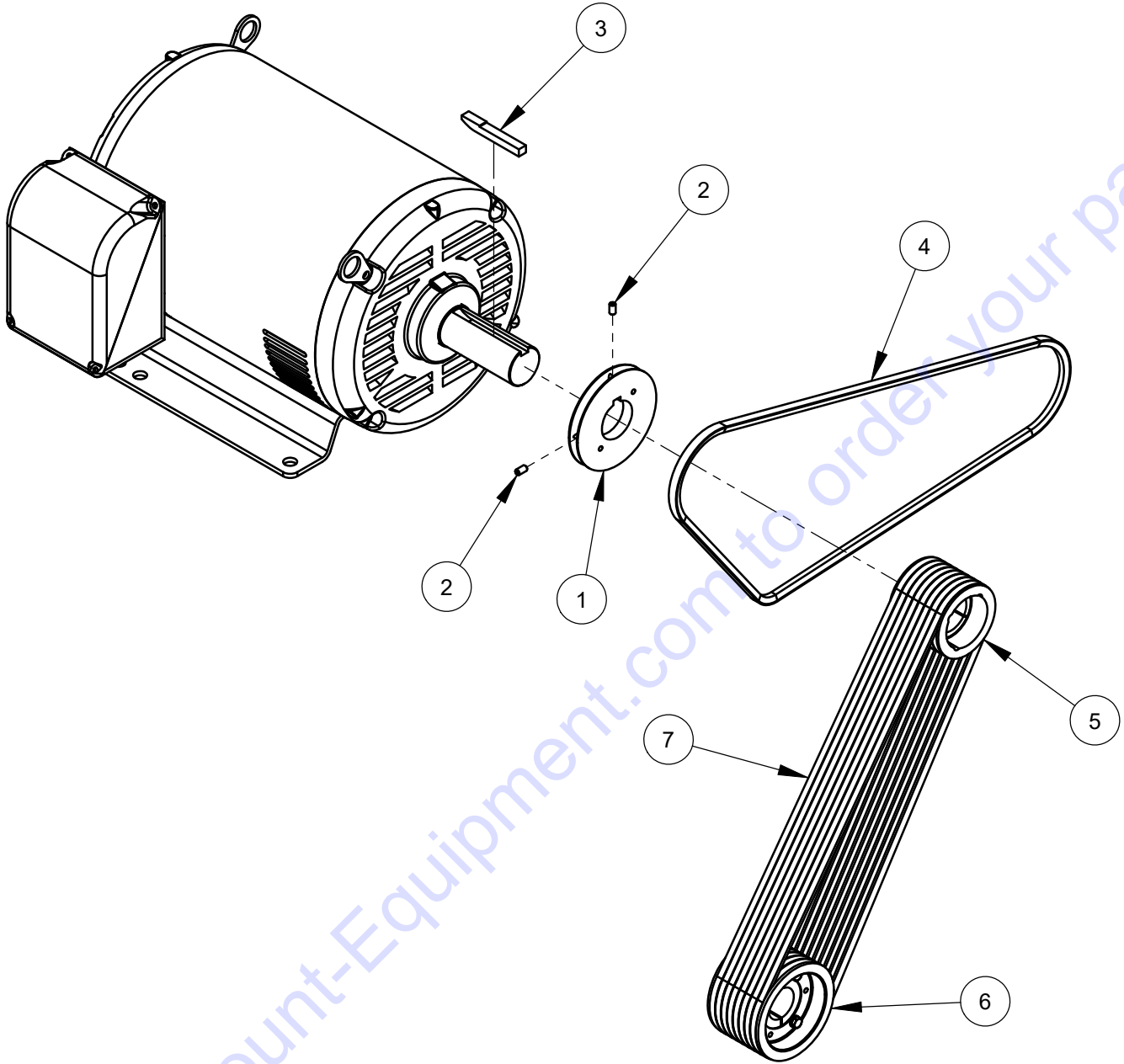
<b>20" BLADE DRIVE #6012174B</b>			
ITEM	PART NO.	QTY	DESCRIPTION
1	6012019	1	Pulley, Accessory Drive
2	2900142	6	Set Screw, Soc. Hd., 5/16-18 x 3/8"
3	6011095	1	Key, 1/2" Sq. x 3-1/4" Bevel End
4	6012068	1	Link Belt
5	6011094	1	Sheave, 4.75" x 6 Groove w/Bushing
	2500367	1	Sheave, 4.75" x 6 Groove Taper Style
	2500392	1	Taper Bushing, 1-7/8" w/Setscrews
6	6011009	1	Sheave, 3.65" x 6 Groove x 1-3/4" Bore
7	2500371	6	V-Belt, 3VX500

<b>26" BLADE DRIVE #6012174C</b>			
ITEM	PART NO.	QTY	DESCRIPTION
1	6012019	1	Pulley, Accessory Drive
2	2900142	10	Set Screw, Soc. Hd., 5/16-18 x 3/8"
3	6011095	1	Key, 1/2" Sq. x 3-1/4" Bevel End
4	6012068	1	Link Belt
5	6012024	1	Sheave, 4.12" x 6 Groove x 1-7/8" Bore
6	6011010	1	Sheave, 4.12" x 6 Groove x 1-3/4" Bore
7	2500371	6	V-Belt, 3VX500

<b>30" BLADE DRIVE #6012174D</b>			
ITEM	PART NO.	QTY	DESCRIPTION
1	6012019	1	Pulley, Accessory Drive
2	2900142	6	Set Screw, Soc. Hd., 5/16-18 x 3/8"
3	6011095	1	Key, 1/2" Sq. x 3-1/4" Bevel End
4	6012068	1	Link Belt
5	6012024	1	Sheave, 4.12" x 6 Groove x 1-7/8" Bore
6	6012052	1	Sheave, 4.75" x 6 Groove w/Bushing
	2500367	1	Sheave, 4.75" x 6 Groove Taper Style
	2500454	1	Taper Bushing, 1-3/4" w/Setscrews
7	2500371	6	V-Belt, 3VX500

<b>36" BLADE DRIVE #6012174E</b>			
ITEM	PART NO.	QTY	DESCRIPTION
1	6012019	1	Pulley, Accessory Drive
2	2900142	6	Set Screw, Soc. Hd., 5/16-18 x 3/8"
3	6011095	1	Key, 1/2" Sq. x 3-1/4" Bevel End
4	6012068	1	Link Belt
5	6012056	1	Sheave, 3.65" x 6 Groove x 1-7/8" Bore
6	6012052	1	Sheave, 4.75" x 6 Groove w/Bushing
	2500367	1	Sheave, 4.75" x 6 Groove Taper Style
	2500454	1	Taper Bushing, 1-3/4" w/Setscrews
7	2500371	6	V-Belt, 3VX500

## 40hp Belt Drive Assembly #6012175



<b>20" BLADE DRIVE #6012175A</b>			
ITEM	PART NO.	QTY.	DESCRIPTION
1	6010182	1	Pulley, Accessory Drive
2	2900418	2	Set Screw, Soc. Hd., 5/16-18 x 5/8"
3	4641010	1	Key, 1/2" Sq. x 4" Long
4	6012068	1	Link Belt
5	6010291	1	Sheave, 5.6" x 8 Groove w/Bushing
	2500172	1	Sheave, 5.6" x 8 Groove QD Style
	2500934	1	QD Bushing, SK x 2-1/8" w/Fasteners
6	6012102	1	Sheave, 4" x 8 Groove w/Bushing
	2501382	1	Sheave, 4" x 8 Groove Taper Style
	2501410	1	Taper Bushing, 1-3/4" w/Setscrews
7	2500188	8	V-Belt, 3VX560

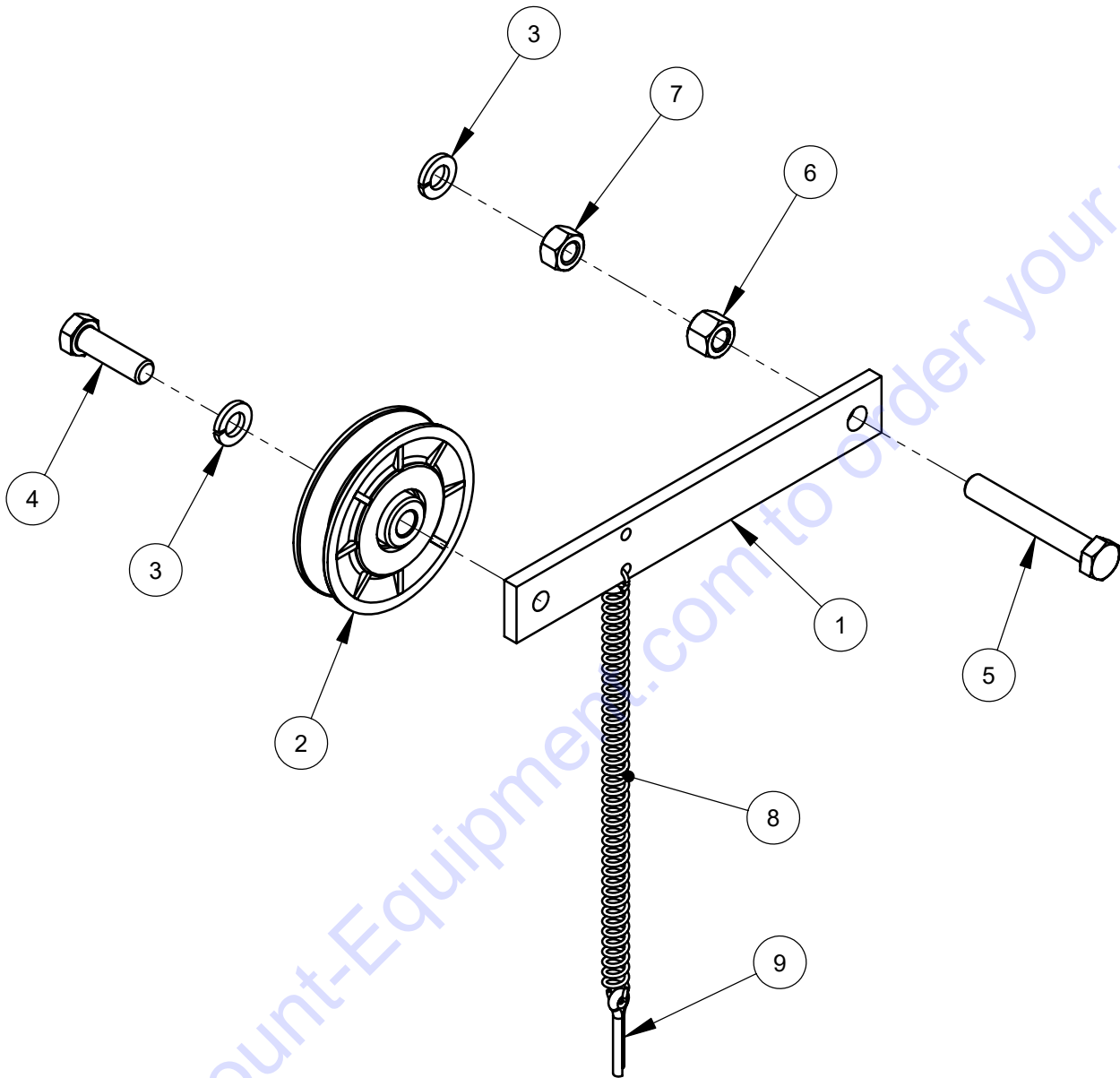
## 40hp Belt Drive Assembly #6012175

<b>26" BLADE DRIVE #6012175B</b>			
ITEM	PART NO.	QTY.	DESCRIPTION
1	6010182	1	Pulley, Accessory Drive
2	2900418	2	Set Screw, Soc. Hd., 5/16-18 x 5/8"
3	4641010	1	Key, 1/2" Sq. x 4" Long
4	6012068	1	Link Belt
5	6010293	1	Sheave, 5" x 8 Groove w/Bushing
	2500391	1	Sheave, 5" x 8 Groove Taper Style
	2500398	1	Taper Bushing, 2-1/8" w/Setscrews
6	6010547	1	Sheave, 4.5" x 8 Groove w/Bushing
	2501383	1	Sheave, 4.5" x 8 Groove Taper Style
	2501410	1	Taper Bushing, 1-3/4" w/Setscrews
7	2500188	8	V-Belt, 3VX560

<b>30" BLADE DRIVE #6012175C</b>			
ITEM	PART NO.	QTY.	DESCRIPTION
1	6010182	1	Pulley, Accessory Drive
2	2900418	2	Set Screw, Soc. Hd., 5/16-18 x 5/8"
3	4641010	1	Key, 1/2" Sq. x 4" Long
4	6012068	1	Link Belt
5	6010295	1	Sheave, 4.75" x 8 Groove w/Bushing
	2500397	1	Sheave, 4.75" x 8 Groove Taper Style
	2500398	1	Taper Bushing, 2-1/8" w/Setscrews
6	6012062	1	Sheave, 5" x 8 Groove w/Bushing
	2500391	1	Sheave, 5" x 8 Groove Taper Style
	2500454	1	Taper Bushing, 1-3/4" w/Setscrews
7	2500188	8	V-Belt, 3VX560

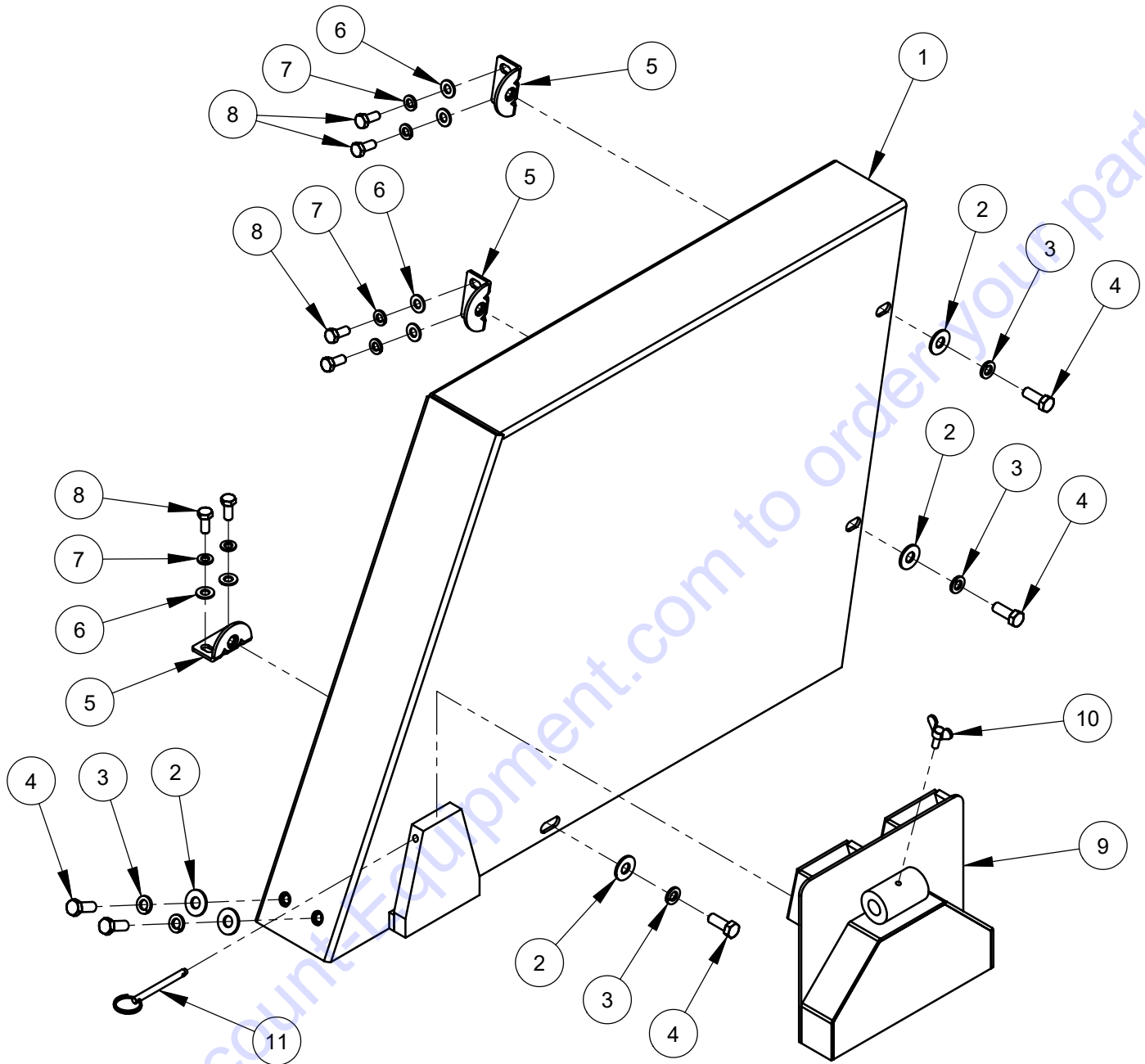
<b>36" BLADE DRIVE #6012175D</b>			
ITEM	PART NO.	QTY.	DESCRIPTION
1	6010182	1	Pulley, Accessory Drive
2	2900418	2	Set Screw, Soc. Hd., 5/16-18 x 5/8"
3	6011227	1	Key, 1/2" Sq. x 4" Bevel End Step
4	6012068	1	Link Belt
5	6012176	1	Sheave, 4" x 8 Groove w/Bushing
	2501382	1	Sheave, 4" x 8 Groove Taper Style
	2501992	1	Taper Bushing, 2-1/8" w/Setscrews & Key
6	6012053	1	Sheave, 5.3" x 8 Groove w/Bushing
	2500390	1	Sheave, 5.3" x 8 Groove QD Style
	2500176	1	QD Bushing, SK x 1-3/4" w/Fasteners
7	2500188	8	V-Belt, 3VX560

## Idler Assembly #6010194



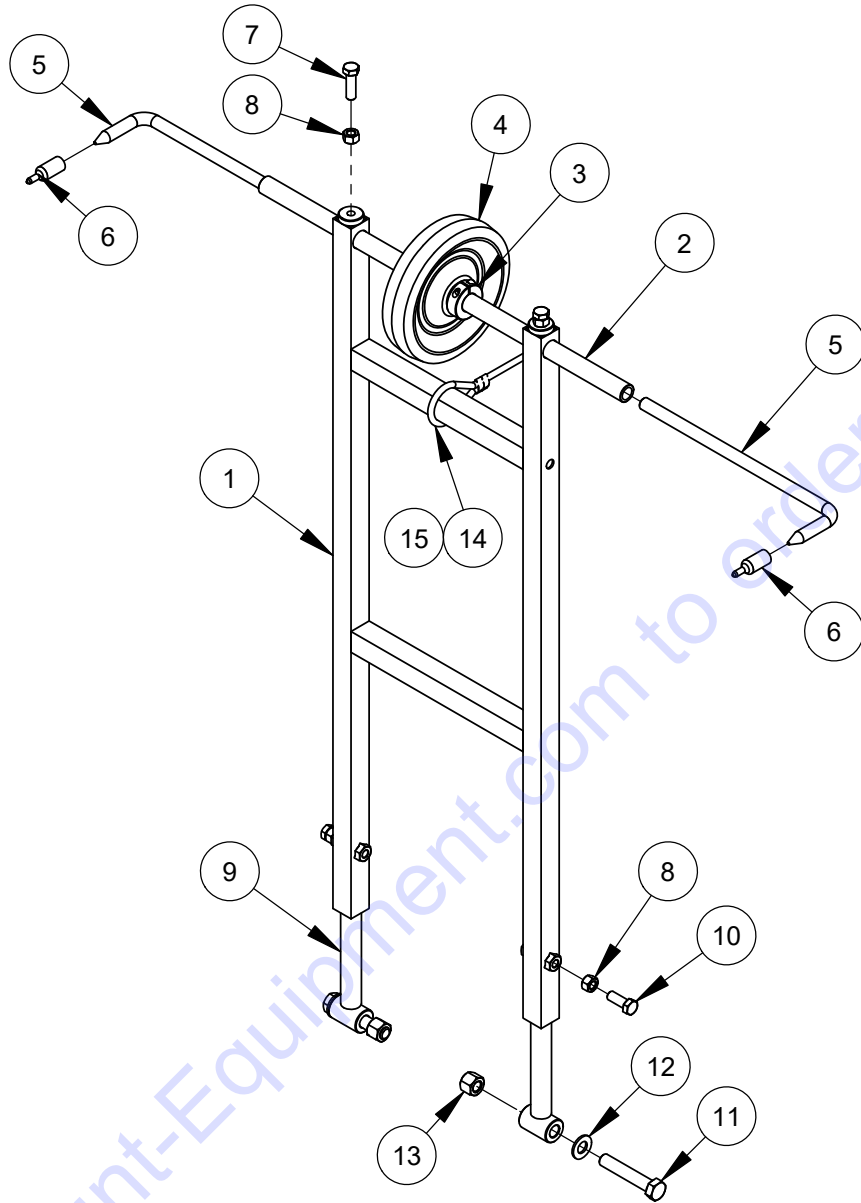
ITEM	PART NO.	QTY.	DESCRIPTION
1	6048218	1	Idler Arm
2	2500074	1	Idler Pulley 3"
3	2900006	2	Lock Washer, 3/8" Split
4	2900013	1	Cap Screw, Hex Hd., 3/8-16 x 1-1/4"
5	2900521	1	Tap Bolt, Hex Hd., 3/8-16 x 2-1/2"
6	2900018	1	Lock Nut, 3/8-16 Nylon
7	2900033	1	Hex Nut, 3/8-16
8	2500195	1	Spring, 3/8" x 7-3/4"
9	2900055	1	Cotter Pin, 3/16" x 1"

## Belt Guard Assembly #6012142



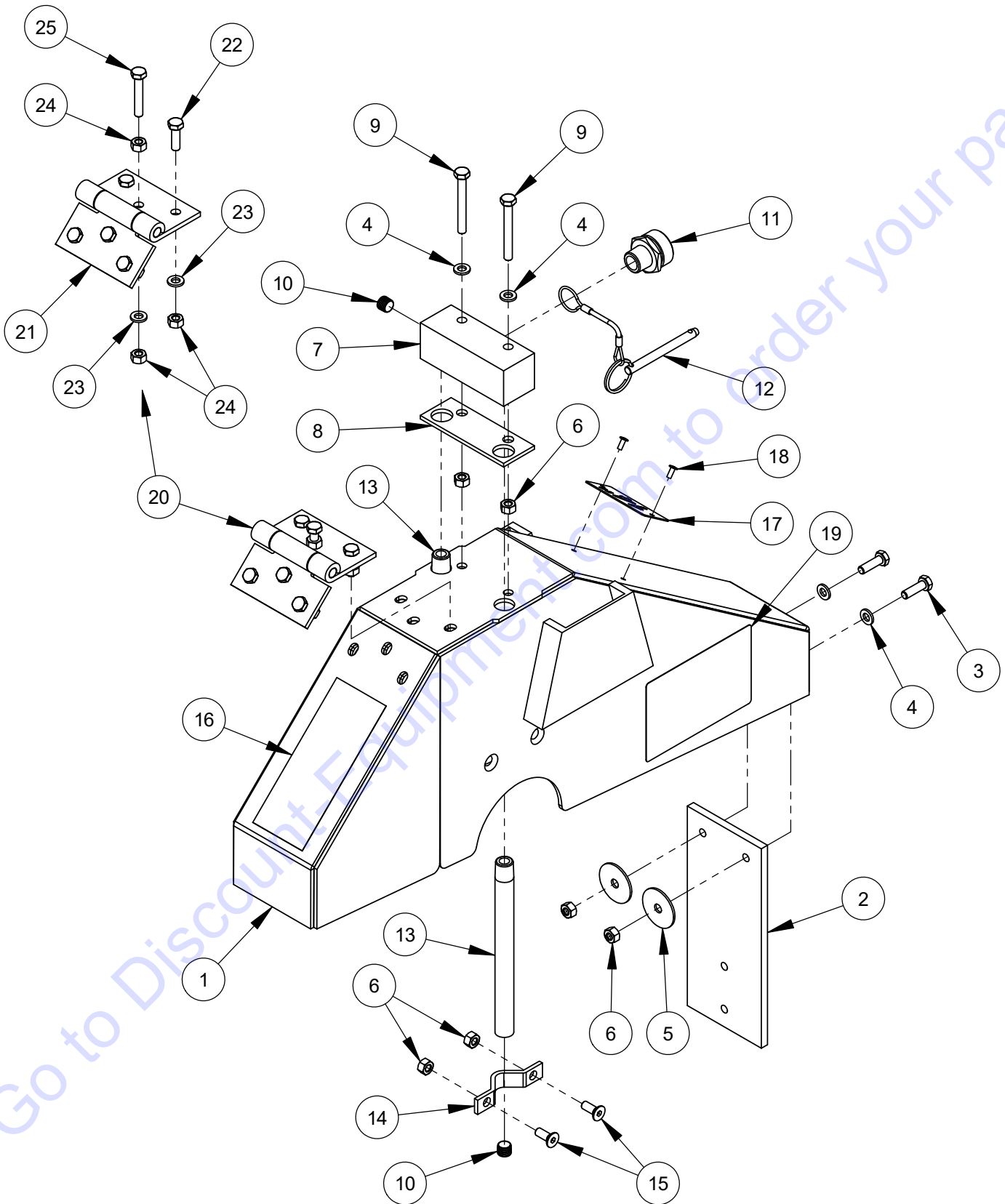
ITEM	PART NO.	QTY	DESCRIPTION
1	6012089A	1	Belt Guard Weldment
2	2900473	5	Flat Washer, 3/8" USS
3	2900006	5	Lock Washer, 3/8" Split
4	2900005	5	Cap Screw, Hex Hd., 3/8-16 x 1"
5	6010558	3	Guard Mounting Tab, 3/8-16
6	2900022	6	Flat Washer, 5/16" SAE
7	2900031	6	Lock Washer, 5/16" Split
8	2900019	6	Cap Screw, Hex Hd., 5/16-18 x 3/4"
9	6010555	1	Shaft/Flange Guard (Narrow)
10	2900307	1	Wing Screw, M6 x 16mm
11	2900156	1	Lock Pin with Ring

## Dual Front Pointer Assembly #6011540



ITEM	PART NO.	QTY.	DESCRIPTION
1	6011537	1	Front Pointer Frame
2	6011539	1	Pointer Tube, 20"
3	2504577	2	Shaft Collar, 3/4" Split
4	2504581	1	Wheel, 6"
5	6011535	2	Front Pointer Rod, 11"
6	2500740	2	Pointer Cap
7	2900013	2	Cap Screw, Hex Hd., 3/8-16 x 1-1/4"
8	2900033	4	Hex Nut, 3/8-16
9	6011152	2	Front Pointer Arm
10	2900005	2	Cap Screw, Hex Hd., 3/8-16 x 1"
11	2900105	2	Cap Screw, Hex Hd., 1/2-13 x 2-3/4"
12	2900239	2	Friction Washer, 1/2"
13	2900026	2	Lock Nut, 1/2-13 Nylon
14	6017241	1	Pointer Rope 11 Foot
15	3200221	2	Pinch Clamp, Two Ear

# 14" Blade Guard Assembly #6010950



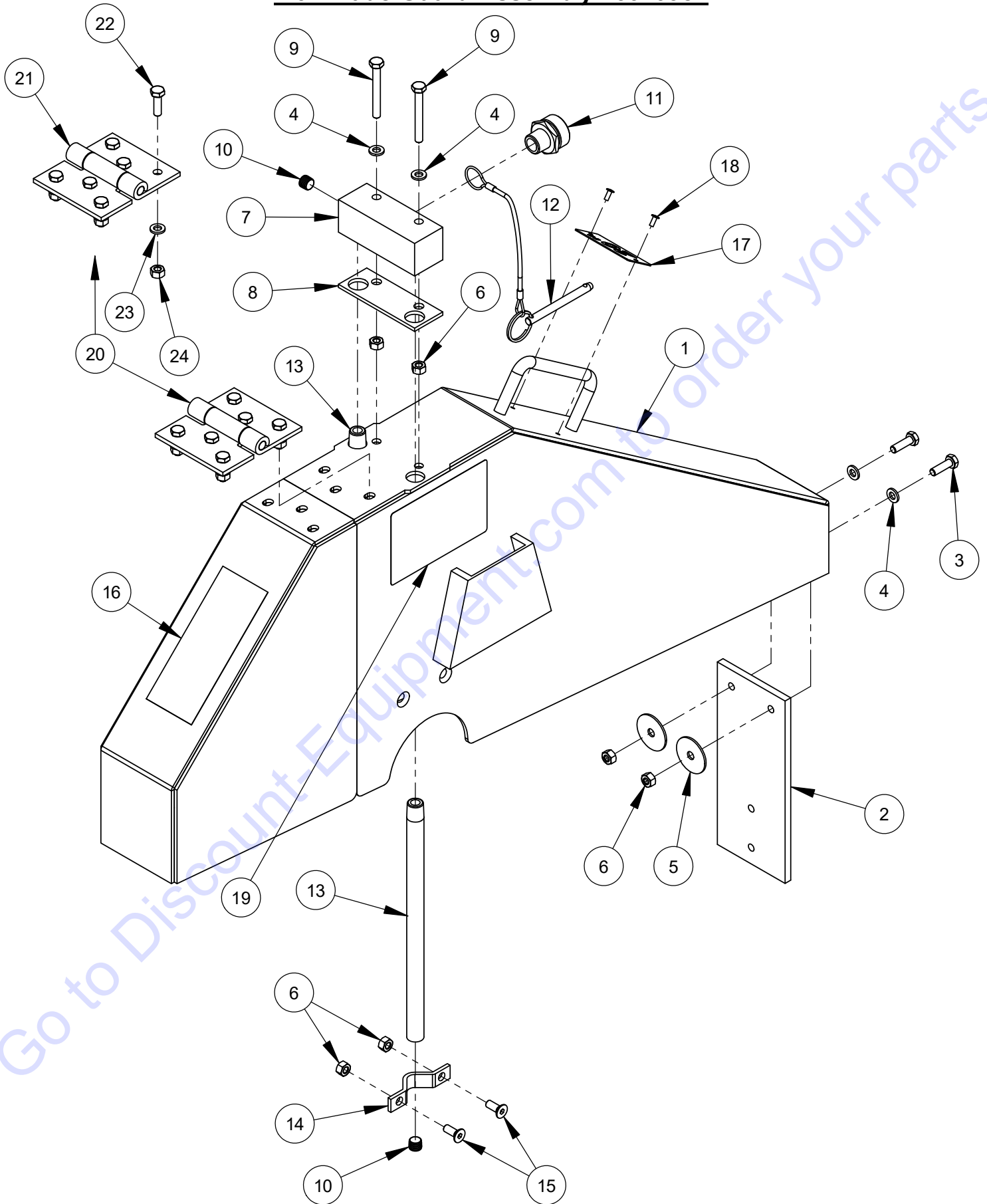
## 14" Blade Guard Assembly #6010950

ITEM	PART NO.	QTY.	DESCRIPTION
1	6010601	1	14" Blade Guard Front & Rear Only
2	6010081	1	Splash Flap
3	2900310	2	Cap Screw, Hex Hd., M6-1.0 x 20mm
4	2901494	4	Flat Washer, M6
5	2900083	2	Fender Washer, 1/4" x 1-1/4"
6	2900302	8	Lock Nut, M6-1.0 Nylon Insert
7	6010261	1	Water Manifold
8	2500830	1	Water Manifold Gasket
9	2901355	2	Cap Screw, Hex Hd., M6-1.0 x 50mm
10	3200001	3	Plug, 1/8" NPT
11	3200002	1	Fitting, 3/8" M. Pipe to 3/4" M. Garden
12	2900278	1	Lanyard with Lock Pin
13	6048283	2	Water Tube for 14" Guard
14	6048155	2	Water Tube Clamp
15	2900308	4	Cap Screw, Flat Hd., M6-1.0 x 16mm
16	1800001	1	Warning Label
17	1801369A	1	Blade Guard Size Tag
18	2900287	2	Rivet, 1/8" Dia.
19	1802090	2	Label, Wedge Locking Washer
20	6048026	1	Hinge Assembly

ITEM	PART NO.	QTY.	DESCRIPTION
21	2500270	1	Blade Guard Hinge
22	2900310	5	Cap Screw, Hex Hd., M6-1.0 x 20mm
23	2901494	6	Flat Washer, M6
24	2900302	7	Lock Nut, M6-1.0 Nylon Insert
25	2900312	1	Cap Screw, Hex Hd., M6-1.0 x 35mm



# 20" Blade Guard Assembly #6010952

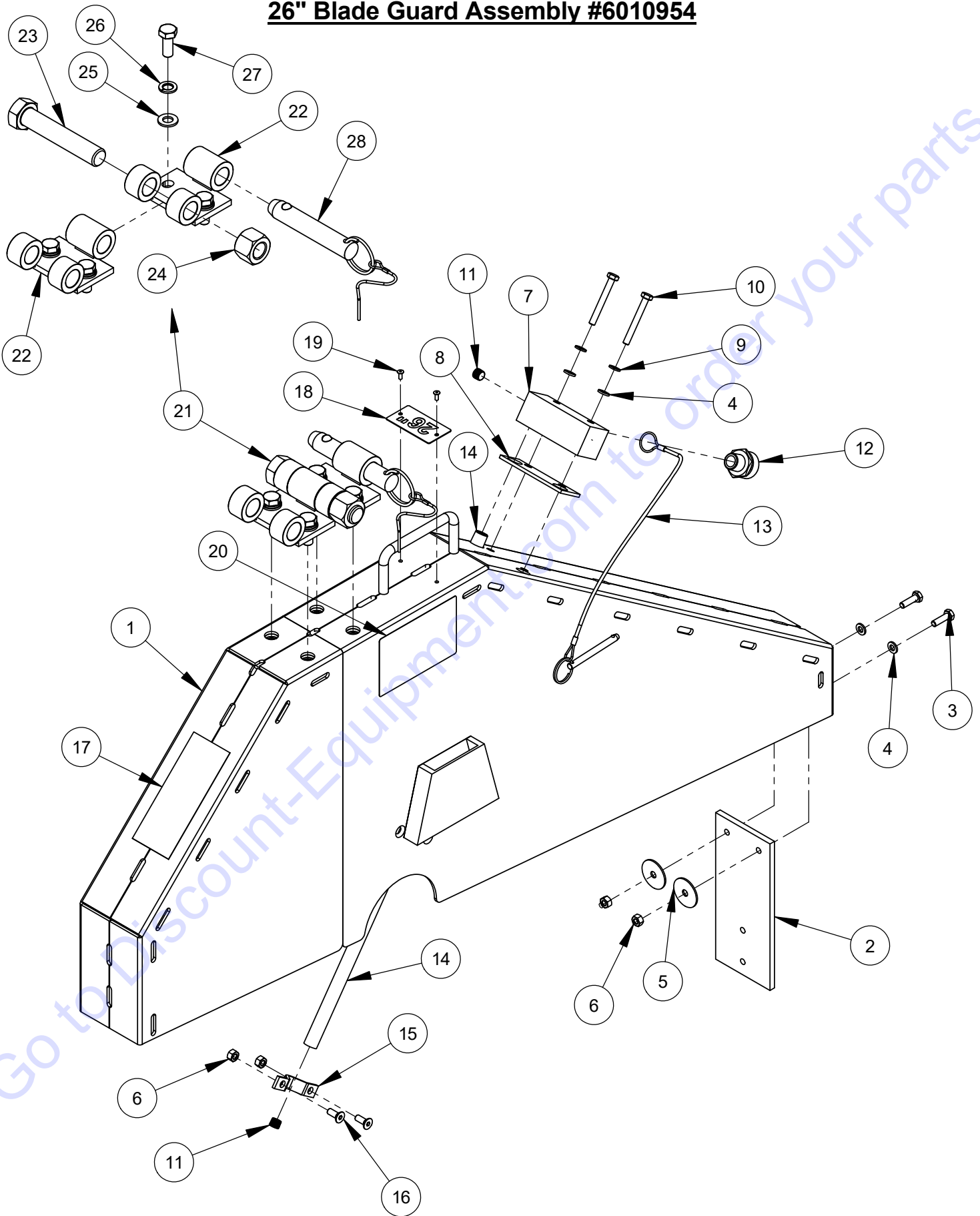


## 20" Blade Guard Assembly #6010952

ITEM	PART NO.	QTY.	DESCRIPTION
1	6010603	1	20" Blade Guard Front & Rear Only
2	6010081	1	Splash Flap
3	2900310	2	Cap Screw, Hex Hd., M6-1.0 x 20mm
4	2901494	4	Flat Washer, M6
5	2900083	2	Fender Washer, 1/4" x 1-1/4"
6	2900302	8	Lock Nut, M6-1.0 Nylon Insert
7	6010261	1	Water Manifold
8	2500830	1	Water Manifold Gasket
9	2901355	2	Cap Screw, Hex Hd., M6-1.0 x 50mm
10	3200001	3	Plug, 1/8" NPT
11	3200002	1	Fitting, 3/8" M. Pipe to 3/4" M. Garden
12	2900278	1	Lanyard with Lock Pin
13	6010085	2	Water Tube for 20" Guard
14	6048155	2	Water Tube Clamp
15	2900308	4	Cap Screw, Flat Hd., M6-1.0 x 16mm
16	1800001	1	Warning Label
17	1801369D	1	Blade Guard Size Tag
18	2900287	2	Rivet, 1/8" Dia.
19	1802090	2	Label, Wedge Locking Washer
20	6048027	1	Hinge Assembly

ITEM	PART NO.	QTY.	DESCRIPTION
21	2500270	1	Blade Guard Hinge
22	2900310	6	Cap Screw, Hex Hd., M6-1.0 x 20mm
23	2901494	6	Flat Washer, M6
24	2900302	6	Lock Nut, M6-1.0 Nylon Insert

# 26" Blade Guard Assembly #6010954



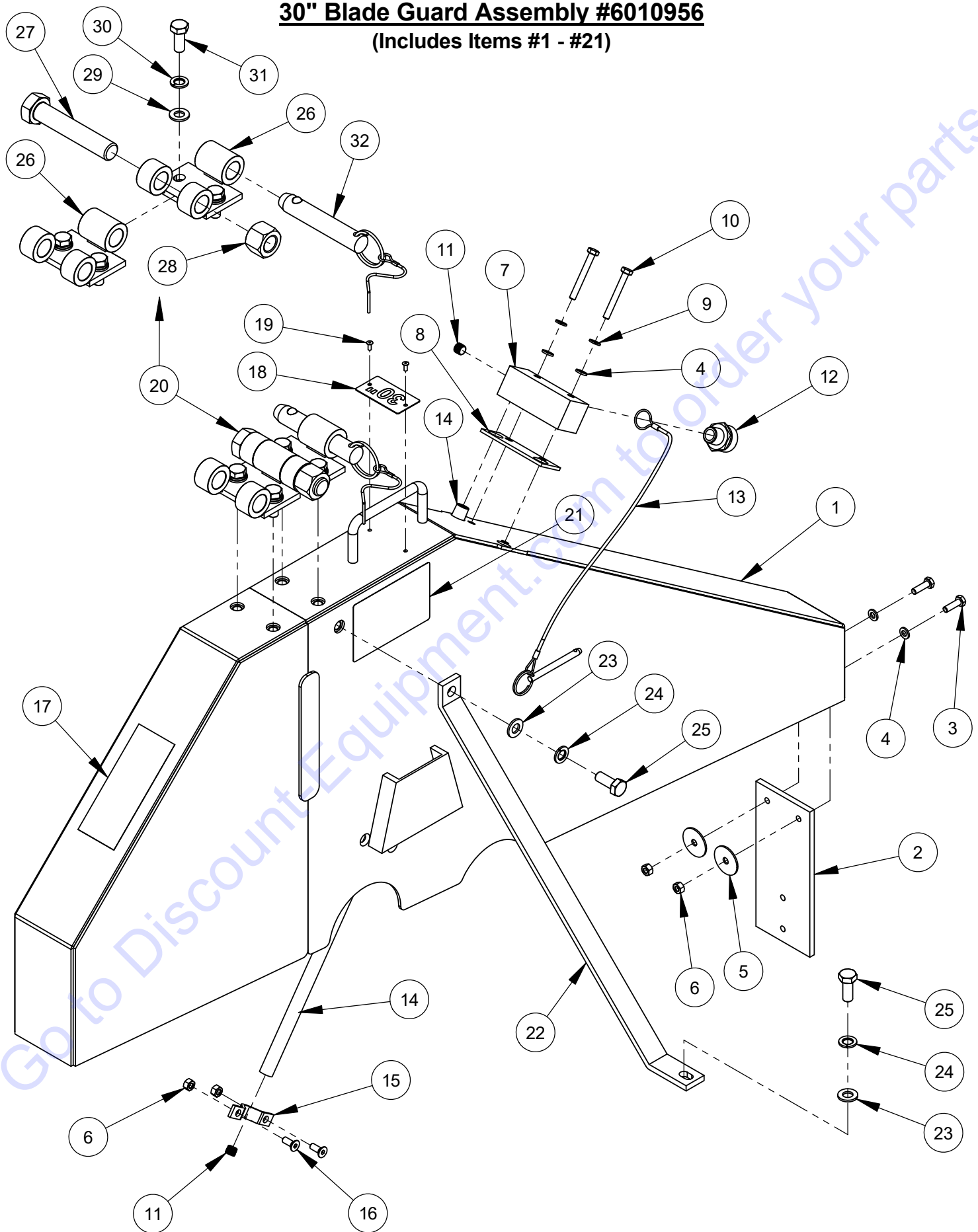
## 26" Blade Guard Assembly #6010954

ITEM	PART NO.	QTY.	DESCRIPTION
1	6010955	1	26" Blade Guard Front & Rear Only
2	6010081	1	Splash Flap
3	2900310	2	Cap Screw, Hex Hd., M6-1.0 x 20mm
4	2901494	4	Flat Washer, M6
5	2900083	2	Fender Washer, 1/4" x 1-1/4"
6	2900302	6	Lock Nut, M6-1.0 Nylon Insert
7	6010261	1	Water Manifold
8	2500830	1	Water Manifold Gasket
9	2900765	2	Lock Washer, M6 Split
10	2901355	2	Cap Screw, Hex Hd., M6-1.0 x 50mm
11	3200001	3	Plug, 1/8" NPT
12	3200002	1	Fitting, 3/8" M. Pipe to 3/4" M. Garden
13	2900279	1	Lanyard with Lock Pin
14	6010086	2	Water Tube for 26" Guard
15	6048155	2	Water Tube Clamp
16	2900308	4	Cap Screw, Flat Hd., M6-1.0 x 16mm
17	1800001	1	Warning Label
18	1801369F	1	Blade Guard Size Tag
19	2900287	2	Rivet, 1/8" Dia.
20	1802090	2	Label, Wedge Locking Washer
21	6010873	1	Universal Hinge Assembly

ITEM	PART NO.	QTY	DESCRIPTION
22	6010871	2	Hinge Weldment, Universal
23	2900479	1	Cap Screw, Hex Hd., 3/4-10 x 4"
24	2900467	1	Lock Nut, 3/4-10 Nylon
25	2901356	4	Flat Washer, M10
26	2900321	4	Lock Washer, M10 Split
27	2900333	4	Cap Screw, Hex Hd., M10-1.5 x 25mm
28	2503824	1	Detent Pin, 3/4" x 3" Grip

# 30" Blade Guard Assembly #6010956

(Includes Items #1 - #21)



**30" Blade Guard Assembly #6010956**  
**(Includes Items #1 - #21)**

ITEM	PART NO.	QTY.	DESCRIPTION
1	6010957	1	30" Blade Guard Front & Rear Only
2	6010081	1	Splash Flap
3	2900310	2	Cap Screw, Hex Hd., M6-1.0 x 20mm
4	2901494	4	Flat Washer, M6
5	2900083	2	Fender Washer, 1/4" x 1-1/4"
6	2900302	6	Lock Nut, M6-1.0 Nylon Insert
7	6010261	1	Water Manifold
8	2500830	1	Water Manifold Gasket
9	2900765	2	Lock Washer, M6 Split
10	2901355	2	Cap Screw, Hex Hd., M6-1.0 x 50mm
11	3200001	3	Plug, 1/8" NPT
12	3200002	1	Fitting, 3/8" M. Pipe to 3/4" M. Garden
13	2900279	1	Lanyard with Lock Pin
14	6010087	2	Water Tube for 30" Guard
15	6048155	2	Water Tube Clamp
16	2900308	4	Cap Screw, Flat Hd., M6-1.0 x 16mm
17	1800001	1	Warning Label
18	1801369G	1	Blade Guard Size Tag
19	2900287	2	Rivet, 1/8" Dia.
20	6010873	1	Universal Hinge Assembly
21	1802090	2	Label, Wedge Locking Washer
22	6012009	1	Blade Guard Brace
23	2901356	2	Flat Washer, M10
24	2900321	2	Lock Washer, M10 Split
25	2900333	2	Cap Screw, Hex Hd., M10-1.5 x 25mm

ITEM	PART NO.	QTY	DESCRIPTION
26	6010871	2	Hinge Weldment, Universal
27	2900479	1	Cap Screw, Hex Hd., 3/4-10 x 4"
28	2900467	1	Lock Nut, 3/4-10 Nylon
29	2901356	4	Flat Washer, M10
30	2900321	4	Lock Washer, M10 Split
31	2900333	4	Cap Screw, Hex Hd., M10-1.5 x 25mm
32	2503824	1	Detent Pin, 3/4" x 3" Grip





# PARTS FINDER

**Search Website  
by Part Number**



**Search Manual  
Library For Parts  
Manual & Lookup Part  
Numbers – Purchase  
or Request Quote**

**Search Manuals**

Enter your information to help us find the right parts manual for your machine.

\* Brand:

\* Model:

\* Serial:

\* Part Number:

SEARCH

**Can't Find Part or  
Manual? Request Help  
by Manufacturer,  
Model & Description**

**Parts Order Form**

Please fill in the following information to help us find the right part for your machine.

Manufacturer:	<input type="text"/>
Model:	<input type="text"/>
Description:	<input type="text"/>
Part Number:	<input type="text"/>
Quantity:	<input type="text"/>
Notes:	<input type="text"/>

Discount-Equipment.com is your online resource for quality parts & equipment.

Florida: **561-964-4949** Outside Florida TOLL FREE: **877-690-3101**

**Need parts?**

Click on this link: <http://www.discount-equipment.com/category/5443-parts/> and choose one of the options to help get the right parts and equipment you are looking for. Please have the machine model and serial number available in order to help us get you the correct parts. If you don't find the part on the website or on one of the online manuals, please fill out the request form and one of our experienced staff members will get back to you with a quote for the right part that your machine needs.

We sell worldwide for the brands: Genie, Terex, JLG, MultiQuip, Mikasa, Essick, Whiteman, Mayco, Toro Stone, Diamond Products, Generac Magnum, Airman, Haulotte, Barreto, Power Blanket, Nifty Lift, Atlas Copco, Chicago Pneumatic, Allmand, Miller Curber, Skyjack, Lull, Skytrak, Tsurumi, Husquvarna Target, Stow, Wacker, Sakai, Mi-T-M, Sullair, Basic, Dynapac, MBW, Weber, Bartell, Bennar Newman, Haulotte, Ditch Runner, Menegotti, Morrison, Contec, Buddy, Crown, Edco, Wyco, Bomag, Laymor, EZ Trench, Bil-Jax, F.S. Curtis, Gehl Pavers, Heli, Honda, ICS/PowerGrit, IHI, Partner, Imer, Clipper, MMD, Koshin, Rice, CH&E, General Equipment, Amida, Coleman, NAC, Gradall, Square Shooter, Kent, Stanley, Tamco, Toku, Hatz, Kohler, Robin, Wisconsin, Northrock, Oztec, Toker TK, Rol-Air, APT, Wylie, Ingersoll Rand / Doosan, Innovatech, Con X, Ammann, Mecalac, Makinex, Smith Surface Prep, Small Line, Wanco, Yanmar

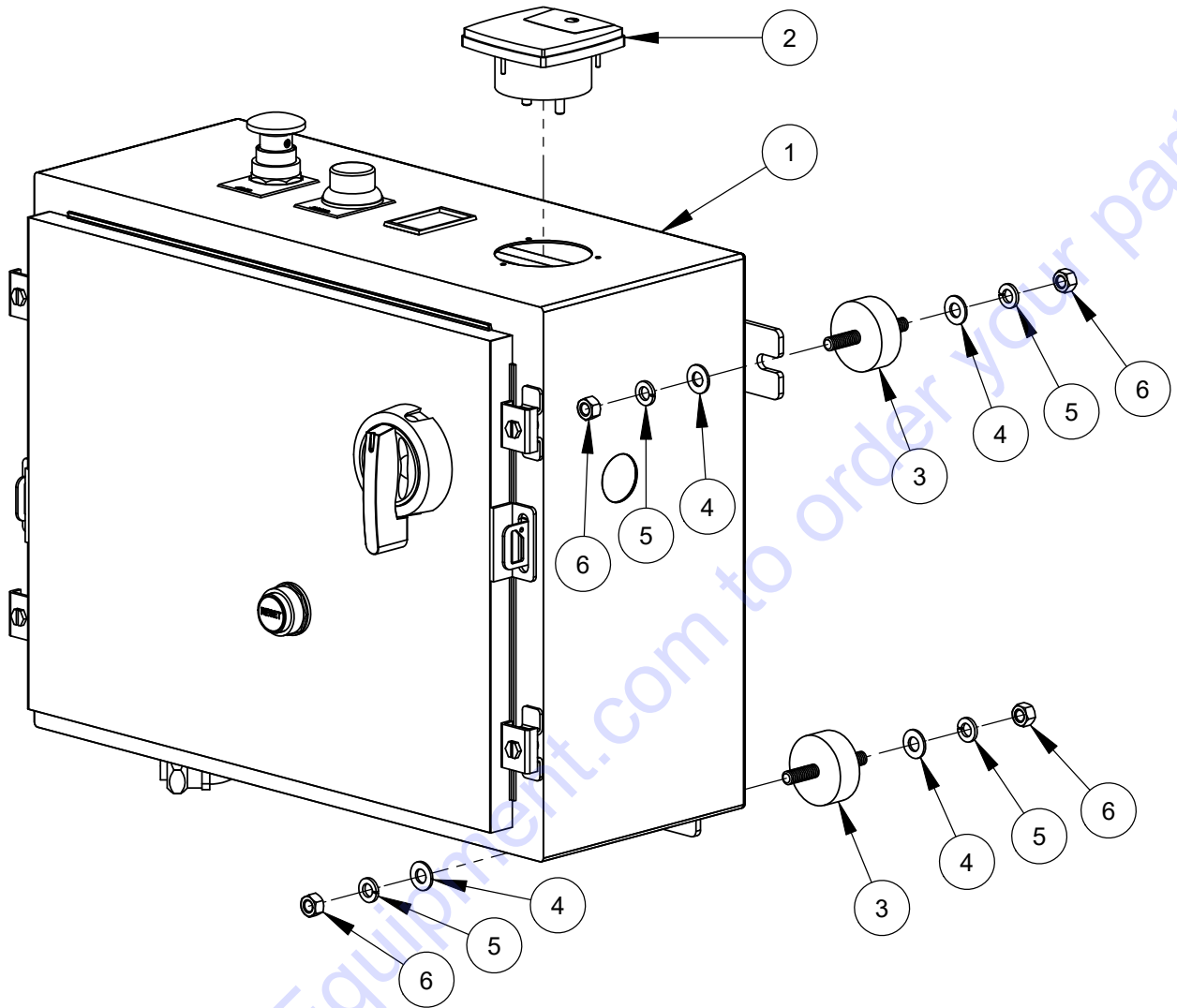


**36" Blade Guard Assembly #6010958**  
**(Includes Items #1 - #24)**

ITEM	PART NO.	QTY.	DESCRIPTION
1	6010959	1	36" Blade Guard Front & Rear Only
2	6010081	1	Splash Flap
3	2900310	2	Cap Screw, Hex Hd., M6-1.0 x 20mm
4	2901494	4	Flat Washer, M6
5	2900083	2	Fender Washer, 1/4" x 1-1/4"
6	2900302	6	Lock Nut, M6-1.0 Nylon Insert
7	6010261	1	Water Manifold
8	2500830	1	Water Manifold Gasket
9	2900765	2	Lock Washer, M6 Split
10	2901355	2	Cap Screw, Hex Hd., M6-1.0 x 50mm
11	3200001	3	Plug, 1/8" NPT
12	3200002	1	Fitting, 3/8" M. Pipe to 3/4" M. Garden
13	2900280	1	Lanyard with Lock Pin
14	6010088	2	Water Tube for 36" Guard
15	6048155	2	Water Tube Clamp
16	2900308	4	Cap Screw, Flat Hd., M6-1.0 x 16mm
17	1800001	1	Warning Label
18	1801369H	1	Blade Guard Size Tag
19	2900639	2	Rivet, 1/8" Dia.
20	2901358	1	Flat Washer, M16
21	2900716	1	Lock Washer, M16 Split
22	2901349	1	Cap Screw, Hex Hd., M16-2.0 x 110mm
23	6010873	1	Universal Hinge Assembly
24	1802090	2	Label, Wedge Locking Washer
25	6012009	1	Blade Guard Brace
26	2901356	2	Flat Washer, M10
27	2900321	2	Lock Washer, M10 Split
28	2900333	2	Cap Screw, Hex Hd., M10-1.5 x 25mm

ITEM	PART NO.	QTY	DESCRIPTION
29	6010871	2	Hinge Weldment, Universal
30	2900479	1	Cap Screw, Hex Hd., 3/4-10 x 4"
31	2900467	1	Lock Nut, 3/4-10 Nylon
32	2901356	4	Flat Washer, M10
33	2900321	4	Lock Washer, M10 Split
34	2900333	4	Cap Screw, Hex Hd., M10-1.5 x 25mm
35	2503824	1	Detent Pin, 3/4" x 3" Grip

## Optional Soft Start Unit Assembly #6012181



### FOR 25HP MOTOR

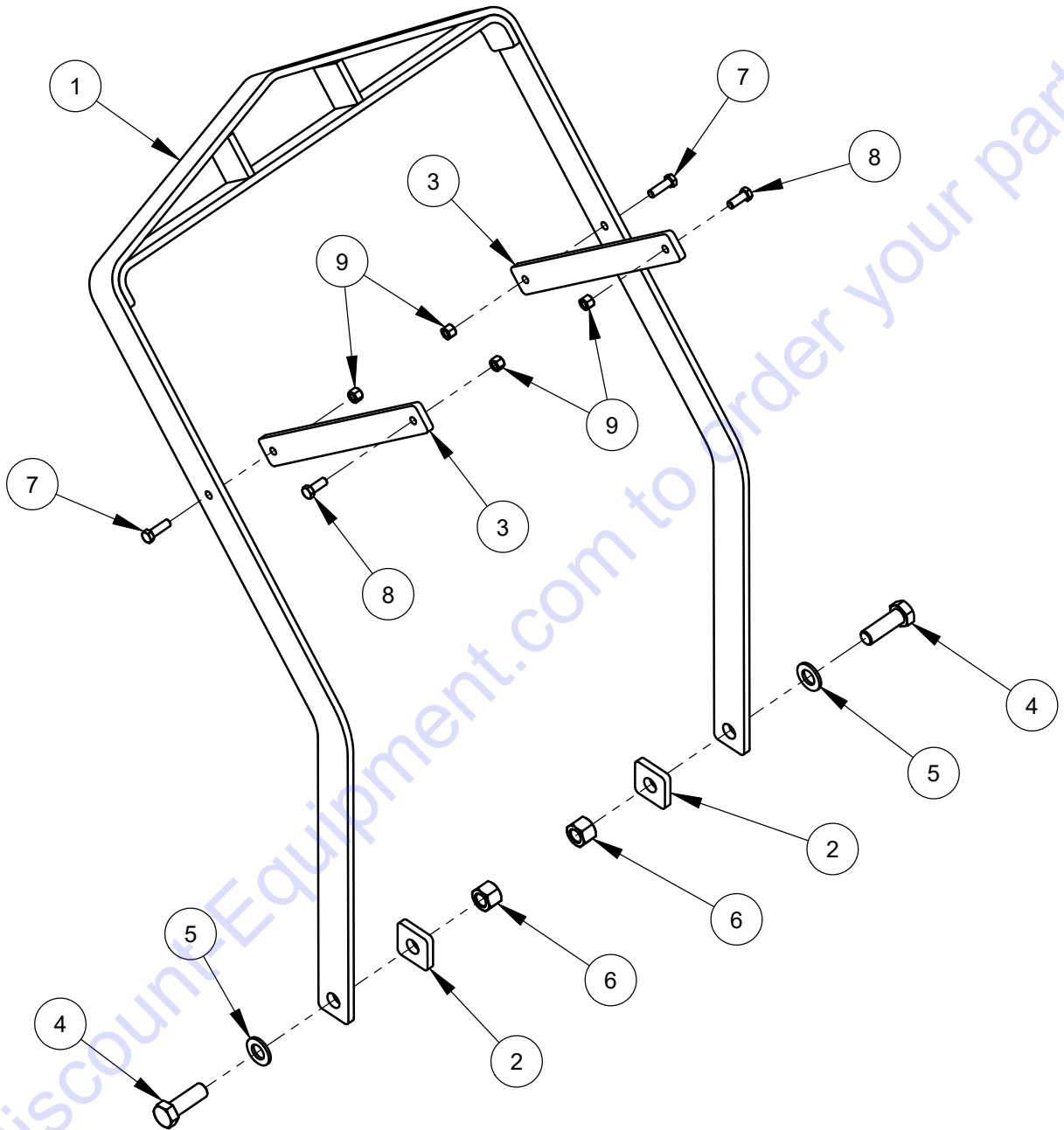
ITEM	PART NO.	QTY.	DESCRIPTION
1	2800650	1	Soft Start Control Box
2	2800217	1	Amp Meter 25HP
3	2500678	4	Vibration Isolator, 3/8-16
4	2900014	8	Flat Washer, 3/8" SAE
5	2900006	8	Lock Washer, 3/8" Split
6	2900033	8	Hex Nut, 3/8-16

### FOR 30HP MOTOR

### FOR 40HP MOTOR

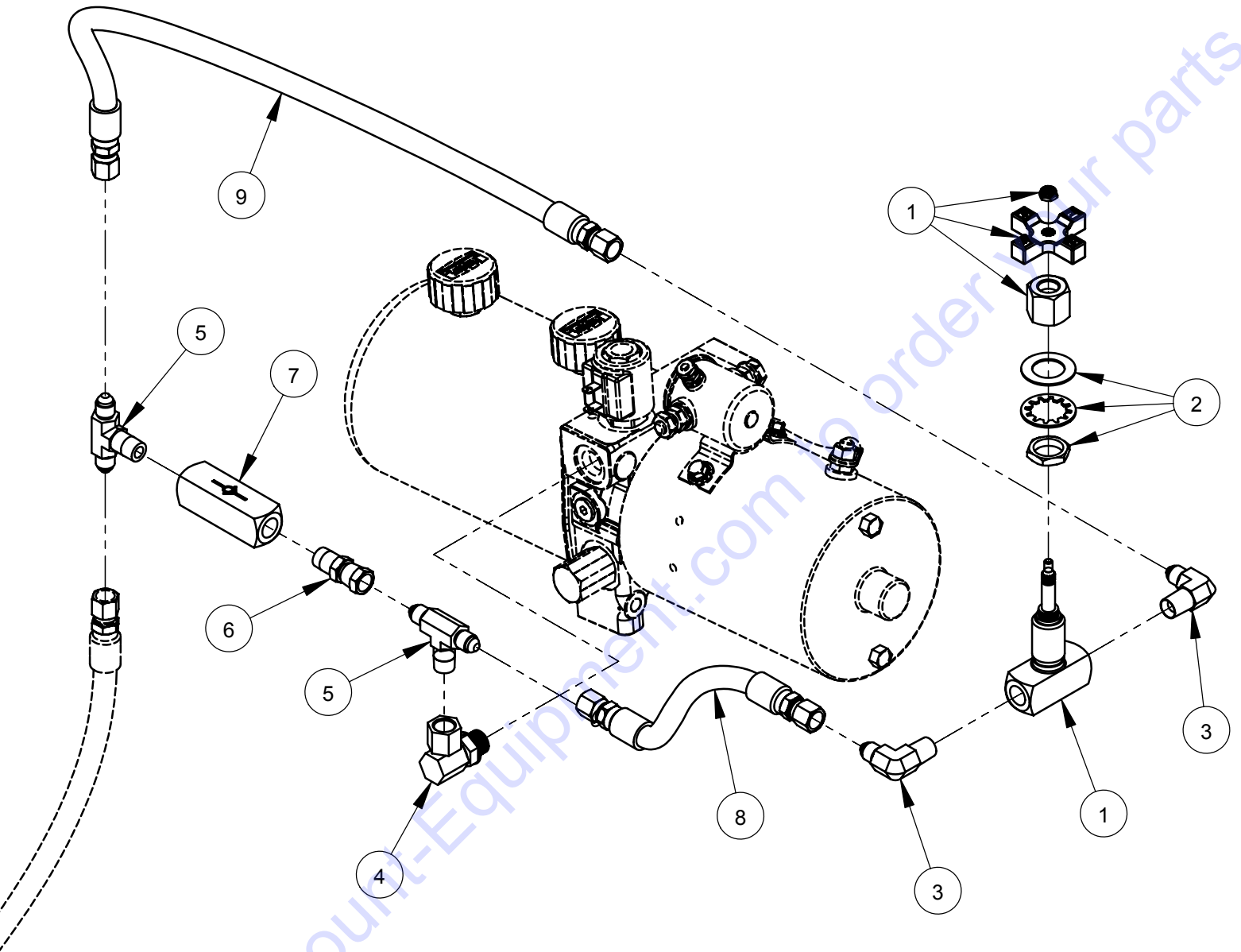
ITEM	PART NO.	QTY.	DESCRIPTION	ITEM	PART NO.	QTY.	DESCRIPTION
1	2800650	1	Soft Start Control Box	1	2800650	1	Soft Start Control Box
2	2800203	1	Amp Meter 30HP	2	2800141	1	Amp Meter 40HP
3	2500678	4	Vibration Isolator, 3/8-16	3	2500678	4	Vibration Isolator, 3/8-16
4	2900014	8	Flat Washer, 3/8" SAE	4	2900014	8	Flat Washer, 3/8" SAE
5	2900006	8	Lock Washer, 3/8" Split	5	2900006	8	Lock Washer, 3/8" Split
6	2900033	8	Hex Nut, 3/8-16	6	2900033	8	Hex Nut, 3/8-16

**Optional Frame Lift Assembly #6012192**  
**(For Optional Soft Start Unit)**



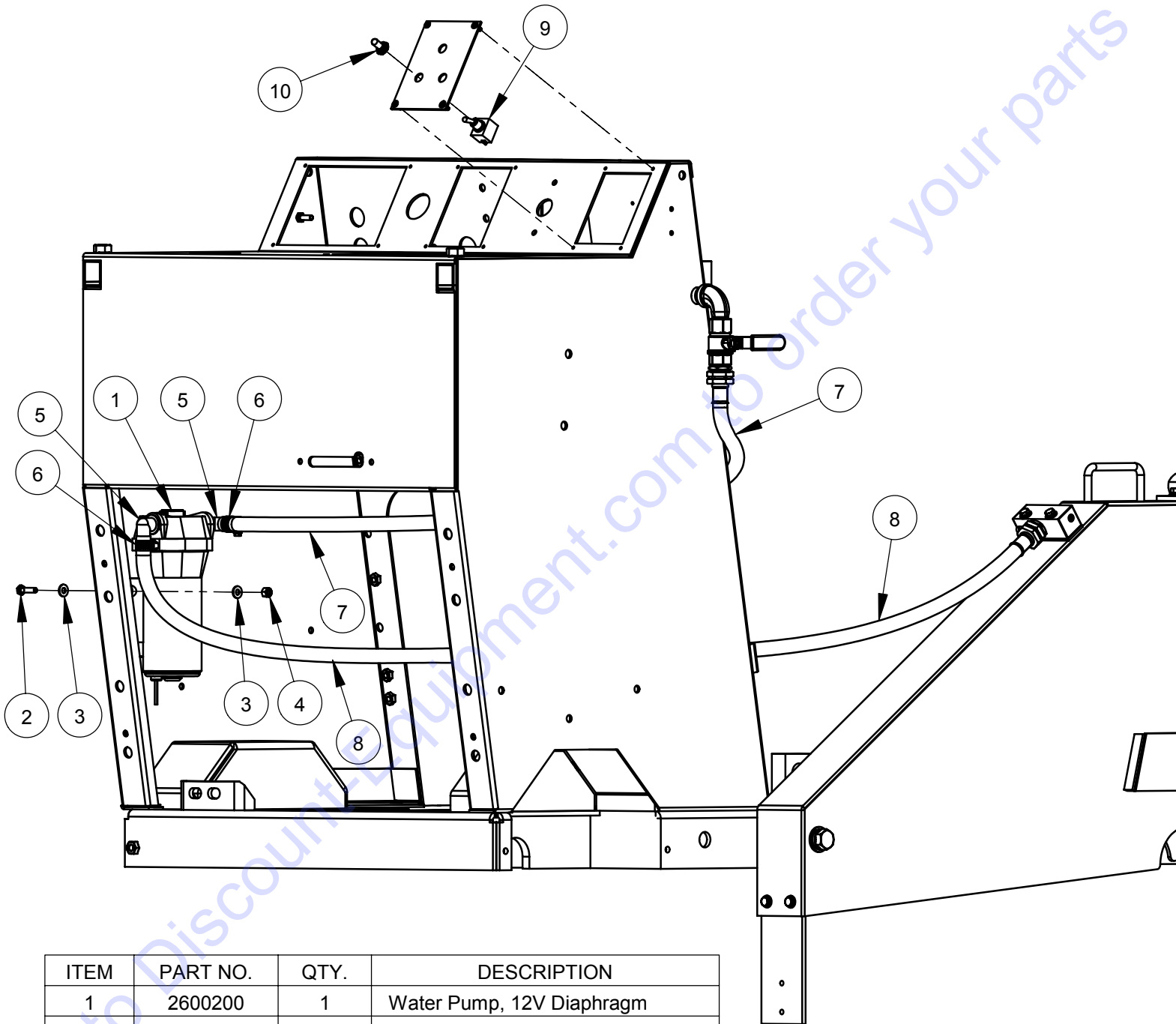
ITEM	PART NO.	QTY.	DESCRIPTION
1	6012193	1	Frame Lift
2	6013053	2	Frame Lift Spacer
3	6012194	2	Frame Lift Brace
4	2900465	2	Cap Screw, Hex Hd., 3/4-10 x 2-1/4"
5	2900003	2	Flat Washer, 3/4" SAE
6	2900467	2	Lock Nut, 3/4-10 Nylon
7	2900013	2	Cap Screw, Hex Hd., 3/8-16 x 1-1/4"
8	2900005	2	Cap Screw, Hex Hd., 3/8-16 x 1"
9	2900018	4	Lock Nut, 3/8-16 Nylon

## Optional Lowering Speed Metering Valve Assembly #6010227



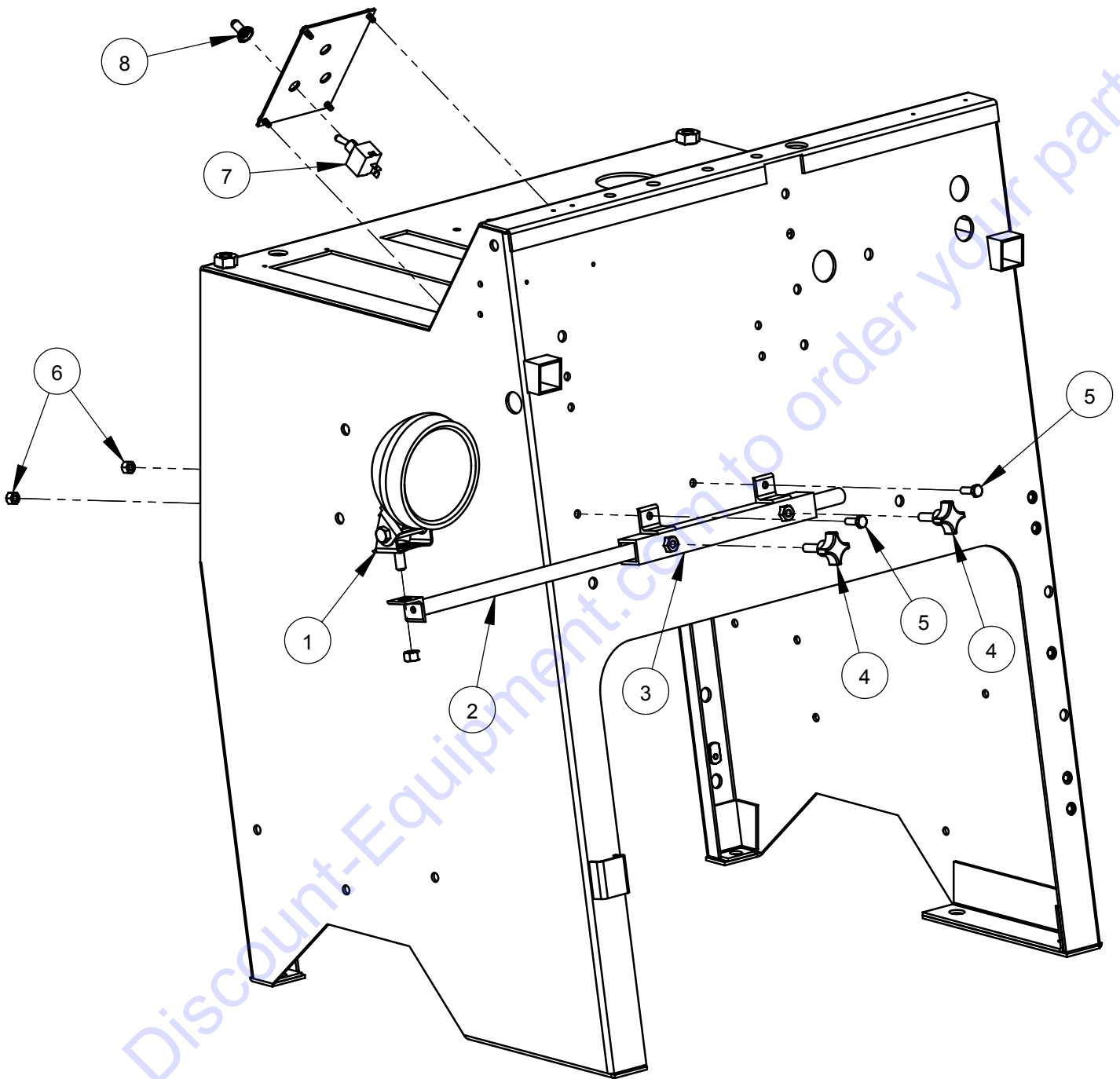
ITEM	PART NO.	QTY.	DESCRIPTION
1	3200211	1	Valve, 1/4" Metering
2	3200212	1	Panel Mounting Kit
3	3200057	2	Elbow, 1/4" M. Pipe to 1/4" M. JIC
4	3200115	1	Elbow, 3/8" O-Ring to 1/4" F. Pipe
5	3200213	2	Tee, 1/4" M. JIC to 1/4" M. Pipe
6	3200219	1	Adapter, 1/4" M. Pipe to 1/4" F. JIC
7	3200218	1	Check Valve
8	6010247	1	Hose Assembly, 8" Long
9	6010248	1	Hose Assembly, 20" Long

## Optional Water Pump Assembly #6011032



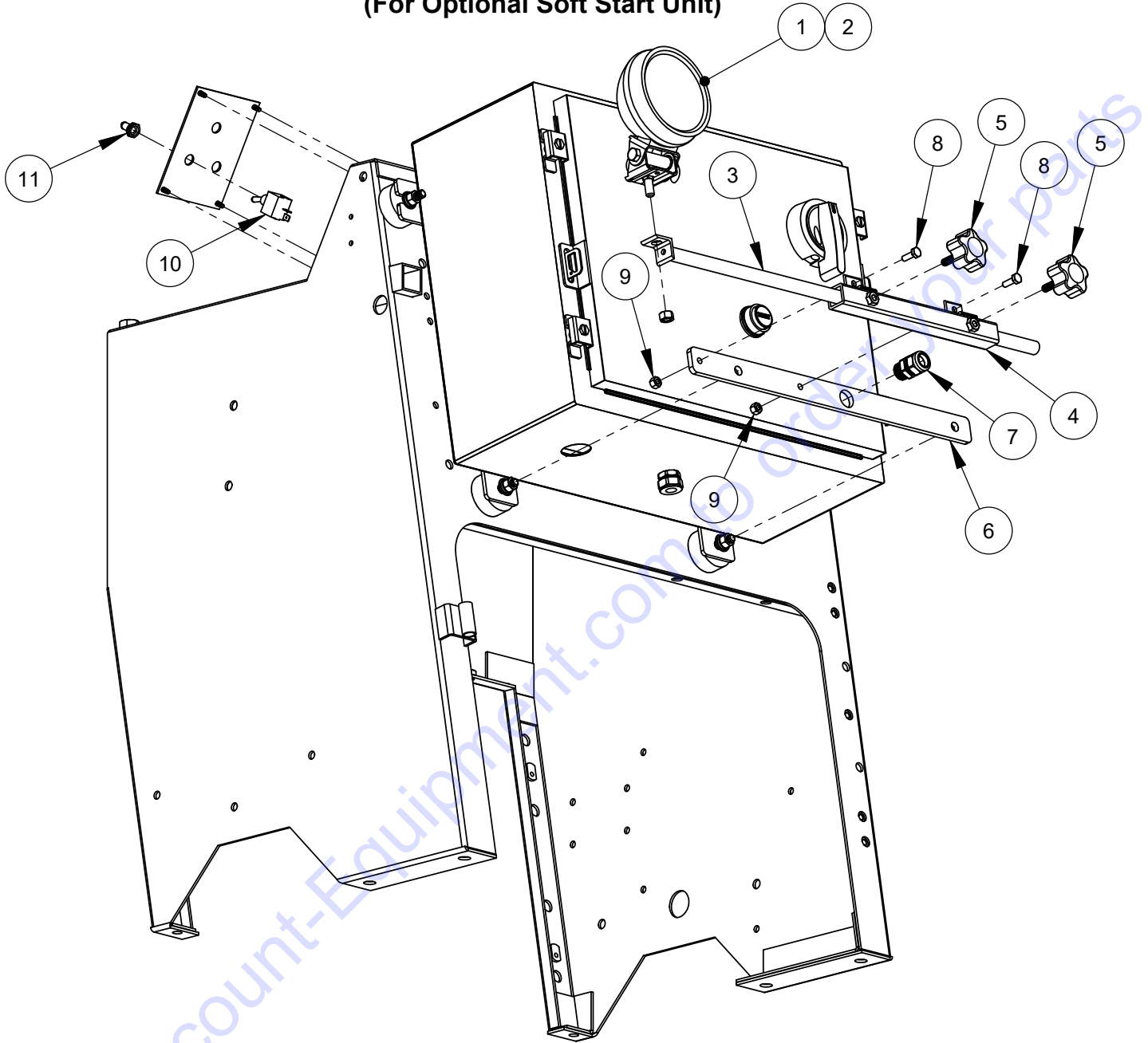
ITEM	PART NO.	QTY.	DESCRIPTION
1	2600200	1	Water Pump, 12V Diaphragm
2	2900008	4	Cap Screw, Hex Hd., 1/4-20 x 1"
3	2900009	8	Flat Washer, 1/4" SAE
4	2900010	4	Lock Nut, 1/4-20 Nylon
5	2701694	2	Port Fitting, 1/2" Barb x 90 Degree
6	3200016	2	Hose Clamp #8
7	6010302	1	Hose Assembly, 4 Foot
8	6010303	1	Hose Assembly, 5 Foot
9	2800062	1	Toggle Switch
10	2800063	1	Switch Boot

## Optional Spot Light Assembly #6010112



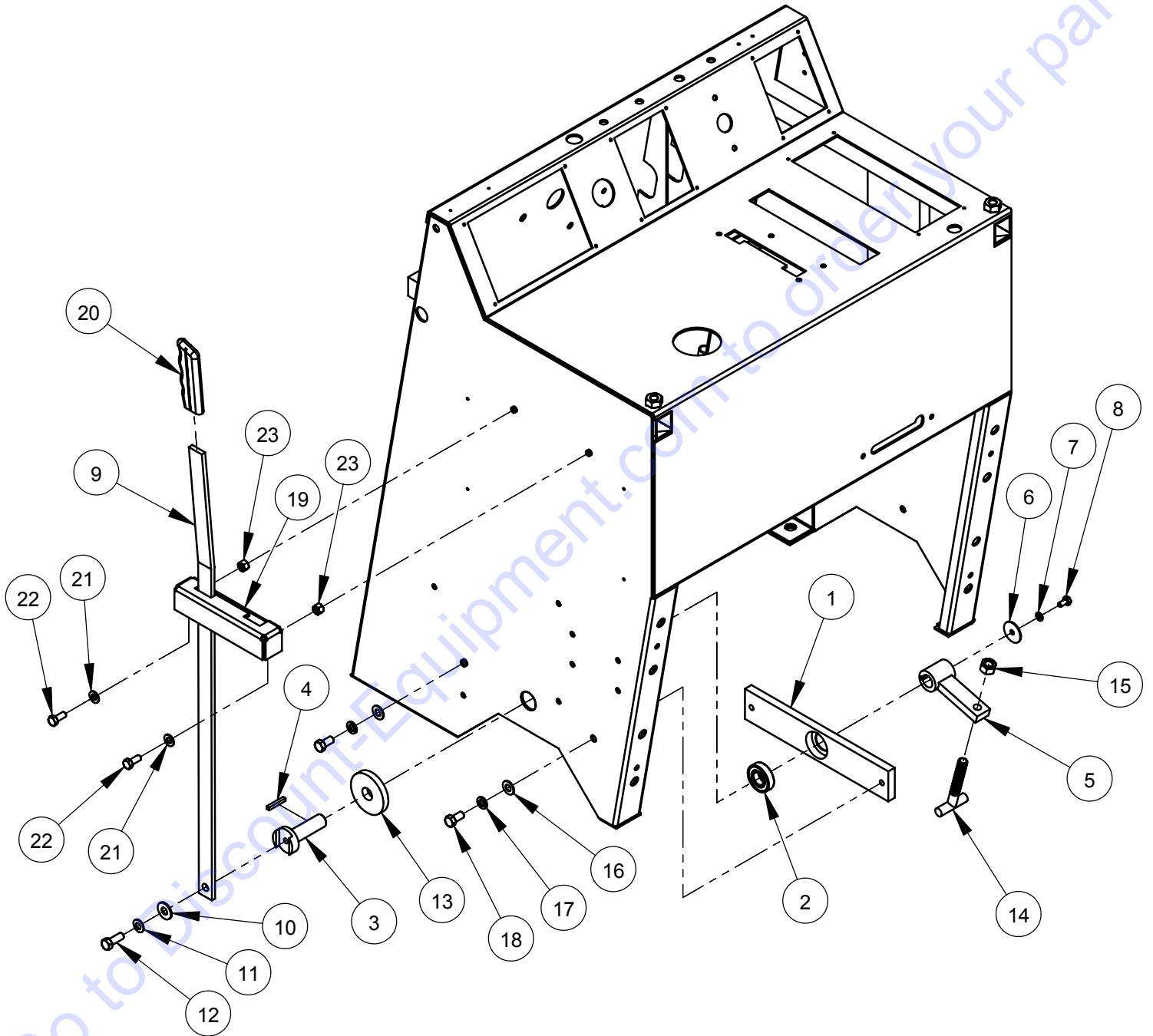
ITEM	PART NO.	QTY.	DESCRIPTION
1	2500194	1	Spot Light, 12 Volt
2	6010106	1	Light Bar
3	6010107	1	Light Bar Mount Bracket
4	2400157	2	Hand Lock Knob, 5/16-18 x 1"
5	2900144	2	Cap Screw, Hex Hd., 1/4-20 x 3/4"
6	2900010	2	Lock Nut, 1/4-20 Nylon
7	2800062	1	Toggle Switch
8	2800063	1	Switch Boot

**Optional Spot Light Assembly #6012182**  
**(For Optional Soft Start Unit)**



ITEM	PART NO.	QTY.	DESCRIPTION
1	2500194	1	Spot Light, 12 Volt
2	6017086	1	Coiled Light Cord (1 Foot)
3	6010106	1	Light Bar
4	6010107	1	Light Bar Mount Bracket
5	2400157	2	Hand Lock Knob, 5/16-18 x 1"
6	6012183	1	Light Attachment Bar
7	2800623	1	Cord Grip, 1/2" NPT Nylon
8	2900144	2	Cap Screw, Hex Hd., 1/4-20 x 3/4"
9	2900010	2	Lock Nut, 1/4-20 Nylon
10	2800062	1	Toggle Switch On/Off
11	2800063	1	Switch Boot

# Optional Parking Brake Assembly #6011228





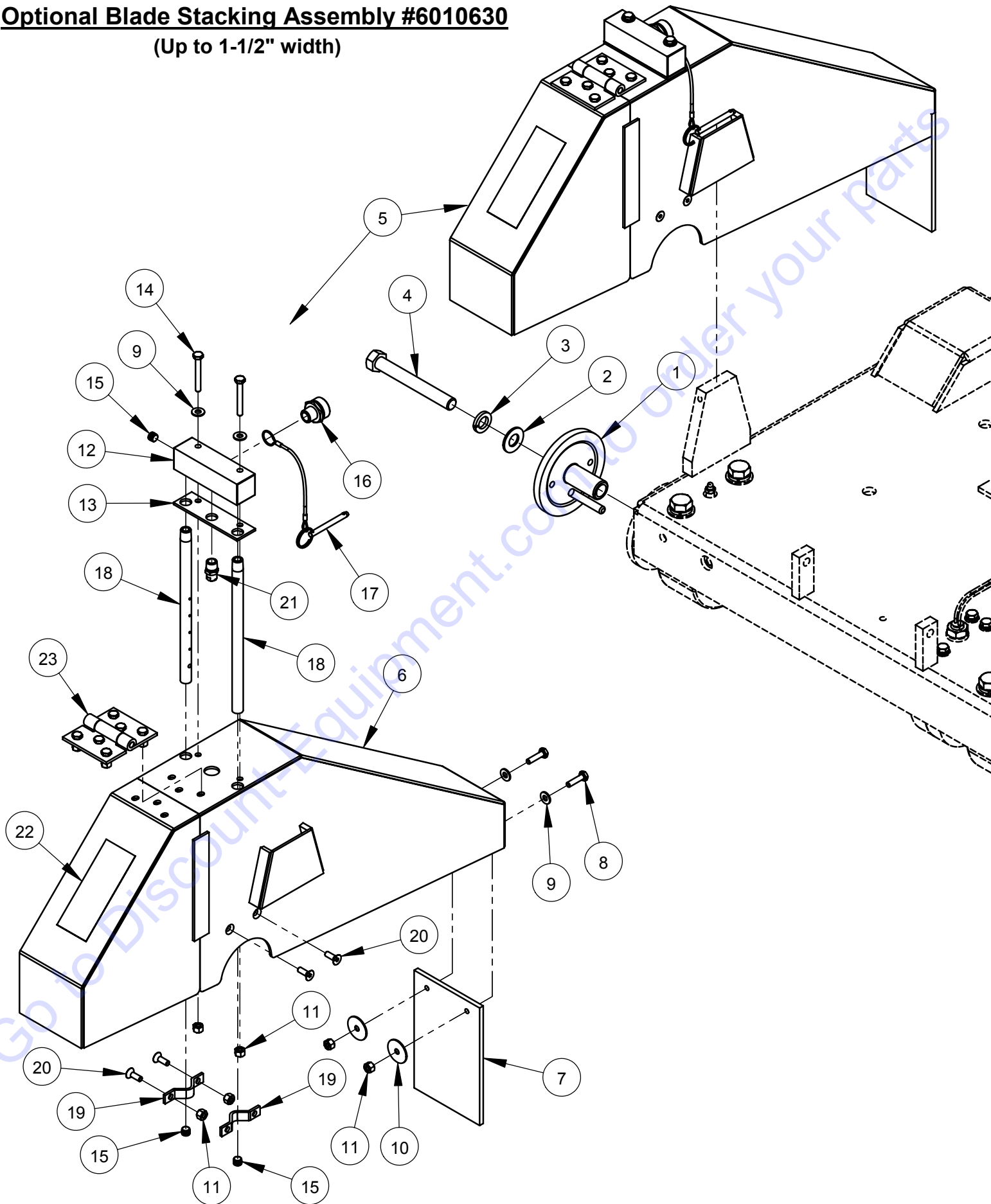
## Optional Parking Brake Assembly #6011228

ITEM	PART NO.	QTY.	DESCRIPTION
1	6011229	1	Bearing Housing Bar
2	2501664	1	Ball Bearing, 3/4" x 1-5/8" x 7/16"
3	6011230	1	Pivot Pin
4	6048229	1	Key, 3/16" Sq. x 1-1/4"
5	6011231	1	Pivot Arm
6	2900083	1	Fender Washer, 1/4" x 1-1/4"
7	2900024	1	Lock Washer, 1/4" Split
8	2900082	1	Cap Screw, Hex Hd., 1/4-20 x 1/2"
9	6011232	1	Brake Lever
10	2900473	1	Flat Washer, 3/8" USS
11	2900474	1	Belleville Washer, 3/8"
12	2900005	1	Cap Screw, Hex Hd., 3/8-16 x 1"
13	6011234	1	Friction Washer, 3/4" x 2-1/2" x 3/8"
14	2900632	1	T-Bolt, 1/2-13
15	2900037	1	Hex Nut, 1/2-13
16	2900014	2	Flat Washer, 3/8" SAE
17	2900006	2	Lock Washer, 3/8" Split
18	2900196	2	Cap Screw, Hex Hd., 3/8-16 x 3/4"
19	6011233	1	Lever Gate
20	2500002	1	Lever Grip
21	2900022	2	Flat Washer, 5/16" SAE
22	2900019	2	Cap Screw, Hex Hd., 5/16-18 x 3/4"
23	2900039	2	Lock Nut, 5/16-18 Nylon

Go to Discount Junction to order your parts

# Optional Blade Stacking Assembly #6010630

(Up to 1-1/2" width)



**Optional Blade Stacking Assembly #6010630**  
**(Up to 1-1/2" width)**

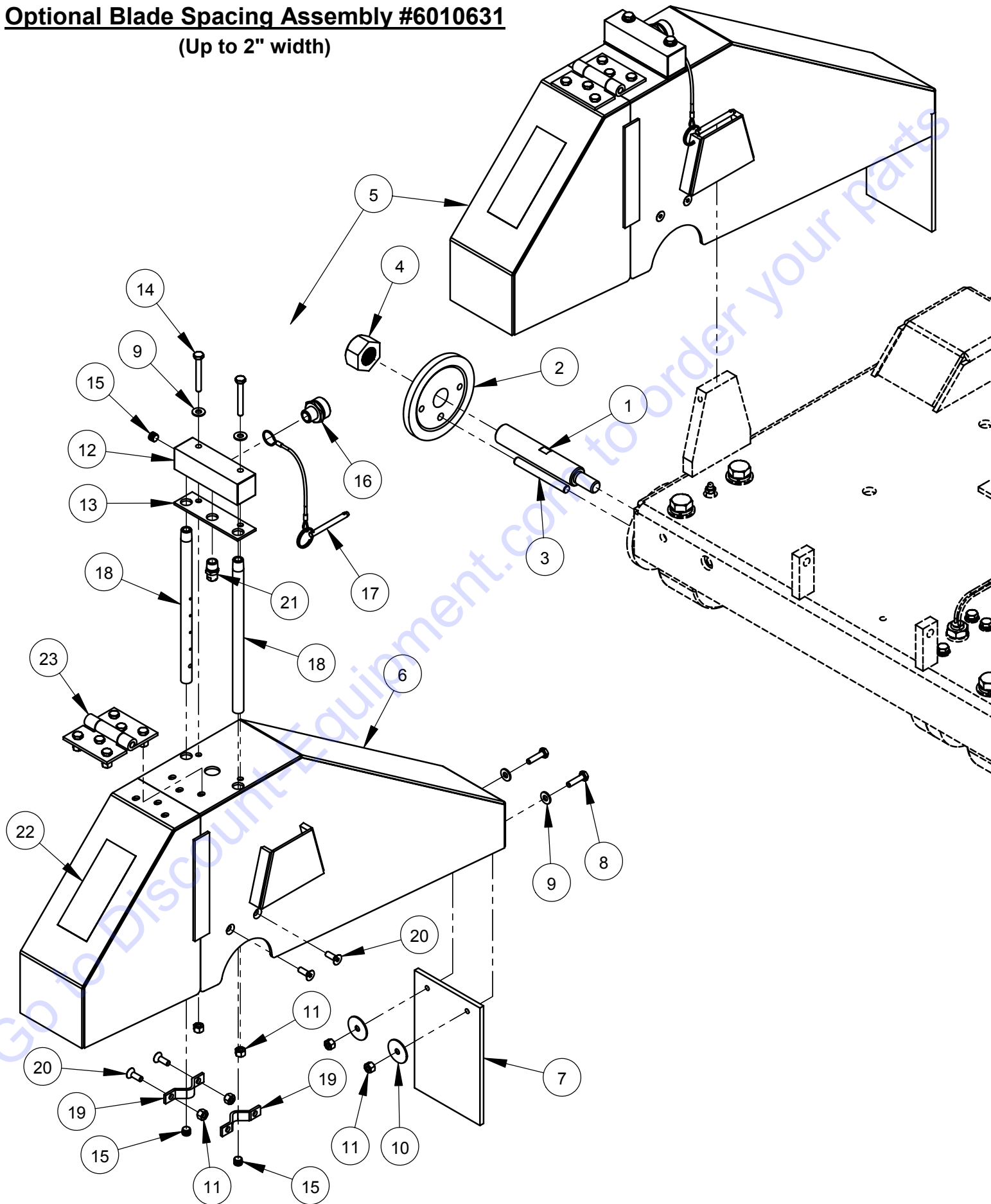
ITEM	PART NO.	QTY.	DESCRIPTION
1	6010159	1	Outer Flange 4-1/2" with Pin
2	2900002	1	Flat Washer, 5/8" SAE
3	2900113	1	Lock Washer, 5/8" Split
4	2900210	1	Cap Screw, Hex Hd., 5/8"-11 x 5" LH
5	6010620	1	20" Wide Blade Guard Assembly

ITEM	PART NO.	QTY.	DESCRIPTION
6	6010621	1	20" Wide Blade Guard Front & Rear Only
7	6010296	1	Splash Flap
8	2900008	2	Cap Screw, Hex Hd., 1/4-20 x 1"
9	2900009	4	Flat Washer, 1/4" SAE
10	2900083	2	Fender Washer, 1/4" x 1-1/4"
11	2900010	8	Lock Nut, 1/4-20 Nylon
12	6010288	1	Water Manifold
13	2500988	1	Water Manifold Gasket
14	2900294	2	Cap Screw, Hex Hd., 1/4-20 x 2"
15	3200001	3	Plug, 1/8" NPT
16	3200002	1	Fitting, 3/8" M. Pipe to 3/4" M. Garden
17	2900278	1	Lanyard with Lock Pin
18	6010085	2	Water Tube for 20" Guard
19	6048155	2	Water Tube Clamp
20	2900020	4	Cap Screw, Flat Hd., 1/4-20 x 3/4"
21	3200208	1	Nozzle, 1/4" NPT
22	1800001	1	Warning Label
23	6010251	1	Hinge Assembly for 20" Guard

Go to Discount Equipment to order your parts

# Optional Blade Spacing Assembly #6010631

(Up to 2" width)



**Optional Blade Spacing Assembly #6010631**  
**(Up to 2" width)**

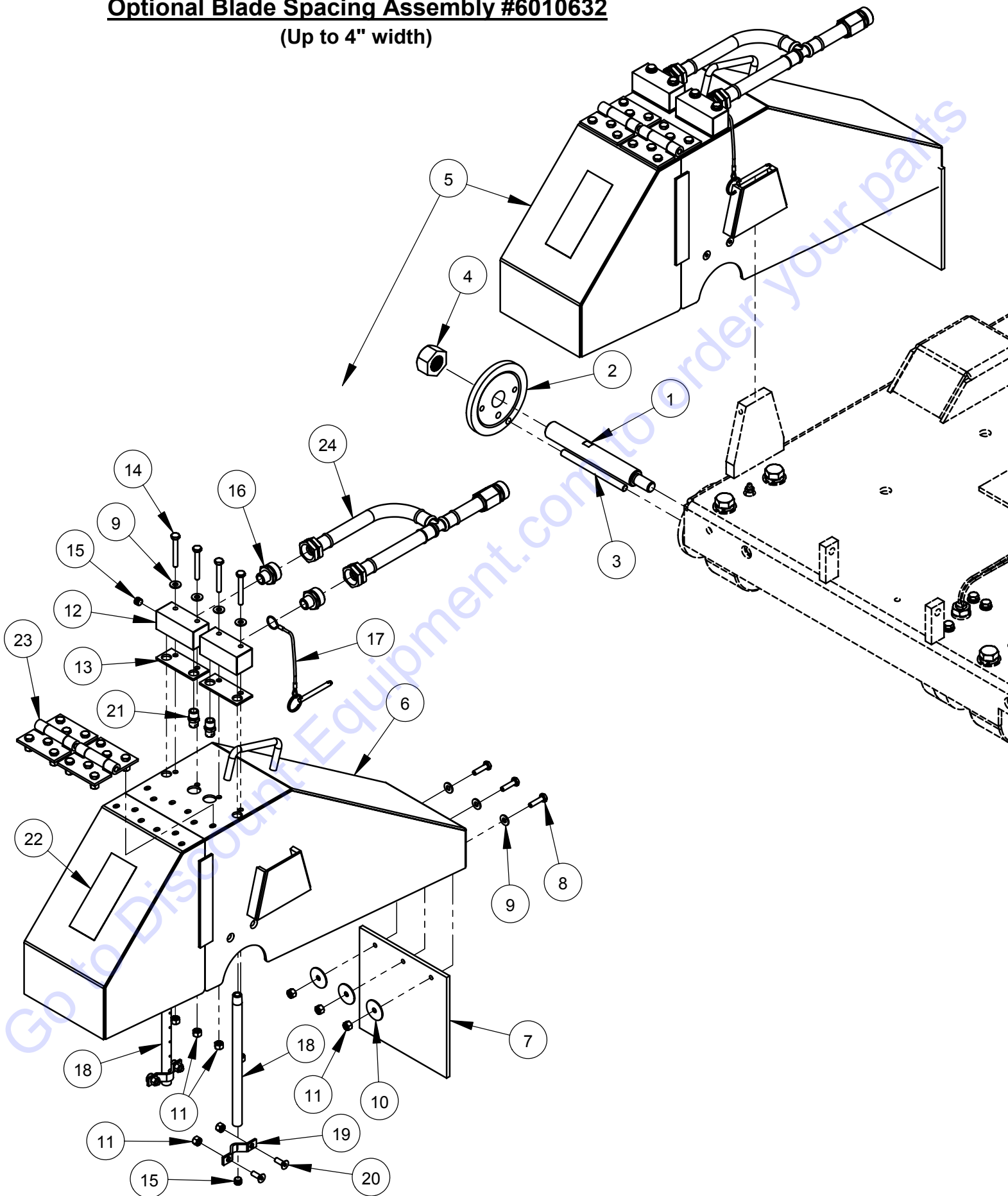
ITEM	PART NO.	QTY.	DESCRIPTION
1	6010186	1	Blade Shaft Extension, Left Hand Thread
2	6010187	1	Outer Flange 4-1/2"
3	2900218	1	Dowel Pin, 3/8" Dia. x 3-1/2"
4	2900212	1	Hex Nut, 1"-14 Left Hand
5	6010620	1	20" Wide Blade Guard Assembly

ITEM	PART NO.	QTY.	DESCRIPTION
6	6010621	1	20" Wide Blade Guard Front & Rear Only
7	6010296	1	Splash Flap
8	2900008	2	Cap Screw, Hex Hd., 1/4-20 x 1"
9	2900009	4	Flat Washer, 1/4" SAE
10	2900083	2	Fender Washer, 1/4" x 1-1/4"
11	2900010	8	Lock Nut, 1/4-20 Nylon
12	6010288	1	Water Manifold
13	2500988	1	Water Manifold Gasket
14	2900294	2	Cap Screw, Hex Hd., 1/4-20 x 2"
15	3200001	3	Plug, 1/8" NPT
16	3200002	1	Fitting, 3/8" M. Pipe to 3/4" M. Garden
17	2900278	1	Lanyard with Lock Pin
18	6010085	2	Water Tube for 20" Guard
19	6048155	2	Water Tube Clamp
20	2900020	4	Cap Screw, Flat Hd., 1/4-20 x 3/4"
21	3200208	1	Nozzle, 1/4" NPT
22	1800001	1	Warning Label
23	6010251	1	Hinge Assembly for 20" Guard

Go to Discount Equipment to order your parts

# Optional Blade Spacing Assembly #6010632

(Up to 4" width)



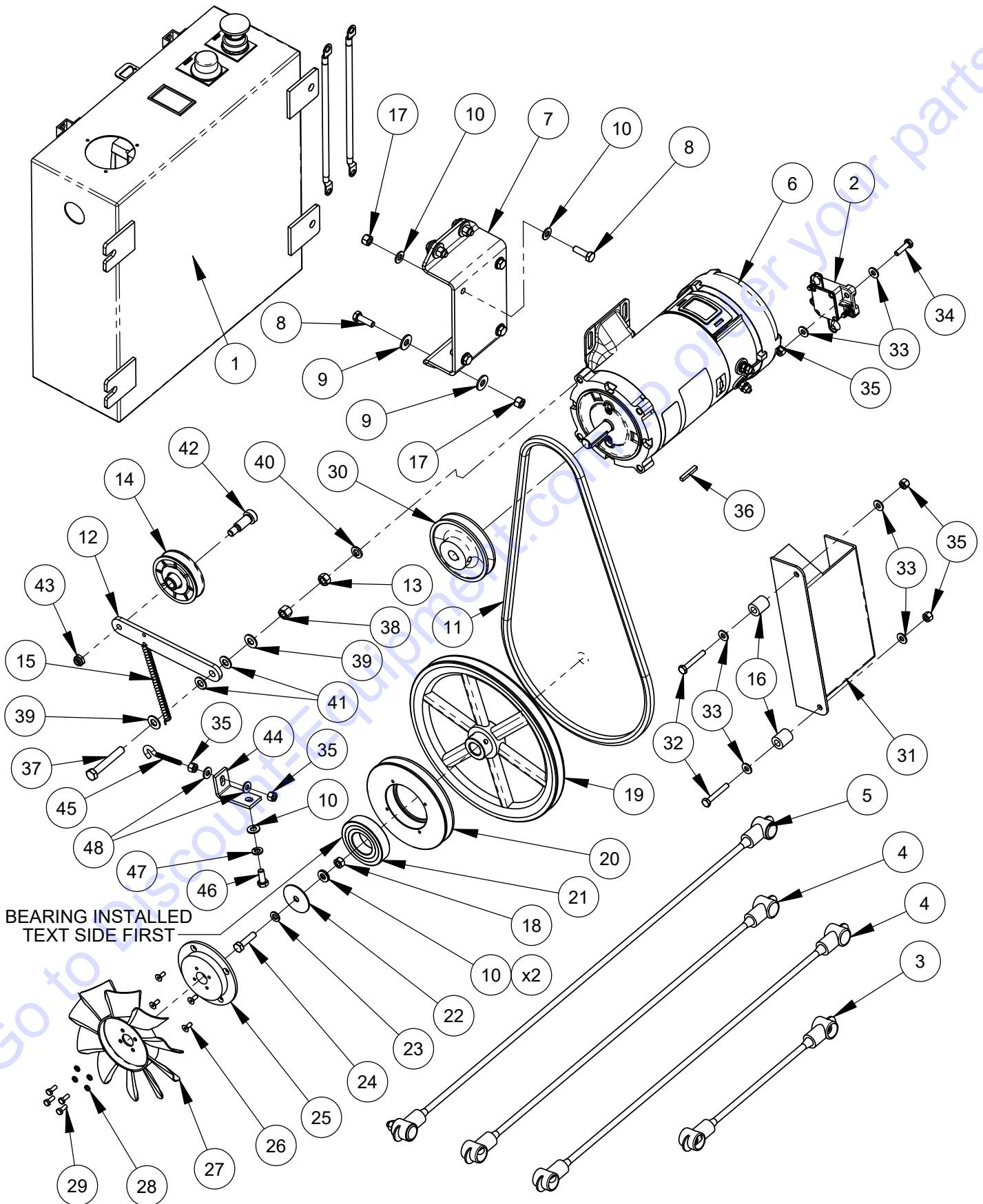
**Optional Blade Spacing Assembly #6010632**  
**(Up to 4" width)**

ITEM	PART NO.	QTY.	DESCRIPTION
1	6010309	1	Blade Shaft Extension, Left Hand Thread
2	6010187	1	Outer Flange 4-1/2"
3	6010359	1	Drive Pin, 3/8" Dia. x 5"
4	2900212	1	Hex Nut, 1"-14 Left Hand
5	6010622	1	20" Wide Blade Guard Assembly

ITEM	PART NO.	QTY.	DESCRIPTION
6	6010623	1	20" Wide Blade Guard Front & Rear Only
7	6010366	1	Splash Flap
8	2900008	3	Cap Screw, Hex Hd., 1/4-20 x 1"
9	2900009	7	Flat Washer, 1/4" SAE
10	2900083	3	Fender Washer, 1/4" x 1-1/4"
11	2900010	11	Lock Nut, 1/4-20 Nylon
12	6048123	2	Water Manifold
13	2500829	2	Water Manifold Gasket
14	2900294	4	Cap Screw, Hex Hd., 1/4-20 x 2"
15	3200001	4	Plug, 1/8" NPT
16	3200002	2	Fitting, 3/8" M. Pipe to 3/4" M. Garden
17	2900278	1	Lanyard with Lock Pin
18	6010085	2	Water Tube for 20" Guard
19	6048155	2	Water Tube Clamp
20	2900020	4	Cap Screw, Flat Hd., 1/4-20 x 3/4"
21	3200208	2	Nozzle, 1/4" NPT
22	1800001	1	Warning Label
23	6010251	2	Hinge Assembly for 20" Guard
24	6010588	1	Hose Assembly, Dual Inlet

Go to [DiscountTurf.com](http://DiscountTurf.com) to order your parts

**DC Power Travel Option 230/460V**  
**#6011620**

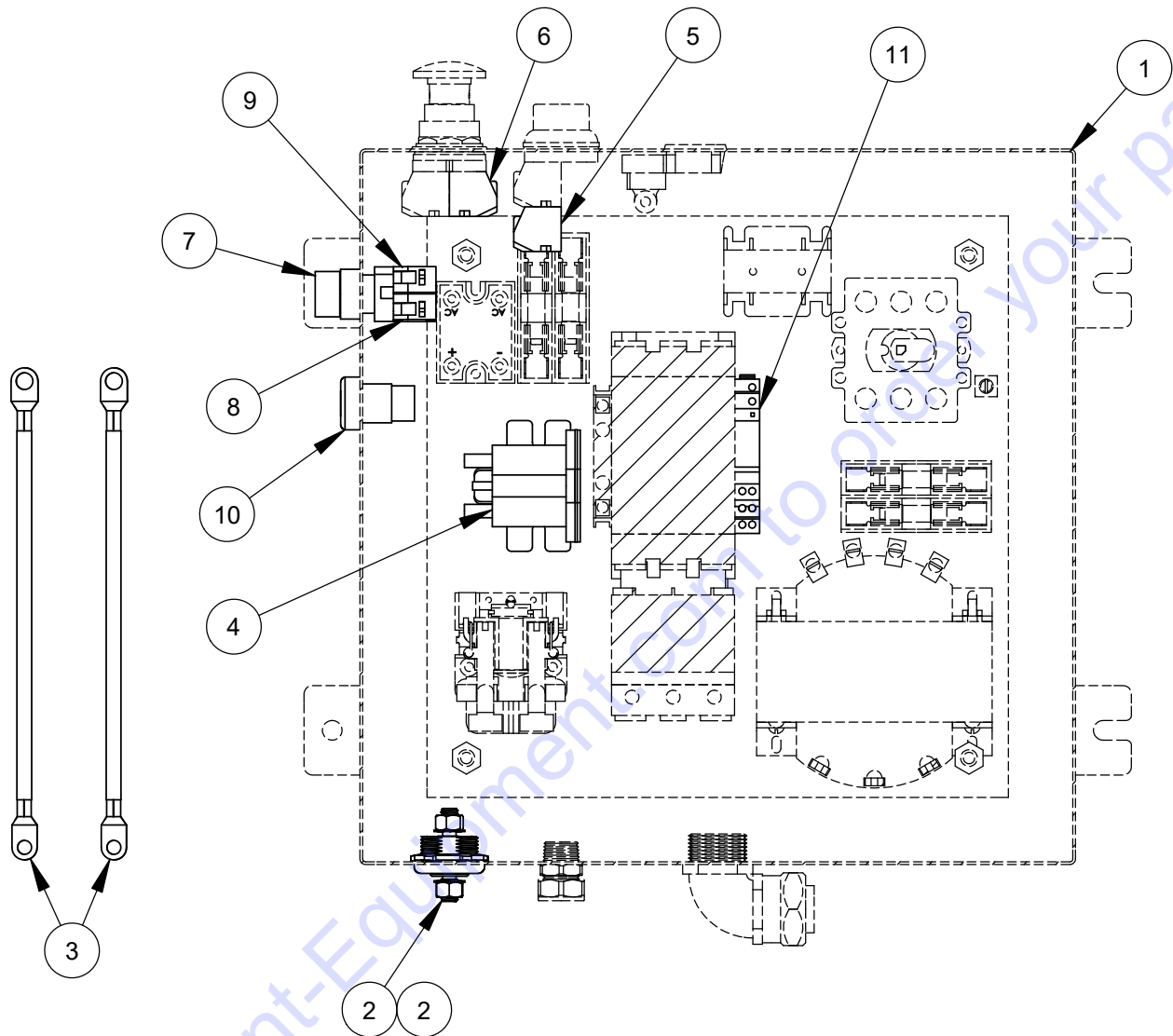




**DC Power Travel Option 230/460V**  
**#6011620**

ITEM	PART NO.	QTY.	DESCRIPTION
1	6011590	1	Starter Box Assembly 230/460V for DC Travel Option
2	2802011	1	Circuit Breaker, 80 Amp
3	4646225	1	Battery Cable Assy., Red
4	2801715	2	Battery Cable Assy., Red
5	4646016	1	Battery Cable Assy., Black
6	2600882	1	3/4HP Leeson Motor. 12VDC 1750 RPM
7	6012205	1	Motor Platform
8	2900138	8	Cap Screw, Hex Hd., 5/16-18 x 1"
9	2900567	8	Flat Washer, 5/16" USS
10	2900022	11	Flat Washer, 5/16" SAE
11	2505270	1	Double V-Belt, AA-49
12	6048218	1	Idler Arm
13	2900033	1	Hex Nut, 3/8-16
14	2503920	1	Idler Pulley, 3" V-Type
15	2500230	1	Spring, 3/8" x 5-1/2"
16	6010515	2	Spacer, 7/8" Long
17	2900039	8	Lock Nut, 5/16-18 Nylon
18	2900141	1	Hex Nut, 5/16-18
19	6012232	1	Clutch Pulley 10.25"
20	6012233	1	Clutch Sheave 5.5"
21	2505380	1	Bearing, one way locking
22	2901504	1	Fender Washer, 5/16 x 1-3/4 x 1/16"
23	2900031	1	Lock Washer, 5/16" Split
24	2900217	1	Cap Screw, Hex Hd., 5/16-18 x 1-1/4"
25	6041175	1	Fan Spacer
26	2900978	4	Cap Screw, Flat Hd., #10-24 x 1/2"
27	2500519	1	Cooling Fan, 7"
28	2900038	4	Lock Washer, #10 Split
29	2900448	4	Machine Screw, Hex Hd., #10-32 x 1/2"
30	2505714	1	Sheave, 3.95"
31	6018295	1	DC Drive Fan Guard
32	2900392	2	Cap Screw, Hex Hd., 1/4-20 x 1-3/4"
33	2900009	8	Flat Washer, 1/4" SAE
34	2900008	2	Cap Screw, Hex Hd., 1/4-20 x 1"
35	2900010	6	Lock Nut, 1/4-20 Nylon
36	6048229	1	Key, 3/16" Sq. x 1-1/4"
37	2900521	1	Tap Bolt, Hex Hd., 3/8-16 x 2-1/2"
38	2900018	1	Locknut, 3/8-16, Nylon
39	2900014	2	Flat Washer, 3/8" SAE
40	2900006	1	Lock Washer, 3/8" Split
41	2901383	2	Friction Washer, 3/8"
42	2900587	1	Shoulder Screw, 1/2" x 1" (3/8-16)
43	2903246	1	Jam Lock Nut, 3/8-16
44	6030065	1	Corner Bracket
45	2902043	1	Hook, 1/4-20 Threaded
46	2900019	1	Cap Screw, Hex Hd., 5/16-18 x 3/4"
47	2900031	1	Lock Washer, 5/16" Split
48	2900009	2	Flat Washer, 1/4" SAE

**Starter Box Assembly 230/460V for DC Travel Option  
# 6011590A**



ITEM	PART NO.	QTY.	DESCRIPTION
1	2800215	1	Starter Box Unit
2	2802012	2	Battery Feed Stud
3	2800570	2	Battery Cable Assy., Red
4	2703210	1	Solenoid Start Switch
5	2701392	1	Contact Block (N.O.)
6	2800200	1	Contact Block (N.C.)
7	2802963	1	Selector Switch, 2 Position
8	3402113	1	N.O. Contact Block
9	3402114	1	N.C. Contact Block
10	2801801	1	Sounder Alarm
11	2801711	1	Relay, DPDT 12V DC

# Decal Group

# CORE CUT

# CC3700

CORE CUT DECAL  
#1800289 (Qty. 3)



WARNING DECAL  
#1801075

**DIAMOND PRODUCTS CORE CUT CC3700**  
333 PROSPECT STREET  
ELYRIA, OHIO 44035 USA  
PHONE: 1-800-321-5336  
www.diamondproducts.com

### CC3725E / CC3730E RPM CHART

BLADE SIZE	BLADE RPM	BLADESHAFT SHEAVE	MOTOR SHEAVE	MOTOR RPM	FLANGE SIZE	MAX CUT DEPTH
14"	3,050	3.12"	5.30"	1,800	4-1/2"	4-5/8"
20"	2,350	3.65"	4.75"	1,800	4-1/2"	7-5/8"
26"	1,800	4.12"	4.12"	1,800	4-1/2"	10-5/8"
30"	1,550	4.75"	4.12"	1,800	6"	11-3/4"
36"	1,375	4.75"	3.65"	1,800	6"	14-3/4"

**WARNING**

- Always check the bladeshaft RPM before installing blade.
- Only use blades with a rated speed higher than the bladeshaft speed.
- Never exceed the maximum RPM stamped on blade. Over-speeding the blade can cause blade fracture and serious personal injury.
- When changing blade size, always adjust bladeshaft RPM according to the speed chart to match recommended blade RPM.
- Do not use a blade flange size smaller than indicated for each blade.
- Never operate saw without the blade guard in place or allow rotating blade exposure for excess 150 degrees.
- Never stand in line with the blade path when starting or operating saw.
- Never use damaged blades or equipment.
- Refer to operator's manual for additional information about safety, operation and maintenance.

**ADVERTENCIA**

- Antes de instalar la hoja, compruebe siempre la velocidad de la hoja.
- Solo utilice hojas con una velocidad nominal superior a la velocidad de la hoja.
- Nunca exceda la velocidad máxima indicada en la hoja. Exceder la velocidad máxima puede causar fractura de la hoja y lesiones personales graves.
- Al cambiar el tamaño de la hoja, siempre ajuste la velocidad de la hoja de acuerdo al cuadro de velocidades para coincidir con la velocidad recomendada de la hoja.
- No utilice un tamaño de flange menor que el indicado para cada hoja.
- Nunca opere la sierra sin el guardablanco en su lugar o permita la exposición de la hoja por más de 150 grados.
- Nunca se ponga en línea con el camino de la hoja al arrancar o operar la sierra.
- Nunca use hojas dañadas o equipo.
- Consulte el manual del operador para obtener información adicional sobre seguridad, operación y mantenimiento.

RPM CHART DECAL  
#1800582



WARNING DECAL  
#1800001

Labels include: FORWARD ADELANTE, REVERSE REVERSA, DIESEL FUEL, ALEJIE LAS MANOS, KEEP HANDS CLEAR, REAR AXLE ADJUSTMENT, FORWARD ADELANTE, REVERSE REVERSA, WARNING ADVERTENCIA, WATER SAFETY SEGURIDAD DEL AGUA, WATER PUMP BOMBA DE AGUA, SPOT LIGHT PROYECTOR DE LUZ.

SAW LABELS SHEET  
#1800351

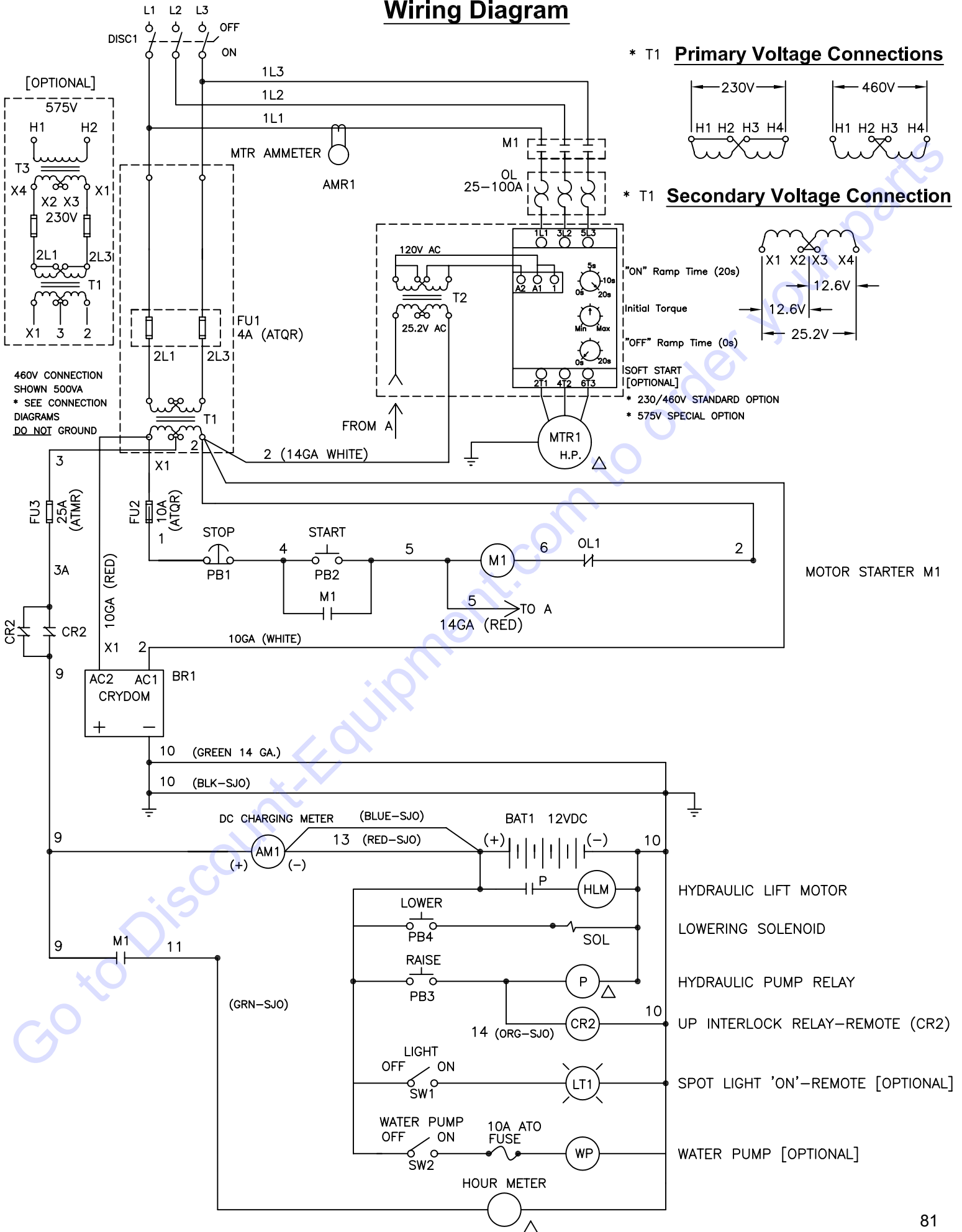
**RECOMMENDED POWER CORD GAUGE**

HORSE POWER	PHASE	VOLTAGE	AMPS	50' CORD	100' CORD	150' CORD	200' CORD
5hp	1ph	230v	23A	#10	#8	#6	#4
5hp	3ph	230v	12A	#14	#12	#10	#8
5hp	3ph	480v	6A	#14	#14	#12	#10
7.5hp	1ph	230v	33A	#8	#6	#6	#4
10hp	3ph	230v	24A	#10	#8	#6	#4
10hp	3ph	480v	12A	#14	#12	#10	#8
20hp	3ph	230v	52A	#6	#6	#4	#2
20hp	3ph	480v	26A	#10	#8	#6	#4
25hp	3ph	230v	58A	#6	#6	#4	#2
25hp	3ph	480v	29A	#10	#8	#6	#4
30hp	3ph	230v	74A	#6	#4	#2	#1
30hp	3ph	480v	37A	#8	#6	#4	#2
40hp	3ph	480v	49A	#6	#6	#4	#2
50hp	3ph	480v	62A	#4	#4	#2	#0

CAUTION: Use of a wire gauge that is too small will cause loss of power or overheating and will damage the electric motor.

POWER CORD DECAL  
#1800376

# Wiring Diagram



## Blade Speed Conversion Charts (CC3725E / CC3730E)

**WARNING:** Do not exceed blade speed (RPM) shown for each blade size.  
Excessive blade speed could result in blade breakage and serious personal injury!

Blade Size	Blade Shaft		Motor		Max. Depth of Cut
	No Load RPM	Sheave Size	No Load RPM	Sheave Size	
14"	3,050	3.12"	1,800	5.3"	4-1/2"
20"	2,350	3.65"	1,800	4.75"	7-1/2"
26"	1,800	4.12"	1,800	4.12"	10-1/2"
30"	1,550	4.75"	1,800	4.12"	11-3/4"
36"	1,375	4.75"	1,800	3.65"	14-3/4"

**WARNING:** When changing blade size, use chart shown below for selecting items that must be changed.

Models CC3725E / CC3730E	14"	20"	26"	30"	36"
Blade Guard Assembly	6010950	6010952	6010954	6010956	6010958
Motor Sheave, 1-7/8" Bore (Sheave Size)	6011093 (5.3")	6011094 (4.75")	6012024 (4.12")	6012024 (4.12")	6012056 (3.65")
Blade Shaft Sheave, 1-3/4" Bore (Sheave Size)	6012005 (3.12")	6011009 (3.65")	6011010 (4.12")	6012052 (4.75")	6012052 (4.75")
Inner Flanges (2) (Flange Size)	6010036 (4.5")	6010036 (4.5")	6010036 (4.5")	6010038 (6")	6010038 (6")
Outer Flange (Flange Size)	6010037 (4.5")	6010037 (4.5")	6010037 (4.5")	6010039 (6")	6010039 (6")
Skid Plate Mounting Holes	Bottom Set	Bottom Set	Bottom Set	Top Set	Top Set

## Blade Speed Conversion Charts (CC3740E)

**WARNING:** Do not exceed blade speed (RPM) shown for each blade size.  
Excessive blade speed could result in blade breakage and serious personal injury!

Blade Size	Blade Shaft		Motor		Max. Depth of Cut
	No Load RPM	Sheave Size	No Load RPM	Sheave Size	
20"	2,500	4"	1,800	5.6"	7-1/2"
26"	2,000	4.5"	1,800	5"	10-1/2"
30"	1,700	5"	1,800	4.75"	11-3/4"
36"	1,350	5.3"	1,800	4"	14-3/4"

**WARNING:** When changing blade size, use chart shown below for selecting items that must be changed.

Model CC3740E	20"	26"	30"	36"
Blade Guard Assembly	6010952	6010954	6010956	6010958
Motor Sheave, 2-1/8" Bore (Sheave Size)	6010291 (5.6")	6010293 (5")	6010295 (4.75")	6012176 (4")
Blade Shaft Sheave, 1-3/4" Bore (Sheave Size)	6012102 (4")	6010547 (4.5")	6012062 (5")	6012053 (5.3")
Inner Flanges (2) (Flange Size)	6010036 (4.5")	6010036 (4.5")	6010038 (6")	6010038 (6")
Outer Flange (Flange Size)	6010037 (4.5")	6010037 (4.5")	6010039 (6")	6010039 (6")
Skid Plate Mounting Holes	Bottom Set	Bottom Set	Top Set	Top Set

## **EQUIPMENT AND PARTS WARRANTY**

Discount-equipment warrants all equipment sold by it against defects in workmanship or materials for a period of one (1) year from the date of shipment to Customer.

The responsibility of Discount-equipment under this Warranty is limited to replacement or repair of defective parts, of such parts as shall appear to us upon inspection at such parts, to have been defective in material or workmanship, with expense for transportation and labor borne by Customer.

In no event shall Discount-equipment be liable for consequential or incidental damages arising out of the failure of any Product to operate properly.

Integral units such as engines, electric motors, batteries, transmissions, etc., are excluded from this Warranty and are subject to the prime manufacturer's warranty.

**THIS WARRANTY IS IN LIEU OF ALL OTHER WARRANTIES,  
EXPRESSED OR IMPLIED, AND ALL SUCH OTHER WARRANTIES ARE  
HEREBY DISCLAIMED.**





# PARTS FINDER

**Search Website  
by Part Number**



**Search Manual  
Library For Parts  
Manual & Lookup Part  
Numbers – Purchase  
or Request Quote**

**Search Manuals**

Enter your information to help us find the right parts manual for your machine.

\* Brand:

\* Model:

\* Serial:

\* Part Number:

SEARCH

**Can't Find Part or  
Manual? Request Help  
by Manufacturer,  
Model & Description**

**Parts Order Form**

Please fill in the following information to help us find the right part for your machine.

Manufacturer:	<input type="text"/>
Model:	<input type="text"/>
Description:	<input type="text"/>
Part Number:	<input type="text"/>
Quantity:	<input type="text"/>
Notes:	<input type="text"/>

Submit

Discount-Equipment.com is your online resource for quality parts & equipment.

Florida: **561-964-4949** Outside Florida TOLL FREE: **877-690-3101**

**Need parts?**

Click on this link: <http://www.discount-equipment.com/category/5443-parts/> and choose one of the options to help get the right parts and equipment you are looking for. Please have the machine model and serial number available in order to help us get you the correct parts. If you don't find the part on the website or on one of the online manuals, please fill out the request form and one of our experienced staff members will get back to you with a quote for the right part that your machine needs.

We sell worldwide for the brands: Genie, Terex, JLG, MultiQuip, Mikasa, Essick, Whiteman, Mayco, Toro Stone, Diamond Products, Generac Magnum, Airman, Haulotte, Barreto, Power Blanket, Nifty Lift, Atlas Copco, Chicago Pneumatic, Allmand, Miller Curber, Skyjack, Lull, Skytrak, Tsurumi, Husquvarna Target, Stow, Wacker, Sakai, Mi-T-M, Sullair, Basic, Dynapac, MBW, Weber, Bartell, Bennar Newman, Haulotte, Ditch Runner, Menegotti, Morrison, Contec, Buddy, Crown, Edco, Wyco, Bomag, Laymor, EZ Trench, Bil-Jax, F.S. Curtis, Gehl Pavers, Heli, Honda, ICS/PowerGrit, IHI, Partner, Imer, Clipper, MMD, Koshin, Rice, CH&E, General Equipment, Amida, Coleman, NAC, Gradall, Square Shooter, Kent, Stanley, Tamco, Toku, Hatz, Kohler, Robin, Wisconsin, Northrock, Oztec, Toker TK, Rol-Air, APT, Wylie, Ingersoll Rand / Doosan, Innovatech, Con X, Ammann, Mecalac, Makinex, Smith Surface Prep, Small Line, Wanco, Yanmar