



# **CONCRETE SAW PARTS LIST**

## **MODEL CC1800XL**

### **ELECTRIC & HYDRAULIC UNITS**

August 18, 2015

Part # 1801037

# PARTS FINDER

**Search Website  
by Part Number**



**Search Manual  
Library For Parts  
Manual & Lookup Part  
Numbers – Purchase  
or Request Quote**

**Search Manuals**

Enter your information to help us find the right parts manual for your machine.

\* Brand:

\* Model:

\* Serial:

\* Part Number:

SEARCH

**Can't Find Part or  
Manual? Request Help  
by Manufacturer,  
Model & Description**

**Parts Order Form**

Please fill in the following information to help us find the right part for your machine.

Manufacturer:	<input type="text"/>
Model:	<input type="text"/>
Description:	<input type="text"/>
Part Number:	<input type="text"/>
Quantity:	<input type="text"/>
Notes:	<input type="text"/>

Submit

Discount-Equipment.com is your online resource for quality parts & equipment.

Florida: **561-964-4949** Outside Florida TOLL FREE: **877-690-3101**

**Need parts?**

Click on this link: <http://www.discount-equipment.com/category/5443-parts/> and choose one of the options to help get the right parts and equipment you are looking for. Please have the machine model and serial number available in order to help us get you the correct parts. If you don't find the part on the website or on one of the online manuals, please fill out the request form and one of our experienced staff members will get back to you with a quote for the right part that your machine needs.

We sell worldwide for the brands: Genie, Terex, JLG, MultiQuip, Mikasa, Essick, Whiteman, Mayco, Toro Stone, Diamond Products, Generac Magnum, Airman, Haulotte, Barreto, Power Blanket, Nifty Lift, Atlas Copco, Chicago Pneumatic, Allmand, Miller Curber, Skyjack, Lull, Skytrak, Tsurumi, Husquvarna Target, Stow, Wacker, Sakai, Mi-T-M, Sullair, Basic, Dynapac, MBW, Weber, Bartell, Bennar Newman, Haulotte, Ditch Runner, Menegotti, Morrison, Contec, Buddy, Crown, Edco, Wyco, Bomag, Laymor, EZ Trench, Bil-Jax, F.S. Curtis, Gehl Pavers, Heli, Honda, ICS/PowerGrit, IHI, Partner, Imer, Clipper, MMD, Koshin, Rice, CH&E, General Equipment, Amida, Coleman, NAC, Gradall, Square Shooter, Kent, Stanley, Tamco, Toku, Hatz, Kohler, Robin, Wisconsin, Northrock, Oztec, Toker TK, Rol-Air, APT, Wylie, Ingersoll Rand / Doosan, Innovatech, Con X, Ammann, Mecalac, Makinex, Smith Surface Prep, Small Line, Wanco, Yanmar

### RECOMMENDED POWER CORD GAUGE

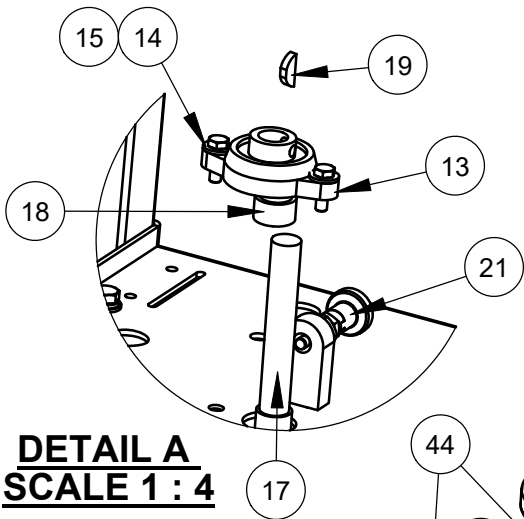
HORSE POWER	PHASE	VOLTS	AMPS	50 Ft. CORD	100 Ft. CORD	150 Ft. CORD	200 Ft. CORD
5hp	1ph	230v	23A	#10	#8	#6	#4
5hp	3ph	230v	12A	#14	#12	#10	#8
5hp	3ph	460v	6A	#14	#14	#12	#10
7.5hp	1ph	230v	33A	#8	#8	#6	#4
10hp	3ph	230v	24A	#10	#8	#6	#4
10hp	3ph	460v	12A	#14	#12	#10	#8
20hp	3ph	230v	52A	#6	#6	#4	#2
20hp	3ph	460v	26A	#10	#8	#6	#4
25hp	3ph	230v	58A	#6	#6	#4	#2
25hp	3ph	460v	29A	#10	#8	#6	#4
30hp	3ph	230v	74A	#6	#4	#2	#1
30hp	3ph	460v	37A	#8	#6	#4	#2
40hp	3ph	460v	48A	#8	#6	#4	#2
50hp	3ph	460v	62A	#4	#4	#2	#0

CAUTION: Use of a wire gauge that is too small will cause loss of power or overheating and will damage the electric motor.

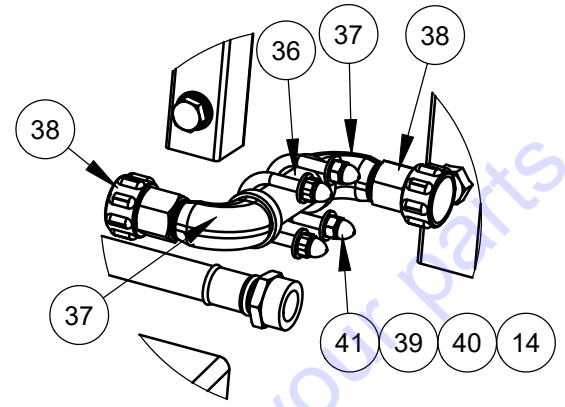
## Table of Contents

Common Parts.....	4	Hydraulic Motor Option, 1.16Cl .....	36
Front Axle Assembly .....	8	Hydraulic Motor Option, 1.55Cl .....	38
Rear Axle Assembly .....	9	Hydraulic Motor Option, 1.94Cl .....	40
Transmission Assembly .....	10	Weight Bar Assembly.....	42
Blade Shaft Assembly (230/460 Volt) .....	12	14" Blade Guard Assembly .....	43
Blade Shaft Assembly (575 Volt) .....	13	20" Blade Guard Assembly .....	44
Blade Shaft Assembly (24" Blade) .....	14	24" Blade Guard Assembly .....	45
Blade Shaft Assembly (Hydraulic Units) .....	15	Brake Option.....	46
Pointer Assembly (Electric Units) .....	16	Warranty.....	Rear Cover
Pointer Assembly (Gas & Hydraulic Units) .....	17		
Electric Motor Option, 7-1/2HP, 230V, 1-Ph.....	18		
Electric Motor Option, 10HP, 230V, 3-Ph.....	20		
Electric Motor Option, 10HP, 460V, 3-Ph.....	22		
Electric Motor Option, 10HP, 575V, 3-Ph.....	24		
Starter Box Assembly, 1-Ph, 220-240V.....	26		
Starter Box Assembly, 3-Ph, 220-240V.....	27		
Starter Box Assembly, 3-Ph, 415-480V.....	28		
Starter Box Assembly, 3-Ph, 550-600V.....	29		
Starter Box, 220-240V .....	30		
Starter Box, 415-480V .....	32		
Starter Box, 550-600V .....	34		

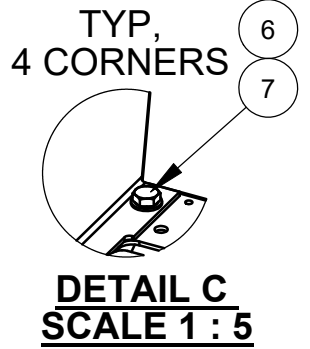
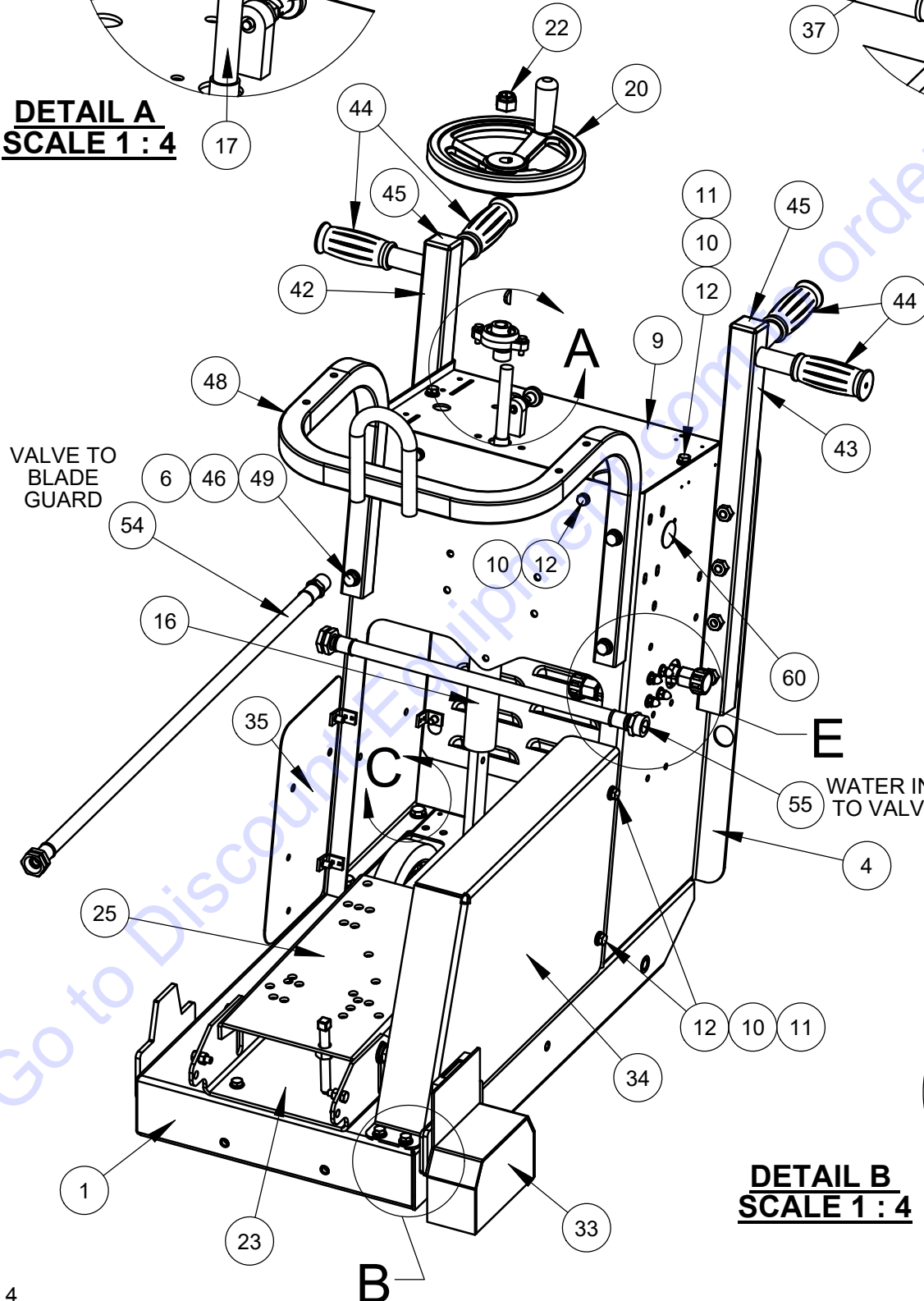
# 6048960: CC1800 XL, COMMON PARTS



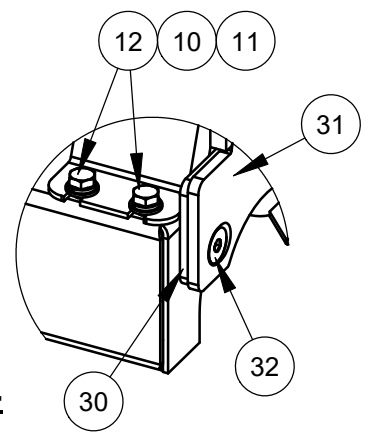
**DETAIL A**  
**SCALE 1 : 4**



**DETAIL E**  
**SCALE 1 : 4**



**DETAIL C**  
**SCALE 1 : 5**

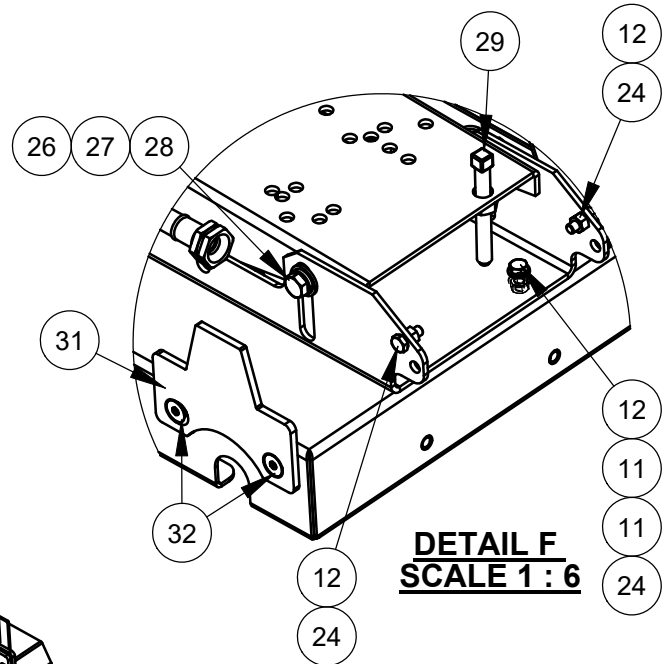
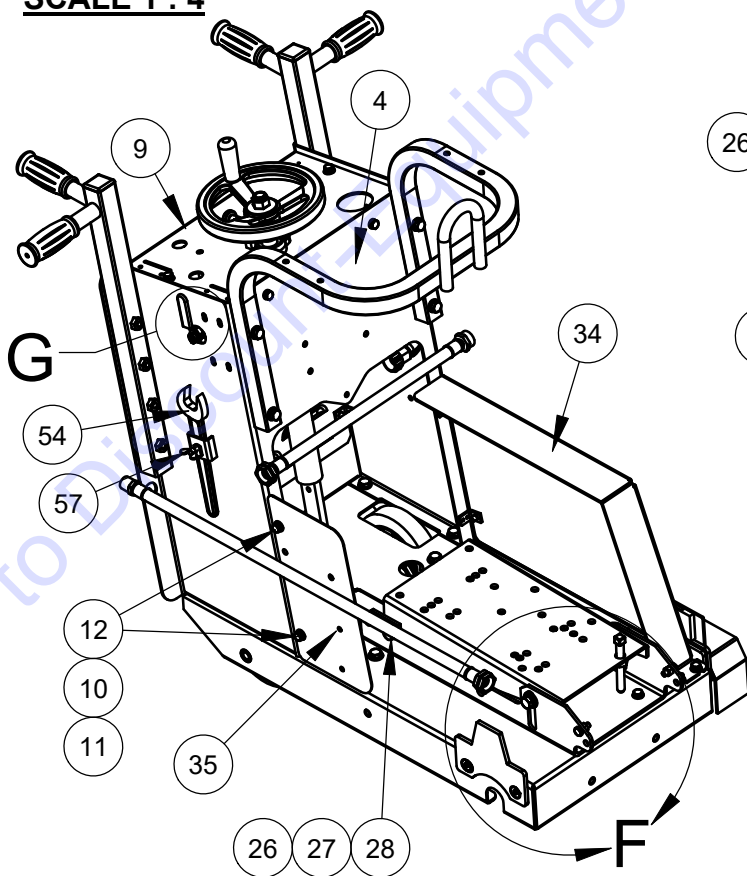
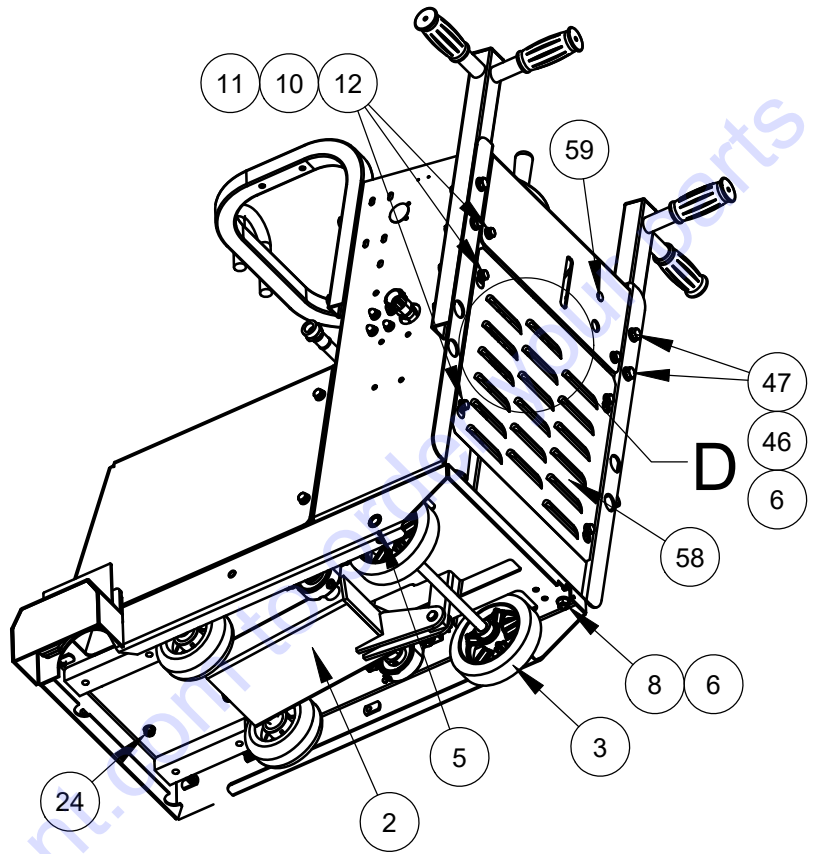
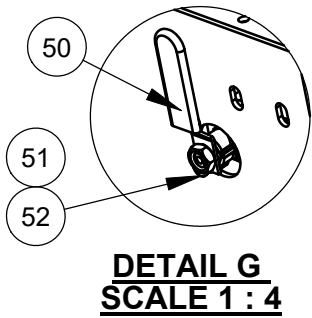
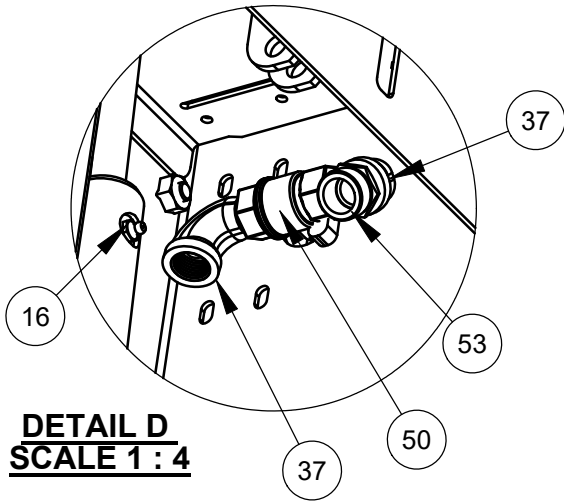


**DETAIL B**  
**SCALE 1 : 4**

**6048960: CC1800 XL, COMMON PARTS**

ITEM NO.	PART NUMBER	QTY.	DESCRIPTION
1	6048859	1	Frame Weldment, CC1800
2	6048956	1	Axle Assembly
3	6048104	1	Axle Assembly
4	6048331	1	Frame Upright Weldment
5	2900056	2	Set Screw, Soc. Hd., 1/4-20 x 1/4"
6	2900014	16	Flat Washer, 3/8" SAE
7	2900314	4	Cap Screw, Hex Hd., M10-1.5 x 20mm
8	2900304	4	Lock Nut, M10-1.5 Nylon Insert
9	6049044	1	Control Panel Weldment
10	2900031	16	Lock Washer, 5/16" Split
11	2900022	26	Flat Washer, 5/16" SAE
12	2900329	24	Cap Screw, Hex Hd., M8-1.25 x 20mm
13	2500807	1	Bearing, 5/8", Two Bolt Flange
14	2900009	6	Flat Washer, 1/4" SAE
15	2900310	2	Cap Screw, Hex Hd., M6-1.0 x 20mm
16	6047928	1	Adjustment Shaft W/Grease Fitting
17	6047929	1	Adjustment Screw
18	6047931	1	Spacer Tube 7/8 x 1/2
19	2900352	1	Woodruff Key, 5/32 x 3/4, #506
20	2500800	1	Handwheel, 8"
21	2400138	1	Indexing Plunger 1/2-13
22	2900355	1	Lock Nut, 5/8-18, Flex Top
23	6048060	1	Engine Base Mount
24	2900303	8	Lock Nut, M8-1.25 Nylon Insert
25	6048059	1	Engine Base Weldment
26	2900058	4	Flat Washer, 1/2" SAE
27	2900084	4	Lock Washer, 1/2" Split
28	2900330	4	Cap Screw, Hex Hd., M12-1.75 x 30mm
29	2900332	1	Setscrew, Sq. Hd., M12 x 100mm
30	6048915	1	Tapered Guard Mount Spacer
31	6048908	2	Tapered Guard Mount
32	2900744	4	Capscrew, Flat Hd., M10 x 25mm
33	6048906	1	Shaft Guard
34	6048329	1	Belt Guard
35	6048328	1	Slurry Shield
36	3201737	1	1/2" NPT x 3", Nipple
37	3200013	4	Street Elbow, 1/2" NPT
38	3200022	2	Fitting, 1/2" F. Pipe to 3/4" F. Garden
39	2900241	2	U-Bolt, 3/4" Pipe
40	2900125	4	Hex Nut, 1/4-20
41	2900827	4	Acorn Nut, High Crown, 1/4-20
42	6048601	1	Handlebar
43	6048602	1	Handlebar
44	2500636	4	Handle Grip
45	2503925	2	Cap, 1-1/2" Sq. Tube
46	2900321	8	Lock Washer, M10 Split
47	2901348	4	Cap Screw, Hex Hd., M10 x 55mm
48	6048632	1	Lift Bar Assembly
49	2900318	4	Cap Screw, Hex Hd., M10-1.5 x 50mm
50	3200026	1	Water Valve, 1/2" FPT
51	2900038	2	Lock Washer, #10 Split
52	2900021	2	Machine Screw, Pan Hd., #10-24 x 3/8"
53	3200155	1	Fitting, 1/2" M. Pipe to 3/4" M. Garden
54	2500256	1	Wrench Head
55	6048919	1	Hose Assy., 1/2 x 31.6", Water
56	6048918	1	Hose Assy., 1/2 x 18-1/2", Water
57	2900307	1	Wing Screw, M6 x 16mm
58	6048063	1	Rear Cover Screen
59	2500204	1	Plug, 1/2" Hole
60	2501146	1	Plug, 1-1/4" Hole

# 6048960: CC1800 XL, COMMON PARTS

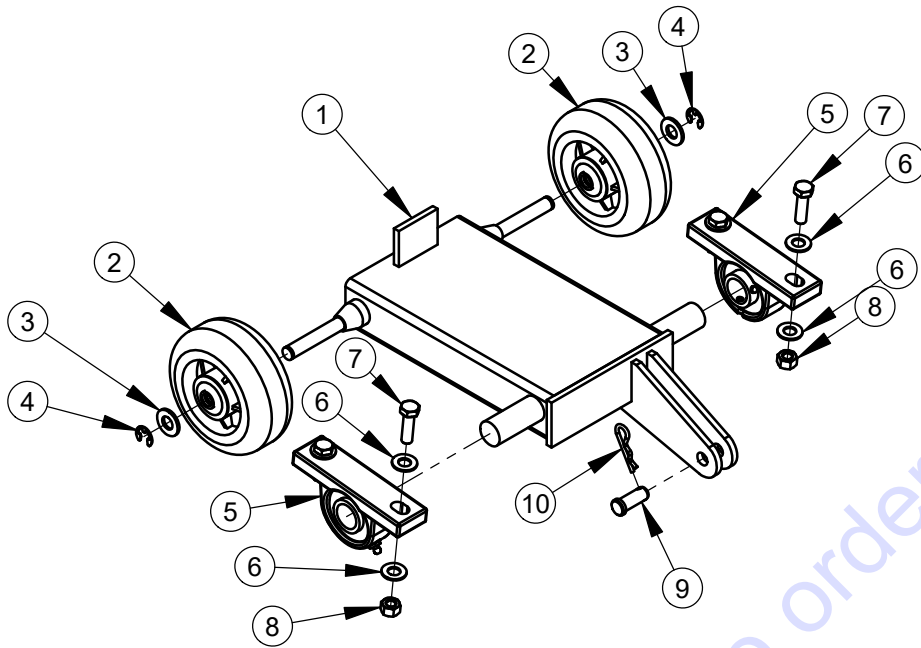


**6048960: CC1800 XL, COMMON PARTS**

ITEM NO.	PART NUMBER	QTY.	DESCRIPTION
1	6048859	1	Frame Weldment, CC1800
2	6048956	1	Axle Assembly
3	6048104	1	Axle Assembly
4	6048331	1	Frame Upright Weldment
5	2900056	2	Set Screw, Soc. Hd., 1/4-20 x 1/4"
6	2900014	16	Flat Washer, 3/8" SAE
7	2900314	4	Cap Screw, Hex Hd., M10-1.5 x 20mm
8	2900304	4	Lock Nut, M10-1.5 Nylon Insert
9	6049044	1	Control Panel Weldment
10	2900031	16	Lock Washer, 5/16" Split
11	2900022	26	Flat Washer, 5/16" SAE
12	2900329	24	Cap Screw, Hex Hd., M8-1.25 x 20mm
13	2500807	1	Bearing, 5/8", Two Bolt Flange
14	2900009	6	Flat Washer, 1/4" SAE
15	2900310	2	Cap Screw, Hex Hd., M6-1.0 x 20mm
16	6047928	1	Adjustment Shaft W/Grease Fitting
17	6047929	1	Adjustment Screw
18	6047931	1	Spacer Tube 7/8 x 1/2
19	2900352	1	Woodruff Key, 5/32 x 3/4, #506
20	2500800	1	Handwheel, 8"
21	2400138	1	Indexing Plunger 1/2-13
22	2900355	1	Lock Nut, 5/8-18, Flex Top
23	6048060	1	Engine Base Mount
24	2900303	8	Lock Nut, M8-1.25 Nylon Insert
25	6048059	1	Engine Base Weldment
26	2900058	4	Flat Washer, 1/2" SAE
27	2900084	4	Lock Washer, 1/2" Split
28	2900330	4	Cap Screw, Hex Hd., M12-1.75 x 30mm
29	2900332	1	Setscrew, Sq. Hd., M12 x 100mm
30	6048915	1	Tapered Guard Mount Spacer
31	6048908	2	Tapered Guard Mount
32	2900744	4	Capscrew, Flat Hd., M10 x 25mm
33	6048906	1	Shaft Guard
34	6048329	1	Belt Guard
35	6048328	1	Slurry Shield
36	3201737	1	1/2" NPT x 3", Nipple
37	3200013	4	Street Elbow, 1/2" NPT
38	3200022	2	Fitting, 1/2" F. Pipe to 3/4" F. Garden
39	2900241	2	U-Bolt, 3/4" Pipe
40	2900125	4	Hex Nut, 1/4-20
41	2900827	4	Acorn Nut, High Crown, 1/4-20
42	6048601	1	Handlebar
43	6048602	1	Handlebar
44	2500636	4	Handle Grip
45	2503925	2	Cap, 1-1/2" Sq. Tube
46	2900321	8	Lock Washer, M10 Split
47	2901348	4	Cap Screw, Hex Hd., M10 x 55mm
48	6048632	1	Lift Bar Assembly
49	2900318	4	Cap Screw, Hex Hd., M10-1.5 x 50mm
50	3200026	1	Water Valve, 1/2" FPT
51	2900038	2	Lock Washer, #10 Split
52	2900021	2	Machine Screw, Pan Hd., #10-24 x 3/8"
53	3200155	1	Fitting, 1/2" M. Pipe to 3/4" M. Garden
54	2500256	1	Wrench Head
55	6048919	1	Hose Assy., 1/2 x 31.6", Water
56	6048918	1	Hose Assy., 1/2 x 18-1/2", Water
57	2900307	1	Wing Screw, M6 x 16mm
58	6048063	1	Rear Cover Screen
59	2500204	1	Plug, 1/2" Hole
60	2501146	1	Plug, 1-1/4" Hole

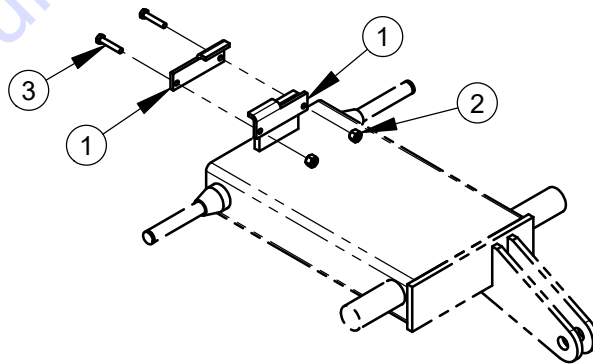


## Front Axle Assembly 6048956



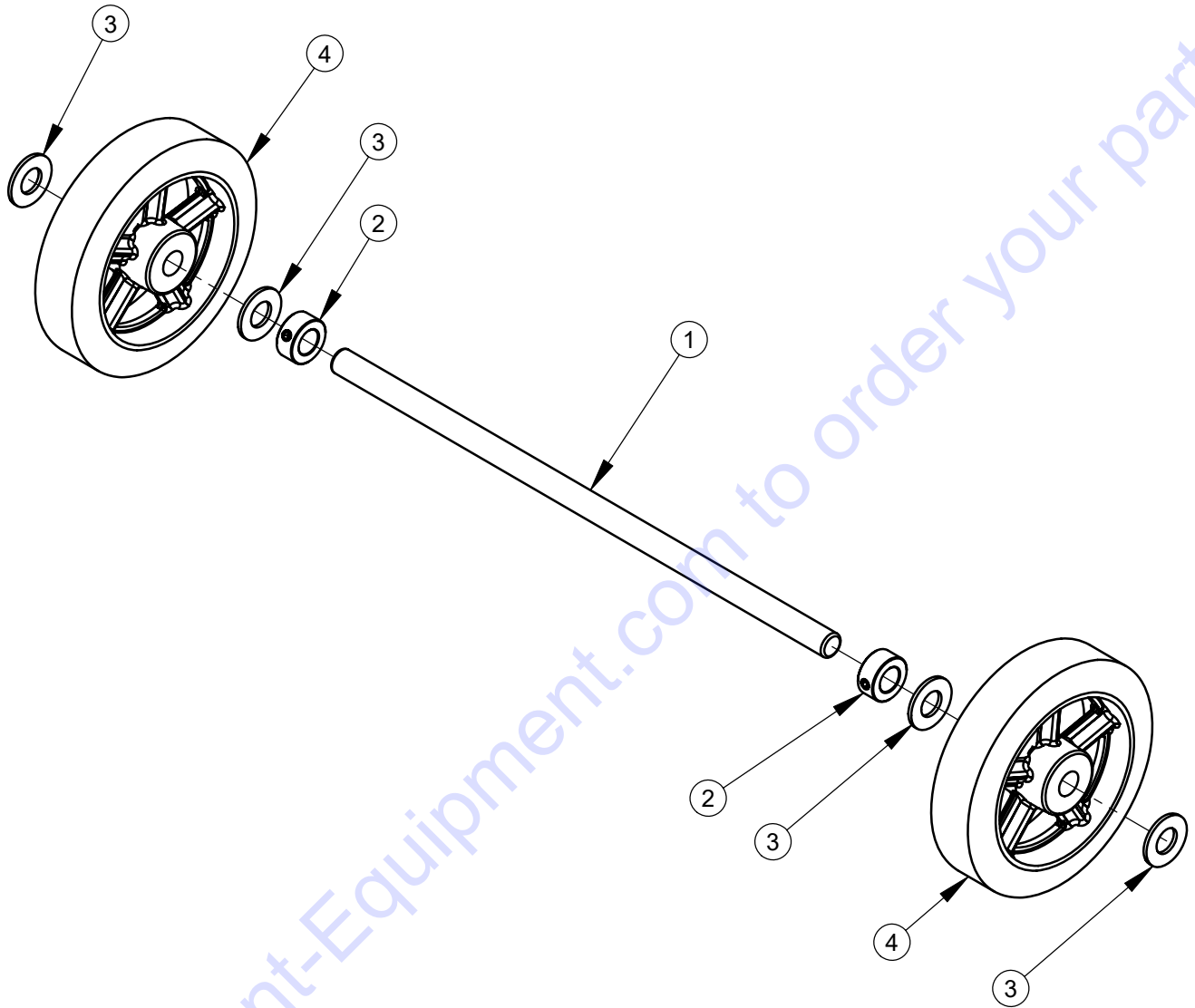
ITEM	PART NO.	QTY.	DESCRIPTION
1	6048635	1	Axle Weldment
2	2502194	2	Wheel
3	2900058	2	Flat Washer, 1/2" SAE
4	2503700	2	Retaining Ring, 1/2" External E-Type
5	2500013	2	Bearing, 1" Pillowblock
6	2900956	8	Flat Washer, 7/16" SAE
7	2900315	4	Cap Screw, Hex Hd., M10-1.5 x 35mm
8	2900304	4	Lock Nut, M10-1.5 Nylon Insert
9	2900266	1	Clevis Pin, 1/2 x 1-1/4"
10	2900276	1	Hairpin Cotter, 1/8" x 1/2" to 3/4"

## Axle Stop Kit #6049027 FOR 24" BLADE ONLY



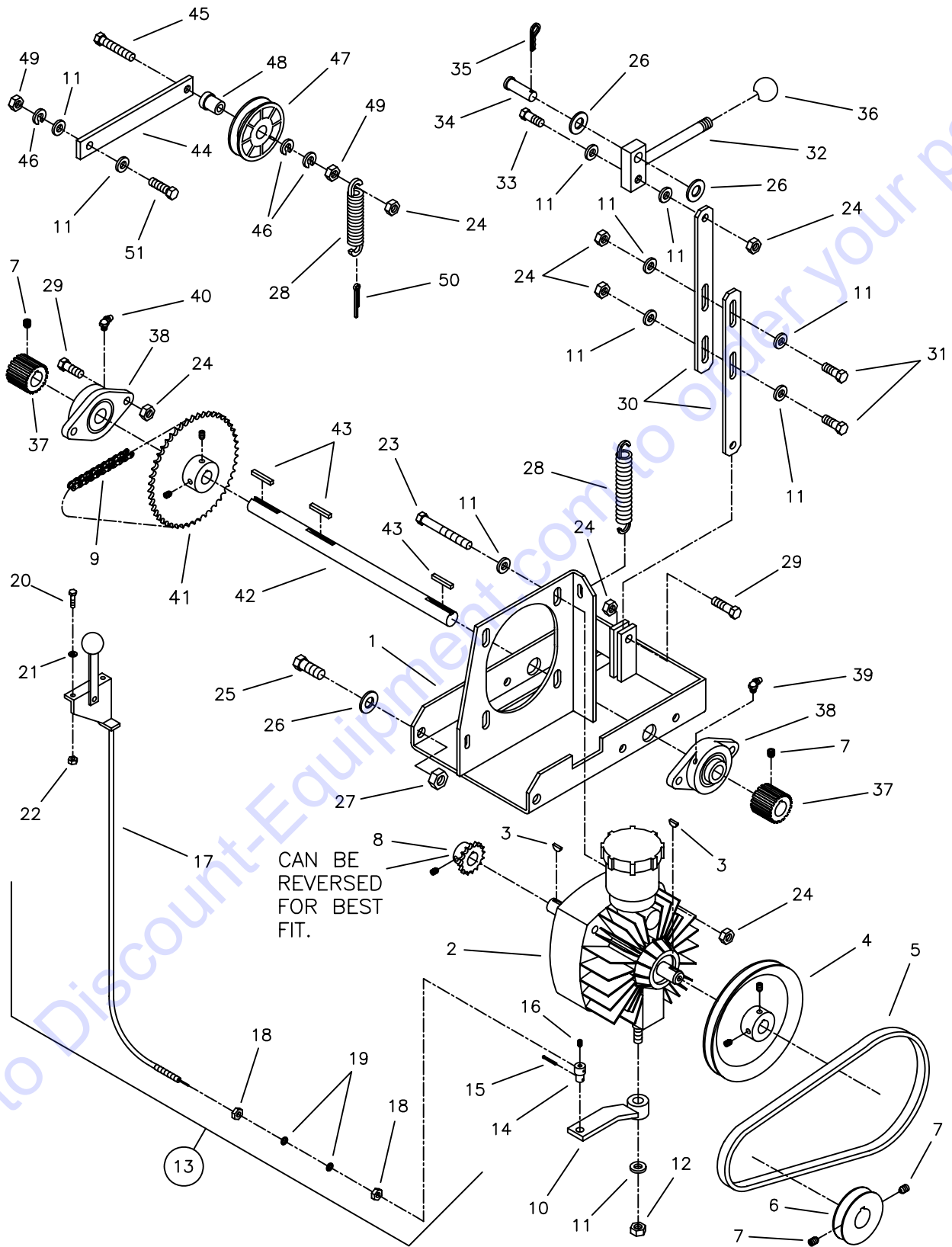
ITEM	PART NO.	QTY.	DESCRIPTION
1	6011546	2	Plate, Axle Stop
2	2900017	2	Lock Nut, #10-24 Nylon
3	2900054	2	Machine Screw, Hex Hd., #10-24 x 1"

## Rear Axle Assembly 6048104



ITEM	PART NO.	QTY.	DESCRIPTION
1	6048105	1	Rear Axle
2	2500008	2	Set Collar, 5/8" with Set Screw
3	2900002	4	Flat Washer, 5/8" SAE
4	2500003	2	Wheel 6" x 1-1/2" x 5/8"

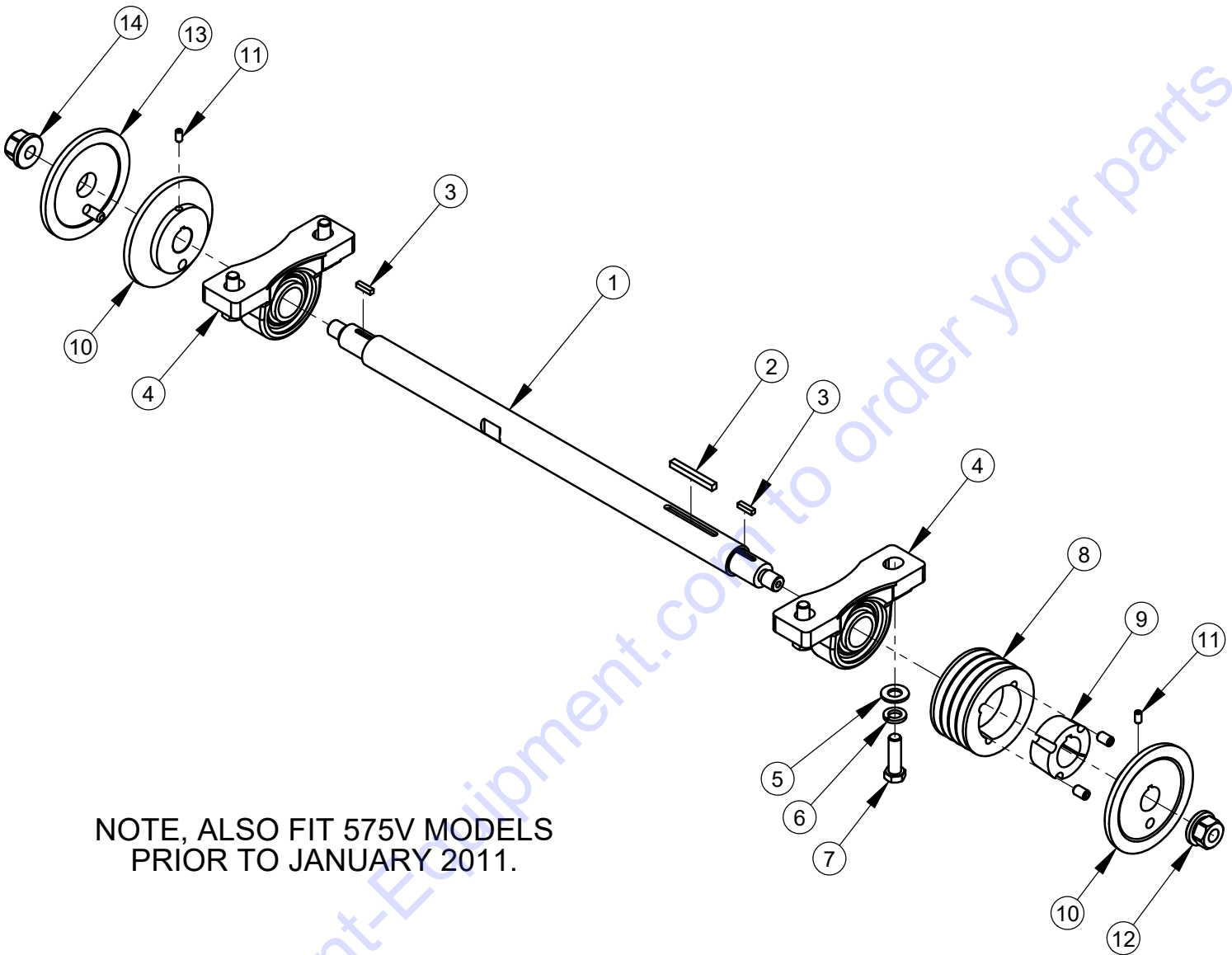
# Transmission Assembly #6048108



**6048108: CC1800XL, Transmission**  
**(Includes All Except Items #5 and #6)**

ITEM	PART NO.	QTY	DESCRIPTION
1	6048066	1	Transmission Platform Weldment
2	2600015	1	Transmission
	2700523	1	(Oil Reservoir Only)
3	2900068	2	Woodruff Key #404, 1/8" Wide x 1/2" Dia.
4	2500016	1	Pulley, 6" Dia. with Setscrews
5	2500632	1	V-Belt, 4L-410 (16BV, 20BV, 20H)
	2500635	1	V-Belt, 4L-420 (7.5E, 10E)
	2500033	1	V-Belt, 4L-430 (13BV, 13H)
6	6048196	1	Accessory Drive Pulley, 1" Bore (13BV, 13H, 16BV, 20BV)
	6048195	1	Accessory Drive Pulley, 1-1/8" Bore (20H Only)
7	2900036	4	Setscrew, Soc. Hd., 5/16"-18 x 1/4"
8	2500017	1	Sprocket, 12 Teeth with Setscrew
9	6048232	1	#35 Chain, 63 Pitch
10	6048211	1	Shift Lever
11	2900014	13	Flat Washer, 3/8" SAE
12	2900018	1	Lock Nut, 3/8"-16 Nylon
13	6048106	1	Transmission Speed Control Assembly (Includes #14 - #22)
14	6048212	1	Pivot Pin
15	2900034	1	Cotter Pin, 3/32" x 3/4"
16	2900059	1	Setscrew, Soc. Hd., #10-32 x 1/4"
17	2500076	1	Transmission Speed Control
18	2900186	2	Hex Nut, 1/4"-28
19	2900009	2	Flat Washer, 1/4" SAE
20	2900309	2	Capscrew, Hex Hd., M5 x 20mm
21	2900016	2	Flat Washer, #10 USS
22	2900301	2	Lock Nut, M5 Nylon
23	2900319	4	Capscrew, Hex Hd., M10 x 80mm
24	2900304	13	Lock Nut, M10 Nylon
25	2900330	2	Capscrew, Hex Hd., M12 x 30mm
26	2900058	4	Flat Washer, 1/2" SAE
27	2900327	2	Lock Nut, M12 Nylon
28	2500070	2	Spring, 3/4" Dia. x 4"
29	2900223	5	Capscrew, Hex Hd., M10 x 30mm
30	6048065	2	Linkage
31	2900333	2	Capscrew, Hex Hd., M10 x 25mm
32	6048057	1	Engagement Lever
33	2900315	1	Capscrew, Hex Hd., M10 x 35mm
34	2900277	1	Clevis Pin, 1/2" Dia. x 1-1/2"
35	2900276	1	Hair Pin Cotter, 1/2"
36	2400007	1	Knob, 1/2"-20
37	6048235	2	Wheel Drive
38	2500011	2	Flange Block Bearing, 3/4"
39	2900061	1	Grease Fitting, 1/4"-28 x 90°
40	2900184	1	Grease Fitting, 1/4"-28 x 45°
41	2500018	1	Sprocket, 48 Teeth with Setscrews
42	6048228	1	Drive Shaft
43	6010170	3	Key, 3/16" Sq. x 1"
44	6048085	1	Idler Arm
45	2900337	1	Capscrew, Hex Hd., M10 x 50mm (Full Thread)
46	2900321	3	Lock Washer, M10 Split
47	2500074	1	Idler Pulley With Bushing #48
48	2500246	1	Bushing Only
49	2900325	2	Hex Nut, M10
50	2900055	1	Cotter Pin, 3/16" x 1"
51	2900317	1	Capscrew, Hex Hd., M10 x 45mm

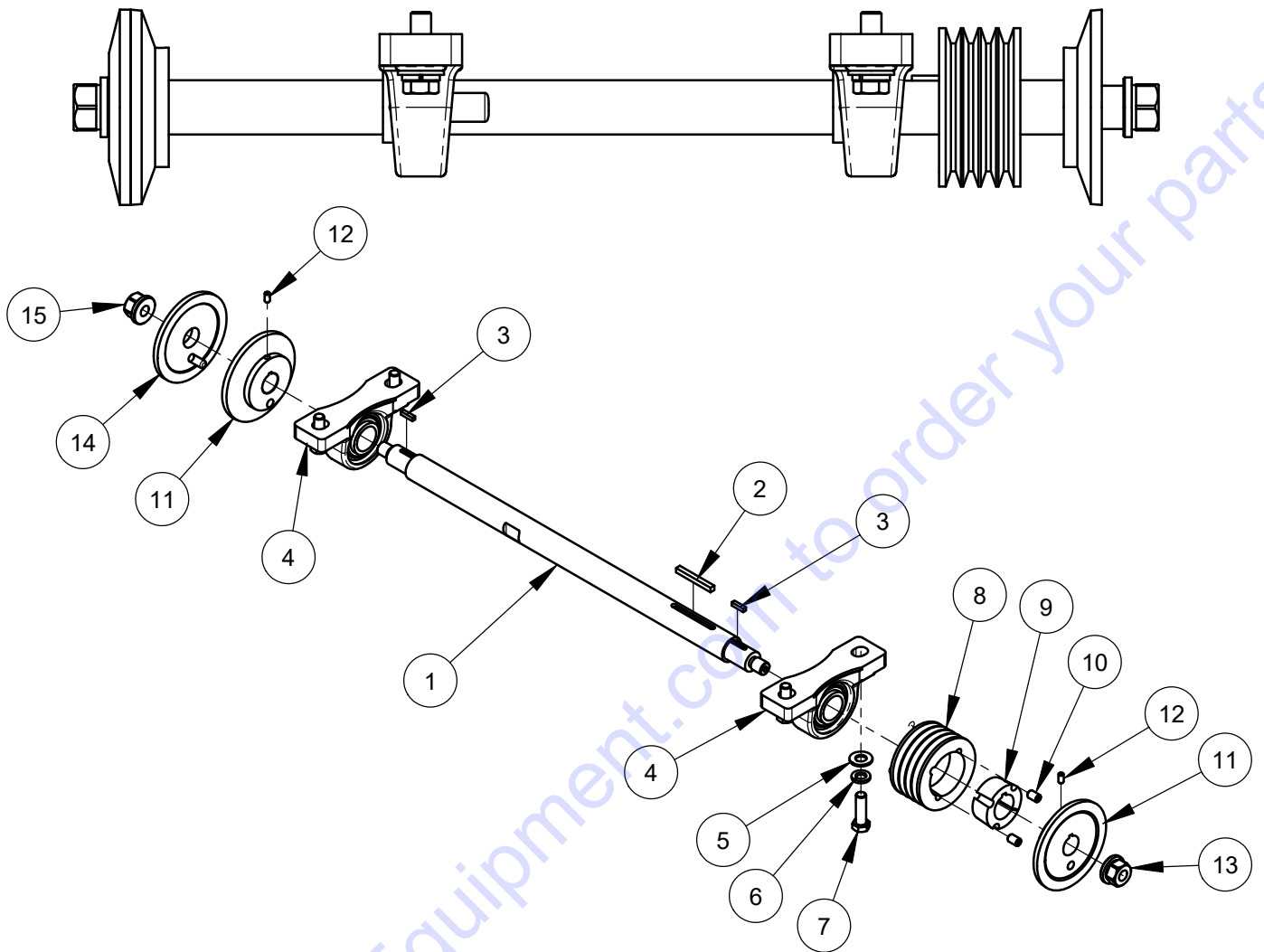
**6040503 Blade Shaft Assembly**  
**230/460 Volt Electric Saws**



NOTE, ALSO FIT 575V MODELS  
 PRIOR TO JANUARY 2011.

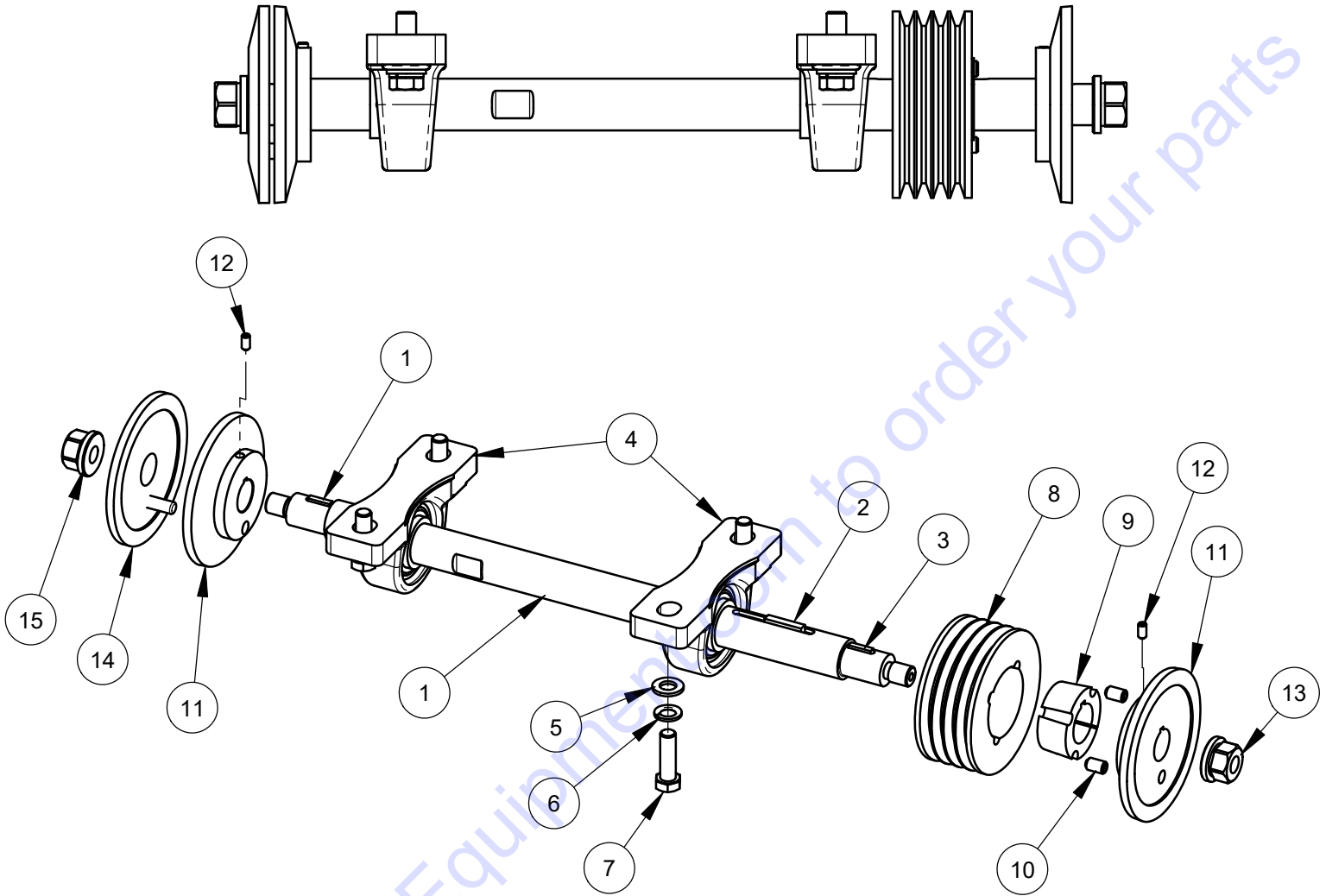
ITEM	PART NO.	QTY.	DESCRIPTION
1	6048865	1	Blade Shaft
2	6048134	1	Key, 1/4" Sq. x 2-1/4"
3	6048018	2	Key, 3/16" Sq. x 3/4"
4	2500365	2	Pillow Block Bearing, 1-1/4"
5	2900058	4	Flat Washer, 1/2" SAE
6	2900084	4	Lock Washer, 1/2" Split
7	2900331	4	Cap Screw, Hex Hd., M12-1.75 x 40mm
8	2500621	1	Sheave, 3V-3.65-4 Groove (1610)
9	2500337	1	Taper Bushing, 1-1/4"
10	6048008	2	Inner Flange 4-1/2"
11	2900076	2	Set Screw, Soc. Hd., 1/4-20 x 1/2"
12	2900065	1	Flange Nut, 5/8-11 R.H.
13	6048009	1	Outer Flange, 4-1/2" w/ Pin
14	2900066	1	Flange Nut, 5/8-11, L. Hand

## 6040524 BLADE SHAFT ASSEMBLY, 575V ELECTRIC UNITS.



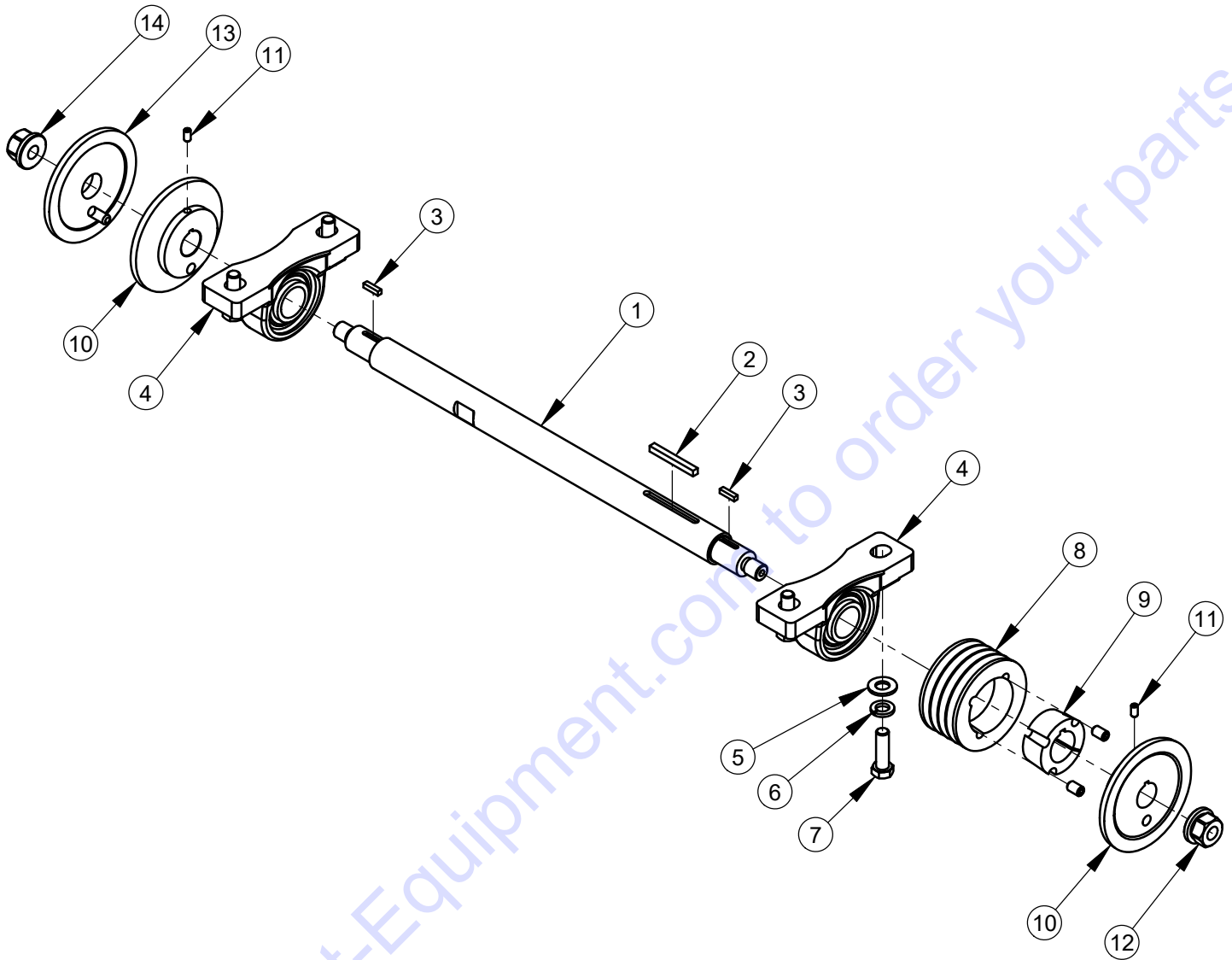
ITEM	PART NO.	QTY.	DESCRIPTION
1	6048880	1	Blade Shaft
2	6048134	1	Key, 1/4" Sq. x 2-1/4"
3	6048018	2	Key, 3/16" Sq. x 3/4"
4	2500365	2	Pillow Block Bearing, 1-1/4"
5	2900058	4	Flat Washer, 1/2" SAE
6	2900084	4	Lock Washer, 1/2" Split
7	2900331	4	Cap Screw, Hex Hd., M12 x 40mm
8	2500621	1	Sheave, 3V-3.65-4 Groove (1610)
9	2500337	1	Taper Bushing, 1-1/4"
10	2900484	2	Set Screw, Soc. Hd., 3/8-16 x 5/8"
11	6048008	2	Inner Flange 4-1/2"
12	2900076	2	Set Screw, Soc. Hd., 1/4-20 x 1/2"
13	2900065	1	Flange Nut, 5/8-11 R.H.
14	6048009	1	Outer Flange, 4-1/2" w/ Pin
15	2900066	1	Flange Nut, 5/8-11, L. Hand

## 6040518 BLADE SHAFT ASSEMBLY, 24" BLADE



ITEM	PART NO.	QTY.	DESCRIPTION
1	6048866	1	Blade Shaft
2	6010169	1	Key, 1/4" Sq. x 1-1/4"
3	6048018	2	Key, 3/16" Sq. x 3/4"
4	2500365	2	Pillow Block Bearing, 1-1/4"
5	2901357	4	Flat Washer, M12
6	2900699	4	Lock Washer, M12 Split
7	2900331	4	Cap Screw, Hex Hd., M12 x 40mm
8	2506315	1	Sheave, 3V-4.50-4 Groove
9	2500337	1	Taper Bushing, 1-1/4"
10	2900484	2	Set Screw, Soc. Hd., 3/8-16 x 5/8"
11	6048238	2	Inner Flange, 4-3/4"
12	2900076	2	Set Screw, Soc. Hd., 1/4-20 x 1/2"
13	2900065	1	Flange Nut, 5/8-11 R.H.
14	6048240	1	Outer Flange, 4-3/4", W/Pin
15	2900066	1	Flange Nut, 5/8-11, L. Hand

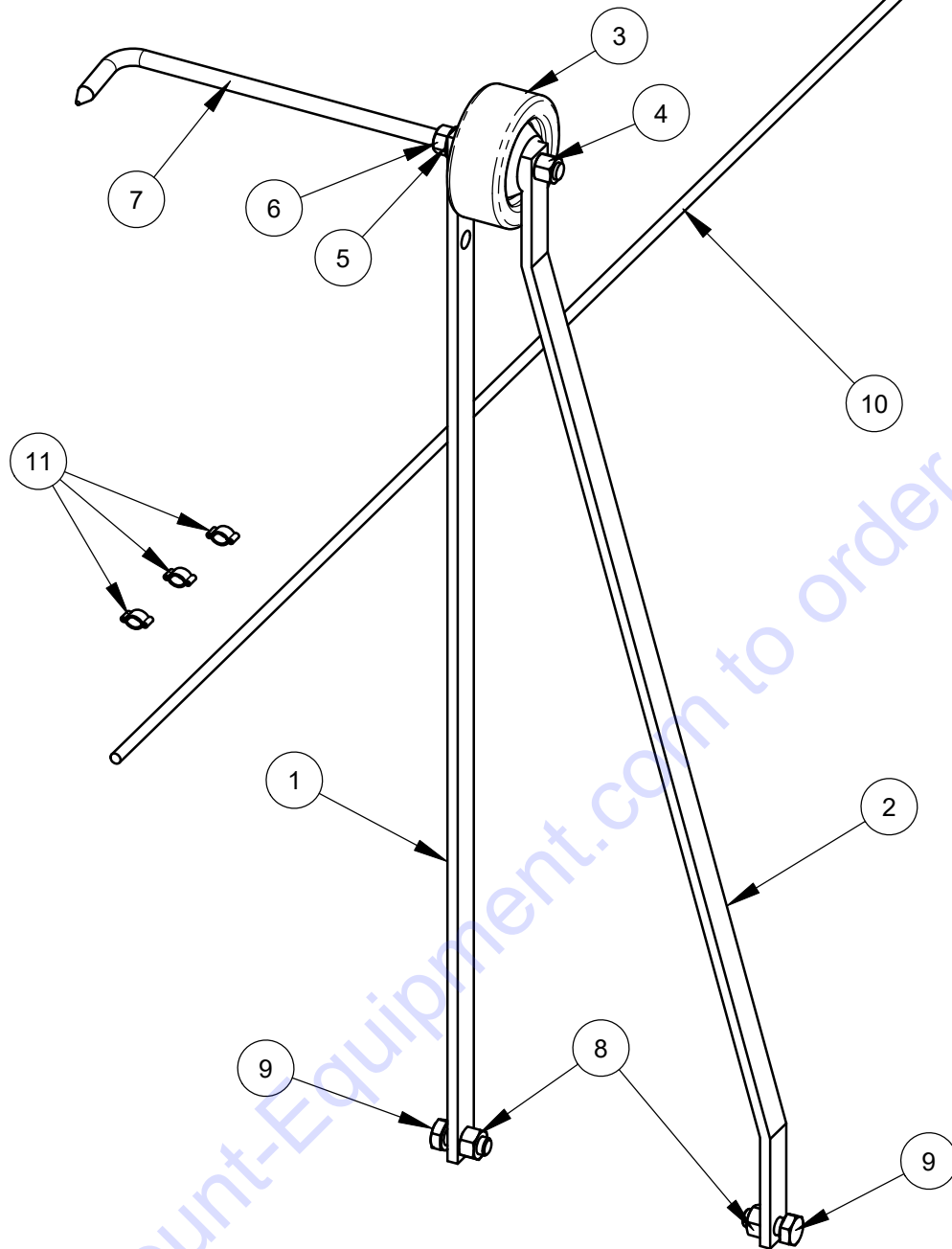
**Blade Shaft Assembly**  
**Hydraulic Units**  
**6040502**



ITEM	PART NO.	QTY.	DESCRIPTION
1	6048866	1	Blade Shaft
2	6048134	1	Key, 1/4" Sq. x 2-1/4"
3	6048018	2	Key, 3/16" Sq. x 3/4"
4	2500365	2	Pillow Block Bearing, 1-1/4"
5	2900058	4	Flat Washer, 1/2" SAE
6	2900084	4	Lock Washer, 1/2" Split
7	2900331	4	Cap Screw, Hex Hd., M12-1.75 x 40mm
8	2500621	1	Sheave, 3V-3.65-4 Groove (1610)
9	2500337	1	Taper Bushing, 1-1/4"
10	6048008	2	Inner Flange 4-1/2"
11	2900076	2	Set Screw, Soc. Hd., 1/4-20 x 1/2"
12	2900065	1	Flange Nut, 5/8-11 R.H.
13	6048009	1	Outer Flange, 4-1/2" w/ Pin
14	2900066	1	Flange Nut, 5/8-11, L. Hand

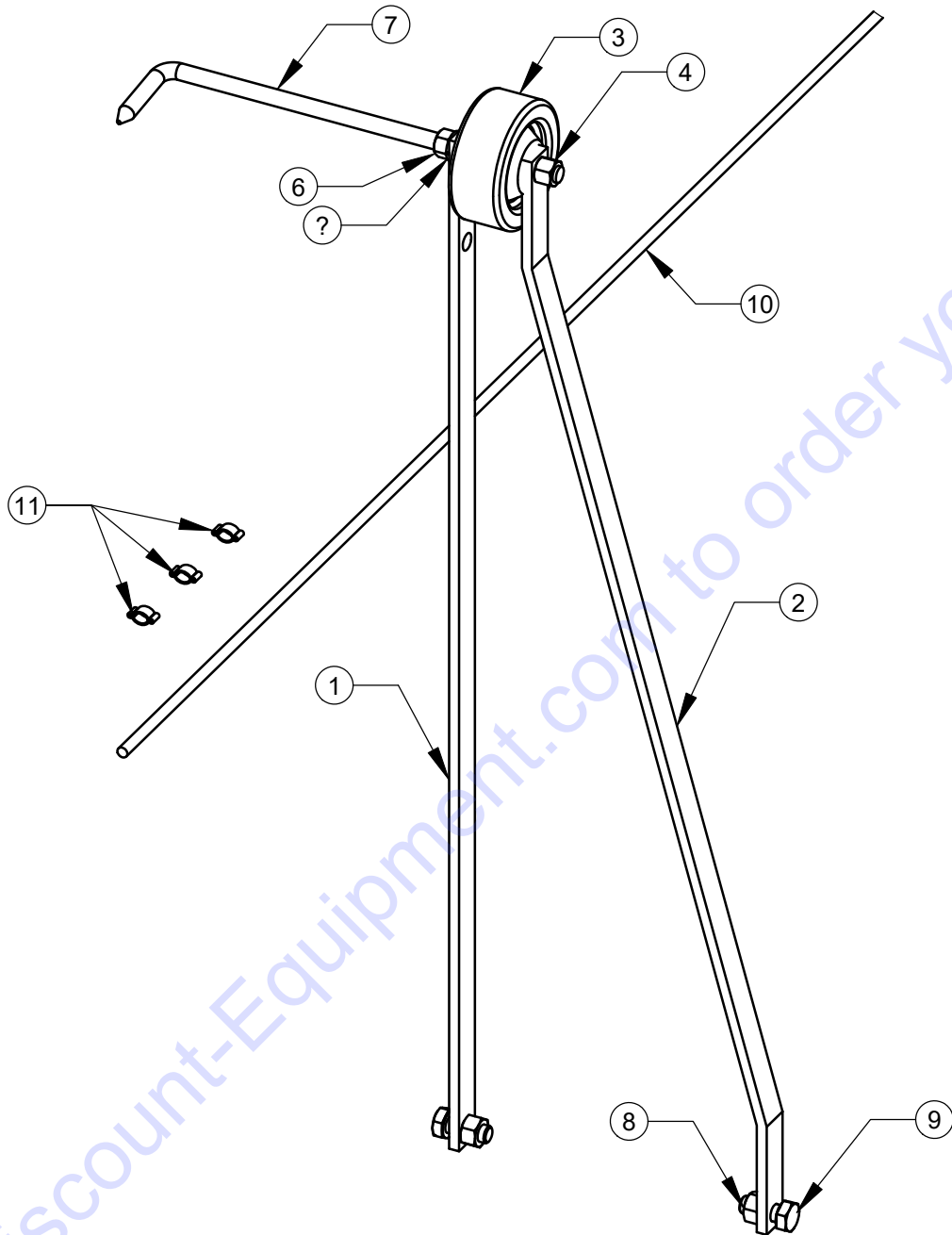


## 6047994 Pointer Assembly, Electric Units



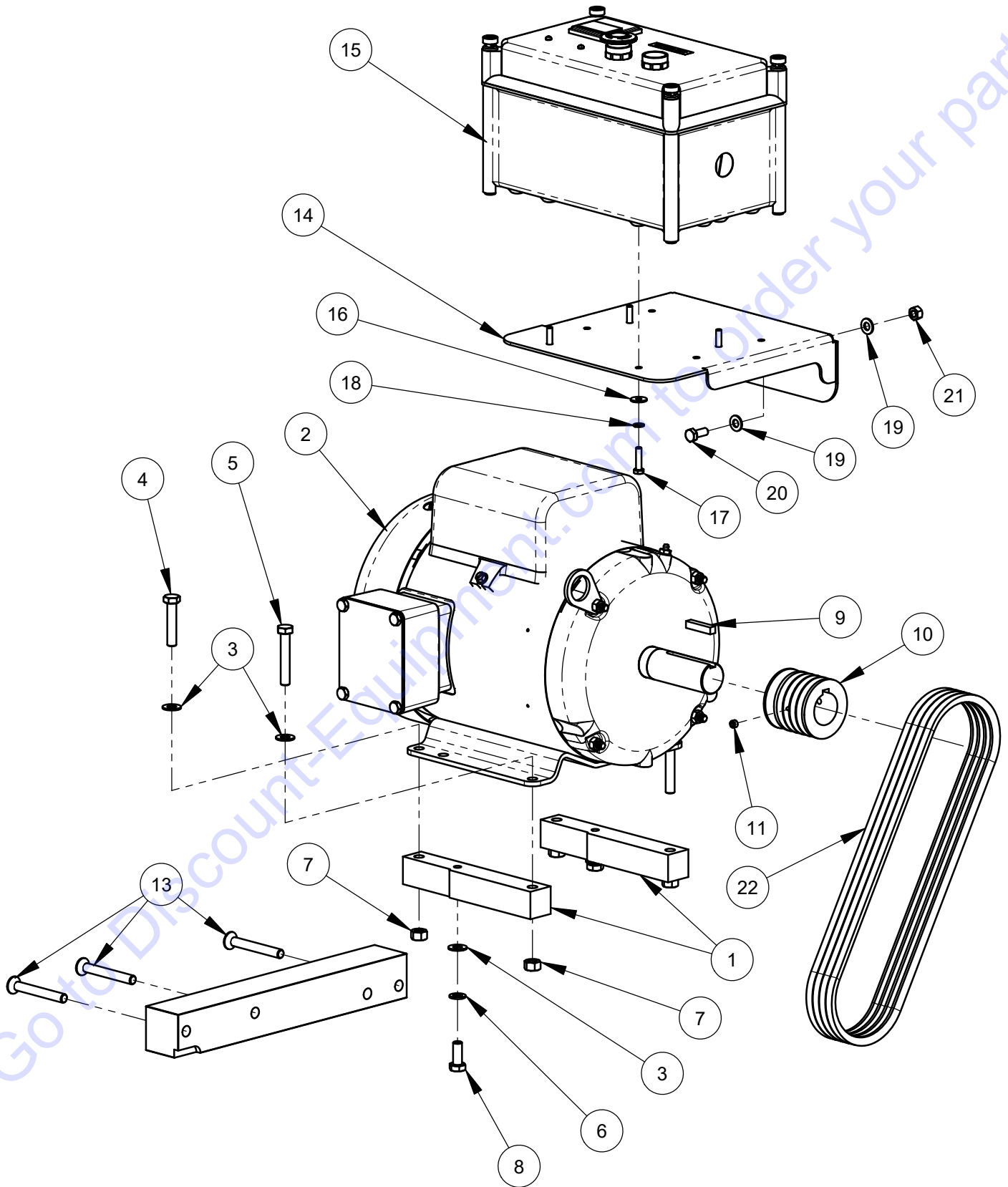
ITEM	PART NO.	Default/Q TY.	DESCRIPTION
1	6048069	1	Pointer Bar - Straight
2	6048070	1	Pointer Bar - Offset
3	2500624	1	Wheel, 3"
4	2900018	1	Lock Nut, 3/8-16 Nylon
5	2900321	1	Lock Washer, M10 Split
6	2900033	1	Hex Nut, 3/8-16
7	2900743	1	Pointer Rod, 11"
8	2900304	2	Lock Nut, M10-1.5 Nylon Insert
9	2900333	2	Cap Screw, Hex Hd., M10 x 25mm
10	6048078	1	Rope, 1/4 x 78"
11	3200221	3	Pinch Clamp, Two Ear

## 6048080 Pointer Assembly, Gas & Hydraulic Units



ITEM NO.	PART NUMBER	Defau lt/QT Y.	DESCRIPTION
1	6048069	1	Pointer Bar - Straight
2	6048070	1	Pointer Bar - Offset
3	2500624	1	Wheel, 3"
4	2900018	1	Lock Nut, 3/8-16 Nylon
5	2900006	1	Lock Washer, 3/8" Split
6	2900033	1	Hex Nut, 3/8-16
7	2900032	1	Pointer Rod
8	2900304	2	Lock Nut, M10-1.5 Nylon Insert
9	2900333	2	Cap Screw, Hex Hd., M10 x 25mm
10	6048078	1	Rope, 1/4 x 78"
11	3200221	3	Pinch Clamp, Two Ear

**CC1800 XL ELECTRIC MOTOR OPTION, 7-1/2 HP, 230V, 1-PHASE**  
**#6048971**

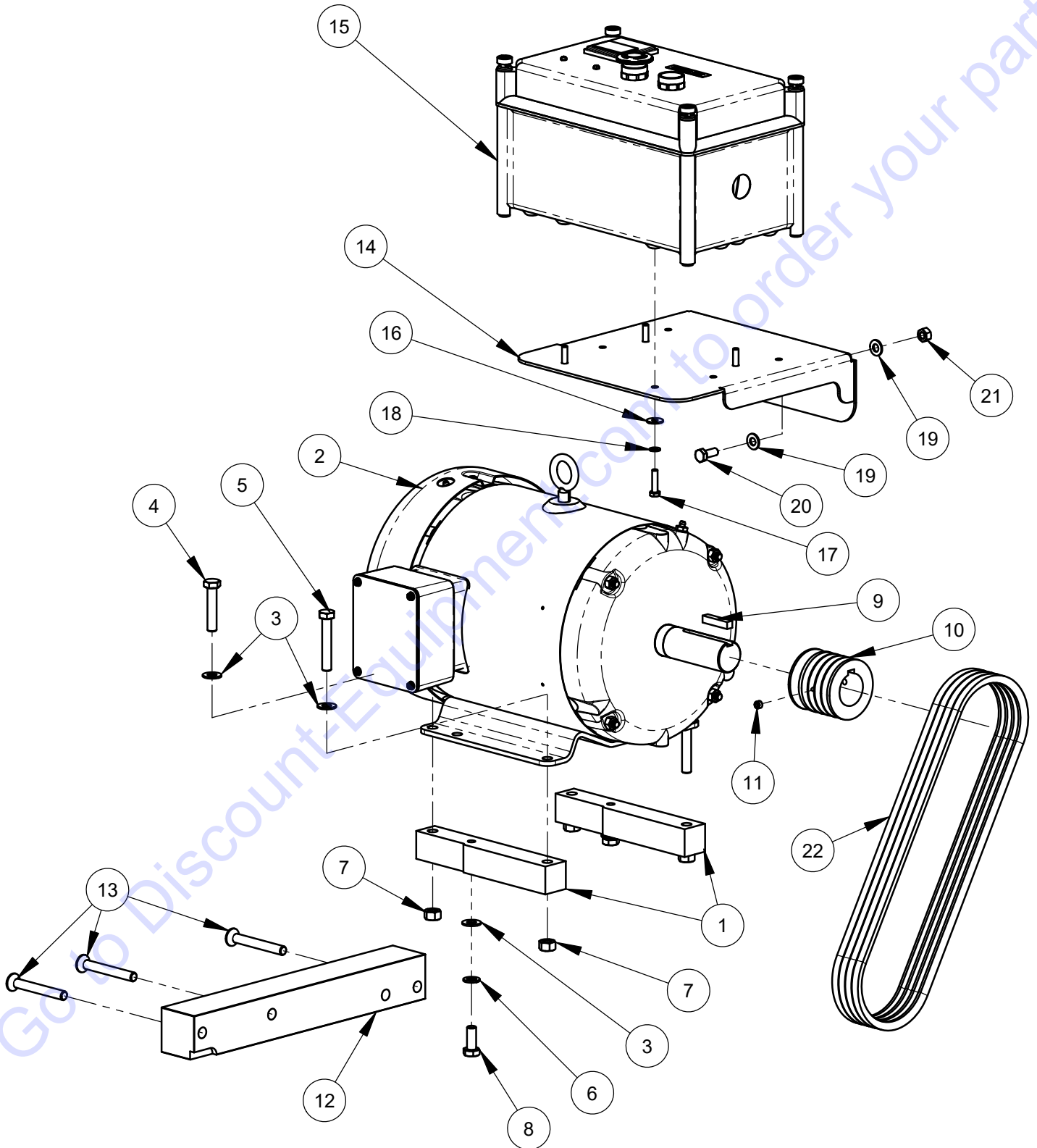


**CC1800 XL ELECTRIC MOTOR OPTION, 7-1/2 HP, 230V, 1-PHASE**  
**#6048971**

ITEM NO.	PART NUMBER	QTY.	DESCRIPTION
1	6048100	2	Motor Spacer
2	2600186	1	Motor, 7.5hp 1 Phase Baldor
3	2900014	6	Flat Washer, 3/8" SAE
4	2900318	2	Cap Screw, Hex Hd., M10-1.5 x 50mm
5	2900338	2	Cap Screw, Hex Hd., M10-1.5 x 60mm
6	2900321	2	Lock Washer, M10 Split
7	2900304	4	Lock Nut, M10-1.5 Nylon Insert
8	2900333	2	Cap Screw, Hex Hd., M10-1.5 x 25mm
9	6048046	1	Key, 5/16" Sq. x 1-1/2"
10	6048049	1	Sheave 2.65-3V-4 Groove/4L-1 Groove x 1-7/16"
11	2900036	1	Set Screw, Soc. Hd., 5/16-18 x 1/4"
12	6048319	1	Blade Guard Spacer
13	2900908	3	Cap Screw, Flat Hd., M10-1.5 x 80mm
14	6048326	1	Bracket, Electric Box
15	6004895	1	Starter Box Assembly, Single Phase, 220-240V
16	2901359	4	Fender Washer, M6
17	2900311	4	Cap Screw, Hex Hd., M6-1.0 x 25mm
18	2900765	4	Lock Washer, M6 Split
19	2900022	4	Flat Washer, 5/16" SAE
20	2900329	2	Cap Screw, Hex Hd., M8-1.25 x 20mm
21	2900303	2	Lock Nut, M8-1.25 Nylon Insert
22	2500037	4	V-Belt, 3VX375

Go to [DiscountEquip.com](http://www.discountequip.com) to order your parts

**CC1800 XL ELECTRIC MOTOR OPTION, 10HP, 230V, 3-PHASE**  
**#6048972**

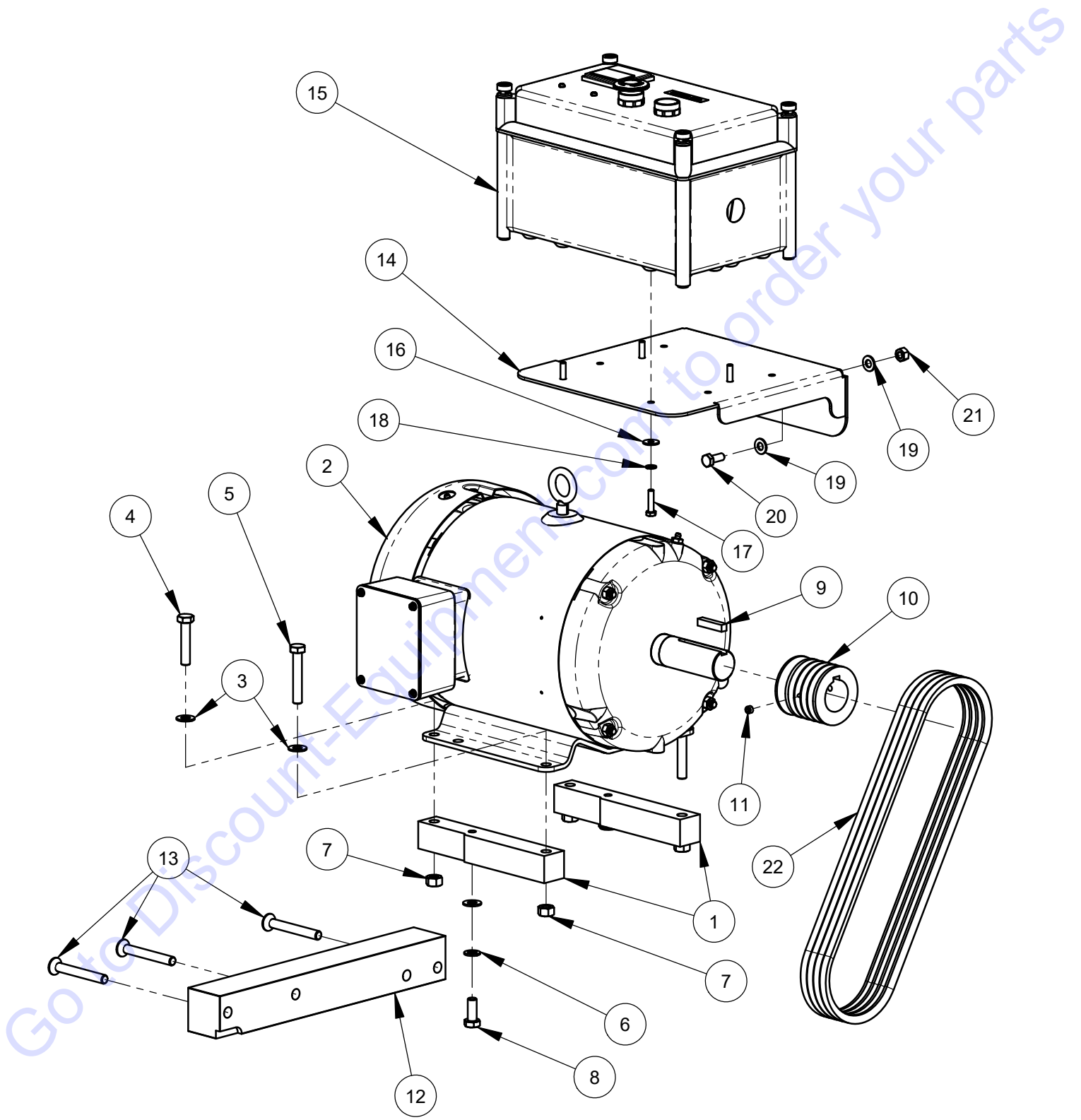


**CC1800 XL ELECTRIC MOTOR OPTION, 10HP, 230V, 3-PHASE**  
**#6048972**

ITEM NO.	PART NUMBER	QTY.	DESCRIPTION
1	6048100	2	Motor Spacer
2	2600187	1	Motor, 10hp 3 Phase Baldor
3	2900014	6	Flat Washer, 3/8" SAE
4	2900318	2	Cap Screw, Hex Hd., M10-1.5 x 50mm
5	2900338	2	Cap Screw, Hex Hd., M10-1.5 x 60mm
6	2900321	2	Lock Washer, M10 Split
7	2900304	4	Lock Nut, M10-1.5 Nylon Insert
8	2900333	2	Cap Screw, Hex Hd., M10-1.5 x 25mm
9	6048046	1	Key, 5/16" Sq. x 1-1/2"
10	6048049	1	Sheave 2.65-3V-4 Groove/4L-1 Groove x 1-7/16"
11	2900036	1	Set Screw, Soc. Hd., 5/16-18 x 1/4"
12	6048319	1	Blade Guard Spacer
13	2900908	3	Cap Screw, Flat Hd., M10-1.5 x 80mm
14	6048326	1	Bracket, Electric Box
15	6004894	1	Starter Box Assembly, 3-Phase, 220-240V
16	2901359	4	Fender Washer, M6
17	2900311	4	Cap Screw, Hex Hd., M6-1.0 x 25mm
18	2900765	4	Lock Washer, M6 Split
19	2900022	4	Flat Washer, 5/16" SAE
20	2900329	2	Cap Screw, Hex Hd., M8-1.25 x 20mm
21	2900303	2	Lock Nut, M8-1.25 Nylon Insert
22	2500037	4	V-Belt, 3VX375

Go to [DiscountSupply.com](#) to order your parts

**CC1800 XL ELECTRIC MOTOR OPTION, 10HP, 460V, 3-PHASE**  
**#6048973**



**CC1800 XL ELECTRIC MOTOR OPTION, 10HP, 460V, 3-PHASE**  
**#6048973**

ITEM NO.	PART NUMBER	QTY.	DESCRIPTION
1	6048100	2	Motor Spacer
2	2600187	1	Motor, 10hp 3 Phase Baldor
3	2900014	6	Flat Washer, 3/8" SAE
4	2900318	2	Cap Screw, Hex Hd., M10-1.5 x 50mm
5	2900338	2	Cap Screw, Hex Hd., M10-1.5 x 60mm
6	2900321	2	Lock Washer, M10 Split
7	2900304	4	Lock Nut, M10-1.5 Nylon Insert
8	2900333	2	Cap Screw, Hex Hd., M10-1.5 x 25mm
9	6048046	1	Key, 5/16" Sq. x 1-1/2"
10	6048049	1	Sheave 2.65-3V-4 Groove/4L-1 Groove x 1-7/16"
11	2900036	1	Set Screw, Soc. Hd., 5/16-18 x 1/4"
12	6048319	1	Blade Guard Spacer
13	2900908	3	Cap Screw, Flat Hd., M10-1.5 x 80mm
14	6048326	1	Bracket, Electric Box
15	6004898	1	Starter Box Assembly, 3-Phase, 415-480V
16	2901359	4	Fender Washer, M6
17	2900311	4	Cap Screw, Hex Hd., M6-1.0 x 25mm
18	2900765	4	Lock Washer, M6 Split
19	2900022	4	Flat Washer, 5/16" SAE
20	2900329	2	Cap Screw, Hex Hd., M8-1.25 x 20mm
21	2900303	2	Lock Nut, M8-1.25 Nylon Insert
22	2500037	4	V-Belt, 3VX375



# PARTS FINDER

**Search Website  
by Part Number**



**Search Manual  
Library For Parts  
Manual & Lookup Part  
Numbers – Purchase  
or Request Quote**

**Search Manuals**

Enter your information to help us find the right parts manual for your machine.

\* Brand:

\* Model:

\* Serial:

\* Part Number:

SEARCH

**Can't Find Part or  
Manual? Request Help  
by Manufacturer,  
Model & Description**

**Parts Order Form**

Please fill in the following information to help us find the right part for your machine.

Manufacturer:	<input type="text"/>
Model:	<input type="text"/>
Description:	<input type="text"/>
Part Number:	<input type="text"/>
Quantity:	<input type="text"/>
Notes:	<input type="text"/>

Discount-Equipment.com is your online resource for quality parts & equipment.

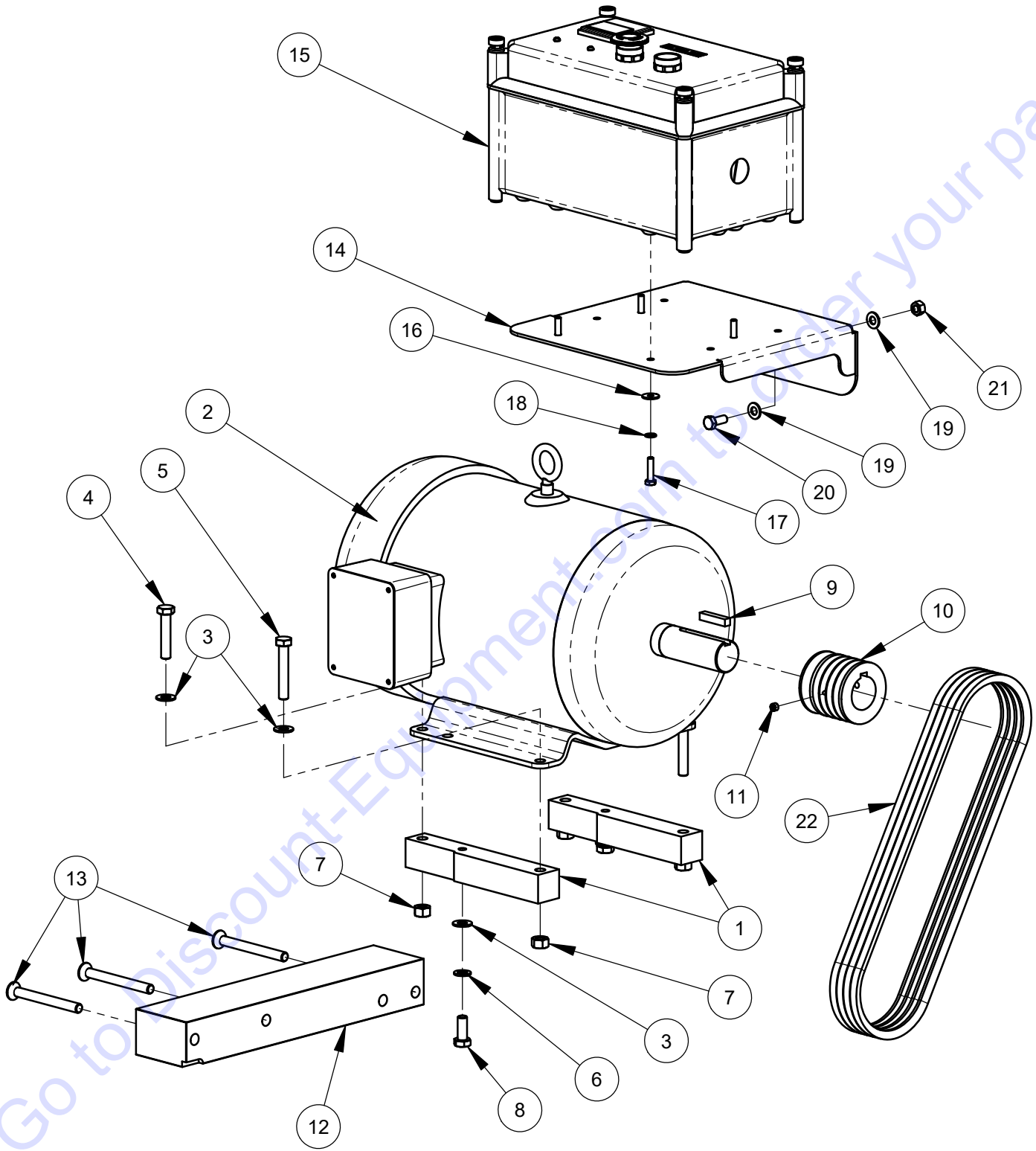
Florida: **561-964-4949** Outside Florida TOLL FREE: **877-690-3101**

**Need parts?**

Click on this link: <http://www.discount-equipment.com/category/5443-parts/> and choose one of the options to help get the right parts and equipment you are looking for. Please have the machine model and serial number available in order to help us get you the correct parts. If you don't find the part on the website or on one of the online manuals, please fill out the request form and one of our experienced staff members will get back to you with a quote for the right part that your machine needs.

We sell worldwide for the brands: Genie, Terex, JLG, MultiQuip, Mikasa, Essick, Whiteman, Mayco, Toro Stone, Diamond Products, Generac Magnum, Airman, Haulotte, Barreto, Power Blanket, Nifty Lift, Atlas Copco, Chicago Pneumatic, Allmand, Miller Curber, Skyjack, Lull, Skytrak, Tsurumi, Husquvarna Target, Stow, Wacker, Sakai, Mi-T-M, Sullair, Basic, Dynapac, MBW, Weber, Bartell, Bennar Newman, Haulotte, Ditch Runner, Menegotti, Morrison, Contec, Buddy, Crown, Edco, Wyco, Bomag, Laymor, EZ Trench, Bil-Jax, F.S. Curtis, Gehl Pavers, Heli, Honda, ICS/PowerGrit, IHI, Partner, Imer, Clipper, MMD, Koshin, Rice, CH&E, General Equipment, Amida, Coleman, NAC, Gradall, Square Shooter, Kent, Stanley, Tamco, Toku, Hatz, Kohler, Robin, Wisconsin, Northrock, Oztec, Toker TK, Rol-Air, APT, Wylie, Ingersoll Rand / Doosan, Innovatech, Con X, Ammann, Mecalac, Makinex, Smith Surface Prep, Small Line, Wanco, Yanmar

**CC1800 XL ELECTRIC MOTOR OPTION, 10HP, 575V, 3 PH**  
**#6049029**

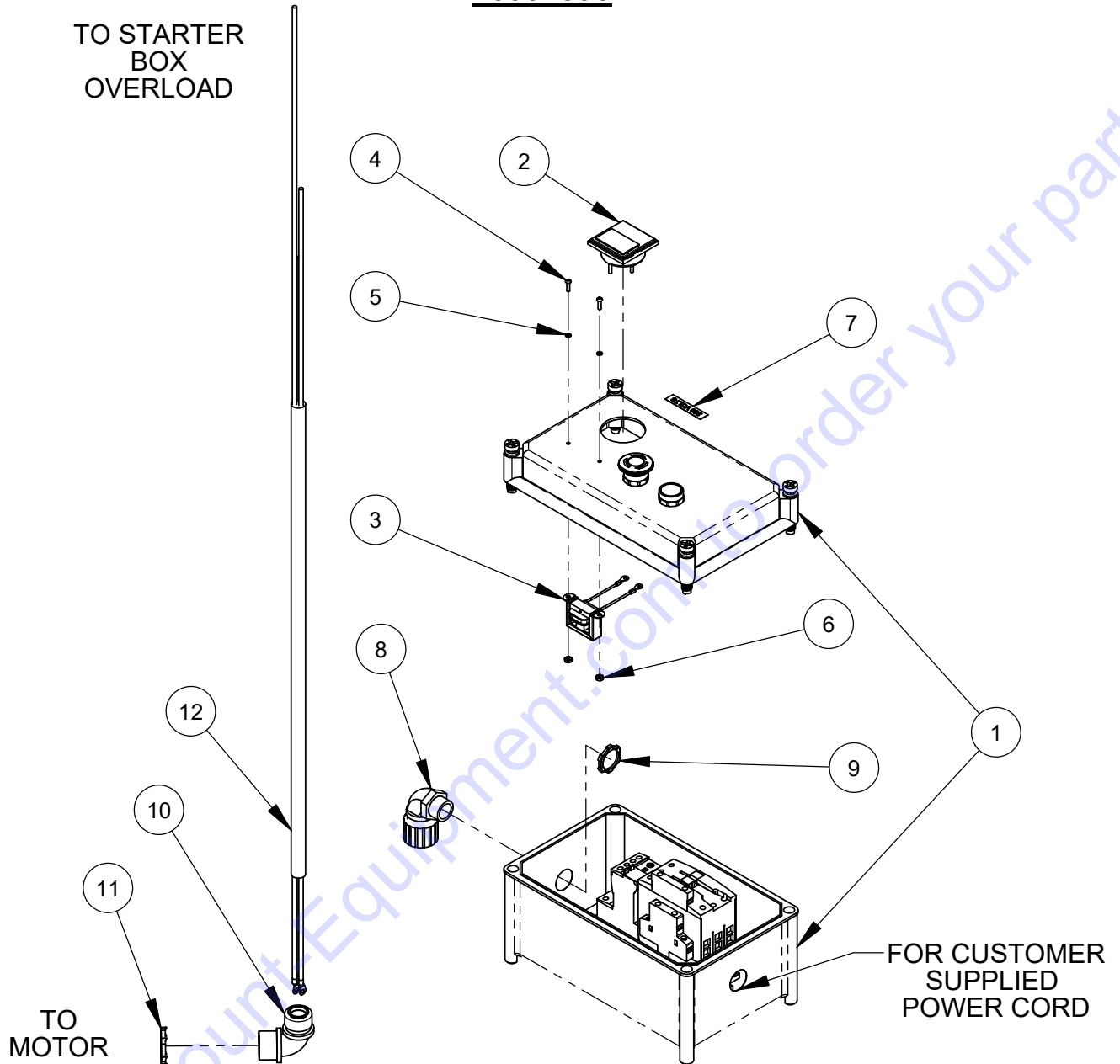


**CC1800 XL ELECTRIC MOTOR OPTION, 10HP, 575V, 3-PH**  
**#6049029**

ITEM	PART NO.	QTY.	DESCRIPTION
1	6048100	2	Motor Spacer
2	2600703	1	Motor, 10 HP, 575V, 3 PH. Baldor
3	2900014	6	Flat Washer, 3/8" SAE
4	2900318	2	Cap Screw, Hex Hd., M10-1.5 x 50mm
5	2900338	2	Cap Screw, Hex Hd., M10-1.5 x 60mm
6	2900321	2	Lock Washer, M10 Split
7	2900304	4	Lock Nut, M10-1.5 Nylon Insert
8	2900333	2	Cap Screw, Hex Hd., M10-1.5 x 25mm
9	6048046	1	Key, 5/16" Sq. x 1-1/2"
10	6048049	1	Sheave 2.65-3V-4 Groove/4L-1 Groove x 1-7/16"
11	2900036	1	Set Screw, Soc. Hd., 5/16-18 x 1/4"
12	6047308	1	Blade Guard Spacer, 3"
13	2901507	3	Cap Screw, Flat Hd., M10-1.5 x 100mm
14	6048326	1	Bracket, Electric Box
15	6004901	1	Starter Box Assembly, 3-Phase, 550-600V
16	2901359	4	Fender Washer, M6
17	2900311	4	Cap Screw, Hex Hd., M6-1.0 x 25mm
18	2900765	4	Lock Washer, M6 Split
19	2900022	4	Flat Washer, 5/16" SAE
20	2900329	2	Cap Screw, Hex Hd., M8-1.25 x 20mm
21	2900303	2	Lock Nut, M8-1.25 Nylon Insert
22	2500037	4	V-Belt, 3VX375

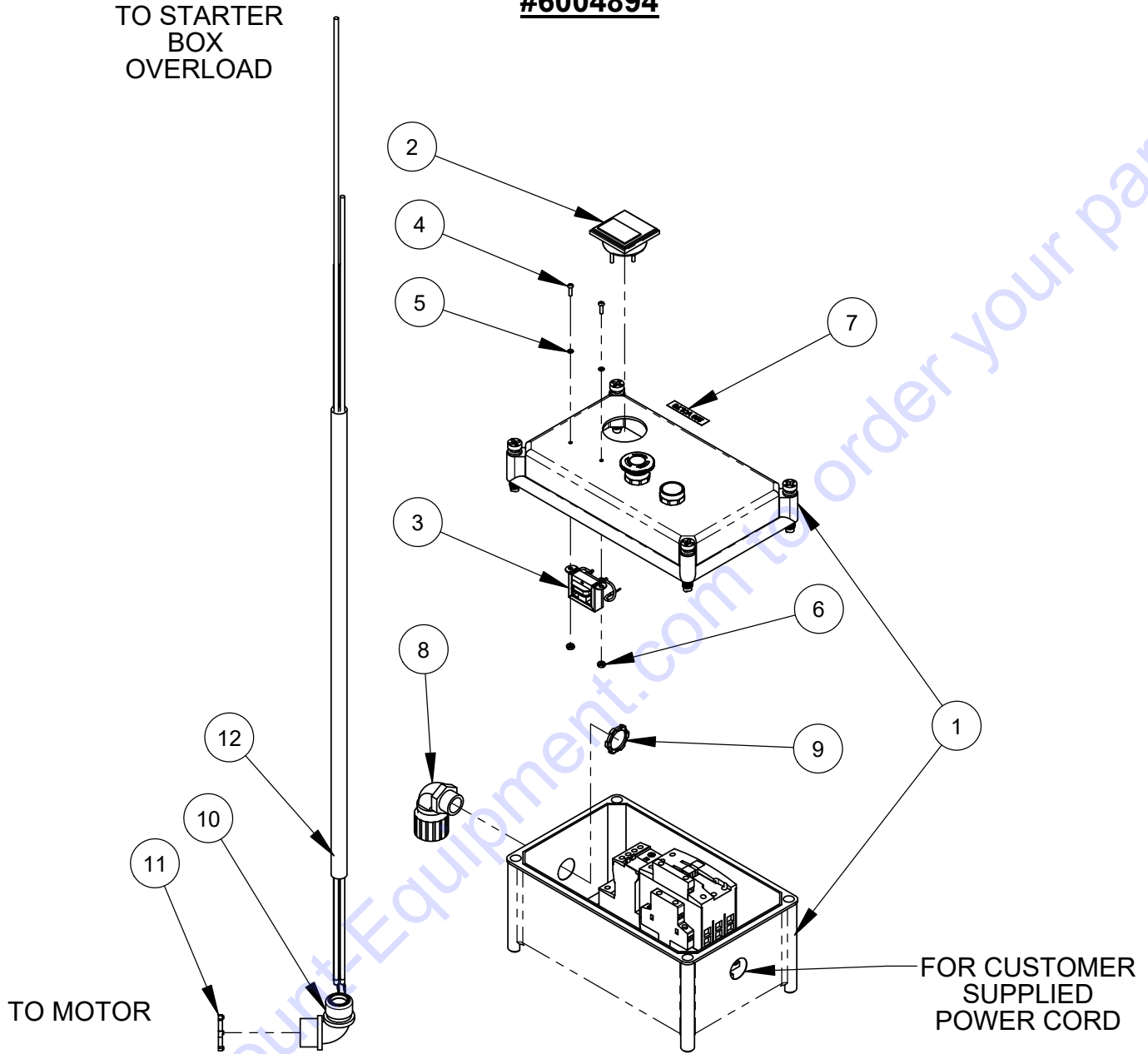
Go to [Discontinued Equipment](#) to order your parts

**STARTER BOX ASSEMBLY, SINGLE PHASE, 220-240V**  
**#6004895**



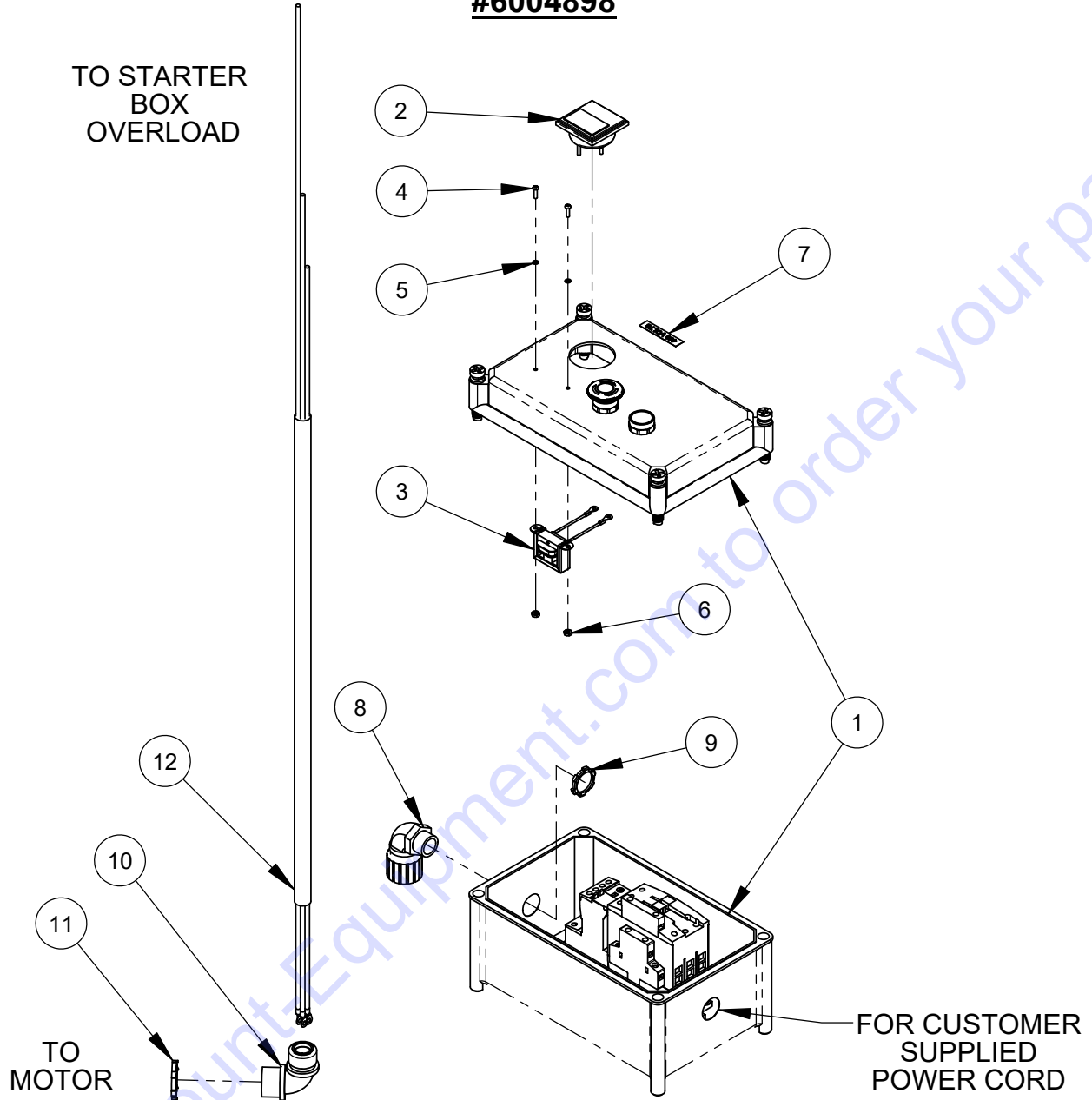
ITEM	PART NO.	QTY.	DESCRIPTION
1	2804008	1	Starter Box, 220-240V
2	2800253	1	Amp Meter w/ Bracket, 0-40 AC
3	2800085	1	AC Current Transformer
4	2900090	2	Machine Screw, Rd. Hd., #6-32 x 1/2"
5	2900092	2	Lock Washer, #6 Split
6	2900091	2	Hex Nut, #6-32
7	1800810	1	Voltage Label, 230V
8	2802052	1	Cord Connector, 3/4" Thd., .63-75" Cord, 90 Deg.
9	2801304	1	Lock Nut, 3/4"
10	2800695	1	Cord Grip, 5/8-3/4", 90 Deg.
11	2800193	1	Lock Nut, 1"
12	6040307	1	Cable Assy., 10 Ga., 3 Wire x 54"

**STARTER BOX ASSEMBLY, 3-PHASE, 220-240V**  
**#6004894**



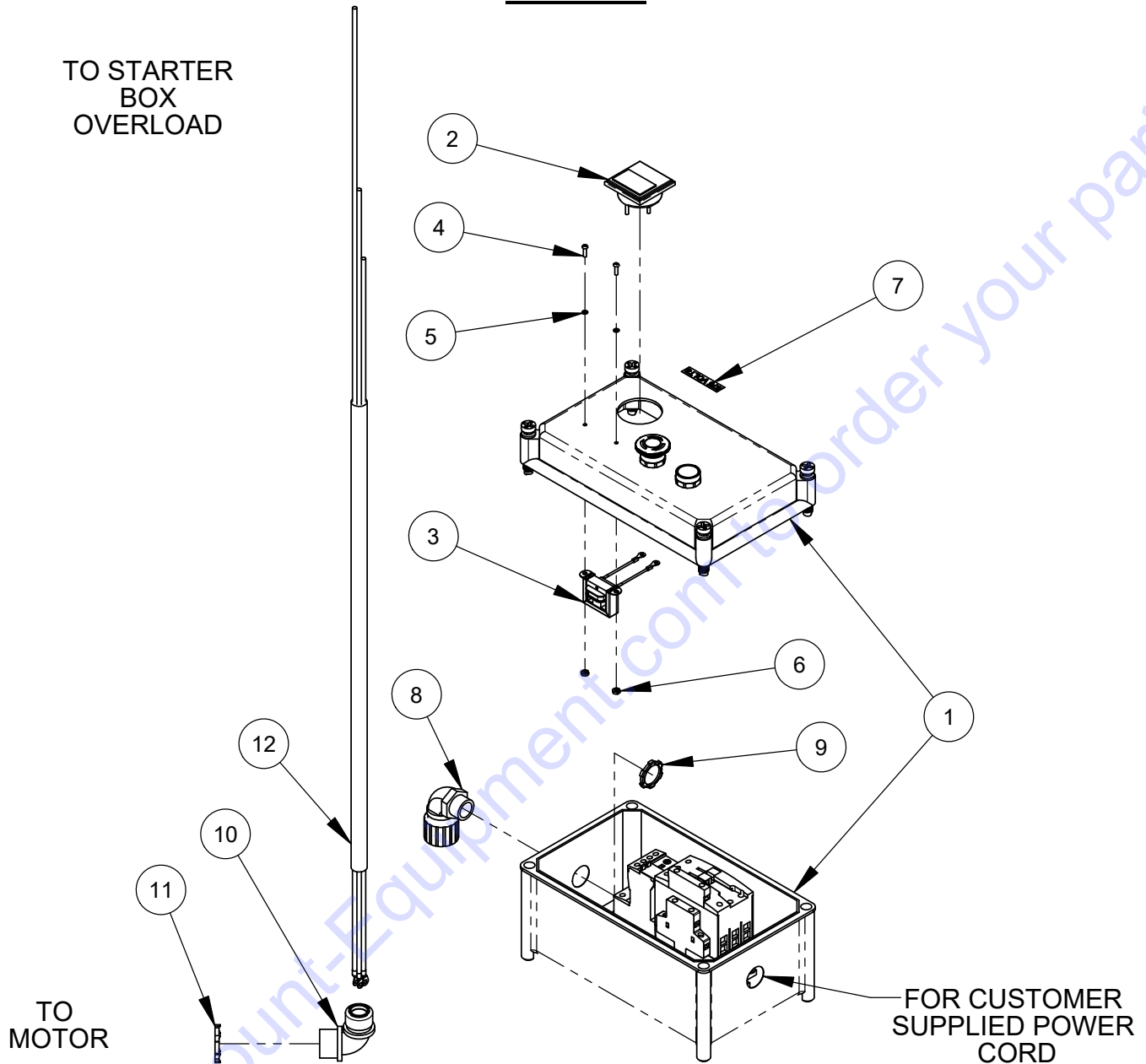
ITEM	PART NO.	QTY.	DESCRIPTION
1	2804008	1	Starter Box, 220-240V
2	2800253	1	Amp Meter w/ Bracket, 0-40 AC
3	2800085	1	AC Current Transformer
4	2900090	2	Machine Screw, Rd. Hd., #6-32 x 1/2"
5	2900092	2	Lock Washer, #6 Split
6	2900091	2	Hex Nut, #6-32
7	1800810	1	Voltage Label, 230V
8	2802052	1	Cord Connector, 3/4" Thd., .63-75" Cord, 90 Deg.
9	2801304	1	Lock Nut, 3/4"
10	2800695	1	Cord Grip, 5/8-3/4", 90 Deg.
11	2800193	1	Lock Nut, 1"
12	6040423	1	Cable Assy., 10 Ga., 4 Wire x 54"

**STARTER BOX ASSEMBLY, 3-PHASE, 415-480V**  
**#6004898**



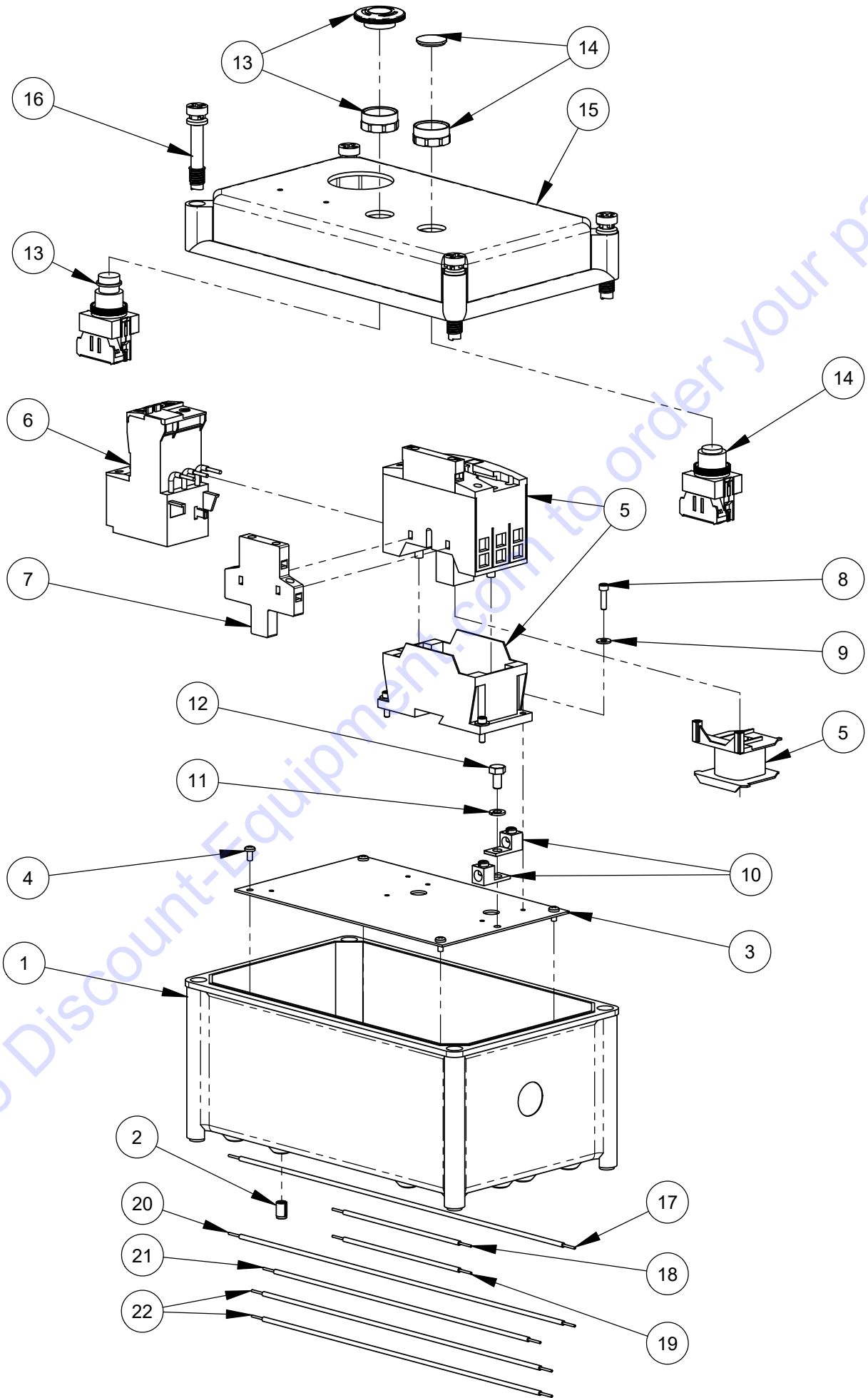
ITEM	PART NO.	QTY.	DESCRIPTION
1	2804007	1	Starter Box, 415-480V
2	2800252	1	Amp Meter, 0-20 AC
3	2800085	1	AC Current Transformer
4	2900090	2	Machine Screw, Rd. Hd., #6-32 x 1/2"
5	2900092	2	Lock Washer, #6 Split
6	2900091	2	Hex Nut, #6-32
7	1800811	1	Voltage Label, 460V
8	2802052	1	Cord Connector, 3/4" Thd., .63-75" Cord, 90 Deg.
9	2801304	1	Lock Nut, 3/4"
10	2800695	1	Cord Grip, 5/8-3/4", 90 Deg.
11	2800193	1	Lock Nut, 1"
12	6040423	1	Cable Assy., 10 Ga., 4 Wire x 54"

**STARTERBOX ASSEMBLY, 3-PHASE, 550-600V**  
**#6004901**



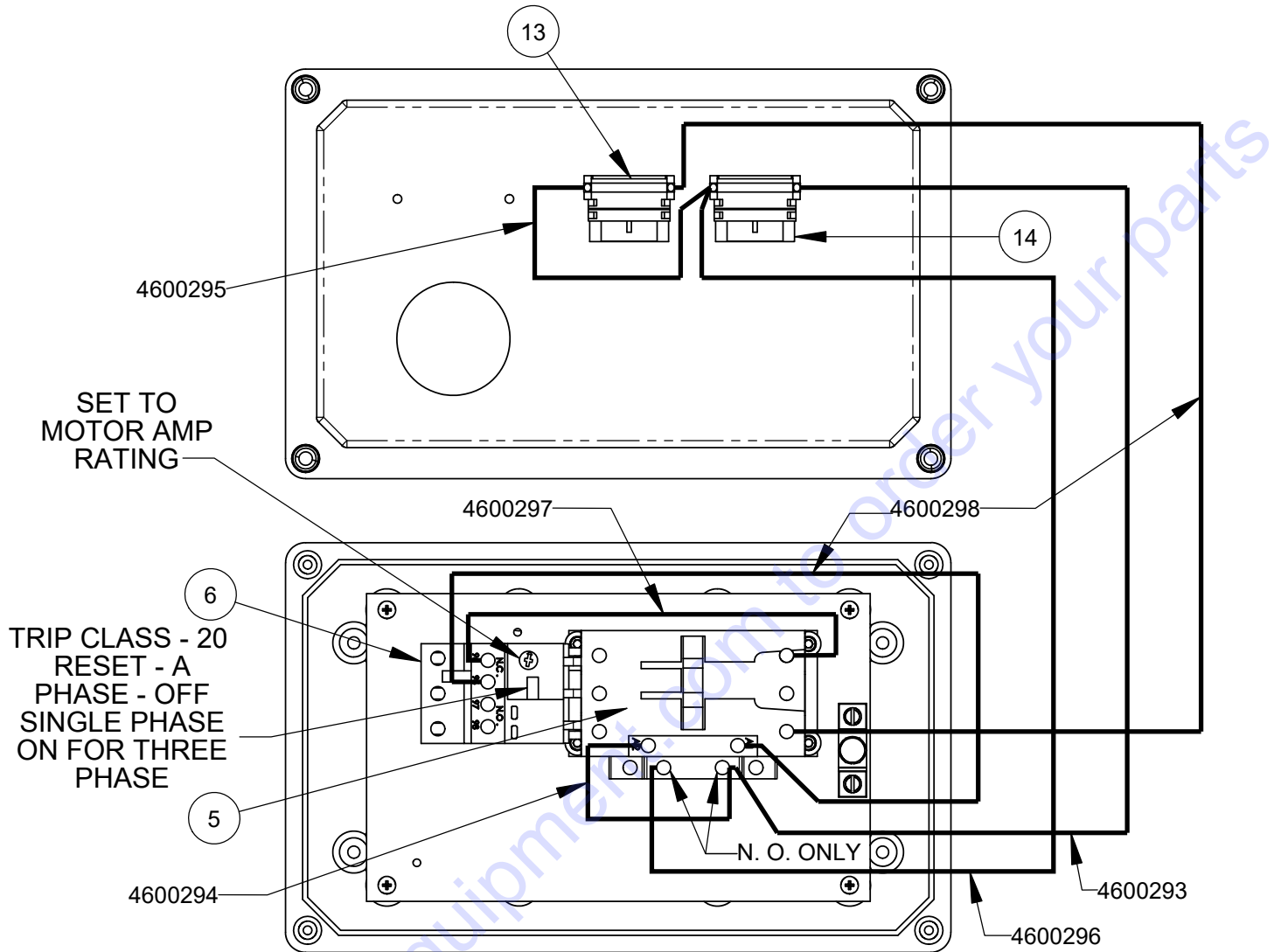
ITEM	PART NO.	QTY.	DESCRIPTION
1	2802061	1	Starter Box, 550-600V
2	2800252	1	Amp Meter, 0-20 AC
3	2800085	1	AC Current Transformer
4	2900090	2	Machine Screw, Rd. Hd., #6-32 x 1/2"
5	2900092	2	Lock Washer, #6 Split
6	2900091	2	Hex Nut, #6-32
7	1800812	1	Voltage Label, 575V
8	2802052	1	Cord Connector, 3/4" Thd., .63-75" Cord, 90 Deg.
9	2801304	1	Lock Nut, 3/4"
10	2800695	1	Cord Grip, 5/8-3/4", 90 Deg.
11	2800193	1	Lock Nut, 1"
12	6040423	1	Cable Assy., 10 Ga., 4 Wire x 54"

# 2804008 STARTER BOX, 220-240 VOLT



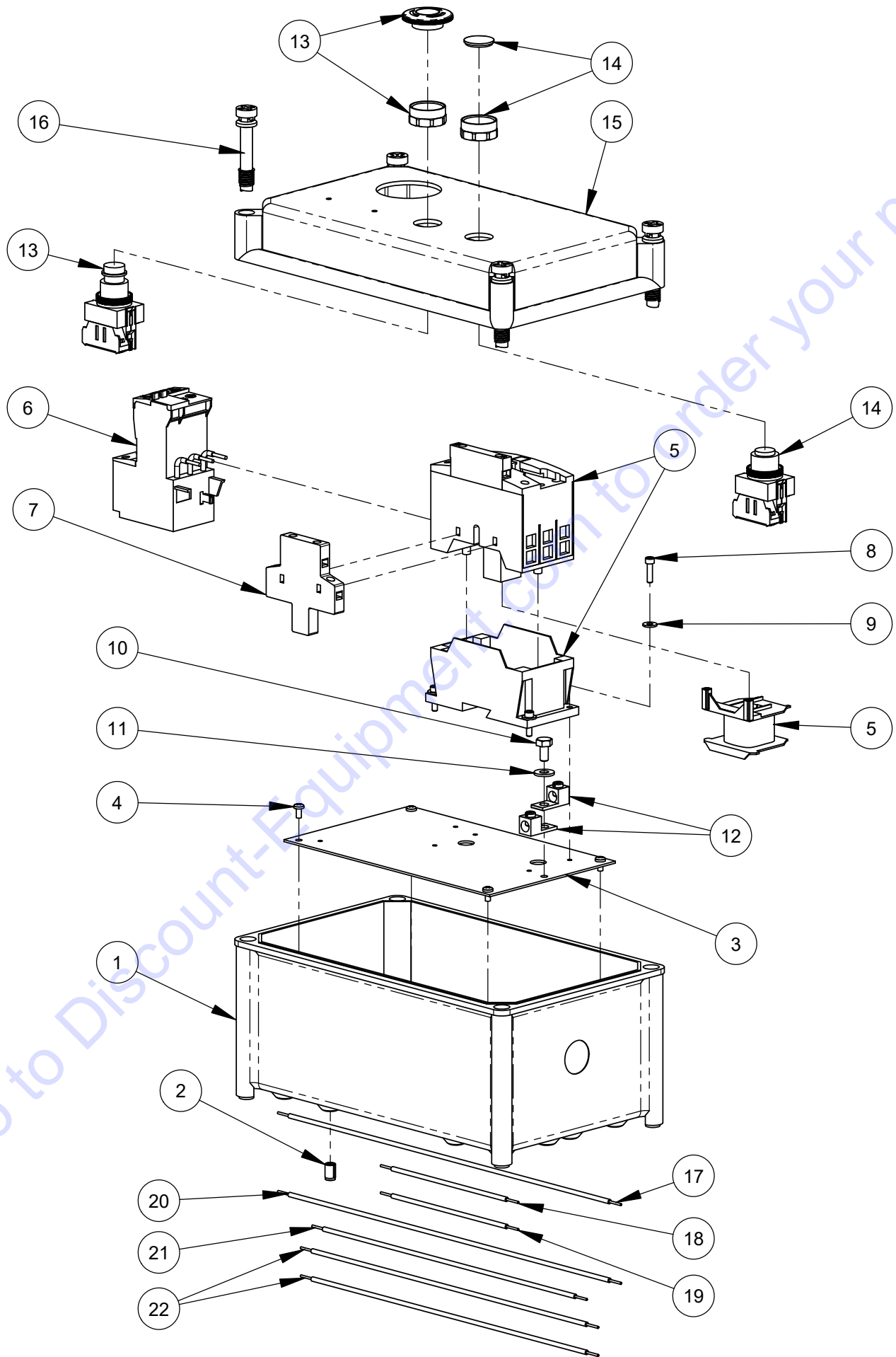


## 2804008 STARTER BOX, 220-240 VOLT

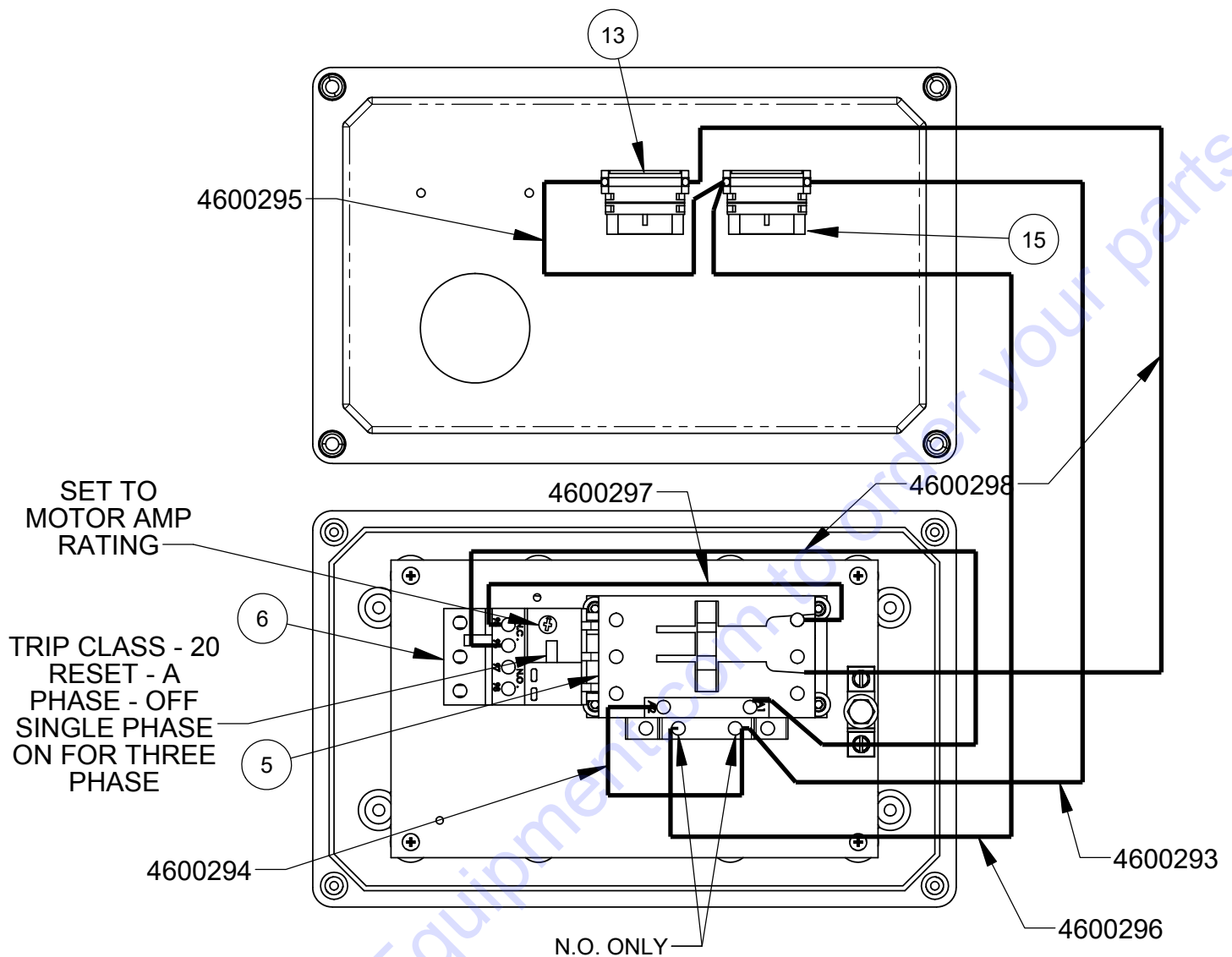


ITEM	PART NO.	QTY.	DESCRIPTION	ITEM	PART NO.	QTY.	DESCRIPTION
1	6040300D	1	Starter Box Base	12	2901891	1	Cap Screw, Hex Hd., 1/4-28 x 1/2"
2	2901588	4	M6-1.0 Threaded Insert	13	2801636	1	E-Stop Switch, 600V, NC
3	6040598	1	Sub-plate	14	2801639	1	Pushbutton, N.O., 600V
4	2900676	4	Machine Screw, Pan Hd., M4-0.7 x 8mm	15	6048293	1	Starter Box Cover
5	2801704	1	Contactor, 220-240V (includes coil)	16	2701414	4	Fastener, Electrical Box Top
	2801265	1	Replacement Coil, 220-240V	17	4600293	1	Wire, 14 Gage, Yellow, 15"
6	2801699	1	Overload Relay, 9-45 AMP	18	4600294	1	Wire, 14 Gage, Yellow, 6"
7	2801676	1	Auxiliary Contacts, 1NO-NC	19	4600295	1	Wire, 14 Gage, Black, 6"
8	2901827	4	Cap Screw, Soc. Hd., #8-32 x 5/8"	20	4600296	1	Wire, 14 Gage, Black, 15"
9	2901437	4	Flat Washer, #10	21	4600297	1	Wire, 14 Gage, Red, 12"
10	2800315	2	Grounding Lug	22	4600298	2	Wire, 14 Gage, Red, 13"
11	2900024	1	Lock Washer, 1/4" Split				

# 2804007 STARTER BOX, 415-480 VOLT

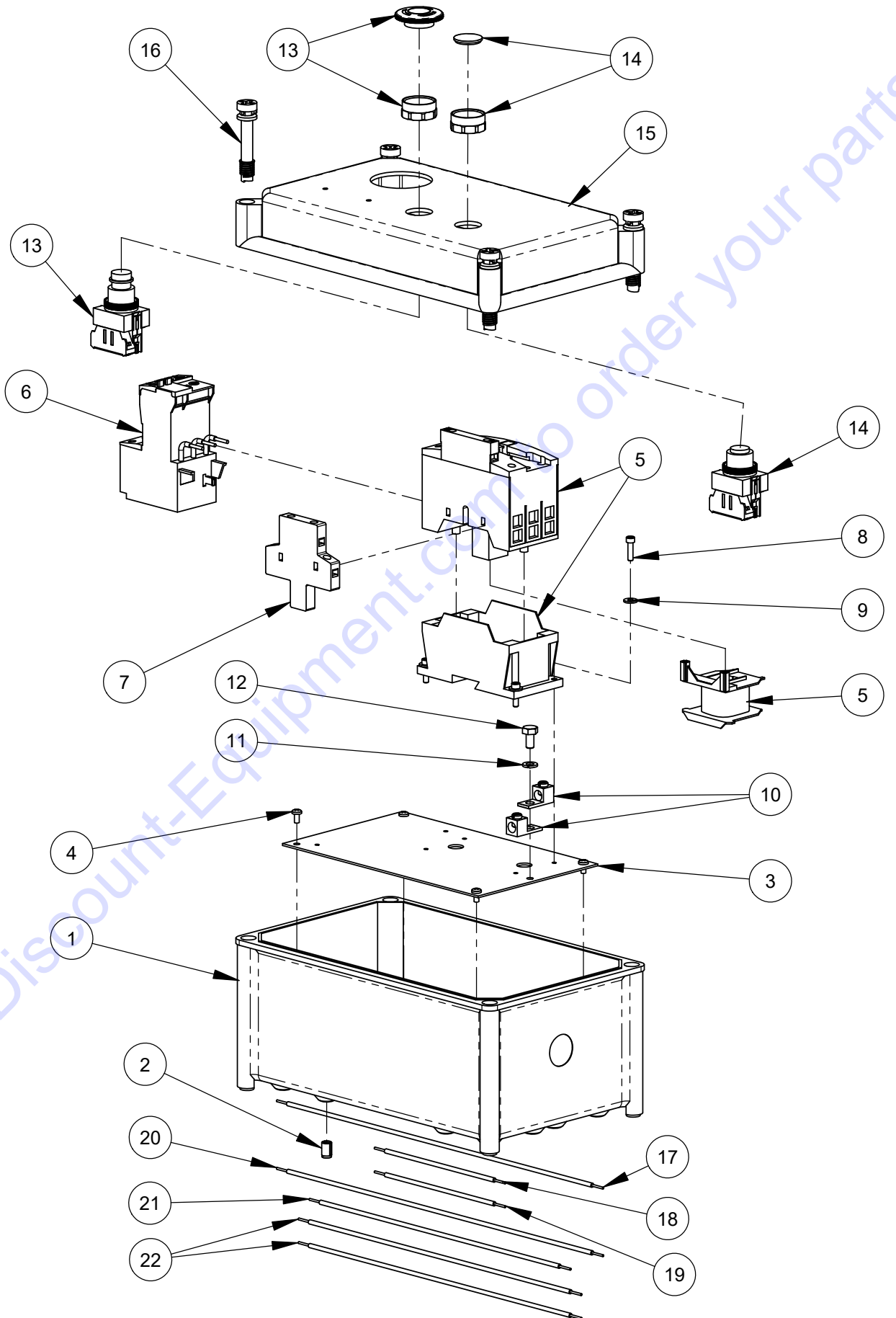


## 2804007 STARTER BOX, 415-480 VOLT

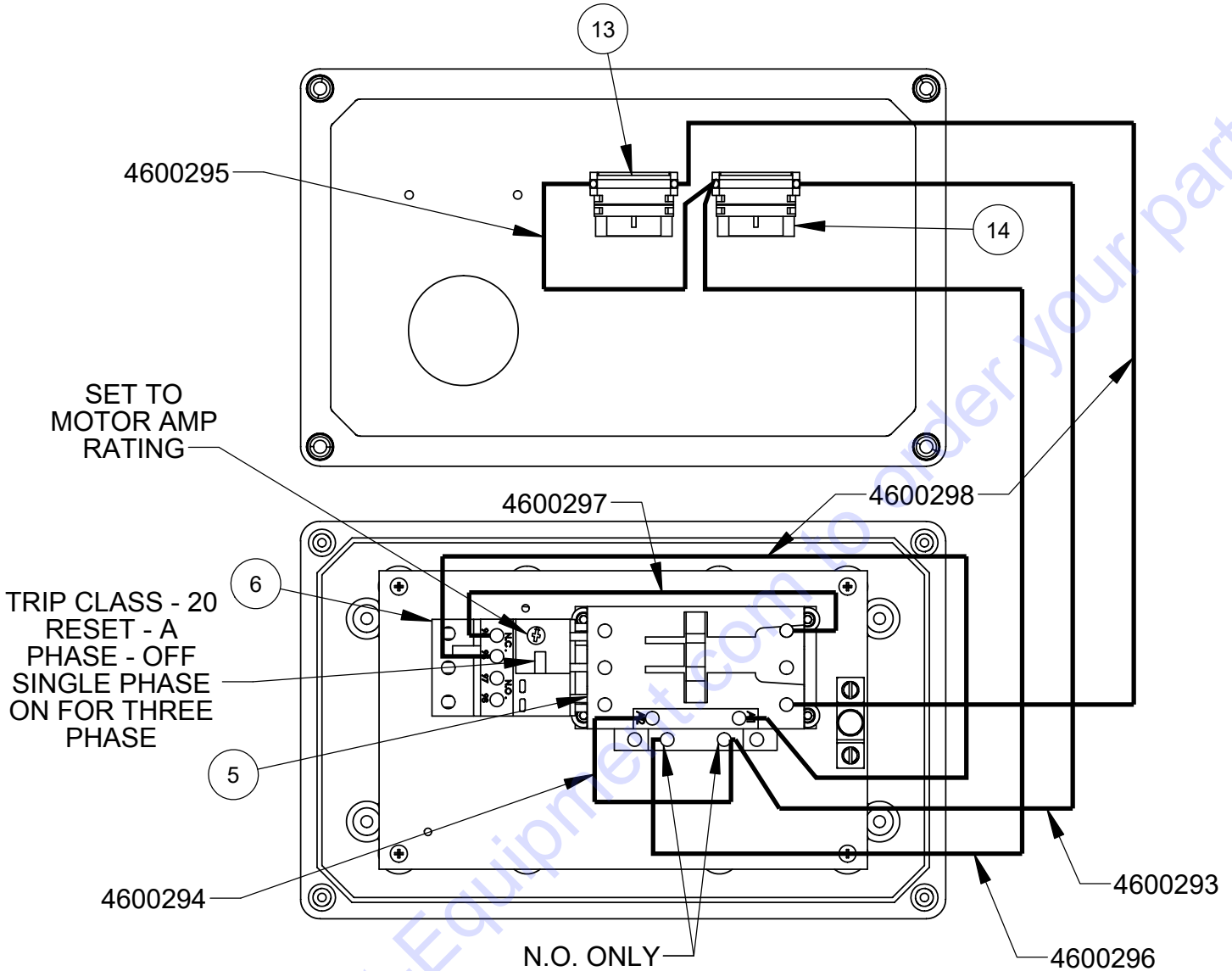


ITEM	PART NO.	QTY.	DESCRIPTION	ITEM	PART NO.	QTY.	DESCRIPTION
1	6040300D	1	Starter Box Base	12	2800315	2	Grounding Lug
2	2901588	4	M6-1.0 Threaded Insert	13	2801636	1	E-Stop Switch, 600V, NC
3	6040598	1	Sub-plate	14	2801639	1	Pushbutton, N.O., 600V
4	2900676	4	Machine Screw, Pan Hd., M4-0.7 x 8mm	15	6048293	1	Starter Box Cover
5	2801707	1	Contactor, 415-480V (Includes Coil)	16	2701414	4	Fastener, Electrical Box Top
	2801266	1	Replacement Coil, 415-480V	17	4600293	1	Wire, 14 Gage, Yellow, 15"
6	2801699	1	Overload Relay, 9-45 AMP	18	4600294	1	Wire, 14 Gage, Yellow, 6"
7	2801676	1	Auxiliary Contacts, 1NO-NC	19	4600295	1	Wire, 14 Gage, Black, 6"
8	2901827	4	Cap Screw, Soc. Hd., #8-32 x 5/8"	20	4600296	1	Wire, 14 Gage, Black, 15"
9	2901437	4	Flat Washer, #10	21	4600297	1	Wire, 14 Gage, Red, 12"
10	2901891	1	Cap Screw, Hex Hd., 1/4-28 x 1/2"	22	4600298	2	Wire, 14 Gage, Red, 13"
11	2900009	1	Flat Washer, 1/4" SAE				

# 2802061 STARTER BOX, 550-600 VOLT



## 2802061 STARTER BOX, 550-600 VOLT



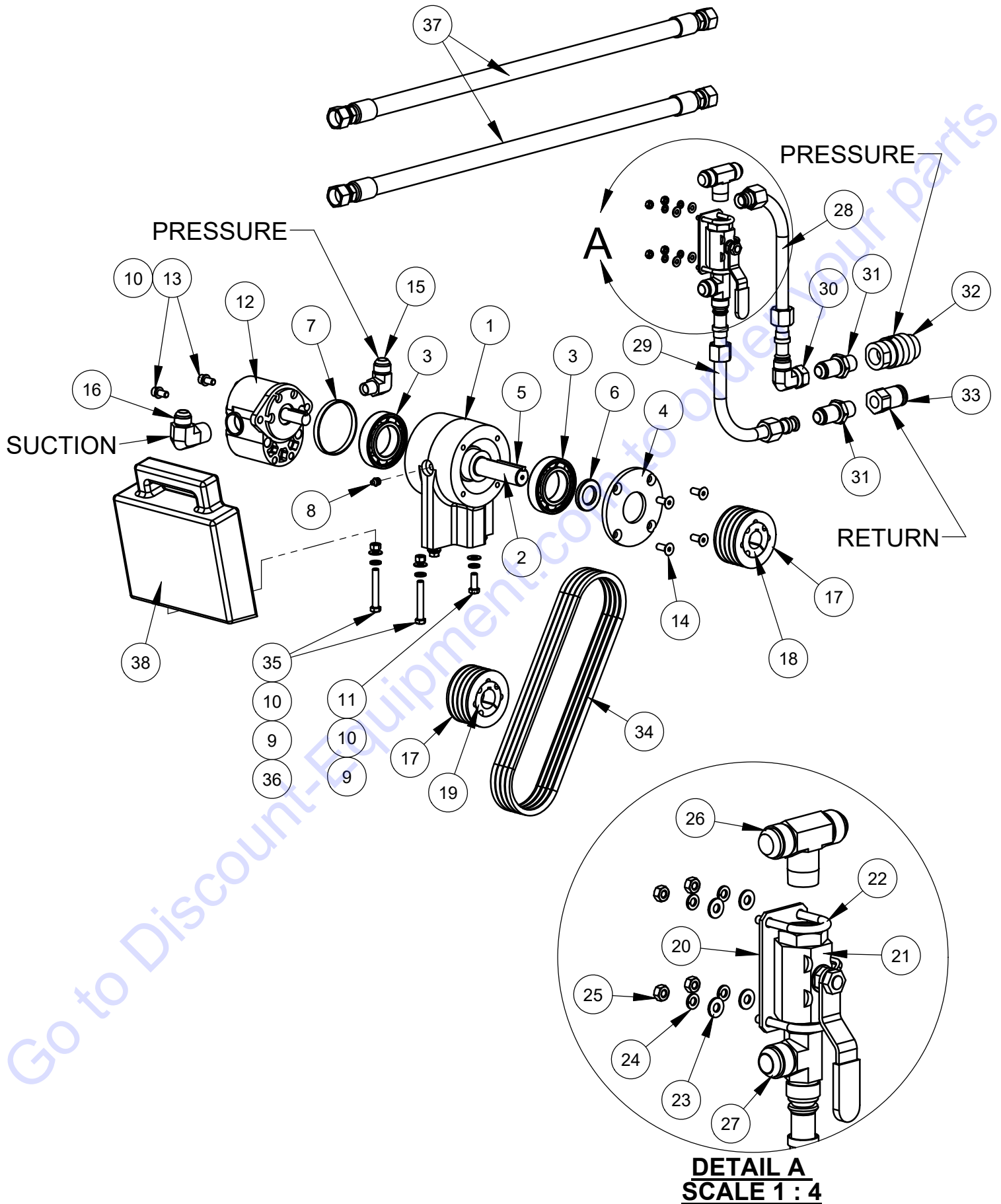
ITEM	PART NO.	QTY.	DESCRIPTION	ITEM	PART NO.	QTY.	DESCRIPTION
1	6040300D	1	Starter Box Base	11	2900024	1	Lock Washer, 1/4" Split
2	2901588	4	M6-1.0 Threaded Insert	12	2901891	1	Cap Screw, Hex Hd., 1/4-28 x 1/2"
3	6040598	1	Sub-plate	13	2801636	1	E-Stop Switch, 600V, NC
4	2900676	4	Machine Screw, Pan Hd., M4-0.7 x 8mm	14	2801639	1	Pushbutton, N.O., 600V
5	2801709	1	Contactor, 550-600V (includes coil)	15	6048293	1	Starter Box Cover
	2801267	1	Replacement Coil, 550-600V	16	2701414	4	Fastener, Electrical Box Top
6	2801699	1	Overload Relay, 9-45 AMP	17	4600293	1	Wire, 14 Gage, Yellow, 15"
7	2801676	1	Auxiliary Contacts, 1NO-NC	18	4600294	1	Wire, 14 Gage, Yellow, 6"
8	2901827	4	Cap Screw, Soc. Hd., #8-32 x 5/8"	19	4600295	1	Wire, 14 Gage, Black, 6"
9	2901437	4	Flat Washer, #10	20	4600296	1	Wire, 14 Gage, Black, 15"
10	2800315	2	Grounding Lug	21	4600297	1	Wire, 14 Gage, Red, 12"
				22	4600298	2	Wire, 14 Gage, Red, 13"



## 6054000: HYDRAULIC MOTOR OPTION, 1.16 CI / REV

ITEM NO.	PART NUMBER	QTY.	DESCRIPTION
1	6048115	1	Pillow Block
2	6048116	1	Hydraulic Spindle Shaft
3	2500686	2	Bearing, 50mm x 90mm x 20mm
4	6048117	1	Seal Plate
5	6048134	1	Key, 1/4" Sq. x 2-1/4"
6	3200004	1	Seal, 1-1/8" x 2" x 1/4"
7	4699901	1	Shim For Hydraulic Spindle Shaft
8	2900062	1	Grease Fitting, 1/8" NPT
9	2900014	6	Flat Washer, 3/8" SAE
10	2900006	8	Lock Washer, 3/8" Split
11	2900005	4	Cap Screw, Hex Hd., 3/8-16 x 1"
12	2600062	1	Hydraulic Motor, Danfoss 1.16 cu. in.
13	2900976	2	Cap Screw, Soc. Hd., 3/8-16 x 3/4"
14	2900235	4	Cap Screw, Flat Hd., 3/8-16 x 1"
15	3200110	1	Elbow, 1/2" M. Pipe to 3/4" M. JIC
16	3200086	1	Elbow, 3/4" M. Pipe to 3/4" M. JIC
17	2500621	2	Sheave, 3V-3.65-4 Groove (1610)
18	2500031	1	Taper Bushing, 1-1/8" w/Set Screws
19	2500337	1	Taper Bushing, 1-1/4"
20	2502192	1	Shim Plate
21	3200005	1	Ball Valve, 3/4" Pipe
22	2900369	2	U-Bolt, 3/4" Pipe
23	2900009	4	Flat Washer, 1/4" SAE
24	2900024	4	Lock Washer, 1/4" Split
25	2900125	4	Hex Nut, 1/4-20
26	3201738	1	3/4" MPT X 3/4" MJIC TEE
27	3200509	1	Run Tee, 3/4" M. Pipe x 3/4" M. JIC
28	6048633	1	Hydraulic Tube Assy., 3/4"
29	6048634	1	Hydraulic Tube Assy., 3/4"
30	3200417	1	Elbow, 3/4" F. JIC to 3/4" M. JIC
31	3200398	2	3/4" MPT x 3/4" MJIC Bulkhead Fitting
32	3200100	1	Coupler, 3/4" Quick Disconnect
33	3200101	1	Nipple, 3/4" Quick Disconnect
34	2500037	4	V-Belt, 3VX375
35	2900521	2	Tap Bolt, Hex Hd., 3/8-16 x 2-1/2"
36	2900033	2	Hex Nut, 3/8-16
37	6048845	2	Hose Assy, 3/4 x 33-1/2"
38	6048255	1	Saw Weight

# 6054001: HYDRAULIC MOTOR OPTION, 1.55 CI / REV

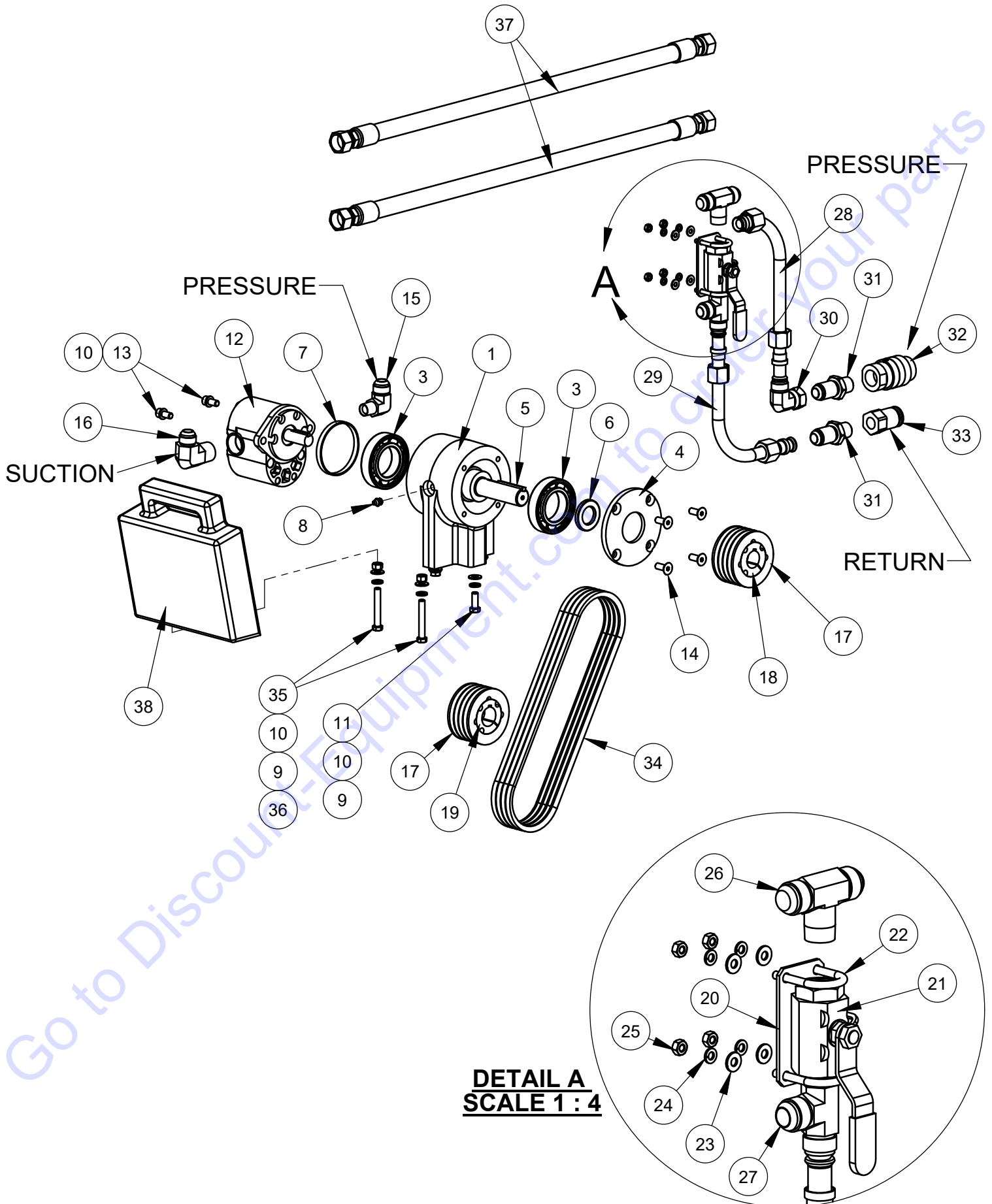




## 6054001: HYDRAULIC MOTOR OPTION, 1.55 CI / REV

ITEM NO.	PART NUMBER	QTY.	DESCRIPTION
1	6048115	1	Pillow Block
2	6048116	1	Hydraulic Spindle Shaft
3	2500686	2	Bearing, 50mm x 90mm x 20mm
4	6048117	1	Seal Plate
5	6048134	1	Key, 1/4" Sq. x 2-1/4"
6	3200004	1	Seal, 1-1/8" x 2" x 1/4"
7	4699901	1	Shim For Hydraulic Spindle Shaft
8	2900062	1	Grease Fitting, 1/8" NPT
9	2900014	6	Flat Washer, 3/8" SAE
10	2900006	8	Lock Washer, 3/8" Split
11	2900005	4	Cap Screw, Hex Hd., 3/8-16 x 1"
12	2600063	1	Hydraulic Motor, Danfoss 1.55 cu. in.
13	2900976	2	Cap Screw, Soc. Hd., 3/8-16 x 3/4"
14	2900235	4	Cap Screw, Flat Hd., 3/8-16 x 1"
15	3200110	1	Elbow, 1/2" M. Pipe to 3/4" M. JIC
16	3200111	1	Elbow, 1" M. Pipe to 3/4" M. JIC
17	2500621	2	Sheave, 3V-3.65-4 Groove (1610)
18	2500031	1	Taper Bushing, 1-1/8" w/Set Screws
19	2500337	1	Taper Bushing, 1-1/4"
20	2502192	1	Shim Plate
21	3200005	1	Ball Valve, 3/4" Pipe
22	2900369	2	U-Bolt, 3/4" Pipe
23	2900009	4	Flat Washer, 1/4" SAE
24	2900024	4	Lock Washer, 1/4" Split
25	2900125	4	Hex Nut, 1/4-20
26	3201738	1	3/4" MPT X 3/4" MJIC TEE
27	3200509	1	Run Tee, 3/4" M. Pipe x 3/4" M. JIC
28	6048633	1	Hydraulic Tube Assy., 3/4"
29	6048634	1	Hydraulic Tube Assy., 3/4"
30	3200417	1	Elbow, 3/4" F. JIC to 3/4" M. JIC
31	3200398	2	3/4" MPT x 3/4" MJIC Bulkhead Fitting
32	3200100	1	Coupler, 3/4" Quick Disconnect
33	3200101	1	Nipple, 3/4" Quick Disconnect
34	2500037	4	V-Belt, 3VX375
35	2900521	2	Tap Bolt, Hex Hd., 3/8-16 x 2-1/2"
36	2900033	2	Hex Nut, 3/8-16
37	6048845	2	Hose Assy, 3/4 x 33-1/2"
38	6048255	1	Saw Weight

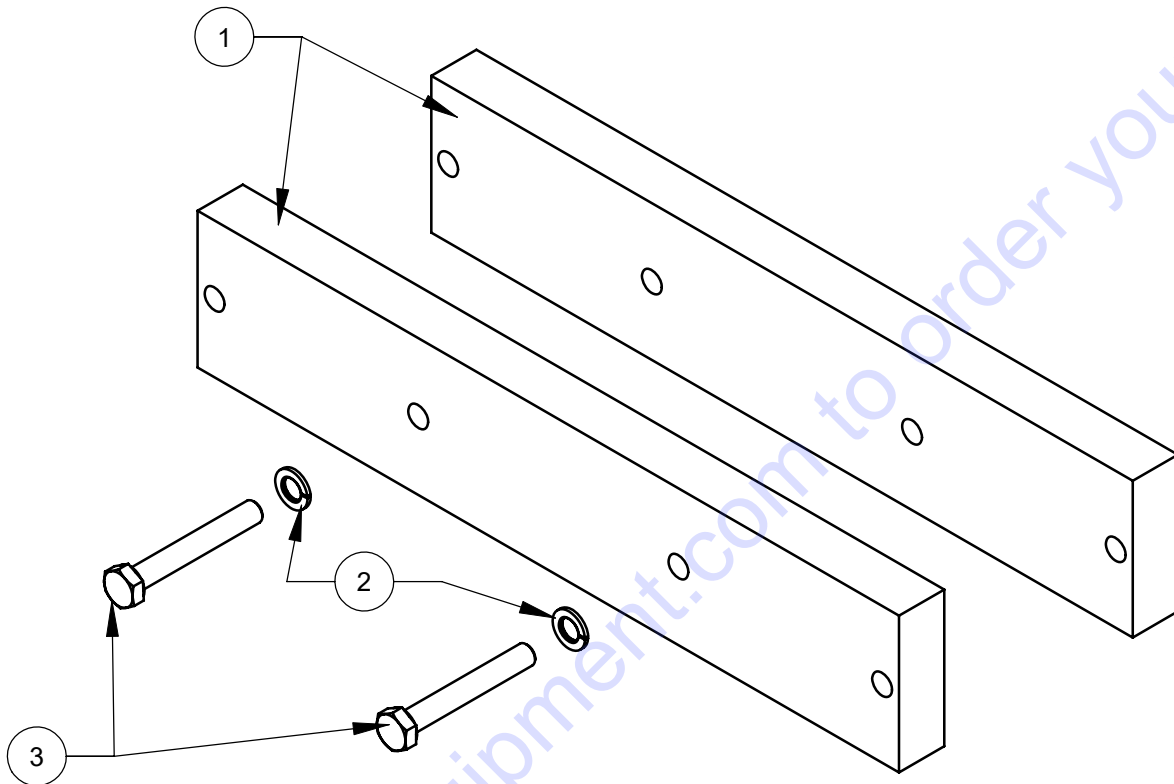
# 6054002: HYDRAULIC MOTOR OPTION, 1.94 CI / REV



## 6054002: HYDRAULIC MOTOR OPTION, 1.94 CI / REV

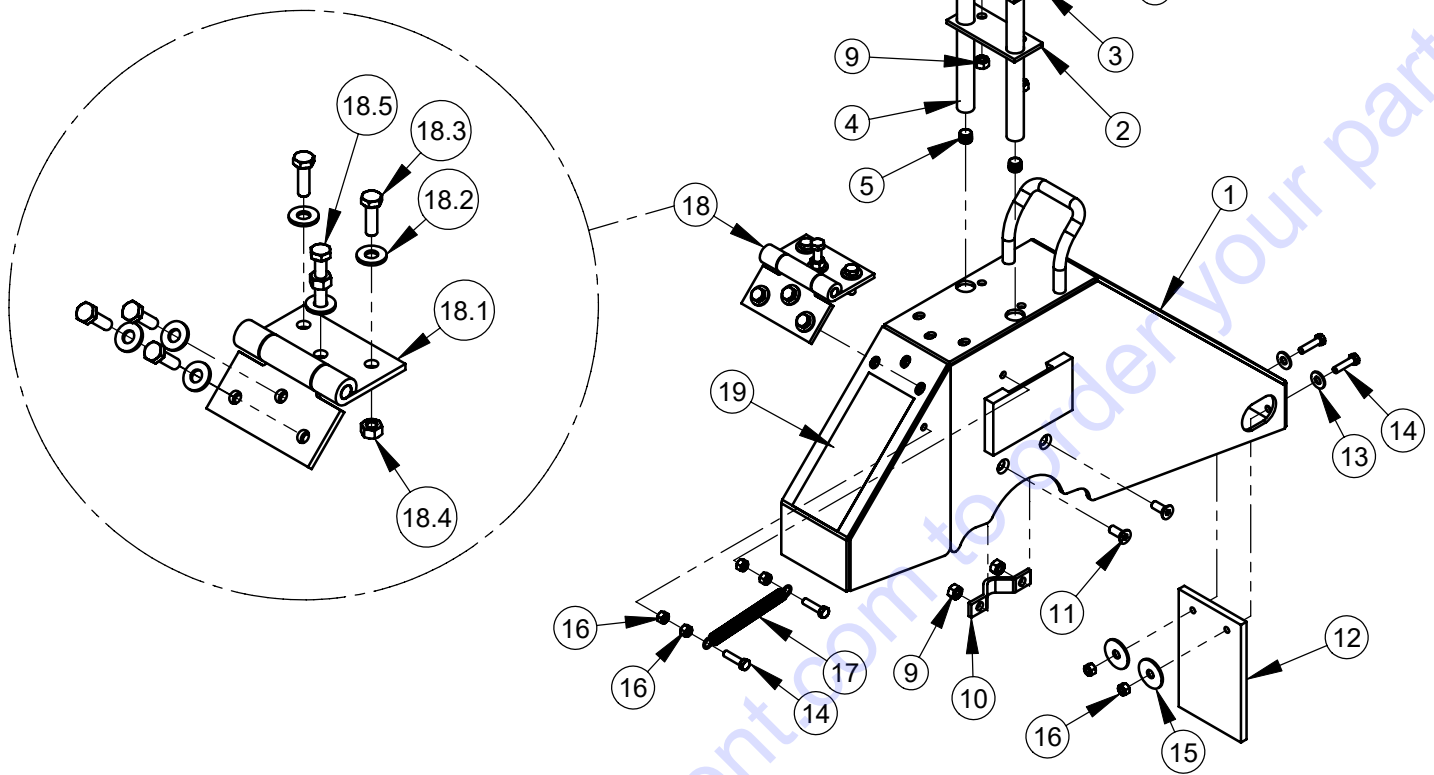
ITEM NO.	PART NUMBER	QTY.	DESCRIPTION
1	6048115	1	Pillow Block
2	6048116	1	Hydraulic Spindle Shaft
3	2500686	2	Bearing, 50mm x 90mm x 20mm
4	6048117	1	Seal Plate
5	6048134	1	Key, 1/4" Sq. x 2-1/4"
6	3200004	1	Seal, 1-1/8" x 2" x 1/4"
7	4699901	1	Shim For Hydraulic Spindle Shaft
8	2900062	1	Grease Fitting, 1/8" NPT
9	2900014	6	Flat Washer, 3/8" SAE
10	2900006	8	Lock Washer, 3/8" Split
11	2900005	4	Cap Screw, Hex Hd., 3/8-16 x 1"
12	2600064	1	Hydraulic Motor, Danfoss 1.94 cu. in.
13	2900976	2	Cap Screw, Soc. Hd., 3/8-16 x 3/4"
14	2900235	4	Cap Screw, Flat Hd., 3/8-16 x 1"
15	3200110	1	Elbow, 1/2" M. Pipe to 3/4" M. JIC
16	3200111	1	Elbow, 1" M. Pipe to 3/4" M. JIC
17	2500621	2	Sheave, 3V-3.65-4 Groove (1610)
18	2500031	1	Taper Bushing, 1-1/8" w/Set Screws
19	2500337	1	Taper Bushing, 1-1/4"
20	2502192	1	Shim Plate
21	3200005	1	Ball Valve, 3/4" Pipe
22	2900369	2	U-Bolt, 3/4" Pipe
23	2900009	4	Flat Washer, 1/4" SAE
24	2900024	4	Lock Washer, 1/4" Split
25	2900125	4	Hex Nut, 1/4-20
26	3201738	1	3/4" MPT X 3/4" MJIC TEE
27	3200509	1	Run Tee, 3/4" M. Pipe x 3/4" M. JIC
28	6048633	1	Hydraulic Tube Assy., 3/4"
29	6048634	1	Hydraulic Tube Assy., 3/4"
30	3200417	1	Elbow, 3/4" F. JIC to 3/4" M. JIC
31	3200398	2	3/4" MPT x 3/4" MJIC Bulkhead Fitting
32	3200100	1	Coupler, 3/4" Quick Disconnect
33	3200101	1	Nipple, 3/4" Quick Disconnect
34	2500037	4	V-Belt, 3VX375
35	2900521	2	Tap Bolt, Hex Hd., 3/8-16 x 2-1/2"
36	2900033	2	Hex Nut, 3/8-16
37	6048845	2	Hose Assy, 3/4 x 33-1/2"
38	6048255	1	Saw Weight

**Weight Bar Assembly**  
**#6048959**



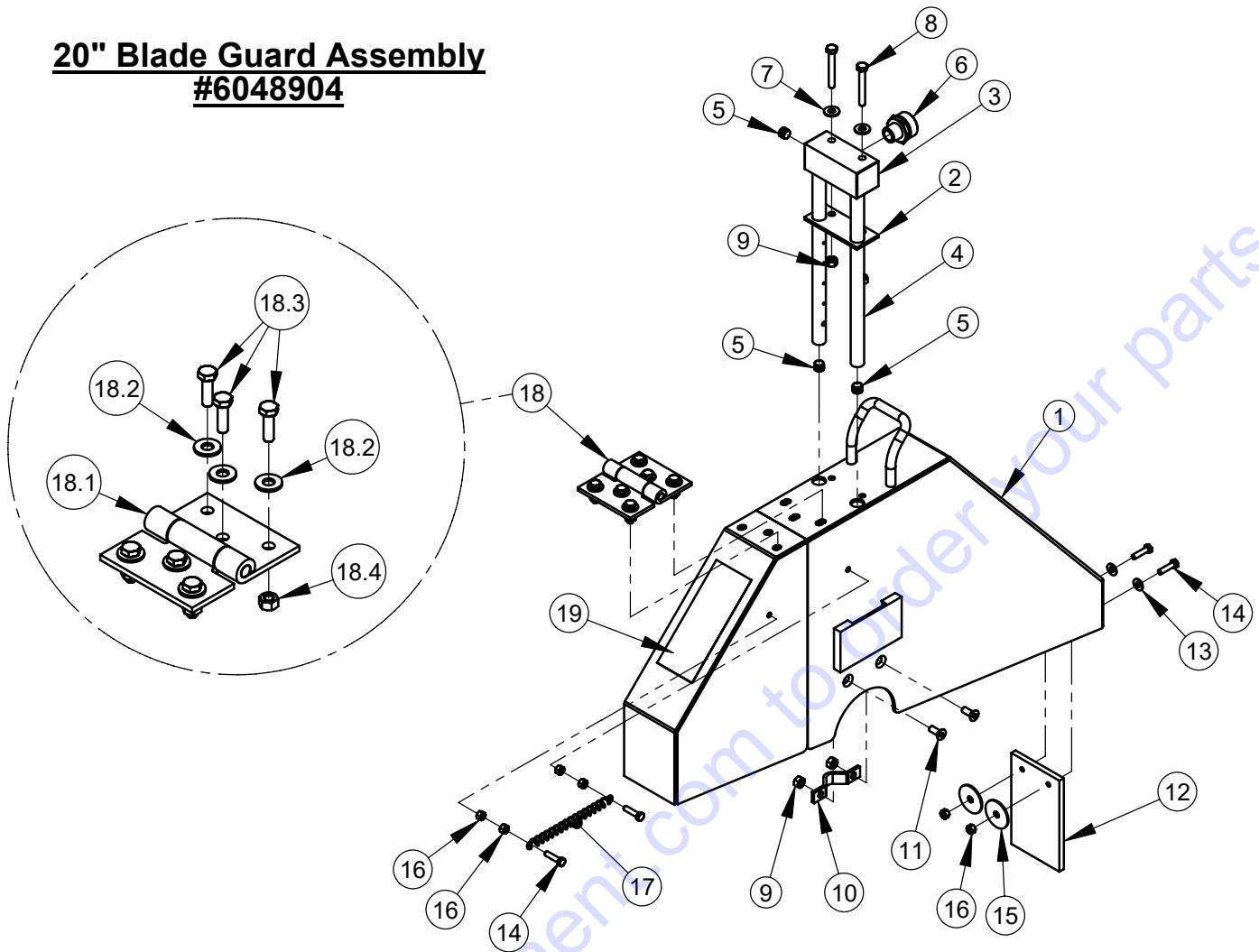
ITEM NO.	PART NUMBER	QTY.	DESCRIPTION
1	6048067	2	Saw Weight, 13 Pound
2	2900321	2	Lock Washer, M10 Split
3	2900334	2	Cap Screw, Hex Hd., M10 x 70mm

**14" Blade Guard Assembly**  
**#6048912**



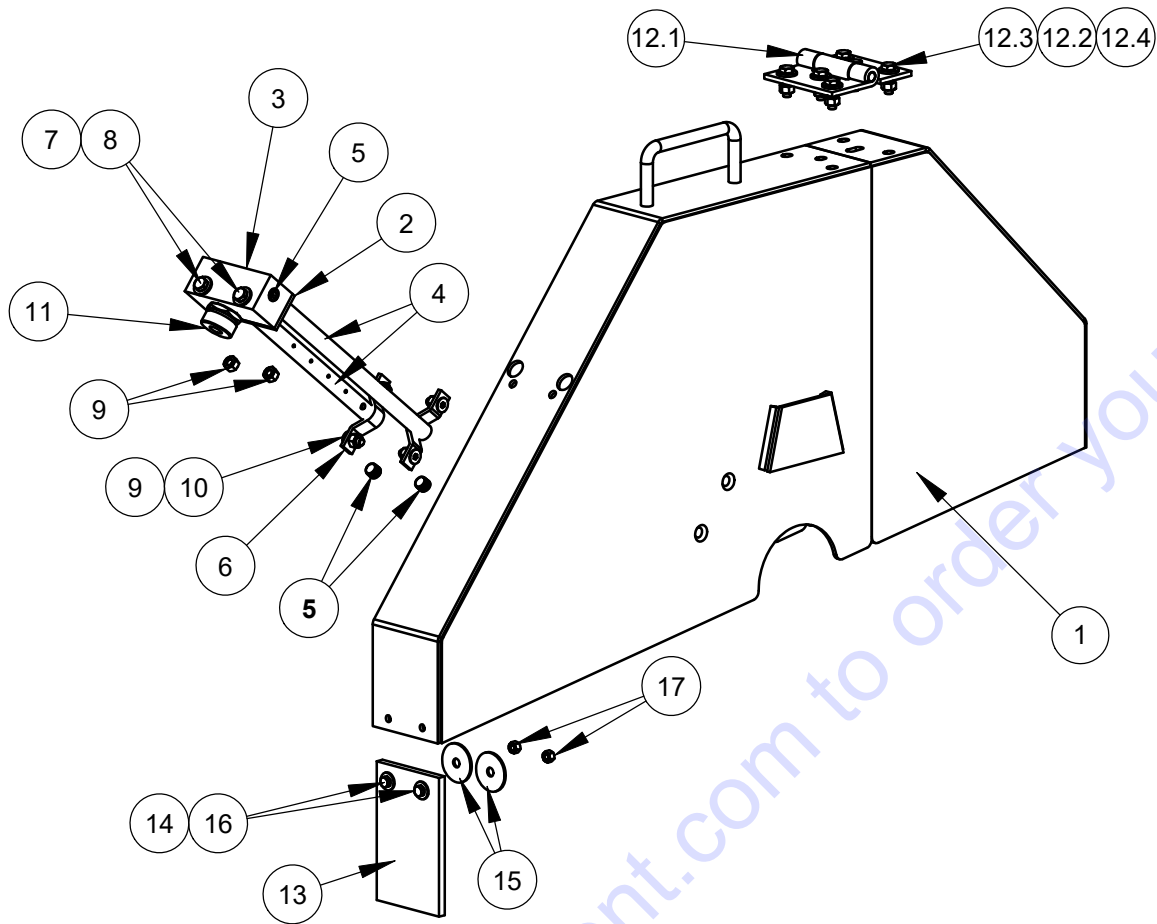
ITEM	PART NO.	QTY.	DESCRIPTION
1	6048911	1	14" Blade Guard
2	2500829	1	Water Manifold Gasket
3	6048123	1	Water Manifold
4	6048283	2	Water Tube for 14" Guard
5	3200001	3	Plug, 1/8" NPT
6	3200002	1	Fitting, 3/8" M. Pipe to 3/4" M. Garden
7	2900009	2	Flat Washer, 1/4" SAE
8	2900244	2	Cap Screw, Hex Hd., M6 x 45mm
9	2900302	6	Lock Nut, M6 Nylon
10	6048155	2	Water Tube Clamp
11	2900308	4	Cap Screw, Flat Hd. Soc., M6 x 16mm
12	6048039	1	Splash Flap
13	2900016	2	Flat Washer, #10 USS
14	2900309	4	Cap Screw, Hex Hd., M5 x 20mm
15	2900083	2	Fender Washer, 1/4" I.D. x 1-1/4" O.D.
16	2900301	6	Lock Nut, M5 Nylon
17	2500066	1	Spring, 3/8 X .055 X 3"
18	6048026	1	Hinge Assy., Metric Fasteners
18.1	2500270	1	Blade Guard Hinge
18.2	2900009	6	Flat Washer, 1/4" SAE
18.3	2900310	5	Cap Screw, Hex Hd., M6 x 20mm
18.4	2900302	7	Lock Nut, M6 Nylon
18.5	2900312	1	Cap Screw, Hex Hd., M6 x 35mm
19	1800001	1	Warning Label

**20" Blade Guard Assembly**  
**#6048904**



ITEM	PART NO.	QTY.	DESCRIPTION
1	6048905	1	20" Blade Guard
2	2500829	1	Water Manifold Gasket
3	6048123	1	Water Manifold
4	6010085	2	Water Tube for 20" Guard
5	3200001	3	Plug, 1/8" NPT
6	3200002	1	Fitting, 3/8" M. Pipe to 3/4" M. Garden
7	2900009	2	Flat Washer, 1/4" SAE
8	2900244	2	Cap Screw, Hex Hd., M6 x 45mm
9	2900302	6	Lock Nut, M6 Nylon
10	6048155	2	Water Tube Clamp
11	2900308	4	Cap Screw, Flat Hd. Soc., M6 x 16mm
12	6048039	1	Splash Flap
13	2900016	2	Flat Washer, #10 USS
14	2900309	4	Cap Screw, Hex Hd., M5 x 20mm
15	2900083	2	Fender Washer, 1/4" x 1-1/4"
16	2900301	6	Lock Nut, M5 Nylon
17	2500067	1	Spring, 3/8" x 4"
18	6048027	1	Hinge Assy., Metric Fasteners
18.1	2500270	1	Blade Guard Hinge
18.2	2900009	6	Flat Washer, 1/4" SAE
18.3	2900310	6	Cap Screw, Hex Hd., M6 x 20mm
18.4	2900302	6	Lock Nut, M6 Nylon
19	1800001	1	Warning Label

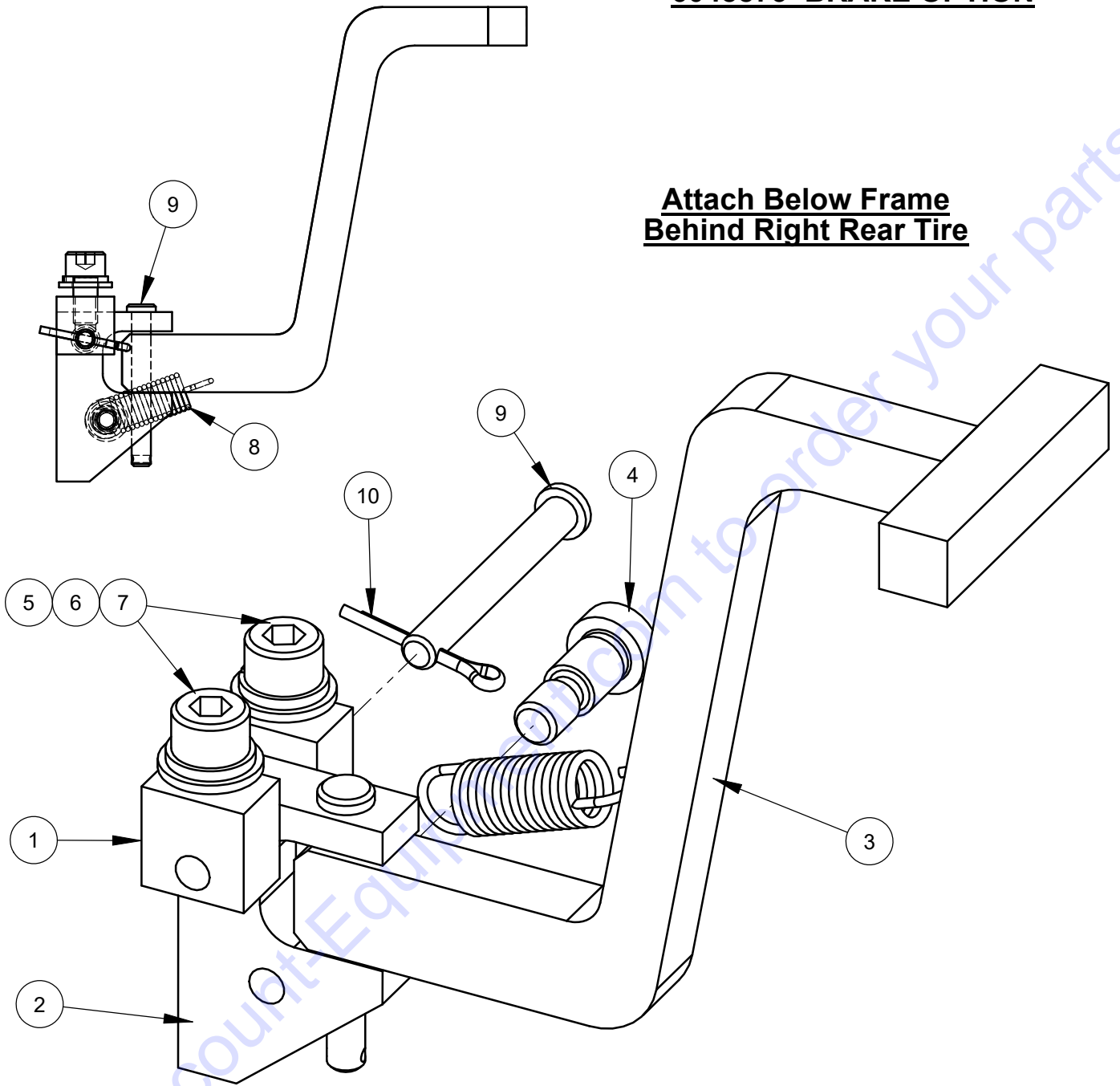
## 24" BLADE GUARD ASSEMBLY: 6048258



ITEM NO.	PART NUMBER	DESCRIPTION	QTY.
1	6048257	24" Blade Guard	1
2	2500829	Water Manifold Gasket	1
3	6048123	Water Manifold	1
4	6010085	Water Tube for 20" Guard	2
5	3200001	Plug, 1/8" NPT	3
6	6048155	Water Tube Clamp	2
7	2900009	Flat Washer, 1/4" SAE	2
8	2900244	Cap Screw, Hex Hd., M6 x 45mm	2
9	2900302	Lock Nut, M6 Nylon	6
10	2900308	Cap Screw, Flat Hd. Soc., M6 x 16mm	4
11	3200002	Fitting, 3/4" M. Pipe to 3/4" M. Garden	1
12	6048027	Hinge Assy., Metric Fasteners	1
12.1	2500270	Blade Guard Hinge	1
12.2	2900009	Flat Washer, 1/4" SAE	6
12.3	2900310	Cap Screw, Hex Hd., M6 x 20mm	6
12.4	2900302	Lock Nut, M6 Nylon	6
13	6048039	Splash Flap	1
14	2900016	Flat Washer, #10 USS	2
15	2900083	Fender Washer, 1/4" x 1-1/4"	2
16	2900309	Cap Screw, Hex Hd., M5 x 20mm	2
17	2900301	Lock Nut, M5 Nylon	2

**6048873 BRAKE OPTION**

**Attach Below Frame**  
**Behind Right Rear Tire**



ITEM	PART NO.	QTY.	DESCRIPTION
1	6048868	2	Clevis Plate
2	6048867	1	Plate, Brake Pivot
3	6048869	1	Brake Pedal Weldment
4	2900672	1	Shoulder Screw, 3/8" x 1/2" (5/16-18)
5	2900022	2	Flat Washer, 5/16" SAE
6	2900031	2	Lock Washer, 5/16" Split
7	2900267	2	Cap Screw, Soc. Hd., M8-1.25 x 16mm
8	2500068	1	Spring, .063 x .50 x 1.75
9	2901404	2	1/4 x 2.0" Clevis Pin
10	2900034	1	Cotter Pin, 3/32" x 3/4"



## **EQUIPMENT AND PARTS WARRANTY**

Discount-equipment warrants all equipment sold by it against defects in workmanship or materials for a period of one (1) year from the date of shipment to Customer.

The responsibility of Discount-equipment under this Warranty is limited to replacement or repair of defective parts, of such parts as shall appear to us upon inspection at such parts, to have been defective in material or workmanship, with expense for transportation and labor borne by Customer.

In no event shall Discount-equipment be liable for consequential or incidental damages arising out of the failure of any Product to operate properly.

Integral units such as engines, electric motors, batteries, transmissions, etc., are excluded from this Warranty and are subject to the prime manufacturer's warranty.

**THIS WARRANTY IS IN LIEU OF ALL OTHER WARRANTIES,  
EXPRESSED OR IMPLIED, AND ALL SUCH OTHER WARRANTIES ARE  
HEREBY DISCLAIMED.**



# PARTS FINDER

**Search Website  
by Part Number**



**Search Manual  
Library For Parts  
Manual & Lookup Part  
Numbers – Purchase  
or Request Quote**

**Search Manuals**

Enter your information to help us find the right part for your machine.

\* Brand:

\* Model:

\* Serial:

\* Part Number:

SEARCH

**Can't Find Part or  
Manual? Request Help  
by Manufacturer,  
Model & Description**

**Parts Order Form**

Please fill in the following information to help us find the right part for your machine.

Manufacturer:	<input type="text"/>
Model:	<input type="text"/>
Description:	<input type="text"/>
Part Number:	<input type="text"/>
Quantity:	<input type="text"/>
Notes:	<input type="text"/>

Discount-Equipment.com is your online resource for quality parts & equipment.

Florida: **561-964-4949** Outside Florida TOLL FREE: **877-690-3101**

**Need parts?**

Click on this link: <http://www.discount-equipment.com/category/5443-parts/> and choose one of the options to help get the right parts and equipment you are looking for. Please have the machine model and serial number available in order to help us get you the correct parts. If you don't find the part on the website or on one of the online manuals, please fill out the request form and one of our experienced staff members will get back to you with a quote for the right part that your machine needs.

We sell worldwide for the brands: Genie, Terex, JLG, MultiQuip, Mikasa, Essick, Whiteman, Mayco, Toro Stone, Diamond Products, Generac Magnum, Airman, Haulotte, Barreto, Power Blanket, Nifty Lift, Atlas Copco, Chicago Pneumatic, Allmand, Miller Curber, Skyjack, Lull, Skytrak, Tsurumi, Husquvarna Target, Stow, Wacker, Sakai, Mi-T-M, Sullair, Basic, Dynapac, MBW, Weber, Bartell, Bennar Newman, Haulotte, Ditch Runner, Menegotti, Morrison, Contec, Buddy, Crown, Edco, Wyco, Bomag, Laymor, EZ Trench, Bil-Jax, F.S. Curtis, Gehl Pavers, Heli, Honda, ICS/PowerGrit, IHI, Partner, Imer, Clipper, MMD, Koshin, Rice, CH&E, General Equipment, Amida, Coleman, NAC, Gradall, Square Shooter, Kent, Stanley, Tamco, Toku, Hatz, Kohler, Robin, Wisconsin, Northrock, Oztec, Toker TK, Rol-Air, APT, Wylie, Ingersoll Rand / Doosan, Innovatech, Con X, Ammann, Mecalac, Makinex, Smith Surface Prep, Small Line, Wanco, Yanmar