



CONCRETE SAW PARTS LIST

**MODEL
CC1000**

(MAY 2013)

Part # 1800565

PARTS FINDER

**Search Website
by Part Number**



**Search Manual
Library For Parts
Manual & Lookup Part
Numbers – Purchase
or Request Quote**

Search Manuals

Enter your information to help us find the right parts manual for your machine.

* Brand:

* Model:

* Serial:

* Part Number:

SEARCH

**Can't Find Part or
Manual? Request Help
by Manufacturer,
Model & Description**

Parts Order Form

Please fill in the following information to help us find the right part for your machine.

Manufacturer:	<input type="text"/>
Model:	<input type="text"/>
Description:	<input type="text"/>
Part Number:	<input type="text"/>
Quantity:	<input type="text"/>
Notes:	<input type="text"/>

Submit

Discount-Equipment.com is your online resource for quality parts & equipment.

Florida: **561-964-4949** Outside Florida TOLL FREE: **877-690-3101**

Need parts?

Click on this link: <http://www.discount-equipment.com/category/5443-parts/> and choose one of the options to help get the right parts and equipment you are looking for. Please have the machine model and serial number available in order to help us get you the correct parts. If you don't find the part on the website or on one of the online manuals, please fill out the request form and one of our experienced staff members will get back to you with a quote for the right part that your machine needs.

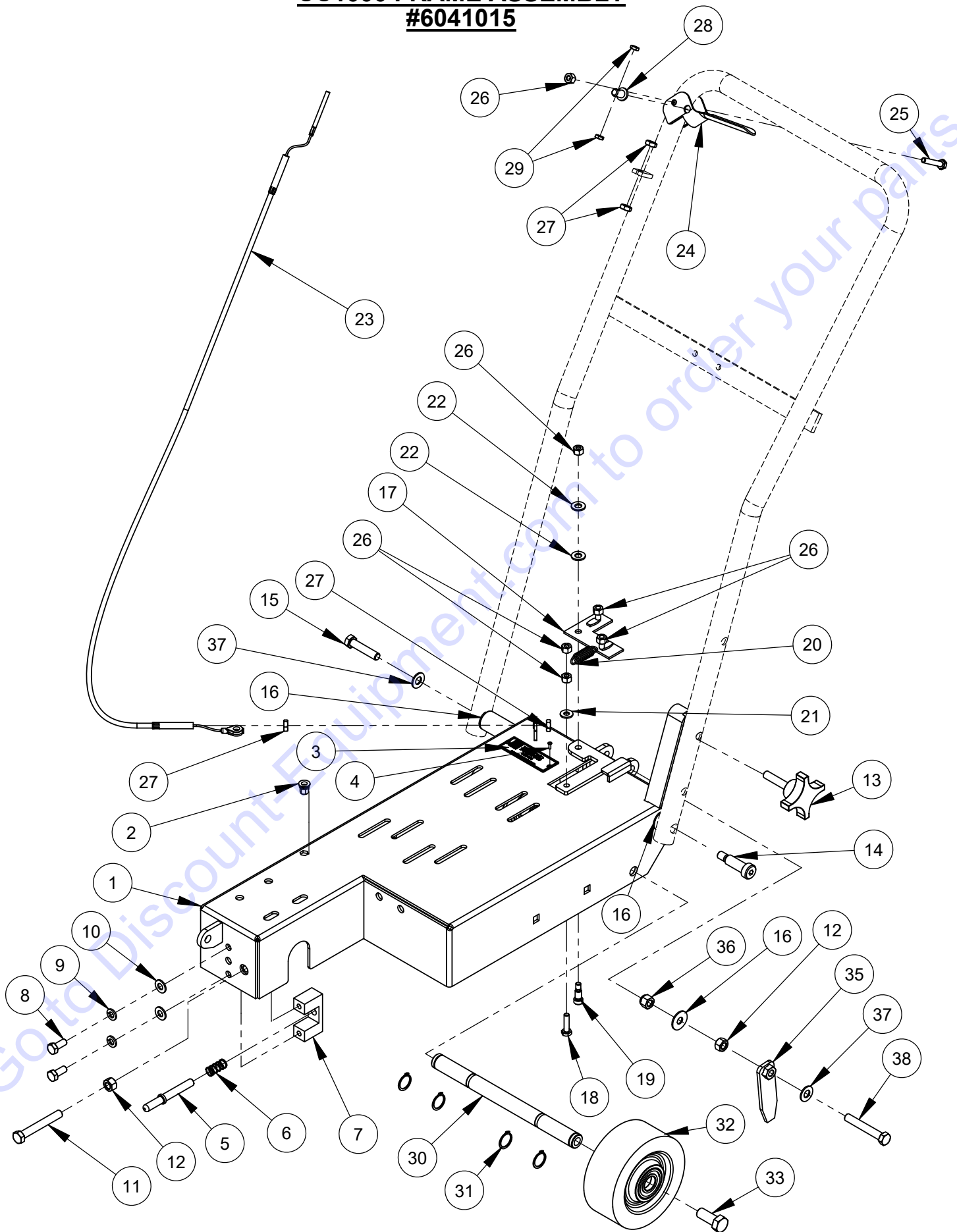
We sell worldwide for the brands: Genie, Terex, JLG, MultiQuip, Mikasa, Essick, Whiteman, Mayco, Toro Stone, Diamond Products, Generac Magnum, Airman, Haulotte, Barreto, Power Blanket, Nifty Lift, Atlas Copco, Chicago Pneumatic, Allmand, Miller Curber, Skyjack, Lull, Skytrak, Tsurumi, Husquvarna Target, Stow, Wacker, Sakai, Mi-T-M, Sullair, Basic, Dynapac, MBW, Weber, Bartell, Bennar Newman, Haulotte, Ditch Runner, Menegotti, Morrison, Contec, Buddy, Crown, Edco, Wyco, Bomag, Laymor, EZ Trench, Bil-Jax, F.S. Curtis, Gehl Pavers, Heli, Honda, ICS/PowerGrit, IHI, Partner, Imer, Clipper, MMD, Koshin, Rice, CH&E, General Equipment, Amida, Coleman, NAC, Gradall, Square Shooter, Kent, Stanley, Tamco, Toku, Hatz, Kohler, Robin, Wisconsin, Northrock, Oztec, Toker TK, Rol-Air, APT, Wylie, Ingersoll Rand / Doosan, Innovatech, Con X, Ammann, Mecalac, Makinex, Smith Surface Prep, Small Line, Wanco, Yanmar

Table of Contents CC1000

<u>Description</u>	<u>Page No.</u>
Frame Assembly.....	4
Honda 5.5 HP Engine Assembly	6
Baldor 2.5 HP Electric Motor Assembly.....	7
Front Axle Assembly.....	8
Blade Guard Assembly.....	9
Blade Shaft Assembly	10
Blade Shaft Assembly (5/8" Arbor)	11
Pointer Assembly.....	12
Notes	13
Warranty.....	16

Go to Discount-Equipment.com to order your parts

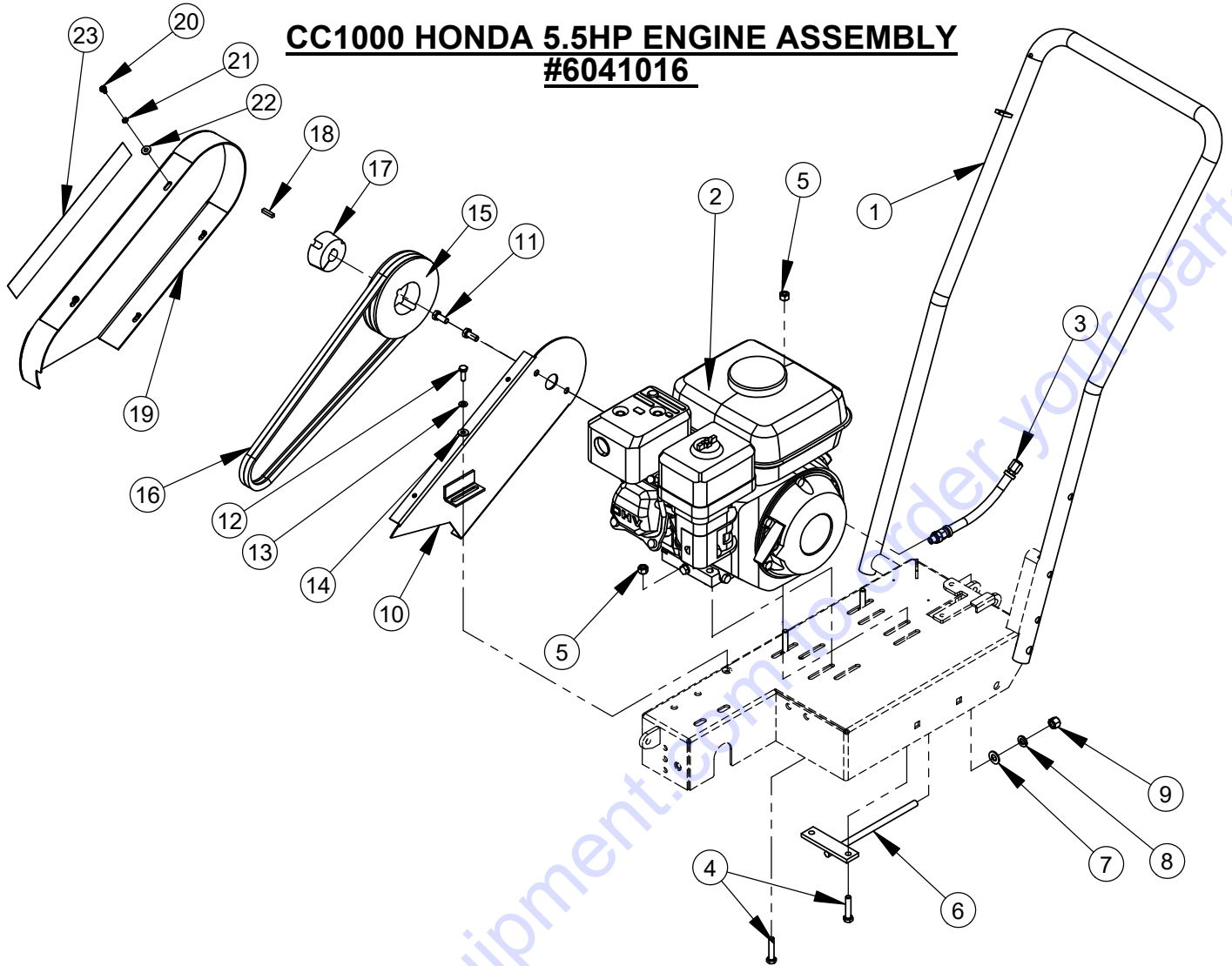
CC1000 FRAME ASSEMBLY
#6041015



CC1000 FRAME ASSEMBLY
#6041015

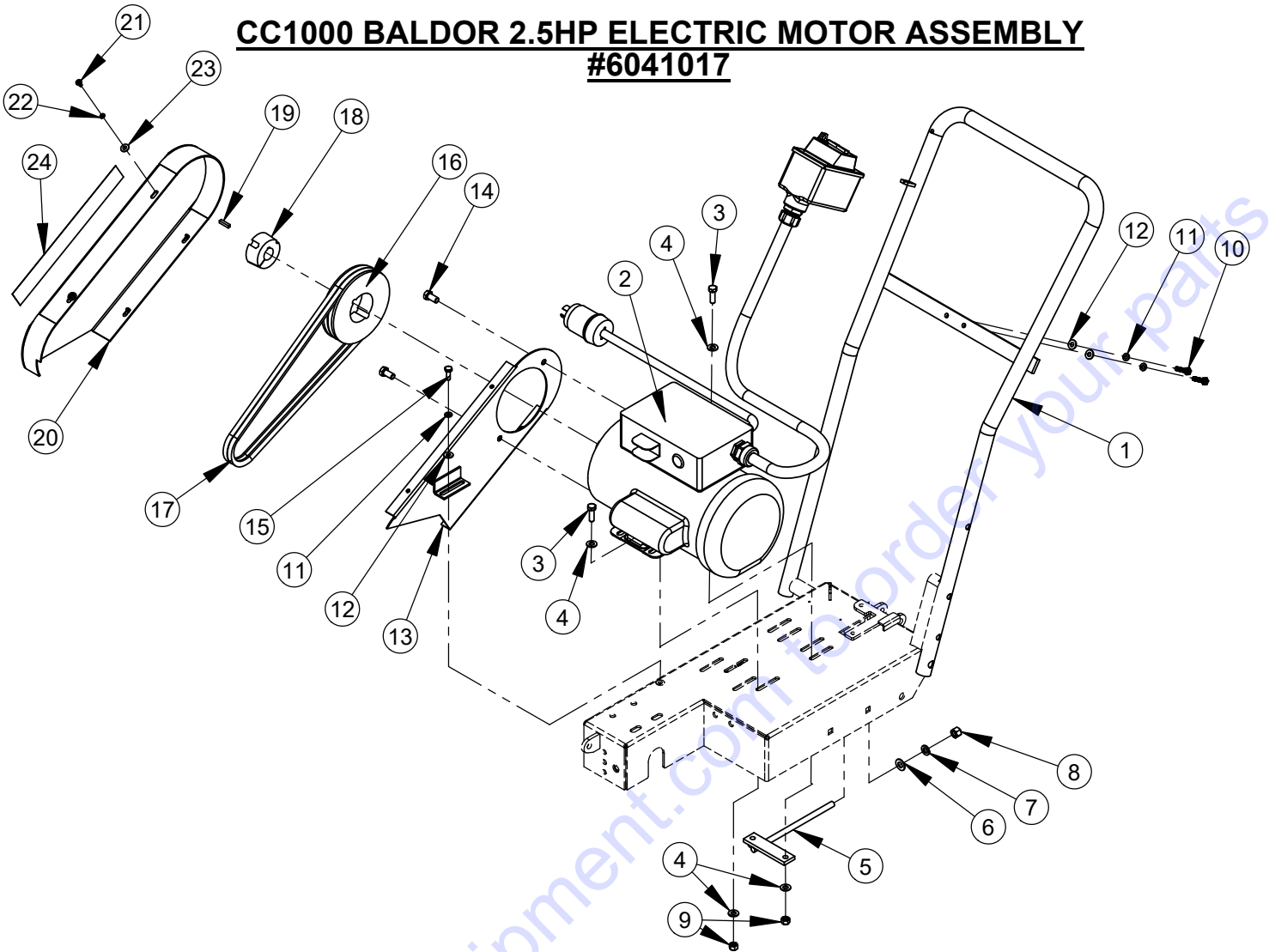
ITEM	PART NO.	QTY.	DESCRIPTION
1	6041079	1	Frame Base Weldment
2	2900420	1	Rivet Nut, Hex Hd., 1/4"-20
3	1800169-DP	1	DP S/N Nameplate
4	2900096	2	Rivet, 3/32" Dia.
5	6041076	1	Blade Stop
6	2501192	1	Spring, Comp. .48 x .042 x 1.00 Long
7	6041075	1	Blade Stop Block
8	2900019	2	Cap Screw, Hex Hd., 5/16-18 x 3/4"
9	2900031	2	Lock Washer, 5/16" Split
10	2900022	2	Flat Washer, 5/16" SAE
11	2900028	1	Cap Screw, Hex Hd., 3/8-16 x 2-3/4"
12	2900033	2	Hex Nut, 3/8-16
13	2900234	1	Hand Lock Knob, 3/8"-16
14	2900012	1	Shoulder Screw, 1/2" x 1-1/4" (3/8-16)
15	2900047	1	Cap Screw, Hex Hd., 3/8-16 x 1-3/4"
16	2900153	3	Friction Washer, 3/8"
17	6048290	1	Lock Plate
18	2900008	1	Cap Screw, Hex Hd., 1/4-20 x 1"
19	2900051	1	Shoulder Screw, 5/16" x 1/2" (1/4-20)
20	2500068	1	Spring, .063 x .50 x 1.75
21	2900009	2	Flat Washer, 1/4" SAE
22	2900022	2	Flat Washer, 5/16" SAE
23	2500077	1	Cable Assembly
24	2500079	1	Depth Control Lever
25	2900048	1	Cap Screw, Hex Hd., 1/4-20 x 1-1/2"
26	2900010	6	Lock Nut, 1/4-20 Nylon
27	2900049	4	Jam Nut, 5/16-24
28	6048286	1	Swivel Pin
29	2900050	2	Hex Nut, #10-24
30	6041071	1	Axle Shaft
31	2501186	4	Retaining Ring, External 3/4"
32	2501187	2	Wheel, 5" X 2"
33	2900025	2	Cap Screw, Hex Hd., 1/2-13 x 1-1/4"
35	6041080	1	Rear Pointer
36	2900018	1	Lock Nut, 3/8-16 Nylon
37	2900014	2	Flat Washer, 3/8" SAE
38	2900521	1	Tap Bolt, Hex Hd., 3/8-16 x 2-1/2"

CC1000 HONDA 5.5HP ENGINE ASSEMBLY #6041016



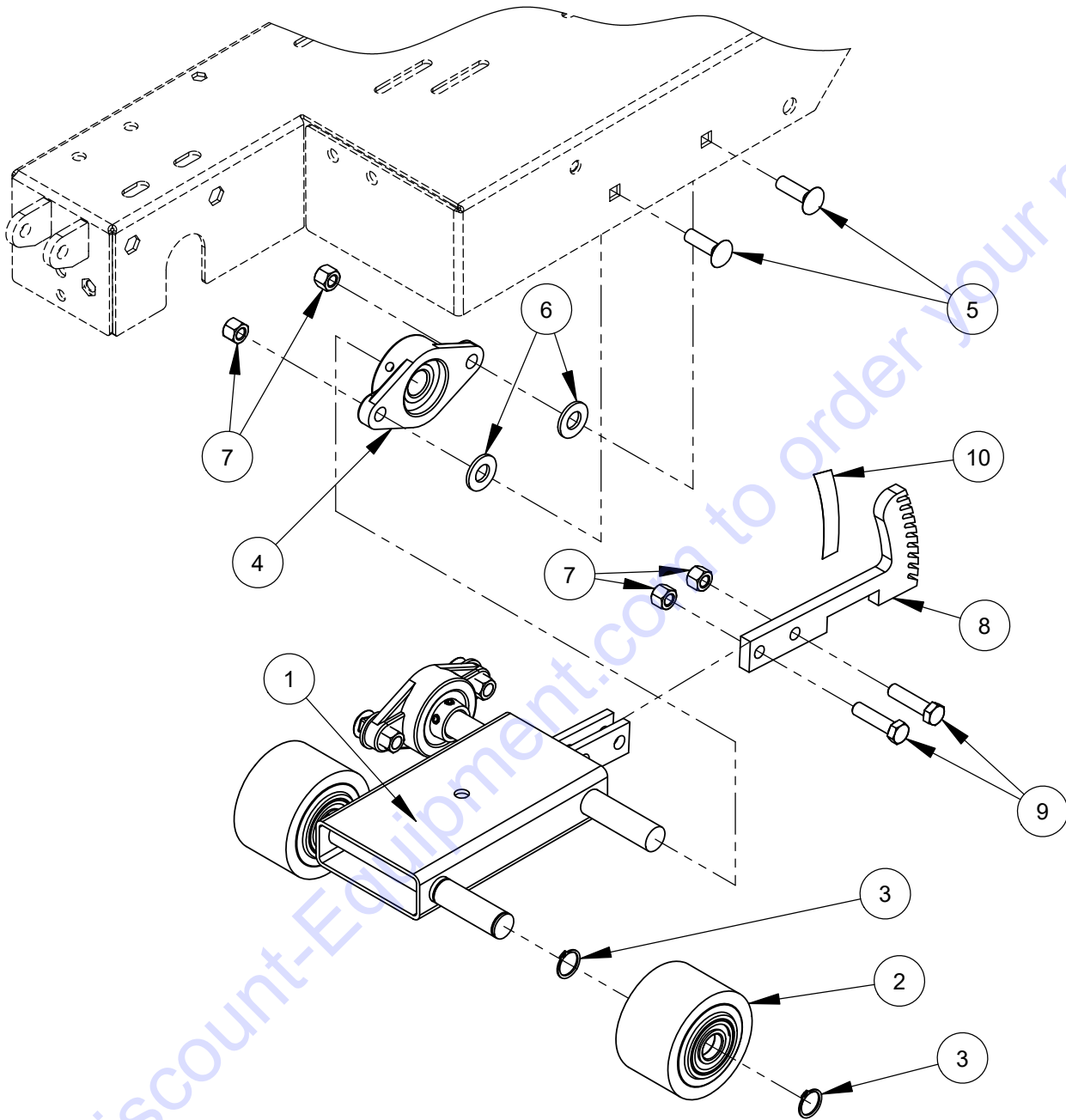
ITEM	PART NO.	QTY.	DESCRIPTION
1	6041078	1	Handle Bar (Gas Engine)
2	2600091	1	Honda GX160 4.8 HP Horizontal engine
3	6030108	1	Oil Drain Assembly
4	2900508	4	Cap Screw, Hex Hd., 5/16-18 x 1-1/2"
5	2900039	4	Lock Nut, 5/16-18 Nylon
6	6041082	1	Belt Adjustment Shaft
7	2900014	1	Flat Washer, 3/8" SAE
8	2900006	1	Lock Washer, 3/8" Split
9	2900018	1	Lock Nut, 3/8-16 Nylon
10	6041074	1	Belt Guard Bracket (Gas)
11	2900589	2	Cap Screw, Hex Hd., 5/16-24 x 3/4"
12	2900144	1	Cap Screw, Hex Hd., 1/4-20 x 3/4"
13	2900024	1	Lock Washer, 1/4" Split
14	2900009	1	Flat Washer, 1/4" SAE
15	2501190	1	Sheave, 5.30-2 Groove
16	2500792	2	V-Belt, 3VX400
17	2501191	1	Taper Bushing, 3/4" with setscrews
18	6047978	1	Key, 3/16" Sq. x 27/32"
19	6041073	1	Belt Guard
20	2900021	4	Tap Screw, Pan Hd., #10-24 x 3/8"
21	2900038	4	Lock Washer, #10 Split
22	2900016	4	Flat Washer, #10 USS
23	1800547	1	CC1000 Saw Decal

CC1000 BALDOR 2.5HP ELECTRIC MOTOR ASSEMBLY #6041017



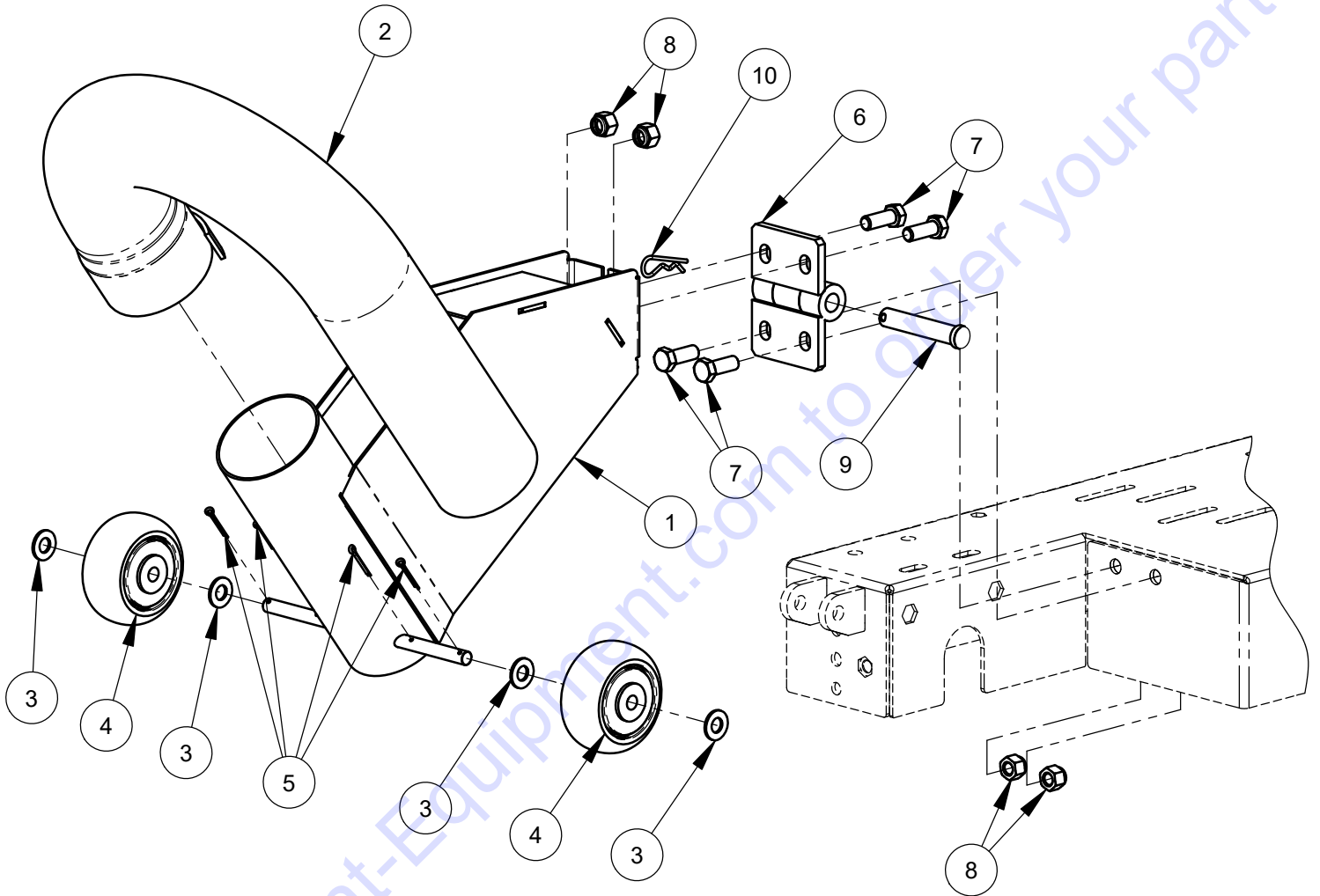
ITEM	PART NO.	QTY.	DESCRIPTION
1	6041089	1	Handle Bar (Electric Motor)
2	2600292	1	Electric Motor, 2.5 HP, 115/230 Volt
3	2900138	4	Cap Screw, Hex Hd., 5/16-18 x 1"
4	2900022	8	Flat Washer, 5/16" SAE
5	6041115	1	Belt Adjustment Shaft
6	2900014	1	Flat Washer, 3/8" SAE
7	2900006	1	Lock Washer, 3/8" Split
8	2900018	1	Lock Nut, 3/8-16 Nylon
9	2900039	4	5/16"-18 Nylock Hex Nut
10	2900052	2	1/4-20 x 1.25" Hex Head Cap Screw
11	2900024	3	Lock Washer, 1/4" Split
12	2900009	3	Flat Washer, 1/4" SAE
13	6041054	1	Belt Guard Bracket (Electric)
14	2900196	2	Cap Screw, Hex Hd., 3/8-16 x 3/4"
15	2900144	1	Cap Screw, Hex Hd., 1/4-20 x 3/4"
16	2501190	1	Sheave, 5.30-2 Groove
17	2500037	2	V-Belt, 3VX375
18	2501225	1	Taper Bushing, 7/8" with setscrews
19	6047978	1	Key, 3/16" Sq. x 27/32"
20	6041073	1	Belt Guard
21	2900021	4	Tap Screw, Pan Hd., #10-24 x 3/8"
22	2900038	4	Lock Washer, #10 Split
23	2900016	4	Flat Washer, #10 USS
24	1800547	1	CC1000 Saw Decal

CC1000 FRONT AXLE ASSEMBLY
#6041083



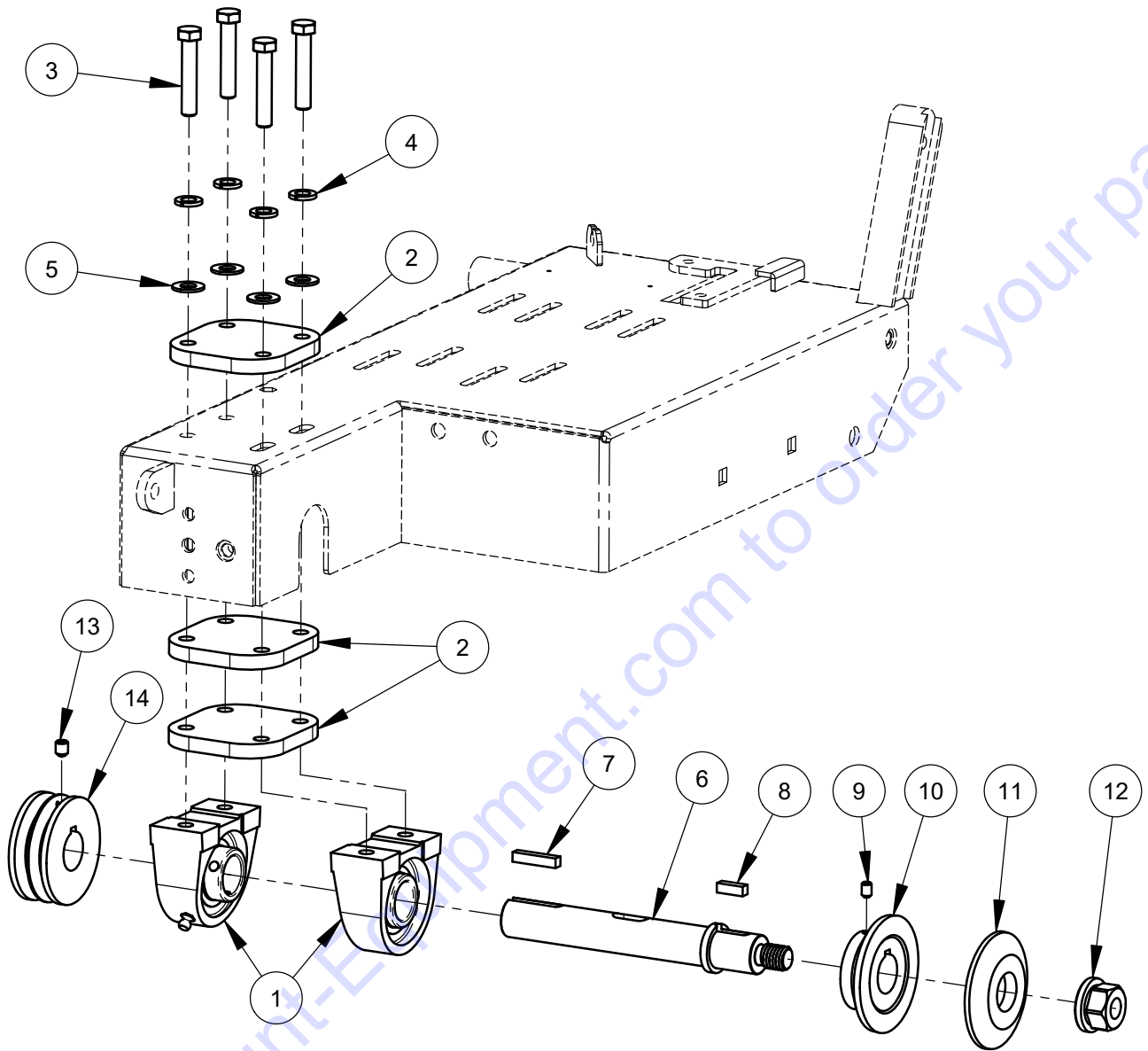
ITEM	PART NO.	QTY.	DESCRIPTION
1	6041072	1	Front Axle
2	2501188	2	Wheel, 3-1/4"
3	2501186	4	Retaining Ring, External 3/4"
4	2500011	2	Flange Mt. Bearing 3/4"
5	2900046	4	Carriage Bolt, 3/8-16 x 1-1/4"
6	2900058	4	Flat Washer, 1/2" SAE
7	2900018	6	Lock Nut, 3/8-16 Nylon
8	6048689	1	Adjustment Lever
9	2900029	2	Cap Screw, Hex Hd., 3/8-16 x 1-1/2"
10	1800548	1	CC1000 Depth Label

CC1000 BLADE GUARD ASSEMBLY
#6041137



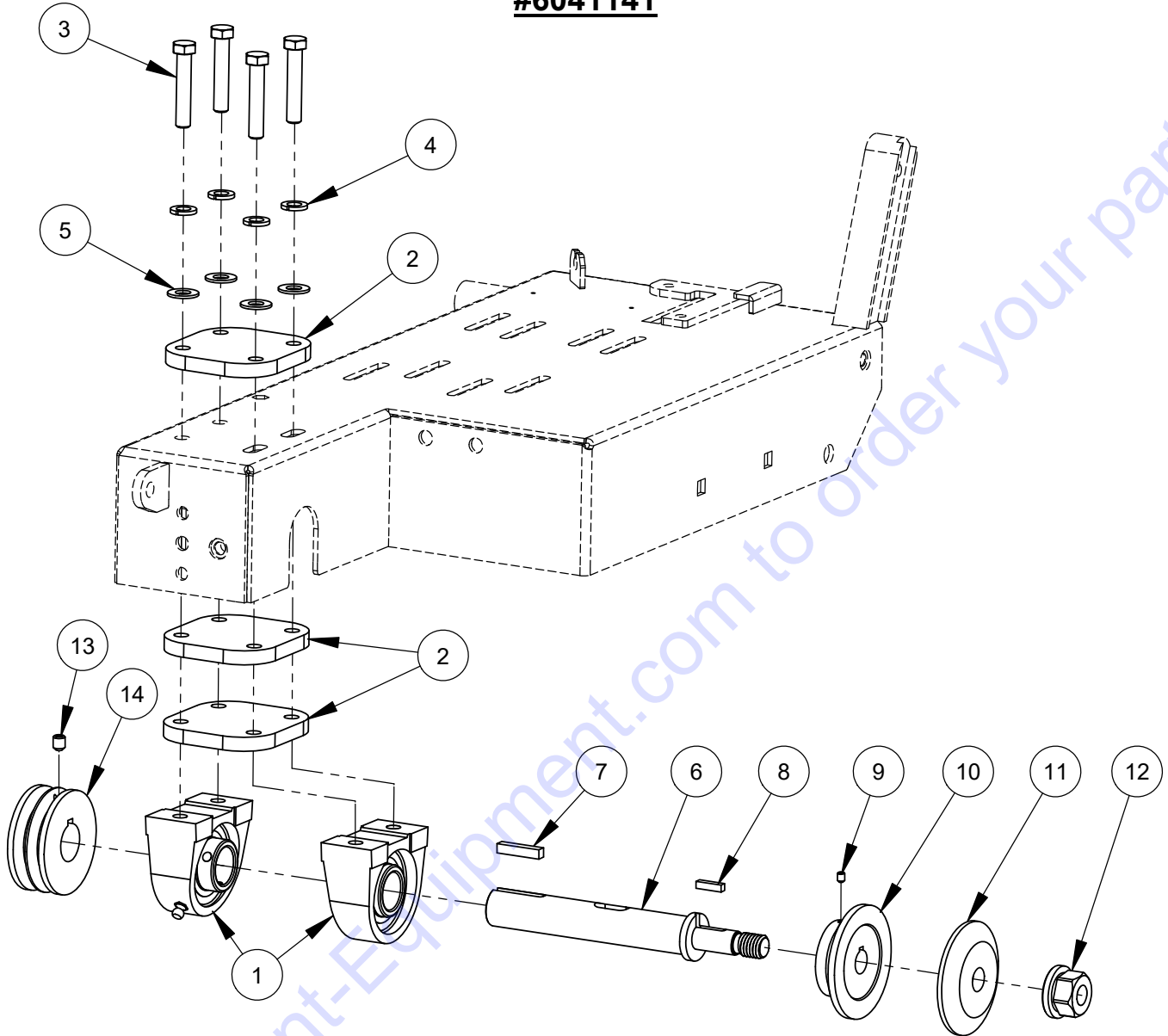
ITEM	PART NO.	QTY.	DESCRIPTION
1	2501564	1	Dust Diverter Weldment
2	6041134	1	Dust Diverter Tube Assembly
3	2900014	4	Flat Washer, 3/8" SAE
4	2501570	2	Wheel, 3" X 1-9/16" X 3/8"
5	2900034	4	Cotter Pin, 3/32" x 3/4"
6	6041135	1	Hinge
7	2900005	4	Cap Screw, Hex Hd., 3/8-16 x 1"
8	2900018	4	Lock Nut, 3/8-16 Nylon
9	2900607	1	Clevis Pin, 1/2" x 2-3/4"
10	2900262	1	Hairpin Cotter

CC1000 BLADE SHAFT ASSEMBLY #6041084



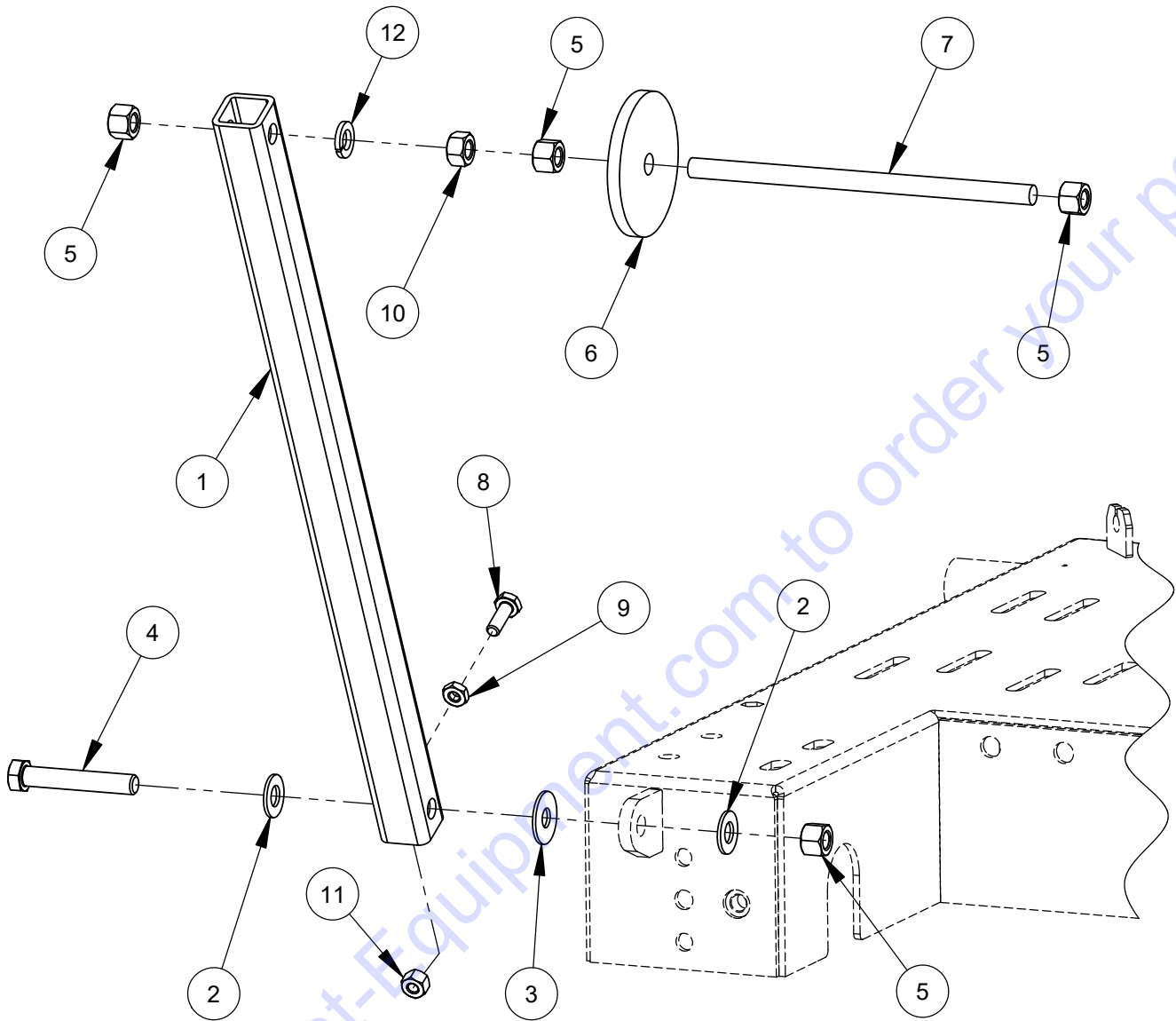
ITEM	PART NO.	QTY.	DESCRIPTION
1	2500732	2	Pillow Block Bearing 1"
2	6040211	3	Bearing Spacer Plate
3	2900060	4	Cap Screw, Hex Hd., 3/8-16 x 2"
4	2900006	4	Lock Washer, 3/8" Split
5	2900014	4	Flat Washer, 3/8" SAE
6	6041068	1	Blade Shaft
7	6010169	1	Key, 1/4" Sq. x 1-1/4"
8	6040081	1	Key, 1/4" Sq. x 3/4"
9	2900101	1	Set Screw, Soc. Hd., 1/4-20 x 3/8"
10	6041069	1	Flange, Inner Blade 3"
11	6041070	1	Flange, Outer Blade 3"
12	2900066	1	Flange Nut, 5/8-11, L. Hand
13	2900142	1	Set Screw, Soc. Hd., 5/16-18 x 3/8"
14	6041067	1	Sheave, 3V-2GR, 3"

CC1000 BLADE SHAFT ASSEMBLY, 5/8" ARBOR
#6041141



ITEM	PART NO.	QTY.	DESCRIPTION
1	2500732	2	Pillow Block Bearing 1"
2	6040211	3	Bearing Spacer Plate
3	2900060	4	Cap Screw, Hex Hd., 3/8-16 x 2"
4	2900006	4	Lock Washer, 3/8" Split
5	2900014	4	Flat Washer, 3/8" SAE
6	6041140	1	Blade Shaft (5/8" Arbor)
7	6010169	1	Key, 1/4" Sq. x 1-1/4"
8	6048018	1	Key, 3/16" Sq. x 3/4"
9	2900059	1	Set Screw, Soc. Hd., #10-32 x 1/4"
10	2501679	1	Inner Flange 3" (5/8" Arbor)
11	2501680	1	Outer Flange 3" (5/8" Arbor)
12	2900066	1	Flange Nut, 5/8-11, L. Hand
13	2900142	1	Set Screw, Soc. Hd., 5/16-18 x 3/8"
14	6041067	1	Sheave, 3V-2GR, 3"

CC1000 POINTER ASSEMBLY
#6041018



ITEM	PART NO.	QTY.	DESCRIPTION
1	6041085	1	Pointer
2	2900014	2	Flat Washer, 3/8" SAE
3	2900153	1	Friction Washer, 3/8"
4	2900079	1	Cap Screw, Hex Hd., 3/8-16 x 2-1/4"
5	2900018	4	Lock Nut, 3/8-16 Nylon
6	6041086	1	Guide Wheel
7	6041019	1	3/8-16 X 7.00" Threaded Rod
8	2900144	1	Cap Screw, Hex Hd., 1/4-20 x 3/4"
9	2900358	1	Jam Nut, 1/4-20
10	2900033	1	Hex Nut, 3/8-16
11	2900010	1	Lock Nut, 1/4-20 Nylon
12	2900006	1	Lock Washer, 3/8" Split

EQUIPMENT AND PARTS WARRANTY

Discount-equipment warrants all equipment sold by it against defects in workmanship or materials for a period of one (1) year from the date of shipment to Customer.

The responsibility of Discount-equipment under this Warranty is limited to replacement or repair of defective parts, of such parts as shall appear to us upon inspection at such parts, to have been defective in material or workmanship, with expense for transportation and labor borne by Customer.

In no event shall Discount-equipment be liable for consequential or incidental damages arising out of the failure of any Product to operate properly.

Integral units such as engines, electric motors, batteries, transmissions, etc., are excluded from this Warranty and are subject to the prime manufacturer's warranty.

**THIS WARRANTY IS IN LIEU OF ALL OTHER WARRANTIES,
EXPRESSED OR IMPLIED, AND ALL SUCH OTHER WARRANTIES ARE
HEREBY DISCLAIMED.**



PARTS FINDER

**Search Website
by Part Number**



**Search Manual
Library For Parts
Manual & Lookup Part
Numbers – Purchase
or Request Quote**

Search Manuals

Enter your information to help us find the right parts manual for your machine.

* Brand:

* Model:

* Serial:

* Part Number:

SEARCH

**Can't Find Part or
Manual? Request Help
by Manufacturer,
Model & Description**

Parts Order Form

Please fill in the following information to help us find the right part for your machine.

Manufacturer:	<input type="text"/>
Model:	<input type="text"/>
Description:	<input type="text"/>
Part Number:	<input type="text"/>
Quantity:	<input type="text"/>
Notes:	<input type="text"/>

Discount-Equipment.com is your online resource for quality parts & equipment.

Florida: **561-964-4949** Outside Florida TOLL FREE: **877-690-3101**

Need parts?

Click on this link: <http://www.discount-equipment.com/category/5443-parts/> and choose one of the options to help get the right parts and equipment you are looking for. Please have the machine model and serial number available in order to help us get you the correct parts. If you don't find the part on the website or on one of the online manuals, please fill out the request form and one of our experienced staff members will get back to you with a quote for the right part that your machine needs.

We sell worldwide for the brands: Genie, Terex, JLG, MultiQuip, Mikasa, Essick, Whiteman, Mayco, Toro Stone, Diamond Products, Generac Magnum, Airman, Haulotte, Barreto, Power Blanket, Nifty Lift, Atlas Copco, Chicago Pneumatic, Allmand, Miller Curber, Skyjack, Lull, Skytrak, Tsurumi, Husquvarna Target, Stow, Wacker, Sakai, Mi-T-M, Sullair, Basic, Dynapac, MBW, Weber, Bartell, Bennar Newman, Haulotte, Ditch Runner, Menegotti, Morrison, Contec, Buddy, Crown, Edco, Wyco, Bomag, Laymor, EZ Trench, Bil-Jax, F.S. Curtis, Gehl Pavers, Heli, Honda, ICS/PowerGrit, IHI, Partner, Imer, Clipper, MMD, Koshin, Rice, CH&E, General Equipment, Amida, Coleman, NAC, Gradall, Square Shooter, Kent, Stanley, Tamco, Toku, Hatz, Kohler, Robin, Wisconsin, Northrock, Oztec, Toker TK, Rol-Air, APT, Wylie, Ingersoll Rand / Doosan, Innovatech, Con X, Ammann, Mecalac, Makinex, Smith Surface Prep, Small Line, Wanco, Yanmar