



WTB-16 Hydraulic Oil Filter Replacement

Hydraulic Oil Filter Kit Installation Instructions

The following instructions are intended to assist the user in the installation of a new 500 PSI Hydraulic Oil Filter. Please read all assembly instructions before installing the kit.

REQUIRED TOOLS

- 3/8" ratchet w/sockets
- 3/8", 1/2", 7/8" and 1-16" open end wrenches
- 3/8" Allen Wrench
- Electric Drill w/Step Bit
- Reciprocating Saw (Sawzall)

PARTS

Verify that all parts are accounted for. See Figure 1 and Table 1.

| Table 1. Hydraulic Oil Retrofit Kit | | | | |
|-------------------------------------|----------|---|------|---------------------|
| Item No. | Part No. | Description | QTY. | Remarks |
| 1 | 807759K | Kit, Oil Filter Retrofit | 1 | Includes items 2-11 |
| 2 | 807605 | Zinga ME-10 Spin-On Oil Filter Cartridge, 500 PSI | 1 | |
| 3 | 807604 | Head, ME10 Zinga Filter | 1 | |
| 4 | 807663 | Mounting Bracket, Filter Head | 1 | |
| 5 | 808092 | Shield, Return Filter | 1 | |
| 6 | 505989 | Socket Head Screw 1/2" NC X 1-1/4" | 2 | |
| 7 | 6109180 | Washer, Lock 1/2" | 2 | |
| 8 | 0166 A | Washer, Lock 3/8" | 3 | |
| 9 | EM923023 | Washer, Flat 3/8" | 1 | |
| 10 | 492584 | Nut, Nylock 1/2" NC | 2 | |
| 11 | EM963610 | Hex Head Bolt 3/8" NC x 1" | 3 | |

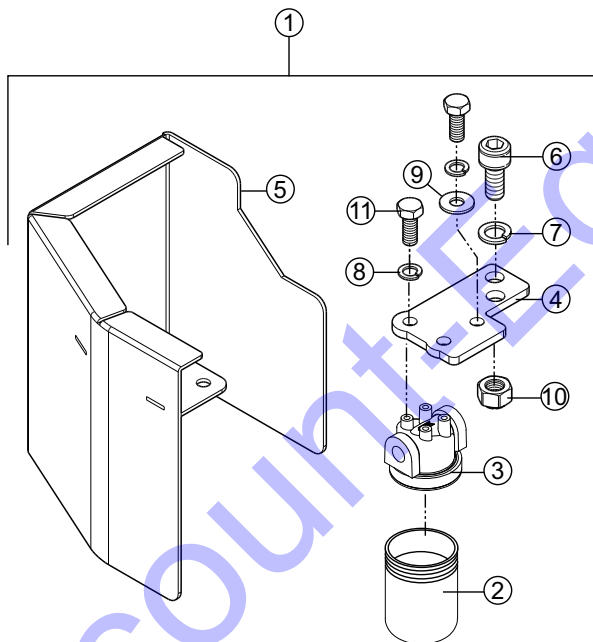


Figure 1. Oil Filter Retrofit Installation Kit

WORK SAFELY!

Only a **qualified service technician** with proper training should perform this installation. Follow all shop safety rules when performing this installation.

PREPARATION

1. Place the track buggy in an area free of dirt and debris. Make sure it is on secure level to prevent rolling.

PROCEDURE

Hoses and Filter Head Removal

1. Start the engine.
2. Using the dump control lever (Figure 2), place the tub in the discharge position (dump).
3. Secure tub with support rod as shown in Figure 2.

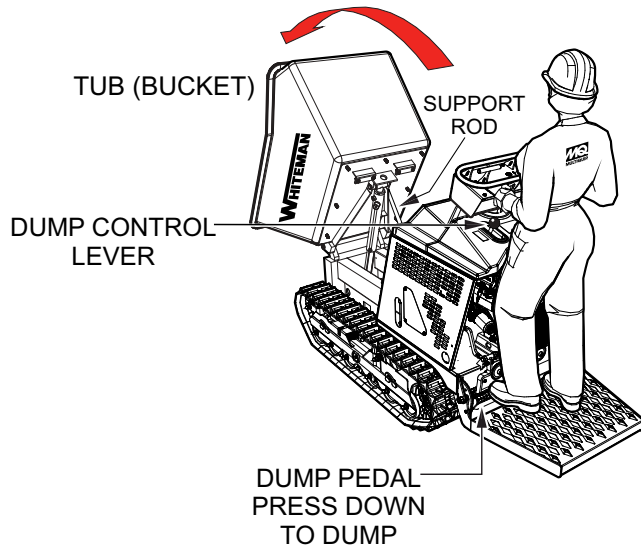


Figure 2. Tub Placement (Dump Position)

4. Turn off engine and allow to cool. Remove ignition key.
5. Disconnect both hydraulic hoses (Figure 3) that are connected to the hydraulic oil filter head. Be sure to mark and tag each hose for reconnection later.

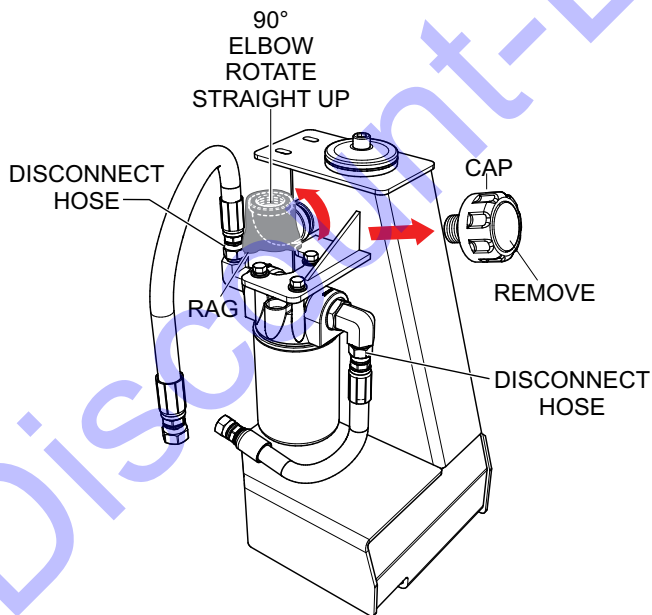


Figure 3. Disconnecting Hydraulic Hoses

6. To prevent oil leakage, use tie-wraps to secure both hoses in the upright position.
7. Remove the hydraulic oil cap and rotate the 90° elbow straight up as shown in Figure 3.
8. To prevent dirt and contaminants from entering the hydraulic oil tank, place a clean rag (Figure 3) over the opening of the 90° elbow.
9. Next, using a 1/2" wrench remove the three screws (Figure 4) that secures the filter head to the oil filter weldment bracket.

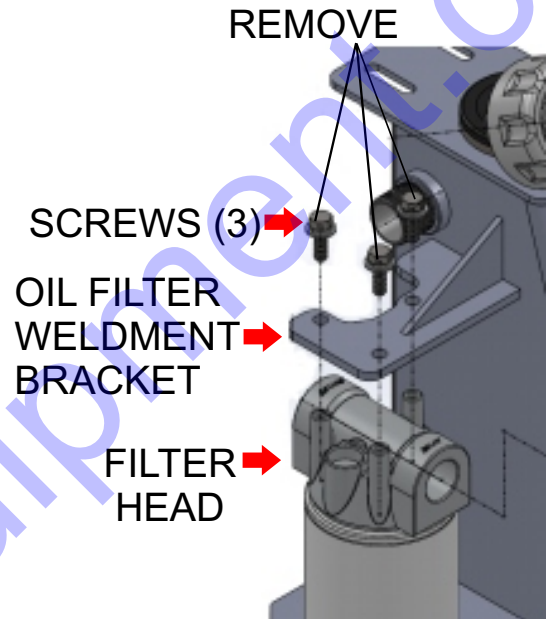


Figure 4. Filter Head Removal

10. Remove both 90° fittings that are attached to the filter head. They will be used later.
11. Discard filter head, cartridge and the three mounting screws.
12. Dispose of hydraulic oil cartridge properly.

Cutting Oil Filter Weldment Bracket

1. Using a reciprocating saw (sawzall) cut the hydraulic oil filter weldment bracket as shown in Figure 5. The cut should be 1.83 inches (46.5 mm) from the edge of the frame.

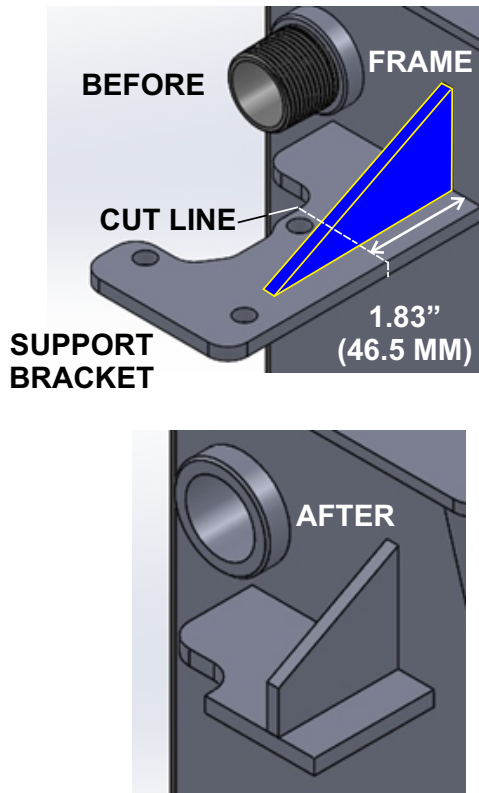


Figure 5. Cutting Hydraulic Oil Filter Bracket

2. File down any rough edges from the oil filter weldment bracket.

Drilling Existing Hydraulic Oil Filter Bracket

1. Using the supplied new mounting bracket P/N 807663 as a template, mark the hole location to be drilled as shown in Figure 6.

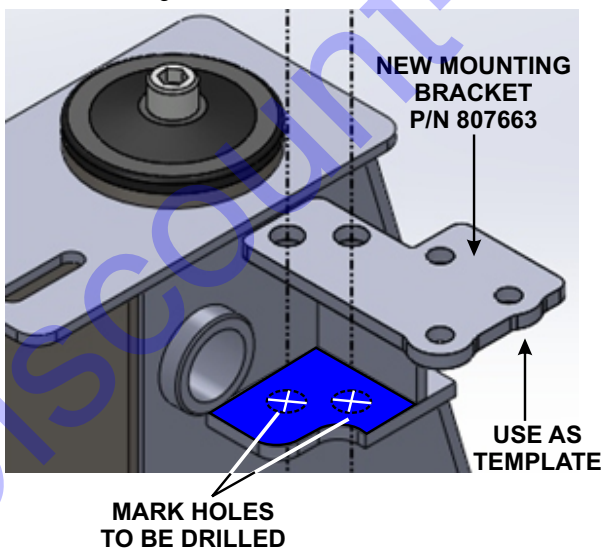


Figure 6. Marking Holes

2. Next, using a step drill, drill a 1/2-inch (12.7 mm) hole into the oil filter weldment bracket as shown in Figure 7.

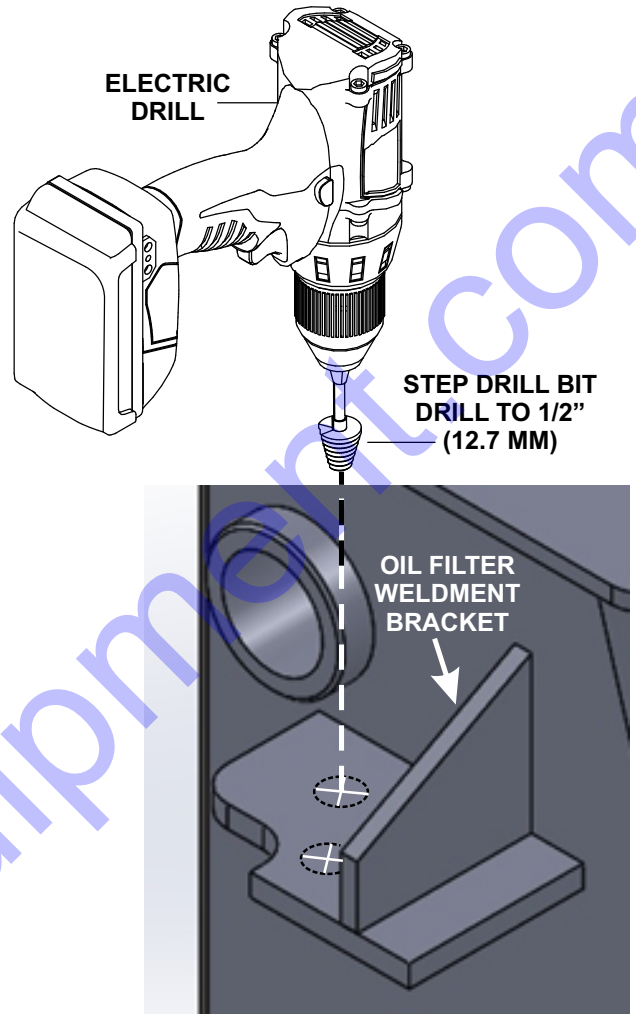


Figure 7. Drilling Holes

SECURING MOUNTING BRACKET TO WELDMENT

1. Using an 3/8-inch allen wrench, secure the new hydraulic oil filter mounting bracket P/N 807663 to the weldment bracket as shown in Figure 8.

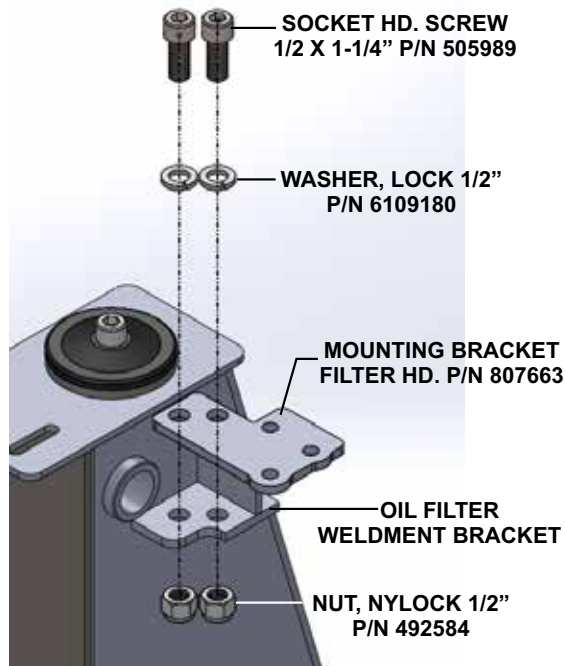


Figure 8. Securing Oil Filter Mounting Bracket

2. Once the hydraulic oil filter bracket has been installed, rotate the 90° elbow back to its original position and reinstall oil filter cap.

ATTACHING 90° FITTINGS AND HOSES

1. Apply Loctite hydraulic sealant 569 or equivalent to the threads (Figure 9) on 90° fittings that were removed earlier.
2. Next, insert the 90° fittings (Figure 9) into the **inlet** and **outlet** ports on the filter head.

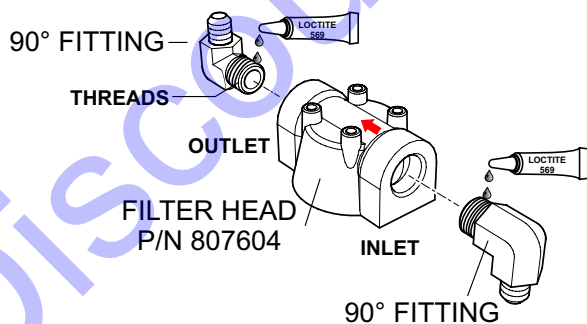


Figure 9. Attaching 90° Fittings

3. Next, reconnect both hydraulic hoses to the filter head. Use a 7/8" wrench to tighten hose fitting connections.

HYDRAULIC OIL FILTER

1. Clean the area around the lubricating oil filter head.
2. Coat the rubber seal (gasket) surface of the hydraulic oil filter (Figure 10) with clean 15W-40 engine oil.

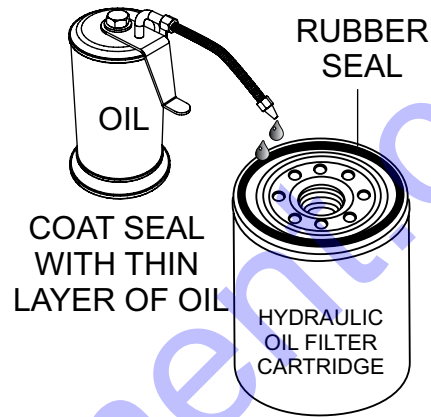


Figure 10. Preparing Hydraulic Oil Filter

3. Install the new hydraulic oil filter cartridge (Figure 11) first by hand until it makes contact with the filter head surface. Tighten it another 3/4 turn using a filter wrench.
4. Run the engine later and check for oil leakage.

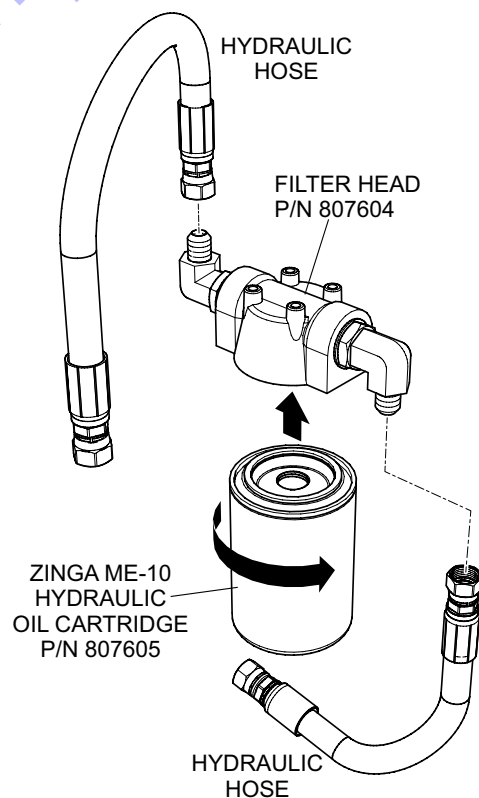


Figure 11. Attaching Hydraulic Hoses

Attaching Filter Head And Protective Shield to Oil Filter Bracket

1. Using the three 3/8" bolts P/N EM963610 and associated hardware attach the new filter head P/N 807604 and protective shield P/N 808092 to the oil filter mounting bracket P/N 807663 as shown in Figure 12.

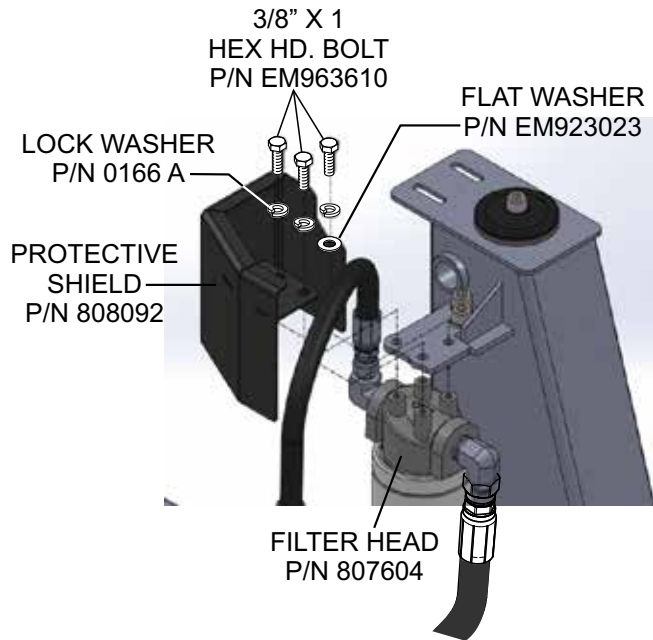


Figure 12. Attaching Hydraulic Oil Filter And Protective Shield

2. Reference Figure 13 for complete assembly.

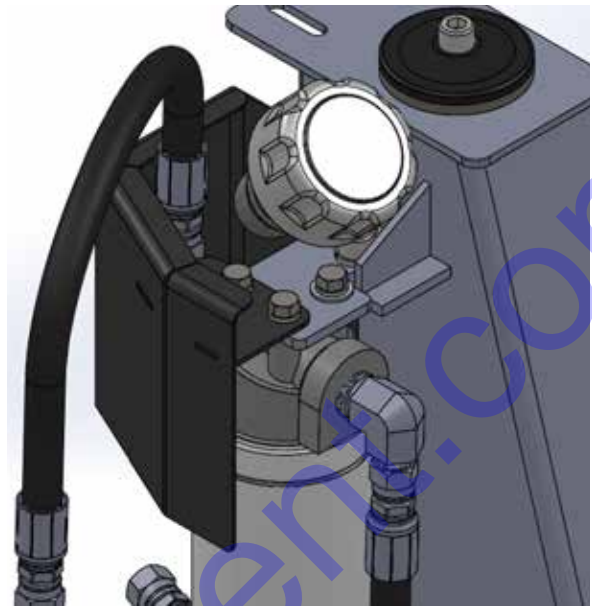


Figure 13. Complete Assembly



WTB-16 Hydraulic Oil Filter Replacement

Hydraulic Oil Filter Kit Installation Instructions

HERE'S HOW TO GET HELP

PLEASE HAVE THE MODEL AND SERIAL
NUMBER ON-HAND

Your Local Dealer is:



www.Discount-Equipment.com

