

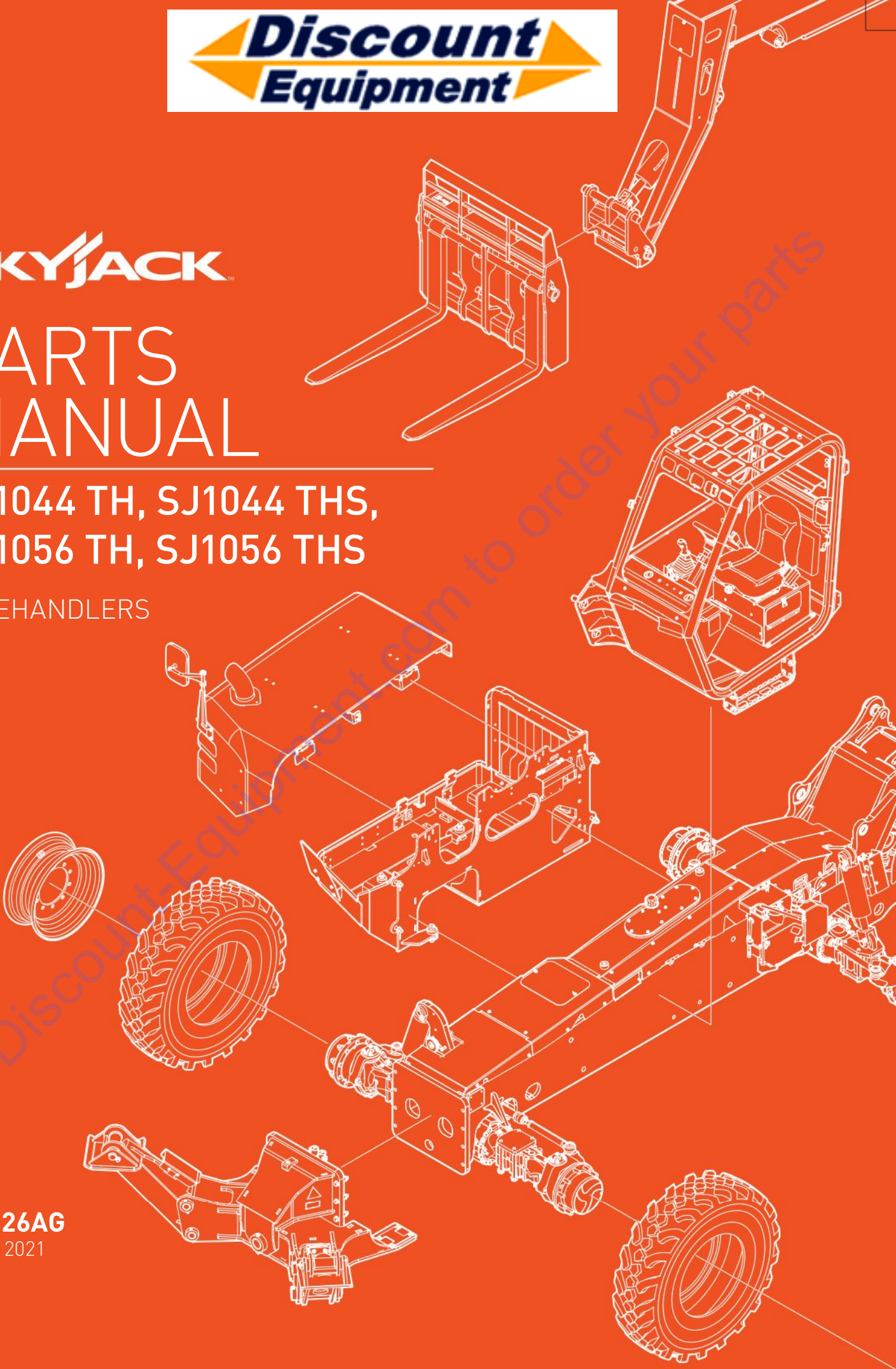


**SKYJACK**

# PARTS MANUAL

**SJ1044 TH, SJ1044 THS,  
SJ1056 TH, SJ1056 THS**

TELEHANDLERS



**190126AG**  
March 2021  
ANSI

# PARTS FINDER

**Search Website  
by Part Number**



**Search Manual  
Library For Parts  
Manual & Lookup Part  
Numbers – Purchase  
or Request Quote**

**Search Manuals**

Enter your information to help us find the right parts manual for your machine.

\* Brand:

\* Model:

\* Serial:

\* Part Number:

SEARCH

**Can't Find Part or  
Manual? Request Help  
by Manufacturer,  
Model & Description**

**Parts Order Form**

Please fill in the following information to help us find the right part for your machine.

Manufacturer:	<input type="text"/>
Model:	<input type="text"/>
Description:	<input type="text"/>
Part Number:	<input type="text"/>
Quantity:	<input type="text"/>
Notes:	<input type="text"/>

Discount-Equipment.com is your online resource for quality parts & equipment.

Florida: **561-964-4949** Outside Florida TOLL FREE: **877-690-3101**

**Need parts?**

Click on this link: <http://www.discount-equipment.com/category/5443-parts/> and choose one of the options to help get the right parts and equipment you are looking for. Please have the machine model and serial number available in order to help us get you the correct parts. If you don't find the part on the website or on one of the online manuals, please fill out the request form and one of our experienced staff members will get back to you with a quote for the right part that your machine needs.

We sell worldwide for the brands: Genie, Terex, JLG, MultiQuip, Mikasa, Essick, Whiteman, Mayco, Toro Stone, Diamond Products, Generac Magnum, Airman, Haulotte, Barreto, Power Blanket, Nifty Lift, Atlas Copco, Chicago Pneumatic, Allmand, Miller Curber, Skyjack, Lull, Skytrak, Tsurumi, Husquvarna Target, Stow, Wacker, Sakai, Mi-T-M, Sullair, Basic, Dynapac, MBW, Weber, Bartell, Bennar Newman, Haulotte, Ditch Runner, Menegotti, Morrison, Contec, Buddy, Crown, Edco, Wyco, Bomag, Laymor, EZ Trench, Bil-Jax, F.S. Curtis, Gehl Pavers, Heli, Honda, ICS/PowerGrit, IHI, Partner, Imer, Clipper, MMD, Koshin, Rice, CH&E, General Equipment, Amida, Coleman, NAC, Gradall, Square Shooter, Kent, Stanley, Tamco, Toku, Hatz, Kohler, Robin, Wisconsin, Northrock, Oztec, Toker TK, Rol-Air, APT, Wylie, Ingersoll Rand / Doosan, Innovatech, Con X, Ammann, Mecalac, Makinex, Smith Surface Prep, Small Line, Wanco, Yanmar

**This manual is based on Serial Number(s):**

**SJ1044 TH/THS:** 87 210 001 to 87 299 999

**SJ1056 TH/THS:** 87 310 001 to 87 399 999

Please refer to the website ([www.discount-equipment.com](http://www.discount-equipment.com))  
for other Serial Numbers, most recent Technical Manuals  
and USB software.

Go to Discount-Equipment.com to order your parts

# Table of Contents

Table of Contents .....	3
Foreword .....	9
General .....	9
Parts Ordering Information .....	9
Method of Listing .....	9
Quantities .....	9
How To Order Repair Parts .....	9
Recommended Service Parts .....	10
Recommended Service Parts .....	11
Section 1 – Frame .....	13
1.1 Sheet Metal Installation .....	14
1.2 Frame Subgroup .....	16
1.3 Part Name .....	18
1.4 Engine Cowling Assembly 74 HP .....	20
1.5 Engine Cowling Assembly 107 HP .....	22
1.6 74 HP Steel Cowling .....	24
1.7 107 Steel Cowling .....	26
1.8 Fuel Tank Assembly .....	28
1.9 Hydraulic Tank Assembly .....	30
Section 2 – Axles .....	33
2.1 Front Axle Assembly .....	36
2.2 Front Axle - Internal Breakdown .....	38
2.3 Front Axle - Reduction Hub .....	40
2.4 Front Axle - Brakes .....	44
2.5 Front Axle - Steering .....	46
2.6 Front Axle - Trunion .....	47
2.7 Rear Axle Assembly .....	48
2.8 Rear Axle - Internal Breakdown .....	50
2.9 Rear Axle - Reduction Hub .....	52
2.10 Rear Axle - Brakes .....	56
2.11 Rear Axle - Steering .....	58
2.12 Rear Axle - Trunion .....	59
2.13 Drive Shaft Assembly .....	60
2.14 Tire and Wheel Assembly .....	62
2.15 Tire and Wheel Assembly - Non Marking .....	64

---

**Section 3 – Engine and Transmission . . . . . 67**

**3.1 Engine Tray Installation . . . . . 68**

**3.2 74 HP Engine and Powershift Transmission Assembly . . . . . 70**

**3.3 74 HP Engine and CVT Transmission Assembly . . . . . 72**

**3.4 107 HP Engine and Powershift Transmission Assembly . . . . . 74**

**3.5 107 HP Engine and CVT Transmission Assembly . . . . . 76**

**3.6 Engine Assembly . . . . . 78**

**3.7 Powershift Transmission Assembly - Housing & Case Group . . . . . 80**

**3.8 Transmission Assembly - Gear Group . . . . . 84**

**3.9 Transmission - Drive Plate, Torque Converter & Pump Group . . . . . 86**

**3.10 Transmission Assembly - Forward & Reverse Group . . . . . 90**

**3.11 Transmission Assembly - First, Second & Third Shaft . . . . . 92**

**3.12 Transmission Assembly - Output Shaft & Control Group . . . . . 96**

**3.13 Transmission Assembly - Drop Box . . . . . 98**

**3.14 Continuously Variable Transmission (CVT) Assembly . . . . . 100**

**3.15 CVT Transmission . . . . . 102**

**3.16 CVT Output Drum and Shaft & Control System . . . . . 104**

**3.17 CVT Clutch . . . . . 106**

**3.18 CVT G2 & G3 Gears Assembly . . . . . 108**

**3.19 CVT G1 & L1 Gears Assembly . . . . . 110**

**3.20 CVT Shaft 5 Assembly . . . . . 112**

**3.21 CVT R2 Reverse Idler Shaft & E2A Gear Assembly . . . . . 114**

**3.22 CVT EB2 Gear & E3 Shaft Assemblies . . . . . 116**

**3.23 CVT P2 and P3 Gears & Input Shaft Assemblies . . . . . 118**

**3.24 R1 & H1 Shaft Double Cone Assembly . . . . . 120**

**3.25 CVT Middle Casing Assembly . . . . . 122**

**3.26 CVT Front Casing . . . . . 126**

**3.27 CVT Rear Casing . . . . . 128**

**3.28 CVT Front and Rear Baffle . . . . . 130**

**3.29 CVT Hydraulic Tubing . . . . . 132**

**3.30 CVT Manifold . . . . . 134**

**3.31 CVT Cylinder Synchro . . . . . 136**

**3.32 Pump & Limit Switch Assembly . . . . . 138**

**3.33 CVT Rear Hydraulic Tubing & Damper Plate . . . . . 140**

**3.34 Fuel Lines Assembly . . . . . 142**

**3.35 Air Intake System Installation . . . . . 144**

**3.36 Exhaust Tube Installation . . . . . 146**

**3.37 Exhaust System Assembly 107HP . . . . . 148**

**3.38 DEF Lines . . . . . 152**

**3.39 Cooling Package Style A for 74 HP Engine . . . . . 154**

**3.40 Cooling Package Style A for 74HP Engine with CVT . . . . . 156**

**3.41 Cooling Package Style A for 107 HP Engine . . . . . 158**

3.42	CVT with Cooling Package Assembly Style A for 107 HP	160
3.43	Cooling Package Style A- Internal Breakdown 3.6L	162
3.44	Cooling Package Style B	164
3.45	Cooling Package Style B - Internal Breakdown	166
3.46	Powershift Transmission Hydraulic Pump	168
3.47	CVT Hydraulic Pump	170
<b>Section 4 – Operator's Compartment</b>		<b>173</b>
4.1	Cab Installation	174
4.2	Open Cab	176
4.3	Open Cab Side Window	182
4.4	Right Hand Console	184
4.5	Joystick Control	186
4.6	Joystick Control - Internal Breakdown	188
4.7	Premium Joystick	190
4.8	Front Console	192
4.9	LH Dash Panel	194
4.10	Flip Chart	195
4.11	RH Dash Panel	196
4.12	Steering Console	198
4.13	Main Relay	200
4.14	Fuse and Power	202
4.15	Relay RH	203
4.16	Enclosed Cab	204
4.17	Door Assembly	208
4.18	Door Window Assembly	210
4.19	Cab with Heat Installation 74 HP	212
4.20	Cab Heater System	214
4.21	Cab A/C System	216
4.22	A/C Compressor	218
4.23	A/C Condenser	220
4.24	A/C Harness	221
4.25	A/C and Heater Harness	222
<b>Section 5 – Electrical</b>		<b>225</b>
5.1	Chassis Harness	226
5.2	Engine Harness 74HP Assembly	228
5.3	Engine Harness 107 HP Assembly	232
5.4	Console Harness 74 HP	236
5.5	Console Harness Assembly 107 HP	240
5.6	DEF Engine Harness	244
5.7	Wiring Harness - Fuel Low Pressure	246
5.8	Wiring Harness - Cable Alternator	247

5.9	Glow Plug Harness Assembly . . . . .	248
5.10	CVT Transmission Harness . . . . .	250
5.11	CVT Vehicle Harness . . . . .	252
5.12	Battery . . . . .	254
5.13	Battery Disconnect . . . . .	256
5.14	Battery Cables . . . . .	257
5.15	Tilt Sensor . . . . .	258
<b>Section 6 – Boom Assembly SJ1044 TH . . . . .</b>		<b>259</b>
6.1	Boom Assembly . . . . .	262
6.2	Boom Assembly - Dual Tilt Cylinder . . . . .	266
6.3	First Boom Assembly . . . . .	268
6.4	Second Boom Assembly . . . . .	272
6.5	Third Boom Assembly . . . . .	274
6.6	Auxiliary Hydraulics Installation . . . . .	276
<b>Section 7 – Boom Assembly SJ1056 TH . . . . .</b>		<b>279</b>
7.1	Boom Installation . . . . .	282
7.2	Boom Installation - Dual tilt . . . . .	284
7.3	Boom Assembly SJ1056 TH/THS . . . . .	286
7.4	First Boom Assembly SJ1056 TH/THS . . . . .	288
7.5	Second Boom Assembly SJ1056 TH/THS . . . . .	292
7.6	Third Boom Assembly SJ1056 TH/THS . . . . .	296
7.7	Fourth Boom Assembly SJ1056 TH/THS . . . . .	298
7.8	Extension Cylinder Assembly . . . . .	300
7.9	Cable Carrier Assembly . . . . .	302
7.10	Auxiliary Hydraulics Installation SJ1056 TH/THS . . . . .	304
<b>Section 8 – Cylinders . . . . .</b>		<b>307</b>
8.1	Extend Cylinder Assembly SJ1044 TH . . . . .	308
8.2	Extend Cylinder Assembly SJ1056 TH . . . . .	309
8.3	Lift Cylinder Assembly . . . . .	310
8.4	Fork Tilt Cylinder Assembly . . . . .	311
8.5	Tilt Comp Cylinder Assembly . . . . .	312
8.6	Frame Level Cylinder Assembly . . . . .	313
8.7	RAS Cylinder Assembly . . . . .	314
8.8	Outriggers Cylinder Assembly . . . . .	315
<b>Section 9 – Hydraulics . . . . .</b>		<b>317</b>
9.1	Standard Hose Numbering System . . . . .	318
9.2	Main Manifold Installation . . . . .	320
9.3	Main Manifold Assembly . . . . .	322
9.4	Manifold Assembly . . . . .	324
9.5	Hydraulic Return Filter Assembly . . . . .	330

9.6	CVT Hydraulic Return Filter Assembly . . . . .	332
9.7	Pressure Filter . . . . .	334
9.8	Boom and Telescopic Hydraulic Hose Connections . . . . .	336
9.9	Carriage Hydraulic Hoses SJ1044 TH . . . . .	338
9.10	Carriage Hydraulic Hoses SJ1044 TH - Dual tilt . . . . .	340
9.11	Carriage Hydraulic Hoses SJ1056 TH . . . . .	342
9.12	Carriage Hydraulic Hoses SJ1056 TH - Dual tilt . . . . .	344
9.13	Frame Level Hydraulic Hose Connections . . . . .	346
9.14	Brakes and Steering Hydraulic Hose Connections . . . . .	348
9.15	Hydraulic Pump Hoses . . . . .	350
9.16	Hydraulic Pump Hoses with Pressure Filter . . . . .	352
9.17	CVT Hydraulic Pump Hoses . . . . .	354
9.18	Cab Hydraulic Hose Connections . . . . .	356
9.19	RAS Hydraulic Hose Connections . . . . .	358
9.20	Auxiliary Hydraulic Hose Connections SJ1044 TH . . . . .	360
9.21	Auxiliary Hydraulic Hose Connections SJ1056 TH . . . . .	362
9.22	Auxiliary Manifold Assembly . . . . .	364
<b>Section 10 – Standard And Optional Attachments . . . . .</b>		<b>367</b>
10.1	Quick-Attach Carrier / Carriage & Forks . . . . .	368
10.2	Side-Tilt Carriage Installation . . . . .	370
10.3	48" & 60" Side Tilt Carriage - Internal Breakdown . . . . .	372
10.4	72" Side-Tilt Carriage - Internal Breakdown . . . . .	374
10.5	72" Swing Carriage Installation . . . . .	376
10.6	72" Swing Carriage Components . . . . .	378
10.7	Carriage Bar . . . . .	380
10.8	Forks Positioner Carriage . . . . .	382
10.9	Personnel Work Platform . . . . .	384
10.10	Truss Boom 12' . . . . .	386
10.11	Loader Bucket . . . . .	387
10.12	2' Jib Boom . . . . .	388
<b>Section 11 – Factory Options . . . . .</b>		<b>389</b>
11.1	Outriggers Hydraulics . . . . .	390
11.2	Outriggers Assembly . . . . .	392
11.3	Outrigger Manifold . . . . .	394
11.4	Boom Lights Installation . . . . .	396
11.5	Boom Lights Harness . . . . .	398
11.6	Work Light Kit . . . . .	400
11.7	Work Light Harness . . . . .	402
11.8	Road Lights Assembly . . . . .	404
11.9	Road Light Front & Rear Harness . . . . .	406
11.10	Oil Quick Drain . . . . .	407



11.11	Air Intake Shut Off	408
11.12	Positive Air Shut Off Harness	410
11.13	Remote Axle Grease	412
11.14	Reserve Brake	414
11.15	Cold Weather Package	416
11.16	4 Wheel Fender Assembly	418
11.17	Beacon Light Assembly	420
11.18	Pintle Hook Installation	422
11.19	Fire Extinguisher	423
11.20	Back up Camera and Sensor	424
11.21	Back up Sensor	426
11.22	Elevate Telematics	428
11.23	Elevate Telematics Harness	430
<b>Section 12 – Labels</b>		<b>433</b>
12.1	Model Specific Labels	434
12.2	Pictorial Group Labels	436
12.3	Cab Labels	440
12.4	Load Charts Group	442
<b>Section 13 – Tables</b>		<b>445</b>
13.1	Recommended Fluids Table	446

# Foreword

## General

The information contained in this manual is designed to aid the user in locating and identifying replacement parts. Component parts of various assemblies and subassemblies comprising the work platform are illustrated and accompanied by a descriptive parts list. Exploded drawings are used to show relative location of component parts in disassembly order. If a part cannot be found in this manual, contact Discount-equipment for assistance.

## Parts Ordering Information

When ordering replacement parts, the complete part number and description should be used to ensure proper identification and delivery of the desired item. This complete identification should also be used when requesting equipment information.

## Method of Listing

Parts are listed in order according to the reference number shown in the illustration, followed by a full description based upon the "NOUN FIRST" method. That is, the noun name of the part is listed first, then the modifying description information which serves to specifically identify the item. For example: PIN, Clevis.

Assemblies at the beginning of a parts list may be identified with a reference letter: A, B, C, etc. These letters are used to identify different configurations of the assembly. Individual parts in these lists have corresponding letters after their description to identify which assembly it is used in. If a part does not have a reference letter, it is used in all of the assemblies.

Bullets (•) are used to show the assembly structure, or parent/child relationship. A part listed at the beginning of the parts list without a bullet before the description is the main assembly, and all of the parts below it with one bullet are the subcomponent parts of that assembly. Two bullets denote a subcomponent of a subcomponent, etc.

### Example:

Main Assembly A

- Part 1 (subcomponent of Main Assembly A)
- Part 2 (subcomponent of Main Assembly A)
- • Part 3 (subcomponent of Part 2)

## Quantities

The quantities required to complete the assembly are given for each part. If the quantity is (AR), it is understood that the quantity may vary when the machine is equipped with certain options. Order quantity as needed.

## How To Order Repair Parts

1. Address all orders to Discount-equipment.
2. Specify model and serial number of the work platform (found on the serial number plate).
3. List the quantity needed.
4. List the length needed (if it is a bulk item).
5. List the part number and description as shown in this manual for each item.
6. Show the billing and shipping address and the name of the individual, if possible.
7. Suggest the best routing.

**Customer:** \_\_\_\_\_

**Dealer:** \_\_\_\_\_

**Model Number:** \_\_\_\_\_

**Serial Number:** \_\_\_\_\_

**Date Purchased:** \_\_\_\_\_

## Recommended Service Parts

Description	Year 1 Qty	Year 2 Qty	Year 3 Qty	Skyjack Part No.
<b>Engine</b>				
Oil Filter	4	4	4	9-196896
Fuel Filter	4	4	4	9-197182
Fuel Filter/Water Separator	4	4	4	9-196889
Air Filter-Primary Element	2	2	2	9-197221
Air Filter-Safety Element	1	1	1	9-197222
Fan Belt	0	1	1	9-166694
Pump, Fuel	0	1	1	9-164770
Alternator	0	0	1	9-197184
Starter	0	0	1	9-216438
<b>Transmission</b>				
Oil Filter	1	1	1	9-196743
Output Shaft Seal-Front	0	1	1	9-196825
Output Shaft Seal-Rear	0	1	1	9-196825
<b>Electrical</b>				
Battery	0	1	1	9-144676
Power Relay	1	1	1	9-226119
Relay, micro	2	2	2	9-931298
Relay	1	1	1	9-156200
Relay (w/SCR exhaust aftertreatment only)	1	1	1	9-127131
Relay, Glow plug 150A	1	1	1	9-165029
Fuse-5A	2	2	2	9-156202
Fuse-10A	2	2	2	9-156203
Fuse-15A	2	2	2	9-156204
Fuse-30A	2	2	2	9-156164
Fuse-20A	1	1	1	9-121504
Fuse-100A glow plug	1	1	1	9-165031
Ignition Switch	1	1	1	9-926721
Reverse Alarm	1	1	1	9-921172
Horn	1	1	1	9-923025
Switch, Proximity	1	1	1	9-190547
<b>Hydraulic</b>				
Hydraulic Filter-Return	1	1	1	9-157907
Seal Kit-Lift Cylinder	1	1	1	9-197096
Seal Kit-Telescope Cylinder-SJ1044TH	1	1	1	9-197103
Seal Kit-Telescope Cylinder-SJ1056TH	1	1	1	9-197102
Seal Kit-Fork Tilt Cylinder	1	1	1	9-197101
Seal Kit-Tilt Compensation Cylinder	1	1	1	9-197098
Seal Kit-Frame Level Cylinder	1	1	1	9-197099
Seal Kit-RAS Cylinder	1	1	1	9-197100
Seal Kit-Outrigger Cylinder				9-197104

## Recommended Service Parts

Description	Year 1 Qty	Year 2 Qty	Year 3 Qty	Skyjack Part No.
<b>Boom SJ1044</b>				
Wear Pad	0	2	2	9-191266
Wear Pad	2	2	2	9-191267
Wear Pad	6	6	6	9-191268
Wear Pad	0	2	2	9-191269
<b>Boom SJ1056</b>				
Wear Pad	2	2	2	9-191265
Wear Pad	0	2	4	9-191266
Wear Pad	8	8	8	9-191267
Wear Pad	2	4	4	9-191268
Wear Pad	0	2	2	9-191269
Wear Pad	2	2	2	9-191270
Wear Pad	0	1	1	9-190915

# Section 1 – Frame

**1.1** *Sheet Metal Installation*

**1.5** *Engine Cowling Assembly 107  
HP*

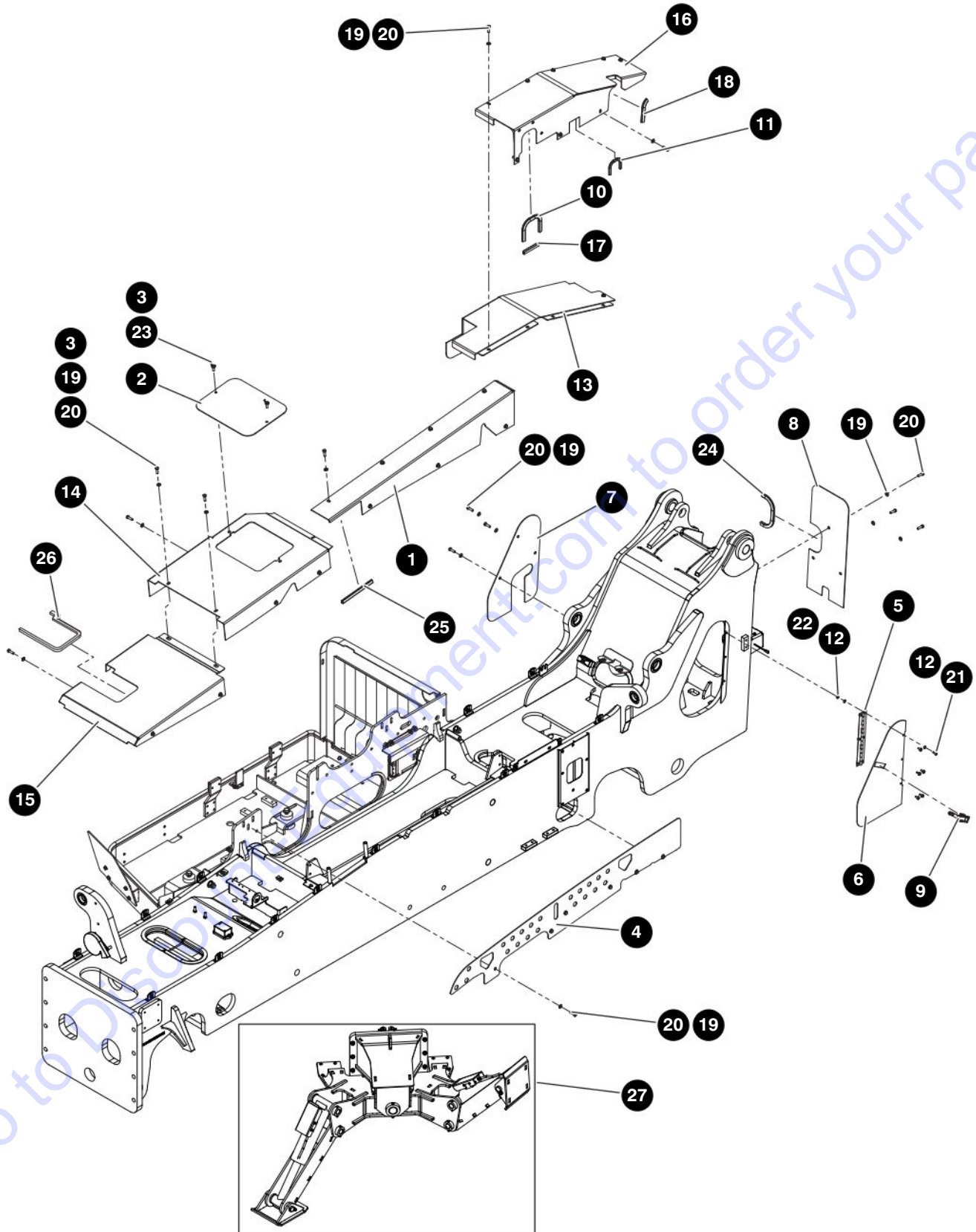
**1.2** *Frame Subgroup*

**1.8** *Fuel Tank Assembly*

**1.4** *Engine Cowling Assembly 74  
HP*

**1.9** *Hydraulic Tank Assembly*

# 1.1 Sheet Metal Installation

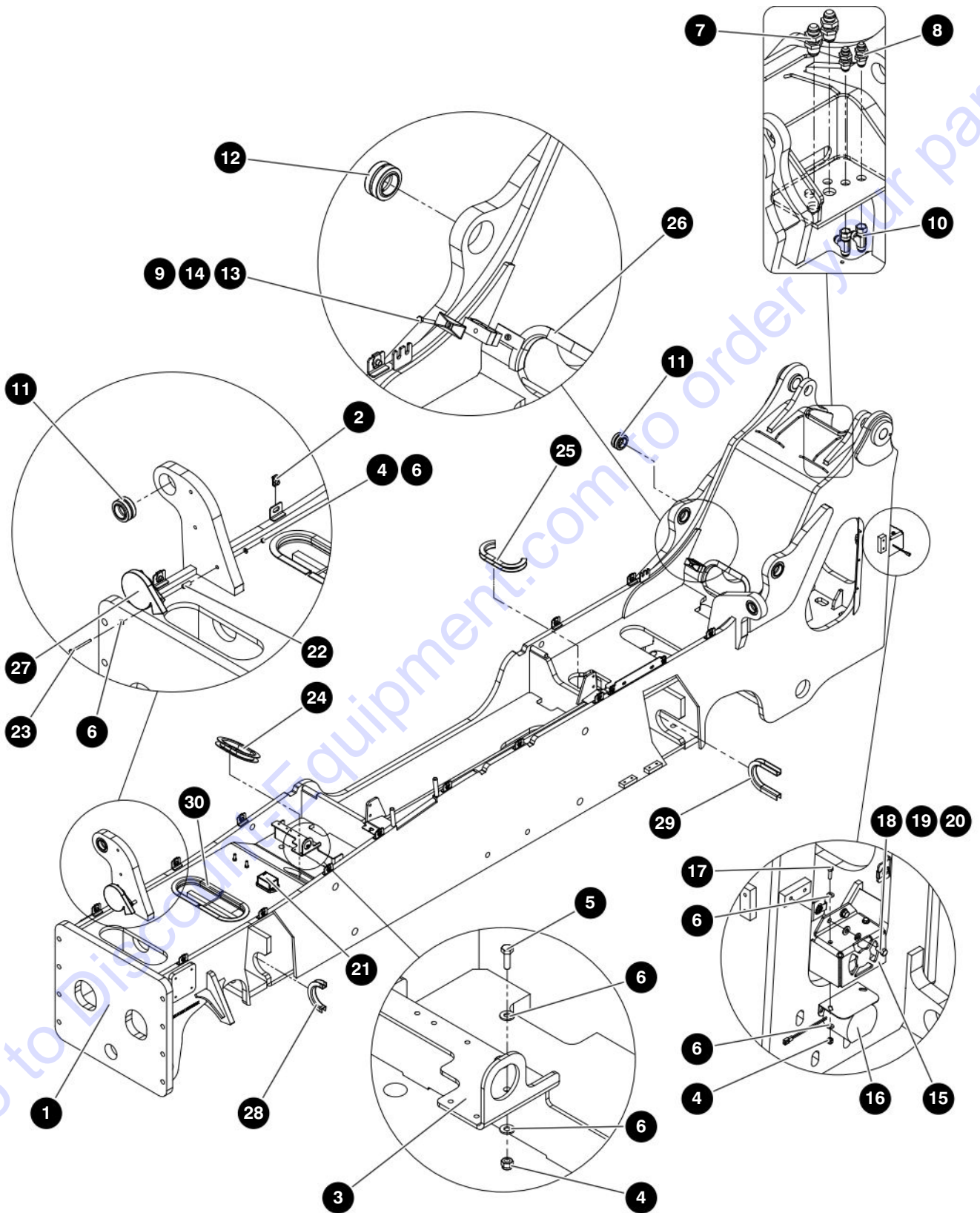


M191425AB\_M190067

## 1.1 Sheet Metal Installation

Index No.	Skyjack Part No.	Qty.	Description
-	9-191425	1	COVER SUBGROUP, VR1044 / VR1056
1	9-191390	1	• COVER, VR top side
2	9-191389	1	• COVER, Battery access
3	9-159294	4	• NUT, Speed clip 0.375-16
4	235181	1	• COVER, VR Engine tray
5	9-137016	1	• HINGE, Instrumentation panel
6	9-191397	1	• COVER, VR Left hand side
7	9-191398	1	• COVER, VR Right hand side
8	9-191399	1	• COVER, VR rear
9	9-191416	1	• LATCH, VR covers
10	9-117398	12"	• TRIM, Protective
11	9-117398	10"	• TRIM, Protective
12	9-103995	12	• WASHER, Flat 1/4"
13	9-191438	1	• COVER, Top rear right hand 1044/1056
14	9-191428	1	• COVER, Top front second 1044/1056
15	9-191429	1	• COVER, Top front first 1044/1056
16	9-191437	1	• COVER, Top rear left hand 1044/1056
17	9-117398	4"	• TRIM, Protective
18	9-117398	5"	• TRIM, Protective
19	9-125959	37	• WASHER, Flat 3/8" hard
20	9-160820	37	• BOLT, Hex head 3/8"-24 X 1-1/4" grade 5
21	9-103856	6	• BOLT, Hex head 1/4"-20 X 3/4" grade 5
22	9-103980	6	• NUT, Hex 1/4"-28 grade 5
23	9-152535	2	• WING SCREW, 3/8"UNC X 1"
24	9-117398	12"	• TRIM, Protective
25	9-117398	9"	• TRIM, Protective
26	9-117398	32"	• TRIM, Protective
27	(Ref).	1	• ASSEMBLY, Outriggers <i>(For components, refer to Section 11.2)</i>

## 1.2 Frame Subgroup



M191425AF

190126AG

16

SJ1044 TH, SJ1044 THS, SJ1056 TH, SJ1056 THS

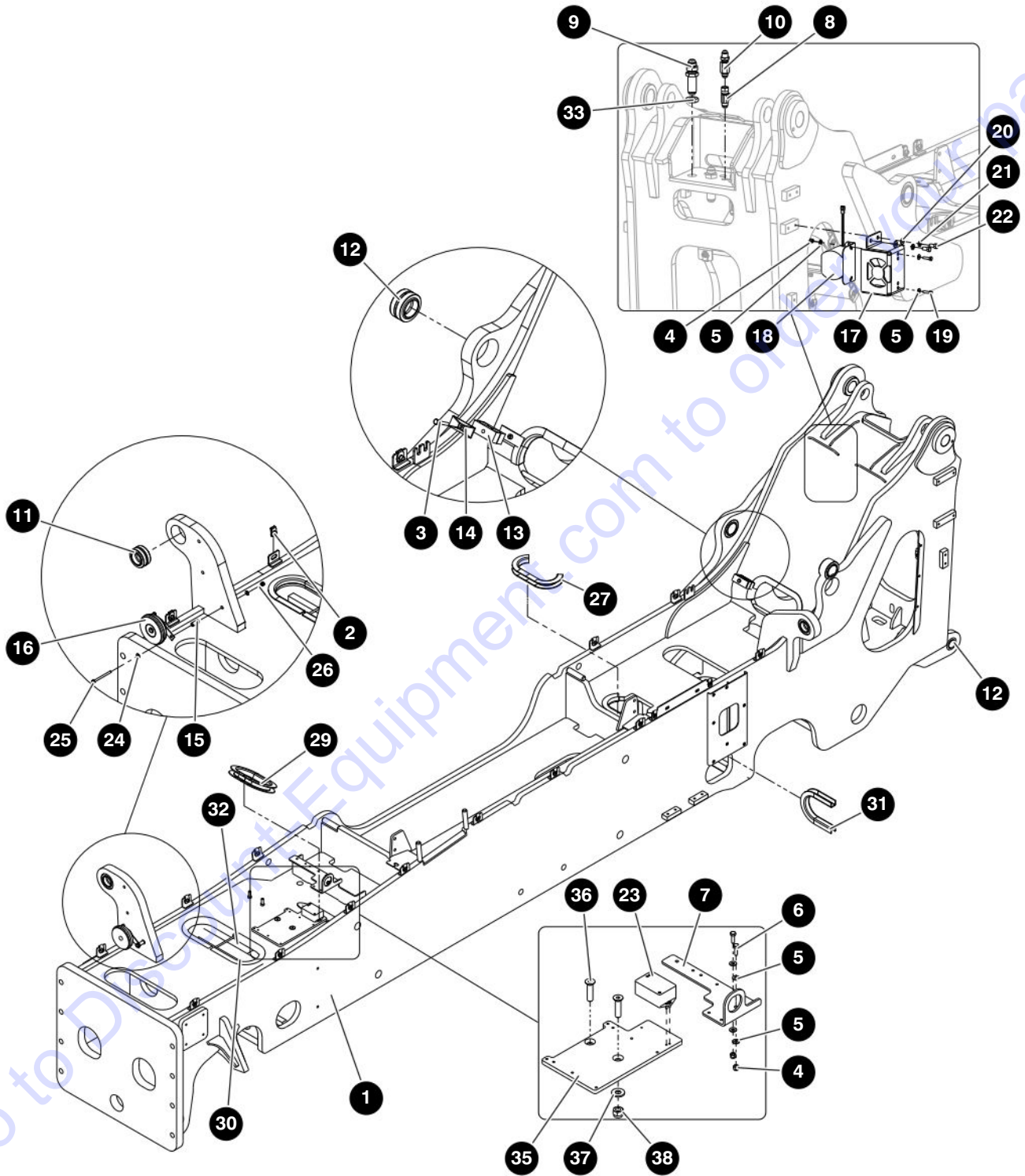
SKYJACK



## 1.2 Frame Subgroup

Index No.	Skyjack Part No.	Qty.	Description
-	9-190871	1	FRAME SUBGROUP, TH 1044/1056
1	9-190832	1	• WELDMENT, VR 1044/VR 1056 frame
2	9-159294	21	• NUT, Speed clip 3/8"-16
3	9-190688	1	• BULKHEAD, Electrical
4	9-115649	4	• NUT, Lock with nylon insert 1/4"-20 grade 5
5	9-103891	2	• BOLT, Hex head 1/4"-20 x 7/8" grade 5
6	9-103995	11	• WASHER, Flat 1/4"
7	9-197689	2	• FITTING, Bulkhead straight (12 JICM - 12 JICM) long
8	9-197686	2	• FITTING, (08 JIC - 08 JIC) long
9	9-103865	1	• BOLT, Hex head 5/16"-18 x 2 grade 5
10	9-106170	2	• FITTING, Tee swivel - 8 JIC
11	9-230942	2	• BEARING, 2" Spherical maintenance free
12	9-920314	2	• BEARING
13	9-190410	1	• CLAMP, Body 428/28PP
14	9-190217	1	• PLATE, Cover 4D
15	9-191489	1	• COVER, Back-up alarm
16	9-921172	1	• ALARM, Back-up rework
17	9-103857	2	• BOLT, Hex head 1/4"-20 x 1 grade 5
18	9-125959	2	• WASHER, Flat 3/8" hard
19	9-103999	2	• WASHER, Lock 3/8"
20	9-101632	2	• BOLT, Hex head 3/8"-16 x 3/4" grade 5
21	(Ref).	1	• ASSEMBLY, Tilt sensor
22	9-133598	1	• SPACER, 3/8" X 1 1/8"
23	9-103868	1	• BOLT, Hex head 5/16"-18 x 3-1/2" grade 5
24	9-162053	19.25	• PROTECTIVE TRIM, 3/4"
25	9-162053	13"	• PROTECTIVE TRIM, 3/4"
26	9-162053	18"	• PROTECTIVE TRIM, 3/4"
27	9-923025	1	• HORN, Electric 12V
28	9-197544	20"	• PROTECTIVE TRIM, 3/4" to 1"
29	9-197544	30"	• PROTECTIVE TRIM, 3/4" to 1"
30	9-162053	30"	• PROTECTIVE TRIM, 1/2" to 5/8"
31	9-103984	1	• NUT, Lock with nylon insert 5/16"-18 grade 5
32	9-103996	3	• WASHER, Flat 5/16"
33	9-198511	2	• NUT, Bulkhead - 12

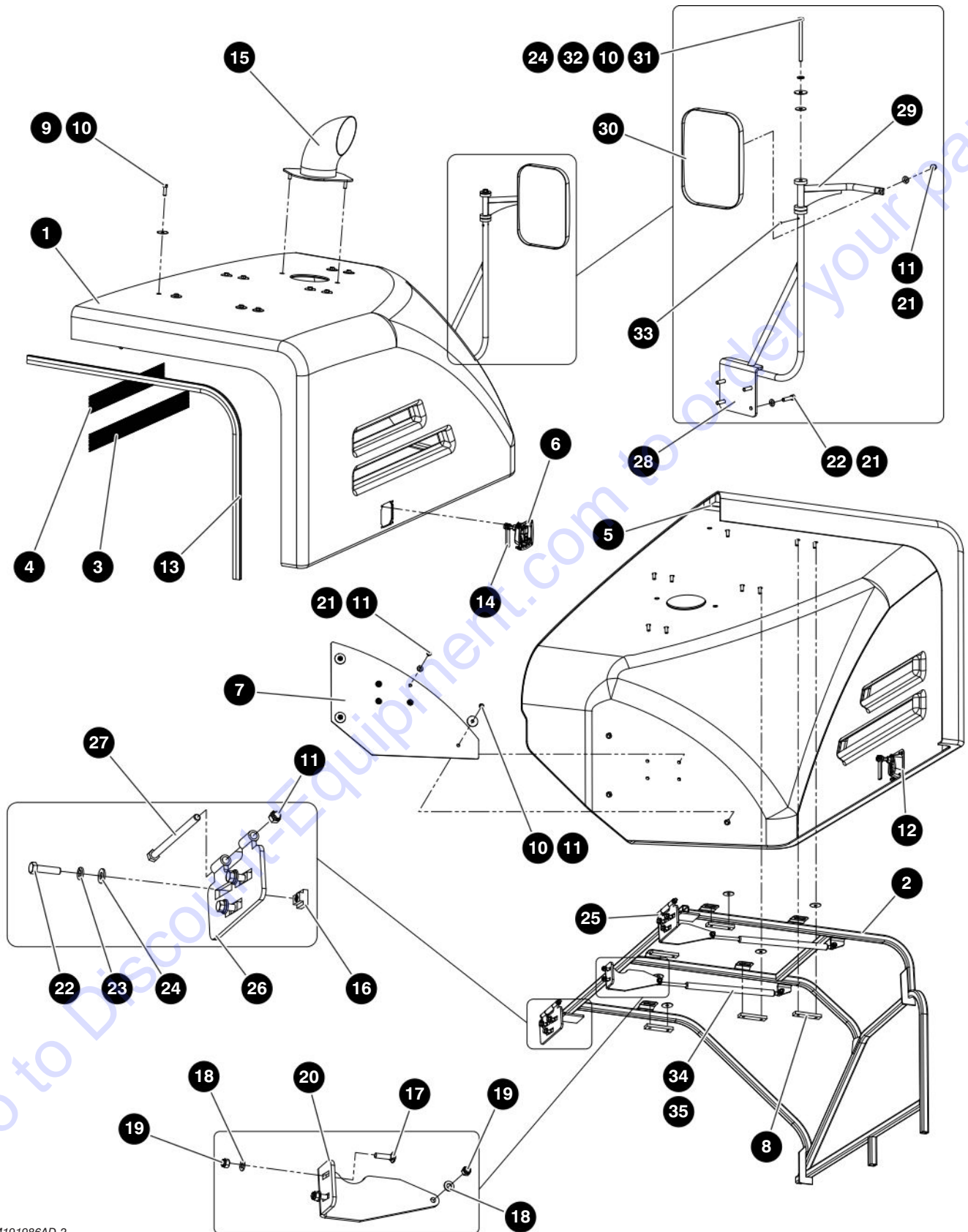
# 1.3 Frame Subgroup - Dual tilt



### 1.3 Frame Subgroup - Dual tilt

Index No.	Skyjack Part No.	Qty.	Description
-	235299	1	<b>For serial numbers 87312009 and above</b> FRAME SUBGROUP DUAL TILT
1	235300	1	WELDMENT, FRAME 1044/1056
2	159294	21	NUT, SPEED CLIP 0.375-16
3	103865	1	BOLT-HEX HD/ZINC (.31-18 X 2.00 / GR5)
4	115649	4	NUT, LOCK 0.250-20 GR5 - NYL
5	103995	8	WASHER, FLAT 0.250
6	103891	2	BOLT, HXHD 0.25-20 X 0.875 GR5
7	190688	1	BULKHEAD, ELECTRICAL
8	106170	2	FTG, TEE SWIVEL -8 JIC
9	197689	2	BKHD FTG, STR 12JIC-12JIC LONG
10	197686	2	BKHD FTG, STR 8JIC-8JIC LONG
11	920767	2	BEARING, SPHERICAL
12	230942	2	"BEARING, SPHERICAL MAINTENANCE FREE 2.00"
13	190410	1	CLAMP, BODY 428/28PP
14	190217	1	PLATE, COVER 4D
15	133598	1	ROLLED SPACER FOR 3/8" BOLT 1 1/8" LG
16	923025	1	HORN, ELECTRIC 12V
17	235250	1	BRACKET, BACK-UP ALARM
18	921172	1	BACK-UP ALARM REWORK
19	103857	2	BOLT-HEX HD/ZINC (.25-20 X 1.00 / GR5)
20	125959	2	WASHER FLAT 0.375 HARD
21	103999	2	WASHER, LOCK 0.375
22	101632	2	BOLT-HEX HD/ZINC (.38-16 X 0.75 / GR5)
23	196364	1	TILT SENSOR, ASSEMBLY
24	103996	3	Washer Flat 0.312
25	103868	1	BOLT-HEX HEAD 5/16-18 GRADE 5 X 3.50
26	103984	1	NUT, LOCK 0.313-18 GR5 - NYL
27	162053	13	PROTECTIVE TRIM - 3/4"
28	162053	18	PROTECTIVE TRIM - 3/4"
29	162053	19.25	PROTECTIVE TRIM, 3/4"
30	162053	35	PROTECTIVE TRIM, 3/4"
31	197544	30	PROTECTIVE TRIM 1"
32	197544	20	PROTECTIVE TRIM, 1"
33	198511	2	BULKHEAD NUT -12
34	235239	2	BEARING, SPHERICAL MAINT-FREE DIA 1.375
35	235304	1	PLATE, ECU MOUNTING
36	235306	2	SCREW, FHCS 0.500-13 x 2.00 ZC
37	104379	2	Washer Flat 0.500 Hard
38	702507	2	NUT, LOCK 0.500-13 GrC - NYL

# 1.4 Engine Cowling Assembly 74 HP



M191986AD-2

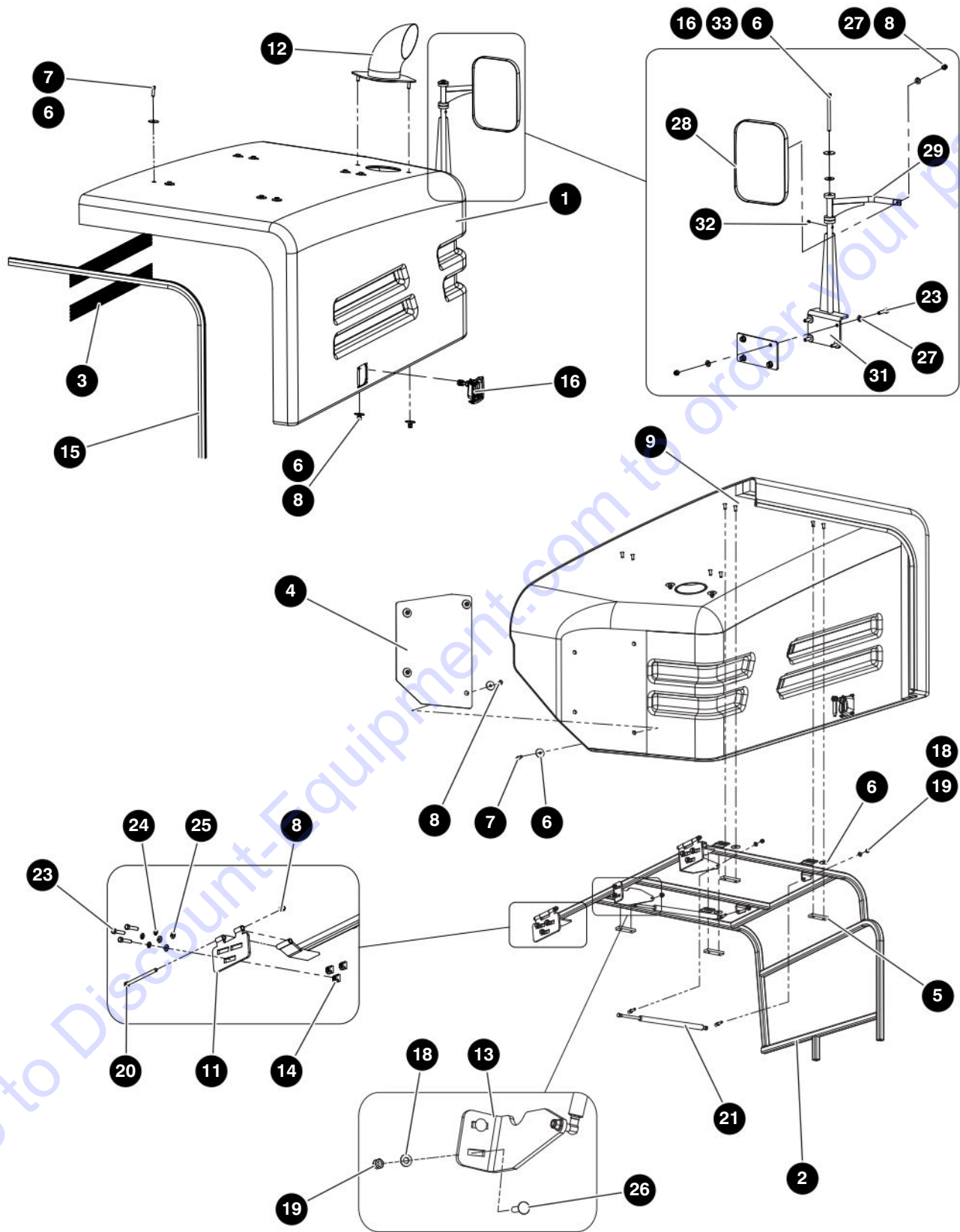
190126AG

SJ1044 TH, SJ1044 THS, SJ1056 TH, SJ1056 THS

## 1.4 Engine Cowling Assembly 74 HP

Index No.	Skyjack Part No.	Qty.	Description
			<i>For serial numbers 87210166 and below For serial numbers 87311946 and below</i>
-	9-191986	-	COWLING SUBGROUP, VR (74 HP)
-	9-191987	1	• ASSEMBLY, COWLING VR (74 HP)
1	9-191906	1	• • COWLING SHELL, 74HP
2	9-191976	1	• • WELDMENT, Cowling structure
3	9-190607	1	• • PLATE, Perforated
4	9-191990	1	• • PLATE, Perforated 16" long
5	9-148368	135	• • FOAM SEAL - #1441 (2" X 2") (qty in inches)
6	9-190462	1	• • LATCH, Compression
7	9-191989	1	• • PLATE, Cowling guard
8	9-190608	5	• • PLATE, Anti turn
9	9-101297	13	• • BOLT, Hex head 3/8"-16 X 1-1/4" grade 5
10	9-127067	24	• • WASHER, Flat 3/8" style BB
11	9-104606	12	• • NUT, Lock 3/8"-16 grade 5 - nylon insert
12	9-190557	1	• • PLATE, Cowling latch
13	9-190483	60"	• SEAL, 1/4 edge X 5/8 bulb
14	9-191373	1	• PLATE, Latch
15	9-190612	1	• WELDMENT, Exhaust stack
16	9-190609	6	• NUT, 1/2" T-slot 3/8"-16
17	9-106049	2	• BOLT, Carriage bolt 5/16"-18 x 1-1/4" grade 5
18	9-103996	6	• WASHER, Flat 5/16" SAE
19	9-103984	6	• NUT, Lock with nylon insert 5/16"-18 grade 5
20	9-190926	1	• BRACKET, Gas spring MT
21	9-103472	10	• WASHER, Flat 3/8" SAE
22	9-103870	10	• BOLT, Hex head 3/8"-16 X 1-1/2" grade 5
23	9-103999	6	• WASHER, Lock 3/8"
24	9-125959	7	• WASHER, Flat 3/8" SAE hard
25	9-190927	1	• WELDMENT, Hinge cowling RH
26	9-190615	1	• WELDMENT, Hinge cowling LH
27	9-138736	2	• BOLT, Hex head 3/8"-16 X 6" grade 5
28	9-191992	1	• WELDMENT, Mirror base (74hp)
29	9-191890	1	• WELDMENT, Mirror rotation
30	9-931379	1	• MIRROR
31	9-191892	2	• WASHER, Plastic 3/8" X 1-1/4"
32	9-163510	1	• BOLT, Hex head 3/8"-16 X 5" grade 5
33	9-117691	2	• SET SCREW, 1/4"-20 X 1/4"
34	9-190925	2	• GAS SPRING - VR cowling
35	9-138836	4	• STUD - Ball

# 1.5 Engine Cowling Assembly 107 HP

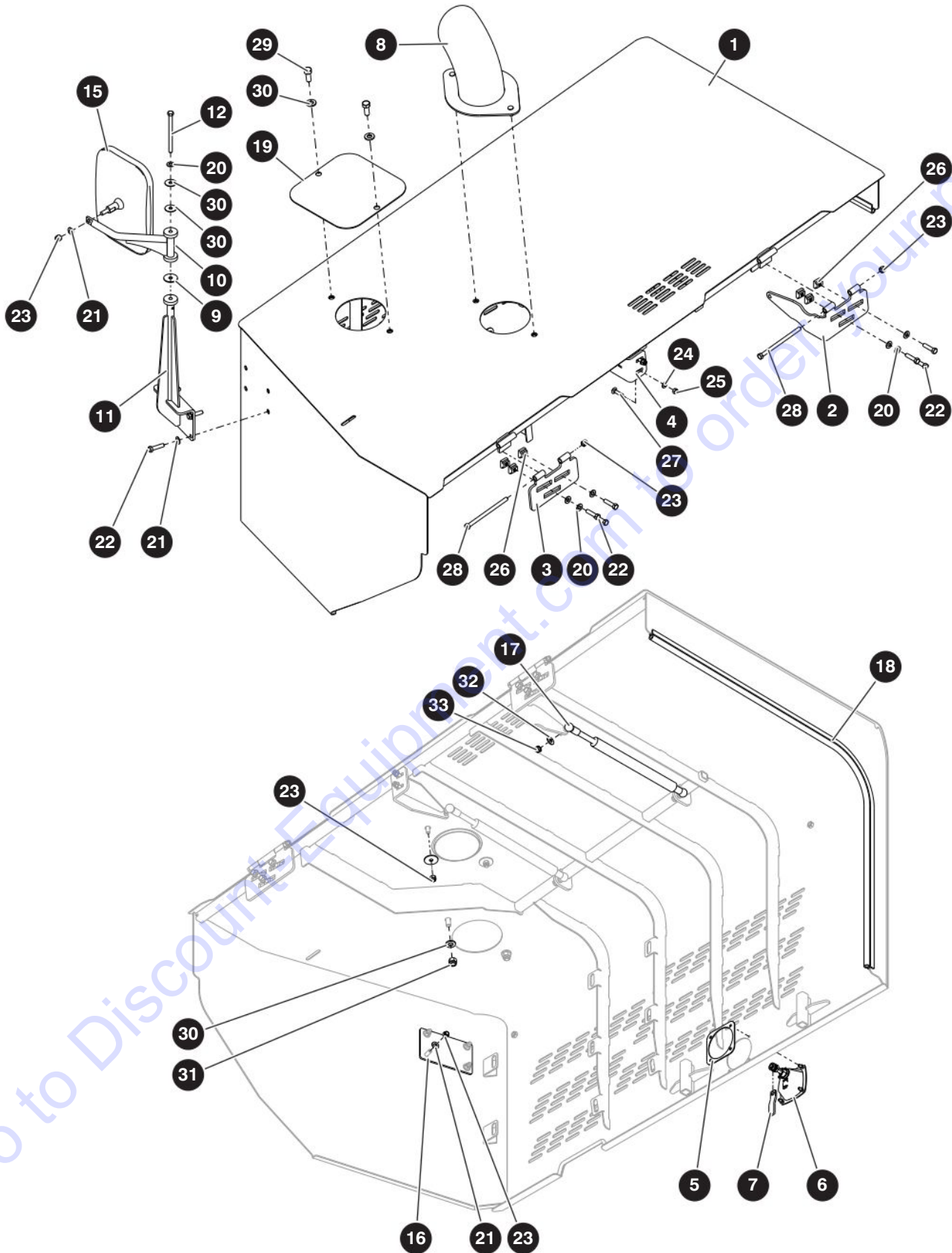


M190664AD

## 1.5 Engine Cowling Assembly 107 HP

Index No.	Skyjack Part No.	Qty.	Description
			<i>For serial numbers 87210166 and below</i> <i>For serial numbers 87311946 and below</i>
-	9-190664	1	COWLING SUBGROUP, TH
-	9-190663	1	• COWLING, ASSEMBLY TH
1	9-190482	1	• • COWLING, Shell TH
2	9-190647	1	• • WELDMENT, Cowling support
3	9-190607	2	• • PLATE, Perforated
4	9-190613	1	• • PLATE, Cowling guard
5	9-190608	4	• • PLATE, Anti turn
6	9-127067	23	• • WASHER, Flat 3/8" style BB
7	9-101297	12	• • BOLT, Hex head 3/8"-16 X 1-1/4" Gr. 5
8	9-104606	13	• • NUT, Lock with nylon insert 3/8"-16 Gr. 5
9	9-148368	135"	• • SEAL, Foam #1441 (2"X2")
10	9-190615	1	• WELDMENT, Hinge cowling LH
11	9-190927	1	• WELDMENT, Hinge cowling RH
12	9-190612	1	• STACK WELDMENT, Exhaust
13	9-190926	1	• BRACKET, Gas spring mounting
14	9-190609	6	• NUT, 1/2" T-SLOT 3/8"-16
15	9-190483	60"	• SEAL, 1/4" EDGE X 5/8" BULB
16	9-191892	2	• WASHER, Plastic 3/8" X 1-1/4"
17	9-191373	1	• PLATE, Latch
18	9-103996	6	• WASHER, 11/32" ID X 3/4" OD X 3/32" zinc
19	9-103984	6	• NUT, Lock with nylon insert 5/16"-18 Gr. 5
20	9-138736	2	• BOLT, Hex head 3/8"-16 X 6" Gr. 5
21	9-190925	2	• GAS SPRING, TH cowling
22	9-138836	4	• STUD - BALL
23	9-103870	10	• BOLT, Hex head 3/8"-16 X 1-1/2" Gr. 5
24	9-103999	6	• WASHER, Lock 3/8"
25	9-125959	7	• WASHER, Flat 3/8" SAE hard
26	9-106049	2	• BOLT, Carriage bolt 5/16"-18 X 1-1/4" Gr. 5
27	9-103472	9	• WASHER, 13/32" ID X 13/16" OD X 1/16" zinc
28	9-931379	1	• ASSEMBLY, Mirror
29	9-191890	1	• WELDMENT, Mirror Rotation
30	9-191451	1	• PLATE, Backing
31	9-191889	1	• WELDMENT, Mirror base
32	9-117691	2	• SET SCREW, 1/4"-20 X 1/4"
33	9-163510	1	• BOLT, Hex head 3/8"-16 X 5" Gr. 5

# 1.6 74 HP Steel Cowling



M235873AB

190126AG

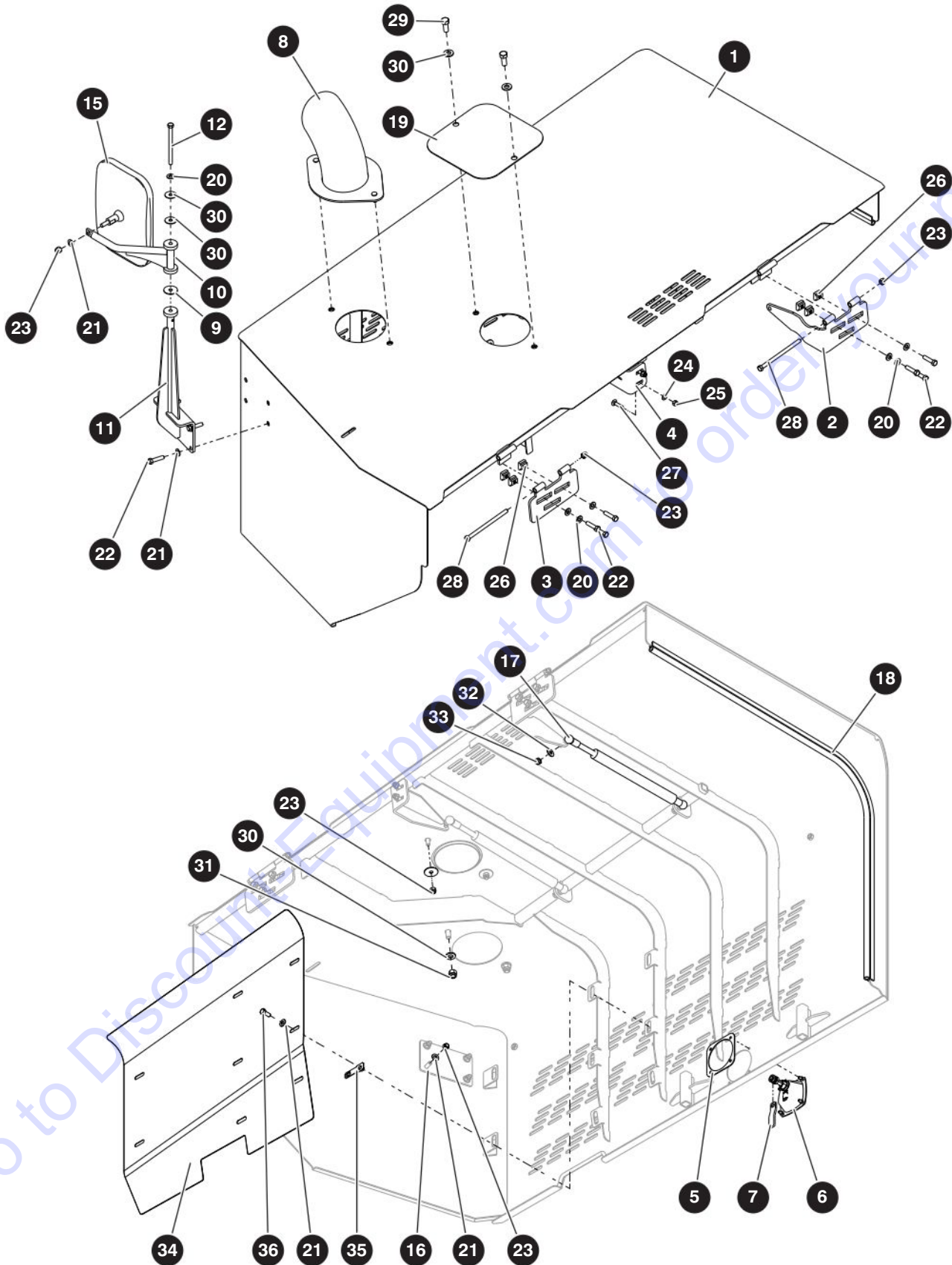
SJ1044 TH, SJ1044 THS, SJ1056 TH, SJ1056 THS



## 1.6 74 HP Steel Cowling

Index No.	Skyjack Part No.	Qty.	Description
			<i>For serial numbers 87210167 and above</i> <i>For serial numbers 87311947 and above</i>
-	235873	1	STEEL COWLING
1	232399	1	COWLING WELDMENT
2	235067	1	WELDMENT, HINGE COWLING RH
3	190615	1	WELDMENT, HINGE COWLING LH
4	235076	1	WELDMENT, HINGE COWLING LH
5	190557	1	PLATE, COWLING LATCH
6	190462	1	LATCH, COMPRESSION
7	235072	1	PLATE, LATCH
8	190612	1	STACK WLDT, EXHAUST
9	191892	2	WASHER, PLASTIC 3/8" X 1 1/4"
10	191890	1	WELDMENT, MIRROR ROTATION
11	191889	1	WELDMENT, MIRROR BASE
12	163510	1	BOLT, HXHD 0.375-16 X 5.000 GR5
13	127067	3	WASHER, FLAT 0.375 STYLE BB
14	117691	2	SET SCREW (HEX SOCKET) 1/4-20 X 1/4
15	931379	1	MIRROR ASSEMBLY
16	235077	1	PLATE, BACKING
17	235071	2	GAS SPRING, TH STEEL COWLING
18	149357	60	SEAL - BULB (0.090-0.12 GRIP)
19	235054	1	PLATE, TOP COVER - COWLING
20	125959	7	WASHER FLAT 0.375 HARD
21	103472	9	WASHER FLAT 0.375
22	103870	10	BOLT, HXHD 0.375-16 X 1.500 GR5
23	104606	9	NUT, LOCK 0.375-16 GR5 - NYL
24	103996	2	Washer Flat 0.312
25	103984	2	NUT, LOCK 0.313-18 GR5 - NYL
26	190609	6	NUT, 1/2 T-SLOT 3/8-16
27	106049	2	"BOLT, CARRIAGE BOLT 0.313-18 x 1.25 GRD 5"
28	138736	2	BOLT, HXHD 0.375-16 X 6.000 GR5
29	103909	2	BOLT, HXHD 0.50-13 X 1.250 GR5
30	104379	4	Washer Flat 0.500 Hard
31	702507	2	NUT, LOCK 0.500-13 GrC - NYL
32	600572	4	"WASHER, FLAT M10 HARDENED DIN 125 (600572)"
33	223165	4	"NUT HEX NYLON LOCK M10 X 1.5 CL 8 ZP"

# 1.7 107 Steel Cowling

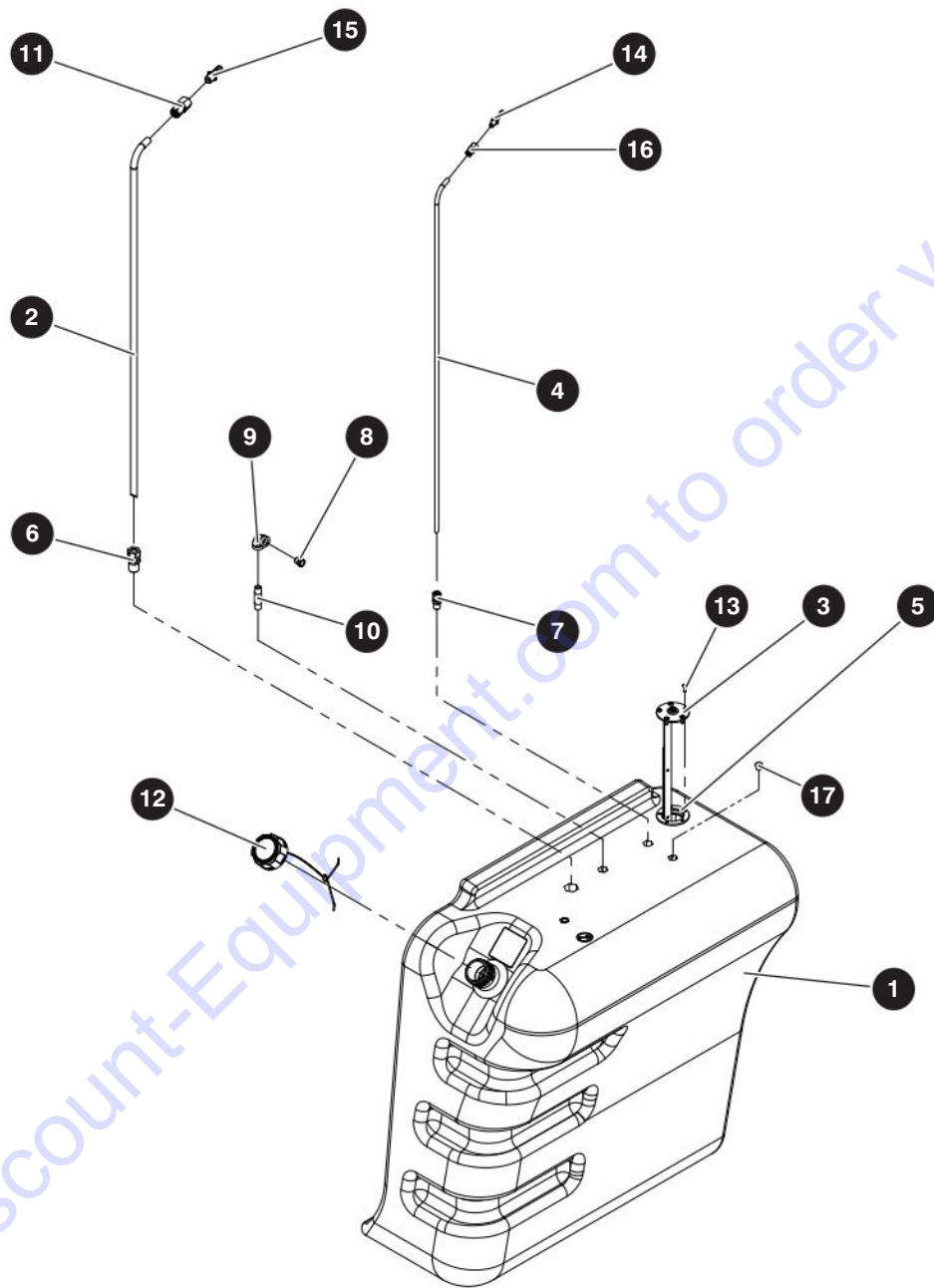


M232395AC

## 1.7 107 Steel Cowling

Index No.	Skyjack Part No.	Qty.	Description
			<i>For serial numbers 87210167 and above</i> <i>For serial numbers 87311947 and above</i>
-	232395	1	STEEL COWLING
1	232399	1	COWLING WELDMENT
2	235067	1	WELDMENT, HINGE COWLING RH
3	190615	1	WELDMENT, HINGE COWLING LH
4	235076	1	WELDMENT, HINGE COWLING LH
5	190557	1	PLATE, COWLING LATCH
6	190462	1	LATCH, COMPRESSION
7	235072	1	PLATE, LATCH
8	190612	1	STACK WLDT, EXHAUST
9	191892	2	WASHER, PLASTIC 3/8" X 1 1/4"
10	191890	1	WELDMENT, MIRROR ROTATION
11	191889	1	WELDMENT, MIRROR BASE
12	163510	1	BOLT, HXHD 0.375-16 X 5.000 GR5
13	127067	3	WASHER, FLAT 0.375 STYLE BB
14	117691	2	SET SCREW (HEX SOCKET) 1/4-20 X 1/4
15	931379	1	MIRROR ASSEMBLY
16	235077	1	PLATE, BACKING
17	235071	2	GAS SPRING, TH STEEL COWLING
18	149357	60	SEAL - BULB (0.090-0.12 GRIP)
19	235054	1	PLATE, TOP COVER - COWLING
20	125959	7	WASHER FLAT 0.375 HARD
21	103472	17	WASHER FLAT 0.375
22	103870	10	BOLT, HXHD 0.375-16 X 1.500 GR5
23	104606	9	NUT, LOCK 0.375-16 GR5 - NYL
24	103996	2	Washer Flat 0.312
25	103984	2	NUT, LOCK 0.313-18 GR5 - NYL
26	190609	6	NUT, 1/2 T-SLOT 3/8-16
27	106049	2	"BOLT, CARRIAGE BOLT 0.313-18 x 1.25 GRD 5"
28	138736	2	BOLT, HXHD 0.375-16 X 6.000 GR5
29	103909	2	BOLT, HXHD 0.50-13 X 1.250 GR5
30	104379	4	Washer Flat 0.500 Hard
31	702507	2	NUT, LOCK 0.500-13 GrC - NYL
32	600572	4	"WASHER, FLAT M10 HARDENED DIN 125 (600572)"
33	223165	4	"NUT HEX NYLON LOCK M10 X 1.5 CL 8 ZP"
34	235074	1	HEAT SHEILD, TH COWLING
35	159294	8	NUT, SPEED CLIP 0.375-16
36	300437	8	BOLT, HXHD 0.375-16 X 0.875 GR5

## 1.8 Fuel Tank Assembly



M191247AG

190126AG

**28**

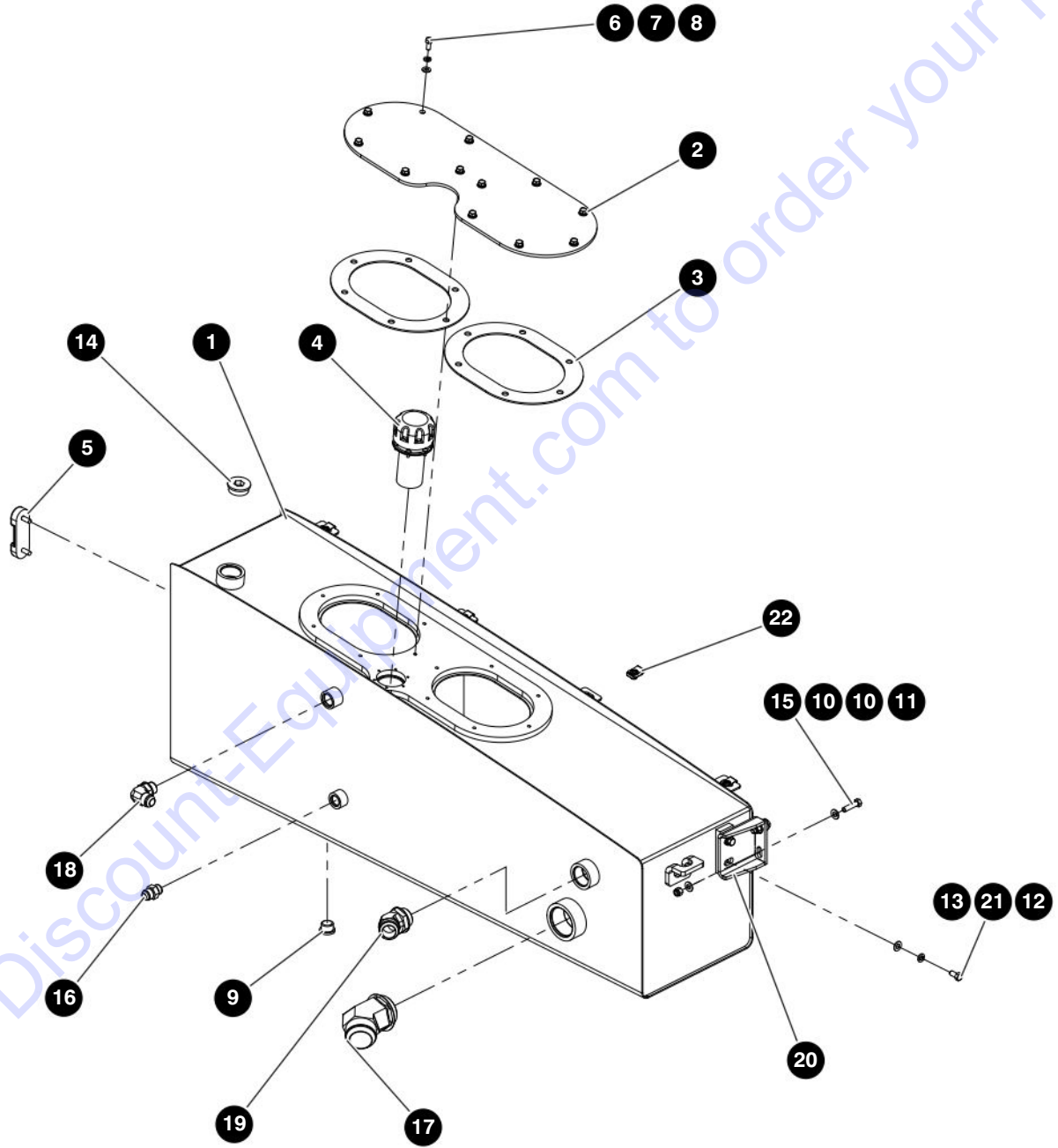
SJ1044 TH, SJ1044 THS, SJ1056 TH, SJ1056 THS

**SKYJACK**

## 1.8 Fuel Tank Assembly

Index No.	Skyjack Part No.	Qty.	Description
-	9-191247	1	FUEL TANK SUBGROUP
-	9-191248	1	• ASSEMBLY, TH FUEL TANK
1	9-191252	1	• • TH FUEL TANK, molded
2	9-190604	1	• • TUBE, Diesel fuel suction
3	9-216696	1	• • FUEL SENDER
4	9-190684	1	• • TUBE, Diesel fuel return
5	9-191253	1	• • GASKET, Fuel tank
6	9-164674	1	• • FITTING, Tube compression 1/2" OD x 1/2" NPT
7	9-103155	1	• • FITTING, Brass tank #T68-5B, 1/4 NPT
8	9-116408	1	• • BREATHER, Vent 1/4 NPT
9	9-144325	1	• • FITTING, Fitting 90° (1/4 NPTF x 1/4 NPTF brass)
10	9-143478	1	• • FITTING, Fitting-nipple (1/4 NPT X 2" long brass)
11	9-165716	1	• • FITTING, Straight adapter (08 BT - 06 FP)
12	9-144410	1	• • CAP, Fuel (non epa)
13	9-103962	5	• • SCREW, Round head machine 10-32 x 1/2"
14	9-191978	1	• • FITTING, Beaded hose barb 5/16" tube
15	9-191977	1	• • FITTING, Beaded hose barb 1/2" tube
16	9-191979	1	• • FITTING, Straight adapter (05 BT - 02 FP)
17	9-197516	2	• PLUG, 3/8" Tapered series

# 1.9 Hydraulic Tank Assembly



M190489AC

190126AG

SJ1044 TH, SJ1044 THS, SJ1056 TH, SJ1056 THS

## 1.9 Hydraulic Tank Assembly

Index No.	Skyjack Part No.	Qty.	Description
-	9-190489	1	HYDRAULIC TANK SUBGROUP
-	9-190490	1	• ASSEMBLY, Hydraulic tank TH
1	9-190491	1	• • WELDMENT, Painted hydraulic tank
2	9-190506	1	• • PLATE, Access cover
3	9-191231	2	• • GASKET, TH hydraulic tank
4	9-191484	1	• • BREATHER, Hydraulic filler
5	9-103236	1	• • LEVEL INDICATOR, 3"
6	9-103996	12	• • WASHER, 11/32" ID x 3/4" OD x 3/32" zinc
7	9-103887	12	• • BOLT, Hex head 5/16"-18 x 3/4" Gr. 5
8	9-103404	12	• • WASHER, Lock 5/16"
9	9-117701	1	• • PLUG, Tank (3/4"-16 UNF with magnet)
10	9-125959	8	• WASHER, Flat 3/8" hard
11	9-104606	4	• NUT, Lock with nylon insert 3/8"-16 Gr. 5
12	9-101632	4	• BOLT, Hex Head 3/8"-16 X 3/4" Gr. 5
13	9-103472	4	• WASHER, Flat 3/8"
14	9-144113	2	• FITTING, Plug - (20 ORB hex socket)
15	9-103870	4	• BOLT, Hex head 3/8"-16 x 1-1/2" Gr. 5
16	9-137630	1	• FITTING, (10 ORBM - 10 JICM)
17	9-933406	1	• FITTING, 32M (ORB-JIC)
18	9-105445	1	• FITTING, 90° (12 JICM - 12 ORBM)
19	9-751974	1	• FITTING, 45° (20 JICM - 20 ORBM)
20	9-191959	2	• WELDMENT, Hydraulic tank mount
21	9-103999	4	• WASHER, Lock 3/8"
22	9-159294	4	• NUT, Speed clip 3/8"-16

# Section 2 – Axles

**2.1** *Front Axle Assembly*

**2.2** *Front Axle - Internal Breakdown*

**2.3** *Front Axle - Reduction Hub*

**2.4** *Front Axle - Brakes*

**2.5** *Front Axle - Steering*

**2.6** *Front Axle - Trunion*

**2.7** *Rear Axle Assembly*

**2.8** *Rear Axle - Internal Breakdown*

**2.9** *Rear Axle - Reduction Hub*

**2.10** *Rear Axle - Brakes*

**2.11** *Rear Axle - Steering*

**2.12** *Rear Axle - Trunion*

**2.13** *Drive Shaft Assembly*

**2.14** *Tire and Wheel Assembly*

**2.15** *Tire and Wheel Assembly - Non Marking*

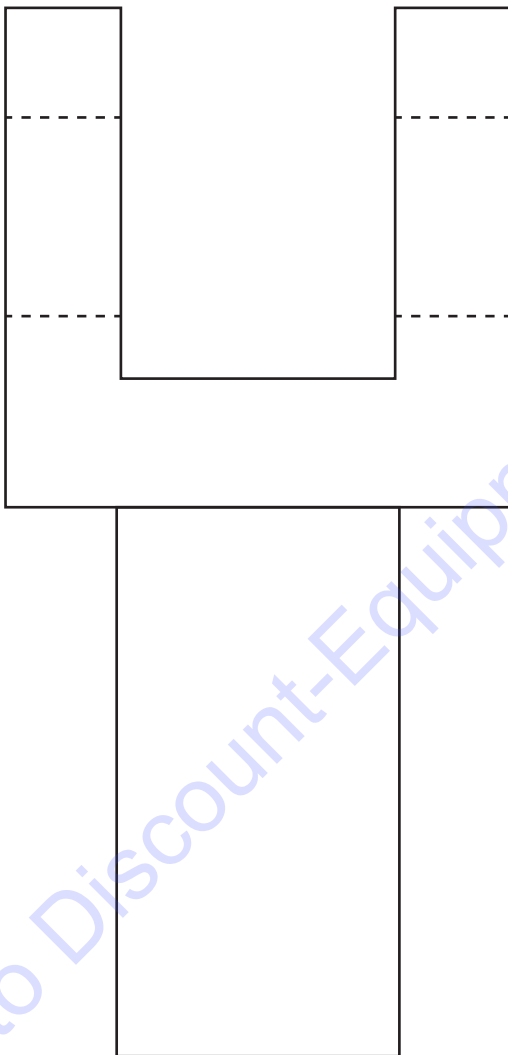




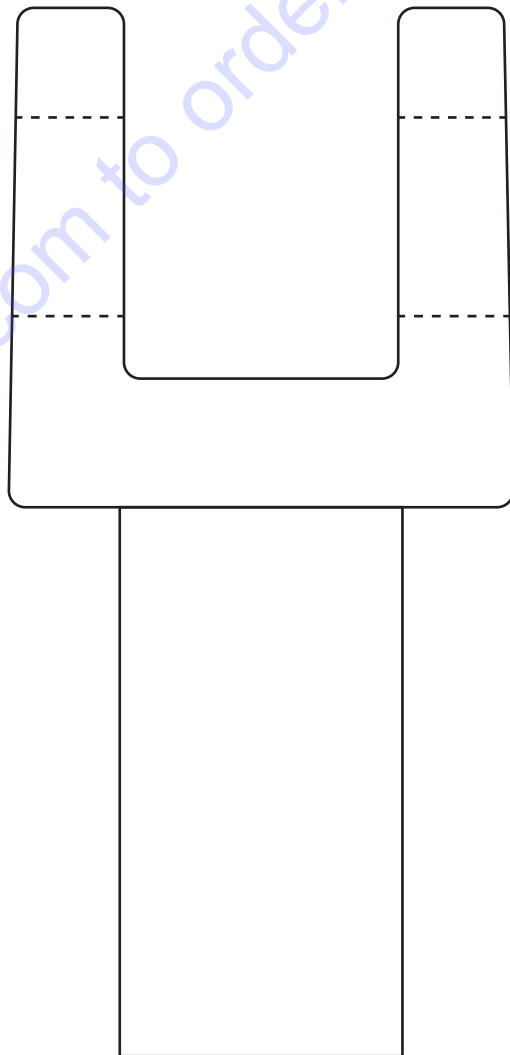
**NOTE**

If your telehandler has the Style B Clevis an extra crush washer (9-223856) and spacer (9-223853) is needed to secure the cylinder.

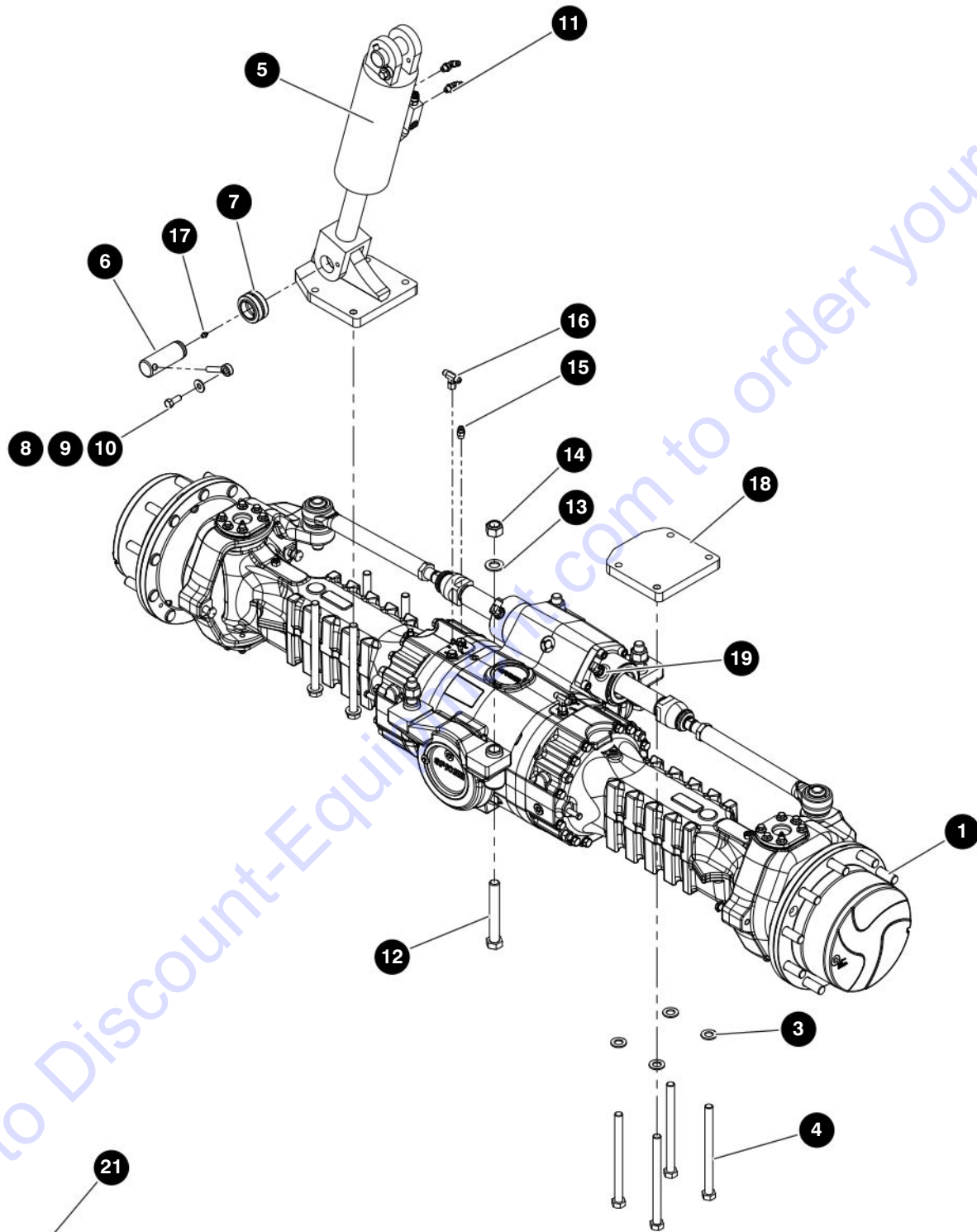
**Style A Clevis**



**Style B Clevis**



## 2.1 Front Axle Assembly

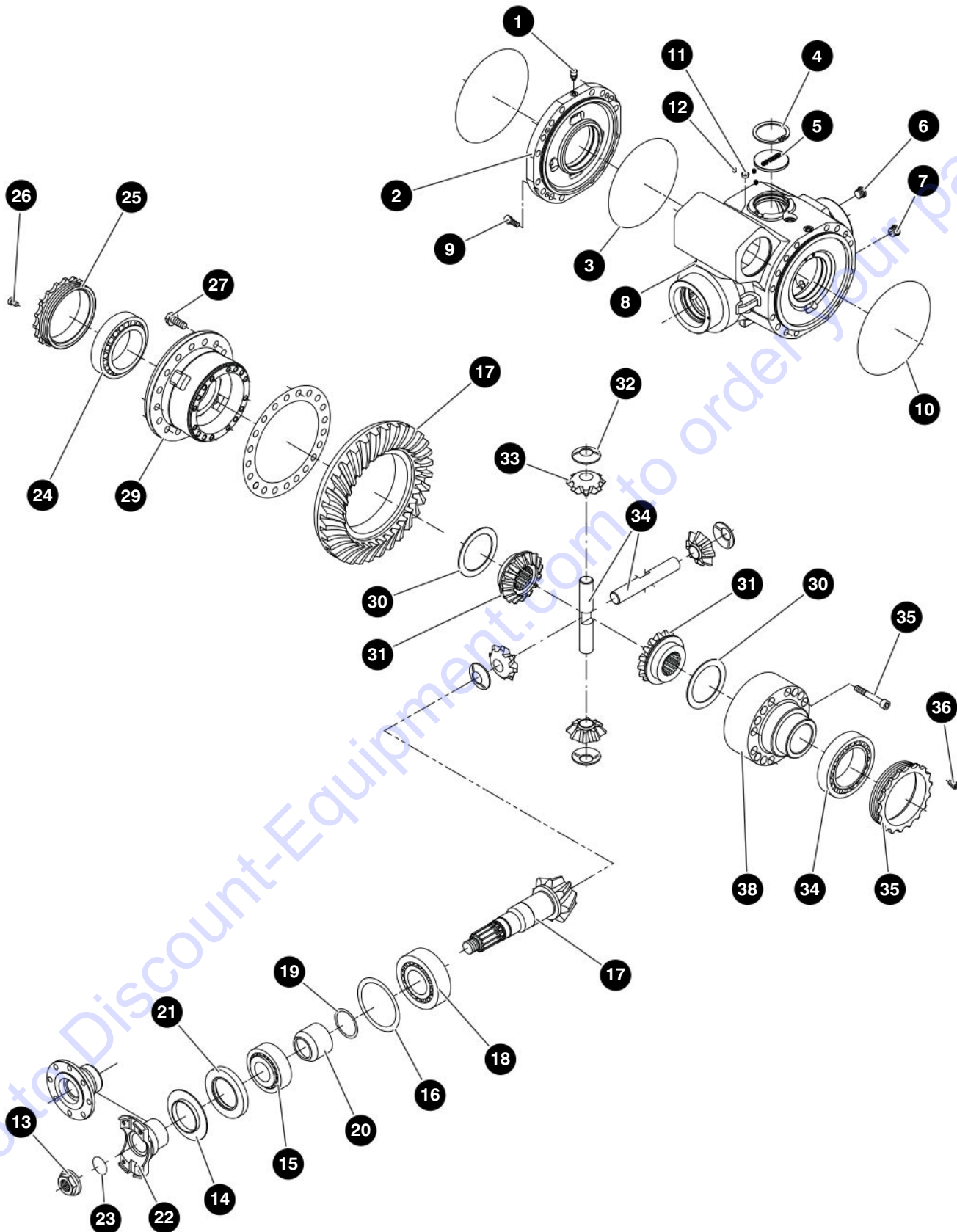


M191107AC

## 2.1 Front Axle Assembly

Index No.	Skyjack Part No.	Qty.	Description
-	9-191107	1	AXLE, FRONT SUBGROUP VR 1044/56
1	9-190025	1	• AXLE, 223, front
2	9-191084	1	• WELDMENT, 1044/1056 Frame tilt mount
3	9-702194	8	• WASHER, Flat 3/4" Hard high zinc
4	9-165200	8	• BOLT, Hex head 3/4" - 10 x 10" grade 8
5	9-191831	1	• CYLINDER, Frame level 115B
6	9-191866	2	• PIN, 1-3/4" DIA x 4-3/4" long
7	9-920767	1	• BEARING, Spherical
8	9-191232	2	• PIN, Anchor
9	9-169942	2	• BOLT, Hex head 1/2"-13 x 1-1/4" grade 8 zinc
10	9-104379	2	• WASHER, Flat 1/2" Hard
11	9-114578	2	• FITTING, 90° (06 JICM - 06 ORBM)
12	9-190867	4	• BOLT, Hex head M24-3 x 170 grade 10.9 zinc
13	9-236030	8	• WASHER, Flat M24 hard
14	9-190866	4	• NUT, Crownlock M24-3 grade 10.9 zinc
15	9-190364	4	• FITTING, Straight (06JICM)14mm
16	9-155022	2	• FITTING, Tee (06 JICM - 06JICM - 06JICF)
17	9-102027	2	• FITTING, Grease fitting, 1/8" NPT straight
18	9-191839	1	• PLATE, Hard stop base
19	9-114583	2	• FITTING, 90° (08 JICM - 08ORBM)
20	9-132565	2	• CAP, Grease GC5 (Not Shown)
21	(Ref.)	-	Oil, Hydraulic <i>(For components, refer to Section 13.1)</i>

## 2.2 Front Axle - Internal Breakdown



M190025-1

190126AG

38

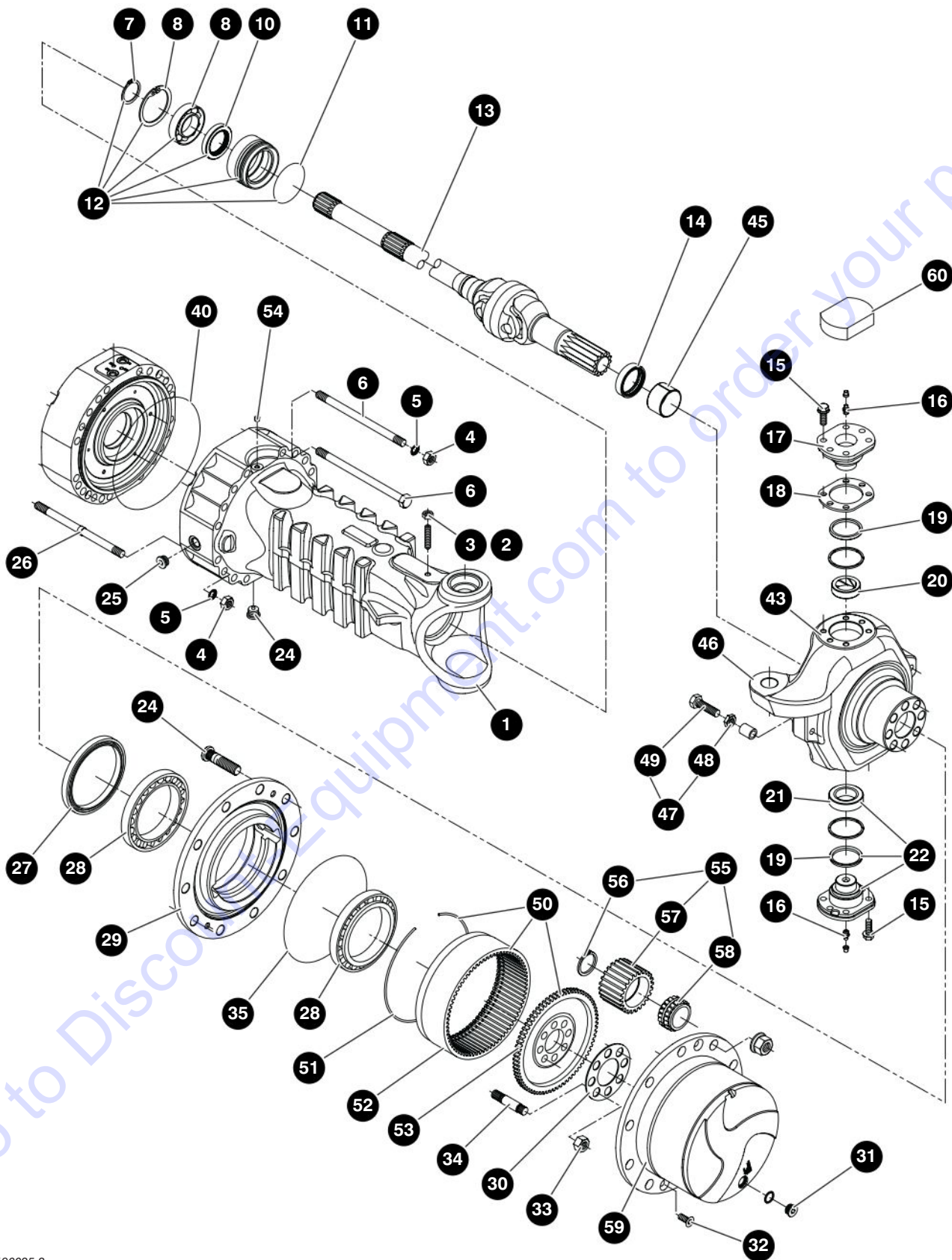
SJ1044 TH, SJ1044 THS, SJ1056 TH, SJ1056 THS

SKYJACK

## 2.2 Front Axle - Internal Breakdown

Index No.	Skyjack Part No.	Qty.	Description
-	9-190025	1	ASSEMBLY, FRONT AXLE 223
-	9-196784	-	• CENTRAL HOUSING
1	9-408621	1	• • VENT
2	9-170859	1	• • COVER
3	9-405098	1	• • O-RING
4	9-140966	1	• • CIRCLIP
5	9-140967	1	• • PLUG
6	9-168258	1	• • PLUG
7	9-154600	1	• • MAGNET PLUG
8	9-196785	1	• • HOUSING
9	9-170860	4	• • BOLT
10	9-170858	2	• • O-RING
11	9-196786	1	• • PLUG
12	9-196787	3	• • BOLT
-	9-196788	1	• DIFFERENTIAL
13	9-408680	1	• • NUT
14	9-406988	1	• • PLATE, Cover
15	9-168316	1	• • BEARING, Taper roller
16	9-168268	1	• • SHIM, Set
17	9-196789	1	• • BEVEL GEAR SET
18	9-403079	1	• • BEARING
19	9-196792	1	• • SHIM KIT
20	9-196803	1	• • SPACER
21	9-196810	1	• • SEAL
22	9-196825	1	• • FLANGE
23	9-403045	1	• • O-RING
24	9-196827	2	• • BEARING, Taper roller
25	9-168260	2	• • NUT, RING
26	9-168259	2	• • BOLT, Hex
27	9-140993	16	• • BOLT
28	9-196828	1	• • DIFFERENTIAL
29	9-196833	1	• • • DIFFERENTIAL CARRIER
30	9-168262	2	• • • WASHER
31	9-168263	2	• • • GEAR
32	9-168267	4	• • • WASHER
33	9-168266	4	• • • PINION
34	9-168264	2	• • • PIN
35	9-168261	15	• • • BOLT

## 2.3 Front Axle - Reduction Hub



M190025-2

190126AG

40

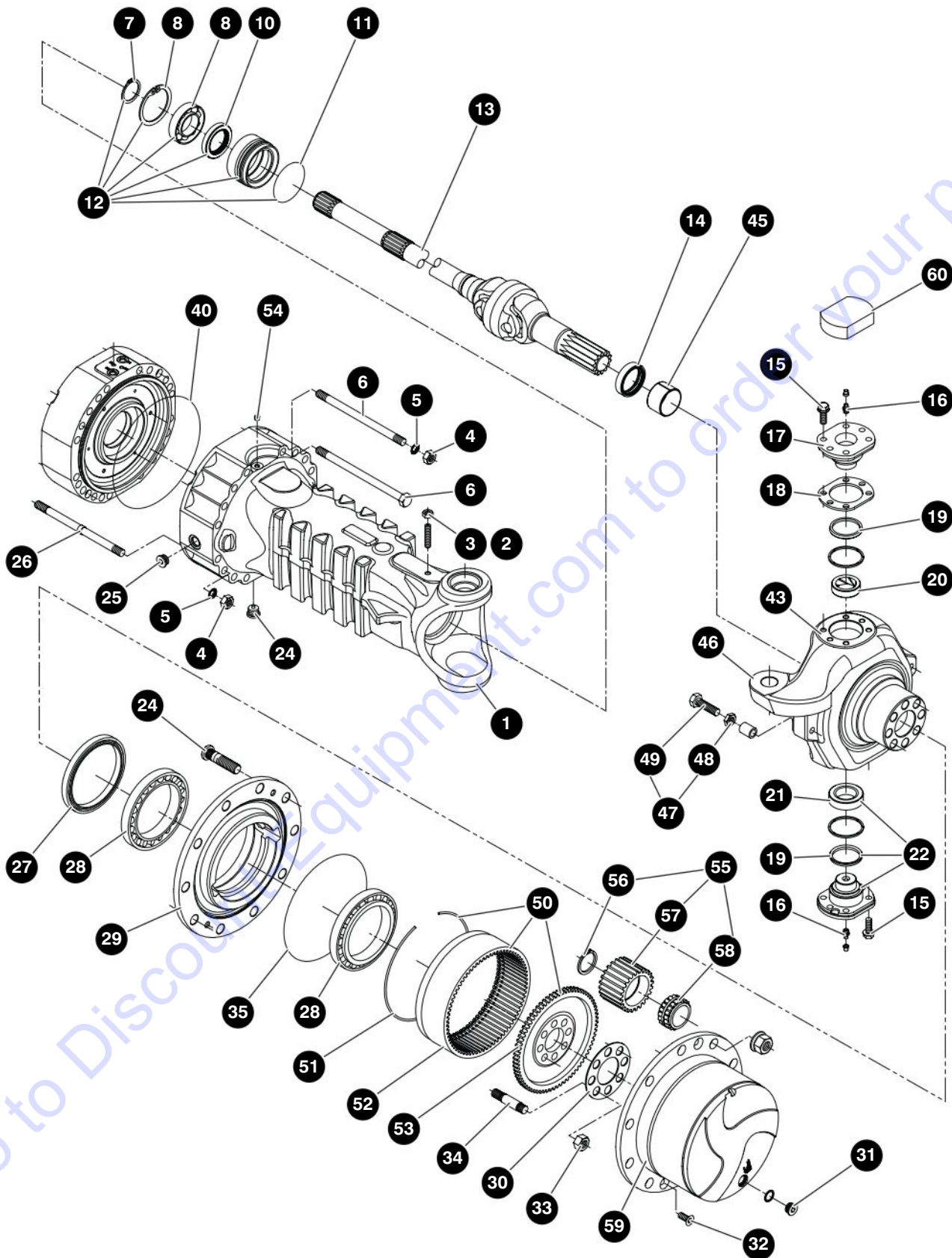
SJ1044 TH, SJ1044 THS, SJ1056 TH, SJ1056 THS

SKYJACK

## 2.3 Front Axle - Reduction Hub

Index No.	Skyjack Part No.	Qty.	Description
-	9-196841	1	HUB REDUCTION
1	9-196867	2	• AXLE CASE
2	9-170797	2	• BOLT
3	9-403084	2	• NUT - M12-1.75
4	9-170836	8	• NUT
5	9-403098	8	• WASHER
6	9-196869	24	• BOLT
7	9-151763	2	• CIRCLIP
8	9-140966	2	• CIRCLIP
9	9-141073	2	• BALL BEARING
10	9-151762	2	• SEAL
11	9-403050	2	• O-RING, Inner axle shaft
12	9-151761	2	• REDUCTION BUSHING
13	9-196873	2	• DOUBLE UNIVERSAL JOINT
14	9-406436	2	• SEAL OUTER
15	9-140993	24	• BOLT
16	9-168273	2	• FITTING, GREASE
17	9-196709	2	• PIVOT PIN
18	9-168274	1	• SET, SHIM
19	9-196710	2	• DUST EXCLUDER
20	9-170801	2	• BUSHING
21	9-407036	2	• BEARING, Lower king pin
22	9-170802	2	• PIN, Pivot
23	9-196875	1	• STEERING CASE
24	9-154600	2	• MAGNET PLUG
25	9-168258	2	• PLUG
26	9-170891	8	• STUD
27	9-154631	2	• SEAL
28	9-403078	4	• BEARING, INNER/OUTER HUB
29	9-406429	2	• HUB
30	9-196881	2	• LOCKING PLATE
			Part list continued on following page

## 2.3 Front Axle - Reduction Hub



M190025-2

190126AG

42

SJ1044 TH, SJ1044 THS, SJ1056 TH, SJ1056 THS

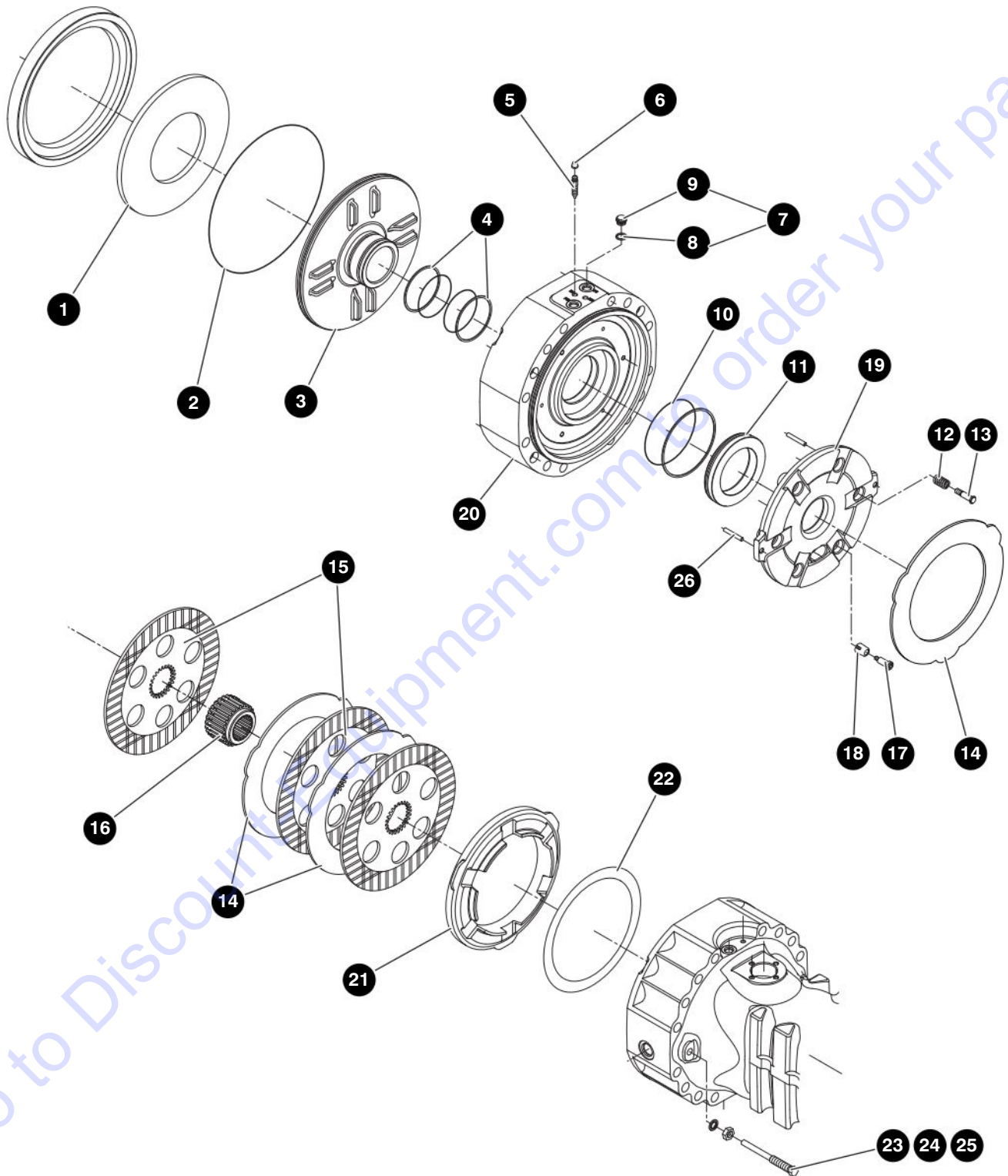
SKYJACK



## 2.3 Front Axle - Reduction Hub

Index No.	Skyjack Part No.	Qty.	Description
			Parts list continued from previous page
31	9-140969	2	• PLUG
32	9-141033	4	• BOLT, Countersunk
33	9-168279	16	• NUT
34	9-168278	16	• STUD
35	9-403046	2	• O-RING
36	9-405094	20	• WHEEL STUD
37	9-196883	2	• PLANET GEAR CARRIER
38	9-168285	2	• • BOLT, Steering adjust
39	9-168283	2	• • CARRIER, Planet gear
40	9-170858	2	• O-RING
41	9-196884	1	• STEERING CASE
42	9-407037	1	• • BUSHING, Shaft outer
43	9-196885	1	• • STEERING CASE
44	9-196890	1	• STEERING CASE
45	9-407037	1	• • BUSHING, Shaft outer
46	9-196875	1	• • STEERING CASE
47	9-168284	4	• SUPPORT, Ring gear
48	9-403088	4	• • NUT
49	9-168275	4	• • BOLT
50	9-168285	2	• BOLT, Steering adjust
51	9-196765	2	• • CIRCLIP
52	9-168281	2	• • GEAR, Ring
53	9-168280	2	• • SUPPORT, Ring gear
54	9-168256	2	• PLUG
55	9-168283	2	• CARRIER, PLANET GEAR
56	9-196895	6	• • SNAP RING
57	9-168282	6	• • GEAR, PLANET
58	9-407034	6	• • BEARING, Sun gear
59	9-197134	2	• • PLANET GEAR CARRIER
60	9-406391	2	• PLASTIC COVER - Upper king pin

## 2.4 Front Axle - Brakes



M190025-3

190126AG

44

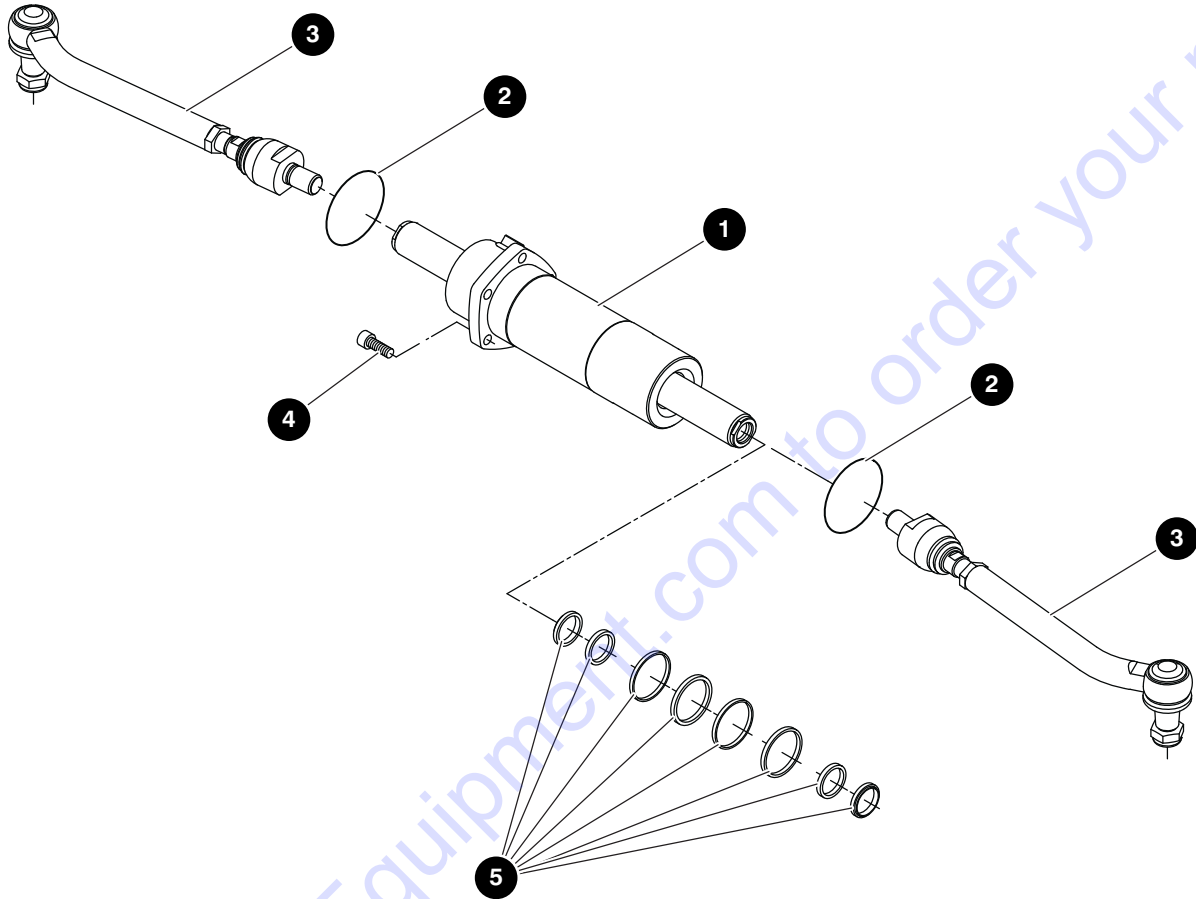
SJ1044 TH, SJ1044 THS, SJ1056 TH, SJ1056 THS

SKYJACK

## 2.4 Front Axle - Brakes

Index No.	Skyjack Part No.	Qty.	Description
-	9-170894	1	BRAKES
1	9-404242	2	• BRAKE DISC, Spring - 213/80/81
2	9-170858	2	• O-RING
3	9-170895	2	• PISTON
4	9-196645	4	• SEAL
5	9-141086	4	• BLEEDING BOLT
6	9-141006	4	• PLUG
7	9-168299	4	• WASHER, Seal
8	9-168289	4	• • WASHER, Seal
9	9-168288	4	• • PLUG
10	9-216736	2	• SEAL
11	9-170898	2	• PISTON
12	9-168290	6	• SPRING
13	9-170849	6	• BOLT, ADJUSTING
14	9-404891	6	• INTERMEDIATE BRAKE DISC
15	9-413786	6	• DISC, FRICTION BRAKE
16	9-413785	2	• SELECTOR
17	9-170853	6	• BOLT, ADJUSTING
18	9-141098	6	• SPRING
19	9-168292	2	• DISC, Intermediate brake
20	9-170899	1	• COVER
21	9-170900	2	• SPACER
22	9-168295	1	• KIT, Shim
23	9-403096	4	• WASHER
24	9-403087	4	• NUT
25	9-168296	4	• BOLT
26	9-168298	4	• DOWEL

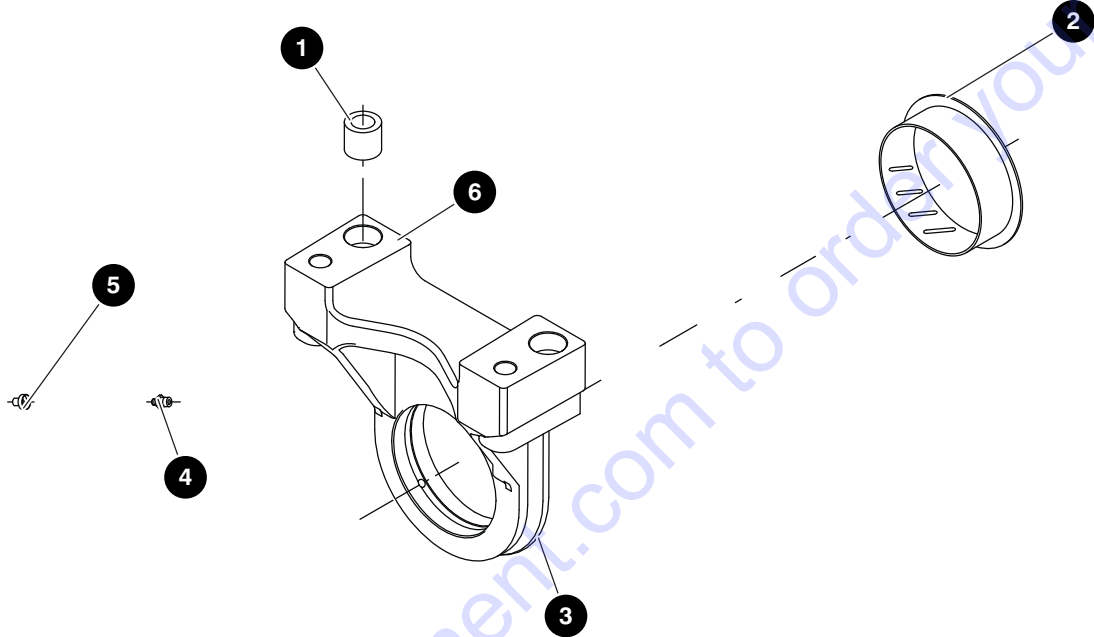
## 2.5 Front Axle - Steering



M190025-4

Index No.	Skyjack Part No.	Qty.	Description
-	9-197135	1	• STEERING
1	9-406443	1	• • ASSEMBLY, Steer cylinder
2	9-141064	2	• • O-RING
3	9-197094	2	• • BAR
4	9-168257	5	• • BOLT, Cylinder
5	9-406441	1	• • SEAL KIT, Steer cylinder

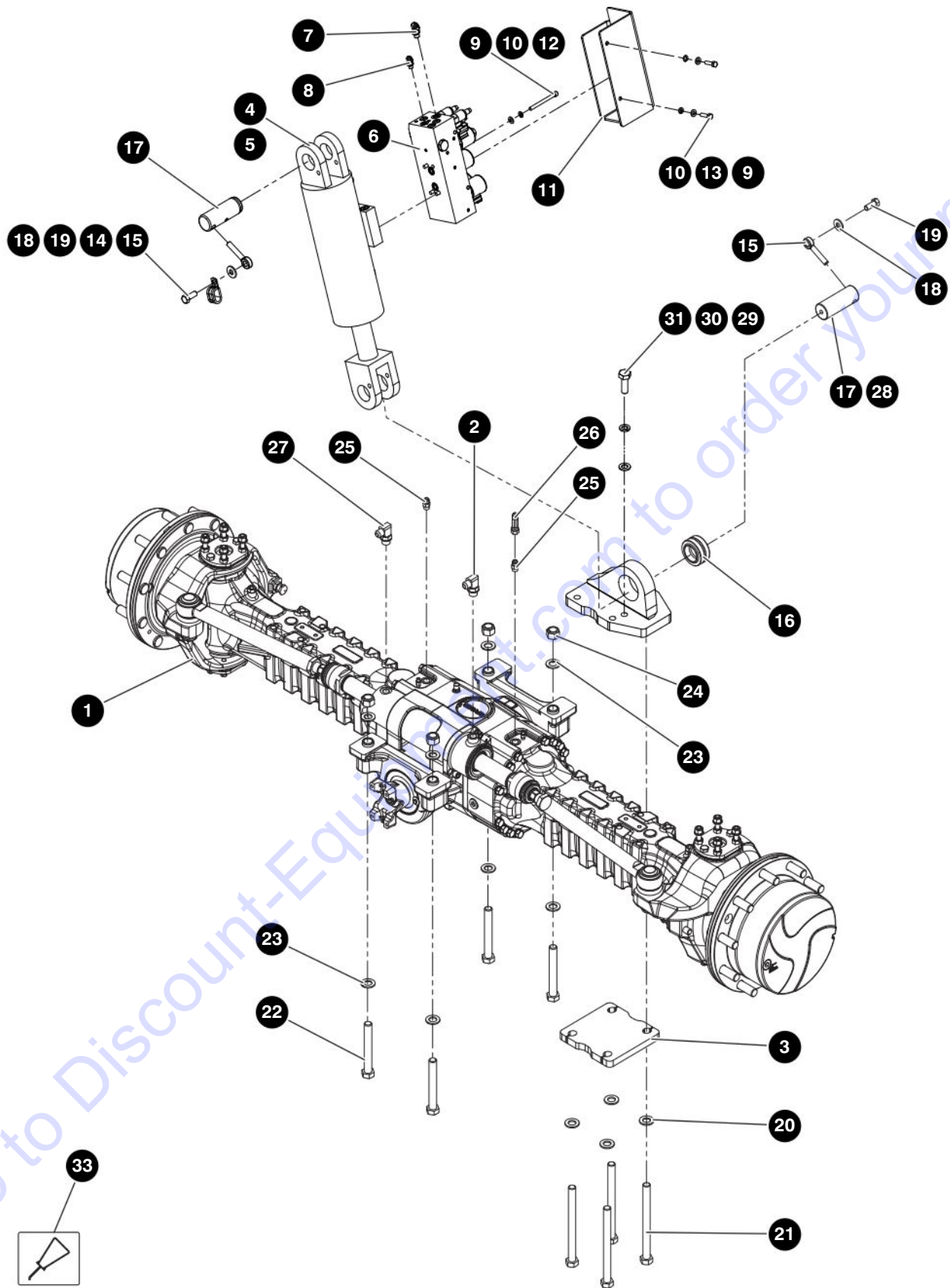
## 2.6 Front Axle - Trunion



M190025-5

Index No.	Skyjack Part No.	Qty.	Description
-	9-197136	1	TRUNION
1	9-197178	4	• BUSHING
2	9-406991	2	• BUSHING, Axle mount
3	9-168302	2	• SUPPORT
4	9-168273	2	• FITTING, GREASE
5	9-141006	2	• PLUG
6	9-168304	2	• SUPPORT

## 2.7 Rear Axle Assembly



M191106AF-2

190126AG

48

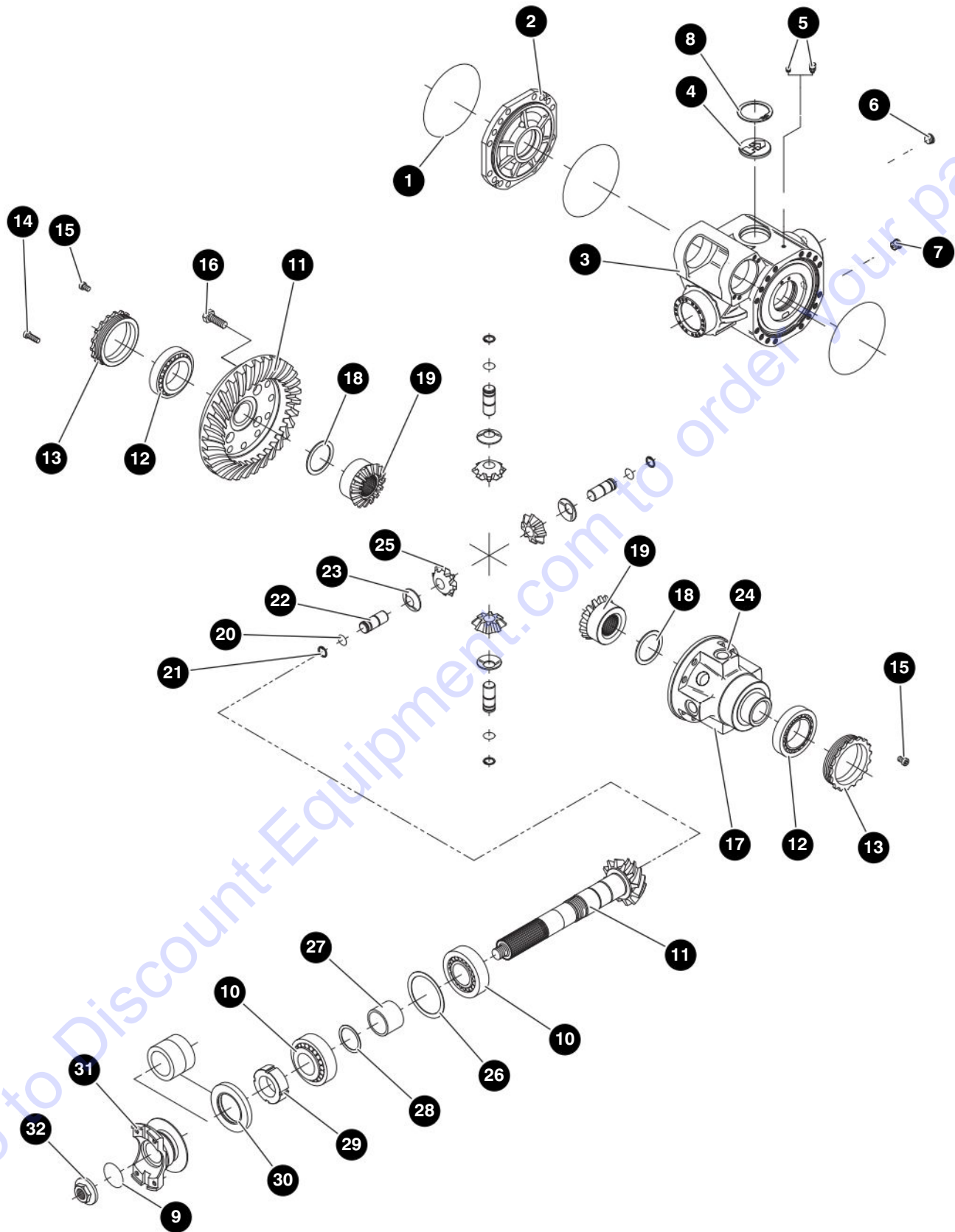
SJ1044 TH, SJ1044 THS, SJ1056 TH, SJ1056 THS

SKYJACK

## 2.7 Rear Axle Assembly

Index No.	Skyjack Part No.	Qty.	Description
-	9-191106	1	AXLE, REAR SUBGROUP VR 1044/56
1	9-190026	1	• AXLE, Rear 212HY
2	9-191078	1	• WELDMENT, RAS mount 1044/1056
3	9-191090	1	• PLATE, RAS bottom
4	9-191108	1	• ASSEMBLY, RAS cylinder (Rear Axle Stabilization)
5	9-191832	1	• • CYLINDER, RAS 115B
6	9-198734	1	• • MANIFOLD, RAS
7	9-114578	1	• • FITTING, 90° (06 JICM - 06 ORBM)
8	9-125883	1	• • FITTING, 90° (04 JICM - 04 ORBM)
9	9-103996	6	• • WASHER, Flat 3/8"
10	9-103404	6	• • WASHER, Lock 5/16"
11	9-198564	1	• • COVER, RAS manifold
12	9-103746	4	• • SCREW, Socket head cap 5/16"-18 x 3-1/2"
13	9-103887	2	• • BOLT, Hex head 3/8"-16 x 3/4" grade 5
14	9-152333	1	• CLAMP, Tube (5/8" cus double 17/32" hole)
15	9-191232	2	• PIN, Anchor
16	9-920767	1	• BEARING, Spherical
17	9-191866	2	• PIN, 1-3/4" DIA X 4-3/4" long
18	9-169942	2	• BOLT, Hex head 1/2"-13 X 1-1/4" grade 8 zinc
19	9-104379	2	• WASHER, Flat 1/2" Hard
20	9-702194	4	• WASHER, Flat 3/4" hard high\zinc
21	9-139135	4	• BOLT, Hex head 3/4"-10 X 9" grade 8
22	9-933675	4	• BOLT, Hex head M20-2.5 X 150 mm grade 10.9 zinc
23	9-933632	8	• WASHER, 21 mm ID X 40 mm OD X 4.6 mm zinc
24	9-138737	4	• NUT, Crownlock M20-2.5 grade 10.9 zinc
25	9-230250	2	• FITTING, Straight (06 JICM) 14 mm
26	9-702382	1	• FITTING, Swivel nut run tee #6
27	9-114583	2	• FITTING, 90° (08 JICM - 08 ORBM)
28	9-102027	2	• FITTING, Grease fitting, 1/8" NPT straight
29	9-144329	2	• WASHER, Flat hard zinc plated M16
30	9-600510	2	• WASHER, Lock M16 plated DIN 127B
31	9-144502	2	• BOLT, Hex head patch M16 x 1.5 x 45 mm CL 8.8 zinc plated
32	9-132565	2	• CAP, Grease GC5 (Not Shown)
33	(Ref.)	-	Oil, Hydraulic (For components, refer to Section 13.1)

## 2.8 Rear Axle - Internal Breakdown



M190026-1

190126AG

50

SJ1044 TH, SJ1044 THS, SJ1056 TH, SJ1056 THS

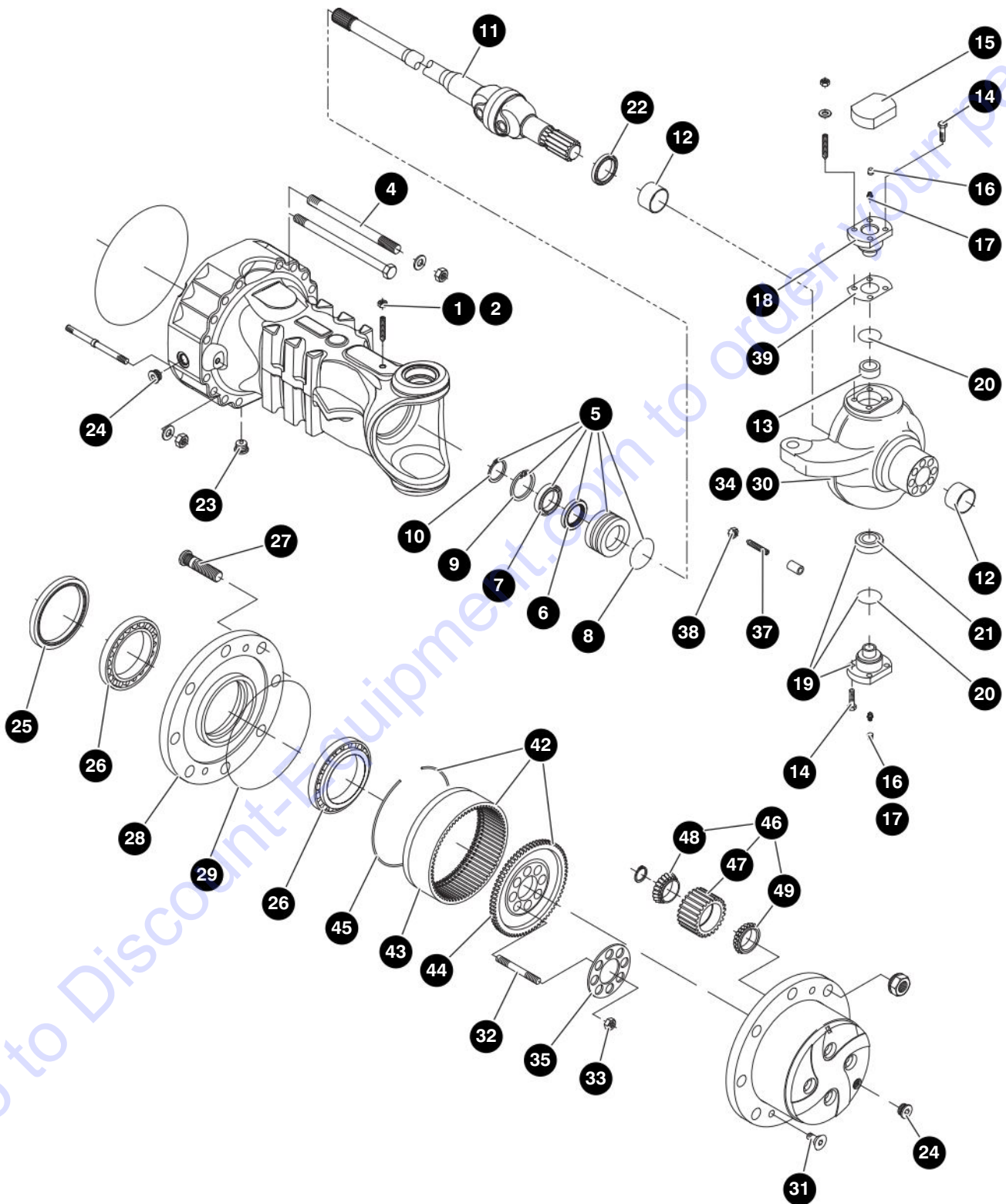
SKYJACK



## 2.8 Rear Axle - Internal Breakdown

Index No.	Skyjack Part No.	Qty.	Description
-	9-151755	1	CENTRAL HOUSING ASSEMBLY
1	9-140970	3	• O-RING
2	9-196672	1	• COVER
3	9-196623	1	• HOUSING
4	9-140967	1	• PLUG
5	9-170720	1	• VENT, Central housing
6	9-140969	1	• PLUG
7	9-140968	1	• PLUG, Magnet
8	9-140966	1	• CIRCLIP
-	9-196676	1	DIFFERENTIAL
9	9-403057	1	• O-RING, Input yoke
10	9-140984	2	• BEARING, Taper roller
11	9-196680	1	• BEVEL GEAR SET
12	9-196626	2	• BEARING, Taper roller
13	9-141068	2	• RING NUT
14	9-140977	4	• BOLT, Cylinder
15	9-168259	2	• BOLT, HEX
16	9-140993	12	• BOLT
17	9-404197	1	• POSITION KIT, Rear differential
18	9-404185	2	• • FRICTION WASHER
19	9-404182	2	• • SIDE GEAR
20	9-403069	4	• • CIRCLIP
21	9-403073	4	• • CIRCLIP
22	9-196632	4	• • PIN
23	9-404186	4	• • WASHER
24	9-404178	1	• • REAR DIFFERENTIAL CARRIER
25	9-404181	4	• • PINION, Differential
26	9-140983	1	• SHIM
27	9-404187	1	• SPACER, Pinion shaft
28	9-140982	1	• SHIM
29	9-140980	1	• RING NUT
30	9-196627	1	• SEAL
31	9-196628	1	• FLANGE
32	9-196629	1	• NUT

## 2.9 Rear Axle - Reduction Hub



M190026-2

190126AG

52

SJ1044 TH, SJ1044 THS, SJ1056 TH, SJ1056 THS

SKYJACK

# PARTS FINDER

**Search Website  
by Part Number**



**Search Manual  
Library For Parts  
Manual & Lookup Part  
Numbers – Purchase  
or Request Quote**

**Search Manuals**

Enter your information to help us find the right parts manual for your machine.

\* Brand:

\* Model:

\* Serial:

\* Part Number:

SEARCH

**Can't Find Part or  
Manual? Request Help  
by Manufacturer,  
Model & Description**

**Parts Order Form**

Please fill in the following information to help us find the right part for your machine.

Manufacturer:	<input type="text"/>
Model:	<input type="text"/>
Description:	<input type="text"/>
Part Number:	<input type="text"/>
Quantity:	<input type="text"/>
Notes:	<input type="text"/>

Submit

Discount-Equipment.com is your online resource for quality parts & equipment.

Florida: **561-964-4949** Outside Florida TOLL FREE: **877-690-3101**

**Need parts?**

Click on this link: <http://www.discount-equipment.com/category/5443-parts/> and choose one of the options to help get the right parts and equipment you are looking for. Please have the machine model and serial number available in order to help us get you the correct parts. If you don't find the part on the website or on one of the online manuals, please fill out the request form and one of our experienced staff members will get back to you with a quote for the right part that your machine needs.

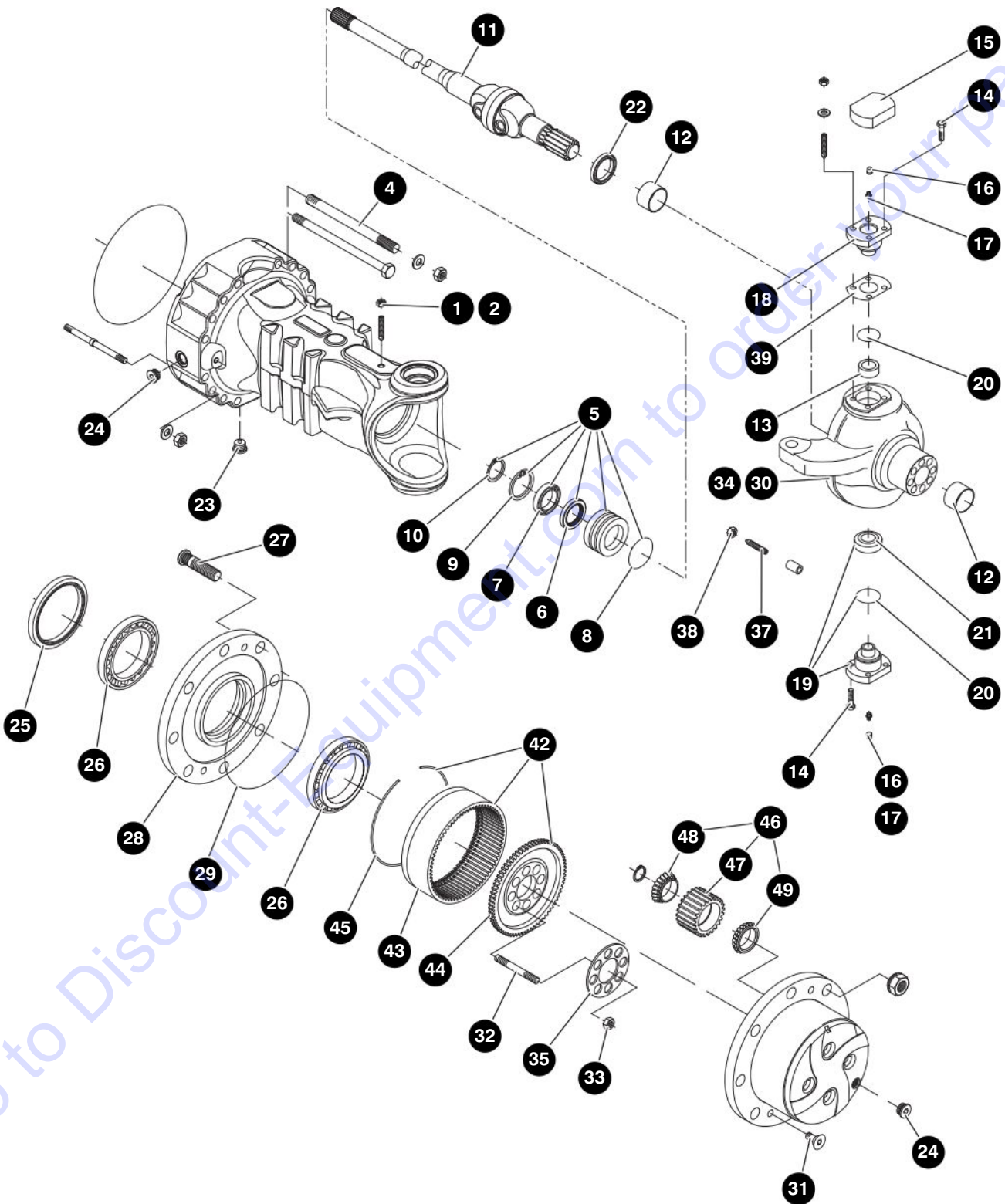
We sell worldwide for the brands: Genie, Terex, JLG, MultiQuip, Mikasa, Essick, Whiteman, Mayco, Toro Stone, Diamond Products, Generac Magnum, Airman, Haulotte, Barreto, Power Blanket, Nifty Lift, Atlas Copco, Chicago Pneumatic, Allmand, Miller Curber, Skyjack, Lull, Skytrak, Tsurumi, Husquvarna Target, Stow, Wacker, Sakai, Mi-T-M, Sullair, Basic, Dynapac, MBW, Weber, Bartell, Bennar Newman, Haulotte, Ditch Runner, Menegotti, Morrison, Contec, Buddy, Crown, Edco, Wyco, Bomag, Laymor, EZ Trench, Bil-Jax, F.S. Curtis, Gehl Pavers, Heli, Honda, ICS/PowerGrit, IHI, Partner, Imer, Clipper, MMD, Koshin, Rice, CH&E, General Equipment, Amida, Coleman, NAC, Gradall, Square Shooter, Kent, Stanley, Tamco, Toku, Hatz, Kohler, Robin, Wisconsin, Northrock, Oztec, Toker TK, Rol-Air, APT, Wylie, Ingersoll Rand / Doosan, Innovatech, Con X, Ammann, Mecalac, Makinex, Smith Surface Prep, Small Line, Wanco, Yanmar

## 2.9 Rear Axle - Reduction Hub

Index No.	Skyjack Part No.	Qty.	Description
-	9-196696	1	HUB REDUCTION
1	9-403084	2	• NUT - M12-1.75
2	9-170797	2	• BOLT
3	9-196697	2	• AXLE CASE
4	9-196707	32	• BOLT
5	9-151761	2	• REDUCTION BUSHING
6	9-151762	2	• • SEAL
7	9-141073	2	• • BALL BEARING
8	9-403050	2	• • O-RING
9	9-140966	2	• • CIRCLIP
10	9-151763	2	• CIRCLIP
11	9-196708	2	• DOUBLE UNIVERSAL JOINT
12	9-407037	1	• SHAFT BUSHING OUTER
13	9-170801	2	• BUSHING
14	9-196637	24	• BOLT
15	9-406391	2	• PLASTIC COVER - Upper king pin
16	9-141006	2	• PLUG
17	9-168273	2	• FITTING, Grease
18	9-196709	2	• PIVOT PIN
19	9-170802	2	• PIN, PIVOT
20	9-196710	2	• DUST EXCLUDER
21	9-407036	2	• BEARING - Lower king pin
22	9-196712	2	• SEAL
23	9-140968	2	• PLUG, Magnet
24	9-140969	4	• PLUG
25	9-196713	2	• SEAL
26	9-196715	4	• BEARING
27	9-405094	20	• WHEEL STUD
28	9-196716	2	• WHEEL HUB
29	9-403046	2	• O-RING
30	9-196717	1	• STEERING CASE KIT LH

Parts list continued in following page

## 2.9 Rear Axle - Reduction Hub



M190026-2

190126AG

54

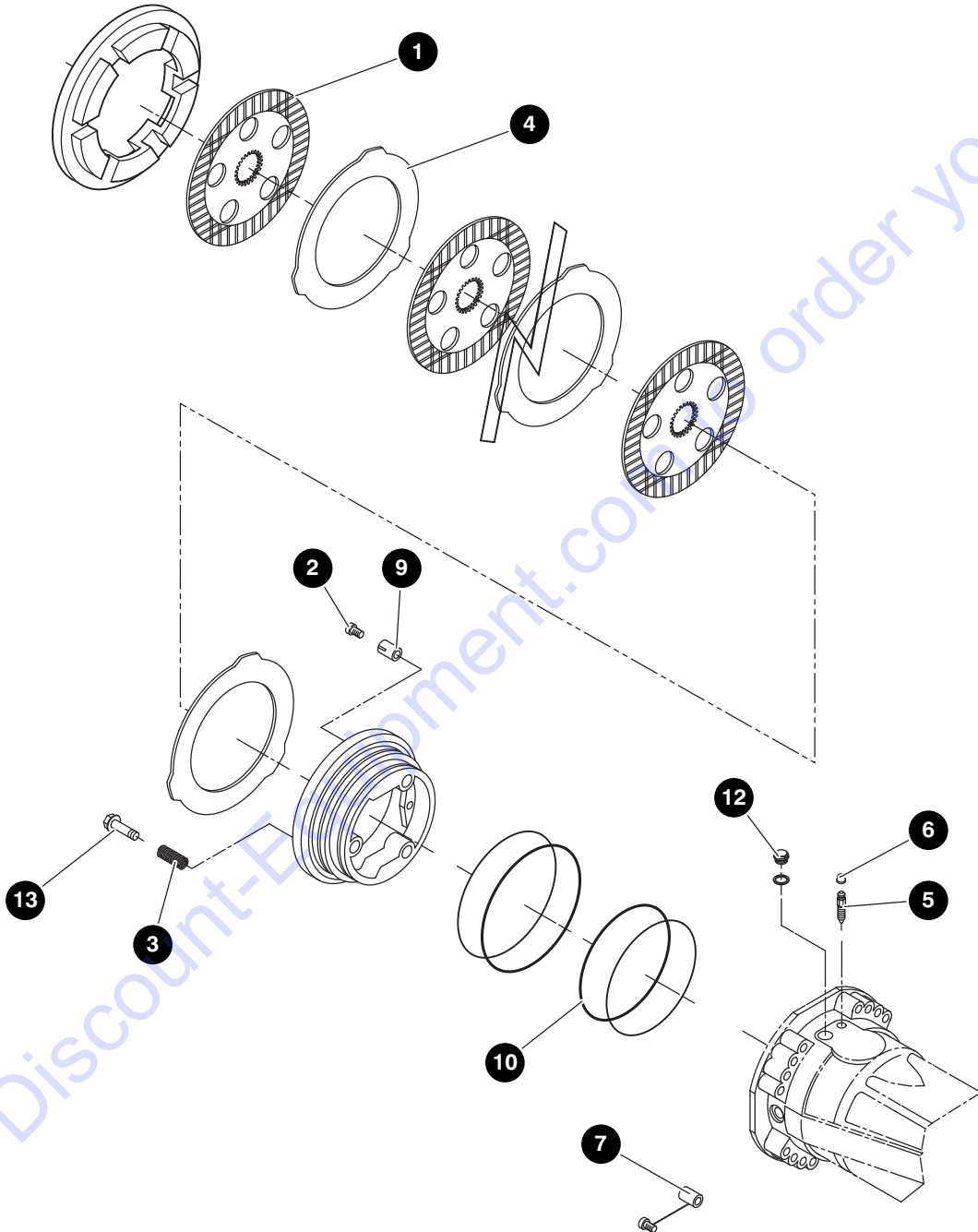
SJ1044 TH, SJ1044 THS, SJ1056 TH, SJ1056 THS

SKYJACK

## 2.9 Rear Axle - Reduction Hub

Index No.	Skyjack Part No.	Qty.	Description
			Parts list continued from previous page
31	9-141033	4	• COUNTERSUNK BOLT
32	9-196638	16	• STUD
33	9-196639	16	• NUT
34	9-196721	1	• KIT, Steering case RH
35	9-196725	2	• PLATE, Locking
36	9-168284	4	• SUPPORT, Ring gear
37	9-168275	4	• • BOLT
38	9-403088	4	• • NUT
39	9-406396	2	• SHIM, King pin
42	9-196734	2	• KIT, Ring gear support
43	9-196748	2	• • RING GEAR
44	9-196757	2	• • SUPPORT, Ring gear
45	9-196765	2	• • CIRCLIP
46	9-196775	2	• KIT, Planet gear carrier
47	9-196777	6	• • DIFFERENTIAL PINION
48	9-170830	6	• • BEARING
49	9-170831	6	• • BEARING

## 2.10 Rear Axle - Brakes



M190026-3

190126AG

56

SJ1044 TH, SJ1044 THS, SJ1056 TH, SJ1056 THS

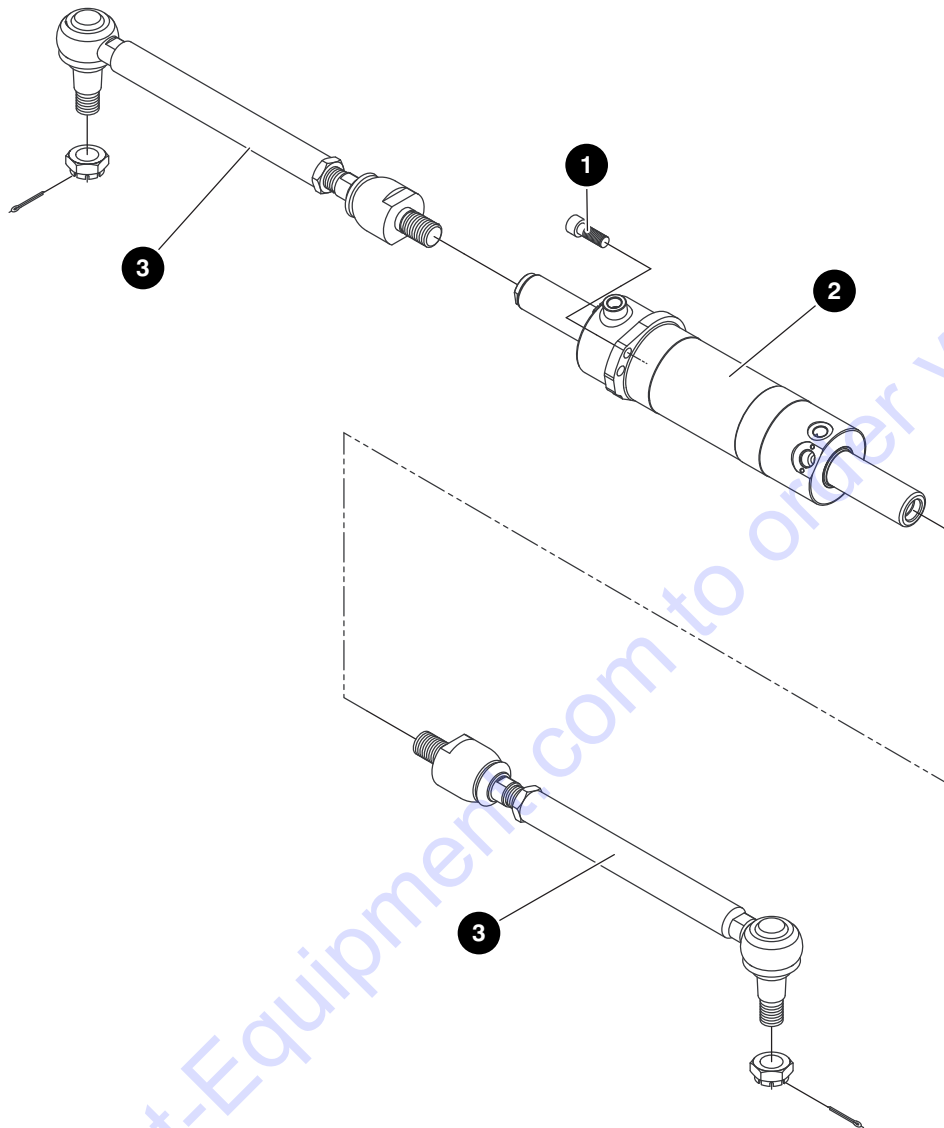
SKYJACK

## 2.10 Rear Axle - Brakes

Index No.	Skyjack Part No.	Qty.	Description
-	9-196778	1	BRAKES
1	9-170850	8	• DISC
2	9-196657	1	• ADJUSTING BOLT
3	9-168290	6	• SPRING
4	9-404210	10	• INTERMEDIATE BRAKE DISC, Park brake
5	9-141086	2	• BOLT, Bleeding
6	9-141006	2	• PLUG
7	9-196660	2	• BOLT, Pilot
8	9-196779	2	• KIT, Brakes piston
9	9-141098	6	• • SPRING
10	9-196658	2	• • O - RING
11	9-196659	2	• • O - RING
12	9-168299	2	• WASHER, Seal
13	9-170849	6	• BOLT, Adjusting



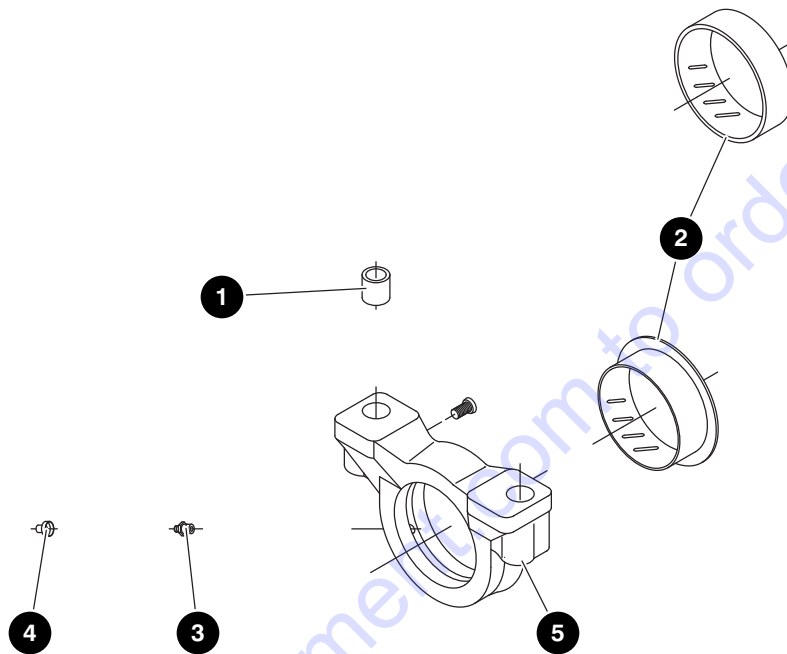
## 2.11 Rear Axle - Steering



M190026-4

Index No.	Skyjack Part No.	Qty.	Description
-	9-169240	1	STEERING ASSEMBLY
1	9-195047	4	• BOLT
2	9-196780	1	• CYLINDER
3	9-196781	2	• BAR

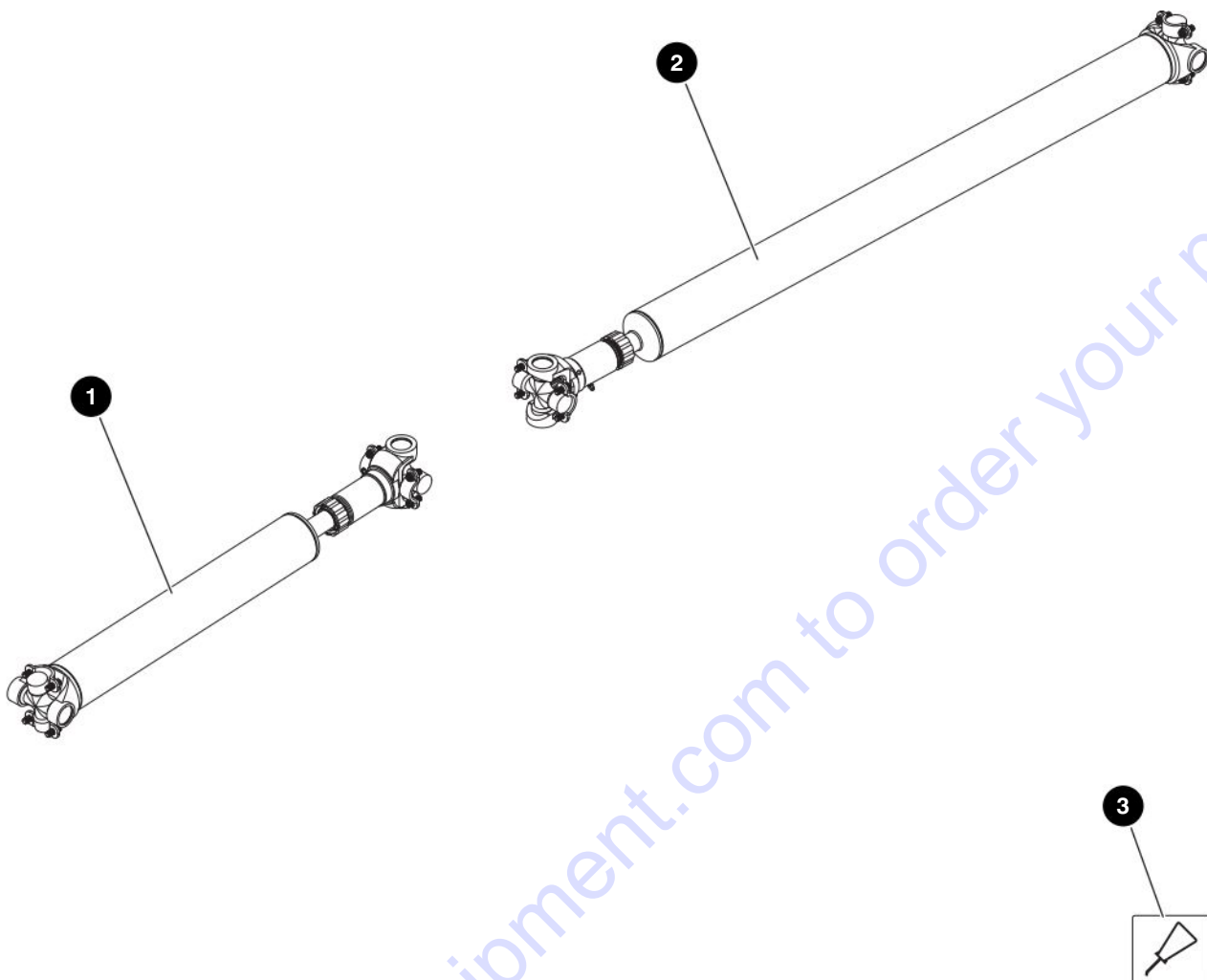
## 2.12 Rear Axle - Trunion



M190026-5

Index No.	Skyjack Part No.	Qty.	Description
-	9-170855	1	TRUNNION
1	9-406998	2	• REDUCTION BUSHING, Axle pivot mount
2	9-170856	1	• BUSHING, Thrust
3	9-168273	1	• FITTING, Grease
4	9-141006	1	• PLUG
5	9-196783	1	• SUPPORT

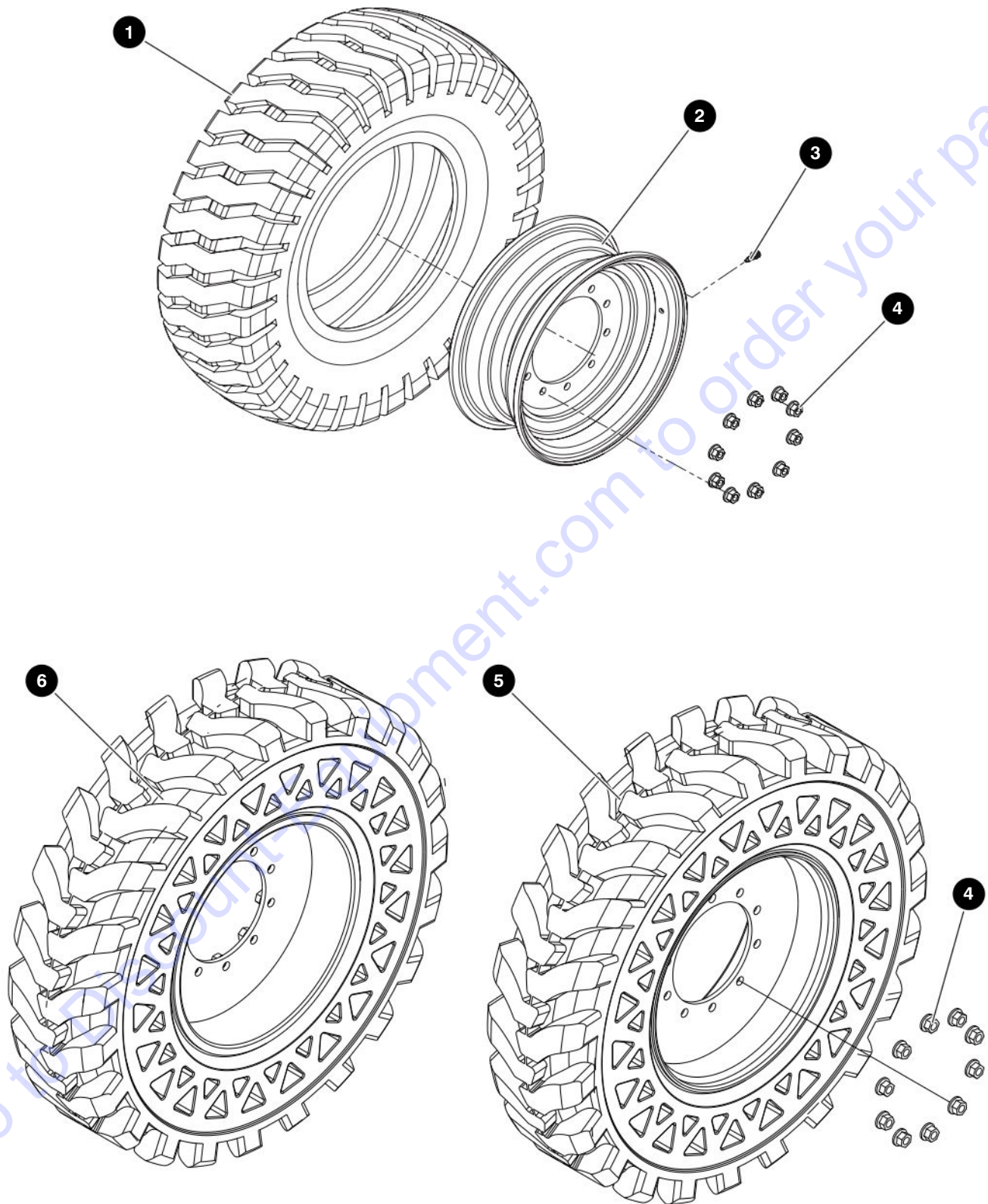
## 2.13 Drive Shaft Assembly



M191101AA

Index No.	Skyjack Part No.	Qty.	Description
-	9-191101	1	DRIVE SHAFT SUBGROUP, VR 1044/1056
1	9-190956	1	• DRIVE SHAFT, Front
2	9-190382	1	• DRIVE SHAFT, Rear
-	9-221398	1	• • STRAP KIT (Not shown)
3	(Ref.)	1	• OIL <i>(For components, refer to Section 13.1)</i>

## 2.14 Tire and Wheel Assembly



M921882AB\_M207889AA

190126AG

62

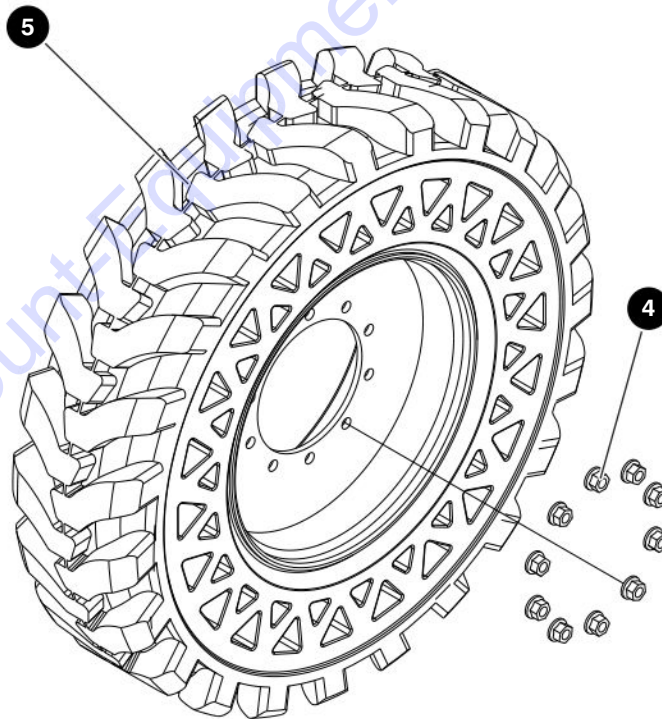
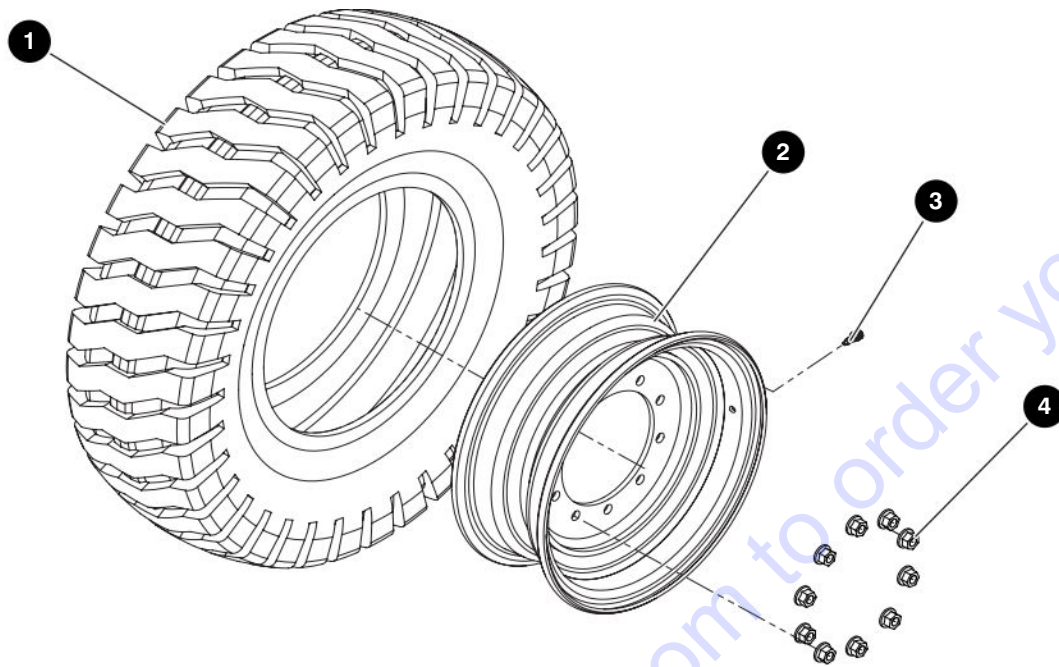
SJ1044 TH, SJ1044 THS, SJ1056 TH, SJ1056 THS

SKYJACK

## 2.14 Tire and Wheel Assembly

Index No.	Skyjack Part No.	Qty.	Description
<b>A</b>	9-207603	1	AIR ROUGH TERRAIN, GALAXY GIRAFFE 14-24, 16PR
	9-207589	1	• TIRE, WHEEL ASSY LH GALAXY GIRAFFE XLW 14-24
	9-207587	1	• TIRE, WHEEL ASSY RH GALAXY GIRAFFE XLW 14-24
<b>B</b>	9-207591	1	FOAM ROUGH TERRAIN, GALAXY GIRAFFE 14-24, 16PR
	9-207590	2	• TIRE, WHEEL ASSY - LH GALAXY GIRAFFE 14-24 FM
	9-207589	1	• • TIRE, WHEEL ASSY LH GALAXY GIRAFFE XLW 14-24
	9-207588	2	• TIRE, WHEEL ASSY - RH GALAXY GIRAFFE 14-24 FM
	9-207587	1	• • TIRE, WHEEL ASSY RH GALAXY GIRAFFE XLW 14-24
<b>C</b>	9-922174	1	TIRE, PRIMEX 14.00 X 24 24 PR E3 DNRZ II (AIR FILLED)
	9-923462	4	• ASSEMBLY, Tire/wheel 14-24 primex DNR
<b>D</b>	9-167344	1	TIRE, PRIMEX 14.00 X 24 24 PR E3 DNRZ II (FOAM FILLED)
	9-167337	1	• ASSEMBLY, Foam tire/wheel PRIMEX DNRZ
	9-923462	4	• • ASSEMBLY, Tire/wheel 14-24 primex DNR
<b>E</b>	9-207889	1	TIRE, SOLIDAR 13.00-24
<b>F</b>	9-207918	1	TIRE, SOLIDBOSS 13.00-24
	9-207984	2	• TIRE, RH Solidboss 13.00-24
	9-207915	2	• TIRE, LH Solidboss 13.00-24
1	9-923464	4	TIRE, 14 x 24 24PR primex DNRZ II - <b>C,D</b>
	9-207566	1	TIRE, GALAXY GIRAFFE XLW 14.00-24, 16PR - <b>A,B</b>
2	9-923443	4	RIM, 24 x 10 - <b>C,D</b>
	9-207546	1	RIM, 24.0 X 9.0, SJ10XXTH - <b>A,B</b>
	9-208754	2	RIM, Solidboss 13.00-24 <b>F</b>
3	9-932593	1	VALVE, Air - <b>A,B</b>
	9-932732	4	VALVE, Air - <b>C</b>
4	9-927901	40	NUT, Wheel M22 x 1.5
5	9-207888	2	TIRE, RH Solidar 13.00-24 <b>E</b>
	9-208753	2	TIRE, Solidboss 13.00-24 <b>F</b>
6	9-207985	2	TIRE, LH Solidar 13.00-24 <b>E</b>
	9-402156	4	LABEL, Tire pressure 80 PSI - <b>A</b>
	9-163787	4	LABEL, Tire pressure 90 PSI / 6.8 bar - <b>C</b>
	9-142384	4	LABEL, Tires foam filled - <b>B,D</b>
	9-162400	1	FILL, Foam OEM 40/60 crumb - <b>B,D</b>

## 2.15 Tire and Wheel Assembly - Non Marking



M921882AB\_M207889AA

## 2.15 Tire and Wheel Assembly - Non Marking

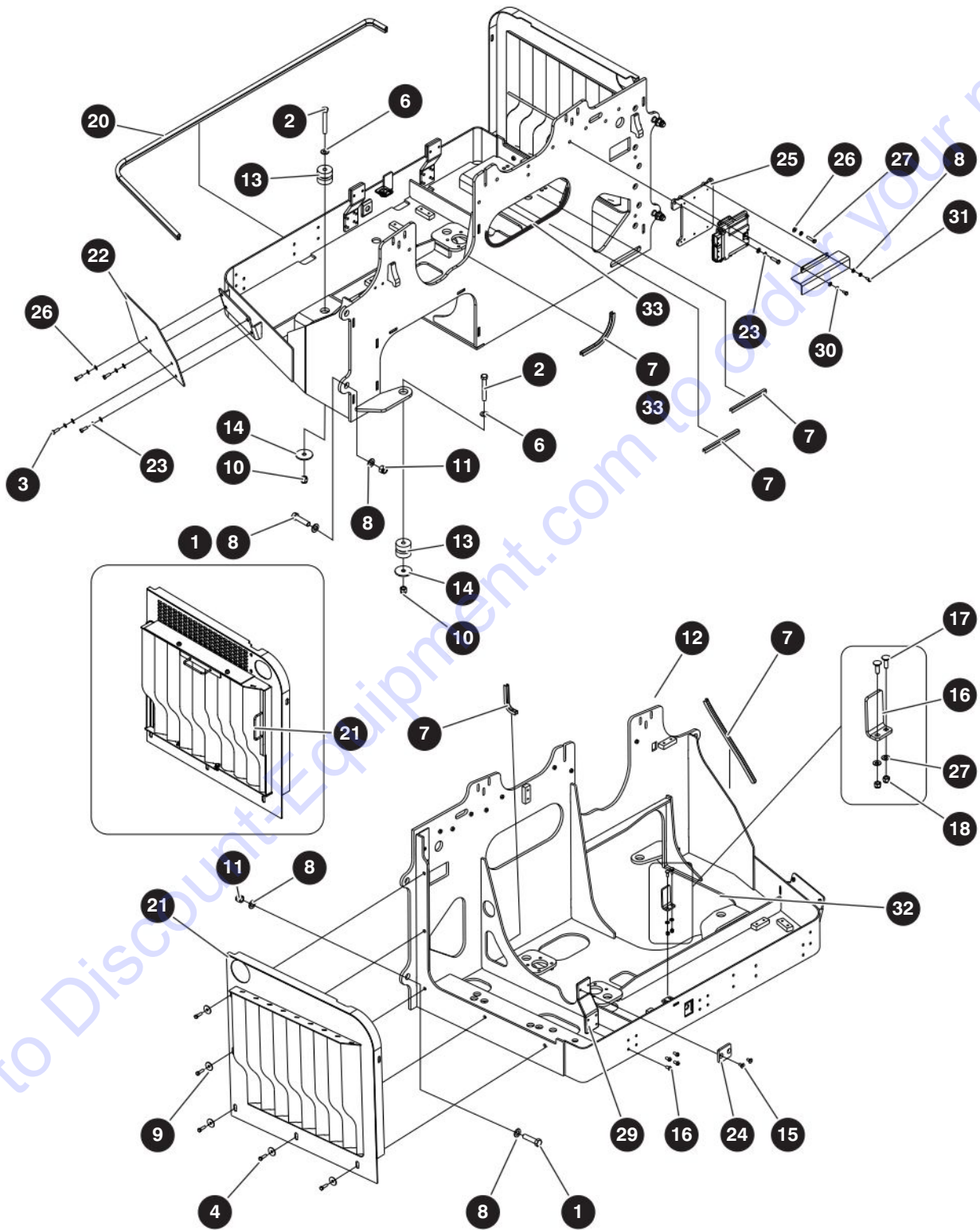
Index No.	Skyjack Part No.	Qty.	Description
<b>A</b>	9-211572	1	TIRE GROUP, NON MARKING FOAM FILL 14-24
	9-211574	2	• TIRE, WHEEL NON-MARKING RH 14-24
	9-211576	1	• • TIRE, WHEEL NON-MARKING RH 14-24
	9-211573	2	• TIRE, WHEEL NON-MARKING LH 14-24
	9-211575	1	• • TIRE, WHEEL NON-MARKING RH 14-24
<b>B</b>	9-212061	1	TIRE GROUP, SOLID NON MARKING 13-24
	9-212063	2	• TIRE, WHEEL SOLID NON-MARKING RH 13-24
	9-212062	2	• TIRE, WHEEL SOLID NON-MARKING LH 13-24
1	9-211577	1	TIRE, NON-MARKING 14 x 24 16PR SL G2 - <b>A</b>
2	9-207546	1	RIM, 24.0 X 9.0, SJ10XXTH - <b>A</b>
3	9-212064	1	TIRE, Solid Non-marking 13 x 24 - <b>B</b>
4	9-208754	1	RIM, SOLIDBOSS 13 x 24 - <b>B</b>
5	9-932593	4	VALVE, Air - <b>A</b>
6	9-927901	40	NUT, Wheel M22 x 1.5 - <b>A, B</b>

# Section 3 – Engine and Transmission

- **Engine Tray Installation**
- **74 HP Engine and Powershift Transmission Assembly**
- **74 HP Engine and CVT Transmission Assembly**
- **107 HP Engine and Powershift Transmission Assembly**
- **107 HP Engine and CVT Transmission Assembly**
- **Engine Assembly**
- **Powershift Transmission Assembly - Housing & Case Group**
- **Continuously Variable Transmission (CVT) Assembly**
- **Fuel Lines Assembly**
- **Air Intake System Installation**
- **Exhaust Tube Installation**
- **Exhaust System Assembly 107HP**
- **DEF Lines**
- **Cooling Package Style A for 74 HP Engine**
- **Cooling Package Style A for 74HP Engine with CVT**
- **Cooling Package Style A for 107 HP Engine**
- **CVT with Cooling Package Assembly Style A for 107 HP**
- **Cooling Package Style A- Internal Breakdown 3.6L**
- **Cooling Package Style B**
- **Cooling Package Style B - Internal Breakdown**
- **Powershift Transmission Hydraulic Pump**
- **CVT Hydraulic Pump**



### 3.1 Engine Tray Installation



M190704AK

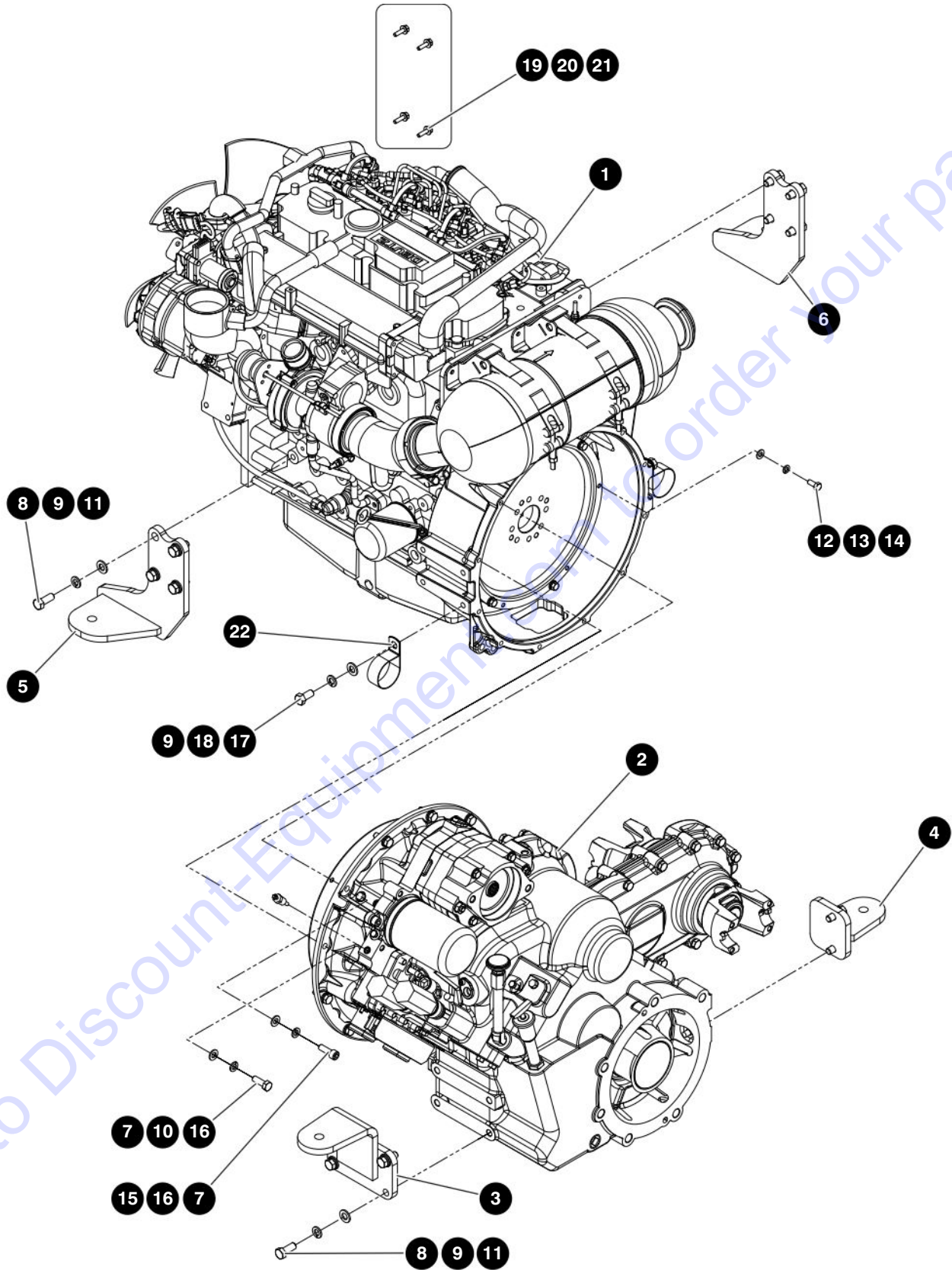
190126AG

SJ1044 TH, SJ1044 THS, SJ1056 TH, SJ1056 THS

### 3.1 Engine Tray Installation

Index No.	Skyjack Part No.	Qty.	Description
<b>A</b>	9-190704	-	ENGINE TRAY ASSEMBLY
<b>B</b>	9-223508	-	ENGINE TRAY ASSEMBLY (Only for Cooling Package 9-223214 / 9-223215)
<b>C</b>	9-220124	-	ENGINE TRAY ASSEMBLY - CVT
<b>D</b>	9-223221	-	ENGINE TRAY ASSEMBLY - Style B Cooling Package with CVT
1	9-103894	4	• BOLT, Hex head 3/4"-10 X 3" Gr. 8
2	9-701762	4	• BOLT, Hex head 5/8"-11 X 4-1/2" Gr. 8 - <b>A, B</b>
-	9-701762	3	• BOLT, Hex head 5/8"-11 X 4-1/2" Gr. 8 - <b>C, D</b>
3	9-103473	4	• BOLT, Hex head 3/8"-16 X 1" Gr. 5
4	9-101297	5	• BOLT, Hex head 3/8"-16 X 1-1/4" Gr. 5
5	9-702194	8	• WASHER, Flat 3/4" hard high zinc
6	9-700782	4	• WASHER, Flat 5/8" hard high zinc
7	9-119922	87"	• TRIM, Protective 1/4 - 1/2"
8	9-103996	4	• WASHER, Flat 5/16" SAE
9	9-127067	5	• WASHER, Flat 3/8" style BB
10	9-111577	4	• NUT, Lock with nylon insert 5/8"-11 Gr. 5
11	9-700575	4	• NUT, Lock 3/4"-10 Gr. 8
12	9-190745	1	• WELDMENT, TH Engine tray
13	9-190749	4	• ISOLATOR, Engine
14	9-190889	4	• WASHER, Rebound
15	9-411768	4	• BOLT, Flat head cap 3/8"-16 X 3/4" Gr. 5
16	9-170182	8	• BOLT, Button head cap 3/8"-16 X 3/4"
17	9-190484	1	• BRACKET, Latch
18	9-133216	2	• BOLT, CARRIAGE 5/16"-18 X 1" Gr. 5
19	9-103984	2	• NUT, Lock with nylon insert 5/16"-18 Gr. 5
20	9-190483	86"	• SEAL, 1/4" edge X 5/8" bulb
21	9-191190	1	• WELDMENT, Inlet grill - <b>A, C</b>
-	9-223517	1	• WELDMENT, Inlet grill - <b>B, D</b>
22	9-191405	1	• PLATE, Cowling fender
23	9-103999	6	• WASHER, Lock 3/8"
24	9-190936	2	• PAD, Cowling hard stop
25	9-191383	1	• PLATE, ECU mounting - <b>S/N 87312008 and below</b>
26	9-103472	6	• WASHER, Flat 3/8" - <b>S/N 87312008 and below</b>
27	9-103870	2	• BOLT, Hex head 3/8"-16 X 1-1/2" Gr. 5 - <b>S/N 87312008 and below</b>
28	9-191351	1	• COVER, ECU - <b>S/N 87312008 and below</b>
29	9-190935	2	• BRACKET, Cowling hard stop
30	9-103404	2	• WASHER, Lock 5/16" - <b>S/N 87312008 and below</b>
31	9-148331	2	• BOLT, Hex head 5/16"-18 X 5/8" Gr. 5 - <b>S/N 87312008 and below</b>
32	9-192219	1	• BOLT, Hex head 5/8"-11 X 4" GR8 - <b>C, D</b>
33	9-196566	54	PROTECTIVE TRIM, 1/2" TO 5/8" - <b>C</b>

### 3.2 74 HP Engine and Powershift Transmission Assembly



M190701AA

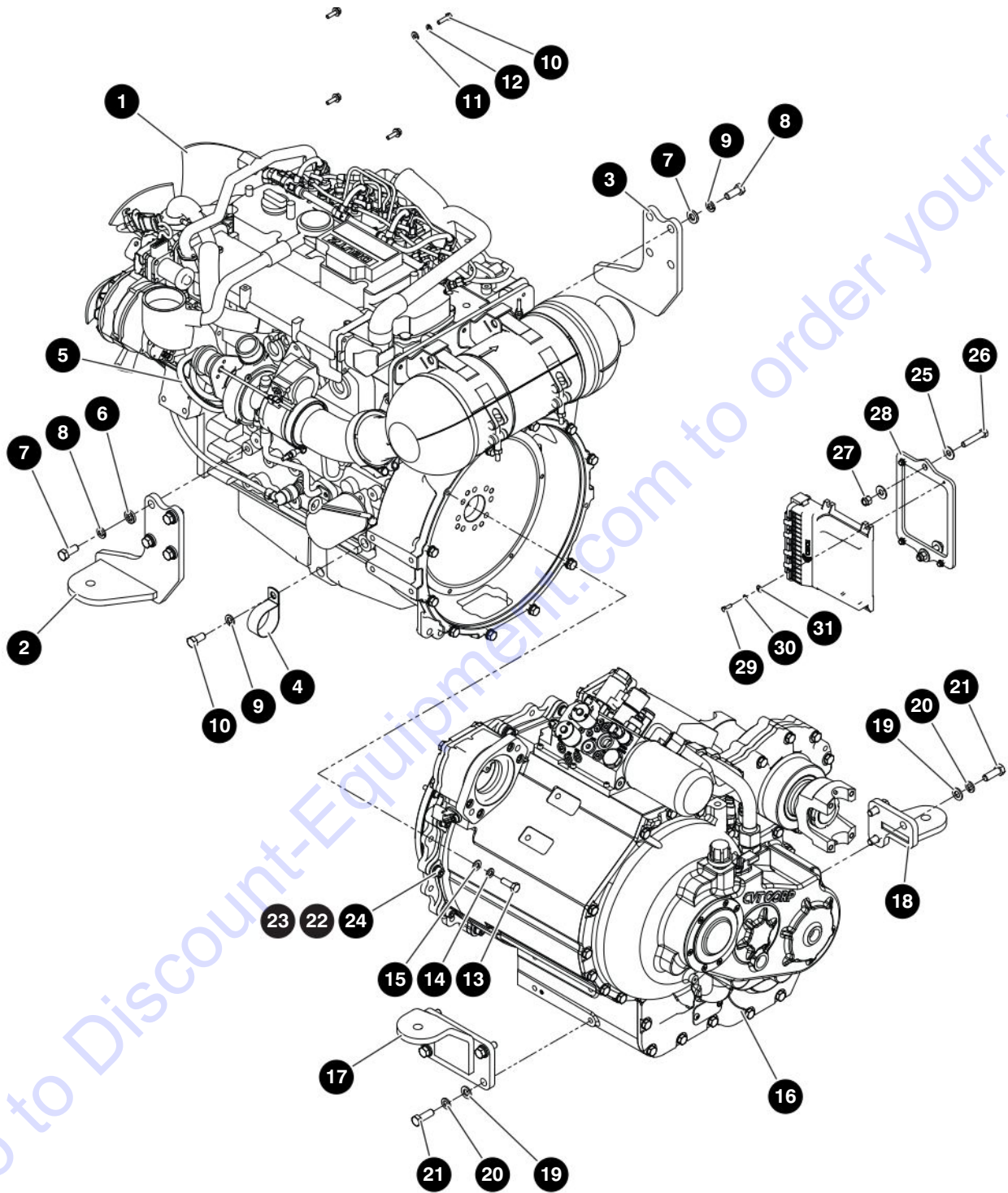
190126AG

SJ1044 TH, SJ1044 THS, SJ1056 TH, SJ1056 THS

### 3.2 74 HP Engine and Powershift Transmission Assembly

Index No.	Skyjack Part No.	Qty.	Description
-	9-190701	1	ASSEMBLY, ENGINE/TRANSMISSION SUBGROUP DEUTZ 3.6L 74HP
1	(Ref).	1	<ul style="list-style-type: none"> <li>ENGINE, Deutz TCD 3.6 T4F 74HP</li> </ul> <i>(For components, refer to Section 3.6)</i>
2	(Ref).	1	<ul style="list-style-type: none"> <li>ASSEMBLY, Transmission VDT12000 6K/8K</li> </ul> <i>(For components, refer to Section 3.7)</i>
3	9-190709	1	<ul style="list-style-type: none"> <li>MOUNT, Transmission - outer</li> </ul>
4	9-190712	1	<ul style="list-style-type: none"> <li>MOUNT, Transmission - inner</li> </ul>
5	9-190715	1	<ul style="list-style-type: none"> <li>MOUNT, 3.6L engine - outer</li> </ul>
6	9-190718	1	<ul style="list-style-type: none"> <li>MOUNT, 3.6L engine - inner</li> </ul>
7	9-933833	10	<ul style="list-style-type: none"> <li>WASHER, Flat M10-OD 20.0</li> </ul>
8	9-933630	14	<ul style="list-style-type: none"> <li>WASHER, Plain hardened</li> </ul>
9	9-600549	16	<ul style="list-style-type: none"> <li>WASHER Lock m12-plated din 127b</li> </ul>
10	9-933658	9	<ul style="list-style-type: none"> <li>BOLT, Hex head M10 X 1-1/2" x 30mm CL 8.8 YE</li> </ul>
11	9-933659	14	<ul style="list-style-type: none"> <li>BOLT, Hex head M12-13/4" x 30mm CL 10.9</li> </ul>
12	9-158320	6	<ul style="list-style-type: none"> <li>BOLT, Hex head 5/16"-18 x 3/4" grade 8</li> </ul>
13	9-103404	6	<ul style="list-style-type: none"> <li>WASHER, Lock 5/16"</li> </ul>
14	9-103996	6	<ul style="list-style-type: none"> <li>WASHER, Flat 5/16"</li> </ul>
15	9-232529	1	<ul style="list-style-type: none"> <li>BOLT, Socket head M10-1-1/2" x 30</li> </ul>
16	9-130884	10	<ul style="list-style-type: none"> <li>WASHER Lock M10-plated DIN 127B</li> </ul>
17	9-152324	2	<ul style="list-style-type: none"> <li>BOLT, Hex head M12 X 1-3/4" x 25mm grade 8.8 ZP</li> </ul>
18	9-933817	2	<ul style="list-style-type: none"> <li>WASHER, Flat M12 CL 200 Y</li> </ul>
19	9-103995	4	<ul style="list-style-type: none"> <li>WASHER, Flat 1/4"</li> </ul>
20	9-104000	4	<ul style="list-style-type: none"> <li>WASHER, Lock 1/4"</li> </ul>
21	9-103891	4	<ul style="list-style-type: none"> <li>BOLT, Hex head 1/4"-20 x 7/8" grade 5</li> </ul>
22	9-171177	2	<ul style="list-style-type: none"> <li>CLAMP - Loop vinyl coated - 2"</li> </ul>

### 3.3 74 HP Engine and CVT Transmission Assembly



M216778AB

190126AG

72

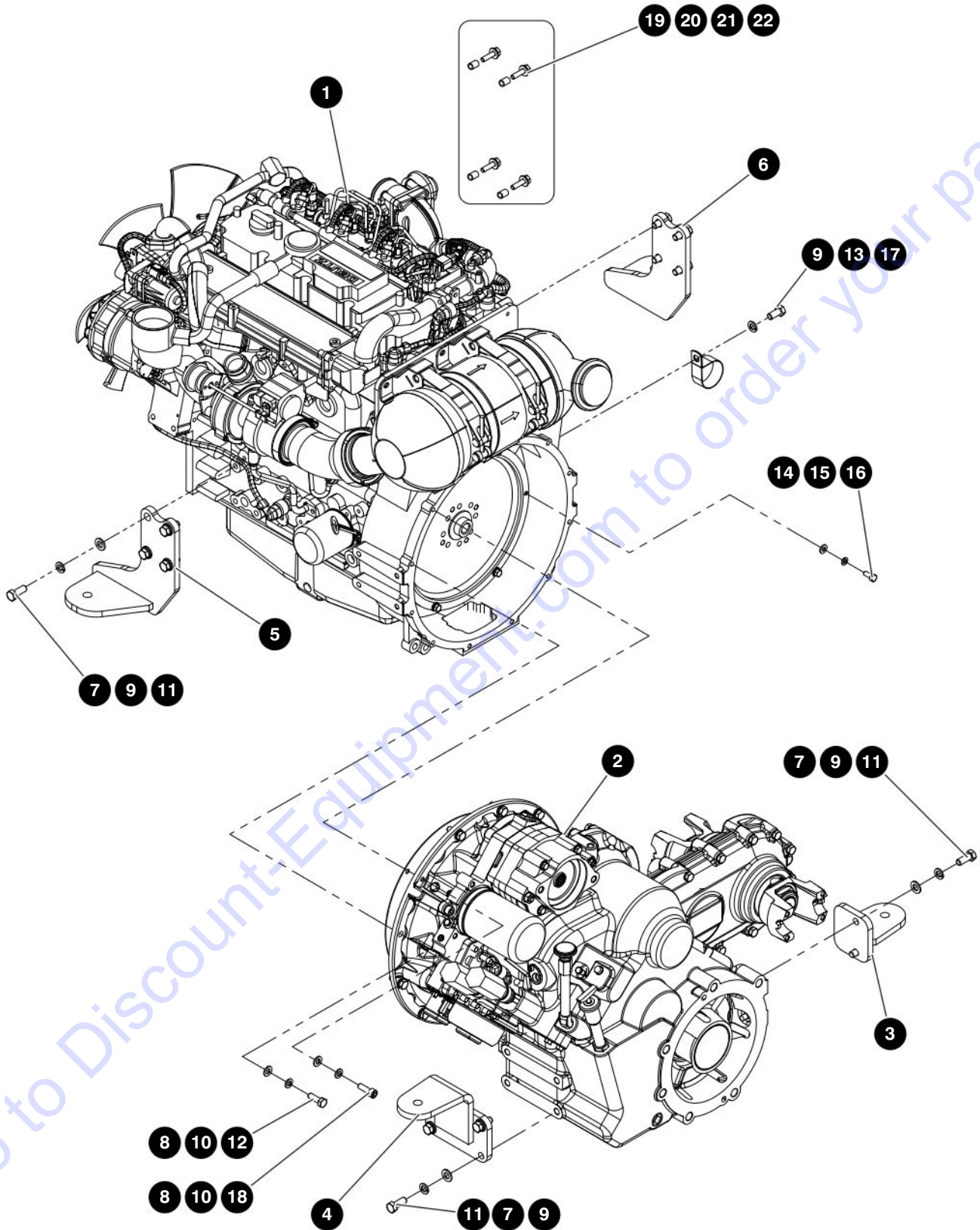
SJ1044 TH, SJ1044 THS, SJ1056 TH, SJ1056 THS

SKYJACK

### 3.3 74 HP Engine and CVT Transmission Assembly

Index No.	Skyjack Part No.	Qty.	Description
-	9-216778	1	ENGINE SUBGROUP, DEUTZ 3.6L 74HP-CVT
1	9-190003	1	<ul style="list-style-type: none"> <li>• ENGINE, DEUTZ TCD3.6 T4F 74 HP</li> </ul> <i>(For components, refer to Section 3.6)</i>
2	9-190715	1	<ul style="list-style-type: none"> <li>• MOUNT, 3.6L ENGINE - OUTER</li> </ul>
3	9-190718	1	<ul style="list-style-type: none"> <li>• MOUNT, 3.6L ENGINE - INNER</li> </ul>
4	9-171177	2	<ul style="list-style-type: none"> <li>• CLAMP - LOOP VINYL COATED - 2"</li> </ul>
5	9-108675	7	<ul style="list-style-type: none"> <li>• WIRE-PROTECTOR 1/2" DIA</li> </ul>
6	9-933630	8	<ul style="list-style-type: none"> <li>• WASHER, STRUCTURAL M12 HARD</li> </ul>
7	9-933659	8	<ul style="list-style-type: none"> <li>• BOLT, HEX HD M12-1.75x30MM CL 10.9</li> </ul>
8	9-116995	10	<ul style="list-style-type: none"> <li>• WASHER LOCK M12_PLATED DIN 127B</li> </ul>
9	9-152324	2	<ul style="list-style-type: none"> <li>• BOLT, HXHD M12 X 1.75 X 25MM GR 8.8 ZP</li> </ul>
10	9-103857	4	<ul style="list-style-type: none"> <li>• BOLT-HEX HD/ZINC (.25-20 X 1.00 / GR5)</li> </ul>
11	9-103995	4	<ul style="list-style-type: none"> <li>• WASHER, FLAT 0.250</li> </ul>
12	9-104000	4	<ul style="list-style-type: none"> <li>• WASHER, LOCK 0.25</li> </ul>
13	9-933833	11	<ul style="list-style-type: none"> <li>• WASHER, FLAT M10-OD 20.0</li> </ul>
14	9-130884	11	<ul style="list-style-type: none"> <li>• WASHER LOCK M10-PLATED DIN 127B</li> </ul>
15	9-933658	11	<ul style="list-style-type: none"> <li>• BOLT, HXHD M10 X 1.5 X 30MM GR 10.9 YE</li> </ul>
-	9-216573	1	<ul style="list-style-type: none"> <li>• TRANSMISSION ASSY, CVT</li> </ul>
16	(Ref.)	1	<ul style="list-style-type: none"> <li>• • CVT PURCHASED ASM</li> </ul> <i>(For components, refer to Section 3.15)</i>
17	9-216741	1	<ul style="list-style-type: none"> <li>• • BRACKET, TRANSMISSION MOUNT</li> </ul>
18	9-216745	1	<ul style="list-style-type: none"> <li>• • BRACKET, TRANSMISSION MOUNT</li> </ul>
19	9-933817	7	<ul style="list-style-type: none"> <li>• • WASHER, FLAT M12 CL 200 Y</li> </ul>
20	9-116995	7	<ul style="list-style-type: none"> <li>• • WASHER LOCK M12_PLATED DIN 127B</li> </ul>
21	9-149419	7	<ul style="list-style-type: none"> <li>• • BOLT, HXHD M12 X 1.75 X 35MM GR 8.8 ZP</li> </ul>
22	9-132497	1	<ul style="list-style-type: none"> <li>• • WASHER LOCK M10-PLATED DIN 127B</li> </ul>
23	9-191757	11	<ul style="list-style-type: none"> <li>• • BOLT, SKT HEAD M10-1.50x30</li> </ul>
24	9-933833	11	<ul style="list-style-type: none"> <li>• • WASHER, FLAT M10-OD 20.0</li> </ul>
-	9-220127	1	<ul style="list-style-type: none"> <li>• ASSEMBLY, CVT TCU MOUNTING-10K/12K</li> </ul>
25	9-152200	4	<ul style="list-style-type: none"> <li>• • WASHER, FLAT 0.375 USS</li> </ul>
26	9-103596	2	<ul style="list-style-type: none"> <li>• • BOLT-HEX HD/ZINC (.38-16 X 2.00 / GR5)</li> </ul>
27	9-104606	2	<ul style="list-style-type: none"> <li>• • NUT, LOCK 0.375-16 GR5 - NYL</li> </ul>
-	9-221259	1	<ul style="list-style-type: none"> <li>• • SUB ASSY - CVT TCU MOUNTING</li> </ul>
28	9-221258	1	<ul style="list-style-type: none"> <li>• • • PLATE, TCU MOUNTING</li> </ul>
29	9-800352	4	<ul style="list-style-type: none"> <li>• • • BOLT, HEX HEAD M5 X 0.8 X 16 MM LG</li> </ul>
30	9-104185	4	<ul style="list-style-type: none"> <li>• • • WASHER, LOCK #10</li> </ul>
31	9-104694	4	<ul style="list-style-type: none"> <li>• • • Washer Flat #10</li> </ul>

### 3.4 107 HP Engine and Powershift Transmission Assembly



M191182AA

190126AG

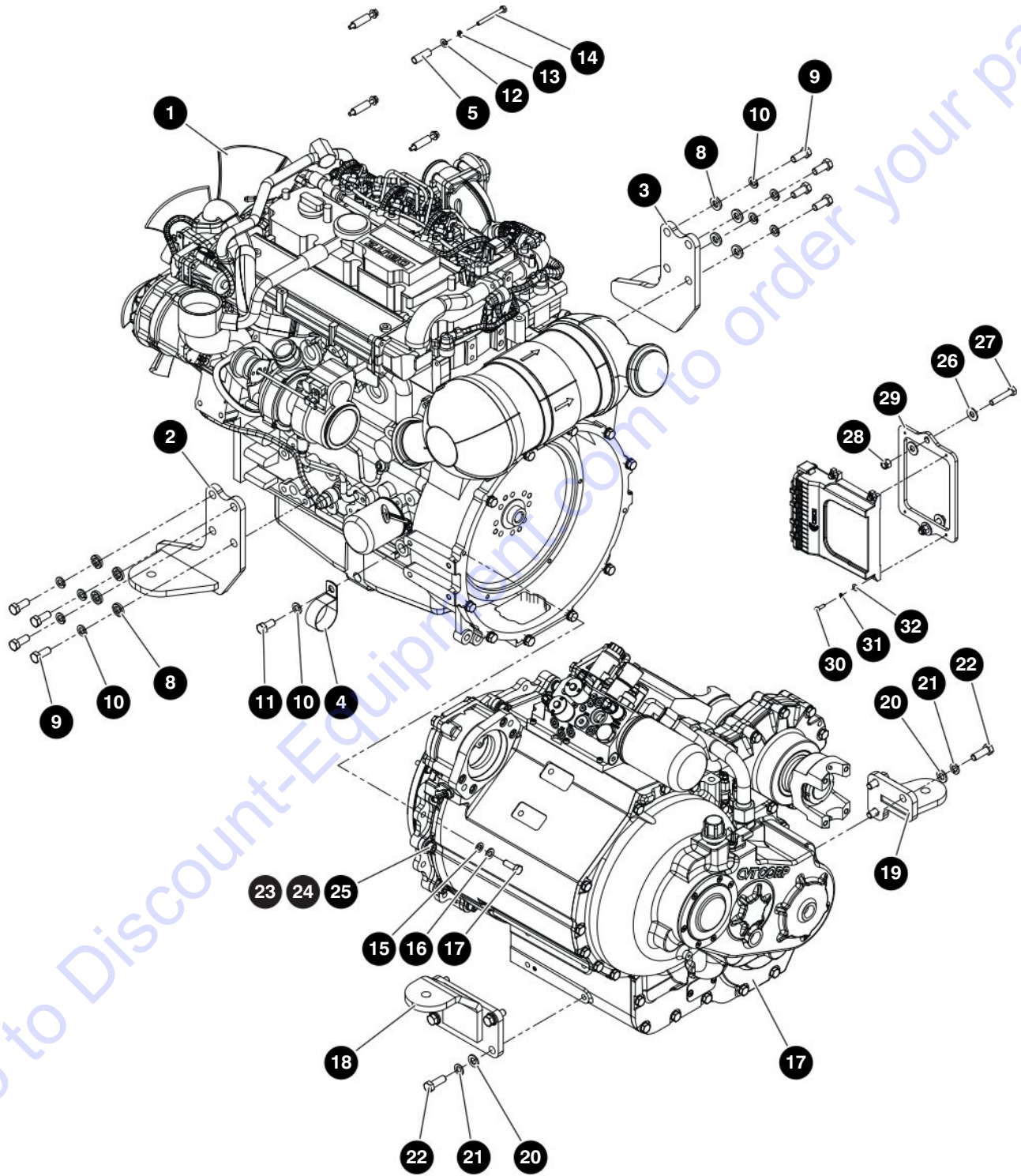
SJ1044 TH, SJ1044 THS, SJ1056 TH, SJ1056 THS

### 3.4 107 HP Engine and Powershift Transmission Assembly

Index No.	Skyjack Part No.	Qty.	Description
-	9-191182	1	ASSEMBLY, ENGINE/TRANSMISSION SUBGROUP, DEUTZ 3.6 107 HP
1	(Ref).	1	<ul style="list-style-type: none"> <li>ASSEMBLY, Engine Deutz TCD 3.6 T4F 107 HP <i>(For components, refer to Section 3.6)</i></li> </ul>
2	(Ref).	1	<ul style="list-style-type: none"> <li>ASSEMBLY, Transmission VDT 12000 10 K <i>(For components, refer to Section 3.7)</i></li> </ul>
3	9-190712	1	<ul style="list-style-type: none"> <li>MOUNT, Transmission - inner</li> </ul>
4	9-190709	1	<ul style="list-style-type: none"> <li>MOUNT, Transmission - outer</li> </ul>
5	9-190715	1	<ul style="list-style-type: none"> <li>MOUNT, 3.6 L engine - outer</li> </ul>
6	9-190718	1	<ul style="list-style-type: none"> <li>MOUNT, 3.6 L engine - inner</li> </ul>
7	9-933630	14	<ul style="list-style-type: none"> <li>WASHER, Flat M12 Hard</li> </ul>
8	9-933833	10	<ul style="list-style-type: none"> <li>WASHER, Flat M10 OD 20.0</li> </ul>
9	9-116995	16	<ul style="list-style-type: none"> <li>WASHER, Lock M12 plated DIN 127B</li> </ul>
10	9-130884	10	<ul style="list-style-type: none"> <li>WASHER, Lock M10-plated DIN 127B</li> </ul>
11	9-933659	14	<ul style="list-style-type: none"> <li>BOLT, Hex head M12 x 1-3/4" x 30 mm CL 10.9</li> </ul>
12	9-933658	9	<ul style="list-style-type: none"> <li>BOLT, Hex head M10 x 1-1/2" x 30 mm grade 10.9 YE</li> </ul>
13	9-152324	2	<ul style="list-style-type: none"> <li>BOLT, Hex head M12 x 1-3/4" x 25 mm grade 8.8 ZP</li> </ul>
14	9-103404	6	<ul style="list-style-type: none"> <li>WASHER, Lock 5/16"</li> </ul>
15	9-103996	6	<ul style="list-style-type: none"> <li>WASHER, Flat 5/16"</li> </ul>
16	9-158320	6	<ul style="list-style-type: none"> <li>BOLT, Hex head 5/16"-18 x 3/4" grade 8</li> </ul>
17	9-171177	2	<ul style="list-style-type: none"> <li>CLAMP - Loop vinyl coated - 2"</li> </ul>
18	9-232529	1	<ul style="list-style-type: none"> <li>BOLT, Socket head M10-1-1/2" x 30</li> </ul>
19	9-133598	4	<ul style="list-style-type: none"> <li>SPACER, Rolled, 3/8" x 1-1/2"</li> </ul>
20	9-103995	4	<ul style="list-style-type: none"> <li>WASHER, Flat 1/4"</li> </ul>
21	9-104000	4	<ul style="list-style-type: none"> <li>WASHER, Lock 1/4"</li> </ul>
22	9-103861	4	<ul style="list-style-type: none"> <li>BOLT, Hex head 1/4"-20 x 2-1/2" Gr. 5</li> </ul>
23	9-108675	7	<ul style="list-style-type: none"> <li>WIRE PROTECTOR, 1/2" DIA (Not Shown)</li> </ul>



### 3.5 107 HP Engine and CVT Transmission Assembly



M216565AA

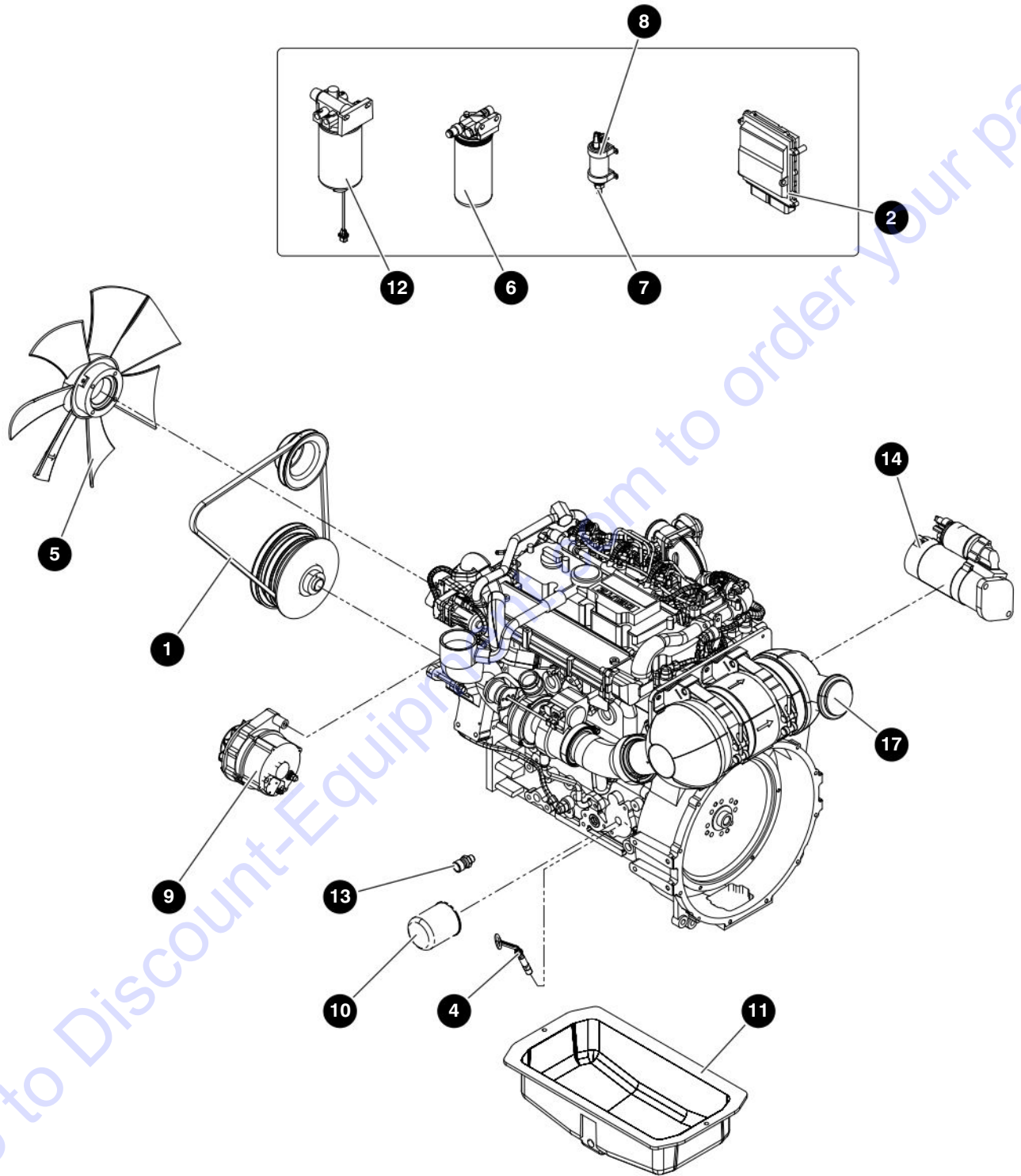
190126AG

SJ1044 TH, SJ1044 THS, SJ1056 TH, SJ1056 THS

### 3.5 107 HP Engine and CVT Transmission Assembly

Index No.	Skyjack Part No.	Qty.	Description
-	9-216565	1	ENGINE SUBGROUP, DEUTZ 3.6L 107HP-CVT
1	(Ref)	1	<ul style="list-style-type: none"> <li>ENGINE, DEUTZ TCD3.6 T4F 107HP</li> </ul> <i>(For components, refer to Section 3.6)</i>
2	190715	1	<ul style="list-style-type: none"> <li>MOUNT, 3.6L ENGINE - OUTER</li> </ul>
3	190718	1	<ul style="list-style-type: none"> <li>MOUNT, 3.6L ENGINE - INNER</li> </ul>
4	171177	2	<ul style="list-style-type: none"> <li>CLAMP - LOOP VINYL COATED - 2"</li> </ul>
5	194922	4	<ul style="list-style-type: none"> <li>ROLLED SPACER 3/8"X1-1/2"</li> </ul>
6	108675	7	<ul style="list-style-type: none"> <li>WIRE-PROTECTOR 1/2" DIA</li> </ul>
7	933658	11	<ul style="list-style-type: none"> <li>BOLT, HXHD M10 X 1.5 X 30MM GR 10.9 YE</li> </ul>
8	933630	8	<ul style="list-style-type: none"> <li>WASHER, STRUCTURAL M12 HARD</li> </ul>
9	933659	8	<ul style="list-style-type: none"> <li>BOLT, HEX HD M12-1.75x30MM CL 10.9</li> </ul>
10	116995	10	<ul style="list-style-type: none"> <li>WASHER LOCK M12_PLATED DIN 127B</li> </ul>
11	152324	2	<ul style="list-style-type: none"> <li>BOLT, HXHD M12 X 1.75 X 25MM GR 8.8 ZP</li> </ul>
12	103995	4	<ul style="list-style-type: none"> <li>WASHER, FLAT 0.250</li> </ul>
13	104000	4	<ul style="list-style-type: none"> <li>WASHER, LOCK 0.25</li> </ul>
14	127284	4	<ul style="list-style-type: none"> <li>BOLT, HXHD 0.25-20 X 2.500 GR5</li> </ul>
15	933833	11	<ul style="list-style-type: none"> <li>WASHER, FLAT M10-OD 20.0</li> </ul>
16	130884	11	<ul style="list-style-type: none"> <li>WASHER LOCK M10-PLATED DIN 127B</li> </ul>
-	216573	1	<ul style="list-style-type: none"> <li>TRANSMISSION ASSY, CVT</li> </ul>
17	(Ref.)	1	<ul style="list-style-type: none"> <li>CVT PURCHASED ASM</li> </ul> <i>(For components, refer to Section 3.15)</i>
18	216741	1	<ul style="list-style-type: none"> <li>BRACKET, TRANSMISSION MOUNT</li> </ul>
19	216745	1	<ul style="list-style-type: none"> <li>BRACKET, TRANSMISSION MOUNT</li> </ul>
20	933817	7	<ul style="list-style-type: none"> <li>WASHER, FLAT M12 CL 200 Y</li> </ul>
21	116995	7	<ul style="list-style-type: none"> <li>WASHER LOCK M12_PLATED DIN 127B</li> </ul>
22	149419	7	<ul style="list-style-type: none"> <li>BOLT, HXHD M12 X 1.75 X 35MM GR 8.8 ZP</li> </ul>
23	132497	1	<ul style="list-style-type: none"> <li>WASHER LOCK M10-PLATED DIN 127B</li> </ul>
24	191757	11	<ul style="list-style-type: none"> <li>BOLT, SKT HEAD M10-1.50x30</li> </ul>
25	933833	11	<ul style="list-style-type: none"> <li>WASHER, FLAT M10-OD 20.0</li> </ul>
-	220127	1	<ul style="list-style-type: none"> <li>ASSEMBLY, CVT TCU MOUNTING-10K/12K</li> </ul>
26	152200	4	<ul style="list-style-type: none"> <li>WASHER, FLAT 0.375 USS</li> </ul>
27	103596	2	<ul style="list-style-type: none"> <li>BOLT-HEX HD/ZINC (.38-16 X 2.00 / GR5)</li> </ul>
28	104606	2	<ul style="list-style-type: none"> <li>NUT, LOCK 0.375-16 GR5 - NYL</li> </ul>
-	221259	1	<ul style="list-style-type: none"> <li>SUB ASSY - CVT TCU MOUNTING</li> </ul>
29	221258	1	<ul style="list-style-type: none"> <li>PLATE, TCU MOUNTING</li> </ul>
30	800352	4	<ul style="list-style-type: none"> <li>BOLT, HEX HEAD M5 X 0.8 X 16 MM LG</li> </ul>
31	104185	4	<ul style="list-style-type: none"> <li>WASHER, LOCK #10</li> </ul>
32	104694	4	<ul style="list-style-type: none"> <li>Washer Flat #10</li> </ul>

### 3.6 Engine Assembly



M190004AB

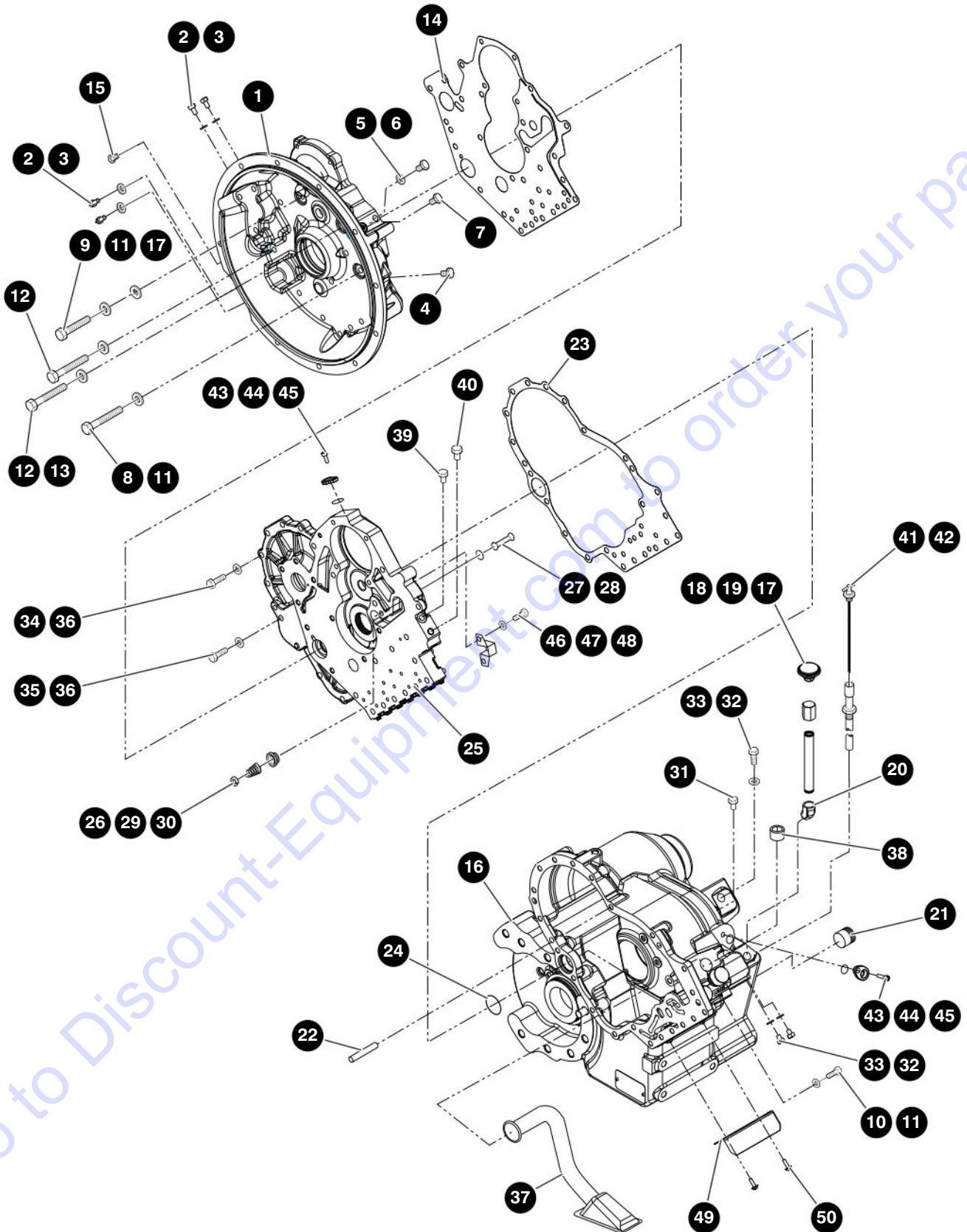
190126AG

SJ1044 TH, SJ1044 THS, SJ1056 TH, SJ1056 THS

### 3.6 Engine Assembly

Index No.	Skyjack Part No.	Qty.	Description
-	9-190003	1	• ASSEMBLY, ENGINE DEUTZ TCD 3.6 T4F 74 HP
-	9-190004	1	• ASSEMBLY, ENGINE DEUTZ TCD 3.6 T4F 107 HP
1	9-197173	1	• ASSEMBLY, V-grooved pulley
2	9-197187	1	• CONTROL UNIT
3	9-197183	1	• COOLANT PUMP, water pump (Not shown)
4	9-197179	1	• INDICATOR, Fluid level
5	9-196882	1	• FAN
	9-229053	1	• • BOLT, Hexagonal
6	9-197181	1	• FILTER, Fuel
-	9-166700	1	• • SENSOR, pressure (Not shown)
-	9-197182	1	• • FILTER, Spin-on, fuel (Not shown)
	9-216423	1	• • HOSE LINE, Outlet fuel to injector pump (Not shown)
7	9-164770	1	• PUMP, Fuel supply
8	9-197095	2	• • CLIP
9	9-197184	1	• ALTERNATOR
10	9-196896	1	• FILTER, Oil
11	9-197180	1	• PAN,Oil
12	9-196888	1	• PRE-FILTER
-	9-196889	1	• • CARTRIDGE, Filter (Not shown)
-	9-169249	1	• • WIRE, Sensor cable (Not shown)
-	9-196893	1	• • PLUG, Vent (Not shown)
13	9-166704	1	• PRESSURE SENSOR
14	9-216438	1	• STARTER
15	9-196886	1	• TACHO-GENERATOR (Not shown)
16	9-197186	1	• TRANSMITTER, Temperature (Not shown)
17	9-197188	1	• CATALYTIC CONVERTER, Diesel Oxidation
	239439		• • OUTLET, Catalytic Converter
	239440		• • CLIP, Catalytic converter
	239441		• • GASKET,
18	9-216436	1	• RELAY (Not Shown)
20	9-216735	1	• HEATING ELEMENT
21	9-199251	1	• CABLE, 120 V, 1.5 m
22	9-199252	1	• CABLE, 120 V, 5 m
23	9-221397	1	• PUMP, Supply
	9-223182	1	• • FILTER, Supply pump (Not shown)
24	9-223196	1	• PIPE, line lead
25	9-223203	1	• SENSOR
26	9-232523	1	• HARNESS, Main Engine 74 HP (not shown)
27	239429	1	• TRANSMITTER, Temperature (Not shown)

### 3.7 Powershift Transmission Assembly - Housing & Case Group



M190024AC

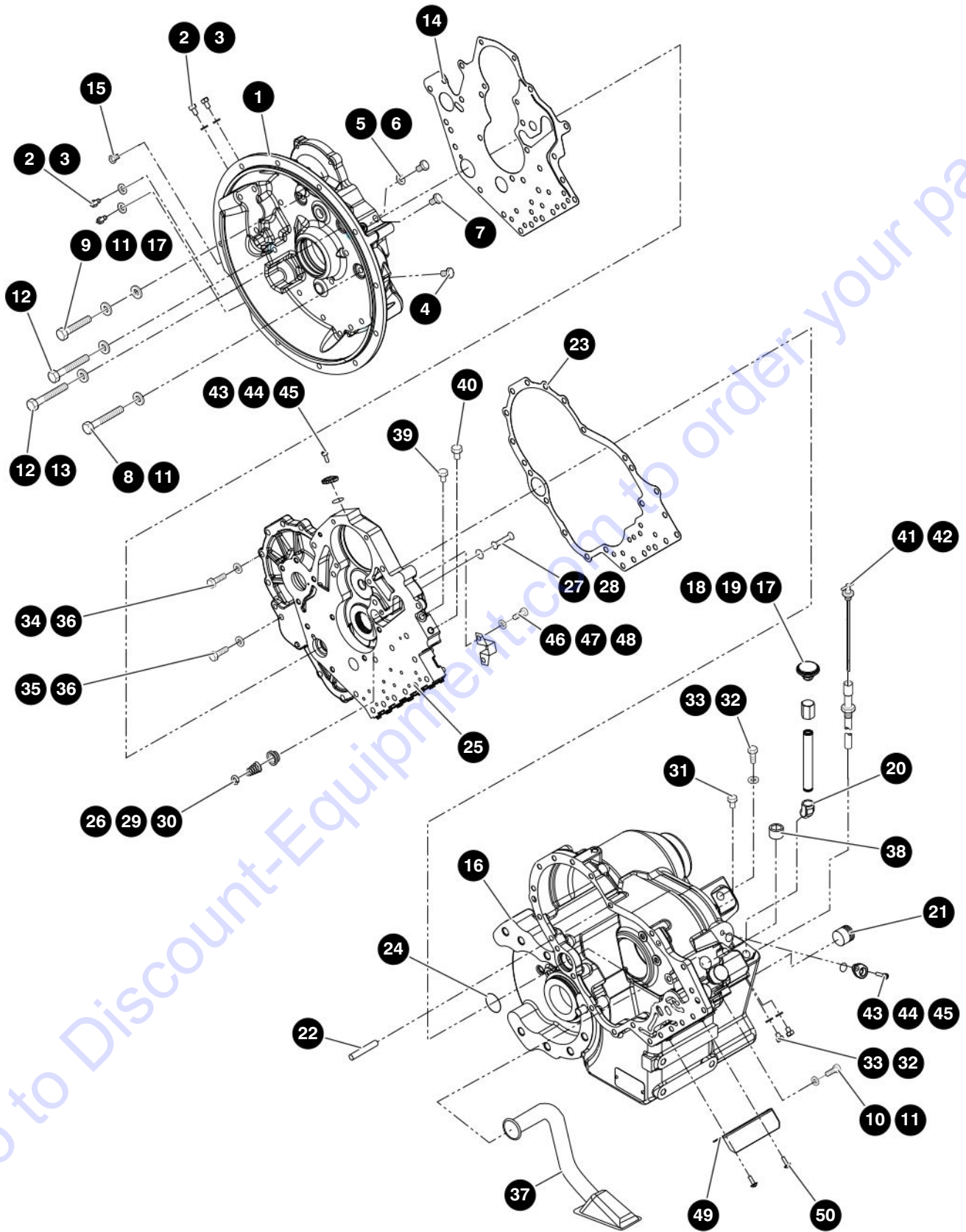
190126AG

SJ1044 TH, SJ1044 THS, SJ1056 TH, SJ1056 THS

### 3.7 Powershift Transmission Assembly - Housing & Case Group

Index No.	Skyjack Part No.	Qty.	Description
-	9-190024	1	ASSEMBLY, TRANSMISSION VDT 12000
1	9-196663	1	• HOUSING, Converter
2	9-196664	4	• PLUG
3	9-196665	4	• • O RING
4	9-196666	1	• PLUG-Regulator pressure side
5	9-196664	1	• PLUG
6	9-196665	1	• • O RING
7	9-196667	1	• PLUG
8	9-196668	6	• SCREW
9	9-196669	3	• SCREW
10	9-196670	1	• SCREW
11	9-196671	10	• WASHER, Lock
12	9-196669	13	• SCREW
13	9-196671	13	• WASHER, Lock
14	9-407606	1	• GASKET
15	9-196673	1	• SWITCH, Temperature
16	9-196675	1	• TRANSMISSION CASE
17	9-406776	1	• BREATHER-AIR
18	9-196677	1	• NIPPLE-PIPE
19	9-196678	1	• COUPLING-PIPE
20	9-196679	1	• FITTING, Elbow
21	9-406511	2	• PLUG, Magnetic drain
22	9-196681	2	• PIN
23	9-407607	1	• GASKET
24	9-406859	1	• RING, Oil supply tube seal
25	9-196684	1	• PLATE, Spacer
26	9-196685	1	• SEAT, Safety valve
27	9-196686	1	• SNAP RING, Seat
28	9-196687	1	• POPPET
29	9-196688	1	• SPRING
30	9-196689	1	• WASHER, Poppet retaining
			Parts list continued on following page

### 3.7 Powershift Transmission Assembly - Housing & Case Group



M190024AC

190126AG

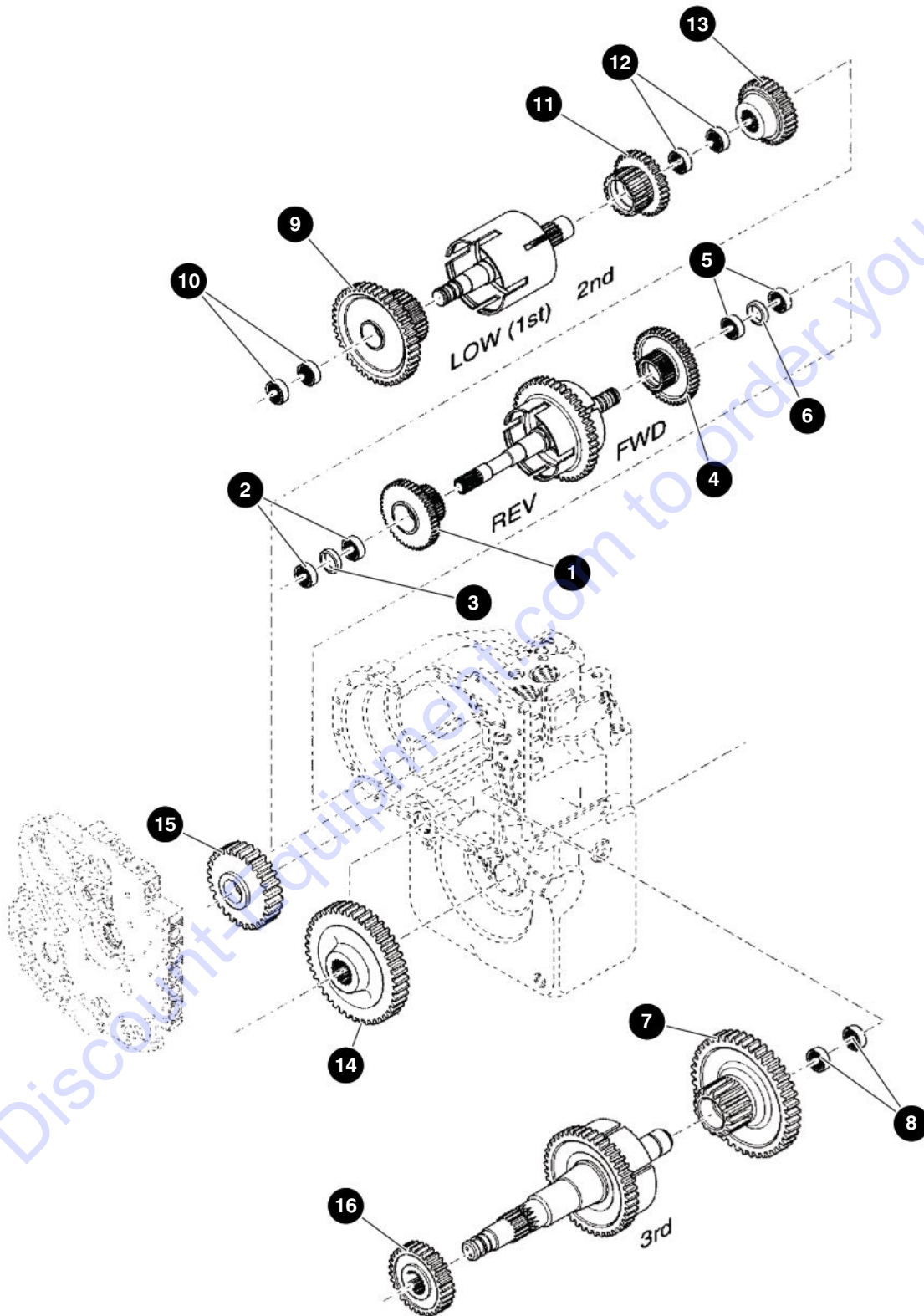
SJ1044 TH, SJ1044 THS, SJ1056 TH, SJ1056 THS

### 3.7 Powershift Transmission Assembly - Housing & Case Group

Index No.	Skyjack Part No.	Qty.	Description
			Parts list continued from previous page
31	9-196666	1	• PLUG
32	9-196664	3	• PLUG
33	9-196665	3	• • O RING
34	9-196690	7	• SCREW
35	9-196691	2	• SCREW
36	9-196671	9	• WASHER, Lock
37	9-196692	1	• ASSEMBLY, Suction tube
38	9-196693	1	• PLUG
39	9-196666	1	• PLUG
40	9-196667	1	• PLUG
41	9-196694	1	• ASSEMBLY, Dipstick tube
42	9-196695	1	• DIPSTICK-Cold level
43	9-407623	2	• PLUG
44	9-407630	2	• O RING
45	9-407484	2	• SCREW
46	9-196698	2	• CAPSCREW
47	9-196699	2	• WASHER
48	9-196700	1	• BAFFLE-Safety valve
49	9-196701	1	• PLATE-Solenoids protection
50	9-196702	2	• SCREW, Hex Socket button head capscrew w/flange m6x



### 3.8 Transmission Assembly - Gear Group



M190024AC-4

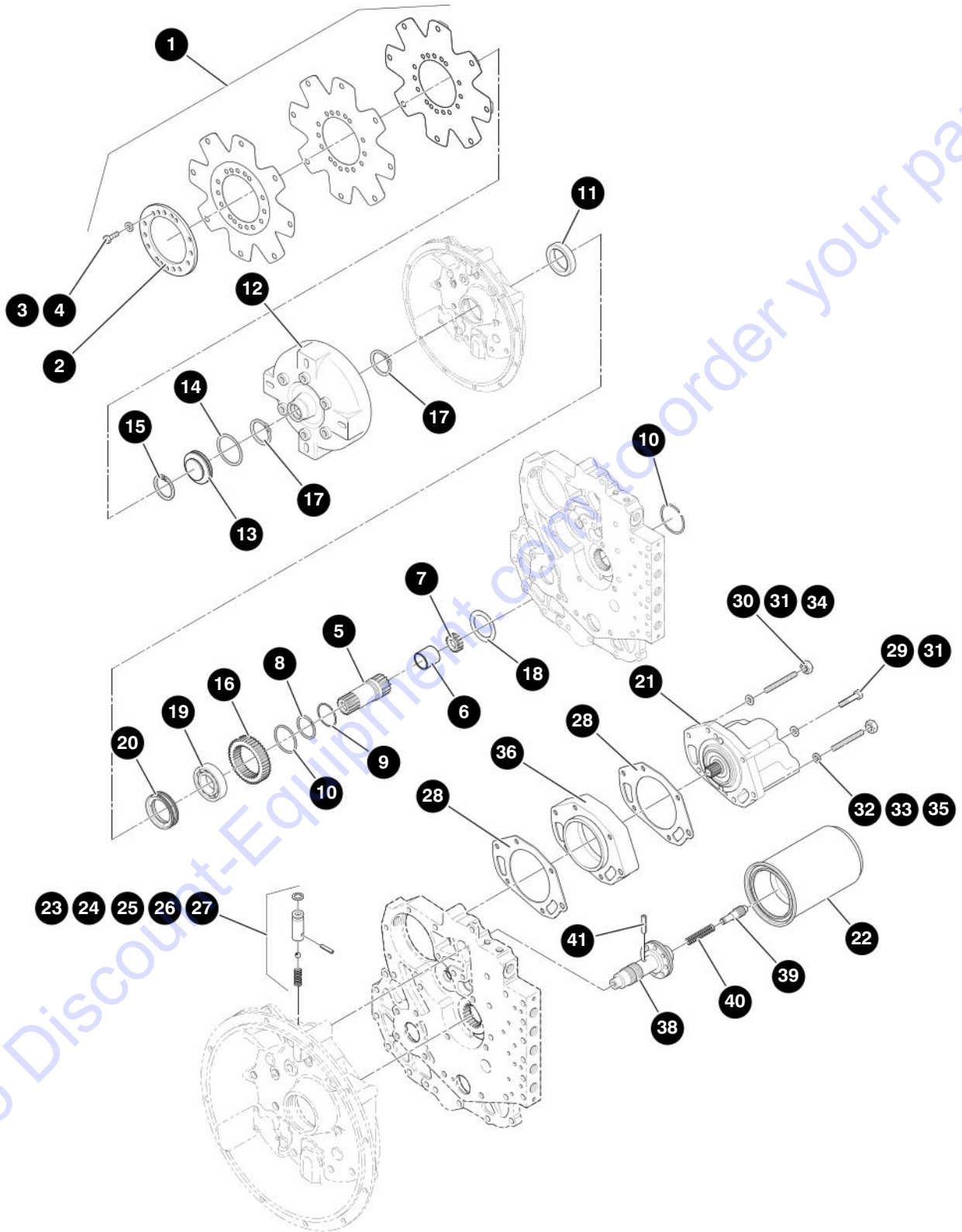
190126AG

SJ1044 TH, SJ1044 THS, SJ1056 TH, SJ1056 THS

### 3.8 Transmission Assembly - Gear Group

Index No.	Skyjack Part No.	Qty.	Description
1	9-196720	1	• ASSEMBLY, Reverse gear & bearing
2	9-406836	2	• • BEARING NEEDLE
3	9-196722	1	• • SPACER
4	9-196723	1	• ASSEMBLY, Forward gear & bearing
5	9-406836	2	• • BEARING NEEDLE
6	9-196722	1	• • SPACER
7	9-196724	1	• ASSEMBLY, 3rd clutch gear & bearing
8	9-407672	2	• • BEARING-NEEDLE
9	9-196726	1	• ASSEMBLY, 1st clutch gear & bearing
10	9-406836	2	• • BEARING NEEDLE
11	9-196727	1	• ASSEMBLY, 2nd clutch gear & bearing
12	9-406836	2	• • BEARING NEEDLE
13	9-196728	1	• GEAR, 3rd driven
14	9-196729	1	• GEAR, Output shaft
15	9-196730	1	• GEAR, Reverse idler
16	9-196731	1	• GEAR, First drive

### 3.9 Transmission - Drive Plate, Torque Converter & Pump Group



M190024AC-6

190126AG

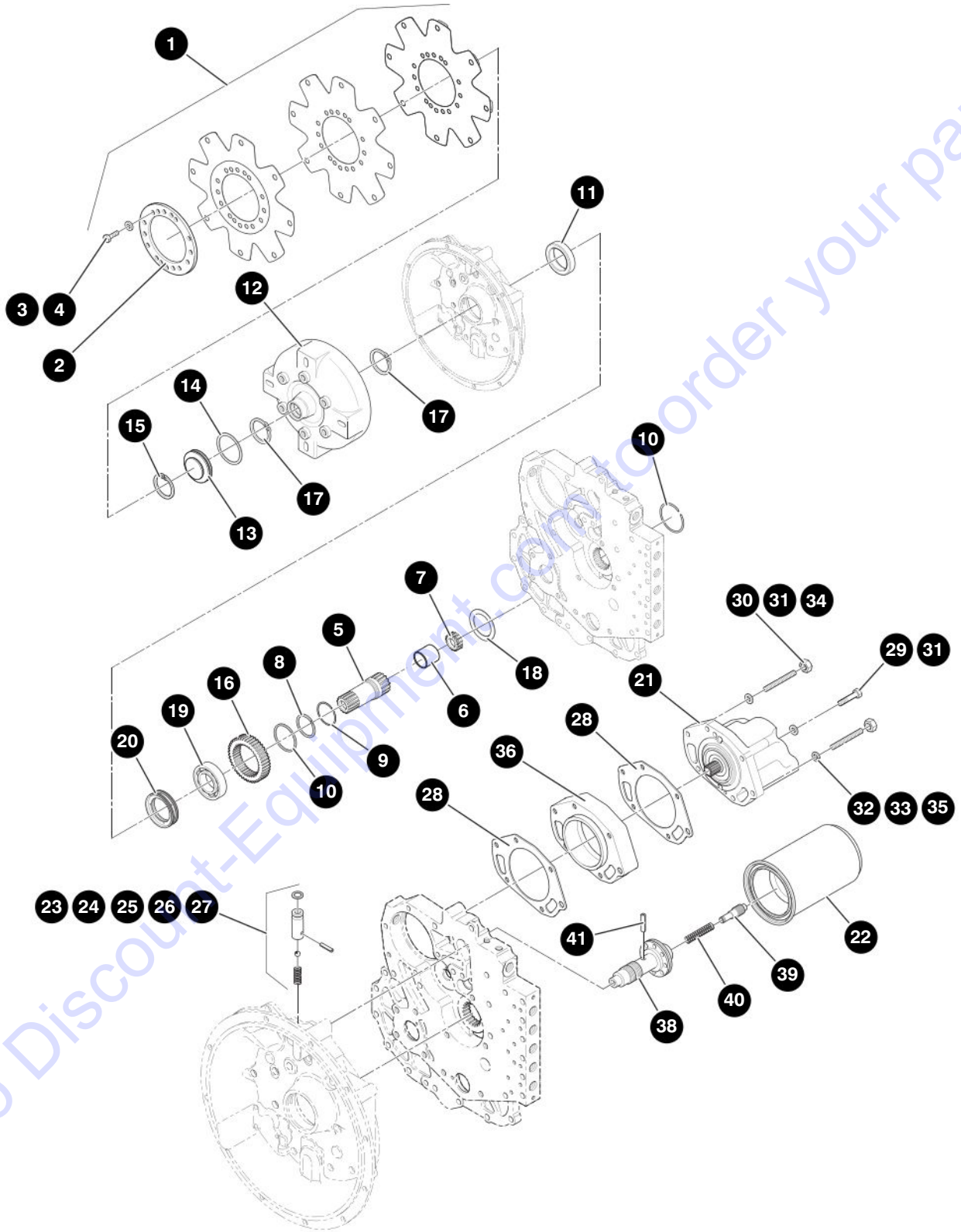
SJ1044 TH, SJ1044 THS, SJ1056 TH, SJ1056 THS

### 3.9 Transmission - Drive Plate, Torque Converter & Pump Group

Index No.	Skyjack Part No.	Qty.	Description
A	9-190024	1	ASSEMBLY, TRANSMISSION VDT 12000
B	9-190023	1	ASSEMBLY, TRANSMISSION VDT 12000
1	9-196866	1	• KIT, Drive plate
2	9-406861	1	• • RING, Backing
3	9-196868	6	• • CAPSCREW
4	9-407780	6	• • WASHER, Lock
5	9-196704	1	• ASSEMBLY, Stator support
6	9-196705	1	• • BUSHING
7	9-196706	1	• • BEARING
8	9-406856	1	• RING, Stator support piston
9	9-406858	1	• EXPANDER, Stator support piston ring
10	9-406853	2	• SNAP RING, Stator support
11	9-406870	1	• SEAL
12	9-196711	1	• ASSEMBLY, Torque converter - A
	9-197177	1	• ASSEMBLY, Torque converter - B
13	9-406587	1	• PLUG
14	9-408324	1	• O RING
15	9-406847	1	• SNAP RING
16	9-196714	1	• GEAR, Impeller hub
17	9-406855	2	• SNAP RING
18	9-406831	1	• WASHER
19	9-406593	1	• BEARING
20	9-196718	1	• RING-OIL DISTRIBUTOR
21	9-196742	1	• ASSEMBLY, Charge pump
22	9-196743	1	• ASSEMBLY, Hydraulic spin filter
23	9-196744	1	• ASSEMBLY, Ball check valve
24	9-196745	1	• • BALL
25	9-196746	1	• • SPRING, Check valve
26	9-196747	1	• • PIN, Check valve
27	9-406923	1	• • O RING
28	9-406854	2	• GASKET, Pump & adaptor
29	9-196749	4	• SCREW
30	9-196750	1	• STUD

Parts list continued in following page

### 3.9 Transmission - Drive Plate, Torque Converter & Pump Group



M190024AC-6

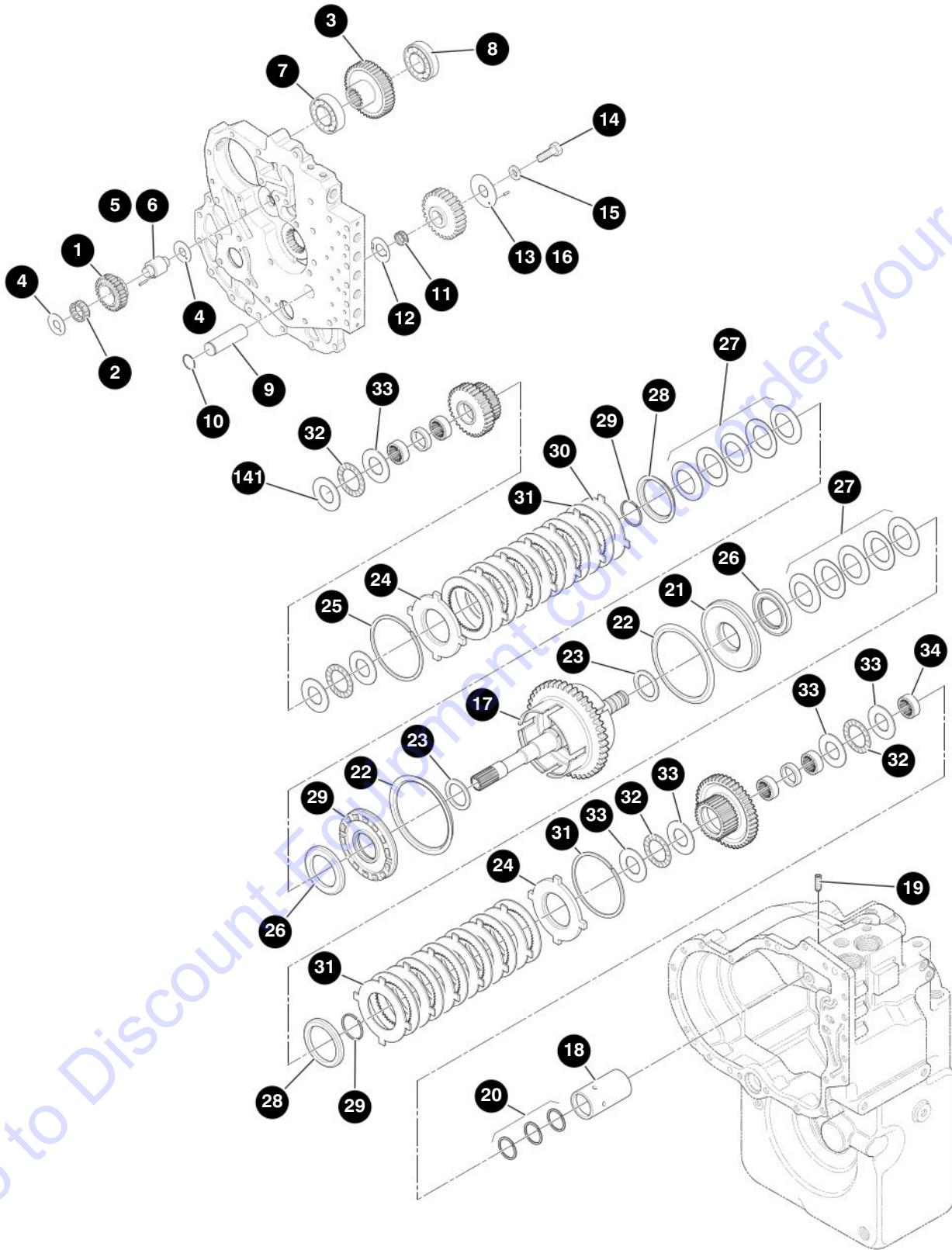
190126AG

SJ1044 TH, SJ1044 THS, SJ1056 TH, SJ1056 THS

### 3.9 Transmission - Drive Plate, Torque Converter & Pump Group

Index No.	Skyjack Part No.	Qty.	Description
			Parts list continued from following page
31	9-196751	5	• WASHER, Lock
32	9-196752	1	• STUD
33	9-196671	1	• WASHER, Lock
34	9-196753	1	• NUT
35	9-196754	1	• NUT
36	9-196755	1	• ADAPTOR
37	9-196756	1	• ASSEMBLY, Regulator valve
38	9-407604	1	• • SLEEVE
39	9-196758	1	• • PISTON
40	9-196759	1	• • SPRING
41	9-196760	1	• • PIN
42	9-196761	2	• CAPSCREW (Not Shown)

### 3.10 Transmission Assembly - Forward & Reverse Group



M190024AC-3

190126AG

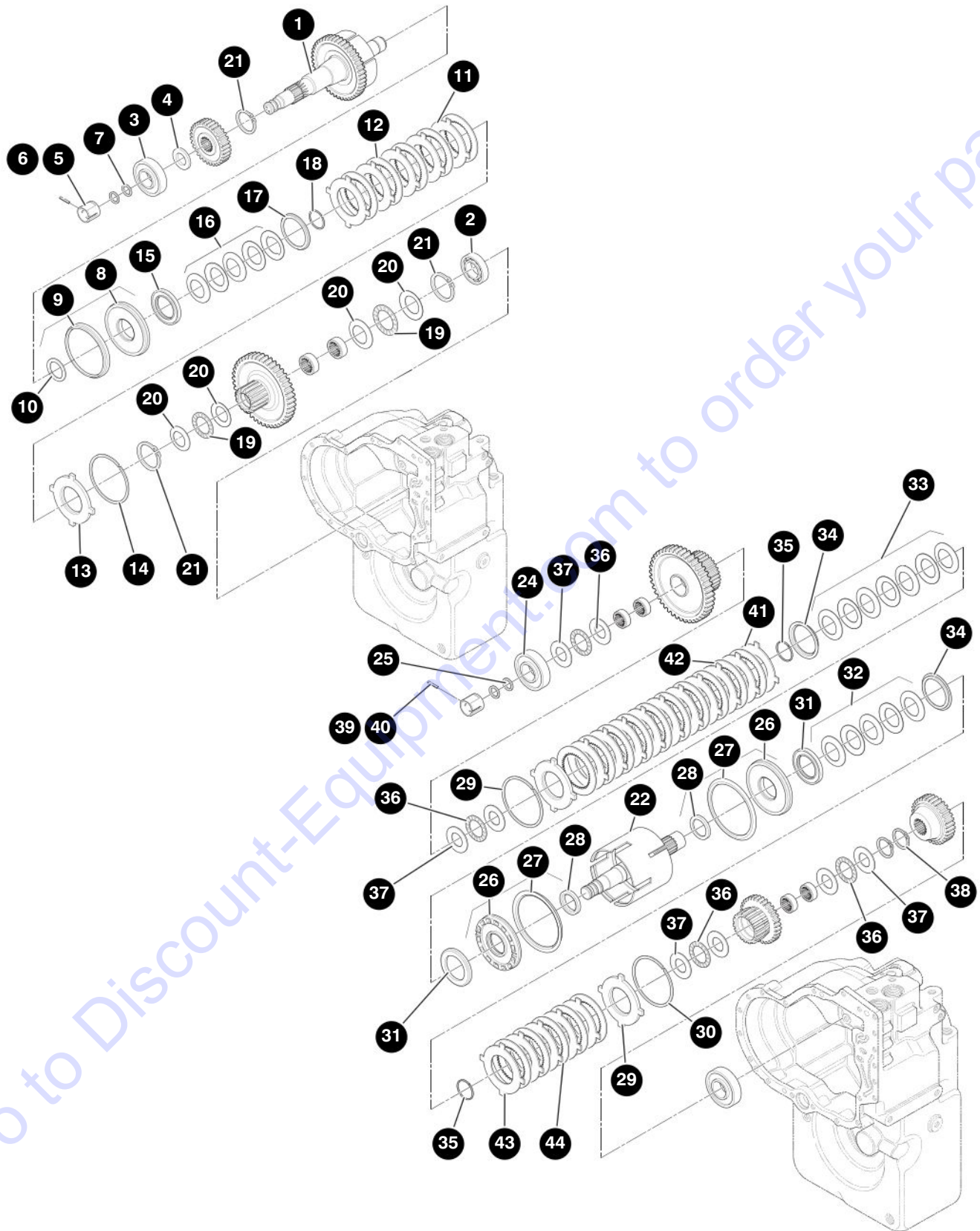
SJ1044 TH, SJ1044 THS, SJ1056 TH, SJ1056 THS

### 3.10 Transmission Assembly - Forward & Reverse Group

Index No.	Skyjack Part No.	Qty.	Description
1	9-196733	1	• GEAR, Pump drive idler
2	9-406645	1	• BEARING
3	9-196735	1	• GEAR, Pump drive
4	9-196736	2	• WASHER
5	9-196737	1	• ASSEMBLY, Pump drive shaft & pin
6	9-196738	1	• • PIN, ROLL
7	9-196739	1	• BEARING, Pump drive gear
8	9-196740	1	• BEARING, Pump drive gear
9	9-196763	1	• SHAFT-IDLER & PILOT
10	9-196764	1	• SNAP RING
11	9-406649	1	• BEARING
12	9-196766	1	• WASHER
13	9-196767	1	• PLATE
14	9-196768	1	• CAPSCREW
15	9-196769	1	• WASHER
16	9-196770	1	• ROLL PIN
17	9-196772	1	• ASSEMBLY, Turbine shaft, drum & plug
18	9-196773	1	• SLEEVE, Oil distributor
19	9-196774	1	• SCREW
20	9-406644	3	• RING
21	9-196776	2	• ASSEMBLY, Piston and seals
22	9-406826	2	• • SEAL
23	9-406822	2	• • SEAL
24	9-406837	2	• PLATE
25	9-406824	2	• SNAP RING
26	9-406834	2	• PLATE
27	9-406880	2	• ASSEMBLY, Disc spring (include 5 washers)
28	9-406850	2	• SNAP RING, Retainer
29	9-406835	2	• SNAP RING, Retainer
30	9-406829	12	• DISC, OUTER
31	9-406830	12	• DISC, INNER
32	9-406832	4	• BEARING
33	9-406833	8	• WASHER
34	9-406838	1	• BEARING



### 3.11 Transmission Assembly - First, Second & Third Shaft



M923131AA-4

190126AG

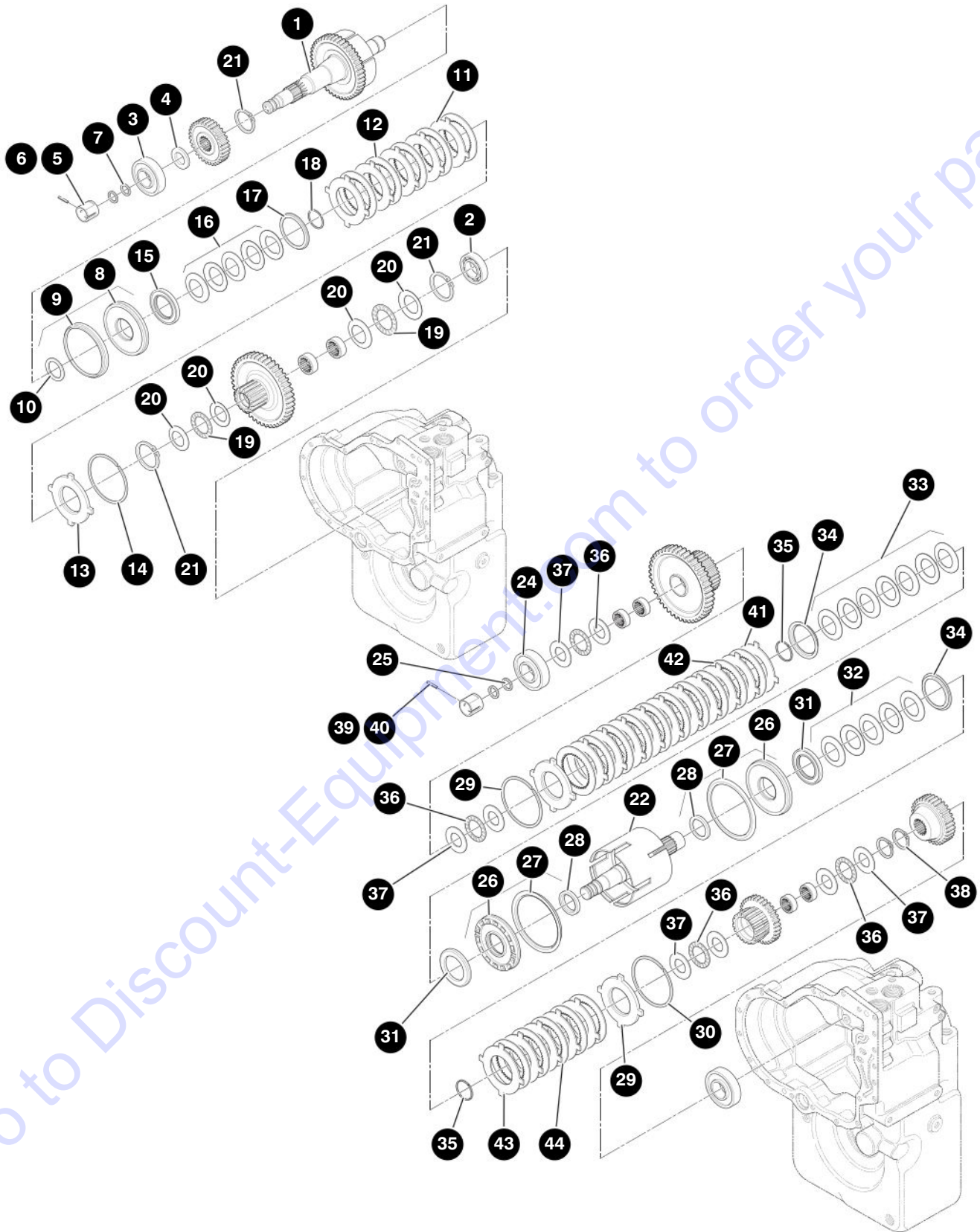
SJ1044 TH, SJ1044 THS, SJ1056 TH, SJ1056 THS

### 3.11 Transmission Assembly - First, Second & Third Shaft

Index No.	Skyjack Part No.	Qty.	Description
1	9-196791	1	• ASSEMBLY, 3rd shaft, drum and plug
2	9-407673	1	• BEARING
3	9-407655	1	• ASSEMBLY, Bearing & seal
4	9-196794	1	• WASHER
5	9-196795	1	• SLEEVE
6	9-196796	1	• SCREW
7	9-406644	2	• RING
8	9-196797	1	• ASSEMBLY, Clutch piston & seals
9	9-406826	1	• • SEAL
10	9-406822	1	• • SEAL
11	9-406829	5	• DISC-OUTER
12	9-406830	5	• DISC-INNER
13	9-406837	1	• PLATE
14	9-406824	1	• SNAP RING
15	9-406834	1	• PLATE
16	9-406880	1	• ASSEMBLY, Disc spring
17	9-406850	1	• SNAP RING, Retainer
18	9-406835	1	• SNAP RING, Retainer
19	9-196798	2	• BEARING
20	9-196799	4	• WASHER
21	9-196800	3	• SNAP RING, External
22	9-196802	1	• ASSEMBLY, 1st and 2nd shaft, drum, plug and seat
23	9-406857	1	• BEARING
24	9-407655	1	• ASSEMBLY, Bearing & seal
25	9-406644	2	• RING
26	9-196804	2	• ASSEMBLY, Piston & seals
27	9-406826	2	• • SEAL
28	9-406822	2	• • SEAL
29	9-406837	2	• PLATE
30	9-406824	2	• SNAP RING

Parts list continued in following page

### 3.11 Transmission Assembly - First, Second & Third Shaft



M923131AA-4

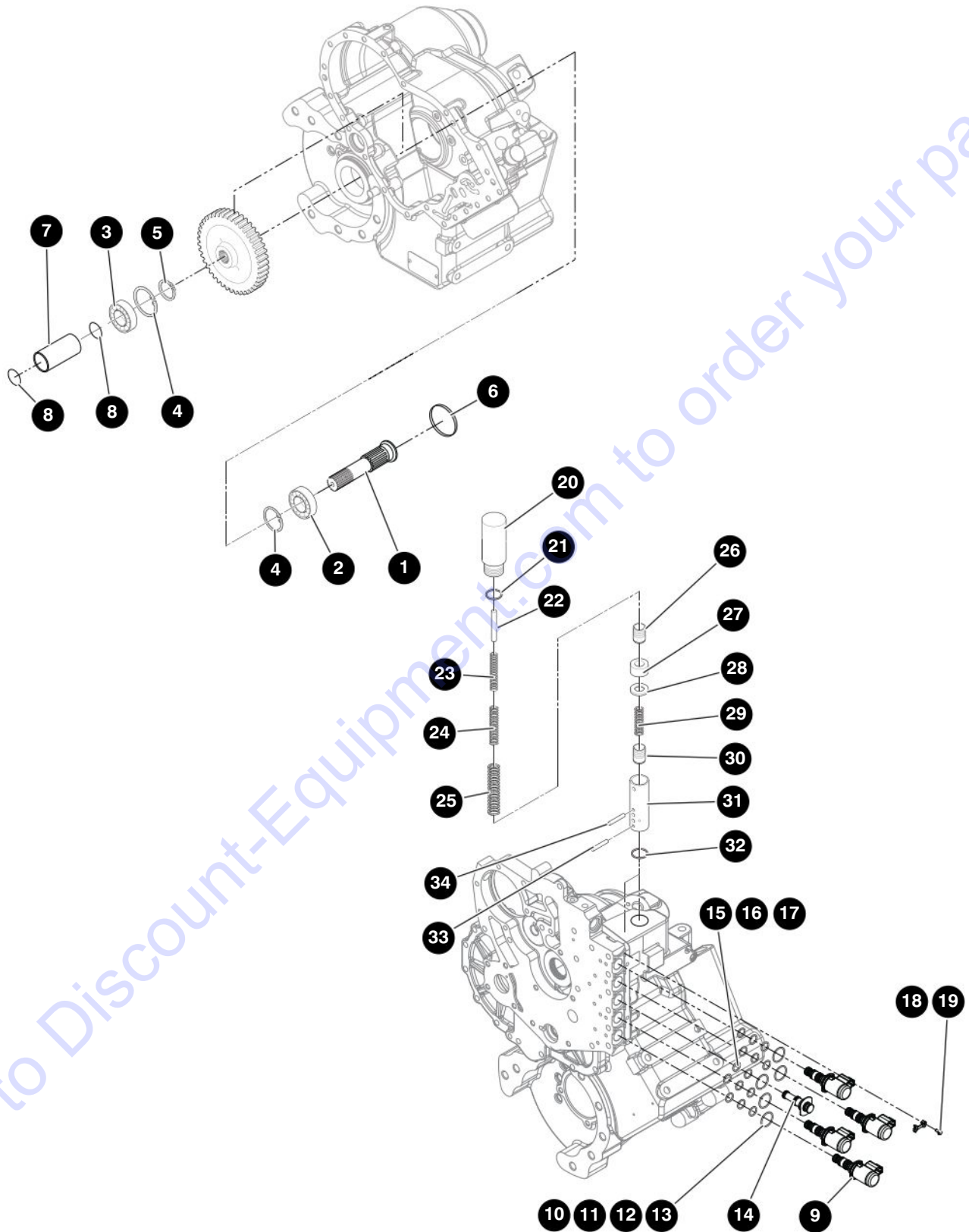
190126AG

SJ1044 TH, SJ1044 THS, SJ1056 TH, SJ1056 THS

### 3.11 Transmission Assembly - First, Second & Third Shaft

Index No.	Skyjack Part No.	Qty.	Description
			Parts list continued from previous page
31	9-406834	2	• PLATE
32	9-406880	1	• ASSEMBLY, Disc spring 2nd-(include 5 washers)
33	9-196805	1	• ASSEMBLY, Disc spring 1st-(include 7 washers)
34	9-406850	2	• RETAINER, Snap ring
35	9-406835	2	• SNAP RING, Retainer
36	9-406832	4	• BEARING
37	9-406833	8	• WASHER
38	9-196806	2	• SNAP RING
39	9-196807	1	• SLEEVE
40	9-196796	1	• SCREW
41	9-406829	10	• DISC, Outer 1st
42	9-406830	10	• DISC, Inner 1st
43	9-406829	5	• DISC, Outer 2nd
44	9-406830	5	• DISC, Inner 2nd

### 3.12 Transmission Assembly - Output Shaft & Control Group



M190024AC-2

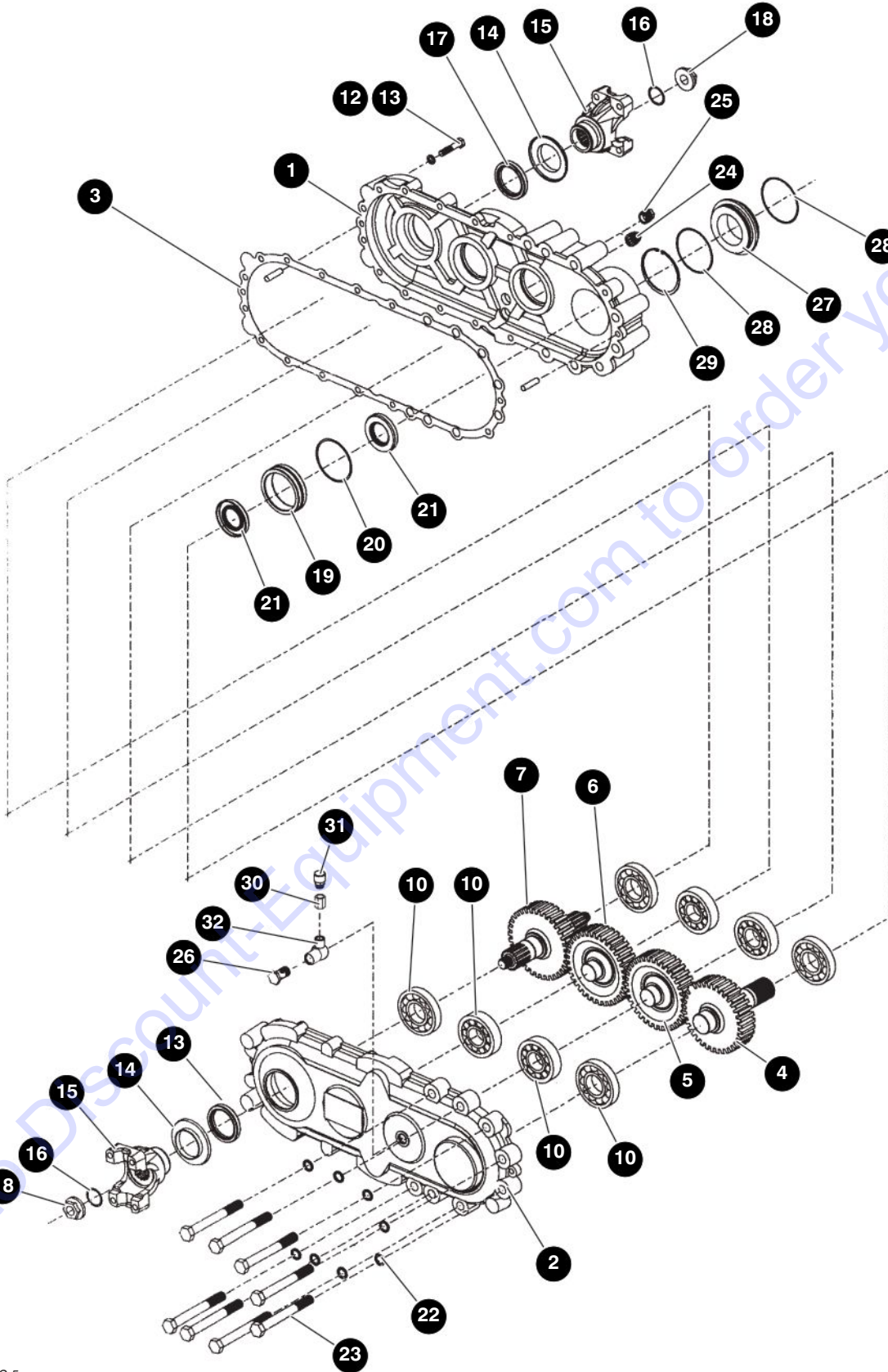
190126AG

SJ1044 TH, SJ1044 THS, SJ1056 TH, SJ1056 THS

### 3.12 Transmission Assembly - Output Shaft & Control Group

Index No.	Skyjack Part No.	Qty.	Description
1	9-196809	1	• SHAFT, Output
2	9-406614	1	• BALL BEARING 210S
3	9-196811	1	• BEARING
4	9-408754	2	• RING, Snap
5	9-408020	1	• SNAP RING
6	9-196812	1	• PLUG-END
7	9-196813	1	• COUPLING, Drive
8	9-196800	2	• SNAP RING, External
9	9-407683	4	• SOLENOID, Drop in w/ deutsch connector 12V
10	9-196842	4	• • O-RING, 21.5x1.5 mm viton-
11	9-196843	4	• • O-RING, 15.1x1.60 mm viton
12	9-196844	4	• • O-RING, 14.1x1.60 mm viton
13	9-196845	4	• • O-RING, 12.1x1.60 mm viton
14	9-196846	1	• PLUG, Solenoid bore
15	9-196847	1	• • O-RING, 18.0x 2.20 mm viton
16	9-196843	1	• • O-RING, 15.1x1.60 mm viton
17	9-196845	1	• • O-RING, 12.1x1.60 mm viton
18	9-196848	6	• CLAMP
19	9-196849	12	• SCREW, With integrated washer (M4X10 class 10.9)
20	9-196851	1	• HOUSING, Modulation valve
21	9-196852	1	• O-RING
22	9-196853	1	• PIN-STOP
23	9-196854	1	• SPRING, Inner
24	9-196855	1	• SPRING, Middle
25	9-196856	1	• SPRING, Outer
26	9-196857	1	• SPOOL, Accumulator
27	9-196858	1	• RETAINER, Spring
28	9-196859	1	• SPACER, Spring
29	9-196860	1	• SPRING, Modulation valve
30	9-196861	1	• SPOOL, Regulator
31	9-196862	1	• SLEEVE, Modulation valve
32	9-408318	1	• O-RING, Sleeve
33	9-196863	1	• PIN, Lower
34	9-196864	1	• PIN, Upper

### 3.13 Transmission Assembly - Drop Box



M190024AC-5

190126AG

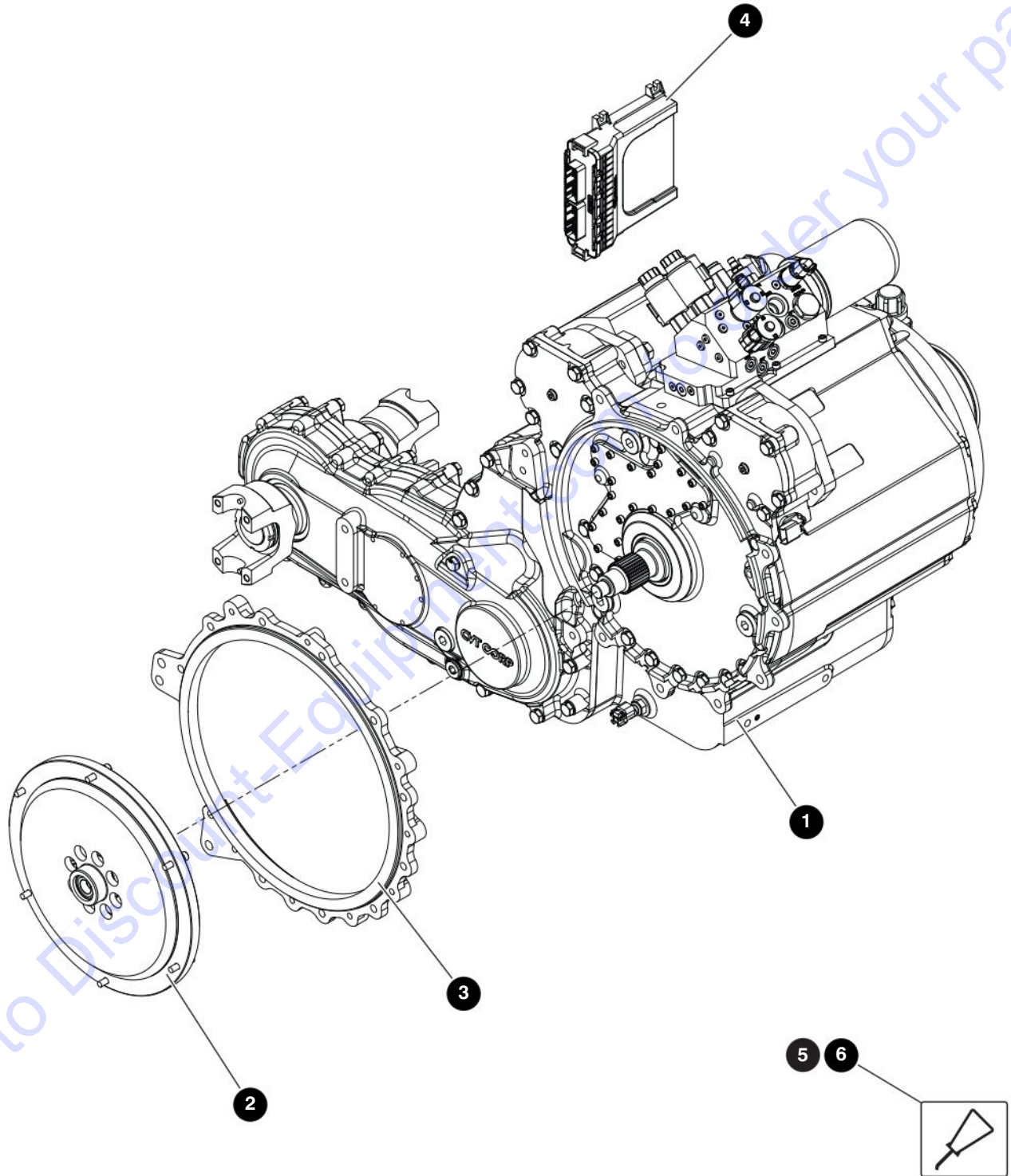
SJ1044 TH, SJ1044 THS, SJ1056 TH, SJ1056 THS

### 3.13 Transmission Assembly - Drop Box

Index No.	Skyjack Part No.	Qty.	Description
1	9-196815	1	• COVER, Rear
2	9-196816	1	• COVER, Front
3	9-196817	1	• GASKET
4	9-196818	1	• SHAFT, Input dropbox 34t
5	9-196819	1	• GEAR, Idler 35t
6	9-196820	1	• GEAR, Idler 36t
7	9-196821	1	• SHAFT, Output dropbox 34t
8	9-196822	2	• BEARING
9	9-196823	2	• REAR BEARING
10	9-196824	4	• BEARING, Roller
11	9-196681	2	• PIN-ROLL
12	9-196691	13	• CAPSCREW
13	9-196671	13	• WASHER, Lock
14	9-407637	2	• OIL SEAL
15	9-196826	2	• FLANGE, Yoke 1480 without brake
16	9-406932	2	• O-RING
17	9-406685	2	• WASHER
18	9-406508	2	• NUT, Idler shaft
19	9-196829	1	• SLEEVE, Oil seal
20	9-408326	1	• O-RING
21	9-196830	2	• SEAL OIL
22	9-196831	8	• WASHER, Lock
23	9-196832	8	• SCREW, M16
24	9-407632	1	• PLUG, Magnetic drain
25	9-196834	1	• OIL LEVEL GLASS
26	9-196835	1	• PLUG
27	9-196836	1	• SLEEVE PILOT
28	9-196837	2	• O-RING
29	9-408754	1	• RING, Snap
30	9-196838	1	• ADAPTER
31	9-169159	1	• BREATHER
32	9-196839	1	• FITTING, Elbow 90° street



### 3.14 Continuously Variable Transmission (CVT) Assembly



M216578AB

190126AG

**100**

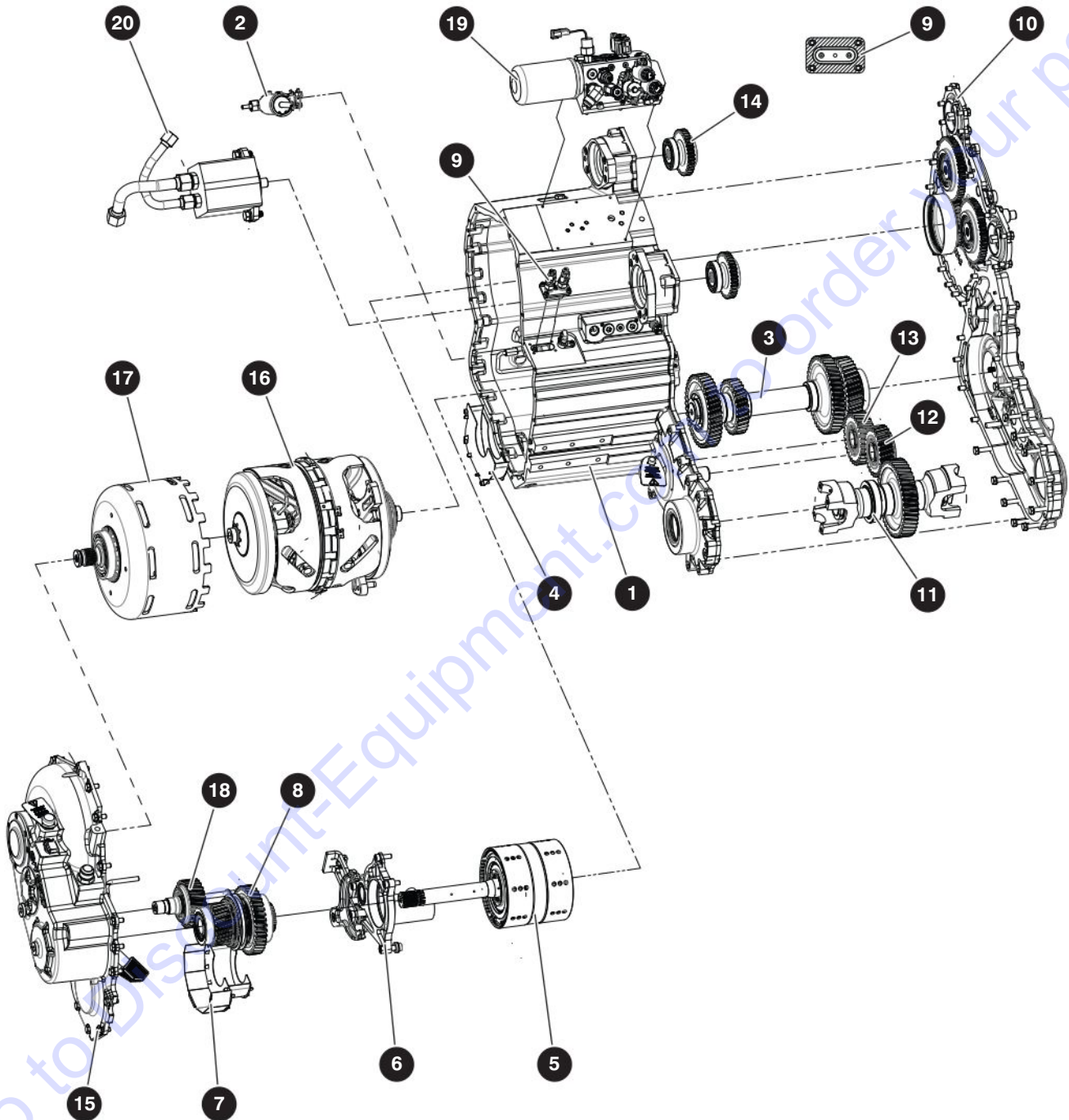
SJ1044 TH, SJ1044 THS, SJ1056 TH, SJ1056 THS

**SKYJACK**

### 3.14 Continuously Variable Transmission (CVT) Assembly

Index No.	Skyjack Part No.	Qty.	Description
-	9-216578	1	CVT PURCHASED ASM
1	9-216566	1	• TRANSMISSION ASSY, CVT-P15-0000-B
2	9-216574	1	• DAMPER PLATE ASM, CVT
3	9-216572	1	• ENGINE MOUNT ADAPTER PLATE SAE3, CVT
4	9-216579	1	• TCU ASM, CVT
5	9-222842		OIL, Traction 5 Gallons
6	9-222843		OIL, Traction 1 Gallon

### 3.15 CVT Transmission



M222686AA

190126AG

SJ1044 TH, SJ1044 THS, SJ1056 TH, SJ1056 THS

### 3.15 CVT Transmission

Index No.	Skyjack Part No.	Qty.	Description
-	9-216566	1	TRANSMISSION, CVT
1	9-222767	1	• Middle Casing ASM
2	9-222697	1	• CTRL System ASM
3	9-222723	1	• SHAFT 5 ASM
4	9-222777	1	• GEAR BAFFLE FRONT ASM
5	9-222704	1	• CLUTCH ASM
6	9-222816	1	• CYLINDER SYNCHRO ASM
7	9-222781	1	• GEAR BAFFLE BACK ASM
8	9-222751	1	• R1/H1 SHAFT DC ASM
9	9-222830	1	• LIMIT SWITCH ASM
10	9-222769	1	• Front Casing ASM
11	9-222740	1	• E3 SHAFT ASM
12	9-222737	1	• E2b Gear ASM
13	9-222736	1	• E2a Gear ASM
14	9-222752	2	• P3 GEAR ASM
15	9-222776	1	• Rear Casing ASM
16	9-222687	1	• P15 Cartridge ASM
17	9-222690	1	• OUTPUT ASM
18	9-222732	1	• R2 REV idler shaft
19	9-222813	1	• BLOCK MANIFOLD ASM
20	9-222827	1	• Pump Unit ASM

# PARTS FINDER

**Search Website  
by Part Number**



**Search Manual  
Library For Parts  
Manual & Lookup Part  
Numbers – Purchase  
or Request Quote**

**Search Manuals**

Enter your information to help us find the right parts manual for your machine.

\* Brand:

\* Model:

\* Serial:

\* Part Number:

SEARCH

**Can't Find Part or  
Manual? Request Help  
by Manufacturer,  
Model & Description**

**Parts Order Form**

Please fill in the following information to help us find the right part for your machine.

Manufacturer:	<input type="text"/>
Model:	<input type="text"/>
Description:	<input type="text"/>
Part Number:	<input type="text"/>
Quantity:	<input type="text"/>
Notes:	<input type="text"/>

Discount-Equipment.com is your online resource for quality parts & equipment.

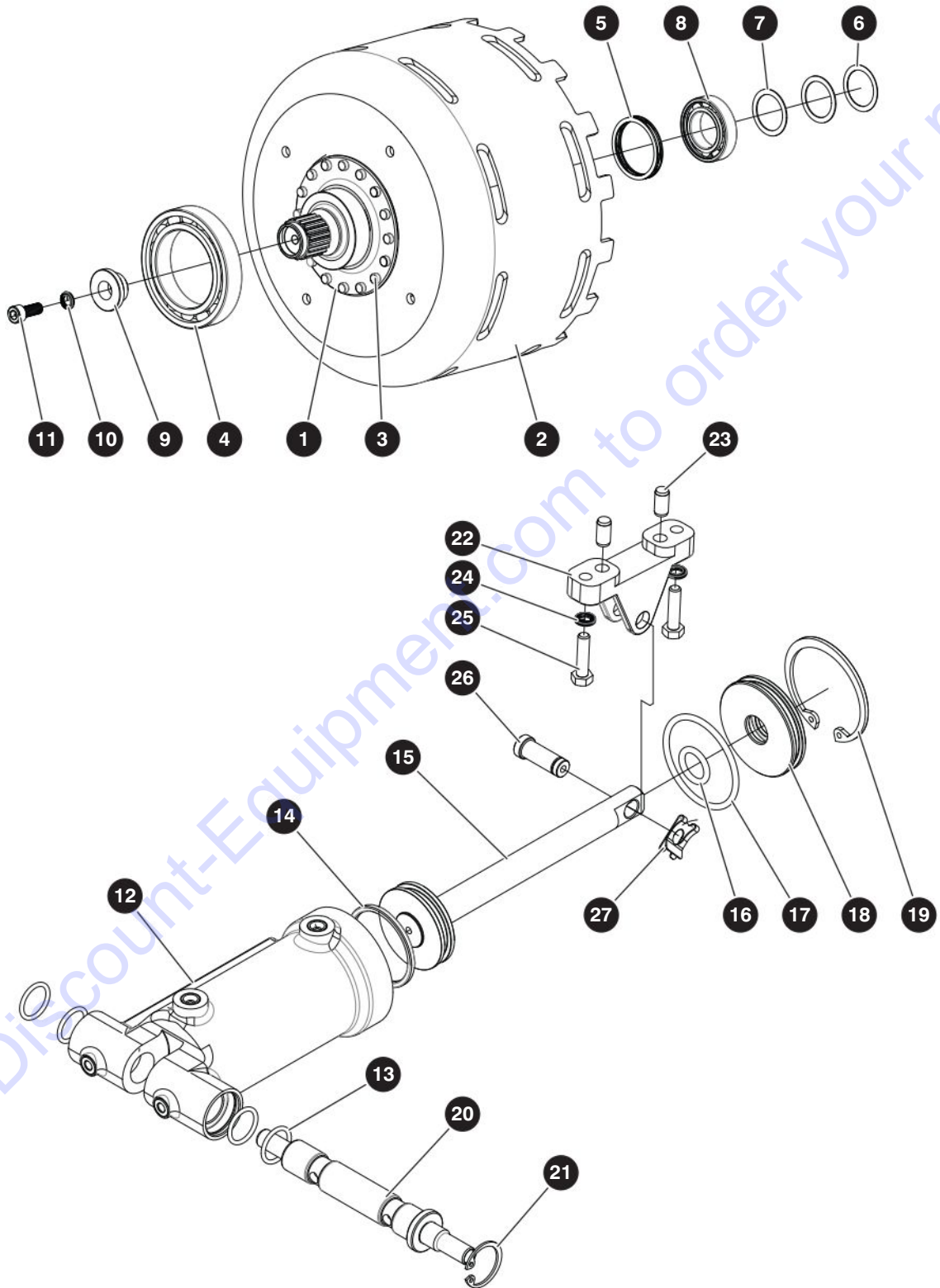
Florida: **561-964-4949** Outside Florida TOLL FREE: **877-690-3101**

**Need parts?**

Click on this link: <http://www.discount-equipment.com/category/5443-parts/> and choose one of the options to help get the right parts and equipment you are looking for. Please have the machine model and serial number available in order to help us get you the correct parts. If you don't find the part on the website or on one of the online manuals, please fill out the request form and one of our experienced staff members will get back to you with a quote for the right part that your machine needs.

We sell worldwide for the brands: Genie, Terex, JLG, MultiQuip, Mikasa, Essick, Whiteman, Mayco, Toro Stone, Diamond Products, Generac Magnum, Airman, Haulotte, Barreto, Power Blanket, Nifty Lift, Atlas Copco, Chicago Pneumatic, Allmand, Miller Curber, Skyjack, Lull, Skytrak, Tsurumi, Husquvarna Target, Stow, Wacker, Sakai, Mi-T-M, Sullair, Basic, Dynapac, MBW, Weber, Bartell, Bennar Newman, Haulotte, Ditch Runner, Menegotti, Morrison, Contec, Buddy, Crown, Edco, Wyco, Bomag, Laymor, EZ Trench, Bil-Jax, F.S. Curtis, Gehl Pavers, Heli, Honda, ICS/PowerGrit, IHI, Partner, Imer, Clipper, MMD, Koshin, Rice, CH&E, General Equipment, Amida, Coleman, NAC, Gradall, Square Shooter, Kent, Stanley, Tamco, Toku, Hatz, Kohler, Robin, Wisconsin, Northrock, Oztec, Toker TK, Rol-Air, APT, Wylie, Ingersoll Rand / Doosan, Innovatech, Con X, Ammann, Mecalac, Makinex, Smith Surface Prep, Small Line, Wanco, Yanmar

### 3.16 CVT Output Drum and Shaft & Control System

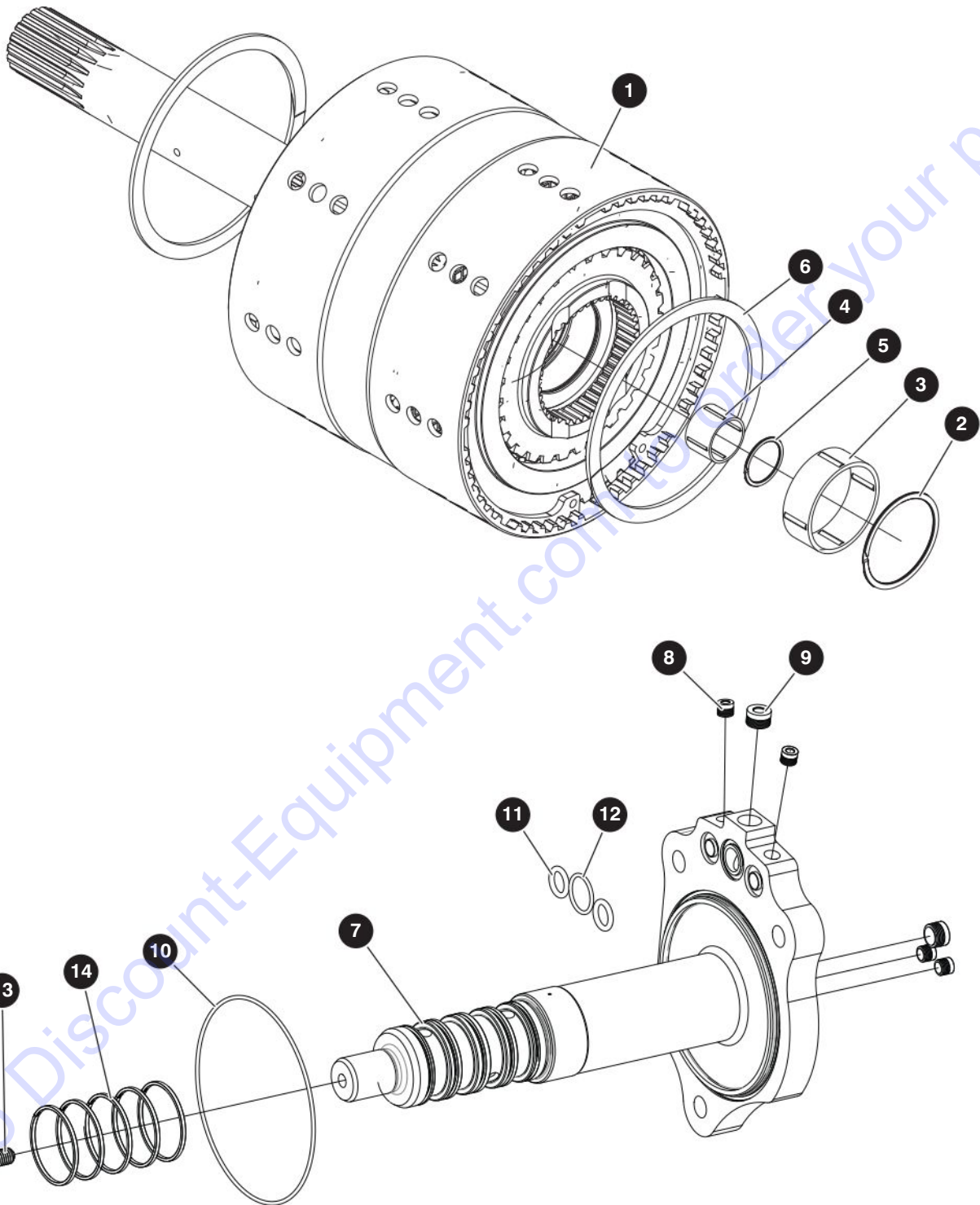


M222838AA\_M222697AA

### 3.16 CVT Output Drum and Shaft & Control System

Index No.	Skyjack Part No.	Qty.	Description
-	9-222838	1	OUTPUT ASSEMBLY
1	9-222691	1	• SHAFT, Output
2	9-222692	1	• DRUM, Output
3	9-222677	16	• "Rivet Solid - 0.250" x 0.750" (97386A347)"
4	9-222573	1	• Ball Bearing 6015
5	9-222546	1	• Wave spring (with flat ends)
6	9-222563	1	• Shim Din988 35x45x0.5
7	9-222552	2	• Shim Din988 35x45x1
8	9-222569	1	• "Bearing Ball, 35 mm x 62 mm x 14 mm 6007 C3"
9	9-222694	1	• Drum Holder
10	9-222547	1	• "WEDGE LOCK WASHER 0.650" x 0.410" x 0.100" ZC-PL"
11	9-222695	1	• SHCS M10x1.5x25 with thru hole
-	9-222697	1	CONTROL SYSTEM
12	9-222703	1	• Cylinder ASM
13	9-222596	4	• O-RING AS568 #11
14	9-222616	1	• "O-ring Quad ring 1.312 X 1.500 X 0.103""
15	9-222702	1	• Piston Rod
16	9-222595	1	• O-RING AS568 Dash #112 Nitrile
17	9-222597	1	• O-Ring - AS568 Dash #129
18	9-222700	1	• SEAL CAP CTRL SYST
19	9-222660	1	• Retaining Ring INT - 45 mm
20	9-222699	1	• SHAFT MANIFOLD CTRL SYSTEM
21	9-222661	1	• "Retaining ring int 20mm bore (D1300-0200-A)"
22	9-222698	1	• CONNECTION PLATE
23	9-222653	2	• Pin Dowel M6 X 12mm
24	9-222549	2	• "WEDGE LOCK WASHER - 0.350" X 0.210" X 0.070" ZC-PL"
25	9-222531	2	• M5 x 0.8 x 20 (Class 8.8) ZC-PL
26	9-222701	1	• PIN CTRL SYSTEM
27	9-222676	1	• Metric External Clip - 8mm

### 3.17 CVT Clutch



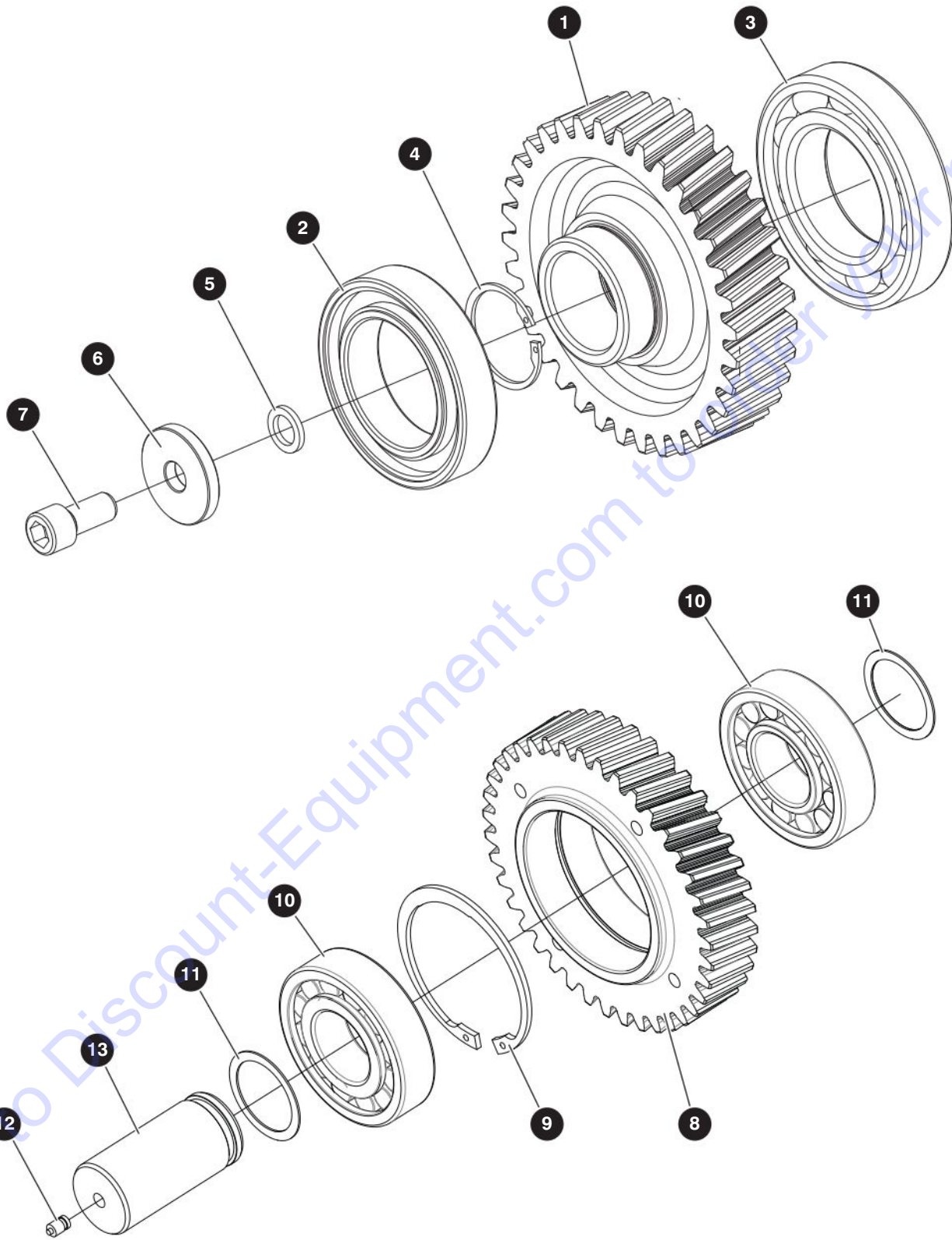
M222704AA\_M222705AA



### 3.17 CVT Clutch

Index No.	Skyjack Part No.	Qty.	Description
-	9-222704	1	CLUTCH
1	9-222628	1	• JMFT - CLUTCH
2	9-222671	1	• Snap Ring Int EH-52mm
3	9-222581	1	• Needle Bearing K45x52x18H
4	9-222582	1	• Needle Bearing K22x26x17
5	9-222669	1	• Snap Ring Int 26mm
6	9-222508	2	• SEAL RING
-	9-222705	1	CLUTCH MANIFOLD
7	9-222706	1	• Clutch Manifold Beam
8	9-222678	4	• Rivet Plug LK series 8mm KVT LK 950-080
9	9-222679	2	• Rivet Plug LK series 12mm (KVT LK 950-120)
10	9-222592	1	• O-RING 4.000 X 4.125 X 0.0625 (#045)
11	9-222591	2	• O-RING AS568 #111
12	9-222606	1	• O-RING AS568 #017
13	9-222707	1	• SET SCREW MODIFICATION
14	9-222626	5	• PISTON-RING_40.0X2.0X1.45.1

### 3.18 CVT G2 & G3 Gears Assembly

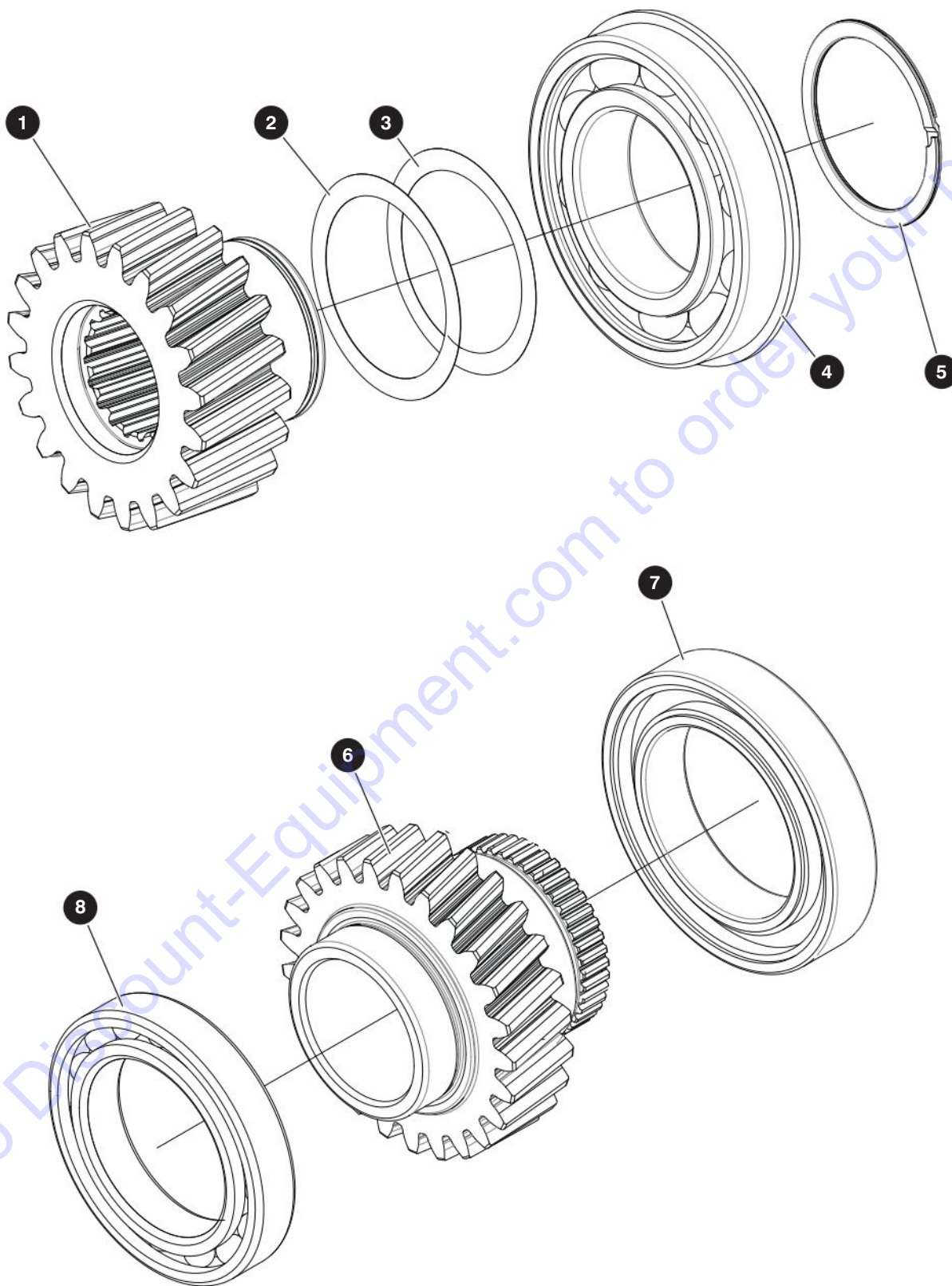


M222708AA\_M222709AA

### 3.18 CVT G2 & G3 Gears Assembly

Index No.	Skyjack Part No.	Qty.	Description
-	9-222708	1	G3 GEAR ASSEMBLY
1	9-222714	1	• G3 Gear
2	9-222572	1	• Bearing 6011
3	9-222575	1	• Bearing 6211
4	9-222664	1	• Retaining ring J42
5	9-222550	1	• Wedge lock washer
6	9-222717	1	• Washer D041xD010xL6
7	9-222718	1	• SHCS M12 x 1.75 x 25 8.8 with hole
-	9-222709	1	G2 GEAR ASSEMBLY
8	9-222710	1	• G2 Gear
9	9-222665	1	• Retaining ring J90
10	9-222587	2	• Roller Bearing NJ 308
11	9-222555	2	• Shim Din998 40x50x1
12	9-222681	1	• Expander_7mm
13	9-222711	1	• G2 GEAR STUD

### 3.19 CVT G1 & L1 Gears Assembly

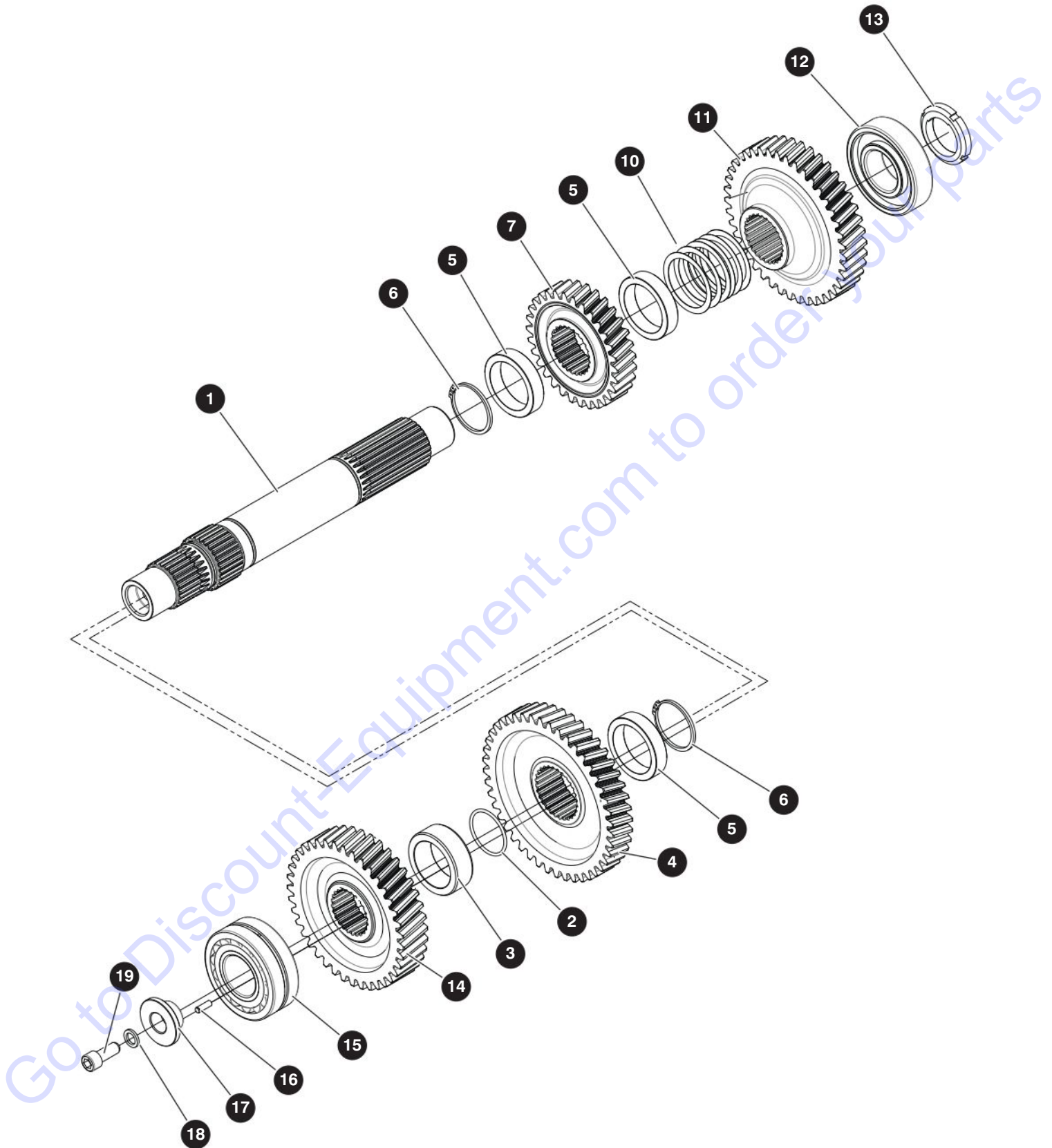


M222712AA\_M222713AA

### 3.19 CVT G1 & L1 Gears Assembly

Index No.	Skyjack Part No.	Qty.	Description
-	9-222712	1	G1 GEAR ASSEMBLY
1	9-222693	1	• G1 Gear
2	9-222553	1	• Shim 55mm x 68mm x 0.2mm
3	9-222554	1	• Shim 55mm x 66mm x 0.1mm
4	9-222576	1	• "Ball bearing 6211 NR (Grooved and circlip)"
5	9-222670	1	• Retain. Ring A55
-	9-222713	1	L1 GEAR ASSEMBLY
6	9-222716	1	• L1 Gear
7	9-222568	1	• Bearing Ball - 6014-2z
8	9-222578	1	• Bearing Ball

### 3.20 CVT Shaft 5 Assembly

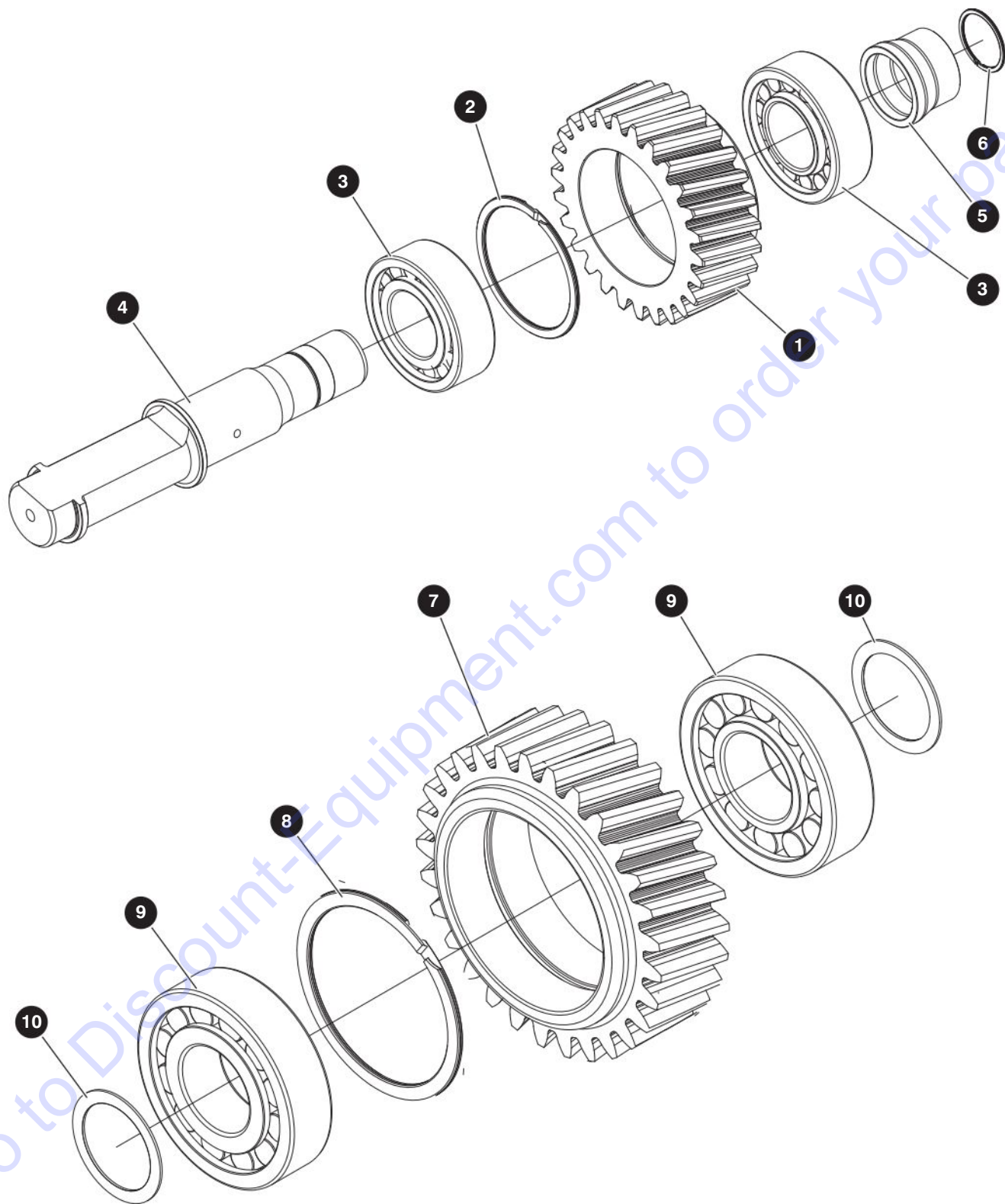


M222723AA.ai

### 3.20 CVT Shaft 5 Assembly

Index No.	Skyjack Part No.	Qty.	Description
-	9-222723	1	SHAFT 5 ASSEMBLY
1	9-222724	1	• Intermediate shaft
2	9-222619	1	• O-Ring 46x3 NBR-70
3	9-222730	1	• SEAL SLEEVE
4	9-222725	1	• L2 Gear
5	9-222726	3	• BUSHING
6	9-222658	2	• Retaining ring A55
7	9-222727	1	• H2 Gear
8	9-222553	2	• Shim 55x66x0.2
9	9-222554	1	• Shim 55x66x0.2
10	9-222556	3	• SHIM_DIN988_55X68X0.5_ST
11	9-222728	1	• R3 GEAR
12	9-222570	1	• Bearing Ball 46 mm x 100 mm x 25 mm
13	9-222565	1	• Lock Nut KM9
14	9-222729	1	• E1 Gear
15	9-222589	1	• Cyl Roller bearing 22309E
16	9-222654	1	• Pin Dowel - M6 X 20MM
17	9-222731	1	• LOCKING FLANGE
18	9-222550	1	• Wedge lock washer
19	9-222526	1	• SHCS M12x30 12.9

### 3.21 CVT R2 Reverse Idler Shaft & E2A Gear Assembly



M222732AA\_222736AA

190126AG

114

SJ1044 TH, SJ1044 THS, SJ1056 TH, SJ1056 THS

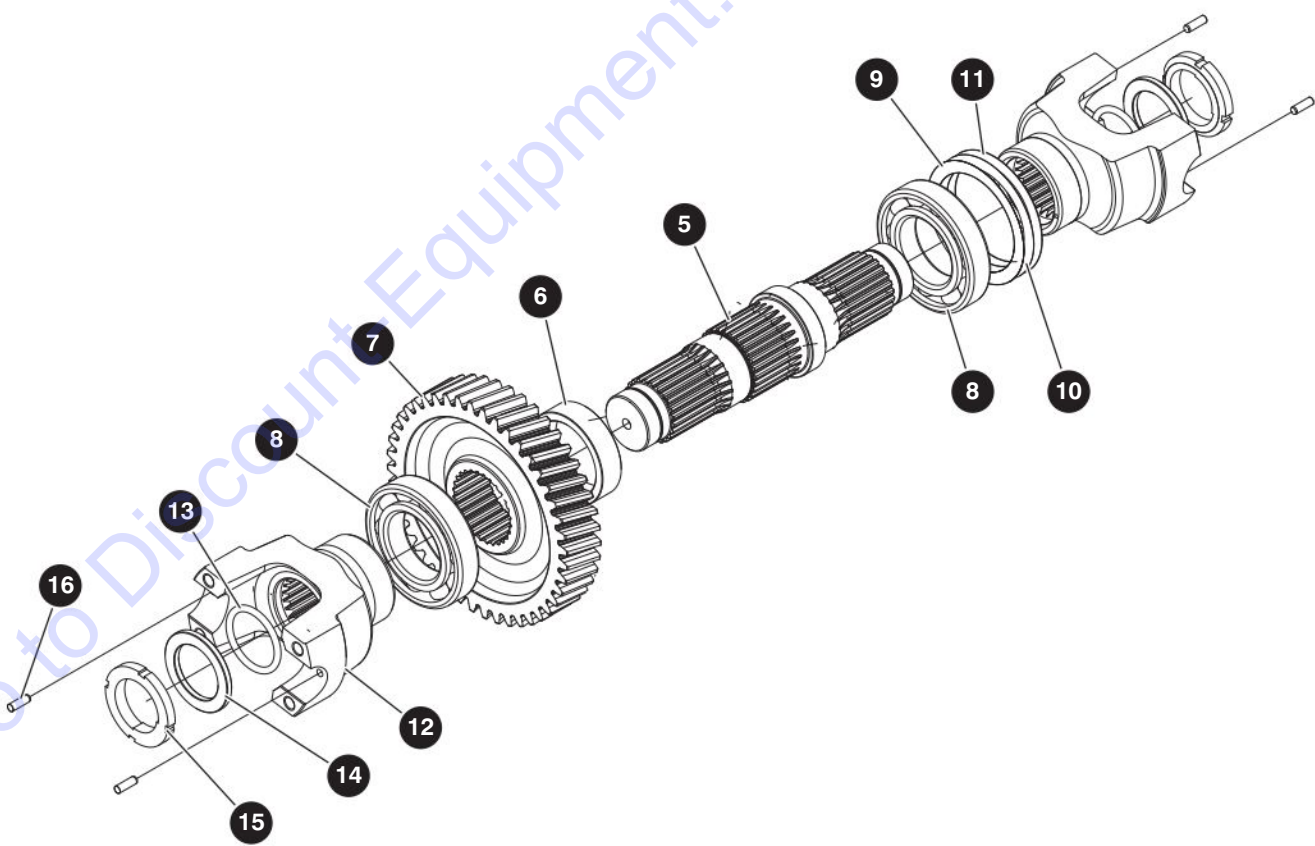
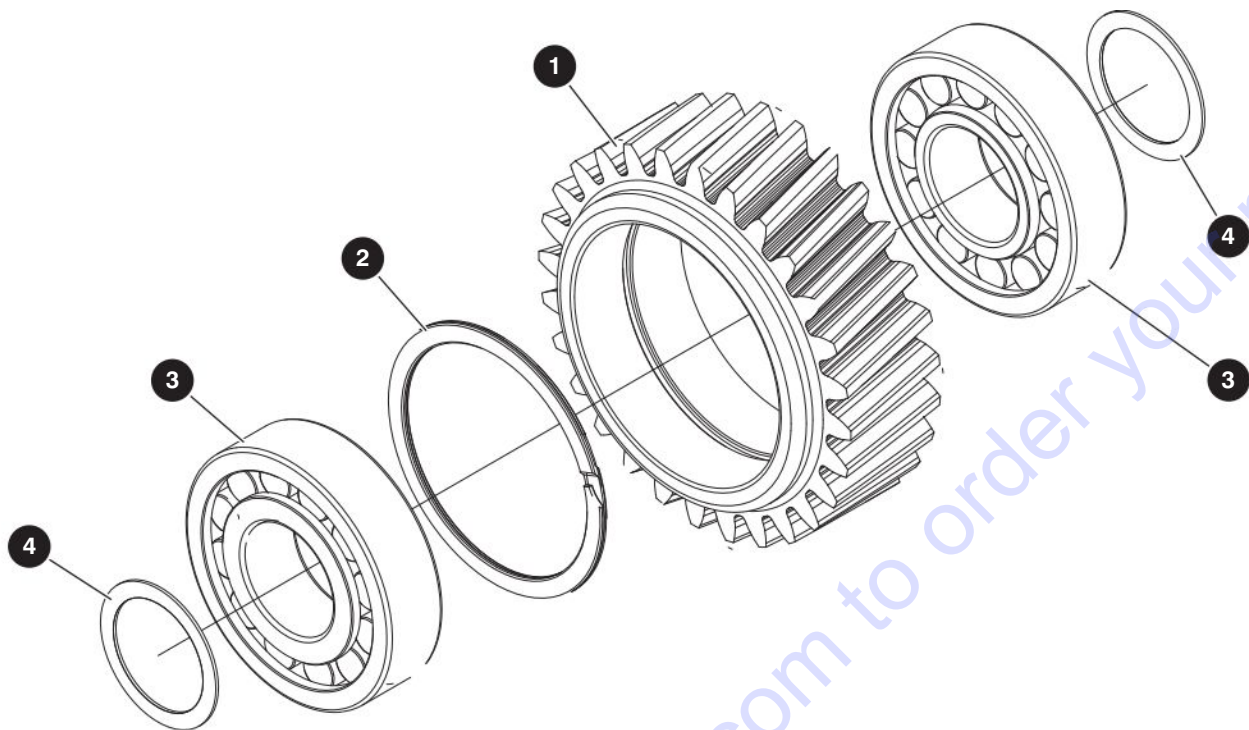
SKYJACK



### 3.21 CVT R2 Reverse Idler Shaft & E2A Gear Assembly

Index No.	Skyjack Part No.	Qty.	Description
-	9-222732	1	R2 REVERSE IDLER SHAFT
1	9-222733	1	• R2 REVERSE GEAR
2	9-222673	1	• Retaining ring Spiral 72mm
3	9-222588	2	• "Bearing cylindrical roller (NJ 2207-TVP2-C3)"
4	9-222734	1	• R2 Gear Idler Shaft
5	9-222735	1	• R2 GEAR SLEEVE SPACER
6	9-222667	1	• Ext. Spiral Snap Ring 30 mm
-	9-222736	1	E2A GEAR ASSEMBLY
7	9-222738	1	• E2a Gear RH
8	9-222672	1	• Retaining Ring Spiral (INT) 80mm
9	9-222586	2	• Bearing Cylindrical Roller 35mm x 80mm x 21
10	9-222552	2	• Shim Din988 35x45x1

### 3.22 CVT EB2 Gear & E3 Shaft Assemblies

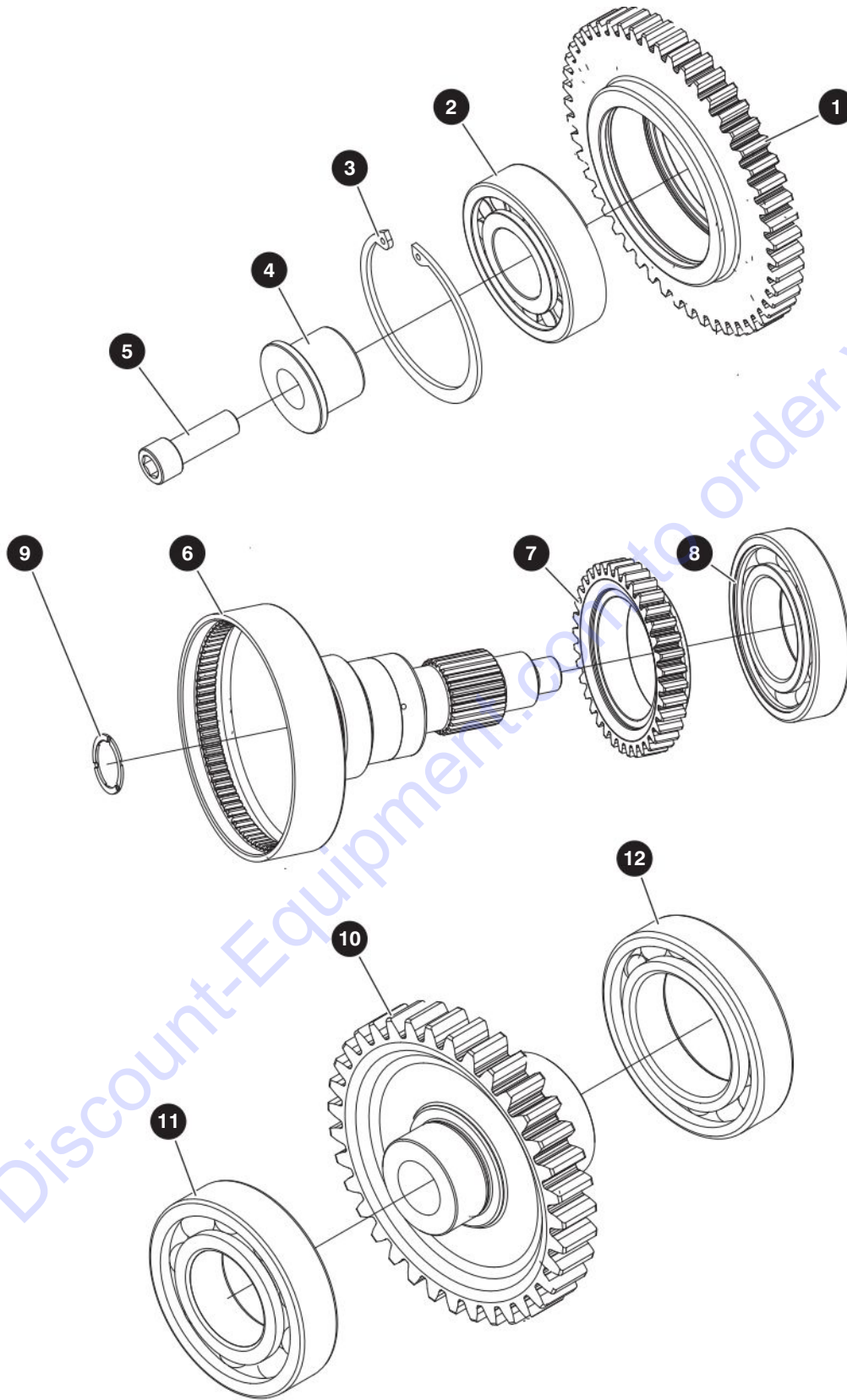


M222737AA\_M222740AA.ai

### 3.22 CVT EB2 Gear & E3 Shaft Assemblies

Index No.	Skyjack Part No.	Qty.	Description
-	9-222737	1	EB2 GEAR ASSEMBLY
1	9-222739	1	• E2b Gear LH
2	9-222672	1	• Retaining Ring Spiral (INT) 80mm
3	9-222586	2	• Bearing Cylindrical Roller 35mm x 80mm x 21
4	9-222552	2	• Shim Din988 35x45x1
-	9-222740	1	E3 SHAFT ASSEMBLY
5	9-222742	1	• OUTPUT SHAFT
6	9-222743	1	• BUSHING
7	9-222741	1	• E3 Gear RH
8	9-222575	2	• Bearing 6211
9	9-222559	2	• SHIM_DIN988_80x100x0.1-ST
10	9-222558	1	• SHIM_DIN988_80x100x0.2-ST
11	9-222557	1	• SHIM_DIN988_80x100x0.5-ST
12	9-222745	2	• HALF ROUND YOKE 1480 SPL24
13	9-222618	2	• O-ring 45x5
14	9-222744	2	• WASHER
15	9-222566	2	• Locking nut M45x1.5
16	9-222654	4	• Pin Dowel - M6 X 20MM

### 3.23 CVT P2 and P3 Gears & Input Shaft Assemblies

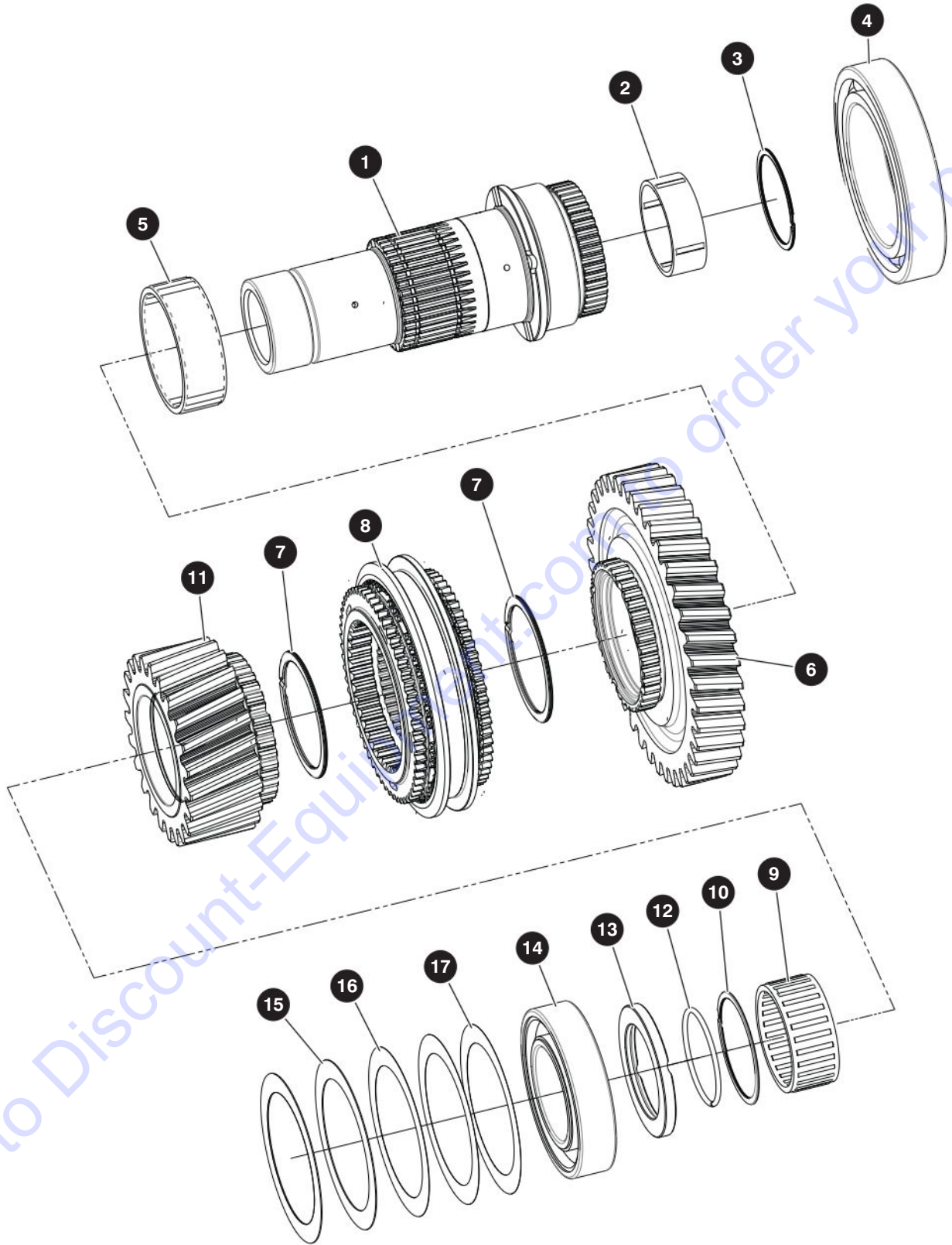


M222746AA\_M222747AA\_M222752AA

### 3.23 CVT P2 and P3 Gears & Input Shaft Assemblies

Index No.	Skyjack Part No.	Qty.	Description
-	9-222746	1	P2 GEAR ASSEMBLY
1	9-222748	1	• P2 Gear
2	9-222585	1	• Cylindrical Roller Bearing 35mm X 80mm X 21mm
3	9-222659	1	• Retaining Ring INT
4	9-222750	1	• P2 Bearing Support
5	9-222527	1	• M12 x 1.75 x 35.0 ZC-PL
-	9-222747	1	INPUT SHAFT ASSEMBLY
6	9-222689	1	• Cam Shaft
7	9-222749	1	• P1 Gear
8	9-222577	1	• 60 mm x 110 mm x 22 mm (6212)
9	9-222688	1	• LUBRICATION THRUST WASHER
-	9-222752	1	P3 GEAR ASSEMBLY
10	9-222753	1	• P3 Gear
11	9-222580	1	• Bearing Ball 35 mm x 72 mm x 17 mm (6207)
12	9-222574	1	• Ball Bearing 6009

### 3.24 R1 & H1 Shaft Double Cone Assembly



M222751AA

190126AG

120

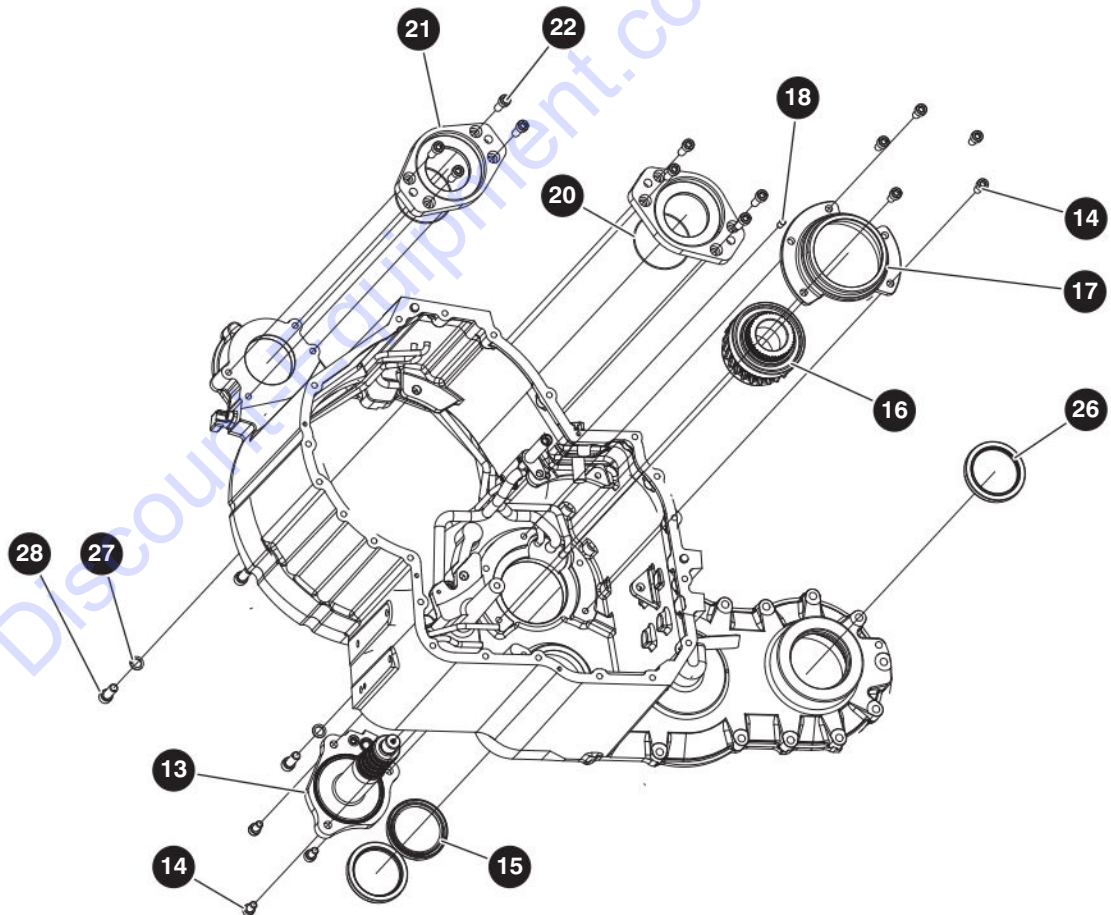
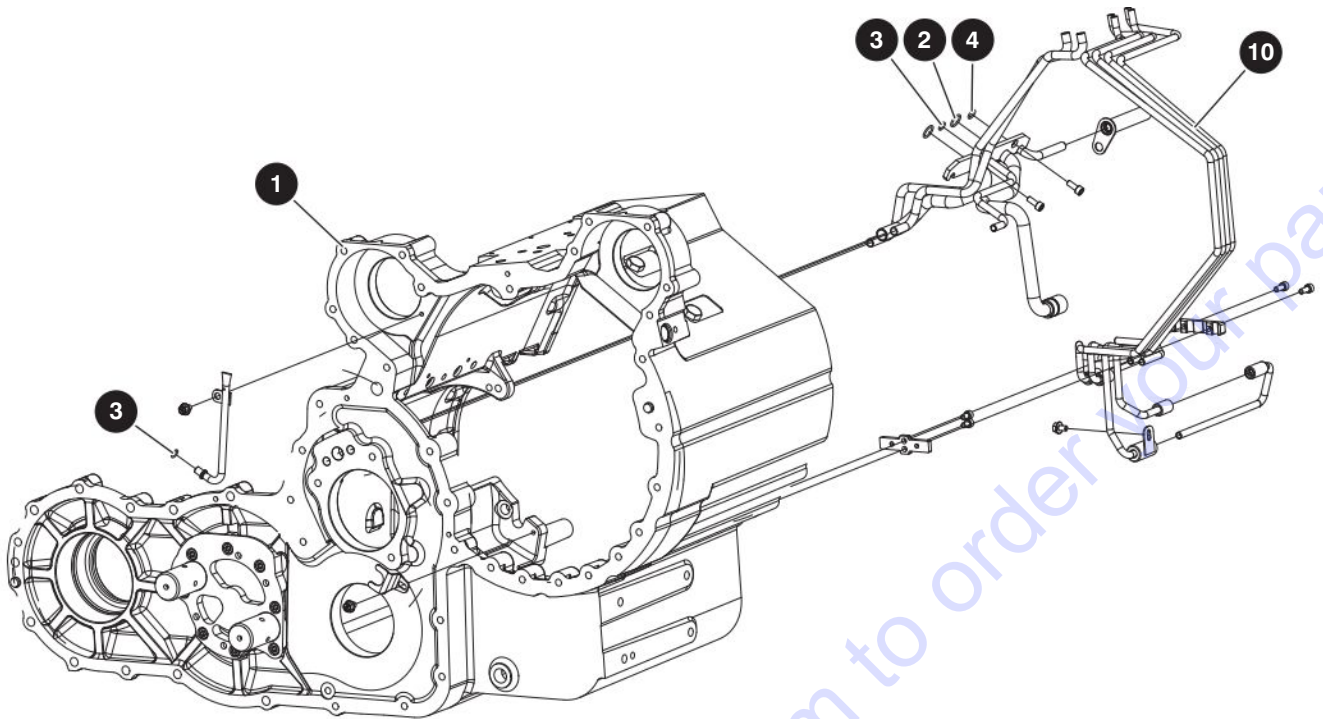
SJ1044 TH, SJ1044 THS, SJ1056 TH, SJ1056 THS

SKYJACK

### 3.24 R1 & H1 Shaft Double Cone Assembly

Index No.	Skyjack Part No.	Qty.	Description
-	9-222751	1	R1/H1 SHAFT DOUBLE CONE ASSEMBLY
1	9-222720	1	• SYNCHRO SHAFT
2	9-222581	1	• Needle Bearing K45x52x18H
3	9-222671	1	• Snap Ring Int EH-52mm
4	9-222573	1	• Ball Bearing 6015
5	9-222584	1	• Bearing Needle Roller 60mm X 68mm X 23mm
6	9-222715	1	• H1 Gear
7	9-222668	2	• Retaining Ring Spiral EXT 60mm
8	9-222629	1	• SYNCHRONIZER DOUBLE CONE 311415aa3
9	9-222583	1	• Bearing Needle Bearing 50mm X 58mm X 25mm
10	9-222674	1	• Retaining Ring Spiral INT 58mm
11	9-222721	1	• R1 Gear
12	9-222567	1	• LOCKING RING A50X2.5
13	9-222719	1	• Thrust washer
14	9-222579	1	• Bearing Ball 6210 50mm X 90mm X 20mm
15	9-222560	2	• SHIM_DIN988_70x90x0.5
16	9-222561	1	• SHIM_DIN988_70x90x0.2
17	9-222562	2	• SHIM_DIN988_70x90x0.1

### 3.25 CVT Middle Casing Assembly



M222767AA-1

190126AG

122

SJ1044 TH, SJ1044 THS, SJ1056 TH, SJ1056 THS

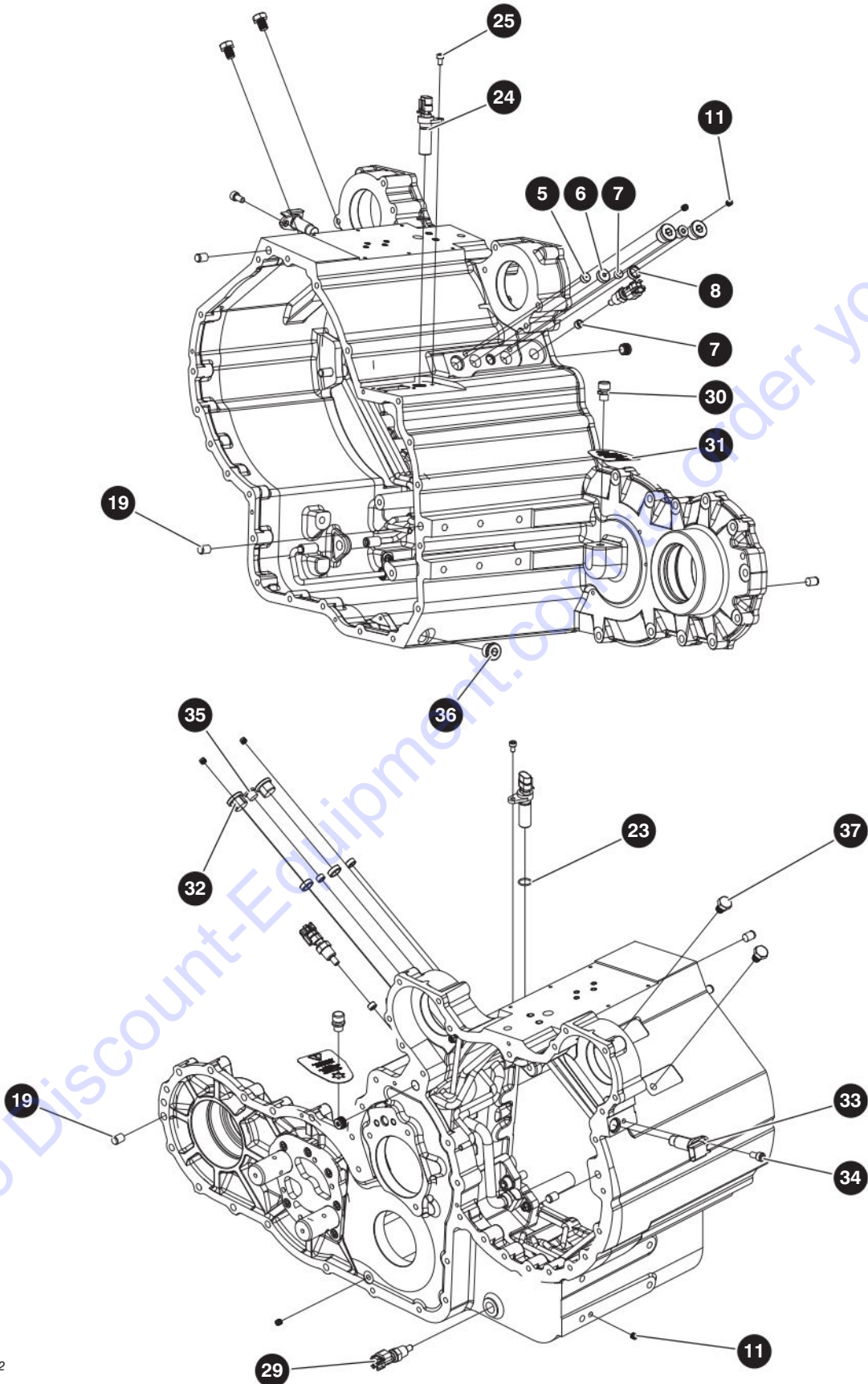
SKYJACK



### 3.25 CVT Middle Cassing Assembly

Index No.	Skyjack Part No.	Qty.	Description
-	9-222767	1	MIDDLE CASSING ASSEMBLY
1	9-222768	1	• Middle Casing Plate ASM
2	9-222596	2	• O-RING AS568 Dash #015 Nitrile
3	9-222608	2	• O-RING AS568 Dash #11 Nitrile
4	9-222594	1	• O-RING AS568 Dash #012 Nitrile
5	9-222759	1	• Insert 14mm Nozzle
6	9-222762	1	• Insert 20mm Nozzle
7	9-222760	1	• Insert 12mm Nozzle
8	9-222761	1	• Insert 20mm Nozzle
9	9-222763	1	• Insert 12mm Nozzle
10	9-222787	1	• Hydraulic Tubing ASM
11	9-222678	4	• Rivet Plug LK series 8mm KVT LK 950-080
12	9-222680	1	• Rivet Plug LK series 16mm KVT LK 950-160
13	9-222705	1	• CLUTCH MANIFOLD ASM
14	9-222521	8	• SHCS M10 x 20 mm
15	9-222625	2	• Seal Ring Single Up
16	9-222713	1	• L1 Gear ASM
17	9-222722	1	• FRONT SUPPORT PLATE
18	9-222655	1	• Pin Dowell M8 x 18 mm
19	9-222656	4	• M12 X 20MM
20	9-222593	2	• 3.250 x 3.375 x 0.070 Dash# 042
21	9-222758	2	• Pump Pad Adaptor
22	9-222524	8	• SHCS M10 x 1.5 x 30 mm
23	9-222606	1	• O-RING AS568 Dash #017 Nitrile
24	9-222504	1	• Hall-Effect Speed And Direction Sensor
25	9-222513	1	• SHCS M6 x 1.0 x 10.0 ZC-PL
26	9-222623	1	• Seal Ring Double Lips
27	9-222548	3	• Wedge Lock Washer
28	9-222528	3	• SHCS M12- x 1.75 x 35 mm
29	9-222501	2	• GM Delphi / Packard Fluid Temperature Sensor
30	9-222651	1	• Oil filling plug with breather 1/4 BSPP / alu washer
31	9-222684	1	• Label ATF Oil
32	9-222639	2	• Fitting Accessories (Hex Socket Plug)
33	9-222505	1	• HONEYWELL SNDH-H3C-G05
34	9-222520	1	• M8 x 1.25 x 16.0 (CLASS 12.9) ZC-PL
35	9-222637	1	• Hex Plug SAE-ORB 9/16-18 05HP-6
36	9-222638	1	• MAGNET_PLUG_PG_1-2_BSP
37	9-222535	2	• Bolt Hex Head M12 x 1.75 x 16 (class 8,8) ZC-PL

### 3.25 CVT Middle Casing Assembly

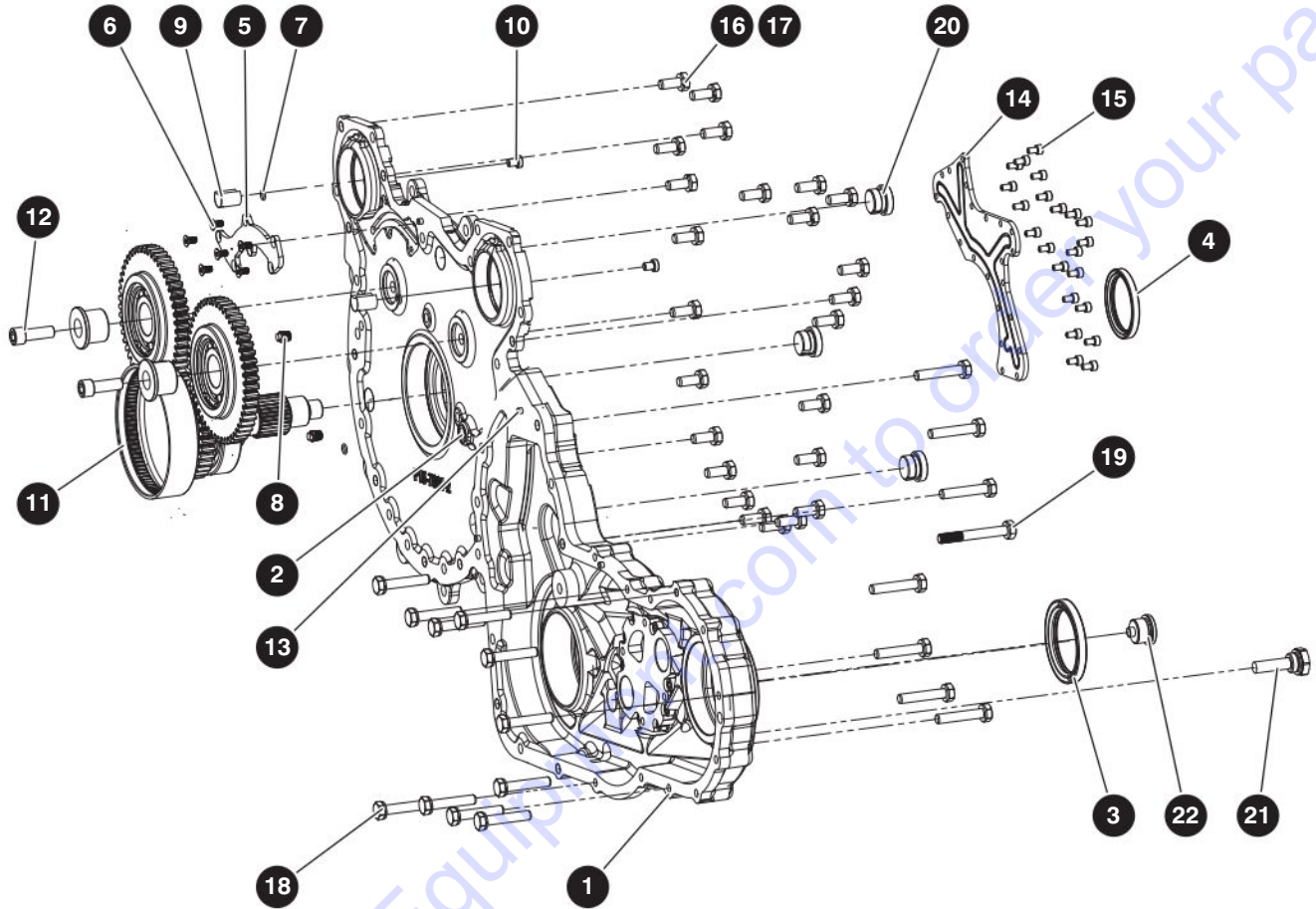


M222767AA-2

### 3.25 CVT Middle Cassing Assembly

Index No.	Skyjack Part No.	Qty.	Description
-	9-222767	1	MIDDLE CASSING ASSEMBLY
1	9-222768	1	• Middle Casing Plate ASM
2	9-222596	2	• O-RING AS568 Dash #015 Nitrile
3	9-222608	2	• O-RING AS568 Dash #11 Nitrile
4	9-222594	1	• O-RING AS568 Dash #012 Nitrile
5	9-222759	1	• Insert 14mm Nozzle
6	9-222762	1	• Insert 20mm Nozzle
7	9-222760	1	• Insert 12mm Nozzle
8	9-222761	1	• Insert 20mm Nozzle
9	9-222763	1	• Insert 12mm Nozzle
10	9-222787	1	• Hydraulic Tubing ASM
11	9-222678	4	• Rivet Plug LK series 8mm KVT LK 950-080
12	9-222680	1	• Rivet Plug LK series 16mm KVT LK 950-160
13	9-222705	1	• CLUTCH MANIFOLD ASM
14	9-222521	8	• SHCS M10 x 20 mm
15	9-222625	2	• Seal Ring Single Up
16	9-222713	1	• L1 Gear ASM
17	9-222722	1	• FRONT SUPPORT PLATE
18	9-222655	1	• Pin Dowell M8 x 18 mm
19	9-222656	4	• M12 X 20MM
20	9-222593	2	• 3.250 x 3.375 x 0.070 Dash# 042
21	9-222758	2	• Pump Pad Adaptor
22	9-222524	8	• SHCS M10 x 1.5 x 30 mm
23	9-222606	1	• O-RING AS568 Dash #017 Nitrile
24	9-222504	1	• Hall-Effect Speed And Direction Sensor
25	9-222513	1	• SHCS M6 x 1.0 x 10.0 ZC-PL
26	9-222623	1	• Seal Ring Double Lips
27	9-222548	3	• Wedge Lock Washer
28	9-222528	3	• SHCS M12- x 1.75 x 35 mm
29	9-222501	2	• GM Delphi / Packard Fluid Temperature Sensor
30	9-222651	1	• Oil filling plug with breather 1/4 BSPP / alu washer
31	9-222684	1	• Label ATF Oil
32	9-222639	2	• Fitting Accessories (Hex Socket Plug)
33	9-222505	1	• HONEYWELL SNDH-H3C-G05
34	9-222520	1	• M8 x 1.25 x 16.0 (CLASS 12.9) ZC-PL
35	9-222637	1	• Hex Plug SAE-ORB 9/16-18 05HP-6
36	9-222638	1	• MAGNET_PLUG_PG_1-2_BSP
37	9-222535	2	• Bolt Hex Head M12 x 1.75 x 16 (class 8,8) ZC-PL

### 3.26 CVT Front Casing



M222769AA

190126AG

126

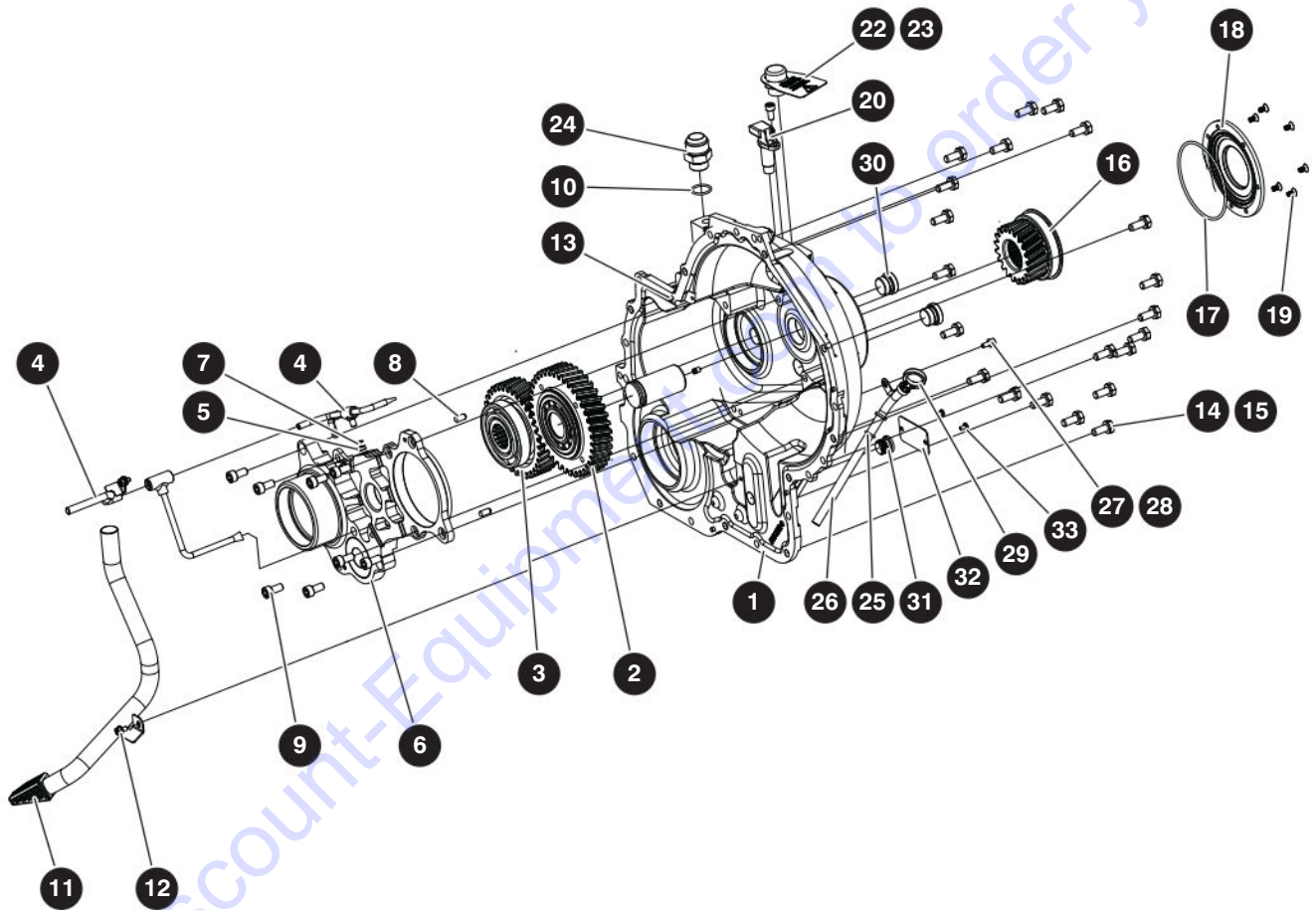
SJ1044 TH, SJ1044 THS, SJ1056 TH, SJ1056 THS

SKYJACK

### 3.26 CVT Front Casing

Index No.	Skyjack Part No.	Qty.	Description
-	9-222769	1	FRONT CASING ASSEMBLY
1	9-222775	1	• CASING, Front plate
2	9-222764	1	• Insert 18mm chamfer
3	9-222623	1	• Seal Ring Double Lips
4	9-222624	1	• Seal ring double lips
5	9-222770	1	• Plate Lubrication Rear
6	9-222529	6	• FHCS M6x1x12 (91263A837)
7	9-222608	3	• O-RING AS568 #11
8	9-222772	2	• Nozzle 1/8 NPT Modification
9	9-222773	2	• LUBE INSERT
10	9-222530	2	• LHCS M8x1.25X10 188-SS
11	9-222747	1	• Input Shaft ASM
12	9-222746	2	• P2 Gear ASM
13	9-222653	4	• Pin Dowel M6 X 12mm
14	9-222771	1	• Plate Lubrication Front
15	9-222513	22	• SHCS M6 x 1.0 x 10.0 ZC-PL
16	9-222544	43	• Lock Washer Helical Spring, M10 x 18.1mm x 2.05mm
17	9-222534	24	• Bolt Hex Head
18	9-222532	18	• M10 x 1.5 x 55.0 (CLASS 8.8) ZC-PL
19	9-222533	1	• M10 x 1.5 x 80.0 (C:ASS 8.8) ZC-PL
20	9-222640	3	• Fitting Accessories (Hex Socket Plug)
21	9-222774	1	• MAGNETIC FILTER ROD
22	9-222650	1	• Oil drain plug

### 3.27 CVT Rear Casing



M222776AA

190126AG

128

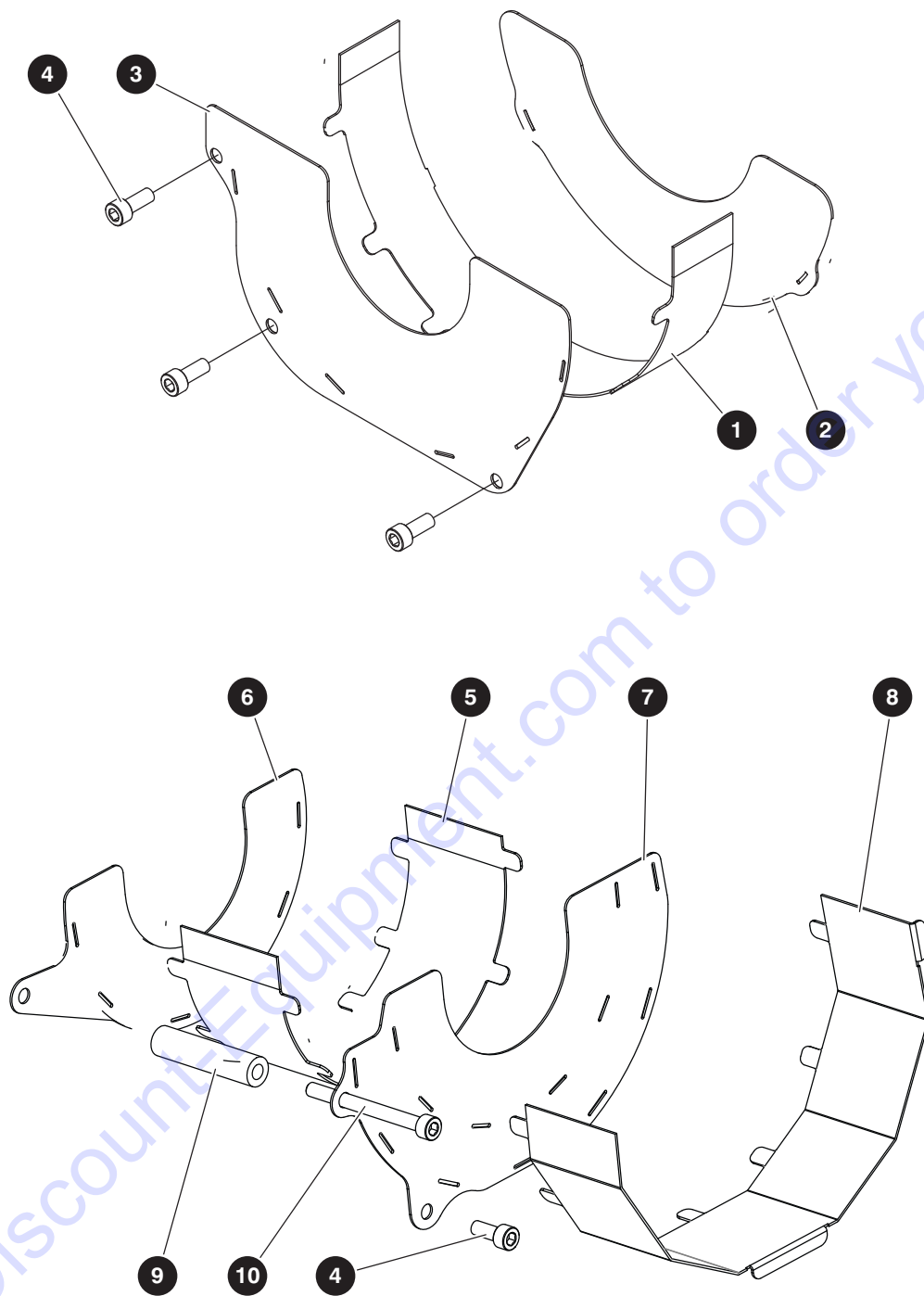
SJ1044 TH, SJ1044 THS, SJ1056 TH, SJ1056 THS

SKYJACK

### 3.27 CVT Rear Casing

Index No.	Skyjack Part No.	Qty.	Description
-	9-222776	1	REAR CASING ASSEMBLY
1	9-222756	1	• Back Cover (Machining)
2	9-222709	1	• G2 Gear ASM
3	9-222708	1	• G3 Gear ASM
4	9-222833	1	• Rear Hydraulic Tubing ASM
5	9-222696	1	• Insert 12mm Rear Support Plate
6	9-222506	1	• Rear support plate reworked
7	9-222608	1	• O-RING AS568 #11
8	9-222655	2	• Pin Dowell M8 x 18 mm
9	9-222521	8	• SHCS M10 x 20 mm
10	9-222607	1	• O-RING AS568 #120
11	9-222755	1	• SUCTION TUBE
12	9-222537	1	• Bolt Flange head M6x1.0x10.0 (Class 10.9)
13	9-222653	4	• Pin Dowel M6 X 12mm
14	9-222544	21	• Lock Washer Helical Spring, M10 x 18mm x 2mm
15	9-222534	21	• Bolt Hex Head
16	9-222712	1	• G1 gear ASM
17	9-222600	1	• O-RING AS568 #11
18	9-222757	1	• REAR CAP
19	9-222529	6	• FHCS M6x1x12 (91263A837)
20	9-222505	1	• HONEYWELL SNDH-H3C-G05
21	9-222520	1	• M8 x 1.25 x 16.0 (CLASS 12.9) ZC-PL
22	9-222652	1	• Oil Filling Plug - With Breather 3/4 BSPP
23	9-222683	1	• Label CVT Traction Fluid
24	9-222631	1	• Fitting JIC to SAE 1.000 OD Tube-M x 1.062-12 UNF-M
25	9-222620	1	• O-Ring 12mm ID x 2.5mm
26	9-222765	1	• DIPSTICK TUBE
27	9-222539	1	• Washer M6
28	9-222515	1	• M6 x 1.0 x 14.0 (CLASS 12.9) BL-OX
29	9-222766	1	• DipStick Modification
30	9-222640	2	• Fitting Accessories (Hex Socket Plug)
31	9-222641	1	• Hex Socket Sealed Plug 1/2 BSPP
32	9-222685	1	• ID PLATE S/N - Lateral Drop
33	9-222509	2	• Rivet Blind 0,188" x 0,325"

### 3.28 CVT Front and Rear Baffle



M222777AA\_M222781AA

190126AG

**130**

SJ1044 TH, SJ1044 THS, SJ1056 TH, SJ1056 THS

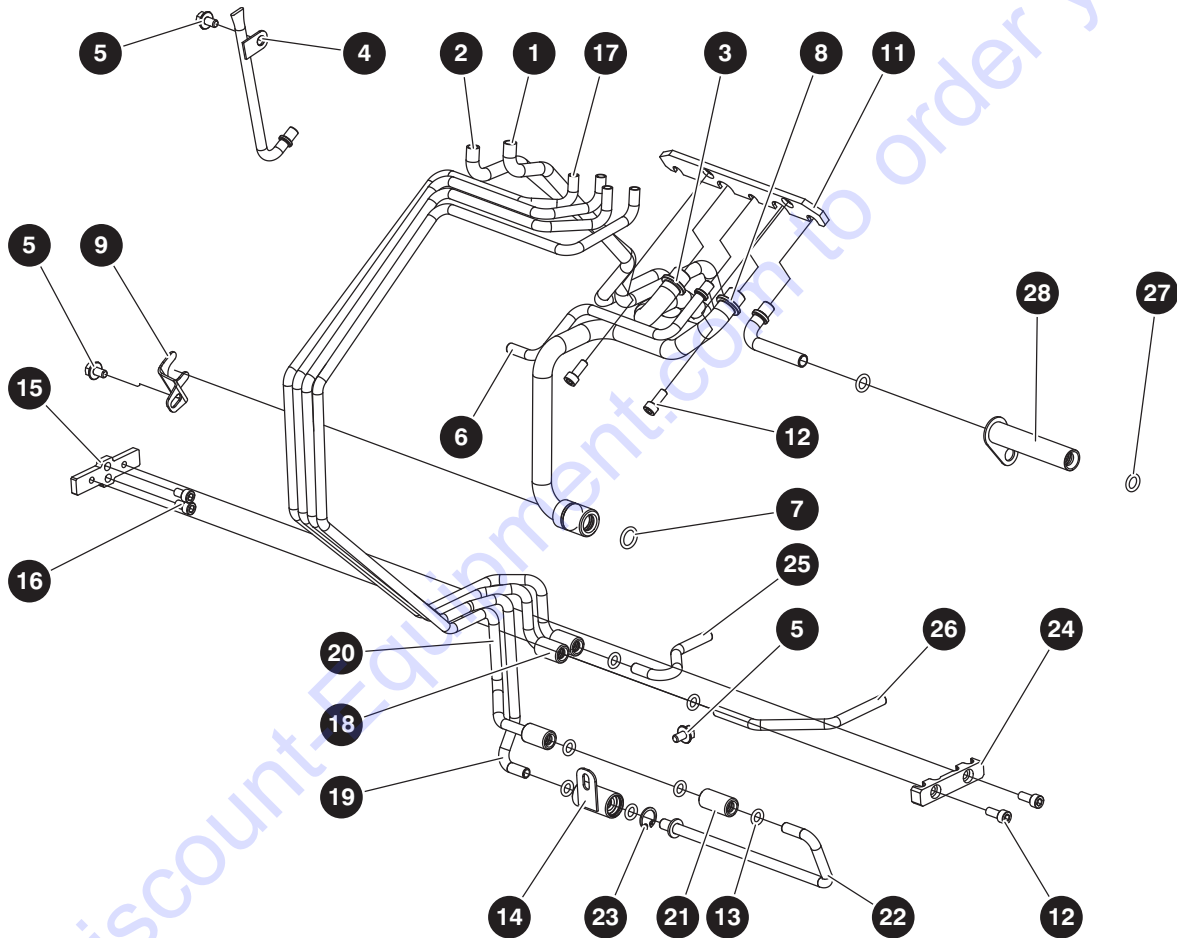
**SKYJACK**



### 3.28 CVT Front and Rear Baffle

Index No.	Skyjack Part No.	Qty.	Description
-	9-222777	1	FRONT GEAR BAFFLE ASSEMBLY
1	9-222778	1	• L2 GEAR-BAFFLE PLATE SIDE
2	9-222780	1	• L2 GEAR-BAFFLE PLATE BACK
3	9-222779	1	• L2 GEAR-BAFFLE PLATE FRONT
4	9-222519	4	• SHCS M6 x 1 x 15 ZC-PL
-	9-222781	1	REAR GEAR BAFFLE ASSEMBLY
5	9-222782	1	• R3-H2 GEAR-BAFFLE PLATE SIDE RIGHT
6	9-222783	1	• R2-H2 GEAR-BAFFLE PLATE BACK
7	9-222784	1	• R3-H2 GEAR-BAFFLE PLATE FRONT
8	9-222785	1	• R3-H2 GEAR-BAFFLE PLATE SIDE LEFT
9	9-222786	1	• R3-H2 GEAR BAFFLE SPACER
10	9-222518	1	• SHCS M6 x 1 x 65 ZC-PL 91290A346

### 3.29 CVT Hydraulic Tubing



M222787AA

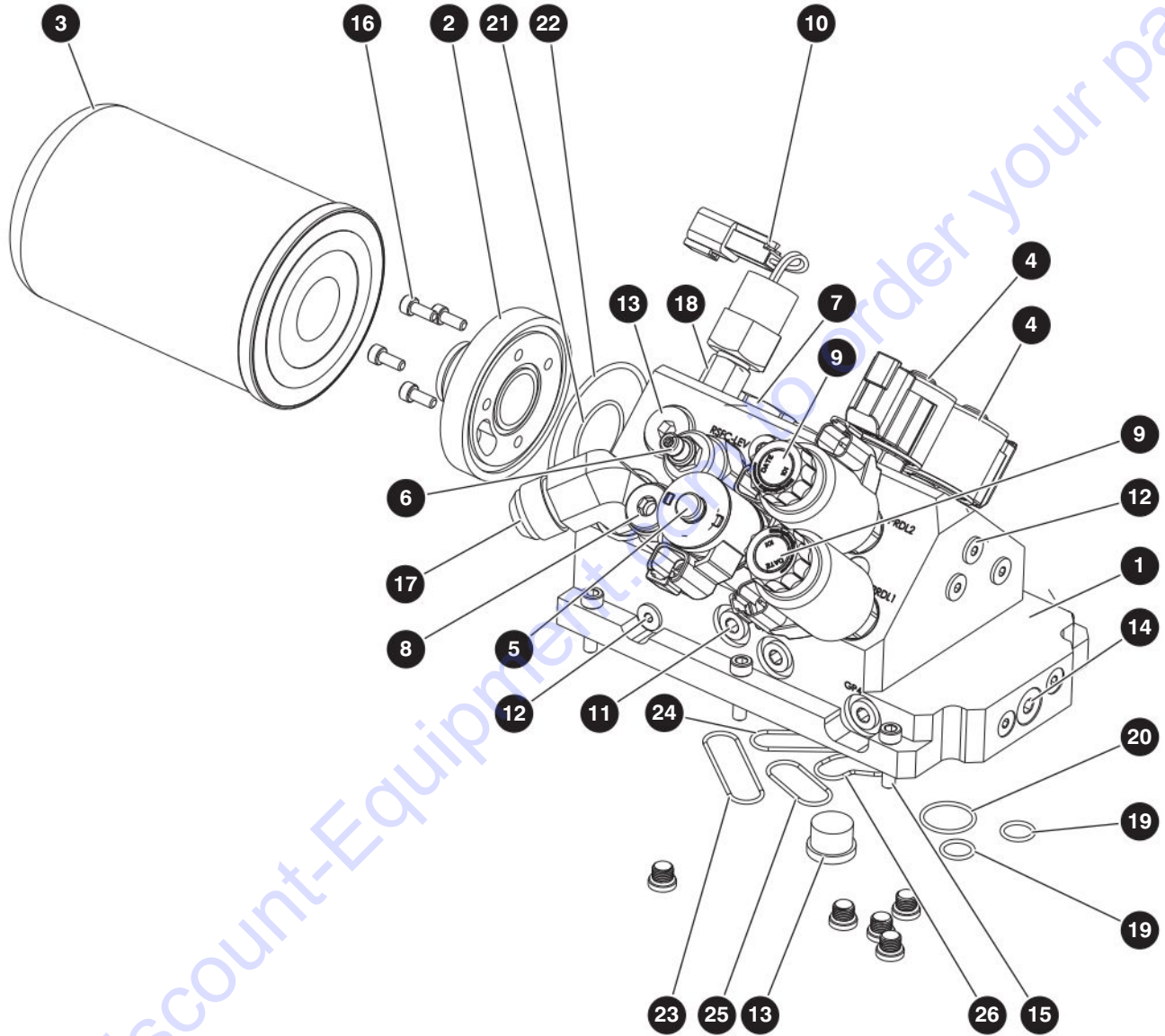
190126AG

SJ1044 TH, SJ1044 THS, SJ1056 TH, SJ1056 THS

### 3.29 CVT Hydraulic Tubing

Index No.	Skyjack Part No.	Qty.	Description
-	9-222787	1	HYDRAULIC TUBING ASSEMBLY
1	9-222789	1	• TUBING PRESSURE CLUTCH H1-R1
2	9-222793	1	• TUBING PRESSURE CLUTCH L1
3	9-222790	1	• TUBING LUBRIFICATION CLUTCH
4	9-222808	1	• LUBRIFICATION ASM P2-P3
5	9-222537	3	• Bolt Flange head M6x1.0x10.0 (Class 10.9)
6	9-222791	1	• TUBING LUBRIFICATION FRONT CASING
7	9-222595	1	• O-RING AS568 #112
8	9-222805	1	• CVT OIL INPUT
9	9-222800	1	• BRACKET CVT OIL INPUT
10	9-222792	1	• TUBING1 LUBRIFICATION G1-G2-G3
11	9-222794	1	• PLATE TUBE RETAINER
12	9-222519	4	• SHCS M6 x 1 x 15 ZC-PL
13	9-222598	7	• O-ring AS568 Dash #109 Nitrile
14	9-222809	1	• PRESSURE CTRL SYSTEM OVERDRIVE CONNECTION ASM
15	9-222795	1	• TUBING SUPPORT BRACKET BACK
16	9-222513	2	• SHCS M6 x 1.0 x 10.0 ZC-PL
17	9-222806	1	• PRESSURE SYNCHRO ASM R1
18	9-222807	1	• PRESSURE SYNCHRO ASM H1
19	9-222788	1	• "TUBING1 PRESSURE CTRL SYSTEM OVERDRIVE"
20	9-222810	1	• "TUBING PRESSURE CTRL SYSTEM UNDERDRIVE ASM"
21	9-222799	1	• 8mm O-RING TO 8mm O-RING SLEEVE
22	9-222811	1	• "TUBING PRESSURE CTRL SYSTEM OVERDRIVE ASM2"
23	9-222666	1	• Internal Retaining Ring 16mm
24	9-222796	1	• TUBING SUPPORT BRACKET FRONT
25	9-222798	1	• TUBING1 PRESSURE SYNCHRO R1
26	9-222797	1	• TUBING1 PRESSURE SYNCHRO H1
27	9-222599	2	• O-RING AS568 #110
28	9-222804	1	• LUBRIFICATION SUPPORT MID-CASING G1-G2-G3

### 3.30 CVT Manifold



M222813AA

190126AG

**134**

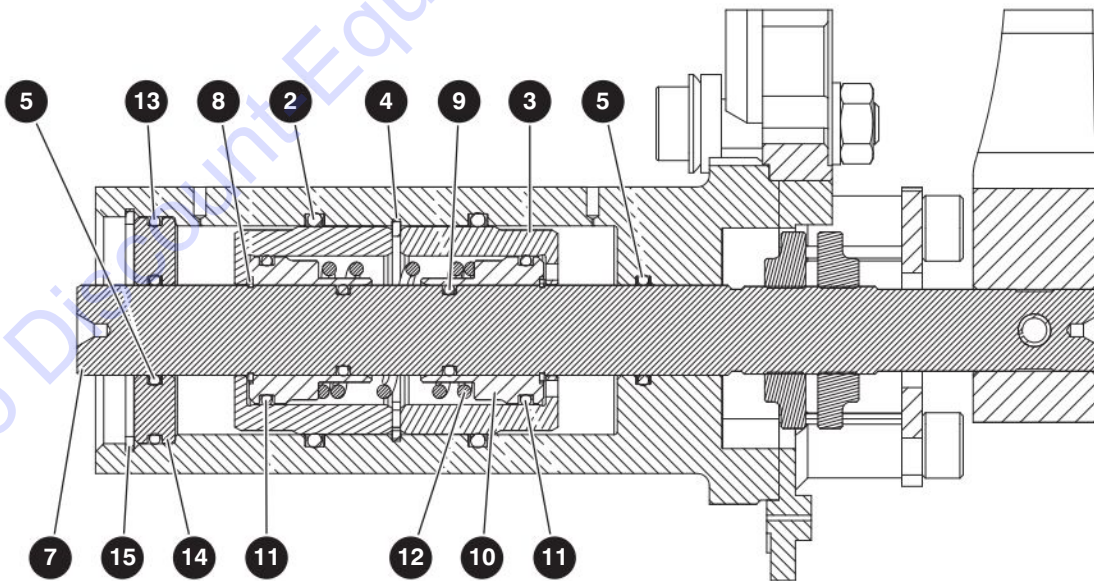
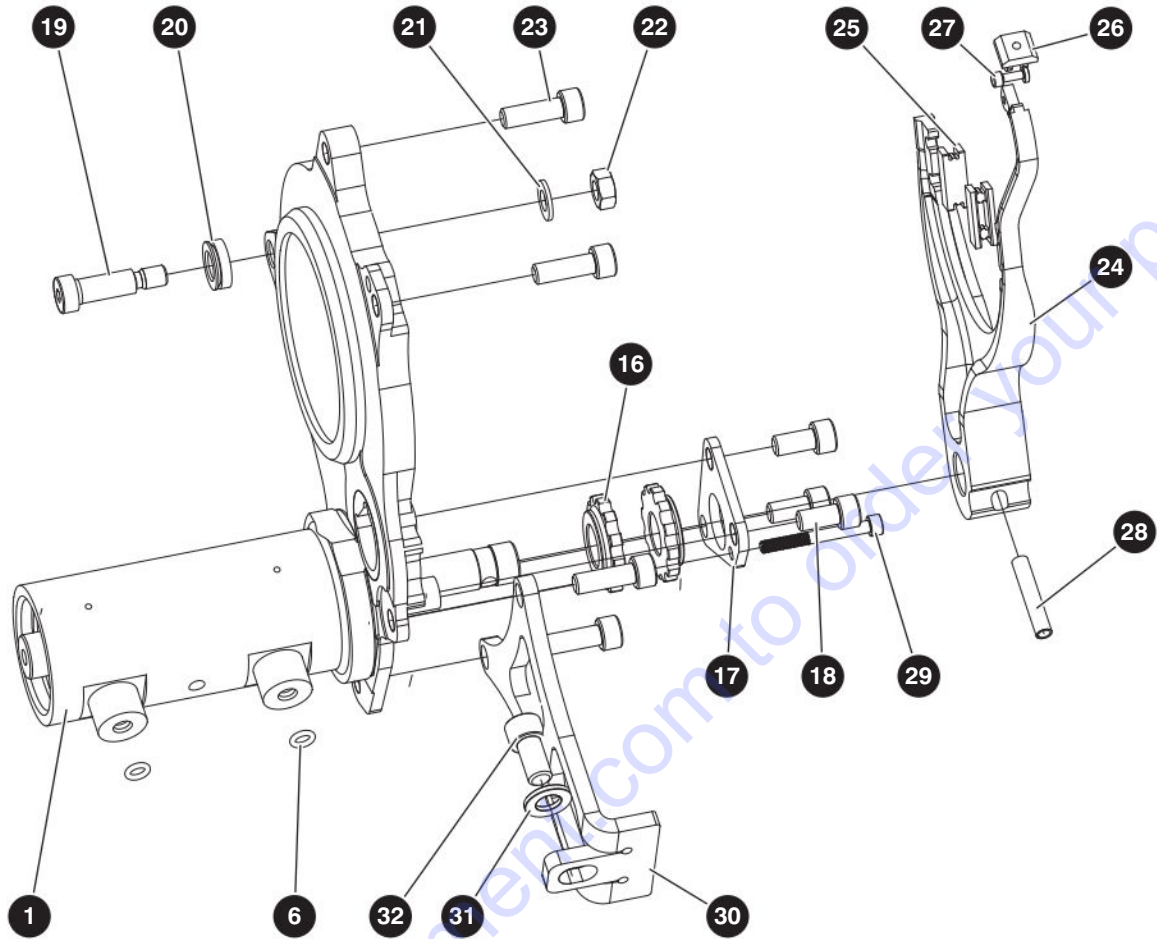
SJ1044 TH, SJ1044 THS, SJ1056 TH, SJ1056 THS

**SKYJACK**

### 3.30 CVT Manifold

Index No.	Skyjack Part No.	Qty.	Description
-	9-222813	1	MANIFOLD BLOCK ASSEMBLY
1	9-222814	1	• MANIFOLD, Block MC-47361
2	9-222815	1	• FILTER ADAPTER
3	9-138398	1	• FILTER DONALDSON P165354
4	9-222647	2	• Valve proportionnal SV08-31-0-V-12ER
5	9-222646	1	• Valve 4 voies/3 pos électro-proportionnelle
6	9-222648	1	• Valve Pilot operated balanced piston sequence valve (RSFC-LEV)
7	9-222644	1	• CHECK VALVE CV12-20-0-V-50
8	9-222645	1	• Relief Valve RV10-22C-0-VC-6
9	9-222649	2	• VALVE PRDLXSN912N
10	9-222503	1	• Low Pressure Switch - Nason LM-6A-250R/1WD/VT
11	9-222636	9	• Hex Plug SAE-ORB 7/16-20 05HP-4
12	9-222634	21	• 0.313-24 Straight Thread SAE-ORB (-2)
13	9-222635	4	• Hex Plug SAE-ORB 3/4-16 05HP-8
14	9-222637	1	• Hex Plug SAE-ORB 9/16-18 05HP-6
15	9-222516	6	• SHCS - M6 x 1.0 x 25.0 (CLASS 12.9) ZC-PL
16	9-222512	4	• M5 x 0.8 x 12.0 (CLASS 12.9) ZC-PL
17	9-222632	1	• Fitting elbow SAE 0.750 OD tube-M x 0.875-14 UNF-M 12-10_c5ox-s
18	9-222633	1	• Fitting SAE to SAE - 0.563-18 UNF-M x 0.438-20 UNF-F
19	9-222613	2	• O-Ring 0.489"ID x 0.070" width (#014)
20	9-222612	1	• O-Ring 0.864"ID x 0.070" width (#020)
21	9-222611	1	• O-Ring 1.239"ID x 0.070" width (#026)
22	9-222609	1	• O-Ring 2.612"ID x 0.103" width
23	9-222614	1	• O-Ring 1.614"ID x 0.070" width (#030)
24	9-222610	1	• O-Ring 1.176"ID x 0.070" width (#028)
25	9-222621	1	• 1.114"ID x 0.070" width (#024)
26	9-222615	1	• 1.051"ID x 0.070" width (#023)

### 3.31 CVT Cylinder Synchro



M222816AA

190126AG

136

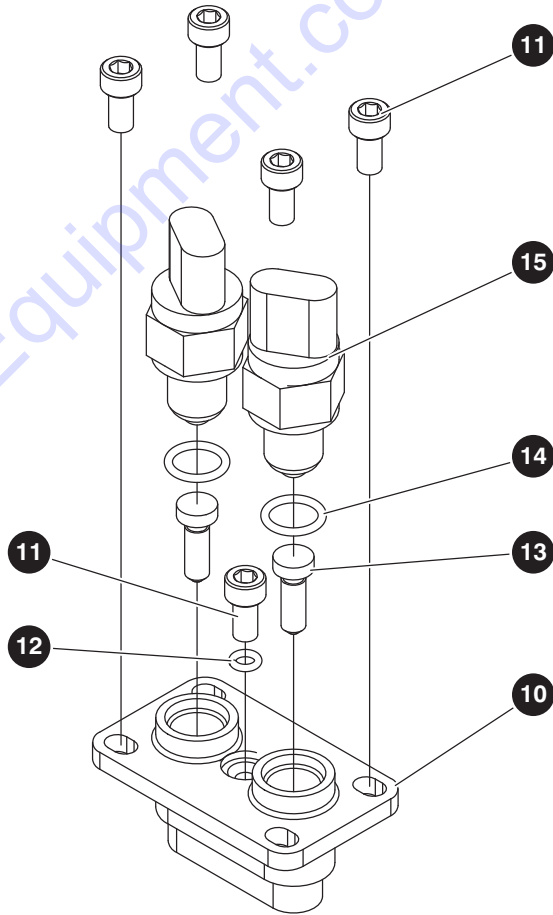
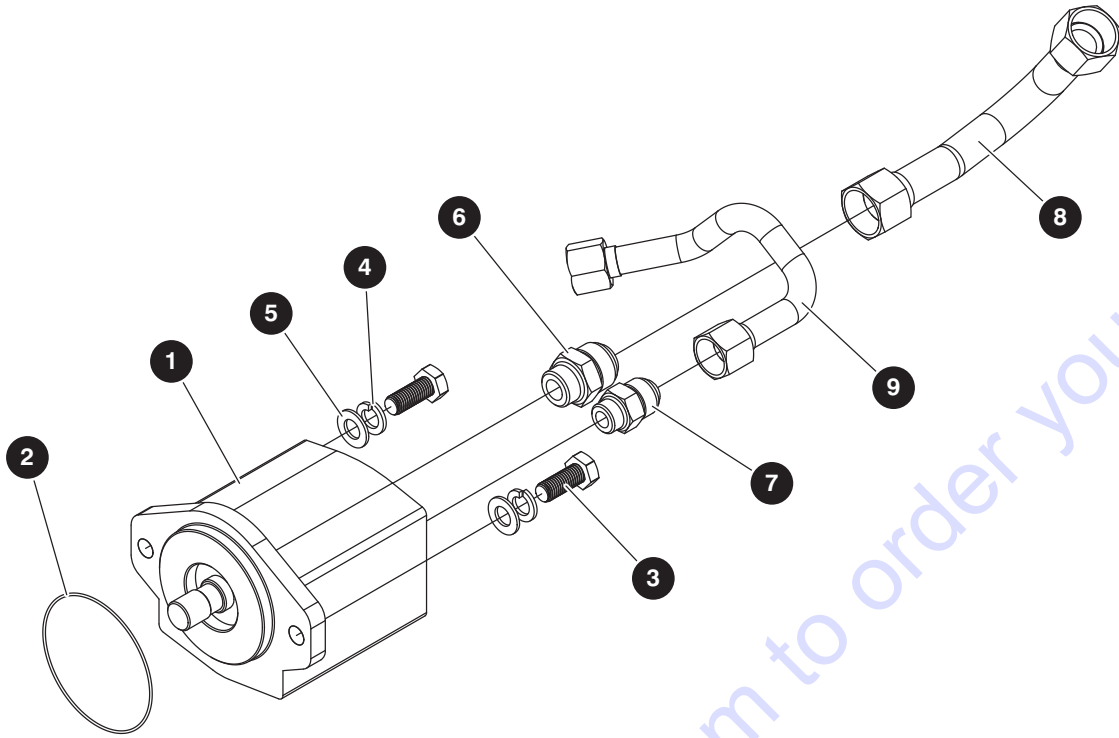
SJ1044 TH, SJ1044 THS, SJ1056 TH, SJ1056 THS

SKYJACK

### 3.31 CVT Cylinder Synchro

Index No.	Skyjack Part No.	Qty.	Description
-	9-222816	1	CYLINDER SYNCHRO ASSEMBLY
1	9-222507	1	• Mid support plate reworked
2	9-222603	2	• O-RING AS568 #11
3	9-222820	2	• PISTON OUTER
4	9-222663	1	• Retaining ring int 50mm bore
5	9-222602	2	• O-RING AS568 #11
6	9-222598	2	• O-ring AS568 Dash #109 Nitrile
7	9-222818	1	• SYNCHRO SHAFT
8	9-222675	2	• Retaining ring ext 22mm shaft
9	9-222604	2	• O-RING AS568 #11
10	9-222819	2	• PISTON INNER
11	9-222605	2	• O-RING AS568 #11
12	9-222590	1	• Compression spring OD 1,312 ID 1,050 FL 1,91 (12127)
13	9-222601	1	• O-RING AS568 #11
14	9-222822	1	• SEAL CAP
15	9-222662	1	• Retaining ring int 55mm bore
16	9-222817	2	• Stopper Disk
17	9-222821	1	• Stopper Plate
18	9-222521	3	• SHCS M10 x 20 mm
19	9-222510	1	• SHLDR_Screw PRECISION (HEX SOCKET) 12mm x 30mm x M10 BL-OX
20	9-222551	1	• Spherical Washers M12 x 24 mm x 8 mm
21	9-222540	1	• M10 x 20mm x 1.8-2.2mm
22	9-222564	1	• Nut Hex Full M10 x 1.5 x 8mm ZC-PL
23	9-222523	4	• M10 x 1.5 x 30.0 (CLASS 12.9) BL-OX
24	9-222823	1	• FORK
25	9-222825	2	• SHIFT FORK SLIDER
26	9-222824	1	• SHIFT FORK LOCATOR
28	9-222657	1	• Spring Pin Steel, M8 Diameter, 45mm Length
29	9-222517	1	• SHCS M6 x 1 x 55 ZC-PL (91502A175)
30	9-222826	1	• STIFFENER BRACKET
31	9-222541	1	• Washer Plain M12 x 24mm x 2.7mm
32	9-222525	1	• SHCS M12x1.75 X 22.0

### 3.32 Pump & Limit Switch Assembly



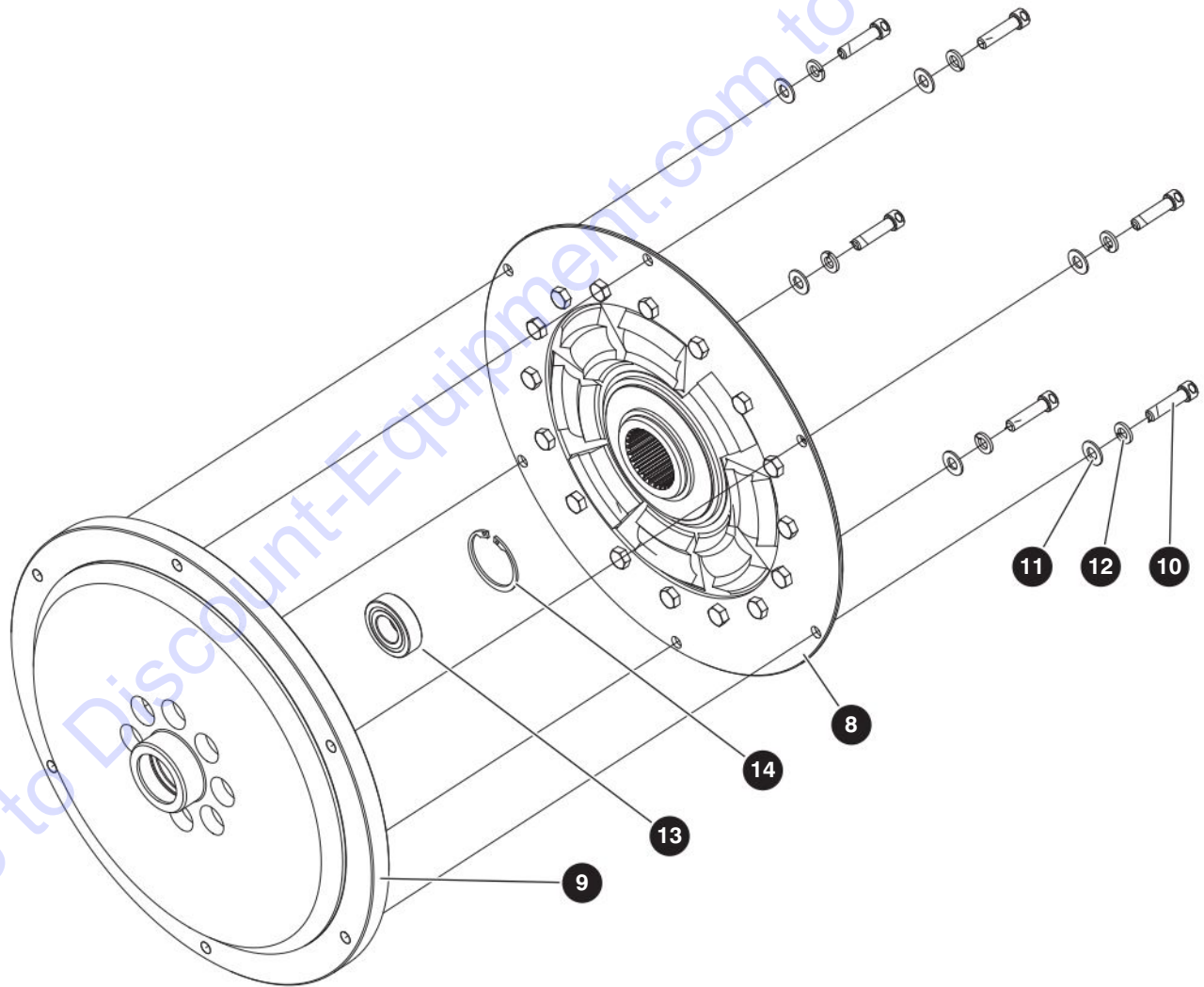
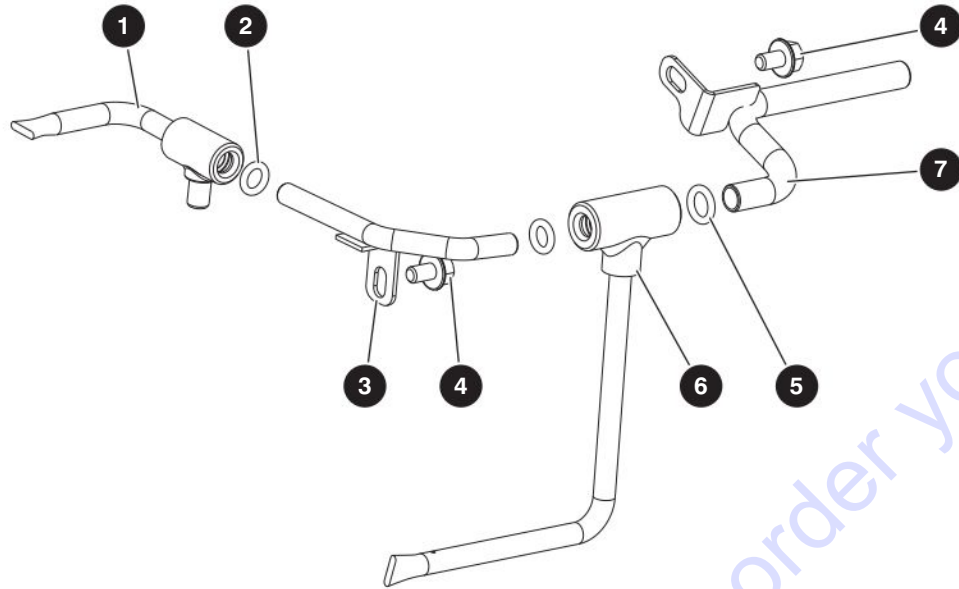
M222827AA\_M222830AA



### 3.32 Pump & Limit Switch Assembly

Index No.	Skyjack Part No.	Qty.	Description
-	9-222827	1	PUMP UNIT
1	9-222642	1	• CASAPA PHP20-25 R0-04S5-P-OD/OC-V-EL-D
2	9-222592	1	• O-RING 4.000 X 4.125 X 0.0625 (#045)
3	9-222536	2	• Bolt Hex Head M14 x 2 x 35.0 (Class 8.8)
4	9-222545	2	• Lock Washer M14
5	9-222542	2	• Washer Plain M14 x 28mm x 2.7mm
6	9-222631	1	• Fitting JIC to SAE 1.000 OD Tube-M x 1.062-12 UNF-M
7	9-222630	1	• Fitting JIC to SAE 0.750 OD Tube-M x 0.875-14 UNF-M 12-10_f5ox-s
8	9-222828	1	• Suction Tubing
9	9-222829	1	• Pressure Tubing
-	9-222830	1	LIMIT SWITCH ASSEMBLY
10	9-222832	1	• Block Limit Switch
11	9-222514	5	• SHCS M6 X 12 mm
12	9-222622	1	• O-ring 0,176"ID x 0.070 width Dash#008 Buna-N
13	9-222831	2	• Plunger
14	9-222617	2	• O-Ring #3-906
15	9-222502	2	• Plunger operated switches 14400204-R

### 3.33 CVT Rear Hydraulic Tubing & Damper Plate



M222833AA\_M222834AA

190126AG

140

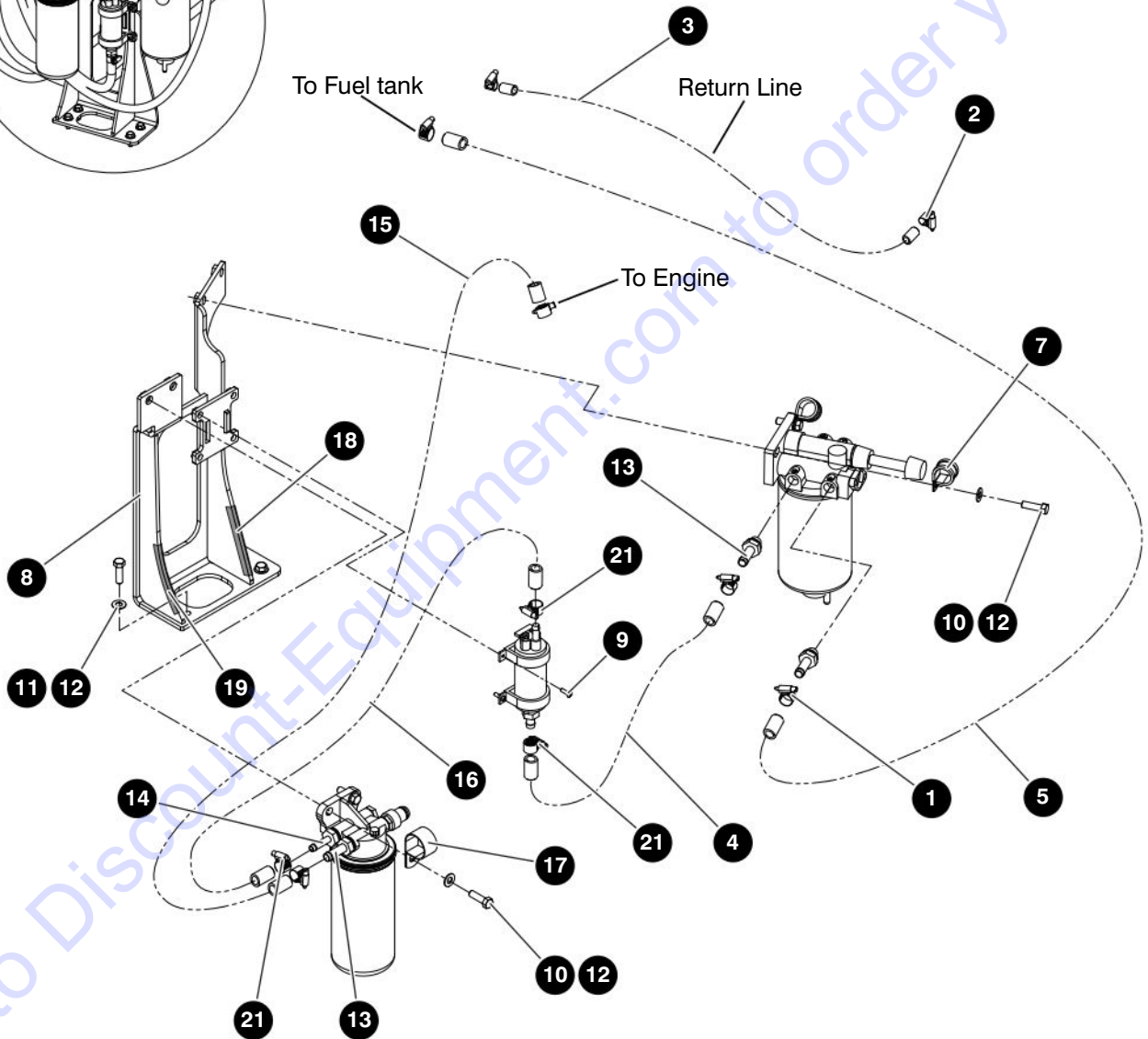
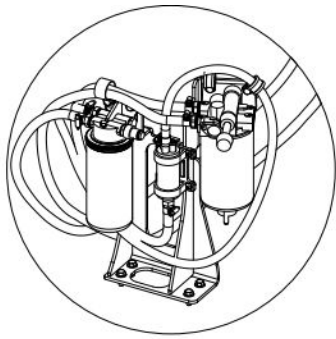
SJ1044 TH, SJ1044 THS, SJ1056 TH, SJ1056 THS

SKYJACK

### 3.33 CVT Rear Hydraulic Tubing & Damper Plate

Index No.	Skyjack Part No.	Qty.	Description
-	9-222833	1	REAR HYDRAULIC TUBING
1	9-222802	1	• LUBRIFICATION ASM2 G1-G2
2	9-222598	2	• O-ring AS568 Dash #109 Nitrile
3	9-222801	1	• "TUBING LUBRIFICATION ASM1 G1-G2"
4	9-222537	2	• "Bolt Flange head M6x1.0x10.0 (Class 10.9)"
5	9-222599	1	• O-RING AS568 #110
6	9-222812	1	• LUBRIFICATION ASM G2-G3
7	9-222803	1	• LUBRIFICATION ASM G1-G2-G3
-	9-222834	1	DAMPER PLATE ASSEMBLY
8	9-213824	1	• TORSIONAL SPRING COUPLING MODEL 231031 (Z-191232), 0-650 ft-lbs
9	9-216575	1	• Adaptor plate SAE J927 to J620
10	9-151159	6	• SHCS 5/16-18 X 1 1/4 ZINC PLATED
11	9-103996	6	• Washer Flat 0.344 x 0.688 x 0.055-0.080
12	9-103404	6	• Lock Washer Helical Spring 0.313 x 0.078
13	9-216576	1	• Ball bearing ID:20 OD: 42 W: 12 , 6004-2RS
14	9-216580	1	• Retaining ring J42

### 3.34 Fuel Lines Assembly

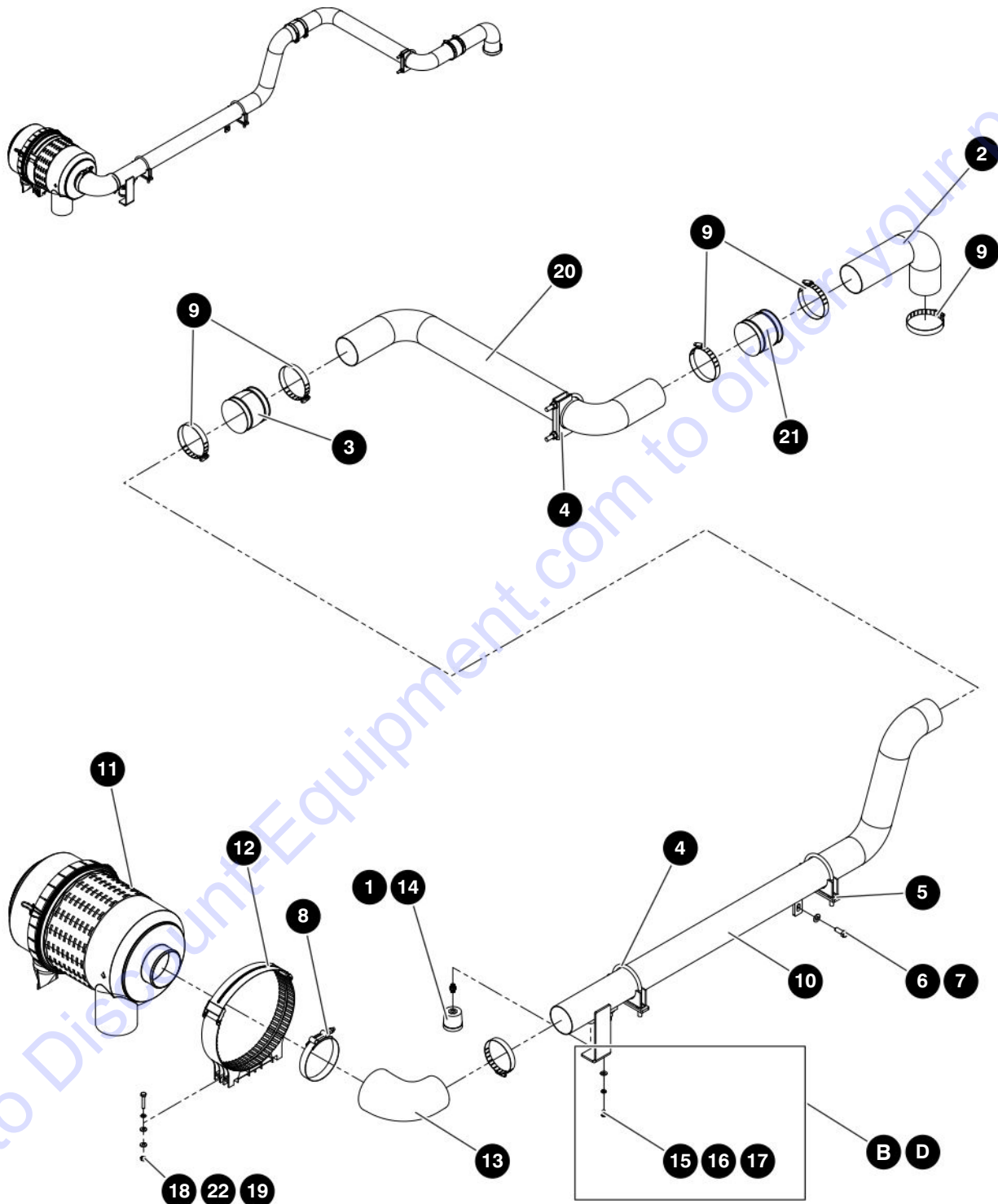


M190056AE

### 3.34 Fuel Lines Assembly

Index No.	Skyjack Part No.	Qty.	Description
-	9-190056	1	ASSEMBLY, FUEL LINES 3.6L
1	9-116342	4	• GEAR CLAMP #8
2	9-103321	2	• CLAMP, Gear (SAE no.4 - 1/4"-13/16")
3	9-102984	96	• FUEL LINE, 5/16"#47PB-B194
4	9-163509	32	• HOSE 1/2' 300 PSI, General purpose
5	9-163509	150	• HOSE 1/2" 300 PSI, General porpuse
6	9-171444	50	• WRAP, Spiral 1" DIA (Not Shown)
7	9-168707	2	• CLAMP, Loop cushioned x 1 DIA(#16)
-	9-191125	1	• ASSEMBLY, FUEL FILTERS
8	9-191338	1	• • WELDMENT, Fuel filter mount
9	9-120094	4	• • SCREW, Round head machine 10-32 x 5/8"
10	9-101297	4	• • BOLT, Hex head 3/8"-16 X 1-1/4" Gr. 5
11	9-103473	4	• • BOLT, Hex head 3/8"-16 X 1" Gr. 5
12	9-103472	8	• • WASHER Flat 3/8"
13	9-163222	2	• • FUEL HOSE FITTING
14	9-164977	1	• • FITTING, 3/8" fuel hose
15	9-102893	12	• TIEWRAP, Cable, 14-1/2" black (Not Shown)
16	9-166737	54	• HOSE, Fuel line 300 PSI, 3/8" ID
17	9-133241	1	• CLIP, Single S340G26
18	9-119922	5	• TRIM, Protective 1/4"-1/2"
19	9-119922	5	• TRIM, Protective 1/4"-1/2"
20	9-131732	12	• SLLEVE, Nylon hose protection HG-46 (Not Shown)
21	9-102519	2	• CLAMP, Gear #6

### 3.35 Air Intake System Installation



M190635AC

190126AG

144

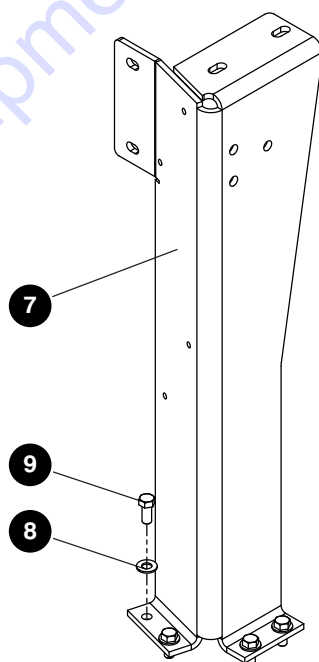
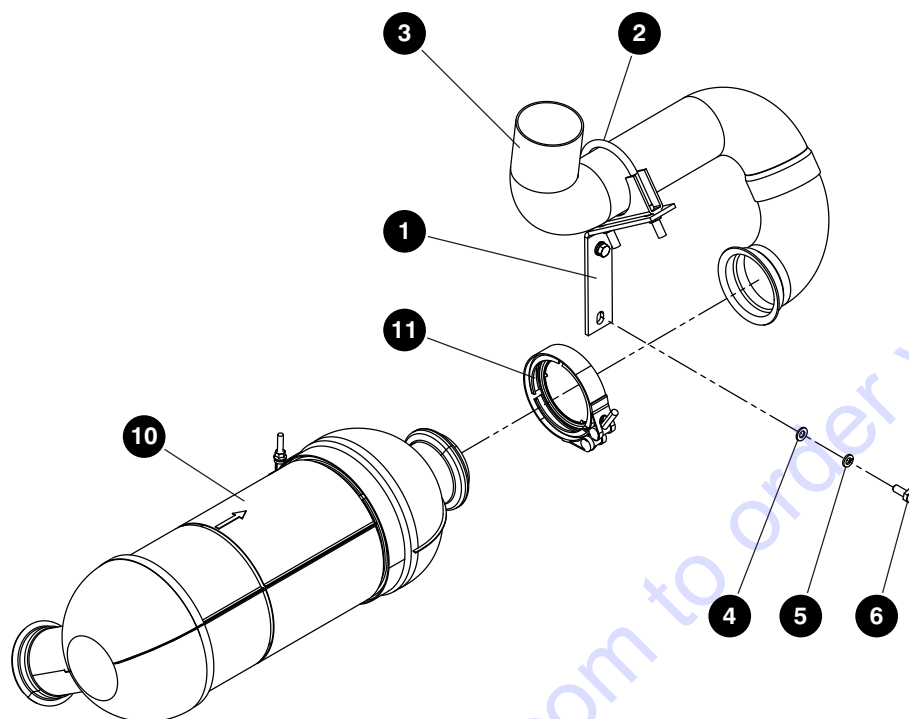
SJ1044 TH, SJ1044 THS, SJ1056 TH, SJ1056 THS

SKYJACK

### 3.35 Air Intake System Installation

Index No.	Skyjack Part No.	Qty.	Description
<b>A</b>	9-196480	1	ASSEMBLY, AIR INTAKE 3.6L 74 HP
<b>B</b>	9-190635	1	ASSEMBLY, AIR INTAKE 3.6L 107 HP
<b>C</b>	9-223214	1	ASSEMBLY, DEUTZ AIR INTAKE 3.6L 74 HP
<b>D</b>	9-223545	1	ASSEMBLY, DEUTZ AIR INTAKE 3.6L 107 HP
1	9-190384	1	• INDICATOR, Service
2	9-232470	1	• TUBE, Air intake, Deutz TCD 3.6 T4F - <b>A, B</b>
-	9-232471	1	• TUBE, Air intake, Deutz TCD 3.6 T4F 74 HP - <b>C, D</b>
3	9-190674	1	• CONNECTOR, Straight
4	9-928271	3	• CLAMP 3" Exhaust
5	9-190480	2	• BRACKET, Exhaust support
6	9-103472	4	• WASHER, 3/8" zinc plated
7	9-101632	4	• BOLT, Hex head 3/8"-16 x 3/4" Gr. 5
8	9-412578	1	• CLAMP, 4-1/4" - 4-9/16" B9200-0425B
9	9-138666	6	• CLAMP, Hose (3.50)
10	9-196479	1	• ASSEMBLY, Tube air intake, Deutz TCD 3.6 - <b>A</b>
-	9-191056	1	• ASSEMBLY, Tube air intake, Deutz TCD 3.6 - <b>B</b>
-	9-223208	1	• ASSEMBLY, Tube air intake, Deutz TCD 3.6 - <b>C</b>
-	9-223544	1	• ASSEMBLY, Tube air intake, Deutz TCD 3.6 - <b>D</b>
11	9-191051	1	• AIR CLEANER, EP500
-	9-197221	1	• • Filter, Primary element
-	9-197222	1	• • Filter, secondary element
12	9-191052	1	• BRACKET, Air cleaner - EP500
13	9-204198	1	• HOSE, Elbow 90°, 3" to 4" reducer
14	9-191734	1	• ADAPTER, Male-male M10X1, male M10X1
15	9-103995	1	• WASHER, Flat zinc 1/4" - <b>B, D</b>
16	9-104000	1	• WASHER, Lock 1/4" - <b>B, D</b>
17	9-300060	1	• BOLT, button head cap screw 1/4"-20 x 1/2" - <b>B, D</b>
18	9-103885	2	• BOLT, Hex head 5/16"-18 x 1-3/4" Gr.
19	9-103984	2	• NUT, Lock with nylon insert 5/16"-18 Gr. 5
20	9-197251	1	• TUBE, Air intake, Deutz TCD 3.6 T4F
-	9-223549	1	• TUBE, Air intake, Deutz TCD 3.6 T4F
21	9-199836	1	• CONNECTOR, 3" ID x 3.4" OD x 6.3" L
22	9-103996	4	• WASHER, 5/16"

### 3.36 Exhaust Tube Installation



M190700AD

190126AG

146

SJ1044 TH, SJ1044 THS, SJ1056 TH, SJ1056 THS

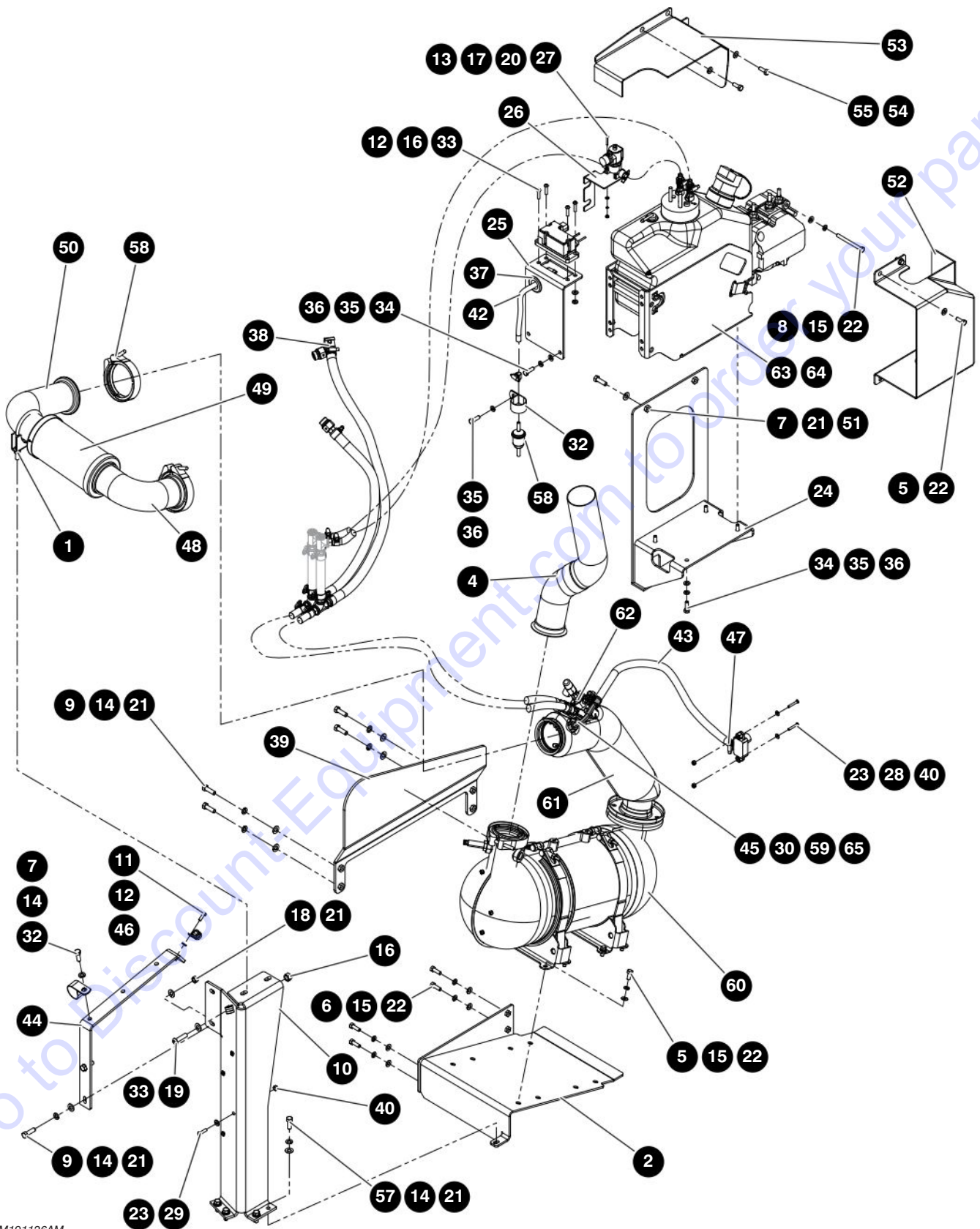
SKYJACK



### 3.36 Exhaust Tube Installation

Index No.	Skyjack Part No.	Qty.	Description
-	9-190700	1	ASSEMBLY, EXHAUST 3.6L 74HP
1	9-190793	1	• BRACKET, Tailpipe mount
2	9-928271	1	• CLAMP 3" Exhaust
3	9-191994	1	• PIPE, Tail Deutz 3.6L 74HP
4	9-933832	2	• WASHER, Flat M8 - OD 16
5	9-116218	2	• WASHER, Lock M8-Plated DIN 127B
6	9-133174	2	• BOLT, Hex head M8 X 1-1/4" x 20mm grade 8 Zinc plated
7	233040	1	• SUPPORT, Pipe weldment - <b>Serial number XXXXXXXX &amp; Above</b>
8	103472	4	• WASHER, Flat 3/8" - <b>Serial number XXXXXXXX &amp; Above</b>
9	139193	4	• BOLT, Hex head, zinc plated 3/8"-16 x 7/8" Gr. 8 - <b>Serial number XXXXXXXX &amp; Above</b>
10	(Ref).	1	CATALYTIC CONVERTER, Diesel Oxidation <i>(For components, refer to Section 3.6)</i>
11	9-190481	1	CLAMP, V-band 3"

### 3.37 Exhaust System Assembly 107HP

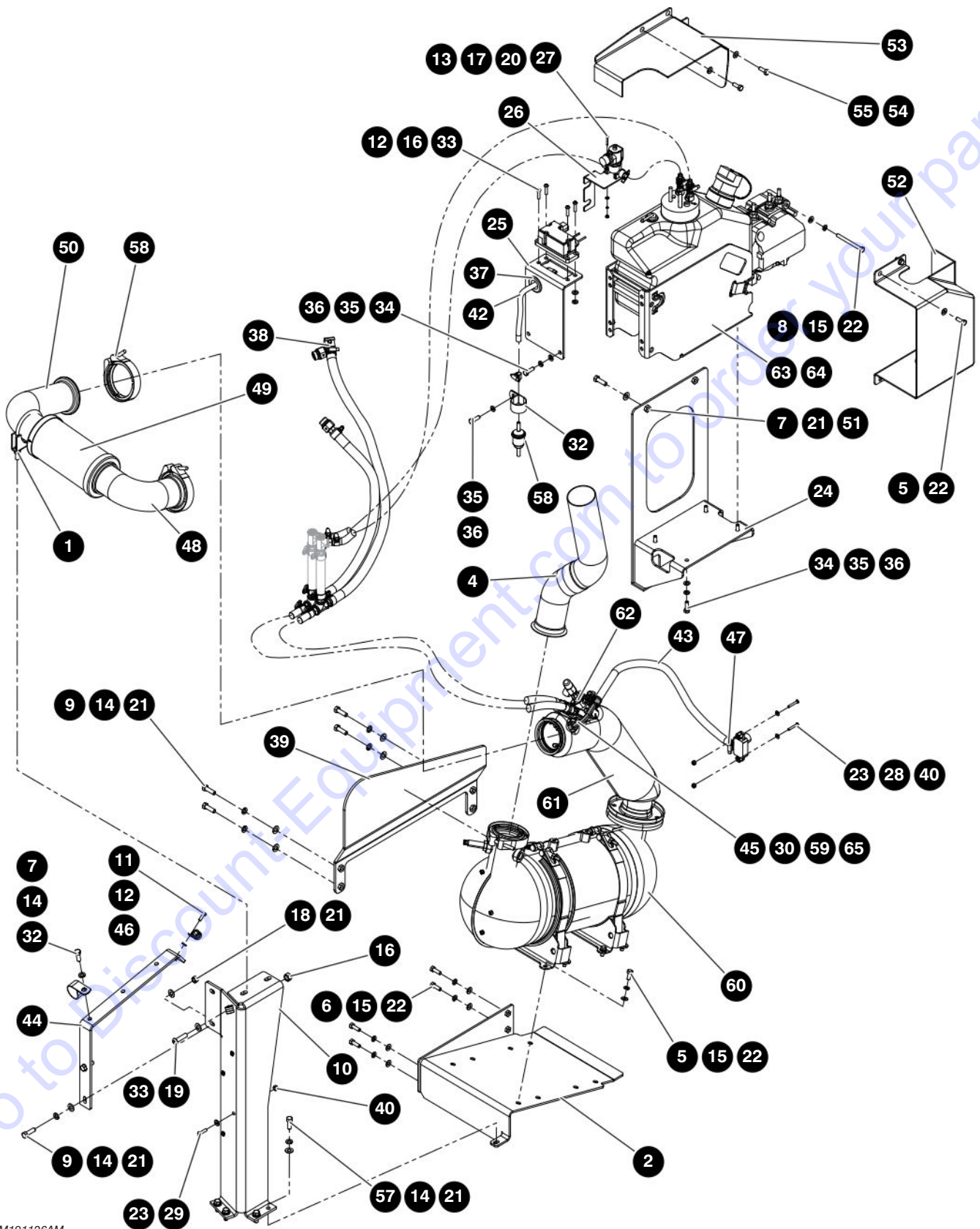


M191126AM

### 3.37 Exhaust System Assembly 107HP

Index No.	Skyjack Part No.	Qty.	Description
-	9-191126	1	EXHAUST SUBGROUP, 3.6L 107 HP
1	9-928271	1	• CLAMP, 3" Exhaust
2	9-190993	1	• WELDMENT, SCR Bracket
3	9-191036	3	• ADHESIVE, Backed heat barrier (Not shown)
4	9-190941	1	• TUBE, Exhaust tail 3.6L 107HP
5	9-103887	12	• BOLT, Hex head 5/16"-18 X 3/4" Gr. 5
6	9-103864	4	• BOLT, Hex head 5/16"-18 X 1" Gr. 5
7	9-103473	6	• BOLT, Hex head 3/8"-16 X 1" Gr. 5
8	9-103868	3	• BOLT, Hex head 5/16"-18 X 3" Gr. 5
9	9-101297	6	• BOLT, Hex head 3/8"-16 X 1-1/4" Gr. 5
10	9-233040	1	• SUPPORT, Pipe weldment
11	9-103856	1	• BOLT, Hex head 1/4"-20 X 3/4" Gr. 5
12	9-104000	5	• WASHER, Lock 1/4"
13	9-106099	4	• WASHER, Lock #6
14	9-103999	10	• WASHER, Lock 3/8"
15	9-103404	15	• WASHER, Lock 5/16"
16	9-103980	5	• NUT, Hex head 1/4"-20 Gr. 8
17	9-103985	4	• NUT, Hex 6-32
18	9-103978	2	• NUT, Hex 3/8"-16 Gr. 5
19	9-103995	1	• WASHER, Flat 1/4"
20	9-191833	4	• WASHER, Flat #6
21	9-103472	20	• WASHER Flat 3/8"
22	9-103996	15	• Washer Flat 5/16"
23	9-104694	6	• Washer Flat #10
24	9-191418	1	• WELDMENT, Def tank mount
25	9-191759	1	• BRACKET, Def heater mount
26	9-191780	1	• BRACKET, Def solenoid valve
27	9-103956	4	• SCREW, Round head machine 6-32 x 1"
28	9-103961	2	• SCREW, Round head machine 10-24 x 1-1/4"
29	9-151155	4	• SCREW, Round head machine 10-24 x 1"
30	9-204231	1	• RING, Cutting
31	9-103321	2	• CLAMP, Gear (SAE NO.4 - 1/4"-13/16")
32	9-133241	1	• CLIP, Single S340G26
33	9-702911	4	• BOLT, Button head cap screw 1/4"0-20 x 1
34	9-933832	2	• WASHER, Flat M8 - OD 16.0
			Part list continued in following page

### 3.37 Exhaust System Assembly 107HP

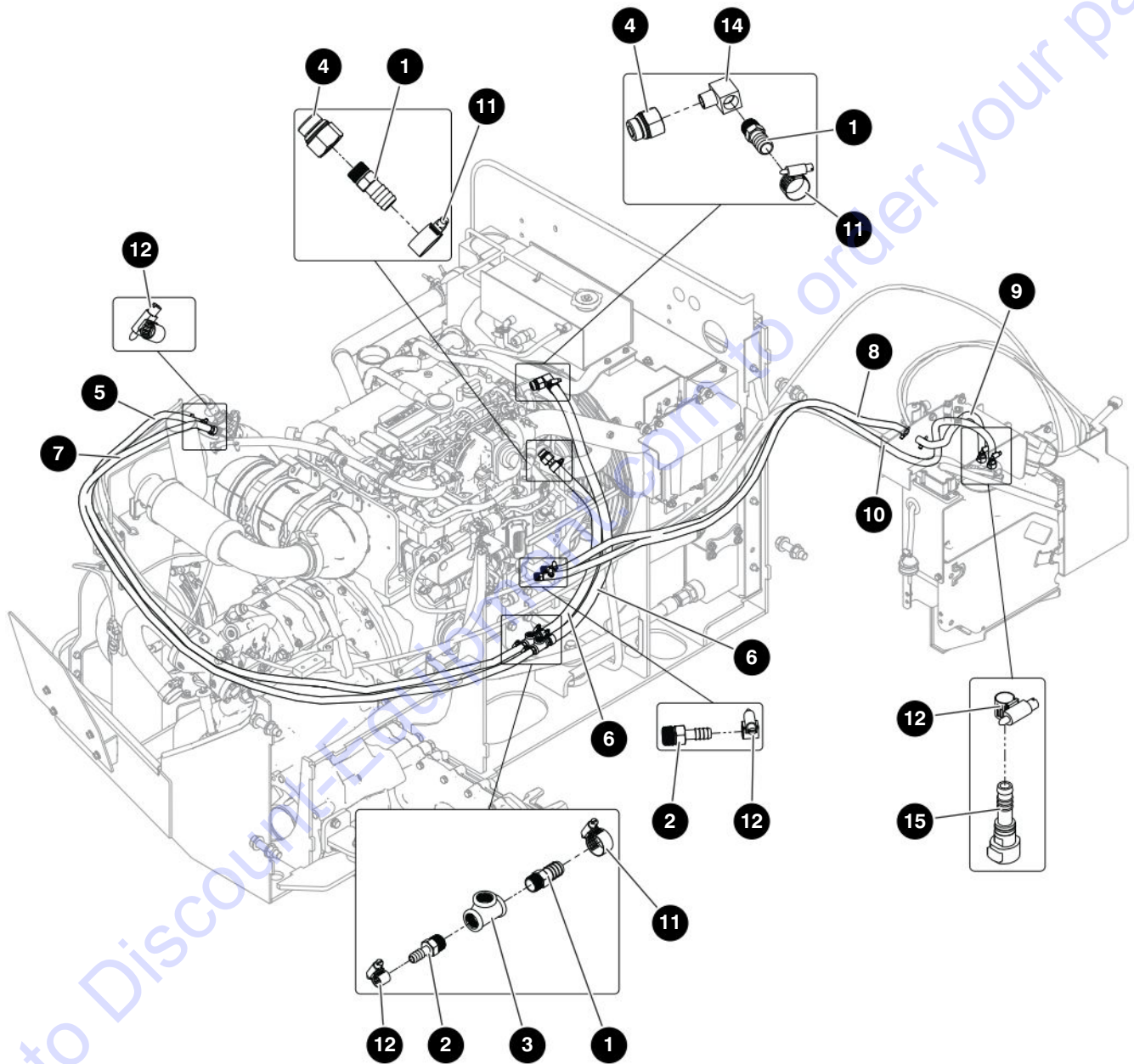


M191126AM

### 3.37 Exhaust System Assembly 107HP

Index No.	Skyjack Part No.	Qty.	Description
			Part list continued from previous page
35	9-116218	3	• WASHER, Lock M8-Plated DIN 127B
36	9-933655	3	• BOLT, hex head cap screw M8 - 1-1/4" x 25 CL 8.8 YE
37	9-144294	1	• GROMMET, Rubber 1" ID x 1-3/8" OD x 3/16"
38	9-191775	1	• ASSEMBLY, SCR coolant hoses install
39	9-191784	1	• WELDMENT, SCR guard
40	9-126642	6	• NUT, Lock with nylon insert 10-24 Gr. 5
41	9-102893	20	• TIEWRAP CABLE, 14-1/2" Black
42	9-165739	11	• HOSE, GM Engine rad, overflow
43	9-163509	26"	• HOSE, Fuel line 3/8" ID, 300 PSI
44	9-197420	1	• BRACKET, Def line support
45	9-204229	1	• TUBE, SS 12mm OD
46	9-103024	1	• CLAMP, Single clip G8
47	9-116342	2	• CLAMP, Gear #8
-	9-190966	1	• WELDMENT, Pipe DOC to SCR
48	9-190964	1	• • PIPE, Doc to Flex
49	9-190963	1	• • PIPE, Flex 10"
50	9-190965	1	• • PIPE, Flex to SCR
51	9-104606	2	• NUT, Lock with nylon insert 3/8"-16 gr5
-	9-199826	1	• ASSEMBLY, Cover exhaust - 107HP
52	9-191443	1	• • COVER, DEF supply module
53	9-191444	1	• • COVER, DEF tank
54	9-125959	3	• • BOLT, Hex head 3/8"-16 x 3/4 Gr. 5
55	9-101632	3	• • WASHER, Flat 3/8" Hard
56	9-204230	1	• NUT, Upper union
57	139193	4	BOLT, Hex head, 3/8"-16 x 7/8" Gr. 8, zinc plated
58	9-139254	1	FILTER, In-line fuel
59	9-190481	3	CLAMP, V-band 3"
60	9-197167	1	CATALYTIC CONVERTER, Selective Catalytic Reduction System
61	9-197169	1	Mixing tube
62	9-197170	1	Metering unit
	9-223203	1	• Sensor
63	9-197171	1	DEF TANK/RESERVOIR
	9-221397	1	• PUMP, DEF Supply
	9-223182	1	• FILTER, DEF
	9-223183	1	• LINE, DEF
	9-223189	1	• LINE, DEF 2
	9-223190	1	• LINE, DEF 3
	9-223186	1	• VALVE, Solenoid
64	9-197172	1	Level transmitter
65	9-168707	1	CLAMP, Loop cushioned x 1" DIA

### 3.38 DEF Lines



M191775AG

190126AG

152

SJ1044 TH, SJ1044 THS, SJ1056 TH, SJ1056 THS

SKYJACK

# PARTS FINDER

**Search Website  
by Part Number**



**Search Manual  
Library For Parts  
Manual & Lookup Part  
Numbers – Purchase  
or Request Quote**

**Search Manuals**

Enter your information to help us find the right parts manual for your machine.

\* Brand:

\* Model:

\* Serial:

\* Part Number:

SEARCH

**Can't Find Part or  
Manual? Request Help  
by Manufacturer,  
Model & Description**

**Parts Order Form**

Please fill in the following information to help us find the right part for your machine.

Manufacturer:	<input type="text"/>
Model:	<input type="text"/>
Description:	<input type="text"/>
Part Number:	<input type="text"/>
Quantity:	<input type="text"/>
Notes:	<input type="text"/>

Discount-Equipment.com is your online resource for quality parts & equipment.

Florida: **561-964-4949** Outside Florida TOLL FREE: **877-690-3101**

**Need parts?**

Click on this link: <http://www.discount-equipment.com/category/5443-parts/> and choose one of the options to help get the right parts and equipment you are looking for. Please have the machine model and serial number available in order to help us get you the correct parts. If you don't find the part on the website or on one of the online manuals, please fill out the request form and one of our experienced staff members will get back to you with a quote for the right part that your machine needs.

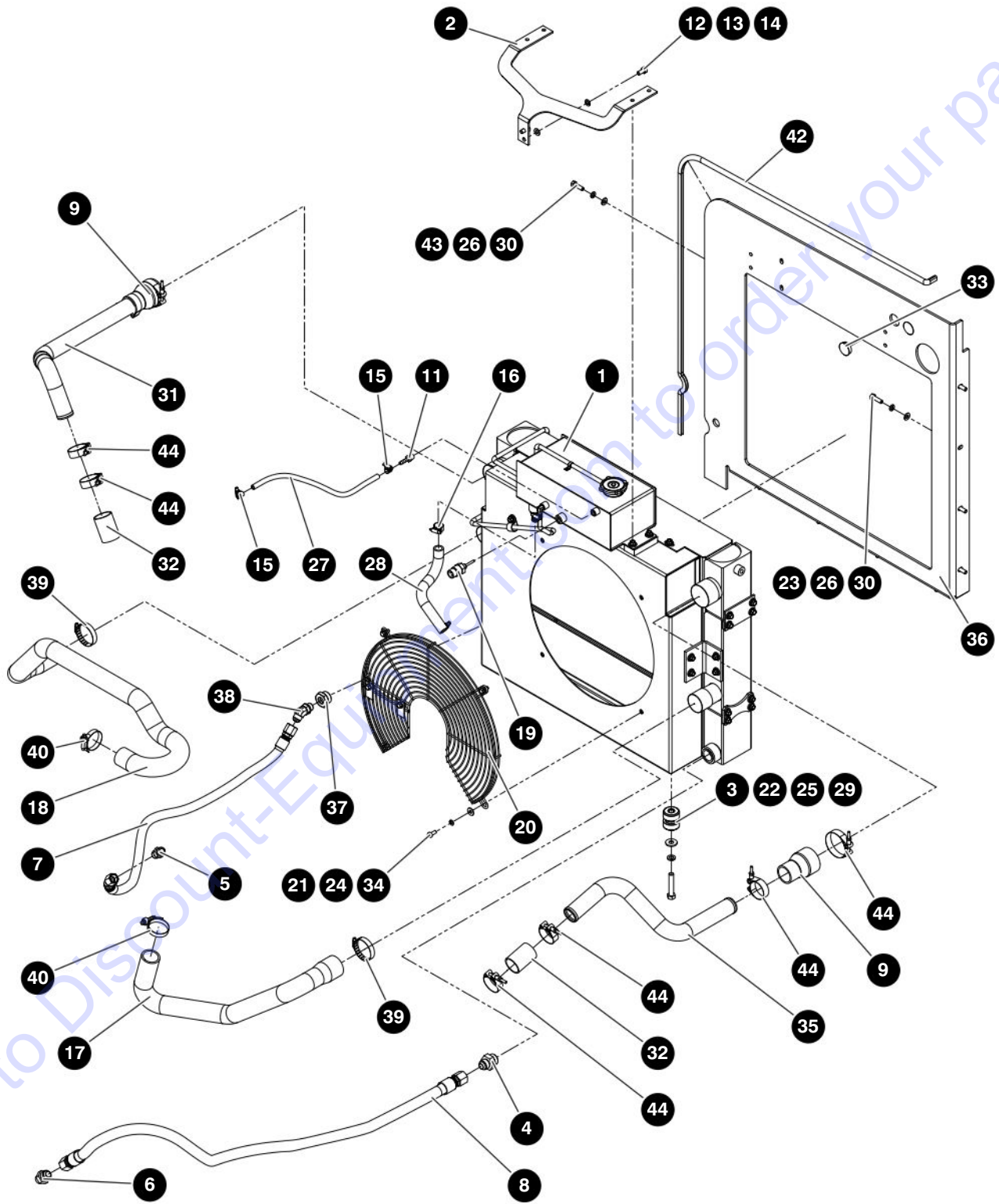
We sell worldwide for the brands: Genie, Terex, JLG, MultiQuip, Mikasa, Essick, Whiteman, Mayco, Toro Stone, Diamond Products, Generac Magnum, Airman, Haulotte, Barreto, Power Blanket, Nifty Lift, Atlas Copco, Chicago Pneumatic, Allmand, Miller Curber, Skyjack, Lull, Skytrak, Tsurumi, Husquvarna Target, Stow, Wacker, Sakai, Mi-T-M, Sullair, Basic, Dynapac, MBW, Weber, Bartell, Bennar Newman, Haulotte, Ditch Runner, Menegotti, Morrison, Contec, Buddy, Crown, Edco, Wyco, Bomag, Laymor, EZ Trench, Bil-Jax, F.S. Curtis, Gehl Pavers, Heli, Honda, ICS/PowerGrit, IHI, Partner, Imer, Clipper, MMD, Koshin, Rice, CH&E, General Equipment, Amida, Coleman, NAC, Gradall, Square Shooter, Kent, Stanley, Tamco, Toku, Hatz, Kohler, Robin, Wisconsin, Northrock, Oztec, Toker TK, Rol-Air, APT, Wylie, Ingersoll Rand / Doosan, Innovatech, Con X, Ammann, Mecalac, Makinex, Smith Surface Prep, Small Line, Wanco, Yanmar

### 3.38 DEF Lines

Index No.	Skyjack Part No.	Qty.	Description
-	9-191775	1	DEF LINES
1	9-191771	6	• HOSE FITTING, 3/8 NPT, 5/8 HOSE
2	9-191770	6	• HOSE FITTING, 3/8 NPT, 5/8 HOSE
3	9-191769	4	• TEE, BRASS 3/8 NPT
4	9-191772	2	• ADAPTER M22X1.5 TO 3/8 NPT /W ORING
5	9-166737	80	• HOSE 300 PSI- 3/8"
6	9-191774	4	• HOSE 5/8" ID, 300 PSI
7	9-166737	81	• HOSE 300 PSI - 3/8"
8	9-166737	52	• HOSE 300 PSI - 3/8"
9	9-166737	13	• HOSE 300 PSI - 3/8"
10	9-166737	66	• HOSE 300 PSI - 3/8"
11	9-102854	8	• GEAR CLAMP #12
12	9-116342	10	• CLAMP, HOSE ( 0.50)
13	9-102893	20	• TIEWRAP CABLE, 14.5" BLACK
14	9-413158	1	• BRASS 90 ELBOW 3/8
15	9-213600	2	• QUICK CONNECTOR, STRAIGHT
16	9-233208	1	HOSE, DEF to SCR (Not shown)



### 3.39 Cooling Package Style A for 74 HP Engine



M190682AA

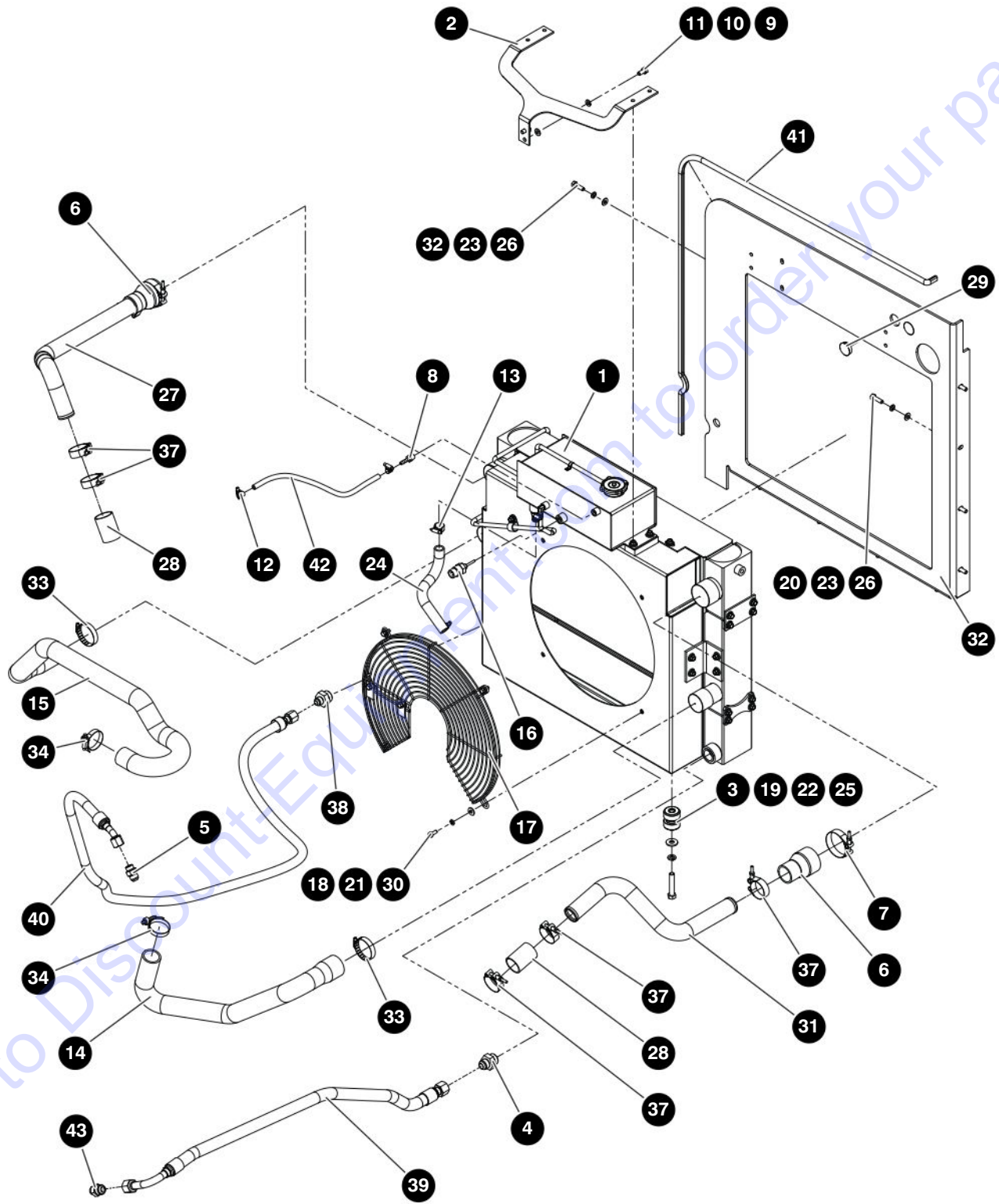
190126AG

SJ1044 TH, SJ1044 THS, SJ1056 TH, SJ1056 THS

### 3.39 Cooling Package Style A for 74 HP Engine

Index No.	Skyjack Part No.	Qty.	Description
-	9-190682	1	ASSEMBLY, COOLER SUBGROUP DEUTZ 3.6L 74HP
1	9-190683	1	<ul style="list-style-type: none"> <li>ASSEMBLY, Cooler 3.6 DEUTZ T4F</li> </ul> <i>(For components, refer to Section 3.43)</i>
2	9-190721	1	<ul style="list-style-type: none"> <li>BRACKET, Cooler mounting - 3.6L</li> </ul>
3	9-190428	2	<ul style="list-style-type: none"> <li>ISOLATOR, 46.4mm, , 51.21mm, 1/2-13</li> </ul>
4	9-702122	1	<ul style="list-style-type: none"> <li>FITTING, (16 ORBM TO 12 JICM)</li> </ul>
5	9-137630	1	<ul style="list-style-type: none"> <li>FITTING, (10 ORBM TO 10 JICM)</li> </ul>
6	9-702118	1	<ul style="list-style-type: none"> <li>FITTING, (12 ORBM TO 12 JICM)</li> </ul>
7	9-H321000500	1	<ul style="list-style-type: none"> <li>HOSE - Transmission to oil cooler</li> </ul>
8	9-H311200600	1	<ul style="list-style-type: none"> <li>HOSE - Oil cooler to transmission</li> </ul>
9	9-190887	2	<ul style="list-style-type: none"> <li>REDUCER, 2-1/2" to 1-3/4" charge air hot side</li> </ul>
10	9-149493	2	<ul style="list-style-type: none"> <li>CLAMP, T-Bolt (2.81-3.09)</li> </ul>
11	9-166176	1	<ul style="list-style-type: none"> <li>FITTING, Hose, 5/16" Hose x 1/4" NPT</li> </ul>
12	9-933833	2	<ul style="list-style-type: none"> <li>WASHER, Flat M10-OD 20.0</li> </ul>
13	9-130884	2	<ul style="list-style-type: none"> <li>WASHER Lock M10-Plated DIN 127B</li> </ul>
14	9-933640	2	<ul style="list-style-type: none"> <li>BOLT, Hex head M10 X 1.5 X 20mm CL 8.8 YE</li> </ul>
15	9-103321	4	<ul style="list-style-type: none"> <li>CLAMP, Hose ( 0.31)</li> </ul>
16	9-103320	2	<ul style="list-style-type: none"> <li>CLAMP, Hose (1.00)</li> </ul>
17	9-191278	1	<ul style="list-style-type: none"> <li>RADIATOR HOSE, Suction</li> </ul>
18	9-191273	1	<ul style="list-style-type: none"> <li>RADIATOR HOSE, Thermostat to cooler</li> </ul>
19	9-165058	1	<ul style="list-style-type: none"> <li>SENSOR, Coolant level</li> </ul>
20	9-191285	1	<ul style="list-style-type: none"> <li>FAN GUARD 18"</li> </ul>
21	9-103887	4	<ul style="list-style-type: none"> <li>BOLT, Hex head 5/16"-18 X 3/4" Grade 5</li> </ul>
22	9-123855	2	<ul style="list-style-type: none"> <li>BOLT, Hex head 1/2"-13 X 2-3/4" Grade 8</li> </ul>
23	9-101297	8	<ul style="list-style-type: none"> <li>BOLT, Hex head 3/8"-16 X 1-1/4" Grade 5</li> </ul>
24	9-103404	4	<ul style="list-style-type: none"> <li>WASHER, LOCK 5/16"</li> </ul>
25	9-103470	2	<ul style="list-style-type: none"> <li>WASHER, LOCK 1/2" grade 5</li> </ul>
26	9-103999	9	<ul style="list-style-type: none"> <li>WASHER, LOCK 3/8"</li> </ul>
27	9-165739	24	<ul style="list-style-type: none"> <li>HOSE, Engine vent</li> </ul>
28	9-191844	1	<ul style="list-style-type: none"> <li>HOSE, Suction - 3.6L</li> </ul>
29	9-104379	2	<ul style="list-style-type: none"> <li>WASHER, Flat 1/2" Hard</li> </ul>
30	9-103472	9	<ul style="list-style-type: none"> <li>WASHER, Flat 3/8"</li> </ul>
31	9-191714	1	<ul style="list-style-type: none"> <li>CAC TUBE, Turbo to cooler</li> </ul>
32	9-190426	2	<ul style="list-style-type: none"> <li>COUPLING, CAC, 44.45 ID X 70</li> </ul>
33	9-197539	2	<ul style="list-style-type: none"> <li>PLUG, Snap in for 1-3/8" hole</li> </ul>
34	9-166164	4	<ul style="list-style-type: none"> <li>WASHER, Flat standard 5/16"</li> </ul>
35	9-190882	1	<ul style="list-style-type: none"> <li>CAC TUBE, Cooler to air return</li> </ul>
36	9-190774	1	<ul style="list-style-type: none"> <li>BAFFLE, 3.6L Deutz T4F</li> </ul>
37	9-141535	1	<ul style="list-style-type: none"> <li>FITTING, Straight (16 ORBM-10 ORBF)</li> </ul>
38	9-149215	1	<ul style="list-style-type: none"> <li>FITTING, 45° (10 JICM - 10 ORBM)</li> </ul>
39	9-163193	2	<ul style="list-style-type: none"> <li>CLAMP, Gear 2-1/16" - 3"</li> </ul>
40	9-133222	2	<ul style="list-style-type: none"> <li>CLAMP, Gear #32</li> </ul>
41	9-171444	60	<ul style="list-style-type: none"> <li>WRAP, Spiral 1" DIA</li> </ul>
42	9-119922	65	<ul style="list-style-type: none"> <li>PROTECTIVE TRIM, 1/4-1/2"</li> </ul>
43	9-103870	1	<ul style="list-style-type: none"> <li>BOLT, Hex head 3/8"-16 X 1-1/2" Grade 5</li> </ul>
44	9-197229	6	<ul style="list-style-type: none"> <li>CLAMP, T-BOLT 2.120DIA - 2.240DIA</li> </ul>

### 3.40 Cooling Package Style A for 74HP Engine with CVT



M190682AA

190126AG

156

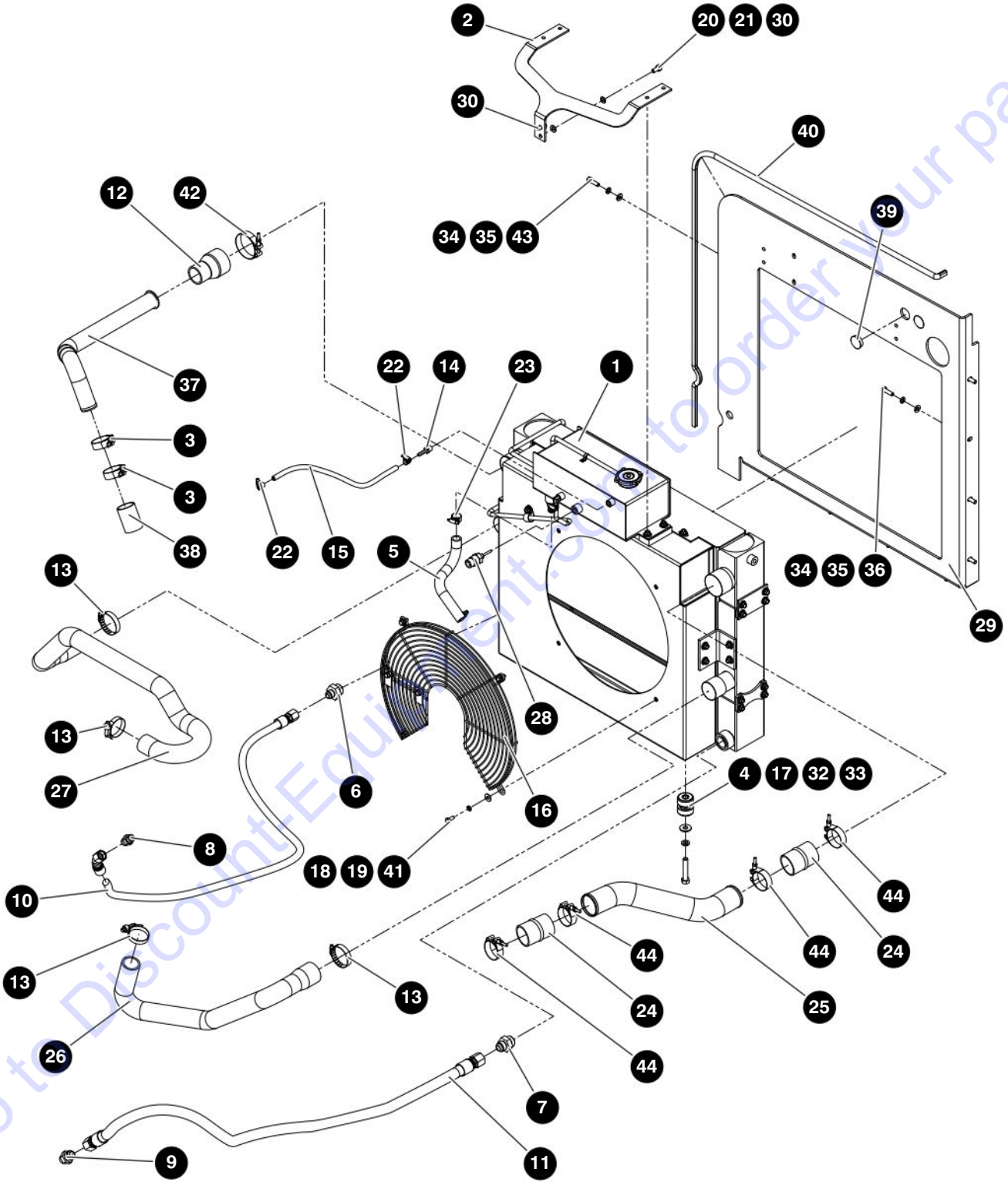
SJ1044 TH, SJ1044 THS, SJ1056 TH, SJ1056 THS

SKYJACK

### 3.40 Cooling Package Style A for 74HP Engine with CVT

Index No.	Skyjack Part No.	Qty.	Description
-	9-216777	1	ASSEMBLY, COOLER SUBGROUP DEUTZ 3.6L 74HP
1	9-190683	1	COOLER ASSEMBLY, 3.6L DEUTZ T4F <i>(For components, refer to Section 3.43)</i>
2	9-190721	1	BRACKET, COOLER MOUNTING - 3.6L
3	9-190428	2	ISOLATOR, 46.4MM, , 51.21MM, 1/2-13
4	9-702122	1	FITTING, 16 ORBM TO 12 JICM
5	9-137630	1	FITTING, 10 ORBM TO 10 JICM
6	9-190887	2	REDUCER, 2.5" TO 1.75" CHARGE AIR HOT SIDE
7	9-149493	2	CLAMP, T-BOLT (2.81-3.09)
8	9-168146	1	FITTING, HOSE BARB, 1/4" NPTX3/8" HOSE
9	9-933833	2	WASHER, FLAT M10-OD 20.0
10	9-130884	2	WASHER LOCK M10-PLATED DIN 127B
11	9-933640	2	BOLT, HHCS M10 X 1.5 X 20MM CL 8.8 YE
12	9-116342	2	CLAMP, HOSE ( 0.50)
13	9-103320	2	CLAMP - GEAR (SAE NO. 16 - )
14	9-191278	1	RADIATOR HOSE, SUCTION
15	9-191273	1	RADIATOR HOSE, THERMOSTAT TO COOLER
16	9-165058	1	COOLANT LEVEL SENSOR
17	9-191285	1	FAN GUARD 18"
18	9-103887	4	BOLT, HXHD 0.312-18 X 0.750 GR5
19	9-123855	2	BOLT, HXHD 0.50-13 X 2.750 GR8
20	9-101297	8	BOLT-HEX HD/ZINC (.38-16 X 1.25 / GR5)
21	9-103404	4	WASHER, LOCK 0.312
22	9-103470	2	WASHER-LOCK 1/2 NOM X 0.12
23	9-103999	9	WASHER, LOCK 0.375
24	9-191844	1	HOSE, SUCTION - 3.6L
25	9-104379	2	Washer Flat 0.500 Hard
26	9-103472	9	WASHER FLAT 0.375
27	9-191714	1	CAC TUBE, TURBO TO COOLER
28	9-190426	2	COUPLING, CAC, 44.45 ID X 70
29	9-197539	2	PLUG, SNAP IN FOR 1.38" HOLE
30	9-166164	4	WASHER, FLAT 0.312 USS
31	9-190882	1	CAC TUBE, COOLER TO AIR RETURN
32	9-190774	1	BAFFLE, 3.6L DEUTZ T4F
33	9-163193	2	CLAMP, HOSE ( 3.00)
34	9-133222	2	CLAMP, HOSE ( 2.00)
35	9-171444	120	WRAP-SPIRAL 1.00" DIA
36	9-103870	1	BOLT, HXHD 0.375-16 X 1.500 GR5
37	9-197229	6	CLAMP, T-BOLT 2.120DIA-2.240DIA
38	9-160801	1	FITTING, 16 ORBM TO 10 JICM
39	H361200470	1	HOSE HYDR - H36 (0.750 / 100R17 * 47 LG)
40	H321000650	1	HOSE HYDR - H32 (0.625 / 100R17 * 65 LG)
41	9-119922	65	PROTECTIVE TRIM 1/4 - 1/2
42	9-166737	18	FUEL LINE 3/8" RUBBER
43	9-138668	1	FTG, 10 SAE TO -12 JIC

### 3.41 Cooling Package Style A for 107 HP Engine



M191200AC

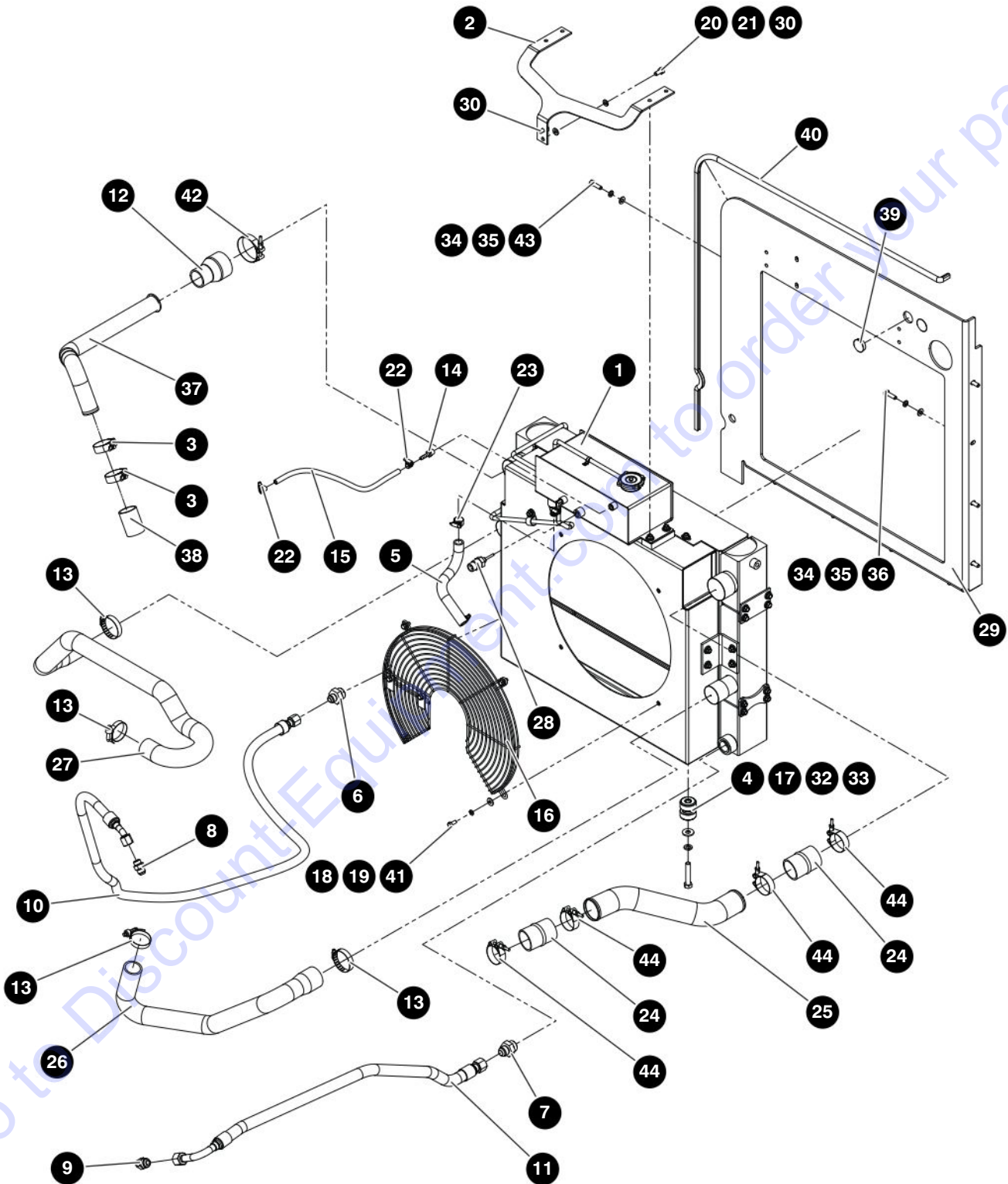
190126AG

SJ1044 TH, SJ1044 THS, SJ1056 TH, SJ1056 THS

### 3.41 Cooling Package Style A for 107 HP Engine

Index No.	Skyjack Part No.	Qty.	Description
-	9-191200	1	ASSEMBLY, COOLER SUBGROUP 3.6L 107 HP
1	(Ref.)	1	<ul style="list-style-type: none"> <li>ASSEMBLY, Cooler, 3.6 DEUTZ T4F</li> </ul> <i>(For components, refer to Section 3.43)</i>
2	9-190721	1	<ul style="list-style-type: none"> <li>BRACKET, Cooler mounting - 3.6L</li> </ul>
3	9-197229	3	<ul style="list-style-type: none"> <li>CLAMP, T-BOLT 2.120DIA-2.240DIA</li> </ul>
4	9-190428	2	<ul style="list-style-type: none"> <li>ISOLATOR, 46.4MM, , 51.21MM, 1/2-13</li> </ul>
5	9-191844	1	<ul style="list-style-type: none"> <li>HOSE, Suction - 3.6L</li> </ul>
6	9-160801	1	<ul style="list-style-type: none"> <li>FITTING, (16 ORBM TO 10 JICM)</li> </ul>
7	9-702122	1	<ul style="list-style-type: none"> <li>FITTING, (16 ORBM TO 12 JICM)</li> </ul>
8	9-137630	1	<ul style="list-style-type: none"> <li>FITTING, (10 ORBM TO 10 JICM)</li> </ul>
9	9-702118	1	<ul style="list-style-type: none"> <li>FITTING, (12 ORBM TO 12 JICM)</li> </ul>
10	9-H321000500	1	<ul style="list-style-type: none"> <li>HOSE - Transmission to oil cooler</li> </ul>
11	9-H311200600	1	<ul style="list-style-type: none"> <li>HOSE - Oil cooler to transmission</li> </ul>
12	9-190887	1	<ul style="list-style-type: none"> <li>REDUCER, 2-1/2" to 1-3/4" charge air hot side</li> </ul>
13	9-163193	4	<ul style="list-style-type: none"> <li>CLAMP, Gear 2.063" - 3.00"</li> </ul>
14	9-166176	1	<ul style="list-style-type: none"> <li>FITTING, Hose barb, 1/4" NPTX5/16" hose</li> </ul>
15	9-165739	18	<ul style="list-style-type: none"> <li>HOSE, Engine vent</li> </ul>
16	9-191285	1	<ul style="list-style-type: none"> <li>FAN GUARD 18"</li> </ul>
17	9-104379	2	<ul style="list-style-type: none"> <li>WASHER, Flat 1/2" Hard</li> </ul>
18	9-103887	4	<ul style="list-style-type: none"> <li>BOLT, Hex head 5/16"-18 x 3/4" Gr. 5</li> </ul>
19	9-103404	4	<ul style="list-style-type: none"> <li>WASHER, Lock 5/16"</li> </ul>
20	9-933833	2	<ul style="list-style-type: none"> <li>WASHER, Flat M10-OD 20.0</li> </ul>
21	9-130884	2	<ul style="list-style-type: none"> <li>WASHER Lock M10-Plated DIN 127B</li> </ul>
22	9-116342	4	<ul style="list-style-type: none"> <li>CLAMP, HOSE (1/2")</li> </ul>
23	9-103320	2	<ul style="list-style-type: none"> <li>CLAMP, HOSE (1")</li> </ul>
24	9-164129	2	<ul style="list-style-type: none"> <li>HUMP HOSE - 2-1/2"ID - 4" long</li> </ul>
25	9-191124	1	<ul style="list-style-type: none"> <li>CAC TUBE, Cooler to air return</li> </ul>
26	9-191278	1	<ul style="list-style-type: none"> <li>RADIATOR HOSE, Suction</li> </ul>
27	9-191273	1	<ul style="list-style-type: none"> <li>RADIATOR HOSE, Thermostat to cooler</li> </ul>
28	9-165058	1	<ul style="list-style-type: none"> <li>SENSOR, Coolant level</li> </ul>
29	9-190774	1	<ul style="list-style-type: none"> <li>BAFFLE, 3.6L Deutz T4F</li> </ul>
30	9-933640	2	<ul style="list-style-type: none"> <li>BOLT, Hex head M10 x 1-1/2" x 20mm CL 8.8 YE</li> </ul>
31	9-924699	120	<ul style="list-style-type: none"> <li>WRAP, Spiral</li> </ul>
32	9-103470	2	<ul style="list-style-type: none"> <li>WASHER, Lock 1/2" Gr. 5</li> </ul>
33	9-123855	2	<ul style="list-style-type: none"> <li>BOLT, Hex head 1/2"-13 x 2-3/4" Gr. 8</li> </ul>
34	9-125959	9	<ul style="list-style-type: none"> <li>WASHER, Flat 3/8" Hard</li> </ul>
35	9-103999	9	<ul style="list-style-type: none"> <li>WASHER, Lock 3/8"</li> </ul>
36	9-101297	9	<ul style="list-style-type: none"> <li>BOLT, Hex head 3/8"-16 x 1-1/4" Gr. 5</li> </ul>
37	9-191714	1	<ul style="list-style-type: none"> <li>CAC TUBE, Turbo to cooler</li> </ul>
38	9-190426	1	<ul style="list-style-type: none"> <li>COUPLING, CAC, 44.45 ID X 70</li> </ul>
39	9-197539	2	<ul style="list-style-type: none"> <li>PLUG, Snap in for 1-3/8" hole</li> </ul>
40	9-119922	65	<ul style="list-style-type: none"> <li>PROTECTIVE TRIM, 1/4-1/2"</li> </ul>
41	9-166164	4	<ul style="list-style-type: none"> <li>WASHER, Flat standard 5/16"</li> </ul>
42	9-149493	5	<ul style="list-style-type: none"> <li>CLAMP, T-Bolt (2.81-3.09)</li> </ul>

### 3.42 CVT with Cooling Package Assembly Style A for 107 HP



M216749AB

190126AG

160

SJ1044 TH, SJ1044 THS, SJ1056 TH, SJ1056 THS

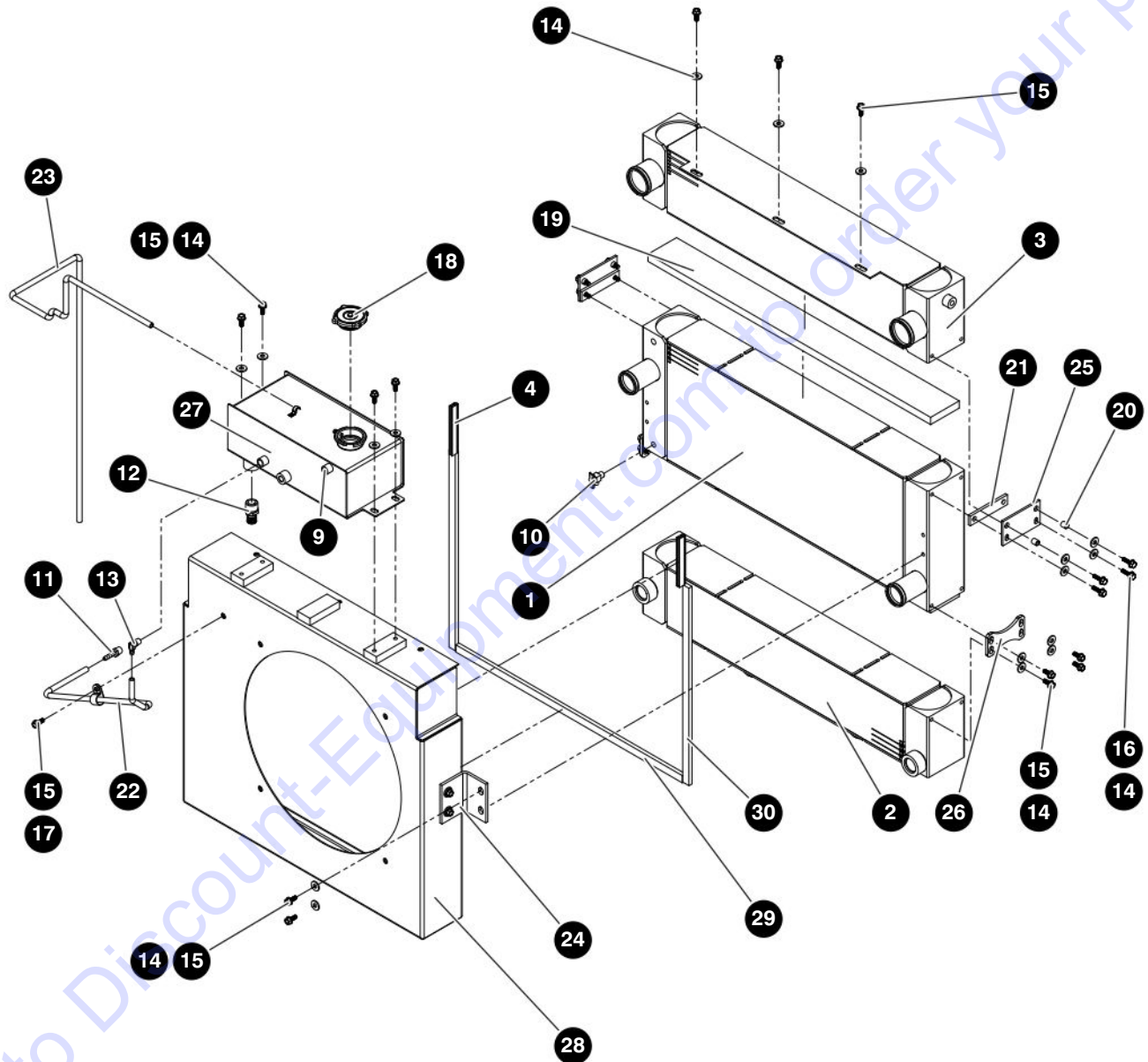
SKYJACK

### 3.42 CVT with Cooling Package Assembly Style A for 107 HP

Index No.	Skyjack Part No.	Qty.	Description
-	9-216749	1	ASSEMBLY, COOLER SUBGROUP 3.6L 107 HP
1	(Ref.)	1	<ul style="list-style-type: none"> <li>ASSEMBLY, Cooler, 3.6 DEUTZ T4F</li> </ul> <i>(For components, refer to Section 3.43)</i>
2	9-190721	1	<ul style="list-style-type: none"> <li>BRACKET, Cooler mounting - 3.6L</li> </ul>
3	9-197229	3	<ul style="list-style-type: none"> <li>CLAMP, T-BOLT 2.120DIA-2.240DIA</li> </ul>
4	9-190428	2	<ul style="list-style-type: none"> <li>ISOLATOR, 46.4MM, , 51.21MM, 1/2-13</li> </ul>
5	9-191844	1	<ul style="list-style-type: none"> <li>HOSE, Suction - 3.6L</li> </ul>
6	9-160801	1	<ul style="list-style-type: none"> <li>FITTING, (16 ORBM TO 10 JICM)</li> </ul>
7	9-702122	1	<ul style="list-style-type: none"> <li>FITTING, (16 ORBM TO 12 JICM)</li> </ul>
8	9-137630	1	<ul style="list-style-type: none"> <li>FITTING, (10 ORBM TO 10 JICM)</li> </ul>
9	9-702118	1	<ul style="list-style-type: none"> <li>FITTING, (12 ORBM TO 12 JICM)</li> </ul>
10	9-H321000650	1	<ul style="list-style-type: none"> <li>HOSE - Transmission to oil cooler</li> </ul>
11	9-H361200470	1	<ul style="list-style-type: none"> <li>HOSE - Oil cooler to transmission</li> </ul>
12	9-190887	1	<ul style="list-style-type: none"> <li>REDUCER, 2-1/2" to 1-3/4" charge air hot side</li> </ul>
13	9-163193	4	<ul style="list-style-type: none"> <li>CLAMP, Gear 2.063" - 3.00"</li> </ul>
14	9-166176	1	<ul style="list-style-type: none"> <li>FITTING, Hose barb, 1/4" NPTX5/16" hose</li> </ul>
15	9-165739	18	<ul style="list-style-type: none"> <li>HOSE, Engine vent</li> </ul>
16	9-191285	1	<ul style="list-style-type: none"> <li>FAN GUARD 18"</li> </ul>
17	9-104379	2	<ul style="list-style-type: none"> <li>WASHER, Flat 1/2" Hard</li> </ul>
18	9-103887	4	<ul style="list-style-type: none"> <li>BOLT, Hex head 5/16"-18 x 3/4" Gr. 5</li> </ul>
19	9-103404	4	<ul style="list-style-type: none"> <li>WASHER, Lock 5/16"</li> </ul>
20	9-933833	2	<ul style="list-style-type: none"> <li>WASHER, Flat M10-OD 20.0</li> </ul>
21	9-130884	2	<ul style="list-style-type: none"> <li>WASHER Lock M10-Plated DIN 127B</li> </ul>
22	9-116342	4	<ul style="list-style-type: none"> <li>CLAMP, HOSE (1/2")</li> </ul>
23	9-103320	2	<ul style="list-style-type: none"> <li>CLAMP, HOSE (1")</li> </ul>
24	9-164129	2	<ul style="list-style-type: none"> <li>HUMP HOSE - 2-1/2"ID - 4" long</li> </ul>
25	9-191124	1	<ul style="list-style-type: none"> <li>CAC TUBE, Cooler to air return</li> </ul>
26	9-191278	1	<ul style="list-style-type: none"> <li>RADIATOR HOSE, Suction</li> </ul>
27	9-191273	1	<ul style="list-style-type: none"> <li>RADIATOR HOSE, Thermostat to cooler</li> </ul>
28	9-165058	1	<ul style="list-style-type: none"> <li>SENSOR, Coolant level</li> </ul>
29	9-190774	1	<ul style="list-style-type: none"> <li>BAFFLE, 3.6L Deutz T4F</li> </ul>
30	9-933640	2	<ul style="list-style-type: none"> <li>BOLT, Hex head M10 x 1-1/2" x 20mm CL 8.8 YE</li> </ul>
31	9-924699	120	<ul style="list-style-type: none"> <li>WRAP, Spiral</li> </ul>
32	9-103470	2	<ul style="list-style-type: none"> <li>WASHER, Lock 1/2" Gr. 5</li> </ul>
33	9-123855	2	<ul style="list-style-type: none"> <li>BOLT, Hex head 1/2"-13 x 2-3/4" Gr. 8</li> </ul>
34	9-125959	9	<ul style="list-style-type: none"> <li>WASHER, Flat 3/8" Hard</li> </ul>
35	9-103999	9	<ul style="list-style-type: none"> <li>WASHER, Lock 3/8"</li> </ul>
36	9-101297	9	<ul style="list-style-type: none"> <li>BOLT, Hex head 3/8"-16 x 1-1/4" Gr. 5</li> </ul>
37	9-191714	1	<ul style="list-style-type: none"> <li>CAC TUBE, Turbo to cooler</li> </ul>
38	9-190426	1	<ul style="list-style-type: none"> <li>COUPLING, CAC, 44.45 ID X 70</li> </ul>
39	9-197539	2	<ul style="list-style-type: none"> <li>PLUG, Snap in for 1-3/8" hole</li> </ul>
40	9-119922	65	<ul style="list-style-type: none"> <li>PROTECTIVE TRIM, 1/4-1/2"</li> </ul>
41	9-166164	4	<ul style="list-style-type: none"> <li>WASHER, Flat standard 5/16"</li> </ul>
42	9-149493	5	<ul style="list-style-type: none"> <li>CLAMP, T-Bolt (2.81-3.09)</li> </ul>



### 3.43 Cooling Package Style A- Internal Breakdown 3.6L



M190683AD

190126AG

162

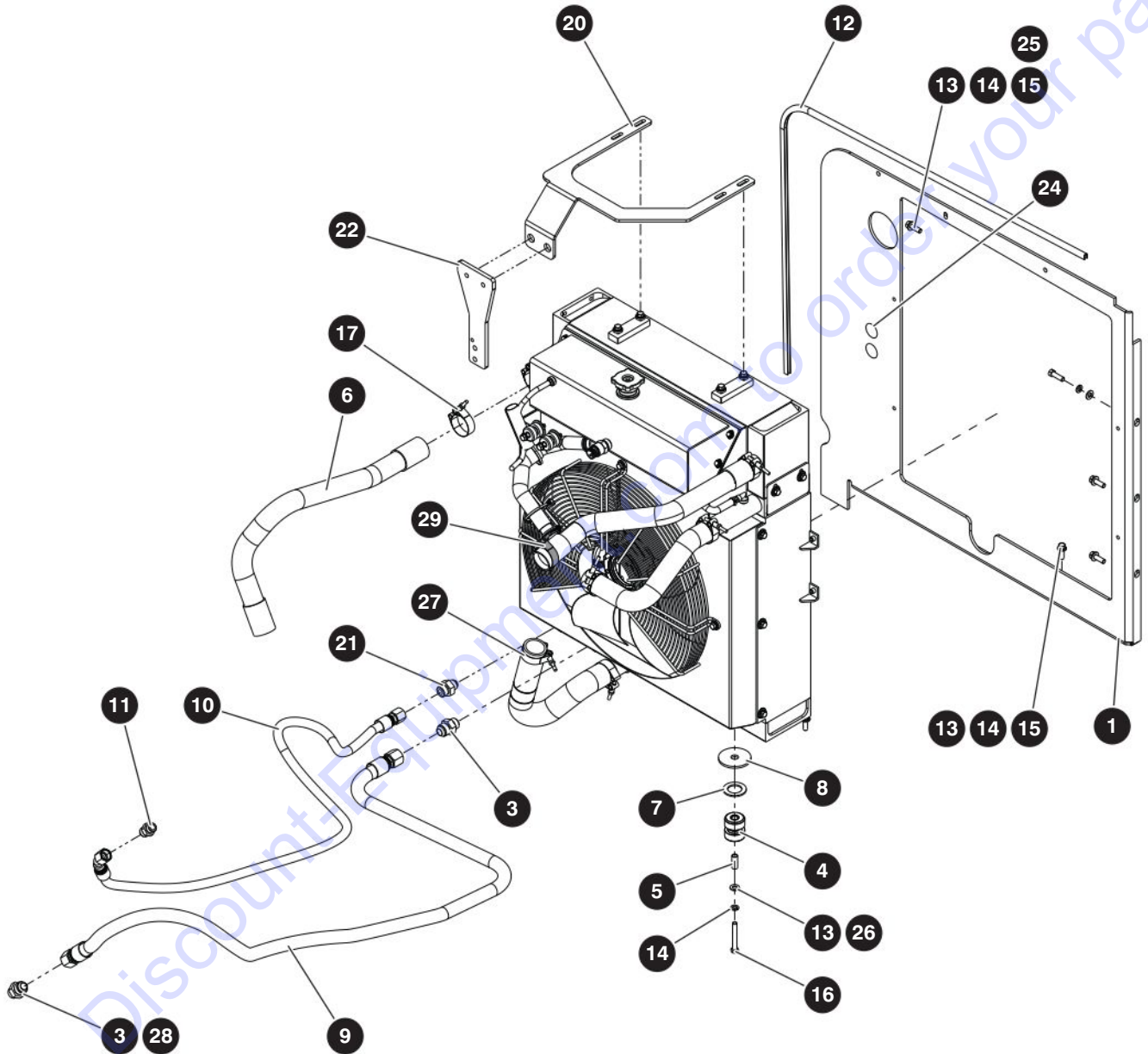
SJ1044 TH, SJ1044 THS, SJ1056 TH, SJ1056 THS

SKYJACK

### 3.43 Cooling Package Style A- Internal Breakdown 3.6L

Index No.	Skyjack Part No.	Qty.	Description
-	9-190683	1	ASSEMBLY, COOLER 3.6
1	9-197137	1	• RADIATOR
2	9-197138	1	• TRANSMISSION OIL COOLER
3	9-197139	1	• CHARGE AIR COOLER
4	9-168147	2	• SEAL, LOCKING PROFILE
5	9-197141	2	• PLUG, Plastic
6	9-168137	2	• CAP, VINYL PROTECTION
7	9-168136	2	• CAP, VINYL PROTECTIVE
8	9-168144	1	• CAP, VINYL PROTECTIVE
9	9-197142	2	• PLUG, Plastic (Tapered)
10	9-197143	1	• FITTING, Drain 1/4" NTP x 90d
11	9-197144	1	• BARB, Hose 1/4" NTP
12	9-197145	1	• HOSE BARB, 3/4" NTP x 3/4" hose ID
13	9-197146	1	• HOSE BARB, 90D 5/16" hose x 1/4" NTP
14	9-197147	31	• WASHER, Flat 5/16" x 7/8" OD Gr. 5
15	9-197148	24	• BOLT, Hex 5/16"-18 x 3/4" Gr. 5
16	9-197149	8	• BOLT, Hex 5/16"-18 x 1" Gr. 5
17	9-197150	1	• CLAMP, Hose 3/4"
18	9-197151	1	• CAP, Radiator, 15 PSI medium
19	9-197152	2	• SEALING FOAM
20	9-197153	4	• BUSHING, 12mm OD x 13 mm long
21	9-197154	2	• SPACER BLOCK
22	9-166172	1	• 5/16" ID X 5/8" OD HOSE VENT
23	9-168135	1	• HOSE, 5/16" ID X 7/16 OD (OVERFLOW)
24	9-197155	2	• BRACKET, MTG L shape
25	9-197156	2	• MTG PLATE - 113
26	9-197157	2	• MTG PLATE - 113 DB
27	9-197158	1	• SURGE TANK
28	9-197159	1	• SHROUD
29	9-197166	1	• FOAM INSULATION 689MM
30	9-197166	2	• FOAM INSULATION 689MM
31	9-197140	1	• LABEL, AKG cooler

### 3.44 Cooling Package Style B



M223215AB

190126AG

164

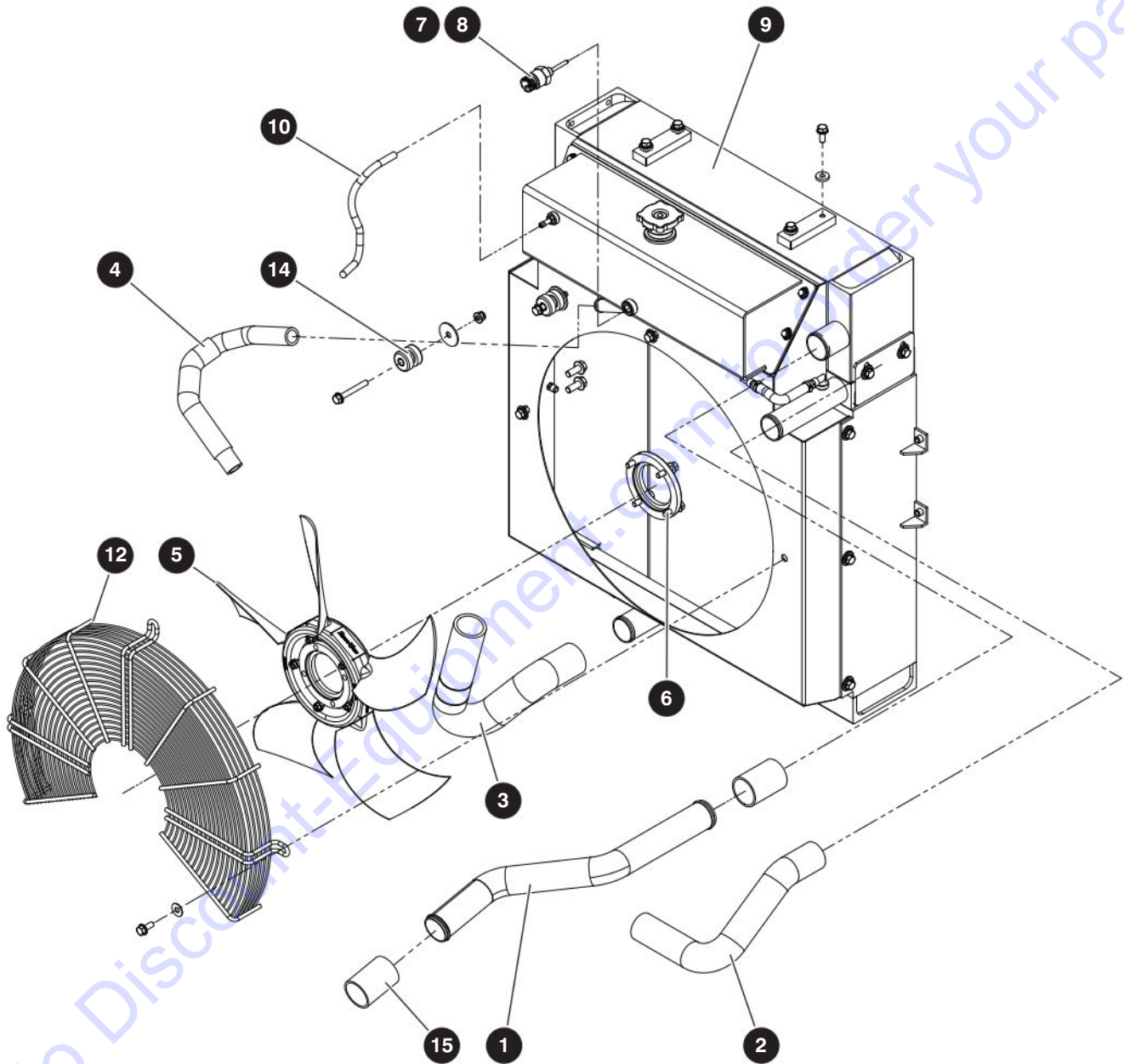
SJ1044 TH, SJ1044 THS, SJ1056 TH, SJ1056 THS

SKYJACK

### 3.44 Cooling Package Style B

Index No.	Skyjack Part No.	Qty.	Description
-	-	-	<b>For machines with serial number 87210074 to 87210082</b>
-	-	-	<b>For machines with serial number 87310923 to 87311014</b>
<b>A</b>	9-223215	1	ASSEMBLY, COOLER SUBGROUP DEUTZ 3.6L 74 HP
<b>B</b>	9-223523	1	ASSEMBLY, COOLER SUBGROUP DEUTZ 3.6L 107 HP
<b>C</b>	9-223219	1	ASSEMBLY, COOLER SUBGROUP DEUTZ 3.6L 74 HP WITH CVT
<b>D</b>	9-223223	1	ASSEMBLY, COOLER SUBGROUP DEUTZ 3.6L 107 HP WITH CVT
1	9-223529	1	BAFFLE, 3.6L DEUTZ T4F
2	9-223217	1	DEUTZ COOLING PACKAGE – TCD 3.6- 74 HP - <b>A, C</b> <i>(For components, refer to Section 3.45)</i>
-	9-223524	1	DEUTZ COOLING PACKAGE – TCD 3.6- 107 HP - <b>B, D</b> <i>(For components, refer to Section 3.45)</i>
3	702118	2	FITTING, 12 ORBM TO 12 JICM
4	190428	2	ISOLATOR, 46.4MM, , 51.21MM, 1/2-13
5	223209	2	SLEEVE, 0.502" OD X 0.375" ID
6	223526	1	CAC TUBE ASSEMBLY
7	158681	2	WASHER FLAT 1.25 HARD
8	190889	2	WASHER, REBOUND
9	H311200820	1	HOSE - OIL COOLER TO TRANSMISSION - <b>A, B</b>
	H361200690	1	HOSE - OIL COOLER TO TRANSMISSION - <b>C, D</b>
10	H321000500	1	HOSE - TRANSMISSION TO OIL COOLER - <b>A, B</b>
	H321000650	1	HOSE - TRANSMISSION TO OIL COOLER - <b>C, D</b>
11	137630	1	FITTING, 10 ORBM TO 10 JICM
12	119922	65	PROTECTIVE TRIM, 1/4-1/2"
13	125959	10	WASHER FLAT 0.375 HARD - <b>A, B</b>
	152200	8	WASHER, FLAT 0.375 USS - <b>C, D</b>
14	103999	10	WASHER, LOCK 0.375
15	101297	8	BOLT-HEX HD/ZINC (.38-16 X 1.25 / GR5) - <b>A, B</b>
	101297	4	BOLT-HEX HD/ZINC (.38-16 X 1.25 / GR5) - <b>C, D</b>
16	103874	2	BOLT, HXHD 0.375-16 X 2.750 GR5
17	197229	12	CLAMP, T-BOLT 2.120DIA-2.240DIA - <b>A, B</b>
	197229	8	CLAMP, T-BOLT 2.120DIA-2.240DIA - <b>C</b>
	197229	5	CLAMP, T-BOLT 2.120DIA-2.240DIA - <b>D</b>
18	103320	2	CLAMP - GEAR (SAE NO. 16 - )
19	924699	120	SPIRAL WRAP
20	223213	1	BRACKET, RADIATOR MOUNT
21	137490	1	FTG, 12 ORBM TO 10 JICM
22	223216	1	PLATE, RADIATOR SUPPORT
23	148368	96	FOAM SEAL - #1441 (2" X 2") - <b>A, B</b> (Not shown)
	148368	81	FOAM SEAL - #1441 (2" X 2") - <b>C, D</b> (Not shown)
24	197539	2	PLUG, SNAP IN FOR 1.38" HOLE - <b>C, D</b>
25	103473	4	BOLT-HEX HD/ZINC (.38-16 X 1.00 / GR5) - <b>C, D</b>
26	127067	2	WASHER, FLAT 0.375 STYLE BB - <b>C, D</b>
27	133222	4	CLAMP, HOSE ( 2.00) - <b>C, D</b>
28	138668	1	FTG, 10 ORBM TO 12 JICM - <b>C, D</b>
29	164171	1	CLAMP, T-BOLT 2.50-2.78 - <b>D</b>

### 3.45 Cooling Package Style B - Internal Breakdown



M223217AA

190126AG

166

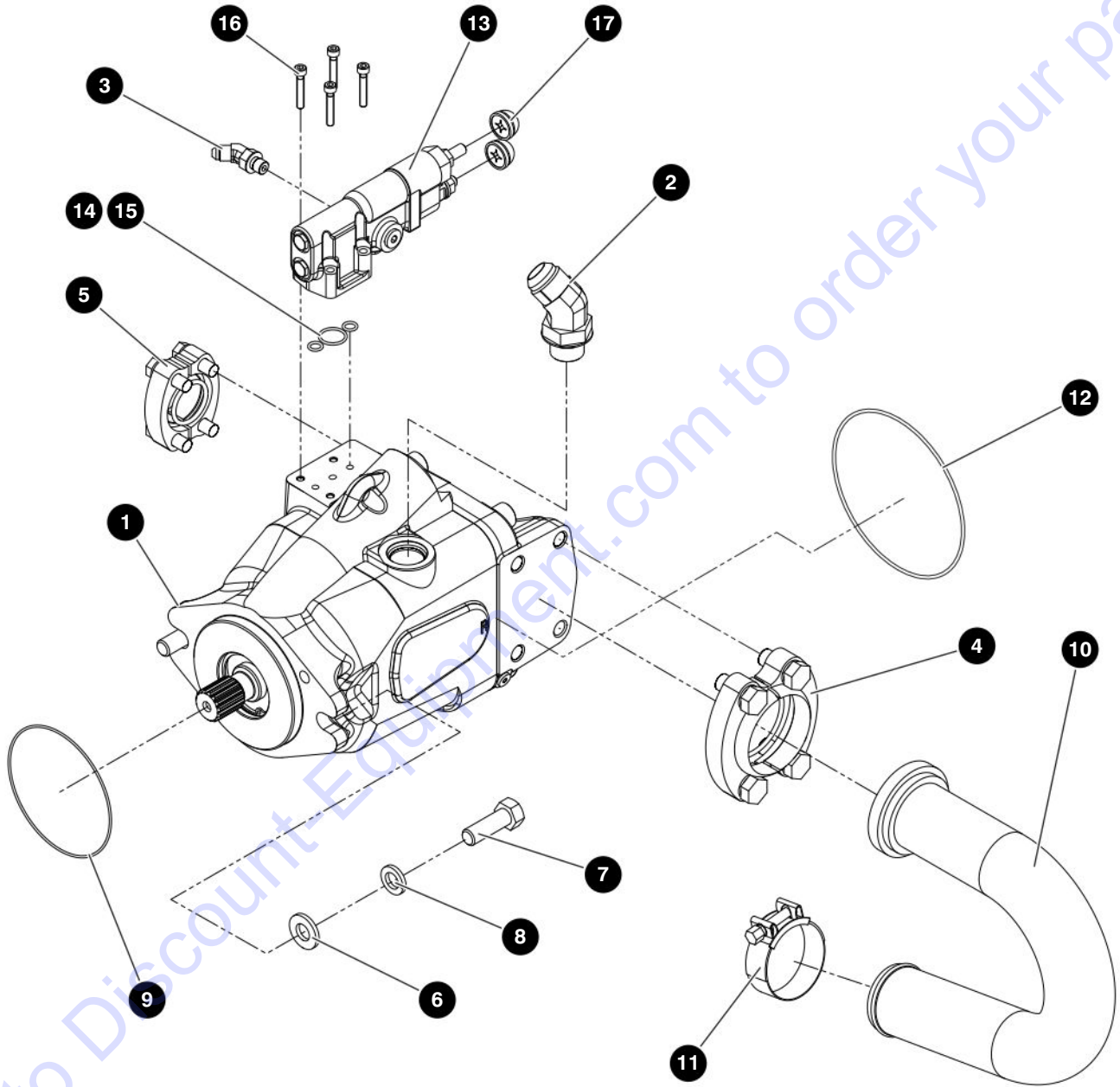
SJ1044 TH, SJ1044 THS, SJ1056 TH, SJ1056 THS

SKYJACK

### 3.45 Cooling Package Style B - Internal Breakdown

Index No.	Skyjack Part No.	Qty.	Description
-	-	-	<i>For machines with serial number 87210074 to 87210082</i>
-	-	-	<i>For machines with serial number 87310923 to 87311014</i>
<b>A</b>	9-223217	1	COOLING PACKAGE STYLE B FOR 74 HP ENGINE
<b>B</b>	9-223524	1	COOLING PACKAGE STYLE B FOR 107 HP ENGINE
1	9-223659	1	Upper CAC Molded Tube - <b>A</b>
-	9-223665	1	Upper CAC Molded Tube - <b>B</b>
2	9-223668	1	Hose, coolant, upper
3	9-223669	1	Hose, coolant, lower
4	9-223670	1	Hose, compensation
5	9-223680	1	Fan, 5 Blade, Suction - <b>A</b>
	9-223661	1	Fan, 10 Blade, Suction - <b>B</b>
6	9-223658	1	Fan Spacer, 10MM
7	9-223674	1	LEVEL SWITCH
8	9-223673	1	SEALING RING
9	9-223667	1	Cooling package
10	9-223662	1	Hose, 5/16"
11	9-223666	1	Protective sleeve 1.22 dia. ID (Not shown)
12	9-223675	1	Wire fan guard, loose
13	9-223657	1	Foil Heat Cable Wrap, 1"Dia. 1" Length (Not Shown)
14	9-223664	2	Mount, isolator
15	9-223671	2	Sleeve, Connecting, 1-3/4"x4" - <b>A</b>

### 3.46 Powershift Transmission Hydraulic Pump



M191205AC

190126AG

168

SJ1044 TH, SJ1044 THS, SJ1056 TH, SJ1056 THS

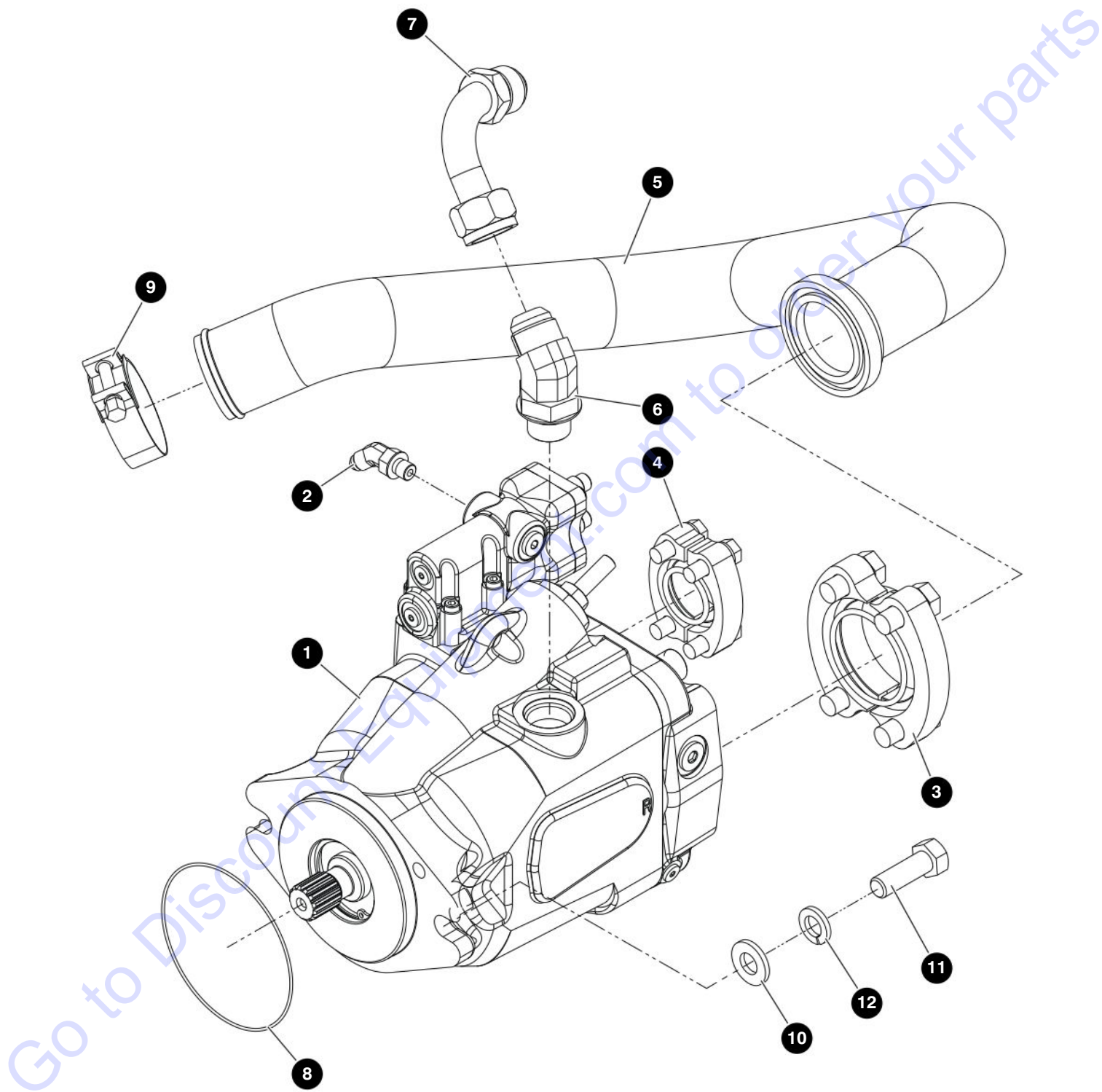
SKYJACK

### 3.46 Powershift Transmission Hydraulic Pump

Index No.	Skyjack Part No.	Qty.	Description
-	9-191205	1	ASSEMBLY, HYDRAULIC PUMP
1	9-190263	1	• PUMP
2	9-131707	1	• FITTING, 45° (12 JICM - 12 ORBM)
3	9-131716	1	• FITTING, 45° (04 JICM - 04 ORBM)
4	9-932906	1	• ADAPTER
5	9-930923	1	• FLANGE, Split
6	9-104379	2	• WASHER, Flat 1/2" hard
7	9-103907	2	• BOLT, Hex head 1/2"-13 X 1-1/2" grade 5
8	9-103470	2	• WASHER, Lock 1/2" grade 5
9	9-159878	1	• O-RING, 2-045
10	9-190888	1	• TUBE, Suction #32
11	9-191846	1	• CLAMP, Hose Mlkalor 59-63
12	9-196903	1	O-ring (End Pilot Cover)
13	9-196918	1	Compensator Kit
14	9-196919	2	• O-ring (Compensator/Housing)
15	9-196920	1	• O-ring (Secondary Compensator/Housing)
16	9-196921	4	• Screw, Cap (Compensator Mounting)
17	9-196933	1	• Cover, Tamper Proof (Compensator Adj. Screws)



### 3.47 CVT Hydraulic Pump



M216750AA

190126AG

170

SJ1044 TH, SJ1044 THS, SJ1056 TH, SJ1056 THS

SKYJACK

### 3.47 CVT Hydraulic Pump

Index No.	Skyjack Part No.	Qty.	Description
-	9-216750	1	HYDRAULIC PUMP, SUB GROUP - CVT
1	9-216751	1	• PUMP, REAT PORT 62.3CC -CVT
2	9-131716	1	• FITTING-45D (04JICM-04ORBM)
3	9-932906	1	• SPLIT FLANGE SAE - 32
4	9-930923	1	• SPLIT FLANGE SAE -16
5	9-216752	1	• TUBE, SUCTION #32
6	9-131707	1	• FITTING-45D (12JICM-12ORBM)
7	9-139159	1	• FTG, FITTING-90D (SWEPT 12 JICM-12JICF SW)
8	9-159878	1	• O - RING 2-045
9	9-191846	1	• HOSE CLAMP, MIKALOR 59-63
10	9-191096	2	• WASHER, FLAT M14 DIN125A ZN
11	9-933710	2	• BOLT, HXHD M14 x 2 x 40MM CL 10.9 ZP
12	9-138738	2	• WASHER LOCK M14-PLATED DIN 127B

# Section 4 – Operator's Compartment

4.1 Cab Installation

4.2 Open Cab

4.3 Open Cab Side Window

4.4 Right Hand Console

4.5 Joystick Control

4.6 Joystick Control - Internal Breakdown

4.7 Premium Joystick

4.8 Front Console

4.9 LH Dash Panel

4.10 Flip Chart

4.11 RH Dash Panel

4.12 Steering Console

4.13 Main Relay

4.14 Fuse and Power

4.15 Relay RH

4.16 Enclosed Cab

4.17 Door Assembly

4.18 Door Window Assembly

4.19 Cab with Heat Installation 74 HP

4.20 Cab Heater System

4.21 Cab A/C System

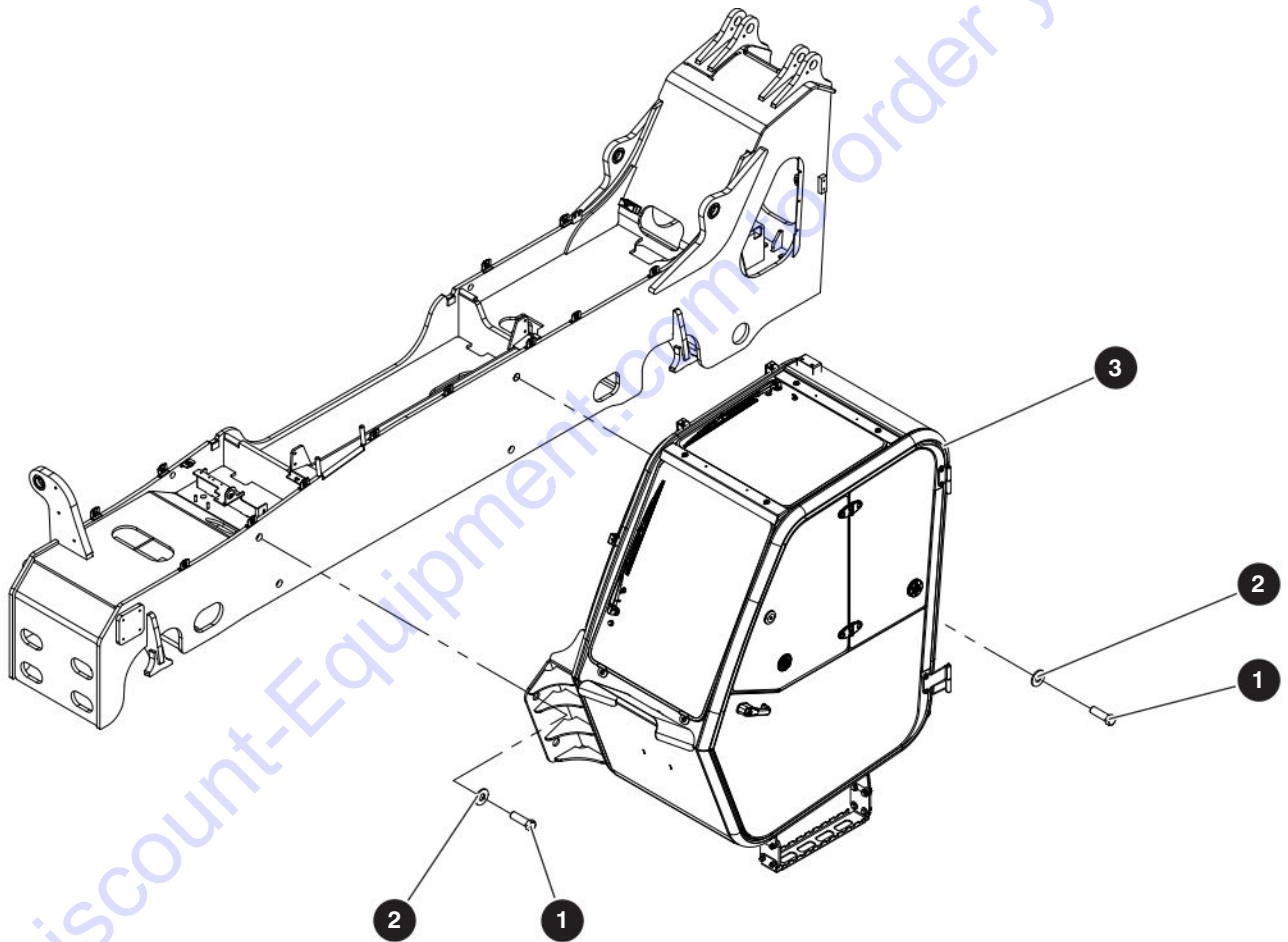
4.22 A/C Compressor

4.23 A/C Condenser

4.24 A/C Harness

4.25 A/C and Heater Harness

## 4.1 Cab Installation



M191788AA-2

190126AG

**174**

SJ1044 TH, SJ1044 THS, SJ1056 TH, SJ1056 THS

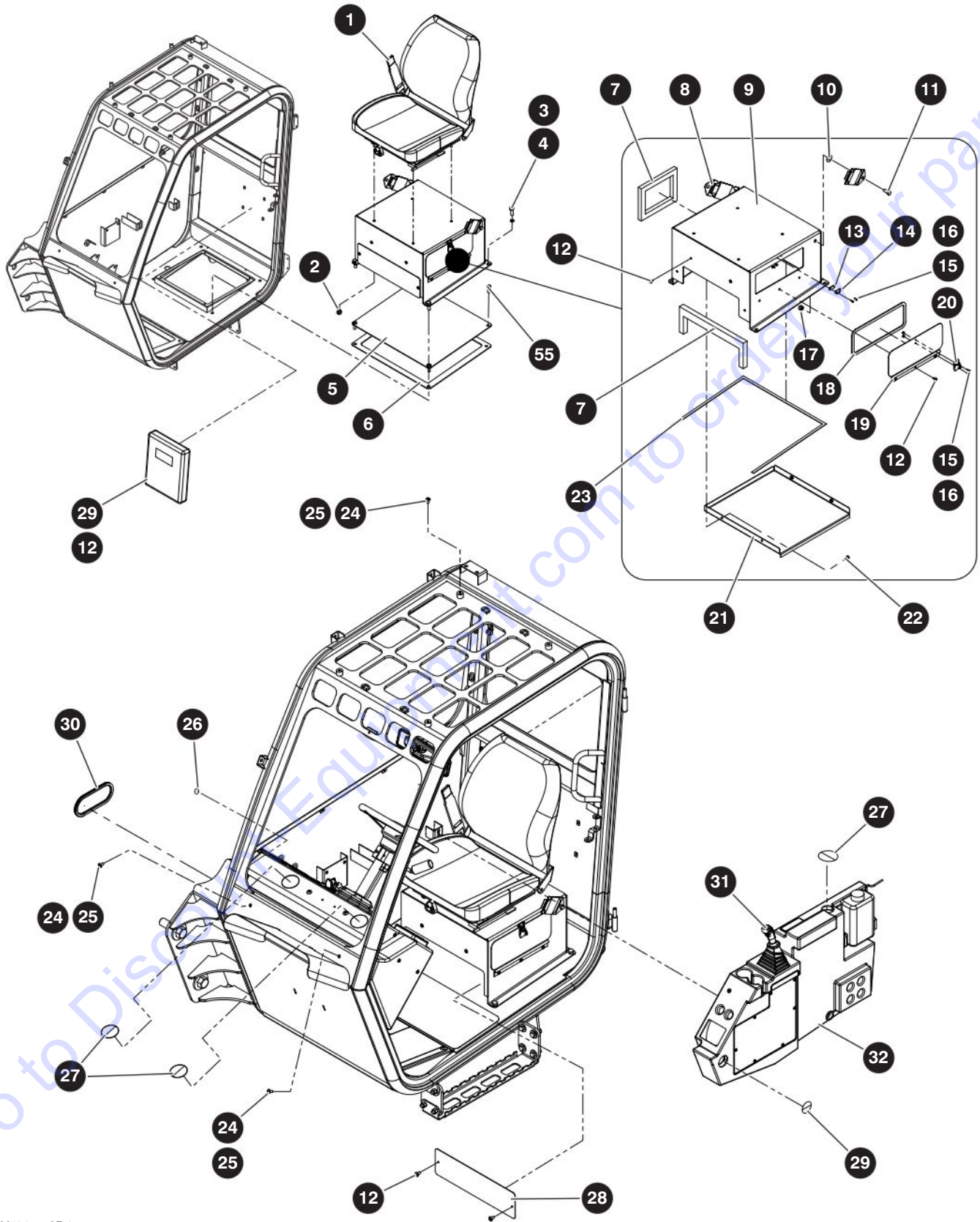
**SKYJACK**

# 4.1 Cab Installation

Index No.	Skyjack Part No.	Qty.	Description
<b>A</b>	9-191788	1	OPEN CAB SUBGROUP
<b>B</b>	9-191789	1	ENCLOSED CAB SUBGROUP
1	9-191783	4	<ul style="list-style-type: none"> <li>• BOLT, Hex head 1-1/4"-7 x 4" Gr. 8</li> </ul>
2	9-923687	4	<ul style="list-style-type: none"> <li>• WASHER, Flat - 1-5/16"ID x 3" OD x 1/4" Hard</li> </ul>
3	(Ref.)	1	<ul style="list-style-type: none"> <li>• ASSEMBLY, Open cab rops &amp; fops - <b>A</b></li> </ul> <p><i>(For components, refer to Section 4.2)</i></p>
	(Ref.)	1	<ul style="list-style-type: none"> <li>• ASSEMBLY, Enclosed cab - <b>B</b></li> </ul> <p><i>(For components, refer to Section 4.16)</i></p>

Go to Discount-Equipment.com to order your parts

## 4.2 Open Cab



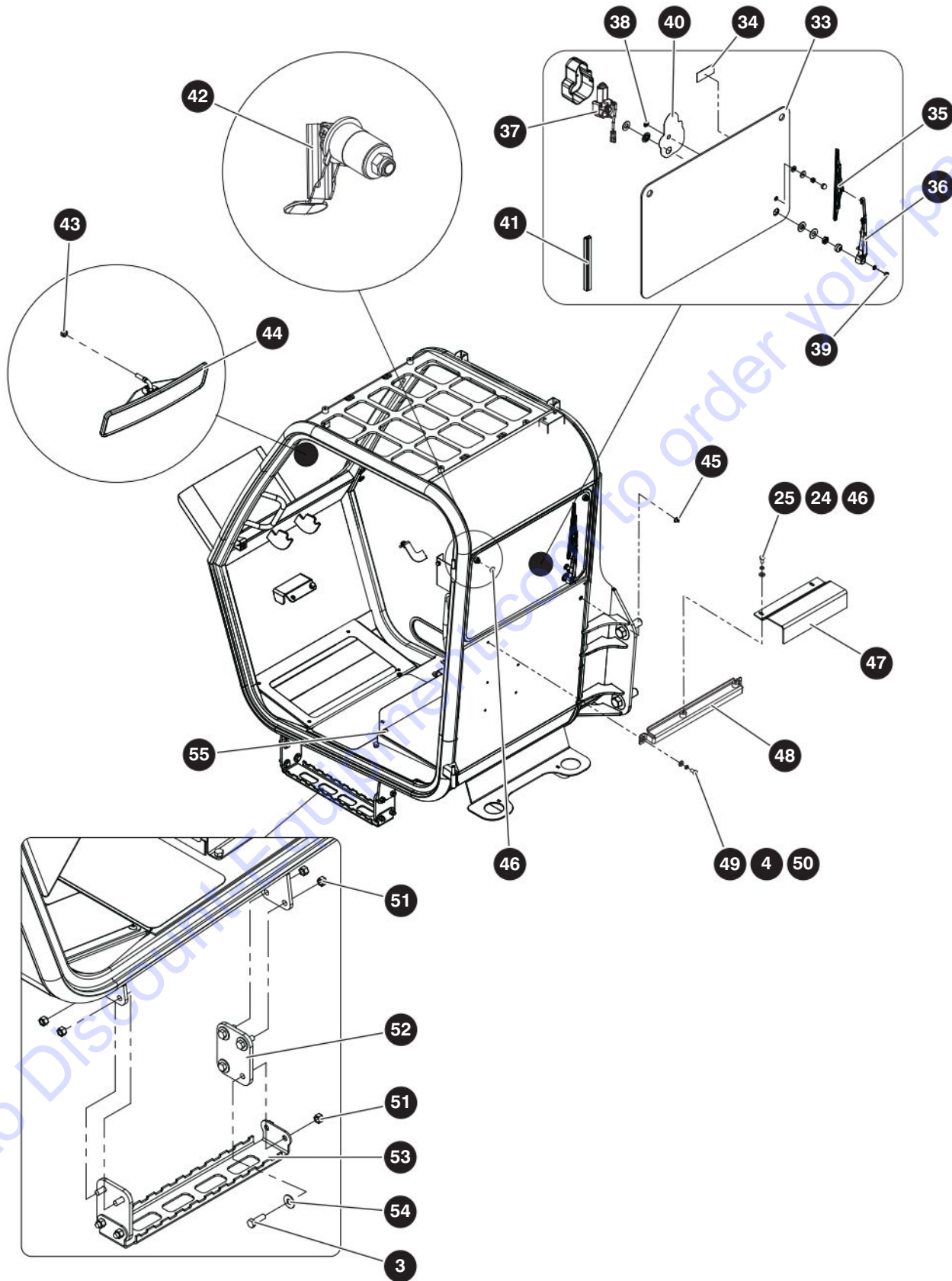
M191777AE-1

## 4.2 Open Cab

Index No.	Skyjack Part No.	Qty.	Description
-	9-191777	1	ASSEMBLY, OPEN CAB ROPS & FOPS
1	9-235139	1	• SEAT, Criod
-	9-207639	1	• • BELT, Seat
	9-224575	1	• • KNOB, Adjuster
2	9-191574	7	• NUT, Hex 3/8"-16 NC SER flanged
3	9-103907	12	• SCREW, Hex head cap 1/2"-13 NC X 1-1/2" Gr. 5
4	9-103470	10	• WASHER, Lock, hel spring, 1/2"
5	9-191569	1	• COVER PANEL, NON-HVAC
6	9-191524	1	• GASKET, Foam seal
-	9-191580	1	• ASSEMBLY, SEAT RISER
7	9-191518	1	• • FOAM SEAL, Soft psa
8	9-191564	2	• • TETHER, Seat belt
9	9-191502	1	• • WELDMENT
10	9-191313	2	• • WASHER, Flat 7/16" type A
11	9-191531	2	• • SCREW, Hex head 7/16" - 14 NC X 1" Gr. 5
12	9-235133	13	• • SCREW, Machine 1/4"-20 NC X 5/8" torx
13	9-191563	1	• • LATCH, Padlockable
14	9-191747	1	• • SPACER, Catch latch
15	9-191753	4	• • SCREW, Phillips TMS 6-32 UNC X 1/2" SS
16	9-924972	4	• • NUT, Lock with nylon insert # 6
-	9-191587	1	• • ASSEMBLY, Tool door
17	9-191534	2	• • • NUT, Hex, Lock with nylon insert 7/16" - 14 NC
18	9-191518	1	• • • SEAL, Foam PSA
19	9-191506	1	• • • WELDMENT, Tool door
20	9-191562	1	• • • LATCH, Lockable
21	9-191539	1	• • PANEL, Tool shelf
22	9-168208	7	• • NUT, Hex 1/4" - 20 NC
23	9-191547	1	• • SEAL, Rubber 31 X 1/2"
24	9-103999	10	• WASHER, Lock, hel spring, 3/8"
25	9-191542	12	• SCREW, Machine 3/8"-16 NC x 3/4" BH Torx
26	9-191515	3	• PLUG, Hole 1"
27	9-191514	4	• PLUG, Hole 2-1/2"
28	9-191744	1	• PANEL, Seat Riser
29	9-198789	1	• MANUAL BOX
30	9-191511	1	• TRIM, Edge
31	(Ref.)	1	ASSEMBLY, Joystick <i>(For components, refer to Section 4.5)</i>
32	(Ref.)	1	ASSEMBLY, Right hand console <i>(For components, refer to Section 4.4)</i>

Parts List continued in following page

## 4.2 Open Cab



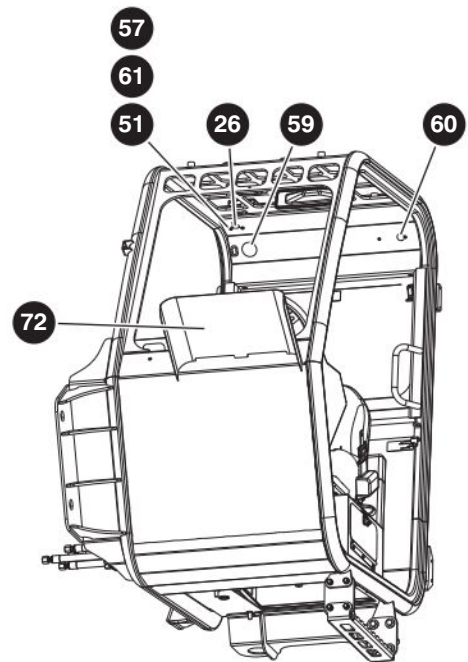
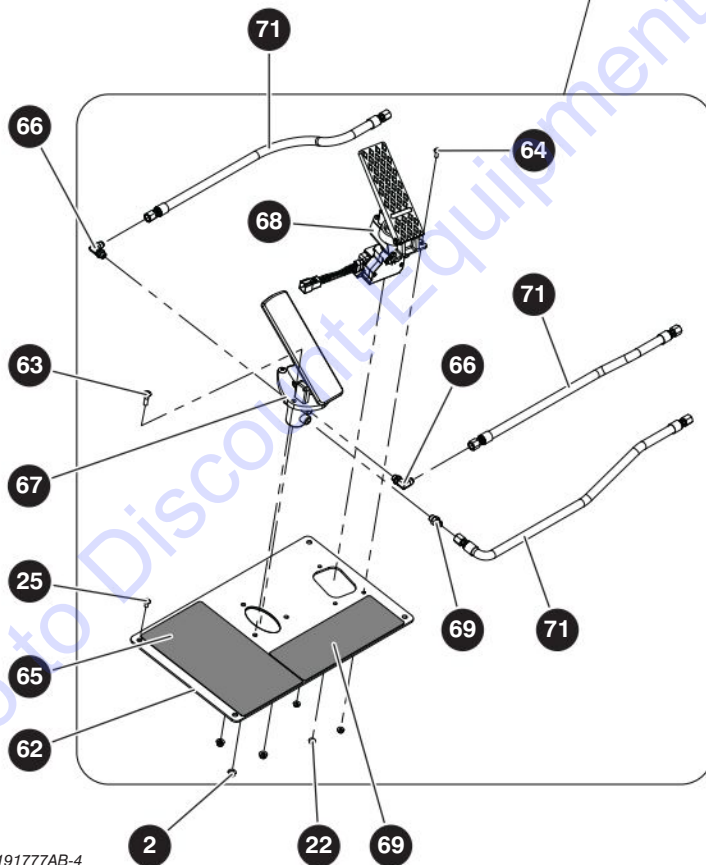
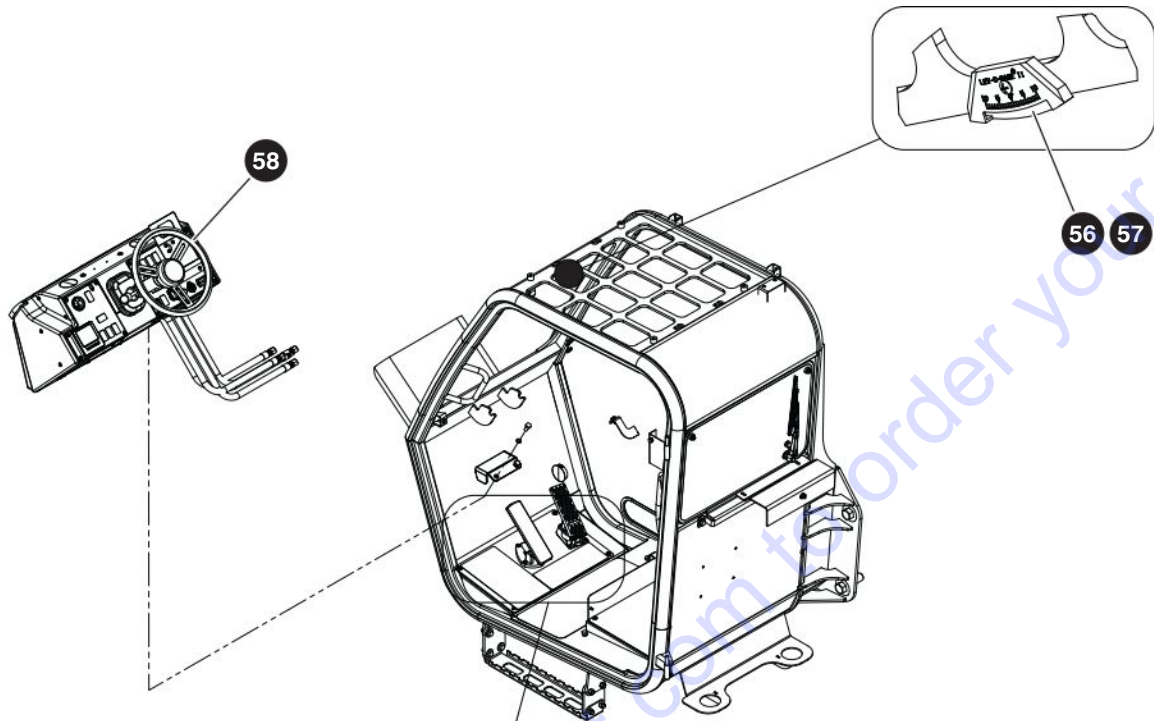
M191777AE-3



## 4.2 Open Cab

Index No.	Skyjack Part No.	Qty.	Description
			Part list continued from previous page
-	9-191590	1	• ASSEMBLY, REAR WINDOW WITH WIPER
33	9-191530	1	• • WINDOW, Rear
34	9-191553	1	• • DECAL, Emergency exit
35	9-191554	1	• • WIPER, Blade. 300 mm
36	9-191555	1	• • WIPER, Arm 260 mm
37	9-191556	1	• • WIPER, Motor LH park
38	9-191557	1	• • MOUNT, M8 hardware
39	9-191558	1	• • MOUNT, M16 hardware
40	9-191559	1	• • WIPER, Window sticker
41	9-191566	1	• • SEAL, Bubble 90° rear
42	9-204288	2	• LATCH, Swell anchor
43	9-933625	1	• NUT, HEX, M8 X 1 .25, DIN 934
44	9-191521	1	• MIRROR HEAD, Stud mount
45	9-191525	1	• FITTING, Wiper hose
46	9-103472	6	• WASHER, Flat 3/8" Type A ,W SER
47	9-196167	1	• PANEL, Tank Cover
48	9-191932	1	• WELDMENT, Retainer, fuel tank
49	9-103911	2	• SCREW, Hex head cap 1/2"-13 NC X 1" Gr. 5
50	9-191536	2	• WASHER, Flat 1/2" type A,N SER
-	9-191581	1	• ASSEMBLY, STEP
51	9-702507	11	• • NUT, Lock hex 1/2"- 13 NC
52	9-191526	2	• • BELTING, Step bar
53	9-191745	1	• • PANEL, Step
54	9-137241	8	• • WASHER, Flat 1/2" type A,W SER
55	9-191677	4	• SCREW, Machine 5/16"-18 NC x 1/2" TH Torx
			Part list continued in following page

## 4.2 Open Cab

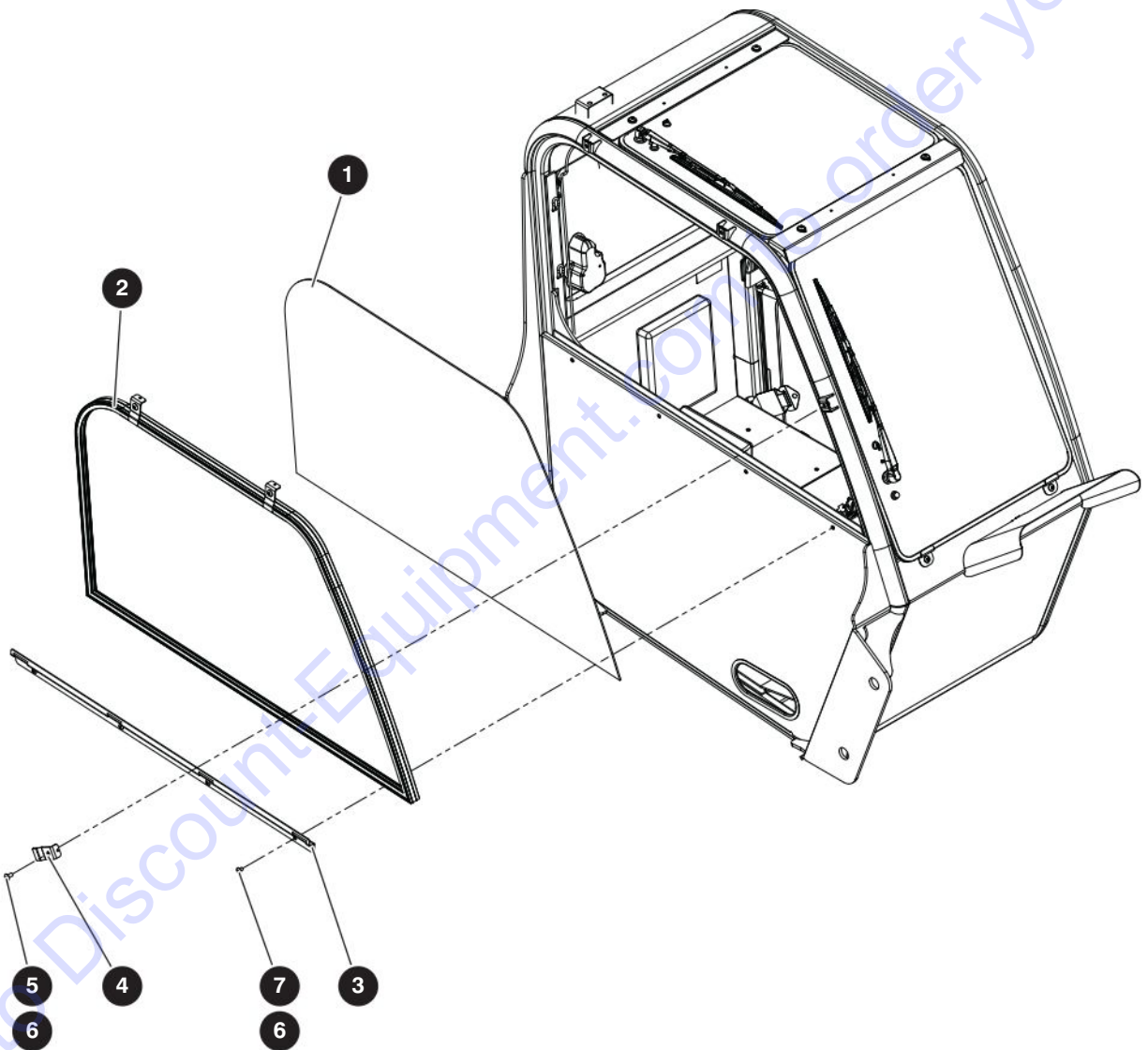


M191777AB-4

## 4.2 Open Cab

Index No.	Skyjack Part No.	Qty.	Description
			Part list continued from previous page
56	9-928355	1	• LEVEL INDICATOR
57	9-138834	4	• SCREW, Machine #10-24 NC X 3/4" philips
58	(Ref.)	1	• ASSEMBLY, Dash front <i>(For components, refer to Section 4.8)</i>
59	9-191512	1	• HOLE PLUG, Plastic, 2.09" DIA
60	9-103957	2	• SCREW, Machine #8-32 NC x 1/2" philips
61	9-104185	3	• WASHER, Lock, hel spring, 3/16"
-	9-191582	1	• ASSEMBLY, FLOOR PEDALS
62	9-191746	1	• • PLATE, Pedal mounting
63	9-235136	3	• • SCREW, Machine, 5/16"-18 NC x 1-1/4" TH TRX
64	9-235133	3	• • SCREW, Machine 1/4"-20 NC X 5/8" torx
65	9-191529	1	• • TAPE, Anti-skid PSA
66	9-114578	2	• • FITTING, 90° (06 JICM - 06 ORBM)
67	9-926370	1	• • BRAKE PEDAL, Hydraulic
68	9-152201	1	• • PEDAL, Throttle
69	9-191546	1	• • TAPE, Anti-ski d psa
70	9-103069	1	• • FITTING - Straight (06 JICM - 06 ORBM)
71	H310601260	3	• • HOSE, Brake line port T ( 3/8" / 100R17 x 126" long)
72	232518	1	PLATE, Fender

### 4.3 Open Cab Side Window



M191777AB-2

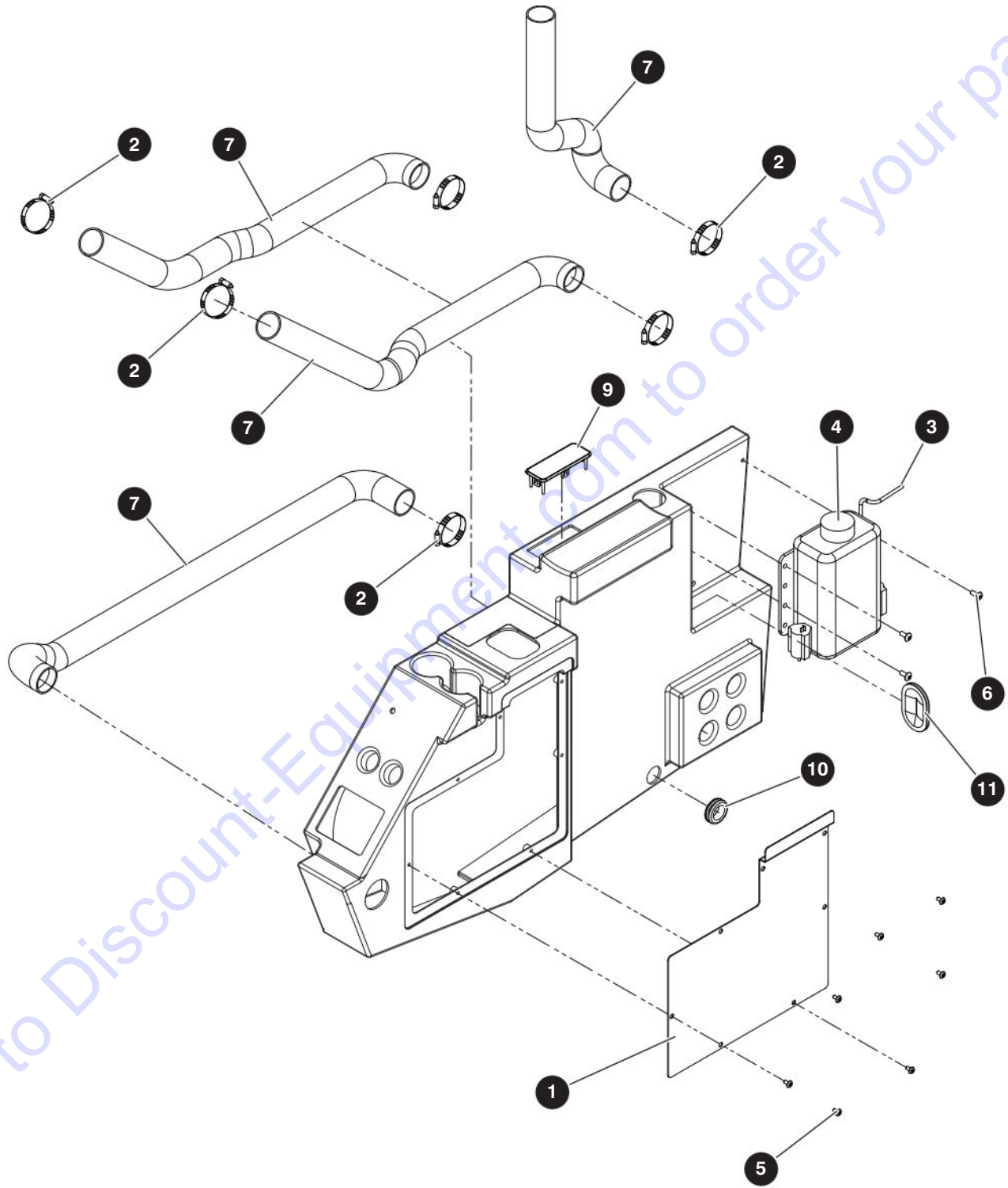
190126AG

SJ1044 TH, SJ1044 THS, SJ1056 TH, SJ1056 THS

## 4.3 Open Cab Side Window

Index No.	Skyjack Part No.	Qty.	Description
1	9-191708	1	WINDOW, RH
2	9-191709	1	SEAL, Bubble (loop side)
3	9-191711	1	RETAINER , Window side
4	9-191710	3	CLIP, Window
5	9-159294	3	NUT, U-clip, 3/8"-16 UNC
6	9-191542	7	SCREW, Machine 3/8"- 16 NC X 3/4" Torx
7	9-103999	4	WASHER, Lock 3/8"

## 4.4 Right Hand Console



M191584AD

190126AG

**184**

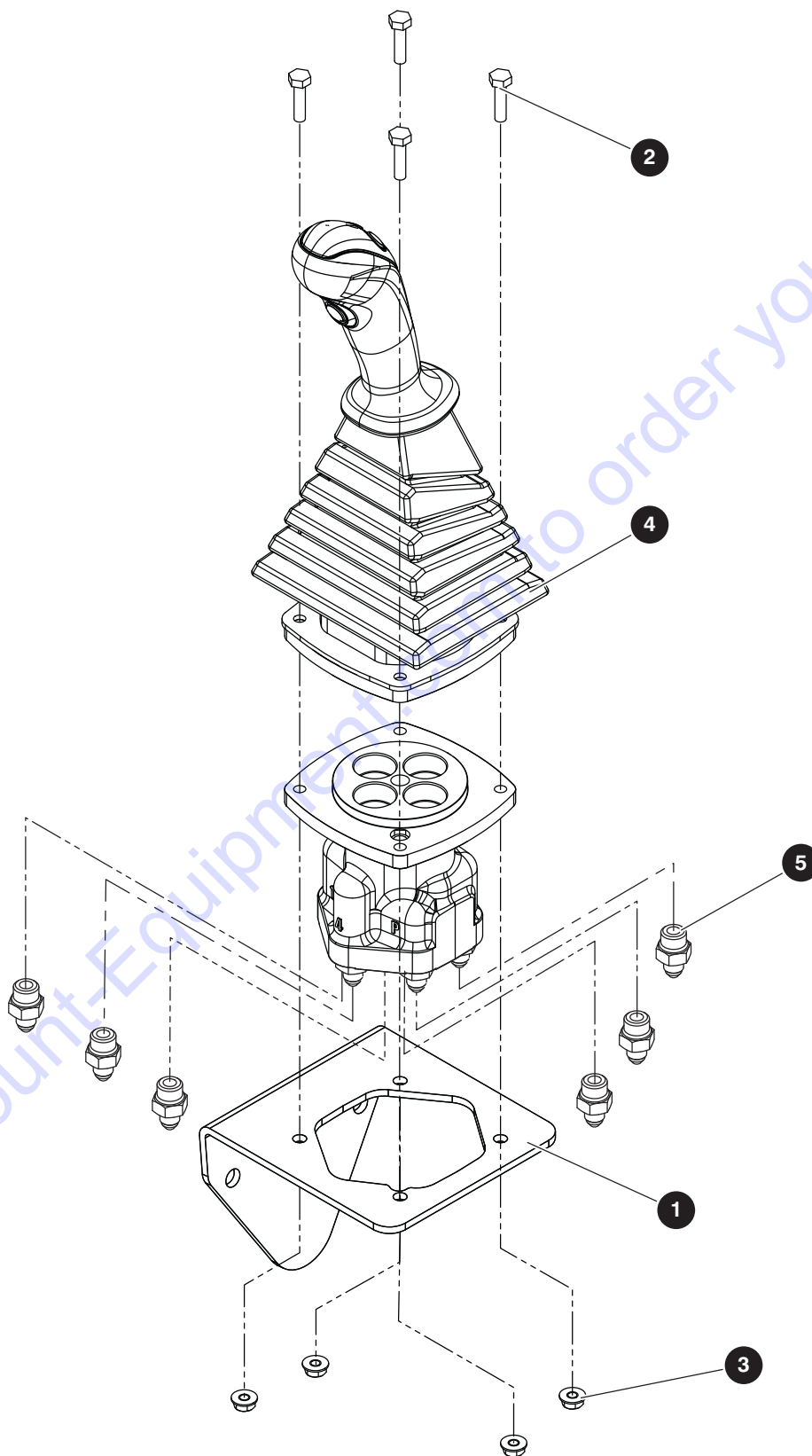
SJ1044 TH, SJ1044 THS, SJ1056 TH, SJ1056 THS

**SKYJACK**

## 4.4 Right Hand Console

Index No.	Skyjack Part No.	Qty.	Description
-	9-191584	1	ASSEMBLY, CONSOLE RH
1	9-191578	1	• PANEL, Cover
2	9-191532	6	• CLAMP, Hose, #40 2-1/16" - 3"
3	9-191510	1	• WASHER, Hose
4	9-191513	1	• KIT, Windshield washer, 12V 4QT
5	9-235133	7	• SCREW, Machine 1/4"-20 NC X 5/8" torx
6	9-235136	3	• SCREW, Machine, 5/16"-18 NC x 1-1/4" TH TRX
7	9-191523	4	• HOSE, Air duct, 2" ID
8	9-191527	1	• PLASTIC, Molded RH console
9	9-191492	1	• HOLE PLUG, HVAC Controller
10	9-191748	2	• GROMMET, 125 ID X 1-1/2" hole
11	9-205875	1	• SEAL, Flat Clip-on 1-1/4" x 11-1/2"

## 4.5 Joystick Control



M191586AA-2

190126AG

**186**

SJ1044 TH, SJ1044 THS, SJ1056 TH, SJ1056 THS

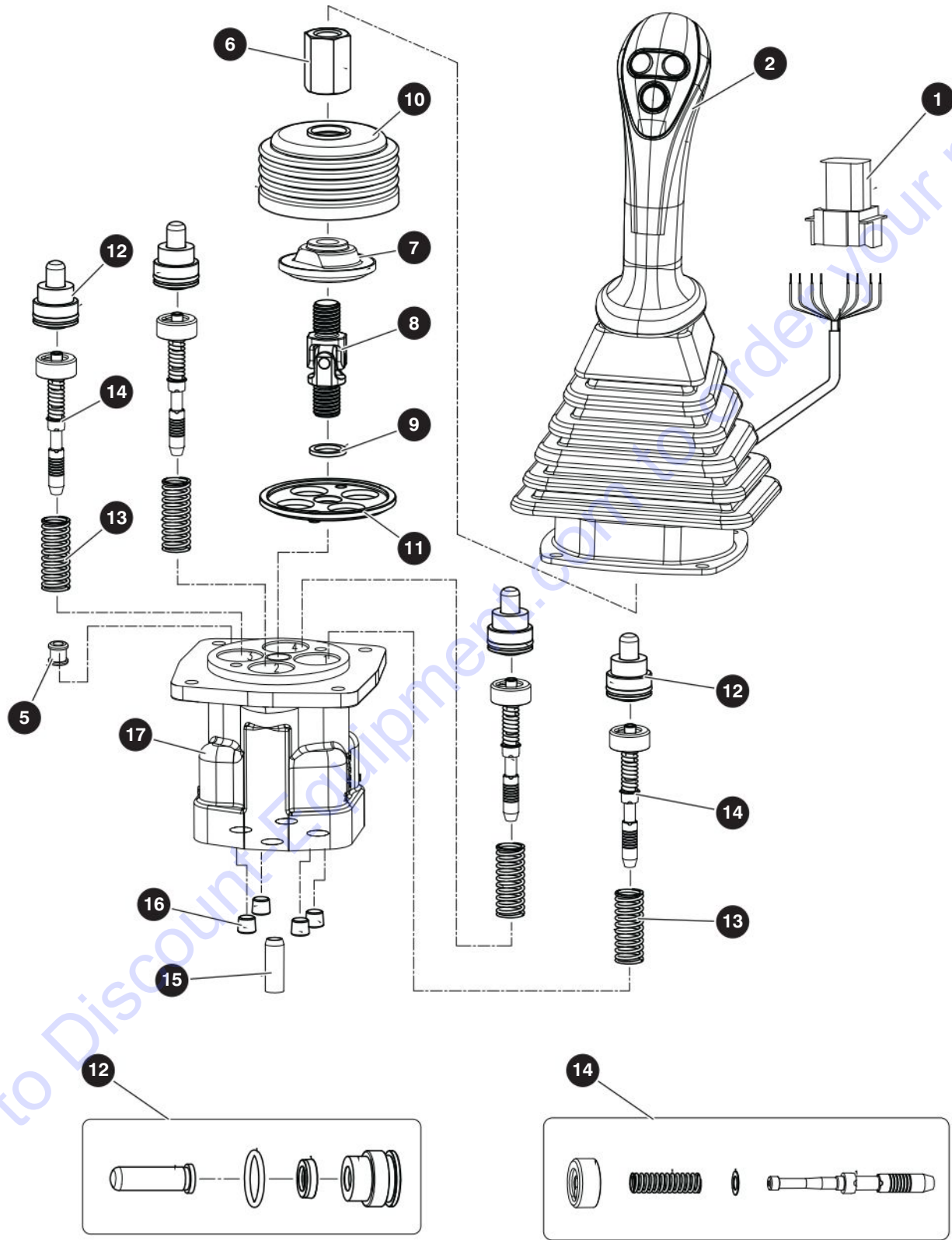
**SKYJACK**



## 4.5 Joystick Control

Index No.	Skyjack Part No.	Qty.	Description
-	9-191586	1	ASSEMBLY, JOYSTICK
1	9-191743	1	• PANEL, Inner joystick
2	9-103857	4	• SCREW, Hex head 1/4"-20 NC x 1" Gr. 5
3	9-168208	4	• NUT, Hex 1/4"-20 NC serrated flange
4	(Ref)	1	• JOYSTICK, Hydraulic <i>(For components, refer to Section 4.6)</i>
-	(Ref.)	-	JOYSTICK HOSES <i>(For components, refer to Section 9.18)</i>
5	9-701956	6	FITTING, (06 ORBM x 04 JICM)

## 4.6 Joystick Control - Internal Breakdown

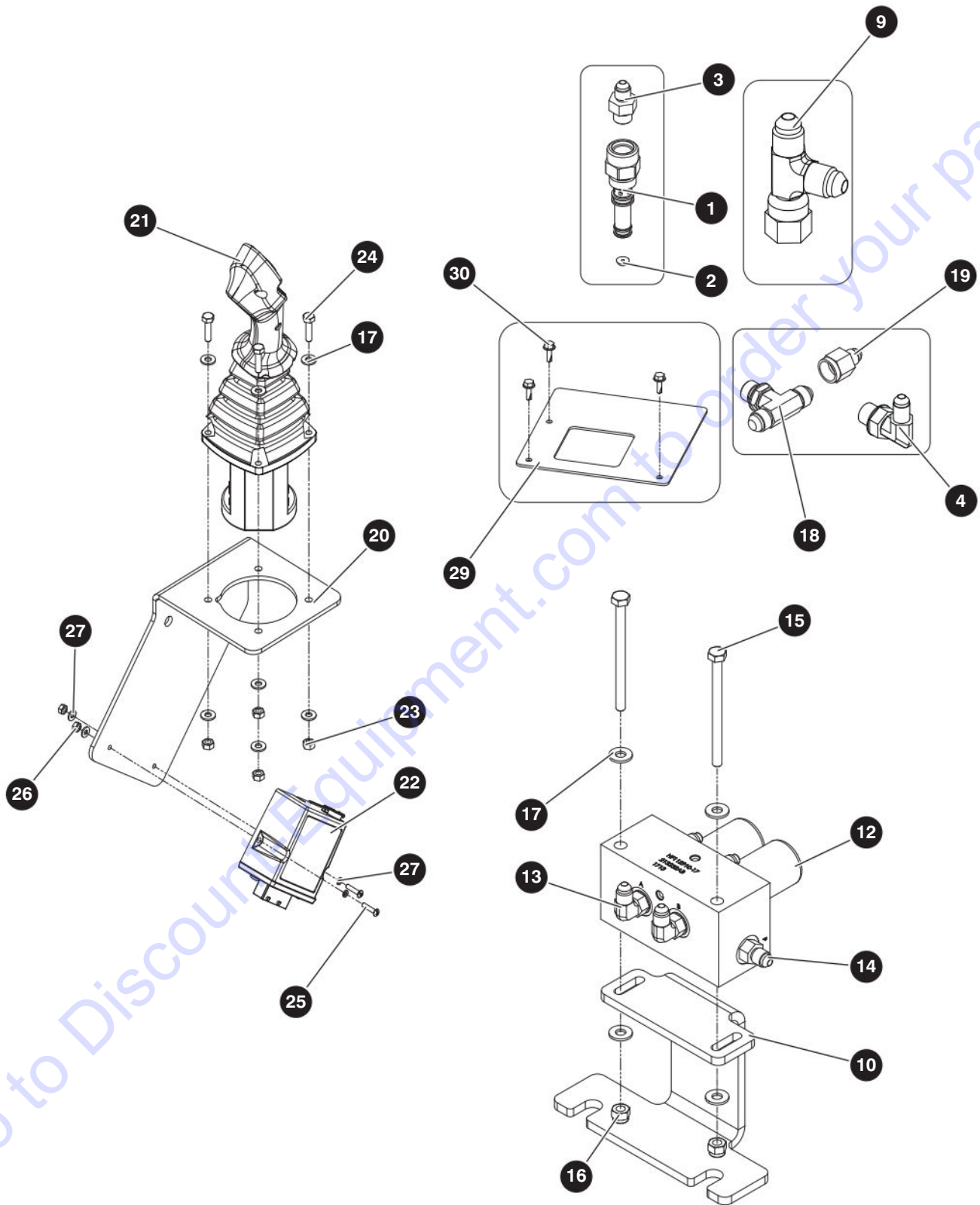


M190356AD

## 4.6 Joystick Control - Internal Breakdown

Index No.	Skyjack Part No.	Qty.	Description
-	9-190356	1	ASSEMBLY, JOYSTICK
1	9-196994	1	• ASSEMBLY, Connector
2	9-196995	1	• ASSEMBLY, Handle
3	9-196996	1	• NUT (Not shown)
4	9-196997	6	• CAP (Not shown)
5	9-196998	1	• BUSHING
6	9-196999	1	• HEX NUT
7	9-197000	1	• SWASH PLATE
8	9-197001	1	• ASSEMBLY, Joint
9	9-197002	1	• SPACER
10	9-197003	1	• INNER BOOTS
11	9-197004	1	• PLATE
12	9-197005	4	• PLUG KIT
13	9-197006	4	• SPRING
14	9-197007	4	• SPOOL KIT
15	9-197008	1	• BUSHING
16	9-197009	4	• PLUG
17	9-197010	1	• CASE

## 4.7 Premium Joystick



M213751-4

190126AG

**190**

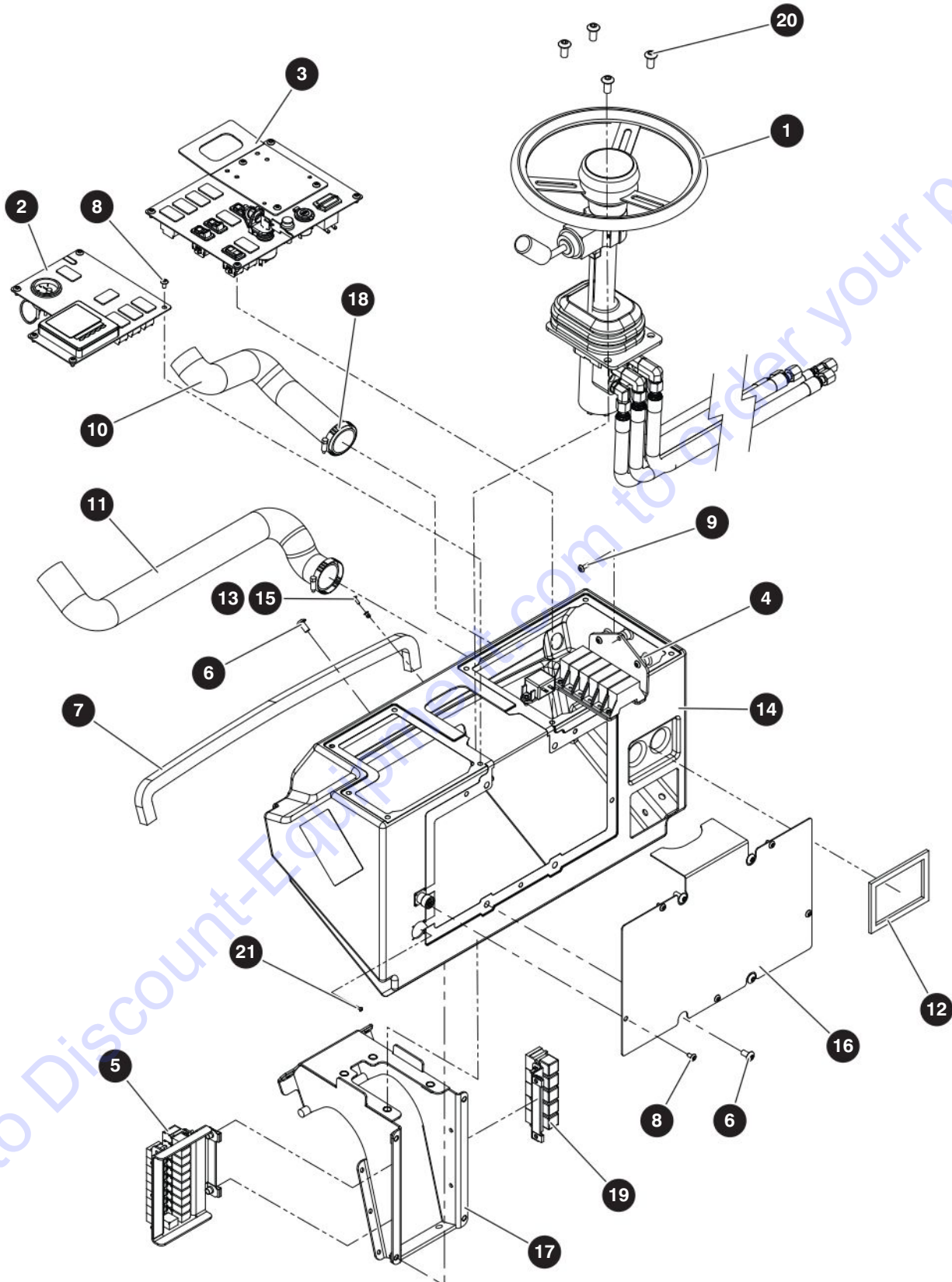
SJ1044 TH, SJ1044 THS, SJ1056 TH, SJ1056 THS

**SKYJACK**

## 4.7 Premium Joystick

Index No.	Skyjack Part No.	Qty.	Description
-	9-206183	1	PREMIUM JOYSTICK
-	9-206184	1	• MANIFOLD, Modification/Joystick - 1256
1	9-213225	2	• • VALVE, Cartridge
2	9-213227	2	• • FITTING, Orifice disc, blank
3	9-701956	2	• • FITTING, 06 SAE to - 04 JIC
4	9-129127	1	• • FITTING, 4-6 O-Ring 90°
-	9-213750	1	• • HOSE ASSEMBLY, Premium joystick kit
5	H340400140	1	• • • HOSE, Port A to Carriage up (Not shown)
6	H340400140	1	• • • HOSE, Port B to Carriage down (Not shown)
7	H340400240	1	• • • HOSE, Port P to Main manifold GP2 (Not shown)
8	H340400200	1	• • • HOSE, Port D to Main manifold DR1 (Not shown)
9	9-707917	1	• • FITTING, Tee - 04 JICM - 04 JICM - 04 JICFS
10	9-206122	1	• • PLATE, Manifold mount
-	9-213749	1	• • ASSEMBLY, Carriage manifold
11	9-213232	1	• • • MANIFOLD, Dual elec-hyd
12	9-213997	2	• • • • COIL, Drop in 12VDC (Not shown)
13	9-125883	2	• • • FITTING, 90 DEG (04 JICM - 04 ORBM)
14	9-126128	2	• • • FITTING, 4 SAE to -4 JIC
15	9-103863	2	• • BOLT, Hex head 1/4"-20 x 3-1/2" Gr5
16	9-115649	2	• • NUT, LOCK with nylon insert 1/4"-20 Gr5
17	9-103995	4	• • WASHER, Flat 1/4"
18	9-114579	1	• • FITTING, Fitting br tee (06 JICM - 06 JICM - 06 ORBM)
19	9-707041	2	• • FITTING, Straight (06 JICF - 04 JICM)
-	9-213229	1	• ASSEMBLY, Premium joystick
20	9-212811	1	• • BRACKET, Joystick
21	9-922265	1	• • JOYSTICK, Single control
	9-168360	1	• • • Lever kit
	9-168361	1	• • • Cardan kit
	9-168362	1	• • • Rubber boot
	9-168363	1	• • • Retaining plate
	9-168364	1	• • • Handle
22	9-920687	1	• • DRIVER, Valve, single joystick
17	-	8	• • WASHER, Flat 1/4"
23	9-103980	4	• • NUT, Hex head 1/4"-20 gr8
24	9-103857	4	• • BOLT, Hex head 1/4"-20 x 1" Gr5
25	9-103958	2	• • SCREW, Round head machine 8-32 x 3/4"
26	9-103986	2	• • NUT, Hex 8-32
27	9-112249	2	• • WASHER, Lock #8
28	9-103991	2	• • Washer Flat #8
29	9-213747	1	• PLATE, Label
30	9-103632	3	• BOLT, Hex head, Self tapping 1/4"-14 x 3/4"
31	9-172648	1	• LABEL, Premium joystick (Not shown)
32	9-212807	1	• HARNESS, Premium joystick for th (Not shown)
33	9-213520	1	• INSTRUCTIONS, Premium joystick kit (Not shown)

## 4.8 Front Console



M220107AD

190126AG

192

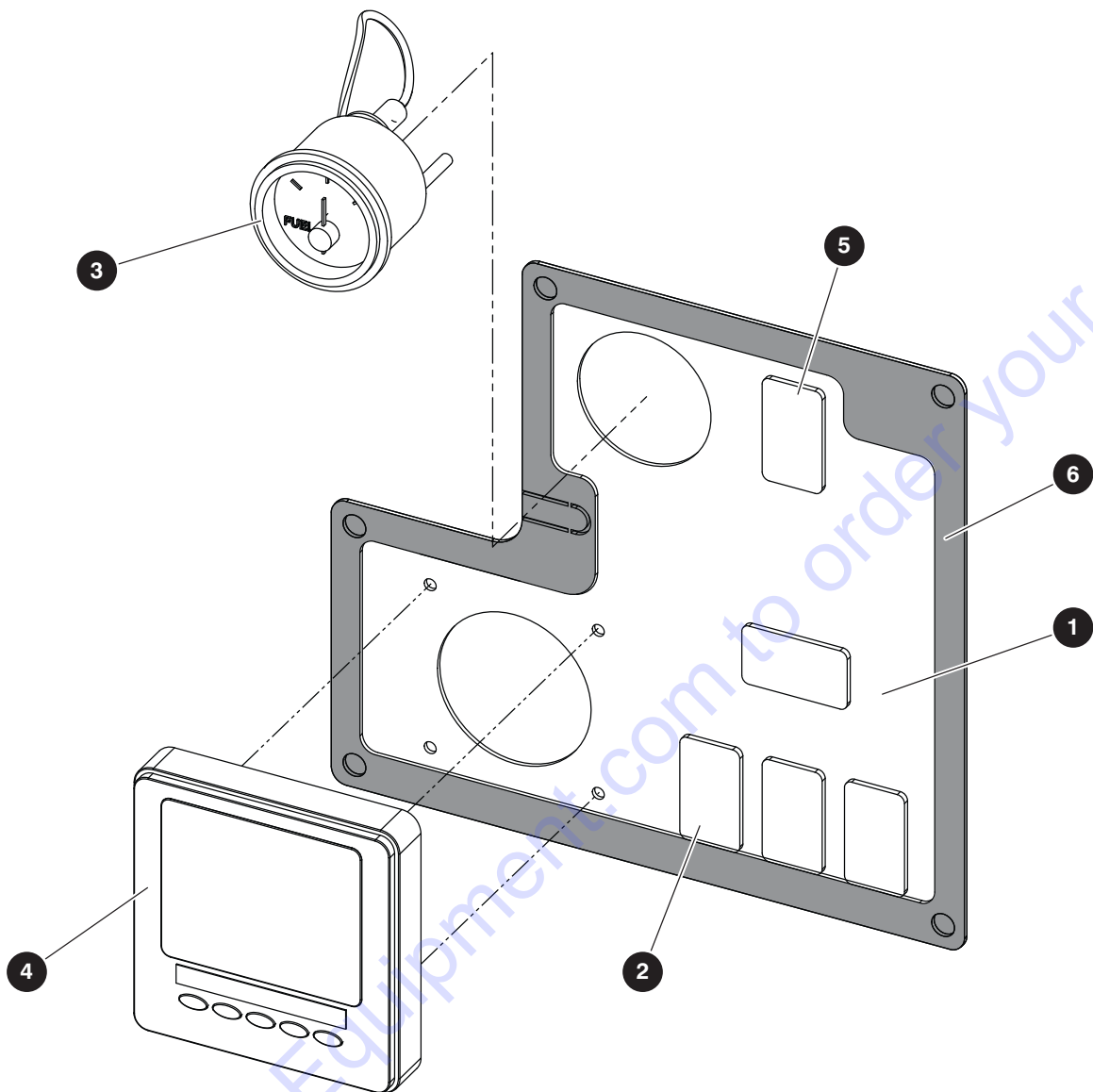
SJ1044 TH, SJ1044 THS, SJ1056 TH, SJ1056 THS

SKYJACK

## 4.8 Front Console

Index No.	Skyjack Part No.	Qty.	Description
-	9-220107	1	ASSEMBLY, DASH FRONT 107HP
1	(Ref.)	1	<ul style="list-style-type: none"> <li>ASSEMBLY, Steering console</li> </ul> <i>(For components, refer to Section 4.12)</i>
2	(Ref.)	1	<ul style="list-style-type: none"> <li>ASSEMBLY, LH dash panel</li> </ul> <i>(For components, refer to Section 4.9)</i>
3	(Ref.)	1	<ul style="list-style-type: none"> <li>ASSEMBLY, RH dash panel</li> </ul> <i>(For components, refer to Section 4.11)</i>
4	(Ref.)	1	<ul style="list-style-type: none"> <li>ASSEMBLY, Fuse and power</li> </ul> <i>(For components, refer to Section 4.14)</i>
5	(Ref.)	1	<ul style="list-style-type: none"> <li>ASSEMBLY, RELAY MAIN COMMON</li> </ul> <i>(For components, refer to Section 4.13)</i>
6	9-235134	6	<ul style="list-style-type: none"> <li>SCREW, Machine 3/8" 16 nc x 3/4" bh tor x</li> </ul>
7	9-191518	1	<ul style="list-style-type: none"> <li>FOAM SEAL</li> </ul>
8	9-235133	21	<ul style="list-style-type: none"> <li>SCREW, Machine 1/4" 20 NC x 5/8" TH TOR X</li> </ul>
9	9-191753	4	<ul style="list-style-type: none"> <li>PHIL TMS 6-32 UNC X 0.50 SS</li> </ul>
10	9-191523	1	<ul style="list-style-type: none"> <li>HOSE DUCT, 2</li> </ul>
11	9-191523	1	<ul style="list-style-type: none"> <li>HOSE DUCT, 2</li> </ul>
12	9-191518	1	<ul style="list-style-type: none"> <li>FOAM SEAL</li> </ul>
13	9-191575	2	<ul style="list-style-type: none"> <li>PHIL TMS , 8 32 UNC x 1/2" - 18 BS</li> </ul>
14	9-220106	1	<ul style="list-style-type: none"> <li>DASH PANEL, Plastic</li> </ul>
15	9-191545	2	<ul style="list-style-type: none"> <li>NUTSERT</li> </ul>
16	9-191570	1	<ul style="list-style-type: none"> <li>PLATE, Dash cover</li> </ul>
17	9-191519	1	<ul style="list-style-type: none"> <li>WELDMENT, Steering</li> </ul>
18	9-191532	2	<ul style="list-style-type: none"> <li>CLAMP, HOSE, #40 2 - 1/16" - 3"</li> </ul>
19	9-191941	1	<ul style="list-style-type: none"> <li>ASSEMBLY, Relay RH 107 HP</li> </ul>
20	9-191538	4	<ul style="list-style-type: none"> <li>SCREW, Machine 1/2" 13 nc x 1" bh soc</li> </ul>

## 4.9 LH Dash Panel

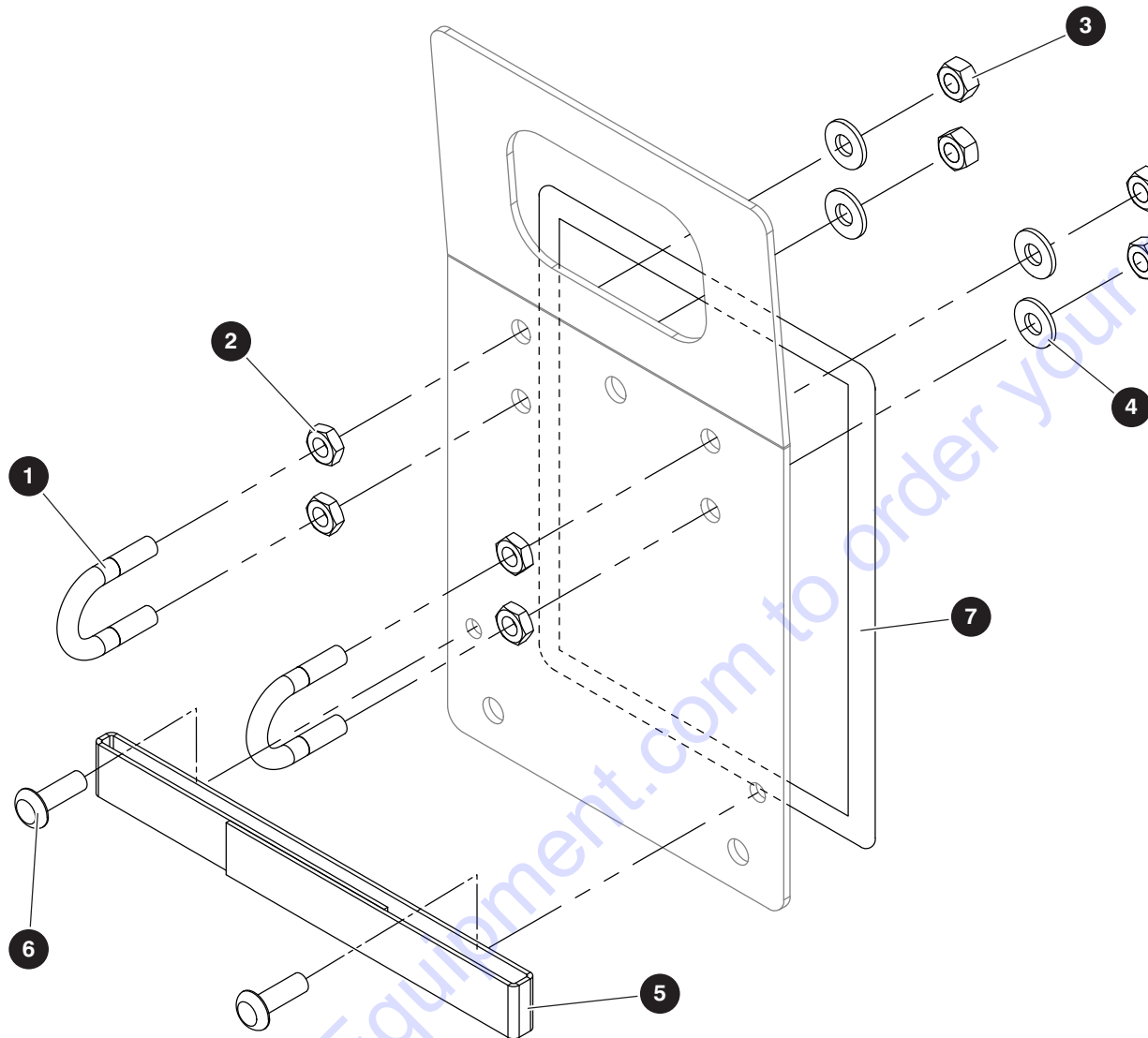


M191588AC

Index No.	Skyjack Part No.	Qty.	Description
-	9-191922	1	ASSEMBLY, LH DASH PANEL 107HP
1	9-191500	1	• PANEL, LH console
2	9-920689	5	• PLUG, Blank plug
3	9-407726	1	• GAUGE, Fuel
4	9-191471	1	• MODULE, Engine
5	9-191456	1	• SWITCH, Stand Still
6	9-205864	1	GASKET, LH panel



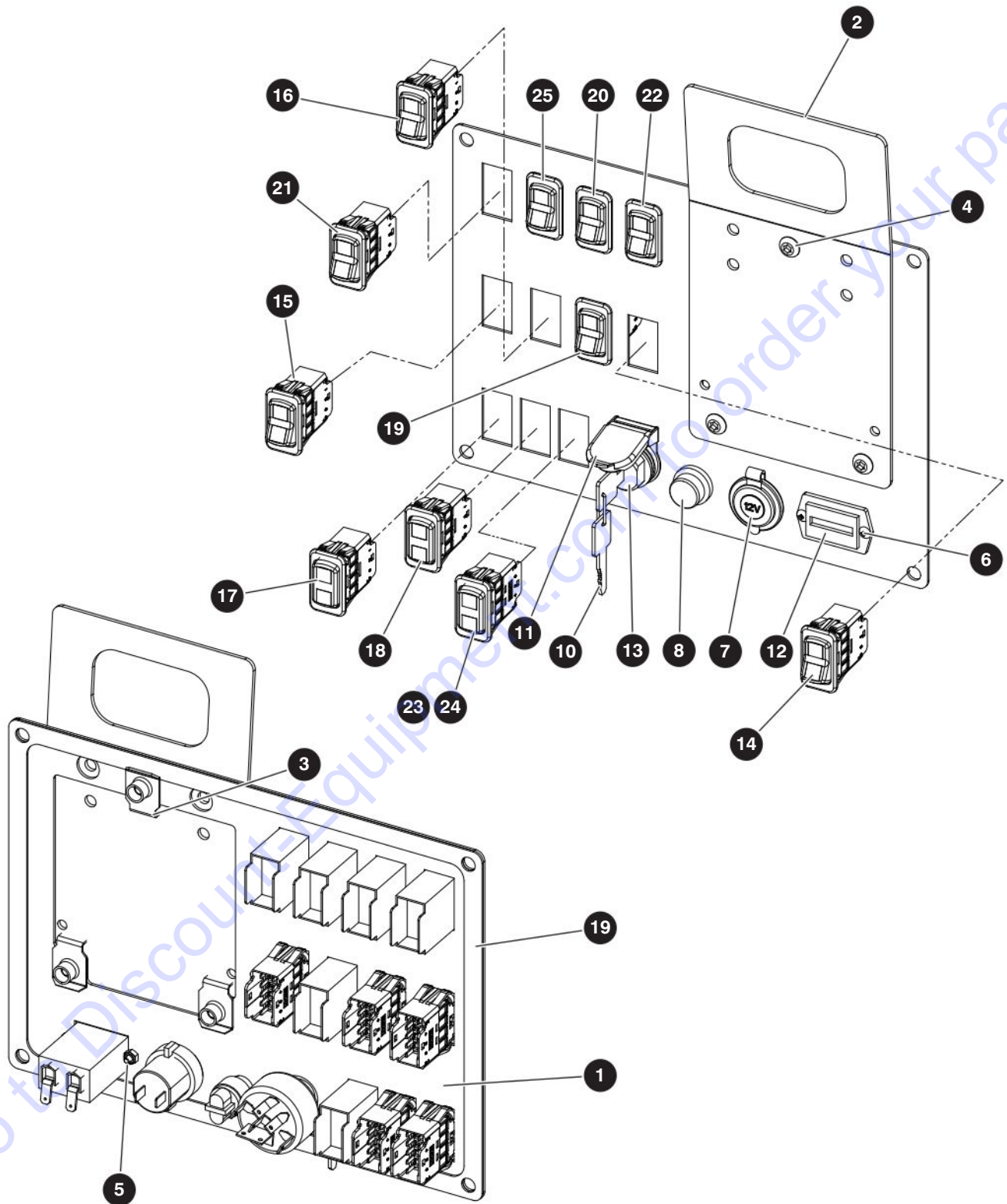
## 4.10 Flip Chart



M191773AA-2

Index No.	Skyjack Part No.	Qty.	Description
-	9-191773	1	ASSEMBLY, FLIP CHART
1	9-191279	2	• BOLT, U (1/4"-20 X 3/8") pipe
2	9-103983	4	• NUT, Hex head jam 1/4"-20 Gr. 5
3	9-103980	4	• NUT, Hex head 1/4"-20 Gr. 8
4	9-103995	4	• WASHER, Flat 1/4" SAE
5	9-921485	1	• STRAP, Hook and loop
6	9-924935	2	• RIVET
7	9-205865	1	GASKET, RHS, Flipchart
-	(Ref.)	1	LOAD CHART BOOKLET (For components, refer to Section 12.4)

## 4.11 RH Dash Panel



M191589AD

190126AG

196

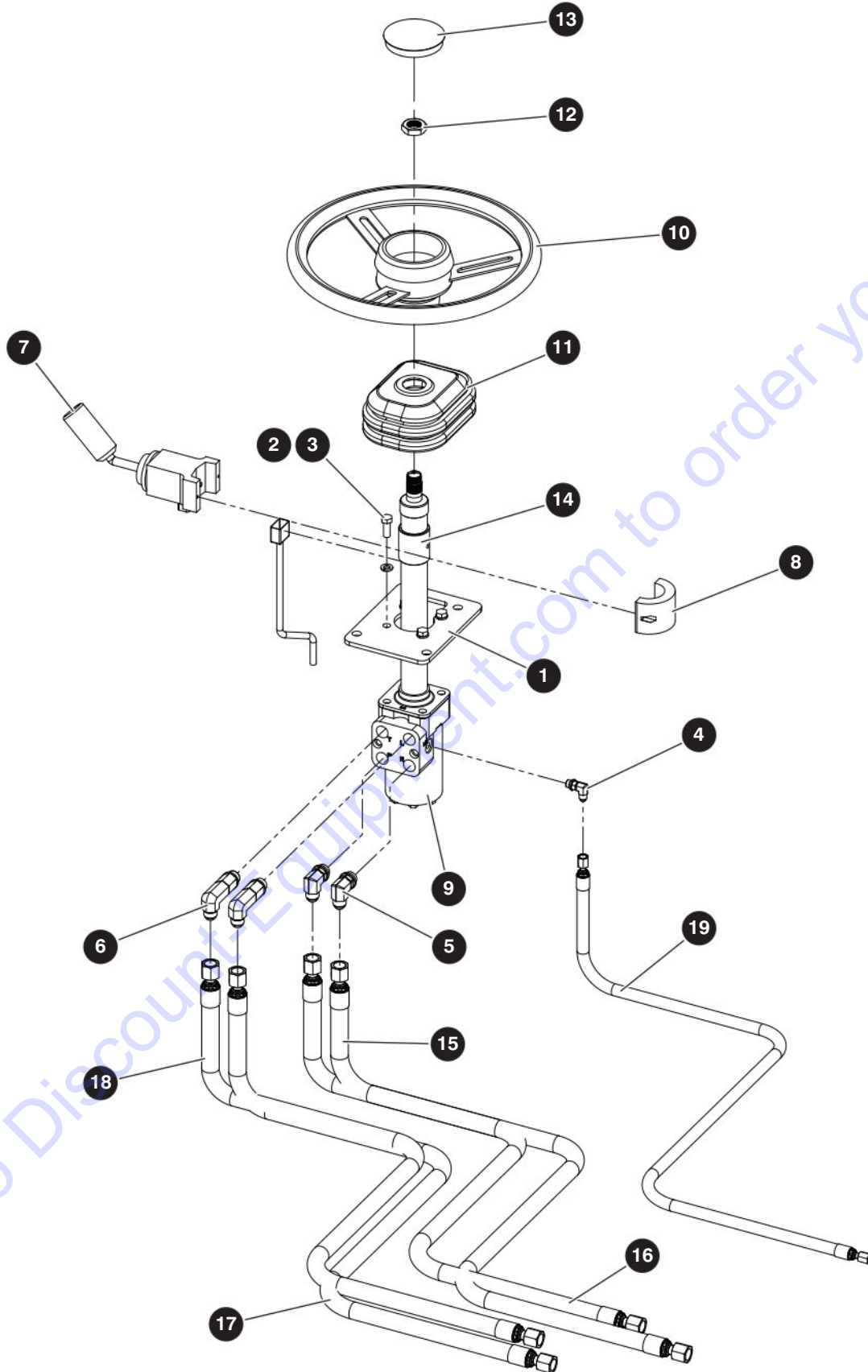
SJ1044 TH, SJ1044 THS, SJ1056 TH, SJ1056 THS

SKYJACK

## 4.11 RH Dash Panel

Index No.	Skyjack Part No.	Qty.	Description
-	9-191589	1	ASSEMBLY, RH DASH PANEL
1	9-191501	1	• PANEL, Console RH
2	9-191318	1	• PLATE, Flip-chart mount
3	9-149496	3	• NUT, U-clip, 1/4"-20 UNC
4	9-191548	3	• SCREW, Machine 1/4"-20 NC x 1/2" th torx
5	9-924972	2	• NUT, Hex lock with nylon insert, # 6
6	9-191753	2	• SCREW, Phillips TMS 6-32 UNC x 1/2" SS
7	9-922915	1	• POWER PORT, 12V
8	9-405339	1	• BUTTON, Horn
9	9-920689	6	• BLANK PLUG, Waytek 43242 (Not shown)
10	9-926721	1	• SWITCH, Ignition
11	9-925191	1	• COVER, Ignition
12	9-927910	1	• HOUR METER
13	9-926722	1	• NUT, Ignition
14	9-191454	1	• SWITCH, Park Brake
15	9-191457	1	• SWITCH, Steer Mode
16	9-191459	1	• SWITCH, Rear Wiper / washer
17	9-191462	1	• INDICATOR, Transmission Oil Temp / R.A.S.
18	9-191830	1	• INDICATOR, Glow Plug / Frame Level and boom Interlock
19	9-205863	1	GASKET, RH dash panel
16	-	1	SWITCH, Front / Top Wiper/Washer (enclosed cab only)
20	(Ref.)	2	SWITCH, Road lights <i>(For components, refer to Section 11.8)</i>
21	(Ref.)	1	SWITCH, Boom Lights <i>(For components, refer to Section 11.4)</i>
22	(Ref.)	1	SWITCH, Positive Air shut off <i>(For components, refer to Section 11.12)</i>
23	(Ref.)	1	INDICATOR, Positive Air Shutoff <i>(For components, refer to Section 11.12)</i>
24	(Ref.)	1	INDICATOR, Reserve Brake <i>(For components, refer to Section 11.14)</i>
25	(Ref.)	1	SWITCH, Work lights <i>(For components, refer to Section 11.6)</i>

## 4.12 Steering Console



M191585AA

190126AG

198

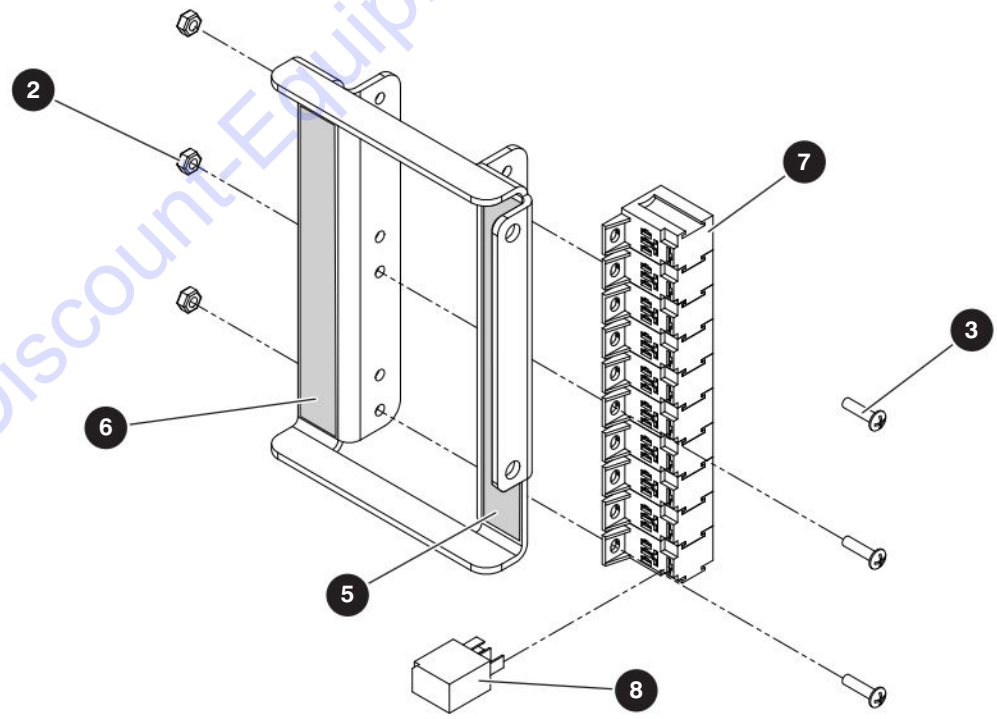
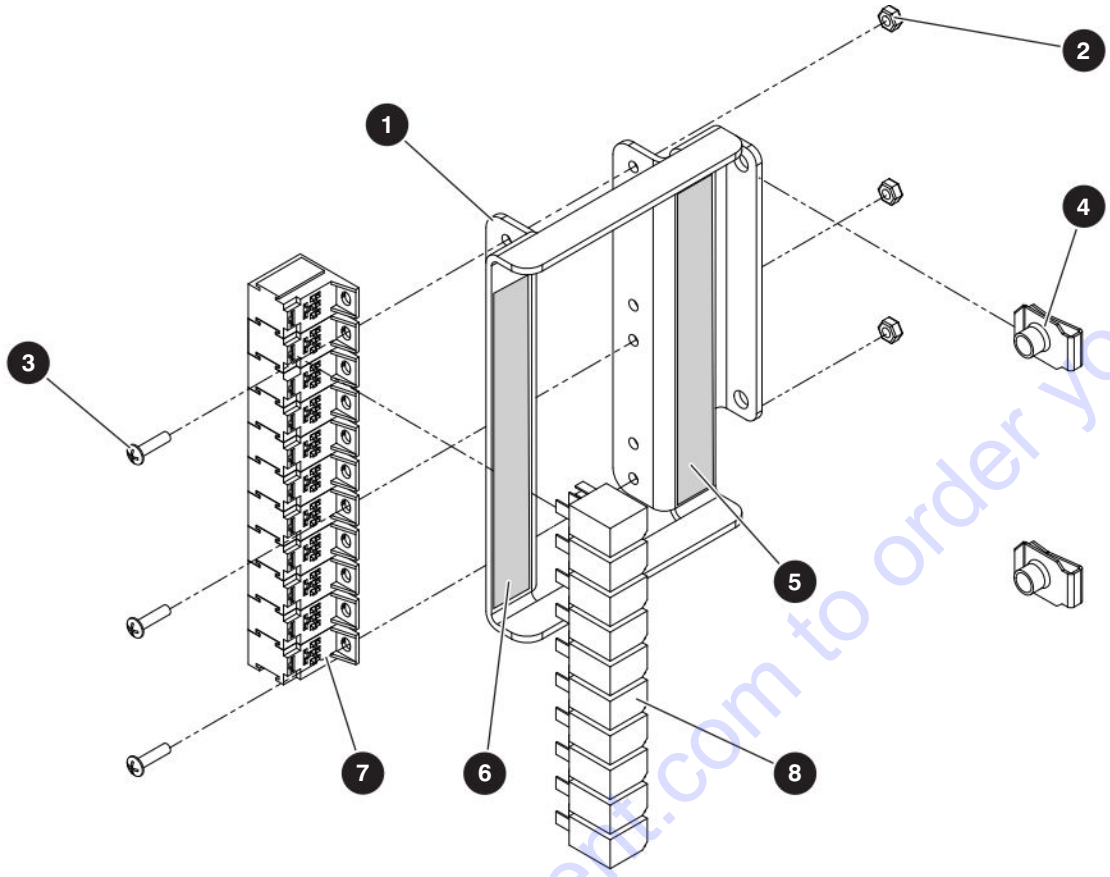
SJ1044 TH, SJ1044 THS, SJ1056 TH, SJ1056 THS

SKYJACK

## 4.12 Steering Console

Index No.	Skyjack Part No.	Qty.	Description
-	9-191585	1	ASSEMBLY, STEERING CONSOLE
1	9-191502	1	• PLATE, Steering mount
2	9-103999	4	• WASHER, Lock, hel spring 3/8"
3	9-103473	4	• SCREW, Hex head 3/8"-16 NC X 1" Gr. 5
4	9-125883	1	• FITTING, Hydraulic 90°
5	9-114583	2	• FITTING, 90°
6	9-702798	2	• FITTING, 90° Extra long
7	9-926377	1	• SHIFTER, Transmission
-	9-216766	1	• SHIFTER, CVT Transmission (with CVT only)
8	9-921721	1	• CLAMP, Shifter
9	9-406450	1	• VALVE, Orbital Steering
-	9-209323	1	• SEAL KIT, Orbital steering unit
10	9-404849	1	• STEERING WHEEL
11	9-191493	1	• BOOT, Column
12	9-405037	1	• NUT, Steering wheel
13	9-411375	1	• CAP, Steering wheel
14	9-191845	1	• COLUMN SHAFT
15	H310801240	1	• STEERING LINE R
16	H310801460	1	• STEERING LINE p
17	H310801290	1	• STEERING LINE L
18	H310801380	1	• STEERING LINE T
19	H310401310	1	• STEERING LINE LS

## 4.13 Main Relay

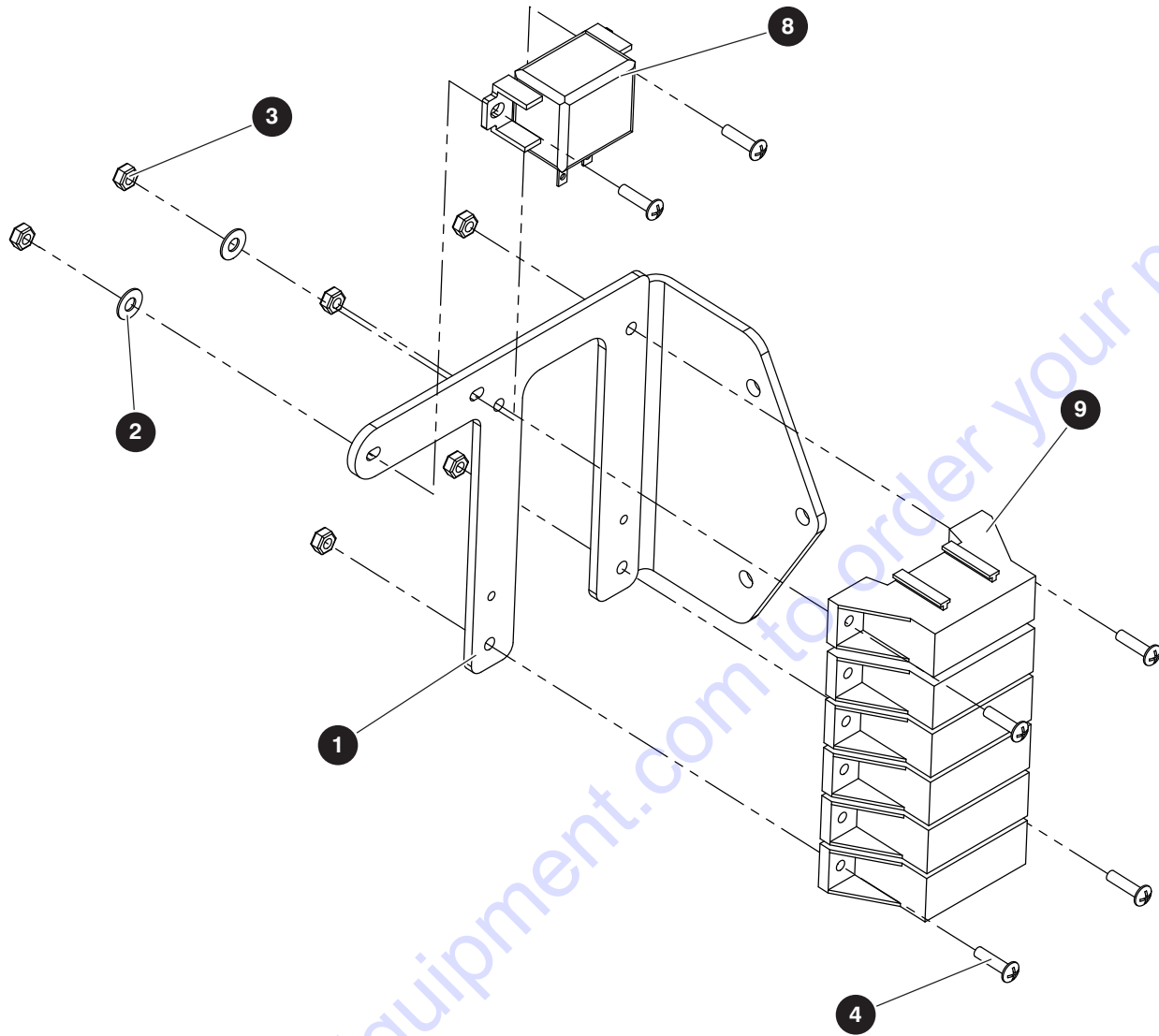


M191935AB

## 4.13 Main Relay

Index No.	Skyjack Part No.	Qty.	Description
-	9-191935	1	ASSEMBLY, RELAY MAIN COMMON
1	9-191912	1	• BRACKET, Relay mount bank
2	9-126642	6	• NUT, Hex Lock with nylon insert #10-24 NC
3	9-138834	6	• SCREW, Machine #10-24 NC x 3/4" PH Phillips
4	9-149496	2	• NUT, U-clip
5	9-196231	1	• DECAL, Relay ID RH
6	9-196232	1	• DECAL, Relay ID LH
7	9-156166	22	• MOUNT, Micro Relay
8	9-931298	12	• RELAY, Micro 20A

## 4.14 Fuse and Power



M191576AB

Index No.	Skyjack Part No.	Qty.	Description
-	9-191576	1	ASSEMBLY, FUSE AND POWER
1	9-191571	1	• MOUNT BRACKET, Fuse/Relay
2	9-191686	2	• WASHER, Flat 3/16" Type A
3	9-126642	6	• NUT, Hex lock with nylon insert #10-24 NC
4	9-138834	6	• SCREW, Machine #10-24 NC x 3/4" PH Phillips
5	9-156203	2	• FUSE, 10 AMP red (Not Shown)
6	9-156164	1	• FUSE, 30 AMP LT grn (Not Shown)
7	9-156202	1	• FUSE, 5 AMP TAN (Not Shown)
8	9-226119	1	• POWER RELAY
9	9-156103	6	• FUSE HOLDER



# PARTS FINDER

**Search Website  
by Part Number**



**Search Manual  
Library For Parts  
Manual & Lookup Part  
Numbers – Purchase  
or Request Quote**

**Search Manuals**

Enter your information to help us find the right parts manual for your machine.

\* Brand:

\* Model:

\* Serial:

\* Part Number:

SEARCH

**Can't Find Part or  
Manual? Request Help  
by Manufacturer,  
Model & Description**

**Parts Order Form**

Please fill in the following information to help us find the right part for your machine.

Manufacturer:	<input type="text"/>
Model:	<input type="text"/>
Description:	<input type="text"/>
Part Number:	<input type="text"/>
Quantity:	<input type="text"/>
Notes:	<input type="text"/>

Submit

Discount-Equipment.com is your online resource for quality parts & equipment.

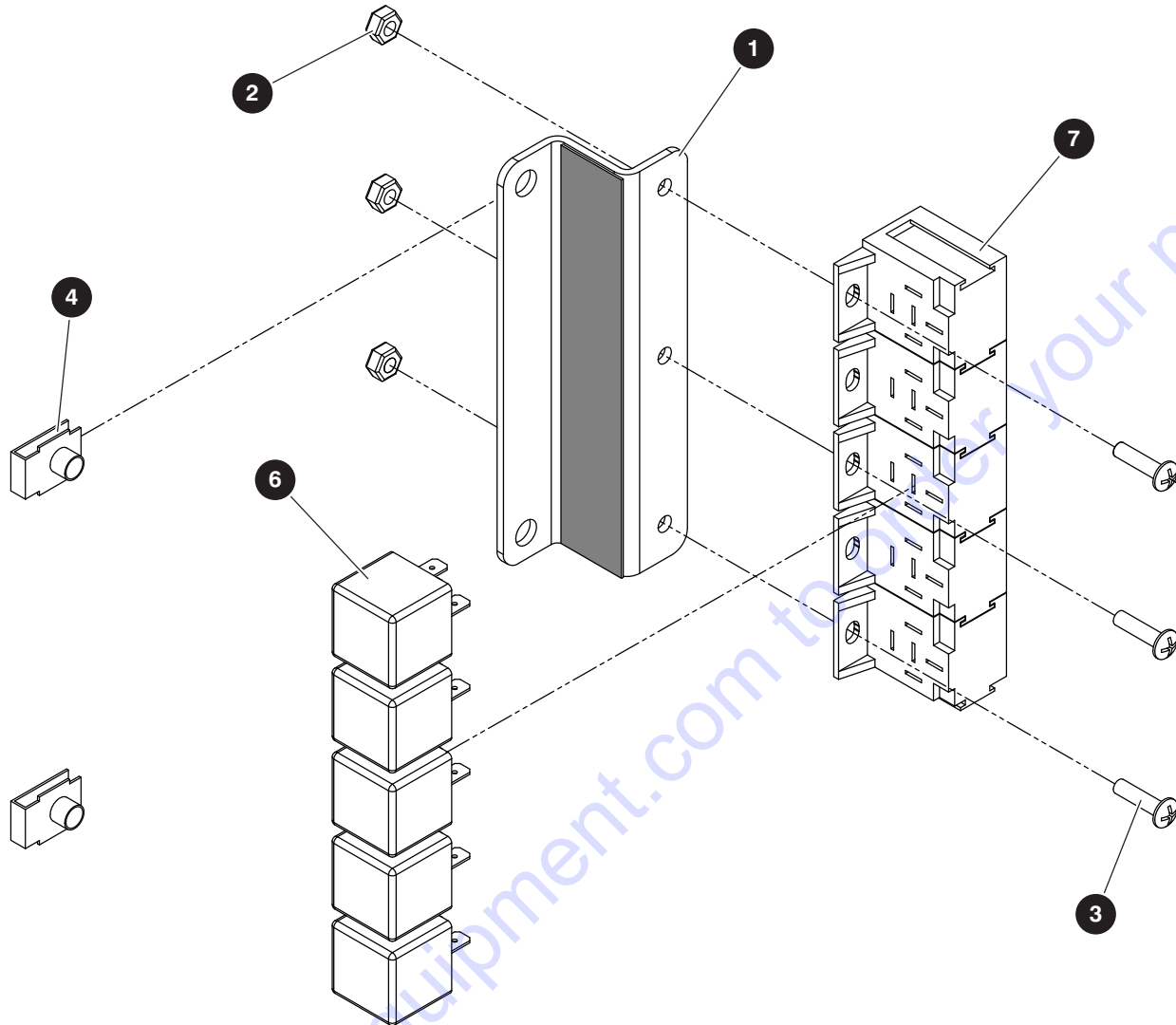
Florida: **561-964-4949** Outside Florida TOLL FREE: **877-690-3101**

**Need parts?**

Click on this link: <http://www.discount-equipment.com/category/5443-parts/> and choose one of the options to help get the right parts and equipment you are looking for. Please have the machine model and serial number available in order to help us get you the correct parts. If you don't find the part on the website or on one of the online manuals, please fill out the request form and one of our experienced staff members will get back to you with a quote for the right part that your machine needs.

We sell worldwide for the brands: Genie, Terex, JLG, MultiQuip, Mikasa, Essick, Whiteman, Mayco, Toro Stone, Diamond Products, Generac Magnum, Airman, Haulotte, Barreto, Power Blanket, Nifty Lift, Atlas Copco, Chicago Pneumatic, Allmand, Miller Curber, Skyjack, Lull, Skytrak, Tsurumi, Husquvarna Target, Stow, Wacker, Sakai, Mi-T-M, Sullair, Basic, Dynapac, MBW, Weber, Bartell, Bennar Newman, Haulotte, Ditch Runner, Menegotti, Morrison, Contec, Buddy, Crown, Edco, Wyco, Bomag, Laymor, EZ Trench, Bil-Jax, F.S. Curtis, Gehl Pavers, Heli, Honda, ICS/PowerGrit, IHI, Partner, Imer, Clipper, MMD, Koshin, Rice, CH&E, General Equipment, Amida, Coleman, NAC, Gradall, Square Shooter, Kent, Stanley, Tamco, Toku, Hatz, Kohler, Robin, Wisconsin, Northrock, Oztec, Toker TK, Rol-Air, APT, Wylie, Ingersoll Rand / Doosan, Innovatech, Con X, Ammann, Mecalac, Makinex, Smith Surface Prep, Small Line, Wanco, Yanmar

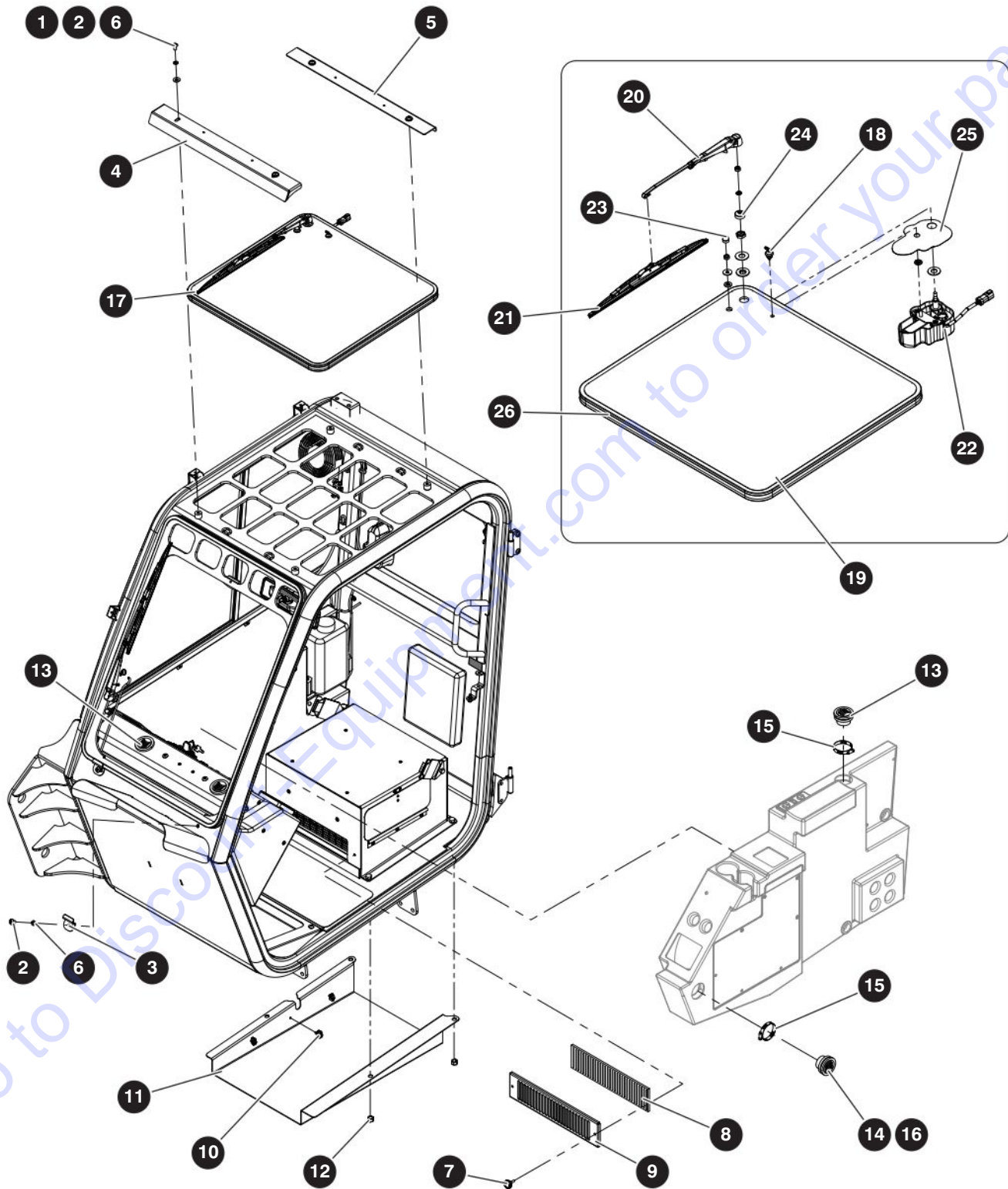
## 4.15 Relay RH



M191941AA

Index No.	Skyjack Part No.	Qty.	Description
-	9-191941	1	ASSEMBLY, RELAY RH 107HP
1	9-191913	1	• BRACKET, Relay mount bank I
2	9-126642	3	• NUT, Hex lock with nylon insert #10-24
3	9-191917	3	• SCREW, Machine #10-24 NC x 1/2" PH Phillips
4	9-149496	2	• NUT, Clip
5	9-195423	1	• DECAL, Relay 107 HP (Not shown)
6	9-127131	5	• RELAY, 5-Pin 40A, 12V
7	9-156166	5	• RELAY, Socket

## 4.16 Enclosed Cab



M191970AB-1R

190126AG

**204**

SJ1044 TH, SJ1044 THS, SJ1056 TH, SJ1056 THS

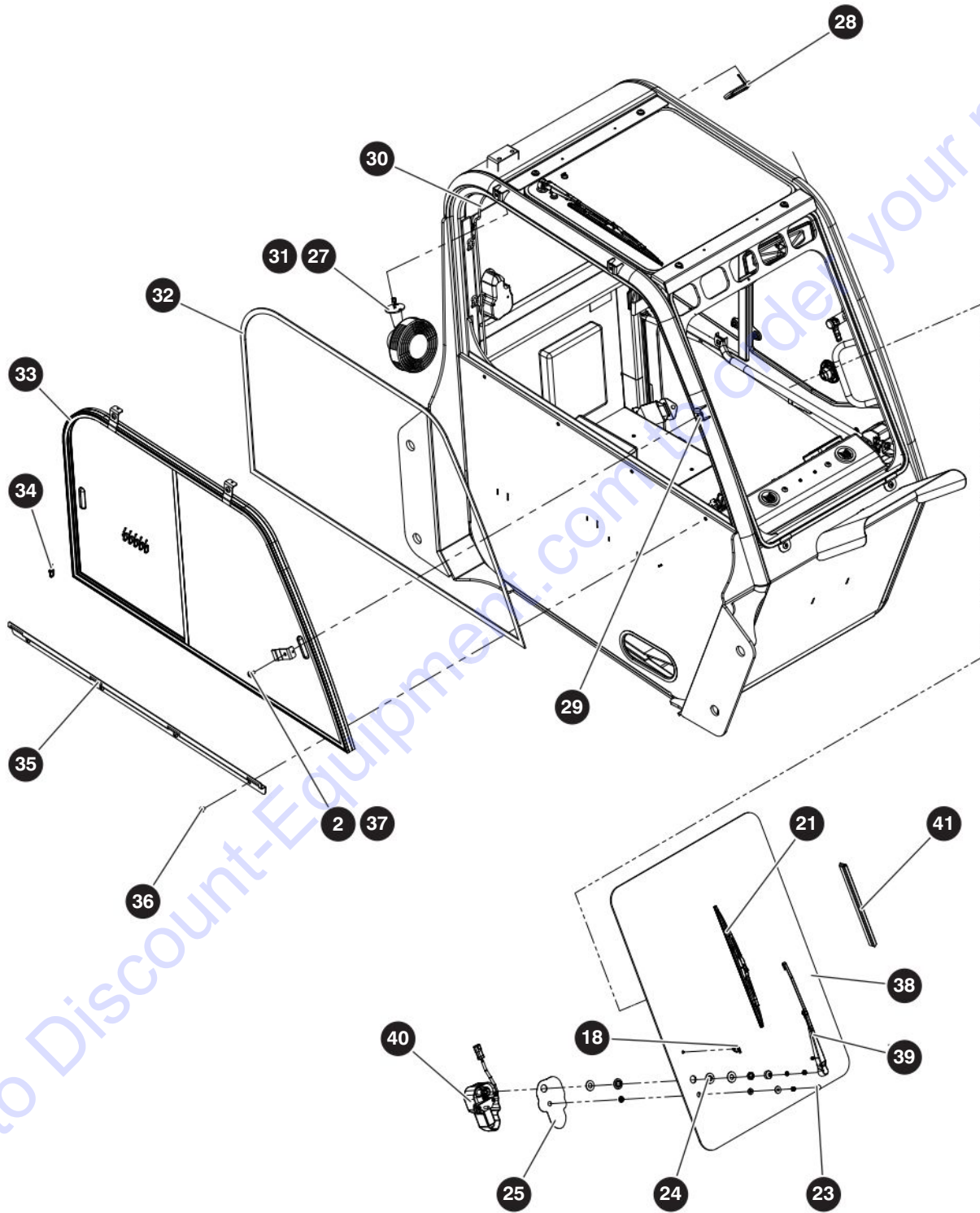
**SKYJACK**

## 4.16 Enclosed Cab

Index No.	Skyjack Part No.	Qty.	Description
-	9-191789	1	ASSEMBLY, ENCLOSED CAB SUBGROUP
-	9-191790	1	ASSEMBLY, Enclosed cab
1	9-103472	4	• WASHER, Flat 3/8"
2	9-191542	9	• SCREW, Machine 3/8"-16 NC x 3/4" BH torx
3	9-191666	2	• RETAINER, Front window lo
4	9-191651	1	• RETAINER, Front upper window
5	9-191653	1	• PLATE, Retainer top
6	9-103999	6	• WASHER, Lock hel spring 3/8"
7	9-191692	2	• KNOB, Black, 1-1/4" DIA 1/4" x 3/4"
8	9-921521	1	• FILTER, HVAC
9	9-191649	1	• PANEL, Screen intake
10	9-191549	3	• ROSEBUD CLIP, 413- 500" duct
11	9-191650	1	• COVER PANEL, Hose -A
12	9-702507	4	• NUT, Hex Lock with nylon insert, 1/2"-13 NC - B -B
13	9-191706	3	• LOUVER, Round, 2.79" W / 2.0 hose
14	9-191706	1	• LOUVER, Round, 2.79"
15	9-191532	4	• CLAMP, Hose,
16	9-191928	1	• ADAPTER, 90°
17	9-191684	1	• ASSEMBLY, Top window
18	9-191525	1	• • FITTING, Wiper hose
19	9-191930	1	• • WINDOW, Top
20	9-191660	1	• • WIPER, Arm wet
21	9-191670	1	• • WIPER, Blade j- hook
22	9-191556	1	• • WIPER, Motor LH park
23	9-191557	1	• • MOUNT, M8 hardware
24	9-191558	1	• • MOUNT, M16 hardware
25	9-191559	1	• • WIPER, Window sticker
26	9-191678	1	• • BUBBLE SEAL, 90° top

Part list continued in following page

# 4.16 Enclosed Cab



M191790AB-2R

190126AG

206

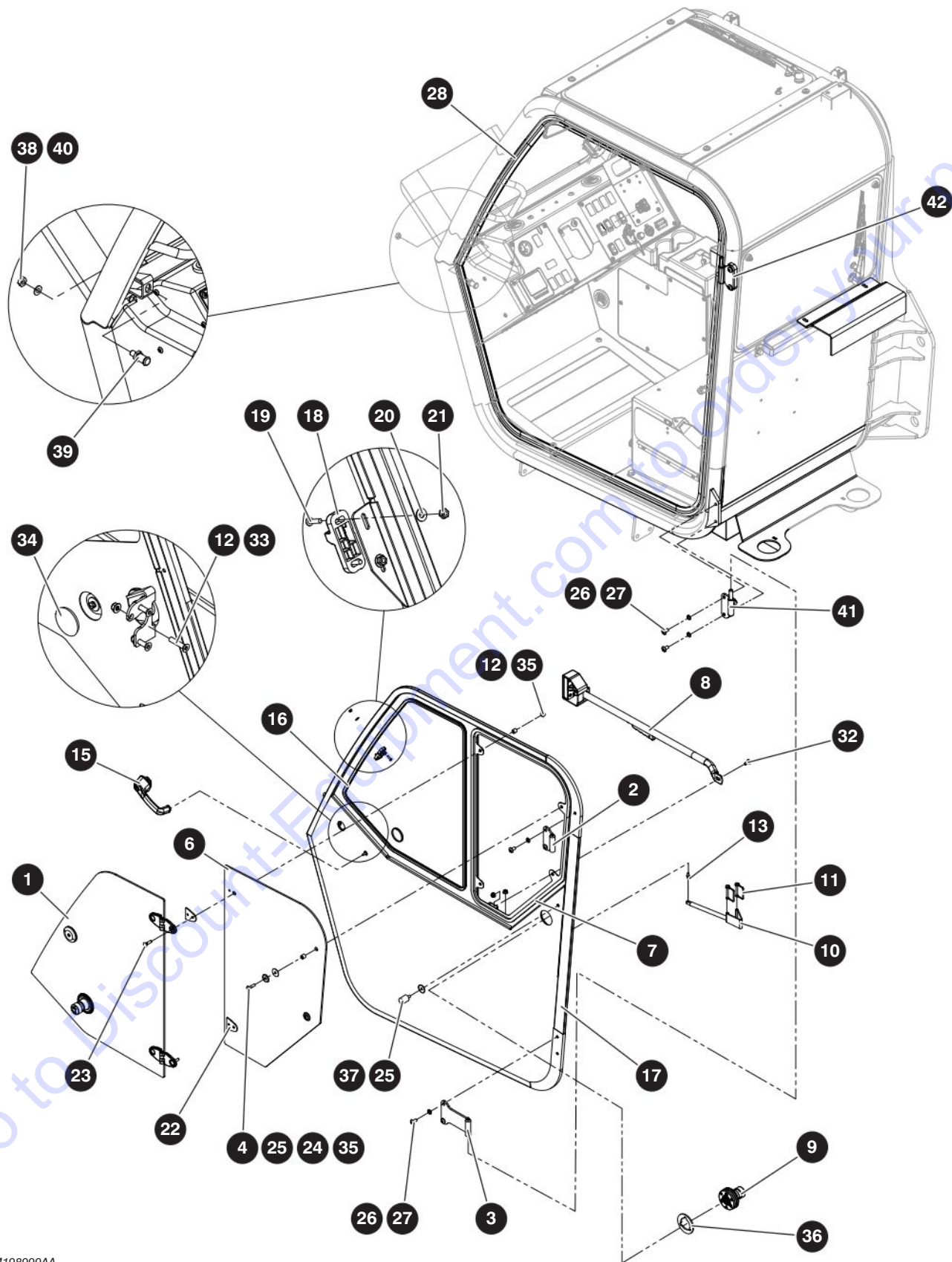
SJ1044 TH, SJ1044 THS, SJ1056 TH, SJ1056 THS

SKYJACK

## 4.16 Enclosed Cab

Index No.	Skyjack Part No.	Qty.	Description
			Part list continued from previous page
27	9-191680	1	• ASSEMBLY, Fan with terminals
28	9-191658	1	• DOME LIGHT, Oval with switch
29	9-191665	3	• CLIP, Window slider
30	9-191510	3	• HOSE, Washer
31	9-191694	1	• GASKET, Defroster fan
32	9-223900	1	• SEAL, Rubber strip
33	9-223899	1	• SLIDER WINDOW
-	9-211680	1	• • LATCH
34	9-191540	6	• WIRE TIE, Nylon, black, 7-1/2" long
35	9-191652	1	• RETAINER, Window slider lo
36	9-191677	4	• SCREW, Machine 3./8"-18 NC X 1/2" TH TRX -A
37	9-159294	3	• NUT, U-clip 3/8"-16 UNC
-	9-191683	1	• FRONT WINDOW WITH WIPER
38	9-191659	1	• • WINDOW, Front
39	9-191671	1	• • WIPER, Arm wet
40	9-191672	1	• • WIPER, Motor 315 LH park
41	9-191679	1	• • BUBBLE SEAL, 90° front
42	(Ref).	1	• ASSEMBLY, Door
			<i>(For components, refer to Section 4.17)</i>

# 4.17 Door Assembly



M198999AA

190126AG

208

SJ1044 TH, SJ1044 THS, SJ1056 TH, SJ1056 THS

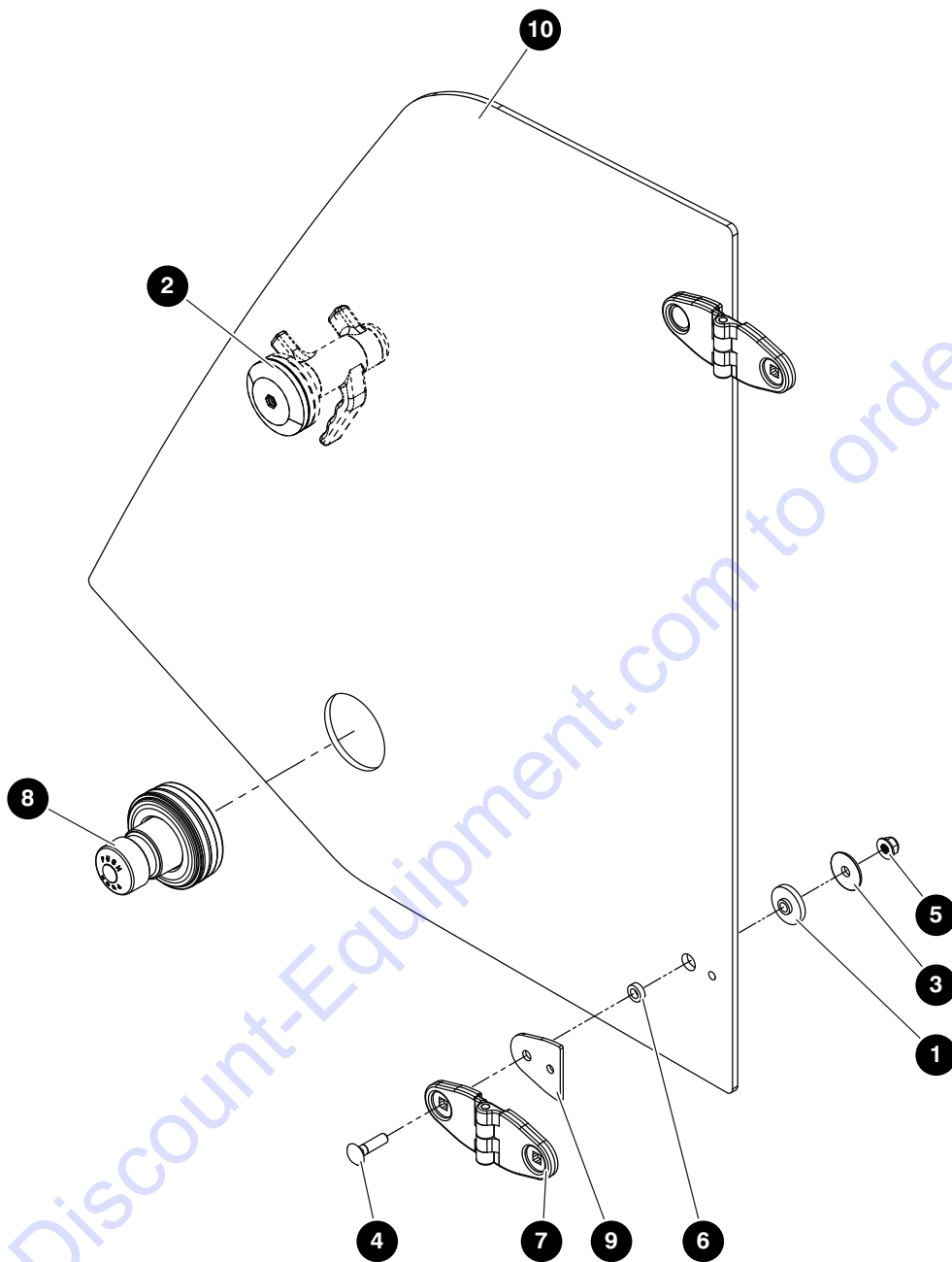
SKYJACK

## 4.17 Door Assembly

Index No.	Skyjack Part No.	Qty.	Description
-	9-198999	1	ASSEMBLY, DOOR LH
1	9-191946	1	<ul style="list-style-type: none"> <li>ASSEMBLY, Door window</li> </ul> <i>(For components, refer to Section 4.18)</i>
2	9-191655	1	<ul style="list-style-type: none"> <li>WELDMENT, Door hinge top</li> </ul>
3	9-191656	1	<ul style="list-style-type: none"> <li>WELDMENT, Door hinge bottom</li> </ul>
4	9-191543	2	<ul style="list-style-type: none"> <li>SCREW, Machine 5/16-18 NC x 1-1/4" TH TRX</li> </ul>
5	9-191561	1	<ul style="list-style-type: none"> <li>PROTECTIVE TRIM, Urethane</li> </ul>
6	9-204275	1	<ul style="list-style-type: none"> <li>WINDOW, Upper rear door</li> </ul>
7	9-204285	1	<ul style="list-style-type: none"> <li>SEAL, Bubble PSA 96" long</li> </ul>
8	9-191701	1	<ul style="list-style-type: none"> <li>LATCH HANDLE, Dip round</li> </ul>
9	9-191668	1	<ul style="list-style-type: none"> <li>WINDOW, Hold-open</li> </ul>
10	9-191749	1	<ul style="list-style-type: none"> <li>STRAP, Door restraint</li> </ul>
11	9-191699	2	<ul style="list-style-type: none"> <li>PIN, 5/16" x 2" With keeper</li> </ul>
12	9-191574	9	<ul style="list-style-type: none"> <li>NUT HEX, 5/16"-18 nc flanged</li> </ul>
13	9-191689	1	<ul style="list-style-type: none"> <li>BALL STUD</li> </ul>
14	9-191691	1	<ul style="list-style-type: none"> <li>GAS SPRING, 20 psi x 17.2 "" ext stroke</li> </ul>
15	9-191751	1	<ul style="list-style-type: none"> <li>HANDLE, Outside p/b key code 250</li> </ul>
16	9-191921	1	<ul style="list-style-type: none"> <li>SEAL, Bubble loop 90</li> </ul>
17	9-198998	1	<ul style="list-style-type: none"> <li>WELDMENT, LH door frame</li> </ul>
-	9-191654	1	<ul style="list-style-type: none"> <li>WELDMENT, LH door frame with crystal cutout - Not shown</li> </ul>
	9-191909	1	<ul style="list-style-type: none"> <li>WINDOW, lower, door (only for machines with crystal door) - Not shown</li> </ul>
	9-191561	1	<ul style="list-style-type: none"> <li>PROTECTIVE TRIM, Urethane (only for machines with crystal door) - Not shown</li> </ul>
18	9-191704	1	<ul style="list-style-type: none"> <li>HANDLE, L-Window stay 2-Pos</li> </ul>
19	9-138834	2	<ul style="list-style-type: none"> <li>SCREW, Machine #10-24 NC X 3/4" PH Phillips</li> </ul>
20	9-191686	2	<ul style="list-style-type: none"> <li>WASHER, flat 3/16" type a, w ser</li> </ul>
21	9-126642	2	<ul style="list-style-type: none"> <li>NUT, Hex lock with nylon insert, #10-24 NC</li> </ul>
22	9-191750	2	<ul style="list-style-type: none"> <li>SPACER, Seal gasket</li> </ul>
23	9-106049	2	<ul style="list-style-type: none"> <li>BOLT, Carriage, 5/16"-18 x 1-1/4"</li> </ul>
24	9-191698	2	<ul style="list-style-type: none"> <li>WASHER, Flat rubber</li> </ul>
25	9-191705	3	<ul style="list-style-type: none"> <li>WASHER, Fender 11/32 ID X 1-1/4"</li> </ul>
26	9-103999	8	<ul style="list-style-type: none"> <li>WASHER, Lock 3/8"</li> </ul>
27	9-191542	8	<ul style="list-style-type: none"> <li>SCREW, 3/8"-16 NC x 3/4" BH TORX</li> </ul>
28	9-232516	1	<ul style="list-style-type: none"> <li>SEAL, Rubber, bubble</li> </ul>
29	9-103472	1	<ul style="list-style-type: none"> <li>WASHER Flat 3/8" type a, w ser</li> </ul>
30	9-104000	1	<ul style="list-style-type: none"> <li>WASHER, Lock 1/4"</li> </ul>
31	9-933627	1	<ul style="list-style-type: none"> <li>SCREW, Head head M6 x 25 X 1" Gr. 8</li> </ul>
32	9-191573	1	<ul style="list-style-type: none"> <li>SCREW, Machine 5/16"-18 NC x 3/4" TH TRX</li> </ul>
33	9-143728	3	<ul style="list-style-type: none"> <li>SCREW, Machine 5/16"-18 NC x 1-1/2" fh soc</li> </ul>
34	9-191512	1	<ul style="list-style-type: none"> <li>PLUG HOLE, Plastic, 2-3/32" DIA</li> </ul>
35	9-204283	4	<ul style="list-style-type: none"> <li>SPACER NYLON</li> </ul>
36	9-191933	1	<ul style="list-style-type: none"> <li>SPACER, Window hold open</li> </ul>
37	9-191918	1	<ul style="list-style-type: none"> <li>BUMPER, Neoprene 1" DIA</li> </ul>
38	9-191702	1	NUT, Hex jam, M12 X 1.0 F
39	9-191703	1	STRIKER, Stud. 17 mm
40	9-191536	1	WASHER, Flat 1/2" type A, N SER
41	9-191927	1	WELDMENT, Hinge, bottom
42	9-191926	1	WELDMENT, Hinge upper



## 4.18 Door Window Assembly



M191946AA

190126AG

**210**

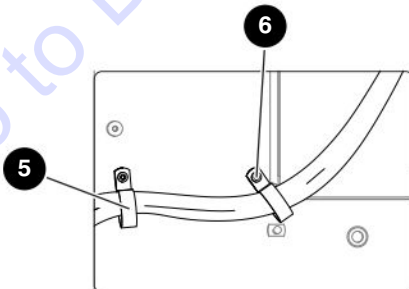
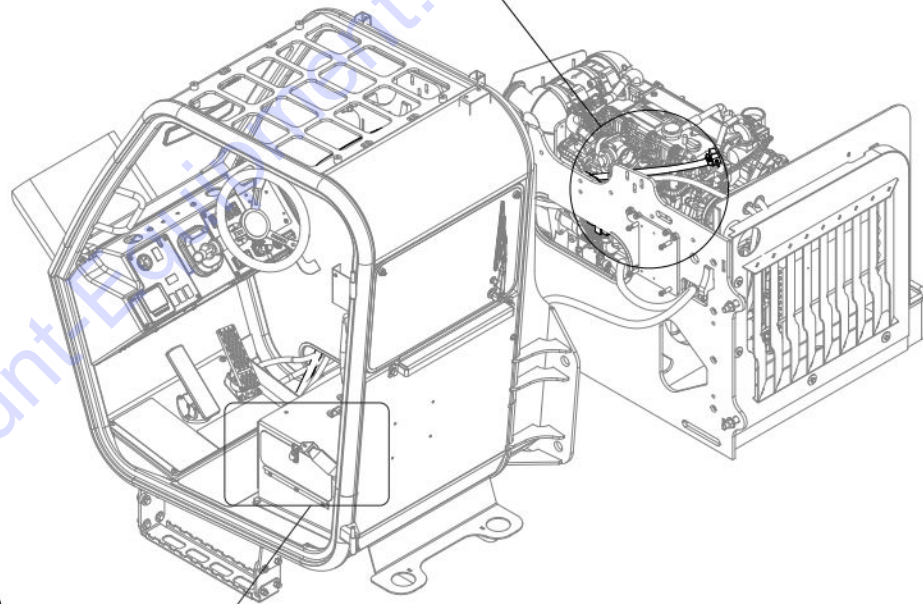
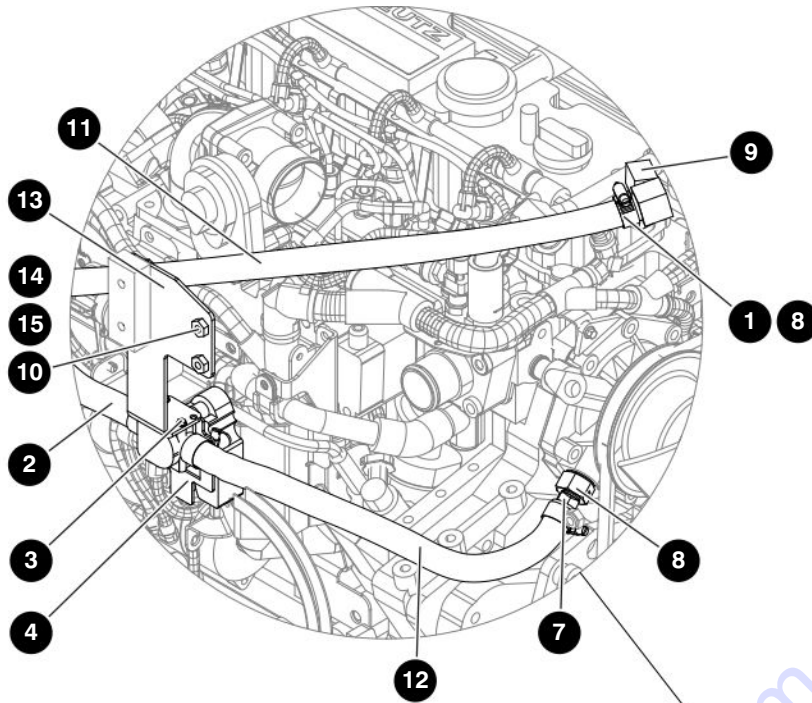
SJ1044 TH, SJ1044 THS, SJ1056 TH, SJ1056 THS

**SKYJACK**

## 4.18 Door Window Assembly

Index No.	Skyjack Part No.	Qty.	Description
-	9-191946	1	WINDOW, Door
1	9-191698	2	WASHER, SHOULDER, GLASS MOUNT
2	9-191704	1	HANDLE, L-WINDOW STAY, 2 POSITIONS
3	9-191705	2	WASHER, FENDER, 11/32" ID X 1-1/4"
4	9-106049	2	BOLT, CARRIAGE, 5/16"-18 X 1-1/4"
5	9-191574	2	NUT, HEX, 5/16"-18 NC FLANGED
6	9-191934	2	SPACE, NYLON
7	9-191667	2	HINGE, WINDOW
8	9-191668	1	WINDOW, HOLD-OPEN PIN
9	9-191750	2	SPACER, SEAL GASKET
10	9-191907	1	WINDOW, FRONT UPPER

## 4.19 Cab with Heat Installation 74 HP

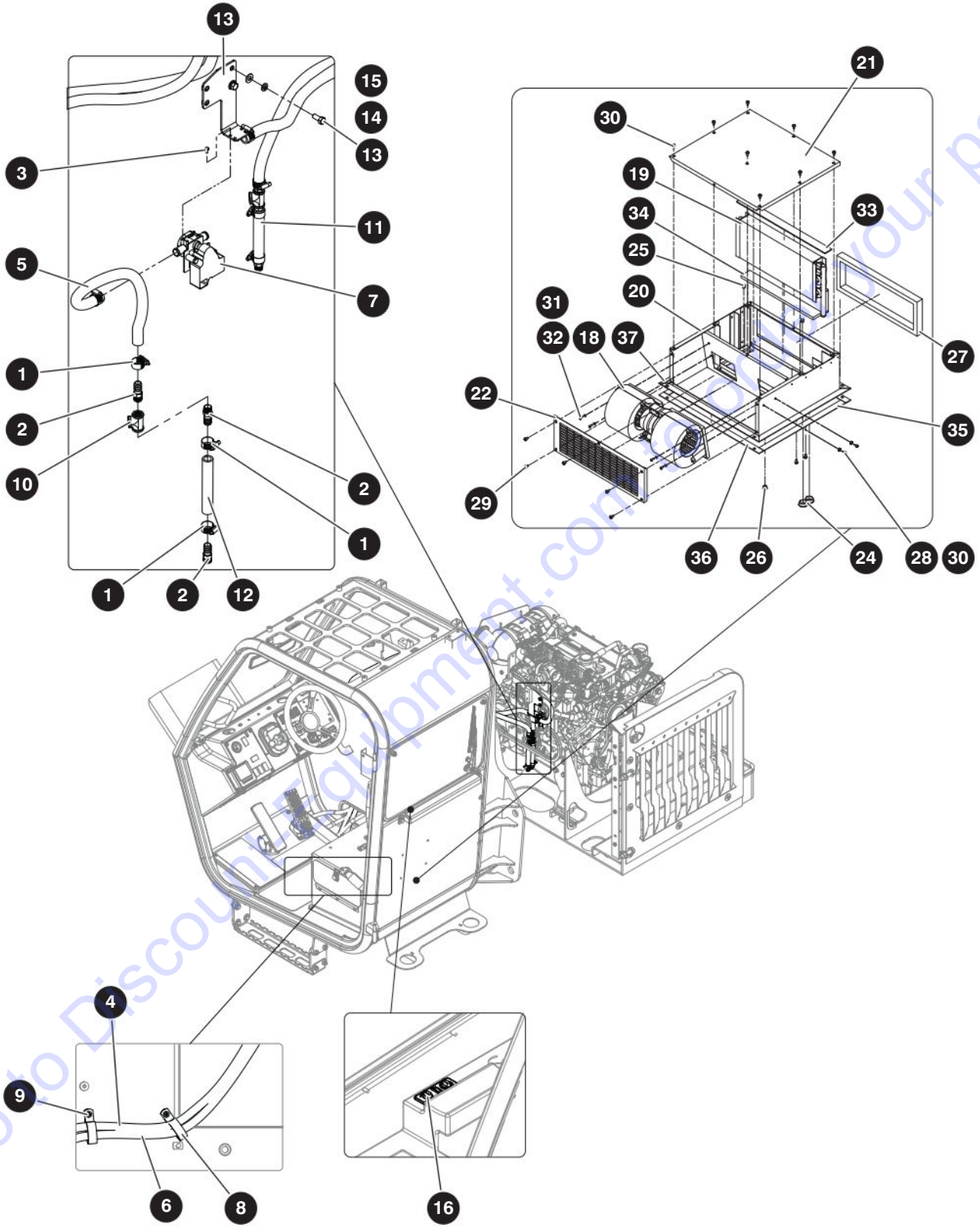


M198770AC

## 4.19 Cab with Heat Installation 74 HP

Index No.	Skyjack Part No.	Qty.	Description
-	9-198770	1	ASSEMBLY, HEATER SUBGROUP 3.6L 74 HP
1	9-163521	6	• GEAR CLAMP 5/8"
2	9-407024	142	• HOSE, 5/8" Heater
3	9-151405	2	• SCREW, Hex tapping (#8 x 3/8" Type B)
4	9-922724	1	• VALVE, Heater (motorized)
5	9-143987	2	• CLAMP, Loop cushion #40
6	9-170182	2	• BOLT, Button Head Cap 3/8"-16 x 3/4"
7	9-191771	2	• FITTING, Hose, 3/8" NPT, 5/8" Hose
8	9-191772	2	• ADAPTER, M22 x 1-1/2" to 3/8" NPT with O-Ring
9	9-413158	2	• PIPE, Extruded 90° street elbow - 3/8"
10	9-300437	2	• BOLT, Hex head 3/8"-16 X 7/8" Grade 5
11	9-407024	160	• HOSE, 5/8" Heater
12	9-407024	20	• HOSE, 5/8" Heater
13	9-191859	1	• WELDMENT, A/C Dryer bracket
14	9-103472	2	• WASHER, Flat 3/8"
15	9-103999	2	• WASHER, Lock 3/8"

## 4.20 Cab Heater System

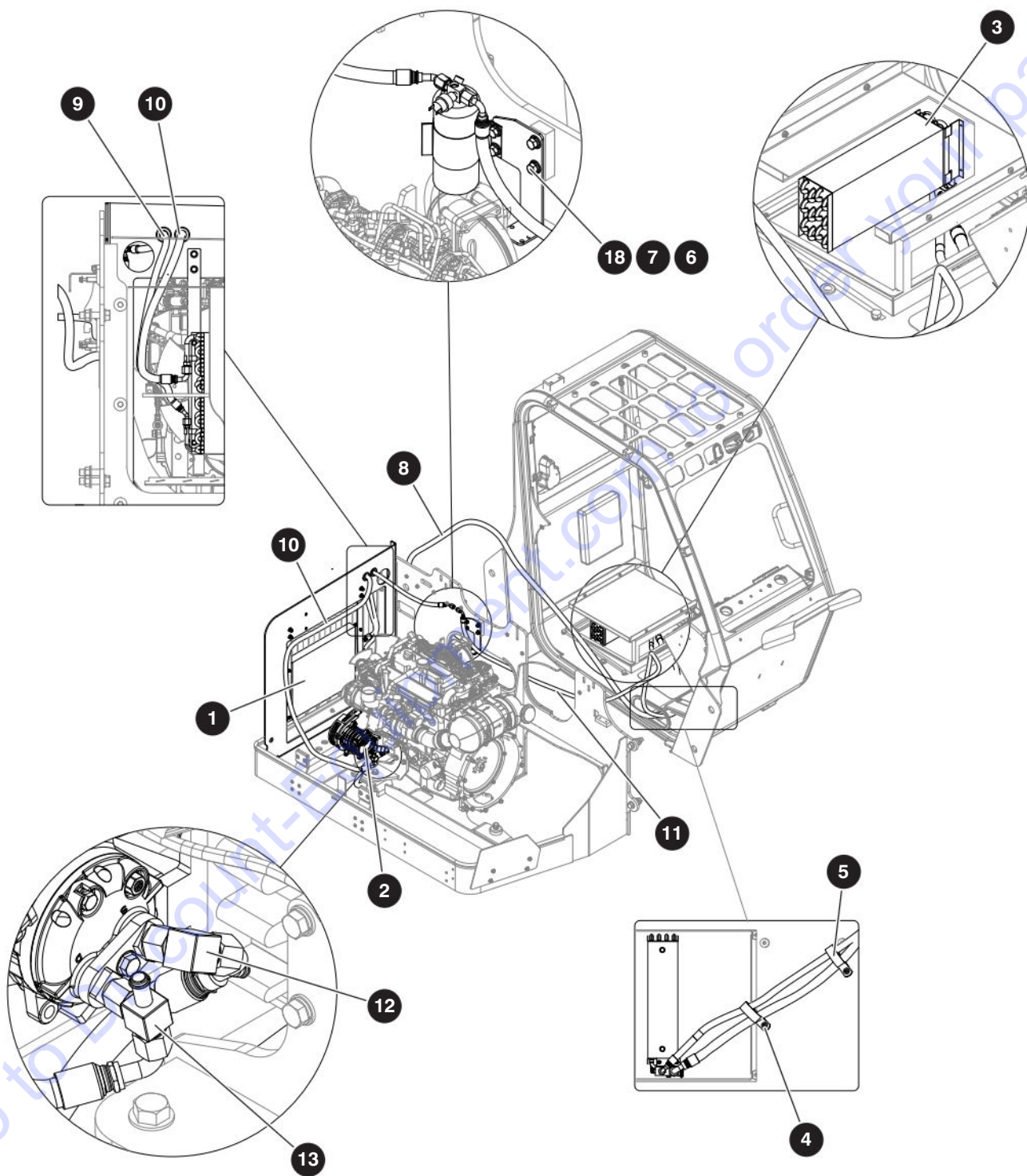


M191878AB

## 4.20 Cab Heater System

Index No.	Skyjack Part No.	Qty.	Description
-	9-191878	1	ASSEMBLY, HEATER SUBGROUP 3.6L 107 HP
1	9-163521	10	• CLAMP, Gear 5/8"
2	9-191771	6	• FITTING, Hose 3/8" NPT, 5/8" hose
3	9-151405	2	• SCREW - Hex tapping (#8 x 3/8" Type B)
4	9-407024	142	• HOSE, 5/8" Heater
5	9-407024	20	• HOSE, 5/8" Heater
6	9-407024	142	• HOSE, 5/8" Heater
7	9-922724	1	• VALVE, Heater (motorized)
8	9-143987	2	• CLAMP, Loop cushion #40
9	9-170182	2	• BOLT, Button Head Cap, 3/8"-16 x 3/4"
10	9-191769	2	• TEE, Brass 3/8" NPT
11	9-407024	6	• HOSE, 5/8" Heater
12	9-407024	6	• HOSE, 5/8" Heater
13	9-103472	2	• WASHER, Flat 3/8"
14	9-103999	2	• WASHER, Lock 3/8"
15	9-300437	2	• BOLT, Hex head 3/8"-16 x 7/8" Gr. 5
16	9-191859	1	• WELDMENT, A/C Dryer Bracket
-	9-191682	1	ASSEMBLY, HEATER UNIT
17	9-191491	1	• CONTROLLER, HVAC
-	9-922749	1	• HEATER UNIT
18	9-197011	1	• • BLOWER 12V
19	9-197012	1	• • HEATER COIL
20	9-197013	1	• • CASING
21	9-197014	1	• • COVER
22	9-197015	1	• • FRONT COVER
23	9-197016	1	• • WIRING HS.(Not shown)
24	9-197017	2	• • PLUG ,Snap-in hole 1"
25	9-197018	2	• • PLUG, Hole 3/8"
26	9-197019	1	• • PLUG, Hole 1/2"
27	9-197020	1	• • CC FOAM 5/8"x1"; L=970
28	9-197021	2	• • NUT, Lock #8-32
29	9-197022	15	• • SCREW #10-32 x 3/8"
30	9-197023	2	• • SCREW #8-32 x 3/8"
31	9-197024	4	• • SCREW #8-32 x 3/8"
32	9-197025	4	• • WASHER, Lock #8
33	9-197026	1	• • FOAM 1/4"x1 1/4"; 415
34	9-197027	1	• • FOAM 3/8"x1 5/8"; 338
35	9-197028	2	• • FOAM 1/16"x1";383.5 mm
36	9-197028	2	• • FOAM 1/16"x1"; 470 mm
37	9-197029	1	• • FOAM 3/16x1/2";390 mm

## 4.21 Cab A/C System



M191368AB

190126AG

216

SJ1044 TH, SJ1044 THS, SJ1056 TH, SJ1056 THS

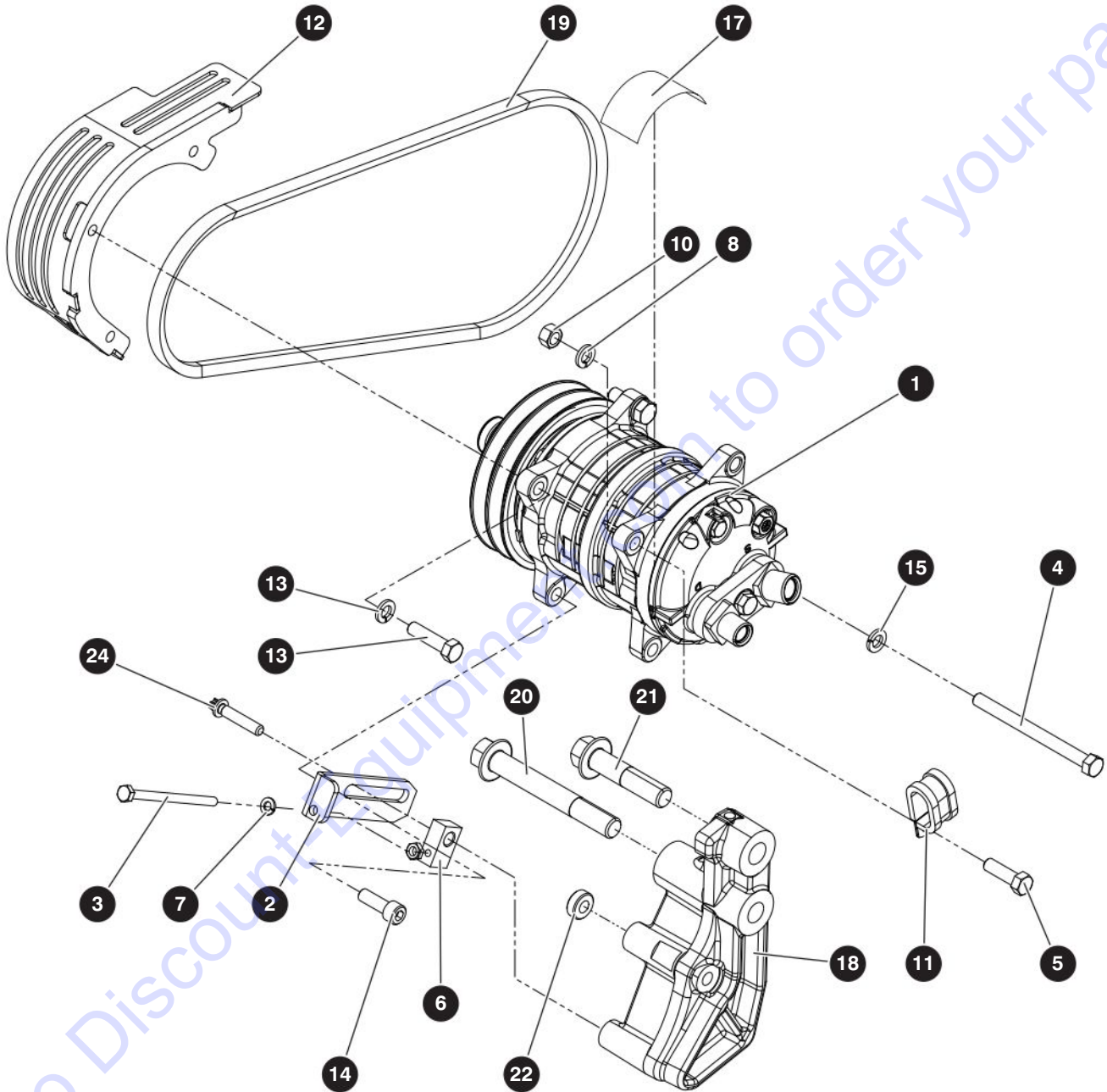
SKYJACK

## 4.21 Cab A/C System

Index No.	Skyjack Part No.	Qty.	Description
<b>A</b>	9-191368	1	ASSEMBLY, A/C OPTION 3.6L - Style A Radiator
<b>B</b>	9-223537	1	ASSEMBLY, A/C OPTION 3.6L - Style B Radiator
1	(Ref.)	1	<ul style="list-style-type: none"> <li>A/C CONDENSER, Installation</li> </ul> <i>(For components, refer to Section 4.23)</i>
2	(Ref.)	1	<ul style="list-style-type: none"> <li>A/C COMPRESSOR, Installation TH10k</li> </ul> <i>(For components, refer to Section 4.22)</i>
3	9-921101	1	<ul style="list-style-type: none"> <li>A/C 12V KIT</li> </ul>
	9-235881		<ul style="list-style-type: none"> <li>VALVE, Expansion block</li> </ul>
-	9-191376	1	<ul style="list-style-type: none"> <li>HOSE HARDWARE INSTAL, 10K - <b>A</b></li> </ul>
-	9-223218	1	<ul style="list-style-type: none"> <li>HOSE HARDWARE INSTAL, 10K - <b>B</b></li> </ul>
4	9-170182	2	<ul style="list-style-type: none"> <li>BOLT, Button Head Cap 3/8"-16 x 3/4"</li> </ul>
5	9-143987	2	<ul style="list-style-type: none"> <li>CLAMP, Loop cushion #40</li> </ul>
6	9-103996	2	<ul style="list-style-type: none"> <li>WASHER, Flat 5/16"</li> </ul>
7	9-103404	2	<ul style="list-style-type: none"> <li>WASHER, Lock 5/16"</li> </ul>
8	9-191283	1	<ul style="list-style-type: none"> <li>HOSE, Refrigerant #10</li> </ul>
9	9-191280	1	<ul style="list-style-type: none"> <li>HOSE, Refrigerant#6 - <b>A</b></li> </ul>
	9-223540	1	<ul style="list-style-type: none"> <li>HOSE, Refrigerant#6 - <b>B</b></li> </ul>
10	9-191282	1	<ul style="list-style-type: none"> <li>HOSE, Refrigerant#8 - <b>A</b></li> </ul>
	9-223541	1	<ul style="list-style-type: none"> <li>HOSE, Refrigerant#8 - <b>B</b></li> </ul>
11	9-191281	1	<ul style="list-style-type: none"> <li>HOSE, Refrigerant#6</li> </ul>
12	9-164139	1	<ul style="list-style-type: none"> <li>COUPLER - #10 - 90° O-Ring</li> </ul>
13	9-164138	1	<ul style="list-style-type: none"> <li>A/C SERVICE VALVE - #8 - O-Ring discharge</li> </ul>
14	9-920079	1	<ul style="list-style-type: none"> <li>BRACKET, Drier/binary</li> </ul>
-	9-207486	1	<ul style="list-style-type: none"> <li>SWITCH, Pressure</li> </ul>
15	(Ref.)	1	<ul style="list-style-type: none"> <li>HARNES, A/C</li> </ul> <i>(For components, refer to Section 4.25)</i>
16	9-102891	20	<ul style="list-style-type: none"> <li>TIEWRAP CABLE, 7-1/4" BLACK</li> </ul>
17	9-171444	48	<ul style="list-style-type: none"> <li>WRAP-SPIRAL 1" DIA</li> </ul>
18	9-103887	2	<ul style="list-style-type: none"> <li>BOLT, Hex head 5/16"-18 X 3/4" Gr. 5</li> </ul>



## 4.22 A/C Compressor



M191371AG

190126AG

**218**

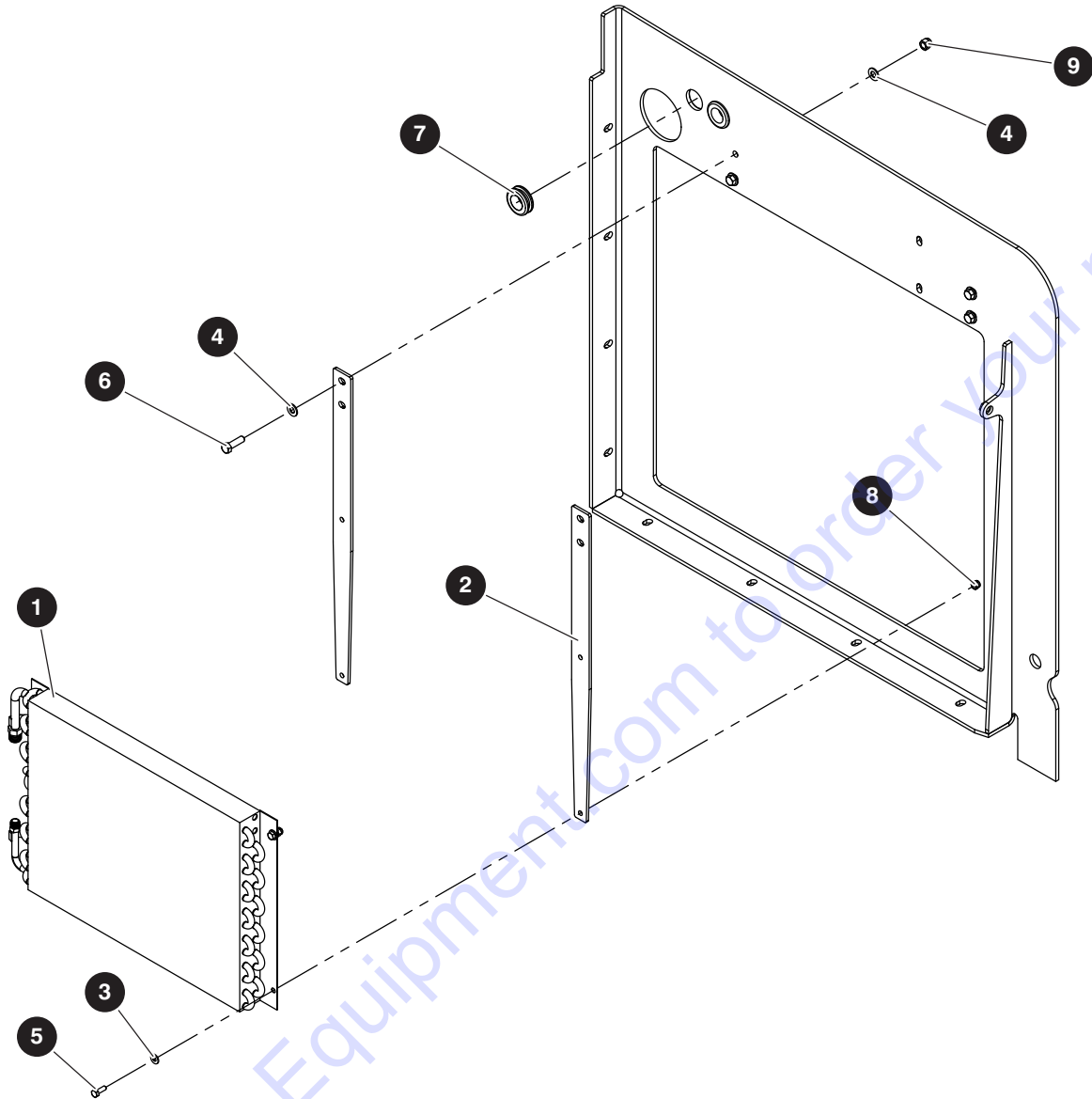
SJ1044 TH, SJ1044 THS, SJ1056 TH, SJ1056 THS

**SKYJACK**

## 4.22 A/C Compressor

Index No.	Skyjack Part No.	Qty.	Description
-	9-191371	1	ASSEMBLY, A/C COMPRESSOR INSTALLATION
1	163903	1	• AC COMPRESSOR
2	191226	1	• PLATE, BELT TENSIONER
3	120738	1	• BOLT, Hex head 1/4"-20 x 4" Gr5
4	226207	1	• BOLT, Hex head M10 x 1.5 x 130 CL 8.8 Pt
5	101297	1	• BOLT, Hex head (3/8" - 16 x 1-1/4" Gr5)
6	191227	1	• BLOCK, Belt tensioner
7	104000	1	• WASHER, Lock 1/4"
8	103999	2	• WASHER, Lock 3/8"
9	130884	3	• WASHER, Lock M10 Plated din 127b
10	103978	1	• NUT, Hex 3/8"-16 Gr5
11	103078	1	• CLAMP, Loop cushion double G10
12	191856	1	• WELDMENT, AC Pully guard
13	115745	2	• BOLT, Hex head M10 x 1.5 x 30 mm CL 8.8 ZP
14	232529	1	• BOLT, Socket Head M10-1.50 x 30 zinc plated
15	933833	2	• WASHER, Flat M10-OD 20.0
16	217583	1	• NUT Hex M10 x 1.5 CL 8 ZP
17	922004	1	• LABEL, Refrigerant charge
18	236472	1	• BRACKET, A/C Modification, Deutz 3.6
19	236478	1	• NARROW V-BELT
20	236469	1	• BOLT, M16-2.0X120mm HEX HEAD FLANGE
21	236468	1	• BOLT, M16-2.0X70mm HEX FLANGE
22	236466	1	• DEUTZ BUSHING
23	103983	1	• NUT, HEX HD JAM 0.25-20 GR5
24	933770	1	• BOLT, HEX HD M8-1.25x40MM CL 8.8 YE
25	600184	1	• WASHER, FLAT M8 DIN 125 (600184)

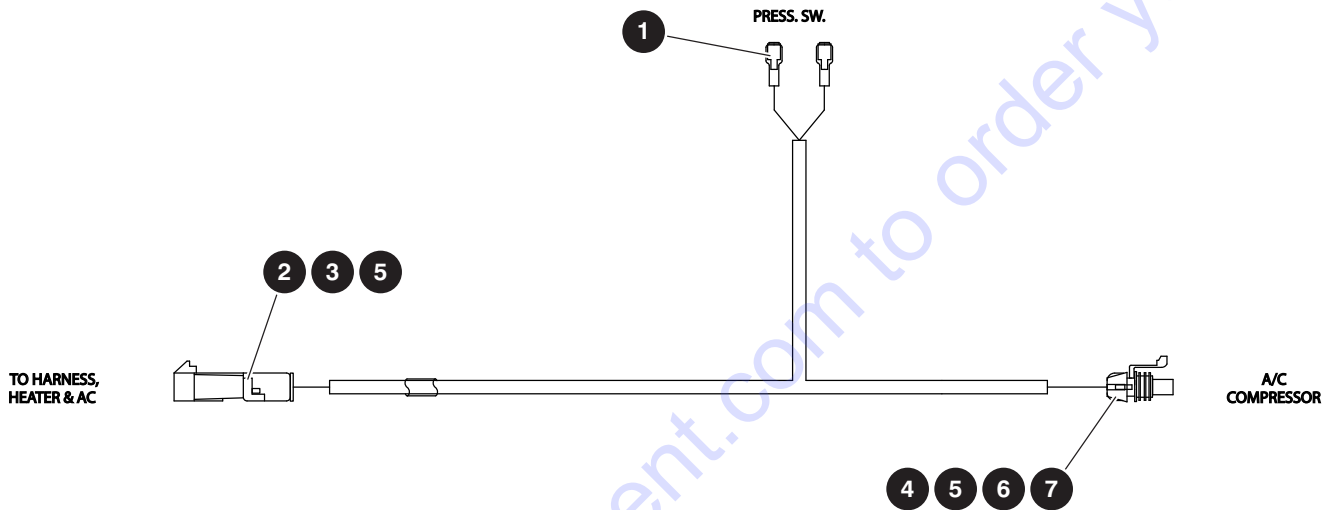
## 4.23 A/C Condenser



M198626AA

Index No.	Skyjack Part No.	Qty.	Description
<b>A</b>	9-198626	1	ASSEMBLY, A/C CONDENSER - Style A Radiator
<b>B</b>	9-223538	1	ASSEMBLY, A/C CONDENSER - Style B Radiator
1	9-921525	1	• AC CONDENSER
2	9-198560	2	• A/C BRACKET - <b>A</b>
	9-223539	2	• A/C BRACKET - <b>B</b>
3	9-103995	4	• WASHER, FLAT 1/4"
4	9-103472	8	• WASHER FLAT 3/8"
5	9-103856	4	• BOLT, Hex head 1/4"-20 X 3/4" Gr. 5
6	9-101297	4	• BOLT, Hex head 3/8"-16 X 1-1/4" Gr. 5
7	9-191284	2	• GROMMET, RUBBER 1.00 ID X1.38 OD X.250TK
8	9-115649	4	• NUT, LOCK 1/4"-20 Gr. 5 - NYL
9	9-104606	4	• NUT, LOCK 3/8"-16 Gr. 5 - NYL

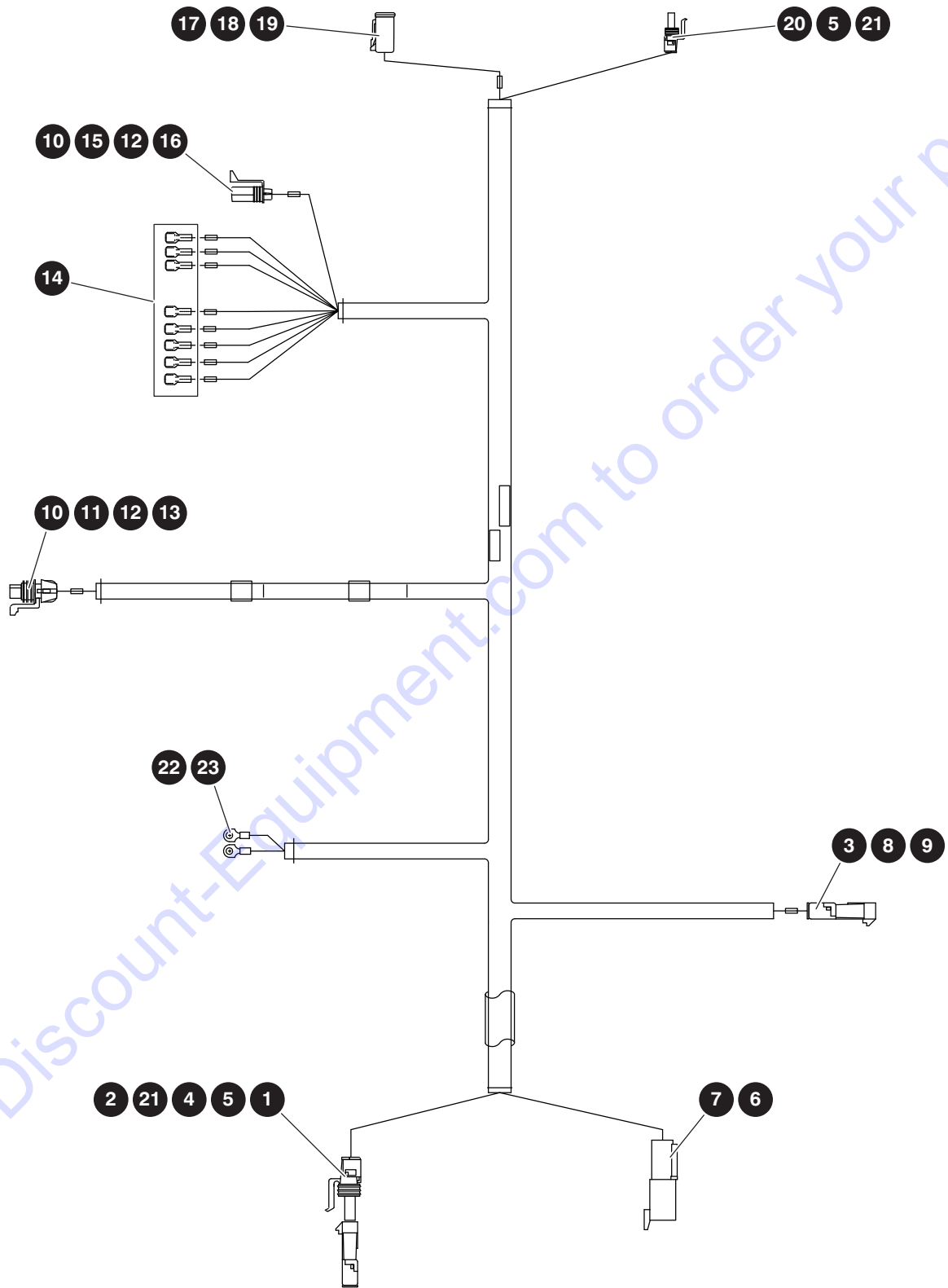
## 4.24 A/C Harness



M191598AB

Index No.	Skyjack Part No.	Qty.	Description
-	9-191598	1	HARNESS, A/C
1	9-114595	2	• TERMINAL, Female disc. insulated (22-18 GA)
2	9-156106	1	• CONNECTOR 1M, W/P
3	9-156139	1	• TERMINAL, Male sealed (2.0-1.0 mm <sup>2</sup> ), W/P
4	9-156142	1	• TERMINAL, Female sealed (2.0-1.0 mm <sup>2</sup> ), 280 M/P Tangless
5	9-124369	2	• SEAL, Wire green (2.9-2.0 mm), 280 M/P
6	9-156303	1	• CONNECTOR 1F, 280 M/P
7	9-156304	1	• TERMINAL, Position assurance 1W 280 M/P

## 4.25 A/C and Heater Harness



M191490AC

190126AG

**222**

SJ1044 TH, SJ1044 THS, SJ1056 TH, SJ1056 THS

**SKYJACK**

## 4.25 A/C and Heater Harness

Index No.	Skyjack Part No.	Qty.	Description
-	9-191490	1	HARNESS, A/C AND HEATER
1	9-156106	1	• CONNECTOR 1M, W/P
2	9-156108	1	• CONNECTOR 1F, W/P
3	9-156147	1	• WIRE SEAL, Gray (3.5-2.8 mm), 280 M/P
4	9-156104	1	• PLUG CAVITY 1W, 280 M/P & W/P
5	9-156137	1	• TERMINAL, Female sealed (2.0-1.0 mm <sup>2</sup> ), W/P
6	9-156168	1	• PIN, Solid (8-10 AWG)
7	9-156181	1	• ASSEMBLY, Connector 1M, DTHD
8	9-156105	1	• CONNECTOR 2M, W/P
9	9-156139	2	• TERMINAL, Male sealed (2.0-1.0 mm <sup>2</sup> ), W/P
10	9-156146	6	• WIRE SEAL, Red (2.9-2.0 mm), 150 M/P
11	9-156298	1	• CONNECTOR 6F, 150 M/P
12	9-124365	6	• TERMINAL, Female sealed (1.0-0.5 mm <sup>2</sup> ), 150 M/P
13	9-156299	1	• TERMINAL, position assurance 6W 150 M/P
14	9-105359	8	• TERMINAL, Female disc. (10-12AWG)
15	9-156124	1	• TERMINAL, position assurance 3W 150 M/P
16	9-156131	1	• CONNECTOR 3F, 150 M/P
17	9-156187	1	• ASSEMBLY, Connector 4F, DTP
18	9-156158	4	• SOCKET (10-12 AWG), Formed
19	9-156199	1	• WEDGE, Socket
20	9-124036	1	• CONNECTOR 2F, W/P
21	9-156170	4	• WIRE SEAL (2.1-1.2 mm), Light blue
22	9-156222	1	• TERMINAL, M10 ring (5.0 mm <sup>2</sup> )
23	9-156259	1	• TERMINAL, M10 ring (3.0-2.0 mm <sup>2</sup> )

# Section 5 – Electrical

**5.1** *Chassis Harness*

**5.2** *Engine Harness 74HP Assembly*

**5.3** *Engine Harness 107 HP Assembly*

**5.4** *Console Harness 74 HP*

**5.5** *Console Harness Assembly 107 HP*

**5.6** *DEF Engine Harness*

**5.7** *Wiring Harness - Fuel Low Pressure*

**5.8** *Wiring Harness - Cable Alternator*

**5.9** *Glow Plug Harness Assembly*

**5.10** *CVT Transmission Harness*

**5.11** *CVT Vehicle Harness*

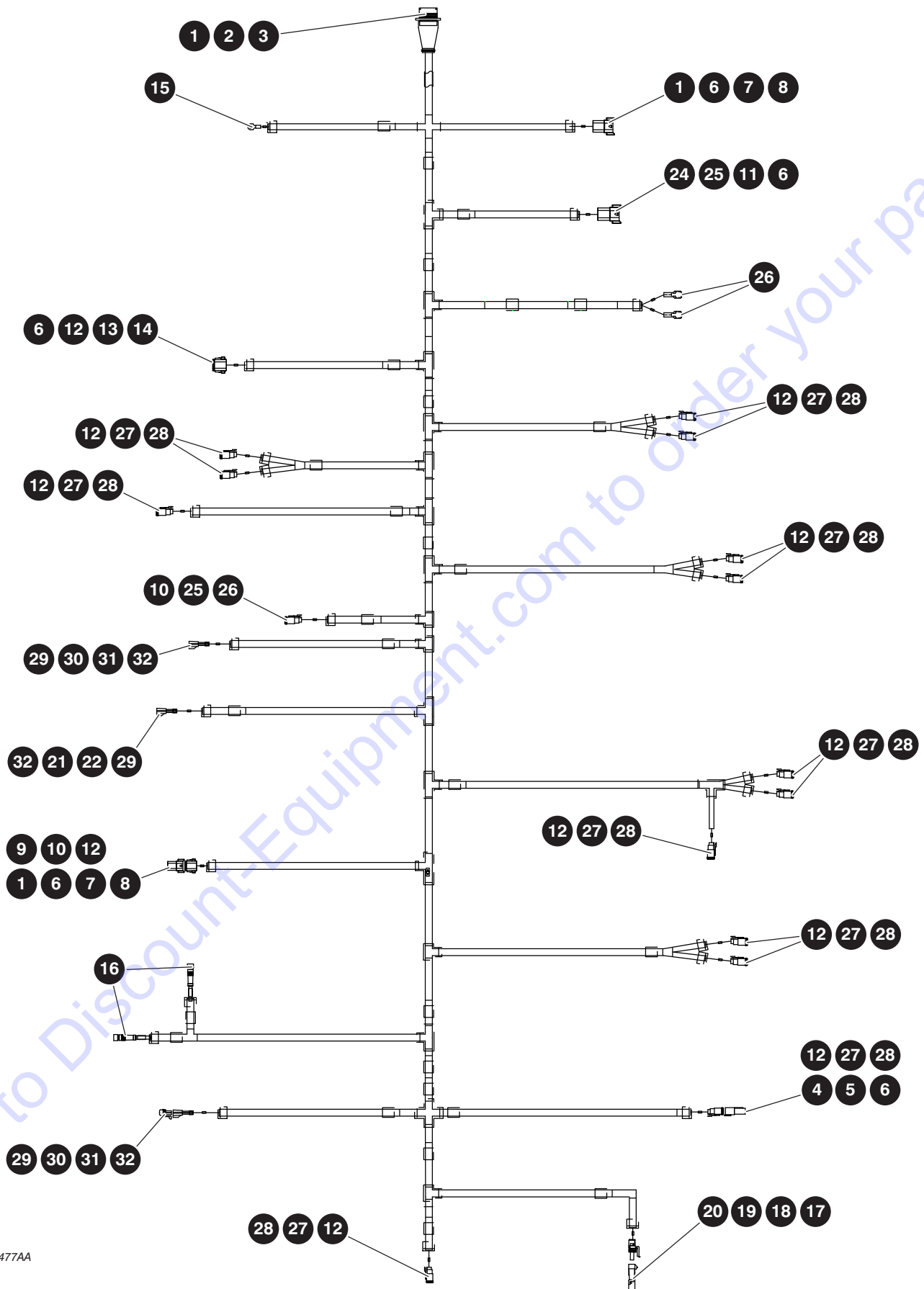
**5.12** *CVT Vehicle Harness*

**5.13** *Battery Disconnect*

**5.14** *Battery Cables*

**5.15** *Tilt Sensor*

# 5.1 Chassis Harness



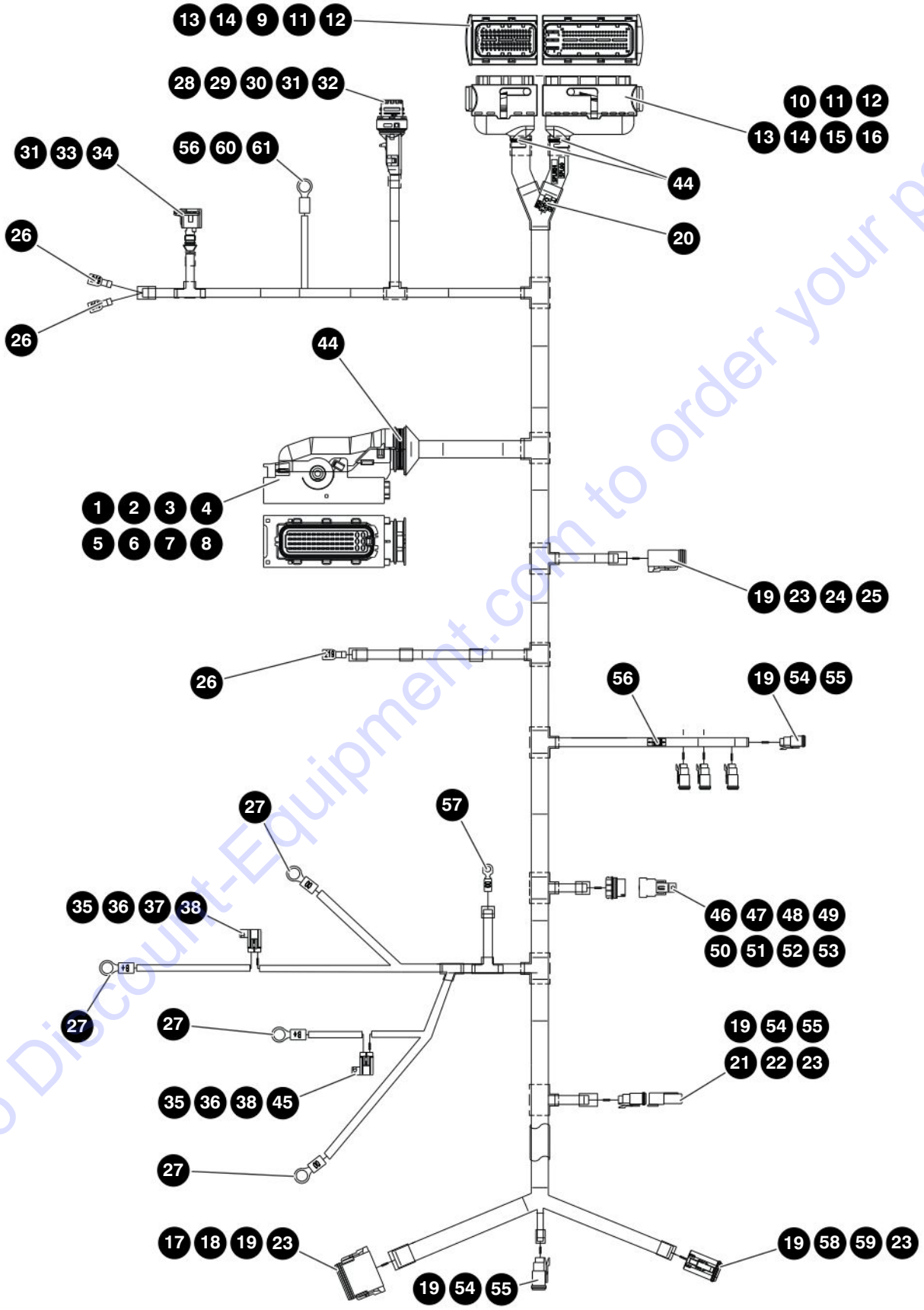
M199477AA



## 5.1 Chassis Harness

Index No.	Skyjack Part No.	Qty.	Description
-	9-199477	1	ASSEMBLY, TH CHASSIS HARNESS
1	9-156155	40	• PIN (16-20 AWG), Solid
2	9-156189	1	• CONNECTOR, 34M, HD34
3	9-156195	1	• STRAIN RELIEF, Straight
4	9-117596	1	• CONNECTOR Assembly 2M, DT
5	9-117598	1	• WEDGE, Pin W2P
6	9-117594	18	• PLUG, Sealing
7	9-117578	2	• CONNECTOR, Receptacle 4pin
8	9-117580	2	• WEDGE, W4P
9	9-117579	1	• CONNECTOR, 4F, DT
10	9-117581	1	• WEDGE, Socket
11	9-117590	6	• CONNECTOR, Contact pin 16-18
12	9-117591	40	• SOCKET (16-18 AWG), Solid
13	9-117583	1	• CONNECTOR, 8F, DT
14	9-117585	1	• WEDGE, Plug
15	9-156259	1	• TERMINAL, M10 Ring (3.0-2.0 mm <sup>2</sup> )
16	9-190577	2	• CABLE, Sensor TH
17	9-156105	1	• CONNECTOR 2M, W/P
18	9-124036	1	• CONNECTOR 2F, W/P
19	9-156137	2	• TERMINAL, Female sealed (2.0-1.0 mm <sup>2</sup> ), W/P
20	9-156147	2	• SEAL, Wire gray (3.5-2.8 mm), 280 M/P
21	9-190340	1	• CONNECTOR 3M, 280 M/P
22	9-190341	1	• TPA, 3W 280 M/P
23	9-102921	1	• DIODE T6A40L
24	9-117582	1	• CONNECTOR, 8M, DT
25	9-117584	1	• PLUG, W8P wedge
26	9-114595	2	• TERMINAL, Female disc. insulated (22-18 GA)
27	9-117597	15	• CONNECTOR, 2F, DT
28	9-117599	15	• WEDGE, Socket W2S
29	9-156120	2	• TERMINAL, Male (1.0-0.8 mm <sup>2</sup> ), 280 M/P
30	9-156144	2	• CONNECTOR 2M, 280 M/P
31	9-156145	2	• TPA, 2W 280 M/P
32	9-124369	2	• SEAL, Wire green (2.9-2.0 mm), 280 M/P

## 5.2 Engine Harness 74HP Assembly



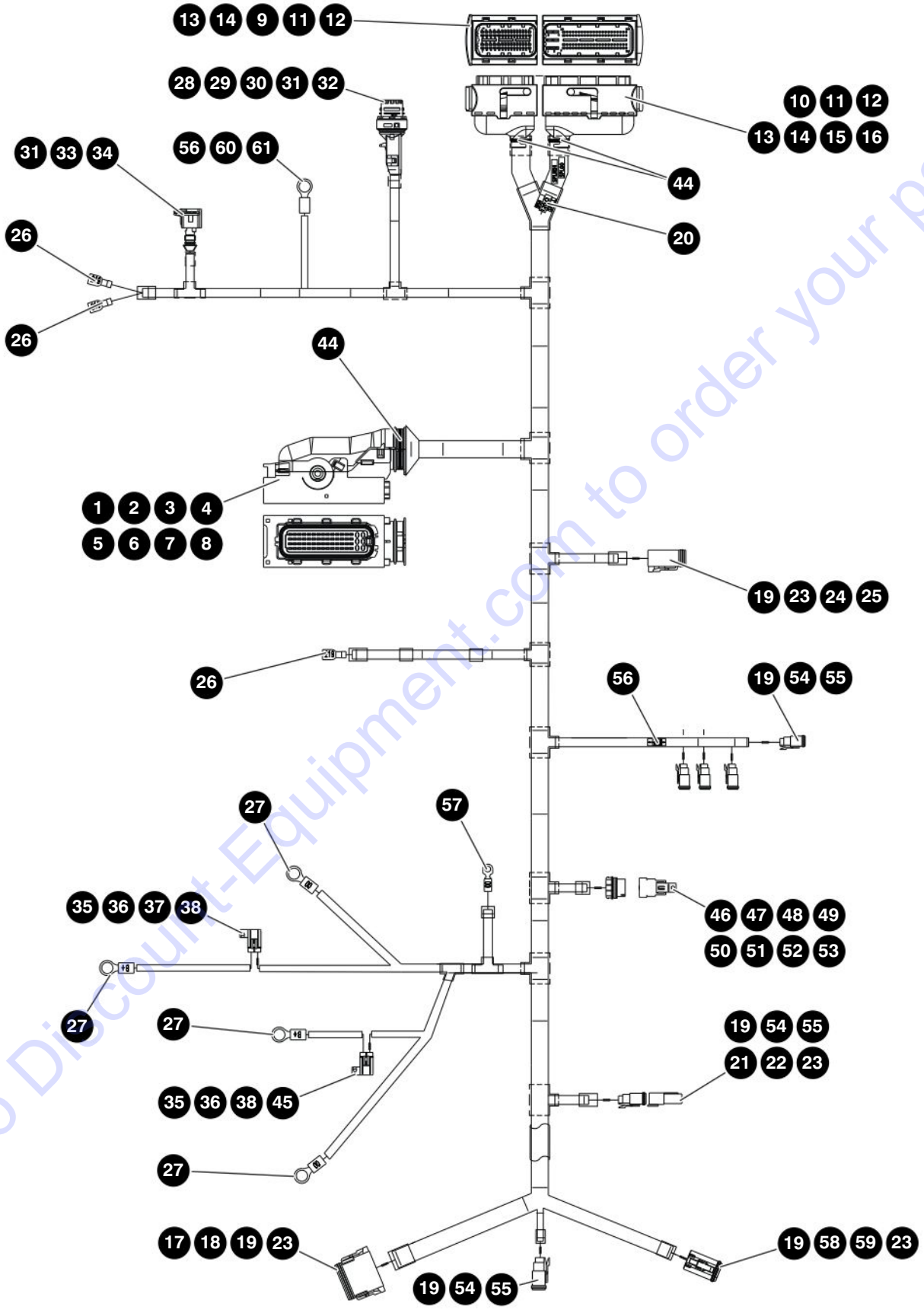
M209178AC

## 5.2 Engine Harness 74HP Assembly

Index No.	Skyjack Part No.	Qty.	Description
-	9-209178	1	HARNESS, ENGINE DEUTZ 3.6L 74 HP - <i>S/N XXXXXXXXX and below</i>
-	232310	1	HARNESS, ENGINE DEUTZ 3.6L 74 HP - <i>S/N XXXXXXXXX and above</i>
1	9-164544	1	• ASSEMBLY, Connector 62F, AMP MCP
2	9-164545	1	• COVER, 62 pin connector
3	9-164546	32	• TERMINAL, Female (1.0-0.5mm <sup>2</sup> ), MCP
4	9-164547	32	• WIRE SEAL GREY (1.4-1.9mm), MCP
5	9-164548	24	• CAVITY PLUG 3.6mm, MCP
6	9-164549	2	• TERMINAL, Female (2.5-1.0mm <sup>2</sup> ), MCP
7	9-164550	2	• WIRE SEAL, White (2.2-3.0mm), MCP
8	9-164551	4	• CAVITY PLUG 5.4mm, MCP
9	9-164556	1	• ASSEMBLY, Connector 60F, AMP MQS
10	9-164567	1	• ASSEMBLY, Connector 94F, AMP MQS+MCP
11	9-164561	45	• TERMINAL, Female (0.75-0.5 mm <sup>2</sup> ), MQS
12	9-164562	15	• TERMINAL, Female (1.5-0.75mm <sup>2</sup> ), MQS
13	9-164563	76	• CAVITY PLUG, MQS
14	9-164564	12	• CAVITY PLUG, MQS
15	9-164572	6	• TERMINAL, Female (2.5-1.0mm <sup>2</sup> ), MCP2.8
16	9-164573	6	• WIRE SEAL, Yellow (2.7-3.0mm), JPT/MCP
17	9-117587	1	• CONNECTOR, Plug 12-pin
18	9-117589	1	• CONNECTOR, Plug 12-pin wedge
19	9-117591	34	• CONNECTOR, Contact socket 16-18
20	9-163021	1	• RESISTOR
21	9-117596	1	• ASSEMBLY, Connector 2M, DT
22	9-117598	1	• WEDGE, PIN W2P
23	9-117594	4	• CONNECTOR, PI, Sealing
24	9-117579	1	• CONNECTOR, Plug, 4-pin
25	9-117581	1	• CONNECTOR, Plug, 4-pin Wedge
26	9-105359	3	• TERMINAL, Female 14-16GA INSL.Blue
27	9-156219	4	• TERMINAL, M8 RING (5.0 mm <sup>2</sup> )
28	9-164579	1	• CONNECTOR 4F, 2.5mm Circular
29	9-164580	1	• STRAIN RELIEF, Straight
30	9-164581	3	• TERMINAL FEMALE (1.0-0.5mm <sup>2</sup> ), 2.5mm circ.

Part list continued in following page

## 5.2 Engine Harness 74HP Assembly

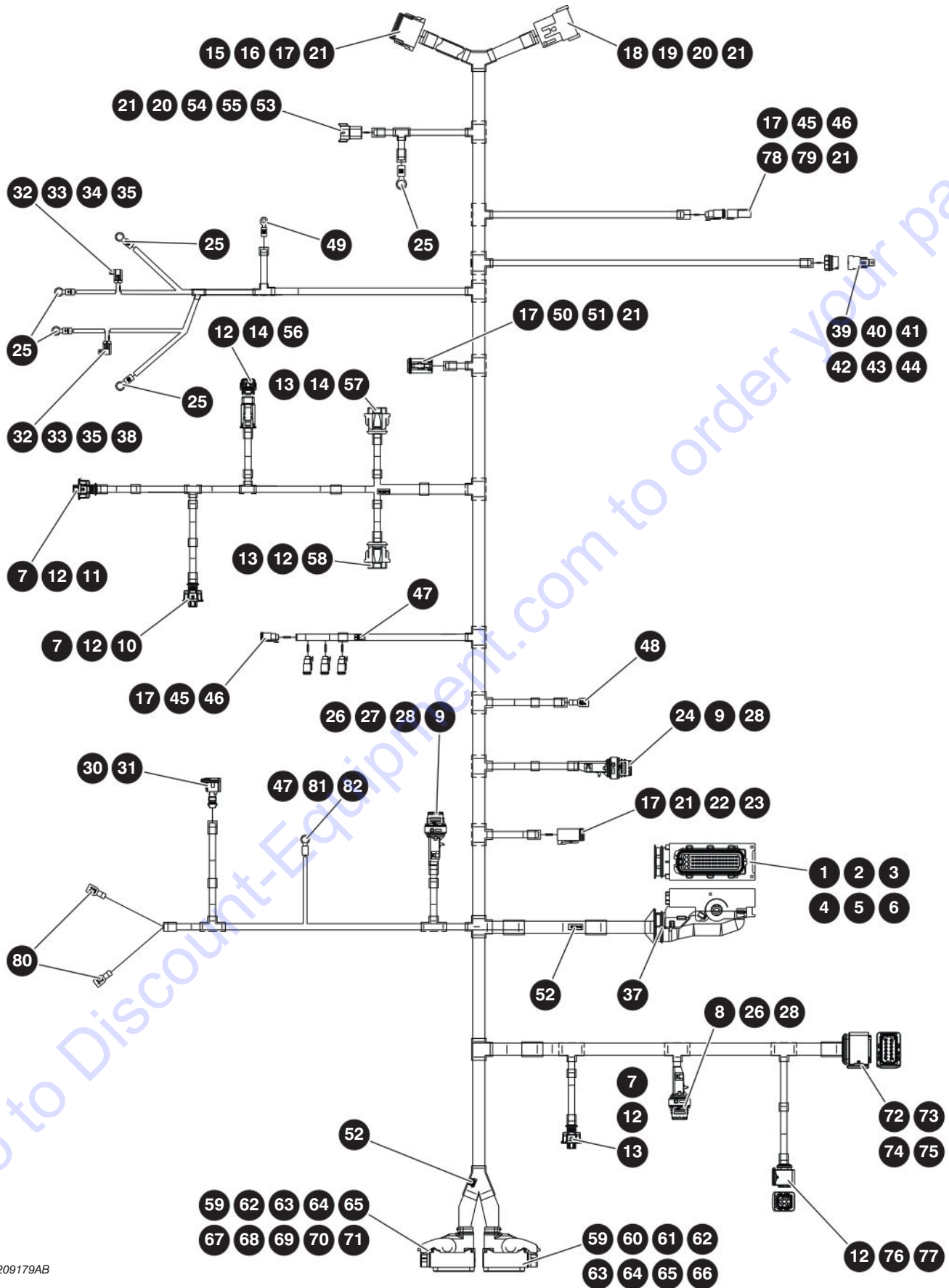


M209178AC

## 5.2 Engine Harness 74HP Assembly

Index No.	Skyjack Part No.	Qty.	Description
			Parts list continued from previous page
31	9-164578	5	• WIRE SEAL (1.2-2.1mm), LT. blue
32	9-156172	1	• CAVITY PLUG, JPT
33	9-156163	1	• ASSEMBLY, Connector 2F, AMP
34	9-156174	2	• TERMINAL, Female (1.0-0.5 mm2), JPT
35	9-156127	2	• CONNECTOR 2F, 630 M/P Fuse holder
36	9-156118	4	• TERMINAL, Female (5.0-3.0 mm2), 630 M/P Pull-to-seat
37	9-156164	1	• FUSE, 30A
38	9-156117	2	• COVER, Inline autofuse
39	9-124399	126	• WIRE PROTECTOR 1/4" ID
40	9-120748	12	• WIRE PROTECTOR 1/2" ID
41	9-164582	106	• WIRE PROTECTOR 1" ID
42	9-164583	5	• WIRE PROTECTOR 1-1/4" ID
43	9-113719	51	• TIEWRAP, 3-5/8" Long black
44	9-102891	3	• TIEWRAP, 7-1/4" Long black
45	9-121504	1	• FUSE, 20A
46	9-156104	4	• PLUG CAVITY 1W, 280 M/P & W/P
47	9-156132	1	• CONNECTOR 5F, 280 M/P
48	9-156133	1	• TPA, 5W 280 M/P
49	9-156134	2	• TERMINAL, Female sealed (5.0-3.0 mm2), 280M/P Tangless
50	9-156142	2	• TERMINAL, Female sealed (2.0-1.0 mm2), 280 M/P Tangless
51	9-156147	2	• WIRE SEAL, Gray (3.5-2.8 mm), 280 M/P
52	9-124369	2	• WIRE SEAL, Green - "15324982"
53	9-156200	1	• RELAY
54	9-117597	6	• ASSEMBLY, Connector 2F, DT
55	9-117599	6	• WEDGE, Socket
56	9-102921	2	• DIODE T6A40L
57	9-156221	1	• TERMINAL, M10 Ring (2X 1.0-0.8mm2)
58	9-117583	1	• ASSEMBLY, Connector 8F, DT
59	9-117585	1	• WEDGE, Socket
60	9-134493	1	• TERMINAL, Ring, 0.22-16GA x 1/4", red
61	9-220147	1	• RESISTOR, 47 ohm, 5 watt

### 5.3 Engine Harness 107 HP Assembly

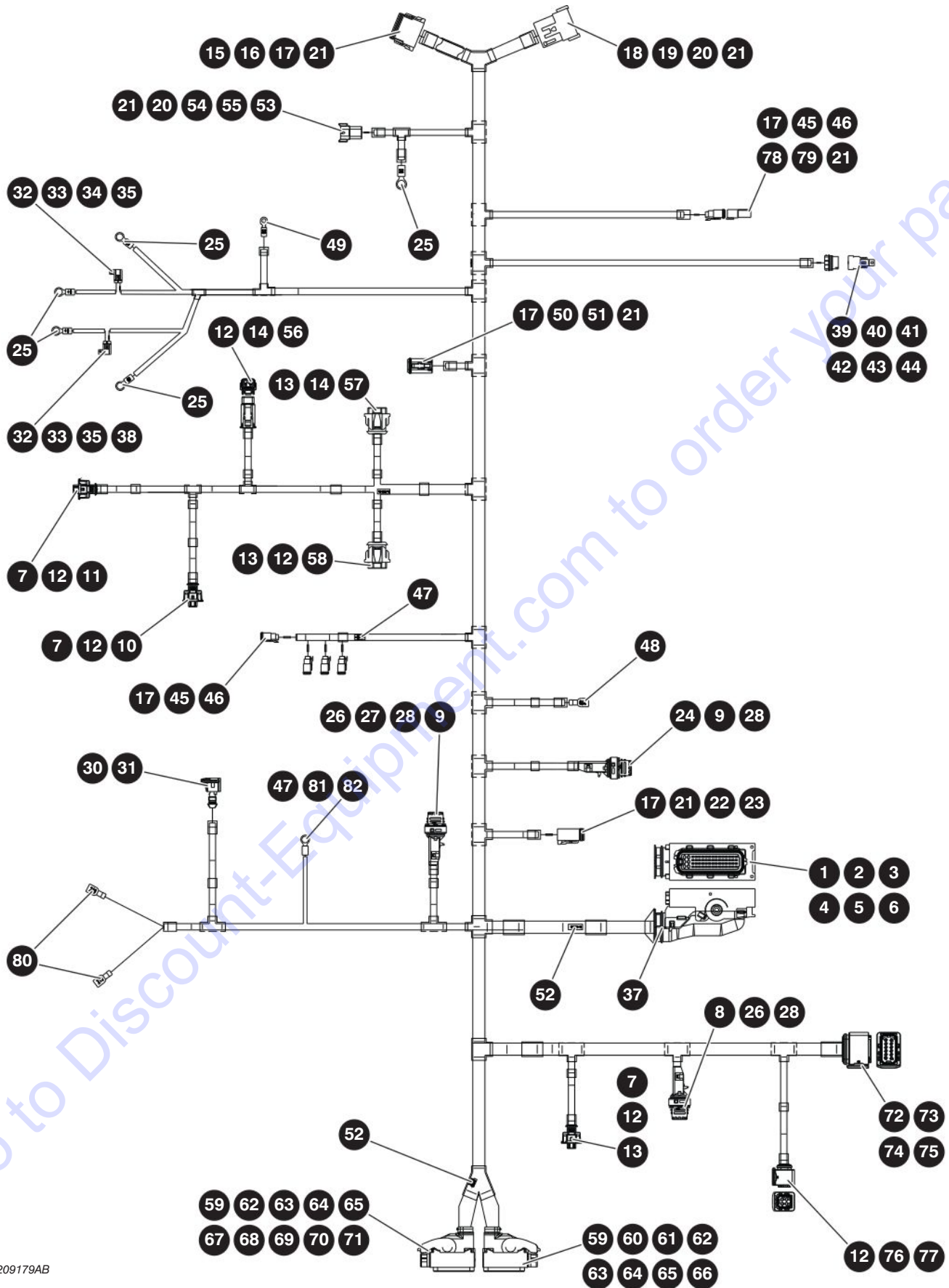


M209179AB

## 5.3 Engine Harness 107 HP Assembly

Index No.	Skyjack Part No.	Qty.	Description
-	9-209179	-	HARNESS, ENGINE DEUTZ 3.6L 107 HP - <i>S/N XXXXXXXXX and below</i>
-	232311	-	HARNESS, ENGINE DEUTZ 3.6L 107 HP - <i>S/N XXXXXXXXX and above</i>
1	9-164544	1	• ASSEMBLY, Connector 62F, AMP MCP
2	9-164545	1	• COVER, 62 pin connector
3	9-164546	40	• TERMINAL FEMALE (1.0-0.5mm <sup>2</sup> ), MCP
4	9-164548	18	• CAVITY PLUG 3.6mm, MCP
5	9-164549	4	• TERMINAL FEMALE (2.5-1.0mm <sup>2</sup> ), MCP
6	9-164551	2	• CAVITY PLUG 5.4mm, MCP
7	9-191027	3	• SOCKET HOUSING
8	9-191630	2	• SEAL, Wire 13-17 AWG
9	9-190372	5	• SEAL, Wire
10	9-191631	2	• TERMINAL, Female BDK 2.8 0.5 - 1.0 mm <sup>2</sup> Gold
11	9-191632	2	• TERMINAL, Female BDK 2.8 0.5 - 1.0 mm <sup>2</sup> Silver
12	9-164578	18	• SEAL, WIRE
13	9-191040	10	• TERMINAL, 0.5 - 1.0 MM <sup>2</sup>
14	9-191633	1	• PLUG, Socket 16-20AWG
15	9-117587	1	• CONNECTOR, Plug 12-pin
16	9-117589	1	• CONNECTOR, Plug 12-pin wedge
17	9-117591	34	• CONNECTOR, Contact socket 16-18
18	9-117586	1	• CONNECTOR, Receptacle 12-pin
19	9-117588	1	• CONNECTOR, Receptacle 12-pin wedge
20	9-117590	17	• CONNECTOR, Contact pin 16-18
21	9-117594	6	• CONNECTOR, Sealing plug
22	9-117579	1	• CONNECTOR, Plug 4-pin
23	9-117581	1	• CONNECTOR, Plug 4-pin wedge
24	9-198634	1	• CONNECTOR 4F, 2.5mm Circular
25	9-156219	5	• TERMINAL, M8 Ring (5.0 mm <sup>2</sup> )
26	9-164579	2	• CONNECTOR 4F, 2.5mm Circular
27	9-164580	1	• STRAIN Relief, Straight
28	9-164581	8	• TERMINAL FEMALE (1.0-0.5mm <sup>2</sup> ), 2.5mm CIRC.
29	9-164551	3	• CAVITY PLUG, JPT
30	9-156163	1	• ASSEMBLY, Connector 2F, AMP
31	9-156174	2	• TERMINAL, Female (1.0-0.5 mm <sup>2</sup> ), JPT
32	9-156127	2	• CONNECTOR 2F, 630 M/P Fuse holder
33	9-156118	4	• TERMINAL, Female (5.0-3.0 mm <sup>2</sup> ), 630 M/P pull-to-seat
34	9-156164	1	• FUSE, 30A
35	9-156117	2	• COVER, Inline autofuse
36	9-113719	51	• TIEWRAP 3 5/8 Long black
37	9-102891	3	• TIEWRAP 7 1/4 Long black
38	9-121504	1	• FUSE, 20A
39	9-156104	4	• PLUG CAVITY 1W, 280 M/P & W/P
40	9-156132	1	• CONNECTOR 5F, 280 M/P
			Part list continued in following page

### 5.3 Engine Harness 107 HP Assembly



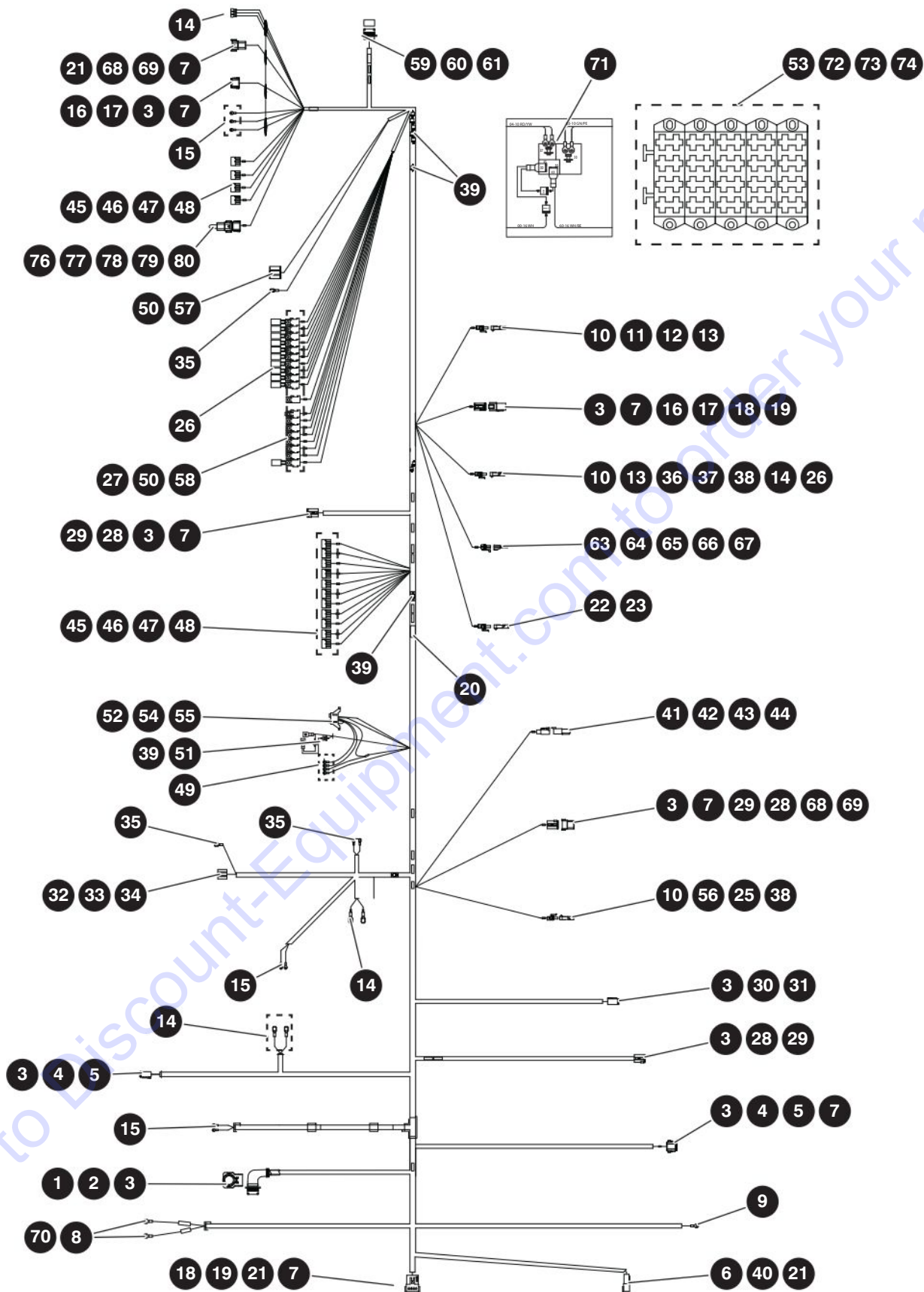
M209179AB



## 5.3 Engine Harness 107 HP Assembly

Index No.	Skyjack Part No.	Qty.	Description
			Part list continued from previous page
41	9-156133	1	• TPA, 5W 280 M/P
42	9-156134	2	• TERMINAL, Female sealed (5.0-3.0 mm <sup>2</sup> ), 280M/P tangless
43	9-156142	2	• TERMINAL, Female sealed (2.0-1.0 mm <sup>2</sup> ), 280 M/P tangless
44	9-156200	1	• RELAY
45	9-117597	5	• ASSEMBLY, Connector 2F, DT
46	9-117599	5	• WEDGE, Socket
47	9-102921	2	• DIODE T6A40L
48	9-105359	3	• TERMINAL, Female 14-16GA INSL.Blue
49	9-156221	1	• TERMINAL, M10 RING (2X 1.0-0.8mm <sup>2</sup> )
50	9-117583	1	• ASSEMBLY, Connector 8F, DT
51	9-117585	1	• WEDGE, Socket
52	9-163021	3	• RESISTOR
53	9-117592	1	• CONNECTOR, Contact pin 14-16
54	9-117582	1	• ASSEMBLY, Connector 8M, DT
55	9-117584	1	• W8P WEDGE, Pin
56	9-191629	2	• TERMINAL, Socket 16-22 AWG
57	9-191634	1	• CONNECTOR, 4W Compact 1.1M
58	9-191635	1	• CONNECTOR, 4W Compact 1.1M OX
59	9-191013	2	• COVER, 105-WAY / 91-WAY
60	9-191014	1	• CONTACT HOUSING, 105-way
61	9-191015	1	• SECONDARY LOCK SIGNAL, 105-way
62	9-191016	66	• TERMINAL, MATRIX 1.2 - Clean body
63	9-191017	22	• TERMINAL, MATRIX 1.2 - Clean body 1.5MM <sup>2</sup>
64	9-191018	94	• CAVITY, PLUG 3/4"MM <sup>2</sup>
65	9-191019	8	• CAVITY, PLUG
66	9-191020	1	• RETAINING PLATE, 105P
67	9-191021	1	• CONTACT HOUSING, 91-WAY
68	9-191022	1	• SECONDARY Lock signal, 91P
69	9-191023	1	• SECONDARY Lock power, 94P
70	9-191024	6	• TERMINAL, 2.8 BTL
71	9-191026	1	• RETAINING Plate, 91P
72	9-191623	7	• TERMINAL, Female 1.5 MCP 17-20 AWG
73	9-191626	2	• PLUG, Cavity
74	9-191627	3	• TERMINAL, Female 1.5MCP 15-17 AWG
75	9-191628	1	• CONNECTOR, MCP1.5 12 Socket
76	9-191636	1	• CONNECTOR, MCP 4W Socket
77	9-191637	4	• TERMINAL, Female 0.5-1.0 MM <sup>2</sup> Gold
78	9-117596	1	• ASSEMBLY, Connector 2M, DT
79	9-117598	1	• WEDGE, PIN W2P
80	9-105359	2	• TERMINAL, Female, 14-16ga, insulated blue
81	9-134493	1	• TERMINAL, Ring, 0.22-16GA x 1/4", red
82	9-220147	1	• RESISTOR, 47 ohm, 5 watt

## 5.4 Console Harness 74 HP

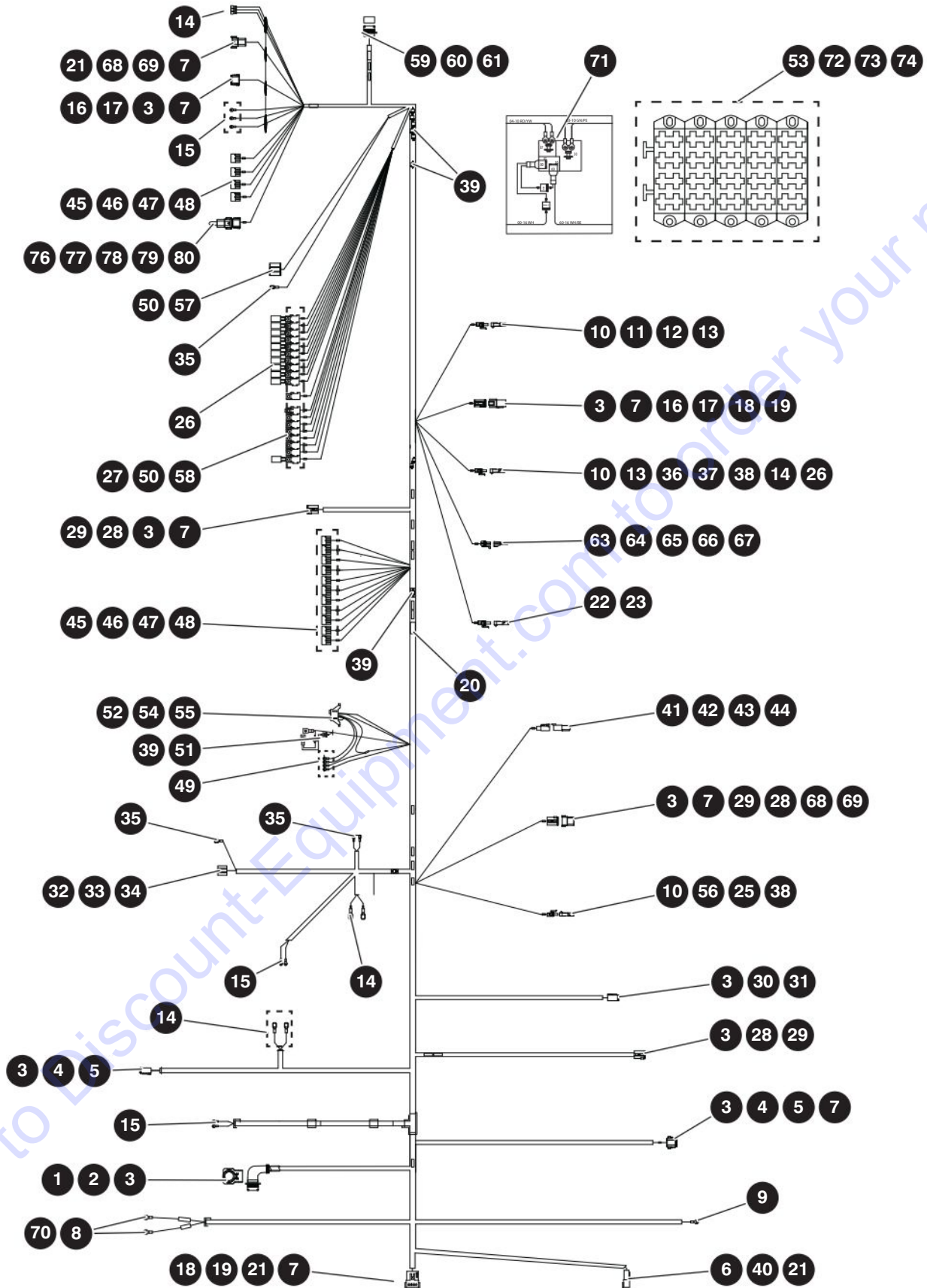


M216785AF

## 5.4 Console Harness 74 HP

Index No.	Skyjack Part No.	Qty.	Description
-	9-216785	1	HARNES, CONSOLE UNIVERSAL
1	9-156190	1	• CONNECTOR ASSEMBLY 34F, HD34
2	9-156196	1	• STRAIN RELIEF, 90 DEG
3	9-117591	72	• SOCKET (16-18 AWG), SOLID
4	9-117579	2	• CONNECTOR ASSEMBLY 4F, DT
5	9-117581	2	• WEDGE, SOCKET
6	9-117596	1	• CONNECTOR ASSEMBLY 2M, DT
7	9-117594	48	• SEALING PLUG
8	9-190376	2	• WIRE-GREY FUSIBLE LINK 14 AWG
9	9-156222	1	• TERMINAL, M10 RING (5.0 mm <sup>2</sup> )
10	9-156104	8	• PLUG CAVITY 1W, 280 M/P & W/P
11	9-156106	1	• CONNECTOR 1M, W/P
12	9-156108	1	• CONNECTOR 1F, W/P
13	9-156137	2	• TERMINAL FEMALE SEALED (2.0-1.0 mm <sup>2</sup> ), W/P
14	9-105359	7	• TERMINAL, FEMALE DISC. INSULATED (14-16 GA)
15	9-102936	7	• TERMINAL, 14-16AWG, #10 RING BLUE
16	9-117587	1	• CONNECTOR - PLUG 12-PIN
17	9-117589	1	• CONNECTOR - PLUG 12-PIN WEDGE
18	9-117586	2	• CONNECTOR RECEPTACLE 12-PIN
19	9-117588	2	• CONNECTOR RECEPTACLE 12-PIN WEDGE
20	9-164855	2	• RESISTOR 1.0K 1/2 WATT AXIAL LEAD
21	9-117590	17	• CONNECTOR - CONTACT PIN 16-18
22	9-156109	1	• CONNECTOR 4F, W/P
23	9-156137	6	• TERMINAL FEMALE SEALED (2.0-1.0 mm <sup>2</sup> ), W/P
24	9-156259	1	• TERMINAL, M10 RING (3.0-2.0 mm <sup>2</sup> )
25	9-124036	1	• CONNECTOR ASSEMBLY 2F, W/P
26	9-931298	12	• RELAY, MINI ISO
27	9-156166	21	• SOCKET, RELAY
28	9-117583	2	• CONNECTOR ASSEMBLY 8F, DT
29	9-117585	2	• WEDGE, SOCKET
30	9-156180	1	• CONNECTOR ASSEMBLY 6F, DT
31	9-156194	1	• WEDGE, PLUG
32	9-156101	1	• CONNECTOR 6F, 56 SERIES
33	9-156135	3	• TERMINAL FEMALE (2.0-1.0 mm <sup>2</sup> ), 56 SERIES
34	9-156136	1	• TERMINAL FEMALE (2x 2.0-1.0 mm <sup>2</sup> ), 56 SERIES
35	9-114595	5	• TERMINAL, FEMALE DISC. INSULATED (22-18 GA)
36	9-156113	1	• CONNECTOR 3M, W/P
37	9-156114	1	• CONNECTOR 3F, W/P
38	9-156138	3	• TERMINAL FEMALE SEALED (3.0-2.0 mm <sup>2</sup> ), W/P
39	9-102921	11	• DIODE T6A40L
40	9-117598	1	• WEDGE, PIN W2P
			Part list continued in following page

## 5.4 Console Harness 74 HP

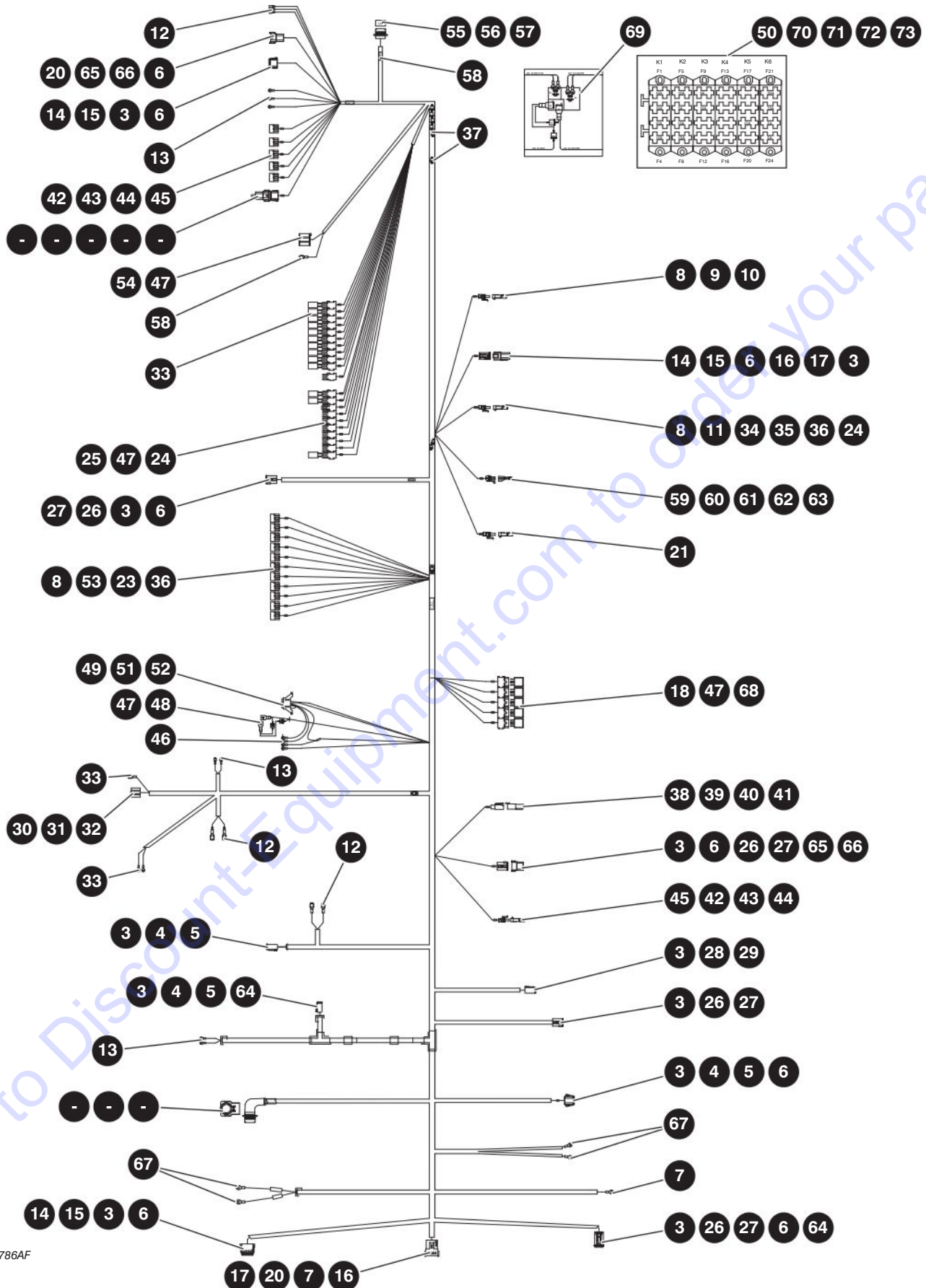


M216785AF

## 5.4 Console Harness 74 HP

Index No.	Skyjack Part No.	Qty.	Description
			Part list continued from previous page
41	9-156157	1	• SOCKET (8-10 AWG), SOLID
42	9-156182	1	• CONNECTOR ASSEMBLY 1F, DTHD
43	9-156181	1	• CONNECTOR ASSEMBLY 1M, DTHD
44	9-156168	1	• PIN (8-10 AWG), SOLID
45	9-156162	15	• SOCKET, 10-WAY
46	9-164551	65	• CAVITY PLUG, JPT
47	9-156173	6	• TERMINAL FEMALE (2.5-1.5 mm <sup>2</sup> ), JPT
48	9-156174	66	• TERMINAL FEMALE (1.0-0.5 mm <sup>2</sup> ), JPT
49	9-156215	4	• TERMINAL, M5 RING (5.0 mm <sup>2</sup> )
50	9-126808	35	• TERMINAL FEMALE (2.0-0.8 mm <sup>2</sup> ), FASTIN-FASTON
51	9-105358	1	• TERMINAL/F 14-16GA X 1/4
52	9-156102	25	• TERMINAL FEMALE (5.0-3.0 mm <sup>2</sup> ), PACK-CON
53	9-156103	5	• FUSEBLOCK
54	9-156110	12	• TERMINAL FEMALE (2.0-1.0 mm <sup>2</sup> ), PACK-CON
55	9-156111	1	• TERMINAL FEMALE (0.8-0.5 mm <sup>2</sup> ), PACK-CON
56	9-156105	1	• CONNECTOR 2M, W/P
57	9-156165	1	• SOCKET, RELAY
58	9-199144	48	• TERMINAL, 0.187 SRS FASTIN-ON RCPT PH-BR
59	9-164860	1	• CONNECTOR ASSEMBLY, 12F CANNON TRIDENT
60	9-164861	1	• CABLE CLAMP, CANNON TRIDENT
61	9-164862	4	• TERMINAL FEMALE, 18-16GA GOLD CANNON TRIDENT
62	9-163021	2	• RESISTOR
63	9-156125	6	• PLUG CAVITY 1W, 150 M/P
64	9-156129	2	• TPA, 5W 150 M/P
65	9-156130	1	• CONNECTOR 5M, 150 M/P
66	9-156143	1	• CONNECTOR 5F, 150 M/P
67	9-124365	4	• FEMALE TERMINAL SEALED (1.0-0.5 mm <sup>2</sup> ), 150 M/P
68	9-117584	2	• W8P WEDGE, PLUG
69	9-117582	2	• CONNECTOR ASSEMBLY 8M, DT
70	9-156219	2	• TERMINAL, M8 RING (5.0 mm <sup>2</sup> )
71	9-226119	1	• POWER RELAY 75A
72	9-156202	2	• FUSE, ATO, 5A
73	9-156203	8	• FUSE, ATO, 10A
74	9-156204	1	• FUSE, ATO, 15A
75	9-129258	1	• DIODE 1A
76	9-220611	1	• CONNECTOR, DEUTSCH DTM06-12S
77	9-220612	1	• CONNECTOR, DEUTSCH DTM06 WEDGE
78	9-220613	9	• CONNECTOR, CONTACT SOCKET NO.20
79	9-221144	1	• SEALING PLUG, DEC SERIES
80	9-156152	3	• HARNESS, TRACK UNIT BYPASS

# 5.5 Console Harness Assembly 107 HP

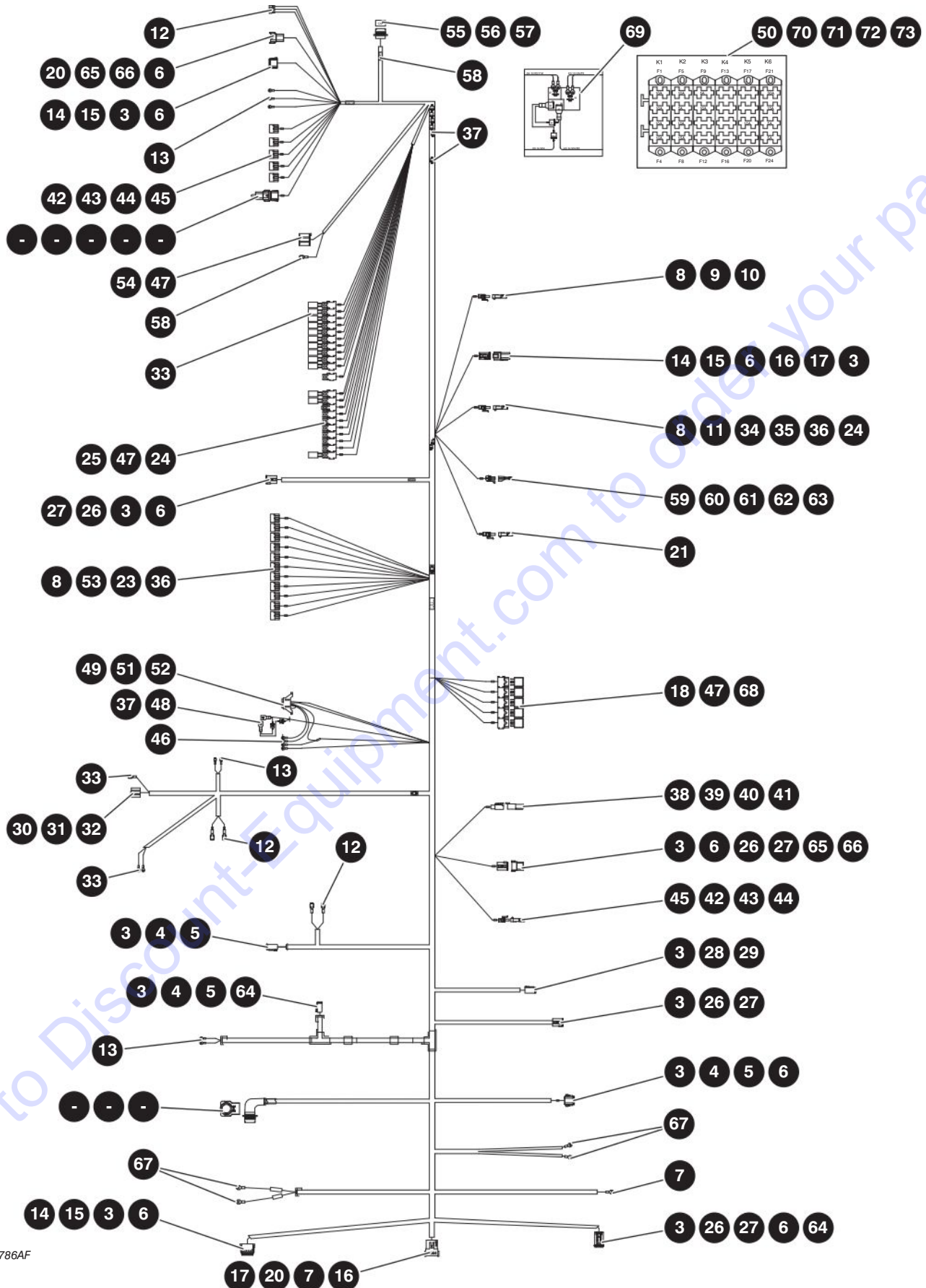


M216786AF

## 5.5 Console Harness Assembly 107 HP

Index No.	Skyjack Part No.	Qty.	Description
-	9-216786	1	HARNESS, CONSOLE 107 HP
1	9-156190	1	• ASSEMBLY, Connector 34F, HD34
2	9-156196	1	• STRAIN RELIEF, 90°
3	9-117591	91	• SOCKET (16-18 AWG), solid
4	9-117579	3	• ASSEMBLY, Connector 4F, DT
5	9-117581	3	• WEDGE, Socket
6	9-117594	51	• SEALING PLUG
7	9-156222	1	• TERMINAL, M10 RING (5.0 mm <sup>2</sup> )
8	9-156104	8	• PLUG CAVITY 1W, 280 M/P & W/P
9	9-156106	1	• CONNECTOR 1M, W/P
10	9-156108	1	• CONNECTOR 1F, W/P
11	9-156137	8	• TERMINAL, Female sealed (2.0-1.0 mm <sup>2</sup> ), W/P
12	9-105359	7	• TERMINAL, Female disc. insulated (14-16 GA)
13	9-102936	7	• TERMINAL, 14-16AWG, #10 Ring blue
14	9-117587	2	• CONNECTOR, Plug 12-pin
15	9-117589	2	• CONNECTOR, Plug 12-pin wedge
16	9-117586	2	• CONNECTOR, Receptacle 12-pin
17	9-117588	2	• CONNECTOR, Receptacle 12-pin wedge
18	9-138749	5	• SOCKET, Relay
19	9-164855	2	• RESISTOR 1.0K 1/2 Watt axial lead
20	9-117590	16	• CONNECTOR, Contact pin 16-18
21	9-156109	1	• CONNECTOR 4F, W/P
22	9-156259	1	• TERMINAL, M10 Ring (3.0-2.0 mm <sup>2</sup> )
23	9-124036	1	• ASSEMBLY, Connector 2F, W/P
24	9-931298	13	• RELAY, Mini iso
25	9-156166	21	• SOCKET, Relay
26	9-117583	3	• ASSEMBLY, Connector 8F, DT
27	9-117585	3	• WEDGE, Socket
28	9-156180	1	• ASSEMBLY, Connector 6F, DT
29	9-156194	1	• WEDGE, Plug
30	9-156101	1	• CONNECTOR 6F, 56 Series
31	9-156135	3	• TERMINAL, Female (2.0-1.0 mm <sup>2</sup> ), 56 series
32	9-156136	1	• TERMINAL, Female (2x 2.0-1.0 mm <sup>2</sup> ), 56 Series
33	9-114595	5	• TERMINAL, Female disc. insulated (22-18 GA)
34	9-156113	1	• CONNECTOR 3M, W/P
35	9-156114	1	• CONNECTOR 3F, W/P
36	9-156138	3	• TERMINAL, Female sealed (3.0-2.0 mm <sup>2</sup> ), W/P
			Part list continued in following page

# 5.5 Console Harness Assembly 107 HP



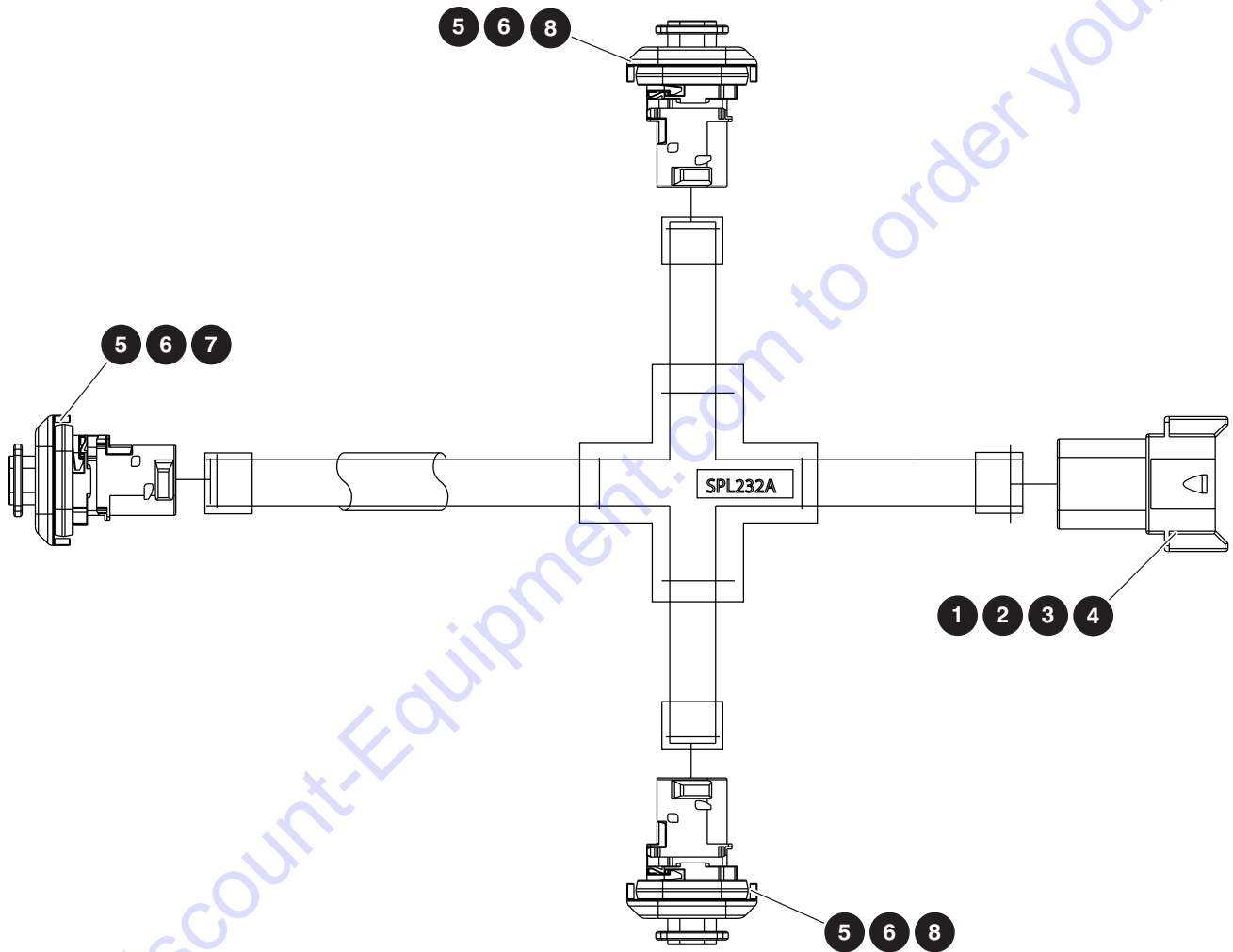
M216786AF



## 5.5 Console Harness Assembly 107 HP

Index No.	Skyjack Part No.	Qty.	Description
			Part list continued from previous page
37	9-102921	11	• DIODE T6A40L
38	9-156157	1	• SOCKET (8-10 AWG), Solid
39	9-156182	1	• ASSEMBLY, Connector 1F, DTHD
40	9-156181	1	• ASSEMBLY, Connector 1M, DTHD
41	9-156168	1	• PIN (8-10 AWG), Solid
42	9-156162	16	• SOCKET, 10-way
43	9-164551	65	• CAVITY PLUG, JPT
44	9-156173	6	• TERMINAL, Female (2.5-1.5 mm <sup>2</sup> ), JPT
45	9-156174	68	• TERMINAL, Female (1.0-0.5 mm <sup>2</sup> ), JPT
46	9-156215	4	• TERMINAL, M5 Ring (5.0 mm <sup>2</sup> )
47	9-126808	59	• TERMINAL, Female (2.0-0.8 mm <sup>2</sup> ), Fastin-faston
48	9-105358	1	• CONNECTOR 2F, AMP
49	9-156102	25	• TERMINAL, Female (5.0-3.0 mm <sup>2</sup> ), Pack-con
50	9-156103	6	• FUSEBLOCK
51	9-156110	12	• TERMINAL FEMALE (2.0-1.0 mm <sup>2</sup> ), Pack-con
52	9-156111	1	• TERMINAL FEMALE (0.8-0.5 mm <sup>2</sup> ), Pack-con
53	9-156105	1	• CONNECTOR 2M, W/P
54	9-156165	1	• SOCKET, Relay
55	9-164860	1	• ASSEMBLY, Connector, 12F Cannon trident
56	9-164861	1	• CABLE CLAMP, Cannon trident
57	9-164862	4	• TERMINAL, Female, 18-16GA Gold cannon trident
58	9-163021	2	• RESISTOR
59	9-156125	6	• PLUG CAVITY 1W, 150 M/P
60	9-156129	2	• TPA, 5W 150 M/P
61	9-156130	1	• CONNECTOR 5M, 150 M/P
62	9-156143	1	• CONNECTOR 5F, 150 M/P
63	9-124365	4	• FEMALE, Terminal sealed (1.0-0.5 mm <sup>2</sup> ), 150 M/P
64	9-117593	2	• SOCKET (14-16 AWG), Solid
65	9-117584	2	• W8P WEDGE, Plug
66	9-117582	2	• ASSEMBLY, Connector 8M, DT
67	9-156219	4	• TERMINAL, M8 Ring (5.0 mm <sup>2</sup> )
68	9-127131	5	• RELAY 12V 40 AMP
69	9-226119	1	• POWER RELAY 75 A
70	9-156202	4	• FUSE, 5A
71	9-156203	8	• FUSE, 10A
72	9-156204	2	• FUSE, 15A
73	9-156164	1	• FUSE, 30A
74	9-199144	54	• TERMINAL, 3/16" SRS Fastin-on RCPT PH-BR
75	9-129258	1	• DIODE 1A
76	9-220611	1	• CONNECTOR, DEUTSCH DTM06-12S
77	9-220612	1	• CONNECTOR, DEUTSCH DTM06 WEDGE
78	9-220613	9	• CONNECTOR, CONTACT SOCKET NO.20
79	9-221144	1	• SEALING PLUG, DEC SERIES
80	9-156152	3	• HARNESS, TRACK UNIT BYPASS

## 5.6 DEF Engine Harness



M191614AA

190126AG

**244**

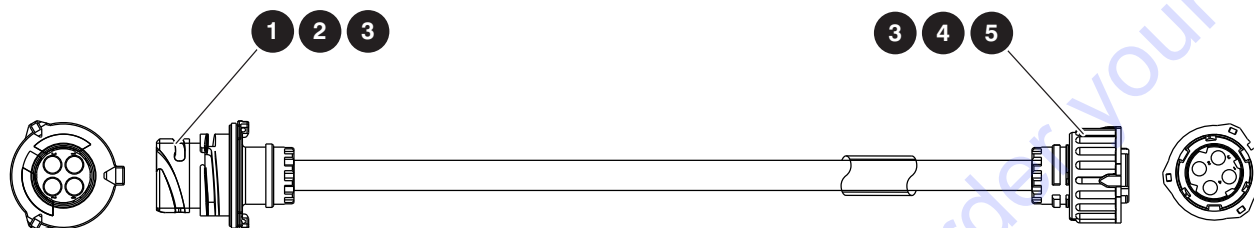
SJ1044 TH, SJ1044 THS, SJ1056 TH, SJ1056 THS

**SKYJACK**

## 5.6 DEF Engine Harness

Index No.	Skyjack Part No.	Qty.	Description
-	9-191614	-	HARNES, ENGINE DEF
1	9-117578	1	• ASSEMBLY, Connector 4M DT
2	9-117580	1	• WEDGE, Socket
3	9-117590	3	• CONNECTOR, Contact pin 16-18
4	9-117592	1	• CONNECTOR, Contact pin 14-16
5	9-164550	6	• WIRE SEAL, White (2.2-3.0mm), MCP
6	9-191028	6	• TERMINAL, Male 14-18 AWG
7	9-191039	1	• RECEPTACLE, MCP 2.8 A
8	9-191041	2	• RECEPTACLE, MCP 2.8 B

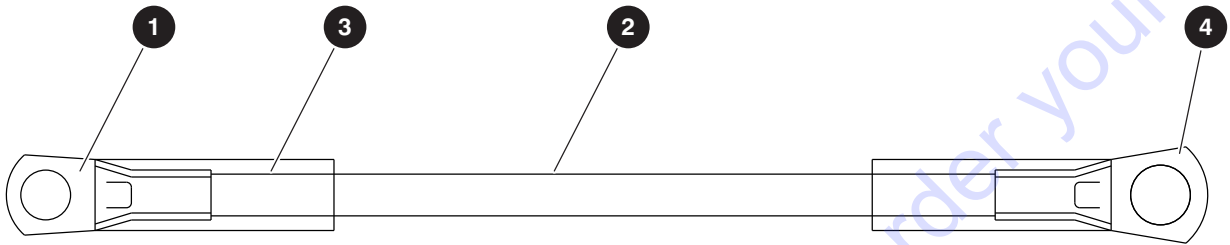
## 5.7 Wiring Harness - Fuel Low Pressure



M191047AB

Index No.	Skyjack Part No.	Qty.	Description
-	9-191047	-	HARNES, FUEL LOW PRESSURE
1	9-164579	1	• CONNECTOR 4F, 2.5mm circular
2	9-190371	4	• SOCKET, 1.00 - 2.50MM2
3	9-190372	8	• WIRE SEAL
4	9-191045	1	• CONNECTOR 4P
5	9-191046	4	• PIN, 1.00 - 2.50MM2

## 5.8 Wiring Harness - Cable Alternator



M191641AA

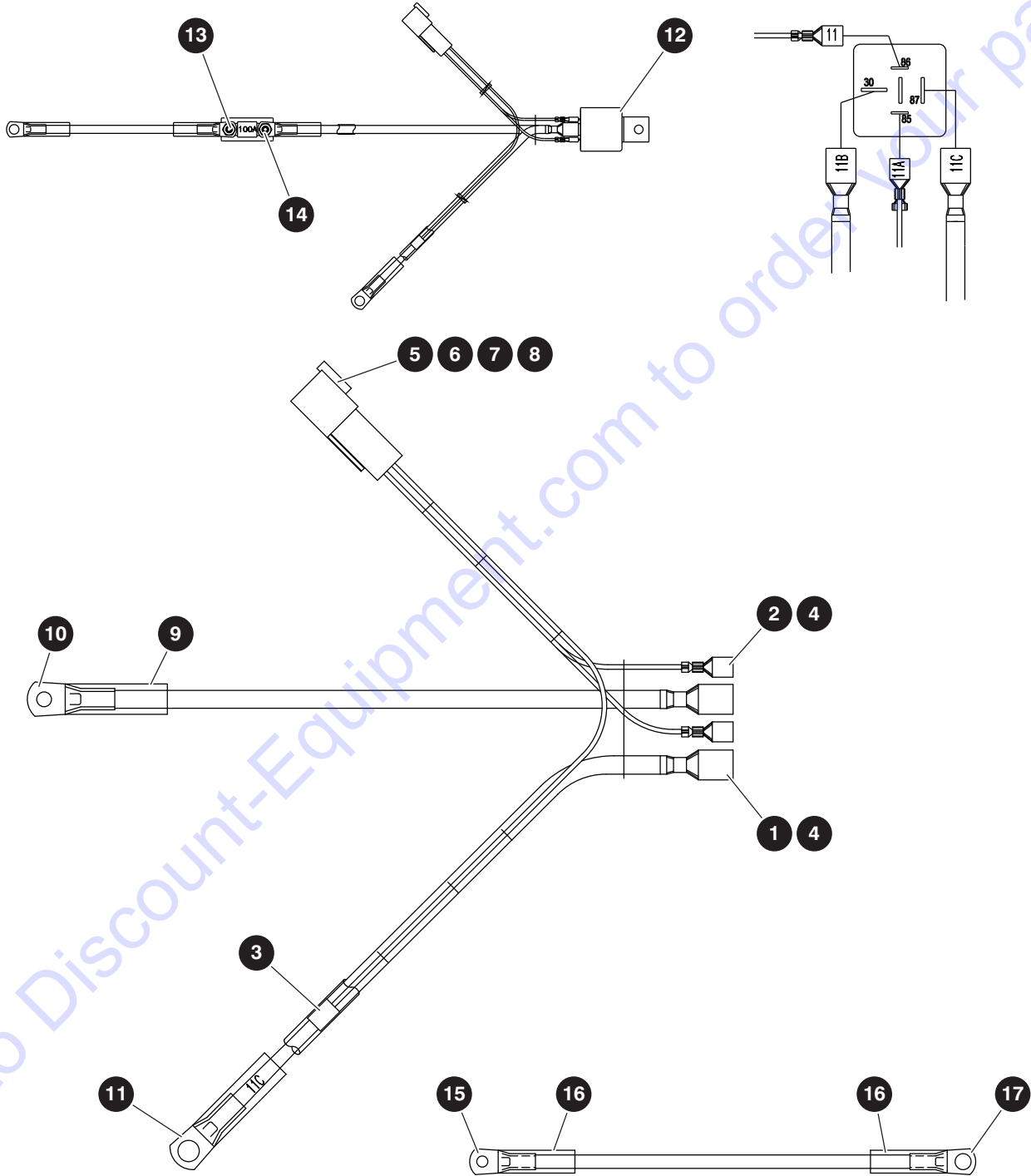
Index No.	Skyjack Part No.	Qty.	Description
-	9-191641	-	CABLE-ALTERNATOR TCD 3.6
1	9-115236	1	• TERMINAL, 6 GA * 5/16"
2	9-103147	56"	• CABLE, Welding # 6 GA (raw material)
3	9-103754	3	• SLEEVING, Heatshrink, Clear 1/2"
4	9-102947	1	• TERMINAL, 6 GA * 3/8"

# 5.9 Glow Plug Harness Assembly



CONNECTOR J5  
 PIN 1 - 11C BLACK  
 PIN 2 - 11A BLACK  
 PIN 3 - 11 RED  
 PIN 4 - PLUGGED

RELAY CONNECTION DETAIL  
 TERM 30 - 11B (8GA)  
 TERM 85 - 11A (18GA)  
 TERM 86 - 11 (18GA)  
 TERM 87 - 11C (8GA)



M190367AD

190126AG

**248**

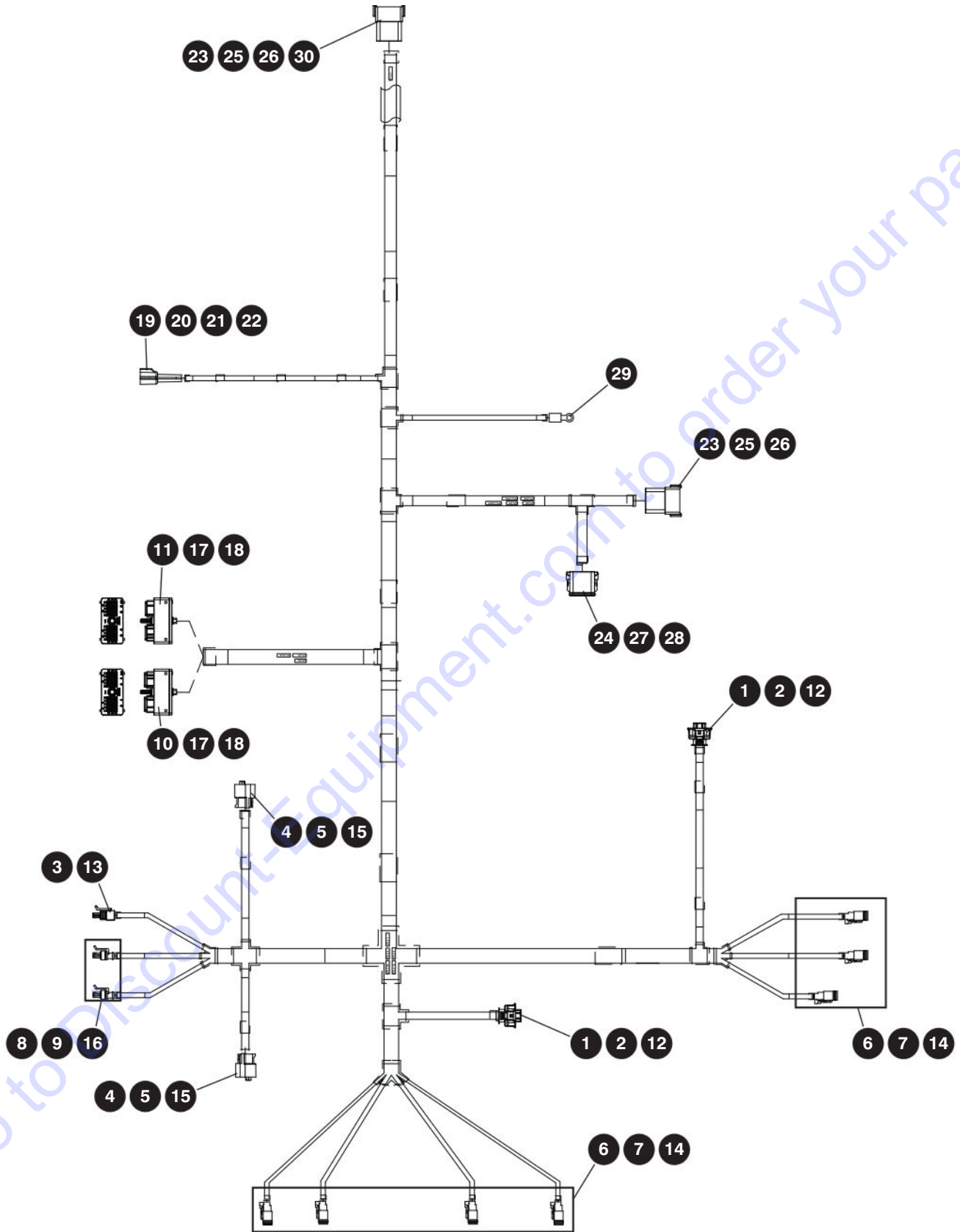
SJ1044 TH, SJ1044 THS, SJ1056 TH, SJ1056 THS

**SKYJACK**

## 5.9 Glow Plug Harness Assembly

Index No.	Skyjack Part No.	Qty.	Description
-	9-190367	-	ASSEMBLY, GLOW PLUG HARNESS
-	9-191645	1	<ul style="list-style-type: none"> <li>• HARNESS - Glow plug relay TCD3.6</li> </ul>
1	9-138846	2	<ul style="list-style-type: none"> <li>• • TERMINAL, 8-10GA, .38, Non-insulated</li> </ul>
2	9-126808	2	<ul style="list-style-type: none"> <li>• • TERMINAL, 14-18 GA, .25, Non-insulated</li> </ul>
3	9-139158	1	<ul style="list-style-type: none"> <li>• • SPLICE, Parallel 6 GA Non-insulated</li> </ul>
4	9-113584	6.5	<ul style="list-style-type: none"> <li>• • HEATSHRINK 1/2" Black</li> </ul>
5	9-117578	1	<ul style="list-style-type: none"> <li>• • CONNECTOR, Receptacle 4-pin</li> </ul>
6	9-117580	1	<ul style="list-style-type: none"> <li>• • CONNECTOR, Receptacle 4-pin wedge</li> </ul>
7	9-117590	3	<ul style="list-style-type: none"> <li>• • CONNECTOR, Contact pin 16-18</li> </ul>
8	9-117594	1	<ul style="list-style-type: none"> <li>• • CONNECTOR, Sealing plug</li> </ul>
9	9-166530	1.5	<ul style="list-style-type: none"> <li>• • HEATSHRINK 1/2" WHITE</li> </ul>
10	9-166531	1	<ul style="list-style-type: none"> <li>• • TERMINAL 8GA * #10 Ring non-insulated</li> </ul>
11	9-191644	1	<ul style="list-style-type: none"> <li>• • TERMINAL 8GA * 1/4 Ring non-insulated</li> </ul>
12	9-165029	1	<ul style="list-style-type: none"> <li>• RELAY, 150A 12V SPST</li> </ul>
13	9-165030	1	<ul style="list-style-type: none"> <li>• FUSE HOLDER - INLINE, MIDI</li> </ul>
14	9-165031	1	<ul style="list-style-type: none"> <li>• FUSE - 100A, Bolt-down</li> </ul>
-	9-191642	1	<ul style="list-style-type: none"> <li>• WIRE ASSEMBLY - Glow plug power TCD3.6</li> </ul>
15	9-191643	1	<ul style="list-style-type: none"> <li>• • TERMINAL 8GA * 3/8 Ring non-insulated</li> </ul>
16	9-166530	3	<ul style="list-style-type: none"> <li>• • HEATSHRINK 1/2" White</li> </ul>
17	9-166531	1	<ul style="list-style-type: none"> <li>• • TERMINAL 8GA * #10 Ring non-insulated</li> </ul>

# 5.10 CVT Transmission Harness



M220793AB

190126AG

250

SJ1044 TH, SJ1044 THS, SJ1056 TH, SJ1056 THS

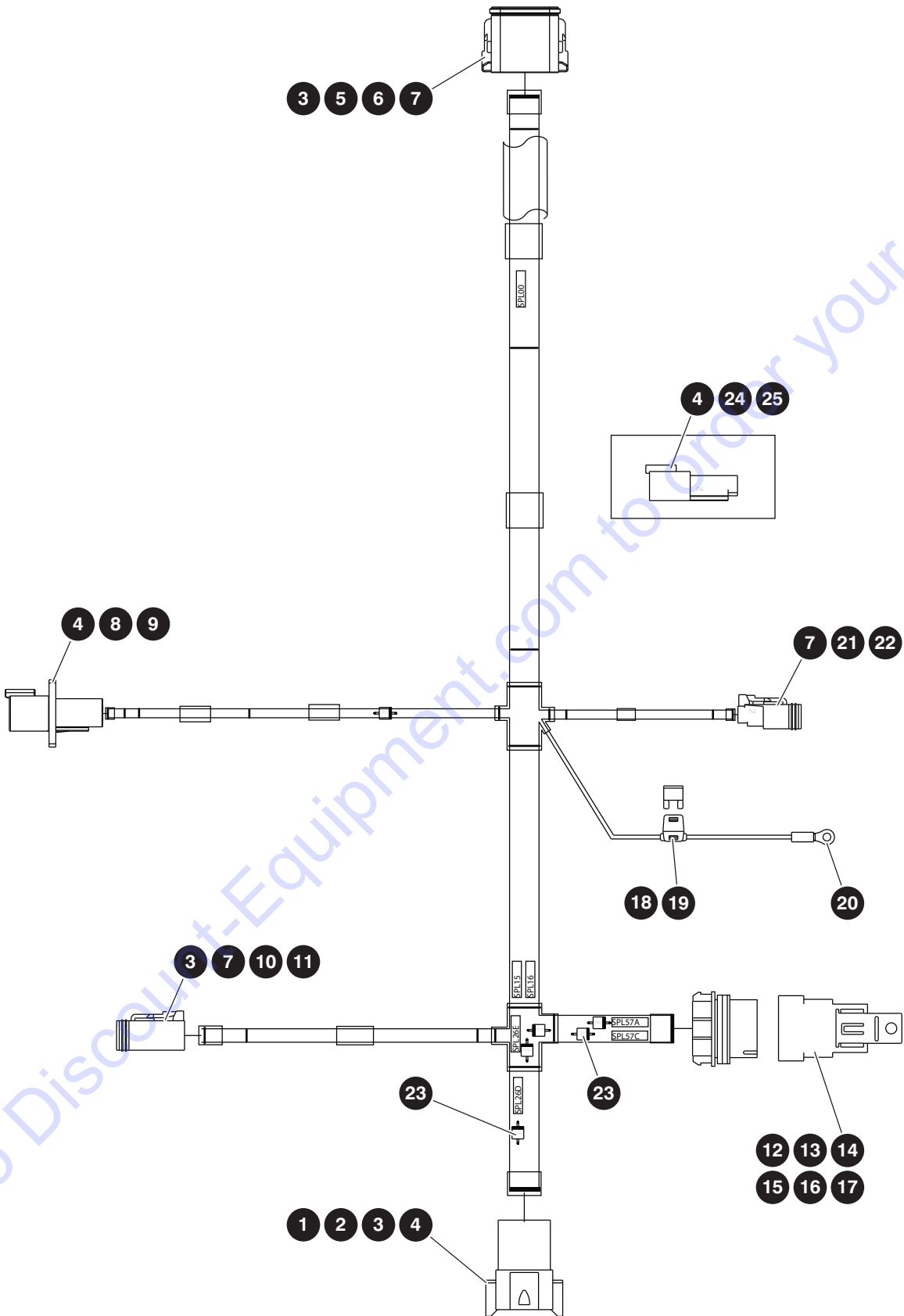
SKYJACK



## 5.10 CVT Transmission Harness

Index No.	Skyjack Part No.	Qty.	Description
-	9-220793	1	HARNESS, TRANSMISSION CVT
1	9-216756	2	CONNECTOR, PLUG - 3 WAY
2	9-216757	6	SEAL, CONNECTOR - 1.2-2.1 mm
3	9-216758	1	CONNECTOR, PLUG - 4 WAY
4	9-216759	2	CONNECTOR, PLUG - 2 WAY
5	9-216760	4	SEAL, CONNECTOR - 1.4-1.9 mm
6	9-117597	7	CONNECTOR - PLUG 2-PIN
7	9-117599	7	CONNECTOR - PLUG 2-PIN WEDGE
8	9-216761	2	CONNECTOR, PLUG - 2 PIN
9	9-216762	4	SEAL, CONNECTOR - 1.7-2.4 mm
10	9-216775	1	CONNECTOR, PLUG - 30 PIN
11	9-216776	1	CONNECTOR, PLUG - 30 PIN
12	9-216765	6	TERMINAL, FEMALE - BDK 2.8, .5-1.0 sq mm
13	9-216767	4	TERMINAL, FEMALE - 17/18 AWG
14	9-216768	14	TERMINAL, FEMALE - 16-18 AWG
15	9-216769	4	TERMINAL, FEMALE - 18 AWG
16	9-216770	4	TERMINAL, FEMALE - 15-18 AWG
17	9-217963	35	TERMINAL, FEMALE - 16/20 AWG
18	9-217964	25	PLUG, SEAL
19	9-156144	1	CONNECTOR 2M, 280 M/P
20	9-217966	2	TERMINAL, MALE - 0.5-0.8 mm <sup>2</sup>
21	9-217967	2	SEAL, CONNECTOR - 2.85-2.03 mm
22	9-156145	1	TPA, 2W 280 M/P
23	9-117592	24	CONNECTOR CONTACT PIN 14-16 (MALE)
24	9-117593	12	CONNECTOR - CONTACT SOCKET 14-16 (FEMALE)
25	9-117586	2	CONNECTOR-RECEPTACLE 12-PIN
26	9-117588	2	CONNECTOR-RECEPTACLE 12-PIN WEDGE
27	9-117587	1	CONNECTOR-PLUG 12-PIN
28	9-117589	1	CONNECTOR-PLUG 12-PIN WEDGE
29	9-102940	1	TERMINAL 10-12GA X 5/16 RING YELLOW
30	9-117594	3	CONNECOTR - SEALING PLUG

# 5.11 CVT Vehicle Harness



M220790AB

190126AG

**252**

SJ1044 TH, SJ1044 THS, SJ1056 TH, SJ1056 THS

**SKYJACK**

# PARTS FINDER

**Search Website  
by Part Number**



**Search Manual  
Library For Parts  
Manual & Lookup Part  
Numbers – Purchase  
or Request Quote**

**Search Manuals**

Enter your information to help us find the right parts manual for your machine.

\* Brand:

\* Model:

\* Serial:

\* Part Number:

SEARCH

**Can't Find Part or  
Manual? Request Help  
by Manufacturer,  
Model & Description**

**Parts Order Form**

Please fill in the following information to help us find the right part for your machine.

Manufacturer:	<input type="text"/>
Model:	<input type="text"/>
Description:	<input type="text"/>
Part Number:	<input type="text"/>
Quantity:	<input type="text"/>
Notes:	<input type="text"/>

Discount-Equipment.com is your online resource for quality parts & equipment.

Florida: **561-964-4949** Outside Florida TOLL FREE: **877-690-3101**

**Need parts?**

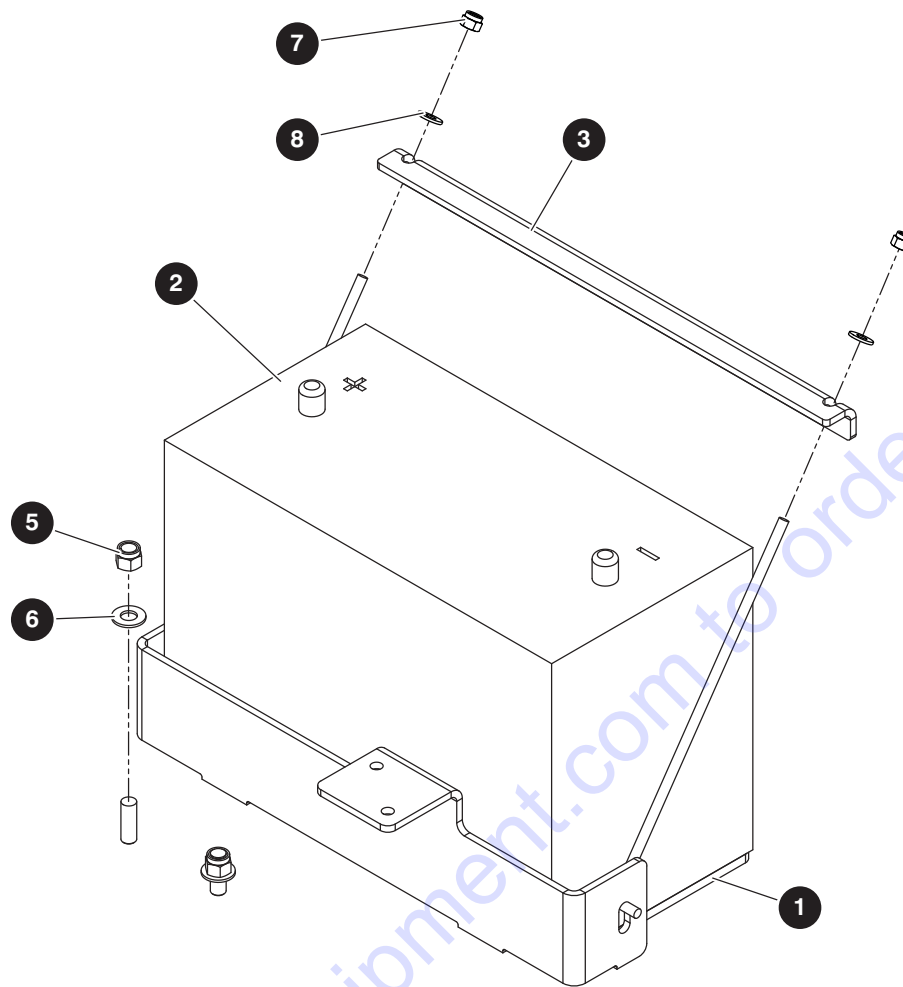
Click on this link: <http://www.discount-equipment.com/category/5443-parts/> and choose one of the options to help get the right parts and equipment you are looking for. Please have the machine model and serial number available in order to help us get you the correct parts. If you don't find the part on the website or on one of the online manuals, please fill out the request form and one of our experienced staff members will get back to you with a quote for the right part that your machine needs.

We sell worldwide for the brands: Genie, Terex, JLG, MultiQuip, Mikasa, Essick, Whiteman, Mayco, Toro Stone, Diamond Products, Generac Magnum, Airman, Haulotte, Barreto, Power Blanket, Nifty Lift, Atlas Copco, Chicago Pneumatic, Allmand, Miller Curber, Skyjack, Lull, Skytrak, Tsurumi, Husquvarna Target, Stow, Wacker, Sakai, Mi-T-M, Sullair, Basic, Dynapac, MBW, Weber, Bartell, Bennar Newman, Haulotte, Ditch Runner, Menegotti, Morrison, Contec, Buddy, Crown, Edco, Wyco, Bomag, Laymor, EZ Trench, Bil-Jax, F.S. Curtis, Gehl Pavers, Heli, Honda, ICS/PowerGrit, IHI, Partner, Imer, Clipper, MMD, Koshin, Rice, CH&E, General Equipment, Amida, Coleman, NAC, Gradall, Square Shooter, Kent, Stanley, Tamco, Toku, Hatz, Kohler, Robin, Wisconsin, Northrock, Oztec, Toker TK, Rol-Air, APT, Wylie, Ingersoll Rand / Doosan, Innovatech, Con X, Ammann, Mecalac, Makinex, Smith Surface Prep, Small Line, Wanco, Yanmar

## 5.11 CVT Vehicle Harness

Index No.	Skyjack Part No.	Qty.	Description
-	9-220790	1	HARNES, VEHICLE CVT
1	9-117582	1	CONNECTOR RECEPTACLE 8-PIN
2	9-156104	1	CONNECTOR RECEPTACLE 8-PIN WEDGE
3	9-156132	7	CONNECTOR - SEALING PLUG
4	9-117580	11	CONNECTOR CONTACT PIN 14-16 (MALE)
5	9-117579	1	CONNECTOR-PLUG 12-PIN
6	9-216771	1	CONNECTOR-PLUG 12-PIN WEDGE
7	9-117581	14	CONNECTOR - CONTACT SOCKET 14-16 (FEMALE)
8	9-117594	1	CONNECTOR, RECEPTACLE - 4 PIN
9	9-156133	1	CONNECTOR RECEPTACLE 4-PIN WEDGE
10	9-124369	1	CONNECTOR PLUG 4-PIN
11	9-156200	1	CONNECTOR PLUG 4-PIN WEDGE
12	9-220788	1	PLUG CAVITY 1W, 280 M/P & W/P
13	9-224867	1	CONNECTOR 5F, 280 M/P
14	9-102939	1	TPA, 5W 280 M/P
15	9-117597	4	TERMINAL, FEMALE SEALED (2-1 mm2) 280 M/P TL
16	9-117592	4	WIRE SEAL GREEN (2.9-2.0 mm), 280 M/P
17	9-117587	1	RELAY, 12V STARTER
18	9-156142	1	FUSE HOLDER - INLINE
19	9-117589	1	FUSE, ATM - 7.5 AMP
20	9-117593	1	TERMINAL 14-16GA X 1/4 RING BLUE
21	9-102891	1	CONNECTOR - PLUG 2-PIN
22	9-113719	1	CONNECTOR - PLUG 2-PIN WEDGE
23	9-117596	6	DIODE
24	9-117598	1	CONNECTOR - RECEPTACLE 2-PIN
25	9-117584	1	CONNECTOR - RECEPTACLE 2-PIN WEDGE

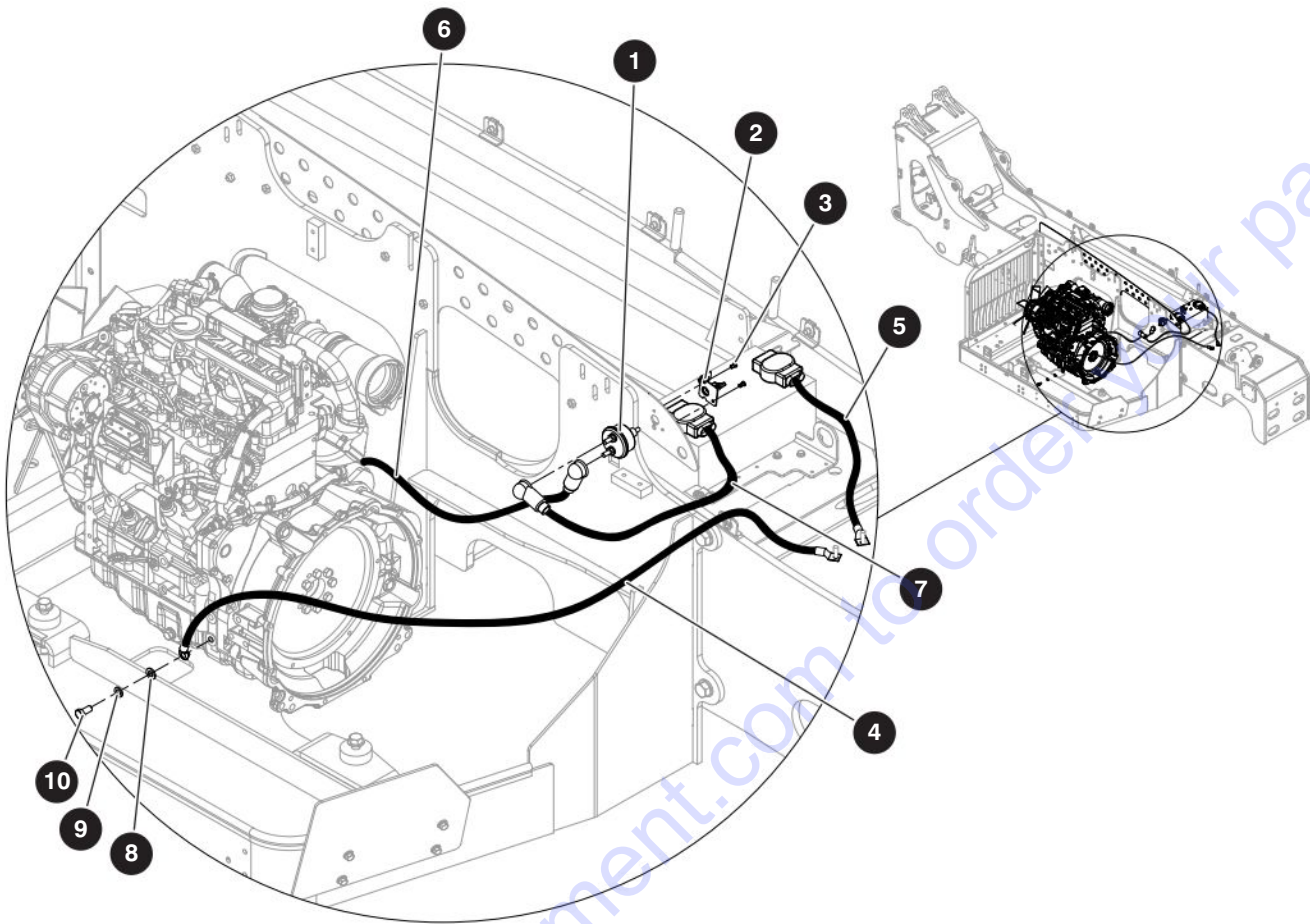
## 5.12 Battery



M191766AC

Index No.	Skyjack Part No.	Qty.	Description
-	9-191766	1	ASSEMBLY, BATTERY
1	9-157464	1	• PAD, Battery
2	9-144676	1	• BATTERY, 950 CCA 195 RC 12V post
3	9-150959	1	• BRACKET, Arctic battery retainer
4	9-128572	1	• BATTERY hold down
5	9-104606	2	• NUT, Lock with nylon insert 3/8"-16 Gr. 5
6	9-103472	2	• WASHER, Flat 3/8" SAE
7	9-115649	2	• NUT, Lock with nylon insert 1/4"-20 Gr. 5
8	9-103995	2	• WASHER, Flat 1/4"

## 5.13 Battery Disconnect



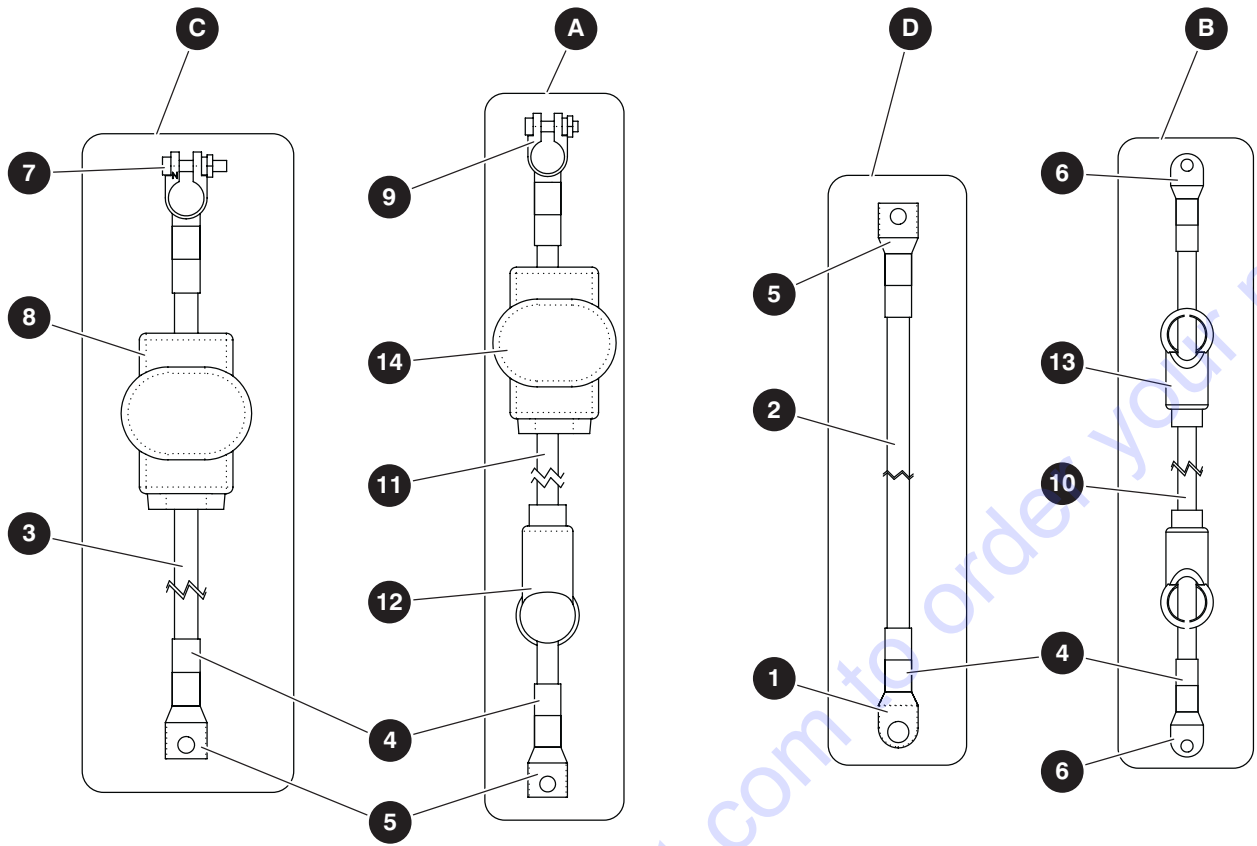
M199981AA-2

Index No.	Skyjack Part No.	Qty.	Description
-	9-199981	1	ASSEMBLY, BATTERY CABLES
1	9-119725	1	• SWITCH - MAIN LOCKOUT
2	9-108714	1	• MOUNT, Lock-out switch
3	9-157756	2	• RIVET, 3/16" x 0.45 long, steel
4	(Ref.)	1	• ASSEMBLY, Cable weld # 2/0 3/8" x 72" x 1/2" (00,00) <i>(For components, refer to Section 7.10)</i>
5	(Ref.)	1	• ASSEMBLY, Cable weld # 2/0 post 5/16" x 26" x 3/8"(00,00) <i>(For components, refer to Section 7.10)</i>
6	(Ref.)	1	• ASSEMBLY, Cable # 2/0 3/8" x 42" x 5/16" (03, 03) <i>(For components, refer to Section 7.10)</i>
7	(Ref.)	1	• ASSEMBLY, Cable # 2/0 post 3/8"x 20" x 5/16" (+B,03) <i>(For components, refer to Section 7.10)</i>
8	9-933817	1	• WASHER, Flat M12 CL 200 Y
9	9-600549	1	• WASHER, Lock M12-Plated DIN 127B
10	9-152324	1	• BOLT, Hex head M12 X 1-3/4" x 25mm Gr. 8.8 zinc plated

190126AG

SJ1044 TH, SJ1044 THS, SJ1056 TH, SJ1056 THS

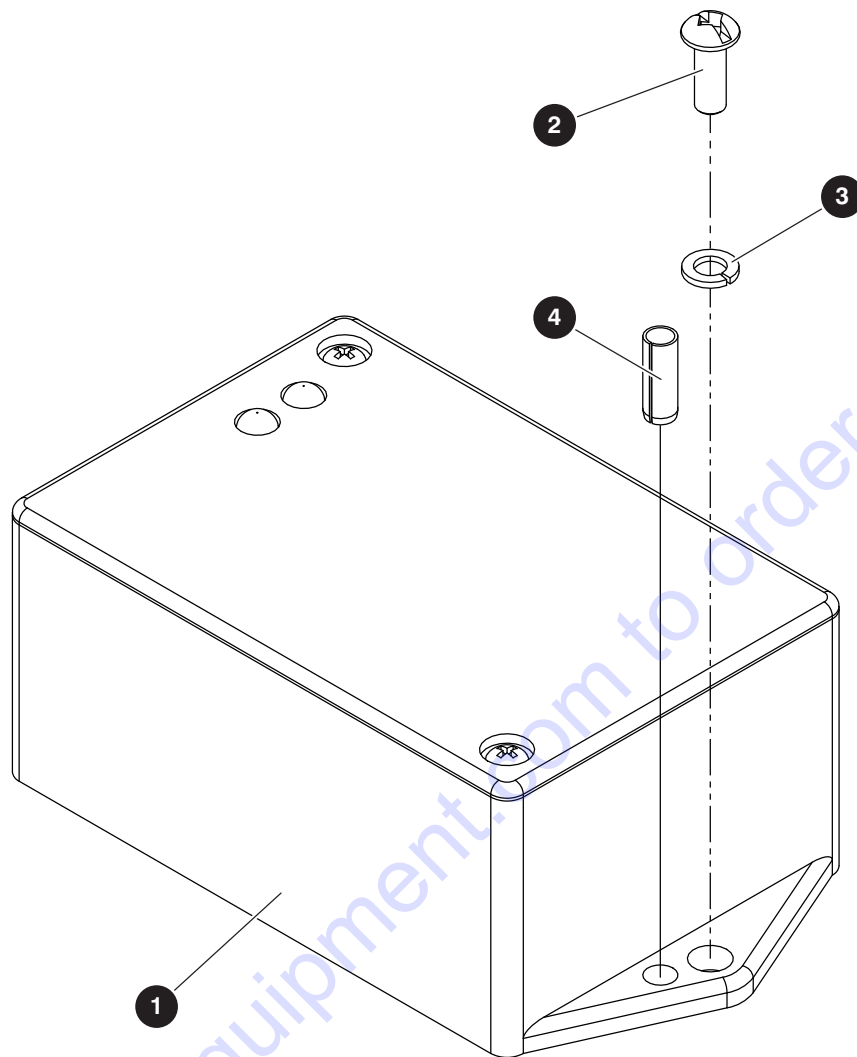
# 5.14 Battery Cables



M199981AB-Cables

Index No.	Skyjack Part No.	Qty.	Description
<b>A</b>	9-204032	1	• ASSEMBLY, Cable #2/0 POST 3/8" x 20" x 5/16" (+B,03)
<b>B</b>	9-204086	1	• ASSEMBLY, Cable #2/0 3/8" x 42" x 5/16" (03, 03)
<b>C</b>	9-204063	1	• ASSEMBLY, Cable weld #2/0 POST 5/16" x 26" x 3/8"(00,00)
<b>D</b>	9-204064	1	• ASSEMBLY, Cable weld #2/0 3/8" x 72" x 1/2" (00,00)
1	9-163811	1	• • TERMINAL - Ring#2 wire 1/2" stud - <b>D</b>
2	9-139029	72	• • CABLE, #2/0 Black - <b>D</b>
3	-	26	• • CABLE, #2/0 Black - <b>C</b>
4	9-139035	3	• • HEATSHRINK, 1" clear - <b>A, B, C, D</b>
5	9-139034	1	• • TERMINAL, #2/0 3/8" DIA - <b>A, C, D</b>
6	9-209026	2	• • TERMINAL, #2/0 3/8" DIA Round lug - <b>B</b>
7	9-221807	1	• • CLAMP, Battery post #2/0 negative - <b>C</b>
8	9-191822	1	• • PROTECTOR, Terminal, military style black - <b>C</b>
9	9-221808	1	• • CLAMP, Battery post #2/0 positive - <b>A</b>
10	9-139028	42	• • CABLE, #2/0 Red - <b>B</b>
11	-	20	• • CABLE #2/0 Red- <b>A</b>
12	9-139105	1	• • BOOT, Terminal #2/0 Red (5737-005R) - <b>A</b>
13	-	2	• • BOOT, Terminal #2/0 Red (5737-005R) - <b>B</b>
14	9-191821	1	• • PROTECTOR, Terminal, military style red - <b>A</b>

## 5.15 Tilt Sensor



M196364AC

Index No.	Skyjack Part No.	Qty.	Description
-	9-206088	1	ASSEMBLY, TILT SENSOR
1	9-196287	1	• SENSOR, Tilt - digital, 4°
2	9-103957	2	• SCREW, Round head machine 8-32 x 1/2"
3	9-112249	2	• WASHER, Lock #8
4	9-157825	1	• PIN, spring 5/32" x 1/2"



# Section 6 – Boom Assembly SJ1044 TH

**6.1** *Boom Assembly*

**6.3** *First Boom Assembly*

**6.4** *Second Boom Assembly*

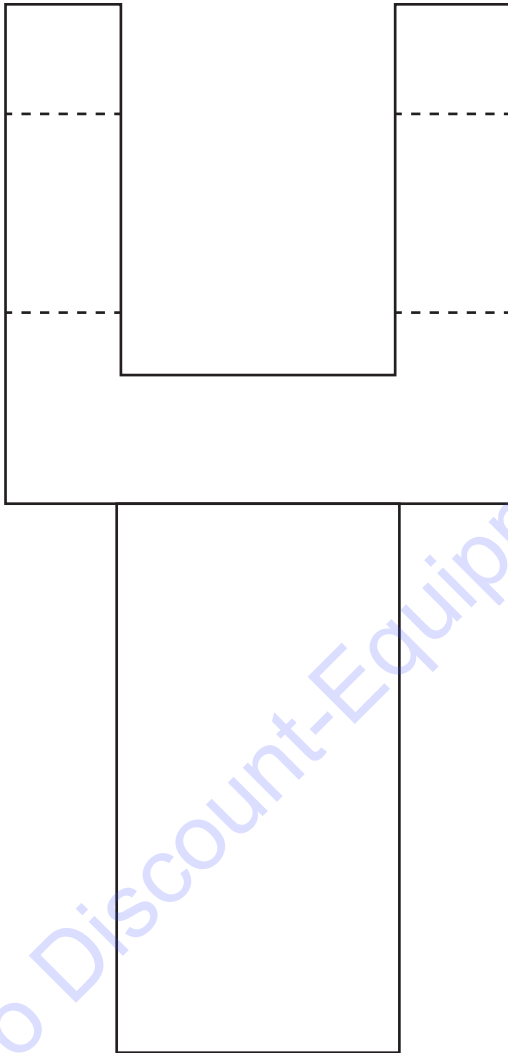
**6.5** *Third Boom Assembly*

**6.6** *Auxiliary Hydraulics  
Installation*

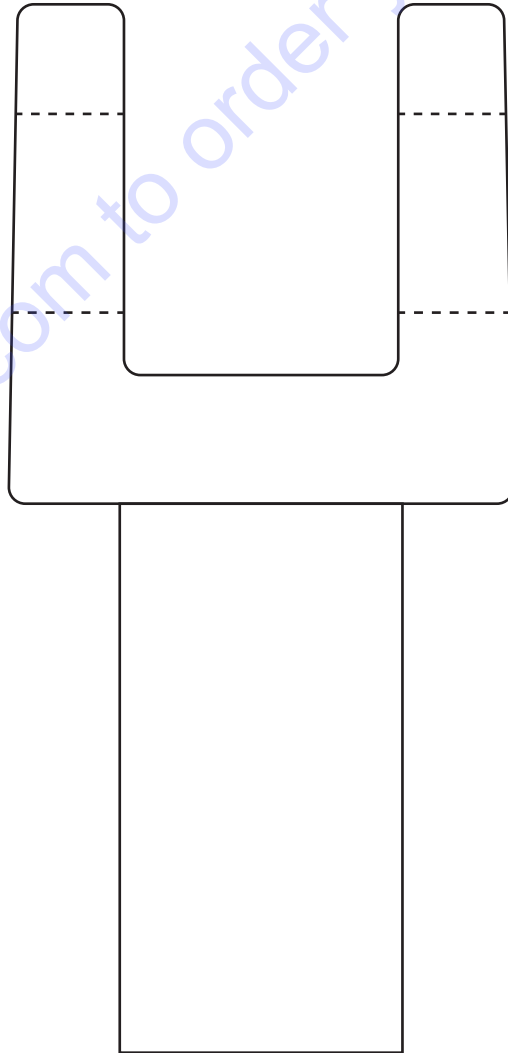
 **NOTE**

If your telehandler has the Style B Clevis an extra crush washer (9-223856) and spacer (9-223853) is needed to secure the cylinder.

**Style A Clevis**

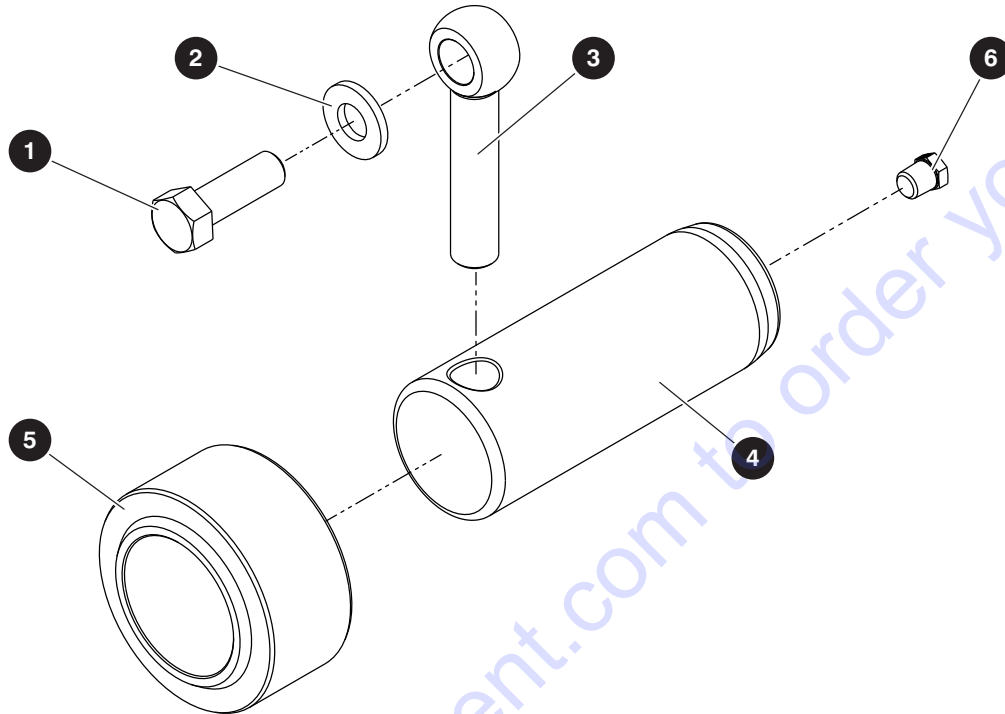


**Style B Clevis**



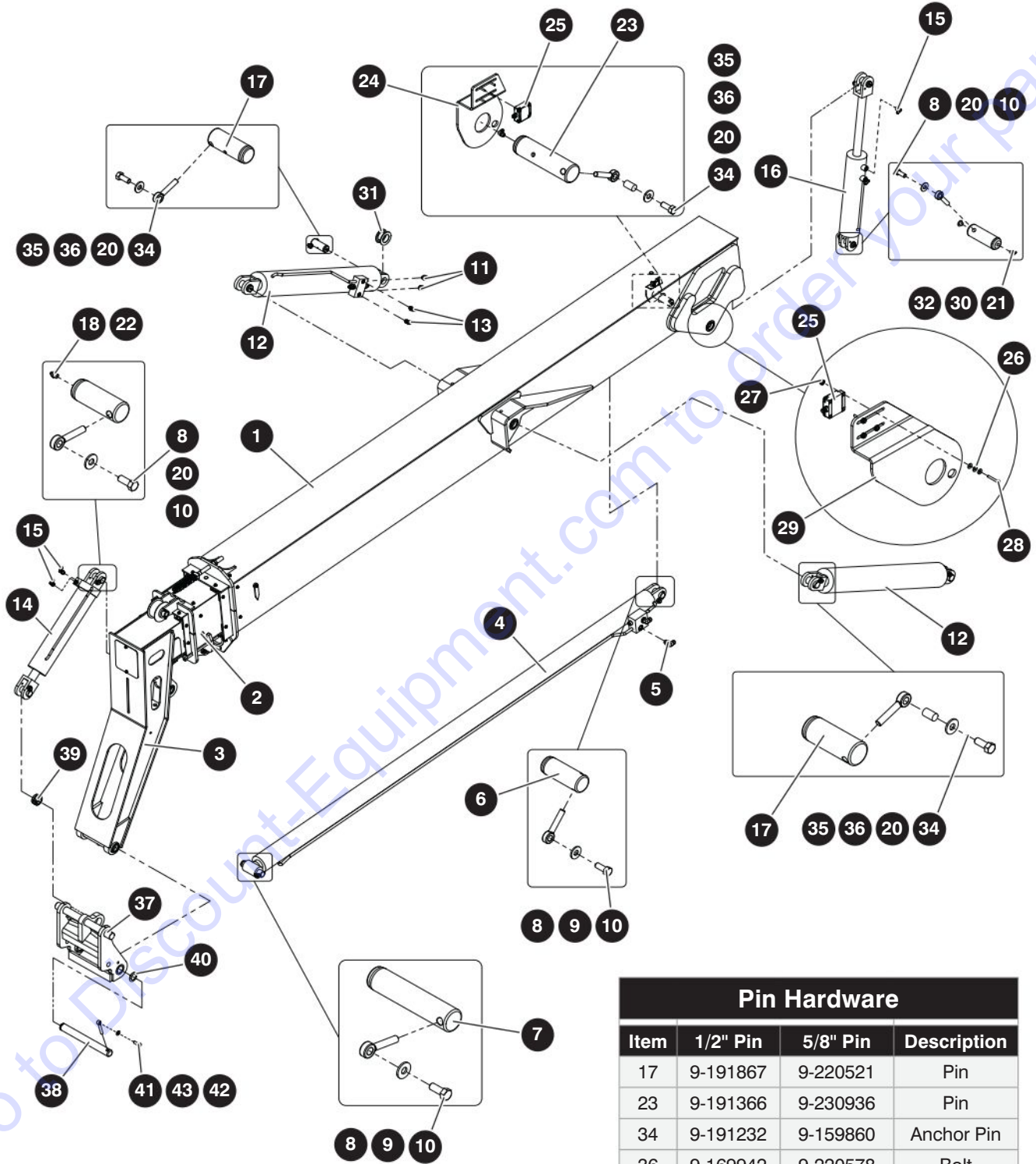
 **NOTE**

Make sure you order the correct hardware for your telehandler when replacing the bearings.



Index No.	Skyjack Part No.	Qty.	Description
<b>A</b>	236502		Assy, Maintenance Free Bearing, Grease Pin
<b>B</b>	236475		Assy, Maintenance Free Bearing, Greaseless Pin
1	220578		BOLT, Hex head, 1/2"-13 x 1-1/2" gr8 ZP
2	104379		Washer Flat 1/2" Hard
3	159860		PIN, Keeper- 5/8" short
4	220521		PIN, 2" OD x 5-9/32 - <b>A</b>
-	236503		PIN, 2" OD x 5-9/32, greaseless - <b>B</b>
5	230942		BEARING, Spherical maintenance free 2.00
6	230941		PLUG, External hex pipe 1/8" - <b>A</b>

# 6.1 Boom Assembly



Pin Hardware			
Item	1/2" Pin	5/8" Pin	Description
17	9-191867	9-220521	Pin
23	9-191366	9-230936	Pin
34	9-191232	9-159860	Anchor Pin
36	9-169942	9-220578	Bolt
35	N/A	9-220526	Spacer

M190968AM

190126AG

262

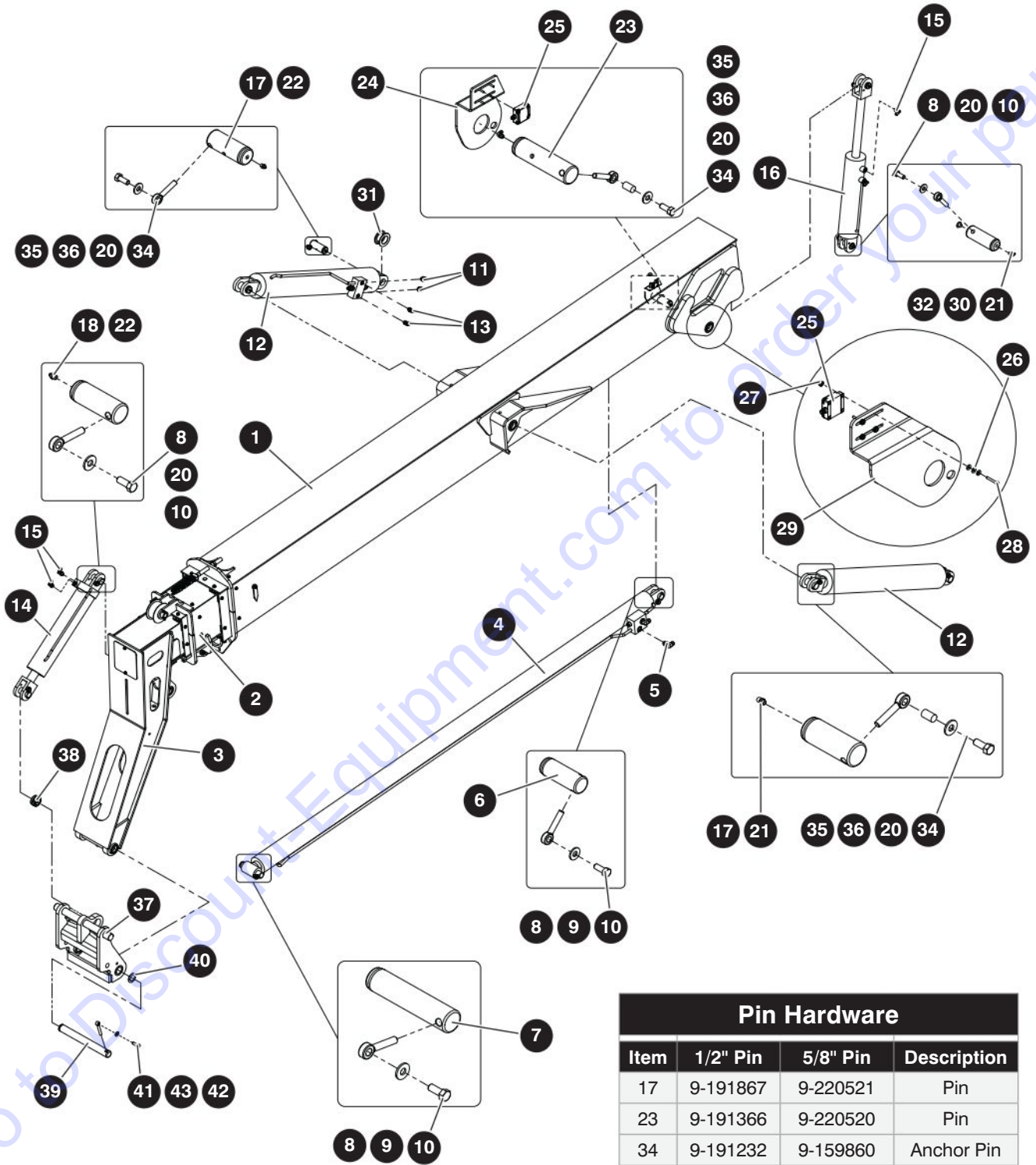
SJ1044 TH, SJ1044 THS, SJ1056 TH, SJ1056 THS

SKYJACK

## 6.1 Boom Assembly

Index No.	Skyjack Part No.	Qty.	Description
			<i>For serial number XXXXXXX and below</i>
-	9-190968	-	SUBGROUP, BOOM 1044
-	9-190985	-	• ASSEMBLY, BOOM 1044
1	(Ref).	1	• • ASSEMBLY, 1st boom 1044 <i>(For components, refer to Section 6.3)</i>
2	(Ref).	1	• • ASSEMBLY, 2nd boom 1044 <i>(For components, refer to Section 6.4)</i>
3	(Ref).	1	• • ASSEMBLY, 3rd boom 1044 <i>(For components, refer to Section 6.5)</i>
-	9-190216	-	• • ASSEMBLY, Extension cylinder
4	9-190045	1	• • • CYLINDER, Extend 115B <i>(For components, refer to Section 8.1)</i>
5	9-105445	2	• • • FITTING, 90° (12 JICM 12 ORBM)
6	9-190018	1	• • PIN, (1-1/4" DIA X 4-7/8") long
7	9-190029	1	• • PIN, (1-1/4" DIA X 7-7/8") long
8	9-191232	5	• • PIN, Anchor
9	9-104379	2	• • WASHER, Flat 1/2" hard
10	9-169942	5	• • BOLT, Hex head (1/2"-13x1-1/4") grade 8 zinc
11	9-144279	2	• FITTING, 8 SAE to -12 JIC
-	9-190512	-	• ASSEMBLY, Cylinder lift 150B
12	9-190038	2	• • CYLINDER, Lift 150B <i>(For components, refer to Section 8.3)</i>
13	9-102659	4	• • FITTING, Straight (08 JICM 08 ORBM)
-	9-190511	-	• ASSEMBLY, Cylinder fork tilt
14	9-190043	1	• • CYLINDER, Fork Tilt 120B <i>(For components, refer to Section 8.4)</i>
15	9-114583	4	• • FITTING, 90° (08 JICM - 08 ORBM)
-	9-190513	-	• ASSEMBLY, Cylinder tilt comp
16	9-190040	1	• • CYLINDER, Tilt comp 120B <i>(For components, refer to Section 8.5)</i>
17A	9-220521	4	• PIN, 2" DIA x 5-9/32" long <i>(uses 5/8" anchor pin)</i>
17B	9-191867	4	• PIN, 2" DIA x 5-1/8" long <i>(uses 1/2" anchor pin)</i>
18	9-191866	3	• PIN, 1-3/4" DIA x 4-3/4" long
19	9-931574	2	• WASHER, Thrust
20	9-104379	10	• WASHER, Flat 1/2" Hard
21	9-700510	2	• FITTING, Grease, 1/8" NPT 90°
22	9-102027	2	• FITTING, Grease, 1/8" NPT Straight
23A	9-230936	2	• PIN, 2" DIA x 7-17/32" long <i>(uses 5/8" anchor pin)</i>
23B	9-191366	2	• PIN, 2" DIA x 7-3/8" long <i>(uses 1/2" anchor pin)</i>
24	9-191826	1	• PLATE, Sensor mount 70
25	9-190547	2	• SENSOR, Inductive proxi shielded - 15mm
			Part list continued in following page

# 6.1 Boom Assembly



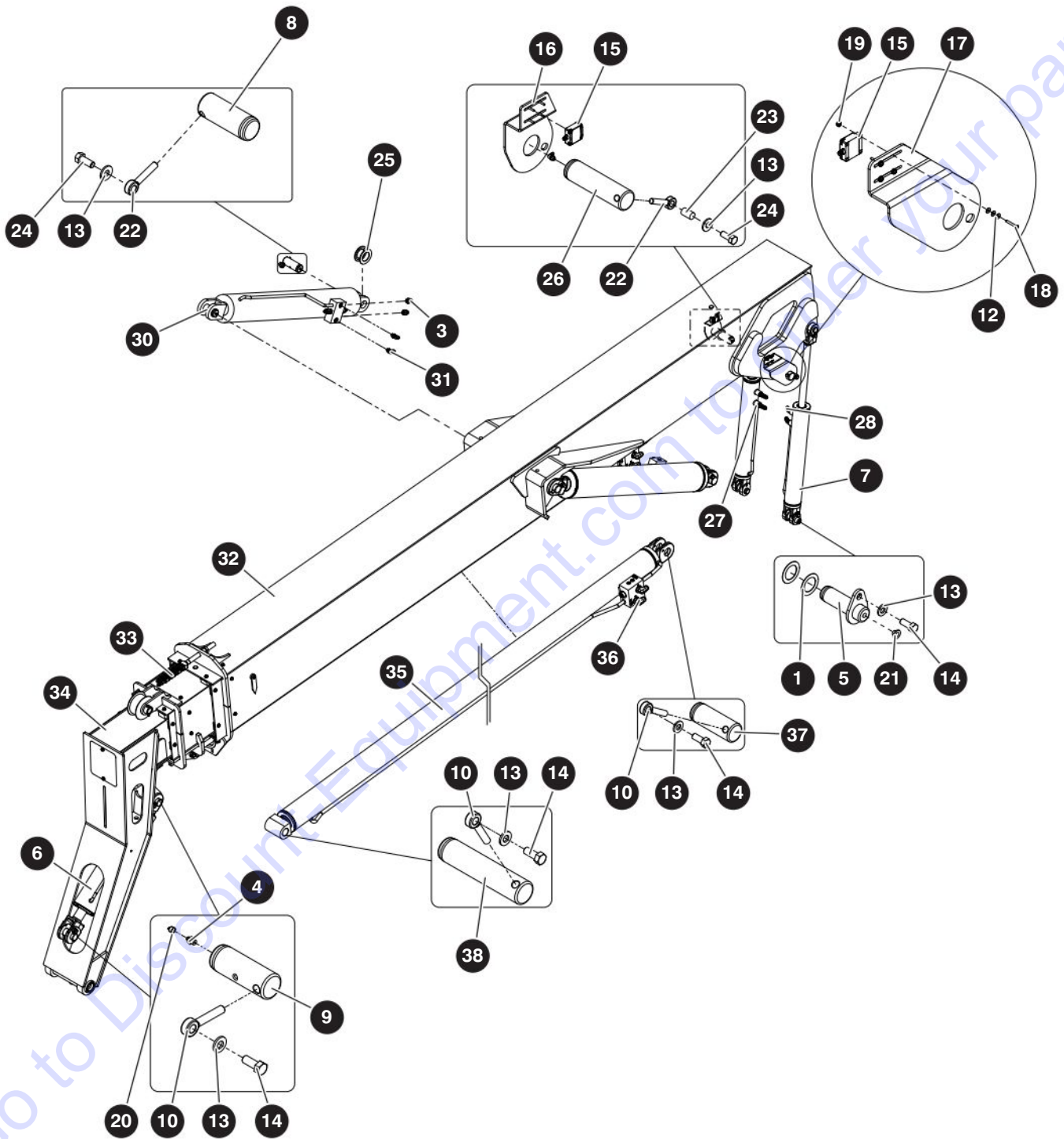
Pin Hardware			
Item	1/2" Pin	5/8" Pin	Description
17	9-191867	9-220521	Pin
23	9-191366	9-220520	Pin
34	9-191232	9-159860	Anchor Pin
36	9-169942	9-220578	Bolt
35	N/A	9-220526	Spacer

M190968AH

## 6.1 Boom Assembly

Index No.	Skyjack Part No.	Qty.	Description
			Parts list continued from previous page
26	9-191833	24	• WASHER, Flat #6
27	9-196306	8	• NUT, Lock with nylon insert 6-32 grade 5
28	9-103956	8	• SCREW, Round head machine 6-32 x 1"
29	9-191825	1	• PLATE, Sensor mount 40
30	9-191741	1	• PIN, 1-3/4" DIA X 5-3/16" long
31	9-196586	4	• SPACER, Lift Cylinder
32	9-197449	1	• PLUG, 1/2" Wide Flange
33	9-132565	4	• CAP, Grease GC5 (Not Shown)
34A	9-159860	7	• PIN, Anchor - 5/8"
34B	9-191232	6	• PIN, Anchor - 1/2"
35	9-220526	7	• SPACER, .641ODx.531IDx.688LG
36A	9-220578	7	• BOLT, HEX HD\PATCH\0.5-13 X 1.50 gr8 ZP
36B	9-169942	6	• BOLT, Hex head 1/2"-13x1-1/4" Gr. 8
-	9-190456	-	QA ATTACHMENT SUBGROUP
-	9-235348	1	• KIT, Apron and Bearing
37	9-190016	1	• • WELDMENT, Apron
38	9-920767	1	• • BEARING, Spherical
39	9-190017	1	• PIN, 1.993" DIA x 18-1/2" long
40	9-931602	2	• WASHER, Thrust
41	9-700782	1	• WASHER, Flat 5/8" hard
42	9-148944	1	• BOLT, Hex head patch 5/8"-11 x 1-3/4" grade 8
43	9-146898	1	• PIN, Keeper 5/8"

## 6.2 Boom Assembly - Dual Tilt Cylinder



M232326AA

190126AG

266

SJ1044 TH, SJ1044 THS, SJ1056 TH, SJ1056 THS

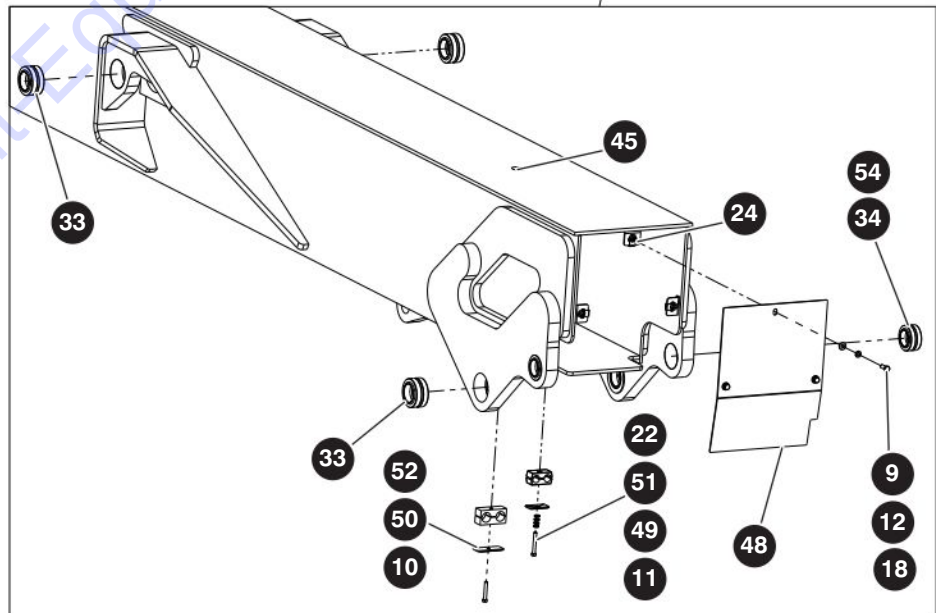
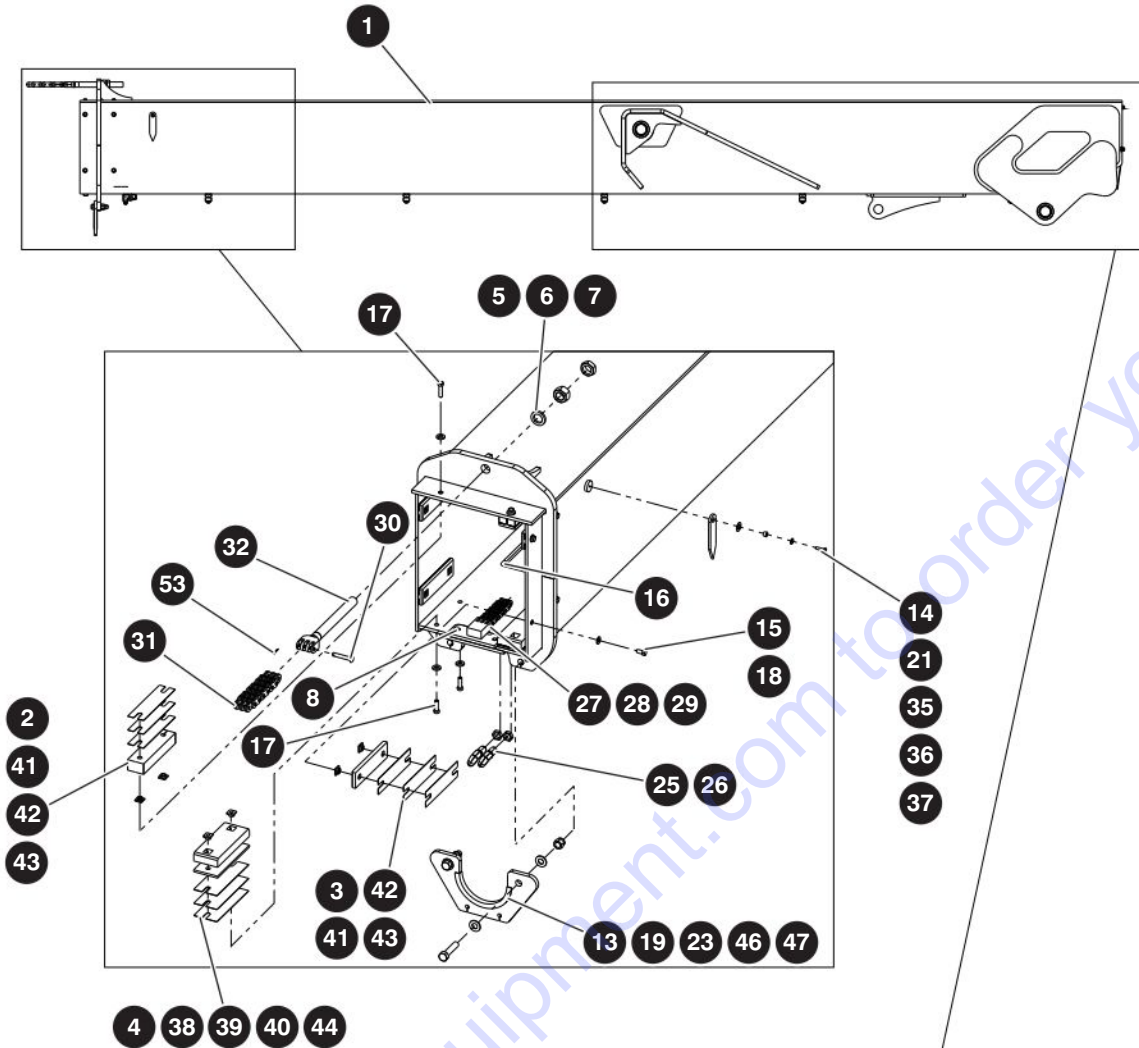
SKYJACK



## 6.2 Boom Assembly - Dual Tilt Cylinder

Index No.	Skyjack Part No.	Qty.	Description
<i>For serial number XXXXXXX and above</i>			
-	232326	1	BOOM GROUP
1	236328	8	• THRUST WASHER, 1.375ID X 2.062OD X .03THK
2	230941	4	• PLUG, EXTERNAL HEX PIPE 1/8"
3	144279	2	• FTG, 8 SAE TO -12 JIC
4	102027	2	• FTG GREASE 1/8 NPT STRAIGHT
5	235248	2	• PIN WLDT, 1.375 DIA X 4.875 LG
6	190511	1	• CYLINDER ASSEMBLY, FORK LIFT
7	235240	2	• CYLINDER, TILT COMP
8	220521	4	• PIN, 2.00ODx5.281
9	191866	2	• PIN, 1.75 DIA X 4.75 LG
10	191232	2	• PIN, ANCHOR
11	931574	2	• WASHER THRUST 2" ID X 2.74" OD - 0.092"THK
12	191833	24	• WASHER, FLAT #6
13	104379	12	• Washer Flat 0.500 Hard
14	169942	6	• BOLT, HXHD .500-13x1.250 GR8 ZN
15	190547	2	• SENSOR, INDUCTIVE PROXI 15MM
16	191826	1	• PLATE, SENSOR MOUNT 70 - 10K
17	191825	1	• PLATE, SENSOR MOUNT 40 - 10K
18	103956	8	• SCREW, RND HD MACHINE 6-32 x 1.000
19	196306	8	• NUT, LOCK 6-32 GR5 - NYL
20	132565	2	• CAP, GREASE GC5
21	197449	2	• PLUG 1/2" WIDE FLANGE
22	159860	6	• KEEPER PIN - 0.625 SHORT
23	220526	6	• SPACER, .641ODx.531IDx.688LG
24	220578	6	• BOLT, HEX HD\PATCH\0.5-13 X 1.50 gr8 ZP
25	196586	4	• SPACER, LIFT CYL 10K
26	230936	2	• PIN, 2.00ODx7.531 NO GREASE
27	110554	2	• FTG, RUN TEE (8JICM-8ORBM-8JICM)
28	114583	2	• FTG, 90 DEG (08JICM-08ORBM)
29	235241	2	• PIN WLDT, 1.375 DIA X 4.375 LG
30	190512	2	• CYLINDER ASSEMBLY, LIFT 150B
31	102659	4	• • FITTING, Straight (08 JICM 08 ORBM)
-	232327	1	• BOOM ASSEMBLY, 1044
32	232328	1	• • ASSEMBLY, 1ST BOOM 1044
33	190970	1	• • ASSEMBLY, 2ND BOOM 1044
34	190971	1	• • ASSEMBLY, 3RD BOOM 1044
35	190216	1	• • CYLINDER ASSEMBLY, EXTENSION
36	105445	2	• • • FITTING, 90° (12 JICM 12 ORBM)
37	190018	1	• • PIN, 1.75 DIA X 4.688 LNG
38	190029	1	• • PIN, 1.75 DIA X 7.750 LNG
10		2	• • PIN, ANCHOR
13		2	• • Washer Flat 0.500 Hard
14		2	• • BOLT, HXHD .500-13x1.250 GR8 ZN

## 6.3 First Boom Assembly



M232328AA

190126AG

268

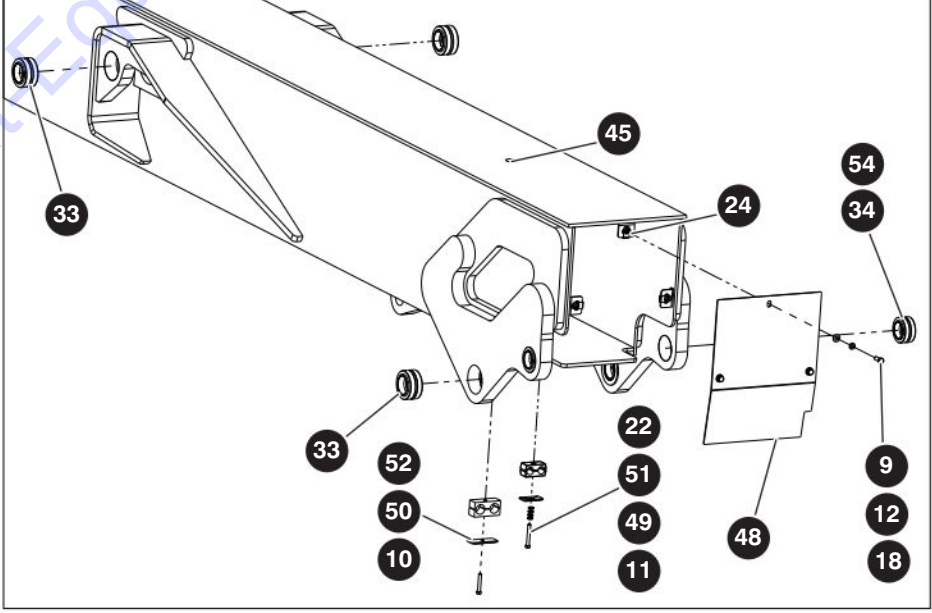
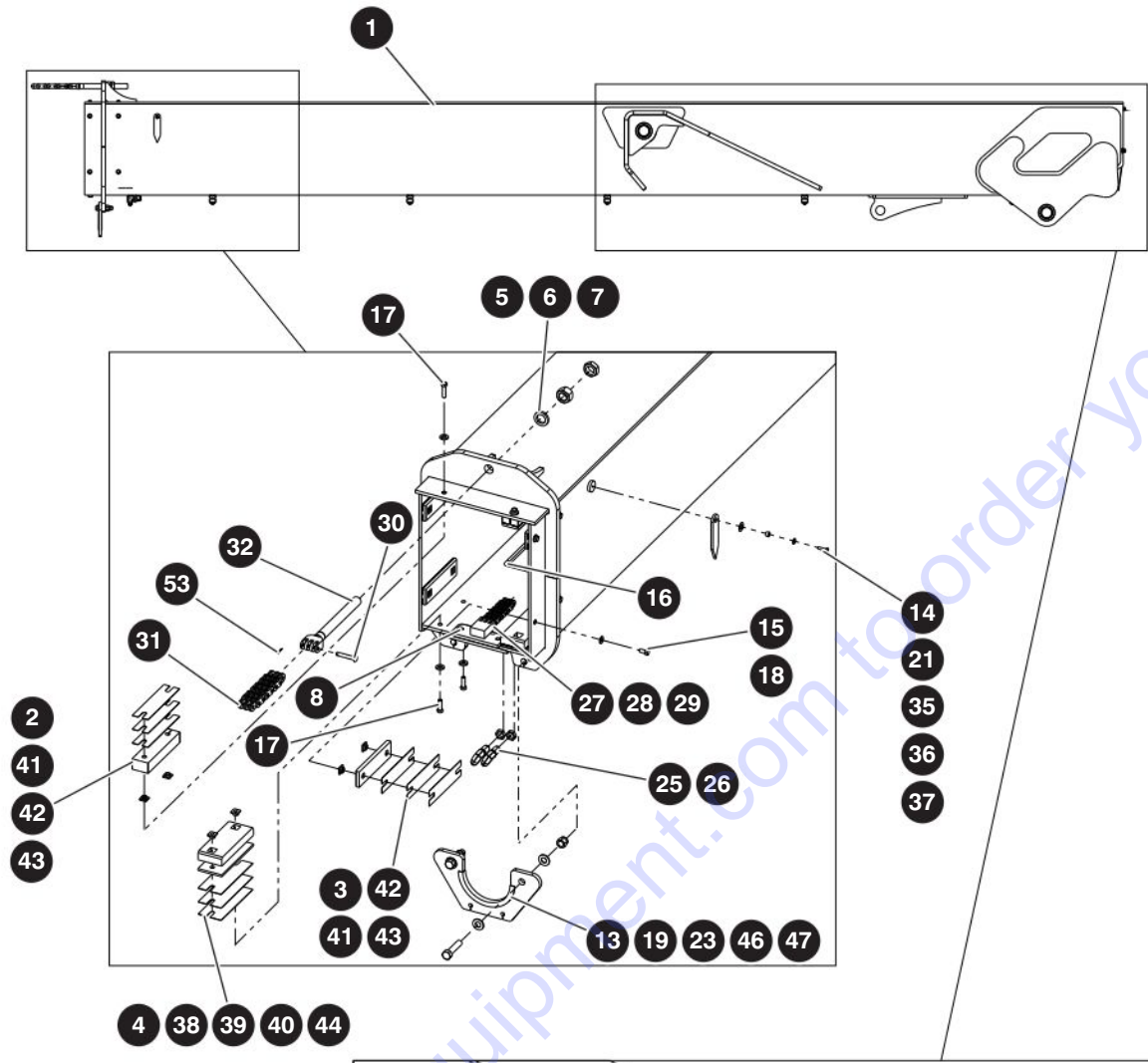
SJ1044 TH, SJ1044 THS, SJ1056 TH, SJ1056 THS

SKYJACK

## 6.3 First Boom Assembly

Index No.	Skyjack Part No.	Qty.	Description
1	9-190907	1	WELDMENT, 1st boom 1044
<b>A</b>	9-190969	-	ASSEMBLY, 1ST BOOM 1044 <i>For serial number XXXXXXX and below</i>
<b>B</b>	232328	-	ASSEMBLY, 1ST BOOM 1044 <i>For serial number XXXXXXX and above</i>
2	9-221762	2	• WEAR PAD, Black 31 X 50 X 190
3	9-191266	4	• WEAR PAD, 12 X 50 X 190
4	9-191267	2	• WEAR PAD, Black 27 X 75 X 190
5	9-107947	1	• NUT, Hex head jam 1-14 grade 5
6	9-411959	1	• NUT, 1-14 Hex grade 8 zinc dich
7	9-932724	1	• WASHER, Flat
8	9-139005	2	• BOLT, Hex head patch 1/2-13 X 1" grade 5
9	9-103999	3	• WASHER, Lock 3/8
10	9-103866	1	• BOLT, Hex head 5/16"-18 X 2-1/4" grade 5
11	9-103885	5	• BOLT, Hex head 5/16"-18 X 1-3/4" grade 5
12	9-207298	3	• BOLT, Hex head 3/4"-16 X 1" grade 8
13	9-100844	2	• BOLT, Hex head 5/8"-11 X 2-3/4" grade 8
14	9-103857	1	• BOLT, Hex head 1/4"-20 X 1" grade 5
15	9-158488	8	• BOLT, Hex head 3/8"-16 X 3/4" grade 8
16	9-119922	15"	• PROTECTIVE TRIM 1/4-1/2"
17	9-117430	8	• BOLT, Hex head 3/8"-16 X 1-1/4" grade 8
18	9-125959	19	• WASHER, Flat 3/8" SAE Hard
19	9-700782	4	• WASHER, Flat 5/8" Hard high Zn
20	9-104379	2	• WASHER Flat 1/2" Hard
21	9-103995	1	• WASHER, Flat 1/4" SAE
22	9-103996	4	• WASHER, Flat 5/16" SAE
23	9-111577	2	• NUT, Lock 5/8"-11 Grade 5 - Nylon
24	9-159294	3	• NUT, Speed clip 3/8"-16
25	9-154242	2	• NUT, Bulkhead - 08JIC
26	9-154241	2	• FITTING, Fitting - 90° Bulkhead (08 JICM - 08 JICM)
27	9-191228	1	• PIN, Anchor BL666
28	9-191169	1	• CHAIN, Retract BL666 1044
29	9-191199	1	• WELDMENT, Retract anchor BL666
30	9-930127	1	• PIN, Anchor 3/8"
			Part list continued in following page

### 6.3 First Boom Assembly

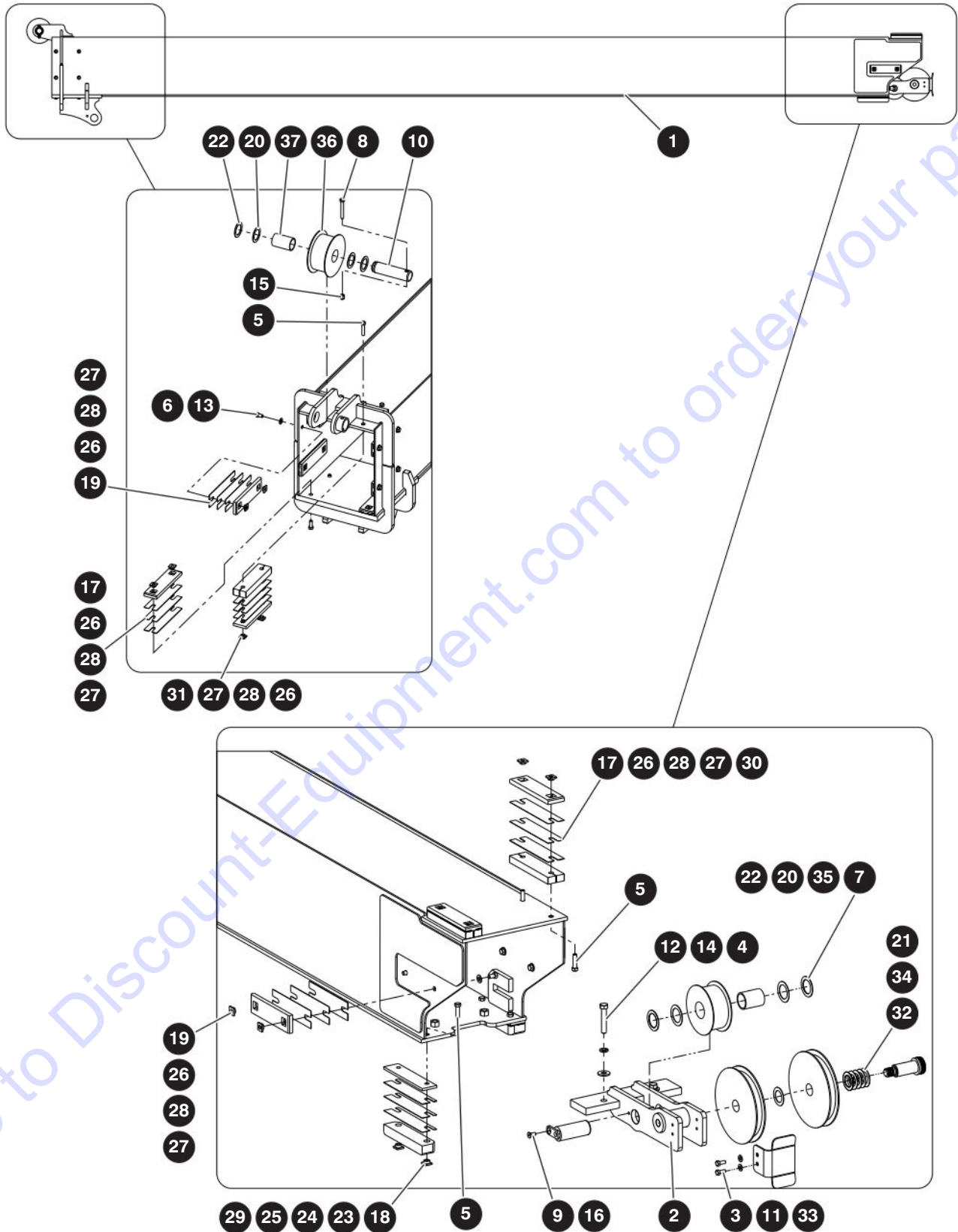


M232328AA

## 6.3 First Boom Assembly

Index No.	Skyjack Part No.	Qty.	Description
			Part list continued from previous page
31	9-191104	1	• CHAIN, Extend BL866 1044
32	9-191312	1	• CHAIN, Anchor threaded BL866"
33	9-230942	4	• BEARING, 2" Spherical maintenance free
34	9-920767	1	• BEARING, Spherical - <b>A</b>
35	9-191841	1	• SPACER, 0.531 ID X 1.00 OD X 22 GA
36	9-190545	1	• SPACER, Plastic 1/2" OD X 5/16" long X 0.252" ID
37	9-190019	1	• PLATE, Angle indicator
38	9-930195	2	• PLATE, Shim
39	9-920273	2	• PLATE, Shim
40	9-920274	2	• PLATE, Shim
41	9-926177	6	• PLATE, Shim
42	9-926942	6	• PLATE, Shim
43	9-927040	6	• PLATE, Shim
44	9-190215	2	• PLATE, Spacer 1/4
45	9-212450	2	• PLUG, Plastic 3/4" x 7/16"
46	9-119922	6"	• PROTECTIVE TRIM 1/4-1/2"
47	9-191311	1	• PLATE, Cylinder support
48	9-190143	1	• COVER, Boom - <b>A</b>
	235261	1	• COVER, Boom - <b>B</b>
49	9-932673	5	• COVER, Plate
50	9-190217	1	• PLATE, Cover 4D
51	9-199762	5	• CLAMP, Twin #08
52	9-199907	1	• CLAMP, Twin #12
53	9-933615	2	• PIN, Cotter
54	235239	2	• BEARING, 1-3/8" Spherical maintenance free - <b>B</b>

## 6.4 Second Boom Assembly

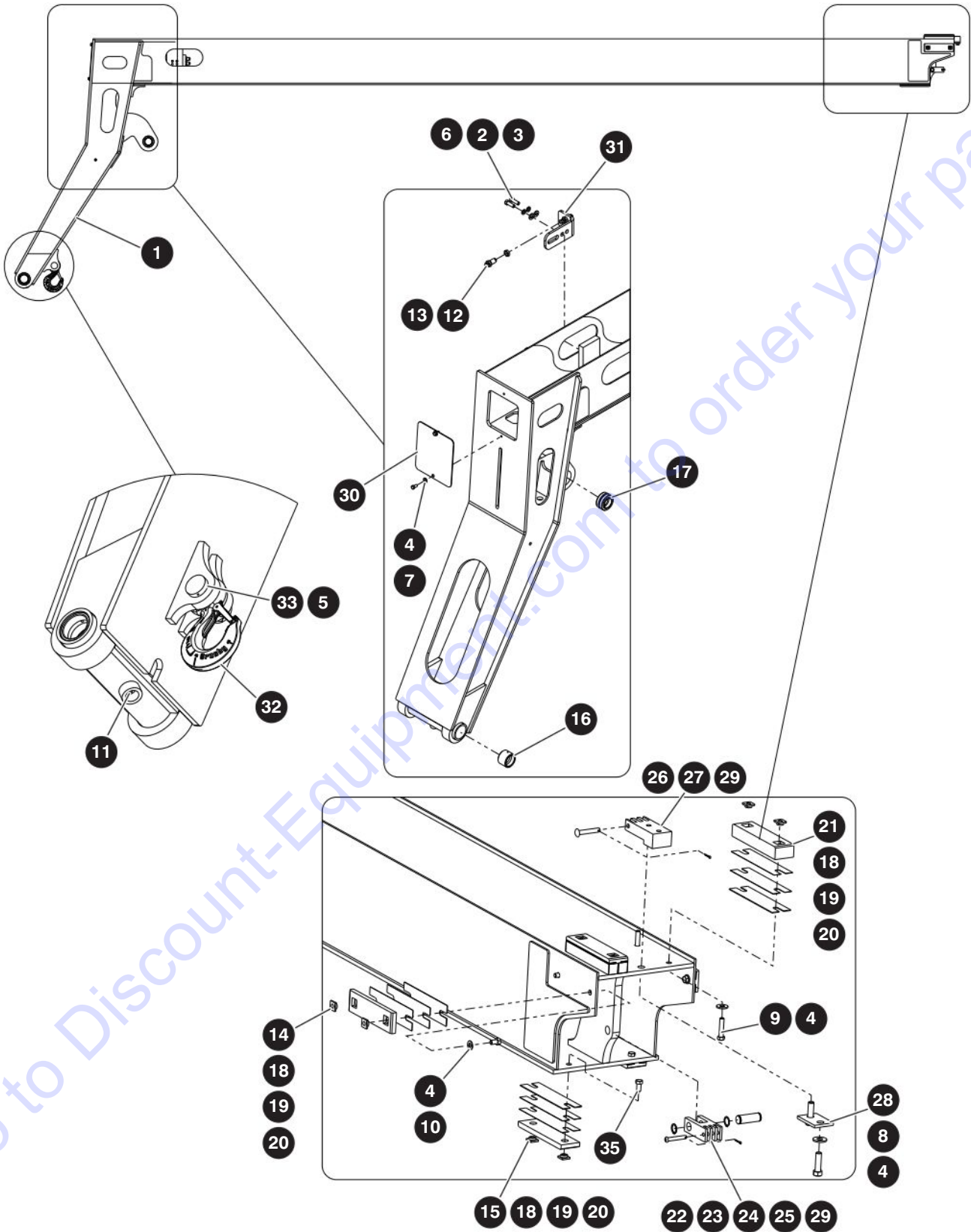


M190970AA

## 6.4 Second Boom Assembly

Index No.	Skyjack Part No.	Qty.	Description
1	9-190908	1	WELDMENT, 2ND BOOM 1044
-	9-190970	-	ASSEMBLY, 2ND BOOM 1044
2	9-191099	1	• WELDMENT, FINGER
3	9-103887	2	• BOLT, Hex head 5/16"-18 X 3/4" Grade 5
4	9-123855	2	• BOLT, Hex head 1/2"-13 X 2-3/4" Grade 8
5	9-117430	16	• BOLT, Hex head 3/8"-16 X 1-1/4" Grade 8
6	9-217907	12	• BOLT, Hex head 3/8"-16 X 5/8" Grade 8
7	9-198872	1	• BEARING, 1-1/2" ID X 1-3/4" OD X 2-1/4" long
8	9-103874	1	• BOLT, Hex head 3/8"-16 X 2-3/4" Grade 5
9	9-191131	1	• PIN, Weldment 1-1/2" DIA x 3-5/8" long
10	9-190031	1	• PIN, 1-1/2" DIA X 5-3/8" long
11	9-103996	2	• WASHER, Flat 5/16" SAE
12	9-104379	2	• WASHER Flat 1/2" SAE Hard
13	9-125959	32	• WASHER, Flat 3/8" Hard
14	9-126286	2	• WASHER, Lock 1/2" grade 8
15	9-104606	1	• NUT, Lock with nylon insert 3/8"-16 Grade 5
16	9-704642	1	• SCREW, Flat head cap 5/16"-18 x 3/4", grade 5
17	9-191268	2	• WEAR PAD, Black 12 x 50 x 190
18	9-191269	2	• WEAR PAD, 27 X 45 X 190
19	9-191266	6	• WEAR PAD, 12 X 50 X 190
20	9-412664	4	• THRUST, Washer
21	9-412663	8	• THRUST, Washer
22	9-191081	4	• THRUST, Washer 1-1/2" ID X 2-3/16" OD X 1/16"
23	9-920272	2	• PLATE, SHIM
24	9-920271	2	• SHIM, Narrow offset
25	9-926488	2	• PLATE, SHIM
26	9-927040	12	• PLATE, SHIM
27	9-926177	12	• PLATE, SHIM
28	9-926942	12	• PLATE, SHIM
29	9-190218	2	• PLATE, Spacer 1/4" narrow
30	9-221762	2	• WEAR PAD, BLACK 31 X 50 X 190
31	9-221763	2	• WEAR PAD, BLACK 37.5 X 50 X 190
32	9-191097	1	• BOLT, Shoulder 1-1/4" DIA x 2-1/2" long
33	9-191127	1	• BRACKET, Sheave guard
34	9-191115	2	• SHEAVE, Hose
35	9-191313	1	• SHEAVE, Chain BL666
36	9-190030	1	• SHEAVE, Chain BL866
37	9-198871	1	• BEARING, 1-1/2" ID X 1-3/4" OD X 2-3/4" long

# 6.5 Third Boom Assembly



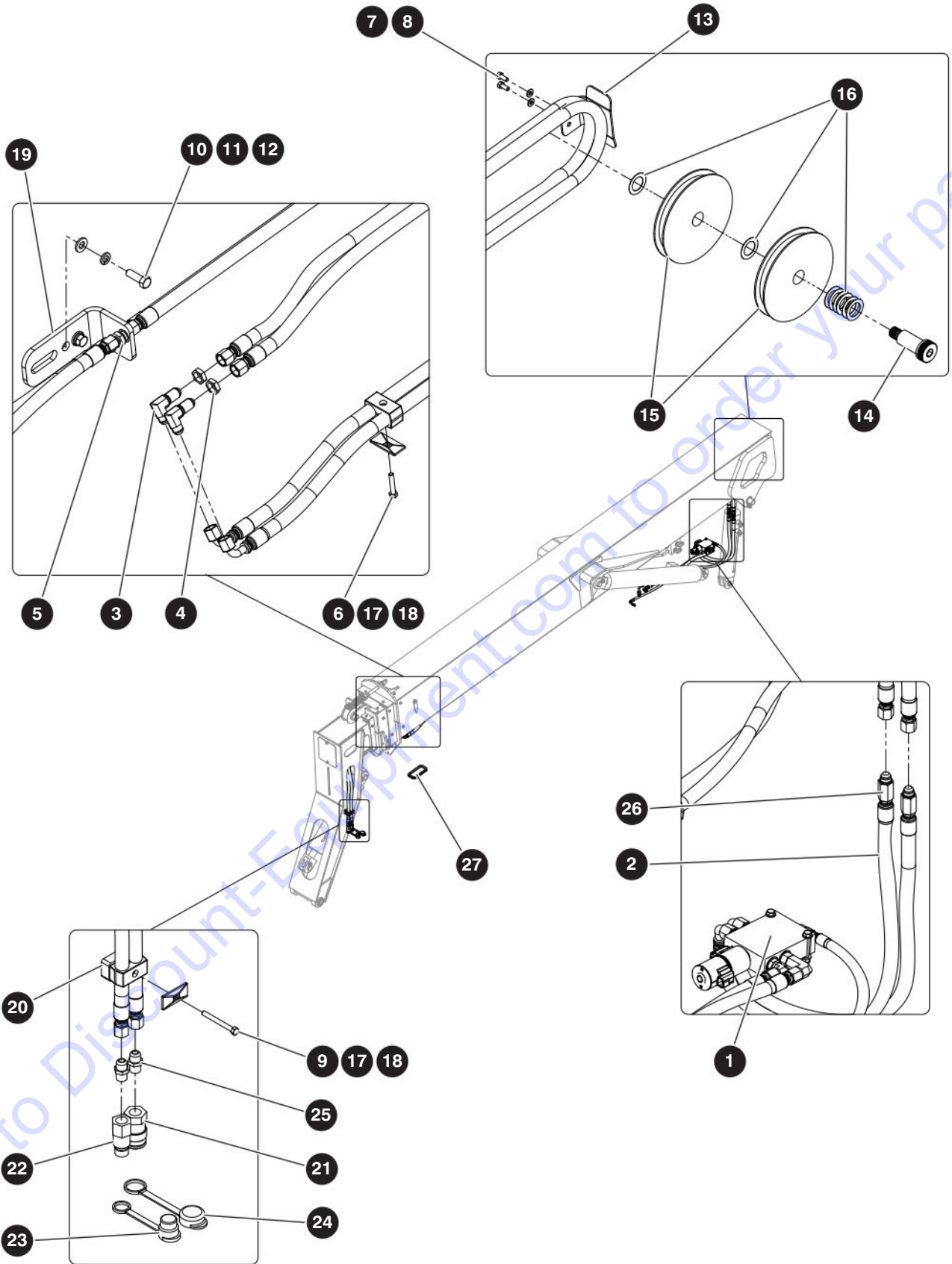
M190971AC



## 6.5 Third Boom Assembly

Index No.	Skyjack Part No.	Qty.	Description
1	9-190909	1	WELDMENT, 3rd boom 1044
-	9-190971	-	ASSEMBLY, 3RD BOOM 1044
2	9-103470	2	• WASHER, Lock 1/2" grade 5
3	9-104379	2	• WASHER, Flat 1/2" SAE hard
4	9-125959	18	• WASHER, Flat 3/8" Hard
5	9-923134	1	• PIN, Quick attach
6	9-103907	2	• BOLT, Hex head 1/2"-13 x 1-1/2 grade 5
7	9-158488	2	• BOLT, Hex head 3/8"-16 x 3/4" grade 8
8	9-126361	2	• BOLT, Hex head 1/2"-13 x 1-3/4" grade 8
9	9-103871	4	• BOLT, Hex head 3/8"-16 x 1-3/4" grade 5
10	9-217907	4	• BOLT, Hex head 3/8"-16 x 5/8" grade 8
11	9-102027	1	• FITTING, Grease fitting, 1/8" NPT straight
12	9-154242	2	• NUT, Bulkhead - 08JIC
13	9-190302	2	• FITTING, Bulkhead straight (08 JICM - 08 JICM)
14	9-191266	2	• WEAR PAD, 12 X 50 X 190
15	9-191268	2	• WEAR PAD, Black 12 X 50 X 190
16	9-931521	2	• BEARING, Inner
17	9-920767	1	• BEARING, Spherical
18	9-927040	6	• PLATE, Shim
19	9-926942	6	• PLATE, Shim
20	9-926177	6	• PLATE, Shim
21	9-221763	2	• WEAR PAD, Black 37.5 x 50 x 190
22	9-191228	1	• PIN, Anchor BL666
23	9-191117	1	• ANCHOR, Chain BL666
24	9-933268	2	• RING, Ret
25	9-190227	1	• PIN, 3/4" DIA X 2.25 long
26	9-930127	1	• PIN, Anchor 3/8
27	9-190205	1	• ANCHOR, Chain stepped 866
28	9-190204	1	• PLATE, Anchor mount
29	9-933615	2	• PIN, Cotter
30	9-190206	1	• COVER, Fly boom
31	9-191128	1	• BRACKET, Bulkhead
32	9-171205	1	• HOOK, Rigging wall 7.5T
-	9-207914	1	• • KIT, Latch, rigging hook
33	9-923135	1	• PIN, Lynch 7/16" DIA x 1-3/4" long
34	9-132565	1	• CAP, Grease GC5 (Not Shown)
35	9-300437	4	• BOLT, Hex head 3/8"-16 X 7/8" grade 5

## 6.6 Auxiliary Hydraulics Installation



M190099AF

## 6.6 Auxiliary Hydraulics Installation

Index No.	Skyjack Part No.	Qty.	Description
-	9-191618	1	ASSEMBLY, AUXILIARY CONTROL SUBGROUP
1	(Ref).	1	<ul style="list-style-type: none"> <li>ASSEMBLY, Auxiliary manifold subgroup (For components, refer to Section 9.22)</li> </ul>
2	(Ref).	1	<ul style="list-style-type: none"> <li>ASSEMBLY, Auxiliary hydraulics hoses 1044 (For components, refer to Section 9.20)</li> </ul>
3	9-154241	2	<ul style="list-style-type: none"> <li>FITTING, Bulkhead 90° (08 JICM - 08 JICM)</li> </ul>
4	9-154242	2	<ul style="list-style-type: none"> <li>NUT, Bulkhead - 08JIC</li> </ul>
5	9-702598	2	<ul style="list-style-type: none"> <li>FITTING, 8JIC with lock nut</li> </ul>
6	9-103885	5	<ul style="list-style-type: none"> <li>BOLT, Hex head 5/16"-18 x 1-3/4" grade 5</li> </ul>
7	9-103996	2	<ul style="list-style-type: none"> <li>WASHER, Flat 5/16" SAE</li> </ul>
8	9-103887	2	<ul style="list-style-type: none"> <li>BOLT, Hex head 5/16"-18 X 3/4" grade 5</li> </ul>
9	9-103868	1	<ul style="list-style-type: none"> <li>BOLT, Hex head 5/16"-18 X 3-1/2" grade 5</li> </ul>
10	9-104379	2	<ul style="list-style-type: none"> <li>WASHER, Flat 1/2" SAE hard</li> </ul>
11	9-103470	2	<ul style="list-style-type: none"> <li>WASHER, Lock 1/2" grade 5</li> </ul>
12	9-103907	2	<ul style="list-style-type: none"> <li>BOLT, Hex head 1/2"-13 X 1-1/2" grade 5</li> </ul>
13	9-191127	1	<ul style="list-style-type: none"> <li>BRACKET, Sheave guard</li> </ul>
14	9-191097	1	<ul style="list-style-type: none"> <li>BOLT, Shoulder 1-1/4" DIA x 2-1/2" long</li> </ul>
15	9-191115	2	<ul style="list-style-type: none"> <li>SHEAVE, Hose</li> </ul>
16	9-412663	8	<ul style="list-style-type: none"> <li>WASHER, Thrust</li> </ul>
17	9-199762	6	<ul style="list-style-type: none"> <li>CLAMP, Twin #08</li> </ul>
18	9-932673	6	<ul style="list-style-type: none"> <li>PLATE, Cover 3D</li> </ul>
19	9-191128	1	<ul style="list-style-type: none"> <li>BRACKET, Bulkhead</li> </ul>
20	9-191605	1	<ul style="list-style-type: none"> <li>PLATE, Hose stand off</li> </ul>
21	9-206134	1	<ul style="list-style-type: none"> <li>COUPLING, Quick disconnect (flat-faced)</li> </ul>
22	9-206135	1	<ul style="list-style-type: none"> <li>COUPLING, Nipple - quick disconnect</li> </ul>
23	9-926080	1	<ul style="list-style-type: none"> <li>CAP, Dust - quick connect NI</li> </ul>
24	9-926079	1	<ul style="list-style-type: none"> <li>CAP, Dust - quick connect CO</li> </ul>
25	9-102659	2	<ul style="list-style-type: none"> <li>EXTENSION, Pipe 37° flare</li> </ul>
26	9-197686	2	<ul style="list-style-type: none"> <li>FITTING, Bulk head straight (08 JICM - 08 ORBM)</li> </ul>
27	9-119922	15"	<ul style="list-style-type: none"> <li>PROTECTIVE TRIM, 1/4"-1/2"</li> </ul>

# Section 7 – Boom Assembly SJ1056 TH

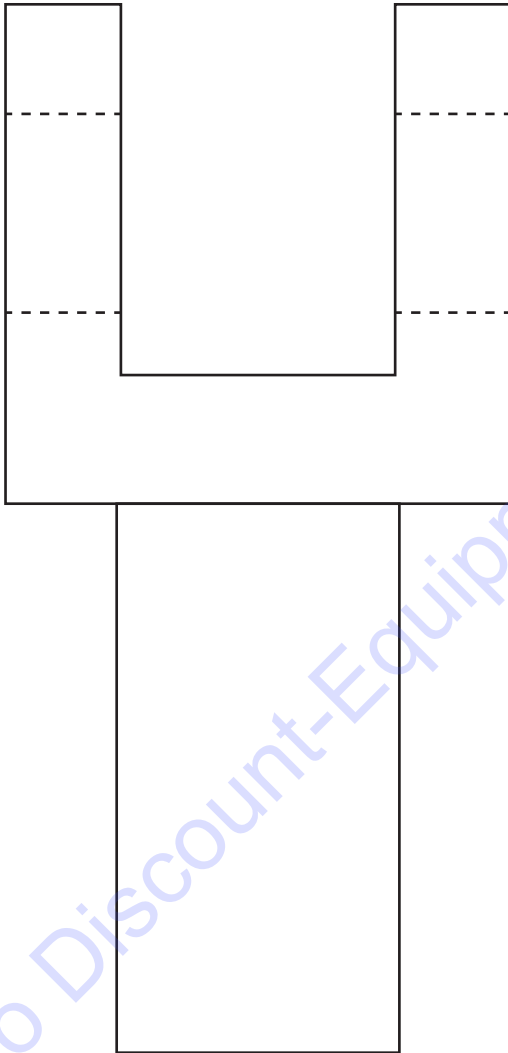
- 7.1** *Boom Installation*
- 7.3** *Boom Assembly SJ1056 TH/THS*
- 7.4** *First Boom Assembly SJ1056 TH/THS*
- 7.5** *Second Boom Assembly SJ1056 TH/THS*
- 7.6** *Third Boom Assembly SJ1056 TH/THS*
- 7.7** *Fourth Boom Assembly SJ1056 TH/THS*
- 7.8** *Extension Cylinder Assembly*
- 7.9** *Cable Carrier Assembly*
- 7.10** *Auxiliary Hydraulics Installation SJ1056 TH/THS*



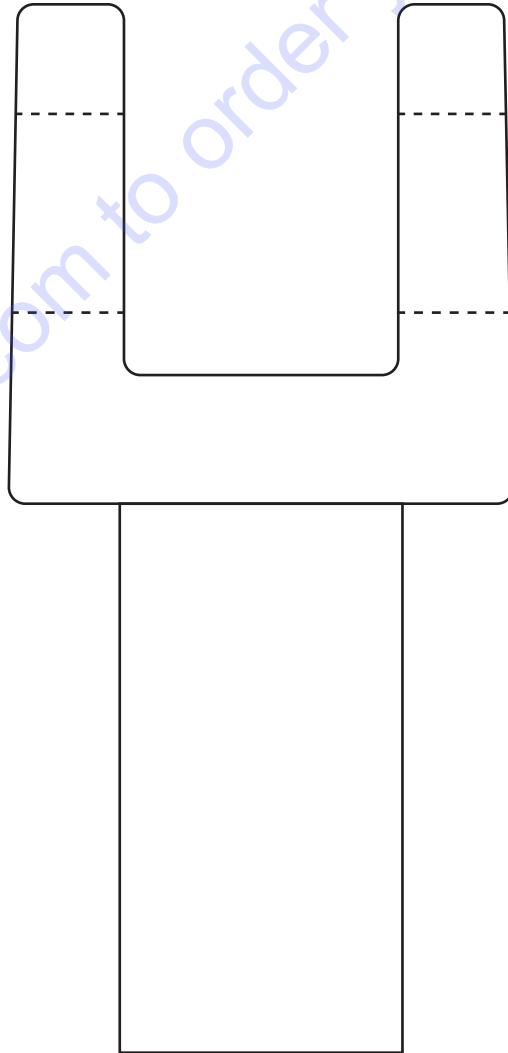
**NOTE**

If your telehandler has the Style B Clevis an extra crush washer (9-223856) and spacer (9-223853) is needed to secure the cylinder.

**Style A Clevis**



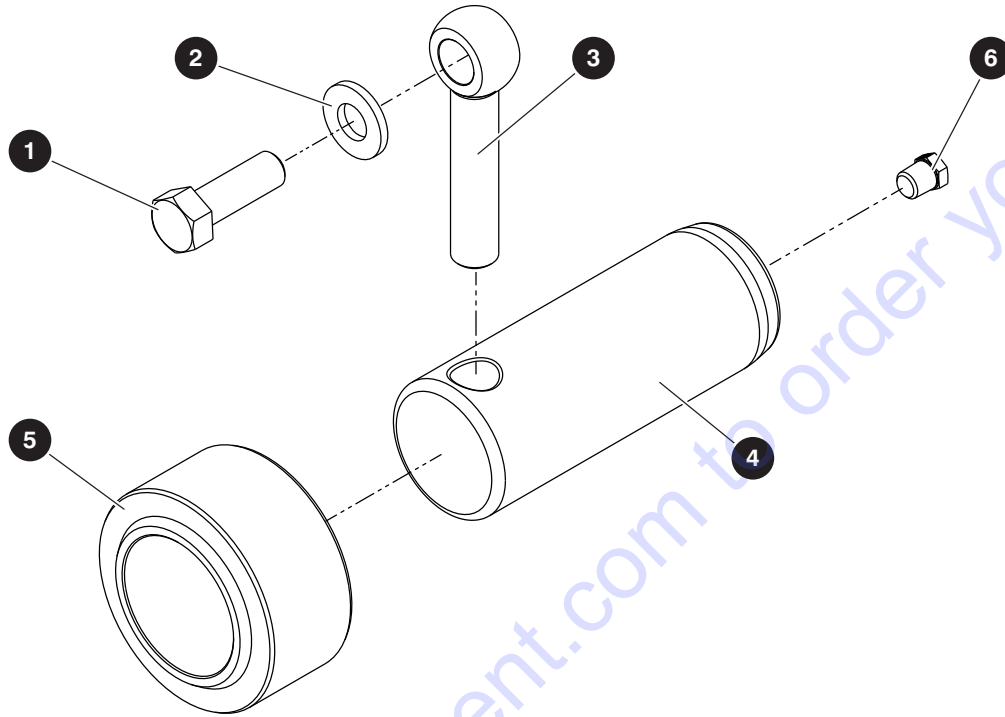
**Style B Clevis**



Go to Discount-Equipment.com to order your parts

 **NOTE**

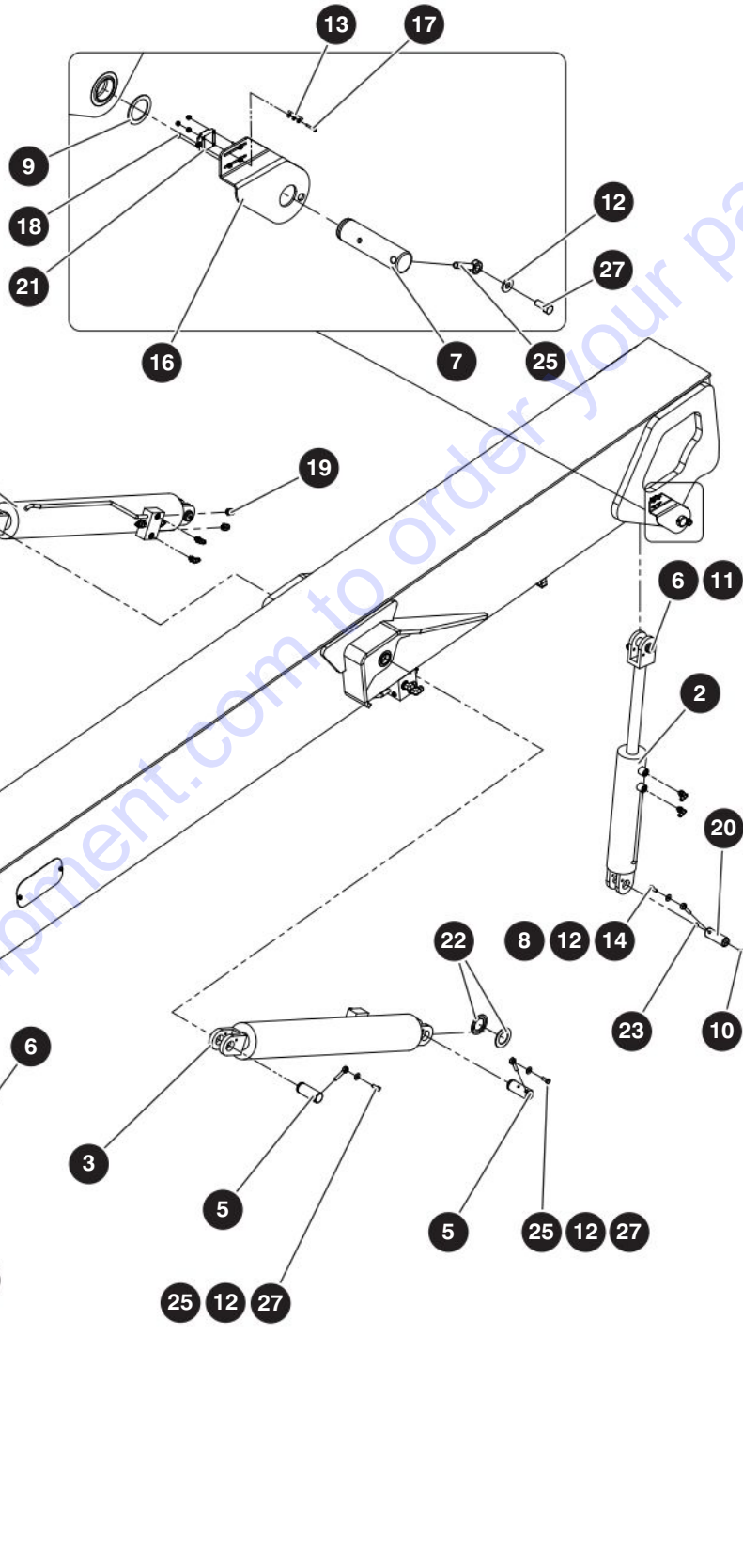
Make sure you order the correct hardware for your telehandler when replacing the bearings.



Index No.	Skyjack Part No.	Qty.	Description
<b>A</b>	236502		Assy, Maintenance Free Bearing, Grease Pin
<b>B</b>	236475		Assy, Maintenance Free Bearing, Greaseless Pin
1	220578		BOLT, Hex head, 1/2"-13 x 1-1/2" gr8 ZP
2	104379		Washer Flat 1/2" Hard
3	159860		PIN, Keeper- 5/8" short
4	220521		PIN, 2" OD x 5-9/32 - <b>A</b>
-	236503		PIN, 2" OD x 5-9/32, greaseless - <b>B</b>
5	230942		BEARING, Spherical maintenance free 2.00
6	230941		PLUG, External hex pipe 1/8" - <b>A</b>

# 7.1 Boom Installation

Pin Hardware			
Item	1/2" Pin	5/8" Pin	Description
5	9-191867	9-220521	Pin
7	9-191366	9-230936	Pin
25	9-191232	9-159860	Anchor Pin
27	9-169942	9-220578	Bolt
26	N/A	9-220526	Spacer



M190962AD

190126AG

282

SJ1044 TH, SJ1044 THS, SJ1056 TH, SJ1056 THS

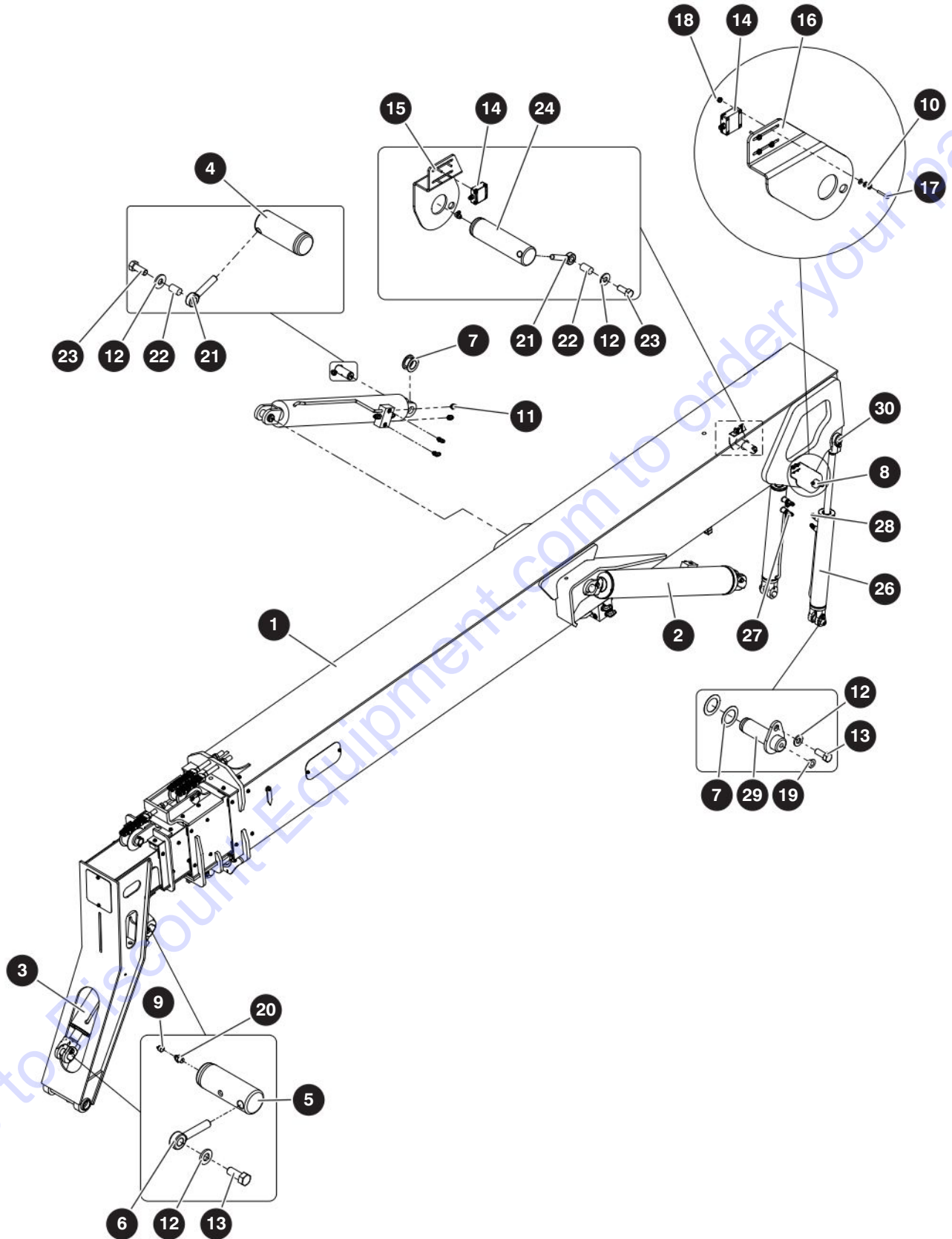
SKYJACK

## 7.1 Boom Installation

Index No.	Skyjack Part No.	Qty.	Description
-	9-190932	1	SUBGROUP, BOOM 1056 <i>For serial number 87312008 and below</i>
1	(Ref.)	1	• ASSEMBLY, BOOM 1056 <i>(For components, refer to Section 7.3)</i>
2	9-190513	1	• CYLINDER ASSEMBLY, TILT COMP
-	9-114583	2	• • FITTING, 90° (08 JICM - 08 ORBM)
-	(Ref.)	1	• • CYLINDER, Tilt comp 120B <i>(For components, refer to Section 8.5)</i>
3	9-190512	2	• CYLINDER ASSEMBLY, LIFT 150B
-	9-114583	4	• • FITTING, 90° (08 JICM - 08 ORBM)
-	(Ref.)	2	• • CYLINDER, Lift 150B <i>(For components, refer to Section 8.3)</i>
4	9-190511	1	• CYLINDER ASSEMBLY, FORK TILT
-	9-114583	2	• • FITTING, 90° (08 JICM - 08 ORBM)
-	(Ref.)	1	• • CYLINDER, Fork Tilt 120B <i>(For components, refer to Section 8.4)</i>
5A	9-220521	4	• PIN, 2" DIA x 5-9/32" long <i>(uses 5/8" anchor pin)</i>
5B	9-191867	4	• PIN, 2" DIA x 5-1/8" long <i>(uses 1/2" anchor pin)</i>
6	9-191866	3	• PIN, 1-3/4" DIA X 4-3/4" long
7A	9-230936	2	• PIN, 2" DIA x 7-17/32" long <i>(uses 5/8" anchor pin)</i>
7B	9-191366	2	• PIN, 2" DIA x 7-3/8" long <i>(uses 1/2" anchor pin)</i>
8	9-191232	3	• PIN, Anchor
9	9-931574	2	• WASHER, Thrust
10	9-700510	2	• FITTING, Grease, 1/8" NPT 90°
11	9-102027	2	• FITTING, GREASE 1/8" NPT Straight
12	9-104379	10	• WASHER, Flat 1/2" USS
13	9-191833	24	• WASHER, Flat #6
14	9-169942	3	• BOLT, Hex head 1/2"-13x1-1/4" Grade 8
15	9-191826	1	• PLATE, Sensor mount 70° - 10K
16	9-191825	1	• PLATE, Sensor mount 40° - 10k
17	9-103956	8	• SCREW, Round head machine 6-32 x 1"
18	9-196306	8	• NUT, Lock with nylon insert 6-32 Grade 5
19	9-144279	2	• FITTING, (08 SAE - 12 JIC)
20	9-191741	1	• PIN, 1-3/4" DIA X 5-3/16" Long
21	9-190547	2	• SENSOR, Inductive proxi 15mm
22	9-196586	4	• SPACER, Lift cylinder 10K
23	9-197449	1	• PLUG, 1/2" Wide flange
24	9-132565	4	• CAP, Grease GC5 (Not Shown)
25A	9-159860	7	• PIN, Anchor - 5/8"
25B	9-191232	6	• PIN, Anchor - 1/2"
26A	9-220526	7	• SPACER, .641ODx.531IDx.688LG
27A	9-220578	7	• BOLT, HEX HD\PATCH\0.5-13 X 1.50 gr8 ZP
27B	9-169942	6	• BOLT, Hex head 1/2"-13x1-1/4" Gr. 8
-	9-190456	1	QA ATTACHMENT SUBGROUP
-	9-235348	1	• KIT, Apron and Bearing
28	9-190016	1	• • WELDMENT, Apron
29	9-920767	1	• • BEARING, Spherical
30	9-190017	1	• PIN, 1.993" DIA x 18-1/2" long
31	9-931602	2	• WASHER, Thrust
32	9-700782	1	• WASHER, Flat 5/8" hard
33	9-148944	1	• BOLT, Hex head patch 5/8"-11 x 1-3/4" grade 8
34	9-146898	1	• PIN, Keeper 5/8"



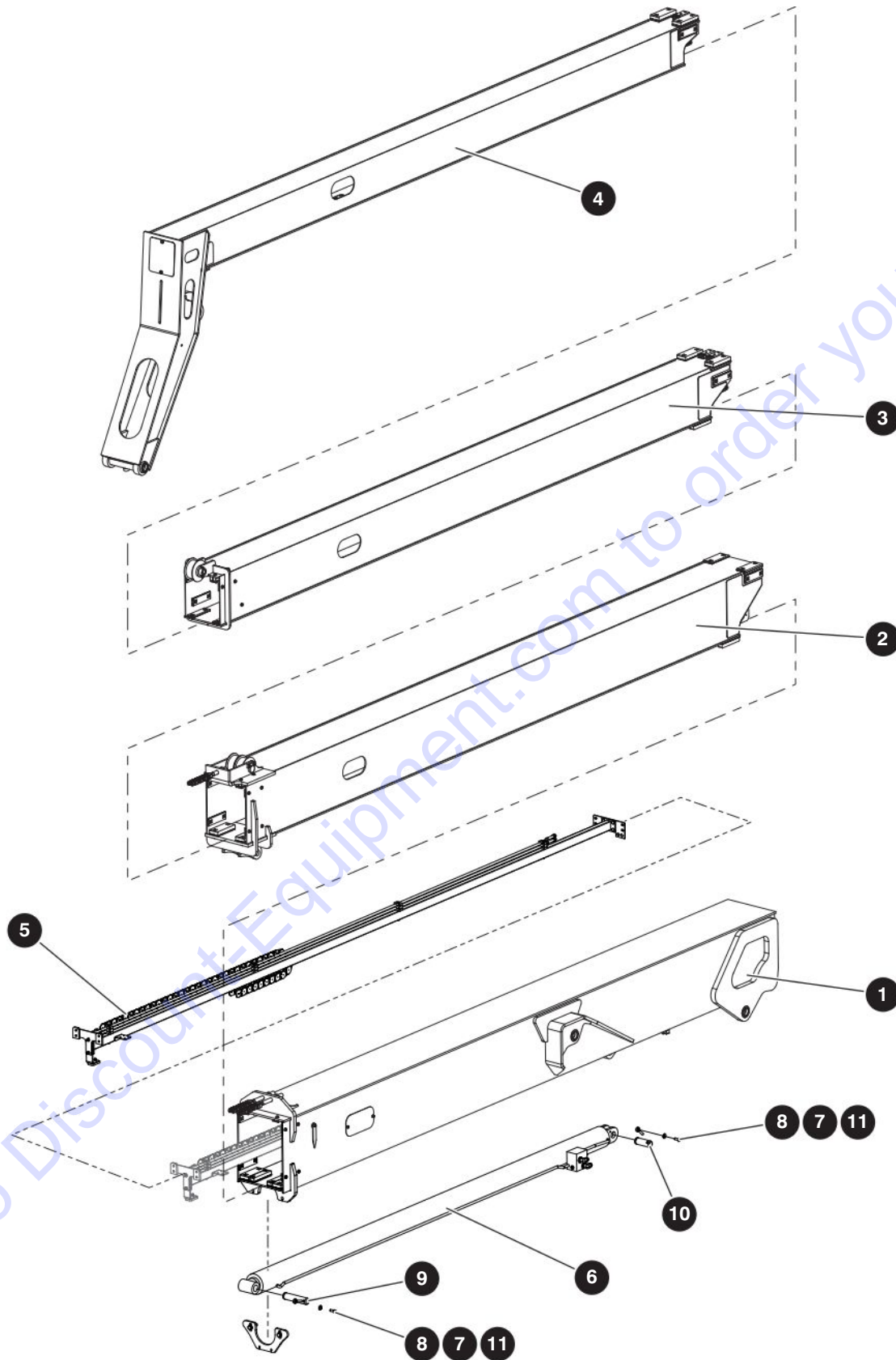
## 7.2 Boom Installation - Dual tilt



## 7.2 Boom Installation - Dual tilt

Index No.	Skyjack Part No.	Qty.	Description
<i>For serial number 87312009 and above</i>			
1	232334	1	• BOOM ASSEMBLY, 1056
2	190512	2	• CYLINDER ASSEMBLY, LIFT 150B
28		2	• • FTG, 90 DEG (08JICM-08ORBM)
3	190511	1	• CYLINDER ASSEMBLY, FORK LIFT
28		2	• • FTG, 90 DEG (08JICM-08ORBM)
4	220521	4	• PIN, 2.00ODx5.281
5	191866	2	• PIN, 1.75 DIA X 4.75 LG
6	191232	2	• PIN, ANCHOR
7	196586	4	• SPACER, LIFT CYL 10K
8	931574	2	• WASHER THRUST 2" ID X 2.74" OD - 0.092"THK
9	102027	2	• FTG GREASE 1/8 NPT STRAIGHT
10	191833	24	• WASHER, FLAT #6
11	144279	2	• FTG, 8 SAE TO -12 JIC
12	104379	12	• Washer Flat 0.500 Hard
13	169942	6	• BOLT, HXHD .500-13x1.250 GR8 ZN
14	190547	2	• SENSOR, INDUCTIVE PROXI 15MM
15	191826	1	• PLATE, SENSOR MOUNT 70 - 10K
16	191825	1	• PLATE, SENSOR MOUNT 40 - 10K
17	103956	8	• SCREW, RND HD MACHINE 6-32 x 1.000
18	196306	8	• NUT, LOCK 6-32 GR5 - NYL
19	197449	2	• PLUG 1/2" WIDE FLANGE
20	132565	2	• CAP, GREASE GC5
21	159860	6	• KEEPER PIN - 0.625 SHORT
22	220526	6	• SPACER, .641ODx.531IDx.688LG
23	220578	6	• BOLT, HEX HD\PATCH\0.5-13 X 1.50 gr8 ZP
24	230936	2	• PIN, 2.00ODx7.531 NO GREASE
25	230941	4	• PLUG, EXTERNAL HEX PIPE 1/8"
26	235240	2	• CYLINDER, TILT COMP
27	110554	2	• FTG, RUN TEE (8JICM-8ORBM-8JICM)
28	114583	2	• FTG, 90 DEG (08JICM-08ORBM)
29	235248	2	• PIN WLDT, 1.375 DIA X 4.875 LG
30	235241	2	• PIN WLDT, 1.375 DIA X 4.375 LG
31	236328	8	• THRUST WASHER, 1.375ID X 2.062OD X .03THK

### 7.3 Boom Assembly SJ1056 TH/THS

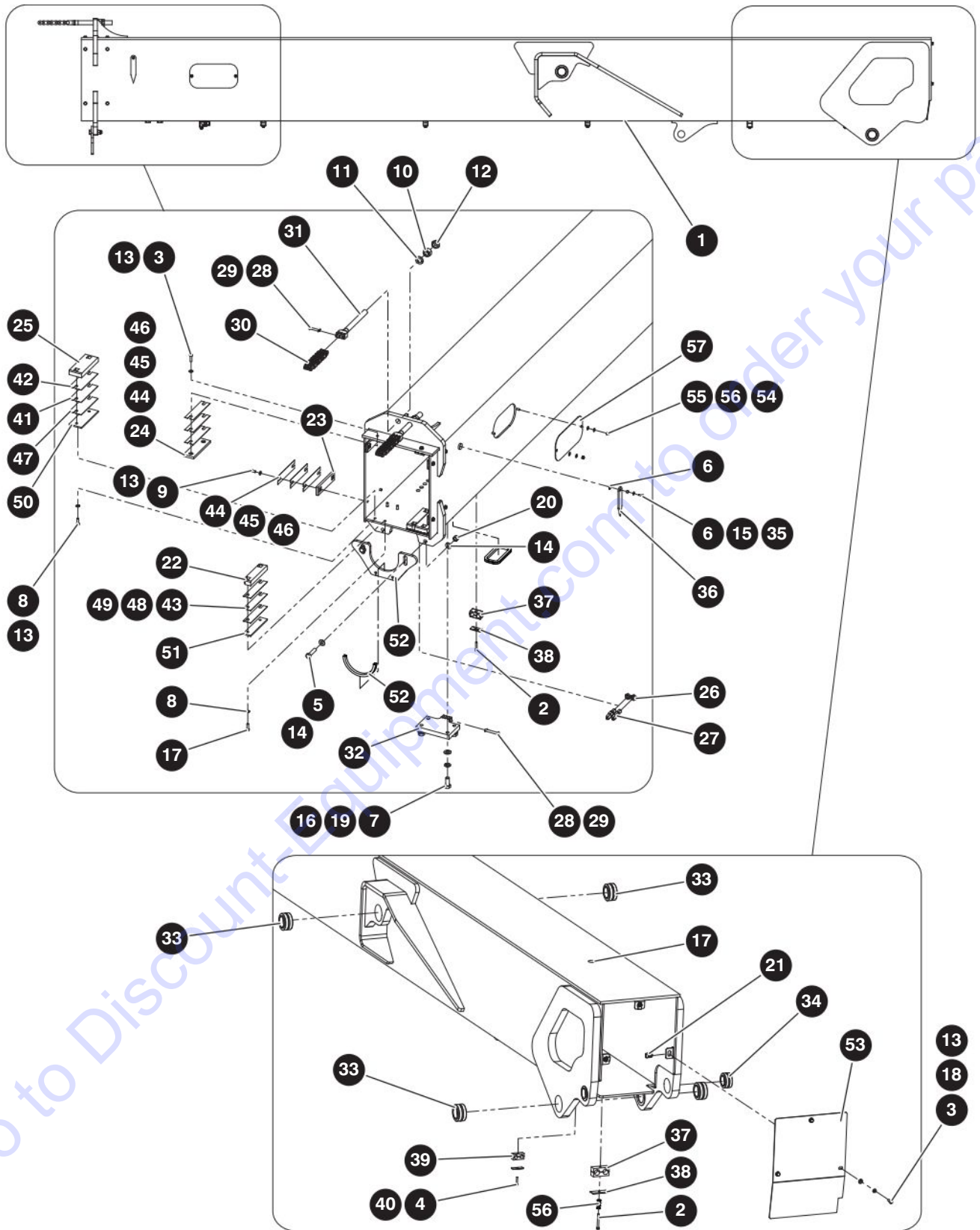


M190453AA

## 7.3 Boom Assembly SJ1056 TH/THS

Index No.	Skyjack Part No.	Qty.	Description
-	9-190453	1	ASSEMBLY, BOOM 1056
1	(Ref.)	1	<ul style="list-style-type: none"> <li>• ASSEMBLY, First boom 1056</li> </ul> <i>(For components, refer to Section 7.4)</i>
2	(Ref.)	1	<ul style="list-style-type: none"> <li>• ASSEMBLY, Second boom 1056</li> </ul> <i>(For components, refer to Section 7.5)</i>
3	(Ref.)	1	<ul style="list-style-type: none"> <li>• ASSEMBLY, Third boom 1056</li> </ul> <i>(For components, refer to Section 7.6)</i>
4	(Ref.)	1	<ul style="list-style-type: none"> <li>• ASSEMBLY, Fourth boom 1056</li> </ul> <i>(For components, refer to Section 7.7)</i>
5	(Ref.)	1	<ul style="list-style-type: none"> <li>• ASSEMBLY, Cable carrier</li> </ul> <i>(For components, refer to Section 7.9)</i>
6	(Ref.)	1	<ul style="list-style-type: none"> <li>• ASSEMBLY, Extension cylinder 1056</li> </ul> <i>(For components, refer to Section 7.8)</i>
7	9-104379	2	<ul style="list-style-type: none"> <li>• WASHER, Flat 1/2" hard</li> </ul>
8	9-169942	2	<ul style="list-style-type: none"> <li>• BOLT, Hex head 1/2"-13 X 1-1/4" grade 8 zinc</li> </ul>
9	9-190029	1	<ul style="list-style-type: none"> <li>• PIN, 1-3/4" DIA X 7-7/8" long</li> </ul>
10	9-190018	1	<ul style="list-style-type: none"> <li>• PIN, 1-3/4" DIA X 4-7/8" long</li> </ul>
11	9-191232	2	<ul style="list-style-type: none"> <li>• PIN, Anchor</li> </ul>

## 7.4 First Boom Assembly SJ1056 TH/THS

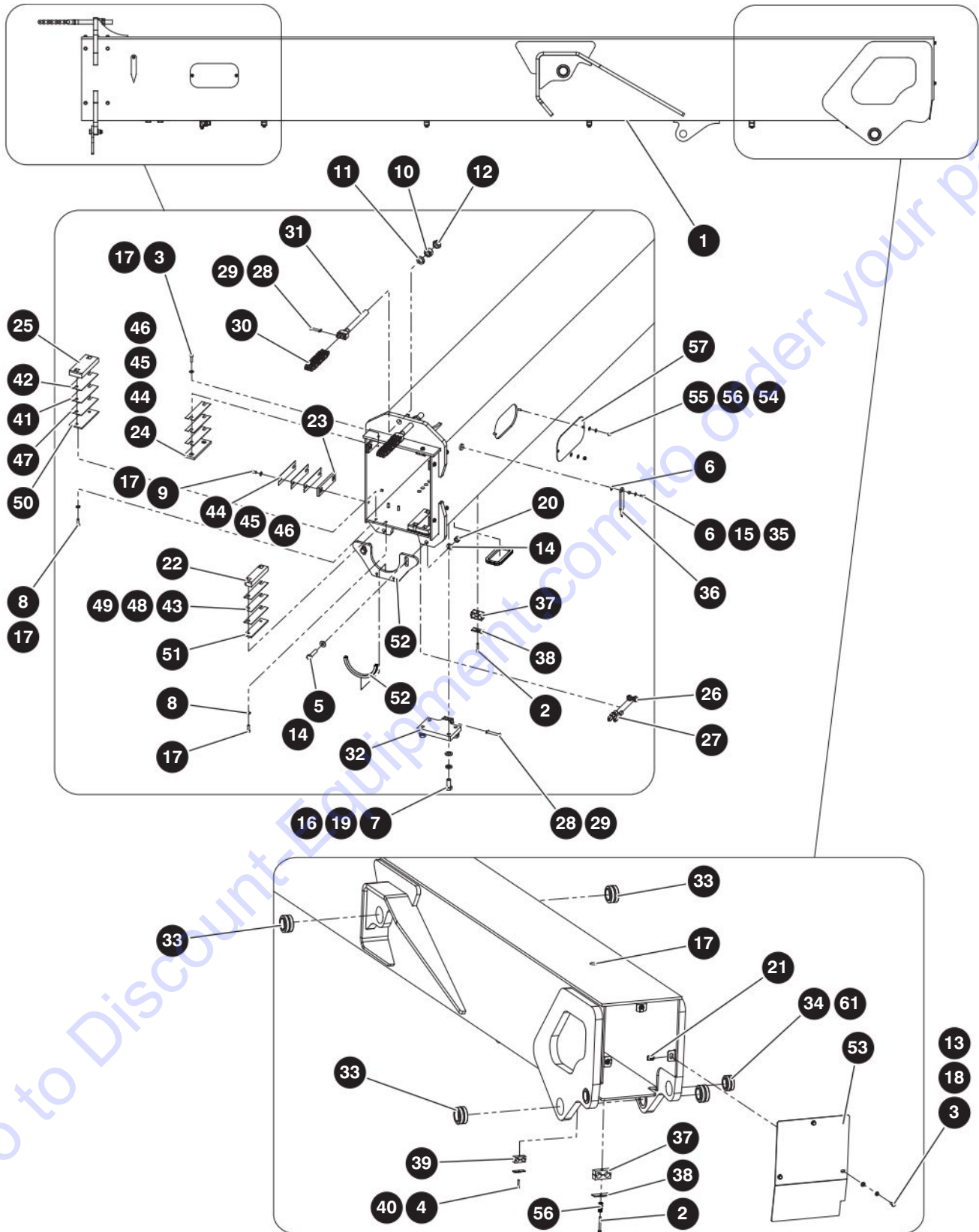


M232335AA

## 7.4 First Boom Assembly SJ1056 TH/THS

Index No.	Skyjack Part No.	Qty.	Description
1	9-190304	1	WELDMENT, First boom 1056
<b>A</b>	9-190269	1	ASSEMBLY, FIRST BOOM 1056 <b>For serial number 87312008 and below</b>
<b>B</b>	232335	1	ASSEMBLY, FIRST BOOM 1056 <b>For serial number 87312009 and above</b>
2	9-103866	2	• BOLT, Hex head 5/16"-18 X 2-1/4" grade 5
3	9-207298	7	• BOLT, Hex head 3/8"-16 X 1" grade 8
4	9-103885	5	• BOLT, Hex head 5/16"-18 X 1-3/4" grade 5
5	9-100844	2	• BOLT, Hex head 5/8"-11 X 2-3/4" grade 8
6	9-103891	1	• BOLT, Hex head 1/4"-20 X 7/8" grade 5
7	9-933473	4	• BOLT, Hex head 3/4"-10 x 1-3/4"
8	9-117430	8	• BOLT, Hex head 3/8"-16 X 1-1/4" grade 8
9	9-158488	8	• BOLT, Hex head 3/8"-16 X 3/4" grade 8
10	9-411959	2	• NUT, Hex 1"-14 grade 8 zinc DICH
11	9-932724	2	• WASHER, Flat
12	9-107947	2	• NUT, Jam hex head 1"-14 grade 5
13	9-125959	27	• WASHER, Flat 3/8" SAE hard
14	9-700782	4	• WASHER, Flat 5/8" hard
15	9-103995	1	• WASHER, 5/16" ID X 3/4" OD X 1/16" zinc
16	9-702194	4	• WASHER, Flat 3/4" hard high zinc
17	9-196369	2	• PLUG, Plastic 3/4" tube ID
18	9-103999	3	• WASHER, Lock 3/8"
19	9-104002	4	• WASHER, Lock 3/4"
20	9-111577	2	• NUT, Lock with nylon insert 5/8"-11 grade 5
21	9-159294	3	• NUT, Speed clip 3/8"-16
22	9-191269	2	• WEAR PAD, 27 X 45 X 190
23	9-191266	4	• WEAR PAD, 12 X 50 X 190
24	9-191268	2	• WEAR PAD, Black 12 X 50 X 190
25	9-191267	2	• WEAR PAD, Black 27 X 75 X 190
26	9-154242	2	• NUT, Bulkhead - 08 JIC
27	9-154241	2	• FITTING, 90° Bulkhead (08 JICM - 08 JICM)
28	9-933615	3	• PIN, Cotter
29	9-930127	3	• PIN, Anchor 3/8"
30	9-190465	2	• CHAIN, Extend BL866 1056
			Part list continued in following page

## 7.4 First Boom Assembly SJ1056 TH/THS



M232335AA

190126AG

290

SJ1044 TH, SJ1044 THS, SJ1056 TH, SJ1056 THS

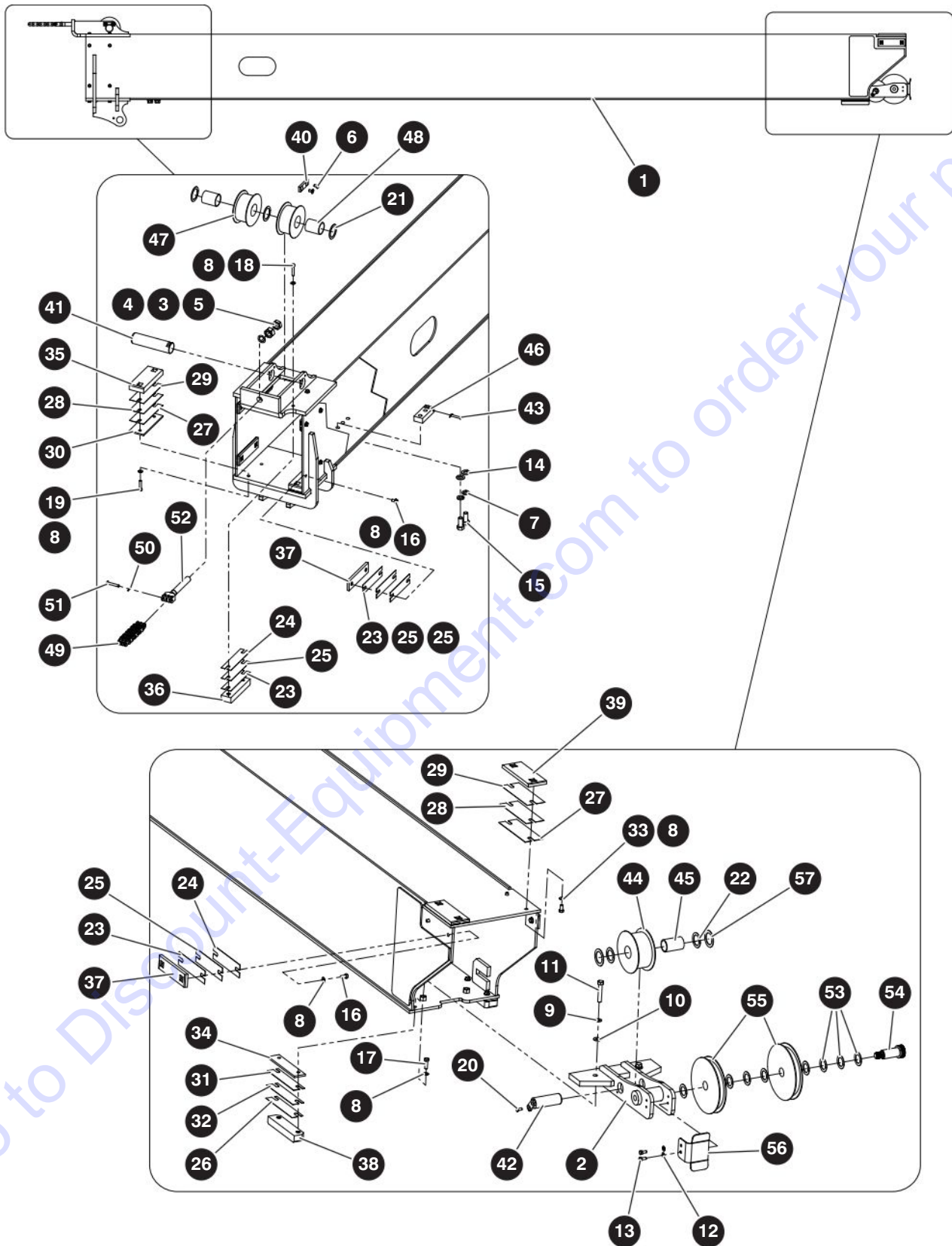
SKYJACK

## 7.4 First Boom Assembly SJ1056 TH/THS

Index No.	Skyjack Part No.	Qty.	Description
			Part list continued from previous page
31	9-191312	2	• ANCHOR, Chain threaded BL866
32	9-190467	1	• ANCHOR, Chain 866
33	9-230942	4	• BEARING, 2" Spherical maintenance free
34	9-920767	1	• BEARING, Spherical - <b>A</b>
35	9-190545	1	• SPACER, Stainless Steel 1/2" OD X 5/16" long X 0.252" ID
36	9-190019	1	• PLATE, Angle indicator
37	9-199907	2	• CLAMP, Twin #12
38	9-190217	2	• PLATE, Cover 4D
39	9-199762	5	• CLAMP, Twin #08
40	9-932673	5	• COVER PLATE
41	9-920273	2	• PLATE, Shim
42	9-920274	2	• PLATE, Shim
43	9-920272	2	• PLATE, Shim
44	9-927040	6	• PLATE, Shim
45	9-926942	6	• PLATE, Shim
46	9-926177	6	• PLATE, Shim
47	9-930195	2	• PLATE, Shim
48	9-926488	2	• PLATE, Shim
49	9-920271	2	• SHIM, Narrow offset
50	9-190215	2	• PLATE, Spacer 1/4"
51	9-190218	2	• PLATE, Spacer 1/4" narrow
52	9-191344	1	• PLATE, Cylinder support
53	9-190464	1	• COVER, Boom - <b>A</b>
	235257	1	• COVER, Boom - <b>B</b>
54	9-103404	4	• WASHER, Lock 5/16"
55	9-100397	4	• NUT, 5/16"-18 grade 5
56	9-103996	12	• WASHER, Flat 5/16"
57	9-191377	2	• PLATE, Side cover
58	9-191841	1	• SPACER, 17/32" ID x 1" OD X 22 GA
59	9-119922	9	• PROTECTIVE TRIM 1/4-1/2"
60	9-119922	12	• PROTECTIVE TRIM 1/4-1/2"
61	9-235239	2	• BEARING, SPHERICAL MAINT-FREE DIA 1-3/8" - <b>B</b>



## 7.5 Second Boom Assembly SJ1056 TH/THS



M190303AH

190126AG

292

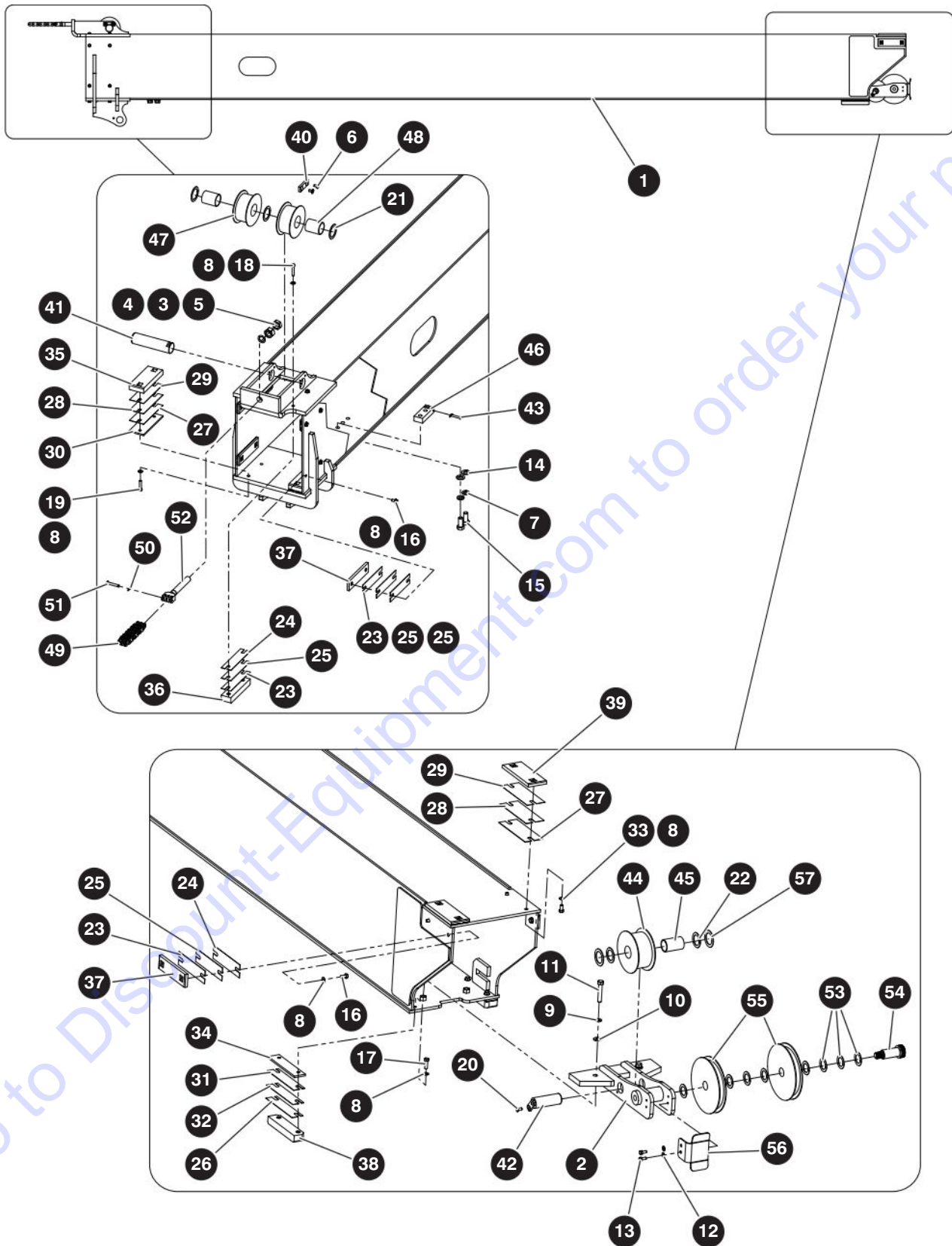
SJ1044 TH, SJ1044 THS, SJ1056 TH, SJ1056 THS

SKYJACK

## 7.5 Second Boom Assembly SJ1056 TH/THS

Index No.	Skyjack Part No.	Qty.	Description
1	9-190305	1	WELDMENT, Second boom 1056
-	9-190303	1	ASSEMBLY, SECOND BOOM 1056
2	9-191355	1	• WELDMENT, Finger 1056
3	9-411959	1	• NUT, Hex 1"-14 grade 8 zinc DICH
4	9-932724	1	• WASHER, Flat
5	9-107947	1	• NUT, Hex head jam 1"-14 grade 5
6	9-701620	2	• SCREW, Flat HCS 3/8"-16 X 3/4" grade 5
7	9-104002	2	• WASHER, Lock 3/4"
8	9-125959	34	• WASHER, Flat 3/8" Hard
9	9-126286	2	• WASHER, Lock 1/2" grade 8
10	9-104379	2	• WASHER, Flat 1/2" SAE hard
11	9-123855	2	• BOLT, Hex head 1/2"-13 X 2-3/4" grade 8
12	9-103996	2	• WASHER, 11/32" ID X 3/4" OD X 3/32" zinc
13	9-103887	2	• BOLT, Hex head 5/16"-18 X 3/4" grade 5
14	9-702194	2	• WASHER, Flat 3/4" hard high zinc
15	9-933473	2	• BOLT, Hex head 3/4"-10 X 1-3/4"
16	9-158488	12	• BOLT, Hex head 3/8"-16 X 3/4" grade 8
17	9-117430	4	• BOLT, Hex head 3/8"-16 X 1-1/4" grade 8
18	9-706789	4	• BOLT, Hex head 3/8"-16 X 1/1-2" grade 8
19	9-197754	4	• BOLT, Hex head 3/8"-16 X 1-3/4" grade 8
20	9-704642	1	• SCREW, Flat head cap 5/16"-18 X 3/4" grade 5
21	9-931602	3	• WASHER, Thrust 0.060"
22	9-191081	2	• WASHER, Thrust 1-1/2" ID X 2-3/16" OD X 1/16" thick
23	9-927040	8	• PLATE, Shim
24	9-926177	8	• PLATE, Shim
25	9-926942	8	• PLATE, Shim
26	9-920272	2	• PLATE, Shim
27	9-930195	4	• PLATE, Shim
28	9-920273	4	• PLATE, Shim
29	9-920274	4	• PLATE, Shim
30	9-190215	2	• PLATE, Spacer 1/4"
			Part list continued in following page

## 7.5 Second Boom Assembly SJ1056 TH/THS



M190303AH

190126AG

294

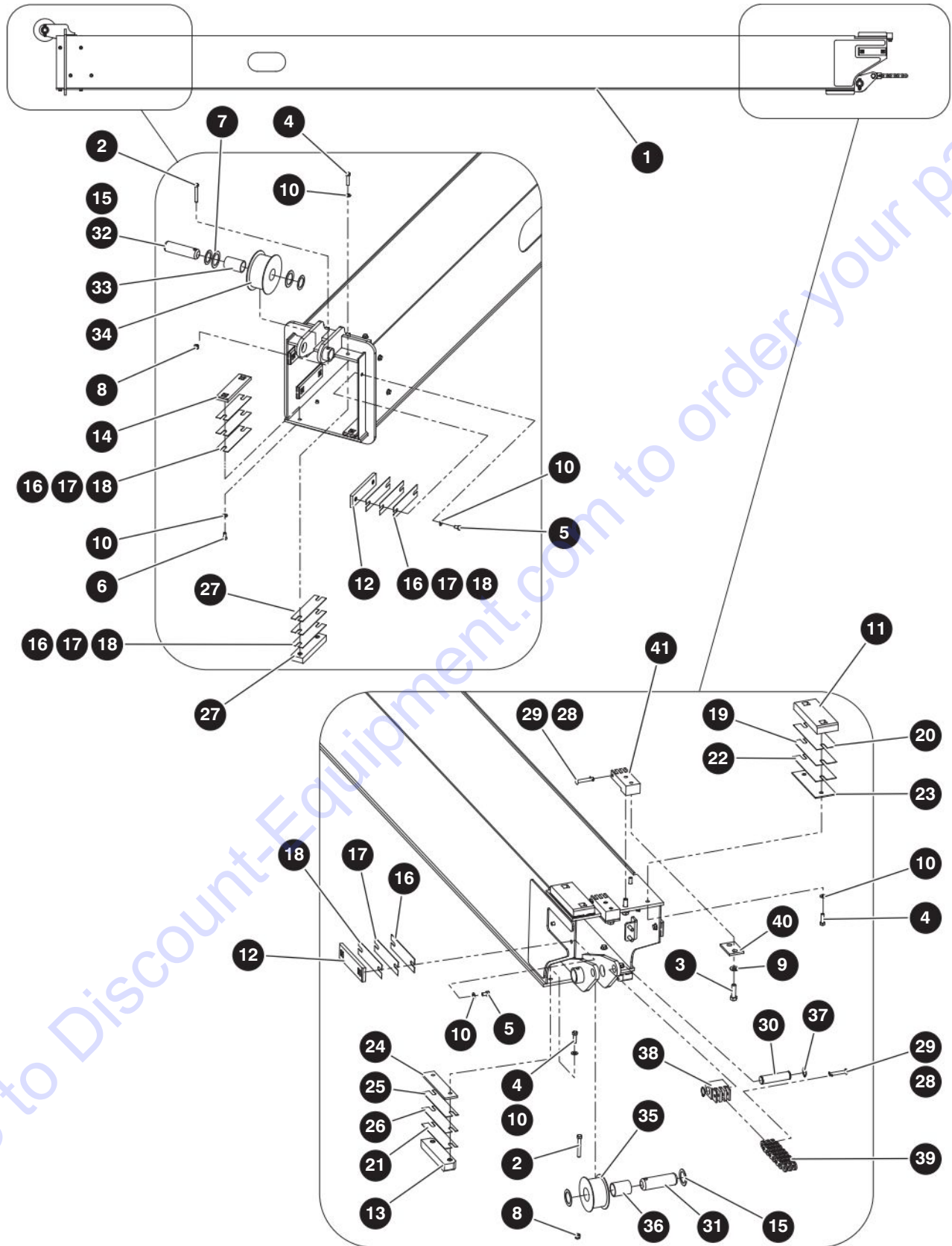
SJ1044 TH, SJ1044 THS, SJ1056 TH, SJ1056 THS

SKYJACK

## 7.5 Second Boom Assembly SJ1056 TH/THS

Index No.	Skyjack Part No.	Qty.	Description
			Part list continued from previous page
31	9-926488	2	• PLATE, Shim
32	9-920271	2	• SHIM, Narrow offset
33	9-125741	4	• BOLT, Hex head 3/8"-16 X 7/8" grade 8
34	9-190218	2	• PLATE, Spacer 1/4" narrow
35	9-191267	2	• WEAR PAD, Black 27 X 75 X 190
36	9-221762	2	• WEAR PAD, Black 31 X 50 X 190
37	9-191266	6	• WEAR PAD, 12 X 50 X 190
38	9-191269	2	• WEAR PAD, 27 X 45 X 190
39	9-191270	2	• WEAR PAD, Black 12 X 75 X 190
40	9-412349	1	• BAR, Lock
41	9-190798	1	• PIN, 2" DIA X 7-13/16" long
42	9-190821	1	• PIN, Weldment 1-1/2" DIA X 4-3/16" long
43	9-191228	1	• PIN, Anchor BL666
44	9-190030	1	• SHEAVE, Chain BL866
45	9-198871	1	• BEARING, 1-1/2" ID X 1-3/4" OD X 2-3/4" long
46	9-191188	1	• ANCHOR, Chain BL666
47	9-190796	2	• SHEAVE, Chain BL866 2-1/4" ID
48	9-190797	2	• BEARING, 2" ID X 2-1/4" OD X 2-3/4" long
49	9-190822	1	• CHAIN, Extend BL866, 1056
50	9-933615	2	• PIN, Cotter
51	9-930127	1	• PIN, Anchor 3/8"
52	9-191367	1	• ANCHOR, Chain threaded BL866
53	9-412663	8	• WASHER, Thrust
54	9-191097	1	• BOLT, Shoulder 1-1/4" DIA X 2-1/2" long
55	9-191115	2	• SHEAVE, Hose
56	9-191127	1	• BRACKET, Sheave guard
57	9-412664	2	• WASHER, Thrust

## 7.6 Third Boom Assembly SJ1056 TH/THS

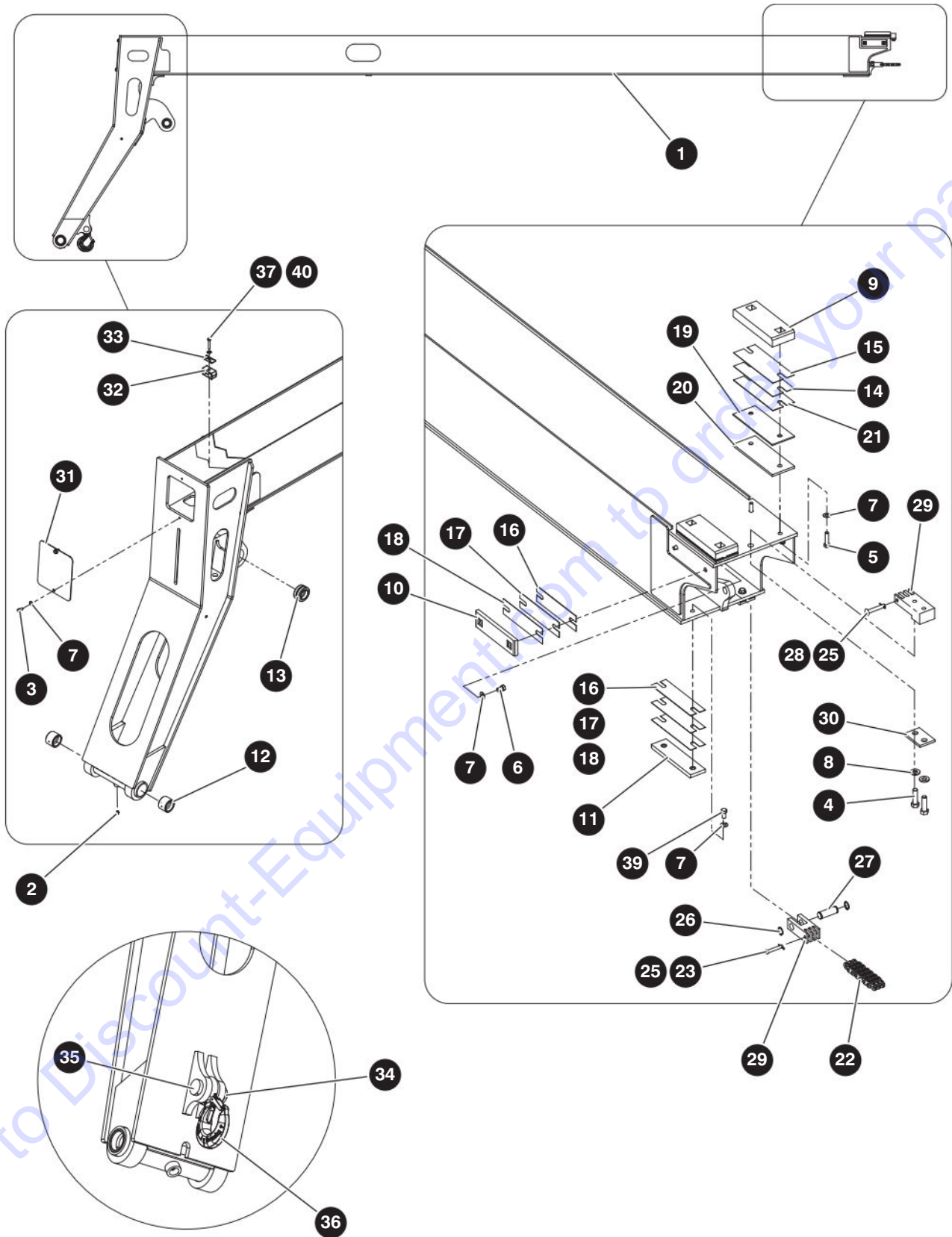


M190454AH

## 7.6 Third Boom Assembly SJ1056 TH/THS

Index No.	Skyjack Part No.	Qty.	Description
1	9-190306	1	WELDMENT, Third boom 1056
-	9-190454	1	ASSEMBLY, THIRD BOOM 1056
2	9-103874	2	• BOLT, Hex head 3/8"-16 X 3-3/4" grade 5
3	9-126361	4	• BOLT, Hex head 1/2"-13 X 1-3/4" grade 8
4	9-117430	12	• BOLT, Hex head 3/8"-16 X 1-1/4" grade 8
5	9-217907	12	• BOLT, Hex head 3/8"-16 X 5/8" grade 8
6	9-125741	4	• BOLT, Hex head 3/8"-16 X 7/8" grade 8
7	9-412664	4	• WASHER, Thrust
8	9-104606	2	• NUT, Lock with nylon insert 3/8"-16 grade 5
9	9-104379	4	• WASHER, Flat 1/2" SAE hard
10	9-125959	32	• WASHER, Flat 3/8" Hard
11	9-191267	2	• WEAR PAD, Black 27 X 75 X 190
12	9-191266	6	• WEAR PAD, 12 X 50 X 190
13	9-191269	2	• WEAR PAD, 27 X 45 X 190
14	9-191268	2	• WEAR PAD, Black 12 X 50 X 190
15	9-191081	4	• WASHER, Thrust 1-1/2" ID X 2-3/16" OD X 1/16" thick
16	9-926177	10	• PLATE, Shim
17	9-926942	10	• PLATE, Shim
18	9-927040	10	• PLATE, Shim
19	9-920273	2	• PLATE, Shim
20	9-920274	2	• PLATE, Shim
21	9-920272	2	• PLATE, Shim
22	9-930195	2	• PLATE, Shim
23	9-190873	2	• PLATE, Spacer 10 GA
24	9-190218	2	• PLATE, Spacer 1/4 narrow
25	9-926488	2	• PLATE, Shim
26	9-920271	2	• SHIM, Narrow offset
27	9-221763	2	• WEAR PAD, Black 37.5 x 50 x 190
28	9-930127	3	• PIN, Anchor 3/8"
29	9-933615	3	• PIN, Cotter
30	9-191360	1	• PIN, 1" DIA X 4" long
31	9-191359	1	• PIN, 1-1/2" DIA X 4-3/4" long
32	9-190031	1	• PIN, 1-1/2" DIA X 5-3/8" long
33	9-198871	1	• BEARING, 1-1/2" ID X 1-3/4" OD X 2-3/4" long
34	9-190030	1	• SHEAVE, Chain BL866
35	9-191358	1	• SHEAVE, Chain BL666
36	9-198872	1	• BEARING, 1-1/2" ID X 1-3/4" OD X 2-1/4" long
37	9-404830	2	• RING, Retaining 1" shaft diameter
38	9-191361	1	• ANCHOR, Chain BL866
39	9-190466	1	• CHAIN, Retract BL866, 1056
40	9-190204	2	• PLATE, Anchor mount
41	9-190205	2	• ANCHOR, Chain stepped 866

## 7.7 Fourth Boom Assembly SJ1056 TH/THS



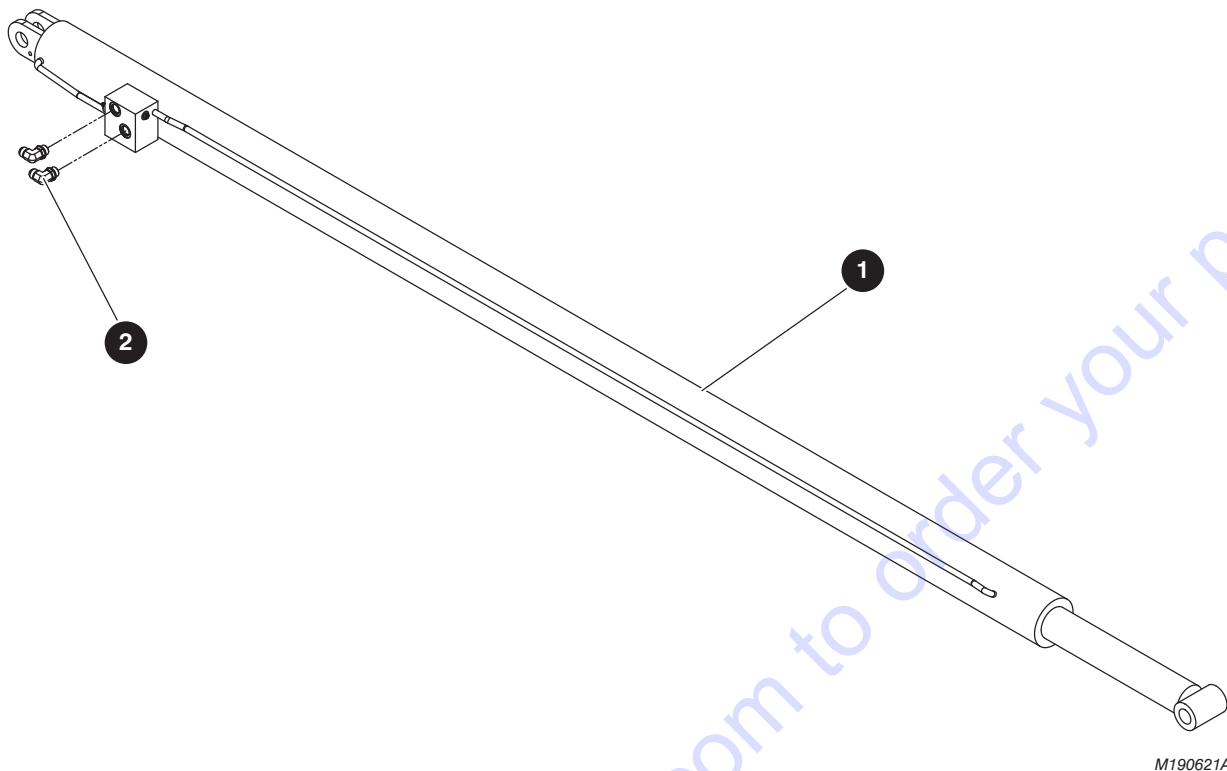
M190455AA

## 7.7 Fourth Boom Assembly SJ1056 TH/THS

Index No.	Skyjack Part No.	Qty.	Description
1	9-190308	1	<ul style="list-style-type: none"> <li>• WELDMENT, 4th boom 1056</li> </ul>
-	9-190455	1	ASSEMBLY, FOURTH BOOM 1056
2	9-102027	1	<ul style="list-style-type: none"> <li>• FITTING, 1/8" Grease straight</li> </ul>
3	9-104379	2	<ul style="list-style-type: none"> <li>• BOLT, Hex head 3/8"-16 X 3/4" grade 8</li> </ul>
4	9-126361	2	<ul style="list-style-type: none"> <li>• BOLT, Hex head 1/2"-13 X 1-3/4" grad 8</li> </ul>
5	9-103870	4	<ul style="list-style-type: none"> <li>• BOLT, Hex head 3/8"-16 X 1-1/2" grad 5</li> </ul>
6	9-217907	4	<ul style="list-style-type: none"> <li>• BOLT, Hex head 3/8"-16 X 5/8" grade 8</li> </ul>
7	9-125959	18	<ul style="list-style-type: none"> <li>• WASHER, Flat 3/8" Hard</li> </ul>
8	9-104379	2	<ul style="list-style-type: none"> <li>• WASHER, Flat 1/2" SAE hard</li> </ul>
9	9-191267	2	<ul style="list-style-type: none"> <li>• WEAR PAD, Black 27 x 75 x 190</li> </ul>
10	9-191266	2	<ul style="list-style-type: none"> <li>• WEAR PAD, 12 X 50 X 190</li> </ul>
11	9-191268	2	<ul style="list-style-type: none"> <li>• WEAR PAD, Black 12 X 50 X 190</li> </ul>
12	9-931521	2	<ul style="list-style-type: none"> <li>• BEARING, Inner</li> </ul>
13	9-920767	1	<ul style="list-style-type: none"> <li>• BEARING, Spherical</li> </ul>
14	9-920273	2	<ul style="list-style-type: none"> <li>• PLATE, Shim</li> </ul>
15	9-920274	2	<ul style="list-style-type: none"> <li>• PLATE, Shim</li> </ul>
16	9-926177	4	<ul style="list-style-type: none"> <li>• PLATE, Shim</li> </ul>
17	9-926942	4	<ul style="list-style-type: none"> <li>• PLATE, Shim</li> </ul>
18	9-927040	4	<ul style="list-style-type: none"> <li>• PLATE, Shim</li> </ul>
19	9-190873	2	<ul style="list-style-type: none"> <li>• PLATE, Spacer 10 gauge</li> </ul>
20	9-190215	2	<ul style="list-style-type: none"> <li>• PLATE, Spacer 1/4"</li> </ul>
21	9-930195	2	<ul style="list-style-type: none"> <li>• PLATE, Shim</li> </ul>
22	9-191186	1	<ul style="list-style-type: none"> <li>• CHAIN, Retract BL666</li> </ul>
23	9-191228	1	<ul style="list-style-type: none"> <li>• PIN, Anchor BL666</li> </ul>
24	9-191117	1	<ul style="list-style-type: none"> <li>• ANCHOR, Chain BL666</li> </ul>
25	9-933615	2	<ul style="list-style-type: none"> <li>• PIN, Cotter</li> </ul>
26	9-933268	2	<ul style="list-style-type: none"> <li>• RING, Retainer</li> </ul>
27	9-190227	1	<ul style="list-style-type: none"> <li>• PIN, 3/4" DIA X 2.25" long</li> </ul>
28	9-930127	1	<ul style="list-style-type: none"> <li>• PIN, Anchor 3/8"</li> </ul>
29	9-190205	1	<ul style="list-style-type: none"> <li>• ANCHOR, Chain stepped 866</li> </ul>
30	9-190204	1	<ul style="list-style-type: none"> <li>• PLATE, Anchor mount</li> </ul>
31	9-190206	1	<ul style="list-style-type: none"> <li>• COVER, Fly boom</li> </ul>
32	9-199762	2	<ul style="list-style-type: none"> <li>• CLAMP</li> </ul>
33	9-932673	2	<ul style="list-style-type: none"> <li>• PLATE, Cover</li> </ul>
34	9-923135	1	<ul style="list-style-type: none"> <li>• PIN, Lynch 7/16" DIA X 1-3/4" long</li> </ul>
35	9-923134	1	<ul style="list-style-type: none"> <li>• PIN, Quick attach</li> </ul>
36	9-171205	1	<ul style="list-style-type: none"> <li>• HOOK, Rigging WLL 7.5T</li> </ul>
-	9-207914	1	<ul style="list-style-type: none"> <li>• • KIT, Latch, rigging hook</li> </ul>
37	9-103865	2	<ul style="list-style-type: none"> <li>• BOLT, Hex head 5/16"-18 X 2" grade 5</li> </ul>
38	9-132565	1	<ul style="list-style-type: none"> <li>• CAP, Grease GC5 (Not Shown)</li> </ul>
39	9-125741	4	<ul style="list-style-type: none"> <li>• BOLT, Hex head 3/8"-16 X 7/8" grade 8</li> </ul>
40	9-103996	2	<ul style="list-style-type: none"> <li>• WASHER, Flat 5/16"</li> </ul>

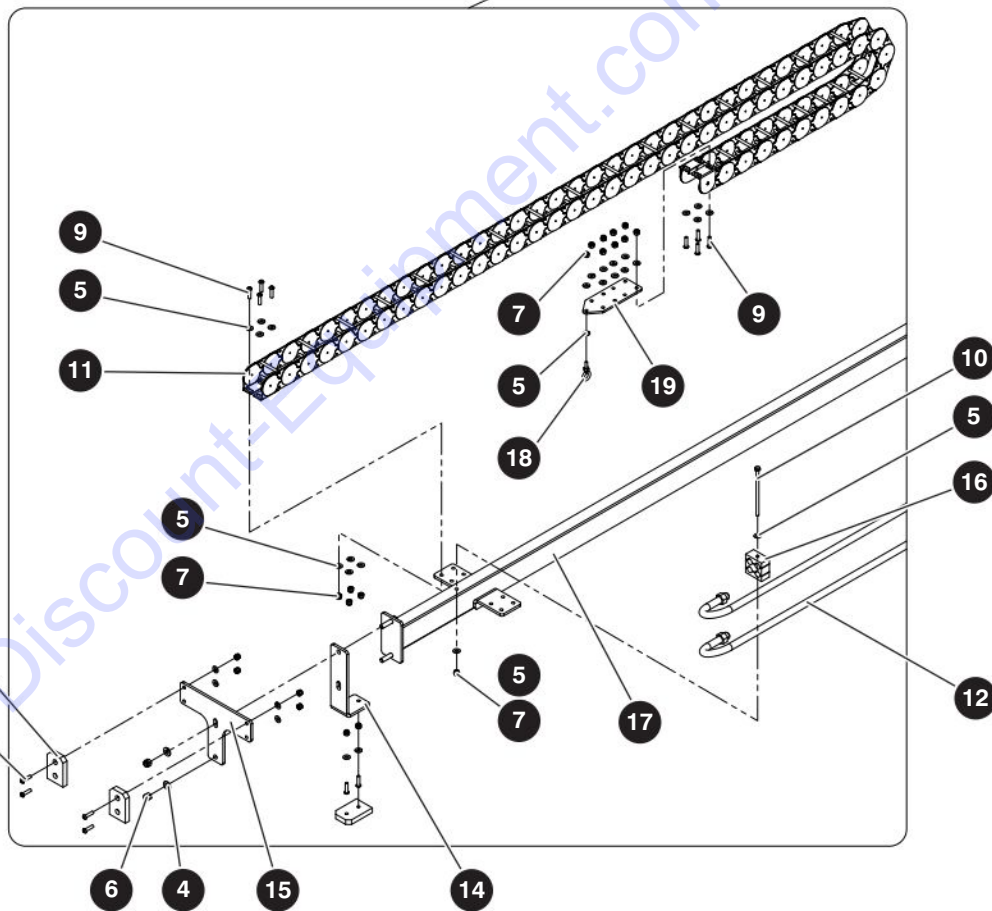
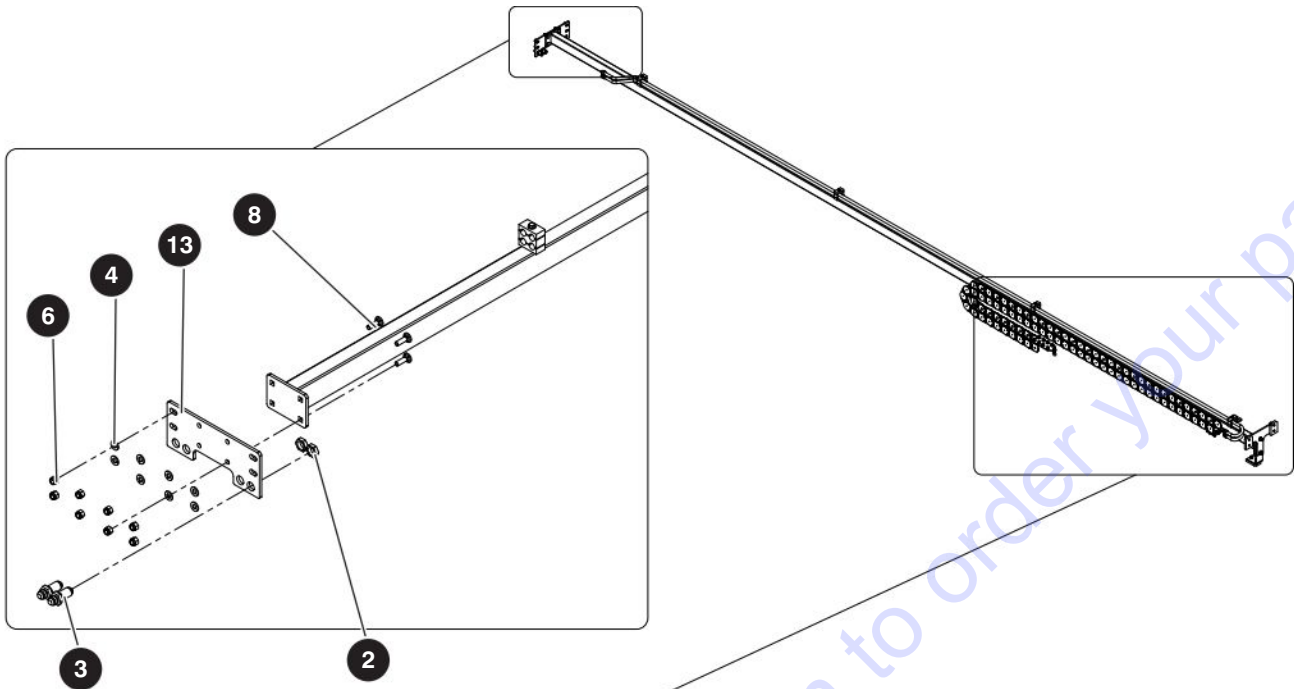


## 7.8 Extension Cylinder Assembly



Index No.	Skyjack Part No.	Qty.	Description
-	9-190621	1	ASSEMBLY, EXTENSION CYLINDER 1056
1	9-190044	1	• CYLINDER, Extend 130B
2	9-105445	2	• FITTING, 90° (12 JICM - 12 ORBM)

## 7.9 Cable Carrier Assembly



M190912AC

190126AG

**302**

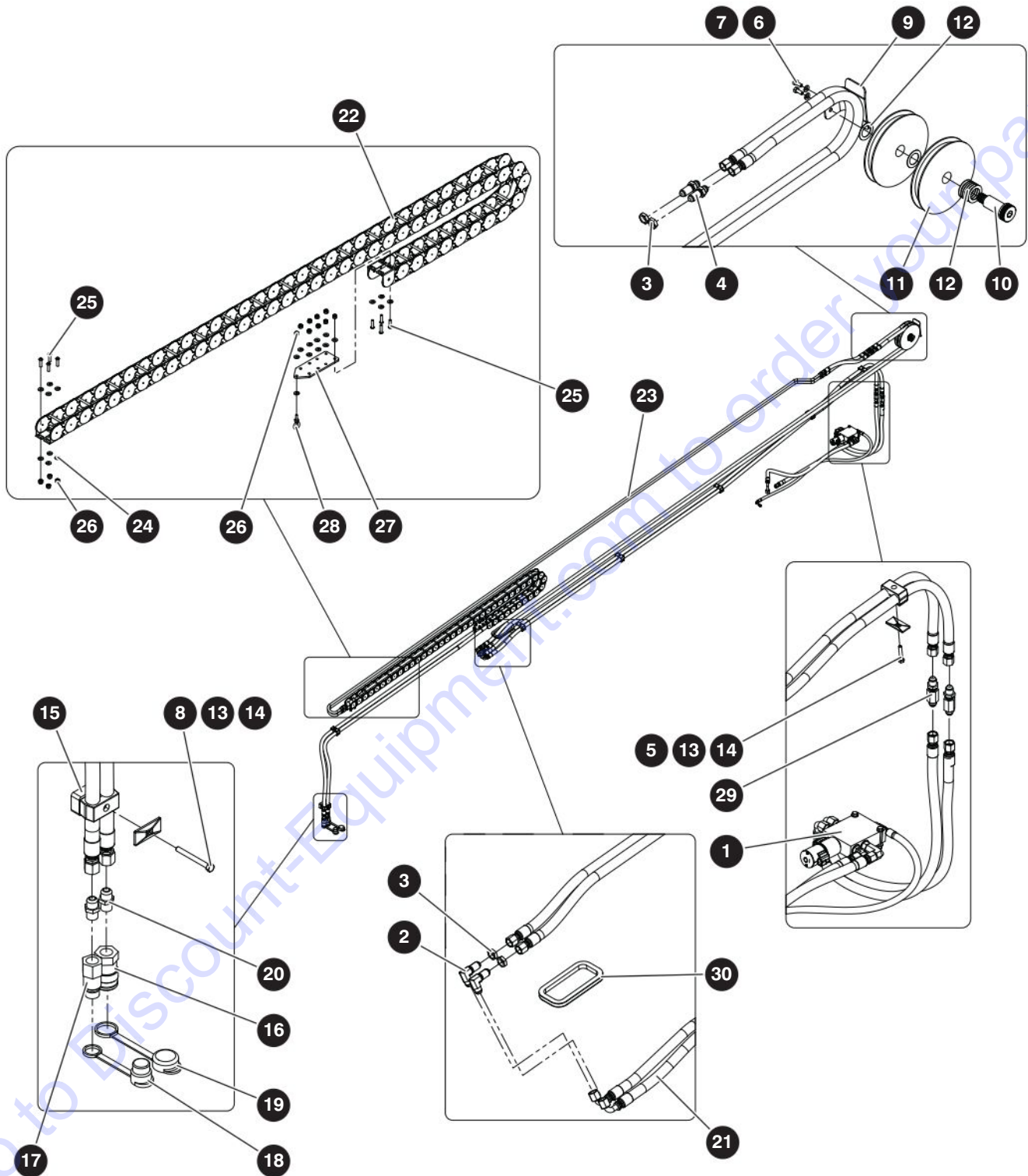
SJ1044 TH, SJ1044 THS, SJ1056 TH, SJ1056 THS

**SKYJACK**

## 7.9 Cable Carrier Assembly

Index No.	Skyjack Part No.	Qty.	Description
-	9-190912	1	ASSEMBLY, CABLE CARRIER
1	9-190915	3	• WEAR PAD, 3 X 2 X 1/2
2	9-154242	2	• NUT, Bulkhead - 08JIC
3	9-190302	2	• FITTING, Bulkhead straight (08 JICM - 08 JICM)
4	9-125959	10	• WASHER, Flat 3/8" SAE hard
5	9-103995	36	• WASHER, 5/16" ID X 3/4" OD X 1/16" zinc
6	9-104606	10	• NUT, Lock with nylon insert 3/8"-16 grade 5
7	9-115649	23	• NUT, Lock with nylon insert 1/4"-20 grade 5
8	9-127393	4	• BOLT, Carriage 3/8"-16 x 1-1/4" grade 5
9	9-702911	14	• BOLT, Button head cap 1/4"-20 X 1"
10	9-198850	4	• BOLT, Hex head 1/4"-20 X 5-1/4" grade 5
11	9-191271	1	• ASSEMBLY, Cable track
12	9-190924	2	• TUBE, PRESSURE 5/8" OD X .095" wall
13	9-191364	1	• PLATE, Front
14	9-191335	1	• BRACKET, E-chain guide
15	9-191336	1	• BRACKET, Top guide
16	9-190934	4	• CLAMP, Hose carrier
17	9-191363	1	• WELDMENT, Track
18	9-162168	1	• BOLT, Eye 1/4"-20 x 1" zinc
19	9-190585	1	• PLATE, Echain Mount

## 7.10 Auxiliary Hydraulics Installation SJ1056 TH/THS



M191863AD

# PARTS FINDER

**Search Website  
by Part Number**



**Search Manual  
Library For Parts  
Manual & Lookup Part  
Numbers – Purchase  
or Request Quote**

**Search Manuals**

Enter your information to help us find the right parts manual for your machine.

\* Brand:

\* Model:

\* Serial:

\* Part Number:

SEARCH

**Can't Find Part or  
Manual? Request Help  
by Manufacturer,  
Model & Description**

**Parts Order Form**

Please fill in the following information to help us find the right part for your machine.

Manufacturer:	<input type="text"/>
Model:	<input type="text"/>
Description:	<input type="text"/>
Part Number:	<input type="text"/>
Quantity:	<input type="text"/>
Notes:	<input type="text"/>

Submit

Discount-Equipment.com is your online resource for quality parts & equipment.

Florida: **561-964-4949** Outside Florida TOLL FREE: **877-690-3101**

**Need parts?**

Click on this link: <http://www.discount-equipment.com/category/5443-parts/> and choose one of the options to help get the right parts and equipment you are looking for. Please have the machine model and serial number available in order to help us get you the correct parts. If you don't find the part on the website or on one of the online manuals, please fill out the request form and one of our experienced staff members will get back to you with a quote for the right part that your machine needs.

We sell worldwide for the brands: Genie, Terex, JLG, MultiQuip, Mikasa, Essick, Whiteman, Mayco, Toro Stone, Diamond Products, Generac Magnum, Airman, Haulotte, Barreto, Power Blanket, Nifty Lift, Atlas Copco, Chicago Pneumatic, Allmand, Miller Curber, Skyjack, Lull, Skytrak, Tsurumi, Husquvarna Target, Stow, Wacker, Sakai, Mi-T-M, Sullair, Basic, Dynapac, MBW, Weber, Bartell, Bennar Newman, Haulotte, Ditch Runner, Menegotti, Morrison, Contec, Buddy, Crown, Edco, Wyco, Bomag, Laymor, EZ Trench, Bil-Jax, F.S. Curtis, Gehl Pavers, Heli, Honda, ICS/PowerGrit, IHI, Partner, Imer, Clipper, MMD, Koshin, Rice, CH&E, General Equipment, Amida, Coleman, NAC, Gradall, Square Shooter, Kent, Stanley, Tamco, Toku, Hatz, Kohler, Robin, Wisconsin, Northrock, Oztec, Toker TK, Rol-Air, APT, Wylie, Ingersoll Rand / Doosan, Innovatech, Con X, Ammann, Mecalac, Makinex, Smith Surface Prep, Small Line, Wanco, Yanmar

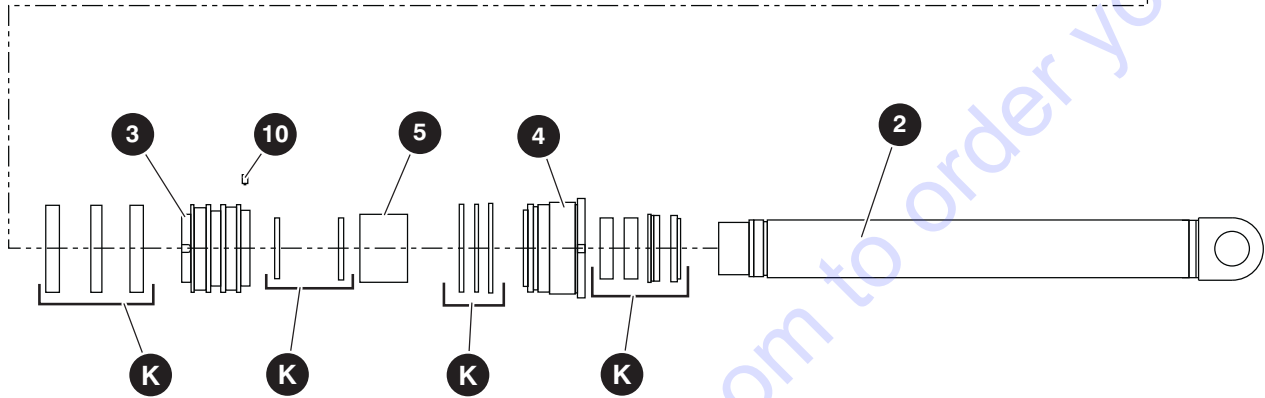
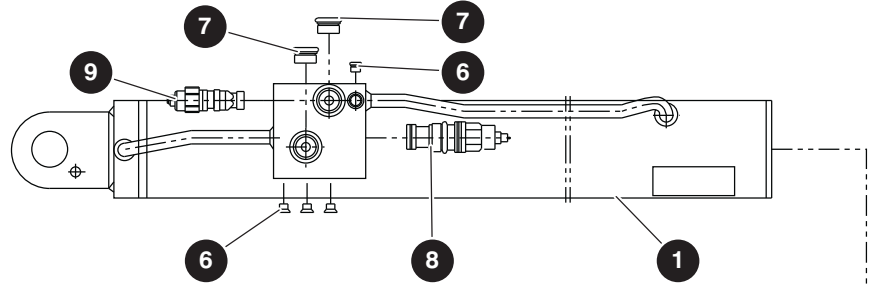
## 7.10 Auxiliary Hydraulics Installation SJ1056 TH/THS

Index No.	Skyjack Part No.	Qty.	Description
-	9-191863	1	ASSEMBLY, AUXILIARY CONTROL GROUP
1	(Ref).	1	<ul style="list-style-type: none"> <li>• MANIFOLD, Auxiliary subgroup</li> </ul> (For components, refer to Section 9.15)
2	9-154241	2	<ul style="list-style-type: none"> <li>• FITTING, 90° Bulkhead (08 JICM - 08 JICM)</li> </ul>
3	9-154242	4	<ul style="list-style-type: none"> <li>• NUT, Bulkhead (08 JIC)</li> </ul>
4	9-190302	2	<ul style="list-style-type: none"> <li>• FITTING, Bulkhead straight (08 JICM - 08 JICM)</li> </ul>
5	9-103885	6	<ul style="list-style-type: none"> <li>• BOLT, Hex head 5/16" - 18 x 1-3/4" grade 5</li> </ul>
6	9-103996	2	<ul style="list-style-type: none"> <li>• WASHER, Flat 5/16" SAE</li> </ul>
7	9-103887	2	<ul style="list-style-type: none"> <li>• BOLT, Hex head 5/16" - 18 x 3/4" grade 5</li> </ul>
8	9-103868	1	<ul style="list-style-type: none"> <li>• BOLT, Hex head 5/16" - 18 x 3-1/2" grade 5</li> </ul>
9	9-191127	1	<ul style="list-style-type: none"> <li>• BRACKET, Sheave guard</li> </ul>
10	9-191097	1	<ul style="list-style-type: none"> <li>• BOLT, Shoulder 1-1/4" DIA x 2-1/2" long</li> </ul>
11	9-191115	2	<ul style="list-style-type: none"> <li>• SHEAVE, Hose</li> </ul>
12	9-412663	8	<ul style="list-style-type: none"> <li>• THRUST, Washer</li> </ul>
13	9-199762	7	<ul style="list-style-type: none"> <li>• CLAMP, Twin #08</li> </ul>
14	9-932673	7	<ul style="list-style-type: none"> <li>• PLATE, Cover 3D</li> </ul>
15	9-191605	1	<ul style="list-style-type: none"> <li>• PLATE, Hose stand off</li> </ul>
16	9-206134	1	<ul style="list-style-type: none"> <li>• COUPLING, Quick disconnect (flat-faced)</li> </ul>
17	9-206135	1	<ul style="list-style-type: none"> <li>• COUPLING, Nipple, quick disconnect</li> </ul>
18	9-926080	1	<ul style="list-style-type: none"> <li>• CAP, Dust, quick connect (nipple)</li> </ul>
19	9-926079	1	<ul style="list-style-type: none"> <li>• CAP, Dust, quick connect (coupler)</li> </ul>
20	9-102659	2	<ul style="list-style-type: none"> <li>• PIPE, Extension 37° FLARE</li> </ul>
21	(Ref).	1	<ul style="list-style-type: none"> <li>• HOSE SUBGROUP, Auxiliary hydraulics 1056</li> </ul> (For components, refer to Section 9.21)
22	9-191271	1	<ul style="list-style-type: none"> <li>• ASSEMBLY, Cable track</li> </ul>
23	9-190924	2	<ul style="list-style-type: none"> <li>• TUBE, Pressure 5/8" od x .095 wall</li> </ul>
24	9-103995	21	<ul style="list-style-type: none"> <li>• WASHER, Flat 1/4" SAE</li> </ul>
25	9-702911	8	<ul style="list-style-type: none"> <li>• BOLT, Button Head Cap Screw 1/4" - 20 x 1</li> </ul>
26	9-115649	13	<ul style="list-style-type: none"> <li>• NUT, Lock with nylon insert 1/4" - 20 grade 5</li> </ul>
27	9-190585	1	<ul style="list-style-type: none"> <li>• PLATE, Echain mount</li> </ul>
28	9-162168	1	<ul style="list-style-type: none"> <li>• BOLT, Eye 1/4" - 20 x 1" zinc</li> </ul>
29	9-197686	2	<ul style="list-style-type: none"> <li>• FITTING, Bulkhead straight (08 JIC - 08 JIC) Long</li> </ul>
30	9-119922	16	<ul style="list-style-type: none"> <li>• PROTECTIVE TRIM 1/4" - 1/2"</li> </ul>

# Section 8 – Cylinders

- 8.1 *Extend Cylinder Assembly  
SJ1044 TH*
- 8.2 *Extend Cylinder Assembly  
SJ1056 TH*
- 8.3 *Lift Cylinder Assembly*
- 8.4 *Fork Tilt Cylinder Assembly*
- 8.5 *Tilt Comp Cylinder Assembly*
- 8.6 *Frame Level Cylinder  
Assembly*
- 8.7 *RAS Cylinder Assembly*
- 8.8 *Outriggers Cylinder Assembly*

# 8.1 Extend Cylinder Assembly SJ1044 TH

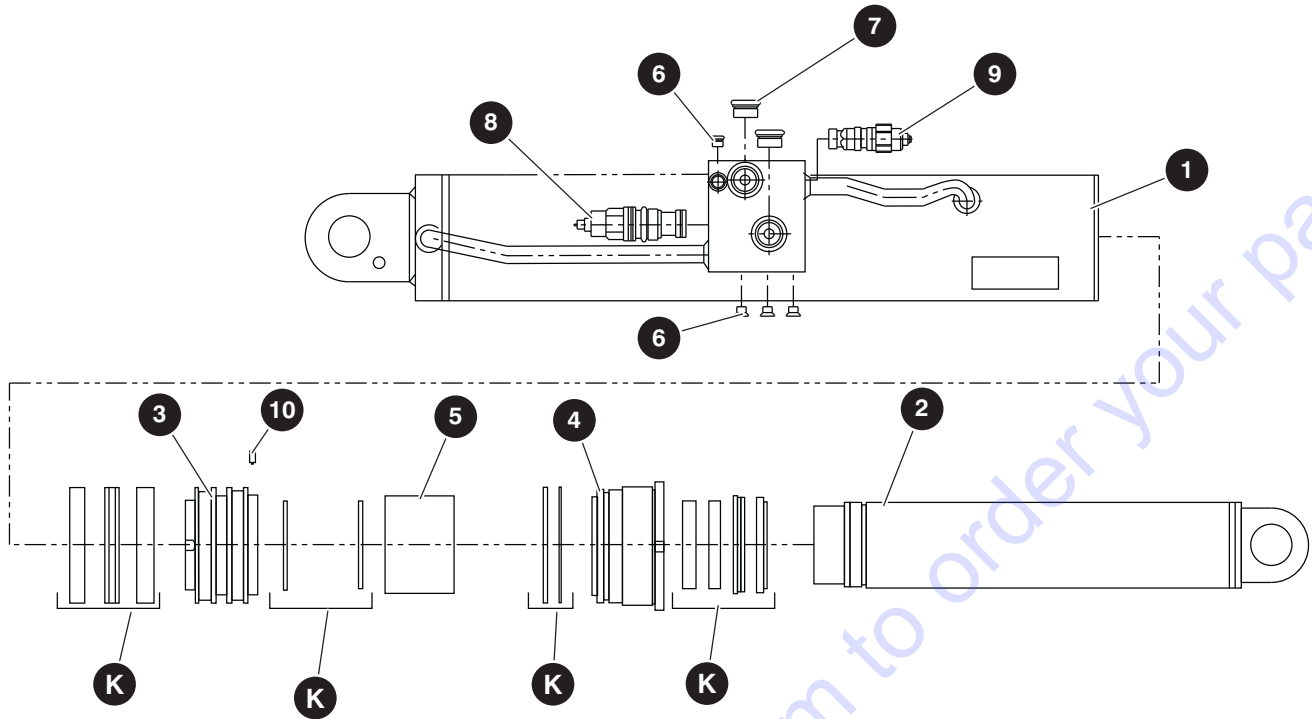


M190045AF

Index No.	Skyjack Part No.	Qty.	Description
-	9-190045	1	ASSEMBLY, EXTEND CYLINDER 115B
1	9-197030	1	• ASSEMBLY, Tube
2	9-197031	1	• ASSEMBLY, Rod
3	9-197032	1	• PISTON
4	9-197033	1	• GLAND
5	9-197034	1	• SPACER
6	9-197035	4	• PLUG
7	9-197036	2	• PLUG
8	9-199473	1	• VALVE, Counterbalance - 4000 PSI
9	9-191814	1	• VALVE, Counterbalance - 4000 PSI
10	9-197039	1	• SET SCREW
K	9-197103	1	• SEAL KIT, Extend Cylinder 115B



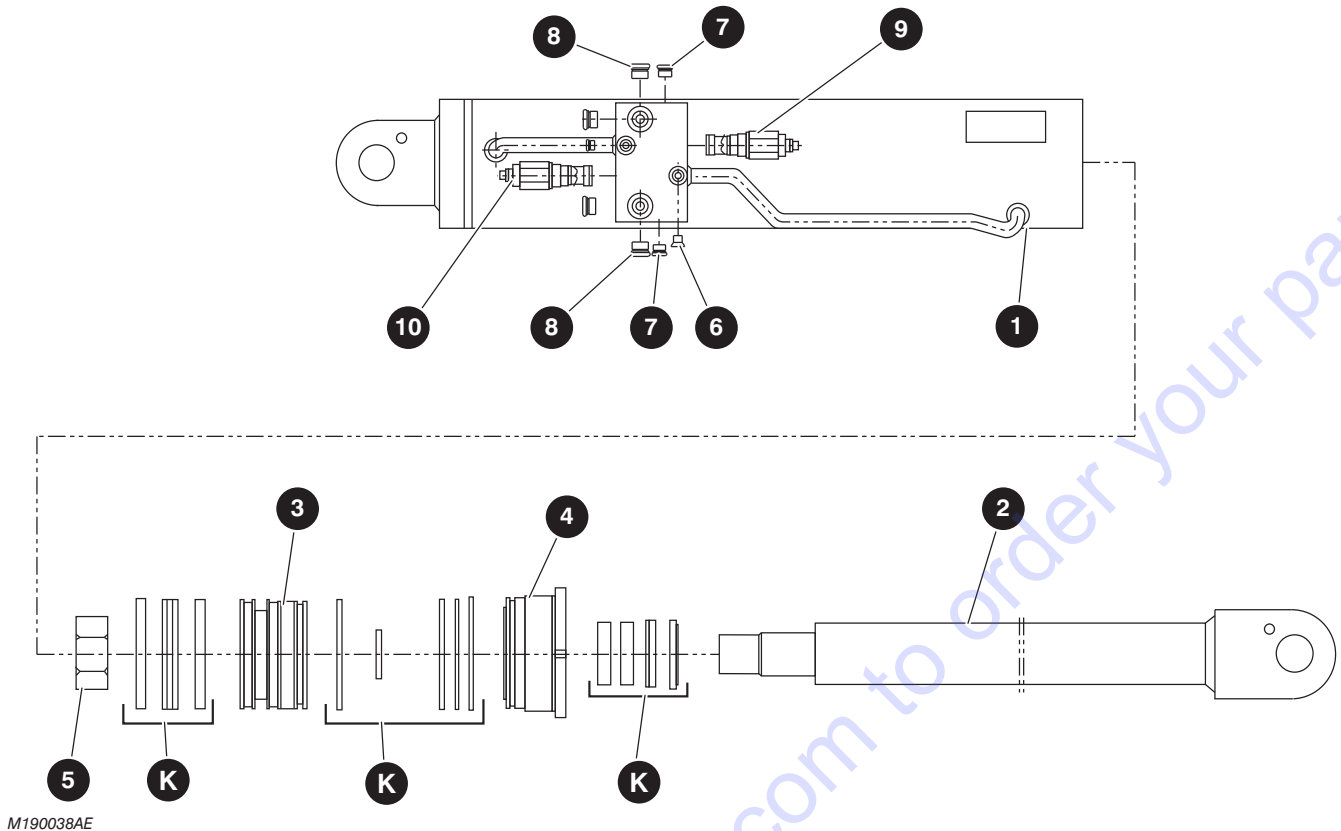
## 8.2 Extend Cylinder Assembly SJ1056 TH



M190044AE

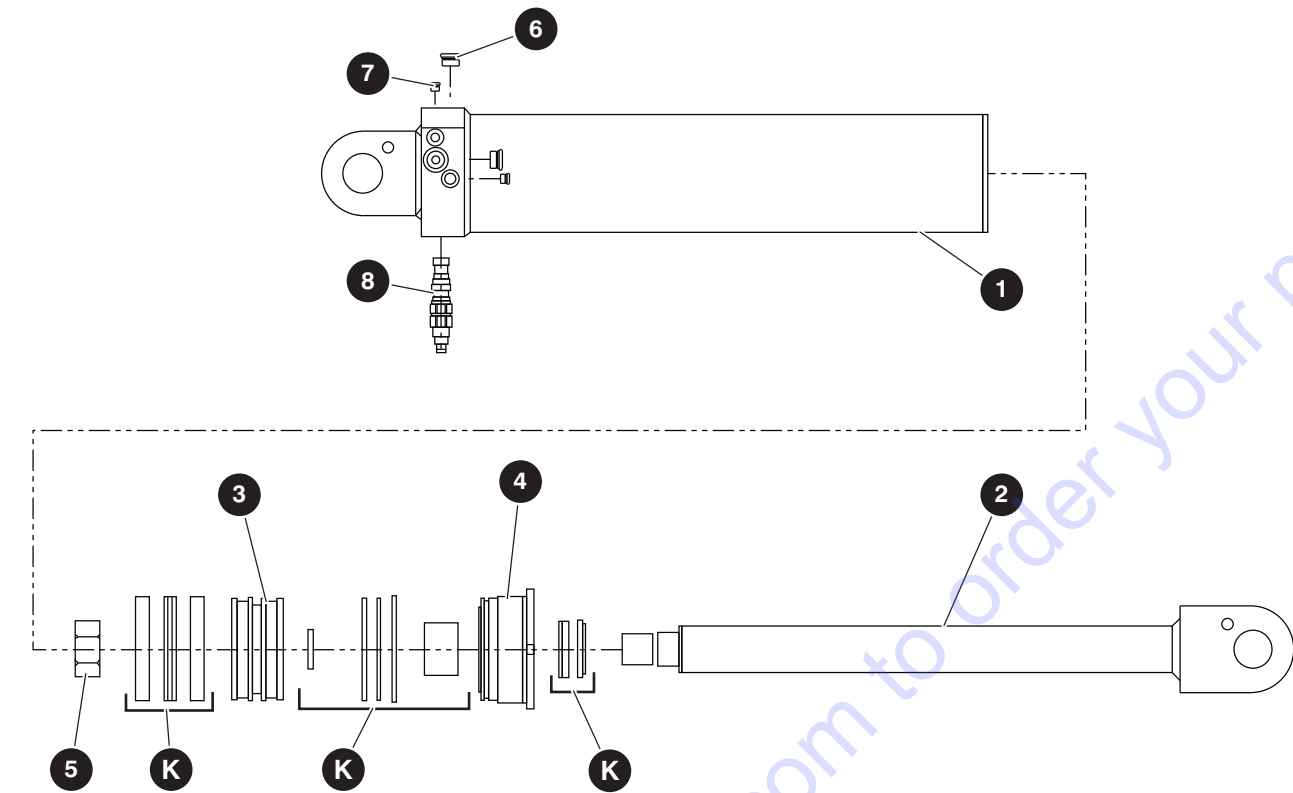
Index No.	Skyjack Part No.	Qty.	Description
-	9-190044	1	ASSEMBLY, EXTEND CYLINDER 130B
1	9-197203	1	• ASSEMBLY, Tube
2	9-197204	1	• ASSEMBLY, Rod
3	9-197205	1	• PISTON
4	9-197206	1	• GLAND
5	9-197207	1	• SPACER
6	9-197035	4	• PLUG
7	9-197036	2	• PLUG
8	9-191813	1	• VALVE, Counterbalance 4000 PSI
9	9-191814	1	• VALVE, Counterbalance 4000 PSI
10	9-197039	1	• SET SCREW
K	9-197102	1	• SEAL KIT, Extend Cylinder 130B

### 8.3 Lift Cylinder Assembly



Index No.	Skyjack Part No.	Qty.	Description
-	9-190038	1	ASSEMBLY, LIFT CYLINDER 150B
1	9-197189	1	• ASSEMBLY, Tube
2	9-197190	1	• ASSEMBLY, Rod
3	9-197191	1	• PISTON
4	9-197192	1	• GLAND
5	9-197193	1	• LOCK NUT
6	9-197035	2	• PLUG
7	9-197054	2	• PLUG
8	9-197055	4	• PLUG
9	9-191811	1	• COUNTER BALANCE 4060 PSI
10	9-191812	1	• COUNTER BALANCE 1800 PSI
K	9-197096	1	• SEAL KIT, Lift Cylinder

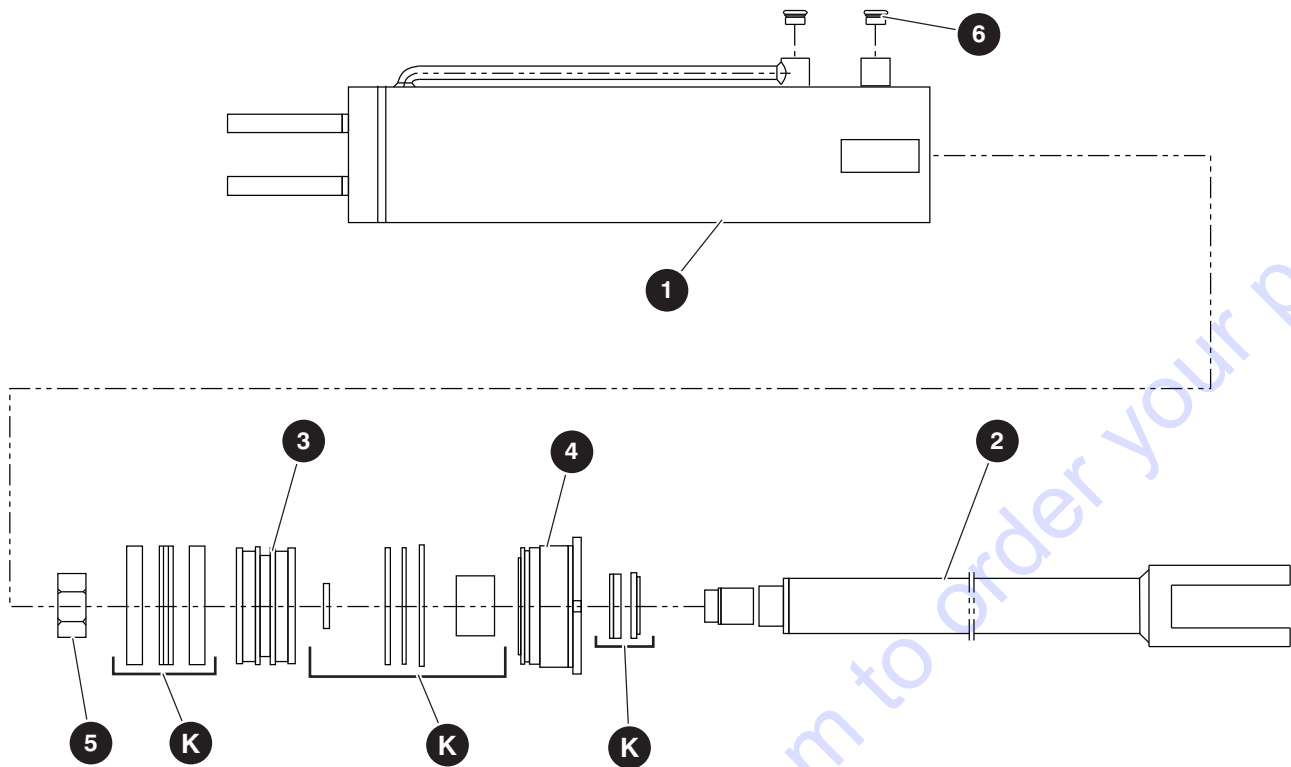
## 8.4 Fork Tilt Cylinder Assembly



M190043AC

Index No.	Skyjack Part No.	Qty.	Description
-	9-190043	1	ASSEMBLY, FORK TILT CYLINDER 120B
1	9-197079	1	• ASSEMBLY, Tube
2	9-197080	1	• ASSEMBLY, Rod
3	9-197081	1	• PISTON
4	9-197082	1	• GLAND
5	9-197072	1	• NUT, Lock
6	9-197055	2	• PLUG
7	9-197035	2	• PLUG
8	9-191815	1	• VALVE, Counterbalance - 6000 PSI
K	9-197101	1	• SEAL KIT, Fork Tilt Cylinder

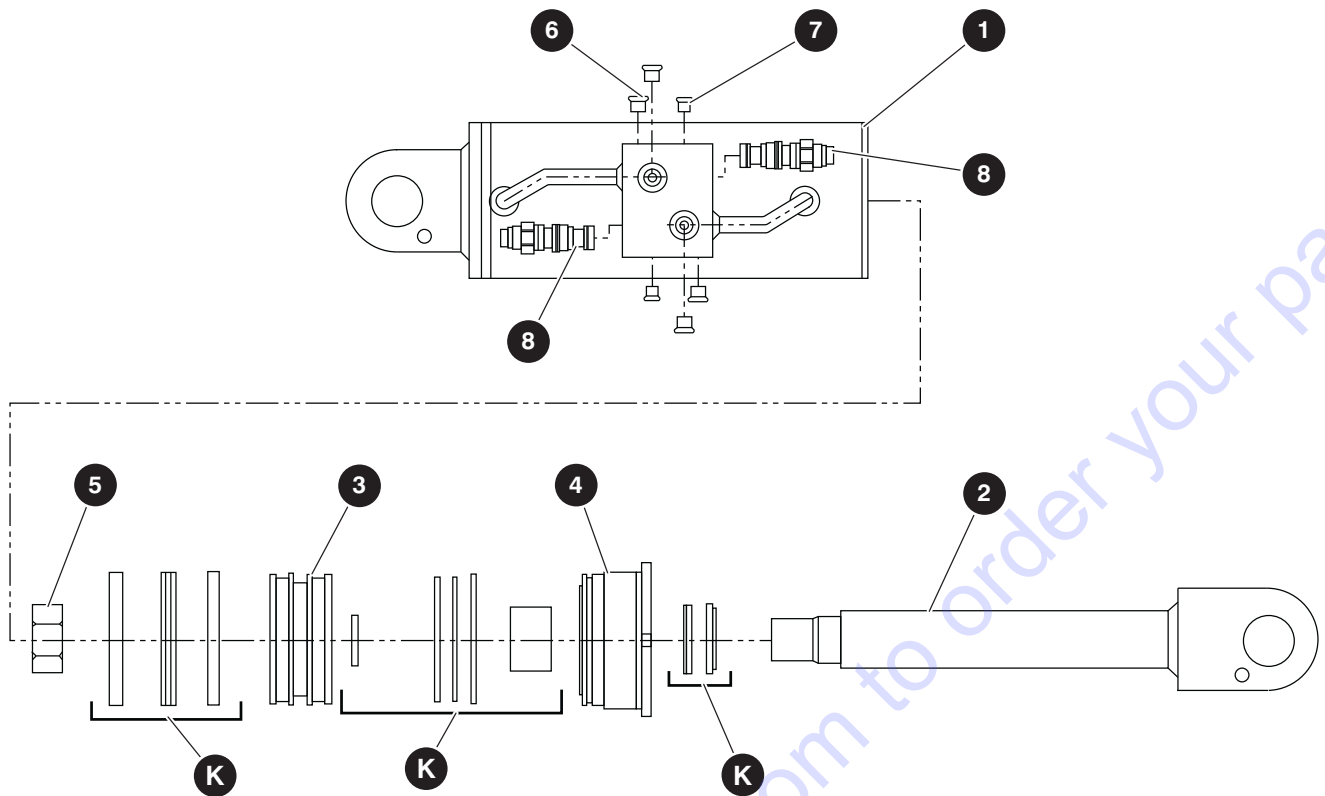
## 8.5 Tilt Comp Cylinder Assembly



M190040AC

Index No.	Skyjack Part No.	Qty.	Description
-	9-190040	1	ASSEMBLY, TILT COMP CYLINDER
1	9-197091	1	• ASSEMBLY, Tube
2	9-197092	1	• ASSEMBLY, Rod
3	9-197081	1	• PISTON
4	9-197082	1	• GLAND
5	9-197072	1	• NUT, Lock
6	9-197055	2	• PLUG
K	9-197098	1	• SEAL KIT, Tilt Comp Cylinder

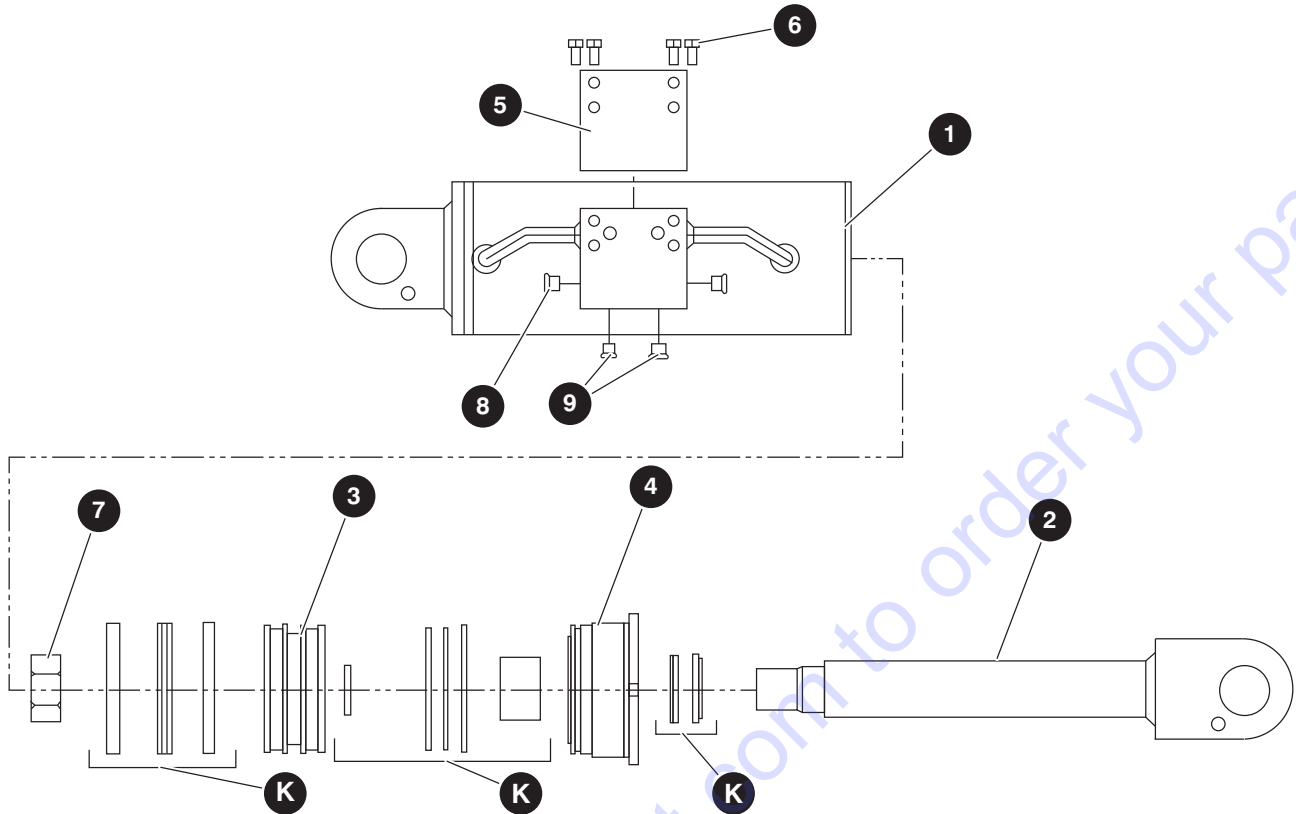
## 8.6 Frame Level Cylinder Assembly



M191831AB

Index No.	Skyjack Part No.	Qty.	Description
-	9-191831	1	ASSEMBLY, FRAME LEVEL CYLINDER
1	9-197068	1	• ASSEMBLY, Tube
2	9-197069	1	• ASSEMBLY, Rod
3	9-197070	1	• PISTON
4	9-197071	1	• GLAND
5	9-197072	1	• NUT, Lock
6	9-197054	4	• PLUG
7	9-197035	2	• PLUG
8	9-191816	2	• VALVE, Counterbalance - 3700 PSI
K	9-197099	1	• SEAL KIT, Frame Level Cylinder

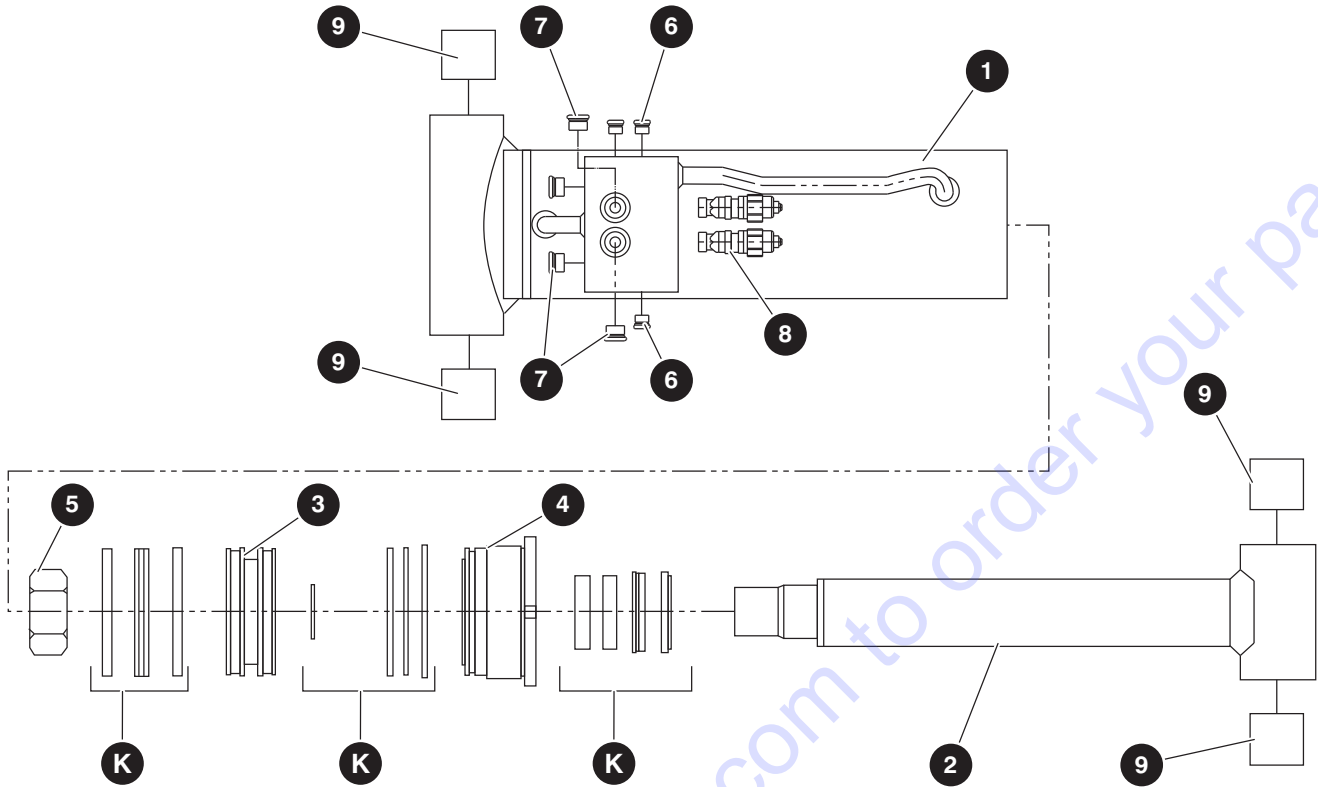
## 8.7 RAS Cylinder Assembly



M191832AB

Index No.	Skyjack Part No.	Qty.	Description
-	9-191832	1	ASSEMBLY, RAS Cylinder
1	9-197213	1	• ASSEMBLY, Tube
2	9-197069	1	• ASSEMBLY, Rod
3	9-197070	1	• PISTON
4	9-197071	1	• GLAND
5	9-197214	1	• DUST COVER
6	9-197215	4	• BOLT
7	9-197072	1	• NUT, Lock
8	9-197054	2	• PLUG
9	9-197035	2	• PLUG
K	9-197100	1	• SEAL KIT, RAS Cylinder

## 8.8 Outriggers Cylinder Assembly



M191123AC

Index No.	Skyjack Part No.	Qty.	Description
-	9-191123	1	ASSEMBLY, OUTRIGGERS CYLINDER
1	9-197217	1	• ASSEMBLY, Tube
2	9-197218	1	• ASSEMBLY, Rod
3	9-197219	1	• PISTON
4	9-197052	1	• GLAND
5	9-197053	1	• NUT, Lock
6	9-197054	3	• PLUG
7	9-197055	4	• PLUG
8	9-191816	2	• COUNTER BALANCE 3000 PSI
9	9-197220	4	• MRP BEARING
K	9-197104	1	• SEAL KIT, Outriggers Cylinder

# Section 9 – Hydraulics

**9.1** *Standard Hose Numbering System*

**9.2** *Main Manifold Installation*

**9.3** *Main Manifold Assembly*

**9.4** *Manifold Assembly*

**9.5** *Hydraulic Return Filter Assembly*

**9.6** *CVT Hydraulic Return Filter Assembly*

**9.8** *Boom and Telescopic Hydraulic Hose Connections*

**9.9** *Carriage Hydraulic Hoses SJ1044 TH*

**9.11** *Carriage Hydraulic Hoses SJ1056 TH*

**9.13** *Frame Level Hydraulic Hose Connections*

**9.14** *Brakes and Steering Hydraulic Hose Connections*

**9.15** *Hydraulic Pump Hoses*

**9.17** *CVT Hydraulic Pump Hoses*

**9.18** *Cab Hydraulic Hose Connections*

**9.19** *RAS Hydraulic Hose Connections*

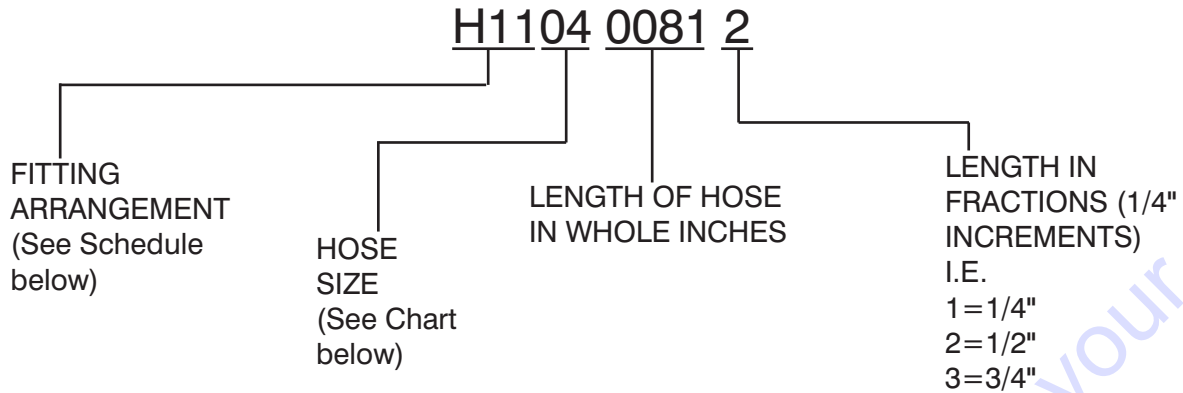
**9.20** *Auxiliary Hydraulic Hose Connections SJ1044 TH*

**9.21** *Auxiliary Hydraulic Hose Connections SJ1056 TH*

**9.22** *Auxiliary Manifold Assembly*



## 9.1 Standard Hose Numbering System



Using the number above as an example, H1104 0081 2, this hose requires a 37° JIC female swivel fitting on one end, and a medium length 90° JIC female swivel fitting for the other end. The hose must meet or exceed the S.A.E. 100R13 hose specification, and be a total of 81-1/2" long.



### NOTE

Hose ends and hose must be from same manufacturer per S.A.E. J1273 Nov. '91, Sections 3.10 and 4.2. Hose ends and hose must be of the same size i.e. #4 size fittings must be used with #4 size hose.

**Hose Size Chart**

Size	03	04	06	08	10	12	16	20	24	32	40	48	56	64
ID	3/16"	1/4"	3/8"	1/2"	5/8"	3/4"	1"	1-1/4"	1-1/2"	2"	2-1/2"	3"	3-1/2"	4"

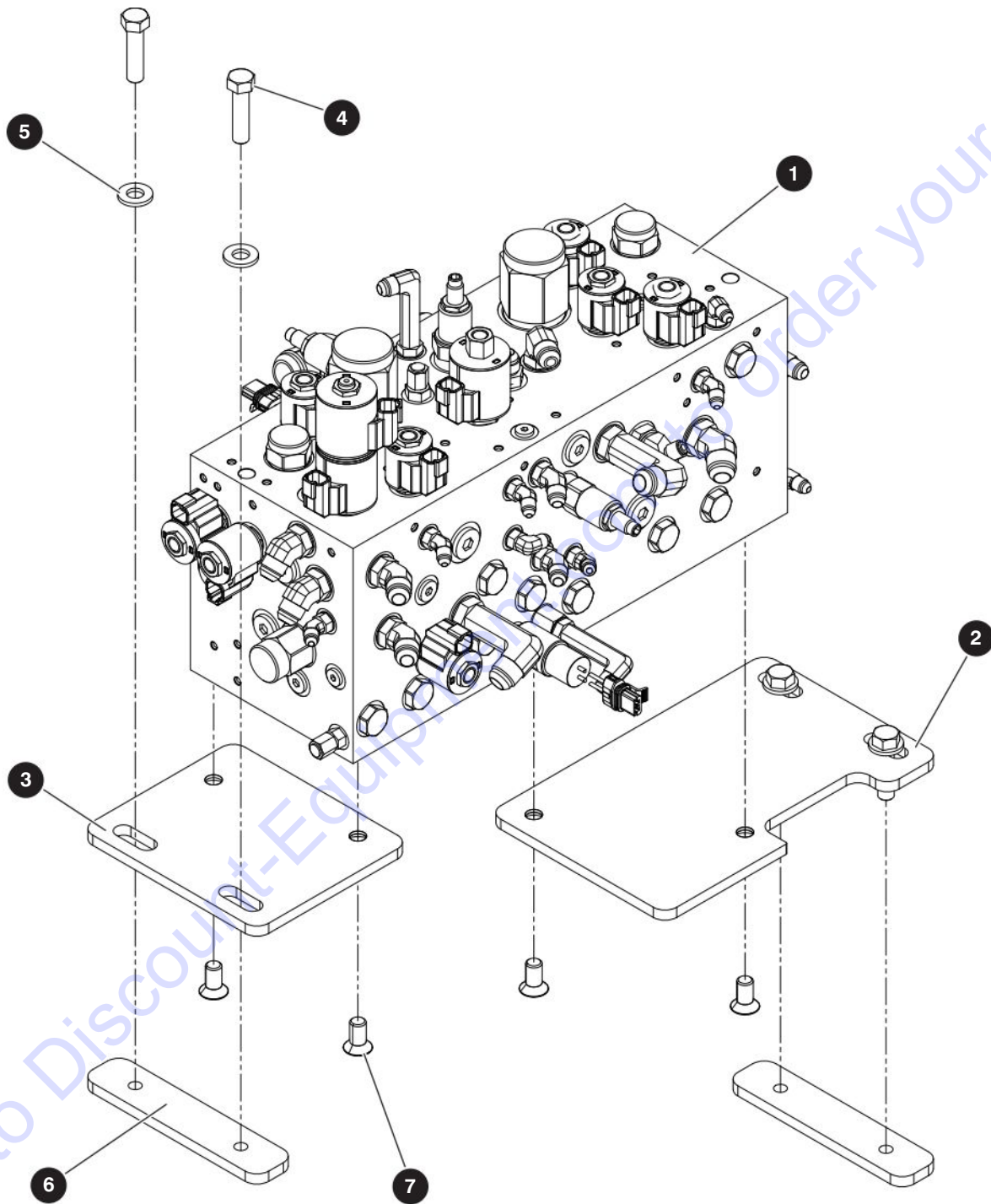
**Fitting Arrangement Schedule**

Hose Prefix	Hose End Fitting	Hose End Fitting	S.A.E. Hose Specification
H01	FEMALE, 37° JIC, SWIVEL	FEMALE, 37° JIC, SWIVEL	100R17
H02	FEMALE, 37° JIC, SWIVEL	FEMALE, 37° JIC, SWIVEL	100R13
H03	FEMALE, 37° JIC, SWIVEL	45°, FEMALE, 37° JIC, SWIVEL	100R17
H04	FEMALE, 37° JIC, SWIVEL	45°, FEMALE, 37° JIC, SWIVEL	100R13
H05	FEMALE, 37° JIC, SWIVEL	LONG 90°, FEMALE, 37° JIC, SWIVEL	100R17
H06	FEMALE, 37° JIC, SWIVEL	SHORT 90°, FEMALE, 37° JIC, SWIVEL	100R17
H07	LONG 90°, FEMALE, 37° JIC, SWIVEL	LONG 90°, FEMALE, 37° JIC, SWIVEL	100R17
H08	FEMALE, 37° JIC, SWIVEL	FEMALE, 37° JIC, SWIVEL	100R4
H09	FEMALE, 37° JIC, SWIVEL	45°, FEMALE, 37° JIC, SWIVEL	100R4
H10	FEMALE, 37° JIC, SWIVEL	MALE PIPE THREAD FITTING	100R17
H11	FEMALE, 37° JIC, SWIVEL	MEDIUM 90°, FEMALE, 37° JIC, SWIVEL	100R13
H12	SHORT 90°, FEMALE, 37° JIC, SWIVEL	SHORT 90°, FEMALE, 37° JIC, SWIVEL	100R17
H13	FEMALE, 37° JIC, SWIVEL	REUSABLE MALE PIPE THREAD FITTING	300 PSI
H14	REUSABLE MALE PIPE THREAD FITTING	NO FITTING	300 PSI
H15	REUSABLE FEMALE, 37° JIC, SWIVEL	REUSABLE FEMALE, 37° JIC, SWIVEL	300 PSI
H16	NO FITTING	NO FITTING	100R4
H17	NO FITTING	NO FITTING	300 PSI
H18	REUSABLE, FEMALE, 37° JIC, SWIVEL	NO FITTING	300 PSI

## 9.1 Standard Hose Numbering System

Hose Prefix	Hose End Fitting	Hose End Fitting	S.A.E. Hose Specification
H19	LONG 90°, FEMALE, 37° JIC, SWIVEL	FEMALE, 37° JIC, SWIVEL	100R13
H20	FEMALE, SHORT 37° JIC, SWIVEL	SHORT 90°, FEMALE, 37° JIC, SWIVEL	100R4
H21	FEMALE, SHORT 37° JIC, SWIVEL	SHORT 90°, FEMALE, 37° JIC, SWIVEL	100R2AT
H22	FEMALE, 37° JIC, SWIVEL	FEMALE, 37° JIC, SWIVEL	100R2AT
H23	FEMALE, LONG 37° JIC, SWIVEL	LONG 90°, FEMALE, 37° JIC, SWIVEL	100R2AT
H24	FEMALE, SHORT 37° JIC, SWIVEL	SHORT 90°, FEMALE, 37° JIC, SWIVEL	100R13
H25	FEMALE, 37° JIC, SWIVEL	FEMALE, 37° JIC, SWIVEL	100R4
H30	MEDIUM 90°, FEMALE, 37° JIC, SWIVEL	FEMALE, 37° JIC, SWIVEL	100R17
H31	FEMALE, 37° JIC, SWIVEL	FEMALE, 37° JIC, SWIVEL	100R17
H32	SHORT 45°, FEMALE, 37° JIC, SWIVEL	FEMALE, 37° JIC, SWIVEL	100R17
H33	MEDIUM 45°, FEMALE, 37° JIC, SWIVEL	FEMALE, 37° JIC, SWIVEL	100R17
H34	SHORT 90°, FEMALE, 37° JIC, SWIVEL	FEMALE, 37° JIC, SWIVEL	100R17
H35	MEDIUM 90°, FEMALE, 37° JIC, SWIVEL	FEMALE, 37° JIC, SWIVEL	100R17
H36	LONG 90°, FEMALE, 37° JIC, SWIVEL	FEMALE, 37° JIC, SWIVEL	100R17
H37	SHORT 45°, FEMALE, 37° JIC, SWIVEL	FEMALE, 37° JIC, SWIVEL	100R4
H38	SHORT 90°, FEMALE, 37° JIC, SWIVEL	FEMALE, 37° JIC, SWIVEL	100R4
H39	LONG 90°, FEMALE, 37° JIC, SWIVEL	FEMALE, 37° JIC, SWIVEL	100R4
H40	SHORT 90°, FEMALE, 37° JIC, SWIVEL	FEMALE, 37° JIC, SWIVEL	100R16
H43	FEMALE, 37° JIC, SWIVEL	FEMALE, 37° JIC, SWIVEL	100R16
H51	FEMALE, 37° JIC, SWIVEL	FEMALE, 37° JIC, SWIVEL	100R17
H52	SHORT 45°, FEMALE, 37° JIC, SWIVEL	FEMALE, 37° JIC, SWIVEL	100R17
H53	MEDIUM 45°, FEMALE, 37° JIC, SWIVEL	FEMALE, 37° JIC, SWIVEL	100R17
H54	SHORT 90°, FEMALE, 37° JIC, SWIVEL	FEMALE, 37° JIC, SWIVEL	100R17
H55	MEDIUM 90°, FEMALE, 37° JIC, SWIVEL	FEMALE, 37° JIC, SWIVEL	100R17
H56	LONG 90°, FEMALE, 37° JIC, SWIVEL	FEMALE, 37° JIC, SWIVEL	100R17
H57	SHORT 45°, FEMALE, SAE ORFS, SWIVEL	FEMALE, SAE ORFS, SWIVEL	100R13
H58	FEMALE, SAE ORFS, SWIVEL	FEMALE, SAE ORFS, SWIVEL	100R13
H59	MEDIUM 90°, FEMALE, SAE ORFS, SWIVEL	FEMALE, SAE ORFS, SWIVEL	100R13
H60	FEMALE, 37° JIC, SWIVEL	FEMALE, 37° JIC, SWIVEL	100R17
H61	FEMALE, 37° JIC, SWIVEL	FEMALE, 37° JIC, SWIVEL	100R16
H62	SHORT 90°, FEMALE, 37° JIC, SWIVEL	FEMALE, 37° JIC, SWIVEL	100R16
H63	MEDIUM 90°, FEMALE, 37° JIC, SWIVEL	FEMALE, 37° JIC, SWIVEL	100R16
H64	LONG 90°, FEMALE, 37° JIC, SWIVEL	FEMALE, 37° JIC, SWIVEL	100R16
H65	MEDIUM 67°, FEMALE, 37° JIC, SWIVEL	FEMALE, 37° JIC, SWIVEL	100R12
H66	FEMALE, 37° JIC, SWIVEL	NO FITTING	100R4
H67	FEMALE, 37° JIC, SWIVEL	FEMALE, 37° JIC, SWIVEL	100R19
H68	SHORT 45°, FEMALE, 37° JIC, SWIVEL	FEMALE, 37° JIC, SWIVEL	100R19
H69	MEDIUM 90°, FEMALE, 37° JIC, SWIVEL	FEMALE, 37° JIC, SWIVEL	100R19
H70	LONG 90°, FEMALE, 37° JIC, SWIVEL	FEMALE, 37° JIC, SWIVEL	100R19
H71	LONG 90°, FEMALE, SAE ORFS, SWIVEL	FEMALE, SAE ORFS, SWIVEL	100R15

## 9.2 Main Manifold Installation



M191087AE

190126AG

**320**

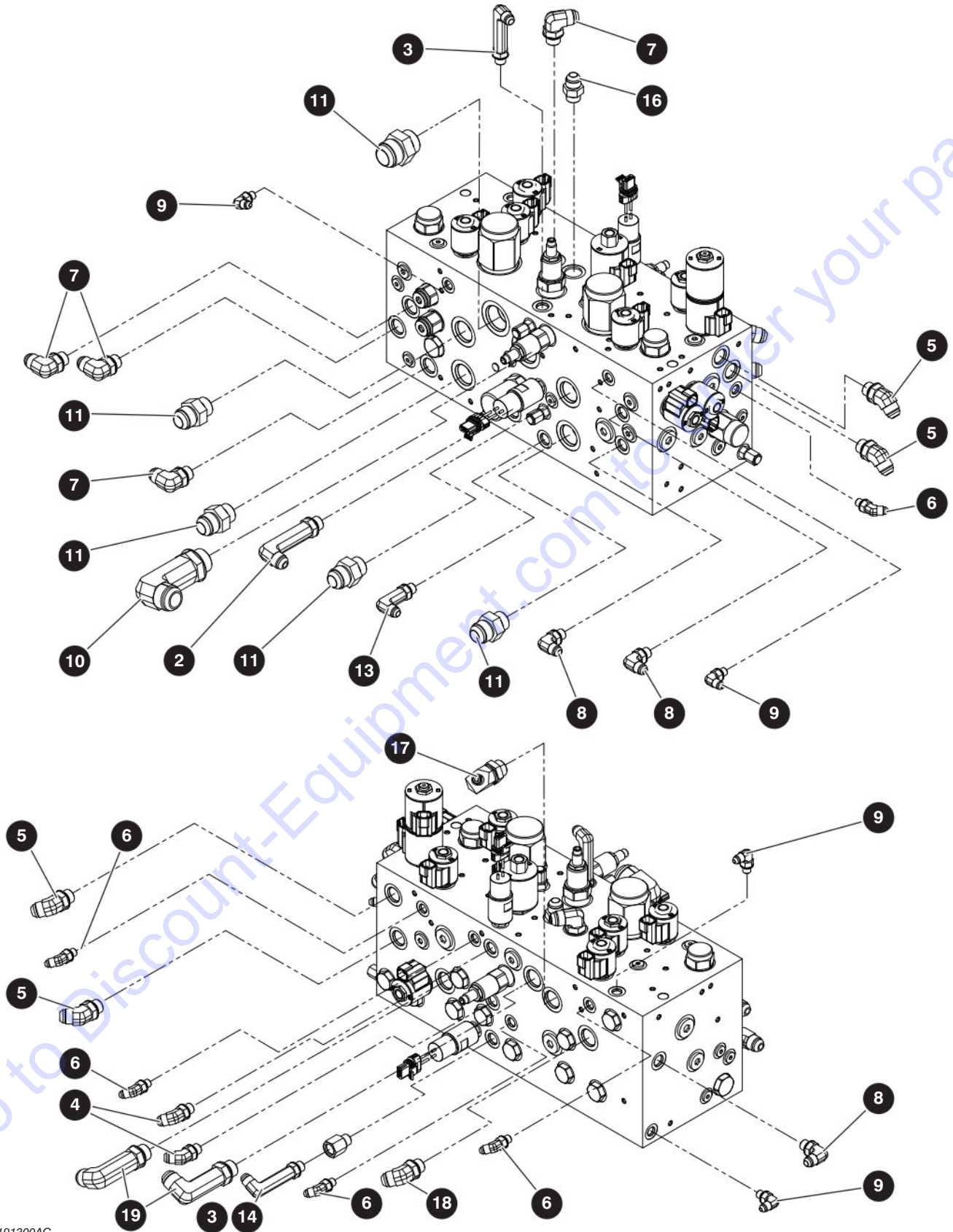
SJ1044 TH, SJ1044 THS, SJ1056 TH, SJ1056 THS

**SKYJACK**

## 9.2 Main Manifold Installation

Index No.	Skyjack Part No.	Qty.	Description
-	9-191087	1	ASSEMBLY, MANIFOLD SUBGROUP
1	(Ref).	1	<ul style="list-style-type: none"> <li>ASSEMBLY, Manifold TH 1044/1056</li> </ul> <i>(For components, refer to Section 9.3)</i>
2	9-191818	1	<ul style="list-style-type: none"> <li>PLATE, Manifold rear</li> </ul>
3	9-191817	1	<ul style="list-style-type: none"> <li>PLATE, Manifold front</li> </ul>
4	9-103904	4	<ul style="list-style-type: none"> <li>BOLT, Hex head 1/2"-13 X 2" Grade 5</li> </ul>
5	9-104379	4	<ul style="list-style-type: none"> <li>WASHER, Flat 1/2" SAE Hard</li> </ul>
6	9-190692	2	<ul style="list-style-type: none"> <li>PLATE, Manifold clamp</li> </ul>
7	9-190298	4	<ul style="list-style-type: none"> <li>SCREW, Flat head cap 1/2"-13x1"</li> </ul>

### 9.3 Main Manifold Assembly

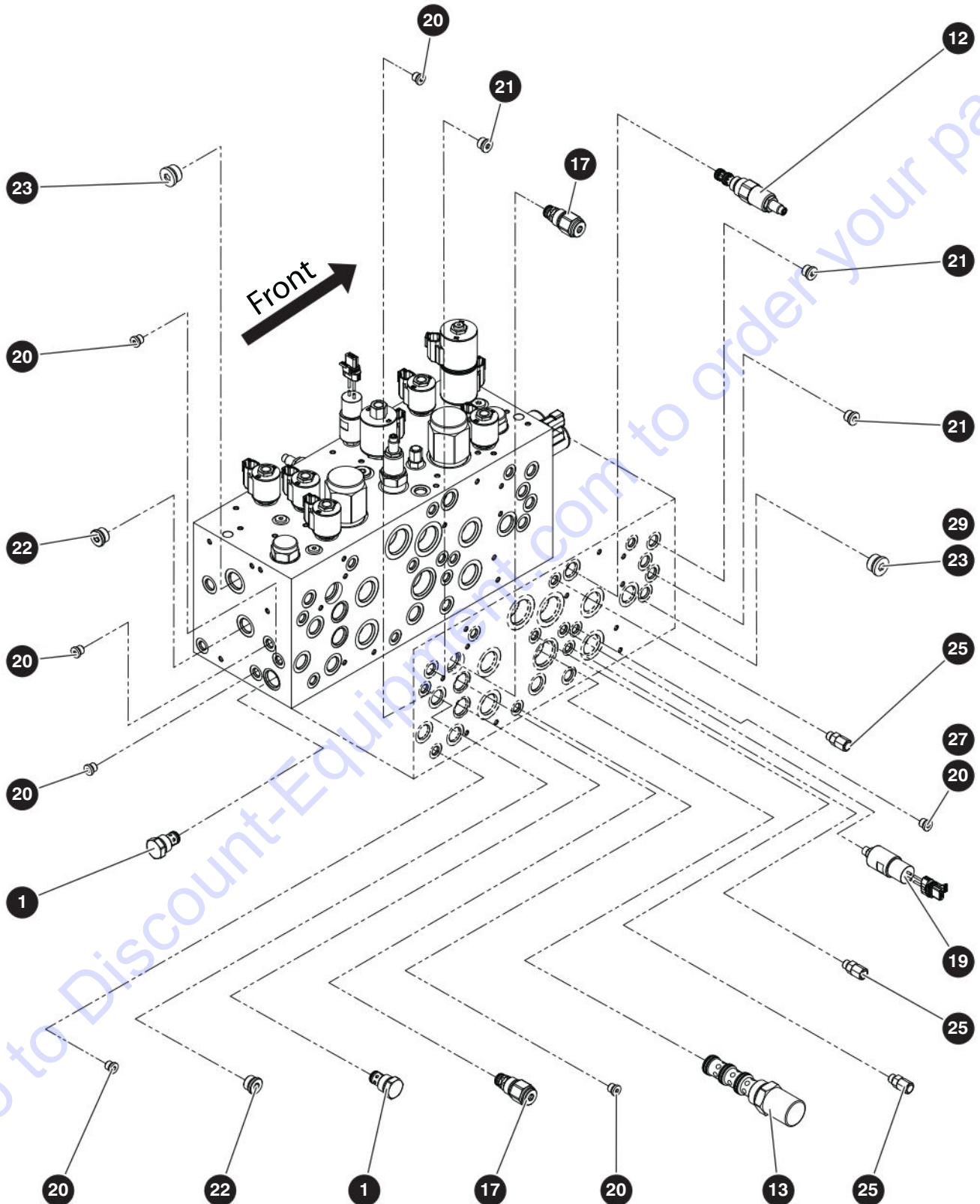


M191300AG

## 9.3 Main Manifold Assembly

Index No.	Skyjack Part No.	Qty.	Description
-	9-191300	-	MAIN MANIFOLD ASSEMBLY
1	(Ref).	1	<ul style="list-style-type: none"> <li>• MANIFOLD, Main TH 10K</li> </ul> <i>(For components, refer to Section 9.4)</i>
2	9-150943	1	<ul style="list-style-type: none"> <li>• FITTING, 90° LLL (08JICM-08ORBM)</li> </ul>
3	9-147536	2	<ul style="list-style-type: none"> <li>• FITTING, 90 ° LLL (06JICM-06ORBM)</li> </ul>
4	9-114580	2	<ul style="list-style-type: none"> <li>• FITTING, 45° (06 JICM - 06 ORBM)</li> </ul>
5	9-139739	4	<ul style="list-style-type: none"> <li>• FITTING, 45° (08 JICM - 08 ORBM)</li> </ul>
6	9-131716	5	<ul style="list-style-type: none"> <li>• FITTING, 45° (04 JICM - 04 ORBM)</li> </ul>
7	9-114583	4	<ul style="list-style-type: none"> <li>• FITTING, 90° (08 JICM - 08 ORBM)</li> </ul>
8	9-114578	3	<ul style="list-style-type: none"> <li>• FITTING, 90° (06 JICM - 06 ORBM)</li> </ul>
9	9-125883	5	<ul style="list-style-type: none"> <li>• FITTING, 90° (04 JICM - 04 ORBM)</li> </ul>
10	9-191599	1	<ul style="list-style-type: none"> <li>• FITTING, 90° LL (16 JICM - 16 ORBM)</li> </ul>
11	9-702118	4	<ul style="list-style-type: none"> <li>• FITTING, (12 ORBM - 12 JICM)</li> </ul>
12	9-138667	1	<ul style="list-style-type: none"> <li>• FITTING, (16 ORBM - 16 JICM)</li> </ul>
13	9-162071	1	<ul style="list-style-type: none"> <li>• FITTING, 90° (06 JICM - 06 ORBM) - XL</li> </ul>
14	9-196193	1	<ul style="list-style-type: none"> <li>• FITTING, Straight (06 ORBM - 06 ORBF)</li> </ul>
15	9-126128	1	<ul style="list-style-type: none"> <li>• FITTING, (04 SAE - 04 JIC)</li> </ul>
16	9-102659	1	<ul style="list-style-type: none"> <li>• FITTING, Straight (08 JICM - 08 ORBM)</li> </ul>
17	9-209325	1	<ul style="list-style-type: none"> <li>• FITTING, 90° large (06 JICM - 06 ORBM)</li> </ul>
18	9-149215	1	<ul style="list-style-type: none"> <li>• FITTING, 45° (10 JICM - 10 ORBM)</li> </ul>
19	9-191857	2	<ul style="list-style-type: none"> <li>• FITTING, 90° LL (10 JICM - 10 ORBM)</li> </ul>

# 9.4 Manifold Assembly



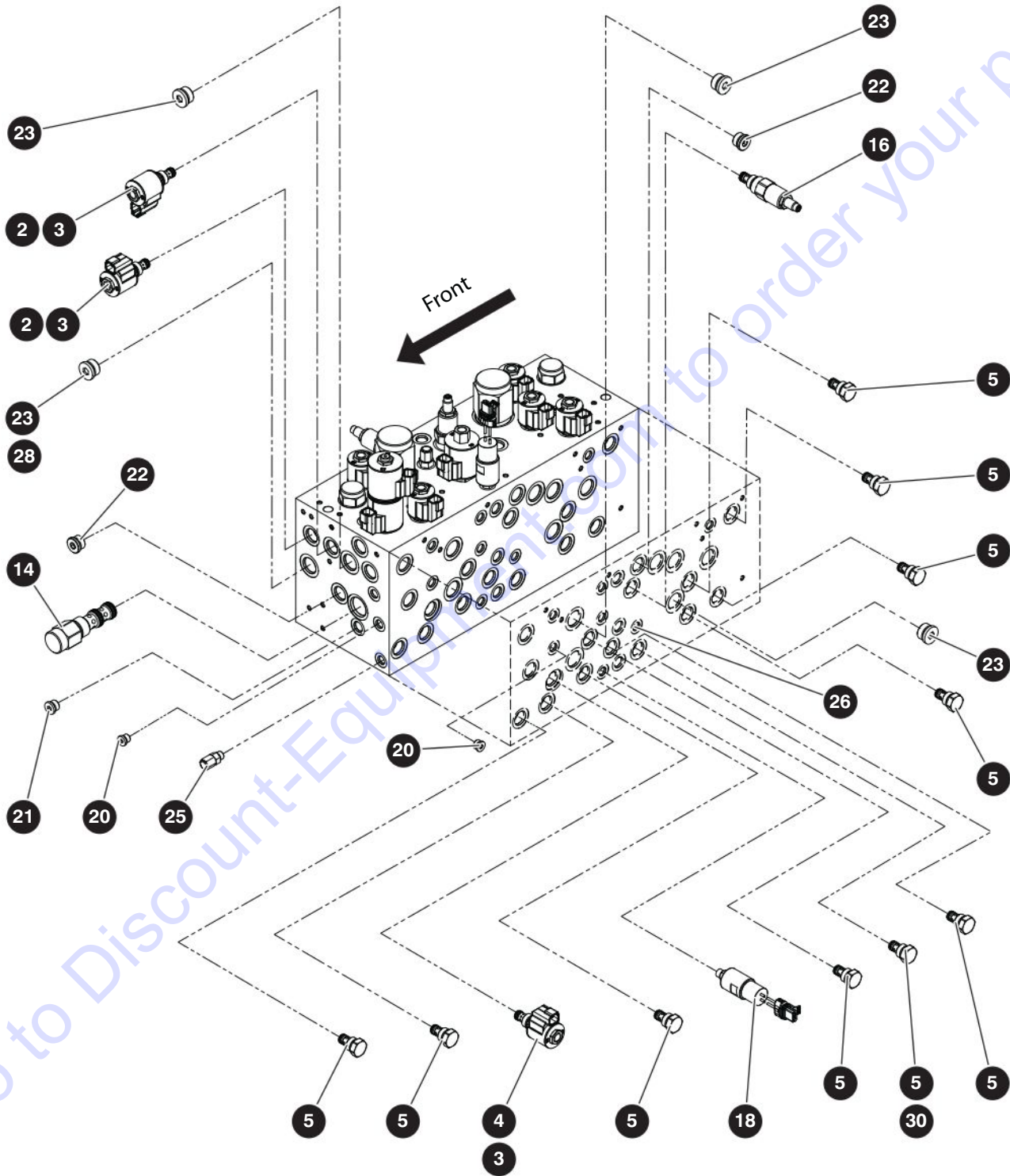
M169031AH

## 9.4 Manifold Assembly

Index No.	Skyjack Part No.	Qty.	Description
-	9-169031	1	ASSEMBLY, MANIFOLD 10K
1	9-191805	2	• VALVE, Check
2	9-102626	3	• VALVE, Solenoid cartridges
3	9-159821	8	• COIL, #8
4	9-166038	1	• VALVE, Solenoid cartridges
5	9-166066	10	• VALVE, Check
6	9-168057	3	• COIL, #10
7	9-171796	1	• VALVE, Solenoid cartridge
8	9-191793	2	• VALVE, Proportional-pilot operated
9	9-191794	2	• VALVE, Proportional-pilot operated
10	9-191795	1	• VALVE, Solenoid 4 way / 3 position
11	9-191796	4	• VALVE, Solenoid 4 way / 2 position
12	9-191798	1	• VALVE, Pressure reducing/relieving
13	9-191799	1	• VALVE, Pressure compensator & p.o.d
14	9-191801	1	• VALVE, Piloted 2w N.O.
15	9-191802	1	• VALVE, Relief
16	238579	1	• VALVE, Relief
17	9-221887	2	• VALVE, Relief anti-cavitation
18	9-191810	1	• SWITCH, Pressure 450 psi
19	9-191800	1	• SWITCH, Pressure 350 psi
20	9-121205	12	• PLUG, Fitting (04 ORB hex socket)
21	9-104437	5	• PLUG, Fitting (06 ORB hex socket)
22	9-702796	5	• PLUG, Fitting (08 ORB hex socket)
23	9-137629	6	• PLUG, Fitting (10 ORB hex socket)
24	9-701956	1	• FITTING, (#6 Straight ORBM to #4 JICM)
25	9-126128	4	• FITTING, (#4 Straight ORBM to JICM)
26	9-191807	1	• PLUG, Orifice 0.019"
27	9-191808	1	• PLUG, Orifice 0.089"
28	9-191809	1	• PLUG, Orifice 0.063"
29	9-199033	1	• PLUG, Orifice 0.033"
30	9-199032	1	• PLUG, Orifice 0.052"



## 9.4 Manifold Assembly



M169031AH-2

190126AG

326

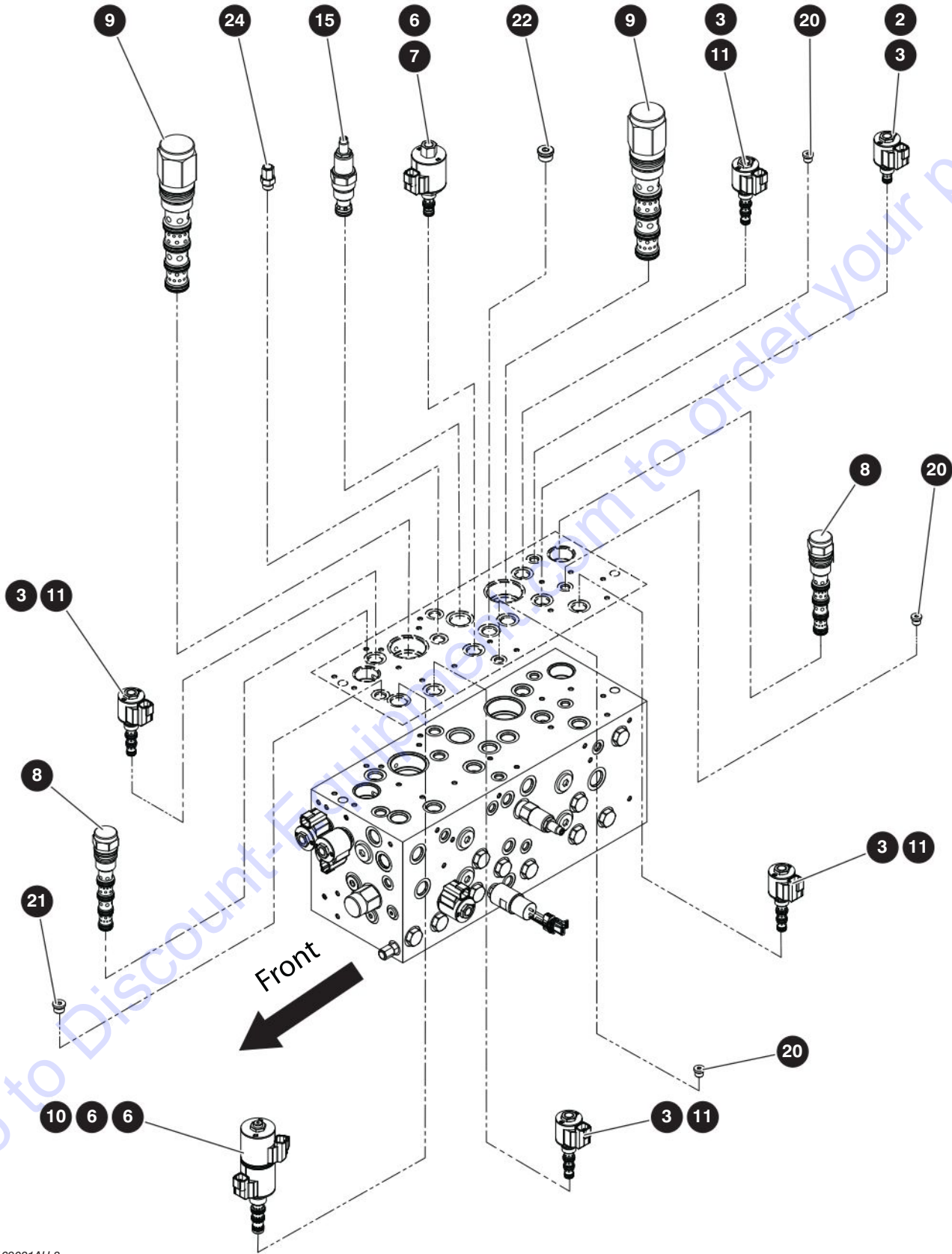
SJ1044 TH, SJ1044 THS, SJ1056 TH, SJ1056 THS

SKYJACK

## 9.4 Manifold Assembly

Index No.	Skyjack Part No.	Qty.	Description
-	9-169031	1	ASSEMBLY, MANIFOLD 10K
1	9-191805	2	• VALVE, Check
2	9-102626	3	• VALVE, Solenoid cartridges
3	9-159821	8	• COIL, #8
4	9-166038	1	• VALVE, Solenoid cartridges
5	9-166066	10	• VALVE, Check
6	9-168057	3	• COIL, #10
7	9-171796	1	• VALVE, Solenoid cartridge
8	9-191793	2	• VALVE, Proportional-pilot operated
9	9-191794	2	• VALVE, Proportional-pilot operated
10	9-191795	1	• VALVE, Solenoid 4 way / 3 position
11	9-191796	4	• VALVE, Solenoid 4 way / 2 position
12	9-191798	1	• VALVE, Pressure reducing/relieving
13	9-191799	1	• VALVE, Pressure compensator & p.o.d
14	9-191801	1	• VALVE, Piloted 2w N.O.
15	9-191802	1	• VALVE, Relief
16	238579	1	• VALVE, Relief
17	9-221887	2	• VALVE, Relief anti-cavitation
18	9-191810	1	• SWITCH, Pressure 450 psi
19	9-191800	1	• SWITCH, Pressure 350 psi
20	9-121205	12	• PLUG, Fitting (04 ORB hex socket)
21	9-104437	5	• PLUG, Fitting (06 ORB hex socket)
22	9-702796	5	• PLUG, Fitting (08 ORB hex socket)
23	9-137629	6	• PLUG, Fitting (10 ORB hex socket)
24	9-701956	1	• FITTING, (#6 Straight ORBM to #4 JICM)
25	9-126128	4	• FITTING, (#4 Straight ORBM to JICM)
26	9-191807	1	• PLUG, Orifice 0.019"
27	9-191808	1	• PLUG, Orifice 0.089"
28	9-191809	1	• PLUG, Orifice 0.063"
29	9-199033	1	• PLUG, Orifice 0.033"
30	9-199032	1	• PLUG, Orifice 0.052"

## 9.4 Manifold Assembly



M169031AH-3

190126AG

328

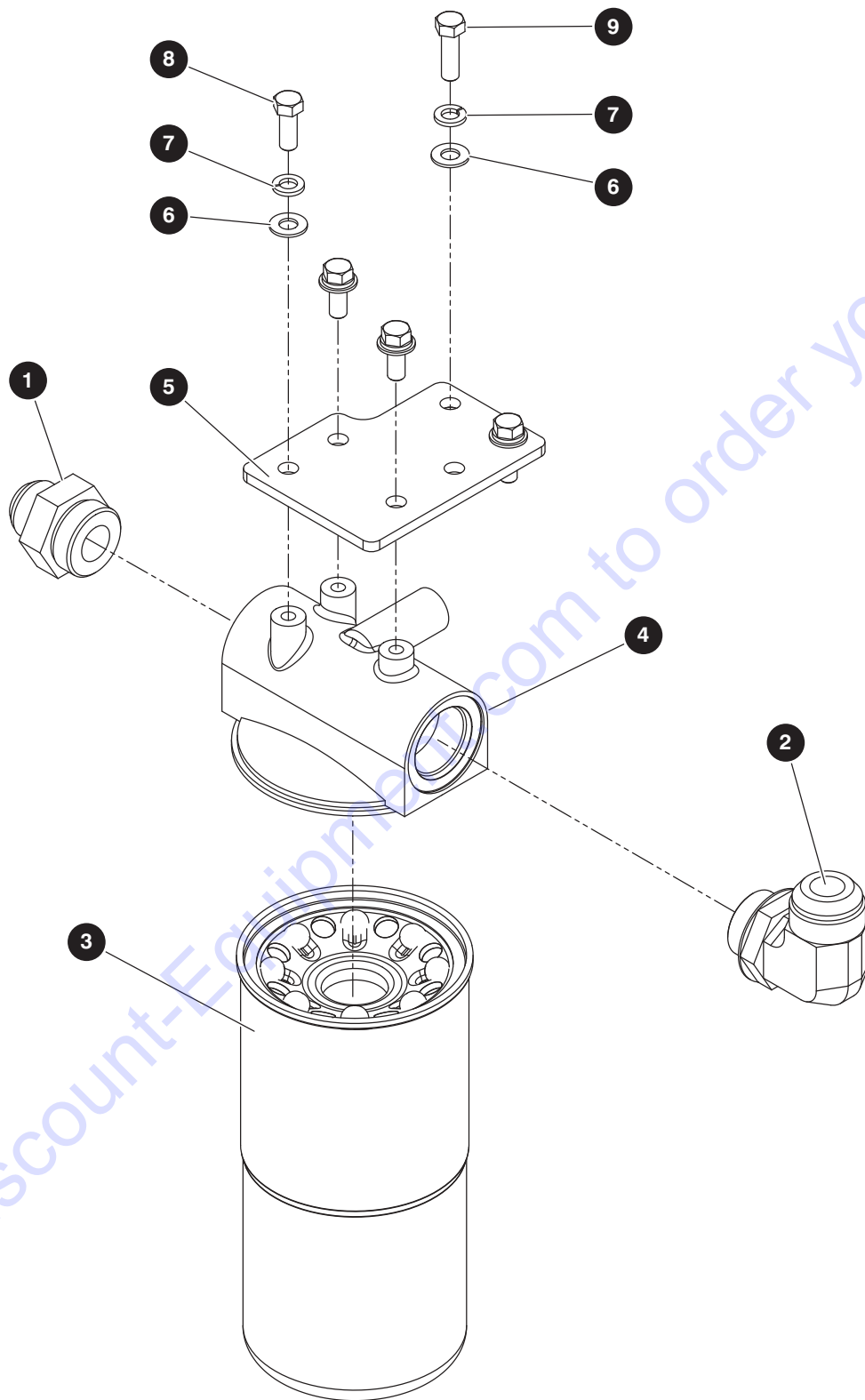
SJ1044 TH, SJ1044 THS, SJ1056 TH, SJ1056 THS

SKYJACK

## 9.4 Manifold Assembly

Index No.	Skyjack Part No.	Qty.	Description
-	9-169031	1	ASSEMBLY, MANIFOLD 10K
1	9-191805	2	• VALVE, Check
2	9-102626	3	• VALVE, Solenoid cartridges
3	9-159821	8	• COIL, #8
4	9-166038	1	• VALVE, Solenoid cartridges
5	9-166066	10	• VALVE, Check
6	9-168057	3	• COIL, #10
7	9-171796	1	• VALVE, Solenoid cartridge
8	9-191793	2	• VALVE, Proportional-pilot operated
9	9-191794	2	• VALVE, Proportional-pilot operated
10	9-191795	1	• VALVE, Solenoid 4 way / 3 position
11	9-191796	4	• VALVE, Solenoid 4 way / 2 position
12	9-191798	1	• VALVE, Pressure reducing/relieving
13	9-191799	1	• VALVE, Pressure compensator & p.o.d
14	9-191801	1	• VALVE, Piloted 2w N.O.
15	9-191802	1	• VALVE, Relief
16	9-191803	1	• VALVE, Relief
17	9-221887	2	• VALVE, Relief anti-cavitation
18	9-191810	1	• SWITCH, Pressure 450 psi
19	9-191800	1	• SWITCH, Pressure 350 psi
20	9-121205	12	• PLUG, Fitting (04 ORB hex socket)
21	9-104437	5	• PLUG, Fitting (06 ORB hex socket)
22	9-702796	5	• PLUG, Fitting (08 ORB hex socket)
23	9-137629	6	• PLUG, Fitting (10 ORB hex socket)
24	9-701956	1	• FITTING, (#6 Straight ORBM to #4 JICM)
25	9-126128	4	• FITTING, (#4 Straight ORBM to JICM)
26	9-191807	1	• PLUG, Orifice 0.019"
27	9-191808	1	• PLUG, Orifice 0.089"
28	9-191809	1	• PLUG, Orifice 0.063"
29	9-199033	1	• PLUG, Orifice 0.033"
30	9-199032	1	• PLUG, Orifice 0.052"

## 9.5 Hydraulic Return Filter Assembly



M191415AA

190126AG

**330**

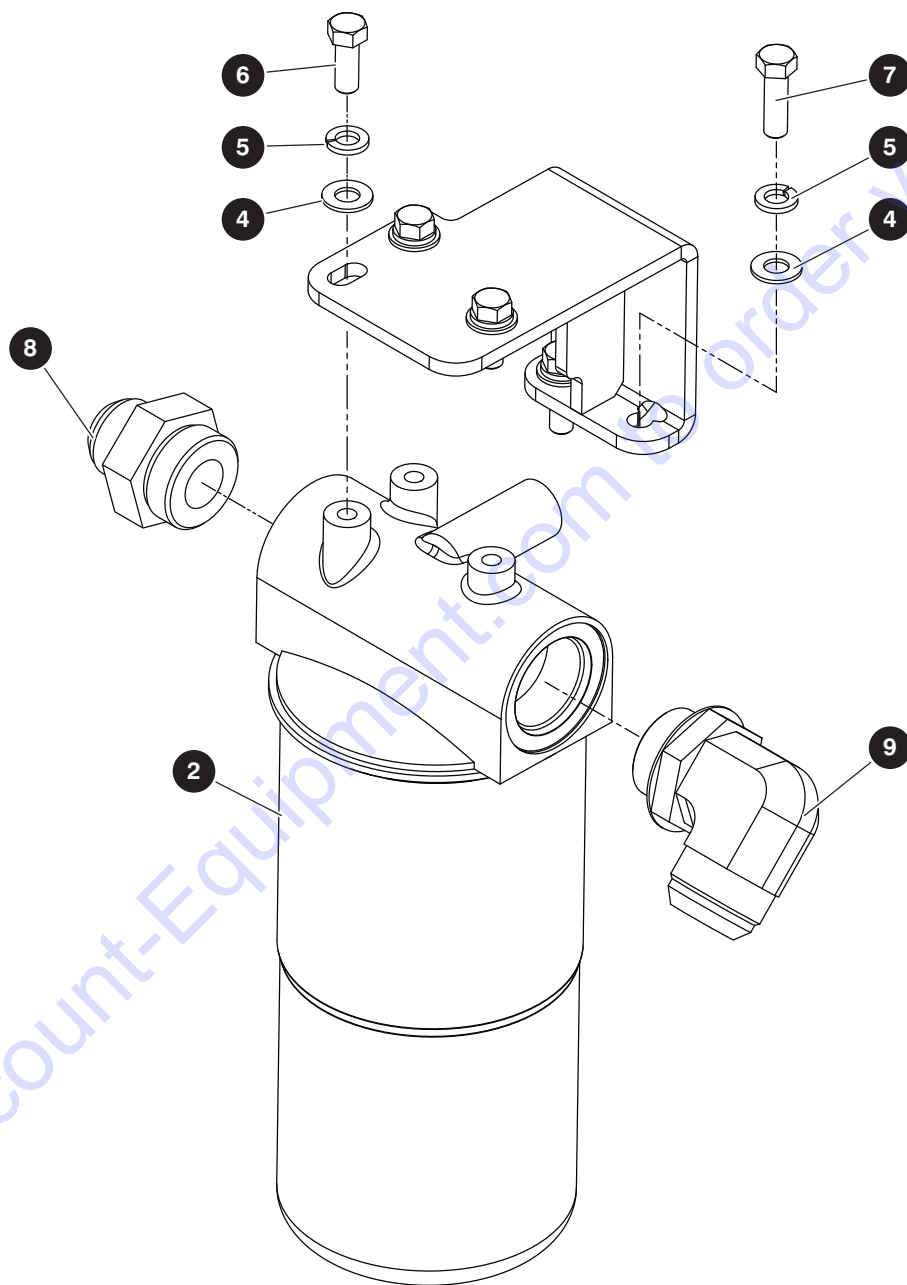
SJ1044 TH, SJ1044 THS, SJ1056 TH, SJ1056 THS

**SKYJACK**

## 9.5 Hydraulic Return Filter Assembly

Index No.	Skyjack Part No.	Qty.	Description
-	9-191415	1	ASSEMBLY, RETURN FILTER
1	9-190361	1	<ul style="list-style-type: none"> <li>• FITTING, Straight (16 JICM - 20 ORBM)</li> </ul>
2	9-406249	1	<ul style="list-style-type: none"> <li>• FITTING, 90° (20 JICM - 20 ORBM)</li> </ul>
3	9-157907	1	<ul style="list-style-type: none"> <li>• ELEMENT, Filter (Hydraulic spin on)</li> </ul>
4	9-157906	1	<ul style="list-style-type: none"> <li>• ASSEMBLY, Head hydraulic return filter</li> </ul>
5	9-190906	1	<ul style="list-style-type: none"> <li>• PLATE, Hydraulic filter mount</li> </ul>
6	9-103472	5	<ul style="list-style-type: none"> <li>• WASHER, Flat 3/8" SAE</li> </ul>
7	9-103999	5	<ul style="list-style-type: none"> <li>• WASHER, Lock 3/8"</li> </ul>
8	9-103473	3	<ul style="list-style-type: none"> <li>• BOLT, Hex head cap 3/8"-16 X 1" grade 5</li> </ul>
9	9-101297	2	<ul style="list-style-type: none"> <li>• BOLT, Hex head cap 3/8"-16 X 1-1/4" grade 5</li> </ul>

## 9.6 CVT Hydraulic Return Filter Assembly



M216748AB

190126AG

**332**

SJ1044 TH, SJ1044 THS, SJ1056 TH, SJ1056 THS

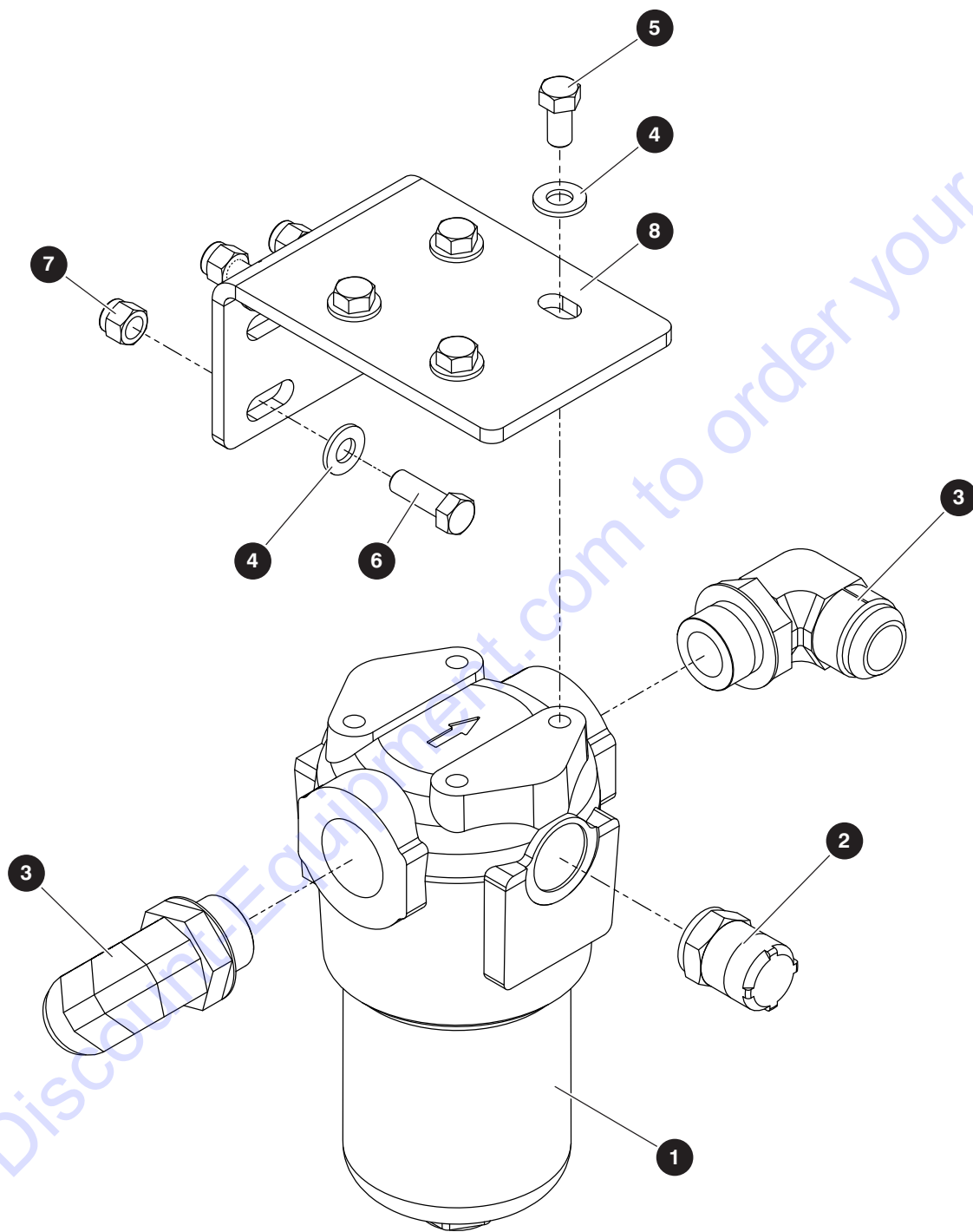
**SKYJACK**

## 9.6 CVT Hydraulic Return Filter Assembly

Index No.	Skyjack Part No.	Qty.	Description
-	9-216748	1	RETURN FILTER SUBGROUP
1	9-216569	1	BRACKET, OIL FILTER MOUNT
2	9-157907	1	FILTER ELEMENT - HYDRAULIC SPIN ON
3	9-157906	1	HEAD, HYDRAULIC RETURN FILTER
4	9-103472	5	WASHER FLAT 3/8"
5	9-103999	5	WASHER, LOCK 3/8"
6	9-103473	3	BOLT-HEX HD/ZINC (3/8"-16 x 1" Gr. 5)
7	9-101297	2	BOLT-HEX HD/ZINC (3/8"-16 x 1-1/4" Gr.5)
8	9-190361	1	FITTING, Straight (20 ORBM - 16 JICM)
9	9-406249	1	FITTING, 90° (20 JICM - 20 ORBM)



## 9.7 Pressure Filter



M233052AA

190126AG

**334**

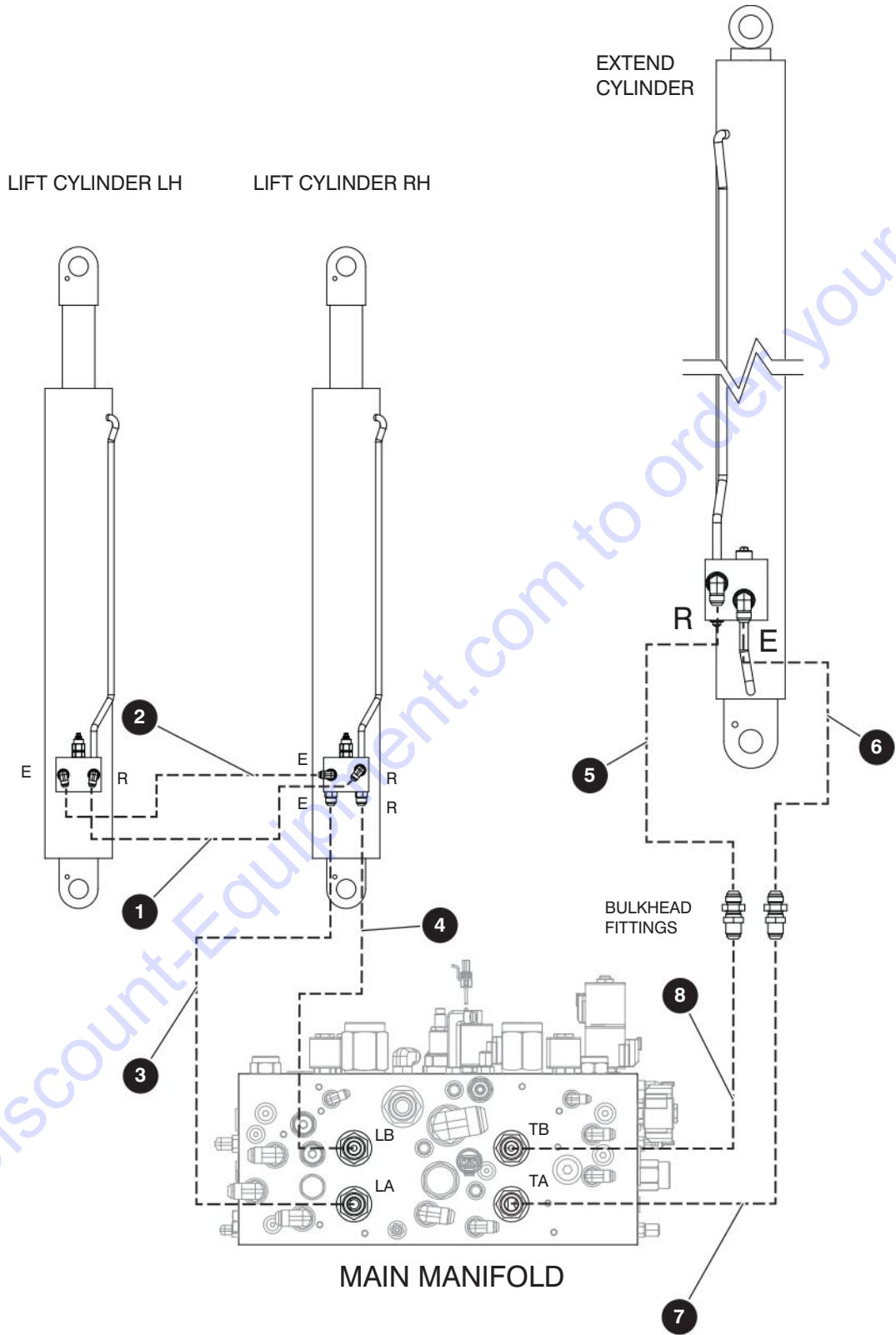
SJ1044 TH, SJ1044 THS, SJ1056 TH, SJ1056 THS

**SKYJACK**

## 9.7 Pressure Filter

Index No.	Skyjack Part No.	Qty.	Description
-	233052	1	PRESSURE FILTER
1	233048	1	• FILTER, 6000 PSI 10 MICRON
2	233050	1	• INDICATOR, 50 PSI
3	707040	2	• FTG, 90 DEG (16JICM-16ORB)
4	125959	7	• WASHER FLAT 0.375 HARD
5	158488	4	• BOLT, HXHD 0.375-16 X 0.750 GR8
6	217909	3	• BOLT, HXHD 0.375-16 X 1.125 GR8
7	104606	3	• NUT, LOCK 0.375-16 GR5 - NYL
8	233038	1	• BRACKET, FILTER MOUNT

# 9.8 Boom and Telescopic Hydraulic Hose Connections

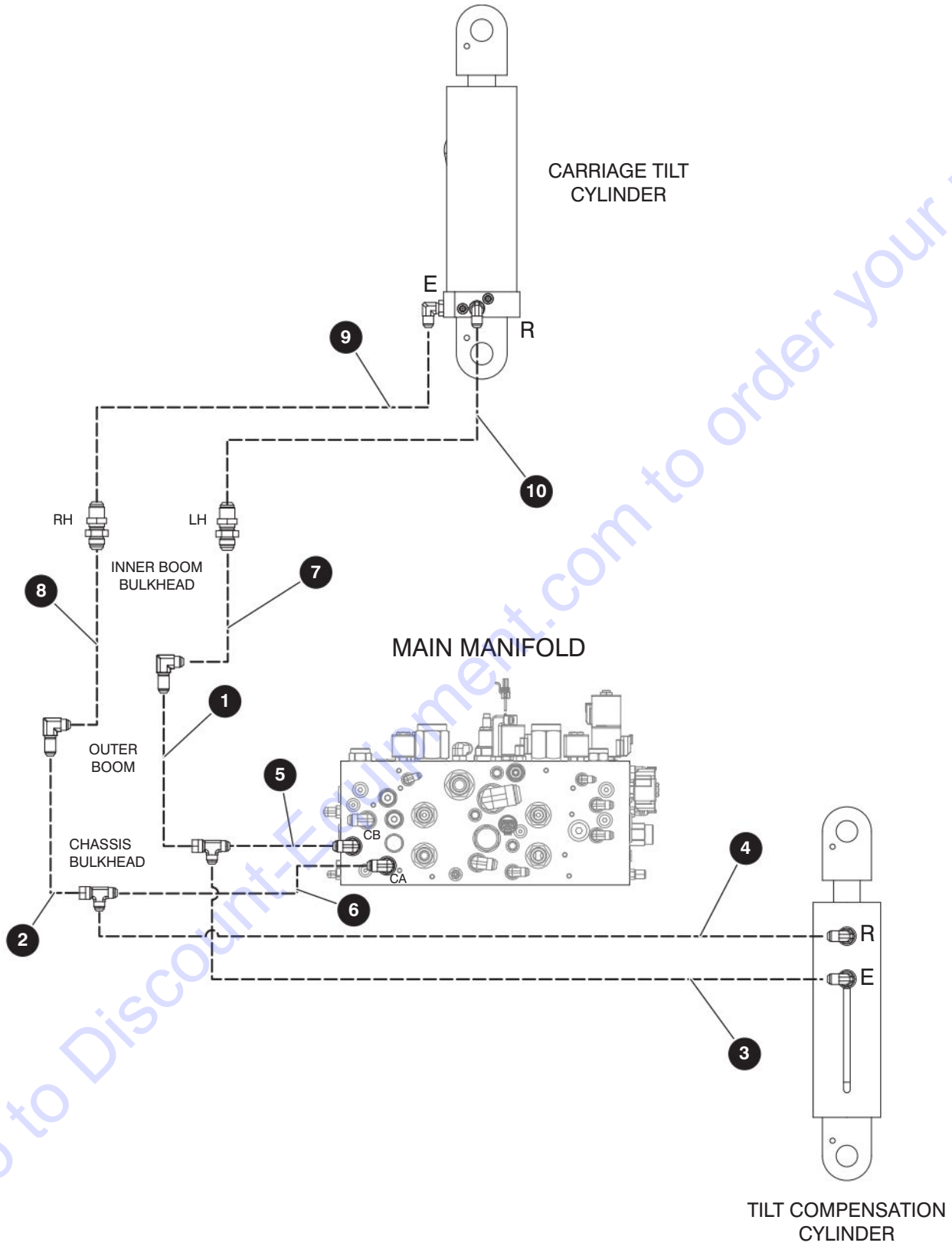


M191848AB-M197662AA

## 9.8 Boom and Telescopic Hydraulic Hose Connections

Index No.	Hose P/N	From		To	
		Description	Port	Port	Description
<b>A</b>	-	SJ1044 TH			
<b>B</b>	-	SJ1056 TH			
1	H310800250	Lift cylinders	E		
2	H310800250	Lift cylinders	R		
3	H351200380	Main manifold	LA	E	RH Lift cylinder
4	H351200380	Main manifold	LB	R	RH Lift cylinder
5	H311200550	Extend cylinder	R	TB	Main manifold - <b>A</b>
5	H311200760	Extend cylinder	R	TB	Main manifold - <b>B</b>
6	H311200540	Extend cylinder	E	TA	Main manifold - <b>A</b>
6	H311200770	Extend cylinder	E	TA	Main manifold - <b>B</b>
7	H361200620	Main manifold	TA	E	Extend cylinder
8	H361200620	Main manifold	TB	R	Extend cylinder

## 9.9 Carriage Hydraulic Hoses SJ1044 TH

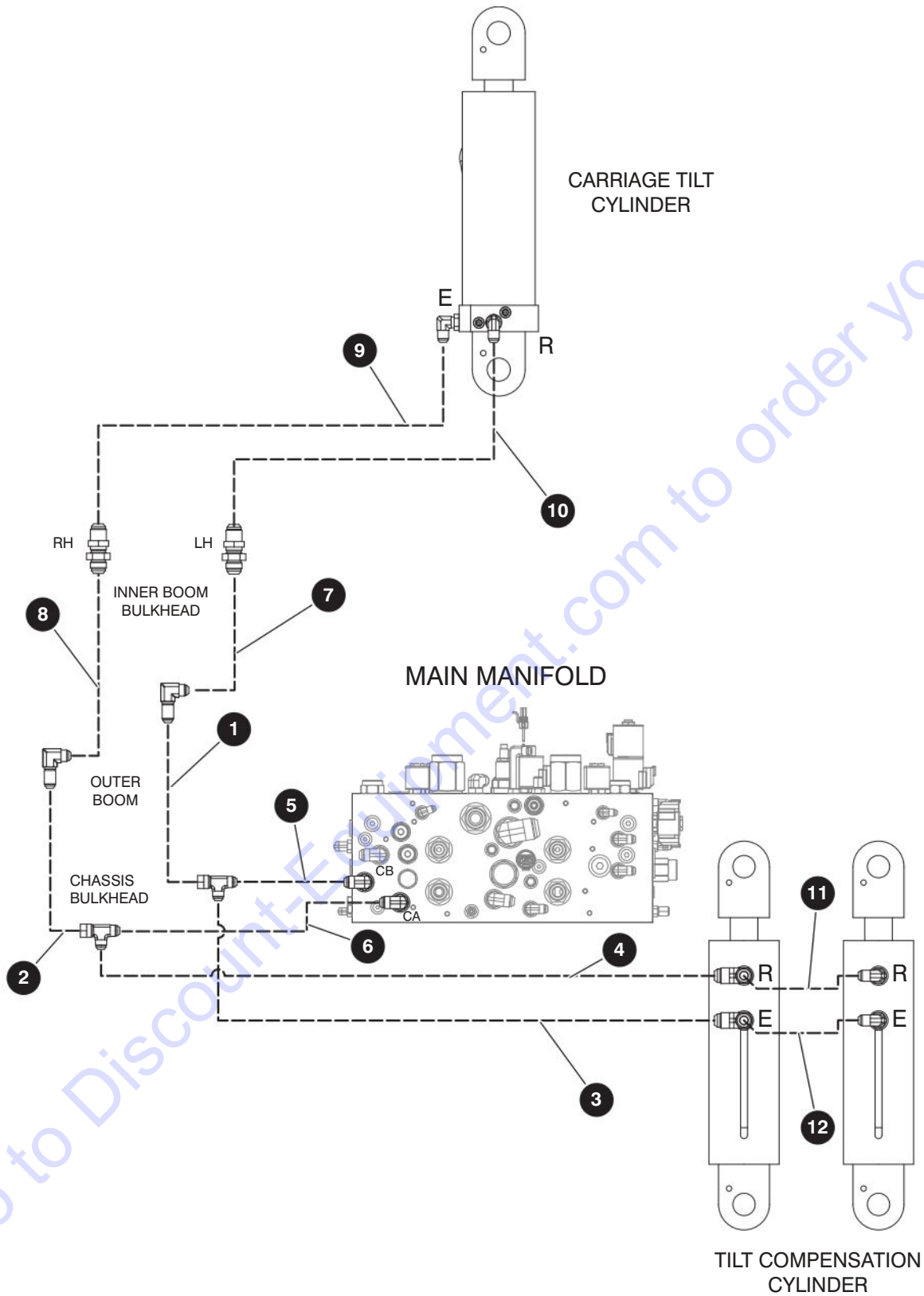


M191905AB

## 9.9 Carriage Hydraulic Hoses SJ1044 TH

Index No.	Hose P/N	From		To	
		Description	Port	Port	Description
<i>For serial number XXXXXX and below</i>					
1	H340801842	Chassis boom bulkhead	R		
2	H340801842	Chassis boom bulkhead	E		
3	H310800200	Tilt compensation cylinder	E		Chassis bulkhead left side
4	H310800170	Tilt compensation cylinder	R		Chassis bulkhead right side
5	H340800470	Main manifold	CB		Chassis bulkhead left side
6	H340800470	Main manifold	CA		Chassis bulkhead right side
7	H610803380	Over hose sheave right side	R		
8	H610803380	Over hose sheave left side	E		
9	H310800370	Carriage tilt cylinder	E		
10	H310800370	Carriage tilt cylinder	R		

# 9.10 Carriage Hydraulic Hoses SJ1044 TH - Dual tilt



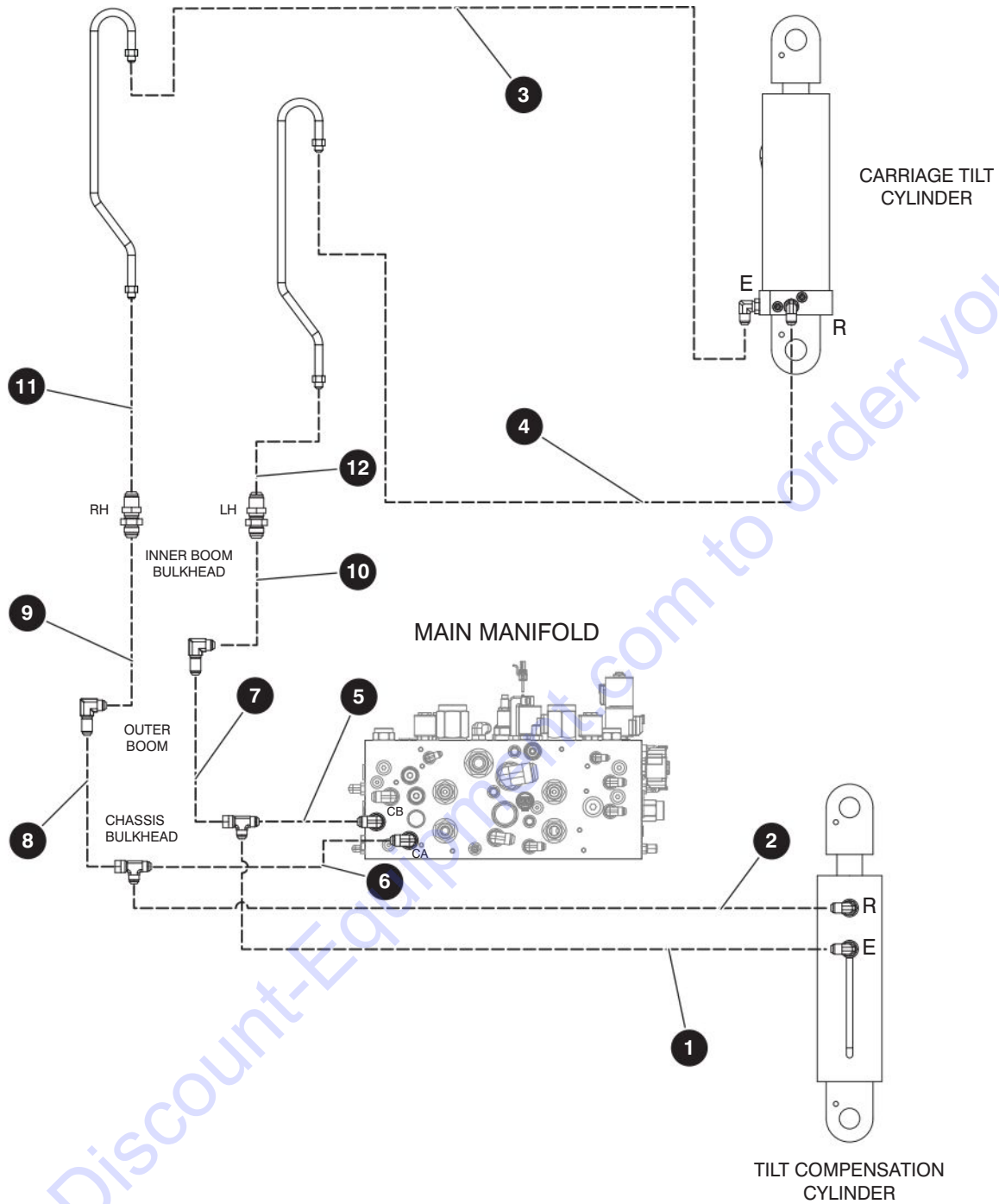
M232331AA

## 9.10 Carriage Hydraulic Hoses SJ1044 TH - Dual tilt

Index No.	Hose P/N	From		To	
		Description	Port	Port	Description
<i>For serial number XXXXXX and above</i>					
1	H340801842	Chassis boom bulkhead	R		
2	H340801842	Chassis boom bulkhead	E		
3	H310800200	Tilt compensation cylinder	E		Chassis bulkhead left side
4	H310800170	Tilt compensation cylinder	R		Chassis bulkhead right side
5	H340800470	Main manifold	CB		Chassis bulkhead left side
6	H340800470	Main manifold	CA		Chassis bulkhead right side
7	H610803380	Over hose sheave right side	R		
8	H610803380	Over hose sheave left side	E		
9	H310800370	Carriage tilt cylinder	E		
10	H310800370	Carriage tilt cylinder	R		
11	H620800190	Tilt compensation cylinder	R	R	Tilt compensation cylinder
12	H620800190	Tilt compensation cylinder	E	E	Tilt compensation cylinder



## 9.11 Carriage Hydraulic Hoses SJ1056 TH



M191849AC

190126AG

342

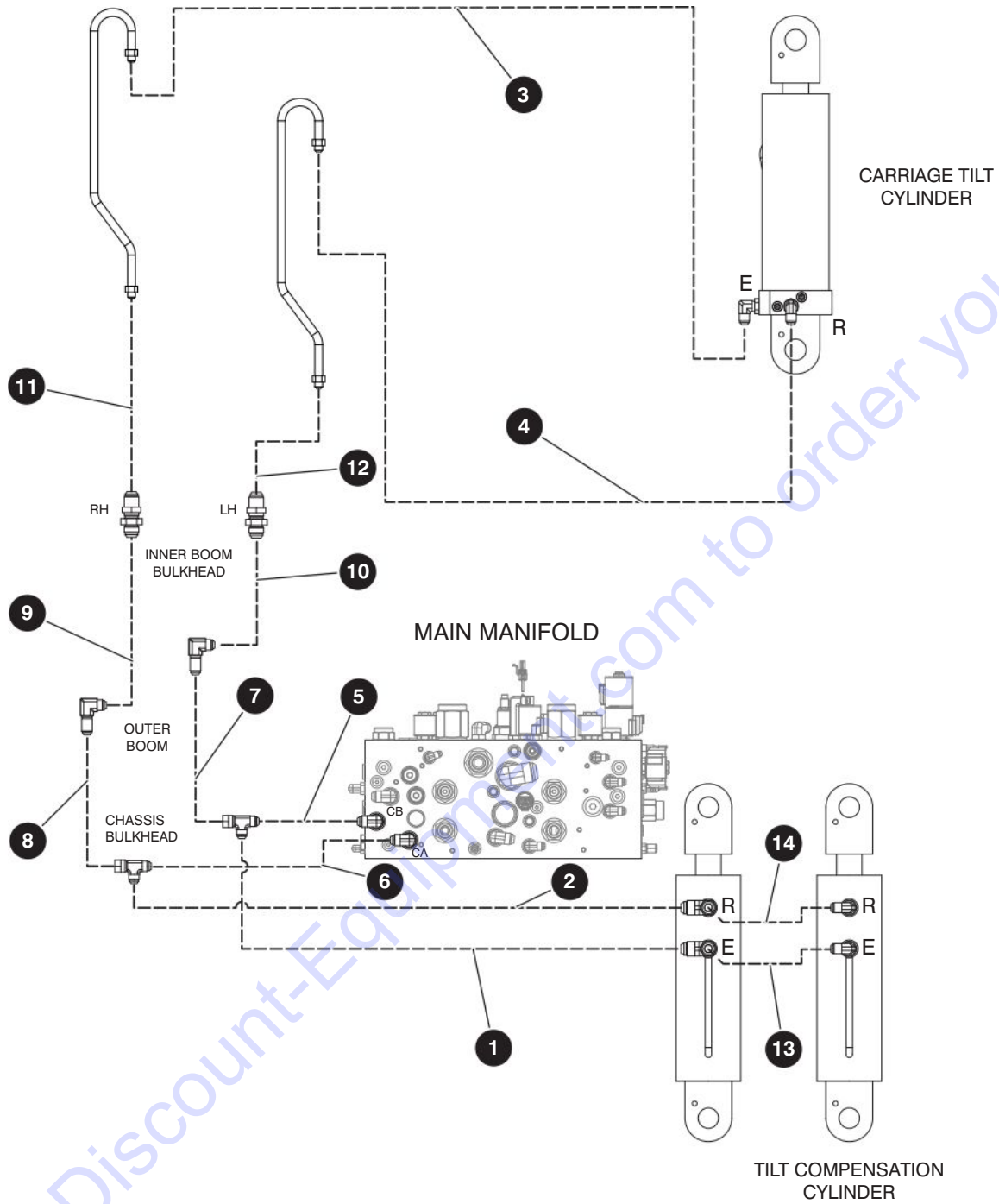
SJ1044 TH, SJ1044 THS, SJ1056 TH, SJ1056 THS

SKYJACK

## 9.11 Carriage Hydraulic Hoses SJ1056 TH

Index No.	Hose P/N	From		To	
		Description	Port	Port	Description
<i>For serial number 87312008 and below</i>					
1	H310800200	Tilt compensation cylinder	E		Chassis bulkhead left side
2	H310800170	Tilt compensation cylinder	R		Chassis bulkhead right side
3	H610801980	Carriage tilt cylinder	E		
4	H610801980	Carriage tilt	R		
5	H340800470	Main manifold	CB		Chassis bulkhead left side
6	H340800470	Main manifold	CA		Chassis bulkhead right side
7	H340801770	Chassis		R	BOOM BULKHEAD
8	H340801770	Chassis		E	BOOM BULKHEAD
9	H610801870	Over hose sheave left side	E		
10	H610801870	Over hose sheave	R		
11	H670800200	Extend line			
12	H670800200	Retract line			

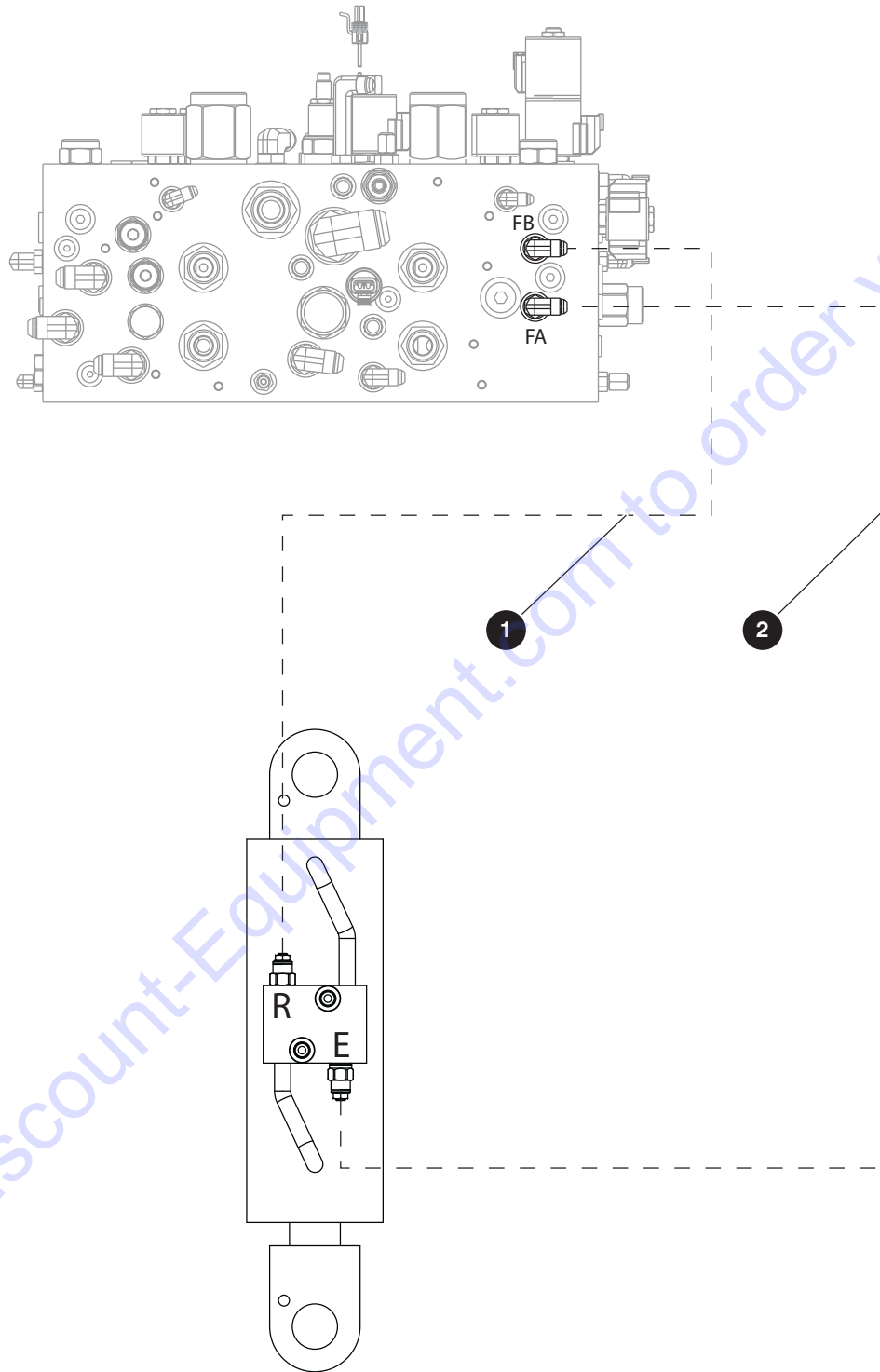
## 9.12 Carriage Hydraulic Hoses SJ1056 TH - Dual tilt



## 9.12 Carriage Hydraulic Hoses SJ1056 TH - Dual tilt

Index No.	Hose P/N	From		To	
		Description	Port	Port	Description
<i>For serial number 87312009 and above</i>					
1	H310800200	Tilt compensation cylinder	E		Chassis bulkhead left side
2	H310800170	Tilt compensation cylinder	R		Chassis bulkhead right side
3	H610801980	Carriage tilt cylinder	E		
4	H610801980	Carriage tilt	R		
5	H340800470	Main manifold	CB		Chassis bulkhead left side
6	H340800470	Main manifold	CA		Chassis bulkhead right side
7	H340801770	Chassis		R	BOOM BULKHEAD
8	H340801770	Chassis		E	BOOM BULKHEAD
9	H610801870	Over hose sheave left side	E		
10	H610801870	Over hose sheave	R		
11	H310800200	Extend line			
12	H310800200	Retract line			
13	H620800190	Tilt compensation cylinder	E	E	Tilt compensation cylinder
14	H620800190	Tilt compensation cylinder	R	R	Tilt compensation cylinder

## 9.13 Frame Level Hydraulic Hose Connections



M191851AC

190126AG

**346**

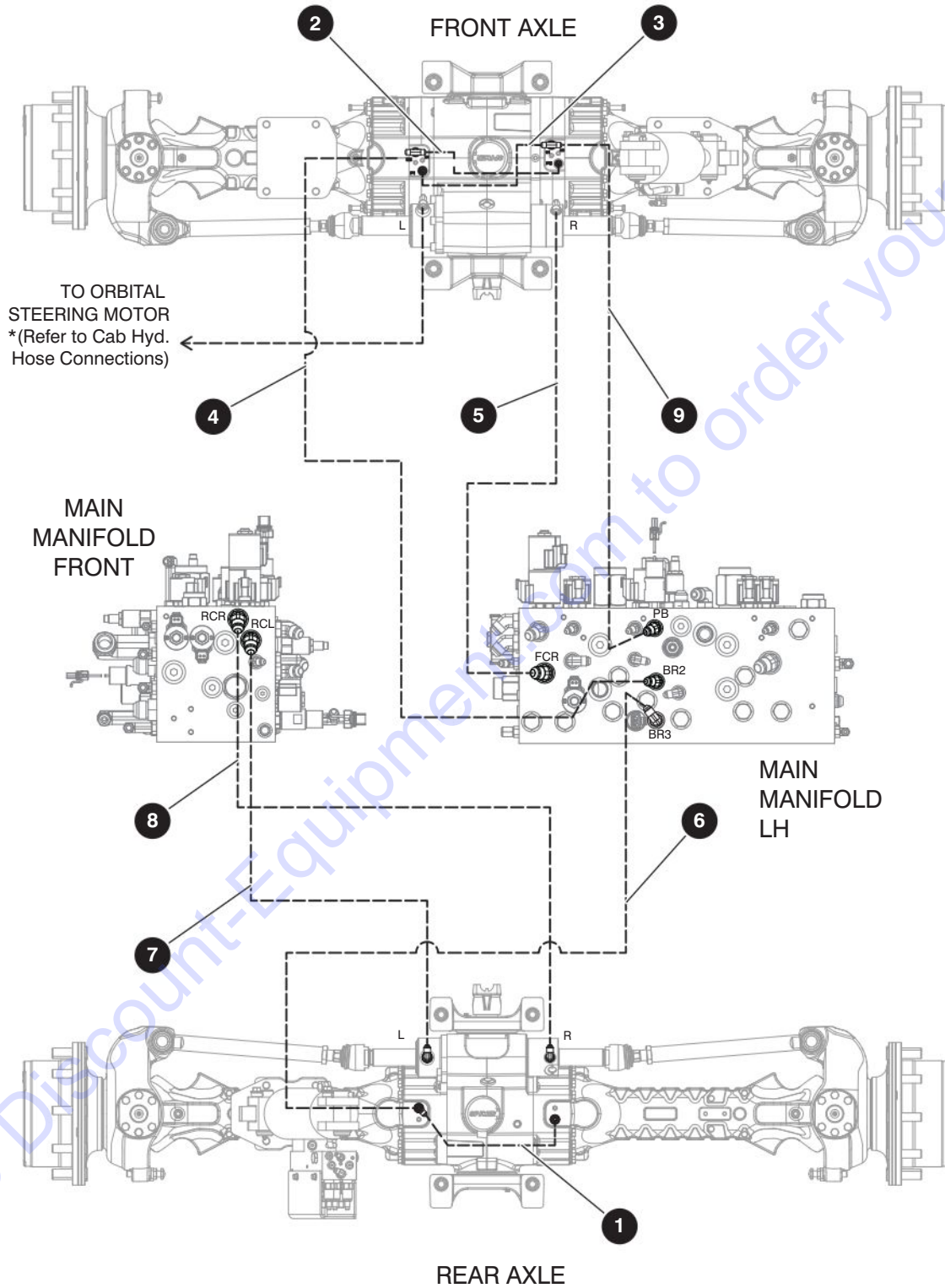
SJ1044 TH, SJ1044 THS, SJ1056 TH, SJ1056 THS

**SKYJACK**

## 9.13 Frame Level Hydraulic Hose Connections

Index No.	Hose P/N	From		To	
		Description	Port	Port	Description
1	H310601320	Main manifold	FB	R	Frame level cylinder
2	H310601320	Main manifold	FA	E	Frame level cylinder

## 9.14 Brakes and Steering Hydraulic Hose Connections



M191852AC

190126AG

**348**

SJ1044 TH, SJ1044 THS, SJ1056 TH, SJ1056 THS

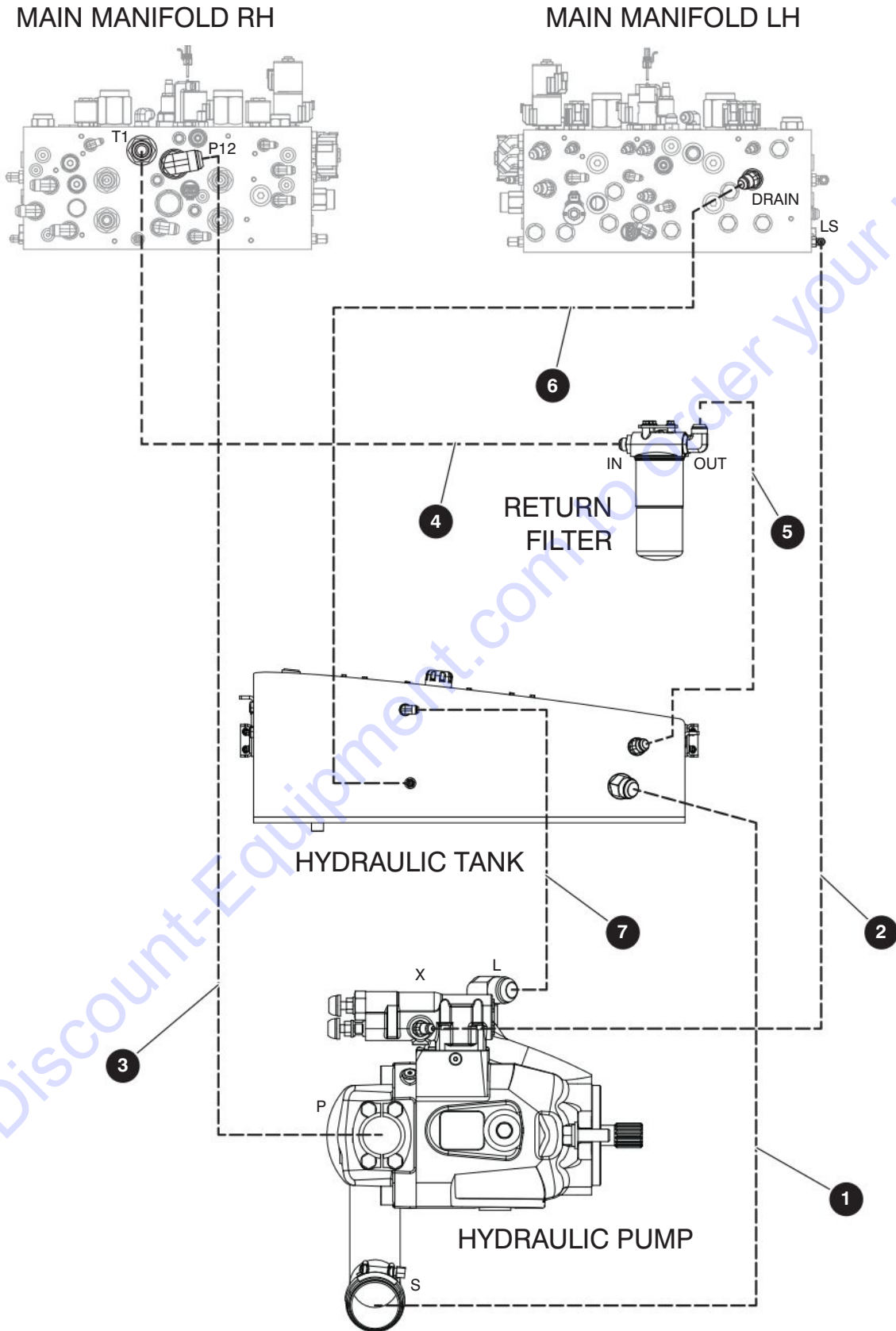
**SKYJACK**

## 9.14 Brakes and Steering Hydraulic Hose Connections

Index No.	Hose P/N	From		To	
		Description	Port	Port	Description
1	H340600150	Rear service brake			Rear service brake
2	H340600150	Front service brake	P2	P2	Front service brake
3	H340600140	Parking brake	P1	P1	Parking brake
4	H340601330	Main manifold	BR2	P2	Front service brake
5	H310801230	Main manifold	FCR	R	Front steer cylinder
6	H340600550	Main manifold	BR3		Rear service brake
7	H310800400	Main manifold	RCL	L	Rear steer cylinder
8	H310800400	Main manifold	RCR	R	Rear steer cylinder
9	H340601350	Main manifold	PB	P1	Front parking brake



## 9.15 Hydraulic Pump Hoses



M191862AC

190126AG

**350**

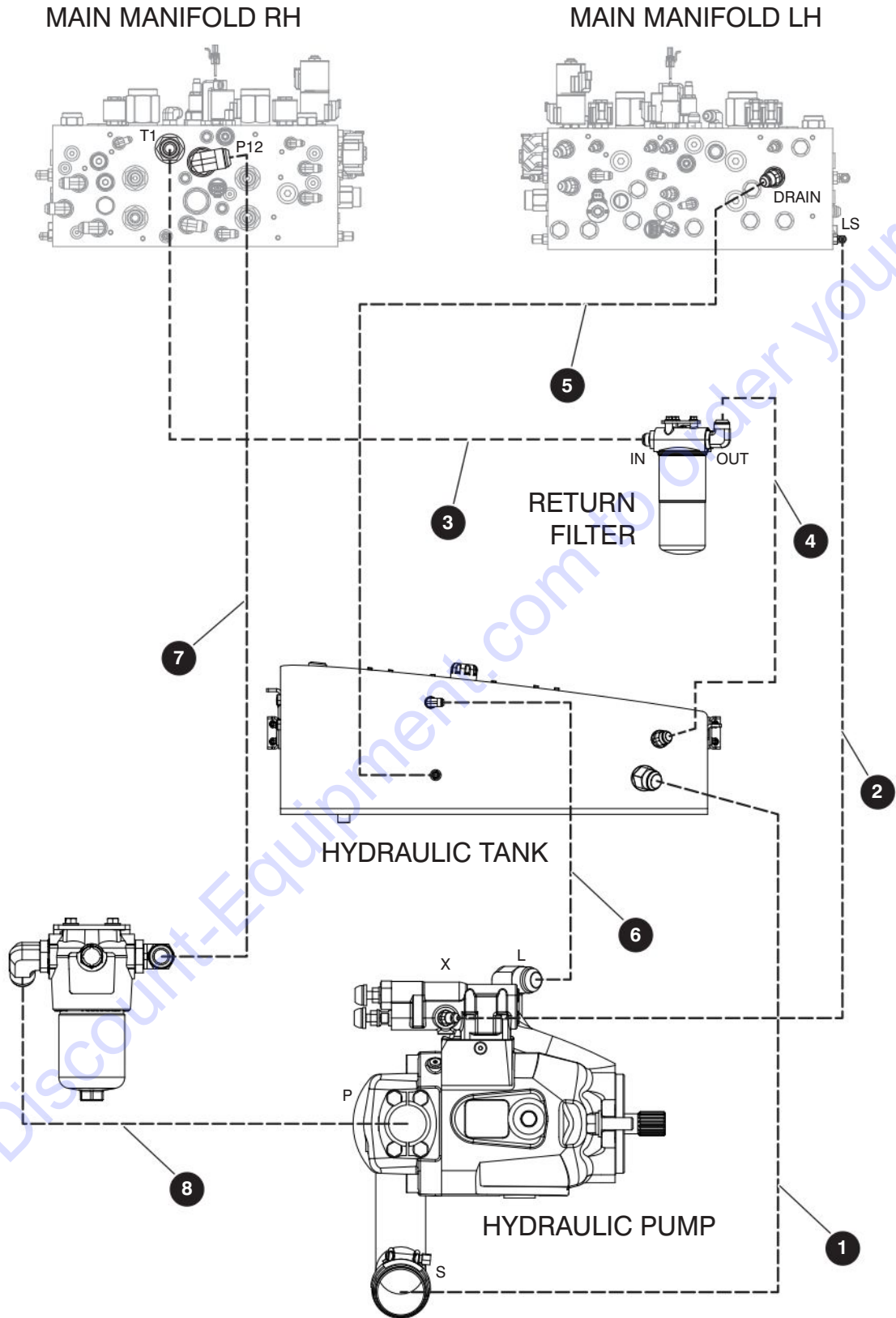
SJ1044 TH, SJ1044 THS, SJ1056 TH, SJ1056 THS

**SKYJACK**

## 9.15 Hydraulic Pump Hoses

Index No.	Hose P/N	From		To	
		Description	Port	Port	Description
1	H663200360	Pump		S	Hydraulic tank
2	H310401150	Main manifold	LS	X	Pump
3	H651600870	Main manifold	P12	P	Pump
4	H201600830	Main manifold	T1	IN	Return filter
5	H202000190	Return filter	OUT		Hydraulic tank
6	H341000610	Main manifold	DRAIN		Hydraulic tank
7	H311200470	Pump		L	Hydraulic tank

# 9.16 Hydraulic Pump Hoses with Pressure Filter

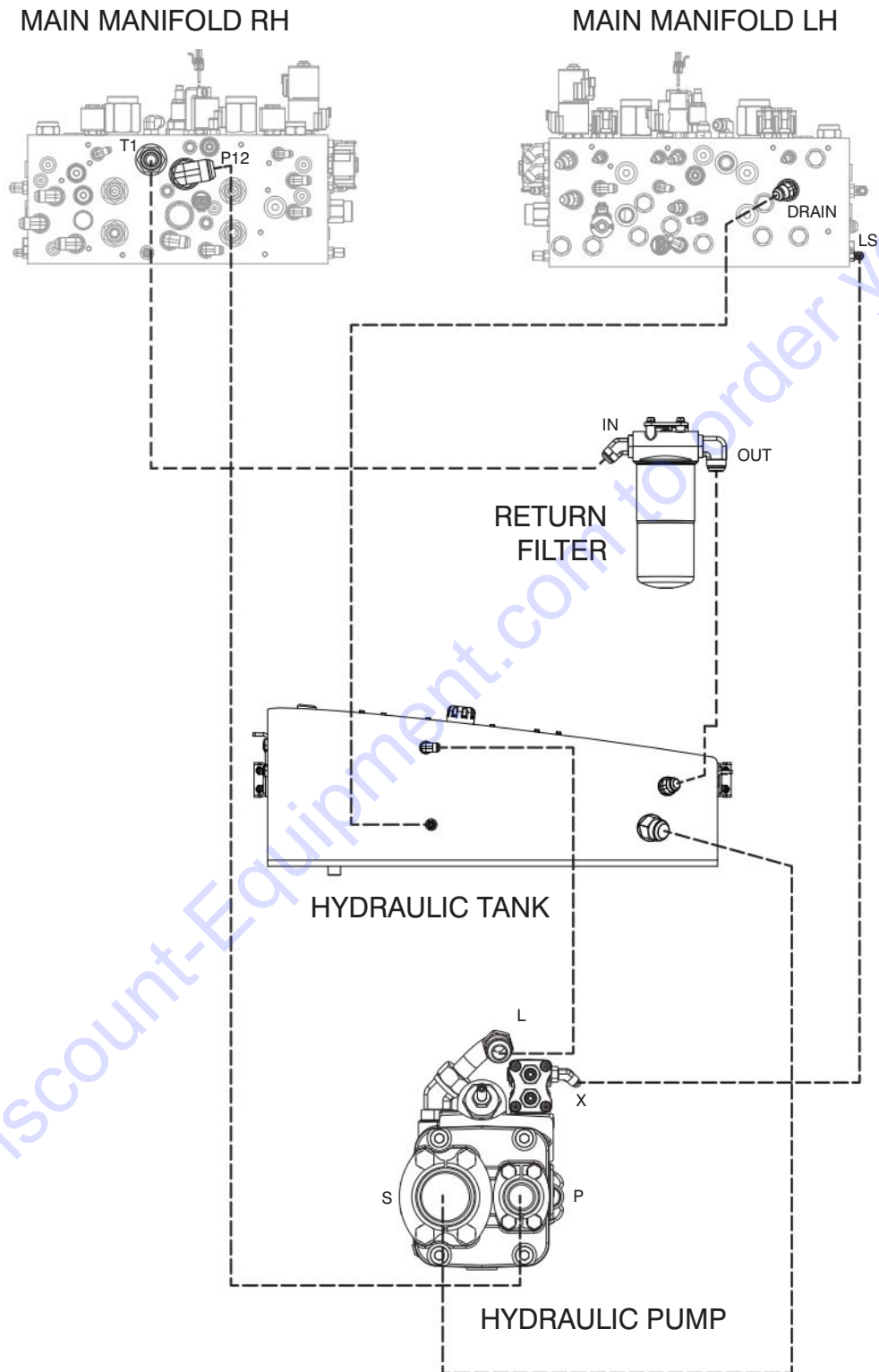


M191862AD.ai

## 9.16 Hydraulic Pump Hoses with Pressure Filter

Index No.	Hose P/N	From		To	
		Description	Port	Port	Description
1	H663200360	Pump		S	Hydraulic tank
2	H310401150	Main manifold	LS	X	Pump
3	H201600830	Main manifold	T1	IN	Return filter
4	H202000190	Return filter	OUT		Hydraulic tank
5	H341000610	Main manifold	DRAIN		Hydraulic tank
6	H311200470	Pump		L	Hydraulic tank
7	H671600990	Pressure Filter	OUT	P12	Main manifold
8	H821600422	Pump Outlet	P	IN	Pressure Filter

## 9.17 CVT Hydraulic Pump Hoses



M216747AA

190126AG

**354**

SJ1044 TH, SJ1044 THS, SJ1056 TH, SJ1056 THS

**SKYJACK**

## 9.17 CVT Hydraulic Pump Hoses

Index No.	Hose P/N	From		To	
		Description	Port	Port	Description
1	H663200111	Pump	S		Hydraulic tank
2	H310401200	Main manifold	LS	X	Pump
3	H731600950	Main manifold	P12	P	Pump
4	H201600860	Main manifold	T1	IN	Return filter
5	H742000222	Return filter	OUT		Hydraulic tank
6	H341000610	Main manifold	DRAIN		Hydraulic tank
7	H321200680	Pump	L		Hydraulic tank

# PARTS FINDER

**Search Website  
by Part Number**



**Search Manual  
Library For Parts  
Manual & Lookup Part  
Numbers – Purchase  
or Request Quote**

**Search Manuals**

Enter your information to help us find the right parts manual for your machine.

\* Brand:

\* Model:

\* Serial:

\* Part Number:

SEARCH

**Can't Find Part or  
Manual? Request Help  
by Manufacturer,  
Model & Description**

**Parts Order Form**

Please fill in the following information to help us find the right part for your machine.

Manufacturer:	<input type="text"/>
Model:	<input type="text"/>
Description:	<input type="text"/>
Part Number:	<input type="text"/>
Quantity:	<input type="text"/>
Notes:	<input type="text"/>

Discount-Equipment.com is your online resource for quality parts & equipment.

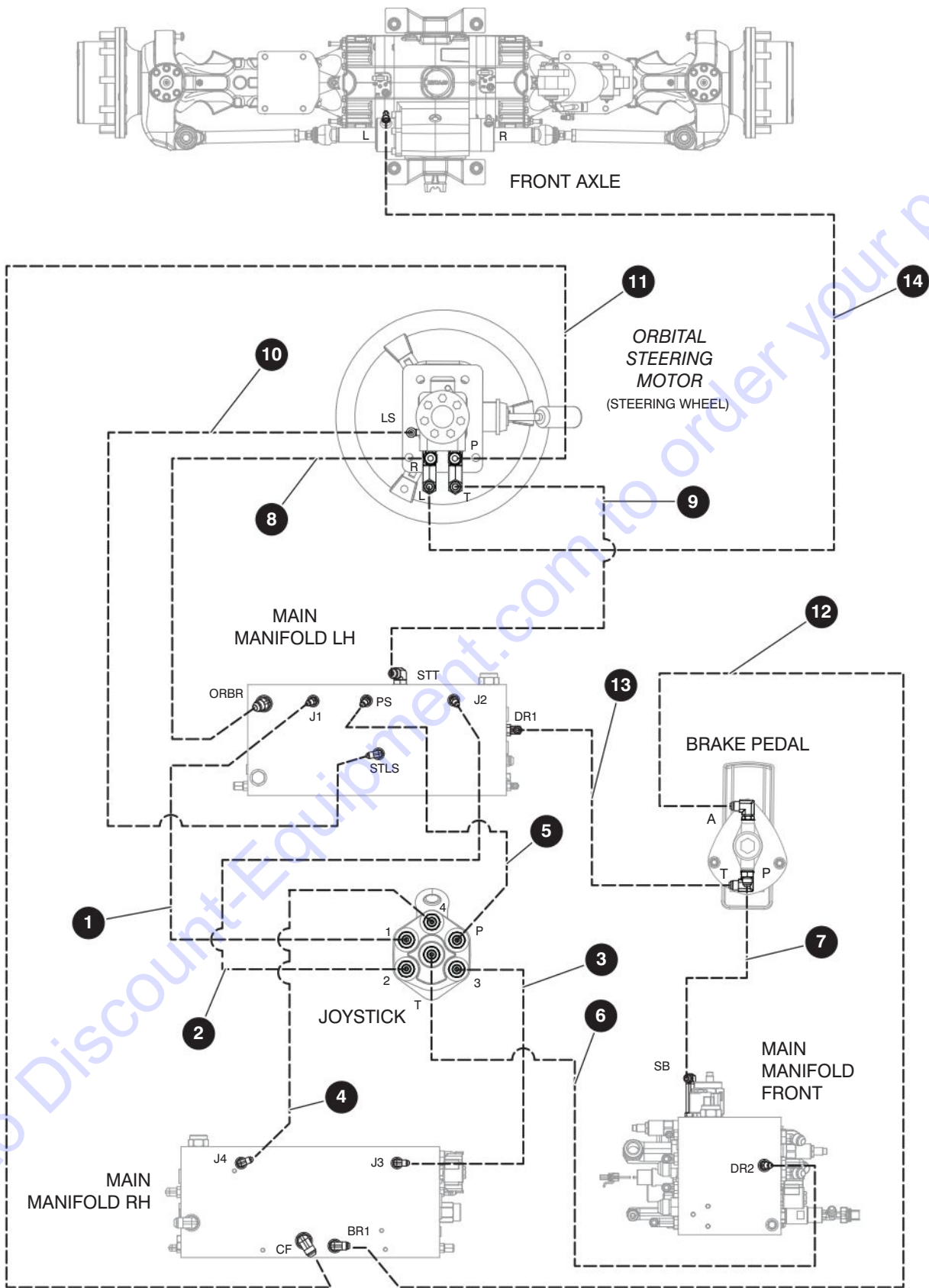
Florida: **561-964-4949** Outside Florida TOLL FREE: **877-690-3101**

**Need parts?**

Click on this link: <http://www.discount-equipment.com/category/5443-parts/> and choose one of the options to help get the right parts and equipment you are looking for. Please have the machine model and serial number available in order to help us get you the correct parts. If you don't find the part on the website or on one of the online manuals, please fill out the request form and one of our experienced staff members will get back to you with a quote for the right part that your machine needs.

We sell worldwide for the brands: Genie, Terex, JLG, MultiQuip, Mikasa, Essick, Whiteman, Mayco, Toro Stone, Diamond Products, Generac Magnum, Airman, Haulotte, Barreto, Power Blanket, Nifty Lift, Atlas Copco, Chicago Pneumatic, Allmand, Miller Curber, Skyjack, Lull, Skytrak, Tsurumi, Husquvarna Target, Stow, Wacker, Sakai, Mi-T-M, Sullair, Basic, Dynapac, MBW, Weber, Bartell, Bennar Newman, Haulotte, Ditch Runner, Menegotti, Morrison, Contec, Buddy, Crown, Edco, Wyco, Bomag, Laymor, EZ Trench, Bil-Jax, F.S. Curtis, Gehl Pavers, Heli, Honda, ICS/PowerGrit, IHI, Partner, Imer, Clipper, MMD, Koshin, Rice, CH&E, General Equipment, Amida, Coleman, NAC, Gradall, Square Shooter, Kent, Stanley, Tamco, Toku, Hatz, Kohler, Robin, Wisconsin, Northrock, Oztec, Toker TK, Rol-Air, APT, Wylie, Ingersoll Rand / Doosan, Innovatech, Con X, Ammann, Mecalac, Makinex, Smith Surface Prep, Small Line, Wanco, Yanmar

# 9.18 Cab Hydraulic Hose Connections



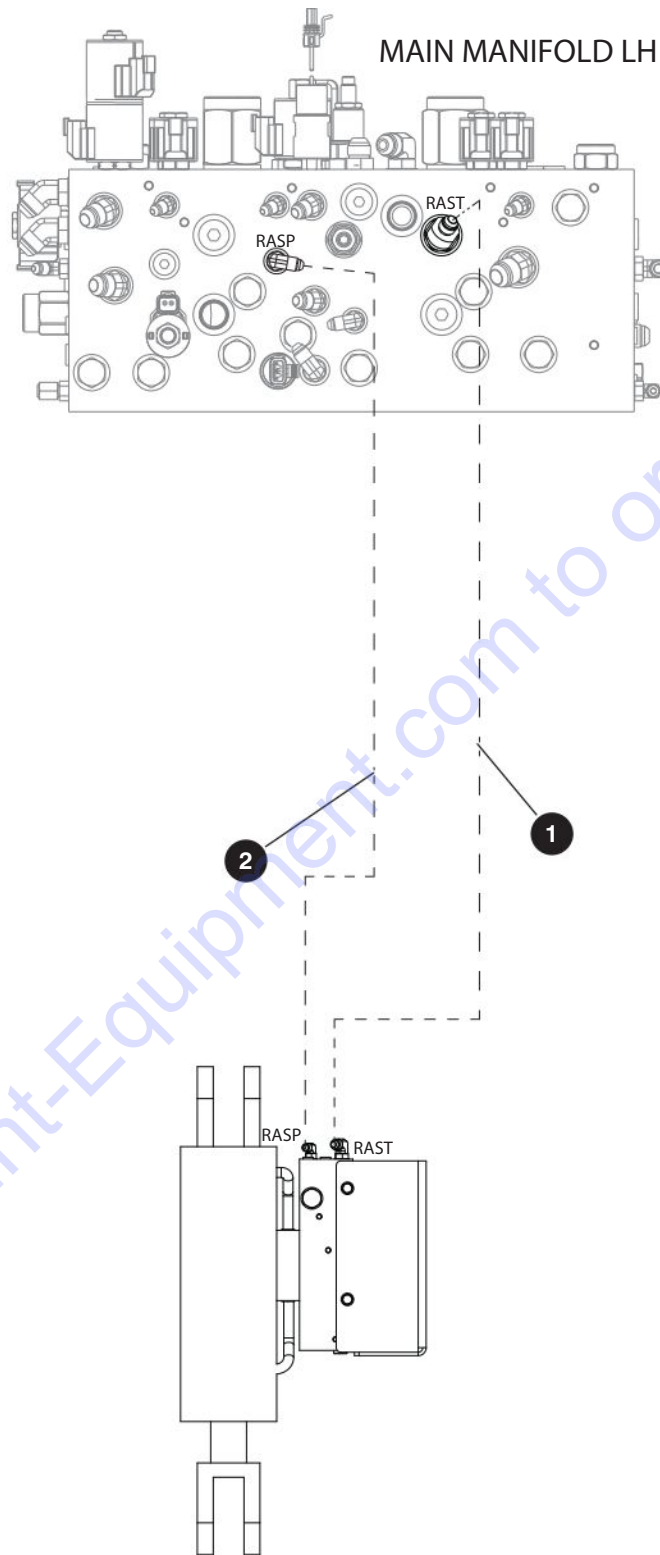
M191854AC



## 9.18 Cab Hydraulic Hose Connections

Index No.	Hose P/N	From		To	
		Description	Port	Port	Description
1	H310401050	Main manifold	J1	1	Joystick
2	H310401180	Main manifold	J2	2	Joystick
3	H310401060	Main manifold	J3	3	Joystick
4	H310401180	Main manifold	J4	4	Joystick
5	H310401100	Main manifold	PS	P	Joystick
6	H310401040	Main manifold	DR2	T	Joystick
7	H310601260	Main manifold	SB	P	Brake pedal
8	H310801240	Main manifold	ORBR	R	Steering console
9	H310801380	Main manifold	STT	T	Steering console
10	H310401310	Main manifold	STLS	LS	Steering console
11	H310801400	Main manifold	CF	P	Steering console
12	H310601260	Main manifold	BR1	A	Brake pedal
13	H310601300	Main manifold	DR1	T	Brake pedal
14	H310801190	Steering console	L	L	Front steer cylinder

## 9.19 RAS Hydraulic Hose Connections



M191853AE

190126AG

**358**

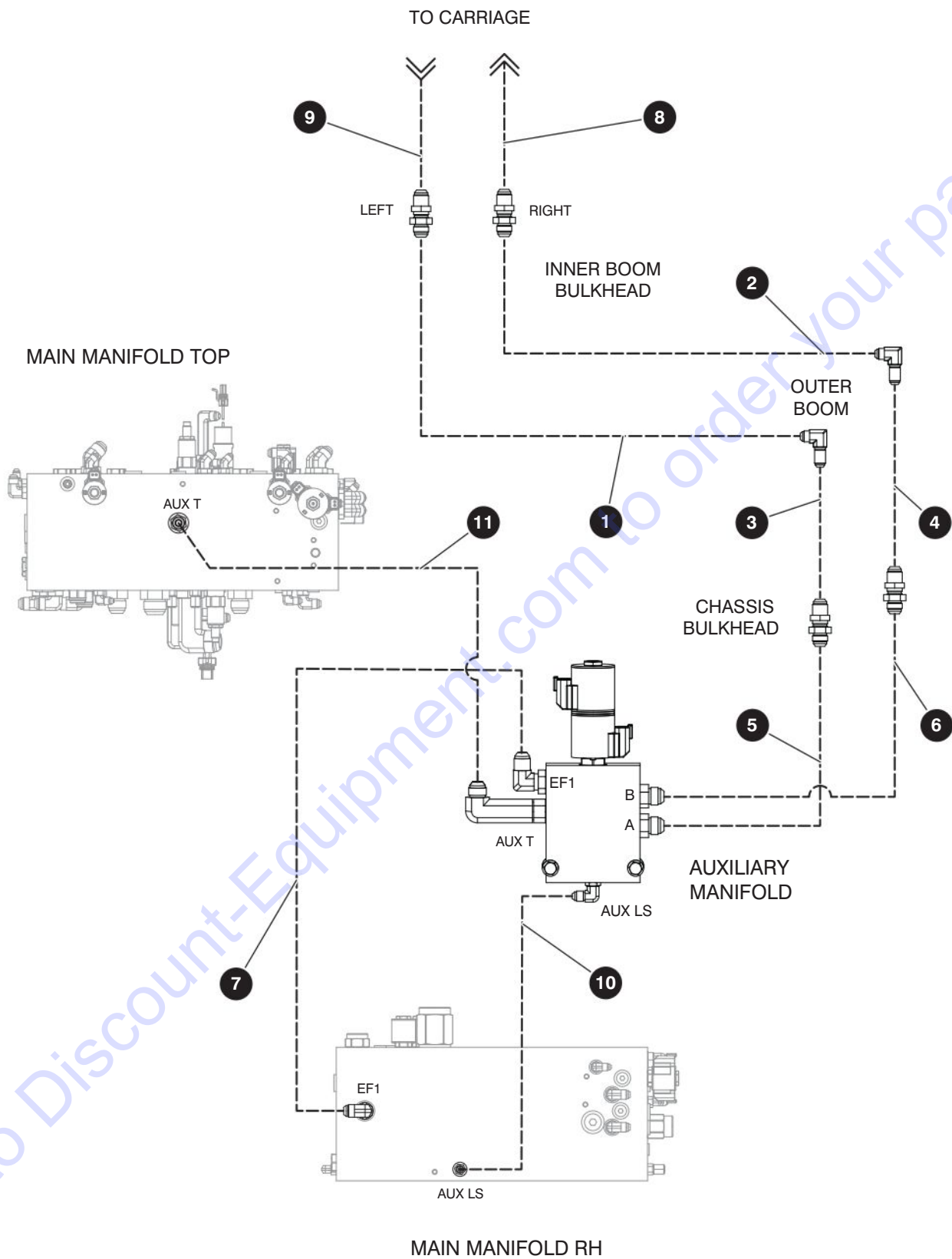
SJ1044 TH, SJ1044 THS, SJ1056 TH, SJ1056 THS

**SKYJACK**

## 9.19 RAS Hydraulic Hose Connections

Index No.	Hose P/N	From		To	
		Description	Port	Port	Description
1	H310600310	Main manifold	RAST	RAST	Ras manifold
2	H310400370	Main manifold	RASP	RASP	Ras manifold

## 9.20 Auxiliary Hydraulic Hose Connections SJ1044 TH



M191619AC

190126AG

**360**

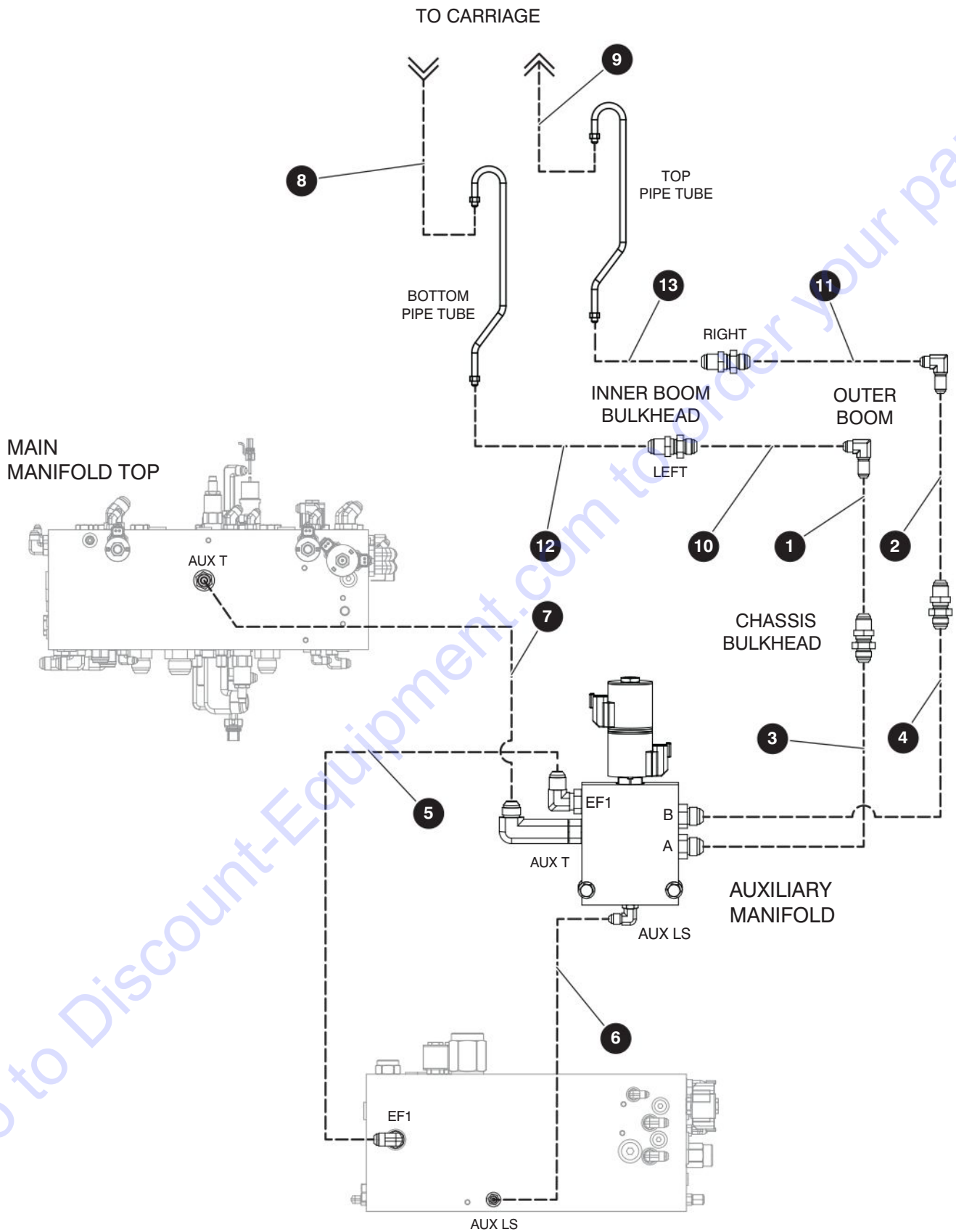
SJ1044 TH, SJ1044 THS, SJ1056 TH, SJ1056 THS

**SKYJACK**

## 9.20 Auxiliary Hydraulic Hose Connections SJ1044 TH

Index No.	Hose P/N	From		To	
		Description	Port	Port	Description
1	H610803380	Over hose sheave	A		
2	H610803380	Over hose sheave	B		
3	H340801832	Under boom	A		
4	H340801832	Under boom	B		
5	H340800360	Auxiliary manifold	A		Chassis bulkhead
6	H340800360	Auxiliary manifold	B		Chassis bulkhead
7	H310800300	Main manifold	Aux EF1	Aux EF1	Auxiliary manifold
8	H310800420	Carriage, extend/retract	B		
9	H310800420	Carriage, tank	A		
10	H360400500	Main manifold	Aux LS	Aux LS	Auxiliary manifold
11	H360800430	Main manifold	Aux T	Aux T	Auxiliary manifold

## 9.21 Auxiliary Hydraulic Hose Connections SJ1056 TH

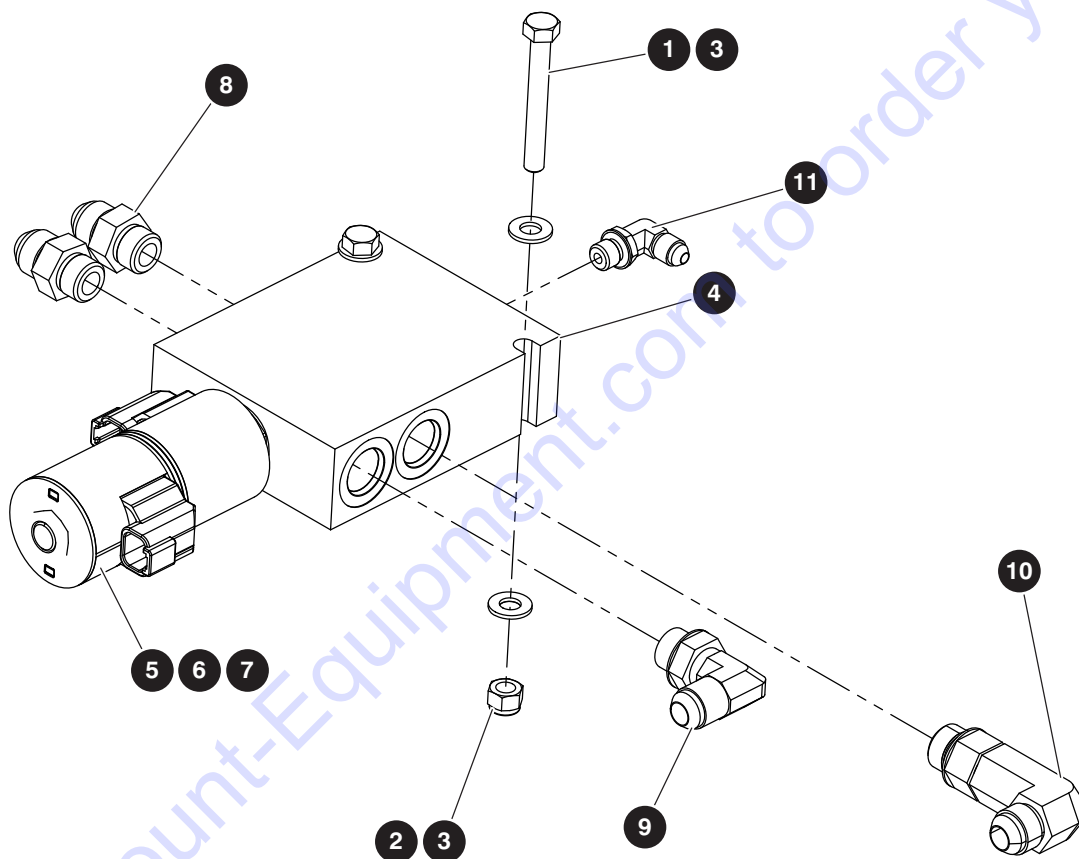


M191864AD

## 9.21 Auxiliary Hydraulic Hose Connections SJ1056 TH

Index No.	Hose P/N	From		To	
		Description	Port	Port	Description
1	H340801770	Chassis Bulkhead		A	Under boom
2	H340801770	Chassis Bulkhead		B	Under boom
3	H340800360	Auxiliary Manifold	A		Chassis bulkhead
4	H340800360	Auxiliary Manifold	B		Chassis bulkhead
5	H310800300	Main manifold	Aux EF1	Aux EF1	Auxiliary Manifold
6	H360400500	Main manifold	Aux LS	Aux LS	Auxiliary Manifold
7	H360800430	Main manifold	Aux T	Aux T	Auxiliary Manifold
8	H610801980	Top		A	Carriage retract
9	H610801980	Bottom		B	Carriage extend
10	H610801870	Over hose sheave	A		Left side
11	H610801870	Over hose sheave	B		Right side
12	H670800200		A		Top
13	H670800200		B		Bottom

## 9.22 Auxiliary Manifold Assembly



M190791AB

190126AG

**364**

SJ1044 TH, SJ1044 THS, SJ1056 TH, SJ1056 THS

**SKYJACK**



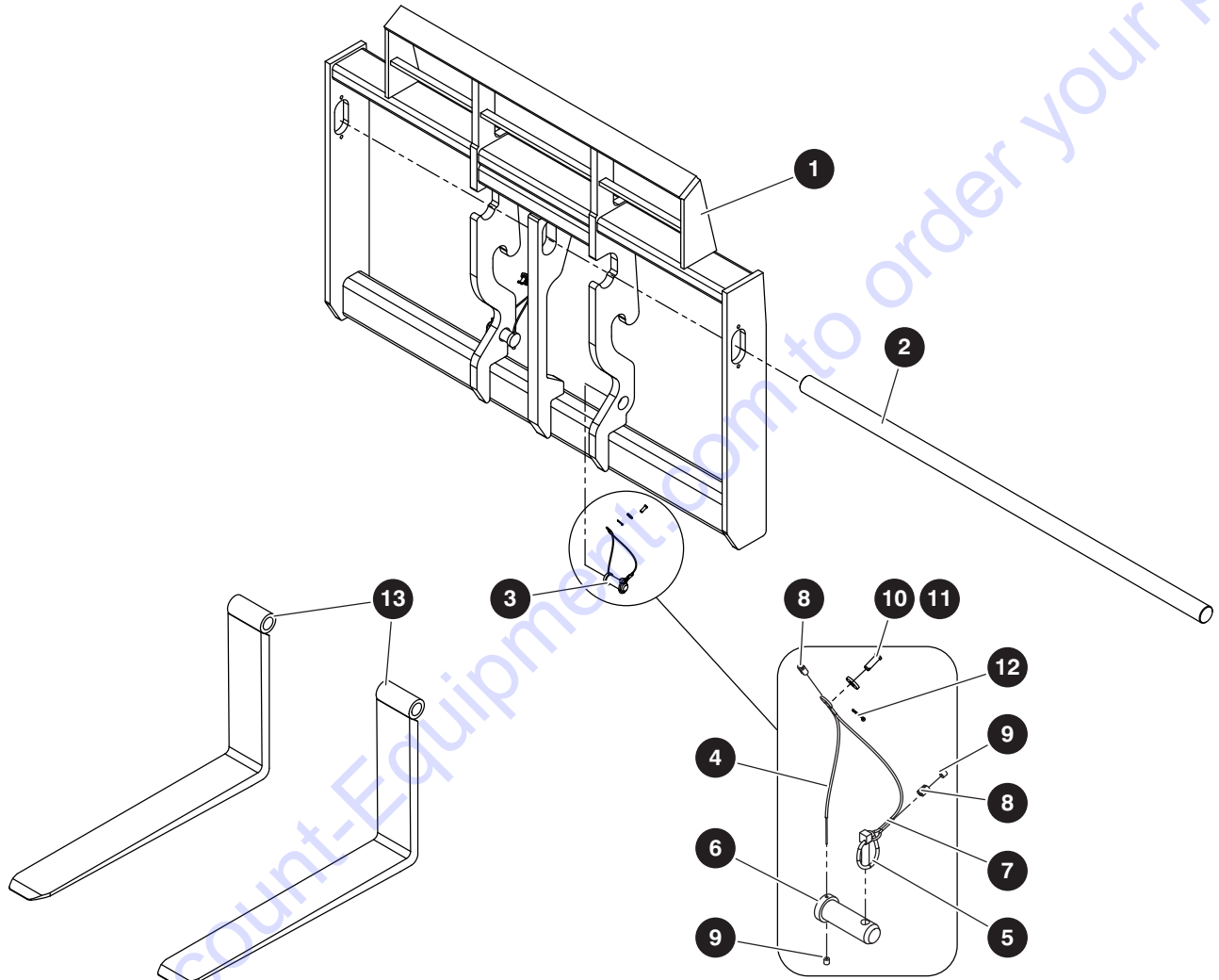
## 9.22 Auxiliary Manifold Assembly

Index No.	Skyjack Part No.	Qty.	Description
-	9-190791	1	ASSEMBLY, AUXILIARY MANIFOLD
1	9-103884	2	• BOLT, Hex head 5/16"-18 X 2-1/2" grade 5
2	9-103984	2	• NUT, Lock with nylon insert 5/16"-18 grade 5
3	9-103996	4	• WASHER, Flat 5/16" SAE
-	9-190559	1	• MANIFOLD, AUXILIARY SUB ASSEMBLY
4	9-169033	1	• • AUXILIARY MANIFOLD
5	9-191797	1	• • • VALVE Solenoid 5 way, 3 position
6	9-168057	2	• • • COIL, #10
7	9-191801	1	• • • VALVE, Check disc
8	9-102659	2	• • FITTING, 8 SAE TO -8 JIC
9	9-114583	1	• • FITTING, 90° (08 JICM - 08ORBM)
10	9-702798	1	• • FITTING, 90° (08ORBM- 08JICM)
11	9-125883	1	• • FITTING, 90° (04JICM-04ORBM)

# Section 10 – Standard And Optional Attachments

- 10.1 Quick-Attach Carrier / Carriage & Forks
- 10.2 Side-Tilt Carriage Installation
- 10.3 48" & 60" Side Tilt Carriage - Internal Breakdown
- 10.4 72" Side-Tilt Carriage - Internal Breakdown
- 10.5 72" Swing Carriage Installation
- 10.6 72" Swing Carriage Components
- 10.7 72" Swing Carriage Components
- 10.8 Forks Positioner Carriage
- 10.9 Personnel Work Platform
- 10.10 Truss Boom 12'
- 10.11 Loader Bucket
- 10.12 2' Jib Boom

# 10.1 Quick-Attach Carrier / Carriage & Forks



M930599

190126AG

368

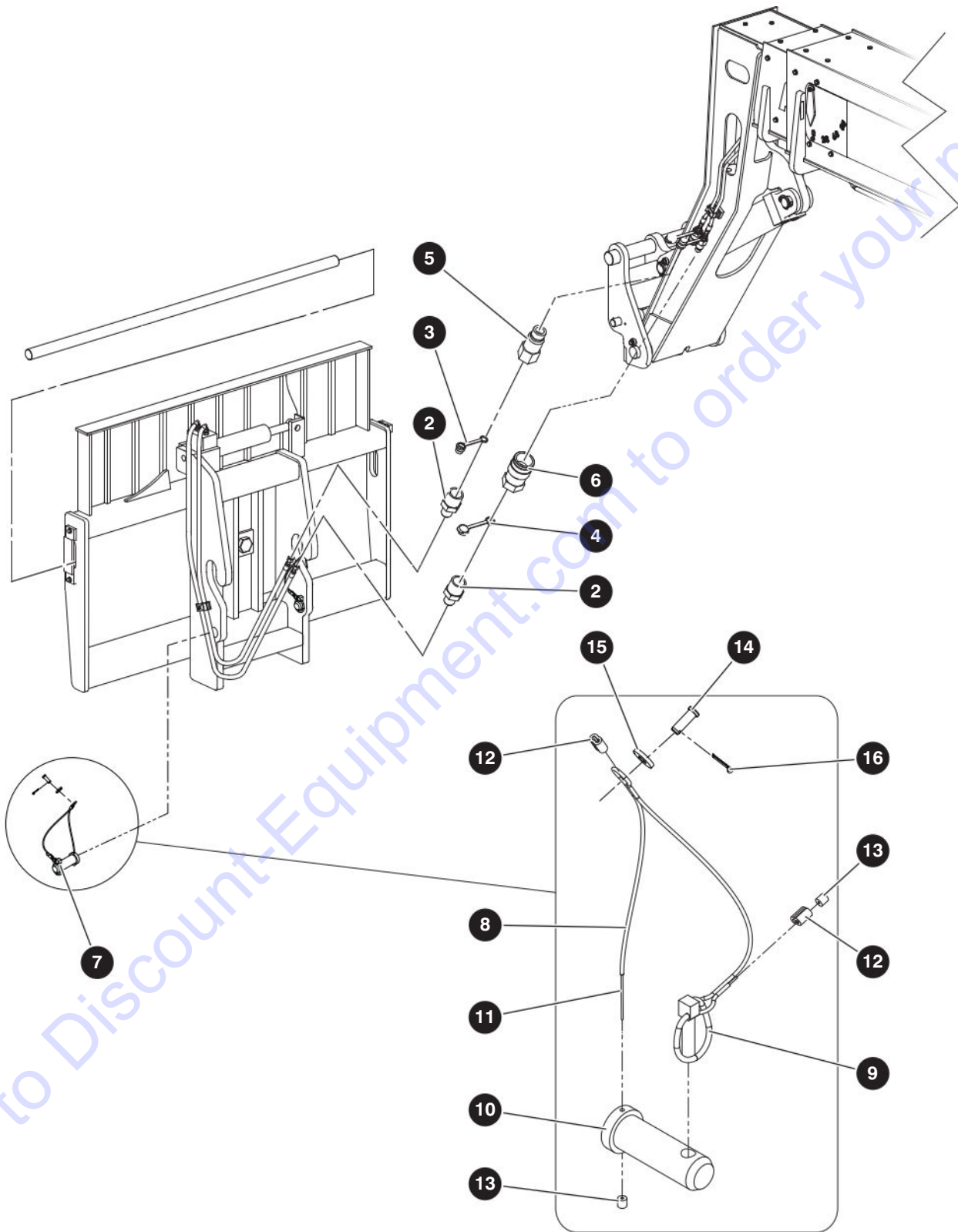
SJ1044 TH, SJ1044 THS, SJ1056 TH, SJ1056 THS

SKYJACK

## 10.1 Quick-Attach Carrier / Carriage & Forks

Index No.	Skyjack Part No.	Qty.	Description
<b>A</b>	9-930717	1	ASSEMBLY, CARRIAGE 10K 48" QA
<b>B</b>	9-930714	1	ASSEMBLY, CARRIAGE 10K 60" QA
<b>C</b>	9-930599	1	ASSEMBLY, CARRIAGE 10K 72" QA
1	9-930718	1	• WELDMENT, Carriage 10K 48" QA - <b>A</b>
	9-930715	1	• WELDMENT, Carriage 10K 60" QA - <b>B</b>
	9-930600	1	• WELDMENT, Carriage 10K 72" QA - <b>C</b>
2	(Ref.)	1	• BAR, Forks 48" - <b>A</b> <i>(For components, refer to Section 10.7)</i>
	(Ref.)	1	• BAR, Forks 60" - <b>B</b> <i>(For components, refer to Section 10.7)</i>
	(Ref.)	1	• BAR, Forks 72" - <b>C</b> <i>(For components, refer to Section 10.7)</i>
3	9-923565	1	• ASSEMBLY, Tether pin 63mm QA
4	9-923562	2	• • ASSEMBLY, Tether pin 63mm
5	9-923135	1	• • • PIN, Lynch 7/16" X 1-3/4" long
6	9-923134	1	• • • PIN, Quick attach
7	9-923555	1	• • • Tether, Vinyl coated 22.5"
8	9-923558	2	• • • CLAMP, 1/8" oval compression sleeve
9	9-923559	2	• • • CLAMP, Stop compression sleeve
10	9-932646	2	• • PIN, Clevis
11	9-933735	2	• • WASHER, M10
12	9-933615	2	• • PIN, Cotter
13	-	1	ASSEMBLY, Forks
	9-929702	1	• FORKS, Standard taper 2.25 X 5 X 48
	9-929703	1	• FORKS, Standard taper 2.25 X 5 X 60
	9-921329	1	• FORKS, Standard taper 2.25 X 5 X 72
	9-920356	1	• FORKS, 2 X 4 X 48
	9-929700	1	• FORKS, Fully tapered 1.75 X 7 X 48
	9-207704	1	• BLOCK FORKS, 2 X 1.50 X 46
	9-922006	6	• • FORKS, 2 X 1.50 X 46
	9-220588	1	• FORK, 2.36 X 3.94 X 48 Standard Taper (Not for Fork Positioner Carriage)
	9-220587	1	• FORK, 2.36 X 3.94 X 48 Standard Taper (For Fork Positioner Carriage)
	9-220588	2	• • FORK, 2.36 X 3.94 X 48 Standard Taper (For Fork Positioner Carriage)
	9-220589	4	• • PLATE, Fork positioner carriage spacer
	9-228622	1	• FORK, 2.36 X 4 X 60 Std Taper
	9-228623	1	• FORK, 2.36 X 4 X 72 Std Taper

## 10.2 Side-Tilt Carriage Installation



M61089AA

190126AG

**370**

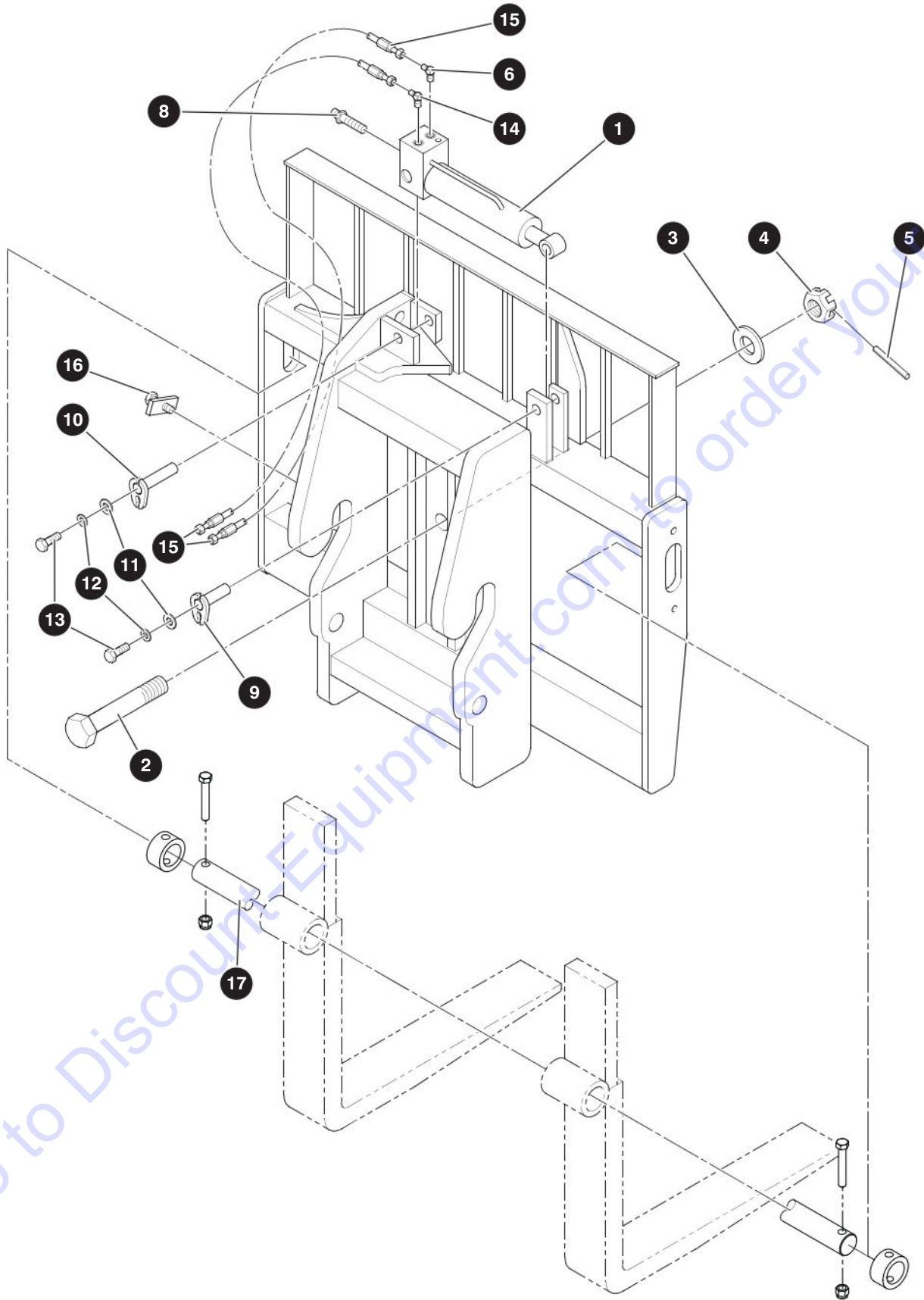
SJ1044 TH, SJ1044 THS, SJ1056 TH, SJ1056 THS

**SKYJACK**

## 10.2 Side-Tilt Carriage Installation

Index No.	Skyjack Part No.	Qty.	Description
<b>A</b>	9-927442	1	48" Side Tilt Carriage
<b>B</b>	9-927445	1	60" Side Tilt Carriage
-	(Ref.)	1	72" Side Tilt Carriage <i>(For components, refer to Section 9.4)</i>
1	(Ref.)	1	• CARRIAGE, 48" Side tilt quick attach - <b>A</b> <i>(For components, refer to Section 9.3)</i>
-	(Ref.)	1	• CARRIAGE, 60" Side tilt quick attach - <b>B</b> <i>(For components, refer to Section 9.3)</i>
2	9-933277	2	• FITTING, Straight (06 JICM) 10 SAE
3	9-926080	1	• CAP, Quick connect dust nipple
4	9-926079	1	• CAP, Quick connect dust coupler
5	9-206135	1	• COUPLING, Quick disconnect nipple
6	9-206134	1	• COUPLING, Quick disconnect (Flat-Faced)
7	9-923563	1	• ASSEMBLY, Tether pin 70 mm Quick Attach
8	9-923560	2	• • ASSEMBLY, Tether pin 70 mm
9	9-923135	1	• • • PIN, Lynch 7/16" X 1-3/4" long
10	9-923169	1	• • • PIN, Quick attach
11	9-923555	1	• • • Tether, Vinyl coated 22.5"
12	9-923558	2	• • • CLAMP, 1/8" oval compression sleeve
13	9-923559	2	• • • CLAMP, Stop compression sleeve
14	9-932646	2	• • PIN, Clevis
15	9-933735	2	• • WASHER, M10
16	9-933615	2	• • PIN, Cotter

# 10.3 48" & 60" Side Tilt Carriage - Internal Breakdown



M61090AA

190126AG

**372**

SJ1044 TH, SJ1044 THS, SJ1056 TH, SJ1056 THS

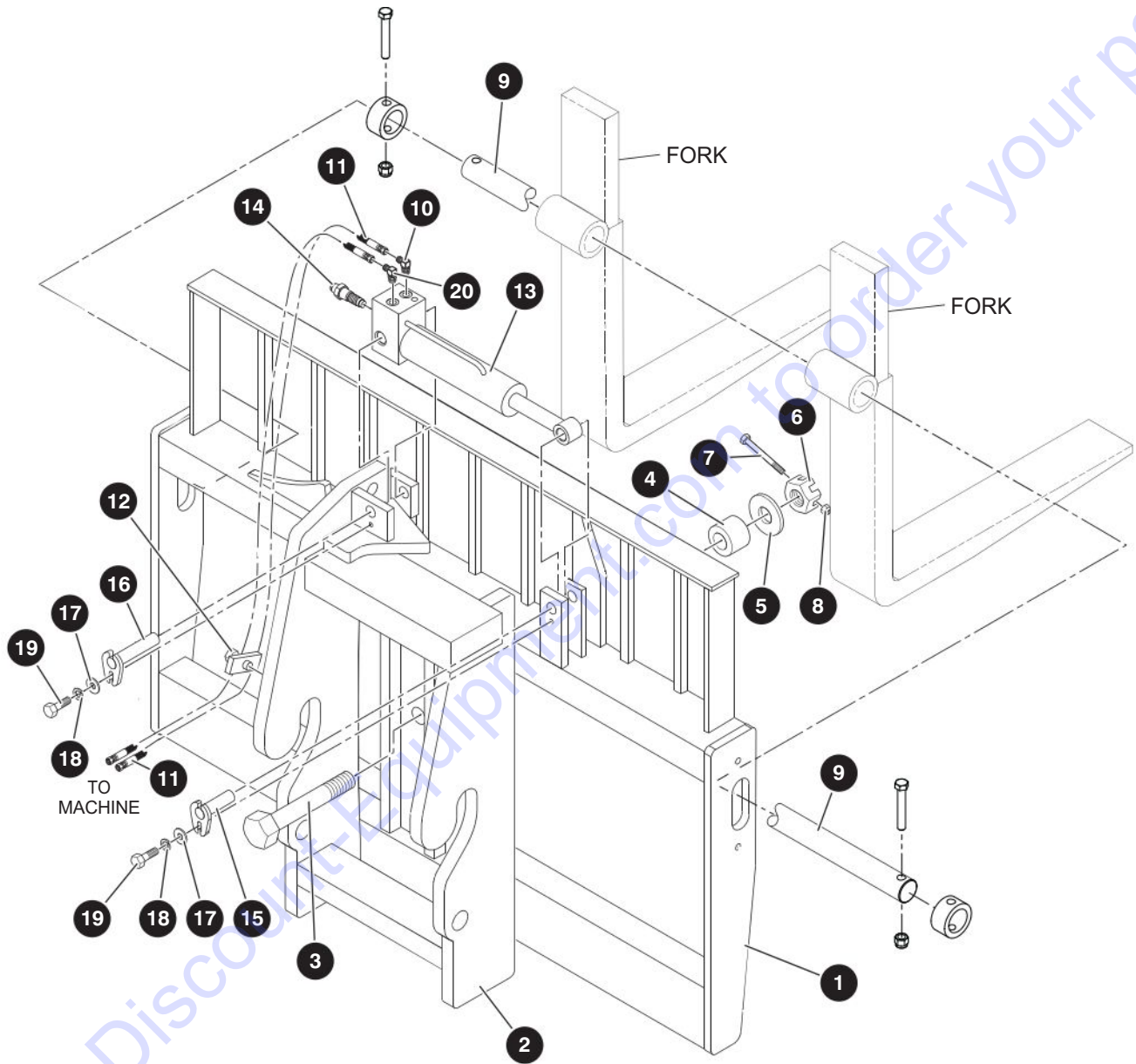
**SKYJACK**

## 10.3 48" & 60" Side Tilt Carriage - Internal Breakdown

Index No.	Skyjack Part No.	Qty.	Description
<b>A</b>	9-928838	1	48" Side Tilt Carriage
<b>B</b>	9-928840	1	60" Side Tilt Carriage
1	9-926325	1	• CYLINDER
-	9-929482	1	• • KIT, Seal
2	9-929483	1	• BOLT, Hex
3	9-929484	1	• WASHER, Flat
4	9-929485	1	• NUT, Castle
5	9-929486	1	• PIN, Split
6	9-929502	1	• FITTING With orifice
7	9-929500	1	• KIT, Hose (Not Shown)
8	9-929490	2	• VALVE, Center
-	9-929491	2	• • KIT, O-Ring
9	9-929492	1	• PIN, Locking
10	9-929493	1	• PIN, Locking
11	9-929494	2	• WASHER, Flat
12	9-929495	2	• WASHER, Lock
13	9-929496	2	• SCREW, Machine
14	9-929497	1	• FITTING, 90°
15	9-929498	2	• HOSE
16	9-929499	1	• CLAMP, Hose
17	(Ref.)	1	• BAR, Fork - <b>A</b>
-	(Ref.)	1	(For components, refer to Section 10.7) • BAR, Fork - <b>B</b> (For components, refer to Section 10.7)



# 10.4 72" Side-Tilt Carriage - Internal Breakdown



M920601AC

190126AG

**374**

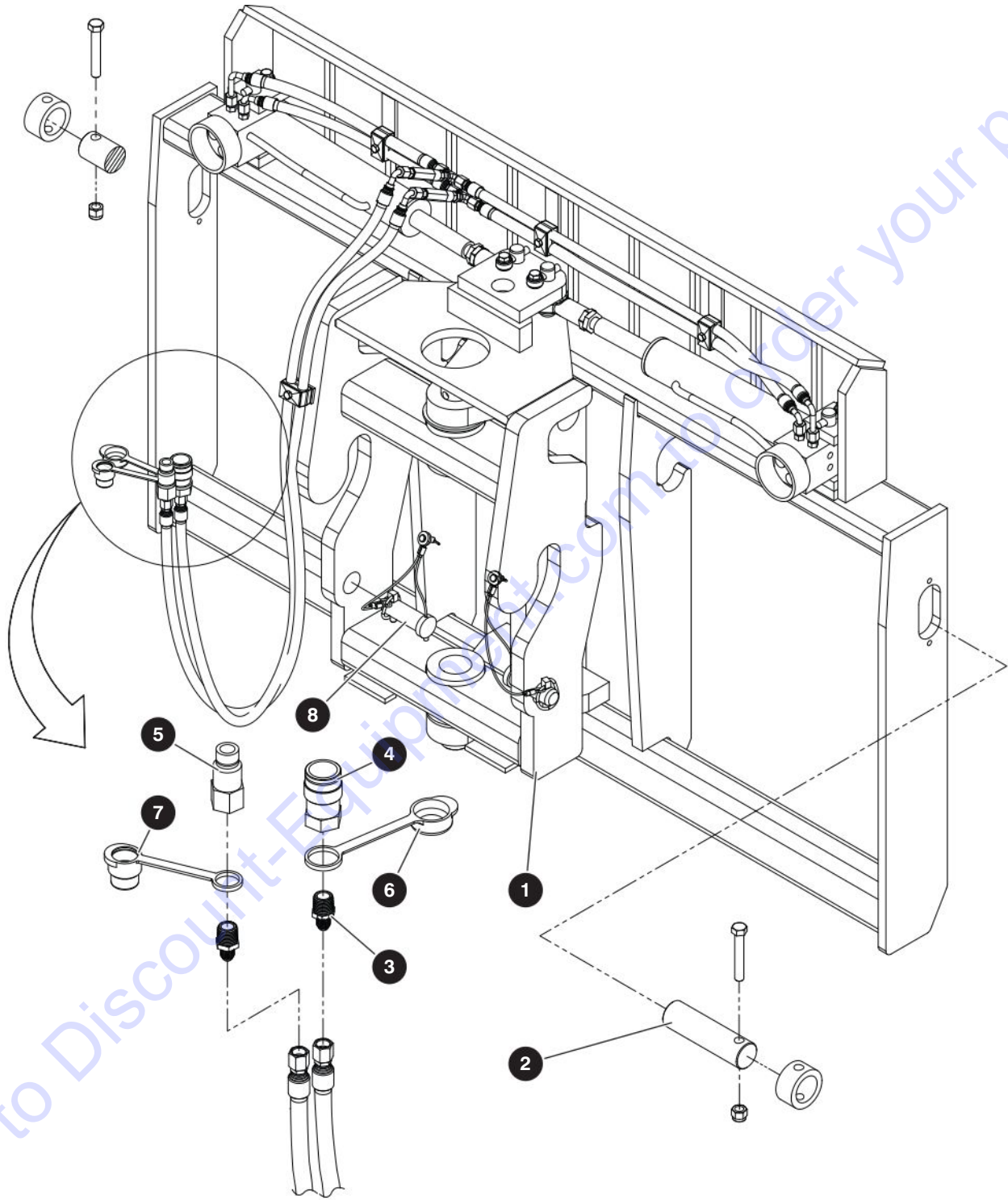
SJ1044 TH, SJ1044 THS, SJ1056 TH, SJ1056 THS

**SKYJACK**

## 10.4 72" Side-Tilt Carriage - Internal Breakdown

Index No.	Skyjack Part No.	Qty.	Description
-	9-920601	1	72" Side Tilt Carriage
1	9-922634	1	• FRAME, Front
2	9-922635	1	• FRAME, Rear
3	9-922636	1	• BOLT, Hex head
4	9-922637	1	• SPACER, Bearing
5	9-922638	1	• WASHER
6	9-922639	1	• NUT, Hex
7	9-922640	1	• SCREW, Hex head cap
8	9-922641	1	• NUT, Hex
9	(Ref.)	1	• BAR, Forks side tilt 72" <i>(For components, refer to Section 10.7)</i>
10	9-922650	1	• FITTING
11	9-922651	2	• ASSEMBLY, Hose
12	9-922652	1	• CLAMP, Hose
13	9-922645	1	• Cylinder
-	9-922654	1	• • KIT, Cylinder packing
14	9-922646	2	• VALVE, Center
15	9-922647	1	• PIN, Locking
16	9-929493	1	• PIN, Locking
17	9-929494	2	• WASHER, Flat
18	9-929495	2	• WASHER, Lock
19	9-922648	2	• SCREW, Hex head
20	9-922649	1	• FITTING

# 10.5 72" Swing Carriage Installation



M920341AD-2

190126AG

**376**

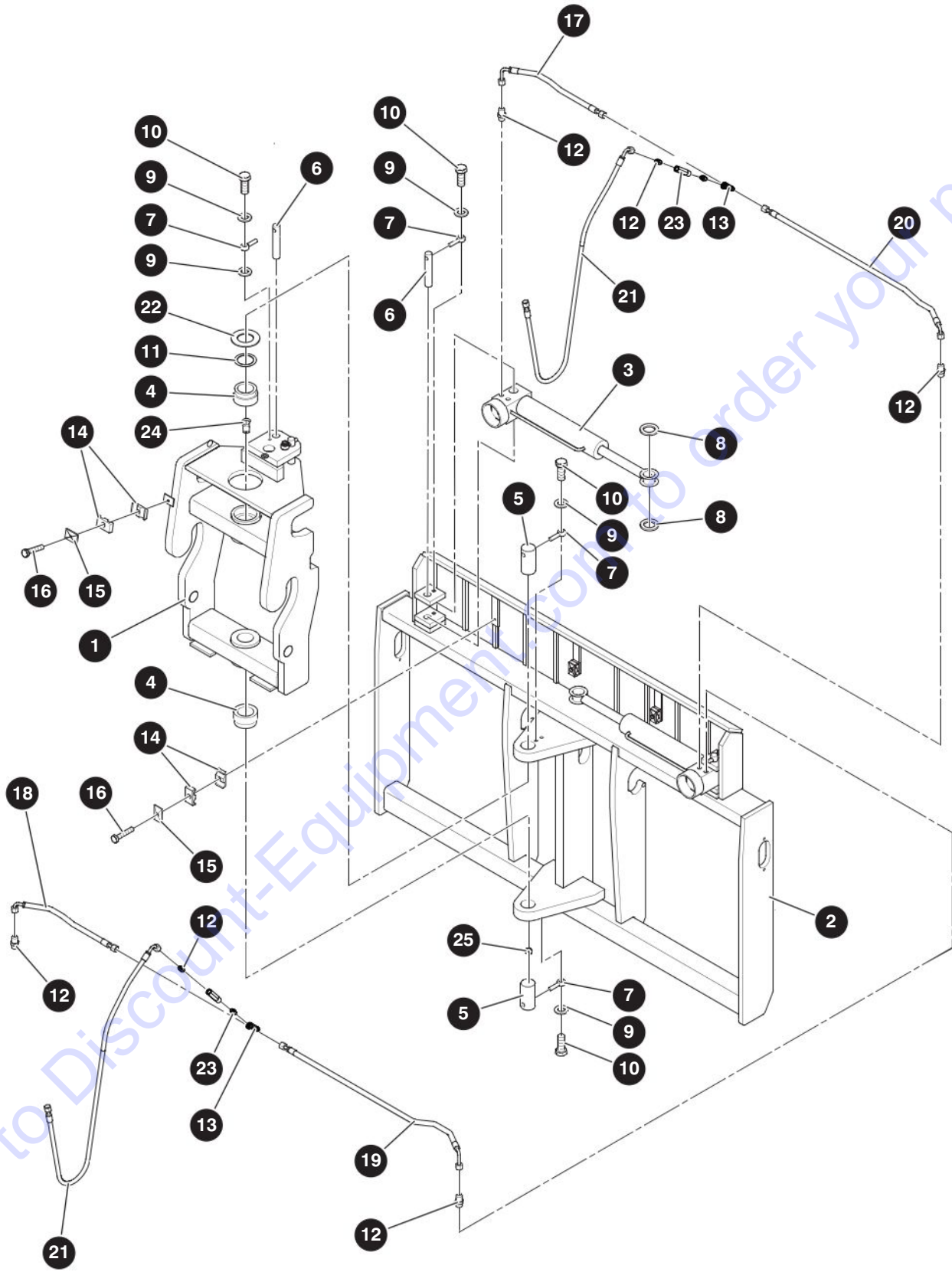
SJ1044 TH, SJ1044 THS, SJ1056 TH, SJ1056 THS

**SKYJACK**

## 10.5 72" Swing Carriage Installation

Index No.	Skyjack Part No.	Qty.	Description
-	9-920341	1	72" SWING CARRIAGE GROUP
1	(Ref.)	1	72" Swing Carriage Assembly <i>(For components, refer to Section 10.6)</i>
2	(Ref.)	1	• BAR, Forks 72" <i>(For components, refer to Section 10.7)</i>
3	9-933277	2	• Adapter
4	9-206134	1	• COUPLER, Quick disconnect
5	9-206135	1	• NIPPLE, Quick disconnect
6	9-926079	1	• CAP, Quick connect coupler dust
7	9-926080	1	• CAP, Quick connect nipple dust
8	9-923563	1	• ASSEMBLY, QA 70mm pin tether

# 10.6 72" Swing Carriage Components



M920340AD

190126AG

378

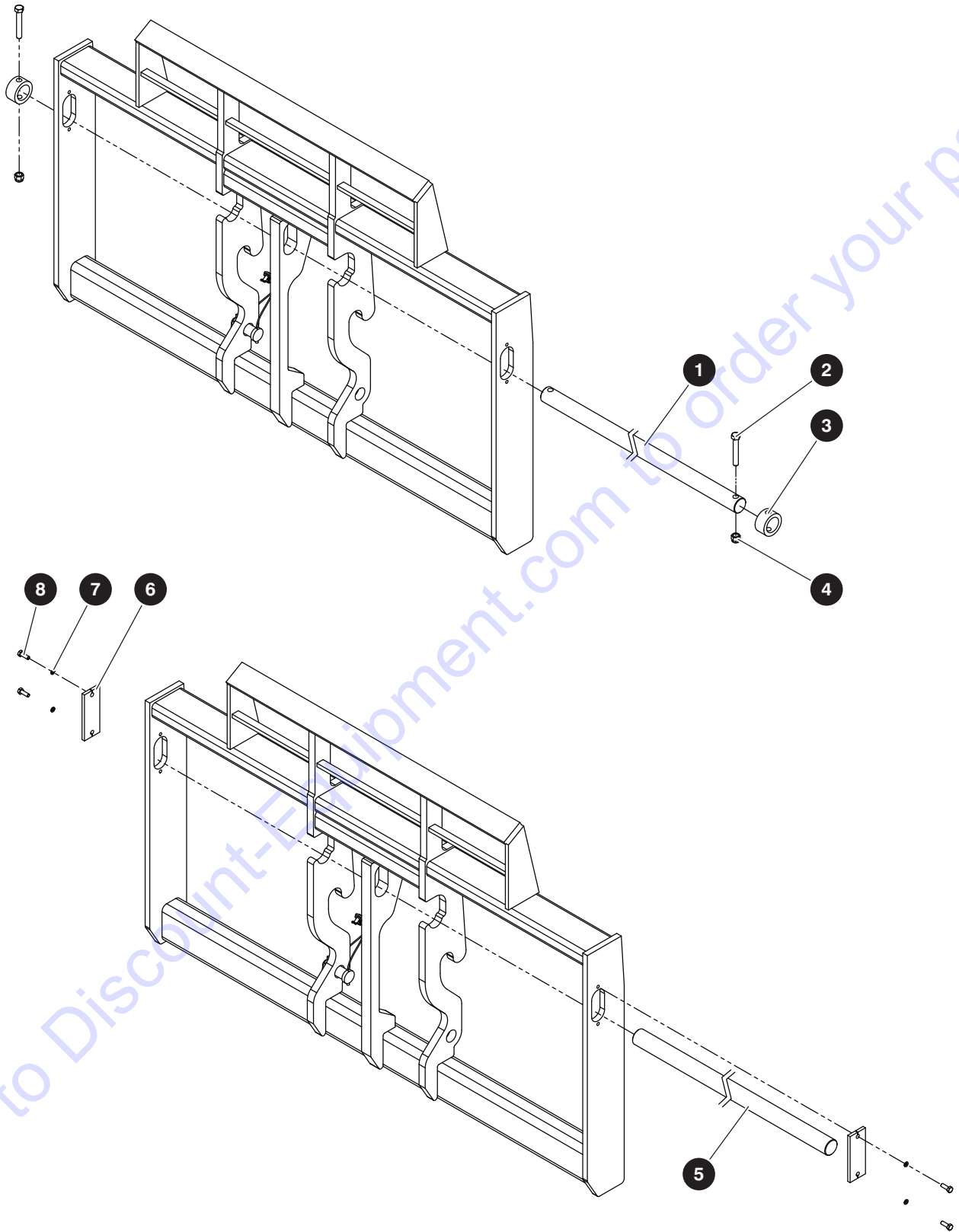
SJ1044 TH, SJ1044 THS, SJ1056 TH, SJ1056 THS

SKYJACK

## 10.6 72" Swing Carriage Components

Index No.	Skyjack Part No.	Qty.	Description
-	9-920340	1	ASSEMBLY, SWING CARRIAGE 72"
1	9-930741	1	• SUPPORT, Carriage
2	9-930507	1	• Carriage
3	9-154882	2	• CYLINDER, Hydraulic
-	9-924967	4	• • CARTRIDGE
-	9-162680	2	• • KIT, Seal
-	9-199272	1	• • Rod End
4	9-923668	2	• BEARING
5	9-930515	2	• PIN
6	9-930516	4	• PIN
7	9-931568	6	• ANCHOR
8	9-932724	4	• WASHER, Flat
9	9-933817	2	• WASHER, Flat
10	9-933659	6	• SCREW, Hex head cap M12 x 1.75 x 30 Cl 10.9 zinc
11	9-933516	1	• WASHER, Flat
12	9-103069	8	• FITTING, Straight connector (6 SAE 37 - 6 ORB)
13	9-933393	2	• TEE
14	9-933048	8	• CLAMP, Insert
15	9-932668	4	• PLATE, Cover
16	9-933770	4	• SCREW, Hex head cap M8 x 1.25 x 40 Cl 8.8 zinc
17	9-923952	1	• Hose Assembly
18	9-923950	1	• Hose Assembly
19	9-923953	1	• Hose Assembly
20	9-923951	1	• Hose Assembly
21	9-930742	2	• Hose Assembly
22	9-931627	1	• WASHER, Thrust
23	9-920339	2	• VALVE, Flow control
24	9-933283	2	• FITTING, Grease
25	9-933630	6	• WASHER, Structural M12 hard

# 10.7 Carriage Bar



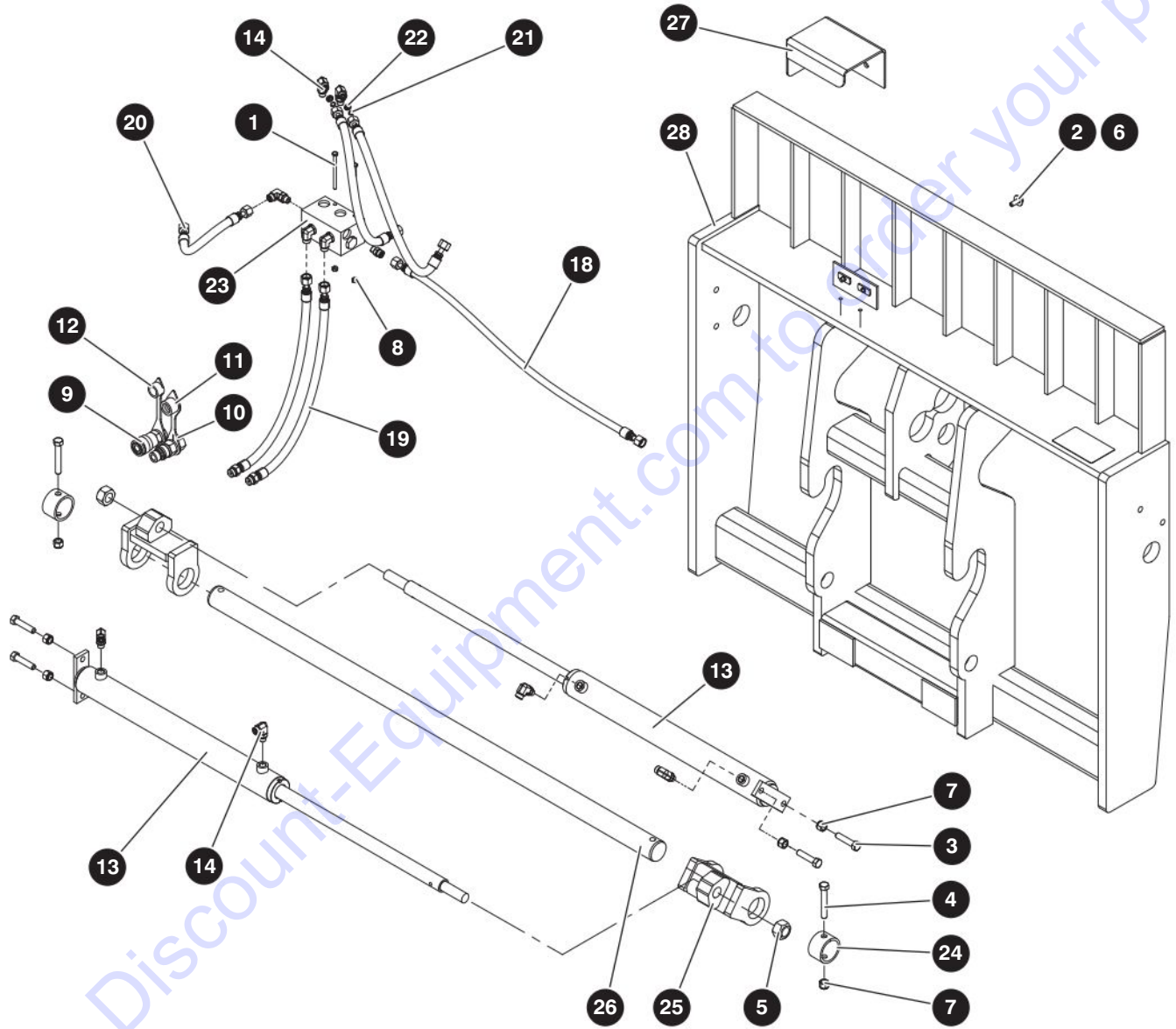
M190456\_M930598\_M929700\_Bars

## 10.7 Carriage Bar

Index No.	Skyjack Part No.	Qty.	Description
1	9-198948	1	• BAR, Forks 48" carriage (51-1/2" long)
	9-199023	1	• BAR, Forks 60" carriage (63-1/2" long)
	9-199026	1	• BAR, Forks 72" carriage (75-1/2" long)
	9-199418	1	• BAR, Forks Side tilt Load 72" carriage (77" long)
2	9-192219	2	• BOLT, Hex head 5/8"-11 x 4" grade 8
3	9-198937	2	• COLLAR, 2" Fork bar
4	9-111577	2	• NUT, Lock with nylon insert 5/8"-11 grade 5
5	9-924110	1	• BAR, Forks 48" carriage (47-3/4" long)
	9-924109	1	• BAR, Forks 60" carriage (59-3/4" long)
	9-924108	1	• BAR, Forks 72" carriage (71-3/4" long)
	9-921630	1	• BAR, Forks Side tilt Load 72" carriage
6	9-931425	2	• PLATE
7	9-116218	4	• WASHER, Lock M8 plated DIN 127B
8	9-933634	4	• BOLT, Hex head cap M10 X 1-1/2" X 30mm CL 8.8YE



# 10.8 Forks Positioner Carriage



M206173AB

190126AG

**382**

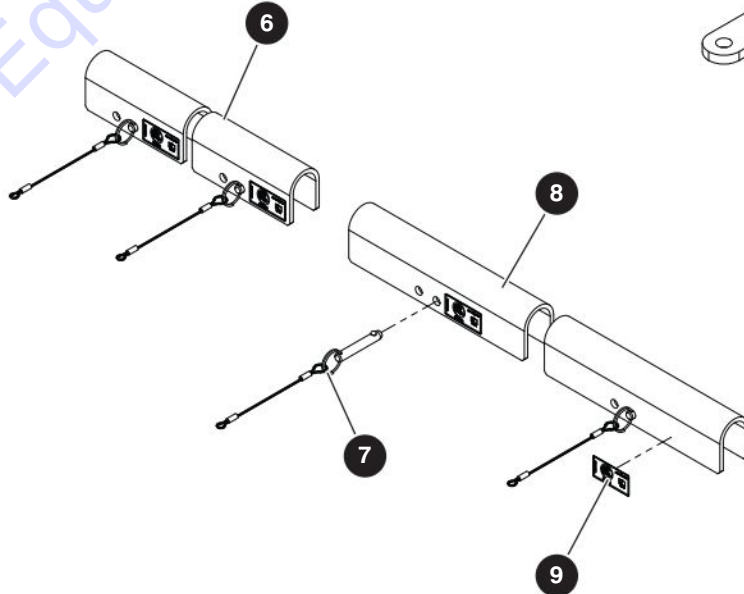
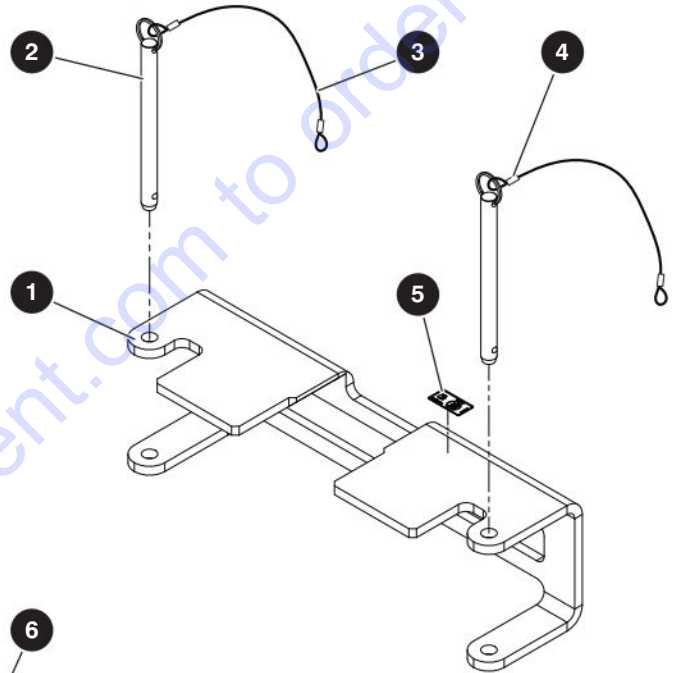
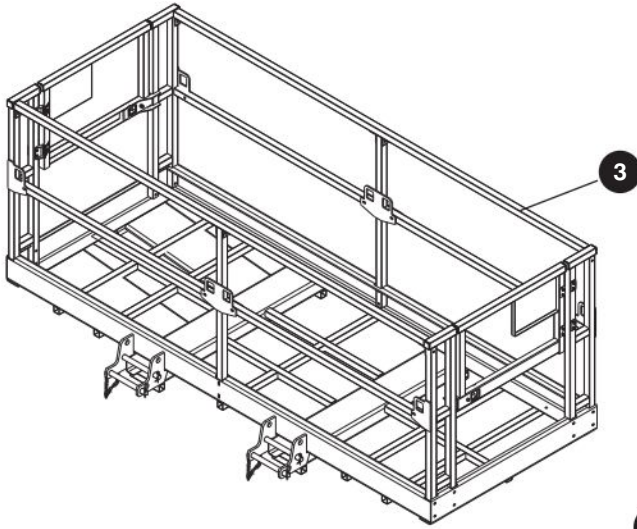
SJ1044 TH, SJ1044 THS, SJ1056 TH, SJ1056 THS

**SKYJACK**

## 10.8 Forks Positioner Carriage

Index No.	Skyjack Part No.	Qty.	Description
-	9-206173		FORK POSITIONER CARRIAGE
1	9-137616	2	BOLT, Hex head 1/4"-20 UNC x 3-3/4"
2	9-103473	2	BOLT, Hex head 3/8"-16 UNC x 1" GR5
3	9-103902	4	BOLT, Hex head 1/2"-13 x 2-1/4"
4	9-103469	2	CAPSCREW, Hex 1/2" x 3-1/4" GR5
5	9-216710	2	NUT, 1"-14 UNS deformed hex
6	9-929495	2	WASHER, Flat, 3/8"
7	9-702507	6	NUT, Lock with nylon insert, 1/2-13 UNC
8	9-115649	2	NUT, Lock with nylon insert, 1/4"-20 UNC
9	9-206134	1	COUPLING, Quick disconnect - female 1/2"
10	9-206135	1	COUPLING, Quick disconnect - male 1/2"
11	9-926080	1	DUST CAP, Quick connect
12	9-926079	1	DUST CAP, Quick connect coupler
13	9-216717	2	CYLINDER, 2.00 x 1.25 x 18.25
14	9-216718	9	ELBOW, 6MFS-6MBO
15	9-216719	1	CONNECTOR, STR, 6MBO-6MFS
16	9-216720	1	HOSE, .38 x 24 6FFS-6FFS 100R2AT
17	9-216721	1	HOSE, .38 x 21 6FFS-6FFS 100R17
18	9-216722	1	HOSE, .38 x 37 6FFS-6FFS 100R2AT HS
19	9-216723	2	HOSE, .38 x 66 6FFS-8MB 100R2AT HS
20	9-216724	1	HOSE, .38 x 16 6FFS-6FFS 4K
21	9-216725	2	O-RING, 2-012
22	9-216726	2	ORIFICE .039 DIA
23	9-216727	1	VALVE FLOW DIVIDER W/PO CHECK
24	9-198937	2	COLLAR, 2.00" ROD
25	9-216728	2	ADAPTER, FORK, 2" SHAFT
26	9-216729	1	PIN, FORK, 2.00 x 56.25 DRILLED
27	9-216730	1	PLATE, BENT, .19 x 10.95 x 12.23
28	9-216731	1	FRAME, 53" FORK POSITIONER

# 10.9 Personnel Work Platform



M217961-PL

190126AG

**384**

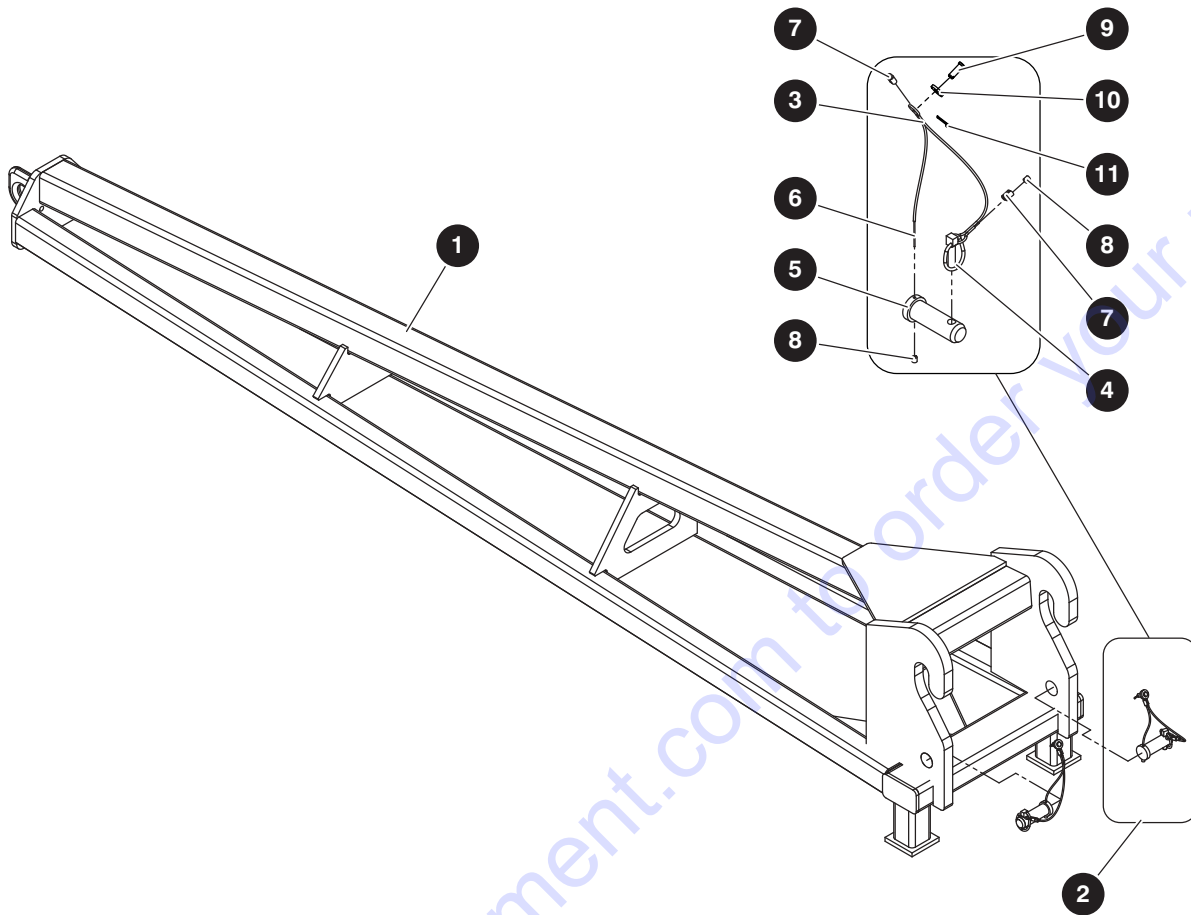
SJ1044 TH, SJ1044 THS, SJ1056 TH, SJ1056 THS

**SKYJACK**

# 10.9 Personnel Work Platform

Index No.	Skyjack Part No.	Qty.	Description
-	9-217910	1	LOCK ASSEMBLY, SIDE TILT CARRIAGE
1	9-217914	1	• LOCK, Side tilt carriage
2	9-217918	2	• PIN, Quick release - 3/4" OD x 8" LG
3	9-923555	2	• TETHER, 22.5" Vinyl coated
4	9-923558	4	• SLEEVE , Compression, 1/8" oval
5	9-172963	1	• LABEL, Tilt, "Refer to manual 217961"
-	9-217912	1	LOCK ASSEMBLY, SWING CARRIAGE
6	9-217902	2	• LOCK, Swing carriage, 6k to 10k models
7	9-124547	4	• PIN, Quick rel small loop
8	9-217919	2	• LOCK, Swing carriage, 12k models
9	9-172964	4	• LABEL, Swing, "Refer to manual 217961"

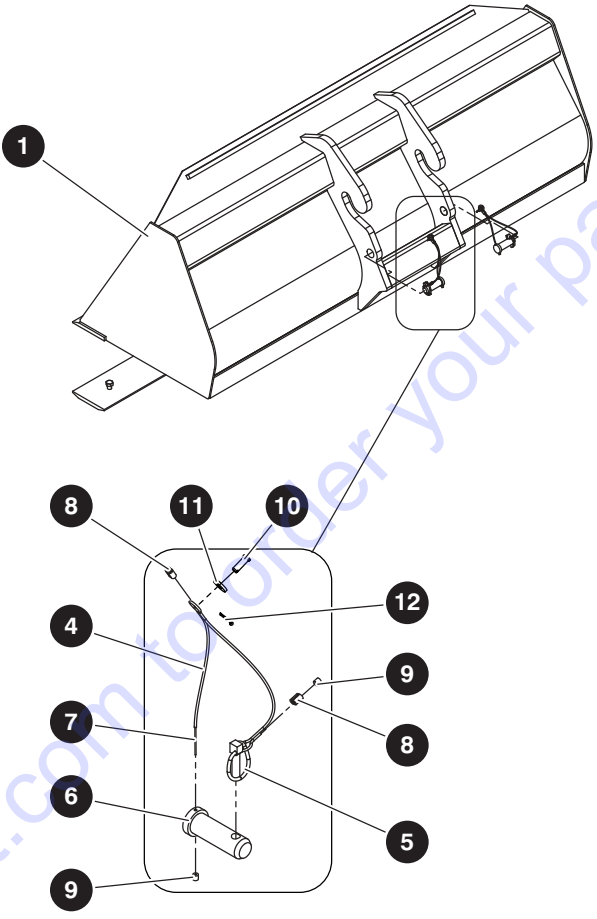
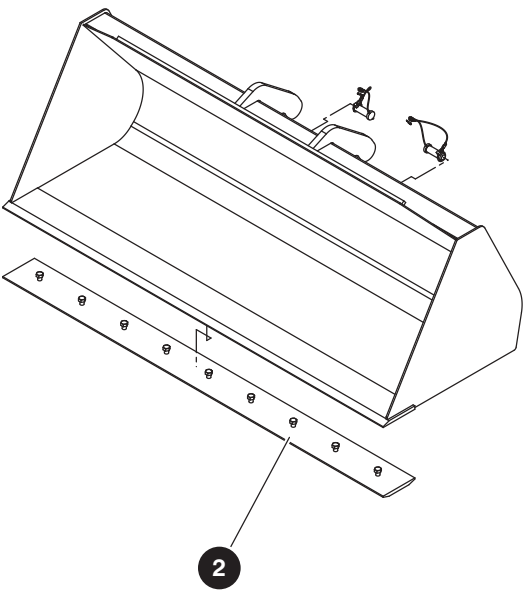
# 10.10 Truss Boom 12'



M927448AB

Index No.	Skyjack Part No.	Qty.	Description
-	9-927448	1	BOOM GROUP, 12 FOOT TRUSS
1	9-928825	1	• BOOM, 12 foot Truss
2	9-923563	1	• ASSEMBLY, Tether pin 70 mm Quick Attach
3	9-923560	2	• • ASSEMBLY, Tether pin 70 mm
4	9-923135	1	• • • PIN, Lynch 7/16" X 1-3/4" long
5	9-923169	1	• • • PIN, Quick attach
6	9-923555	1	• • • Tether, Vinyl coated 22.5"
7	9-923558	2	• • • CLAMP, 1/8" oval compression sleeve
8	9-923559	2	• • • CLAMP, Stop compression sleeve
9	9-932646	2	• • PIN, Clevis
10	9-933735	2	• • WASHER, M10
11	9-933615	2	• • PIN, Cotter

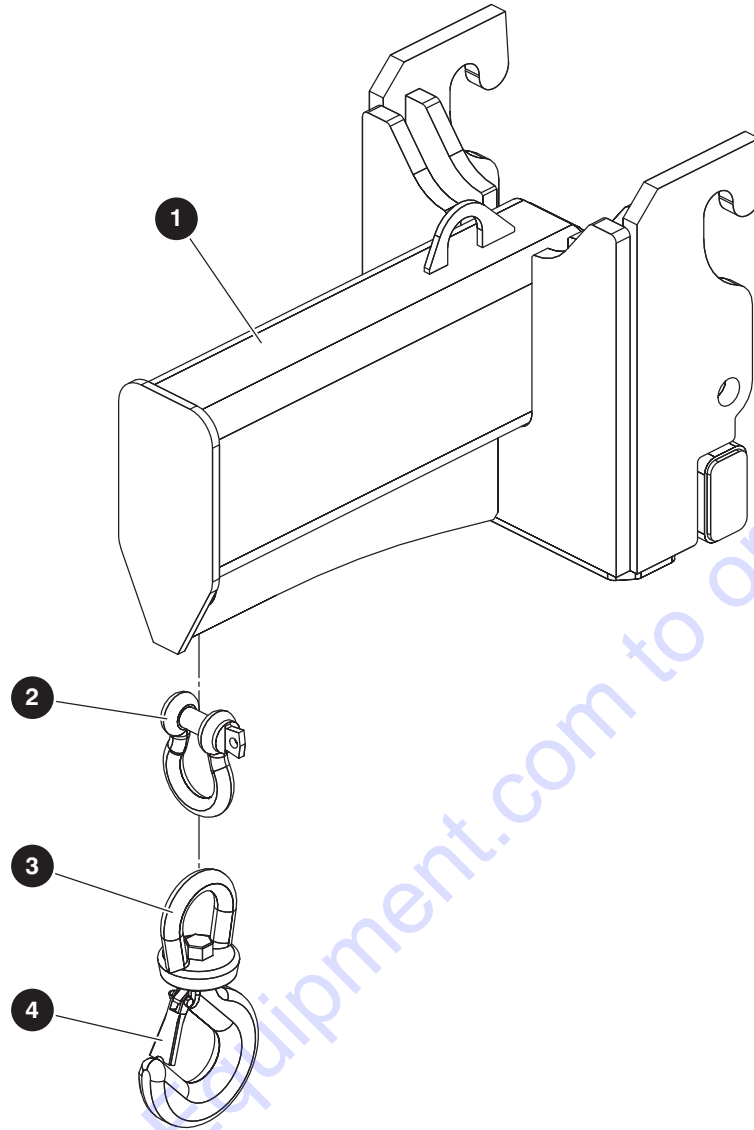
# 10.11 Loader Bucket



M927450AC

Index No.	Skyjack Part No.	Qty.	Description
-	9-927450	1	BUCKET, 1.75 Cubic yard
1	9-927451	1	• BUCKET, 1.75 Cubic yard
2	9-160484	1	• PLATE, Cutting edge 96" bolt on
3	9-923563	1	• ASSEMBLY, Tether pin 70 mm Quick Attach
4	9-923560	2	• • ASSEMBLY, Tether pin 70 mm
5	9-923135	1	• • • PIN, Lynch 7/16" X 1-3/4" long
6	9-923169	1	• • • PIN, Quick attach
7	9-923555	1	• • • TETHER, Vinyl coated 22.5"
8	9-923558	2	• • • CLAMP, 1/8" oval compression sleeve
9	9-923559	2	• • • CLAMP, Stop compression sleeve
10	9-932646	2	• • PIN, Clevis
11	9-933735	2	• • WASHER, M10
12	9-933615	2	• • PIN, Cotter

## 10.12 2' Jib Boom



M61103AA

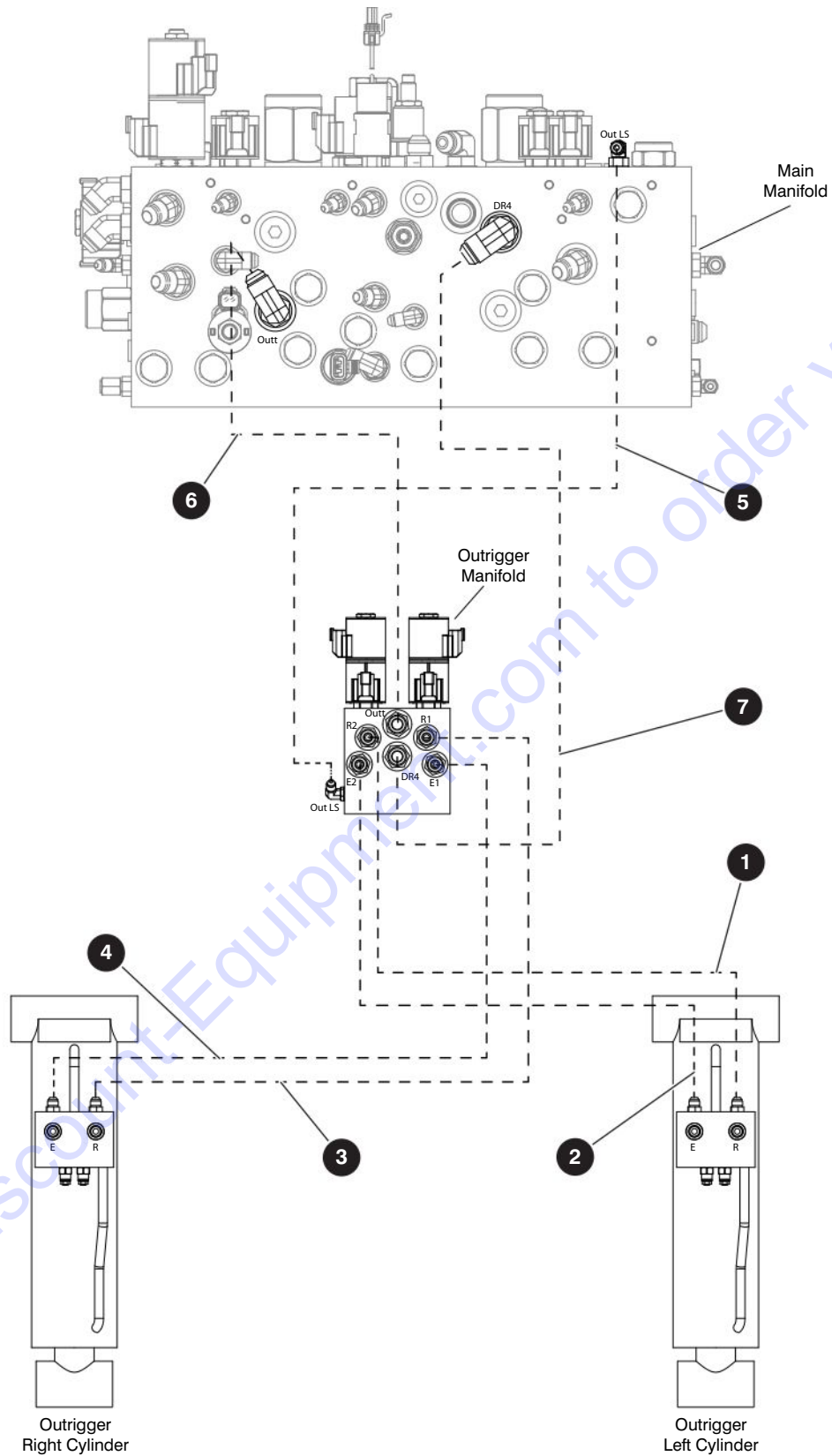
Index No.	Skyjack Part No.	Qty.	Description
-	9-156748	-	ASSEMBLY, 2' Jib Boom (10,000 lb. Capacity)
1	9-156738	1	• WELDMENT, 2' Jib Boom
2	9-402653	1	• SHACKLE, 1.00" Nominal
3	9-402654	1	• HOOK, Swivel
4	9-414327	1	• LATCH KIT, Safety Swivel Hook

# Section 11 – Factory Options

- 11.1 *Outriggers Hydraulics*
- 11.2 *Outriggers Assembly*
- 11.3 *Outrigger Manifold*
- 11.4 *Boom Lights Installation*
- 11.5 *Boom Lights Harness*
- 11.6 *Work Light Kit*
- 11.7 *Work Light Harness*
- 11.8 *Road Lights Assembly*
- 11.9 *Road Light Front & Rear Harness*
- 11.10 *Oil Quick Drain*
- 11.11 *Air Intake Shut Off*
- 11.12 *Positive Air Shut Off Harness*
- 11.13 *Remote Axle Grease*
- 11.14 *Reserve Brake*
- 11.15 *Cold Weather Package*
- 11.16 *4 Wheel Fender Assembly*
- 11.17 *Beacon Light Assembly*
- 11.18 *Pintle Hook Installation*
- 11.19 *Fire Extinguisher*
- 11.20 *Back up Camera and Sensor*
- 11.21 *Back up Sensor*
- 11.22 *Elevate Telematics*
- 11.23 *Elevate Telematics Harness*



# 11.1 Outriggers Hydraulics



M190067AD

190126AG

**390**

SJ1044 TH, SJ1044 THS, SJ1056 TH, SJ1056 THS

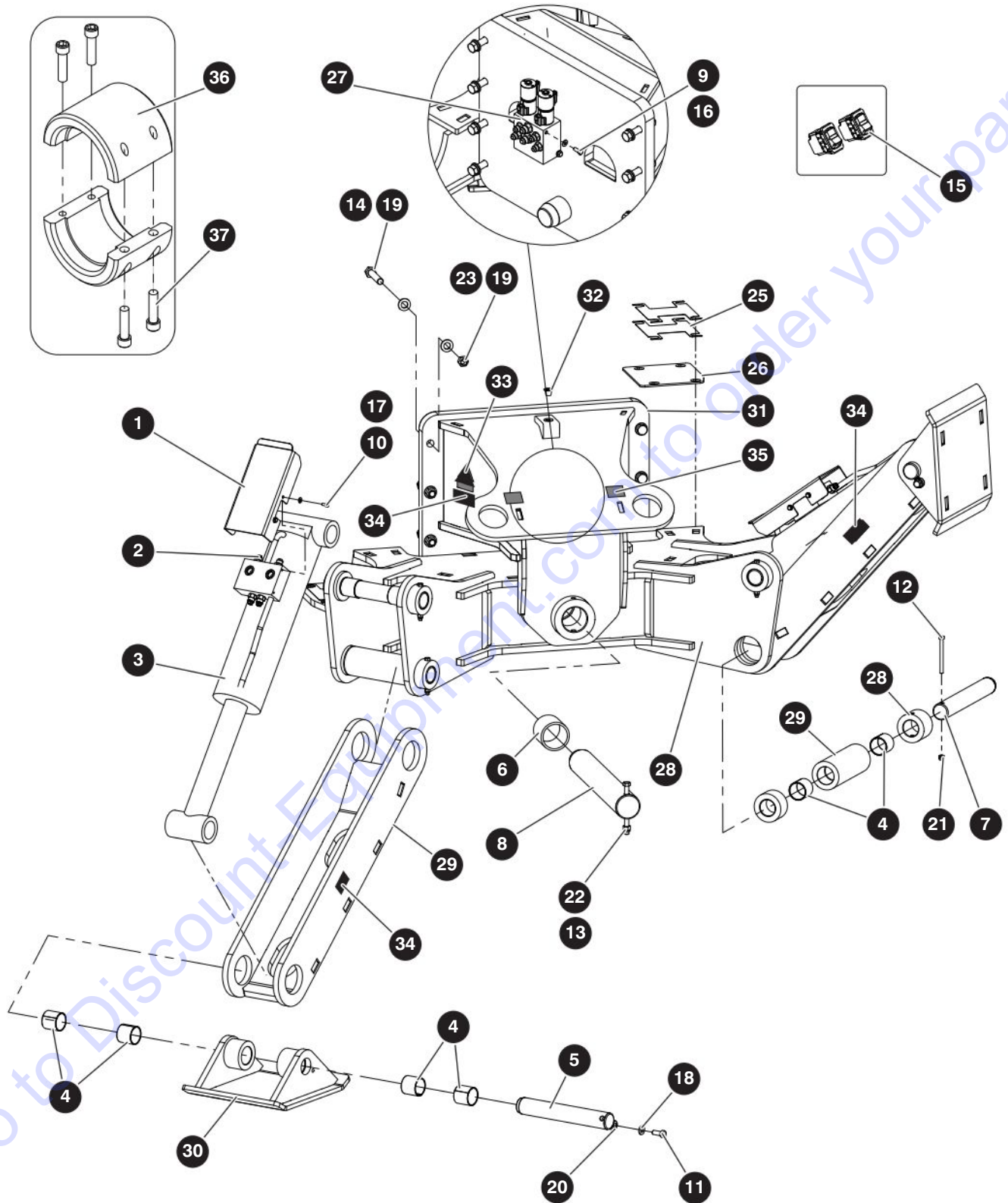
**SKYJACK**

## 11.1 Outriggers Hydraulics

Index No.	Hose P/N	From		To	
		Description	Port	Port	Description
1	H340800690	Outrigger manifold	R2	R	LH Outrigger cylinder
2	H340800690	Outrigger manifold	E2	E	LH Outrigger cylinder
3	H340800690	Outrigger manifold	R1	R	RH Outrigger cylinder
4	H340800690	Outrigger manifold	E1	E	RH Outrigger cylinder
5	H310401460	Main manifold	Outt LS	Outt LS	Outrigger manifold
6	H321001310	Main manifold	Outt	Outt	Outrigger manifold
7	H321001350	Main manifold	DR4	DR4	Outrigger manifold

Index No.	Skyjack Part No.	Qty.	Description
A	9-190067	1	OUTRIGGER GROUP 1056
B	9-199890	1	OUTRIGGER GROUP 1044
-	9-191834	1	• HOSE SUBGROUP, Outriggers
-	9-131732	180"	• • SLEEVE, Nylon Hose Protection, HG-46
-	(Ref).	1	• SUBGROUP, TH outriggers <i>(For components, refer to Section 11.2)</i>
-	(Ref).	1	• SUBGROUP, Outriggers decals <i>(For components, refer to Section 11.2)</i>

# 11.2 Outriggers Assembly



M199890AD

190126AG

392

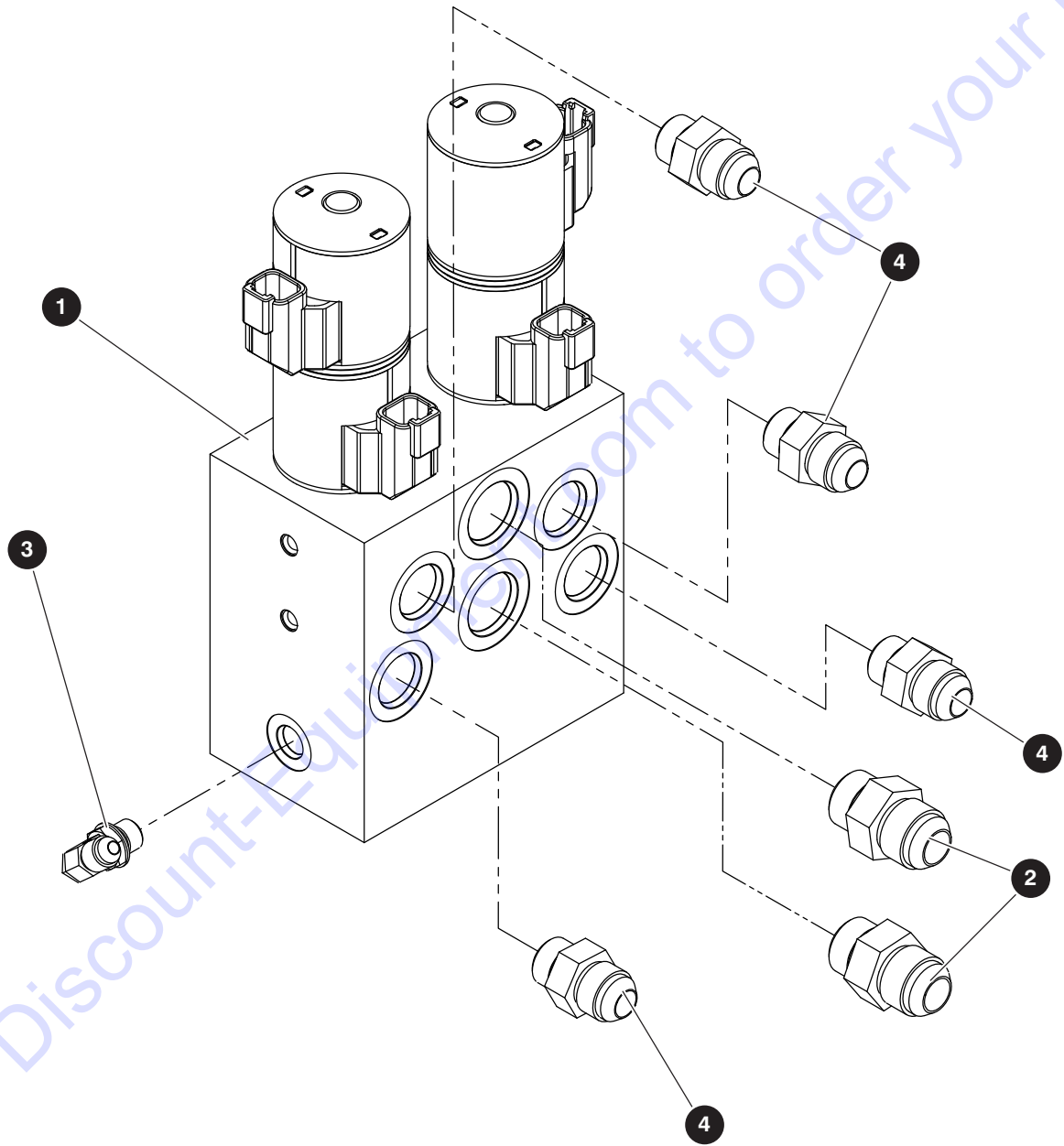
SJ1044 TH, SJ1044 THS, SJ1056 TH, SJ1056 THS

SKYJACK

## 11.2 Outriggers Assembly

Index No.	Skyjack Part No.	Qty.	Description
-	9-191136	-	SUBGROUP, VR OUTRIGGERS
1	9-191179	2	• COVER, Cylinder guard
2	9-102659	4	• FITTING, Straight (08JICM0 - 8ORBM)
3	9-191123	2	• CYLINDER, TH outriggers
4	9-148817	8	• BUSHING - CJS 3232 (2" ID x 2" LG)
5	9-191139	2	• PIN, Ø 2" X 13" long
6	9-191144	2	• BEARING, 3" ID x 3.5" OD x 3.5" long
7	9-191138	4	• PIN, Ø 2" x 13-7/8" long
8	9-191145	1	• PIN, Ø 3" X 22-1/2" long
9	9-300437	2	• BOLT, Hex head 3/8"-16 x 7/8" grade 5
10	9-103892	8	• BOLT, Hex head 1/4"-20 x 5/8" grade 5
11	9-103910	2	• BOLT, Hex head 1/2"-13 x 1-1/4" grade 8
12	9-123708	4	• BOLT, Hex head 3/8"-16 x 4-1/4" grade 5
13	9-128845	1	• BOLT, Hex head 1/2"-13 x 6" grade 8
14	9-191836	8	• BOLT, Hex head 3/4"-10 X 4-1/4" grade 8 zinc
15	9-191458	2	• SWITCH, Outriggers
16	9-125959	2	• WASHER, Flat 3/8" hard
17	9-103995	8	• WASHER, Flat 1/4" SAE
18	9-104379	2	• Washer Flat 1/2" Hard
19	9-702194	16	• WASHER, Flat 3/4" hard
20	9-191232	2	• PIN, Anchor
21	9-104606	4	• NUT, Lock 3/8"-16 grade 5 - nylon insert
22	9-702507	1	• NUT, Lock 1/2"-13 grade 5 - nylon insert
23	9-700575	8	• NUT, Lock 3/4"-10 grade C"
24	9-190369	1	• HARNESS, Outrigger 10k (Not Shown)
25	9-212651	10	• SHIM, Axle mount
26	9-198895	2	• PLATE Spacer, axle mount
27	(Ref.)	1	• ASSEMBLY, Outrigger manifold <i>(For components, refer to Section 11.3)</i>
28	9-191147	1	• WELDMENT, Outrigger pivot base
29	9-191148	2	• WELDMENT, Outrigger link
30	9-191149	2	• WELDMENT, Outrigger foot
31	9-191146	1	• WELDMENT, Outrigger clevis mount
32	9-144105	1	• PLUG, 3/4" Threaded hole
-	9-199968	1	SUBGROUP, OUTRIGGERS DECALS
33	9-137988	2	• LABEL, Crush/pinch hazard pictorial
34	9-139314	4	• LABEL, Body crush pictorial
35	157528	2	• LABEL, Tie down
-	9-209257	1	ASSEMBLY, CYLINDER SHAFT COLLAR (SJ1044 TH ONLY)
36	9-209255	2	• COLLAR, Cylinder
37	9-103938	4	• SCREW, Socket Head 3/8"-16 x 1-1/2"

# 11.3 Outrigger Manifold



M191835AA

190126AG

**394**

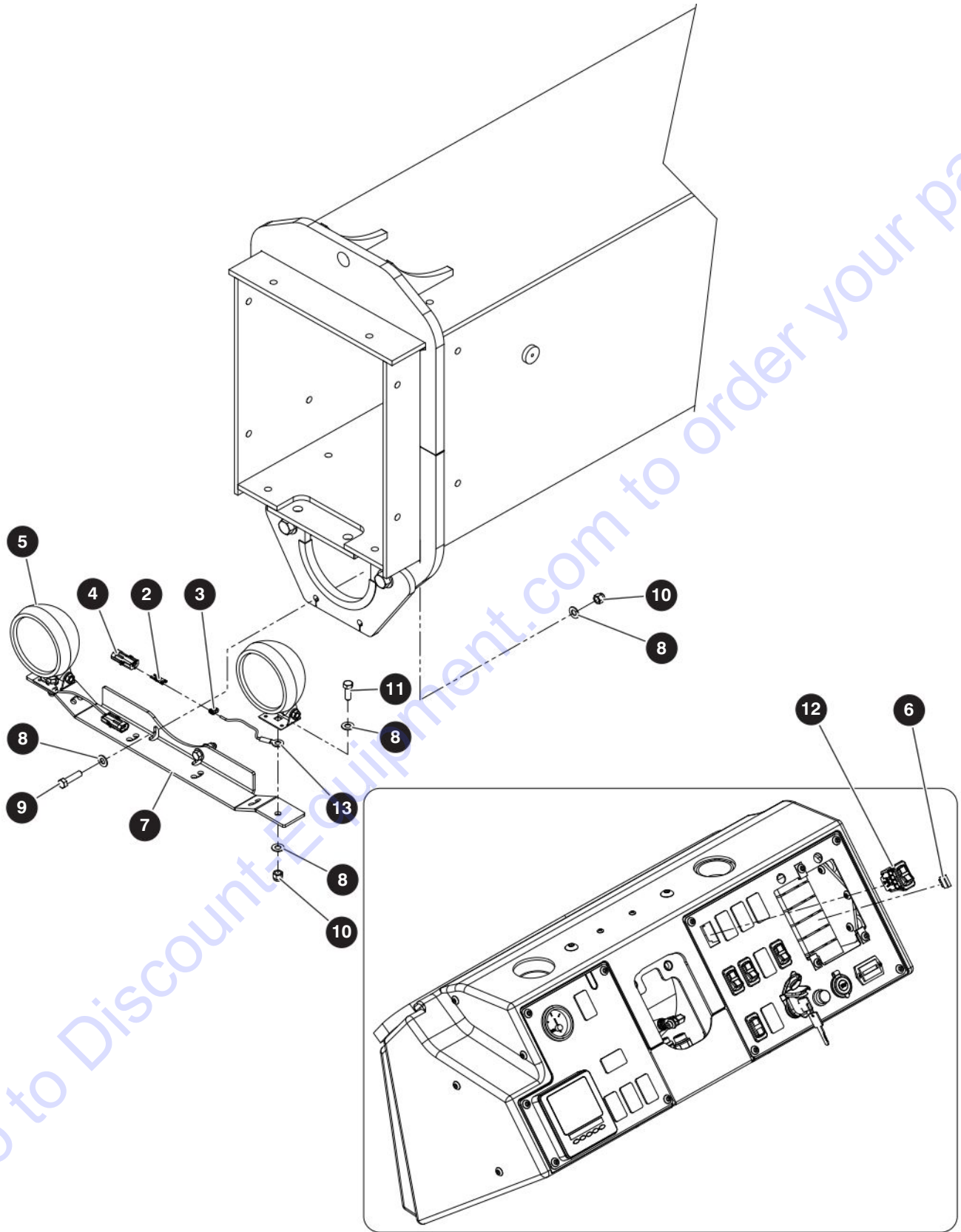
SJ1044 TH, SJ1044 THS, SJ1056 TH, SJ1056 THS

**SKYJACK**

## 11.3 Outrigger Manifold

Index No.	Skyjack Part No.	Qty.	Description
-	9-191835	-	ASSEMBLY, OUTRIGGER MANIFOLD
1	9-169034	1	• MANIFOLD, Outrigger VR 1044 & 1056
	9-191797	2	• VALVE, Solenoid 5W3P
	9-159821	4	• • COIL
	9-191806	2	• VALVE, Check
2	9-137630	2	• FITTING, (10 ORBM - 10 JICM)
3	9-125883	1	• FITTING, 90° (04 JICM - 04 ORBM)
4	9-102659	4	• FITTING, Straight (08 JICM - 08 ORBM)

# 11.4 Boom Lights Installation



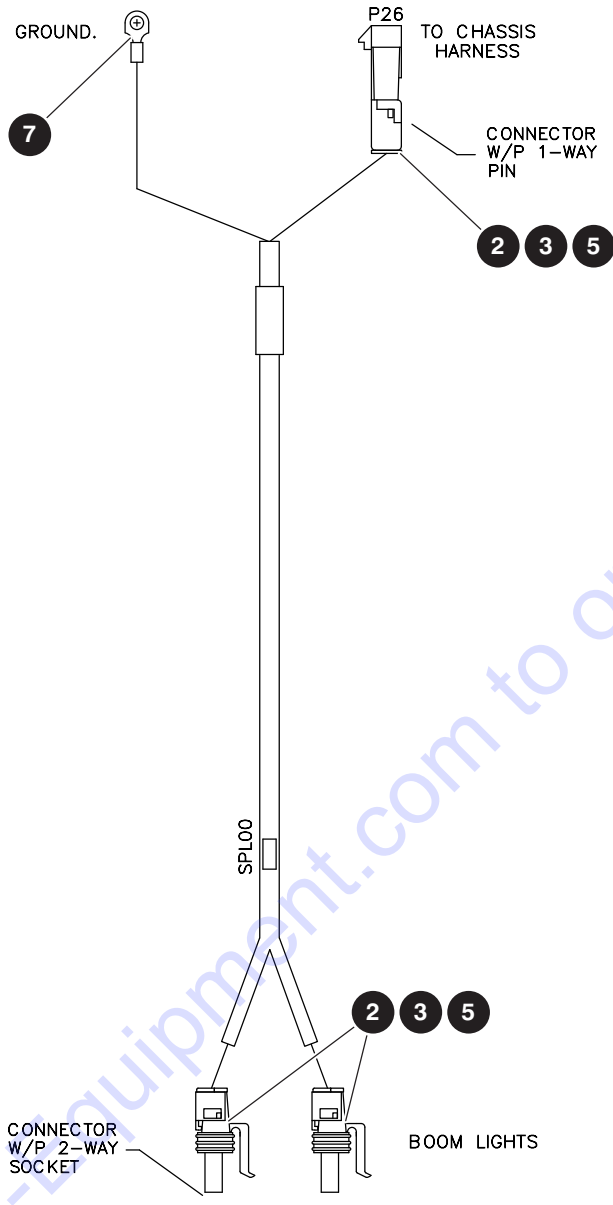
M197109AC

## 11.4 Boom Lights Installation

Index No.	Skyjack Part No.	Qty.	Description
-	9-197109	1	ASSEMBLY, BOOM LIGHTS
1	(Ref.)	1	<ul style="list-style-type: none"> <li>HARNES, Boom light (Not Shown)</li> </ul> <i>(For components, refer to Section 11.5)</i>
2	9-932899	2	<ul style="list-style-type: none"> <li>CONNECTOR</li> </ul>
3	9-932898	4	<ul style="list-style-type: none"> <li>SEAL, Cable (packard connection)</li> </ul>
4	9-932897	4	<ul style="list-style-type: none"> <li>PIN, Male (packard connector)</li> </ul>
5	9-407592	2	<ul style="list-style-type: none"> <li>HEAD LIGHT, Halogen</li> </ul>
6	9-156203	1	<ul style="list-style-type: none"> <li>FUSE, 10A</li> </ul>
7	9-209359	1	<ul style="list-style-type: none"> <li>BRACKET, Boom light</li> </ul>
8	9-103472	9	<ul style="list-style-type: none"> <li>WASHER, 13/32" ID X 13/16" OD X 1/16" zinc</li> </ul>
9	9-103870	2	<ul style="list-style-type: none"> <li>BOLT, Hex head 3/8"-16 X 1-1/2" grade 5</li> </ul>
10	9-104606	5	<ul style="list-style-type: none"> <li>NUT, Lock with nylon insert 3/8"-16 grade 5</li> </ul>
11	9-103473	2	<ul style="list-style-type: none"> <li>BOLT, Hex head 3/8"-16 X 1" grade 5</li> </ul>
12	9-191455	1	<ul style="list-style-type: none"> <li>SWITCH, Rocker</li> </ul>
13	9-152136	2	<ul style="list-style-type: none"> <li>WIRE, Work light ground</li> </ul>
14	9-197110	1	<ul style="list-style-type: none"> <li>INSTRUCTIONS, Boom lights installation (Not Shown)</li> </ul>



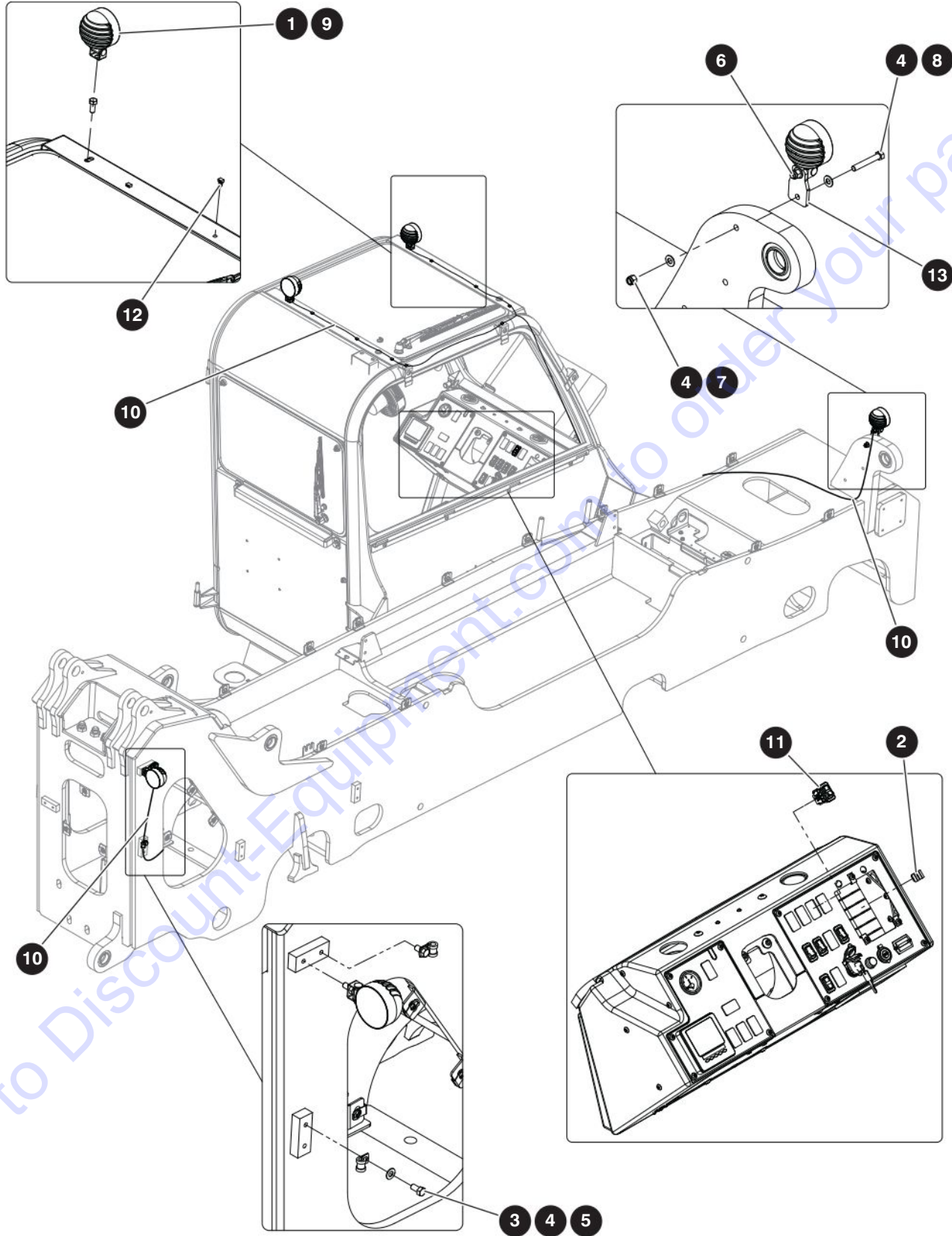
# 11.5 Boom Lights Harness



M190288AC

Index No.	Skyjack Part No.	Qty.	Description
-	9-190288	1	HARNESS, BOOM LIGHTS HARNESS
1	9-124036	2	CONNECTOR, 2F W/P
2	9-156106	1	CONNECTOR ,1M W/P
3	9-156116	2	TERMINAL, Male sealed (3.0-2.0 mm <sup>2</sup> ), W/P
4	9-156137	4	TERMINAL, Female sealed (2.0-1.0 mm <sup>2</sup> ), W/P
5	9-156147	2	WIRE, Seal gray (3.5-2.8 mm), 280 M/P
6	9-124369	4	WIRE, Seal green (2.9-2.0 mm), 280 M/P
7	9-108172	1	TERMINAL, 3/8" Ring vinyl-ins yellow (12-10AWG)

# 11.6 Work Light Kit

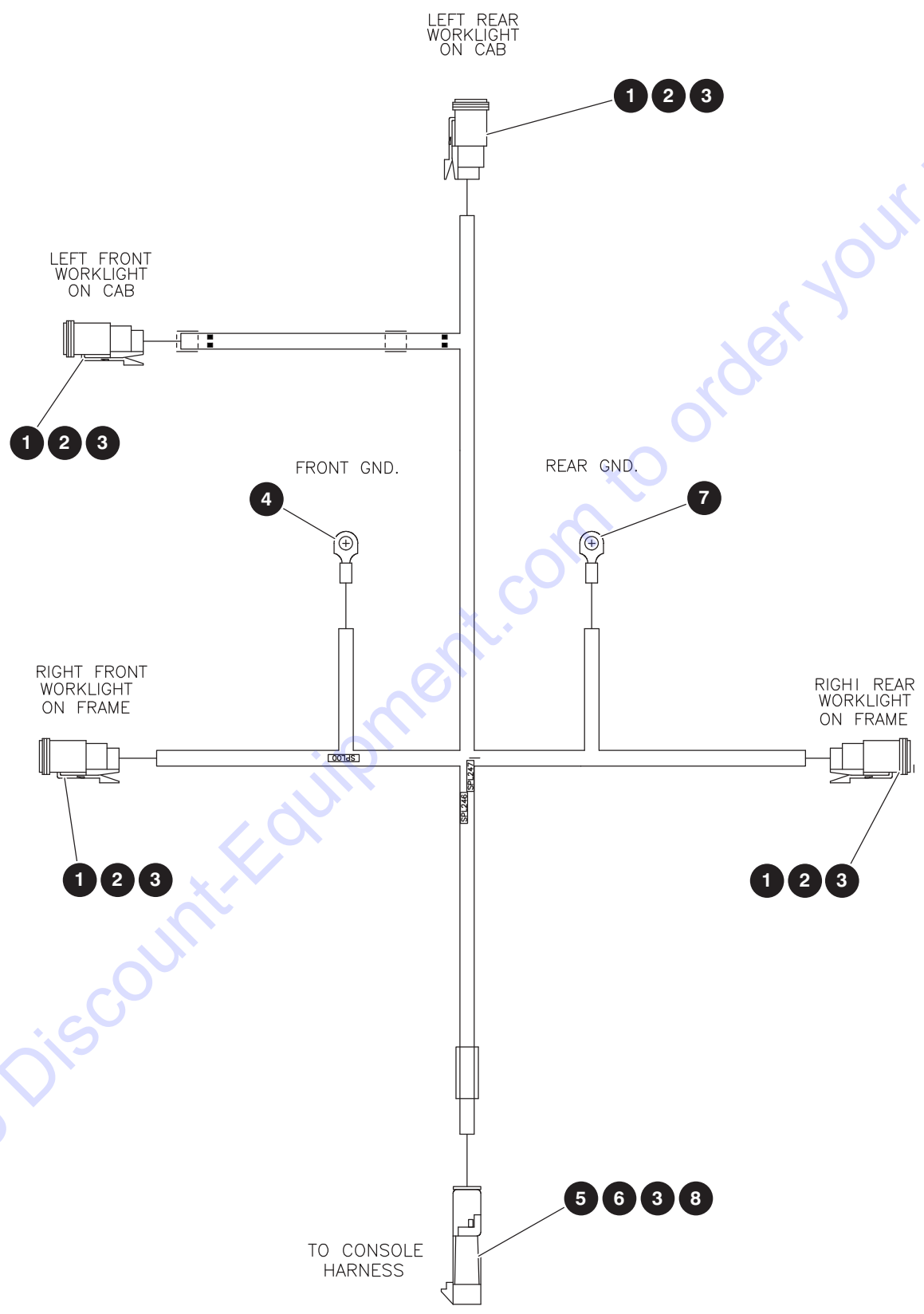


M191603AB-2

# 11.6 Work Light Kit

Index No.	Skyjack Part No.	Qty.	Description
-	9-197107	1	ASSEMBLY, WORK LIGHTS
1	9-171888	4	• LAMP, Work lamp
2	9-156203	1	• FUSE, 10A
3	9-931964	2	• CLAMP, Tube 3/8"
4	9-103472	6	• WASHER, Flat 3/8" SAE
5	9-101632	3	• BOLT, Hex head 3/8"-16 X 3/4" grade 5
6	9-103473	1	• BOLT, Hex head 3/8"-16 X 1" grade 5
7	9-104606	3	• NUT, Lock with nylon insert 3/8"-16 grade 5
8	9-103873	1	• BOLT, Hex head 3/8"-16 X 2-1/2" grade 5
9	9-300437	2	• BOLT, Hex head 3/8"-16 X 7/8" grade 5
10	(Ref.)	1	• HARNESS, Work light <i>(For components, refer to Section 11.7)</i>
11	9-191457	1	• SWITCH, 4 wheel/crab-turn-work light
12	9-191865	8	• PUSH MOUNT 1/4"
13	9-190597	1	• PLATE, Light mount
14	9-197108	1	• INSTRUCTIONS, Work lights installation

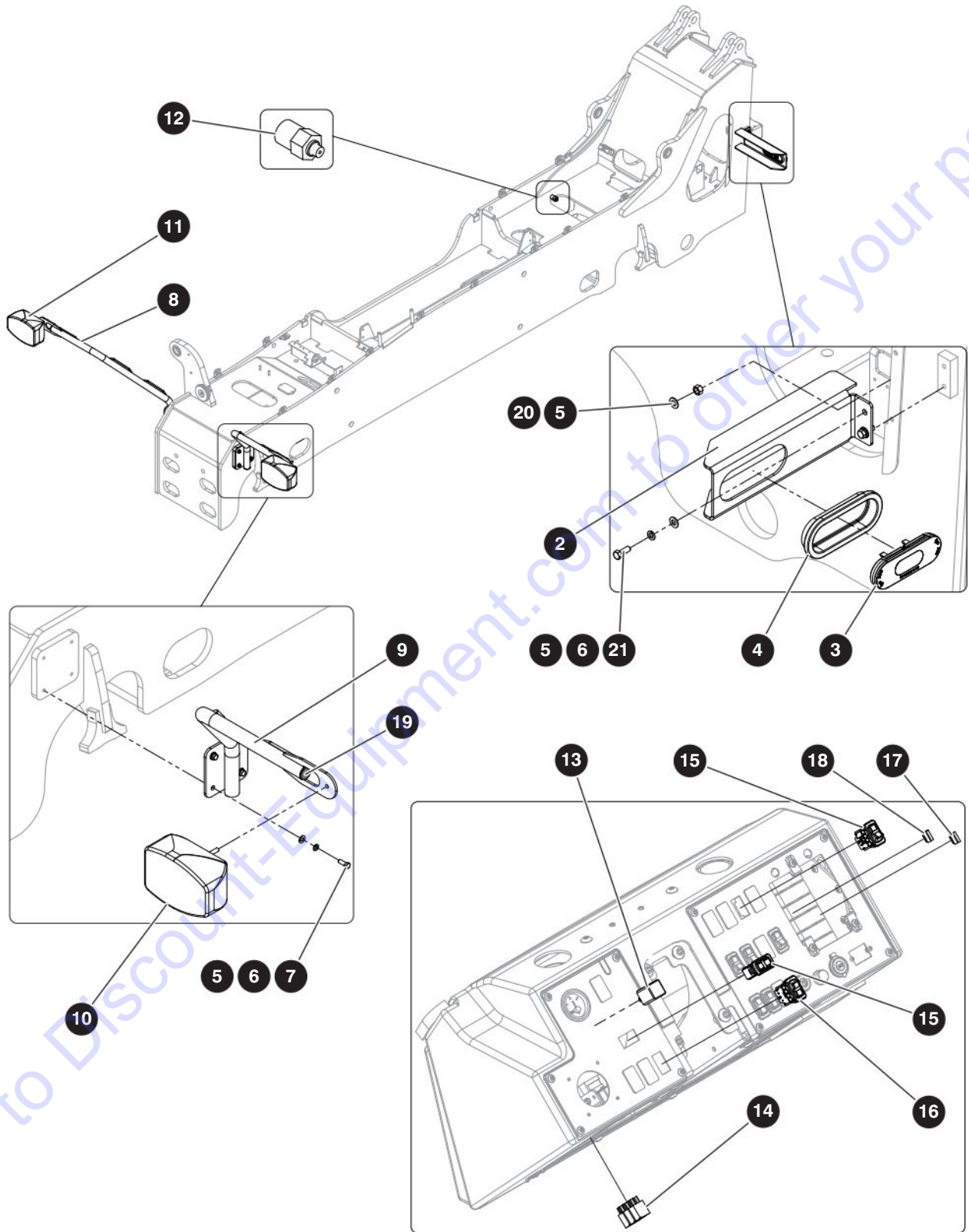
# 11.7 Work Light Harness



M190231AB

Index No.	Skyjack Part No.	Qty.	Description
-	9-190231	1	ASSEMBLY, WORK LIGHT HARNESS
1	9-117597	4	• CONNECTOR, Plug 2-pin
2	9-117599	8	• CONNECTOR, Plug 2-pin wedge
3	9-117591	10	• CONNECTOR, Contact socket (16/18 GA)
4	9-108172	1	• TERMINAL, 3/8" Ring (12-10 AWG)
5	9-156113	1	• CONNECTOR, 3M W/P
6	9-156139	2	• TERMINAL, Male sealed (2.0-1.0 mm <sup>2</sup> ), W/P
7	9-102941	1	• TERMINAL, 3/8" ring (14-16AWG)
8	9-156104	1	• PLUG CAVITY, 1W M/P 280 & W/P

# 11.8 Road Lights Assembly



M190090AC

190126AG

404

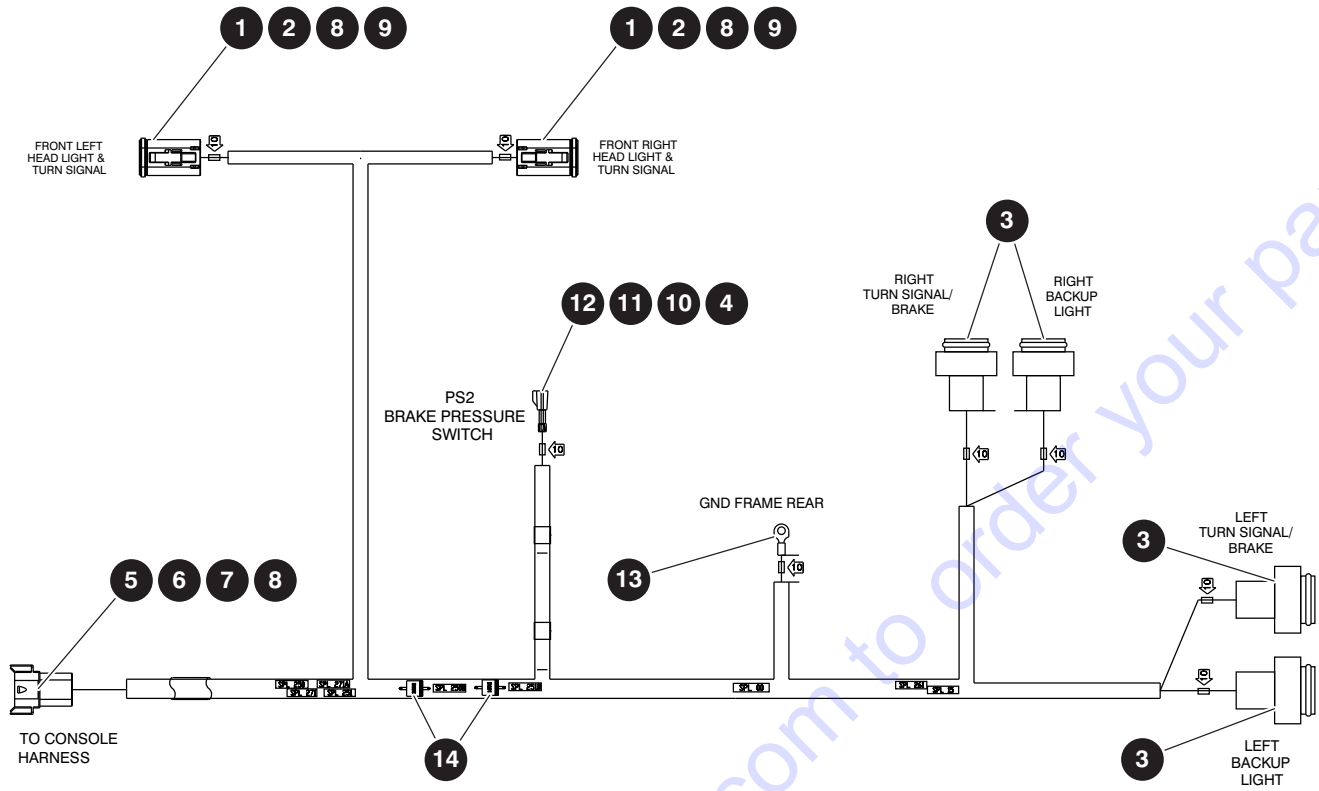
SJ1044 TH, SJ1044 THS, SJ1056 TH, SJ1056 THS

SKYJACK

## 11.8 Road Lights Assembly

Index No.	Skyjack Part No.	Qty.	Description
-	9-197105	1	ASSEMBLY, ROAD LIGHTS GROUP
1	(Ref.)	1	• HARNESS, Road light front & rear (Not Shown)
2	9-191488	2	• BRACKET, Road light mount
3	9-190578	2	• LIGHT, Stop / tail / turn / backup
4	9-191758	2	• GROMMET, Oval lamp
5	9-103472	13	• WASHER, Flat 3/8" SAE
6	9-103999	12	• WASHER, Lock 3/8"
7	9-103473	8	• BOLT, Hex head 3/8"-16 x 1" grade 5
8	9-196304	1	• WELDMENT, Road light RH
9	9-196213	1	• WELDMENT, Road light LH
10	9-190596	1	• LIGHTS, Road front LH
11	9-196380	1	• LIGHTS, Road front RH
12	9-927724	1	• SWITCH, Brake light
13	9-925386	1	• FLASHER
14	9-233301	3	• RELAY
15	9-191457	2	• SWITCH, 4 Wheel/crab-turn-work light
16	9-191455	1	• SWITCH, Rocker
17	9-156202	1	• FUSE, 5A
18	9-156204	1	• FUSE, 15A
19	9-191903	4	• PLUG, Plastic 1-1/4" tube ID
20	9-104606	1	• NUT, Lock with nylon insert 3/8"-16 Grade 5
21	9-101632	4	• BOLT, Hex head 3/8"-16 x 3/4" Grade 5
22	9-197106	1	• INSTRUCTIONS, Road lights installation (not shown)

# 11.9 Road Light Front & Rear Harness



M190595AA

Index No.	Skyjack Part No.	Qty.	Description
-	9-190595	1	HARNES, ROAD LIGHT FRONT & REAR
1	9-156180	2	CONNECTOR, 6F DT
2	9-156194	2	WEDGE, Plug
3	9-170479	4	ADAPTER, Plug
4	9-156120	2	TERMINAL, Male (1.0-0.8 mm <sup>2</sup> ), 280 M/P
5	9-117586	1	CONNECTOR, Receptacle 12-pin
6	9-117588	1	CONNECTOR, Receptacle 12-pin wedge
7	9-117590	9	CONNECTOR, Contact pin 16-18
8	9-117594	7	SEALING, Plug
9	9-117591	8	SOCKET (16-18 AWG), Solid
10	9-156144	1	CONNECTOR, 2m 280 M/P
11	9-156145	1	TPA, 2W 280 M/P
12	9-124369	2	WIRE SEAL, Green (2.9-2.0 mm), 280 M/P
13	9-108172	1	TERMINAL, 3/8" ring (12-10 AWG)
14	9-102921	2	DIODE, T6A40L



# PARTS FINDER

**Search Website  
by Part Number**



**Search Manual  
Library For Parts  
Manual & Lookup Part  
Numbers – Purchase  
or Request Quote**

**Search Manuals**

Enter your information to help us find the right parts manual for your machine.

\* Brand:

\* Model:

\* Serial:

\* Part Number:

SEARCH

**Can't Find Part or  
Manual? Request Help  
by Manufacturer,  
Model & Description**

**Parts Order Form**

Please fill in the following information to help us find the right part for your machine.

Manufacturer:	<input type="text"/>
Model:	<input type="text"/>
Description:	<input type="text"/>
Part Number:	<input type="text"/>
Quantity:	<input type="text"/>
Notes:	<input type="text"/>

Discount-Equipment.com is your online resource for quality parts & equipment.

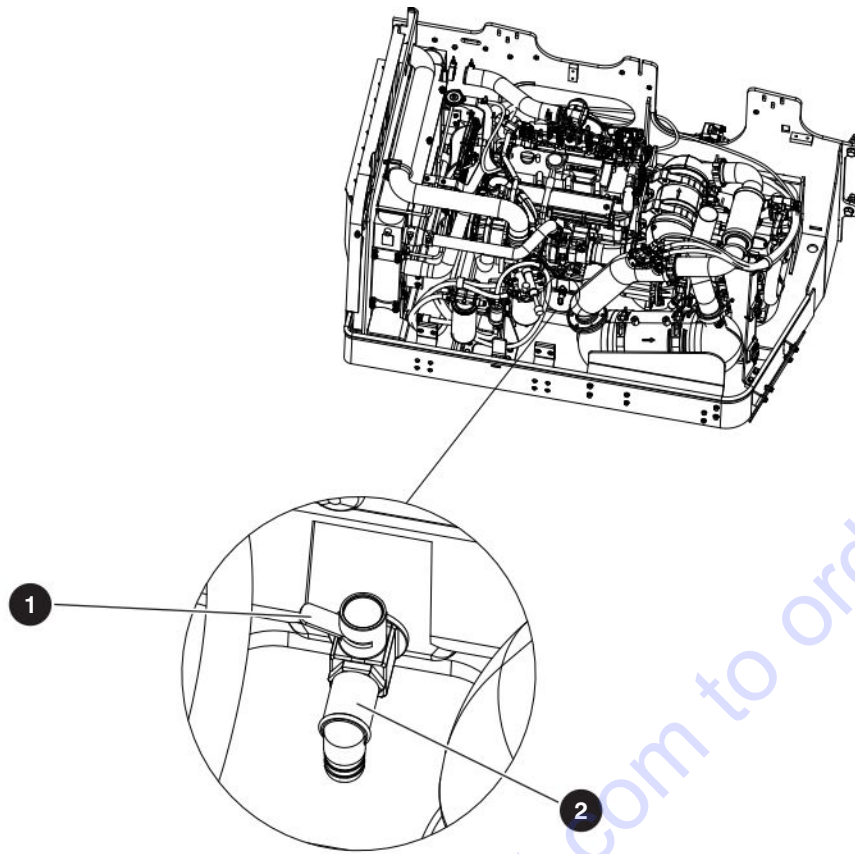
Florida: **561-964-4949** Outside Florida TOLL FREE: **877-690-3101**

**Need parts?**

Click on this link: <http://www.discount-equipment.com/category/5443-parts/> and choose one of the options to help get the right parts and equipment you are looking for. Please have the machine model and serial number available in order to help us get you the correct parts. If you don't find the part on the website or on one of the online manuals, please fill out the request form and one of our experienced staff members will get back to you with a quote for the right part that your machine needs.

We sell worldwide for the brands: Genie, Terex, JLG, MultiQuip, Mikasa, Essick, Whiteman, Mayco, Toro Stone, Diamond Products, Generac Magnum, Airman, Haulotte, Barreto, Power Blanket, Nifty Lift, Atlas Copco, Chicago Pneumatic, Allmand, Miller Curber, Skyjack, Lull, Skytrak, Tsurumi, Husquvarna Target, Stow, Wacker, Sakai, Mi-T-M, Sullair, Basic, Dynapac, MBW, Weber, Bartell, Bennar Newman, Haulotte, Ditch Runner, Menegotti, Morrison, Contec, Buddy, Crown, Edco, Wyco, Bomag, Laymor, EZ Trench, Bil-Jax, F.S. Curtis, Gehl Pavers, Heli, Honda, ICS/PowerGrit, IHI, Partner, Imer, Clipper, MMD, Koshin, Rice, CH&E, General Equipment, Amida, Coleman, NAC, Gradall, Square Shooter, Kent, Stanley, Tamco, Toku, Hatz, Kohler, Robin, Wisconsin, Northrock, Oztec, Toker TK, Rol-Air, APT, Wylie, Ingersoll Rand / Doosan, Innovatech, Con X, Ammann, Mecalac, Makinex, Smith Surface Prep, Small Line, Wanco, Yanmar

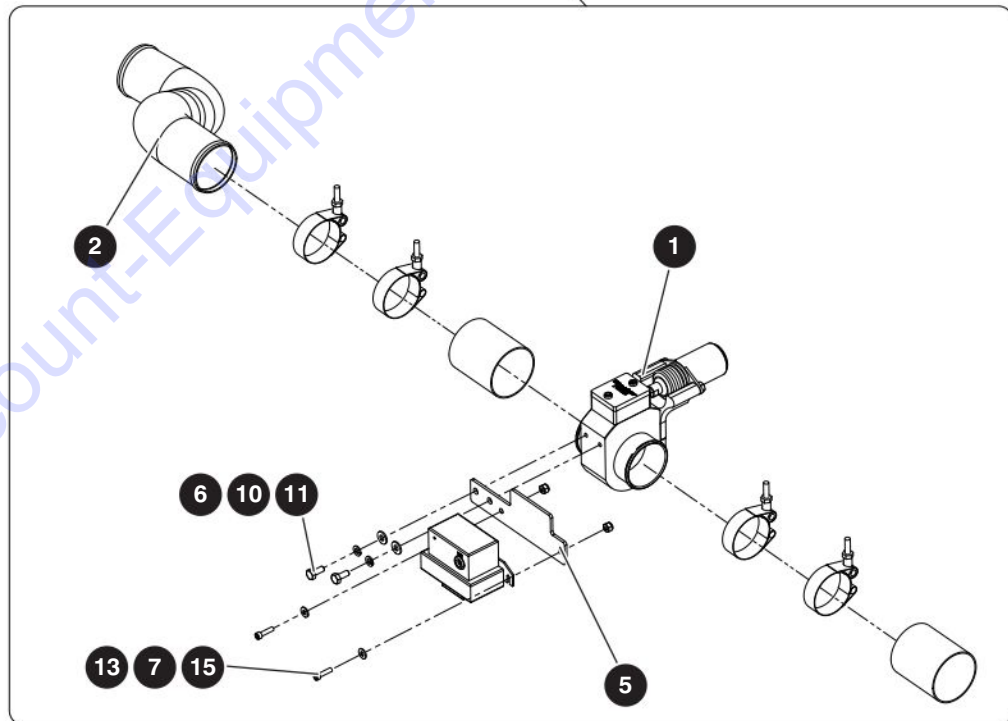
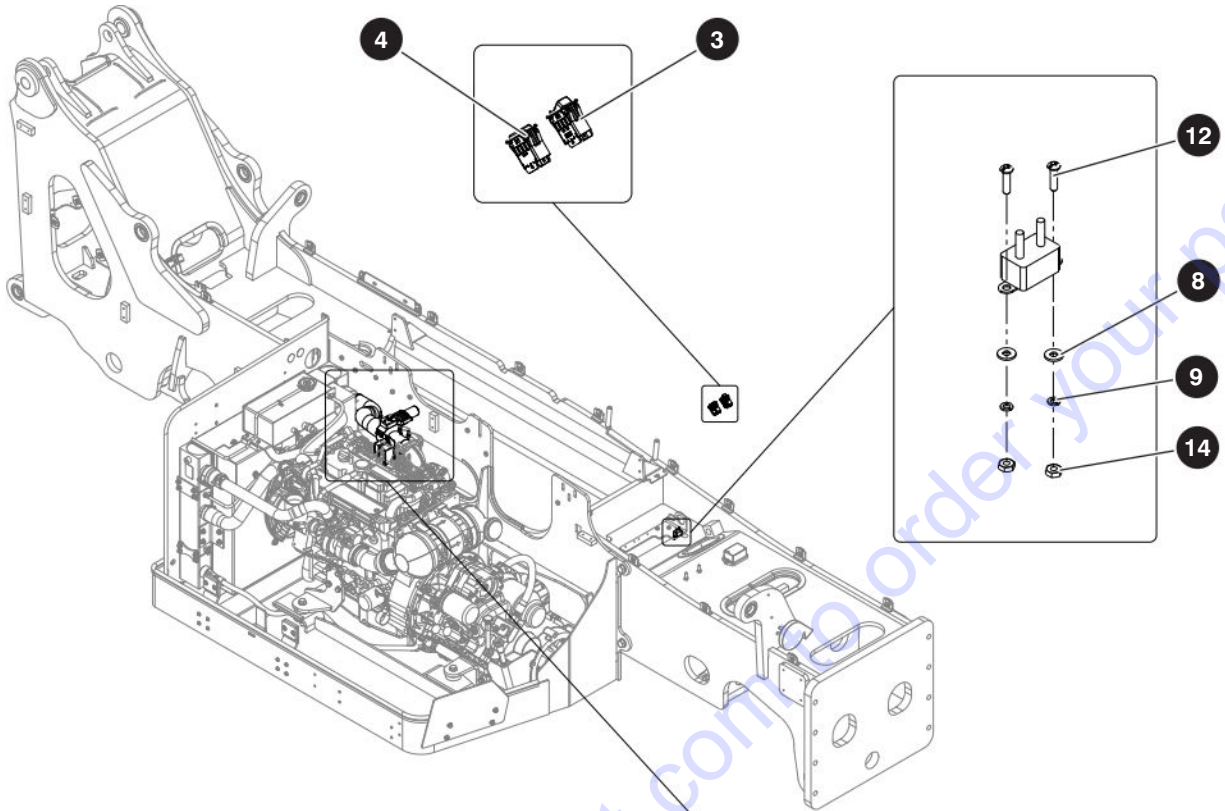
## 11.10 Oil Quick Drain



M169469AA-2-1

Index No.	Skyjack Part No.	Qty.	Description
-	9-199052	-	VALVE, OIL QUICK DRAIN - DEUTZ
1	9-167431	1	<ul style="list-style-type: none"> <li>VALVE, Oil drain</li> </ul>
2	9-167432	1	<ul style="list-style-type: none"> <li>FITTING, Elbow 90° Oil drain</li> </ul>
3	9-199051	1	<ul style="list-style-type: none"> <li>INSTRUCTIONS, Oil quick drain</li> </ul>

## 11.11 Air Intake Shut Off



M191464AC

190126AG

**408**

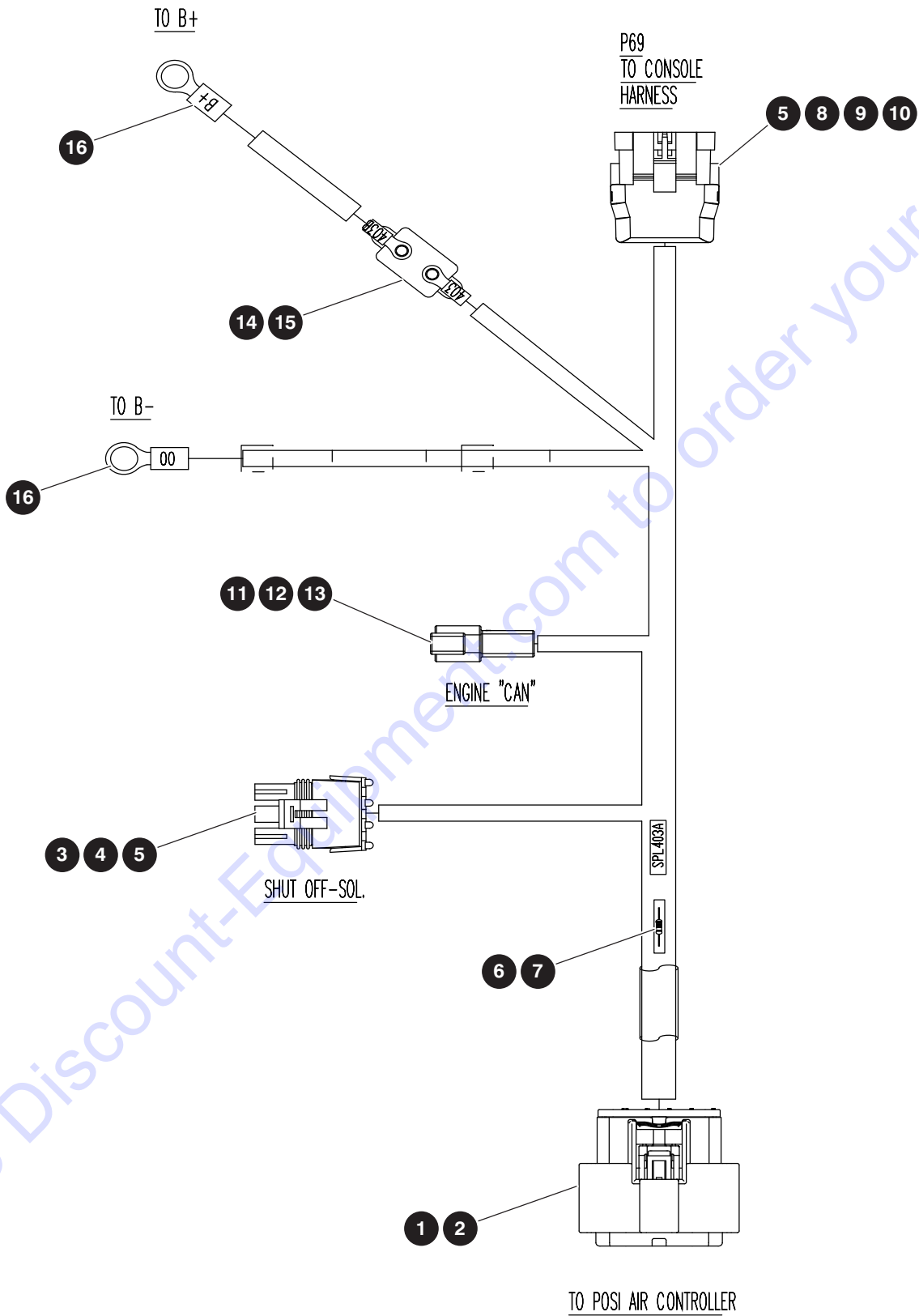
SJ1044 TH, SJ1044 THS, SJ1056 TH, SJ1056 THS

**SKYJACK**

## 11.11 Air Intake Shut Off

Index No.	Skyjack Part No.	Qty.	Description
A	9-199062	-	VALVE, AIR INTAKE SHUT OFF, Deutz 3.6 107HP
B	9-199063	-	VALVE, AIR INTAKE SHUT OFF, Deutz 3.6L 74HP
1	9-191466	1	<ul style="list-style-type: none"> <li>• VALVE, Shocker pass 2500, Deutz tcd 3.6L 107HP - A</li> </ul>
-	9-190680	1	<ul style="list-style-type: none"> <li>• VALVE, Shocker pass 1750, Deutz tcd 3.6L 74HP - B</li> </ul>
2	9-191461	1	<ul style="list-style-type: none"> <li>• TUBE, Positive air shutoff, Deutz 3.6L 107HP - A</li> </ul>
-	9-190681	1	<ul style="list-style-type: none"> <li>• TUBE, Positive air shutoff, Deutz 3.6L 74HP - B</li> </ul>
3	9-191463	1	<ul style="list-style-type: none"> <li>• INDICATOR, Positive shutoff</li> </ul>
4	9-191455	1	<ul style="list-style-type: none"> <li>• SWITCH, Positive shutoff</li> </ul>
5	9-207740	1	<ul style="list-style-type: none"> <li>• BRACKET, Air intake shutoff</li> </ul>
6	9-103995	2	<ul style="list-style-type: none"> <li>• WASHER, Flat 1/4"</li> </ul>
7	9-104694	2	<ul style="list-style-type: none"> <li>• Washer Flat #10</li> </ul>
8	9-103991	2	<ul style="list-style-type: none"> <li>• Washer Flat #8</li> </ul>
9	9-112249	2	<ul style="list-style-type: none"> <li>• WASHER, Lock #8</li> </ul>
10	9-104000	2	<ul style="list-style-type: none"> <li>• WASHER, Lock 1/4"</li> </ul>
11	9-103892	2	<ul style="list-style-type: none"> <li>• BOLT, Hex head 1/4"-20 X 5/8" grade 5</li> </ul>
12	9-116192	2	<ul style="list-style-type: none"> <li>• SCREW, Round head machine 8-32 x 5/8"</li> </ul>
13	9-126642	2	<ul style="list-style-type: none"> <li>• NUT, Lock with nylon insert 10-24 grade 5</li> </ul>
14	9-103986	2	<ul style="list-style-type: none"> <li>• NUT, Hex 8-32</li> </ul>
15	9-138834	2	<ul style="list-style-type: none"> <li>• SCREW, Socket head cap #10-24 x 3/4"</li> </ul>
16	(Ref).	1	<ul style="list-style-type: none"> <li>• HARNESS, Positive air shut off</li> </ul> <p><i>(For components, refer to Section 11.12)</i></p>
17	9-197116	1	<ul style="list-style-type: none"> <li>• INSTRUCTIONS, Air Intake Shutoff</li> </ul>

# 11.12 Positive Air Shut Off Harness



M190820AB

190126AG

410

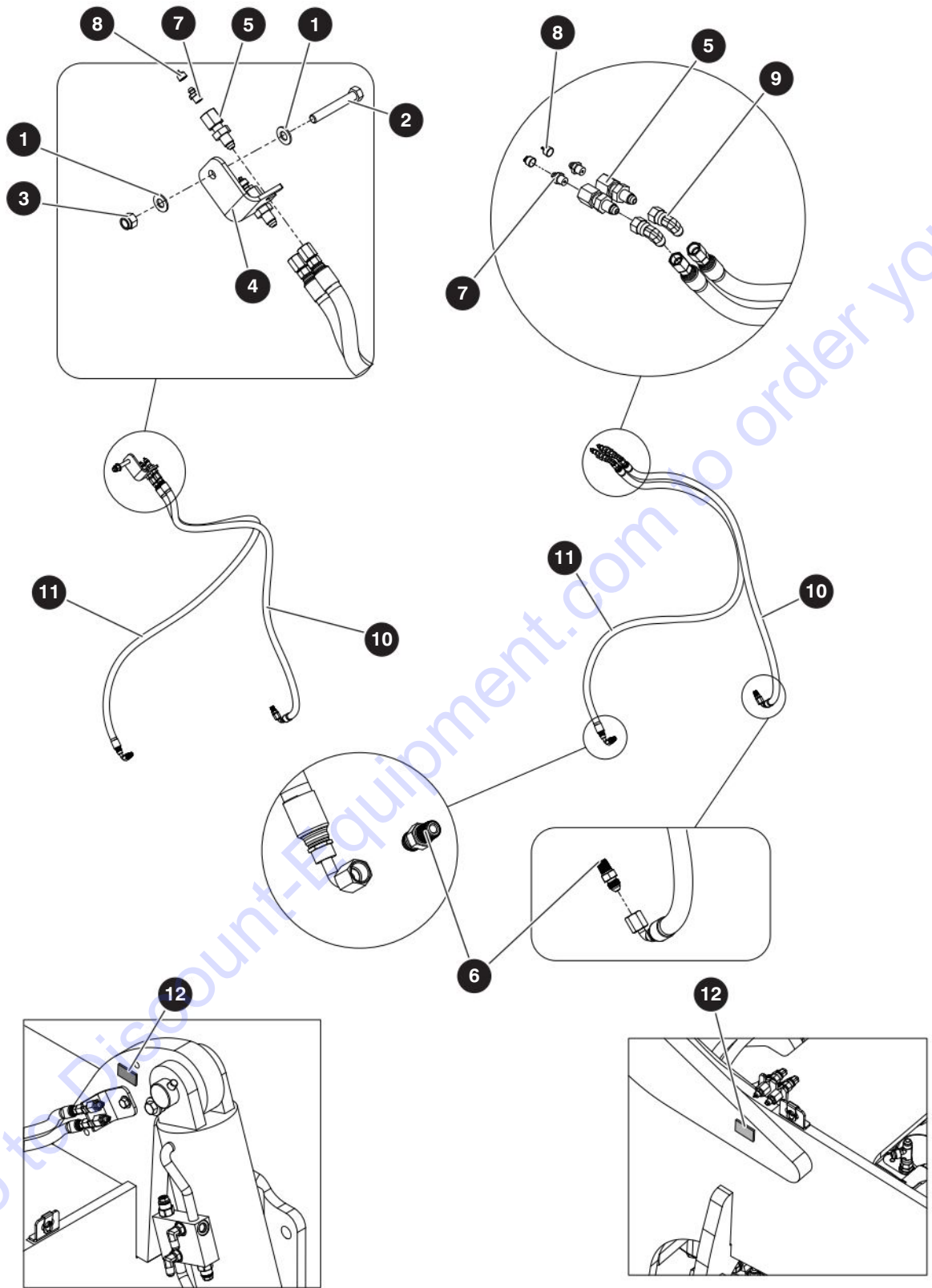
SJ1044 TH, SJ1044 THS, SJ1056 TH, SJ1056 THS

SKYJACK

## 11.12 Positive Air Shut Off Harness

Index No.	Skyjack Part No.	Qty.	Description
-	9-191820	1	HARNES, POSITIVE AIR SHUTOFF
1	9-171900	1	• CONNECTOR, Plug 10-way
2	9-171901	8	• TERMINAL, Female crimp
3	9-156114	1	• CONNECTOR, 3F W/P
4	9-156137	3	• TERMINAL, Female sealed (2.0-1.0MM2) W/P
5	9-124369	5	• WIRE SEAL W-P
6	9-143952	1	• RESISTOR, 50 ohm 2 watt axial lead
7	9-103367	1.5	• HEAT-SHRINK, 1/4 dia polyofin
8	9-156139	2	• TERMINAL, Male sealed (2.0-1.0 mm2), W/P
9	9-156107	1	• CONNECTOR, 4M, W/P
10	9-156104	2	• PLUG CAVITY 1W, M/P 280 & W/P
11	9-117590	2	• CONNECTOR, Pin
12	9-117598	1	• CONNECTOR, W2P 2 pin wedge
13	9-117596	1	• CONNECTOR, Receptacle 2 pin
14	9-171899	1	• BREAKER, Auto reset 20 amp
15	9-102936	2	• TERMINAL, 14-16GA*#10 ring blue
16	9-156219	4	• TERMINAL, M8 ring (5.0 mm <sup>2</sup> )

# 11.13 Remote Axle Grease



M191730AC

190126AG

412

SJ1044 TH, SJ1044 THS, SJ1056 TH, SJ1056 THS

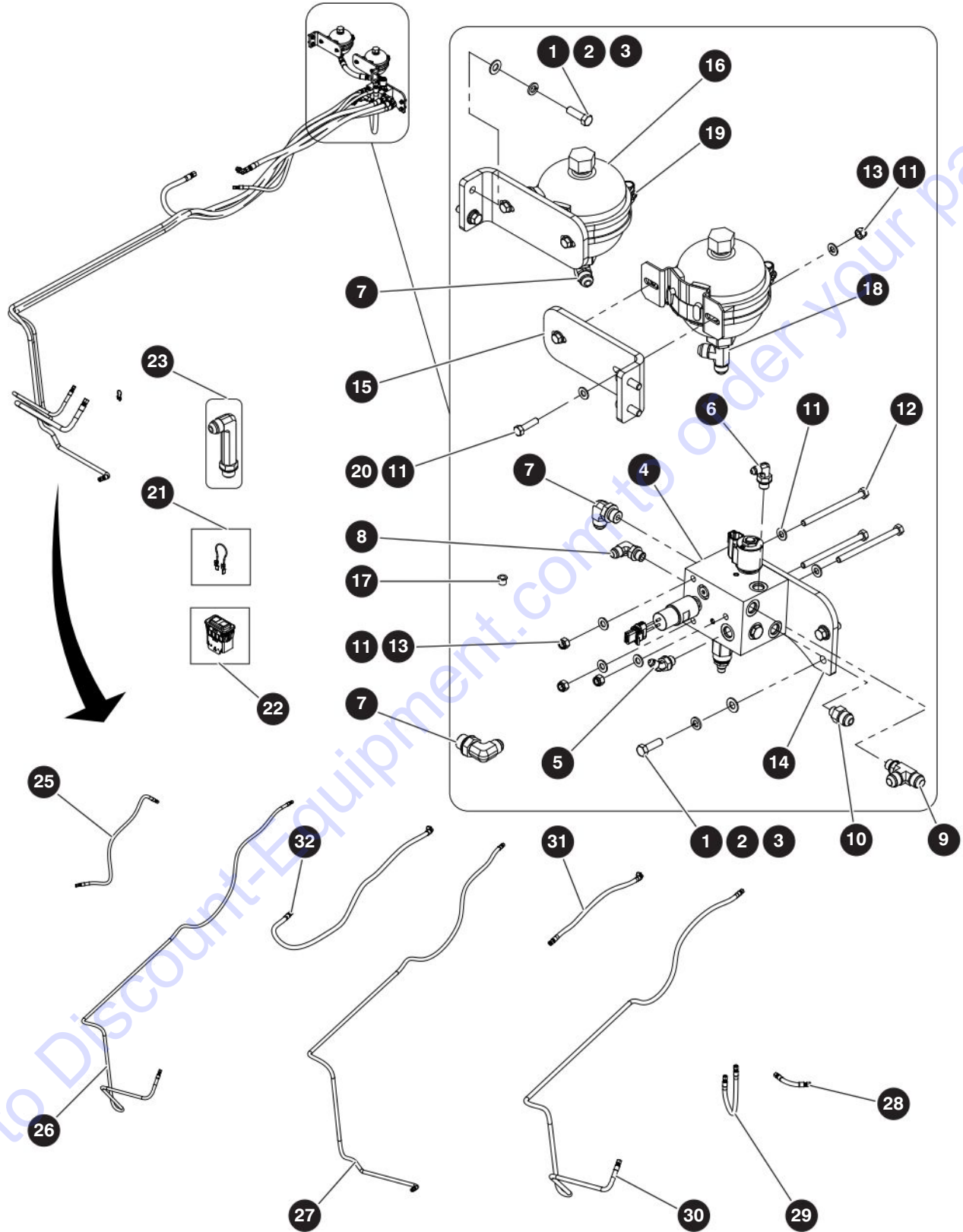
SKYJACK

## 11.13 Remote Axle Grease

Index No.	Skyjack Part No.	Qty.	Description
-	9-191730	-	REMOTE AXLES GREASE
1	9-103472	2	• WASHER, Flat 3/8" SAE
2	9-103873	1	• BOLT, Hex head 3/8"-16 X 2 1/2" Gr. 5
3	9-104606	1	• NUT, Lock with nylon insert, 3/8"-16 Gr. 5
4	9-191731	1	• BRACKET, Axle grease
5	9-406595	4	• FITTING - Bulkhead
6	9-933309	4	• FITTING, Straight ( 04 JICM- 02 NPTM)
7	9-102027	4	• FITTING, Grease 1/8" NPTF straight
8	9-132565	4	• CAP, Grease Gr. 5
9	9-702875	2	• FITTING, Hydraulic swivel nut elbow
10	9-191735	2	• HOSE, Assembly grease 42" long
11	9-191736	2	• HOSE, Assembly grease 50" long
-	9-195071	1	• DECAL, Remote Axle Grease Option
12	9-152230	2	• • DECAL, Grease point



# 11.14 Reserve Brake



M190115AC

190126AG

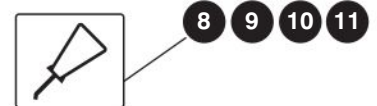
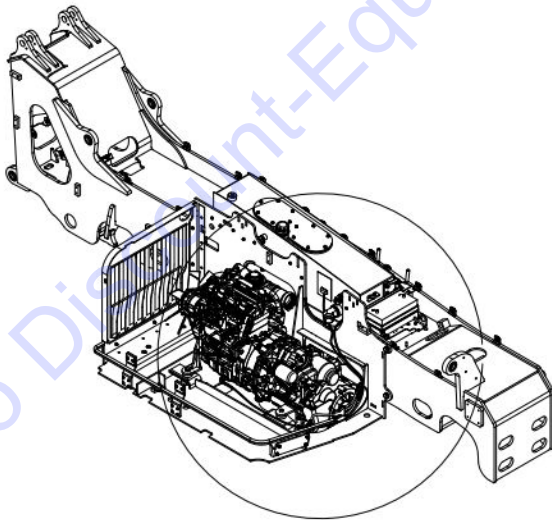
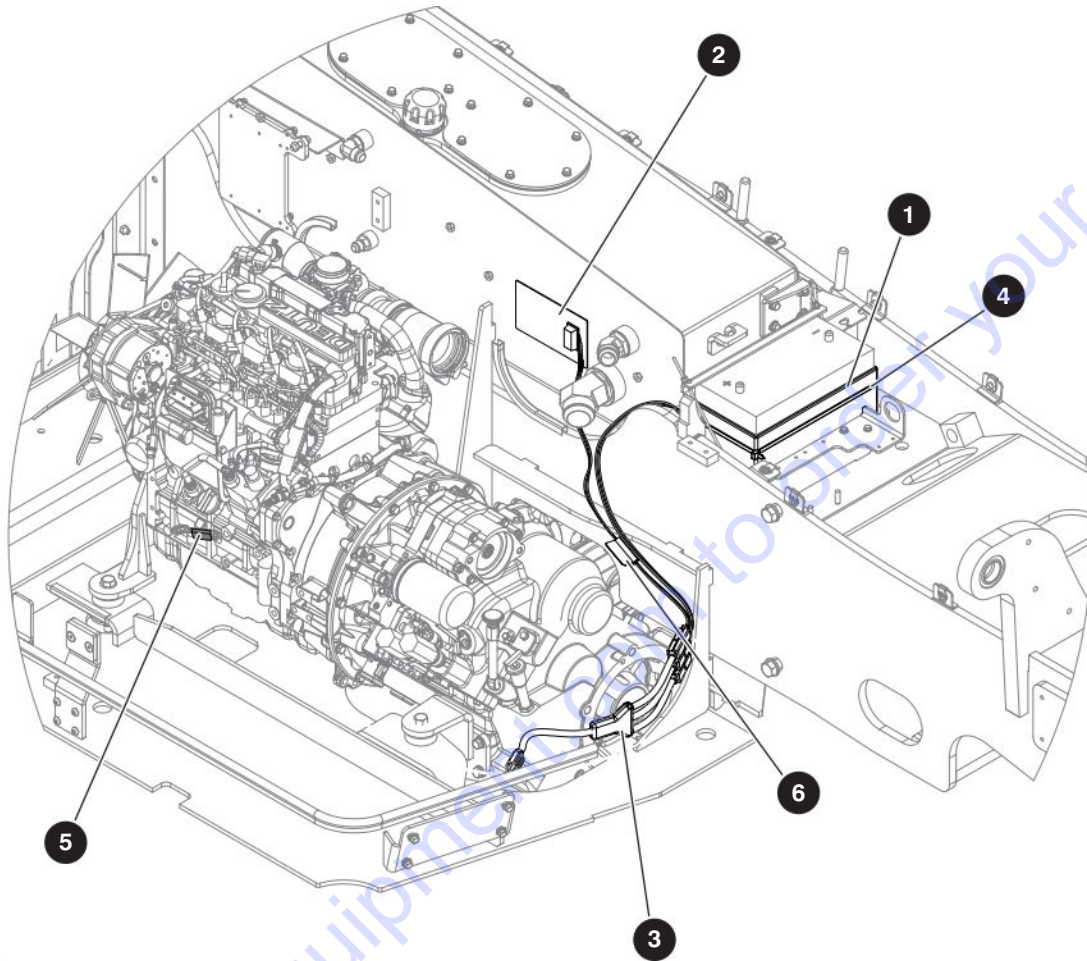
SJ1044 TH, SJ1044 THS, SJ1056 TH, SJ1056 THS

## 11.14 Reserve Brake

Index No.	Skyjack Part No.	Qty.	Description
-	9-197113	-	RESERVE BRAKE GROUP
1	9-103472	6	• WASHER, Flat 3/8" SAE
2	9-103999	6	• WASHER, Lock 3/8"
3	9-103473	6	• BOLT, Head head -16 X 1" Gr. 5
-	9-191720	1	• ASSEMBLY, Reserve brake manifold
-	9-190558	1	• • MANIFOLD, Reserve brake sub assembly
4	9-190357	1	• • • MANIFOLD, Reserve brake
5	9-707234	1	• • • FITTING, 45° (04 JICM - 06 ORBM)
6	9-129127	1	• • • FITTING, 90° (04 JICM - 06 ORBM)
7	9-114583	3	• • • FITTING, 90° (08 JICM - 08 ORBM)
8	9-114578	1	• • • FITTING, 90° (06 JICM - 06 ORBM)
9	9-191742	1	• • • FITTING, Run tee (08 JICM - 06 ORBM - 08 JICM)
10	9-104402	1	• • • FITTING, (6 SAE TO 8 JIC)
11	9-103996	14	• • WASHER, Flat 5/16" SAE
12	9-103869	3	• • BOLT, Hex head 5/16"-18 X 4-1/2" Gr. 5
13	9-103984	7	• • NUT, Lock with nylon insert 5/16"-18 Gr. 5
14	9-191729	1	• • BRACKET, Reserve brake
15	9-191721	2	• BRACKET, Accumulator
16	9-400947	2	• ACCUMULATOR, Diaphragm, 3/4L low T°
17	9-104437	1	• PLUG, Fitting- (06 orb hex socket)
18	9-110554	1	• FITTING, Run tee (08 JICM - 08 ORBM - 08 JICM)
19	9-190562	2	• CLAMP, Accumulator
20	9-112532	4	• BOLT, Hex head 5/16"-18 X 1-1/4" Gr. 5
21	9-190563	1	• HARNESS, Reserve brake
22	9-191463	1	• INDICATOR, Reserve brake / positive shutoff
23	9-150943	1	• FITTING, 90° LLL (08 JICM - 08 ORBM)
24	9-197114	1	• INSTRUCTIONS, Reserve Brake Installation

Index No.	Hose P/N	From		To	
		Description	Port	Port	Description
-	9-191718	ASSEMBLY, Hose reserve brake			
25	H310400480	Reserve brake manifold	ST LS	ST LS	Main manifold
26	H310401740	Reserve brake manifold	STEER	LS	Steering control unit
27	H310601620	Reserve brake manifold	A1	P	Brake pedal
28	H310800100	Accumulator			
29	H310800260	Reserve brake manifold	A2		Accumulator
30	H310801790	Reserve brake manifold	P	P	Steering console
31	H340800490	Reserve brake manifold	T	DR3	Main manifold
32	H340800820	Reserve brake manifold	P		

# 11.15 Cold Weather Package



M190560AC

190126AG

**416**

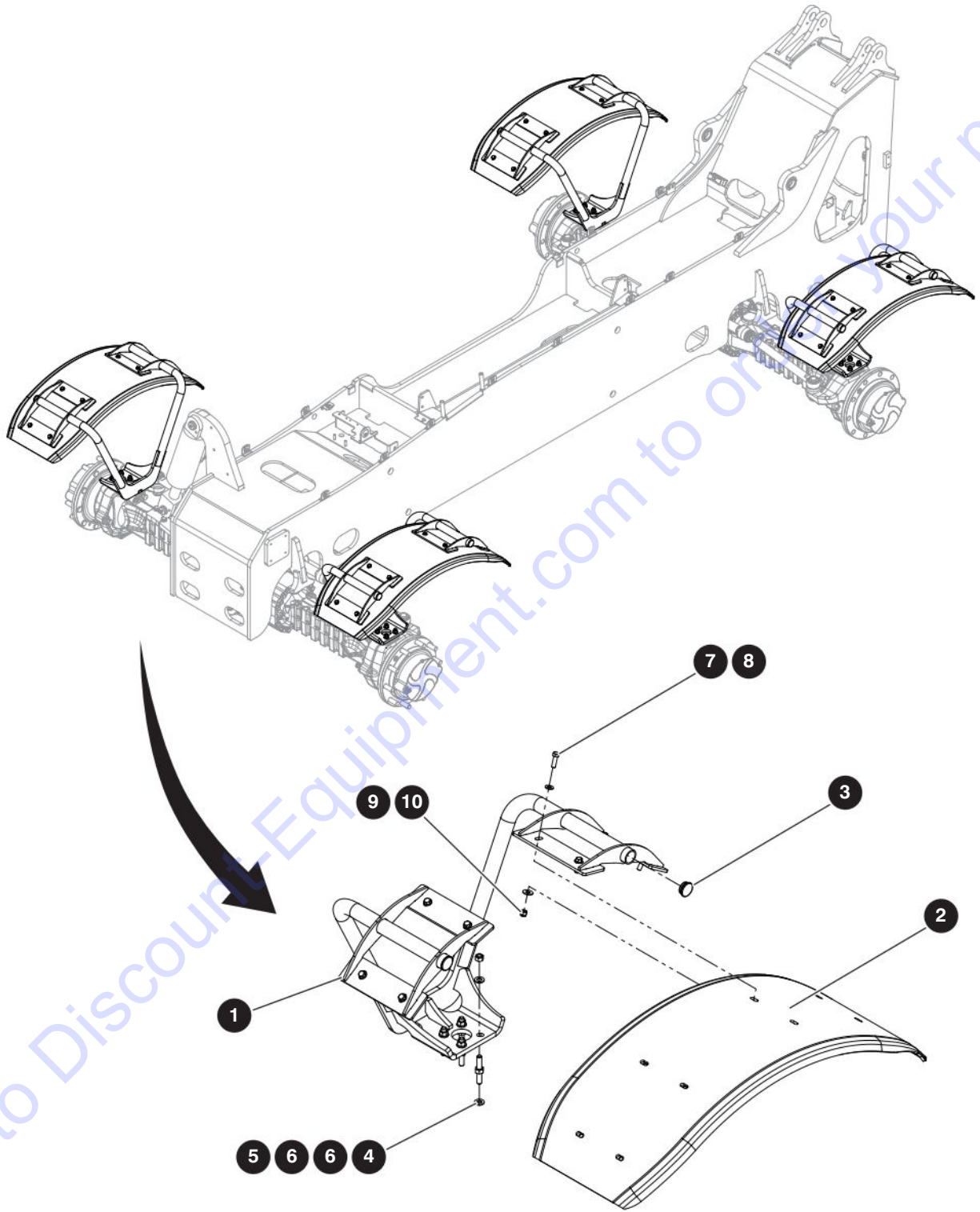
SJ1044 TH, SJ1044 THS, SJ1056 TH, SJ1056 THS

**SKYJACK**

## 11.15 Cold Weather Package

Index No.	Skyjack Part No.	Qty.	Description
A	9-199057	1	COLD WEATHER SUBGROUP, 74 HP
B	9-199058	1	COLD WEATHER SUBGROUP, 107 HP
1	9-703290	1	• BLANKET - Battery
2	9-164762	1	• PAD HEATER - 500W
3	9-159888	1	• CORD, (12/3AWG 15A x 2' LONG)
4	9-144727	2	• TIE WRAP, Cable 43.3" black
5	9-144635	1	• LABEL - Arctic engine oil
6	9-144632	1	• LABEL - Hydraulic oil heater/bat warmer
7	9-199059	1	• INSTRUCTIONS, Cold weather package installation
8	(Ref.)	17 L	• COOLANT-ANTIFREEZE (Not shown) <i>(For components, refer to Section 13.1)</i>
9	(Ref.)	9 L	• OIL - Arctic engine (SAE 0W-40) (Not shown) <i>(For components, refer to Section 13.1)</i>
10	(Ref.)	27.6 L	• OIL - Arctic gear (Not shown) <i>(For components, refer to Section 13.1)</i>
11	(Ref.)	225 L	• OIL, ATF Transmission (Not shown) <i>(For components, refer to Section 13.1)</i>
12	(Ref.)	50 L	• FUEL, Diesel #2, colour red (Not shown) <i>(For components, refer to Section 13.1)</i>
13	(Ref.)	9.4 L	• DIESEL EXHAUST FLUID (DEF) (Not shown) - B <i>(For components, refer to Section 13.1)</i>

# 11.16 4 Wheel Fender Assembly



M190112AB

190126AG

**418**

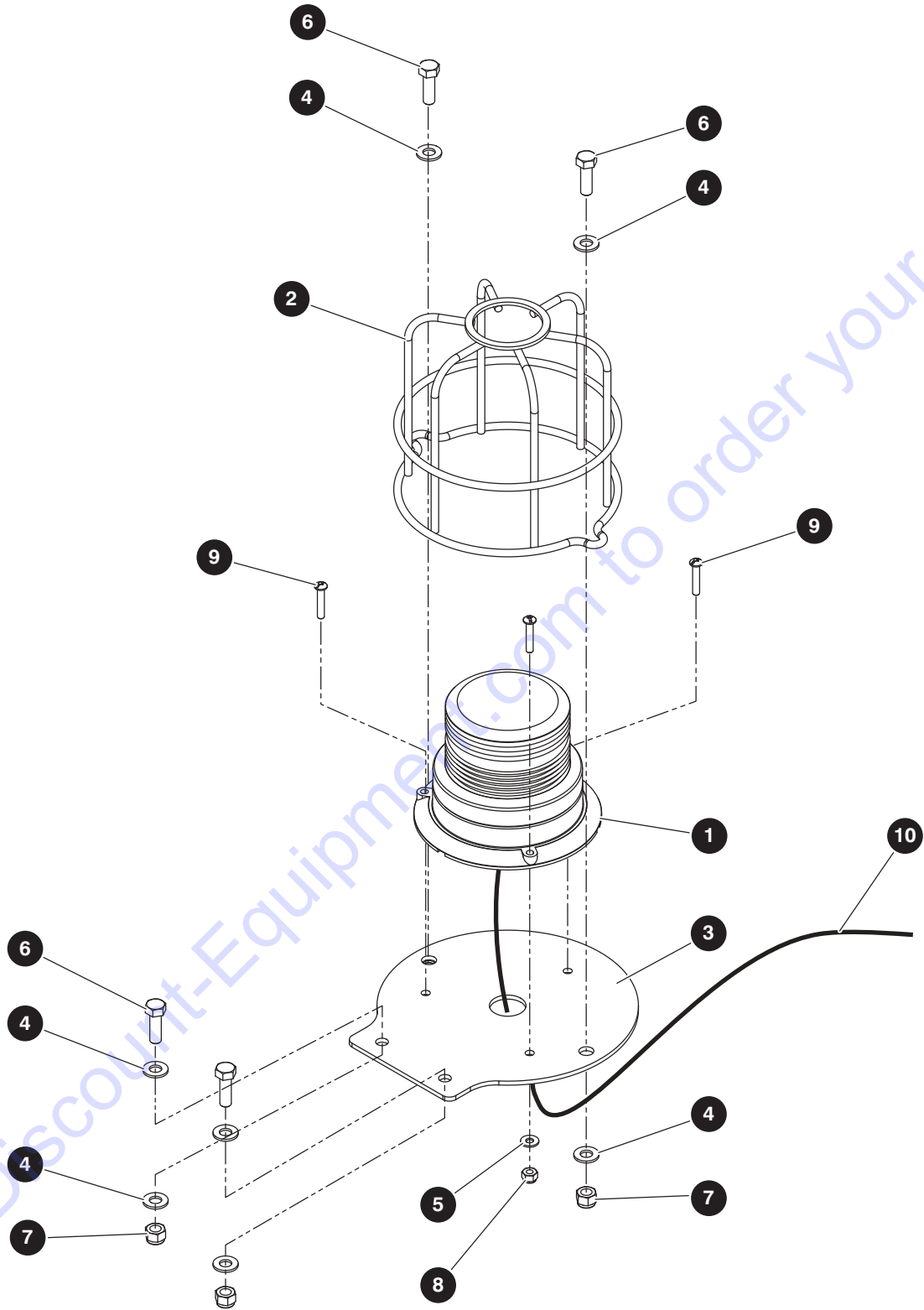
SJ1044 TH, SJ1044 THS, SJ1056 TH, SJ1056 THS

**SKYJACK**

## 11.16 4 Wheel Fender Assembly

Index No.	Skyjack Part No.	Qty.	Description
-	9-197111	1	4 WHEEL FENDER GROUP
1	9-191894	4	<ul style="list-style-type: none"> <li>• WELDMENT, 4 wheels fender</li> </ul>
2	9-191901	4	<ul style="list-style-type: none"> <li>• WING, TH fenders</li> </ul>
3	9-191903	8	<ul style="list-style-type: none"> <li>• PLUG, Plastic 1 1/4" tube ID</li> </ul>
4	9-191904	16	<ul style="list-style-type: none"> <li>• STUD, M12 X 1-1/4" fender mount</li> </ul>
5	9-933838	16	<ul style="list-style-type: none"> <li>• NUT, Hex head M12-1-1/4"</li> </ul>
6	9-933817	32	<ul style="list-style-type: none"> <li>• WASHER, Flat M12 CL 200 Y</li> </ul>
7	9-101297	32	<ul style="list-style-type: none"> <li>• BOLT, Hex head 3/8"-16 X 1-1/4" Gr. 5</li> </ul>
8	9-125959	32	<ul style="list-style-type: none"> <li>• WASHER, Flat 3/8" SAE hard</li> </ul>
9	9-127067	32	<ul style="list-style-type: none"> <li>• WASHER, Flat 3/8" Style BB</li> </ul>
10	9-104606	32	<ul style="list-style-type: none"> <li>• NUT, Lock with nylon insert 3/8"-16 Gr. 5</li> </ul>
11	9-197112	1	<ul style="list-style-type: none"> <li>• INSTRUCTIONS, 4 wheel fender installation</li> </ul>

# 11.17 Beacon Light Assembly



M191602AA

190126AG

**420**

SJ1044 TH, SJ1044 THS, SJ1056 TH, SJ1056 THS

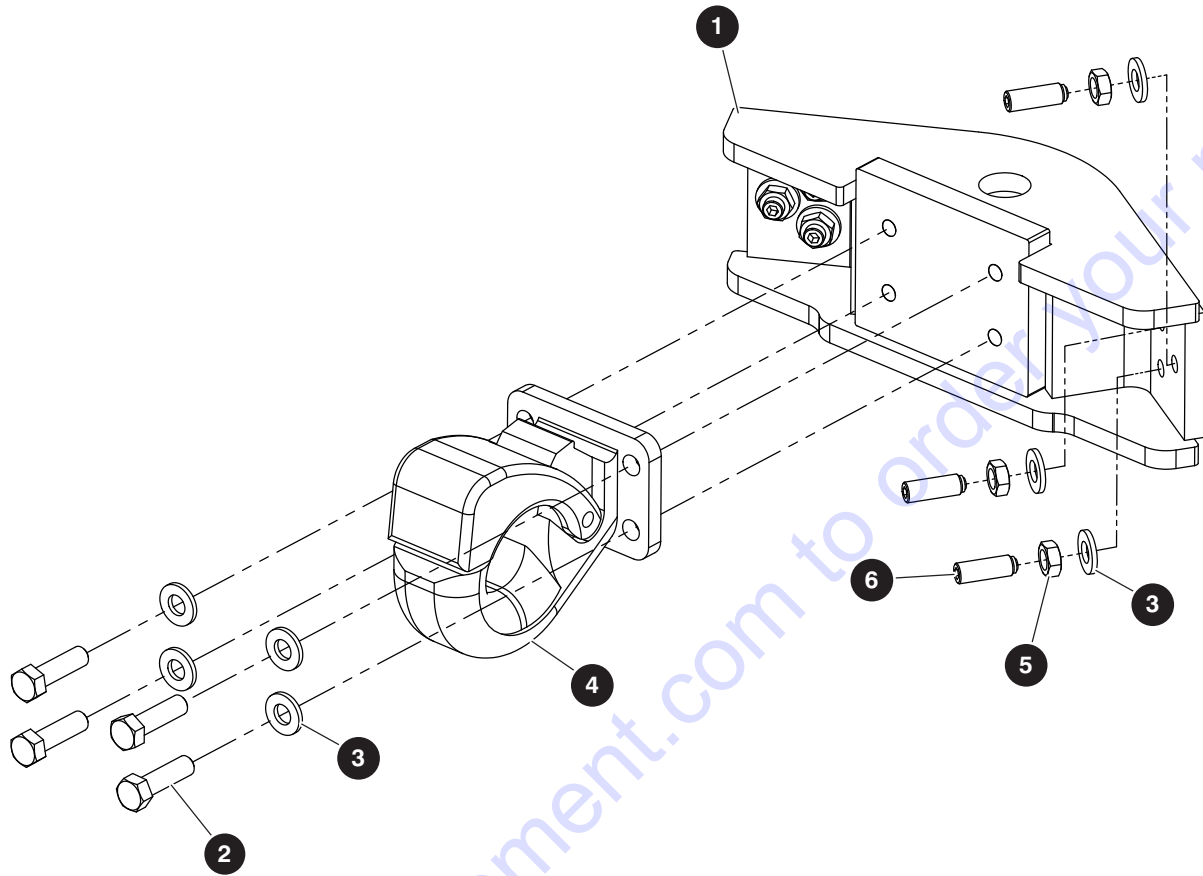
**SKYJACK**

## 11.17 Beacon Light Assembly

Index No.	Skyjack Part No.	Qty.	Description
-	9-199050	1	ASSEMBLY, AMBER FLASHING LIGHT
1	9-144078	1	<ul style="list-style-type: none"> <li>• ASSEMBLY, Flashing amber light</li> </ul>
2	9-934724	1	<ul style="list-style-type: none"> <li>• CAGE, Strobe light</li> </ul>
3	9-191453	1	<ul style="list-style-type: none"> <li>• PLATE, Beacon mount</li> </ul>
4	9-103996	8	<ul style="list-style-type: none"> <li>• WASHER, Flat 5/16" SAE</li> </ul>
5	9-104694	3	<ul style="list-style-type: none"> <li>• WASHER, Flat #10</li> </ul>
6	9-103864	4	<ul style="list-style-type: none"> <li>• BOLT, Hex head 5/16"-18 X 1" Gr. 5</li> </ul>
7	9-103984	4	<ul style="list-style-type: none"> <li>• NUT, Lock with nylon insert 5/16"-18 Gr. 5</li> </ul>
8	9-300450	3	<ul style="list-style-type: none"> <li>• NUT, Lock with nylon insert 10-32 Gr. 5</li> </ul>
9	9-105621	3	<ul style="list-style-type: none"> <li>• SCREW, Round head machine 10-32 X 1"</li> </ul>
10	9-191613	1	<ul style="list-style-type: none"> <li>• HARNESS, Beacon light</li> </ul>
11	9-199049	1	<ul style="list-style-type: none"> <li>• INSTRUCTIONS, Flashing Light installation</li> </ul>



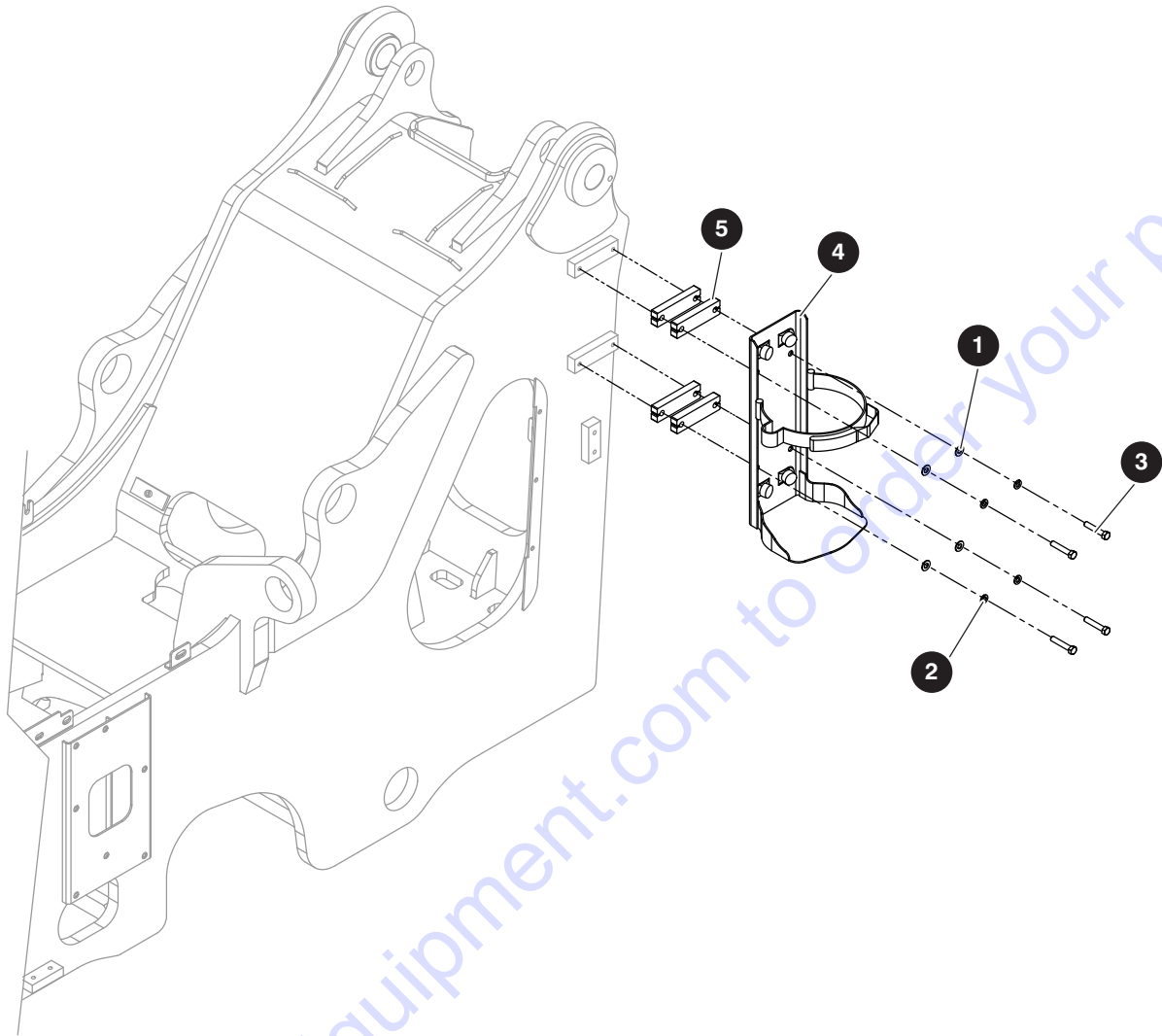
# 11.18 Pintle Hook Installation



M191760AA

Index No.	Skyjack Part No.	Qty.	Description
-	9-191760	-	PINTLE HITCH
1	9-191761	1	<ul style="list-style-type: none"> <li>WELDMENT, Pintle Hitch Adaptor</li> </ul>
2	9-126361	4	<ul style="list-style-type: none"> <li>BOLT, Hex head (1/2"-13 X 1 3/4") Gr. 8</li> </ul>
3	9-104379	10	<ul style="list-style-type: none"> <li>WASHER, Flat (1/2") Hard</li> </ul>
4	9-921813	1	<ul style="list-style-type: none"> <li>PINTLE, Heavy duty pintle 6000 lb</li> </ul>
5	9-107949	6	<ul style="list-style-type: none"> <li>NUT, Hex head JAM (1/2")-13 Gr. 5</li> </ul>
6	9-191782	6	<ul style="list-style-type: none"> <li>SCREW, Set (1/2"-13 x 1 1/2") swivel ball end</li> </ul>

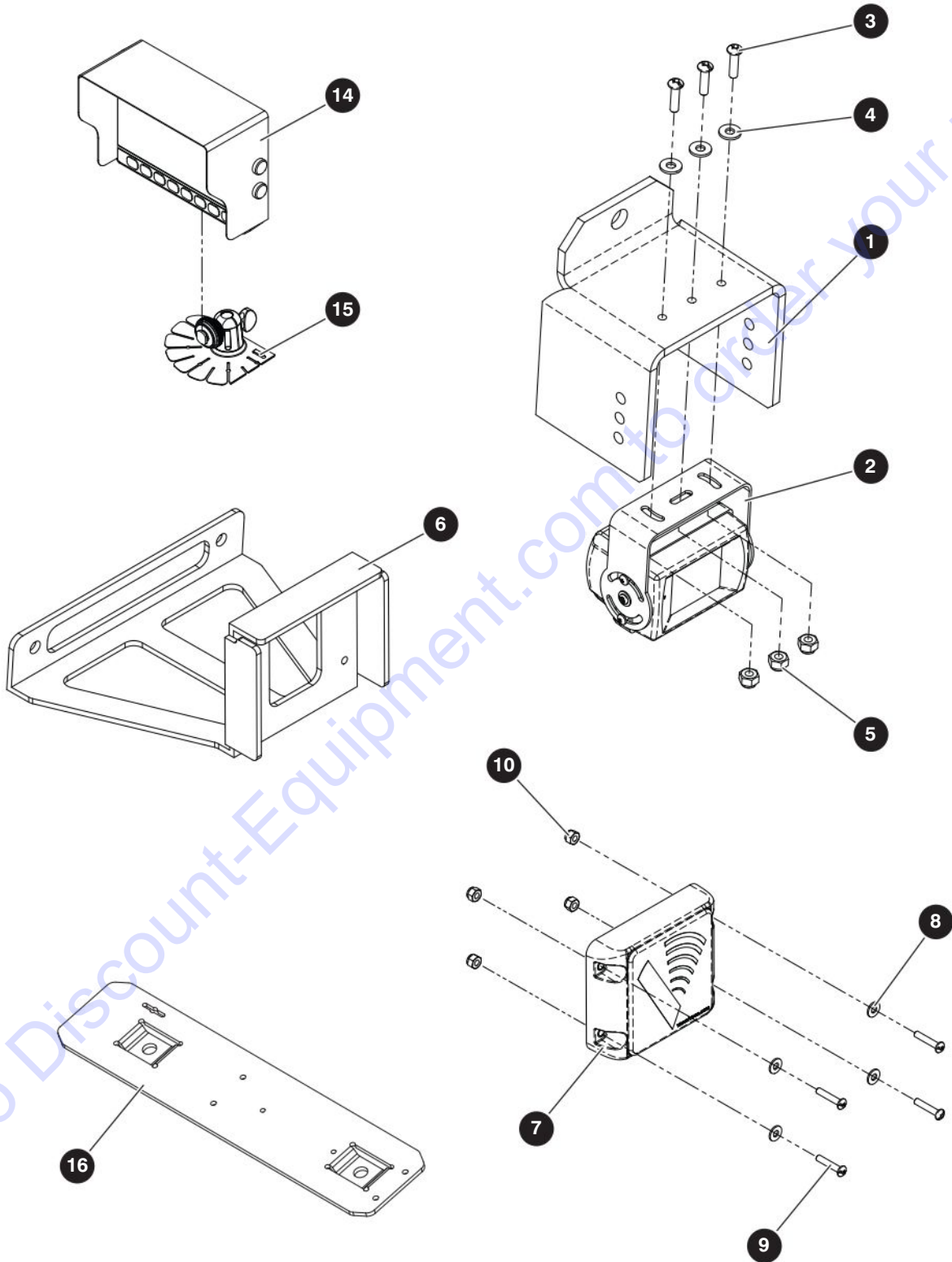
# 11.19 Fire Extinguisher



M204053AA

Index No.	Skyjack Part No.	Qty.	Description
-	9-204053	1	ASSEMBLY, FIRE EXTINGUISHER
1	9-103472	4	• WASHER, Flat 3/8" SAE
2	9-103999	4	• WASHER, Lock 3/8"
3	9-103596	4	• BOLT, Hex head 3/8"-16 x 2" Gr. 5
4	9-204056	1	• BRACKET, Fire extinguisher 20lb
5	9-204159	4	• SPACER, Fire extinguisher

## 11.20 Back up Camera and Sensor



M205784AA

190126AG

**424**

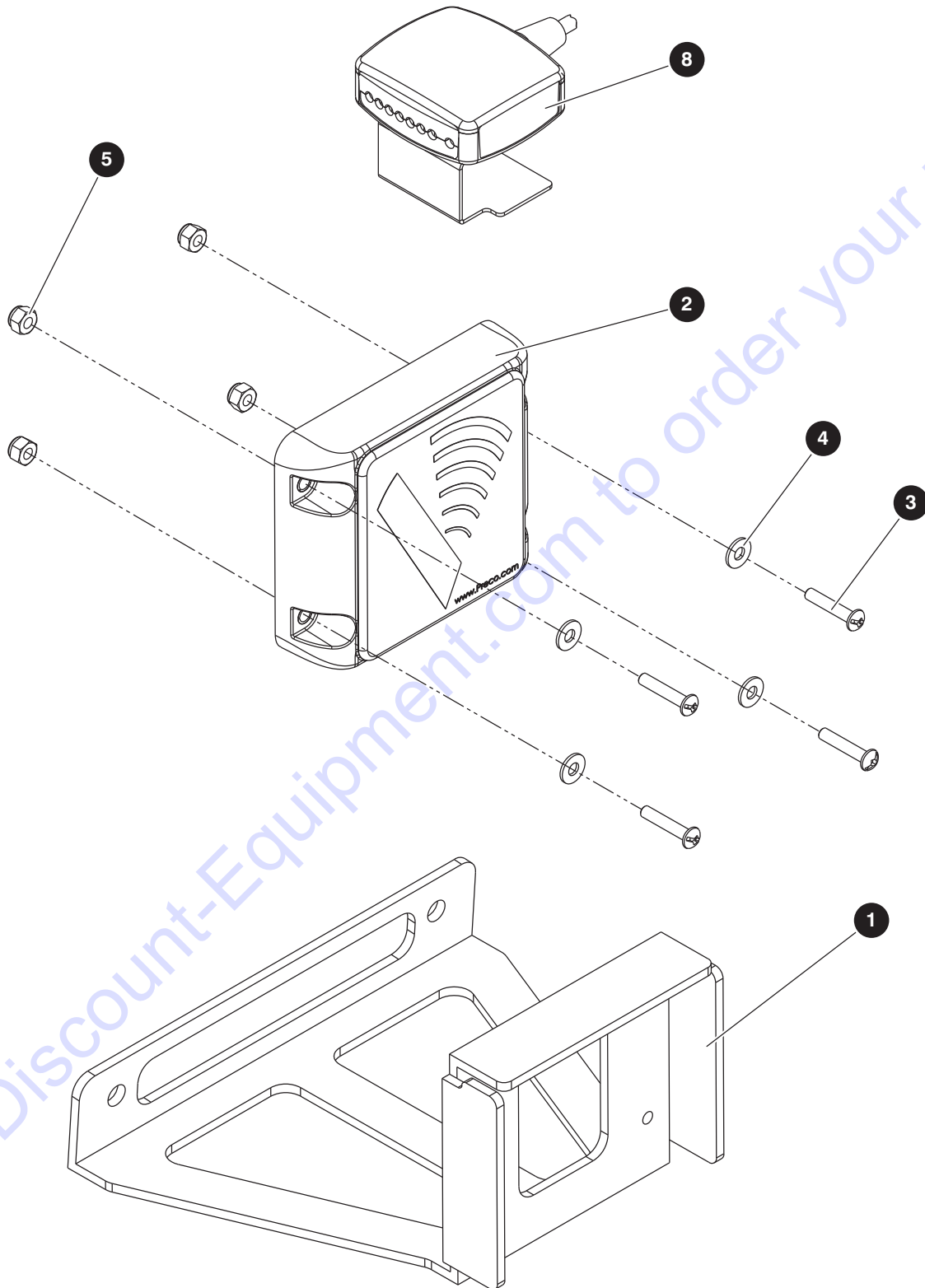
SJ1044 TH, SJ1044 THS, SJ1056 TH, SJ1056 THS

**SKYJACK**

## 11.20 Back up Camera and Sensor

Index No.	Skyjack Part No.	Qty.	Description
-	9-205784	1	KIT, BACK UP CAMERA AND SENSOR
1	9-211855	1	• BRACKET, Rear view camera
2	9-212196	1	• CAMERA, Back up
3	9-116192	3	• SCREW, Round head machine 8-32 x 5/8"
4	9-103991	3	• WASHER, Flat #8
5	9-207240	3	• NUT, Lock with nylon insert 8-32 Gr. 5
6	9-211669	1	• BRACKET, Reverse warning device
7	9-211708	1	• SENSOR, Back up sentry
8	9-151155	4	• SCREW, Round head machine 10-24 x 1"
9	9-104694	4	• WASHER, Flat #10
10	9-126642	4	• NUT, Lock with nylon insert 10-24 Gr. 5
11	9-211700	1	• CABLE, Back up camera (Not Shown)
12	9-211746	1	• HARNESS, Back up sensor (Not Shown)
13	9-211672	1	• HARNESS, Reverse warning sys. th (Not Shown)
14	9-211707	1	• DISPLAY, Back up camera
15	9-212195	1	• STAND, Monitor - modified
16	9-206137	1	• MOUNT, Telematics and monitor
17	9-114595	1	• TERMINAL, Female 18-22 awg red (Not Shown)
18	9-111354	1	• WIRE PROTECTOR (Not Shown)
19	9-205786	1	• INSTRUCTION, Back up camera & sensor (Not Shown)

## 11.21 Back up Sensor



205785AA

190126AG

426

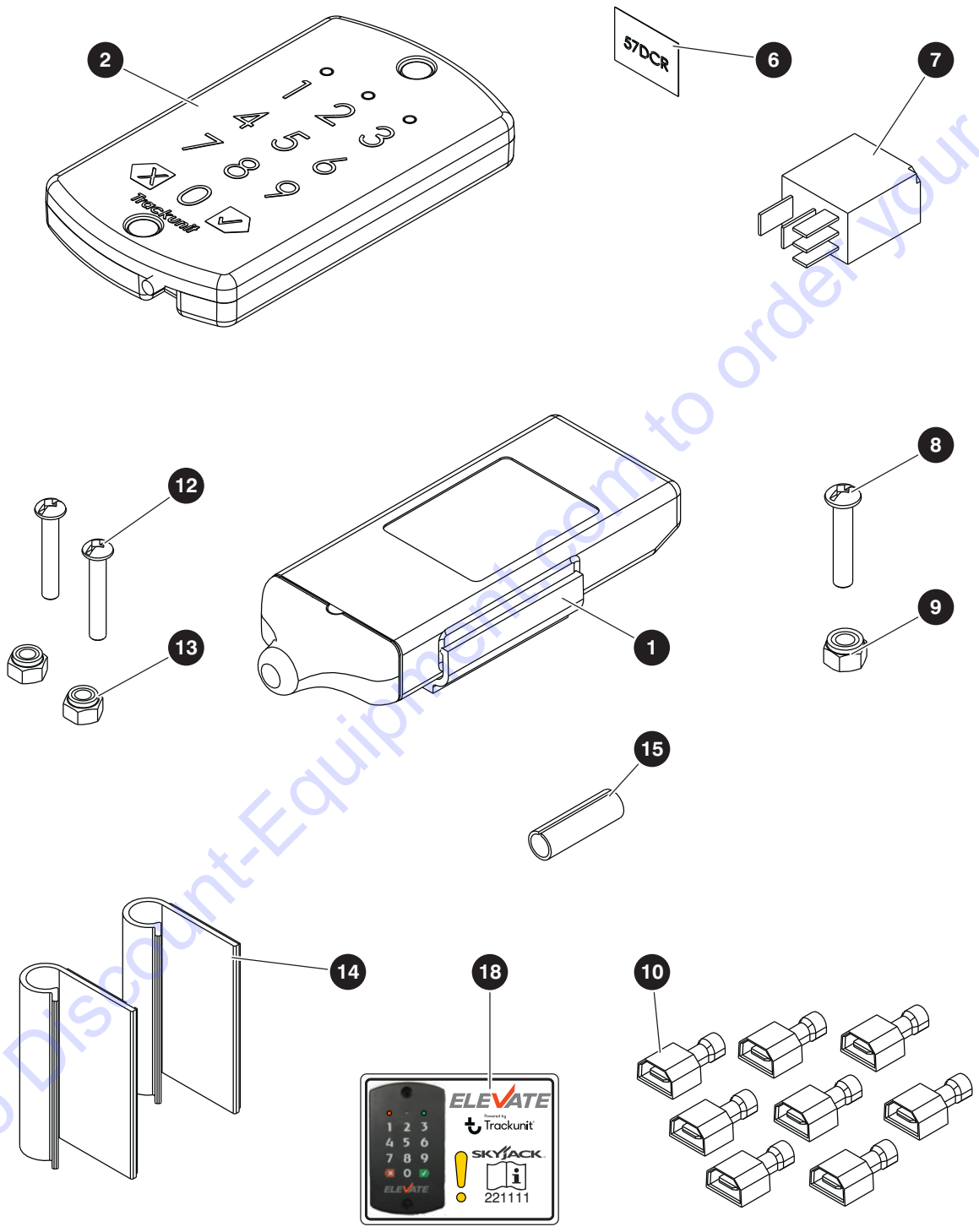
SJ1044 TH, SJ1044 THS, SJ1056 TH, SJ1056 THS

SKYJACK

## 11.21 Back up Sensor

Index No.	Skyjack Part No.	Qty.	Description
-	9-205785	1	KIT, BACK UP SENSOR
1	9-211669	1	• BRACKET, Reverse warning device
2	9-211708	1	• SENSOR, Back up sentry
3	9-151155	4	• SCREW, Round head machine 10-24 x 1"
4	9-104694	4	• WASHER, Flat #10
5	9-126642	4	• NUT, Lock with nylon insert 10-24 Gr. 5
6	9-211746	1	• HARNESS, back up sensor (Not Shown)
7	9-211672	1	• HARNESS, Reverse warning sys. TH (Not Shown)
8	9-211695	1	• DETECTOR, Reverse warning
9	9-205787	1	• INSTRUCTION, Back up sensor installation (Not Shown)

# 11.22 Elevate Telematics



M221463AB

190126AG

428

SJ1044 TH, SJ1044 THS, SJ1056 TH, SJ1056 THS

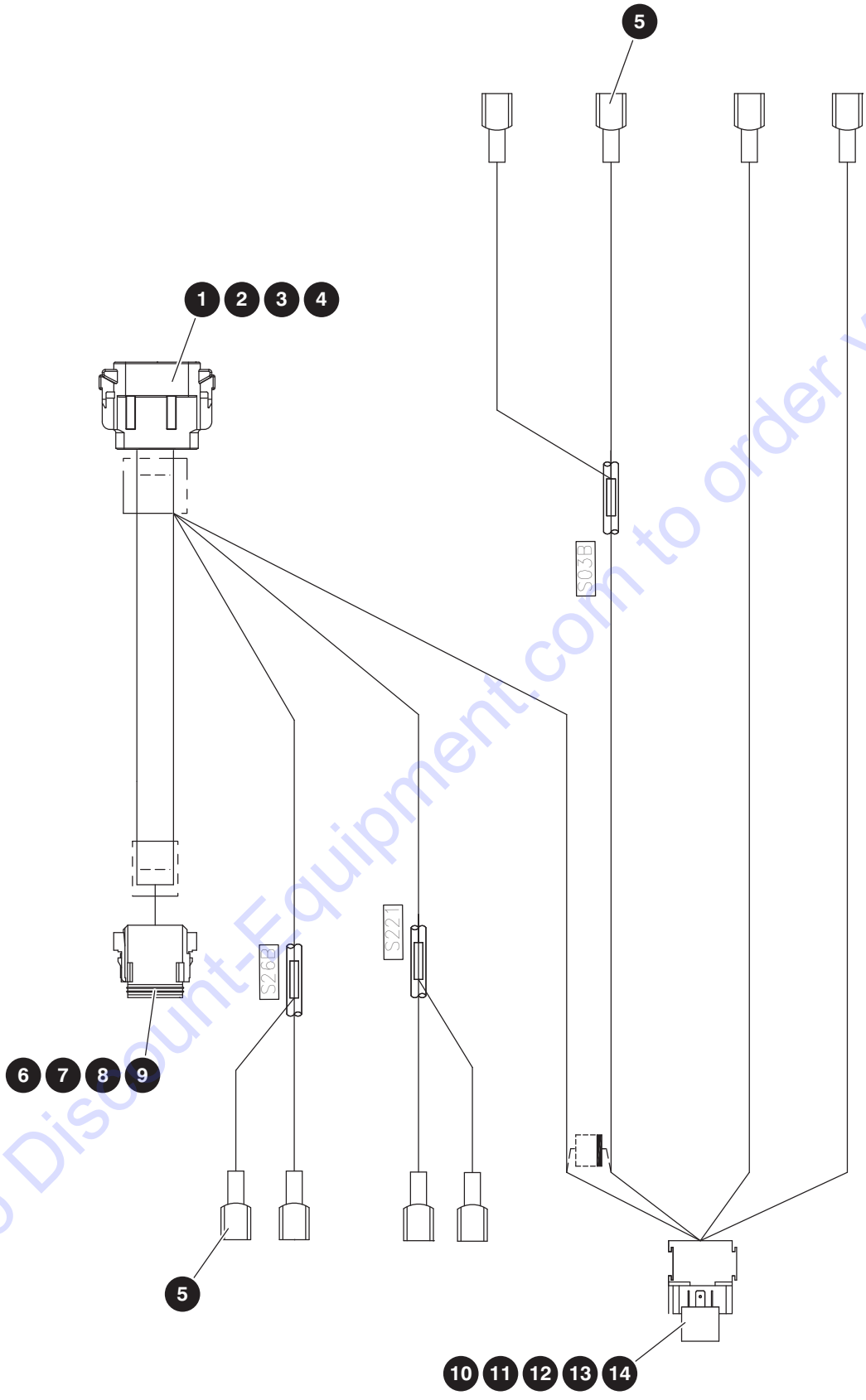
SKYJACK

## 11.22 Elevate Telematics

Index No.	Skyjack Part No.	Qty.	Description
<b>A</b>	9-221475	1	SERVICE KIT, Trackunit rework TH
<b>B</b>	9-221476	1	SERVICE KIT, Trackunit telehandler
<b>C</b>	9-221477	1	SERVICE KIT, Trackunit rework with keypad TH
<b>D</b>	9-221478	1	SERVICE KIT, Trackunit with keypad TH
1	9-213098	1	TELEMATICS, Elevate ME501-4
	9-199296		COVER, Track Unit
	9-199297		BRACKET, Track Unit
	9-199298		BATTERY, Track Unit
	9-199299		CABLE, Control Track Unit
2	9-213099	1	TELEMATICS, Elevate Keypad - <b>C, D</b>
3	9-221451	1	HARNESS, Telematics TH
4	9-221453	1	WIRE ASM, CAN H - <b>A, C</b>
5	9-221454	1	WIRE ASM, CAN L - <b>A, C</b>
6	9-221150	1	LABEL, 57DCR - <b>A, C</b>
7	9-931298	1	RELAY
8	9-105621	1	SCREW, Round head machine 10-32 x 1.000 - <b>A, C</b>
9	9-300450	1	NUT, Lock with nylon insert 10-32 Gr. 5 - <b>A, C</b>
10	9-105360	8	TERMINAL, MALE 14-16GA X 1/4 FULL INSL - <b>A, C</b>
11	9-208856	1.75	TAPE, VHB - 5952 - 1 INCH
12	9-112248	2	SCREW, Round head machine 8-32 x 1.000 - <b>C, D</b>
13	9-138765	2	NUT, Lock with nylon insert 8-32 Gr. 5 - <b>C, D</b>
14	9-108791	2	CLIP, CORD ADHESIVE BACK - <b>C, D</b>
15	9-124399	26"	WIRE-PROTECTOR 1/4" 125-0140 BL - <b>C, D</b>
16	9-221464	1	INSTRUCTIONS, Elevate Telematics Installation
17	9-221111	1	OPERATING INSTRUCTIONS, Elevate Telematics - <b>C, D</b>
18	9-173002	1	LABEL, Elevate Telematics - <b>C, D</b>



# 11.23 Elevate Telematics Harness



M221451AC

## 11.23 Elevate Telematics Harness

Index No.	Skyjack Part No.	Qty.	Description
-	9-221451	1	ELEVATE TELEMATICS HARNESS
1	9-220611	1	CONNECTOR, DEUTSCH DTM06-12S
2	9-220612	1	CONNECTOR, DEUTSCH DTM06 WEDGE
3	9-220613	9	CONNECTOR, CONTACT SOCKET NO.20
4	9-156152	3	SEALING PLUG, DRC SERIES
5	9-105359	8	TERMINAL FEMALE 14-16GA INSL.BLUE
6	9-117583	1	CONNECTOR PLUG 8-PIN
7	9-117585	1	CONNECTOR PLUG 8-PIN WEDGE
8	9-117591	6	CONNECTOR - CONTACT SOCKET 16-18
9	9-117594	2	CONNECTOR - SEALING PLUG
10	9-129258	1	DIODE 1N4007
11	9-931298	1	RELAY
12	9-156166	1	SOCKET, RELAY
13	9-126808	2	TERMINAL 14-08 GA 1/4 NON INSULATED
14	9-199144	2	TERMINAL, 0.187 SRS FASTIN ON RCPT PH BR

# Section 12 – Labels

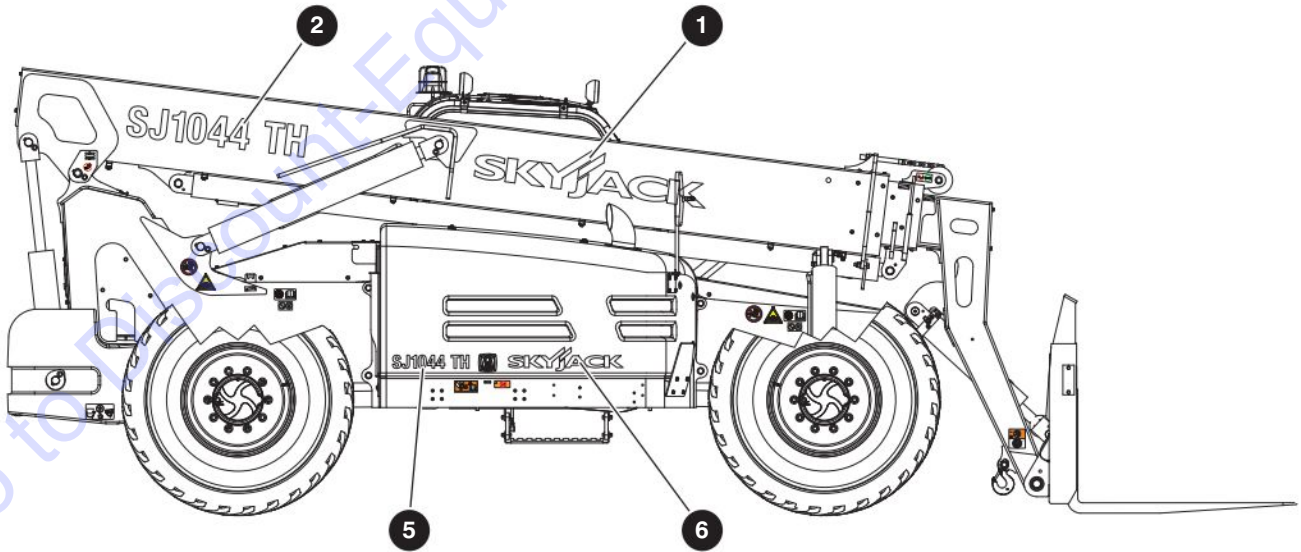
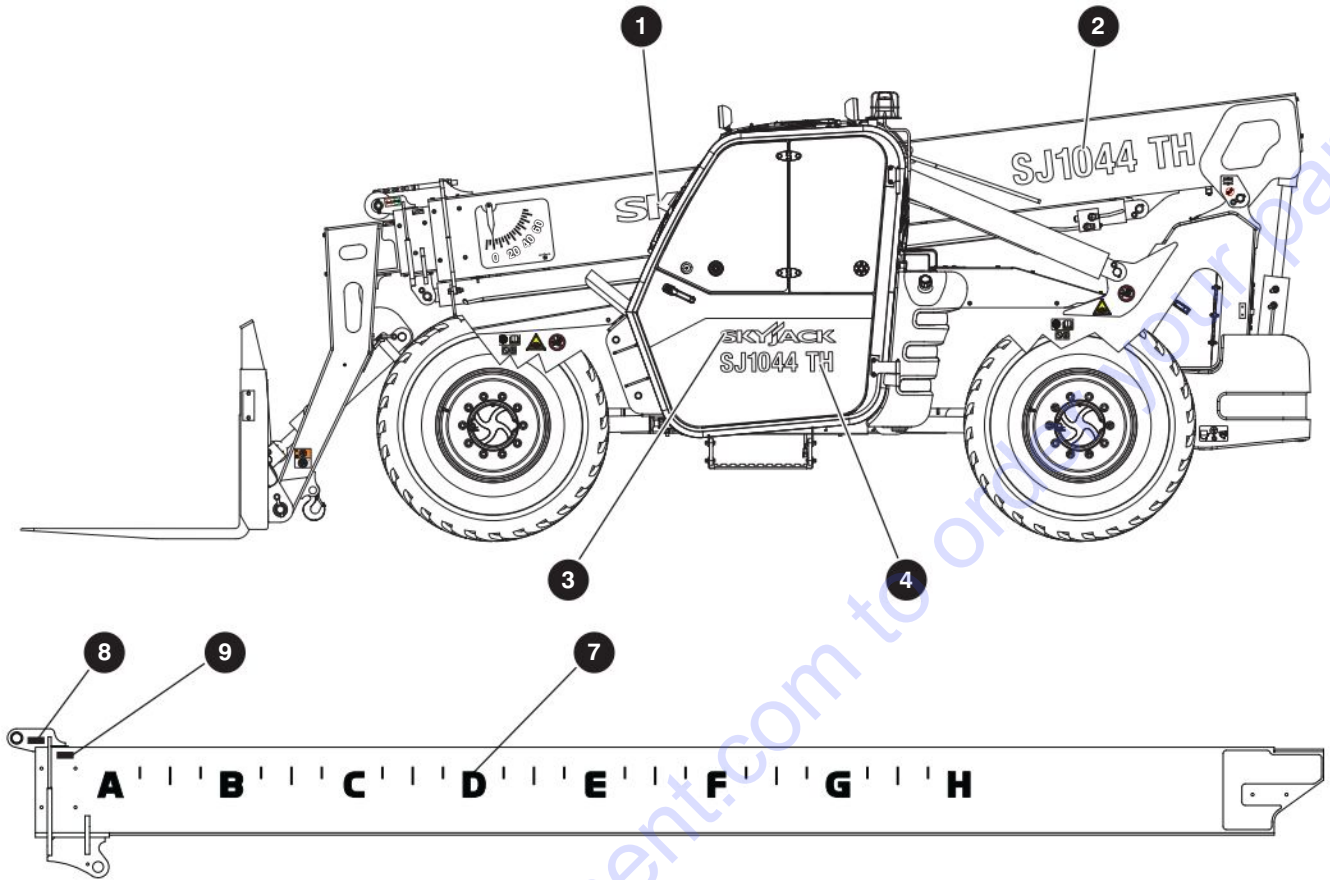
**12.1** *Model Specific Labels*

**12.3** *Cab Labels*

**12.2** *Pictorial Group Labels*

**12.4** *Load Charts Group*

# 12.1 Model Specific Labels

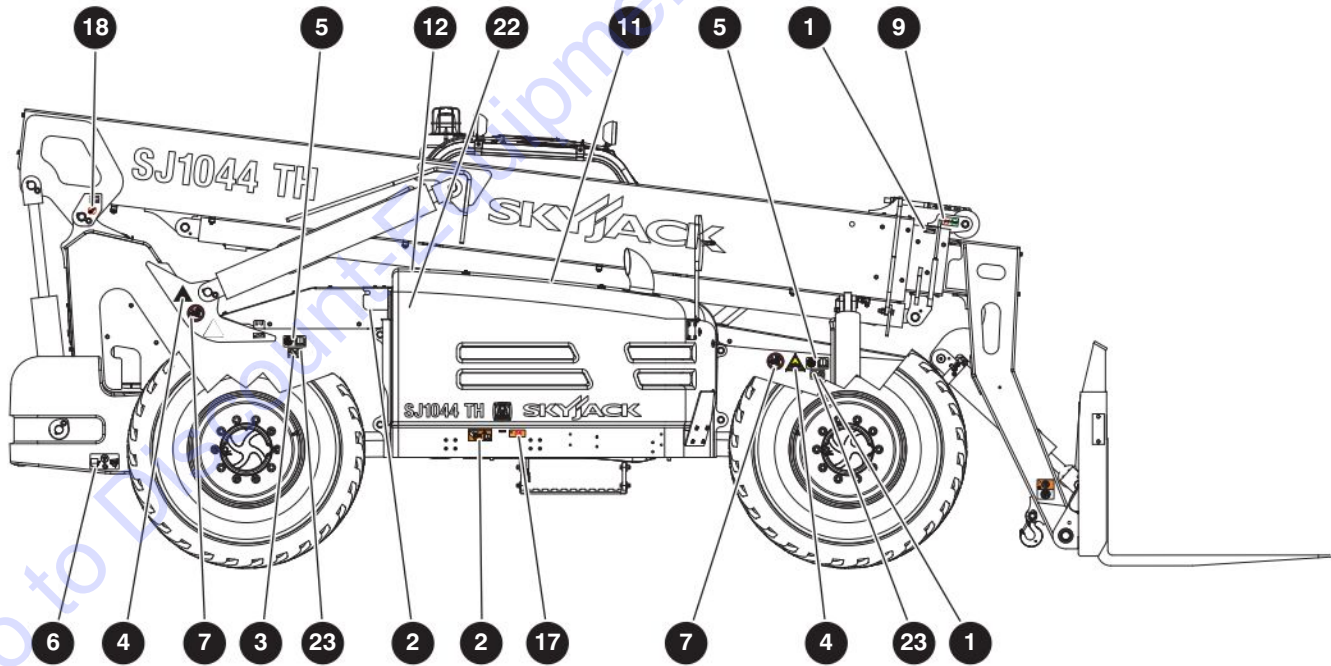
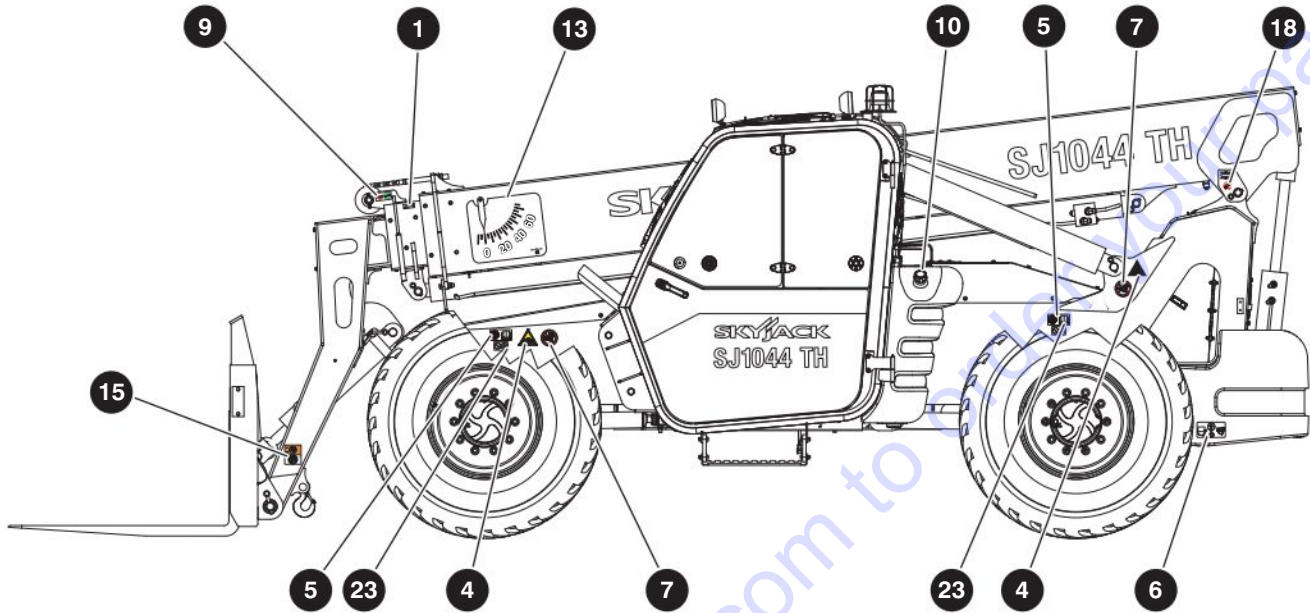


M190080\_1 M172145AA M190080\_2

## 12.1 Model Specific Labels

Index No.	Skyjack Part No.	Qty.	Description
<b>A</b>	9-190080	1	LABEL GROUP, MODEL SPECIFIC SJ1044 TH - ENCLOSED CAB
<b>B</b>	9-190081	1	LABEL GROUP, MODEL SPECIFIC SJ1056 TH - ENCLOSED CAB
<b>C</b>	9-199862	1	LABEL GROUP, MODEL SPECIFIC SJ1044 TH - OPEN CAB
<b>D</b>	9-199863	1	LABEL GROUP, MODEL SPECIFIC SJ1056 TH - OPEN CAB
<b>E</b>	9-208813	1	LABEL GROUP, MODEL SPECIFIC SJ1044 THS - ENCLOSED CAB
<b>F</b>	9-208814	1	LABEL GROUP, MODEL SPECIFIC SJ1056 THS - ENCLOSED CAB
<b>G</b>	9-208811	1	LABEL GROUP, MODEL SPECIFIC SJ1044 THS - OPEN CAB
<b>H</b>	9-208812	1	LABEL GROUP, MODEL SPECIFIC SJ1056 THS - OPEN CAB
<b>I</b>	9-172959	1	LABEL GROUP, MODEL SPECIFIC SJ1044 TH - ENCLOSED CAB
<b>J</b>	9-172961	1	LABEL GROUP, MODEL SPECIFIC SJ1056 TH - ENCLOSED CAB
<b>K</b>	9-172953	1	LABEL GROUP, MODEL SPECIFIC SJ1044 TH - OPEN CAB
<b>L</b>	9-172955	1	LABEL GROUP, MODEL SPECIFIC SJ1056 TH - OPEN CAB
<b>M</b>	9-172960	1	LABEL GROUP, MODEL SPECIFIC SJ1044 THS - ENCLOSED CAB
<b>N</b>	9-172962	1	LABEL GROUP, MODEL SPECIFIC SJ1056 THS - ENCLOSED CAB
<b>O</b>	9-172954	1	LABEL GROUP, MODEL SPECIFIC SJ1044 THS - OPEN CAB
<b>P</b>	9-172956	1	LABEL GROUP, MODEL SPECIFIC SJ1056 THS - OPEN CAB
1	9-164773	2	• LABEL, Skyjack logo white (51")
2	9-172200	2	• LABEL, SJ1044 TH white (38") - <b>A, C</b>
-	9-172192	2	• LABEL, SJ1056 TH white (38") - <b>B, D</b>
-	9-208776	2	• LABEL, SJ1044 THS white (38") - <b>E, G</b>
-	9-208779	2	• LABEL, SJ1056 THS white (38") - <b>F, H</b>
3	9-166951	1	• LABEL, Skyjack logo white (25") - <b>A, B, E, F</b>
4	9-172199	1	• LABEL, SJ1044 TH white (25") - <b>A</b>
-	9-172191	1	• LABEL, SJ1056 TH white (25") - <b>B</b>
-	9-208777	1	• LABEL, SJ1044 THS white (25") - <b>E</b>
-	9-208780	1	• LABEL, SJ1056 THS white (25") - <b>F</b>
-	9-172950	1	• LABEL, ECOSHIFT (25") - <b>I, J, K, L, M, N, O, P</b>
5	9-172198	1	• LABEL, SJ1044 TH white (17") - <b>A, C</b>
-	9-172186	1	• LABEL, SJ1056 TH white (17") - <b>B, D</b>
-	9-208778	1	• LABEL, SJ1044 THS white (17") - <b>E, G</b>
-	9-208781	1	• LABEL, SJ1056 THS white (17") - <b>F, H</b>
-	9-172949	1	• LABEL, ECOSHIFT (17") - <b>I, J, K, L, M, N, O, P</b>
6	9-158536	1	• LABEL, Skyjack logo white (17")
7	9-172145	1	• LABEL, Boom letters 1044 - <b>A, C, E, G</b>
-	9-172146	1	• LABEL, Boom letters 1056 - <b>B, D, F, H</b>
8	9-152237	2	• LABEL, Keep chains tight - <b>B, D, F, H</b>
9	9-152230		• LABEL, Grease point - <b>B, D, F, H</b>

## 12.2 Pictorial Group Labels

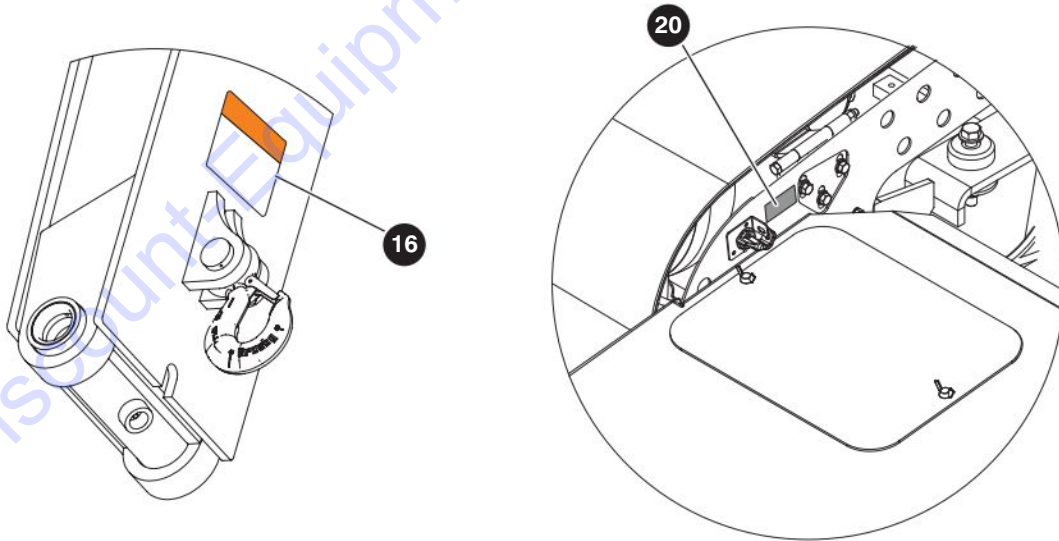
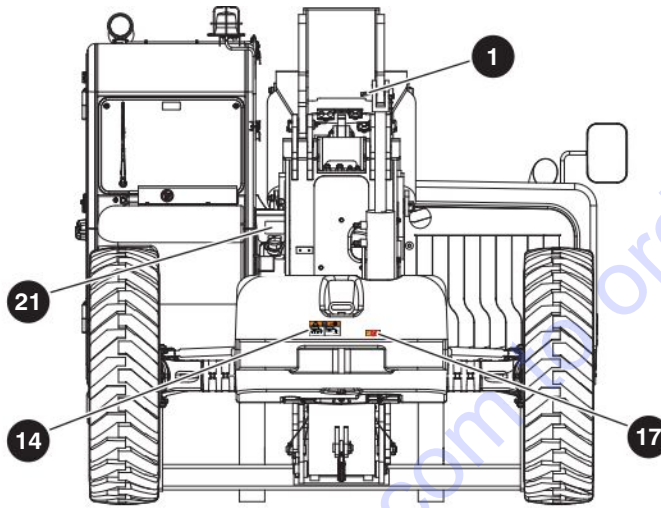


M190080\_1 M190080\_2

## 12.2 Pictorial Group Labels

Index No.	Skyjack Part No.	Qty.	Description
<b>A</b>	9-190077	1	LABEL GROUP, PICTORIAL TH <i>(for SJ1044 TH/THS with SN 87210176 and below, excluding SN 87210154 for SJ1056 TH/THS with SN 87311608 and up)</i>
<b>B</b>	9-229082	1	LABEL GROUP, PICTORIAL TH <i>(for SJ1044 TH/THS with SN 87210155 and SN 87210176 and up for SJ1056 TH/THS with SN 87311608 and up)</i>
1	9-152230	6	• LABEL, Grease point
2	9-137988	1	• LABEL, Crush/pinch hazard pictorial
3	9-146016	1	• LABEL, Hydraulic oil level (min/max)
4	9-139314	4	• LABEL, Body crush pictorial
5	9-124631	4	• LABEL, Wheel info pictorial
6	9-157528	4	• LABEL, Lift point / tie down pictorial
7	9-139855	4	• LABEL, "Keep clear" pictorial
8	9-138146	1	• LABEL, No smoking pictorial
9	9-152237	2	• LABEL, Keep chains tight
10	9-162852	1	• LABEL, Diesel "ultra low sulfur only "
11	9-102961	1	• LABEL, ATF dexron III pictorial
12	9-163095	1	• LABEL, Caution coolant fill
13	9-196184	1	• LABEL, Boom angle indicator
14	9-195900	1	• LABEL, Towing capacity
15	9-195421	2	• LABEL, Fork pins warning
16	9-195422	1	• LABEL, Lifting hook
17	9-115543	2	• LABEL, No step
18	9-156613	2	• LABEL, Do not tamper with switch
19	(Ref).	1	• ASSEMBLY, Cab labels <i>(For components, refer to Section 10.11)</i>
20	9-212532	1	• LABEL, Main battery disconnect switch
21	9-173583	2	• LABEL, Do not grease
22	9-173202	4	• LABEL, Tip over hazard - <b>B</b>
23	9-172501	1	LABEL, DEF Tank
24	9-172948	1	LABEL, CVT Oil label (If equipped)

## 12.2 Pictorial Group Labels



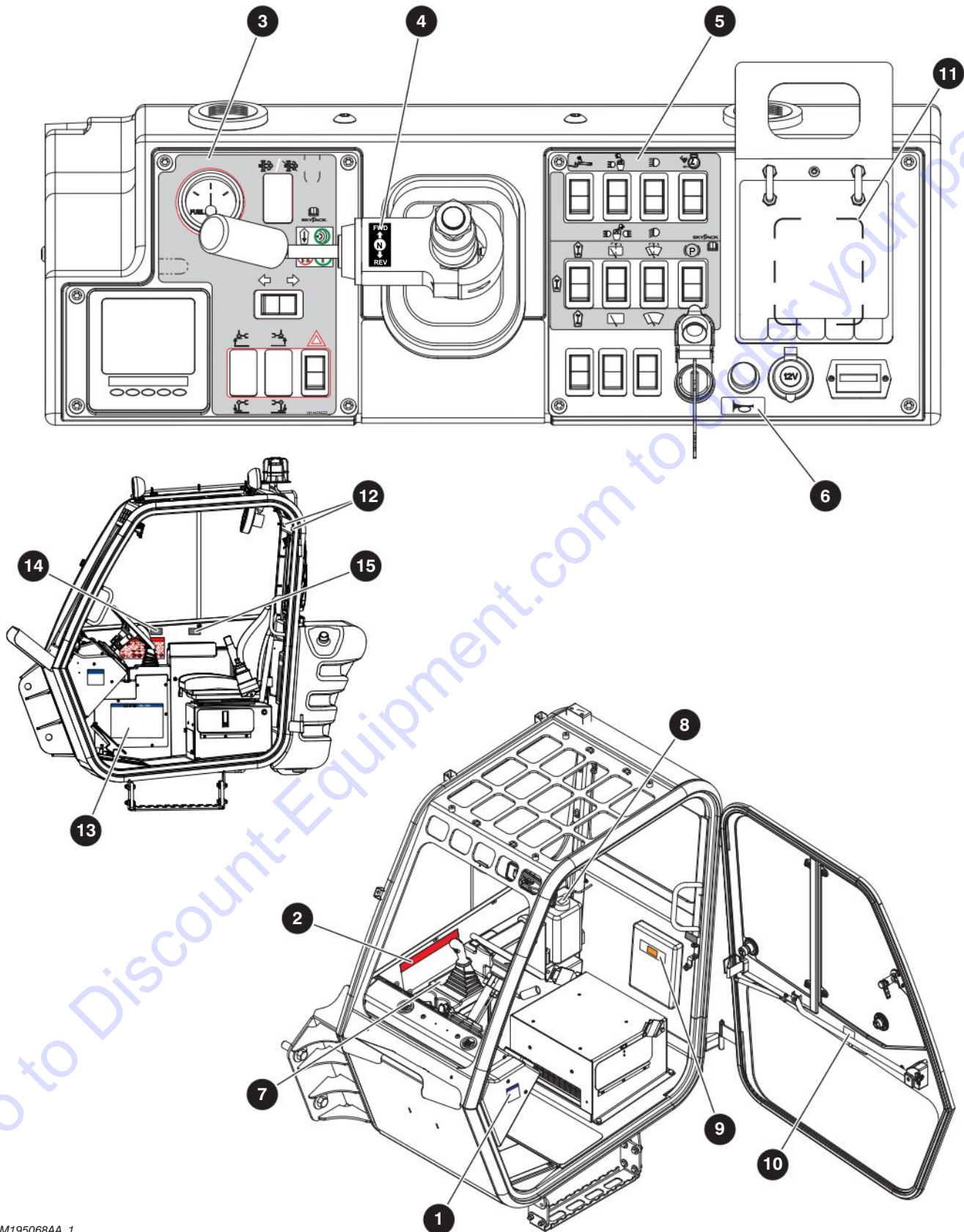
M190077\_3 M190077\_4



## 12.2 Pictorial Group Labels

Index No.	Skyjack Part No.	Qty.	Description
<b>A</b>	9-190077	1	LABEL GROUP, PICTORIAL TH <i>(for SJ1044 TH/THS with SN 87210176 and below, excluding SN 87210154 for SJ1056 TH/THS with SN 87311608 and up)</i>
<b>B</b>	9-229082	1	LABEL GROUP, PICTORIAL TH <i>(for SJ1044 TH/THS with SN 87210155 and SN 87210176 and up for SJ1056 TH/THS with SN 87311608 and up)</i>
1	9-152230	6	• LABEL, Grease point
2	9-137988	1	• LABEL, Crush/pinch hazard pictorial
3	9-146016	1	• LABEL, Hydraulic oil level (min/max)
4	9-139314	4	• LABEL, Body crush pictorial
5	9-124631	4	• LABEL, Wheel info pictorial
6	9-157528	4	• LABEL, Lift point / tie down pictorial
7	9-139855	4	• LABEL, "Keep clear" pictorial
8	9-138146	1	• LABEL, No smoking pictorial
9	9-152237	2	• LABEL, Keep chains tight
10	9-162852	1	• LABEL, Diesel "ultra low sulfur only "
11	9-102961	1	• LABEL, ATF dexron III pictorial
12	9-163095	1	• LABEL, Caution coolant fill
13	9-196184	1	• LABEL, Boom angle indicator
14	9-195900	1	• LABEL, Towing capacity
15	9-195421	2	• LABEL, Fork pins warning
16	9-195422	1	• LABEL, Lifting hook
17	9-115543	2	• LABEL, No step
18	9-156613	2	• LABEL, Do not tamper with switch
19	(Ref).	1	• ASSEMBLY, Cab labels <i>(For components, refer to Section 10.11)</i>
20	9-212532	1	• LABEL, Main battery disconnect switch
21	9-173583	2	• LABEL, Do not grease
22	9-173202	4	• LABEL, Tip over hazard - <b>B</b>
23	9-172501	1	LABEL, DEF Tank
24	9-172948	1	LABEL, CVT Oil label (If equipped)

## 12.3 Cab Labels



M195068AA\_1

190126AG

**440**

SJ1044 TH, SJ1044 THS, SJ1056 TH, SJ1056 THS

**SKYJACK**

## 12.3 Cab Labels

Index No.	Skyjack Part No.	Qty.	Description
-	9-195068	1	ASSEMBLY, CAB LABELS
1	9-195425	1	• LABEL, Transportation reminder
2	9-195424	1	• LABEL, Hazard identification
3	9-191447	1	• LABEL, Left side dash
4	9-926902	1	• LABEL, Transmission selector
5	9-191448	1	• LABEL, Right side dash
6	9-105352	1	• LABEL, Horn pictorial
7	9-195109	1	• LABEL, Joystick controls
8	9-152241	1	• LABEL, Windshield washer fluid
9	9-123628	1	• LABEL, Manual storage box
10	9-152246	1	• LABEL, Door open instructions
11	9-195069	1	• LABEL, Fuse Panel SJXX TH
12	9-204421	1	• LABEL, Pictorial emergency exit procedure
13	9-195426	1	LABEL, Daily and weekly maintenance chart
14	173081	1	LABEL, California proposition 65
15	9-173002	1	LABEL, Equipped with elevate Keypad

## 12.4 Load Charts Group

**List Only  
No Drawing Required**

*No\_drawing*

## 12.4 Load Charts Group

Index No.	Skyjack Part No.	Qty.	Description
1	9-196199	1	CHARTS, Load SJ1044 TH - <i>For serial numbers 87210029 and below</i>
2	9-196200	1	CHARTS, Load SJ1056 TH - <i>For serial numbers 87310412 and below</i>
3	9-213538	1	CHARTS, Load SJ1044 TH - <i>For serial numbers 87210030 and above</i>
4	9-213540	1	CHARTS, Load SJ1056 TH - <i>For serial numbers 87310413 and above</i>
5	9-229079	1	CHARTS, Load SJ1044 TH - <i>For serial numbers 87210155 and SN 87210176 and up</i>
6	9-229080	1	CHARTS, Load SJ1056 TH - <i>For serial numbers SN 87311608 and up</i>

# Section 13 – Tables

Go to [Discount-Equipment.com](http://Discount-Equipment.com) to order your parts

## 13.1 Recommended Fluids Table

<b>Models SJ1044 TH/THS &amp; SJ1056 TH/THS</b>			
<b>Engine</b>			
Fuel Type	Ultra Low Sulfur Diesel (EN 590, ASTM D975) or Biodiesel B20		
Fuel Tank Capacity	35 gal (132 L)		
Recommended Oil Type	SAE 15W40		
Engine Oil Capacity	9.5 Quart (9.0 L)		
Coolant Type (Standard)	COOLANT-ANTIFREEZE 50/50 PREMIX *		
Coolant Type(Cold Weather Option)	COOLANT-ANTIFREEZE 60/40 PREMIX *		
Coolant Tank Capacity	4.2 gal (16 L)		
DEF (if equipped)	Diesel Exhaust Fluid (DEF)		
DEF Tank Capacity	2.4 gal (9.4 L)		
<b>Transmission</b>			
Powershift	Oil Type	ATF Dexron III	
	Capacity	14.2 Quart (13.5 L)	
CVT	Oil Type	<b>CVT Case:</b> VALVOLINE INVARITORC 205	<b>Dropcase:</b> ATF DEXRON III
	Capacity	18 L	0.90 L
<b>Axles</b>			
Differential	SAE 80W/90 LS		
Front Axle Capacity	13.7 Quart (13 L)		
Rear Axle Capacity	8.2 Quart (7.8 L)		
Planetary Wheel Ends	SAAE 80W/90		
Capacity	2 Quart (1.89 L)		
<b>Hydraulic Oil</b>			
Standard Factory Fill	ATF Dexron III		
Type	ATF Dexron III or Equivalent		
Tank Capacity	43.85 gal (166 L)		
<b>Grease Points</b>			
Type	EP2 Grease		

\* Refer to engine manufacturer's manual

1348AE

# PARTS FINDER

**Search Website  
by Part Number**



**Search Manual  
Library For Parts  
Manual & Lookup Part  
Numbers – Purchase  
or Request Quote**

**Search Manuals**

Enter your information to help us find the right parts manual for your machine.

\* Brand:

\* Model:

\* Serial:

\* Part Number:

SEARCH

**Can't Find Part or  
Manual? Request Help  
by Manufacturer,  
Model & Description**

**Parts Order Form**

Please fill in the following information to help us find the right part for your machine.

Manufacturer:	<input type="text"/>
Model:	<input type="text"/>
Description:	<input type="text"/>
Part Number:	<input type="text"/>
Quantity:	<input type="text"/>
Notes:	<input type="text"/>

Submit

Discount-Equipment.com is your online resource for quality parts & equipment.

Florida: **561-964-4949** Outside Florida TOLL FREE: **877-690-3101**

**Need parts?**

Click on this link: <http://www.discount-equipment.com/category/5443-parts/> and choose one of the options to help get the right parts and equipment you are looking for. Please have the machine model and serial number available in order to help us get you the correct parts. If you don't find the part on the website or on one of the online manuals, please fill out the request form and one of our experienced staff members will get back to you with a quote for the right part that your machine needs.

We sell worldwide for the brands: Genie, Terex, JLG, MultiQuip, Mikasa, Essick, Whiteman, Mayco, Toro Stone, Diamond Products, Generac Magnum, Airman, Haulotte, Barreto, Power Blanket, Nifty Lift, Atlas Copco, Chicago Pneumatic, Allmand, Miller Curber, Skyjack, Lull, Skytrak, Tsurumi, Husquvarna Target, Stow, Wacker, Sakai, Mi-T-M, Sullair, Basic, Dynapac, MBW, Weber, Bartell, Bennar Newman, Haulotte, Ditch Runner, Menegotti, Morrison, Contec, Buddy, Crown, Edco, Wyco, Bomag, Laymor, EZ Trench, Bil-Jax, F.S. Curtis, Gehl Pavers, Heli, Honda, ICS/PowerGrit, IHI, Partner, Imer, Clipper, MMD, Koshin, Rice, CH&E, General Equipment, Amida, Coleman, NAC, Gradall, Square Shooter, Kent, Stanley, Tamco, Toku, Hatz, Kohler, Robin, Wisconsin, Northrock, Oztec, Toker TK, Rol-Air, APT, Wylie, Ingersoll Rand / Doosan, Innovatech, Con X, Ammann, Mecalac, Makinex, Smith Surface Prep, Small Line, Wanco, Yanmar