

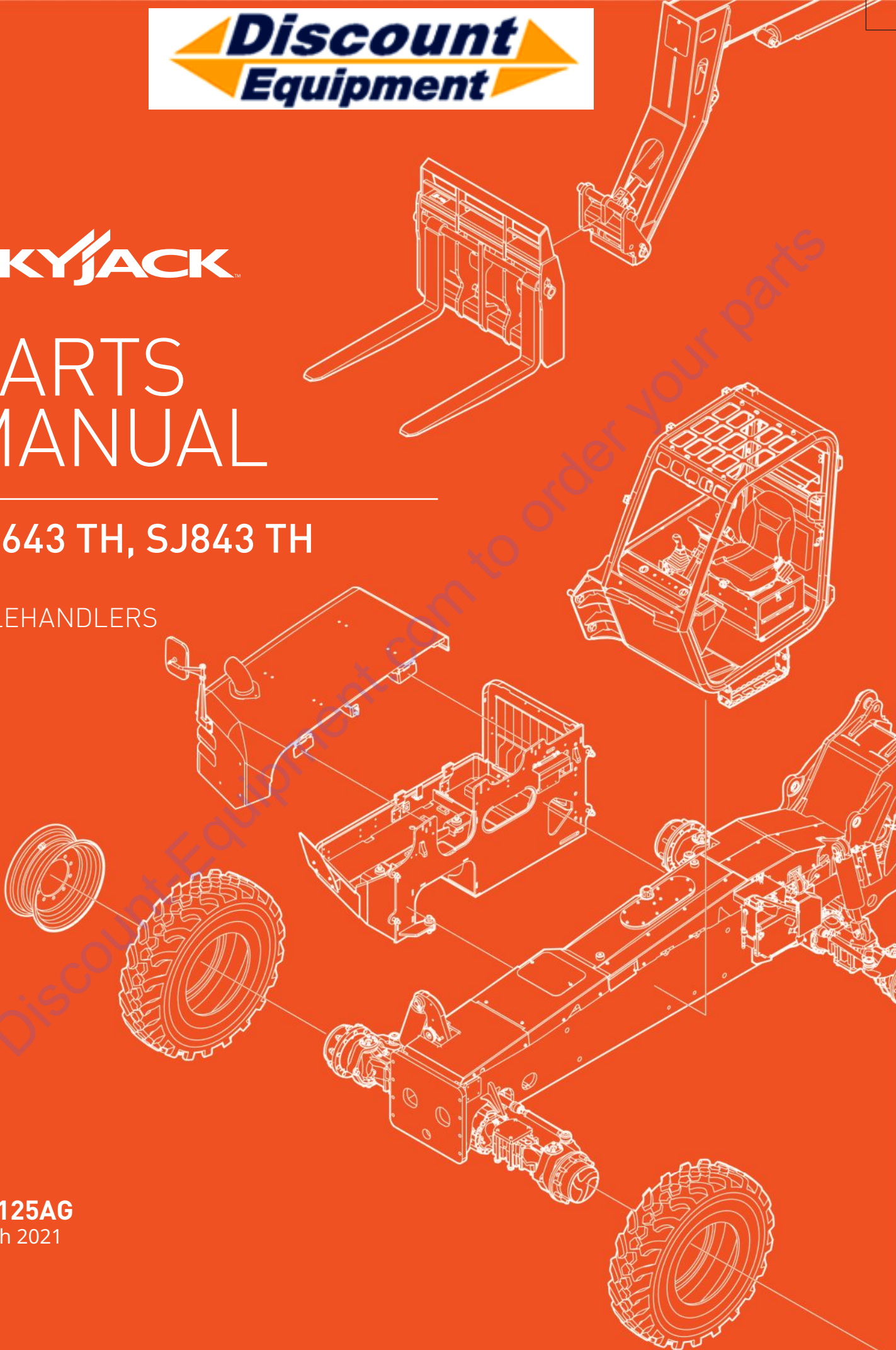


**SKYJACK**<sup>™</sup>

# PARTS MANUAL

**SJ643 TH, SJ843 TH**

TELEHANDLERS



**190125AG**

March 2021  
ANSI

# PARTS FINDER

**Search Website  
by Part Number**



**Search Manual  
Library For Parts  
Manual & Lookup Part  
Numbers – Purchase  
or Request Quote**

**Search Manuals**

Enter your information to search for a parts manual or lookup a part number.

\* Brand:

\* Model:

\* Serial:

\* Part Number:

SEARCH

**Can't Find Part or  
Manual? Request Help  
by Manufacturer,  
Model & Description**

**Parts Order Form**

Please fill in the following information:

Manufacturer:

Model:

Description:

Quantity:

Part Number:

Part Name:

Part Description:

Part Category:

Part Location:

Part Status:

Part Condition:

Part Material:

Part Color:

Part Weight:

Part Dimensions:

Part Notes:

Submit

Discount-Equipment.com is your online resource for quality parts & equipment.

Florida: **561-964-4949** Outside Florida TOLL FREE: **877-690-3101**

**Need parts?**

Click on this link: <http://www.discount-equipment.com/category/5443-parts/> and choose one of the options to help get the right parts and equipment you are looking for. Please have the machine model and serial number available in order to help us get you the correct parts. If you don't find the part on the website or on one of the online manuals, please fill out the request form and one of our experienced staff members will get back to you with a quote for the right part that your machine needs.

We sell worldwide for the brands: Genie, Terex, JLG, MultiQuip, Mikasa, Essick, Whiteman, Mayco, Toro Stone, Diamond Products, Generac Magnum, Airman, Haulotte, Barreto, Power Blanket, Nifty Lift, Atlas Copco, Chicago Pneumatic, Allmand, Miller Curber, Skyjack, Lull, Skytrak, Tsurumi, Husquvarna Target, Stow, Wacker, Sakai, Mi-T-M, Sullair, Basic, Dynapac, MBW, Weber, Bartell, Bennar Newman, Haulotte, Ditch Runner, Menegotti, Morrison, Contec, Buddy, Crown, Edco, Wyco, Bomag, Laymor, EZ Trench, Bil-Jax, F.S. Curtis, Gehl Pavers, Heli, Honda, ICS/PowerGrit, IHI, Partner, Imer, Clipper, MMD, Koshin, Rice, CH&E, General Equipment, Amida, Coleman, NAC, Gradall, Square Shooter, Kent, Stanley, Tamco, Toku, Hatz, Kohler, Robin, Wisconsin, Northrock, Oztec, Toker TK, Rol-Air, APT, Wylie, Ingersoll Rand / Doosan, Innovatech, Con X, Ammann, Mecalac, Makinex, Smith Surface Prep, Small Line, Wanco, Yanmar

**This manual is based on Serial Number(s):**

**SJ643 TH / SJ843 TH: 87 110 001 to 87 199 999**

Please refer to the website ([www.discount-equipment.com](http://www.discount-equipment.com)) for other Serial Numbers, most recent Technical Manuals and USB software.

Go to Discount-Equipment.com to order your parts

# Foreword

## General

The information contained in this manual is designed to aid the user in locating and identifying replacement parts. Component parts of various assemblies and subassemblies comprising the work platform are illustrated and accompanied by a descriptive parts list. Exploded drawings are used to show relative location of component parts in disassembly order. If a part cannot be found in this manual, contact Discount-equipment for assistance.

## Parts Ordering Information

When ordering replacement parts, the complete part number and description should be used to ensure proper identification and delivery of the desired item. This complete identification should also be used when requesting equipment information.

## Method of Listing

Parts are listed in order according to the reference number shown in the illustration, followed by a full description based upon the "NOUN FIRST" method. That is, the noun name of the part is listed first, then the modifying description information which serves to specifically identify the item. For example: PIN, Clevis.

Assemblies at the beginning of a parts list may be identified with a reference letter: A, B, C, etc. These letters are used to identify different configurations of the assembly. Individual parts in these lists have corresponding letters after their description to identify which assembly it is used in. If a part does not have a reference letter, it is used in all of the assemblies.

Bullets (•) are used to show the assembly structure, or parent/child relationship. A part listed at the beginning of the parts list without a bullet before the description is the main assembly, and all of the parts below it with one bullet are the subcomponent parts of that assembly. Two bullets denote a subcomponent of a subcomponent, etc.

### Example:

Main Assembly A

- Part 1 (subcomponent of Main Assembly A)
- Part 2 (subcomponent of Main Assembly A)
- • Part 3 (subcomponent of Part 2)

## Quantities

The quantities required to complete the assembly are given for each part. If the quantity is (AR), it is understood that the quantity may vary when the machine is equipped with certain options. Order quantity as needed.

## How To Order Repair Parts

1. Address all orders to Discount-equipment.
2. Specify model and serial number of the work platform (found on the serial number plate).
3. List the quantity needed.
4. List the length needed (if it is a bulk item).
5. List the part number and description as shown in this manual for each item.
6. Show the billing and shipping address and the name of the individual, if possible.
7. Suggest the best routing.

**Customer:** \_\_\_\_\_

**Dealer:** \_\_\_\_\_

**Model Number:** \_\_\_\_\_

**Serial Number:** \_\_\_\_\_

**Date Purchased:** \_\_\_\_\_



# Table of Contents

Foreword.....	3
General.....	3
Parts Ordering Information.....	3
Method of Listing.....	3
Quantities.....	3
How To Order Repair Parts.....	3
Table of Contents.....	5
Recommended Service Parts.....	11
Section 1 – Main Frame.....	13
1.1 Sheet Metal.....	14
1.2 Frame Subgroup.....	16
1.3 Frame Subgroup - Dual Tilt Cylinders.....	18
1.4 Cowling Assembly.....	20
1.5 Steel Cowling.....	22
1.6 Fuel Tank.....	24
1.7 Hydraulic Tank.....	26
Section 2 – Axles.....	29
2.1 Front Axle.....	32
2.2 Front Axle - Internal Breakdown.....	34
2.3 Front Axle - Reduction Hub.....	36
2.4 Front Axle - Brakes.....	40
2.5 Front Axle - Steering.....	42
2.6 Front Axle - Trunion.....	43
2.7 Rear Axle.....	44
2.8 Rear Axle - Internal Breakdown.....	46
2.9 Rear Axle - Reduction Hub.....	48
2.10 Rear Axle - Brakes.....	50
2.11 Rear Axle - Steering.....	52
2.12 Rear Axle - Trunion.....	53
2.13 Drive Shaft.....	54
2.14 Tires and Wheels.....	56
2.15 Tire and Wheel Assembly - Non-marking.....	58
Section 3 – Engine and Transmission.....	61
3.1 Engine Tray.....	62
3.2 Engine and Powershift Transmission.....	64
3.3 Engine & CVT Transmission.....	66
3.4 Engine Components.....	68

3.5	Powershift Transmission - Housing & Case . . . . .	70
3.6	Transmission - Gear Group . . . . .	74
3.7	Transmission - Drive Plate, Torque Converter & Pump . . . . .	76
3.8	Transmission - Forward & Reverse Group . . . . .	78
3.9	Transmission - 1st, 2nd & 3rd Shaft . . . . .	80
3.10	Transmission - Output Shaft & Control Group . . . . .	82
3.11	Transmission - Drop Box . . . . .	84
3.12	Continuously Variable Transmission (CVT) Assembly . . . . .	86
3.13	CVT Transmission . . . . .	88
3.14	CVT Output Drum and Shaft & Control System . . . . .	90
3.15	CVT Clutch . . . . .	92
3.16	CVT G2 & G3 Gears Assembly . . . . .	94
3.17	CVT G1 & L1 Gears Assembly . . . . .	96
3.18	CVT Shaft 5 Assembly . . . . .	98
3.19	CVT R2 Reverse Idler Shaft & E2A Gear Assembly . . . . .	100
3.20	CVT EB2 Gear & E3 Shaft Assemblies . . . . .	102
3.21	CVT P2 and P3 Gears & Input Shaft Assemblies . . . . .	104
3.22	R1 & H1 Shaft Double Cone Assembly . . . . .	106
3.23	CVT Middle Casing Assembly . . . . .	108
3.24	CVT Front Casing . . . . .	112
3.25	CVT Rear Casing . . . . .	114
3.26	CVT Front and Rear Baffle . . . . .	116
3.27	CVT Hydraulic Tubing . . . . .	118
3.28	CVT Manifold . . . . .	120
3.29	CVT Cylinder Synchro . . . . .	122
3.30	Pump & Limit Switch Assembly . . . . .	124
3.31	CVT Rear Hydraulic Tubing & Damper Plate . . . . .	126
3.32	Fuel Lines . . . . .	128
3.33	Air Intake System . . . . .	130
3.34	Exhaust Installation . . . . .	132
3.35	Cooling Package . . . . .	134
3.36	CVT Cooling Package . . . . .	136
3.37	Cooler - Internal Breakdown . . . . .	138
3.38	Radiator - Internal Breakdown . . . . .	140
3.39	Powershift Transmission Hydraulic Pump . . . . .	142
3.40	CVT Hydraulic Pump . . . . .	144
<b>Section 4 – Operator's Compartment . . . . .</b>		<b>147</b>
4.1	Cab Installation . . . . .	148
4.2	Open Cab . . . . .	150
4.3	Open Cab Side Window . . . . .	156
4.4	Right Hand Console . . . . .	158
4.5	Joystick Control . . . . .	160
4.6	Joystick Control - Internal Breakdown . . . . .	162

4.7	Premium Joystick .....	164
4.8	Front Console .....	166
4.9	LH Dash Panel .....	168
4.10	Flip Chart .....	169
4.11	RH Dash Panel .....	170
4.12	Steering Console .....	172
4.13	Main Relay .....	174
4.14	Fuse and Power .....	176
4.15	Enclosed Cab .....	178
4.16	Door Assembly .....	182
4.17	Door Window Assembly .....	184
4.18	Cab Heater System .....	186
4.19	Cab A/C System .....	188
4.20	A/C Compressor .....	190
4.21	A/C Condenser .....	192
4.22	A/C Harness .....	193
4.23	A/C and Heater Harness .....	194
<b>Section 5 – Electrical .....</b>		<b>197</b>
5.1	Chassis Harness .....	198
5.2	Engine Harness .....	200
5.3	Console Harness .....	204
5.4	Glow Plug Harness .....	208
5.5	Enclosed Cab Harness .....	210
5.6	Battery .....	211
5.7	CVT Transmission Harness .....	212
5.8	CVT Vehicle Harness .....	214
5.9	Battery Disconnect .....	216
5.10	Battery Cables .....	217
5.11	Tilt Sensor .....	218
5.12	Jumper Harness .....	219
<b>Section 6 – Boom .....</b>		<b>221</b>
6.1	Boom Installation .....	224
6.2	Boom Installation - Dual Tilt Cylinder .....	226
6.3	First Boom Section .....	228
6.4	Second Boom Section .....	232
6.5	Third Boom Section .....	234
6.6	Auxiliary Hydraulics .....	236

<b>Section 7 – Cylinders</b> .....	<b>239</b>
7.1 Extend Cylinder Components .....	240
7.2 Lift Cylinder Components .....	242
7.3 Fork Tilt Cylinder Components .....	244
7.4 Tilt Compensation Cylinder Components .....	246
7.5 Frame Level Cylinder Components .....	248
<b>Section 8 – Hydraulics</b> .....	<b>251</b>
8.1 Standard Hose Numbering System .....	252
8.2 Main Manifold Installation .....	254
8.3 Main Manifold Assembly .....	256
8.4 Manifold Components .....	258
8.5 Hydraulic Return Filter .....	264
8.6 CVT Hydraulic Return Filter .....	266
8.7 Pressure Filter .....	268
8.8 Boom & Telescopic Hydraulic Hoses .....	270
8.9 Carriage Hydraulic Hoses .....	272
8.10 Carriage Hydraulic Hoses - Dual tilt .....	274
8.11 Frame Level Hydraulic Hoses .....	276
8.12 Brakes & Steering Hydraulic Hoses .....	278
8.13 Hydraulic Pump Hoses .....	280
8.14 Hydraulic Pump Hoses - Pressure Filter .....	282
8.15 CVT Hydraulic Pump Hoses .....	284
8.16 Cab Hydraulic Hoses .....	286
8.17 Auxiliary Hydraulic Hoses .....	288
8.18 Auxiliary Manifold .....	290
<b>Section 9 – Standard and Optional Attachments</b> .....	<b>293</b>
9.1 Quick-Attach Carrier / Carriage & Forks .....	294
9.2 Side-Tilt Carriage Installation .....	296
9.3 48" & 60" Side Tilt Carriage - Internal Breakdown .....	298
9.4 72" Side-Tilt Carriage - Internal Breakdown .....	300
9.5 72" Swing Carriage Installation .....	302
9.6 72" Swing Carriage Components .....	304
9.7 Carriage Bar .....	306
9.8 Forks Positioner Carriage .....	308
9.9 Personnel Work Platform .....	310
9.10 Truss Boom 12' .....	312
9.11 Loader Bucket .....	313
9.12 2' Jib Boom .....	314



<b>Section 10 – Factory Options</b> .....	<b>317</b>
10.1 Boom Lights .....	318
10.2 Boom Lights Harness .....	320
10.3 Work Lights .....	322
10.4 Work Lights Harness .....	324
10.5 Road Lights .....	326
10.6 Road Lights Harness .....	328
10.7 Oil Quick Drain .....	329
10.8 Positive Air Shut Off .....	330
10.9 Positive Air Shut Off Harness .....	332
10.10 Remote Axle Grease .....	334
10.11 Reserve Brake .....	336
10.12 Cold Weather Package .....	338
10.13 4 Wheel Fender .....	340
10.14 Beacon Light Assembly .....	342
10.15 Pintle Hook .....	344
10.16 Fire Extinguisher .....	345
10.17 Backup Camera and Sensor .....	346
10.18 Backup Sensor .....	348
10.19 Elevate Telematics .....	350
10.20 Elevate Telematics Harness .....	352
<b>Section 11 – Labels</b> .....	<b>355</b>
11.1 Model Specific .....	356
11.2 Pictorial Group Labels .....	358
11.3 Cab Labels .....	362
11.4 Load Charts .....	365
<b>Section 12 – Tables</b> .....	<b>367</b>
12.1 Recommended Fluids .....	368

---

# Recommended Service Parts

Go to [Discount-Equipment.com](http://Discount-Equipment.com) to order your parts

Description	Year 1 Qty	Year 2 Qty	Year 3 Qty	Skyjack Part No.
<b>Engine</b>				
Oil Filter	4	4	4	9-196896
Fuel Filter	4	4	4	9-164771
Fuel Filter/Water Separator	4	4	4	9-196889
Air Filter-Primary Element	2	2	2	9-197131
Air Filter-Safety Element	1	1	1	9-197132
Fan Belt	0	1	1	9-166694
Pump, Fuel	0	1	1	9-164770
Thermostat	0	1	1	9-166699
Alternator	0	0	1	9-166693
Starter	0	0	1	9-166692
<b>Transmission</b>				
Oil Filter	1	1	1	9-196743
Output Shaft Seal-Front	0	1	1	9-196825
Output Shaft Seal-Rear	0	1	1	9-196825
<b>Electrical</b>				
Battery	0	1	1	9-144676
Power Relay	1	1	1	9-226119
Relay, micro	2	2	2	9-931298
Relay	1	1	1	9-156200
Relay, Glow plug 150A	1	1	1	9-165029
Fuse-5A	2	2	2	9-156202
Fuse-10A	2	2	2	9-156203
Fuse-15A	2	2	2	9-156204
Fuse-30A	2	2	2	9-156164
Fuse-100A glow plug	1	1	1	9-165031
Ignition Switch	1	1	1	9-926721
Reverse Alarm	1	1	1	9-921172
Horn	1	1	1	9-923025
<b>Hydraulic</b>				
Hydraulic Filter-Return	1	1	1	9-157907
Seal Kit-Lift Cylinder	1	1	1	9-197097
Seal Kit-Telescope Cylinder	1	1	1	9-197103
Seal Kit-Fork Tilt Cylinder	1	1	1	9-197101
Seal Kit-Tilt Compensation Cylinder	1	1	1	9-197098
Seal Kit-Frame Level Cylinder	1	1	1	9-197099
<b>Boom</b>				
Wear Pad	2	2	2	9-191267
Wear Pad	0	2	2	9-191266
Wear Pad	6	6	6	9-191268
Wear Pad	0	2	2	9-191269

---

# Section 1 – Main Frame

**1.1** *Sheet Metal*

**1.2** *Frame Subgroup*

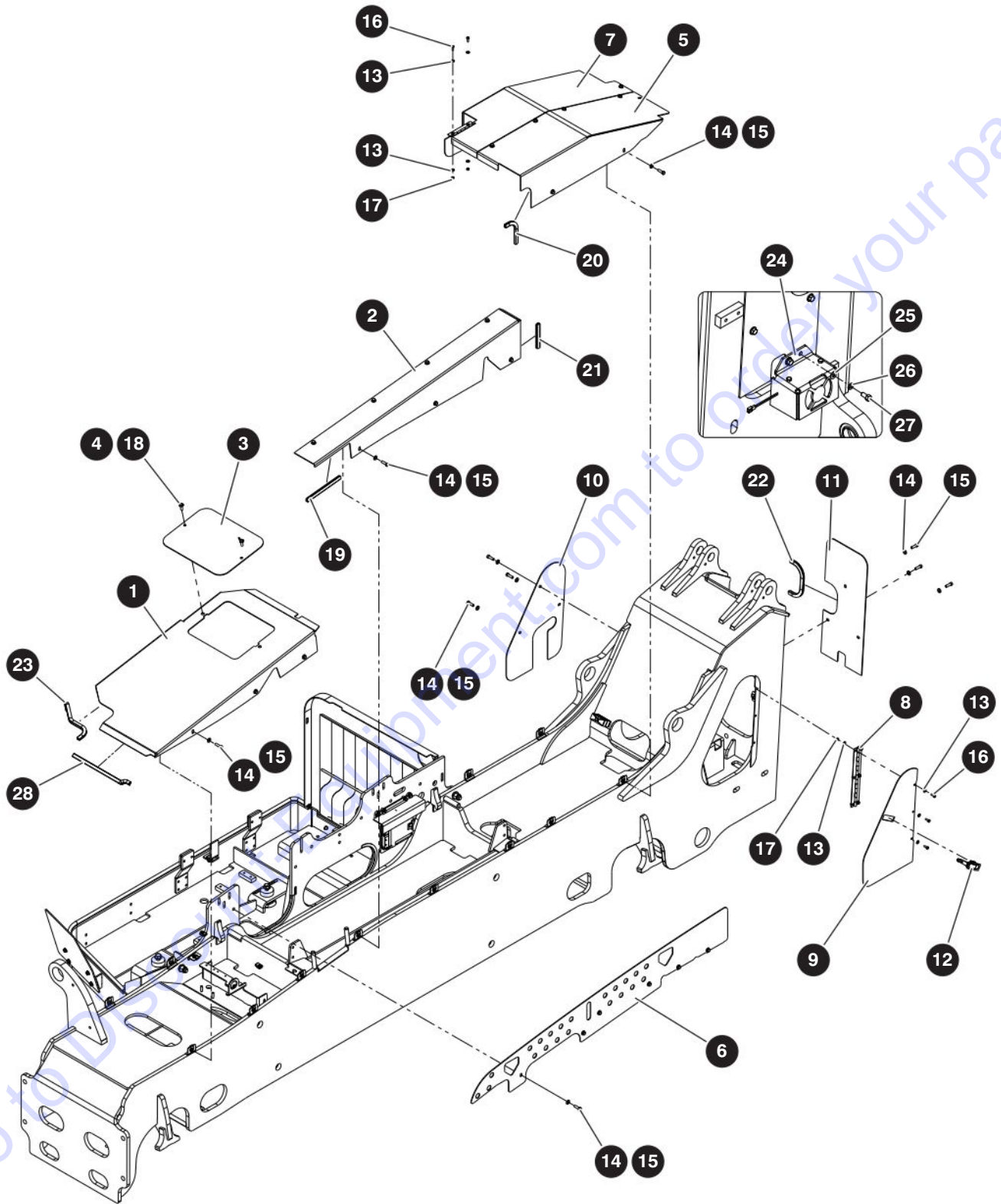
**1.4** *Cowling Assembly*

**1.6** *Fuel Tank*

**1.7** *Hydraulic Tank*



# 1.1 Sheet Metal



M191387AE

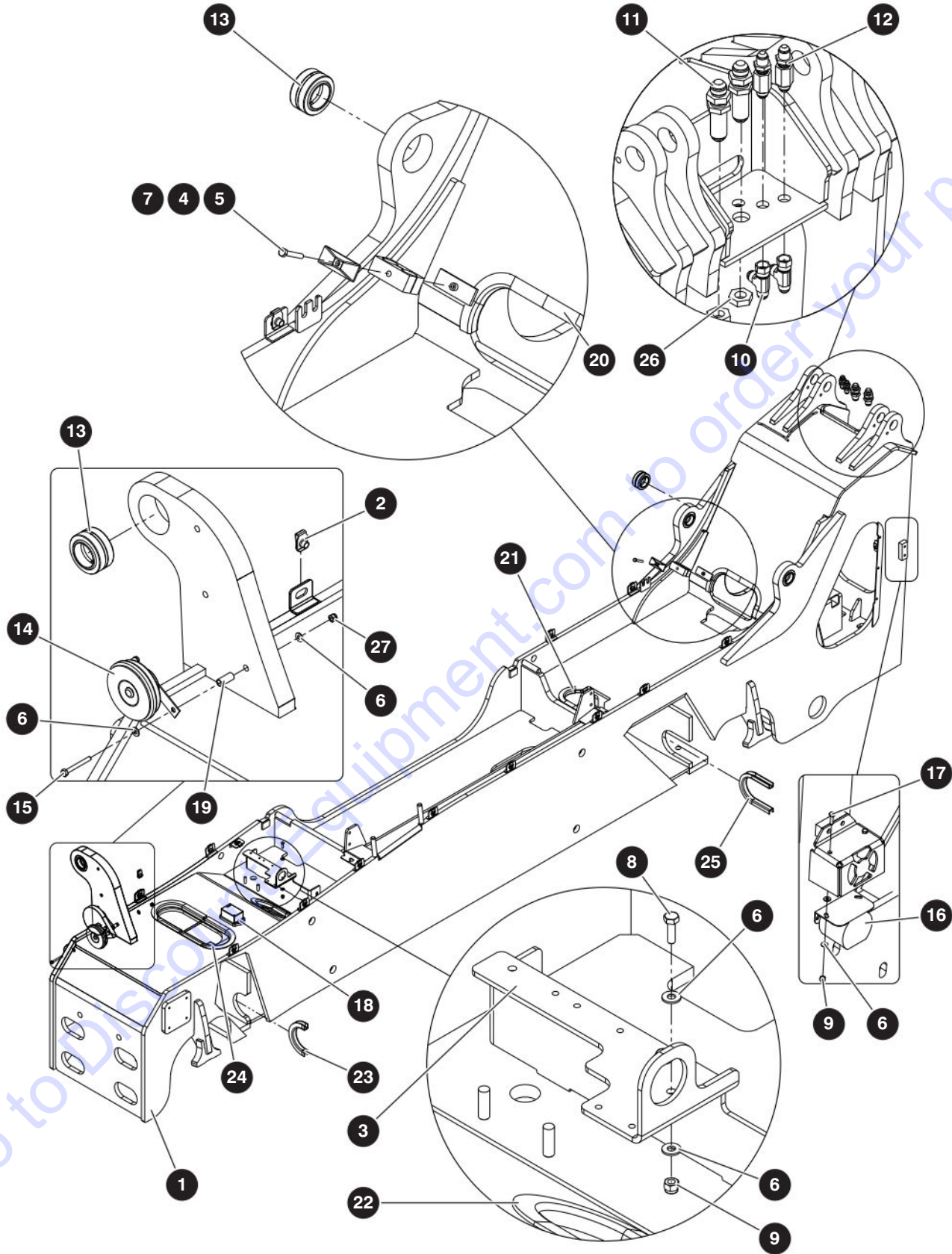
190125AG

SJ643 TH, SJ843 TH

## 1.1 Sheet Metal

Index No.	Skyjack Part No.	Qty.	Description
-	9-191387	1	COVER SUBGROUP, TH643/TH843
1	9-191388	1	• COVER, Top front
2	9-191390	1	• COVER, TH top side
3	9-191389	1	• COVER, Battery access
4	9-159294	2	• NUT, Speed clip 3/8"-16
5	9-191391	1	• COVER, Top rear (left hand)
6	235181	1	• COVER, TH engine tray
7	9-191392	1	• COVER, Top rear (right hand)
8	9-137016	1	• HINGE, Instrumentation panel
9	9-191397	1	• COVER, TH left hand side
10	9-191398	1	• COVER, TH right hand side
11	9-191399	1	• COVER, TH rear
12	9-191416	1	• LATCH, TH covers
13	9-103995	12	• Washer, Flat 1/4"
14	9-125959	32	• Washer, Flat 3/8" Hard
15	9-101297	32	• BOLT, Hex head 3/8"-16 X 1-1/4" grade 5
16	9-103856	6	• BOLT, Hex head 1/4"-20 X 3/4" grade 5
17	9-103980	6	• NUT, HEX 1/4"-20 grade 8
18	9-152535	2	• WING SCREW, 3/8" UNC X 1"
19	9-117398	9"	• PROTECTIVE TRIM
20	9-117398	7"	• PROTECTIVE TRIM
21	9-117398	6"	• PROTECTIVE TRIM
22	9-117398	12"	• PROTECTIVE TRIM
23	9-117398	13"	• PROTECTIVE TRIM
24	9-191489	1	• COVER, back-up alarm
25	9-103472	2	• WASHER, Flat 3/8"
26	9-103999	2	• WASHER, Lock 3/8'
27	9-101632	2	• BOLT, Hex head 3/8"-16 x 3/4" grade 5
28	9-117398	14.5"	• PROTECTIVE TRIM

# 1.2 Frame Subgroup



M190686AJ

190125AG

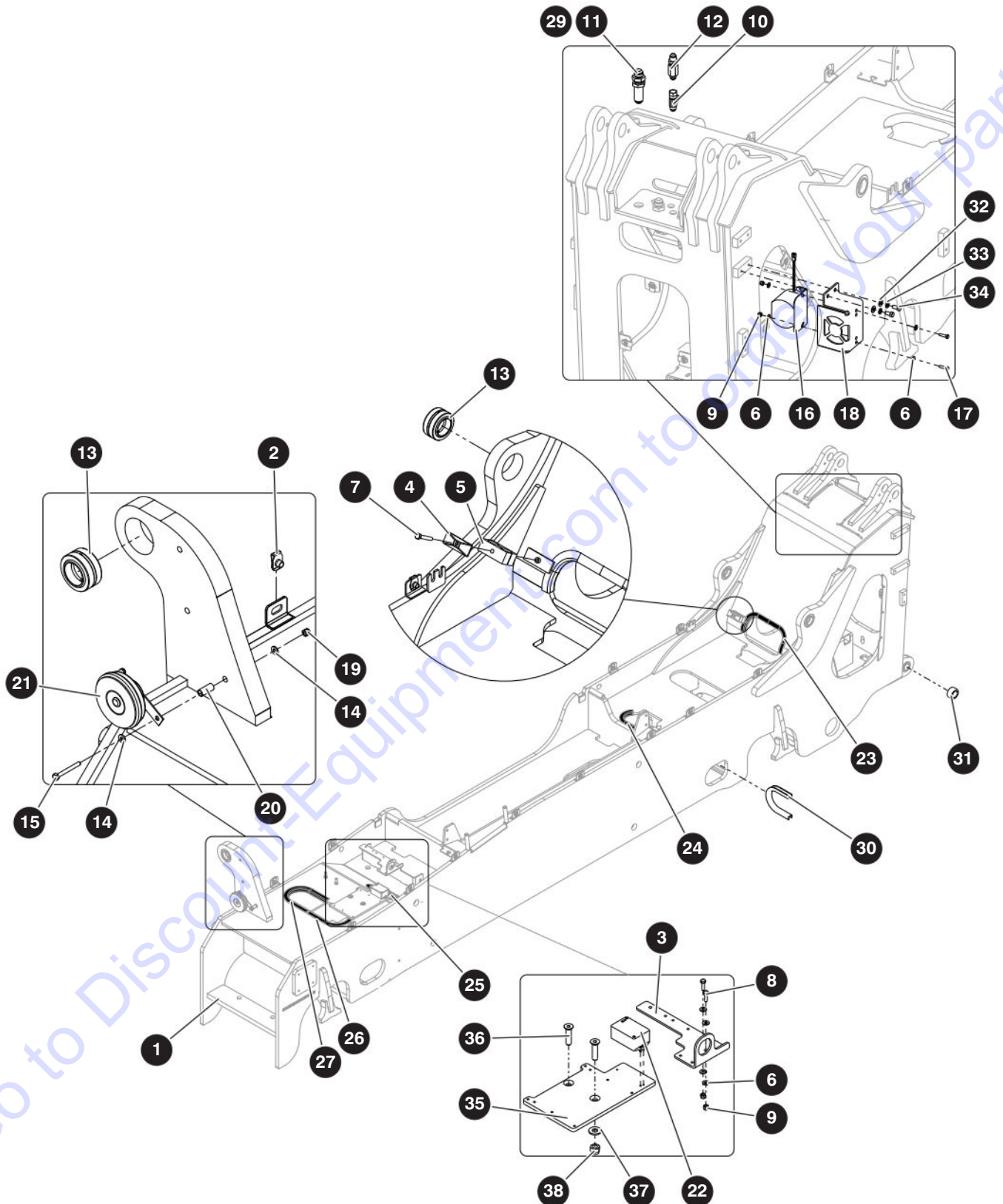
SJ643 TH, SJ843 TH

## 1.2 Frame Subgroup

Index No.	Skyjack Part No.	Qty.	Description
			<b>For serial numbers 87112757 and below</b>
-	9-190686	1	FRAME SUBGROUP, 643/843
1	9-190235	1	• WELDMENT, 643/843 Frame
2	9-159294	18	• NUT, Speed clip 3/8"-16
3	9-190688	1	• BULKHEAD, Electrical
4	9-190217	1	• PLATE, Cover 4d
5	9-190410	1	• CLAMP, Body 428/28PP
6	9-103995	8	• WASHER, Flat 1/4"
7	9-103865	1	• BOLT, Hex head 5/16"-18 X 2" grade 5
8	9-103891	2	• BOLT, Hex head 1/4"-20 X 7/8" grade 5
9	9-115649	4	• NUT, Lock with nylon insert 1/4"-20 grade 5
10	9-106170	2	• FITTING, Tee swivel -8 JIC
11	9-197689	2	• FITTING, Bulkhead Straight (12JIC - 12JIC) long
12	9-197686	2	• FITTING, Bulkhead Straight (08 JIC - 08 JIC) long
13	9-920767	4	• BEARING, Spherical
14	9-923025	1	• HORN, Electric 12V
15	9-103868	1	• BOLT, Hex Head 5/16"-18 x 3-1/2" grade 5
16	9-921172	1	• ALARM, Back-up rework
17	9-103857	2	• BOLT, Hex head 1/4-20 x 1" grade 5
18	(Ref).	1	• ASSEMBLY, Tilt sensor <b>(For components, refer to Section 5.11)</b>
19	9-133598	1	• SPACER, 3/8" x 1-1/8"
20	9-196566	18"	• PROTECTIVE TRIM, 1/2" to 5/8"
21	-	13"	• PROTECTIVE TRIM, 1/2" to 5/8"
22	-	19.25"	• PROTECTIVE TRIM, 1/2" to 5/8"
23	-	20.5"	• PROTECTIVE TRIM, 1/2" to 5/8"
24	-	35"	• PROTECTIVE TRIM, 1/2" to 5/8"
25	9-162053	30"	• PROTECTIVE TRIM, 1/2" to 5/8"
26	9-198511	2	• NUT, Fitting Bulkhead - 12
27	9-103984	1	• NUT, Lock with nylon insert, 5/16"-18 grade 5
28	9-103996	3	• WASHER, Flat 5/16"



# 1.3 Frame Subgroup - Dual Tilt Cylinders

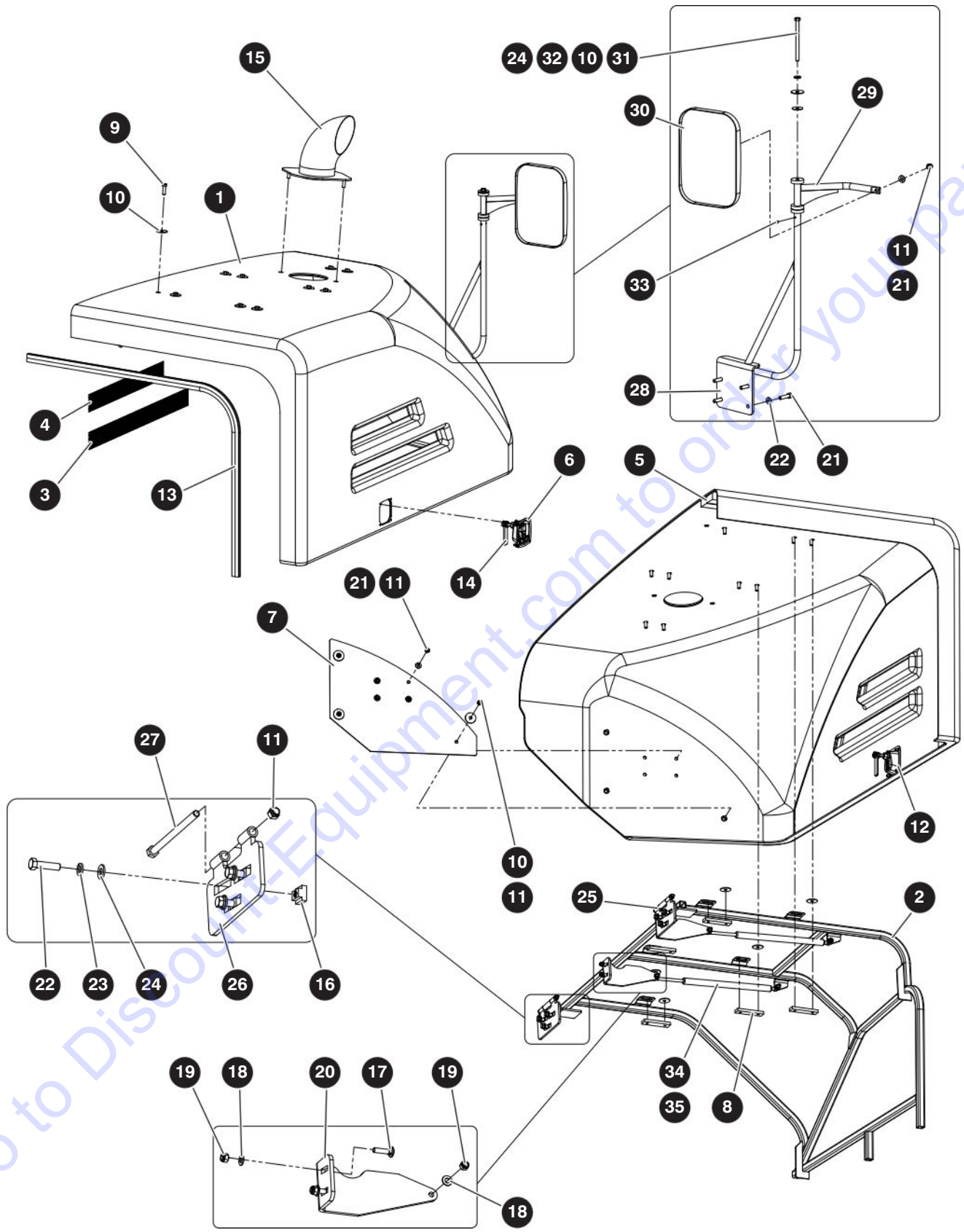


M235296AA

### 1.3 Frame Subgroup - Dual Tilt Cylinders

Index No.	Skyjack Part No.	Qty.	Description
-	235296	1	<b>For serial numbers 87112758 and above</b> FRAME SUBGROUP
1	235297	1	WELDMENT, FRAME 643/843
2	159294	18	NUT, SPEED CLIP 0.375-16
3	190688	1	BULKHEAD, ELECTRICAL
4	190217	1	PLATE, COVER 4D
5	190410	1	CLAMP, BODY 428/28PP
6	103995	8	WASHER, FLAT 0.250
7	103865	1	BOLT-HEX HD/ZINC (.31-18 X 2.00 / GR5)
8	103891	2	BOLT, HXHD 0.25-20 X 0.875 GR5
9	115649	4	NUT, LOCK 0.250-20 GR5 - NYL
10	106170	2	FTG, TEE SWIVEL -8 JIC
11	197689	2	BKHD FTG, STR 12JIC-12JIC LONG
12	197686	2	BKHD FTG, STR 8JIC-8JIC LONG
13	920767	3	BEARING, SPHERICAL
14	103996	3	Washer Flat 0.312
15	103868	1	BOLT-HEX HEAD 5/16-18 GRADE 5 X 3.50
16	921172	1	BACK-UP ALARM REWORK
17	103857	2	BOLT-HEX HD/ZINC (.25-20 X 1.00 / GR5)
18	235250	1	BRACKET, BACK-UP ALARM
19	103984	1	NUT, LOCK 0.313-18 GR5 - NYL
20	133598	1	ROLLED SPACER FOR 3/8" BOLT 1 1/8" LG
21	923025	1	HORN, ELECTRIC 12V
22	196364	1	TILT SENSOR, ASSEMBLY
23	196566	18	PROTECTIVE TRIM, 1/2" TO 5/8"
24	196566	13	PROTECTIVE TRIM, 1/2" TO 5/8"
25	196566	19.25	PROTECTIVE TRIM, 1/2" TO 5/8"
26	196566	10.5	PROTECTIVE TRIM, 1/2" TO 5/8"
27	196566	17.5	PROTECTIVE TRIM, 1/2" TO 5/8"
28	162053	20.5	PROTECTIVE TRIM, 3/4"
29	198511	2	BULKHEAD NUT -12
30	162053	30	PROTECTIVE TRIM, 3/4"
31	235239	2	BEARING, SPHERICAL MAINT-FREE DIA 1.375
32	125959	2	WASHER FLAT 0.375 HARD
33	103999	2	WASHER, LOCK 0.375
34	101632	2	BOLT-HEX HD/ZINC (.38-16 X 0.75 / GR5)
35	235304	1	PLATE, ECU MOUNTING
36	235306	2	SCREW, FHCS 0.500-13 x 2.00 ZC
37	104379	2	Washer Flat 0.500 Hard
38	702507	2	NUT, LOCK 0.500-13 GrC - NYL

# 1.4 Cowling Assembly



M191986AD-2b

190125AG

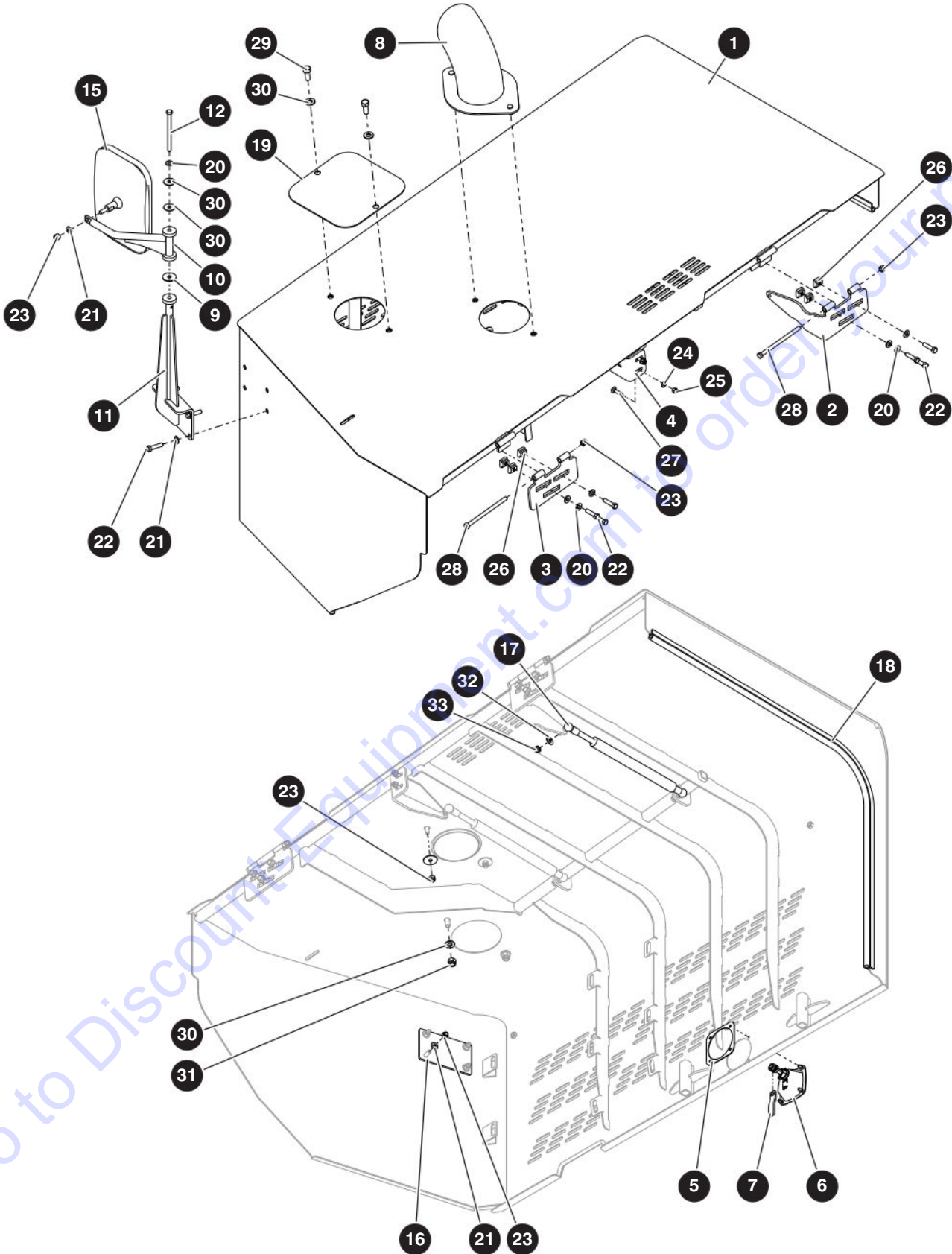
SJ643 TH, SJ843 TH

## 1.4 Cowling Assembly

Index No.	Skyjack Part No.	Qty.	Description
			<i>For serial number 87112696 and below</i>
-	9-191986	1	COWLING SUBGROUP, TH
-	9-191987	1	• ASSEMBLY, COWLING TH
1	9-191906	1	• • COWLING SHELL
2	9-191976	1	• • WELDMENT, Cowling structure
3	9-190607	1	• • PLATE, Perforated
4	9-191990	1	• • PLATE, Perforated 16" long
5	9-148368	135"	• • FOAM SEAL - #1441 (2" X 2")
6	9-190462	1	• • LATCH, Compression
7	9-191989	1	• • PLATE, Cowling guard
8	9-190608	5	• • PLATE, Anti turn
9	9-101297	13	• • BOLT, Hex head 3/8"-16 X 1-1/4" grade 5
10	9-127067	24	• • WASHER, Flat 3/8" style BB
11	9-104606	12	• • NUT, Lock with nylon insert 3/8"-16 grade 5
12	9-190557	1	• • PLATE, Cowling latch
13	9-190483	60"	• SEAL, 1/4 edge X 5/8 bulb
14	9-191373	1	• PLATE, Latch
15	9-190612	1	• WELDMENT, Exhaust stack
16	9-190609	6	• NUT, 1/2" T-slot 3/8"-16
17	9-106049	2	• BOLT, Carriage bolt 5/16"-18 x 1-1/4" grade 5
18	9-103996	6	• WASHER, Flat 5/16" SAE
19	9-103984	6	• NUT, Lock with nylon insert 5/16"-18 grade 5
20	9-190926	1	• BRACKET, Gas spring MT
21	9-103472	10	• WASHER, Flat 3/8" SAE
22	9-103870	10	• BOLT, Hex head 3/8"-16 X 1-1/2" grade 5
23	9-103999	6	• WASHER, Lock 3/8"
24	9-125959	7	• WASHER, Flat 3/8" SAE hard
25	9-190927	1	• WELDMENT, Hinge cowling RH
26	9-190615	1	• WELDMENT, Hinge cowling LH
27	9-138736	2	• BOLT, Hex head 3/8"-16 X 6" grade 5
28	9-191992	1	• WELDMENT, Mirror base
29	9-191890	1	• WELDMENT, Mirror rotation
30	9-931379	1	• MIRROR
31	9-191892	2	• WASHER, Plastic 3/8" X 1-1/4"
32	9-163510	1	• BOLT, Hex head 3/8"-16 X 5" grade 5
33	9-117691	2	• SET SCREW, 1/4"-20 X 1/4"
34	9-190925	2	• GAS SPRING - TH cowling
35	9-138836	4	• STUD - Ball



# 1.5 Steel Cowling



M235873AB

190125AG

**22**

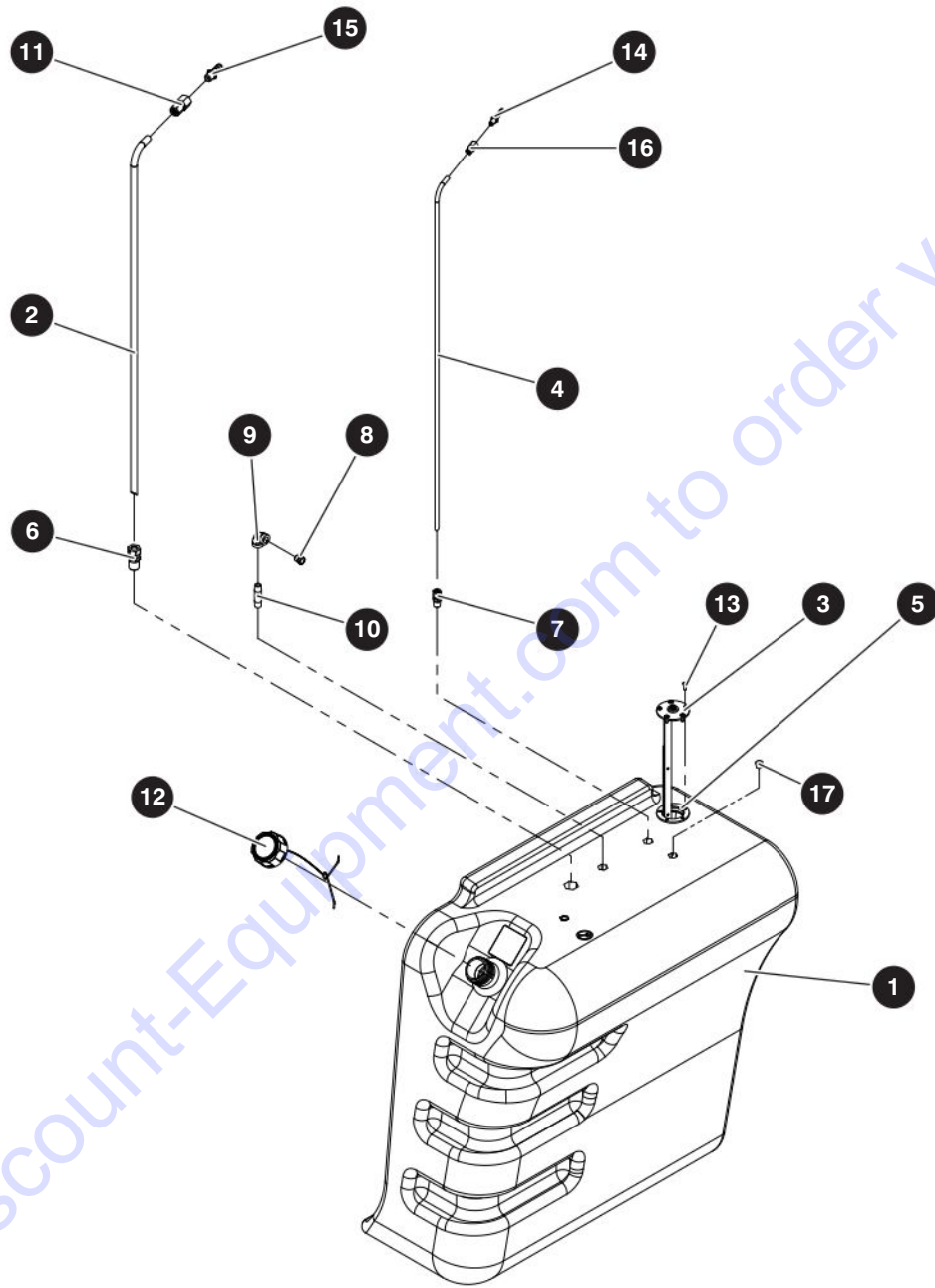
SJ643 TH, SJ843 TH

**SKYJACK**

## 1.5 Steel Cowling

Index No.	Skyjack Part No.	Qty.	Description
			<i>For serial number 87112697 and above</i>
-	235873	1	STEEL COWLING
1	232399	1	COWLING WELDMENT
2	235067	1	WELDMENT, HINGE COWLING RH
3	190615	1	WELDMENT, HINGE COWLING LH
4	235076	1	WELDMENT, HINGE COWLING LH
5	190557	1	PLATE, COWLING LATCH
6	190462	1	LATCH, COMPRESSION
7	235072	1	PLATE, LATCH
8	190612	1	STACK WLDT, EXHAUST
9	191892	2	WASHER, PLASTIC 3/8" X 1 1/4"
10	191890	1	WELDMENT, MIRROR ROTATION
11	191889	1	WELDMENT, MIRROR BASE
12	163510	1	BOLT, HXHD 0.375-16 X 5.000 GR5
13	127067	3	WASHER, FLAT 0.375 STYLE BB
14	117691	2	SET SCREW (HEX SOCKET) 1/4-20 X 1/4
15	931379	1	MIRROR ASSEMBLY
16	235077	1	PLATE, BACKING
17	235071	2	GAS SPRING, TH STEEL COWLING
18	149357	60	SEAL - BULB (0.090-0.12 GRIP)
19	235054	1	PLATE, TOP COVER - COWLING
20	125959	7	WASHER FLAT 0.375 HARD
21	103472	9	WASHER FLAT 0.375
22	103870	10	BOLT, HXHD 0.375-16 X 1.500 GR5
23	104606	9	NUT, LOCK 0.375-16 GR5 - NYL
24	103996	2	Washer Flat 0.312
25	103984	2	NUT, LOCK 0.313-18 GR5 - NYL
26	190609	6	NUT, 1/2 T-SLOT 3/8-16
27	106049	2	"BOLT, CARRIAGE BOLT 0.313-18 x 1.25 GRD 5"
28	138736	2	BOLT, HXHD 0.375-16 X 6.000 GR5
29	103909	2	BOLT, HXHD 0.50-13 X 1.250 GR5
30	104379	4	Washer Flat 0.500 Hard
31	702507	2	NUT, LOCK 0.500-13 GrC - NYL
32	600572	4	"WASHER, FLAT M10 HARDENED DIN 125 (600572)"
33	223165	4	"NUT HEX NYLON LOCK M10 X 1.5 CL 8 ZP"

## 1.6 Fuel Tank



M191247AG

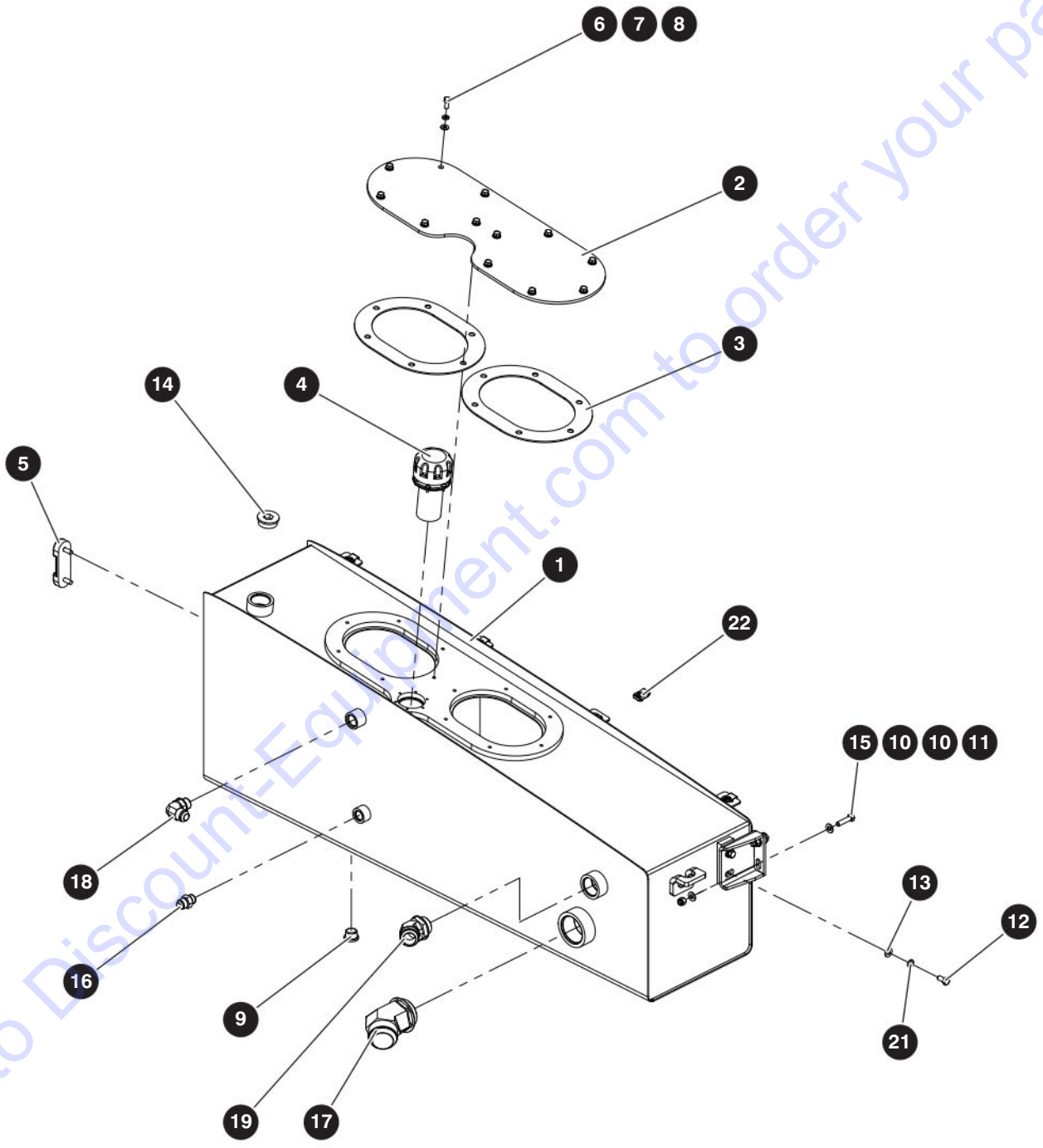
190125AG

SJ643 TH, SJ843 TH

## 1.6 Fuel Tank

Index No.	Skyjack Part No.	Qty.	Description
-	9-191247	1	FUEL TANK SUBGROUP
-	9-191248	1	• ASSEMBLY, TH FUEL TANK
1	9-191252	1	• • TH FUEL TANK, molded
2	9-190604	1	• • TUBE, Diesel fuel suction
3	9-216696	1	• • FUEL SENDER
4	9-190684	1	• • TUBE, Diesel fuel return
5	9-191253	1	• • GASKET, Fuel tank
6	9-164674	1	• • FITTING, Tube compression 1/2" OD x 1/2" NPT
7	9-103155	1	• • FITTING, Brass tank #T68-5B, 1/4 NPT
8	9-116408	1	• • BREATHER, Vent 1/4 NPT
9	9-144325	1	• • FITTING, Fitting 90° (1/4 NPTF x 1/4 NPTF brass)
10	9-143478	1	• • FITTING, Fitting-nipple (1/4 NPT X 2" long brass)
11	9-165716	1	• • FITTING, Straight adapter (08 BT - 06 FP)
12	9-144410	1	• • CAP, Fuel (non epa)
13	9-103962	5	• • SCREW, Round head machine 10-32 x 1/2"
14	9-191978	1	• • FITTING, Beaded hose barb 5/16" tube
15	9-191977	1	• • FITTING, Beaded hose barb 1/2" tube
16	9-191979	1	• • FITTING, Straight adapter (05 BT - 02 FP)
17	9-197516	2	• PLUG, 3/8" Tapered series

# 1.7 Hydraulic Tank



M190489AC

190125AG

SJ643 TH, SJ843 TH

## 1.7 Hydraulic Tank

Index No.	Skyjack Part No.	Qty.	Description
-	9-190489	1	HYDRAULIC TANK SUBGROUP
-	9-190490	1	• ASSEMBLY, Hydraulic tank TH
1	9-190491	1	• • WELDMENT, Painted hydraulic tank
2	9-190506	1	• • PLATE, Access cover - <b>for S/N 87112645 and below</b>
-	9-233212	1	• • PLATE, Access cover - <b>for S/N 87112646 and above</b>
3	9-191231	2	• • GASKET, TH hydraulic tank
4	9-191484	1	• • BREATHER, Hydraulic filler
5	9-103236	1	• • LEVEL INDICATOR, 3"
6	9-103996	12	• • WASHER, 11/32" ID x 3/4" OD x 3/32" zinc
7	9-103887	12	• • BOLT, Hex head 5/16"-18 x 3/4" Gr. 5
8	9-103404	12	• • WASHER, Lock 5/16"
9	9-117701	1	• • PLUG, Tank (3/4"-16 UNF with magnet)
10	9-125959	8	• WASHER, Flat 3/8" hard
11	9-104606	4	• NUT, Lock with nylon insert 3/8"-16 Gr. 5
12	9-101632	4	• BOLT, Hex Head 3/8"-16 X 3/4" Gr. 5
13	9-103472	4	• WASHER, Flat 3/8"
14	9-144113	2	• FITTING, Plug - (20 ORB hex socket)
15	9-103870	4	• BOLT, Hex head 3/8"-16 x 1-1/2" Gr. 5
16	9-137630	1	• FITTING, (10 ORBM - 10 JICM)
17	9-933406	1	• FITTING, 32M (ORB-JIC)
18	9-105445	1	• FITTING, 90° (12 JICM - 12 ORBM)
19	9-751974	1	• FITTING, 45° (20 JICM - 20 ORBM)
20	9-191959	2	• WELDMENT, Hydraulic tank mount
21	9-103999	4	• WASHER, Lock 3/8"
22	9-159294	4	• NUT, Speed clip 3/8"-16

---

## Section 2 – Axles

**2.1** *Front Axle*

**2.2** *Front Axle - Internal Breakdown*

**2.3** *Front Axle - Reduction Hub*

**2.4** *Front Axle - Brakes*

**2.5** *Front Axle - Steering*

**2.6** *Front Axle - Trunion*

**2.7** *Rear Axle*

**2.8** *Rear Axle - Internal Breakdown*

**2.9** *Rear Axle - Reduction Hub*

**2.10** *Rear Axle - Brakes*

**2.11** *Rear Axle - Steering*

**2.12** *Rear Axle - Trunion*

**2.13** *Drive Shaft*

**2.14** *Tires and Wheels*

**2.15** *Tire and Wheel Assembly - Non-marking*

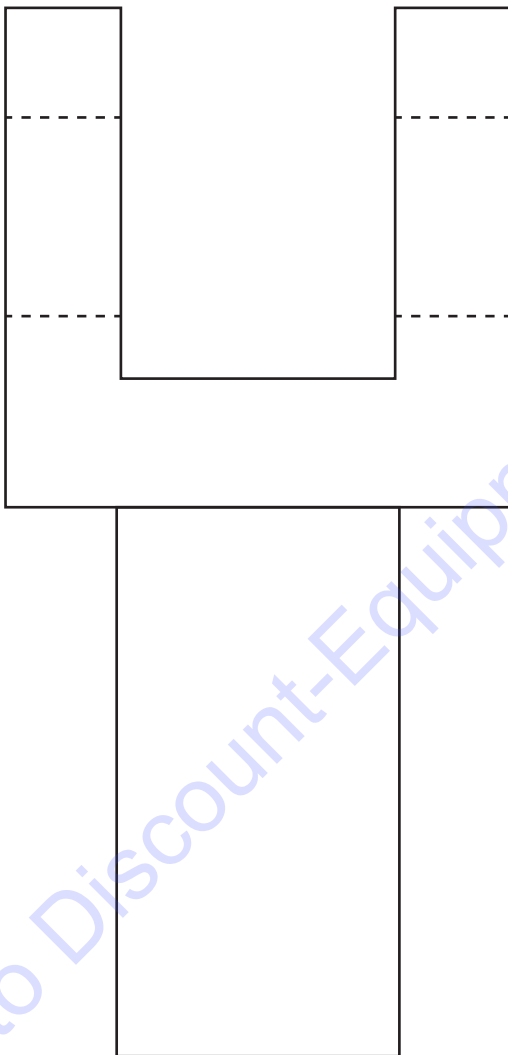




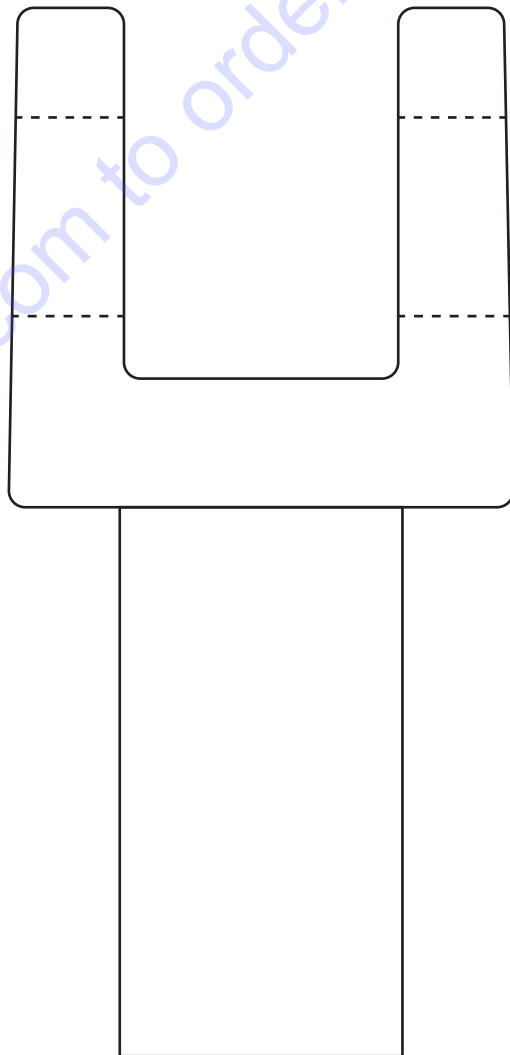
**NOTE**

If your telehandler has the Style B Clevis an extra crush washer (9-223856) and spacer (9-223853) is needed to secure the cylinder.

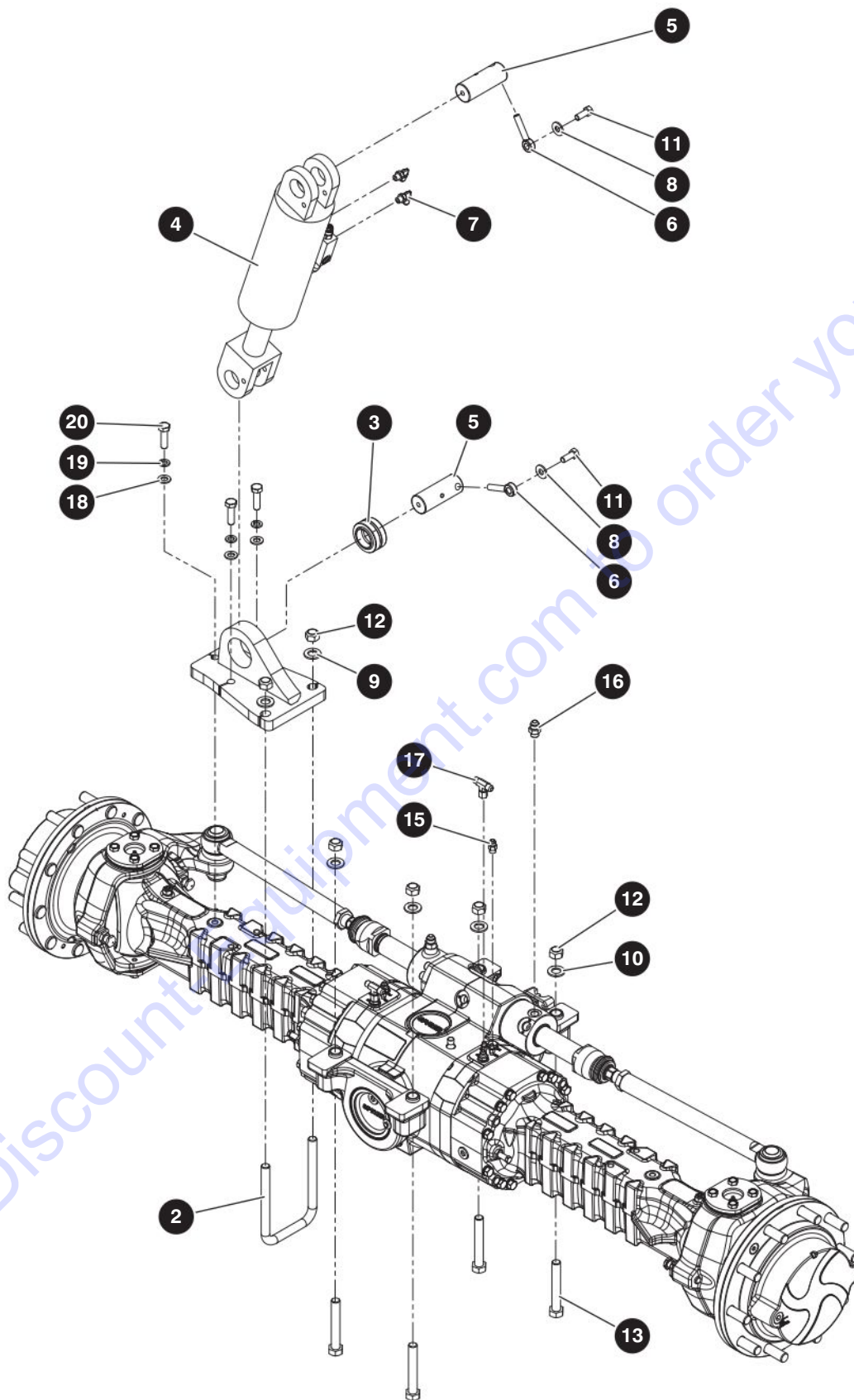
**Style A Clevis**



**Style B Clevis**



## 2.1 Front Axle



M190707AA

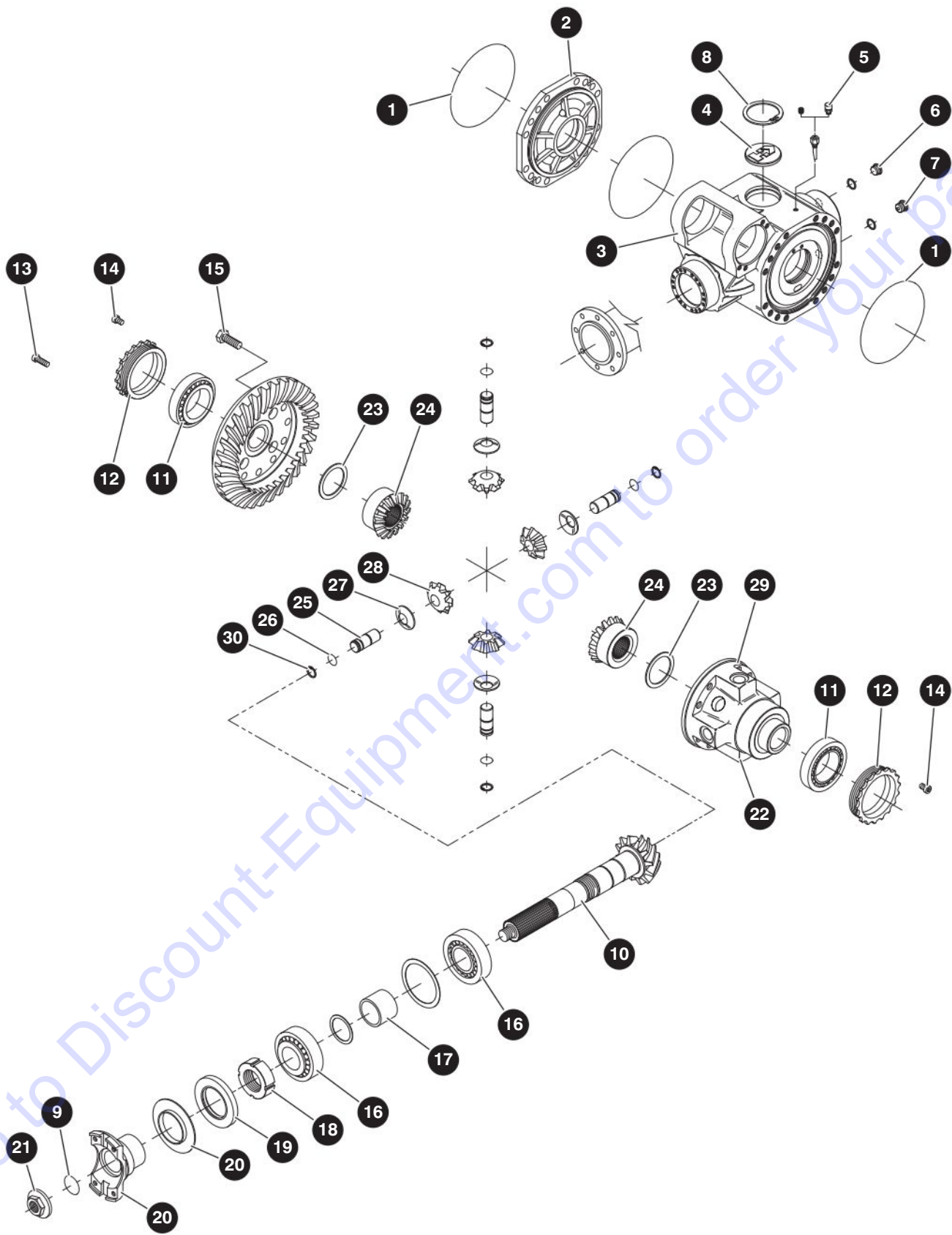
190125AG

SJ643 TH, SJ843 TH

## 2.1 Front Axle

Index No.	Skyjack Part No.	Qty.	Description
-	9-190707	1	AXLE, FRONT SUBGROUP TH 843/643
1	(Ref.)	1	<ul style="list-style-type: none"> <li>AXLE, Front 212</li> </ul> (For components, refer to Section 2.1)
2	9-148866	1	<ul style="list-style-type: none"> <li>U-BOLT, Axle mount</li> </ul>
3	9-920767	1	<ul style="list-style-type: none"> <li>BEARING, Spherical</li> </ul>
4	9-191831	1	<ul style="list-style-type: none"> <li>CYLINDER, Frame level 115B</li> </ul>
5	9-191866	2	<ul style="list-style-type: none"> <li>PIN, 1-3/4" DIA X 4-3/4" long</li> </ul>
6	9-191232	2	<ul style="list-style-type: none"> <li>PIN, Anchor</li> </ul>
7	9-114578	2	<ul style="list-style-type: none"> <li>FITTING, 90° (06 JICM - 06 ORBM)</li> </ul>
8	9-104379	2	<ul style="list-style-type: none"> <li>WASHER, Flat 1/2" Hard</li> </ul>
9	9-702194	10	<ul style="list-style-type: none"> <li>WASHER, Flat 3/4" hard high zinc</li> </ul>
10	9-132565	2	<ul style="list-style-type: none"> <li>CAP, Grease GC5 (Not Shown)</li> </ul>
11	9-169942	2	<ul style="list-style-type: none"> <li>BOLT, Hex head 1/2"-13 X 1-1/4" grade 8 zinc</li> </ul>
12	9-700575	6	<ul style="list-style-type: none"> <li>NUT, Torque lock 3_4-10 grade C</li> </ul>
13	9-146773	4	<ul style="list-style-type: none"> <li>BOLT, Hex head 3/4"-10 X 5" grade 8</li> </ul>
14	9-191053	1	<ul style="list-style-type: none"> <li>WELDMENT, Frame tilt mount</li> </ul>
15	9-230250	4	<ul style="list-style-type: none"> <li>FITTING, Straight (06JIC)(M)14 mm</li> </ul>
16	9-102659	2	<ul style="list-style-type: none"> <li>FITTING, Straight (08 JICM - 08 ORBM)</li> </ul>
17	9-155022	2	<ul style="list-style-type: none"> <li>FITTING, BR TEE (06 JICM - 06JICM - 06JICF)</li> </ul>
18	9-191096	3	<ul style="list-style-type: none"> <li>WASHER, Flat M14 DIN125A zinc</li> </ul>
19	9-138738	3	<ul style="list-style-type: none"> <li>WASHER, Lock M14 plated DIN 127B</li> </ul>
20	9-191095	3	<ul style="list-style-type: none"> <li>BOLT, Hex head M14 X 2 X 50 CL10.9 zinc</li> </ul>
21	9-102027	2	<ul style="list-style-type: none"> <li>FITTING, Grease fitting, 1/8 NPT straight</li> </ul>
22	(Ref.)	-	Oil, Hydraulic (For components, refer to Section 12.1)

## 2.2 Front Axle - Internal Breakdown



M190707-1

190125AG

34

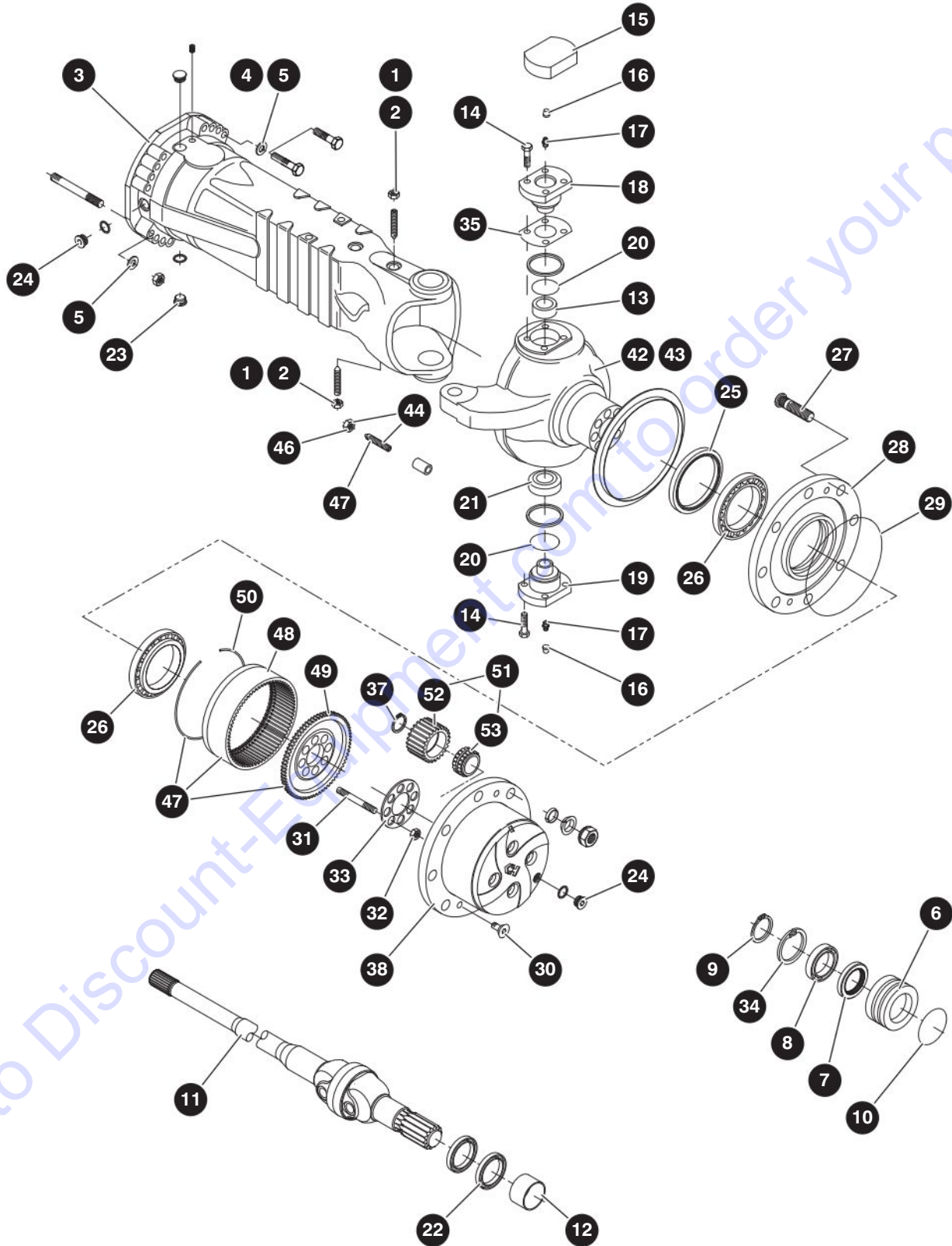
SJ643 TH, SJ843 TH

SKYJACK

## 2.2 Front Axle - Internal Breakdown

Index No.	Skyjack Part No.	Qty.	Description
-	9-190027	1	ASSEMBLY, AXLE FRONT
-	9-151755		• CENTRAL HOUSING ASSEMBLY
1	9-140970	3	• • O-RING
2	9-170719	1	• • COVER, Central housing
3	9-196623	1	• • HOUSING
4	9-140967	1	• • PLUG
5	9-170720	1	• • VENT, Central housing
6	9-140969	1	• • PLUG, Dana
7	9-140968	1	• • PLUG, Magnet
8	9-140966	1	• • CIRCLIP
-	9-196624	1	• DIFFERENTIAL
9	9-403057	1	• • O RING, Input yoke
10	9-196625	1	• • BEVEL GEAR SET
11	9-196626	2	• • TAPER ROLLER BEARING
12	9-141068	2	• • RING NUT
13	9-140977	4	• • CYLINDER BOLT
14	9-168259	2	• • BOLT, Hex
15	9-140993	12	• • BOLT
16	9-140984	2	• • BEARING, Taper roller
17	9-404187	1	• • PACER, Pinion shaft
18	9-140980	1	• • RING NUT
19	9-196627	1	• • SEAL
20	9-196628	1	• • FLANGE
21	9-196629	1	• • NUT
22	9-196630	1	• • DIFFERENTIAL
23	9-404185	2	• • • FRICTION WASHER
24	9-196631	2	• • • DIFFERENTIAL SIDE GEAR
25	9-196632	4	• • • PIN
26	9-403069	4	• • • CIRCLIP
27	9-404186	4	• • • WASHER
28	9-196633	4	• • • DIFFERENTIAL PINION
29	9-404178	1	• • • REAR DIFFERENTIAL CARRIER
30	9-403073	4	• • • CIRCLIP

## 2.3 Front Axle - Reduction Hub



M190707-2

190125AG

36

SJ643 TH, SJ843 TH

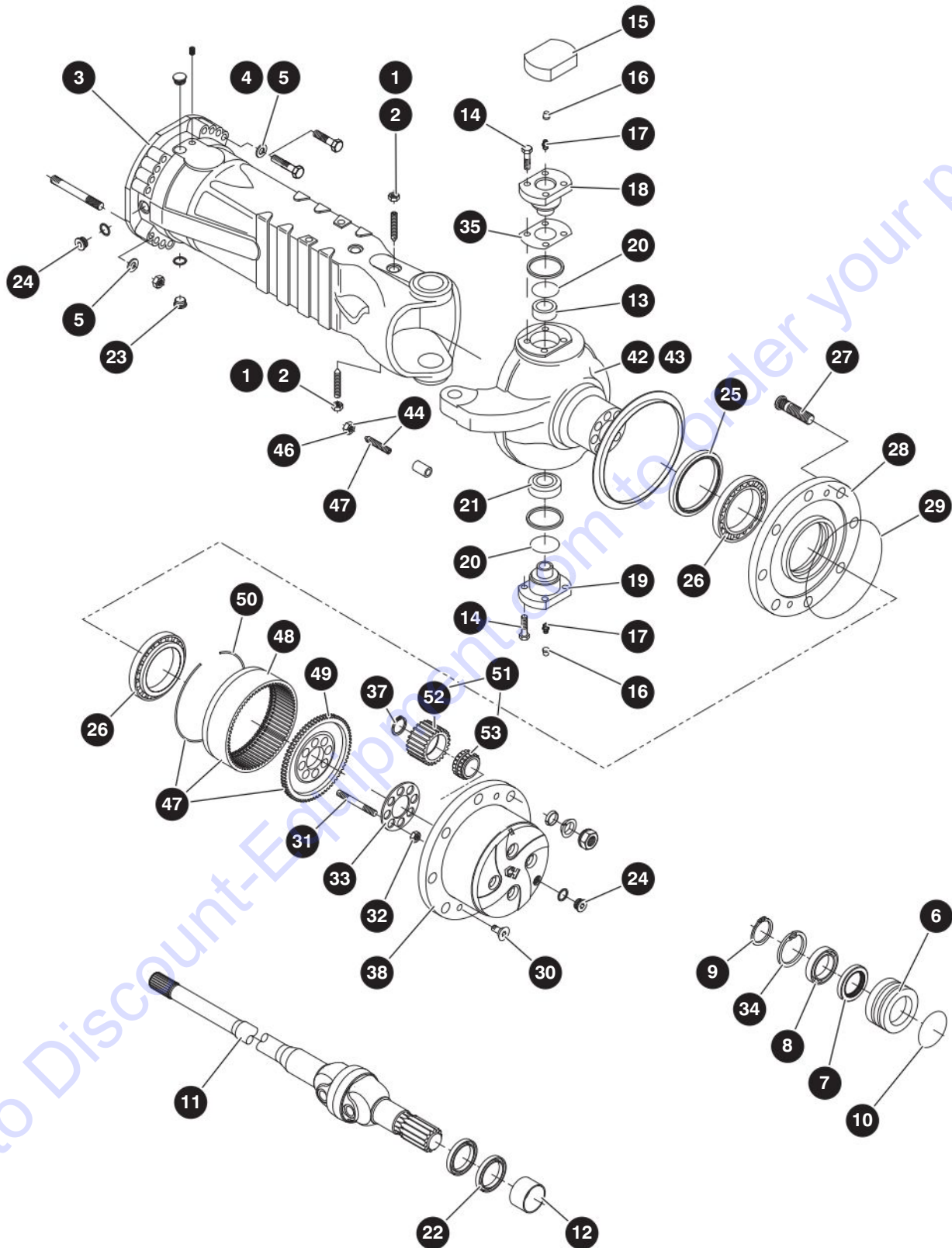
SKYJACK

## 2.3 Front Axle - Reduction Hub

Index No.	Skyjack Part No.	Qty.	Description
-	9-196634	1	• REDUCTION HUB
1	9-403084	2	• • NUT, M12-1-3/4"
2	9-403127	2	• • SCREW, Set
3	9-196635	2	• • CASE, Axle
4	9-170799	24	• • BOLT
5	9-403098	8	• • WASHER
6	9-151761	2	• • REDUCTION BUSHING
7	9-151762	2	• • SEAL
8	9-141073	2	• • BALL BEARING
9	9-151763	2	• • CIRCLIP
10	9-403050	2	• • O-RING
11	9-196636	2	• • JOINT
12	9-406996	1	• • THRUST BUSHING
13	9-151765	2	• • BUSHING
14	9-196637	20	• • BOLT
15	9-406391	2	• • PLASTIC COVER
16	9-141006	4	• • PLUG
17	9-168273	2	• • FITTING, Grease
18	9-406408	2	• • PIVOT PIN (king pin upper)
19	9-406407	2	• • PIVOT PIN (king pin lower)
20	9-403063	2	• • SEAL, King pin (up&lo)
21	9-406388	2	• • ARTICULATION
22	9-406402	2	• • SEAL
23	9-140968	2	• • PLUG, Magnet
24	9-140969	4	• • PLUG
25	9-405116	2	• • SEAL
26	9-141019	4	• • BEARING
27	9-405094	20	• • WHEEL STUD
28	9-404206	2	• • HUB 212/213
29	9-405098	2	• • O-RING
30	9-141033	4	• • BOLT, Countersunk
31	9-196638	16	• • STUD
32	9-196639	16	• • NUT
33	9-141081	2	• • LOCKING PLATE
34	9-140966	2	• • CIRCLIP
35	9-406392	2	• • SHIM
36	9-196640	2	• • PLANETARY GEAR CARRIER
37	9-141028	4	• • • CIRCLIP
38	9-404207	1	• • • PLANETARY GEAR CARRIER BASE - 212/213
39	9-170835	8	• • STUD
40	9-170836	8	• • NUT
41	9-140970	2	• • O-RING
42	9-196641	1	• • STEERING CASE - Left
43	9-196642	1	• • STEERING CASE - Right
44	9-168284	4	• • BOLT, Steering adjust
45	9-168275	4	• • • BOLT
46	9-403088	4	• • • NUT
47	9-141042	2	• • KIT, Ring gear support



## 2.3 Front Axle - Reduction Hub



M190707-2

190125AG

38

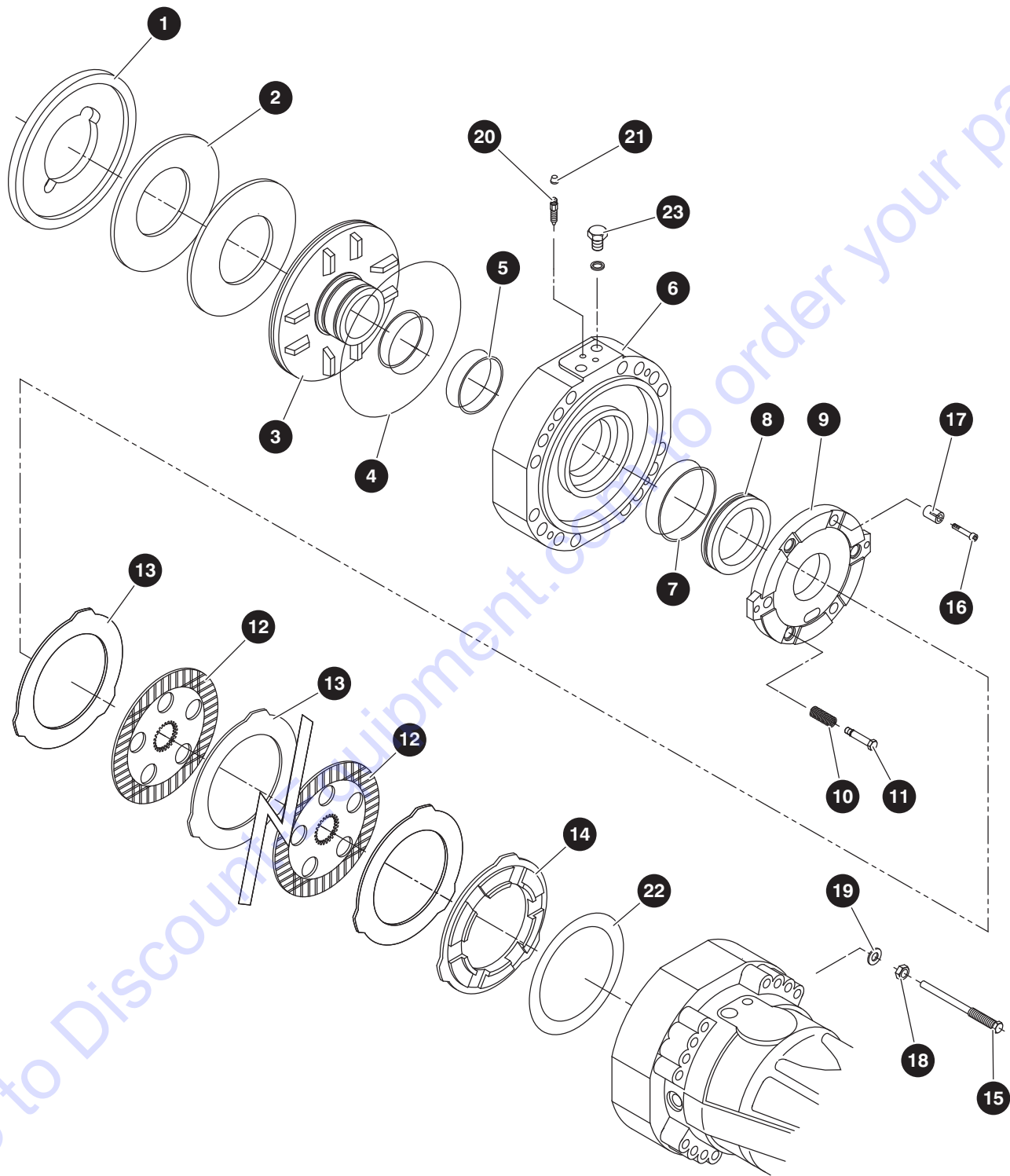
SJ643 TH, SJ843 TH

SKYJACK

## 2.3 Front Axle - Reduction Hub

Index No.	Skyjack Part No.	Qty.	Description
48	9-141023	2	• • • RING GEAR
49	9-141024	2	• • • RING GEAR SUPPORT
50	9-141022	2	• • • CIRCLIP
51	9-196643	8	• • PLANETARY GEAR
52	9-141029	8	• • • PLANETARY GEAR
53	9-141030	8	• • • BEARING

## 2.4 Front Axle - Brakes



M190707-3

190125AG

40

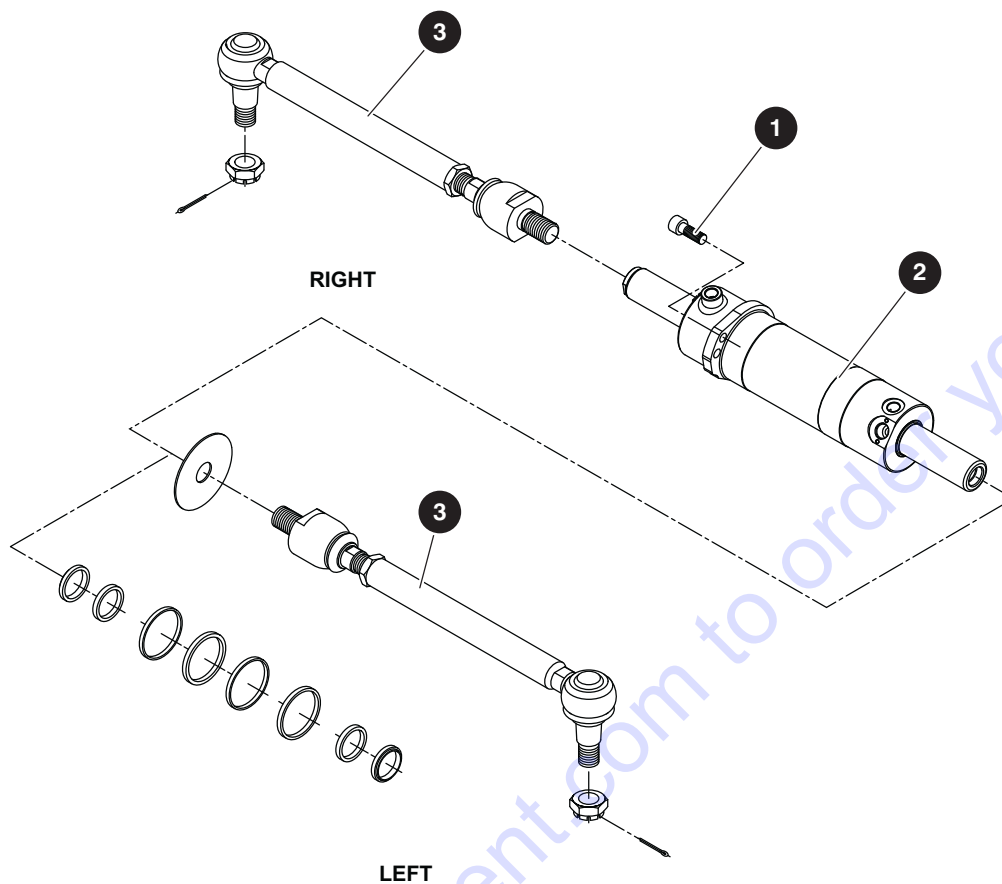
SJ643 TH, SJ843 TH

SKYJACK

## 2.4 Front Axle - Brakes

Index No.	Skyjack Part No.	Qty.	Description
-	9-170837	1	• BRAKES, FRONT
1	9-196644	1	• • SPACER
2	9-170839	4	• • SPRING
3	9-170840	2	• • PISTON
4	9-170841	2	• • O-RING
5	9-196645	4	• • SEAL
6	9-170844	2	• • COVER
7	9-196646	2	• • SEAL
8	9-170847	2	• • PISTON
9	9-170848	2	• • INTERMEDIATE BRAKE DISC
10	9-168290	6	• • SPRING
11	9-170849	6	• • ADJUSTING BOLT
12	9-170850	8	• • DISC
13	9-404210	8	• • INTERMEDIATE BRAKE DISC, Park brake
14	9-170851	2	• • SPACER
15	9-168296	4	• • BOLT
16	9-170853	6	• • ADJUSTING BOLT
17	9-141098	6	• • SPRING
18	9-403087	4	• • NUT
19	9-403096	4	• • WASHER
20	9-141086	4	• • BLEEDING BOLT
21	9-141006	4	• • PLUG
22	9-196647	2	• • SHIM
23	9-168299	4	• • PLUG

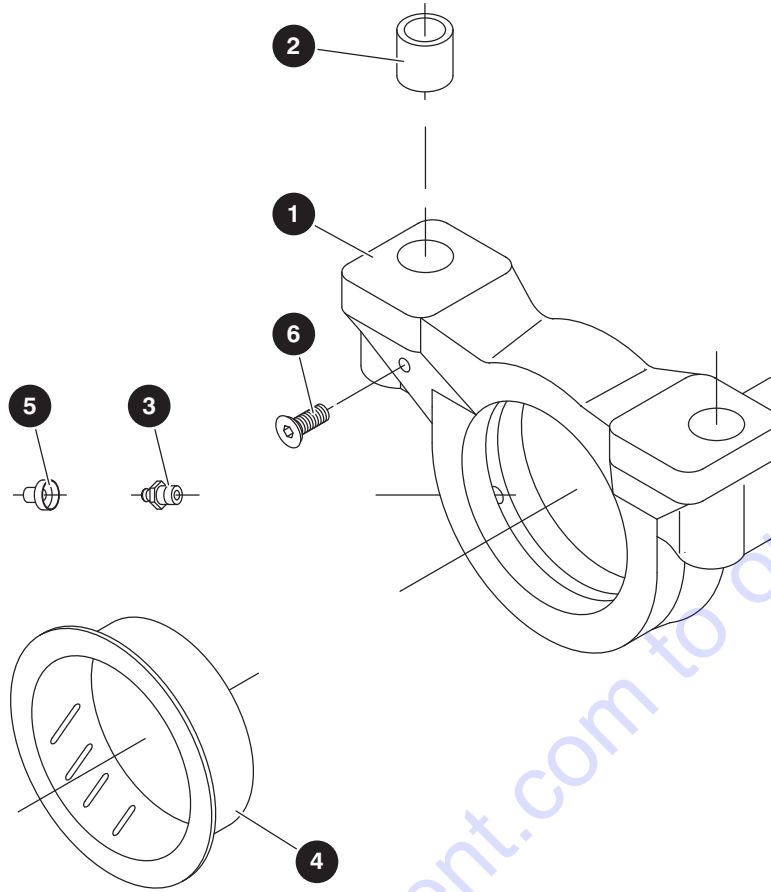
## 2.5 Front Axle - Steering



M190707-4

Index No.	Skyjack Part No.	Qty.	Description
-	9-169240	1	STEERING ASSEMBLY
1	9-195047	4	• BOLT
2	9-169241	1	• CYLINDER, STEER
3	9-196650	2	• BAR

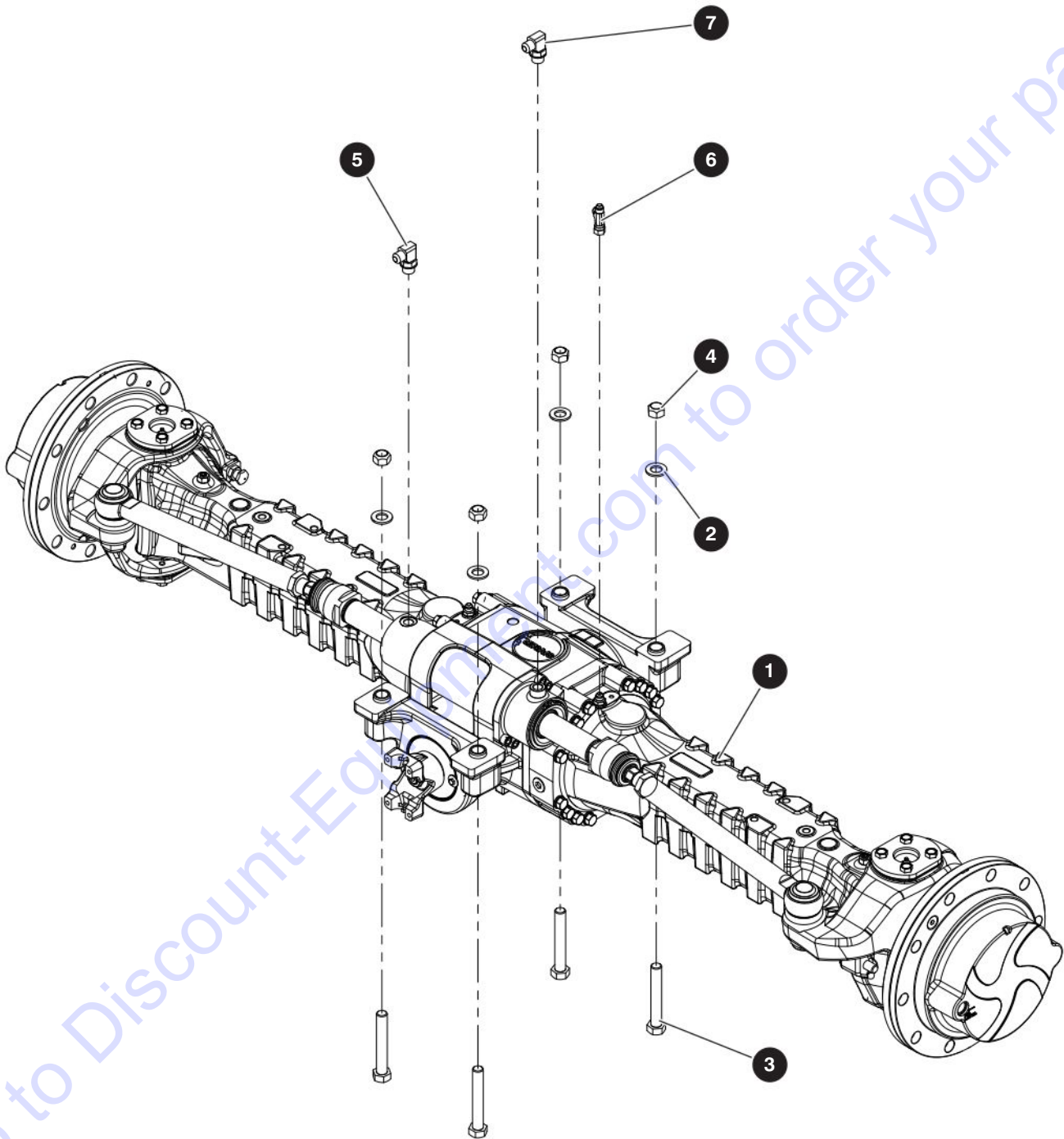
## 2.6 Front Axle - Trunion



m190707-5

Index No.	Skyjack Part No.	Qty.	Description
-	9-196651	1	TRUNION
1	9-196652	1	• SUPPORT
2	9-406998	2	• • REDUCTION BUSHING, Axle pivot mount
3	9-168273	1	• • FITTING, GREASE
4	9-406999	1	• • THRUST BUSHING, Axle pivot mount
5	9-141006	1	• • PLUG
6	9-196654	1	• BOLT

## 2.7 Rear Axle



M190706AC

190125AG

**44**

SJ643 TH, SJ843 TH

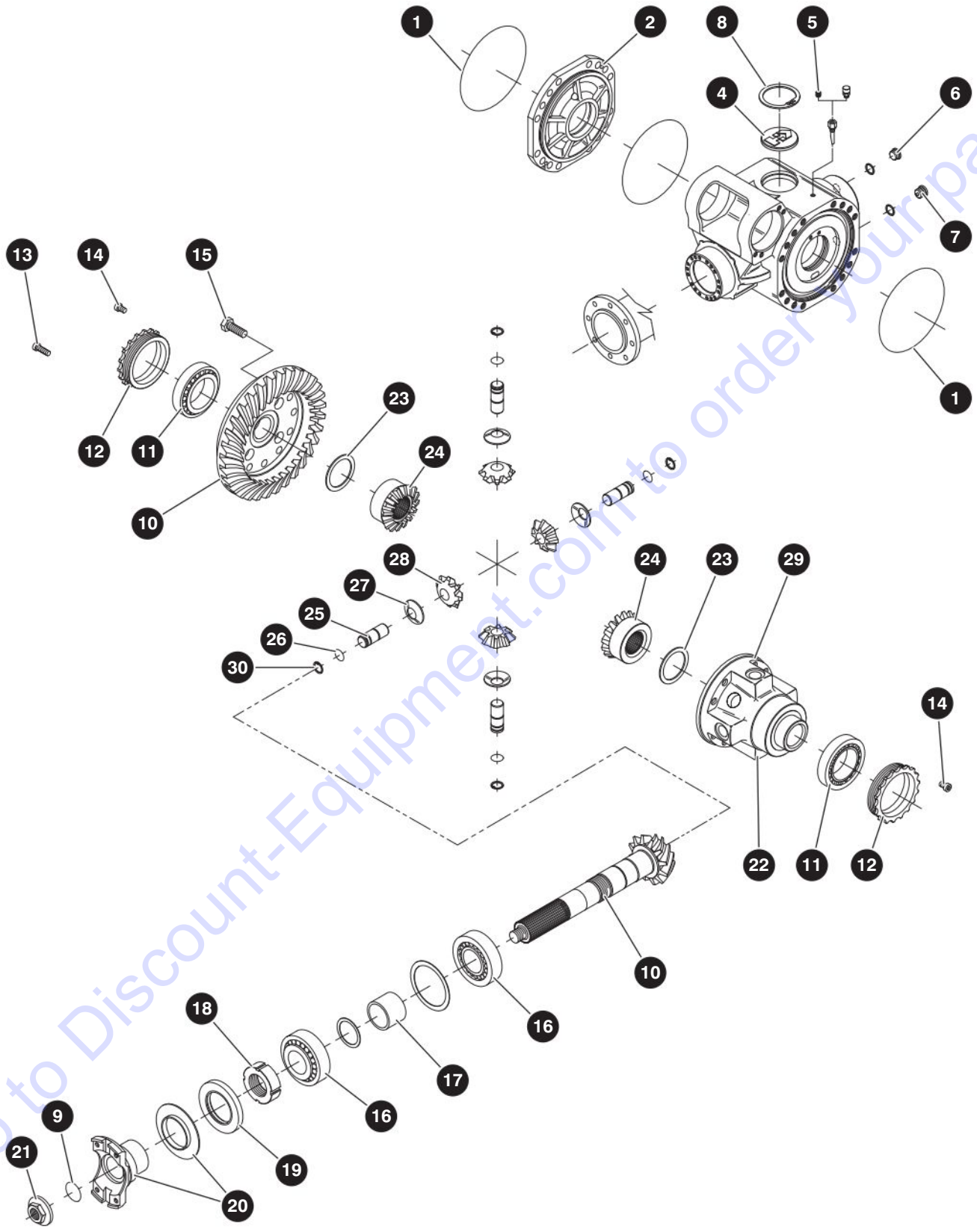
**SKYJACK**



## 2.7 Rear Axle

Index No.	Skyjack Part No.	Qty.	Description
-	9-190706	1	AXLE, REAR SUBGOUP TH 843/643
1	(Ref.)	1	<ul style="list-style-type: none"> <li>AXLE, REAR 212</li> </ul> (For components, refer to Section 2.7)
2	9-103990	4	<ul style="list-style-type: none"> <li>WASHER, Flat 3/4"</li> </ul>
3	9-146773	4	<ul style="list-style-type: none"> <li>BOLT, Hex head 3/4"-10 X 5" grade 8</li> </ul>
4	9-700575	4	<ul style="list-style-type: none"> <li>NUT, Torque lock 3/4"-10 grade C</li> </ul>
5	9-132256	2	<ul style="list-style-type: none"> <li>FITTING, 90° (08 JICM - 10 ORBM)</li> </ul>
6	9-702382	1	<ul style="list-style-type: none"> <li>Nut SWIVEL, run tee #6</li> </ul>
7	9-230250	2	<ul style="list-style-type: none"> <li>FITTING, Straight (06 JICM14mm)</li> </ul>
8	(Ref.)	2	OIL, Hydraulic (For components, refer to Section 12.1)

## 2.8 Rear Axle - Internal Breakdown



M190707-1

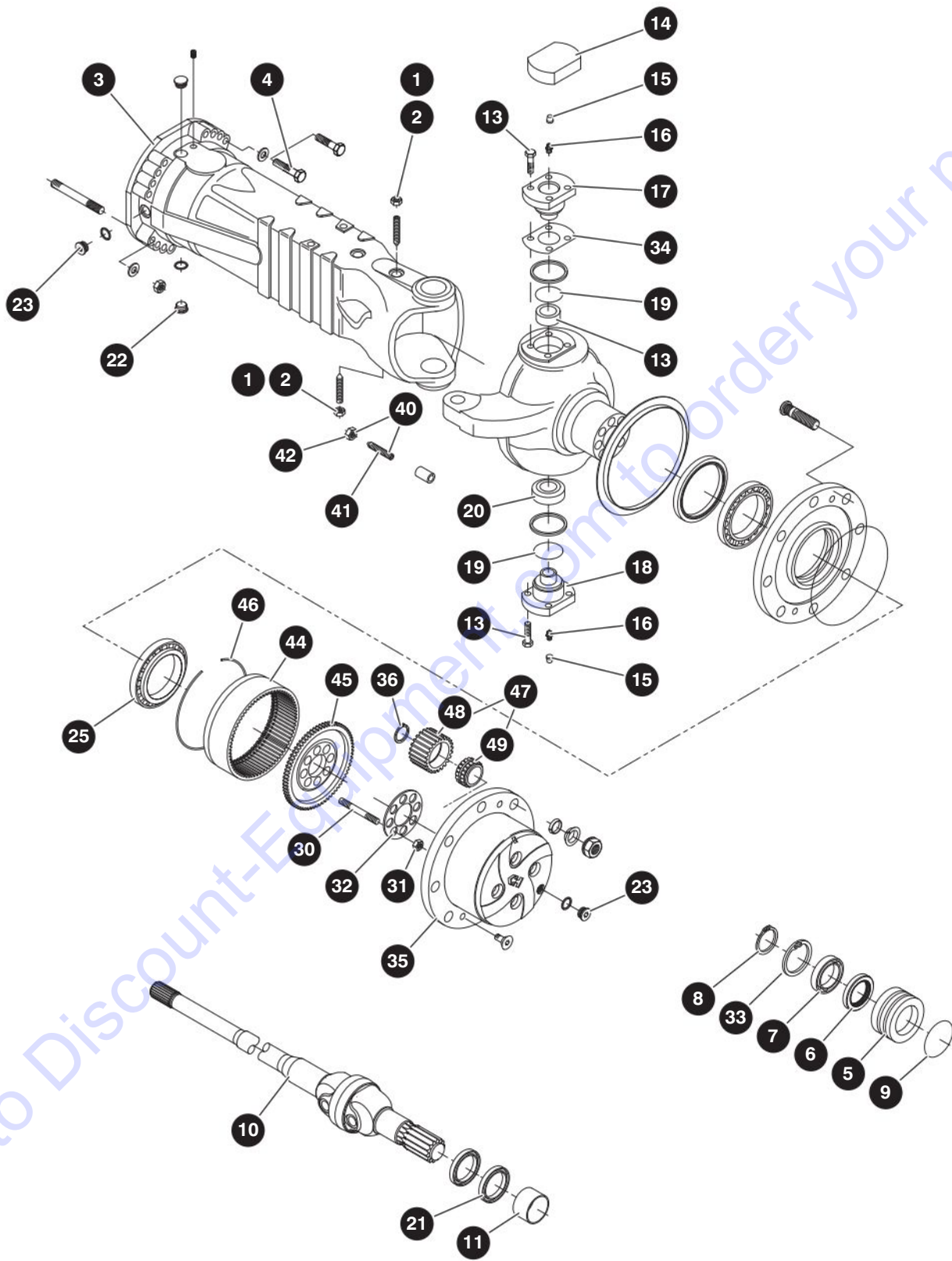
190125AG

SJ643 TH, SJ843 TH

## 2.8 Rear Axle - Internal Breakdown

Index No.	Skyjack Part No.	Qty.	Description
-	9-190028	1	ASSEMBLY, REAR AXLE
-	9-151755		• CENTRAL HOUSING ASSEMBLY
1	9-140970	3	• • O-RING
2	9-170719	1	• • COVER, Central housing
3	9-196623	1	• • HOUSING
4	9-140967	1	• • PLUG
5	9-170720	1	• • VENT, Central housing
6	9-140969	5	• • PLUG
7	9-140968	3	• • PLUG, Magnet
8	9-140966	3	• • CIRCLIP
-	9-196634	-	• DIFFERENTIAL
9	9-403057	1	• • O-RING
10	9-196625	1	• • BEVEL GEAR SET
11	9-196626	2	• • TAPERED BEARING
12	9-141068	2	• • RING NUT
13	9-140977	4	• • CYLINDER BOLT
14	9-168259	2	• • BOLT
15	9-140993	12	• • BOLT
16	9-140984	2	• • BEARING
17	9-404187	1	• • SPACER
18	9-140980	1	• • RING NUT
19	9-196627	1	• • SEAL
20	9-196628	1	• • FLANGE
21	9-196629	1	• • NUT
22	9-196630	1	• • DIFFERENTIAL
23	9-404185	2	• • • FRICTION WASHER
24	9-196631	2	• • • GEAR SIDE DIFFERENTIAL
25	9-196632	4	• • • PIN
26	9-403069	4	• • • CIRCLIP
27	9-404186	4	• • • WASHER
28	9-196633	4	• • • PINION DIFFERENTIAL
29	9-404178	1	• • • REAR DIFFERENTIAL CARRIER
30	9-403073	4	• • • CIRCLIP

## 2.9 Rear Axle - Reduction Hub



M190707-2

190125AG

48

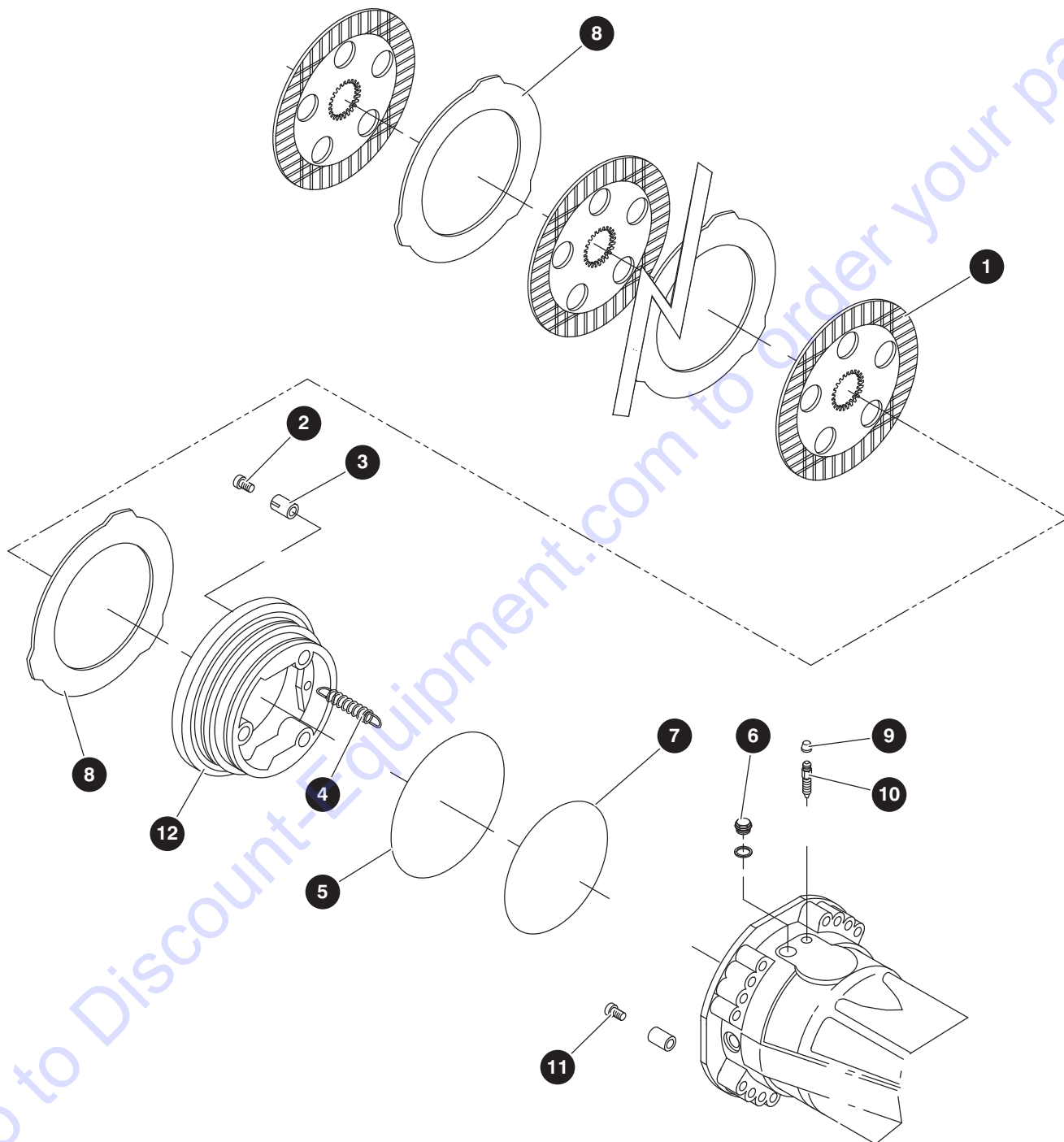
SJ643 TH, SJ843 TH

SKYJACK

## 2.9 Rear Axle - Reduction Hub

Index No.	Skyjack Part No.	Qty.	Description
-	9-196634	1	REDUCTION HUB
1	9-403084	2	• NUT
2	9-403127	2	• SCREW SET
3	9-196655	2	• CASE, Axle
4	9-141079	32	• BOLT
5	9-151761	2	• REDUCTION BUSHING
6	9-151762	2	• SEAL
7	9-141073	2	• BEARING
8	9-151763	2	• CIRCLIP
9	9-403050	2	• O-RING
10	9-196636	2	• JOINT
11	9-406996	1	• THRUST BUSHING
12	9-151765	2	• BUSHING
13	9-196637	20	• BOLT
14	9-406391	2	• PLASTIC COVER
15	9-141006	4	• PLUG
16	9-168273	2	• FITTING
17	9-406408	2	• PIVOT PIN
18	9-406407	2	• PIVOT PIN
19	9-403063	2	• SEAL
20	9-406388	2	• ARTICULATION
21	9-406402	2	• ASSEMBLY, Seal outer axle shaft
22	9-140968	2	• PLUG, Magnet
23	9-140969	4	• PLUG
24	9-405116	2	• SEAL, Inner hub
25	9-141019	4	• BEARING
26	9-405094	20	• WHEEL STUD
27	9-404206	2	• HUB
28	9-405098	2	• O-RING
29	9-141033	4	• BOLT
30	9-196638	16	• STUD
31	9-196639	16	• NUT
32	9-141081	2	• LOCKING PLATE
33	9-140966	2	• CIRCLIP
34	9-406392	2	• SHIM
35	9-196640	2	• PLANETARY GEAR CARRIER
36	9-141028	8	• • CIRCLIP
37	9-404207	2	• • PLANETARY GEAR CARRIER BASE
38	9-196641	1	• STEERING CASE - Left
39	9-196642	1	• STEERING CASE - Right
40	9-168284	4	• SUPPORT, Ring gear
41	9-168275	4	• • BOLT
42	9-403088	4	• • NUT
43	9-141042	2	• KIT, Ring gear support
44	9-141023	2	• • RING GEAR
45	9-141024	2	• • RING GEAR SUPPORT
46	9-141022	2	• • CIRCLIP
47	9-196643	8	• PLANET GEAR
48	9-141029	8	• • PLANET GEAR
49	9-141030	8	• • BEARING

## 2.10 Rear Axle - Brakes



M190706-1

190125AG

**50**

SJ643 TH, SJ843 TH

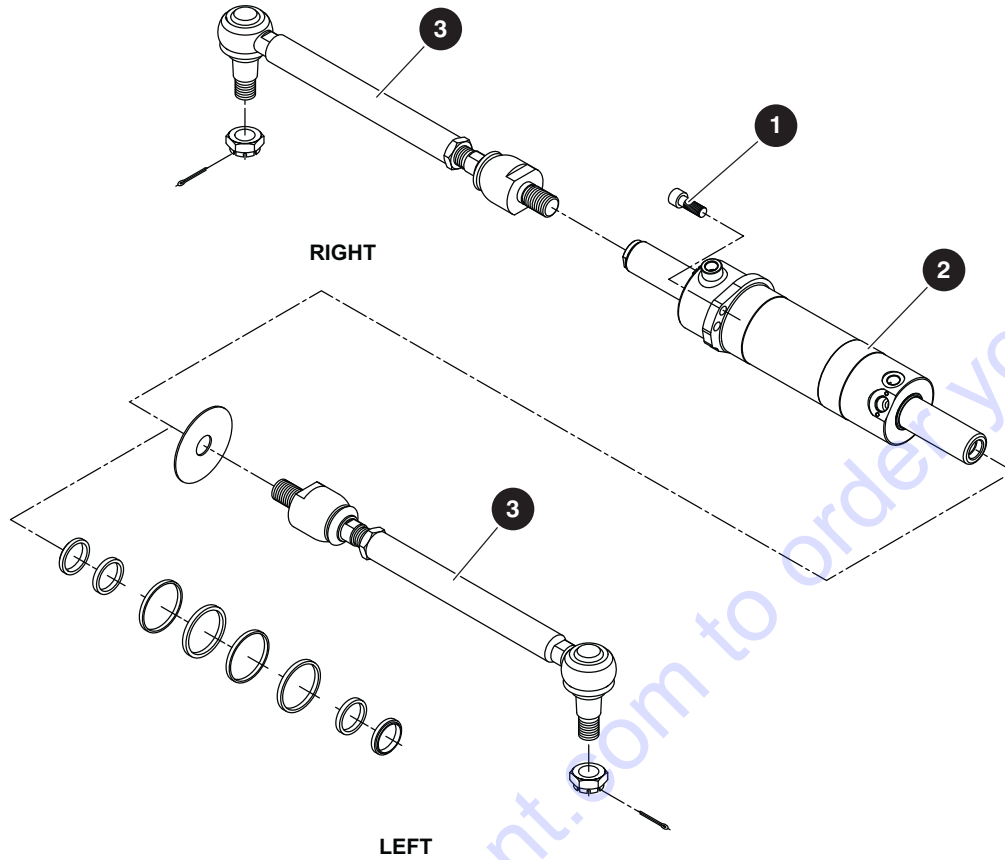
**SKYJACK**



## 2.10 Rear Axle - Brakes

Index No.	Skyjack Part No.	Qty.	Description
-	9-170837	1	BRAKES, FRONT
1	9-196656	8	• DISC BRAKE
2	9-196657	6	• ADJUSTING BOLT
3	9-141098	6	• SPRING
4	9-405248	6	• SPRING
5	9-196658	2	• O - RING
6	9-168299	2	• WASHER
7	9-196659	2	• O - RING
8	9-404210	10	• INTERMEDIATE BRAKE DISC
9	9-141086	2	• BLEEDING BOLT
10	9-141006	2	• PLUG
11	9-196660	2	• PILOT BOLT
12	9-196661	2	• PISTON

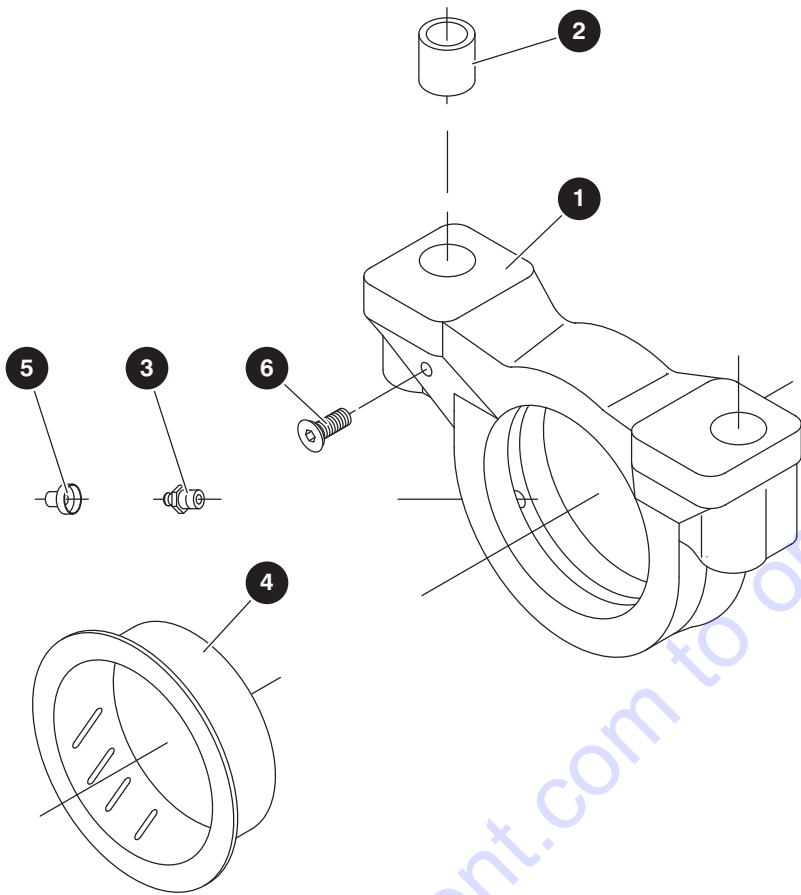
## 2.11 Rear Axle - Steering



M190707-4

Index No.	Skyjack Part No.	Qty.	Description
-	9-169240	1	STEERING ASSEMBLY
1	9-195047	4	• BOLT
2	9-169241	1	• CYLINDER, STEER
3	9-196650	2	• BAR

## 2.12 Rear Axle - Trunion



m190707-5

Index No.	Skyjack Part No.	Qty.	Description
-	9-196651	1	TRUNION
1	9-196652	1	• SUPPORT
2	9-406998	2	• • REDUCTION BUSHING, Axle pivot mount
3	9-168273	1	• • FITTING, GREASE
4	9-406999	1	• • THRUST BUSHING, Axle pivot mount
5	9-141006	1	• • PLUG
6	9-196654	1	• BOLT

# PARTS FINDER

**Search Website  
by Part Number**



**Search Manual  
Library For Parts  
Manual & Lookup Part  
Numbers – Purchase  
or Request Quote**

**Search Manuals**

Enter your information to help us find the right parts manual for your machine.

\* Brand:

\* Model:

\* Serial:

\* Part Number:

SEARCH

**Can't Find Part or  
Manual? Request Help  
by Manufacturer,  
Model & Description**

**Parts Order Form**

Please fill in the following information to help us find the right part for your machine.

Manufacturer:	<input type="text"/>
Model:	<input type="text"/>
Description:	<input type="text"/>
Part Number:	<input type="text"/>
Quantity:	<input type="text"/>
Notes:	<input type="text"/>

Submit

Discount-Equipment.com is your online resource for quality parts & equipment.

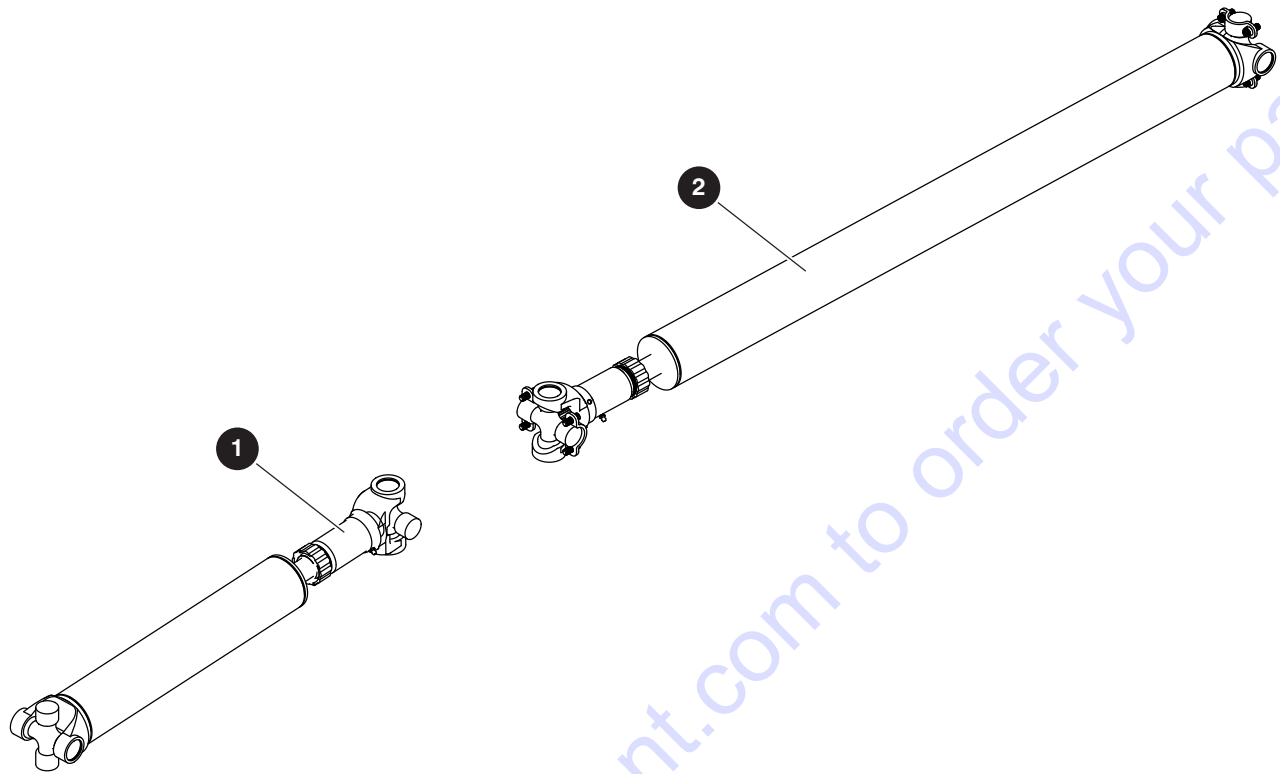
Florida: **561-964-4949** Outside Florida TOLL FREE: **877-690-3101**

**Need parts?**

Click on this link: <http://www.discount-equipment.com/category/5443-parts/> and choose one of the options to help get the right parts and equipment you are looking for. Please have the machine model and serial number available in order to help us get you the correct parts. If you don't find the part on the website or on one of the online manuals, please fill out the request form and one of our experienced staff members will get back to you with a quote for the right part that your machine needs.

We sell worldwide for the brands: Genie, Terex, JLG, MultiQuip, Mikasa, Essick, Whiteman, Mayco, Toro Stone, Diamond Products, Generac Magnum, Airman, Haulotte, Barreto, Power Blanket, Nifty Lift, Atlas Copco, Chicago Pneumatic, Allmand, Miller Curber, Skyjack, Lull, Skytrak, Tsurumi, Husquvarna Target, Stow, Wacker, Sakai, Mi-T-M, Sullair, Basic, Dynapac, MBW, Weber, Bartell, Bennar Newman, Haulotte, Ditch Runner, Menegotti, Morrison, Contec, Buddy, Crown, Edco, Wyco, Bomag, Laymor, EZ Trench, Bil-Jax, F.S. Curtis, Gehl Pavers, Heli, Honda, ICS/PowerGrit, IHI, Partner, Imer, Clipper, MMD, Koshin, Rice, CH&E, General Equipment, Amida, Coleman, NAC, Gradall, Square Shooter, Kent, Stanley, Tamco, Toku, Hatz, Kohler, Robin, Wisconsin, Northrock, Oztec, Toker TK, Rol-Air, APT, Wylie, Ingersoll Rand / Doosan, Innovatech, Con X, Ammann, Mecalac, Makinex, Smith Surface Prep, Small Line, Wanco, Yanmar

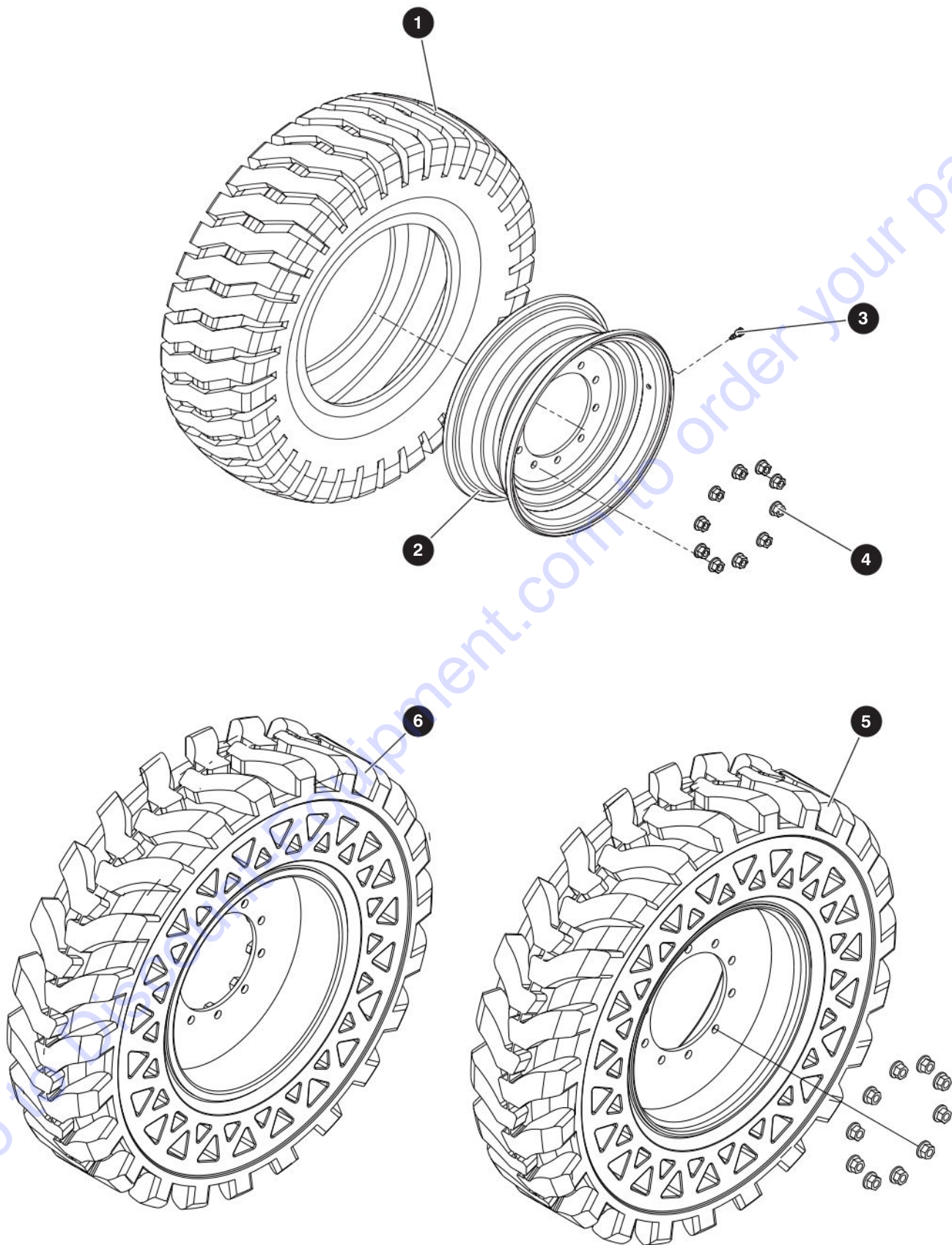
## 2.13 Drive Shaft



M190708AA

Index No.	Skyjack Part No.	Qty.	Description
-	9-190708	1	DRIVE SHAFT SUBGROUP
1	9-190381	1	• DRIVE SHAFT, Front
2	9-190382	1	• DRIVE SHAFT, Rear
-	9-221398	1	• • STRAP KIT (Not shown)

## 2.14 Tires and Wheels



M207889AA

190125AG

56

SJ643 TH, SJ843 TH

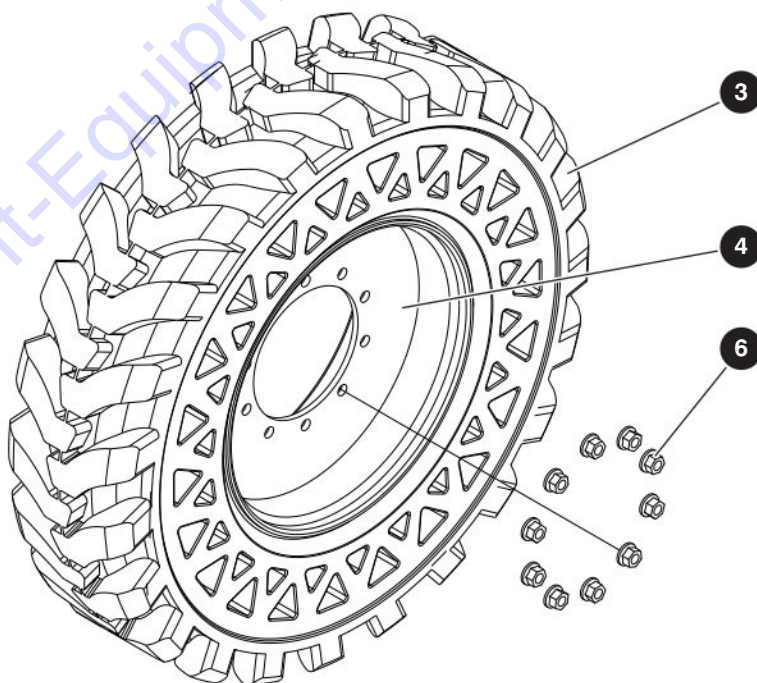
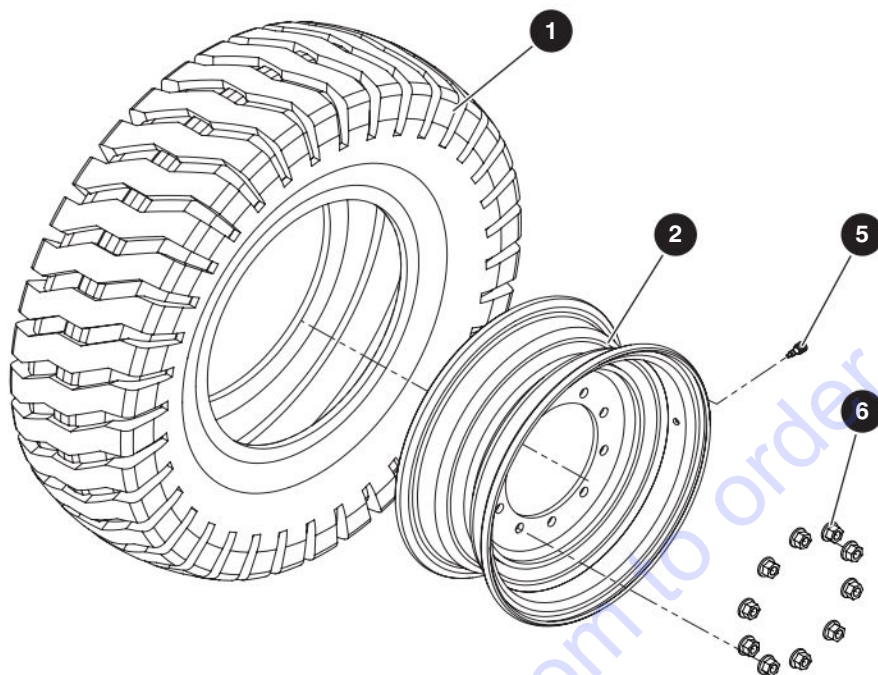
SKYJACK

## 2.14 Tires and Wheels

Index No.	Skyjack Part No.	Qty.	Description
<b>A</b>	9-207605	1	ASSEMBLY, TIRE - Air Rough Terrain, Galaxy Giraffe 13-24, 14PR
	9-207575	2	• TIRE, WHEEL ASSY RH GALAXY GIRAFFE XLW13-24 299.1
	9-207580	2	• TIRE, WHEEL ASSY LH GALAXY GIRAFFE XLW 13-24
<b>B</b>	9-207583	1	ASSEMBLY, TIRE - Foam Rough Terrain, Galaxy Giraffe 13-24, 14PR
	9-207579	2	• TIRE, WHEEL ASSY RH GALAXY GIRAFFE 13-24 FM 799.1
	9-207575	2	• • TIRE, WHEEL ASSY RH GALAXY GIRAFFE XLW13-24 299.1
	9-207582	2	• TIRE, WHEEL ASSY LH GALAXY GIRAFFE 13-24 FM 799.1
	9-207580	2	• • TIRE, WHEEL ASSY LH GALAXY GIRAFFE XLW 13-24
<b>C</b>	9-922099	1	TIRE, PRIMEX GRADE ROCK 13 x 24 16 PR L3 (Hard Surface, Air Filled)
	9-923400	4	• ASSEMBLY, Tire/wheel 13 x 24 L3
<b>D</b>	9-167343	1	TIRE, PRIMEX GRADE ROCK 13 x 24 16 PR L3 (Hard Surface, Foam Filled)
	9-167388	1	• ASSEMBLY, Tire/wheel 13 x 24 L3 Grade Rock XT (Hard Surface)
<b>E</b>	9-207889	1	TIRE, SOLIDAR 13.00-24
<b>F</b>	9-207918	1	TIRE, SOLIDBOSS 13.00-24
	9-207984	2	• TIRE, RH Solidboss 13.00-24
	9-207915	2	• TIRE, LH Solidboss 13.00-24
1	9-923402	1	TIRE, Primex grade rock 13 x 24 16 PR L3 (Hard Surface) - <b>C, D</b>
	9-207565	1	TIRE, GALAXY GIRAFFE XLW 13-24, 14PR - <b>A, B</b>
2	9-923401	4	RIM, 24.0 X 9.0 TH843 - <b>C, D</b>
	9-207545	1	RIM, 24.0 X 9.0, SJX43TH - <b>A, B</b>
	9-208754	1	RIM, Solidboss 13-24 - <b>F</b>
3	9-932593	4	VALVE, Air - <b>A, B, C, D</b>
4	9-927901	40	NUT, Wheel M22 x 1.5
5	9-207888	2	TIRE, RH Solidar 13.00-24 - <b>E</b>
	9-208753	2	TIRE, Solidboss 13.00-24 - <b>F</b>
6	9-207985	2	TIRE, LH Solidar 13.00-24 - <b>E</b>
-	9-142384	4	LABEL, Tires foam filled - B, <b>D</b>
-	9-161594	4	LABEL, Tire pressure 87 PSI / 6 BAR - <b>A</b>
-	9-402156	4	LABEL, Tire pressure 80 PSI - <b>C</b>



## 2.15 Tire and Wheel Assembly - Non-marking



M207889AA

190125AG

SJ643 TH, SJ843 TH

## 2.15 Tire and Wheel Assembly - Non-marking

Index No.	Skyjack Part No.	Qty.	Description
<b>A</b>	9-211565	1	TIRE GROUP, NON MARKING FOAM FILL 13-24
	9-211566	2	• TIRE, WHEEL NON-MARKING RH 13-24
	9-211568	1	• • TIRE, WHEEL NON-MARKING RH 13-24
	9-211567	2	• TIRE, WHEEL NON-MARKING LH 13-24
	9-211569	1	• • TIRE, WHEEL NON-MARKING RH 13-24
<b>B</b>	9-212061	1	TIRE GROUP, SOLID NON MARKING 13-24
	9-212063	2	• TIRE, WHEEL SOLID NON-MARKING RH 13-24
	9-212062	2	• TIRE, WHEEL SOLID NON-MARKING LH 13-24
1	9-211570	1	TIRE, Non-marking 13 x 24 16PR SL G2 - <b>A</b>
2	9-207545	1	RIM, 24.0 X 9.0, SJX43TH - <b>A</b>
3	9-212064	1	TIRE, Solid Non-marking 13 x 24 - <b>B</b>
4	9-208754	1	RIM, SOLIDBOSS 13 x 24 - <b>B</b>
5	9-932593	4	VALVE, Air - <b>A</b>
6	9-927901	40	NUT, Wheel M22 x 1.5 - <b>A, B</b>
7	9-142384	4	LABEL, Tires foam filled - <b>A</b>

---

## Section 3 – Engine and Transmission



*Engine Tray*



*Exhaust Installation*



*Engine and Powershift  
Transmission*



*Cooling Package*



*Engine & CVT Transmission*



*CVT Cooling Package*



*Engine Components*



*Cooler - Internal Breakdown*



*Powershift Transmission -  
Housing & Case*



*Radiator - Internal Breakdown*



*Continuously Variable  
Transmission (CVT) Assembly*



*Powershift Transmission  
Hydraulic Pump*



*Fuel Lines*

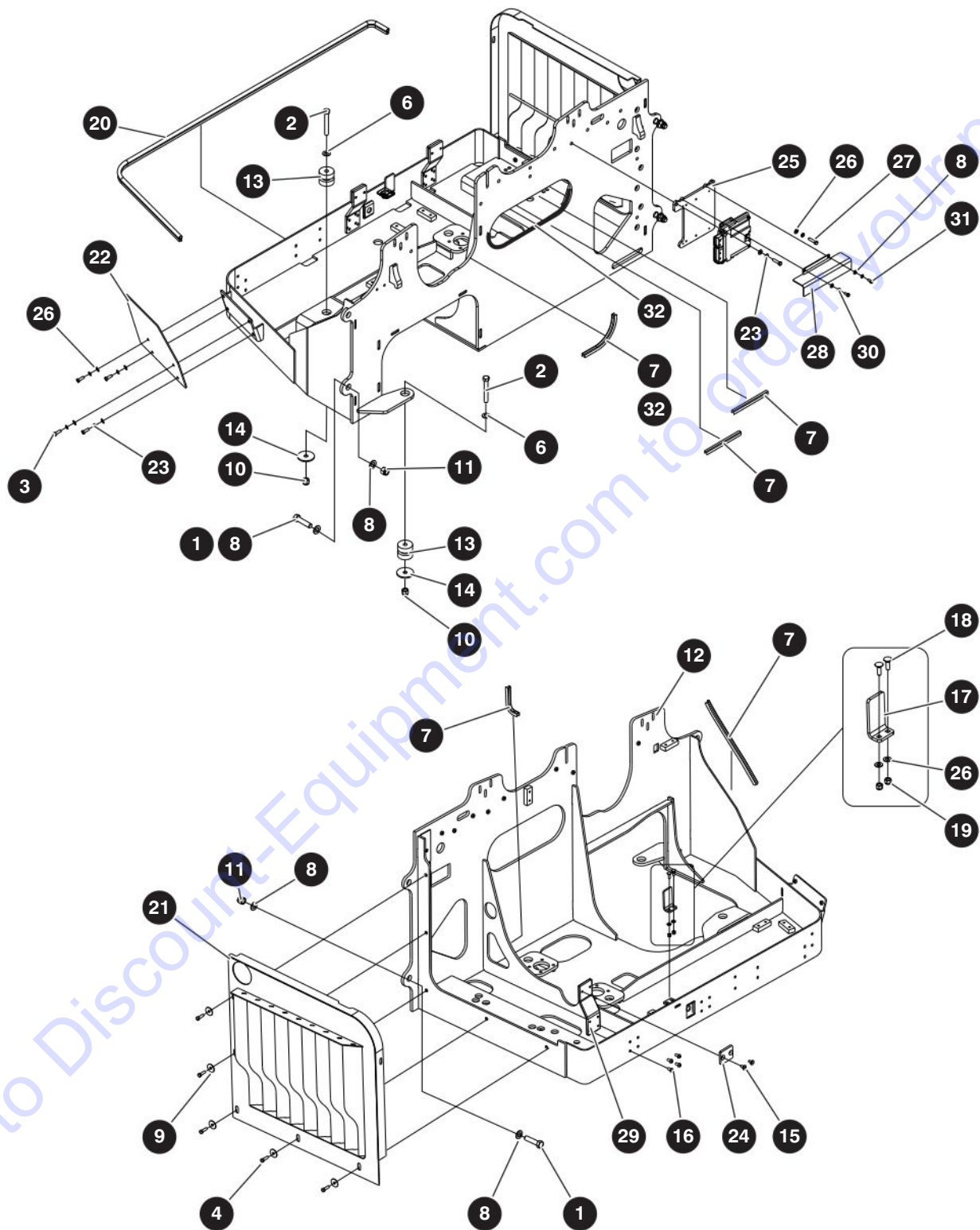


*CVT Hydraulic Pump*



*Air Intake System*

### 3.1 Engine Tray



M190704AK

190125AG

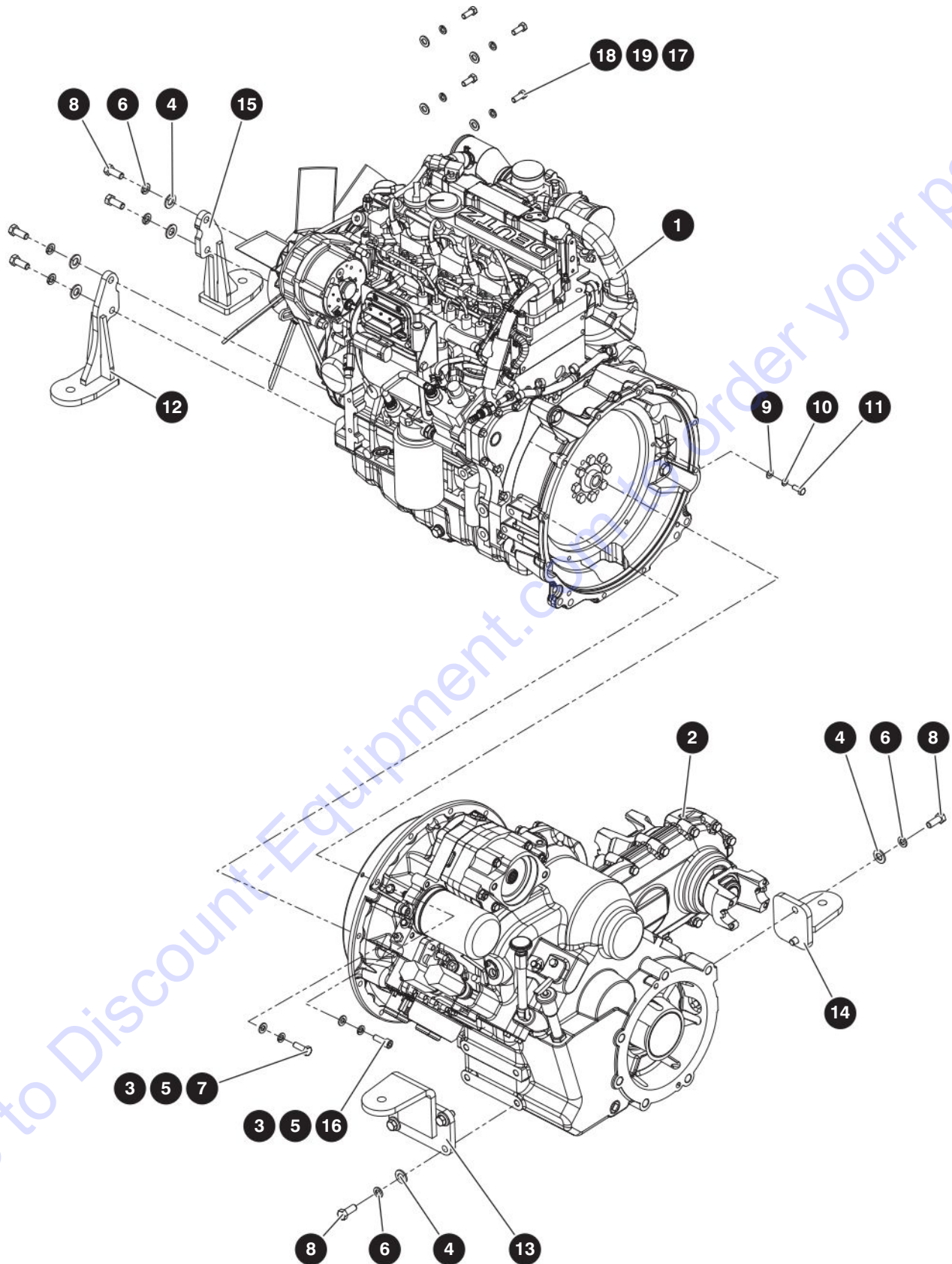
SJ643 TH, SJ843 TH

### 3.1 Engine Tray

Index No.	Skyjack Part No.	Qty.	Description
<b>A</b>	9-190704	-	ENGINE TRAY ASSEMBLY
<b>B</b>	9-220124	-	ENGINE TRAY ASSEMBLY - CVT
1	9-103894	4	• BOLT, Hex head 3/4"-10 X 3" Gr. 8
2	9-701762	4	• BOLT, Hex head 5/8"-11 X 4-1/2" Gr. 8 - <b>A</b>
-	9-192219	1	• BOLT, Hex head 5/8"-11 X 4" GR8 - <b>B</b>
3	9-103473	4	• BOLT, Hex head 3/8"-16 X 1" Gr. 5
4	9-101297	5	• BOLT, Hex head 3/8"-16 X 1-1/4" Gr. 5
5	9-702194	8	• WASHER, Flat 3/4" hard high zinc
6	9-700782	4	• WASHER, Flat 5/8" hard high zinc
7	9-119922	75"	• TRIM, Protective 1/4 - 1/2"
8	9-103996	4	• WASHER, Flat 5/16" SAE
9	9-127067	5	• WASHER, Flat 3/8" style BB
10	9-111577	4	• NUT, Lock with nylon insert 5/8"-11 Gr. 5
11	9-700575	4	• NUT, Lock 3/4"-10 Gr. 8
12	9-230351	1	• WELDMENT, TH Engine tray
13	9-190749	4	• ISOLATOR, Engine
14	9-190889	4	• WASHER, Rebound
15	9-411768	4	• BOLT, Flat head cap 3/8"-16 X 3/4" Gr. 5
16	9-170182	8	• BOLT, Button head cap 3/8"-16 X 3/4"
17	9-190484	1	• BRACKET, Latch
18	9-133216	2	• BOLT, CARRIAGE 5/16"-18 X 1" Gr. 5
19	9-103984	2	• NUT, Lock with nylon insert 5/16"-18 Gr. 5
20	9-190483	75"	• SEAL, 1/4" edge X 5/8" bulb
21	9-191190	1	• WELDMENT, Inlet grill
22	9-191405	1	• PLATE, Cowling fender
23	9-103999	6	• WASHER, Lock 3/8"
24	9-190936	2	• PAD, Cowling hard stop
25	9-191383	1	• PLATE, ECU mounting - <b>S/N 87112757 and below</b>
26	9-103472	6	• WASHER, Flat 3/8" - <b>S/N 87112757 and below</b>
27	9-103870	2	• BOLT, Hex head 3/8"-16 X 1-1/2" Gr. 5 - <b>S/N 87112757 and below</b>
28	9-191351	1	• COVER, ECU - <b>S/N 87112757 and below</b>
29	9-190935	2	• BRACKET, Cowling hard stop
30	9-103404	2	• WASHER, Lock 5/16" - <b>S/N 87112757 and below</b>
31	9-148331	2	• BOLT, Hex head 5/16"-18 X 5/8" Gr. 5 - <b>S/N 87112757 and below</b>
32	9-196566	54	PROTECTIVE TRIM, 1/2" TO 5/8" - <b>B</b>



## 3.2 Engine and Powershift Transmission



M190703AA

190125AG

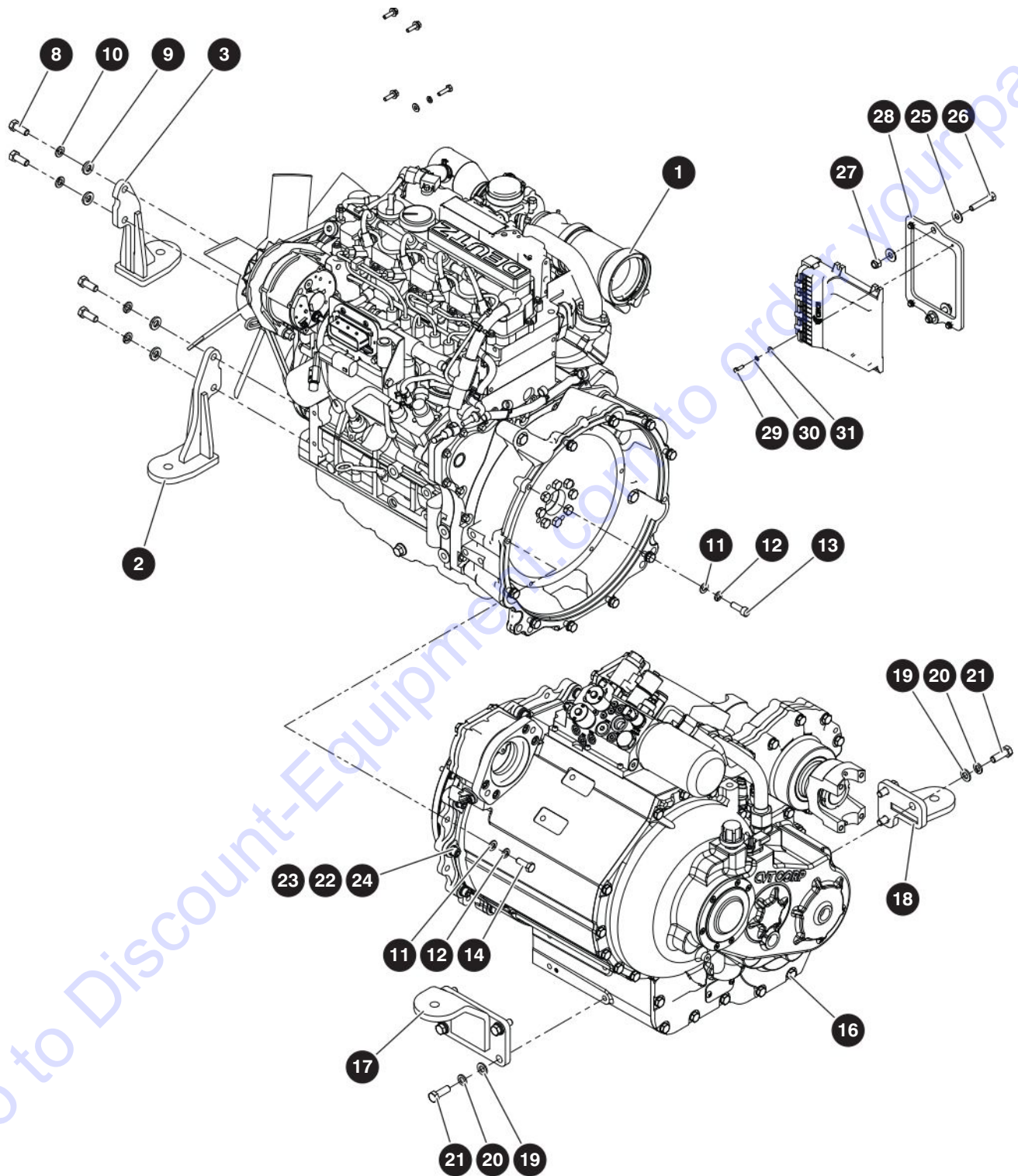
SJ643 TH, SJ843 TH

## 3.2 Engine and Powershift Transmission

Index No.	Skyjack Part No.	Qty.	Description
-	9-190703	1	ENGINE / TRANSMISSION INSTALLATION
1	(Ref.)	1	<ul style="list-style-type: none"> <li>ENGINE, Deutz TCD 2.9 L4 T4F</li> </ul> (For components, refer to Section 3.4)
2	(Ref.)	1	<ul style="list-style-type: none"> <li>ASSEMBLY, Powershift Transmission VDT12000</li> </ul> (For components, refer to Section 3.5)
3	9-933833	10	<ul style="list-style-type: none"> <li>WASHER, Flat M10-OD 20.0</li> </ul>
4	9-933630	10	<ul style="list-style-type: none"> <li>WASHER, Structural M12 Hard</li> </ul>
5	9-130884	10	<ul style="list-style-type: none"> <li>WASHER, Lock M10 plated DIN 127B</li> </ul>
6	9-116995	10	<ul style="list-style-type: none"> <li>WASHER, Lock M12 plated DIN 127B</li> </ul>
7	9-933658	9	<ul style="list-style-type: none"> <li>BOLT, Hex head M10 X 1-1/2" X 30 mm grade 10.9 ZP</li> </ul>
8	9-933659	10	<ul style="list-style-type: none"> <li>BOLT, Hex head M12-1-3/4" X 30 mm CL 10.9</li> </ul>
9	9-103996	6	<ul style="list-style-type: none"> <li>WASHER, Flat 5/16"</li> </ul>
10	9-103404	6	<ul style="list-style-type: none"> <li>WASHER, Lock 5/16"</li> </ul>
11	9-158320	6	<ul style="list-style-type: none"> <li>BOLT, Hex head 5/16"-18 X 3/4" grade 8</li> </ul>
12	9-190875	1	<ul style="list-style-type: none"> <li>MOUNT, 2.9L engine outer</li> </ul>
13	9-190709	1	<ul style="list-style-type: none"> <li>MOUNT, Transmission - outer</li> </ul>
14	9-190712	1	<ul style="list-style-type: none"> <li>MOUNT, Transmission - inner</li> </ul>
15	9-190876	1	<ul style="list-style-type: none"> <li>MOUNT, 2.9L engine inner</li> </ul>
16	9-232529	1	<ul style="list-style-type: none"> <li>BOLT, Socket head M10-1-1/2" x 30</li> </ul>
17	9-103891	4	<ul style="list-style-type: none"> <li>BOLT, Hex head 1/4"-20 X 1" grade 5 (ECU mounting hardware)</li> </ul>
18	9-103995	4	<ul style="list-style-type: none"> <li>WASHER, Flat 1/4" (ECU mounting hardware)</li> </ul>
19	9-104000	4	<ul style="list-style-type: none"> <li>WASHER, Lock 1/4" (ECU mounting hardware)</li> </ul>
20	9-216734	1	<ul style="list-style-type: none"> <li>HEATING ELEMENT</li> </ul>
21	9-199251	1	<ul style="list-style-type: none"> <li>CABLE, 120 V, 1.5 m</li> </ul>
22	9-199252	1	<ul style="list-style-type: none"> <li>CABLE, 120 V, 5 m</li> </ul>
23	(Ref.)	1	OIL (For components, refer to Section 12.1)



### 3.3 Engine & CVT Transmission



M220114AA

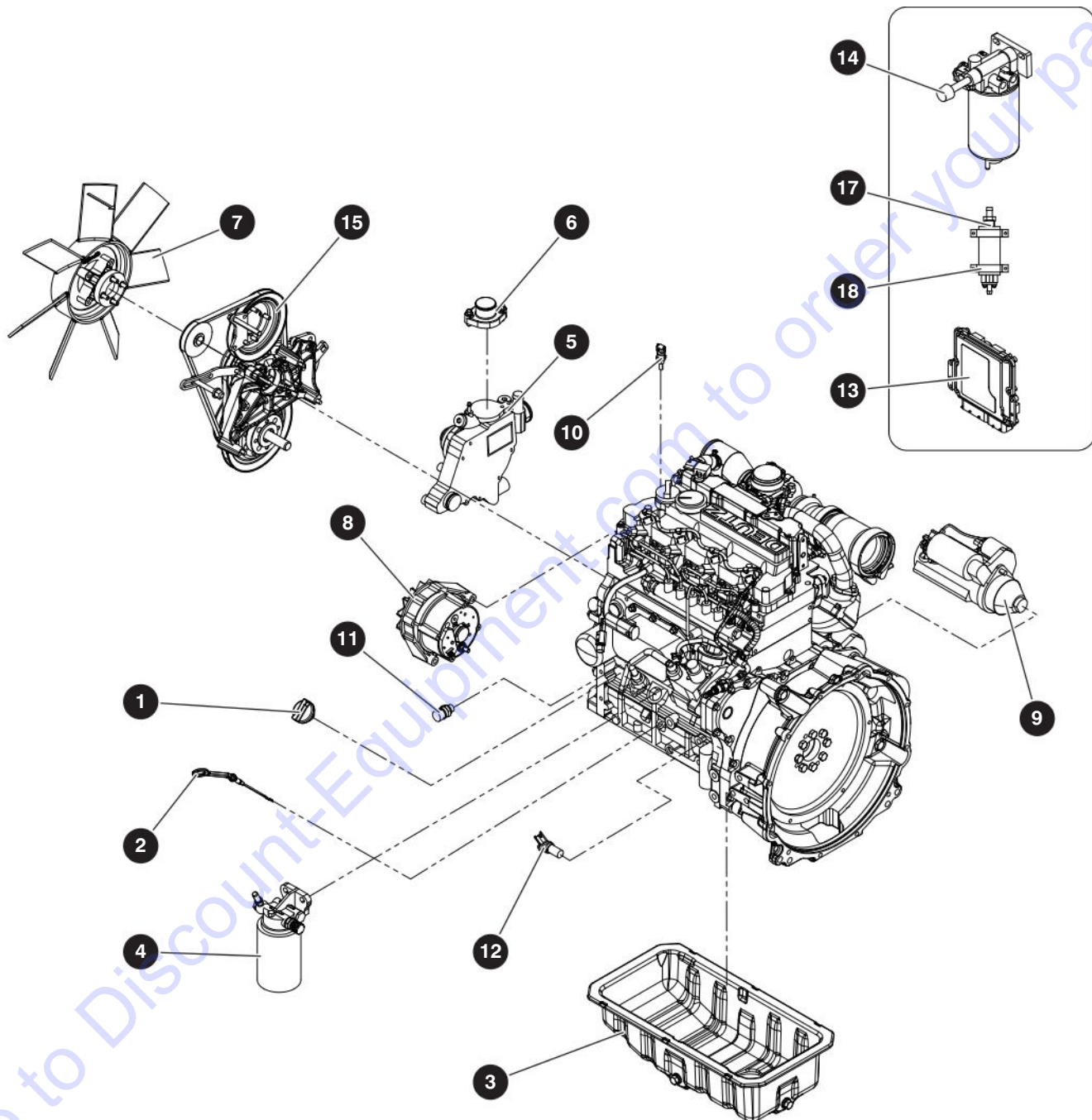
190125AG

SJ643 TH, SJ843 TH

### 3.3 Engine & CVT Transmission

Index No.	Skyjack Part No.	Qty.	Description
-	9-220114	1	ENGINE/TRANS, SUBGRP- 74HP, CVT
1	9-190002	1	• ENGINE, DEUTZ TCD2.9 T4F 74HP
3	9-190875	1	• MOUNT, 2.9L ENGINE OUTER
4	9-190876	1	• MOUNT, 2.9L ENGINE INNER
5	9-103857	4	• BOLT-HEX HD/ZINC (.25-20 X 1.00 / GR5)
6	9-103995	4	• WASHER, FLAT 0.250
7	9-104000	4	• WASHER, LOCK 0.25
8	9-933659	4	• BOLT, HEX HD M12-1.75x30MM CL 10.9
9	9-933630	4	• WASHER, STRUCTURAL M12 HARD
10	9-116995	4	• WASHER LOCK M12_PLATED DIN 127B
11	9-933833	11	• WASHER, FLAT M10-OD 20.0
12	9-130884	11	• WASHER LOCK M10-PLATED DIN 127B
13	9-191757	1	• BOLT, SKT HEAD M10-1.50x30
14	9-933658	10	• BOLT, HXHD M10 X 1.5 X 30MM GR 10.9 YE
-	9-216573	1	• TRANSMISSION ASSY, CVT
16	(Ref.)	1	• • CVT PURCHASED ASM
17	9-216741	1	• • BRACKET, TRANSMISSION MOUNT
18	9-216745	1	• • BRACKET, TRANSMISSION MOUNT
19	9-933817	7	• • WASHER, FLAT M12 CL 200 Y
20	9-116995	7	• • WASHER LOCK M12_PLATED DIN 127B
21	9-149419	7	• • BOLT, HXHD M12 X 1.75 X 35MM GR 8.8 ZP
22	9-132497	1	• • WASHER LOCK M10-PLATED DIN 127B
23	9-191757	11	• • BOLT, SKT HEAD M10-1.50x30
24	9-933833	11	• • WASHER, FLAT M10-OD 20.0
-	9-220126	1	• ASSEMBLY, CVT TCU MOUNTING-6K/8K
25	9-152200	4	• • WASHER, FLAT 0.375 USS
26	9-103871	2	• • BOLT, HXHD 0.375-16 X 1.750 GR5
27	9-104606	2	• • NUT, LOCK 0.375-16 GR5 - NYL
-	9-221259	1	• • SUB ASSY - CVT TCU MOUNTING
28	9-221258	1	• • • PLATE, TCU MOUNTING
29	9-800352	4	• • • BOLT, HEX HEAD M5 X 0.8 X 16 MM LG
30	9-104185	4	• • • WASHER, LOCK #10
31	9-104694	4	• • • Washer Flat #10

### 3.4 Engine Components



M190002AB

190125AG

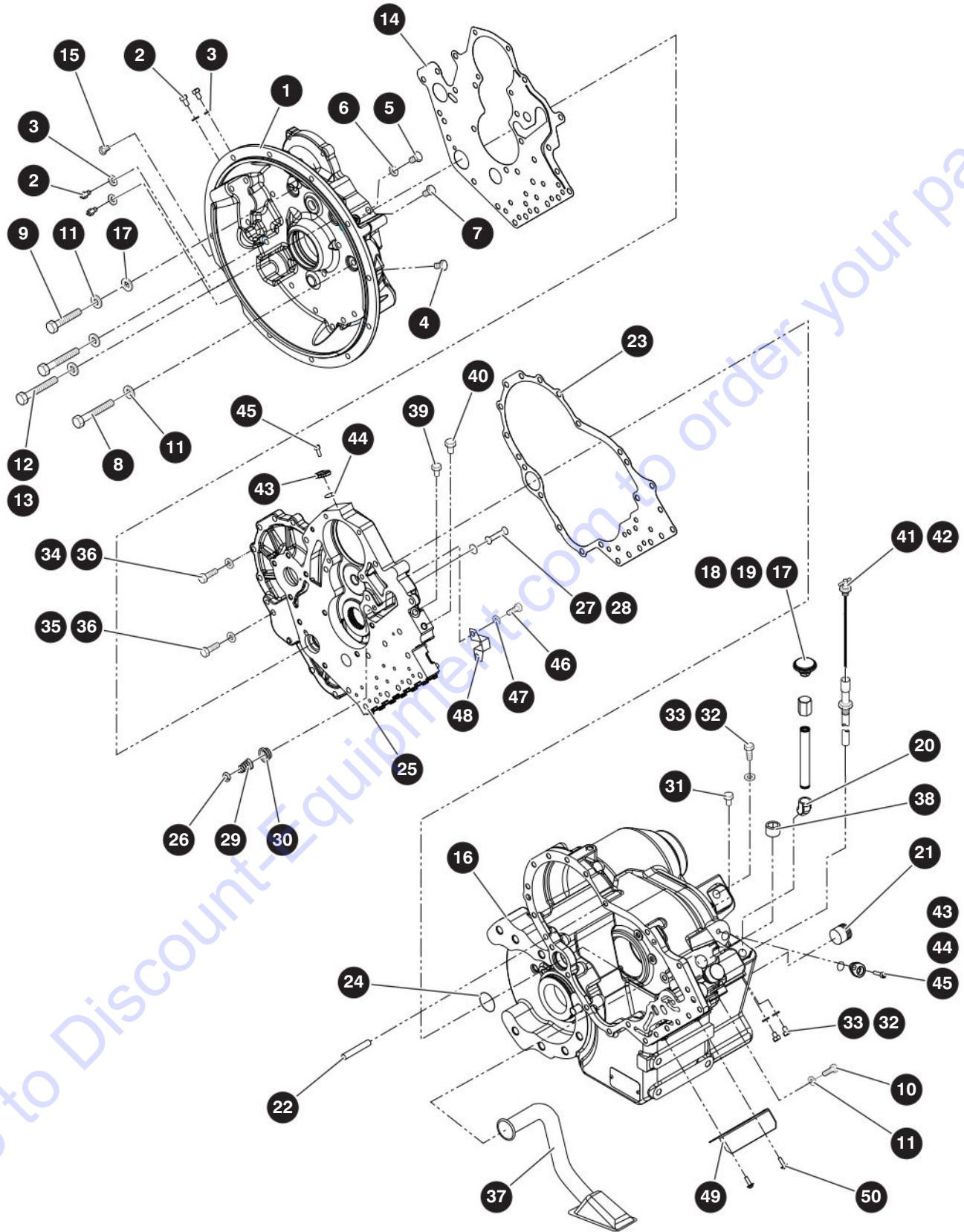
SJ643 TH, SJ843 TH

### 3.4 Engine Components

Index No.	Skyjack Part No.	Qty.	Description
-	9-190002	1	ASSEMBLY, ENGINE DEUTZ 2.9L
1	9-166689	1	• CAP, Filler
2	9-196870	1	• INDICATOR, Fluid level
3	9-196871	1	• PAN, Oil
4	9-196872	1	• FILTER, Fuel
-	9-164771	1	• • FILTER, Fuel Spin-on
-	9-166700	1	• • SENSOR, pressure
5	9-196880	1	• ASSEMBLY, Coolant pump
6	9-166699	1	• SWITCH, Thermostat
7	9-196882	1	• FAN
	9-229053	1	• • BOLT, Hexagonal
8	9-166693	1	• ALTERNATOR
9	9-166692	1	• STARTER
10	9-166702	1	• TEMPERATURE TRANSMITTER
11	9-166700	1	• SENSOR, Pressure
12	9-196886	1	• TACHO-GENERATOR
13	9-196887	1	• CONTROL UNIT
14	9-196888	1	• FILTER, Prefilter Fuel
-	9-196889	1	• • CARTRIDGE, Filter
-	9-169249	1	• • WIRE, Sensor cable
-	9-196893	1	• • PLUG, Vent
15	9-196894	1	• ASSEMBLY, V-grooved pulley
-	9-166694	1	• • BELT, V-belt
16	9-196896	1	• FILTER, Oil (Not Shown)
17	9-164770	1	• PUMP, Fuel supply
18	9-197095	2	• • CLIP
20	9-216734	1	• HEATING ELEMENT
21	9-199251	1	• CABLE, 120 V, 1.5 m
22	9-199252	1	• CABLE, 120 V, 5 m
23	9-221397	1	• PUMP, Supply
24	9-165559	1	• BLOCK HEATER
25	9-213543	1	• Fuel Line (not shown)



### 3.5 Powershift Transmission - Housing & Case



M190024AC

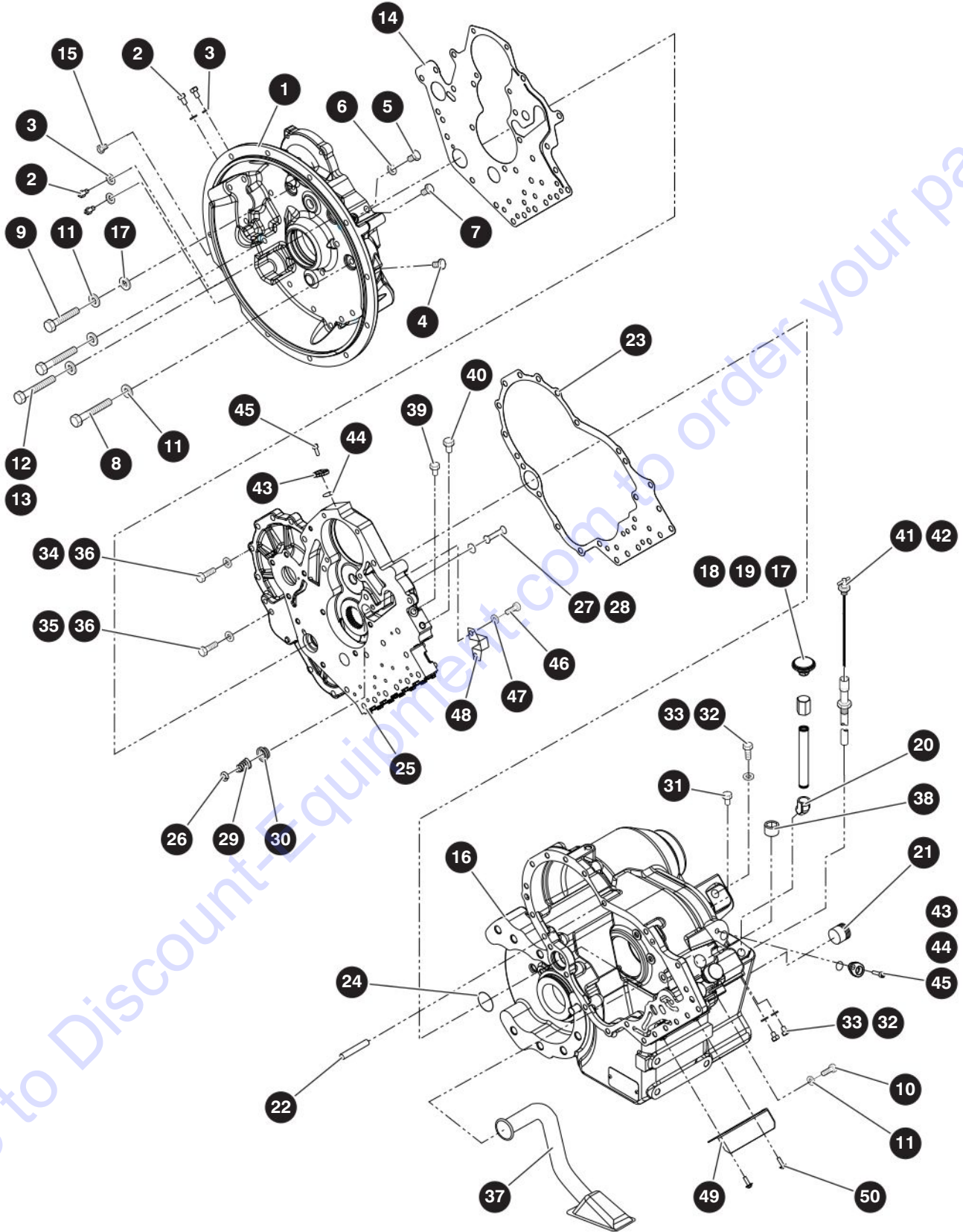
190125AG

SJ643 TH, SJ843 TH

### 3.5 Powershift Transmission - Housing & Case

Index No.	Skyjack Part No.	Qty.	Description
-	9-190024	1	ASSEMBLY, TRANSMISSION VDT 12000
1	9-196663	1	• HOUSING, Converter
2	9-196664	4	• PLUG
3	9-196665	4	• • O RING
4	9-196666	1	• PLUG-Regulator pressure side
5	9-196664	1	• PLUG
6	9-196665	1	• • O RING
7	9-196667	1	• PLUG
8	9-196668	6	• SCREW
9	9-196669	3	• SCREW
10	9-196670	1	• SCREW
11	9-196671	10	• WASHER, Lock
12	9-196669	13	• SCREW
13	9-196671	13	• WASHER, Lock
14	9-407606	1	• GASKET
15	9-196673	1	• SWITCH, Temperature
16	9-196675	1	• TRANSMISSION CASE
17	9-406776	1	• BREATHER-AIR
18	9-196677	1	• NIPPLE-PIPE
19	9-196678	1	• COUPLING-PIPE
20	9-196679	1	• FITTING, Elbow
21	9-406511	2	• PLUG, Magnetic drain
22	9-196681	2	• PIN
23	9-407607	1	• GASKET
24	9-406859	1	• RING, Oil supply tube seal
25	9-196684	1	• PLATE, Spacer
26	9-196685	1	• SEAT, Safety valve
27	9-196686	1	• SNAP RING, Seat
28	9-196687	1	• POPPET
29	9-196688	1	• SPRING
30	9-196689	1	• WASHER, Poppet retaining

### 3.5 Powershift Transmission - Housing & Case



M190024AC

190125AG

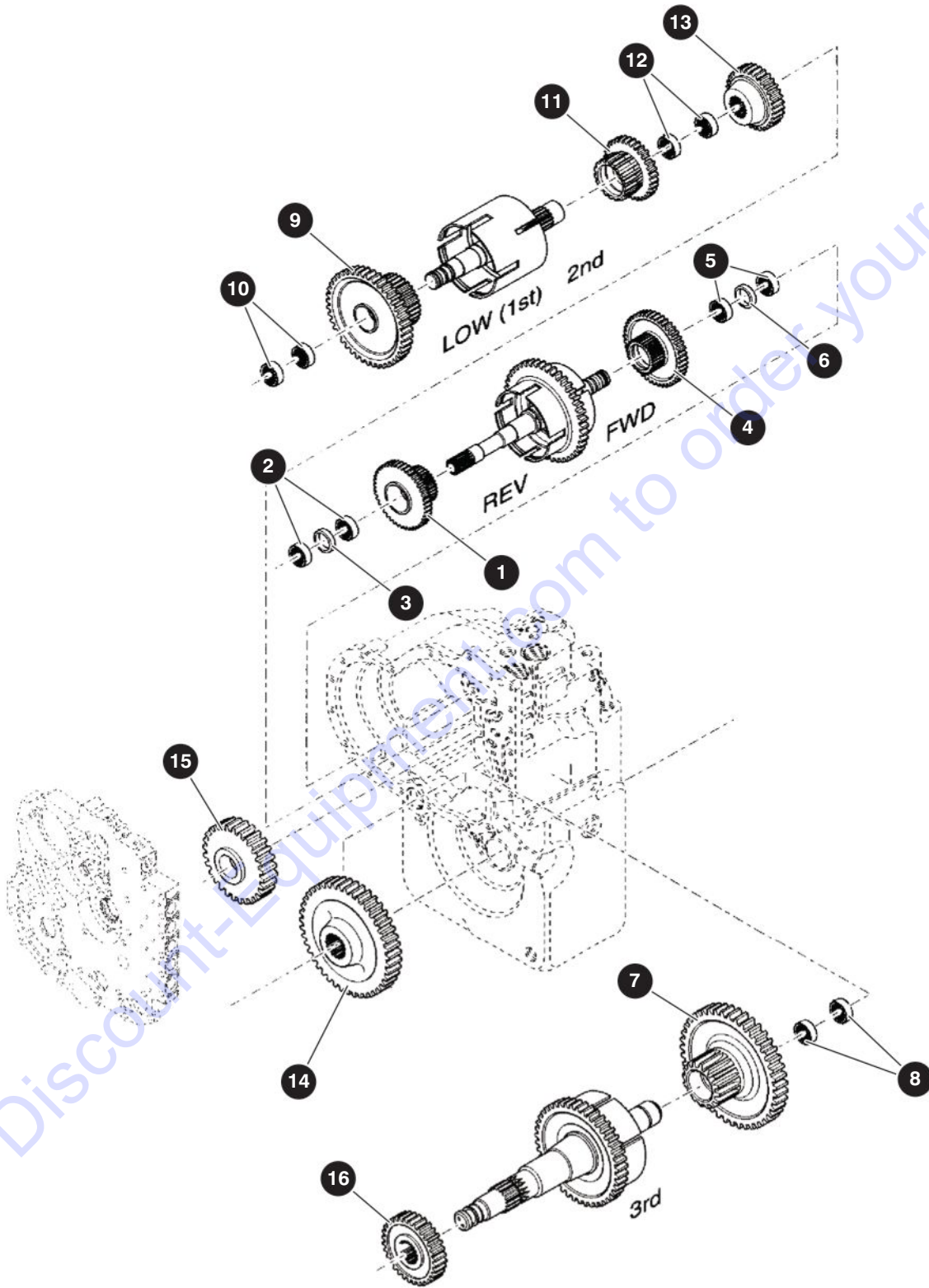
SJ643 TH, SJ843 TH



### 3.5 Powershift Transmission - Housing & Case

Index No.	Skyjack Part No.	Qty.	Description
31	9-196666	1	• PLUG
32	9-196664	3	• PLUG
33	9-196665	3	• • O RING
34	9-196690	7	• SCREW
35	9-196691	2	• SCREW
36	9-196671	9	• WASHER, Lock
37	9-196692	1	• ASSEMBLY, Suction tube
38	9-196693	1	• PLUG
39	9-196666	1	• PLUG
40	9-196667	1	• PLUG
41	9-196694	1	• ASSEMBLY, Dipstick tube
42	9-196695	1	• DIPSTICK-Cold level
43	9-407623	2	• PLUG
44	9-407630	2	• O RING
45	9-407484	2	• SCREW
46	9-196698	2	• CAPSCREW
47	9-196699	2	• WASHER
48	9-196700	1	• BAFFLE-Safety valve
49	9-196701	1	• PLATE-Solenoids protection
50	9-196702	2	• SCREW, Hex Socket button head capscrew w/flange m6x

### 3.6 Transmission - Gear Group



M190024AC-4

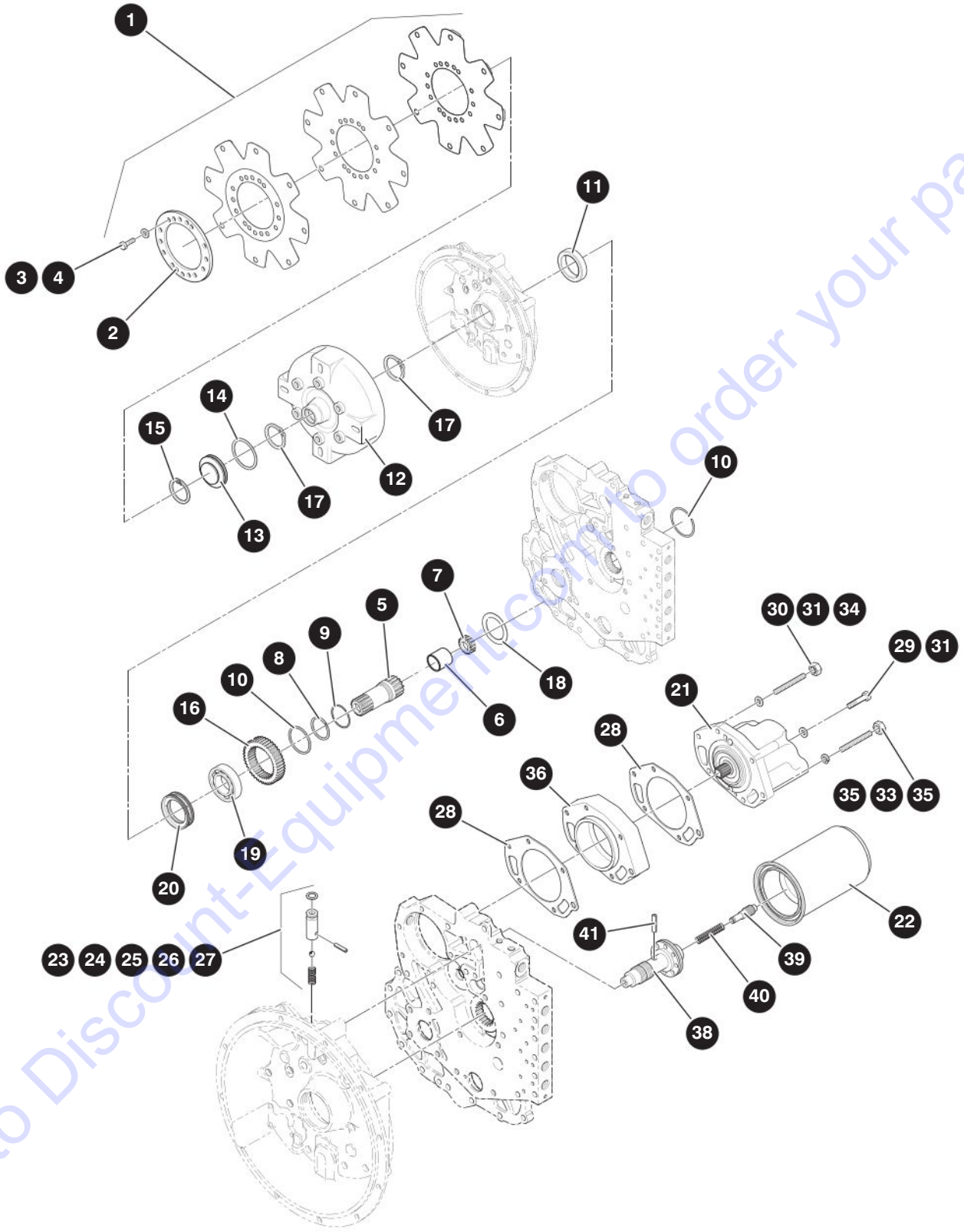
190125AG

SJ643 TH, SJ843 TH

### 3.6 Transmission - Gear Group

Index No.	Skyjack Part No.	Qty.	Description
1	9-196720	1	• ASSEMBLY, Reverse gear & bearing
2	9-406836	2	• • BEARING NEEDLE
3	9-196722	1	• • SPACER
4	9-196723	1	• ASSEMBLY, Forward gear & bearing
5	9-406836	2	• • BEARING NEEDLE
6	9-196722	1	• • SPACER
7	9-196724	1	• ASSEMBLY, 3rd clutch gear & bearing
8	9-407672	2	• • BEARING-NEEDLE
9	9-196726	1	• ASSEMBLY, 1st clutch gear & bearing
10	9-406836	2	• • BEARING NEEDLE
11	9-196727	1	• ASSEMBLY, 2nd clutch gear & bearing
12	9-406836	2	• • BEARING NEEDLE
13	9-196728	1	• GEAR, 3rd driven
14	9-196729	1	• GEAR, Output shaft
15	9-196730	1	• GEAR, Reverse idler
16	9-196731	1	• GEAR, First drive

### 3.7 Transmission - Drive Plate, Torque Converter & Pump



M190024AC-6

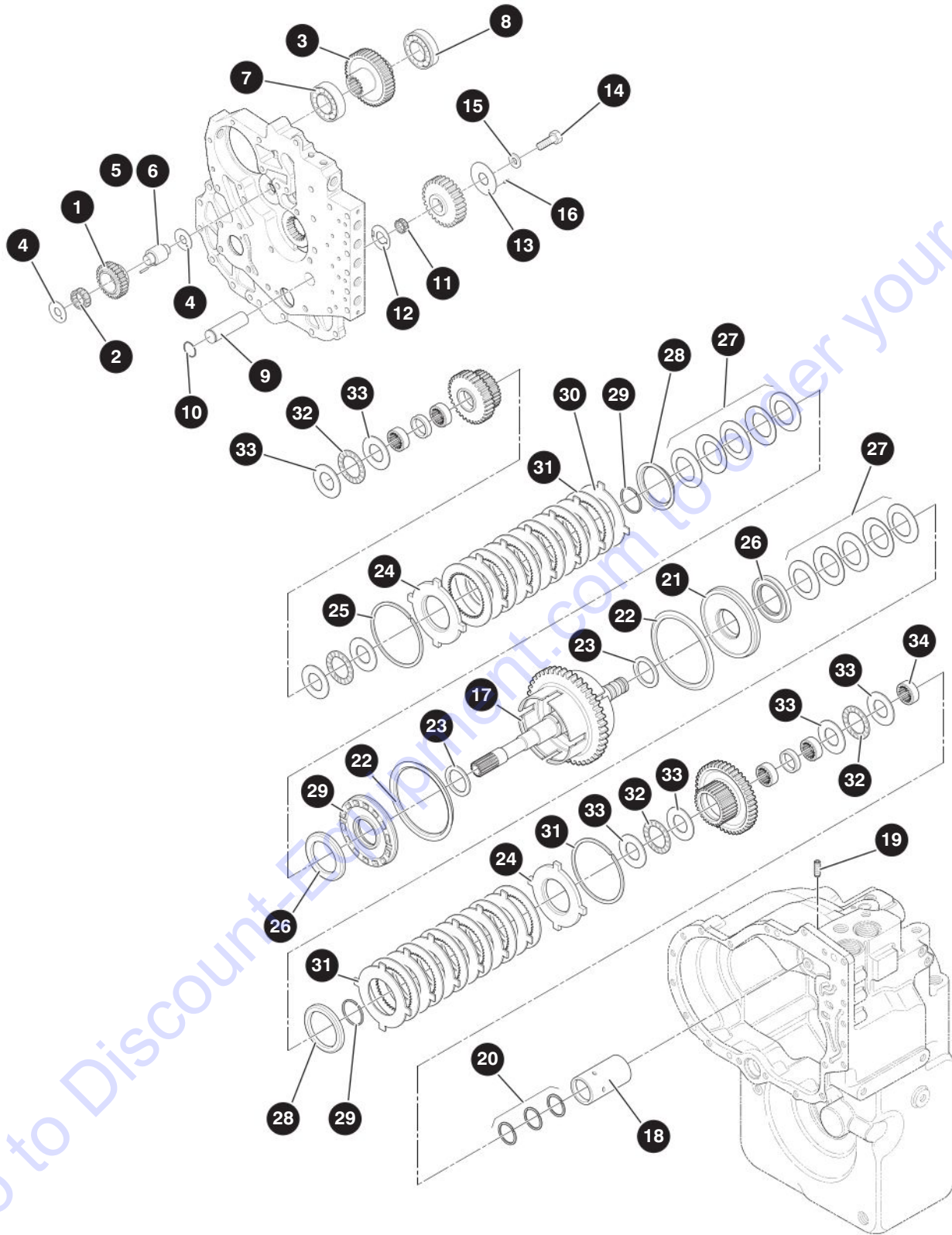
190125AG

SJ643 TH, SJ843 TH

### 3.7 Transmission - Drive Plate, Torque Converter & Pump

Index No.	Skyjack Part No.	Qty.	Description
1	9-196866	1	• KIT, Drive plate
2	9-406861	1	• • RING, Backing
3	9-196868	6	• • CAPSCREW
4	9-407780	6	• • WASHER, Lock
5	9-196704	1	• ASSEMBLY, Stator support
6	9-196705	1	• • BUSHING
7	9-196706	1	• • BEARING
8	9-406856	1	• RING, Stator support piston
9	9-406858	1	• EXPANDER, Stator support piston ring
10	9-406853	2	• SNAP RING, Stator support
11	9-406870	1	• SEAL
12	9-196711	1	• ASSEMBLY, Torque converter
13	9-406587	1	• PLUG
14	9-408324	1	• O RING
15	9-406847	1	• SNAP RING
16	9-196714	1	• GEAR, Impeller hub
17	9-406855	2	• SNAP RING
18	9-406831	1	• WASHER
19	9-406593	1	• BEARING
20	9-196718	1	• RING-OIL DISTRIBUTOR
21	9-196742	1	• ASSEMBLY, Charge pump
22	9-196743	1	• ASSEMBLY, Hydraulic spin filter
23	9-196744	1	• ASSEMBLY, Ball check valve
24	9-196745	1	• • BALL
25	9-196746	1	• • SPRING, Check valve
26	9-196747	1	• • PIN, Check valve
27	9-406923	1	• • O RING
28	9-406854	2	• GASKET, Pump & adaptor
29	9-196749	4	• SCREW
30	9-196750	1	• STUD
31	9-196751	5	• WASHER, Lock
32	9-196752	1	• STUD
33	9-196671	1	• WASHER, Lock
34	9-196753	1	• NUT
35	9-196754	1	• NUT
36	9-196755	1	• ADAPTOR
37	9-196756	1	• ASSEMBLY, Regulator valve
38	9-407604	1	• • SLEEVE
39	9-196758	1	• • PISTON
40	9-196759	1	• • SPRING
41	9-196760	1	• • PIN
42	9-196761	2	• CAPSCREW (Not Shown)

### 3.8 Transmission - Forward & Reverse Group



M190024AC-3

190125AG

78

SJ643 TH, SJ843 TH

SKYJACK

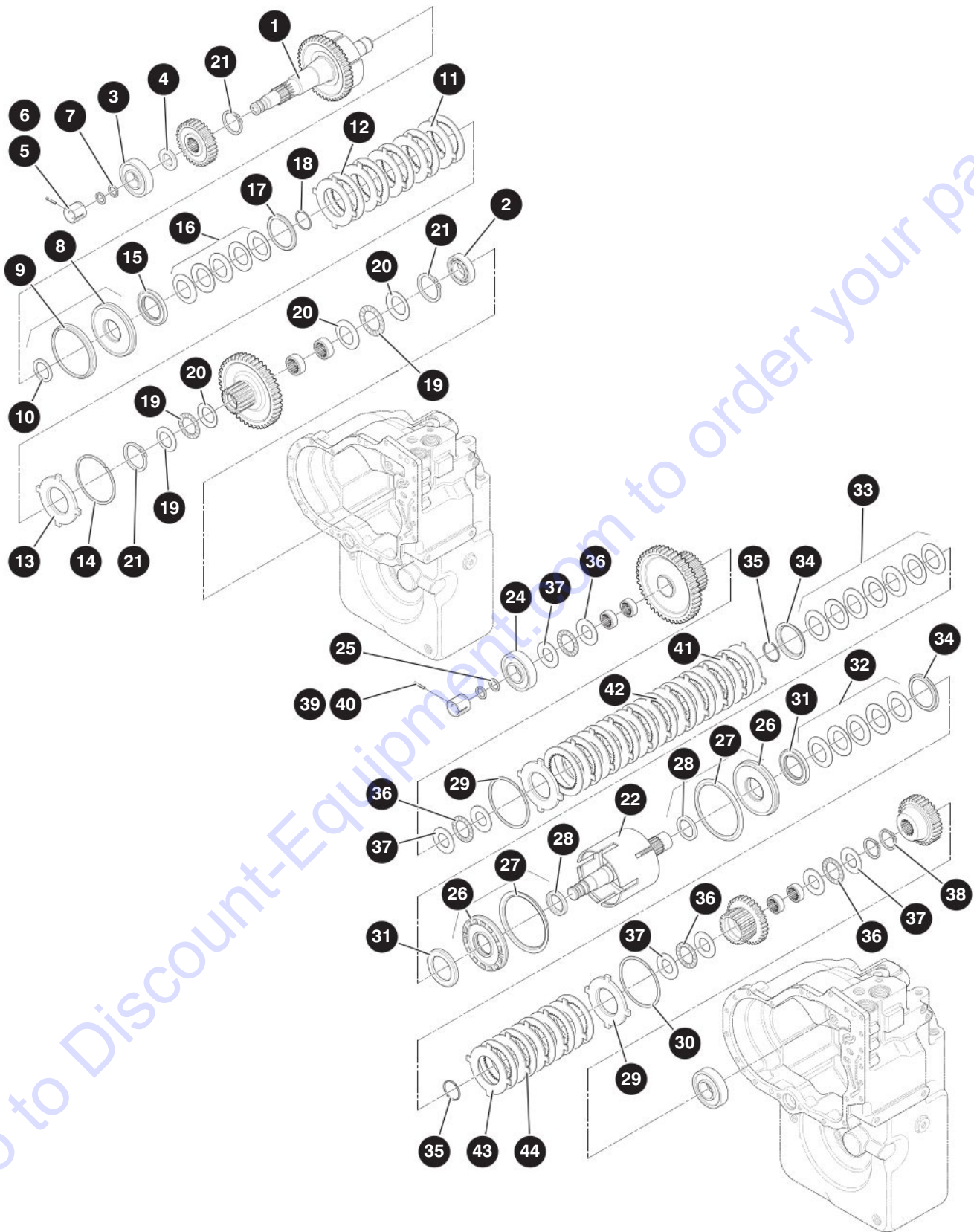


### 3.8 Transmission - Forward & Reverse Group

Index No.	Skyjack Part No.	Qty.	Description
1	9-196733	1	• GEAR, Pump drive idler
2	9-406645	1	• BEARING
3	9-196735	1	• GEAR, Pump drive
4	9-196736	2	• WASHER
5	9-196737	1	• ASSEMBLY, Pump drive shaft & pin
6	9-196738	1	• • PIN, ROLL
7	9-196739	1	• BEARING, Pump drive gear
8	9-196740	1	• BEARING, Pump drive gear
9	9-196763	1	• SHAFT-IDLER & PILOT
10	9-196764	1	• SNAP RING
11	9-406649	1	• BEARING
12	9-196766	1	• WASHER
13	9-196767	1	• PLATE
14	9-196768	1	• CAPSCREW
15	9-196769	1	• WASHER
16	9-196770	1	• ROLL PIN
17	9-196772	1	• ASSEMBLY, Turbine shaft, drum & plug
18	9-196773	1	• SLEEVE, Oil distributor
19	9-196774	1	• SCREW
20	9-406644	3	• RING
21	9-196776	2	• ASSEMBLY, Piston and seals
22	9-406826	2	• • SEAL
23	9-406822	2	• • SEAL
24	9-406837	2	• PLATE
25	9-406824	2	• SNAP RING
26	9-406834	2	• PLATE
27	9-406880	2	• ASSEMBLY, Disc spring (include 5 washers)
28	9-406850	2	• SNAP RING, Retainer
29	9-406835	2	• SNAP RING, Retainer
30	9-406829	12	• DISC, OUTER
31	9-406830	12	• DISC, INNER
32	9-406832	4	• BEARING
33	9-406833	8	• WASHER
34	9-406838	1	• BEARING



### 3.9 Transmission - 1st, 2nd & 3rd Shaft



M923131AA-4

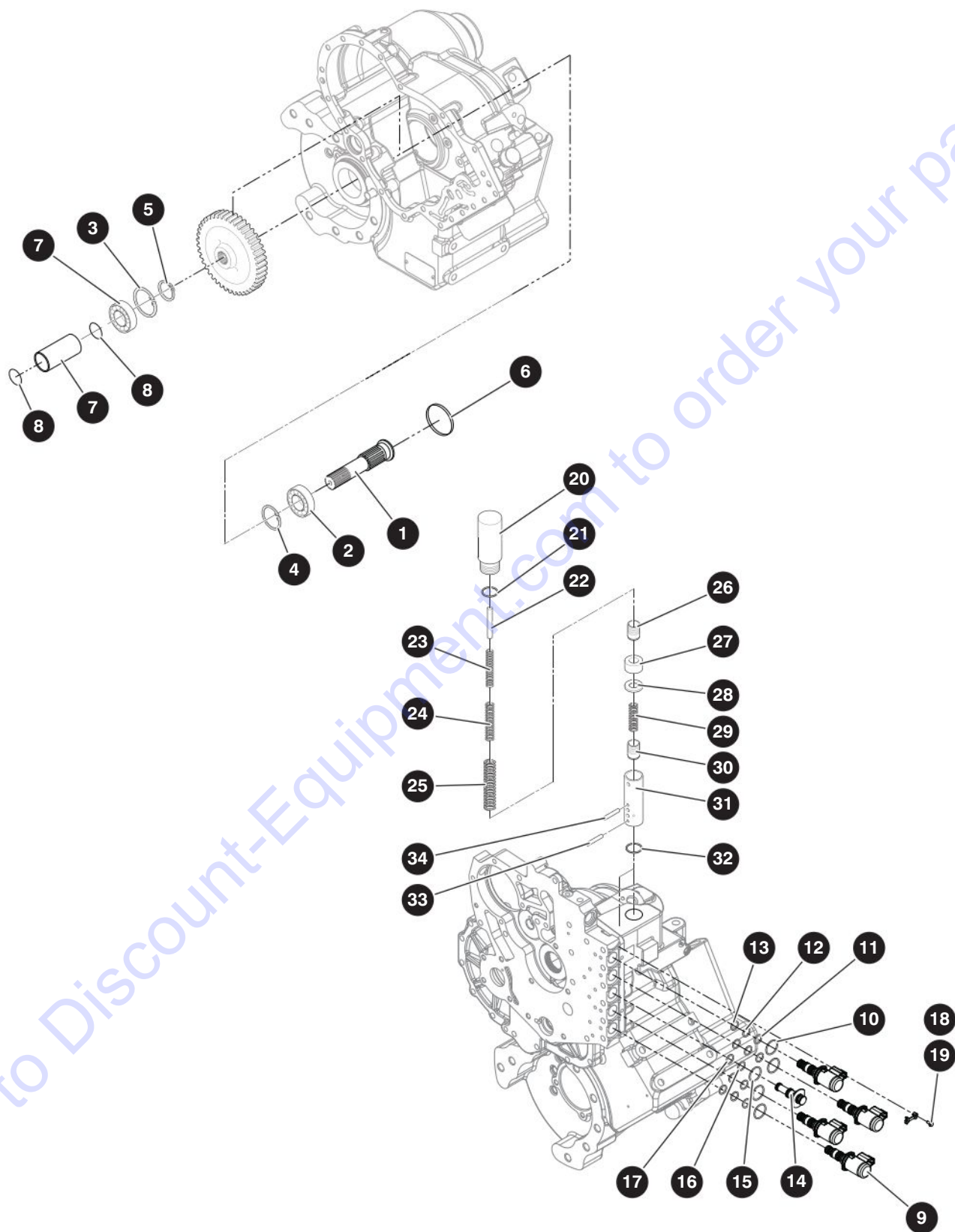
190125AG

SJ643 TH, SJ843 TH

### 3.9 Transmission - 1st, 2nd & 3rd Shaft

Index No.	Skyjack Part No.	Qty.	Description
1	9-196791	1	• ASSEMBLY, 3rd shaft, drum and plug
2	9-407673	1	• BEARING
3	9-407655	1	• ASSEMBLY, Bearing & seal
4	9-196794	1	• WASHER
5	9-196795	1	• SLEEVE
6	9-196796	1	• SCREW
7	9-406644	2	• RING
8	9-196797	1	• ASSEMBLY, Clutch piston & seals
9	9-406826	1	• • SEAL
10	9-406822	1	• • SEAL
11	9-406829	5	• DISC-OUTER
12	9-406830	5	• DISC-INNER
13	9-406837	1	• PLATE
14	9-406824	1	• SNAP RING
15	9-406834	1	• PLATE
16	9-406880	1	• ASSEMBLY, Disc spring
17	9-406850	1	• SNAP RING, Retainer
18	9-406835	1	• SNAP RING, Retainer
19	9-196798	2	• BEARING
20	9-196799	4	• WASHER
21	9-196800	3	• SNAP RING, External
22	9-196802	1	• ASSEMBLY, 1st and 2nd shaft, drum, plug and seat
23	9-406857	1	• BEARING
24	9-407655	1	• ASSEMBLY, Bearing & seal
25	9-406644	2	• RING
26	9-196804	2	• ASSEMBLY, Piston & seals
27	9-406826	2	• • SEAL
28	9-406822	2	• • SEAL
29	9-406837	2	• PLATE
30	9-406824	2	• SNAP RING
31	9-406834	2	• PLATE
32	9-406880	1	• ASSEMBLY, Disc spring 2nd-(include 5 washers)
33	9-196805	1	• ASSEMBLY, Disc spring 1st-(include 7 washers)
34	9-406850	2	• RETAINER, Snap ring
35	9-406835	2	• SNAP RING, Retainer
36	9-406832	4	• BEARING
37	9-406833	8	• WASHER
38	9-196806	2	• SNAP RING
39	9-196807	1	• SLEEVE
40	9-196796	1	• SCREW
41	9-406829	10	• DISC, Outer 1st
42	9-406830	10	• DISC, Inner 1st
43	9-406829	5	• DISC, Outer 2nd
44	9-406830	5	• DISC, Inner 2nd

### 3.10 Transmission - Output Shaft & Control Group



M190024AC-2

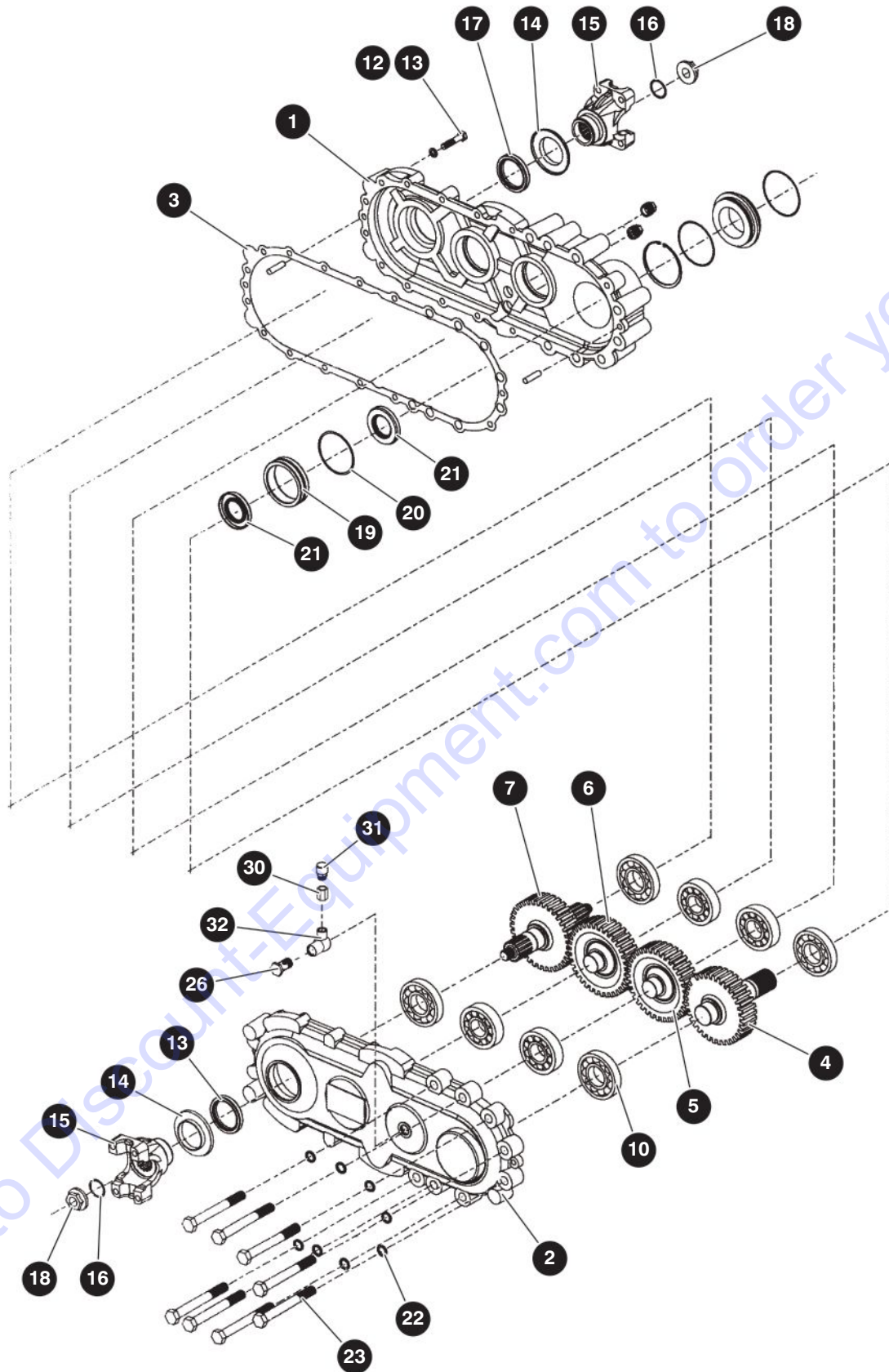
190125AG

SJ643 TH, SJ843 TH

### 3.10 Transmission - Output Shaft & Control Group

Index No.	Skyjack Part No.	Qty.	Description
1	9-196809	1	• SHAFT, Output
2	9-406614	1	• BALL BEARING 210S
3	9-196811	1	• BEARING
4	9-408754	2	• RING, Snap
5	9-408020	1	• SNAP RING
6	9-196812	1	• PLUG-END
7	9-196813	1	• COUPLING, Drive
8	9-196800	2	• SNAP RING, External
9	9-407683	4	• SOLENOID, Drop in w/ deutsch connector 12V
10	9-196842	4	• • O-RING, 21.5x1.5 mm viton-
11	9-196843	4	• • O-RING, 15.1x1.60 mm viton
12	9-196844	4	• • O-RING, 14.1x1.60 mm viton
13	9-196845	4	• • O-RING, 12.1x1.60 mm viton
14	9-196846	1	• PLUG, Solenoid bore
15	9-196847	1	• • O-RING, 18.0x 2.20 mm viton
16	9-196843	1	• • O-RING, 15.1x1.60 mm viton
17	9-196845	1	• • O-RING, 12.1x1.60 mm viton
18	9-196848	6	• CLAMP
19	9-196849	12	• SCREW, With integrated washer (M4X10 class 10.9)
20	9-196851	1	• HOUSING, Modulation valve
21	9-196852	1	• O-RING
22	9-196853	1	• PIN-STOP
23	9-196854	1	• SPRING, Inner
24	9-196855	1	• SPRING, Middle
25	9-196856	1	• SPRING, Outer
26	9-196857	1	• SPOOL, Accumulator
27	9-196858	1	• RETAINER, Spring
28	9-196859	1	• SPACER, Spring
29	9-196860	1	• SPRING, Modulation valve
30	9-196861	1	• SPOOL, Regulator
31	9-196862	1	• SLEEVE, Modulation valve
32	9-408318	1	• O-RING, Sleeve
33	9-196863	1	• PIN, Lower
34	9-196864	1	• PIN, Upper

### 3.11 Transmission - Drop Box



M190024AC-5

190125AG

SJ643 TH, SJ843 TH

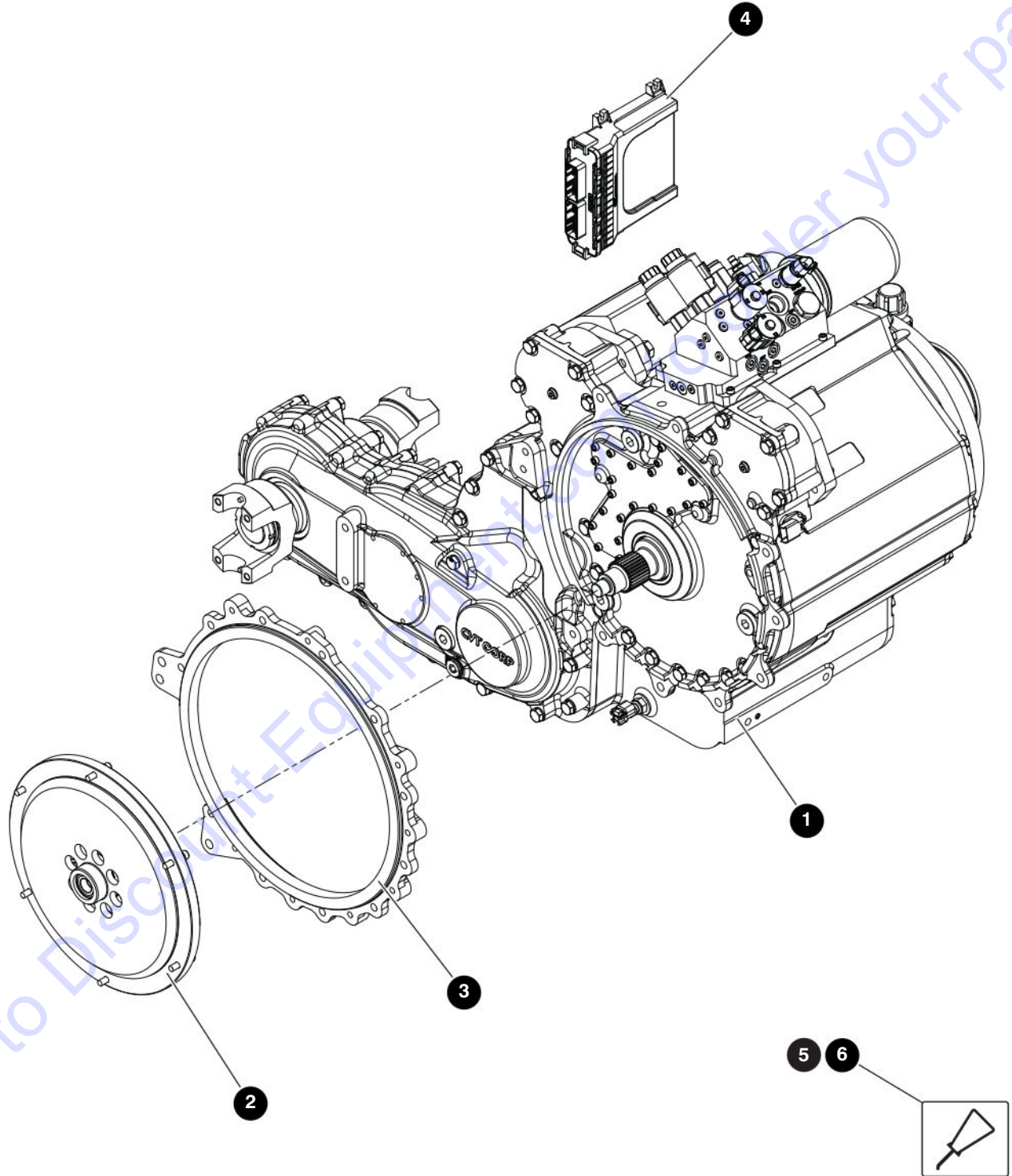


### 3.11 Transmission - Drop Box

Index No.	Skyjack Part No.	Qty.	Description
1	9-196815	1	• COVER, Rear
2	9-196816	1	• COVER, Front
3	9-196817	1	• GASKET
4	9-196818	1	• SHAFT, Input dropbox 34t
5	9-196819	1	• GEAR, Idler 35t
6	9-196820	1	• GEAR, Idler 36t
7	9-196821	1	• SHAFT, Output dropbox 34t
8	9-196822	2	• BEARING
9	9-196823	2	• REAR BEARING
10	9-196824	4	• BEARING, Roller
11	9-196681	2	• PIN-ROLL
12	9-196691	13	• CAPSCREW
13	9-196671	13	• WASHER, Lock
14	9-407637	2	• OIL SEAL
15	9-196826	2	• FLANGE, Yoke 1480 without brake
16	9-406932	2	• O-RING
17	9-406685	2	• WASHER
18	9-406508	2	• NUT, Idler shaft
19	9-196829	1	• SLEEVE, Oil seal
20	9-408326	1	• O-RING
21	9-196830	2	• SEAL OIL
22	9-196831	8	• WASHER, Lock
23	9-196832	8	• SCREW, M16
24	9-407632	1	• PLUG, Magnetic drain
25	9-196834	1	• OIL LEVEL GLASS
26	9-196835	1	• PLUG
27	9-196836	1	• SLEEVE PILOT
28	9-196837	2	• O-RING
29	9-408754	1	• RING, Snap
30	9-196838	1	• ADAPTER
31	9-169159	1	• BREATHER
32	9-196839	1	• FITTING, Elbow 90° street



### 3.12 Continuously Variable Transmission (CVT) Assembly



M216578AB

190125AG

86

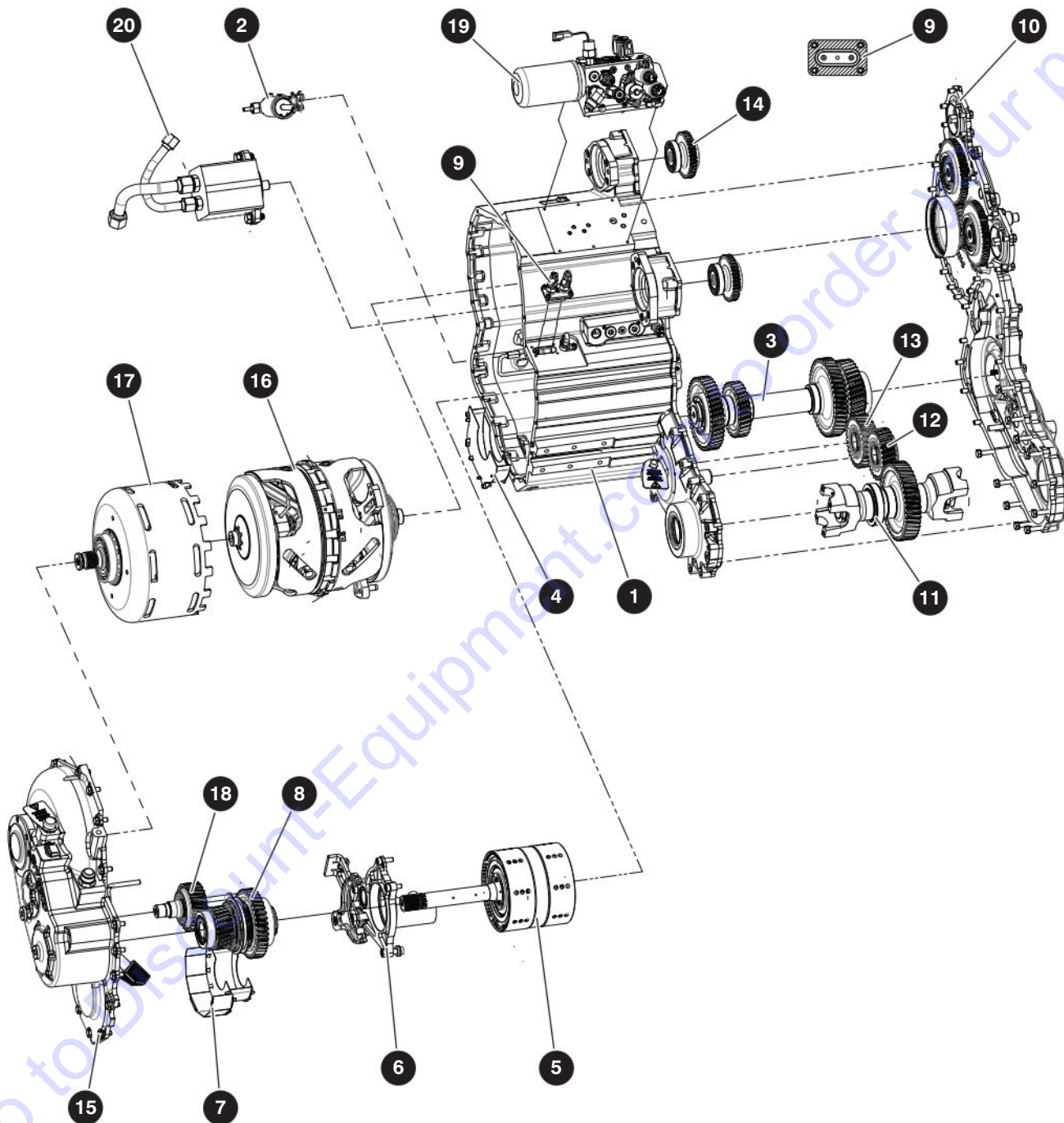
SJ643 TH, SJ843 TH

SKYJACK

### 3.12 Continuously Variable Transmission (CVT) Assembly

Index No.	Skyjack Part No.	Qty.	Description
-	9-216578	1	CVT PURCHASED ASM
1	9-216566	1	• TRANSMISSION ASSY, CVT-P15-0000-B
2	9-216574	1	• DAMPER PLATE ASM, CVT
3	9-216572	1	• ENGINE MOUNT ADAPTER PLATE SAE3, CVT
4	9-216579	1	• TCU ASM, CVT
5	9-222842		OIL, Traction 5 Gallons
6	9-222843		OIL, Traction 1 Gallon

### 3.13 CVT Transmission



M222686AA

190125AG

88

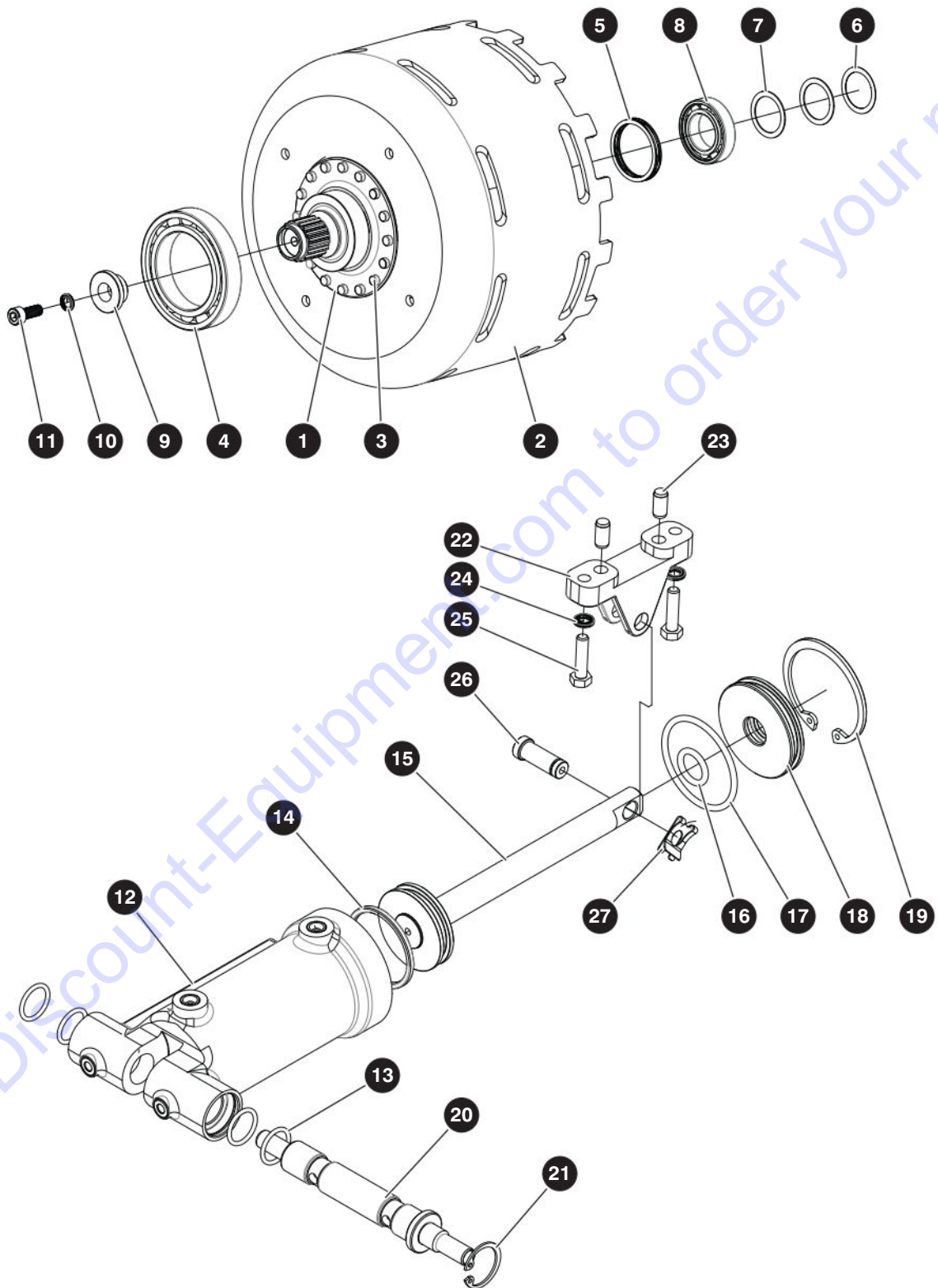
SJ643 TH, SJ843 TH

SKYJACK

### 3.13 CVT Transmission

Index No.	Skyjack Part No.	Qty.	Description
-	9-216566	1	TRANSMISSION, CVT
1	9-222767	1	• Middle Casing ASM
2	9-222697	1	• CTRL System ASM
3	9-222723	1	• SHAFT 5 ASM
4	9-222777	1	• GEAR BAFFLE FRONT ASM
5	9-222704	1	• CLUTCH ASM
6	9-222816	1	• CYLINDER SYNCHRO ASM
7	9-222781	1	• GEAR BAFFLE BACK ASM
8	9-222751	1	• R1/H1 SHAFT DC ASM
9	9-222830	1	• LIMIT SWITCH ASM
10	9-222769	1	• Front Casing ASM
11	9-222740	1	• E3 SHAFT ASM
12	9-222737	1	• E2b Gear ASM
13	9-222736	1	• E2a Gear ASM
14	9-222752	2	• P3 GEAR ASM
15	9-222776	1	• Rear Casing ASM
16	9-222687	1	• P15 Cartridge ASM
17	9-222690	1	• OUTPUT ASM
18	9-222732	1	• R2 REV idler shaft
19	9-222813	1	• BLOCK MANIFOLD ASM
20	9-222827	1	• Pump Unit ASM

### 3.14 CVT Output Drum and Shaft & Control System



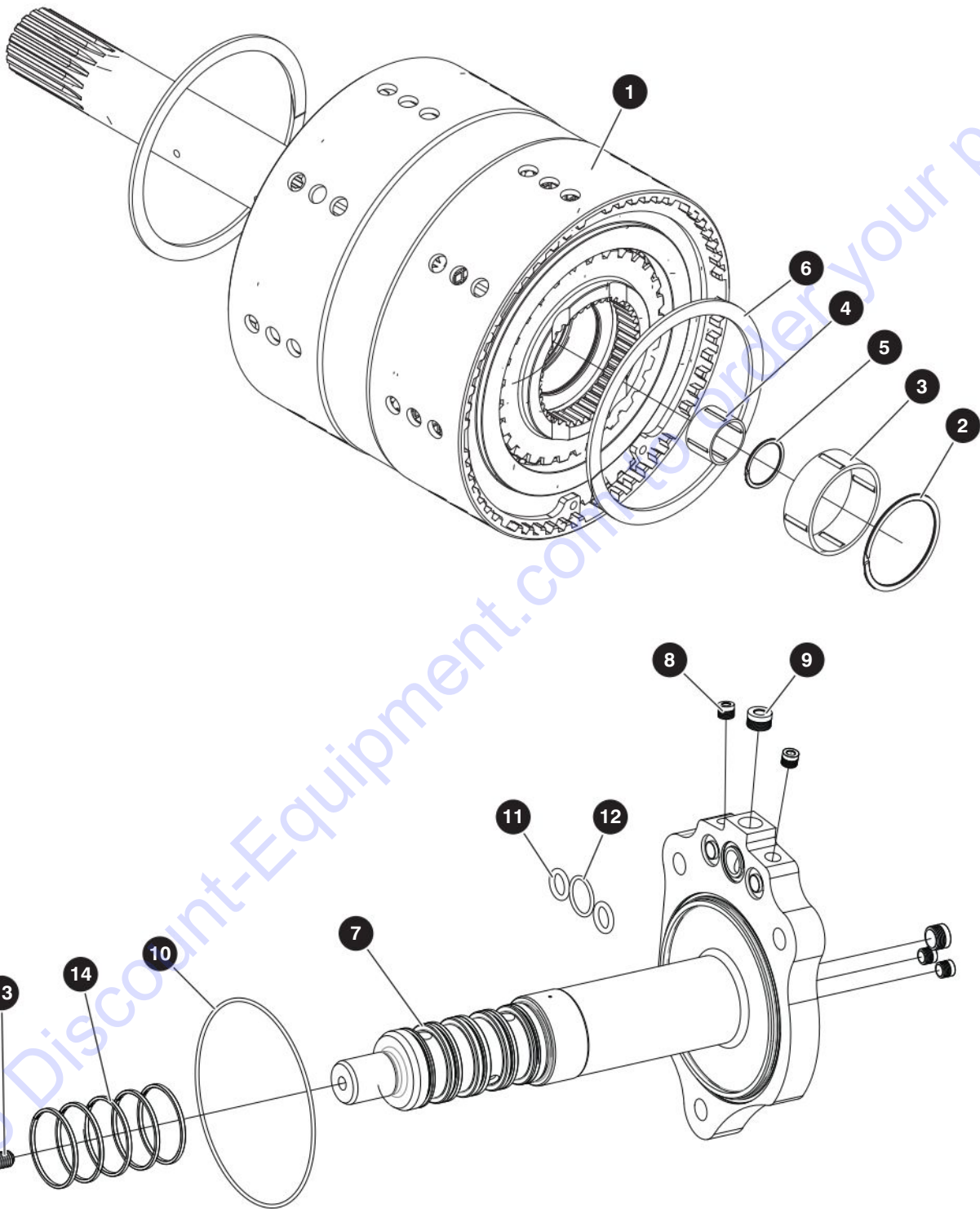
M222838AA\_M222697AA

### 3.14 CVT Output Drum and Shaft & Control System

Index No.	Skyjack Part No.	Qty.	Description
-	9-222838	1	OUTPUT ASSEMBLY
1	9-222691	1	• SHAFT, Output
2	9-222692	1	• DRUM, Output
3	9-222677	16	• "Rivet Solid - 0.250" x 0.750" (97386A347)"
4	9-222573	1	• Ball Bearing 6015
5	9-222546	1	• Wave spring (with flat ends)
6	9-222563	1	• Shim Din988 35x45x0.5
7	9-222552	2	• Shim Din988 35x45x1
8	9-222569	1	• "Bearing Ball, 35 mm x 62 mm x 14 mm 6007 C3"
9	9-222694	1	• Drum Holder
10	9-222547	1	• "WEDGE LOCK WASHER 0.650" x 0.410" x 0.100" ZC-PL"
11	9-222695	1	• SHCS M10x1.5x25 with thru hole
-	9-222697	1	CONTROL SYSTEM
12	9-222703	1	• Cylinder ASM
13	9-222596	4	• O-RING AS568 #11
14	9-222616	1	• "O-ring Quad ring 1.312 X 1.500 X 0.103""
15	9-222702	1	• Piston Rod
16	9-222595	1	• O-RING AS568 Dash #112 Nitrile
17	9-222597	1	• O-Ring - AS568 Dash #129
18	9-222700	1	• SEAL CAP CTRL SYST
19	9-222660	1	• Retaining Ring INT - 45 mm
20	9-222699	1	• SHAFT MANIFOLD CTRL SYSTEM
21	9-222661	1	• "Retaining ring int 20mm bore (D1300-0200-A)"
22	9-222698	1	• CONNECTION PLATE
23	9-222653	2	• Pin Dowel M6 X 12mm
24	9-222549	2	• "WEDGE LOCK WASHER - 0.350" X 0.210" X 0.070" ZC-PL"
25	9-222531	2	• M5 x 0.8 x 20 (Class 8.8) ZC-PL
26	9-222701	1	• PIN CTRL SYSTEM
27	9-222676	1	• Metric External Clip - 8mm



### 3.15 CVT Clutch

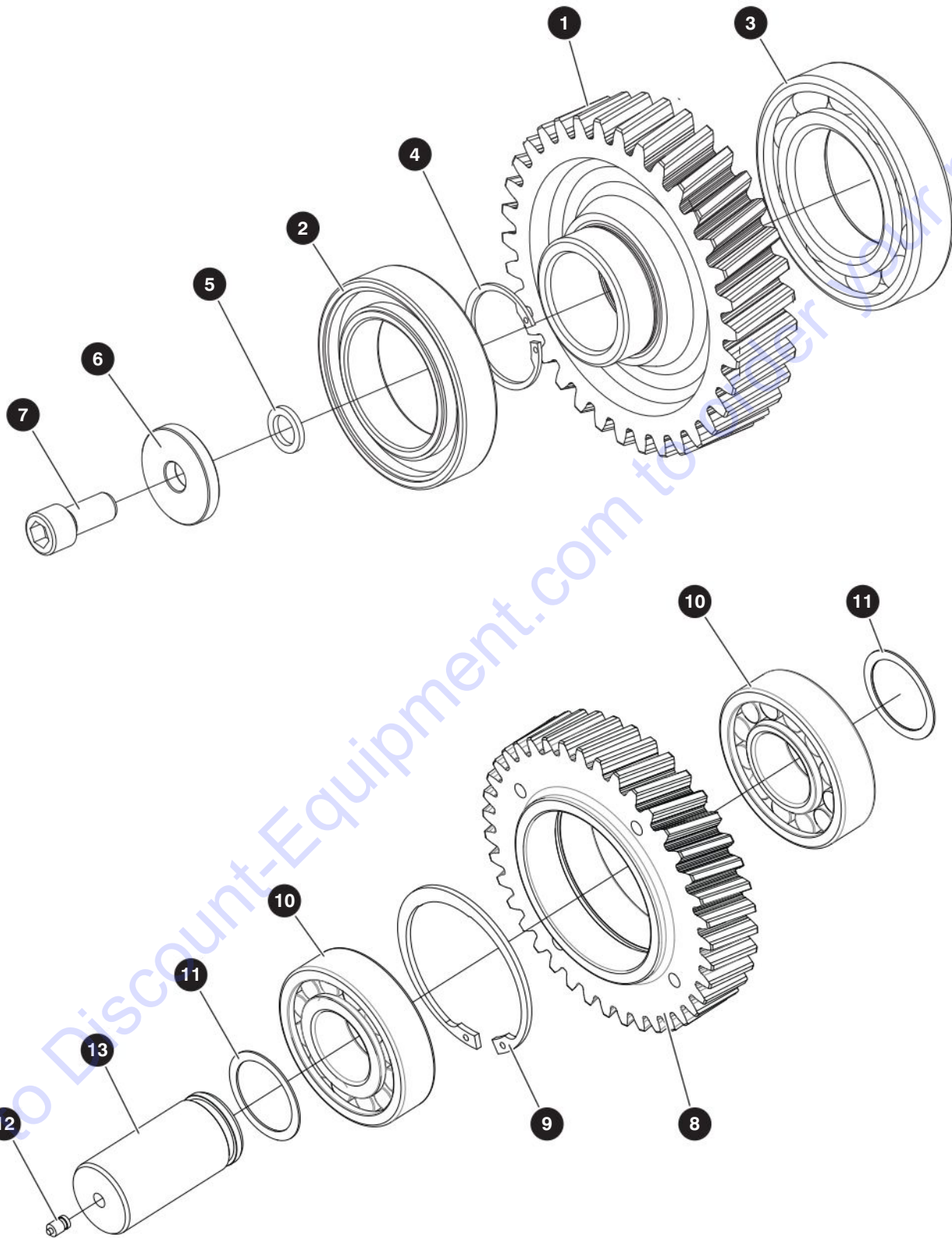


M222704AA\_M222705AA

### 3.15 CVT Clutch

Index No.	Skyjack Part No.	Qty.	Description
-	9-222704	1	CLUTCH
1	9-222628	1	• JMFT - CLUTCH
2	9-222671	1	• Snap Ring Int EH-52mm
3	9-222581	1	• Needle Bearing K45x52x18H
4	9-222582	1	• Needle Bearing K22x26x17
5	9-222669	1	• Snap Ring Int 26mm
6	9-222508	2	• SEAL RING
-	9-222705	1	CLUTCH MANIFOLD
7	9-222706	1	• Clutch Manifold Beam
8	9-222678	4	• Rivet Plug LK series 8mm KVT LK 950-080
9	9-222679	2	• Rivet Plug LK series 12mm (KVT LK 950-120)
10	9-222592	1	• O-RING 4.000 X 4.125 X 0.0625 (#045)
11	9-222591	2	• O-RING AS568 #111
12	9-222606	1	• O-RING AS568 #017
13	9-222707	1	• SET SCREW MODIFICATION
14	9-222626	5	• PISTON-RING_40.0X2.0X1.45.1

### 3.16 CVT G2 & G3 Gears Assembly

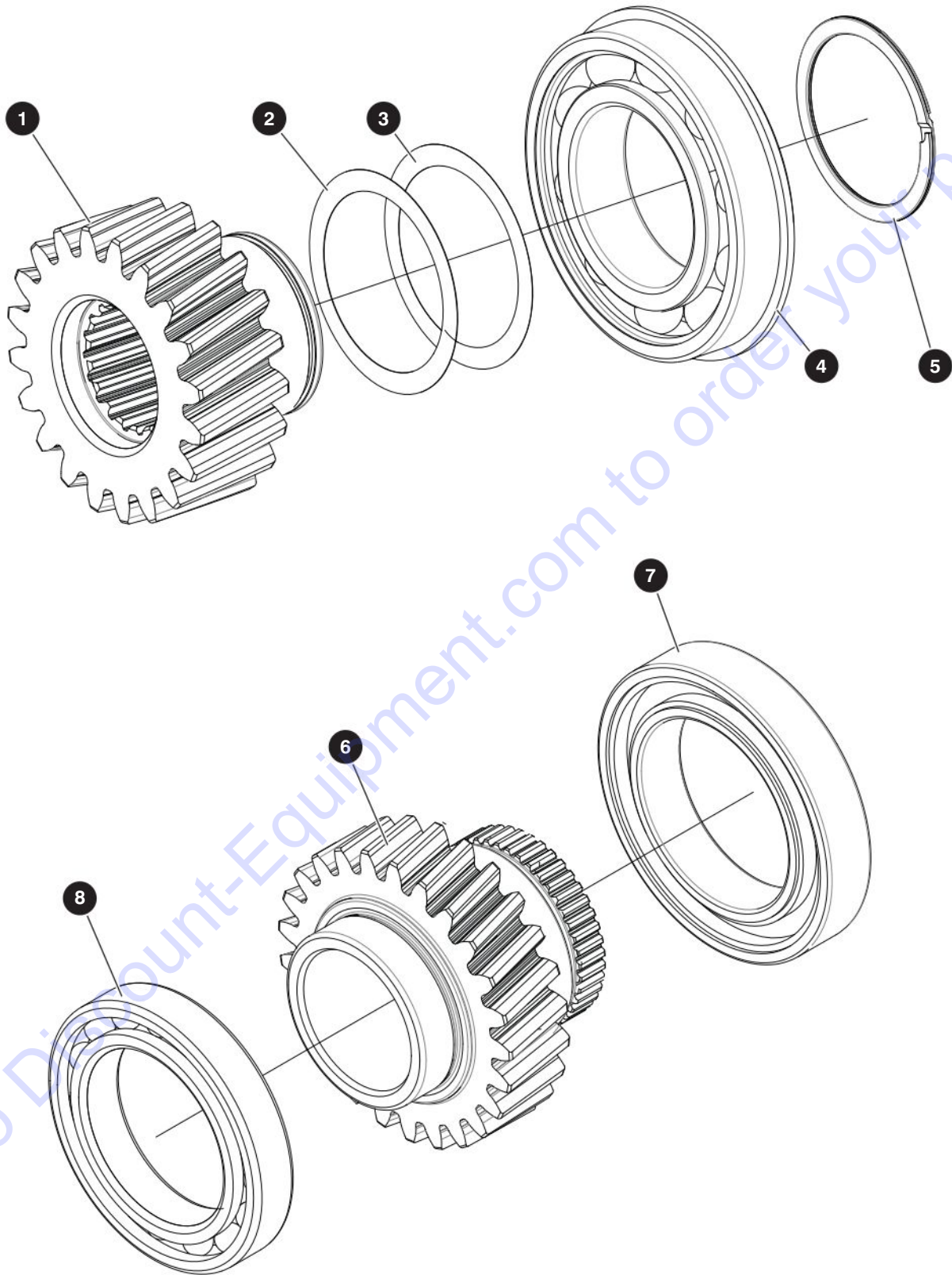


M222708AA\_M222709AA

### 3.16 CVT G2 & G3 Gears Assembly

Index No.	Skyjack Part No.	Qty.	Description
-	9-222708	1	G3 GEAR ASSEMBLY
1	9-222714	1	• G3 Gear
2	9-222572	1	• Bearing 6011
3	9-222575	1	• Bearing 6211
4	9-222664	1	• Retaining ring J42
5	9-222550	1	• Wedge lock washer
6	9-222717	1	• Washer D041xD010xL6
7	9-222718	1	• SHCS M12 x 1.75 x 25 8.8 with hole
-	9-222709	1	G2 GEAR ASSEMBLY
8	9-222710	1	• G2 Gear
9	9-222665	1	• Retaining ring J90
10	9-222587	2	• Roller Bearing NJ 308
11	9-222555	2	• Shim Din998 40x50x1
12	9-222681	1	• Expander_7mm
13	9-222711	1	• G2 GEAR STUD

### 3.17 CVT G1 & L1 Gears Assembly



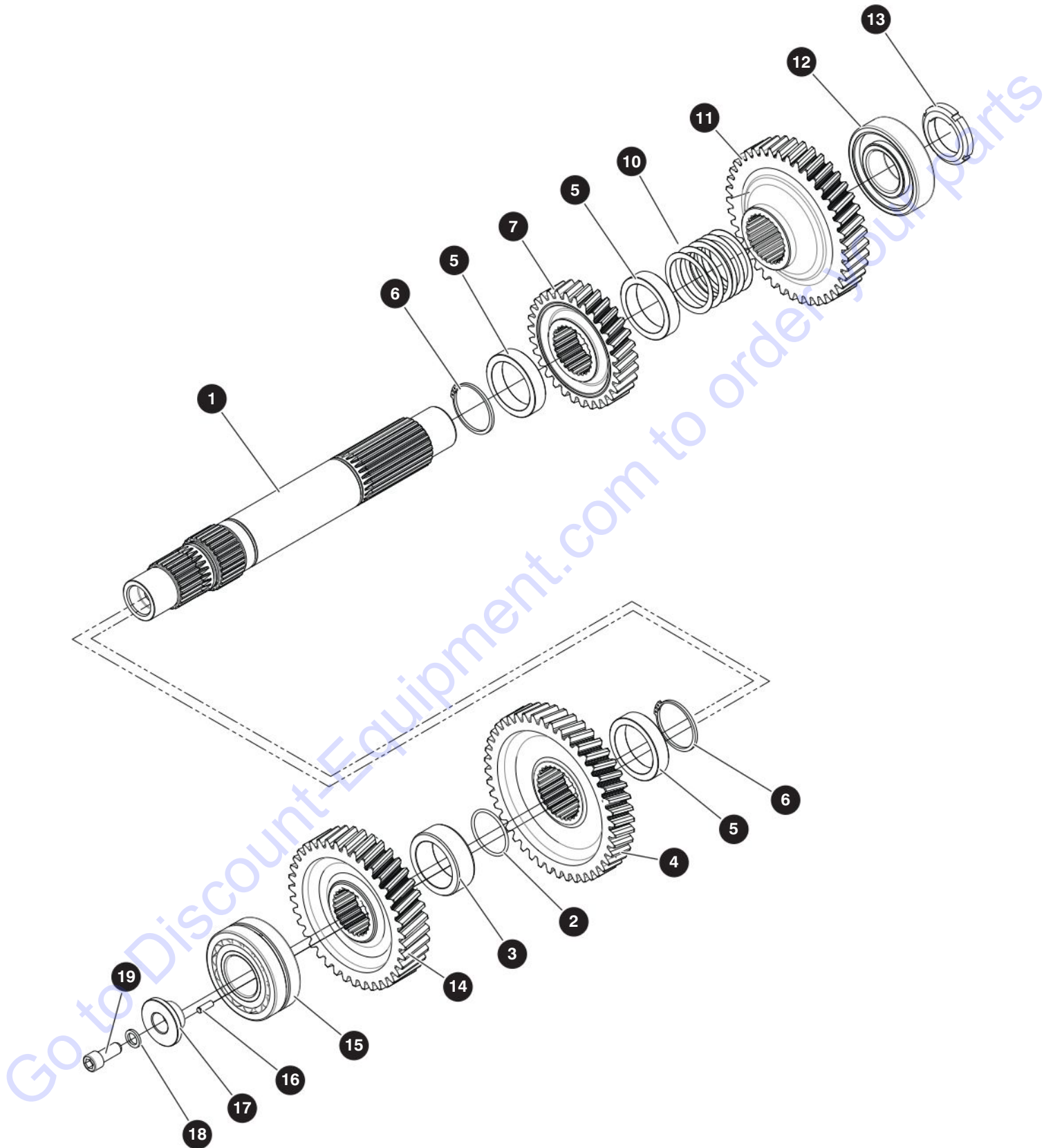
M222712AA\_M222713AA

### 3.17 CVT G1 & L1 Gears Assembly

Index No.	Skyjack Part No.	Qty.	Description
-	9-222712	1	G1 GEAR ASSEMBLY
1	9-222693	1	• G1 Gear
2	9-222553	1	• Shim 55mm x 68mm x 0.2mm
3	9-222554	1	• Shim 55mm x 66mm x 0.1mm
4	9-222576	1	• "Ball bearing 6211 NR (Grooved and circlip)"
5	9-222670	1	• Retain. Ring A55
-	9-222713	1	L1 GEAR ASSEMBLY
6	9-222716	1	• L1 Gear
7	9-222568	1	• Bearing Ball - 6014-2z
8	9-222578	1	• Bearing Ball



### 3.18 CVT Shaft 5 Assembly

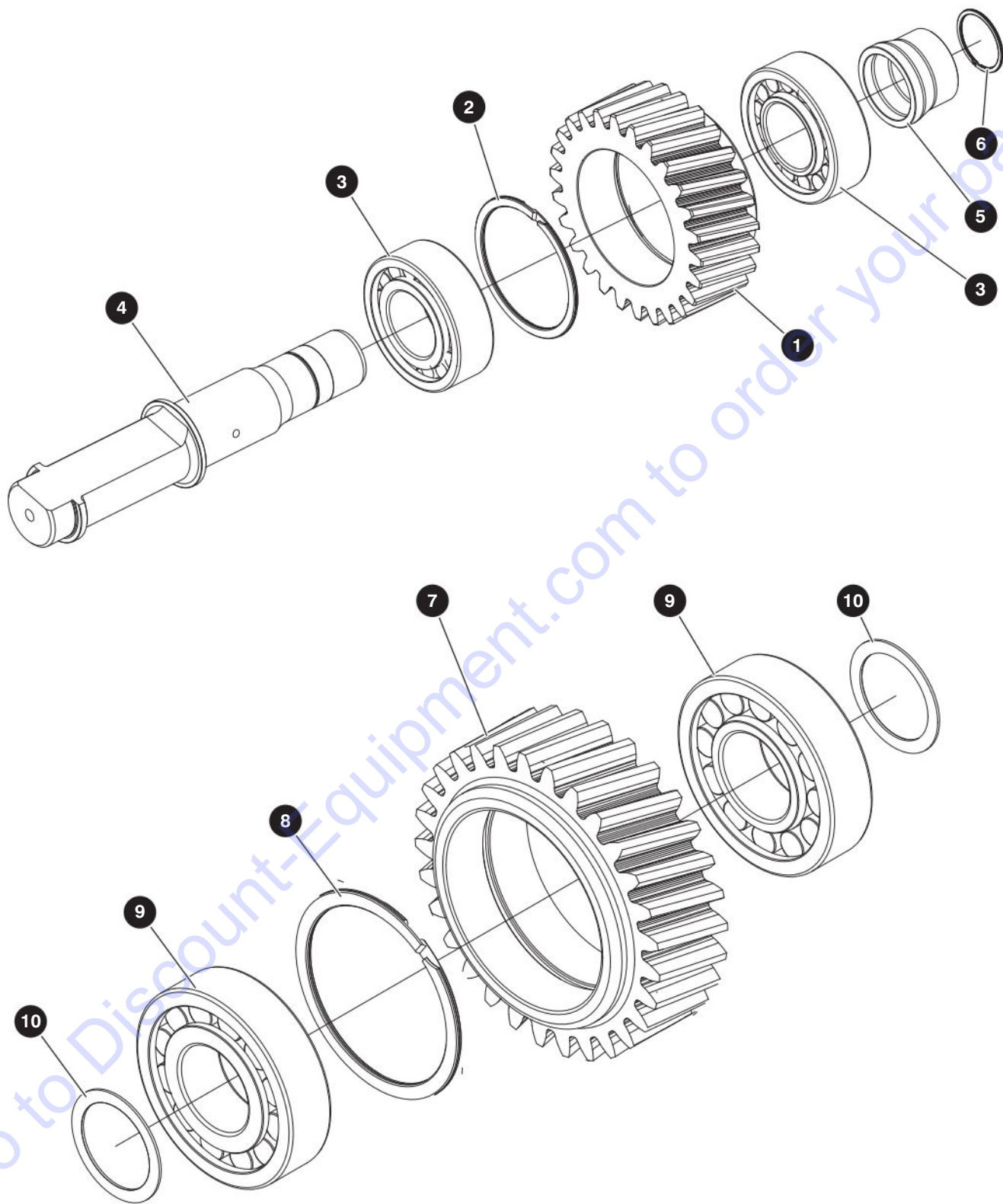


M222723AA.ai

### 3.18 CVT Shaft 5 Assembly

Index No.	Skyjack Part No.	Qty.	Description
-	9-222723	1	SHAFT 5 ASSEMBLY
1	9-222724	1	• Intermediate shaft
2	9-222619	1	• O-Ring 46x3 NBR-70
3	9-222730	1	• SEAL SLEEVE
4	9-222725	1	• L2 Gear
5	9-222726	3	• BUSHING
6	9-222658	2	• Retaining ring A55
7	9-222727	1	• H2 Gear
8	9-222553	2	• Shim 55x66x0.2
9	9-222554	1	• Shim 55x66x0.2
10	9-222556	3	• SHIM_DIN988_55X68X0.5_ST
11	9-222728	1	• R3 GEAR
12	9-222570	1	• Bearing Ball 46 mm x 100 mm x 25 mm
13	9-222565	1	• Lock Nut KM9
14	9-222729	1	• E1 Gear
15	9-222589	1	• Cyl Roller bearing 22309E
16	9-222654	1	• Pin Dowel - M6 X 20MM
17	9-222731	1	• LOCKING FLANGE
18	9-222550	1	• Wedge lock washer
19	9-222526	1	• SHCS M12x30 12.9

### 3.19 CVT R2 Reverse Idler Shaft & E2A Gear Assembly



M222732AA\_222736AA

190125AG

100

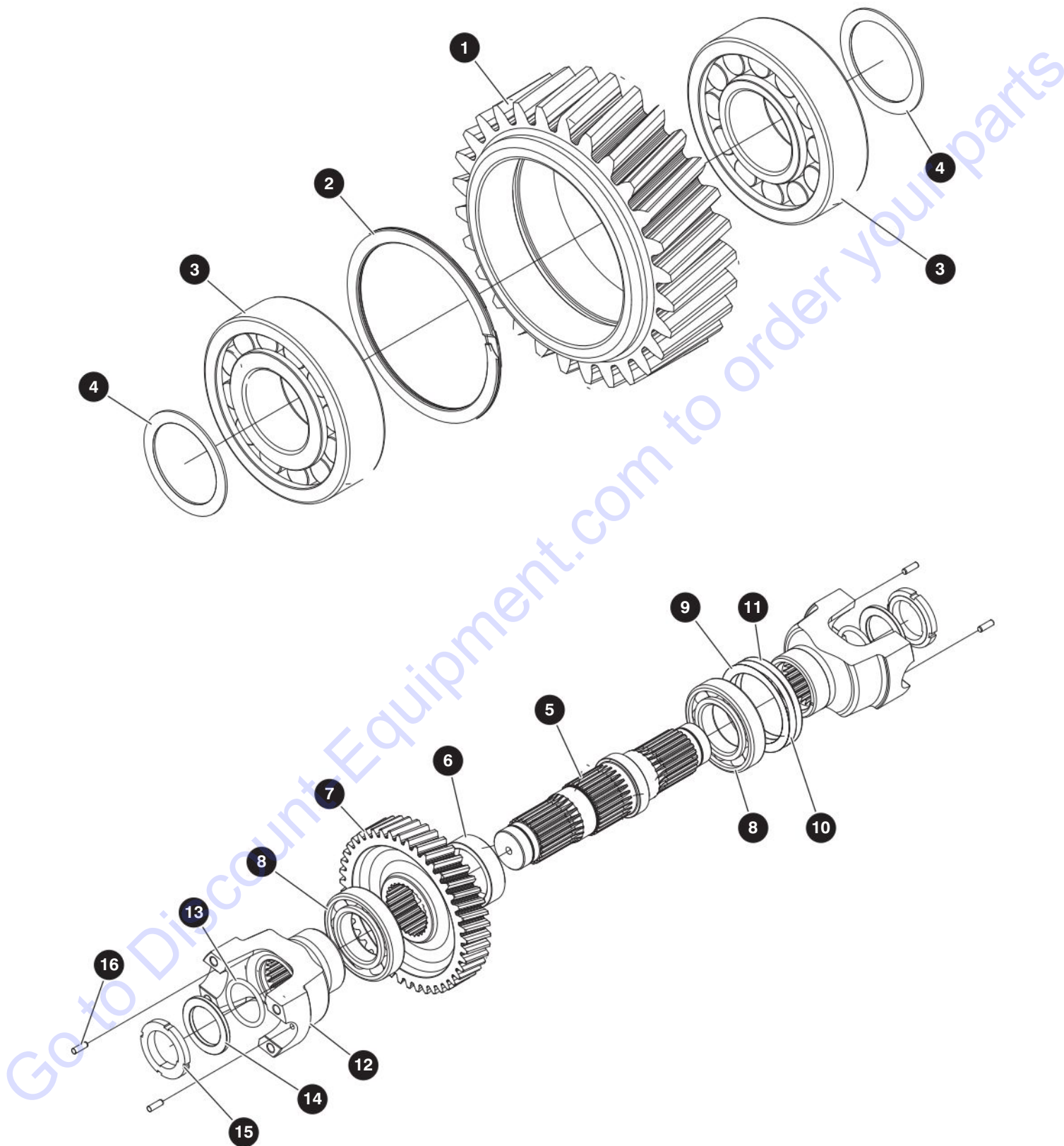
SJ643 TH, SJ843 TH

SKYJACK

### 3.19 CVT R2 Reverse Idler Shaft & E2A Gear Assembly

Index No.	Skyjack Part No.	Qty.	Description
-	9-222732	1	R2 REVERSE IDLER SHAFT
1	9-222733	1	• R2 REVERSE GEAR
2	9-222673	1	• Retaining ring Spiral 72mm
3	9-222588	2	• "Bearing cylindrical roller (NJ 2207-TVP2-C3)"
4	9-222734	1	• R2 Gear Idler Shaft
5	9-222735	1	• R2 GEAR SLEEVE SPACER
6	9-222667	1	• Ext. Spiral Snap Ring 30 mm
-	9-222736	1	E2A GEAR ASSEMBLY
7	9-222738	1	• E2a Gear RH
8	9-222672	1	• Retaining Ring Spiral (INT) 80mm
9	9-222586	2	• Bearing Cylindrical Roller 35mm x 80mm x 21
10	9-222552	2	• Shim Din988 35x45x1

## 3.20 CVT EB2 Gear & E3 Shaft Assemblies



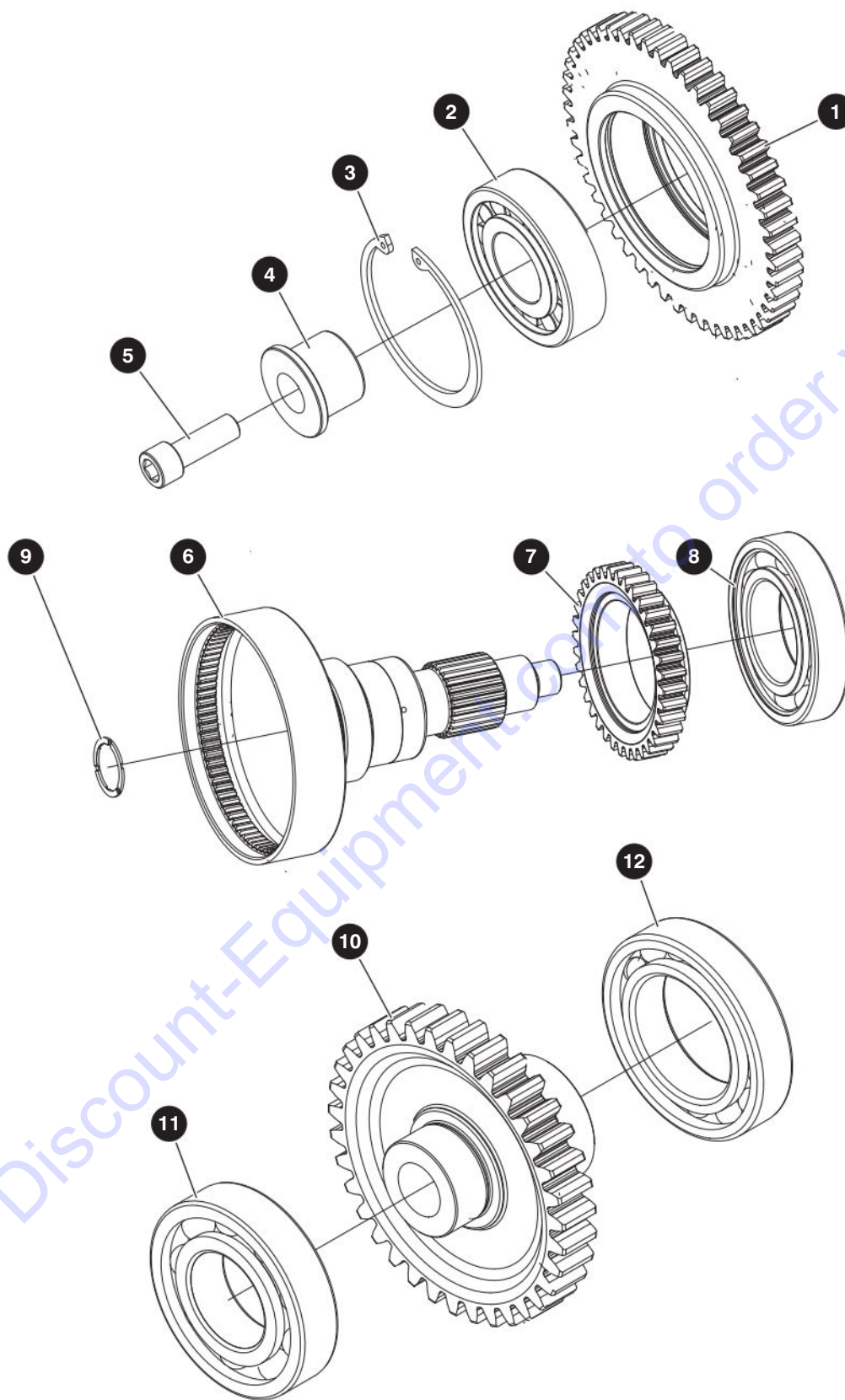
M222737AA\_M222740AA.ai

### 3.20 CVT EB2 Gear & E3 Shaft Assemblies

Index No.	Skyjack Part No.	Qty.	Description
-	9-222737	1	EB2 GEAR ASSEMBLY
1	9-222739	1	• E2b Gear LH
2	9-222672	1	• Retaining Ring Spiral (INT) 80mm
3	9-222586	2	• Bearing Cylindrical Roller 35mm x 80mm x 21
4	9-222552	2	• Shim Din988 35x45x1
-	9-222740	1	E3 SHAFT ASSEMBLY
5	9-222742	1	• OUTPUT SHAFT
6	9-222743	1	• BUSHING
7	9-222741	1	• E3 Gear RH
8	9-222575	2	• Bearing 6211
9	9-222559	2	• SHIM_DIN988_80x100x0.1-ST
10	9-222558	1	• SHIM_DIN988_80x100x0.2-ST
11	9-222557	1	• SHIM_DIN988_80x100x0.5-ST
12	9-222745	2	• HALF ROUND YOKE 1480 SPL24
13	9-222618	2	• O-ring 45x5
14	9-222744	2	• WASHER
15	9-222566	2	• Locking nut M45x1.5
16	9-222654	4	• Pin Dowel - M6 X 20MM



### 3.21 CVT P2 and P3 Gears & Input Shaft Assemblies



M222746AA\_M222747AA\_M222752AA

# PARTS FINDER

**Search Website  
by Part Number**



**Search Manual  
Library For Parts  
Manual & Lookup Part  
Numbers – Purchase  
or Request Quote**

**Can't Find Part or  
Manual? Request Help  
by Manufacturer,  
Model & Description**

Discount-Equipment.com is your online resource for quality parts & equipment.

Florida: **561-964-4949** Outside Florida TOLL FREE: **877-690-3101**

**Need parts?**

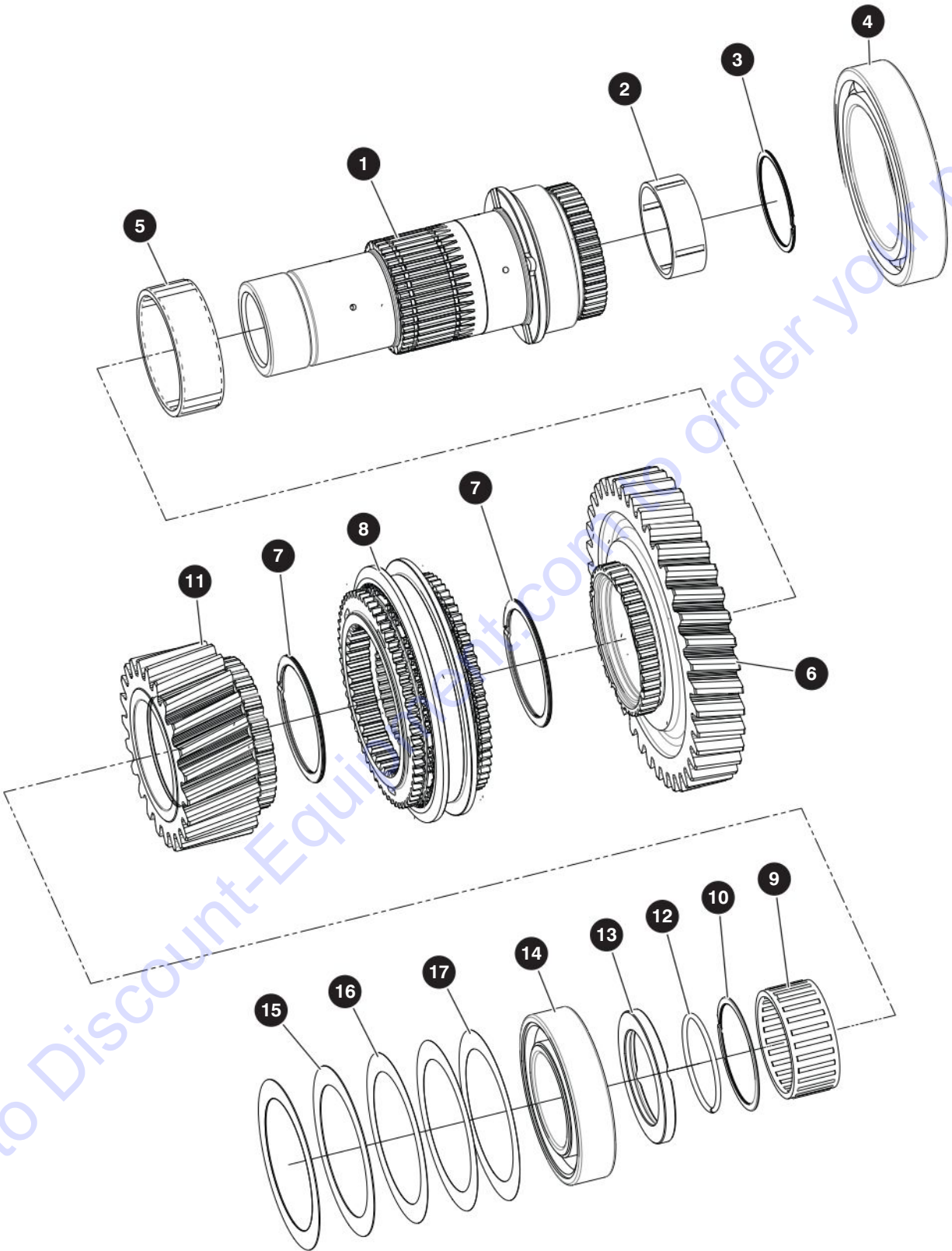
Click on this link: <http://www.discount-equipment.com/category/5443-parts/> and choose one of the options to help get the right parts and equipment you are looking for. Please have the machine model and serial number available in order to help us get you the correct parts. If you don't find the part on the website or on one of the online manuals, please fill out the request form and one of our experienced staff members will get back to you with a quote for the right part that your machine needs.

We sell worldwide for the brands: Genie, Terex, JLG, MultiQuip, Mikasa, Essick, Whiteman, Mayco, Toro Stone, Diamond Products, Generac Magnum, Airman, Haulotte, Barreto, Power Blanket, Nifty Lift, Atlas Copco, Chicago Pneumatic, Allmand, Miller Curber, Skyjack, Lull, Skytrak, Tsurumi, Husquvarna Target, Stow, Wacker, Sakai, Mi-T-M, Sullair, Basic, Dynapac, MBW, Weber, Bartell, Bennar Newman, Haulotte, Ditch Runner, Menegotti, Morrison, Contec, Buddy, Crown, Edco, Wyco, Bomag, Laymor, EZ Trench, Bil-Jax, F.S. Curtis, Gehl Pavers, Heli, Honda, ICS/PowerGrit, IHI, Partner, Imer, Clipper, MMD, Koshin, Rice, CH&E, General Equipment, Amida, Coleman, NAC, Gradall, Square Shooter, Kent, Stanley, Tamco, Toku, Hatz, Kohler, Robin, Wisconsin, Northrock, Oztec, Toker TK, Rol-Air, APT, Wylie, Ingersoll Rand / Doosan, Innovatech, Con X, Ammann, Mecalac, Makinex, Smith Surface Prep, Small Line, Wanco, Yanmar

### 3.21 CVT P2 and P3 Gears & Input Shaft Assemblies

Index No.	Skyjack Part No.	Qty.	Description
-	9-222746	1	P2 GEAR ASSEMBLY
1	9-222748	1	• P2 Gear
2	9-222585	1	• Cylindrical Roller Bearing 35mm X 80mm X 21mm
3	9-222659	1	• Retaining Ring INT
4	9-222750	1	• P2 Bearing Support
5	9-222527	1	• M12 x 1.75 x 35.0 ZC-PL
-	9-222747	1	INPUT SHAFT ASSEMBLY
6	9-222689	1	• Cam Shaft
7	9-222749	1	• P1 Gear
8	9-222577	1	• 60 mm x 110 mm x 22 mm (6212)
9	9-222688	1	• LUBRICATION THRUST WASHER
-	9-222752	1	P3 GEAR ASSEMBLY
10	9-222753	1	• P3 Gear
11	9-222580	1	• Bearing Ball 35 mm x 72 mm x 17 mm (6207)
12	9-222574	1	• Ball Bearing 6009

### 3.22 R1 & H1 Shaft Double Cone Assembly



M222751AA

190125AG

106

SJ643 TH, SJ843 TH

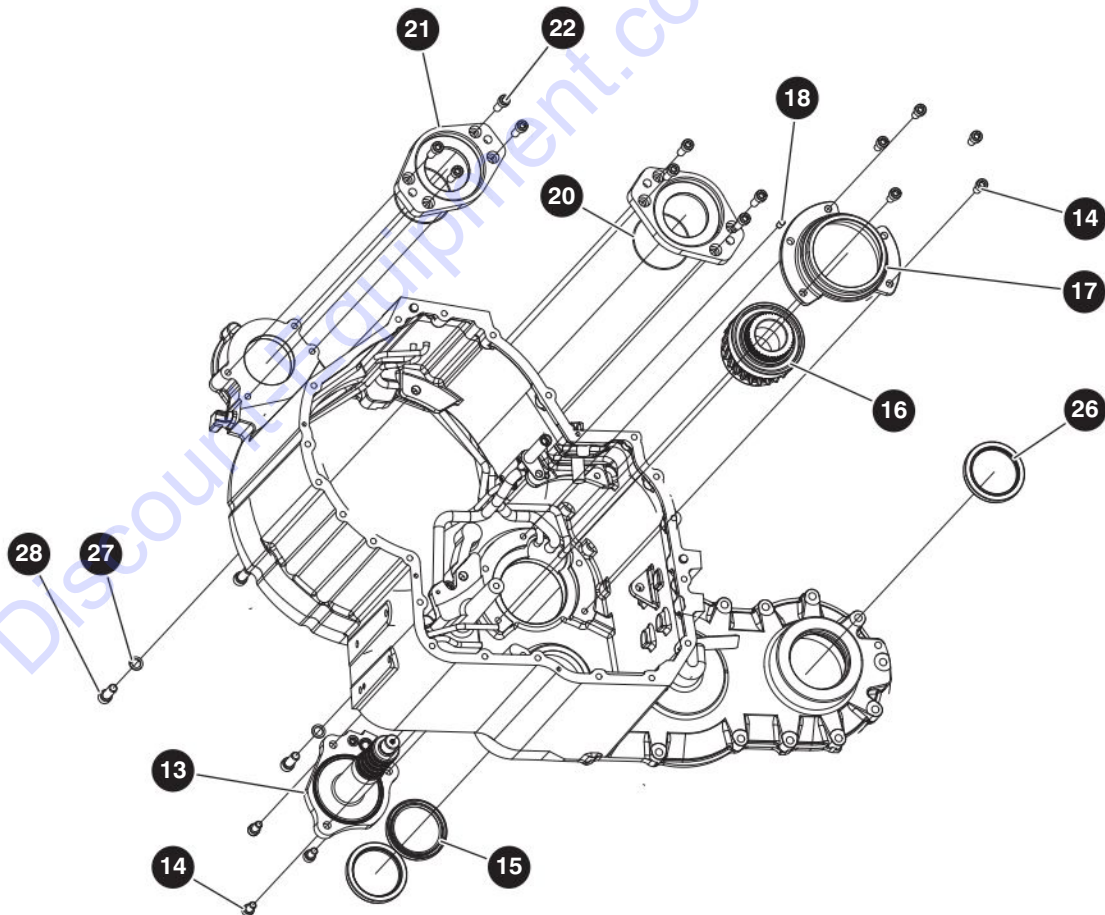
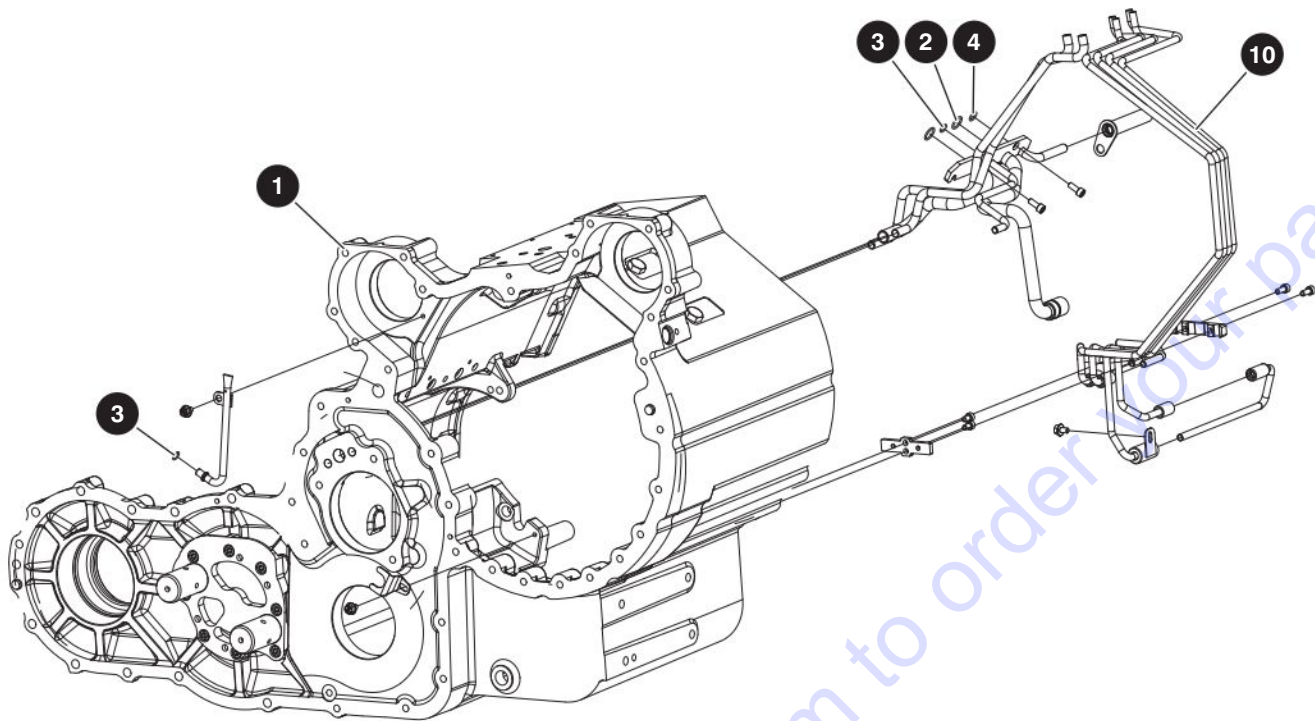
SKYJACK

### 3.22 R1 & H1 Shaft Double Cone Assembly

Index No.	Skyjack Part No.	Qty.	Description
-	9-222751	1	R1/H1 SHAFT DOUBLE CONE ASSEMBLY
1	9-222720	1	• SYNCHRO SHAFT
2	9-222581	1	• Needle Bearing K45x52x18H
3	9-222671	1	• Snap Ring Int EH-52mm
4	9-222573	1	• Ball Bearing 6015
5	9-222584	1	• Bearing Needle Roller 60mm X 68mm X 23mm
6	9-222715	1	• H1 Gear
7	9-222668	2	• Retaining Ring Spiral EXT 60mm
8	9-222629	1	• SYNCHRONIZER DOUBLE CONE 311415aa3
9	9-222583	1	• Bearing Needle Bearing 50mm X 58mm X 25mm
10	9-222674	1	• Retaining Ring Spiral INT 58mm
11	9-222721	1	• R1 Gear
12	9-222567	1	• LOCKING RING A50X2.5
13	9-222719	1	• Thrust washer
14	9-222579	1	• Bearing Ball 6210 50mm X 90mm X 20mm
15	9-222560	2	• SHIM_DIN988_70x90x0.5
16	9-222561	1	• SHIM_DIN988_70x90x0.2
17	9-222562	2	• SHIM_DIN988_70x90x0.1



### 3.23 CVT Middle Casing Assembly



M222767AA-1

190125AG

108

SJ643 TH, SJ843 TH

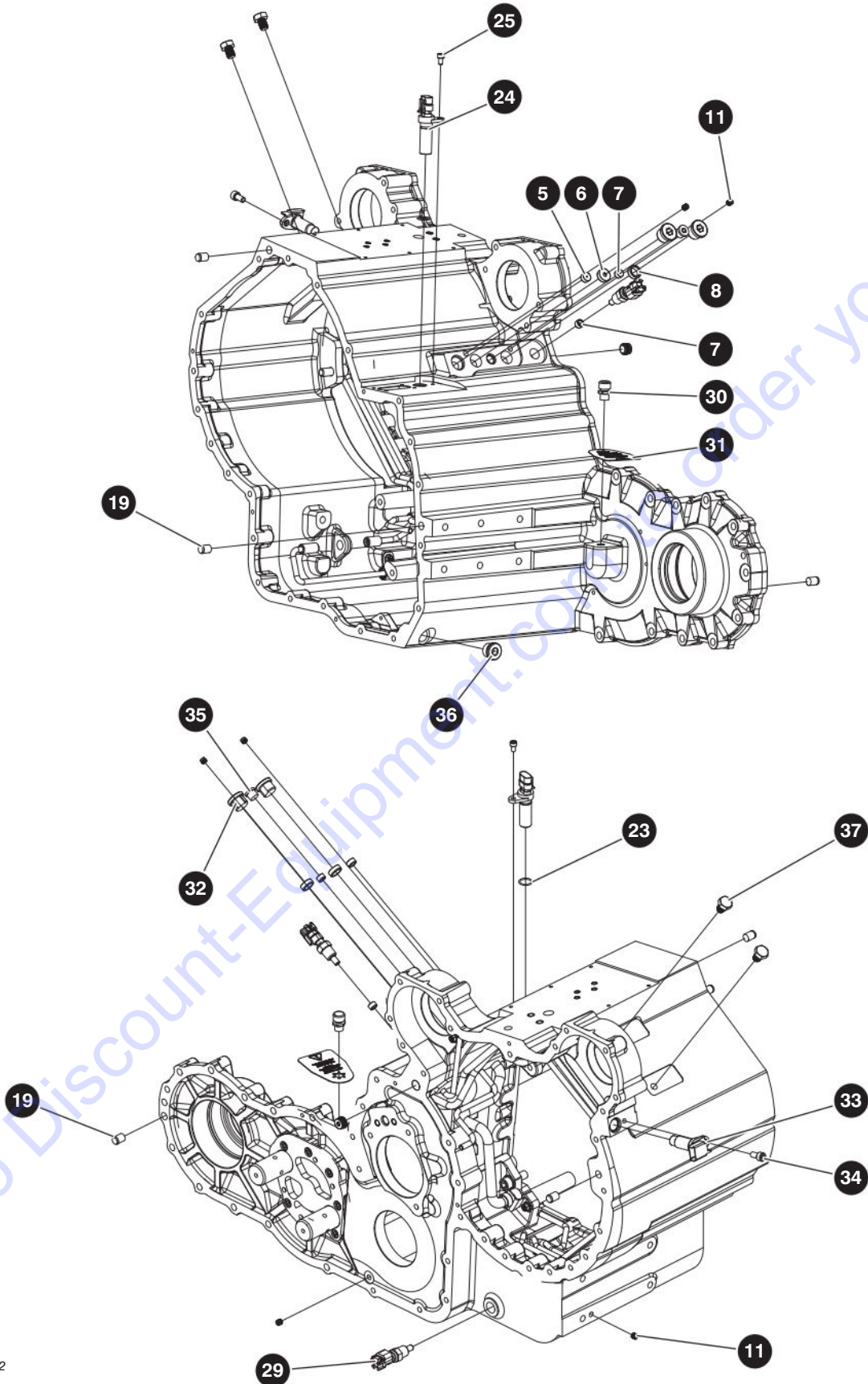
SKYJACK



### 3.23 CVT Middle Cassing Assembly

Index No.	Skyjack Part No.	Qty.	Description
-	9-222767	1	MIDDLE CASSING ASSEMBLY
1	9-222768	1	• Middle Casing Plate ASM
2	9-222596	2	• O-RING AS568 Dash #015 Nitrile
3	9-222608	2	• O-RING AS568 Dash #11 Nitrile
4	9-222594	1	• O-RING AS568 Dash #012 Nitrile
5	9-222759	1	• Insert 14mm Nozzle
6	9-222762	1	• Insert 20mm Nozzle
7	9-222760	1	• Insert 12mm Nozzle
8	9-222761	1	• Insert 20mm Nozzle
9	9-222763	1	• Insert 12mm Nozzle
10	9-222787	1	• Hydraulic Tubing ASM
11	9-222678	4	• Rivet Plug LK series 8mm KVT LK 950-080
12	9-222680	1	• Rivet Plug LK series 16mm KVT LK 950-160
13	9-222705	1	• CLUTCH MANIFOLD ASM
14	9-222521	8	• SHCS M10 x 20 mm
15	9-222625	2	• Seal Ring Single Up
16	9-222713	1	• L1 Gear ASM
17	9-222722	1	• FRONT SUPPORT PLATE
18	9-222655	1	• Pin Dowell M8 x 18 mm
19	9-222656	4	• M12 X 20MM
20	9-222593	2	• 3.250 x 3.375 x 0.070 Dash# 042
21	9-222758	2	• Pump Pad Adaptor
22	9-222524	8	• SHCS M10 x 1.5 x 30 mm
23	9-222606	1	• O-RING AS568 Dash #017 Nitrile
24	9-222504	1	• Hall-Effect Speed And Direction Sensor
25	9-222513	1	• SHCS M6 x 1.0 x 10.0 ZC-PL
26	9-222623	1	• Seal Ring Double Lips
27	9-222548	3	• Wedge Lock Washer
28	9-222528	3	• SHCS M12- x 1.75 x 35 mm
29	9-222501	2	• GM Delphi / Packard Fluid Temperature Sensor
30	9-222651	1	• Oil filling plug with breather 1/4 BSPP / alu washer
31	9-222684	1	• Label ATF Oil
32	9-222639	2	• Fitting Accessories (Hex Socket Plug)
33	9-222505	1	• HONEYWELL SNDH-H3C-G05
34	9-222520	1	• M8 x 1.25 x 16.0 (CLASS 12.9) ZC-PL
35	9-222637	1	• Hex Plug SAE-ORB 9/16-18 05HP-6
36	9-222638	1	• MAGNET_PLUG_PG_1-2_BSP
37	9-222535	2	• Bolt Hex Head M12 x 1.75 x 16 (class 8,8) ZC-PL

### 3.23 CVT Middle Casing Assembly

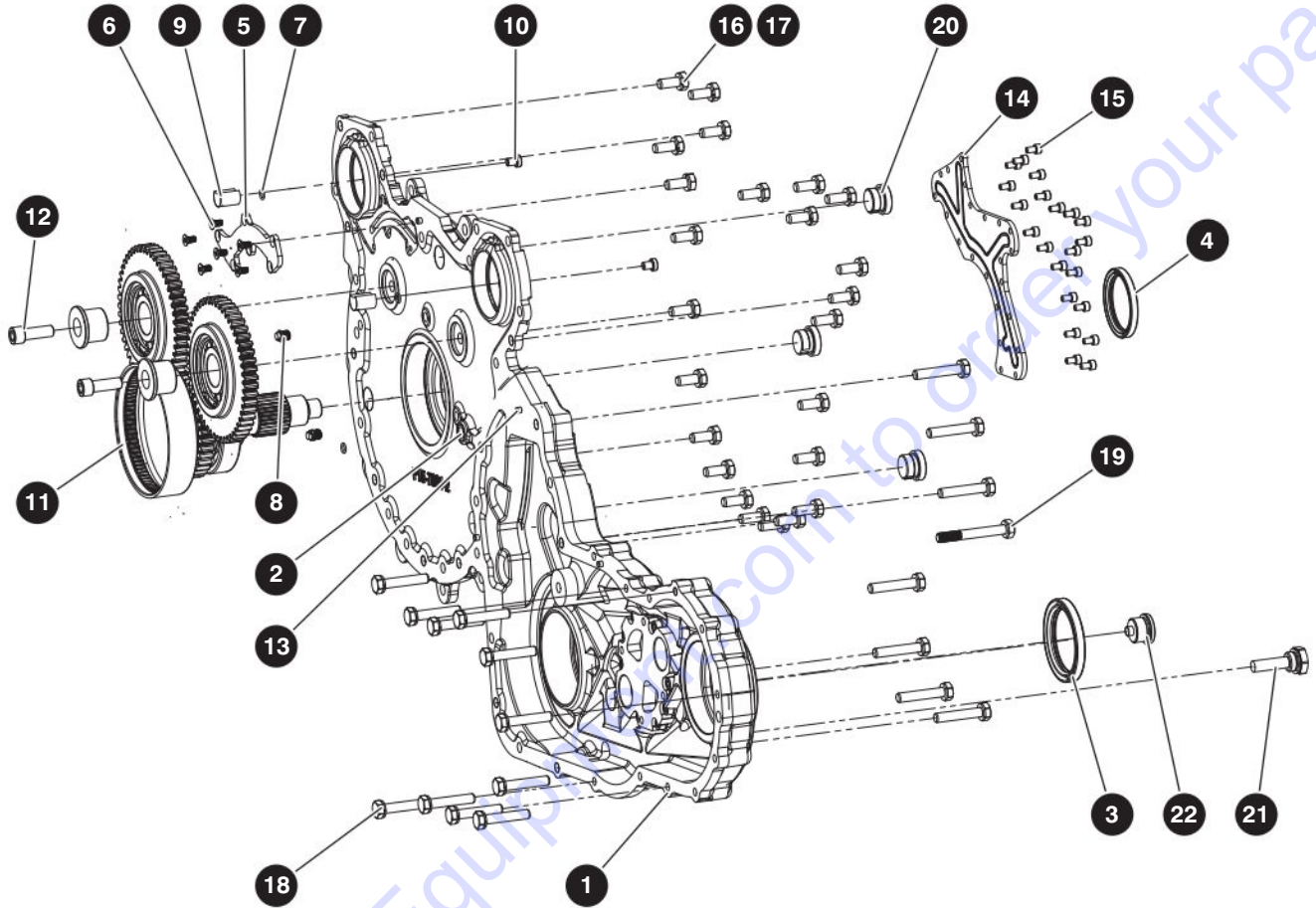


M222767AA-2

### 3.23 CVT Middle Cassing Assembly

Index No.	Skyjack Part No.	Qty.	Description
-	9-222767	1	MIDDLE CASSING ASSEMBLY
1	9-222768	1	• Middle Casing Plate ASM
2	9-222596	2	• O-RING AS568 Dash #015 Nitrile
3	9-222608	2	• O-RING AS568 Dash #11 Nitrile
4	9-222594	1	• O-RING AS568 Dash #012 Nitrile
5	9-222759	1	• Insert 14mm Nozzle
6	9-222762	1	• Insert 20mm Nozzle
7	9-222760	1	• Insert 12mm Nozzle
8	9-222761	1	• Insert 20mm Nozzle
9	9-222763	1	• Insert 12mm Nozzle
10	9-222787	1	• Hydraulic Tubing ASM
11	9-222678	4	• Rivet Plug LK series 8mm KVT LK 950-080
12	9-222680	1	• Rivet Plug LK series 16mm KVT LK 950-160
13	9-222705	1	• CLUTCH MANIFOLD ASM
14	9-222521	8	• SHCS M10 x 20 mm
15	9-222625	2	• Seal Ring Single Up
16	9-222713	1	• L1 Gear ASM
17	9-222722	1	• FRONT SUPPORT PLATE
18	9-222655	1	• Pin Dowell M8 x 18 mm
19	9-222656	4	• M12 X 20MM
20	9-222593	2	• 3.250 x 3.375 x 0.070 Dash# 042
21	9-222758	2	• Pump Pad Adaptor
22	9-222524	8	• SHCS M10 x 1.5 x 30 mm
23	9-222606	1	• O-RING AS568 Dash #017 Nitrile
24	9-222504	1	• Hall-Effect Speed And Direction Sensor
25	9-222513	1	• SHCS M6 x 1.0 x 10.0 ZC-PL
26	9-222623	1	• Seal Ring Double Lips
27	9-222548	3	• Wedge Lock Washer
28	9-222528	3	• SHCS M12- x 1.75 x 35 mm
29	9-222501	2	• GM Delphi / Packard Fluid Temperature Sensor
30	9-222651	1	• Oil filling plug with breather 1/4 BSPP / alu washer
31	9-222684	1	• Label ATF Oil
32	9-222639	2	• Fitting Accessories (Hex Socket Plug)
33	9-222505	1	• HONEYWELL SNDH-H3C-G05
34	9-222520	1	• M8 x 1.25 x 16.0 (CLASS 12.9) ZC-PL
35	9-222637	1	• Hex Plug SAE-ORB 9/16-18 05HP-6
36	9-222638	1	• MAGNET_PLUG_PG_1-2_BSP
37	9-222535	2	• Bolt Hex Head M12 x 1.75 x 16 (class 8,8) ZC-PL

### 3.24 CVT Front Casing



M222769AA

190125AG

112

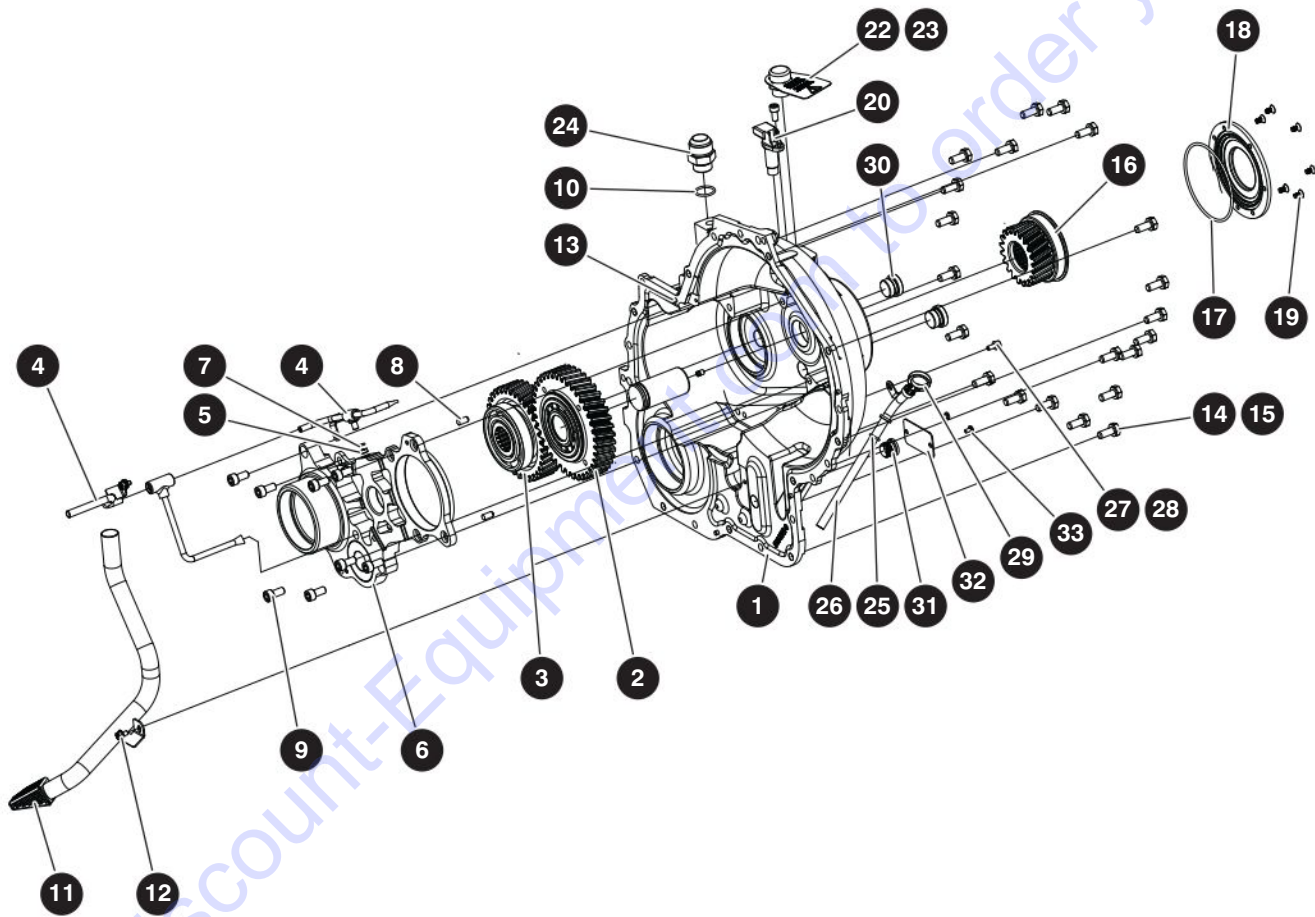
SJ643 TH, SJ843 TH

SKYJACK

### 3.24 CVT Front Casing

Index No.	Skyjack Part No.	Qty.	Description
-	9-222769	1	FRONT CASING ASSEMBLY
1	9-222775	1	• CASING, Front plate
2	9-222764	1	• Insert 18mm chamfer
3	9-222623	1	• Seal Ring Double Lips
4	9-222624	1	• Seal ring double lips
5	9-222770	1	• Plate Lubrication Rear
6	9-222529	6	• FHCS M6x1x12 (91263A837)
7	9-222608	3	• O-RING AS568 #11
8	9-222772	2	• Nozzle 1/8 NPT Modification
9	9-222773	2	• LUBE INSERT
10	9-222530	2	• LHCS M8x1.25X10 188-SS
11	9-222747	1	• Input Shaft ASM
12	9-222746	2	• P2 Gear ASM
13	9-222653	4	• Pin Dowel M6 X 12mm
14	9-222771	1	• Plate Lubrication Front
15	9-222513	22	• SHCS M6 x 1.0 x 10.0 ZC-PL
16	9-222544	43	• Lock Washer Helical Spring, M10 x 18.1mm x 2.05mm
17	9-222534	24	• Bolt Hex Head
18	9-222532	18	• M10 x 1.5 x 55.0 (CLASS 8.8) ZC-PL
19	9-222533	1	• M10 x 1.5 x 80.0 (C:ASS 8.8) ZC-PL
20	9-222640	3	• Fitting Accessories (Hex Socket Plug)
21	9-222774	1	• MAGNETIC FILTER ROD
22	9-222650	1	• Oil drain plug

### 3.25 CVT Rear Casing



M222776AA

190125AG

114

SJ643 TH, SJ843 TH

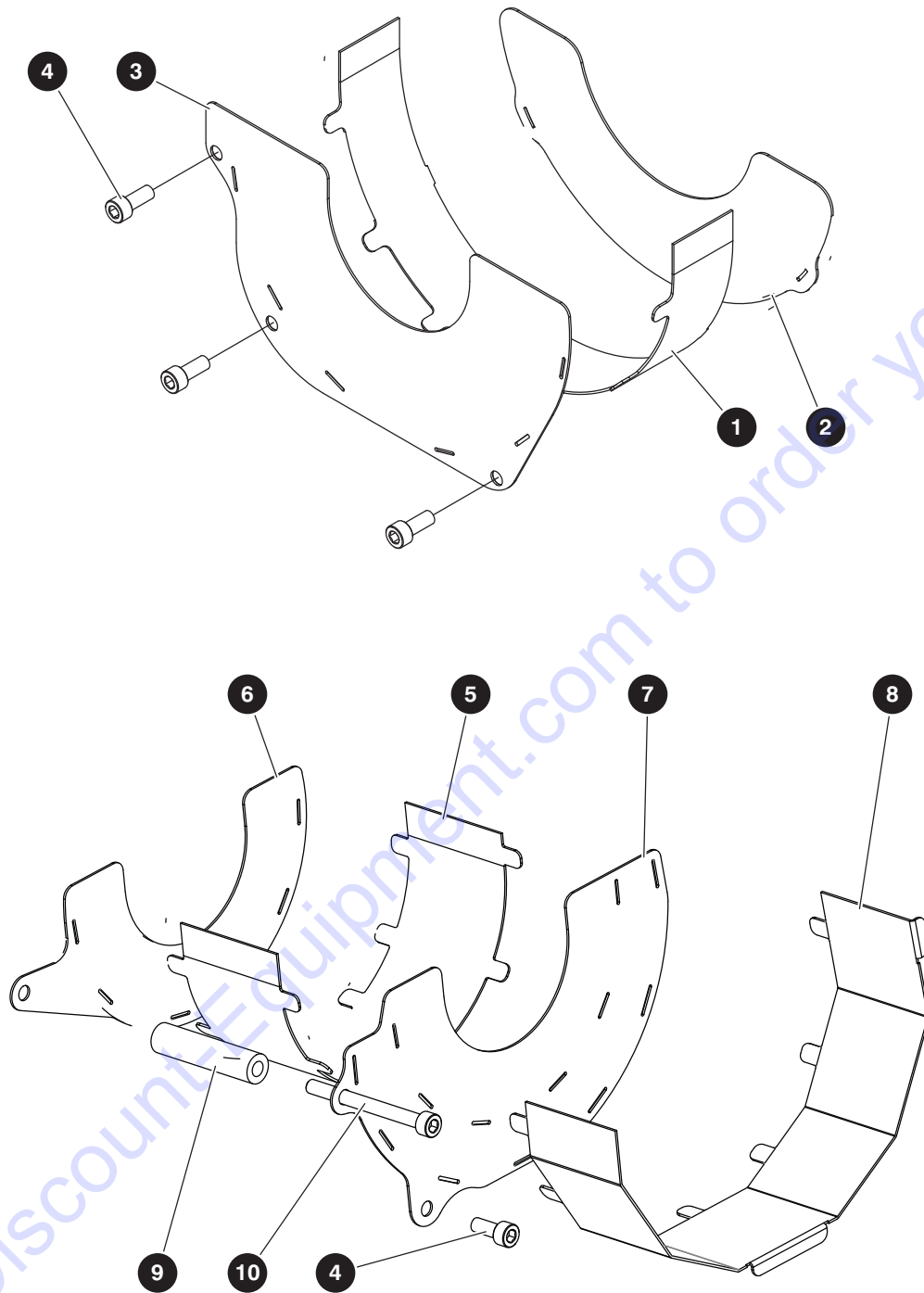
SKYJACK



### 3.25 CVT Rear Casing

Index No.	Skyjack Part No.	Qty.	Description
-	9-222776	1	REAR CASING ASSEMBLY
1	9-222756	1	• Back Cover (Machining)
2	9-222709	1	• G2 Gear ASM
3	9-222708	1	• G3 Gear ASM
4	9-222833	1	• Rear Hydraulic Tubing ASM
5	9-222696	1	• Insert 12mm Rear Support Plate
6	9-222506	1	• Rear support plate reworked
7	9-222608	1	• O-RING AS568 #11
8	9-222655	2	• Pin Dowell M8 x 18 mm
9	9-222521	8	• SHCS M10 x 20 mm
10	9-222607	1	• O-RING AS568 #120
11	9-222755	1	• SUCTION TUBE
12	9-222537	1	• Bolt Flange head M6x1.0x10.0 (Class 10.9)
13	9-222653	4	• Pin Dowel M6 X 12mm
14	9-222544	21	• Lock Washer Helical Spring, M10 x 18mm x 2mm
15	9-222534	21	• Bolt Hex Head
16	9-222712	1	• G1 gear ASM
17	9-222600	1	• O-RING AS568 #11
18	9-222757	1	• REAR CAP
19	9-222529	6	• FHCS M6x1x12 (91263A837)
20	9-222505	1	• HONEYWELL SNDH-H3C-G05
21	9-222520	1	• M8 x 1.25 x 16.0 (CLASS 12.9) ZC-PL
22	9-222652	1	• Oil Filling Plug - With Breather 3/4 BSPP
23	9-222683	1	• Label CVT Traction Fluid
24	9-222631	1	• Fitting JIC to SAE 1.000 OD Tube-M x 1.062-12 UNF-M
25	9-222620	1	• O-Ring 12mm ID x 2.5mm
26	9-222765	1	• DIPSTICK TUBE
27	9-222539	1	• Washer M6
28	9-222515	1	• M6 x 1.0 x 14.0 (CLASS 12.9) BL-OX
29	9-222766	1	• DipStick Modification
30	9-222640	2	• Fitting Accessories (Hex Socket Plug)
31	9-222641	1	• Hex Socket Sealed Plug 1/2 BSPP
32	9-222685	1	• ID PLATE S/N - Lateral Drop
33	9-222509	2	• Rivet Blind 0,188" x 0,325"

### 3.26 CVT Front and Rear Baffle

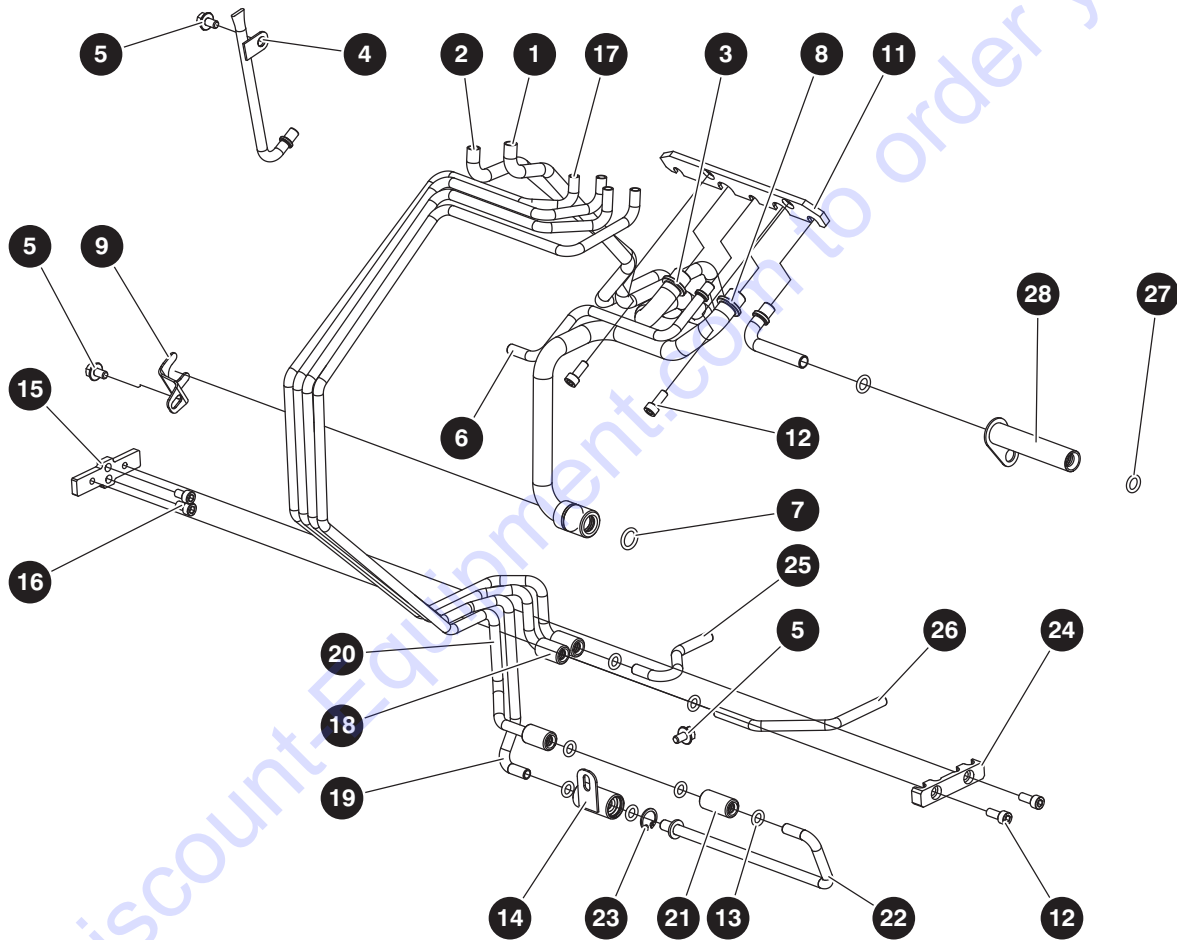


M222777AA\_M222781AA

### 3.26 CVT Front and Rear Baffle

Index No.	Skyjack Part No.	Qty.	Description
-	9-222777	1	FRONT GEAR BAFFLE ASSEMBLY
1	9-222778	1	• L2 GEAR-BAFFLE PLATE SIDE
2	9-222780	1	• L2 GEAR-BAFFLE PLATE BACK
3	9-222779	1	• L2 GEAR-BAFFLE PLATE FRONT
4	9-222519	4	• SHCS M6 x 1 x 15 ZC-PL
-	9-222781	1	REAR GEAR BAFFLE ASSEMBLY
5	9-222782	1	• R3-H2 GEAR-BAFFLE PLATE SIDE RIGHT
6	9-222783	1	• R2-H2 GEAR-BAFFLE PLATE BACK
7	9-222784	1	• R3-H2 GEAR-BAFFLE PLATE FRONT
8	9-222785	1	• R3-H2 GEAR-BAFFLE PLATE SIDE LEFT
9	9-222786	1	• R3-H2 GEAR BAFFLE SPACER
10	9-222518	1	• SHCS M6 x 1 x 65 ZC-PL 91290A346

### 3.27 CVT Hydraulic Tubing



M222787AA

190125AG

118

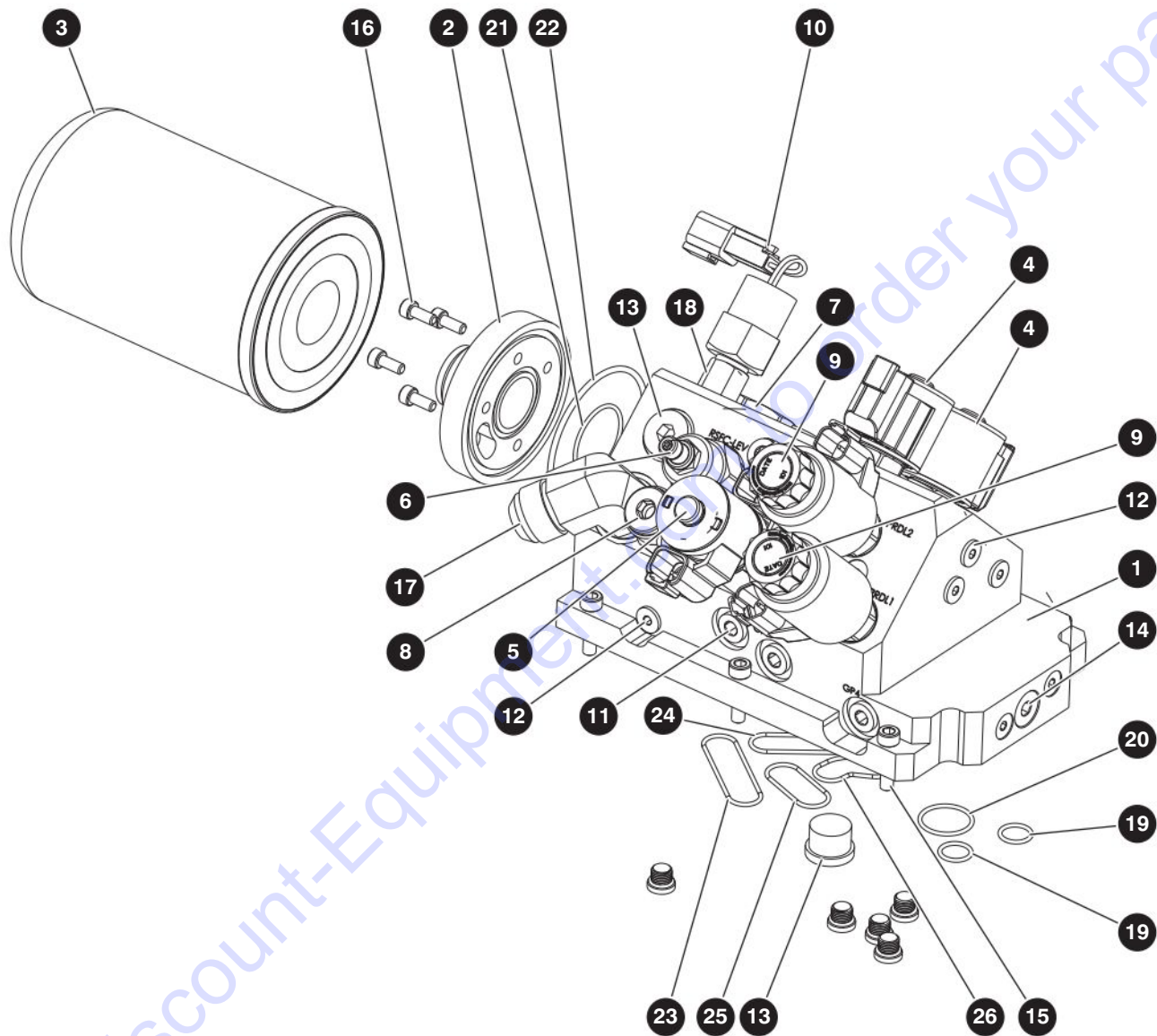
SJ643 TH, SJ843 TH

SKYJACK

### 3.27 CVT Hydraulic Tubing

Index No.	Skyjack Part No.	Qty.	Description
-	9-222787	1	HYDRAULIC TUBING ASSEMBLY
1	9-222789	1	• TUBING PRESSURE CLUTCH H1-R1
2	9-222793	1	• TUBING PRESSURE CLUTCH L1
3	9-222790	1	• TUBING LUBRIFICATION CLUTCH
4	9-222808	1	• LUBRIFICATION ASM P2-P3
5	9-222537	3	• Bolt Flange head M6x1.0x10.0 (Class 10.9)
6	9-222791	1	• TUBING LUBRIFICATION FRONT CASING
7	9-222595	1	• O-RING AS568 #112
8	9-222805	1	• CVT OIL INPUT
9	9-222800	1	• BRACKET CVT OIL INPUT
10	9-222792	1	• TUBING1 LUBRIFICATION G1-G2-G3
11	9-222794	1	• PLATE TUBE RETAINER
12	9-222519	4	• SHCS M6 x 1 x 15 ZC-PL
13	9-222598	7	• O-ring AS568 Dash #109 Nitrile
14	9-222809	1	• PRESSURE CTRL SYSTEM OVERDRIVE CONNECTION ASM
15	9-222795	1	• TUBING SUPPORT BRACKET BACK
16	9-222513	2	• SHCS M6 x 1.0 x 10.0 ZC-PL
17	9-222806	1	• PRESSURE SYNCHRO ASM R1
18	9-222807	1	• PRESSURE SYNCHRO ASM H1
19	9-222788	1	• "TUBING1 PRESSURE CTRL SYSTEM OVERDRIVE"
20	9-222810	1	• "TUBING PRESSURE CTRL SYSTEM UNDERDRIVE ASM"
21	9-222799	1	• 8mm O-RING TO 8mm O-RING SLEEVE
22	9-222811	1	• "TUBING PRESSURE CTRL SYSTEM OVERDRIVE ASM2"
23	9-222666	1	• Internal Retaining Ring 16mm
24	9-222796	1	• TUBING SUPPORT BRACKET FRONT
25	9-222798	1	• TUBING1 PRESSURE SYNCHRO R1
26	9-222797	1	• TUBING1 PRESSURE SYNCHRO H1
27	9-222599	2	• O-RING AS568 #110
28	9-222804	1	• LUBRIFICATION SUPPORT MID-CASING G1-G2-G3

### 3.28 CVT Manifold



M222813AA

190125AG

**120**

SJ643 TH, SJ843 TH

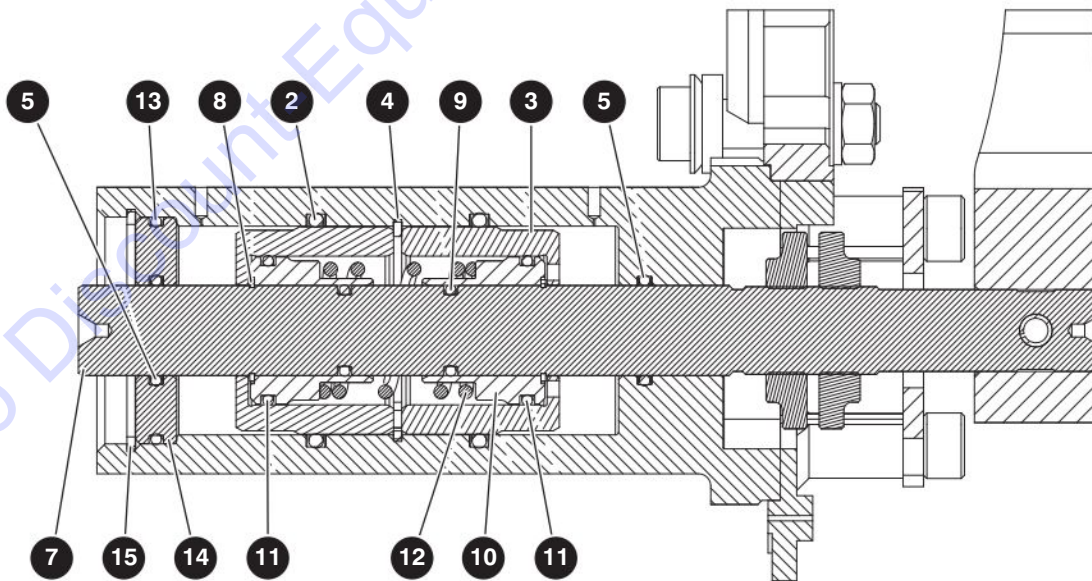
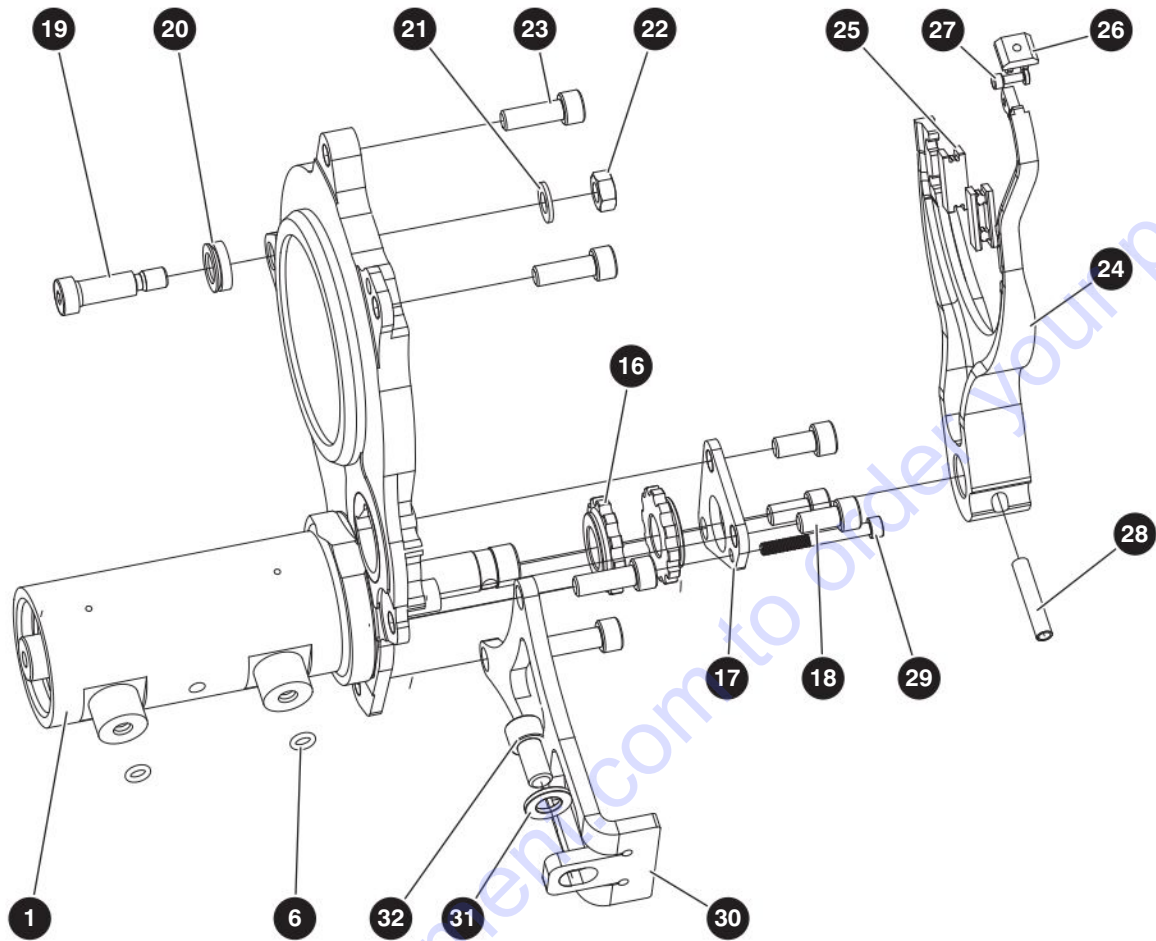
**SKYJACK**



### 3.28 CVT Manifold

Index No.	Skyjack Part No.	Qty.	Description
-	9-222813	1	MANIFOLD BLOCK ASSEMBLY
1	9-222814	1	• MANIFOLD, Block MC-47361
2	9-222815	1	• FILTER ADAPTER
3	9-222643	1	• FILTER DONALDSON P165354
4	9-222647	2	• Valve proportionnal SV08-31-0-V-12ER
5	9-222646	1	• Valve 4 voies/3 pos électro-proportionnelle
6	9-222648	1	• Valve Pilot operated balanced piston sequence valve (RSFC-LEV)
7	9-222644	1	• CHECK VALVE CV12-20-0-V-50
8	9-222645	1	• Relief Valve RV10-22C-0-VC-6
9	9-222649	2	• VALVE PRDLXSN912N
10	9-222503	1	• Low Pressure Switch - Nason LM-6A-250R/1WD/VT
11	9-222636	9	• Hex Plug SAE-ORB 7/16-20 05HP-4
12	9-222634	21	• 0.313-24 Straight Thread SAE-ORB (-2)
13	9-222635	4	• Hex Plug SAE-ORB 3/4-16 05HP-8
14	9-222637	1	• Hex Plug SAE-ORB 9/16-18 05HP-6
15	9-222516	6	• SHCS - M6 x 1.0 x 25.0 (CLASS 12.9) ZC-PL
16	9-222512	4	• M5 x 0.8 x 12.0 (CLASS 12.9) ZC-PL
17	9-222632	1	• Fitting elbow SAE 0.750 OD tube-M x 0.875-14 UNF-M 12-10_c5ox-s
18	9-222633	1	• Fitting SAE to SAE - 0.563-18 UNF-M x 0.438-20 UNF-F
19	9-222613	2	• O-Ring 0.489"ID x 0.070" width (#014)
20	9-222612	1	• O-Ring 0.864"ID x 0.070" width (#020)
21	9-222611	1	• O-Ring 1.239"ID x 0.070" width (#026)
22	9-222609	1	• O-Ring 2.612"ID x 0.103" width
23	9-222614	1	• O-Ring 1.614"ID x 0.070" width (#030)
24	9-222610	1	• O-Ring 1.176"ID x 0.070" width (#028)
25	9-222621	1	• 1.114"ID x 0.070" width (#024)
26	9-222615	1	• 1.051"ID x 0.070" width (#023)

### 3.29 CVT Cylinder Synchro



M222816AA

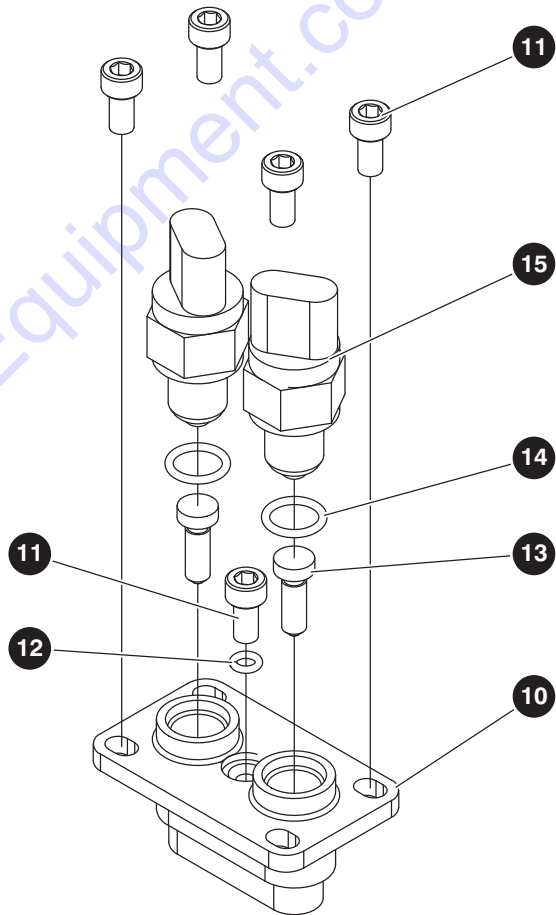
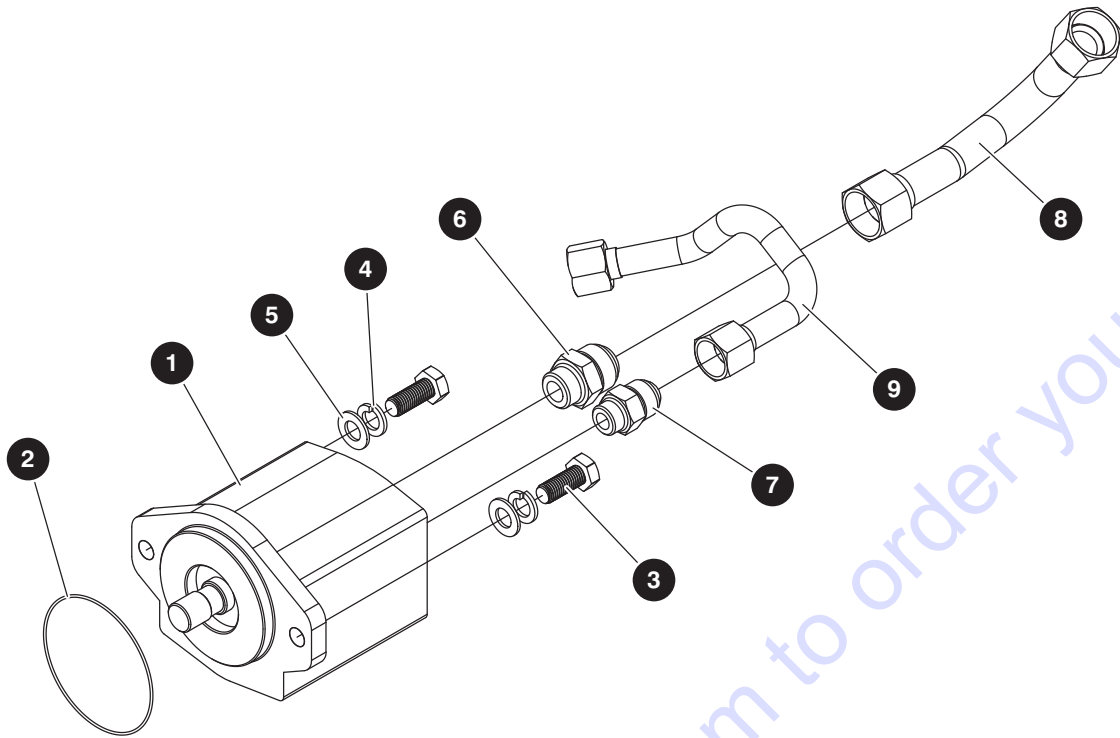
190125AG

SJ643 TH, SJ843 TH

### 3.29 CVT Cylinder Synchro

Index No.	Skyjack Part No.	Qty.	Description
-	9-222816	1	CYLINDER SYNCHRO ASSEMBLY
1	9-222507	1	• Mid support plate reworked
2	9-222603	2	• O-RING AS568 #11
3	9-222820	2	• PISTON OUTER
4	9-222663	1	• Retaining ring int 50mm bore
5	9-222602	2	• O-RING AS568 #11
6	9-222598	2	• O-ring AS568 Dash #109 Nitrile
7	9-222818	1	• SYNCHRO SHAFT
8	9-222675	2	• Retaining ring ext 22mm shaft
9	9-222604	2	• O-RING AS568 #11
10	9-222819	2	• PISTON INNER
11	9-222605	2	• O-RING AS568 #11
12	9-222590	1	• Compression spring OD 1,312 ID 1,050 FL 1,91 (12127)
13	9-222601	1	• O-RING AS568 #11
14	9-222822	1	• SEAL CAP
15	9-222662	1	• Retaining ring int 55mm bore
16	9-222817	2	• Stopper Disk
17	9-222821	1	• Stopper Plate
18	9-222521	3	• SHCS M10 x 20 mm
19	9-222510	1	• SHLDR_Screw PRECISION (HEX SOCKET) 12mm x 30mm x M10 BL-OX
20	9-222551	1	• Spherical Washers M12 x 24 mm x 8 mm
21	9-222540	1	• M10 x 20mm x 1.8-2.2mm
22	9-222564	1	• Nut Hex Full M10 x 1.5 x 8mm ZC-PL
23	9-222523	4	• M10 x 1.5 x 30.0 (CLASS 12.9) BL-OX
24	9-222823	1	• FORK
25	9-222825	2	• SHIFT FORK SLIDER
26	9-222824	1	• SHIFT FORK LOCATOR
28	9-222657	1	• Spring Pin Steel, M8 Diameter, 45mm Length
29	9-222517	1	• SHCS M6 x 1 x 55 ZC-PL (91502A175)
30	9-222826	1	• STIFFENER BRACKET
31	9-222541	1	• Washer Plain M12 x 24mm x 2.7mm
32	9-222525	1	• SHCS M12x1.75 X 22.0

### 3.30 Pump & Limit Switch Assembly

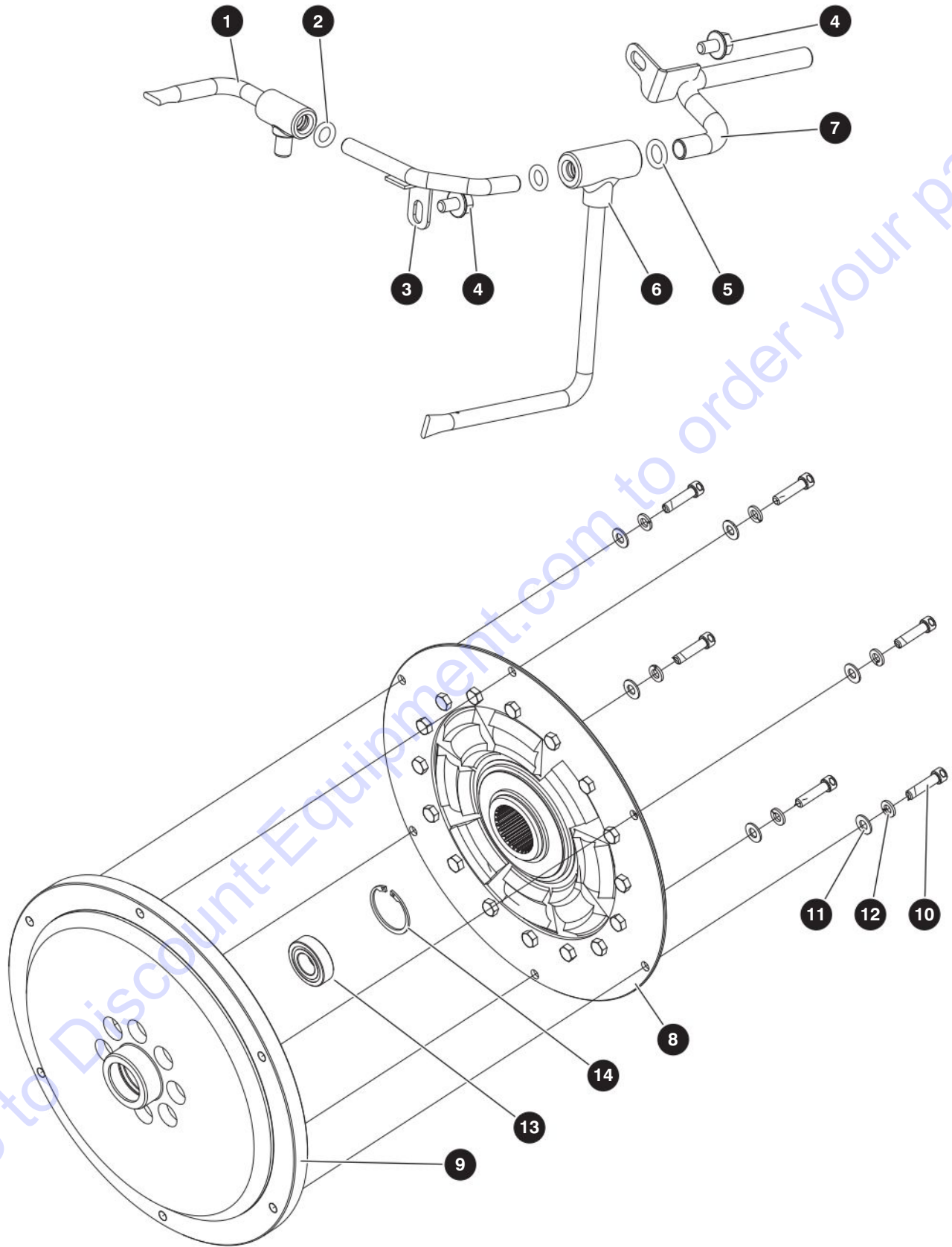


M222827AA\_M222830AA

### 3.30 Pump & Limit Switch Assembly

Index No.	Skyjack Part No.	Qty.	Description
-	9-222827	1	PUMP UNIT
1	9-222642	1	• CASAPA PHP20-25 R0-04S5-P-OD/OC-V-EL-D
2	9-222592	1	• O-RING 4.000 X 4.125 X 0.0625 (#045)
3	9-222536	2	• Bolt Hex Head M14 x 2 x 35.0 (Class 8.8)
4	9-222545	2	• Lock Washer M14
5	9-222542	2	• Washer Plain M14 x 28mm x 2.7mm
6	9-222631	1	• Fitting JIC to SAE 1.000 OD Tube-M x 1.062-12 UNF-M
7	9-222630	1	• Fitting JIC to SAE 0.750 OD Tube-M x 0.875-14 UNF-M 12-10_f5ox-s
8	9-222828	1	• Suction Tubing
9	9-222829	1	• Pressure Tubing
-	9-222830	1	LIMIT SWITCH ASSEMBLY
10	9-222832	1	• Block Limit Switch
11	9-222514	5	• SHCS M6 X 12 mm
12	9-222622	1	• O-ring 0,176"ID x 0.070 width Dash#008 Buna-N
13	9-222831	2	• Plunger
14	9-222617	2	• O-Ring #3-906
15	9-222502	2	• Plunger operated switches 14400204-R

### 3.31 CVT Rear Hydraulic Tubing & Damper Plate



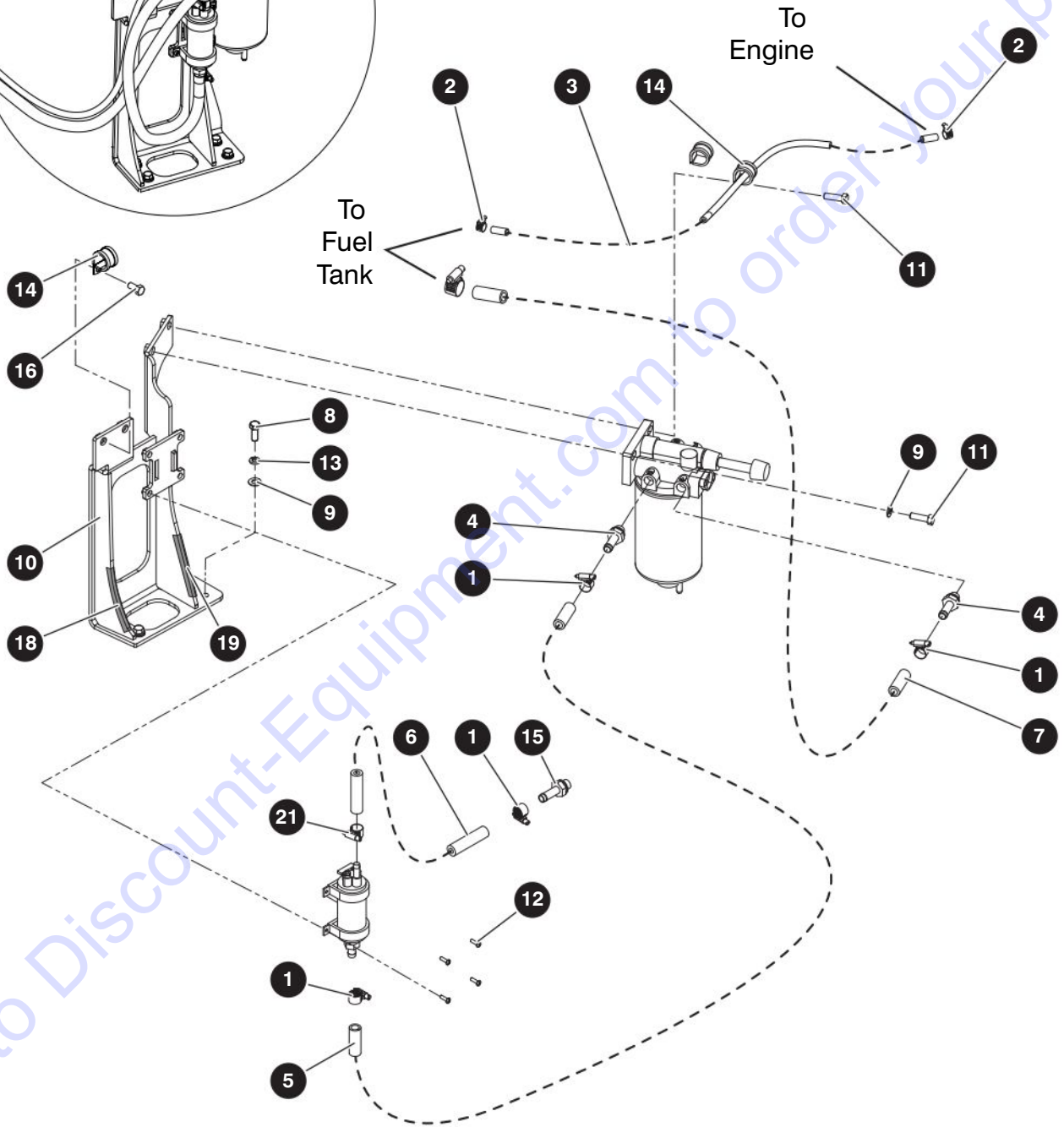
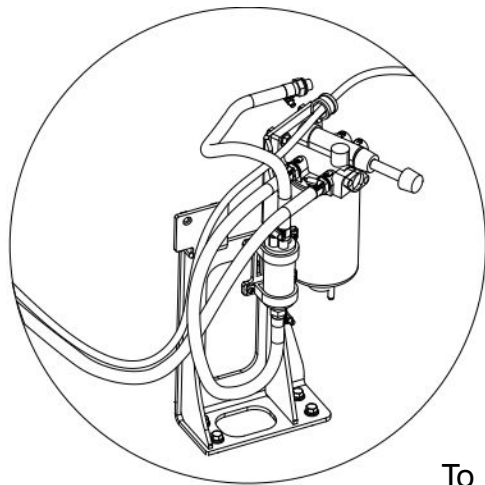
M222833AA\_M222834AA



### 3.31 CVT Rear Hydraulic Tubing & Damper Plate

Index No.	Skyjack Part No.	Qty.	Description
-	9-222833	1	REAR HYDRAULIC TUBING
1	9-222802	1	• LUBRIFICATION ASM2 G1-G2
2	9-222598	2	• O-ring AS568 Dash #109 Nitrile
3	9-222801	1	• "TUBING LUBRIFICATION ASM1 G1-G2"
4	9-222537	2	• "Bolt Flange head M6x1.0x10.0 (Class 10.9)"
5	9-222599	1	• O-RING AS568 #110
6	9-222812	1	• LUBRIFICATION ASM G2-G3
7	9-222803	1	• LUBRIFICATION ASM G1-G2-G3
-	9-222834	1	DAMPER PLATE ASSEMBLY
8	9-213824	1	• TORSIONAL SPRING COUPLING MODEL 231031 (Z-191232), 0-650 ft-lbs
9	9-216575	1	• Adaptor plate SAE J927 to J620
10	9-151159	6	• SHCS 5/16-18 X 1 1/4 ZINC PLATED
11	9-103996	6	• Washer Flat 0.344 x 0.688 x 0.055-0.080
12	9-103404	6	• Lock Washer Helical Spring 0.313 x 0.078
13	9-216576	1	• Ball bearing ID:20 OD: 42 W: 12 , 6004-2RS
14	9-216580	1	• Retaining ring J42

### 3.32 Fuel Lines



M190055AD

190125AG

**128**

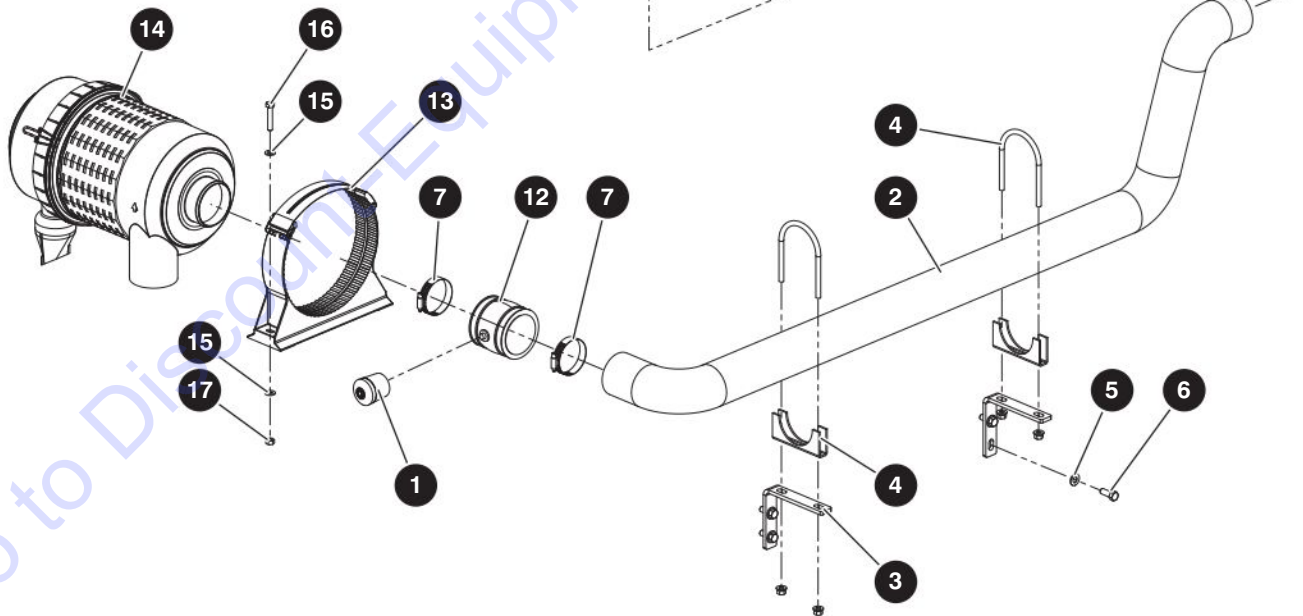
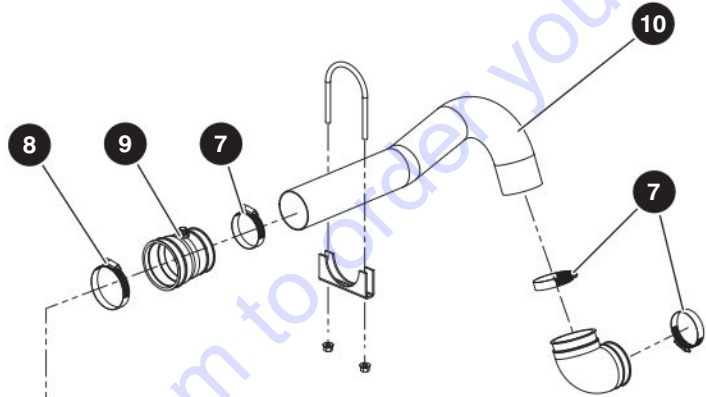
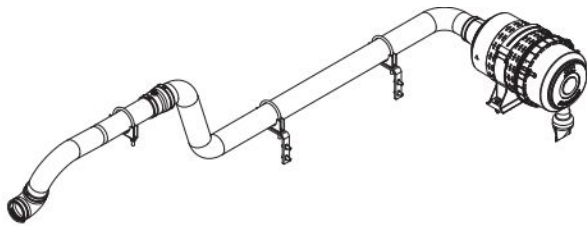
SJ643 TH, SJ843 TH

**SKYJACK**

### 3.32 Fuel Lines

Index No.	Skyjack Part No.	Qty.	Description
-	9-190055	1	FUEL LINES SUBGROUP, TH643/TH843
1	9-116342	4	• CLAMP, Gear #8
2	9-103321	2	• CLAMP, Gear (SAE #4 - 1/4"-13/16")
3	9-102984	165"	• FUEL LINE, 5/16" (#47PB-B194)
4	9-163222	2	• FITTING, Fuel hose
5	9-163509	28"	• HOSE, 1/2" 300 PSI
6	9-166737	25"	• HOSE, Fuel line 300 PSI 3/8" ID
7	9-163509	145"	• HOSE, 1/2" 300 PSI
8	9-103473	4	• BOLT, Hex head 3/8"-16 X 1" grade 5
9	9-103472	5	• WASHER, Flat 3/8"
10	9-191338	1	• WELDMENT, Fuel filter mount
11	9-101297	2	• BOLT, Hex head 3/8"-16 X 1-1/4" grade 5
12	9-120094	4	• SCREW, Round head machine 10-32 X 5/8"
13	9-103999	4	• WASHER, Lock 3/8"
14	9-168707	3	• CLAMP, Loop cushioned 1" DIA (#16)
15	9-164977	1	• FITTING, Fuel hose 3/8"
16	9-101632	1	• BOLT, Hex head 3/8"-16 X 3/4" grade 5
17	9-102893	12	• TIEWRAP, Cable 14.5" Black (Not Shown)
18	9-119922	5	• TRIM, Protective 1/4"-1/2"
19	9-119922	5	• TRIM, Protective 1/4"-1/2"
20	9-131732	12	• SLLEVE, Nylon hose protection HG-46 (Not Shown)
21	9-102519	2	• CLAMP, Gear #6

### 3.33 Air Intake System



M190670AE

190125AG

130

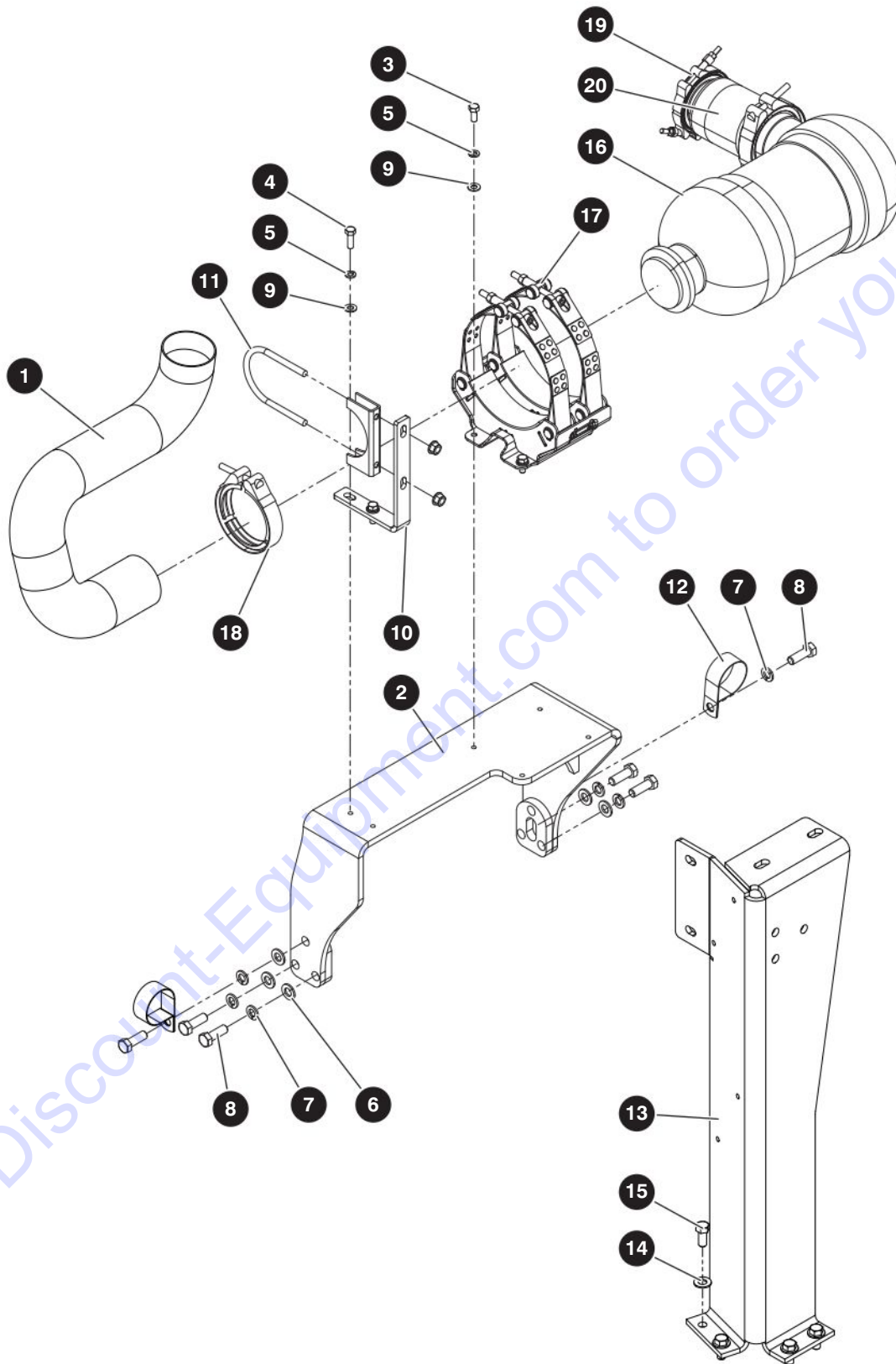
SJ643 TH, SJ843 TH

SKYJACK

### 3.33 Air Intake System

Index No.	Skyjack Part No.	Qty.	Description
-	9-190670	1	ASSEMBLY, AIR INTAKE
1	9-190384	1	• INDICATOR, Service
2	9-190637	1	• TUBE, Air intake DEUTZ TCD 3.6 T4F
3	9-190480	2	• BRACKET, Exhaust support
4	9-928271	3	• CLAMP, Exhaust 3"
5	9-103472	4	• WASHER, Flat 3/8" SAE
6	9-103473	4	• BOLT, Hex head 3/8"-16 X 1" grade 5
7	9-138666	3	• CLAMP, Gear (SAE # 54)
8	9-163193	3	• CLAMP, Hose 3.00"
9	9-190638	1	• CONNECTOR, Reducing c/w port
10	9-190675	1	• TUBE, Air intake DEUTZ TCD 2.9 T4F
11	9-163248	1	• CONNECTOR, 90-EP300
12	9-190639	1	• CONNECTOR, Straight c/w port
13	9-190641	1	• BRACKET, Mounting - EP400
14	9-190640	1	• AIR CLEANER, Europiclön 400
-	9-197131	1	• • FILTER, Primary (Not shown)
-	9-197132	1	• • FILTER, Secondary (Not Shown)
15	9-103996	4	• WASHER, Flat 5/16"
16	9-103885	2	• BOLT, Hex head 5/16"-18 X 1-3/4" grade 5
17	9-103984	2	NUT, Lock with nylon insert 5/16"-18 Gr. 5

### 3.34 Exhaust Installation



M190676AB

190125AG

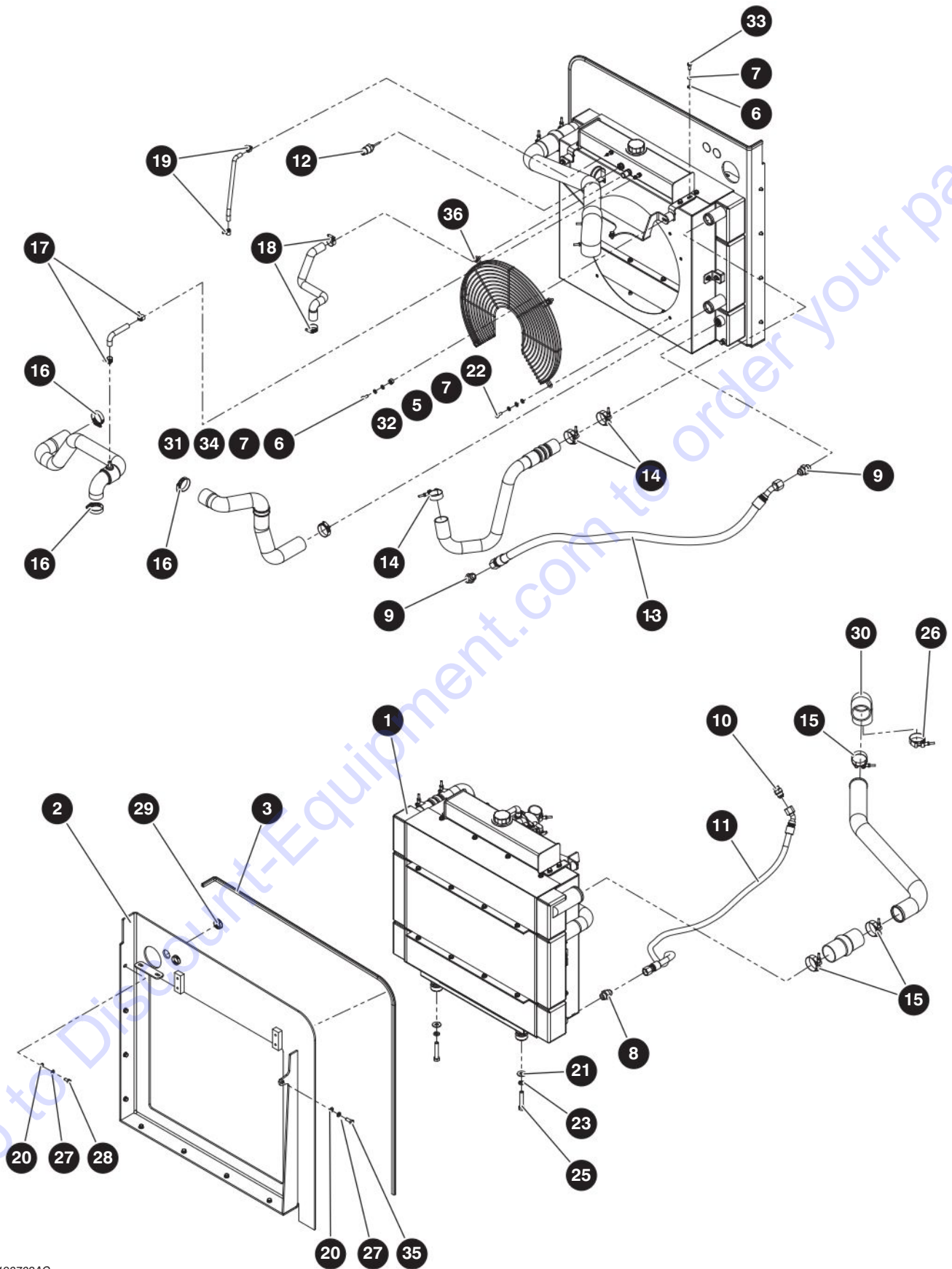
SJ643 TH, SJ843 TH



### 3.34 Exhaust Installation

Index No.	Skyjack Part No.	Qty.	Description
-	9-190676	1	ASSEMBLY, Exhaust
1	9-191995	1	• TUBE, Exhaust tail 2.9L
2	9-190772	1	• WELDMENT, DOC bracket, 2.9 liters engine
3	9-103887	4	• BOLT, Hex head 5/16"-18 X 3/4" grade 5
4	9-103864	2	• BOLT, Hex head 5/16"-18 X 1" grade 5
5	9-103404	6	• WASHER, Lock 5/16"
6	9-933817	4	• WASHER, Flat M12 CL 200 Y
7	9-116995	6	• WASHER, Lock M12 plated DIN 127B
8	9-149419	6	• BOLT, Hex head M12 X 1-3/4" X 35mm grade 8.8 ZP
9	9-103996	6	• WASHER, Flat 5/16"
10	9-191996	1	• BRACKET, Tail pipe support
11	9-928271	1	• CLAMP, Exhaust 3.00
12	9-171177	2	• CLAMP, Loop vinyl coated 2"
13	233040	1	• SUPPORT, Pipe weldment - <b>Serial number XXXXXXXX &amp; Above</b>
14	103472	4	• WASHER, Flat 3/8" - <b>Serial number XXXXXXXX &amp; Above</b>
15	139193	4	• BOLT, Hex head, zinc plated 3/8"-16 x 7/8" Gr. 8 - <b>Serial number XXXXXXXX &amp; Above</b>
16	9-197093	1	CATALYTIC CONVERTER
17	9-197133	1	BRACKET
18	9-190481	2	CLAMP, V-band 3"
19	9-190518	1	CLAMP, Turbo, Deutz
20	9-170956	1	COMPENSATOR

### 3.35 Cooling Package



M190702AC

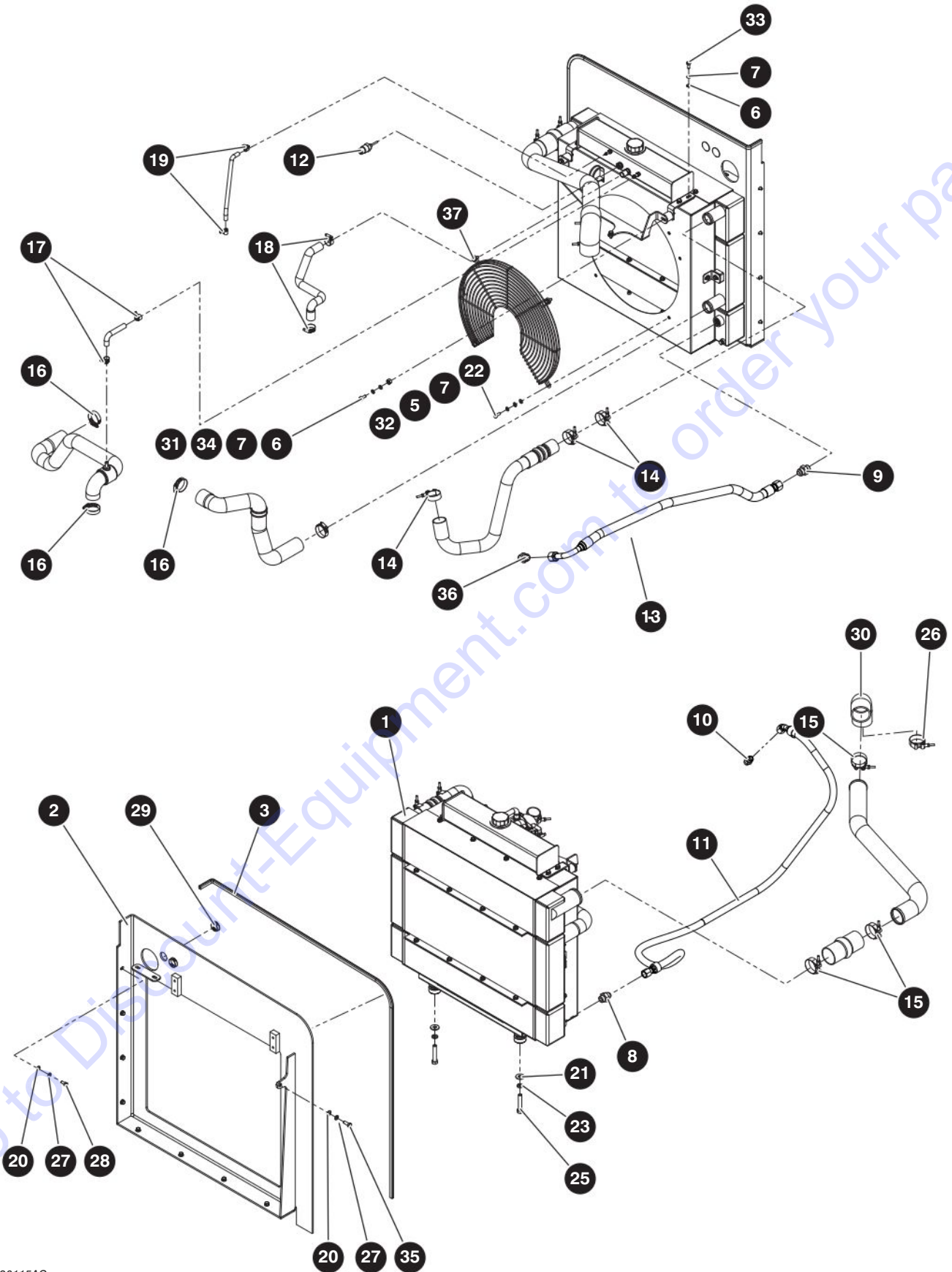
190125AG

SJ643 TH, SJ843 TH

### 3.35 Cooling Package

Index No.	Skyjack Part No.	Qty.	Description
-	9-190702	1	ASSEMBLY, COOLER DEUTZ 2.9L
1	(Ref.)	1	<ul style="list-style-type: none"> <li>• COOLER, (TOC-RAD-CAC) DEUTZ TCD2.9</li> </ul> <a href="#">(For components, refer to Section 3.37)</a>
2	9-190776	1	<ul style="list-style-type: none"> <li>• BAFFLE, 2.9L DEUTZ T4F</li> </ul>
3	9-119922	65"	<ul style="list-style-type: none"> <li>• TRIM, Protective 1/4-1/2"</li> </ul>
4	9-191285	1	<ul style="list-style-type: none"> <li>• GUARD, Fan 18"</li> </ul>
5	9-933655	4	<ul style="list-style-type: none"> <li>• BOLT, Hex head M8 - 1-1/4" X 25 CL 8.8 YE</li> </ul>
6	9-933832	10	<ul style="list-style-type: none"> <li>• WASHER, Flat M8 -16.0</li> </ul>
7	9-116218	12	<ul style="list-style-type: none"> <li>• WASHER, Lock M8 plated DIN 127B</li> </ul>
8	9-137490	1	<ul style="list-style-type: none"> <li>• FITTING, (12 ORBM - 10 JICM)</li> </ul>
9	9-702118	2	<ul style="list-style-type: none"> <li>• FITTING, (12 ORBM - 12 JICM)</li> </ul>
10	9-137630	1	<ul style="list-style-type: none"> <li>• FITTING, (10 ORBM - 10 JICM)</li> </ul>
11	H321000500	1	<ul style="list-style-type: none"> <li>• HOSE, Transmission to oil cooler</li> </ul>
12	9-165058	1	<ul style="list-style-type: none"> <li>• SENSOR, Coolant level</li> </ul>
13	H311200600	1	<ul style="list-style-type: none"> <li>• HOSE, Oil cooler to transmission</li> </ul>
14	9-190696	3	<ul style="list-style-type: none"> <li>• CLAMP, T-Bolt 1.870 DIA - 2.120 DIA</li> </ul>
15	9-164171	2	<ul style="list-style-type: none"> <li>• CLAMP, T-Bolt 2.50-2.78</li> </ul>
16	9-133222	4	<ul style="list-style-type: none"> <li>• CLAMP, Gear # 32</li> </ul>
17	9-116342	2	<ul style="list-style-type: none"> <li>• CLAMP, Gear #8</li> </ul>
18	9-102854	2	<ul style="list-style-type: none"> <li>• CLAMP, Gear #12</li> </ul>
19	9-103321	2	<ul style="list-style-type: none"> <li>• CLAMP, Gear (SAE #4 - 1/4"-13/16")</li> </ul>
20	9-103472	9	<ul style="list-style-type: none"> <li>• Washer, Flat 3/8"</li> </ul>
21	9-104379	2	<ul style="list-style-type: none"> <li>• WASHER, Flat 1/2" USS</li> </ul>
22	9-166164	4	<ul style="list-style-type: none"> <li>• WASHER, Flat 5/16" USS</li> </ul>
23	9-103470	2	<ul style="list-style-type: none"> <li>• WASHER, Lock 1/2" grade 5</li> </ul>
24	9-101297	5	<ul style="list-style-type: none"> <li>• BOLT, Hex head 3/8"-16 X 1-1/4" grade 5</li> </ul>
25	9-103469	2	<ul style="list-style-type: none"> <li>• BOLT, Hex head 1/2"-13 X 3-2/4" grade 5</li> </ul>
26	9-149493	2	<ul style="list-style-type: none"> <li>• CLAMP, T-bolt (2.81 - 3.09)</li> </ul>
27	9-103999	9	<ul style="list-style-type: none"> <li>• WASHER, Lock 3/8"</li> </ul>
28	9-103473	4	<ul style="list-style-type: none"> <li>• BOLT, Hex head 3/8"-16 X 1" grade 5</li> </ul>
29	9-197539	2	<ul style="list-style-type: none"> <li>• PLUG, Snap-in for 1-3/8" hole</li> </ul>
30	9-191337	1	<ul style="list-style-type: none"> <li>• ELBOW, 90° Air intake DEUTZ 2.9L T4F</li> </ul>
31	9-933696	2	<ul style="list-style-type: none"> <li>• NUT, Nut hex nylon lock M8-1.25</li> </ul>
32	9-933735	8	<ul style="list-style-type: none"> <li>• WASHER, M10</li> </ul>
33	9-133174	5	<ul style="list-style-type: none"> <li>• BOLT, Hex head M8-1-1/4" x 20 grade 8.8 ZP</li> </ul>
34	9-933660	2	<ul style="list-style-type: none"> <li>• BOLT, Hex head M8 X 1-1/4" X 16mm grade 8.8</li> </ul>
35	9-122257	1	<ul style="list-style-type: none"> <li>• BOLT, Button head 3/8"-16 x 1-1/4"</li> </ul>
36	9-933761	1	<ul style="list-style-type: none"> <li>• BOLT, Hex Head M8 1-1/2' x 70 Class 8.8</li> </ul>

### 3.36 CVT Cooling Package



M220115AC

190125AG

**136**

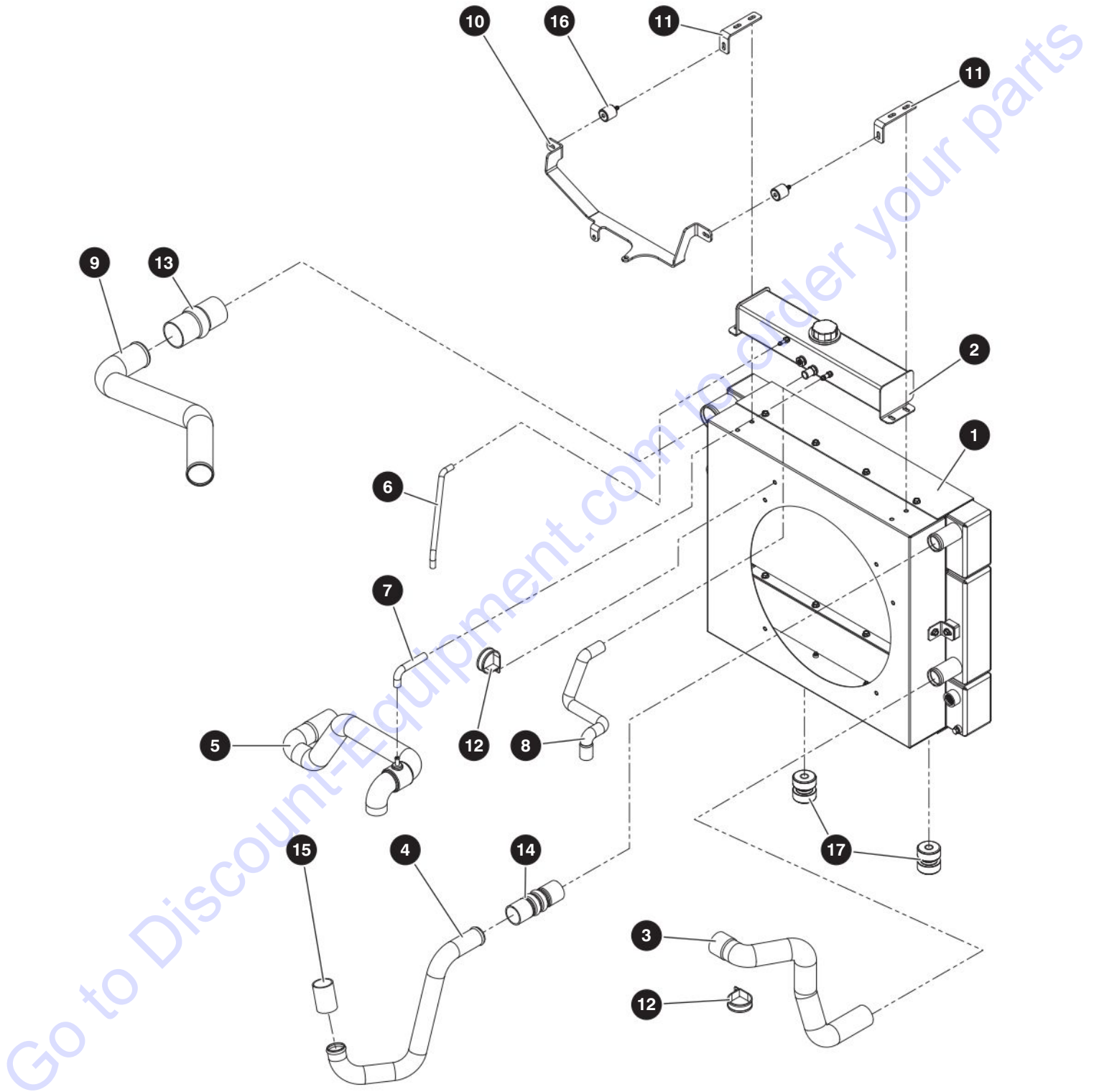
SJ643 TH, SJ843 TH

**SKYJACK**

### 3.36 CVT Cooling Package

Index No.	Skyjack Part No.	Qty.	Description
-	9-220115	1	ASSEMBLY, COOLER DEUTZ 2.9L - CVT
1	(Ref.)	1	<ul style="list-style-type: none"> <li>• COOLER, (TOC-RAD-CAC) DEUTZ TCD2.9</li> </ul> (For components, refer to Section 3.37)
2	9-190776	1	<ul style="list-style-type: none"> <li>• BAFFLE, 2.9L DEUTZ T4F</li> </ul>
3	9-119922	65"	<ul style="list-style-type: none"> <li>• TRIM, Protective 1/4-1/2"</li> </ul>
4	9-191285	1	<ul style="list-style-type: none"> <li>• GUARD, Fan 18"</li> </ul>
5	9-933655	4	<ul style="list-style-type: none"> <li>• BOLT, Hex head M8 - 1-1/4" X 25 CL 8.8 YE</li> </ul>
6	9-933832	10	<ul style="list-style-type: none"> <li>• WASHER, Flat M8 -16.0</li> </ul>
7	9-116218	12	<ul style="list-style-type: none"> <li>• WASHER, Lock M8 plated DIN 127B</li> </ul>
8	9-137490	1	<ul style="list-style-type: none"> <li>• FITTING, (12 ORBM - 10 JICM)</li> </ul>
9	9-702118	1	<ul style="list-style-type: none"> <li>• FITTING, (12 ORBM - 12 JICM)</li> </ul>
10	9-137630	1	<ul style="list-style-type: none"> <li>• FITTING, (10 ORBM - 10 JICM)</li> </ul>
11	9-H321000650	1	<ul style="list-style-type: none"> <li>• HOSE, Transmission to oil cooler</li> </ul>
12	9-165058	1	<ul style="list-style-type: none"> <li>• SENSOR, Coolant level</li> </ul>
13	9-H361200470	1	<ul style="list-style-type: none"> <li>• HOSE, Oil cooler to transmission</li> </ul>
14	9-190696	3	<ul style="list-style-type: none"> <li>• CLAMP, T-Bolt 1.870 DIA - 2.120 DIA</li> </ul>
15	9-164171	2	<ul style="list-style-type: none"> <li>• CLAMP, T-Bolt 2.50-2.78</li> </ul>
16	9-133222	4	<ul style="list-style-type: none"> <li>• CLAMP, Gear # 32</li> </ul>
17	9-116342	2	<ul style="list-style-type: none"> <li>• CLAMP, Gear #8</li> </ul>
18	9-102854	2	<ul style="list-style-type: none"> <li>• CLAMP, Gear #12</li> </ul>
19	9-103321	2	<ul style="list-style-type: none"> <li>• CLAMP, Gear (SAE #4 - 1/4"-13/16")</li> </ul>
20	9-125959	9	<ul style="list-style-type: none"> <li>• Washer, Flat 3/8" Hard</li> </ul>
21	9-104379	2	<ul style="list-style-type: none"> <li>• WASHER, Flat 1/2" USS</li> </ul>
22	9-166164	4	<ul style="list-style-type: none"> <li>• WASHER, Flat 5/16" USS</li> </ul>
23	9-103470	2	<ul style="list-style-type: none"> <li>• WASHER, Lock 1/2" grade 5</li> </ul>
24	9-101297	5	<ul style="list-style-type: none"> <li>• BOLT, Hex head 3/8"-16 X 1-1/4" grade 5</li> </ul>
25	9-103469	2	<ul style="list-style-type: none"> <li>• BOLT, Hex head 1/2"-13 X 3-2/4" grade 5</li> </ul>
26	9-149493	2	<ul style="list-style-type: none"> <li>• CLAMP, T-bolt (2.81 - 3.09)</li> </ul>
27	9-103999	9	<ul style="list-style-type: none"> <li>• WASHER, Lock 3/8"</li> </ul>
28	9-103473	4	<ul style="list-style-type: none"> <li>• BOLT, Hex head 3/8"-16 X 1" grade 5</li> </ul>
29	9-197539	2	<ul style="list-style-type: none"> <li>• PLUG, Snap-in for 1-3/8" hole</li> </ul>
30	9-191337	1	<ul style="list-style-type: none"> <li>• ELBOW, 90° Air intake DEUTZ 2.9L T4F</li> </ul>
31	9-933696	2	<ul style="list-style-type: none"> <li>• NUT, Nut hex nylon lock M8-1.25</li> </ul>
32	9-933735	8	<ul style="list-style-type: none"> <li>• WASHER, M10</li> </ul>
33	9-133174	5	<ul style="list-style-type: none"> <li>• BOLT, Hex head M8-1-1/4" x 20 grade 8.8 ZP</li> </ul>
34	9-933660	2	<ul style="list-style-type: none"> <li>• BOLT, Hex head M8 X 1-1/4" X 16mm grade 8.8</li> </ul>
35	9-122257	1	<ul style="list-style-type: none"> <li>• BOLT, Button head 3/8"-16 x 1-1/4"</li> </ul>
36	9-138668	1	<ul style="list-style-type: none"> <li>• FITTING, (10 ORBM - 12 JICM)</li> </ul>
37	9-933761	1	<ul style="list-style-type: none"> <li>• BOLT, Hex Head M8 1-1/2' x 70 Class 8.8</li> </ul>

### 3.37 Cooler - Internal Breakdown



M190416AB

190125AG

138

SJ643 TH, SJ843 TH

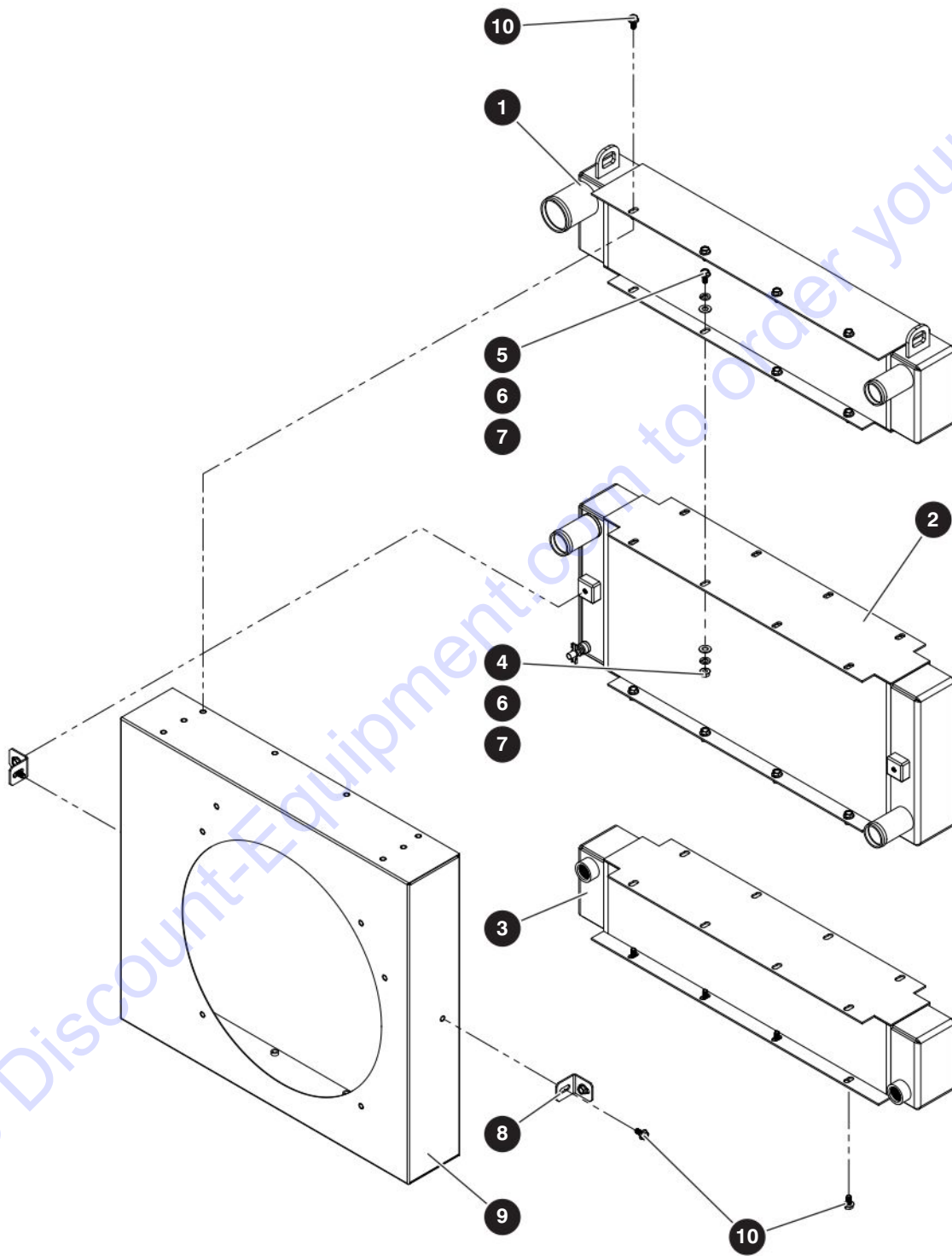
SKYJACK



### 3.37 Cooler - Internal Breakdown

Index No.	Skyjack Part No.	Qty.	Description
-	9-190416	1	COOLER (TOC - RAD - CAC) DEUTZ TCD 2.9
1	(Ref).	1	<ul style="list-style-type: none"> <li>ASSEMBLY, Radiator DEUTZ TCD2.9</li> </ul> (For components, refer to Section 3.38)
2	9-190418	1	<ul style="list-style-type: none"> <li>TANK, Degas DEUTZ TCD2.9</li> </ul>
	9-212827	1	<ul style="list-style-type: none"> <li>CAP, Degas tank</li> </ul>
3	9-190434	1	<ul style="list-style-type: none"> <li>HOSE, Lower 20R4, 42 mm X 48 mm RCP-14-055</li> </ul>
4	9-191245	1	<ul style="list-style-type: none"> <li>PIPING, CAC 44.5 mm OD RCP-14-055</li> </ul>
5	9-190433	1	<ul style="list-style-type: none"> <li>HOSE, Upper 20R4 42 mm X 44.5 mm RCP-14-055</li> </ul>
6	9-190436	1	<ul style="list-style-type: none"> <li>HOSE, Vent 280 mm</li> </ul>
7	9-190435	1	<ul style="list-style-type: none"> <li>HOSE, Vent 129 mm</li> </ul>
8	9-190437	1	<ul style="list-style-type: none"> <li>HOSE, De-gas return 20R4 22 mm X 19 mm</li> </ul>
9	9-191244	1	<ul style="list-style-type: none"> <li>PIPING, CAC 63.5 mm OD RCP-14-055</li> </ul>
10	9-191755	1	<ul style="list-style-type: none"> <li>BRACKET, Upper rad support</li> </ul>
11	9-190422	2	<ul style="list-style-type: none"> <li>MOUNT, Upper</li> </ul>
12	9-190427	2	<ul style="list-style-type: none"> <li>CLAMP, Tube/hose, loop/offset 55 mm OD</li> </ul>
13	9-190429	1	<ul style="list-style-type: none"> <li>COUPLING, CAC Bump 63.5 mm ID</li> </ul>
14	9-190424	1	<ul style="list-style-type: none"> <li>COUPLING, CAC 45 mm ID X 152.40 mm</li> </ul>
15	9-190426	1	<ul style="list-style-type: none"> <li>COUPLING, CAC 44.45 mm ID X 70 mm</li> </ul>
16	9-190430	2	<ul style="list-style-type: none"> <li>ISOLATOR, 32 mm X 32 mm, M8-1-1/2"</li> </ul>
17	9-190428	2	<ul style="list-style-type: none"> <li>ISOLATOR, 46.4 mm 51.21 mm 1/2"-13</li> </ul>

### 3.38 Radiator - Internal Breakdown



M190417AC-3

190125AG

**140**

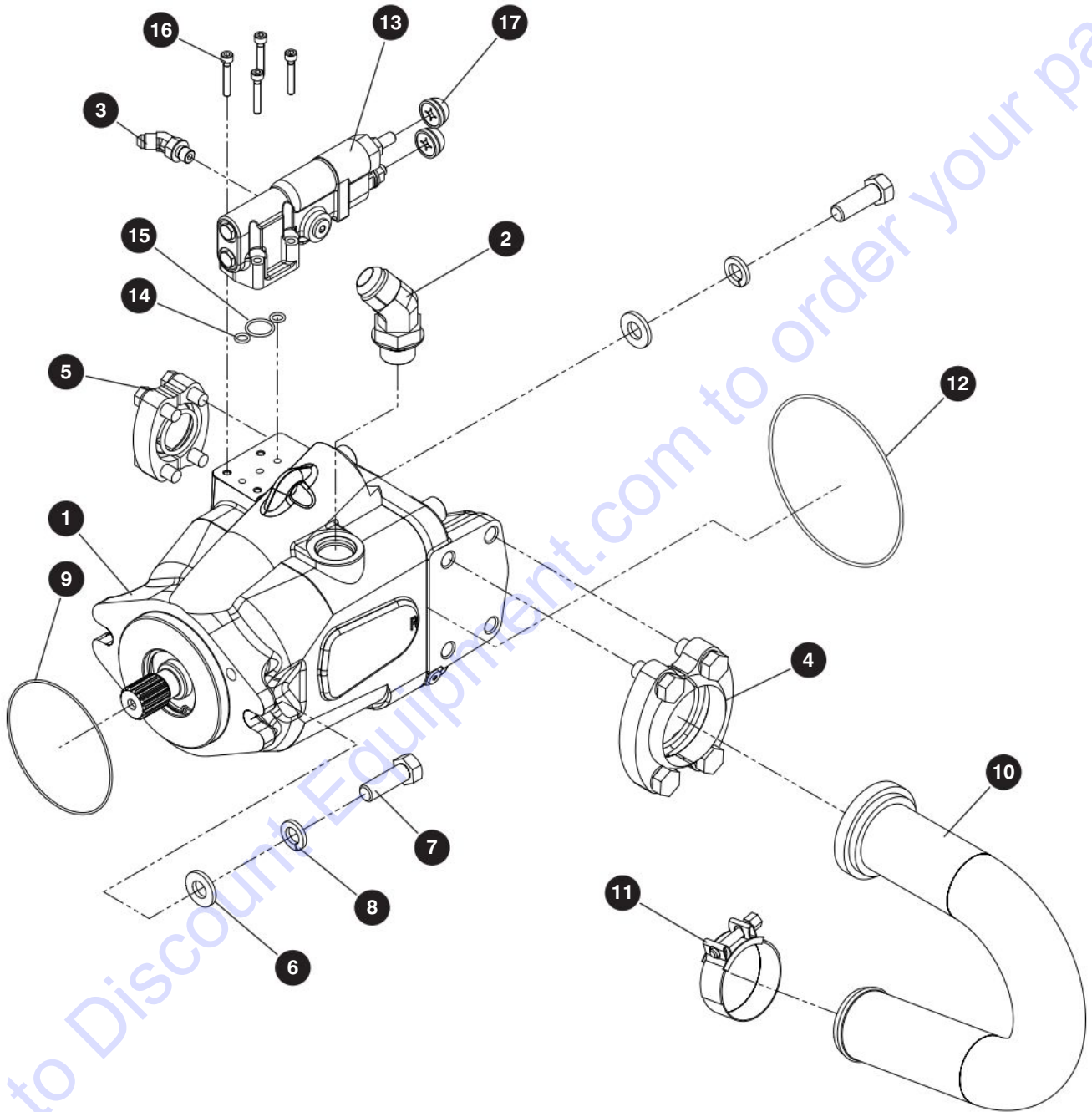
SJ643 TH, SJ843 TH

**SKYJACK**

### 3.38 Radiator - Internal Breakdown

Index No.	Skyjack Part No.	Qty.	Description
-	9-190417	1	ASSEMBLY, RADIATOR 2.9L DEUTZ 74 HP
-	9-197163	1	• ASSEMBLY, COOLING PACKAGE
1	9-197160	1	• • CHARGE-AIR COOLER
2	9-197161	1	• • RADIATOR
3	9-197162	1	• • OIL COOLER
4	9-933625	16	• • NUT, Hex M8-1-1/4"
5	9-136667	16	• • BOLT HEX-HEAD M8 x 1-1/4" x 30 mm grade 8.8 zinc
6	9-933831	16	• • WASHER, Flat M8 OD 16
7	9-116218	16	• • WASHER, Lock M8
8	9-197165	2	• BRACKET
9	9-197164	1	• ASSEMBLY, Fan shroud
10	9-197176	12	• SCREW, Flange 1-1/4" - 16

### 3.39 Powershift Transmission Hydraulic Pump



M190807AB-2

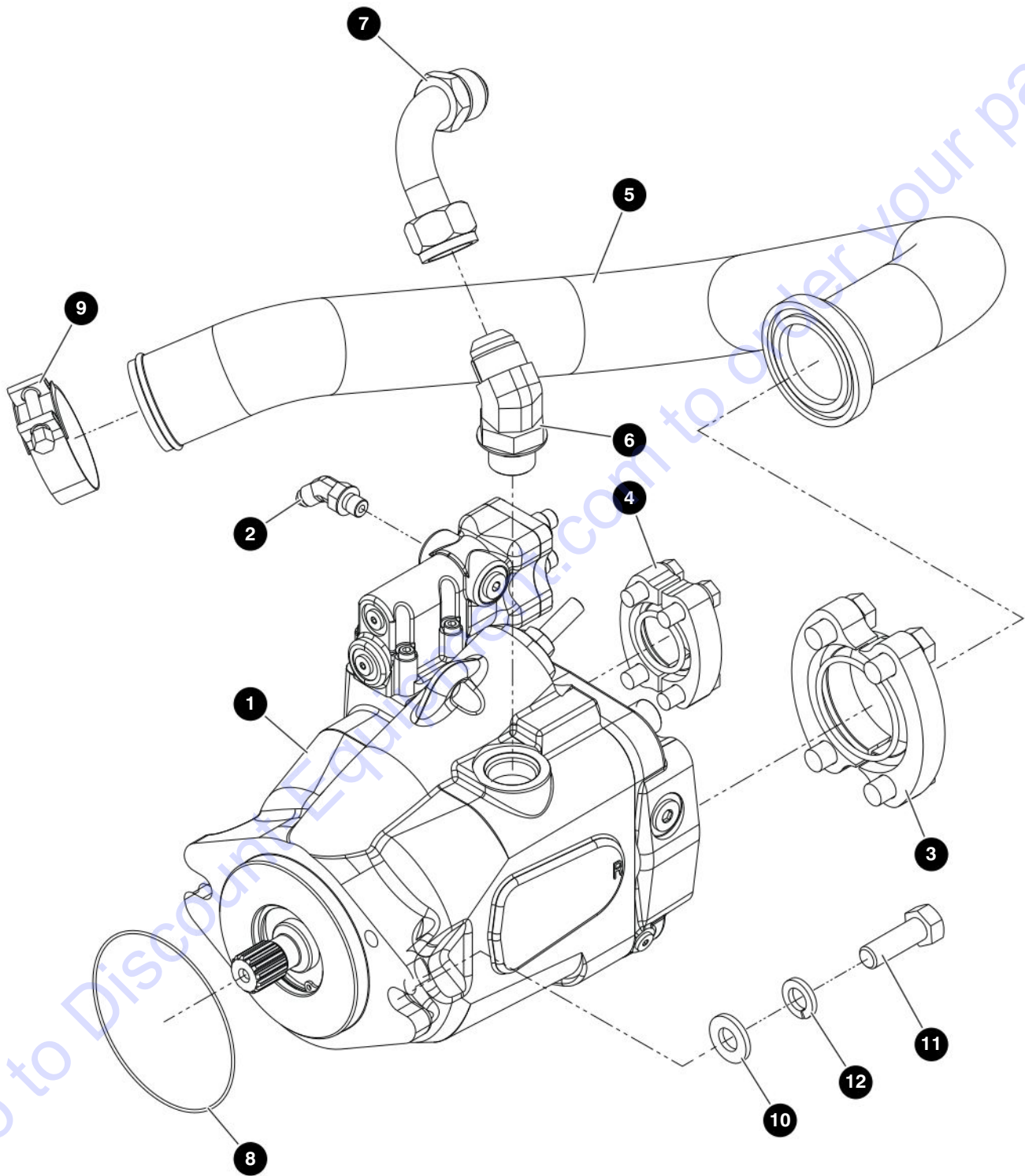
190125AG

SJ643 TH, SJ843 TH

### 3.39 Powershift Transmission Hydraulic Pump

Index No.	Skyjack Part No.	Qty.	Description
-	9-190807	1	ASSEMBLY, HYDRAULIC PUMP
1	9-190264	1	• PUMP
2	9-131707	1	• FITTING, 45° (12 JICM - 12 ORBM)
3	9-131716	1	• FITTING, 45° (04 JICM - 04 ORBM)
4	9-932906	1	• ADAPTER
5	9-930923	1	• FLANGE, Split
6	9-104379	2	• WASHER, Flat 1/2" hard
7	9-103907	2	• BOLT, Hex head 1/2"-13 X 1-1/2" grade 5
8	9-103470	2	• WASHER, Lock 1/2" grade 5
9	9-159878	1	• O-RING, 2-045
10	9-190888	1	• TUBE, Suction #32
11	9-191846	1	• CLAMP, Hose Mikalor 59-63
12	9-196903	1	O-ring (End Pilot Cover)
13	9-196918	1	Compensator Kit
14	9-196919	2	• O-ring (Compensator/Housing)
15	9-196920	1	• O-ring (Secondary Compensator/Housing)
16	9-196921	4	• Screw, Cap (Compensator Mounting)
17	9-196933	1	• Cover, Tamper Proof (Compensator Adj. Screws)

### 3.40 CVT Hydraulic Pump



M216750AA

190125AG

144

SJ643 TH, SJ843 TH

SKYJACK



### 3.40 CVT Hydraulic Pump

Index No.	Skyjack Part No.	Qty.	Description
-	9-220118	1	HYDRAULIC PUMP, SUB GROUP - CVT
1	9-220105	1	PUMP, REAT PORT 62.3CC -CVT
2	9-131716	1	FITTING-45D (04JICM-04ORBM)
3	9-932906	1	SPLIT FLANGE SAE - 32
4	9-930923	1	SPLIT FLANGE SAE -16
5	9-216752	1	TUBE, SUCTION #32
6	9-131707	1	FITTING-45D (12JICM-12ORBM)
7	9-139159	1	FTG, FITTING-90D (SWEPT 12 JICM-12JICF SW)
8	9-159878	1	O - RING 2-045
9	9-191846	1	HOSE CLAMP, MIKALOR 59-63
10	9-191096	2	• WASHER, FLAT M14 DIN125A ZN
11	9-933710	2	• BOLT, HXHD M14 x 2 x 40MM CL 10.9 ZP
12	9-138738	2	• WASHER LOCK M14-PLATED DIN 127B

---

# Section 4 – Operator's Compartment

4.1 Cab Installation

4.2 Open Cab

4.3 Open Cab Side Window

4.4 Right Hand Console

4.5 Right Hand Console

4.7 Joystick Control - Internal Breakdown

4.8 Premium Joystick

4.9 Front Console

4.10 LH Dash Panel

4.11 Flip Chart

4.12 RH Dash Panel

4.13 Steering Console

4.14 Main Relay

4.15 Fuse and Power

4.16 Enclosed Cab

4.17 Door Assembly

4.18 Door Window Assembly

4.19 Cab Heater System

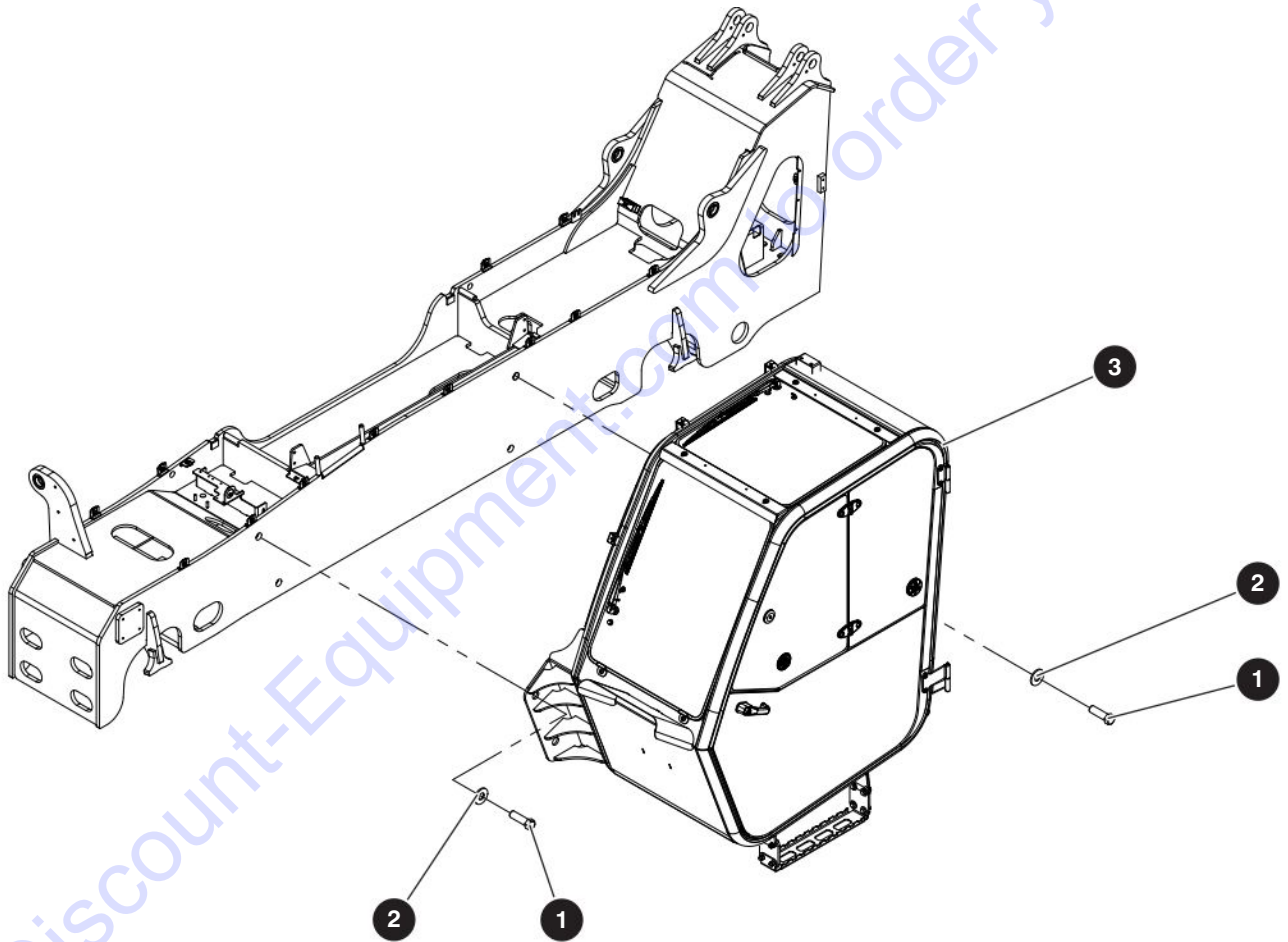
4.20 Cab A/C System

4.21 A/C Compressor

4.22 A/C Condenser

4.23 A/C Harness

## 4.1 Cab Installation



M191788AA-2

190125AG

**148**

SJ643 TH, SJ843 TH

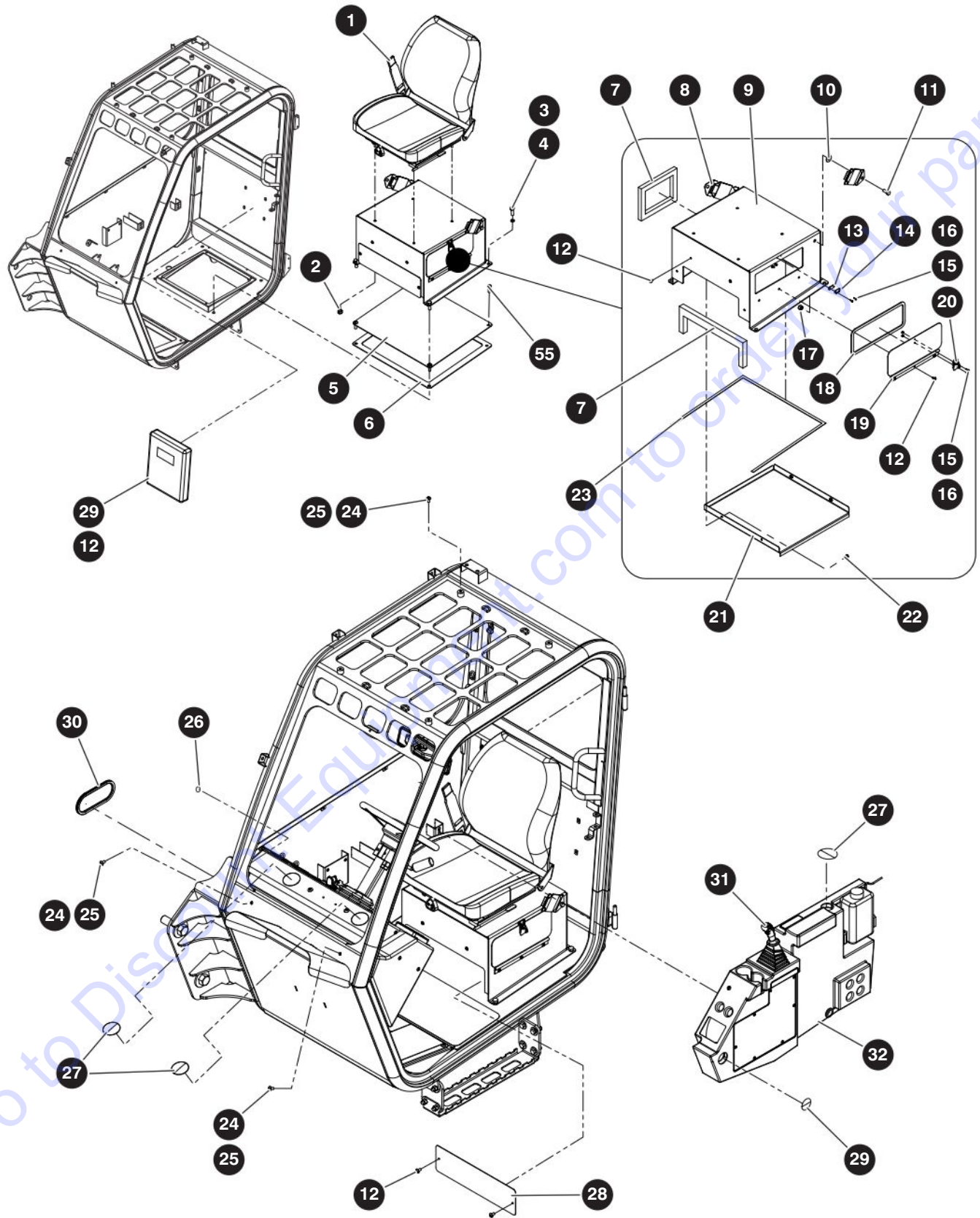
**SKYJACK**

# 4.1 Cab Installation

Index No.	Skyjack Part No.	Qty.	Description
<b>A</b>	9-191788	1	OPEN CAB SUBGROUP
<b>B</b>	9-191789	1	ENCLOSED CAB SUBGROUP
1	9-191783	4	<ul style="list-style-type: none"> <li>• BOLT, Hex head 1-1/4"-7 x 4" Gr. 8</li> </ul>
2	9-923687	4	<ul style="list-style-type: none"> <li>• WASHER, Flat - 1-5/16"ID x 3" OD x 1/4" Hard</li> </ul>
3	(Ref.)	1	<ul style="list-style-type: none"> <li>• ASSEMBLY, Open cab rops &amp; fops - <b>A</b></li> </ul>
			<p>(For components, refer to Section 4.2)</p>
-	(Ref.)	1	<ul style="list-style-type: none"> <li>• ASSEMBLY, Enclosed cab - <b>B</b></li> </ul>
			<p>(For components, refer to Section 4.15)</p>

Go to Discount-Equipment.com to order your parts

## 4.2 Open Cab



M191777AE-1

190125AG

150

SJ643 TH, SJ843 TH

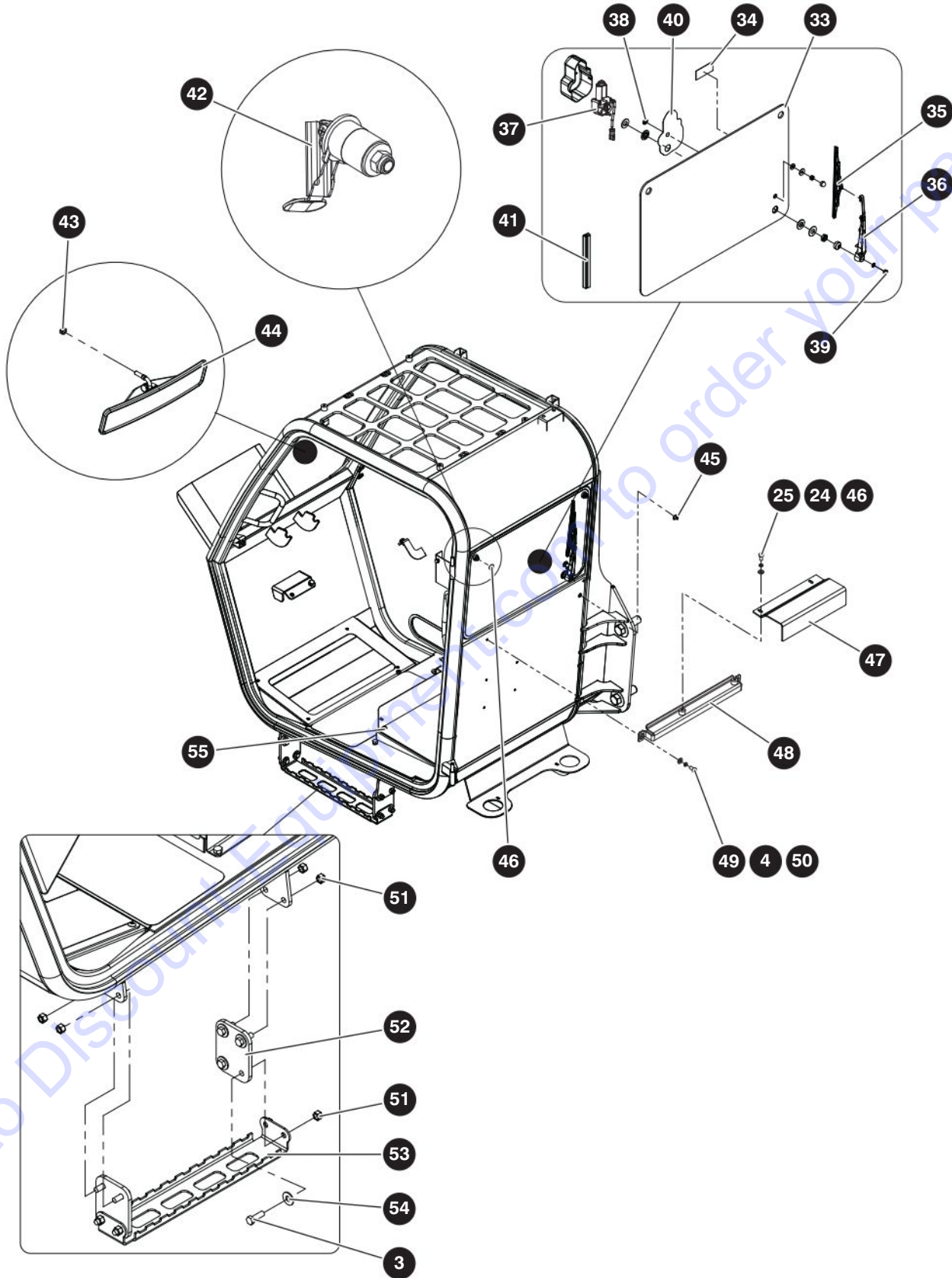
SKYJACK

## 4.2 Open Cab

Index No.	Skyjack Part No.	Qty.	Description
-	9-191777	1	ASSEMBLY, OPEN CAB ROPS & FOPS
1	9-235139	1	• SEAT, Criod
-	9-207639	1	• • BELT, Seat
2	9-191574	7	• NUT, Hex 3/8"-16 NC SER flanged
3	9-103907	12	• SCREW, Hex head cap 1/2"-13 NC X 1-1/2" Gr. 5
4	9-103470	10	• WASHER, Lock, hel spring, 1/2"
5	9-191569	1	• COVER PANEL, NON-HVAC
6	9-191524	1	• GASKET, Foam seal
-	9-191580	1	• ASSEMBLY, SEAT RISER
7	9-191518	1	• • FOAM SEAL, Soft psa
8	9-191564	2	• • TETHER, Seat belt
9	9-191502	1	• • WELDMENT
10	9-191313	2	• • WASHER, Flat 7/16" type A
11	9-191531	2	• • SCREW, Hex head 7/16" - 14 NC X 1" Gr. 5
12	9-235133	13	• • SCREW, Machine 1/4"-20 NC X 1/2" torx
13	9-191563	1	• • LATCH, Padlockable
14	9-191747	1	• • SPACER, Catch latch
15	9-191753	4	• • SCREW, Phillips TMS 6-32 UNC X 1/2" SS
16	9-924972	4	• • NUT, Lock with nylon insert # 6
-	9-191587	1	• • ASSEMBLY, Tool door
17	9-191534	2	• • • NUT, Hex, Lock with nylon insert 7/16" - 14 NC
18	9-191518	1	• • • SEAL, Foam PSA
19	9-191506	1	• • • WELDMENT, Tool door
20	9-191562	1	• • • LATCH, Lockable paddle lock
21	9-191539	1	• • PANEL, Tool shelf
22	9-168208	7	• • NUT, Hex 1/4" - 20 NC
23	9-191547	1	• • SEAL, Rubber 31 X 1/2"
24	9-103999	10	• WASHER, Lock, hel spring, 3/8"
25	9-191542	12	• SCREW, Machine 3/8"-16 NC x 3/4" BH Torx
26	9-191515	3	• PLUG, Hole 1"
27	9-191514	4	• PLUG, Hole 2-1/2"
28	9-191744	1	• PANEL, Seat Riser
29	9-198789	1	• MANUAL BOX
30	9-191511	1	• TRIM, Edge
31	(Ref.)	1	ASSEMBLY, Joystick (For components, refer to Section 4.5)
32	(Ref.)	1	ASSEMBLY, Right hand console (For components, refer to Section 4.4)
			Parts List continued in following page



## 4.2 Open Cab



M191777AE-3

190125AG

152

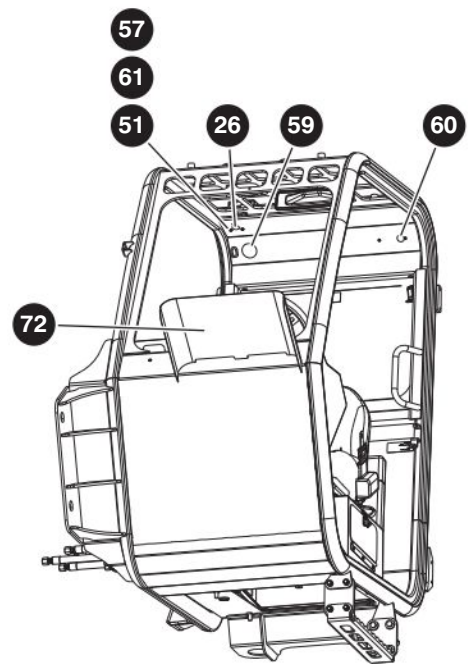
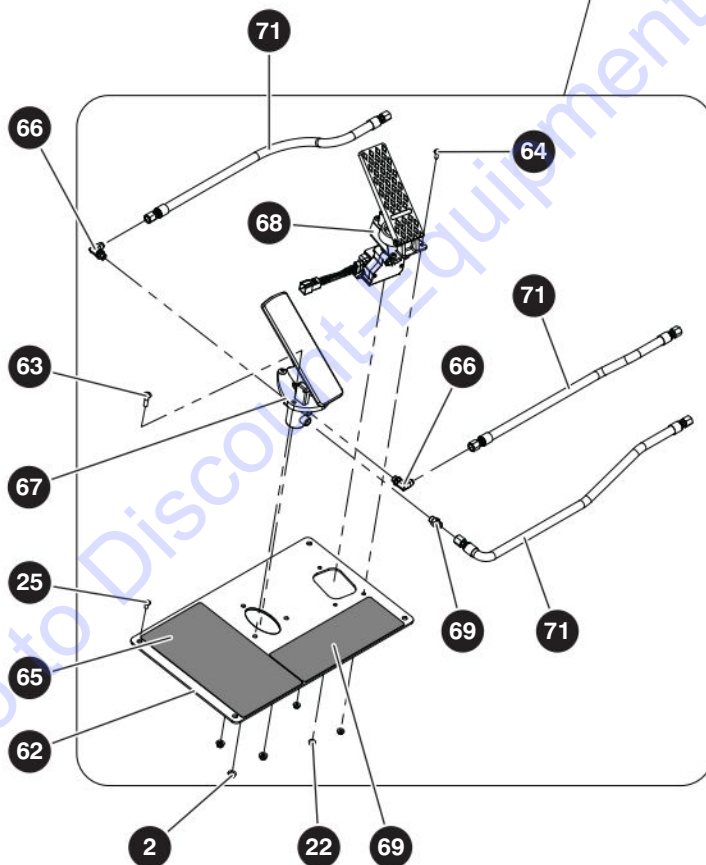
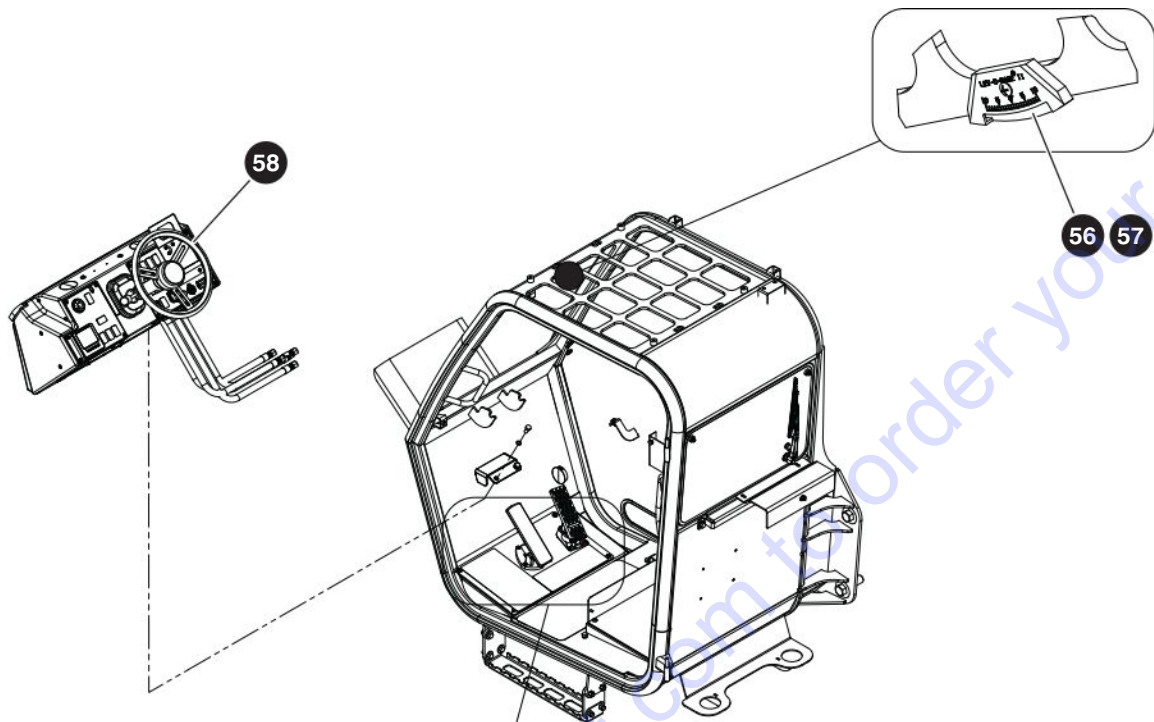
SJ643 TH, SJ843 TH

SKYJACK

## 4.2 Open Cab

Index No.	Skyjack Part No.	Qty.	Description
			Part list continued from previous page
-	9-191590	1	• ASSEMBLY, REAR WINDOW WITH WIPER
33	9-191530	1	• • WINDOW, Rear
34	9-191553	1	• • DECAL, Emergency exit
35	9-191554	1	• • WIPER, Blade. 300 mm
36	9-191555	1	• • WIPER, Arm 260 mm
37	9-191556	1	• • WIPER, Motor LH park
38	9-191557	1	• • MOUNT, M8 hardware
39	9-191558	1	• • MOUNT, M16 hardware
40	9-191559	1	• • WIPER, Window sticker
41	9-191566	1	• • SEAL, Bubble 90° rear
42	9-204288	2	• LATCH, Swell anchor
43	9-933625	1	• NUT, HEX, M8 X 1 .25, DIN 934
44	9-191521	1	• MIRROR HEAD, Stud mount
45	9-191525	1	• FITTING, Wiper hose
46	9-103472	6	• WASHER, Flat 3/8" Type A ,W SER
47	9-196167	1	• PANEL, Tank Cover
48	9-191932	1	• WELDMENT, Retainer, fuel tank
49	9-103911	2	• SCREW, Hex head cap 1/2"-13 NC X 1" Gr. 5
50	9-191536	2	• WASHER, Flat 1/2" type A,N SER
-	9-191581	1	• ASSEMBLY, STEP
51	9-702507	11	• • NUT, Lock hex 1/2"- 13 NC
52	9-191526	2	• • BELTING, Step bar
53	9-191745	1	• • PANEL, Step
54	9-137241	8	• • WASHER, Flat 1/2" type A,W SER
55	9-235135	4	• SCREW, Machine 5/16"-18 NC x 1/2" TH Torx
			Part list continued in following page

## 4.2 Open Cab



M191777AB-4

190125AG

154

SJ643 TH, SJ843 TH

SKYJACK

# PARTS FINDER

**Search Website  
by Part Number**



**Search Manual  
Library For Parts  
Manual & Lookup Part  
Numbers – Purchase  
or Request Quote**

**Search Manuals**

Enter your information to help us find the right parts manual for your machine.

\* Brand:

\* Model:

\* Serial:

\* Part Number:

SEARCH

**Can't Find Part or  
Manual? Request Help  
by Manufacturer,  
Model & Description**

**Parts Order Form**

Please fill in the following information to help us find the right part for your machine.

Manufacturer:	<input type="text"/>
Model:	<input type="text"/>
Description:	<input type="text"/>
Part Number:	<input type="text"/>
Quantity:	<input type="text"/>
Notes:	<input type="text"/>

Submit

Discount-Equipment.com is your online resource for quality parts & equipment.

Florida: **561-964-4949** Outside Florida TOLL FREE: **877-690-3101**

**Need parts?**

Click on this link: <http://www.discount-equipment.com/category/5443-parts/> and choose one of the options to help get the right parts and equipment you are looking for. Please have the machine model and serial number available in order to help us get you the correct parts. If you don't find the part on the website or on one of the online manuals, please fill out the request form and one of our experienced staff members will get back to you with a quote for the right part that your machine needs.

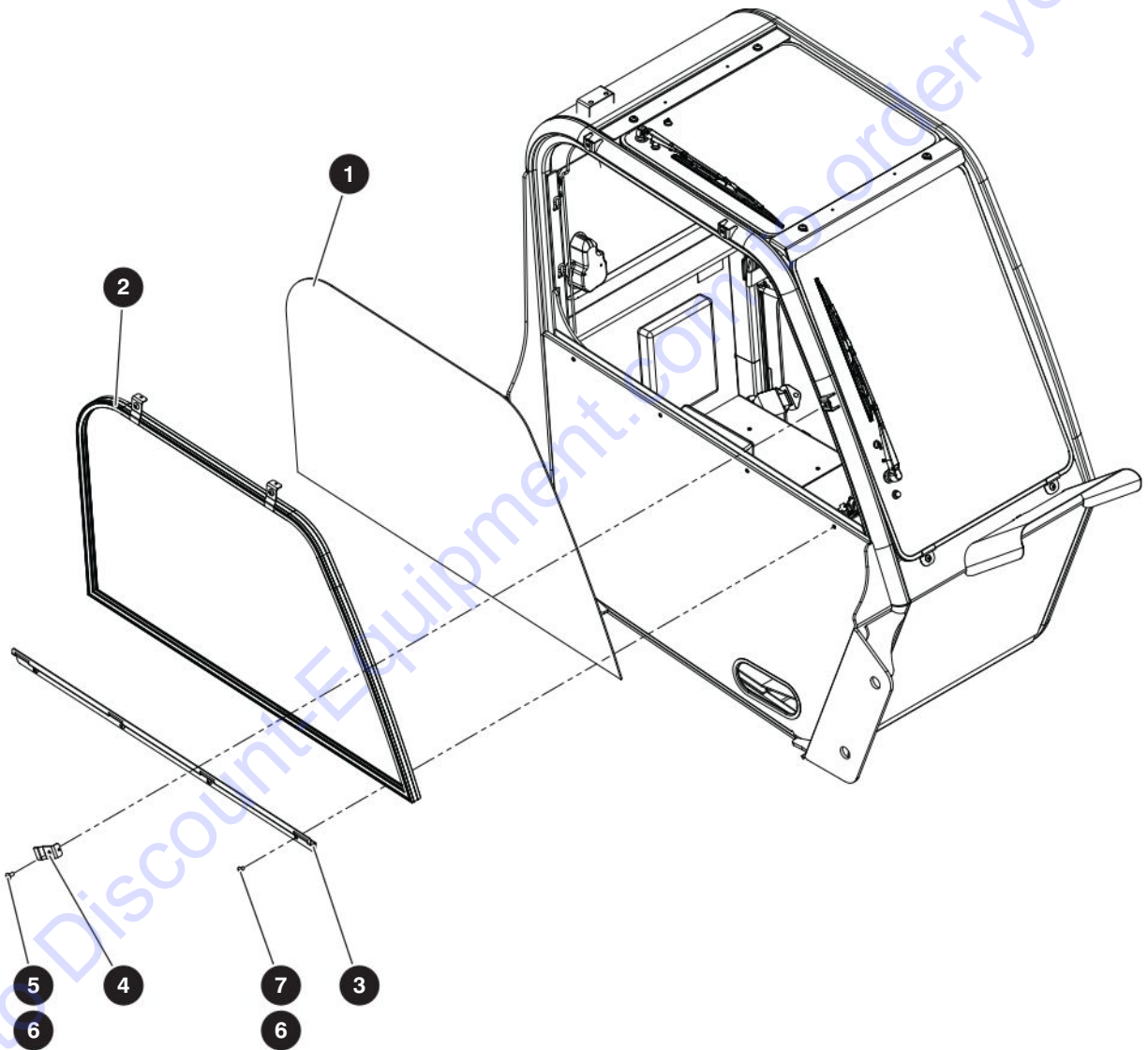
We sell worldwide for the brands: Genie, Terex, JLG, MultiQuip, Mikasa, Essick, Whiteman, Mayco, Toro Stone, Diamond Products, Generac Magnum, Airman, Haulotte, Barreto, Power Blanket, Nifty Lift, Atlas Copco, Chicago Pneumatic, Allmand, Miller Curber, Skyjack, Lull, Skytrak, Tsurumi, Husquvarna Target, Stow, Wacker, Sakai, Mi-T-M, Sullair, Basic, Dynapac, MBW, Weber, Bartell, Bennar Newman, Haulotte, Ditch Runner, Menegotti, Morrison, Contec, Buddy, Crown, Edco, Wyco, Bomag, Laymor, EZ Trench, Bil-Jax, F.S. Curtis, Gehl Pavers, Heli, Honda, ICS/PowerGrit, IHI, Partner, Imer, Clipper, MMD, Koshin, Rice, CH&E, General Equipment, Amida, Coleman, NAC, Gradall, Square Shooter, Kent, Stanley, Tamco, Toku, Hatz, Kohler, Robin, Wisconsin, Northrock, Oztec, Toker TK, Rol-Air, APT, Wylie, Ingersoll Rand / Doosan, Innovatech, Con X, Ammann, Mecalac, Makinex, Smith Surface Prep, Small Line, Wanco, Yanmar

## 4.2 Open Cab

Index No.	Skyjack Part No.	Qty.	Description
			Part list continued from previous page
56	9-928355	1	• LEVEL INDICATOR
57	9-138834	4	• SCREW, Machine #10-24 NC X 3/4" philips
58	(Ref.)	1	• ASSEMBLY, Dash front (For components, refer to Section 4.8)
59	9-191512	1	• HOLE PLUG, Plastic, 2.09" DIA
60	9-103957	2	• SCREW, Machine #8-32 NC x 1/2" philips
61	9-104185	3	• WASHER, Lock, hel spring, 3/16"
-	9-191582	1	• ASSEMBLY, FLOOR PEDALS
62	9-191746	1	• • PLATE, Pedal mounting
63	9-235136	3	• • SCREW, Machine, 5/16"-18 NC x 1.25 TH TRX
64	9-235133	3	• • SCREW, Machine, 1/4"-20 NC x 3/4" TH TORX
65	9-191529	1	• • TAPE, Anti-skid PSA
66	9-114578	2	• • FITTING, 90° (06 JICM - 06 ORBM)
67	9-926370	1	• • BRAKE PEDAL, Hydraulic
68	9-152201	1	• • PEDAL, Throttle
69	9-191546	1	• • TAPE, Anti-ski d psa
70	9-103069	1	• • FITTING - Straight (06 JICM - 06 ORBM)
71	H310601260	3	• • HOSE, Brake line port T ( 3/8" / 100R17 x 126" long)
72	232518	1	PLATE, Fender



## 4.3 Open Cab Side Window



M191777AB-2

190125AG

**156**

SJ643 TH, SJ843 TH

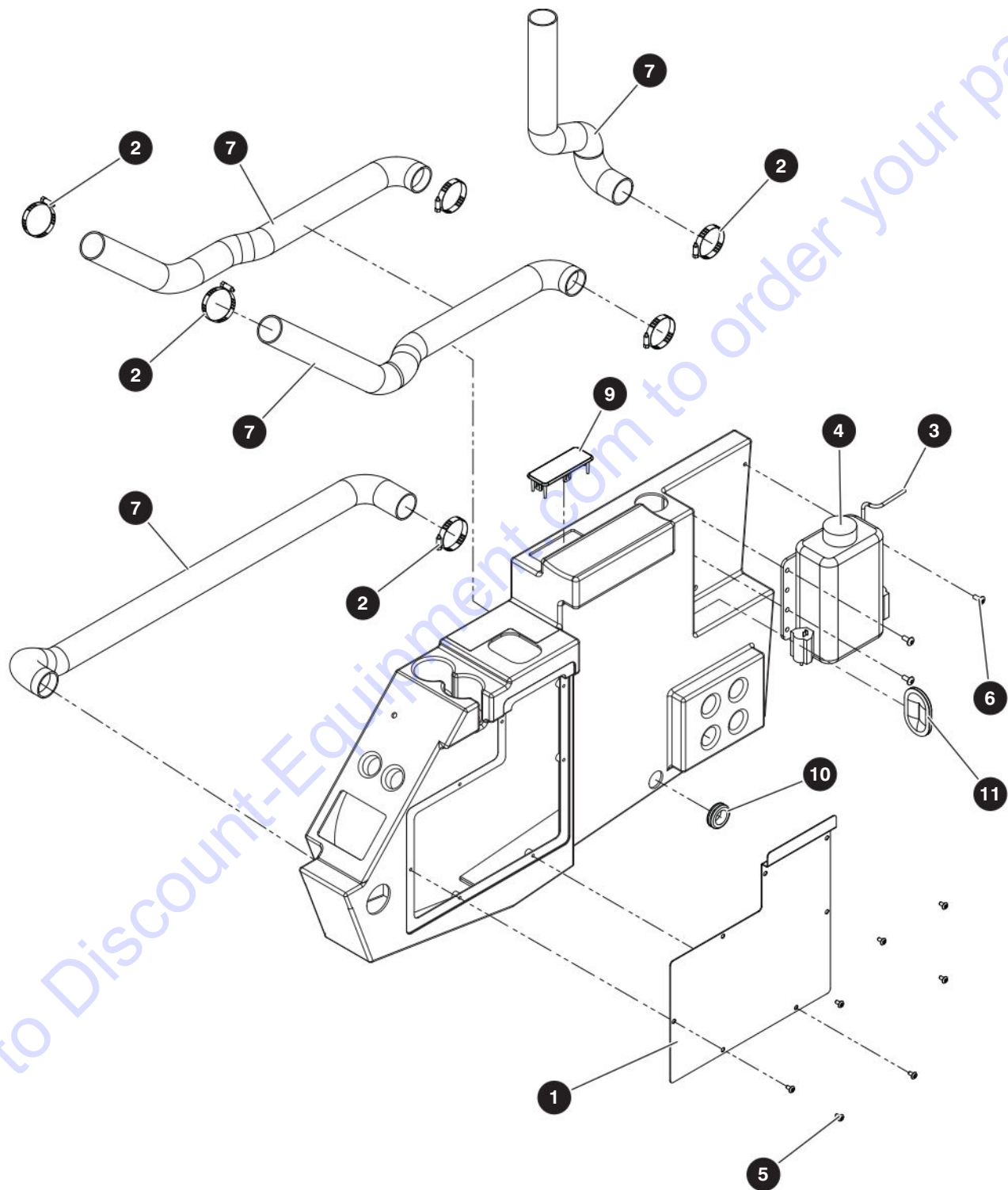
**SKYJACK**



## 4.3 Open Cab Side Window

Index No.	Skyjack Part No.	Qty.	Description
1	9-191708	1	WINDOW, RH
2	9-191709	1	SEAL, Bubble (loop side)
3	9-191711	1	RETAINER , Window side
4	9-191710	3	CLIP, Window
5	9-159294	3	NUT, U-clip, 3/8"-16 UNC
6	9-191542	7	SCREW, Machine 3/8"- 16 NC X 3/4" Torx
7	9-103999 (Ref).	4	WASHER, Lock 3/8" Enclosed Cab <a href="#">(For components, refer to Section 4.15)</a>

## 4.4 Right Hand Console



M191584AD

190125AG

**158**

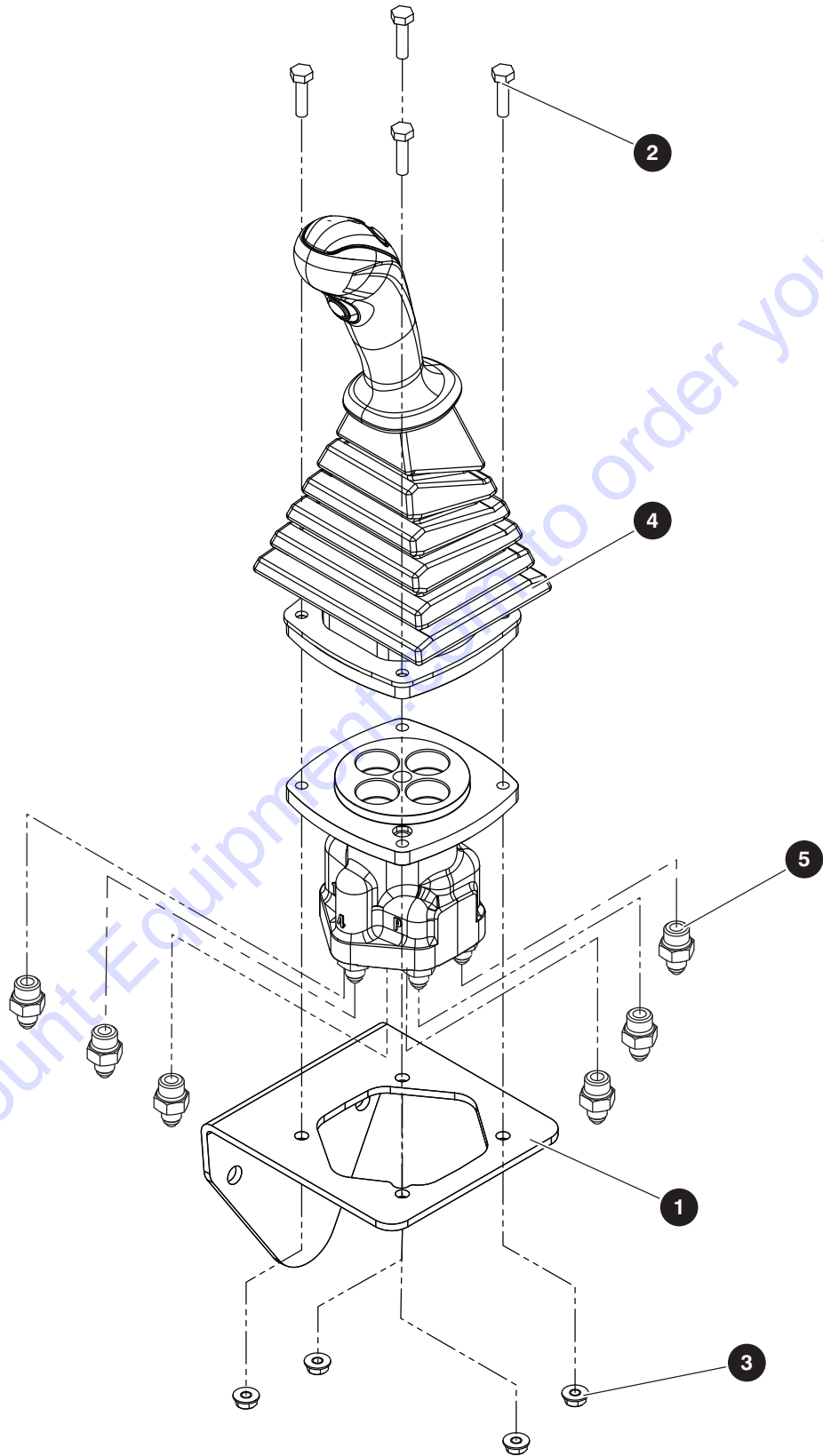
SJ643 TH, SJ843 TH

**SKYJACK**

## 4.4 Right Hand Console

Index No.	Skyjack Part No.	Qty.	Description
-	9-191584	1	ASSEMBLY, CONSOLE RH
1	9-191578	1	• PANEL, Cover
2	9-191532	6	• CLAMP, Hose, #40 2-1/16" - 3"
3	9-191510	1	• WASHER, Hose
4	9-191513	1	• KIT, Windshield washer, 12V 4QT
5	9-235133	7	• SCREW, Machine 1/4"-20 NC X 5/8" torx
6	9-235136	3	• SCREW, Machine, 5/16"-18 NC x 1-1/4" TH TRX
7	9-191523	4	• HOSE, Air duct, 2" ID
8	9-191527	1	• PLASTIC, Molded RH console
9	9-191492	1	• HOLE PLUG, HVAC Controller
10	9-191748	2	• GROMMET, 125 ID X 1-1/2" hole
11	9-205875	1	• SEAL, Flat Clip-on 1-1/4" x 11-1/2"

## 4.5 Joystick Control



M191586AA-2

190125AG

**160**

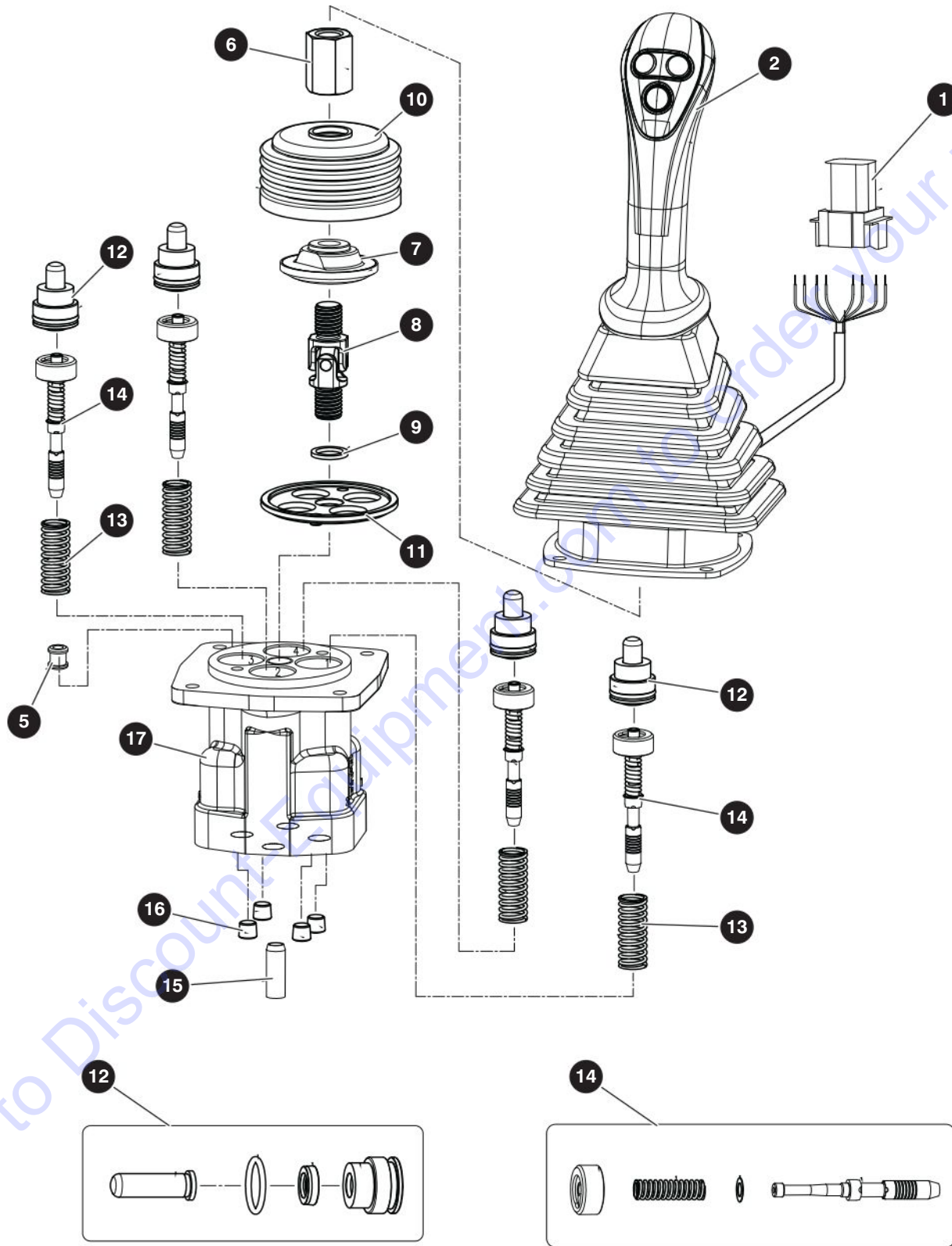
SJ643 TH, SJ843 TH

**SKYJACK**

## 4.5 Joystick Control

Index No.	Skyjack Part No.	Qty.	Description
-	9-191586	1	ASSEMBLY, JOYSTICK
1	9-191743	1	• PANEL, Inner joystick
2	9-103857	4	• SCREW, Hex head 1/4"-20 NC x 1" Gr. 5
3	9-168208	4	• NUT, Hex 1/4"-20 NC serrated flange
4	(Ref)	1	• JOYSTICK, Hydraulic (For components, refer to Section 4.6)
-	(Ref.)	-	JOYSTICK HOSES (For components, refer to Section 8.16)
5	9-701956	6	FITTING, (06 ORBM x 04 JICM)

## 4.6 Joystick Control - Internal Breakdown



M190356AD

190125AG

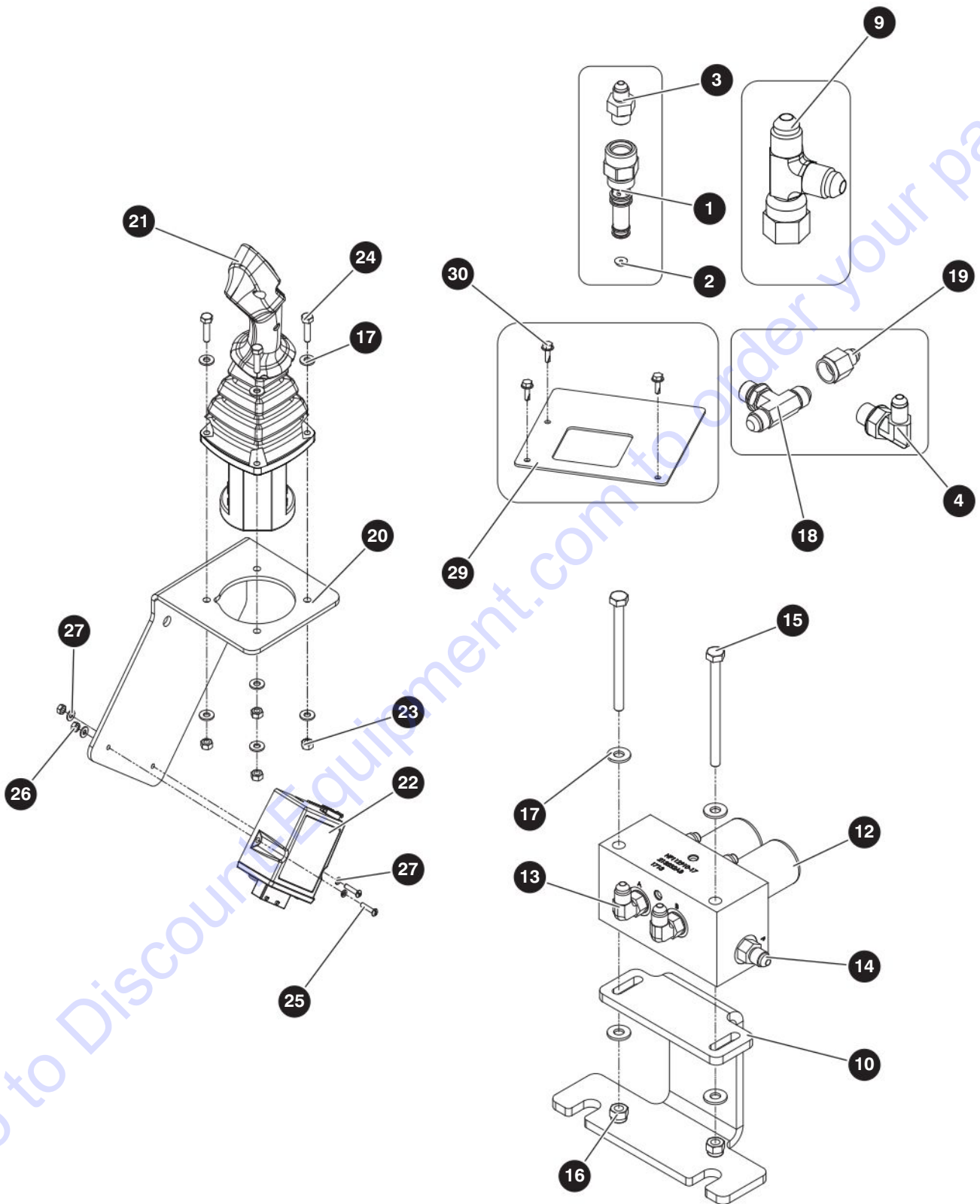
SJ643 TH, SJ843 TH



## 4.6 Joystick Control - Internal Breakdown

Index No.	Skyjack Part No.	Qty.	Description
-	9-190356	1	ASSEMBLY, JOYSTICK
1	9-196994	1	• ASSEMBLY, Connector
2	9-196995	1	• ASSEMBLY, Handle
3	9-196996	1	• NUT (Not shown)
4	9-196997	6	• CAP (Not shown)
5	9-196998	1	• BUSHING
6	9-196999	1	• HEX NUT
7	9-197000	1	• SWASH PLATE
8	9-197001	1	• ASSEMBLY, Joint
9	9-197002	1	• SPACER
10	9-197003	1	• INNER BOOTS
11	9-197004	1	• PLATE
12	9-197005	4	• PLUG KIT
13	9-197006	4	• SPRING
14	9-197007	4	• SPOOL KIT
15	9-197008	1	• BUSHING
16	9-197009	4	• PLUG
17	9-197010	1	• CASE

## 4.7 Premium Joystick



M213751-4

190125AG

164

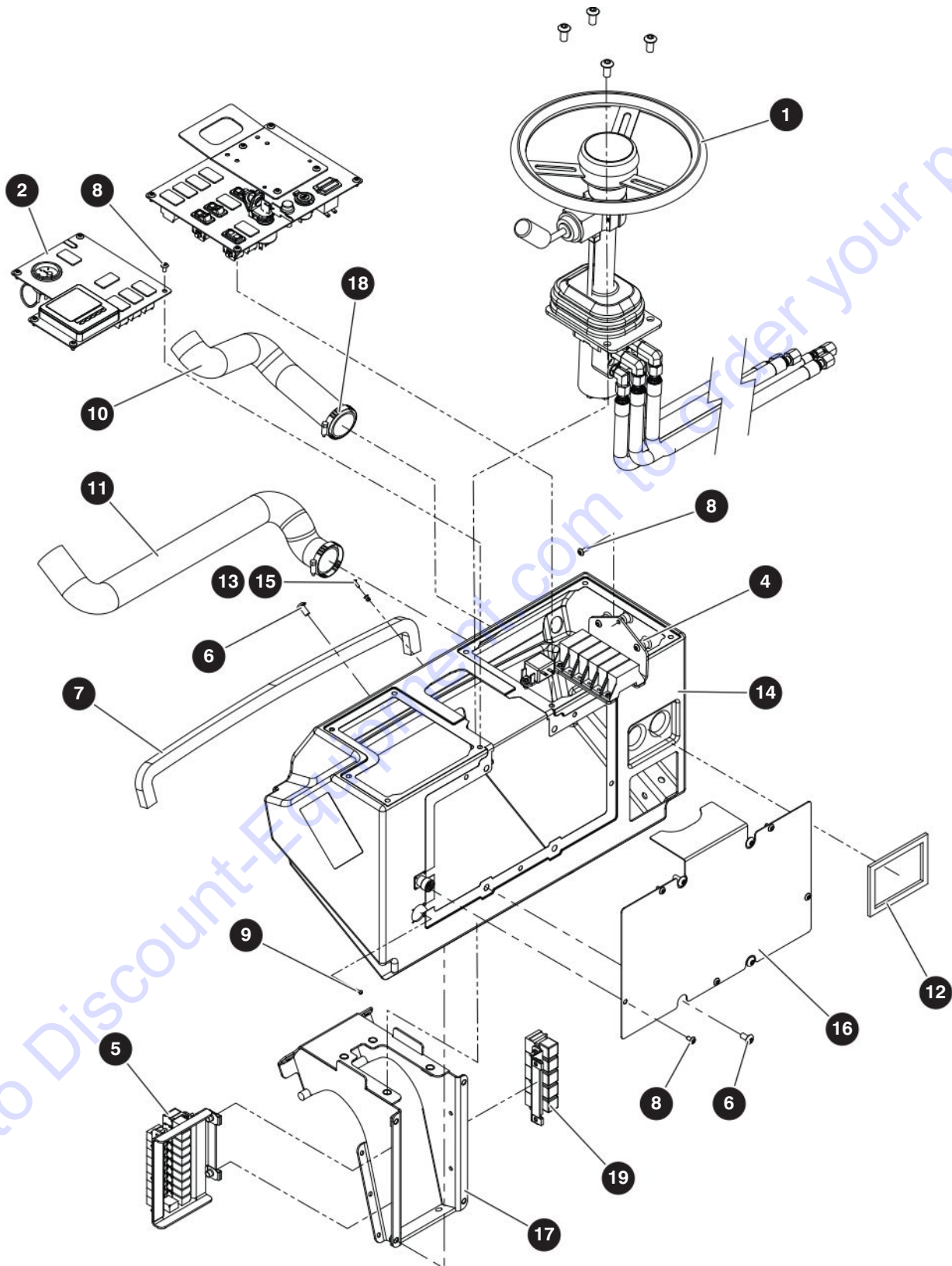
SJ643 TH, SJ843 TH

SKYJACK

## 4.7 Premium Joystick

Index No.	Skyjack Part No.	Qty.	Description
-	9-206183	1	PREMIUM JOYSTICK
-	9-206184	1	• MANIFOLD, Modification/Joystick - 1256
1	9-213225	2	• • VALVE, Cartridge
2	9-213227	2	• • FITTING, Orifice disc, blank
3	9-701956	2	• • FITTING, 06 SAE to - 04 JIC
4	9-129127	1	• • FITTING, 4-6 O-Ring 90°
-	9-213750	1	• • HOSE ASSEMBLY, Premium joystick kit
5	H340400140	1	• • • HOSE, Port A to Carriage up (Not shown)
6	H340400140	1	• • • HOSE, Port B to Carriage down (Not shown)
7	H340400240	1	• • • HOSE, Port P to Main manifold GP2 (Not shown)
8	H340400200	1	• • • HOSE, Port D to Main manifold DR1 (Not shown)
9	9-707917	1	• • FITTING, Tee - 04 JICM - 04 JICM - 04 JICFS
10	9-206122	1	• • PLATE, Manifold mount
-	9-213749	1	• • ASSEMBLY, Carriage manifold
11	9-213232	1	• • • MANIFOLD, Dual elec-hyd
12	9-213997	2	• • • • COIL, Drop in 12VDC (Not shown)
13	9-125883	2	• • • FITTING, 90 DEG (04 JICM - 04 ORBM)
14	9-126128	2	• • • FITTING, 4 SAE to -4 JIC
15	9-103863	2	• • BOLT, Hex head 1/4"-20 x 3-1/2" Gr5
16	9-115649	2	• • NUT, LOCK with nylon insert 1/4"-20 Gr5
17	9-103995	4	• • WASHER, Flat 1/4"
18	9-114579	1	• • FITTING, Fitting-br tee (06 JICM - 06 JICM - 06 ORBM)
19	9-707041	2	• • FITTING, Straight (06 JICF - 04 JICM)
-	9-213229	1	• ASSEMBLY, Premium joystick
20	9-212811	1	• • BRACKET, Joystick
21	9-922265	1	• • JOYSTICK, Single control
	9-168360	1	• • • Lever kit
	9-168361	1	• • • Cardan kit
	9-168362	1	• • • Rubber boot
	9-168363	1	• • • Retaining plate
	9-168364	1	• • • Handle
22	9-920687	1	• • DRIVER, Valve, single joystick
17	-	8	• • WASHER, Flat 1/4"
23	9-103980	4	• • NUT, Hex head 1/4"-20 gr8
24	9-103857	4	• • BOLT, Hex head 1/4"-20 x 1" Gr5
25	9-103958	2	• • SCREW, Round head machine 8-32 x 3/4"
26	9-103986	2	• • NUT, Hex 8-32
27	9-112249	2	• • WASHER, Lock #8
28	9-103991	2	• • Washer Flat #8
29	9-213747	1	• PLATE, Label
30	9-103632	3	• BOLT, Hex head, Self tapping 1/4"-14 x 3/4"
31	9-172648	1	• LABEL, Premium joystick (Not shown)
32	9-212807	1	• HARNESS, Premium joystick for th (Not shown)
33	9-213520	1	• INSTRUCTIONS, Premium joystick kit (Not shown)

## 4.8 Front Console



M220107AD

190125AG

166

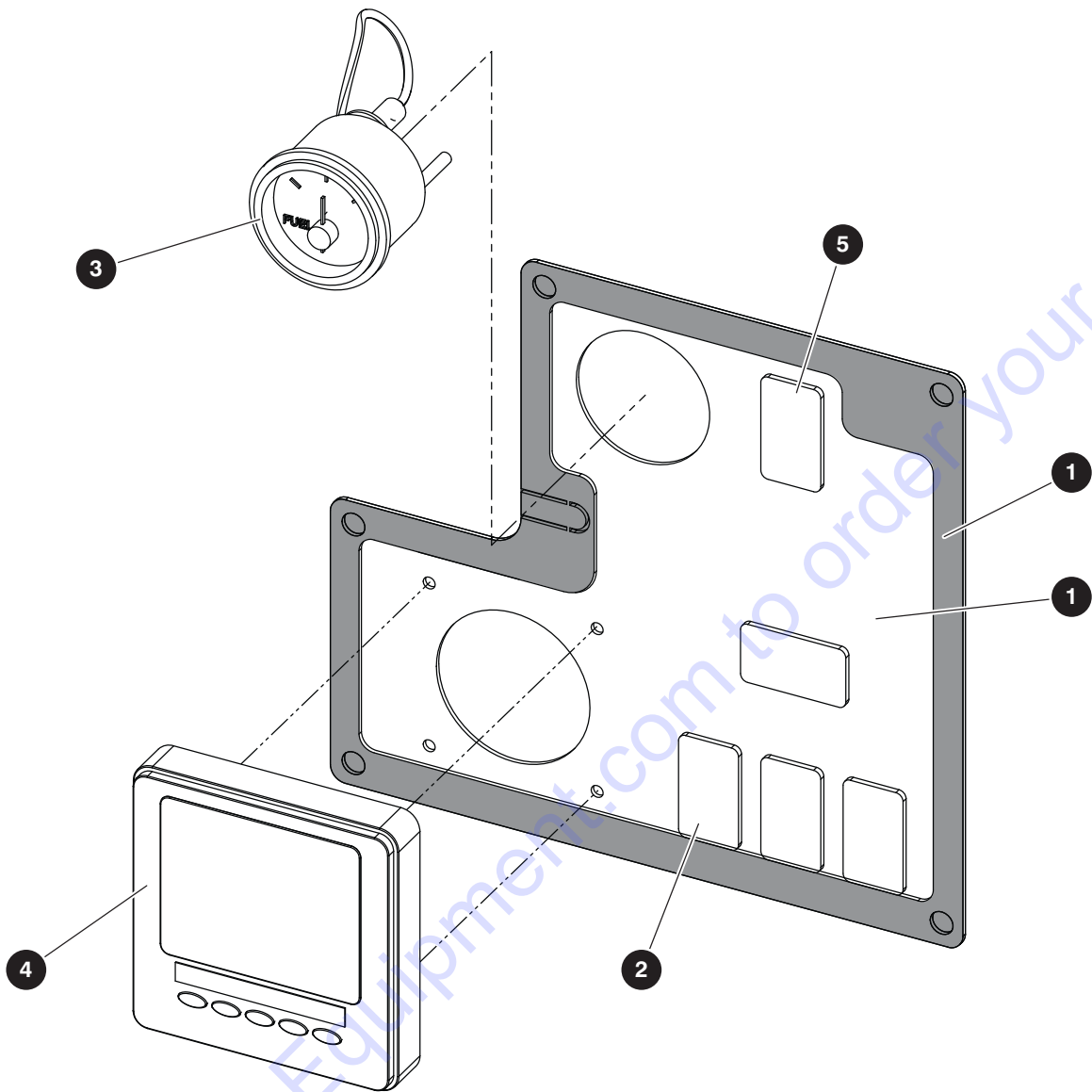
SJ643 TH, SJ843 TH

SKYJACK

## 4.8 Front Console

Index No.	Skyjack Part No.	Qty.	Description
-	9-220107	1	ASSEMBLY, DASH FRONT 107HP
1	(Ref).	1	<ul style="list-style-type: none"> <li>ASSEMBLY, Steering console</li> </ul> (For components, refer to Section 4.12 Steering Console)
2	(Ref).	1	<ul style="list-style-type: none"> <li>ASSEMBLY, LH dash panel</li> </ul> (For components, refer to Section 4.9 LH Dash Panel)
3	(Ref).	1	<ul style="list-style-type: none"> <li>ASSEMBLY, RH dash panel</li> </ul> (For components, refer to Section 4.11 RH Dash Panel)
4	(Ref).	1	<ul style="list-style-type: none"> <li>ASSEMBLY, Fuse and power</li> </ul> (For components, refer to Section 4.14 Fuse and Power)
5	(Ref).	1	<ul style="list-style-type: none"> <li>ASSEMBLY, RELAY MAIN COMMON</li> </ul> (For components, refer to Section 4.13 Main Relay)
6	9-235134	6	<ul style="list-style-type: none"> <li>SCREW, Machine 3/8" 16 nc x 3/4" bh tor x</li> </ul>
7	9-191518	1	<ul style="list-style-type: none"> <li>FOAM SEAL</li> </ul>
8	9-235133	21	<ul style="list-style-type: none"> <li>SCREW, Machine 1/4" 20 NC x 5/8" TH TOR X</li> </ul>
9	9-191753	4	<ul style="list-style-type: none"> <li>PHIL TMS 6-32 UNC X 0.50 SS</li> </ul>
10	9-191523	1	<ul style="list-style-type: none"> <li>HOSE DUCT, 2</li> </ul>
11	9-191523	1	<ul style="list-style-type: none"> <li>HOSE DUCT, 2</li> </ul>
12	9-191518	1	<ul style="list-style-type: none"> <li>FOAM SEAL</li> </ul>
13	9-191575	2	<ul style="list-style-type: none"> <li>PHIL TMS, 8 32 UNC x 1/2" - 18 BS</li> </ul>
14	9-220106	1	<ul style="list-style-type: none"> <li>DASH PANEL, Plastic</li> </ul>
15	9-191545	2	<ul style="list-style-type: none"> <li>NUTSERT</li> </ul>
16	9-191570	1	<ul style="list-style-type: none"> <li>PLATE, Dash cover</li> </ul>
17	9-191519	1	<ul style="list-style-type: none"> <li>WELDMENT, Steering</li> </ul>
18	9-191532	2	<ul style="list-style-type: none"> <li>CLAMP, HOSE, #40 2 - 1/16" - 3"</li> </ul>
19	9-191941	1	<ul style="list-style-type: none"> <li>ASSEMBLY, Relay RH 107 HP</li> </ul>
20	9-191538	4	<ul style="list-style-type: none"> <li>SCREW, Machine 1/2" 13 nc x 1" bh soc</li> </ul>

## 4.9 LH Dash Panel

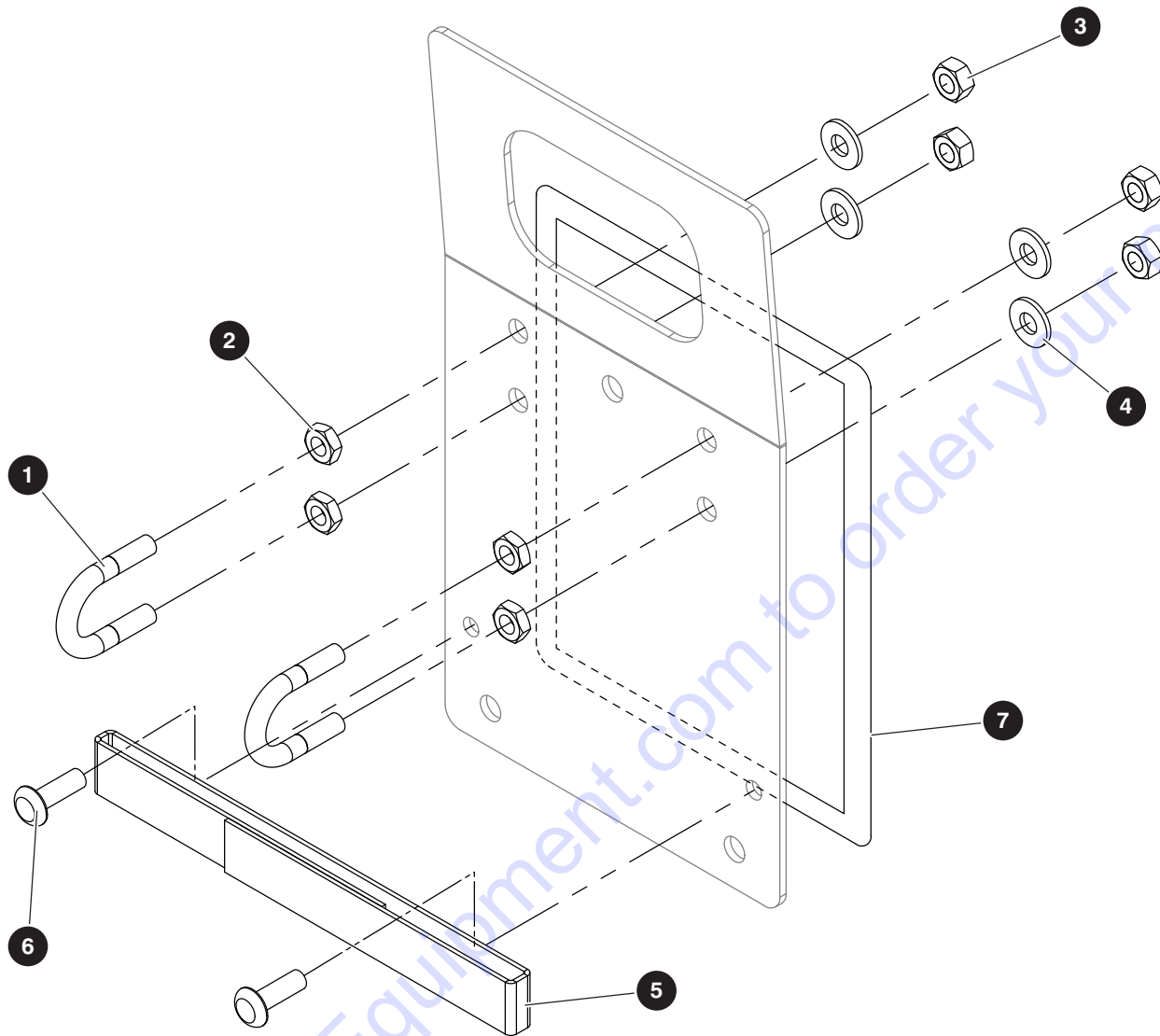


M191588AC

Index No.	Skyjack Part No.	Qty.	Description
-	9-191922	1	ASSEMBLY, LH DASH PANEL 107HP
1	9-191500	1	• PANEL, LH console
2	9-920689	5	• PLUG, Blank plug
3	9-407726	1	• GAUGE, Fuel
4	9-191471	1	• DISPLAY, Engine
5	9-191456	1	• SWITCH, Stand Still
6	9-205864	1	GASKET, LH panel



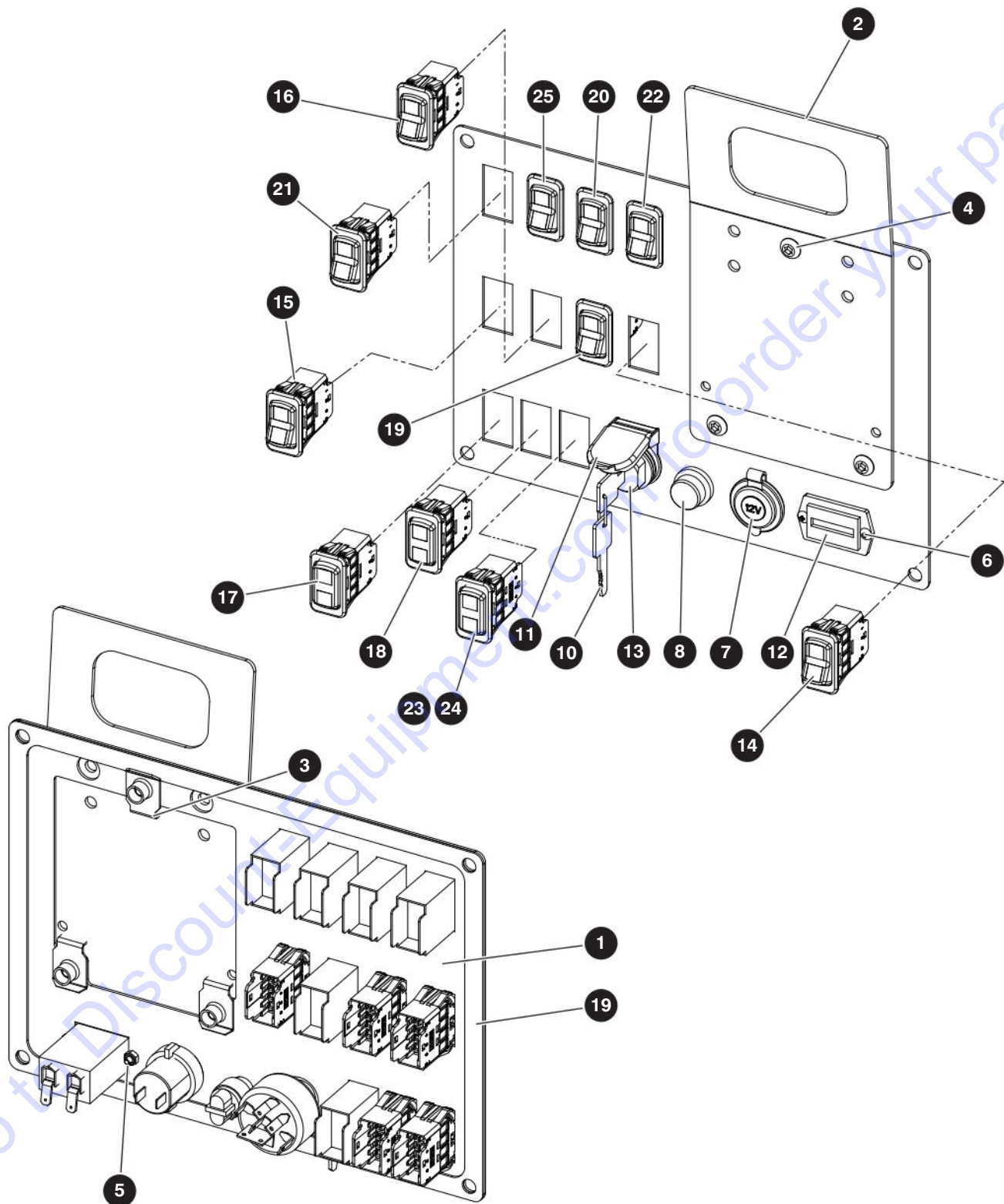
## 4.10 Flip Chart



M191773AA-2

Index No.	Skyjack Part No.	Qty.	Description
-	9-191773	1	ASSEMBLY, FLIP CHART
1	9-191279	2	• BOLT, U (1/4"-20 X 3/8") pipe
2	9-103983	4	• NUT, Hex head jam 1/4"-20 Gr. 5
3	9-103980	4	• NUT, Hex head 1/4"-20 Gr. 8
4	9-103995	4	• WASHER, Flat 1/4" SAE
5	9-921485	1	• STRAP, Hook and loop
6	9-924935	2	• RIVET
7	9-205865	1	GASKET, RHS, Flipchart
-	(Ref.)	1	LOAD CHART BOOKLET (For components, refer to Section 11.4)

## 4.11 RH Dash Panel



M191589AD

190125AG

170

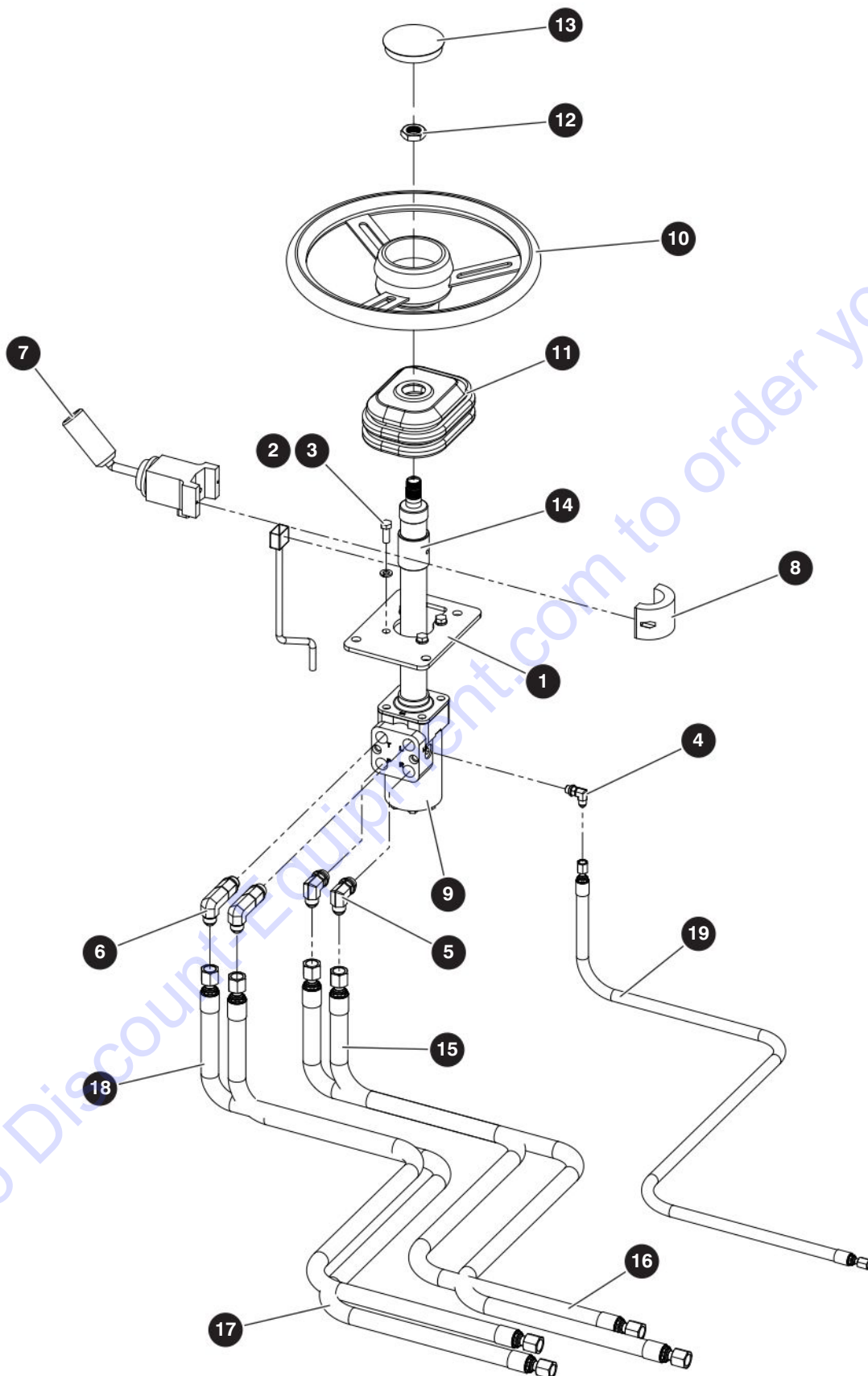
SJ643 TH, SJ843 TH

SKYJACK

## 4.11 RH Dash Panel

Index No.	Skyjack Part No.	Qty.	Description
-	9-191589	1	ASSEMBLY, RH DASH PANEL
1	9-191501	1	• PANEL, Console RH
-	9-233309	1	• PANEL, Console RH
2	9-191318	1	• PLATE, Flip-chart mount
3	9-149496	3	• NUT, U-clip, 1/4"-20 UNC
4	9-191548	3	• SCREW, Machine 1/4"-20 NC x 1/2" th torx
5	9-924972	2	• NUT, Hex lock with nylon insert, # 6
6	9-191753	2	• SCREW, Phillips TMS 6-32 UNC x 1/2" SS
7	9-922915	1	• POWER PORT, 12V
8	9-405339	1	• BUTTON, Horn
9	9-920689	6	• BLANK PLUG, Waytek 43242 (Not shown)
10	9-926721	1	• SWITCH, Ignition
11	9-925191	1	• COVER, Ignition
12	9-927910	1	• HOUR METER
13	9-926722	1	• NUT, Ignition
14	9-191454	1	• SWITCH, Park Brake
15	9-191457	1	• SWITCH, Steer Mode
16	9-191459	1	• SWITCH, Rear Wiper / washer
17	9-191462	1	• INDICATOR, Transmission Oil Temp / R.A.S.
18	9-191830	1	• INDICATOR, Glow Plug / Frame Level and boom Interlock
19	9-205863	1	GASKET, RH dash panel
16	-	1	SWITCH, Front / Top Wiper/Washer (enclosed cab only)
20	(Ref.)	2	SWITCH, Road lights (For components, refer to Section 10.5)
21	(Ref.)	1	SWITCH, Boom Lights (For components, refer to Section 10.1)
22	(Ref.)	1	SWITCH, Positive Air shut off (For components, refer to Section 10.8)
23	(Ref.)	1	INDICATOR, Positive Air Shutoff (For components, refer to Section 10.8)
24	(Ref.)	1	INDICATOR, Reserve Brake (For components, refer to Section 10.11)
25	(Ref.)	1	SWITCH, Work lights (For components, refer to Section 10.3)

## 4.12 Steering Console



M191585AA

190125AG

172

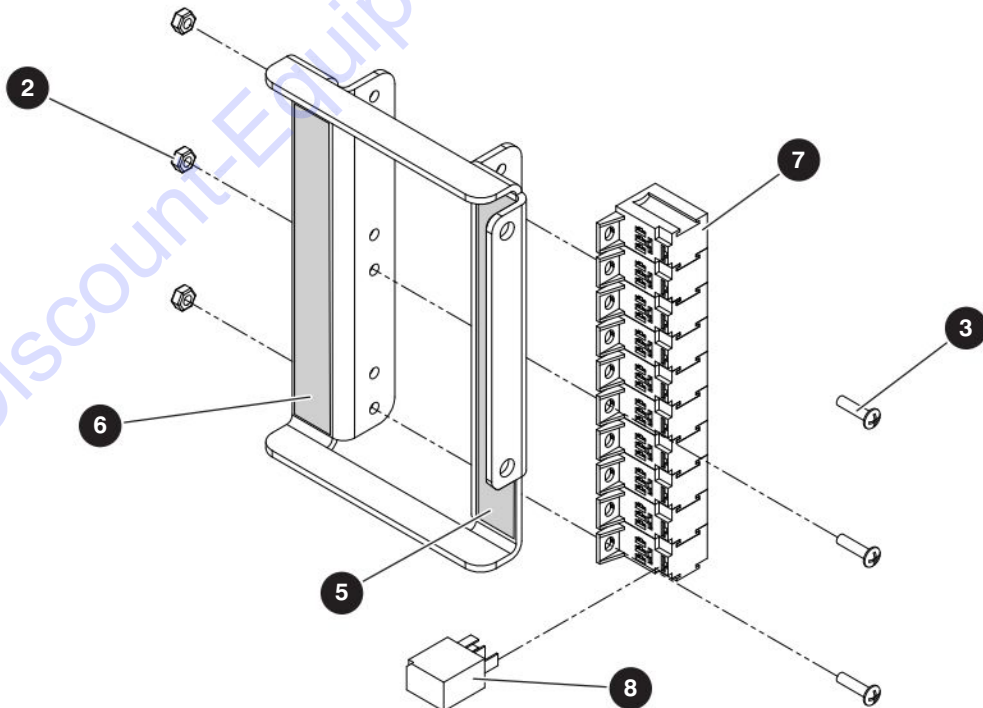
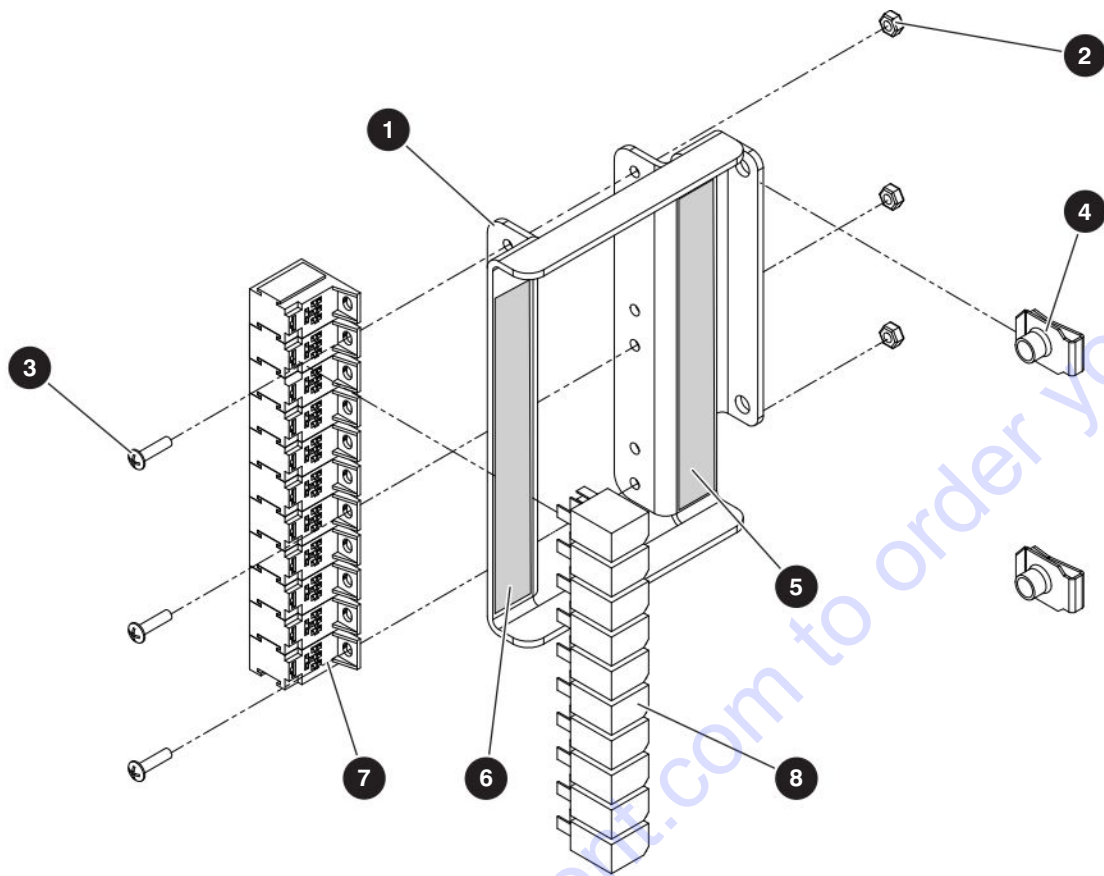
SJ643 TH, SJ843 TH

SKYJACK

## 4.12 Steering Console

Index No.	Skyjack Part No.	Qty.	Description
-	9-191585	1	ASSEMBLY, STEERING CONSOLE
1	9-191502	1	• PLATE, Steering mount
2	9-103999	4	• WASHER, Lock, hel spring 3/8"
3	9-103473	4	• SCREW, Hex head 3/8"-16 NC X 1" Gr. 5
4	9-125883	1	• FITTING, Hydraulic 90°
5	9-114583	2	• FITTING, 90°
6	9-702798	2	• FITTING, 90° Extra long
7	9-926377	1	• SHIFTER, Transmission
-	9-216766	1	• SHIFTER, CVT Transmission (with CVT only)
8	9-921721	1	• CLAMP, Shifter
9	9-406450	1	• VALVE, Orbital Steering
-	9-209323	1	• SEAL KIT, Orbital steering unit
10	9-404849	1	• STEERING WHEEL
11	9-191493	1	• BOOT, Column
12	9-405037	1	• NUT, Steering wheel
13	9-411375	1	• CAP, Steering wheel
14	9-191845	1	• COULMN SHAFT
15	H310801240	1	• STEERING LINE R
16	H310801460	1	• STEERING LINE p
17	H310801290	1	• STEERING LINE L
18	H310801380	1	• STEERING LINE T
19	H310401310	1	• STEERING LINE LS

## 4.13 Main Relay



M191935AB

190125AG

174

SJ643 TH, SJ843 TH

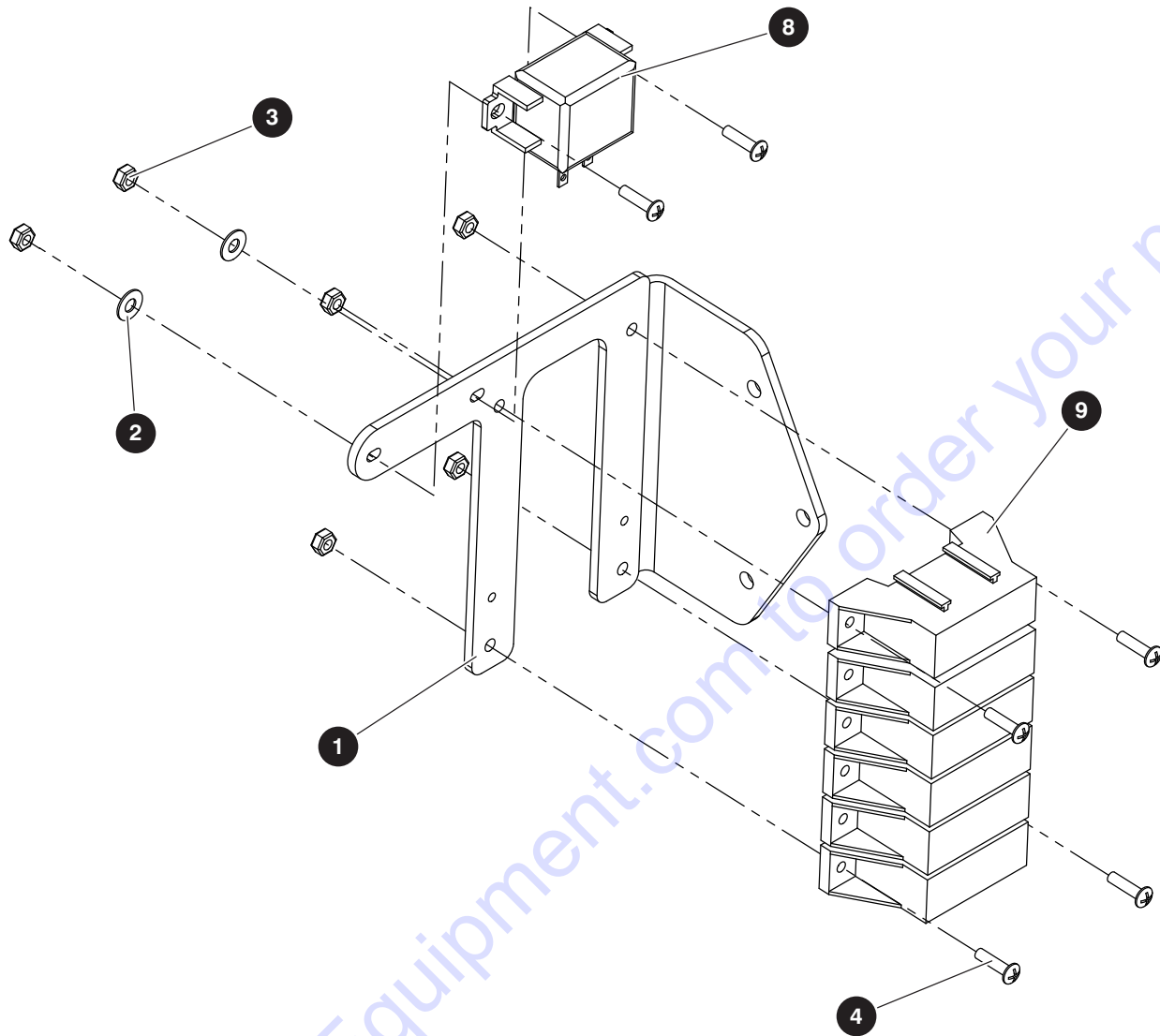
SKYJACK



## 4.13 Main Relay

Index No.	Skyjack Part No.	Qty.	Description
-	9-191935	1	ASSEMBLY, RELAY MAIN COMMON
1	9-191912	1	• BRACKET, Relay mount bank
2	9-126642	6	• NUT, Hex Lock with nylon insert #10-24 NC
3	9-138834	6	• SCREW, Machine #10-24 NC x 3/4" PH Phillips
4	9-149496	2	• NUT, U-clip
5	9-196231	1	• DECAL, Relay ID RH
6	9-196232	1	• DECAL, Relay ID LH
7	9-156166	22	• MOUNT, Micro Relay
8	9-931298	12	• RELAY, Micro 20A

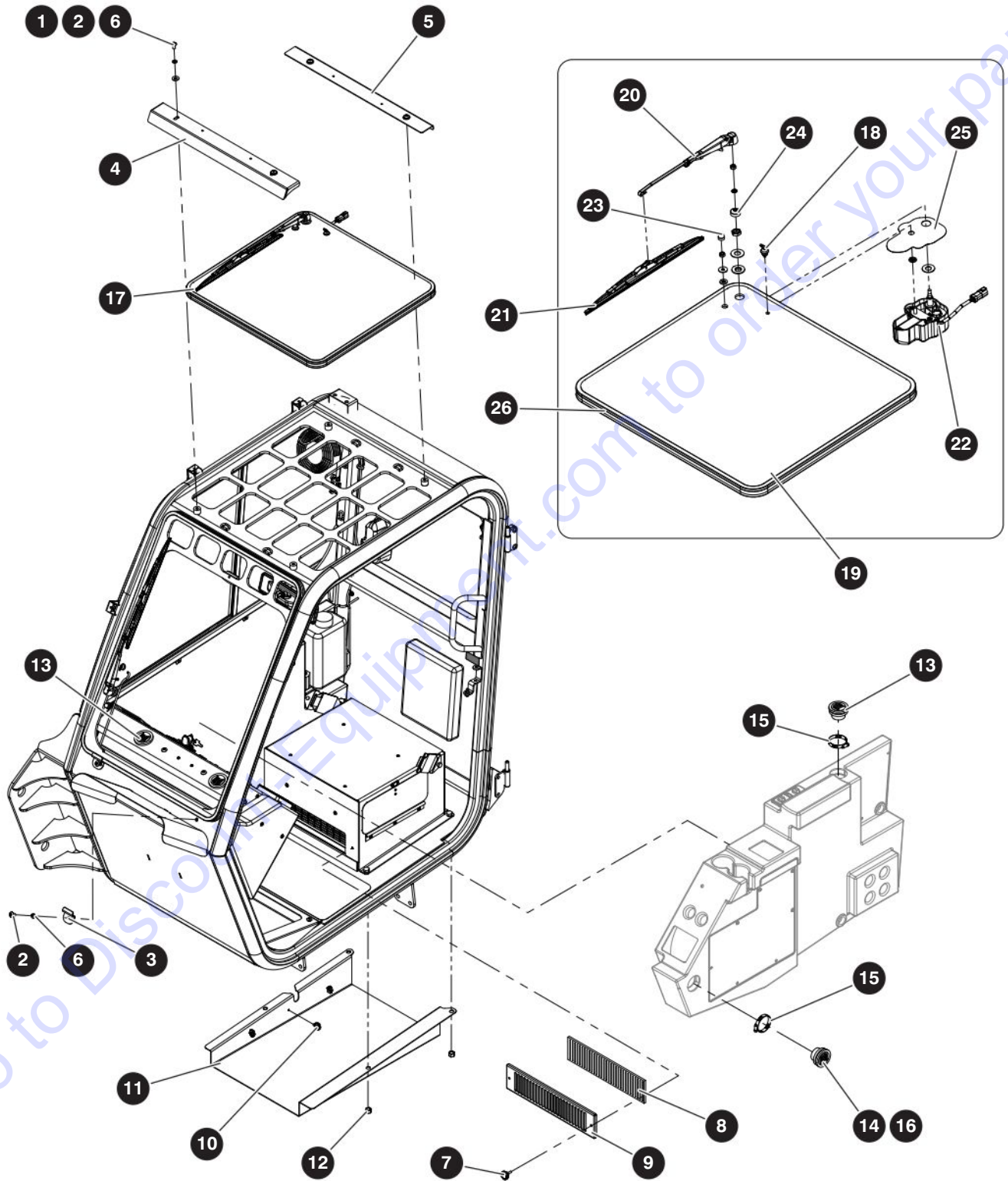
## 4.14 Fuse and Power



M191576AB

Index No.	Skyjack Part No.	Qty.	Description
-	9-191576	1	ASSEMBLY, FUSE AND POWER
1	9-191571	1	• MOUNT BRACKET, Fuse/Relay
2	9-191686	2	• WASHER, Flat 3/16" Type A
3	9-126642	6	• NUT, Hex lock with nylon insert #10-24 NC
4	9-138834	6	• SCREW, Machine #10-24 NC x 3/4" PH Phillips
5	9-156203	2	• FUSE, 10 AMP red (Not Shown)
6	9-156164	1	• FUSE, 30 AMP LT grn (Not Shown)
7	9-156202	1	• FUSE, 5 AMP TAN (Not Shown)
8	9-226119	1	• POWER RELAY
9	9-156103	6	• FUSE HOLDER

# 4.15 Enclosed Cab



M191970AB-1R

190125AG

178

SJ643 TH, SJ843 TH

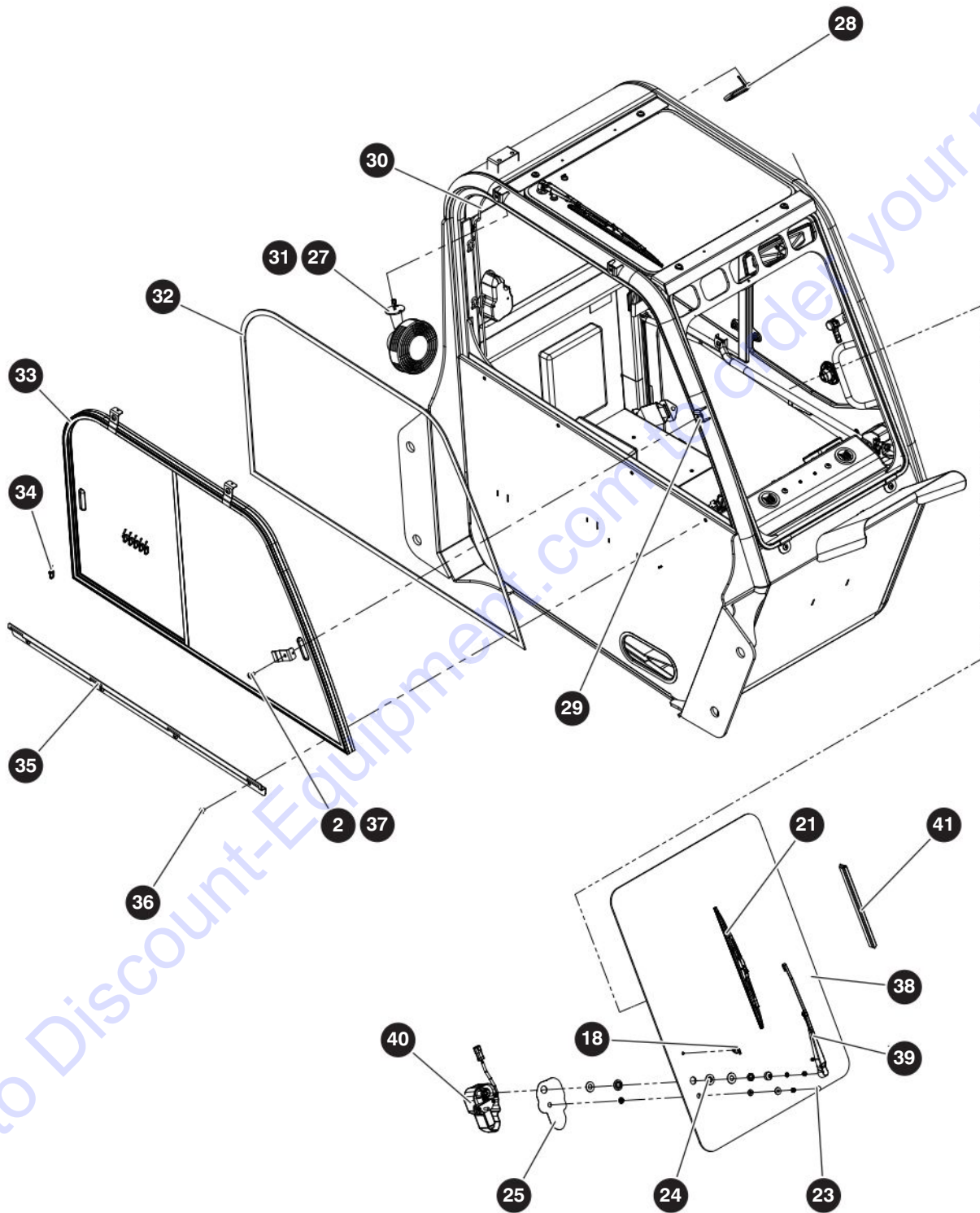
SKYJACK

## 4.15 Enclosed Cab

Index No.	Skyjack Part No.	Qty.	Description
-	9-191789	1	ASSEMBLY, ENCLOSED CAB SUBGROUP
-	9-191790	1	ASSEMBLY, Enclosed cab
1	9-103472	4	• WASHER, Flat 3/8"
2	9-191542	9	• SCREW, Machine 3/8"-16 NC x 3/4" BH torx
3	9-191666	2	• RETAINER, Front window lo
4	9-191651	1	• RETAINER, Front upper window
5	9-191653	1	• PLATE, Retainer top
6	9-103999	6	• WASHER, Lock hel spring 3/8"
7	9-191692	2	• KNOB, Black, 1-1/4" DIA 1/4" x 3/4"
8	9-921521	1	• FILTER, HVAC
9	9-191649	1	• PANEL, Screen intake
10	9-191549	3	• ROSEBUD CLIP, 413- 500" duct
11	9-191650	1	• COVER PANEL, Hose -A
12	9-702507	4	• NUT, Hex Lock with nylon insert, 1/2"-13 NC - B -B
13	9-191706	3	• LOUVER, Round, 2.79" W / 2.0 hose
14	9-191706	1	• LOUVER, Round, 2.79"
15	9-191532	4	• CLAMP, Hose,
16	9-191928	1	• ADAPTER, 90°
17	9-191684	1	• ASSEMBLY, Top window
18	9-191525	1	• • FITTING, Wiper hose
19	9-191930	1	• • WINDOW, Top
20	9-191660	1	• • WIPER, Arm wet
21	9-191670	1	• • WIPER, Blade j- hook
22	9-191556	1	• • WIPER, Motor LH park
23	9-191557	1	• • MOUNT, M8 hardware
24	9-191558	1	• • MOUNT, M16 hardware
25	9-191559	1	• • WIPER, Window sticker
26	9-191678	1	• • BUBBLE SEAL, 90° top

Part list continued in following page

# 4.15 Enclosed Cab



M191790AB-2R

190125AG

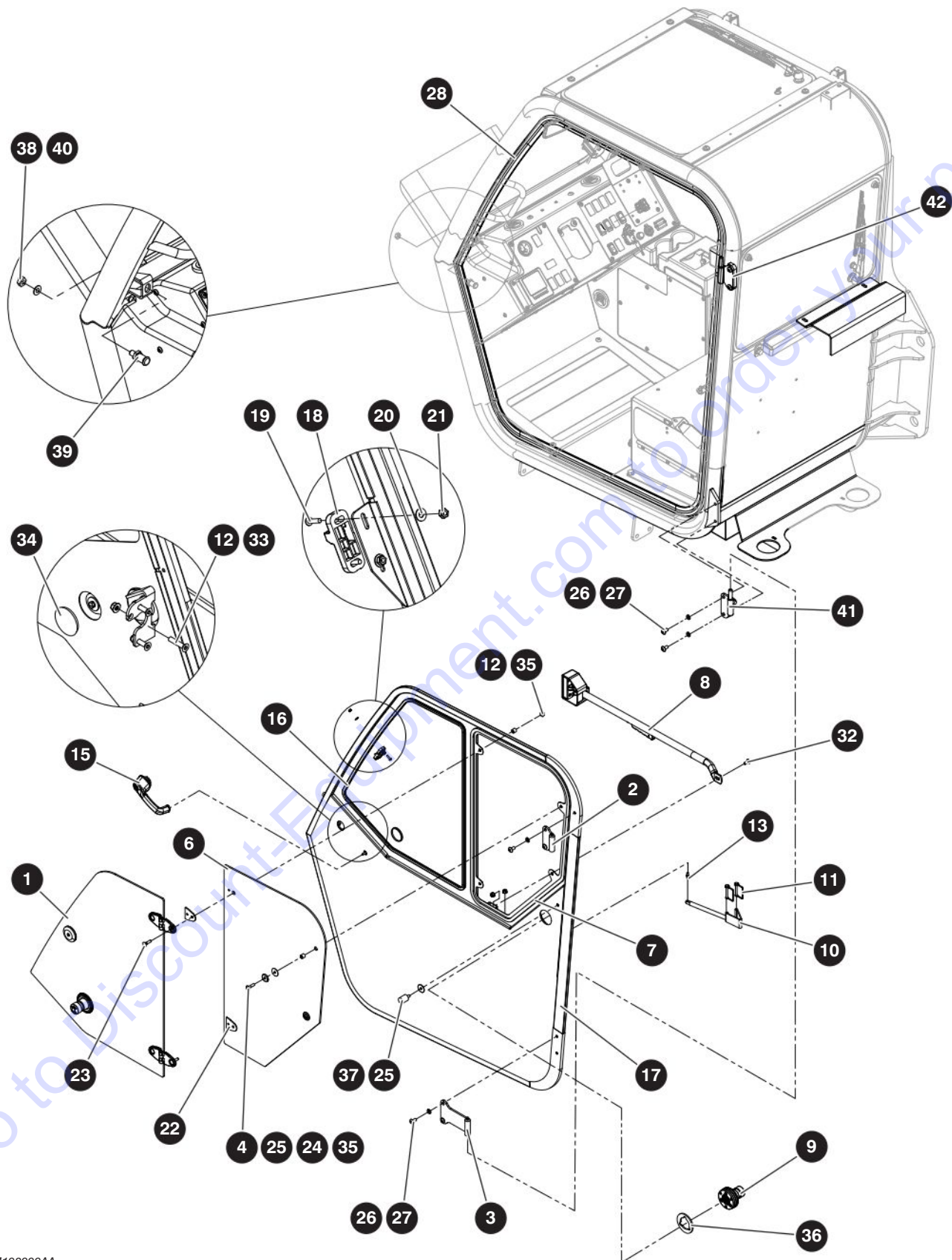
SJ643 TH, SJ843 TH

## 4.15 Enclosed Cab

Index No.	Skyjack Part No.	Qty.	Description
			Part list continued from previous page
27	9-191680	1	• ASSEMBLY, Fan with terminals
28	9-191658	1	• DOME LIGHT, Oval with switch
29	9-191665	3	• CLIP, Window slider
30	9-191510	3	• HOSE, Washer
31	9-191694	1	• GASKET, Defroster fan
32	9-223900	1	• SEAL, Rubber strip
33	9-223899	1	• SLIDER WINDOW
-	9-211680	1	• • LATCH
34	9-191540	6	• WIRE TIE, Nylon, black, 7-1/2" long
35	9-191652	1	• RETAINER, Window slider lo
36	9-191677	4	• SCREW, Machine 3/8"-18 NC X 1/2" TH TRX -A
37	9-159294	3	• NUT, U-clip 3/8"-16 UNC
-	9-191683	1	• FRONT WINDOW WITH WIPER
38	9-191659	1	• • WINDOW, Front
39	9-191671	1	• • WIPER, Arm wet
40	9-191672	1	• • WIPER, Motor 315 LH park
41	9-191679	1	• • BUBBLE SEAL, 90° front
42	(Ref).	1	• ASSEMBLY, Door
			(For components, refer to Section 4.16)



## 4.16 Door Assembly



M198999AA

190125AG

182

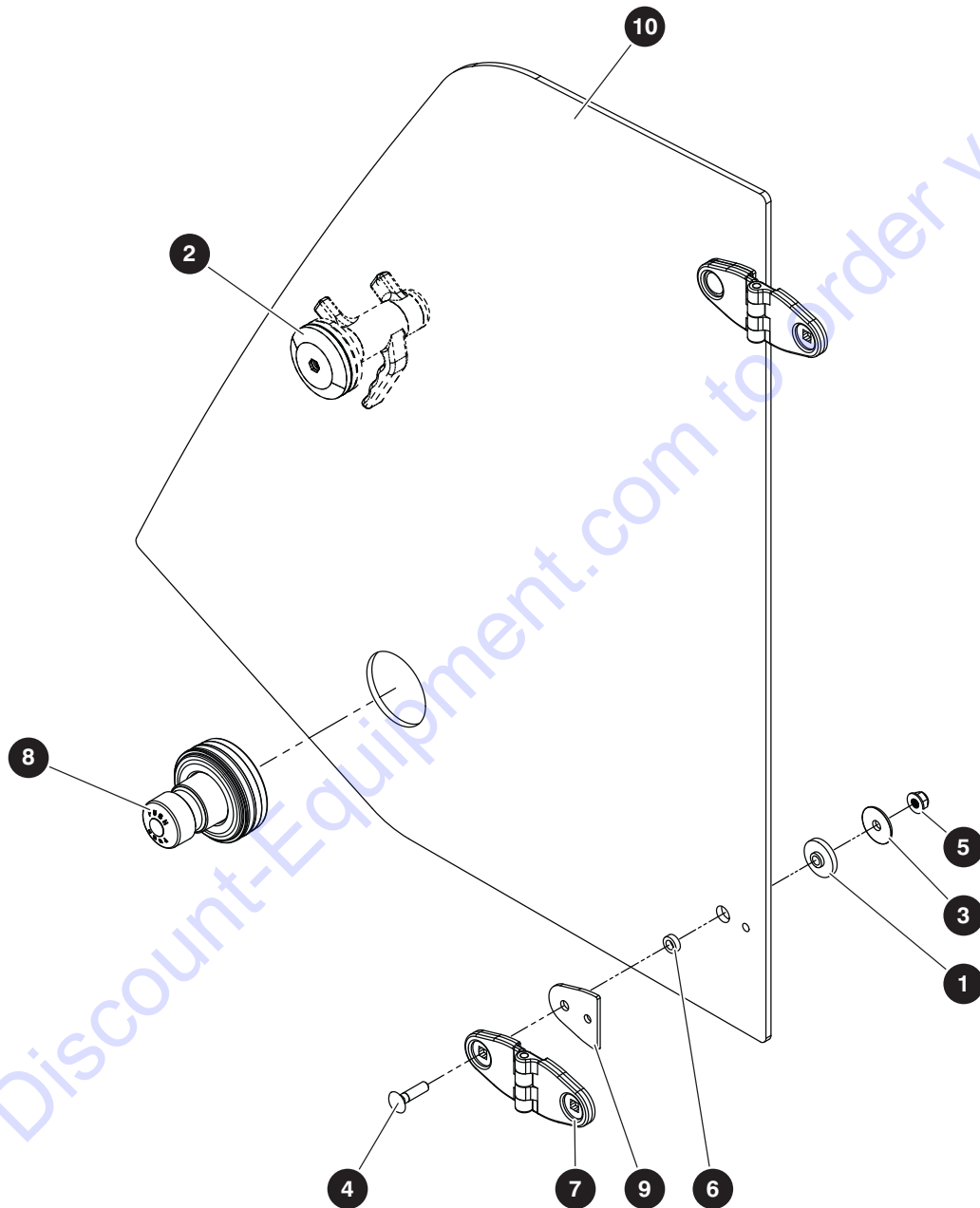
SJ643 TH, SJ843 TH

SKYJACK

## 4.16 Door Assembly

Index No.	Skyjack Part No.	Qty.	Description
-	9-198999	1	ASSEMBLY, DOOR LH
1	9-191946	1	• ASSEMBLY, Door window
2	9-191655	1	• WELDMENT, Door hinge top
3	9-191656	1	• WELDMENT, Door hinge bottom
4	9-191543	2	• SCREW, Machine 5/16-18 NC x 1-1/4" TH TRX
5	9-191561	1	• PROTECTIVE TRIM, Urethane
6	9-204275	1	• WINDOW, Upper rear door
7	9-204285	1	• SEAL, Bubble PSA 96" long
8	9-191701	1	• LATCH HANDLE, Dlp round
9	9-191668	1	• WINDOW, Hold-open
10	9-191749	1	• STRAP, Door restraint
11	9-191699	2	• PIN, 5/16" x 2" With keeper
12	9-191574	9	• NUT HEX, 5/16"-18 nc flanged
13	9-191689	1	• BALL STUD
14	9-191691	1	• GAS SPRING, 20 psi x 17.2 "" ext stroke
15	9-191751	1	• HANDLE, Outside p/b key code 250
16	9-191921	1	• SEAL, Bubble loop 90
17	9-198998	1	• WELDMENT, LH door frame
-	9-191654	1	• WELDMENT, LH door frame with crystal cutout - Not shown
	9-191909	1	• WINDOW, lower, door (only for machines with crystal door) - Not shown
	9-191561	1	• PROTECTIVE TRIM, Urethane (only for machines with crystal door) - Not shown
18	9-191704	1	• HANDLE, L-Window stay 2-Pos
19	9-138834	2	• SCREW, Machine #10-24 NC X 3/4" PH Phillips
20	9-191686	2	• WASHER, flat 3/16" type a, w ser
21	9-126642	2	• NUT, Hex lock with nylon insert, #10-24 NC
22	9-191750	2	• SPACER, Seal gasket
23	9-106049	2	• BOLT, Carriage, 5/16"-18 x 1-1/4"
24	9-191698	2	• WASHER, Flat rubber EPDM
25	9-191705	3	• WASHER, Fender 11/32 ID X 1-1/4"
26	9-103999	8	• WASHER, Lock 3/8"
27	9-191542	8	• SCREW, 3/8"-16 NC x 3/4" BH TORX
28	9-232516	1	• SEAL, Rubber, bubble
29	9-103472	1	• WASHER Flat 3/8" type a, w ser
30	9-104000	1	• WASHER, Lock 1/4"
31	9-933627	1	• SCREW, Head head M6 x 25 X 1" Gr. 8
32	9-191573	1	• SCREW, Machine 5/16"-18 NC x 3/4" TH TRX
33	9-143728	3	• SCREW, Machine 5/16"-18 NC x 1-1/2" fh soc
34	9-191512	1	• PLUG HOLE, Plastic, 2-3/32" DIA
35	9-204283	4	• SPACER NYLON
36	9-191933	1	• SPACER, Window hold open
37	9-191918	1	• BUMPER, Neoprene 1" DIA
38	9-191702	1	NUT, Hex jam, M12 X 1.0 F
39	9-191703	1	STRIKER, Stud. 17 mm
40	9-191536	1	WASHER, Flat 1/2" type A, N SER
41	9-191927	1	WELDMENT, Hinge, bottom
42	9-191926	1	WELDMENT, Hinge upper

## 4.17 Door Window Assembly



M191946AA

190125AG

**184**

SJ643 TH, SJ843 TH

**SKYJACK**

## 4.17 Door Window Assembly

Index No.	Skyjack Part No.	Qty.	Description
-	9-191946	1	WINDOW, Door
1	9-191698	2	WASHER, SHOULDER, GLASS MOUNT
2	9-191704	1	HANDLE, L-WINDOW STAY, 2 POSITIONS
3	9-191705	2	WASHER, FENDER, 11/32" ID X 1-1/4"
4	9-106049	2	BOLT, CARRIAGE, 5/16"-18 X 1-1/4"
5	9-191574	2	NUT, HEX, 5/16"-18 NC FLANGED
6	9-191934	2	SPACE, NYLON
7	9-191667	2	HINGE, WINDOW
8	9-191668	1	WINDOW, HOLD-OPEN PIN
9	9-191750	2	SPACER, SEAL GASKET
10	9-191907	1	WINDOW, FRONT UPPER



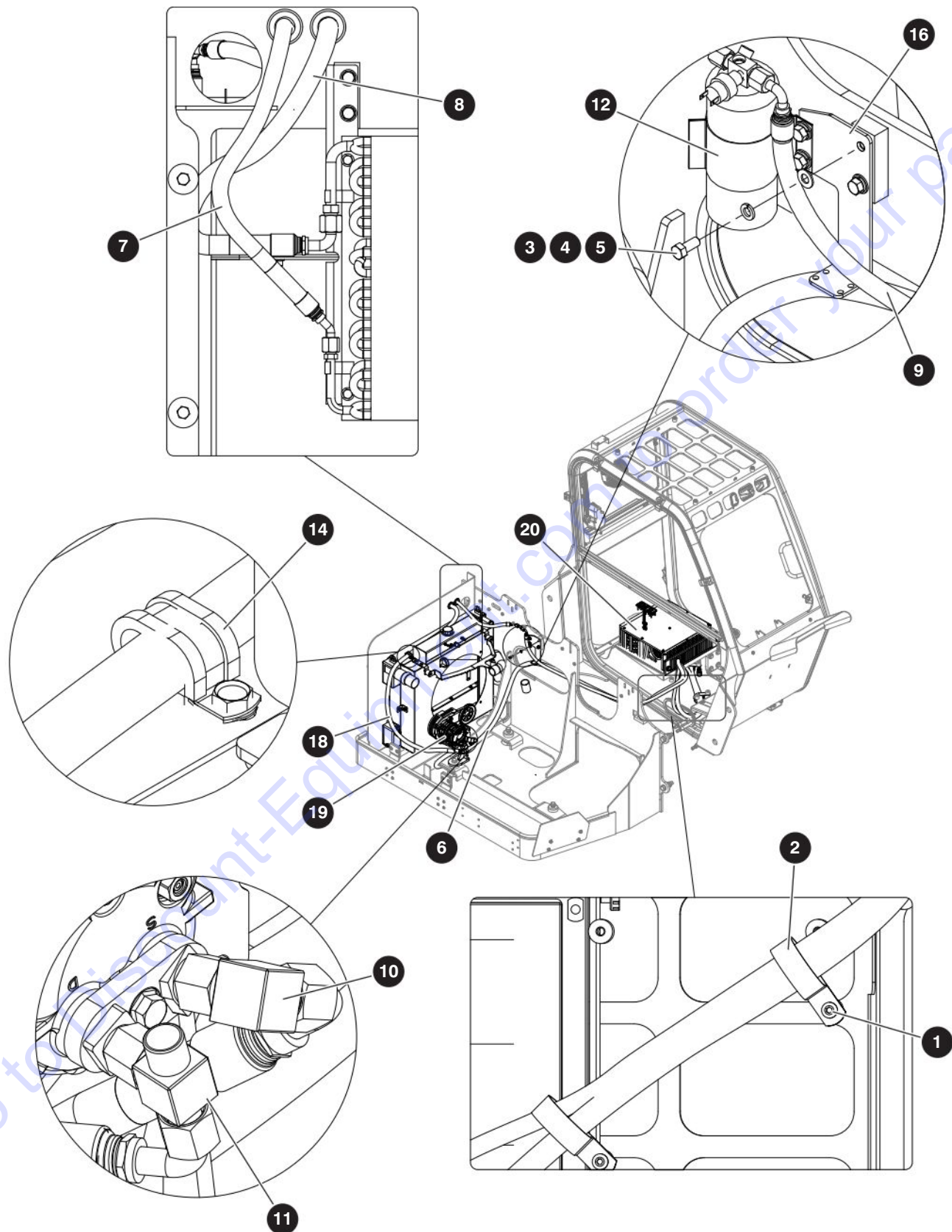


## 4.18 Cab Heater System

Index No.	Skyjack Part No.	Qty.	Description
-	9-191877	1	ASSEMBLY, HEATER SUBGROUP/HOSES INSTALATION
1	9-191772	2	<ul style="list-style-type: none"> <li>• ADAPTER, M22 x 1-1/2" to 3/8" NPT with O-ring</li> </ul>
2	9-191771	1	<ul style="list-style-type: none"> <li>• HOSE FITTING, 3/8" NPT, 5/8" hose</li> </ul>
3	9-413158	2	<ul style="list-style-type: none"> <li>• FITTING, Extruded 90° street elbow - 3/8" pipe</li> </ul>
4	9-142359	6	<ul style="list-style-type: none"> <li>• CLAMP, Gear #10</li> </ul>
5	9-103078	2	<ul style="list-style-type: none"> <li>• CLAMP, Loop cushion double g10</li> </ul>
6	9-103996	1	<ul style="list-style-type: none"> <li>• Washer, Flat 5/16"</li> </ul>
7	9-103404	1	<ul style="list-style-type: none"> <li>• WASHER, Lock 5/16"</li> </ul>
8	9-112249	2	<ul style="list-style-type: none"> <li>• WASHER, Lock #8</li> </ul>
9	9-103887	1	<ul style="list-style-type: none"> <li>• BOLT, Hex head 5/16"-18 x 3/4" grade 5</li> </ul>
10	9-100397	1	<ul style="list-style-type: none"> <li>• NUT, Hex 5/16"-18 grade 5</li> </ul>
11	9-191882	2	<ul style="list-style-type: none"> <li>• SCREW, Tapping 8-18 x 7/8" hex head, zinc</li> </ul>
12	9-170182	2	<ul style="list-style-type: none"> <li>• BOLT, Button head cap screw 3/8"-16 x 3/4"</li> </ul>
13	9-407024	33	<ul style="list-style-type: none"> <li>• HOSE, HEATER 5/8"</li> </ul>
14	9-407024	139	<ul style="list-style-type: none"> <li>• HOSE, HEATER 5/8"</li> </ul>
15	9-407024	154	<ul style="list-style-type: none"> <li>• HOSE, HEATER 5/8"</li> </ul>
16	9-922724	1	<ul style="list-style-type: none"> <li>• VALVE, Motorized heater</li> </ul>
17	9-143987	2	<ul style="list-style-type: none"> <li>• CLAMP, Loop cushion (#40)</li> </ul>
-	9-191682	1	ASSEMBLY, HEATER UNIT
18	9-191491	1	<ul style="list-style-type: none"> <li>• CONTROLLER, HVAC</li> </ul>
	9-922749	1	<ul style="list-style-type: none"> <li>• HEATER UNIT</li> </ul>
19	9-197011	1	<ul style="list-style-type: none"> <li>• • BLOWER 12V</li> </ul>
20	9-197012	1	<ul style="list-style-type: none"> <li>• • HEATER COIL</li> </ul>
21	9-197013	1	<ul style="list-style-type: none"> <li>• • CASING</li> </ul>
22	9-197014	1	<ul style="list-style-type: none"> <li>• • COVER</li> </ul>
23	9-197015	1	<ul style="list-style-type: none"> <li>• • FRONT COVER</li> </ul>
24	9-197016	1	<ul style="list-style-type: none"> <li>• • WIRING HS.(Not shown)</li> </ul>
25	9-197017	2	<ul style="list-style-type: none"> <li>• • PLUG ,Snap-in hole 1"</li> </ul>
26	9-197018	2	<ul style="list-style-type: none"> <li>• • PLUG, Hole 3/8"</li> </ul>
27	9-197019	1	<ul style="list-style-type: none"> <li>• • PLUG, Hole 1/2"</li> </ul>
28	9-197020	1	<ul style="list-style-type: none"> <li>• • CC FOAM 5/8"x1"; L=970</li> </ul>
29	9-197021	2	<ul style="list-style-type: none"> <li>• • NUT, Lock #8-32</li> </ul>
30	9-197022	15	<ul style="list-style-type: none"> <li>• • SCREW #10-32 x 3/8"</li> </ul>
31	9-197023	2	<ul style="list-style-type: none"> <li>• • SCREW #8-32 x 3/8"</li> </ul>
32	9-197024	4	<ul style="list-style-type: none"> <li>• • SCREW #8-32 x 3/8"</li> </ul>
33	9-197025	4	<ul style="list-style-type: none"> <li>• • WASHER, Lock #8</li> </ul>
34	9-197026	1	<ul style="list-style-type: none"> <li>• • FOAM 1/4"x1 1/4"; 415</li> </ul>
35	9-197027	1	<ul style="list-style-type: none"> <li>• • FOAM 3/8"x1 5/8"; 338</li> </ul>
36	9-197028	2	<ul style="list-style-type: none"> <li>• • FOAM 1/16x1";383.5 mm</li> </ul>
37	9-197028	2	<ul style="list-style-type: none"> <li>• • FOAM 1/16"x1"; 470 mm</li> </ul>
38	9-197029	1	<ul style="list-style-type: none"> <li>• • FOAM 3/16x1/2";390 mm</li> </ul>



## 4.19 Cab A/C System



M191715AB

190125AG

188

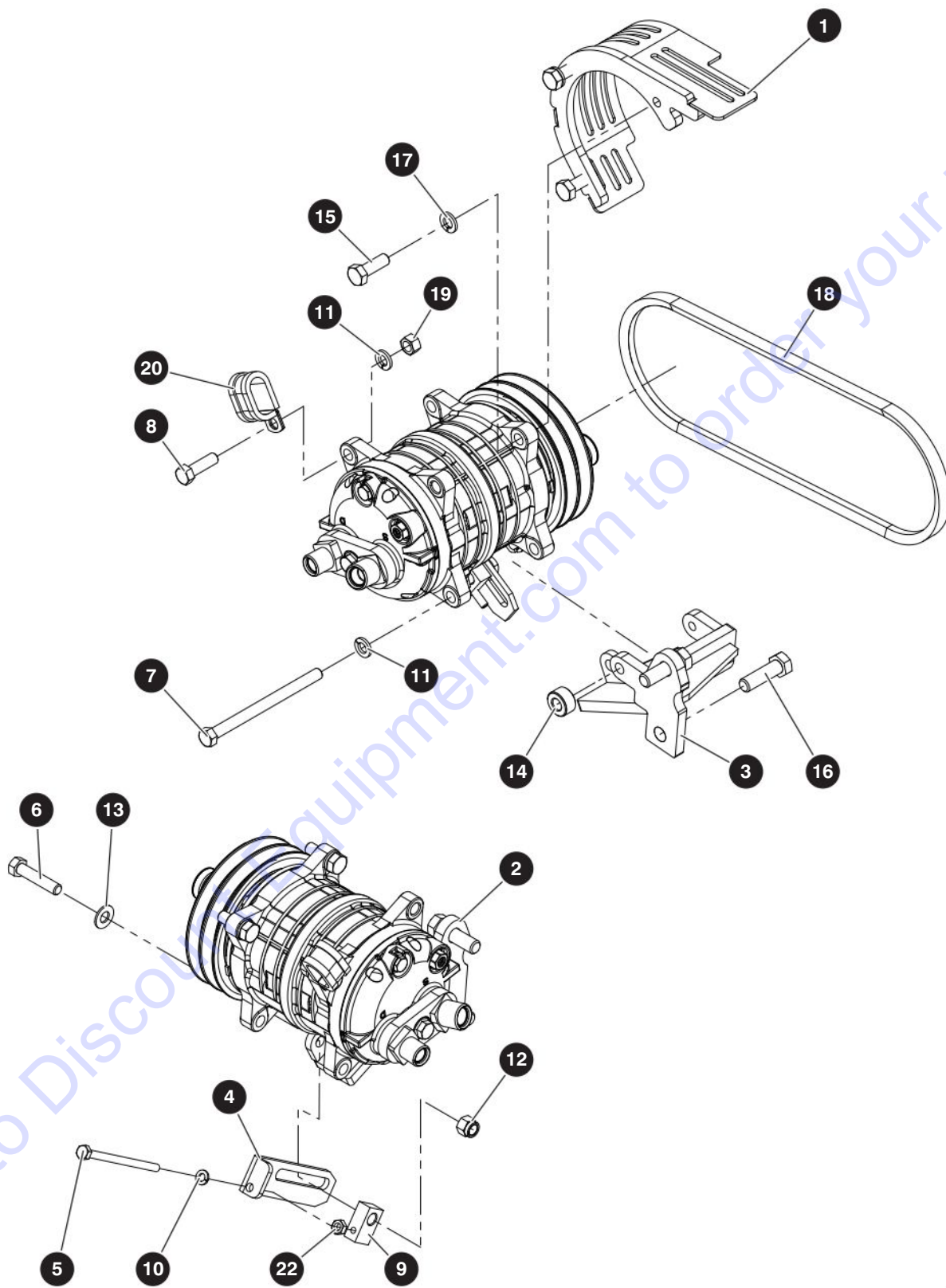
SJ643 TH, SJ843 TH

SKYJACK

## 4.19 Cab A/C System

Index No.	Skyjack Part No.	Qty.	Description
-	9-191713	1	ASSEMBLY, A/C OPTION
-	9-191715	1	• ASSEMBLY, A/C hose hardware instalation
1	9-170182	2	• • BOLT, Button Head Cap Screw 3/8"-16 x 3/4"
2	9-143987	2	• • CLAMP, Loop cushion #40
3	9-103887	2	• • BOLT, Hex head 5/16"-18 x 3/4" grade 5
4	9-103996	2	• • WASHER, Flat 5/16"
5	9-103404	2	• • WASHER, Lock 5/16"
6	9-191283	1	• • ASSEMBLY, Refrigerant hose #10
7	9-191280	1	• • ASSEMBLY, Refrigerant hose #6
8	9-191282	1	• • ASSEMBLY, Refrigerant hose #8
9	9-191281	1	• • ASSEMBLY, Refrigerant hose #6
10	9-164139	1	• • COUPLER - #10 - 90° O-ring
11	9-164138	1	• • VALVE, A/C service - #8 - O-ring discharge
12	9-920079	1	• • BRACKET, Drier/binary
-	9-207486	1	• • • SWITCH, Pressure
13	9-102891	20"	• • TIEWRAP CABLE, 7 1/4" black (Not Shown)
14	9-103078	1	• • CLAMP, Loop cushion double G10
15	9-171444	48"	• • WRAP, Spiral 1" DIA (Not Shown)
16	9-191859	1	• • WELDMENT, A/C Dryer bracket
17	(Ref.)	1	• • HARNESS, A/C (Not Shown) (For components, refer to Section 4.22)
18	(Ref.)	1	• ASSEMBLY, A/C condenser (For components, refer to Section 4.21)
19	(Ref.)	1	• ASSEMBLY, A/C compressor (For components, refer to Section 4.20)
20	9-921101	1	• ASSEMBLY, A/C 12V kit
-	9-235881	1	• • VALVE, Expansion block

## 4.20 A/C Compressor



M191638AD

190125AG

190

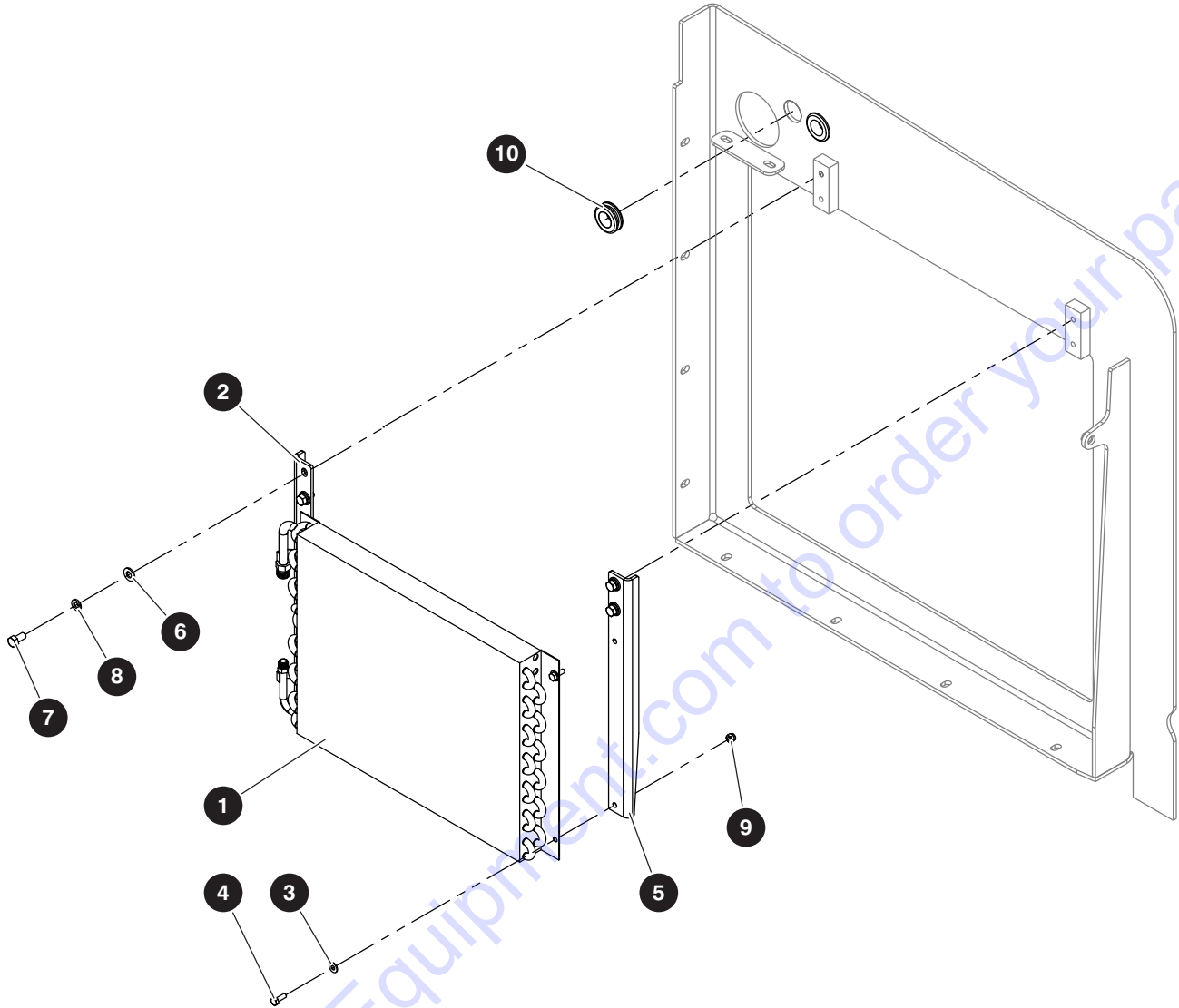
SJ643 TH, SJ843 TH

SKYJACK

## 4.20 A/C Compressor

Index No.	Skyjack Part No.	Qty.	Description
-	9-191638	1	ASSEMBLY, A/C COMPRESSOR INSTALLATION
1	9-191856	1	• WELDMENT, A/C pully guard
2	9-163903	1	• ASSEMBLY, A/C compressor
3	9-191220	1	• WELDMENT, A/C compressor bracket
4	9-191226	1	• PLATE, Belt tensioner
5	9-120738	1	• BOLT, Hex head 1/4"-20 X 4" grade 5
6	9-103871	1	• BOLT, Hex head 3/8"-16 X 1.750 grade 5
7	9-163510	1	• BOLT, Hex head 3/8"-16 X 5" grade 5
8	9-101297	1	• BOLT, Hex head 3/8"-16 X 1-1/4" grade 5
9	9-191227	1	• BLOCK, Belt tensioner
10	9-104000	1	• WASHER, Lock 1/4"
11	9-103999	2	• WASHER, Lock 3/8"
12	9-104606	1	• NUT, Lock with nylon insert 3/8"-16 grade 5
13	9-103472	1	• WASHER, Flat 3/8"
14	9-191225	1	• SPACER
15	9-115745	3	• BOLT, Hex head M10 X 1-1/2" x 30mm CL 8.8 ZP
16	9-191640	2	• BOLT, Hex head M12 x 1-3/4" x 40mm CL10.9
17	9-130884	2	• WASHER, Lock M10-plated DIN 127B
18	9-191238	1	• V-BELT, A34
19	9-103978	1	• NUT, Hex 3/8"-16 grade 5
20	9-103078	1	• CLAMP, Loop cushion double G10
21	9-922004	1	• DECAL, Refridgerant charge (Not shown)
22	9-103983	1	• NUT, Hex head jam 1/4"-20 grade 5

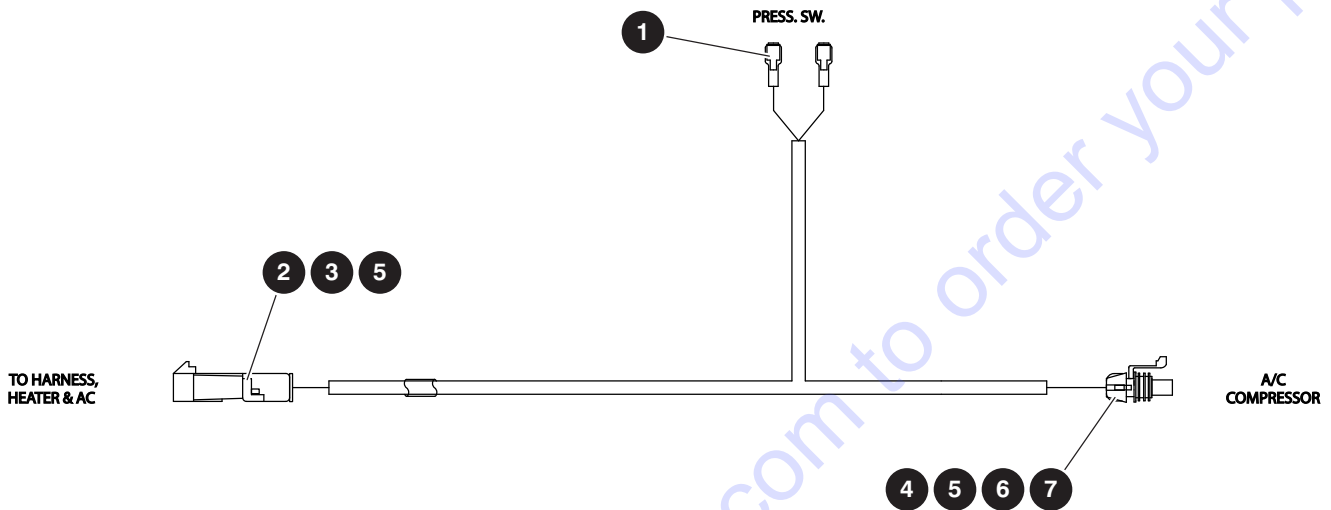
## 4.21 A/C Condenser



M191235AB

Index No.	Skyjack Part No.	Qty.	Description
-	9-191235	1	ASSEMBLY, A/C CONDENSER
1	9-921525	1	• ASSEMBLY, AC condenser
2	9-191237	1	• BRACKET, A/C condenser left
3	9-103995	4	• WASHER, Flat 1/4"
4	9-103856	4	• BOLT, Hex head 1/4"-20 x 3/4" grade 5
5	9-191236	1	• BRACKET, A/C condenser right
6	9-125959	4	• WASHER Flat 3/8" hard
7	9-101632	4	• BOLT, Hex head 3/8"-16 x 3/4" grade 5
8	9-103999	4	• WASHER, Lock 3/8"
9	9-115649	4	• NUT, Lock 1/4"-20 grade 5 - nylon insert
10	9-191284	2	• GROMMET, Rubber 1" ID x 1-3/8" OD x 1/4" TK

## 4.22 A/C Harness

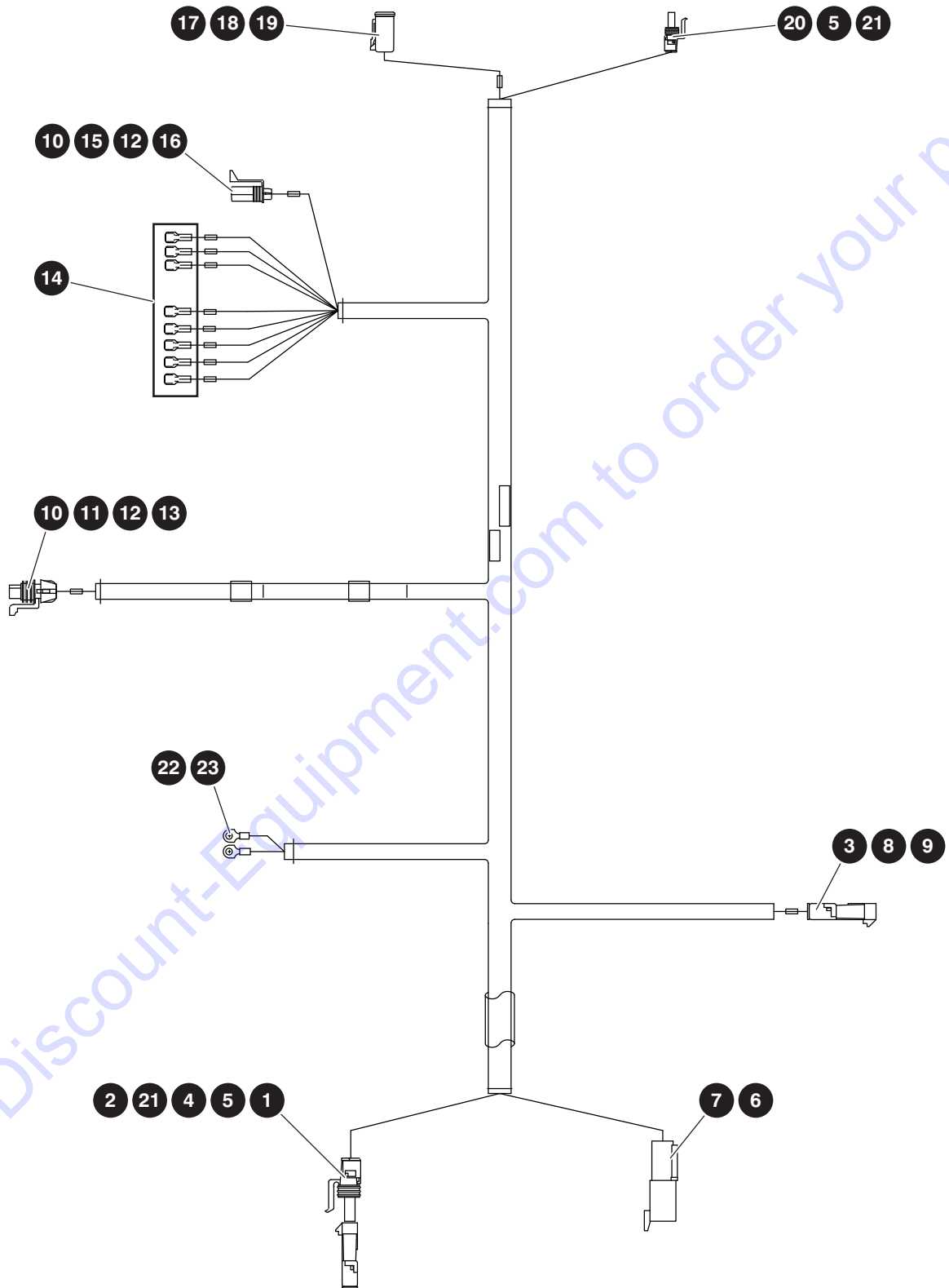


M191598AB

Index No.	Skyjack Part No.	Qty.	Description
-	9-191598	1	HARNESS, A/C
1	9-114595	2	• TERMINAL, Female disc. insulated (22-18 GA)
2	9-156106	1	• CONNECTOR 1M, W/P
3	9-156139	1	• TERMINAL, Male sealed (2.0-1.0 mm <sup>2</sup> ), W/P
4	9-156142	1	• TERMINAL, Female sealed (2.0-1.0 mm <sup>2</sup> ), 280 M/P Tangless
5	9-124369	2	• SEAL, Wire green (2.9-2.0 mm), 280 M/P
6	9-156303	1	• CONNECTOR 1F, 280 M/P
7	9-156304	1	• TERMINAL, Position assurance 1W 280 M/P



## 4.23 A/C and Heater Harness



M191490AC

190125AG

**194**

SJ643 TH, SJ843 TH

**SKYJACK**

## 4.23 A/C and Heater Harness

Index No.	Skyjack Part No.	Qty.	Description
-	9-191490	1	HARNESS, A/C AND HEATER
1	9-156106	1	• CONNECTOR 1M, W/P
2	9-156108	1	• CONNECTOR 1F, W/P
3	9-156147	1	• WIRE SEAL, Gray (3.5-2.8 mm), 280 M/P
4	9-156104	1	• PLUG CAVITY 1W, 280 M/P & W/P
5	9-156137	1	• TERMINAL, Female sealed (2.0-1.0 mm <sup>2</sup> ), W/P
6	9-156168	1	• PIN, Solid (8-10 AWG)
7	9-156181	1	• ASSEMBLY, Connector 1M, DTHD
8	9-156105	1	• CONNECTOR 2M, W/P
9	9-156139	2	• TERMINAL, Male sealed (2.0-1.0 mm <sup>2</sup> ), W/P
10	9-156146	6	• WIRE SEAL, Red (2.9-2.0 mm), 150 M/P
11	9-156298	1	• CONNECTOR 6F, 150 M/P
12	9-124365	6	• TERMINAL, Female sealed (1.0-0.5 mm <sup>2</sup> ), 150 M/P
13	9-156299	1	• TERMINAL, position assurance 6W 150 M/P
14	9-105359	8	• TERMINAL, Female disc. (10-12AWG)
15	9-156124	1	• TERMINAL, position assurance 3W 150 M/P
16	9-156131	1	• CONNECTOR 3F, 150 M/P
17	9-156187	1	• ASSEMBLY, Connector 4F, DTP
18	9-156158	4	• SOCKET (10-12 AWG), Formed
19	9-156199	1	• WEDGE, Socket
20	9-124036	1	• CONNECTOR 2F, W/P
21	9-156170	4	• WIRE SEAL (2.1-1.2 mm), Light blue
22	9-156222	1	• TERMINAL, M10 ring (5.0 mm <sup>2</sup> )
23	9-156259	1	• TERMINAL, M10 ring (3.0-2.0 mm <sup>2</sup> )

---

## Section 5 – Electrical

**5.1** Chassis Harness

**5.2** Engine Harness

**5.3** Console Harness

**5.4** Glow Plug Harness

**5.5** Enclosed Cab Harness

**5.6** Battery

**5.7** CVT Transmission Harness

**5.8** CVT Vehicle Harness

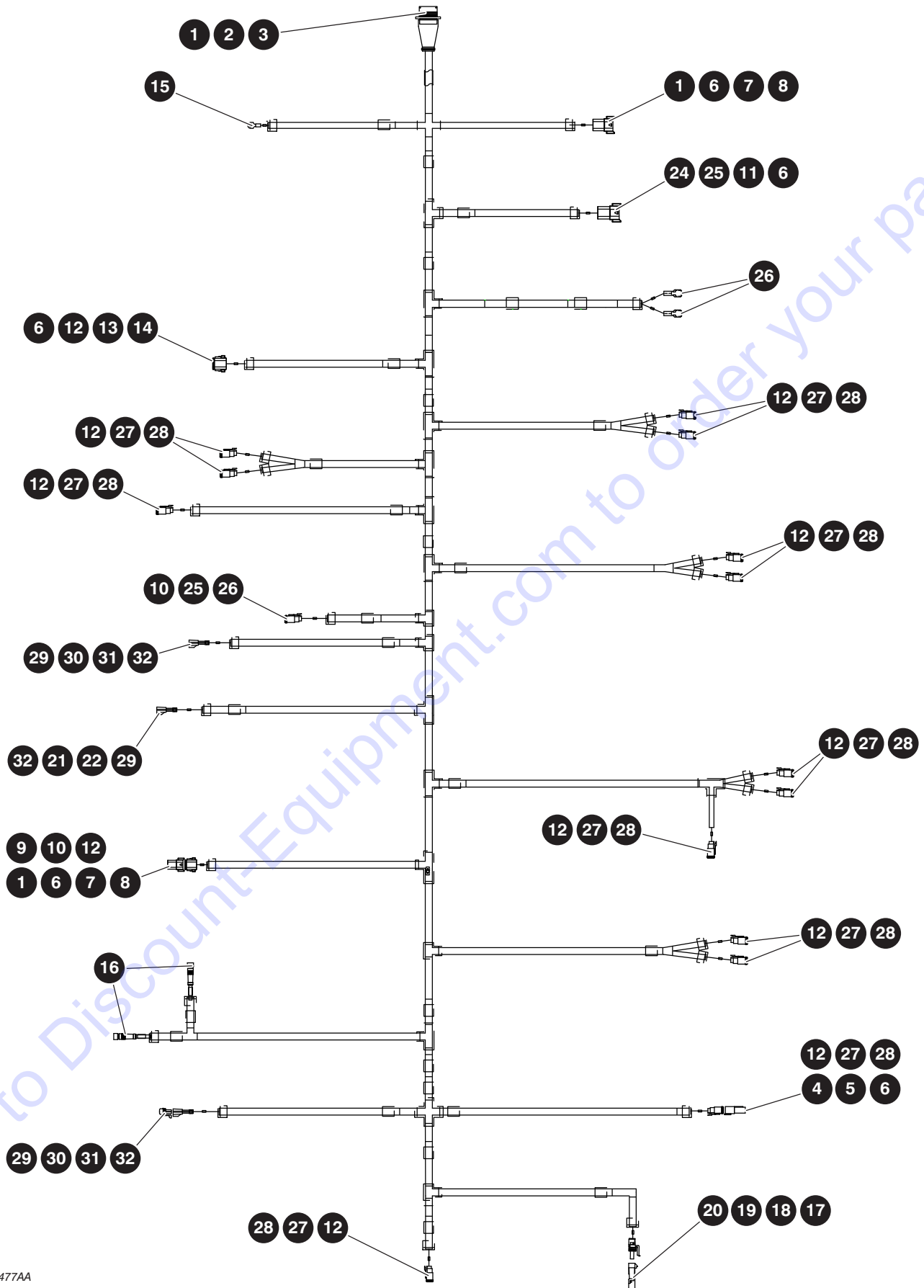
**5.9** Battery Disconnect

**5.10** Battery Cables

**5.11** Tilt Sensor

**5.12** Jumper Harness

# 5.1 Chassis Harness



M199477AA

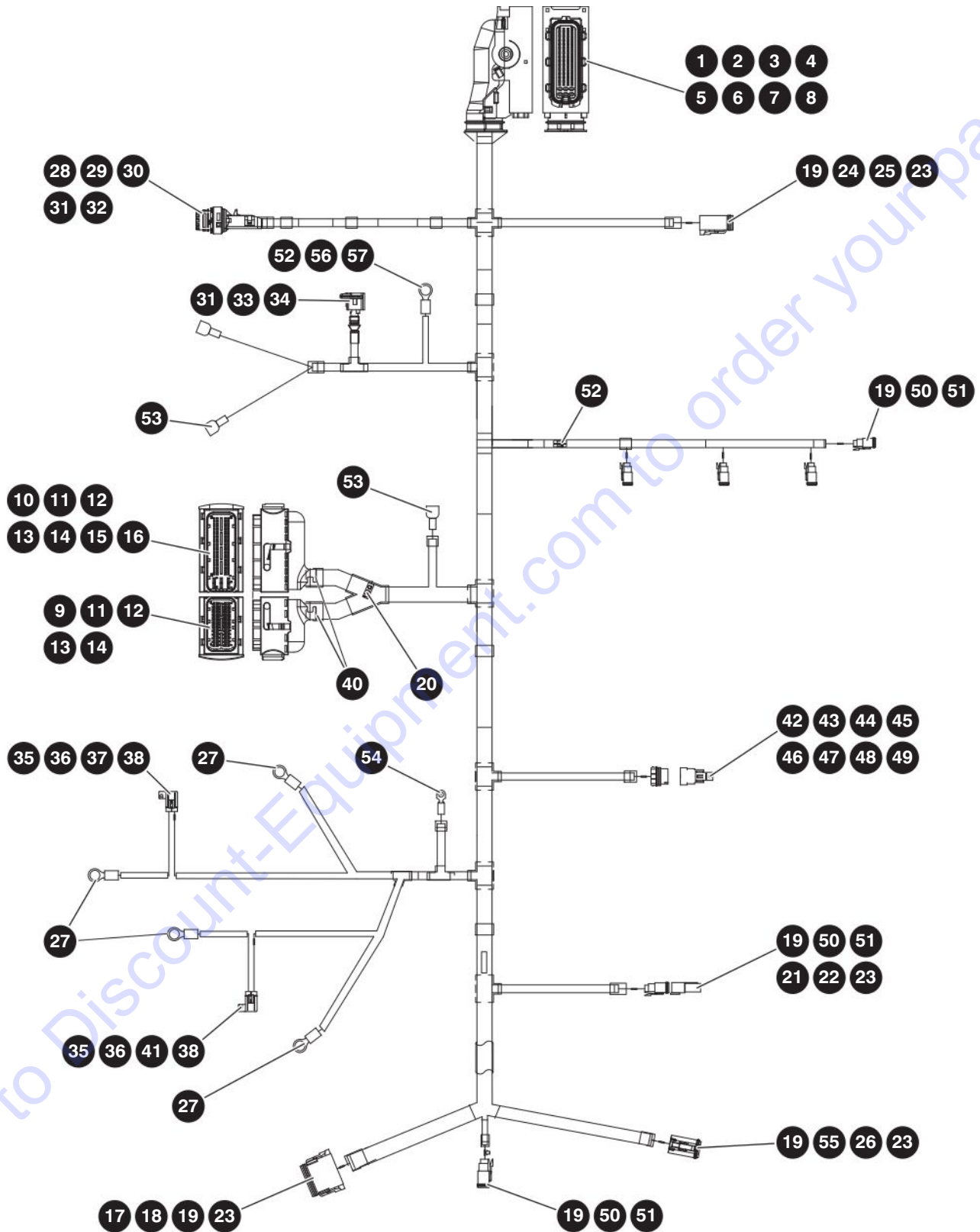
190125AG

SJ643 TH, SJ843 TH

## 5.1 Chassis Harness

Index No.	Skyjack Part No.	Qty.	Description
-	9-199477	1	ASSEMBLY, TH CHASSIS HARNESS
1	9-156155	40	• PIN (16-20 AWG), Solid
2	9-156189	1	• CONNECTOR, 34M, HD34
3	9-156195	1	• STRAIN RELIEF, Straight
4	9-117596	1	• CONNECTOR Assembly 2M, DT
5	9-117598	1	• WEDGE, Pin W2P
6	9-117594	18	• PLUG, Sealing
7	9-117578	2	• CONNECTOR, Receptacle 4pin
8	9-117580	2	• WEDGE, W4P
9	9-117579	1	• CONNECTOR, 4F, DT
10	9-117581	1	• WEDGE, Socket
11	9-117590	6	• CONNECTOR, Contact pin 16-18
12	9-117591	40	• SOCKET (16-18 AWG), Solid
13	9-117583	1	• CONNECTOR, 8F, DT
14	9-117585	1	• WEDGE, Plug
15	9-156259	1	• TERMINAL, M10 Ring (3.0-2.0 mm <sup>2</sup> )
16	9-190577	2	• CABLE, Sensor TH
17	9-156105	1	• CONNECTOR 2M, W/P
18	9-124036	1	• CONNECTOR 2F, W/P
19	9-156137	2	• TERMINAL, Female sealed (2.0-1.0 mm <sup>2</sup> ), W/P
20	9-156147	2	• SEAL, Wire gray (3.5-2.8 mm), 280 M/P
21	9-190340	1	• CONNECTOR 3M, 280 M/P
22	9-190341	1	• TPA, 3W 280 M/P
23	9-102921	1	• DIODE T6A40L
24	9-117582	1	• CONNECTOR, 8M, DT
25	9-117584	1	• PLUG, W8P wedge
26	9-114595	2	• TERMINAL, Female disc. insulated (22-18 GA)
27	9-117597	15	• CONNECTOR, 2F, DT
28	9-117599	15	• WEDGE, Socket W2S
29	9-156120	2	• TERMINAL, Male (1.0-0.8 mm <sup>2</sup> ), 280 M/P
30	9-156144	2	• CONNECTOR 2M, 280 M/P
31	9-156145	2	• TPA, 2W 280 M/P
32	9-124369	2	• SEAL, Wire green (2.9-2.0 mm), 280 M/P

## 5.2 Engine Harness



M209177AC

190125AG

200

SJ643 TH, SJ843 TH

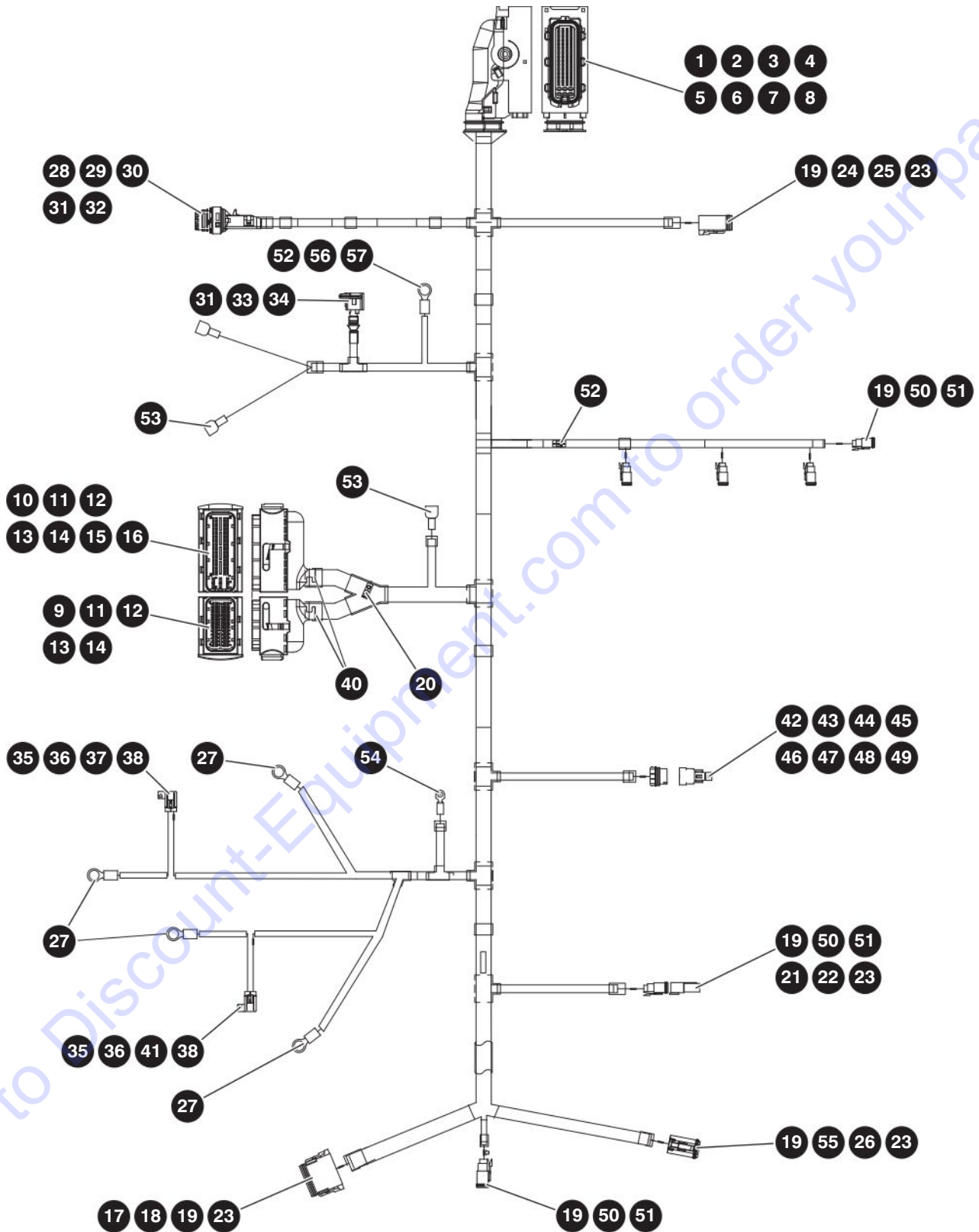
SKYJACK



## 5.2 Engine Harness

Index No.	Skyjack Part No.	Qty.	Description
-	9-209177	1	ASSEMBLY, ENGINE HARNESS - <b>S/N 87112757 and below</b>
-	235147	1	ASSEMBLY, ENGINE HARNESS - <b>S/N 87112758 and above</b>
1	9-164544	1	• CONNECTOR, 62F, AMP MCP
2	9-164545	1	• COVER, 62 pin connector
3	9-164546	32	• TERMINAL, Female (1.0-0.5mm <sup>2</sup> ), MCP
4	9-164547	32	• WIRE SEAL, Grey (1.4-1.9mm), MCP
5	9-164548	24	• CAVITY, Plug 3.6mm, MCP
6	9-164549	2	• TERMINAL, Female (2.5-1.0mm <sup>2</sup> ), MCP
7	9-164550	2	• WIRE SEAL, White (2.2-3.0mm), MCP
8	9-164551	4	• CAVITY, Plug 5.4mm, MCP
9	9-164556	1	• CONNECTOR, 60F, AMP MQS
10	9-164567	1	• CONNECTOR, 94F, AMP MQS+MCP
11	9-164561	45	• TERMINAL, Female (0.75-0.5 mm <sup>2</sup> ), MQS
12	9-164562	15	• TERMINAL, Female (1.5-0.75mm <sup>2</sup> ), MQS
13	9-164563	76	• CAVITY PLUG, MQS
14	9-164564	12	• CAVITY PLUG, MQS
15	9-164572	6	• TERMINAL, Female (2.5-1.0mm <sup>2</sup> ), MCP2.8
16	9-164573	6	• WIRE SEAL, Yellow (2.7-3.0mm), JPT/MCP
17	9-117587	1	• CONNECTOR, Plug 12-pin
18	9-117589	1	• CONNECTOR, Plug 12-pin wedge
19	9-117591	34	• CONNECTOR, Contact socket 16-18
20	9-163021	1	• RESISTOR
21	9-117596	1	• CONNECTOR, 2M, DT
22	9-117598	1	• WEDGE, Pin W2P
23	9-117594	4	• CONNECTOR, Sealing plug
24	9-117579	1	• CONNECTOR, Plug 4-pin
25	9-117581	1	• CONNECTOR, Plug 4-pin wedge
26	9-117585	1	• WEDGE, Socket
27	9-156219	4	• TERMINAL, M8 Ring (5.0 mm <sup>2</sup> )
28	9-164579	1	• CONNECTOR, 4F 2.5mm circular
29	9-164580	1	• STRAIN RELIEF, Straight
30	9-164581	3	• TERMINAL, Female (1.0-0.5mm <sup>2</sup> ), 2.5mm circular.

## 5.2 Engine Harness



M209177AC

190125AG

**202**

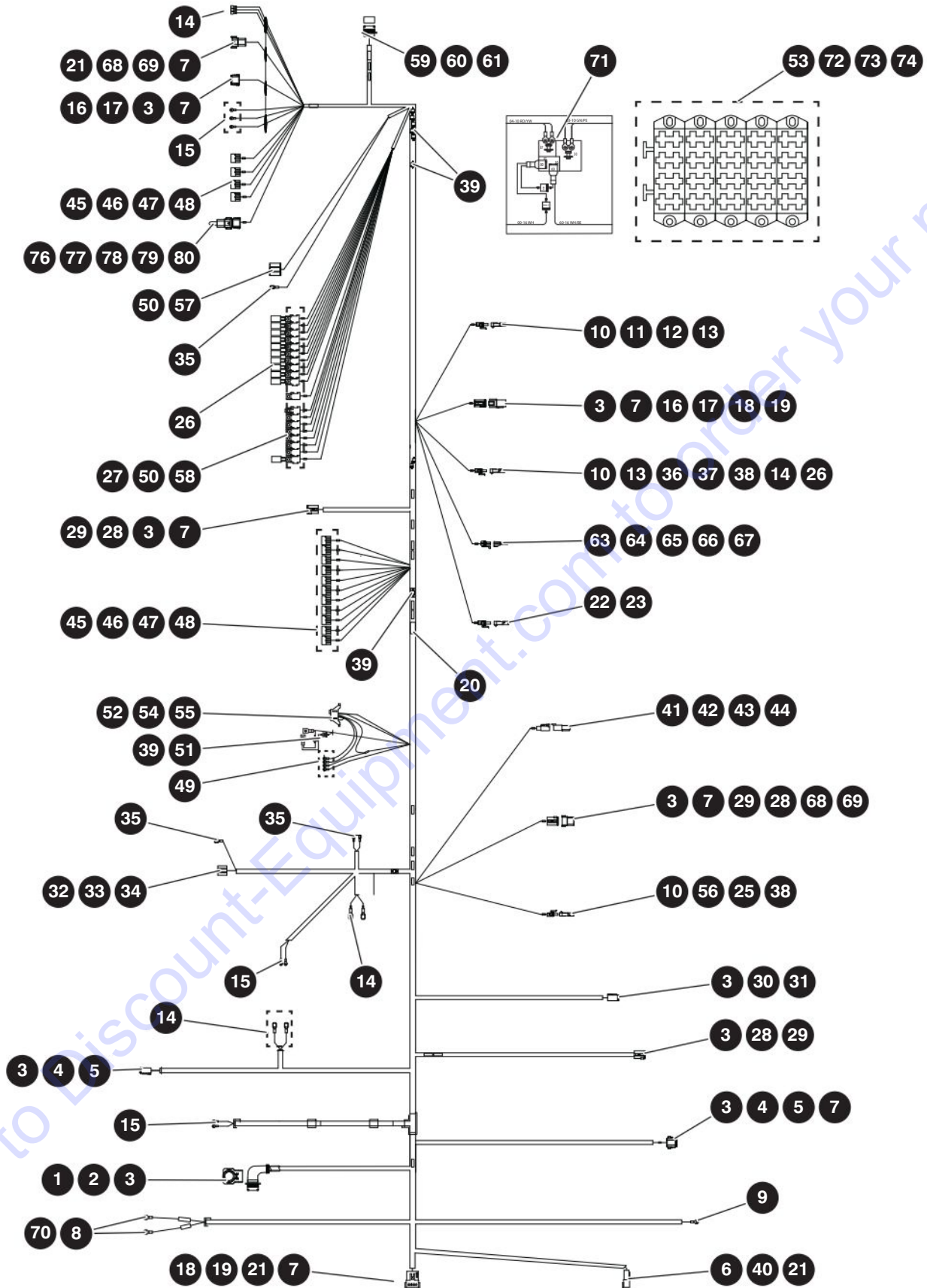
SJ643 TH, SJ843 TH

**SKYJACK**

## 5.2 Engine Harness

Index No.	Skyjack Part No.	Qty.	Description
31	9-164578	5	• WIRE SEAL (1.2-2.1mm), LT. blue
32	9-156172	1	• CAVITY PLUG, JPT
33	9-156163	1	• CONNECTOR, 2F, AMP
34	9-156174	2	• TERMINAL, Female (1.0-0.5 mm2), JPT
35	9-156127	2	• CONNECTOR 2F, 630 M/P Fuse holder
36	9-156118	4	• TERMINAL, Female (5.0-3.0 mm2), 630 M/P Pull-to-seat
37	9-156164	1	• FUSE, 30A
38	9-156117	2	• COVER, Inline autofuse
39	9-113719	51	• TIEWRAP 3 5/8 Long black
40	9-102891	3	• TIEWRAP 7 1/4 Long black
41	9-121504	1	• FUSE, 20A
42	9-156104	4	• PLUG CAVITY 1W, 280 M/P & W/P
43	9-156132	1	• CONNECTOR 5F, 280 M/P
44	9-156133	1	• TPA, 5W 280 M/P
45	9-156134	2	• TERMINAL, Female sealed (5.0-3.0 mm2), 280M/P tangless
46	9-156142	2	• TERMINAL, Female sealed (2.0-1.0 mm2), 280 M/P tangless
47	9-156147	2	• WIRE SEAL, Gray (3.5-2.8 mm), 280 M/P
48	9-124369	2	• WIRE SEAL, Green - "15324982"
49	9-156200	1	• RELAY
50	9-117597	6	• CONNECTOR, 2F, DT
51	9-117599	6	• WEDGE, Socket
52	9-102921	2	• DIODE, T6A40L
53	9-105359	3	• TERMINAL, Female 14-16GA incl. blue
54	9-156221	1	• TERMINAL, M10 ring (2x 1.0-0.8mm2)
55	9-117583	1	• CONNECTOR, 8F, DT
56	9-134493	1	• TERMINAL, Ring, 0.22-16GA x 1/4", red
57	9-220147	1	• RESISTOR, 47 ohm, 5 watt

### 5.3 Console Harness



M216785AF

## 5.3 Console Harness

Index No.	Skyjack Part No.	Qty.	Description
-	9-216785	1	HARNES, CONSOLE UNIVERSAL
1	9-156190	1	• CONNECTOR ASSEMBLY 34F, HD34
2	9-156196	1	• STRAIN RELIEF, 90 DEG
3	9-117591	72	• SOCKET (16-18 AWG), SOLID
4	9-117579	2	• CONNECTOR ASSEMBLY 4F, DT
5	9-117581	2	• WEDGE, SOCKET
6	9-117596	1	• CONNECTOR ASSEMBLY 2M, DT
7	9-117594	48	• SEALING PLUG
8	9-190376	2	• WIRE-GREY FUSIBLE LINK 14 AWG
9	9-156222	1	• TERMINAL, M10 RING (5.0 mm <sup>2</sup> )
10	9-156104	8	• PLUG CAVITY 1W, 280 M/P & W/P
11	9-156106	1	• CONNECTOR 1M, W/P
12	9-156108	1	• CONNECTOR 1F, W/P
13	9-156137	2	• TERMINAL FEMALE SEALED (2.0-1.0 mm <sup>2</sup> ), W/P
14	9-105359	7	• TERMINAL, FEMALE DISC. INSULATED (14-16 GA)
15	9-102936	7	• TERMINAL, 14-16AWG, #10 RING BLUE
16	9-117587	1	• CONNECTOR - PLUG 12-PIN
17	9-117589	1	• CONNECTOR - PLUG 12-PIN WEDGE
18	9-117586	2	• CONNECTOR RECEPTACLE 12-PIN
19	9-117588	2	• CONNECTOR RECEPTACLE 12-PIN WEDGE
20	9-164855	2	• RESISTOR 1.0K 1/2 WATT AXIAL LEAD
21	9-117590	17	• CONNECTOR - CONTACT PIN 16-18
22	9-156109	1	• CONNECTOR 4F, W/P
23	9-156137	6	• TERMINAL FEMALE SEALED (2.0-1.0 mm <sup>2</sup> ), W/P
24	9-156259	1	• TERMINAL, M10 RING (3.0-2.0 mm <sup>2</sup> )
25	9-124036	1	• CONNECTOR ASSEMBLY 2F, W/P
26	9-931298	12	• RELAY, MINI ISO
27	9-156166	21	• SOCKET, RELAY
28	9-117583	2	• CONNECTOR ASSEMBLY 8F, DT
29	9-117585	2	• WEDGE, SOCKET
30	9-156180	1	• CONNECTOR ASSEMBLY 6F, DT
31	9-156194	1	• WEDGE, PLUG
32	9-156101	1	• CONNECTOR 6F, 56 SERIES
33	9-156135	3	• TERMINAL FEMALE (2.0-1.0 mm <sup>2</sup> ), 56 SERIES
34	9-156136	1	• TERMINAL FEMALE (2x 2.0-1.0 mm <sup>2</sup> ), 56 SERIES
35	9-114595	5	• TERMINAL, FEMALE DISC. INSULATED (22-18 GA)
36	9-156113	1	• CONNECTOR 3M, W/P
37	9-156114	1	• CONNECTOR 3F, W/P
38	9-156138	3	• TERMINAL FEMALE SEALED (3.0-2.0 mm <sup>2</sup> ), W/P
39	9-102921	11	• DIODE T6A40L
40	9-117598	1	• WEDGE, PIN W2P

# PARTS FINDER

**Search Website  
by Part Number**



**Search Manual  
Library For Parts  
Manual & Lookup Part  
Numbers – Purchase  
or Request Quote**

**Search Manuals**

Enter your information to help us find the right parts manual for your machine.

\* Brand:

\* Model:

\* Serial:

\* Part Number:

SEARCH

**Can't Find Part or  
Manual? Request Help  
by Manufacturer,  
Model & Description**

**Parts Order Form**

Please fill in the following information to help us find the right part for your machine.

Manufacturer:	<input type="text"/>
Model:	<input type="text"/>
Description:	<input type="text"/>
Part Number:	<input type="text"/>
Quantity:	<input type="text"/>
Notes:	<input type="text"/>

Submit

Discount-Equipment.com is your online resource for quality parts & equipment.

Florida: **561-964-4949** Outside Florida TOLL FREE: **877-690-3101**

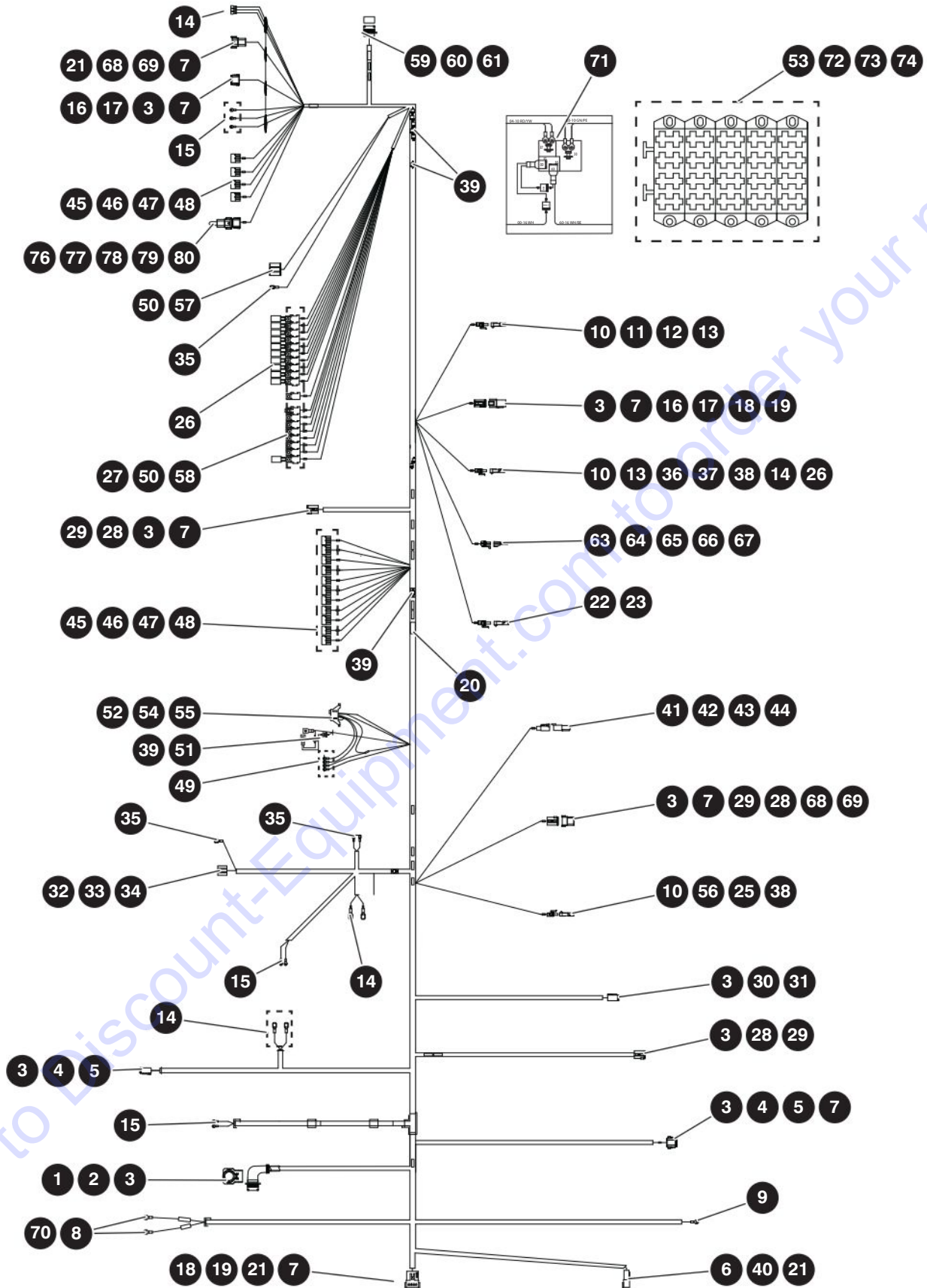
**Need parts?**

Click on this link: <http://www.discount-equipment.com/category/5443-parts/> and choose one of the options to help get the right parts and equipment you are looking for. Please have the machine model and serial number available in order to help us get you the correct parts. If you don't find the part on the website or on one of the online manuals, please fill out the request form and one of our experienced staff members will get back to you with a quote for the right part that your machine needs.

We sell worldwide for the brands: Genie, Terex, JLG, MultiQuip, Mikasa, Essick, Whiteman, Mayco, Toro Stone, Diamond Products, Generac Magnum, Airman, Haulotte, Barreto, Power Blanket, Nifty Lift, Atlas Copco, Chicago Pneumatic, Allmand, Miller Curber, Skyjack, Lull, Skytrak, Tsurumi, Husquvarna Target, Stow, Wacker, Sakai, Mi-T-M, Sullair, Basic, Dynapac, MBW, Weber, Bartell, Bennar Newman, Haulotte, Ditch Runner, Menegotti, Morrison, Contec, Buddy, Crown, Edco, Wyco, Bomag, Laymor, EZ Trench, Bil-Jax, F.S. Curtis, Gehl Pavers, Heli, Honda, ICS/PowerGrit, IHI, Partner, Imer, Clipper, MMD, Koshin, Rice, CH&E, General Equipment, Amida, Coleman, NAC, Gradall, Square Shooter, Kent, Stanley, Tamco, Toku, Hatz, Kohler, Robin, Wisconsin, Northrock, Oztec, Toker TK, Rol-Air, APT, Wylie, Ingersoll Rand / Doosan, Innovatech, Con X, Ammann, Mecalac, Makinex, Smith Surface Prep, Small Line, Wanco, Yanmar



### 5.3 Console Harness



M216785AF

## 5.3 Console Harness

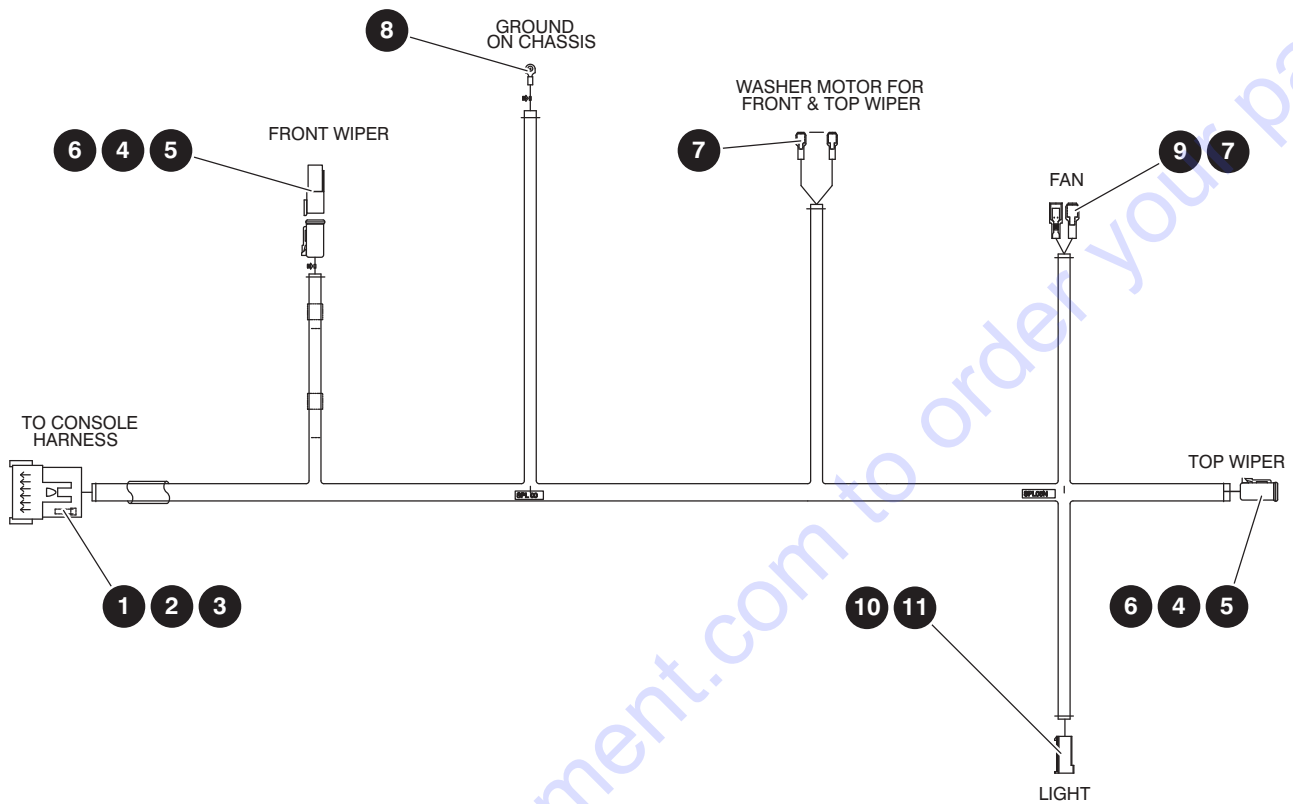
Index No.	Skyjack Part No.	Qty.	Description
41	9-156157	1	• SOCKET (8-10 AWG), SOLID
42	9-156182	1	• CONNECTOR ASSEMBLY 1F, DTHD
43	9-156181	1	• CONNECTOR ASSEMBLY 1M, DTHD
44	9-156168	1	• PIN (8-10 AWG), SOLID
45	9-156162	15	• SOCKET, 10-WAY
46	9-164551	65	• CAVITY PLUG, JPT
47	9-156173	6	• TERMINAL FEMALE (2.5-1.5 mm <sup>2</sup> ), JPT
48	9-156174	66	• TERMINAL FEMALE (1.0-0.5 mm <sup>2</sup> ), JPT
49	9-156215	4	• TERMINAL, M5 RING (5.0 mm <sup>2</sup> )
50	9-126808	35	• TERMINAL FEMALE (2.0-0.8 mm <sup>2</sup> ), FASTIN-FASTON
51	9-105358	1	• TERMINAL/F 14-16GA X 1/4
52	9-156102	25	• TERMINAL FEMALE (5.0-3.0 mm <sup>2</sup> ), PACK-CON
53	9-156103	5	• FUSEBLOCK
54	9-156110	12	• TERMINAL FEMALE (2.0-1.0 mm <sup>2</sup> ), PACK-CON
55	9-156111	1	• TERMINAL FEMALE (0.8-0.5 mm <sup>2</sup> ), PACK-CON
56	9-156105	1	• CONNECTOR 2M, W/P
57	9-156165	1	• SOCKET, RELAY
58	9-199144	48	• TERMINAL, 0.187 SRS FASTIN-ON RCPT PH-BR
59	9-164860	1	• CONNECTOR ASSEMBLY, 12F CANNON TRIDENT
60	9-164861	1	• CABLE CLAMP, CANNON TRIDENT
61	9-164862	4	• TERMINAL FEMALE, 18-16GA GOLD CANNON TRIDENT
62	9-163021	2	• RESISTOR
63	9-156125	6	• PLUG CAVITY 1W, 150 M/P
64	9-156129	2	• TPA, 5W 150 M/P
65	9-156130	1	• CONNECTOR 5M, 150 M/P
66	9-156143	1	• CONNECTOR 5F, 150 M/P
67	9-124365	4	• FEMALE TERMINAL SEALED (1.0-0.5 mm <sup>2</sup> ), 150 M/P
68	9-117584	2	• W8P WEDGE, PLUG
69	9-117582	2	• CONNECTOR ASSEMBLY 8M, DT
70	9-156219	2	• TERMINAL, M8 RING (5.0 mm <sup>2</sup> )
71	9-226119	1	• POWER RELAY 75A
72	9-156202	2	• FUSE, ATO, 5A
73	9-156203	8	• FUSE, ATO, 10A
74	9-156204	1	• FUSE, ATO, 15A
75	9-129258	1	• DIODE 1A
76	9-220611	1	• CONNECTOR, DEUTSCH DTM06-12S
77	9-220612	1	• CONNECTOR, DEUTSCH DTM06 WEDGE
78	9-220613	9	• CONNECTOR, CONTACT SOCKET NO.20
79	9-221144	1	• SEALING PLUG, DEC SERIES
80	9-156152	3	• HARNESS, TRACK UNIT BYPASS



## 5.4 Glow Plug Harness

Index No.	Skyjack Part No.	Qty.	Description
-	9-190367	-	ASSEMBLY, GLOW PLUG HARNESS
-	9-191645	1	• HARNESS - Glow plug relay TCD3.6
1	9-138846	2	• • TERMINAL, 8-10GA, .38, Non-insulated
2	9-126808	2	• • TERMINAL, 14-18 GA, .25, Non-insulated
3	9-139158	1	• • SPLICE, Parallel 6 GA Non-insulated
4	9-113584	6.5	• • HEATSHRINK 1/2" Black
5	9-117578	1	• • CONNECTOR, Receptacle 4-pin
6	9-117580	1	• • CONNECTOR, Receptacle 4-pin wedge
7	9-117590	3	• • CONNECTOR, Contact pin 16-18
8	9-117594	1	• • CONNECTOR, Sealing plug
9	9-166530	1.5	• • HEATSHRINK 1/2" WHITE
10	9-166531	1	• • TERMINAL 8GA * #10 Ring non-insulated
11	9-191644	1	• • TERMINAL 8GA * 1/4 Ring non-insulated
12	9-165029	1	• RELAY, 150A 12V SPST
13	9-165030	1	• FUSE HOLDER - INLINE, MIDI
14	9-165031	1	• FUSE - 100A, Bolt-down
-	9-191642	1	• WIRE ASSEMBLY - Glow plug power TCD3.6
15	9-191643	1	• • TERMINAL 8GA * 3/8 Ring non-insulated
16	9-166530	3	• • HEATSHRINK 1/2" White
17	9-166531	1	• • TERMINAL 8GA * #10 Ring non-insulated

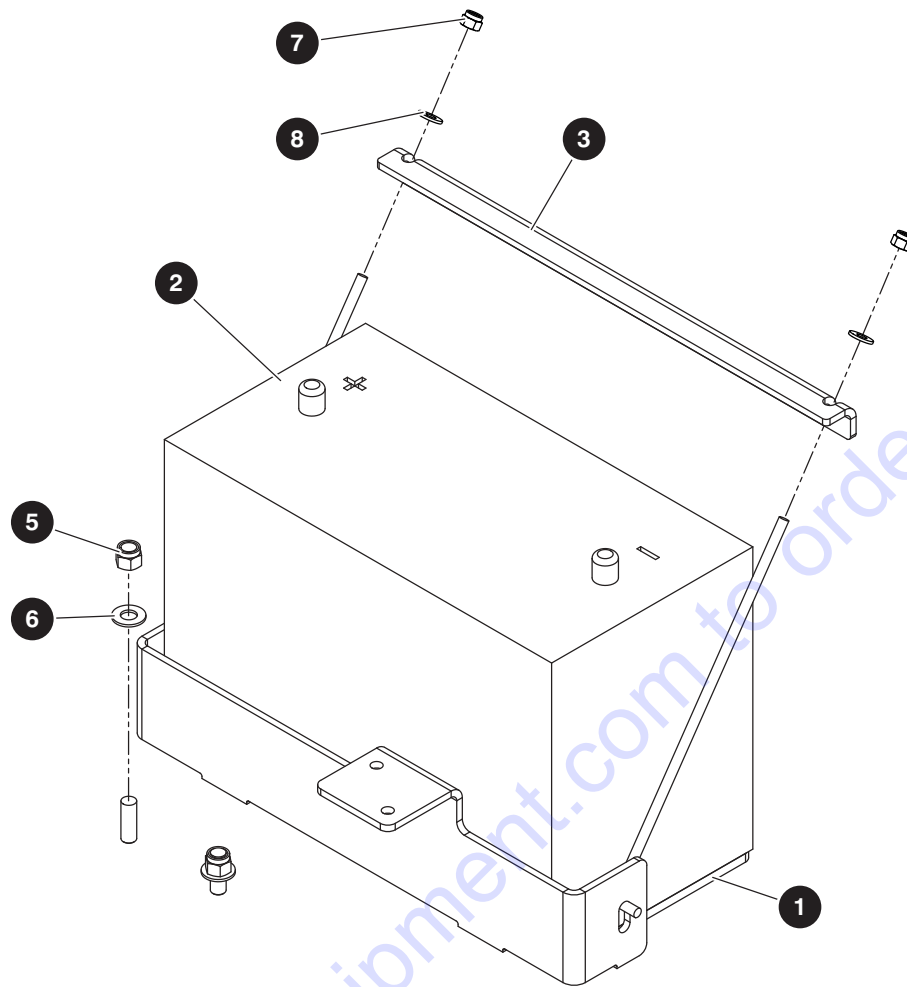
## 5.5 Enclosed Cab Harness



M191472AC

Index No.	Skyjack Part No.	Qty.	Description
-	9-191472	1	HARNES, TH ENCLOSED CAB
1	9-117584	1	• PLUG, W8P wedge
2	9-117582	1	• CONNECTOR, Assembly 8M, DT
3	9-117590	8	• CONNECTOR, Contact pin 16-18
4	9-117579	2	• CONNECTOR, Assembly 4F, DT
5	9-117581	2	• WEDGE, Socket
6	9-117591	8	• SOCKET, (16-18 AWG), Solid
7	9-105359	3	• TERMINAL, Female disc. insulated (14-16 GA)
8	9-156222	1	• TERMINAL, M10 ring (5.0 mm <sup>2</sup> )
9	9-191473	1	• TERMINAL, Female bullet 16-14 AWG
10	9-191474	1	• CONNECTOR, AMP 2 WAY
11	9-191475	2	• PIN, AMP mini 16-20 AWG

## 5.6 Battery

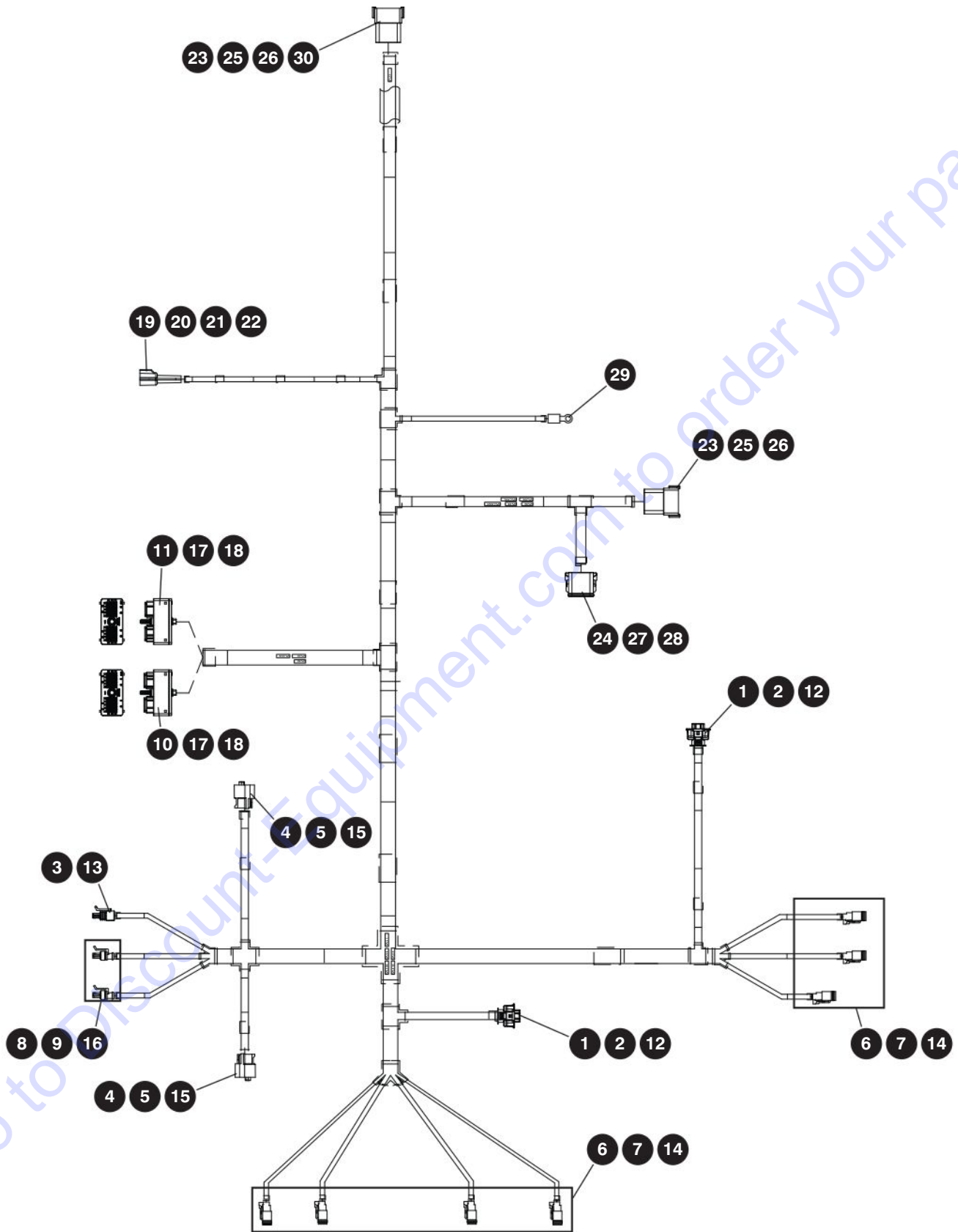


M191766AC

Index No.	Skyjack Part No.	Qty.	Description
-	9-191766	1	ASSEMBLY, BATTERY
1	9-157464	1	• PAD, Battery
2	9-144676	1	• BATTERY, 950 CCA 195 RC 12V post
3	9-150959	1	• BRACKET, Arctic battery retainer
4	9-128572	1	• BATTERY hold down
5	9-104606	2	• NUT, Lock with nylon insert 3/8"-16 Gr. 5
6	9-103472	2	• WASHER, Flat 3/8" SAE
7	9-115649	2	• NUT, Lock with nylon insert 1/4"-20 Gr. 5
8	9-103995	2	• WASHER, Flat 1/4"



## 5.7 CVT Transmission Harness



M220793AB

190125AG

212

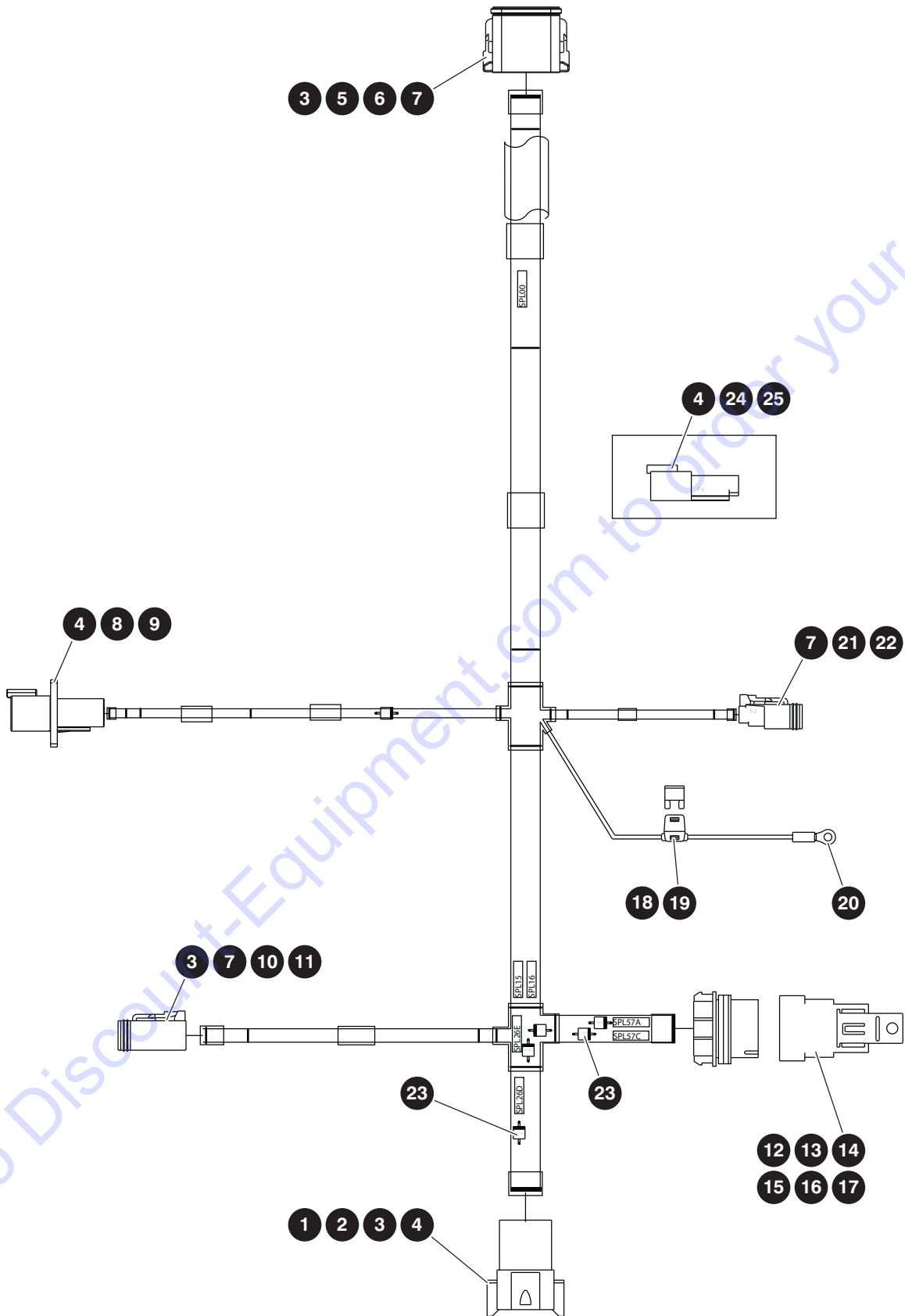
SJ643 TH, SJ843 TH

SKYJACK

## 5.7 CVT Transmission Harness

Index No.	Skyjack Part No.	Qty.	Description
-	9-220793	1	HARNESS, TRANSMISSION CVT
1	9-216756	2	CONNECTOR, PLUG - 3 WAY
2	9-216757	6	SEAL, CONNECTOR - 1.2-2.1 mm
3	9-216758	1	CONNECTOR, PLUG - 4 WAY
4	9-216759	2	CONNECTOR, PLUG - 2 WAY
5	9-216760	4	SEAL, CONNECTOR - 1.4-1.9 mm
6	9-117597	7	CONNECTOR - PLUG 2-PIN
7	9-117599	7	CONNECTOR - PLUG 2-PIN WEDGE
8	9-216761	2	CONNECTOR, PLUG - 2 PIN
9	9-216762	4	SEAL, CONNECTOR - 1.7-2.4 mm
10	9-216775	1	CONNECTOR, PLUG - 30 PIN
11	9-216776	1	CONNECTOR, PLUG - 30 PIN
12	9-216765	6	TERMINAL, FEMALE - BDK 2.8, .5-1.0 sq mm
13	9-216767	4	TERMINAL, FEMALE - 17/18 AWG
14	9-216768	14	TERMINAL, FEMALE - 16-18 AWG
15	9-216769	4	TERMINAL, FEMALE - 18 AWG
16	9-216770	4	TERMINAL, FEMALE - 15-18 AWG
17	9-217963	35	TERMINAL, FEMALE - 16/20 AWG
18	9-217964	25	PLUG, SEAL
19	9-156144	1	CONNECTOR 2M, 280 M/P
20	9-217966	2	TERMINAL, MALE - 0.5-0.8 mm <sup>2</sup>
21	9-217967	2	SEAL, CONNECTOR - 2.85-2.03 mm
22	9-156145	1	TPA, 2W 280 M/P
23	9-117592	24	CONNECTOR CONTACT PIN 14-16 (MALE)
24	9-117593	12	CONNECTOR - CONTACT SOCKET 14-16 (FEMALE)
25	9-117586	2	CONNECTOR-RECEPTACLE 12-PIN
26	9-117588	2	CONNECTOR-RECEPTACLE 12-PIN WEDGE
27	9-117587	1	CONNECTOR-PLUG 12-PIN
28	9-117589	1	CONNECTOR-PLUG 12-PIN WEDGE
29	9-102940	1	TERMINAL 10-12GA X 5/16 RING YELLOW
30	9-117594	3	CONNECOTR - SEALING PLUG

## 5.8 CVT Vehicle Harness



M220790AB

190125AG

**214**

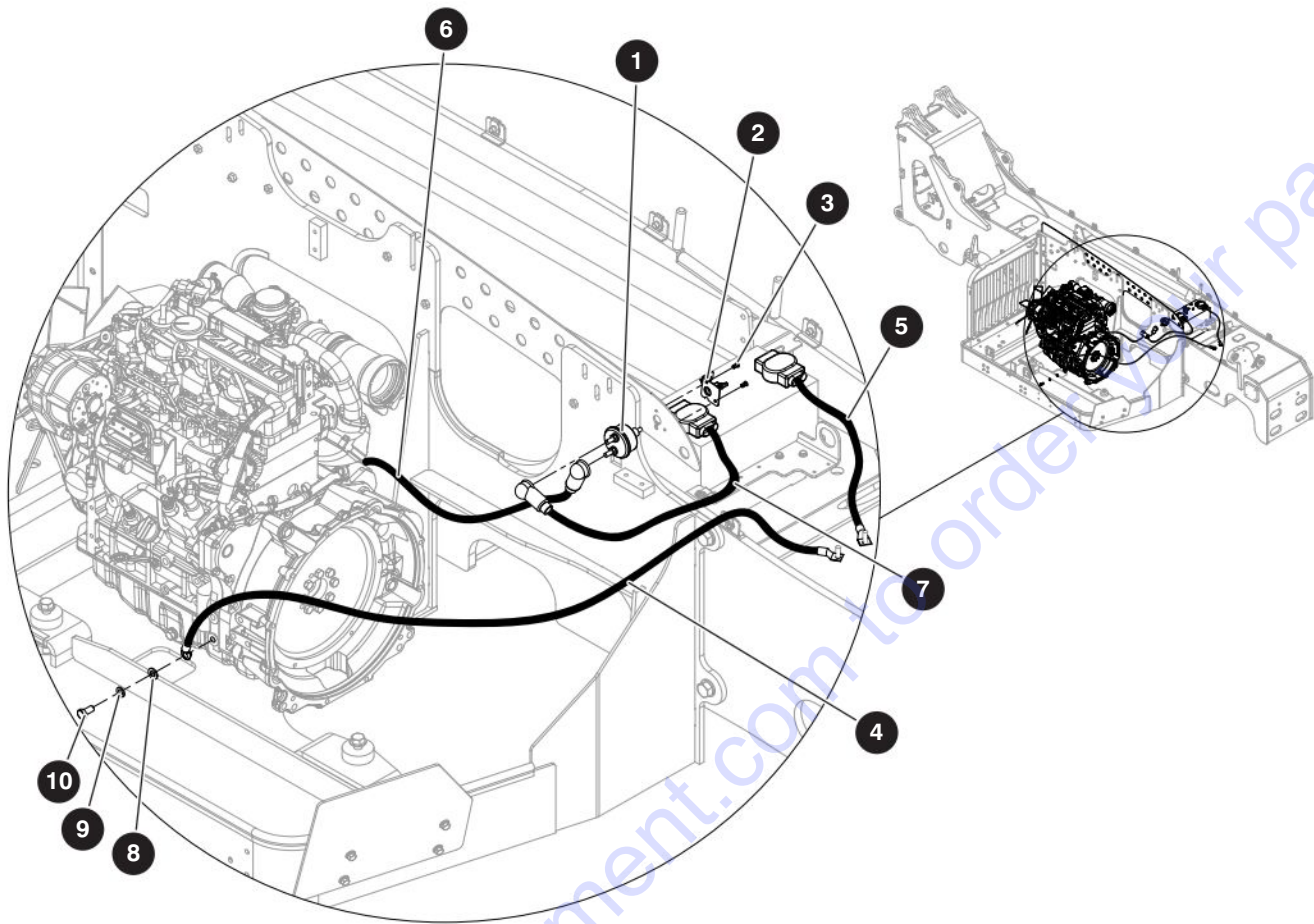
SJ643 TH, SJ843 TH

**SKYJACK**

## 5.8 CVT Vehicle Harness

Index No.	Skyjack Part No.	Qty.	Description
-	9-220790	1	HARNES, VEHICLE CVT
1	9-117582	1	CONNECTOR RECEPTACLE 8-PIN
2	9-156104	1	CONNECTOR RECEPTACLE 8-PIN WEDGE
3	9-156132	7	CONNECTOR - SEALING PLUG
4	9-117580	11	CONNECTOR CONTACT PIN 14-16 (MALE)
5	9-117579	1	CONNECTOR-PLUG 12-PIN
6	9-216771	1	CONNECTOR-PLUG 12-PIN WEDGE
7	9-117581	14	CONNECTOR - CONTACT SOCKET 14-16 (FEMALE)
8	9-117594	1	CONNECTOR, RECEPTACLE - 4 PIN
9	9-156133	1	CONNECTOR RECEPTACLE 4-PIN WEDGE
10	9-124369	1	CONNECTOR PLUG 4-PIN
11	9-156200	1	CONNECTOR PLUG 4-PIN WEDGE
12	9-220788	1	PLUG CAVITY 1W, 280 M/P & W/P
13	9-224867	1	CONNECTOR 5F, 280 M/P
14	9-102939	1	TPA, 5W 280 M/P
15	9-117597	4	TERMINAL, FEMALE SEALED (2-1 mm2) 280 M/P TL
16	9-117592	4	WIRE SEAL GREEN (2.9-2.0 mm), 280 M/P
17	9-117587	1	RELAY, 12V STARTER
18	9-156142	1	FUSE HOLDER - INLINE
19	9-117589	1	FUSE, ATM - 7.5 AMP
20	9-117593	1	TERMINAL 14-16GA X 1/4 RING BLUE
21	9-102891	1	CONNECTOR - PLUG 2-PIN
22	9-113719	1	CONNECTOR - PLUG 2-PIN WEDGE
23	9-117596	6	DIODE
24	9-117598	1	CONNECTOR - RECEPTACLE 2-PIN
25	9-117584	1	CONNECTOR - RECEPTACLE 2-PIN WEDGE

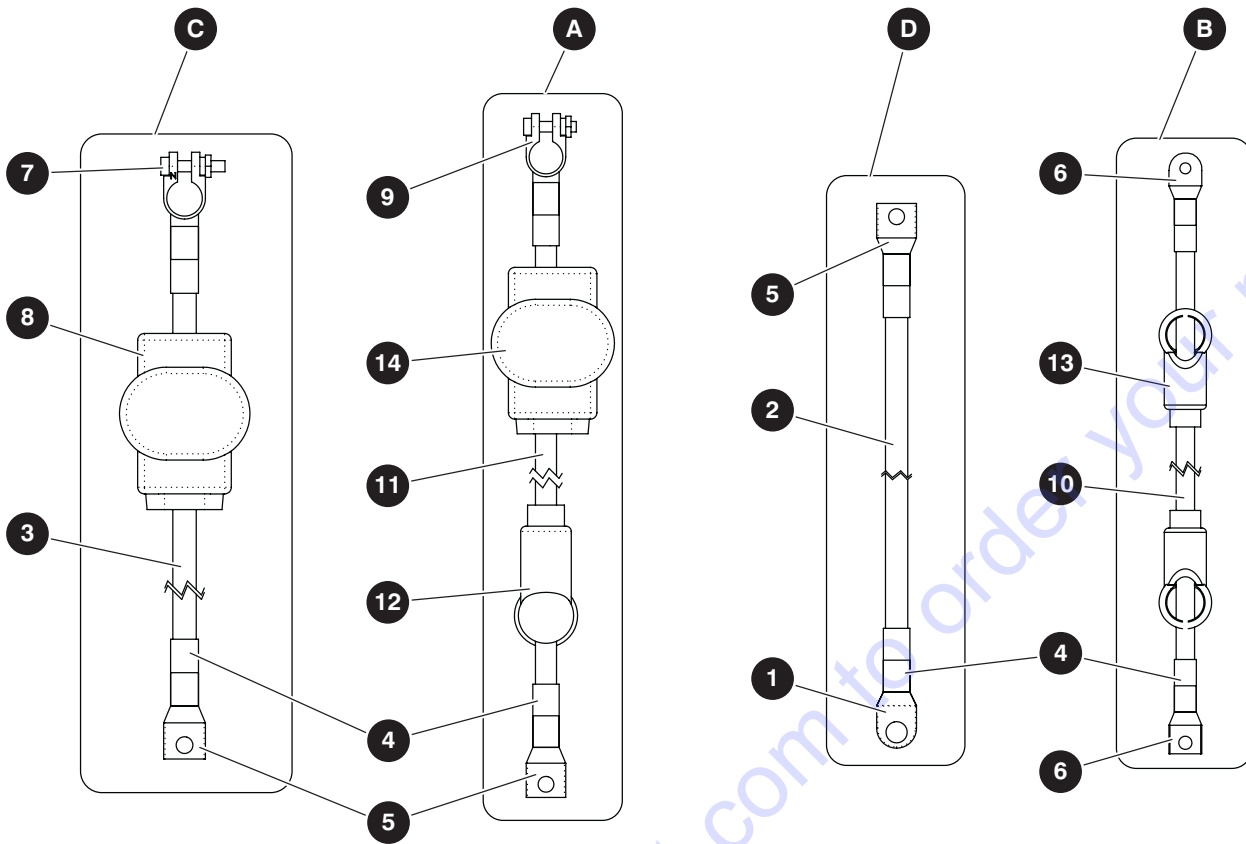
## 5.9 Battery Disconnect



M199981AA-2

Index No.	Skyjack Part No.	Qty.	Description
-	9-199980	1	ASSEMBLY, BATTERY CABLES
1	9-119725	1	• SWITCH - MAIN LOCKOUT
2	9-108714	1	• MOUNT, Lock-out switch
3	9-157756	2	• RIVET, 3/16" x 0.45 long, steel
4	(Ref.)	1	• ASSEMBLY, Cable # 2/0 3/8" x 72" x 1/2" (00,00) (For components, refer to Section 5.10)
5	(Ref.)	1	• ASSEMBLY, Cable # 2/0 post 5/16" x 26" x 3/8"(00,00) (For components, refer to Section 5.10)
6	(Ref.)	1	• ASSEMBLY, Cable # 2/0 3/8" x 42" x 5/16" (03, 03) (For components, refer to Section 5.10)
7	(Ref.)	1	• ASSEMBLY, Cable # 2/0 post 3/8"x 20" x 5/16" (+B,03) (For components, refer to Section 5.10)
8	9-933817	1	• WASHER, Flat M12 CL 200 Y
9	9-600549	1	• WASHER, Lock M12-Plated DIN 127B
10	9-152324	1	• BOLT, Hex head M12 X 1-3/4" x 25mm Gr. 8.8 zinc plated

## 5.10 Battery Cables

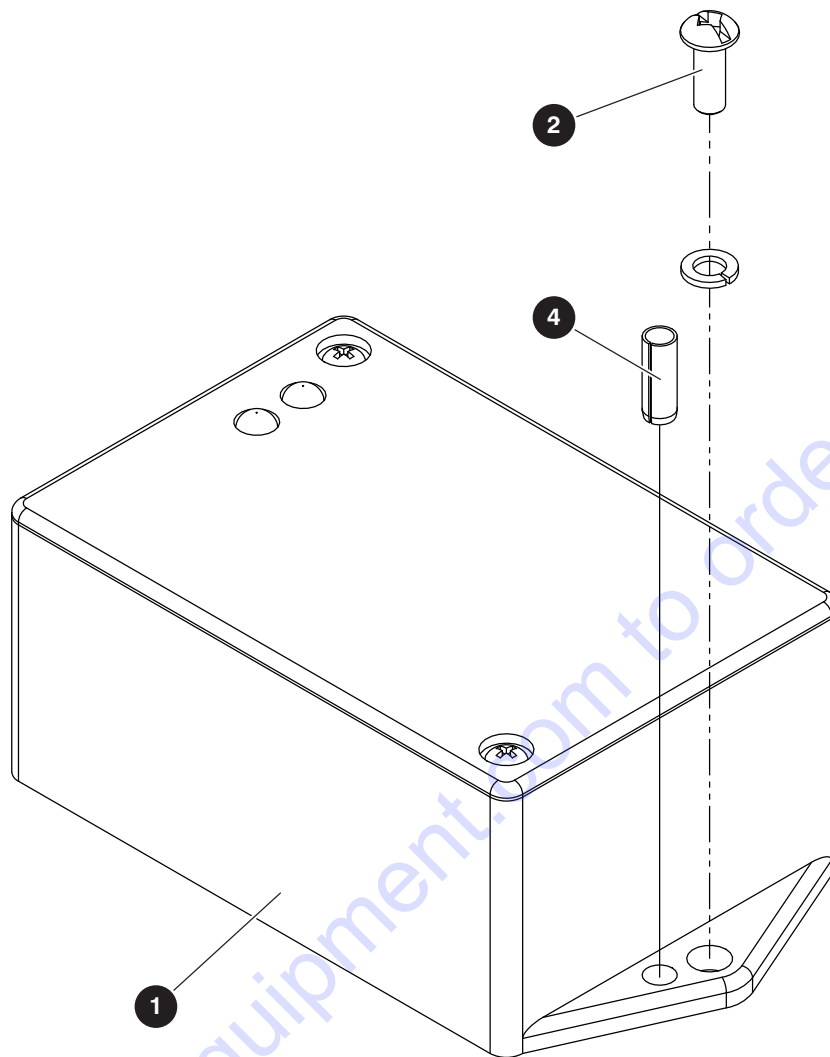


M199981AB-Cables

Index No.	Skyjack Part No.	Qty.	Description
<b>A</b>	9-204032	1	• ASSEMBLY, Cable #2/0 POST 3/8"X20"X5/16" (+B,03)
<b>B</b>	9-204057	1	• ASSEMBLY, Cable #2/0 3/8"X42"X5/16" (03, 03)
<b>C</b>	9-204063	1	• ASSEMBLY, Cable weld #2/0 POST5/16"X26"X3/8" (00,00)
<b>D</b>	9-204064	1	• ASSEMBLY, Cable weld #2/0 3/8"X72"X1/2" (00,00)
1	9-163811	1	• • TERMINAL - RING#2 WIRE 1/2" STUD - <b>D</b>
2	9-139029	72	• • WELDING CABLE #2/0 BLACK - <b>D</b>
3	-	26	• • WELDING CABLE #2/0 BLACK - <b>C</b>
4	9-139035	3	• • HEATSHRINK 1" CLEAR - <b>A, B, C, D</b>
5	9-139034	1	• • TERMINAL - #2/0 3/8" DIA - <b>A, C, D</b>
6	9-221807	1	• • BATTERY POST CLAMP #2/0 NEGATIVE - <b>C</b>
7	9-191822	1	• • TERMINAL PROTECTOR, MILITARY STYLE RED - <b>C</b>
8	9-139033	1	• • TERMINAL - #2/0 5/16" DIA - <b>B</b>
9	9-139028	42	• • WELDING CABLE #2/0 RED - <b>B</b>
10	-	20	• • WELDING CABLE #2/0 RED - <b>A</b>
11	9-139105	1	• • TERMINAL BOOT #2/0 RED (5737-005R) - <b>A</b>
12	-	2	• • TERMINAL BOOT #2/0 RED (5737-005R) - <b>B</b>
13	9-191821	1	• • TERMINAL PROTECTOR, MILITARY STYLE BLACK - <b>A</b>
14	9-221808	1	• • BATTERY POST CLAMP #2/0 POSITIVE - <b>A</b>
15	9-209025	1	• • TERMINAL - #2/0 5/16" DIA Round lug - <b>B</b>



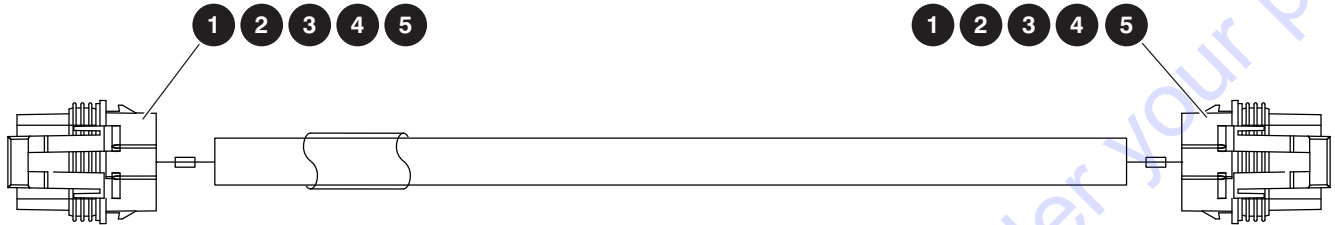
## 5.11 Tilt Sensor



M196364AC

Index No.	Skyjack Part No.	Qty.	Description
-	9-196364	1	ASSEMBLY, TILT SENSOR
1	9-196287	1	• SENSOR, Tilt - digital, 4°
2	9-103957	2	• SCREW, Round head machine 8-32 x 1/2"
3	9-112249	2	• WASHER, Lock #8
4	9-157825	1	• PIN, spring 5/32" x 1/2"

## 5.12 Jumper Harness



M196292AA

Index No.	Skyjack Part No.	Qty.	Description
-	9-196292	1	HARNES, TH 643/843 JUMPER
1	9-196295	2	• CONNECTOR, Female 280 M/P sealed 3 cavity
2	9-196294	2	• TERMINAL, MP 280 sealed 3 cavity
3	9-196296	2	• TERMINAL, Female 280 M/P sealed 18-16GA
4	9-196298	2	• SEAL, M/P 280 sealed 16-14
5	9-156104	4	• PLUG CAVITY, 1W M/P 280 & W/P

---

## Section 6 – Boom

**6.1** *Boom Installation*

**6.3** *First Boom Section*

**6.4** *Second Boom Section*

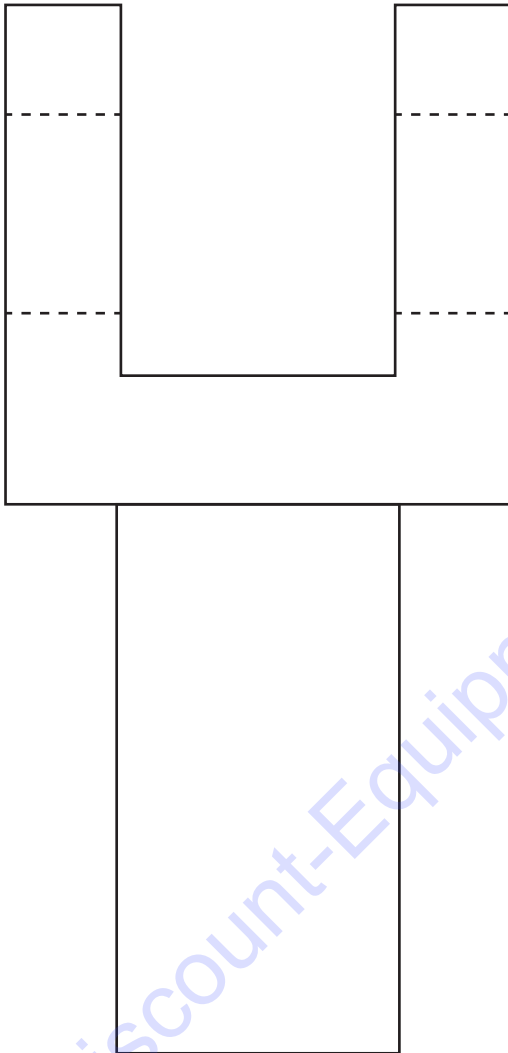
**6.5** *Third Boom Section*

**6.6** *Auxiliary Hydraulics*

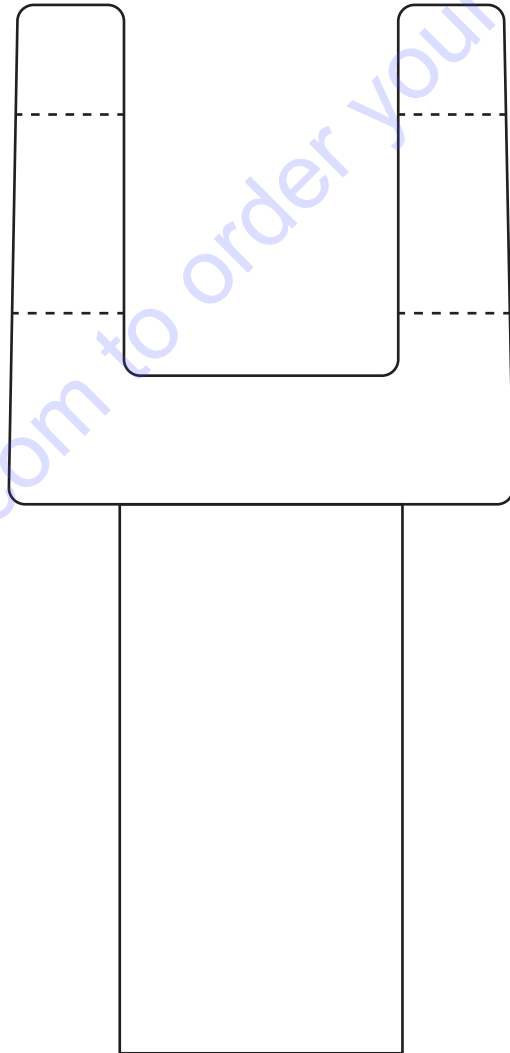
 **NOTE**

If your telehandler has the Style B Clevis an extra crush washer (9-223856) and spacer (9-223853) is needed to secure the cylinder.

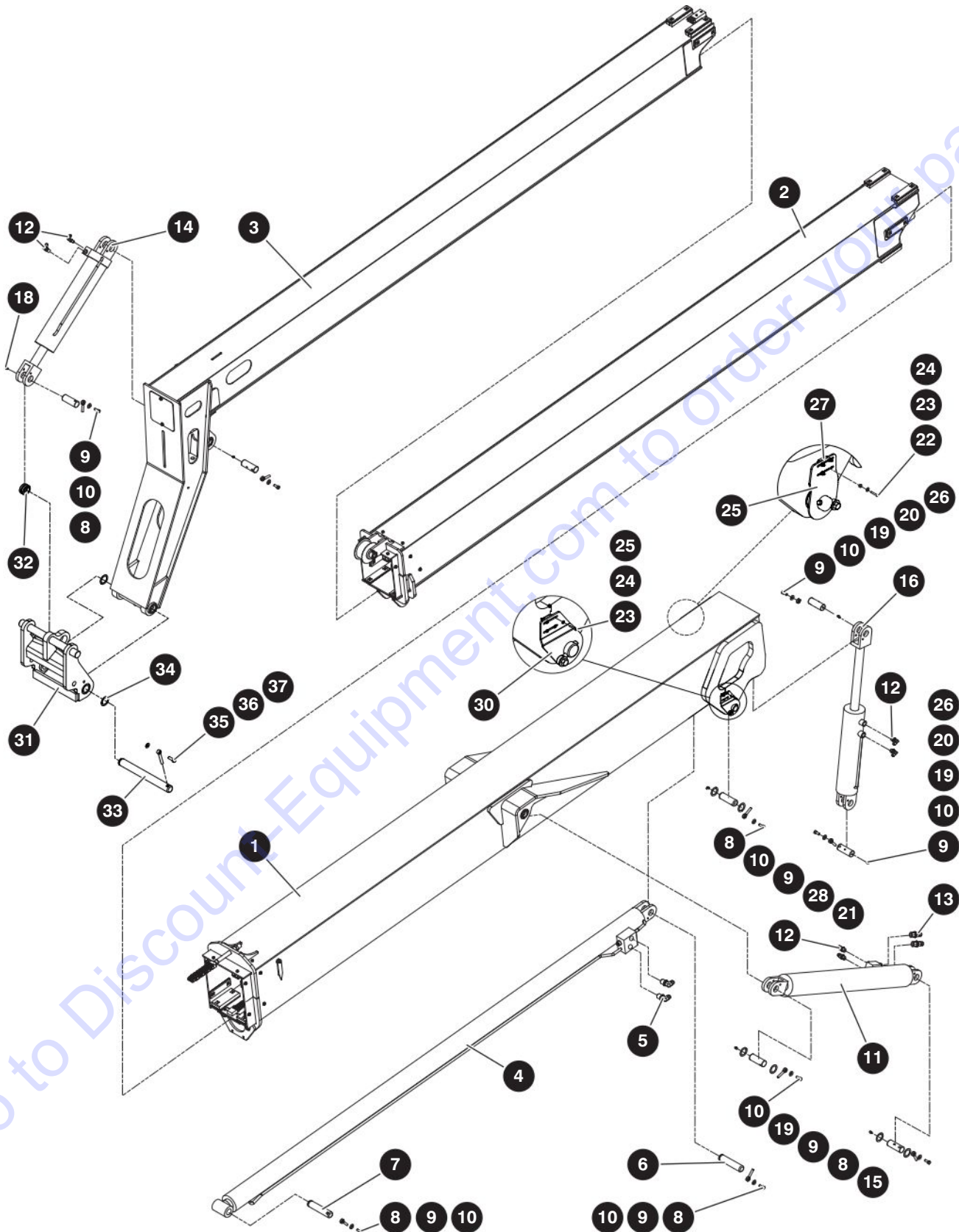
**Style A Clevis**



**Style B Clevis**



# 6.1 Boom Installation



M190032AE

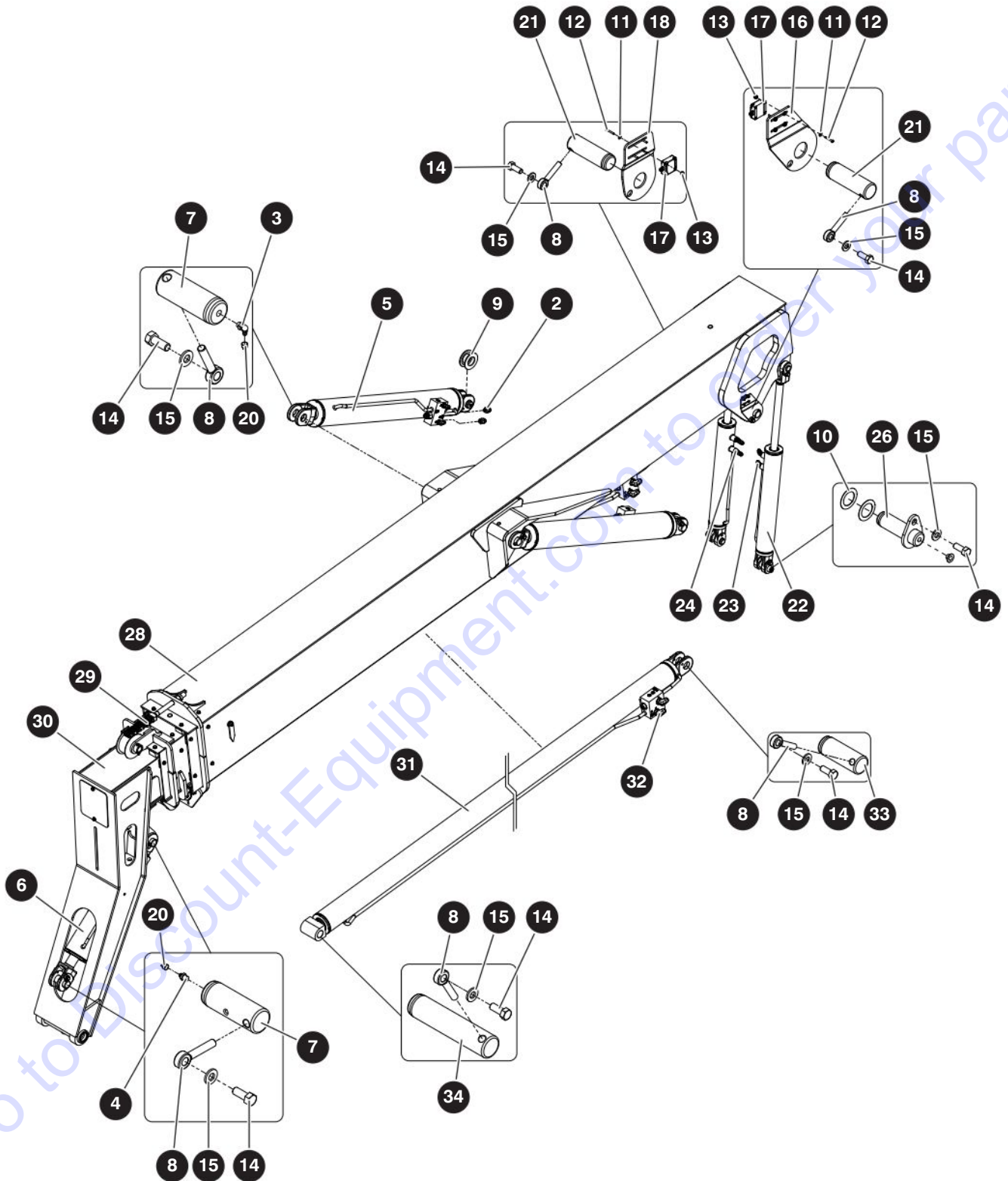
190125AG

SJ643 TH, SJ843 TH

## 6.1 Boom Installation

Index No.	Skyjack Part No.	Qty.	Description
			<b>For serial numbers 87112757 and below</b>
-	9-190032	1	SUBGROUP, BOOM 643/843
-	9-190213	1	• ASSEMBLY, BOOM 643/843
1	(Ref.)	1	• • ASSEMBLY, FIRST BOOM (For components, refer to Section 6.3)
2	(Ref.)	1	• • ASSEMBLY, SECOND BOOM (For components, refer to Section 6.4)
3	(Ref.)	1	• • ASSEMBLY, THIRD BOOM (For components, refer to Section 6.5)
4	9-190045	1	• • • CYLINDER, Extend 115B
5	9-105445	2	• • • FITTING, 90° (12 JICM 12 ORBM)
6	9-190018	1	• • PIN, 1-3/4" DIA x 4-7/8" long
7	9-190029	1	• • PIN, 1-3/4" DIA x 7-7/8" long
8	9-191232	12	• • PIN, Anchor
9	9-104379	12	• • WASHER, Flat 1/2" hard
10	9-169942	12	• • BOLT, Hex head 1/2"-13 x 1-1/4" grade 8 zinc
-	9-190510	2	• ASSEMBLY, Lift cylinder 130B
11	9-190039	2	• • CYLINDER, Lift 130B
12	9-114583	8	• • FITTING, 90° (08 JICM 08 ORBM)
13	9-144279	2	• FITTING, (8 SAE to 12 JIC)
-	9-190511	1	• ASSEMBLY, Fork tilt cylinder
14	9-190043	1	• • CYLINDER, Fork tilt 120B
15	9-196544	4	• SPACER, Lift cylinder
-	9-190513	1	• ASSEMBLY, Tilt comp cylinder
16	9-190040	1	• • CYLINDER, Tilt comp 120B
17	9-700510	4	• FITTING, Grease 90°
18	9-102027	4	• FITTING, Grease straight
19	9-191866	7	• PIN, 1-3/4" DIA x 4-3/4" long
20	9-197449	1	• PLUG 1/2" WIDE FLANGE
21	9-931687	12	• WASHER, Thrust
22	9-103956	8	• SCREW, Round head machine 6-32 x 1"
23	9-196306	8	• NUT, Lock with nylon insert 6-32 grade 5
24	9-191833	24	• WASHER, Flat #6
25	9-190548	1	• PLATE, Sensor mount 70
26	9-191741	1	• PIN, 1-3/4" DIA X 5-3/16" long
27	9-190547	2	• SENSOR, Inductive proxi - mm
28	9-230935	2	• PIN, 1-3/4" DIA X 5-3/8" long no grease
29	9-196208	1	• PLATE, sensor mount 40
30	9-132565	8	• CAP, Grease GC5 (Not Shown)
-	9-190456	1	QA ATTACHMENT SUBGROUP
-	9-235348	1	• KIT, Apron and Bearing
31	9-190016	1	• • WELDMENT, Apron
32	9-920767	1	• • BEARING, Spherical
33	9-190017	1	• PIN, 1.993" DIA x 18-1/2" long
34	9-931602	2	• WASHER, Thrust
35	9-700782	1	• WASHER, Flat 5/8" hard
36	9-148944	1	• BOLT, Hex head patch 5/8"-11 x 1-3/4" grade 8
37	9-146898	1	• PIN, Keeper 5/8"

## 6.2 Boom Installation - Dual Tilt Cylinder



M232850AA

190125AG

**226**

SJ643 TH, SJ843 TH

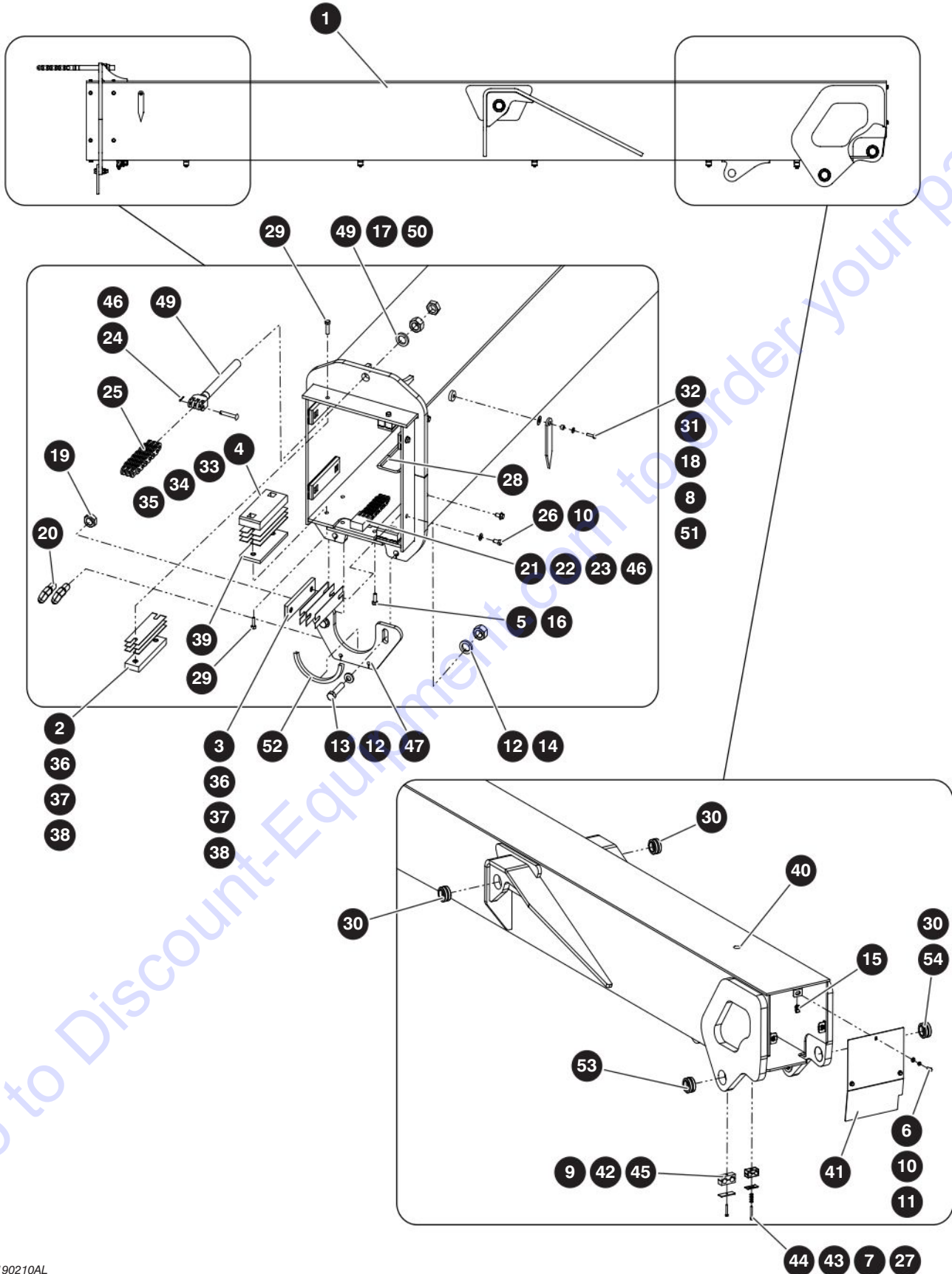
**SKYJACK**



## 6.2 Boom Installation - Dual Tilt Cylinder

Index No.	Skyjack Part No.	Qty.	Description
			<i>For serial numbers 87112758 and above</i>
-	232850	1	BOOM SUBGROUP
1	236328	8	• THRUST WASHER, 1.375ID X 2.062OD X .03THK
2	144279	2	• FTG, 8 SAE TO -12 JIC
3	700510	2	• FTG, GREASE FITTING, 1/8 NPT 90 DEG.
4	102027	4	• FTG GREASE 1/8 NPT STRAIGHT
5	190510	2	• CYLINDER ASSEMBLY, LIFT 130B
6	190511	1	• CYLINDER ASSEMBLY, FORK LIFT
7	191866	6	• PIN, 1.75 DIA X 4.75 LG
8	191232	8	• PIN, ANCHOR
9	196544	4	• SPACER, LIFT CYL 6/8K
10	931687	2	• WASHER THRUST 1.75 IDX2.5 ODX0.062 THK
11	191833	24	• WASHER, FLAT #6
12	103956	8	• SCREW, RND HD MACHINE 6-32 x 1.000
13	196306	8	• NUT, LOCK 6-32 GR5 - NYL
14	169942	12	• BOLT, HXHD .500-13x1.250 GR8 ZN
15	104379	12	• Washer Flat 0.500 Hard
16	196208	1	• PLATE, SENSOR MOUNT 40 - 6/8K
17	190547	2	• SENSOR, INDUCTIVE PROXI 15MM
18	190548	1	• PLATE, SENSOR MOUNT 70 - 6/8K
19	197449	2	• PLUG 1/2" WIDE FLANGE
20	132565	6	• CAP, GREASE GC5
21	230935	2	• PIN, 1.75 DIA X 5.375 LNG NO GREASE
22	235240	2	• CYLINDER, TILT COMP
23	114583	2	• FTG, 90 DEG (08JICM-08ORBM)
24	110554	2	• FTG, RUN TEE (8JICM-8ORBM-8JICM)
25	235241	2	• PIN WLDT, 1.375 DIA X 4.375 LG
26	235248	2	• PIN WLDT, 1.375 DIA X 4.875 LG
-	232851	1	• BOOM ASSEMBLY, 643/843
27	232853	1	• • BOOM WELDMENTS SUBGROUP, 643/843
28	232852	1	• • ASSEMBLY, 1ST BOOM 643/843
29	190211	1	• • ASSEMBLY, 2ND BOOM 643/843
30	190212	1	• • ASSEMBLY, 3RD BOOM 643/843
31	190216	1	• • CYLINDER ASSEMBLY, EXTENSION
32	105445	1	• • • FTG, 90D 12JICM12ORBM
33	190018	1	• • PIN, 1.75 DIA X 4.688 LNG
34	190029	1	• • PIN, 1.75 DIA X 7.750 LNG
8		2	• • PIN, ANCHOR
15		2	• • Washer Flat 0.500 Hard
14		2	• • BOLT, HXHD .500-13x1.250 GR8 ZN

# 6.3 First Boom Section



M190210AL

190125AG

228

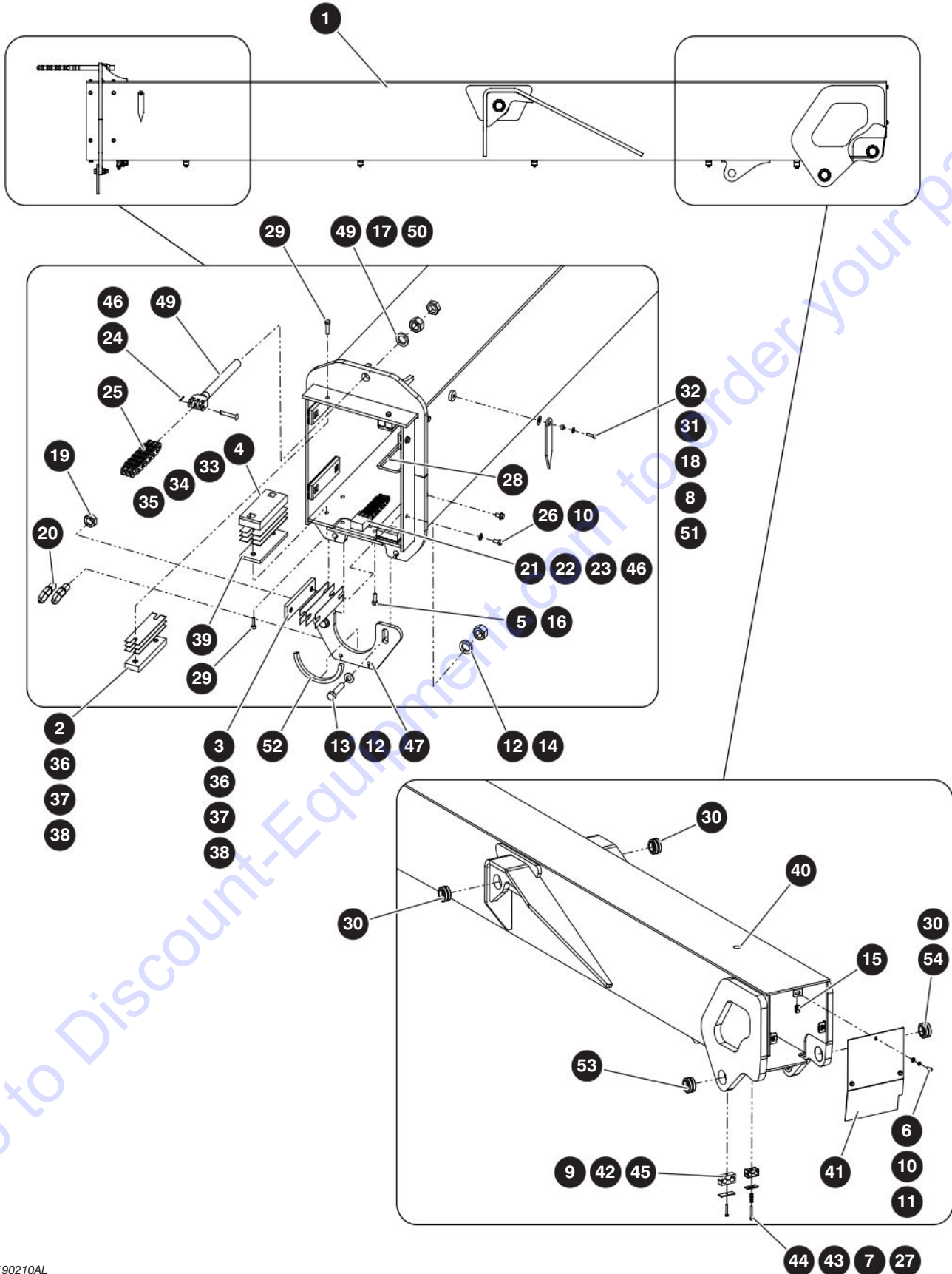
SJ643 TH, SJ843 TH

SKYJACK

## 6.3 First Boom Section

Index No.	Skyjack Part No.	Qty.	Description
1	9-190144	1	WELDMENT, 1ST BOOM 643/843
<b>A</b>	9-190210	1	ASSEMBLY, 1ST BOOM (643/843) <b>For serial numbers 87112757 and below</b>
<b>B</b>	232852	1	ASSEMBLY, 1ST BOOM (643/843) <b>For serial numbers 87112758 and above</b>
2	9-221762	2	• WEAR PAD, Black 31 mm X 50 mm X 190 mm
3	9-191266	4	• WEAR PAD, 12 mm X 50 mm X 190 mm
4	9-191267	2	• WEAR PAD, Black 27 mm X 75 mm X 190 mm
5	9-139005	2	• BOLT, Hex head patch 1/2"-13 X 1" grade 5
6	9-103999	3	• WASHER, Lock 3/8"
7	9-103866	1	• BOLT, Hex head 5/16"-18 X 2-1/4" grade 5
8	9-103857	1	• BOLT, Hex head 1/4"-20 X 1" grade 5
9	9-103885	5	• BOLT, Hex head 5/16"-18 X 1-3/4" grade 5
10	9-125959	19	• WASHER, Flat 3/8" SAE hard
11	9-207298	3	• BOLT, Hex head 3/8"-16 X 1" grade 8
12	9-700782	4	• WASHER, Flat 5/8" Hard
13	9-100844	2	• BOLT, Hex head 5/8"-11 X 2- 3/4" grade 8
14	9-111577	2	• NUT, Lock nylon 5/8"-11 grade 5
15	9-159294	3	• NUT, Speed clip 3/8"-16
16	9-104379	2	• WASHER, Flat 1/2" SAE hard
17	9-932724	1	• WASHER, Flat
18	9-103995	1	• WASHER, 5/16" ID x 3/4" OD x 1/16" zinc
19	9-154242	2	• NUT, Bulkhead - 08 JIC
20	9-154241	2	• FITTING, 90° Bulkhead (08 JICM - 08 JICM)
21	9-191228	1	• PIN, Anchor BL666
22	9-191199	1	• WELDMENT, Retract anchor BL666
23	9-191116	1	• CHAIN, Retract BL666, 843
24	9-930127	1	• PIN, Anchor 3/8
25	9-190220	1	• CHAIN, Extend BL866, 843
26	9-158488	8	• BOLT, Hex head 3/8"-16 X 3/4" grade 8
27	9-103996	4	• WASHER, Flat 5/16" SAE
28	9-119922	15"	• PROTECTIVE TRIM, 1/4 - 1/2"
29	9-117430	8	• BOLT, Hex head 3/8"-16 X 1-1/4" grade 8
30	9-920767	3	• BEARING, Spherical
31	9-190545	1	• SPACER, Plastic 1/2" OD X 5/16" long X 1/4" ID
32	9-190019	1	• PLATE, Angle indicator
33	9-930195	2	• PLATE, SHIM
34	9-920273	2	• PLATE, SHIM
35	9-920274	2	• PLATE, SHIM

## 6.3 First Boom Section



M190210AL

190125AG

**230**

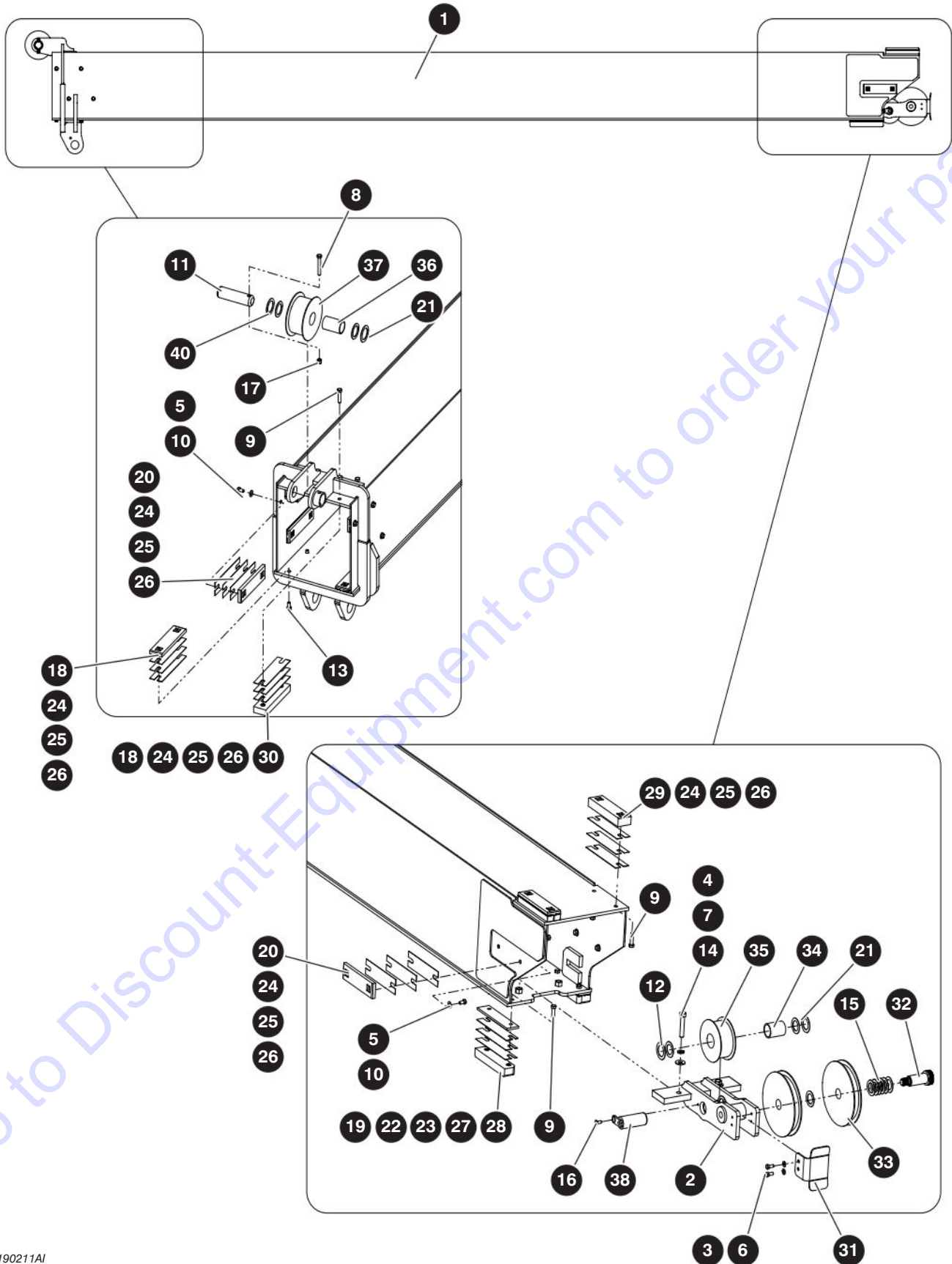
SJ643 TH, SJ843 TH

**SKYJACK**

## 6.3 First Boom Section

Index No.	Skyjack Part No.	Qty.	Description
36	9-926177	6	• PLATE, SHIM
37	9-926942	6	• PLATE, SHIM
38	9-927040	6	• PLATE, SHIM
39	9-190215	2	• PLATE, Spacer 1/4"
40	9-212450	2	• PLUG, Plastic 3/4" x 7/16"
41	9-190143	1	• COVER, Boom
42	9-932673	5	• PLATE, Cover
43	9-190217	1	• PLATE, Cover 4D
44	9-199907	1	• CLAMP, Twin #12
45	9-199762	5	• CLAMP, Twin #08
46	9-933615	2	• PIN, Cotter
47	9-191311	1	• PLATE, Cylinder support
48	9-191312	1	• ANCHOR, Threaded chain BL866
49	9-107947	1	• NUT, Hex head jam 1-14 grade 5
50	9-411959	1	• NUT, Hex 1-14 grade 8 zinc DICH
51	9-191841	1	• SPACER. 17/32" ID X 1" OD X 22 GA
52	9-119922	9"	• PROTECTIVE TRIM, 1/4 - 1/2"
53	9-230943	2	• BEARING, Spherical, maintenance free
54	235239	2	• BEARING, SPHERICAL MAINT-FREE DIA 1.375 - <b>B</b>

## 6.4 Second Boom Section



M190211A1

190125AG

232

SJ643 TH, SJ843 TH

SKYJACK

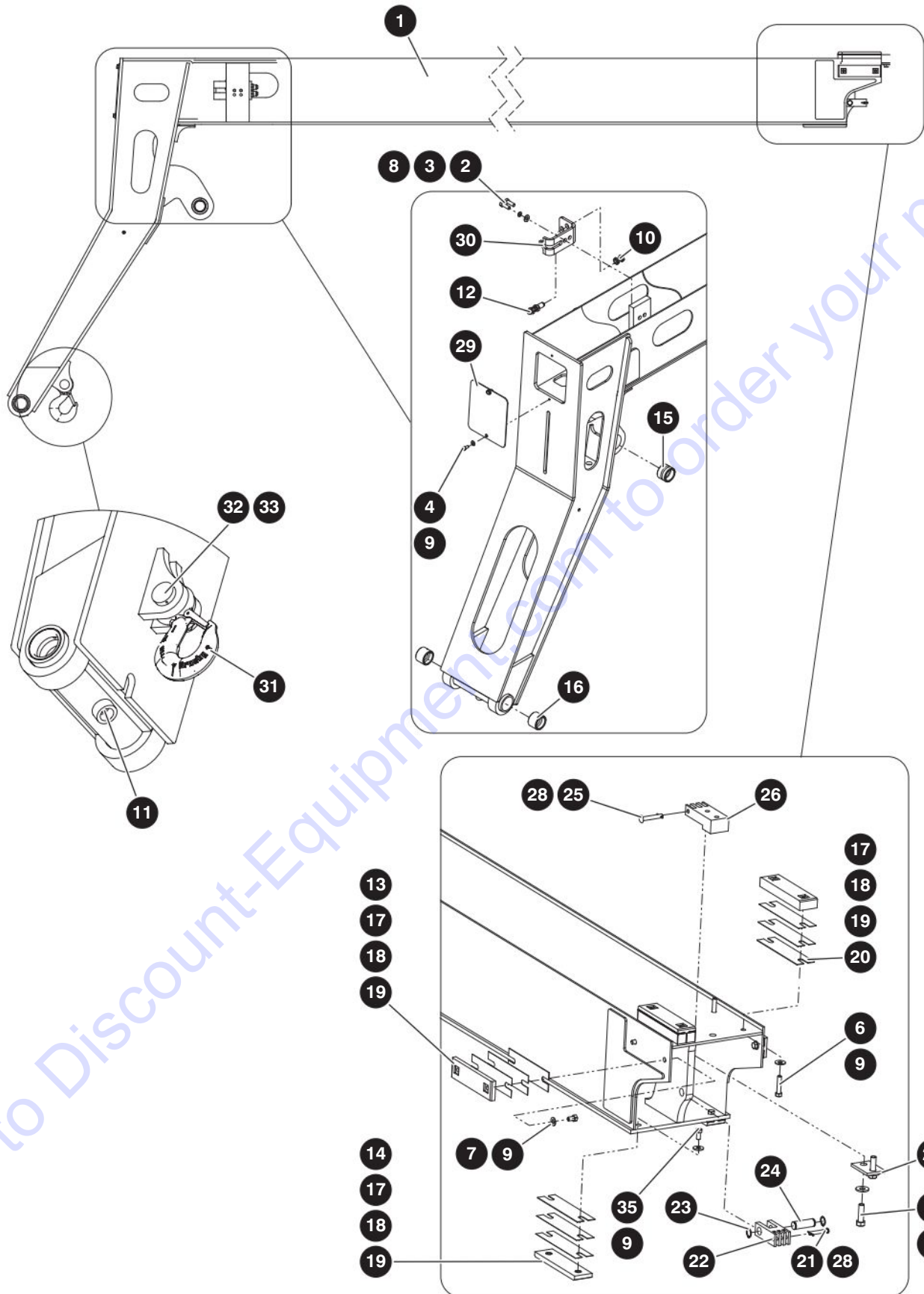


## 6.4 Second Boom Section

Index No.	Skyjack Part No.	Qty.	Description
1	9-190145	1	WELDMENT, Second Boom, 643/843
-	9-190211	1	ASSEMBLY, Second Boom 643/843
2	9-191099	1	• WELDMENT, Finger
3	9-103996	2	• WASHER, Flat 5/16" SAE
4	9-104379	2	• WASHER, Flat 1/2" SAE Hard
5	9-125959	32	• WASHER, Flat 3/8" Hard
6	9-103887	2	• BOLT, Hex head 5/16"-18 X 3/4" Grade 5
7	9-123855	2	• BOLT, Hex head 1/2"-13 X 2-3/4" Grade 8
8	9-103874	1	• BOLT, Hex head 3/8"-16 X 2-3/4" Grade 5
9	9-117430	12	• BOLT, Hex head 3/8"-16 X 1-1/4" Grade 8
10	9-217907	12	• BOLT, Hex head 3/8"-16 X 5/8" Grade 8
11	9-190031	1	• PIN, 1-1/2" DIA X 5-3/8"
12	9-412664	4	• THRUST, Washer
13	9-125741	4	• BOLT, Hex head 3/8"-16 X 7/8" Grade 8
14	9-126286	2	• WASHER, Lock 1/2" Grade 8 ADE
15	9-412663	8	• THRUST, Washer
16	9-704642	1	• SCREW, Flat head cap 5/16"-18 x 3/4" Grade 5 ADE
17	9-104606	1	• NUT, Lock with nylon insert, 3/8"-16 Grade 5
18	9-191268	2	• WEAR PAD, 12 mm X 50 mm X 190 mm Black
19	9-191269	2	• WEAR PAD, 27 mm X 45 mm X 190 mm
20	9-191266	6	• WEAR PAD, 12 mm X 50 mm X 190 mm
21	9-191081	4	• THRUST WASHER, 1-1/2" ID X 2-3/16" OD X 1/16" thick
22	9-920271	2	• SHIM, Narrow offset
23	9-926488	2	• PLATE, SHIM
24	9-927040	12	• PLATE, SHIM
25	9-926177	12	• PLATE, SHIM
26	9-926942	12	• PLATE, SHIM
27	9-920272	2	• PLATE, SHIM
28	9-190218	2	• PLATE, Spacer narrow 1/4"
29	9-221762	2	• WEAR PAD ASSY, BLACK 31 X 50 X 190
30	9-221763	2	• WEAR PAD, Black 37.5 x 50 x 190
31	9-191127	1	• BRACKET, Sheave guard
32	9-191097	1	• BOLT, Shoulder 1-1/4" DIA x 2-1/2"
33	9-191115	2	• SHEAVE, Hose
34	9-198872	1	• BEARING, 1-1/2" ID X 1-3/4" OD X 2-1/4" Long
35	9-191313	1	• SHEAVE, Chain BL666
36	9-198871	1	• BEARING, 1-1/2" ID X 1-3/4" OD X 2-3/4" long
37	9-190030	1	• SHEAVE, Chain BL866
38	9-191131	1	• PIN, Weldment 1-1/2" DIA x 3-5/8"



# 6.5 Third Boom Section



M190212AC

190125AG

**234**

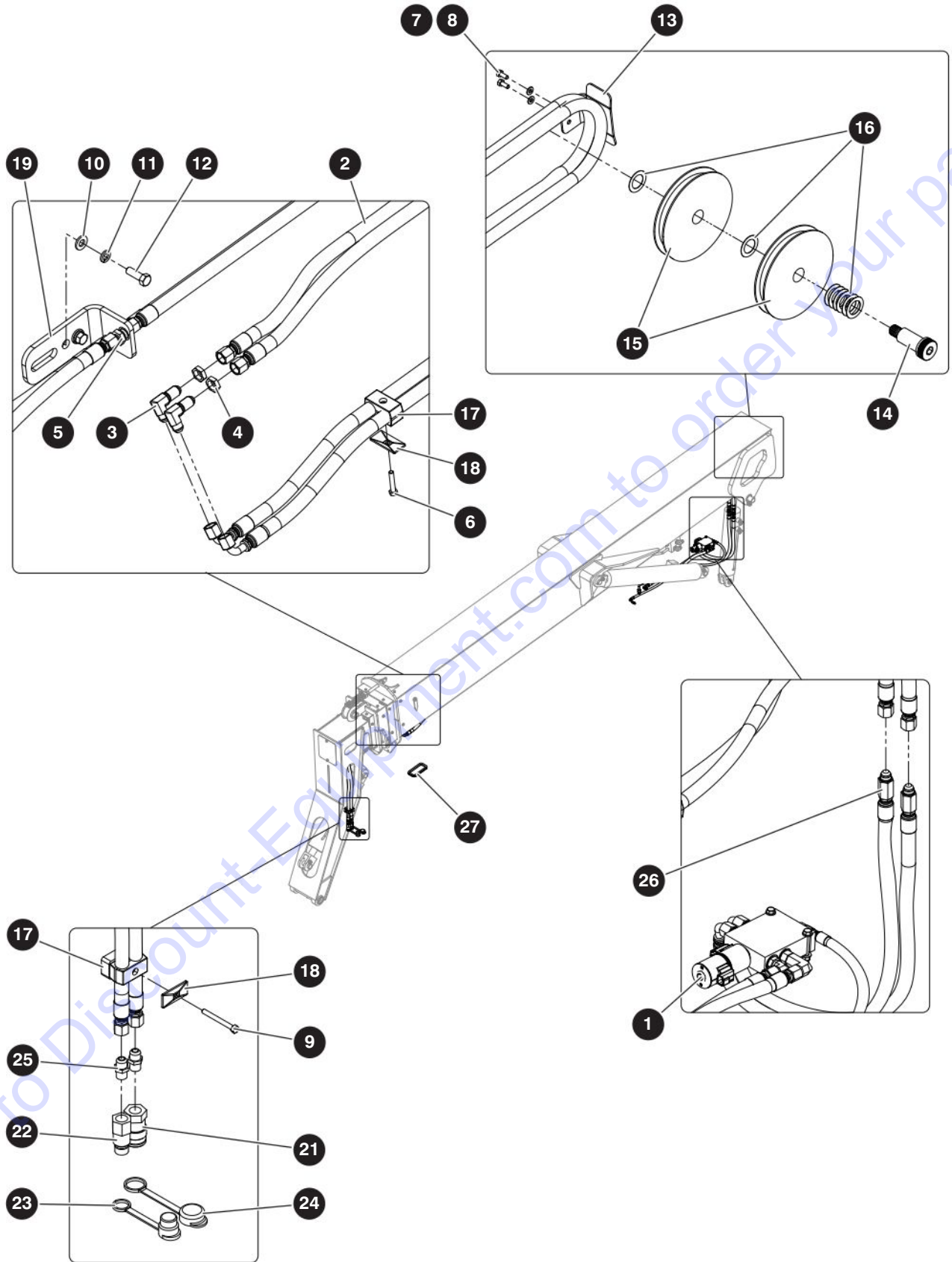
SJ643 TH, SJ843 TH

**SKYJACK**

## 6.5 Third Boom Section

Index No.	Skyjack Part No.	Qty.	Description
1	9-190187	1	WELDMENT, Third boom 643/843
-	9-190212	1	ASSEMBLY, Third Boom 643/843
2	9-103470	2	• WASHER, Lock 1/2" grade 5
3	9-103907	2	• BOLT, Hex head 1/2"-13 X 1-1/2" grade 5
4	9-158488	2	• BOLT, Hex head 3/8"-16 X 3/4" grade 5
5	9-126361	2	• BOLT, Hex head 1/2"-13 X 1-3/4" grade 8
6	9-117430	4	• BOLT, Hex head 3/8"-16 X 1-1/4" grade 8
7	9-217907	4	• BOLT, Hex head 3/8"-16 X 5/8" grade 8
8	9-104379	4	• WASHER, Flat 1/2" SAE HARD
9	9-125959	18	• WASHER, 3/8" Hard
10	9-154242	2	• NUT, Bulkhead 08 JIC
11	9-102027	1	• FITTING, Grease 1/8 NPT straight
12	9-190302	2	• FITTING, Bulkhead straight (08 JICM - 08 JICM)
13	9-191266	2	• WEAR PAD, 12 mm X 50 mm X 190 mm
14	9-191268	2	• WEAR PAD, Black 12 mm X 50 mm X 190 mm
15	9-920767	1	• BEARING, Spherical
16	9-931521	2	• BEARING, Inner
17	9-927040	6	• PLATE, Shim
18	9-926942	6	• PLATE, Shim
19	9-926177	6	• PLATE, Shim
20	9-221763	2	• WEAR PAD, Black 37.5 x 50 x 190
21	9-191228	1	• PIN, Anchor BL 666
22	9-191117	1	• ANCHOR, Chain BL 666
23	9-933268	2	• RING, Retainer
24	9-190227	1	• PIN, 3/4" DIA X 2-1/4" long
25	9-930127	1	• PIN, Anchor 3/8"
26	9-190205	1	• ANCHOR, Chain stepped 866
27	9-190204	1	• PLATE, Anchor mount
28	9-933615	2	• PIN, Cotter
29	9-190206	1	• COVER, Fly boom
30	9-191128	1	• BRACKET, Bulkhead
31	9-171205	1	• HOOK, Rigging (7.5 Tonnes)
-	9-207914	1	• KIT, Latch, rigging hook
32	9-923134	1	• PIN, Quick attach
33	9-923135	1	• PIN, Lynch 7/16" DIA x 1-3/4" long
34	9-132565	1	• CAP, Grease GC5 (Not Shown)
35	9-125741	4	• BOLT, Hex head 3/8"-16 X 7/8" Grade 8

## 6.6 Auxiliary Hydraulics



M190099AG

190125AG

236

SJ643 TH, SJ843 TH

SKYJACK

## 6.6 Auxiliary Hydraulics

Index No.	Skyjack Part No.	Qty.	Description
-	9-191604	1	ASSEMBLY, AUXILIARY CONTROL SUBGROUP
1	(Ref).	1	<ul style="list-style-type: none"> <li>ASSEMBLY, Auxiliary manifold subgroup (For components, refer to Section 8.18)</li> </ul>
2	(Ref).	1	<ul style="list-style-type: none"> <li>ASSEMBLY, Auxiliary hydraulics hoses 643/843 (For components, refer to Section 8.17)</li> </ul>
3	9-154241	2	<ul style="list-style-type: none"> <li>FITTING, Bulkhead 90° (08 JICM - 08 JICM)</li> </ul>
4	9-154242	2	<ul style="list-style-type: none"> <li>NUT, Bulkhead - 08JIC</li> </ul>
5	9-702598	2	<ul style="list-style-type: none"> <li>FITTING, 8JIC with lock nut</li> </ul>
6	9-103885	5	<ul style="list-style-type: none"> <li>BOLT, Hex head 5/16"-18 x 1-3/4" grade 5</li> </ul>
7	9-103996	2	<ul style="list-style-type: none"> <li>WASHER, Flat 5/16" SAE</li> </ul>
8	9-103887	2	<ul style="list-style-type: none"> <li>BOLT, Hex head 5/16"-18 X 3/4" grade 5</li> </ul>
9	9-103868	1	<ul style="list-style-type: none"> <li>BOLT, Hex head 5/16"-18 X 3-1/2" grade 5</li> </ul>
10	9-104379	2	<ul style="list-style-type: none"> <li>WASHER, Flat 1/2" SAE hard</li> </ul>
11	9-103470	2	<ul style="list-style-type: none"> <li>WASHER, Lock 1/2" grade 5</li> </ul>
12	9-103907	2	<ul style="list-style-type: none"> <li>BOLT, Hex head 1/2"-13 X 1-1/2" grade 5</li> </ul>
13	9-191127	1	<ul style="list-style-type: none"> <li>BRACKET, Sheave guard</li> </ul>
14	9-191097	1	<ul style="list-style-type: none"> <li>BOLT, Shoulder 1-1/4" DIA x 2-1/2" long</li> </ul>
15	9-191115	2	<ul style="list-style-type: none"> <li>SHEAVE, Hose</li> </ul>
16	9-412663	8	<ul style="list-style-type: none"> <li>WASHER, Thrust</li> </ul>
17	9-199762	6	<ul style="list-style-type: none"> <li>CLAMP, Twin #08</li> </ul>
18	9-932673	6	<ul style="list-style-type: none"> <li>PLATE, Cover 3D</li> </ul>
19	9-191128	1	<ul style="list-style-type: none"> <li>BRACKET, Bulkhead</li> </ul>
20	9-191605	1	<ul style="list-style-type: none"> <li>PLATE, Hose stand off</li> </ul>
21	9-206134	1	<ul style="list-style-type: none"> <li>COUPLING, Quick disconnect (flat-faced)</li> </ul>
22	9-206135	1	<ul style="list-style-type: none"> <li>COUPLING, Nipple - quick disconnect</li> </ul>
23	9-926080	1	<ul style="list-style-type: none"> <li>CAP, Dust - quick connect NI</li> </ul>
24	9-926079	1	<ul style="list-style-type: none"> <li>CAP, Dust - quick connect CO</li> </ul>
25	9-102659	2	<ul style="list-style-type: none"> <li>EXTENTION, Pipe 37° flare</li> </ul>
26	9-197686	2	<ul style="list-style-type: none"> <li>FITTING, Bulk head straight (08 JICM - 08 ORBM)</li> </ul>
27	9-119922	15"	<ul style="list-style-type: none"> <li>PROTECTIVE TRIM, 1/4"-1/2"</li> </ul>

---

## Section 7 – Cylinders

**7.1** *Extend Cylinder Components*

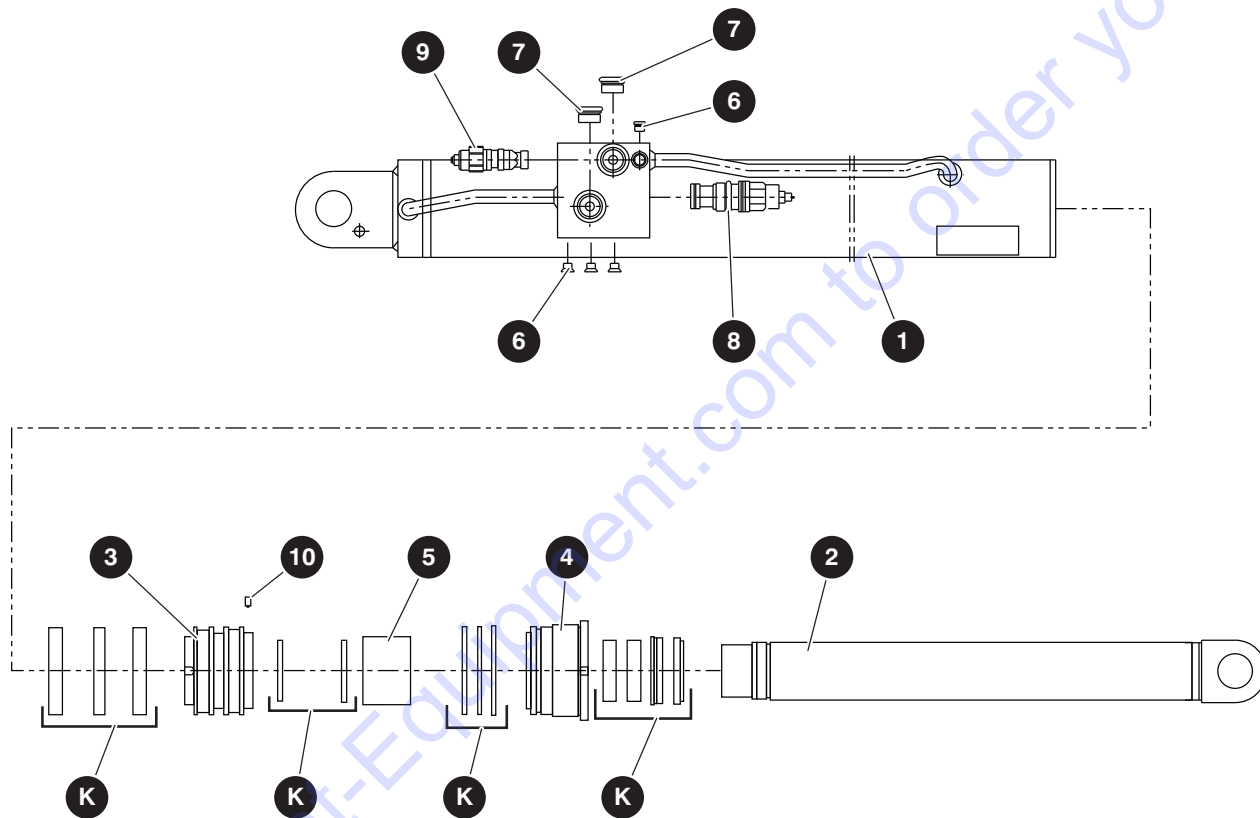
**7.2** *Lift Cylinder Components*

**7.3** *Fork Tilt Cylinder Components*

**7.4** *Tilt Compensation Cylinder Components*

**7.5** *Chassis Harness*

## 7.1 Extend Cylinder Components



M190045AF

190125AG

**240**

SJ643 TH, SJ843 TH

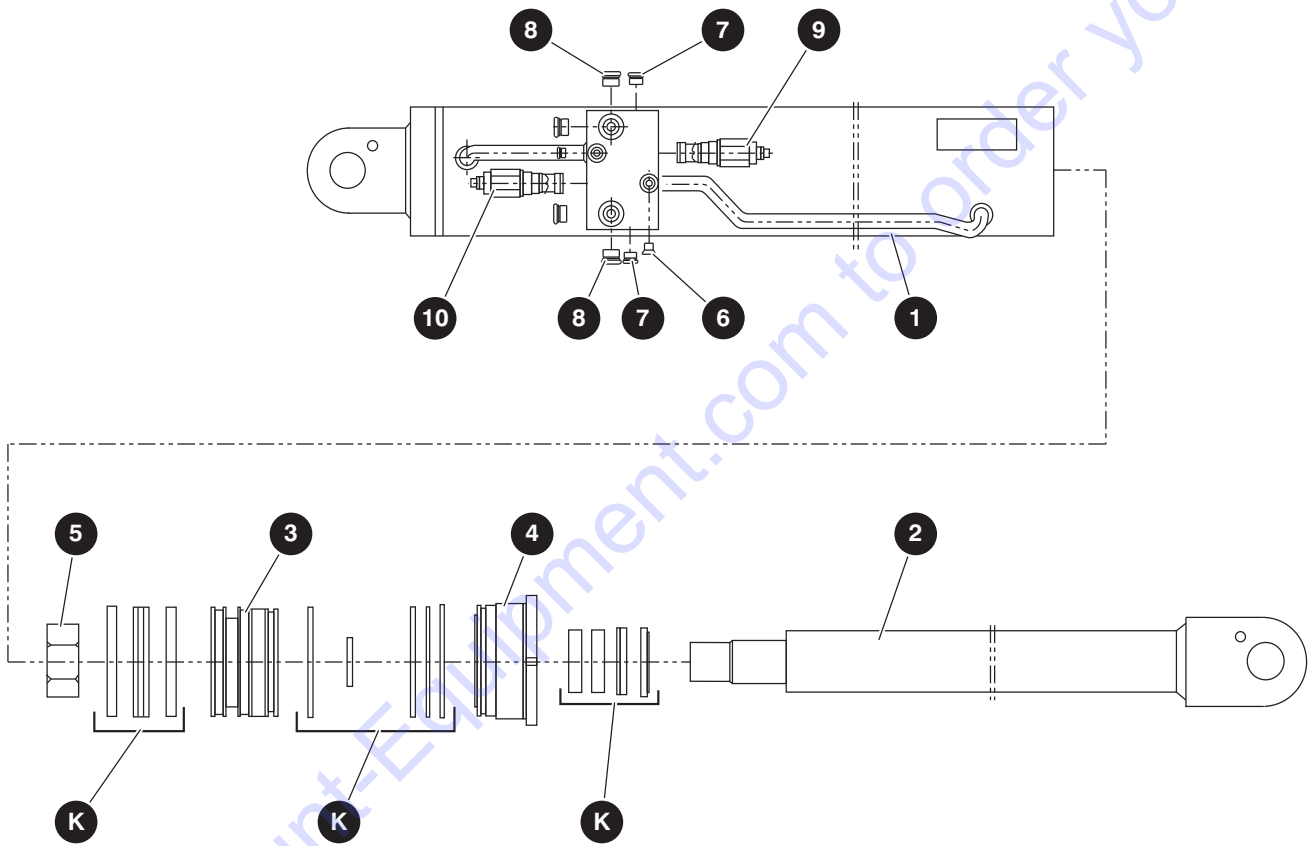
**SKYJACK**

## 7.1 Extend Cylinder Components

Index No.	Skyjack Part No.	Qty.	Description
-	9-190045	1	ASSEMBLY, EXTEND CYLINDER 115B
1	9-197030	1	• ASSEMBLY, Tube
2	9-197031	1	• ASSEMBLY, Rod
3	9-197032	1	• PISTON
4	9-197033	1	• GLAND
5	9-197034	1	• SPACER
6	9-197035	4	• PLUG
7	9-197036	2	• PLUG
8	9-191813	1	• VALVE, Counterbalance - 4000 PSI
9	9-191814	1	• VALVE, Counterbalance - 4000 PSI
10	9-197039	1	• SET SCREW
K	9-197103	1	• SEAL KIT, Extend Cylinder



## 7.2 Lift Cylinder Components



M190039AE

190125AG

**242**

SJ643 TH, SJ843 TH

**SKYJACK**

## 7.2 Lift Cylinder Components

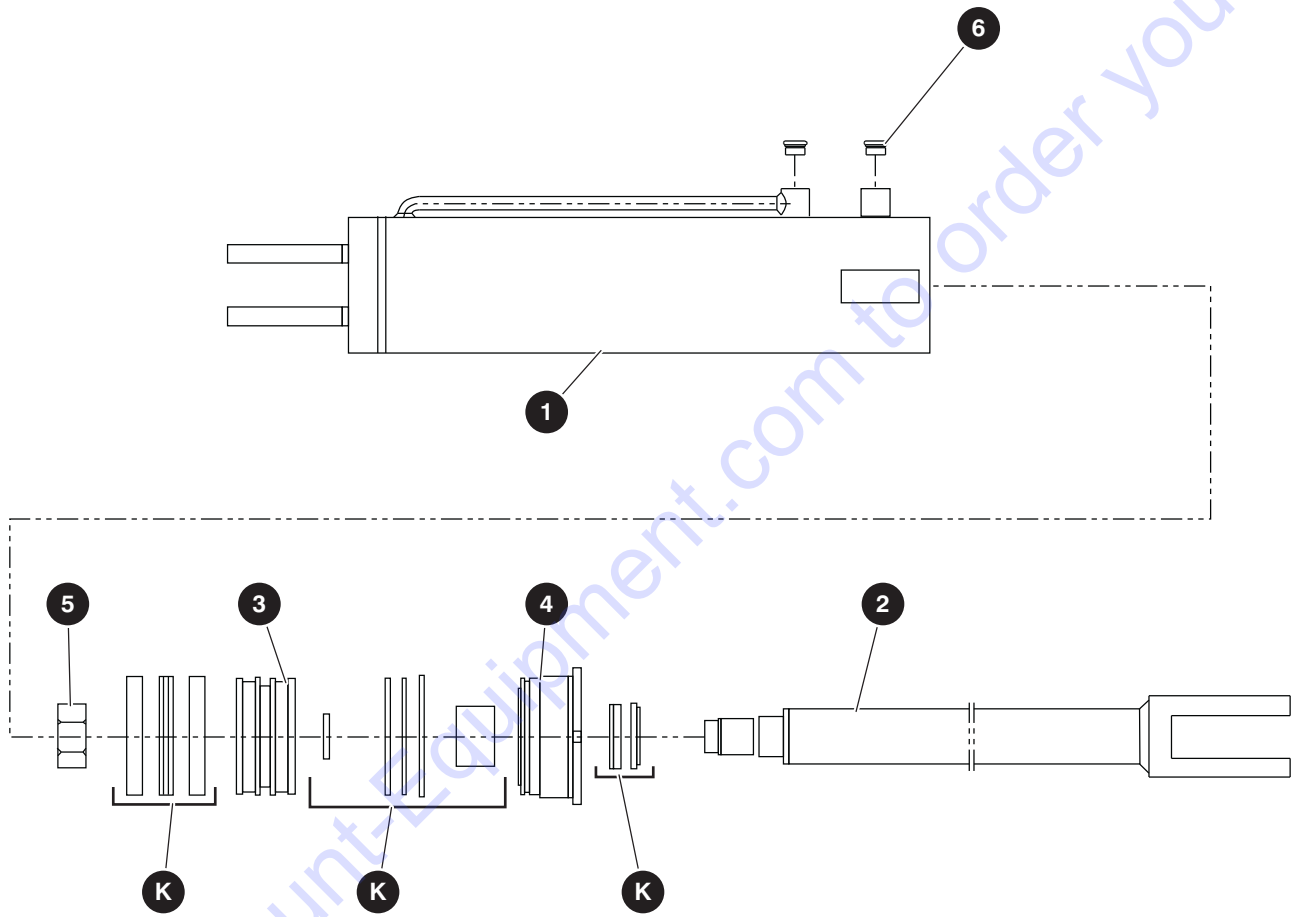
Index No.	Skyjack Part No.	Qty.	Description
-	9-190039	1	ASSEMBLY, LIFT CYLINDER 130B
1	9-197049	1	• ASSEMBLY, Tube
2	9-197050	1	• ASSEMBLY, Rod
3	9-197051	1	• PISTON
4	9-197052	1	• GLAND
5	9-197053	1	• NUT, Lock
6	9-197035	2	• PLUG
7	9-197054	2	• PLUG
8	9-197055	4	• PLUG
9	9-191811	1	• VALVE, Counterbalance - 4060 PSI
10	9-191812	1	• VALVE, Counterbalance - 1800 PSI
K	9-197097	1	• SEAL KIT, Lift Cylinder



## 7.3 Fork Tilt Cylinder Components

Index No.	Skyjack Part No.	Qty.	Description
-	9-190043	1	ASSEMBLY, FORK TILT CYLINDER 120B
1	9-197079	1	• ASSEMBLY, Tube
2	9-197080	1	• ASSEMBLY, Rod
3	9-197081	1	• PISTON
4	9-197082	1	• GLAND
5	9-197072	1	• NUT, Lock
6	9-197055	2	• PLUG
7	9-197035	2	• PLUG
8	9-191815	1	• VALVE, Counterbalance - 6000 PSI
K	9-197101	1	• SEAL KIT, Fork Tilt Cylinder

## 7.4 Tilt Compensation Cylinder Components



M190040AC

190125AG

**246**

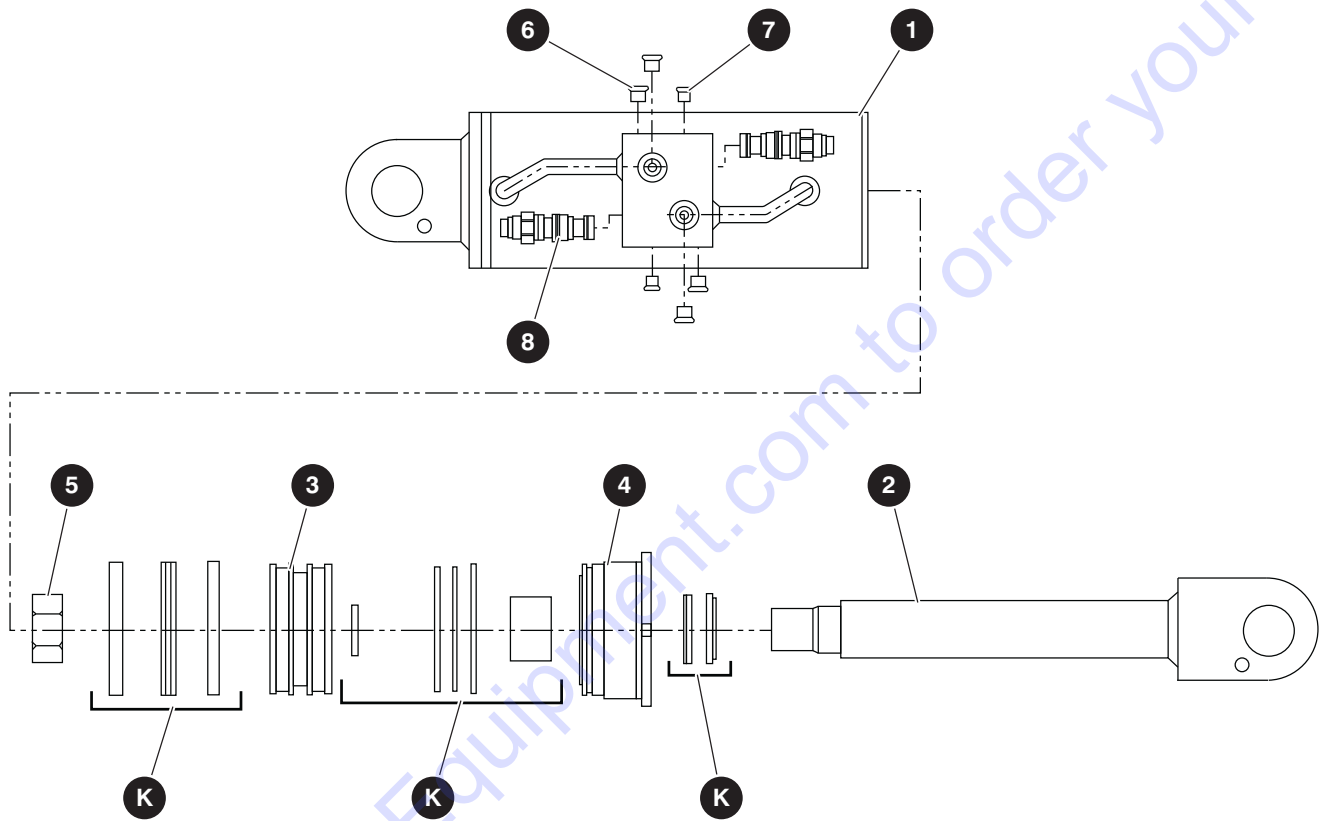
SJ643 TH, SJ843 TH

**SKYJACK**

## 7.4 Tilt Compensation Cylinder Components

Index No.	Skyjack Part No.	Qty.	Description
-	9-190040	1	ASSEMBLY, TILT COMP CYLINDER
1	9-197091	1	• ASSEMBLY, Tube
2	9-197092	1	• ASSEMBLY, Rod
3	9-197081	1	• PISTON
4	9-197082	1	• GLAND
5	9-197072	1	• NUT, Lock
6	9-197055	2	• PLUG
K	9-197098	1	• SEAL KIT, Tilt Comp Cylinder

## 7.5 Frame Level Cylinder Components



M191831AB

190125AG

**248**

SJ643 TH, SJ843 TH

**SKYJACK**



## 7.5 Frame Level Cylinder Components

Index No.	Skyjack Part No.	Qty.	Description
-	9-191831	1	ASSEMBLY, FRAME LEVEL CYLINDER
1	9-197068	1	• ASSEMBLY, Tube
2	9-197069	1	• ASSEMBLY, Rod
3	9-197070	1	• PISTON
4	9-197071	1	• GLAND
5	9-197072	1	• NUT, Lock
6	9-197054	4	• PLUG
7	9-197035	2	• PLUG
8	9-191816	2	• VALVE, Counterbalance - 3700 PSI
K	9-197099	1	• SEAL KIT, Tilt Comp Cylinder

---

# Section 8 – Hydraulics

**8.2** *Main Manifold Installation*

**8.3** *Main Manifold Assembly*

**8.4** *Manifold Components*

**8.5** *Hydraulic Return Filter*

**8.6** *CVT Hydraulic Return Filter*

**8.8** *Boom & Telescopic Hydraulic Hoses*

**8.9** *Carriage Hydraulic Hoses*

**8.11** *Frame Level Hydraulic Hoses*

**8.13** *Brakes & Steering Hydraulic Hoses*

**8.13** *Chassis Harness*

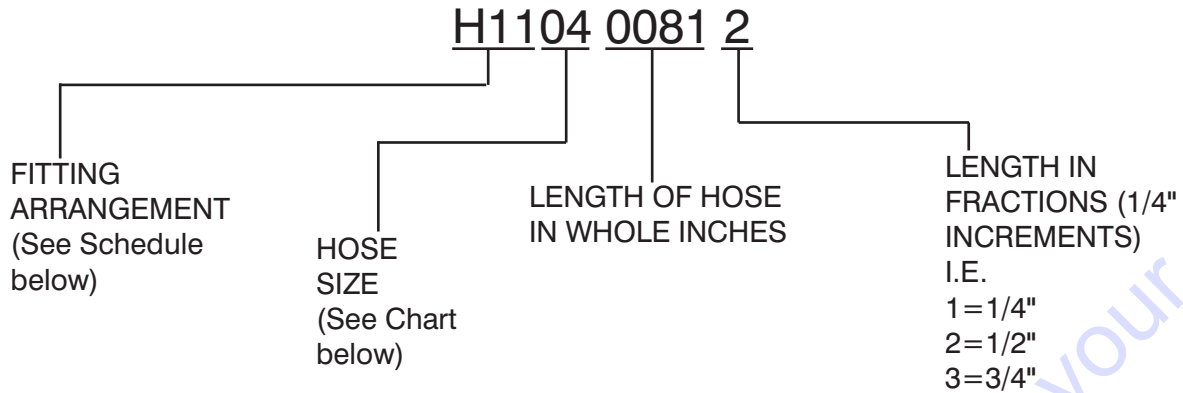
**8.15** *CVT Hydraulic Pump Hoses*

**8.16** *Cab Hydraulic Hoses*

**8.17** *Auxiliary Hydraulic Hoses*

**8.18** *Auxiliary Manifold*

## 8.1 Standard Hose Numbering System



Using the number above as an example, H1104 0081 2, this hose requires a 37° JIC female swivel fitting on one end, and a medium length 90° JIC female swivel fitting for the other end. The hose must meet or exceed the S.A.E. 100R13 hose specification, and be a total of 81-1/2" long.



### NOTE

*Hose ends and hose must be from same manufacturer per S.A.E. J1273 Nov. '91, Sections 3.10 and 4.2. Hose ends and hose must be of the same size i.e. #4 size fittings must be used with #4 size hose.*

**Hose Size Chart**

Size	03	04	06	08	10	12	16	20	24	32	40	48	56	64
ID	3/16"	1/4"	3/8"	1/2"	5/8"	3/4"	1"	1-1/4"	1-1/2"	2"	2-1/2"	3"	3-1/2"	4"

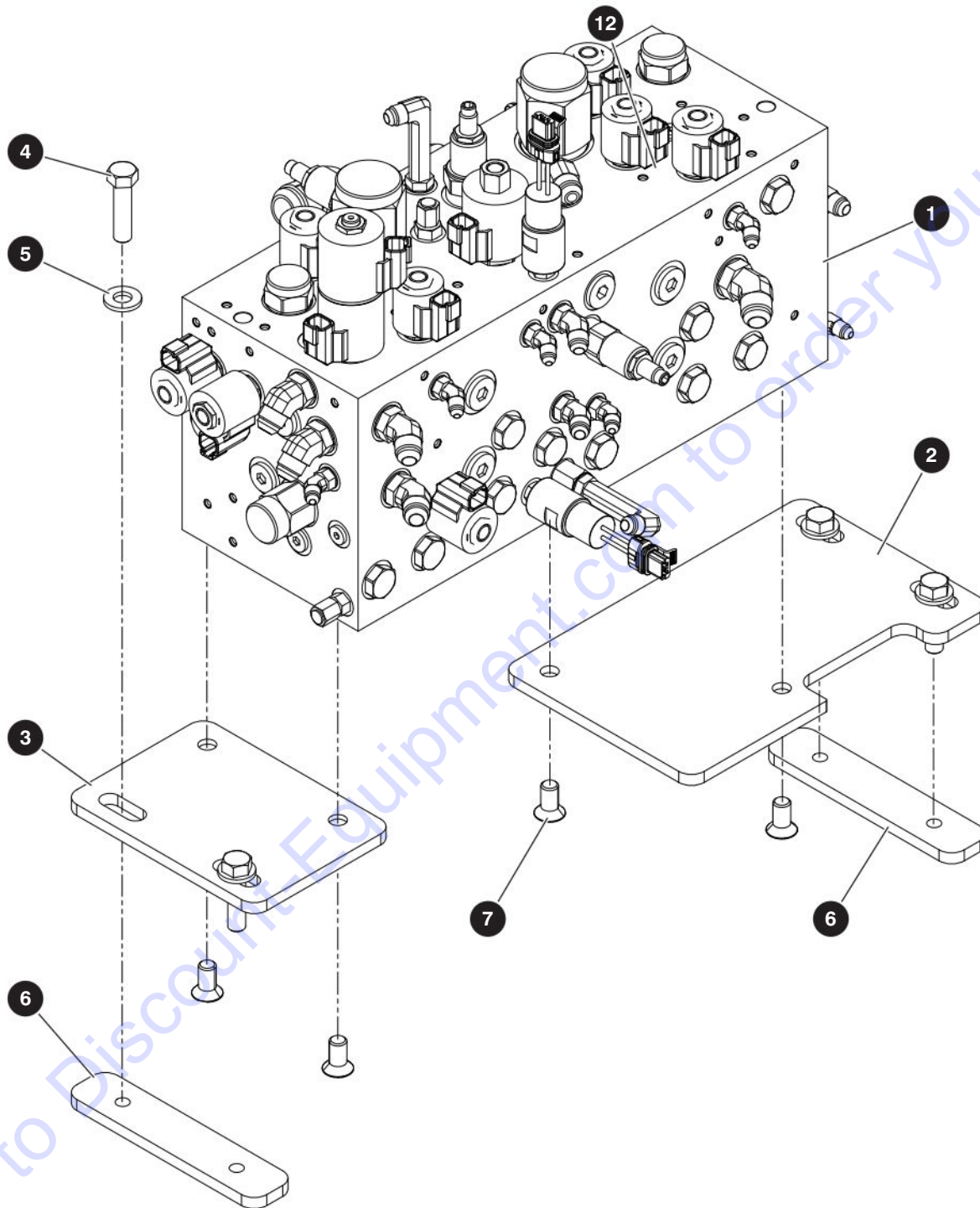
**Fitting Arrangement Schedule**

Hose Prefix	Hose End Fitting	Hose End Fitting	S.A.E. Hose Specification
H01	FEMALE, 37° JIC, SWIVEL	FEMALE, 37° JIC, SWIVEL	100R17
H02	FEMALE, 37° JIC, SWIVEL	FEMALE, 37° JIC, SWIVEL	100R13
H03	FEMALE, 37° JIC, SWIVEL	45°, FEMALE, 37° JIC, SWIVEL	100R17
H04	FEMALE, 37° JIC, SWIVEL	45°, FEMALE, 37° JIC, SWIVEL	100R13
H05	FEMALE, 37° JIC, SWIVEL	LONG 90°, FEMALE, 37° JIC, SWIVEL	100R17
H06	FEMALE, 37° JIC, SWIVEL	SHORT 90°, FEMALE, 37° JIC, SWIVEL	100R17
H07	LONG 90°, FEMALE, 37° JIC, SWIVEL	LONG 90°, FEMALE, 37° JIC, SWIVEL	100R17
H08	FEMALE, 37° JIC, SWIVEL	FEMALE, 37° JIC, SWIVEL	100R4
H09	FEMALE, 37° JIC, SWIVEL	45°, FEMALE, 37° JIC, SWIVEL	100R4
H10	FEMALE, 37° JIC, SWIVEL	MALE PIPE THREAD FITTING	100R17
H11	FEMALE, 37° JIC, SWIVEL	MEDIUM 90°, FEMALE, 37° JIC, SWIVEL	100R13
H12	SHORT 90°, FEMALE, 37° JIC, SWIVEL	SHORT 90°, FEMALE, 37° JIC, SWIVEL	100R17
H13	FEMALE, 37° JIC, SWIVEL	REUSABLE MALE PIPE THREAD FITTING	300 PSI
H14	REUSABLE MALE PIPE THREAD FITTING	NO FITTING	300 PSI
H15	REUSABLE FEMALE, 37° JIC, SWIVEL	REUSABLE FEMALE, 37° JIC, SWIVEL	300 PSI
H16	NO FITTING	NO FITTING	100R4
H17	NO FITTING	NO FITTING	300 PSI
H18	REUSABLE, FEMALE, 37° JIC, SWIVEL	NO FITTING	300 PSI

## 8.1 Standard Hose Numbering System

Hose Prefix	Hose End Fitting	Hose End Fitting	S.A.E. Hose Specification
H19	LONG 90°, FEMALE, 37° JIC, SWIVEL	FEMALE, 37° JIC, SWIVEL	100R13
H20	FEMALE, SHORT 37° JIC, SWIVEL	SHORT 90°, FEMALE, 37° JIC, SWIVEL	100R4
H21	FEMALE, SHORT 37° JIC, SWIVEL	SHORT 90°, FEMALE, 37° JIC, SWIVEL	100R2AT
H22	FEMALE, 37° JIC, SWIVEL	FEMALE, 37° JIC, SWIVEL	100R2AT
H23	FEMALE, LONG 37° JIC, SWIVEL	LONG 90°, FEMALE, 37° JIC, SWIVEL	100R2AT
H24	FEMALE, SHORT 37° JIC, SWIVEL	SHORT 90°, FEMALE, 37° JIC, SWIVEL	100R13
H25	FEMALE, 37° JIC, SWIVEL	FEMALE, 37° JIC, SWIVEL	100R4
H30	MEDIUM 90°, FEMALE, 37° JIC, SWIVEL	FEMALE, 37° JIC, SWIVEL	100R17
H31	FEMALE, 37° JIC, SWIVEL	FEMALE, 37° JIC, SWIVEL	100R17
H32	SHORT 45°, FEMALE, 37° JIC, SWIVEL	FEMALE, 37° JIC, SWIVEL	100R17
H33	MEDIUM 45°, FEMALE, 37° JIC, SWIVEL	FEMALE, 37° JIC, SWIVEL	100R17
H34	SHORT 90°, FEMALE, 37° JIC, SWIVEL	FEMALE, 37° JIC, SWIVEL	100R17
H35	MEDIUM 90°, FEMALE, 37° JIC, SWIVEL	FEMALE, 37° JIC, SWIVEL	100R17
H36	LONG 90°, FEMALE, 37° JIC, SWIVEL	FEMALE, 37° JIC, SWIVEL	100R17
H37	SHORT 45°, FEMALE, 37° JIC, SWIVEL	FEMALE, 37° JIC, SWIVEL	100R4
H38	SHORT 90°, FEMALE, 37° JIC, SWIVEL	FEMALE, 37° JIC, SWIVEL	100R4
H39	LONG 90°, FEMALE, 37° JIC, SWIVEL	FEMALE, 37° JIC, SWIVEL	100R4
H40	SHORT 90°, FEMALE, 37° JIC, SWIVEL	FEMALE, 37° JIC, SWIVEL	100R16
H43	FEMALE, 37° JIC, SWIVEL	FEMALE, 37° JIC, SWIVEL	100R16
H51	FEMALE, 37° JIC, SWIVEL	FEMALE, 37° JIC, SWIVEL	100R17
H52	SHORT 45°, FEMALE, 37° JIC, SWIVEL	FEMALE, 37° JIC, SWIVEL	100R17
H53	MEDIUM 45°, FEMALE, 37° JIC, SWIVEL	FEMALE, 37° JIC, SWIVEL	100R17
H54	SHORT 90°, FEMALE, 37° JIC, SWIVEL	FEMALE, 37° JIC, SWIVEL	100R17
H55	MEDIUM 90°, FEMALE, 37° JIC, SWIVEL	FEMALE, 37° JIC, SWIVEL	100R17
H56	LONG 90°, FEMALE, 37° JIC, SWIVEL	FEMALE, 37° JIC, SWIVEL	100R17
H57	SHORT 45°, FEMALE, SAE ORFS, SWIVEL	FEMALE, SAE ORFS, SWIVEL	100R13
H58	FEMALE, SAE ORFS, SWIVEL	FEMALE, SAE ORFS, SWIVEL	100R13
H59	MEDIUM 90°, FEMALE, SAE ORFS, SWIVEL	FEMALE, SAE ORFS, SWIVEL	100R13
H60	FEMALE, 37° JIC, SWIVEL	FEMALE, 37° JIC, SWIVEL	100R17
H61	FEMALE, 37° JIC, SWIVEL	FEMALE, 37° JIC, SWIVEL	100R16
H62	SHORT 90°, FEMALE, 37° JIC, SWIVEL	FEMALE, 37° JIC, SWIVEL	100R16
H63	MEDIUM 90°, FEMALE, 37° JIC, SWIVEL	FEMALE, 37° JIC, SWIVEL	100R16
H64	LONG 90°, FEMALE, 37° JIC, SWIVEL	FEMALE, 37° JIC, SWIVEL	100R16
H65	MEDIUM 67°, FEMALE, 37° JIC, SWIVEL	FEMALE, 37° JIC, SWIVEL	100R12
H66	FEMALE, 37° JIC, SWIVEL	NO FITTING	100R4
H67	FEMALE, 37° JIC, SWIVEL	FEMALE, 37° JIC, SWIVEL	100R19
H68	SHORT 45°, FEMALE, 37° JIC, SWIVEL	FEMALE, 37° JIC, SWIVEL	100R19
H69	MEDIUM 90°, FEMALE, 37° JIC, SWIVEL	FEMALE, 37° JIC, SWIVEL	100R19
H70	LONG 90°, FEMALE, 37° JIC, SWIVEL	FEMALE, 37° JIC, SWIVEL	100R19
H71	LONG 90°, FEMALE, SAE ORFS, SWIVEL	FEMALE, SAE ORFS, SWIVEL	100R15

## 8.2 Main Manifold Installation



M191302AB

190125AG

**254**

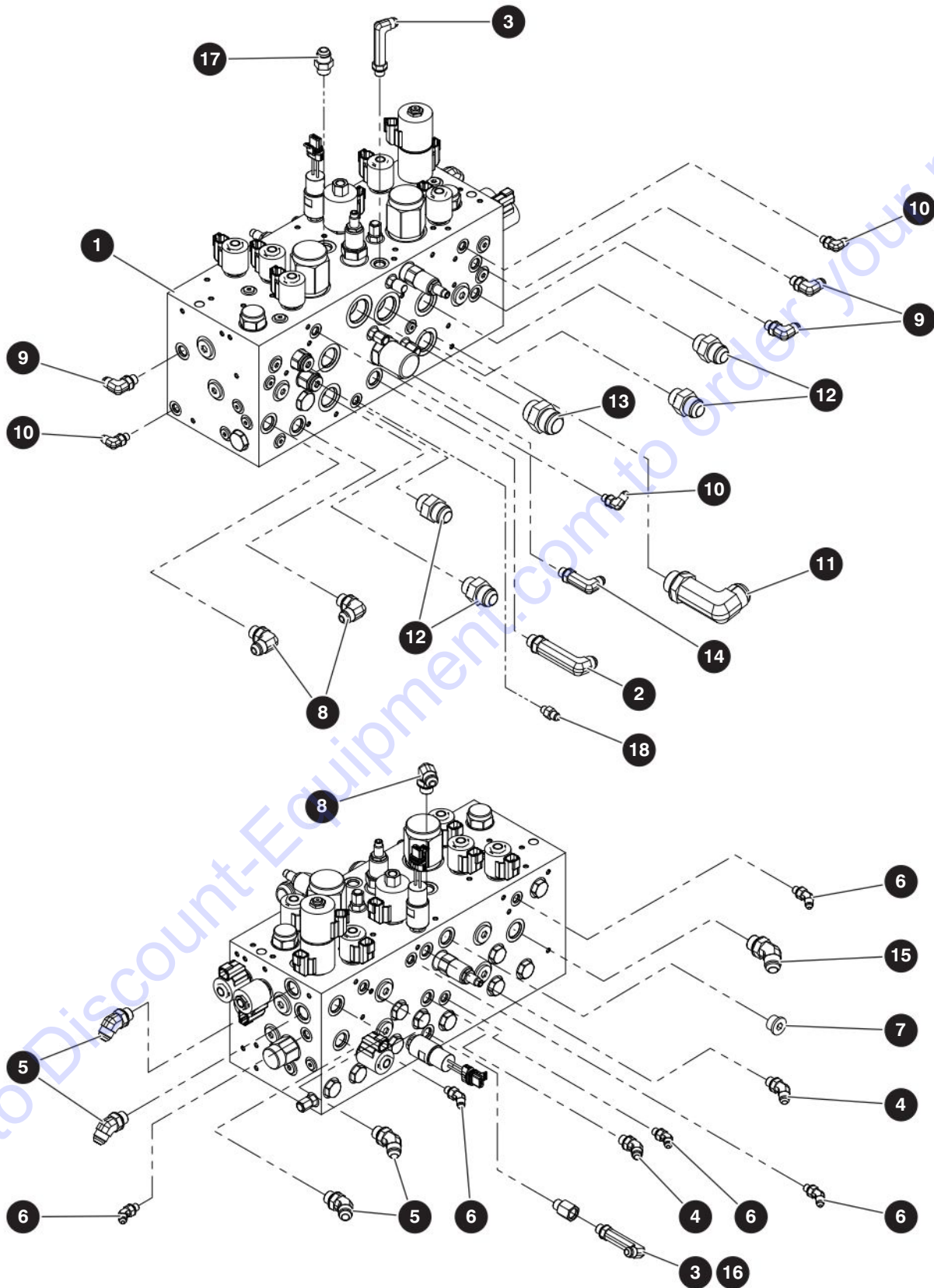
SJ643 TH, SJ843 TH

**SKYJACK**

## 8.2 Main Manifold Installation

Index No.	Skyjack Part No.	Qty.	Description
-	9-191302	1	MANIFOLD SUBGROUP, TH 6/843
1	Ref.	1	<ul style="list-style-type: none"> <li>ASSEMBLY, Manifold 6/843</li> </ul> (For components, refer to Section 8.3)
2	9-191818	1	<ul style="list-style-type: none"> <li>PLATE, Manifold rear</li> </ul>
3	9-191817	1	<ul style="list-style-type: none"> <li>PLATE, Manifold front</li> </ul>
4	9-103904	4	<ul style="list-style-type: none"> <li>BOLT, Hex head 1/2"-13 X 2" grade 5</li> </ul>
5	9-104379	4	<ul style="list-style-type: none"> <li>WASHER, Flat 1/2" SAE hard</li> </ul>
6	9-190692	2	<ul style="list-style-type: none"> <li>PLATE, Manifold clamp</li> </ul>
7	9-190298	4	<ul style="list-style-type: none"> <li>SCREW, Flat head hex 1/2"-13 X 1"</li> </ul>

### 8.3 Main Manifold Assembly



M191301AE

190125AG

256

SJ643 TH, SJ843 TH

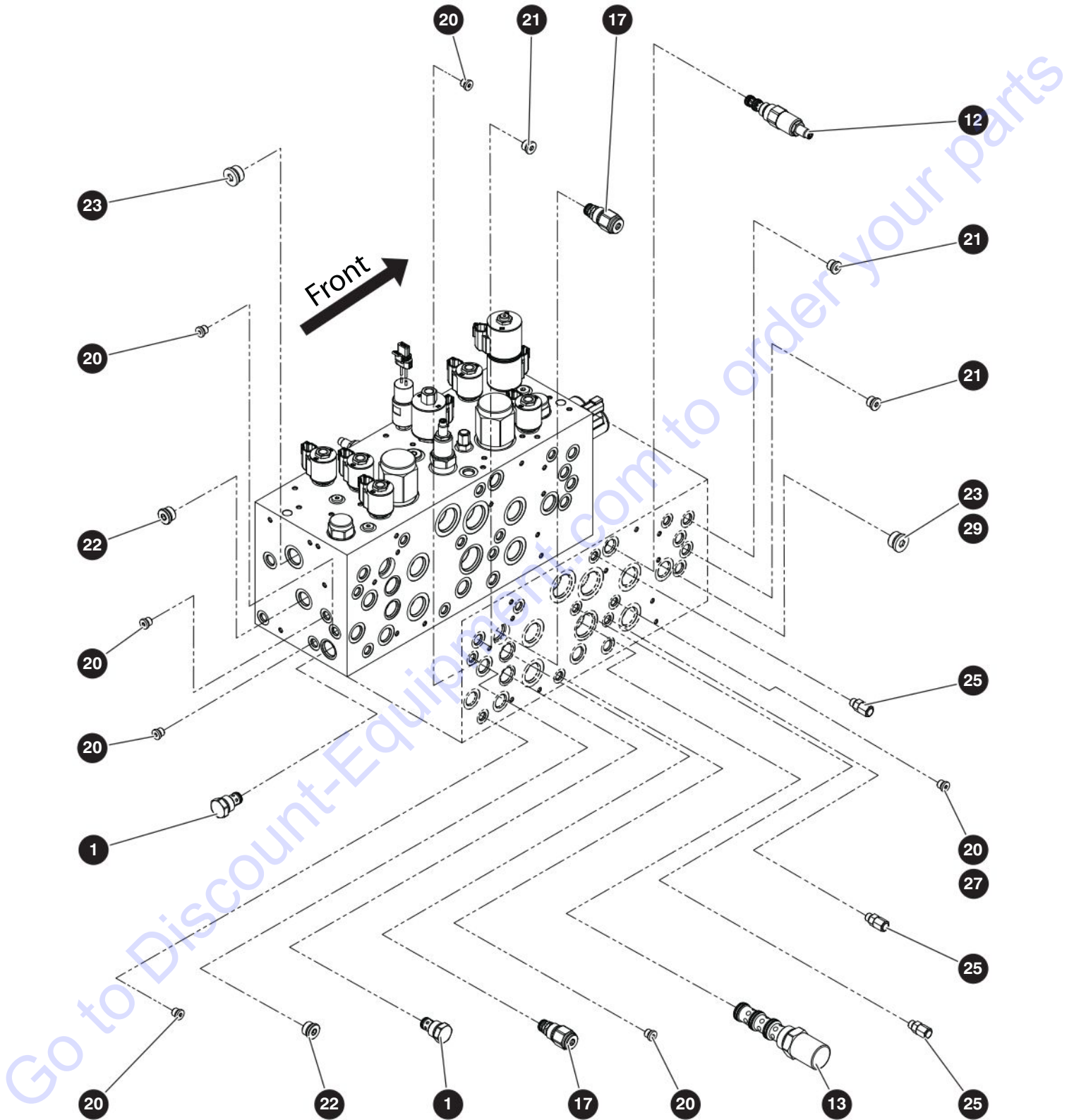
SKYJACK



## 8.3 Main Manifold Assembly

Index No.	Skyjack Part No.	Qty.	Description
-	9-191301	1	ASSEMBLY, MAIN MANIFOLD
1	(Ref).	1	<ul style="list-style-type: none"> <li>• MANIFOLD, 6/843</li> </ul> (For components, refer to Section 8.4)
2	9-150943	1	<ul style="list-style-type: none"> <li>• FITTING, 90° LLL (08 JICM - 08 ORBM)</li> </ul>
3	9-147536	2	<ul style="list-style-type: none"> <li>• FITTING, 90° LLL (06 JICM - 06 ORBM)</li> </ul>
4	9-114580	2	<ul style="list-style-type: none"> <li>• FITTING, 45° (06 JICM - 06 ORBM)</li> </ul>
5	9-139739	4	<ul style="list-style-type: none"> <li>• FITTING, 45° (08JICM08ORBM)</li> </ul>
6	9-131716	5	<ul style="list-style-type: none"> <li>• FITTING, 45° (04 JICM - 04 ORBM)</li> </ul>
7	9-702796	1	<ul style="list-style-type: none"> <li>• PLUG, Fitting (08 ORB hex socket)</li> </ul>
8	9-114583	4	<ul style="list-style-type: none"> <li>• FITTING, 90 ° (08 JICM - 08 ORBM)</li> </ul>
9	9-114578	3	<ul style="list-style-type: none"> <li>• FITTING, 90° (06 JICM - 06 ORBM)</li> </ul>
10	9-125883	3	<ul style="list-style-type: none"> <li>• FITTING, 90 ° ( 04 JICM - 04ORBM)</li> </ul>
11	9-191599	1	<ul style="list-style-type: none"> <li>• FITTING, 90 ° LL ( 16 JICM - 16 ORBM)</li> </ul>
12	9-702118	4	<ul style="list-style-type: none"> <li>• FITTING, (12 ORBM - 12 JICM)</li> </ul>
13	9-138667	1	<ul style="list-style-type: none"> <li>• FITTING, (16 ORBM - 16 JICM)</li> </ul>
14	9-162071	1	<ul style="list-style-type: none"> <li>• FITTING, 90° (06 JICM - 06ORBM) - XL</li> </ul>
15	9-149215	1	<ul style="list-style-type: none"> <li>• FITTING, 45° (10JICM - 10 ORBM)</li> </ul>
16	9-196193	1	<ul style="list-style-type: none"> <li>• FITTING, Straight (06 ORBM - 06 ORBF)</li> </ul>
17	9-102659	1	<ul style="list-style-type: none"> <li>• FITTING, Straight (08 JICM - 08 ORBM)</li> </ul>
18	9-126128	1	<ul style="list-style-type: none"> <li>• FITTING, (04 SAE - 04 JIC)</li> </ul>

# 8.4 Manifold Components



M169032AE-V1

190125AG

258

SJ643 TH, SJ843 TH

SKYJACK

# PARTS FINDER

**Search Website  
by Part Number**



**Search Manual  
Library For Parts  
Manual & Lookup Part  
Numbers – Purchase  
or Request Quote**

**Search Manuals**

Enter your information to help us find the right parts manual for your machine.

\* Brand:

\* Model:

\* Serial:

\* Part Number:

SEARCH

**Can't Find Part or  
Manual? Request Help  
by Manufacturer,  
Model & Description**

**Parts Order Form**

Please fill in the following information to help us find the right part for your machine.

Manufacturer:	<input type="text"/>
Model:	<input type="text"/>
Description:	<input type="text"/>
Part Number:	<input type="text"/>
Quantity:	<input type="text"/>
Notes:	<input type="text"/>
Submit	<input type="button" value="Submit"/>

Discount-Equipment.com is your online resource for quality parts & equipment.

Florida: **561-964-4949** Outside Florida TOLL FREE: **877-690-3101**

**Need parts?**

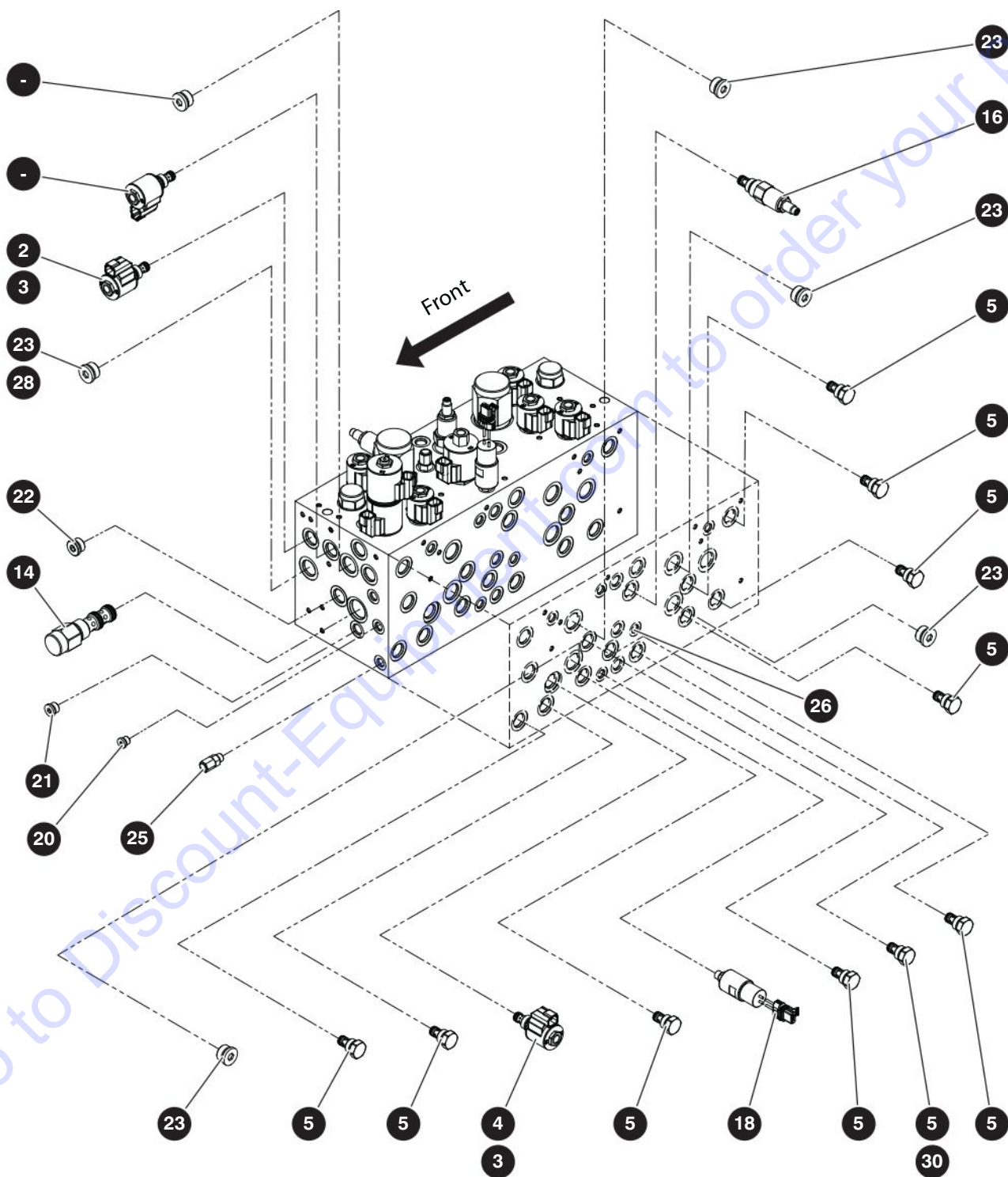
Click on this link: <http://www.discount-equipment.com/category/5443-parts/> and choose one of the options to help get the right parts and equipment you are looking for. Please have the machine model and serial number available in order to help us get you the correct parts. If you don't find the part on the website or on one of the online manuals, please fill out the request form and one of our experienced staff members will get back to you with a quote for the right part that your machine needs.

We sell worldwide for the brands: Genie, Terex, JLG, MultiQuip, Mikasa, Essick, Whiteman, Mayco, Toro Stone, Diamond Products, Generac Magnum, Airman, Haulotte, Barreto, Power Blanket, Nifty Lift, Atlas Copco, Chicago Pneumatic, Allmand, Miller Curber, Skyjack, Lull, Skytrak, Tsurumi, Husquvarna Target, Stow, Wacker, Sakai, Mi-T-M, Sullair, Basic, Dynapac, MBW, Weber, Bartell, Bennar Newman, Haulotte, Ditch Runner, Menegotti, Morrison, Contec, Buddy, Crown, Edco, Wyco, Bomag, Laymor, EZ Trench, Bil-Jax, F.S. Curtis, Gehl Pavers, Heli, Honda, ICS/PowerGrit, IHI, Partner, Imer, Clipper, MMD, Koshin, Rice, CH&E, General Equipment, Amida, Coleman, NAC, Gradall, Square Shooter, Kent, Stanley, Tamco, Toku, Hatz, Kohler, Robin, Wisconsin, Northrock, Oztec, Toker TK, Rol-Air, APT, Wylie, Ingersoll Rand / Doosan, Innovatech, Con X, Ammann, Mecalac, Makinex, Smith Surface Prep, Small Line, Wanco, Yanmar

## 8.4 Manifold Components

Index No.	Skyjack Part No.	Qty.	Description
-	9-169032	1	ASSEMBLY, MANIFOLD 6/843
1	9-191805	2	• VALVE, Check
2	9-102626	3	• VALVE, Solenoid cartridges
3	9-159821	8	• COIL, #8
4	9-166038	1	• VALVE, Solenoid cartridges
5	9-166066	10	• VALVE, Check
6	9-168057	3	• COIL, #10
7	9-171796	1	• VALVE, Solenoid cartridge
8	9-191793	2	• VALVE, Proportional-pilot operated
9	9-191794	2	• VALVE, Proportional-pilot operated
10	9-191795	1	• VALVE, Solenoid 4 way / 3 position
11	9-191796	4	• VALVE, Solenoid 4 way / 2 position
12	9-191798	1	• VALVE, Pressure reducing/relieving
13	9-191799	1	• VALVE, Pressure compensator & p.o.d
14	9-191801	1	• VALVE, Piloted 2w N.O.
15	9-191802	1	• VALVE, Relief
16	238578	1	• VALVE, Relief
17	9-221887	2	• VALVE, Relief anti-cavitation
18	9-191810	1	• SWITCH, Pressure 450 psi
19	9-191800	1	• SWITCH, Pressure 350 psi
20	9-121205	11	• PLUG, Fitting (04 ORB hex socket)
21	9-104437	5	• PLUG, Fitting (06 ORB hex socket)
22	9-702796	4	• PLUG, Fitting (08 ORB hex socket)
23	9-137629	8	• PLUG, Fitting (10 ORB hex socket)
24	9-701956	1	• FITTING, (#6 Straight ORBM to #4 JICM)
25	9-126128	4	• FITTING, (#4 Straight ORBM to JICM)
26	9-191807	1	• PLUG, Orifice 0.019"
27	9-191808	1	• PLUG, Orifice 0.089"
28	9-191809	1	• PLUG, Orifice 0.063"
29	9-199033	1	• PLUG, Orifice 0.033"
30	9-199032	1	• PLUG, Orifice 0.052"

# 8.4 Manifold Components



M169032AE-V2

190125AG

**260**

SJ643 TH, SJ843 TH

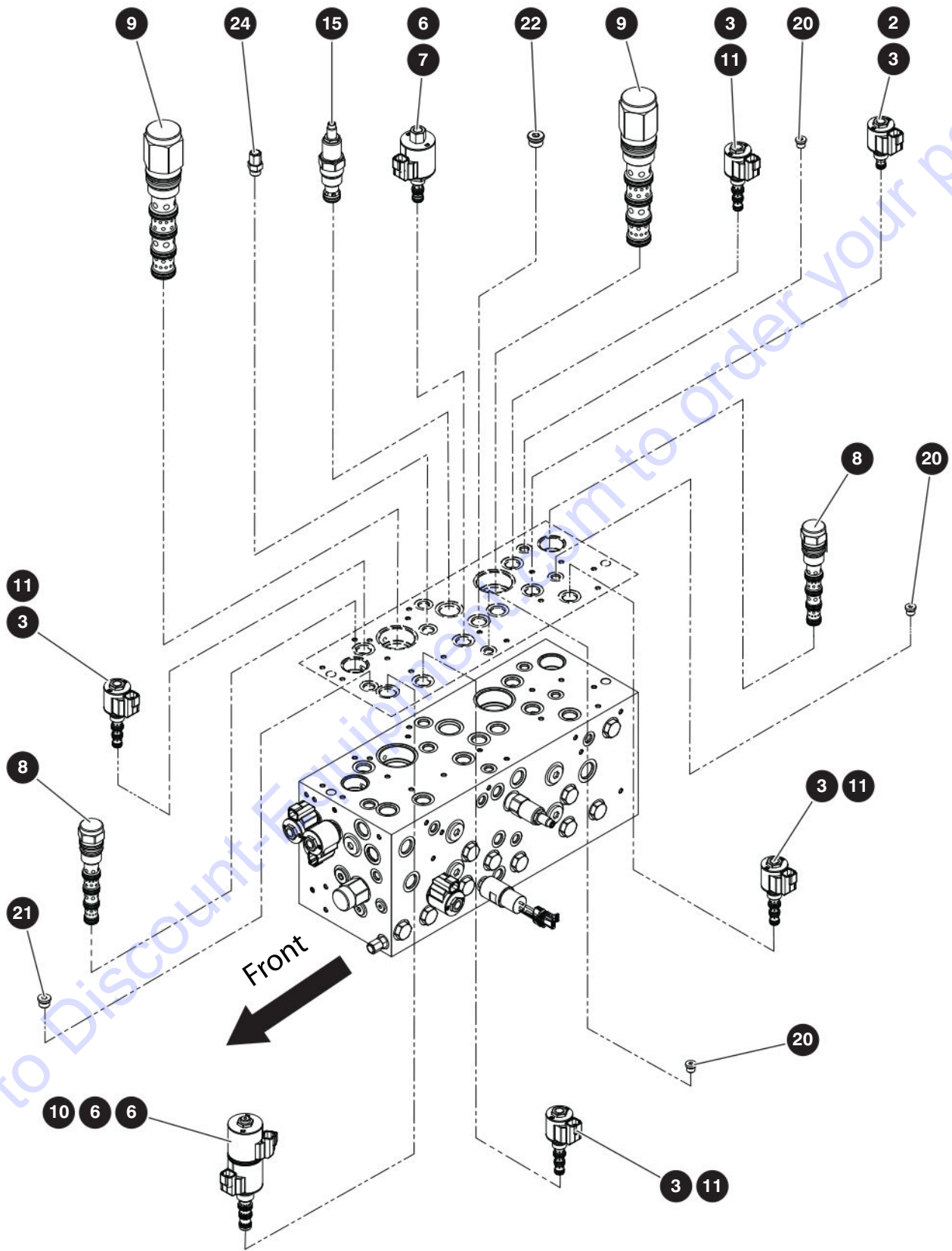
**SKYJACK**



## 8.4 Manifold Components

Index No.	Skyjack Part No.	Qty.	Description
-	9-169032	1	ASSEMBLY, MANIFOLD 6/843
1	9-191805	2	• VALVE, Check
2	9-102626	3	• VALVE, Solenoid cartridges
3	9-159821	8	• COIL, #8
4	9-166038	1	• VALVE, Solenoid cartridges
5	9-166066	10	• VALVE, Check
6	9-168057	3	• COIL, #10
7	9-171796	1	• VALVE, Solenoid cartridge
8	9-191793	2	• VALVE, Proportional-pilot operated
9	9-191794	2	• VALVE, Proportional-pilot operated
10	9-191795	1	• VALVE, Solenoid 4 way / 3 position
11	9-191796	4	• VALVE, Solenoid 4 way / 2 position
12	9-191798	1	• VALVE, Pressure reducing/relieving
13	9-191799	1	• VALVE, Pressure compensator & p.o.d
14	9-191801	1	• VALVE, Piloted 2w N.O.
15	9-191802	1	• VALVE, Relief
16	238578	1	• VALVE, Relief
17	9-221887	2	• VALVE, Relief anti-cavitation
18	9-191810	1	• SWITCH, Pressure 450 psi
19	9-191800	1	• SWITCH, Pressure 350 psi
20	9-121205	11	• PLUG, Fitting (04 ORB hex socket)
21	9-104437	5	• PLUG, Fitting (06 ORB hex socket)
22	9-702796	4	• PLUG, Fitting (08 ORB hex socket)
23	9-137629	8	• PLUG, Fitting (10 ORB hex socket)
24	9-701956	1	• FITTING, (#6 Straight ORBM to #4 JICM)
25	9-126128	4	• FITTING, (#4 Straight ORBM to JICM)
26	9-191807	1	• PLUG, Orifice 0.019"
27	9-191808	1	• PLUG, Orifice 0.089"
28	9-191809	1	• PLUG, Orifice 0.063"
29	9-199033	1	• PLUG, Orifice 0.033"
30	9-199032	1	• PLUG, Orifice 0.052"

## 8.4 Manifold Components



M169032AE-V3

190125AG

262

SJ643 TH, SJ843 TH

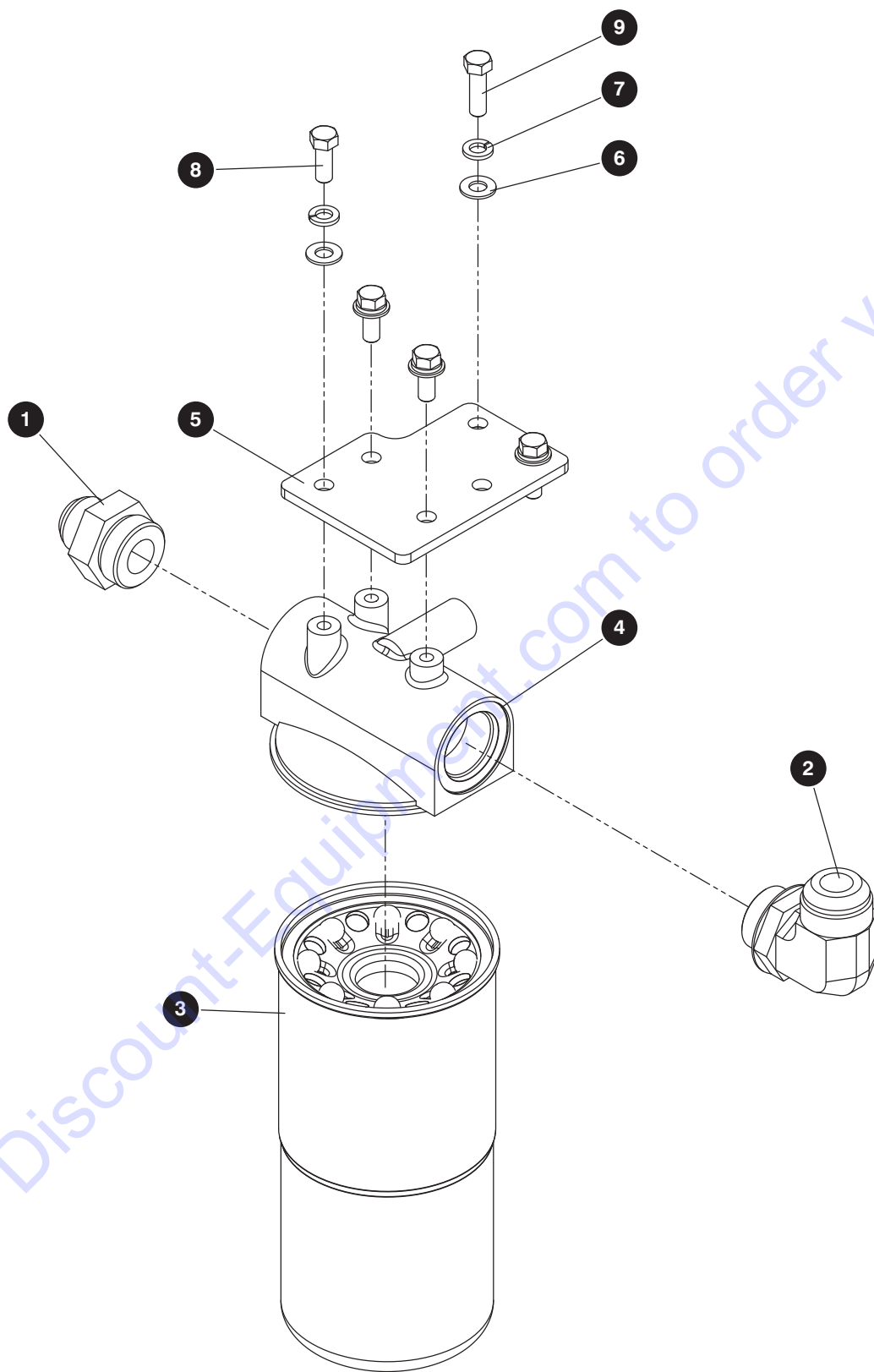
SKYJACK



## 8.4 Manifold Components

Index No.	Skyjack Part No.	Qty.	Description
-	9-169032	1	ASSEMBLY, MANIFOLD 6/843
1	9-191805	2	• VALVE, Check
2	9-102626	3	• VALVE, Solenoid cartridges
3	9-159821	8	• COIL, #8
4	9-166038	1	• VALVE, Solenoid cartridges
5	9-166066	10	• VALVE, Check
6	9-168057	3	• COIL, #10
7	9-171796	1	• VALVE, Solenoid cartridge
8	9-191793	2	• VALVE, Proportional-pilot operated
9	9-191794	2	• VALVE, Proportional-pilot operated
10	9-191795	1	• VALVE, Solenoid 4 way / 3 position
11	9-191796	4	• VALVE, Solenoid 4 way / 2 position
12	9-191798	1	• VALVE, Pressure reducing/relieving
13	9-191799	1	• VALVE, Pressure compensator & p.o.d
14	9-191801	1	• VALVE, Piloted 2w N.O.
15	9-191802	1	• VALVE, Relief
16	238578	1	• VALVE, Relief
17	9-221887	2	• VALVE, Relief anti-cavitation
18	9-191810	1	• SWITCH, Pressure 450 psi
19	9-191800	1	• SWITCH, Pressure 350 psi
20	9-121205	11	• PLUG, Fitting (04 ORB hex socket)
21	9-104437	5	• PLUG, Fitting (06 ORB hex socket)
22	9-702796	4	• PLUG, Fitting (08 ORB hex socket)
23	9-137629	8	• PLUG, Fitting (10 ORB hex socket)
24	9-701956	1	• FITTING, (#6 Straight ORBM to #4 JICM)
25	9-126128	4	• FITTING, (#4 Straight ORBM to JICM)
26	9-191807	1	• PLUG, Orifice 0.019"
27	9-191808	1	• PLUG, Orifice 0.089"
28	9-191809	1	• PLUG, Orifice 0.063"
29	9-199033	1	• PLUG, Orifice 0.033"
30	9-199032	1	• PLUG, Orifice 0.052"

## 8.5 Hydraulic Return Filter



M191415AA

190125AG

**264**

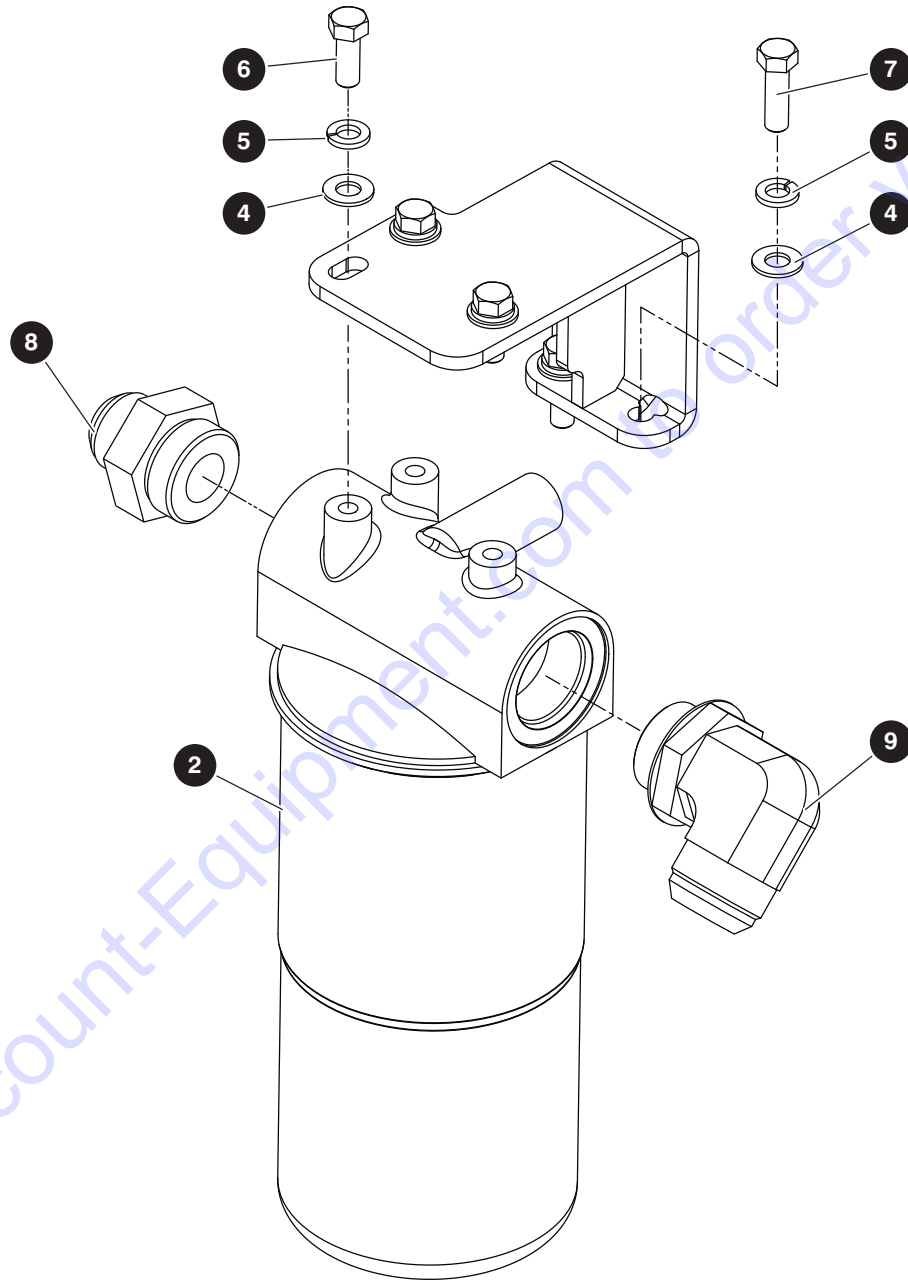
SJ643 TH, SJ843 TH

**SKYJACK**

## 8.5 Hydraulic Return Filter

Index No.	Skyjack Part No.	Qty.	Description
-	9-191415	1	ASSEMBLY, RETURN FILTER
1	9-190361	1	• FITTING, Straight (16 JICM - 20 ORBM)
2	9-406249	1	• FITTING, 90° (20 JICM - 20 ORBM)
3	9-157907	1	• ELEMENT, Filter (Hydraulic spin on)
4	9-157906	1	• ASSEMBLY, Head hydraulic return filter
5	9-190906	1	• PLATE, Hydraulic filter mount
6	9-103472	5	• WASHER, Flat 3/8" SAE
7	9-103999	5	• WASHER, Lock 3/8"
8	9-103473	3	• BOLT, Hex head cap 3/8"-16 x 1" Gr. 5
9	9-101297	2	• BOLT, Hex head cap 3/8"-16 x 1-1/4" Gr. 5

## 8.6 CVT Hydraulic Return Filter



M216748AB

190125AG

**266**

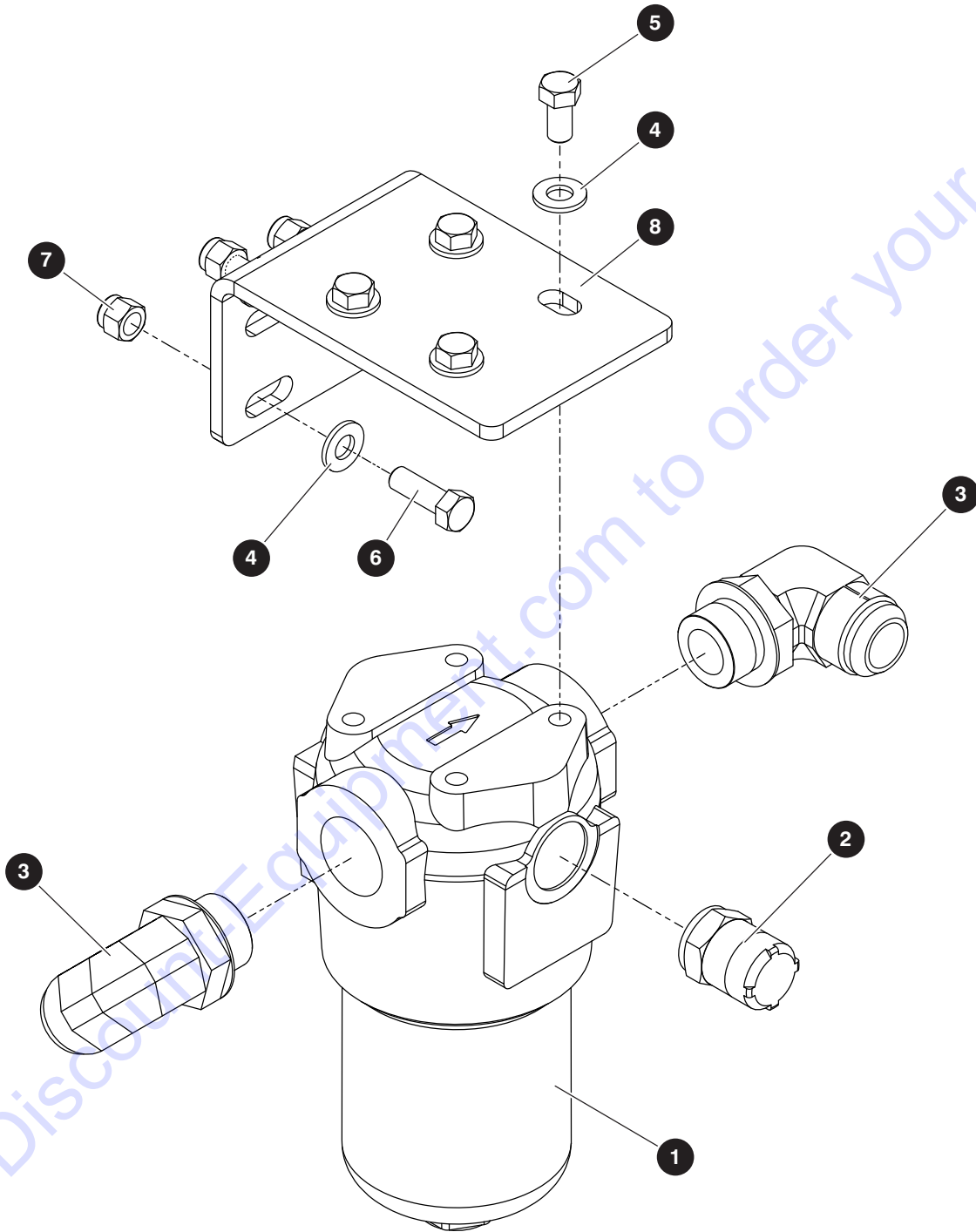
SJ643 TH, SJ843 TH

**SKYJACK**

## 8.6 CVT Hydraulic Return Filter

Index No.	Skyjack Part No.	Qty.	Description
-	9-216748	1	RETURN FILTER SUBGROUP
1	9-216569	1	BRACKET, OIL FILTER MOUNT
2	9-157907	1	FILTER ELEMENT - HYDRAULIC SPIN ON
3	9-157906	1	HEAD ASSY - HYDRAULIC RETURN FILTER
4	9-103472	5	WASHER FLAT 0.375
5	9-103999	5	WASHER, LOCK 0.375
6	9-103473	3	BOLT-HEX HD/ZINC (.38-16 X 1.00 / GR5)
7	9-101297	2	BOLT-HEX HD/ZINC (.38-16 X 1.25 / GR5)
8	9-190361	1	FTG, Straight (20ORBM-16JICM)
9	9-406249	1	FTG, 90 DEG (20JICM-20ORBM)

## 8.7 Pressure Filter



M233052AA

190125AG

268

SJ643 TH, SJ843 TH

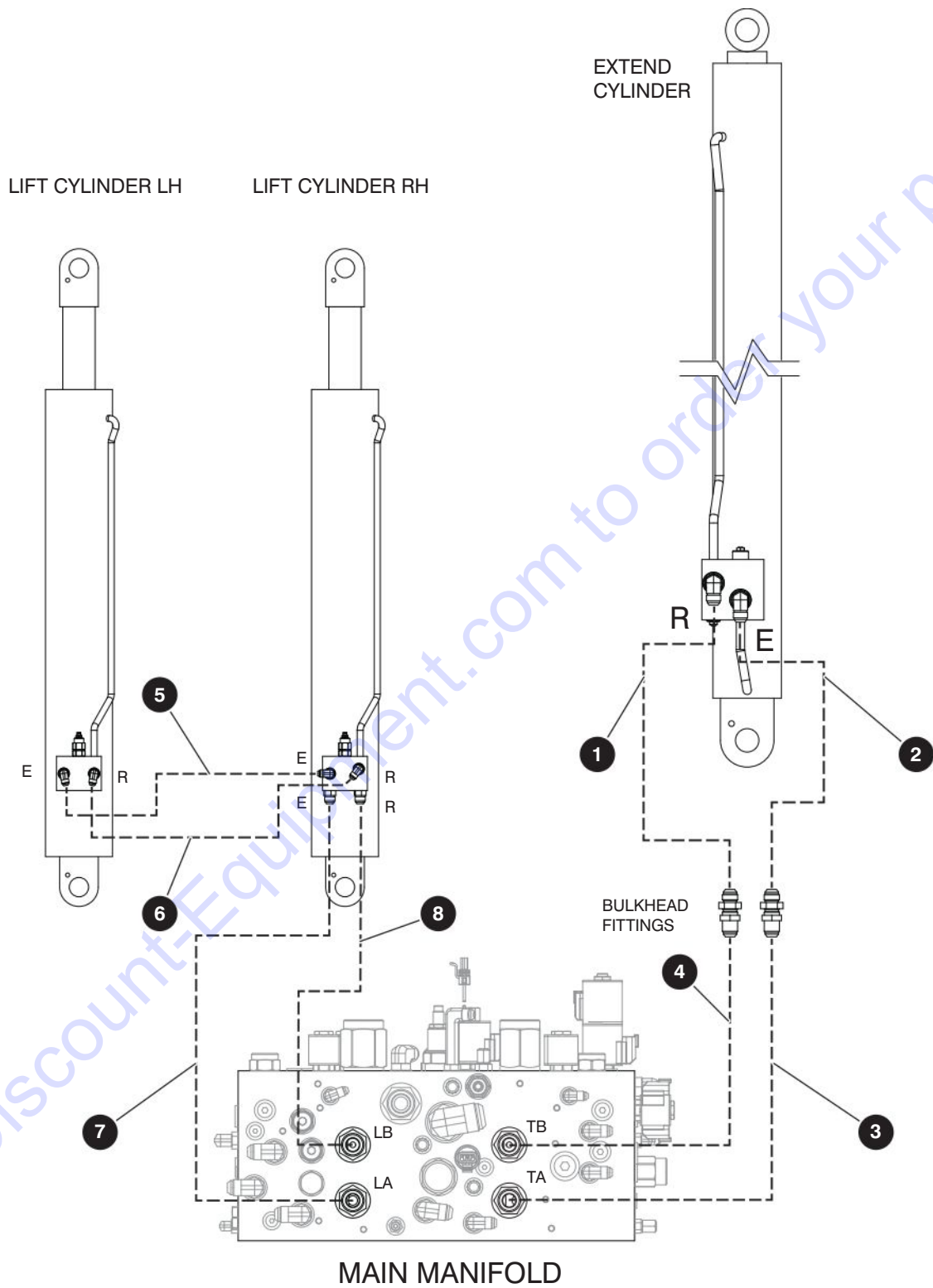
SKYJACK

## 8.7 Pressure Filter

Index No.	Skyjack Part No.	Qty.	Description
-	233052	1	PRESSURE FILTER
1	233048	1	• FILTER, 6000 PSI 10 MICRON
2	233050	1	• INDICATOR, 50 PSI
3	707040	2	• FTG, 90 DEG (16JICM-16ORB)
4	125959	7	• WASHER FLAT 0.375 HARD
5	158488	4	• BOLT, HXHD 0.375-16 X 0.750 GR8
6	217909	3	• BOLT, HXHD 0.375-16 X 1.125 GR8
7	104606	3	• NUT, LOCK 0.375-16 GR5 - NYL
8	233038	1	• BRACKET, FILTER MOUNT



## 8.8 Boom & Telescopic Hydraulic Hoses



M191408AB-M191410AB

190125AG

**270**

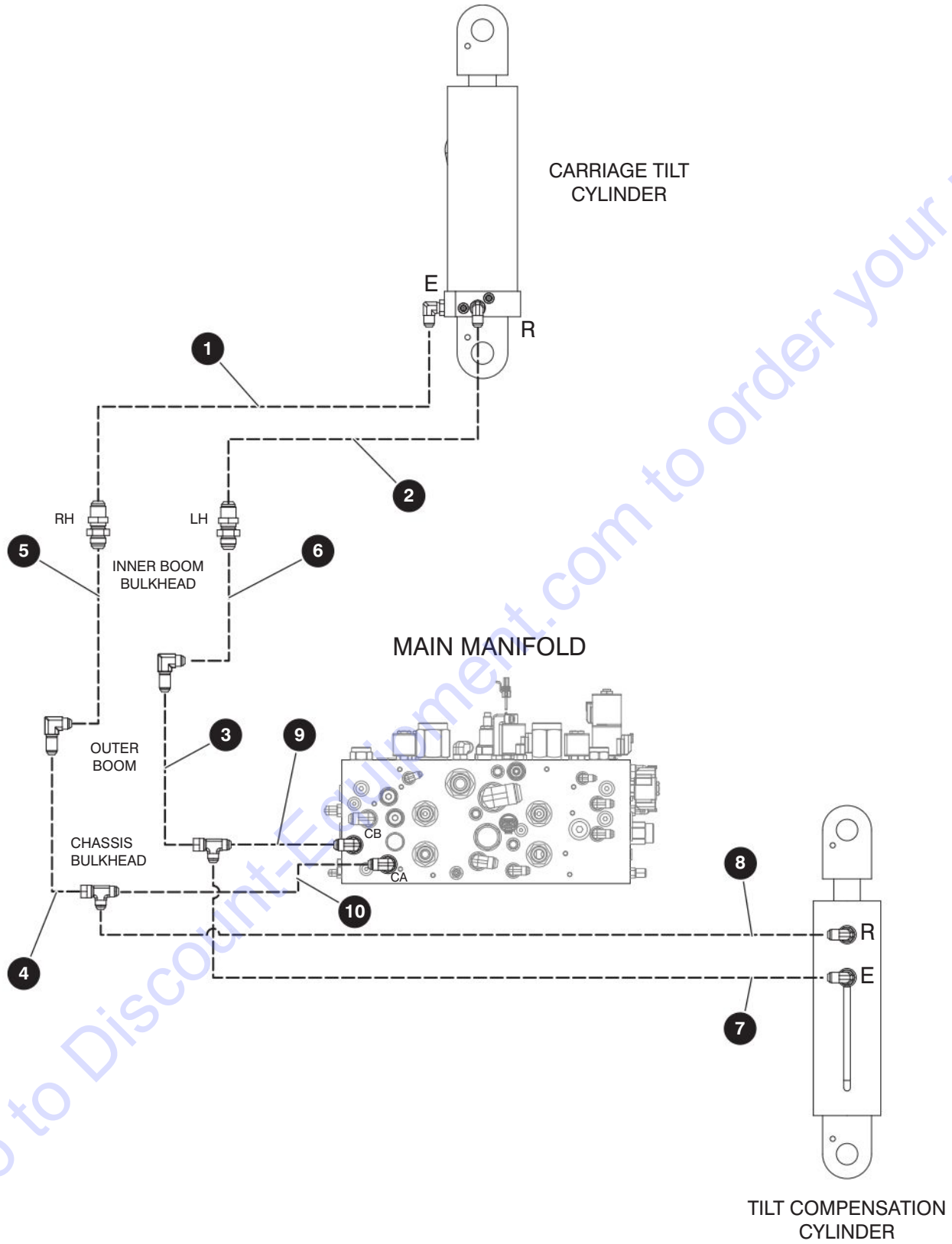
SJ643 TH, SJ843 TH

**SKYJACK**

## 8.8 Boom & Telescopic Hydraulic Hoses

Index No.	Hose P/N	From		To	
		Description	Port	Port	Description
1	H311200450	EXTEND CYLINDER	R	TB	MAIN MANIFOLD
2	H311200450	EXTEND CYLINDER	E	TA	MAIN MANIFOLD
3	H361200620	MAIN MANIFOLD	TA	E	EXTEND CYLINDER
4	H361200620	MAIN MANIFOLD	TB	R	EXTEND CYLINDER
5	H310800250	-	-	E	LIFT CYLINDERS
6	H310800250	-	-	R	LIFT CYLINDERS
7	H311200380	MAIN MANIFOLD	LA	E	RH LIFT CYLINDER
8	H311200380	MAIN MANIFOLD	LB		

## 8.9 Carriage Hydraulic Hoses



M191409AC

190125AG

272

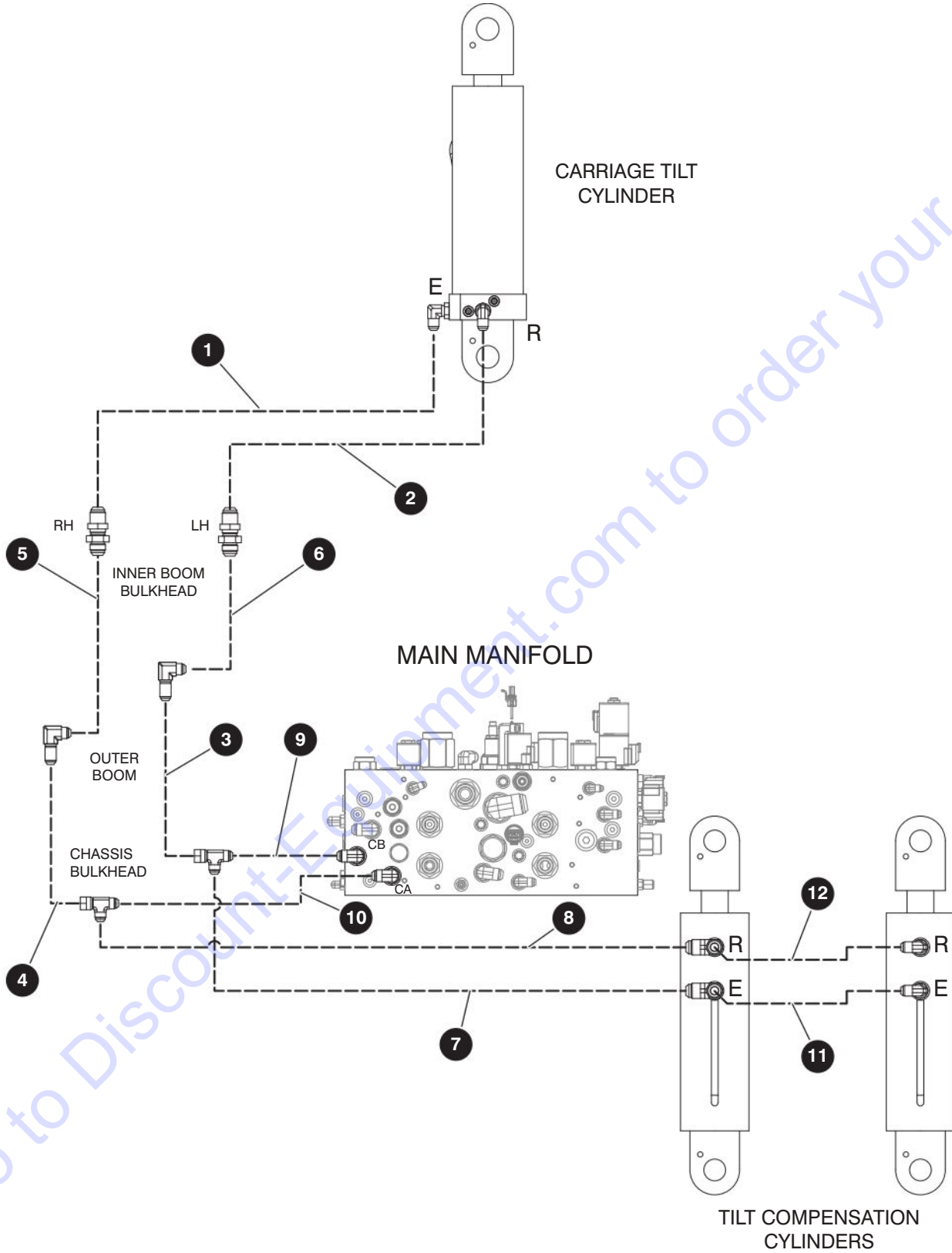
SJ643 TH, SJ843 TH

SKYJACK

## 8.9 Carriage Hydraulic Hoses

Index No.	Hose P/N	From		To		
		Description	Port	Port	Description	
		<b>For serial numbers 87112757 and below</b>				
1	H310800370	-	-	E	Carriage tilt cylinder	
2	H310800370	-	-	R	Carriage tilt	
3	H340801770	Chassis	-	R	Chassis to boom bulkhead	
4	H340801770	Chassis	-	E	chassis to boom bulkhead	
5	H310803380	-	-	E	Over hose sheave left side	
6	H310803380	-	-	R	Over hose sheave	
7	H310800200	Tilt compensation cylinder	E	-	Chassis bulkhead left side	
8	H310800170	Tilt compensation cylinder	R	-	Chassis bulkhead right side	
9	H340800470	Main manifold	CB	-	Chassis bulkhead left side	
10	H340800470	Main manifold	CA			

# 8.10 Carriage Hydraulic Hoses - Dual tilt



M232324AA

190125AG

**274**

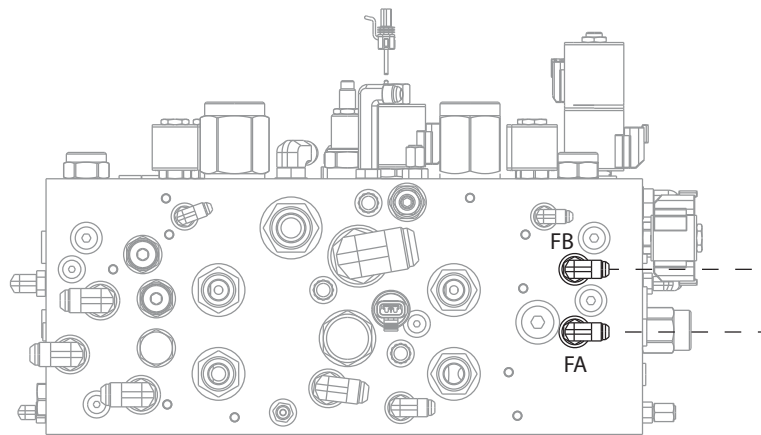
SJ643 TH, SJ843 TH

**SKYJACK**

## 8.10 Carriage Hydraulic Hoses - Dual tilt

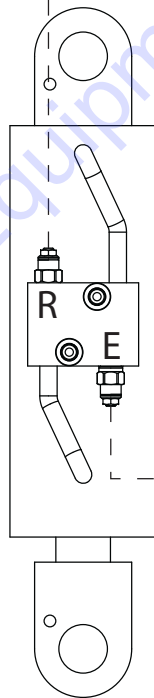
Index No.	Hose P/N	From		To	
		Description	Port	Port	Description
<b>For serial numbers 87112758 and above</b>					
1	H310800370	-	-	E	Carriage tilt cylinder
2	H310800370	-	-	R	Carriage tilt
3	H340801770	Chassis	-	R	Chassis to boom bulkhead
4	H340801770	Chassis	-	E	chassis to boom bulkhead
5	H610803140	-	-	E	Over hose sheave left side
6	H610803140	-	-	R	Over hose sheave
7	H310800200	Tilt compensation cylinder	E	-	Chassis bulkhead left side
8	H310800170	Tilt compensation cylinder	R	-	Chassis bulkhead right side
9	H340800470	Main manifold	CB	-	Chassis bulkhead left side
10	H340800470	Main manifold	CA	-	Chassis bulkhead right side
11	H340800170	Tilt compensation cylinder	E	E	Tilt compensation cylinder
12	H340800170	Tilt compensation cylinder	R	R	Tilt compensation cylinder

## 8.11 Frame Level Hydraulic Hoses



1

2



M191411AC

190125AG

276

SJ643 TH, SJ843 TH

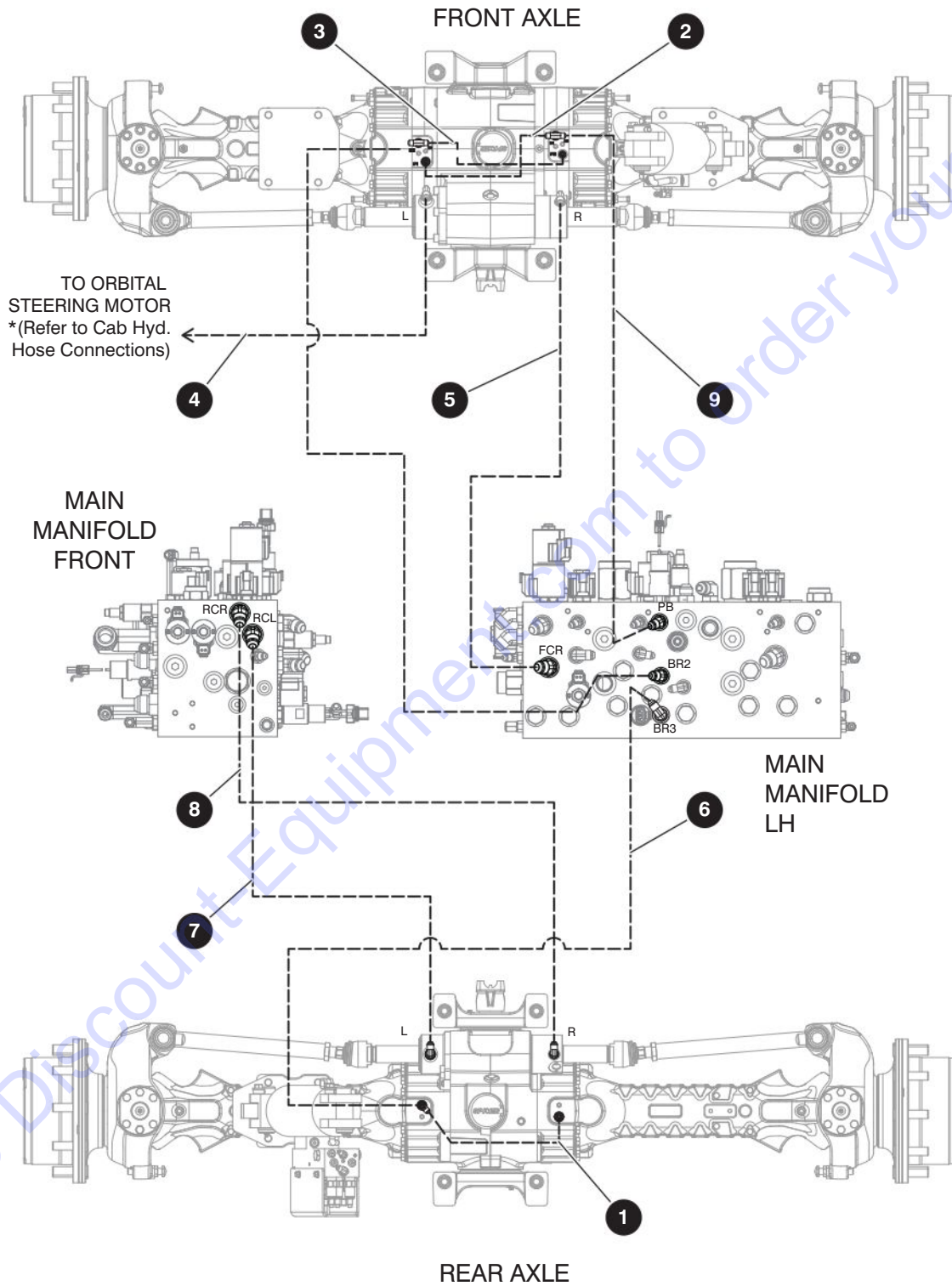
SKYJACK



## 8.11 Frame Level Hydraulic Hoses

Index No.	Hose P/N	From		To	
		Description	Port	Port	Description
1	H310601320	Main manifold	FB	R	Frame level cylinder
2	H310601320	Main manifold	FA	E	Frame level cylinder

## 8.12 Brakes & Steering Hydraulic Hoses



M191412AD

190125AG

**278**

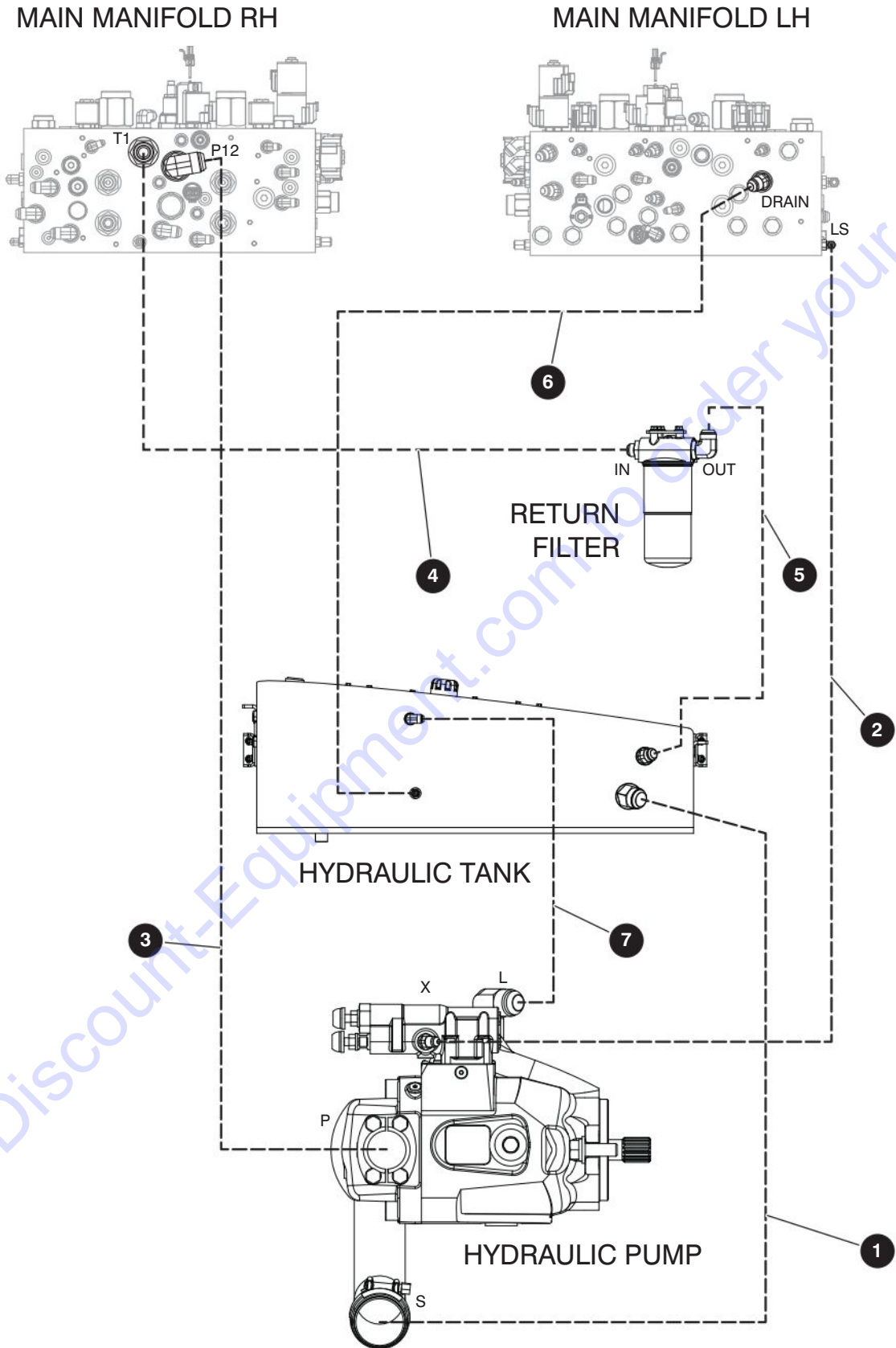
SJ643 TH, SJ843 TH

**SKYJACK**

## 8.12 Brakes & Steering Hydraulic Hoses

Index No.	Hose P/N	From		To	
		Description	Port	Port	Description
1	H340600150	Rear service brake	-	-	Rear service brake
2	H340600140	Front service brake	P2	P2	Front service brake
3	H340600140	Parking brake	P1	P1	Parking brake
4	H340601330	Main manifold	BR2	P2	Front service brake
5	H310801230	Main manifold	FCR	R	Front steer cylinder
6	H340600550	Main manifold	BR3	-	Rear service brake
7	H310800400	Main manifold	RCL	L	Rear steer cylinder
8	H310800400	Main manifold	RCR	R	Rear steer cylinder
9	H340601320	Main manifold	PB	P1	Parking brake

## 8.13 Hydraulic Pump Hoses



M191413AB-2

190125AG

280

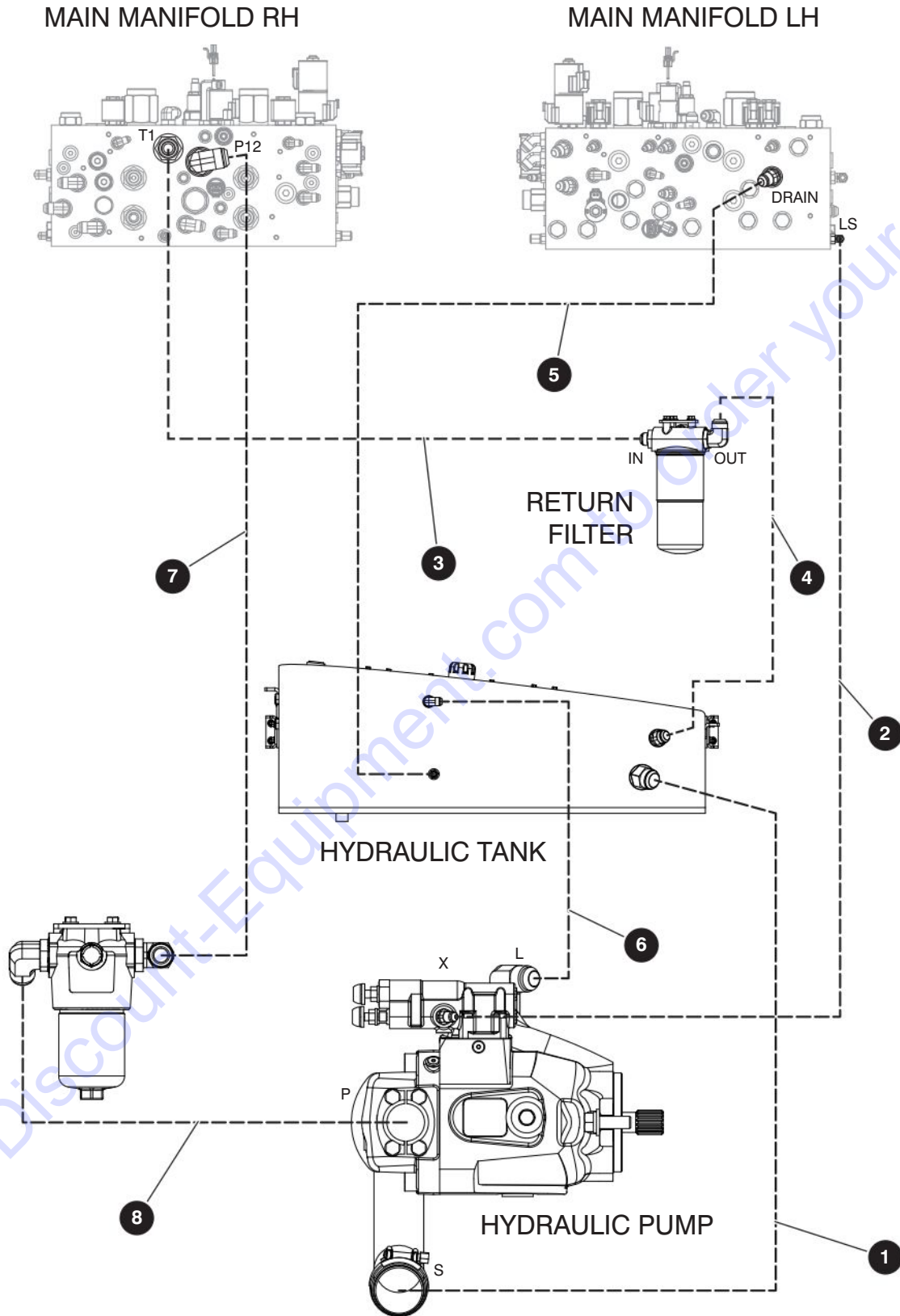
SJ643 TH, SJ843 TH

SKYJACK

## 8.13 Hydraulic Pump Hoses

Index No.	Hose P/N	From		To	
		Description	Port	Port	Description
1	H663200360	Pump suction	S	-	Hydraulic tank
2	H310401150	Main manifold	LS	X	Pump load sense
3	H651600870	Main manifold	P12	P	Pump
4	H201600830	Main manifold	T1	IN	Return filter
5	H202000190	Return filter	OUT	-	Hydraulic tank
6	H340800610	Main manifold	DRAIN	-	Hydraulic tank
7	H311200470	Pump top case drain	L		

# 8.14 Hydraulic Pump Hoses - Pressure Filter



M191413AC

190125AG

282

SJ643 TH, SJ843 TH

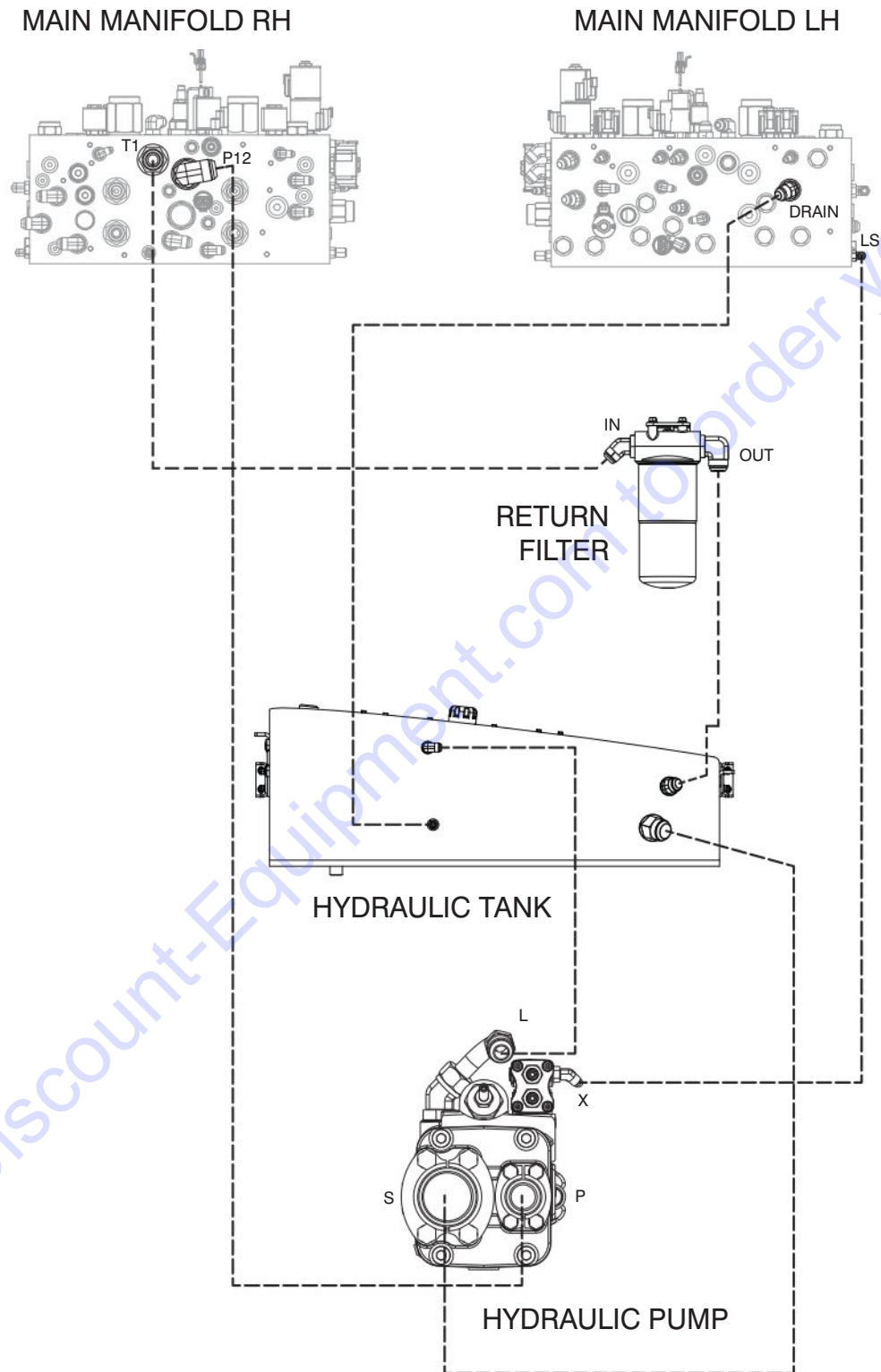
SKYJACK

## 8.14 Hydraulic Pump Hoses - Pressure Filter

Index No.	Hose P/N	From		To	
		Description	Port	Port	Description
1	H663200360	Pump suction	S	-	Hydraulic tank
2	H310401150	Main manifold	LS	X	Pump load sense
3	H201600830	Main manifold	T1	IN	Return filter
4	H202000190	Return filter	OUT	-	Hydraulic tank
5	H340800610	Main manifold	DRAIN	-	Hydraulic tank
6	H311200470	Pump top case drain	L		
7	H671600990	Pressure Filter	OUT	P12	Main manifold
8	H821600422	Pump Outlet	P	IN	Pressure Filter



## 8.15 CVT Hydraulic Pump Hoses



M216747AA

190125AG

**284**

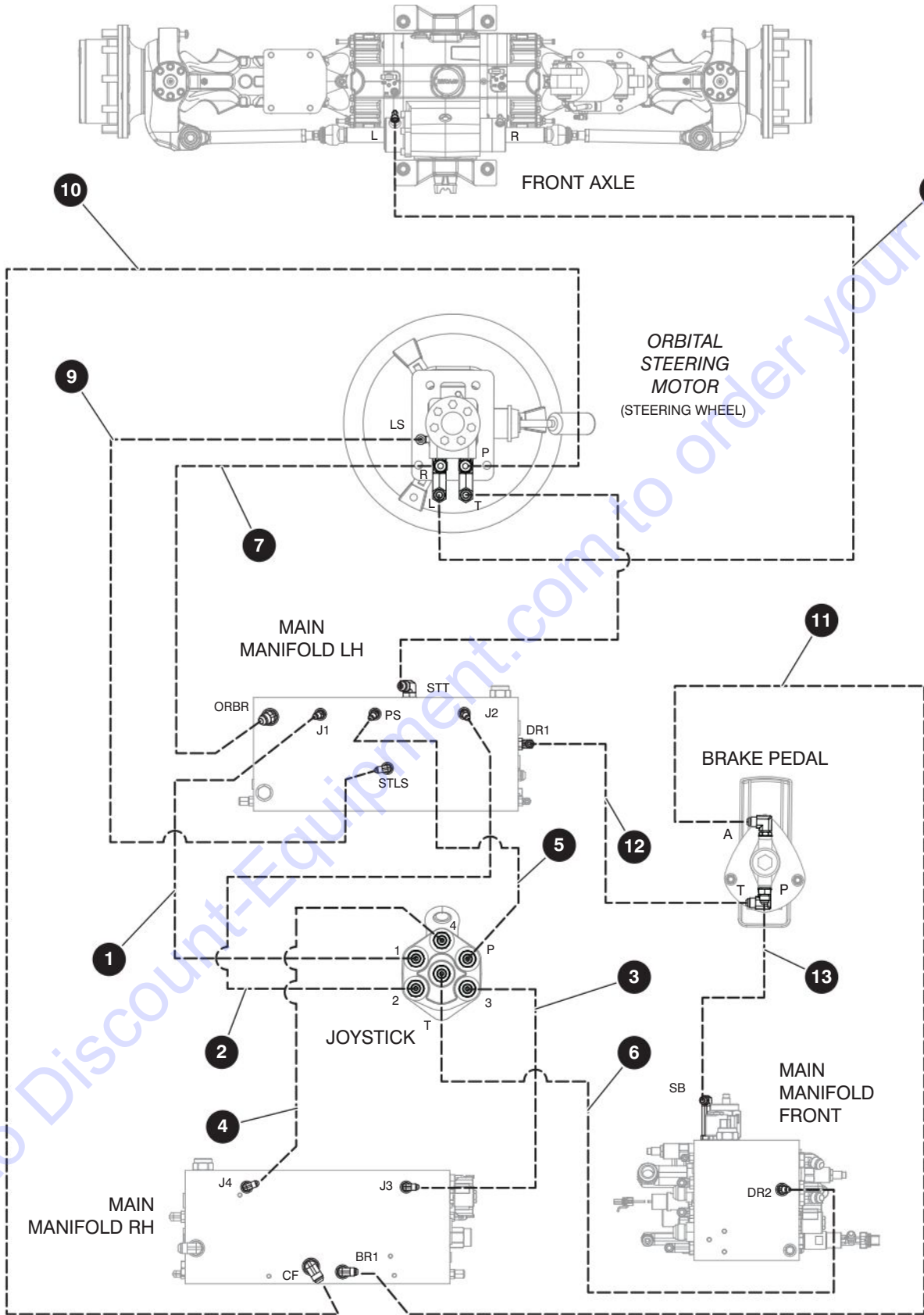
SJ643 TH, SJ843 TH

**SKYJACK**

## 8.15 CVT Hydraulic Pump Hoses

Index No.	Hose P/N	From		To	
		Description	Port	Port	Description
1	H663200111	Pump	S		Hydraulic tank
2	H310401200	Main manifold	LS	X	Pump
3	H731600950	Main manifold	P12	P	Pump
4	H201600860	Main manifold	T1	IN	Return filter
5	H742000222	Return filter	OUT		Hydraulic tank
6	H341000610	Main manifold	DRAIN		Hydraulic tank
7	H321200680	Pump	L		

# 8.16 Cab Hydraulic Hoses



M191414AD

190125AG

286

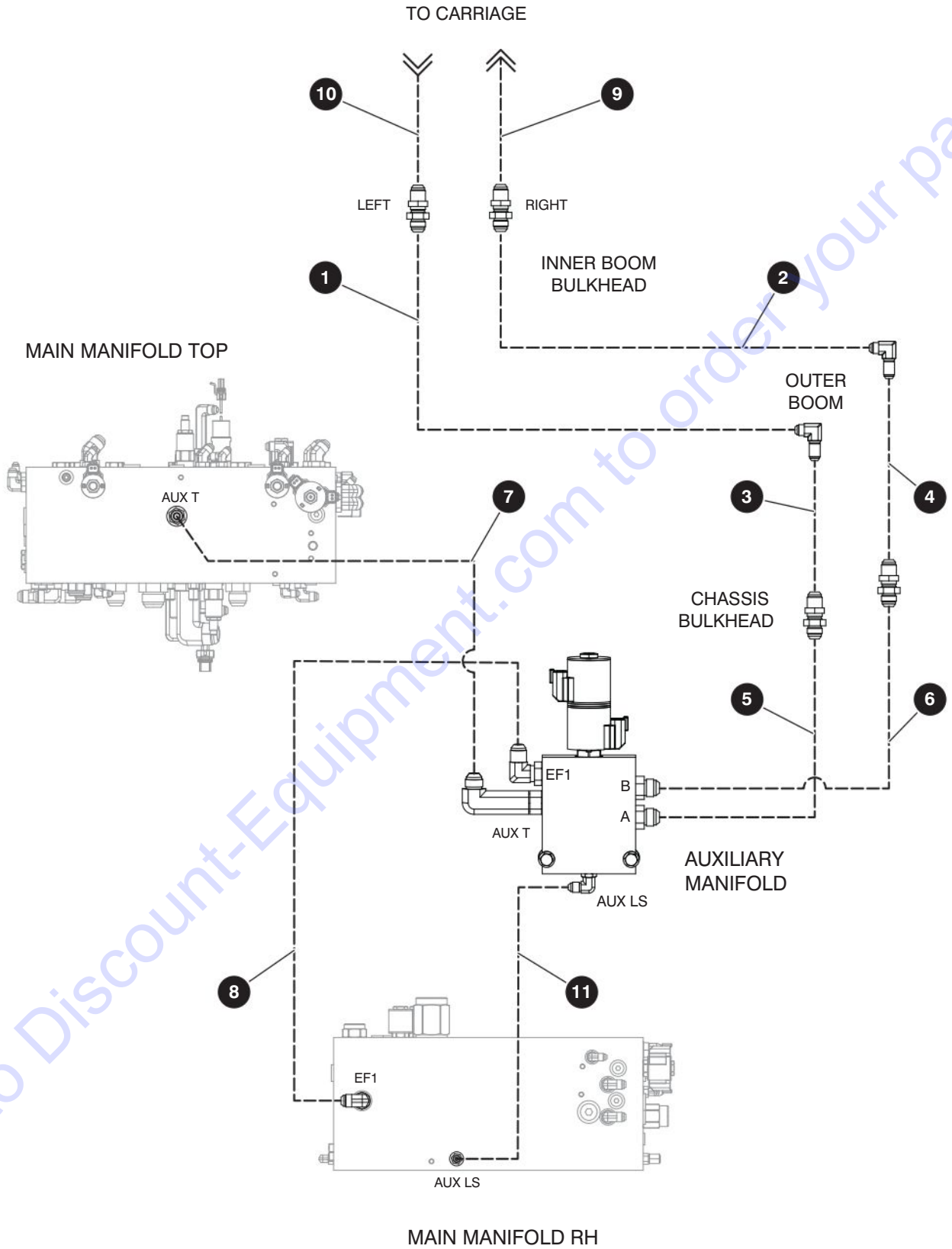
SJ643 TH, SJ843 TH

SKYJACK

## 8.16 Cab Hydraulic Hoses

Index No.	Hose P/N	From		To	
		Description	Port	Port	Description
1	H310401050	Main manifold	J1	1	Joystick
2	H310401180	Main manifold	J2	2	Joystick
3	H310401060	Main manifold	J3	3	Joystick
4	H310401180	Main manifold	J4	4	Joystick
5	H310401100	Main manifold	PS	P	Joystick
6	H310401040	Main manifold	DR2	T	Joystick
7	H310801240	Main manifold	ORBR	R	Steering console
8	H310801380	Main manifold	STT	T	Steering console
9	H310401310	Main manifold	STLS	LS	Steering console
10	H310801400	Main manifold	CF	P	Steering console
11	H310601260	Main manifold	BR1	A	Brake pedal
12	H310601300	Main manifold	DR1	T	Brake pedal
13	H310601260	Main manifold	SB	P	Brake pedal
14	H310801190	Steering console	L		

# 8.17 Auxiliary Hydraulic Hoses



M191606AD

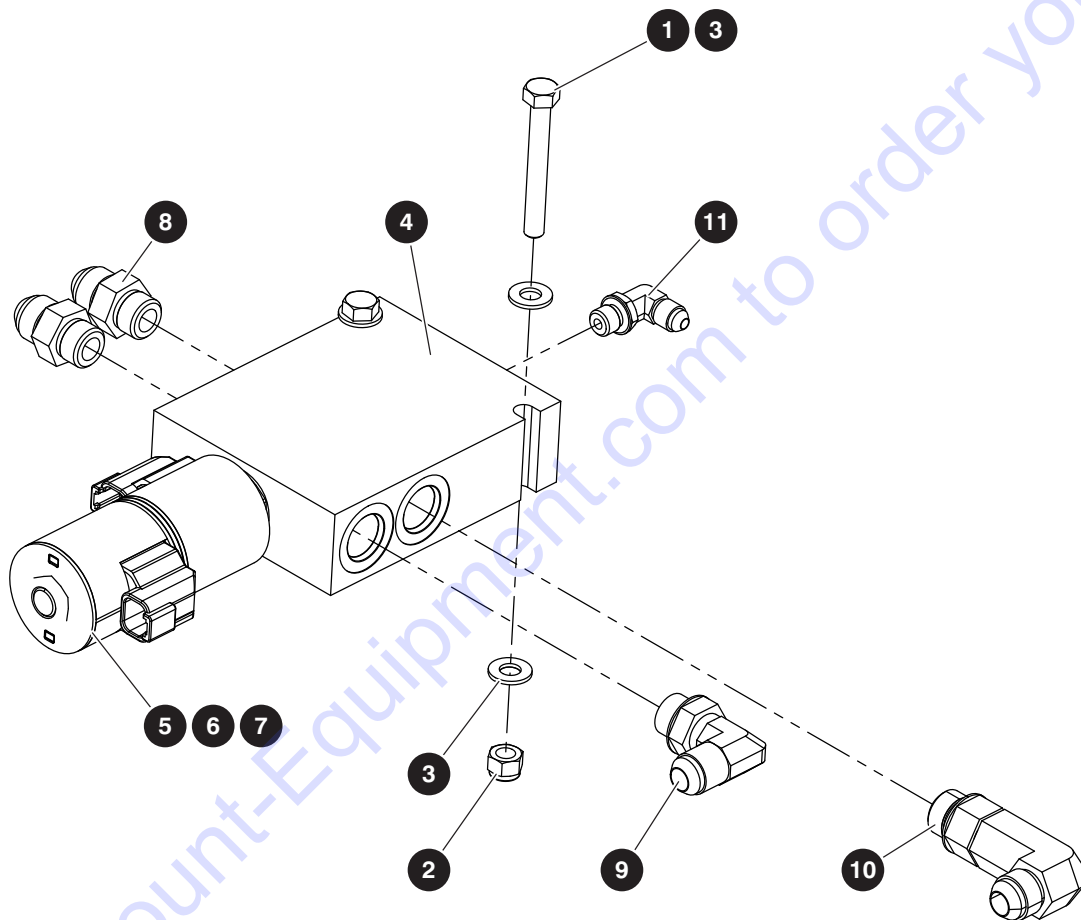
190125AG

SJ643 TH, SJ843 TH

## 8.17 Auxiliary Hydraulic Hoses

Index No.	Hose P/N	From		To	
		Description	Port	Port	Description
1	H310803380	Over hose sheave	A		
2	H310803380	Over hose sheave	B		
3	H340801770	Under boom	A		
4	H340801770	Under boom	B		
5	H340800360	Aux. manifold	A		Chassis bulkhead
6	H340800360	Aux. manifold	B		Chassis bulkhead
7	H360800430	Main manifold	aux T	aux T	Aux. manifold
8	H310800300	Main manifold	aux EF1	aux EF1	Aux. manifold
9	H310800420	Carriage, extend/retract	B		
10	H310800420	Carriage, tank	A		
11	H360400500	Main manifold	aux LS		

## 8.18 Auxiliary Manifold



M190791AB

190125AG

**290**

SJ643 TH, SJ843 TH

**SKYJACK**



## 8.18 Auxiliary Manifold

Index No.	Skyjack Part No.	Qty.	Description
-	9-190791	1	ASSEMBLY, AUXILIARY MANIFOLD
1	9-103884	2	• BOLT, Hex head 5/16"-18 X 2-1/2" grade 5
2	9-103984	2	• NUT, Lock with nylon insert 5/16"-18 grade 5
3	9-103996	4	• WASHER, Flat 5/16" SAE
-	9-190559	1	• MANIFOLD, AUXILIARY SUB ASSEMBLY
4	9-169033	1	• • AUXILIARY MANIFOLD
5	9-191797	1	• • • VALVE Solenoid 5 way, 3 position
6	9-168057	2	• • • COIL, #10
7	9-191801	1	• • • VALVE, Check disc
8	9-102659	2	• • FITTING, 8 SAE TO -8 JIC
9	9-114583	1	• • FITTING, 90° (08 JICM - 08ORBM)
10	9-702798	1	• • FITTING, 90° (08ORBM- 08JICM)
11	9-125883	1	• • FITTING, 90° (04JICM-04ORBM)

---

# Section 9 – Standard and Optional Attachments

9.1

*Quick-Attach Carrier /  
Carriage & Forks*

9.7

*Carriage Bar*

9.2

*Side-Tilt Carriage Installation*

9.8

*Forks Positioner Carriage*

9.3

*48" & 60" Side Tilt Carriage -  
Internal Breakdown*

9.9

*Personnel Work Platform*

9.4

*72" Side-Tilt Carriage -  
Internal Breakdown*

9.10

*Truss Boom 12'*

9.5

*72" Swing Carriage Installation*

9.11

*Loader Bucket*

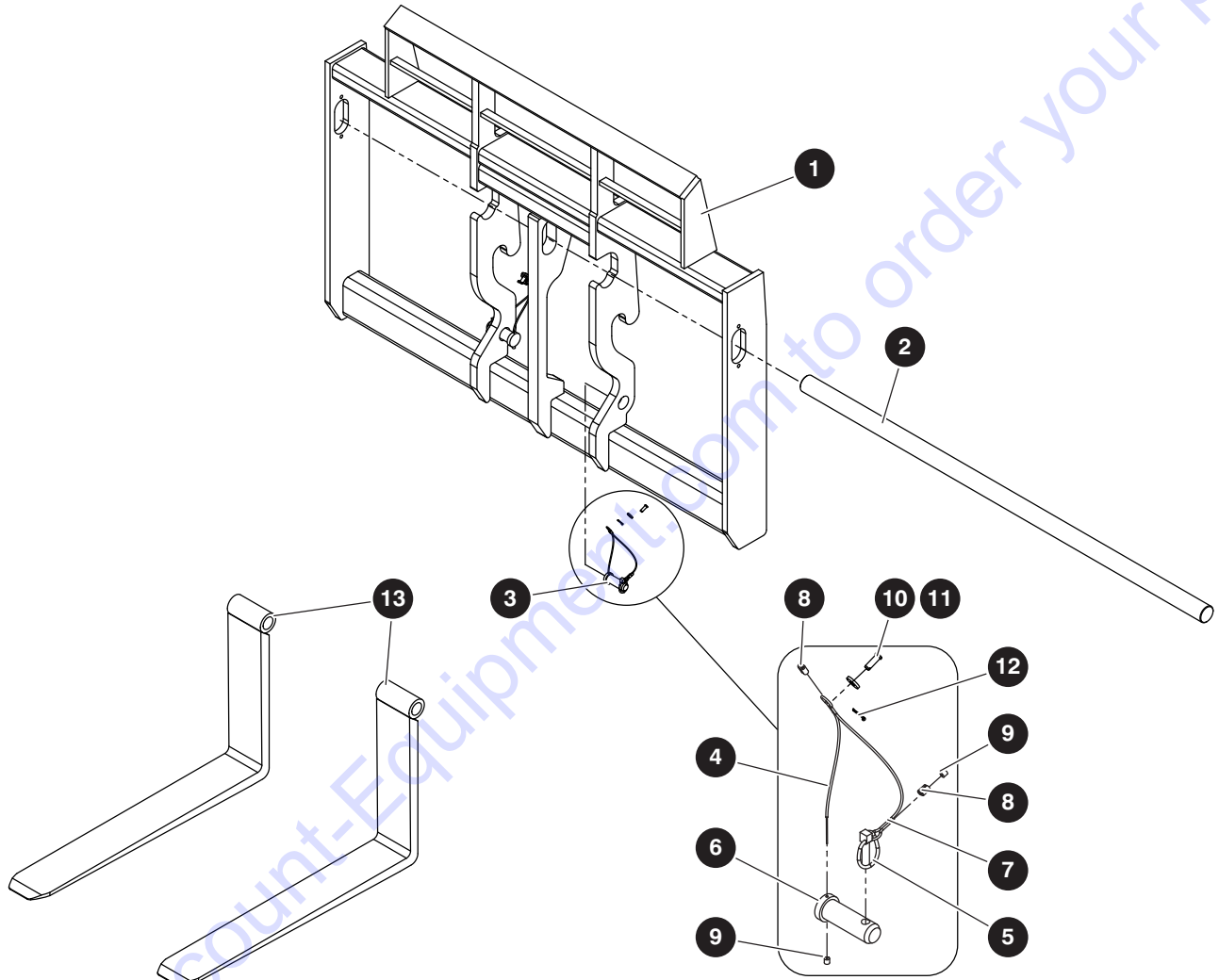
9.7

*72" Swing Carriage  
Components*

9.12

*2' Jib Boom*

## 9.1 Quick-Attach Carrier / Carriage & Forks



M930599

190125AG

**294**

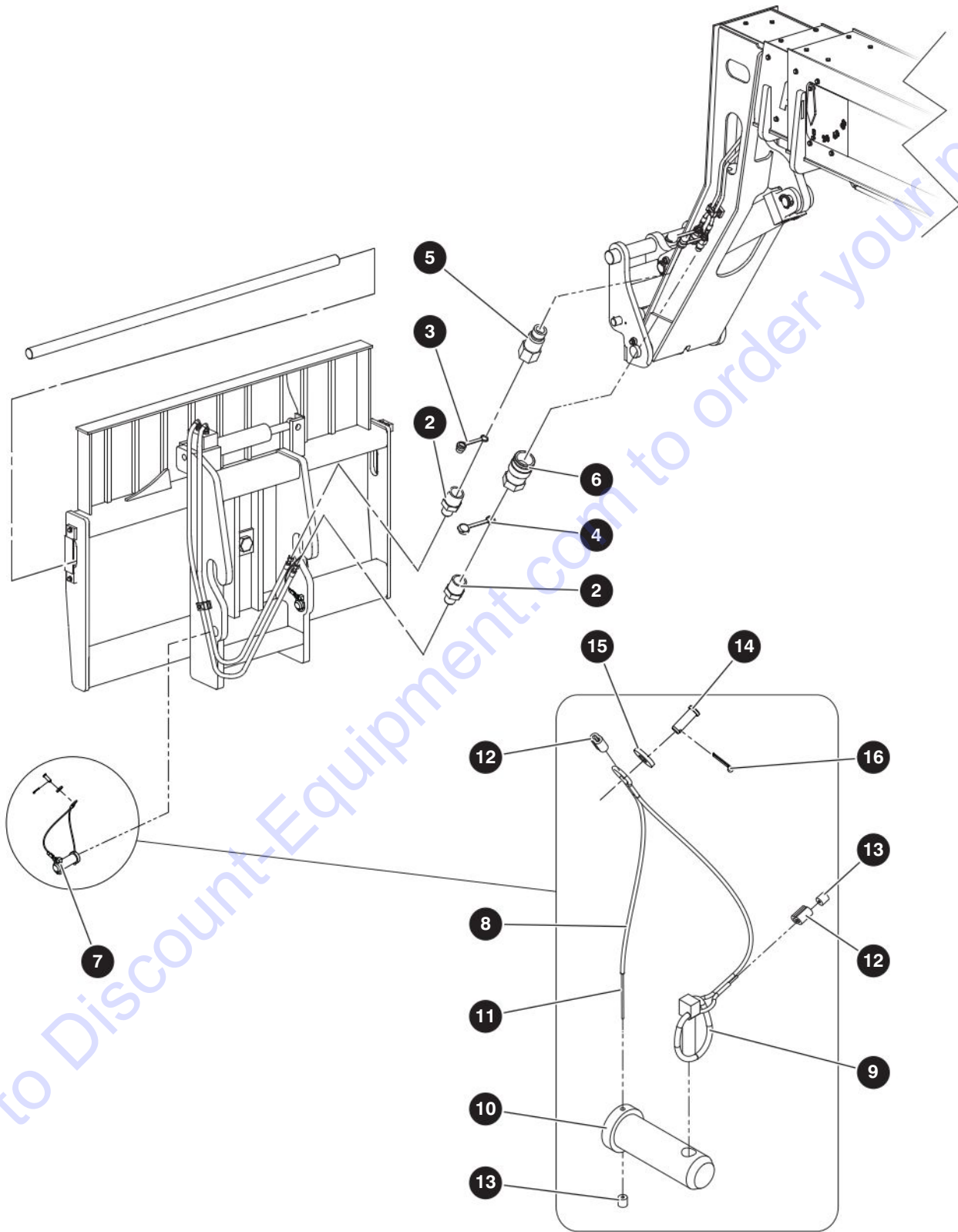
SJ643 TH, SJ843 TH

**SKYJACK**

## 9.1 Quick-Attach Carrier / Carriage & Forks

Index No.	Skyjack Part No.	Qty.	Description
<b>A</b>	9-930717	1	ASSEMBLY, CARRIAGE 48" QA
<b>B</b>	9-930714	1	ASSEMBLY, CARRIAGE 60" QA
<b>C</b>	9-930599	1	ASSEMBLY, CARRIAGE 72" QA
1	9-930718	1	• WELDMENT, Carriage 10K 48" QA - <b>A</b>
	9-930715	1	• WELDMENT, Carriage 10K 60" QA - <b>B</b>
	9-930600	1	• WELDMENT, Carriage 10K 72" QA - <b>C</b>
2	(Ref.)	1	• BAR, Forks 48" - <b>A</b> (For components, refer to Section 9.7)
	(Ref.)	1	• BAR, Forks 60" - <b>B</b> (For components, refer to Section 9.7)
	(Ref.)	1	• BAR, Forks 72" - <b>C</b> (For components, refer to Section 9.7)
3	9-923565	1	• ASSEMBLY, Teather pin 63mm QA
4	9-923562	2	• • ASSEMBLY, Teather pin 63mm
5	9-923135	1	• • • PIN, Lynch 7/16" X 1-3/4" long
6	9-923134	1	• • • PIN, Quick attach
7	9-923555	1	• • • TEATHER, Vinyl coated 22.5"
8	9-923558	2	• • • CLAMP, 1/8" oval compression sleeve
9	9-923559	2	• • • CLAMP, Stop compression sleeve
10	9-932646	2	• • PIN, Clevis
11	9-933735	2	• • WASHER, M10
12	9-933615	2	• • PIN, Cotter
13	-	1	ASSEMBLY, Forks
	9-929702	1	• FORKS, Standard taper 2.25 X 5 X 48
	9-929703	1	• FORKS, Standard taper 2.25 X 5 X 60
	9-921329	1	• FORKS, Standard taper 2.25 X 5 X 72
	9-920356	1	• FORKS, 2 X 4 X 48
	9-929700	1	• FORKS, Fully tapered 1.75 X 7 X 48
	9-207704	1	• BLOCK FORKS, 2 X 1.50 X 46
	9-922006	6	• • FORKS, 2 X 1.50 X 46
	9-220588	1	• FORK, 2.36 X 4 X 48 Standard Taper (Not for Fork Positioner Carriage)
	9-220587	1	• FORK, 2.36 X 4 X 48 Standard Taper (For Fork Positioner Carriage)
	9-220588	2	• • FORK, 2.36 X 4 X 48 Standard Taper (For Fork Positioner Carriage)
	9-220589	4	• • PLATE, Fork positioner carriage spacer

## 9.2 Side-Tilt Carriage Installation



M61089AA

190125AG

**296**

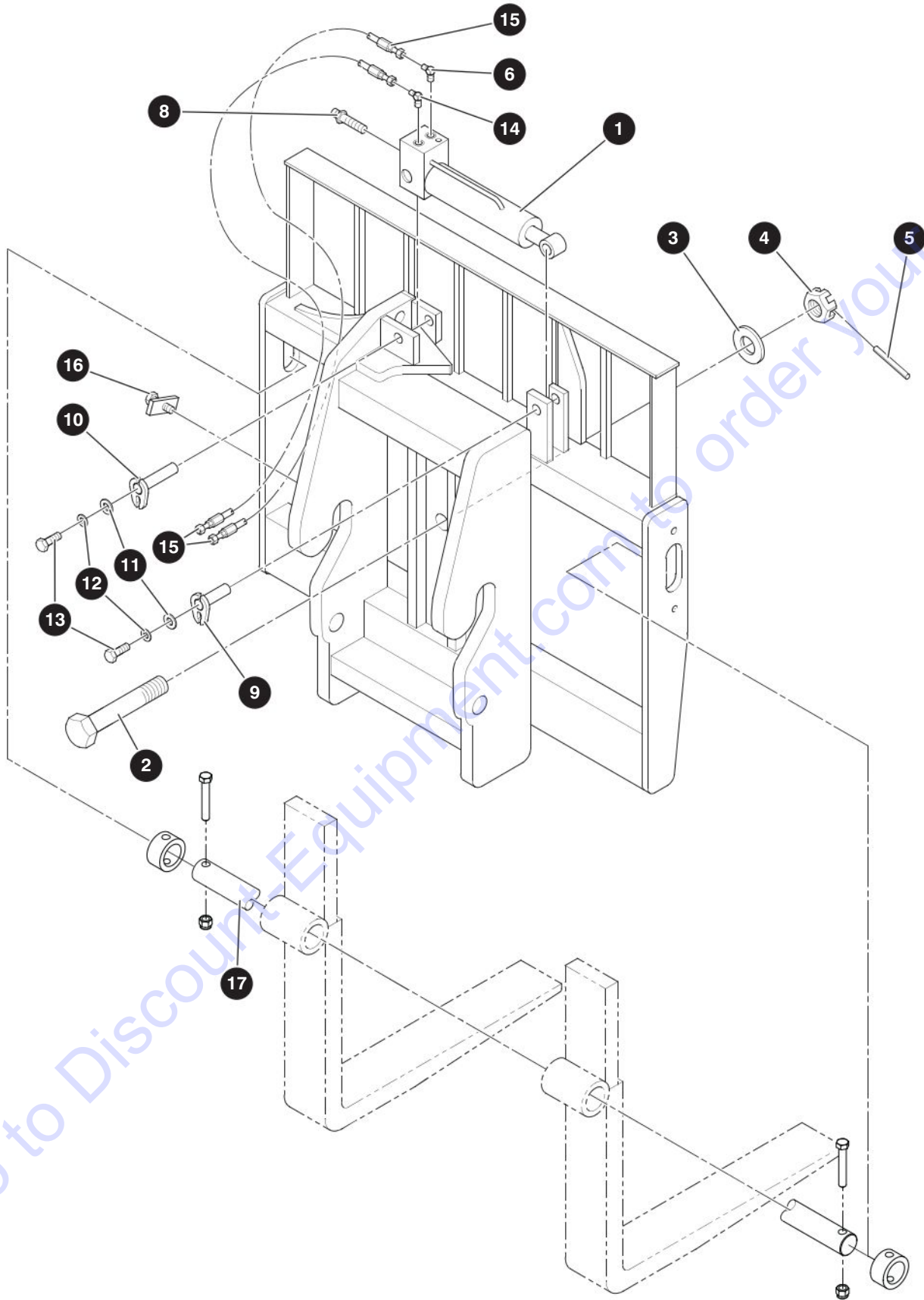
SJ643 TH, SJ843 TH

**SKYJACK**

## 9.2 Side-Tilt Carriage Installation

Index No.	Skyjack Part No.	Qty.	Description
<b>A</b>	9-927442	1	48" Side Tilt Carriage
<b>B</b>	9-927445	1	60" Side Tilt Carriage
-	(Ref.)	1	72" Side Tilt Carriage (For components, refer to Section 9.4)
1	(Ref.)	1	• CARRIAGE, 48" Side tilt quick attach - <b>A</b> (For components, refer to Section 9.3)
-	(Ref.)	1	• CARRIAGE, 60" Side tilt quick attach - <b>B</b> (For components, refer to Section 9.3)
2	9-933277	2	• FITTING, Straight (06 JICM) 10 SAE
3	9-926080	1	• CAP, Quick connect dust nipple
4	9-926079	1	• CAP, Quick connect dust coupler
5	9-206135	1	• COUPLING, Quick disconnect nipple
6	9-206134	1	• COUPLING, Quick disconnect (Flat-Faced)
7	9-923563	1	• ASSEMBLY, Teather pin 70 mm Quick Attach
8	9-923560	2	• • ASSEMBLY, Teather pin 70 mm
9	9-923135	1	• • • PIN, Lynch 7/16" X 1-3/4" long
10	9-923169	1	• • • PIN, Quick attach
11	9-923555	1	• • • TEATHER, Vinyl coated 22.5"
12	9-923558	2	• • • CLAMP, 1/8" oval compression sleeve
13	9-923559	2	• • • CLAMP, Stop compression sleeve
14	9-932646	2	• • PIN, Clevis
15	9-933735	2	• • WASHER, M10
16	9-933615	2	• • PIN, Cotter

### 9.3 48" & 60" Side Tilt Carriage - Internal Breakdown



M61090AA

190125AG

**298**

SJ643 TH, SJ843 TH

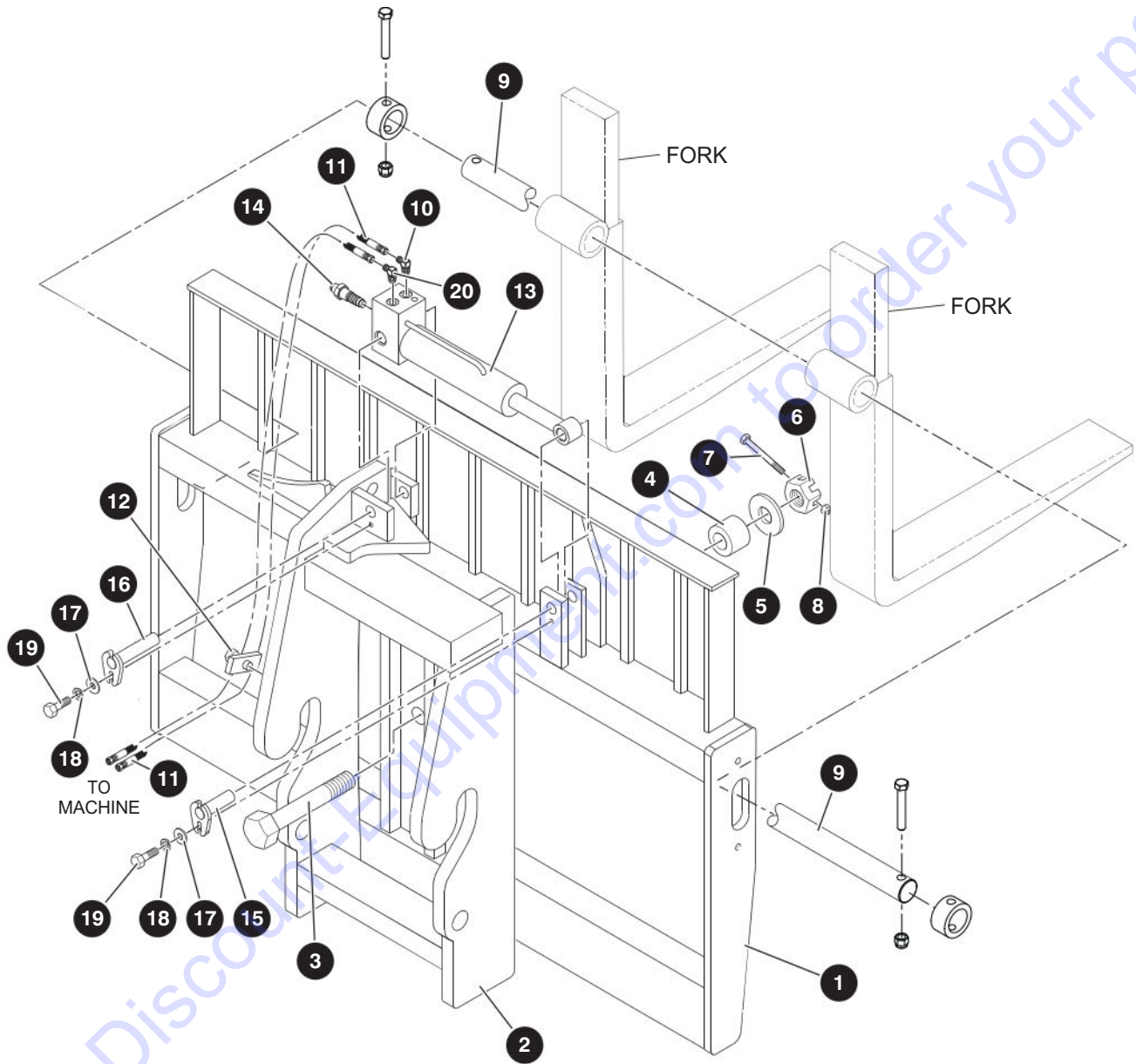
**SKYJACK**



### 9.3 48" & 60" Side Tilt Carriage - Internal Breakdown

Index No.	Skyjack Part No.	Qty.	Description
<b>A</b>	9-928838	1	48" Side Tilt Carriage
<b>B</b>	9-928840	1	60" Side Tilt Carriage
1	9-926325	1	• CYLINDER
-	9-929482	1	• • KIT, Seal
2	9-929483	1	• BOLT, Hex
3	9-929484	1	• WASHER, Flat
4	9-929485	1	• NUT, Castle
5	9-929486	1	• PIN, Split
6	9-929502	1	• FITTING With orifice
7	9-929500	1	• KIT, Hose (Not Shown)
8	9-929490	2	• VALVE, Center
-	9-929491	2	• • KIT, O-Ring
9	9-929492	1	• PIN, Locking
10	9-929493	1	• PIN, Locking
11	9-929494	2	• WASHER, Flat
12	9-929495	2	• WASHER, Lock
13	9-929496	2	• SCREW, Machine
14	9-929497	1	• FITTING, 90°
15	9-929498	2	• HOSE
16	9-929499	1	• CLAMP, Hose
17	(Ref.)	1	• BAR, Fork - <b>A</b> (For components, refer to Section 9.7)
	(Ref.)	1	• BAR, Fork - <b>B</b> (For components, refer to Section 9.7)

## 9.4 72" Side-Tilt Carriage - Internal Breakdown



M920601AC

190125AG

**300**

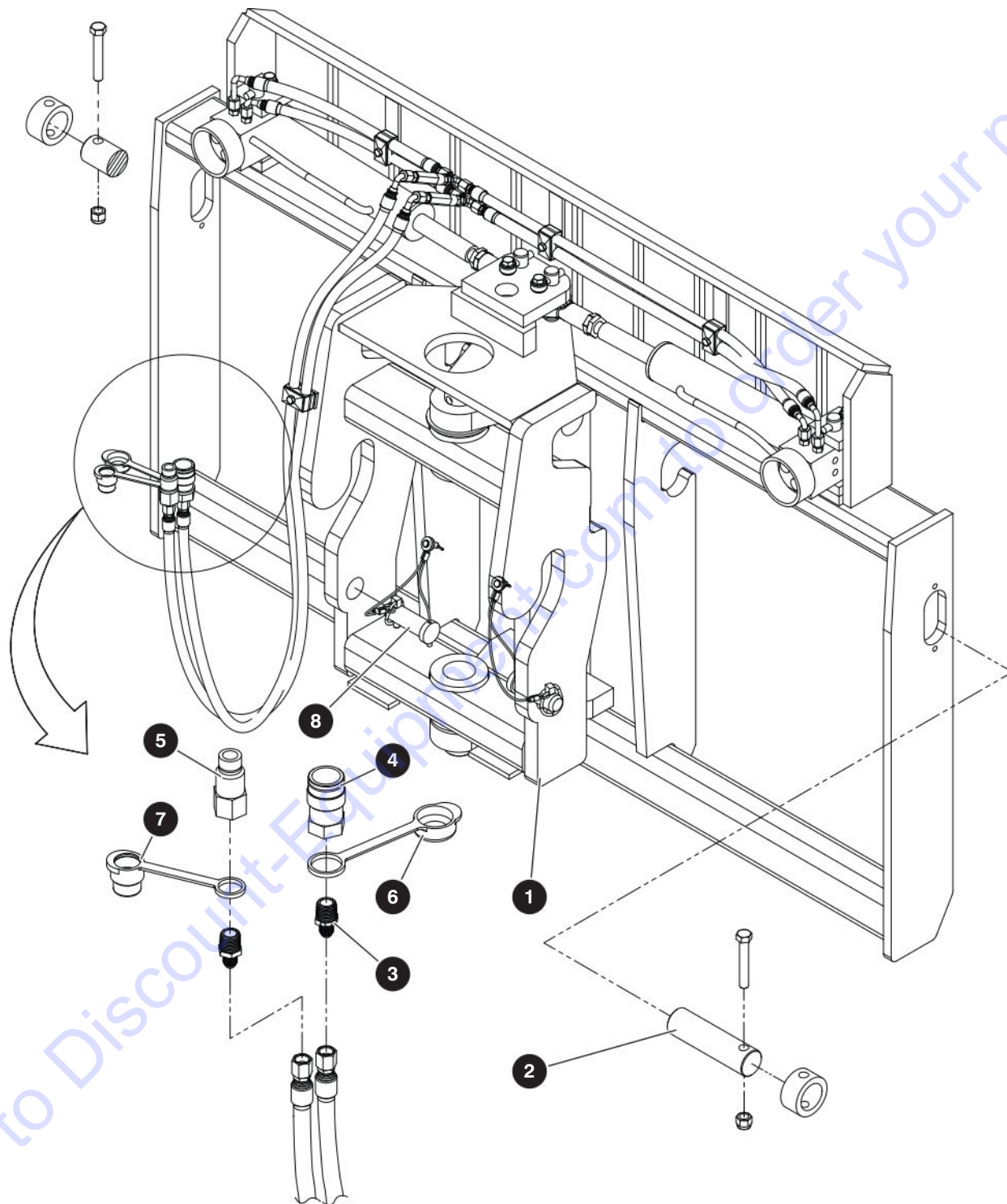
SJ643 TH, SJ843 TH

**SKYJACK**

## 9.4 72" Side-Tilt Carriage - Internal Breakdown

Index No.	Skyjack Part No.	Qty.	Description
-	9-920601	1	72" Side Tilt Carriage
1	9-922634	1	• FRAME, Front
2	9-922635	1	• FRAME, Rear
3	9-922636	1	• BOLT, Hex head
4	9-922637	1	• SPACER, Bearing
5	9-922638	1	• WASHER
6	9-922639	1	• NUT, Hex
7	9-922640	1	• SCREW, Hex head cap
8	9-922641	1	• NUT, Hex
9	(Ref.)	1	• BAR, Forks side tilt 72" <a href="#">(For components, refer to Section 9.7)</a>
10	9-922650	1	• FITTING
11	9-922651	2	• ASSEMBLY, Hose
12	9-922652	1	• CLAMP, Hose
13	9-922645	1	• Cylinder
-	9-922654	1	• • KIT, Cylinder packing
14	9-922646	2	• VALVE, Center
15	9-922647	1	• PIN, Locking
16	9-929493	1	• PIN, Locking
17	9-929494	2	• WASHER, Flat
18	9-929495	2	• WASHER, Lock
19	9-922648	2	• SCREW, Hex head
20	9-922649	1	• FITTING

## 9.5 72" Swing Carriage Installation



M920341AD-2

190125AG

**302**

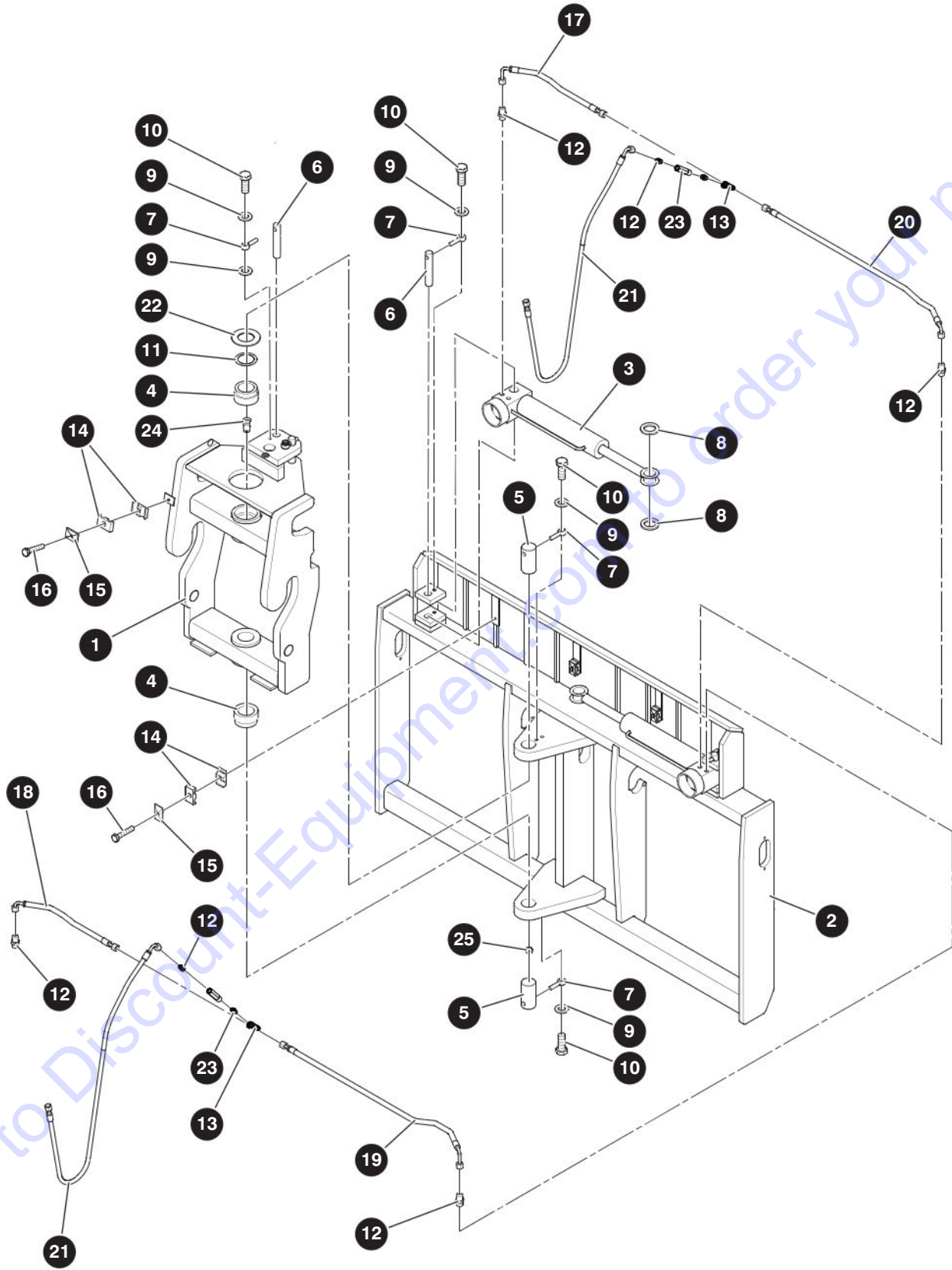
SJ643 TH, SJ843 TH

**SKYJACK**

## 9.5 72" Swing Carriage Installation

Index No.	Skyjack Part No.	Qty.	Description
-	9-920341	1	72" SWING CARRIAGE GROUP
1	(Ref.)	1	72" Swing Carriage Assembly (For components, refer to Section 9.6)
2	(Ref.)	1	• BAR, Forks 72" (For components, refer to Section 9.7)
3	9-933277	2	• Adapter
4	9-206134	1	• COUPLER, Quick disconnect
5	9-206135	1	• NIPPLE, Quick disconnect
6	9-926079	1	• CAP, Quick connect coupler dust
7	9-926080	1	• CAP, Quick connect nipple dust
8	9-923563	1	• ASSEMBLY, QA 70mm pin teather

## 9.6 72" Swing Carriage Components



M920340AD

190125AG

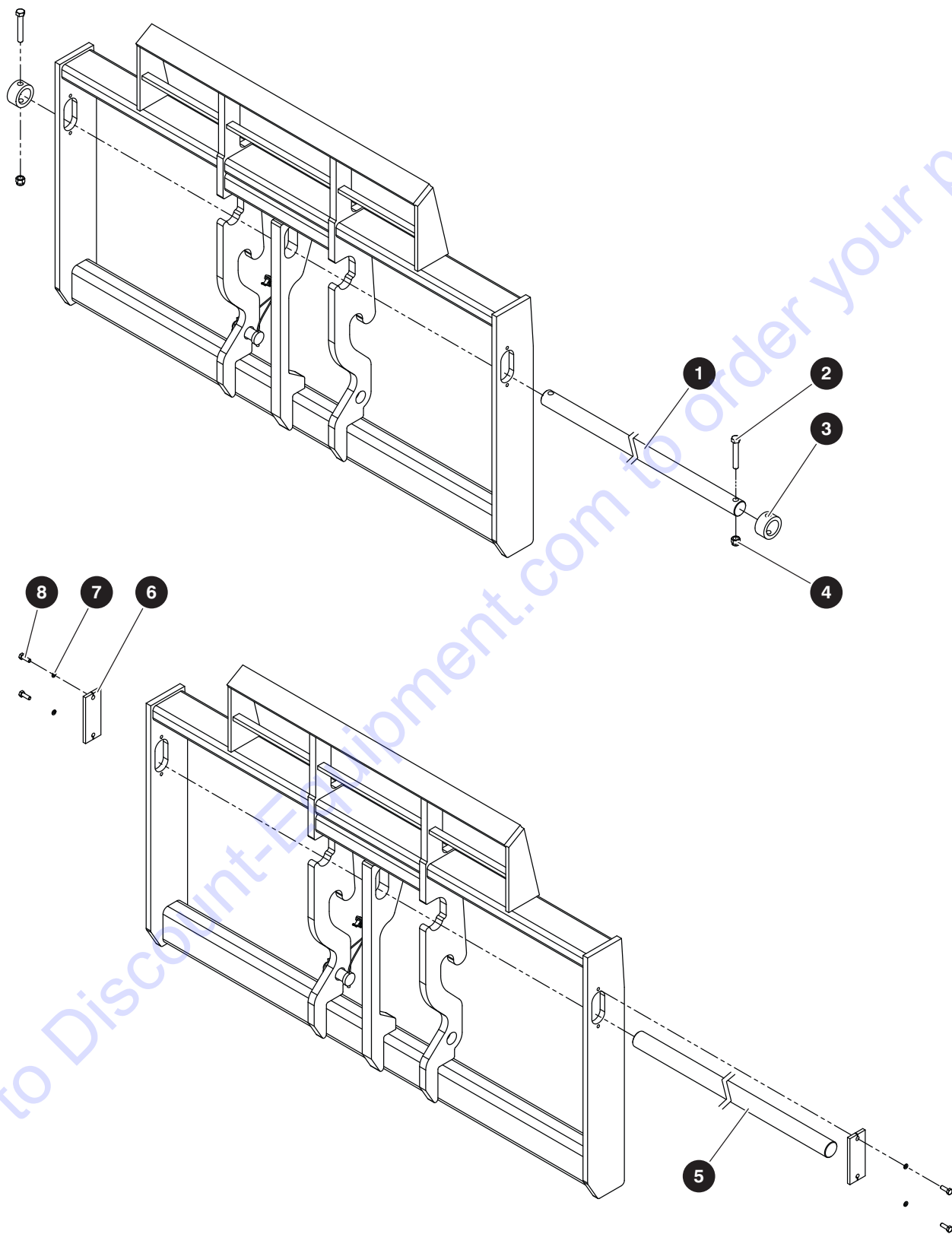
SJ643 TH, SJ843 TH

## 9.6 72" Swing Carriage Components

Index No.	Skyjack Part No.	Qty.	Description
-	9-920340	1	ASSEMBLY, SWING CARRIAGE 72"
1	9-930741	1	• SUPPORT, Carriage
2	9-930507	1	• Carriage
3	9-154882	2	• CYLINDER, Hydraulic
-	9-924967	4	• • CARTRIDGE
-	9-162680	2	• • KIT, Seal
-	9-199272	1	• • Rod End
4	9-923668	2	• BEARING
5	9-930515	2	• PIN
6	9-930516	4	• PIN
7	9-931568	6	• ANCHOR
8	9-932724	4	• WASHER, Flat
9	9-933817	2	• WASHER, Flat
10	9-933659	6	• SCREW, Hex head cap M12 x 1.75 x 30 CI 10.9 zinc
11	9-933516	1	• WASHER, Flat
12	9-103069	8	• FITTING, Straight connector (6 SAE 37 - 6 ORB)
13	9-933393	2	• TEE
14	9-933048	8	• CLAMP, Insert
15	9-932668	4	• PLATE, Cover
16	9-933770	4	• SCREW, Hex head cap M8 x 1.25 x 40 CI 8.8 zinc
17	9-923952	1	• Hose Assembly
18	9-923950	1	• Hose Assembly
19	9-923953	1	• Hose Assembly
20	9-923951	1	• Hose Assembly
21	9-930742	2	• Hose Assembly
22	9-931627	1	• WASHER, Thrust
23	9-920339	2	• VALVE, Flow control
24	9-933283	2	• FITTING, Grease
25	9-933630	6	• WASHER, Structural M12 hard



## 9.7 Carriage Bar



M190456\_M930598\_M929700\_Bars

190125AG

**306**

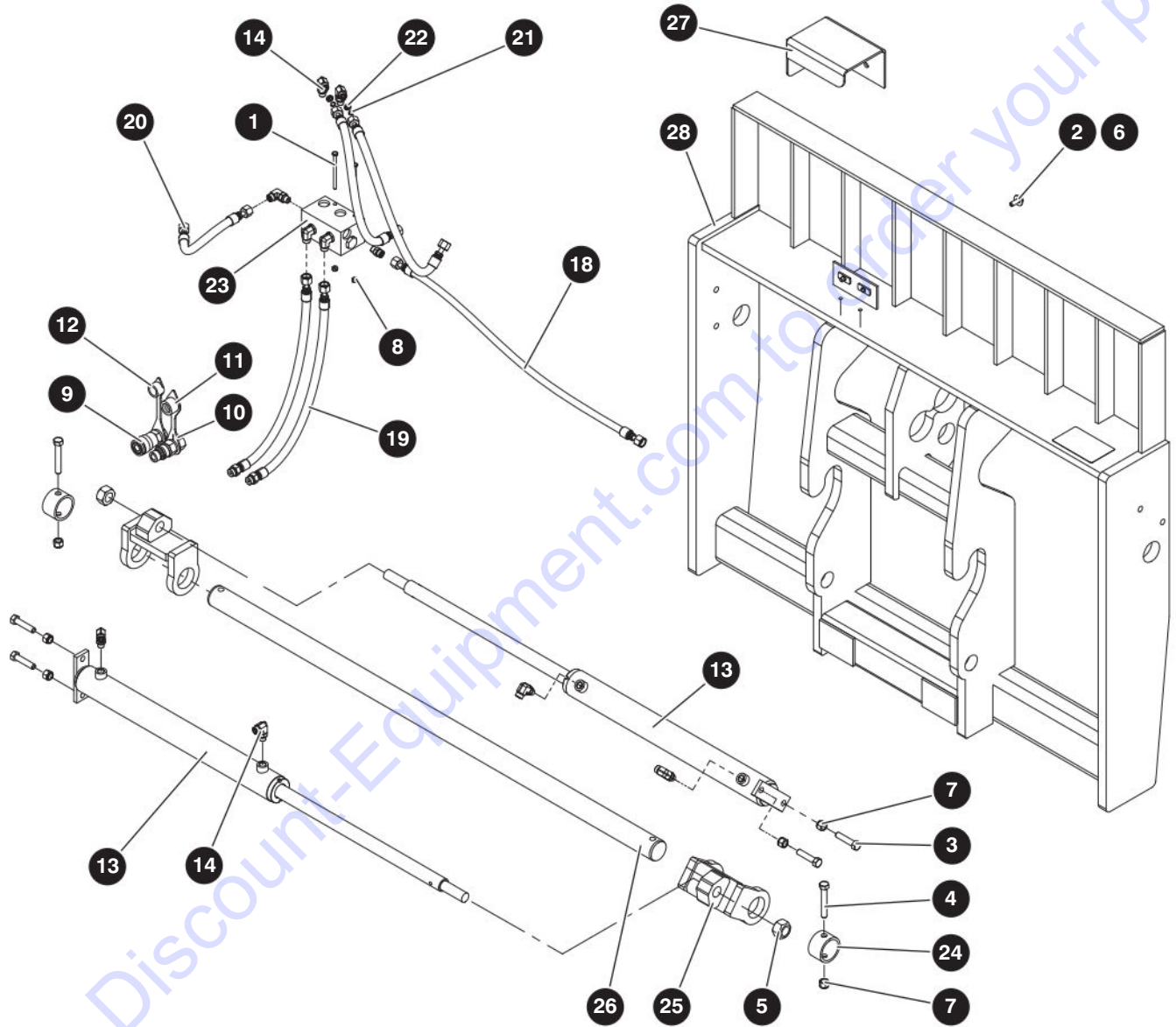
SJ643 TH, SJ843 TH

**SKYJACK**

## 9.7 Carriage Bar

Index No.	Skyjack Part No.	Qty.	Description
1	9-198948	1	• BAR, Forks 48" carriage (51-1/2" long)
	9-199023	1	• BAR, Forks 60" carriage (63-1/2" long)
	9-199026	1	• BAR, Forks 72" carriage (75-1/2" long)
	9-199418	1	• BAR, Forks Side tilt Load 72" carriage (77" long)
2	9-192219	2	• BOLT, Hex head 5/8"-11 x 4" grade 8
3	9-198937	2	• COLLAR, 2" Fork bar
4	9-111577	2	• NUT, Lock with nylon insert 5/8"-11 grade 5
5	9-924110	1	• BAR, Forks 48" carriage (47-3/4" long)
	9-924109	1	• BAR, Forks 60" carriage (59-3/4" long)
	9-924108	1	• BAR, Forks 72" carriage (71-3/4" long)
	9-921630	1	• BAR, Forks Side tilt Load 72" carriage
6	9-931425	2	• PLATE
7	9-116218	4	• WASHER, Lock M8 plated DIN 127B
8	9-933634	4	• BOLT, Hex head cap M10 X 1-1/2" X 30mm CL 8.8YE

## 9.8 Forks Positioner Carriage



M206173AB

190125AG

**308**

SJ643 TH, SJ843 TH

**SKYJACK**

# PARTS FINDER

**Search Website  
by Part Number**



**Search Manual  
Library For Parts  
Manual & Lookup Part  
Numbers – Purchase  
or Request Quote**

**Search Manuals**

Enter your information to help us find the right parts manual for your machine.

\* Brand:

\* Model:

\* Serial:

\* Part Number:

SEARCH

**Can't Find Part or  
Manual? Request Help  
by Manufacturer,  
Model & Description**

**Parts Order Form**

Please fill in the following information to help us find the right part for your machine.

Manufacturer:	<input type="text"/>
Model:	<input type="text"/>
Description:	<input type="text"/>
Part Number:	<input type="text"/>
Quantity:	<input type="text"/>
Notes:	<input type="text"/>

Discount-Equipment.com is your online resource for quality parts & equipment.

Florida: **561-964-4949** Outside Florida TOLL FREE: **877-690-3101**

**Need parts?**

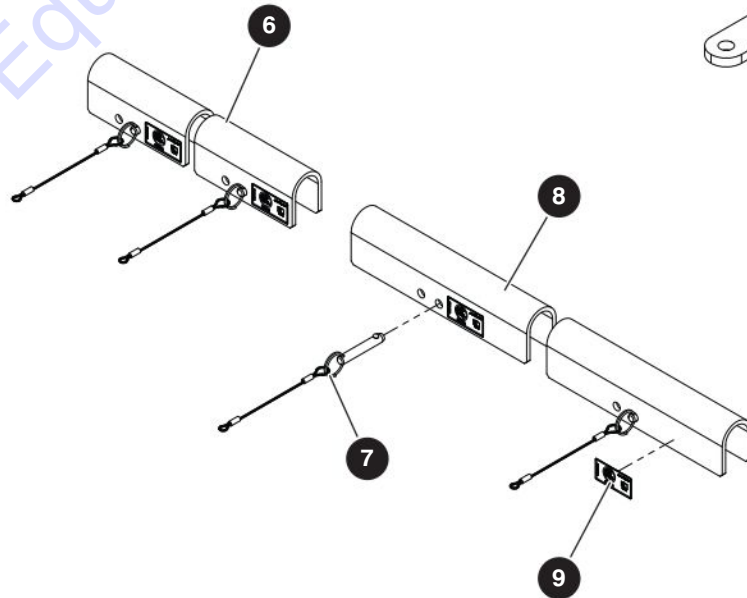
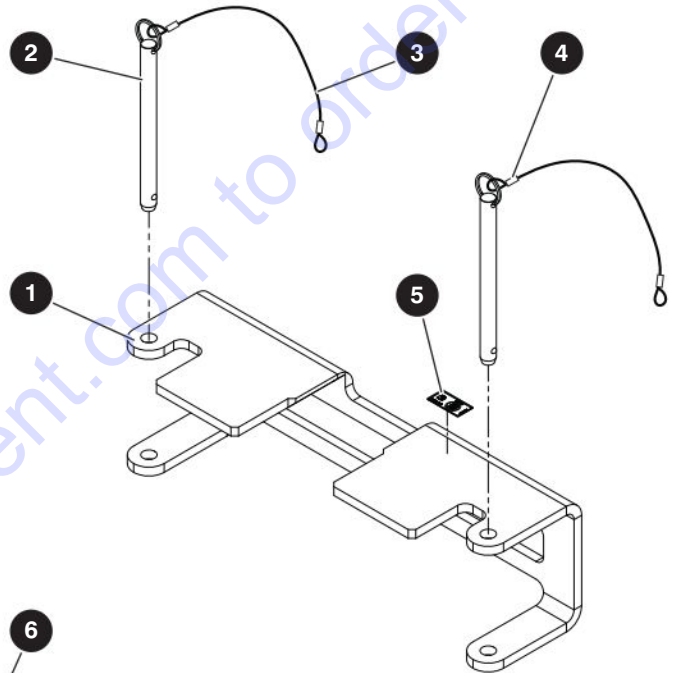
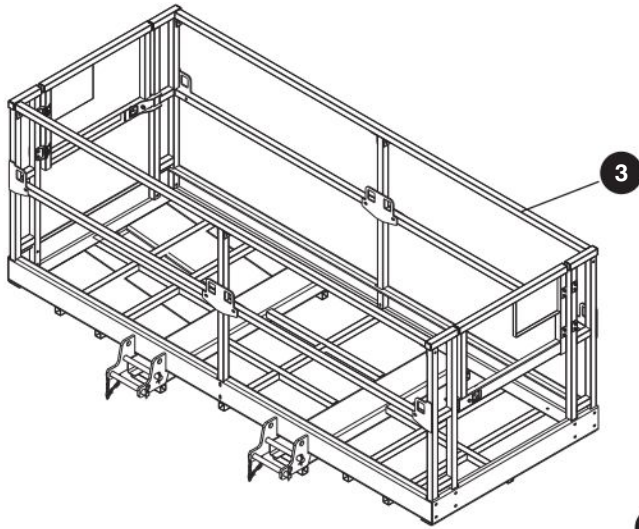
Click on this link: <http://www.discount-equipment.com/category/5443-parts/> and choose one of the options to help get the right parts and equipment you are looking for. Please have the machine model and serial number available in order to help us get you the correct parts. If you don't find the part on the website or on one of the online manuals, please fill out the request form and one of our experienced staff members will get back to you with a quote for the right part that your machine needs.

We sell worldwide for the brands: Genie, Terex, JLG, MultiQuip, Mikasa, Essick, Whiteman, Mayco, Toro Stone, Diamond Products, Generac Magnum, Airman, Haulotte, Barreto, Power Blanket, Nifty Lift, Atlas Copco, Chicago Pneumatic, Allmand, Miller Curber, Skyjack, Lull, Skytrak, Tsurumi, Husquvarna Target, Stow, Wacker, Sakai, Mi-T-M, Sullair, Basic, Dynapac, MBW, Weber, Bartell, Bennar Newman, Haulotte, Ditch Runner, Menegotti, Morrison, Contec, Buddy, Crown, Edco, Wyco, Bomag, Laymor, EZ Trench, Bil-Jax, F.S. Curtis, Gehl Pavers, Heli, Honda, ICS/PowerGrit, IHI, Partner, Imer, Clipper, MMD, Koshin, Rice, CH&E, General Equipment, Amida, Coleman, NAC, Gradall, Square Shooter, Kent, Stanley, Tamco, Toku, Hatz, Kohler, Robin, Wisconsin, Northrock, Oztec, Toker TK, Rol-Air, APT, Wylie, Ingersoll Rand / Doosan, Innovatech, Con X, Ammann, Mecalac, Makinex, Smith Surface Prep, Small Line, Wanco, Yanmar

## 9.8 Forks Positioner Carriage

Index No.	Skyjack Part No.	Qty.	Description
-	9-206173		FORK POSITIONER CARRIAGE
1	9-137616	2	BOLT, Hex head 1/4"-20 UNC x 3-3/4"
2	9-103473	2	BOLT, Hex head 3/8"-16 UNC x 1" GR5
3	9-103902	4	BOLT, Hex head 1/2"-13 x 2-1/4"
4	9-103469	2	CAPSCREW, Hex 1/2" x 3-1/4" GR5
5	9-216710	2	NUT, 1"-14 UNS deformed hex
6	9-929495	2	WASHER, Flat, 3/8"
7	9-702507	6	NUT, Lock with nylon insert, 1/2-13 UNC
8	9-115649	2	NUT, Lock with nylon insert, 1/4"-20 UNC
9	9-206134	1	COUPLING, Quick disconnect - female 1/2"
10	9-206135	1	COUPLING, Quick disconnect - male 1/2"
11	9-926080	1	DUST CAP, Quick connect
12	9-926079	1	DUST CAP, Quick connect coupler
13	9-216717	2	CYLINDER, 2.00 x 1.25 x 18.25
14	9-216718	9	ELBOW, 6MFS-6MBO
15	9-216719	1	CONNECTOR, STR, 6MBO-6MFS
16	9-216720	1	HOSE, .38 x 24 6FFS-6FFS 100R2AT
17	9-216721	1	HOSE, .38 x 21 6FFS-6FFS 100R17
18	9-216722	1	HOSE, .38 x 37 6FFS-6FFS 100R2AT HS
19	9-216723	2	HOSE, .38 x 66 6FFS-8MB 100R2AT HS
20	9-216724	1	HOSE, .38 x 16 6FFS-6FFS 4K
21	9-216725	2	O-RING, 2-012
22	9-216726	2	ORIFICE .039 DIA
23	9-216727	1	VALVE FLOW DIVIDER W/PO CHECK
24	9-198937	2	COLLAR, 2.00" ROD
25	9-216728	2	ADAPTER, FORK, 2" SHAFT
26	9-216729	1	PIN, FORK, 2.00 x 56.25 DRILLED
27	9-216730	1	PLATE, BENT, .19 x 10.95 x 12.23
28	9-216731	1	FRAME, 53" FORK POSITIONER

## 9.9 Personnel Work Platform



M217961-PL

190125AG

**310**

SJ643 TH, SJ843 TH

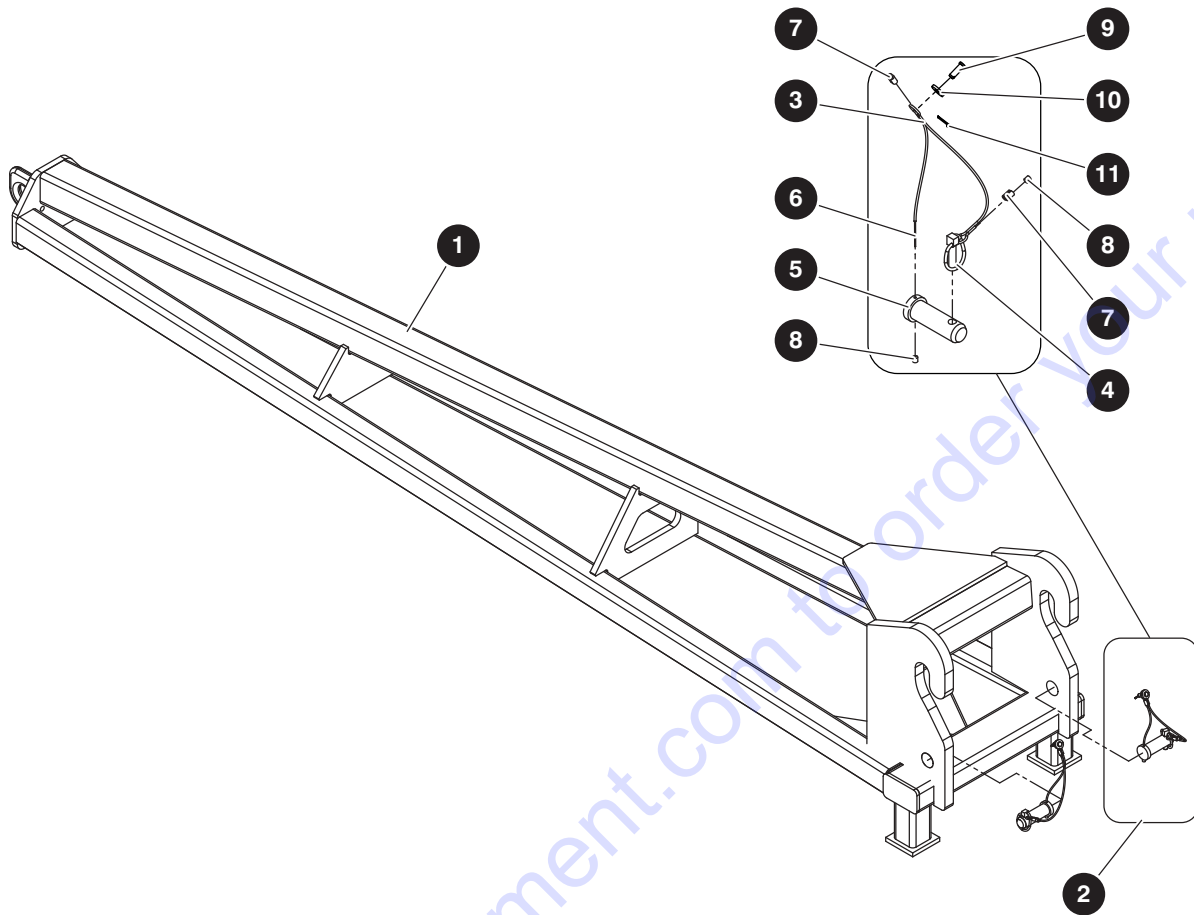
**SKYJACK**

## 9.9 Personnel Work Platform

Index No.	Skyjack Part No.	Qty.	Description
-	9-217910	1	LOCK ASSEMBLY, SIDE TILT CARRIAGE
1	9-217914	1	• LOCK, Side tilt carriage
2	9-217918	2	• PIN, Quick release - 3/4" OD x 8" LG
3	9-923555	2	• TETHER, 22.5" Vinyl coated
4	9-923558	4	• SLEEVE , Compression, 1/8" oval
5	9-172963	1	• LABEL, Tilt, "Refer to manual 217961"
-	9-217912	1	LOCK ASSEMBLY, SWING CARRIAGE
6	9-217902	2	• LOCK, Swing carriage, 6k to 10k models
7	9-124547	4	• PIN, Quick rel small loop
8	9-217919	2	• LOCK, Swing carriage, 12k models
9	9-172964	4	• LABEL, Swing, "Refer to manual 217961"



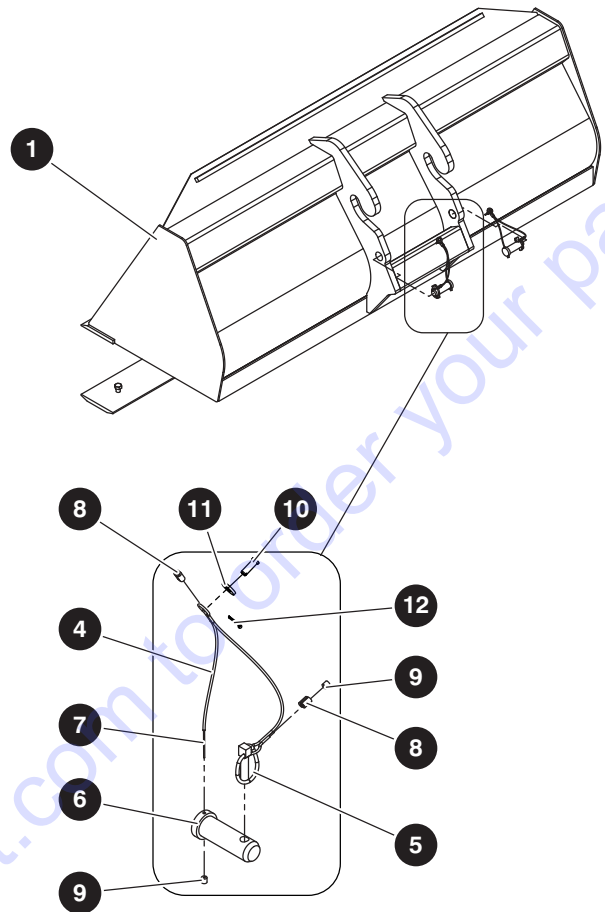
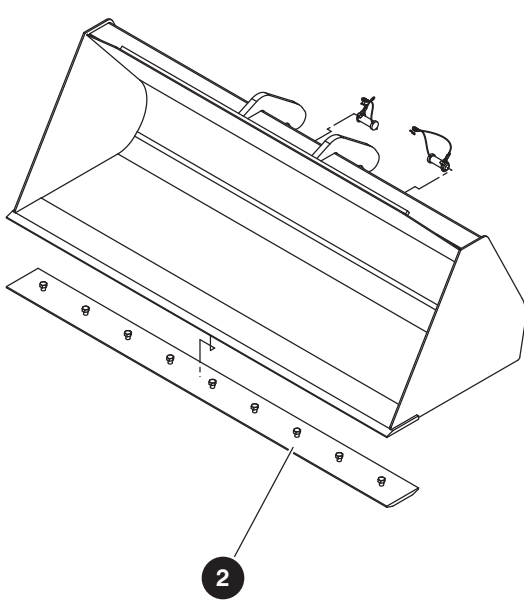
## 9.10 Truss Boom 12'



M927448AB

Index No.	Skyjack Part No.	Qty.	Description
-	9-927448	1	BOOM GROUP, 12 FOOT TRUSS
1	9-928825	1	• BOOM, 12 foot Truss
2	9-923563	1	• ASSEMBLY, Teather pin 70 mm Quick Attach
3	9-923560	2	• • ASSEMBLY, Teather pin 70 mm
4	9-923135	1	• • • PIN, Lynch 7/16" X 1-3/4" long
5	9-923169	1	• • • PIN, Quick attach
6	9-923555	1	• • • TEATHER, Vinyl coated 22.5"
7	9-923558	2	• • • CLAMP, 1/8" oval compression sleeve
8	9-923559	2	• • • CLAMP, Stop compression sleeve
9	9-932646	2	• • PIN, Clevis
10	9-933735	2	• • WASHER, M10
11	9-933615	2	• • PIN, Cotter

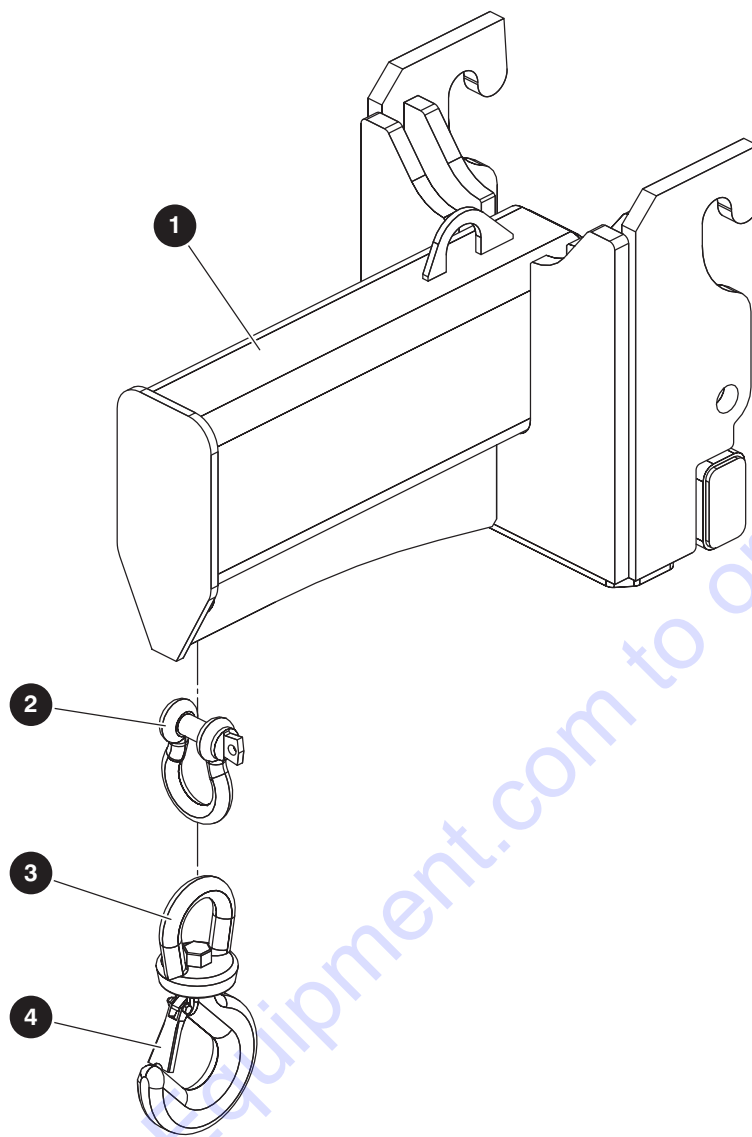
## 9.11 Loader Bucket



M927450AC

Index No.	Skyjack Part No.	Qty.	Description
-	9-927450	1	BUCKET, 1.75 Cubic yard
1	9-927451	1	• BUCKET, 1.75 Cubic yard
2	9-160484	1	• PLATE, Cutting edge 96" bolt on
3	9-923563	1	• ASSEMBLY, Teather pin 70 mm Quick Attach
4	9-923560	2	• • ASSEMBLY, Teather pin 70 mm
5	9-923135	1	• • • PIN, Lynch 7/16" X 1-3/4" long
6	9-923169	1	• • • PIN, Quick attach
7	9-923555	1	• • • TEATHER, Vinyl coated 22.5"
8	9-923558	2	• • • CLAMP, 1/8" oval compression sleeve
9	9-923559	2	• • • CLAMP, Stop compression sleeve
10	9-932646	2	• • PIN, Clevis
11	9-933735	2	• • WASHER, M10
12	9-933615	2	• • PIN, Cotter

## 9.12 2' Jib Boom



M61103AA

Index No.	Skyjack Part No.	Qty.	Description
-	9-156748	-	ASSEMBLY, 2' Jib Boom (10,000 lb. Capacity)
1	9-156738	1	• WELDMENT, 2' Jib Boom
2	9-402653	1	• SHACKLE, 1.00" Nominal
3	9-402654	1	• HOOK, Swivel
4	9-414327	1	• LATCH KIT, Safety Swivel Hook

---

## Section 10 – Factory Options

**10.1** *Boom Lights*

**10.2** *Boom Lights Harness*

**10.3** *Work Lights*

**10.4** *Work Lights Harness*

**10.5** *Road Lights*

**10.6** *Road Lights Harness*

**10.7** *Oil Quick Drain*

**10.8** *Positive Air Shut Off*

**10.9** *Positive Air Shut Off Harness*

**10.10** *Remote Axle Grease*

**10.11** *Reserve Brake*

**10.12** *Cold Weather Package*

**10.13** *4 Wheel Fender*

**10.14** *Beacon Light Assembly*

**10.15** *Pintle Hook*

**10.16** *Fire Extinguisher*

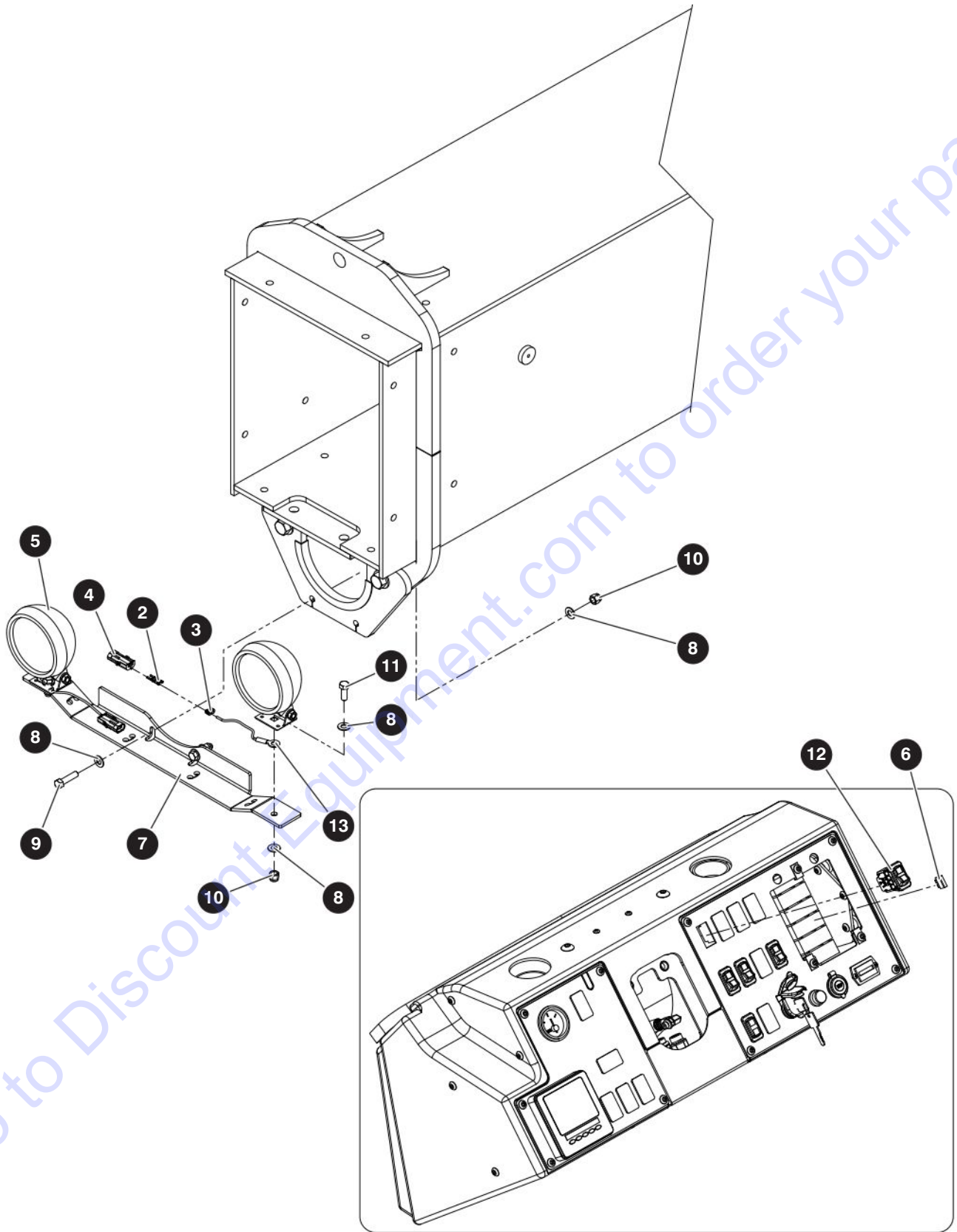
**10.17** *Backup Camera and Sensor*

**10.18** *Backup Sensor*

**10.19** *Elevate Telematics*

**10.20** *Elevate Telematics Harness*

# 10.1 Boom Lights



M197109AC

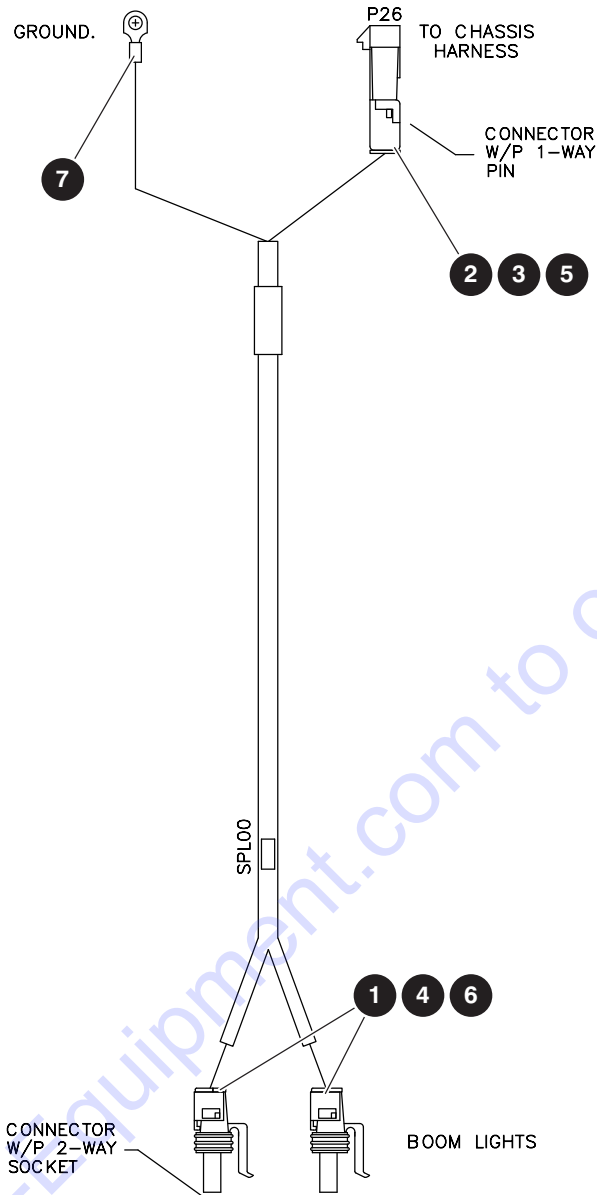
190125AG

SJ643 TH, SJ843 TH

## 10.1 Boom Lights

Index No.	Skyjack Part No.	Qty.	Description
-	9-197109	1	ASSEMBLY, BOOM LIGHTS
1	(Ref.)	1	<ul style="list-style-type: none"> <li>HARNESSES, Boom light (Not Shown)</li> </ul> (For components, refer to Section 10.2)
2	9-932899	2	<ul style="list-style-type: none"> <li>CONNECTOR</li> </ul>
3	9-932898	4	<ul style="list-style-type: none"> <li>SEAL, Cable (packard connection)</li> </ul>
4	9-932897	4	<ul style="list-style-type: none"> <li>PIN, Male (packard connector)</li> </ul>
5	9-407592	2	<ul style="list-style-type: none"> <li>HEAD LIGHT, Halogen</li> </ul>
6	9-156203	1	<ul style="list-style-type: none"> <li>FUSE, 10A</li> </ul>
7	9-209359	1	<ul style="list-style-type: none"> <li>BRACKET, Boom light</li> </ul>
8	9-103472	9	<ul style="list-style-type: none"> <li>WASHER, 13/32" ID X 13/16" OD X 1/16" zinc</li> </ul>
9	9-103870	2	<ul style="list-style-type: none"> <li>BOLT, Hex head 3/8"-16 X 1-1/2" Gr. 5</li> </ul>
10	9-104606	5	<ul style="list-style-type: none"> <li>NUT, Lock with nylon insert 3/8"-16 Gr. 5</li> </ul>
11	9-103473	2	<ul style="list-style-type: none"> <li>BOLT, Hex head 3/8"-16 X 1" Gr. 5</li> </ul>
12	9-191455	1	<ul style="list-style-type: none"> <li>SWITCH, Boomlight-haz-posi</li> </ul>
13	9-152136	2	<ul style="list-style-type: none"> <li>WIRE, Work light ground</li> </ul>
14	9-197110	1	<ul style="list-style-type: none"> <li>INSTRUCTIONS, Boom lights installation (Not Shown)</li> </ul>

## 10.2 Boom Lights Harness

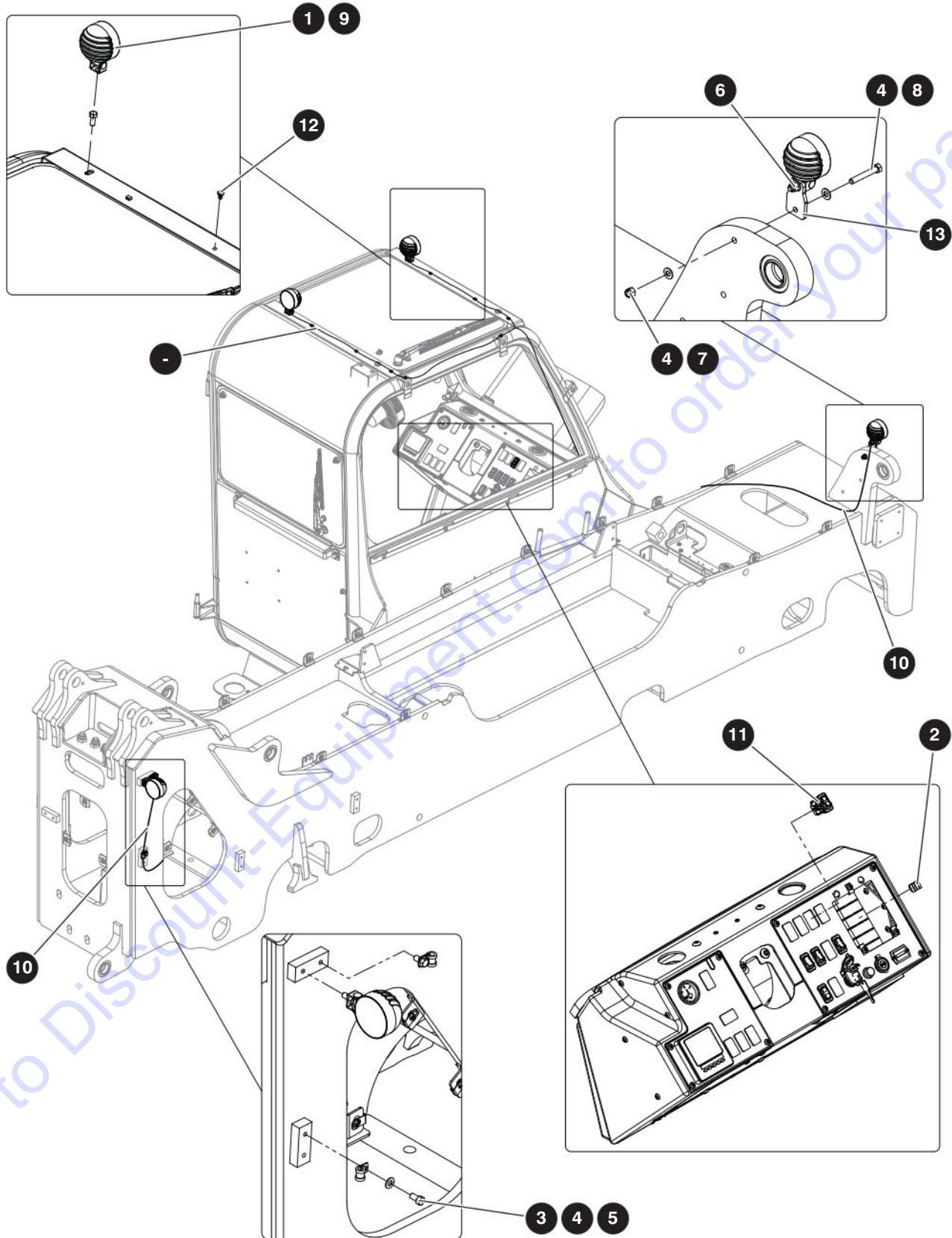


M190288AC

Index No.	Skyjack Part No.	Qty.	Description
-	9-190288	1	HARNESS, BOOM LIGHTS HARNESS
1	9-124036	2	CONNECTOR, 2F W/P
2	9-156106	1	CONNECTOR ,1M W/P
3	9-156116	2	TERMINAL, Male sealed (3.0-2.0 mm <sup>2</sup> ), W/P
4	9-156137	4	TERMINAL, Female sealed (2.0-1.0 mm <sup>2</sup> ), W/P
5	9-156147	2	WIRE, Seal gray (3.5-2.8 mm), 280 M/P
6	9-124369	4	WIRE, Seal green (2.9-2.0 mm), 280 M/P
7	9-108172	1	TERMINAL, 3/8" Ring vinyl-ins yellow (12-10AWG)



# 10.3 Work Lights



M191603AB-2

190125AG

322

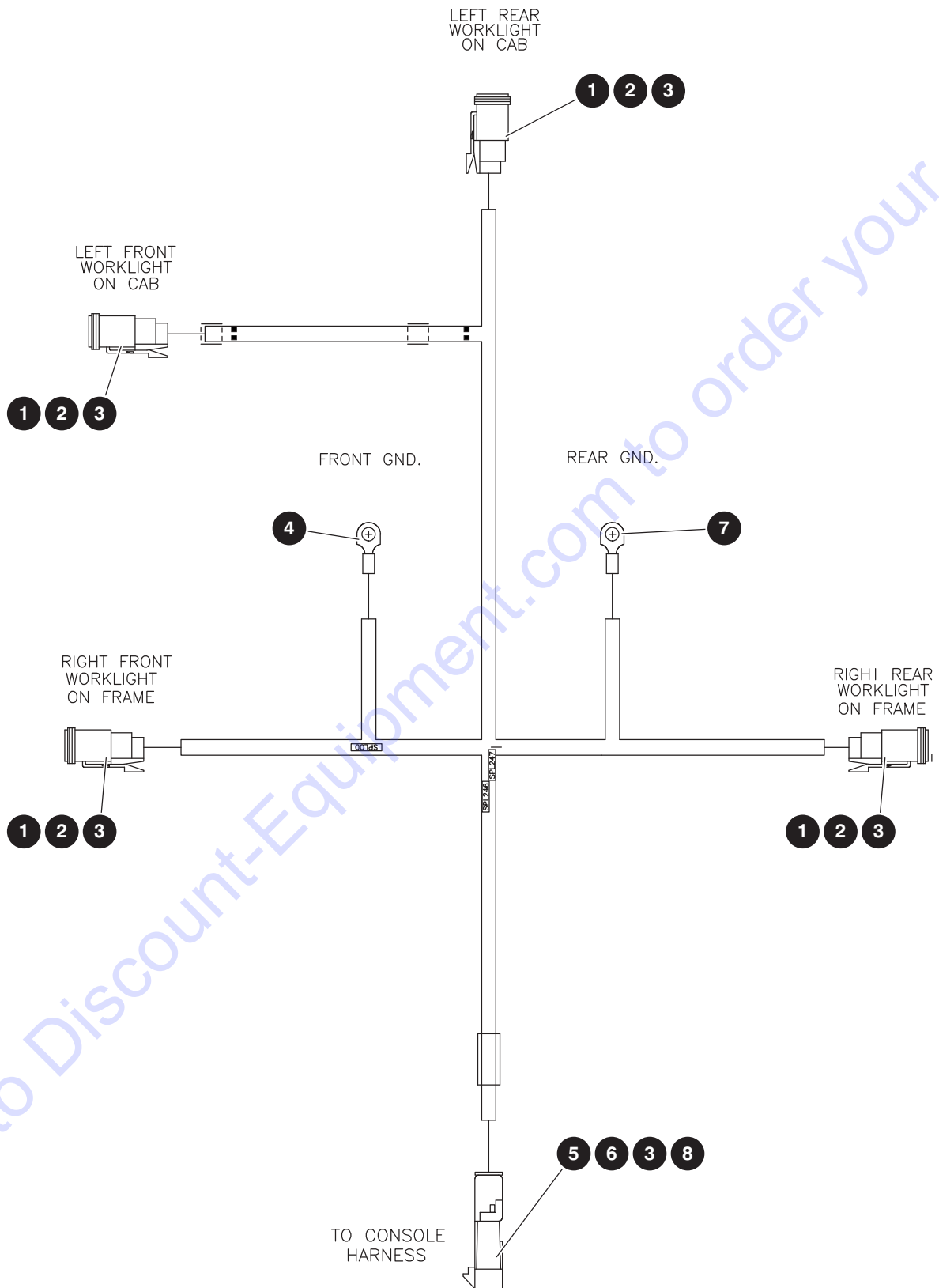
SJ643 TH, SJ843 TH

SKYJACK

## 10.3 Work Lights

Index No.	Skyjack Part No.	Qty.	Description
-	9-197107	1	ASSEMBLY, WORK LIGHTS
1	9-171888	4	• LAMP, Work lamp
2	9-156203	1	• FUSE, 10A
3	9-931964	2	• CLAMP, Tube 3/8"
4	9-103472	6	• WASHER, Flat 3/8" SAE
5	9-101632	3	• BOLT, Hex head 3/8"-16 X 3/4" Gr. 5
6	9-103473	1	• BOLT, Hex head 3/8"-16 X 1" Gr. 5
7	9-104606	3	• NUT, Lock with nylon insert 3/8"-16 Gr. 5
8	9-103873	1	• BOLT, Hex head 3/8"-16 X 2-1/2" Gr. 5
9	9-300437	2	• BOLT, Hex head 3/8"-16 X 7/8" Gr. 5
10	(Ref.)	1	• HARNESS, Work light (For components, refer to Section 10.4)
11	9-191457	1	• SWITCH, 4 wheel/crab-turn-work light
12	9-191865	8	• PUSH MOUNT 1/4"
13	9-190597	1	• PLATE, Light mount
14	9-197108	1	• INSTRUCTIONS, Work lights installation

# 10.4 Work Lights Harness



M190231AB

190125AG

324

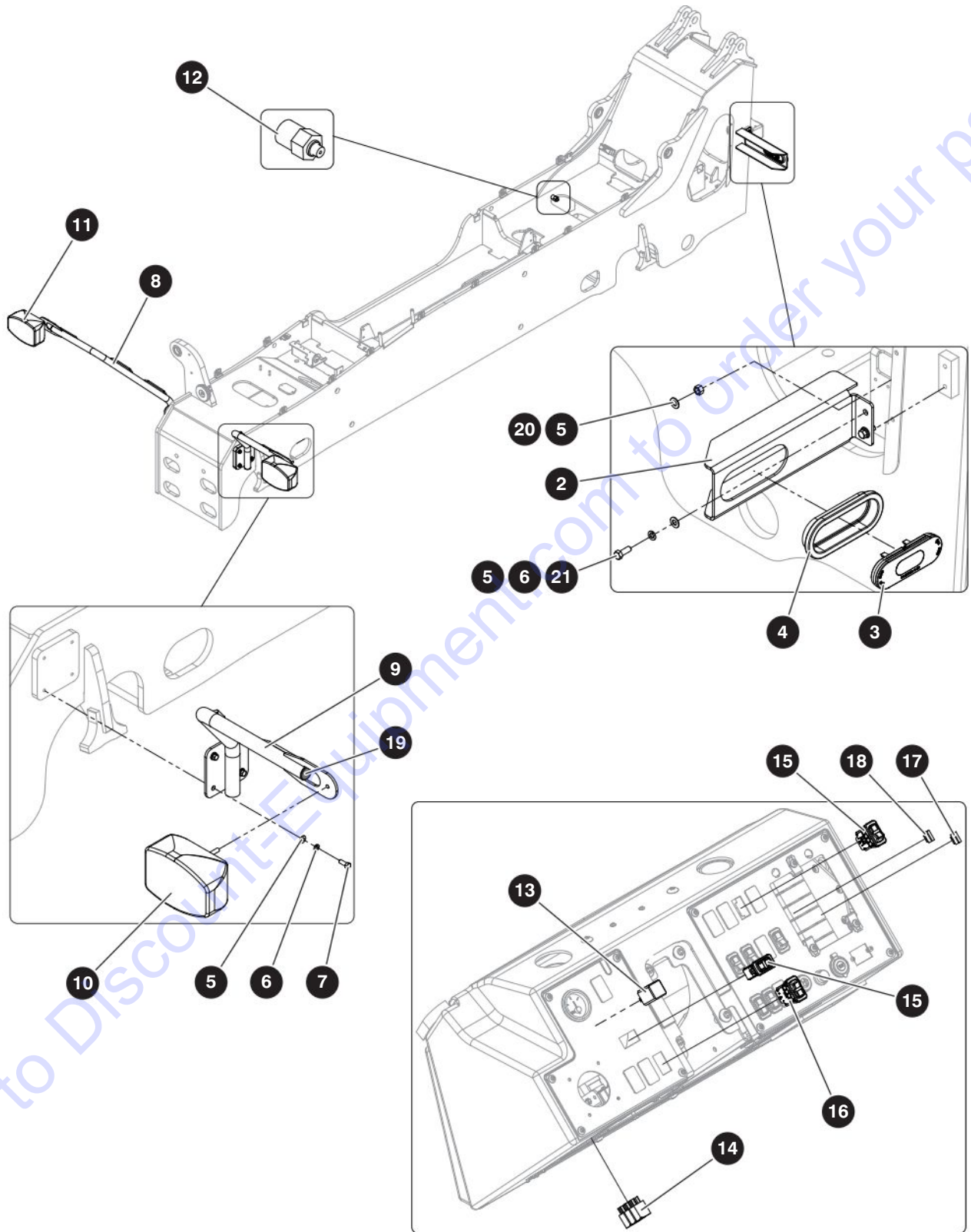
SJ643 TH, SJ843 TH

SKYJACK

## 10.4 Work Lights Harness

Index No.	Skyjack Part No.	Qty.	Description
-	9-190231	1	ASSEMBLY, WORK LIGHT HARNESS
1	9-117597	4	• CONNECTOR, Plug 2-pin
2	9-117599	8	• CONNECTOR, Plug 2-pin wedge
3	9-117591	10	• CONNECTOR, Contact socket (16/18 GA)
4	9-108172	1	• TERMINAL, 3/8" Ring (12-10 AWG)
5	9-156113	1	• CONNECTOR, 3M W/P
6	9-156139	2	• TERMINAL, Male sealed (2.0-1.0 mm <sup>2</sup> ), W/P
7	9-102941	1	• TERMINAL, 3/8" ring (14-16AWG)
8	9-156104	1	• PLUG CAVITY, 1W M/P 280 & W/P

# 10.5 Road Lights



M190090AC

190125AG

326

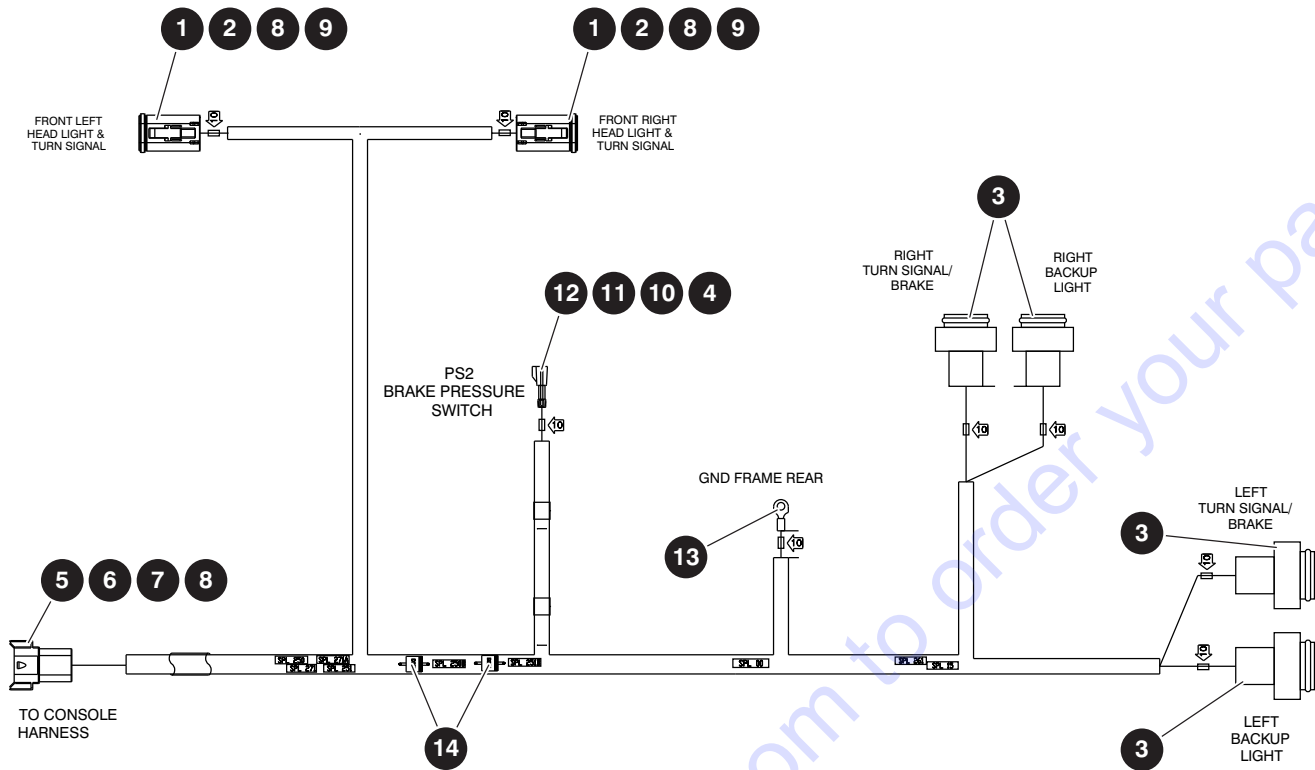
SJ643 TH, SJ843 TH

SKYJACK

## 10.5 Road Lights

Index No.	Skyjack Part No.	Qty.	Description
-	9-197105	1	ASSEMBLY, ROAD LIGHTS GROUP
1	(Ref.)	1	<ul style="list-style-type: none"> <li>HARNES, Road light front &amp; rear (Not Shown)</li> </ul> <a href="#">(For components, refer to Section 10.6)</a>
2	9-191488	2	<ul style="list-style-type: none"> <li>BRACKET, Road light mount</li> </ul>
3	9-190578	2	<ul style="list-style-type: none"> <li>LIGHT, Stop / tail / turn / backup</li> </ul>
4	9-191758	2	<ul style="list-style-type: none"> <li>GROMMET, Oval lamp</li> </ul>
5	9-103472	13	<ul style="list-style-type: none"> <li>WASHER, Flat 3/8" SAE</li> </ul>
6	9-103999	12	<ul style="list-style-type: none"> <li>WASHER, Lock 3/8"</li> </ul>
7	9-103473	8	<ul style="list-style-type: none"> <li>BOLT, Hex head 3/8"-16 x 1" grade 5</li> </ul>
8	9-196304	1	<ul style="list-style-type: none"> <li>WELDMENT, Roadlight RH</li> </ul>
9	9-196213	1	<ul style="list-style-type: none"> <li>WELDMENT, Roadlight LH</li> </ul>
10	9-190596	1	<ul style="list-style-type: none"> <li>LIGHTS, Road front LH</li> </ul>
11	9-196380	1	<ul style="list-style-type: none"> <li>LIGHTS, Road front RH</li> </ul>
12	9-927724	1	<ul style="list-style-type: none"> <li>SWITCH, Brake light</li> </ul>
13	9-925386	1	<ul style="list-style-type: none"> <li>FLASHER</li> </ul>
14	9-233301	3	<ul style="list-style-type: none"> <li>RELAY</li> </ul>
15	9-191457	2	<ul style="list-style-type: none"> <li>SWITCH, 4 Wheel/crab-turn-work light</li> </ul>
16	9-191455	1	<ul style="list-style-type: none"> <li>SWITCH, Boomlight-haz-posi</li> </ul>
17	9-156202	1	<ul style="list-style-type: none"> <li>FUSE, 5A</li> </ul>
18	9-156204	1	<ul style="list-style-type: none"> <li>FUSE, 15A</li> </ul>
19	9-191903	4	<ul style="list-style-type: none"> <li>PLUG, Plastic 1-1/4" tube ID</li> </ul>
20	9-104606	1	<ul style="list-style-type: none"> <li>NUT, Lock with nylon insert 3/8"-16 Grade 5</li> </ul>
21	9-101632	4	<ul style="list-style-type: none"> <li>BOLT, Hex head 3/8"-16 x 3/4" Grade 5</li> </ul>
22	9-197106	1	<ul style="list-style-type: none"> <li>INSTRUCTIONS, Road lights installation (not shown)</li> </ul>

# 10.6 Road Lights Harness

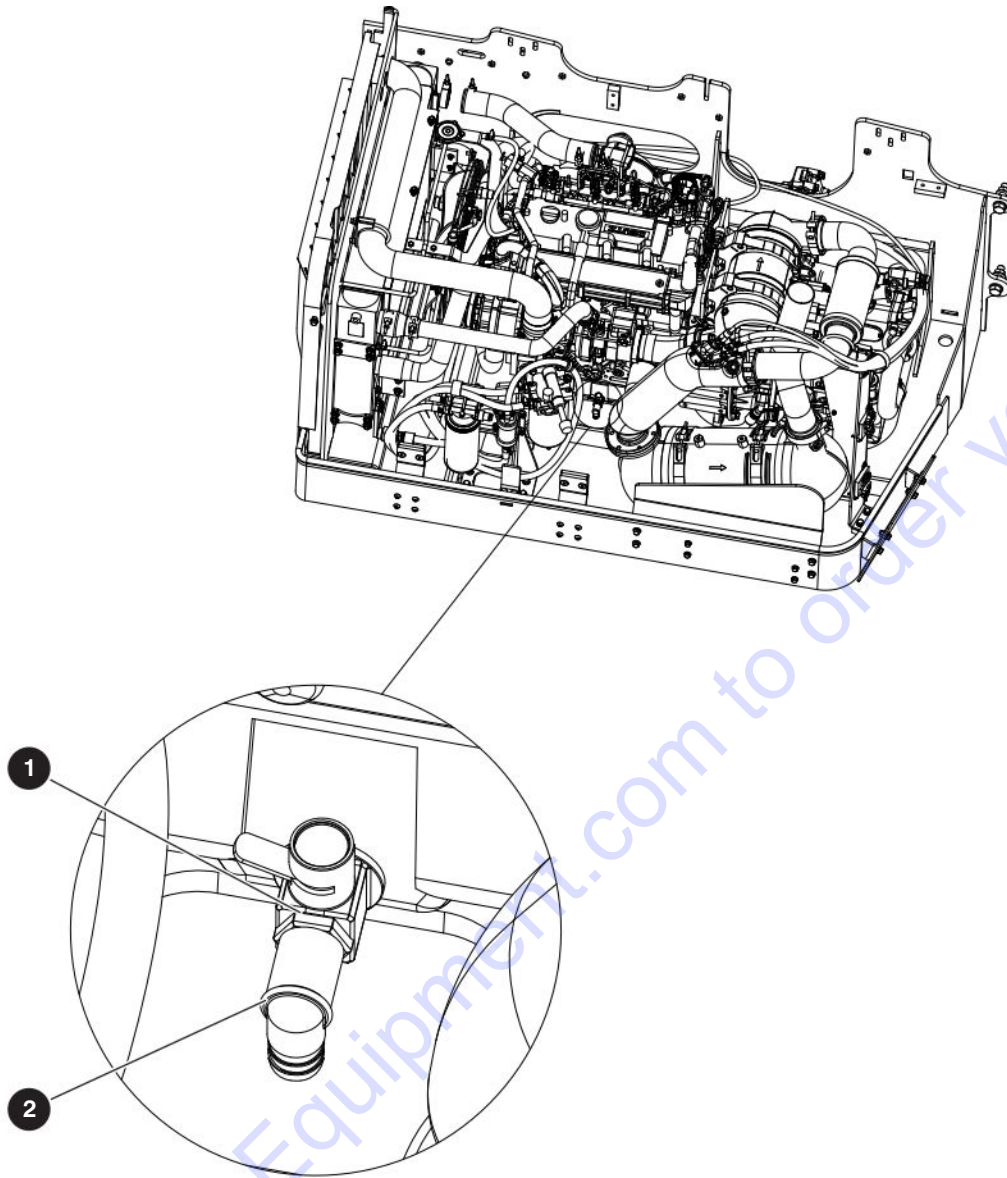


M190595AA

Index No.	Skyjack Part No.	Qty.	Description
-	9-190595	1	HARNES, ROAD LIGHT FRONT & REAR
1	9-156180	2	CONNECTOR, 6F DT
2	9-156194	2	WEDGE, Plug
3	9-170479	4	ADAPTER, Plug
4	9-156120	2	TERMINAL, Male (1.0-0.8 mm <sup>2</sup> ), 280 M/P
5	9-117586	1	CONNECTOR, Receptacle 12-pin
6	9-117588	1	CONNECTOR, Receptacle 12-pin wedge
7	9-117590	9	CONNECTOR, Contact pin 16-18
8	9-117594	7	SEALING, Plug
9	9-117591	8	SOCKET (16-18 AWG), Solid
10	9-156144	1	CONNECTOR, 2m 280 M/P
11	9-156145	1	TPA, 2W 280 M/P
12	9-124369	2	WIRE SEAL, Green (2.9-2.0 mm), 280 M/P
13	9-108172	1	TERMINAL, 3/8" ring (12-10 AWG)



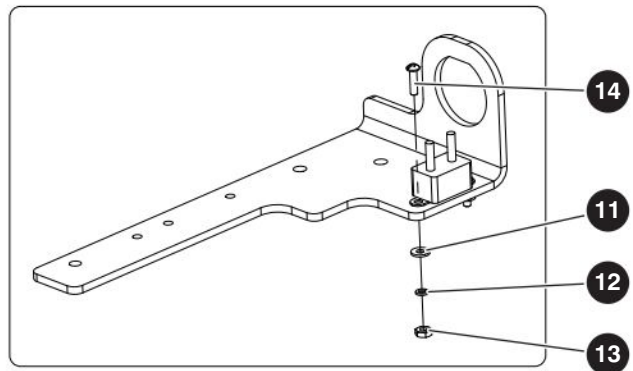
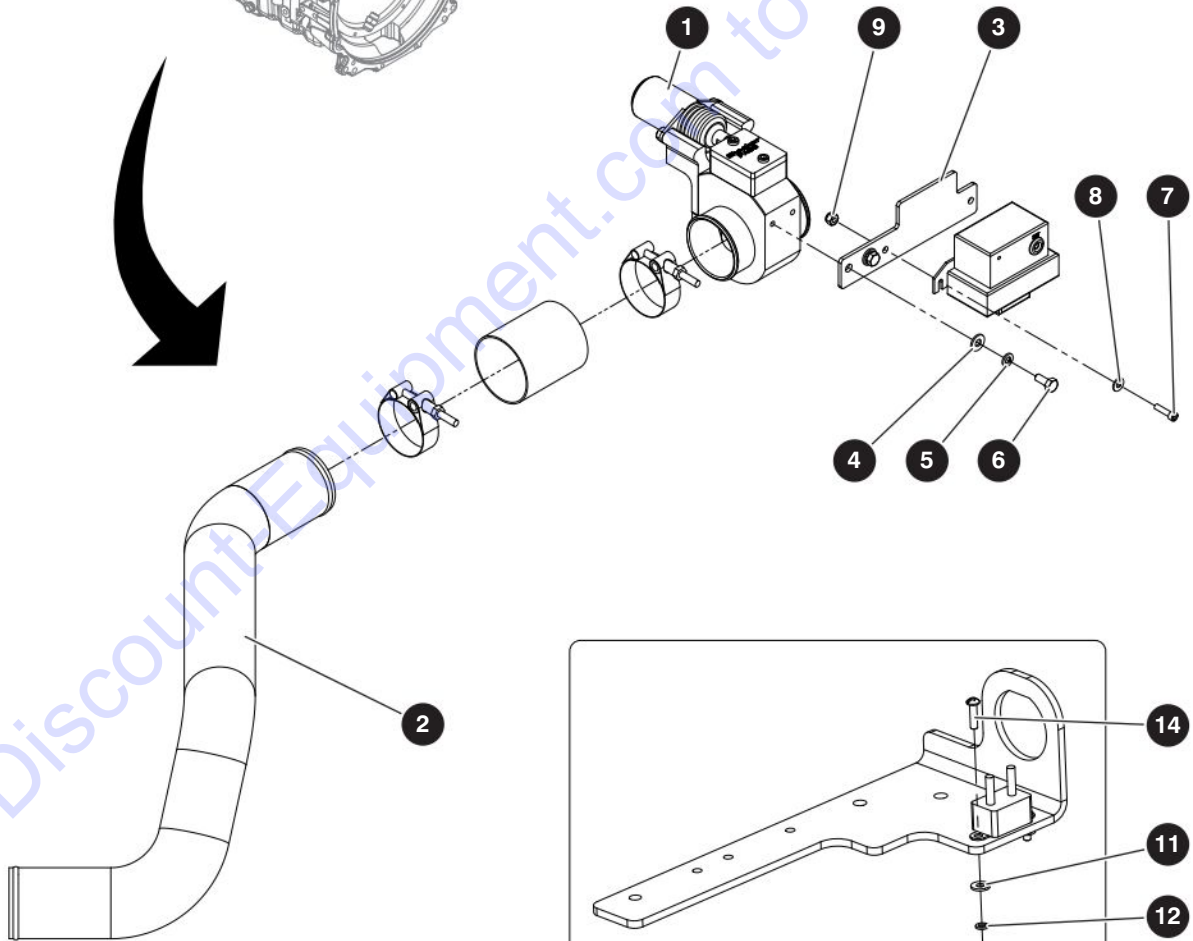
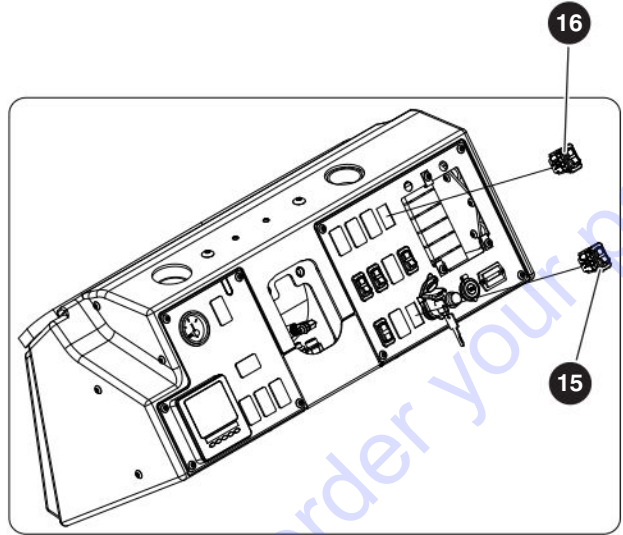
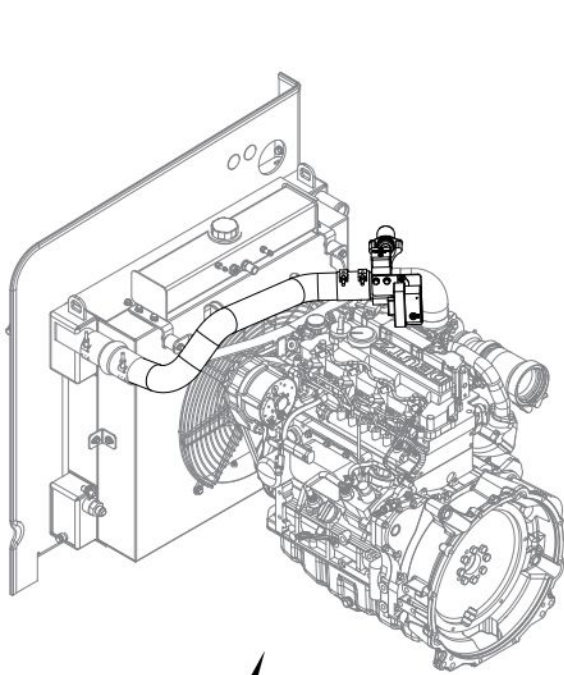
## 10.7 Oil Quick Drain



M169469AA-2-1

Index No.	Skyjack Part No.	Qty.	Description
-	9-169469	-	VALVE, OIL QUICK DRAIN - DEUTZ
1	9-167431	1	• VALVE, Oil drain
2	9-167432	1	• FITTING, Elbow 90° Oil drain

# 10.8 Positive Air Shut Off



M190677AF

190125AG

**330**

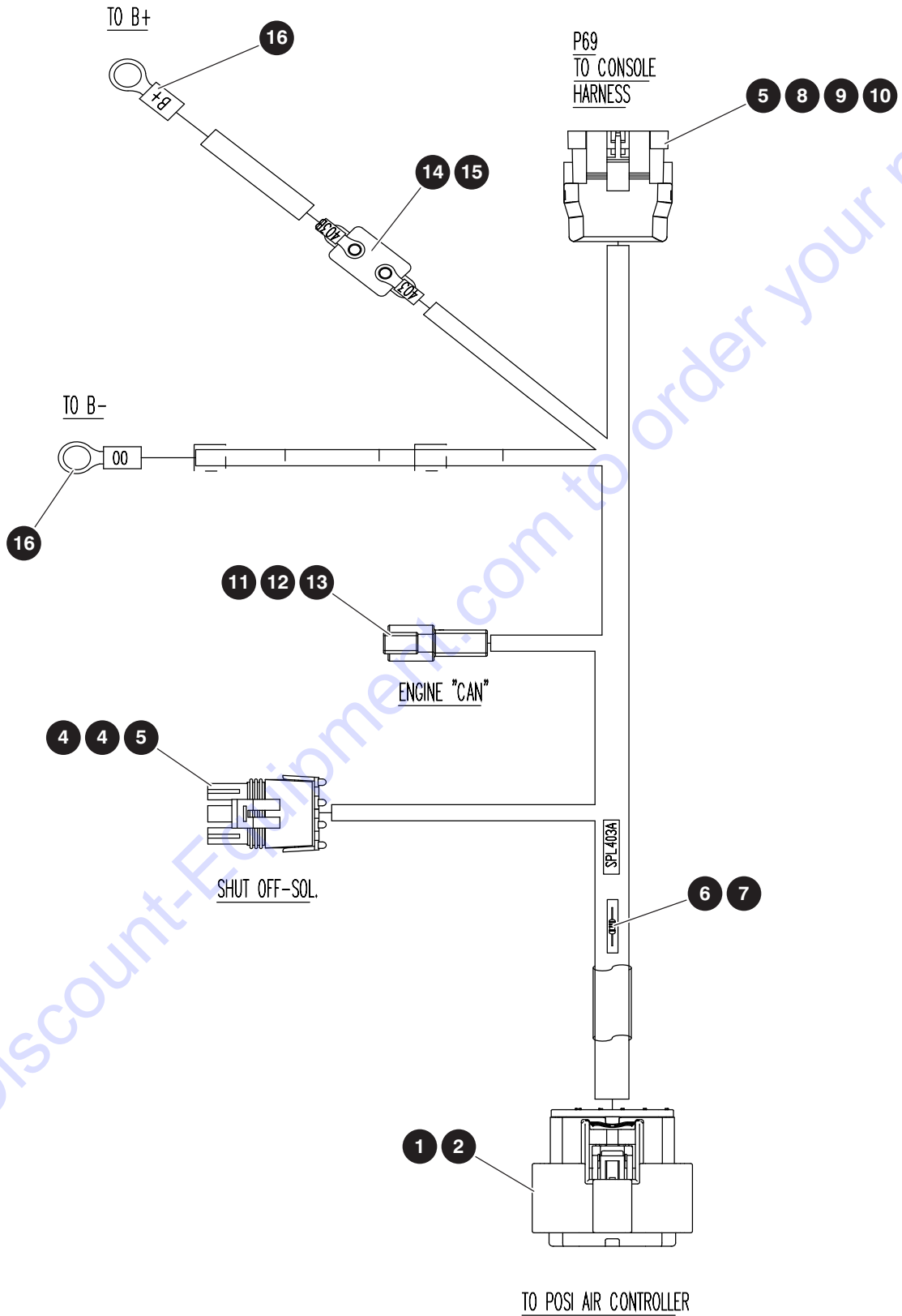
SJ643 TH, SJ843 TH

**SKYJACK**

## 10.8 Positive Air Shut Off

Index No.	Skyjack Part No.	Qty.	Description
-	9-197115	-	VALVE, POSITIVE AIR SHUTOFF DEUTZ 2.9L
1	9-190678	1	• SHOCKER, Pass 2500, deutz TCD 2.9 L
2	9-190689	1	• TUBE, Positive air shutoff 2.9 L
3	9-207740	1	• BRACKET, Air intake shutoff
4	9-103995	2	• WASHER, Flat 1/4"
5	9-104000	2	• WASHER, Lock 1/4"
6	9-103892	2	• BOLT, Hex head 1/4"-20 x 5/8" grade 5
7	9-138834	2	• SCREW, Socket head cap #10-24 x 3/4"
8	9-104694	2	• WASHER, Flat #10
9	9-126642	2	• NUT, Lock with nylon insert 10-24 grade 5
10	(Ref.)	1	• HARNESS, Positive air shut off (Not Shown) (For components, refer to Section 10.9)
11	9-103991	2	• WASHER Flat #8
12	9-112249	2	• WASHER, Lock #8
13	9-103986	2	• NUT, Hex 8-32
14	9-116192	2	• SCREW, Round head machine 8-32 x 5/8"
15	9-191463	1	• INDICATOR, Reserve brake / positive shutoff
16	9-191455	1	• SWITCH, Boomlight-haz-posi
17	9-197116	1	• INSTRUCTIONS, Air intake shutoff installation

# 10.9 Positive Air Shut Off Harness



M191820AB

190125AG

**332**

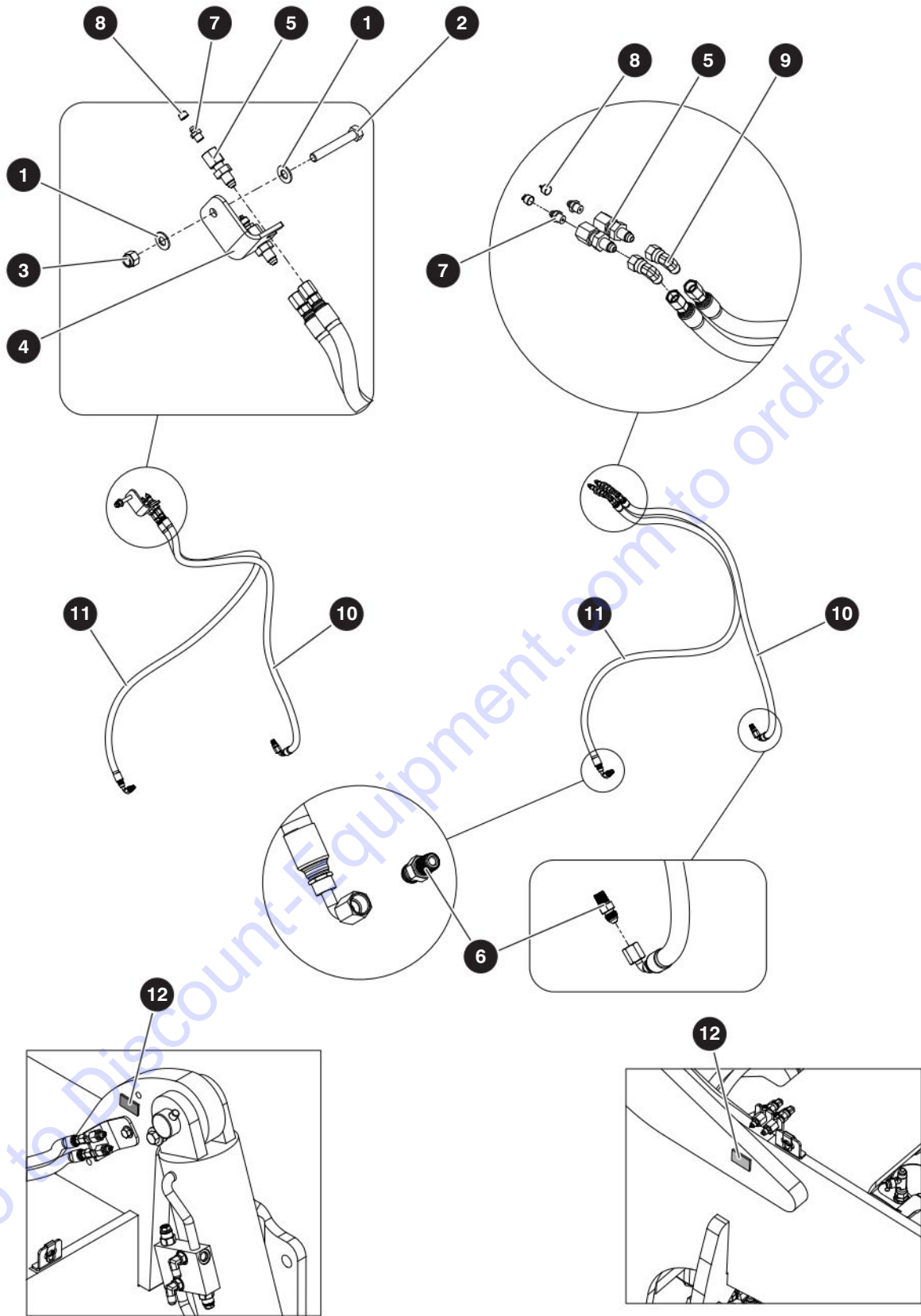
SJ643 TH, SJ843 TH

**SKYJACK**

## 10.9 Positive Air Shut Off Harness

Index No.	Skyjack Part No.	Qty.	Description
-	9-191820	1	HARNESS, POSITIVE AIR SHUTOFF
1	9-171900	1	<ul style="list-style-type: none"> <li>• CONNECTOR, Plug 10-way</li> </ul>
2	9-171901	8	<ul style="list-style-type: none"> <li>• TERMINAL, Female crimp</li> </ul>
3	9-156114	1	<ul style="list-style-type: none"> <li>• CONNECTOR, 3F W/P</li> </ul>
4	9-156137	3	<ul style="list-style-type: none"> <li>• TERMINAL, Female sealed (2.0-1.0MM2) W/P</li> </ul>
5	9-124369	5	<ul style="list-style-type: none"> <li>• WIRE SEAL W-P</li> </ul>
6	9-143952	1	<ul style="list-style-type: none"> <li>• RESISTOR, 50 ohm 2 watt axial lead</li> </ul>
7	9-103367	1.5	<ul style="list-style-type: none"> <li>• HEATSHRINK, 1/4 dia polyolfin</li> </ul>
8	9-156139	2	<ul style="list-style-type: none"> <li>• TERMINAL, Male sealed (2.0-1.0 mm2), W/P</li> </ul>
9	9-156107	1	<ul style="list-style-type: none"> <li>• CONNECTOR, 4M, W/P</li> </ul>
10	9-156104	2	<ul style="list-style-type: none"> <li>• PLUG CAVITY 1W, M/P 280 &amp; W/P</li> </ul>
11	9-117590	2	<ul style="list-style-type: none"> <li>• CONNECTOR, Pin</li> </ul>
12	9-117598	1	<ul style="list-style-type: none"> <li>• CONNECTOR, W2P 2 pin wedge</li> </ul>
13	9-117596	1	<ul style="list-style-type: none"> <li>• CONNECOTR, Receptacle 2 pin</li> </ul>
14	9-171899	1	<ul style="list-style-type: none"> <li>• BREAKER, Auto reset 20 amp</li> </ul>
15	9-102936	2	<ul style="list-style-type: none"> <li>• TERMINAL, 14-16GA*#10 ring blue</li> </ul>
16	9-156219	4	<ul style="list-style-type: none"> <li>• TERMINAL, M8 ring (5.0 mm<sup>2</sup>)</li> </ul>

# 10.10 Remote Axle Grease



M191730AC

190125AG

**334**

SJ643 TH, SJ843 TH

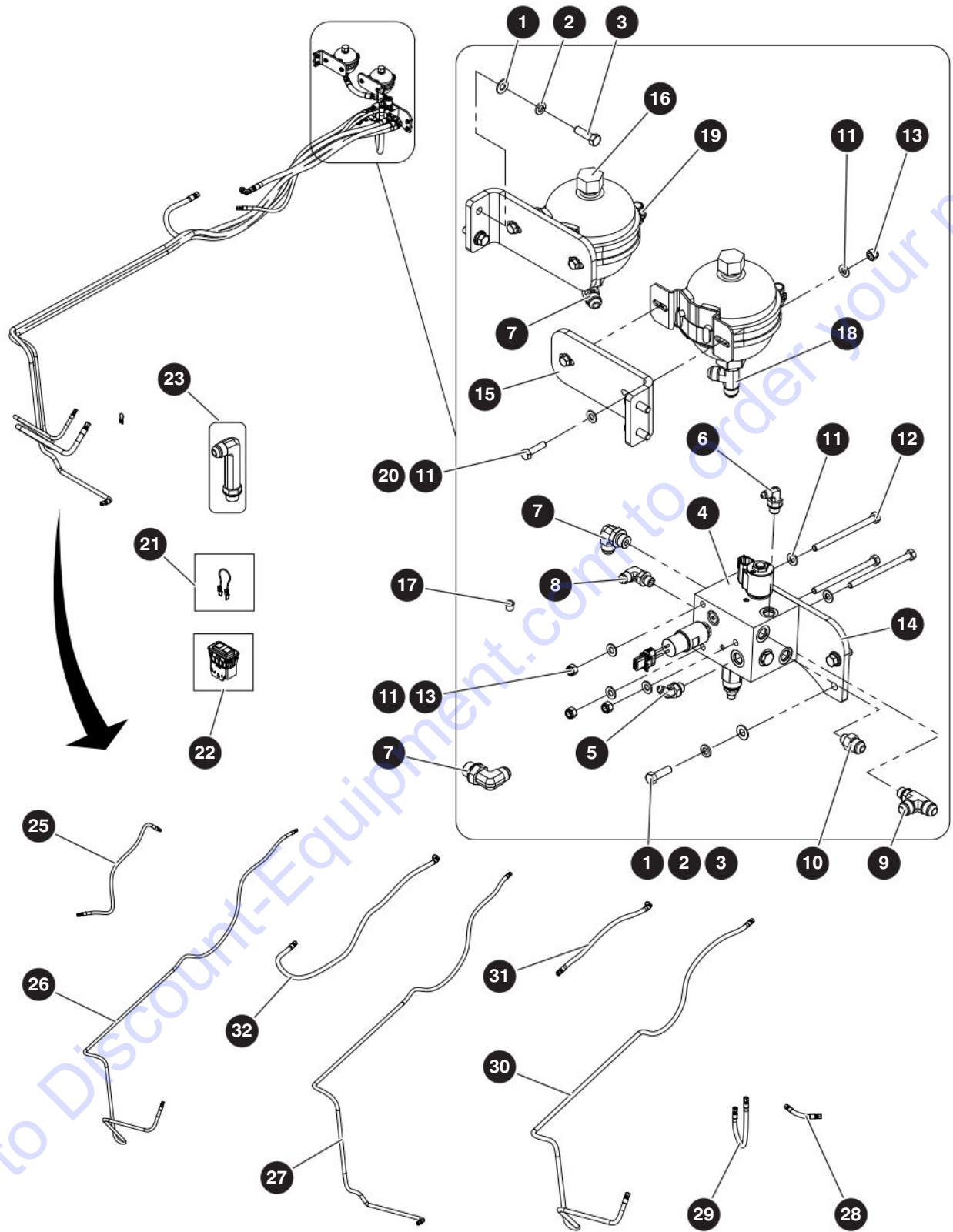
**SKYJACK**

## 10.10 Remote Axle Grease

Index No.	Skyjack Part No.	Qty.	Description
-	9-191730	-	REMOTE AXLES GREASE
1	9-103472	2	• WASHER, Flat 3/8" SAE
2	9-103873	1	• BOLT, Hex head 3/8"-16 X 2 1/2" Gr. 5
3	9-104606	1	• NUT, Lock with nylon insert, 3/8"-16 Gr. 5
4	9-191731	1	• BRACKET, Axle grease
5	9-406595	4	• FITTING - Bulkhead
6	9-933309	4	• FITTING, Straight ( 04 JICM- 02 NPTM)
7	9-102027	4	• FITTING, Grease 1/8" NPTF straight
8	9-132565	4	• CAP, Grease Gr. 5
9	9-702875	2	• FITTING, Hydraulic swivel nut elbow
10	9-191735	2	• HOSE, Assembly grease 42" long
11	9-191736	2	• HOSE, Assemblygrease 50" long
-	9-195071	1	• DECAL, Remote Axle Grease Option
12	9-152230	2	• • DECAL, Grease point



# 10.11 Reserve Brake



M190115AD

190125AG

**336**

SJ643 TH, SJ843 TH

**SKYJACK**

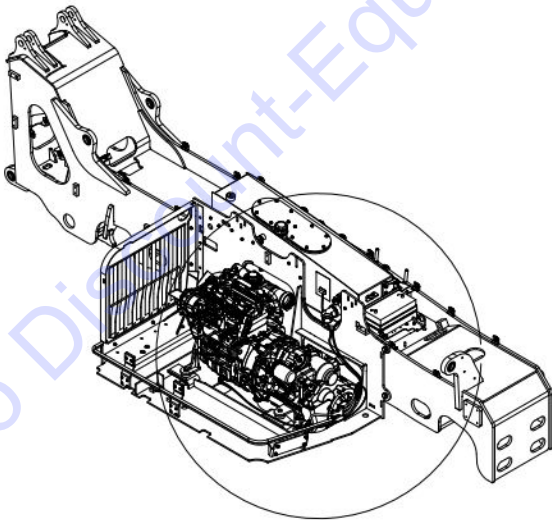
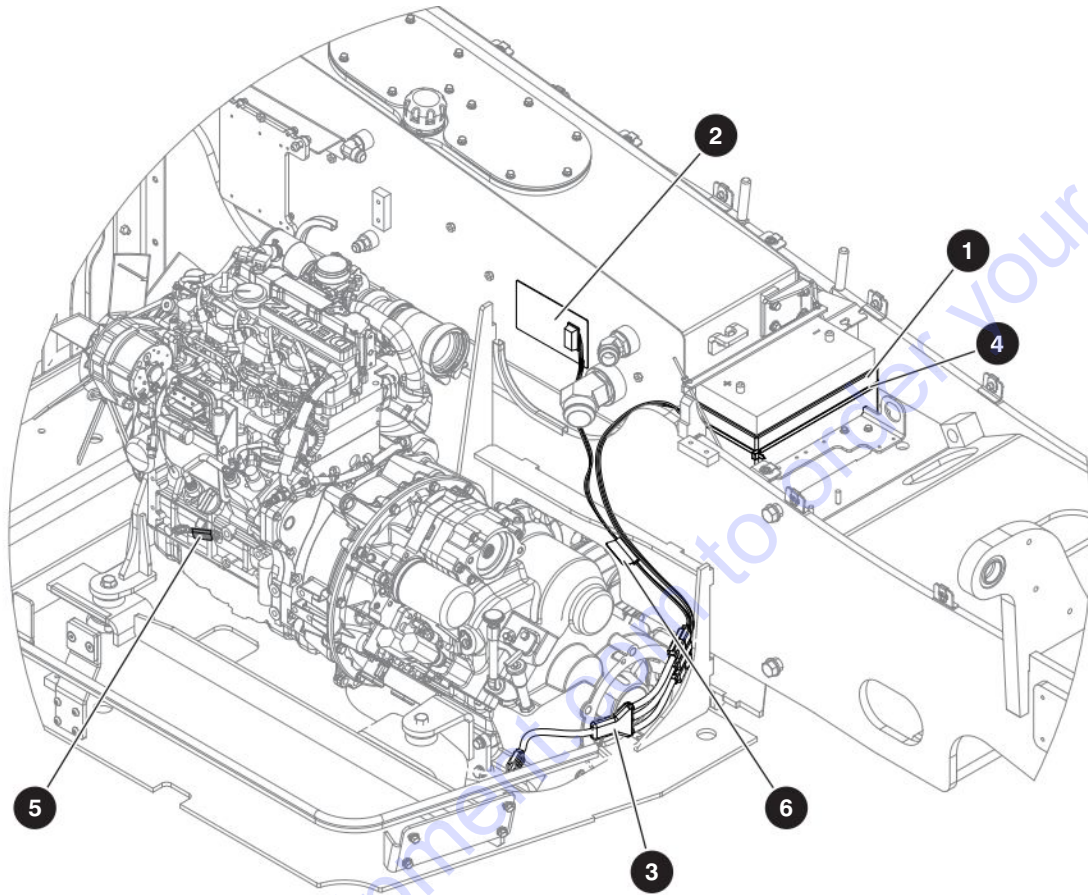
## 10.11 Reserve Brake

Index No.	Skyjack Part No.	Qty.	Description
-	9-197113	-	RESERVE BRAKE GROUP
1	9-103472	6	• WASHER, Flat 3/8" SAE
2	9-103999	6	• WASHER, Lock 3/8"
3	9-103473	6	• BOLT, Head head -16 X 1" Gr. 5
-	9-191720	1	• ASSEMBLY, Reserve brake manifold
-	9-190558	1	• • MANIFOLD, Reserve brake sub assembly
4	9-190357	1	• • • MANIFOLD, Reserve brake
5	9-707234	1	• • • FITTING, 45° (04 JICM - 06 ORBM)
6	9-129127	1	• • • FITTING, 90° (04 JICM - 06 ORBM)
7	9-114583	3	• • • FITTING, 90° (08 JICM - 08 ORBM)
8	9-114578	1	• • • FITTING, 90° (06 JICM - 06 ORBM)
9	9-191742	1	• • • FITTING, Run tee (08 JICM - 06 ORBM - 08 JICM)
10	9-104402	1	• • • FITTING, (6 SAE TO 8 JIC)
11	9-103996	14	• • WASHER, Flat 5/16" SAE
12	9-103869	3	• • BOLT, Hex head 5/16"-18 X 4-1/2" Gr. 5
13	9-103984	7	• • NUT, Lock with nylon insert 5/16"-18 Gr. 5
14	9-191729	1	• • BRACKET, Reserve brake
15	9-191721	2	• BRACKET, Accumulator
16	9-400947	2	• ACCUMULATOR, Diaphragm, 3/4L low T°
17	9-104437	1	• PLUG, Fitting- (06 orb hex socket)
18	9-110554	1	• FITTING, Run tee (08 JICM - 08 ORBM - 08 JICM)
19	9-190562	2	• CLAMP, Accumulator
20	9-112532	4	• BOLT, Hex head 5/16"-18 X 1-1/4" Gr. 5
21	9-190563	1	• HARNESS, Reserve brake
22	9-191463	1	• INDICATOR, Reserve brake / positive shutoff
23	9-150943	1	• FITTING, 90° LLL (08 JICM - 08 ORBM)
24	9-197114	1	• INSTRUCTIONS, Reserve Brake Installation

Index No.	Hose P/N	From		To	
		Description	Port	Port	Description
-	9-191718	ASSEMBLY, Hose reserve brake			
25	H310400480	Reserve brake manifold	ST LS	ST LS	Main manifold
26	H310401740	Reserve brake manifold	STEER	LS	Steering control unit
27	H310601620	Reserve brake manifold	A1	P	Brake pedal
28	H310800100	Accumulator			
29	H310800260	Reserve brake manifold	A2		Accumulator
30	H310801790	Reserve brake manifold	P	P	Steering console
31	H340800490	Reserve brake manifold	T	DR3	Main manifold
32	H340800820	Reserve brake manifold	P		

## 10.12 Cold Weather Package



M191871AC

190125AG

**338**

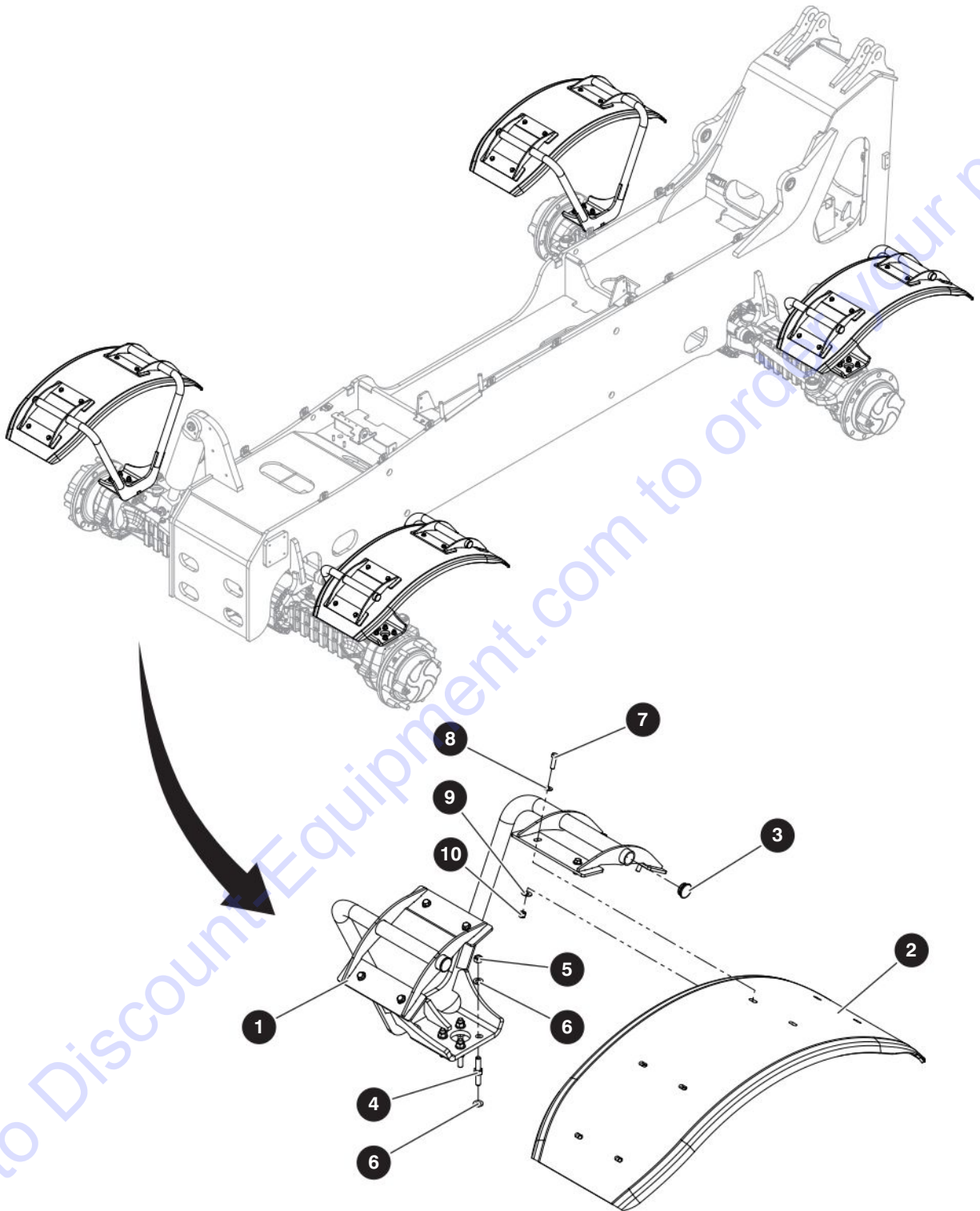
SJ643 TH, SJ843 TH

**SKYJACK**

## 10.12 Cold Weather Package

Index No.	Skyjack Part No.	Qty.	Description
-	9-199056	1	COLD WEATHER SUBGROUP, TH643-TH843
1	9-703290	1	• BLANKET - Battery
2	9-164762	1	• PAD HEATER - 500W
3	9-159888	1	• CORD, (12/3AWG 15A x 2' LONG)
4	9-144727	2	• TIE WRAP, Cable 43.3" black
5	9-144635	1	• LABEL - Arctic engine oil
6	9-144632	1	• LABEL - Hydraulic oil heater/bat warmer
7	9-199059	1	• INSTRUCTIONS, Cold weather package installation
8	(Ref.)	16 L	• COOLANT-ANTIFREEZE (Not shown) (For components, refer to Section 12.1)
9	(Ref.)	9 L	• OIL - Arctic engine (SAE 0W-40) (Not shown) (For components, refer to Section 12.1)
10	(Ref.)	19.9 L	• OIL - Arctic gear (Not shown) (For components, refer to Section 12.1)
11	(Ref.)	50 L	• DIESEL, Fuel #2 coloured (For components, refer to Section 12.1)

# 10.13 4 Wheel Fender



M190112AB

190125AG

**340**

SJ643 TH, SJ843 TH

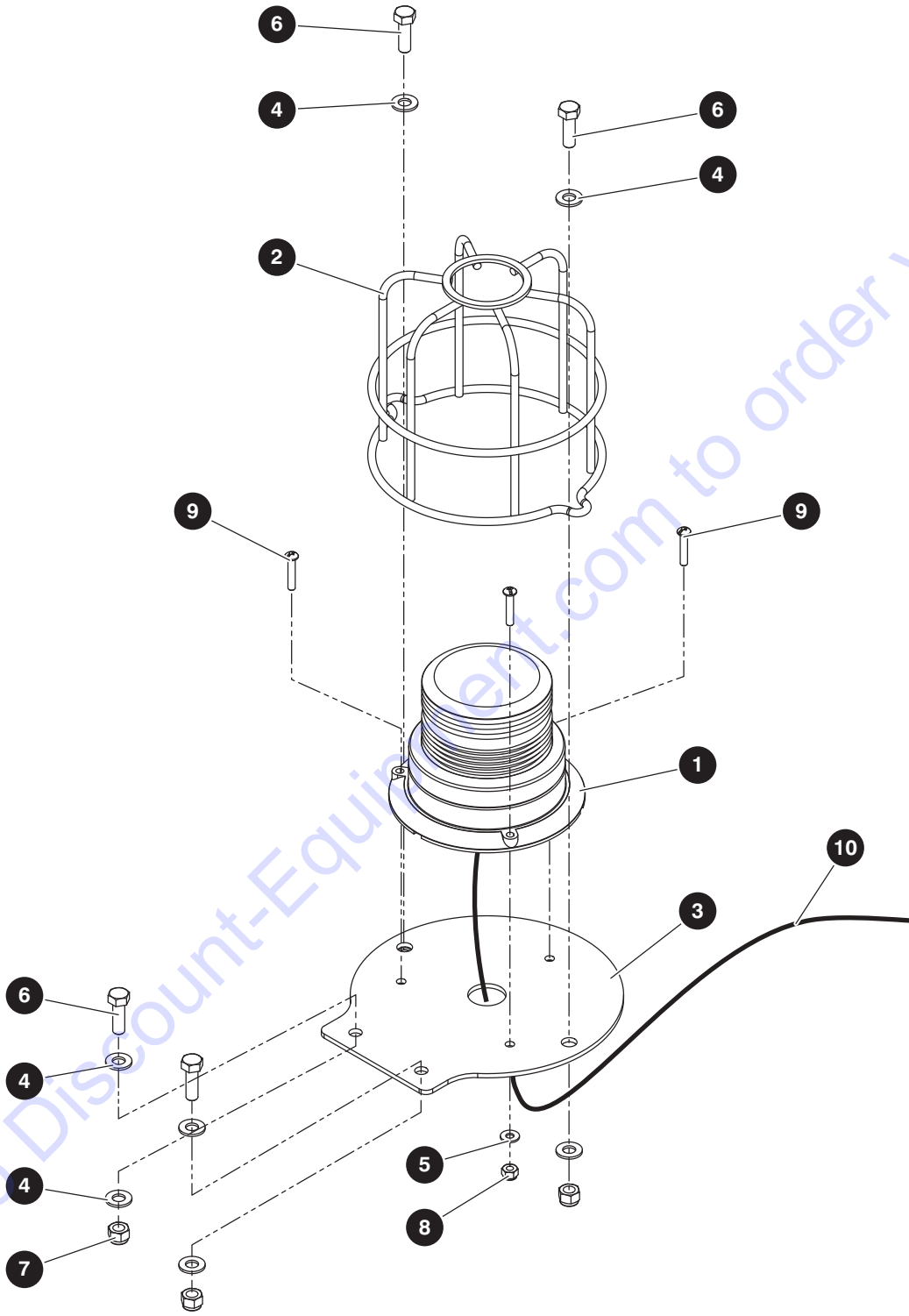
**SKYJACK**

# 10.13 4 Wheel Fender

Index No.	Skyjack Part No.	Qty.	Description
-	9-197111	1	4 WHEEL FENDER GROUP
1	9-191894	4	• WELDMENT, 4 wheels fender
2	9-191901	4	• WING, TH fenders
3	9-191903	8	• PLUG, Plastic 1 1/4" tube ID
4	9-191904	16	• STUD, M12 X 1-1/4" fender mount
5	9-933838	16	• NUT, Hex head M12-1-1/4"
6	9-933817	32	• WASHER, Flat M12 CL 200 Y
7	9-101297	32	• BOLT, Hex head 3/8"-16 X 1-1/4" Gr. 5
8	9-125959	32	• WASHER, Flat 3/8" SAE hard
9	9-127067	32	• WASHER, Flat 3/8" Style BB
10	9-104606	32	• NUT, Lock with nylon insert 3/8"-16 Gr. 5
11	9-197112	1	• INSTRUCTIONS, 4 wheel fender installation



# 10.14 Beacon Light Assembly



M191602AA

190125AG

342

SJ643 TH, SJ843 TH

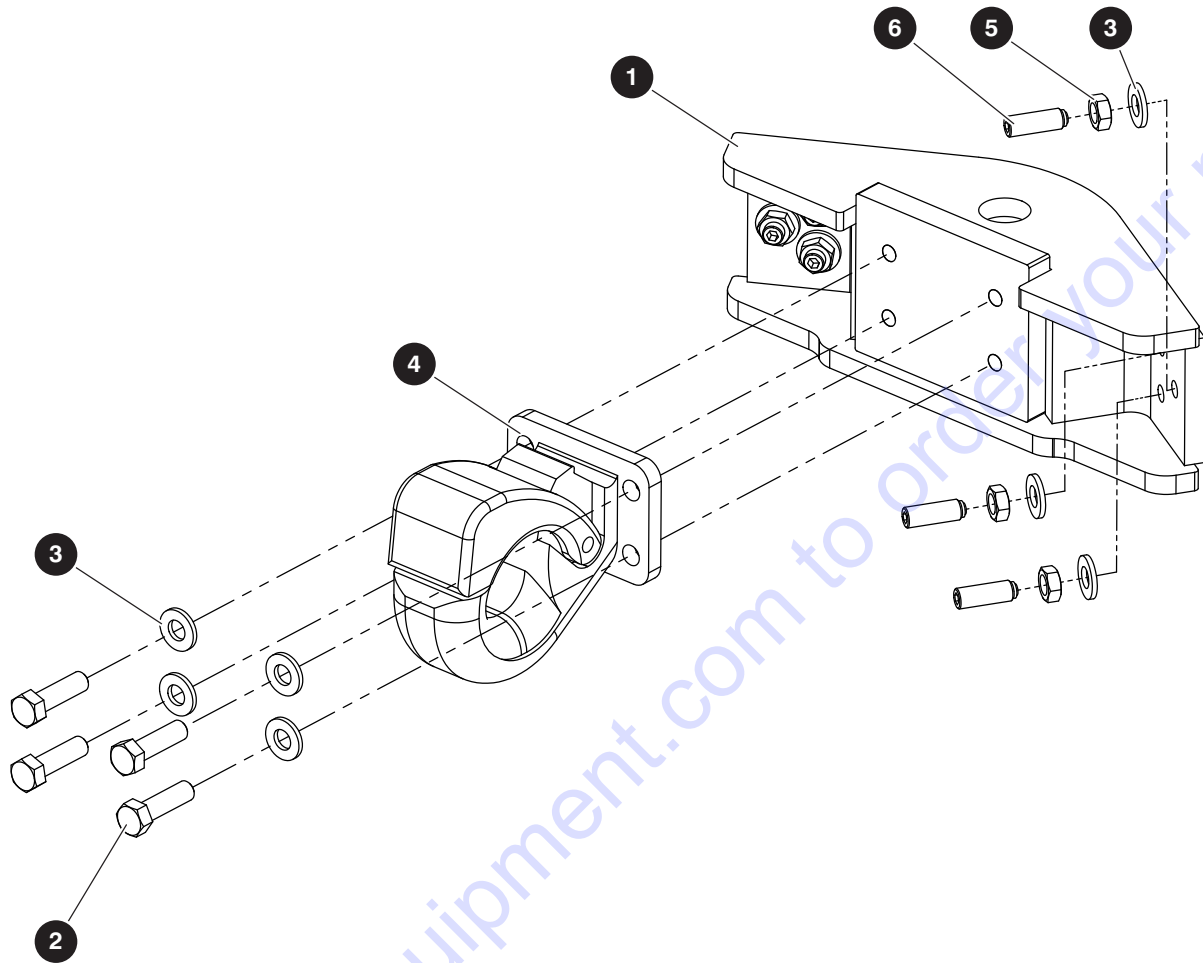
SKYJACK



## 10.14 Beacon Light Assembly

Index No.	Skyjack Part No.	Qty.	Description
-	9-199050	1	ASSEMBLY, AMBER FLASHING LIGHT
1	9-144078	1	• ASSEMBLY, Flashing amber light
2	9-934724	1	• CAGE, Strobe light
3	9-191453	1	• PLATE, Beacon mount
4	9-103996	8	• WASHER, Flat 5/16" SAE
5	9-104694	3	• WASHER, Flat #10
6	9-103864	4	• BOLT, Hex head 5/16"-18 X 1" Gr. 5
7	9-103984	4	• NUT, Lock with nylon insert 5/16"-18 Gr. 5
8	9-300450	3	• NUT, Lock with nylon insert 10-32 Gr. 5
9	9-105621	3	• SCREW, Round head machine 10-32 X 1"
10	9-191613	1	• HARNESS, Beacon light
11	9-199049	1	• INSTRUCTIONS, Flashing Light installation

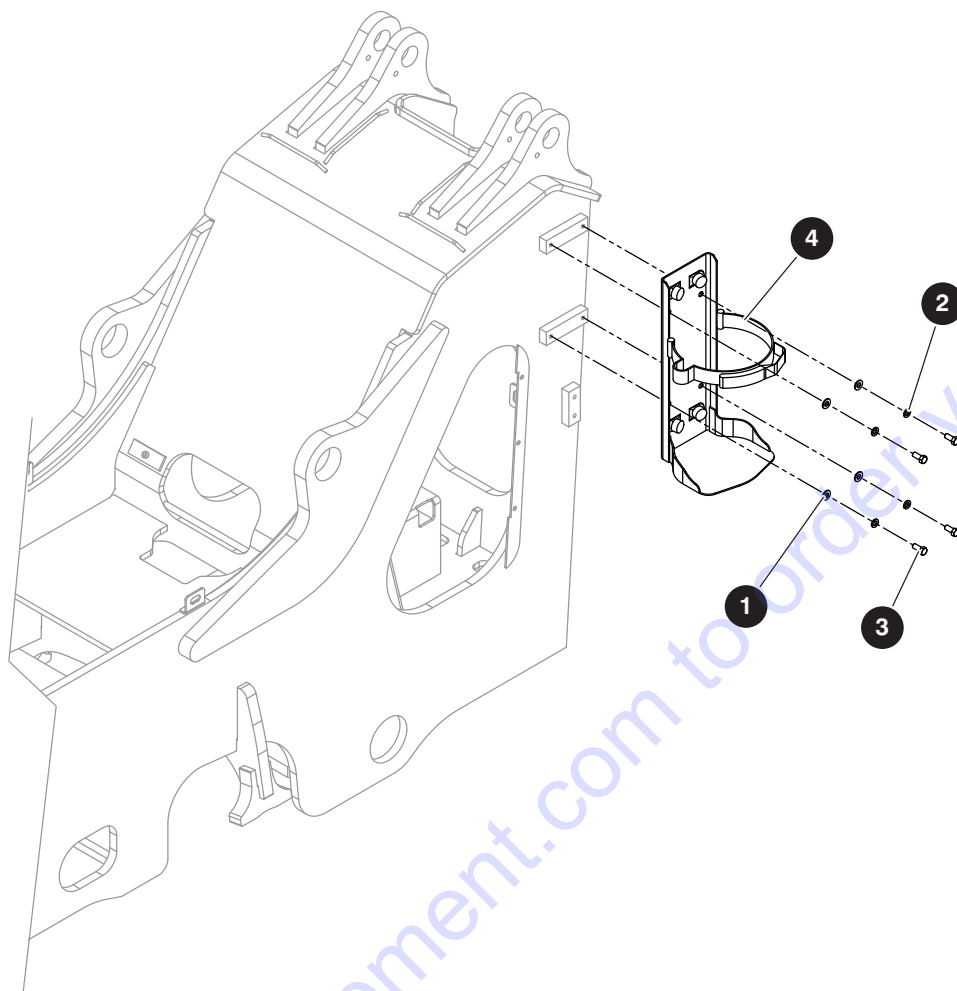
# 10.15 Pintle Hook



M191760AA

Index No.	Skyjack Part No.	Qty.	Description
-	9-191760	-	PINTLE HITCH
1	9-191761	1	<ul style="list-style-type: none"> <li>WELDMENT, Pintle Hitch Adaptor</li> </ul>
2	9-126361	4	<ul style="list-style-type: none"> <li>BOLT, Hex head (1/2"-13 X 1 3/4") Gr. 8</li> </ul>
3	9-104379	10	<ul style="list-style-type: none"> <li>WASHER, Flat (1/2") Hard</li> </ul>
4	9-921813	1	<ul style="list-style-type: none"> <li>PINTLE, Heavy duty pintle 6000 lb</li> </ul>
5	9-107949	6	<ul style="list-style-type: none"> <li>NUT, Hex head JAM (1/2")-13 Gr. 5</li> </ul>
6	9-191782	6	<ul style="list-style-type: none"> <li>SCREW, Set (1/2"-13 x 1 1/2") swivel ball end</li> </ul>

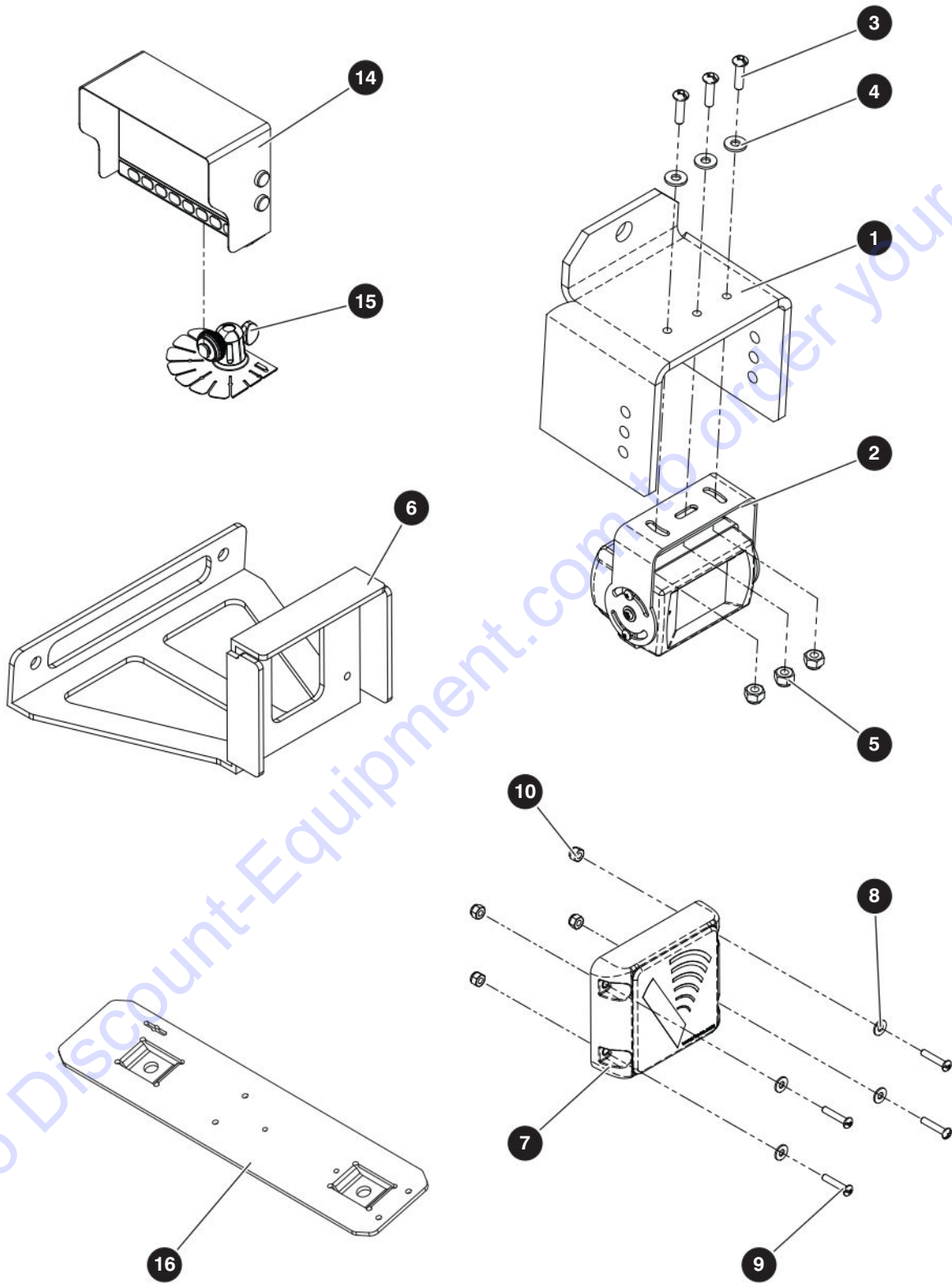
## 10.16 Fire Extinguisher



M204092AA

Index No.	Skyjack Part No.	Qty.	Description
-	9-204134	1	ASSEMBLY, FIRE EXTINGUISHER
1	9-103472	4	• WASHER, Flat 3/8" SAE
2	9-103999	4	• WASHER, Lock 3/8"
3	9-300437	4	• BOLT, Hex head 3/8"-16 x 2" grade 5
4	9-204056	1	• BRACKET, Fire extinguisher 20lb
5	9-204195	1	• INSTRUCTIONS, Fire extinguisher installation

# 10.17 Backup Camera and Sensor



M205784AA

190125AG

**346**

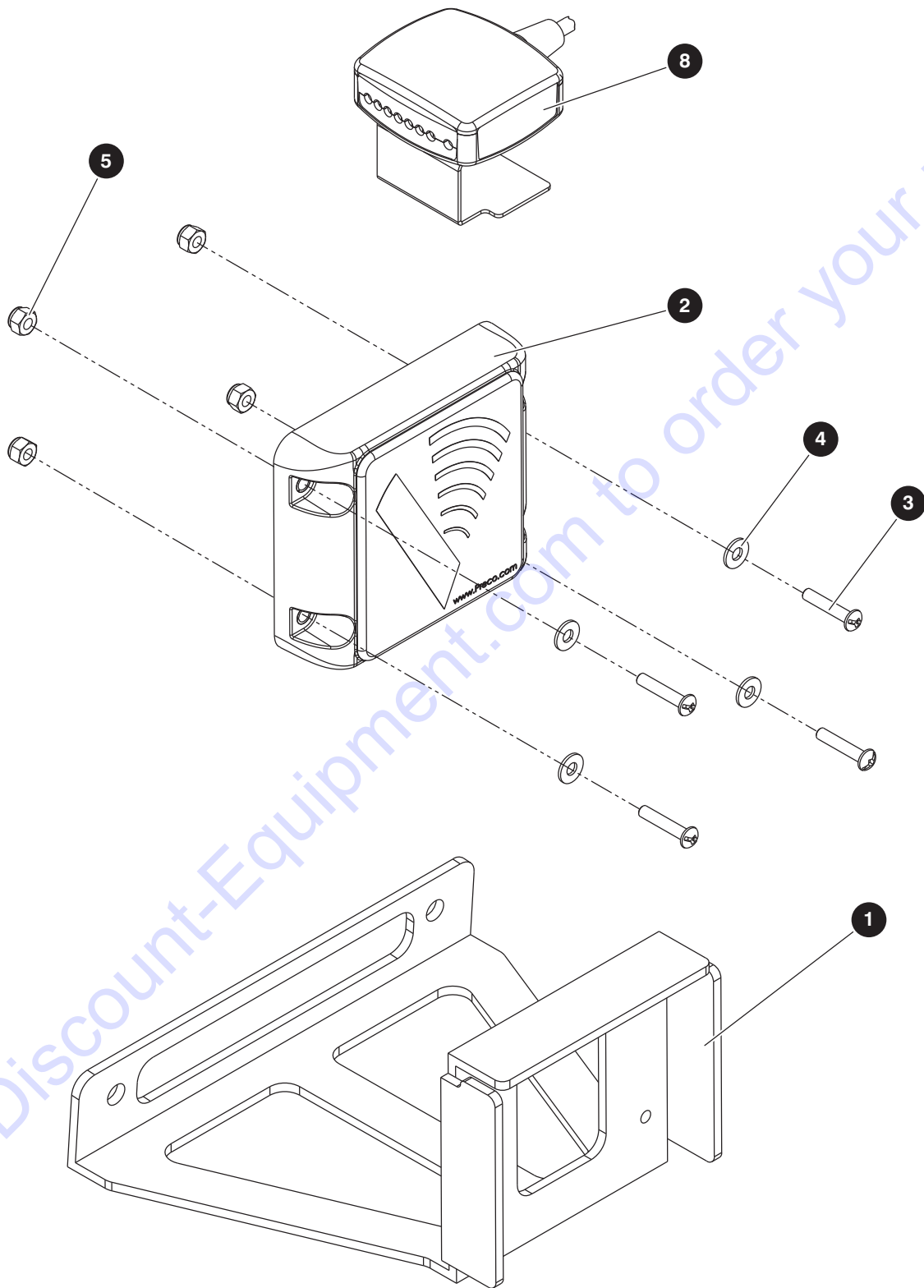
SJ643 TH, SJ843 TH

**SKYJACK**

## 10.17 Backup Camera and Sensor

Index No.	Skyjack Part No.	Qty.	Description
-	9-205784	1	KIT, BACK UP CAMERA AND SENSOR
1	9-211855	1	• BRACKET, Rear view camera
2	9-212196	1	• CAMERA, Back up
3	9-116192	3	• SCREW, Round head machine 8-32 x 5/8"
4	9-103991	3	• WASHER, Flat #8
5	9-207240	3	• NUT, Lock with nylon insert 8-32 Gr. 5
6	9-211669	1	• BRACKET, Reverse warning device
7	9-211708	1	• SENSOR, Back up sentry
8	9-151155	4	• SCREW, Round head machine 10-24 x 1"
9	9-104694	4	• WASHER, Flat #10
10	9-126642	4	• NUT, Lock with nylon insert 10-24 Gr. 5
11	9-211700	1	• CABLE, Back up camera (Not Shown)
12	9-211746	1	• HARNESS, Back up sensor (Not Shown)
13	9-211672	1	• HARNESS, Reverse warning sys. th (Not Shown)
14	9-211707	1	• DISPLAY, Back up camera
15	9-212195	1	• STAND, Monitor - modified
16	9-206137	1	• MOUNT, Telematics and monitor
17	9-114595	1	• TERMINAL, Female 18-22 awg red (Not Shown)
18	9-111354	1	• WIRE PROTECTOR (Not Shown)
19	9-205786	1	• INSTRUCTION, Back up camera & sensor (Not Shown)

## 10.18 Backup Sensor



205785AA

190125AG

**348**

SJ643 TH, SJ843 TH

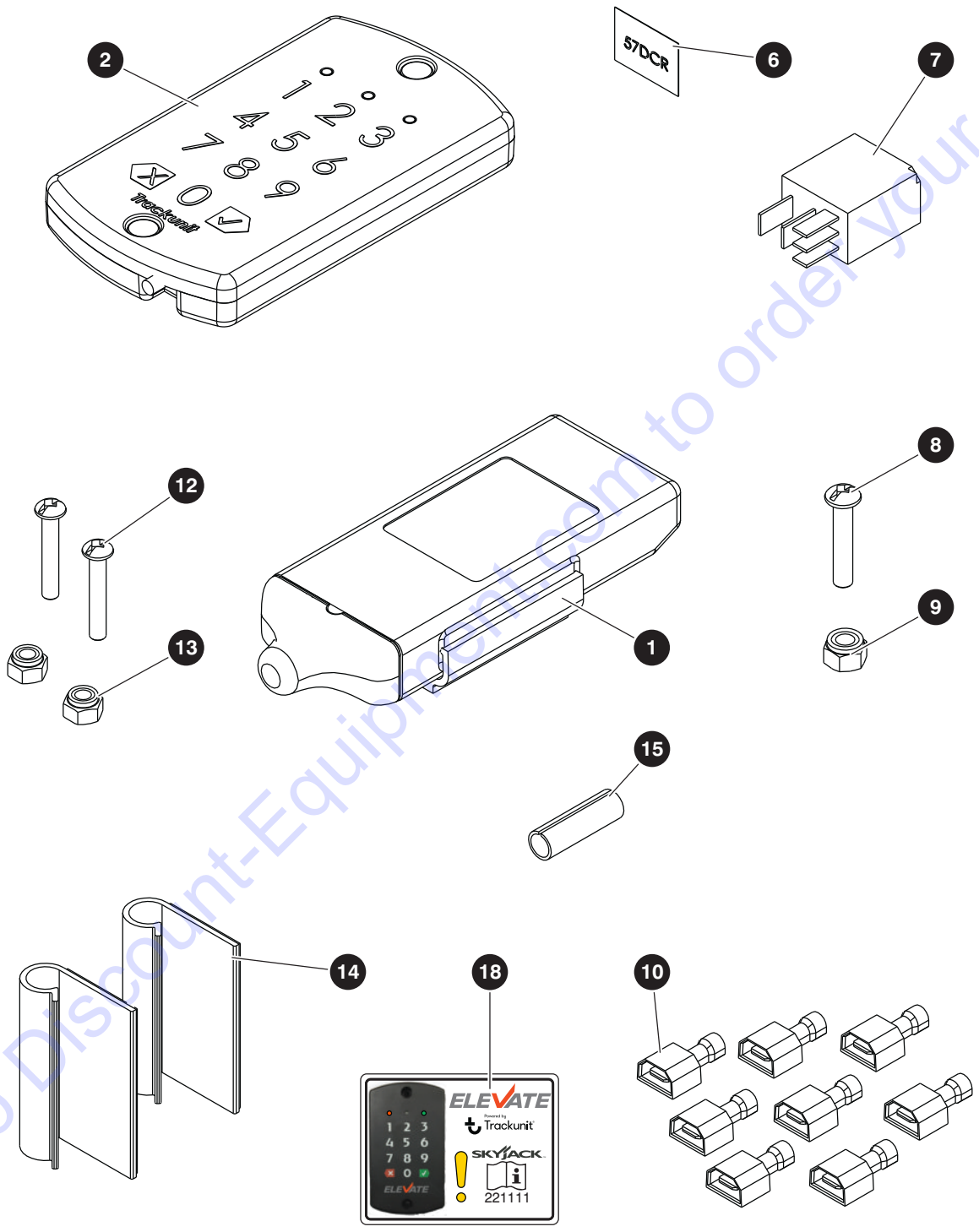
**SKYJACK**

## 10.18 Backup Sensor

Index No.	Skyjack Part No.	Qty.	Description
-	9-205785	1	KIT, BACK UP SENSOR
1	9-211669	1	• BRACKET, Reverse warning device
2	9-211708	1	• SENSOR, Back up sentry
3	9-151155	4	• SCREW, Round head machine 10-24 x 1"
4	9-104694	4	• WASHER, Flat #10
5	9-126642	4	• NUT, Lock with nylon insert 10-24 Gr. 5
6	9-211746	1	• HARNESS, back up sensor (Not Shown)
7	9-211672	1	• HARNESS, Reverse warning sys. TH (Not Shown)
8	9-211695	1	• DETECTOR, Reverse warning
9	9-205787	1	• INSTRUCTION, Back up sensor installation (Not Shown)



# 10.19 Elevate Telematics

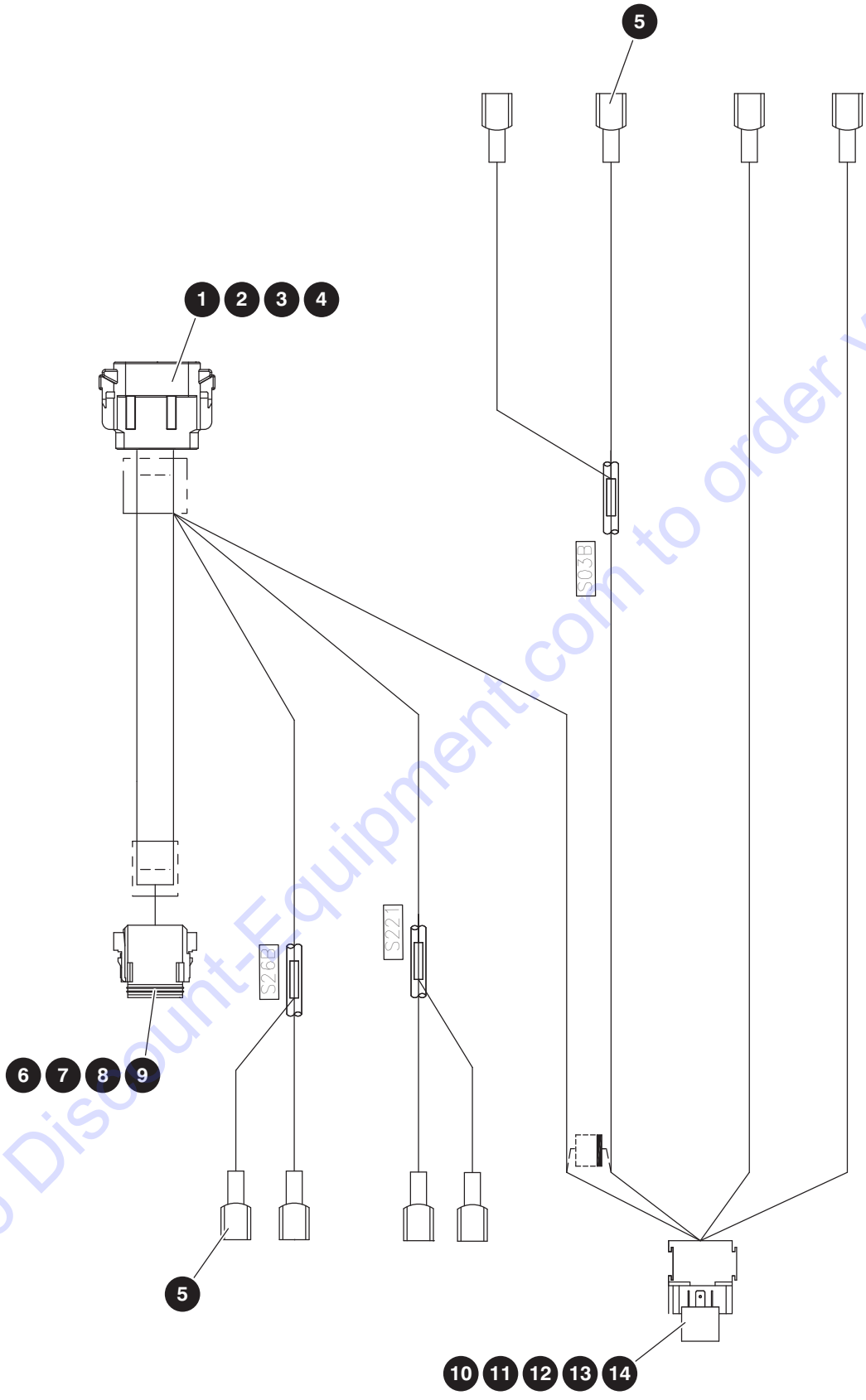


M221463AB

## 10.19 Elevate Telematics

Index No.	Skyjack Part No.	Qty.	Description
<b>A</b>	9-221475	1	SERVICE KIT, Trackunit rework TH
<b>B</b>	9-221476	1	SERVICE KIT, Trackunit telehandler
<b>C</b>	9-221477	1	SERVICE KIT, Trackunit rework with keypad TH
<b>D</b>	9-221478	1	SERVICE KIT, Trackunit with keypad TH
1	9-213098	1	TELEMATICS, Elevate ME501-4
	9-199296		COVER, Track Unit
	9-199297		BRACKET, Track Unit
	9-199298		BATTERY, Track Unit
	9-199299		CABLE, Control Track Unit
2	9-213099	1	TELEMATICS, Elevate Keypad - <b>C, D</b>
3	9-221451	1	HARNESS, Telematics TH
4	9-221453	1	WIRE ASM, CAN H - <b>A, C</b>
5	9-221454	1	WIRE ASM, CAN L - <b>A, C</b>
6	9-221150	1	LABEL, 57DCR - <b>A, C</b>
7	9-931298	1	RELAY
8	9-105621	1	SCREW, RND HD MACHINE 10-32 x 1.000 - <b>A, C</b>
9	9-300450	1	NUT, LOCK 10-32 GR5 - NYL - <b>A, C</b>
10	9-105360	8	TERMINAL, MALE 14-16GA X 1/4 FULL INSL - <b>A, C</b>
11	9-208856	1.75	TAPE, VHB - 5952 - 1 INCH
12	9-112248	2	SCREW, RND HD MACHINE 8-32 x 1.000 - <b>C, D</b>
13	9-138765	2	NUT, LOCK 8-32 GR5 \ZINC - NYL - <b>C, D</b>
14	9-108791	2	CLIP, CORD ADHESIVE BACK - <b>C, D</b>
15	9-124399	26"	WIRE-PROTECTOR 1/4" 125-0140 BL - <b>C, D</b>
16	9-221464	1	INSTRUCTIONS, Elevate Telematics Installation
17	9-221111	1	OPERATING INTRUCTIONS, Elevate Telematics - <b>C, D</b>
18	9-173002	1	LABEL, Elevate Telematics - <b>C, D</b>

# 10.20 Elevate Telematics Harness



M221451AC

## 10.20 Elevate Telematics Harness

Index No.	Skyjack Part No.	Qty.	Description
-	9-221451	1	ELEVATE TELEMATICS HARNESS
1	9-220611	1	CONNECTOR, DEUTSCH DTM06-12S
2	9-220612	1	CONNECTOR, DEUTSCH DTM06 WEDGE
3	9-220613	9	CONNECTOR, CONTACT SOCKET NO.20
4	9-156152	3	SEALING PLUG, DRC SERIES
5	9-105359	8	TERMINAL FEMALE 14-16GA INSL.BLUE
6	9-117583	1	CONNECTOR PLUG 8-PIN
7	9-117585	1	CONNECTOR PLUG 8-PIN WEDGE
8	9-117591	6	CONNECTOR - CONTACT SOCKET 16-18
9	9-117594	2	CONNECTOR - SEALING PLUG
10	9-129258	1	DIODE 1N4007
11	9-931298	1	RELAY
12	9-156166	1	SOCKET, RELAY
13	9-126808	2	TERMINAL 14-08 GA 1/4 NON INSULATED
14	9-199144	2	TERMINAL, 0.187 SRS FASTIN ON RCPT PH BR

---

## Section 11 – Labels

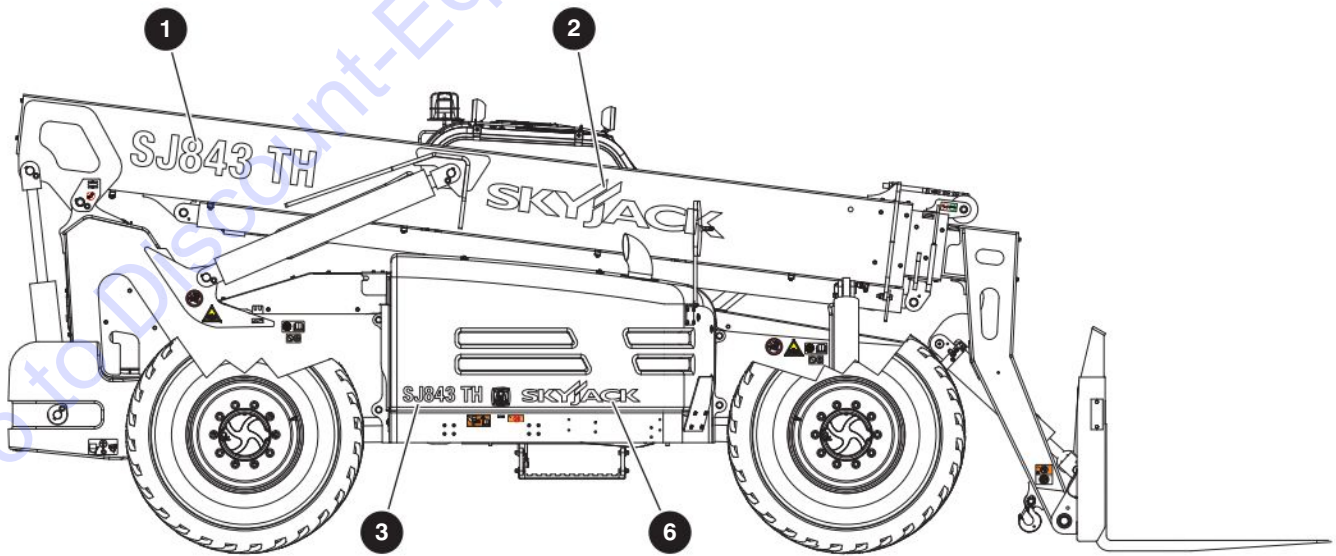
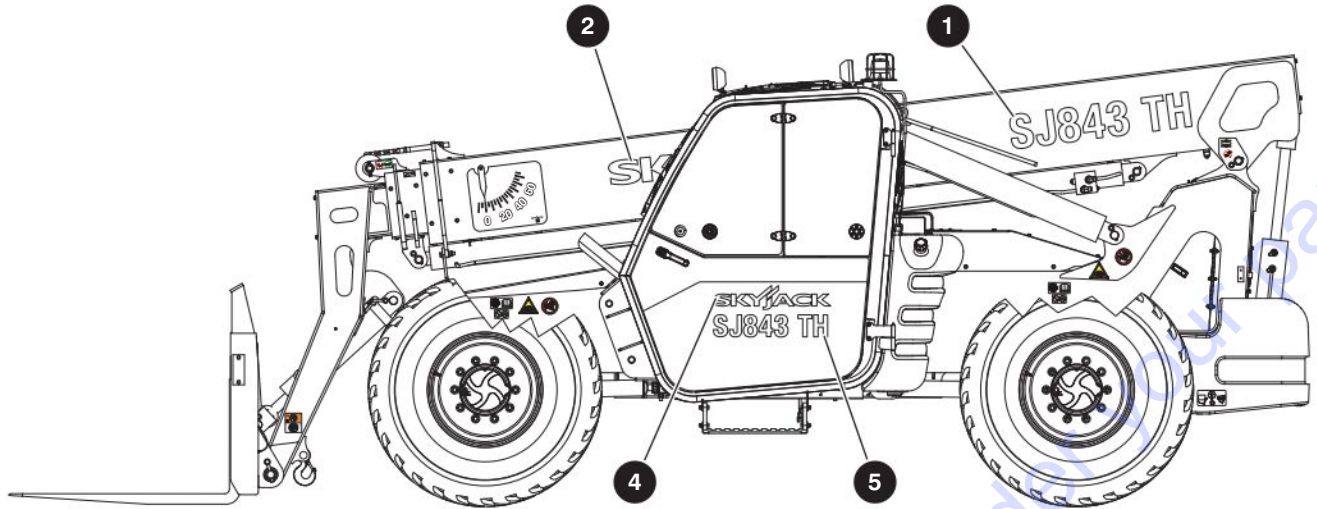
**11.1** *Model Specific*

**11.2** *Pictorial Group Labels*

**11.3** *Cab Labels*

**11.4** *Load Charts*

# 11.1 Model Specific



M190077\_2.ai

190125AG

356

SJ643 TH, SJ843 TH

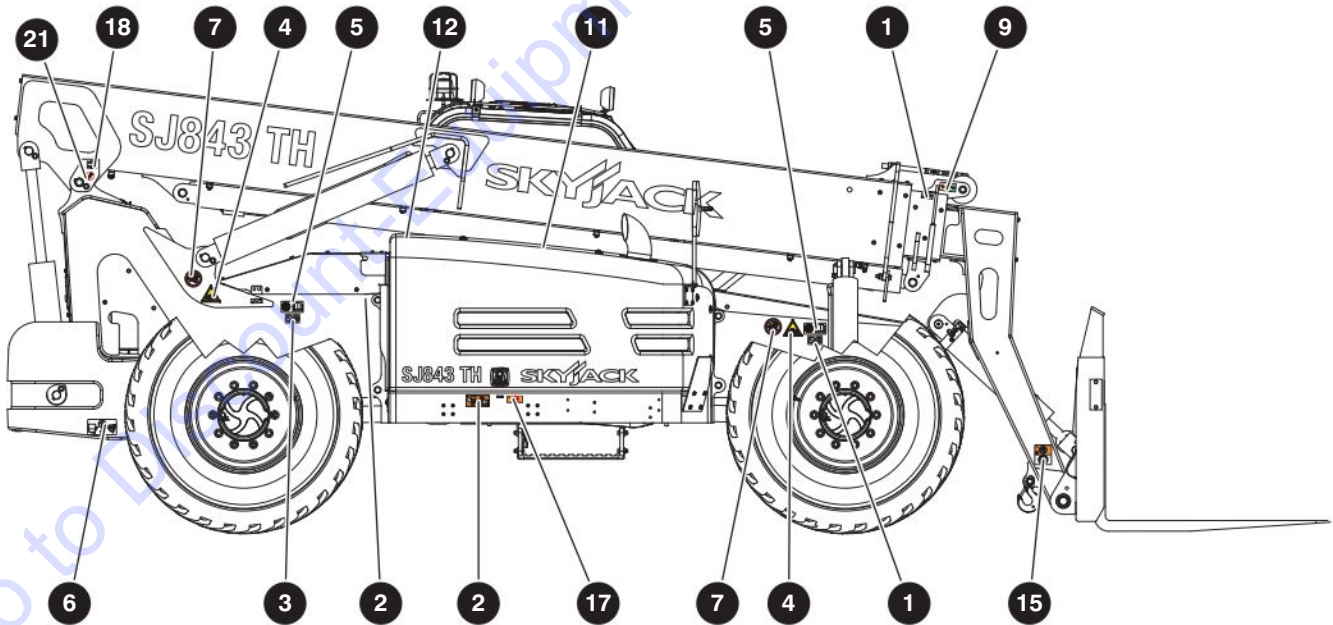
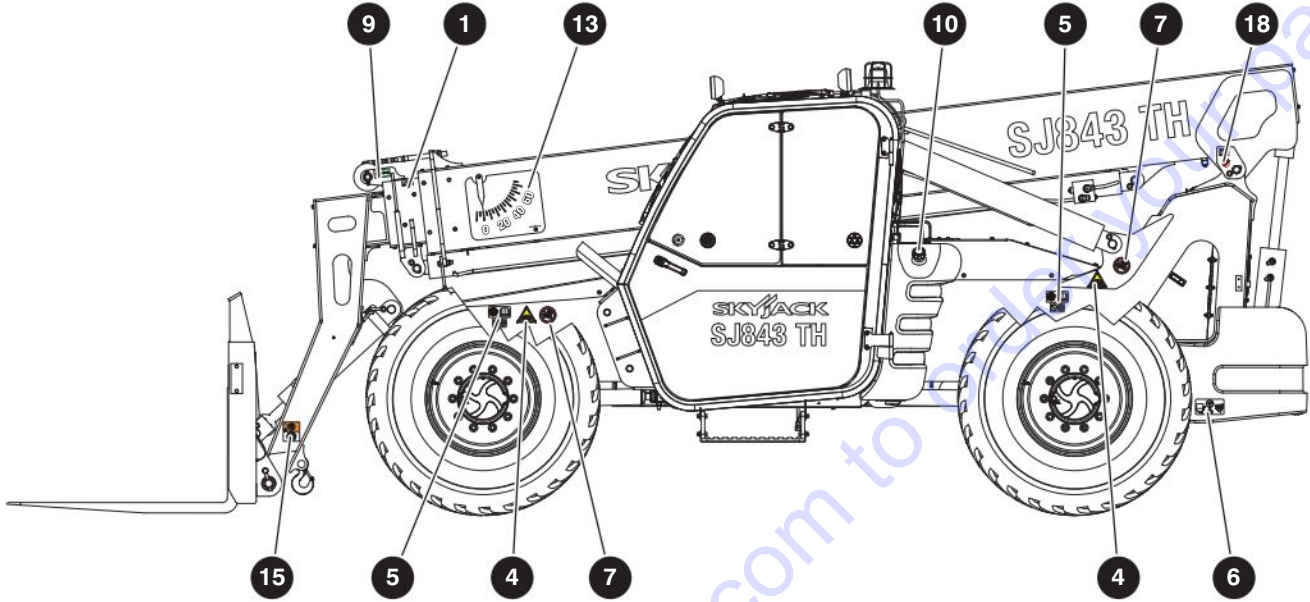
SKYJACK

## 11.1 Model Specific

Index No.	Skyjack Part No.	Qty.	Description
<b>A</b>	9-190079	1	LABEL GROUP, MODEL SPECIFIC SJ843 TH - ENCLOSED CAB
<b>B</b>	9-190078	1	LABEL GROUP, MODEL SPECIFIC SJ643 TH - ENCLOSED CAB
<b>C</b>	9-199861	1	LABEL GROUP, MODEL SPECIFIC SJ843 TH - OPEN CAB
<b>D</b>	9-199860	1	LABEL GROUP, MODEL SPECIFIC SJ643 TH - OPEN CAB
<b>E</b>	9-172952	1	LABEL GROUP, MODEL SPECIFIC SJ843 TH - CVT OPEN CAB
<b>F</b>	9-172951	1	LABEL GROUP, MODEL SPECIFIC SJ643 TH - CVT OPEN CAB
<b>G</b>	9-172958	1	LABEL GROUP, MODEL SPECIFIC SJ843 TH - CVT ENCLOSED CAB
<b>H</b>	9-172957	1	LABEL GROUP, MODEL SPECIFIC SJ643 TH - CVT ENCLOSED CAB
1	9-172189	2	• LABEL, SJ843 TH white (38") - <b>A, C</b>
	9-172197	2	• LABEL, SJ643 TH white (38") - <b>B, D</b>
2	9-164773	2	• LABEL, Skyjack logo white (51")
3	9-172190	1	• LABEL, SJ843 TH white (17") - <b>A, C</b>
	9-172195	1	• LABEL, SJ643 TH white (17") - <b>B, D</b>
4	9-166951	1	• LABEL, Skyjack logo white (25")
5	9-172183	1	• LABEL, SJ843 TH white (25") - <b>A</b>
	9-172196	1	• LABEL, SJ643 TH white (25") - <b>B</b>
6	9-172144	1	• LABEL, Boom letters



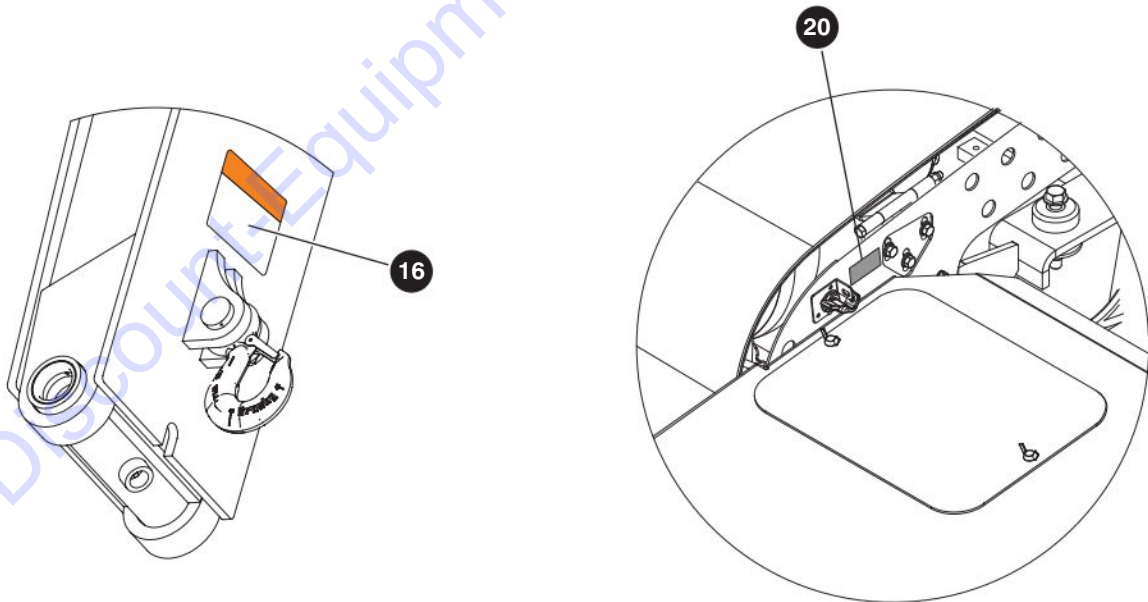
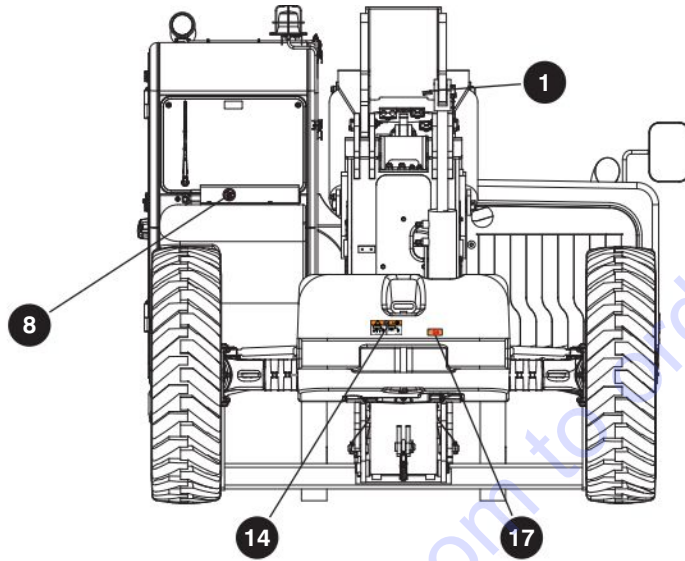
## 11.2 Pictorial Group Labels



## 11.2 Pictorial Group Labels

Index No.	Skyjack Part No.	Qty.	Description
<b>A</b>	9-190077	1	LABEL GROUP, PICTORIAL TH <i>(for SJ643 TH with SN 87112517 and below for SJ843 TH with SN 87112532 and below)</i>
<b>B</b>	9-229082	1	LABEL GROUP, PICTORIAL TH <i>(for SJ643 TH with SN 87112518 and up for SJ843 TH with SN 87112533 and up)</i>
1	9-152230	6	• LABEL, Grease point
2	9-137988	1	• LABEL, Crush/pinch hazard pictorial
3	9-146016	1	• LABEL, Hydraulic oil level (min/max)
4	9-139314	4	• LABEL, Body crush pictorial
5	9-124631	4	• LABEL, Wheel info pictorial
6	9-157528	4	• LABEL, Lift point / tie down pictorial
7	9-139855	4	• LABEL, "Keep clear" pictorial
8	9-138146	1	• LABEL, No smoking pictorial
9	9-152237	2	• LABEL, Keep chains tight
10	9-162852	1	• LABEL, Diesel "ultra low sulfur only "
11	9-102961	1	• LABEL, ATF dexron III pictorial
12	9-163095	1	• LABEL, Caution coolant fill
13	9-196184	1	• LABEL, Boom angle indicator
14	9-195900	1	• LABEL, Towing capacity
15	9-195421	2	• LABEL, Fork pins warning
16	9-195422	1	• LABEL, Lifting hook
17	9-115543	2	• LABEL, No step
18	9-156613	2	• LABEL, Do not tamper with switch
19	(Ref).	1	• ASSEMBLY, Cab labels  <a href="#">(For components, refer to Section 11.3)</a>
20	9-212532	1	• LABEL, Main battery disconnect swith
21	9-173583	2	• LABEL, Do not grease
22	9-173202	4	• LABEL, Tip over hazard - <b>B</b>

## 11.2 Pictorial Group Labels



M190077\_3

190125AG

**360**

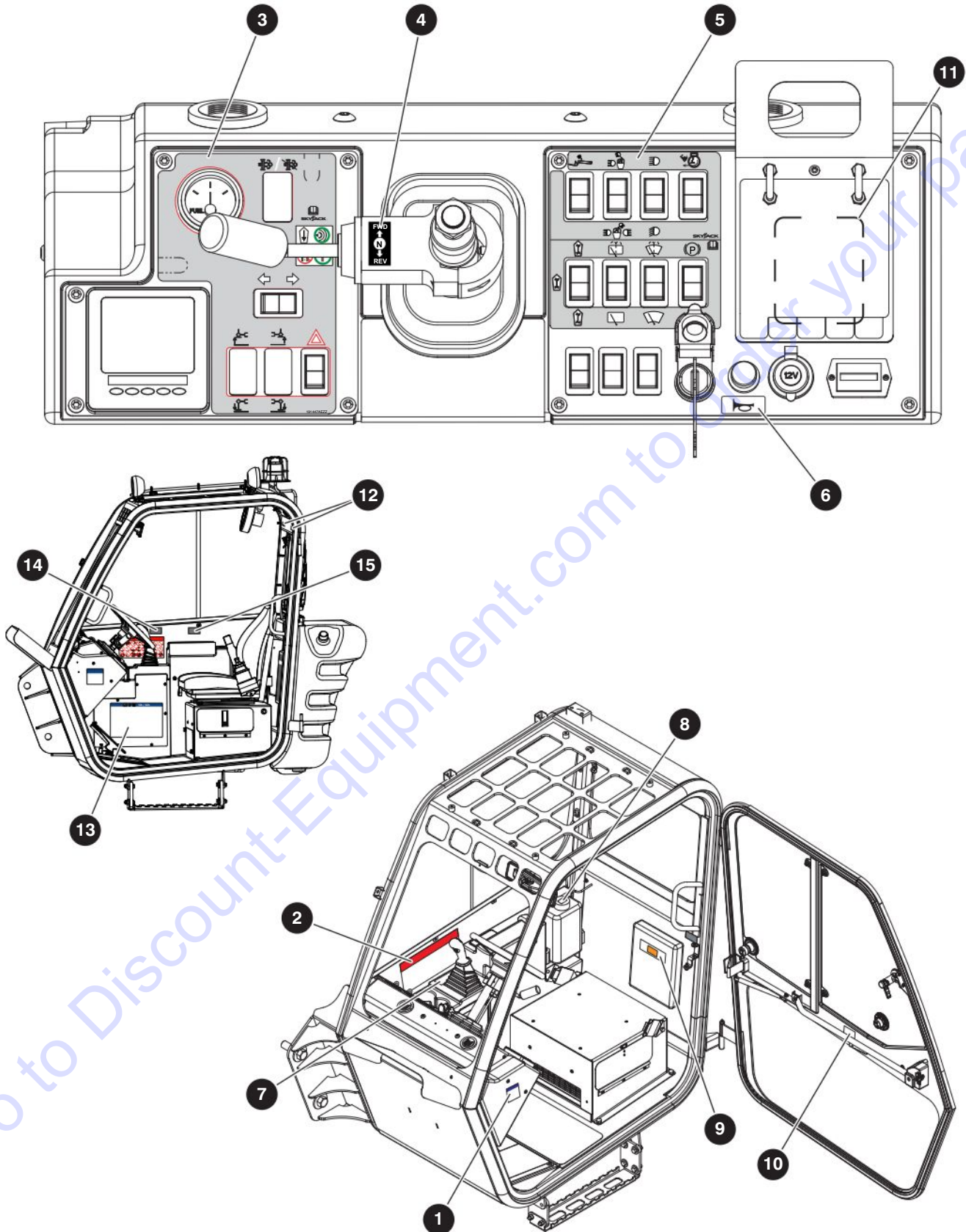
SJ643 TH, SJ843 TH

**SKYJACK**

## 11.2 Pictorial Group Labels

Index No.	Skyjack Part No.	Qty.	Description
<b>A</b>	9-190077	1	LABEL GROUP, PICTORIAL TH <i>(for SJ643 TH with SN 87112517 and below for SJ843 TH with SN 87112532 and below)</i>
<b>B</b>	9-229082	1	LABEL GROUP, PICTORIAL TH <i>(for SJ643 TH with SN 87112518 and above for SJ843 TH with SN 87112533 and above)</i>
1	9-152230	6	• LABEL, Grease point
2	9-137988	1	• LABEL, Crush/pinch hazard pictorial
3	9-146016	1	• LABEL, Hydraulic oil level (min/max)
4	9-139314	4	• LABEL, Body crush pictorial
5	9-124631	4	• LABEL, Wheel info pictorial
6	9-157528	4	• LABEL, Lift point / tie down pictorial
7	9-139855	4	• LABEL, "Keep clear" pictorial
8	9-138146	1	• LABEL, No smoking pictorial
9	9-152237	2	• LABEL, Keep chains tight
10	9-162852	1	• LABEL, Diesel "ultra low sulfur only "
11	9-102961	1	• LABEL, ATF dexron III pictorial
12	9-163095	1	• LABEL, Caution coolant fill
13	9-196184	1	• LABEL, Boom angle indicator
14	9-195900	1	• LABEL, Towing capacity
15	9-195421	2	• LABEL, Fork pins warning
16	9-195422	1	• LABEL, Lifting hook
17	9-115543	2	• LABEL, No step
18	9-156613	2	• LABEL, Do not tamper with switch
19	(Ref).	1	• ASSEMBLY, Cab labels  <i>(For components, refer to Section 11.3)</i>
20	9-212532	1	• LABEL, Main battery disconnect swith
21	9-173583	2	• LABEL, Do not grease
22	9-173202	4	• LABEL, Tip over hazard - <b>B</b>

### 11.3 Cab Labels



M195068AA\_1

190125AG

362

SJ643 TH, SJ843 TH

SKYJACK



## 11.3 Cab Labels

Index No.	Skyjack Part No.	Qty.	Description
-	9-195068	1	ASSEMBLY, CAB LABELS
1	9-195425	1	• LABEL, Transportation reminder
2	9-195424	1	• LABEL, Hazard identification
3	9-191447	1	• LABEL, Left side dash
4	9-926902	1	• LABEL, Transmission selector
5	9-191448	1	• LABEL, Right side dash
6	9-105352	1	• LABEL, Horn pictorial
7	9-195109	1	• LABEL, Joystick controls
8	9-152241	1	• LABEL, Windshield washer fluid
9	9-123628	1	• LABEL, Manual storage box
10	9-152246	1	• LABEL, Door open instructions
11	9-195069	1	• LABEL, Fuse Panel SJXX TH
12	9-204421	1	• LABEL, Pictorial emergency exit procedure
13	9-195426	1	LABEL, Daily and weekly maintenance chart
14	173081	1	LABEL, California proposition 65
15	9-173002	1	LABEL, Equipped with elevate Keypad

# No Drawing Required

Go to Discount-Equipment.com to order your parts

*Load chart*

190125AG

**364**

SJ643 TH, SJ843 TH

**SKYJACK**



## 11.4 Load Charts

Index No.	Skyjack Part No.	Qty.	Description
-	-	-	
1	9-196197	1	CHARTS, Load SJ643 TH Group - <b>For serial numbers 87110608 and below</b>
2	9-196198	1	CHARTS, Load SJ843 TH Group - <b>For serial numbers 87110608 and below</b>
3	9-213534	1	CHARTS, Load SJ643 TH Group - <b>For serial numbers 87110609 and above</b>
4	9-213536	1	CHARTS, Load SJ843 TH Group - <b>For serial numbers 87110609 and above</b>
5	9-229077		CHARTS, Load SJ643 TH Group - <b>for serial numbers 87112518 and above</b>
6	9-229078		CHARTS, Load SJ843 TH Group - <b>for serial numbers 87112533 and above</b>

---

# Section 12 – Tables

Go to [Discount-Equipment.com](http://Discount-Equipment.com) to order your parts

## 12.1 Recommended Fluids

SJ643 TH & SJ843 TH			
<b>Engine</b>			
Fuel Type	Ultra Low Sulfur Diesel (EN 590, ASTM D975)		
Fuel Tank Capacity	35.7 gal (142 L)		
Recommended Oil Type	SAE 15W40 GR.SH, CD CF		
Engine Oil Capacity	9.5 quart (9.0 L)		
Coolant Type (Standard)	COOLANT-ANTIFREEZE 50/50 PREMIX *		
Coolant Type (Cold Weather Option)	COOLANT-ANTIFREEZE 60/40 PREMIX *		
Coolant Tank Capacity	3.7 gal (14 L)		
<b>Transmission</b>			
Powershift	Oil Type	ATF DEXRON III	
	Capacity	16.9 Quart (16 L)	
CVT	Oil Type	<b>CVT Case:</b> VALVOLINE INVARITORC 205	<b>Dropcase:</b> ATF DEXRON III
	Capacity	18 L	0.90 L
<b>Axles</b>			
Differential	SAE 80W/90 LS		
Front Axle Capacity	8.0 quart (7.5 L)		
Rear Axle Capacity	8.0 quart (7.5 L)		
Planetary Wheel Ends	SAE 80W/90		
Capacity	1.3 quart (1.2 L)		
<b>Hydraulic Oil</b>			
Standard Factory Fill	ATF Dexron III		
Type	ATF Dexron III or Equivalent		
Tank Capacity	43.85 gal (166 L)		
<b>Grease Points</b>			
Type	EP2 Grease		

\* Refer to manufacturer's manual.

1457AC

# PARTS FINDER

**Search Website  
by Part Number**



**Search Manual  
Library For Parts  
Manual & Lookup Part  
Numbers – Purchase  
or Request Quote**

**Search Manuals**

Enter your information to help us find the right parts manual for your machine.

\* Brand:

\* Model:

\* Serial:

\* Part Number:

SEARCH

**Can't Find Part or  
Manual? Request Help  
by Manufacturer,  
Model & Description**

**Parts Order Form**

Please fill in the following information to help us find the right part for your machine.

MANUFACTURER:

MODEL:

DESCRIPTION:

DATE:

TIME:

PHONE:

EMAIL:

ADDRESS:

CITY:

STATE:

ZIP:

COUNTRY:

SEARCH

Discount-Equipment.com is your online resource for quality parts & equipment.

Florida: **561-964-4949** Outside Florida TOLL FREE: **877-690-3101**

**Need parts?**

Click on this link: <http://www.discount-equipment.com/category/5443-parts/> and choose one of the options to help get the right parts and equipment you are looking for. Please have the machine model and serial number available in order to help us get you the correct parts. If you don't find the part on the website or on one of the online manuals, please fill out the request form and one of our experienced staff members will get back to you with a quote for the right part that your machine needs.

We sell worldwide for the brands: Genie, Terex, JLG, MultiQuip, Mikasa, Essick, Whiteman, Mayco, Toro Stone, Diamond Products, Generac Magnum, Airman, Haulotte, Barreto, Power Blanket, Nifty Lift, Atlas Copco, Chicago Pneumatic, Allmand, Miller Curber, Skyjack, Lull, Skytrak, Tsurumi, Husquvarna Target, Stow, Wacker, Sakai, Mi-T-M, Sullair, Basic, Dynapac, MBW, Weber, Bartell, Bennar Newman, Haulotte, Ditch Runner, Menegotti, Morrison, Contec, Buddy, Crown, Edco, Wyco, Bomag, Laymor, EZ Trench, Bil-Jax, F.S. Curtis, Gehl Pavers, Heli, Honda, ICS/PowerGrit, IHI, Partner, Imer, Clipper, MMD, Koshin, Rice, CH&E, General Equipment, Amida, Coleman, NAC, Gradall, Square Shooter, Kent, Stanley, Tamco, Toku, Hatz, Kohler, Robin, Wisconsin, Northrock, Oztec, Toker TK, Rol-Air, APT, Wylie, Ingersoll Rand / Doosan, Innovatech, Con X, Ammann, Mecalac, Makinex, Smith Surface Prep, Small Line, Wanco, Yanmar