

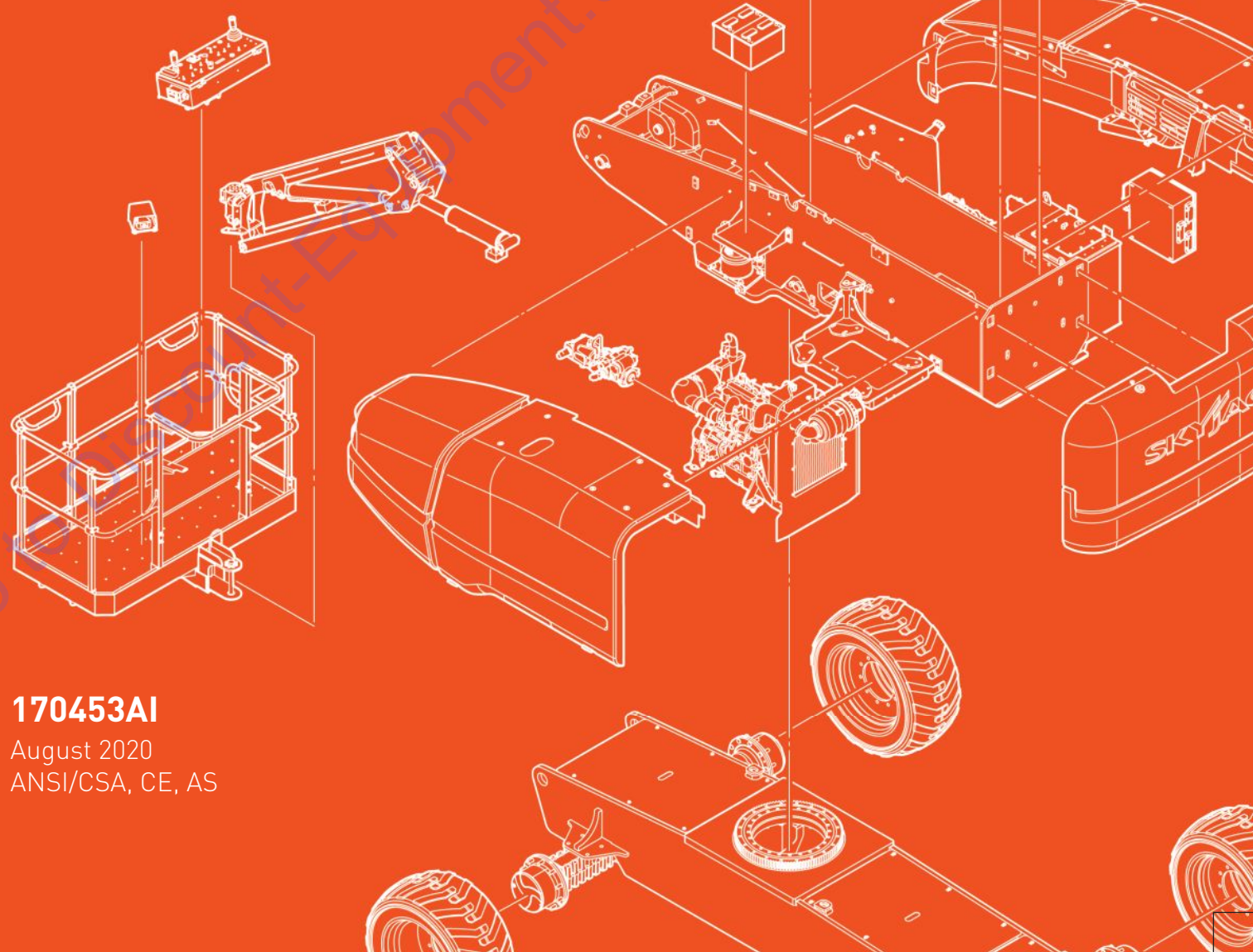


SKYJACK

PARTS MANUAL

SJ82T, SJ86T

TELESCOPIC BOOMS



170453A1

August 2020
ANSI/CSA, CE, AS

PARTS FINDER

**Search Website
by Part Number**



**Search Manual
Library For Parts
Manual & Lookup Part
Numbers – Purchase
or Request Quote**

Search Manuals

Enter your information to help us find the right parts manual for your machine.

* Brand:

* Model:

* Serial:

* Part Number:

SEARCH

**Can't Find Part or
Manual? Request Help
by Manufacturer,
Model & Description**

Parts Order Form

Please fill in the following information to help us find the right part for your machine.

Manufacturer:	<input type="text"/>
Model:	<input type="text"/>
Description:	<input type="text"/>
Part Number:	<input type="text"/>
Quantity:	<input type="text"/>
Notes:	<input type="text"/>
Submit	<input type="button" value="Submit"/>

Discount-Equipment.com is your online resource for quality parts & equipment.

Florida: **561-964-4949** Outside Florida TOLL FREE: **877-690-3101**

Need parts?

Click on this link: <http://www.discount-equipment.com/category/5443-parts/> and choose one of the options to help get the right parts and equipment you are looking for. Please have the machine model and serial number available in order to help us get you the correct parts. If you don't find the part on the website or on one of the online manuals, please fill out the request form and one of our experienced staff members will get back to you with a quote for the right part that your machine needs.

We sell worldwide for the brands: Genie, Terex, JLG, MultiQuip, Mikasa, Essick, Whiteman, Mayco, Toro Stone, Diamond Products, Generac Magnum, Airman, Haulotte, Barreto, Power Blanket, Nifty Lift, Atlas Copco, Chicago Pneumatic, Allmand, Miller Curber, Skyjack, Lull, Skytrak, Tsurumi, Husquvarna Target, Stow, Wacker, Sakai, Mi-T-M, Sullair, Basic, Dynapac, MBW, Weber, Bartell, Bennar Newman, Haulotte, Ditch Runner, Menegotti, Morrison, Contec, Buddy, Crown, Edco, Wyco, Bomag, Laymor, EZ Trench, Bil-Jax, F.S. Curtis, Gehl Pavers, Heli, Honda, ICS/PowerGrit, IHI, Partner, Imer, Clipper, MMD, Koshin, Rice, CH&E, General Equipment, Amida, Coleman, NAC, Gradall, Square Shooter, Kent, Stanley, Tamco, Toku, Hatz, Kohler, Robin, Wisconsin, Northrock, Oztec, Toker TK, Rol-Air, APT, Wylie, Ingersoll Rand / Doosan, Innovatech, Con X, Ammann, Mecalac, Makinex, Smith Surface Prep, Small Line, Wanco, Yanmar

This manual is based on Serial Numbers:

SJ82T & SJ86T: 97 100 001 to 97 199 999

Please refer to the website (www.discount-equipment.com)
for contact information, other Serial Numbers, the most
recent Technical Manuals, and USB software.

Original instructions in English.

Go to Discount-Equipment.com to order your parts

Table of Contents

Foreword.....	9
General.....	9
Parts Ordering Information.....	9
Method of Listing.....	9
Quantities.....	9
How To Order Repair Parts.....	9
Recommended Service Parts.....	10
Section 1 – Platform.....	13
1.1 Platform with Drop Bars.....	14
1.2 Platform with Swing Gate.....	16
1.3 Railings.....	18
1.4 Platform Base - CE & AS.....	20
1.5 Swing Gate.....	22
1.6 Drop Bar Gate.....	24
1.7 Footswitch.....	25
1.8 Platform Control Box.....	26
1.9 Boom / Turret Controller.....	30
1.10 Drive / Steer Controller.....	32
1.11 Platform Terminal Strip.....	34
Section 2 – Boom.....	35
2.1 Boom Assembly.....	36
2.2 Main Boom.....	40
2.3 Fly Boom.....	41
2.4 Mid Boom.....	42
2.5 Cable Track.....	44
2.6 Linkage.....	48
2.7 Boom Limit Switches.....	50
2.8 Wire Rope.....	51
2.9 Boom Manifold.....	52
2.10 Slave Cylinder Bulkhead Bracket - SJ82T.....	53
2.11 No Jib - SJ82T.....	54
2.12 Jib - SJ86T.....	56
2.13 Jib / Platform Rotate Valve.....	58
Section 3 – Cylinders.....	61
3.1 Extension Cylinder Hardware.....	62

3.2	Extension Cylinder	64
3.3	Lift Cylinder	65
3.4	Master Cylinder	66
3.5	Slave Cylinder	67
3.6	Jib Cylinder	68
3.7	Axle Lock Cylinder	69
Section 4 – Turret		71
4.1	Turret	72
4.2	Engine Tray	74
4.3	Cowling - Control Side	76
4.4	Cowling - Engine Side	80
4.5	Limit Switches - Turret	84
4.6	Main & Brake Valve Assembly	86
4.7	Main Manifold	88
4.8	Brake Manifold	90
4.9	Pressure Reducing Valve	92
4.10	High Pressure Filter	93
4.11	Hydraulic Tank	94
4.12	Swing Drive	96
4.13	Emergency Pump	98
4.14	Batteries	99
4.15	Battery Cables	100
4.16	Base Controls - Deutz TD2.9L, D2011 & Perkins 2.2TA	102
4.17	Base Controls - Deutz TCD2.2	108
4.18	Base Terminal Strip - Deutz TD2.9L	112
4.19	Base Terminal Strip - Deutz TCD2.2	113
4.20	Base Terminal Strip - Deutz D2011	114
4.21	Base Terminal Strip - Perkins 2.2TA	115
4.22	Counterweights	116
4.23	Fuel Tank	118
Section 5 – Base		121
5.1	Base Assembly	122
5.2	Rotary Manifold	124
5.3	Axles	126
5.4	Differential - Front Axle	128
5.5	Hub Reduction - Front Axle	130
5.6	Brakes - Front Axle	134
5.7	Central Housing - Front Axle	136
5.8	Steering Assembly - Front Axle	137
5.9	Trunnion - Front Axle	138
5.10	Drive Shaft	139

5.11	Differential - Rear Axle	140
5.12	Hub Reduction - Rear Axle	142
5.13	Central Housing - Rear Axle	144
5.14	Brakes - Rear Axle	146
5.15	Gear Box & Motor Assembly	148
5.16	Gear Box	150
5.17	Tires	152

Section 6 – Engines 153

6.1	Engine - Deutz TD2.9L	154
6.2	Radiator - Deutz TD2.9L	158
6.3	Air Intake - Deutz TD2.9L	160
6.4	Engine - Deutz TCD2.2	162
6.5	Radiator - Deutz TCD2.2	166
6.6	Air Intake - Deutz TCD2.2	170
6.7	Engine - Deutz D2011	172
6.8	Engine - Perkins 2.2TA	176
6.9	Air Intake - Perkins 2.2TA	184
6.10	Radiator - Perkins 2.2TA	186
6.11	Drive and System Pump	190
6.12	Engine Coupling - Deutz	192
6.13	Engine Coupling - Perkins	193

Section 7 – Electrical Harnesses 195

7.1	Main Function Harness	196
7.2	Differential Lock Valve Harness	198
7.3	Boom Lift Valve Harness	199
7.4	Jib & Platform Rotate Harnesses	200
7.5	Control Cables	201
7.6	Battery Cables	202
7.7	Outlet Box - 110/220V	204
7.8	EDC Harness	205
7.9	Glow Plug Harness - Deutz TD2.9L Engine	206
7.10	Glow Plug Harness - Deutz TCD2.2 Engine	207
7.11	Glow Plug Harness - Deutz D2011 Engine	208
7.12	Engine Interface Harness - Deutz TD2.9L Engine	210
7.13	Engine Interface Harness - Deutz TCD2.2	212
7.14	Fuse Box - Perkins 2.2TA	216

Section 8 – Hose Connections 219

8.1	Standard Hose Numbering System	220
8.2	Hydraulic Hoses - Cylinders	222
8.3	Hydraulic Hoses - Turret	224
8.4	Hydraulic Hoses - Drive & System Pumps	226

8.5	Hydraulic Hoses - Base	228
8.6	Fuel Lines - Deutz TD2.9L & TCD2.2 Engines	230
8.7	Fuel Lines - Deutz D2011 Engine	232
8.8	Fuel Lines - Perkins 2.2TA Engine	234
8.9	Grease Line	236
Section 9 – Optional Equipment		237
9.1	Oil Cooler with No Generator	238
9.2	Oil Cooler Assembly	239
9.3	Generator and Oil Cooler - 3.5 kW	240
9.4	Generator Assembly - 3.5 kW	242
9.5	Hydraulic Hoses - 3.5 kW Generator	244
9.6	Generator and Oil Cooler - 7.5 kW	246
9.7	Generator Assembly - 7.5 kW	248
9.8	Generator and Oil Cooler - 12 kW	250
9.9	Generator Assembly - 12 kW	252
9.10	Hydraulic Hoses - 7.5 kW & 12 kW Generators	254
9.11	Generator and Oil Cooler Wiring	256
9.12	Welder & Mount	258
9.13	Glazier Rack	262
9.14	Cold Start Package	264
9.15	Arctic Package	265
9.16	Load Circuit Manifold - Deutz TD2.9L	266
9.17	Block Heater	268
9.18	Pipe Rack	269
9.19	SGM Assembly	270
9.20	SGE Assembly	272
9.21	External Railing	274
9.22	Flashing Light	275
9.23	Hostile Environment Package	276
9.24	Control Box Cover	278
9.25	Work Lights	280
9.26	Tool Caddy	282
9.27	Lifting Lugs	284
9.28	Air Hose To Platform	285
9.29	Positive Air Shut-Off Option	286
9.30	Residual Current Device (RCD)	287
9.31	Half-Height Platform Mesh	288
9.32	Elevate Telematics	292
9.33	Elevate Telematics Subscription	300
Section 10 – Labels		301
10.1	Label Kits	302

10.2	Labels - Platform Controls	303
10.3	Labels - Base Controls	304
10.4	Labels - Engine Side	306
10.5	Labels - Controls Side	308
10.6	Labels - Platform	310
10.7	Labels - Front, Back, and Bottom	312

Go to Discount-Equipment.com to order your parts

Foreword

General

The information contained in this manual is designed to aid the user in locating and identifying replacement parts. Component parts of various assemblies and subassemblies comprising the work platform are illustrated and accompanied by a descriptive parts list. Exploded drawings are used to show relative location of component parts in disassembly order. If a part cannot be found in this manual, contact Discount-equipment for assistance.

Parts Ordering Information

When ordering replacement parts, the complete part number and description should be used to ensure proper identification and delivery of the desired item. This complete identification should also be used when requesting equipment information.

Method of Listing

Parts are listed in order according to the reference number shown in the illustration, followed by a full description based upon the "NOUN FIRST" method. That is, the noun name of the part is listed first, then the modifying description information which serves to specifically identify the item. For example: PIN, Clevis.

Assemblies at the beginning of a parts list may be identified with a reference letter: A, B, C, etc. These letters are used to identify different configurations of the assembly. Individual parts in these lists have corresponding letters after their description to identify which assembly it is used in. If a part does not have a reference letter, it is used in all of the assemblies.

Bullets (•) are used to show the assembly structure, or parent/child relationship. A part listed at the beginning of the parts list without a bullet before the description is the main assembly, and all of the parts below it with one bullet are the subcomponent parts of that assembly. Two bullets denote a subcomponent of a subcomponent, etc.

Example:

Main Assembly A

- Part 1 (subcomponent of Main Assembly A)
- Part 2 (subcomponent of Main Assembly A)
- • Part 3 (subcomponent of Part 2)

Quantities

The quantities required to complete the assembly are given for each part. If the quantity is (AR), it is understood that the quantity may vary when the machine is equipped with certain options. Order quantity as needed.

How To Order Repair Parts

1. Address all orders to Discount-equipment.
2. Specify model and serial number of the work platform (found on the serial number plate).
3. List the quantity needed.
4. List the length needed (if it is a bulk item).
5. List the part number and description as shown in this manual for each item.
6. Show the billing and shipping address and the name of the individual, if possible.
7. Suggest the best routing.

Customer: _____

Dealer: _____

Model Number: _____

Serial Number: _____

Date Purchased: _____

Recommended Service Parts

Description	Year 1 Qty	Year 2 Qty	Year 3 Qty	Skyjack Part No.
Deutz TD2.9L Engine				
FILTER, Oil	2	2	2	147072
FILTER, Fuel pre-filter	2	2	2	164772
FILTER, Fuel	2	2	2	164771
ELEMENT, Primary - air cleaner	2	2	2	165949
ELEMENT, Secondary - air cleaner	1	1	1	165950
THERMOSTAT	0	0	1	166699
HOSE, Radiator - return	0	0	1	207694
HOSE, Radiator - upper	0	0	1	207696
HOSE, Radiator - lower	0	0	1	207695
BELT, Alternator/water pump	0	0	1	166694
PUMP, Fuel	1	1	1	164770
STARTER	0	0	1	166692
ALTERNATOR	0	0	1	166693
Engine - Deutz TCD2.2				
FILTER, Oil - Deutz TCD2.2	2	2	2	224309
FILTER, Fuel pre-filter - Deutz TCD2.2	2	2	2	224323
FILTER, Fuel - Deutz TCD2.2	2	2	2	224320
ELEMENT, Air cleaner - primary	2	2	2	165949
ELEMENT, Air cleaner - secondary	1	1	1	165950
THERMOSTAT, Deutz TCD2.2	0	0	1	224587
HOSE, Radiator return - Deutz TCD2.2	0	0	1	206958
HOSE, Radiator upper - Deutz TCD2.2	0	0	1	206960
HOSE, Radiator lower - Deutz TCD2.2	0	0	1	206959
BELT, Alternator/water pump - Deutz TCD2.2	0	0	1	166694
PUMP, Fuel - Deutz TCD2.2	0	0	1	224314
STARTER, Deutz TCD2.2	0	0	1	224307
ALTERNATOR, Deutz TCD2.2	0	0	1	224310
Deutz D2011 Engine				
FILTER, Oil	2	2	2	147072
FILTER, Fuel	2	2	2	147071
ELEMENT, Primary - air cleaner	2	2	2	704560
ELEMENT, Secondary - air cleaner	1	1	1	706549
BELT, Alternator	0	0	1	151770
PUMP, Fuel	1	1	1	127181
STARTER	0	0	1	204249
ALTERNATOR	0	0	1	168365

Recommended Service Parts

Description	Year 1 Qty	Year 2 Qty	Year 3 Qty	Skyjack Part No.
Perkins 2.2TA Engine				
FILTER, Oil	2	2	2	212981
FILTER ELEMENT, Fuel pre-filter	2	2	2	212844
FILTER ELEMENT, Fuel	2	2	2	212840
ELEMENT, Primary - air cleaner	2	2	2	165947
ELEMENT, Secondary - air cleaner	1	1	1	165948
THERMOSTAT	0	0	1	212983
HOSE, Radiator - return	0	0	1	211837
HOSE, Radiator - upper	0	0	1	211835
HOSE, Radiator - lower	0	0	1	211836
BELT, Alternator/water pump	0	0	1	212831
PUMP, Fuel	1	1	1	212841
STARTER	0	0	1	213008
ALTERNATOR	0	0	1	212830
Electrical				
BATTERY	2	2	2	103295
RELAY	5	5	5	127131
SOCKET, Relay	1	1	1	138749
SWITCH, Toggle (1NT1-7)	2	2	2	102853
SWITCH, Toggle (2NT1-70)	1	1	1	148988
SWITCH, Toggle (2NT1-7)	1	1	1	138278
SWITCH, Toggle (1NT1-3)	1	1	1	115747
BLOCK, Contact - N.C. (red plunger, keyswitch, e-stop)	1	1	1	147053
BLOCK, Contact - N.O. (black plunger, keyswitch)	1	1	1	166141
BLOCK, Contact - N.O. (yellow plunger, keyswitch)	1	1	1	166142
SWITCH, Limit - boom angle	0	1	1	160017
SWITCH, Limit - boom angle dual load	0	1	1	171424
COIL, Valve	0	1	1	159820
HANDLE KIT, Drive/steer joystick	0	1	1	141338
Hydraulic				
ELEMENT, High pressure filter - hydraulic	1	1	1	161947
ELEMENT, Return filter - hydraulic	2	2	2	161948
SEAL KIT, Extend cylinder	0	0	1	170686
SEAL KIT, Lift cylinder	0	0	1	170692
SEAL KIT, Master cylinder	0	0	1	170696
SEAL KIT, Slave cylinder	0	0	1	170701
SEAL KIT, Jib cylinder	0	0	1	170711

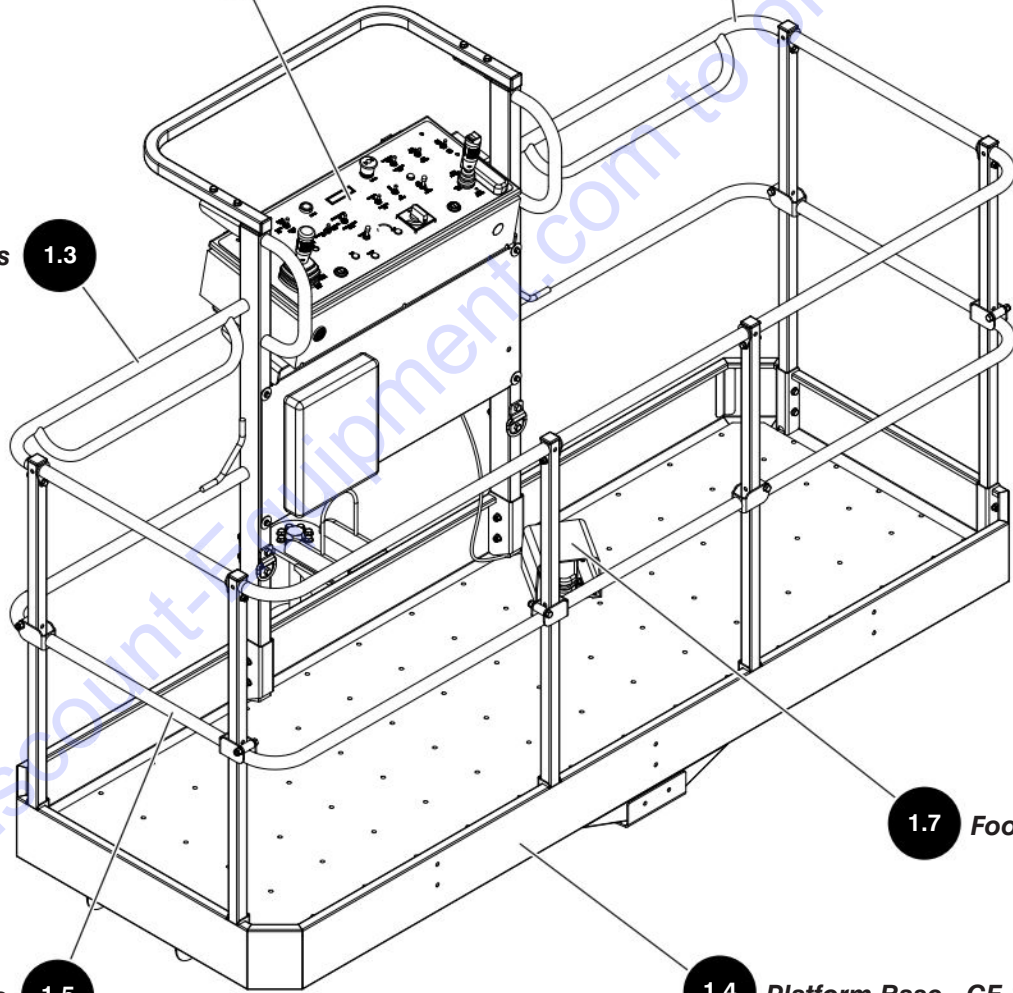
Recommended Service Parts

Description	Year 1 Qty	Year 2 Qty	Year 3 Qty	Skyjack Part No.
SEAL KIT, Axle lock cylinder	0	0	1	160657
SEAL KIT, Rotary actuator - SJ82T	0	0	1	170712
SEAL KIT, Rotary actuator - SJ86T	0	0	1	144709
SEAL KIT, Steer cylinder	0	0	1	169242
Boom				
SHIM, 16 gauge (5.5" x 7")	1	1	1	165701
SHIM, 20 gauge (5.5" x 7")	0	1	1	165702
SHIM, 16 gauge (3" x 7")	2	2	2	164961
SHIM, 20 gauge (3" x 7")	0	2	2	164962
SHIM, 16 gauge (1" x 6")	2	2	2	168078
SHIM, 20 gauge (1" x 6")	0	2	2	168079
PAD, Wear	0	2	2	171977
PAD, Wear	0	1	1	170765
PAD, Wear	0	4	4	170763
Cowling				
LATCH, Draw - flexible	2	2	2	144002
Axles				
SEAL, Differential pinion (front axle)	0	0	1	170792
SEAL, Planetary hub (front and rear axles)	0	0	1	154631
O-RING, Planetary hub (front axle)	0	0	1	403046
SEAL, Axle shaft - inner (front axle)	0	0	1	151762
SEAL, Axle shaft - outer (front axle)	0	0	1	923829
SEAL, Differential pinion (rear axle)	0	0	1	923894
O-RING, Planetary hub (rear axle)	0	0	1	925533
SEAL, Output shaft - gear box	0	0	1	170914
SEAL, Input shaft - gear box	0	0	1	141370

Section 1 – Platform

- Platform Control Box 1.8
- Boom / Turret Controller 1.9
- Drive / Steer Controller 1.10
- Platform Terminal Strip 1.11
- 1.1 Platform with Drop Bars
- 1.2 Platform with Swing Gate

Railings 1.3



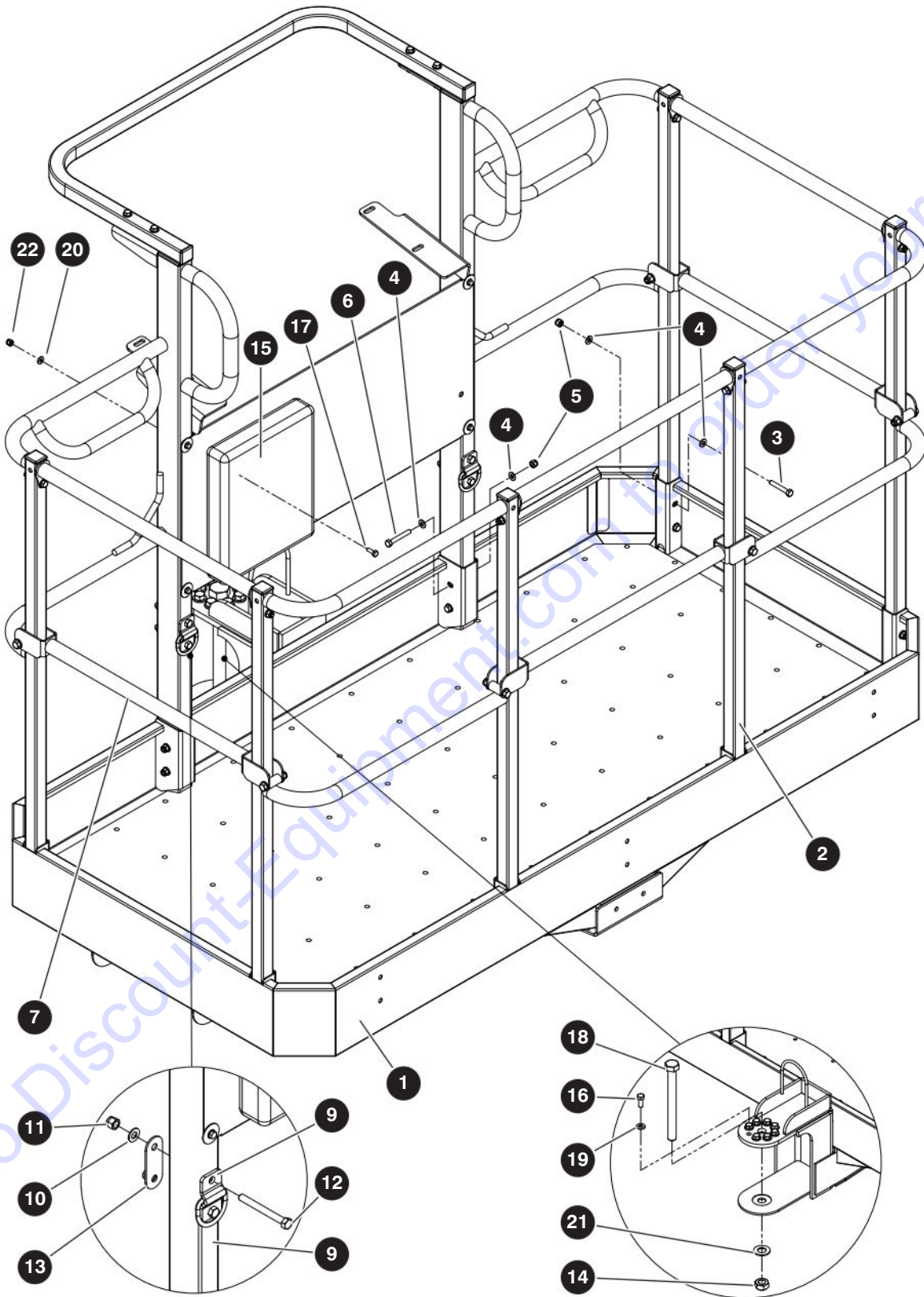
Swing Gate 1.5

Drop Bar Gate 1.6

1.7 Footswitch

1.4 Platform Base - CE & AS

1.1 Platform with Drop Bars



M169069AC

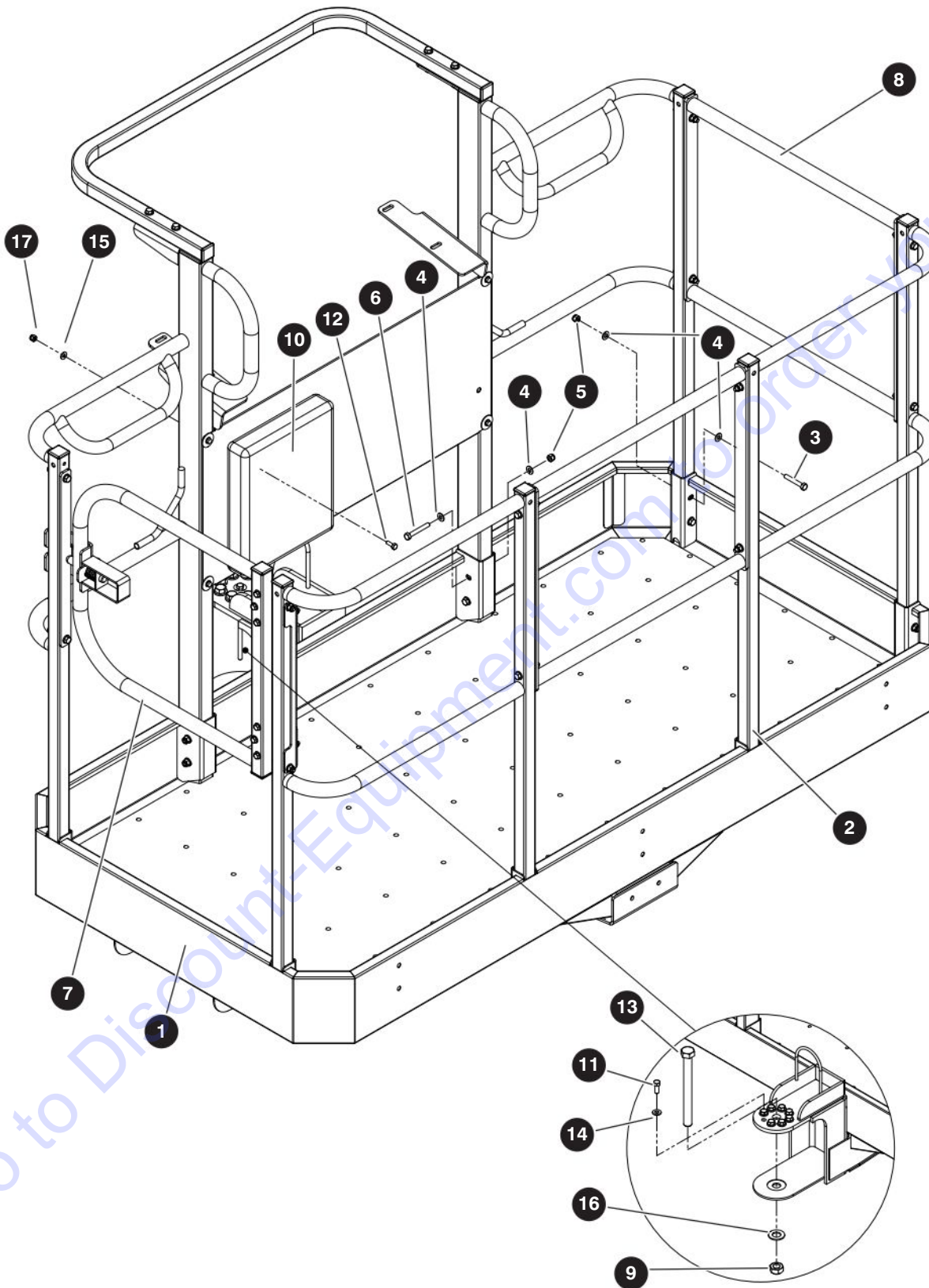
170453AI

SJ82T, SJ86T

1.1 Platform with Drop Bars

Index No.	Skyjack Part No.	Qty.	Description
A	165137	1	PLATFORM ASSEMBLY - 8' Tri-Entry Drop Bars - SJ82T ANSI/CSA
B	165138	1	PLATFORM ASSEMBLY - 8' Tri-Entry Drop Bars - SJ86T ANSI/CSA
C	165139	1	PLATFORM ASSEMBLY - 8' Tri-Entry Drop Bars - SJ86T CE & AS
D	165143	1	PLATFORM ASSEMBLY - 6' Tri-Entry Drop Bars - SJ82T ANSI/CSA
E	165144	1	PLATFORM ASSEMBLY - 6' Tri-Entry Drop Bars - SJ86T ANSI/CSA
F	165145	1	PLATFORM ASSEMBLY - 6' Tri-Entry Drop Bars - SJ86T CE & AS
-	165436	1	• PLATFORM ASSEMBLY, A
-	165275	1	• PLATFORM ASSEMBLY, B
-	169127	1	• PLATFORM ASSEMBLY, C
-	169069	1	• PLATFORM ASSEMBLY, D
-	168988	1	• PLATFORM ASSEMBLY, E
-	168608	1	• PLATFORM ASSEMBLY, F
1	165126	1	• • BASKET, 1000 lbs (36" x 96"), A
	169417	1	• • BASKET, 1000 lbs (36" x 96"), B
	(Ref.)	1	• • BASKET, 1000 lbs (36" x 96"), C (For components, refer to 1.4 Platform Base - CE & AS)
	165276	1	• • BASKET, 1000 lbs (36" x 72"), D
	169559	1	• • BASKET, 1000 lbs (36" x 72"), E
	(Ref.)	1	• • BASKET, 1000 lbs (36" x 72"), F (For components, refer to 1.4 Platform Base - CE & AS)
2	(Ref.)	1	• • RAILING (For components, refer to 1.3 Railings)
3	103865	12	• • BOLT, Hex head (0.312"-18 x 2.00" gr 5)
4	103996	32	• • WASHER, Flat (0.312")
5	103984	16	• • NUT, Hex head nylon lock (0.313"-18 gr 5)
6	103866	4	• • BOLT, Hex head (1.312"-18 x 2.25" gr 5)
7	(Ref.)	3	• • DROP BAR GATE (For components, refer to 1.6 Drop Bar Gate)
-	170630	1	• • D-RING ASSEMBLY
8	113122	1	• • • BRACKET, Safety ring
9	114989	1	• • • D-RING, Safety
10	103472	2	• • • WASHER, Flat (0.375")
11	104606	2	• • • NUT, Hex head nylon lock (0.375"-16, gr 5)
12	103915	2	• • • BOLT, Hex head (0.375"-16 x 3.50", gr 5)
13	171860	1	• • • WASHER
14	138559	1	• NUT, Torque lock (1"-8 gr C)
15	198789	1	• BOX, Manual
16	169942	8	• BOLT, Hex head (0.5"-13 x 1.25" gr 8), A, D
16	139193	8	• BOLT, Hex head (0.375"-16 x 0.875" gr 8), B, C, E, F
17	103856	4	• BOLT, Hex head (0.25"-20 x 0.75" gr 5)
18	168579	1	• BOLT, Hex head (1.0"-8 x 12" gr 8), A, D
18	138696	1	• BOLT, Hex head (1.0"-8 x 10.5" gr 8), B, C, E, F
19	104379	8	• WASHER, Flat hardened (0.50"), A, D
19	125959	8	• WASHER, Flat hardened (0.375"), B, C, E, F
20	103995	4	• WASHER, Flat (0.25")
21	102646	1	• WASHER, Flat (1.00")
22	115649	4	• NUT, Hex head nylon lock (0.25"-20 gr 5)
23	173200	1	• MANUAL, Manual of responsibilities (not shown) - ANSI/CSA

1.2 Platform with Swing Gate



M165146AB

170453AI

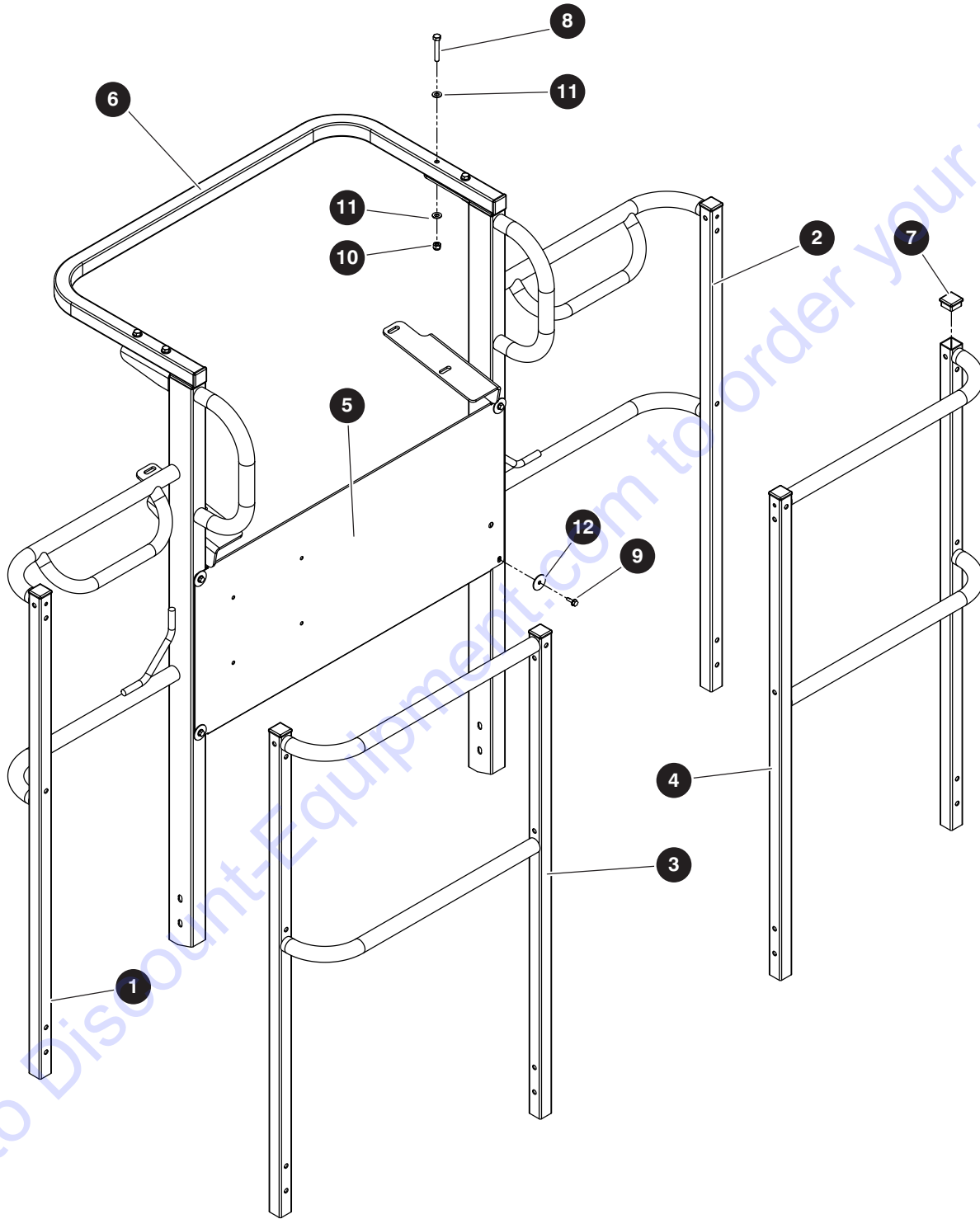
16

SJ82T, SJ86T

SKYJACK

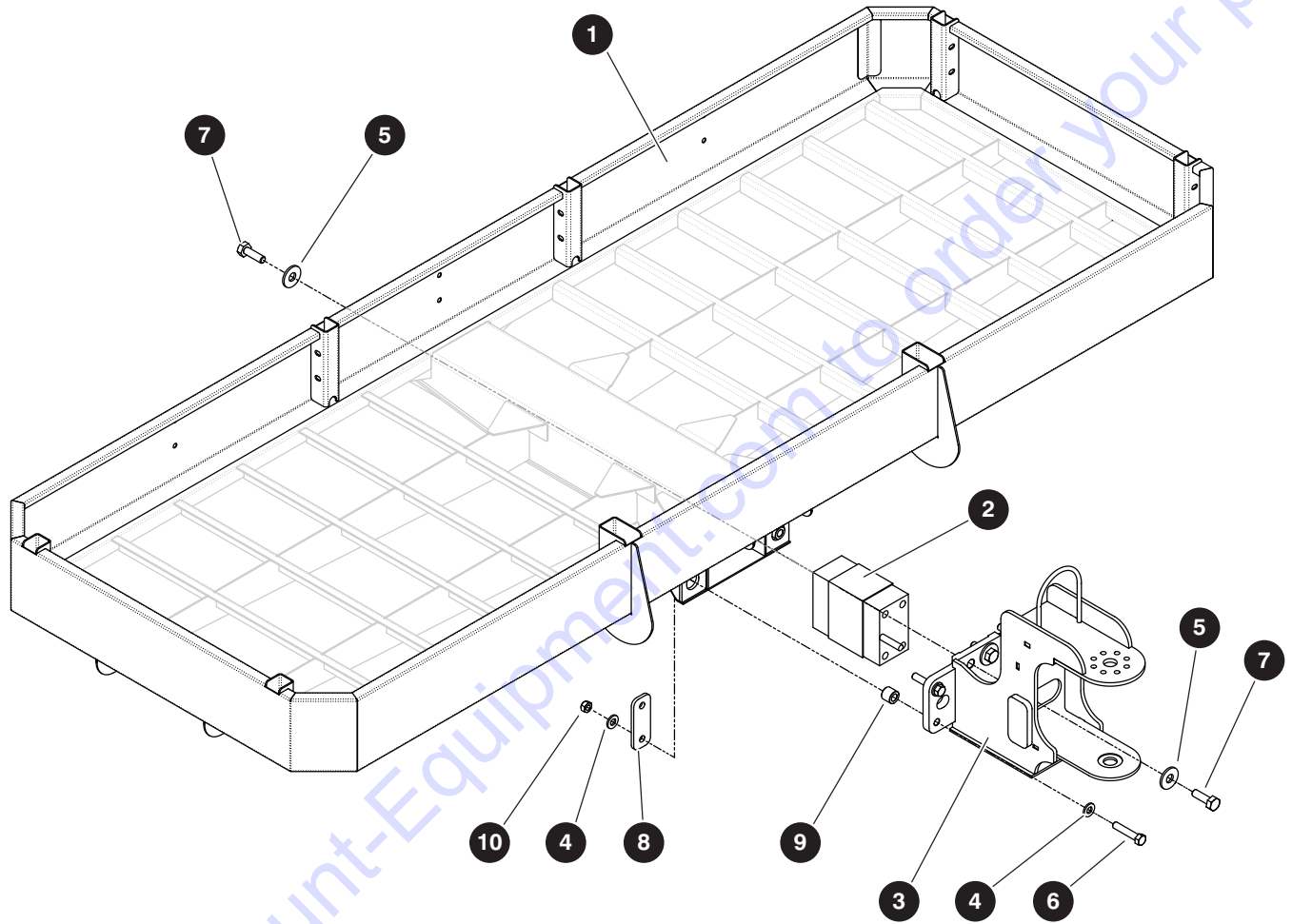
1.2 Platform with Swing Gate

Index No.	Skyjack Part No.	Qty.	Description
A	165140	1	PLATFORM ASSEMBLY - 8' Side Swing Gate - SJ82T ANSI/CSA
B	165141	1	PLATFORM ASSEMBLY - 8' Side Swing Gate - SJ86T ANSI/CSA
C	208637	1	PLATFORM ASSEMBLY - 8' Side Swing Gate - SJ86T CE & AS
D	165142	1	PLATFORM ASSEMBLY - 8' Rear Swing Gate - SJ86T CE & AS
E	165146	1	PLATFORM ASSEMBLY - 6' Side Swing Gate - SJ82T ANSI/CSA
F	165147	1	PLATFORM ASSEMBLY - 6' Side Swing Gate - SJ86T ANSI/CSA
G	165148	1	PLATFORM ASSEMBLY - 6' Rear Swing Gate - SJ86T CE & AS
-	169610	1	• PLATFORM ASSEMBLY, A
	169591	1	• PLATFORM ASSEMBLY, B
	168240	1	• PLATFORM ASSEMBLY, C
	168380	1	• PLATFORM ASSEMBLY, D
	169070	1	• PLATFORM ASSEMBLY, E
	168991	1	• PLATFORM ASSEMBLY, F
	168594	1	• PLATFORM ASSEMBLY, G
1	165126	1	• • BASKET, 1000 lbs (36" x 96"), A
	169417	1	• • BASKET, 1000 lbs (36" x 96"), B
	(Ref.)	1	• • BASKET, 1000 lbs (36" x 96"), C, D (For components, refer to 1.4 Platform Base - CE & AS)
	165276	1	• • BASKET, 1000 lbs (36" x 72"), E
	169559	1	• • BASKET, 1000 lbs (36" x 72"), F
	(Ref.)	1	• • BASKET, 1000 lbs (36" x 72"), G (For components, refer to 1.4 Platform Base - CE & AS)
2	(Ref.)	1	• • RAILING (For components, refer to 1.3 Railings)
3	103865	12	• • BOLT, Hex head (0.312"-18 x 2.00" gr 5)
4	103996	32	• • WASHER, Flat (0.312")
5	103984	16	• • NUT, Hex head nylon lock (0.313"-18 gr 5)
6	103866	4	• • BOLT, Hex head (1.312"-18 x 2.25" gr 5)
7	164618	1	• • SWING GATE (For components, refer to 1.5 Swing Gate)
8	159456	2	• • RAILING, Side
9	138559	1	• NUT, Torque lock (1"-8 gr C)
10	198789	1	• BOX, Manual
11	169942	8	• BOLT, Hex head (0.5"-13 x 1.25" gr 8), A, E
11	139193	8	• BOLT, Hex head (0.375"-16 x 0.875" gr 8), B, C, D, F, G
12	103856	4	• BOLT, Hex head (0.25"-20 x 0.75" gr 5)
13	168579	1	• BOLT, Hex head (1.0"-8 x 12" gr 8), A, E
13	138696	1	• BOLT, Hex head (1.0"-8 x 10.5" gr 8), B, C, D, F, G
14	104379	8	• WASHER, Flat hardened (0.50"), A, E
14	125959	8	• WASHER, Flat hardened (0.375"), B, C, D, F, G
15	103995	4	• WASHER, Flat (0.25")
16	102646	1	• WASHER, Flat (1.00")
17	115649	4	• NUT, Hex head nylon lock (0.25"-20 gr 5)



Index No.	Skyjack Part No.	Qty.	Description
A	154293	1	RAILING ASSEMBLY (36" x 96")
B	154334	1	RAILING ASSEMBLY (36" x 72")
1	159581	1	• RAILING, Left hand front, A
	159319	1	• RAILING, Left hand front, B
2	159585	1	• RAILING, Right hand front, A
	159318	1	• RAILING, Right hand front, B
3	159583	1	• RAILING, Left hand back, A
	154321	1	• RAILING, Left hand back, B
4	159584	1	• RAILING, Right hand back, A
	154320	1	• RAILING, Right hand back, B
5	159586	1	• GUARD, Front
6	149098	1	• TUBE, Front railing
7	100702	8	• PLUG, Plastic tube (1-1/4" x 1-1/4")
8	103865	4	• BOLT, Hex head (0.31"-18 x 2.00" gr 5)
9	103632	4	• BOLT, Hex head self tapping (0.25"-14 x 0.75")
10	103984	4	• NUT, Hex head nylon lock (0.31"-18 gr B)
11	103996	8	• WASHER, Flat (0.31")
12	700598	4	• WASHER, Fender (1.25" OD, 0.281" OD)

1.4 Platform Base - CE & AS



M154292AC

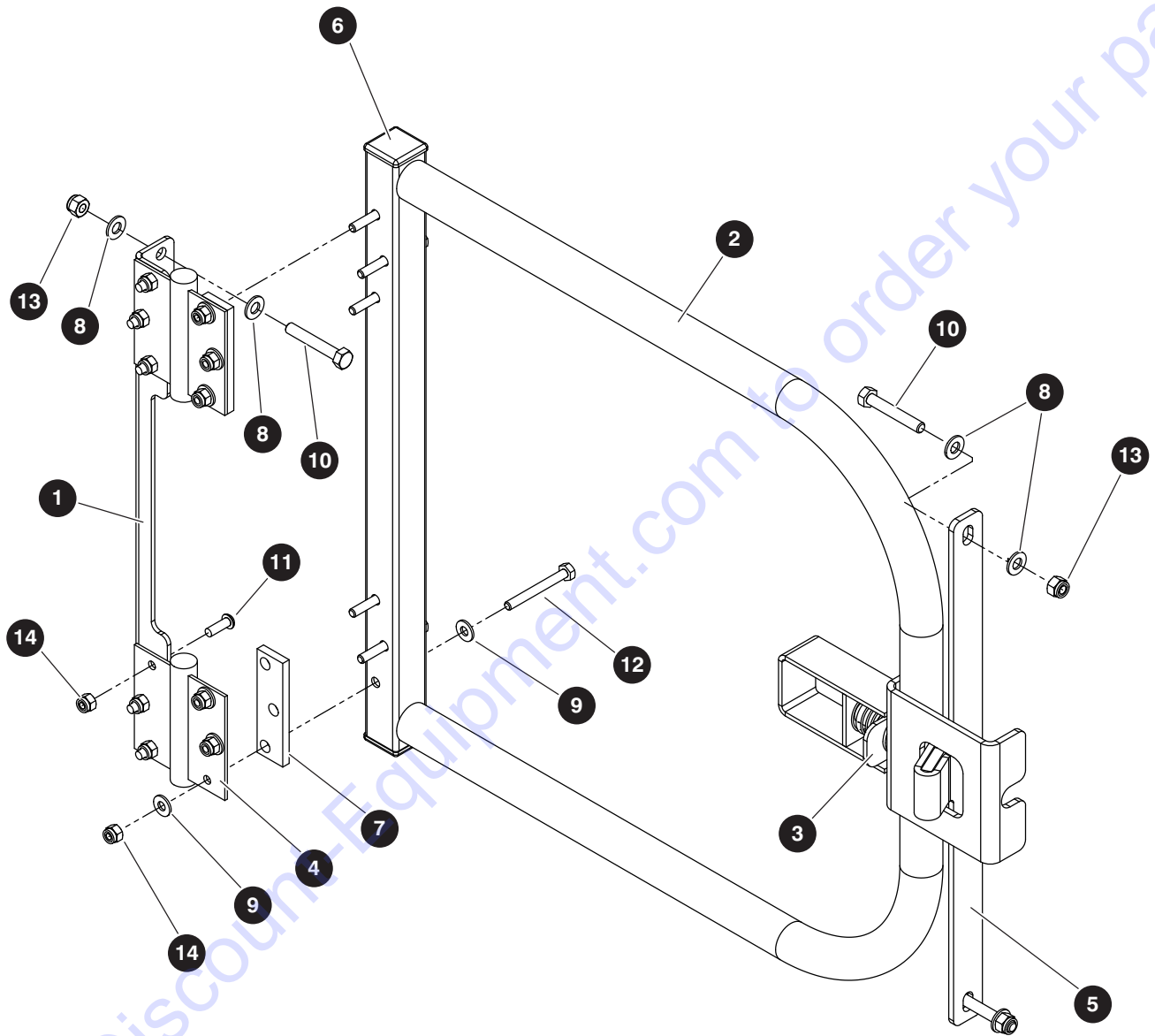
170453AI

SJ82T, SJ86T

1.4 Platform Base - CE & AS

Index No.	Skyjack Part No.	Qty.	Description
A	168240	1	PLATFORM BASE ASSEMBLY (36" x 96" CE & AS)
B	165411	1	PLATFORM BASE ASSEMBLY (36" x 72" CE & AS)
1	168222	1	• WELDMENT, Platform base, A
1	165412	1	• WELDMENT, Platform base, B
2	167182	1	• LOAD CELL, MOBA
3	168230	1	• MOUNT, Rotary Actuator
4	104379	8	• WASHER, Flat hardened (0.50")
5	144329	8	• WASHER, Flat hardened (M16)
6	144575	4	• BOLT, Hex head (0.50"-13 x 2.50" gr 8)
7	144502	8	• BOLT, Hex head (M16 x 1.5 x 45 gr 8.8)
8	144365	2	• WASHER, Safety
9	144574	4	• SPACER, Load cell
10	138791	4	• NUT, Torque lock (0.50"-13 gr C)
11	221394	1	CORD, Patch - MOBA load cell (not shown)
12	144456	1	TOOL, Hand set - MOBA Teach-in (not shown)

1.5 Swing Gate



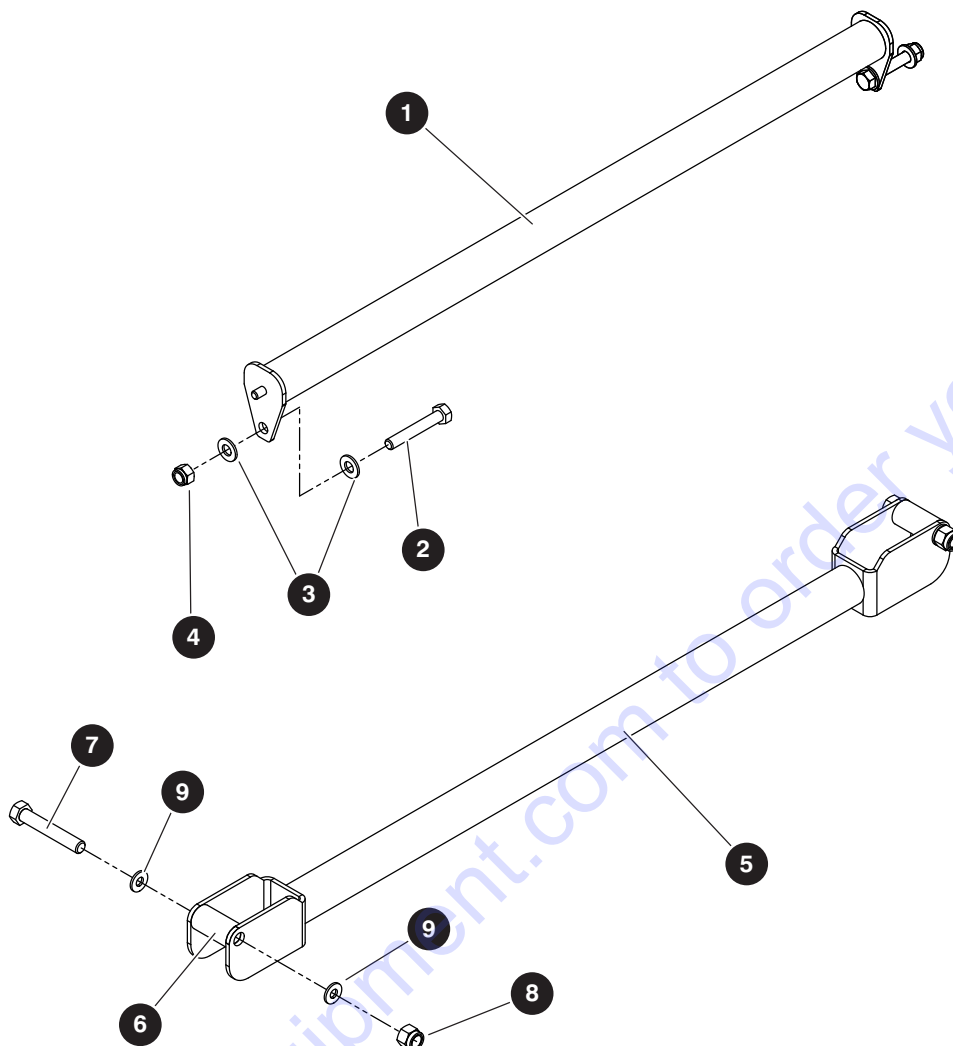
M164618AB

170453AI

SJ82T, SJ86T

Index No.	Skyjack Part No.	Qty.	Description
-	194073	1	SWING GATE FIELD KIT
-	164618	1	• SWING GATE ASSEMBLY
1	164590	1	• • BRACKET, Hinge mounting
2	164619	1	• • WELDMENT, Gate
3	110824	1	• • LATCH, Door spring pin
	105312	1	• • • LATCH, Nylon bed
	109377	1	• • • PIN, Latch
	105307	1	• • • HANDLE, Gate latch
	103107	1	• • • SPRING, Compression
	100950	1	• • • PIN, Roll (1/8" dia x 1.00")
4	209527	2	• • HINGE, Spring gate satin chrome
5	166287	1	• • WELDMENT, Locking plate
6	100702	2	• • PLUG, Plastic tube (1-1/4" x 1-1/4")
7	164592	2	• • TAB, Hinge
8	103996	8	• • WASHER, Flat (0.31")
9	103995	12	• • WASHER, Flat (0.25")
10	103865	4	• • BOLT, Hex head (0.31"-18 x 2.00" gr 5)
11	139168	6	• • SCREW, Button head (0.25"-20 x 0.75")
12	103862	6	• • BOLT, Hex head (0.25"-20 x 2.25" gr 5)
13	103984	4	• • NUT, Hex head nylon lock (0.31"-18 gr B)
14	115649	12	• • NUT, Hex head nylon lock (0.25"-20 gr 5)
15	194065	1	• INSTRUCTION, Swing gate installation (not shown)

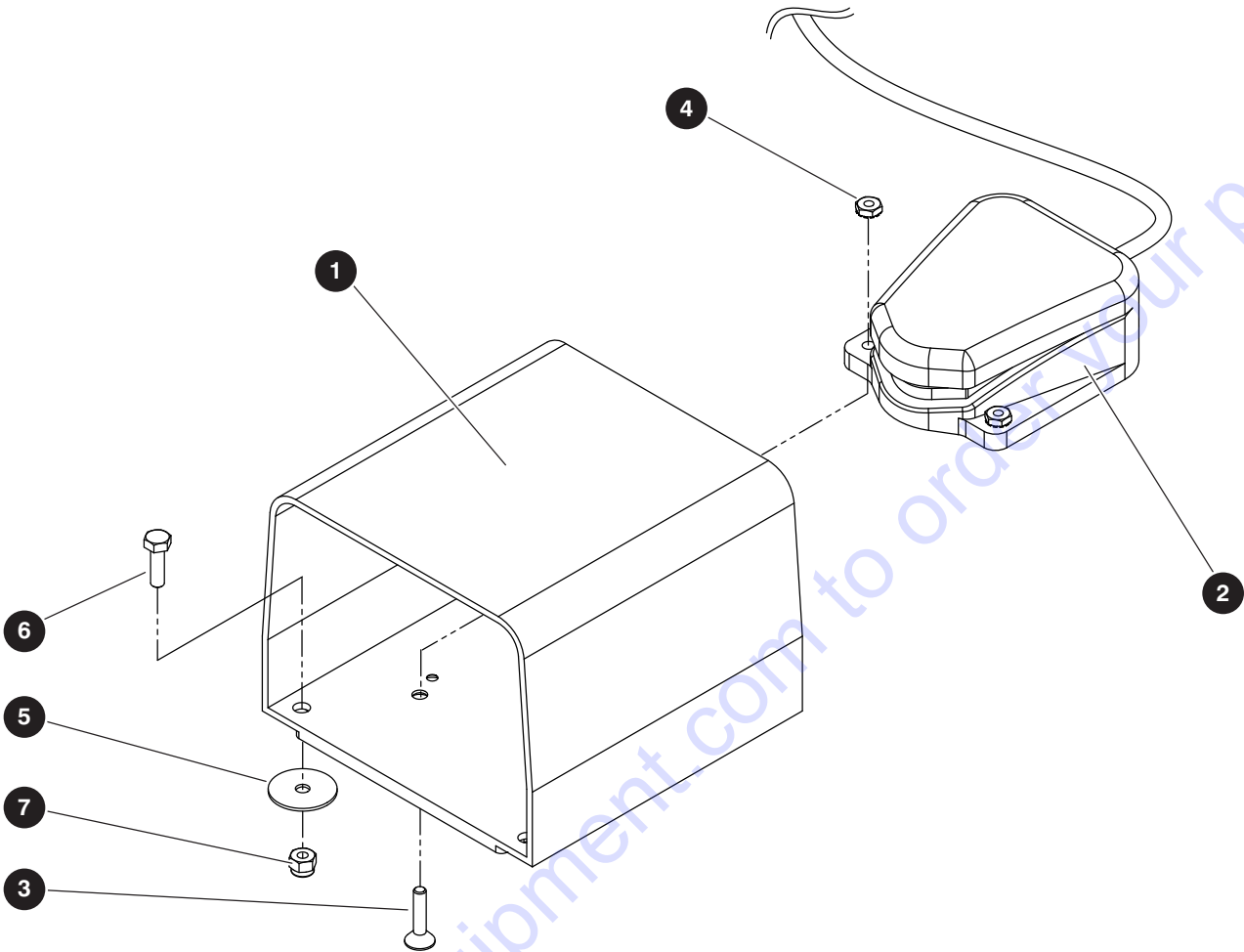
1.6 Drop Bar Gate



M192280AA

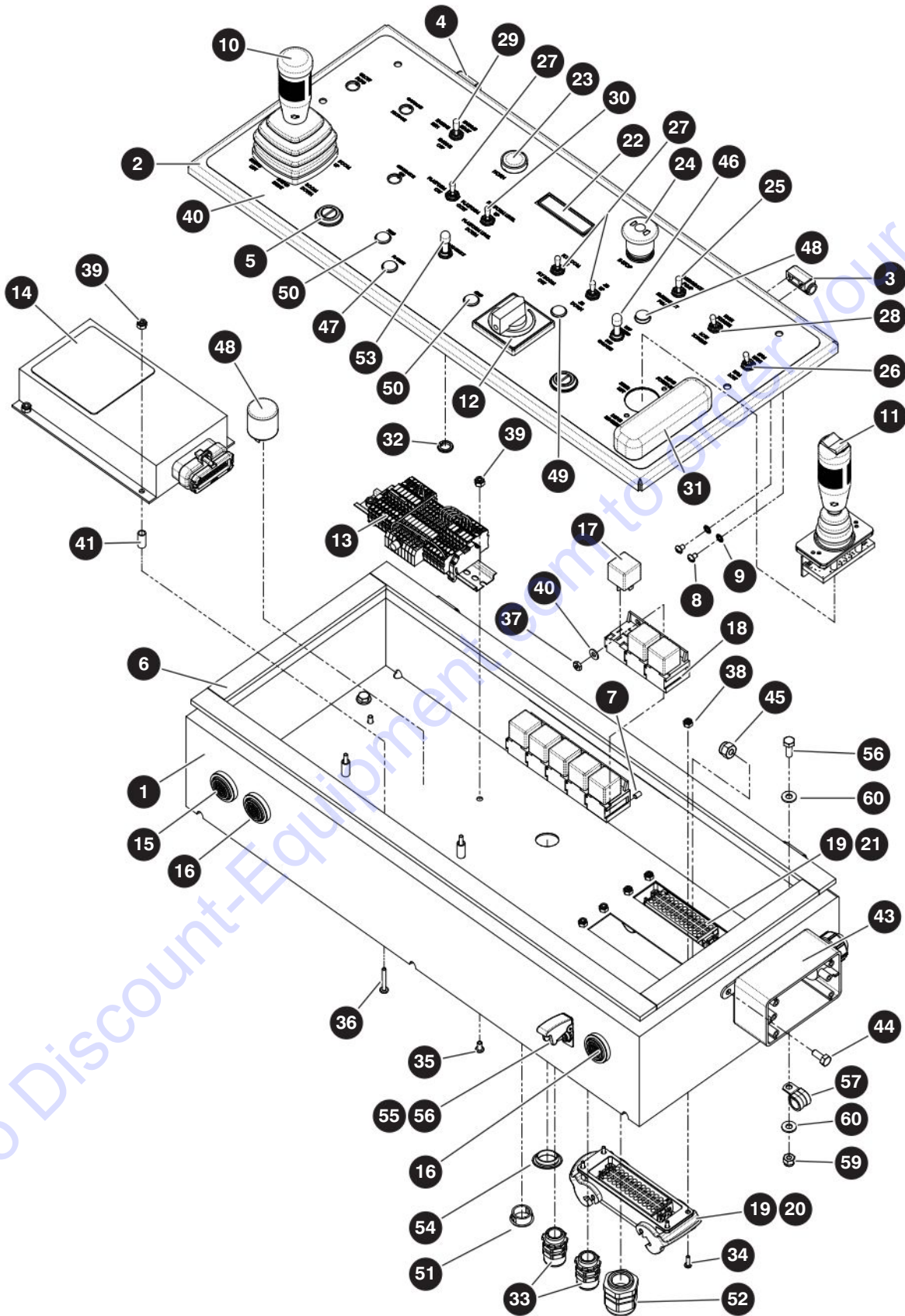
Index No.	Skyjack Part No.	Qty.	Description
-	194069	1	DROP BAR GATE FIELD KIT
-	171986	1	• DROP BAR GATE
1	160708	1	• • TIE BAR
2	103865	2	• • BOLT, Hex head (0.312"-18 x 2.00" gr 5)
3	103996	4	• • WASHER, Flat (0.312" SAE)
4	103984	2	• • NUT, Lock (0.313"-18 gr 5 nylon)
-	162965	1	• • DROP BAR ASSEMBLY
5	162958	1	• • • DROP BAR
6	154386	2	• • • SPACER (0.375" ID x 0.75" OD x 1.375" lg)
7	103872	2	• • • BOLT, Hex head (0.375"-16 x 2.25" gr 5)
8	104606	2	• • • NUT, Lock (0.375"-16 gr 5 nylon)
9	103472	4	• • • WASHER, Flat (0.375" SAE)
10	194067	1	• INSTRUCTION, Drop bar installation (not shown)

1.7 Footswitch



M154127AC_1

Index No.	Skyjack Part No.	Qty.	Description
-	154127	1	FOOTSWITCH
1	700188	1	• COVER, Footswitch
2	700187	1	• SWITCH, Foot
3	139688	2	• SCREW, Flat head machine (0.25"-20 x 1.00")
4	130017	2	• NUT, Hex head K-lock
5	700598	4	WASHER, Fender
6	103891	4	BOLT, Hex head (0.25"-20 x 0.875" gr 5)
7	115649	4	NUT, Hex head nylon lock (0.25"-20 gr 5)

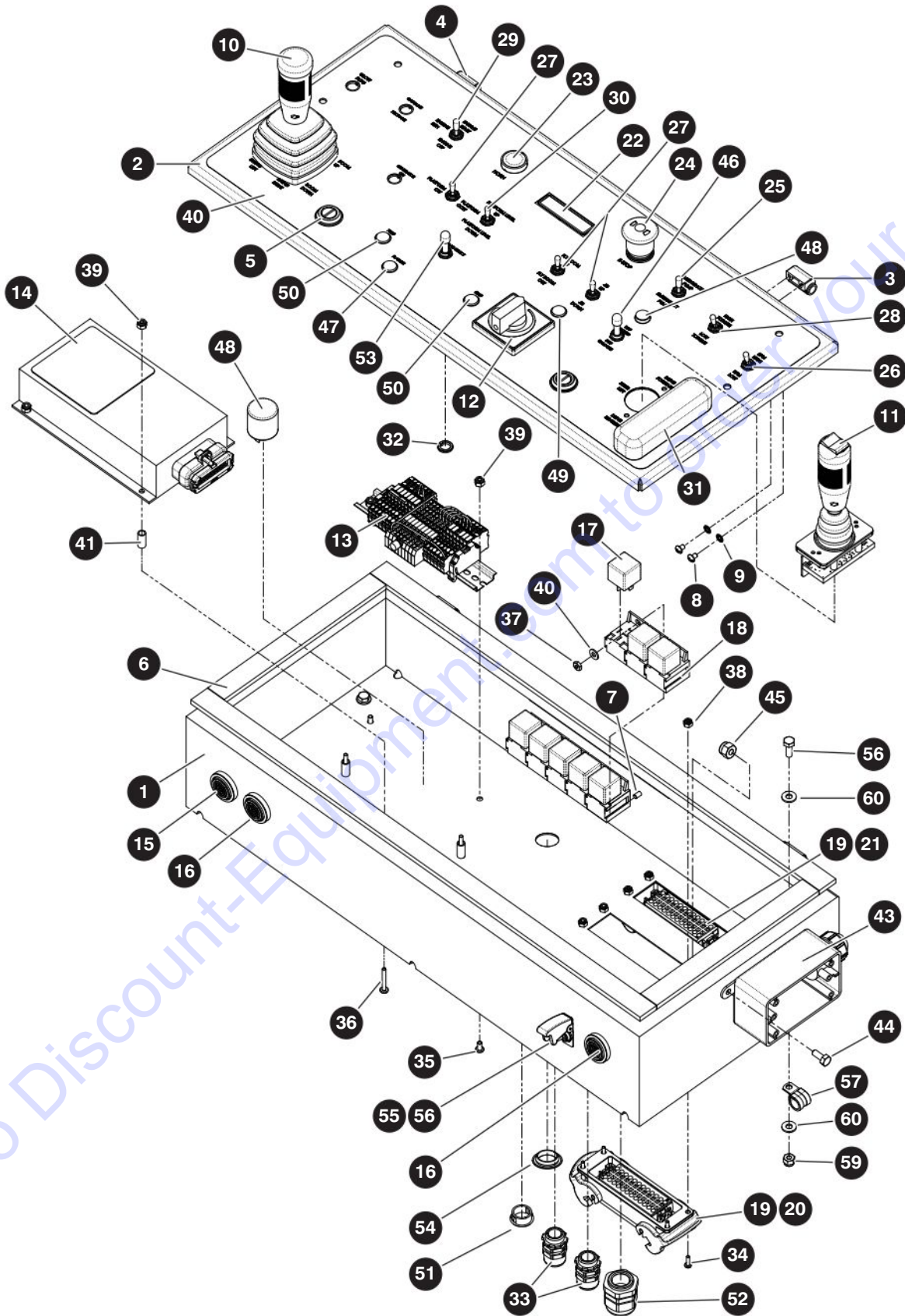


M168644AB_M224665AB

170453AI

SJ82T, SJ86T

Index No.	Skyjack Part No.	Qty.	Description
A	168786	1	PLATFORM CONTROL BOX - SJ82T ANSI/CSA
B	167163	1	PLATFORM CONTROL BOX - SJ86T ANSI/CSA
C	224665	1	PLATFORM CONTROL BOX - SJ86T CE Deutz TCD2.2
D	167183	1	PLATFORM CONTROL BOX - SJ86T CE Deutz D2011
E	171520	1	PLATFORM CONTROL BOX - SJ86T AS
	168669	1	• • BOX, Platform control, A, B, D, E
	224666	1	• • BOX, Platform control, C
1	168670	1	• • • BODY, Control box, A, B, D, E
	224667	1	• • • BODY, Control box, C
2	168671	1	• • • LID, Control box, A, B, D, E
	224663	1	• • • LID, Control box, C
3	149384	1	• • • HINGE, LH
4	149385	1	• • • HINGE, RH
5	138715	2	• • • LATCH, Slotted door
6	138334	1	• • • WEATHER STRIP, Cut
7	159879	2	• • • STUD, Aluminum (10-32 x 0.375")
8	103959	8	• • • SCREW, Round head machine (10-24 x 0.25")
9	163512	8	• • • WASHER, Internal tooth (#10)
10	(Ref.)	1	• • CONTROLLER, Boom / Turret Controller (Dual Axis) (For components, refer to 1.9 Boom / Turret Controller)
11	(Ref.)	1	• • CONTROLLER, Drive / Steer (Single Axis) (For components, refer to 1.10 Drive / Steer Controller)
12	138226	1	• • CONTROLLER, Function Speed (Unidirectional)
	198762	1	• • • KNOB, Rotary controller
13	(Ref.)	1	• • PLATFORM CONTROL BOX TERMINAL STRIP (For components, refer to 1.11 Platform Terminal Strip)
14	164994	1	• • MODULE, Controller - SCM, A, B, E
	170006	1	• • MODULE, Controller - SCM, C, D
15	103057	1	• • BEEPER, 4-28VDC Slow pulsing
16	131938	1	• • PLUG, Snap-in (1-1/8"), A, B
	144387	1	• • ALARM, Continous tone, C, D, E
17	127131	9	• • RELAY, 12V (40 AMP), A, B
	127131	10	• • RELAY, 12V (40 AMP), D, D, E
18	138749	9	• • SOCKET, Automotive relay, A, B
	138749	10	• • SOCKET, Automotive relay, C, D, E
19	138751	2	• • HOUSING, Open bottom 24 pin levered
20	138756	1	• • SOCKET, 24 Pin spring (16A)
21	138755	1	• • PLUG, 24 Pin spring (16A)
22	138229	1	• • MODULE, Upper indicating
	139203	6	• • • BULB, 12V
23	144648	1	• • PUSHBUTTON, Horn
	147056	1	• • • LATCH, Mounting
	147054	1	• • • BLOCK, NO Contact
	147058	1	• • • SWITCH HEAD, Horn pushbutton



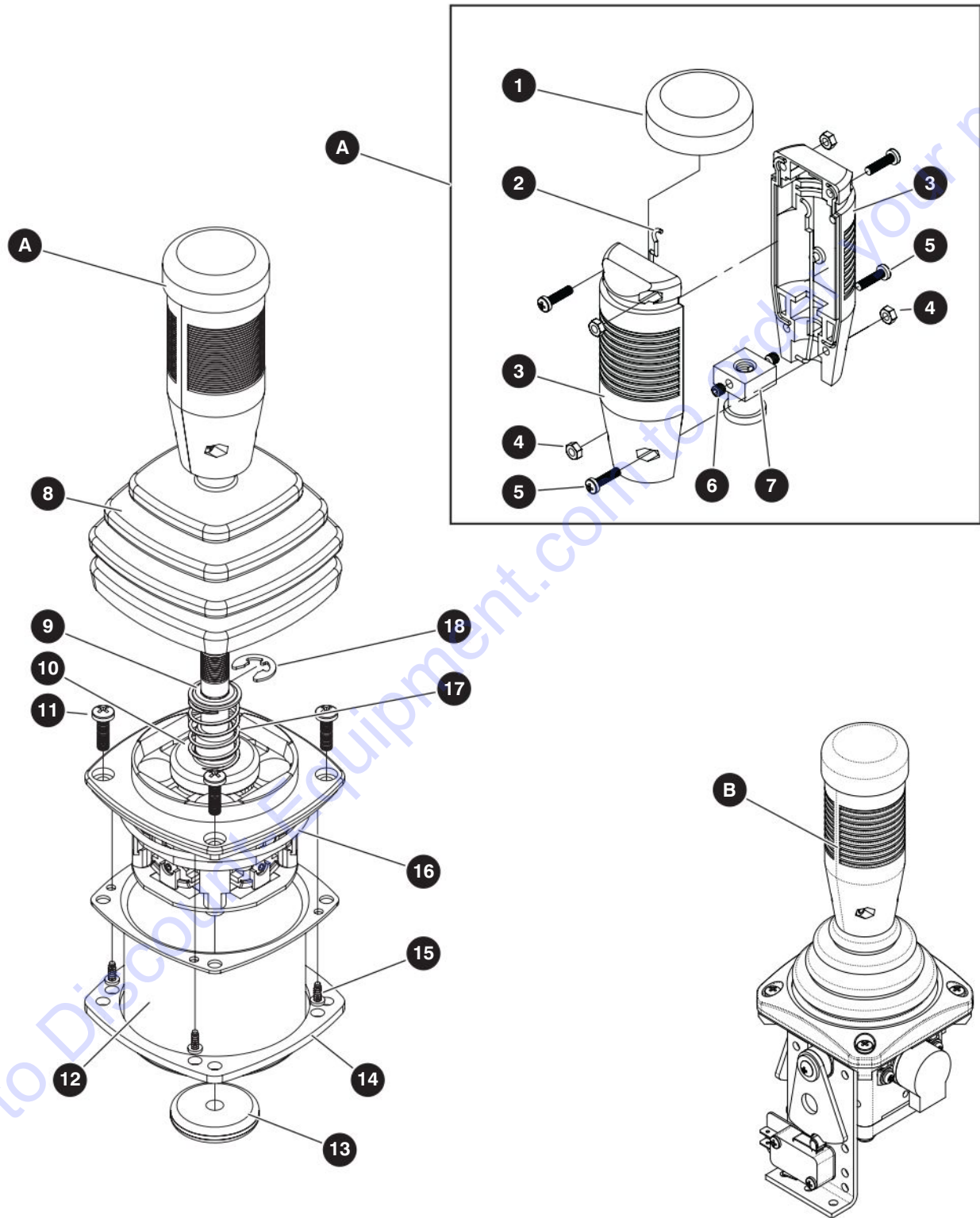
M168644AB_M224665AB

170453AI

SJ82T, SJ86T

Index No.	Skyjack Part No.	Qty.	Description
24	144647	1	• SWITCH, Emergency stop
	147056	1	• • LATCH, Mounting
	147053	2	• • BLOCK, NC Contact
	147229	1	• • SWITCH, LED Block (Red)
25	138278	1	• SWITCH, Toggle
26	115747	1	• SWITCH, Toggle
27	102853	3	• SWITCH, Toggle, A, C, D, E
	102853	4	• SWITCH, Toggle, B
28	115574	1	• SWITCH, Toggle
29	124446	1	• SWITCH, Toggle
30	102853	1	• SWITCH, Toggle, A, B
	138278	1	• SWITCH, Toggle, C, D
	138279	1	• SWITCH, Toggle, E
31	149402	1	• HANDREST, UHMW
32	144016	9	• SEAL, Panel bushing, A, C, D, E
	144016	10	• SEAL, Panel bushing, B
33	103036	2	• CONNECTOR, Strain relief
34	103957	8	• SCREW, Round head machine (#8-32 x 1/2")
35	115545	2	• SCREW, Round head machine (#10-32 x 3/8")
36	122498	4	• SCREW, Round head machine (10-32 x 1.25")
37	104003	2	• NUT, Hex head (10-32)
38	138765	8	• NUT, Hex lock (#8-32 Grade 5, nylon)
39	300450	6	• NUT, Hex lock (#10-32 Grade 5, nylon)
40	104694	2	• WASHER, Flat (10)
41	128571	4	• SLEEVE, Anti-vibration
42	(Ref.)	1	• LABEL ASSEMBLY
43	136328	1	• OUTLET BOX, 110V
44	103892	2	• BOLT, Hex head (0.25"-20 x 0.625" gr 5)
45	115649	2	• NUT, Hex head nylon (0.25"-20 gr 5)
46	148988	1	• SWITCH, Toggle (2NT1-70)
47	171502	1	• LIGHT, Indicator - 14V amber
48	103743	1	• FLASHER, 12-24V
49	148971	1	• LIGHT, Pilot - amber, A, B, D, E
	171502	2	• LIGHT, Pilot - amber, C
50	171501	2	• LIGHT, Indicator - 14V green
51	102956	1	• PLUG, Hole (7/8")
52	116266	1	• CONNECTOR, Strain relief (PG21)
53	168678	1	• SWITCH, Toggle (2NT1-70E)
54	102956	1	• PLUG, Snap-in for 7/8" hole, C
55	115573	1	• SWITCH, Toggle (1TL1-8), C
56	111181	1	• COVER, Toggle switch, C
		1	• COVER, Toggle switch, C
57	103024	1	CLIP, Single
58	103856	4	BOLT, Hex head (0.25"-20 x 0.75" gr 5)
59	115649	4	NUT, Hex head nylon lock (0.25"-20 gr 5)
60	103995	8	WASHER, Flat (0.25")

1.9 Boom / Turret Controller



M138225AA

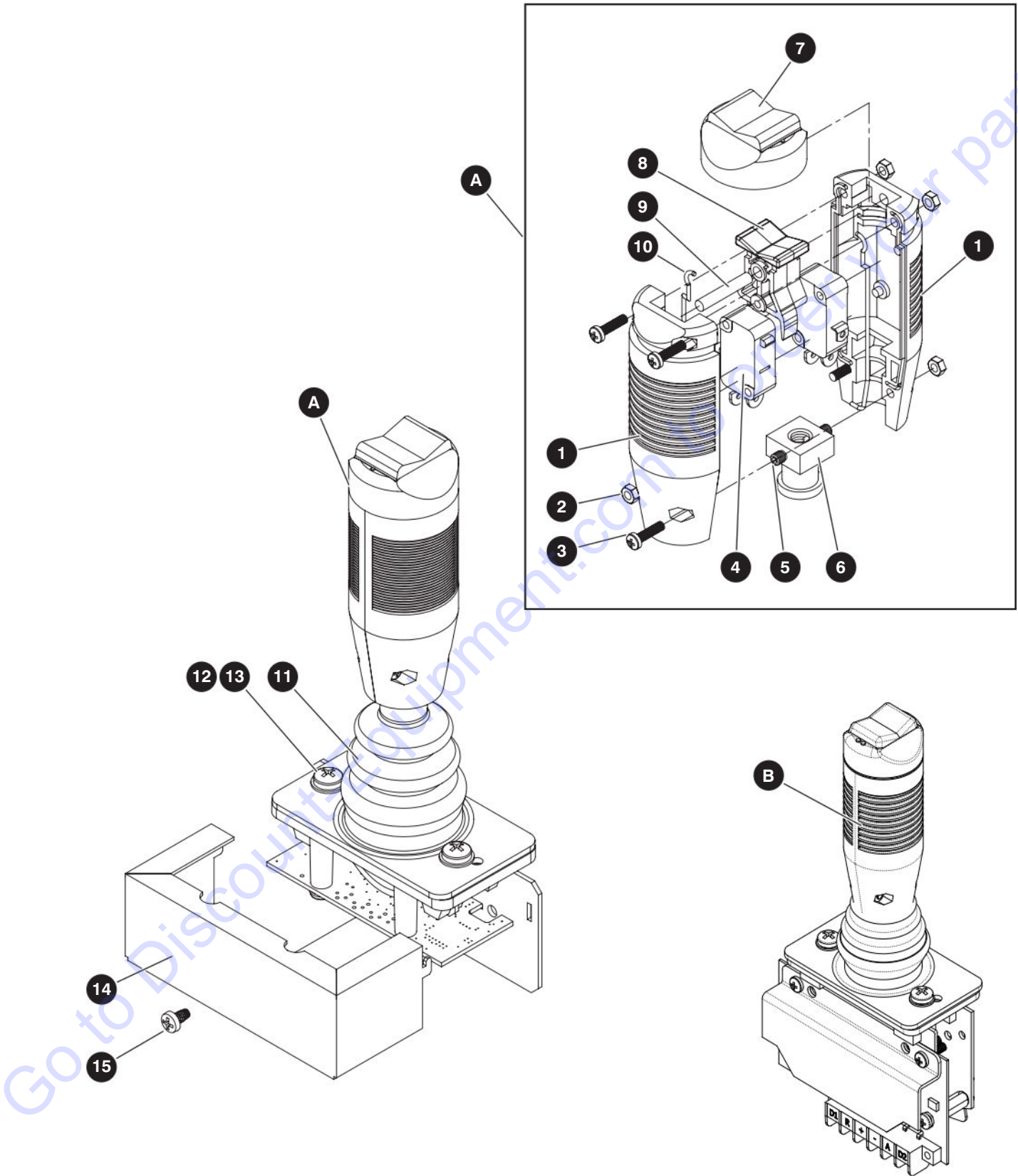
170453AI

SJ82T, SJ86T

1.9 Boom / Turret Controller

Index No.	Skyjack Part No.	Qty.	Description
A	138225	1	BOOM / TURRET CONTROLLER (DUAL AXIS) - Standard
1	141326	1	• CAP, Rubber
2	141327	2	• GASKET
3	141325	2	• HANDLE, Half
4	141328	4	• NUT
5	141329	4	• SCREW
6	141331	2	• SCREW, Set
7	141330	1	• COUPLING, (10 mm)
8	141313	1	• BOOT
9	141323	1	• WASHER, Retainer
10	141315	1	• SHOE, Spring
11	141321	4	• SCREW, Mounting (M4)
12	141316	1	• CAN, Enclosure
13	141320	1	• GROMMET, Rubber
14	141317	1	• GASKET, Mounting
15	141319	4	• SCREW
16	141318	1	• O-RING
17	141324	1	• SPRING, Compression
18	141322	1	• CLIP, Retainer
19	216879	1	• CONNECTOR, Female (4-pin) (not shown)
20	216880	1	• CONNECTOR, Male (4-pin) (not shown)
B	220628	1	BOOM / TURRET CONTROLLER (DUAL AXIS) - Potentiometer style - Optional

1.10 Drive / Steer Controller



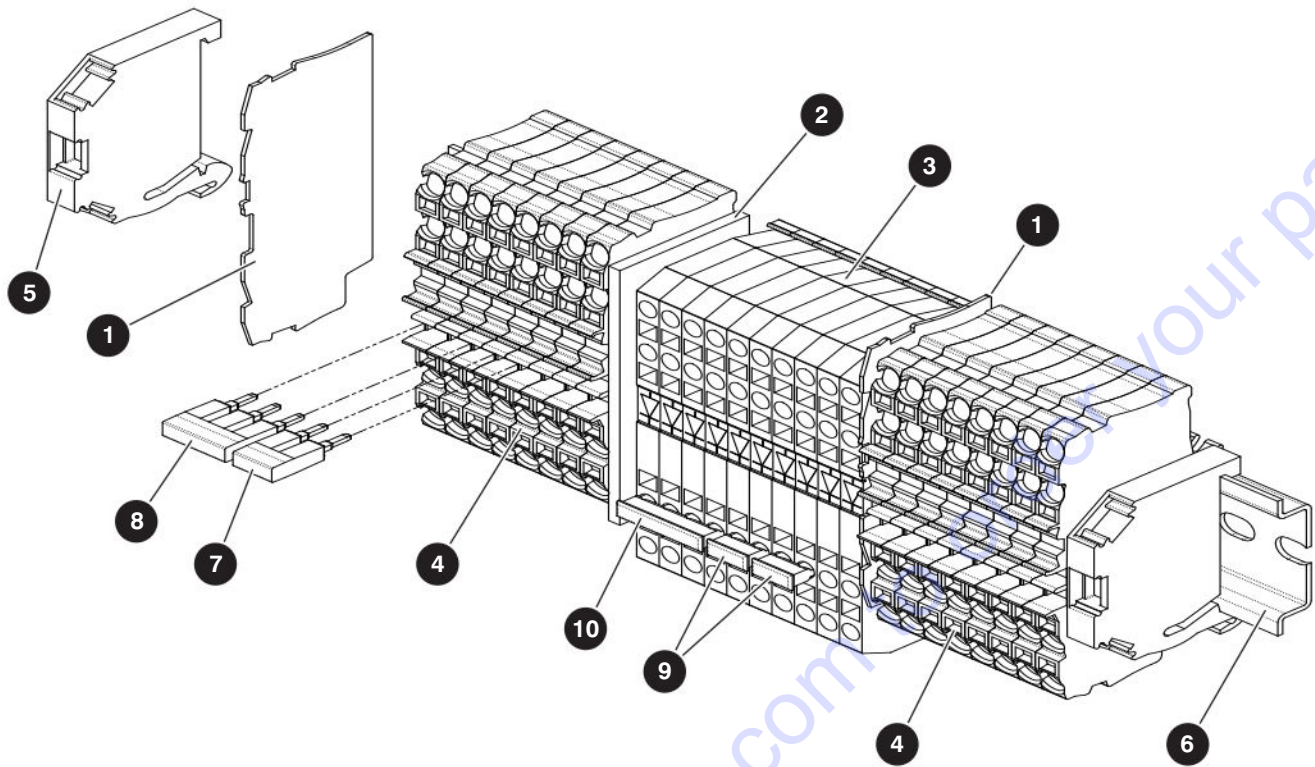
M138224AA

170453AI

SJ82T, SJ86T

1.10 Drive / Steer Controller

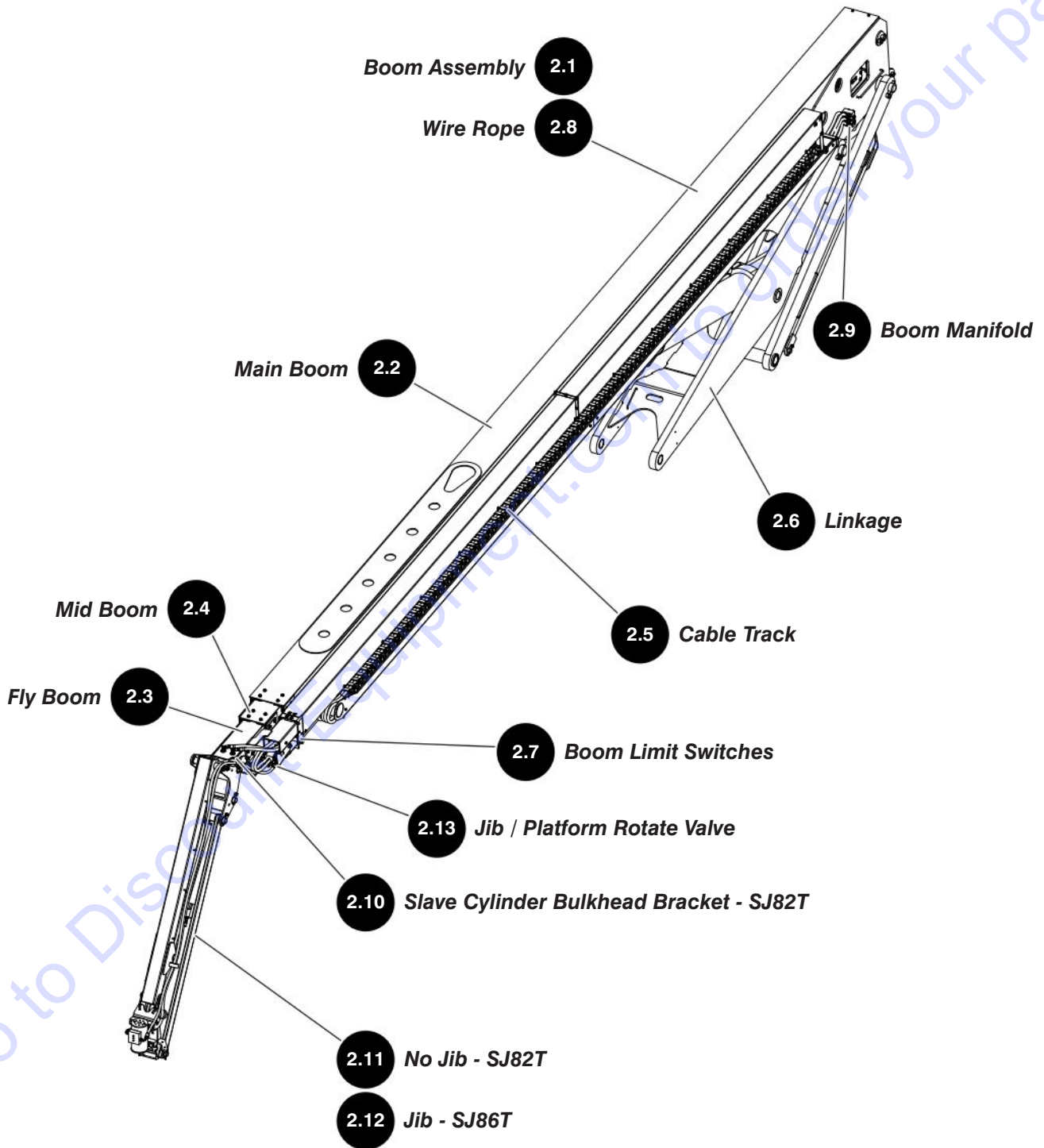
Index No.	Skyjack Part No.	Qty.	Description
A	138224	1	DRIVE / STEER CONTROLLER (SINGLE AXIS) - Standard
1	141338	2	• HANDLE, Half
2	141328	4	• NUT
3	141329	4	• SCREW
4	141342	2	• MICROSWITCH
5	141331	2	• SCREW, Set
6	141343	1	• COUPLING, (8 MM)
7	141339	1	• CAP, Rubber
8	141340	1	• ROCKER
9	141341	1	• ROCKER, Axle
10	141327	2	• GASKET
11	141334	1	• BOOT ASSEMBLY, Standard
12	141336	2	• SCREW Mounting
13	141335	2	• WASHER, Mounting
14	141333	1	• ENCLOSURE
15	141337	1	• SCREW, Enclosure
B	220627	1	DRIVE / STEER CONTROLLER (SINGLE AXIS) - Potentiometer style - Optional



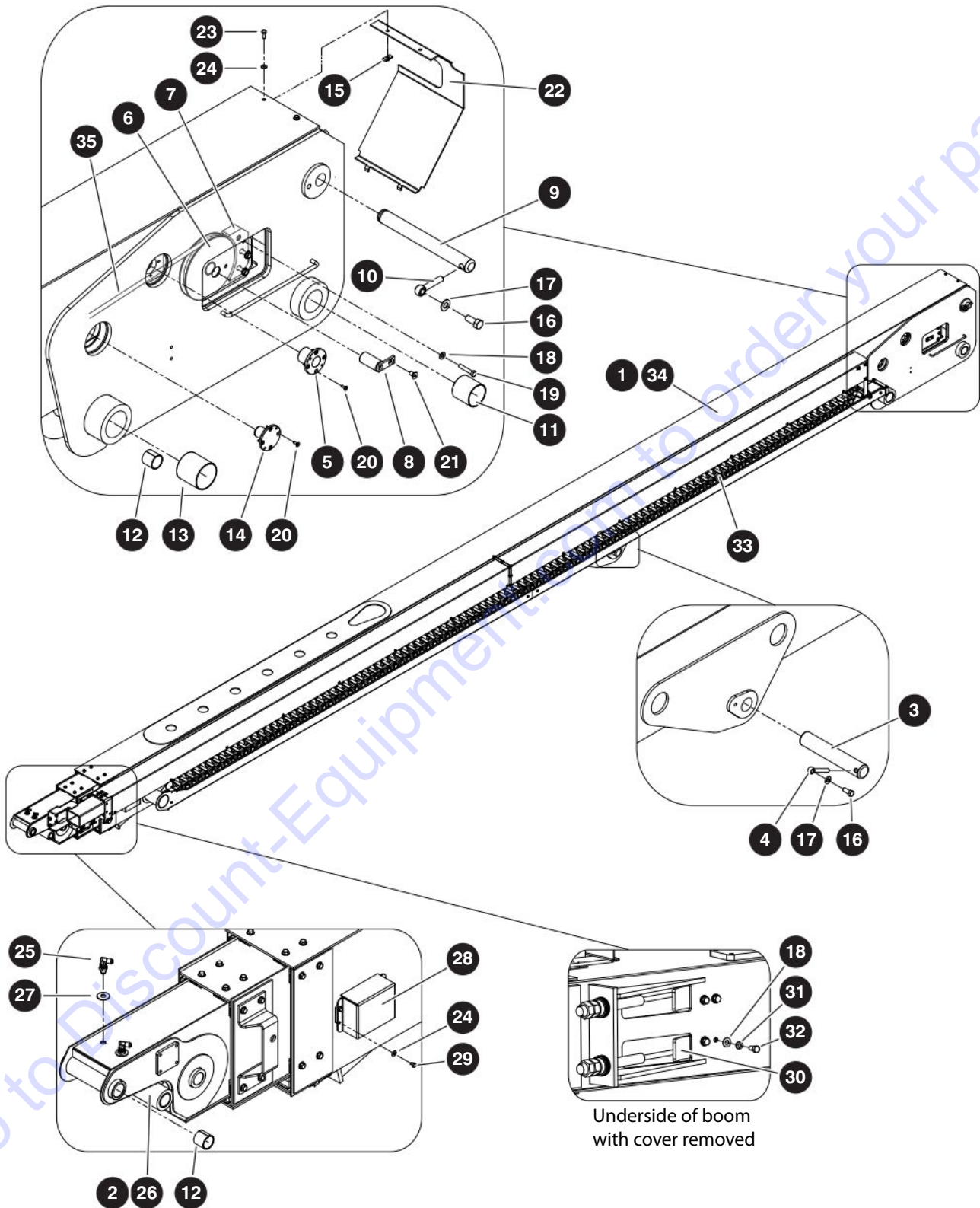
M224635AA

Index No.	Skyjack Part No.	Qty.	Description
A	138613	1	TERMINAL STRIP, Platform - ANSI/CSA
B	144403	1	TERMINAL STRIP, Platform - CE Deutz D2011 & AS
C	224635	1	TERMINAL STRIP, Platform - CE Deutz TCD2.2
1	137941	2	• PLATE, End/intermediate (0.08 mm)
2	707146	1	• PLATE, End/intermediate (2.5 mm)
3	707145	9	• TERMINAL BLOCK, Diode, A, C
	707145	10	• TERMINAL BLOCK, Diode, B
4	137940	13	• TERMINAL BLOCK, Through, A
	137940	14	• TERMINAL BLOCK, Through, B
	137940	15	• TERMINAL BLOCK, Through, C
5	707147	2	• END STOP
6	102874	7.25"	• DIN RAIL
7	137942	1	• JUMPER, 2 pin, C
8	137943	1	• JUMPER, 3 pin, C
9	212825	2	• JUMPER, 2 pin comb, C
10	213549	4	• JUMPER, 3 pin comb, C

Section 2 – Boom



2.1 Boom Assembly

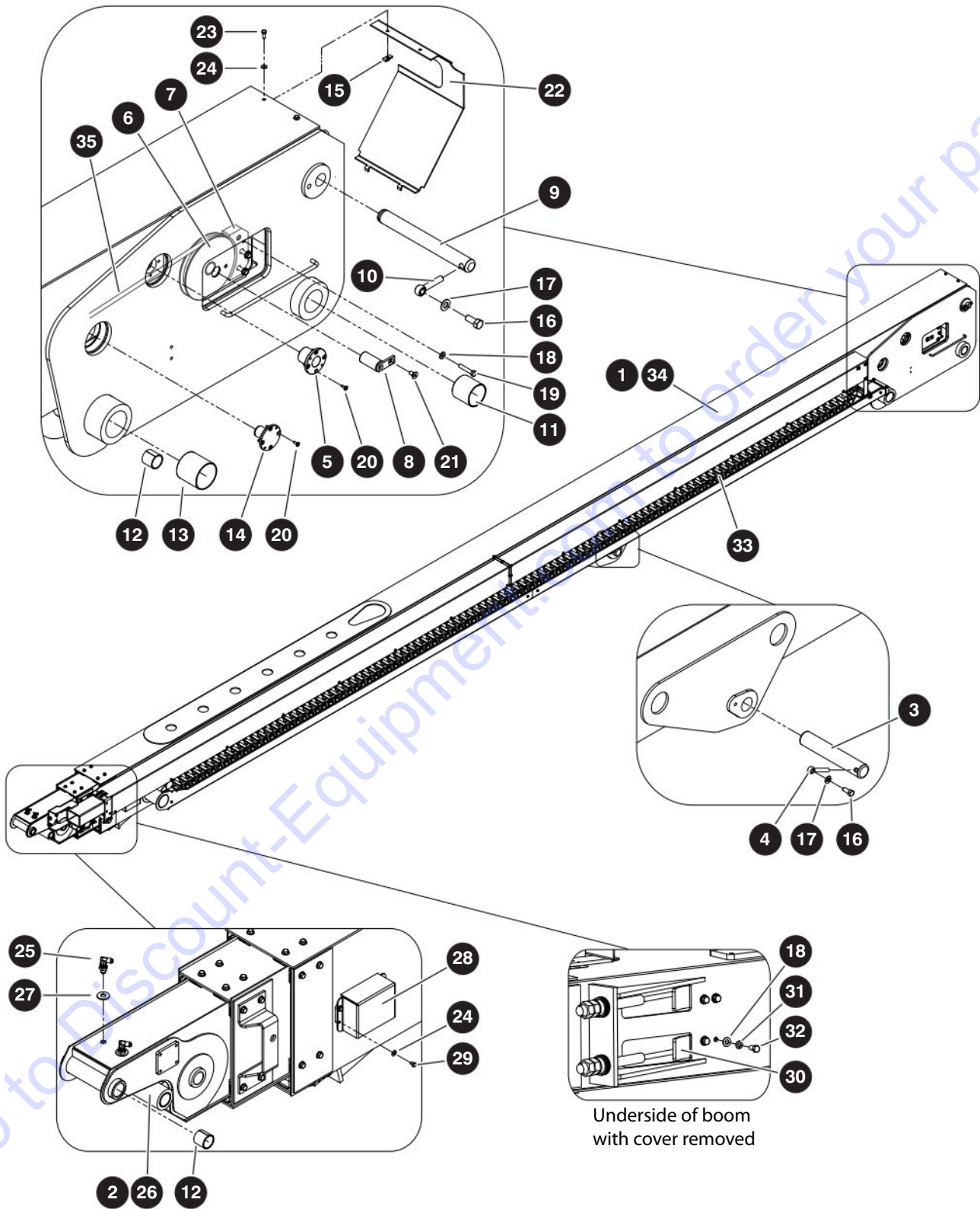


M165240AC

170453AI

Index No.	Skyjack Part No.	Qty.	Description
-	165240	1	BOOM ASSEMBLY
-	165562	1	• BOOM ASSEMBLY
1	165700	1	• • BOOM SUBASSEMBLY
	(Ref.)	1	• • • MAIN BOOM (For components, refer to 2.2 Main Boom)
	(Ref.)	1	• • • MID BOOM (For components, refer to 2.4 Mid Boom)
	(Ref.)	1	• • • FLY BOOM (For components, refer to 2.3 Fly Boom)
2	(Ref.)	1	• • SLAVE CYLINDER (For components, refer to 3.5 Slave Cylinder)
3	165605	1	• • PIN, 2.50" dia x 14.00" lg
4	146898	1	• • PIN, Keeper (0.625")
5	146775	2	• • PIN, Flange - extension cylinder
6	166520	2	• • SHEAVE ASSEMBLY
6	165709	1	• • • SHEAVE, Wire rope
6	163217	1	• • • BUSHING, Bunting (EP202416)
7	165286	2	• • CABLE, Stop - mid boom
8	150950	2	• • PIN, Pulley
9	153925	1	• • PIN, 1.50" dia x 13.75" lg
10	159860	1	• • PIN, Keeper (0.625")
11	147461	2	• • BUSHING, Fiberglide (2.50" ID x 2.3875" OD x 2.5" lg)
12	103216	3	• • BUSHING, Fiberglide (1.50" ID x 1.5" lg)
13	165698	2	• • BUSHING, CJS 4848 (3.00" ID x 3.00" lg)
14	165288	2	• • PIN, Flange - fly boom
15	163459	2	• • NUT, Speed clip (0.25"-20 x 0.56" depth)
16	103899	2	• • BOLT, Hex head (0.625"-11 x 1.50" gr 5)
17	700782	2	• • WASHER, Flat (0.625" hard)
18	103472	10	• • WASHER, Flat (0.375")
19	103870	6	• • BOLT, Hex head (0.625"-11 x 1.50" gr 5)
20	110853	16	• • SCREW, Flat head cap (0.25"-20 x 0.625" gr 5)
21	701620	2	• • SCREW, Flat head cap (0.375"-16 x 0.75" gr 5)
22	165708	1	• • COVER, Boom end
23	103857	2	• • BOLT, Hex head (0.25"-20 x 1.00" gr 5)
24	103995	6	• • WASHER, Flat (0.25")
25	138986	2	• • FITTING, 90° bulkhead (06 JICM - 05 JICM)
26	103069	2	• • FITTING, Straight (06 JICM - 06 ORBM)
27	137241	2	• • WASHER, Flat (0.50" AA)
28	167921	1	• • COVER, Limit switch
29	112495	4	• • BOLT, Hex head (0.25"-20 x 0.375" gr 5)
30	168409	2	• • PLATE, Wire rope guide
31	103999	4	• • WASHER, Lock (0.375")
32	101632	4	• • BOLT, Hex head (0.375"-16 x 0.75" gr 5)

2.1 Boom Assembly



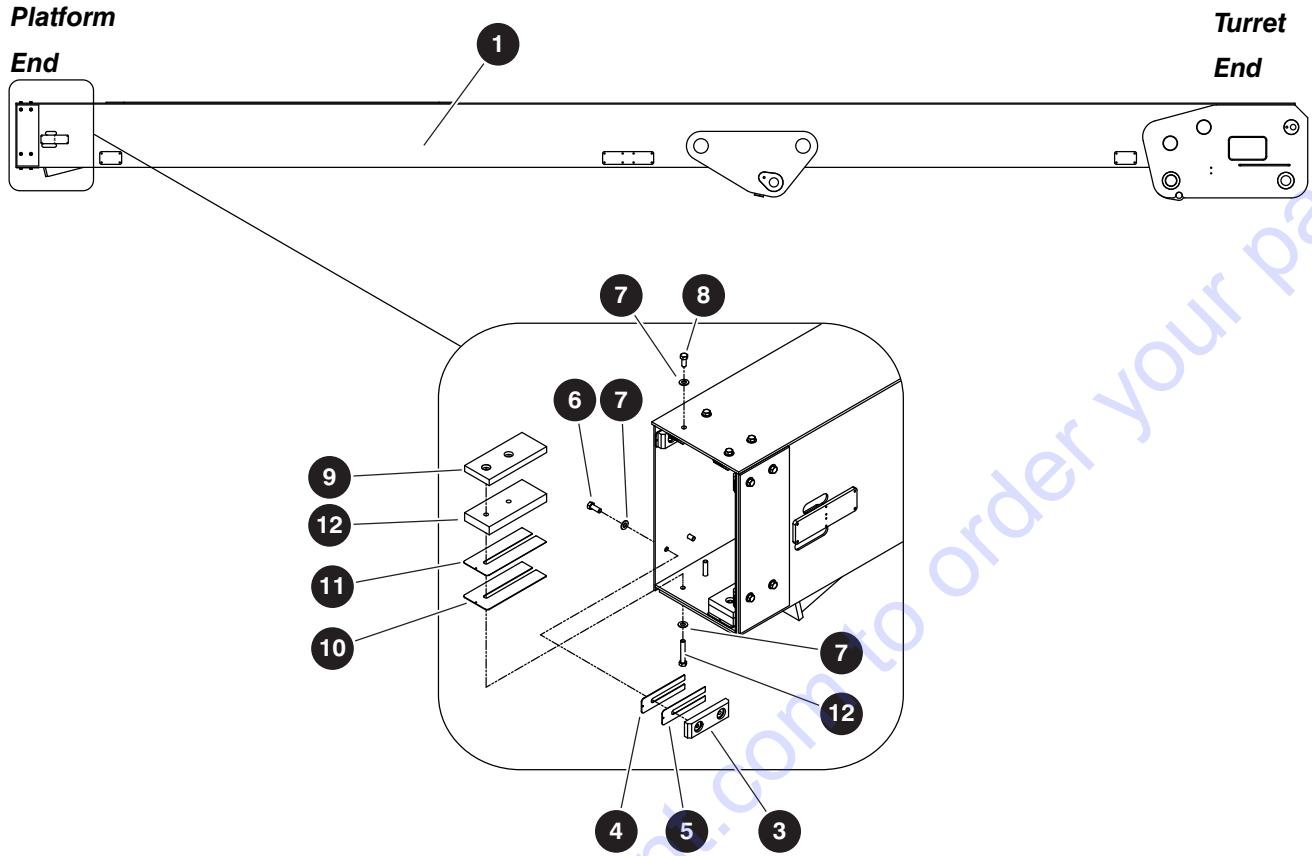
M165240AC

170453AI

2.1 Boom Assembly

Index No.	Skyjack Part No.	Qty.	Description
33	(Ref.)	1	<ul style="list-style-type: none">CABLE TRACK (For components, refer to 2.5 Cable Track)
34	(Ref.)	1	<ul style="list-style-type: none">EXTENSION CYLINDER (For components, refer to 3.2 Extension Cylinder)
35	(Ref.)	1	<ul style="list-style-type: none">WIRE ROPE ASSEMBLY (For components, refer to 2.8 Wire Rope)

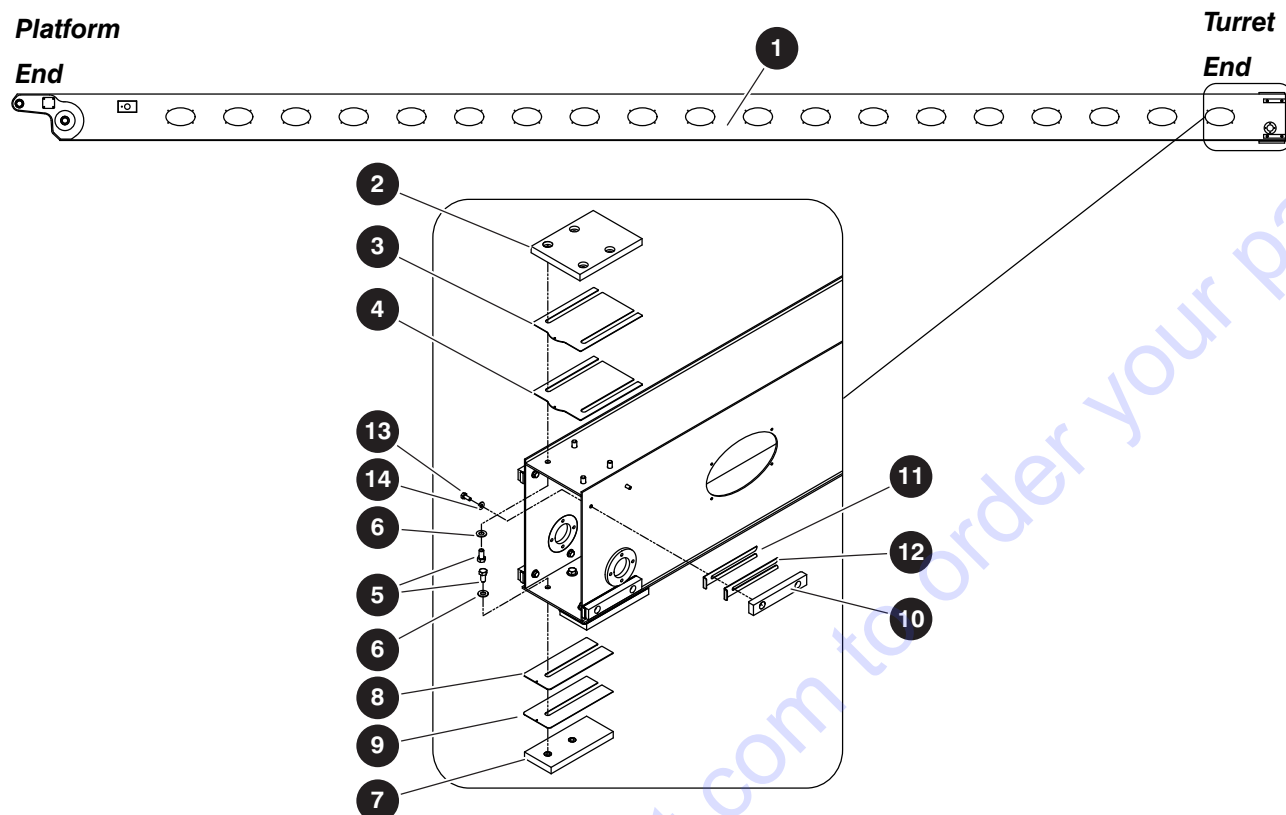
2.2 Main Boom



M165620AC

Index No.	Skyjack Part No.	Qty.	Description
-	165620	1	MAIN BOOM ASSEMBLY
1	165621	1	• WELDMENT, Main boom
2	171975	2	• BLOCK (3" x 7")
3	148828	6	• PAD, Wear (5.00" x 1.50" x 0.625")
4	148837	6	• SHIM, 16 gauge (1.50" x 5.25")
5	148838	6	• SHIM, 20 gauge (1.50" x 5.25")
6	103473	12	• BOLT, Hex head (0.375"-16 x 1.00" gr 5)
7	103472	16	• WASHER, Flat (0.375")
8	300437	4	• BOLT, Hex head (0.375"-16 x 0.875" gr 5)
9	171977	2	• PAD, Wear (3" x 7" x 5/8")
10	164961	2	• SHIM, 16 gauge (3" x 7")
11	164962	2	• SHIM, 20 gauge (3" x 7")
12	103870	4	• BOLT, Hex head (0.375"-16 x 1.50" gr 5)

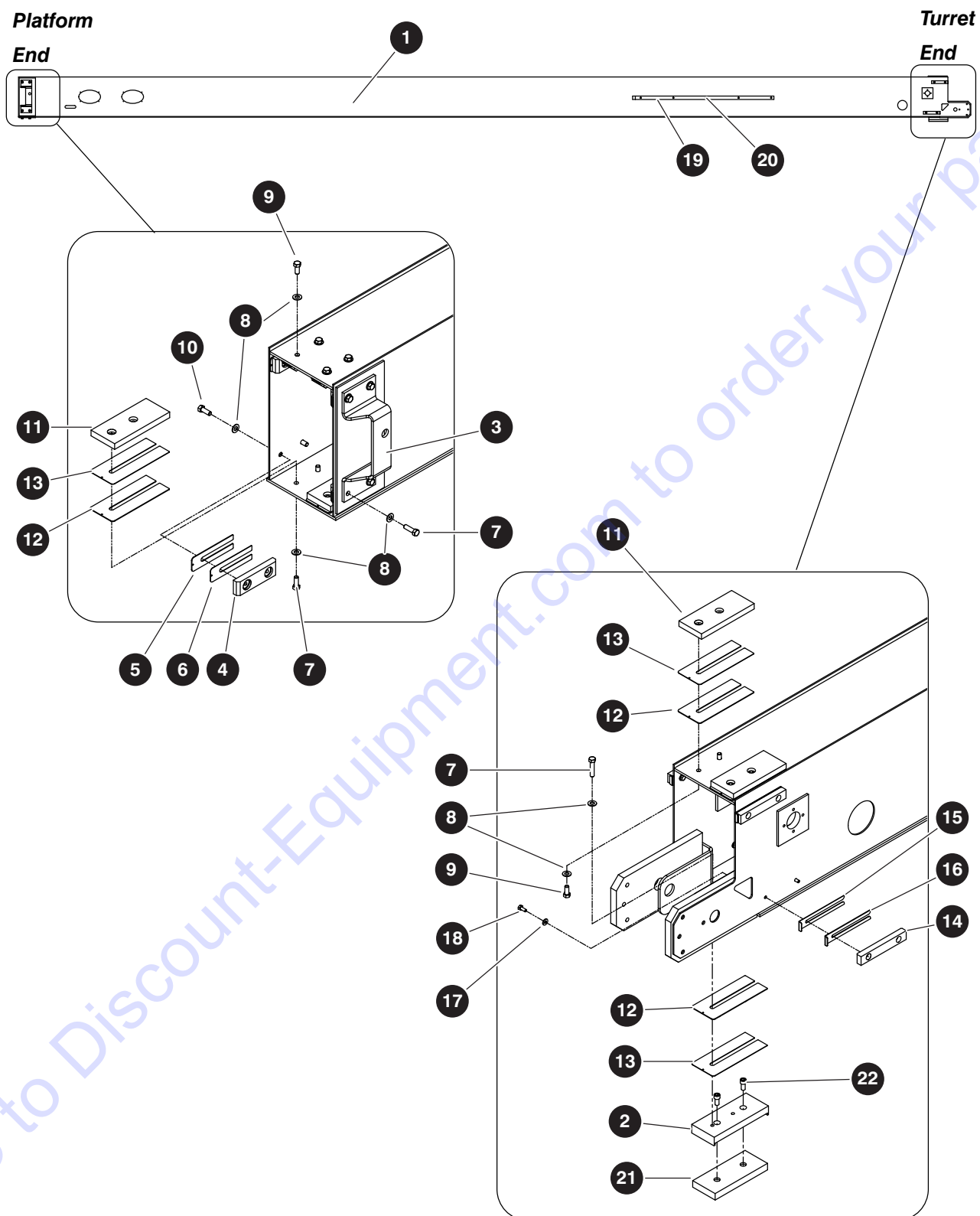
2.3 Fly Boom



M165640AC

Index No.	Skyjack Part No.	Qty.	Description
-	165640	1	FLY BOOM ASSEMBLY
1	165641	1	• WELDMENT, Fly boom
2	170765	1	• PAD, Wear (5.5" x 7.00" x 0.625")
3	165701	1	• SHIM, 20 gauge (5.50" x 7.00")
4	165702	1	• SHIM, 16 gauge (5.50" x 7.00")
5	101632	8	• BOLT, Hex head (0.375"-16 x 0.75" gr 5)
6	103472	8	• WASHER, Flat (0.375")
7	170763	2	• PAD, Wear (3.00" x 7.00" x 0.625")
8	164961	2	• SHIM, 16 gauge (3" x 7")
9	164962	2	• SHIM, 20 gauge (3" x 7")
10	168533	4	• PAD, Wear (1" x 6.00" x 0.625")
11	168078	4	• SHIM, 16 gauge (1" x 6")
12	168079	4	• SHIM, 20 gauge (1" x 6")
13	103995	8	• WASHER, Flat (0.25")
14	103892	8	• BOLT, Hex head (0.25"-20 x 0.625" gr 5)

2.4 Mid Boom



M165630AC

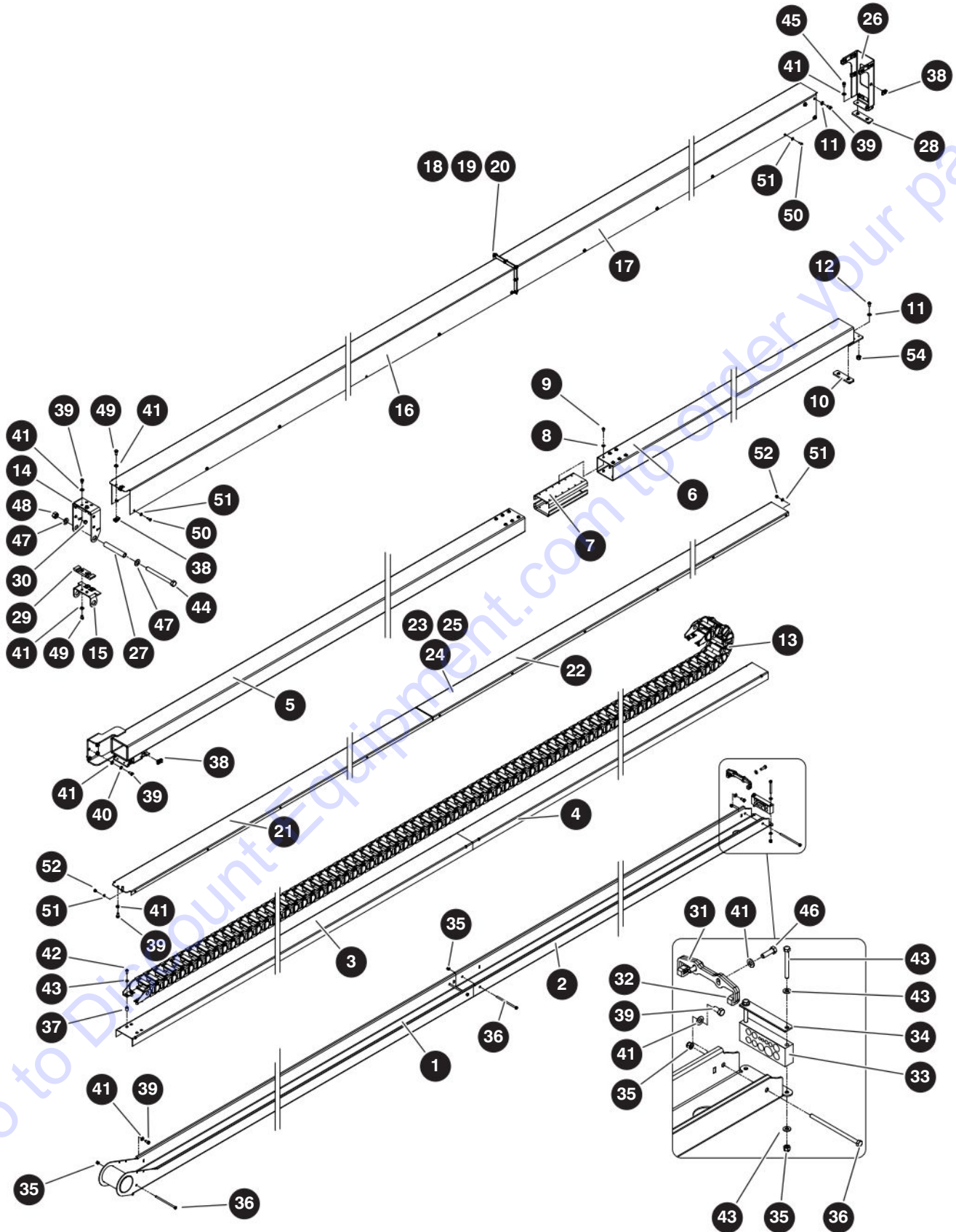
170453AI

SJ82T, SJ86T

2.4 Mid Boom

Index No.	Skyjack Part No.	Qty.	Description
-	165630	1	MID BOOM ASSEMBLY
1	165631	1	• WELDMENT, Main boom
2	194733	1	• BAR, Flat (3" x 7")
3	165699	1	• BRACKET, Mid boom - e-chain
4	148828	6	• PAD, Wear (5.00" x 1.50" x 0.625")
5	148837	6	• SHIM, 16 gauge (1.50" x 5.25")
6	148838	6	• SHIM, 20 gauge (1.50" x 5.25")
7	103473	10	• BOLT, Hex head (0.375"-16 x 1.00" gr 5)
8	103472	22	• WASHER, Flat (0.375")
9	300437	8	• BOLT, Hex head (0.375"-16 x 0.875" gr 5)
10	101297	4	• BOLT, Hex head (0.375"-16 x 1.25" gr 5)
11	170763	4	• PAD, Wear (3" x 7" x 0.625")
12	164961	5	• SHIM, 16 gauge (3" x 7")
13	164962	5	• SHIM, 20 gauge (3" x 7")
14	168533	4	• PAD, Wear (1" x 6" x 0.625")
15	168078	4	• SHIM, 16 gauge (1" x 6")
16	168079	4	• SHIM, 20 gauge (1" x 6")
17	103995	8	• WASHER, Flat (0.25")
18	103892	8	• BOLT, Hex head (0.25"-20 x 0.625" gr 5)
19	171195	1	• RAMP, Limit Switch
20	167920	7	• RIVET, Pop (0.1875" dia x 0.501"-0.625")
21	194751	1	• PAD, Wear (3" x 7")
22	103937	2	• SCREW, Socket head cap (0.375"-16 x 0.75")

2.5 Cable Track



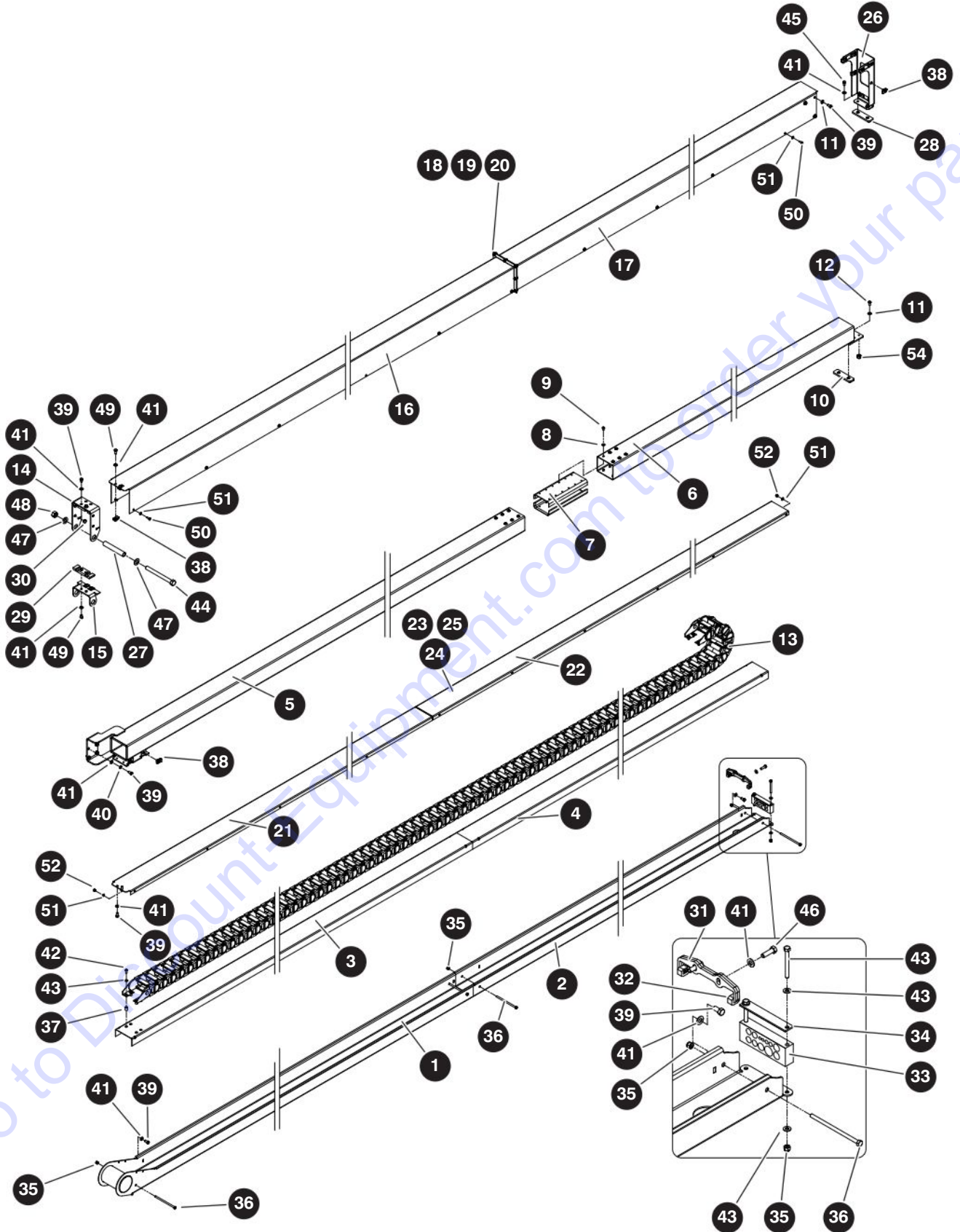
M170100AA

170453AI

SJ82T, SJ86T

Index No.	Skyjack Part No.	Qty.	Description
-	170100	1	CABLE TRACK ASSEMBLY
1	167819	1	• WELDMENT, Track
2	167820	1	• WELDMENT, Track
3	167824	1	• FORM, Support
4	167825	1	• FORM, Support
-	170079	1	• TUBE ASSEMBLY
5	170085	1	• • WELDMENT, Tube
6	170086	1	• • WELDMENT, Tube
7	170087	2	• • TUBE, Connecting channel
8	103996	24	• • WASHER, Flat (0.312")
9	103948	24	• • SCREW, Button head cap (0.313"-18 x .050")
10	167849	1	• • PAD, Wear
11	103472	2	• • WASHER, Flat (0.375")
12	170182	2	• • SCREW, Button head cap (0.375"-16 x 0.75")
13	165686	1	• E-CHAIN ASSEMBLY, 3838 series - 108 links
	195745	1	• • MOUNTING BRACKET SET
	170161	39	• • LINK
	210075	13	• • SEPARATOR
14	170080	1	• BRACKET, Tube guide
15	170081	1	• BRACKET, Tube guide
-	170082	1	• COVER, Top
16	170095	1	• • WELDMENT, E-chain cover
17	170098	1	• • WELDMENT, E-chain cover
18	103995	14	• • WASHER, Flat (0.25")
19	103856	7	• • BOLT, Hex head (0.25"-20 x 0.75" gr 5)
20	115649	7	• • NUT, Hex head nylon lock (0.25"-20 gr 5)
-	167594	1	• COVER, Tube - lower
21	167595	1	• • WELDMENT, E-chain cover
22	167596	1	• • WELDMENT, E-chain cover
23	103995	6	• • WASHER, Flat (0.25")
24	103856	3	• • BOLT, Hex head (0.25"-20 x 0.75" gr 5)
25	115649	3	• • NUT, Hex head nylon lock (0.25"-20 gr 5)
26	170083	1	• BRACKET, Guide
27	160576	1	• TUBE, Tube guide
28	167849	1	• PAD, Wear
29	170084	2	• PAD, Wear
30	125433	4	• BUSHING, Slider
31	167823	2	• PLATE, Cover retainer
32	168025	2	• PAD, Wear - cover retainer
33	232756	1	• CLAMP, Hose
34	710210	1	• PLATE, Hose guide
35	103984	6	• NUT, Hex head nylon lock (0.313"-18 gr 5)
36	162714	4	• BOLT, Hex head (0.312"-18 x 6.00" gr 5)

2.5 Cable Track



M170100AA

170453AI

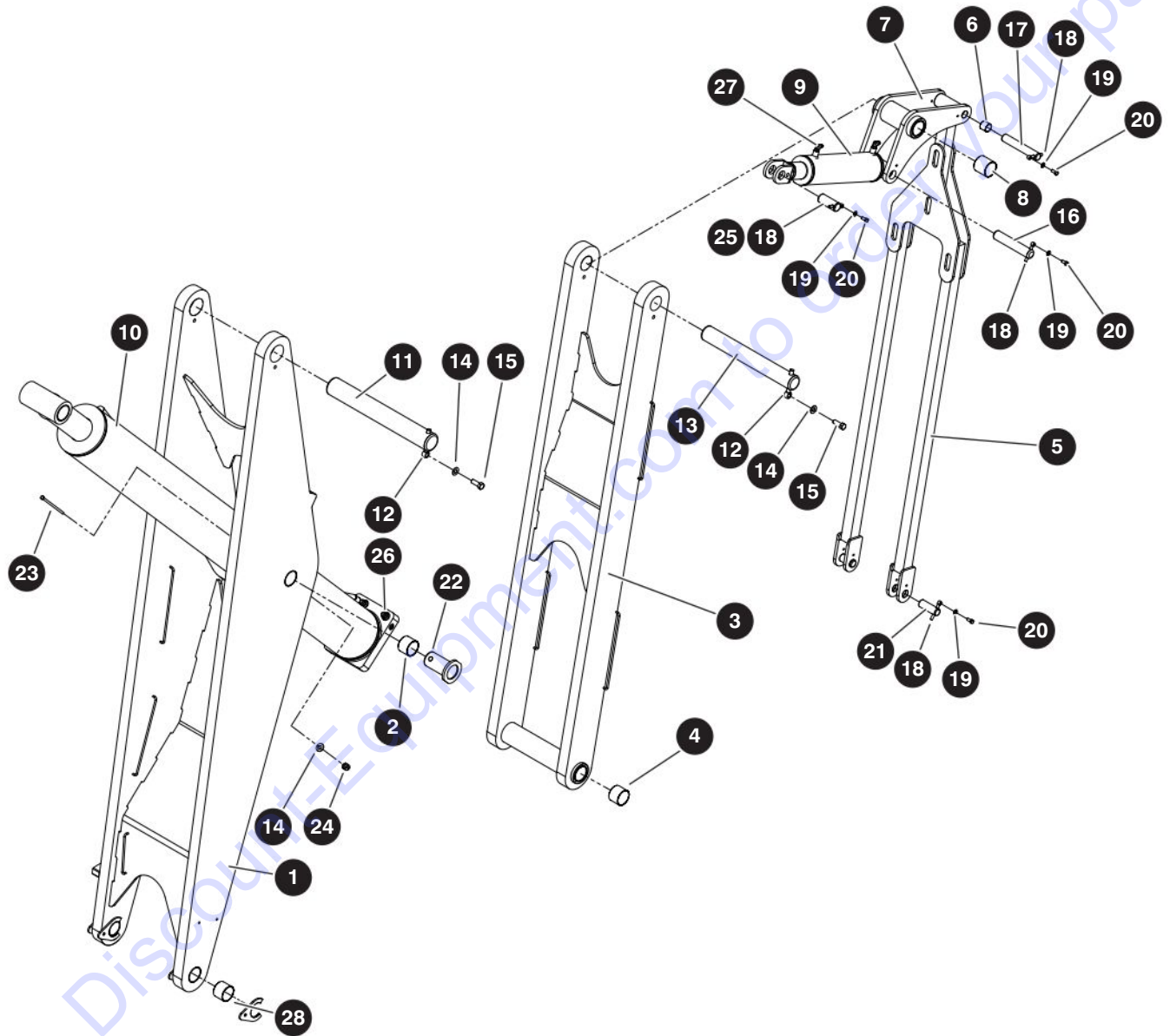
46

SJ82T, SJ86T

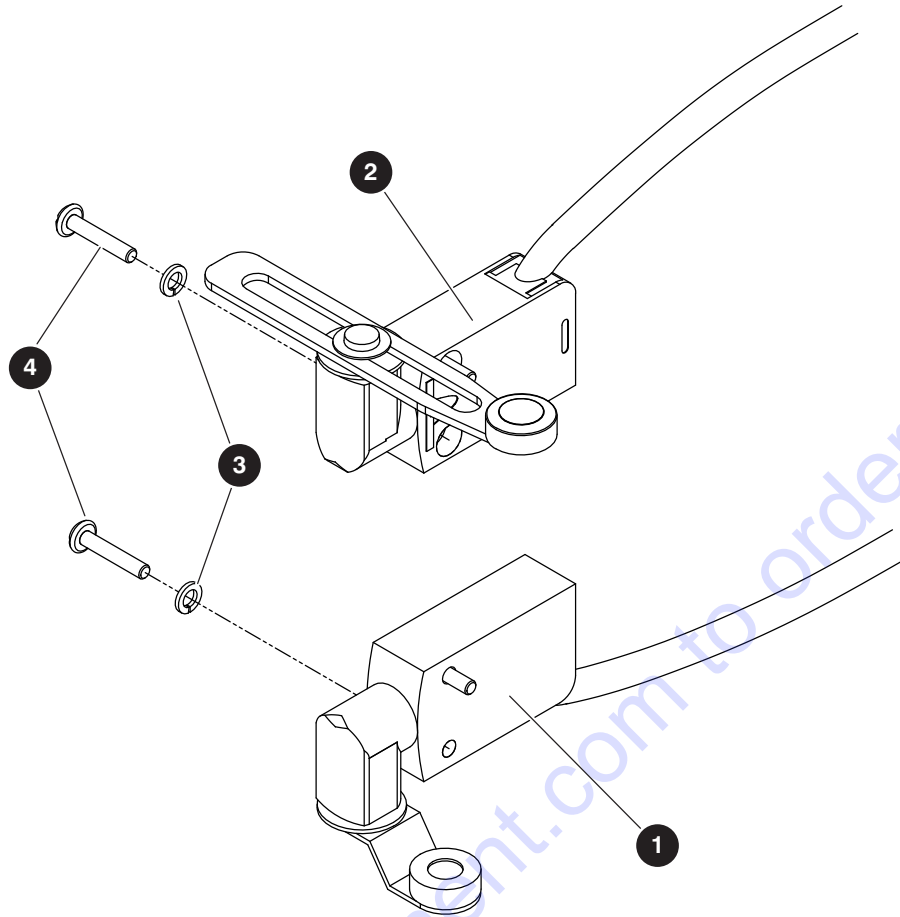
SKYJACK

2.5 Cable Track

Index No.	Skyjack Part No.	Qty.	Description
37	162464	4	• INSERT, 5/16"-18 AK series (0.027" - 0.150")
38	159294	15	• NUT, Speed clip (0.375"-16)
39	101632	30	• BOLT, Hex head (0.375"-16 x 0.75" gr 5)
40	103999	4	• WASHER, Lock (0.375")
41	103472	38	• WASHER, Flat (0.375")
42	300064	8	• SCREW, Button head cap (0.313"-18 x 0.75")
43	103996	16	• WASHER, Flat (0.312")
44	156724	1	• BOLT, Hex head (0.75"-10 x 8.00" gr 8)
45	138464	2	• BOLT, Hex head (0.375"-16 x 0.625" gr 5)
46	101297	2	• BOLT, Hex head (0.375"-16 x 1.25" gr 5)
47	103990	2	• WASHER, Flat (0.75")
48	705240	1	• NUT, Hex head (0.75"-10)
49	152341	4	• BOLT, Hex head (0.375"-16 x 0.50" gr 5)
50	103856	28	• BOLT, Hex head (0.25"-20 x 0.75" gr 5)
51	103995	56	• WASHER, Flat (0.25")
52	115649	28	• NUT, Hex head nylon lock (0.25"-20 gr 5)
53	103867	2	• BOLT, Hex head (0.312"-18 x 3.00" gr 5)
54	100397	4	• NUT, Hex head (0.312"-18 gr 5)



Index No.	Skyjack Part No.	Qty.	Description
-	165230	1	BOOM LINKAGE ASSEMBLY
-	165174	1	• LINK, Rear
1	165175	1	• • LINK, Rear
2	165203	4	• • BUSHING, Fiberglide (2.50" ID x 2.6875" OD x 2.00" lg)
-	165179	1	• LINK, Front
3	165180	1	• • LINK, Front
4	165203	2	• • BUSHING, Fiberglide (2.50" ID x 2.6875" OD x 2.00" lg)
-	165185	1	• LINK, Master cylinder
5	165186	1	• • LINK, Master cylinder
6	100071	2	• • BUSHING, Fiberglide
-	165193	1	• CAM, Master cylinder
7	165194	1	• • CAM, Master cylinder weld
8	147461	2	• • BUSHING, Fiberglide (2.50" ID x 2.6875" OD x 2.5" lg)
9	165081	1	• CYLINDER, Master
10	165079	1	• CYLINDER, Boom lift
11	165178	1	• PIN, 3.00" dia x 22.5" lg
12	146898	2	• PIN, Keeper (0.625")
13	165184	1	• PIN, 2.50" dia x 20" lg
14	700782	4	• WASHER, Flat hardened (0.625")
15	148944	2	• BOLT, Hex head (0.625"-11 x 1.75" gr 8)
16	154135	1	• PIN, 1.50" dia x 8.00 lg
17	165197	1	• PIN, 1.25" dia x 7.75" lg
18	146897	5	• PIN, Keeper (0.375")
19	103472	5	• WASHER, Flat (0.375")
20	139193	5	• BOLT, Hex head (0.375"-16 x 0.875" gr 8)
21	165192	2	• PIN, 1.25" dia x 3.75" lg
22	165085	2	• PIN, 2.50" dia x 5.00" lg
23	165474	2	• BOLT, Hex head (0.625"-11 x 5.50" gr 8)
24	111577	2	• NUT, Hex head nylon lock (0.625"-11 gr 5)
25	165088	1	• PIN, 1.50" dia x 3.75" lg
26	137630	2	• FITTING, Straight (10 JICM - 10 ORBM)
27	114578	2	• FITTING, 90° elbow (06 JICM - 06 ORBM)
28	195992	4	• CLIP, Plastic



M165565AE

Index No.	Skyjack Part No.	Qty.	Description
-	165565	1	BOOM LIMIT SWITCHES
1	207059	1	• LIMIT SWITCH, Boom dual load (integrated cord) - S/N 97 100 350 & above
	165429	1	• LIMIT SWITCH, Boom dual load (detachable cord) - S/N 97 100 349 & below
	207849	1	• • BODY, Limit switch - S/N 97 100 349 & below
	160009	1	• • HEAD, Limit switch
	160010	1	• • LEVER, Limit switch
2	207853	1	• • CORD, Limit switch (17 m) - S/N 97 100 349 & below
	207060	1	• LIMIT SWITCH, Boom (integrated cord) - S/N 97 100 350 & above
	165428	1	• LIMIT SWITCH, Boom (detachable cord) - S/N 97 100 349 & below
	207849	1	• • BODY, Limit switch - S/N 97 100 349 & below
	160009	1	• • HEAD, Limit switch
3	160011	1	• • LEVER, Limit switch
	207853	1	• • CORD, Limit switch (17 m) - S/N 97 100 349 & below
	112249	4	• WASHER, Lock (#8)
4	103958	4	• SCREW, Round head machine (#8-32 x 0.75")

PARTS FINDER

**Search Website
by Part Number**



**Search Manual
Library For Parts
Manual & Lookup Part
Numbers – Purchase
or Request Quote**

Search Manuals

Enter your information to help us find the right parts manual for your machine.

* Brand:

* Model:

* Serial:

* Part Number:

SEARCH

**Can't Find Part or
Manual? Request Help
by Manufacturer,
Model & Description**

Parts Order Form

Please fill in the following information to help us find the right part for your machine.

Manufacturer:	<input type="text"/>
Model:	<input type="text"/>
Description:	<input type="text"/>
Part Number:	<input type="text"/>
Quantity:	<input type="text"/>
Notes:	<input type="text"/>

Submit

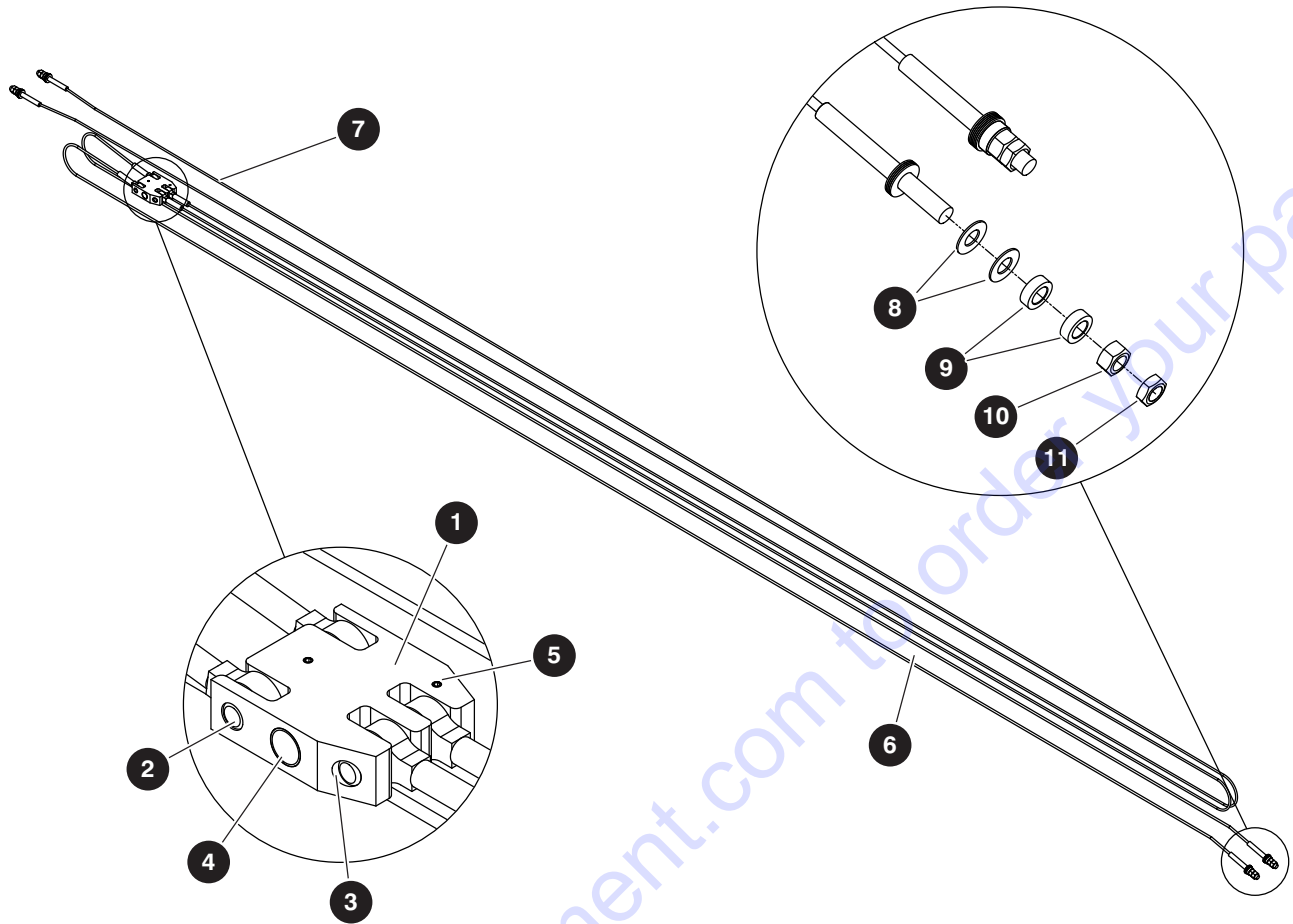
Discount-Equipment.com is your online resource for quality parts & equipment.

Florida: **561-964-4949** Outside Florida TOLL FREE: **877-690-3101**

Need parts?

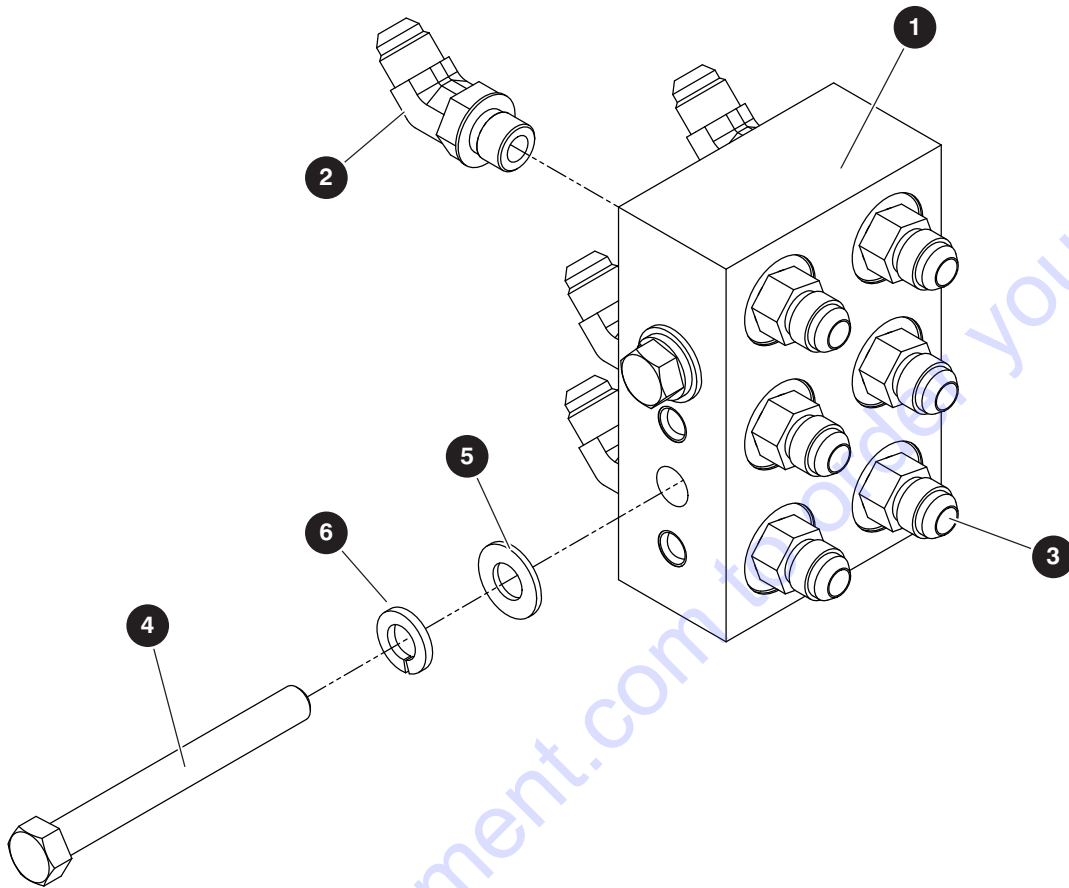
Click on this link: <http://www.discount-equipment.com/category/5443-parts/> and choose one of the options to help get the right parts and equipment you are looking for. Please have the machine model and serial number available in order to help us get you the correct parts. If you don't find the part on the website or on one of the online manuals, please fill out the request form and one of our experienced staff members will get back to you with a quote for the right part that your machine needs.

We sell worldwide for the brands: Genie, Terex, JLG, MultiQuip, Mikasa, Essick, Whiteman, Mayco, Toro Stone, Diamond Products, Generac Magnum, Airman, Haulotte, Barreto, Power Blanket, Nifty Lift, Atlas Copco, Chicago Pneumatic, Allmand, Miller Curber, Skyjack, Lull, Skytrak, Tsurumi, Husquvarna Target, Stow, Wacker, Sakai, Mi-T-M, Sullair, Basic, Dynapac, MBW, Weber, Bartell, Bennar Newman, Haulotte, Ditch Runner, Menegotti, Morrison, Contec, Buddy, Crown, Edco, Wyco, Bomag, Laymor, EZ Trench, Bil-Jax, F.S. Curtis, Gehl Pavers, Heli, Honda, ICS/PowerGrit, IHI, Partner, Imer, Clipper, MMD, Koshin, Rice, CH&E, General Equipment, Amida, Coleman, NAC, Gradall, Square Shooter, Kent, Stanley, Tamco, Toku, Hatz, Kohler, Robin, Wisconsin, Northrock, Oztec, Toker TK, Rol-Air, APT, Wylie, Ingersoll Rand / Doosan, Innovatech, Con X, Ammann, Mecalac, Makinex, Smith Surface Prep, Small Line, Wanco, Yanmar



M165568AD

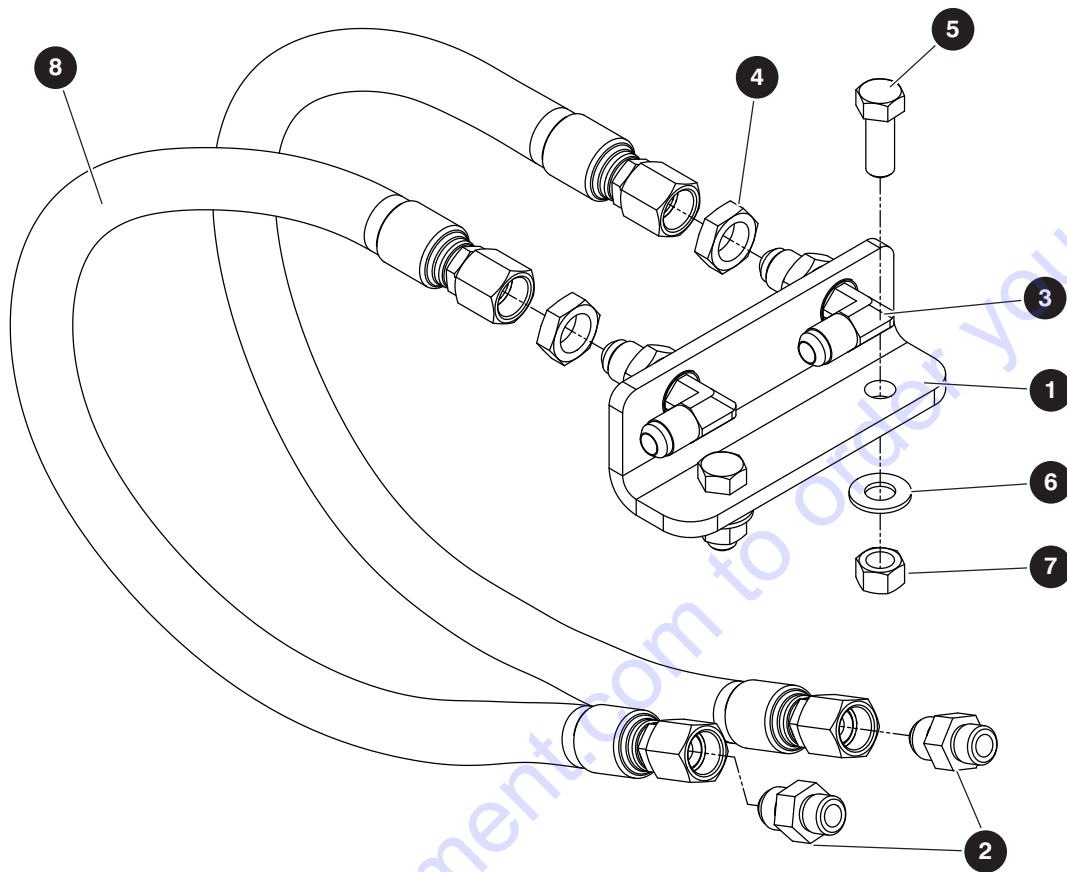
Index No.	Skyjack Part No.	Qty.	Description
-	165568	1	• WIRE ROPE ASSEMBLY
-	165400	1	• • TERMINAL ASSEMBLY, Wire rope
1	165401	1	• • • PLATE, Wire rope terminal
2	165291	1	• • • PIN, 1.00" dia x 6.13" lg
3	165292	1	• • • PIN, 1.00" dia x 5.25" lg
4	100071	2	• • • BUSHING, Fiberglide
5	124541	2	• • • SCREW, Set - cup (0.375"-16 x 1.50")
6	165569	2	• • WIRE ROPE - Bottom
7	165570	2	• • WIRE ROPE - Top
8	168199	24	• • SPRING, Disc
9	168344	8	• • SPACER, Wire rope
10	195531	4	• • NUT, Hex head (0.875"-9 gr 5)
11	147556	4	• • NUT, Hex head jam (0.875"-9 gr 5)



M167171AB

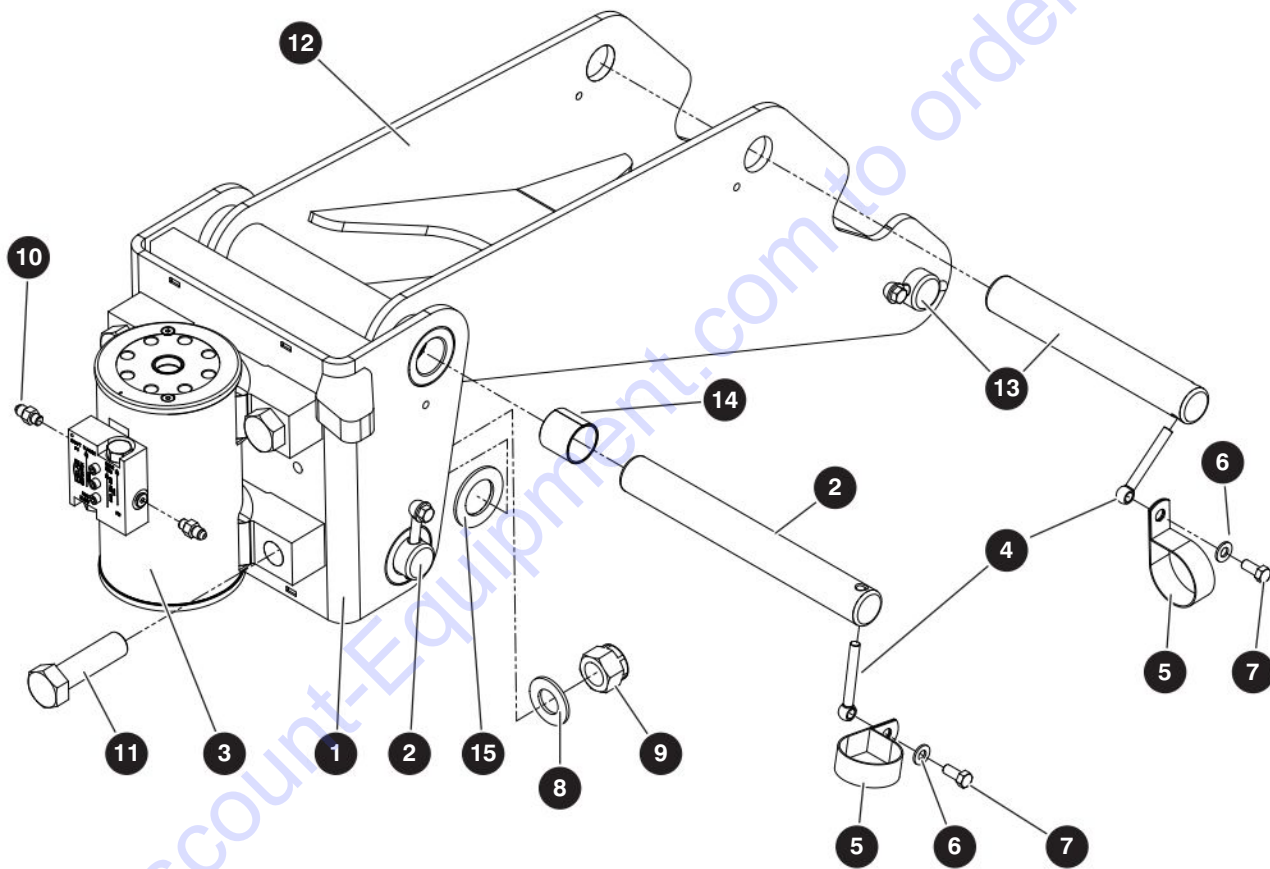
Index No.	Skyjack Part No.	Qty.	Description
-	167171	1	BOOM MANIFOLD
-	208758	1	• BOOM MANIFOLD ASSEMBLY
1	167170	1	• • MANIFOLD WITH PLUGS
	167169	1	• • • BLOCK, Manifold
	114187	2	• • • PLUG, Expander (MB800-100)
2	114580	4	• • FITTING, 45° elbow (06 JICM - 06 ORBM)
3	103069	6	• • FITTING, Straight (06 JICM - 06 ORBM)
4	103915	2	• BOLT, Hex head (0.375"-16 x 3.50" gr 5)
5	103472	2	• WASHER, Flat (0.375")
6	103999	2	• WASHER, Lock (0.375")

2.10 Slave Cylinder Bulkhead Bracket - SJ82T

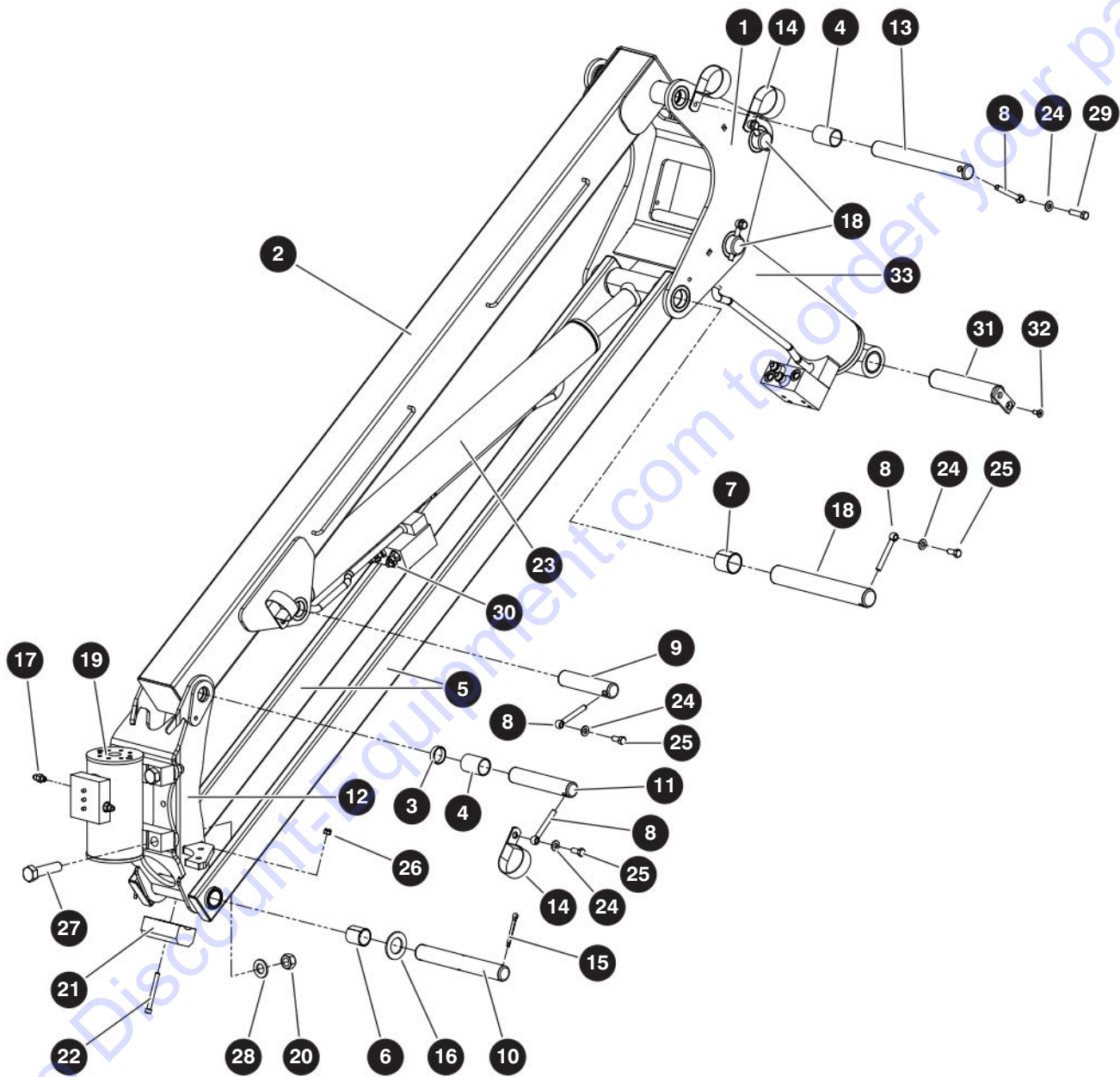


M168552AC

Index No.	Skyjack Part No.	Qty.	Description
-	168552	1	SLAVE CYLINDER BULKHEAD BRACKET (SJ82T)
1	168662	1	• BRACKET, Slave cylinder hoses
2	103069	2	• FITTING, Straight (06 JICM - 06 ORBM)
3	138986	2	• FITTING, 90° bulkhead elbow (06 JICM - 06 ORBM)
4	139157	2	• FITTING, Bulkhead nut (06 JIC)
5	103473	2	• BOLT, Hex head (0.375"-16 x 1.00" gr 5)
6	103472	2	• WASHER, Flat (0.375")
7	103978	2	• NUT, Hex head (0.375"-15 gr 5)
8	(Ref.)	1	• HOSES (For components, refer to 8.2 Hydraulic Hoses - Cylinders)

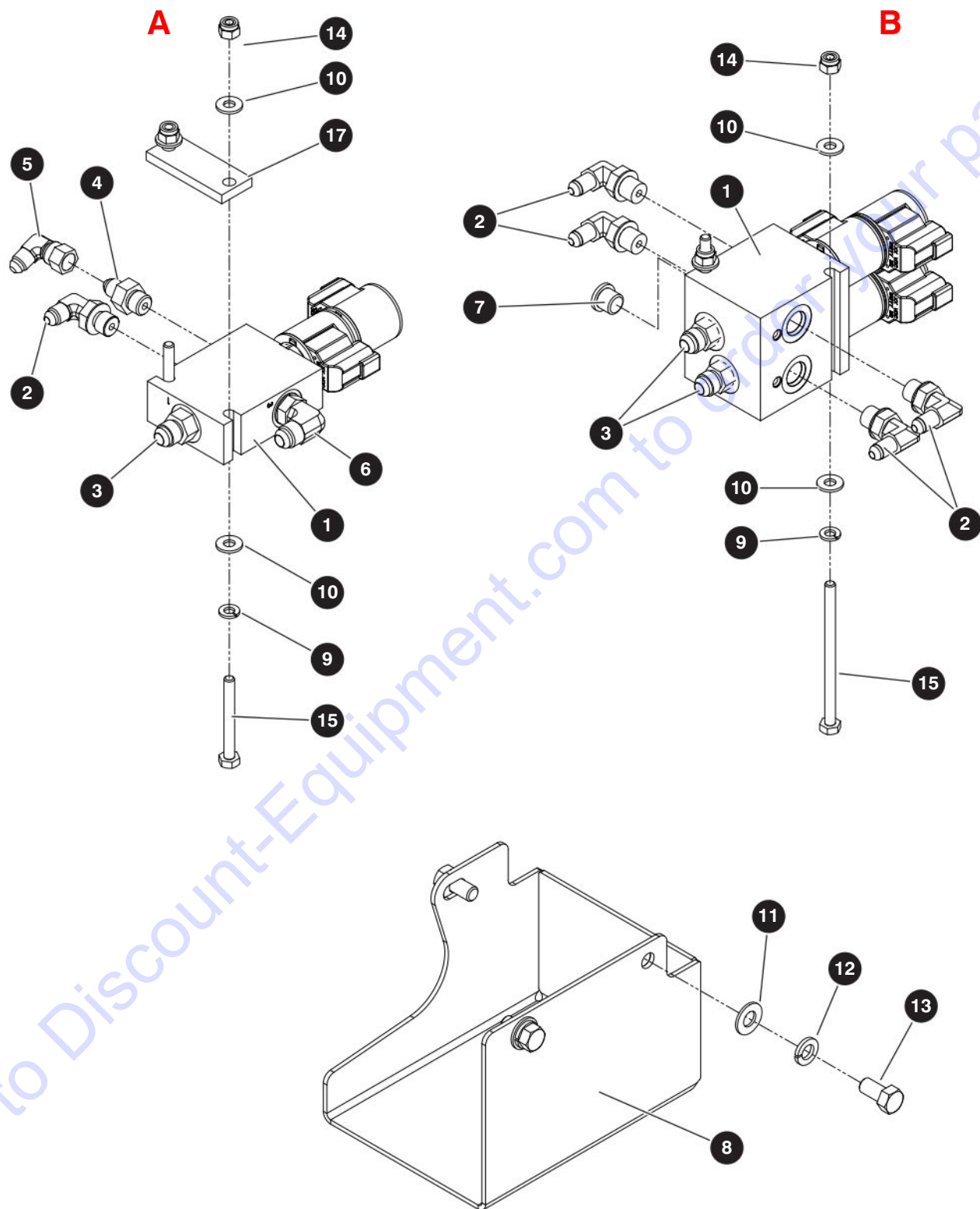


Index No.	Skyjack Part No.	Qty.	Description
-	165453	1	NO JIB ASSEMBLY - SJ82T
1	165444	1	• WELDMENT, Platform mounting bracket
2	165465	2	• PIN, 1.50" dia x 12.75" lg
3	165466	1	• ROTARY ACTUATOR
3	170712	1	• • SEAL KIT
4	146897	4	• PIN, Keeper (0.375")
5	143987	2	• CLAMP, Tube (2.5")
6	125959	4	• WASHER, Flat hardened (0.375")
7	165467	4	• BOLT, Hex head (1.0"-8 x 3.5" gr 8)
8	102646	4	• WASHER, Flat (1.00")
9	165449	4	• NUT, Hex head nylon lock (1.00"-8 gr 8)
10	144474	2	• FITTING, Straight (04 JICM - 04 ORBM, 0.028 port)
11	139193	4	• BOLT, Hex head (0.375"-16 x 0.875" gr 8)
12	168518	1	• WELDMENT, Extension
13	165260	2	• PIN, 1.5" dia x 10.65" lg
14	103216	2	• BUSHING, Fiberglide (1.5" ID x 1.5" lg)
15	136567	2	• BUSHING, Fiberglide (1.5" ID x 2.5" lg)



Index No.	Skyjack Part No.	Qty.	Description
-	165251	1	JIB ASSEMBLY - SJ86T
1	165255	1	• BRACKET, Boom mounting
-	165252	1	• JIB ARM ASSEMBLY, Top
2	165263	1	• • WELDMENT, Top arm jib
3	154239	1	• • SPACER, 1.4" OD x 1.25" ID x 0.4" lg)
4	125230	6	• • BUSHING, Fiberglide (1-1/4" dia x 2" lg)
-	165253	2	• JIB ARM ASSEMBLY, Lower
5	165267	1	• • WELDMENT, lower arm jib
6	125262	1	• • BUSHING, SJC 2024 (1.25" ID x 1.50" lg)
7	103216	1	• • BUSHING, Fiberglide (1.50" ID x 1.50" lg)
8	146897	6	• PIN , Keeper (0.375")
9	154235	1	• PIN, Jib cylinder mounting
10	154237	1	• PIN, Lower arm rotator mounting
11	162148	1	• PIN, Top arm rotator mounting
12	165254	1	• BRACKET, Mount - rotator
13	154234	1	• PIN, Mounting bracket - jib
14	143987	4	• CLAMP, P (2.5")
15	103972	2	• PIN, Cotter (1/4" dia x 2" lg)
16	122502	2	• WASHER, Flat (1-1/8" SAE)
17	144474	2	• FITTING, Straight (04 JICM - 04 ORBM)
18	165260	3	• PIN, 1.5" dia x 10.656" lg)
19	144710	1	• ROTARY ACTUATOR
19	141399	2	• • VALVE, Counterbalance
19	144709	1	• • SEAL KIT
20	700575	4	• NUT, Torque lock (0.75"-10 gr C)
21	162144	1	• PAD, Jib rest
22	162145	1	• SCREW, Socket head cap (0.312"-18 x 3.00")
23	(Ref.)	1	• CYLINDER, Jib (For components, refer to 3.6 Jib Cylinder)
24	125959	6	• WASHER, Flat hardened (0.375")
25	139193	6	• BOLT, Hex head (0.375"-16 x 0.875" gr 8)
26	103984	1	• NUT, Hex head nylon lock (0.313"-18 gr 5)
27	103894	4	• BOLT, Hex head (0.75"-10 x 3.00" gr 8)
28	702194	4	• WASHER, Flat hardened (0.75")
29	706789	1	• BOLT, Hex head (0.375"-16 x 1.50" gr 5)
30	701956	2	• FITTING, Straight (04 JICM - 06 ORBM)
31	144688	1	• PIN, Slave cylinder
32	704642	1	• SCREW, Flat head cap (0.312"-18 x 0.75" gr 5)
33	(Ref.)	1	CYLINDER, Slave (For components, refer to 3.5 Slave Cylinder)

2.13 Jib / Platform Rotate Valve



M165009AC_M168677AA

170453AI

58

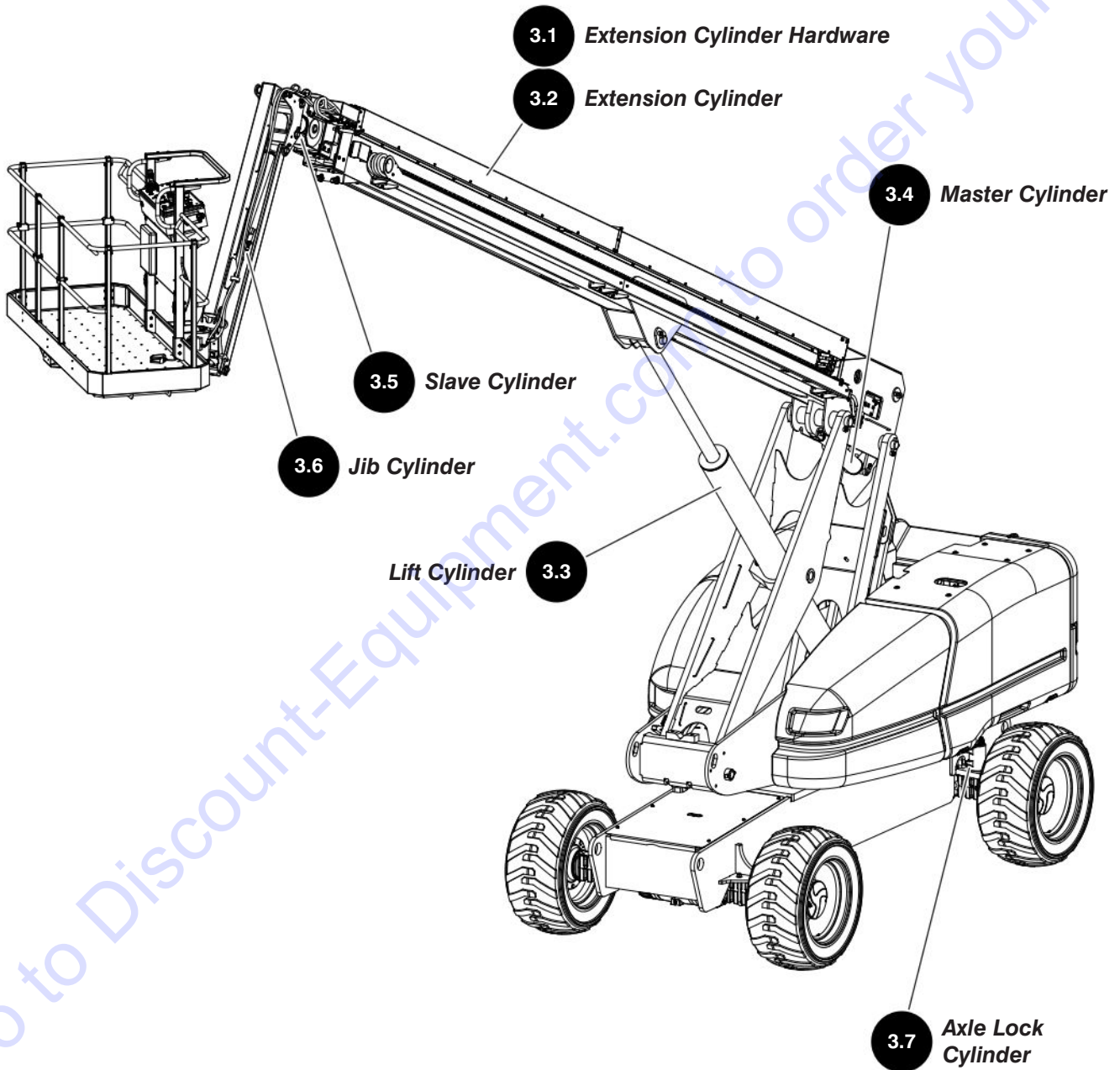
SJ82T, SJ86T

SKYJACK

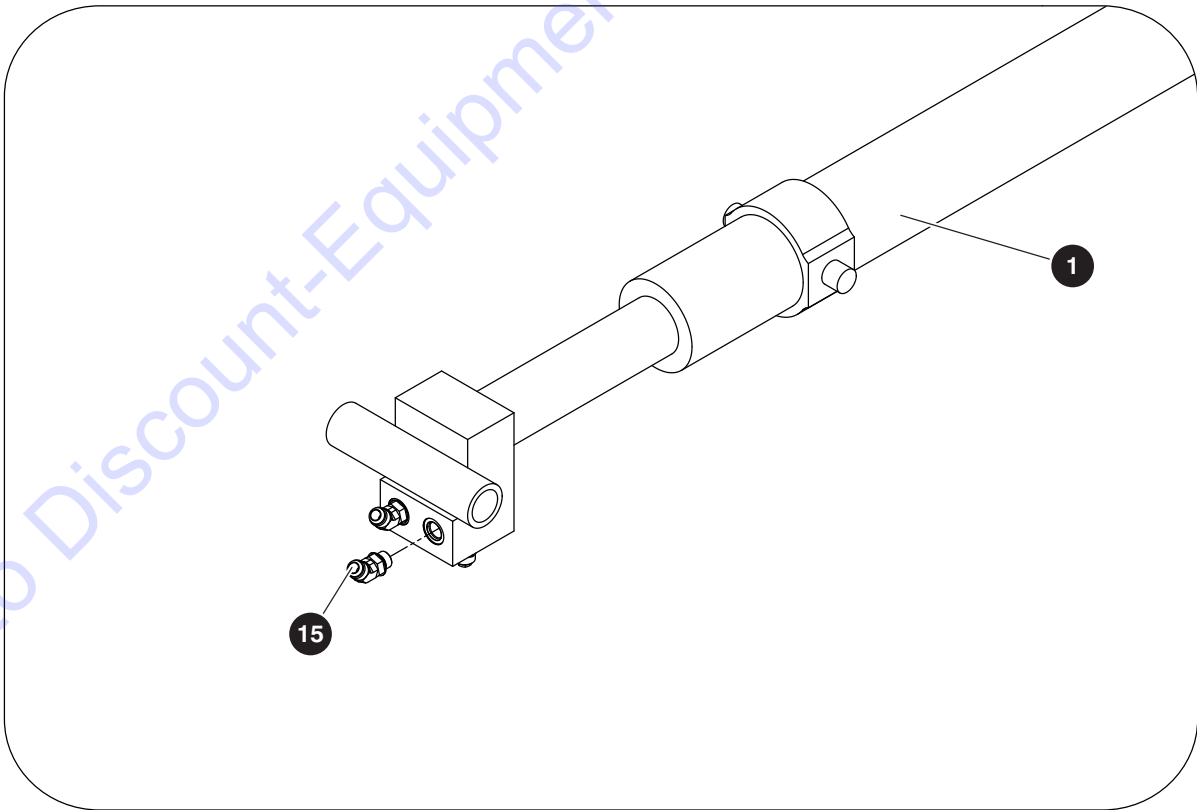
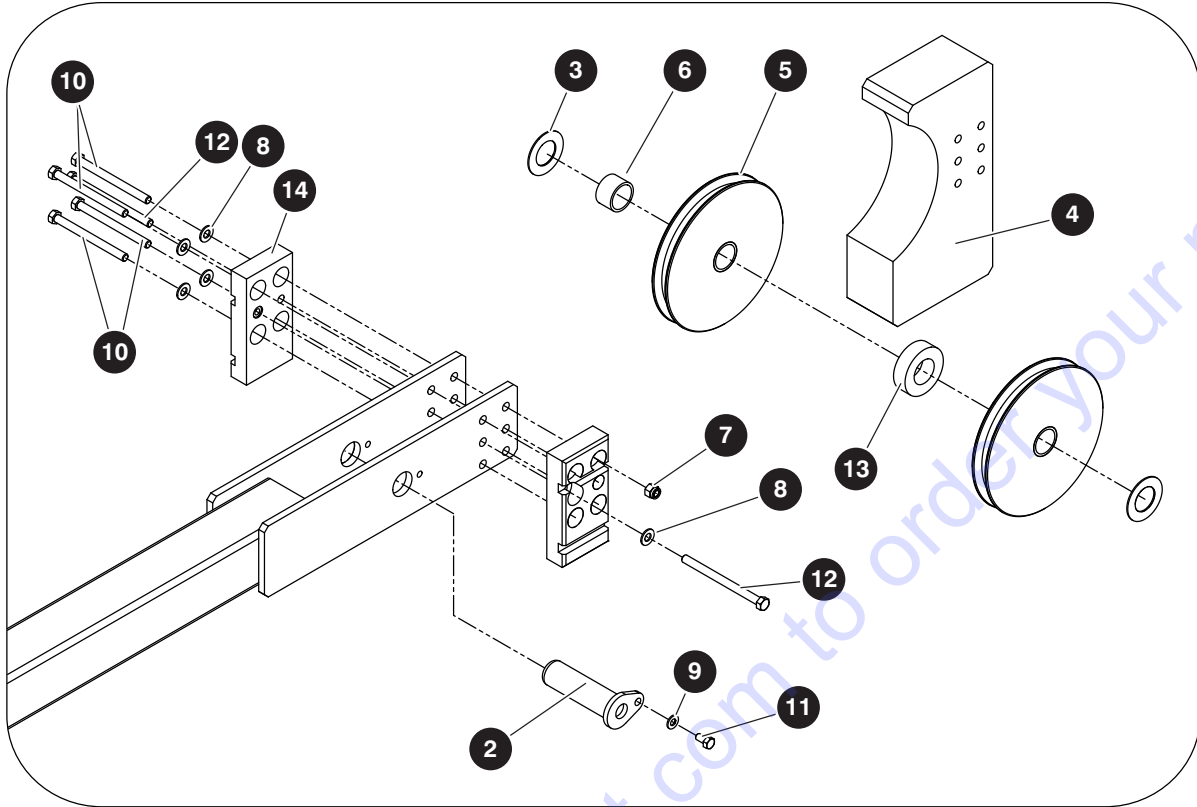
2.13 Jib / Platform Rotate Valve

Index No.	Skyjack Part No.	Qty.	Description
A	171426	1	NO JIB VALVE ASSEMBLY (Platform Rotate) - SJ82T
B	168677	1	JIB VALVE ASSEMBLY (Jib & Platform Rotate) - SJ86T
-	213914	1	• MANIFOLD WITH FITTINGS, A
	213915	1	• MANIFOLD WITH FITTINGS, B
1	163541	1	• • MANIFOLD, Platform Rotate, A
	168661	1	• • MANIFOLD, Jib / Platform Rotate, B
	159819	2	• • • COIL, A
	159821	4	• • • COIL, B
	166036	1	• • • VALVE, Cartridge
	166041	1	• • • VALVE, Cartridge (located above port 2A), B
2	129127	1	• • FITTING, 90° elbow (04 JICM - 06 ORBM), A
	129127	4	• • FITTING, 90° elbow (04 JICM - 06 ORBM), B
3	103069	1	• • FITTING, Straight (06 JICM - 06 ORBM), A
	103069	2	• • FITTING, Straight (06 JICM - 06 ORBM), B
4	701956	1	• • FITTING, Straight (04 JICM - 06 ORBM), A
5	702875	1	• • FITTING, 90° elbow (04 JICM - 04 JICFSW), A
6	114578	1	• • FITTING, 90° elbow (06 JICM - 06 ORBM), A
7	104437	1	• • FITTING, Plug (06 ORBM hex socket), B
8	160429	1	• COVER, Valve
9	104000	2	• WASHER, Lock (0.25")
10	103995	4	• WASHER, Flat (0.25")
11	103472	3	• WASHER, Flat (0.375")
12	103999	3	• WASHER, Lock (0.375")
13	103473	3	• BOLT, Hex head (0.375"-16 x 1.00" gr 5)
14	115649	2	• NUT, Hex head nylon lock (0.25"-20 gr 5)
15	103862	2	• BOLT, Head head (0.25"-20 x 2.25" gr 5), A
16	120738	2	• BOLT, Head head (0.25"-20 x 4.00" gr 5), B
17	152594	1	• SPACER, A

Section 3 – Cylinders



3.1 Extension Cylinder Hardware



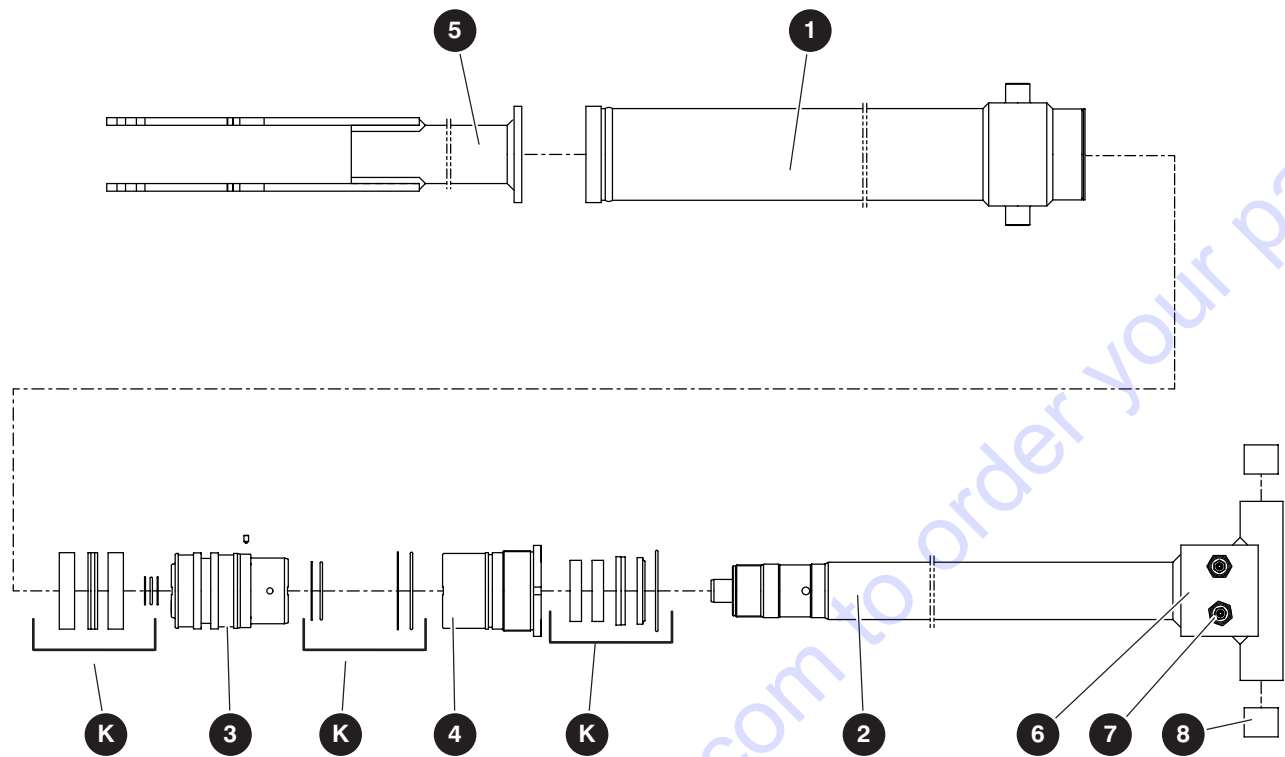
M165567AC

170453AI

3.1 Extension Cylinder Hardware

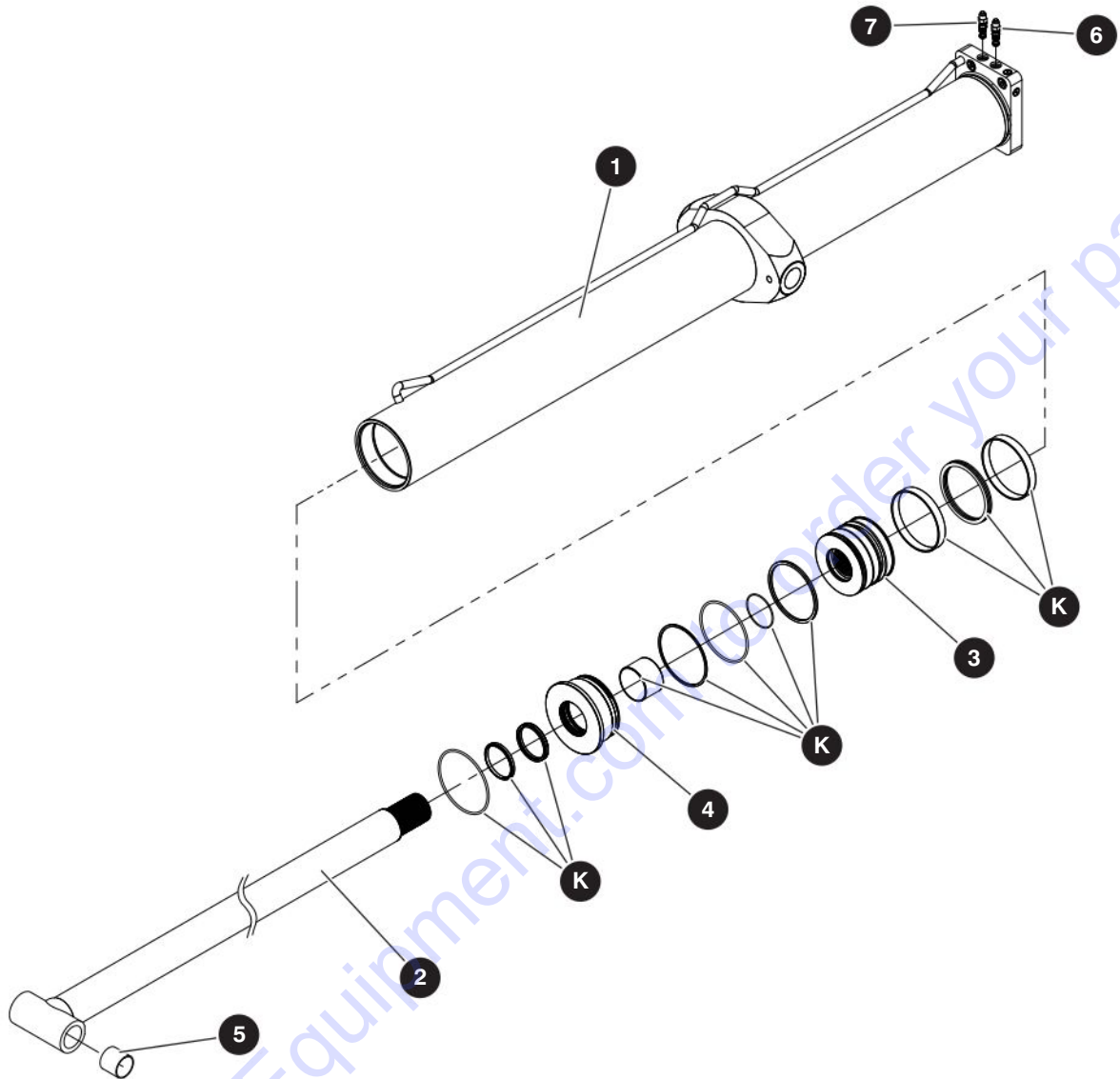
Index No.	Skyjack Part No.	Qty.	Description
-	165567	-	EXTENSION CYLINDER ASSEMBLY
1	(Ref.)	1	<ul style="list-style-type: none"> EXTENSION CYLINDER ASSEMBLY (For components, refer to 3.2 Extension Cylinder)
2	102234	1	<ul style="list-style-type: none"> PIN, 1.25" dia
3	121703	2	<ul style="list-style-type: none"> WASHER, Thrust
4	165297	1	<ul style="list-style-type: none"> STOP, Cable
-	166520	2	<ul style="list-style-type: none"> SHEAVE ASSEMBLY
5	165709	1	<ul style="list-style-type: none"> SHEAVE, Wire rope
6	163217	1	<ul style="list-style-type: none"> BUSHING, Bunting (EP202416)
7	104606	4	<ul style="list-style-type: none"> NUT, Hex head nylon lock (0.375"-16 gr 5)
8	103472	6	<ul style="list-style-type: none"> WASHER, Flat (0.375")
9	103996	1	<ul style="list-style-type: none"> WASHER, Flat (0.312")
10	103913	4	<ul style="list-style-type: none"> BOLT, Hex head (0.375"-16 x 4.50" gr 5)
11	148331	1	<ul style="list-style-type: none"> BOLT, Hex head (0.312"-18 x 0.625" gr 5)
12	163510	2	<ul style="list-style-type: none"> BOLT, Hex head (0.375"-16 x 5.00" gr 5)
13	167328	1	<ul style="list-style-type: none"> SPACER
14	165289	2	<ul style="list-style-type: none"> PAD, Extension cylinder rod end
15	149215	2	<ul style="list-style-type: none"> FITTING, 45° elbow (10 JICM - 10 ORBM)

3.2 Extension Cylinder



M165080AD

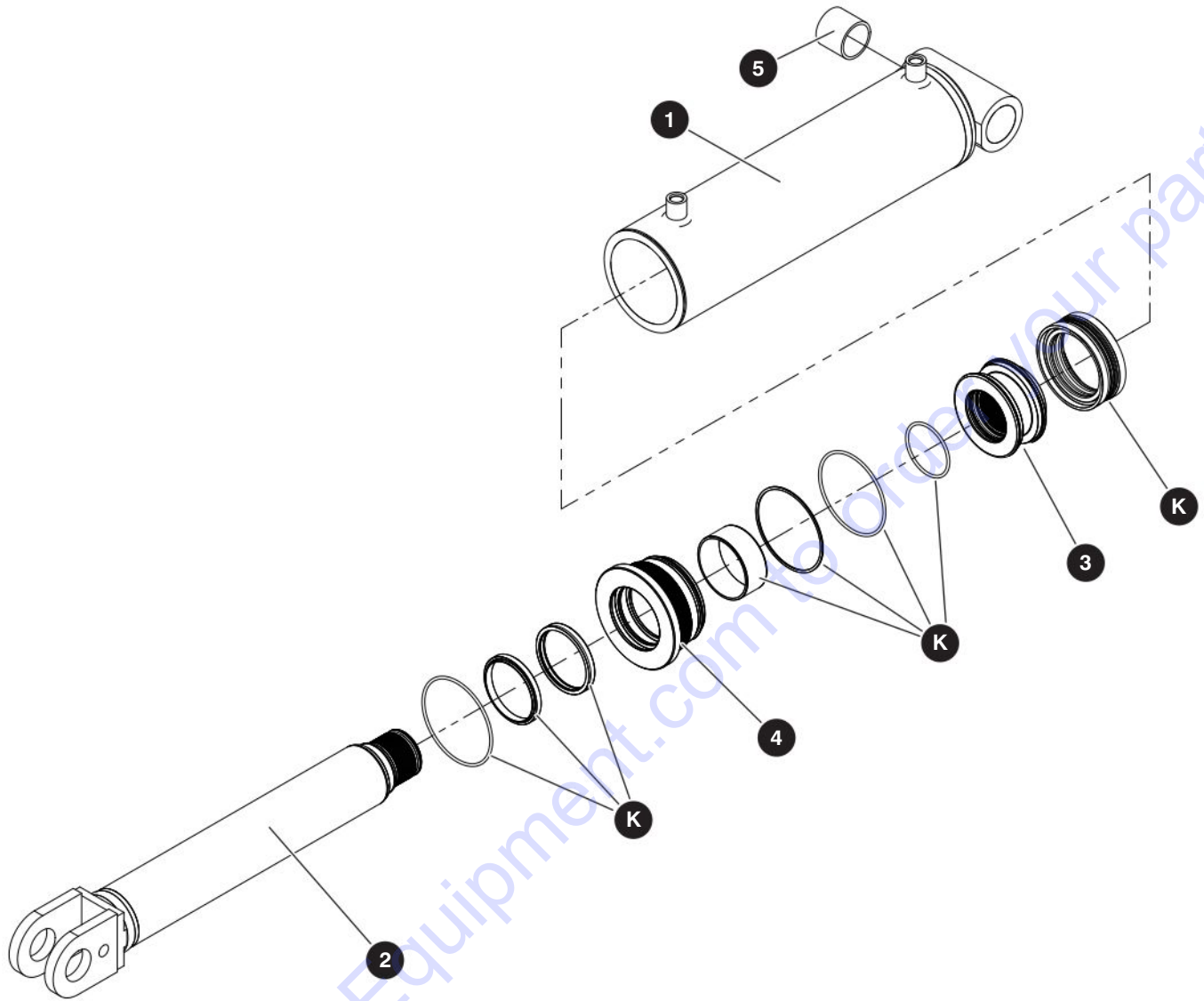
Index No.	Skyjack Part No.	Qty.	Description
-	165080	1	EXTENSION CYLINDER
1	170680	1	• TUBE
2	170681	1	• ROD
3	170682	1	• PISTON
4	170683	1	• COVER, Rod
5	170684	1	• BRACKET
6	170685	1	• BLOCK, Manifold - extend cylinder
7	165486	2	• VALVE, Counterbalance
8	170695	2	• BUSHING, (1.50" dia x 1.50" lg)
K	170686	1	SEAL KIT, Extend Cylinder



M165079AE

Index No.	Skyjack Part No.	Qty.	Description
-	165079	1	BOOM LIFT CYLINDER
1	170687	1	• TUBE
2	170688	1	• ROD
3	170689	1	• PISTON
4	170690	1	• COVER, Rod
5	170691	2	• BUSHING, (2.50" dia x 2.50" lg)
6	159841	1	• VALVE, Counterbalance (3000 psi)
7	171388	1	• VALVE, Counterbalance (1800 psi)
K	170692	1	SEAL KIT, Lift Cylinder

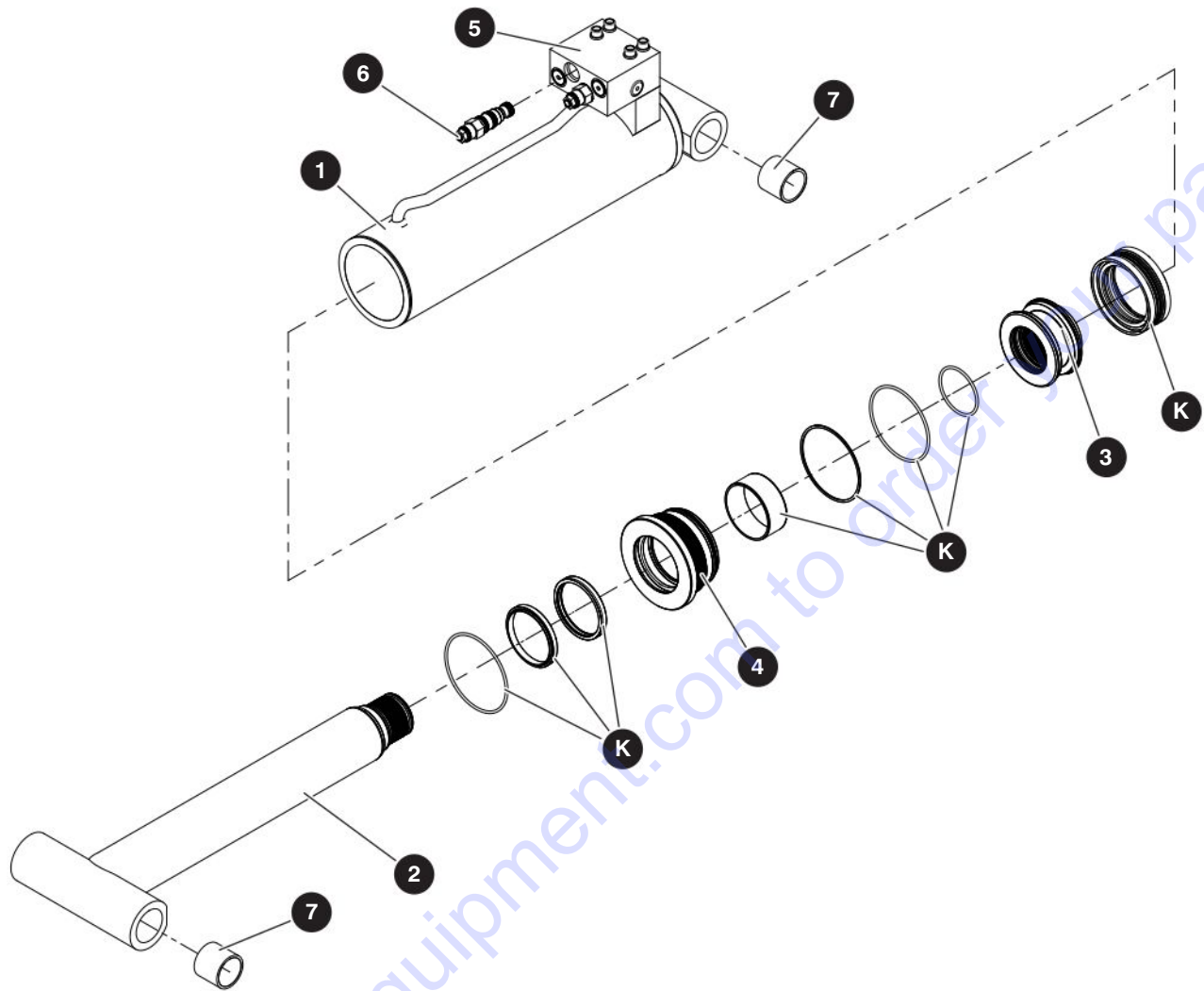
3.4 Master Cylinder



M165081AE

Index No.	Skyjack Part No.	Qty.	Description
-	165081	1	MASTER CYLINDER
1	170693	1	• TUBE
2	170694	1	• ROD
3	170699	1	• PISTON
4	170700	1	• COVER, Rod
5	170695	2	• BUSHING, (1.50" dia x 1.50" lg)
K	170696	1	SEAL KIT, Master Cylinder

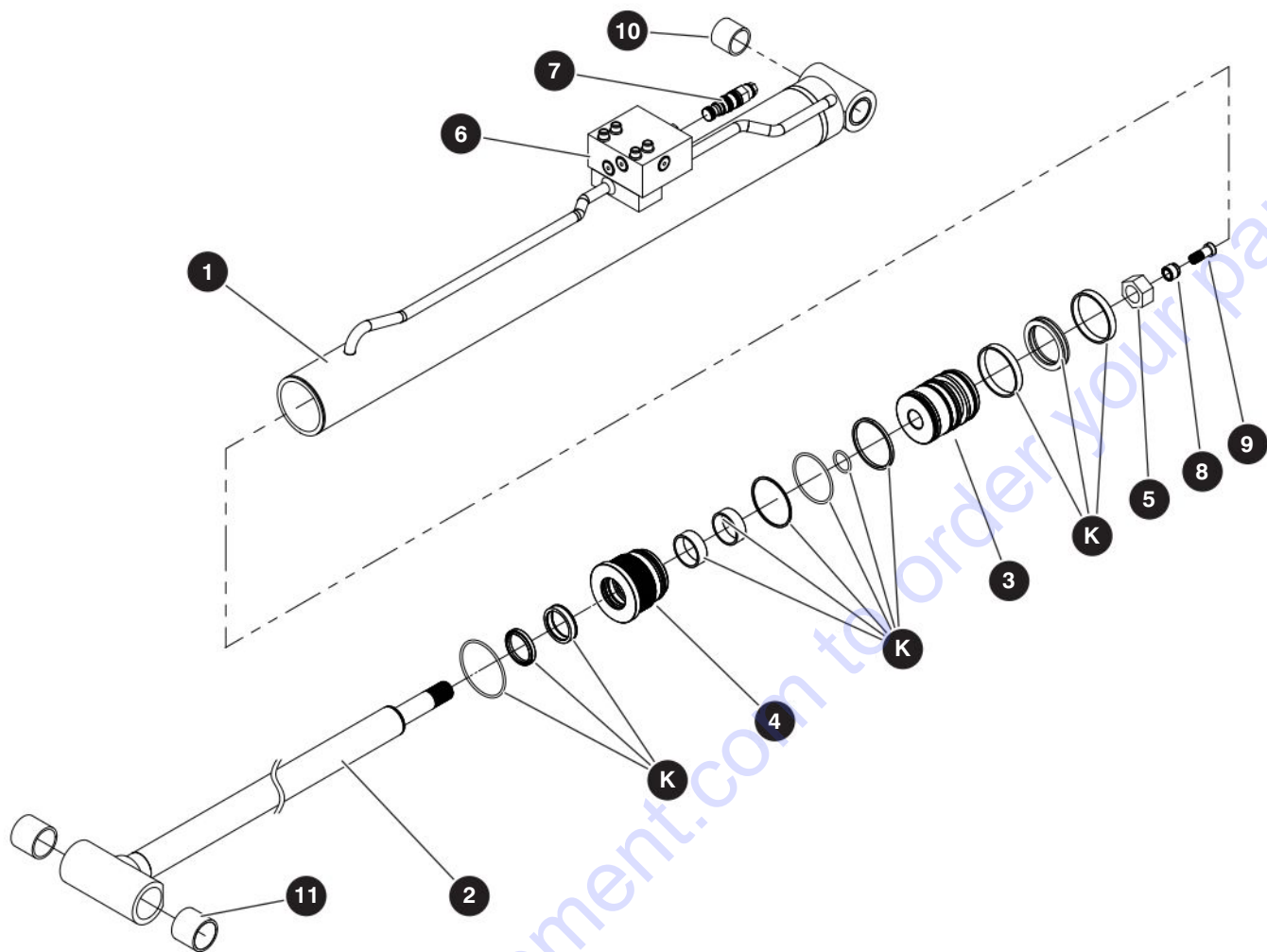
3.5 Slave Cylinder



M165082AD

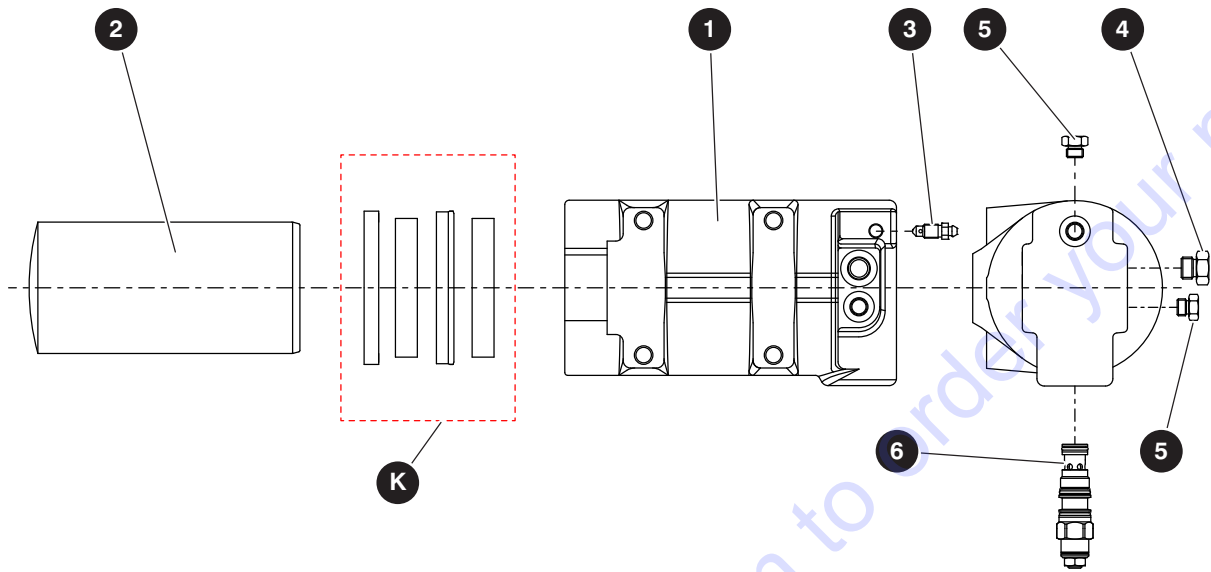
Index No.	Skyjack Part No.	Qty.	Description
-	165082	1	SLAVE CYLINDER
1	170697	1	• TUBE
2	170698	1	• ROD
3	170699	1	• PISTON
4	170700	1	• COVER, Rod
5	170707	1	• BLOCK, Manifold - Slave Cylinder
6	159841	2	• VALVE, Counterbalance
7	170695	4	• BUSHING, (1.50" dia x 1.50" lg)
K	170701	1	SEAL KIT, Slave Cylinder

3.6 Jib Cylinder



M166091AA

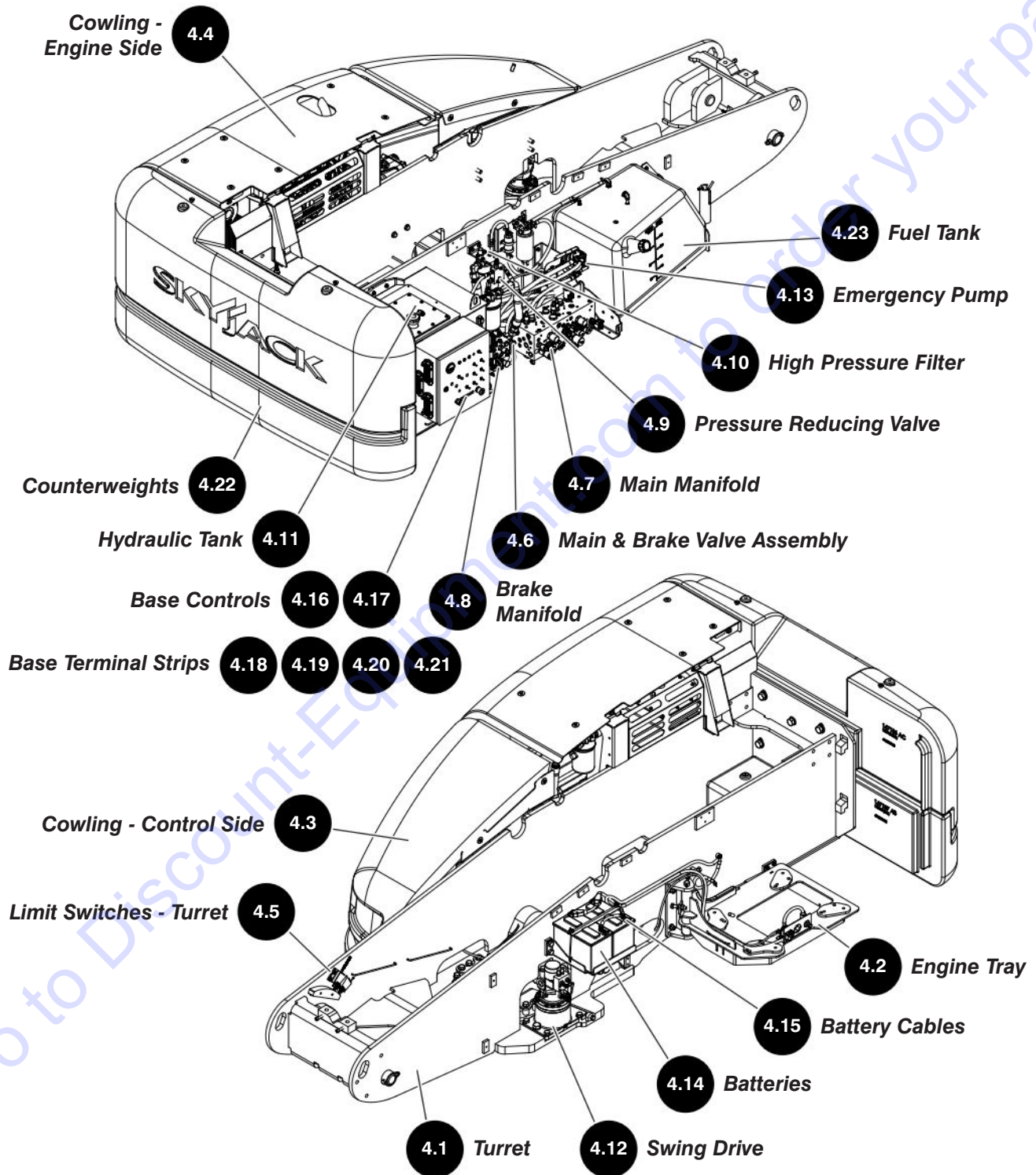
Index No.	Skyjack Part No.	Qty.	Description
-	165083	1	JIB CYLINDER
1	170702	1	• TUBE
2	170703	1	• ROD
3	170704	1	• PISTON
4	170705	1	• COVER, Rod
5	170706	1	• NUT, Lock
6	170707	1	• BLOCK, Manifold - jib cylinder
7	701827	2	• VALVE, Counterbalance
8	170708	1	• RING, Cushion
9	170709	1	• GUIDE, Cushion
10	170910	2	• BUSHING, (1.25" dia x 1.25" lg)
11	170695	2	• BUSHING, (1.50" dia x 1.50" lg)
K	170711	1	SEAL KIT, Jib Cylinder



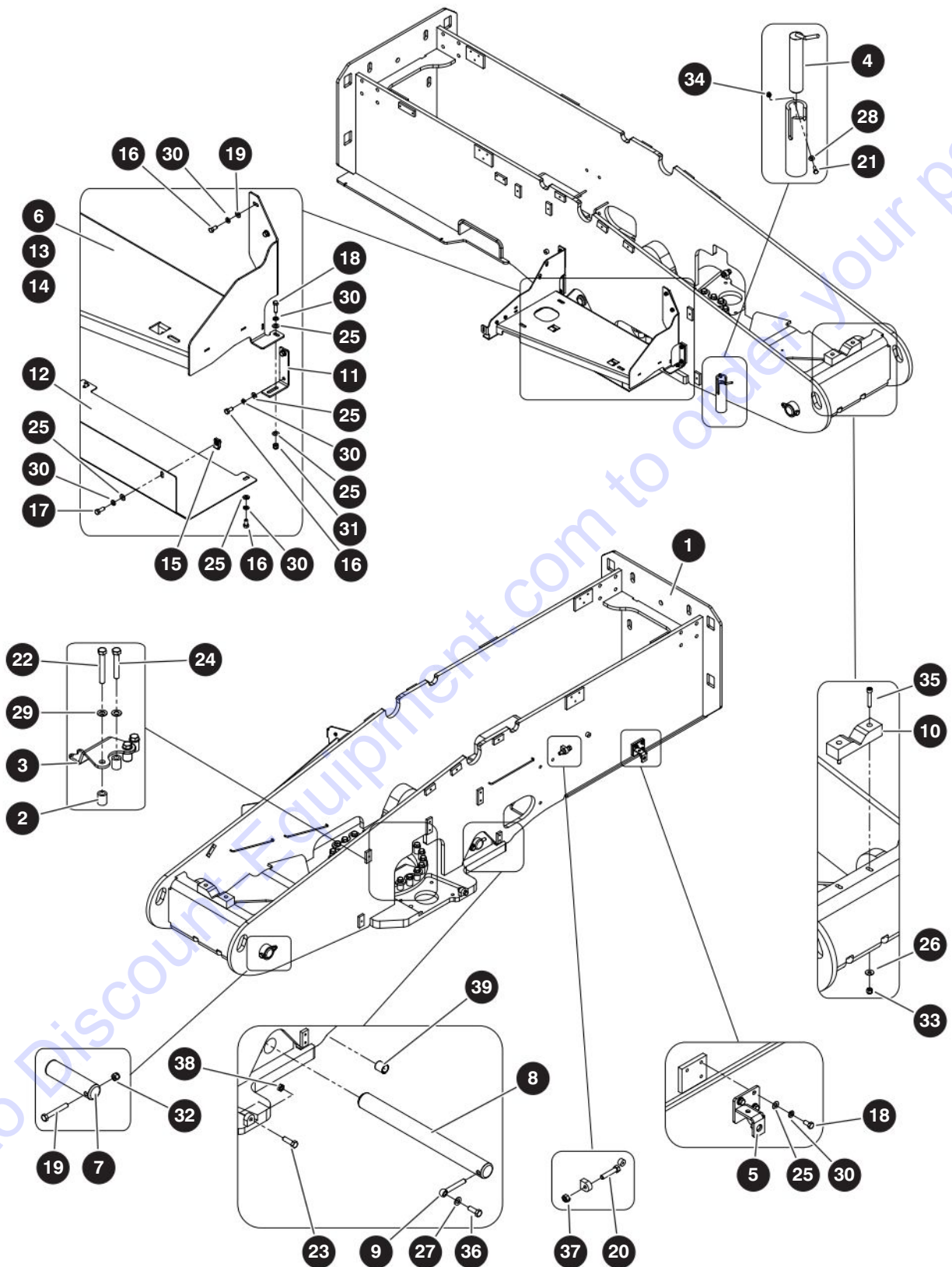
M159876AA

Index No.	Skyjack Part No.	Qty.	Description
A	161095	-	CYLINDER, AXLE LOCK - <i>for serial number 97 100 328 and above</i>
B	159876	-	CYLINDER, AXLE LOCK - <i>for serial number 97 100 327 and below</i>
1	154558	1	• WELDMENT, Tube, A
	160697	1	• WELDMENT, Tube, B
2	154559	1	• ROD, A
	160653	1	• ROD, B
3	154561	1	• SCREW, Bleed, A
	160654	1	• SCREW, Bleed, B
4	160655	1	• PLUG, Hex socket (9/16"-18 UNF-2B)
5	160656	2	• PLUG, Hex socket (7/16"-20 UNF-2B)
6	160028	1	• VALVE, Counterbalance
K1	154557	1	SEAL KIT, Axle lock cylinder, A
	160657	1	SEAL KIT, Axle lock cylinder, B

Section 4 – Turret



4.1 Turret

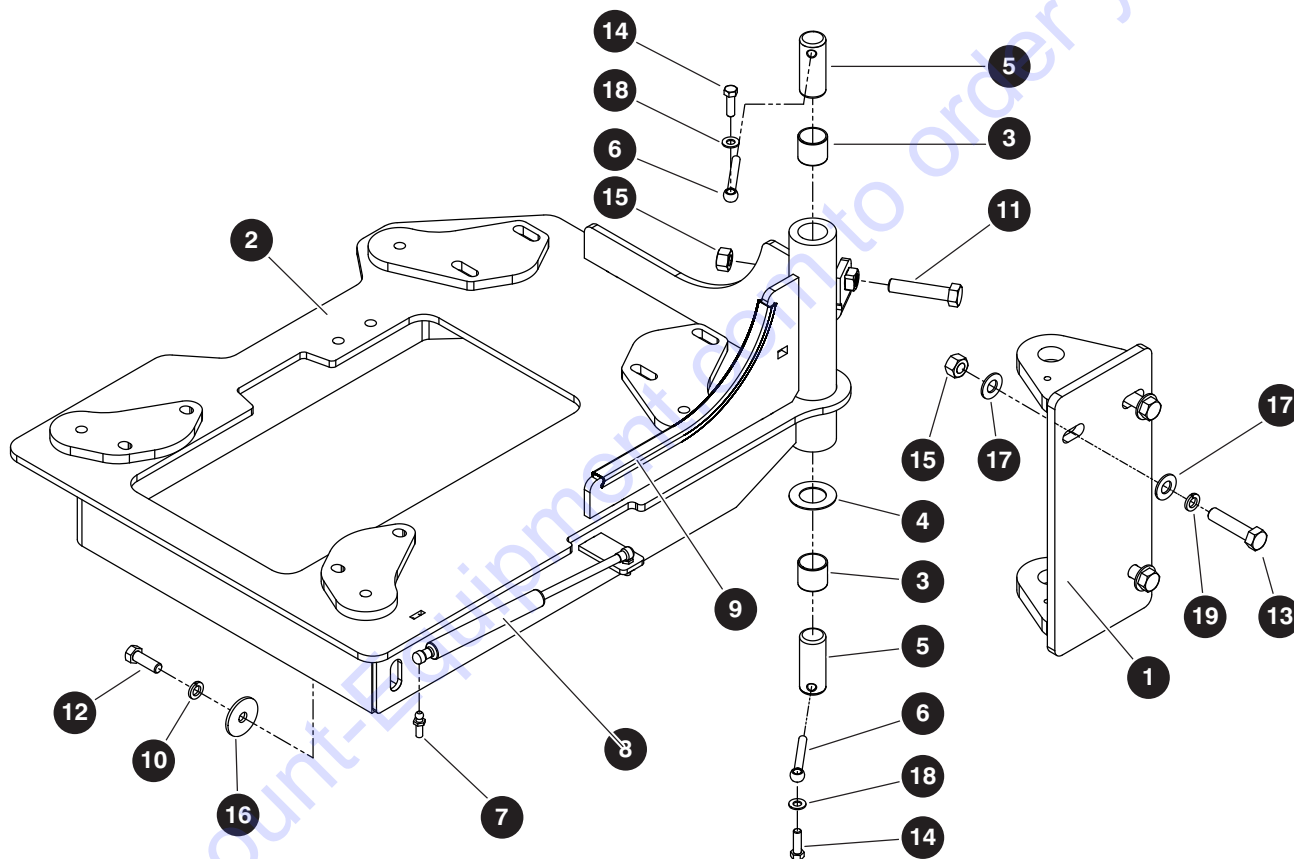


M165301AC

170453AI

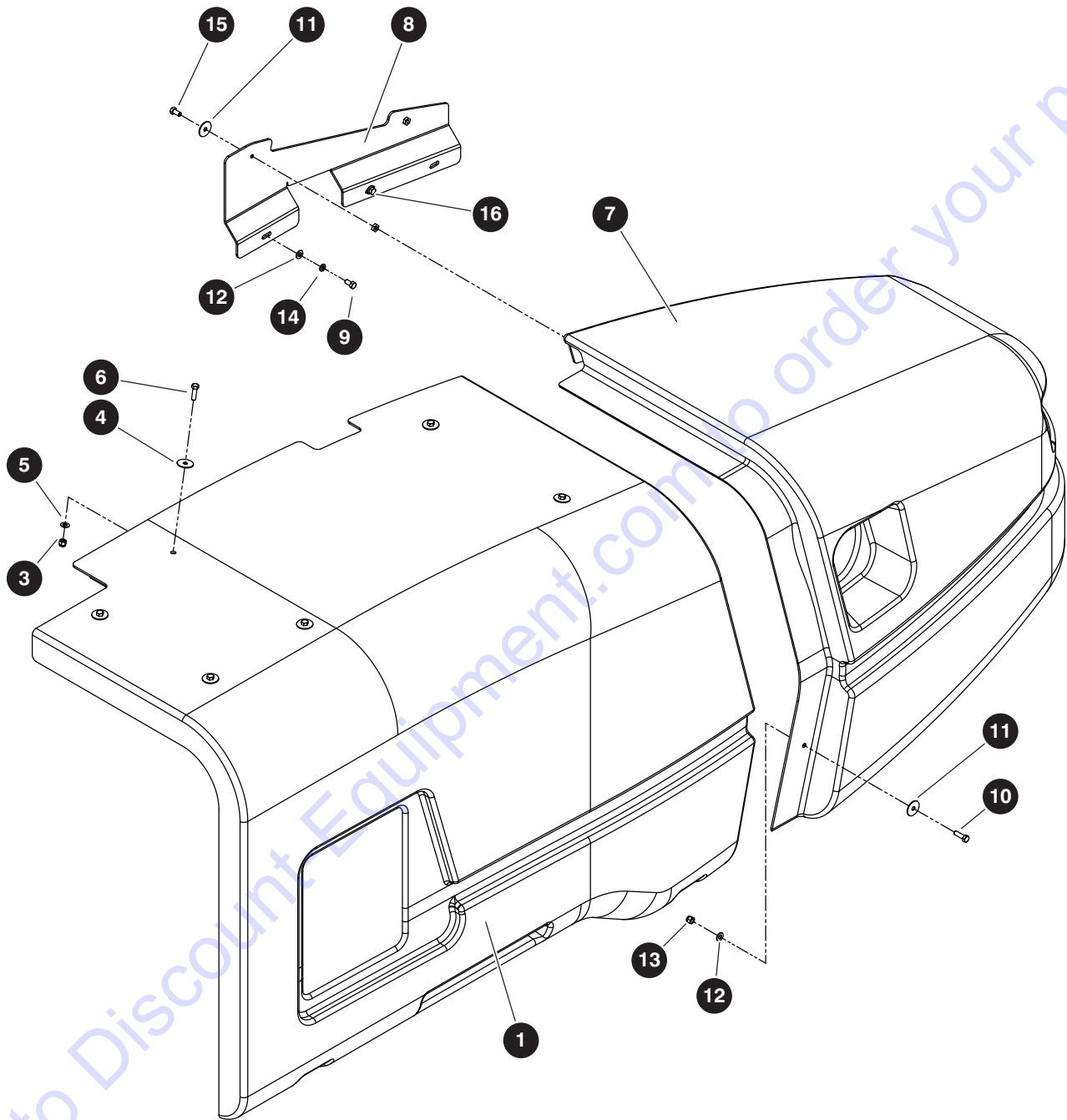
SJ82T, SJ86T

Index No.	Skyjack Part No.	Qty.	Description
-	165301	1	TURRET ASSEMBLY
1	165302	1	• WELDMENT, Turret
2	159418	24	• SPACER, Slewing ring
3	157897	2	• PLATE, Rotary manifold mount
4	159483	1	• PIN, Transportation locking
5	165324	1	• WELDMENT, Engine tray stop
6	167089	1	• WELDMENT, Fuel tank tray
7	165337	2	• PIN, 2.50" dia x 9.5" lg
8	165338	1	• PIN, 2.50" dia x 26.75" lg
9	146898	1	• PIN, Keeper (0.625")
10	165339	1	• PAD, Boom rest
11	165398	2	• PLATE, Tank mount
12	165397	1	• PLATE, Hose cover
13	119922	15"	• TRIM, Protective (1/4"-1/2")
14	119922	6.75"	• TRIM, Protective (1/4"-1/2")
15	159294	2	• NUT, Speed clip (3/8"-16)
16	101632	13	• BOLT, Hex head (0.375"-16 x 0.75" gr 5)
17	103473	2	• BOLT, Hex head (0.375"-16 x 1.00" gr 5)
18	101297	2	• BOLT, Hex head (0.375"-16 x 1.25" gr 5)
19	701762	2	• BOLT, Hex head (0.625"-11 x 4.50" gr 8)
20	154197	1	• BOLT, Hex head (0.625"-11 x 3.00" gr 5)
21	103857	1	• BOLT, Hex head (0.25"-20 x 1.00" gr 5)
22	165173	4	• BOLT, Hex head (0.75"-10 x 5.50" gr 8)
23	103897	1	• BOLT, Hex head (0.625"-11 x 2.00" gr 5)
24	146773	20	• BOLT, Hex head (0.75"-10 x 5.00" gr 8)
25	103472	19	• WASHER, Flat (0.375")
26	137241	3	• WASHER, Flat (0.50") SAE AA
27	700782	1	• WASHER, Flat (0.625") hardened
28	103995	2	• WASHER, Flat (0.25")
29	702194	24	• WASHER, Flat (0.75") hardened
30	103999	15	• WASHER, Lock (0.375")
31	104606	2	• NUT, Hex head nylon lock (0.375"-16 gr 5)
32	111577	2	• NUT, Hex head nylon lock (0.625"-11 gr 5)
33	702507	2	• NUT, Hex head nylon lock (0.50"-13 gr 5)
34	115649	1	• NUT, Hex head nylon lock (0.25"-20 gr 5)
35	146919	2	• SCREW, Socket head cap (0.50"-13 x 2.75")
36	148944	1	• BOLT, Hex head patch (0.625"-11 x 1.75" gr 8)
37	103981	1	• NUT, Hex head (0.625"-11 gr 5)
38	103982	1	• NUT, Hex head jam (0.625"-11 gr 5)
39	125262	2	• BUSHING, CJS 2024 (1.25" ID x 1.50" lg)



Index No.	Skyjack Part No.	Qty.	Description
A	168732	1	ENGINE TRAY ASSEMBLY - Deutz
B	212608	1	ENGINE TRAY ASSEMBLY - Perkins
1	154164	1	• WELDMENT, Engine tray mount, A
	212605	1	• WELDMENT, Engine tray mount, B
2	226238	1	• WELDMENT, Engine tray, A
	163668	1	• WELDMENT, Engine tray, B
3	100071	2	• BUSHING, Fiberglide (1 1/4" ID x 1 1/4")
4	121703	1	• THRUST WASHER, Fiberglide
5	148846	2	• PIN, (1 1/4" diameter x 3 1/8")
6	146897	2	• PIN, Keeper (3/8")
7	146903	2	• BALL, Stud
8	162038	1	• GAS SPRING, Engine tray
9	119922	14"	• TRIM, Protective (1/4" - 1/2")
10	103470	1	• WASHER, Lock (1/2")
11	154197	1	• BOLT, Hex head (5/8"-11 x 3" Grade 5)
12	103907	1	• BOLT, Hex head (1/2"-13 x 1 1/2" Grade 5)
13	125747	3	• BOLT, Hex head (5/8"-11 x 2 3/4" Grade 5)
14	101297	2	• BOLT, Hex head (3/8"-16 x 1 1/4" Grade 5)
15	103981	4	• NUT, Hex head (5/8"-11 Grade 5)
16	212939	1	• WASHER, Flat (1/2" style BB hard)
17	700782	6	• WASHER, Flat hardened (5/8")
18	103472	2	• WASHER, Flat (3/8")
19	103998	3	• WASHER, Lock (0.625")

4.3 Cowling - Control Side



M165352AD

170453AI

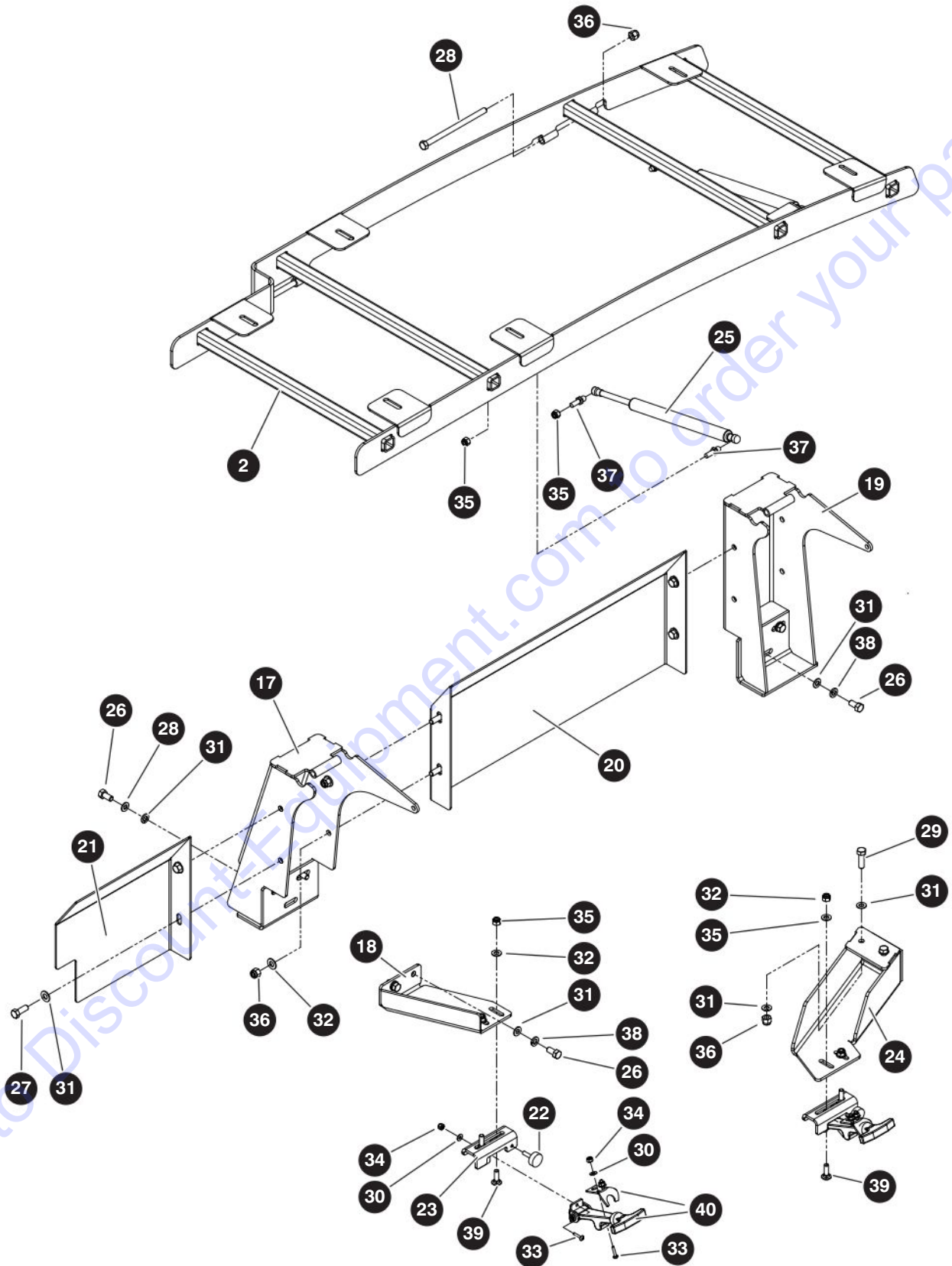
76

SJ82T, SJ86T

SKYJACK

4.3 Cowling - Control Side

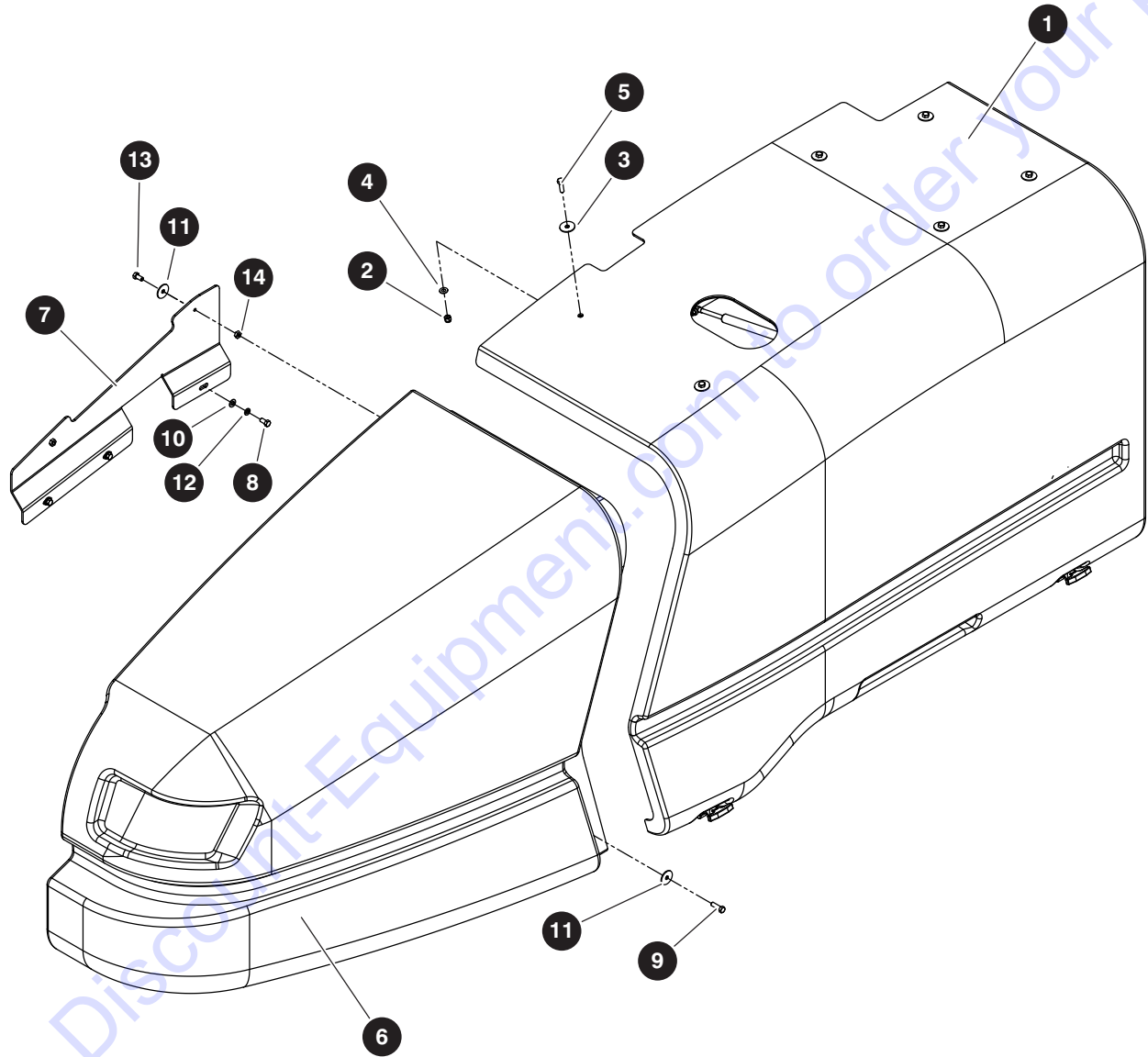
Index No.	Skyjack Part No.	Qty.	Description
-	165352	1	CONTROL SIDE COWLING (LH)
-	165382	1	• HINGED COWLING ASSEMBLY - LH
1	165378	1	• • SHELL, Hinged cowling LH
2	165379	1	• • WELDMENT, Cowling frame LH (shown on the next page)
3	104606	6	• • NUT, Hex head nylon lock (0.375"-16 gr 5)
4	127067	6	• • WASHER, Flat (0.375" style BB)
5	103472	6	• • WASHER, Flat (0.375")
6	101297	6	• • BOLT, Hex head (0.375"-16 x 1.25" gr 5)
7	165383	1	• SHELL, LH fixed cowling
8	165385	1	• WELDMENT, Fixed cowling mount LH
9	101632	5	• BOLT, Hex head (0.375"-16 x 0.75" gr 5)
10	101297	3	• BOLT, Hex head (0.375"-16 x 1.25" gr 5)
11	127067	5	• WASHER, Flat (0.375" style BB)
12	103472	4	• WASHER, Flat (0.375")
13	104606	1	• NUT, Hex head nylon lock (0.375"-16 gr 5)
14	103999	3	• WASHER, Lock (0.375")
15	103473	2	• BOLT, Hex head (0.375"-16 x 1.00" gr 5)
16	103983	2	• NUT, Hex head jam (0.25"-20 gr 5)



4.3 Cowling - Control Side

Index No.	Skyjack Part No.	Qty.	Description
17	165368	1	• WELDMENT, Cowling hinge outside
18	165388	1	• WELDMENT, Hinge mount tank - side
19	165363	1	• WELDMENT, Cowling hinge inside
20	165369	1	• PLATE, Mid turret cover
21	135389	1	• PLATE, End turret cover LH
22	144015	2	• MOUNT, Anti-vibration (1/4"-20 UNC)
23	146812	2	• BRACKET, Latch mounting
24	147440	1	• BRACKET, Tank side handle
25	167127	2	• SPRING, Gas (800N)
26	101632	8	• BOLT, Hex head (0.375"-16 x 0.75" gr 5)
27	103473	6	• BOLT, Hex head (0.375"-16 x 1.00" gr 5)
28	138736	2	• BOLT, Hex head (0.375"-16 x 6.00" gr 5)
29	101297	2	• BOLT, Hex head (0.375"-16 x 1.25" gr 5)
30	104694	8	• WASHER, Flat (#10)
31	103472	24	• WASHER, Flat (0.375")
32	103996	4	• WASHER, Flat (0.312")
33	138834	8	• SCREW, Round head machine (10-24 x 0.75")
34	126642	8	• NUT, Hex head nylon lock (10-24 gr 5)
35	103984	8	• NUT, Hex head nylon lock (0.313"-18 gr 5)
36	104606	10	• NUT, Hex head nylon lock (0.375"-16 gr 5)
37	146903	4	• STUD, Ball (10 mm)
38	103999	8	• WASHER, Lock (0.375")
39	133216	4	• BOLT, Carriage (0.313-18" x 1" gr 5)
40	144002	2	• LATCH, Flexible draw

4.4 Cowling - Engine Side



M165351AD-1

170453AI

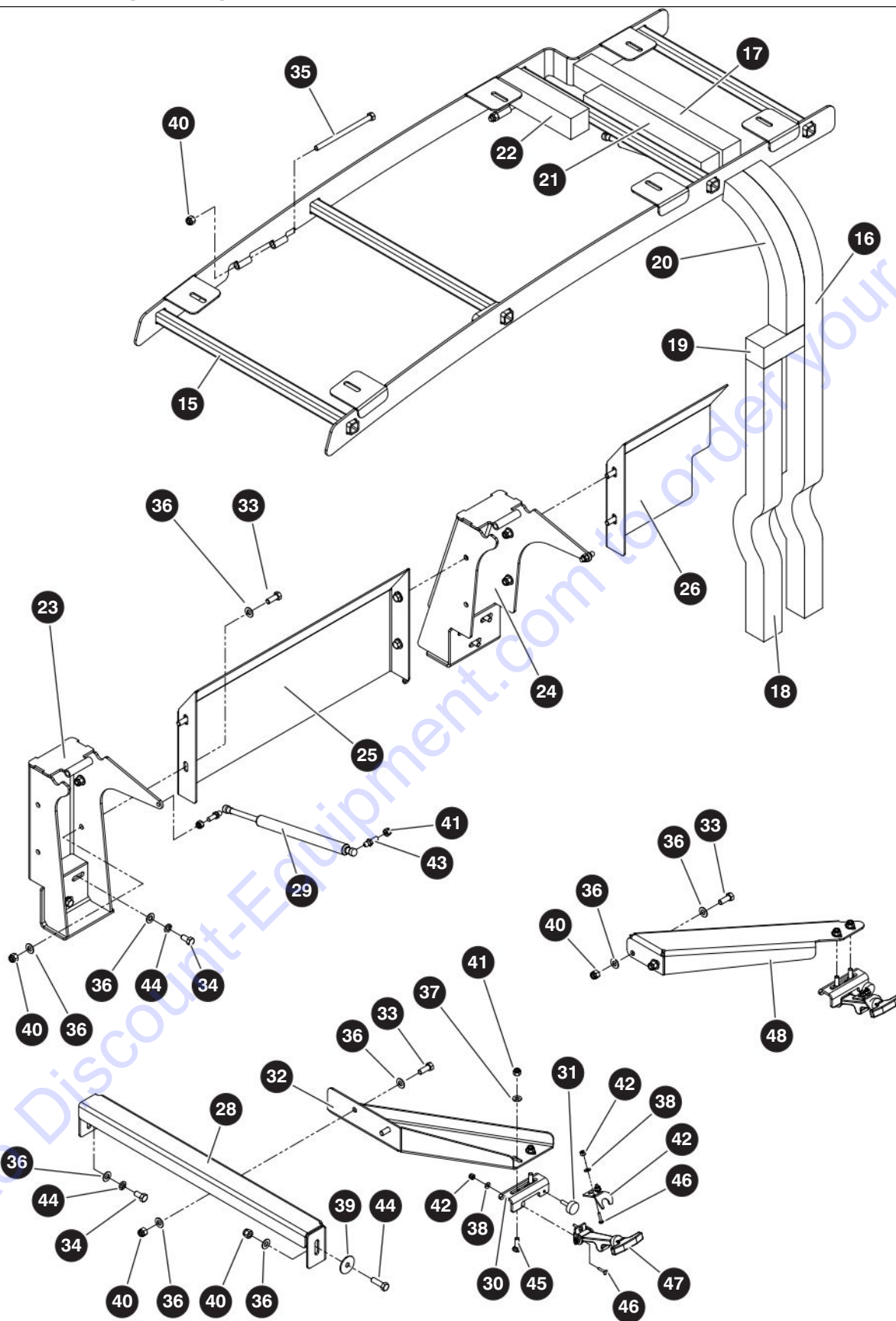
80

SJ82T, SJ86T

SKYJACK

4.4 Cowling - Engine Side

Index No.	Skyjack Part No.	Qty.	Description
-	165351	1	ENGINE SIDE COWLING (RH)
-	165353	1	• HINGED COWLING ASSEMBLY - RH
1	165354	1	• • SHELL, Hinged cowling RH
2	104606	6	• • NUT, Hex head nylon lock (0.375"-16 gr 5)
3	127067	6	• • WASHER, Flat (0.375" style BB)
4	103472	6	• • WASHER, Flat (0.375")
5	101297	6	• • BOLT, Hex head (0.375"-16 x 1.25" gr 5)
			<i>The rest of this assembly appears on the next page.</i>
6	165362	1	• SHELL, RH fixed cowling
7	165372	1	• WELDMENT, Fixed cowling mount
8	101632	3	• BOLT, Hex head (0.375"-16 x 0.75" gr 5)
9	101297	1	• BOLT, Hex head (0.375"-16 x 1.25" gr 5)
10	103472	3	• WASHER, Flat (0.375")
11	127067	5	• WASHER, Flat (0.375" style BB)
12	103999	3	• WASHER, Lock (0.375")
13	103473	2	• BOLT, Hex head (0.375"-16 x 1.00" gr 5)
14	103983	2	• NUT, Hex head jam (0.25"-20 gr 5)



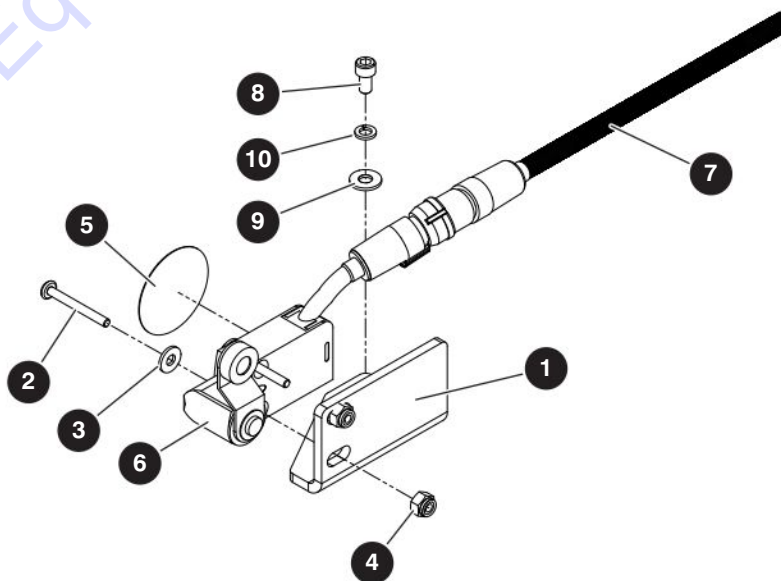
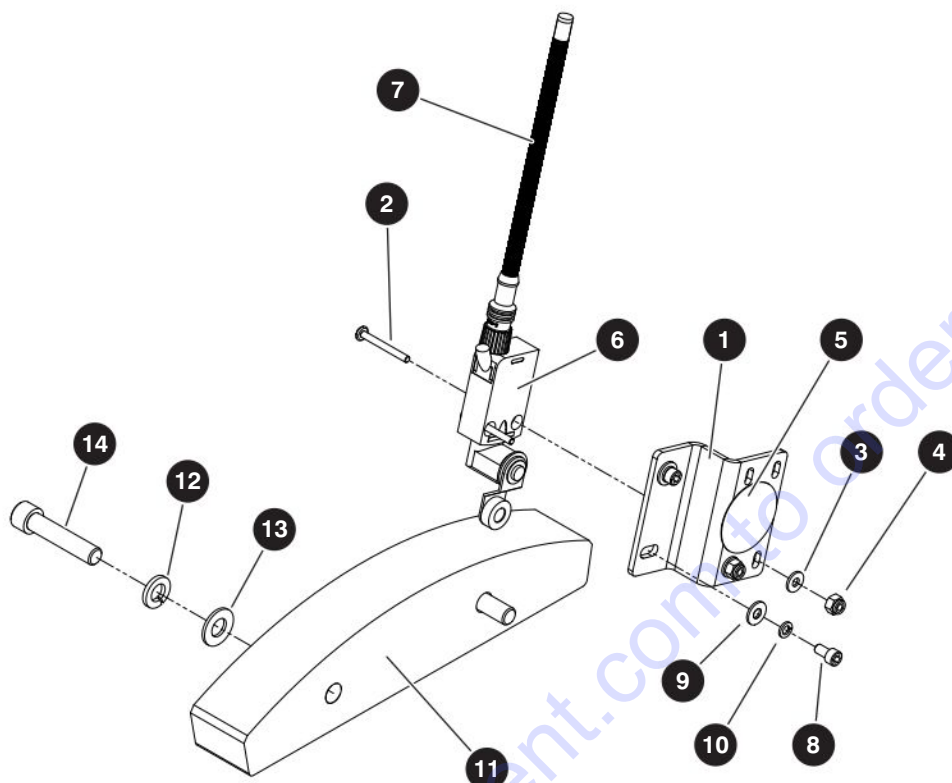
M165351AF-2

170453AI

SJ82T, SJ86T

Index No.	Skyjack Part No.	Qty.	Description
-	165353	1	• HINGED COWLING ASSEMBLY - RH (<i>continued from the previous page</i>)
15	165355	1	• • WELDMENT, Cowling frame RH
16	148368	45"	• • SEAL, Foam (2" x 2")
17	148368	16.5"	• • SEAL, Foam (2" x 2")
18	148368	28"	• • SEAL, Foam (2" x 2")
19	148368	5"	• • SEAL, Foam (2" x 2")
20	148368	15"	• • SEAL, Foam (2" x 2")
21	148368	14"	• • SEAL, Foam (2" x 2")
22	148368	8"	• • SEAL, Foam (2" x 2")
23	165363	1	• WELDMENT, Cowling hinge inside
24	165368	1	• WELDMENT, Cowling hinge outside
25	165369	1	• PLATE, Mid turret cover
26	135370	1	• PLATE, End turret cover
27	165373	1	• WELDMENT, Cowling latch mount front
28	135375	1	• PLATE, Turret crossbar
29	167127	2	• SPRING, Gas (800N)
30	146812	2	• BRACKET, Latch mounting
31	144015	2	• MOUNT, Anti-vibration (1/4"-20 UNC)
32	165377	1	• PLATE, Cowling latch mount rear
33	103473	10	• BOLT, Hex head (0.375"-16 x 1.00" gr 5)
34	101632	8	• BOLT, Hex head (0.375"-16 x 0.75" gr 5)
35	138736	2	• BOLT, Hex head (0.375"-16 x 6.00" gr 5)
36	103472	29	• WASHER, Flat (0.375")
37	103996	4	• WASHER, Flat (0.312")
38	104694	8	• WASHER, Flat (#10)
39	127067	1	• WASHER, Flat (0.375" style BB)
40	104606	13	• NUT, Hex head nylon lock (0.375"-16 gr 5)
41	103984	8	• NUT, Hex head nylon lock (0.313"-18 gr 5)
42	126642	8	• NUT, Hex head nylon lock (10-24 gr 5)
43	146903	4	• STUD, Ball (10 mm)
44	103999	10	• WASHER, Lock (0.375")
45	133216	4	• BOLT, Carriage (0.313-18" x 1" gr 5)
46	138834	8	• SCREW, Round head machine (10-24 x 0.75")
47	144002	2	• LATCH, Flexible draw
48	165373	1	• PLATE, Cowling latch mount front

4.5 Limit Switches - Turret



M165089AC

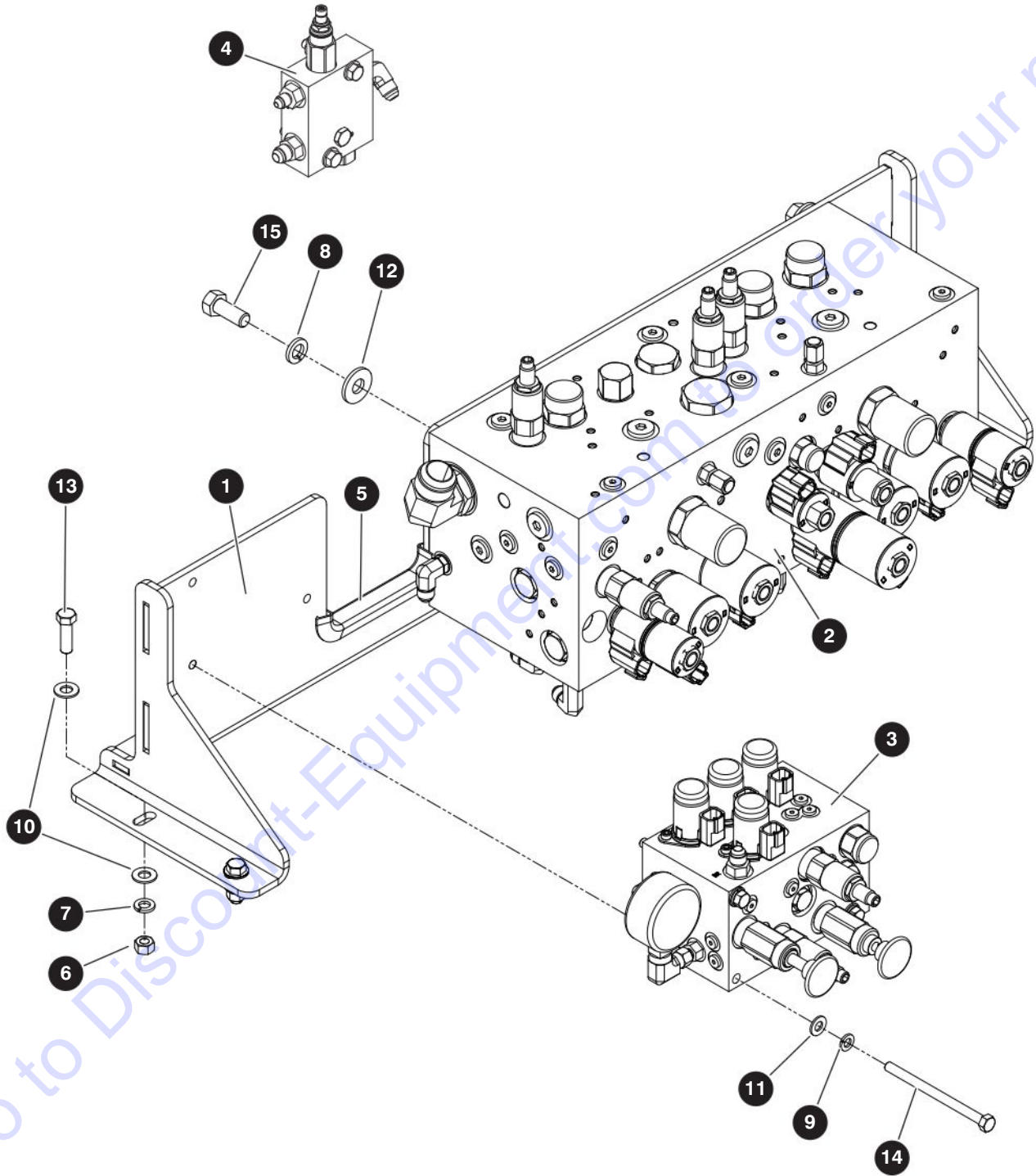
170453AI

SJ82T, SJ86T

4.5 Limit Switches - Turret

Index No.	Skyjack Part No.	Qty.	Description
-	165089	1	TURRET LIMIT SWITCHES
A	165090	1	• SWITCH, Limit - Boom angle creep mode
B	168762	1	• SWITCH, Limit - Boom angle dual load
C	168761	1	• SWITCH, Limit - Lift cushion
1	165091	1	• • BRACKET, Limit switch, A, B
	170772	1	• • BRACKET, Limit switch, C
2	112248	2	• • SCREW, Round head machine (8-32 x 1.00"), A, B
	152294	2	• • SCREW, Round head machine (8-32 x 1.25"), C
3	103991	2	• • WASHER, Flat (#8)
4	138765	2	• • NUT, Hex head nylon lock (8-32 gr 5)
5	156613	1	• • LABEL, Do not alter limit switch
6	207045	1	• • SWITCH, Limit, A, C
	207849	1	• • • BODY, Limit switch
	160009	1	• • • HEAD, Limit switch
	160011	1	• • • LEVER, Limit switch
7	207851	1	• • • CORD, Limit switch (7 m)
	171424	1	• • SWITCH, Limit, B
8	157829	2	• • SCREW, Socket head cap (10-32 x 0.375")
9	104694	2	• • WASHER, Flat (#10)
10	104185	2	• • WASHER, Lock (#10)
D	167200	1	• CAM, Limit switch - turret
11	167086	1	• • CAM, Limit switch
12	103999	2	• • WASHER, Lock (0.375")
13	103472	2	• • WASHER, Flat (0.375")
14	138757	2	• • SCREW, Socket head cap (0.375"-16 x 1.75")

4.6 Main & Brake Valve Assembly



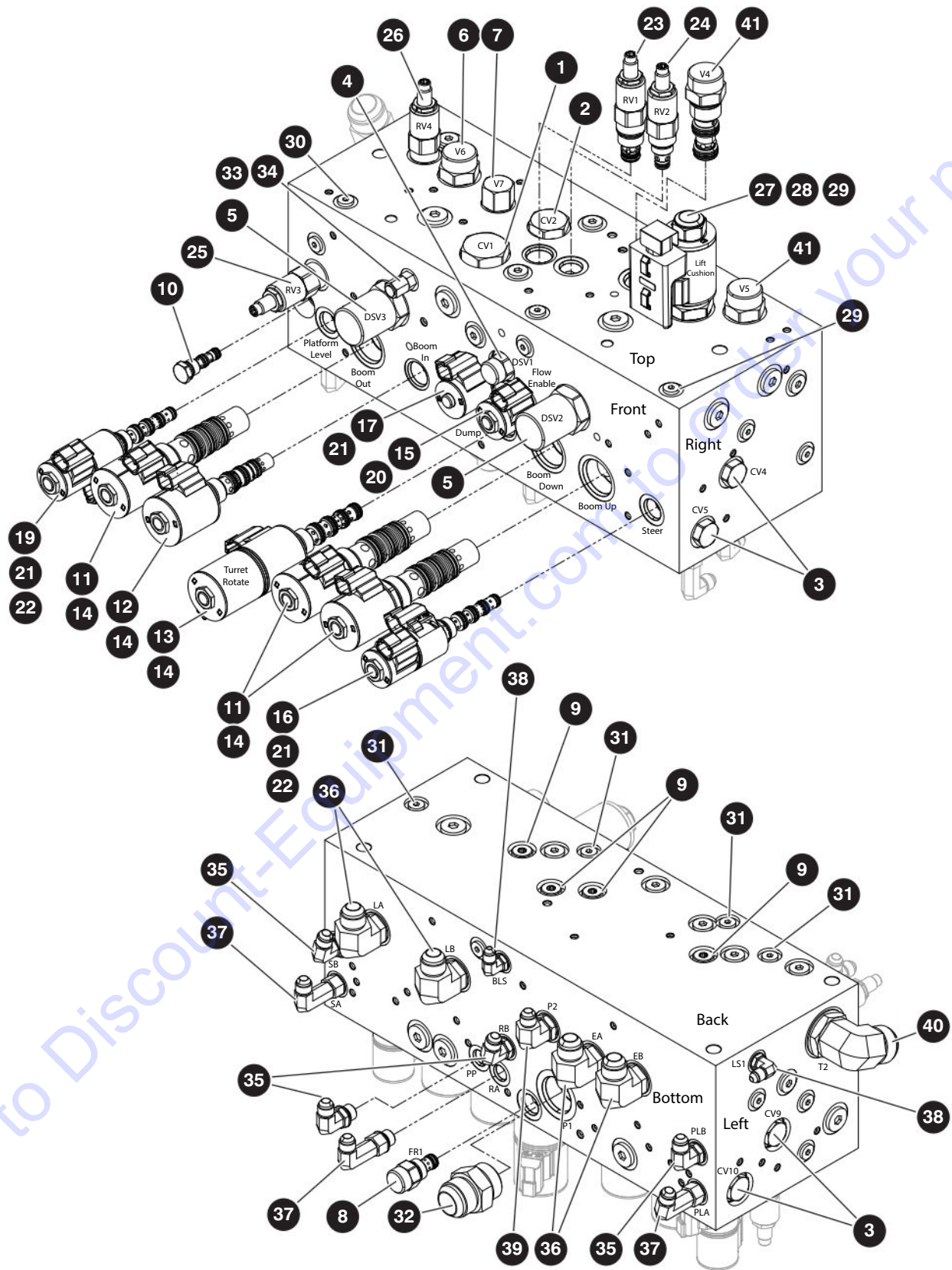
M165463AE

170453AI

SJ82T, SJ86T

4.6 Main & Brake Valve Assembly

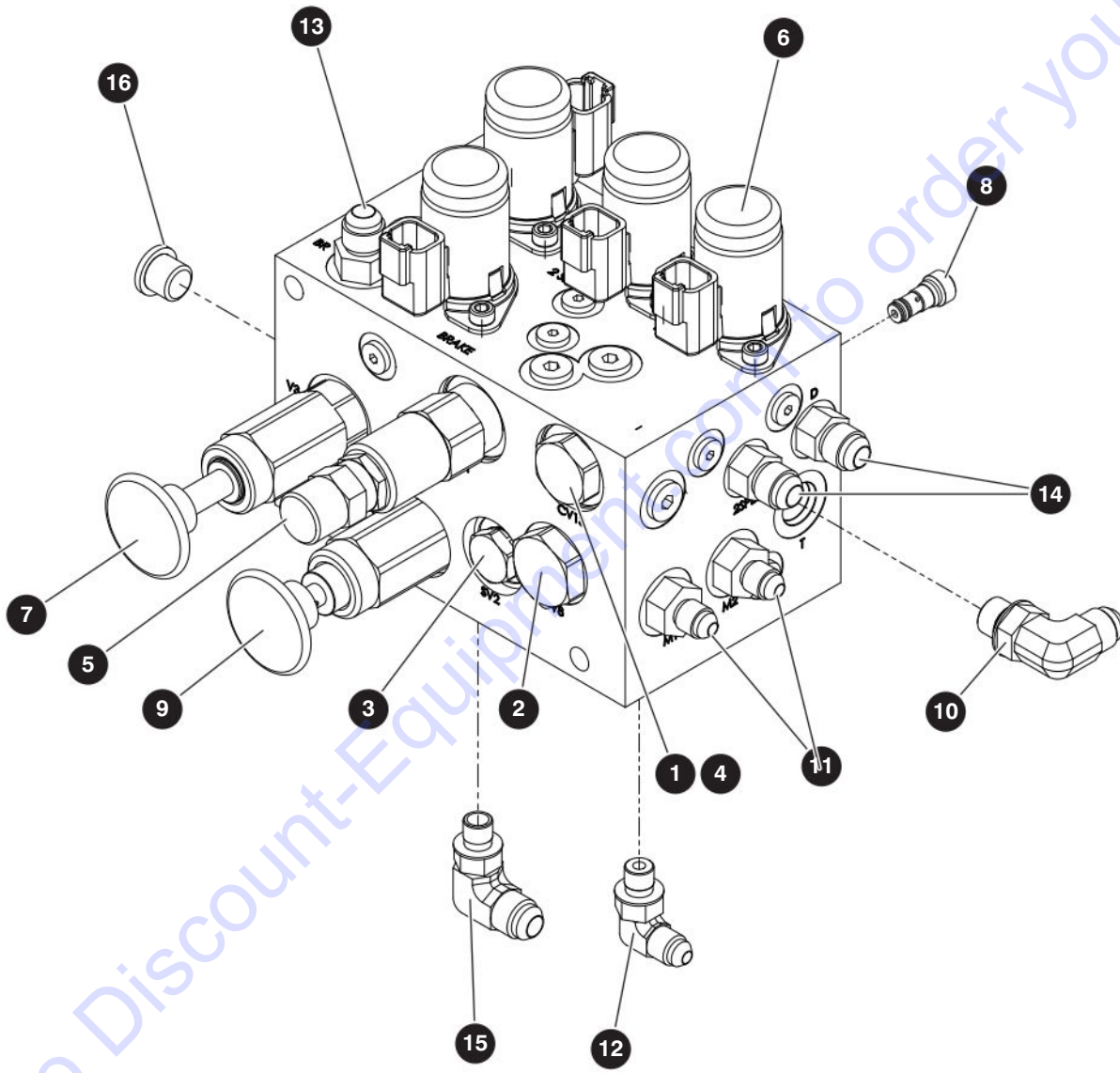
Index No.	Skyjack Part No.	Qty.	Description
-	165463	1	MAIN & BRAKE VALVE ASSEMBLY
1	165395	1	• BRACKET, Valve
2	(Ref.)	1	• MAIN MANIFOLD ASSEMBLY (For components, refer to 4.7 Main Manifold)
3	(Ref.)	1	• BRAKE MANIFOLD ASSEMBLY (For components, refer to 4.8 Brake Manifold)
4	(Ref.)	1	• PRESSURE REDUCING VALVE ASSEMBLY (For components, refer to 4.9 Pressure Reducing Valve)
5	119922	6"	• TRIM, Protective (1/4" - 1/2")
6	103978	6	• NUT, Hex head (0.375"-16 gr 5)
7	103999	9	• WASHER, Lock (0.375")
8	103470	4	• WASHER, Lock (0.50" gr 5)
9	103404	3	• WASHER, Lock (0.312")
10	103472	12	• WASHER, Flat (0.375")
11	103996	3	• WASHER, Flat (0.312")
12	104379	4	• WASHER, Flat (0.50" SAE AA)
13	101297	6	• BOLT, Hex head (0.375-16" x 1.25" gr 5)
14	103869	3	• BOLT, Hex head (0.312"-18 x 4.50" gr 5)
15	103909	4	• BOLT, Hex head (0.50"-13 x 1.25" gr 5)



M165487AH_1

170453AI

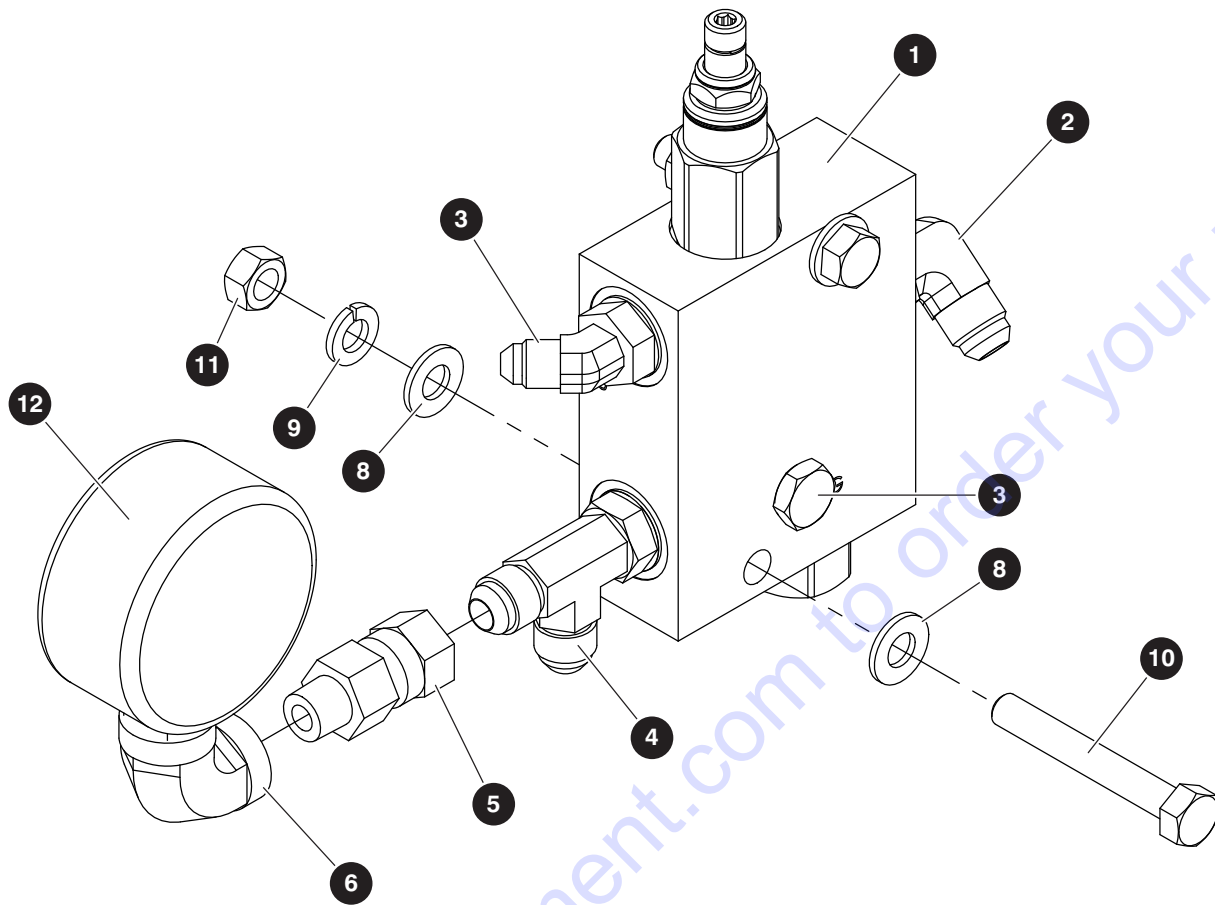
Index No.	Skyjack Part No.	Qty.	Description
-	165487	1	MAIN MANIFOLD
1	171389	1	• VALVE, Check
2	171410	1	• VALVE, Check
3	159815	4	• VALVE, Check
4	166062	1	• VALVE, Pressure compensator
5	171417	2	• VALVE, Pressure compensator
6	221775	1	• VALVE, Pilot
7	221776	1	• VALVE, Pilot
8	166058	1	• VALVE, Flow regulator
9	171412	4	• VALVE, Check
10	166054	1	• VALVE, Shuttle
11	168756	3	• VALVE, Solenoid
12	168758	1	• VALVE, Solenoid
13	159806	1	• VALVE, Solenoid
14	159820	6	• COIL
15	168755	1	• VALVE, Solenoid
16	159807	1	• VALVE, Solenoid
17	159805	1	• VALVE, Shuttle
18	171422	1	• ORIFICE, 0.035"
19	159803	1	• VALVE, Shuttle
20	159819	1	• COIL
21	159821	5	• COIL
22	171411	2	• VALVE, Check
23	168759	1	• VALVE, Relief
24	171428	1	• VALVE, Relief
25	166047	1	• VALVE, Relief
26	171386	1	• VALVE, Relief
27	171435	1	• VALVE, Flow control
28	159839	1	• COIL
29	171436	1	• CONTROLLER
29	171414	1	• ORIFICE, 0.090"
30	171415	1	• ORIFICE, 0.055"
31	171416	4	• ORIFICE, 0.020"
32	138667	1	• FITTING, Straight (16 JICM - 16 ORBM)
33	126128	1	• FITTING, Straight (04 JICM - 04 ORBM)
34	131286	1	• FITTING, Cap (04 JICF)
35	114578	4	• FITTING, 90° elbow (06 JICM - 06 ORBM)
36	135091	4	• FITTING, 90° elbow (10 JICM - 10 ORBM)
37	162071	3	• FITTING, 90° elbow long (06 JICM - 06 ORBM)
38	125883	2	• FITTING, 90° elbow (04 JICM - 04 ORBM)
39	102665	1	• FITTING, 90° elbow (06 JICM - 08 ORBM)
40	707040	1	• FITTING, 90° elbow (16 JICM - 16 ORBM)
41	171387	2	• VALVE, Pilot



Index No.	Skyjack Part No.	Qty.	Description
-	165488	1	BRAKE MANIFOLD
-	168642	1	• MANIFOLD, Brake
1	171413	1	• • VALVE, Check
2	166053	1	• • VALVE, Shuttle
3	166054	1	• • VALVE, Shuttle
4	171420	1	• • ORIFICE, Disc (0.073")
5	168754	1	• • VALVE, Pressure reducer
6	159827	4	• • VALVE, Solenoid
7	159831	1	• • PUMP, Hand
8	141414	1	• • VALVE, Shuttle
9	141436	1	• • VALVE, Brake release override
10	114578	1	• FITTING, 90° elbow (06 JICM - 06 ORBM)
11	701956	2	• FITTING, Straight (04 JICM - 06 ORBM)
12	125883	1	• FITTING, 90° elbow (04 JICM - 04 ORBM)
13	103069	1	• FITTING, Straight (06 JICM - 06 ORBM)
14	128869	2	• FITTING, Straight (06 JICM - 04 ORBM)
15	113348	1	• FITTING, 90° elbow (06 JICM - 04 ORBM)
16	121250	1	• FITTING, Plug (04 ORB hex socket)

4.9 Pressure Reducing Valve

AG



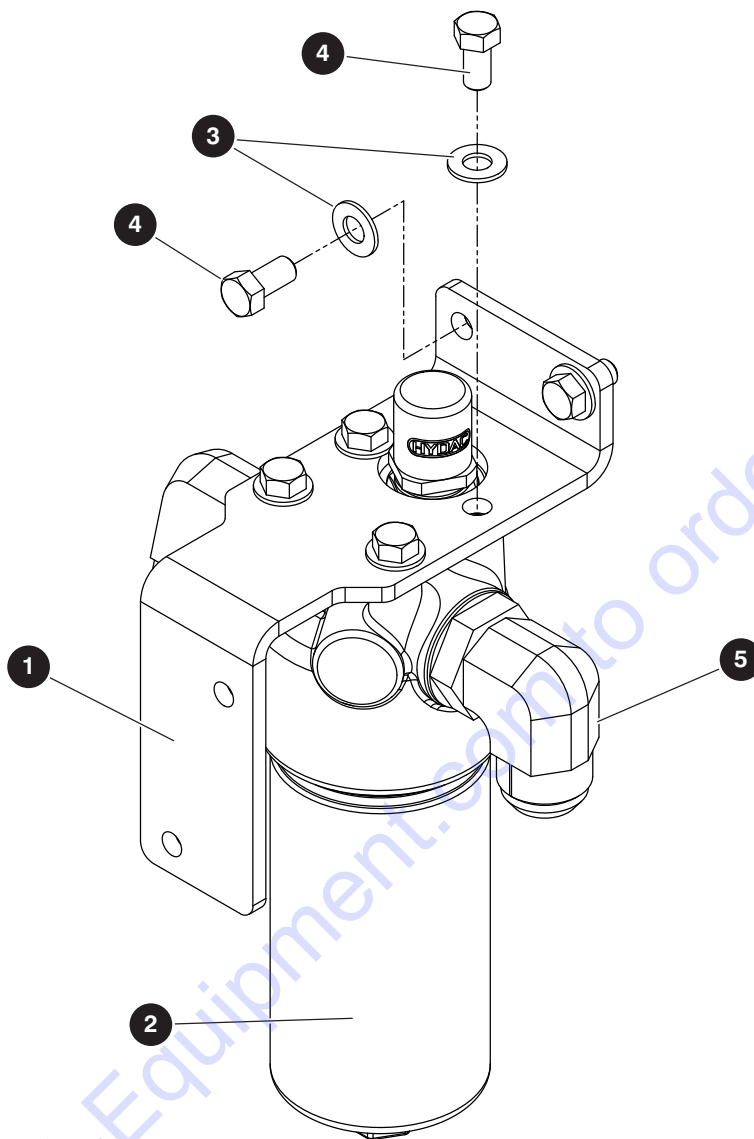
M171447AC

Index No.	Skyjack Part No.	Qty.	Description
-	171447	1	PRESSURE REDUCING VALVE ASSEMBLY
-	213913	1	• PRESSURE REDUCING MANIFOLD WITH FITTINGS
1	171449	1	• • MANIFOLD, Pressure reducing
2	114578	1	• • FITTING, 90° elbow (06 JICM - 06 ORBM)
3	144628	1	• • FITTING, Hex head plug (04 NPTM)
4	114581	1	• • FITTING, Run tee (06JICM - 06ORBM - 06JICM)
5	198811	1	• • FITTING, Straight (06JICF - 04NPTM)
6	144325	1	• • FITTING, 90° elbow (1/4 NPTFX - 1/4 NPTF brass)
7	707234	1	• • FITTING, 45° elbow (04jicM - 06 ORBM)
8	103996	4	• WASHER, Flat (0.312" SAE)
9	103404	2	• WASHER, Lock (0.312")
10	103866	2	• BOLT, Hex head (0.312"-18 x 2.25" gr 5)
11	100397	2	• NUT, Hex (0.312"-18 gr 5)
12	703725	1	• GAUGE, 1000 psi

170453AI

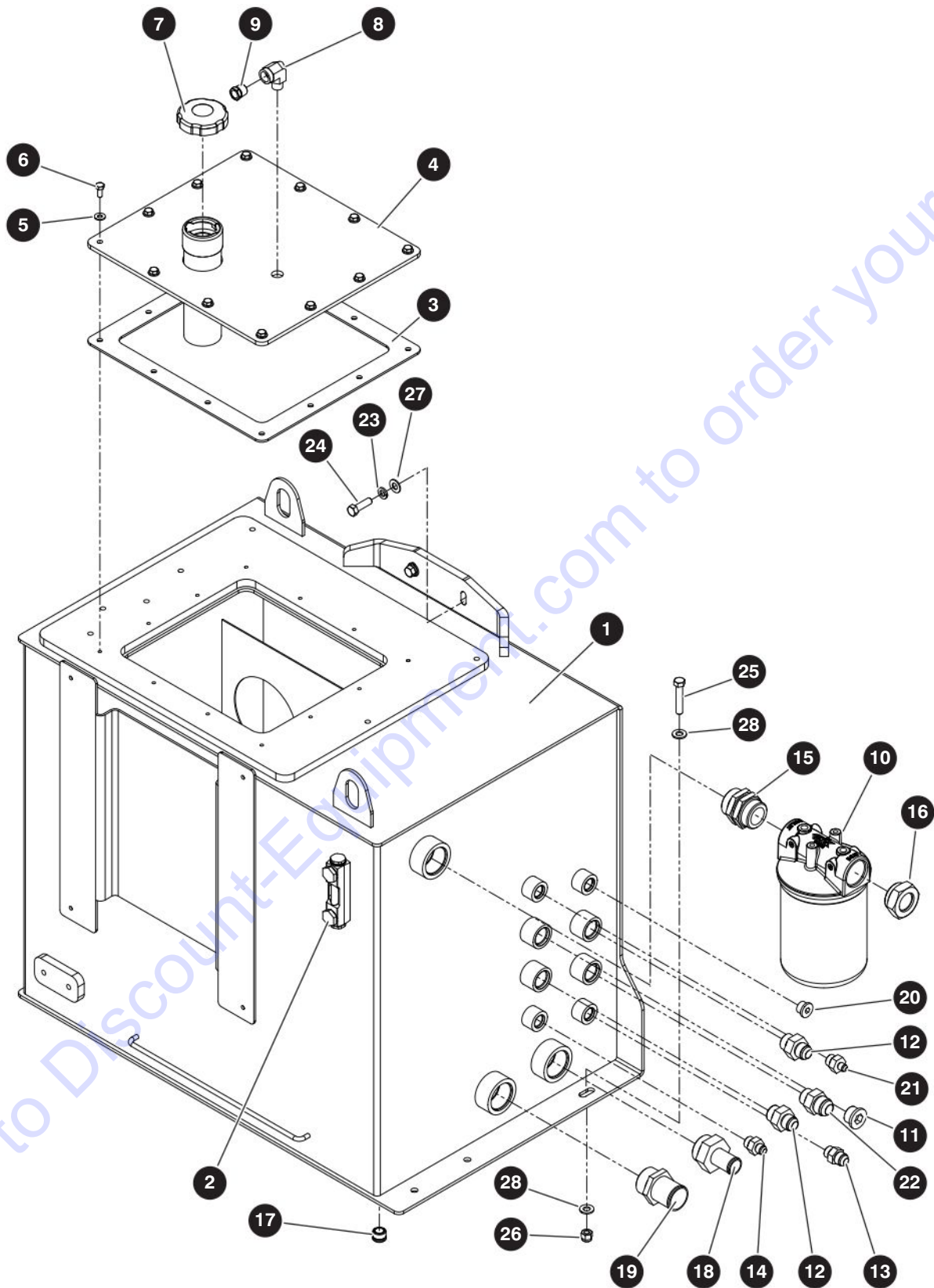
SJ82T, SJ86T

4.10 High Pressure Filter



M165495AE

Index No.	Skyjack Part No.	Qty.	Description
-	165495	1	HIGH PRESSURE FILTER ASSEMBLY
1	171448	1	• BRACKET, High pressure filter
2	161932	1	• FILTER, High pressure (25 gpm with indicator)
	161947	1	• • ELEMENT, High pressure filter
	169246	1	• • PLUG, Indicator with seals
3	103472	6	• WASHER, Flat (0.375")
4	101632	6	• BOLT, Hex head (0.375"-16 x 0.75" gr 5)
5	165490	2	• FITTING, 90° elbow (16 JICM - 12 ORBM)



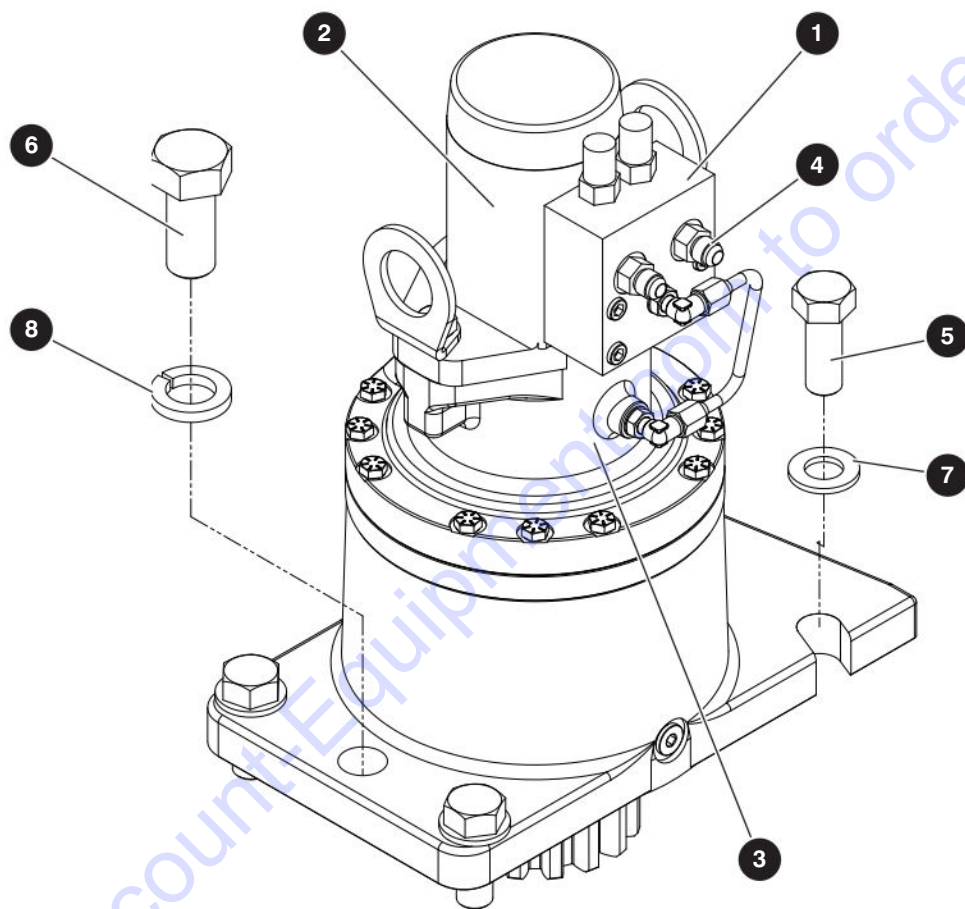
M165492AH

170453AI

SJ82T, SJ86T

Index No.	Skyjack Part No.	Qty.	Description
-	165492	1	HYDRAULIC TANK ASSEMBLY
-	209545	1	• HYDRAULIC TANK
-	163539	1	• • TANK, Hydraulic
1	163524	1	• • • TANK WELDMENT, Hydraulic
2	138480	1	• • • GAUGE, Hydraulic level/temperature
3	147443	1	• • • GASKET, Hydraulic tank
4	147417	1	• • • COVER, Hydraulic tank
5	103995	12	• • • WASHER, Flat (1/4")
6	103892	12	• • • BOLT, Hex head (1/4"-20 x 5/8" Grade 5)
7	136361	1	• • • CAP, Filler non-vented (2.281" OD)
8	144520	1	• • • FITTING, 90° elbow (3/8" NPTF - 3/8" NPTM)
9	137540	1	• • • VENT, Breather (3/8" NPT)
10	161933	1	• • FILTER, In-line return
10	161948	1	• • • ELEMENT, In-line return filter
11	702118	1	• • FITTING, Straight (12 JICM - 12 ORBM)
12	137490	2	• • FITTING, Straight (10 JICM - 12 ORBM)
13	102659	1	• • FITTING, Straight (08 JICM - 08 ORBM)
14	103070	1	• • FITTING, Straight (06 JICM - 08 ORBM)
15	139101	1	• • FITTING, Straight (20 ORBM - 20 ORBM)
16	165483	1	• • FITTING, Straight (20 ORBM - 16 ORBF)
17	143980	1	• • FITTING, Magnetic plug (08 ORBM)
18	147531	1	• • FITTING, Straight (16 BEAD - 20 ORBM)
19	165485	1	• • FITTING, Straight (24 BEAD - 20 ORBM)
20	702796	1	• • FITTING, Plug (08 ORBM hex socket)
21	131705	1	• • FITTING, Straight (064 JICM - 08 ORBM)
22	111392	1	• • FITTING, Plug (12 ORBM hex socket)
23	103999	2	• WASHER, Lock (0.375")
24	103473	2	• BOLT, Hex head (0.375"-16 x 1.00" gr 5)
25	103870	2	• BOLT, Hex head (0.375"-16 x 1.50" gr 5)
26	104606	2	• NUT, Hex head nylon lock (0.375"-16 gr 5)
27	103472	2	• WASHER, Flat (0.375")
28	125959	4	• WASHER, Flat hardened (0.375")

4.12 Swing Drive



M167074AC

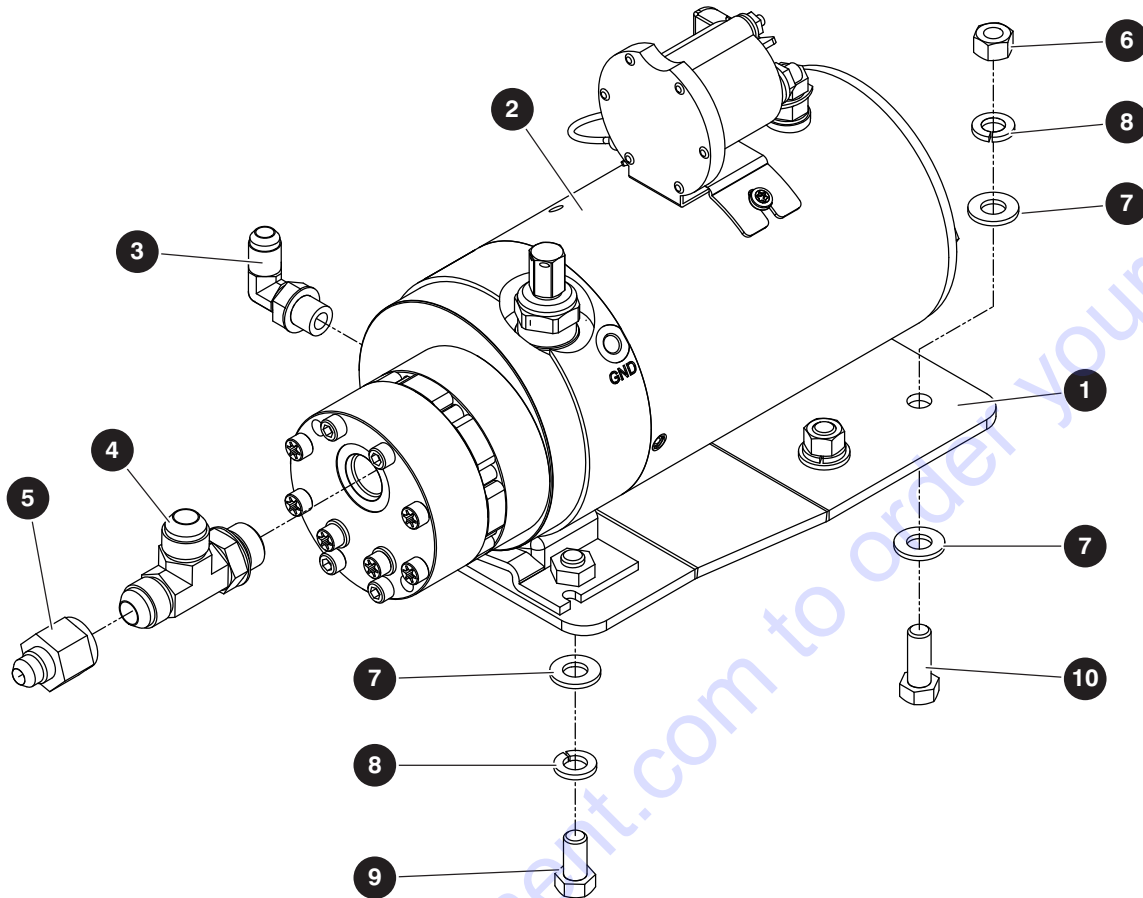
170453AI

SJ82T, SJ86T

Index No.	Skyjack Part No.	Qty.	Description
-	198218	1	SWING DRIVE ASSEMBLY
-	212858	1	• SWING DRIVE, Turret rotate
1	170931	1	• • MANIFOLD, Swing drive
	171421	2	• • • VALVE, Counterbalance
	194480	2	• • • O-RING
2	170930	1	• • MOTOR, Hydraulic
3	-	1	• • BRAKE, Hydraulic
	168873	1	• • • BRAKE SUBASSEMBLY, Hydraulic (includes rotor, stator, seals)
	194472	1	• • • CARRIER SUBASSEMBLY (includes shaft, carrier, bearings, gears)
	194473	1	• • • SHAFT, Output
	194474	1	• • • CUP, Bearing - tapered (lower)
	194475	1	• • • CONE, Bearing - tapered (lower)
	194476	1	• • • HOUSING, Brake
	194477	1	• • • CUP, Bearing - tapered (upper)
	194478	1	• • • CONE, Bearing - tapered (upper)
	194479	1	• • • GEAR, Sun
4	103069	2	• FITTING, Straight (06JICM-06ORBM)
5	159237	4	• BOLT, Hex head (0.75"-10 x 2.00" Grade 8)
6	139181	1	• BOLT, Hex head (1.00"-8 x 2.25" Grade 8)
7	702194	4	• WASHER, Flat hardened (0.75")
8	107948	1	• WASHER, Lock (1.00")
K1	168874	1	SEAL KIT, Brake
K2	168875	1	SEAL KIT, Main shaft & ring gear
K3	194471	1	SPRING KIT, Brake (14 springs)

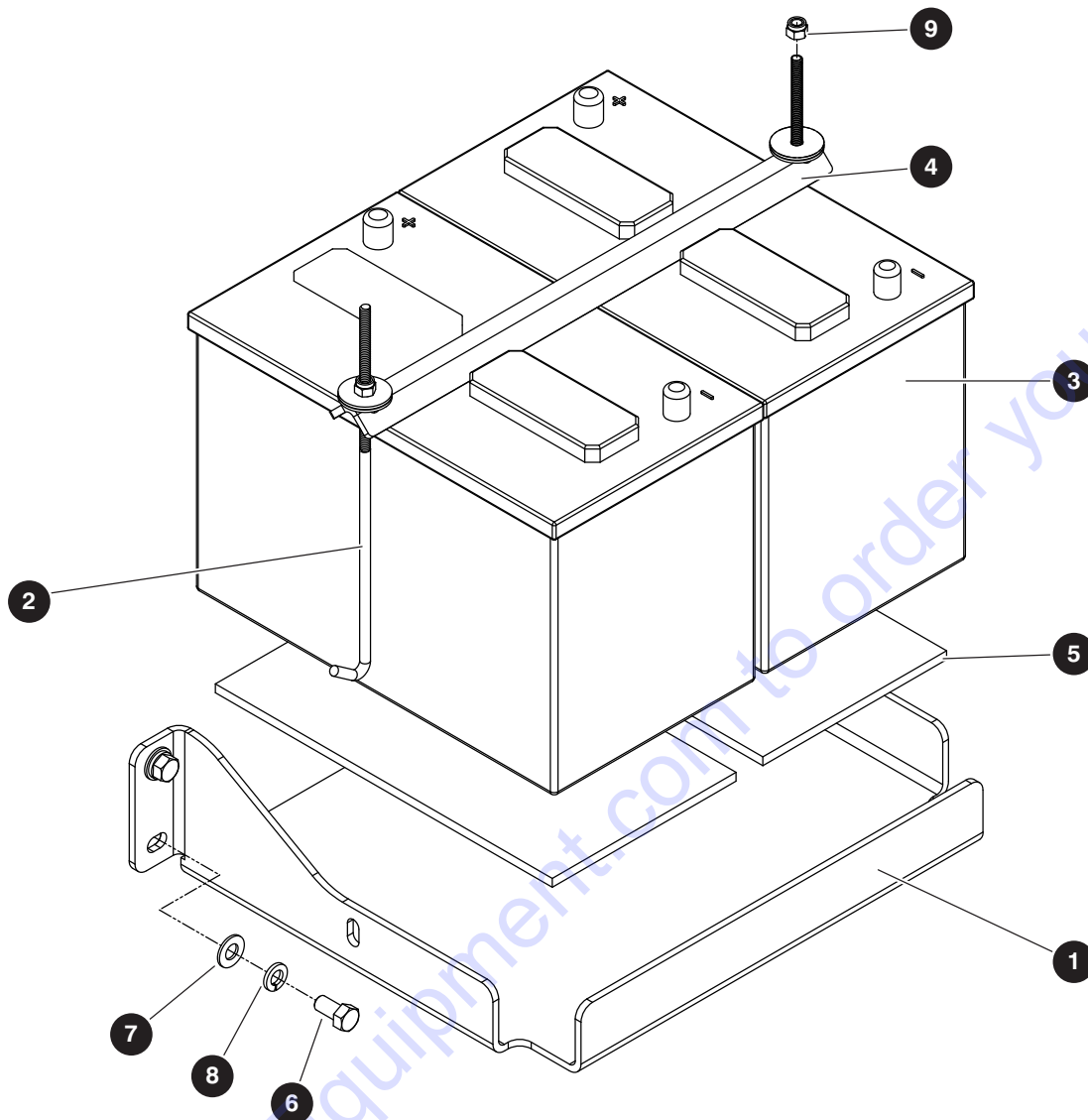
4.13 Emergency Pump

AG



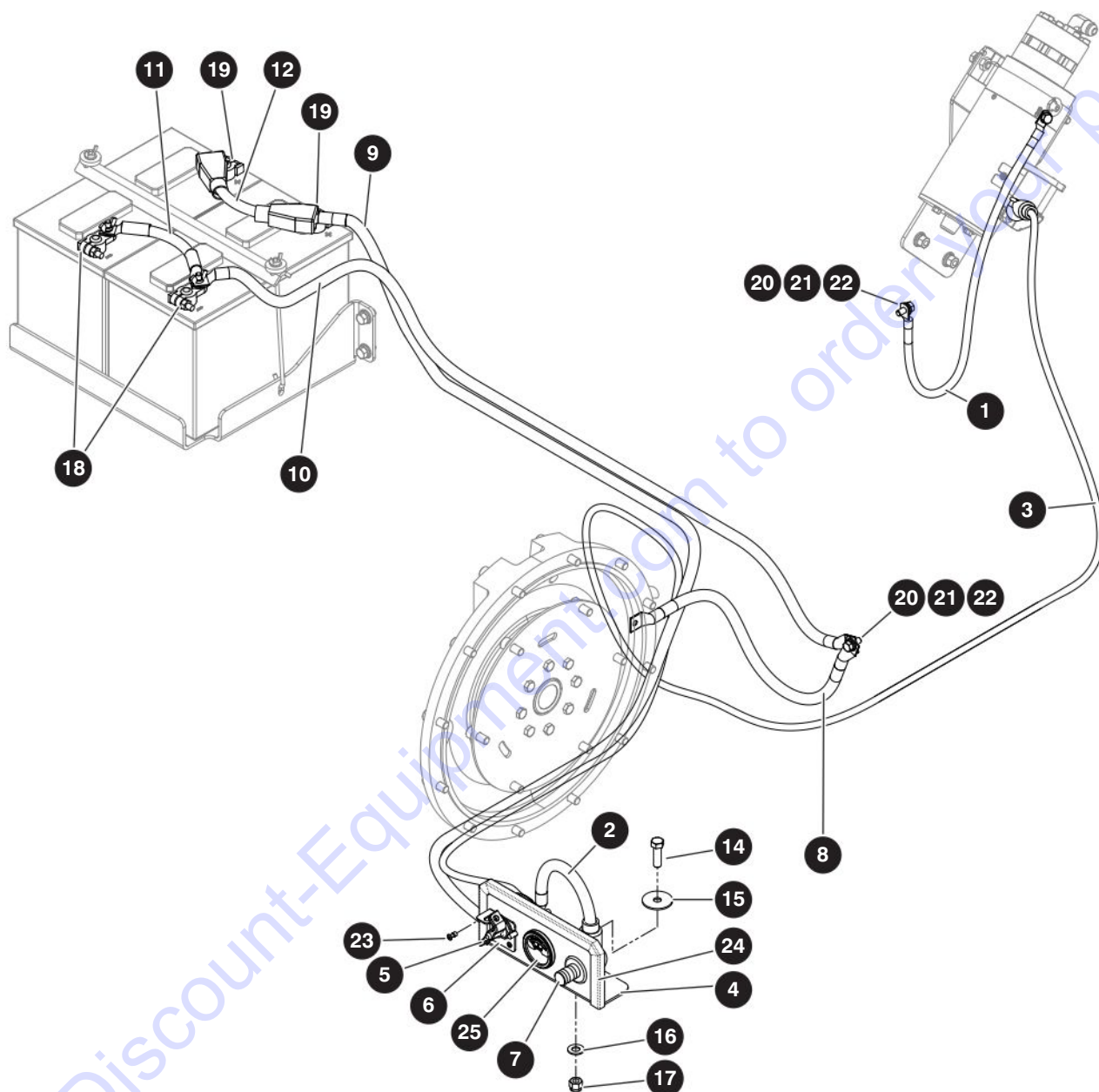
M168640AC

Index No.	Skyjack Part No.	Qty.	Description
-	168640	1	EMERGENCY PUMP ASSEMBLY
1	168721	1	• PLATE, E-pump mount
-	213912	1	• EMERGENCY PUMP WITH FITTINGS
2	168672	1	• • POWER UNIT, Emergency
	170713	1	• • • MOTOR
	168898	1	• • • CONTACTOR
	170714	1	• • • PUMP
3	114578	1	• • FITTING, Elbow, 90° (06 JICM - 06 ORBM)
4	110554	1	• • FITTING, Run tee (08 JICM - 08 ORBM - 08 JICM)
5	110498	1	• • FITTING, Straight (08 JICF - 06 JICM)
6	103978	4	• NUT, Hex head (0.375"-16 gr 5)
7	125959	10	• WASHER, Flat hardened (0.375")
8	103999	6	• WASHER, Lock (0.375")
9	300437	2	• BOLT, Hex head (0.375"-16 x 0.875" Grade 5)
10	103473	4	• BOLT, Hex head (0.375"-16 x 1.00" Grade 5)



M167090AG

Index No.	Skyjack Part No.	Qty.	Description
-	167090	1	BATTERY ASSEMBLY
1	168737	1	• PLATE, Battery tray
2	128572	1	• J-HOOK, 8" threaded (pair)
3	103295	2	• BATTERY, 12V - wet
4	150959	1	• BRACKET, Battery retainer
5	195744	1	• SHEET, Neoprene (1/4" x 12" x 14")
6	101632	4	• BOLT, Hex head (0.375"-16 x 0.75 gr 5)
7	103472	4	• WASHER, Flat (0.375")
8	103999	4	• WASHER, Lock (0.375")
9	115649	2	• NUT, Hex head nylon lock (0.25"-20 gr 5)
10	103995	2	• WASHER, Flat (0.25")



Index No.	Skyjack Part No.	Qty.	Description
-	167070	1	BATTERY CABLE ASSEMBLY
1	122435	2	• CABLE, #2GA (0.38" x 24" x 0.38" (100, 100))
2	165850	1	• CABLE, #2/0 (0.38" x 12" x 0.38" (B+, B+))
3	167071	1	• CABLE, #1GA (0.38" x 108" x 0.38" (03, 03))
4	168633	1	• PLATE, Disconnect mounting
5	119725	1	• SWITCH, Main lockout
6	108714	1	• MOUNT, Lockout switch
7	165874	1	• TERMINAL, Jumper with red cap
8	168689	1	• CABLE, #2/0 (0.38" x 20" x 0.38" (00, 00))
9	168683	1	• CABLE, Battery - positive (68")
10	168714	1	• CABLE, Battery - Negative
11	168752	1	• CABLE, #1/0 GA (0.375" x 6.5" x 0.375" (00,00))
12	168751	1	• CABLE, #1/0 GA (0.375" x 6.5" x 0.375" (00,03))
13	131732	8"	• SLEEVE, Nylon hose protection (HG-46) (not shown)
14	101297	2	• BOLT, Hex head (0.375"-16 x 1.25" gr 5)
15	127067	2	• WASHER, Flat BB style (0.375")
16	103472	2	• WASHER, Flat (0.375")
17	104606	2	• NUT, Hex head nylon lock (0.375" 16 gr 5)
18	128620	2	• MARINE, Top post to 5/16" stud negative
19	128619	2	• MARINE, Top post to 3/8" stud positive
20	103404	3	• WASHER, Lock (0.312")
21	103887	3	• BOLT, Hex head (0.312"-18 x 0.75" gr 5)
22	103996	2	• WASHER, Flat (0.312")
23	157166	1	• RIVET, Pop (0.156" x 0.415")
24	117398	16"	• TRIM, Protective
-	168684	1	CHARGE INDICATOR ASSEMBLY (CE & AS)
25	152323	1	• CHARGE INDICATOR, 12V
26	152345	1	• WIRE ASSEMBLY, Charge Indicator (6.5"), 03 (+) (not shown)
27	168682	1	• WIRE ASSEMBLY, Charge Indicator (78.0"), 00 (-) (not shown)

PARTS FINDER

**Search Website
by Part Number**



**Search Manual
Library For Parts
Manual & Lookup Part
Numbers – Purchase
or Request Quote**

Search Manuals

Enter your information to help us find the right parts manual for your machine.

* Brand:

* Model:

* Serial:

* Part Number:

SEARCH

**Can't Find Part or
Manual? Request Help
by Manufacturer,
Model & Description**

Parts Order Form

Please fill in the following information to help us find the right part for your machine.

Manufacturer:	<input type="text"/>
Model:	<input type="text"/>
Description:	<input type="text"/>
Part Number:	<input type="text"/>
Quantity:	<input type="text"/>
Notes:	<input type="text"/>

Submit

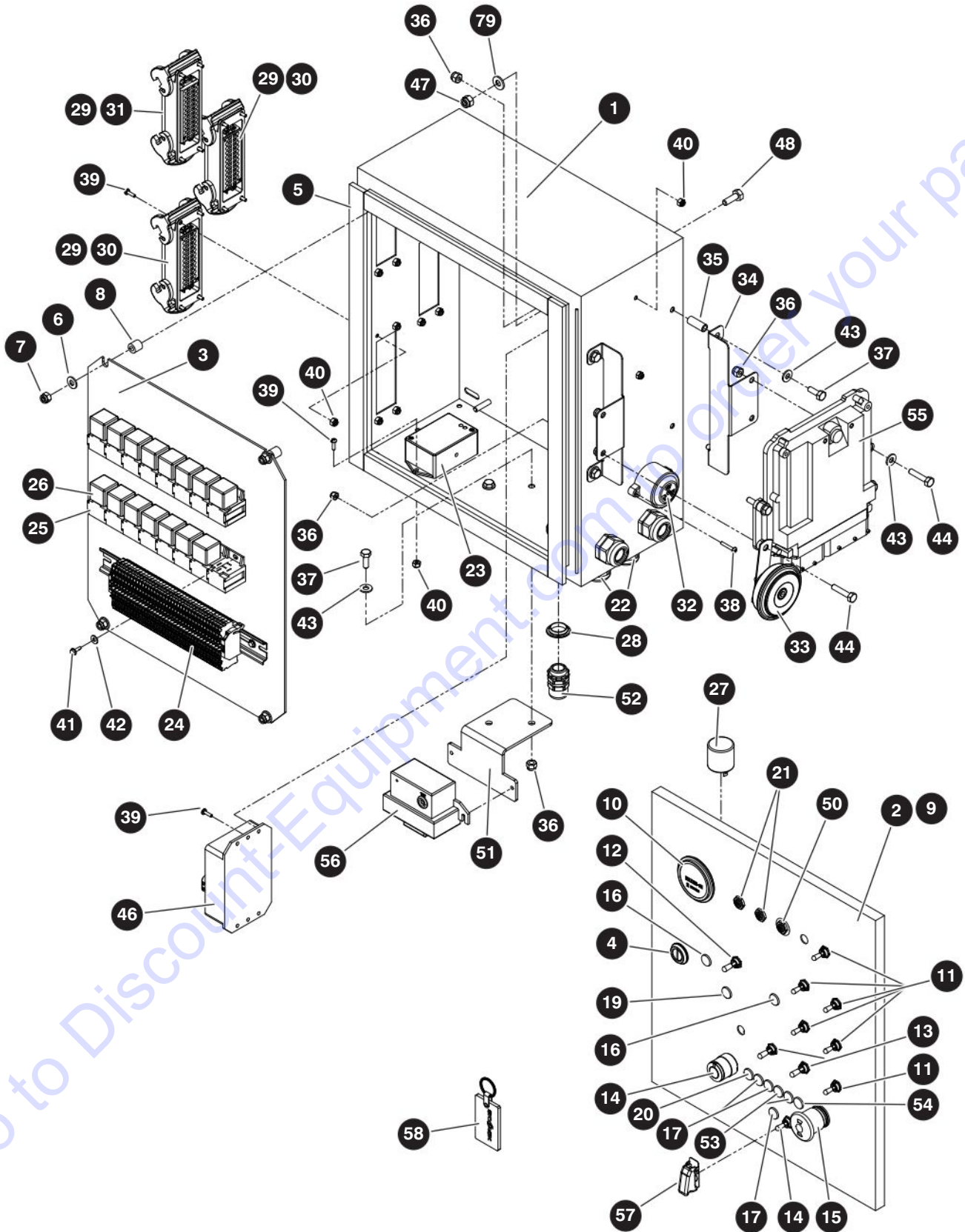
Discount-Equipment.com is your online resource for quality parts & equipment.

Florida: **561-964-4949** Outside Florida TOLL FREE: **877-690-3101**

Need parts?

Click on this link: <http://www.discount-equipment.com/category/5443-parts/> and choose one of the options to help get the right parts and equipment you are looking for. Please have the machine model and serial number available in order to help us get you the correct parts. If you don't find the part on the website or on one of the online manuals, please fill out the request form and one of our experienced staff members will get back to you with a quote for the right part that your machine needs.

We sell worldwide for the brands: Genie, Terex, JLG, MultiQuip, Mikasa, Essick, Whiteman, Mayco, Toro Stone, Diamond Products, Generac Magnum, Airman, Haulotte, Barreto, Power Blanket, Nifty Lift, Atlas Copco, Chicago Pneumatic, Allmand, Miller Curber, Skyjack, Lull, Skytrak, Tsurumi, Husquvarna Target, Stow, Wacker, Sakai, Mi-T-M, Sullair, Basic, Dynapac, MBW, Weber, Bartell, Bennar Newman, Haulotte, Ditch Runner, Menegotti, Morrison, Contec, Buddy, Crown, Edco, Wyco, Bomag, Laymor, EZ Trench, Bil-Jax, F.S. Curtis, Gehl Pavers, Heli, Honda, ICS/PowerGrit, IHI, Partner, Imer, Clipper, MMD, Koshin, Rice, CH&E, General Equipment, Amida, Coleman, NAC, Gradall, Square Shooter, Kent, Stanley, Tamco, Toku, Hatz, Kohler, Robin, Wisconsin, Northrock, Oztec, Toker TK, Rol-Air, APT, Wylie, Ingersoll Rand / Doosan, Innovatech, Con X, Ammann, Mecalac, Makinex, Smith Surface Prep, Small Line, Wanco, Yanmar



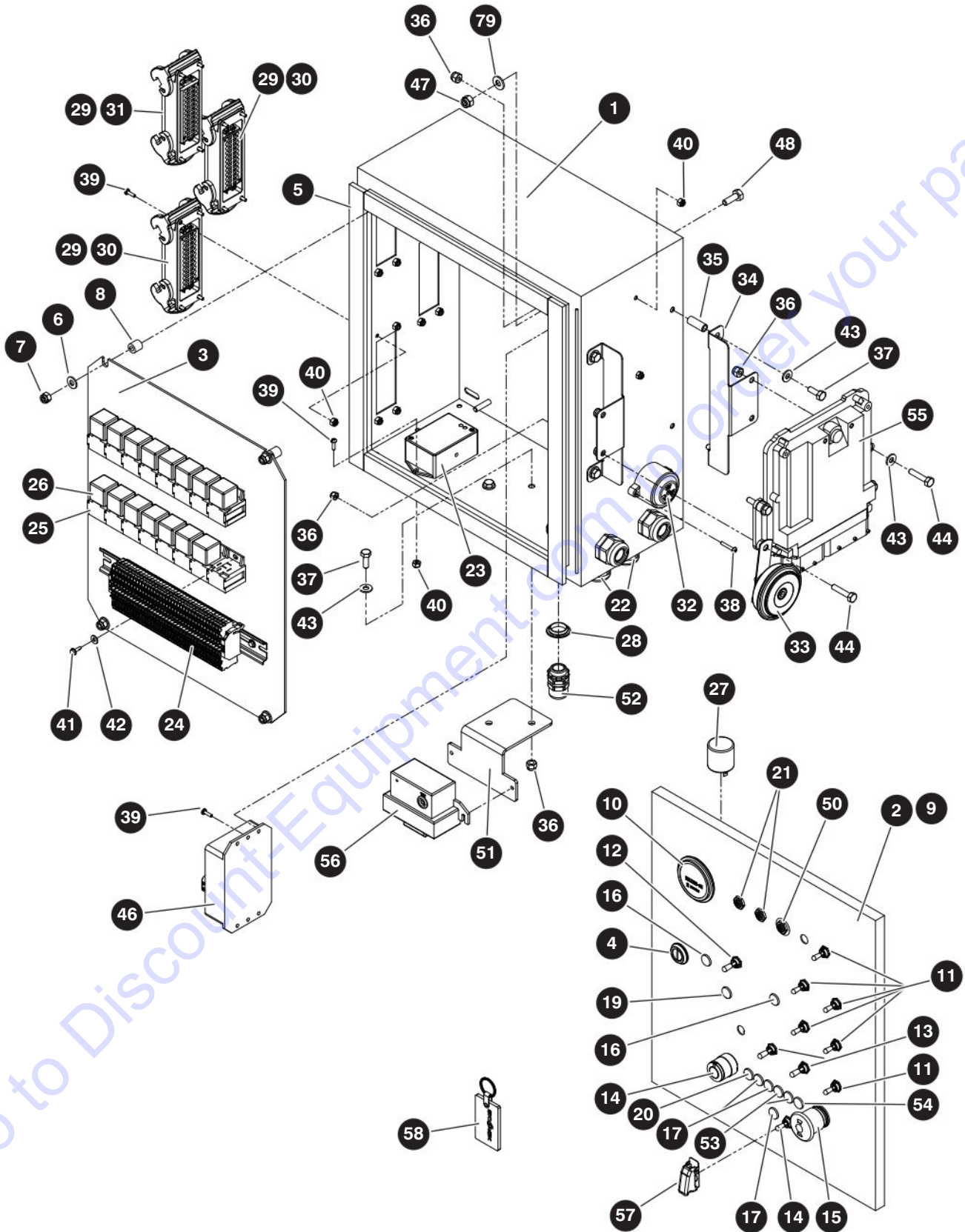
M168645AC_M171510AH

170453AI

SJ82T, SJ86T

4.16 Base Controls - Deutz TD2.9L, D2011 & Perkins 2.2TA

Index No.	Skyjack Part No.	Qty.	Description
A	168785	1	BASE CONTROLS - SJ82T ANSI/CSA - Deutz D2011
B	168787	1	BASE CONTROLS - SJ82T ANSI/CSA - Deutz TD2.9L
C	216384	1	BASE CONTROLS - SJ82T ANSI/CSA - Perkins 2.2TA
D	167082	1	BASE CONTROLS - SJ86T ANSI/CSA - Deutz D2011
E	167189	1	BASE CONTROLS - SJ86T ANSI/CSA - Deutz TD2.9L
F	212382	1	BASE CONTROLS - SJ86T ANSI/CSA - Perkins 2.2TA
G	171456	1	BASE CONTROLS - SJ86T CE - Deutz D2011
H	167172	1	BASE CONTROLS - SJ86T CE - Deutz TD2.9L
I	171518	1	BASE CONTROLS - SJ86T AS - Deutz D2011
J	171526	1	BASE CONTROLS - SJ82T ANSI/CSA - Deutz TD2.9L with Posi-Air Option
K	171510	1	BASE CONTROLS - SJ86T ANSI/CSA - Deutz TD2.9L with Posi-Air Option
-	168666	1	• CONTROL BOX, A, B, C, D, E, F, G, H, I
-	171509	1	• CONTROL BOX, J, K
1	168667	1	• • BODY, Control box, A, B, C, D, F, G, H, I
	171506	1	• • BODY, Control box, J, K
2	171505	1	• • DOOR, Control box
3	171504	1	• • PANEL, Control box
4	138715	1	• • LATCH, Slotted door
5	138723	1	• • WEATHER STRIP
6	103995	4	• • WASHER, Flat (1/4")
7	115649	4	• • NUT, Hex lock (1/4"-20 Grade 5, nylon)
8	138724	4	• • STANDOFF, Nylon (0.26 ID x 1/2" long)
9	138714	1	• • HINGE, Continuous
10	195940	1	• HOUR METER, A, B, C, D, R, F, J, K
	170787	1	• HOUR METER, G, H, I
	130445	1	• • CONNECTOR, Male - 6-pole
	170625	1	• • COUNTER, Hour meter
11	102853	5	• SWITCH, Toggle, A, B, C
	102853	6	• SWITCH, Toggle, D, E, F, G, H, I, J
	102853	7	• SWITCH, Toggle, K
12	148988	1	• SWITCH, Toggle (2NT1-70), A, B, C, D, E, F, G, J, K
	171502	1	• INDICATOR, Light (Amber), H, I
13	138278	2	• SWITCH, Toggle
14	164833	1	• SWITCH ASSEMBLY, Key, A, B, C, D, E, F, J, K
	165828	1	• SWITCH ASSEMBLY, Key, H, G
	164949	1	• SWITCH ASSEMBLY, Key, I
	147056	1	• • LATCH, Mounting
	147053	1	• • BLOCK, NO Contact (red plunger), A, B, C, D, E, F, J, K
	166141	1	• • BLOCK, NO Contact (black plunger)
	166142	1	• • BLOCK, NC Contact (yellow plunger)
	149605	1	• • SWITCH HEAD, Selector, A, B, C, D, E, F, I, J, K
	165829	1	• • SWITCH HEAD, Selector, H, G
15	144652	1	• SWITCH, Emergency stop red
	147056	1	• • LATCH, Mounting
	147053	1	• • BLOCK, NC Contact
	147229	1	• • SWITCH, LED block
	147051	1	• • HEAD, Emergency stop switch



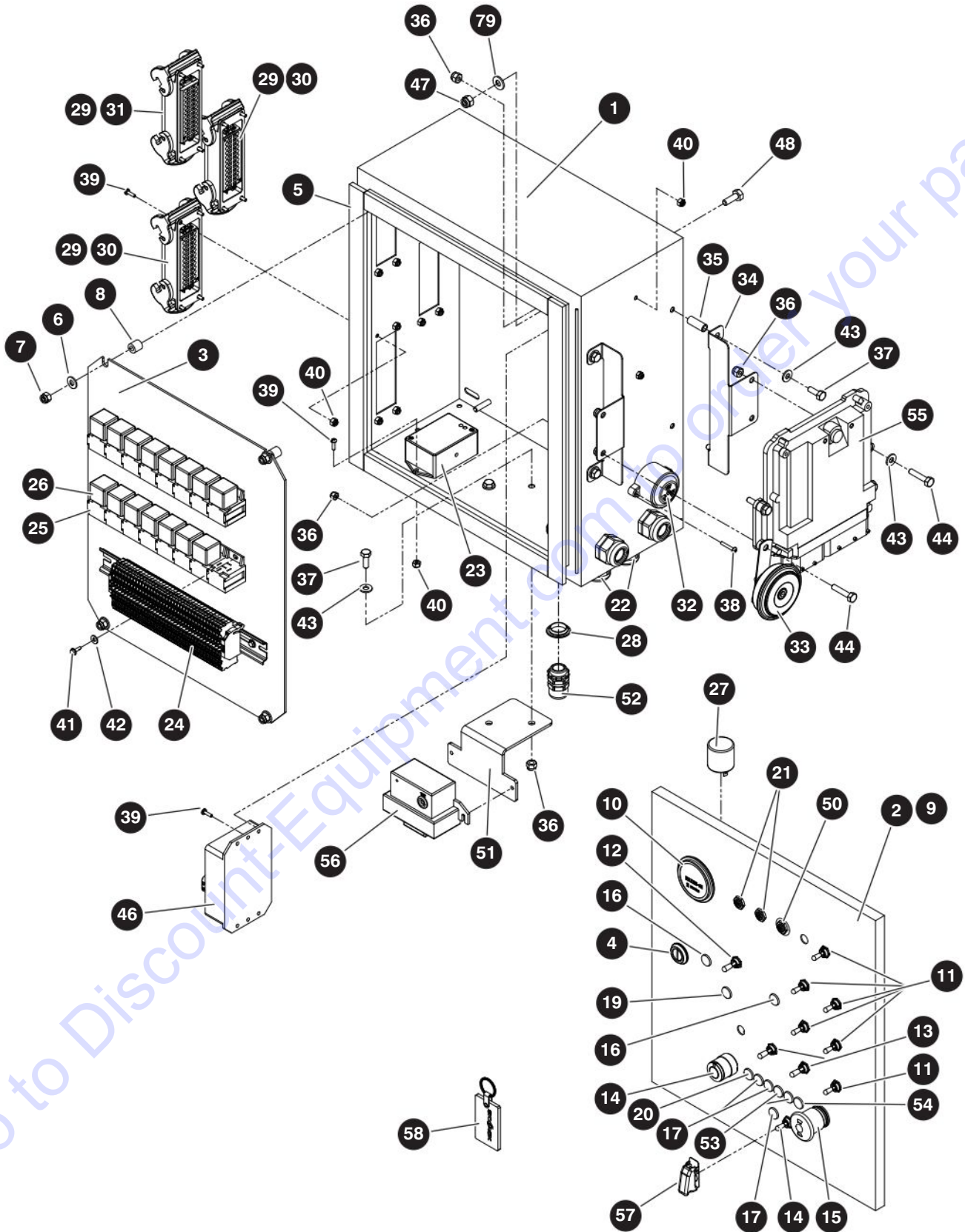
M168645AC_M171510AH

170453AI

SJ82T, SJ86T

4.16 Base Controls - Deutz TD2.9L, D2011 & Perkins 2.2TA

Index No.	Skyjack Part No.	Qty.	Description
16	171501	2	• INDICATOR, Light (Green)
17	164832	2	• INDICATOR, Light (Red), A, B, C, D, E, F, G, H, I
	164832	3	• INDICATOR, Light (Red), J, K
18	171502	2	• INDICATOR, Light (Amber)
19	171502	1	• INDICATOR, Light (Amber), A, B, C, D, E, F, I, J, K
	171501	1	• INDICATOR, Light (Green), G, H
20	114377	1	• PLUG, Snap in (1/2"), A, D
	133133	1	• INDICATOR, Light (Amber), C, E, F, G, H, I, J, K
21	117325	2	• CIRCUIT BREAKER (15 AMP)
22	116266	6	• CONNECTOR, Heyco liquid tight, A, D
	116266	7	• CONNECTOR, Heyco liquid tight, B, C, E, F, G, H, I, J, K
23	166163	1	• SWITCH, Tilt (analog 28°), A, B, C, D, E, F, I, J
23	149426	1	• TRANSDUCER, Angle
24	(Ref.)	1	• TERMINAL STRIP, Base (For components, refer to 4.18 Base Terminal Strip - Deutz TD2.9L) (For components, refer to 4.20 Base Terminal Strip - Deutz D2011)
25	138749	19	• SOCKET, Automotive relay, A, I
	138749	20	• SOCKET, Automotive relay, B, C, D, E, F, G, J, K
	138749	22	• SOCKET, Automotive relay, H
26	127131	19	• RELAY, 12V (40 AMP), A, I
	127131	20	• RELAY, 12V (40 AMP), B, C, D, E, F, H, J
	127131	21	• RELAY, 12V (40 AMP), K
	127131	22	• RELAY, 12V (40 AMP), H
27	103743	1	• FLASHER, 12-24 V, A, B, C, D, E, F, J, K
28	139128	2	• PLUG (0.88"), A, D
29	138751	3	• HOUSING, Open bottom 24 pin levered
30	138756	2	• SOCKET, 24 Pole spring (16A)
31	138755	1	• PLUG, 24 pole spring (16A)
32	103056	1	• BEEPER (7.5 - 16 VDC), A, B, C, D, E, F, J, K
33	146652	1	• HORN (12V)
34	164844	2	• BRACKET, ECU Mounting, B, C, E, F, H, J, K
35	163241	4	• SPACER, ECU / OEM, A, D, G, I
36	115649	4	• NUT, Hex lock (0.25"-20 Grade 5, nylon), A, D, G, I
	115649	8	• NUT, Hex lock (0.25"-20 Grade 5, nylon), B, C, E, F, H
	115649	10	• NUT, Hex lock (0.25"-20 Grade 5, nylon), J, K
37	103861	4	• BOLT, Hex head (0.25"-20 x 2.00" gr 5), A, C, E, G
	103856	4	• BOLT, Hex head (0.25"-20 x 0.75" gr 5), B, D, F
	103856	6	• BOLT, Hex head (0.25"-20 x 0.75" gr 5), H, I
38	126499	2	• SCREW, Round head machine (#8-32 x 0.875")
39	103957	14	• SCREW, Round head machine (#8-32 x 0.50"), A, B, C, D, H, I
	103957	18	• SCREW, Round head machine (#8-32 x 0.50"), E, F
	103957	17	• SCREW, Round head machine (#8-32 x 0.50"), G
40	138765	16	• NUT, Hex lock (#8-32 Grade 5, nylon), A, B, C, D, H, I
	138765	19	• NUT, Hex lock (#8-32 Grade 5, nylon), E, G
	138765	20	• NUT, Hex lock (#8-32 Grade 5, nylon), F



M168645AC_M171510AH

170453AI

SJ82T, SJ86T

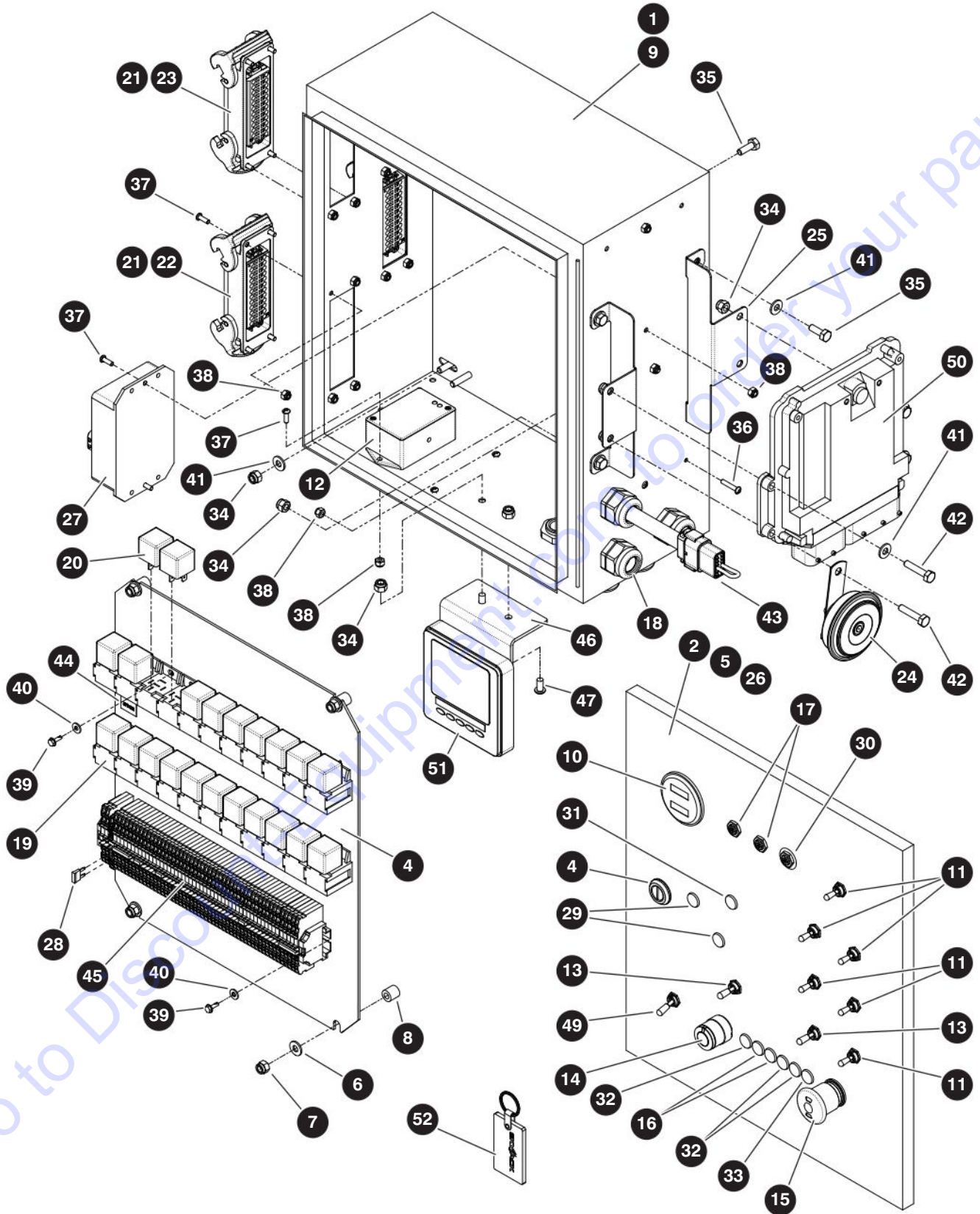
4.16 Base Controls - Deutz TD2.9L, D2011 & Perkins 2.2TA

Index No.	Skyjack Part No.	Qty.	Description
41	112327	6	• SCREW, Hex head self-tapping (#8-18 x 0.50")
42	103991	6	• WASHER, Flat (#8)
43	103995	7	• WASHER, Flat (0.25"), A, B, C, D, F
	103995	9	• WASHER, Flat (0.25"), H, I
44	103858	4	• BOLT, Hex head (0.25"-20 x 1.25" gr 5), A, B, C, D, F, H, I
45	(Ref.)	1	• LABEL ASSEMBLY, Base controls (For components, refer to 10.3 Labels - Base Controls)
46	167280	1	• MODULE, Dual capacity sensing, G, H, I
47	115649	4	• NUT, Hex head nylon lock (0.25"-20 gr 5)
48	103856	4	• BOLT, Hex head (0.25"-20 x 0.75" gr 5)
49	103995	4	• WASHER, Flat (0.25")
50	117325	1	• CIRCUIT BREAKER (15 AMP), A, C, E, G
	117326	1	• CIRCUIT BREAKER (20 AMP), B, D, F, H, I
51	169666	1	• HOLDER, RL5 - Positive air option, H, I
52	103036	1	• CONNECTOR, Strain relief, H, I
53	133133	2	• INDICATOR, Light - 12 V (amber)
54	164831	1	• INDICATOR, Light - 12 V (green)
55	164845	1	ECU (supplied with engine), B, D, F, H, I
56	(Ref.)	1	MODULE, Positive air shut-off, H, I (For components, refer to 9.29 Positive Air Shut-Off Option)
57	(Ref.)	1	COVER, Toggle switch, H, I (For components, refer to 9.29 Positive Air Shut-Off Option)
58	114710	1	KEYRING
59	221144	1	• HARNESS, Elevate Trackunit telematics bypass (not shown)

4.17 Base Controls - Deutz TCD2.2

Index No.	Skyjack Part No.	Qty.	Description
-	224633	1	BASE CONTROL BOX - Deutz TCD2.2
-	224643	1	• BASE CONTROL BOX
1	224644	1	• • BODY, Base control box
2	224642	1	• • DOOR
3	171504	1	• • PANEL
4	138715	1	• • LATCH, Slotted
5	138723	1	• • WEATHER STRIP
6	103995	4	• • WASHER, Flat (1/4"-20)
7	115649	4	• • NUT, Lock (1/4"-20, gr 5 nylon)
8	138725	4	• • STANDOFF, Nylon (1/4" ID x 1/2" lg)
9	138714	1	• • HINGE, Continuous
10	170787	1	• HOURMETER
	130445	1	• • CONNECTOR, Male - 6-pole
	170625	1	• • COUNTER, Hour meter
11	102853	6	• SWITCH, Toggle (1NT1-7)
12	149426	1	• ANGLE TRANSDUCER, Dual axis
13	138278	2	• SWITCH, Toggle (2NT1-7)
14	165828	1	• SWITCH, Key
	147056	1	• • LATCH, Mounting
	166141	1	• • BLOCK, NO Contact (black plunger)
	166142	1	• • BLOCK, NC Contact (yellow plunger)
	165829	1	• • SWITCH HEAD, Selector, H, G
15	144652	1	• SWITCH, E-stop - base
	147056	1	• • LATCH, Mounting
	147053	1	• • BLOCK, NC Contact
	147229	1	• • SWITCH, LED block
	147051	1	• • HEAD, Emergency stop switch
16	164832	2	• LIGHT, Indicator - 12 V red
17	117325	2	• BREAKER, Circuit - 15 amp
18	116266	7	• CONNECTOR, Strain relief (PG21)
19	138749	23	• SOCKET, Relay - automotive
20	127131	23	• RELAY, 12 V 40 amp
21	138751	3	• HOUSING, Open botton - 24 pole double lever
22	138756	2	• SOCKET, 24 pole spring - 16A
23	138755	1	• PLUG, 24 Pole spring - 16A
24	146652	1	• HORN, Low tone - 12 V
25	164844	2	• BRACKET, Mounting - ECU
26	228221	1	• LABELS
27	167280	1	• MODULE, Dual capacity sensing
28	170626	1	• FUSE, ATM - 10 A
29	171501	2	• LIGHT, Indicator - 14V green
30	117326	1	• BREAKER, Circuit - 20 amp
31	171502	1	• LIGHT, Indicator - 14V amber
32	133133	3	• LIGHT, Indicator - 14V amber
33	164831	1	• LIGHT, Indicator - 14V green
34	115649	10	• NUT, Lock (1/4"-20, gr 5 nylon)

4.17 Base Controls - Deutz TCD2.2



M224632AA

170453AI

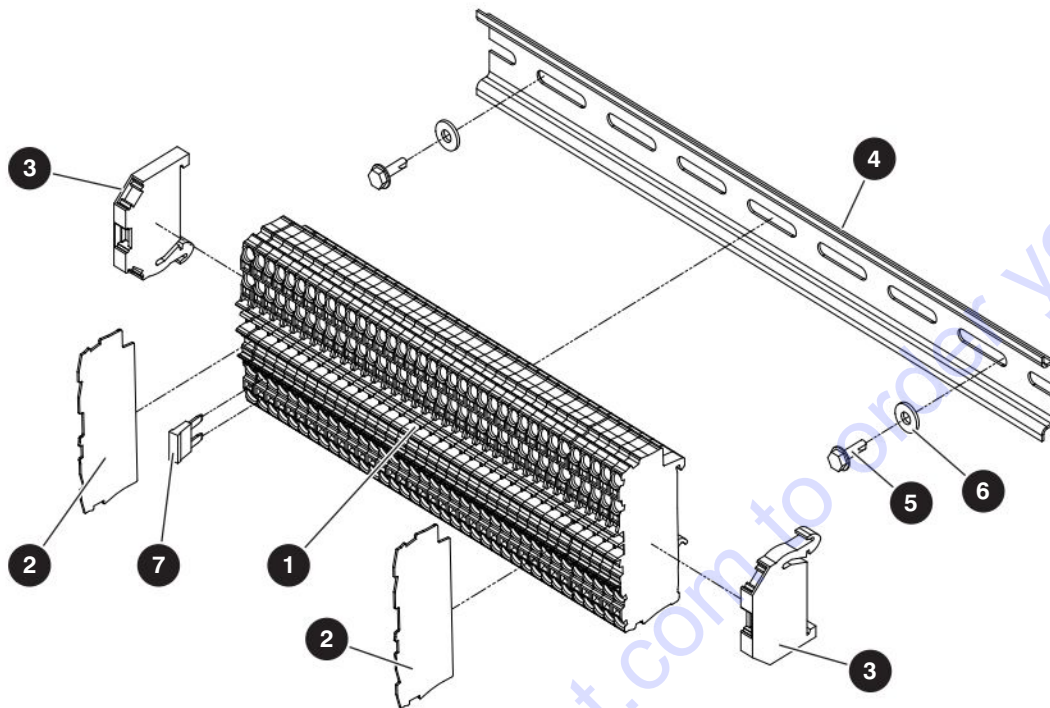
SJ82T, SJ86T

4.17 Base Controls - Deutz TCD2.2

Index No.	Skyjack Part No.	Qty.	Description
35	103856	4	• BOLT, Hex head (1/4"-20 x 3/4", gr 5)
36	126499	2	• SCREW, Round head machine (8-32 x 7/8")
37	103957	19	• SCREW, Round head machine (8-32 x 1/2")
38	138765	21	• NUT, Lock (8-32, gr 5 nylon)
39	112327	8	• BOLT, Self-tapping (8-18 x 1/2")
40	103991	6	• WASHER, Flat (8)
41	103995	7	• WASHER, Flat (1/4")
42	103858	4	• BOLT, Hex head (1/4"-20 x 1-1/4", gr 5)
43	221144	1	• HARNESS, Track unit bypass
44	221150	1	• LABEL, 57DCR
45	224634	1	• TERMINAL STRIP, Base (For components, refer to 4.19 Base Terminal Strip - Deutz TCD2.2)
46	228204	1	• BRACKET, Display - engine
47	300060	2	• BOLT, Button head cap screw (1/4"-20 x 1/2")
48	(Ref.)	1	• WIRING ASSEMBLY
	102921	17	• • DIODE (T6A40L)
	139088	3	• • RESISTOR, 6 ohm 25 W
	144714	1	• • RESISTOR, Variable - 20 ohm 25 W
	163021	1	• • RESISTOR, 120 ohm 1/2 W axial lead
	151643	1	• • RESISTOR, 250 ohm 1 W axial lead
	164855	1	• • RESISTOR, 1.0 K 1/2 W axial lead
	164856	1	• • RESISTOR, 3.3 K 1/2 W axial lead
	164857	1	• • RESISTOR, 3.9 K 1/2 W axial lead
	144492	1	• • RESISTOR, 680 ohm 1 W axial lead
	110999	1	• • RESISTOR, 5 ohm 25 W
	168783	2	• • RESISTOR, 4 ohm 25 W
	171987	2	• • RESISTOR, 1 ohm 1/4 W
	171988	1	• • RESISTOR, 2 ohm 25 W
	151647	1	• • RESISTOR, 68.1 ohm
49	144266	1	• SWITCH, Toggle (2NT1-3)
50	224303	1	ECU (supplied with engine)
51	191471	1	DISPLAY, Engine (supplied with engine)
52	114710	1	KEYRING

4.18 Base Terminal Strip - Deutz TD2.9L

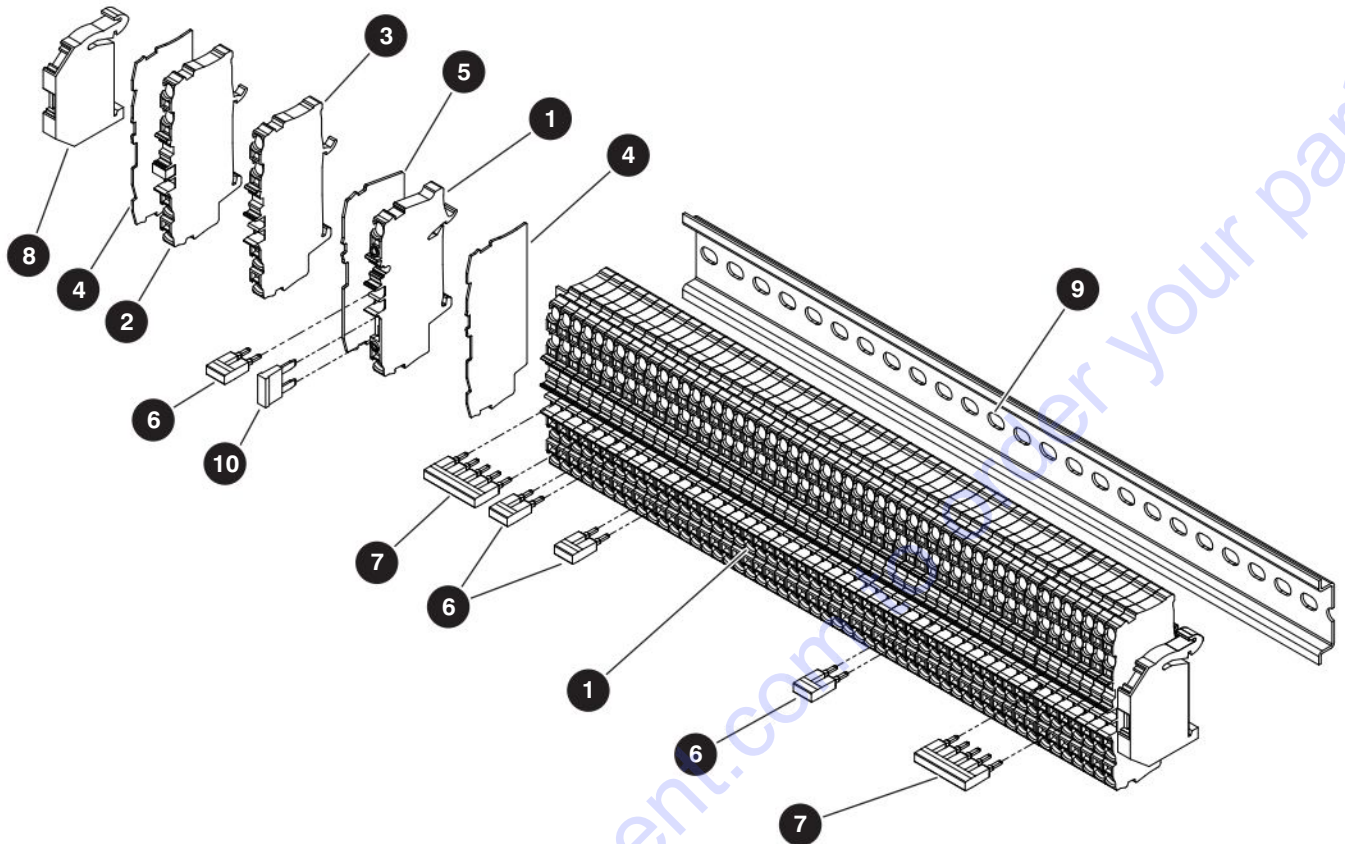
AE



M168675AA

Index No.	Skyjack Part No.	Qty.	Description
A	167181	1	TERMINAL STRIP, Base - ANSI/CSA with Deutz TD2.9L Engine
B	168675	1	TERMINAL STRIP, Base - CE with Deutz TD2.9L Engine
1	707145	1	• TERMINAL BLOCK, Diode
	137940	43	• TERMINAL BLOCK, Through, A
	137940	47	• TERMINAL BLOCK, Through, B
	170607	1	• TERMINAL BLOCK, Fuse holder, B
2	137941	2	• END PLATE
3	707147	2	• END STOP
4	102874	12"	• DIN RAIL
5	112327	2	SCREW, Hex head self-tapping (#8-18 x 0.50")
6	103991	2	WASHER, Flat (#8)
7	170626	1	FUSE, ATM - 10, A, B

4.19 Base Terminal Strip - Deutz TCD2.2

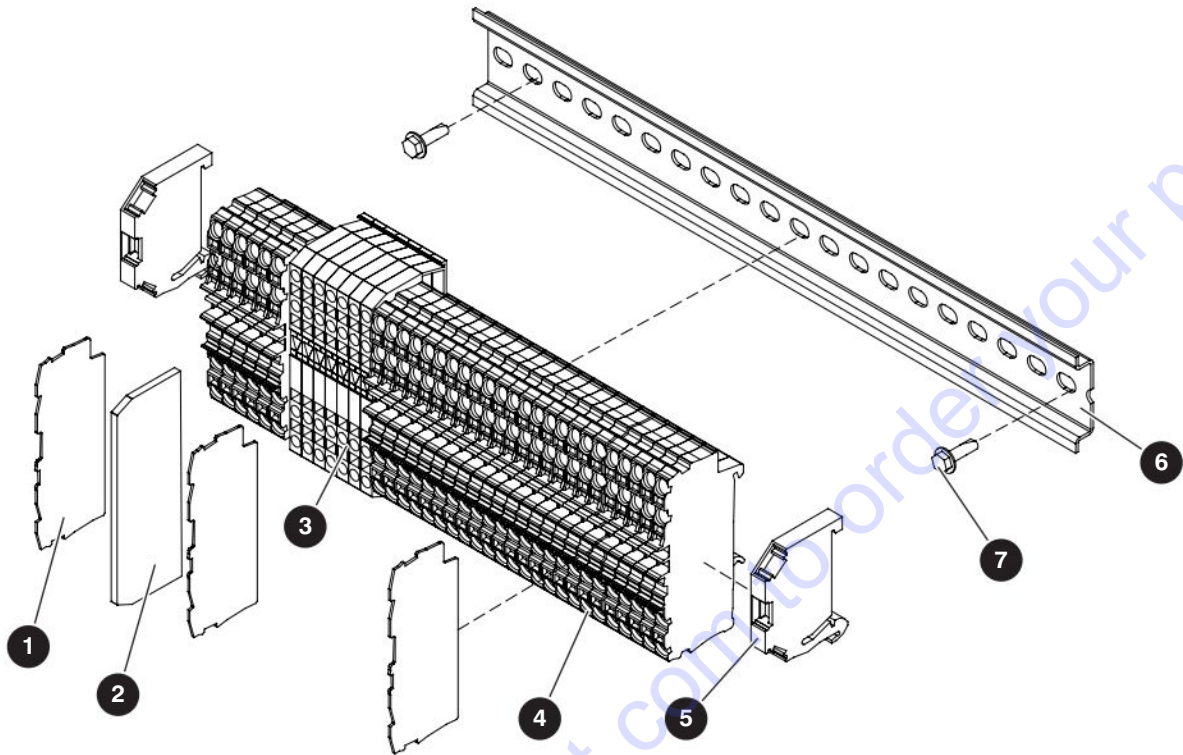


M224634AA

Index No.	Skyjack Part No.	Qty.	Description
-	224634	1	TERMINAL STRIP, Base - CE with Deutz TCD2.2 Engine
1	137940	54	• TERMINAL BLOCK, Through
2	170927	1	• TERMINAL BLOCK, Diode
3	170607	1	• TERMINAL BLOCK, Fuse holder
4	137941	3	• END PLATE, 0.8 mm
5	170606	1	• END PLATE, 1.0 mm
6	137942	4	• JUMPER, 2 pin (25A)
7	170928	2	• JUMPER, 5 pin (25A)
8	707147	2	• END STOP
9	102874	12"	• DIN RAIL
10	170626	1	FUSE, ATM - 10A (not shown)

4.20 Base Terminal Strip - Deutz D2011

AE



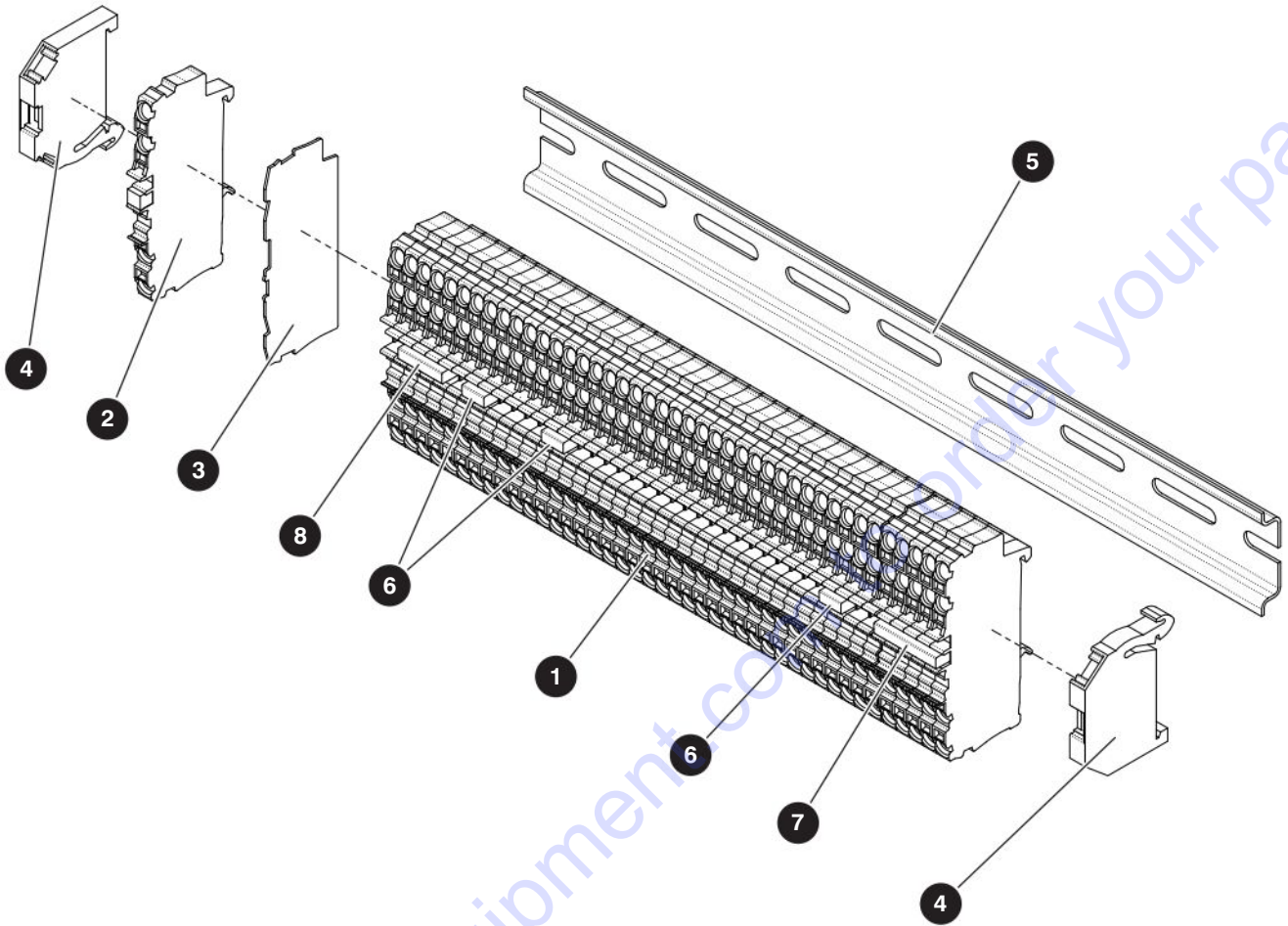
M138612AA

Index No.	Skyjack Part No.	Qty.	Description
A	167168	1	TERMINAL STRIP, Base - ANSI/CSA with Deutz D2011
B	171492	1	TERMINAL STRIP, Base - CE with Deutz D2011
C	171516	1	TERMINAL STRIP, Base - AS with Deutz D2011
1	137941	3	• END PLATE
2	707146	1	• SEPARATOR
3	707145	4	• TERMINAL BLOCK, Diode
4	137940	35	• TERMINAL BLOCK, Through, A
	137940	40	• TERMINAL BLOCK, Through, B
	137940	41	• TERMINAL BLOCK, Through, C
	170607	1	• TERMINAL BLOCK, Fuse holder, B
5	707147	2	• END STOP
6	102874	10"	• DIN RAIL
7	112327	2	SCREW, Hex head self-tapping (#8-12 x 0.50")
8	170626	1	FUSE, ATM - 10, A, B

170453AI

SJ82T, SJ86T

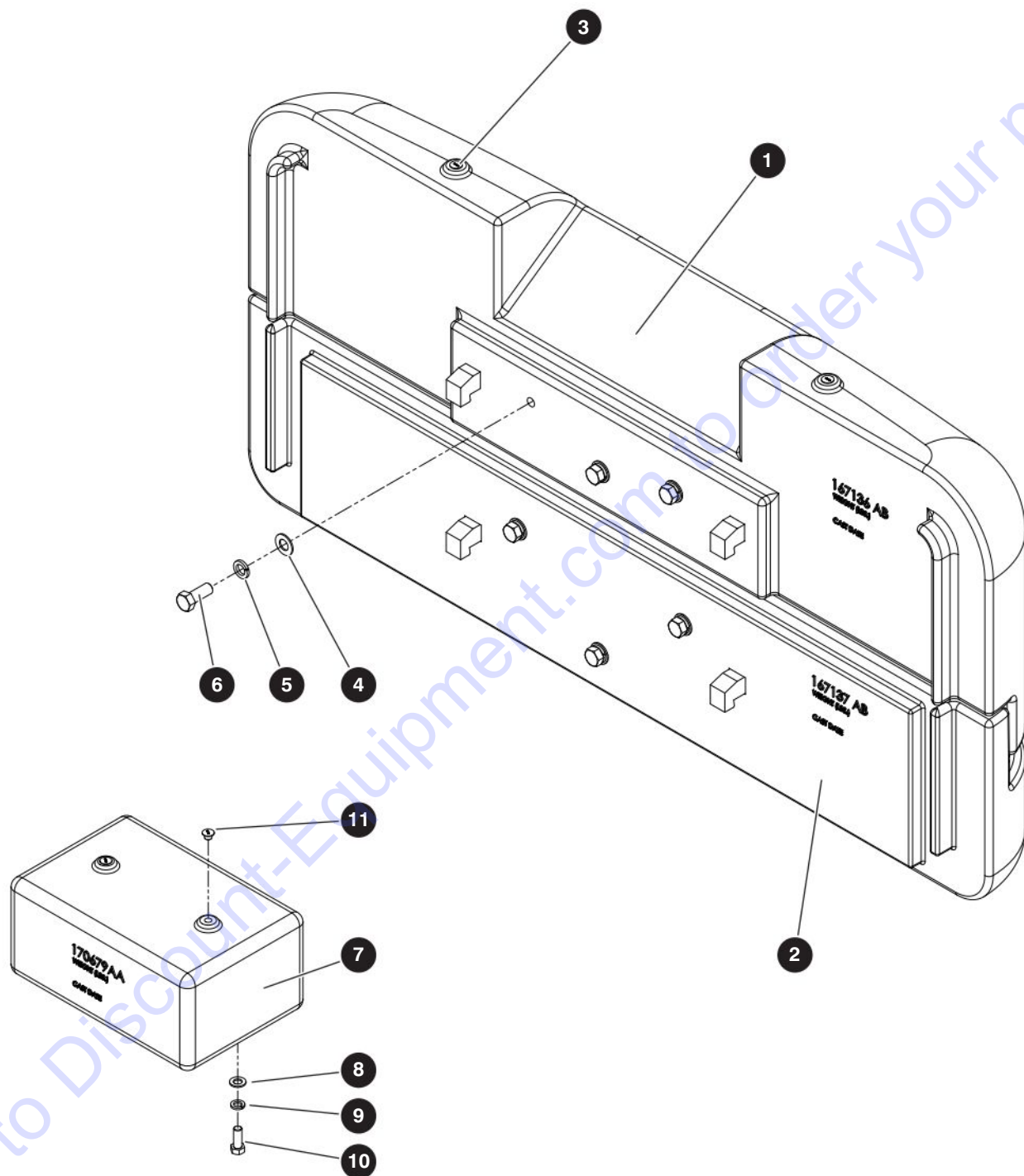
4.21 Base Terminal Strip - Perkins 2.2TA



M212329AB

Index No.	Skyjack Part No.	Qty.	Description
-	167181	1	TERMINAL STRIP, Base - ANSI/CSA with Perkins 2.2TA Engine
1	137940	43	• TERMINAL BLOCK, Through
2	170927	1	• TERMINAL BLOCK, Diode
3	137941	2	• END PLATE
4	707147	2	• END STOP
5	102874	12"	• DIN RAIL
6	137942	3	• JUMPER, 2 pin
7	170928	1	• JUMPER, 5 pin (25 A)
8	170929	1	• JUMPER, 4 pin (25 A)

4.22 Counterweights



M165469AE

170453AI

116

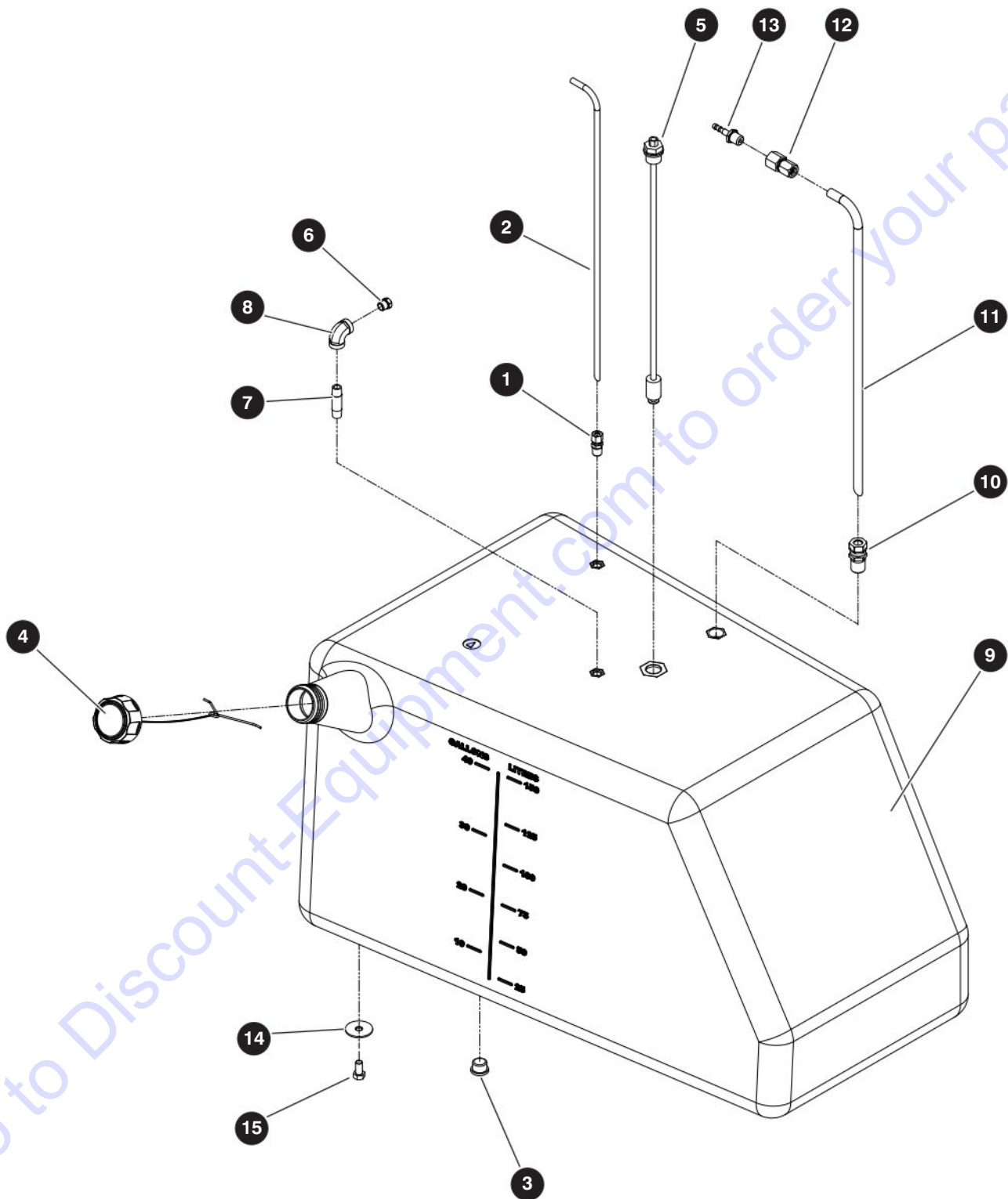
SJ82T, SJ86T

SKYJACK

4.22 Counterweights

Index No.	Skyjack Part No.	Qty.	Description
A	165468	1	TURRET COUNTERWEIGHT ASSEMBLY - SJ82T ANSI/CSA
B	165469	1	TURRET COUNTERWEIGHT ASSEMBLY - SJ86T ANSI/CSA
C	170827	1	TURRET COUNTERWEIGHT ASSEMBLY - SJ86T CE & AS
-	167138	1	• OUTER COUNTERWEIGHT ASSEMBLY
1	167136	1	• • COUNTERWEIGHT, Top
2	167137	1	• • COUNTERWEIGHT, Bottom
3	144105	4	• • PLUG, Threaded hole (3/4")
4	102646	6	• • WASHER, Flat (1.00")
5	107948	6	• • WASHER, Lock (1.00")
6	165467	6	• • BOLT, Hex head (1.0-8 x 3.5" gr 8)
-	170729	1	• INNER COUNTERWEIGHT ASSEMBLY, B
-	170824	1	• INNER COUNTERWEIGHT ASSEMBLY, C
7	170679	1	• • WELDMENT, Counterweight, B
7	170871	1	• • WELDMENT, Counterweight, C
8	702194	2	• • WASHER, Flat hardened (0.75")
9	104002	2	• • WASHER, Lock (0.75")
10	159237	2	• • BOLT, Hex head (0.75"-10 x 2.00", gr 8)
11	144105	2	• • PLUG, Hole (0.75" threaded)

4.23 Fuel Tank



M168690AA

170453AI

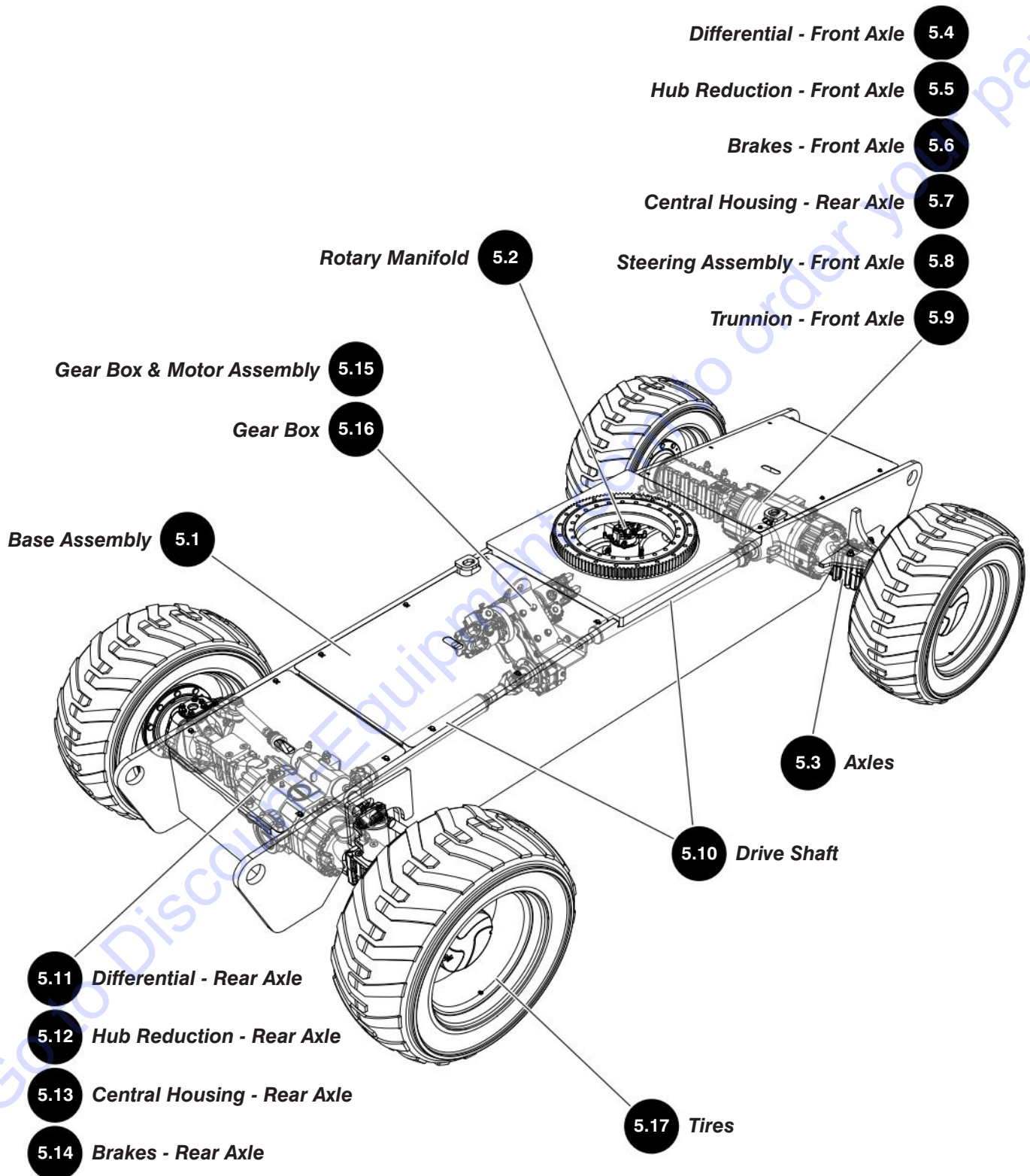
118

SJ82T, SJ86T

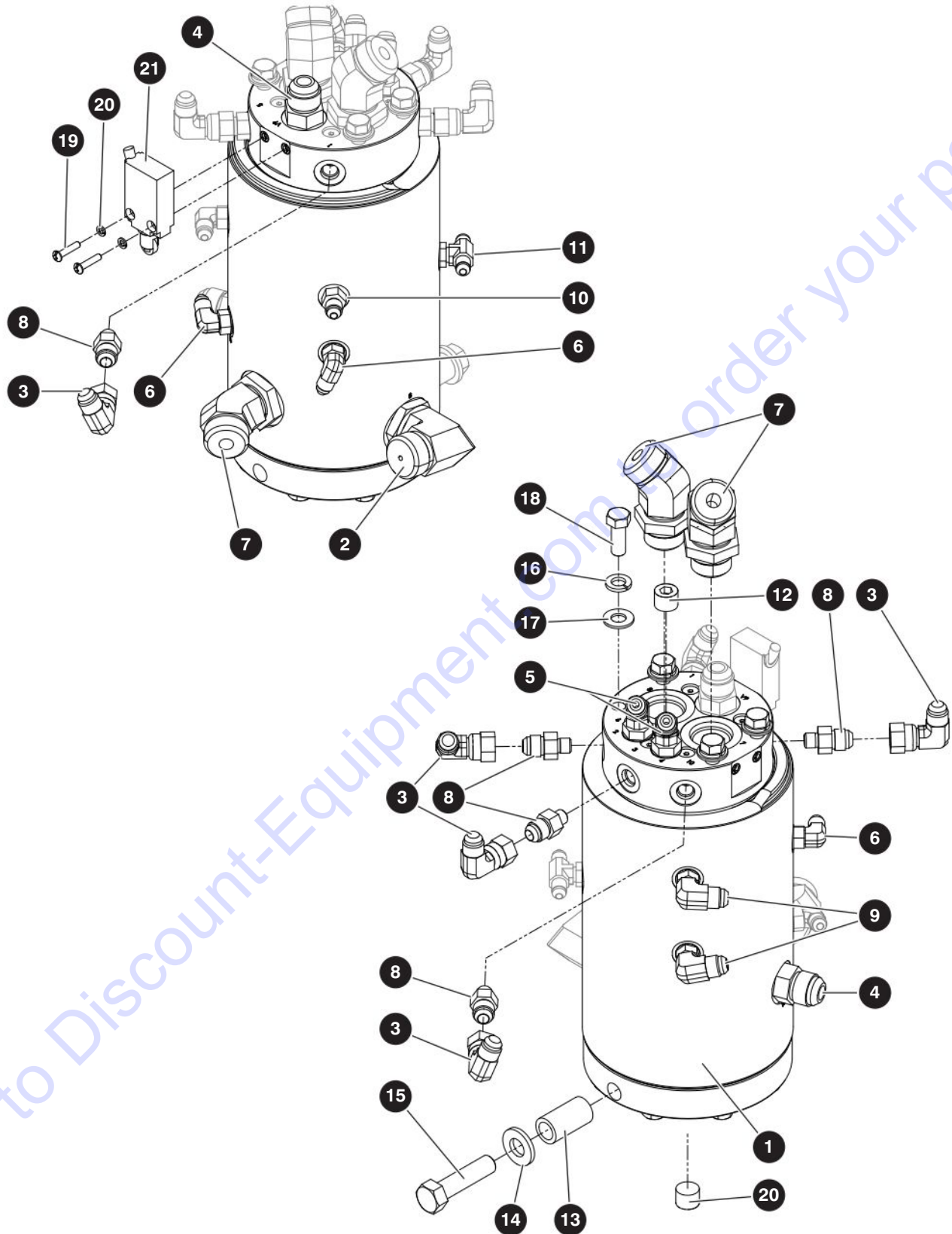
SKYJACK

Index No.	Skyjack Part No.	Qty.	Description
A	167097	1	FUEL TANK ASSEMBLY - Deutz TD2.9L & TCD2.2 Engines
B	168690	1	FUEL TANK ASSEMBLY - Deutz D2011 Engine
-	210468	1	• TANK, Fuel
1	103155	1	• • FITTING, Brass tank (1/4" NPT)
2	138491	1	• • TUBE, Fuel send/return
3	137629	1	• • FITTING, Plug (10 ORBM hex socket)
4	144410	1	• • CAP, Fuel (non EPA)
5	138230	1	• • SWITCH, Fuel level
6	116408	1	• • BREATHER, Vent (1/4" NPT)
7	143478	1	• • FITTING, Brass nipple (1/4" NPT x 2" lg)
8	144325	1	• • FITTING, Brass 90° elbow (1/4" NPTF x 1/4" NPTF)
9	210469	1	• • TANK, Fuel
10	164674	1	• • FITTING, Tube compression (1/2" OD x 1/2" NPT)
11	164673	1	• • TUBE, Fuel suction
12	165716	1	• FITTING, Straight adapter, B
13	165719	1	• FITTING, Beaded hose barb, B
14	127067	4	• WASHER, Flat BB style (0.375")
15	138739	4	• BOLT, Hex head (0.375"-16 x 0.75" gr 5)

Section 5 – Base



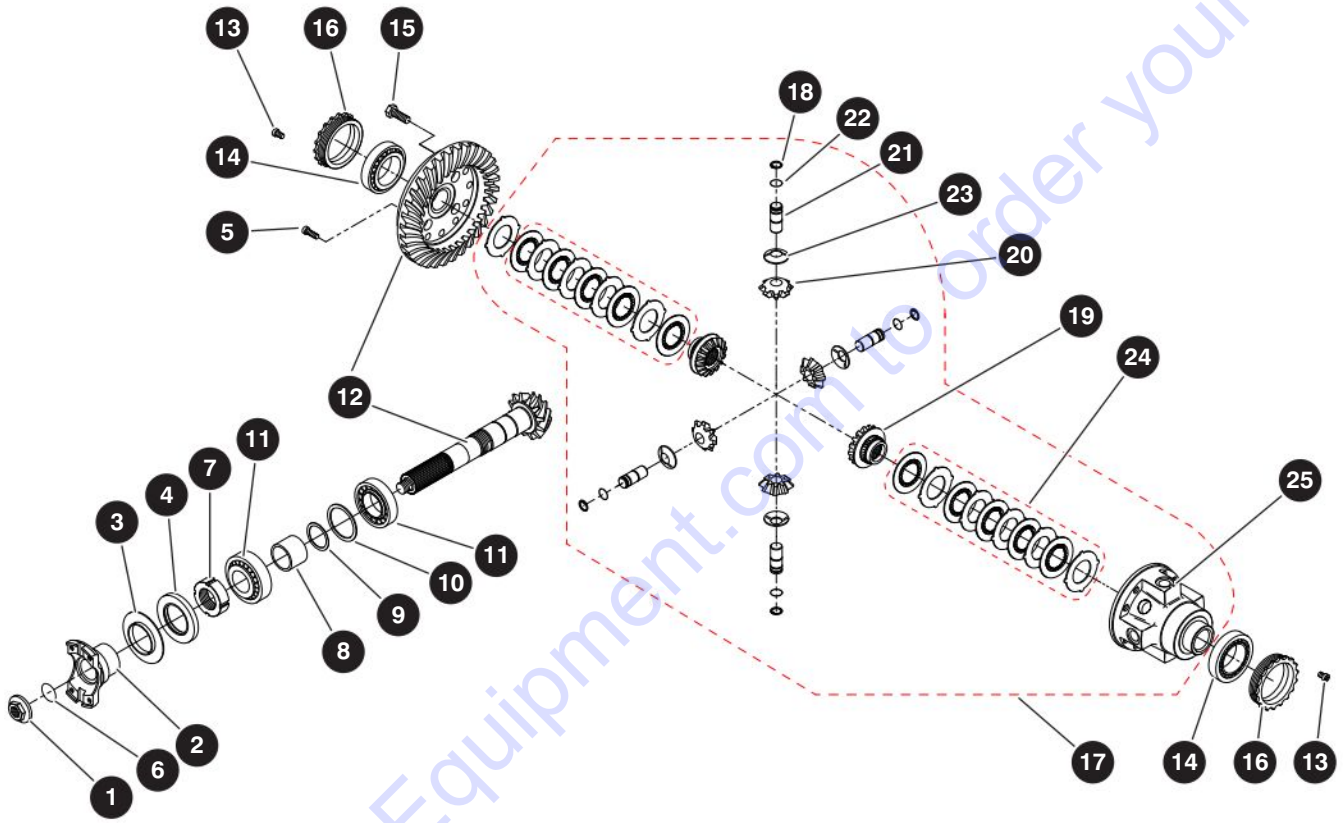
Index No.	Skyjack Part No.	Qty.	Description
-	165151	1	CHASSIS ASSEMBLY
1	216504	1	• GEAR, Slewing ring
2	171862	1	• WELDMENT, Chassis
3	171920	2	• COVER, Chassis
4	171926	1	• COVER, Chassis
5	167826	1	• RETAINER, Rotary manifold
6	159418	20	• SPACER, Slewing ring
7	702194	20	• WASHER, Flat hardened (0.75")
8	146773	20	• BOLT, Hex head (0.75"-10 x 5.00" gr 8)
9	104379	8	• WASHER, Flat hardened (0.50")
10	159294	16	• NUT, Speed clip (3/18"-16)
11	207653	8	• BOLT, Hex head patch (0.50"-13 x 1.75" gr 8)
12	125959	16	• WASHER, Flat hardened (0.375")
13	103069	2	• FITTING, Straight (06 JICM - 06 ORBM)
14	126128	2	• FITTING, Straight (04 JICM - 04 ORBM)
15	103473	16	• BOLT, Hex head (0.375"-16 x 1.00" gr 5)
16	(Ref.)	2	• CYLINDER, Axle lock



Index No.	Skyjack Part No.	Qty.	Description
-	167068	-	ROTARY MANIFOLD ASSEMBLY
-	208699	1	• ROTARY MANIFOLD
1	149380	1	• • MANIFOLD, Rotary (10 ports)
2	168654	1	• • FITTING, 90° (12 FSM - 12 ORBM)
3	702761	5	• • FITTING, 90° (06 JICM - 06 JICFSW)
4	147535	2	• • FITTING, Straight (10 JICM - 08 ORBM)
5	701478	2	• • FITTING, 45° (06 JICM - 04 ORBM)
6	125883	3	• • FITTING, 90° (04 JICM - 04 ORBM)
7	149175	3	• • FITTING, 45° (12 FSM - 12 ORBM)
8	128869	5	• • FITTING, Straight (06 JICM - 04 ORBM)
9	113348	2	• • FITTING, 90° (06 JICM - 04 ORBM)
10	126128	1	• • FITTING, Straight (04 JICM - 04 ORBM)
11	132463	1	• • FITTING, Tee (04 MJ - 04 MB - 04 MJ)
12	139171	2	• • FITTING, Plug hex (06 NPTM)
13	138956	1	• SPACER, Rotary manifold
14	104379	1	• WASHER, Flat hardened (0.50")
15	103904	1	• BOLT, Hex head (0.50"-13 x 2.00" gr 5)
16	103999	4	• WASHER, Lock (0.375")
17	103472	4	• WASHER, Flat (0.375")
18	103473	4	• BOLT, Hex head (0.375"-16 x 1.00" gr 5)
19	103958	2	• SCREW, Round head machine (8-32 x 0.75")
20	112249	2	• WASHER, Lock (#8)
21	199546	1	• SWITCH, Limit
K	154659	1	KIT, Seal

Index No.	Skyjack Part No.	Qty.	Description
A	165152	1	FRONT AXLE ASSEMBLY
-	165104	1	• AXLE, Front
1	(Ref.)	1	• • CENTRAL HOUSING - Front Axle (For components, refer to 5.7 Central Housing - Front Axle)
2	(Ref.)	1	• • DIFFERENTIAL - Front Axle (For components, refer to 5.4 Differential - Front Axle)
3	(Ref.)	1	• • HUB REDUCTION - Front Axle (For components, refer to 5.5 Hub Reduction - Front Axle)
4	(Ref.)	1	• • BRAKES - Front Axle (For components, refer to 5.6 Brakes - Front Axle)
5	(Ref.)	1	• • STEERING ASSEMBLY - Front Axle (For components, refer to 5.8 Steering Assembly - Front Axle)
6	(Ref.)	1	• • TRUNNION - Front Axle (For components, refer to 5.9 Trunnion - Front Axle)
7	171940	2	• WEAR PAD, Steering axle
8	702194	4	• WASHER, Flat hardened (0.75")
9	149181	2	• FITTING, Straight (04 JICM - M14 x 1.5)
10	168769	2	• FITTING, Straight (06 JICM - M18M)
11	139126	2	• SEAL, British bonded (04 SPPM)
12	700575	4	• NUT, Torque lock (3/4"-10, Grade C)
13	146773	4	• BOLT, Hex head (0.75"-10 x 5.00" gr 8)
14	171198	2	• FILTER, Breather
15	160792	1	• FITTING, Branch tee (04 JICFSW - 04 JICM)
16	152305	2	• SEAL, Bonded (M18 DIN 3852-1)
17	171941	4	• SCREW, Flat head cap (M16-2 x 40 gr 10.9)
B	165153	1	REAR AXLE ASSEMBLY
-	165105	1	• AXLE, Rear
18	(Ref.)	1	• • CENTRAL HOUSING - Rear Axle (For components, refer to 5.13 Central Housing - Rear Axle)
19	(Ref.)	1	• • DIFFERENTIAL - Rear Axle (For components, refer to 5.11 Differential - Rear Axle)
20	(Ref.)	1	• • HUB REDUCTION - Rear Axle (For components, refer to 5.12 Hub Reduction - Rear Axle)
21	(Ref.)	1	• • BRAKES - Rear Axle (For components, refer to 5.14 Brakes - Rear Axle)
22	702194	8	• WASHER, Flat hardened (0.75")
23	149181	3	• FITTING, Straight (04 JICM - M14 x 1.5)
24	139126	3	• SEAL, British bonded (04 SPPM)
25	700575	8	• NUT, Torque lock (3/4"-10, Grade C)
26	171198	2	• FILTER, Breather
27	160792	1	• FITTING, Branch tee (04 JICFSW - 04 JICM)
28	167732	4	• U-BOLT, Axle mount

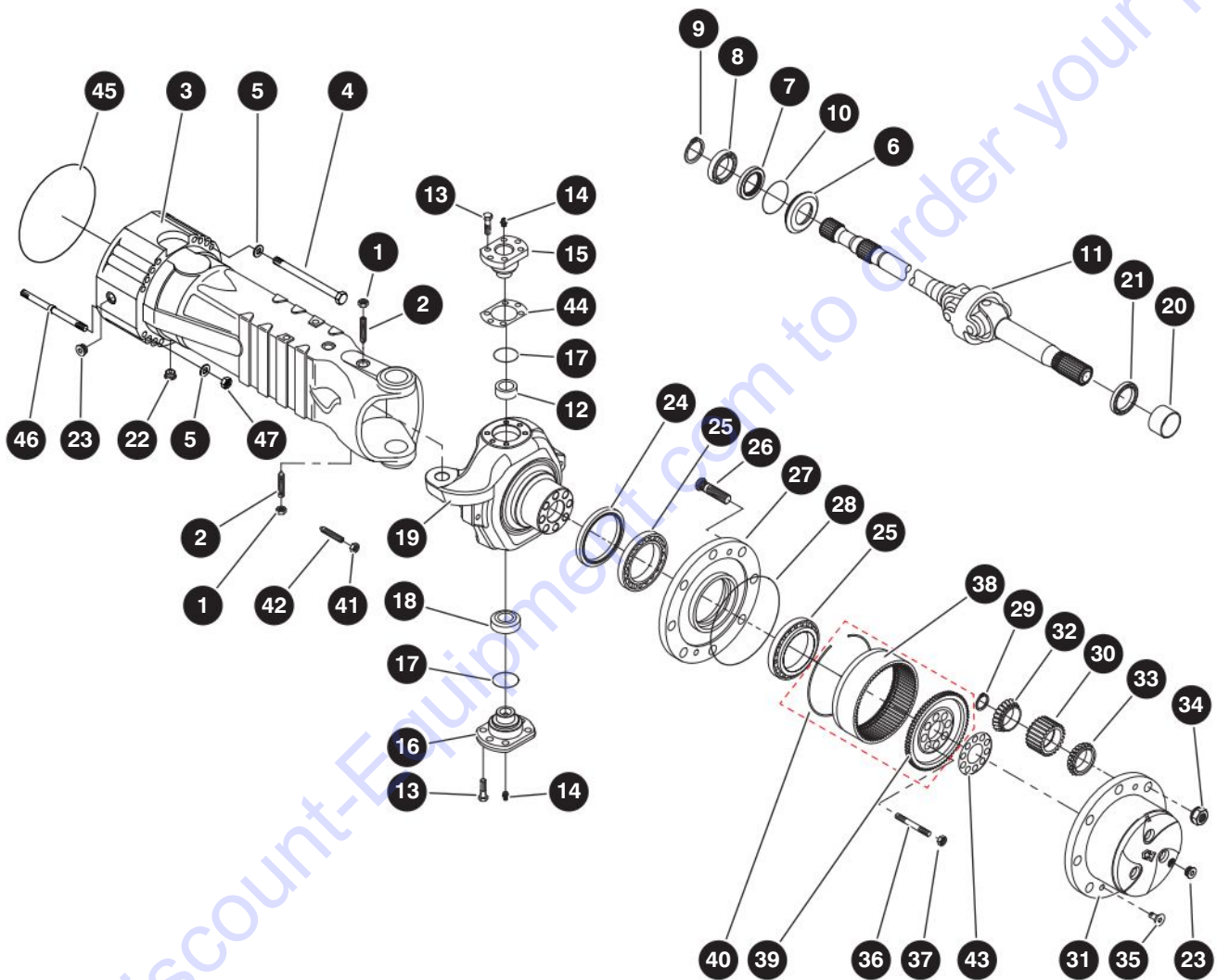
5.4 Differential - Front Axle



5.4 Differential - Front Axle

Index No.	Skyjack Part No.	Qty.	Description
-	170788	1	DIFFERENTIAL - Front Axle
1	407261	1	• NUT
-	140975	1	• FLANGE KIT
2	170791	1	• • FLANGE
3	920027	1	• • PLATE, Cover
4	170792	1	• SEAL
5	170793	4	• BOLT
6	140979	1	• O-RING
7	923838	1	• NUT, Ring
8	927327	1	• SPACER
9	170789	1	• KIT, Shim
10	170790	1	• KIT, Shim
11	140984	2	• BEARING, Taper roller
12	170794	1	• GEAR SET, Bevel
13	168259	2	• BOLT
14	140987	2	• BEARING, Taper roller
15	923879	12	• BOLT
16	927316	2	• RING NUT
17	140996	1	• DIFFERENTIAL, Limited slip
18	140978	4	• • CIRCLIP
19	140988	2	• • GEAR, Differential side
20	140989	4	• • PINION, Differential
21	140990	4	• • PIN
22	140991	4	• • CIRCLIP
23	140992	4	• • WASHER, Friction
24	170795	2	• • DISC
25	140995	1	• • CARRIER, Differential

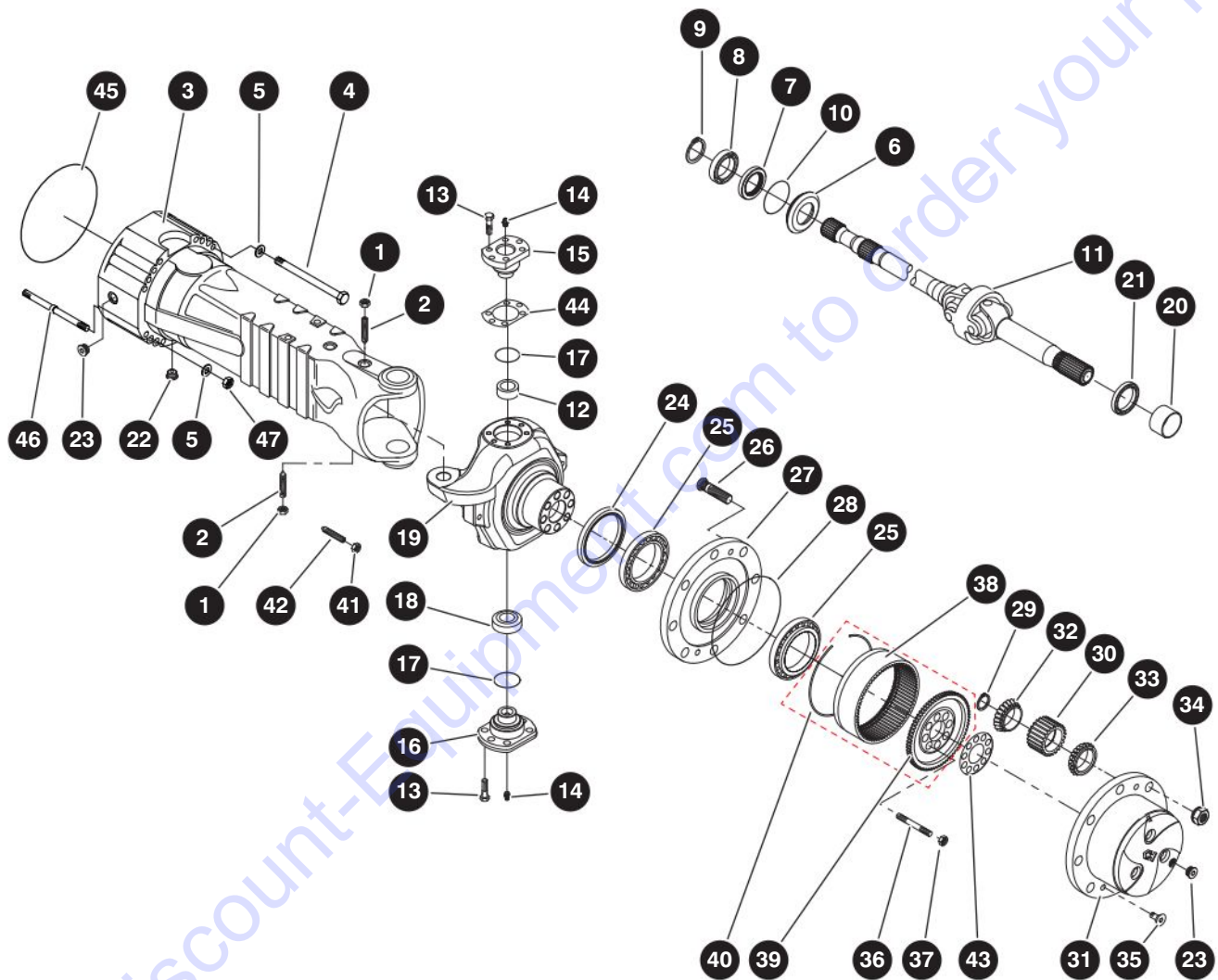
5.5 Hub Reduction - Front Axle



5.5 Hub Reduction - Front Axle

Index No.	Skyjack Part No.	Qty.	Description
-	170796	1	HUB REDUCTION - Front Axle
1	403084	2	• NUT
2	170797	2	• BOLT
3	170798	2	• CASE, Axle
4	170799	24	• BOLT
5	927332	8	• WASHER
6	151761	2	• BUSHING, Reduction
7	151762	2	• SEAL
8	141073	2	• BEARING, Ball
9	403064	2	• CIRCLIP
10	141171	2	• O-RING
11	170800	2	• JOINT, Double universal
12	170801	2	• BUSHING
13	923879	24	• BOLT
14	168273	2	• FITTING, Grease
15	170802	2	• PIN, Pivot
16	170803	2	• PIN, Pivot
17	923022	2	• EXCLUDER, Dust
18	923912	2	• BEARING
-	170804	1	• CASE ASSEMBLY, Steering - left, A
-	170806	1	• CASE ASSEMBLY, Steering - right, B
19	170805	1	• • CASE, Steering - left, A
19	170807	1	• • CASE, Steering - right, B
20	923830	1	• • BEARING, Thrust
21	923829	2	• SEAL
22	927314	2	• PLUG, Magnetic
23	140969	4	• PLUG
24	154631	2	• SEAL
25	925239	2	• BEARING, Taper roller
26	170808	20	• STUD, Wheel
27	923915	2	• HUB, Wheel
28	403046	2	• O-RING
-	170809	2	• PLANETARY GEAR CARRIER ASSEMBLY
29	170810	6	• • CIRCLIP
30	170828	6	• • PINION, Differential
31	170829	2	• • CARRIER, Planetary gear
32	170830	6	• • BEARING
33	170831	6	• • BEARING
34	170832	20	• NUT
35	141033	4	• BOLT, Countersunk
36	168278	16	• STUD
37	923918	16	• NUT
-	170833	2	• KIT, Ring gear support

5.5 Hub Reduction - Front Axle



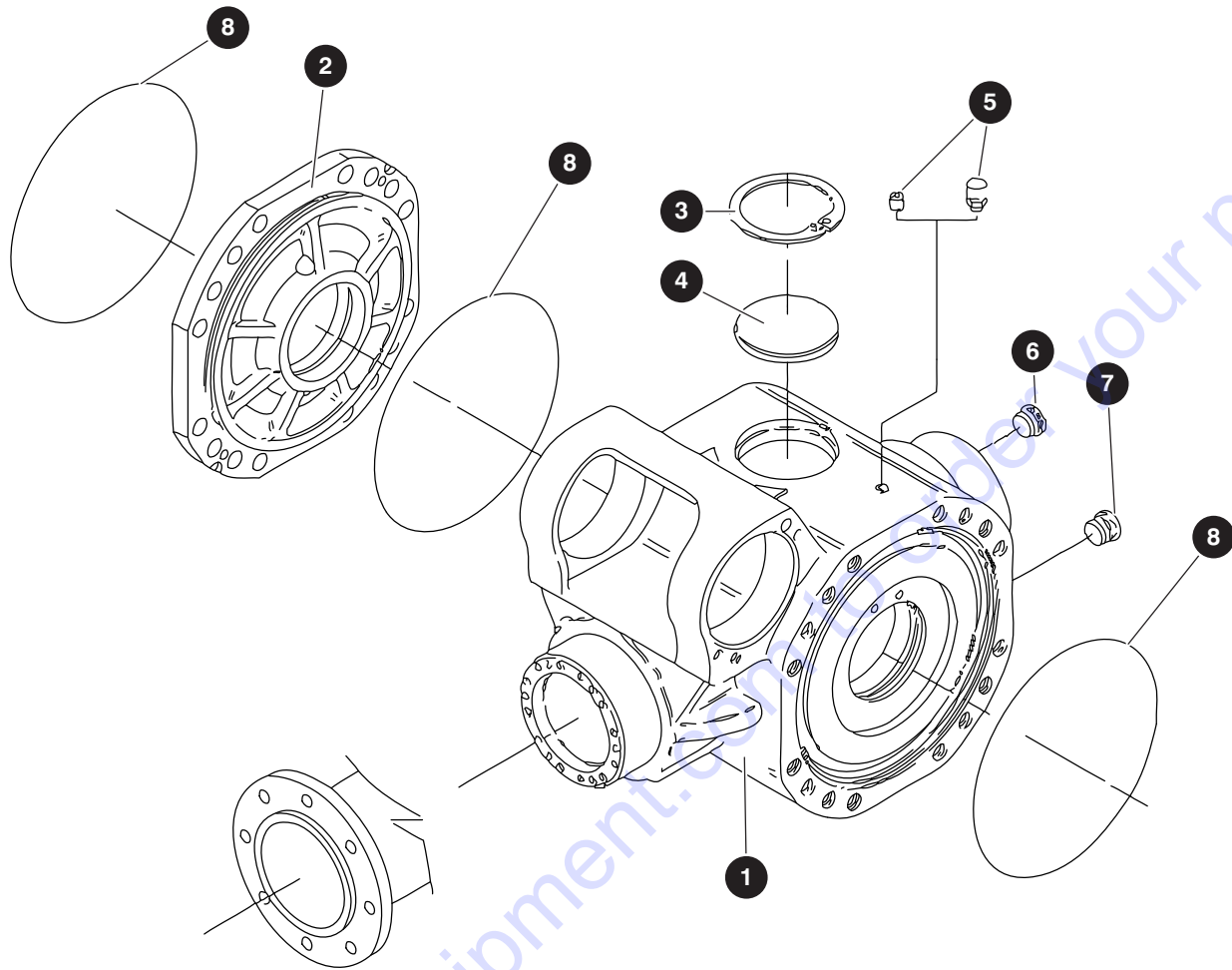
5.5 Hub Reduction - Front Axle

Index No.	Skyjack Part No.	Qty.	Description
38	168280	2	• • SUPPORT, Ring gear
39	168281	2	• • GEAR, Ring
40	920728	2	• • CIRCLIP
-	141017	4	• BOLT, Steering adjust
41	141015	1	• • NUT
42	141016	1	• • BOLT
43	923919	2	• PLATE, Locking
44	170834	1	• SHIM KIT
45	140970	2	• O-RING
46	170835	8	• STUD
47	170836	5	• NUT

5.6 Brakes - Front Axle

Index No.	Skyjack Part No.	Qty.	Description
-	170837	1	BRAKES - Front Axle
1	170838	1	• SPACER
2	170839	4	• SPRING
3	170840	2	• PISTON
4	170841	2	• O-RING
5	170842	4	• O-RING
6	170843	4	• RING, Back-up
7	170844	2	• COVER
8	170845	2	• O-RING
9	170846	2	• RING, Back-up
10	170847	2	• PISTON
11	170848	2	• DISC, Intermediate brake
12	168005	6	• SPRING
13	170849	6	• BOLT, Adjusting
14	170850	8	• DISC
15	141096	8	• DISC, Intermediate brake
16	170851	2	• SPACER
17	170852	4	• BOLT
18	170853	6	• BOLT, Adjusting
19	141098	6	• SPRING
20	925242	4	• NUT
21	933214	4	• WASHER, Lock
22	932863	4	• BOLT, Bleeding
23	929592	4	• PLUG
24	170854	1	• KIT, SHIM
-	168299	1	• PLUG WITH SEAL
25	168288	4	• • PLUG
26	168289	4	• • WASHER, Seal

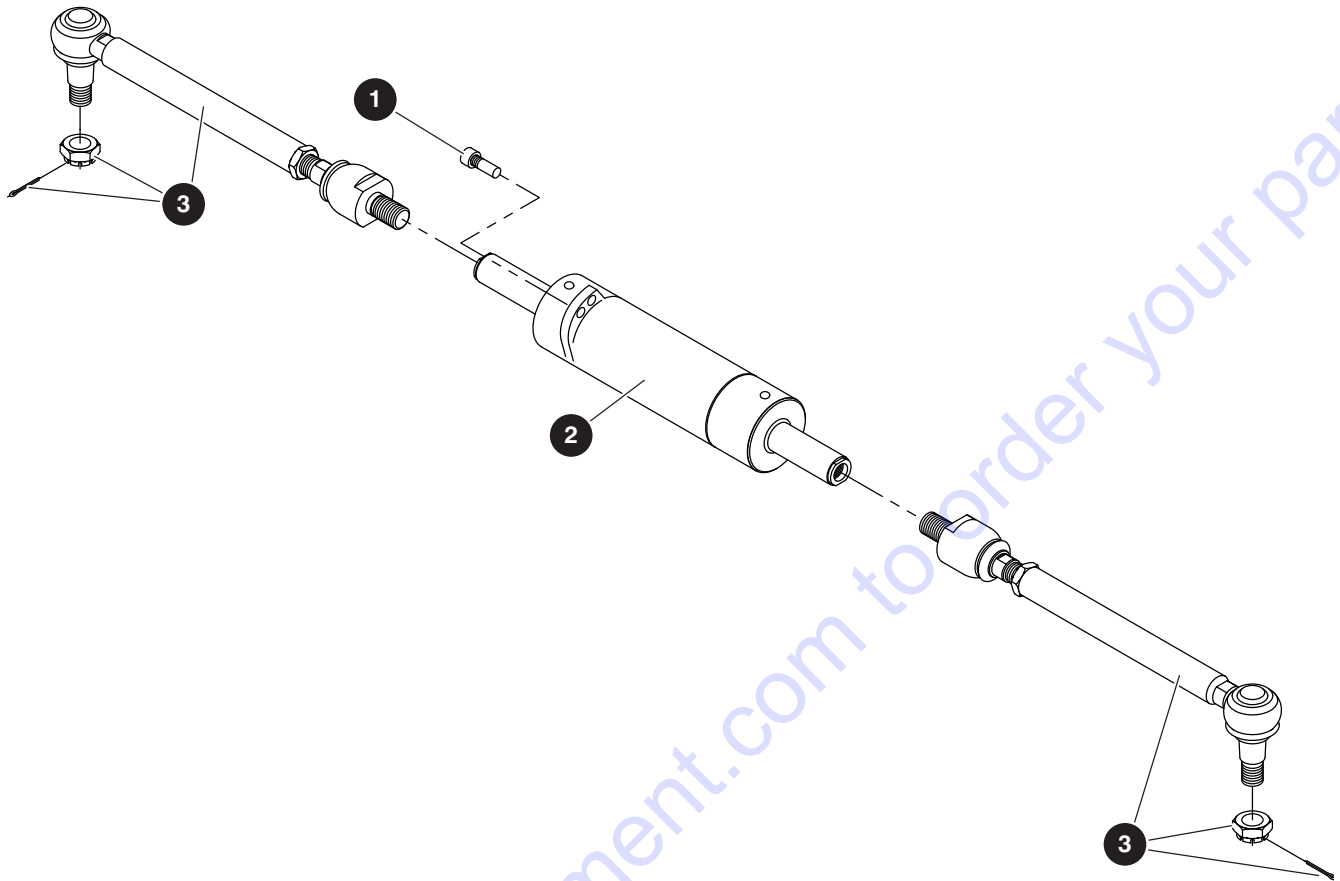
5.7 Central Housing - Front Axle



M146176AA_1

Index No.	Skyjack Part No.	Qty.	Description
-	151755	-	CENTRAL HOUSING - Front Axle
1	406383	1	• HOUSING
2	170719	1	• COVER
3	140966	1	• CIRCLIP
4	140967	1	• PLUG
5	170720	1	• VENT
6	140969	1	• PLUG
7	927314	1	• PLUG, Magnet
8	140970	3	• O-RING

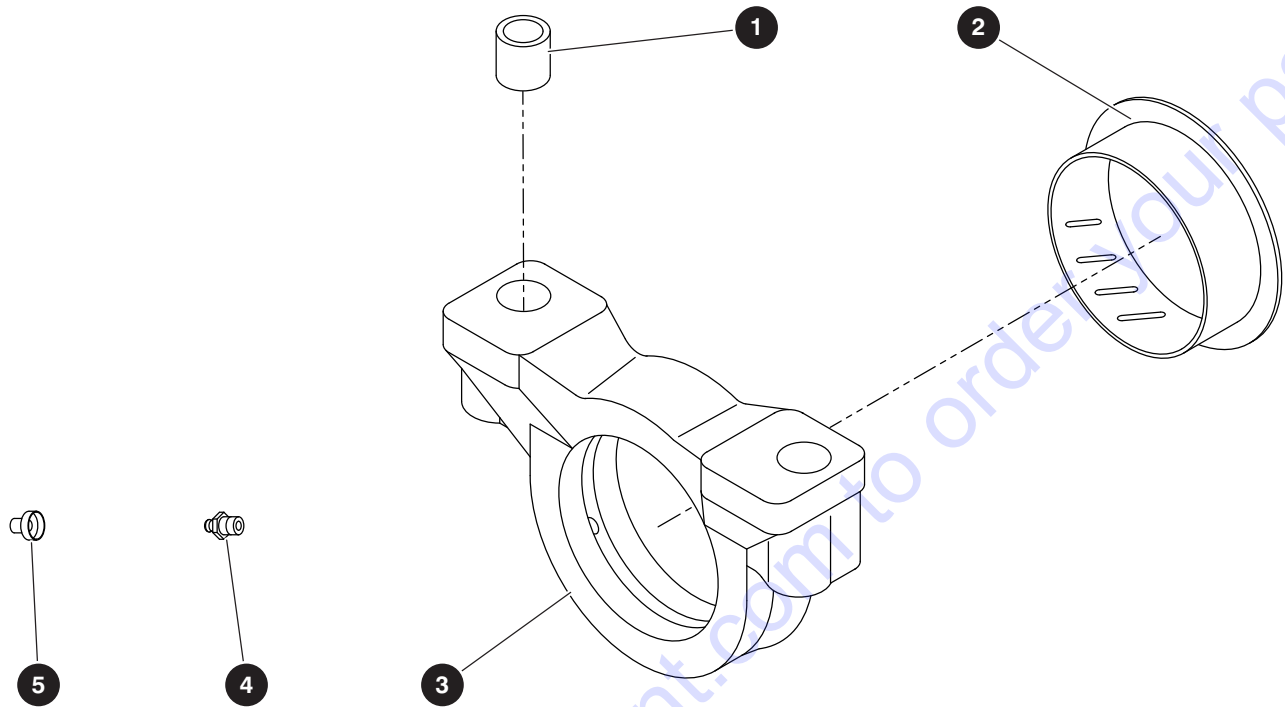
5.8 Steering Assembly - Front Axle



M170931AA

Index No.	Skyjack Part No.	Qty.	Description
-	170902	1	STEERING ASSEMBLY - Front Axle
1	927582	4	• BOLT
2	170903	1	• CYLINDER, Steer
3	170904	2	• TIE ROD
K	169242	1	KIT, Seal - Steer Cylinder (not shown)

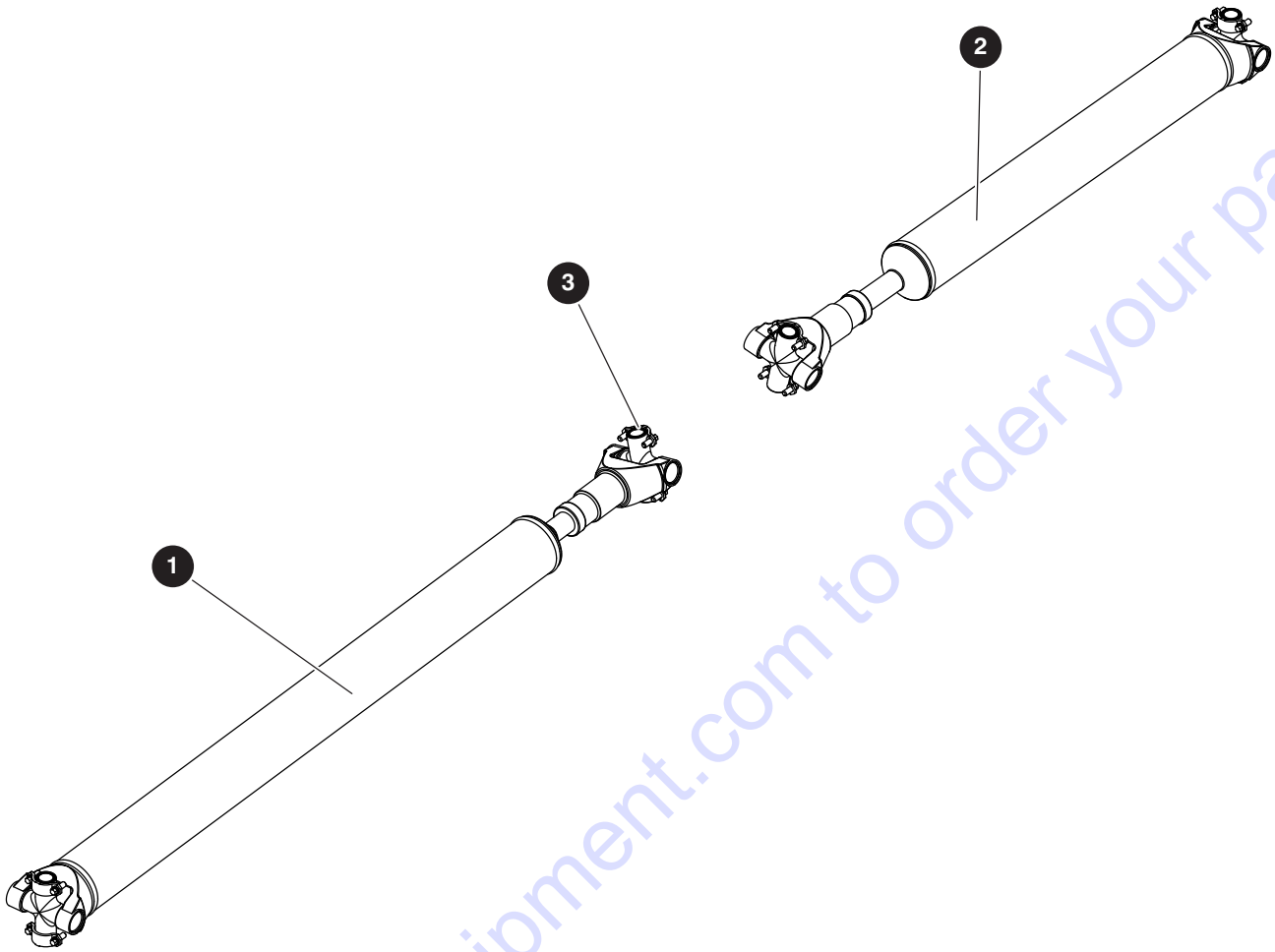
5.9 Trunnion - Front Axle



M170855AA

Index No.	Skyjack Part No.	Qty.	Description
-	170855	1	TRUNNION - Front Axle
1	141048	4	• BUSHING, Reduction
2	170856	2	• BUSHING, Thrust
3	928711	2	• SUPPORT
4	168273	2	• FITTING, Grease
5	929592	2	• PLUG
6	141052	2	• SUPPORT (not shown)

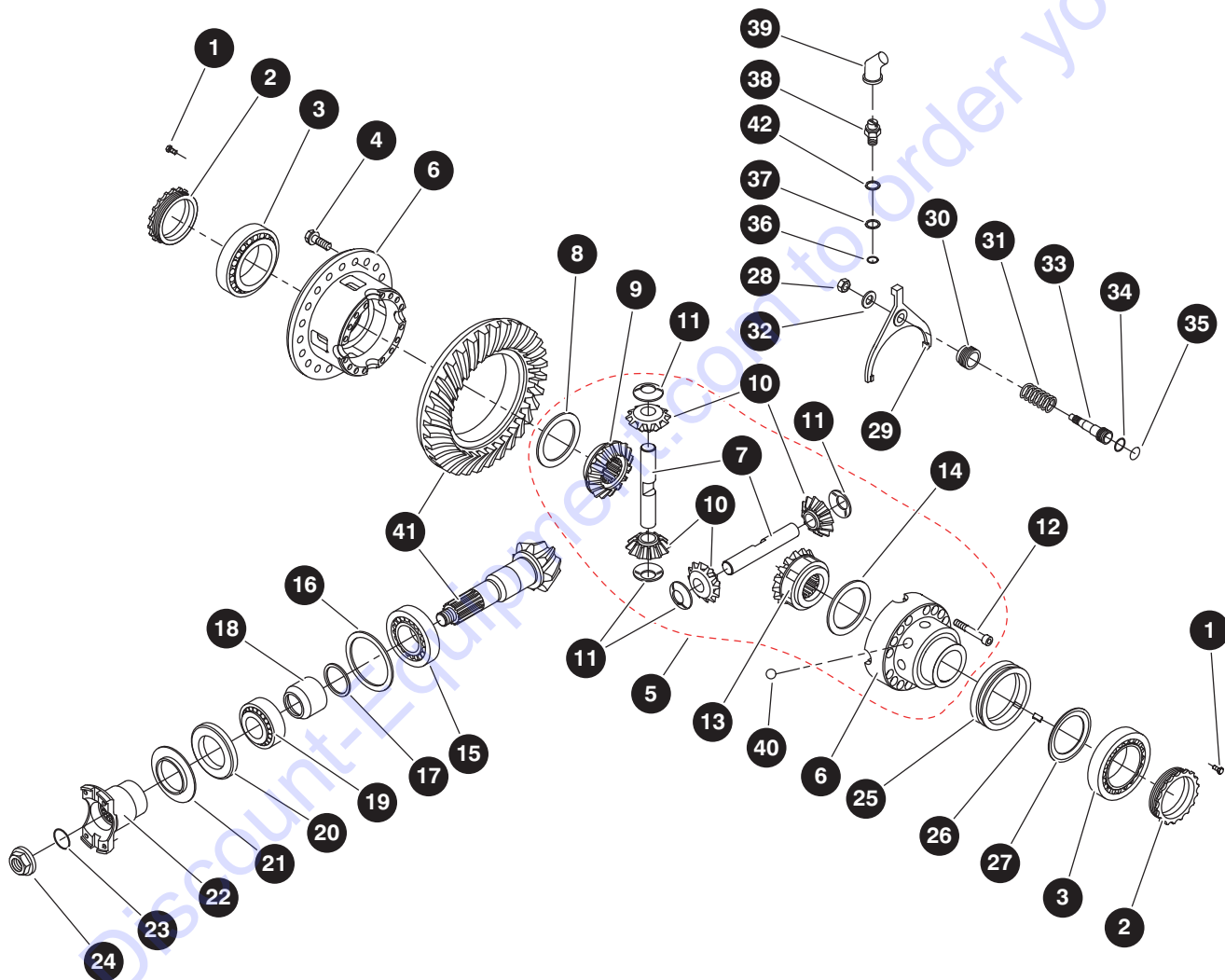
5.10 Drive Shaft



M165116AC

Index No.	Skyjack Part No.	Qty.	Description
-	165116	1	DRIVESHAFT ASSEMBLY
1	171929	1	• DRIVESHAFT, 1410 Spicer (11.85 long)
2	171928	1	• DRIVESHAFT, 1410 Spicer (58.86 long)
3	138731	4	• KIT, Hardware

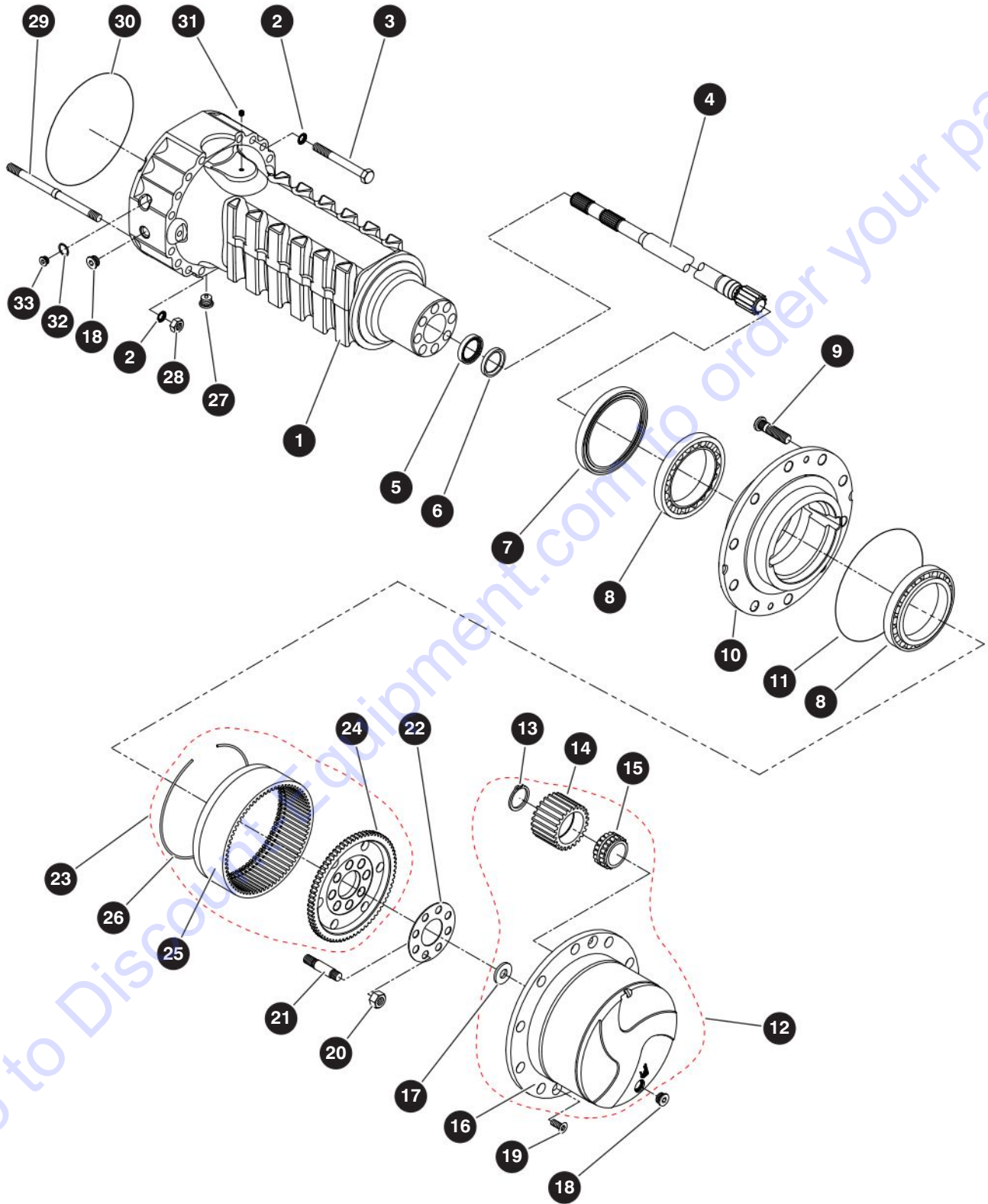
5.11 Differential - Rear Axle



5.11 Differential - Rear Axle

Index No.	Skyjack Part No.	Qty.	Description
-	170862	1	DIFFERENTIAL - Rear Axle
1	168259	2	• BOLT
2	168260	2	• NUT, Ring
3	923846	2	• BEARING, Taper roller
4	923879	16	• BOLT
5	170863	1	• DIFFERENTIAL ASSEMBLY
6	170864	1	• • CARRIER, Differential
7	168264	2	• • SHAFT, Differential
8	168262	1	• • WASHER, Friction
9	168263	1	• • SIDE GEAR, Differential
10	168266	4	• • PINION, Differential
11	168267	4	• • WASHER, Friction
12	170865	15	• • BOLT
13	170866	1	• • SIDE GEAR, Differential
14	170867	1	• • WASHER, Friction
15	925249	1	• BEARING, Taper roller
16	168268	1	• KIT, Shim
17	923892	1	• KIT, Ring
18	414415	1	• SPACER
19	168316	1	• BEARING, Taper roller
20	923894	1	• SEAL
21	923895	1	• PLATE, Cover
22	170868	1	• FLANGE
23	923897	1	• O-RING
24	923898	1	• NUT
25	170869	1	• SLEEVE
26	154372	1	• KEY
27	170880	1	• WASHER, Friction
28	170870	1	• NUT
29	170874	1	• FORK, Selector
30	170875	1	• NUT, Ring
31	170876	1	• SPRING
32	923900	1	• WASHER, Spring
33	170877	1	• PISTON
34	141129	1	• O-RING
35	170878	1	• GASKET
36	154579	1	• O-RING
37	154578	1	• WASHER, Seal
38	170879	1	• SWITCH, Security
39	409419	1	• BOOT
40	154574	8	• BALL, Detent
41	170881	1	• GEAR SET, Bevel
42	170882	1	• WASHER, Seal

5.12 Hub Reduction - Rear Axle



M170883AA

170453AI

142

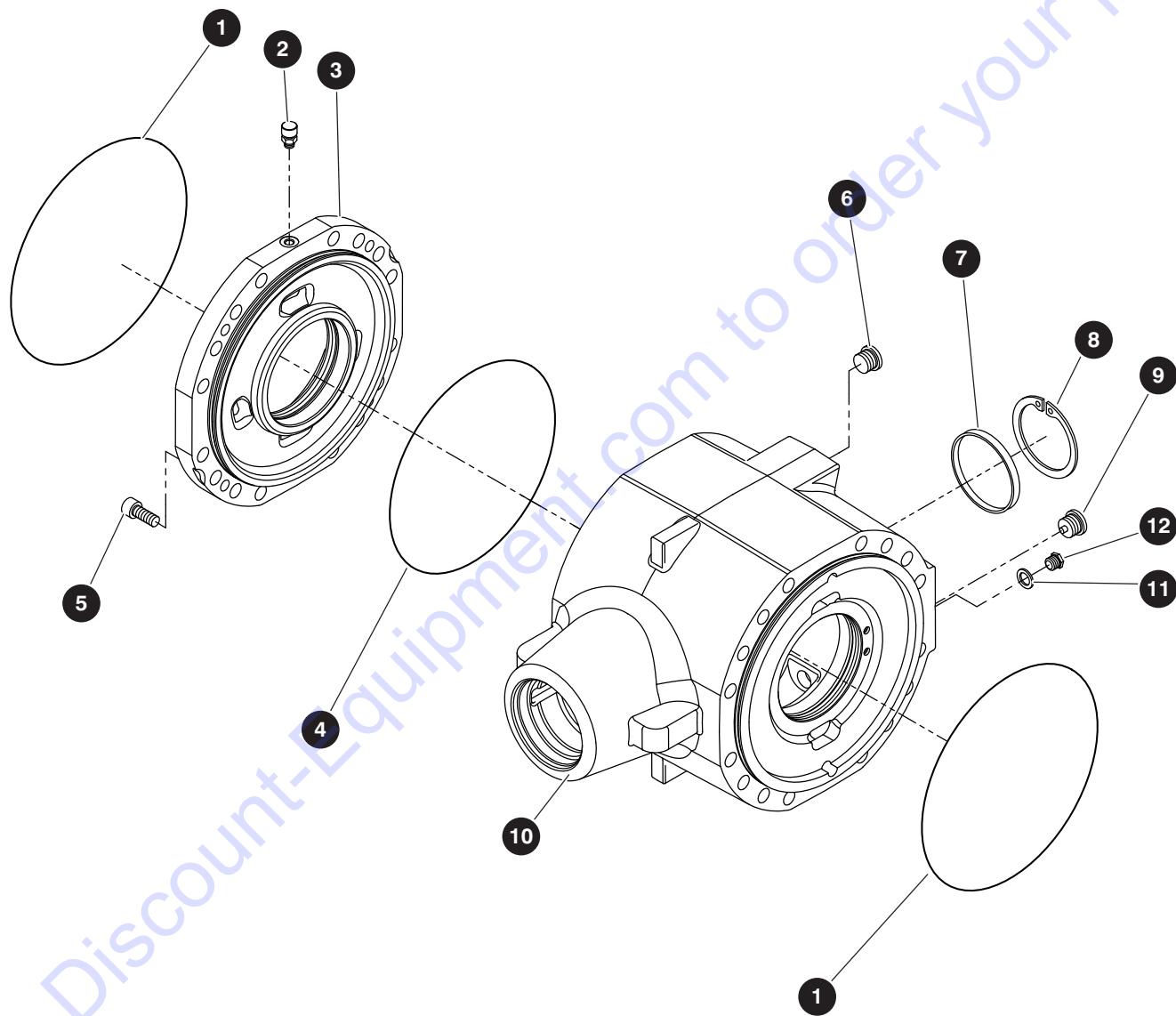
SJ82T, SJ86T

SKYJACK

5.12 Hub Reduction - Rear Axle

Index No.	Skyjack Part No.	Qty.	Description
-	170883	1	HUB REDUCTION - Rear Axle
1	170884	1	• CASE, Axle
2	927332	8	• WASHER
3	923901	24	• BOLT
4	170885	2	• SHAFT, Half
5	170886	2	• SEAL
6	170887	2	• RING
7	154631	2	• SEAL
8	925239	4	• BEARING, Taper roller
9	170808	20	• STUD, Wheel
10	170888	2	• HUB, Wheel
11	925533	2	• O-RING
12	140889	2	• CARRIER ASSEMBLY, Planet gear
13	922522	6	• • RING, Snap
14	168282	6	• • GEAR, Planet
15	922523	6	• • BEARING
16	170890	2	• • CARRIER, Planet gear
17	141037	2	• • WASHER, Friction
18	168258	4	• PLUG
19	141033	4	• BOLT, Countersunk
20	923918	16	• NUT
21	168278	16	• STUD
22	923919	2	• PLATE, Locking
23	170833	2	• SUPPORT ASSEMBLY, Ring gear
24	168280	2	• • SUPPORT, Ring gear
25	168281	2	• • GEAR, Ring
26	920728	2	• • CIRCLIP
27	154600	2	• PLUG, Magnetic
28	170836	5	• NUT
29	170891	8	• STUD
30	170858	2	• O-RING
31	168256	2	• PLUG
32	170892	2	• WASHER
33	170893	2	• PLUG

5.13 Central Housing - Rear Axle



M170861AA

170453AI

144

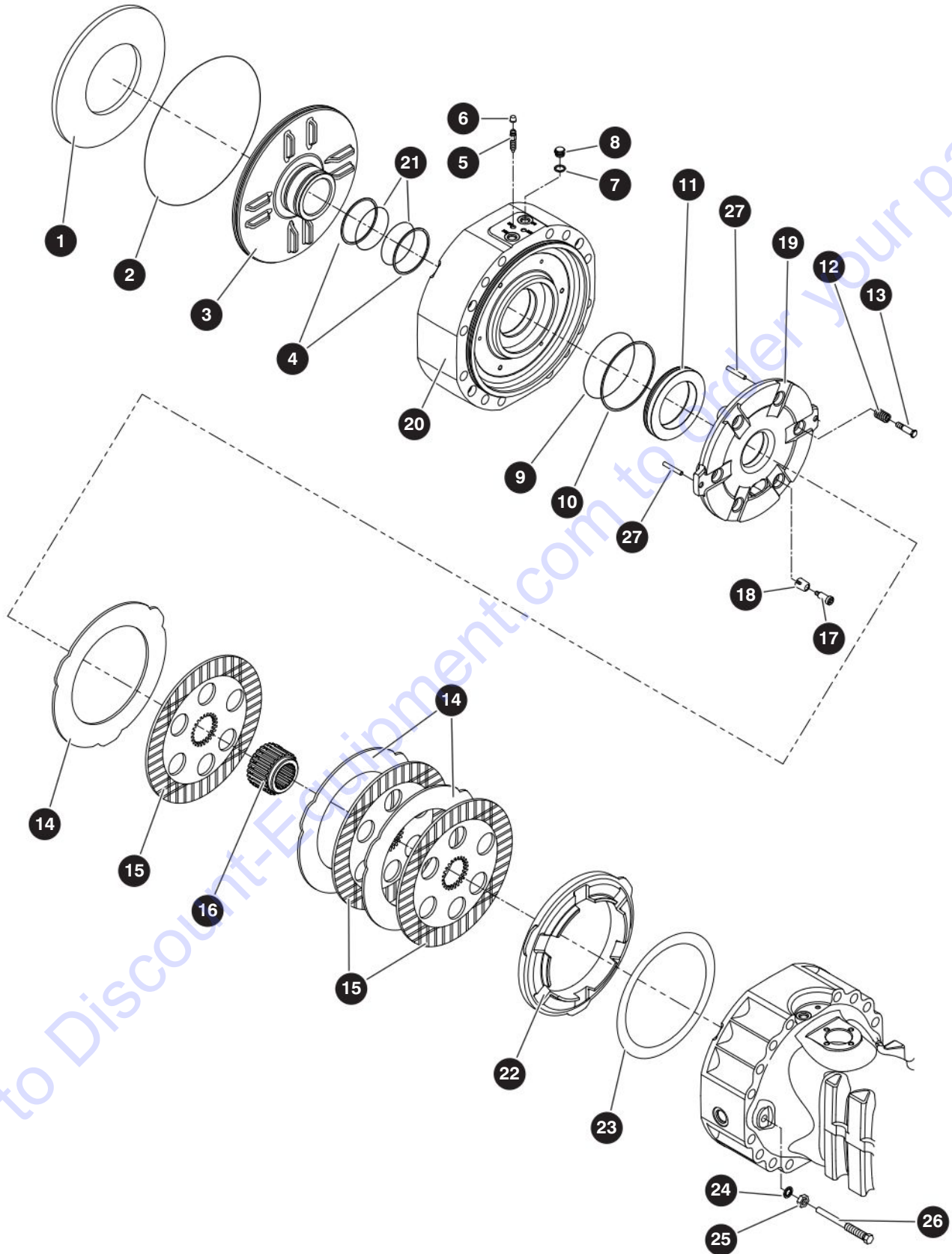
SJ82T, SJ86T

SKYJACK

5.13 Central Housing - Rear Axle

Index No.	Skyjack Part No.	Qty.	Description
-	170857	-	CENTRAL HOUSING - Rear Axle
1	170858	2	• O-RING
2	932867	1	• VENT
3	170859	1	• COVER, Intermediate
4	925533	1	• O-RING
5	170860	4	• BOLT
6	168258	1	• PLUG
7	140967	1	• PLUG
8	140966	1	• CIRCLIP
9	154600	1	• PLUG, Magnetic
10	170861	1	• HOUSING
-	168299	1	• PLUG WITH SEAL
11	168289	1	• • WASHER, Seal
12	168288	1	• • PLUG

5.14 Brakes - Rear Axle



M170894AA

170453AI

146

SJ82T, SJ86T

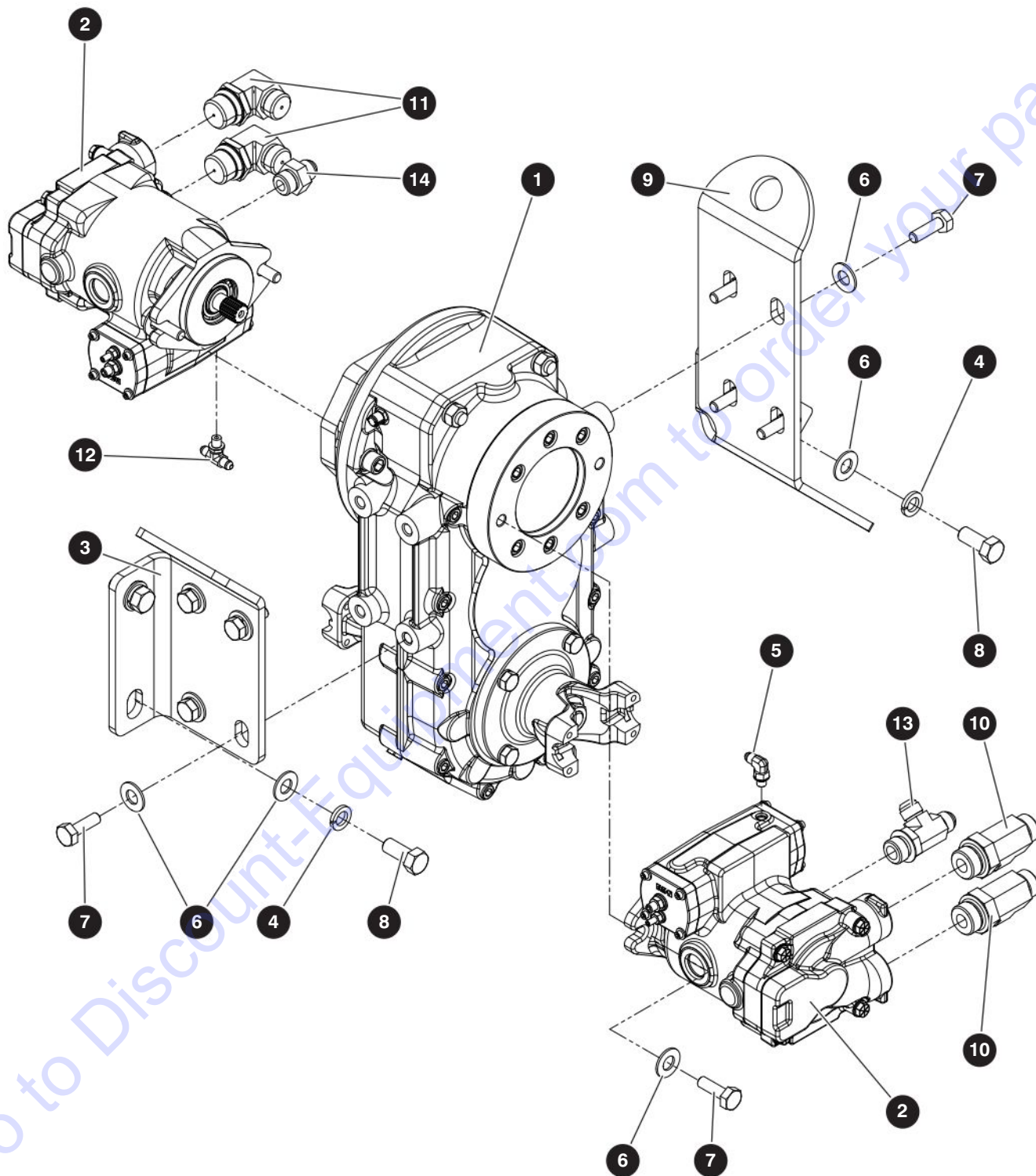
SKYJACK

5.14 Brakes - Rear Axle

Index No.	Skyjack Part No.	Qty.	Description
-	170894	1	BRAKES - Rear Axle
1	923935	2	• SPRING
2	170858	2	• O-RING
3	170895	2	• PISTON
4	170843	4	• RING, Back-up
5	932863	4	• BOLT, Bleeding
6	929592	4	• PLUG
-	168299	1	• PLUG WITH SEAL
7	168289	4	• • WASHER, Seal
8	168288	4	• • PLUG
9	170896	2	• O-RING
10	170897	2	• RING, Back-up
11	170898	2	• PISTON
12	168005	6	• SPRING
13	170849	6	• BOLT, Adjusting
14	923848	6	• DISC, Intermediate brake
15	934625	6	• DISC, Brake
16	923929	2	• BUSHING, Reduction
17	170853	6	• BOLT, Adjusting
18	141098	6	• SPRING
19	168292	2	• DISC, Intermediate brake
20	170899	2	• COVER
21	170842	4	• O-RING
22	170900	2	• SPACER
23	168295	1	• KIT, SHIM
24	933214	4	• WASHER, Lock
25	925242	4	• NUT
26	170901	4	• BOLT
27	168298	4	• DOWEL

5.15 Gear Box & Motor Assembly

AE



M165115AG

170453AI

148

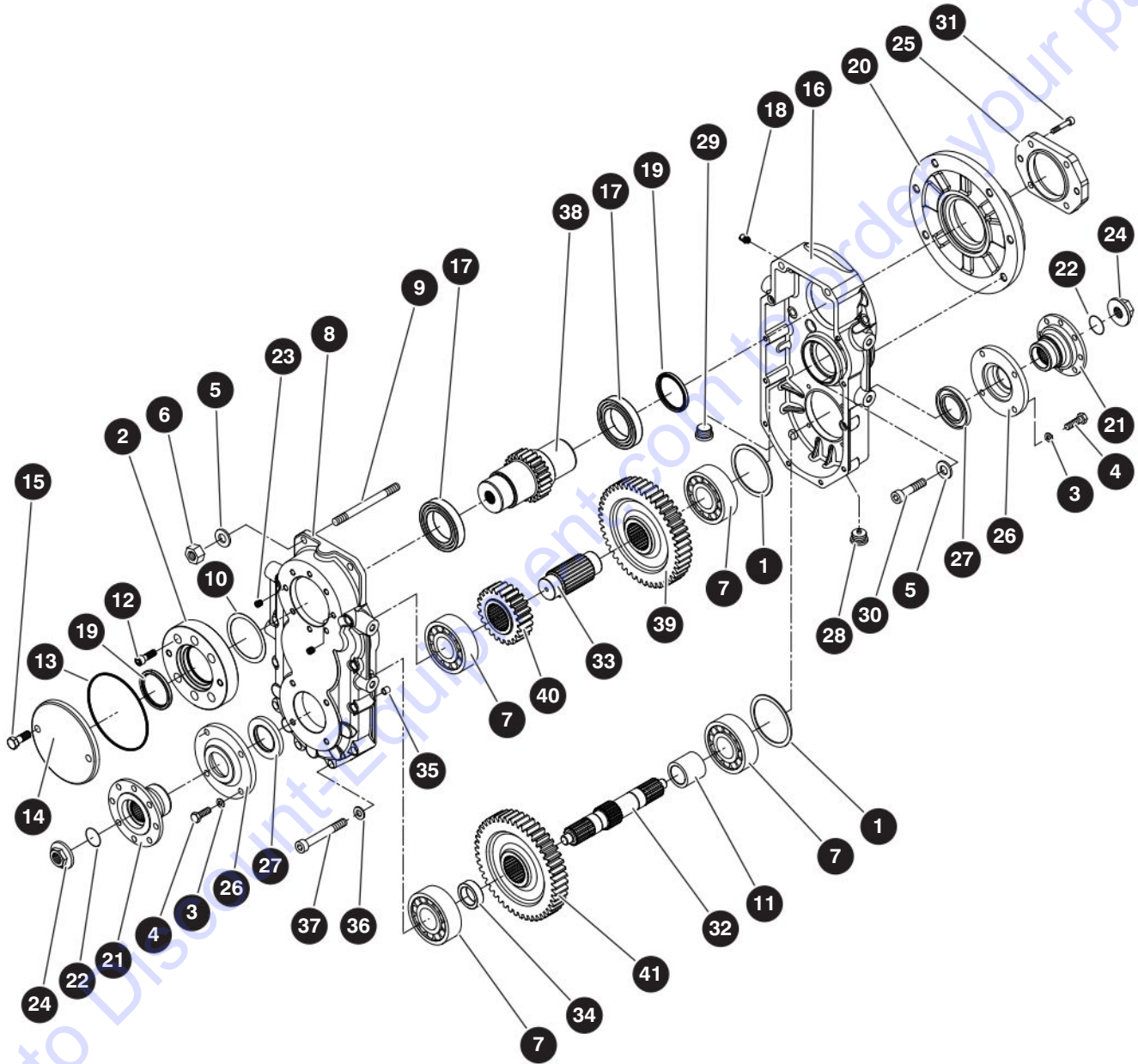
SJ82T, SJ86T

SKYJACK

5.15 Gear Box & Motor Assembly

Index No.	Skyjack Part No.	Qty.	Description
-	165115	-	GEAR BOX & MOTOR ASSEMBLY
1	(Ref.)	1	<ul style="list-style-type: none"> • BOX, Gear - Dana 305 ratio 1:4.49 (For components, refer to 5.16 Gear Box)
2	171944	2	<ul style="list-style-type: none"> • MOTOR, Axle drive
	170933	1	<ul style="list-style-type: none"> • SEAL KIT, Drive motor
3	165198	1	<ul style="list-style-type: none"> • BRACKET MOUNT, Gear box
4	103998	4	<ul style="list-style-type: none"> • WASHER, Lock (0.625")
5	125883	1	<ul style="list-style-type: none"> • FITTING, 90° (04 JICM - 04 ORBM)
6	700782	16	<ul style="list-style-type: none"> • WASHER, Flat hardened (0.625")
7	171913	12	<ul style="list-style-type: none"> • BOLT, Hex head (M14 x 2 x 35mm gr 10.9)
8	103899	4	<ul style="list-style-type: none"> • BOLT, Hex head (0.625"-11 x 1.50" gr 5)
9	167919	1	<ul style="list-style-type: none"> • BRACKET MOUNT, Gear box
10	167066	2	<ul style="list-style-type: none"> • FITTING, Run tee (12 FSM - 16 ORBM - 12 FSM)
11	167067	2	<ul style="list-style-type: none"> • FITTING, 90° (12 FSM - 16 ORBM)
12	132463	1	<ul style="list-style-type: none"> • FITTING, Tee (04 MJ - 04 MB - 04 MJ)
13	167258	1	<ul style="list-style-type: none"> • FITTING, Run tee (10 JICM - 12 ORBM - 10 JICM)
14	137490	1	<ul style="list-style-type: none"> • FITTING, Straight (10 JICM - 10 ORBM)

5.16 Gear Box



M170935AA

170453AI

150

SJ82T, SJ86T

SKYJACK

5.16 Gear Box

Index No.	Skyjack Part No.	Qty.	Description
-	168160	-	GEAR BOX, Dana 305 ratio 1:4.49
-	170905	1	• GEAR BOX
1	170906	1	• • KIT, Shim
2	141384	1	• • COVER
3	141373	8	• • WASHER, Spring
4	170907	8	• • BOLT
5	141364	6	• • WASHER, Spring
6	141363	2	• • NUT
7	170908	2	• • BEARING, Ball
8	141365	1	• • HOUSING
9	141367	2	• • STUD
10	141382	1	• • SHIM
11	170909	1	• • SPACER
12	141362	6	• • BOLT, Cylinder
13	170809	1	• • O-RING
14	170910	1	• • COVER
15	170911	2	• • BOLT
16	170912	1	• • COVER
17	141366	2	• • BEARING, Ball
18	932867	1	• • VENT
19	141370	2	• • SEAL
20	141371	1	• • COVER
21	141151	2	• • FLANGE
22	141152	2	• • O-RING
23	141368	2	• • BOLT, Grub
24	141372	2	• • NUT
25	170913	1	• • COVER
26	141374	2	• • COVER
27	170914	2	• • SEAL
28	925941	1	• • PLUG, Magnetic
29	920003	1	• • PLUG
30	141383	4	• • BOLT, Cylinder
31	170915	4	• • BOLT, Cylinder
32	170916	1	• • SHAFT, Output
33	141377	1	• • SHAFT
34	141378	1	• • SPACER
35	141379	2	• • BUSHING, Reduction
36	141380	10	• • WASHER, Spring
37	141381	10	• • BOLT, Cylinder
-	170917	1	• GEARS
38	170918	1	• • SHAFT, GEAR
39	170919	1	• • GEAR
40	141388	1	• • GEAR
41	141389	1	• • GEAR

PARTS FINDER

**Search Website
by Part Number**



**Search Manual
Library For Parts
Manual & Lookup Part
Numbers – Purchase
or Request Quote**

Search Manuals

Enter your information to help us find the right parts manual for your machine.

* Brand:

* Model:

* Serial:

* Part Number:

SEARCH

**Can't Find Part or
Manual? Request Help
by Manufacturer,
Model & Description**

Parts Order Form

Please fill in the following information to help us find the right part for your machine.

Manufacturer:	<input type="text"/>
Model:	<input type="text"/>
Description:	<input type="text"/>
Part Number:	<input type="text"/>
Quantity:	<input type="text"/>
Notes:	<input type="text"/>

Submit

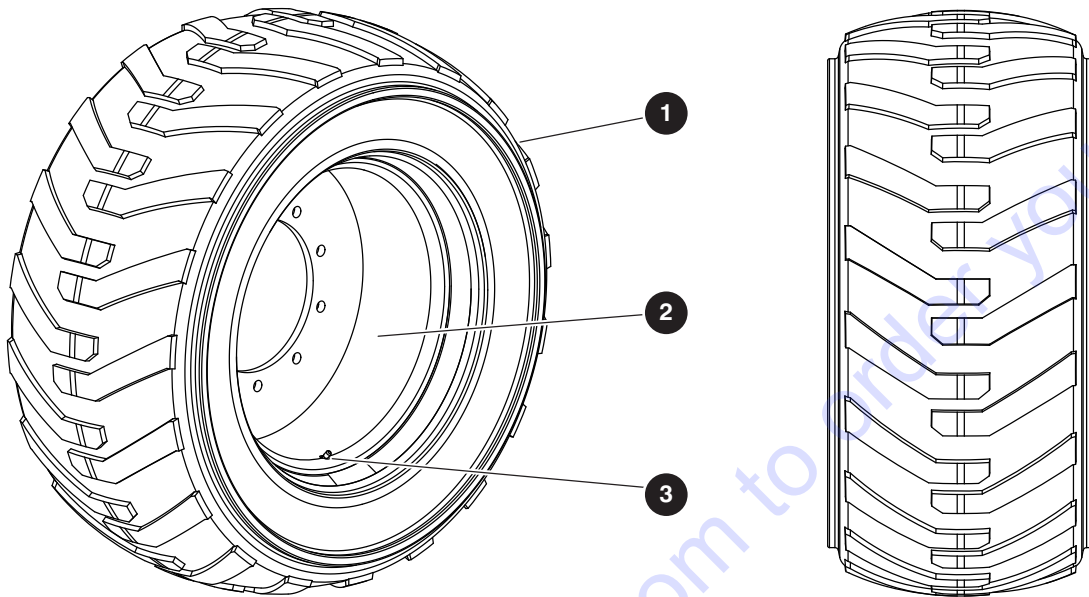
Discount-Equipment.com is your online resource for quality parts & equipment.

Florida: **561-964-4949** Outside Florida TOLL FREE: **877-690-3101**

Need parts?

Click on this link: <http://www.discount-equipment.com/category/5443-parts/> and choose one of the options to help get the right parts and equipment you are looking for. Please have the machine model and serial number available in order to help us get you the correct parts. If you don't find the part on the website or on one of the online manuals, please fill out the request form and one of our experienced staff members will get back to you with a quote for the right part that your machine needs.

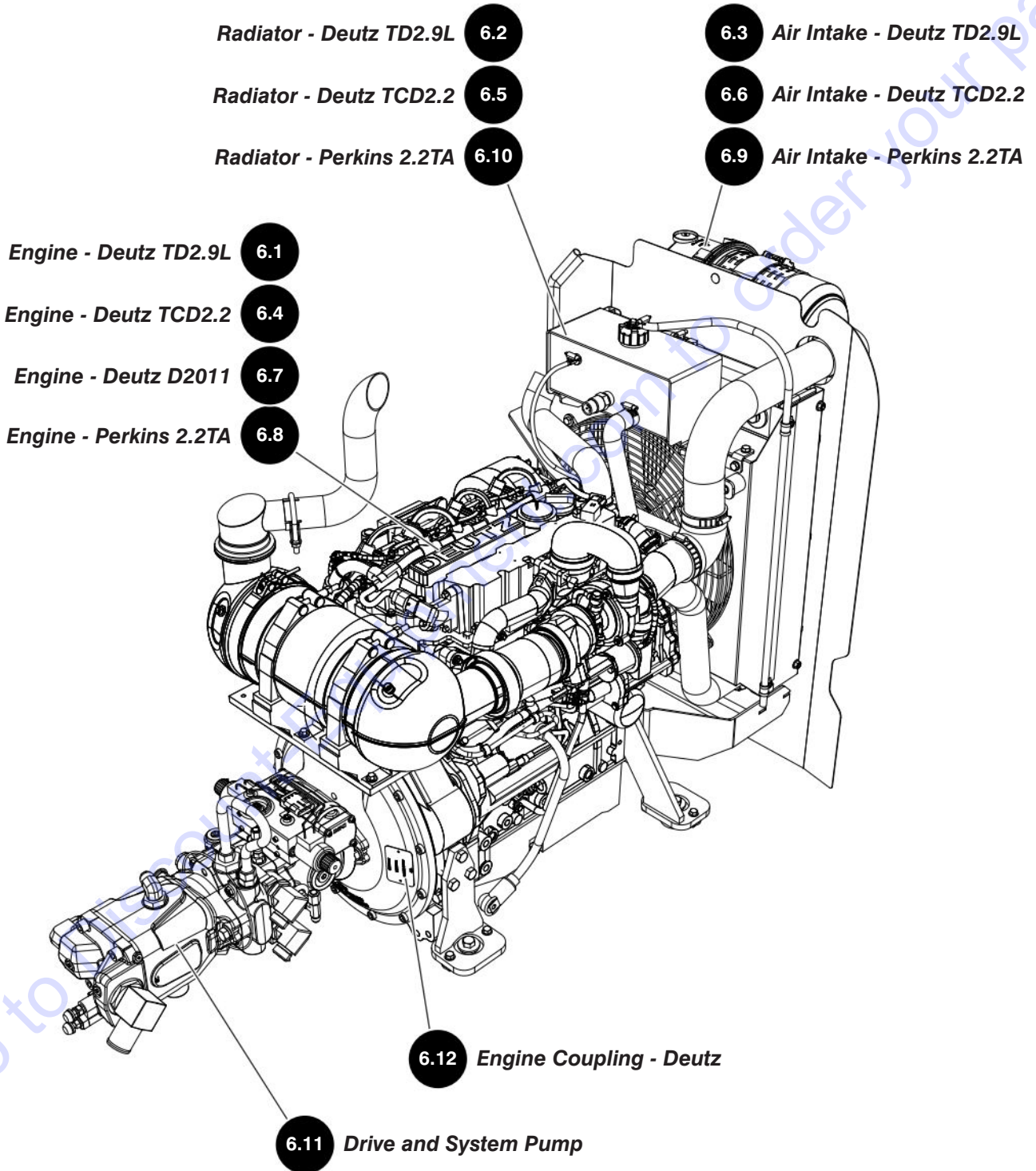
We sell worldwide for the brands: Genie, Terex, JLG, MultiQuip, Mikasa, Essick, Whiteman, Mayco, Toro Stone, Diamond Products, Generac Magnum, Airman, Haulotte, Barreto, Power Blanket, Nifty Lift, Atlas Copco, Chicago Pneumatic, Allmand, Miller Curber, Skyjack, Lull, Skytrak, Tsurumi, Husquvarna Target, Stow, Wacker, Sakai, Mi-T-M, Sullair, Basic, Dynapac, MBW, Weber, Bartell, Bennar Newman, Haulotte, Ditch Runner, Menegotti, Morrison, Contec, Buddy, Crown, Edco, Wyco, Bomag, Laymor, EZ Trench, Bil-Jax, F.S. Curtis, Gehl Pavers, Heli, Honda, ICS/PowerGrit, IHI, Partner, Imer, Clipper, MMD, Koshin, Rice, CH&E, General Equipment, Amida, Coleman, NAC, Gradall, Square Shooter, Kent, Stanley, Tamco, Toku, Hatz, Kohler, Robin, Wisconsin, Northrock, Oztec, Toker TK, Rol-Air, APT, Wylie, Ingersoll Rand / Doosan, Innovatech, Con X, Ammann, Mecalac, Makinex, Smith Surface Prep, Small Line, Wanco, Yanmar

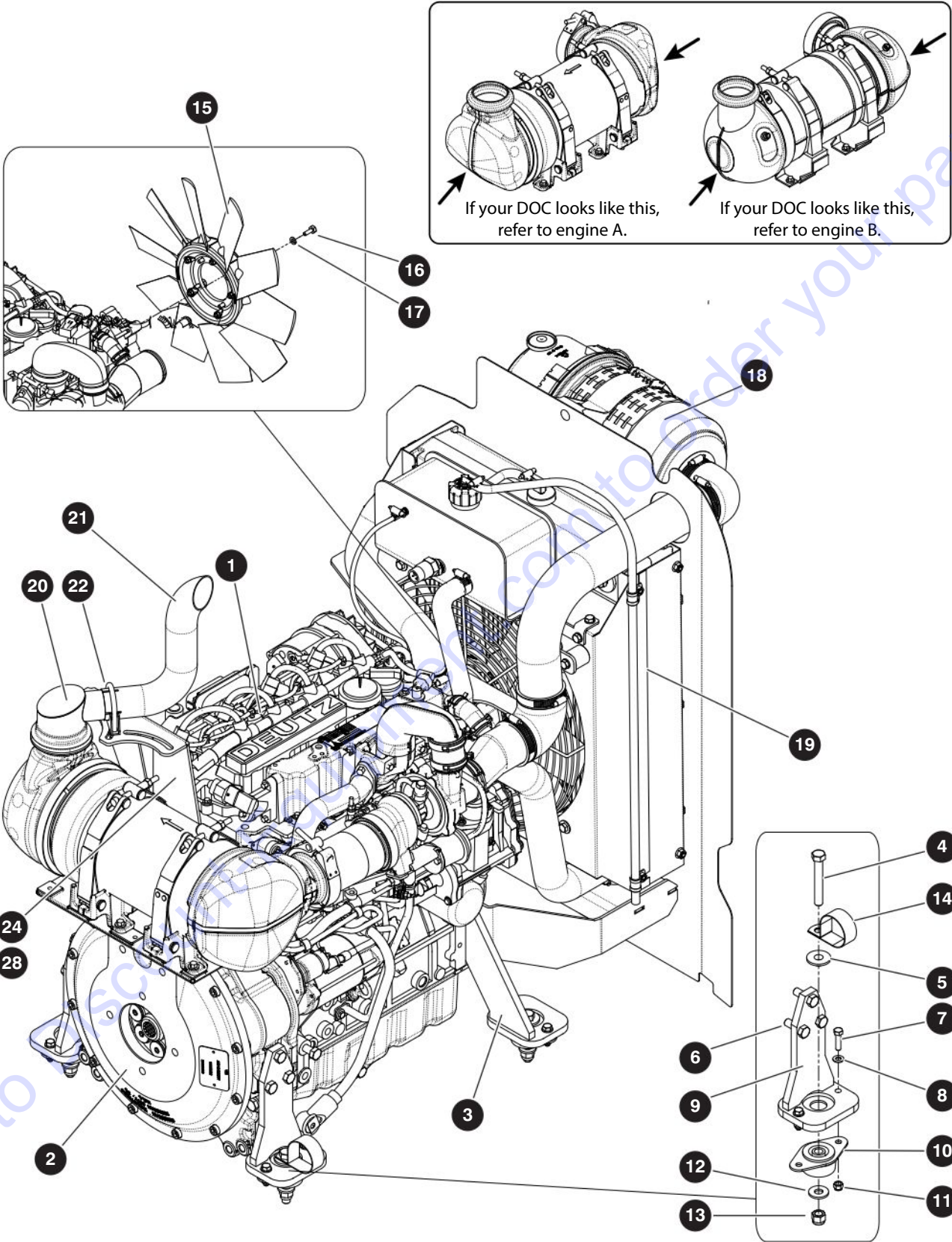


M166712AC

Index No.	Skyjack Part No.	Qty.	Description
A	165226	-	WHEEL SET - FOAM TIRES - Standard
-	166712	2	• WHEEL ASSEMBLY, Left hand
-	166713	2	• WHEEL ASSEMBLY, Right hand
1	166710	1	• • TIRE (R4 18-625 16PR), OTR
2	166711	1	• • RIM (24.5 x 15 - 2.75" offset)
3	144309	1	• • VALVE STEM, OTR
4	166013	322 lbs	• • FOAM FILL, 32 duro 60/40
B	165229	-	WHEEL SET - NON-MARKING FOAM TIRES - Optional
-	167116	2	• WHEEL ASSEMBLY, Left hand
-	167117	2	• WHEEL ASSEMBLY, Right hand
1	167105	1	• • TIRE (R4 16-625 16PR), OTR
2	166711	1	• • RIM (24.5 x 15 - 2.75" offset)
3	144309	1	• • VALVE STEM, OTR
4	166013	322 lbs	• • FOAM FILL, 32 duro 60/40

Section 6 – Engines



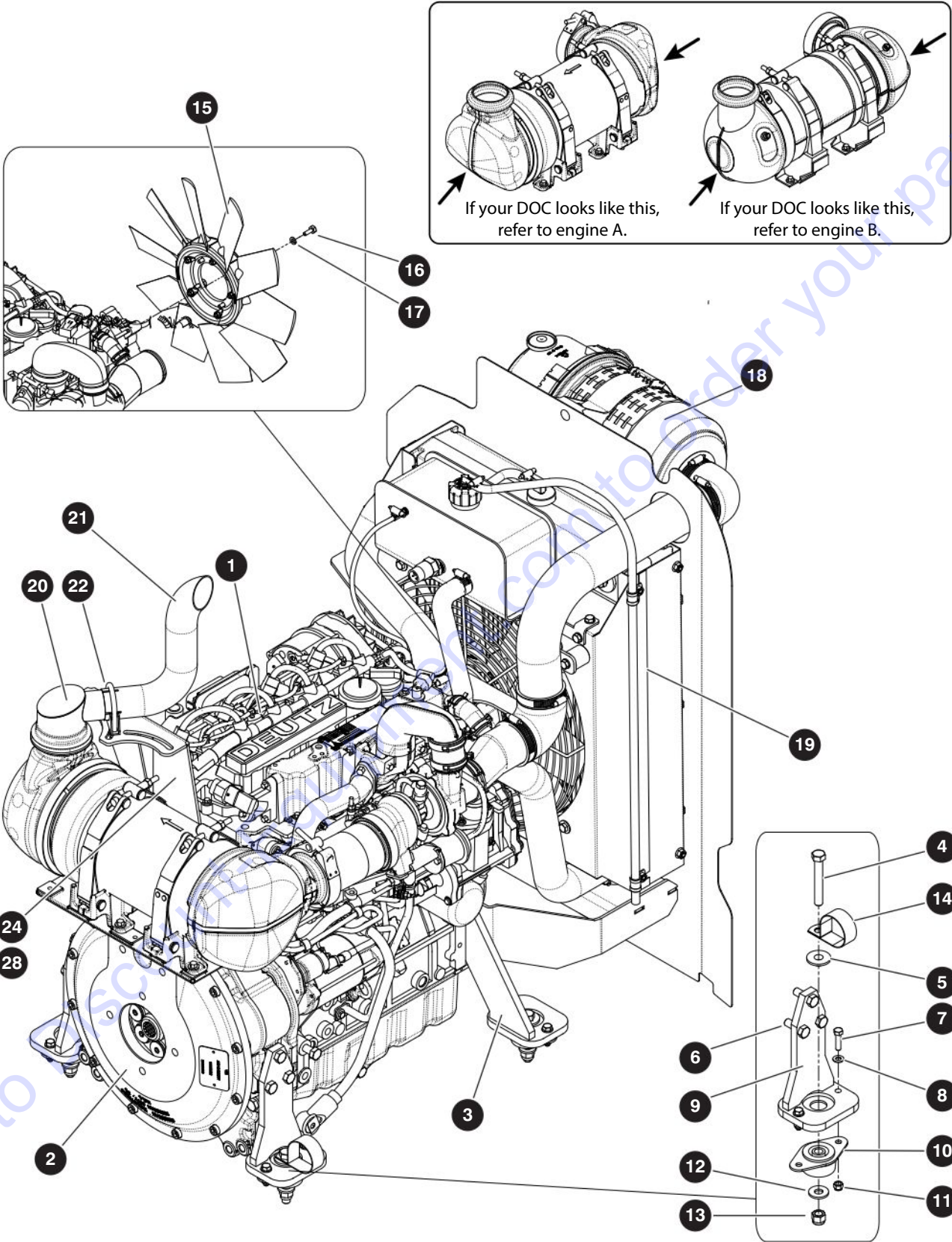


M167096AG

170453AI

SJ82T, SJ86T

Index No.	Skyjack Part No.	Qty.	Description
-	167096	1	ENGINE ASSEMBLY, Deutz TD2.9L
1	213096	1	• ENGINE, Diesel - Deutz TD2.9L, A (refer to the diagram for identification)
	171943	1	• ENGINE, Diesel - Deutz TD2.9L, B (refer to the diagram for identification)
	147072	1	• • FILTER, Oil
	164770	1	• • PUMP, Fuel
	164771	1	• • FILTER, Fuel
	164772	1	• • PRE-FILTER, Fuel
	169249	1	• • • CABLE, Sensor - pre-filter
	166689	1	• • CAP, Oil filler
	166690	1	• • DIPSTICK
	166691	1	• • PLUG, Oil pan drain
	166692	1	• • STARTER, 3.2kW
	166693	1	• • ALTERNATOR
	166694	1	• • BELT, Alternator and water pump
	166695	1	• • GASKET SET
	166696	1	• • PUMP, Coolant
	166697	1	• • TURBOCHARGER
	166698	1	• • PLUG, Glow
	166699	1	• • THERMOSTAT
	166700	1	• • SENSOR, Fuel pressure
	166701	1	• • SENSOR, Mag pick-up
	166702	1	• • SENSOR, Coolant temperature
	166703	1	• • SENSOR, Oil pressure
	166704	1	• • SENSOR, Intake air pressure
	166705	1	• • SENSOR, Intake air temperature
	216889	1	• • SENSOR, Rail pressure
	216891	1	• • RAIL
	164845	1	• • ECU
	194080	1	• • DOC, B
	199169	1	• • OUTLET, DOC, A
-	167211	1	• ENGINE COUPLINGS
2	(Ref.)	1	• • ENGINE COUPLING ASSEMBLY (For components, refer to 6.12 Engine Coupling - Deutz)
-	196386	1	• • ENGINE MOUNTS - Deutz D2.9L
3	163049	1	• • • MOUNT, Front RH
	163047	1	• • • MOUNT, Front LH
4	103469	4	• • • BOLT, Hex head (1/2"-13 x 3.25", Grade 5) (rear left, front left/right)
	125525	1	• • • BOLT, Hex head (1/2-13 x 3.50", Grade 5") (rear right)
5	163200	4	• • • WASHER, Snubbing, engine mount
6	149419	10	• • • BOLT, Hex head (M12 x 1.75" x 35mm, Grade 8.8)
7	112532	8	• • • BOLT, Hex head (5/16"-18 x 1.25", Grade 5)
8	103996	8	• • • WASHER, Flat (5/16")
9	163051	2	• • • MOUNT, Rear engine
10	163028	4	• • • MOUNT, Vibration - Deutz
11	103984	8	• • • NUT, Hex nylon lock (5/16"-18, Grade 5)

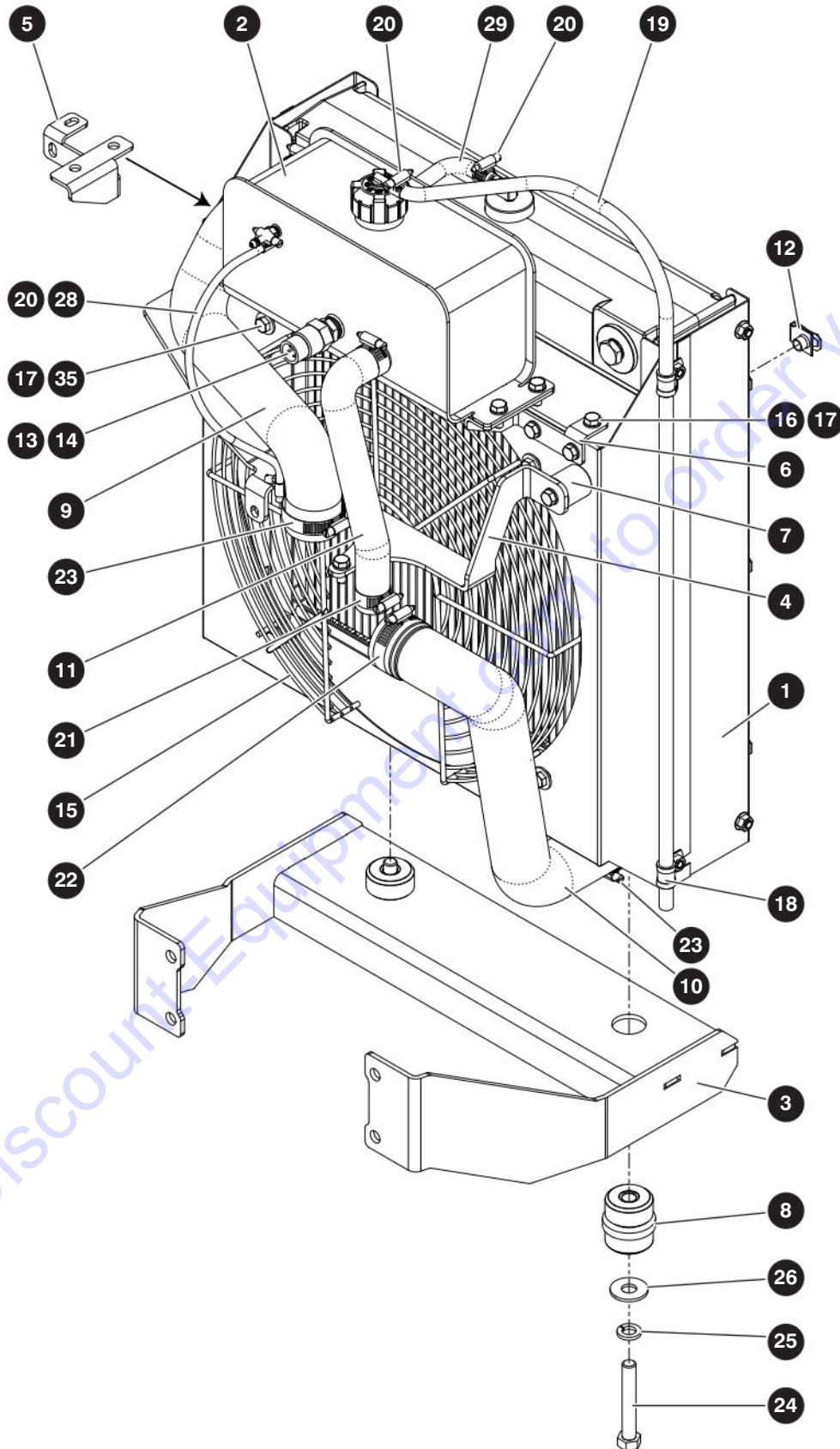


M167096AG

170453AI

6.1 Engine - Deutz TD2.9L

Index No.	Skyjack Part No.	Qty.	Description
12	104379	4	• • • WASHER, Flat (1/2" SAE AA)
13	702507	4	• • • NUT, Hex nylon lock (1/2"-13, Grade 5)
14	171177	1	• • • CLAMP, Loop - vinyl coated (2")
-	165900	1	• FAN INSTALL ASSEMBLY
15	163223	1	• • FAN, Deutz (17")
16	133174	4	• • BOLT, Hex head (M8 x 1.25 x 20mm Grade 5, ZP)
17	116218	4	• • WASHER, Lock (M8)
18	167094	1	• AIR INTAKE ASSEMBLY (For components, refer to 6.3 Air Intake - Deutz TD2.9L)
19	165887	1	• RADIATOR ASSEMBLY (For components, refer to 6.2 Radiator - Deutz TD2.9L)
-	165905	1	• EXHAUST ASSEMBLY
20	164525	1	• • ADAPTER, Exhaust
21	164553	1	• • TAILPIPE, Deutz
22	148377	1	• • CLAMP, Exhaust (2")
23	194346	1	• • BRACKET, Exhaust
24	133232	3	• • WASHER, Flat (M8)
25	133174	3	• • BOLT, Hex head (M8-1.25 x 20 gr 8.8)
26	165602	1	• CABLE, Alternator (not shown)
27	168685	1	• CABLE, Starter to battery disconnect (not shown)
28	149419	1	• BOLT, Hex head (M12 x 1.75 x 35mm gr 8.8)



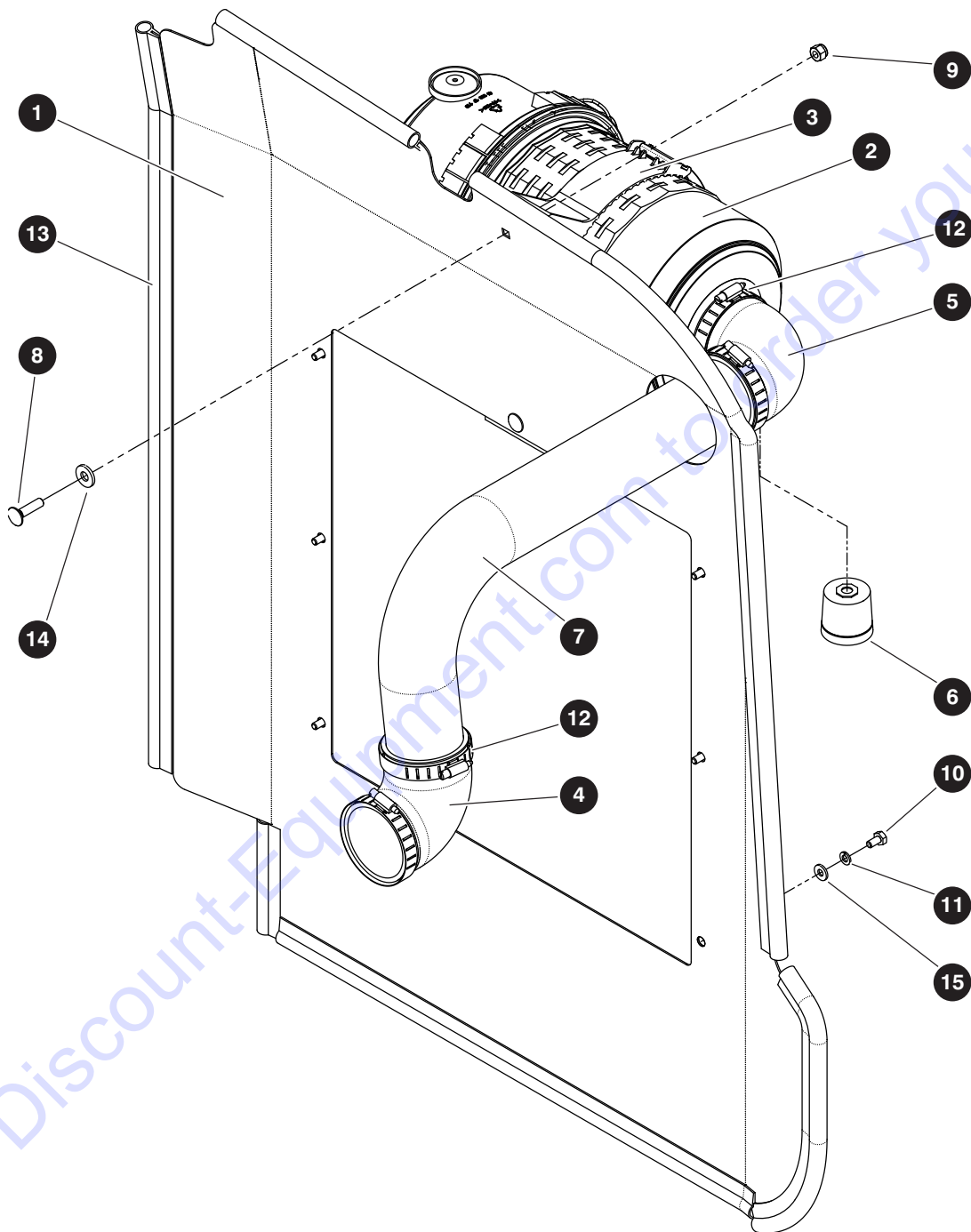
M197931AA

170453AI

SJ82T, SJ86T

Index No.	Skyjack Part No.	Qty.	Description
-	165887	1	RADIATOR ASSEMBLY, Deutz TD2.9L
1	163229	1	• RADIATOR, Deutz TD2.9L
	210168	1	• • SHROUD, Fan
2	163230	1	• RESERVOIR, Overflow, Deutz TD2.9L
	223207	1	• • CAP, Reservoir
-	220934	1	• KIT, Radiator, Deutz TD2.9L
3	194839	1	• • MOUNT, Radiator
4	221390	1	• • BRACKET, Upper radiator support
5	210223	1	• • MOUNT, Degas
6	210224	1	• • MOUNT, Degas
7	190430	2	• • ISOLATOR, Upper
8	132945	2	• • ISOLATOR, Lower
9	207694	1	• • HOSE, Radiator - return
10	207695	1	• • HOSE, Radiator - lower
11	207696	1	• • HOSE, Radiator - upper
12	149496	6	• NUT, Speed clip (1/4"-20 x 1/2" L)
13	165058	1	• SENSOR, Coolant level
14	166949	1	• WASHER, M16 Sealing
15	163394	1	• GUARD, Fan 17"
16	133174	17	• BOLT, Hex head (M8 x 1 1/4" x 20mm Grade 5 Zinc DIN933)
17	133232	13	• WASHER, Flat (M8 DIN126)
18	144129	2	• CLIP, Single (S332G10)
19	102984	40"	• FUEL LINE, 5/16" #4PB-B194
20	103321	3	• CLAMP, Gear (SAE #4, 1/4" - 5/8")
21	142415	2	• CLAMP, Gear (SAE #20, 3/4" - 1 3/4")
22	133222	1	• CLAMP, Gear (SAE #32, 1 9/16" - 2 1/2")
23	104528	3	• CLAMP, Gear (SAE #28, 1 5/16" - 2 1/4")
24	108818	2	• BOLT, Hex head (1/2"-13 x 2 3/4" Grade 5)
25	103470	2	• WASHER, Lock (1/2" Grade 5)
26	137241	1	• WASHER, Fender (1/2" ID)
27	166164	4	• WASHER, Flat (5/16" Standard)
28	160366	13"	• FUEL LINE, 3/16"
29	166737	6"	• FUEL LINE, 5/16"

6.3 Air Intake - Deutz TD2.9L



M167094AD

170453AI

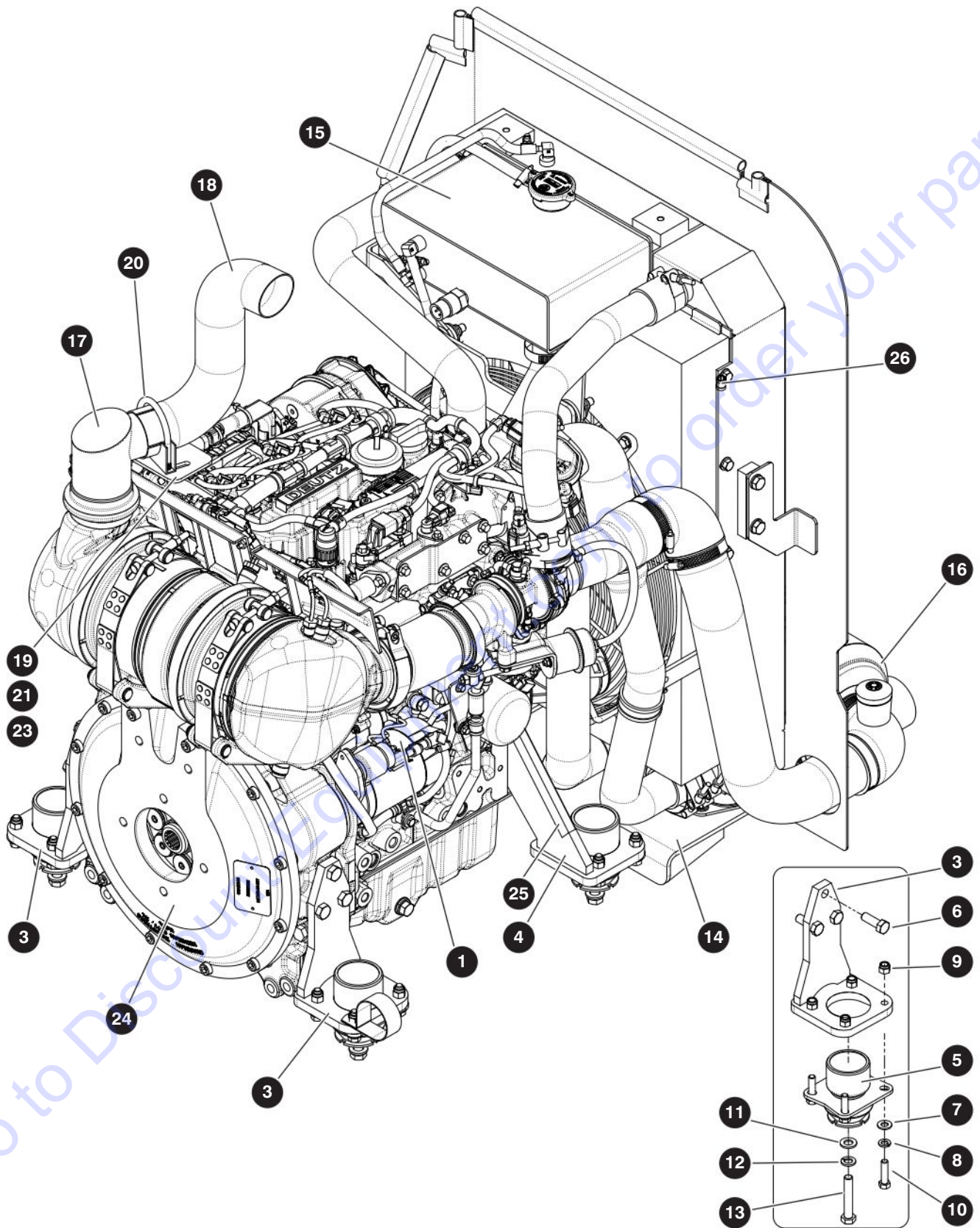
160

SJ82T, SJ86T

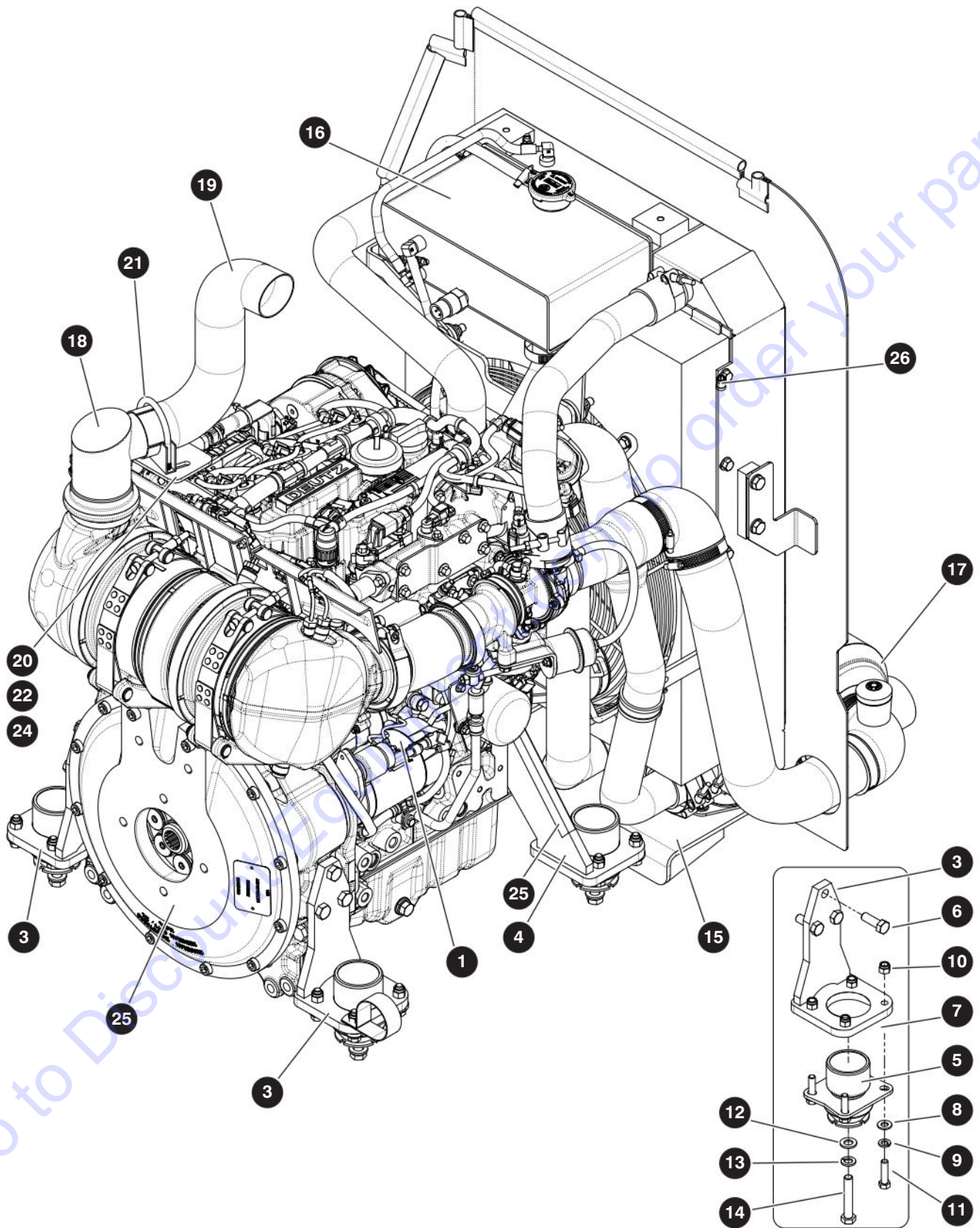
SKYJACK

6.3 Air Intake - Deutz TD2.9L

Index No.	Skyjack Part No.	Qty.	Description
-	167094	1	AIR INTAKE ASSEMBLY - Deutz TD2.9L
1	165392	1	• SHROUD, Air intake
2	163243	1	• AIR CLEANER
	165949	1	• • ELEMENT, Primary
	165950	1	• • ELEMENT, Secondary
	194405	1	• • CAP, Air cleaner
3	163245	1	• BRACKET, Air cleaner
4	163248	1	• CONNECTOR, 90°
5	163249	1	• CONNECTOR, 90°
6	163250	1	• INDICATOR, Service
7	165393	1	• TUBE, Air intake
8	106049	2	• BOLT, Carriage (5/16"-18 x 1.25" Grade 5)
9	103984	2	• NUT, Hex lock (5/16"-18 Grade 5, Nylon)
10	103856	6	• BOLT, Hex head (1/4"-20 x 0.75" Grade 5)
11	104000	6	• WASHER, Lock (1/4")
12	163193	4	• CLAMP, Gear (2.063" - 3.00")
13	137625	36"	• SEAL, Bulb
14	103996	2	• WASHER, Flat (0.312")
15	103995	6	• WASHER, Flat (0.25")



Index No.	Skyjack Part No.	Qty.	Description
-	226288	1	ENGINE ASSEMBLY - Deutz TCD2.2
1	223249	1	• ENGINE, Diesel - Deutz TCD2.2
	224309	1	• • FILTER, Oil
	224314	1	• • PUMP, Fuel
	224320	1	• • FILTER, Fuel
	224322	1	• • • CARTRIDGE, Fuel filter
	224315	1	• • • SENSOR, Pressure
	224323	1	• • PRE-FILTER, Fuel
	224323	1	• • • CARTRIDGE, Fuel pre-filter
	169249	1	• • • CABLE, Sensor - pre-filter
	166689	1	• • CAP, Oil filler
	224308	1	• • DIPSTICK
	224584	1	• • PLUG, DRAIN - Oil pan
	224585	1	• • O-RING, Drain plug
	224307	1	• • STARTER
	224588	1	• • SWITCH, Solenoid - starter
	224312	1	• • RELAY, Starter
	224310	1	• • ALTERNATOR
	166694	1	• • BELT, Alternator and water pump
	224304	1	• • FAN
	224316	1	• • PUMP, Coolant
	229045	1	• • PLUG, Glow
	224586	1	• • INJECTOR
	224587	1	• • THERMOSTAT
	166701	1	• • SENSOR, Mag pick-up
	224318	1	• • SENSOR, Temperature
	196886	1	• • SENSOR, Tacho-generator
	224589	1	• • SENSOR, Pressure
	224303	1	• • ECU
	224305	1	• • INLET, Catalyst
	224319	1	• • OUTLET, Catalyst
	206788	1	• • HEATER, Immersion
-	226251	1	• ENGINE MOUNTS - Deutz D2.9L
3	226252	2	• • MOUNT, Rear engine
4	225257	1	• • MOUNT, Front RH
	225255	1	• • MOUNT, Front LH (not shown)
5	205697	4	• • MOUNT, Vibration - Deutz
6	149419	10	• • BOLT, Hex head (M12 x 1.75" x 35mm, Grade 8.8)
7	125959	16	• • WASHER, Flat (3/8" hard)
8	103999	16	• • WASHER, Lock (3/8")
9	104606	16	• • NUT, Hex nylon lock (3/8"-16, Grade 5)
10	103870	16	• • BOLT, Hex head (3/8"-16-18 x 1-1/2", Grade 5)
11	933817	4	• • WASHER, Flat (M12)
12	600549	4	• • WASHER, Lock (M12)
13	217868	4	• • BOLT, Hex head (M12 x 1.75 x 70, cl 10.9)



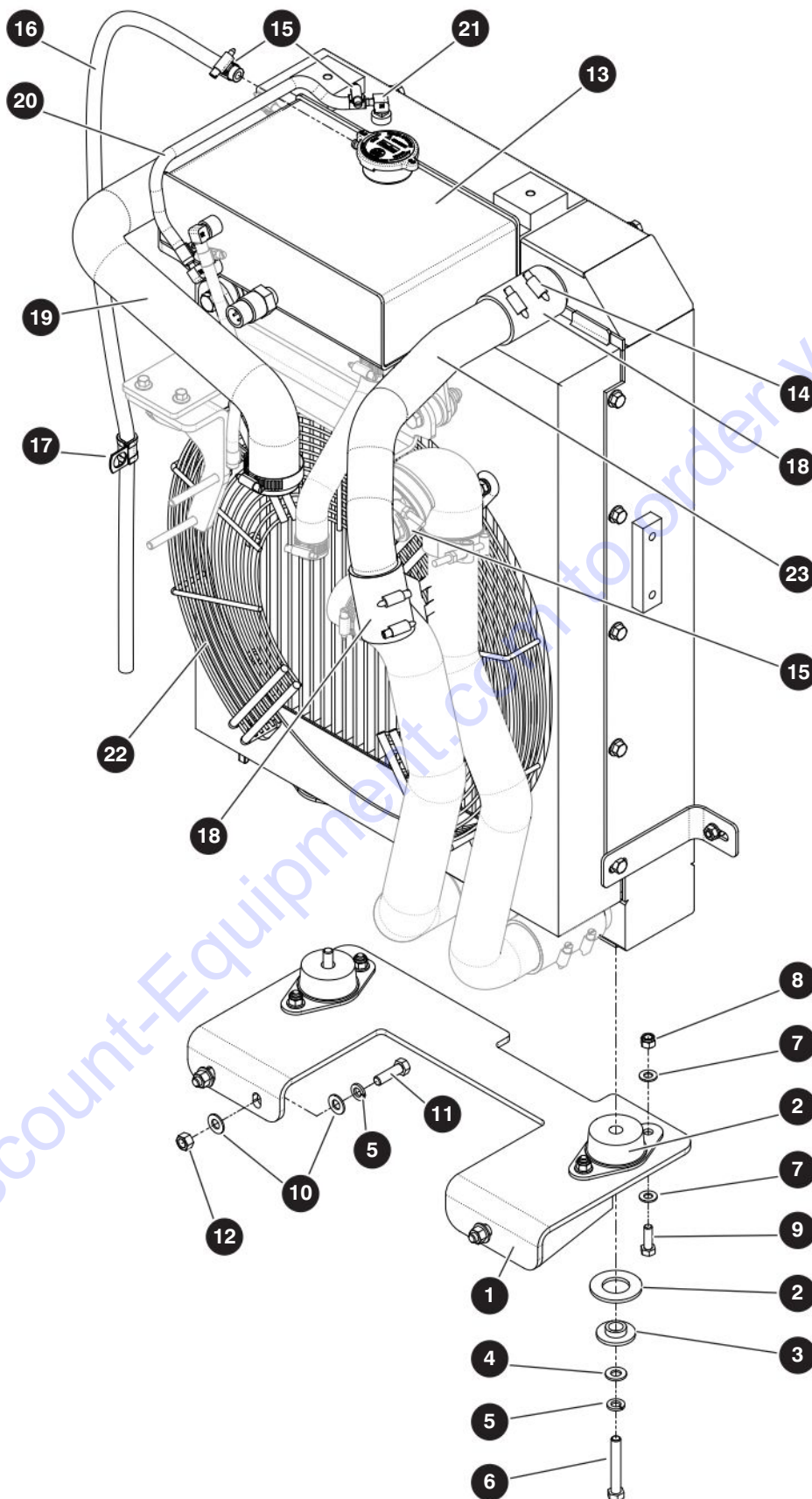
M226288AB

170453AI

SJ82T, SJ86T

6.4 Engine - Deutz TCD2.2

Index No.	Skyjack Part No.	Qty.	Description
14	(Ref.)		<ul style="list-style-type: none"> RADIATOR MOUNT (For components, refer to 6.5 Radiator - Deutz TCD2.2)
15	(Ref.)		<ul style="list-style-type: none"> RADIATOR (For components, refer to 6.5 Radiator - Deutz TCD2.2)
16	(Ref.)		<ul style="list-style-type: none"> AIR INTAKE ASSEMBLY (For components, refer to 6.6 Air Intake - Deutz TCD2.2)
-	226293	1	<ul style="list-style-type: none"> EXHAUST ASSEMBLY
17	226247	1	<ul style="list-style-type: none"> ADAPTER, Exhaust
18	226294	1	<ul style="list-style-type: none"> TAIL PIPE
19	226243	1	<ul style="list-style-type: none"> BRACKET, Exhaust
20	167788	1	<ul style="list-style-type: none"> CLAMP, U-bolt (2-1/2" x 9/16")
21	933833	2	<ul style="list-style-type: none"> WASHER, Flat (M10 OD 20)
22	217865	2	<ul style="list-style-type: none"> BOLT, Hex head (M10 x 1.5 x 75, cl 10.9)
23	165602	1	<ul style="list-style-type: none"> CABLE, Alternator (not shown)
24	(Ref.)		<ul style="list-style-type: none"> ENGINE COUPLING (For components, refer to 6.12 Engine Coupling - Deutz)
25	119922	6	<ul style="list-style-type: none"> PROTECTIVE TRIM (1/4 - 1/2)
26	144129	1	<ul style="list-style-type: none"> CLAMP, Loop cushion (#10)

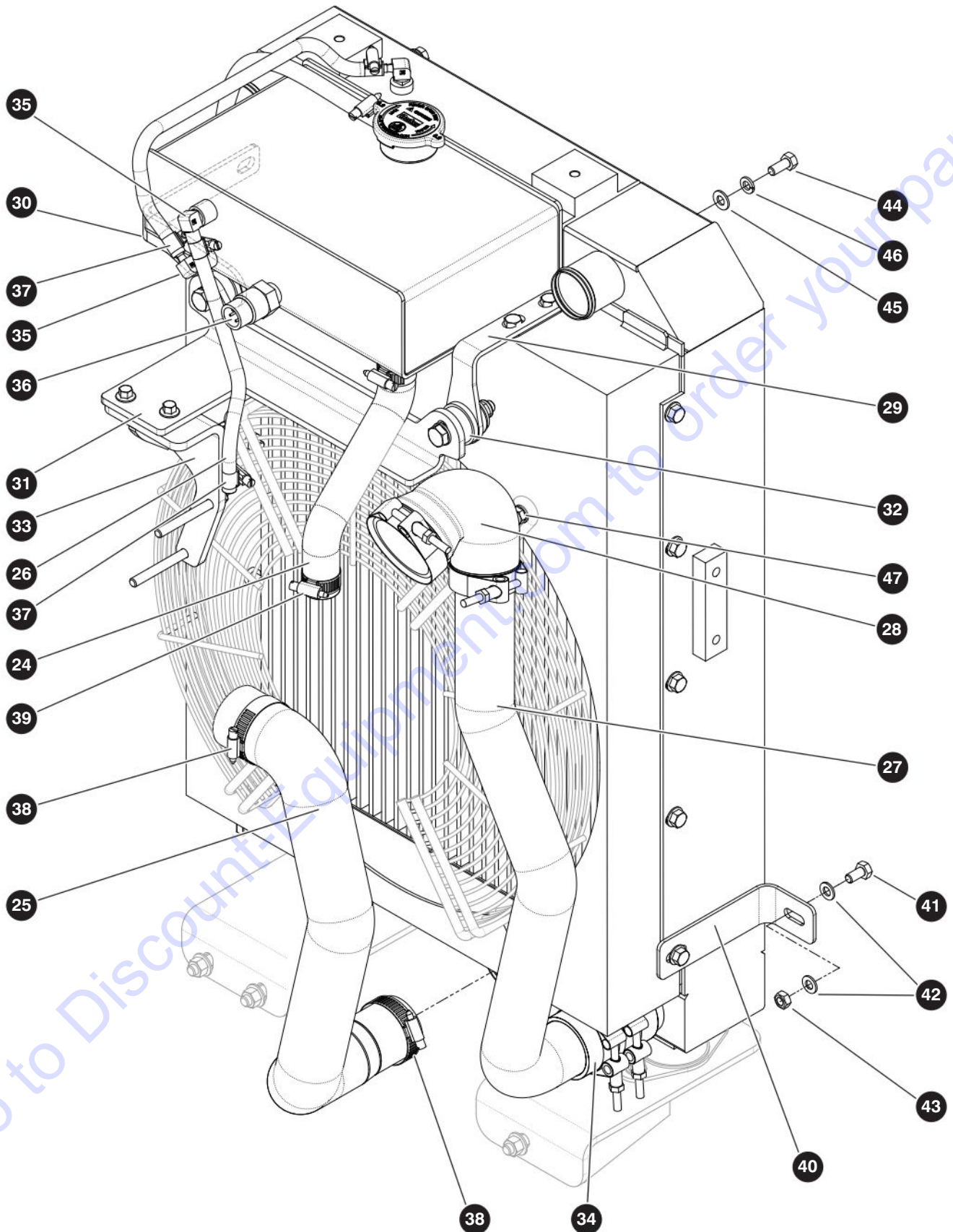


M226268AC_M226295AA

170453AI

SJ82T, SJ86T

Index No.	Skyjack Part No.	Qty.	Description
-	226295	1	RADIATOR MOUNT - Deutz TCD2.2
1	226296	1	• MOUNT, Radiator
2	163028	2	• MOUNT, Vibration
3	163200	2	• WASHER, Snubbing
4	125959	2	• WASHER, Flat (3/8" hard)
5	103999	5	• WASHER, Lock (3/8")
6	103873	2	• BOLT, Hex head (3/8"-16 x 2-1/2", gr 5)
7	103996	8	• WASHER, Flat (5/16")
8	103984	4	• NUT, Lock (5/16"-18, gr 5 nylon)
9	103864	4	• BOLT, Hex head (5/16"-16 x 1", gr 5)
10	103472	6	• WASHER, Flat (3/8")
11	117430	3	• BOLT, Hex head (3/8"-16 x 1-1/4", gr 8)
12	103978	3	• NUT, Hex (3/8" gr 5)
-	226268	1	RADIATOR - Deutz TCD2.2
13	206955	1	• RADIATOR
14	104528	6	• CLAMP, Hose (1-3/4")
15	121869	1	• CLAMP, Hose (2-1/2")
16	102984	40"	• FUEL LINE (5/16")
17	144129	2	• CLAMP, Loop cushioned (#10)
-	226269	1	• HOSE AND BRACKET KIT
18	230696	4	• • SLEEVE, Rubber
19	206958	1	• • HOSE, Water
20	224579	1	• • HOSE (1/4" x 23")
21	206966	1	• • FITTING, Hose barb (90° 1/4" NPT)
22	226275	1	• • GUARD, Fan
23	206956	1	• • PIPING, Charge air - upper
			The parts list continues on the next page.



M226268AC_M226295AA_1

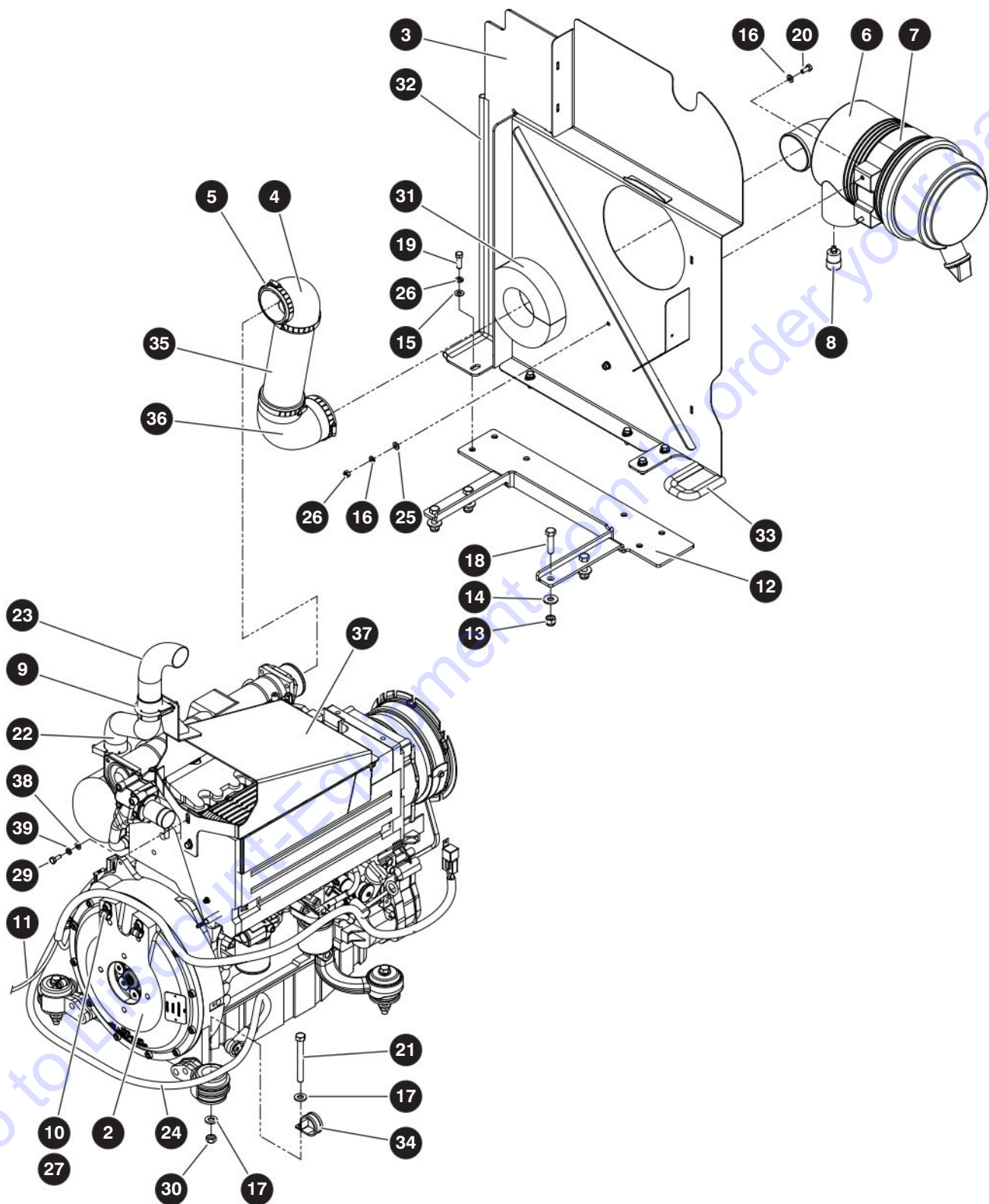
170453AI

SJ82T, SJ86T

Index No.	Skyjack Part No.	Qty.	Description
24	206960	1	• • HOSE, Compensation
25	230697	1	• • HOSE, Coolant - lower
26	206968	1	• • HOSE (1/4" x 12")
27	224582	1	• • PIPING, Charge air - lower
28	232513	1	• • ELBOW, CAC
29	232511	1	• • BRACKET, Right
30	232512	1	• • BRACKET, Left
31	230699	1	• • BRACKET, Center
32	224580	2	• • ISOLATOR
33	232514	1	• • PLATE, Retaining
34	230698	1	• • SLEEVE, Rubber
35	206966	2	• • FITTING, Hose barb (90° 1/4" NPT)
36	165058	1	• SENSOR, Coolant level
37	102519	5	• CLAMP, Hose (3/8")
38	133222	5	• CLAMP, Hose (2")
39	142415	2	• CLAMP, Hose (1-1/4")
40	231321	2	• BRACKET, Baffle plate
41	133174	2	• BOLT, Hex head (M8 x 1325 x 16 mm, gr 8.8)
42	133232	4	• WASHER, Flat (M8)
43	933696	2	• NUT, HEx head (M8-1.25, gr 5)
44	103864	2	• BOLT, Hex head (5/16"-18 x 3/4")
45	103996	2	• WASHER, Flat (5/16")
46	103404	2	• WASHER, Lock (5/16")
47	166164	4	• WASHER, Flat (5/16")

Index No.	Skyjack Part No.	Qty.	Description
-	226289	1	AIR INTAKE ASSEMBLY - Deutz TCD2.2
1	226290	1	• PLATE, Baffle
2	163249	1	• CONNECTOR, 90° - service indicator
3	163250	1	• INDICATOR, Service
4	163193	4	• CLAMP, Hose (3")
5	158380	2	• BOLT, Carriage (5/16"-18 x 1-3/4", gr 5)
6	103984	2	• NUT, Lock (5/16"-18, gr 5 nylon)
7	103996	2	• WASHER, Flat (5/16")
8	226292	1	• TUBE, Air intake
9	226276	1	• PIPE, Air intake
10	933833	4	• WASHER, Flat (M10-OD 20)
11	103848	4	• BOLT, Hex head (M10-1.25 x 20 mm, gr 8.8)
12	163245	1	• BRACKET, Air cleaner - E300
13	163243	1	• AIR CLEANER - E300
	165949	1	• • ELEMENT, Primary
	165950	1	• • ELEMENT, Secondary
	194405	1	• • CAP, Air cleaner
14	163248	1	• CONNECTOR, 90°
15	137625	100"	• TRIM, Rubber
16	224624	1	• PLATE, Mounting
17	103995	2	• WASHER, Flat (1/4")
18	103856	1	• BOLT, Hex head (1/4"-20 x 3/4", gr 5)
19	115649	1	• NUT, Lock (1/4"-20, gr 5 nylon)
20	224625	1	SENSOR, Ambient temperature (supplied with the engine)

6.7 Engine - Deutz D2011



M167098AD

170453AI

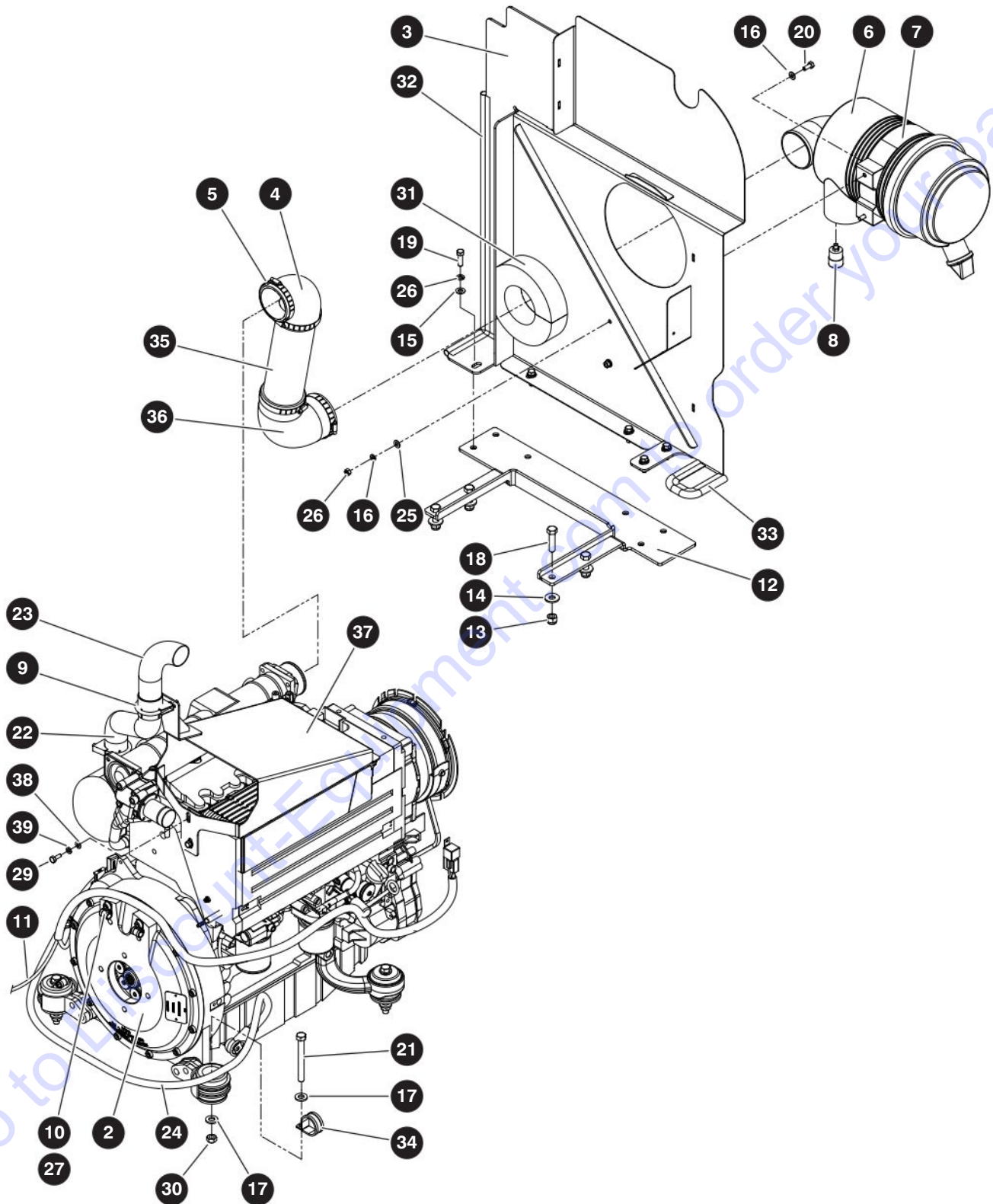
172

SJ82T, SJ86T

SKYJACK

Index No.	Skyjack Part No.	Qty.	Description
-	167098	1	ENGINE ASSEMBLY
1	167739	1	• ENGINE, Diesel (Deutz)
	127181	1	• • PUMP, Fuel injection
	127182	1	• • CAP, Filler
	127183	1	• • FLYWHEEL
	127184	1	• • CONNECTOR, Plug-in
	127185	1	• • CONNECTOR, Plug-in
	127186	1	• • CABLE, Interconnect
	204249	1	• • STARTER
	151769	1	• • EXHAUST, Silencer
	151770	1	• • V-BELT, Narrow
	147071	1	• • FILTER, Fuel
	147072	1	• • FILTER, Oil
	157659	1	• • DIPSTICK
	168055	1	• • SOLENOID, Fuel
	168365	1	• • ALTERNATOR
	168366	1	• • SWITCH, Oil temperature
	168367	1	• • SENDER, Temperature
	138725	1	• • ECU
	194225	1	• • WIRE, Starter
	151770	1	• • BELT, Alternator
2	(Ref.)	1	• ENGINE COUPLING ASSEMBLY (For components, refer to 6.12 Engine Coupling - Deutz)
3	167124	1	• WELDMENT, Baffle
4	138508	1	• ELBOW, 90° Reducer (air intake)
5	138665	4	• CLAMP, Gear (SAE NO. 56)
6	703312	1	• AIR CLEANER, Engine
6	704560	1	• • FILTER, Primary
6	706549	1	• • FILTER, Secondary
7	703315	1	• BAND, Air cleaner mounting
8	139091	1	• INDICATOR, Air restriction
9	148377	1	• CLAMP, Exhaust pipe (2")
10	144129	4	• CLIP, Single (S332G10)
11	(Ref.)	1	• HARNESS, Glow Plug (Deutz diesel engine) (For components, refer to 7.11 Glow Plug Harness - Deutz D2011 Engine)
12	166657	1	• BRACKET, Baffle
13	702507	4	• NUT, Hex head nylon lock (0.50"-13 gr 5)
14	137241	4	• WASHER, Flat (0.50" SAE AA)
15	125959	6	• WASHER, Flat hardened (0.375")
16	103996	4	• WASHER, Flat (5/16")
17	104379	8	• WASHER, Flat hardened (1/2")
18	103904	4	• BOLT, Hex head (0.50"-13 x 2.00" gr 5)
19	101297	6	• BOLT, Hex head (0.375"-16 x 1.25" gr 5)
20	103887	2	• BOLT, Hex head (0.312"-18 x 0.75" gr 5)

6.7 Engine - Deutz D2011



M167098AD

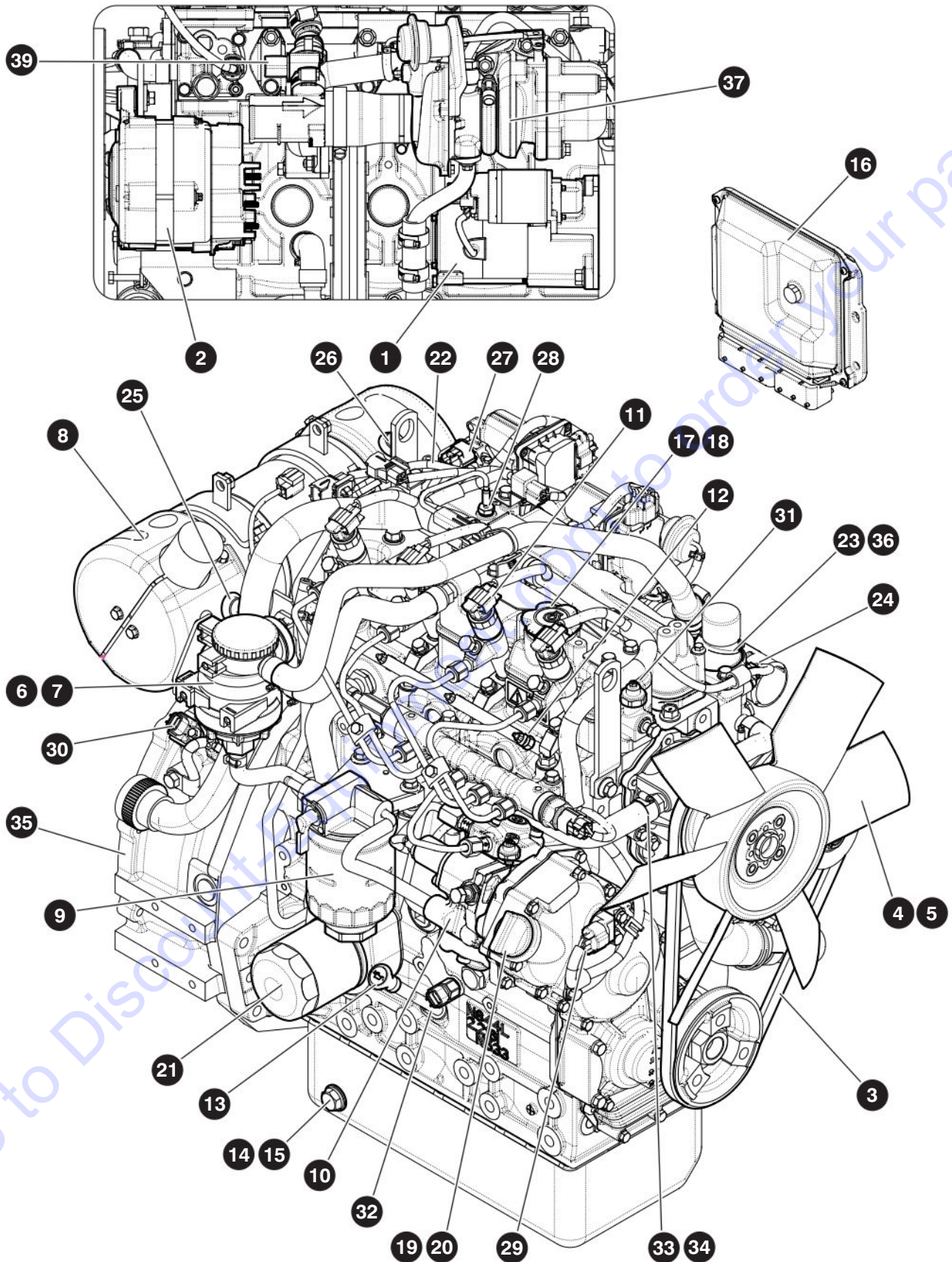
170453AI

174

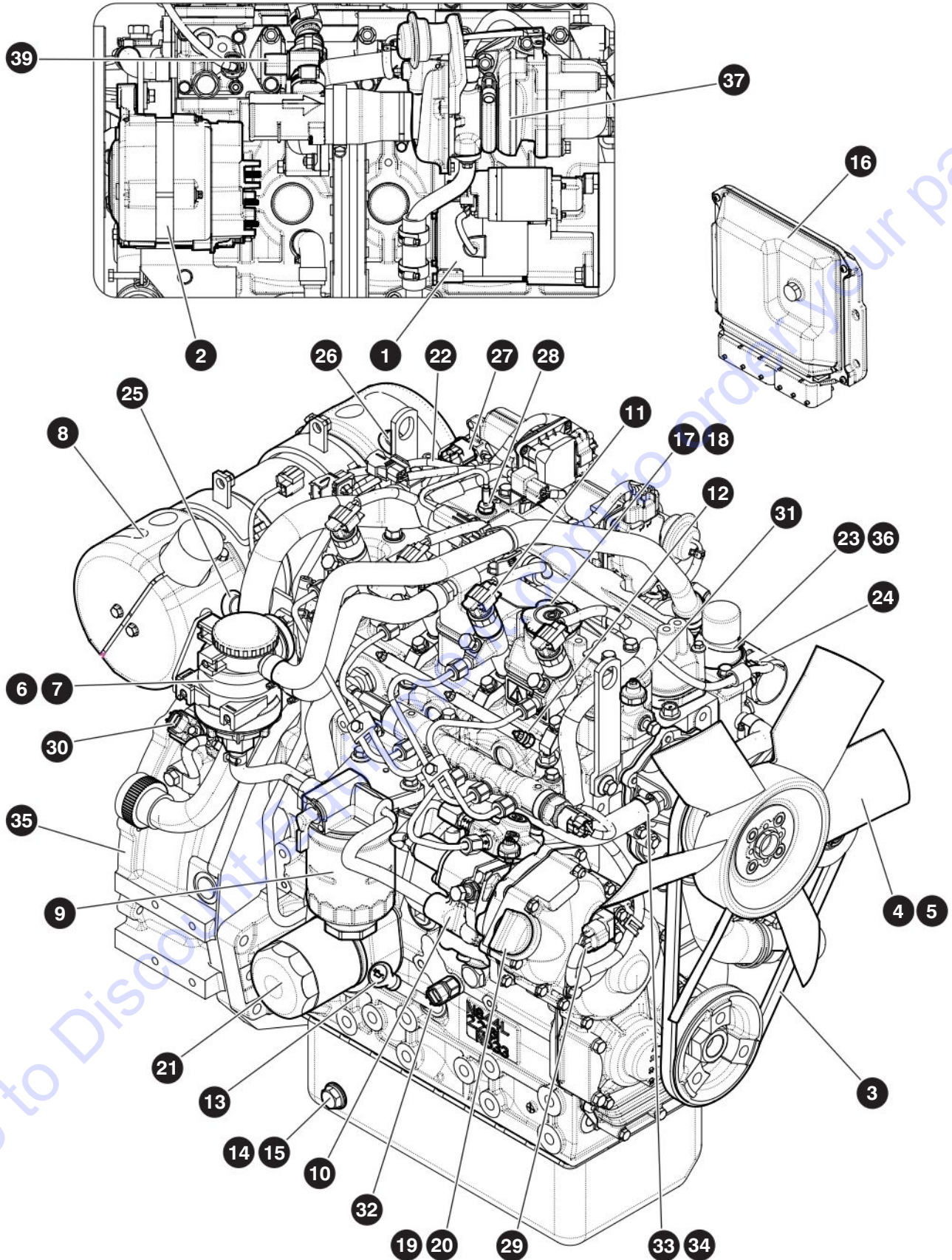
SJ82T, SJ86T

SKYJACK

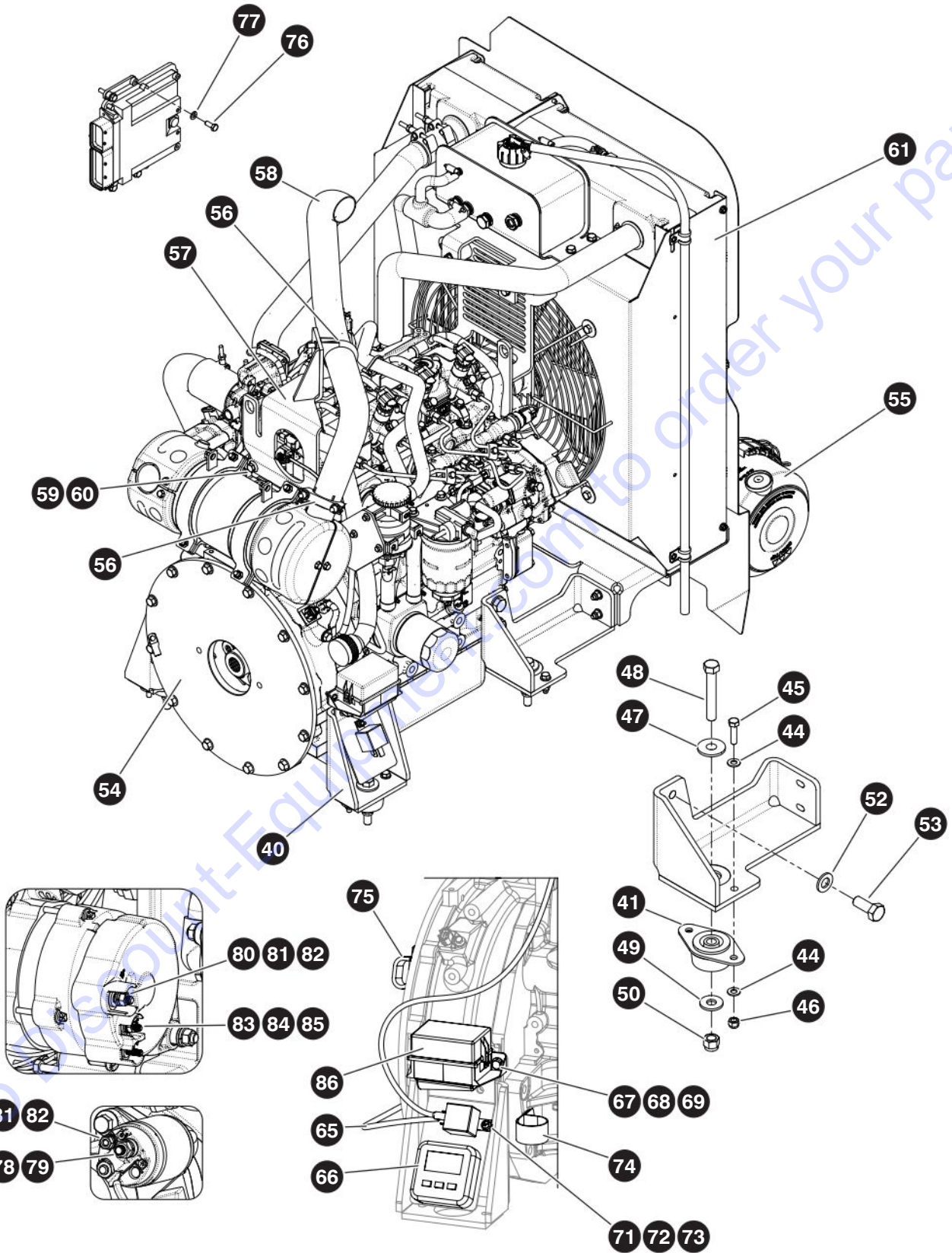
Index No.	Skyjack Part No.	Qty.	Description
21	111420	4	• BOLT, Hex head (1/2"-13 x 4 1/2" Grade 5)
22	147511	1	• STACK, Exhaust
23	153962	1	• PIPE, Exhaust (2")
24	168686	1	• CABLE, #2/0 (0.38" x 55" x 0.38" (03, 03))
25	103404	2	• BOLT, Hex head (0.50"-13 x 2.00" gr 5)
26	103999	6	• WASHER, Lock (3/8")
27	103472	3	• WASHER, Flat (3/8")
28	100397	2	• NUT, Hex head (5/16"-18 Grade 5)
29	133174	2	• BOLT, Hex head (M8 x 1.25mm x 22mm Grade 5, zinc)
30	138791	4	• NUT, Torque lock (0.5"-13 gr C)
31	148368	20"	• FOAM (2" x 2")
32	149357	25"	• SEAL, Bulb
33	149357	10"	• SEAL, Bulb
34	171177	1	• CLAMP, Tube - cushioned
35	168744	1	• TUBE, Air intake (3.5" OD x 11.5 lg)
36	168743	1	• ELBOW, 3.5" x 3.5" x 90°
37	172014	1	• DEFLECTOR, Air - Deutz
38	133232	2	• WASHER, Flat (M8 DIN 125)
39	116218	2	• WASHER, Lock (M8 plated DIN 127B)



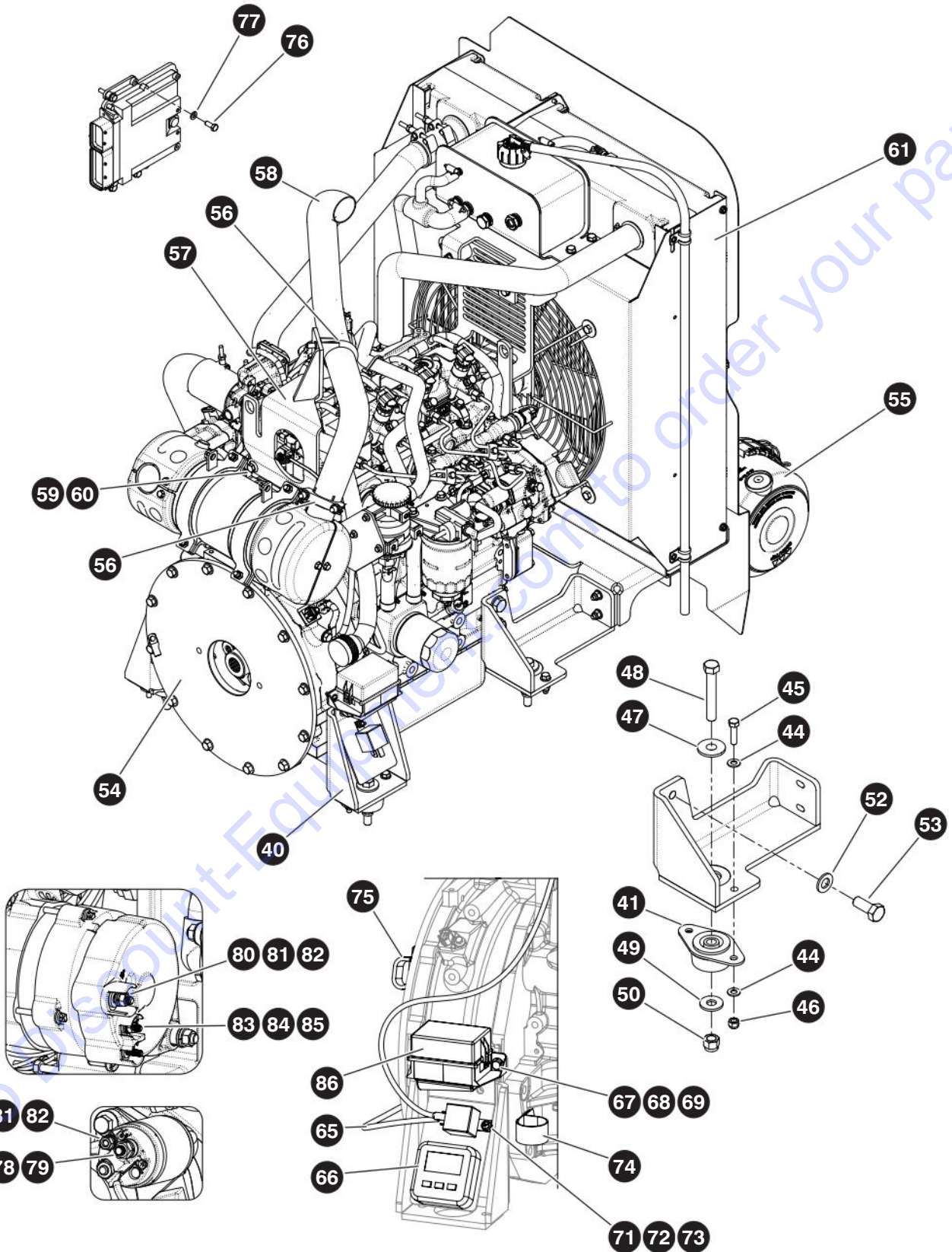
Index No.	Skyjack Part No.	Qty.	Description
-	212610	1	PERKINS 2.2TA ENGINE ASSEMBLY - ANSI/CSA
-	196378	1	• ENGINE, Perkins diesel 404F - E22TA
1	213008	1	• • STARTER
2	212830	1	• • ALTERNATOR
3	212831	1	• • FAN BELT
4	212832	1	• • PULLEY, Fan
5	212833	1	• • FAN
6	212834	1	• • BREATHER
	212835	1	• • • ELEMENT, Breather
7	212836	1	• • O-RING, Breather
8	212837	1	• • CLEAN EMISSIONS MODULE (CEM)
9	212838	1	• • FUEL FILTER ASSEMBLY
	212839	1	• • • HOUSING, Fuel filter
	212840	1	• • • • ELEMENT, Fuel filter (with seals)
10	212841	1	• • FUEL PUMP, High pressure
11	212842	4	• • INJECTOR
12	212843	4	• • GLOW PLUG
13	212848	1	• • DIPSTICK
14	212849	2	• • DRAIN PLUG
15	212850	2	• • WASHER, Drain plug
16	212976	1	• • ENGINE CONTROL MODULE
17	212977	1	• • CAP, Oil filler (top)
18	212978	1	• • O-RING, Oil filler cap (top)
19	212979	1	• • CAP, Oil filler (side)
20	212980	1	• • O-RING, Oil filler cap (side)
21	212981	1	• • FILTER, Oil
22	212982	1	• • ENGINE WIRING HARNESS
23	212983	1	• • THERMOSTAT
24	212984	1	• • SENSOR, Temperature (water pump)
25	212985	1	• • SENSOR, Temperature (CEM)
26	212986	1	• • SENSOR, Temperature (CEM)
27	212987	1	• • SENSOR, Air pressure
28	212988	1	• • SENSOR, (induction manifold)
29	212989	1	• • SENSOR, Speed (front plate)
30	212990	1	• • SENSOR, Speed (flywheel)
31	212991	1	• • SWITCH, Oil pressure (top)
32	212992	1	• • SWITCH, Oil pressure (side)
			Parts list continued on the next page.



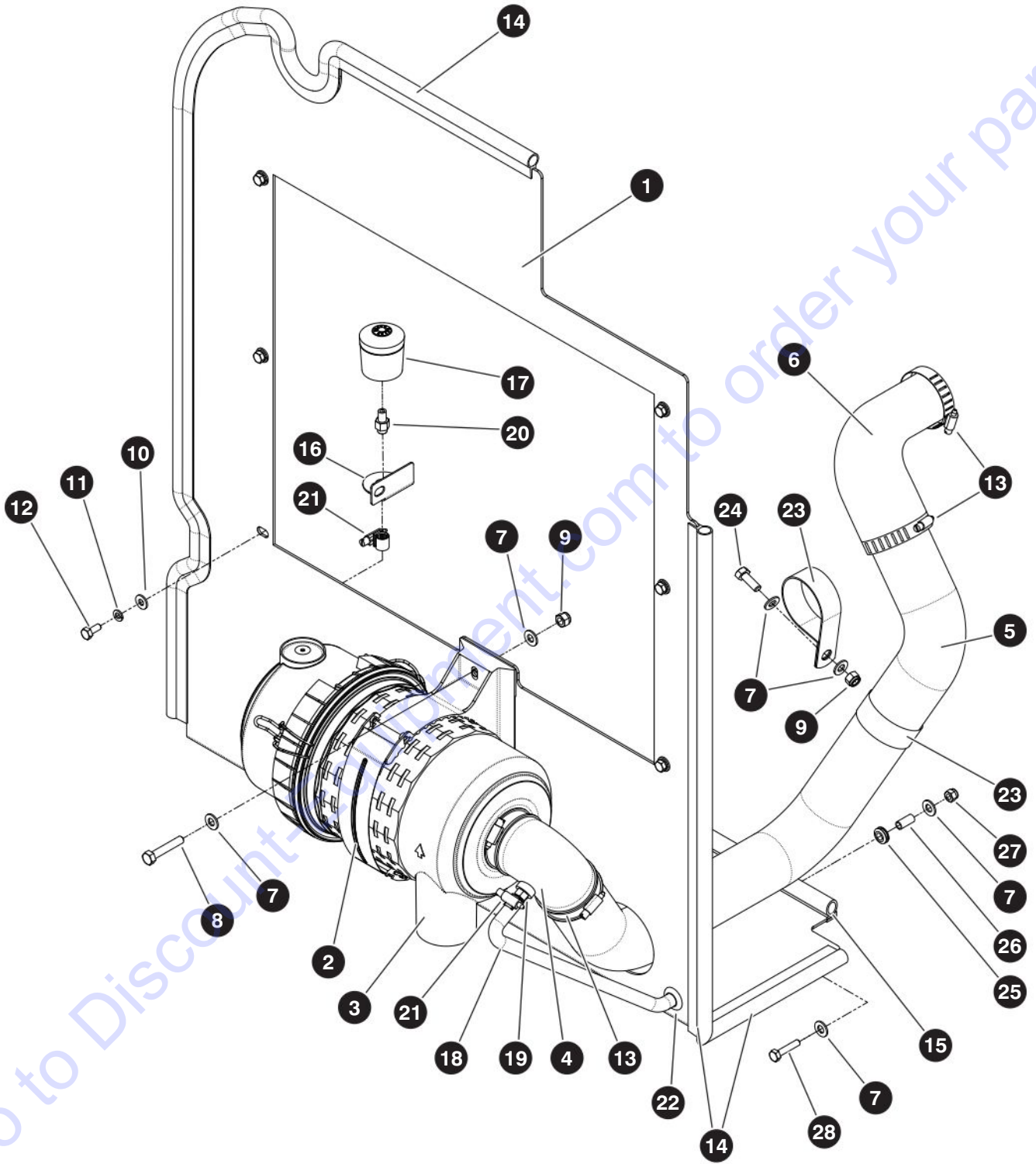
Index No.	Skyjack Part No.	Qty.	Description
<i>Parts list continued from the previous page.</i>			
33	212993	1	<ul style="list-style-type: none"> • • WATER PUMP
34	212994	1	<ul style="list-style-type: none"> • • GASKET, Water pump
35	212995	1	<ul style="list-style-type: none"> • • RING, Flywheel starter
36	212996	1	<ul style="list-style-type: none"> • • GASKET, Thermostat housing
37	212997	1	<ul style="list-style-type: none"> • • TURBOCHARGER KIT
	212998	1	<ul style="list-style-type: none"> • • • TURBOCHARGER
	212999	1	<ul style="list-style-type: none"> • • • GASKET, Turbocharger
	213000	2	<ul style="list-style-type: none"> • • • GASKET, Turbocharger (oil feed pipe)
	213001	1	<ul style="list-style-type: none"> • • • GASKET, Turbocharger (oil drain pipe)
38	213002	1	<ul style="list-style-type: none"> • • GASKET, Cylinder head cover (not shown)
39	213003	1	<ul style="list-style-type: none"> • • HEATER, NOx reduction system
<i>Parts list continued on the next page.</i>			



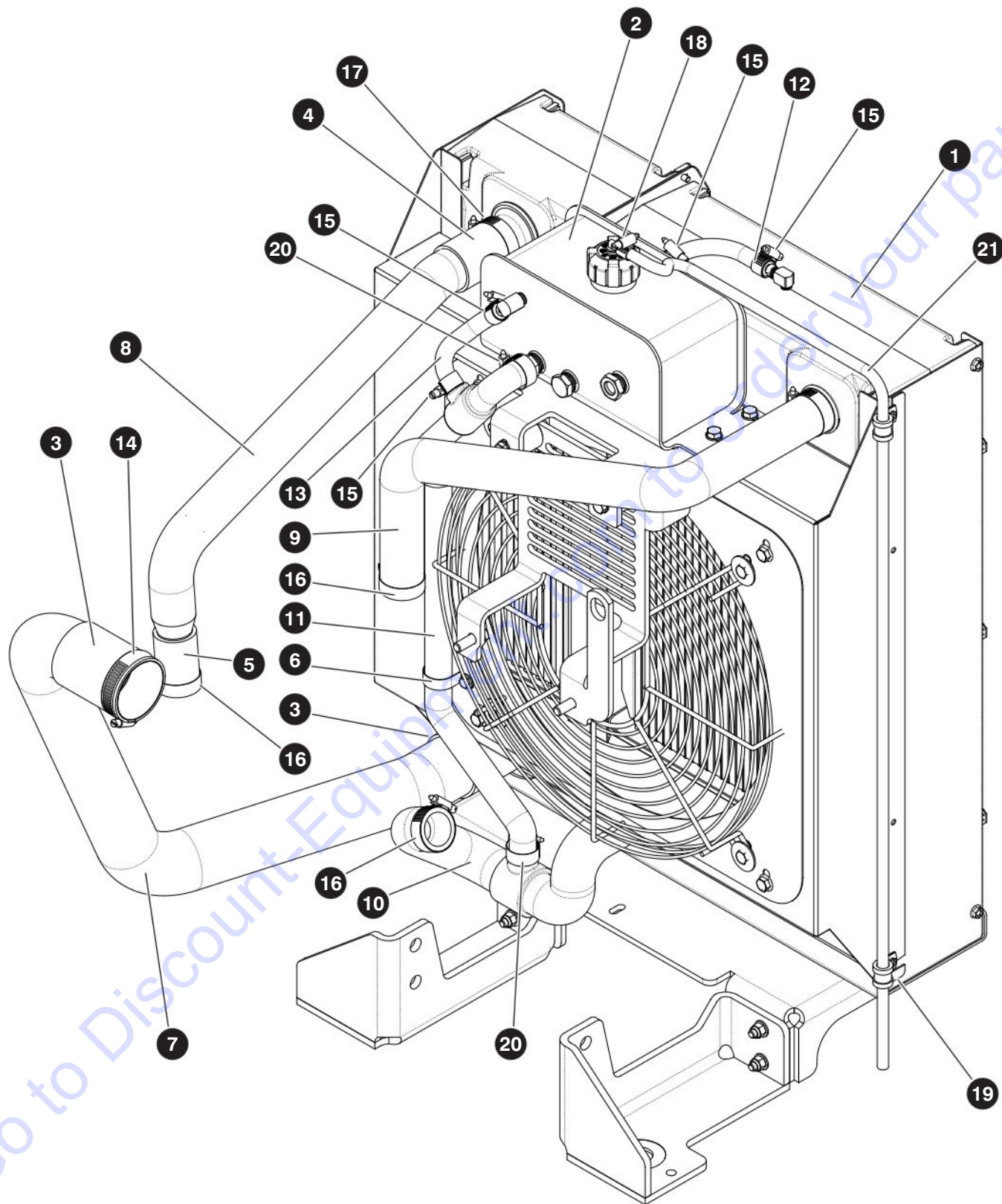
Index No.	Skyjack Part No.	Qty.	Description
			Parts list continued from the previous page.
-	211349	1	• ENGINE MOUNTS ASSEMBLY
40	198202	2	• • MOUNT Engine - rear
41	163028	4	• • MOUNT, Vibration
42	149419	4	• • BOLT, Hex head (M12 x 1.75 x 35 mm gr 8.8)
43	600426	4	• • WASHER, Flat (M12)
44	163200	4	• • WASHER, Snubbing
45	103469	4	• • BOLT, Hex head 0.50-13 X 3.250 GR5
46	104379	4	• • WASHER, Flat (0.50" hard)
47	702507	4	• • NUT, Lock (0.50"-13 gr C nylon)
48	112532	8	• • BOLT, Hex head (0.312"-18 x 1.25" gr 5)
49	103996	16	• • WASHER, Flat (0.312")
50	103984	8	• • NUT, Lock (0.313"-18 gr 5 nylon)
51	103472	8	• • WASHER, Flat (0.375")
52	101297	8	• • BOLT, Hex head (0.375"-16 x 1.25" gr 5)
53	211356	1	• • BRACKET, Engline diagnostic display
54	(Ref.)	1	• FLYWHEEL COUPLING (For components, refer to 6.13 Engine Coupling - Perkins)
55	(Ref.)	1	• AIR INTAKE ASSEMBLY (For components, refer to 6.9 Air Intake - Perkins 2.2TA)
-	212425	1	• EXHAUST ASSEMBLY
56	148377	2	• • CLAMP, Exhaust pipe (2")
57	212426	1	• • BRACKET, Tail pipe
58	212429	1	• • TAIL PIPE
59	600315	2	• • WASHER, Flat (M10 DIN 125)
60	966340	2	• • BOLT, Hex head cap screw (M10 x 1.5 x 20 mm cl 8.8)
61	(Ref.)	1	• RADIATOR, Perkins 2.2TA (For components, refer to 6.10 Radiator - Perkins 2.2TA)
62	211428	1	• CABLE (not shown)
63	212389	1	ENGINE HARNESS ASSEMBLY (not shown)
	211656	1	• HARNESS, Perkins - factory long
	212391	1	• HARNESS, Perkins - OEM
			Parts list continued on the next page.



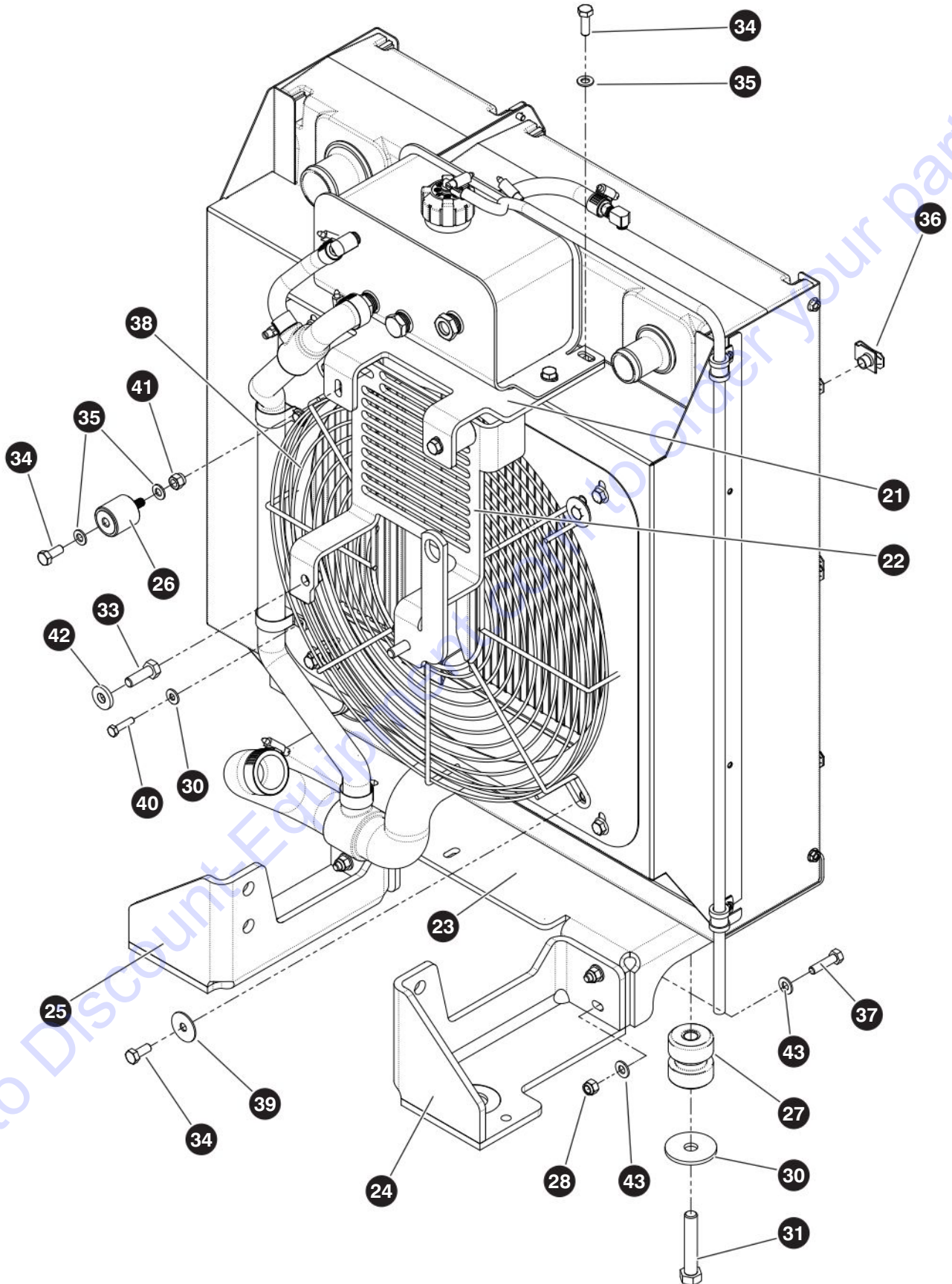
Index No.	Skyjack Part No.	Qty.	Description
			Parts list continued from the previous page.
-	211408	1	ENGINE ACCESSORIES
65	198386	1	• HARNESS, Glow plug - Perkins
	165029	1	• • RELAY, 150 a, 12 V, SPST
	198387	1	• • FUSE, Bolt-down - 60 a
66	166739	1	• DISPLAY, Engine parameter
67	103995	4	• WASHER, Flat (0.25")
68	114709	2	• NUT, Hex (0.25"-28 gr 5)
69	103856	2	• BOLT, Hex head (0.25"-20 x 0.75" gr 5)
70	211427	1	• CABLE, Alternator
71	103960	1	• SCREW, Round head machine (10-24 x 0.50")
72	126642	1	• NUT, Lock (10-24 gr 5)
73	104694	1	• WASHER, Flat (#10)
74	133241	1	• CLIP, Single
75	133319	1	• CLAMP, Loop - double
76	103858	4	BOLT, Hex head (0.25"-20 x 1.25" gr 5)
77	103995	4	WASHER, Flat (0.25")
78	116218	1	WASHER, Lock (M8 DIN 127B)
79	121059	1	NUT, Hex head (M8-1.25 DIN 934)
80	133219	2	WASHER, Flat (M6 DIN 125)
81	121758	2	WASHER, Lock (M6 DIN 127B)
82	800354	2	NUT, Hex head (M6-1.00)
83	152351	1	WASHER, Flat (M5 DIN 125)
84	133872	1	NUT, Hex head (M5-0.8)
85	133339	1	WASHER, Lock - external tooth (M5)
86	(Ref.)	1	FUSE BOX (For components, refer to 7.14 Fuse Box - Perkins 2.2TA)



Index No.	Skyjack Part No.	Qty.	Description
-	212609	1	AIR INTAKE - Perkins 2.2TA
1	211804	1	• PLATE, Baffle
2	163244	1	• BRACKET, Air cleaner
3	163242	1	• AIR CLEANER - EP200
	165947	1	• • ELEMENT, Primary
	165948	1	• • ELEMENT, Secondary
4	163247	1	• CONNECTOR, 90°
5	211808	1	• PIPE, Air intake
6	212212	1	• ELBOW, 90°
7	103996	10	• WASHER, Flat (0.312")
8	103885	2	• BOLT, Hex head (0.312"-18 x 1.75" gr 5)
9	103984	3	• NUT, Lock (0.313"-18 gr 5)
10	103995	6	• WASHER, Flat (0.25")
11	104000	6	• WASHER, Lock (0.25")
12	103892	6	• BOLT, Hex head (0.25"-20 x 0.625" gr 5)
13	163193	4	• CLAMP, Gear (2" - 3")
14	149357	90"	• SEAL, Bulb
15	167845	27.5"	• SEAL, Bulb (90°)
16	211599	1	• BRACKET, Service indicator
17	163250	1	• INDICATOR, Service
18	142405	46"	• LINE, Fuel (0.3125")
19	211795	1	• FITTING, Straight (M10X1 5/16" hose barb)
20	211796	1	• FITTING, Straight (M10X1 5/16" hose barb)
21	116342	2	• CLAMP, Hose (0.50")
22	144469	1	• GROMMET, Rubber (0.87")
23	143987	2	• CLAMP, P (2.5")
24	20726	1	• BOLT, Hex head (0.312"-18 x 0.875" gr 5)
25	100616	2	• GROMMET, Rubber (0.3125")
26	128571	2	• SLEEVE, Anti-vibration
27	115649	2	• NUT, Lock (0.25"-20 gr 5)
28	103858	2	• BOLT, Hex head (0.25"-20 x 1.25 gr 5)

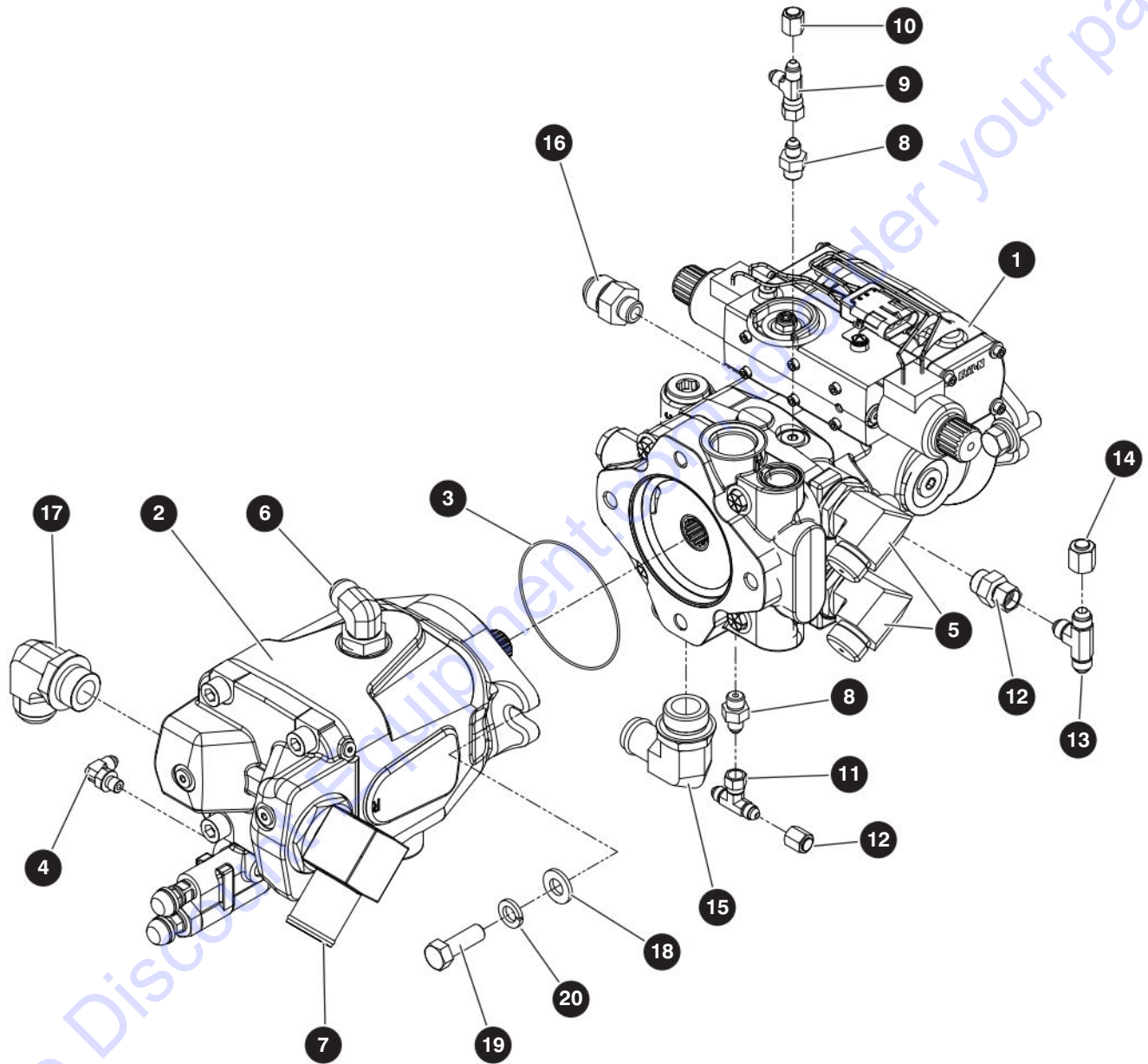


Index No.	Skyjack Part No.	Qty.	Description
-	211338	1	RADIATOR ASSEMBLY - Perkins 2.2TA
-	204359	1	• COOLING PACKAGE PERKINS 2.2TA
1	211819	1	• • RADIATOR
2	211826	1	• • TANK, Degas
-	211827	1	• • HOSE AND PIPE KIT
-	211828	1	• • • CLAMP & COUPLER KIT
3	211829	2	• • • • COUPLING, CAC (63.5 ID x 88.9)
4	211841	1	• • • • COUPLING, CAC (44.45 ID x 70)
5	211830	1	• • • • COUPLING, CAC (35 ID x 63.5)
6	211831	2	• • • • CLAMP, Tube/hose (31.75 OD)
-	211832	1	• • • HOSE AND PIPE KIT
7	211833	1	• • • • PIPING, CAC (63.5 OD)
8	211834	1	• • • • PIPING, CAC (44.45 x 35.05 mm ID)
9	211835	1	• • • • HOSE, Upper
10	211836	1	• • • • HOSE, Lower
11	211837	1	• • • • HOSE, Return
12	211838	1	• • • • HOSE, Fill
13	216442	1	• • • • HOSE, Vent
			<i>The rest of the cooling package is found on the next page.</i>
14	121869	2	• CLAMP, Gear (2.50")
15	102854	4	• CLAMP, Gear (#12)
16	104528	5	• CLAMP, Gear (1.75")
17	133222	1	• CLAMP, Gear (2.00)
18	116342	1	• CLAMP, Gear (0.50")
19	149495	2	• CLAMP, Hose (0.50")
20	142415	2	• CLAMP, Gear (1.25")
21	142405	50"	• FUEL INE, Setiflex (0.3125")



Index No.	Skyjack Part No.	Qty.	Description
-	211820	1	• • BRACKET KIT
21	211821	1	• • • MOUNT, Upper
22	211822	1	• • • MOUNT, Upper
23	211823	1	• • • BRACKET, Cross
24	211824	1	• • • LEG, Front
25	211825	1	• • • LEG, Front
26	190430	2	• • • ISOLATOR, 32 x 32, M8-1.25
27	190428	2	• • • ISOLATOR, 46.4 mm, 51.21 mm, 0.50"-13
28	103984	4	• NUT, Lock (0.313"-18 gr 5 nylon)
29	103995	2	• WASHER, Flat (0.25")
30	212939	2	• WASHER, Flat (0.50" style BB hard)
31	108818	2	• BOLT, Hex head (0.50"-13 x 2.75" gr 5)
33	933640	2	• BOLT, Hex head (M10 x 1.5 x 20 mm gr 8.8)
34	133174	10	• BOLT, Hex head (M8-1.25 x 20 gr 8.8)
35	133232	6	• WASHER, Flat (M8 DIN 125A)
36	149496	6	• NUT, Speed clip (0.25"-20)
37	157771	4	• BOLT, Hex head (0.312"-18 x 1.25" gr 5)
38	163394	1	• GUARD, Fan (17")
39	207341	4	• WASHER, Flat (0.312" x 1.25" fender)
40	933627	2	• BOLT, Hexx head (M6 x 1 x 25 mm gr 8.8)
41	933696	2	• NUT, Lock (M8-1.25 nylon)
42	600315	2	• WASHER, Flat (M10 DIN 125)
43	103996	8	• WASHER, Flat (0.312" SAE)

6.11 Drive and System Pump



M165491AF

170453AI

190

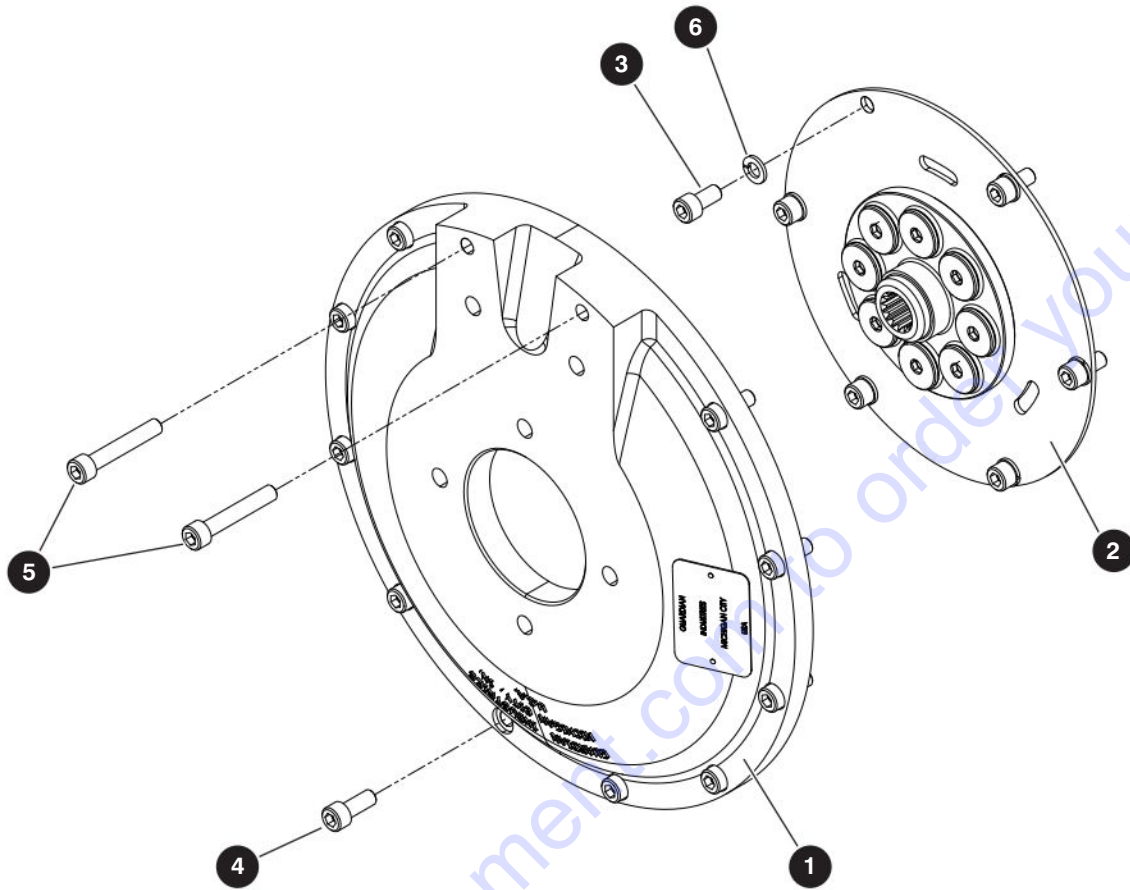
SJ82T, SJ86T

SKYJACK

6.11 Drive and System Pump

Index No.	Skyjack Part No.	Qty.	Description
-	165491	1	DRIVE AND SYSTEM PUMP ASSEMBLY
1	169006	1	• PUMP, Drive
	170926	1	• • SHIM
	170952	1	• • O-RING
	170953	1	• • SPRING
	170954	1	• • PLUG
	170955	1	• • POPPET
	209333	1	• • CONTROL UNIT, Servo
2	165101	1	• PUMP, System
3	159878	1	• O-RING, 2-045
4	125883	1	• FITTING, Elbow, 90° (04 JICM - 04 ORBM)
5	167067	1	• FITTING, Elbow, 90° (12 FSM - 16 ORBM)
6	138981	1	• FITTING, Elbow, 90° (10 JICM - 12 ORBM)
7	165484	1	• FITTING, Elbow, 90° (24 BEAD - 24 ORBM)
8	701956	2	• FITTING, Straight (04 JICM - 06 ORBM)
9	707917	1	• FITTING, Tee (04 JICM - 04 JICM - 04 JICFS)
10	131286	2	• FITTING, Cap (04 JICF)
11	160792	1	• FITTING, Tee (04 JICFS - 04 JICFS - 04 JICM)
12	162043	1	• FITTING, Straight (08 ORBM - 06 JICFS)
13	131704	1	• FITTING, Tee (06 JICM)
14	107666	1	• FITTING, Cap (06 JICF)
15	138983	1	• FITTING, Elbow, 90° (16 BEAD - 16 ORBM)
16	702118	1	• FITTING, Straight (12 ORBM - 12 JICM)
17	707040	1	• FITTING, Elbow, 90° (16 JICM - 16 ORBM)
18	104379	4	• WASHER, Flat hardened (1/2")
19	103907	4	• BOLT, Hex head (1/2"-13 x 1 1/2" Grade 5)
20	103470	4	• WASHER, Lock (1/2" Grade 5)
K1	160637	1	SEAL KIT, Drive Pump
K2	160638	1	SEAL KIT, System Pump

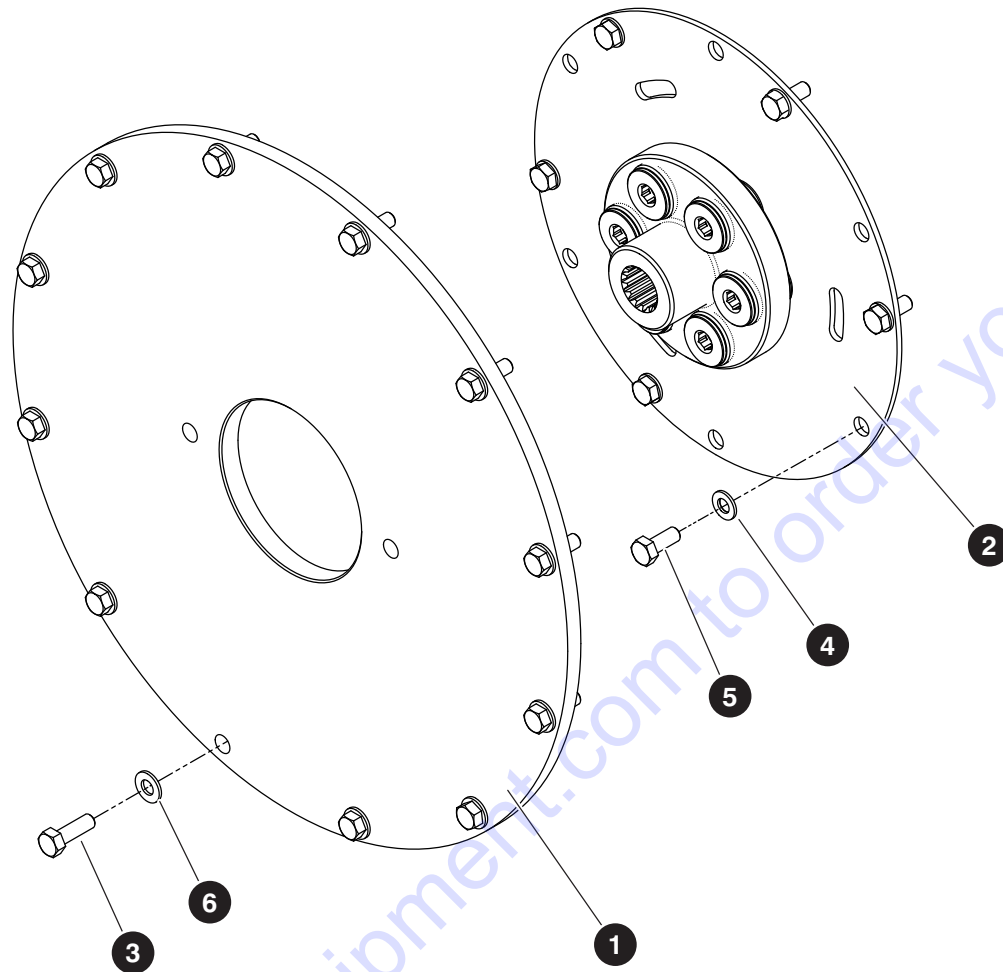
6.12 Engine Coupling - Deutz



M168043AA

Index No.	Skyjack Part No.	Qty.	Description
-	168043	1	ENGINE COUPLING ASSEMBLY - Deutz
1	152332	1	• HOUSING
2	168034	1	• COUPLING, Flywheel
3	168042	6	• BOLT, Socket head cap screw (M10 x 1.50 x 20mm, Grade 8.8)
4	168053	10	• BOLT, Socket head cap screw (M10 x 1.50 x 25mm, Grade 8.8)
5	152335	2	• BOLT, Socket head cap screw (M10 x 1.50 x 60mm, Grade 8.8)
6	132497	6	• WASHER, Lock (M10)

6.13 Engine Coupling - Perkins



M198403AD

Index No.	Skyjack Part No.	Qty.	Description
-	198403	1	ENGINE COUPLING ASSEMBLY - Perkins 2.2TA
-	196452	1	• PUMP COUPLING, Perkins
1	211848	1	• • HOUSING, Flywheel
2	211849	1	• • COUPLING, Flywheel
3	207298	12	• BOLT, Hex head (0.312"-18 x 1.00" gr 8)
4	933833	6	• WASHER, Flat (M10 - OD 20.0)
5	168042	6	• BOLT, Socket head (M10 x 1.50 x 20 mm gr 5)
6	125959	12	• WASHER, Flat (0.312" SAE)

Section 7 – Electrical Harnesses

7.1 *Main Function Harness*

7.2 *Differential Lock Valve Harness*

7.3 *Boom Lift Valve Harness*

7.4 *Jib & Platform Rotate Harnesses*

7.5 *Control Cables*

7.6 *Battery Cables*

7.7 *Outlet Box - 110/220V*

7.8 *EDC Harness*

7.9 *Glow Plug Harness - Deutz TD2.9L Engine*

7.10 *Glow Plug Harness - Deutz TCD2.2 Engine*

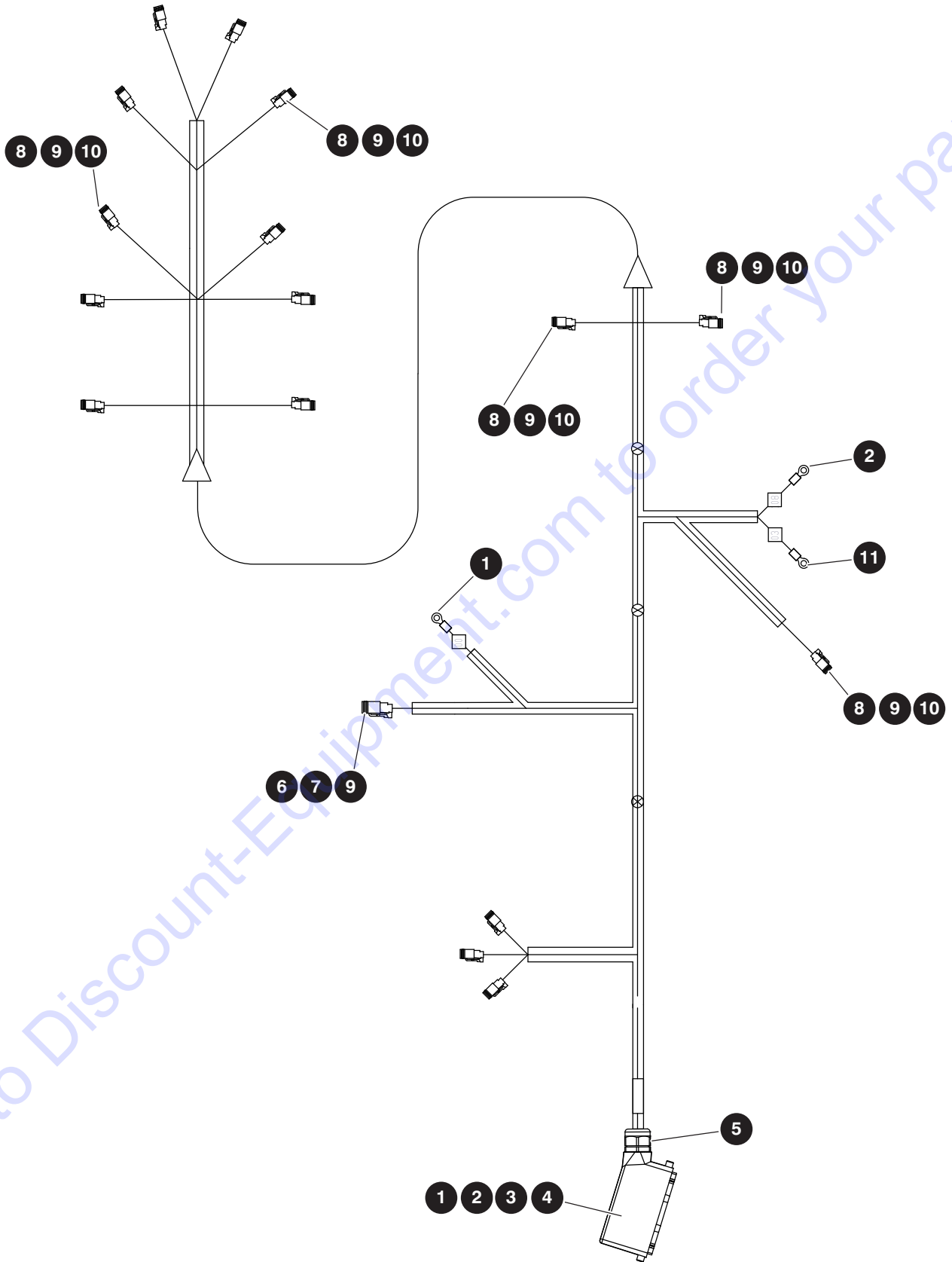
7.11 *Glow Plug Harness - Deutz D2011 Engine*

7.12 *Engine Interface Harness - Deutz TD2.9L Engine*

7.13 *Engine Interface Harness - Deutz TCD2.2*

7.14 *Fuse Box - Perkins 2.2TA*

7.1 Main Function Harness



M165094AC

170453AI

196

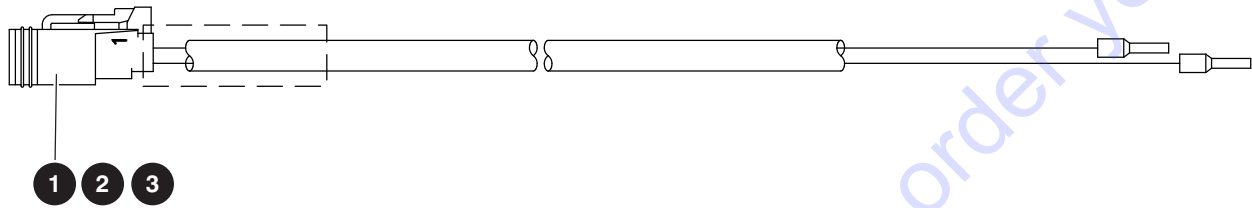
SJ82T, SJ86T

SKYJACK

7.1 Main Function Harness

Index No.	Skyjack Part No.	Qty.	Description
-	165094	1	HARNESS, Main function
1	138753	1	• HOOD, Side 24 pole (M32)
2	138755	1	• PLUG, 24 pole spring (16A)
3	121050	18	• FERULE, Red (16GA)
4	138044	4	• FERULE, Blue (14GA)
5	138754	1	• STRAIN, RELIEF (M32 x 1.5)
6	117579	1	• CONNECTOR, Plug (4-pin)
7	117581	1	• CONNECTOR, Wedge (4-pin)
8	117597	16	• PLUG, Deutsch (2 pin)
9	117591	36	• SOCKET, Deutsch solid (16/18 Gauge)
10	117599	16	• WEDGE, Deutsch (2 pin)
11	102940	2	• TERMINAL, Ring (0.3125" 10-12GA)
12	102936	1	• TERMINAL, Ring (#10 14GA)
13	102929	1	• CLIP, Single (not shown)

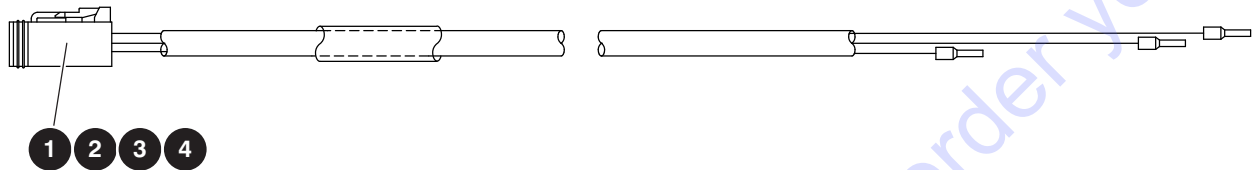
7.2 Differential Lock Valve Harness



M167072AB

Index No.	Skyjack Part No.	Qty.	Description
-	167072	1	DIFFERENTIAL LOCK VALVE HARNESS
1	117597	1	• PLUG, Deutsch (2 pin)
2	117599	1	• WEDGE, Deutsch (2 pin)
3	117591	2	• SOCKET, Deutsch solid (16/18 Gauge)

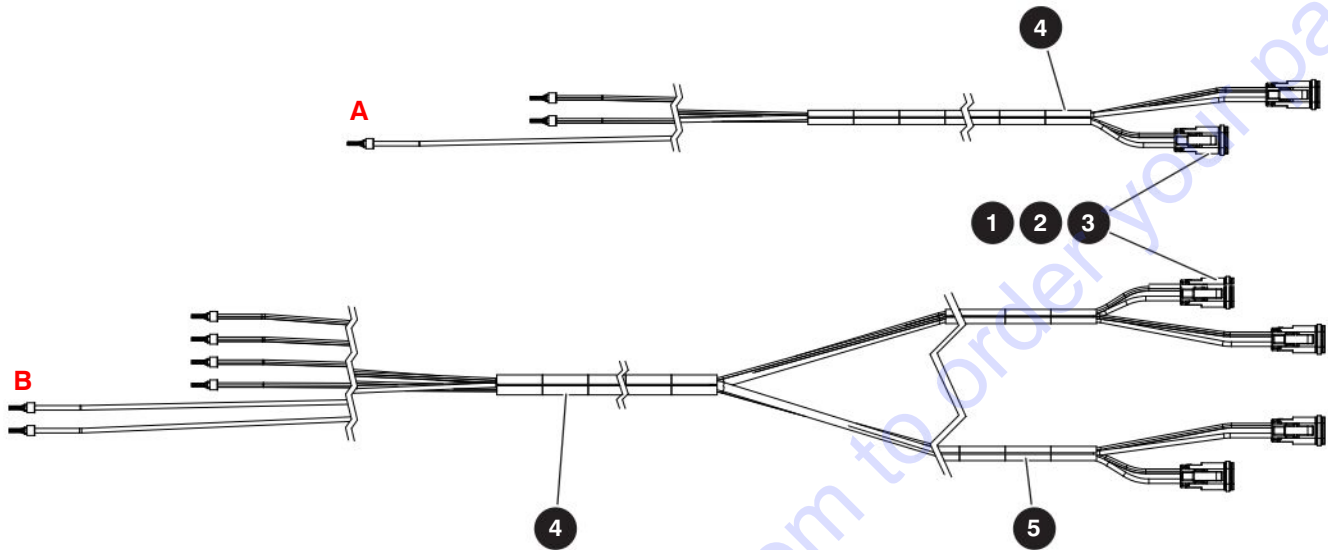
7.3 Boom Lift Valve Harness



M168775AB-1

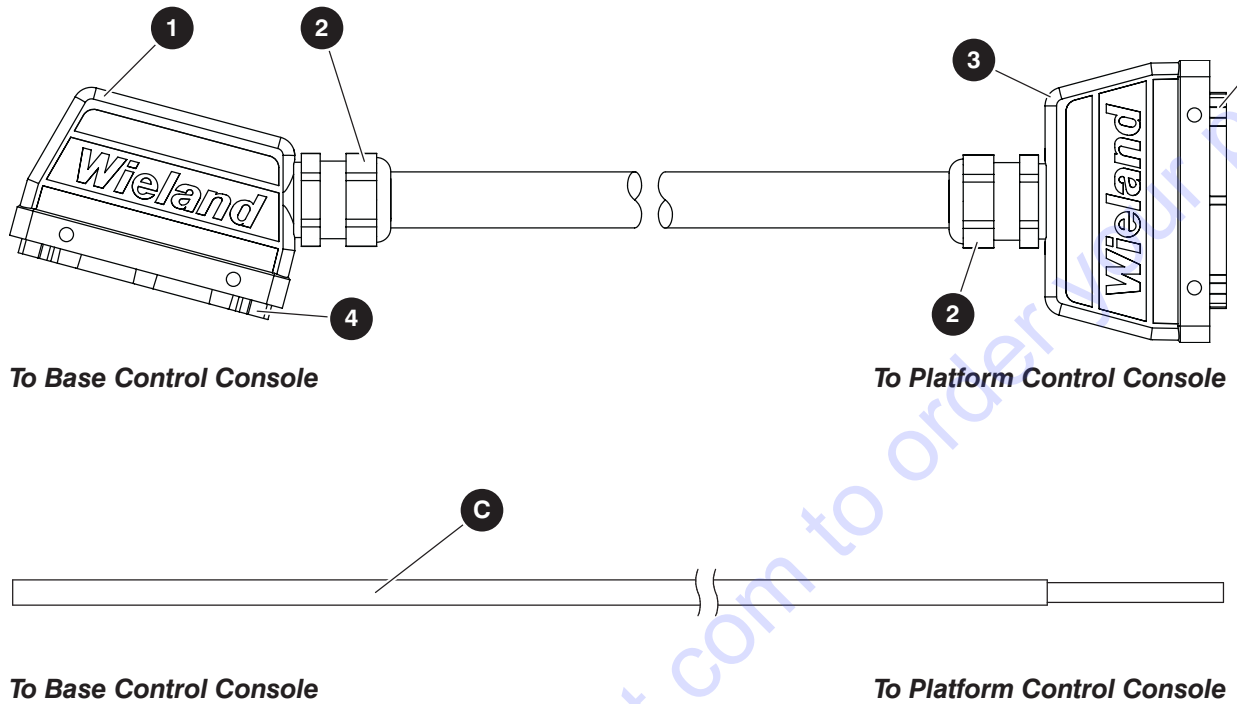
Index No.	Skyjack Part No.	Qty.	Description
-	168775	1	BOOM LIFT VALVE HARNESS
1	117579	1	• PLUG, Connector (4 pin)
2	117581	1	• WEDGE, Connector (4 pin)
3	117591	3	• SOCKET, Connector contact (16/18 Gauge)
4	117594	1	• PLUG, Connector sealing

7.4 Jib & Platform Rotate Harnesses



M167740AB_M167698AB

Index No.	Skyjack Part No.	Qty.	Description
A	171500	1	HARNESS, Platform rotate - SJ82T
B	168650	1	HARNESS, Jib & platform rotate - SJ86T
1	117597	2	• CONNECTOR, Plug 2-pin, A
	117597	4	• CONNECTOR, Plug 2-pin, B
2	117599	2	• WEDGE, Connector plug 2-pin, A
	117599	4	• WEDGE, Connector plug 2-pin, B
3	117591	4	• SOCKET, Contact - connector plug 2-pin, A
	117591	8	• SOCKET, Contact - connector plug 2-pin, B
4	111354	138"	• PROTECTOR, Wire (0.375"), B
5	124399	75"	• PROTECTOR, Wire (0.25"), A
	124399	38"	• PROTECTOR, Wire (0.25"), B



M138758-A

Index No.	Skyjack Part No.	Qty.	Description
A	165497	1	CABLE HARNESS, Control "C" - SJ82T
	165096	1	CABLE HARNESS, Control "C" - SJ86T
B	165499	1	CABLE HARNESS, Control "D" - SJ82T
	165098	1	CABLE HARNESS, Control "D" - SJ86T
C	168719	1	CABLE HARNESS, 12AWG/3C - SJ82T
	168665	1	CABLE HARNESS, 12AWG/3C - SJ86T
1	138753	1	• HOOD, Side 24 (M32)
2	138754	2	• RELIEF, Strain (M32 x 1.5)
3	233265	1	• HOOD, Top 24 pole (M32)
4	138755	2	• PLUG, 24 Pole spring (16A), A
4	138756	2	• SOCKET, 24 Pole spring (16A), B

PARTS FINDER

**Search Website
by Part Number**



**Search Manual
Library For Parts
Manual & Lookup Part
Numbers – Purchase
or Request Quote**

Search Manuals

Enter your information to help us find the right parts manual for your machine.

* Brand:

* Model:

* Serial:

* Part Number:

SEARCH

**Can't Find Part or
Manual? Request Help
by Manufacturer,
Model & Description**

Parts Order Form

Please fill in the following information to help us find the right part for your machine.

Manufacturer:	<input type="text"/>
Model:	<input type="text"/>
Description:	<input type="text"/>
Part Number:	<input type="text"/>
Quantity:	<input type="text"/>
Notes:	<input type="text"/>

Submit

Discount-Equipment.com is your online resource for quality parts & equipment.

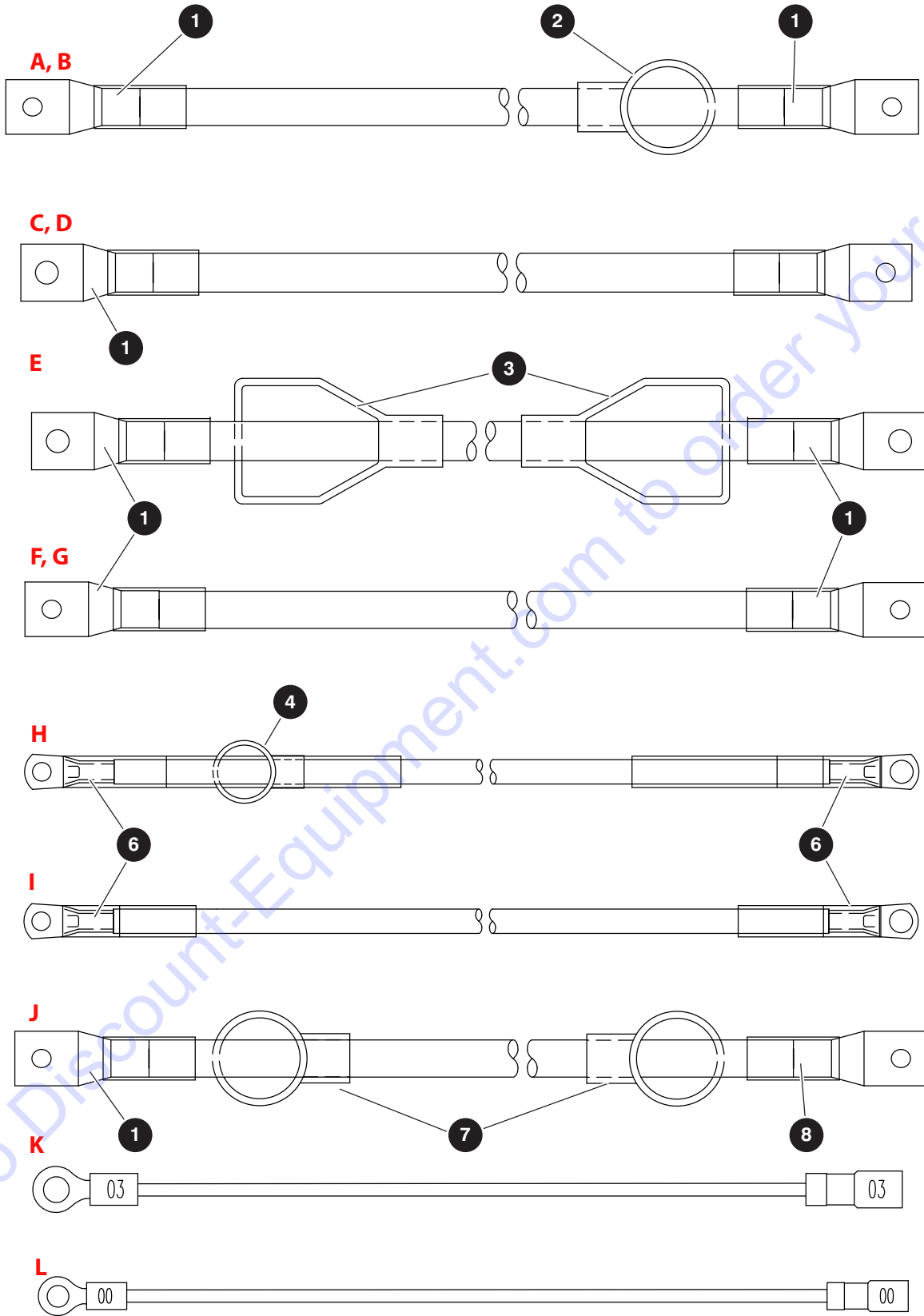
Florida: **561-964-4949** Outside Florida TOLL FREE: **877-690-3101**

Need parts?

Click on this link: <http://www.discount-equipment.com/category/5443-parts/> and choose one of the options to help get the right parts and equipment you are looking for. Please have the machine model and serial number available in order to help us get you the correct parts. If you don't find the part on the website or on one of the online manuals, please fill out the request form and one of our experienced staff members will get back to you with a quote for the right part that your machine needs.

We sell worldwide for the brands: Genie, Terex, JLG, MultiQuip, Mikasa, Essick, Whiteman, Mayco, Toro Stone, Diamond Products, Generac Magnum, Airman, Haulotte, Barreto, Power Blanket, Nifty Lift, Atlas Copco, Chicago Pneumatic, Allmand, Miller Curber, Skyjack, Lull, Skytrak, Tsurumi, Husquvarna Target, Stow, Wacker, Sakai, Mi-T-M, Sullair, Basic, Dynapac, MBW, Weber, Bartell, Bennar Newman, Haulotte, Ditch Runner, Menegotti, Morrison, Contec, Buddy, Crown, Edco, Wyco, Bomag, Laymor, EZ Trench, Bil-Jax, F.S. Curtis, Gehl Pavers, Heli, Honda, ICS/PowerGrit, IHI, Partner, Imer, Clipper, MMD, Koshin, Rice, CH&E, General Equipment, Amida, Coleman, NAC, Gradall, Square Shooter, Kent, Stanley, Tamco, Toku, Hatz, Kohler, Robin, Wisconsin, Northrock, Oztec, Toker TK, Rol-Air, APT, Wylie, Ingersoll Rand / Doosan, Innovatech, Con X, Ammann, Mecalac, Makinex, Smith Surface Prep, Small Line, Wanco, Yanmar

7.6 Battery Cables

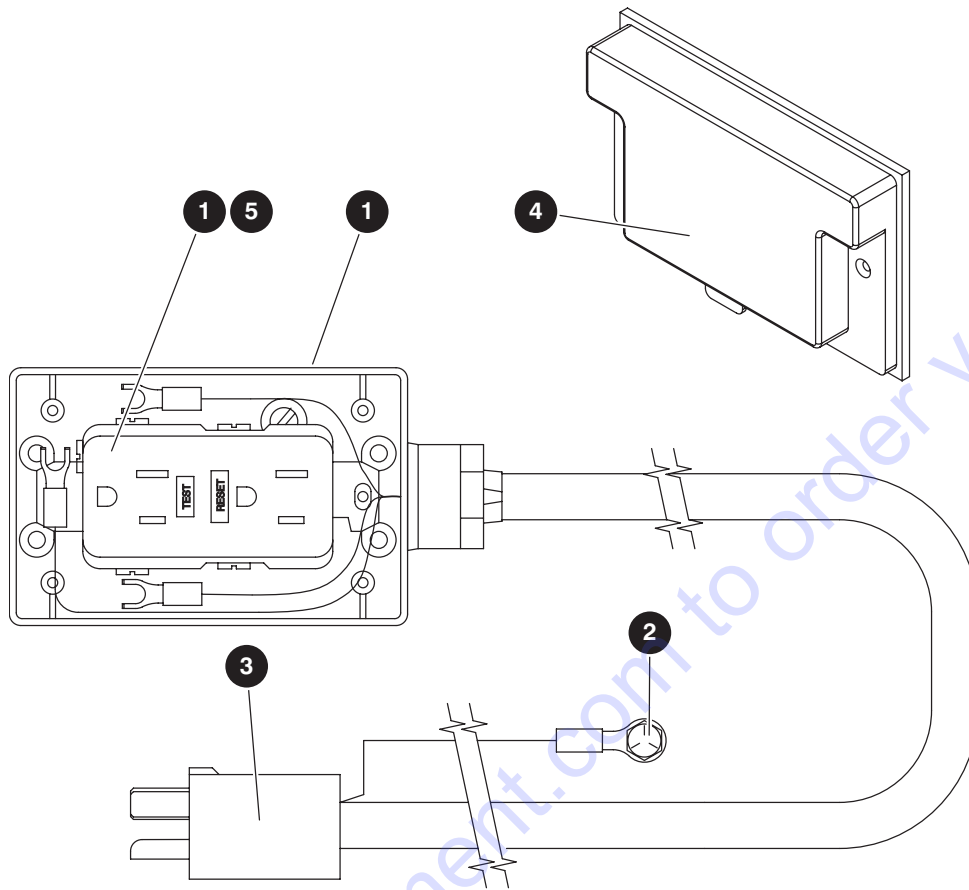


M167070AE-2

170453AI

SJ82T, SJ86T

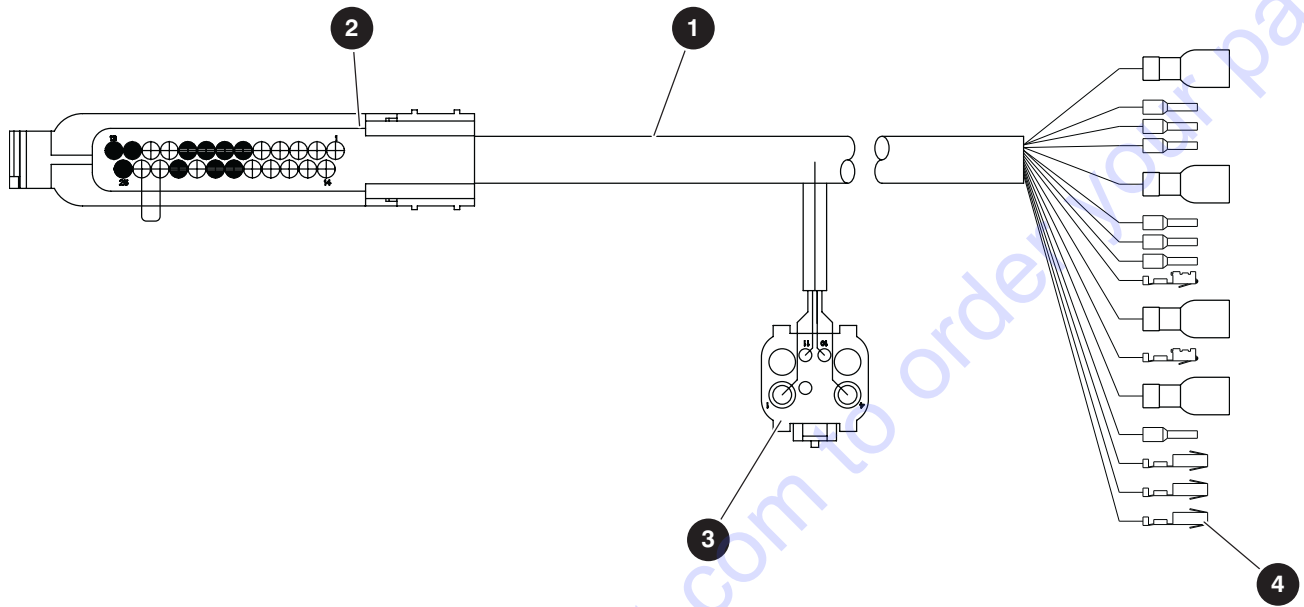
Index No.	Skyjack Part No.	Qty.	Description
A	165850	1	• CABLE, #2/0 (0.38" x 12" x 0.38" (B+, B+))
B	167071	1	• CABLE, Battery - Negative
C	168689	1	• CABLE, #2/0 (0.38" x 20" x 0.38" (00, 00))
D	168752	1	• CABLE, #1/0 (0.38" x 6.5" x 0.38" (00, 00))
E	168751	1	• CABLE, #1/0 (0.38" x 6.5" x 0.38" (03, 03))
F	168683	2	• CABLE, Battery - positive (68")
G	168714	1	• CABLE, Battery - negative (50")
H	167071	2	• CABLE, #1GA (0.38" x 108" x 0.38" (03, 03))
I	122435	1	• CABLE, #2GA (0.38" x 24" x 0.38" (100, 100))
J	168685	1	• CABLE, #2/0 (0.38" x 18" x 0.3125")
K	152345	1	• WIRE ASSEMBLY, Charge Indicator, 03 (+) (6.50")
L	168682	1	• WIRE ASSEMBLY, Charge Indicator, 00 (-) (78.00")
1	139034	1	• • TERMINAL, #2/0 (0.38" dia), A, B, C, F, G, J
	171394	1	• • TERMINAL, #1/0 (0.3125" dia), D
	168749	1	• • TERMINAL, #1/0 (0.38" dia), E
2	139105	1	• • BOOT, Terminal - red (#2/0), A
3	191821	1	• • BOOT, Battery post - red, E
4	139106	1	• • BOOT, Terminal - red (#1/0), B, H
5	102952	1	• • TERMINAL, 1-2G (0.38"), B, H, I
6	102953	1	• • TERMINAL, 1-2G (0.3125"), B, H
7	139105	1	• • BOOT, Terminal - red (#2/0), J
8	139033	1	• • TERMINAL, #2/0 (0.3125" dia), J



M146741AA

Index No.	Skyjack Part No.	Qty.	Description
A	165455	1	110 V OUTLET CABLE ASSEMBLY - SJ82T ANSI/CSA
B	165460	1	110 V OUTLET CABLE ASSEMBLY - SJ86T ANSI/CSA
C	168656	1	110/220 V CABLE - SJ86T CE & AS
1	109698	1	• RECEPTACLE, GFI A, B
2	112495	1	• BOLT, Hex head (1/4"-20 x 3/8" Grade 5) A, B
3	165496	1	• CABLE, 110 V (1290"), A
	165494	1	• CABLE, 110 V (1384"), B
	104208	1	• • PLUG, 15A male (125 V) A, B
4	109699	1	• PLATE, Weatherproof cover A, B
5	121461	2	• BOLT, Machine round head (#6-32 UNC x 3/8") A, B
6	136328	1	OUTLET BOX

7.8 EDC Harness

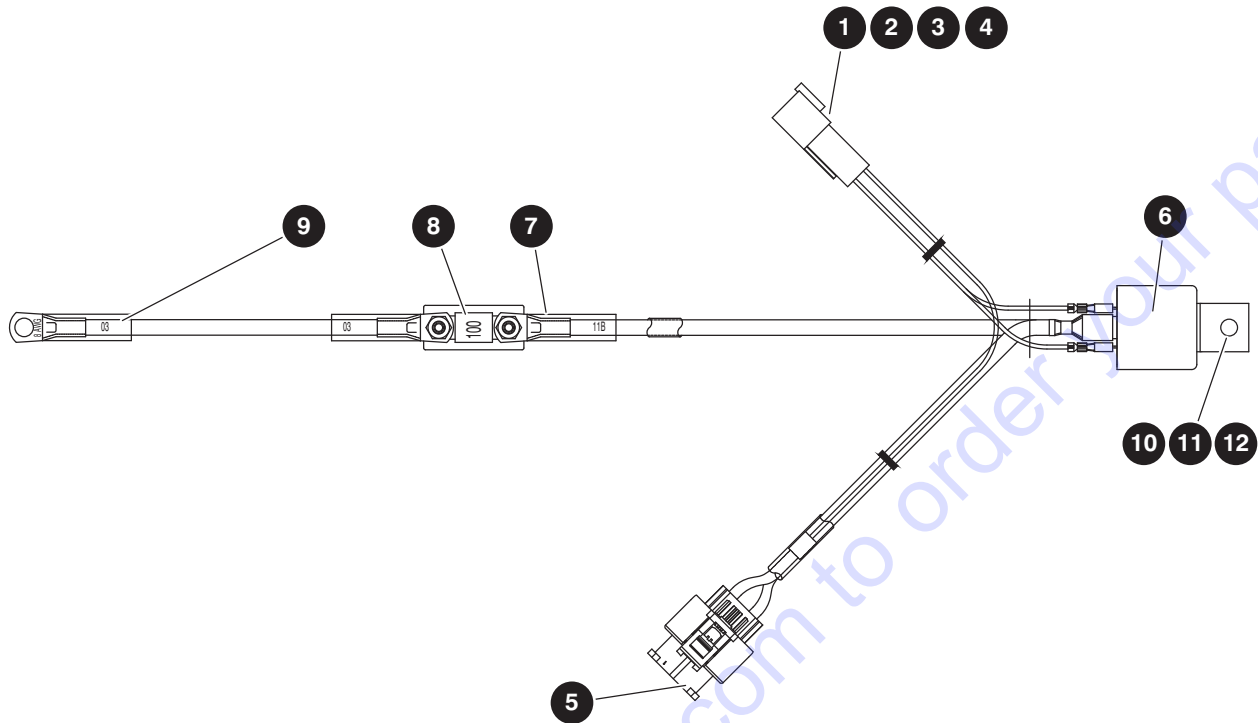


M138708AA M146007AA_146008AA

Index No.	Skyjack Part No.	Qty.	Description
1	168781	-	HARNESS, Deutz EDC - F plug
2	138574	1	• CONNECTOR KIT, Deutz controller
3	150975	1	• CONNECTOR KIT, Deutz engine
4	138576	1	• CONNECTOR KIT, Deutz programming

7.9 Glow Plug Harness - Deutz TD2.9L Engine

AF



M165022AA

Index No.	Skyjack Part No.	Qty.	Description
-	165022	1	GLOW PLUG HARNESS ASSEMBLY - Deutz TD2.9L engine
-	165028	1	• HARNESS ASSEMBLY, Glow Plug
-	165048	1	• • HARNESS, Glow plug
1	117578	1	• • • RECEPTACLE, Connector (4 pin)
2	117580	1	• • • RECEPTACLE, Connector (4 pin wedge)
3	117590	3	• • • CONTACT PIN, Connector (16-18)
4	117594	1	• • • SEALING PLUG, Connector
5	165050	1	• • • CONNECTOR, (2F TYCO BNG1)
6	165029	1	• • RELAY, 150A (12V SPST)
7	165030	1	• • HOLDER, Fuse (Inline)
8	165031	1	• • FUSE, Bolt-down (100A)
9	165049	1	• • WIRE ASSEMBLY, Power (Glow plug)
10	104698	1	• SCREW, Round head machine (#10-32 x 0.75")
11	104694	2	• WASHER, Flat (#10)
12	300450	1	• NUT, Hex head (#10-32, grade 5)
13	139106	1	• BOOT, Terminal, #4 AWG (not shown)

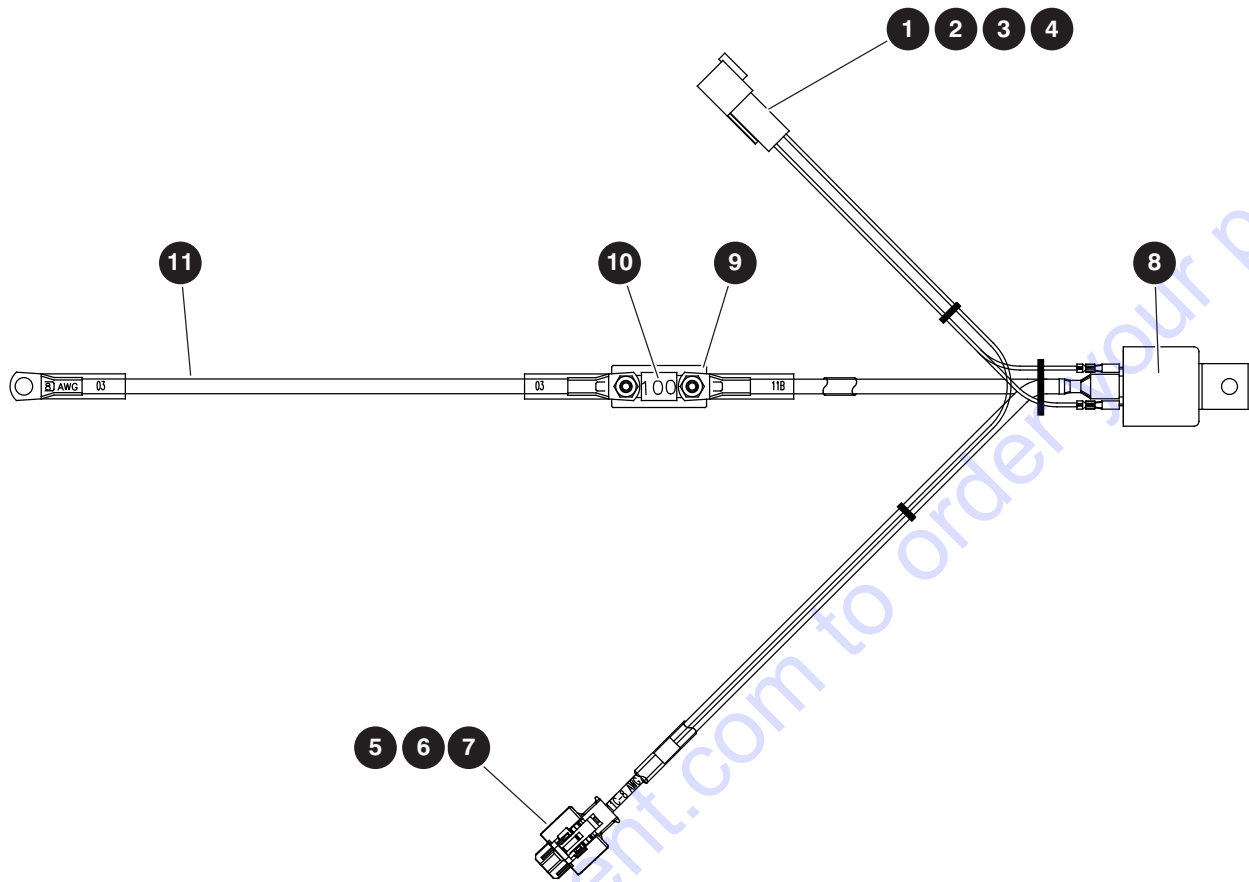
170453AI

206

SJ82T, SJ86T

SKYJACK

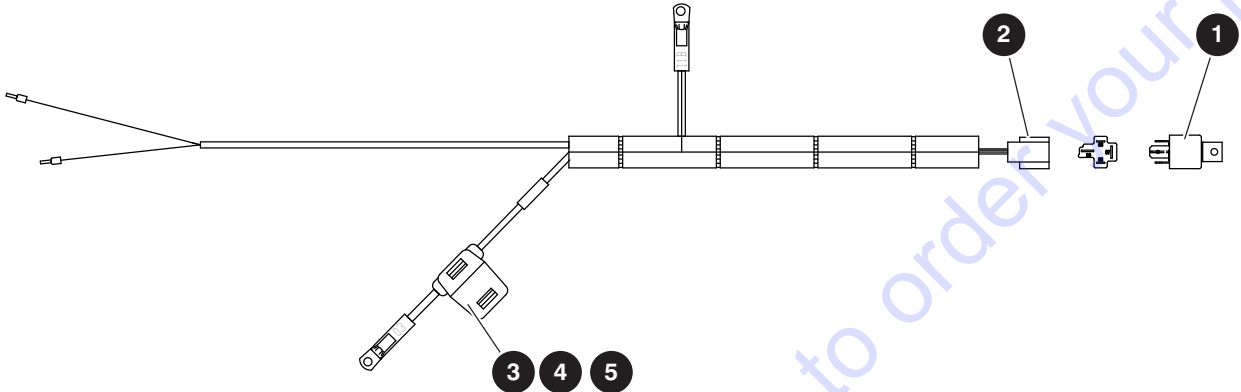
7.10 Glow Plug Harness - Deutz TCD2.2 Engine



M224848AA

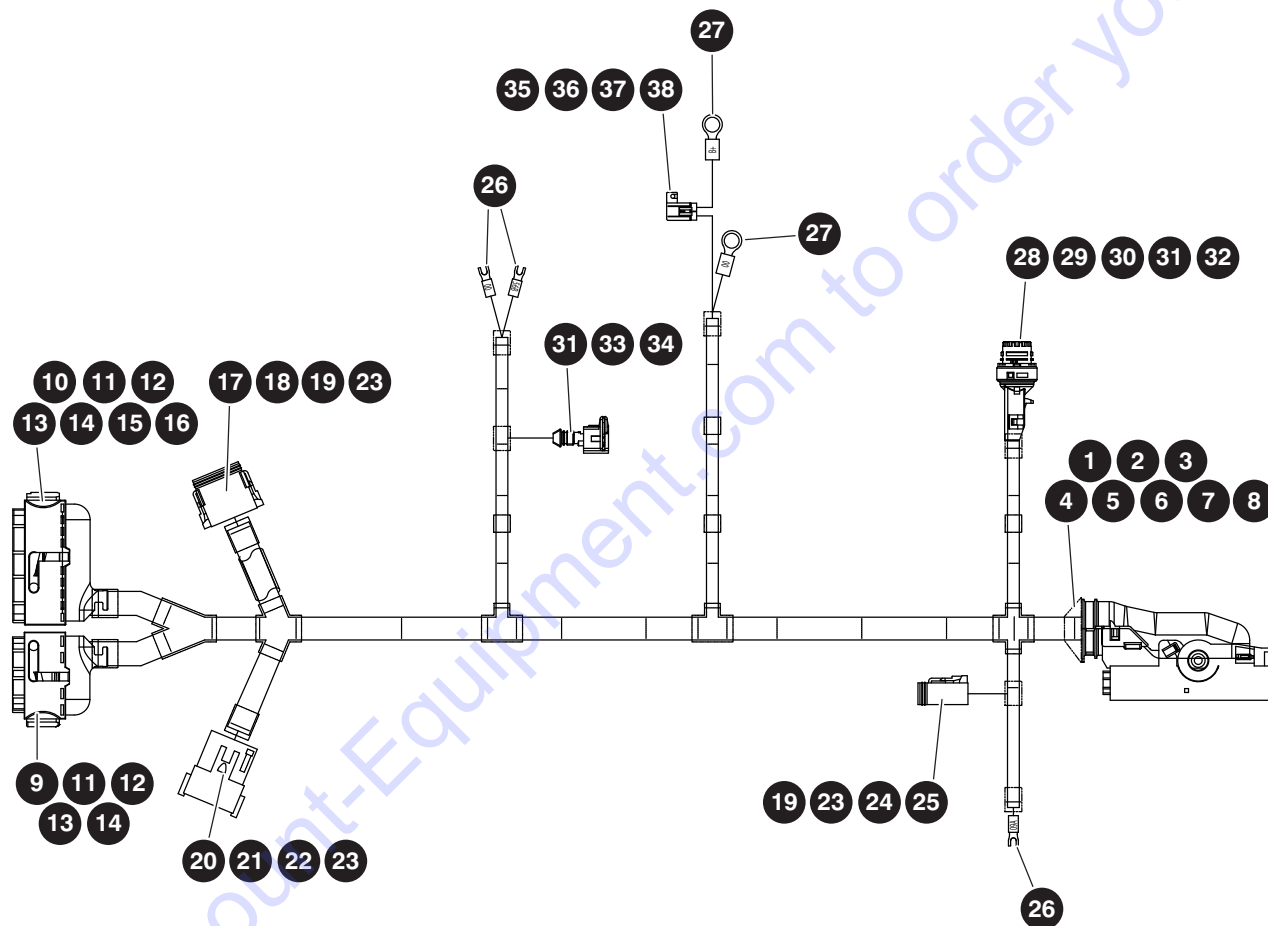
Index No.	Skyjack Part No.	Qty.	Description
-	206143	1	HARNES ASSEMBLY, Glow Plug - Deutz TCD2.2 engine
-	206099	1	• HARNESS, Glow plug
1	117578	1	• • RECEPTACLE, Connector (4 pin)
2	117580	1	• • RECEPTACLE, Connector (4 pin wedge)
3	117590	3	• • CONTACT PIN, Connector (16-18)
4	117594	1	• • SEALING PLUG, Connector
5	206100	1	• • CONNECTOR, 1 pole NG1 female
6	206109	1	• • TERMINAL, female (10MM2, 8NG1)
7	165052	1	• • SEAL, Wire - orange (4.3-6.0 mm, 8NG1)
8	165029	1	• RELAY, 150A (12V SPST)
9	165030	1	• HOLDER, Fuse (Inline)
10	165031	1	• FUSE, Bolt-down (100A)
11	206144	1	• WIRE ASSEMBLY, Power (Glow plug)

7.11 Glow Plug Harness - Deutz D2011 Engine



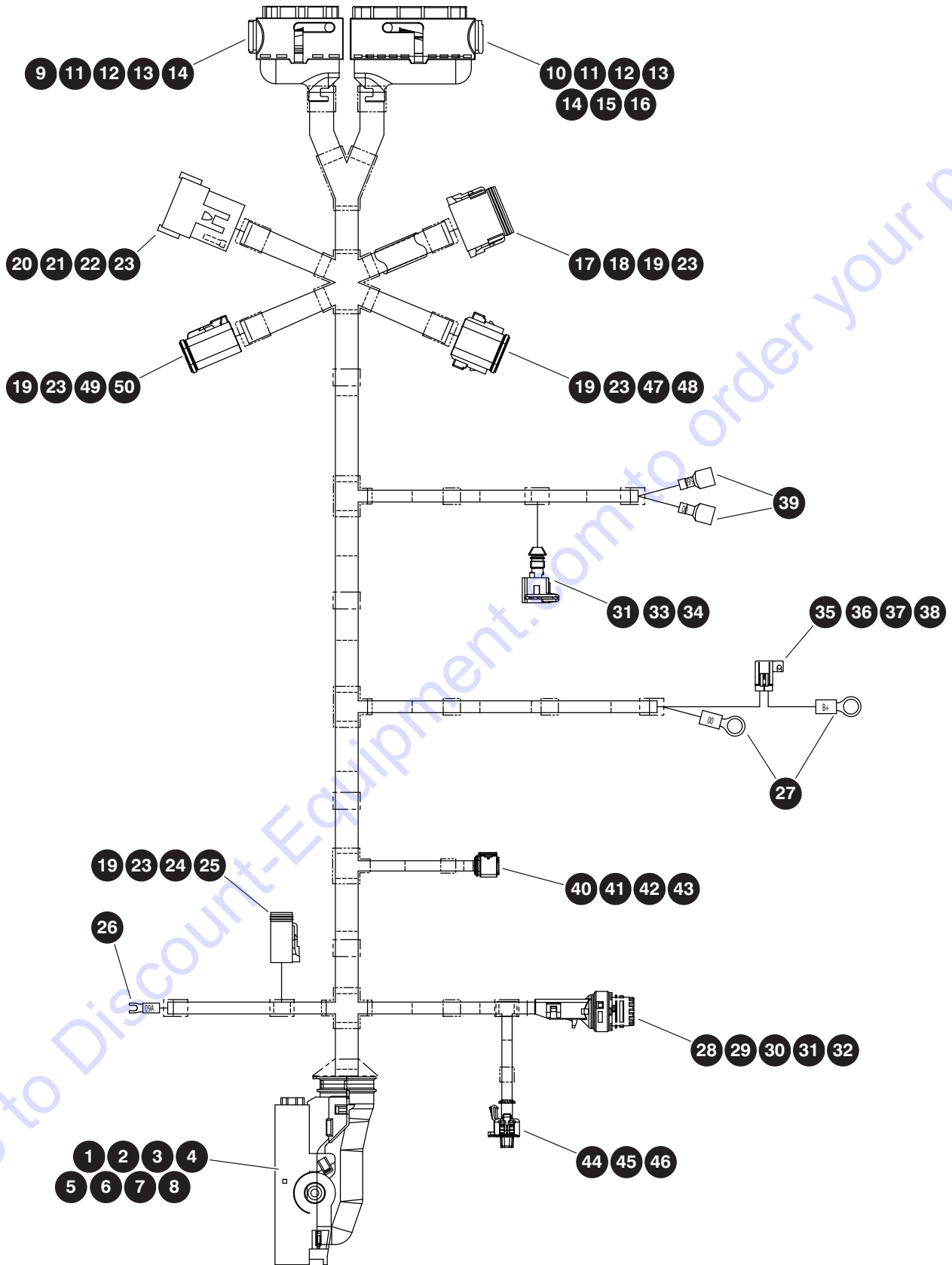
M148472AD

Index No.	Skyjack Part No.	Qty.	Description
-	148472	1	HARNESS, Glow Plug - Deutz D2011 engine
1	138844	1	<ul style="list-style-type: none"> • RELAY, SPST (80A 12V)
2	138845	1	<ul style="list-style-type: none"> • SOCKET, Relay (80A)
3	138847	1	<ul style="list-style-type: none"> • FUSE HOLDER, In-line
4	139195	1	<ul style="list-style-type: none"> • COVER, Fuse holder
5	138848	1	<ul style="list-style-type: none"> • FUSE (50A)



7.12 Engine Interface Harness - Deutz TD2.9L Engine

Index No.	Skyjack Part No.	Qty.	Description
-	195628	1	HARNESS, Engine interface - Deutz TD2.9L Engine
1	164544	1	• ASSEMBLY, Connector (62F, AMP MCP)
2	164545	1	• COVER, 62-Pin Connector
3	164546	32	• TERMINAL, Female (1.0 - 0.5mm ² , MCP)
4	164547	32	• SEAL, Wire (Grey, 1.4 - 1.9mm, MCP)
5	164548	24	• PLUG, Cavity (3.6mm, MCP)
6	164549	2	• TERMINAL, Female (2.5 - 1.0mm ² , MCP)
7	164550	2	• SEAL, Wire (White, 2.2 - 3.0mm, MCP)
8	164551	4	• PLUG, Cavity (5.4mm, MCP)
9	164556	1	• ASSEMBLY, Connector (60F, AMP MQS)
10	164567	1	• ASSEMBLY, Connector (94F, AMP MQS+MCP)
11	164561	45	• TERMINAL, Female (0.75 - 0.5mm ² , MQS)
12	164562	17	• TERMINAL, Female (1.5 - 0.75mm ² , MQS)
13	164563	76	• PLUG, Cavity (MQS)
14	164564	10	• PLUG, Cavity (MQS)
15	164572	6	• TERMINAL, Female (2.5 - 1.0mm ² , MCP2.8)
16	164573	6	• SEAL, Wire (Yellow, 2.7 - 3.0mm, JPT/MCP)
17	117587	1	• CONNECTOR, Plug (12-pin)
18	117589	1	• CONNECTOR, Plug (12-pin wedge)
19	117591	15	• CONNECTOR, Contact socket (16-18)
20	117586	1	• CONNECTOR, Receptacle (12-pin)
21	117588	1	• CONNECTOR, Receptacle (12-pin wedge)
22	117590	10	• CONNECTOR, Contact pin (16-18)
23	117594	5	• CONNECTOR, Sealing plug
24	117579	1	• CONNECTOR, Plug (4-pin)
25	117581	1	• CONNECTOR, Plug (4-pin wedge)
26	109892	1	• TERMINAL, Lock fork (#10), 14-16GA blue)
27	156219	2	• TERMINAL, M8 ring (5.0mm ²)
28	164579	1	• CONNECTOR, Circular (4F, 2.5mm)
29	164580	1	• STRAIN RELIEF, Straight
30	164581	3	• TERMINAL, Female (1.0 - 0.5mm ² , 2.5mm circ.)
31	164578	5	• SEAL, Wire (Light Blue, 1.2 - 2.1mm)
32	156172	1	• PLUG, Cavity (JPT)
33	156163	1	• ASSEMBLY, Connector (2F, AMP)
34	156174	2	• TERMINAL, Female (1.0 - 0.5mm ² , JPT)
35	156127	1	• CONNECTOR, Fuse holder (2F, 630 M/P)
36	156118	2	• TERMINAL, Female (5.0 - 3.0mm ² , 630 M/P, pull-to-seat)
37	156164	1	• FUSE, ATO (30A)
38	156117	1	• COVER, Inline Autofuse
39	102929	1	CLIP, Single (G10) (not shown)

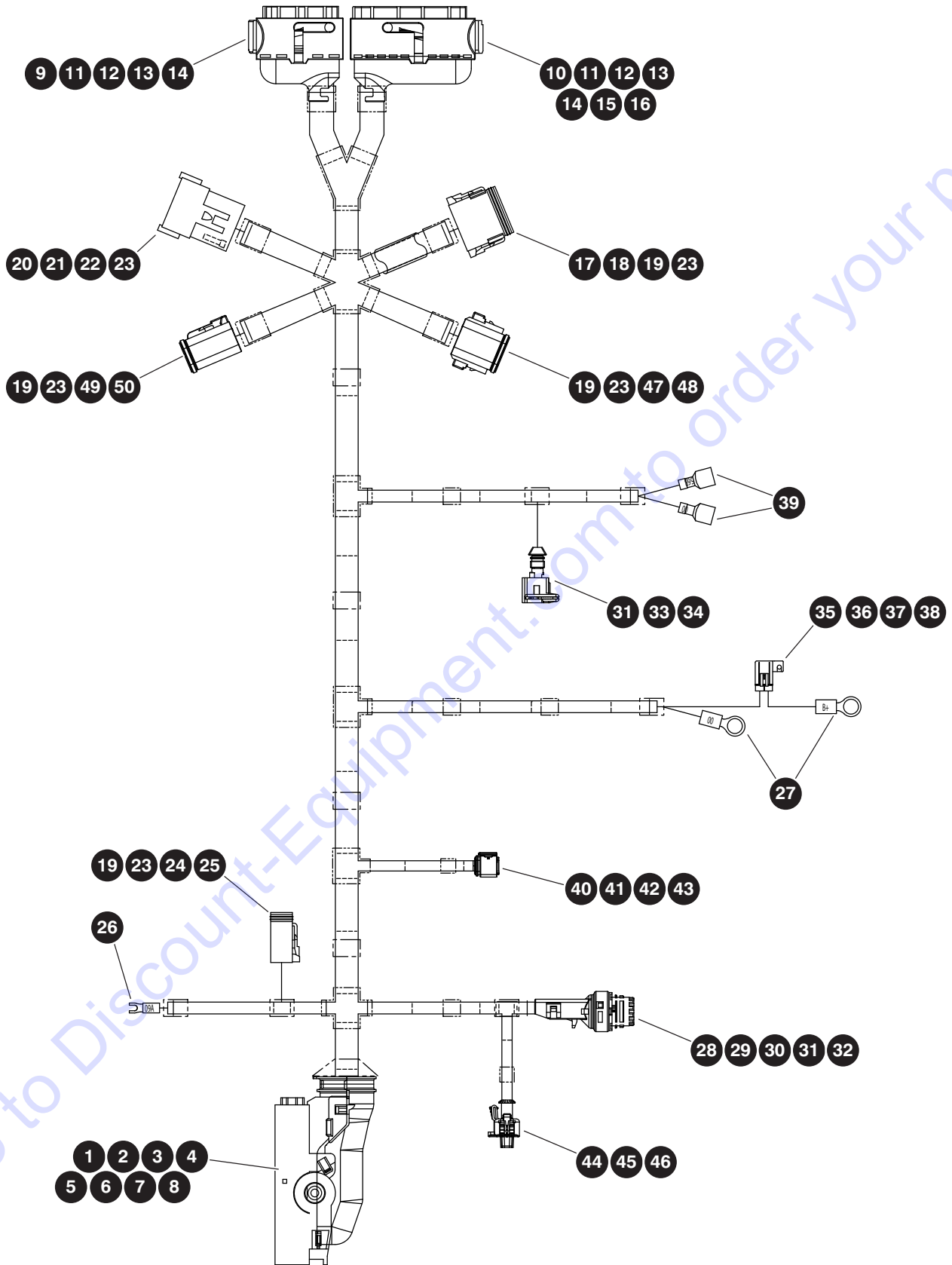


M224638AC-1

170453AI

7.13 Engine Interface Harness - Deutz TCD2.2

Index No.	Skyjack Part No.	Qty.	Description
-	224638	1	ENGINE INTERFACE HARNESS - Deutz TCD2.2
1	164544	1	• ASSEMBLY, Connector (62F, AMP MCP)
2	164545	1	• COVER, 62-Pin Connector
3	164546	32	• TERMINAL, Female (1.0 - 0.5mm ² , MCP)
4	164547	32	• SEAL, Wire (Grey, 1.4 - 1.9mm, MCP)
5	164548	24	• PLUG, Cavity (3.6mm, MCP)
6	164549	2	• TERMINAL, Female (2.5 - 1.0mm ² , MCP)
7	164550	2	• SEAL, Wire (White, 2.2 - 3.0mm, MCP)
8	164551	4	• PLUG, Cavity (5.4mm, MCP)
9	164556	1	• ASSEMBLY, Connector (60F, AMP MQS)
10	164567	1	• ASSEMBLY, Connector (94F, AMP MQS+MCP)
11	164561	45	• TERMINAL, Female (0.75 - 0.5mm ² , MQS)
12	164562	17	• TERMINAL, Female (1.5 - 0.75mm ² , MQS)
13	164563	76	• PLUG, Cavity (MQS)
14	164564	10	• PLUG, Cavity (MQS)
15	164572	6	• TERMINAL, Female (2.5 - 1.0mm ² , MCP2.8)
16	164573	6	• SEAL, Wire (Yellow, 2.7 - 3.0mm, JPT/MCP)
17	117587	1	• CONNECTOR, Plug (12-pin)
18	117589	1	• CONNECTOR, Plug (12-pin wedge)
19	117591	24	• CONNECTOR, Contact socket (16-18)
20	117586	1	• CONNECTOR, Receptacle (12-pin)
21	117588	1	• CONNECTOR, Receptacle (12-pin wedge)
22	117590	10	• CONNECTOR, Contact pin (16-18)
23	117594	8	• CONNECTOR, Sealing plug
24	117579	1	• CONNECTOR, Plug (4-pin)
25	117581	1	• CONNECTOR, Plug (4-pin wedge)
26	109892	1	• TERMINAL, Lock fork ((#10), 14-16GA blue)
27	156219	2	• TERMINAL, M8 ring (5.0mm ²)
28	164579	1	• CONNECTOR, Circular (4F, 2.5mm)
29	164580	1	• STRAIN RELIEF, Straight
30	164581	3	• TERMINAL, Female (1.0 - 0.5mm ² , 2.5mm circ.)
31	164578	5	• SEAL, Wire (Light Blue, 1.2 - 2.1mm)
32	156172	1	• PLUG, Cavity (JPT)
33	156163	1	• ASSEMBLY, Connector (2F, AMP)
34	156174	2	• TERMINAL, Female (1.0 - 0.5mm ² , JPT)
35	156127	1	• CONNECTOR, Fuse holder (2F, 630 M/P)
36	156118	2	• TERMINAL, Female (5.0 - 3.0mm ² , 630 M/P, pull-to-seat)
37	156164	1	• FUSE, ATO (30A)
38	156117	1	• COVER, Inline Autofuse
39	105359	2	• TERMINAL, Spade - female (14-16GA insulated blue)
40	224607	1	• CONNECTOR, Housing - socket (HDSCS, 8 pin)
41	224608	7	• CONNECTOR, Seal (HDSCS)
42	224609	1	• CONNECTOR, Plug - blind (HDSCS)
43	224610	7	• CONNECTOR, Socket - receptacle
44	224611	1	• CONNECTOR, Housing (2 pin)



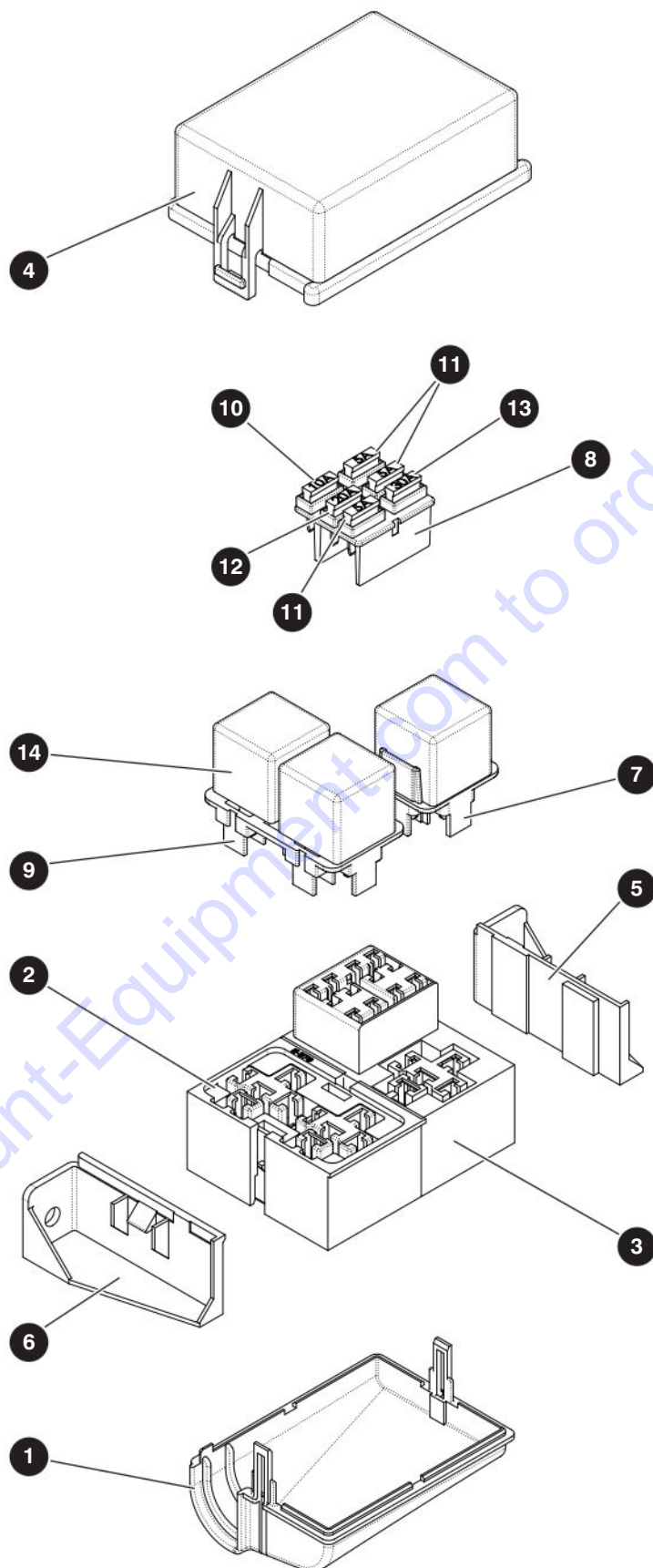
M224638AC-1

170453AI

7.13 Engine Interface Harness - Deutz TCD2.2

Index No.	Skyjack Part No.	Qty.	Description
45	224612	2	• CONNECTOR, Contact (pin, 18 AWG)
46	224613	2	• CONNECTOR, Seal (18 AWG)
47	117593	1	• CONNECTOR, Plug (8 pin)
48	117585	1	• CONNECTOR, Wedge - plug (8 pin)
49	158476	1	• CONNECTOR, Plug (6 pin)
50	158477	1	• CONNECTOR, Wedge - plug (6 pin)

7.14 Fuse Box - Perkins 2.2TA



M198769AB

170453AI

216

SJ82T, SJ86T

SKYJACK

7.14 Fuse Box - Perkins 2.2TA

Index No.	Skyjack Part No.	Qty.	Description
-	198769	1	FUSE BOX ASSEMBLY - Perkins
1	198654	1	• COVER, Bottom
2	198646	1	• BLOCK, Fuse box - Dual ISO relay
3	198647	1	• BLOCK, Fuse box - ISO relay/6 fuses
4	198651	1	• COVER, Top
5	198652	1	• BRACKET, Right hand
6	198653	1	• BRACKET, Left hand
7	198648	1	• SPACER, Relay half module
8	198649	1	• SPACER, Minifuse half module
9	198650	1	• SPACER, Relay
10	170626	1	• FUSE, ATM - 10A
11	198725	3	• FUSE, ATM - 5A
12	198726	1	• FUSE, ATM - 20A
13	198727	1	• FUSE, ATM - 30A
14	127131	3	• RELAY, 12V 40 amp

Section 8 – Hose Connections

8.1 *Standard Hose Numbering System*

8.2 *Hydraulic Hoses - Cylinders*

8.3 *Hydraulic Hoses - Turret*

8.4 *Hydraulic Hoses - Drive & System Pumps*

8.5 *Hydraulic Hoses - Base*

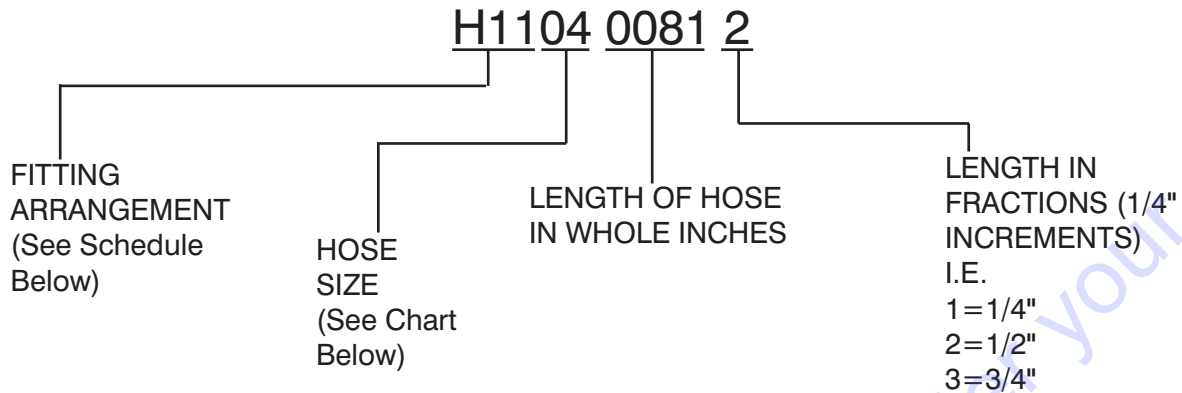
8.6 *Fuel Lines - Deutz TD2.9L & TCD2.2 Engines*

8.7 *Fuel Lines - Deutz D2011 Engine*

8.8 *Fuel Lines - Perkins 2.2TA Engine*

8.9 *Grease Line*

8.1 Standard Hose Numbering System



Using the number above as an example (H1104 0081 2). This hose requires a 37° JIC, female swivel fitting on one end. A medium length 90° JIC, female swivel fitting for the other end. The Hose must meet or exceed S.A.E. 100R13 hose specification, and be a total of 81-1/2" long.



NOTE

Hose ends and hose must be from same manufacturer per S.A.E. J1273 Nov. '91, Sections 3.10 and 4.2. Hose ends and hose must be of the same size i.e. #4 size fittings must be used with #4 size hose.

Hole Size Chart

Size	03	04	06	08	10	12	16	20	24	32	40	48	56	64
ID	3/16"	1/4"	3/8"	1/2"	5/8"	3/4"	1"	1-1/4"	1-1/2"	2"	2-1/2"	3"	3-1/2"	4"

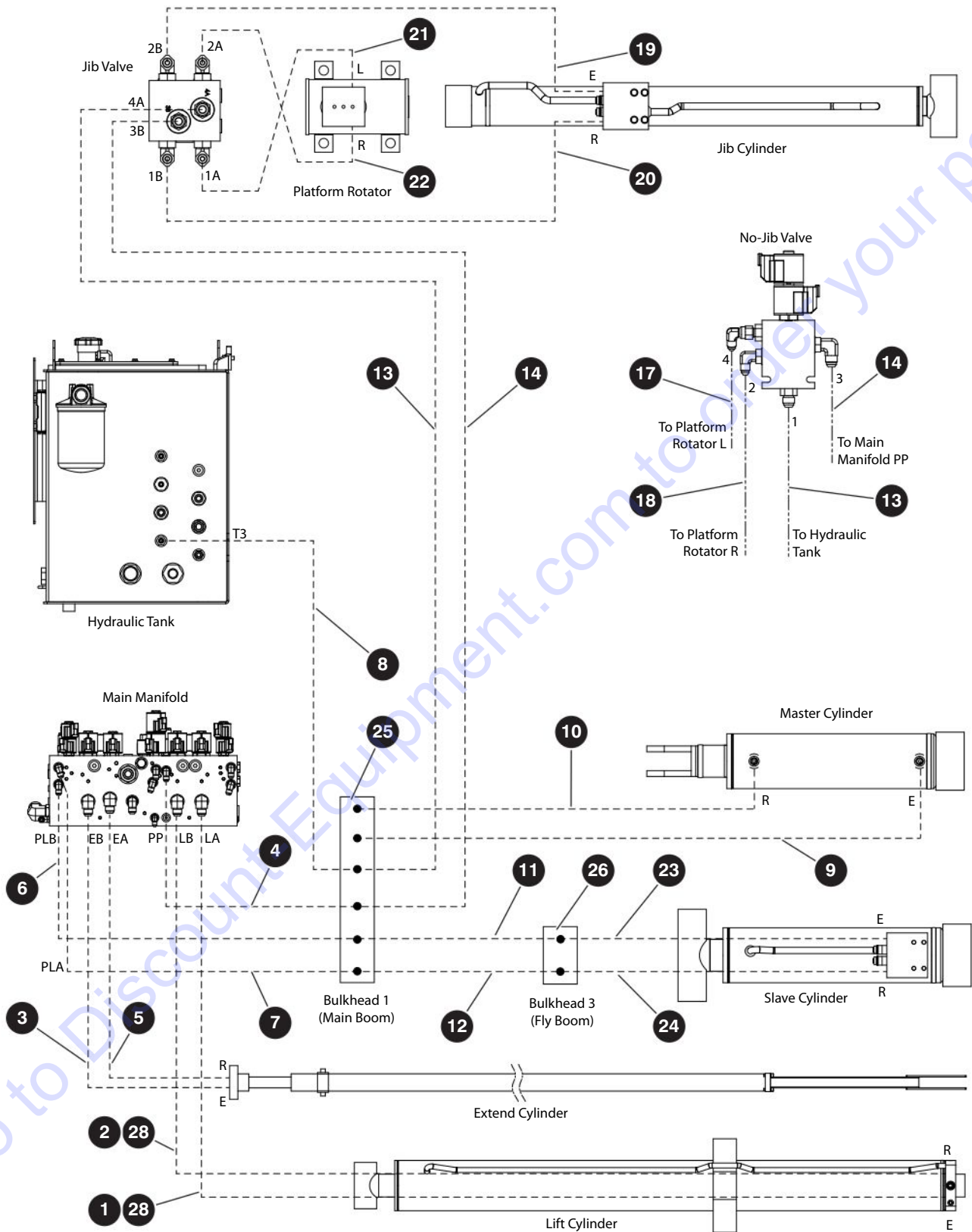
Fitting Arrangement Schedule

Hose Prefix	Hose End Fitting	Hose End Fitting	S.A.E. Hose Specification
H01	FEMALE, 37° JIC, SWIVEL	FEMALE, 37° JIC, SWIVEL	100R17
H02	FEMALE, 37° JIC, SWIVEL	FEMALE, 37° JIC, SWIVEL	100R13
H03	FEMALE, 37° JIC, SWIVEL	45°, FEMALE, 37° JIC, SWIVEL	100R17
H04	FEMALE, 37° JIC, SWIVEL	45°, FEMALE, 37° JIC, SWIVEL	100R13
H05	FEMALE, 37° JIC, SWIVEL	LONG 90°, FEMALE, 37° JIC, SWIVEL	100R17
H06	FEMALE, 37° JIC, SWIVEL	SHORT 90°, FEMALE, 37° JIC, SWIVEL	100R17
H07	LONG 90°, FEMALE, 37° JIC, SWIVEL	LONG 90°, FEMALE, 37° JIC, SWIVEL	100R17
H08	FEMALE, 37° JIC, SWIVEL	FEMALE, 37° JIC, SWIVEL	100R4
H09	FEMALE, 37° JIC, SWIVEL	45°, FEMALE, 37° JIC, SWIVEL	100R4
H10	FEMALE, 37° JIC, SWIVEL	MALE PIPE THREAD FITTING	100R17
H11	FEMALE, 37° JIC, SWIVEL	MEDIUM 90°, FEMALE, 37° JIC, SWIVEL	100R13
H12	SHORT 90°, FEMALE, 37° JIC, SWIVEL	SHORT 90°, FEMALE, 37° JIC, SWIVEL	100R17
H13	FEMALE, 37° JIC, SWIVEL	REUSABLE MALE PIPE THREAD FITTING	300 PSI
H14	REUSABLE MALE PIPE THREAD FITTING	NO FITTING	300 PSI
H15	REUSABLE FEMALE, 37° JIC, SWIVEL	REUSABLE FEMALE, 37° JIC, SWIVEL	300 PSI

8.1 Standard Hose Numbering System

Hose Prefix	Hose End Fitting	Hose End Fitting	S.A.E. Hose Specification
H16	NO FITTING	NO FITTING	100R4
H17	NO FITTING	NO FITTING	300 PSI
H18	REUSABLE, FEMALE, 37° JIC, SWIVEL	NO FITTING	300 PSI
H19	LONG 90°, FEMALE, 37° JIC, SWIVEL	FEMALE, 37° JIC, SWIVEL	100R13
H20	FEMALE, SHORT 37° JIC, SWIVEL	SHORT 90°, FEMALE, 37° JIC, SWIVEL	100R4
H21	FEMALE, SHORT 37° JIC, SWIVEL	SHORT 90°, FEMALE, 37° JIC, SWIVEL	100R2AT
H22	FEMALE, 37° JIC, SWIVEL	FEMALE, 37° JIC, SWIVEL	100R2AT
H23	FEMALE, LONG 37° JIC, SWIVEL	LONG 90°, FEMALE, 37° JIC, SWIVEL	100R2AT
H24	FEMALE, SHORT 37° JIC, SWIVEL	SHORT 90°, FEMALE, 37° JIC, SWIVEL	100R13
H25	FEMALE, 37° JIC, SWIVEL	FEMALE, 37° JIC, SWIVEL	100R4
H26	SHORT 90°, FEMALE, 37° JIC, SWIVEL	FEMALE, 37° JIC, SWIVEL	100R17
H27	LONG 90°, FEMALE, 37° JIC, SWIVEL	FEMALE, 37° JIC, SWIVEL	100R17
H28	FEMALE, 37° JIC, SWIVEL	FEMALE, 37° JIC, SWIVEL	100R17
H29	SHORT 45°, FEMALE, 37° JIC, SWIVEL	FEMALE, 37° JIC, SWIVEL	100R17
H30	MEDIUM 90°, FEMALE, 37° JIC, SWIVEL	FEMALE, 37° JIC, SWIVEL	100R17
H31	FEMALE, 37° JIC, SWIVEL	FEMALE, 37° JIC, SWIVEL	100R17
H32	SHORT 45°, FEMALE, 37° JIC, SWIVEL	FEMALE, 37° JIC, SWIVEL	100R17
H33	MEDIUM 45°, FEMALE, 37° JIC, SWIVEL	FEMALE, 37° JIC, SWIVEL	100R17
H34	SHORT 90°, FEMALE, 37° JIC, SWIVEL	FEMALE, 37° JIC, SWIVEL	100R17
H35	MEDIUM 90°, FEMALE, 37° JIC, SWIVEL	FEMALE, 37° JIC, SWIVEL	100R17
H36	LONG 90°, FEMALE, 37° JIC, SWIVEL	FEMALE, 37° JIC, SWIVEL	100R17
H37	SHORT 45°, FEMALE, 37° JIC, SWIVEL	FEMALE, 37° JIC, SWIVEL	100R4
H38	SHORT 90°, FEMALE, 37° JIC, SWIVEL	FEMALE, 37° JIC, SWIVEL	100R4
H39	LONG 90°, FEMALE, 37° JIC, SWIVEL	FEMALE, 37° JIC, SWIVEL	100R4
H40	SHORT 90°, FEMALE, 37° JIC, SWIVEL	FEMALE, 37° JIC, SWIVEL	100R16
H43	FEMALE, 37° JIC, SWIVEL	FEMALE, 37° JIC, SWIVEL	100R16
H51	FEMALE, 37° JIC, SWIVEL	FEMALE, 37° JIC, SWIVEL	100R17
H52	SHORT 45°, FEMALE, 37° JIC, SWIVEL	FEMALE, 37° JIC, SWIVEL	100R17
H53	MEDIUM 45°, FEMALE, 37° JIC, SWIVEL	FEMALE, 37° JIC, SWIVEL	100R17
H54	SHORT 90°, FEMALE, 37° JIC, SWIVEL	FEMALE, 37° JIC, SWIVEL	100R17
H55	MEDIUM 90°, FEMALE, 37° JIC, SWIVEL	FEMALE, 37° JIC, SWIVEL	100R17
H56	LONG 90°, FEMALE, 37° JIC, SWIVEL	FEMALE, 37° JIC, SWIVEL	100R17

8.2 Hydraulic Hoses - Cylinders



M165477AL_M165478AD_M165479AB

170453AI

222

SJ82T, SJ86T

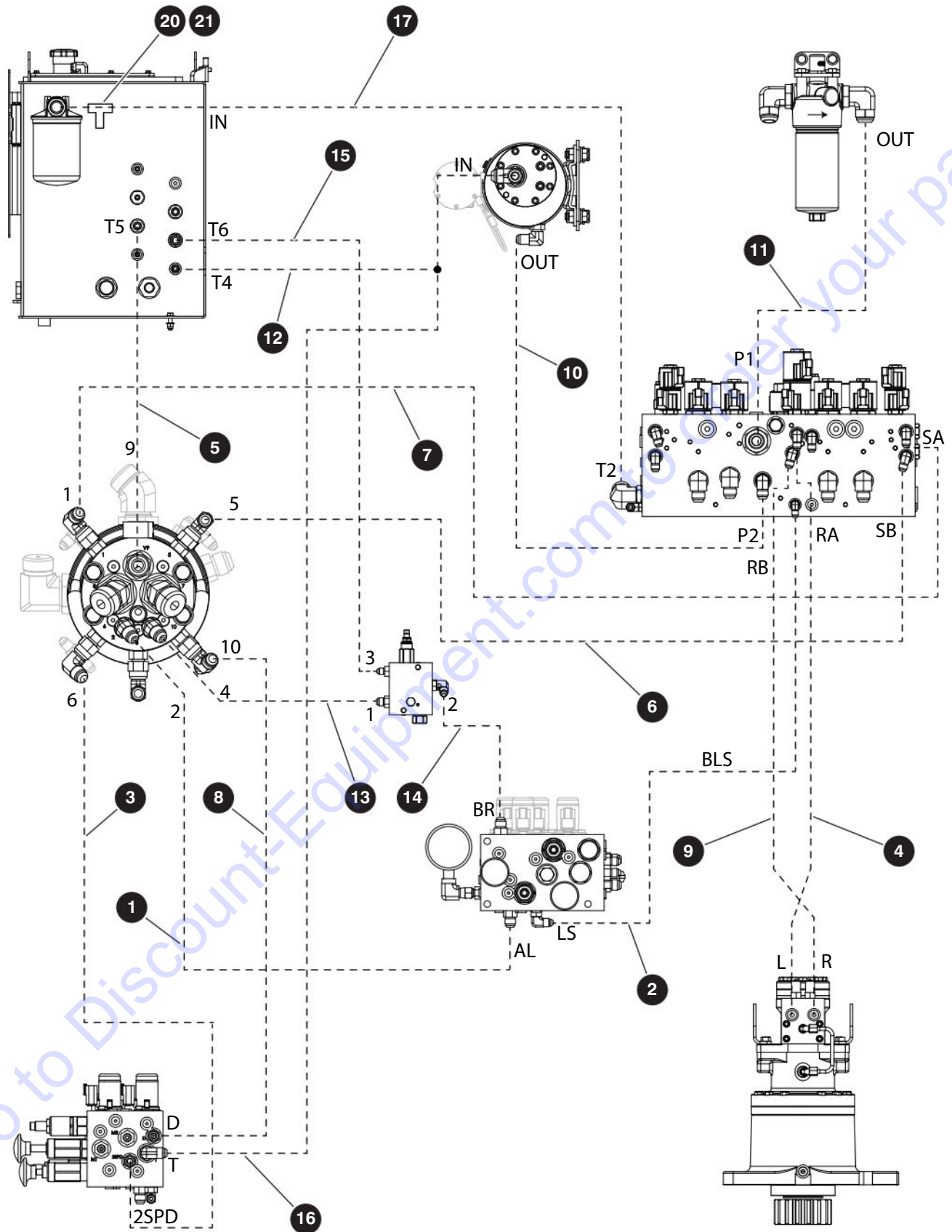
SKYJACK

8.2 Hydraulic Hoses - Cylinders

Index No.	Hose P/N	From		To	
		Description	Port	Port	Description
A	165477	TURRET HOSE KIT (with hoses from 8.3)			
1	H3110 0223 0	Main Manifold	LA	E	Lift Cylinder
2	H3110 0223 0	Main Manifold	LB	R	Lift Cylinder
3	H3110 0184 0	Main Manifold	EB	E	Extend Cylinder
4	H3106 0207 0	Main Manifold	PP	-	Boom Manifold (Bulkhead 1)
5	H3110 0184 0	Main Manifold	EA	R	Extend Cylinder
6	H3106 0218 0	Main Manifold	PLB	-	Boom Manifold (Bulkhead 1)
7	H3106 0218 0	Main Manifold	PLA	-	Boom Manifold (Bulkhead 1)
8	H3106 0231 0	Hydraulic Tank	T3	-	Boom Manifold (Bulkhead 1)
9	H3106 0051 0	Boom Manifold (Bulkhead 1)	-	E	Master Cylinder
10	H3106 0063 0	Boom Manifold (Bulkhead 1)	-	R	Master Cylinder
B	165478	BOOM HOSE KIT			
11	H600609460	Boom Manifold (Bulkhead 1)	-	E	Bulkhead 3
12	H600609460	Boom Manifold (Bulkhead 1)	-	R	Bulkhead 3
13	H600609460	Boom Manifold (Bulkhead 1)	-	4A / 1	Jib Valve / No Jib Valve
14	H600609460	Boom Manifold (Bulkhead 1)	-	3B / 3	Jib Valve / No Jib Valve
C	168552	NO JIB HOSE KIT - SJ82T			
15	H3106 0018 0	Slave Cylinder	E	-	Bulkhead 3
16	H3106 0018 0	Slave Cylinder	R	-	Bulkhead 3
17	H3404 0056 0	Platform Rotator	L	4	No Jib Valve
18	H5204 0045 0	Platform Rotator	R	2	No Jib Valve
D	165462	JIB HOSE KIT - SJ86T			
19	H3104 0096 0	Jib Cylinder	R	1B	Jib Valve
20	H3104 0096 0	Jib Cylinder	E	2B	Jib Valve
21	H3404 0108 0	Platform Rotator	L	1A	Jib Valve
22	H3404 0118 0	Platform Rotator	R	2A	Jib Valve
23	H3206 0027 0	Slave Cylinder	E	-	Bulkhead 3
24	H3206 0027 0	Slave Cylinder	R	-	Bulkhead 3
Index No.	Skyjack Part No.	Qty.	Description		
25	(Ref.)	1	MANIFOLD, Boom, B		
26	(Ref.)	1	BRACKET, Slave cylinder hoses, C		
27	131732	96"	SLEEVE, Protective, D		
28	171444	72"	WRAP, Sprial (1.00" dia), A		

8.3 Hydraulic Hoses - Turret

AB



M165477AL_M167081AC

170453AI

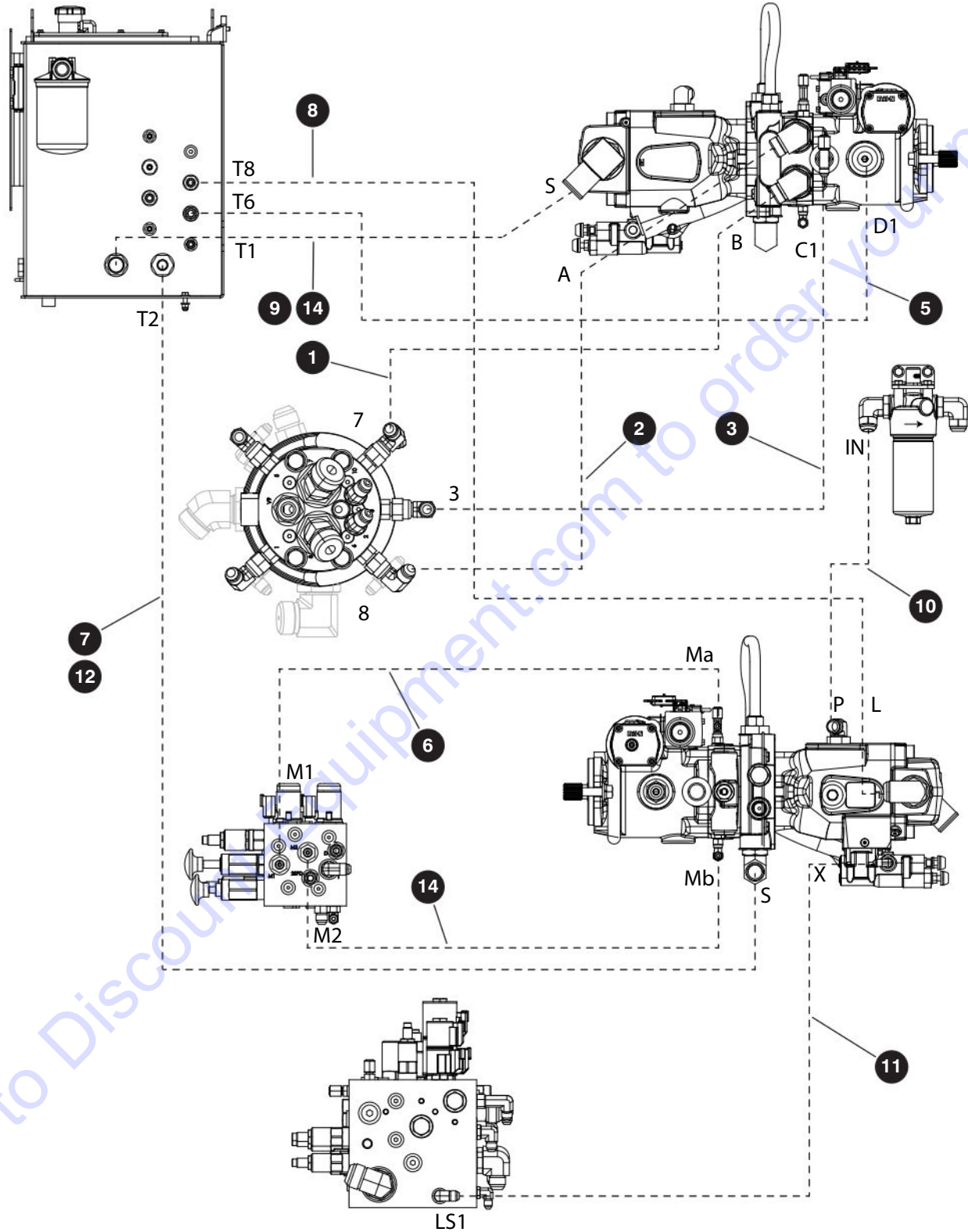
224

SJ82T, SJ86T

SKYJACK

8.3 Hydraulic Hoses - Turret

Index No.	Hose P/N	From		To		
		Description	Port	Port	Description	
A	165477	TURRET HOSE KIT (with hoses from 8.2)				
1	H3106 0076 0	Brake Manifold	AL	2	Rotary Manifold	
2	H3404 0020 0	Brake Manifold	LS	BLS	Main Manifold	
3	H3406 0081 0	Brake Manifold	2SPD	6	Rotary Manifold	
4	H3406 0092 0	Swing Drive	L	RA	Main Manifold	
5	H3210 0080 0	Hydraulic Tank	T5	9	Rotary Manifold	
6	H3106 0060 0	Main Manifold	SB	5	Rotary Manifold	
7	H3106 0059 0	Main Manifold	SA	1	Rotary Manifold	
8	H3406 0073 0	Brake Manifold	D	10	Rotary Manifold	
9	H3406 0092 0	Swing Drive	R	RB	Main Manifold	
10	H3106 0028 0	Main Manifold	P2	OUT	Auxiliary Pump	
11	H3416 0032 0	Main Manifold	P1	OUT	Pressure Filter	
12	H3108 0038 0	Hydraulic Tank	T4	IN	Auxiliary Pump	
13	H3406 0084 0	Rotary Manifold	4	1	Pressure Reducing Valve	
14	H3206 0021 0	Brake Manifold	BR	2	Pressure Reducing Valve	
15	H3104 0015 0	Hydraulic Tank	T6	3	Pressure Reducing Valve	
16	H5406 0037 0	Brake Manifold	T	IN	Emergency Pump	
B	167081	NO GENERATOR/NO OIL COOLER HOSE KIT				
17	H3816 0015 0	Main Manifold	T2	IN	Return Filter	
Index No.	Skyjack Part No.	Qty.	Description			
18	131732	60"	SLEEVE, Protective nylon (HG-46), A			
19	163418	60"	SLEEVE, Protective nylon (HG-44), A			
20	165482	1	FITTING, Run tee (16 JICM - 16 ORBM - 12 JICM), B			
21	131753	1	FITTING, Cap (12 JICF), B			



M165475AF_M165476AF

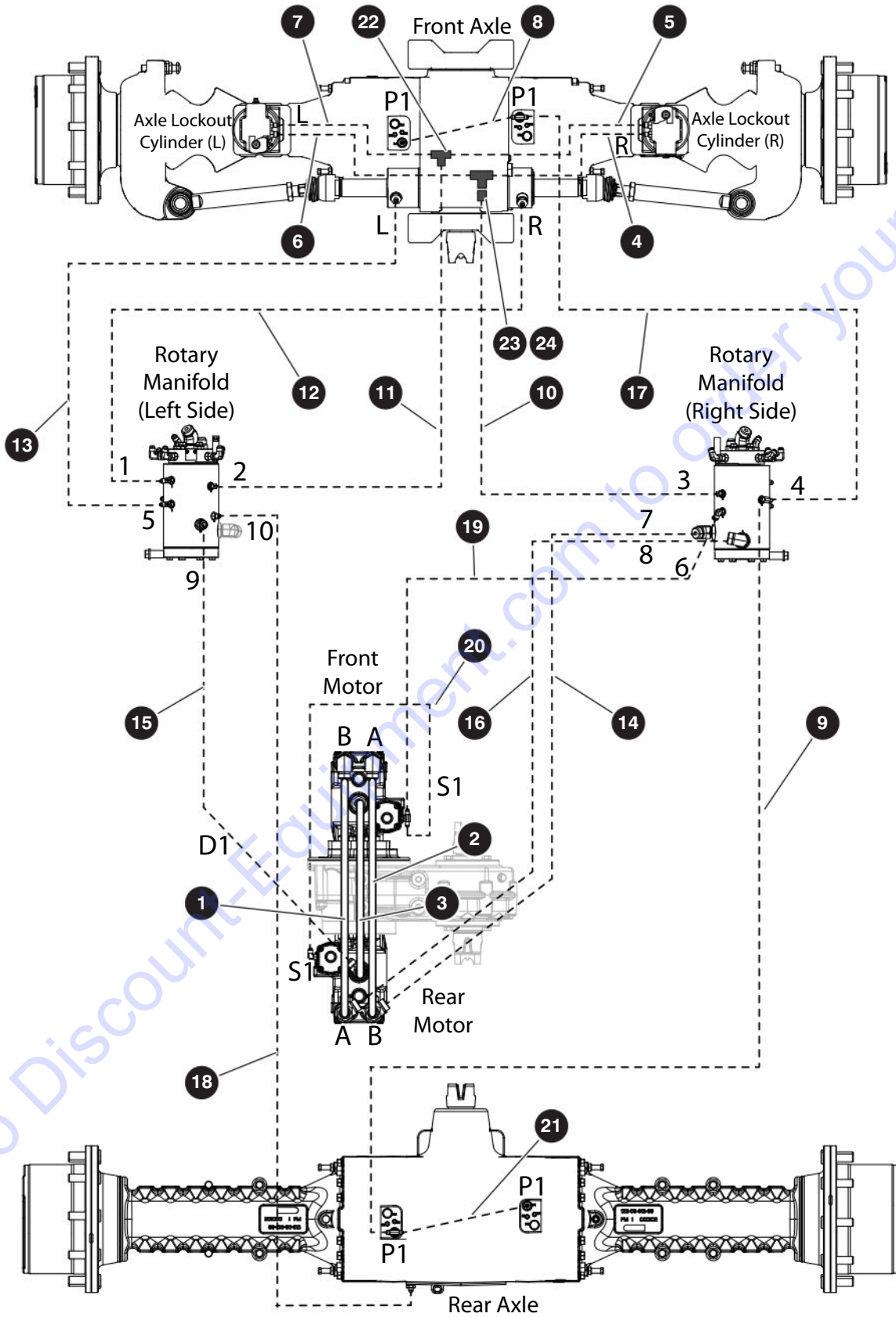
170453AI

SJ82T, SJ86T

8.4 Hydraulic Hoses - Drive & System Pumps

Index No.	Hose P/N	From		To		
		Description	Port	Port	Description	
A	165475	DRIVE PUMP HOSE KIT				
1	H5912 0060 0	Drive Pump	B	7	Rotary Manifold	
2	H5812 0057 0	Drive Pump	A	8	Rotary Manifold	
3	H3606 0066 0	Drive Pump	C1	3	Rotary Manifold	
4	H4004 0082 0	Drive Pump	Mb	M2	Brake Manifold	
5	H3412 0124 0	Drive Pump	D1	T6	Hydraulic Tank	
6	H4004 0074 0	Drive Pump	Ma	M1	Brake Manifold	
7	H1616 0066 0	Drive Pump	S	T2	Hydraulic Tank	
B	165476	SYSTEM PUMP HOSE KIT				
8	H3610 0085 0	System Pump (case drain)	L	T8	Hydraulic Tank	
9	H1624 0090 0	System Pump (suction)	S	T1	Hydraulic Tank	
10	H3116 0075 0	System Pump (pressure)	P	IN	Pressure Filter	
11	H3104 0078 0	System Pump (pilot)	X	LS1	Main Manifold	
Index No.	Skyjack Part No.	Qty.	Description			
12	139177	2	CLAMP, Hose (33-37), A			
13	131732	60"	SLEEVE, Protective nylon (HG-46), A, B			
14	165481	2	CLAMP, Hose (47-51), B			

8.5 Hydraulic Hoses - Base



M165155AC

170453AI

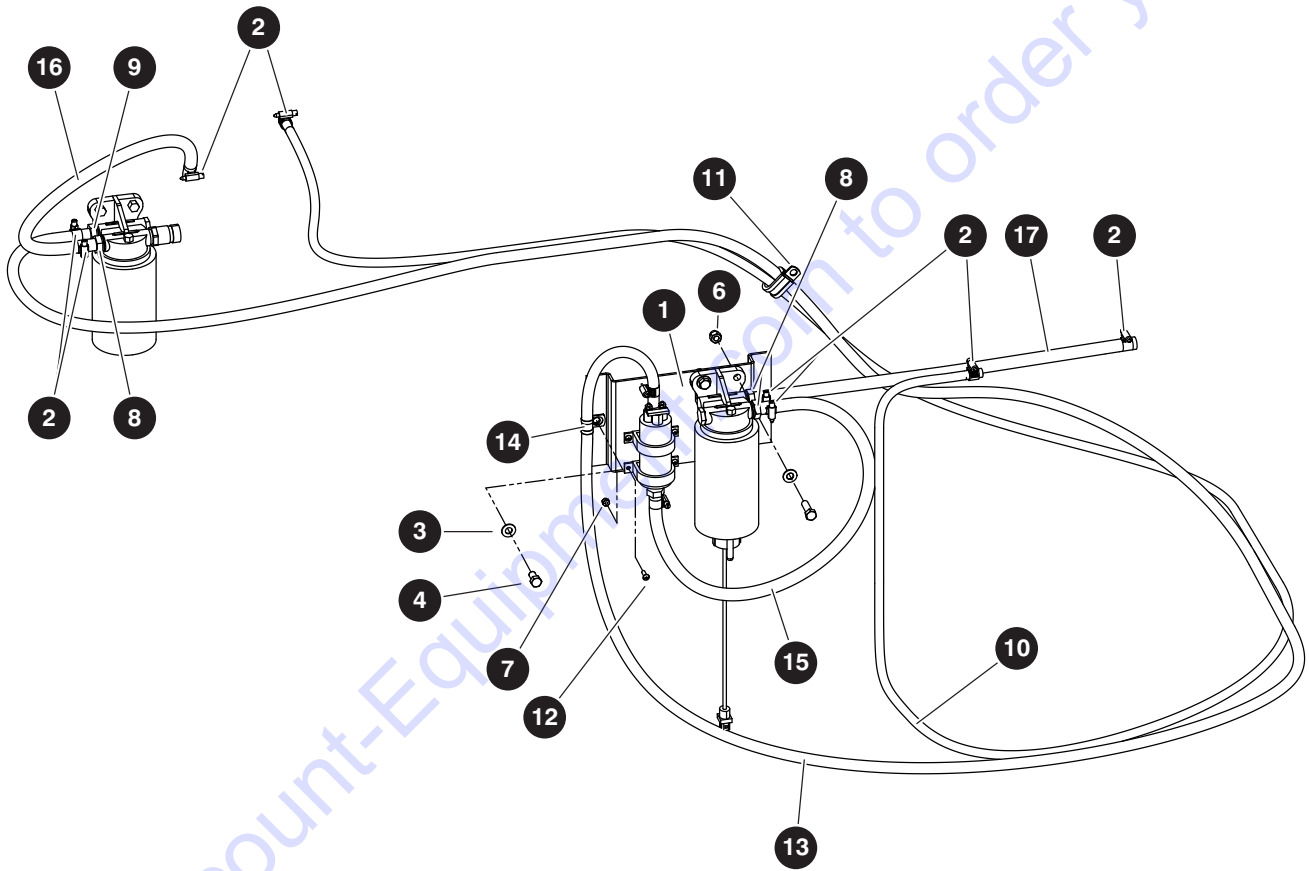
SJ82T, SJ86T

8.5 Hydraulic Hoses - Base

Index No.	Hose P/N	From		To	
		Description	Port	Port	Description
-	165155	CHASSIS HOSE KIT			
1	167063	Rear Drive Motor (steel tube)	A	B	Front Drive Motor (steel tube)
2	167063	Rear Drive Motor (steel tube)	B	A	Front Drive Motor (steel tube)
3	167064	Rear Drive Motor (steel tube)	D1	D2	Front Drive Motor (steel tube)
4	H5106 0020 0	Oscillating Cylinder Pressure	R	-	T Fitting (06 JIC)
5	H5104 0020 0	Oscillating Cylinder Pilot	R	-	T Fitting (04 JIC)
6	H5106 0020 0	Oscillating Cylinder Pressure	L	-	T Fitting (06 JIC)
7	H5104 0020 0	Oscillating Cylinder Pilot	L	-	T Fitting (04 JIC)
8	H5404 0014 0	Front Axle (Left)	P1	P1	Front Axle (Right)
9	H5404 0088 0	Rotary Manifold	4	P1	Front Axle (Right)
10	H5104 0080 0	Rotary Manifold	3	-	T Fitting
11	H5104 0080 0	Rotary Manifold	2	-	T Fitting
12	H5206 0080 0	Rotary Manifold	1	R	Steer Cylinder
13	H5406 0087 0	Rotary Manifold	5	L	Steer Cylinder
14	H5712 0038 2	Rotary Manifold	7	B	Rear Drive Motor
15	H5210 0032 0	Rotary Manifold	V9	D1	Rear Drive Motor
16	H5712 0038 2	Rotary Manifold	8	A	Rear Drive Motor
17	H5404 0056 0	Rotary Manifold	4	P1	Rear Axle (Left)
18	H5404 0075 0	Rotary Manifold	10	-	Rear Axle Differential Lock
19	H5104 0021 0	Rotary Manifold	6	S1	Front Drive Motor
20	H5404 0024 0	Rear Drive Motor	S1	S1	Front Drive Motor
21	H5404 0014 0	Rear Axle (Left)	P1	P1	Rear Axle (Right)

Index No.	Skyjack Part No.	Qty.	Description
22	131697	1	FITTING, Tee (04 JICM - 04 JICM - 04 JICM)
23	131704	1	FITTING, Tee (06 JICM - 06 JICM - 06 JICM)
24	707041	1	FITTING, Straight (06 JICF - 04 JICM)

8.6 Fuel Lines - Deutz TD2.9L & TCD2.2 Engines



M168687AA

170453AI

230

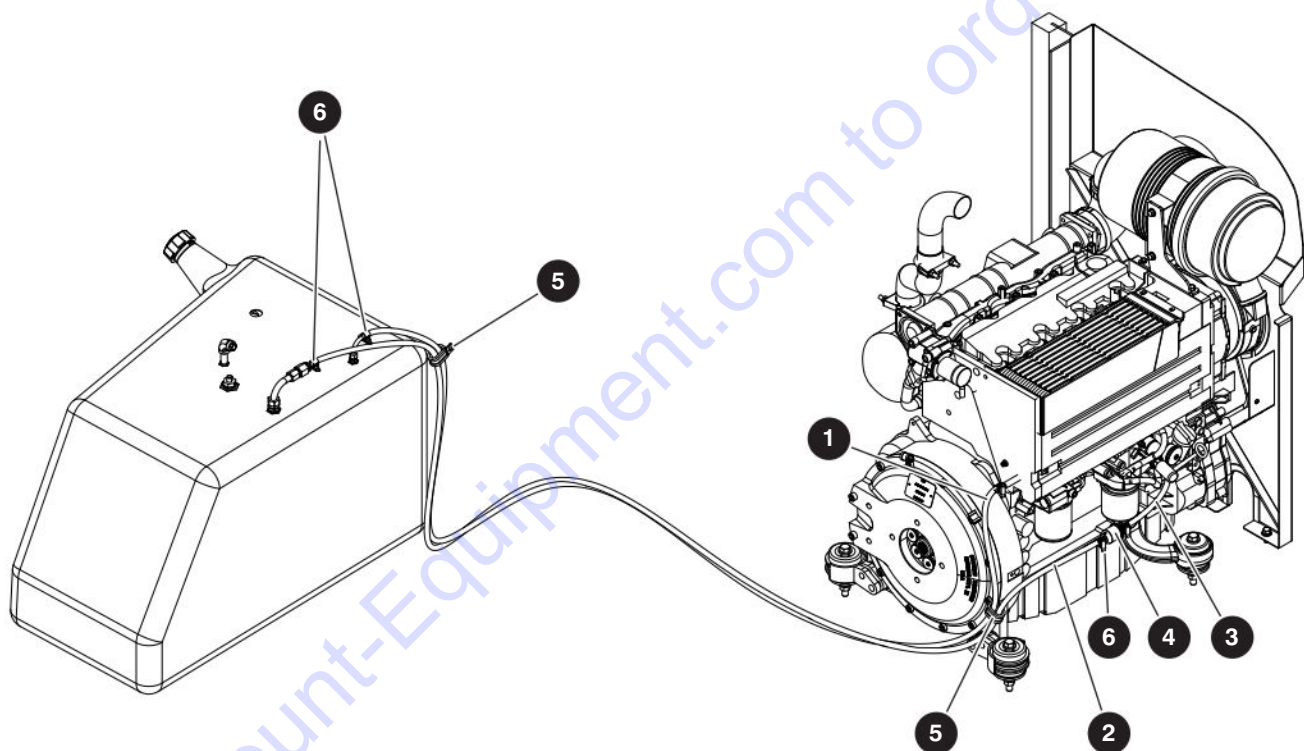
SJ82T, SJ86T

SKYJACK

8.6 Fuel Lines - Deutz TD2.9L & TCD2.2 Engines

Index No.	Skyjack Part No.	Qty.	Description
-	168687	1	FUEL HOSE ASSEMBLY - Deutz TD2.9L & TCD2.2
1	164739	1	• BRACKET, Fuel
2	163521	10	• CLAMP, Hose (#10)
3	103472	4	• WASHER, Flat (0.375")
4	101632	2	• BOLT, Hex head (0.375"-16 x 0.75" gr 5)
5	101297	2	• BOLT, Hex head (0.375"-16 x 1.25" gr 5)
6	104606	2	• NUT, Hex head nylon lock (0.375"-16 gr 5)
7	300450	4	• NUT, Hex head nylon lock (10-32 gr 5)
8	163222	3	• FITTING, Fuel hose
9	164977	1	• FITTING, Fuel hose (0.375")
10	102984	145"	• LINE, Fuel (0.3125")
11	103078	1	• CLIP, Double (S344G10)
12	120094	4	• SCREW, Round head machine (10-32 x 0.625")
13	166737	180"	• LINE, Fuel (0.375")
14	144129	1	• CLIP, Single (S332G10)
15	163509	32"	• LINE, Fuel (0.50")
16	163509	21"	• LINE, Fuel (0.50")
17	163509	23"	• LINE, Fuel (0.50")

8.7 Fuel Lines - Deutz D2011 Engine



M146703AD

170453AI

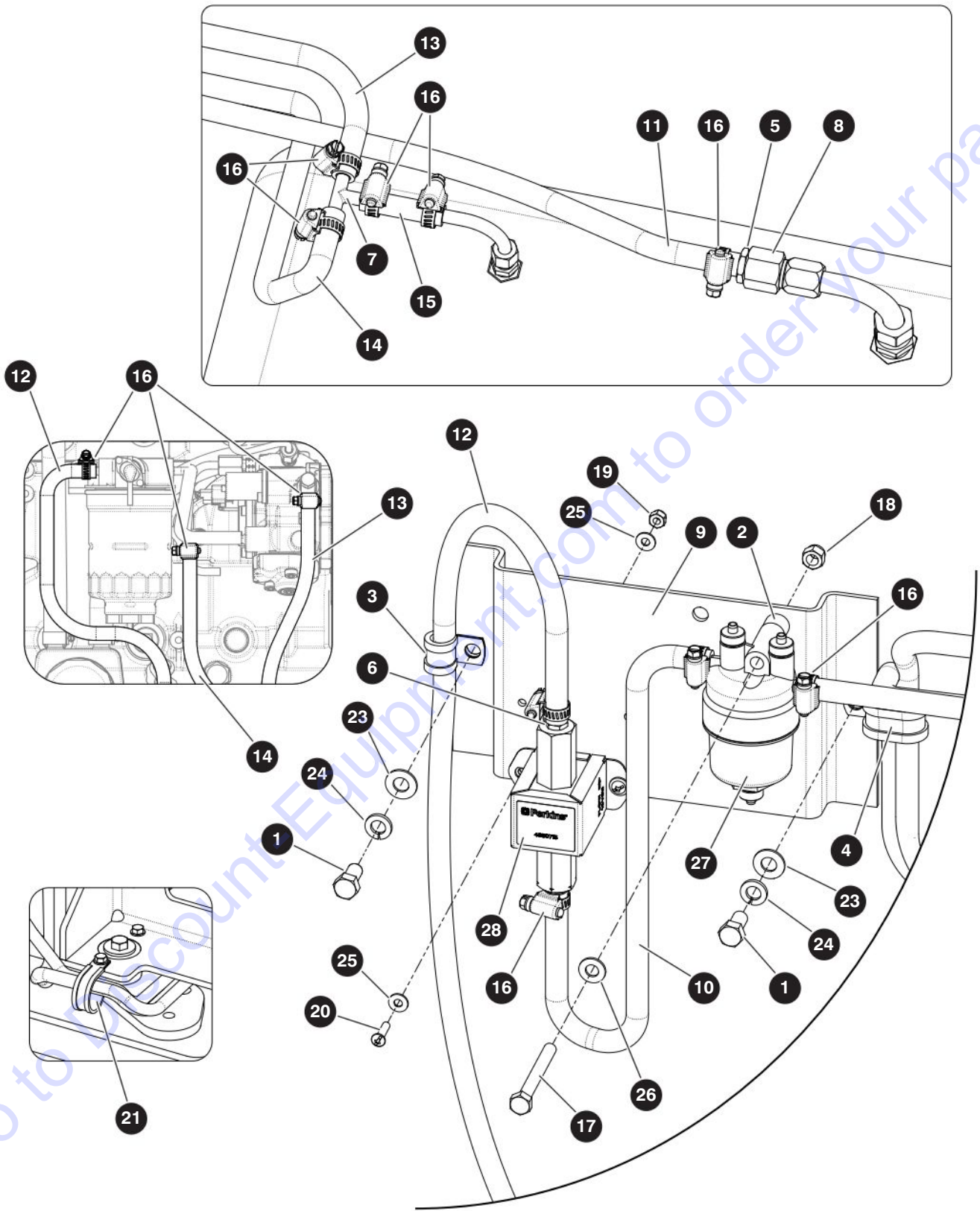
232

SJ82T, SJ86T

SKYJACK

8.7 Fuel Lines - Deutz D2011 Engine

Index No.	Skyjack Part No.	Qty.	Description
-	168710	1	FUEL LINE ASSEMBLY - Deutz D2011
1	102984	175"	• LINE, Fuel (0.3125")
2	102984	170"	• LINE, Fuel (0.3125")
3	102984	6"	• LINE, Fuel (0.3125")
4	139254	1	• FILTER, In-line fuel
5	103078	2	• CLIP, Double (S44G10)
6	116342	6	• CLAMP, Gear (SAE No. 8, 0.4375" - 1.00")



M212736AA

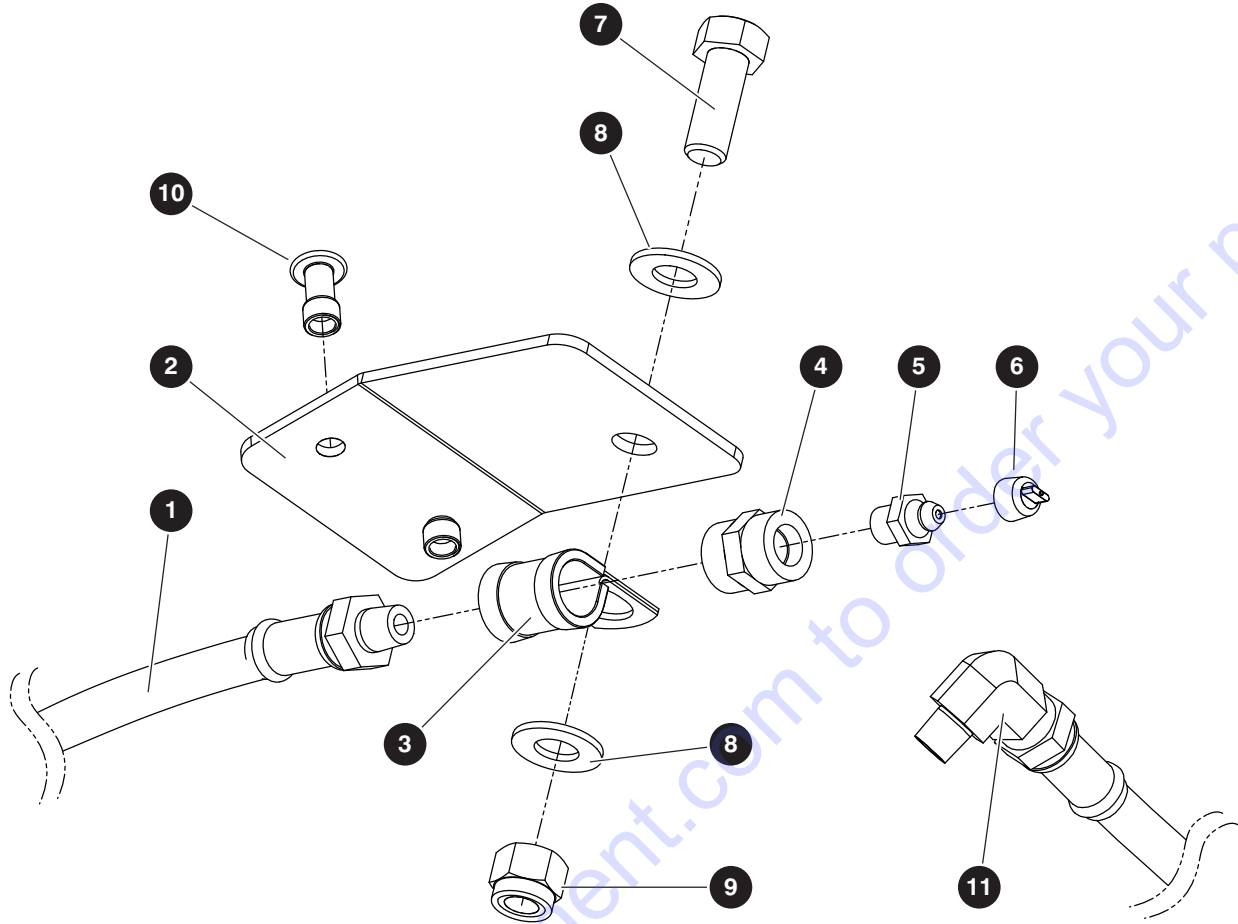
170453AI

SJ82T, SJ86T

8.8 Fuel Lines - Perkins 2.2TA Engine

Index No.	Skyjack Part No.	Qty.	Description
-	212736	1	FUEL LINES - Perkins 2.2TA
1	101632	2	• BOLT, Hex head cap screw, (0.375"-16 x 0.75 gr 5)
2	211618	1	• SPACER (0.625" OD x 0.50" ID)
3	149495	1	• CLAMP, TUBE (0.5")
4	103078	1	• CLAMP, Loop - double
5	165719	1	• FITTING, Beaded hose bard (0.313")
6	191978	2	• FITTING, Beaded hose bard (0.313")
7	211623	1	• FITTING, Tee (0.313")
8	165716	1	• FITTING, Straight adapter (08BT-06FP)
9	198453	1	• BRACKET
10	142405	20"	• LINE, Fuel (0.3125" Setiflex II)
11	142405	25"	• LINE, Fuel (0.3125" Setiflex II)
12	142405	229"	• LINE, Fuel (0.3125" Setiflex II)
13	142405	221"	• LINE, Fuel (0.3125" Setiflex II)
14	142405	221"	• LINE, Fuel (0.3125" Setiflex II)
15	142405	4"	• LINE, Fuel (0.3125" Setiflex II)
16	103321	12	• CLAMP, Gear
17	166829	1	• BOLT, Hex head (0.312"-18 x 2.75" gr 5)
18	103984	1	• NUT, Lock (0.313"-18 gr 5)
19	300450	2	• NUT, Lock (10-32 gr 5)
20	104698	2	• SCREW, Round head machine (10-32 x 0.75")
21	133241	3	• CLIP, Single
22	131732	60"	• SLEEVE, Nylon hose protection (HG-46) (not shown)
23	103472	2	• WASHER, Flat (0.375")
24	103999	2	• WASHER, Lock (0.375")
25	104694	4	• WASHER, Flat (#10)
26	103996	1	• WASHER, Flat (0.312")
27	212844	1	FILTER, Pre-fuel
	212845	1	• ELEMENT, Pre-fuel filter
	212846	1	• O-RING, Pre-fuel filter
28	212847	1	PUMP, Lift - Perkins

8.9 Grease Line



M167095AC

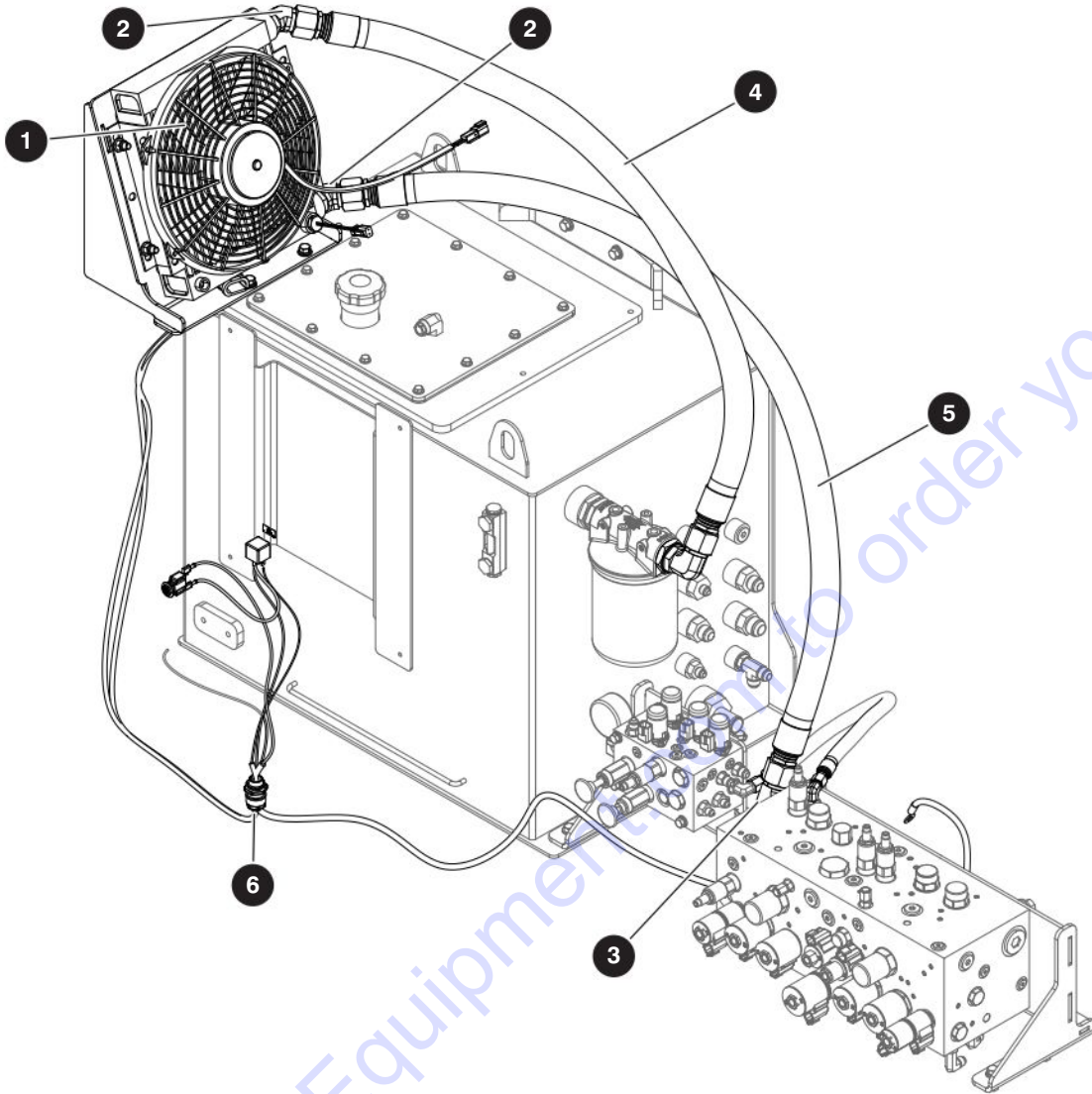
Index No.	Skyjack Part No.	Qty.	Description
-	167095	1	TURRET GREASE LINE
1	167091	1	• HOSE, Grease line
2	167092	1	• PLATE, Grease line bracket
3	144129	1	• CLIP, Single (S332G10)
4	139095	1	• FITTING, Straight (1/8 NPTF - 1/8 NPTF)
5	102027	1	• FITTING, Grease (1/8 NPT straight)
6	132565	1	• CAP, Grease (GC5)
7	103473	1	• BOLT, Hex head (0.375"-16 x 1.00" gr 5)
8	103472	2	• WASHER, Flat (0.375")
9	104606	1	• NUT, Hex head nylon lock (0.375"-16 gr 5)
10	139641	2	• RIVET, Pop (1/4" - range 0.25" - 0.38")
11	139094	1	• FITTING, 90° elbow (1/8 NPTM - 1/8 NPTF)

Section 9 – Optional Equipment

- 9.1 Oil Cooler with No Generator
- 9.2 Oil Cooler Assembly
- 9.3 Generator and Oil Cooler - 3.5 kW
- 9.4 Generator Assembly - 3.5 kW
- 9.5 Hydraulic Hoses - 3.5 kW Generator
- 9.6 Generator and Oil Cooler - 7.5 kW
- 9.7 Generator Assembly - 7.5 kW
- 9.8 Generator and Oil Cooler - 12 kW
- 9.9 Generator Assembly - 12 kW
- 9.10 Hydraulic Hoses - 7.5 kW & 12 kW Generators
- 9.11 Generator and Oil Cooler Wiring
- 9.12 Welder & Mount
- 9.13 Glazier Rack
- 9.14 Cold Start Package
- 9.15 Arctic Package
- 9.16 Load Circuit Manifold - Deutz TD2.9L
- 9.17 Block Heater
- 9.18 Pipe Rack
- 9.19 SGM Assembly
- 9.20 SGE Assembly
- 9.21 External Railing
- 9.22 Flashing Light
- 9.23 Hostile Environment Package
- 9.24 Control Box Cover
- 9.25 Work Lights
- 9.26 Tool Caddy
- 9.27 Lifting Lugs
- 9.28 Air Hose To Platform
- 9.29 Positive Air Shut-Off Option
- 9.30 Residual Current Device (RCD)
- 9.31 Half-Height Platform Mesh
- 9.32 Elevate Telematics
- 9.33 Elevate Telematics Subscription

9.1 Oil Cooler with No Generator

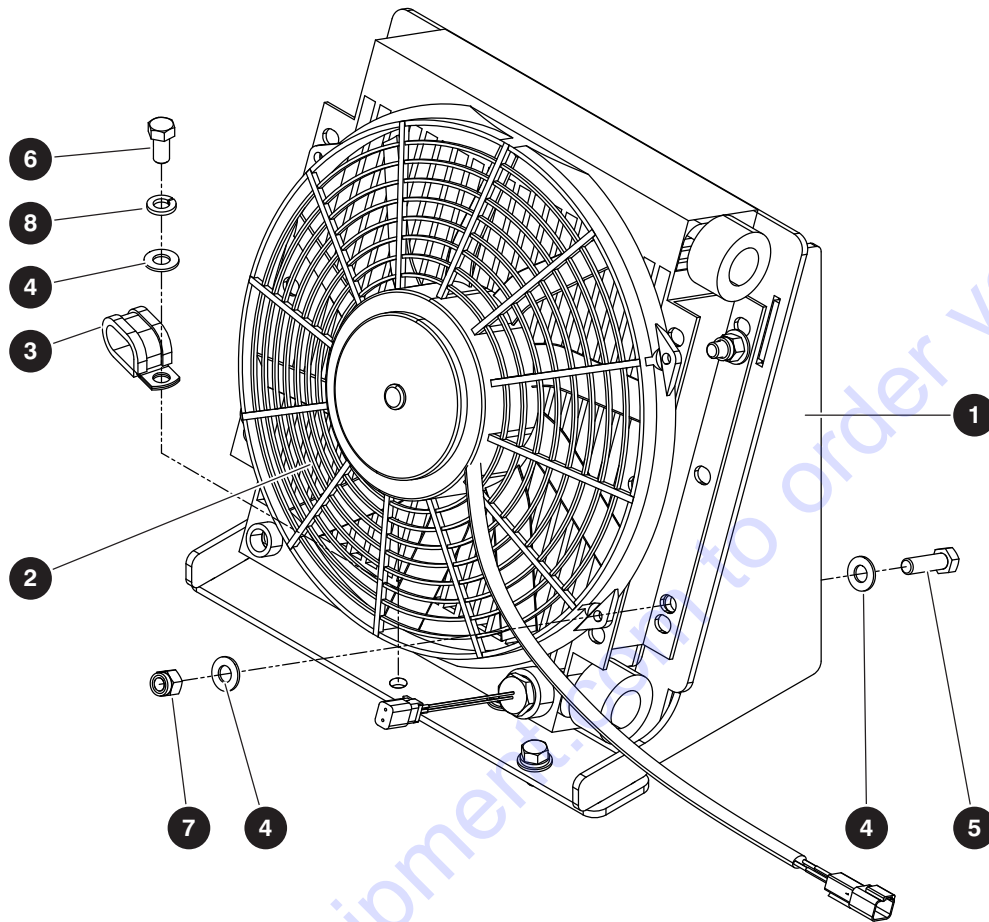
AE



M168659AA

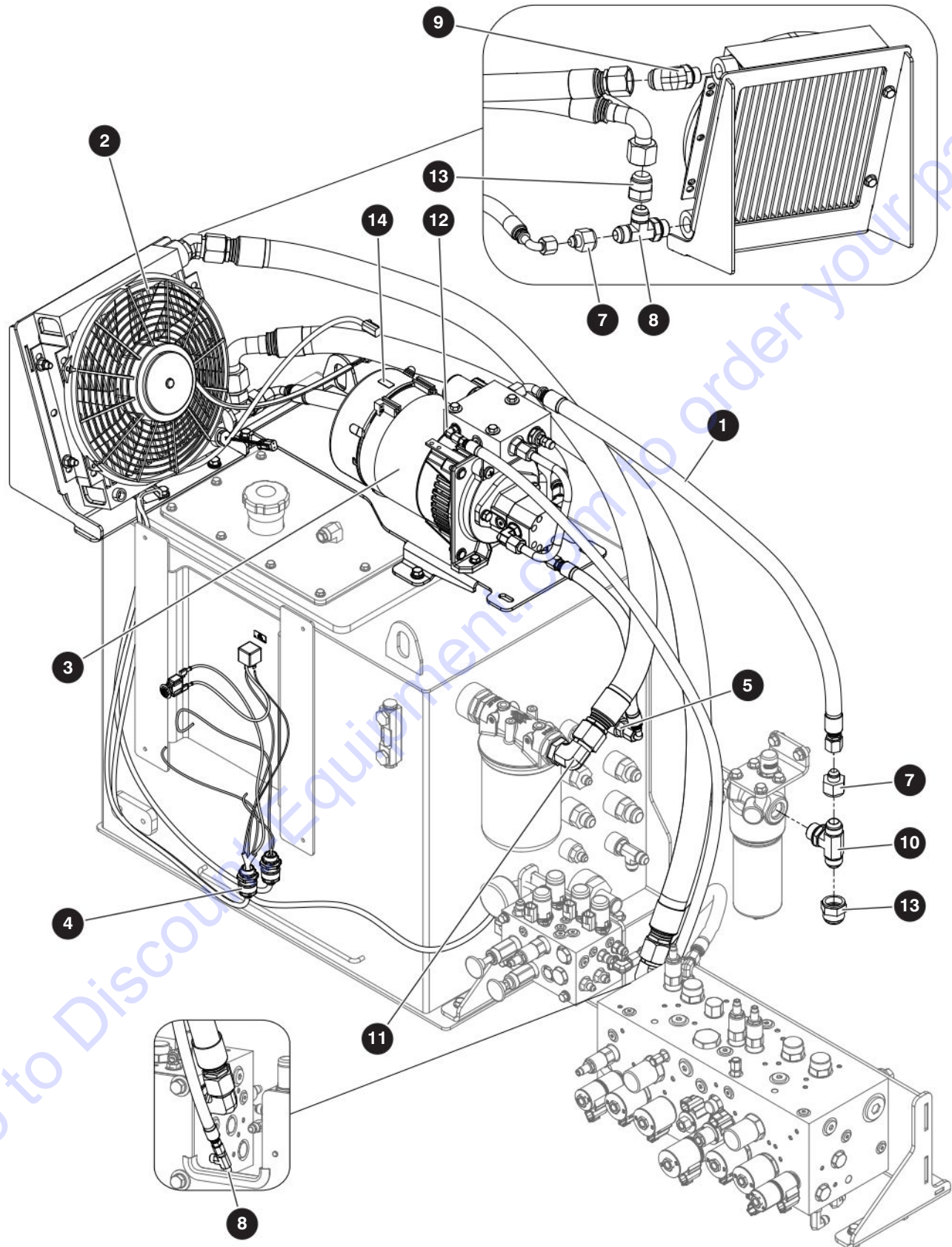
Index No.	Skyjack Part No.	Qty.	Description
-	168659	1	OIL COOLER WITH NO GENERATOR
1	(Ref.)	1	<ul style="list-style-type: none"> OIL COOLER ASSEMBLY (For components, refer to 9.2 Oil Cooler Assembly)
2	152552	2	<ul style="list-style-type: none"> FITTING, Elbow 45° (16 JICM-12 ORBM)
3	707040	1	<ul style="list-style-type: none"> FITTING, Elbow 90° (16 JICM-16 ORBM)
-	168660	1	<ul style="list-style-type: none"> OIL COOLER HOSE KIT
4	H511600520	1	<ul style="list-style-type: none"> HOSE, Hydraulic - oil cooler OUT to return filter IN
5	H511600580	1	<ul style="list-style-type: none"> HOSE, Hydraulic - oil cooler IN to main manifold T2
6	(Ref.)	1	<ul style="list-style-type: none"> WIRING ASSEMBLIES (not shown) (For components, refer to 9.11 Generator and Oil Cooler Wiring)

9.2 Oil Cooler Assembly



M167129AB

Index No.	Skyjack Part No.	Qty.	Description
-	167129	-	OIL COOLER ASSEMBLY
1	167121	1	• BRACKET, Oil cooler
2	160800	1	• COOLER, Hydraulic oil 12VDC
2	169245	1	• • THERMOSTAT, Oil Cooler
3	103078	1	• CLIP, Double (S344G10)
4	103472	11	• WASHER, Flat (0.375")
5	101297	4	• BOLT, Hex head (0.375"-16 x 1.25" gr 5)
6	101632	3	• BOLT, Hex head (0.375"-16 x 0.75" gr 5)
7	104606	4	• NUT, Hex head nylon lock (0.375"-16 gr 5)
8	103999	3	• WASHER, Lock (0.375")



M168700AE

170453AI

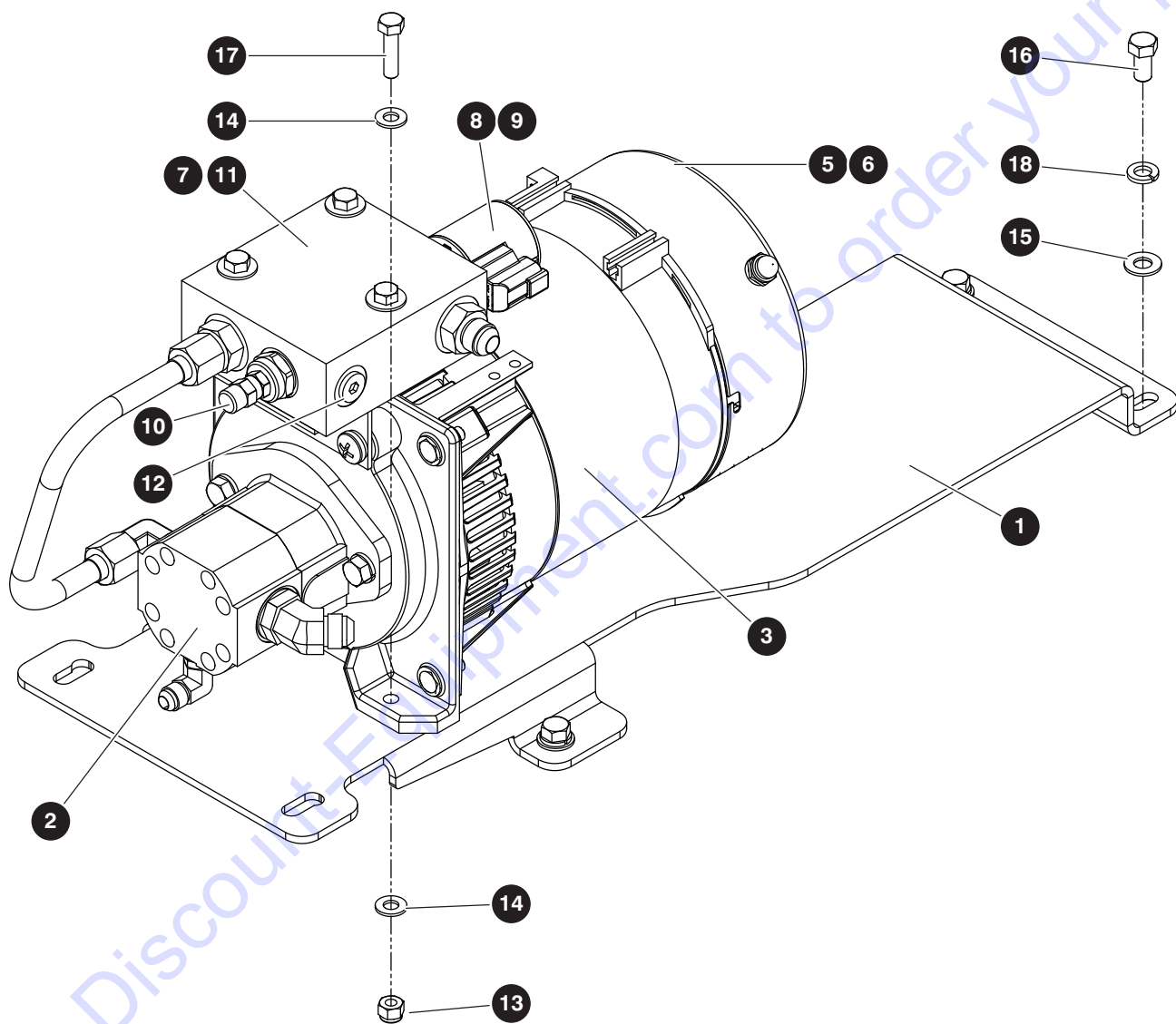
240

SJ82T, SJ86T

SKYJACK

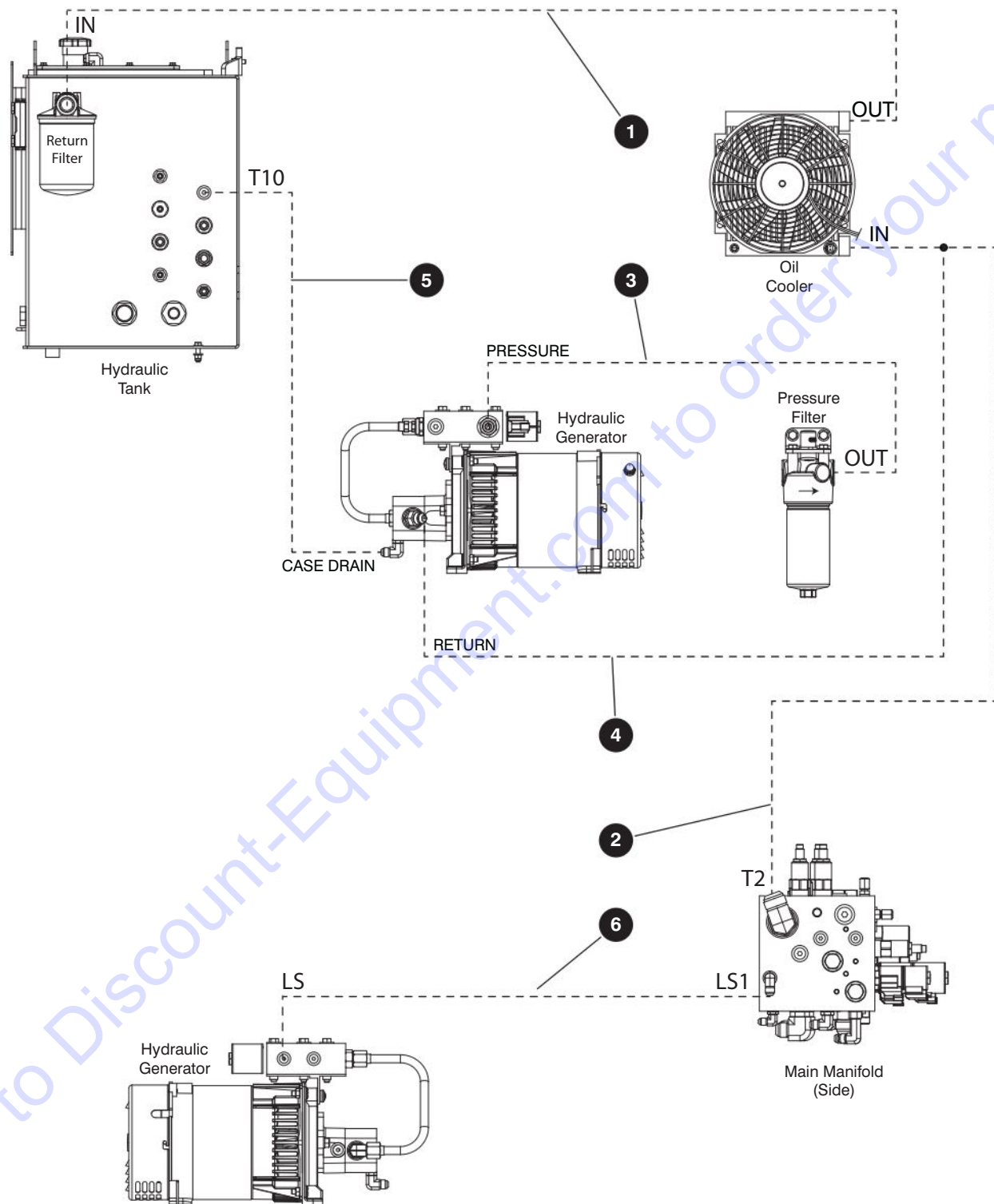
9.3 Generator and Oil Cooler - 3.5 kW

Index No.	Skyjack Part No.	Qty.	Description
A	168700	-	GENERATOR AND OIL COOLER ASSEMBLY, 3.5kW 60hz - ANSI/CSA
B	167130	-	GENERATOR AND OIL COOLER ASSEMBLY, 3.5kW 50hz - CE & AS
1	(Ref.)	1	<ul style="list-style-type: none"> GENERATOR HOSE KIT (For components, refer to 9.5 Hydraulic Hoses - 3.5 kW Generator)
2	(Ref.)	1	<ul style="list-style-type: none"> OIL COOLER ASSEMBLY (For components, refer to 9.2 Oil Cooler Assembly)
3	(Ref.)	1	<ul style="list-style-type: none"> GENERATOR ASSEMBLY (For components, refer to 9.4 Generator Assembly - 3.5 kW)
4	(Ref.)	1	<ul style="list-style-type: none"> WIRING ASSEMBLIES (For components, refer to 9.11 Generator and Oil Cooler Wiring)
5	103070	1	<ul style="list-style-type: none"> FITTING, Straight (06 JICM - 08 ORBM)
6	144116	1	<ul style="list-style-type: none"> FITTING, Run tee (12 JICM - 12 ORBM - 12 JICM)
7	703412	2	<ul style="list-style-type: none"> FITTING, Straight (12 JICF - 08 JICM)
8	132463	1	<ul style="list-style-type: none"> FITTING, Branch tee (04 JICM - 04 JICM - 04 ORBM)
9	152552	1	<ul style="list-style-type: none"> FITTING, Elbow 45° (16 JICM - 12 ORBM)
10	707277	1	<ul style="list-style-type: none"> FITTING, Branch tee (12 JICM - 12 JICM - 12 ORBM)
11	707040	1	<ul style="list-style-type: none"> FITTING, Elbow 90° (16 JICM - 16 ORBM)
12	144474	1	<ul style="list-style-type: none"> FITTING, Elbow 90° (04 JICM - 04 ORBM)
13	168652	2	<ul style="list-style-type: none"> FITTING, Straight (12 JICF - 16 JICM)
14	117390	1	<ul style="list-style-type: none"> LABEL, Push to reset generator



Index No.	Skyjack Part No.	Qty.	Description
A	168699	1	GENERATOR ASSEMBLY - 3.5kW 60Hz - ANSI/CSA
B	167122	1	GENERATOR ASSEMBLY - 3.5kW 50Hz - CE & AS
1	166364	1	• BRACKET, Generator mounting
-	166448	1	• GENERATOR, 3.5kW - 60Hz, A
-	166450	1	• GENERATOR, 3.5kW - 50Hz, B
2	171419	1	• • MOTOR, Hydraulic - 5 cc
3	197773	1	• • ALTERNATOR, Generator - 60 Hz, A
3	197774	1	• • ALTERNATOR, Generator - 50 Hz, B
4	197775	1	• • CORD, GFI (not shown)
5	117325	1	• • BREAKER, Circuit - 15 amp
6	162508	1	• • BOOT, Circuit breaker
-	168618	1	• • MANIFOLD, Generator - 3.5 kW
7	197769	1	• • • BLOCK, Manifold
8	168056	1	• • • VALVE, Solenoid
9	168057	1	• • • COIL, Solenoid
10	171450	1	• • • VALVE, Flow control
11	197770	1	• • • VALVE, Check
12	710508	1	• • • FITTING, Plug hollow hex (06ORB)
13	103984	3	• NUT, Hex head (0.312"-18, Grade 5)
14	103996	6	• WASHER, Flat (0.312")
15	103472	4	• WASHER, Flat (0.375")
16	101632	4	• BOLT, Hex head (0.375"-16 x 0.75", Grade 5)
17	112532	3	• BOLT, Hex head (0.312"-18 x 1.25", Grade 5)
18	103999	8	• WASHER, Lock (0.375")

9.5 Hydraulic Hoses - 3.5 kW Generator



M168655AB

170453AI

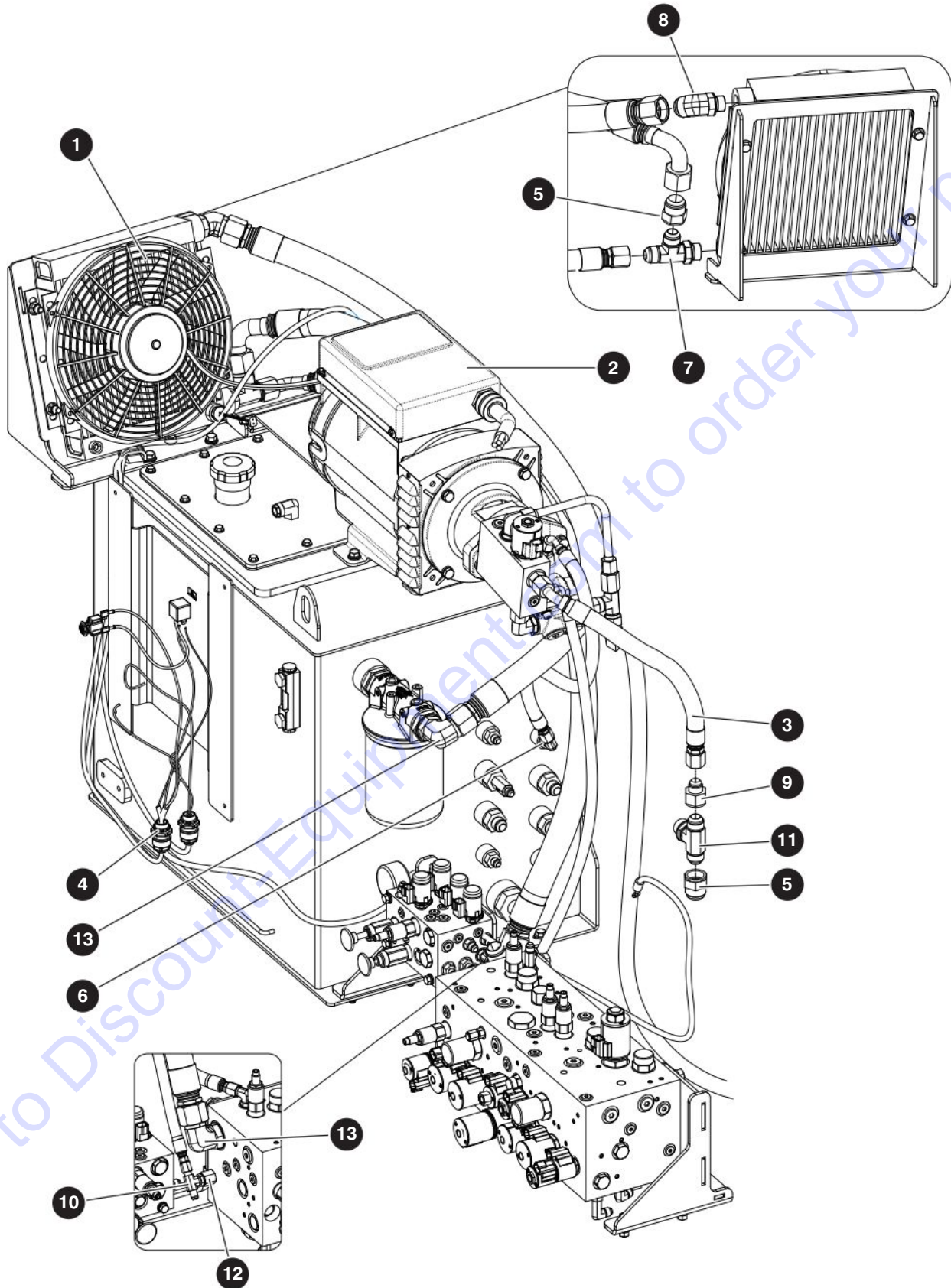
244

SJ82T, SJ86T

SKYJACK

9.5 Hydraulic Hoses - 3.5 kW Generator

Index No.	Hose P/N	From		To	
		Description	Port	Port	Description
-	168655	GENERATOR WITH OIL COOLER HOSE KIT - 3.5kW			
1	H2516 0054 0	Oil Cooler	OUT	IN	Return Filter
2	H3816 0059 0	Oil Cooler	IN	T2	Main Manifold
3	H5408 0034 0	Pressure Filter	OUT	-	Generator (Pressure)
4	H5408 0026 0	Oil Cooler	IN	-	Generator (Return)
5	H5406 0021 0	Hydraulic Tank	T10	-	Generator (Case Drain)
6	H5404 0046 0	Main Manifold	LS1	-	Generator (LS)



M209155AA

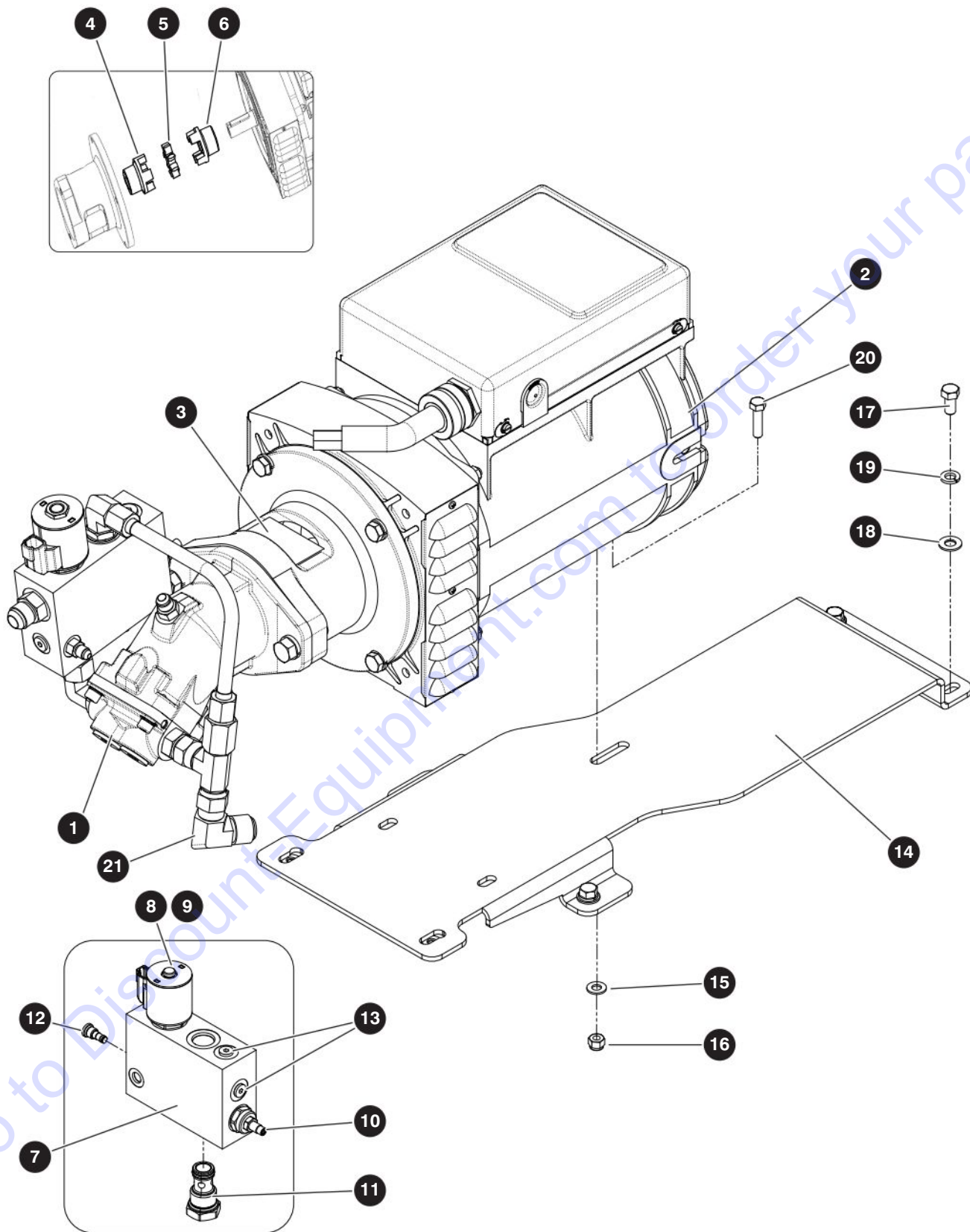
170453AI

9.6 Generator and Oil Cooler - 7.5 kW

Index No.	Skyjack Part No.	Qty.	Description
-	209155	1	GENERATOR ASSEMBLY - 7.5 kW - AS
1	(Ref.)	1	<ul style="list-style-type: none"> OIL COOLER (For components, refer to 9.2 Oil Cooler Assembly)
2	(Ref.)	1	<ul style="list-style-type: none"> GENERATOR ASSEMBLY - 7.5 kW (For components, refer to 9.7 Generator Assembly - 7.5 kW)
3	(Ref.)	1	<ul style="list-style-type: none"> HOSE KIT (For components, refer to 9.10 Hydraulic Hoses - 7.5 kW & 12 kW Generators)
4	(Ref.)	1	<ul style="list-style-type: none"> ELECTRICAL ASSEMBLY - 7.5 kW generator (For components, refer to 9.11 Generator and Oil Cooler Wiring)
5	168652	2	<ul style="list-style-type: none"> FITTING, Straight (12JICF-16JICM)
6	102665	1	<ul style="list-style-type: none"> FITTING, 90° (06JICM-08ORBM)
7	14116	1	<ul style="list-style-type: none"> FITTING, Run tee (12JICM-10JICM)
8	152552	1	<ul style="list-style-type: none"> FITTING, 45° (16JICM-12ORBM)
9	139153	1	<ul style="list-style-type: none"> FITTING, Straight (12JICF-10JICM)
10	148490	1	<ul style="list-style-type: none"> FITTING, Branch tee (04JICM-04JICM-06ORBM)
11	707277	1	<ul style="list-style-type: none"> FITTING, Tee (12JICM-12JICM-12ORBM)
12	147553	1	<ul style="list-style-type: none"> FITTING, Straight (04ORBM-06ORBF)
13	707040	2	<ul style="list-style-type: none"> FITTING, 90° (16JICM-16ORBM)

9.7 Generator Assembly - 7.5 kW

AE



M209156AA

170453AI

248

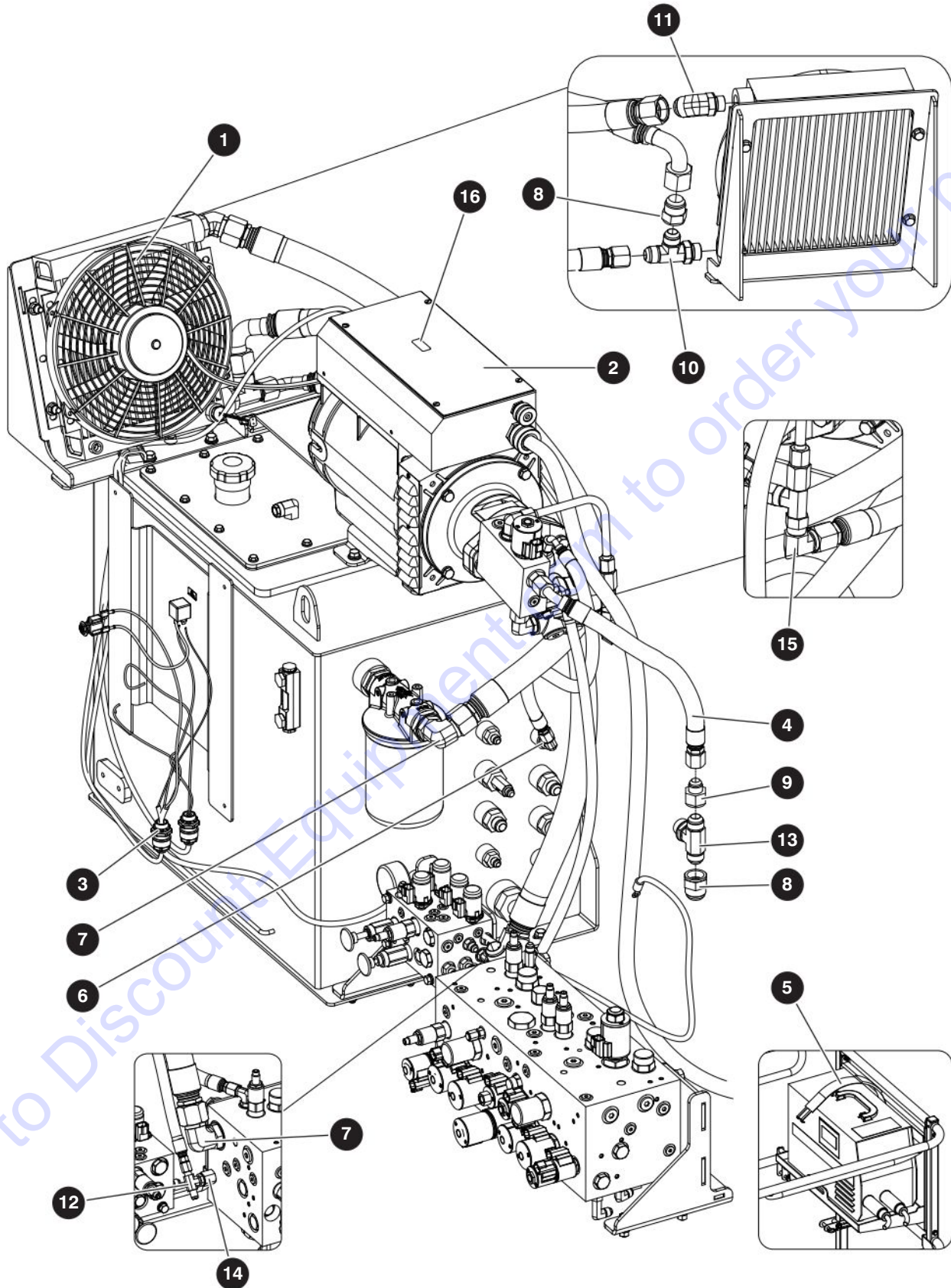
SJ82T, SJ86T

SKYJACK

9.7 Generator Assembly - 7.5 kW

Index No.	Skyjack Part No.	Qty.	Description
-	209156	1	GENERATOR 7.5 kW - AS
-	209157	1	• GENERATOR, Hydraulic - 7.5 kW
1	171438	1	• • MOTOR, Generator - 18 cc
2	213016	1	• • ALTERNATOR, Generator
3	197776	2	• • COVER, Access
4	197777	1	• • COUPLING, Motor
5	197778	1	• • INSERT, Coupling
6	197779	1	• • COUPLING, Alternator
-	197766	1	• • MANIFOLD, Generator
7	198586	1	• • • BLOCK, Manifold
8	168058	1	• • • VALVE, Solenoid
9	168057	1	• • • COIL, Solenoid
10	171450	1	• • • VALVE, Flow regulator
11	171410	1	• • • VALVE, Check (12)
12	197770	1	• • • VALVE, Check (04)
13	709963	2	• • • PLUG, Hollow hex (04 ORB)
14	167118	1	• BRACKET, Generator mounting
15	103996	4	• WASHER, Flat (0.312")
16	103984	2	• NUT, Lock (0.313"-18 gr 5)
17	101632	4	• BOLT, Hex head (0.375"-16 x 0.75" gr 5)
18	103472	4	• WASHER, Flat (0.375")
19	103999	4	• WASHER, Lock (0.375")
20	112532	3	• BOLT, Hex head (0.312"-18 x 1.25" gr 5)
21	171433	1	• FITTING, 90° (10JICF-12JICM)

9.8 Generator and Oil Cooler - 12 kW



M168720AE

170453AI

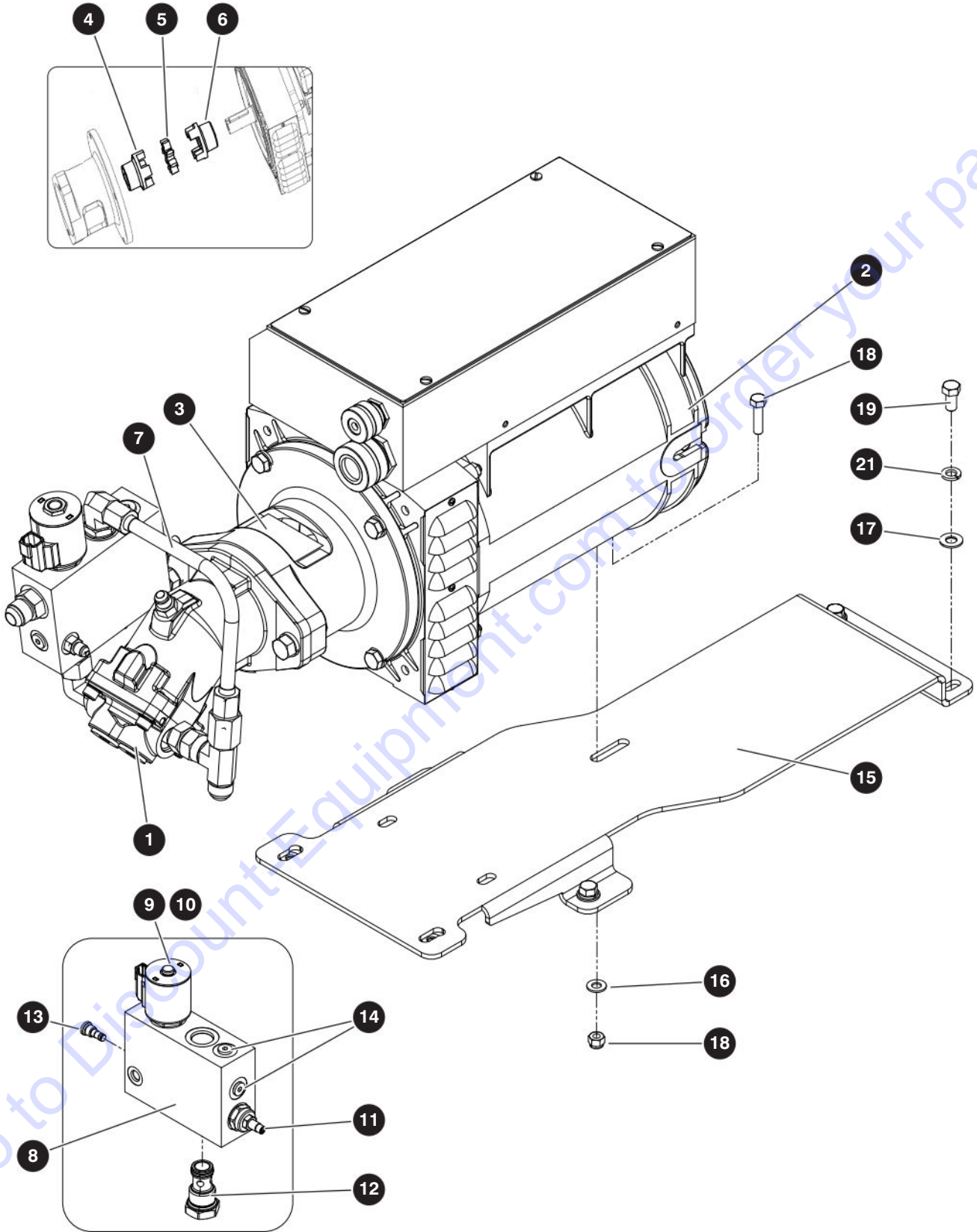
250

SJ82T, SJ86T

SKYJACK

9.8 Generator and Oil Cooler - 12 kW

Index No.	Skyjack Part No.	Qty.	Description
A	168720	-	GENERATOR AND OIL COOLER ASSEMBLY, 12kW 60hz - SJ82T ANSI/CSA
B	167140	-	GENERATOR AND OIL COOLER ASSEMBLY, 12kW 60hz - SJ86T ANSI/CSA
1	(Ref.)	1	<ul style="list-style-type: none"> • OIL COOLER ASSEMBLY (For components, refer to 9.2 Oil Cooler Assembly)
2	(Ref.)	1	<ul style="list-style-type: none"> • GENERATOR ASSEMBLY - 12kW (For components, refer to 9.9 Generator Assembly - 12 kW)
3	(Ref.)	1	<ul style="list-style-type: none"> • WIRING ASSEMBLY (For components, refer to 9.11 Generator and Oil Cooler Wiring)
4	(Ref.)	1	<ul style="list-style-type: none"> • GENERATOR HOSE KIT - 12kW (For components, refer to 9.10 Hydraulic Hoses - 7.5 kW & 12 kW Generators)
5	(Ref.)	1	<ul style="list-style-type: none"> • WELDER MOUNT (For components, refer to 9.12 Welder & Mount)
6	102665	1	<ul style="list-style-type: none"> • FITTING, Elbow 90° (06 JICM - 08 ORBM)
7	707040	2	<ul style="list-style-type: none"> • FITTING, Elbow 90° (16 JICM - 16 ORBM)
8	168652	2	<ul style="list-style-type: none"> • FITTING, Straight (12 JICF - 16 JICM)
9	139153	1	<ul style="list-style-type: none"> • FITTING, Straight (12 JICF - 10 JICM)
10	144116	1	<ul style="list-style-type: none"> • FITTING, Run tee (12 JICM - 12 ORBM - 12 JICM)
11	152552	1	<ul style="list-style-type: none"> • FITTING, Elbow 45° (16 JICM - 12 ORBM)
12	148490	1	<ul style="list-style-type: none"> • FITTING, Branch tee (04 JICM - 04 JICM - 06 ORBM)
13	707277	1	<ul style="list-style-type: none"> • FITTING, Branch tee (12JICM-12JICM-12ORBM)
14	147553	1	<ul style="list-style-type: none"> • FITTING, Straight (04 ORBM - 06 ORBF)
15	171433	1	<ul style="list-style-type: none"> • FITTING, Elbow 90° (10 JICF - 12 JICM)
16	117390	1	<ul style="list-style-type: none"> • LABEL, Push to reset



PARTS FINDER

**Search Website
by Part Number**



**Search Manual
Library For Parts
Manual & Lookup Part
Numbers – Purchase
or Request Quote**

Search Manuals

Enter your information to help us find the right parts manual for your machine.

* Brand:

* Model:

* Serial:

* Part Number:

SEARCH

**Can't Find Part or
Manual? Request Help
by Manufacturer,
Model & Description**

Parts Order Form

Please fill in the following information to help us find the right part for your machine.

Manufacturer:	<input type="text"/>
Model:	<input type="text"/>
Description:	<input type="text"/>
Part Number:	<input type="text"/>
Quantity:	<input type="text"/>
Notes:	<input type="text"/>

Submit

Discount-Equipment.com is your online resource for quality parts & equipment.

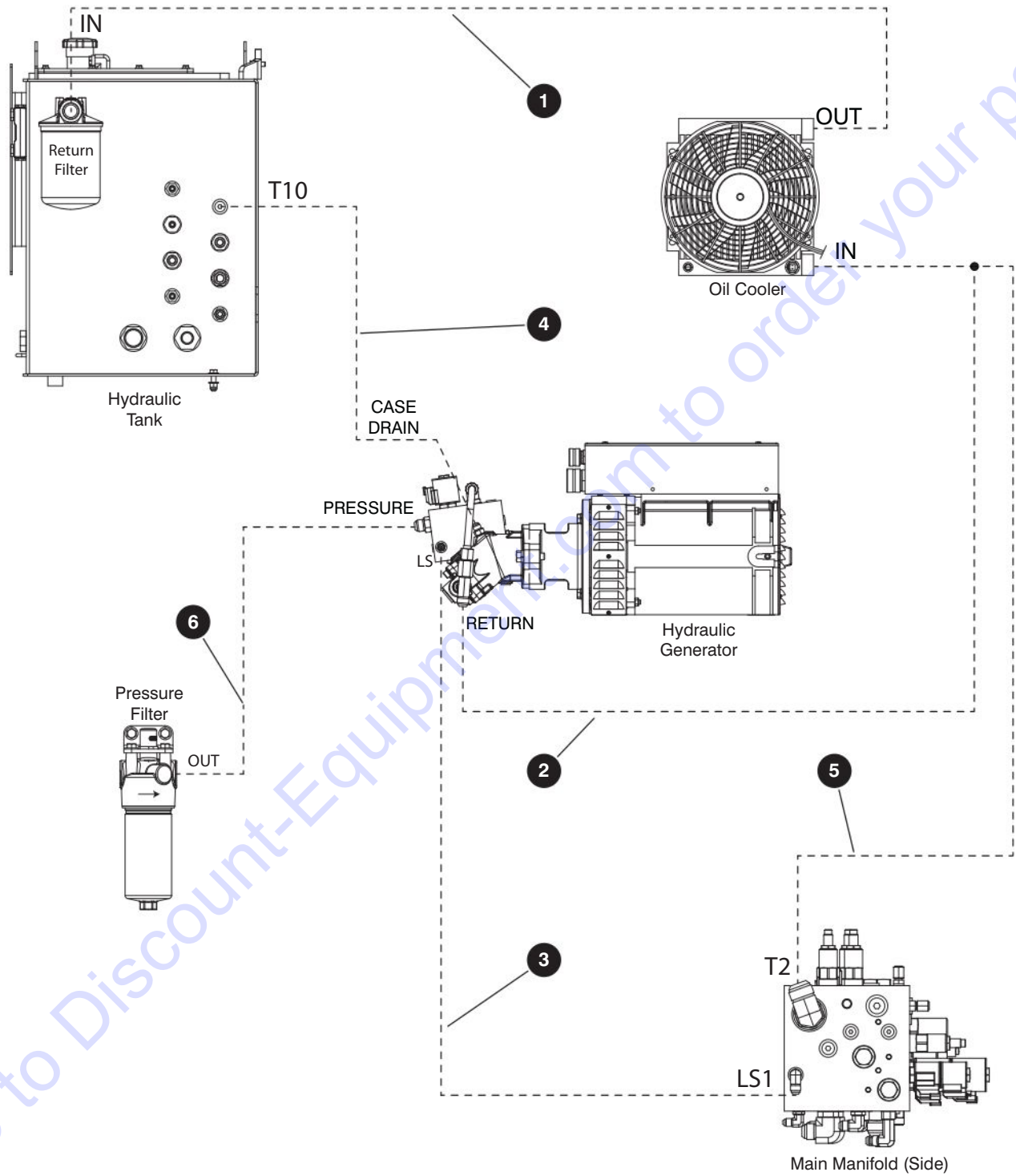
Florida: **561-964-4949** Outside Florida TOLL FREE: **877-690-3101**

Need parts?

Click on this link: <http://www.discount-equipment.com/category/5443-parts/> and choose one of the options to help get the right parts and equipment you are looking for. Please have the machine model and serial number available in order to help us get you the correct parts. If you don't find the part on the website or on one of the online manuals, please fill out the request form and one of our experienced staff members will get back to you with a quote for the right part that your machine needs.

We sell worldwide for the brands: Genie, Terex, JLG, MultiQuip, Mikasa, Essick, Whiteman, Mayco, Toro Stone, Diamond Products, Generac Magnum, Airman, Haulotte, Barreto, Power Blanket, Nifty Lift, Atlas Copco, Chicago Pneumatic, Allmand, Miller Curber, Skyjack, Lull, Skytrak, Tsurumi, Husquvarna Target, Stow, Wacker, Sakai, Mi-T-M, Sullair, Basic, Dynapac, MBW, Weber, Bartell, Bennar Newman, Haulotte, Ditch Runner, Menegotti, Morrison, Contec, Buddy, Crown, Edco, Wyco, Bomag, Laymor, EZ Trench, Bil-Jax, F.S. Curtis, Gehl Pavers, Heli, Honda, ICS/PowerGrit, IHI, Partner, Imer, Clipper, MMD, Koshin, Rice, CH&E, General Equipment, Amida, Coleman, NAC, Gradall, Square Shooter, Kent, Stanley, Tamco, Toku, Hatz, Kohler, Robin, Wisconsin, Northrock, Oztec, Toker TK, Rol-Air, APT, Wylie, Ingersoll Rand / Doosan, Innovatech, Con X, Ammann, Mecalac, Makinex, Smith Surface Prep, Small Line, Wanco, Yanmar

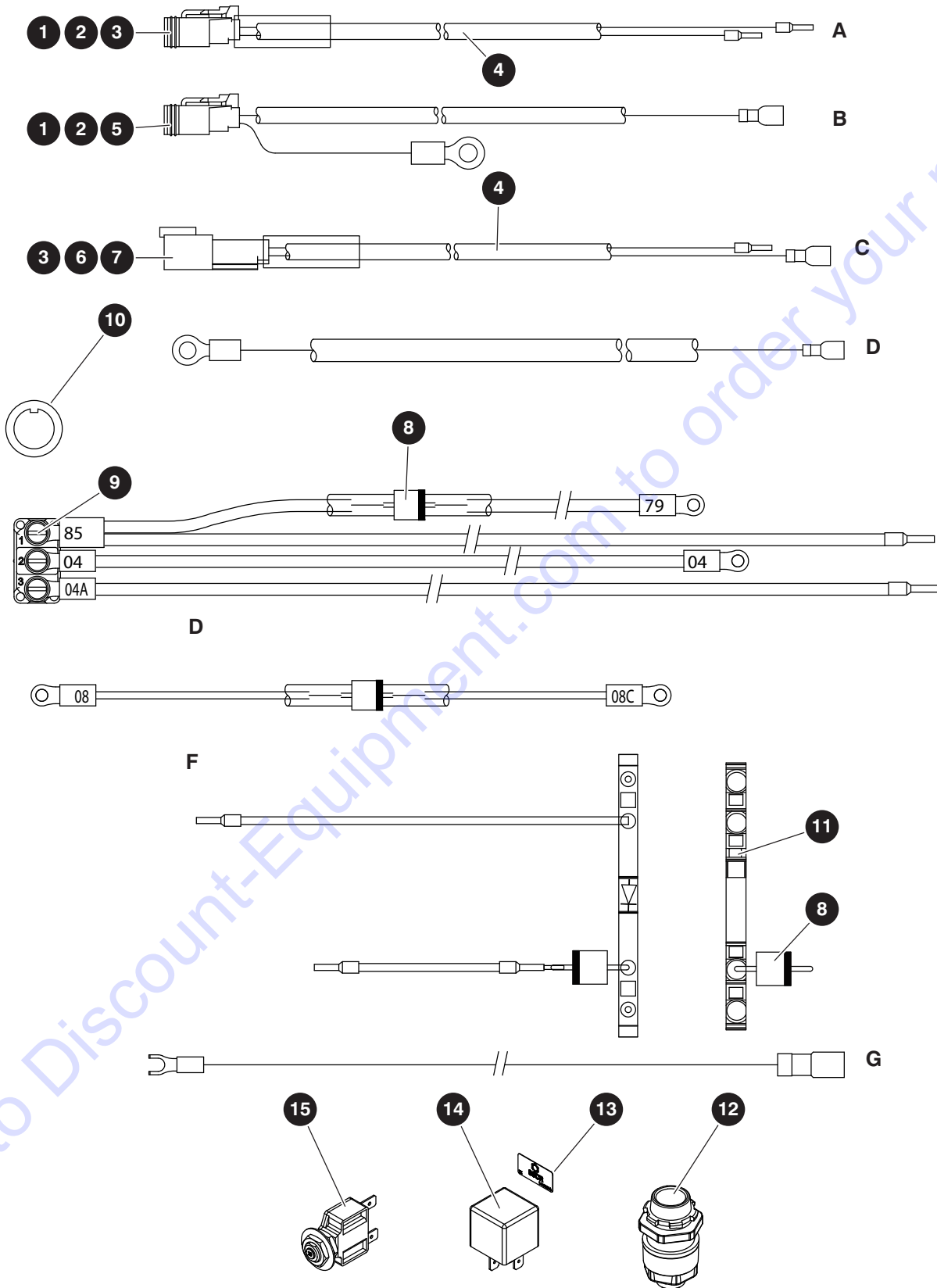
Index No.	Skyjack Part No.	Qty.	Description
-	167139	-	GENERATOR ASSEMBLY - 12 kW - ANSI/CSA
-	171427	1	• GENERATOR, 12 kW
1	171438	1	• • MOTOR, Generator - 18 cc
2	197774	1	• • ALTERNATOR, Generator
3	197778	2	• • COVER, Mount
4	197779	1	• • COUPLING, Motor
5	197780	1	• • INSERT, Coupling
6	197781	1	• • COUPLING, Alternator
7	221391	1	• • TUBE, Hydraulic
-	197766	1	• • MANIFOLD, Generator
8	198586	1	• • • BLOCK, Manifold
9	168058	1	• • • VALVE, Solenoid
10	168057	1	• • • COIL, Solenoid
11	171450	1	• • • VALVE, Flow regulator
12	171410	1	• • • VALVE, Check (12)
13	197770	1	• • • VALVE, Check (04)
14	709963	2	• • • PLUG, Hollow hex (04 ORB)
15	167118	1	• BRACKET, Generator mounting
16	103996	5	• WASHER, Flat (0.312")
17	103472	4	• WASHER, Flat (0.375")
18	103984	3	• NUT, Hex head (0.312"-18, Grade 5)
19	101632	4	• BOLT, Hex head (0.375"-16 x 0.75", Grade 5)
20	112532	3	• BOLT, Hex head (0.312"-18 x 1.25", Grade 5)
21	103999	4	• WASHER, Lock (0.375")



9.10 Hydraulic Hoses - 7.5 kW & 12 kW Generators

Index No.	Hose P/N	From		To		
		Description	Port	Port	Description	
-	168657	GENERATOR WITH OIL COOLER HOSE KIT - 7.5 kW & 12 kW				
1	H2516 0054 0	Oil Cooler	OUT	IN	Return Filter	
2	H3712 0039 0	Oil Cooler	IN	-	Generator (Return)	
3	H5404 0030 0	Generator (Load Sense)	-	LS1	Main Manifold	
4	H5406 0029 0	Generator (Case Drain)	-	T10	Hydraulic Tank	
5	H3816 0059 0	Oil Cooler	IN	T2	Main Manifold	
6	H5210 0018 2	Generator (Pressure)	-	OUT	Pressure Filter	

9.11 Generator and Oil Cooler Wiring



M166454AB

170453AI

256

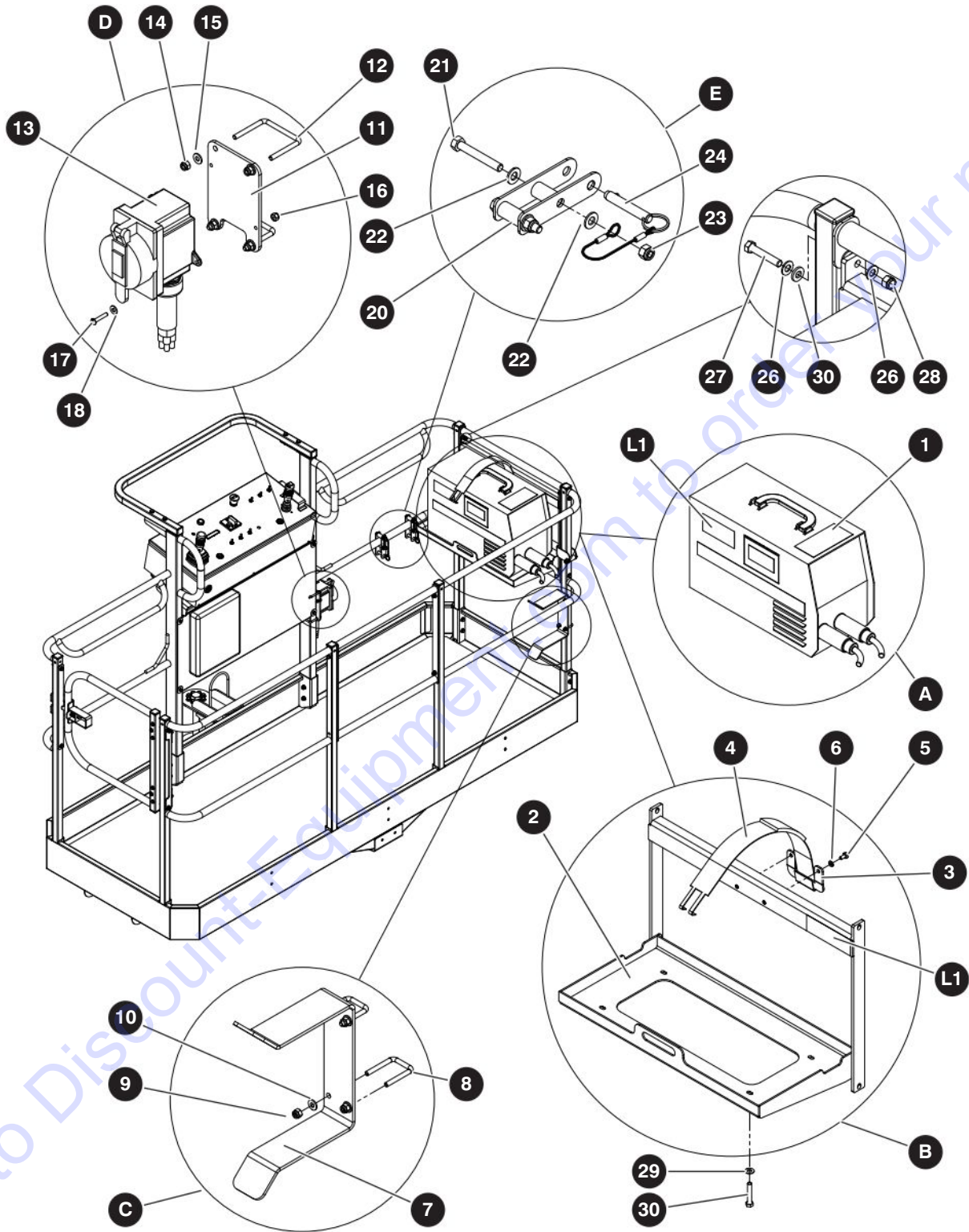
SJ82T, SJ86T

SKYJACK

9.11 Generator and Oil Cooler Wiring

Index No.	Skyjack Part No.	Qty.	Description
-	171443	-	GENERATOR & OIL COOLER WIRING - 3.5 kW & 7.5 kW, A, B, C, D, G
-	168716	-	GENERATOR & OIL COOLER WIRING - 12 kW (SJ82T), A, B, C, D, G, H
-	167125	-	GENERATOR & OIL COOLER WIRING - 12 kW (SJ86T), A, B, C, D, G, H
-	166354	-	OIL COOLER ONLY WIRING - No Generator, B, C, D, G
-	169566	-	GENERATOR WIRING - Platform control box, E
-	166385	-	GENERATOR WIRING - Base control box, F
A	171441	1	• HARNESS, Generator manifold
B	148484	1	• HARNESS, Cooler fan
C	148485	1	• HARNESS, Cooler temperature sensor
D	144074	1	• HARNESS, Oil cooler power
E	169584	1	• GENERATOR WIRE ASSEMBLY (Platform control console)
F	159937	1	• GENERATOR WIRE ASSEMBLY (Base control console)
G	144637	1	• OIL COOLER RELAY WIRE
H	168717	1	• WELDER POWER CABLE (SJ82T with 12 kw generator only)
J	167126	1	• WELDER POWER CABLE (SJ86T with 12 kw generator only)
1	117597	1	• • PLUG, 2 Pin connector
2	117599	1	• • PLUG, 2 Pin wedge connector
3	117590	1	• • CONTACT SOCKET, Connector (16/18 GA)
4	103256	86"	• • CABTIRE (18/2) A
4	103256	83"	• • CABTIRE (18/2) C
5	117593	2	• • CONTACT SOCKET, Connector (14-16)
6	117596	1	• • RECEPTACLE, 2 Pin connector (Deutsch)
7	117598	1	• • RECEPTACLE, 2 Pin wedge connector (Deutsch)
8	102921	2	• • DIODE, E
8		1	• • DIODE, F
9	144266	1	• • SWITCH, Toggle, E
10	144016	1	• • SEAL, Panel bushing (Toggle switch), E
11	137940	1	• • BLOCK, Terminal (4 COND. - through), F
12	103041	2	• CONNECTOR, Strain relief
13	144193	1	• LABEL, Cooler relay 86CR (Oil Cooler)
13	169494	1	• LABEL, Generator relay 57ACR1 (Generator)
14	127131	1	• RELAY, 12V 40amp
15	117326	1	• BREAKER, Circuit 20 amp

9.12 Welder & Mount



M159917AD

170453AI

258

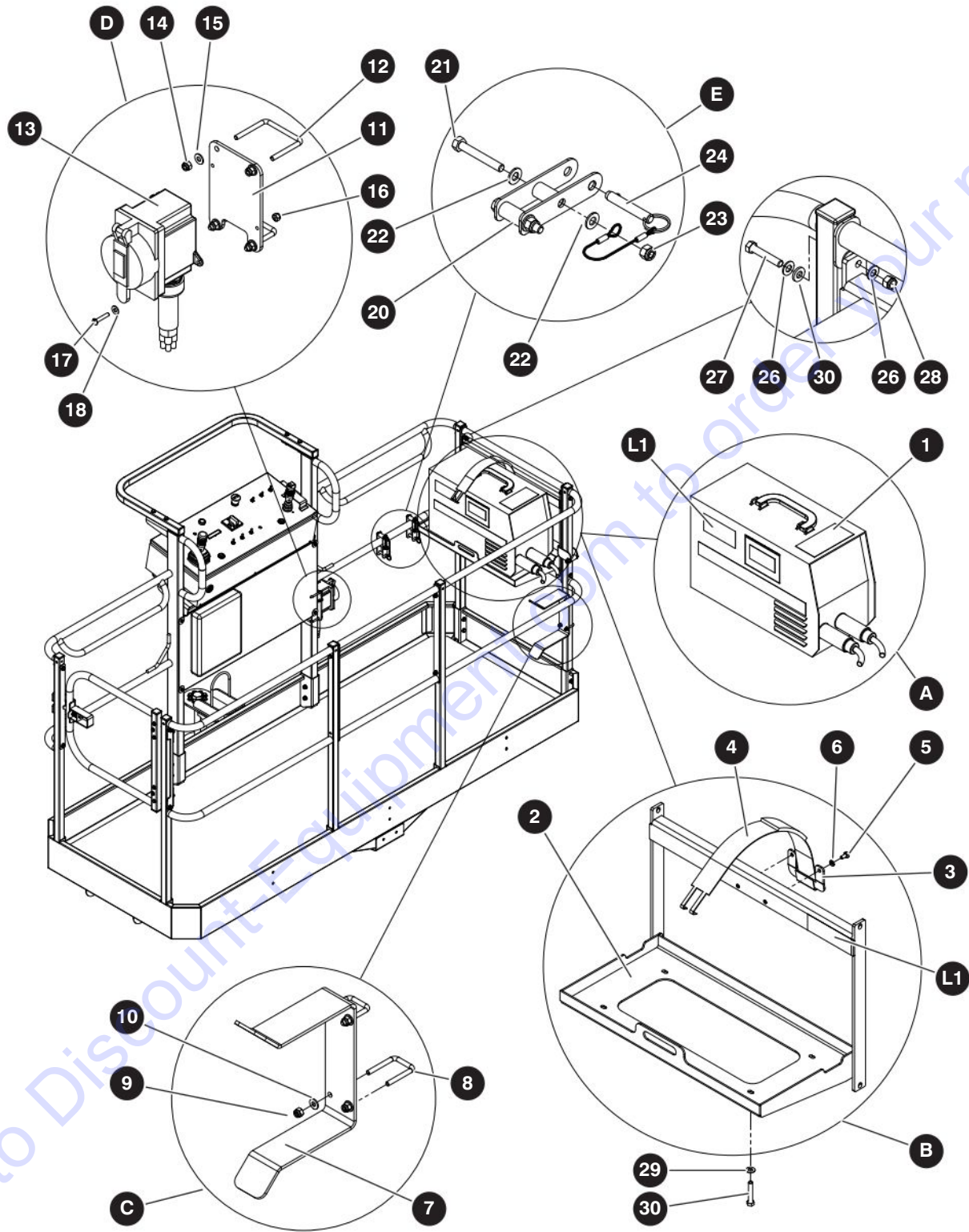
SJ82T, SJ86T

SKYJACK

9.12 Welder & Mount

Index No.	Skyjack Part No.	Qty.	Description
A	148383	1	WELDER ASSEMBLY - ANSI/CSA
1	138811	1	• WELDER (275A)
	138813	1	• CABLE, Electrode (14')
	144376	1	• • ELECTRODE HOLDER (400A)
	144573	168"	• • CABLE
	138814	1	• CABLE, Work (14')
	144377	1	• • GROUND CLAMP (400A)
	144573	168"	• • CABLE
	144374	1	• PLUG, Locking (50A / 250V / 3P)
	144603	2	• CLAMP, Cushioned loop (0.875" diameter)
L1	147112	1	• LABEL, Welder weight (90 lbs)
-	159917	1	MOUNTING ASSEMBLY, 12kW Welder
B	159948	1	• WELDER TRAY ASSEMBLY
2	159955	1	• • TRAY, Welder
3	137814	1	• • PLATE, Strap
4	103020	1	• • STRAPS (pair)
5	103855	2	• • BOLT, Hex head (1/4"-20 x 0.50", Grade 5)
6	104000	2	• • WASHER, Lock (1/4")
L1	147112	1	• • LABEL, Welder weight (90 lbs)
C	144218	1	• BRACKET ASSEMBLY
7	144220	1	• • BRACKET, Welding cables
8	144219	2	• • U BOLT, Welder bracket
9	115649	4	• • NUT, Hex lock (1/4"-20 Grade 5, nylon)
10	103995	4	• • WASHER, Flat (1/4")
D	144221	1	• RECEPTACLE ASSEMBLY
11	144222	1	• • PLATE, Receptacle mounting
12	144223	2	• • U BOLT, Receptacle mounting
13	141614	1	• • ELECTRICAL COMPONENTS ASSEMBLY
	139835	1	• • • FD BOX, 50A Receptacle
	139832	1	• • • RECEPTACLE, Single locking
	139836	1	• • • COVER, Weather resistant
	144367	1	• • • STRAIN RELIEF, 1-18" straight
14	115649	4	• • NUT, Hex lock (1/4"-20 Grade 5, nylon)
15	103995	4	• • WASHER, Flat (1/4")
16	300450	2	• • NUT, Hex lock (#10-32 Grade 5, nylon)
17	105621	2	• • SCREW, Round head machine (#10-32 x 1")
18	104694	2	• • WASHER, Flat (#10)

9.12 Welder & Mount



M159917AD

170453AI

260

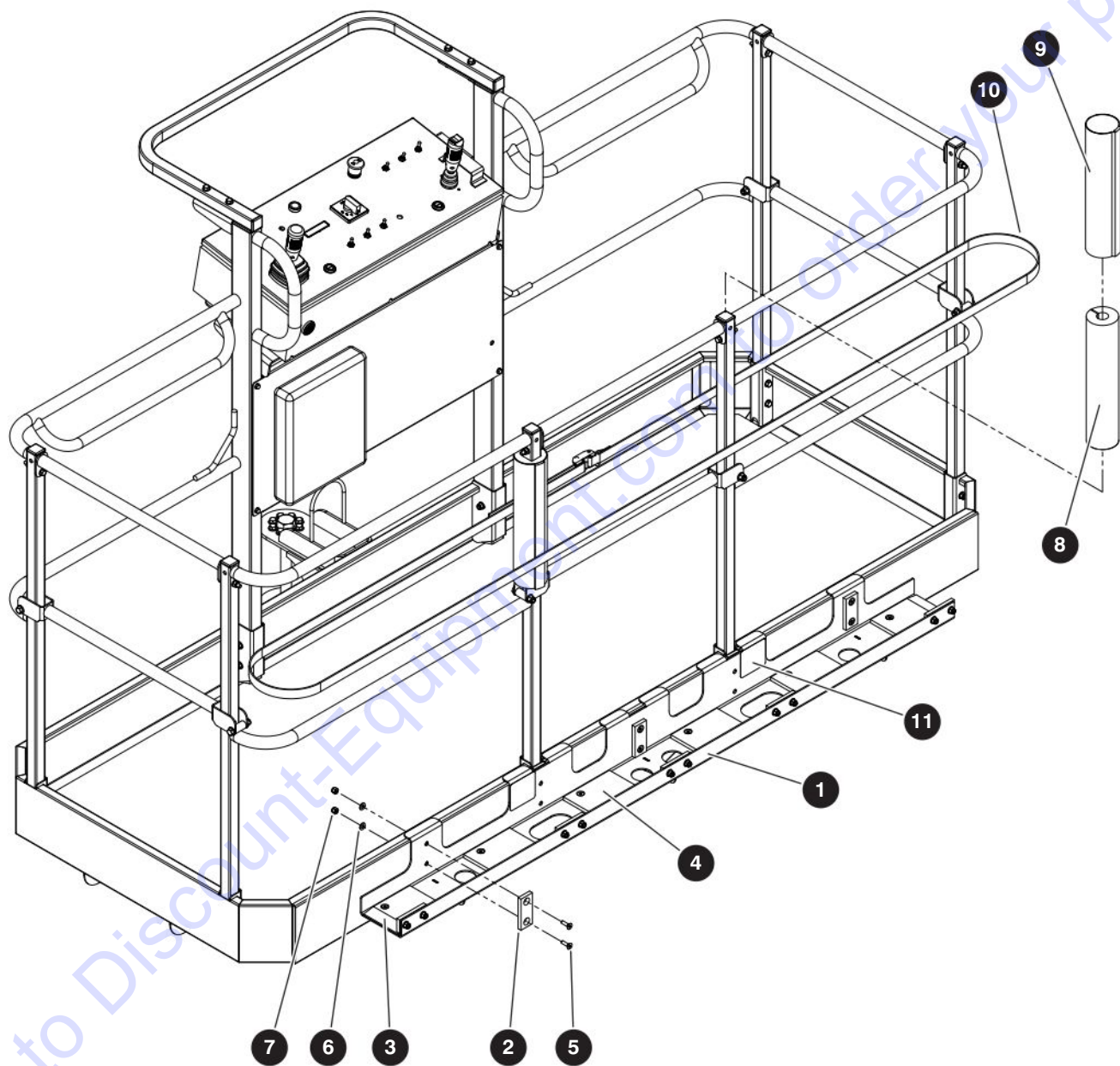
SJ82T, SJ86T

SKYJACK

9.12 Welder & Mount

Index No.	Skyjack Part No.	Qty.	Description
E	168530	2	• HANGER ASSEMBLY
19	169160	2	• • BRACKET, Welder cable
20	159947	2	• • SPACER, Welder tray
21	103866	2	• • BOLT, Hex head (5/16"-18 x 2 1/4 Grade 5)
22	103996	4	• • WASHER, Flat (5/16")
23	103984	2	• • NUT, Hex lock nylon lock (5/16"-18 Grade 5)
24	124548	1	• • PIN, Quick release
25	103996	8	• WASHER, Flat (5/16")
26	103884	4	• BOLT, Hex head (5/16"-18 x 2.50", Grade 5)
27	103984	4	• NUT, Hex head nylon lock (5/16"-18, Grade 5)
28	103995	4	• WASHER, Flat (1/4")
29	103857	4	• BOLT, Hex head (1/4"-20 x 1.00" Grade 5)
30	159960	2	• SPACER, Nylon (0.403" ID x 0.75" OD, x 0.312" long) (drop bar entrance)
	168336	2	• SPACER, Nylon (0.394" ID x 0.75" OD, x 0.125" long)

9.13 Glazier Rack



M162073AB

170453AI

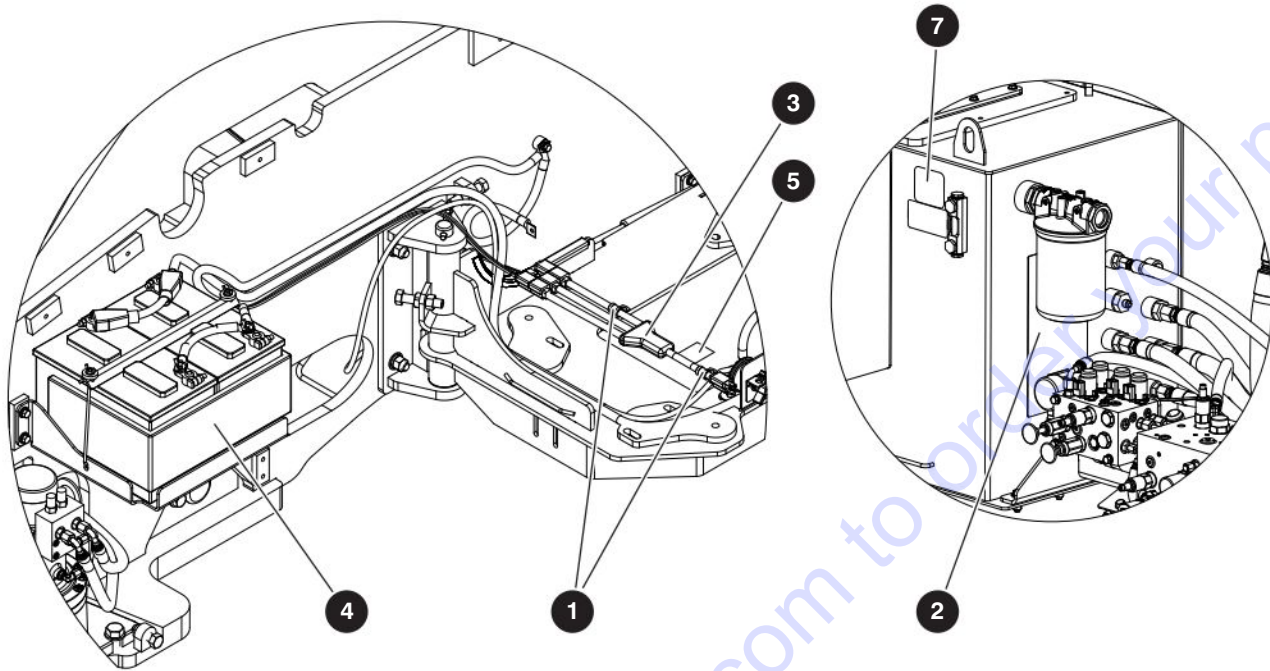
262

SJ82T, SJ86T

SKYJACK

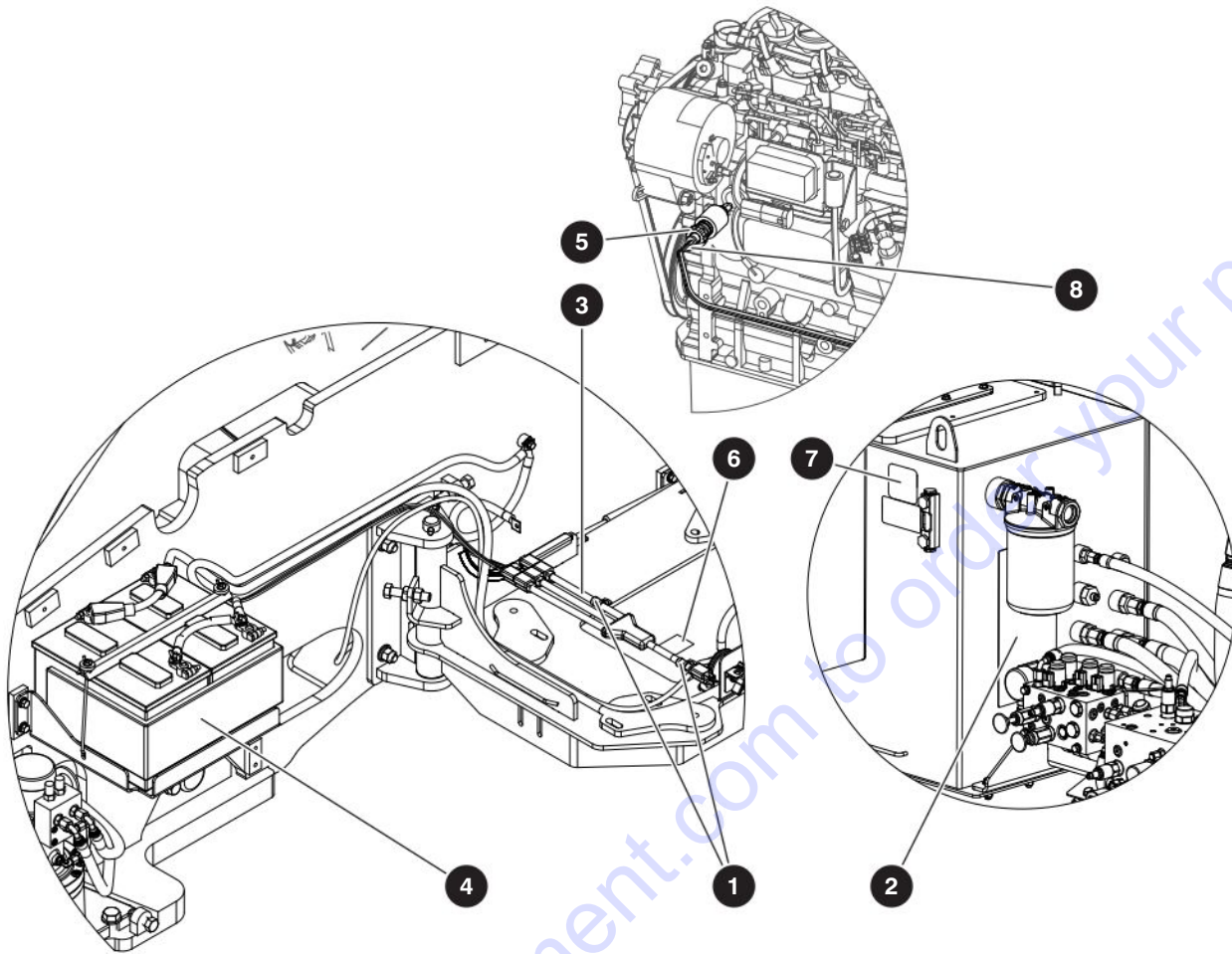
9.13 Glazier Rack

Index No.	Skyjack Part No.	Qty.	Description
-	162073	1	GLAZIER RACK
-	159898	1	• ASSEMBLY, Glazier Rack
-	154404	1	• • ASSEMBLY, Glazier tray
1	154402	1	• • • WELDMENT, Glazier tray
2	154401	8	• • • PAD, Wear - side tray
3	154399	2	• • • PAD, Wear - end tray
4	154400	4	• • • PAD, Wear - in tray
5	162116	28	• • • SCREW, Flat socket head cap (5/16"-18 x 1.00", Grade 5)
6	103996	28	• • • WASHER, Flat (5/16")
7	103984	28	• • • NUT, Hex head nylon lock (5/16"-18, Grade 5)
8	144491	2	• • FOAM, Support
9	144604	2	• • COVER, Bumper
10	144613	1	• • STRAP, Glazier kit
11	172630	2	• • LABEL, Panel cradle capacity
-	162026	1	• INSTRUCTIONS, Glazier package (not shown)



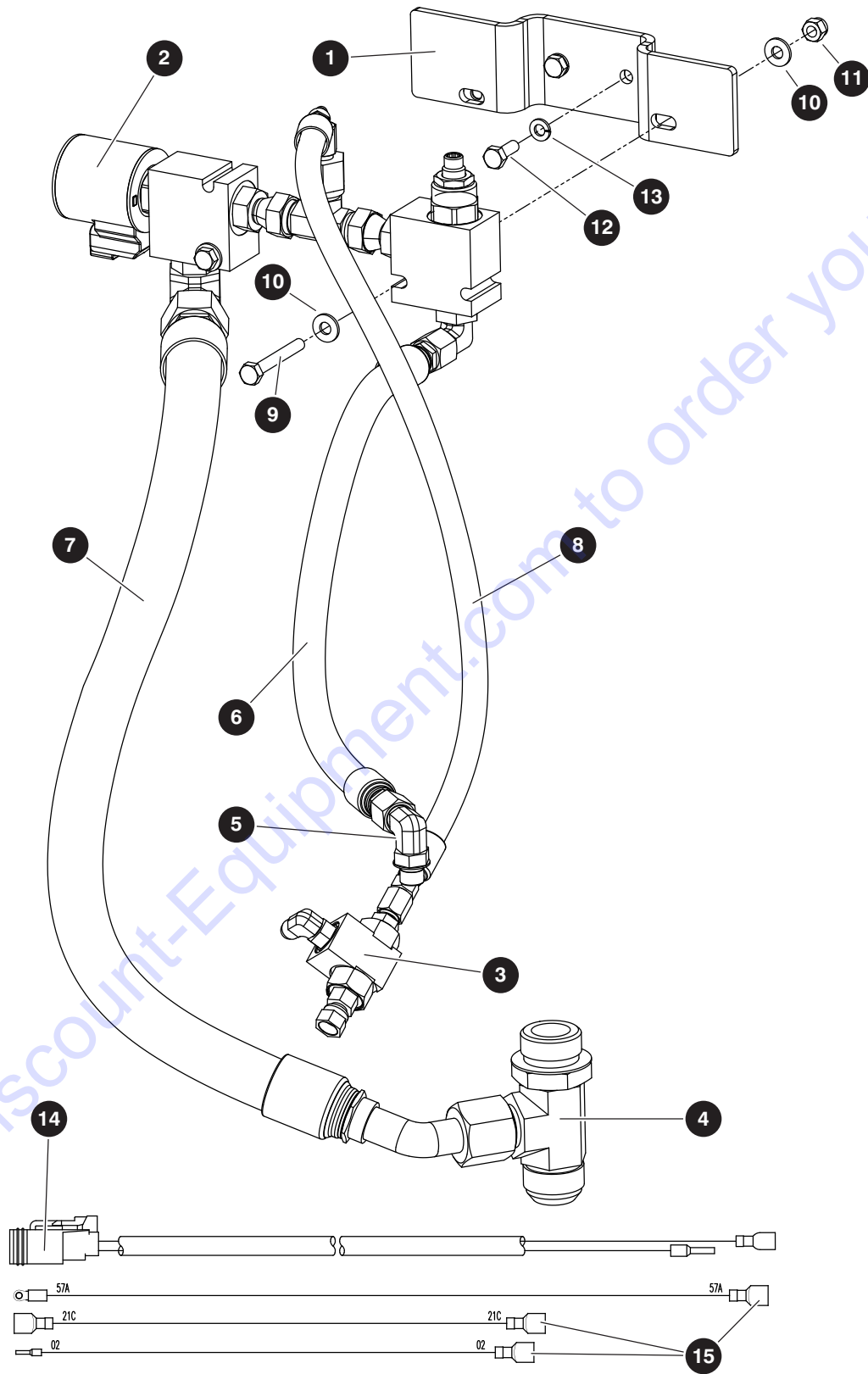
M171165AA

Index No.	Skyjack Part No.	Qty.	Description
A	171978	1	COLD START KIT - Deutz D2011 Engine
B	171979	1	COLD START KIT - Deutz TD2.9L Engine
C	216033	1	COLD START KIT - Perkins 2.2TA Engine
-	171165	1	• COLD START WARMING KIT
1	144129	2	• • CLIP, Single (S332G10)
2	166261	1	• • HEATER, Pad (1000W)
3	159888	1	• • CORD, "W" (12/13AWG 15A x 2' long)
4	171097	1	• • BLANKET, Battery
5	146021	1	• LABEL, Hydraulic oil/battery warmer cord
6	146162	1	• LABEL, Cold weather factory oil - 5W-30 (located on engine oil dipstick), A, B
	172681	1	• LABEL, Cold weather factory oil - 10W-30 (located on engine oil dipstick), C
7	194307	1	• INSTRUCTION, Cold start install and operating (not shown)



M171169AA

Index No.	Skyjack Part No.	Qty.	Description
A	171980	1	ARCTIC PACKAGE - Deutz D2011 Engine
B	216054	1	ARCTIC PACKAGE - Deutz TD2.9L Engine
C	216035	1	ARCTIC PACKAGE - Perkins 2.2TA Engine
-	171165	1	• COLD START WARMING KIT
1	144129	2	• • CLIP, Single (S332G10)
2	166261	1	• • HEATER, Pad (1000W)
3	159888	1	• • CORD, "W" (12/13AWG 15A x 2' long)
4	171097	1	• • BLANKET, Battery
5	144642	1	• HEATER, Oil pan, A
	165559	1	• HEATER, Block, B
	198462	1	• HEATER, Block, C
6	144632	1	• LABEL, Hydraulic oil/battery warmer
7	144633	1	• LABEL, Arctic hydraulic oil
8	144635	1	• LABEL, Arctic engine oil
9	170949	1	• INSTRUCTION, Arctic package install and operating (not shown)
-	(Ref.)	1	LOAD CIRCUIT MANIFOLD, B (For components, refer to 9.16 Load Circuit Manifold - Deutz TD2.9L)



M204379AA

170453AI

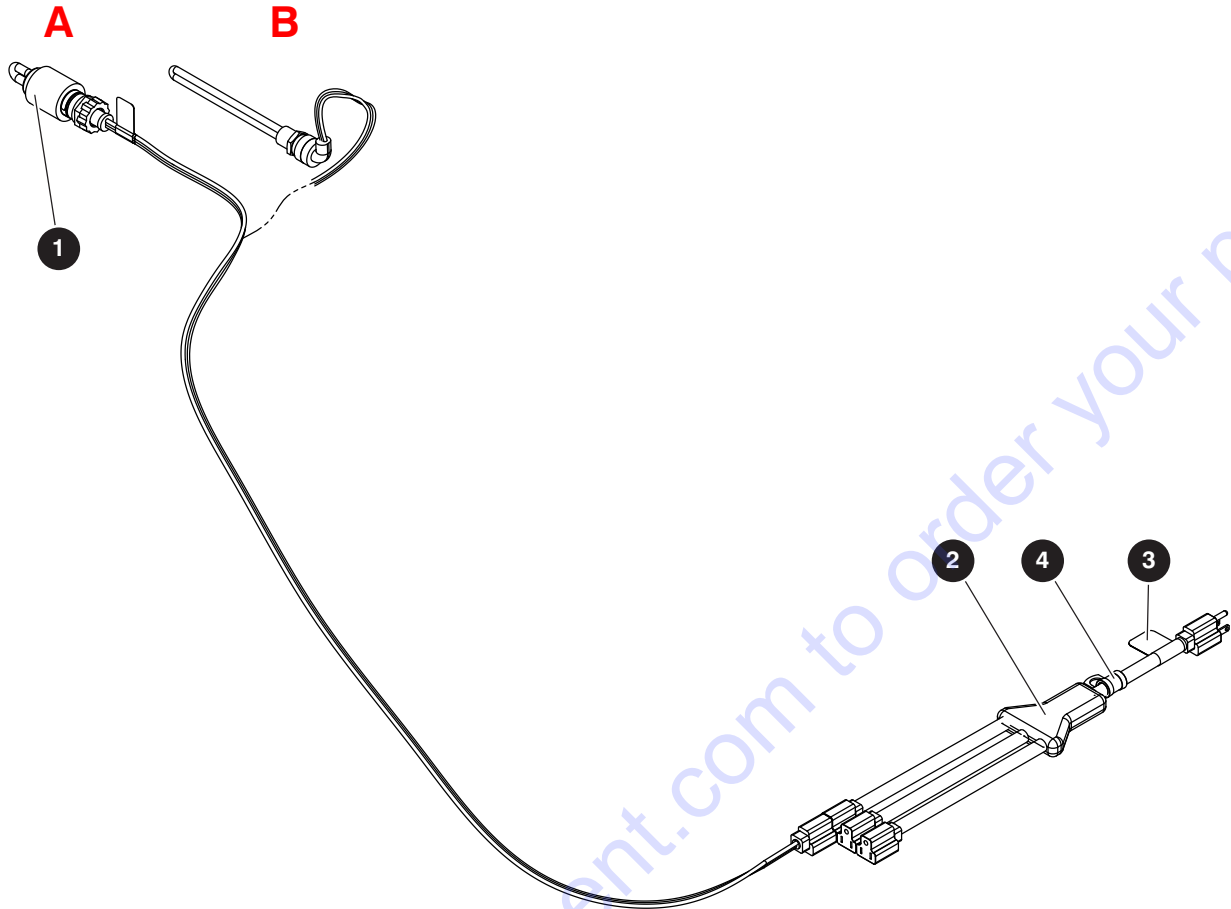
266

SJ82T, SJ86T

SKYJACK

9.16 Load Circuit Manifold - Deutz TD2.9L

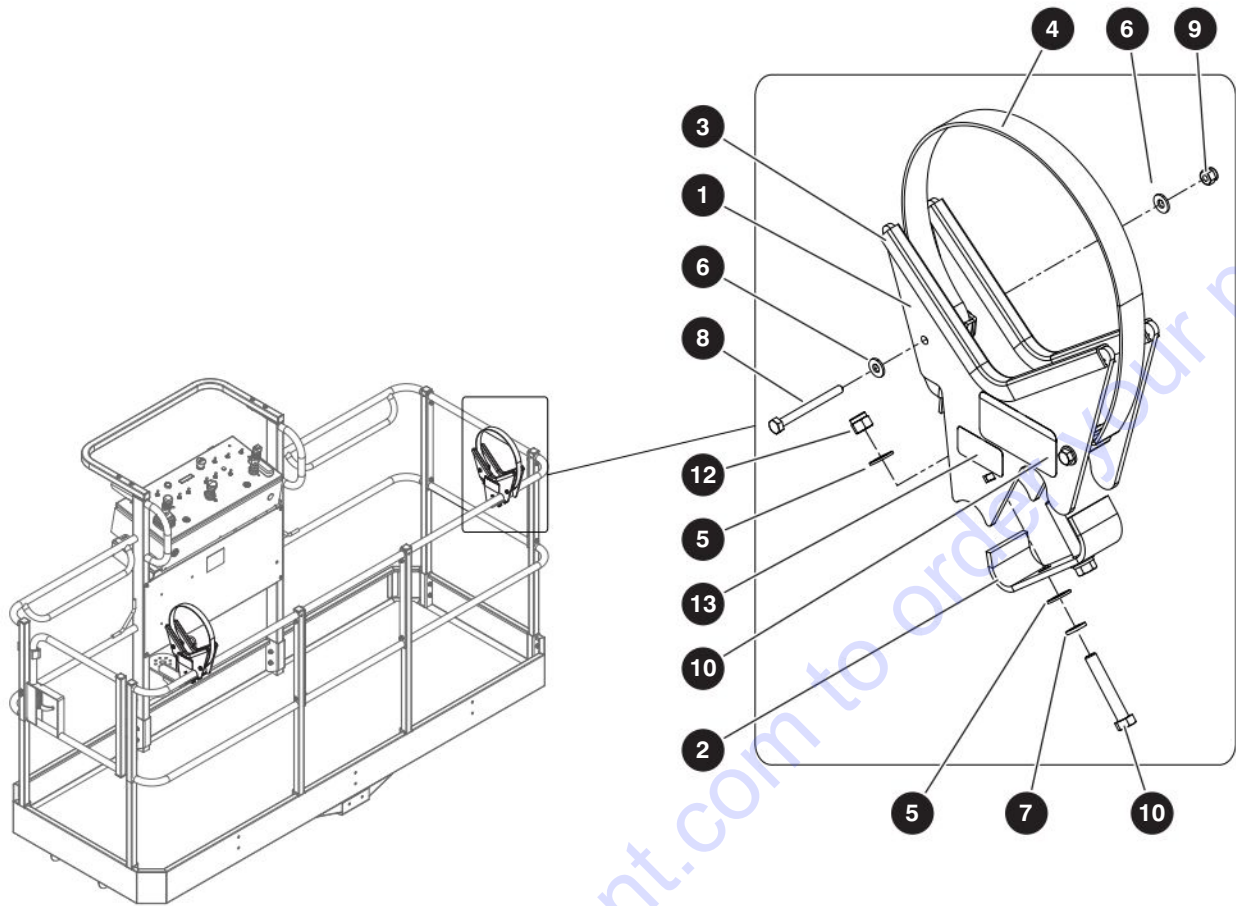
Index No.	Skyjack Part No.	Qty.	Description
-	207992	1	LOAD CIRCUIT MANIFOLD - Deutz TD2.9L with Arctic Package
1	170624	1	• BRACKET, Manifold
2	194496	1	• MANIFOLD ASSEMBLY, Load circuit
	194492	1	• • VALVE, Load circuit
	194493	1	• • VALVE, Needle valve
	194516	2	• • FITTING, Straight (08JIM-08JICFS)
	149226	1	• • FITTING, 90° elbow (12JICM-08ORBM)
	102665	1	• • FITTING, 90° elbow (06JICM-08ORBM)
	194575	1	• • FITTING, Tee (08JICM-08JICM-08JICM)
	706812	1	• • FITTING, Straight (08JICF-04JICM)
3	194872	1	• VALVE, Shuttle
	138394	1	• • VALVE, Shuttle (04ORB)
	148445	1	• • FITTING, Straight
	126128	1	• • FITTING, Straight
	125883	1	• • FITTING, 90° elbow (04JICM-04ORBM)
4	165482	1	• FITTING, Run tee (16JICM-16ORBM-12JICM)
5	114578	1	• FITTING, 90° elbow (06JICM-06ORBM)
6	H510600200	1	• HOSE, Hydraulic - H51 (0.38"/100R17 x 20" lg)
7	H521200380	1	• HOSE, Hydraulic - H52 (0.75"/100R17 x 38" lg)
8	H540400340	1	• HOSE, Hydraulic - H54 (0.25"/100R17 x 34" lg)
9	103861	2	• BOLT, Hex head (0.25"-20 x 2.00" gr 5)
10	103995	4	• WASHER, Flat (0.25" SAE)
11	115649	2	• NUT, Lock (0.25"-20 gr 5)
12	103856	2	• BOLT, Hex head (0.25"-20 x 0.75" gr 5)
13	104000	2	• WASHER, Lock (0.25")
14	194712	1	• HARNESS, Load circuit (not shown)
15	196438	1	• WIRE KIT, Load circuit (not shown)
	127131	1	• • RELAY
	138749	1	• • SOCKET
16	194713	1	• SCHEMATIC, Wire kit (not shown)
17	204384	1	INSTRUCTION, Load circuit installation - SJ82/86T (not shown)



M171564AA_M168886AB

Index No.	Skyjack Part No.	Qty.	Description
A	171564	1	BLOCK HEATER ASSEMBLY - ANSI/CSA with Deutz TD2.9L engine
B	168886	1	BLOCK HEATER ASSEMBLY - ANSI/CSA with Deutz D2011 engine
1	165559	1	• HEATER, Block, A
	144642	1	• ELEMENT, Heater - oil pan, B
	159888	1	• CORD, "W"
3	168880	1	• LABEL, Block heater
4	144129	1	• CLIP, Single

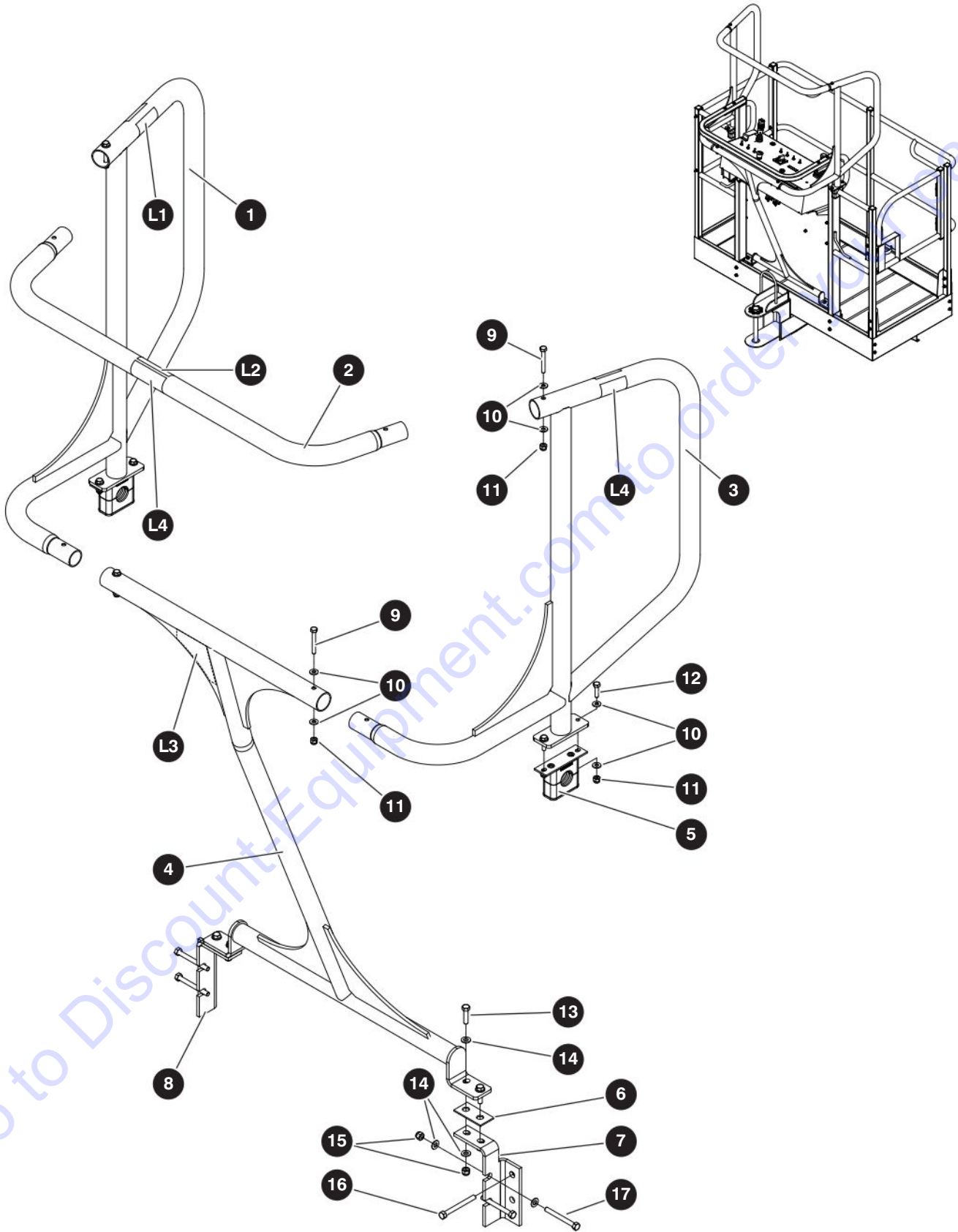
9.18 Pipe Rack



M159901AD

Index No.	Skyjack Part No.	Qty.	Description
-	162052	1	PIPE RACK ASSEMBLY
-	162051	1	• PIPE RACK
-	159901	2	• • PIPE RACK, Bracket assembly
1	159902	1	• • • WELDMENT, Pipe rack bracket
2	159904	1	• • • PLATE, Pipe rack bottom
3	117398	2	• • • TRIM, Protective
4	144500	1	• • • STRAP, Pipe rack
5	103472	4	• • • WASHER, Flat (3/8")
6	103995	4	• • • WASHER, Flat (1/4")
7	103999	2	• • • WASHER, Lock (3/8")
8	144501	2	• • • BOLT, Hex head (1/4"-20 x 2 3/4" Grade 5)
9	115649	2	• • • NUT, Hex lock (1/4"-20 Grade 5, nylon)
10	144748	2	• • • LABEL, Pipe rack capacity
11	103873	2	• • • BOLT, Hex head (3/8"-16 x 2 1/2" Grade 5)
12	104606	2	• • • NUT, Hex lock (3/8"-16 Grade 5, nylon)
13	144748	2	• • • LABEL, Capacity (Pipe rack)
14	162725	1	• INSTRUCTIONS, Pipe rack (not shown)

9.19 SGM Assembly



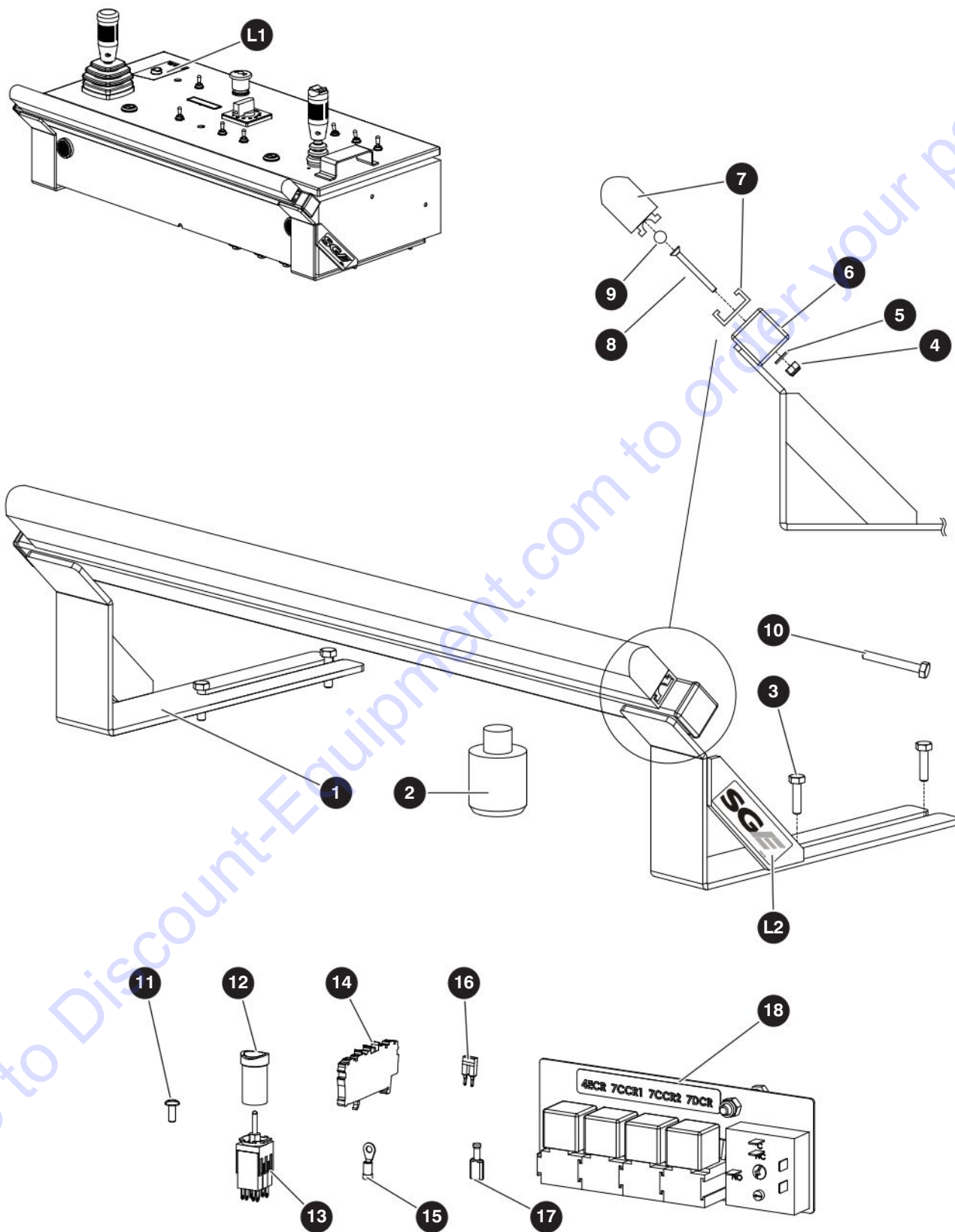
M165945AA

170453AI

9.19 SGM Assembly

Index No.	Skyjack Part No.	Qty.	Description
-	165945	1	SGM ASSEMBLY (Secondary Guarding - Mechanical)
-	166585	1	SGM ASSEMBLY
1	166587	1	• WELDMENT, Structure, RH
2	166589	1	• TUBE
3	166586	1	• WELDMENT, Structure LH
4	166588	1	• WELDMENT, Structure, Mid
5	166708	2	• PIPE CLAMP KIT, 1.25" O.D. tube
6	166603	8	• SHIM (0.063")
7	166599	1	• BRACKET, Base, mount, LH
8	166600	1	• BRACKET, Base, mount, RH
9	103861	4	• BOLT, Hex head (1/4"-20 x 2.00", Grade 5)
10	103995	16	• WASHER, Flat (1/4")
11	115649	8	• NUT, Hex head nylon lock (1/4"-20, Grade 5)
12	103857	4	• BOLT, Hex head (1/4"-20 x 1.00", Grade 5)
13	112532	4	• BOLT, Hex head (5/16"-18 x 1.25", Grade 5)
14	166164	16	• WASHER, Flat (5/16" USS)
15	103984	8	• NUT, Hex head nylon lock (5/16"-18, Grade 5)
16	103868	4	• BOLT, Hex head (5/16"-18 x 3.50", Grade 5)
17	166829	4	• BOLT, Hex head (5/16"-18 x 2.75", Grade 5)
-	166817	1	LABEL ASSEMBLY SGM
L1	137988	2	• LABEL, Crush/pinch hazard
L2	166790	1	• LABEL, Capacity reduction SGM (small)
L3	166811	1	• LABEL, Capacity reduction SGM
L4	166808	3	• LABEL, SGM (black/grey)
-	165946	1	INSTALLATION INSTRUCTION, SGM (not shown)

9.20 SGE Assembly



M166232AA

170453AI

272

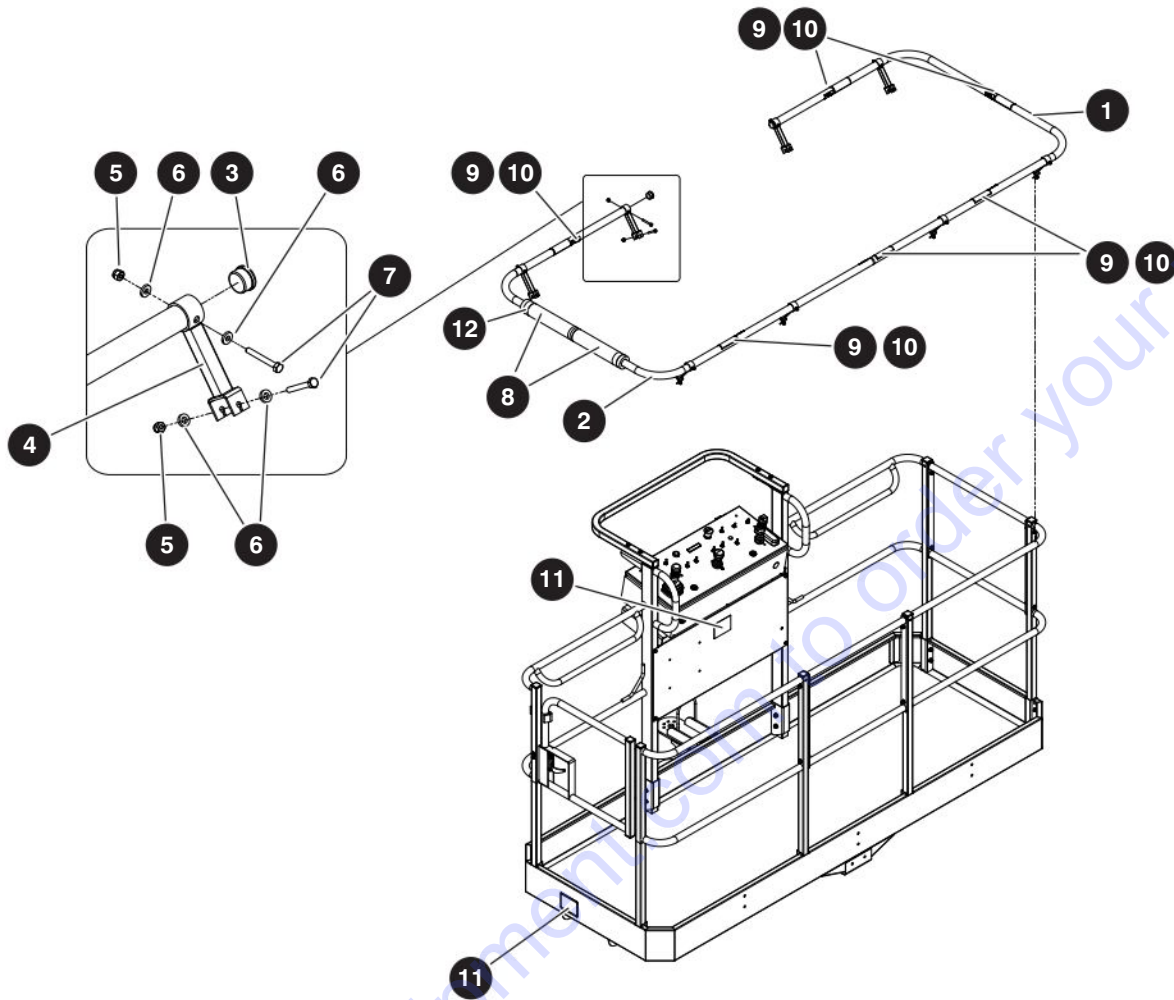
SJ82T, SJ86T

SKYJACK

9.20 SGE Assembly

Index No.	Skyjack Part No.	Qty.	Description
-	166232	1	SGE ASSEMBLY (Secondary Guarding - Electrical)
-	166106	1	SGE ASSEMBLY
1	166101	1	• SUPPORT ASSEMBLY, Sensing edge
2	166110	1	• ALARM/FLASHER, 12V, red LED
3	103857	4	• BOLT, Hex head (1/4"-20 x 1.00, Grade 5)
4	300450	3	• NUT, Hex head nylon lock (10-32, Grade 5)
5	104694	3	• WASHER, Flat (#10)
6	100702	2	• CAP, Plastic End
7	166107	1	• EDGE, Sensing with countersunk rail
8	166105	3	• BOLT, Flat head cap screw (10-32 x 1.75", Grade 5)
9	166104	1	• ROD, Sensing edge lock
10	103861	2	• BOLT, Hex head (1/4"-20 x 2.00, Grade 5) - ANSI/CSA
11	167218	1	• SCREW, Machine slotted binding head (6-32 x 0.25")
-	166085	1	• ELECTRICAL ASSEMBLY, SGE
12	166087	1	• • PUSH BUTTON OPERATOR, Yellow flush spring return
13	166086	1	• • CONTACT BLOCK BODY, N/O, yellow LED 12-24V
14	137940	4	• • BLOCK, Terminal
15	102955	1	• • TERMINAL, Ring 14-16GA, #6 blue
16	137942	2	• • JUMPER, 2 pin
17	105359	2	• • TERMINAL, Female spade 14-16GA, insulated blue
18	166018	1	• • RELAY ASSEMBLY
	166112	1	• • • PLATE, Relay mounting
	138749	4	• • • SOCKET, Automotive relay
	164683	1	• • • TIMER, Delay on make 0.1-10.0 s
	127131	4	• • • RELAY
	163241	2	• • • SPACER
	103860	2	• • • BOLT, Hex head (0.25-20" x 1.75", Grade 5)
	115649	2	• • • NUT, Hex head nylon lock (0.25"-20, Grade 5)
	104003	3	• • • NUT, Hex head (10-32)
	115545	2	• • • SCREW, Socket head cap (10-32 x 0.375")
	105621	1	• • • SCREW, Round head machine (10-32 x 1.00")
	166026	1	• • • LABEL, Relay - secondary guarding
19	166032	1	• • WIRE ASSEMBLY, SGE (not shown)
20	166786	1	• • WIRE KIT, SGE Base control (not shown)
21	113719	8	• • TIEWRAP, 3-5/8" long black (not shown)
L1	166139	1	• LABEL, SGE (reset button)
L2	166756	2	• LABEL, SGE
22	167257	1	INSTALLATION INSTRUCTIONS, SGE (not shown) - ANSI/CSA
23	165063	1	INSTALLATION INSTRUCTIONS, SGE (not shown) - CE & AS

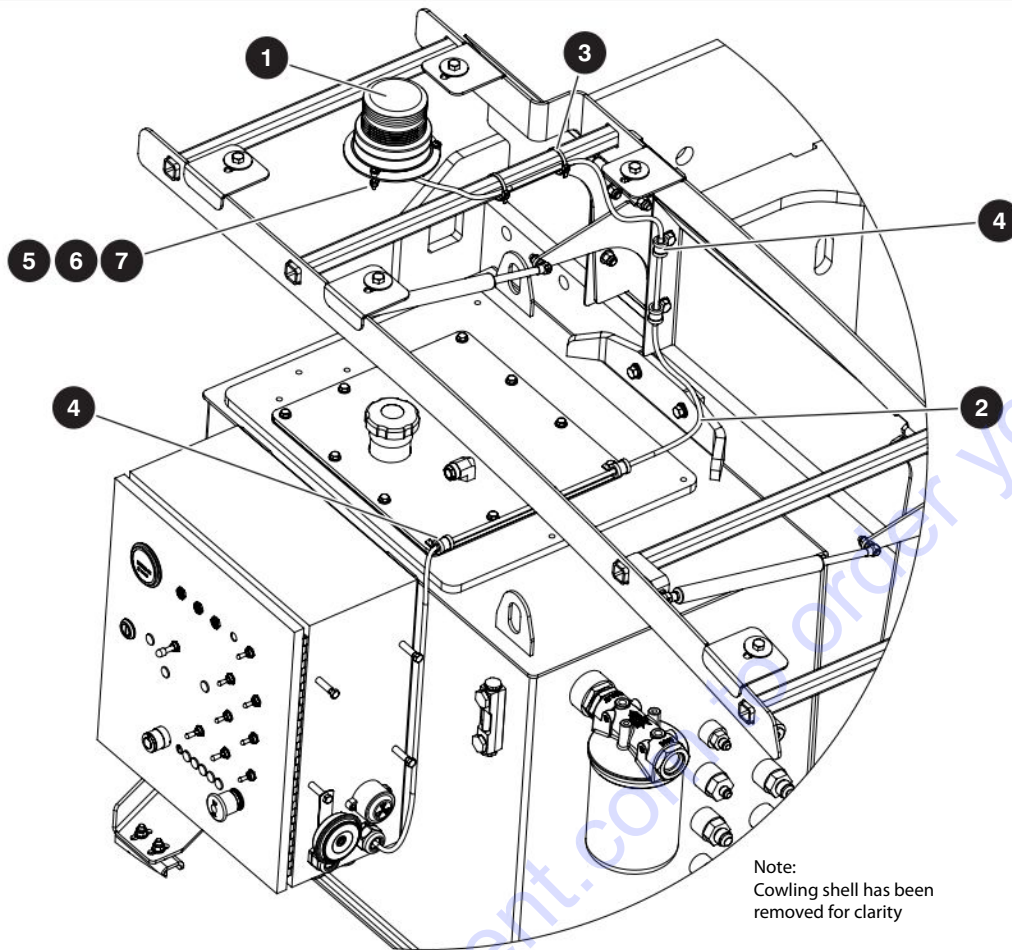
9.21 External Railing



M144780AD

Index No.	Skyjack Part No.	Qty.	Description
-	163409	1	EXTERNAL PLATFORM RAILING ASSEMBLY (96" x 36")
1	144706	1	• TUBE, External railing (Right)
2	144712	1	• TUBE, External railing (Left)
3	144048	2	• PLUG, Round end
4	144747	8	• WELDMENT, External railing stand-off
5	115649	16	• NUT, Hex head (1/4"-20 Grade 5, nylon)
6	103995	32	• WASHER, Flat (1/4")
7	103861	16	• BOLT, Hex head (1/4"-20 x 2" Grade 5)
8	104183	2	• PAD, Entry railing (1')
9	115543	6	• LABEL, Warning no step
10	137988	6	• LABEL, Hazard crush/pinch point
11	144722	2	• LABEL, Capacity (475 lb/2 person)
12	119803	1	• LABEL, Caution tape

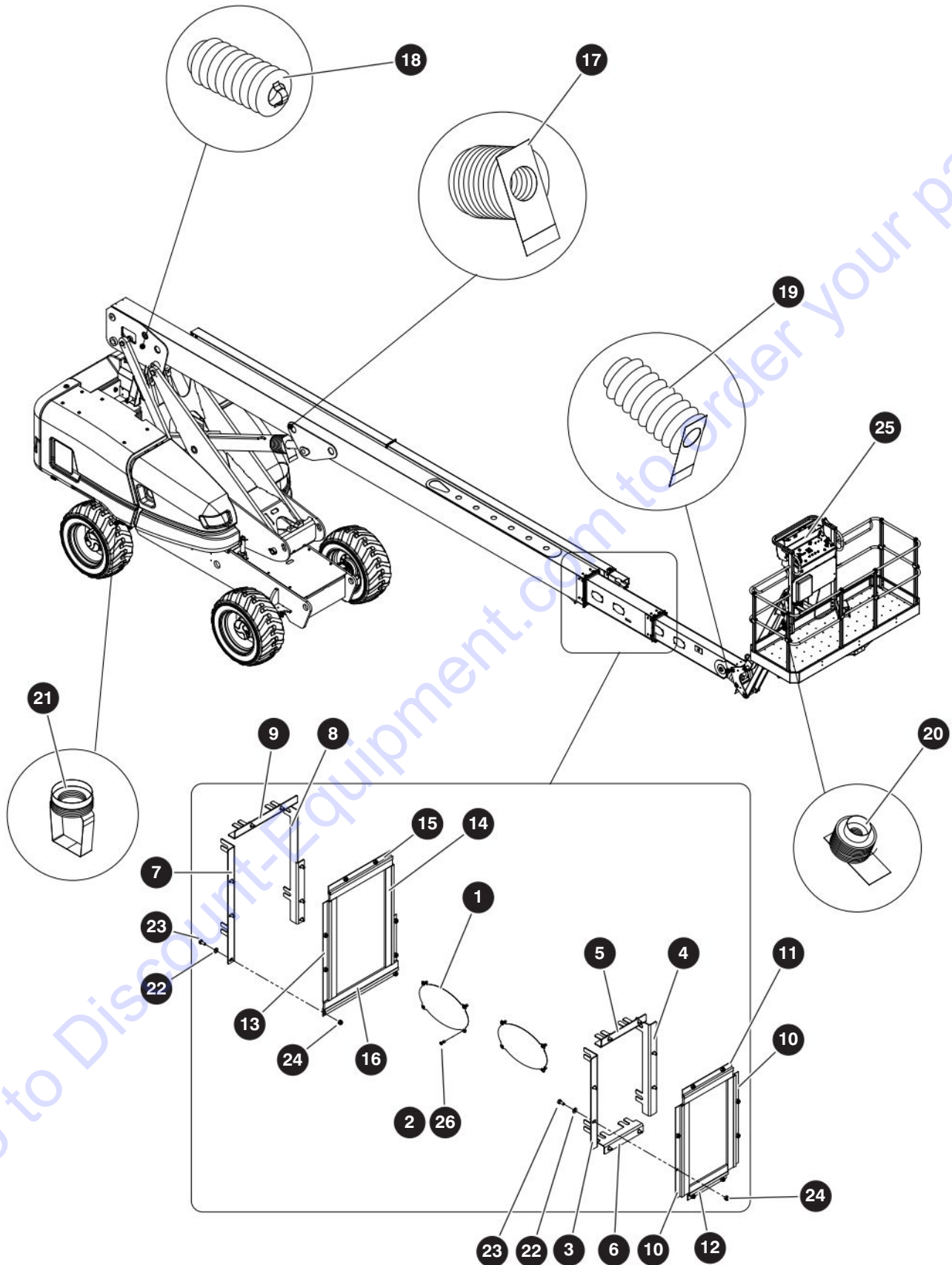
9.22 Flashing Light



M165249AB

Index No.	Skyjack Part No.	Qty.	Description
-	168718	1	FLASHING LIGHT ASSEMBLY
1	144078	1	• ASSEMBLY, Flashing amber light
	143971	1	• • STROBE LIGHT, Amber (12/24 VDC)
	144215	1	• • • FLASH TUBE
	117596	1	• • CONNECTOR RECEPTACLE (2 pin)
	117590	2	• • CONNECTOR CONTACT PIN (16/18 GA)
	117598	1	• • WEDGE, Receptacle (2 pin)
	124399	4"	• • SPLIT LOOM (1/4 inch)
2	152585	1	• HARNESS, Flashing amber light
	117597	1	• • PLUG, Connector (2 pin)
	117591	2	• • SOCKET, Connector contact (16/18 GA)
	117599	1	• • WEDGE, Plug (2 pin)
3	102891	2	• TIE, Cable (7-1/4")
4	149495	4	• CLAMP, Tube - cushioned
5	104694	3	• WASHER, Flat (10)
6	122498	3	• SCREW, Machine round head (10-32 x 1.25")
7	300450	3	• NUT, hex head nylon lock (10-32)

9.23 Hostile Environment Package



M165167AB

170453AI

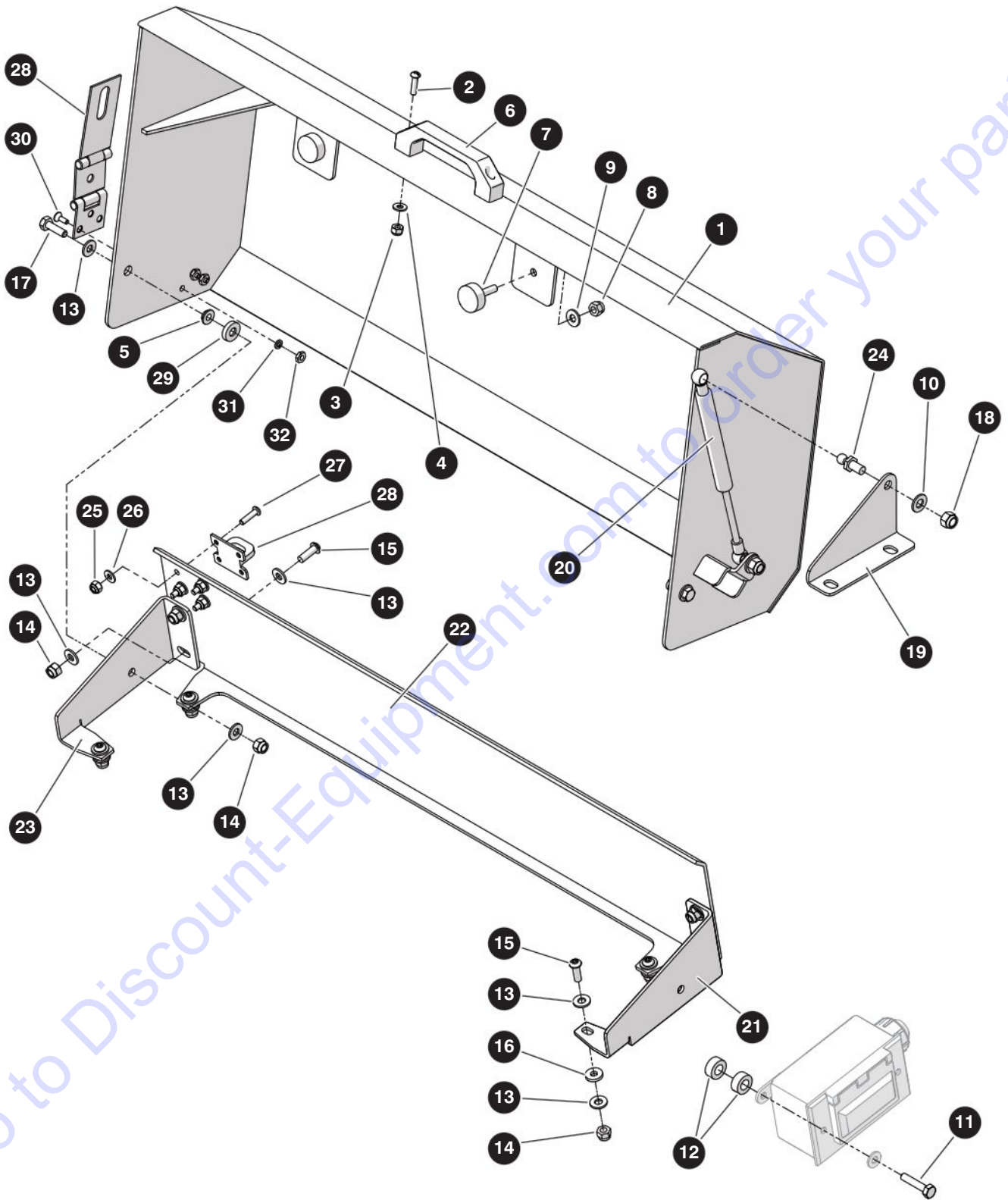
276

SJ82T, SJ86T

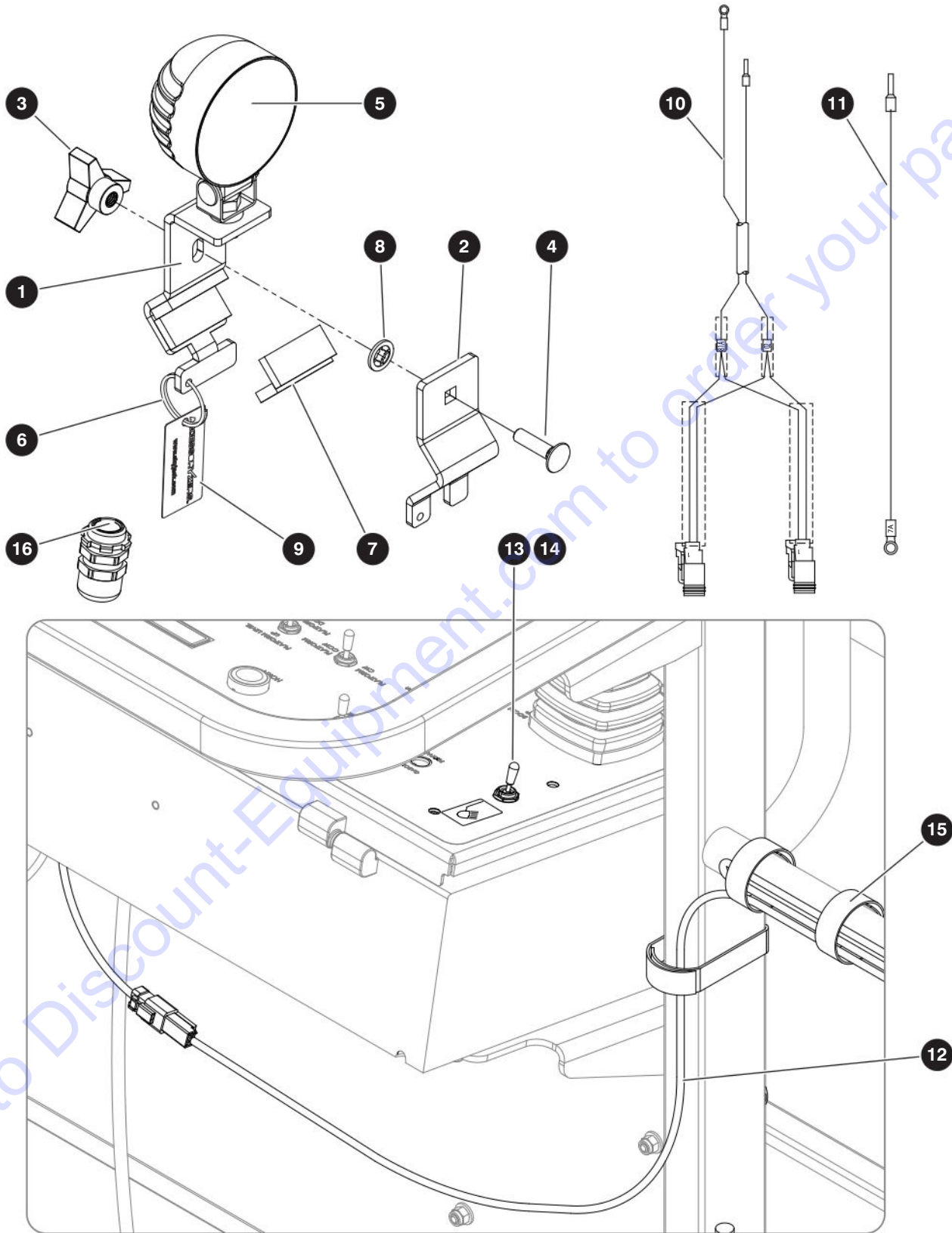
SKYJACK

9.23 Hostile Environment Package

Index No.	Skyjack Part No.	Qty.	Description
A	171982	1	HOSTILE ENVIRONMENT PACKAGE - SJ82T
B	171983	1	HOSTILE ENVIRONMENT PACKAGE - SJ86T
1	154274	34	• COVER, Fly boom
2	157759	120	• RIVET, Pop (0.1387" dia x 0.501" - 0.625") (for fly boom covers)
3	167141	1	• BRACKET, Wiper - left side mid boom
4	167142	1	• BRACKET, Wiper - right side mid boom
5	167143	1	• BRACKET, Wiper - top mid boom
6	167144	1	• BRACKET, Wiper - bottom mid boom
7	167145	1	• BRACKET, Wiper - left side main boom
8	167146	1	• BRACKET, Wiper - right side main boom
9	167147	1	• BRACKET, Wiper - top main boom
10	167148	2	• BRUSH, Side mid boom
11	167149	1	• BRUSH, Top mid boom
12	167150	1	• BRUSH, Bottom mid boom
13	167151	1	• BRUSH, Left side main boom
14	170325	1	• BRUSH, Right side main boom
15	167152	1	• BRUSH, Top main boom
16	167153	1	• BRUSH, Bottom main boom
17	167154	1	• BELLOW, Lift cylinder
18	167155	1	• BELLOW, Master cylinder
19	167156	1	• BELLOW, Slave cylinder
20	167157	1	• BELLOW, Jib cylinder, B
21	159932	2	• BELLOW, Oscillating axle cylinder
22	103995	16	• WASHER, Flat (0.25")
23	103892	16	• BOLT, Hex head (0.25"-20 x 0.625" gr 5)
24	115649	16	• NUT, Hex head nylon lock (0.25"-20 gr 5)
25	(Ref.)	1	• CONTROL BOX COVER (For components, refer to 9.24 Control Box Cover)
26	194396	16	• SCREW, Thread rolling (12-24 x 0.375") (for mid boom covers)
27	170923	1	• INSTRUCTION, Hostile environment installation (not shown)



Index No.	Skyjack Part No.	Qty.	Description
-	216918	1	CONTROL BOX COVER
-	216917	1	• COVER ASSEMBLY, Control box
1	216919	1	• • COVER, Control box
2	104698	2	• • SCREW, Round machine (#10-32 x 1")
3	300450	2	• • NUT, Hex lock (#10-32 Grade 5, nylon)
4	104694	2	• • WASHER, Flat (#10)
5	154305	2	• • BUSHING, Flanged (0.25" ID x 0.1875")
6	137653	1	• • HANDLE, Pull
7	144015	2	• • MOUNT, Anti-vibration
8	115649	2	• • NUT, Hex lock (0.25"-20 Grade 5, nylon)
9	103995	2	• • WASHER, Flat (0.25")
10	103996	2	• WASHER, Flat (0.3125")
11	103858	2	• BOLT, Hex head (0.25"-20 x 1.25" Grade 5)
12	159960	4	• SPACER, (0.75" OD)
13	103995	16	• WASHER, Flat (0.25")
14	115649	10	• NUT, Hex lock (0.25"-20 Grade 5, nylon)
15	139168	8	• SCREW, Button head cap (0.25"-20 x 0.75")
16	159956	4	• WASHER, Rubber (0.25")
17	103891	2	• BOLT, Hex head (0.25"-20 x 0.875" Grade 5)
18	103984	2	• NUT, Hex lock (0.3125"-18 Grade 5, nylon)
19	154323	1	• BRACKET, Gas spring
20	162101	1	• GAS SPRING, Control box cover
21	162048	1	• PLATE, Right side cover
22	216921	1	• PLATE, Back cover
23	162049	1	• PLATE, Left side cover
24	162123	2	• STUD, Ball (10 mm x 0.54")
25	300450	4	• NUT, Hex head nylon lock (10-32, Grade 5)
26	104694	4	• WASHER, Flat (10)
27	104698	4	• SCREW, Round head machine (10-32 x 0.75")
28	216675	1	• HASP, Double hinge (3.25")
29	168336	3	• SPACER, Nylon (0.394" ID x 0.75" OD x 0.125" long)
30	124031	3	• SCREW, Flat head (10-32 x 0.50")
31	104185	3	• WASHER, Lock (10)
32	104003	3	• NUT, Hex (10-32)
33	162032	1	• INSTRUCTION, Control box cover installation (not shown)



M207504AA

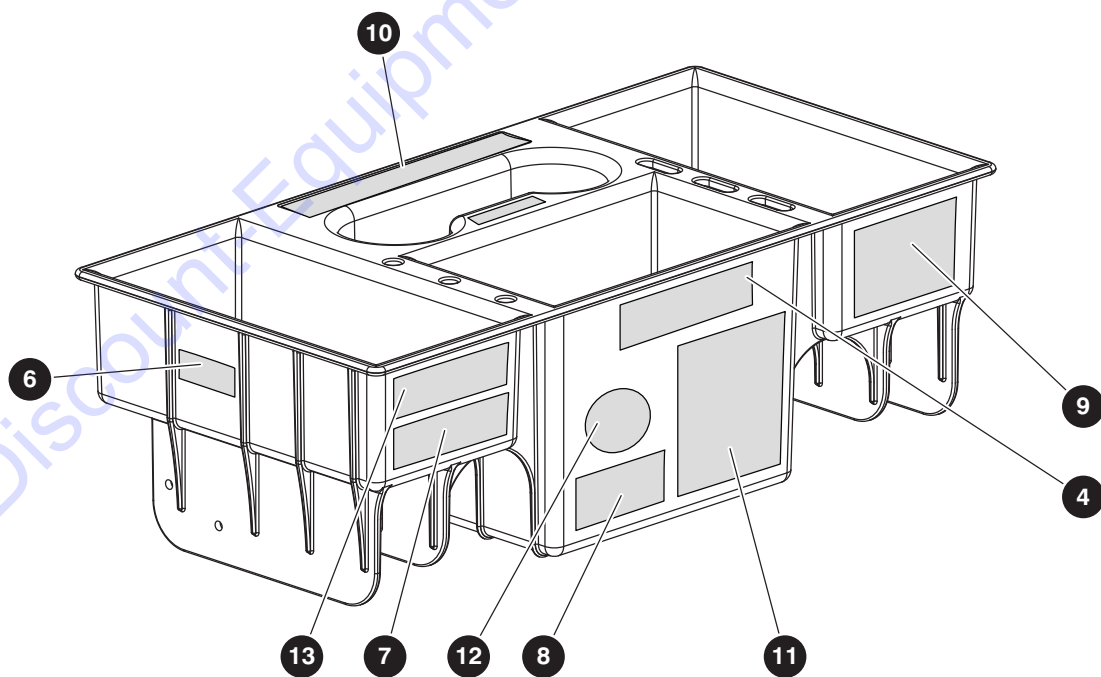
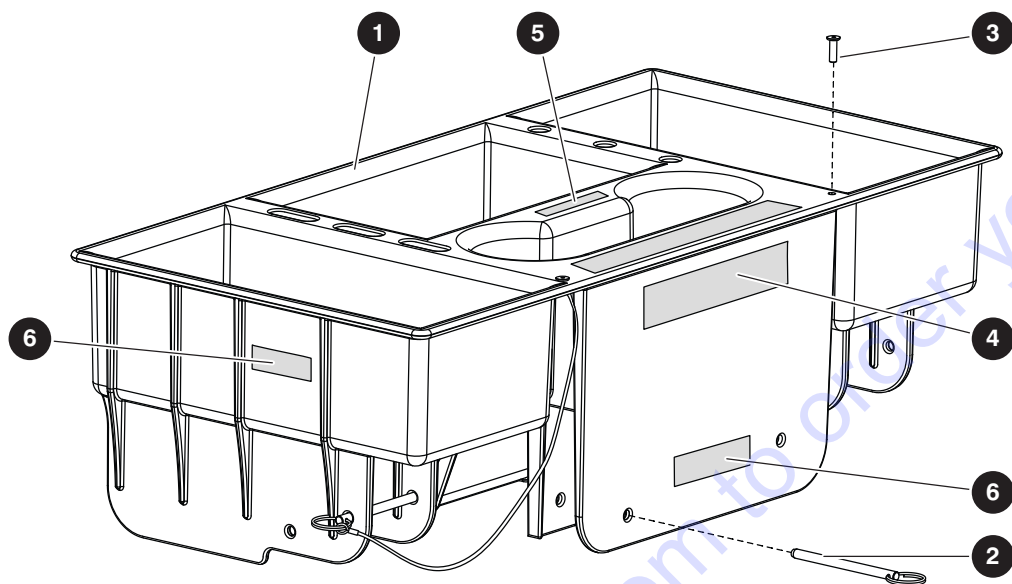
170453AI

280

SJ82T, SJ86T

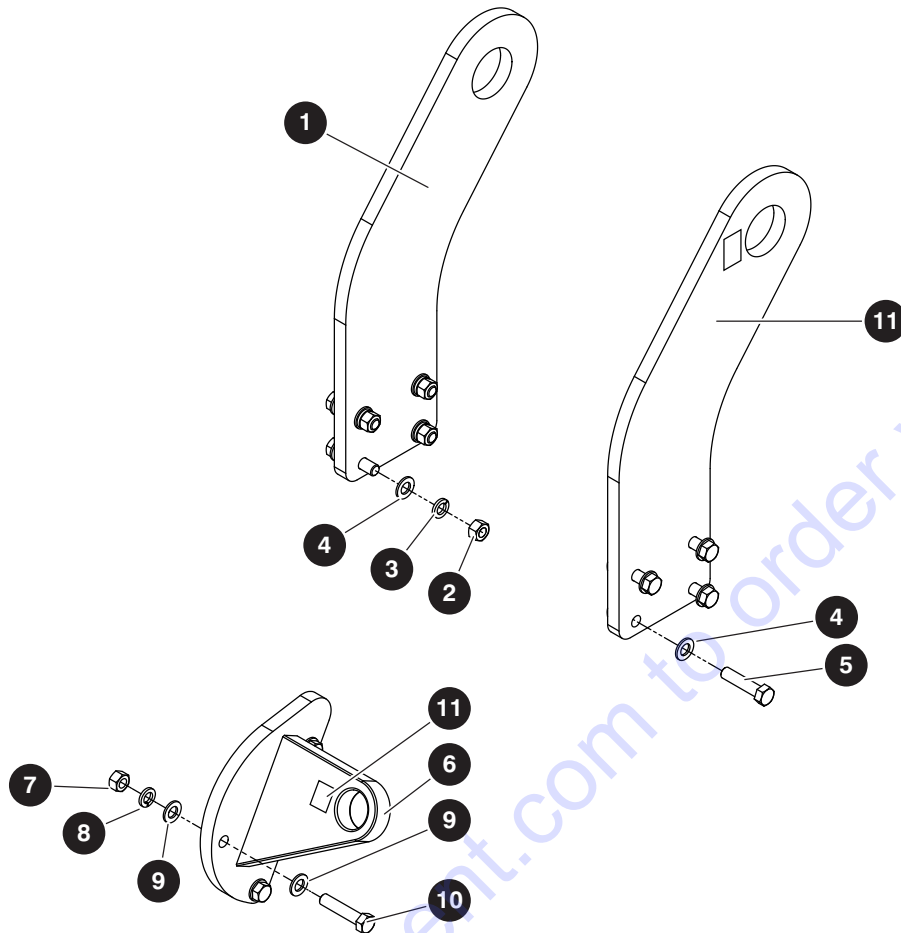
SKYJACK

Index No.	Skyjack Part No.	Qty.	Description
-	194124	1	PLATFORM WORK LIGHTS
-	165134	1	• WORK LIGHTS ASSEMBLY
-	208789	1	• • WORK LIGHTS ASSEMBLY
1	207672	2	• • • BRACKET, Inner - work light
2	207669	2	• • • BRACKET, Outer - work light
3	169005	2	• • • KNOB, Three arm (0.3125" threaded insert)
4	106049	2	• • • BOLT, Carriage (0.3125"-18 x 1.25" gr 5)
5	171888	2	• • • LAMP, Work
6	160320	2	• • • RING, Retaining
7	103628	14"	• • • RUBBER, Self seal
8	208790	2	• • • WASHER, Self-retaining
9	208935	2	• • • TAG, Accessoryzers
-	169002	1	• • WORK LIGHT ELECTRICAL ASSEMBLY
10	168634	1	• • • WIRE ASSEMBLY, Work light (toggle to e-stop and harness)
11	168635	1	• • • WIRE ASSEMBLY, Work light (terminal block to harness)
12	168637	2	• • • HARNESS, Work light
13	115574	1	• • • SWITCH, Toggle (1NT1-2)
14	144016	1	• • • SEAL, Toggle switch
15	149599	10	• • • TIE, Cable - velcro
16	103036	1	• • • CONNECTOR, Strain relief
17	168636	1	• • • WIRING DIAGRAM, Work light (not shown)
18	208829	1	• INSTALLATION INSTRUCTION, Work lights (not shown)



Index No.	Skyjack Part No.	Qty.	Description
-	211271	1	TOOL CADDY KIT
-	204334	1	• TOOL CADDY ASSEMBLY
1	198945	1	• • TOOL CADDY TRAY, Plastic (Std)
2	198965	2	• • PIN, Quick release 1/4x3.2 LG with Lanyard
3	116161	2	• • RIVET, Pop (0.1875" x 0.565")
4	172293	2	• • LABEL, Skyjack logo, 5" white
5	172294	1	• • LABEL, Skyjack logo, 3" white
6	168421	3	• • LABEL, Lock pin in place
7	172245	1	• • LABEL, Tool caddy weight
8	172246	1	• • LABEL, Tool caddy pin location
9	172247	1	• • LABEL, Tool caddy location
10	172292	1	• • LABEL, Accessoryzers, 8" white
11	172298	1	• • LABEL, Tool caddy models serial numbers
12	172299	1	• • LABEL, Do not block exit/entrance
13	172297	1	• • LABEL, Drive slowly when tool caddy is installed
14	204306	1	• INSTRUCTIONS, Tool caddy installation (not shown)

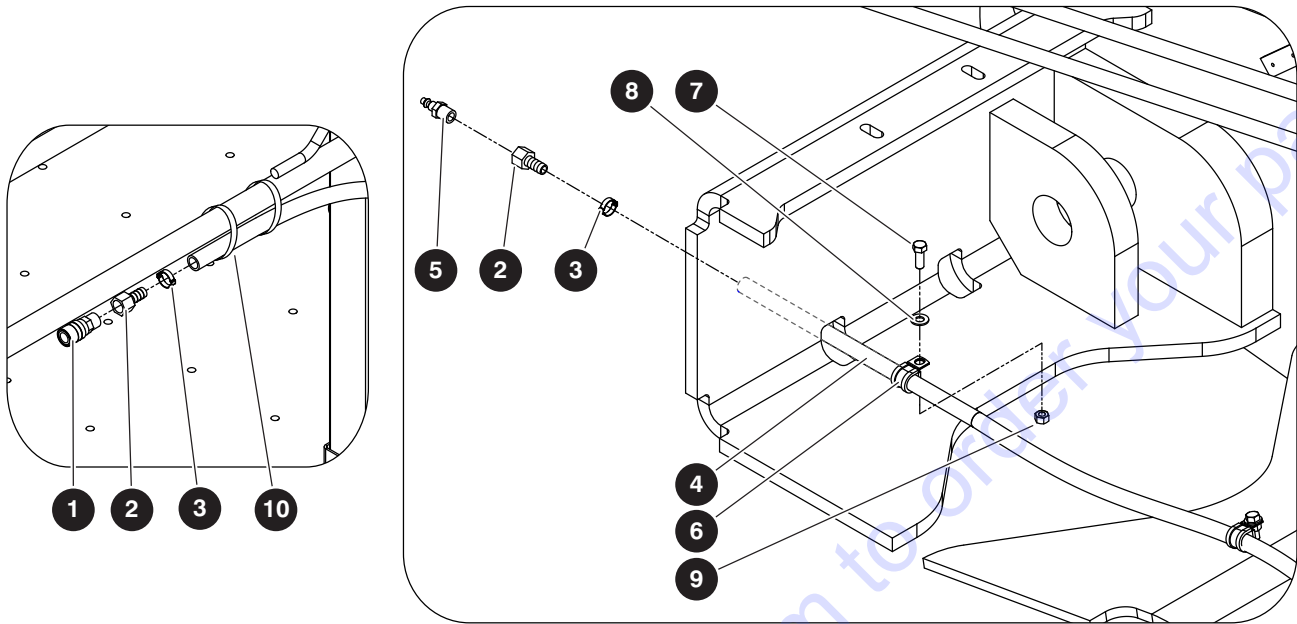
9.27 Lifting Lugs



M168730AC

Index No.	Skyjack Part No.	Qty.	Description
-	168730	1	LIFTING LUGS
-	168731	1	• LIFTING LUGS - Front
1	166945	2	• • PLATE, Lifting lug
2	138462	8	• • NUT, Hex head (0.75"-10 gr C)
3	104002	8	• • WASHER, Lock (0.75")
4	702194	16	• • WASHER, Flat hardened (0.75")
5	113489	8	• • BOLT, Hex head (0.75"-10 x 3.25" gr 8)
-	168738	1	• LIFTING LUGS - Rear
6	170347	1	• • PLATE, Lifting lug
7	138462	3	• • NUT, Hex head (0.75"-10 gr C)
8	104002	3	• • WASHER, Lock (0.75")
9	702194	6	• • WASHER, Flat hardened (0.75")
10	103893	3	• • BOLT, Hex head (0.75"-10 x 3.50" gr 8)
11	153401	4	• LABEL, Lift point

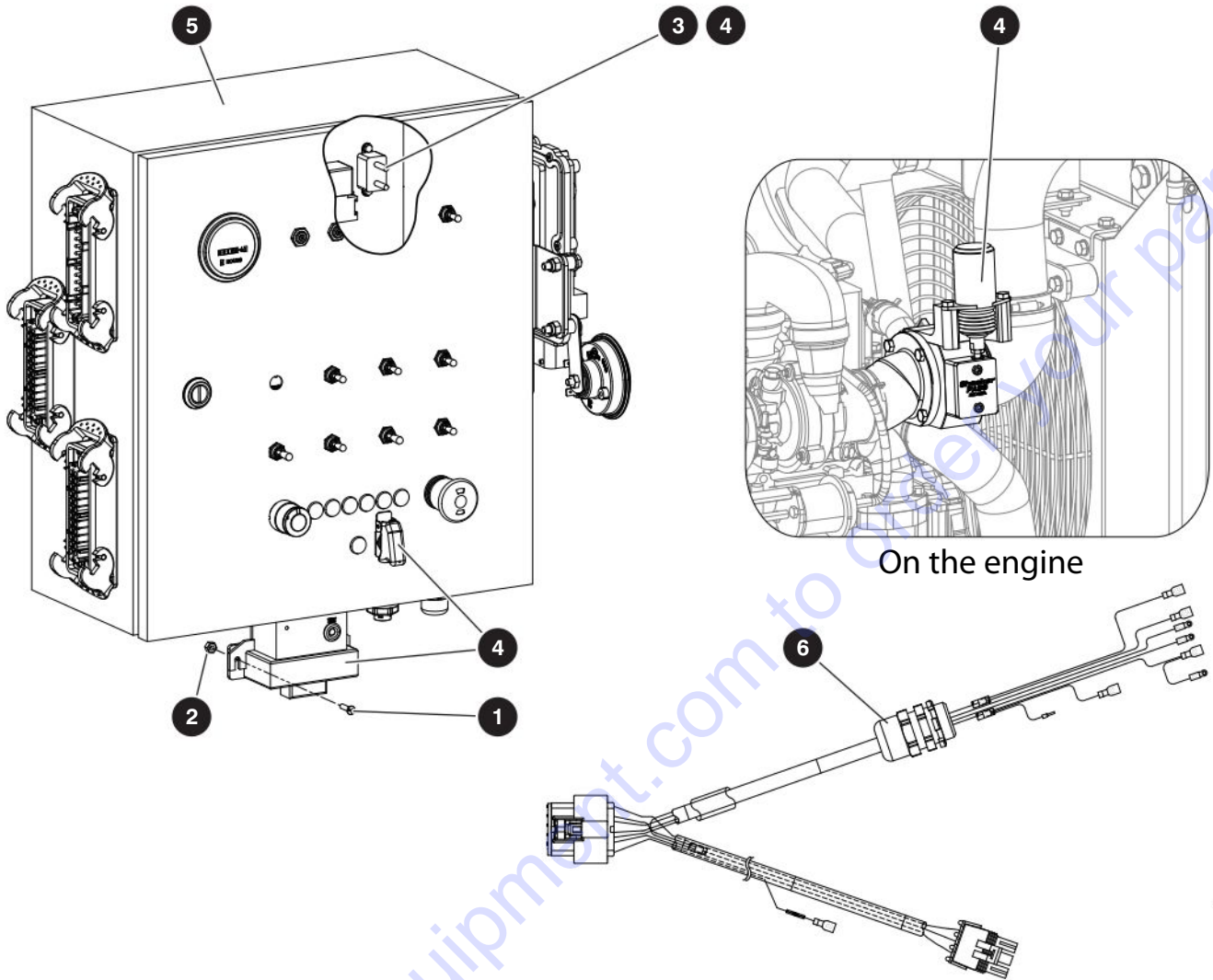
9.28 Air Hose To Platform



ML3F-1017AA

Index No.	Skyjack Part No.	Qty.	Description
A	168562	1	AIR HOSE TO PLATFORM - SJ82T
B	168577	1	AIR HOSE TO PLATFORM - SJ86T
1	107882	1	• FITTING, Female disconnect (B22E)
2	109050	2	• FITTING, Brass hose barb (126-8C)
3	107886	2	• CLAMP, Air hose
4	107884	1300"	• HOSE, Air (1/2" diameter) A
	107884	1350"	• HOSE, Air (1/2" diameter) B
5	107883	1	• FITTING, Quick disconnect plug (16.1262)
6	152402	2	• CLAMP, Rube(cushioned)
7	103473	2	• BOLT, Hex head (0.375"-16 x 1.00" gr 5)
8	103472	2	• WASHER, Flat (0.375")
9	103978	2	• NUT, Hex head (0.375"-16 gr 5)
10	102891	2	• TIE, Cable (7-1/4")

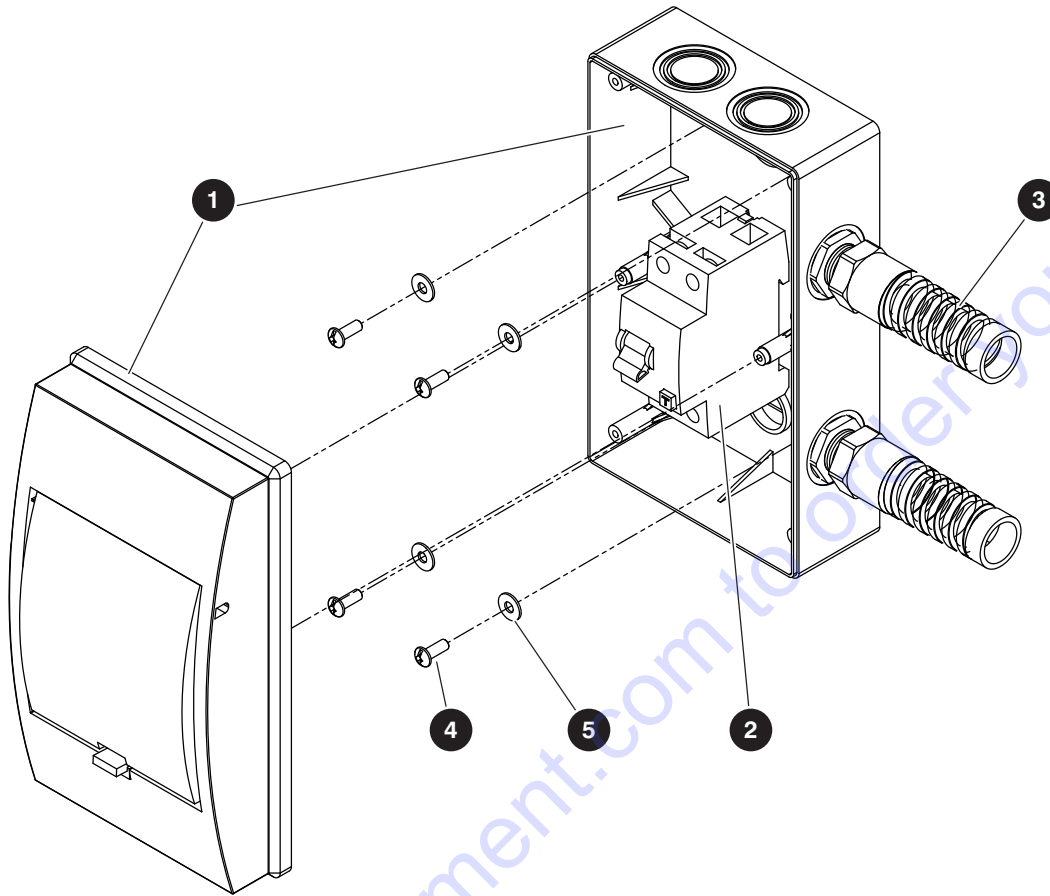
9.29 Positive Air Shut-Off Option



M194146AA-1, M171529AA

Index No.	Skyjack Part No.	Qty.	Description
-	194146	1	POSITIVE AIR SHUT-OFF VALVE
1	116192	2	<ul style="list-style-type: none"> • SCREW, Round head machine (8-32 x 0.625")
2	138765	2	<ul style="list-style-type: none"> • NUT, Hex head nylon lock (8-32 gr 5)
3	112327	2	<ul style="list-style-type: none"> • BOLT, Self-tapping (8-18 x 0.50")
4	168544	1	<ul style="list-style-type: none"> • SHUTOFF SYSTEM, Positive air - DZTA2.9T4-12VAR
5	(Ref.)	1	BASE CONTROL BOX (For components, refer to 4.16 Base Controls - Deutz TD2.9L, D2011 & Perkins 2.2TA) (For components, refer to 4.17 Base Controls - Deutz TCD2.2)
6	171529	1	<ul style="list-style-type: none"> • HARNESS, Positive Air Shutoff

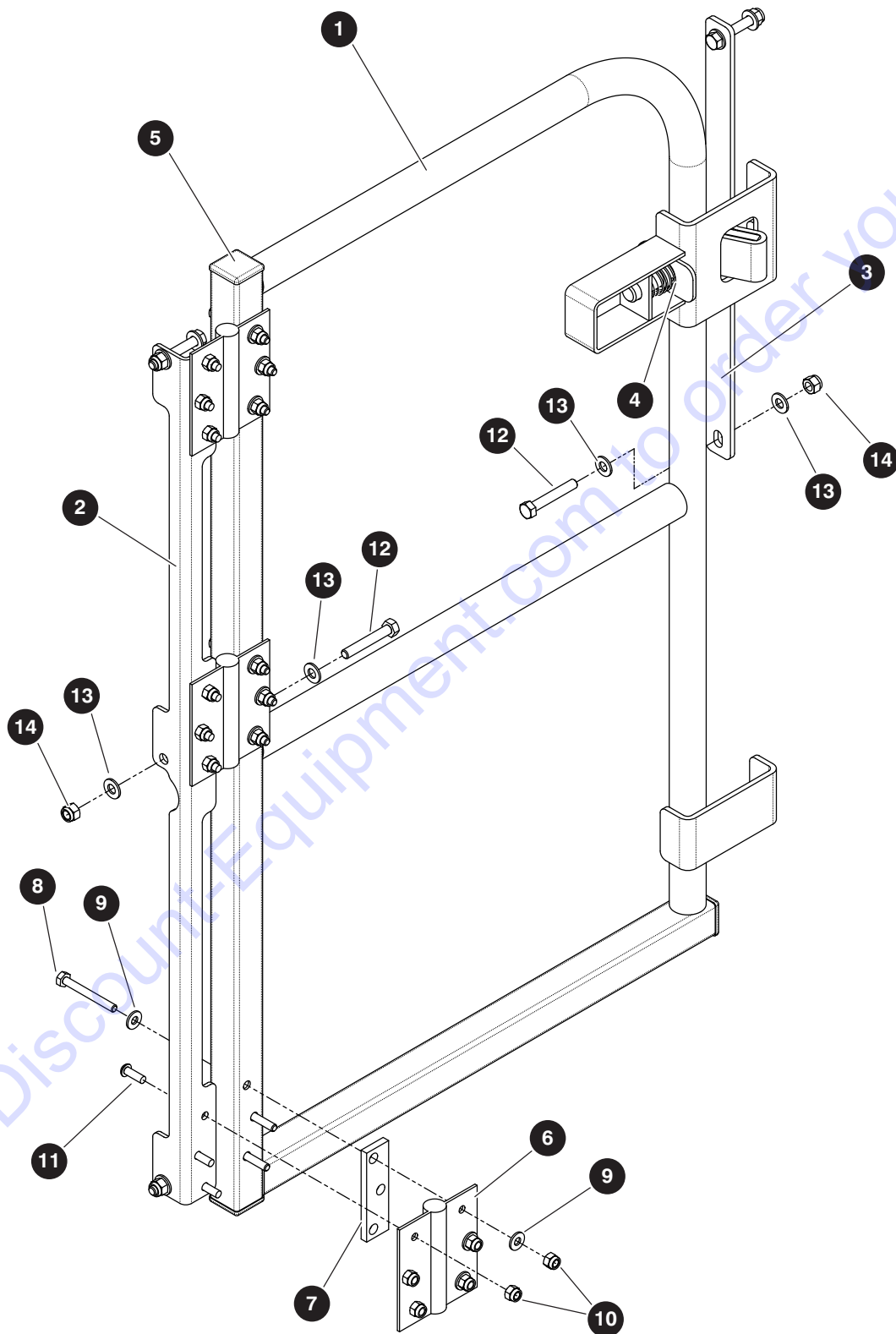
9.30 Residual Current Device (RCD)



M196064AB

Index No.	Skyjack Part No.	Qty.	Description
-	196064	1	RESIDUAL CURRENT DEVICE (RCD)
1	196027	1	• ENCLOSURE, RCD
2	168379	1	• RCCB, Type A - Doepke DFS 2A
3	158212	2	• RELIEF, Strain (PG-13.5)
4	103962	4	• SCREW, Round head machine (10-32 x 0.50")
5	117542	168"	• CABTIRE, 14/3 (not shown)
6	117952	4	• WASHER, Seal (0.203" ID x 0.50" OD x 0.40")

9.31 Half-Height Platform Mesh



M211359AA

170453AI

288

SJ82T, SJ86T

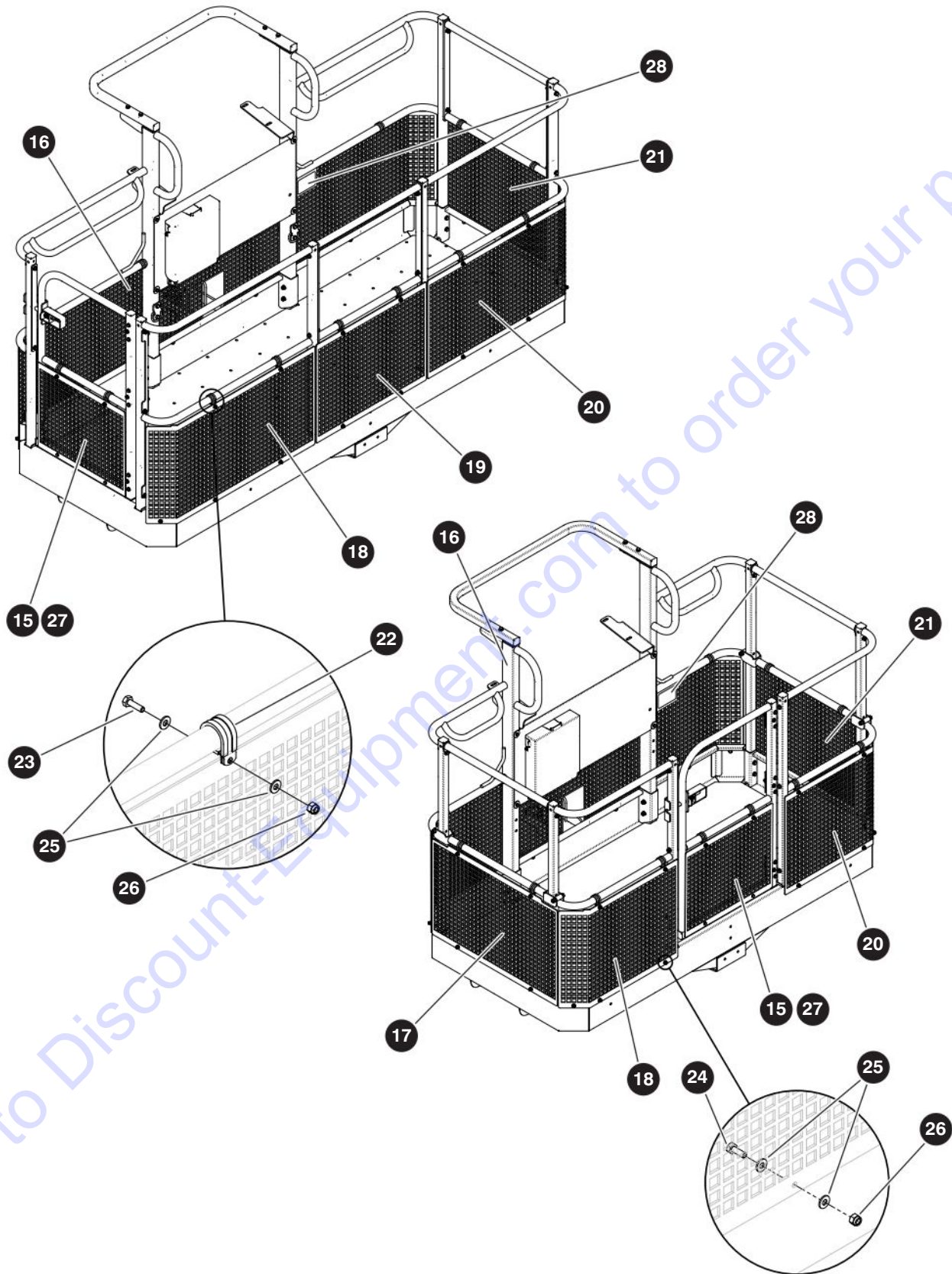
SKYJACK

9.31 Half-Height Platform Mesh

Index No.	Skyjack Part No.	Qty.	Description
A	211776	1	• HALF HEIGHT MESH KIT for 8' / 2.44 m Rear Entry Platform
B	211777	1	• HALF HEIGHT MESH KIT for 8' / 2.44 m Side Entry Platform
C	211778	1	• HALF HEIGHT MESH KIT for 6' / 2.44 m Rear Entry Platform
-	211360	1	• MESH ASSEMBLY, Rear entry 8' / 2.44 m platform, A
-	211362	1	• MESH ASSEMBLY, Side entry 8' / 2.44 m platform, B
-	211363	1	• MESH ASSEMBLY, Rear entry 6' / 2.44 m platform, C
-	211359	1	• • FULL SWING GATE
1	209032	1	• • • GATE, Swing - full
2	211375	1	• • • BRACKET, Mounting - hinge
3	166287	1	• • • PLATE, Locking
4	110824	1	• • • LATCH, Pin - door spring
	105312	1	• • • • BED, Latch
	109377	1	• • • • PIN, Latch (0.625" x 4.187")
	105307	1	• • • • HANDLE, Latch
	103107	1	• • • • SPRING, Compression
	100950	1	• • • • PIN, Spring (0.125" x 1.00")
5	100702	3	• • • PLUG, Tube (1.25" x 1.25")
6	209527	3	• • • HINGE, Spring
7	164592	3	• • • TAB, Hinge
8	103862	9	• • • BOLT, Hex head (0.25"-20 x 2.25" gr 5)
9	103995	18	• • • WASHER, Flat (0.25")
10	115649	18	• • • NUT, Lock (0.25"-20 gr 5 nylon)
11	139168	9	• • • BOLT, Button head cap screw (0.25"-20 x 0.75")
12	103865	5	• • • BOLT, Hex head (0.312"-18 x 2.00" gr 5)
13	103996	10	• • • WASHER, Flat (0.312")
14	103984	5	• • • NUT, Lock (0.313"-18 gr 5 nylon)

Parts list continued on the next page.

9.31 Half-Height Platform Mesh



M211777AA_M211778AA

170453AI

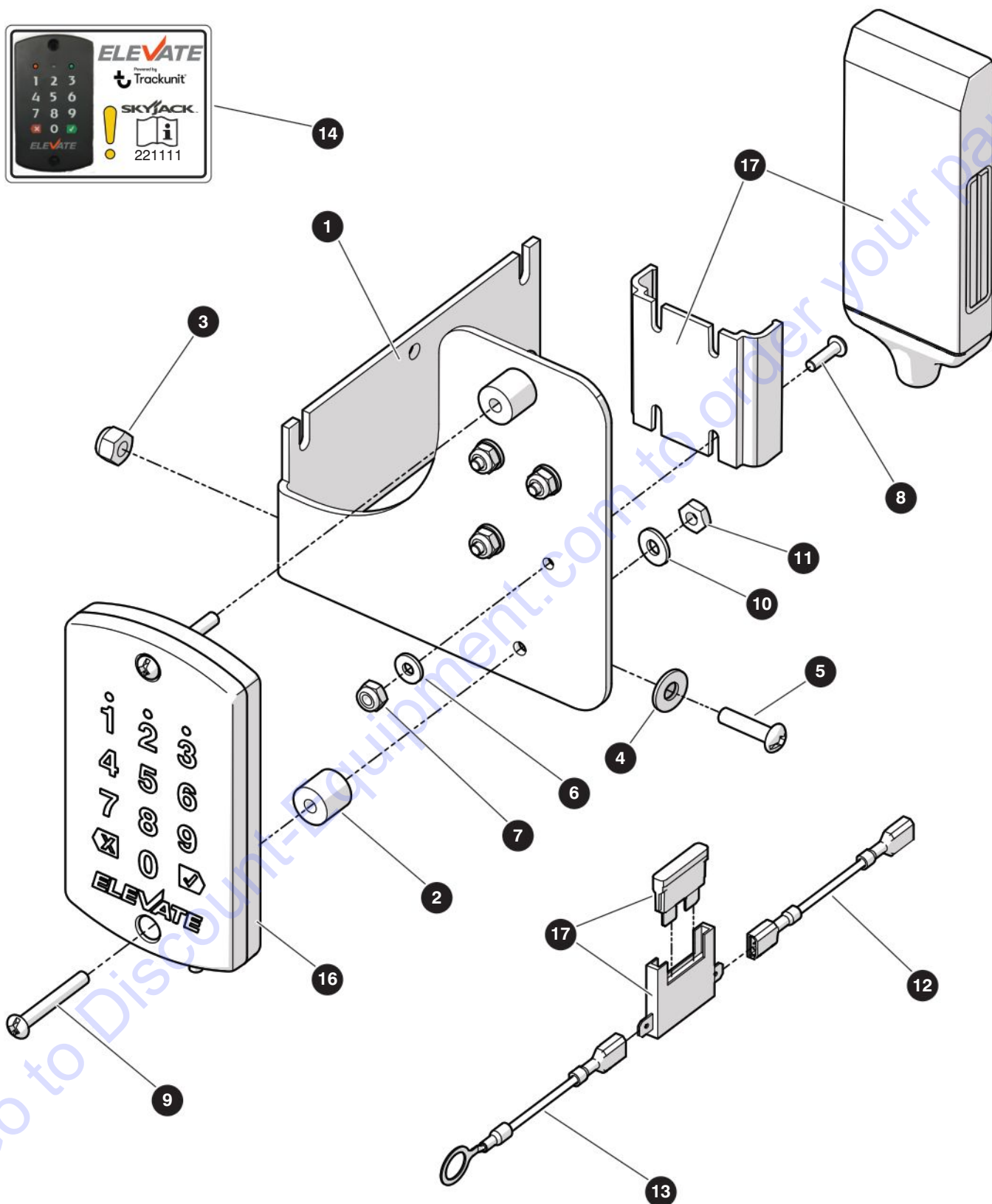
290


SJ82T, SJ86T

SKYJACK

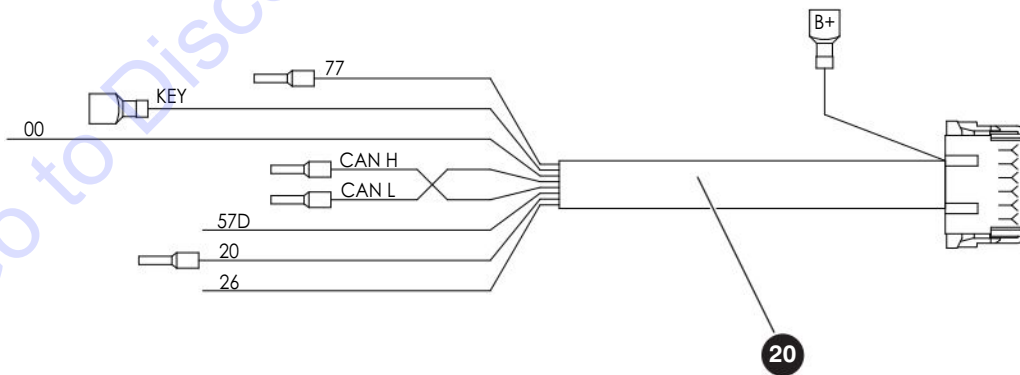
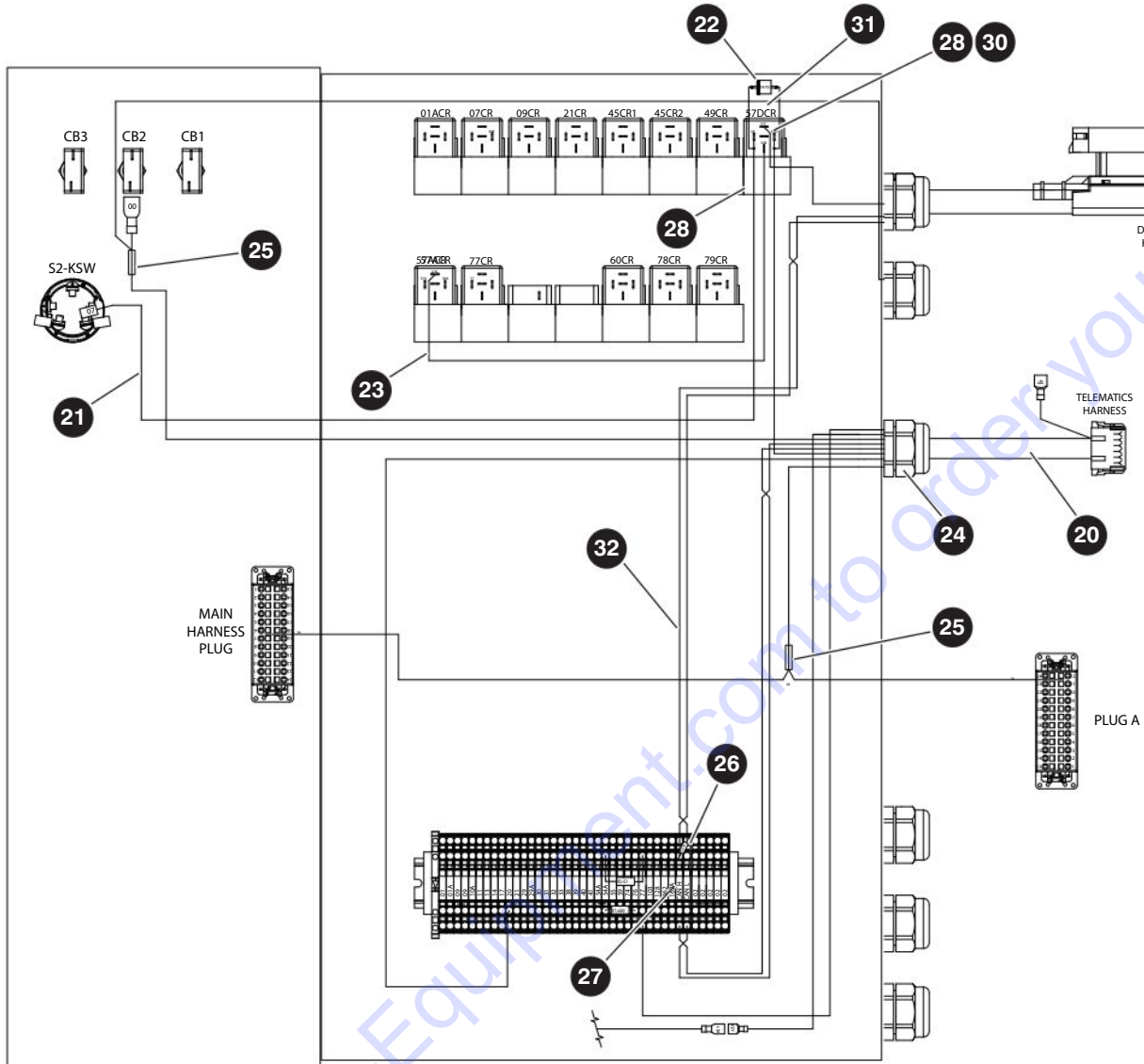
9.31 Half-Height Platform Mesh

Index No.	Skyjack Part No.	Qty.	Description
A	211776	1	• HALF HEIGHT MESH KIT for 8' / 2.44 m Rear Entry Platform
B	211777	1	• HALF HEIGHT MESH KIT for 8' / 2.44 m Side Entry Platform
C	211778	1	• HALF HEIGHT MESH KIT for 6' / 1.83 m Rear Entry Platform
Parts list continued from the previous page.			
15	208942	1	• • MESH, Gate
16	209029	1	• • MESH, Front - 36" x 96" / 0.91 m x 2.44 m platform, A, B
	211604	1	• • MESH, Front - 36" x 72" / 0.91 m x 1.83 m platform, C
17	208940	1	• • MESH, Side - 36" / 0.91 m platform, A, C
18	209041	1	• • MESH, Rear LH - 36" x 96" / 0.91 m x 2.44 m platform, A, B
	211603	1	• • MESH, Rear LH - 36" x 72" / 0.91 m x 1.83 m platform, C
	211613	1	• • MESH, Rear mid - 36" x 96" / 0.91 m x 2.44 m platform, B
20	211361	1	• • MESH, Rear RH - 36" x 96" / 0.91 m x 2.44 m platform, A, B
	211602	1	• • MESH, Rear RH - 36" x 96" / 0.91 m x 2.44 m platform, C
21	208940	1	• • MESH, Side - 36" / 0.91 m platform, A, B, C
22	209030	14	• • CLAMP, Loop - cushioned (#19), A, B, C
23	103891	14	• • BOLT, Hex head (0.25"-20 x 0.875" gr 5), A, B, C
24	103856	16	• • BOLT, Hex head (0.25"-20 x 0.75" gr 5), A, B, C
25	103995	60	• • WASHER, Flat (0.25"), A, B, C
26	115649	30	• • NUT, Lock (0.25"-20 gr 5 nylon), A, B, C
27	103632	2	• • BOLT, Self-tapping hex head (0.25"-14 x 0.75")
28	172519	1	• • LABEL, Mesh weight (25 kg/55 lb)
29	211727	1	• INSTRUCTION, Half height platform mesh installation (not shown)



Index No.	Skyjack Part No.	Qty.	Description
			 NOTE A subscription is required to use the Elevate Telematics option. Refer to "Elevate Telematics Subscription" on page 300.
A	223028	1	ELEVATE TELEMATICS WITH KEYPAD INSTALLATION KIT
B	223029	1	ELEVATE TELEMATICS WITHOUT KEYPAD INSTALLATION KIT
C	223022	1	ELEVATE TELEMATICS WITH KEYPAD REWORK KIT - Deutz D2011
D	223023	1	ELEVATE TELEMATICS WITHOUT KEYPAD REWORK KIT - Deutz D2011
E	223026	1	ELEVATE TELEMATICS WITH KEYPAD REWORK KIT - Deutz T/D2.9L & Perkins 2.2T
F	223027	1	ELEVATE TELEMATICS WITHOUT KEYPAD REWORK KIT - Deutz T/D2.9L & Perkins 2.2T
G	223024	1	ELEVATE TELEMATICS WITH KEYPAD REWORK KIT - Kubota WG2503
H	223025	1	ELEVATE TELEMATICS WITHOUT KEYPAD REWORK KIT - Kubota WG2503
			NOTE: Use kits A and B for machines which already have a telematics harness connection plug. Use kits C through H for machines without a telematics plug.
-	221993	1	• ELEVATE TELEMATICS INSTALLATION KIT
1	211143	1	• • BRACKET, Elevate keypad/GPS mounting
2	211134	2	• • SPACER, Keypad offset
3	300450	2	• • NUT, Lock (10-32 gr 5 nylon)
4	104694	2	• • WASHER, Flat (#10)
5	104698	2	• • SCREW, Round head machine (10-32 x 0.75")
6	191833	4	• • WASHER, Flat (#6)
7	196306	4	• • NUT, Lock (6-32 gr 5 nylon)
8	114678	4	• • SCREW, Round head machine (6-32 x 0.50")
9	152294	2	• • SCREW, Round head machine (8-32 x 1.25")
10	103991	2	• • WASHER, Flat (#8)
11	103986	2	• • NUT, Hex (8-32)
12	221149	1	• • WIRE ASSEMBLY, B+
13	220577	1	• • WIRE ASSEMBLY, B+
14	173002	1	• • LABEL, Equipped with Elevate keypad
15	102892	20	• • TIE, Cable (5-3/8") (not shown)
16	213099	1	• TELEMATICS, Elevate keypad, A
17	213098	1	• TELEMATICS, Elevate GPS ME501-4
	199295	1	• • COVER
	199296	1	• • BRACKET
	199297	1	• • BATTERY
	199298	1	• • CABLE, Control
	199299	1	• • FUSE KIT, 1 amp fuse and holder
18	221920	1	• INSTRUCTIONS, Elevate telematics ready installation (not shown), A, B
	221919	1	• INSTRUCTIONS, Elevate telematics rework - Deutz D2011 (not shown), C, D
	221892	1	• INSTRUCTIONS, Elevate telematics rework - Deutz D/TD2.9L & Perkins 2.2T (ns), E, F
	221893	1	• INSTRUCTIONS, Elevate telematics rework - Kubota WG2503 (not shown), G, H
19	221111	1	• INSTRUCTION, Operating - Elevate telematics (not shown), A, C, E, G
			The parts list for kits C through H are continued on the following pages.

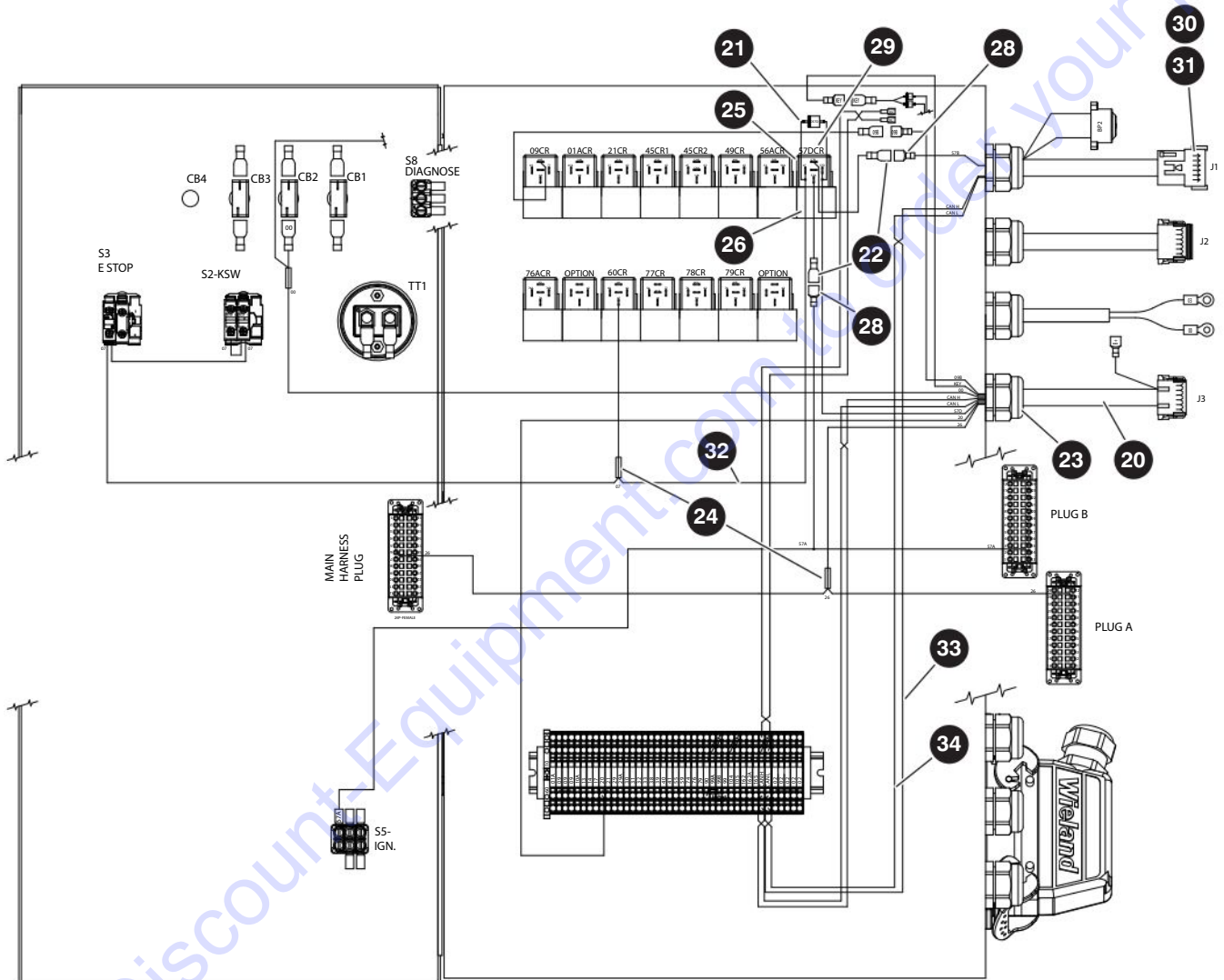
9.32 Elevate Telematics



9.32 Elevate Telematics

Index No.	Skyjack Part No.	Qty.	Description
C	223022	1	ELEVATE TELEMATICS WITH KEYPAD REWORK KIT - Deutz D2011
D	223023	1	ELEVATE TELEMATICS WITHOUT KEYPAD REWORK KIT - Deutz D2011
			<i>The parts list is continued from the previous page.</i>
-	221875	1	• WIRING FIELD KIT, Elevate - Deutz D2011
20	221871	1	• • HARNESS, Elevate plug - Deutz D2011
21	223876	1	• • WIRE ASSEMBLY, 09
22	221873	1	• • WIRE ASSEMBLY, D57D
23	221874	1	• • WIRE ASSEMBLY, 57B
24	116266	1	• • CONNECTOR, Strain relief
25	105267	2	• • SPLICE, Butt (10-20 AWG insulated yellow vinyl)
26	151647	1	• • RESISTOR, 68.1 Ohm
27	137940	2	• • TERMINAL BLOCK - 4 cond through
28	127131	1	• • RELAY, 12 V 40 amp
29	138749	1	• • SOCKET, Automotive relay
30	126808	2	• • TERMINAL (14-18 GA 1/4 non-insulated)
31	221150	1	• • LABEL, 57DCR
32	221877	1	• • WIRE ASSEMBLY, CAN H+L connector

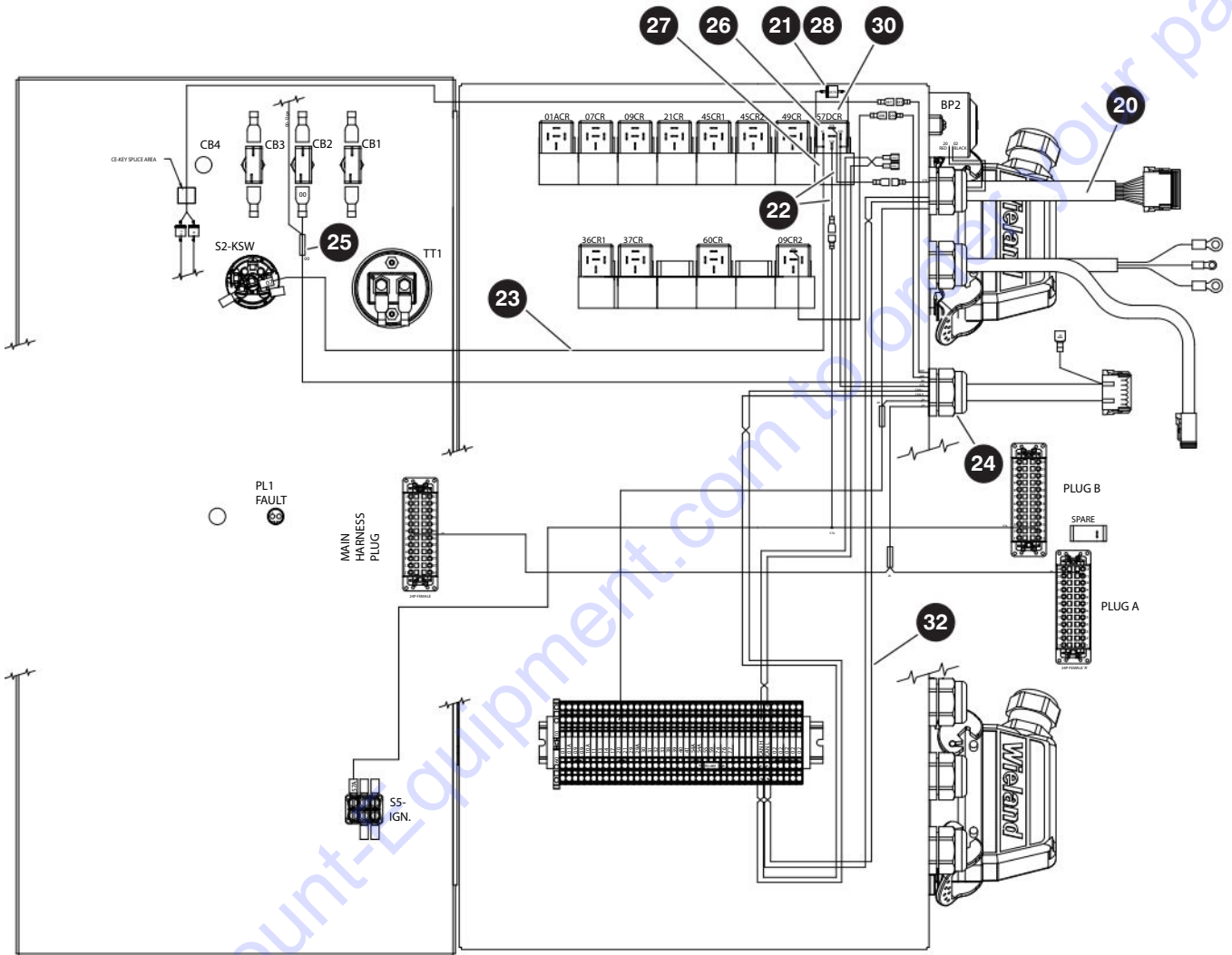
9.32 Elevate Telematics



9.32 Elevate Telematics

Index No.	Skyjack Part No.	Qty.	Description
E	223026	1	ELEVATE TELEMATICS WITH KEYPAD REWORK KIT - Deutz T/D2.9L & Perkins 2.2T
F	223027	1	ELEVATE TELEMATICS WITHOUT KEYPAD REWORK KIT - Deutz T/D2.9L & Perkins 2.2T
			<i>The parts list is continued from the previous pages.</i>
-	221888	1	<ul style="list-style-type: none"> • WIRING FIELD KIT, Elevate - Deutz T/D 2.9L & Perkins 2.2T
20	221876	1	<ul style="list-style-type: none"> • • HARNESS, Elevate plug - Deutz T/D 2.9L & Perkins 2.2T
21	221873	1	<ul style="list-style-type: none"> • • WIRE ASSEMBLY, D57D
22	221878	1	<ul style="list-style-type: none"> • • WIRE ASSEMBLY, 57A/57B
23	116266	1	<ul style="list-style-type: none"> • • CONNECTOR, Strain relief
24	105267	4	<ul style="list-style-type: none"> • • SPLICE, Butt (10-12 AWG insulated yellow vinyl)
25	127131	1	<ul style="list-style-type: none"> • • RELAY, 12 V 40 amp
26	138749	1	<ul style="list-style-type: none"> • • SOCKET, Automotive relay
27	126808	2	<ul style="list-style-type: none"> • • TERMINAL (14-18 GA 1/4 non-insulated) (not shown)
28	105360	2	<ul style="list-style-type: none"> • • TERMINAL, Male (14-16 GA 1/4 insulated)
29	221150	1	<ul style="list-style-type: none"> • • LABEL, 57DCR
30	117590	2	<ul style="list-style-type: none"> • • CONNECTOR, Contact pin (16-18)
31	115401	2	<ul style="list-style-type: none"> • • FERRULE (18 GA red/grey)
32	102702	8"	<ul style="list-style-type: none"> • • WIRE, Red (14 awg)
33	802043	40"	<ul style="list-style-type: none"> • • WIRE, Black (18 awg)
34	802029	40"	<ul style="list-style-type: none"> • • WIRE, White (18 awg)

9.32 Elevate Telematics



M221890AA

170453AI

298

SJ82T, SJ86T


SKYJACK

9.32 Elevate Telematics

Index No.	Skyjack Part No.	Qty.	Description
G	223024	1	ELEVATE TELEMATICS WITH KEYPAD REWORK KIT - Kubota WG2503
H	223025	1	ELEVATE TELEMATICS WITHOUT KEYPAD REWORK KIT - Kubota WG2503
			<i>The parts list is continued from the previous pages.</i>
-	221890	1	• WIRING FIELD KIT, Elevate - Kubota WG2503
20	221889	1	• • HARNESS, Elevate plug - Kubota WG2503
21	221873	1	• • WIRE ASSEMBLY, D57D
22	221878	2	• • WIRE ASSEMBLY, 57A/57B
23	221872	1	• • WIRE ASSEMBLY, 07
24	116266	1	• • CONNECTOR, Strain relief
25	105267	4	• • SPLICE, Butt (10-12 AWG insulated yellow vinyl)
26	127131	1	• • RELAY, 12 V 40 amp
27	138749	1	• • SOCKET, Automotive relay
28	126808	2	• • TERMINAL (14-18 GA 1/4 non-insulated) (not shown)
29	105360	2	• • TERMINAL (14-16 GA 1/4 insulated) (not shown)
30	221150	1	• • LABEL, 57DCR
31	117591	2	• • CONNECTOR, Contact socket (16/18) (not shown)
32	221877	1	• • WIRE ASSEMBLY, CAN H+L connector
33	121050	2	• • FERRULE, 16GA black (not shown)
34	802043	40"	• • WIRE, Black (18 awg) (not shown)
35	802029	40"	• • WIRE, White (18 awg) (not shown)

9.33 Elevate Telematics Subscription

AE

Index No.	Skyjack Part No.	Qty.	Description
<p> NOTE <i>One of the following subscriptions is required to use the Elevate Telematics option.</i></p>			
1	221153	1	SUBSCRIPTION, Elevate telematics - Monitoring (12 months)
2	221647	1	SUBSCRIPTION, Elevate telematics - Engage (12 months)
3	221348	1	SUBSCRIPTION, Elevate telematics - Engage + Access (12 months)
4	221154	1	SUBSCRIPTION, Elevate telematics - Monitoring (36 months)
5	221650	1	SUBSCRIPTION, Elevate telematics - Engage (36 months)
6	221651	1	SUBSCRIPTION, Elevate telematics - Engage + Access (36 months)
7	221155	1	SUBSCRIPTION, Elevate telematics - Monitoring (60 months)
8	221654	1	SUBSCRIPTION, Elevate telematics - Engage (60 months)
9	221655	1	SUBSCRIPTION, Elevate telematics - Engage + Access (60 months)

Section 10 – Labels

10.1 *Label Kits*

10.2 *Labels - Platform Controls*

10.3 *Labels - Base Controls*

10.4 *Labels - Engine Side*

10.5 *Labels - Controls Side*

10.6 *Labels - Platform*

10.7 *Labels - Front, Back, and Bottom*

PARTS FINDER

**Search Website
by Part Number**



**Search Manual
Library For Parts
Manual & Lookup Part
Numbers – Purchase
or Request Quote**

Search Manuals

Enter your information to help us find the right parts manual for your machine.

* Brand:

* Model:

* Serial:

* Part Number:

SEARCH

**Can't Find Part or
Manual? Request Help
by Manufacturer,
Model & Description**

Parts Order Form

Please fill in the following information to help us find the right part for your machine.

Manufacturer:	<input type="text"/>
Model:	<input type="text"/>
Description:	<input type="text"/>
Part Number:	<input type="text"/>
Quantity:	<input type="text"/>
Notes:	<input type="text"/>

Discount-Equipment.com is your online resource for quality parts & equipment.

Florida: **561-964-4949** Outside Florida TOLL FREE: **877-690-3101**

Need parts?

Click on this link: <http://www.discount-equipment.com/category/5443-parts/> and choose one of the options to help get the right parts and equipment you are looking for. Please have the machine model and serial number available in order to help us get you the correct parts. If you don't find the part on the website or on one of the online manuals, please fill out the request form and one of our experienced staff members will get back to you with a quote for the right part that your machine needs.

We sell worldwide for the brands: Genie, Terex, JLG, MultiQuip, Mikasa, Essick, Whiteman, Mayco, Toro Stone, Diamond Products, Generac Magnum, Airman, Haulotte, Barreto, Power Blanket, Nifty Lift, Atlas Copco, Chicago Pneumatic, Allmand, Miller Curber, Skyjack, Lull, Skytrak, Tsurumi, Husquvarna Target, Stow, Wacker, Sakai, Mi-T-M, Sullair, Basic, Dynapac, MBW, Weber, Bartell, Bennar Newman, Haulotte, Ditch Runner, Menegotti, Morrison, Contec, Buddy, Crown, Edco, Wyco, Bomag, Laymor, EZ Trench, Bil-Jax, F.S. Curtis, Gehl Pavers, Heli, Honda, ICS/PowerGrit, IHI, Partner, Imer, Clipper, MMD, Koshin, Rice, CH&E, General Equipment, Amida, Coleman, NAC, Gradall, Square Shooter, Kent, Stanley, Tamco, Toku, Hatz, Kohler, Robin, Wisconsin, Northrock, Oztec, Toker TK, Rol-Air, APT, Wylie, Ingersoll Rand / Doosan, Innovatech, Con X, Ammann, Mecalac, Makinex, Smith Surface Prep, Small Line, Wanco, Yanmar

10.1 Label Kits

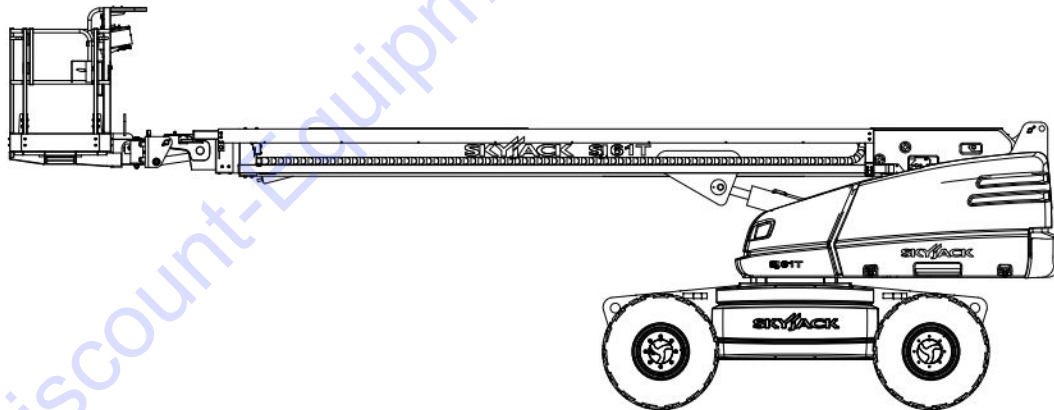
The following label kits contain all of the labels required for a complete standard machine, with the exception of:

- Serial number plates
- Platform capacity labels
- Engine- and fuel-specific labels
- Powerline clearance label for AS
- Safety tape

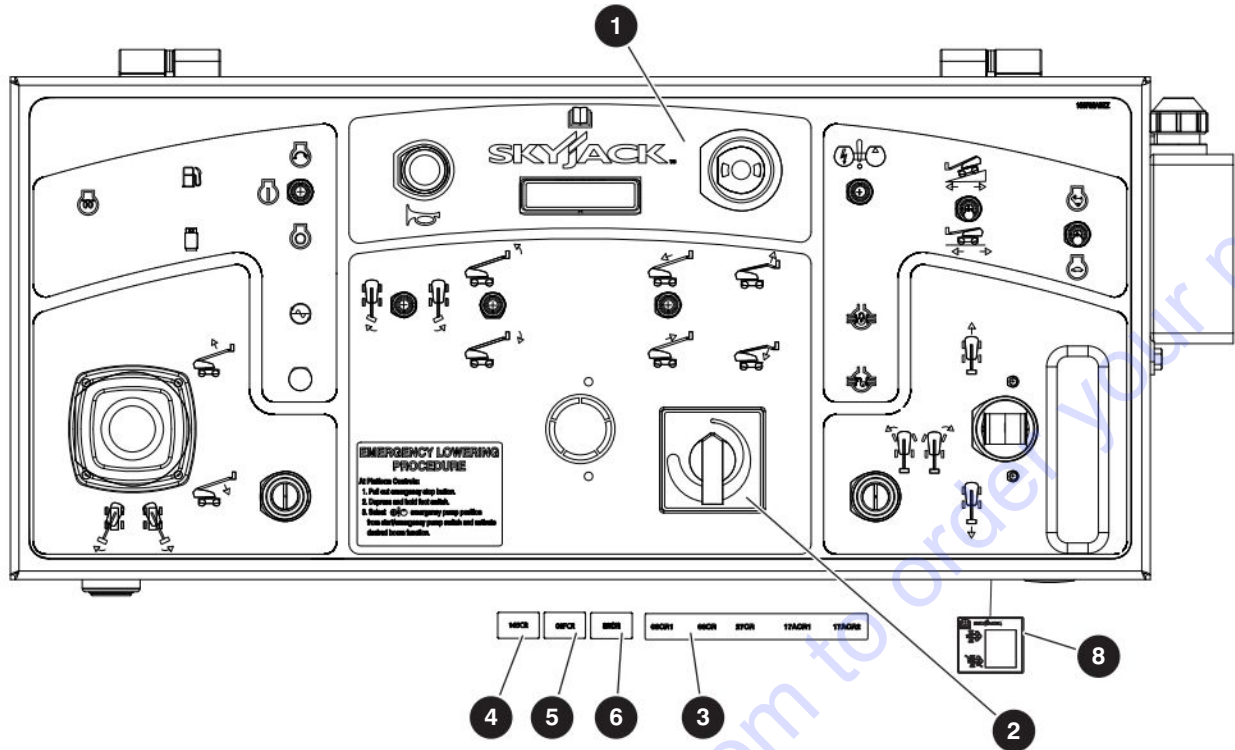
Contact Discount-equipment to order those labels individually.

Supply the model number, country and language when ordering label kits.

Model	Label Kits		
	ANSI/CSA	CE	AS
SJ82T	170963	170964	170965
SJ86T	171702	171703	171704

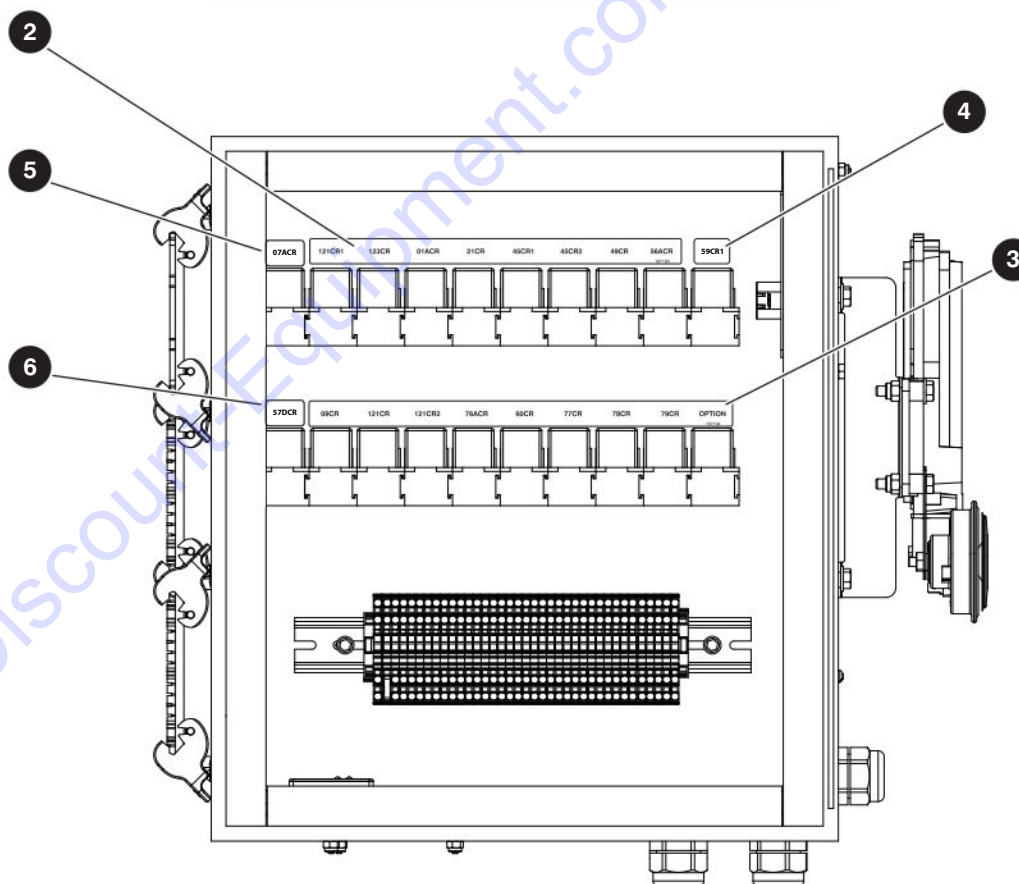
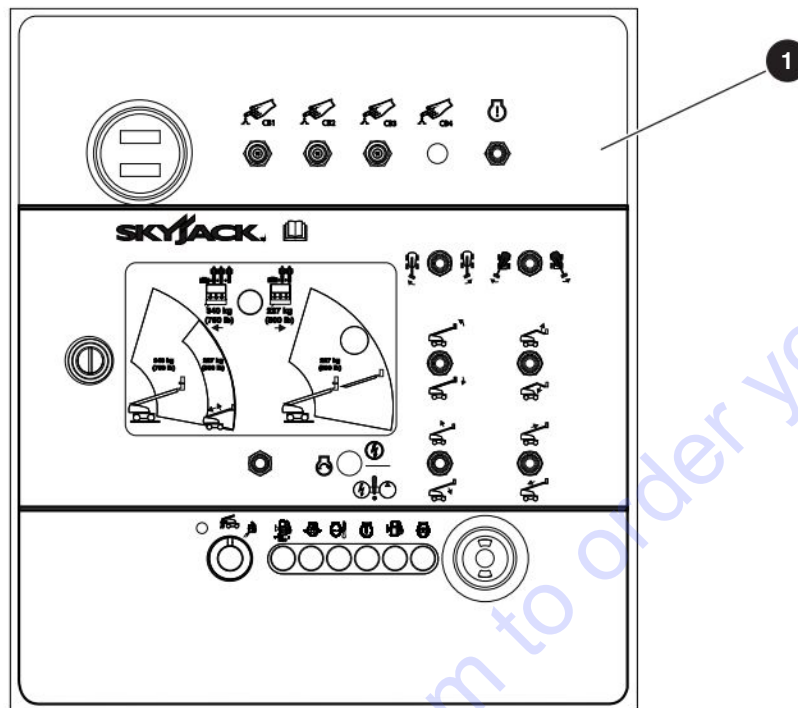


SKYJACK™



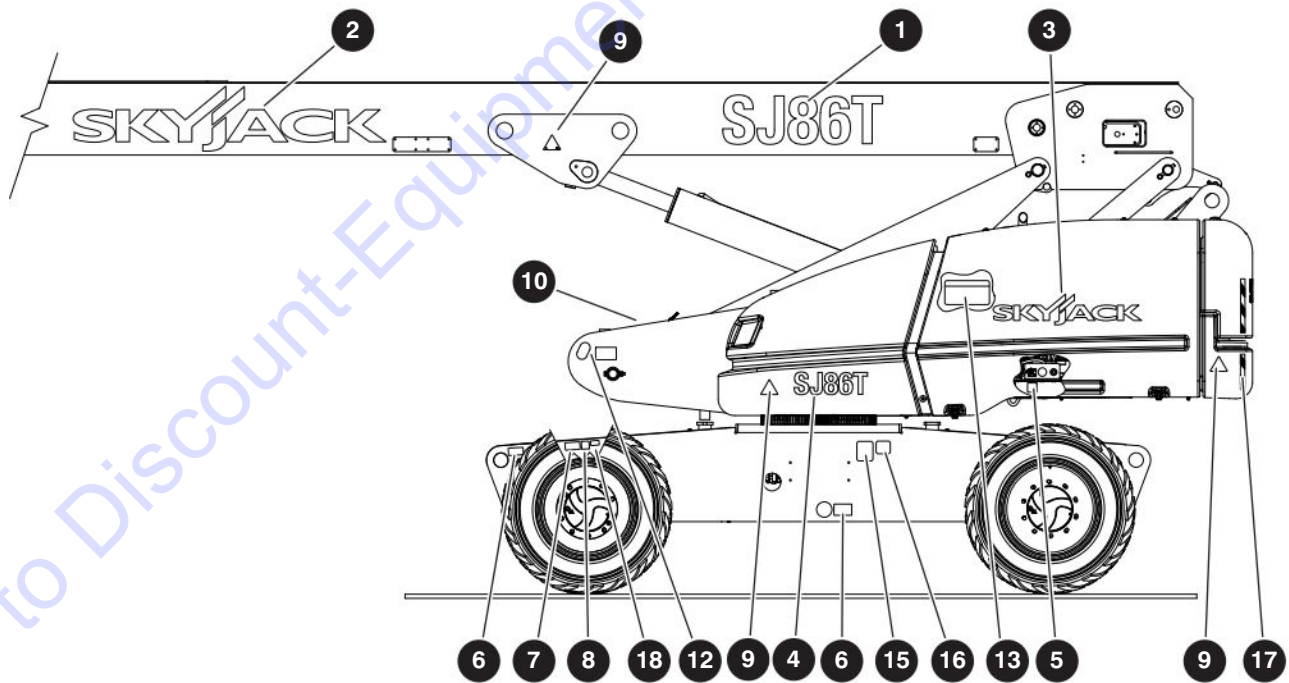
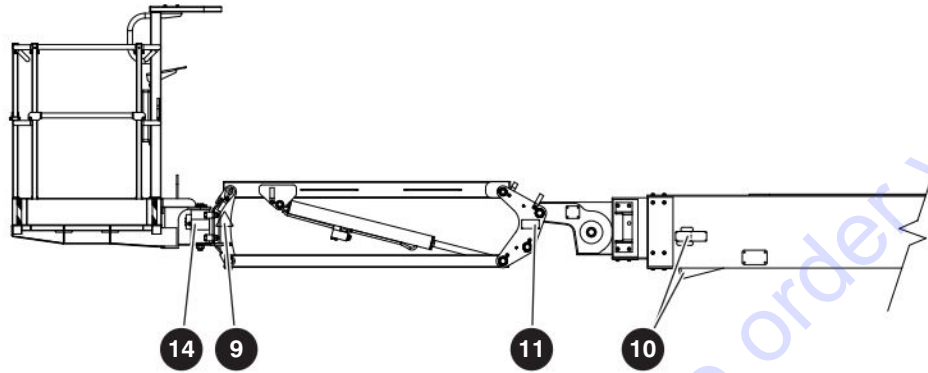
M167185AC

Index No.	Skyjack Part No.	Qty.	Description
A	168796	1	PLATFORM CONTROLS LABEL ASSEMBLY - SJ82T ANSI/CSA
B	167165	1	PLATFORM CONTROLS LABEL ASSEMBLY - SJ86T ANSI/CSA
C	167185	1	PLATFORM CONTROLS LABEL ASSEMBLY - SJ86T CE & AS with Deutz D2011
D	228223	1	PLATFORM CONTROLS LABEL ASSEMBLY - SJ86T CE & AS with Deutz TCD2.2
1	167166	1	• LABEL, Upper control box, A, B
	167186	1	• LABEL, Upper control box, C
	228224	1	• LABEL, Upper control box, D
2	142428	1	• LABEL, Boom rotary pot
3	167167	1	• LABEL, Relay names - upper, A, B
	230648	1	• LABEL, Relay names - upper, C
4	195177	1	• LABEL, 165CR
5	196461	1	• LABEL, 08FCR
6	144416	1	• LABEL, Load sense relay, C
7	224616	1	• LABEL, Override switch regeneration suppressed, D



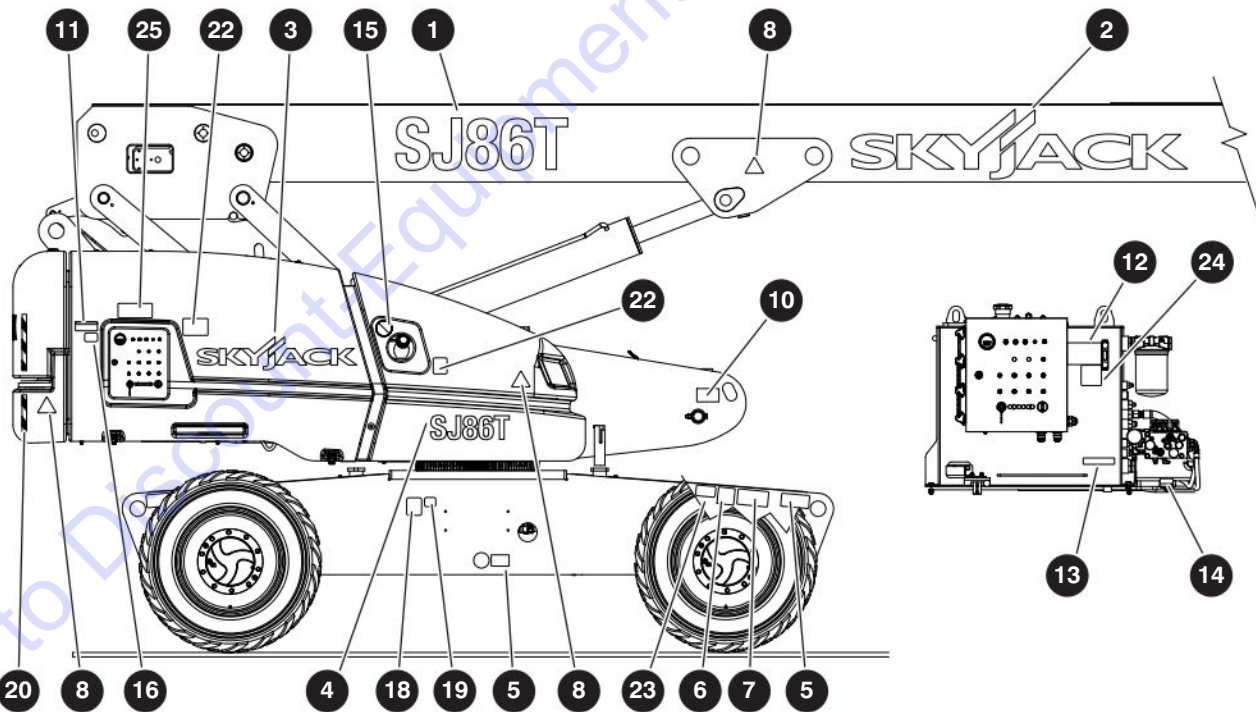
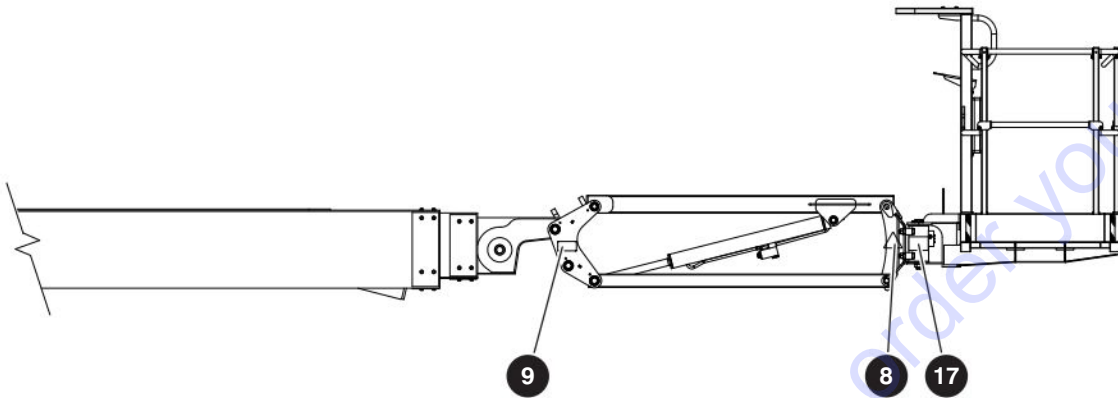
10.3 Labels - Base Controls

Index No.	Skyjack Part No.	Qty.	Description
A	168795	1	LABEL ASSEMBLY, Base control - SJ82T ANSI/CSA Deutz D2011 engine
B	168797	1	LABEL ASSEMBLY, Base control - SJ82T ANSI/CSA Deutz TD2.9L engine
C	212387	1	LABEL ASSEMBLY, Base control - SJ82T ANSI/CSA Perkins 2.2TA engine
D	167084	1	LABEL ASSEMBLY, Base control - SJ86T ANSI/CSA Deutz D2011 engine
E	167191	1	LABEL ASSEMBLY, Base control - SJ86T ANSI/CSA Deutz TD2.9L engine
F	212385	1	LABEL ASSEMBLY, Base control - SJ86T ANSI/CSA Perkins 2.2TA engine
G	171494	1	LABEL ASSEMBLY, Base control - SJ86T CE Deutz D2011 engine
H	167174	1	LABEL ASSEMBLY, Base control - SJ86T CE Deutz TD2.9L engine
I	228221	1	LABEL ASSEMBLY, Base control - SJ86T CE Deutz TCD2.2 engine
J	171515	1	LABEL ASSEMBLY, Base control - SJ86T AS Deutz D2011 engine
K	171499	1	LABEL ASSEMBLY, Base control - SJ82T ANSI/CSA Deutz with Posi Air Opt.
L	171530	1	LABEL ASSEMBLY, Base control - SJ86T ANSI/CSA Deutz with Posi Air Opt.
1	170425	1	• LABEL, Lower control box, A, B
	216385	1	• LABEL, Lower control box, C
	167192	1	• LABEL, Lower control box, D, E
	212390	1	• LABEL, Lower control box, F
	167175	1	• LABEL, Lower control box, G, H, J
	228222	1	• LABEL, Lower control box, I
	172067	1	• LABEL, Lower control box, K
	172036	1	• LABEL, Lower control box, L
2	167161	1	• LABEL, Relay names - upper, A, D
	167193	1	• LABEL, Relay names - upper, B, E
	212399	1	• LABEL, Relay names - upper, C, F
	172107	1	• LABEL, Relay names - upper, G
	168771	1	• LABEL, Relay names - upper, H, I
	172022	1	• LABEL, Relay names - upper, J
	167193	1	• LABEL, Relay names - upper, K, L
3	167162	1	• LABEL, Relay names - lower, A, D
	167194	1	• LABEL, Relay names - lower, B, E
	212400	1	• LABEL, Relay names - lower, C, F
	168772	1	• LABEL, Relay names - lower, G, H, I
	172023	1	• LABEL, Relay names - lower, J
	172035	1	• LABEL, Relay names - lower, K, L
4	208809	1	• LABEL, 59CR1
5	228220	1	• LABEL, 07ACR, I
6	221150	1	LABEL, 57DCR - Elevate Telematics Options



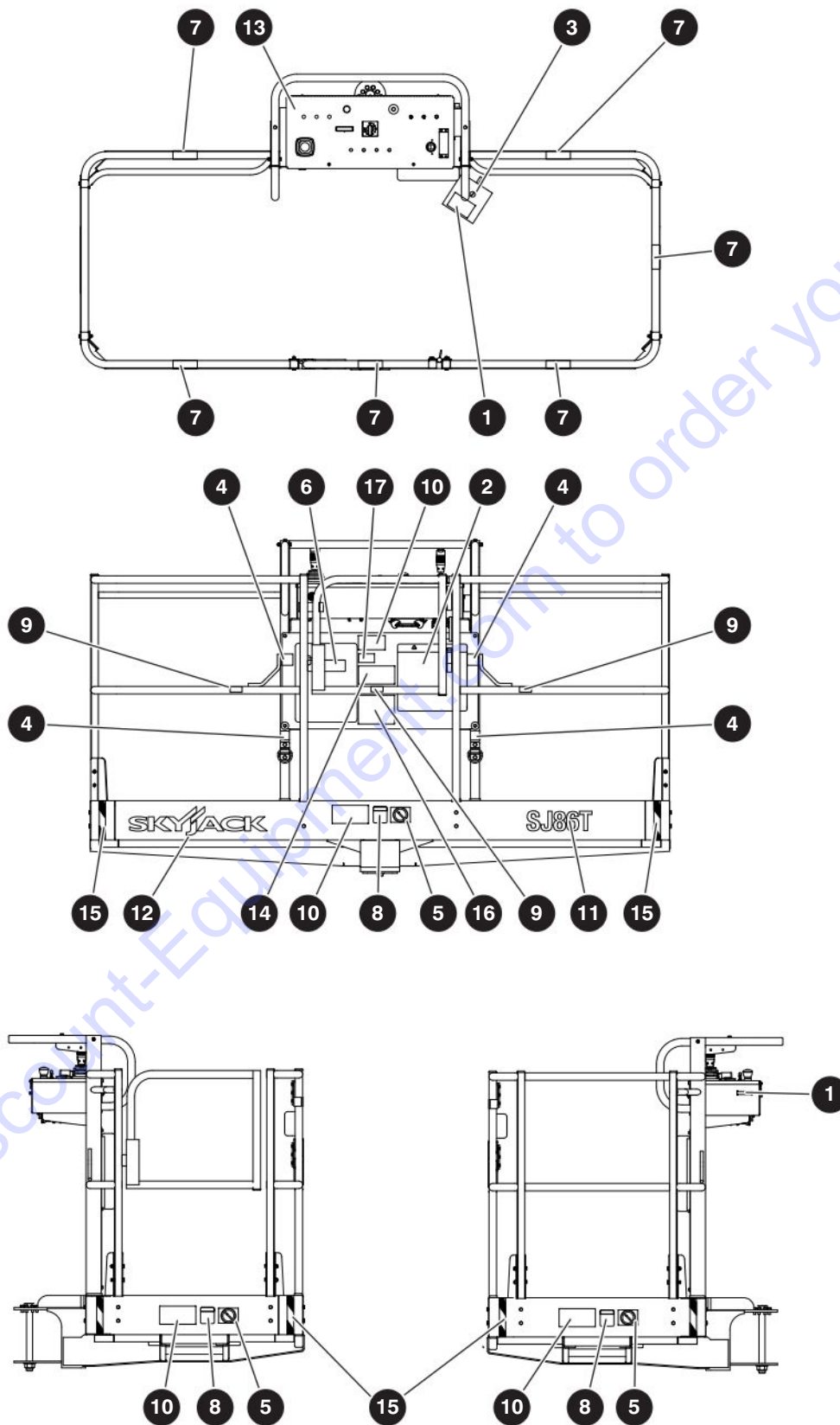
10.4 Labels - Engine Side

Index No.	Skyjack Part No.	Qty.	Description
1	169387	1	LABEL, SJ82T (39")
	169389	1	LABEL, SJ86T (39")
2	171024	1	LABEL, Skyjack (76")
3	161142	1	LABEL, Skyjack (36")
4	171023	1	LABEL, SJ82T (18")
	171030	1	LABEL, SJ86T (18")
5	119674	1	LABEL, Battery disconnect switch
6	157528	3	LABEL, Tie down
7	124631	2	LABEL, Wheel info
8	171026	2	LABEL, Wheel load (7710 kg / 17000 lb)
9	139314	4	LABEL, Body crush
10	156613	5	LABEL, Do not alter
11	137988	1	LABEL, Crush/pinch point
12	171133	1	LABEL, Lift points
13	161139	1	LABEL, Caution winch/tow procedure
14	147111	1	LABEL, Tie down points - CE & AS
15	150976	1	LABEL, Sound power level - CE & AS
16	117023	1	LABEL, "CE" mark - CE
17	119803	AR	TAPE, Caution (1" wide) - CE & AS
18	142384	2	LABEL, Foam fill tires only



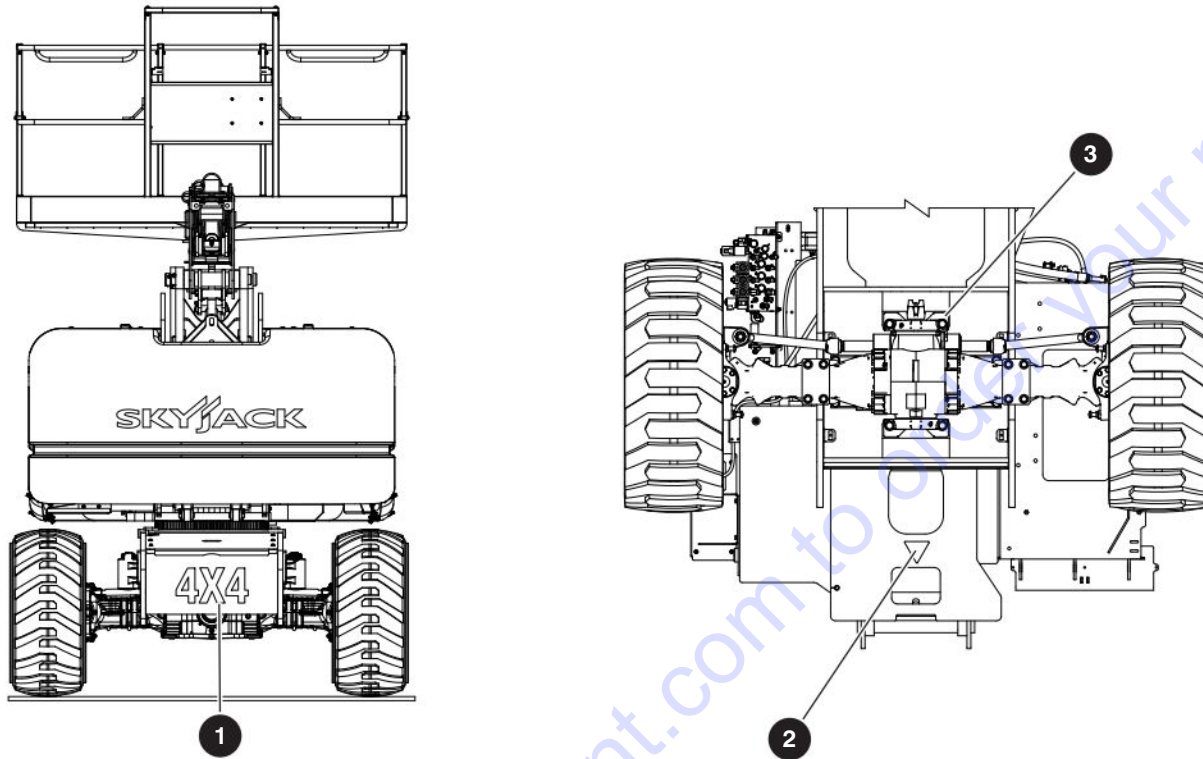
10.5 Labels - Controls Side

Index No.	Skyjack Part No.	Qty.	Description
1	169387	1	LABEL, SJ82T (39")
	169389	1	LABEL, SJ86T (39")
2	171024	1	LABEL, Skyjack (76")
3	161142	1	LABEL, Skyjack (36")
4	171023	1	LABEL, SJ82T (18")
	171030	1	LABEL, SJ86T (18")
5	157528	3	LABEL, Tie down
6	124631	2	LABEL, Wheel info
7	171026	2	LABEL, Wheel load (7710 kg / 17000 lb)
8	139314	4	LABEL, Body crush
9	137988	1	LABEL, Crush/pinch point
10	171133	1	LABEL, Lift points
11	156441	1	LABEL, Annual inspection
12	146016	1	LABEL, Hydraulic oil level
13	138211	1	LABEL, Connect AC supply
14	152230	1	LABEL, Grease point
15	138146	1	LABEL, No smoking
16	170575	1	LABEL, Emergency lowering at base - ANSI/CSA
	170344	1	LABEL, Emergency lowering at base - CE & AS
17	147111	1	LABEL, Tie down points - CE & AS
18	150976	1	LABEL, Sound power level - CE & AS
19	117023	1	LABEL, "CE" mark - CE
20	119803	AR	TAPE, Caution (1" wide) - CE & AS
21	161631	1	LABEL, Power line clearance - AS
22	162852	2	LABEL, Diesel ultra low sulfur fuel only
23	142384	2	LABEL, Foam fill tires only
24	143593	1	LABEL, Hydraulic (standard)
	172427	1	LABEL, Hydraulic (bio oil option)
	144633	1	LABEL, Hydraulic (arctic weather option)
25	173300	1	LABEL, Regeneration procedure - Deutz TCD2.2



Index No.	Skyjack Part No.	Qty.	Description
1	143638	1	LABEL, Footswitch enable
2	159500	1	LABEL, Warning hazards
3	156613	1	LABEL, Do not alter
4	130018	6	LABEL, Harness anchorage
5	124362	3	LABEL, Warning do not wear jewelry
6	123628	1	LABEL, Manual box
7	137988	6	LABEL, Crush/pinch point
8	159513	3	LABEL, Daily maintenance checklist
9	115543	7	LABEL, Warning no step
10	171002	4	LABEL, Capacity (1000/500 lb) - SJ82T
	169748	4	LABEL, Capacity (500/750 lb) - SJ86T
11	169386	1	LABEL, SJ82T (10")
11	169388	1	LABEL, SJ86T (10")
12	158554	1	LABEL, Skyjack (20")
13	(Ref.)	1	LABEL, Platform controls (For components, refer to 10.2 Labels - Platform Controls)
14	147043	1	LABEL, "Click it!"
15	119803	AR	TAPE, Caution (1" wide) - CE & AS
16	161631	1	LABEL, Power line clearance - AS
17	173081	1	LABEL, California proposition 65 - ANSI/CSA

10.7 Labels - Front, Back, and Bottom



M169729AA_Front-Bottom

Index No.	Skyjack Part No.	Qty.	Description
1	139314	1	LABEL, Body crush
2	159509	2	LABEL, 4 x 4 (located front and back)
3	156613	1	LABEL, Do not alter (located near limit switch)

PARTS FINDER

**Search Website
by Part Number**



**Search Manual
Library For Parts
Manual & Lookup Part
Numbers – Purchase
or Request Quote**

Search Manuals

Enter your information to help us find the right parts manual for your machine.

* Brand:

* Model:

* Serial:

* Part Number:

SEARCH

**Can't Find Part or
Manual? Request Help
by Manufacturer,
Model & Description**

Parts Order Form

Please fill in the following information to help us find the right part for your machine.

Manufacturer:	<input type="text"/>
Model:	<input type="text"/>
Description:	<input type="text"/>
Part Number:	<input type="text"/>
Quantity:	<input type="text"/>
Notes:	<input type="text"/>

Submit

Discount-Equipment.com is your online resource for quality parts & equipment.

Florida: **561-964-4949** Outside Florida TOLL FREE: **877-690-3101**

Need parts?

Click on this link: <http://www.discount-equipment.com/category/5443-parts/> and choose one of the options to help get the right parts and equipment you are looking for. Please have the machine model and serial number available in order to help us get you the correct parts. If you don't find the part on the website or on one of the online manuals, please fill out the request form and one of our experienced staff members will get back to you with a quote for the right part that your machine needs.

We sell worldwide for the brands: Genie, Terex, JLG, MultiQuip, Mikasa, Essick, Whiteman, Mayco, Toro Stone, Diamond Products, Generac Magnum, Airman, Haulotte, Barreto, Power Blanket, Nifty Lift, Atlas Copco, Chicago Pneumatic, Allmand, Miller Curber, Skyjack, Lull, Skytrak, Tsurumi, Husquvarna Target, Stow, Wacker, Sakai, Mi-T-M, Sullair, Basic, Dynapac, MBW, Weber, Bartell, Bennar Newman, Haulotte, Ditch Runner, Menegotti, Morrison, Contec, Buddy, Crown, Edco, Wyco, Bomag, Laymor, EZ Trench, Bil-Jax, F.S. Curtis, Gehl Pavers, Heli, Honda, ICS/PowerGrit, IHI, Partner, Imer, Clipper, MMD, Koshin, Rice, CH&E, General Equipment, Amida, Coleman, NAC, Gradall, Square Shooter, Kent, Stanley, Tamco, Toku, Hatz, Kohler, Robin, Wisconsin, Northrock, Oztec, Toker TK, Rol-Air, APT, Wylie, Ingersoll Rand / Doosan, Innovatech, Con X, Ammann, Mecalac, Makinex, Smith Surface Prep, Small Line, Wanco, Yanmar