



SKYJACK

PARTS MANUAL

SJ61 T+, SJ66 T+

TELESCOPIC BOOMS



229032ABA

August 2020
ANSI/CSA, CE, AS

Go to Discount-Equipment.com to order your parts

PARTS FINDER

**Search Website
by Part Number**



**Search Manual
Library For Parts
Manual & Lookup Part
Numbers – Purchase
or Request Quote**

Search Manuals

Enter your information to help us find the right parts manual for your machine.

* Brand:

* Model:

* Serial:

* Part Number:

SEARCH

**Can't Find Part or
Manual? Request Help
by Manufacturer,
Model & Description**

Parts Order Form

Please fill in the following information to help us find the right part for your machine.

MANUFACTURER:

MODEL:

DESCRIPTION:

DATE:

NAME:

PHONE:

EMAIL:

ADDRESS:

CITY:

STATE:

ZIP:

SEARCH

Discount-Equipment.com is your online resource for quality parts & equipment.

Florida: **561-964-4949** Outside Florida TOLL FREE: **877-690-3101**

Need parts?

Click on this link: <http://www.discount-equipment.com/category/5443-parts/> and choose one of the options to help get the right parts and equipment you are looking for. Please have the machine model and serial number available in order to help us get you the correct parts. If you don't find the part on the website or on one of the online manuals, please fill out the request form and one of our experienced staff members will get back to you with a quote for the right part that your machine needs.

We sell worldwide for the brands: Genie, Terex, JLG, MultiQuip, Mikasa, Essick, Whiteman, Mayco, Toro Stone, Diamond Products, Generac Magnum, Airman, Haulotte, Barreto, Power Blanket, Nifty Lift, Atlas Copco, Chicago Pneumatic, Allmand, Miller Curber, Skyjack, Lull, Skytrak, Tsurumi, Husquvarna Target, Stow, Wacker, Sakai, Mi-T-M, Sullair, Basic, Dynapac, MBW, Weber, Bartell, Bennar Newman, Haulotte, Ditch Runner, Menegotti, Morrison, Contec, Buddy, Crown, Edco, Wyco, Bomag, Laymor, EZ Trench, Bil-Jax, F.S. Curtis, Gehl Pavers, Heli, Honda, ICS/PowerGrit, IHI, Partner, Imer, Clipper, MMD, Koshin, Rice, CH&E, General Equipment, Amida, Coleman, NAC, Gradall, Square Shooter, Kent, Stanley, Tamco, Toku, Hatz, Kohler, Robin, Wisconsin, Northrock, Oztec, Toker TK, Rol-Air, APT, Wylie, Ingersoll Rand / Doosan, Innovatech, Con X, Ammann, Mecalac, Makinex, Smith Surface Prep, Small Line, Wanco, Yanmar

This manual is for MEWPs with serial numbers:

SJ61 T+ & SJ66 T+: A401 000 001 - A401 999 999

Please refer to the website (www.discount-equipment.com)
for contact information, other serial numbers, the most
recent technical manuals, and USB software.

Go to Discount-Equipment.com to order your parts

Table of Contents

Foreword.....	9
General.....	9
Parts Ordering Information.....	9
Method of Listing.....	9
Quantities.....	9
How To Order Repair Parts.....	9
Recommended Service Parts.....	10
Section 1 – Platform.....	13
1.1 Platform with Drop Bars.....	14
1.2 Platform with Swing Gate.....	16
1.3 Railings.....	18
1.4 Platform Base.....	20
1.5 Drop Bar Gate.....	22
1.6 Swing Gate.....	24
1.7 Platform Control Box.....	26
1.8 Boom / Turret Controller.....	30
1.9 Drive / Steer Controller.....	32
1.10 Platform Terminal Strip.....	34
1.11 Footswitch.....	35
1.12 Power to Platform - Outlet and Plugs - CE.....	36
1.13 Outlet 110V - ANSI/CSA.....	38
Section 2 – Boom.....	39
2.1 Boom Assembly.....	40
2.2 Boom Sections.....	42
2.3 Wire Rope.....	44
2.4 Cable Track.....	46
2.5 Jib Assembly - SJ66 T+.....	48
2.6 Rotary Actuator Mount - SJ61 T+.....	50
2.7 Rotary Actuator.....	51
2.8 Jib Lift / Platform Rotate Valves.....	52
Section 3 – Cylinders.....	55
3.1 Extension Cylinder Hardware.....	56
3.2 Extension Cylinder.....	58
3.3 Lift and Master Cylinder Hardware.....	60
3.4 Lift Cylinder.....	61

3.5	Master Cylinder	62
3.6	Slave Cylinder	63
3.7	Jib Cylinder	64
3.8	Axle Lockout Cylinder	65
Section 4 – Turret		67
4.1	Cowling - Engine Side	68
4.2	Cowling - Control Side	70
4.3	Cowling - Center	72
4.4	High Pressure Filter	73
4.5	Turret	74
4.6	Manifold Hardware	76
4.7	Main Manifold	78
4.8	Brake Manifold	82
4.9	Rotary Manifold	84
4.10	Hydraulic Tank	86
4.11	No Generator & Oil Cooler Hose Fittings	88
4.12	Swing Drive	89
4.13	Fuel Tank - Gasoline	90
4.14	Fuel Tank - Diesel	92
4.15	Battery Cables	94
4.16	Battery	96
4.17	Auxiliary Pump	97
4.18	Base Control Box	98
4.19	Micro Relay Mount	102
4.20	Base Terminal Strip	103
Section 5 – Electrical Harnesses		105
5.1	Main Electrical Harness	106
5.2	Interface Harness - Deutz TD2.9L & D2011	108
5.3	Interface Harness - Deutz TCD2.2	110
5.4	Battery Cables	112
5.5	Jib & Platform Rotate Harnesses	114
5.6	ECU Harnesses - Deutz D2011	115
5.7	Glow Plug Harness - Deutz TD2.9	116
5.8	Glow Plug Harness - Deutz TCD2.2	117
5.9	Glow Plug Harness - Deutz D2011	118
5.10	Engine Interface Harness - Deutz TD2.9L	120
5.11	Engine Interface Harness - Deutz TCD2.2	122
5.12	Engine Interface Harness - Kubota WG2503	126
5.13	Differential Lock Valve Harness	128
Section 6 – Base		129
6.1	Base	130

6.2	Counterweight	132
6.3	Front Axle	134
6.4	Central Housing - Front Axle	136
6.5	Differential - Front Axle	138
6.6	Hub Reduction - Front Axle	140
6.7	Steering - Front Axle	144
6.8	Trunnion - Front Axle	145
6.9	Drive Shaft	146
6.10	Brakes - Front and Rear Axles	148
6.11	Rear Axle	150
6.12	Central Housing - Rear Axle	152
6.13	Differential - Rear Axle	154
6.14	Hub Reduction - Rear Axle	158
6.15	Gear Box	160
6.16	Propane Assembly	162
6.17	Tires	166
Section 7 – Engines		167
7.1	Engine - Deutz TD2.9L	168
7.2	Radiator - Deutz TD2.9L	172
7.3	Air Intake - Deutz TD2.9L	174
7.4	Engine - Deutz TCD2.2	176
7.5	Radiator - Deutz TCD2.2	180
7.6	Air Intake - Deutz TCD2.2	184
7.7	Engine - Deutz D2011	186
7.8	Engine - Kubota WG2503	190
7.9	Engine Accessories - Kubota WG2503	192
7.10	Radiator & Air Intake - Kubota WG2503	196
7.11	Engine Tray	198
7.12	Drive & System Pump	200
7.13	Engine Coupling - Deutz	202
7.14	Engine Coupling - Kubota WG2503	203
Section 8 – Hose Connections		205
8.1	Standard Hose Numbering System	206
8.2	Hydraulic Hoses – Cylinders	208
8.3	Hydraulic Hoses – Control Compartment	210
8.4	Hydraulic Hoses – Pumps & Swing Drive	212
8.5	Hydraulic Hoses – Base and Axles	214
8.6	Fuel Line Hoses – Deutz TD2.9L & TCD2.2 Engines	216
8.7	Fuel Line Hoses – Deutz D2011 Engine	218
8.8	Fuel Line Hoses – Kubota WG2503 Engine	220
8.9	Turret Grease Hose	222

Section 9 – Optional Equipment	223
9.1 Oil Cooler with No Generator	224
9.2 Oil Cooler	225
9.3 Generator and Oil Cooler - 3.5kW	226
9.4 Generator - 3.5 kW	228
9.5 Hydraulic Hoses - Generator & Oil Cooler - 3.5 kW	230
9.6 Generator & Oil Cooler - 7.5 kW	232
9.7 Generator - 7.5 kW	234
9.8 Hydraulic Hoses - 7.5 kW Generator and Oil Cooler	236
9.9 Generator & Oil Cooler - 12 kW	238
9.10 Generator - 12 kW	240
9.11 Hydraulic Hoses - 12 kW Generator & Oil Cooler	242
9.12 Generator & Oil Cooler Wiring	244
9.13 Welder & Mount	246
9.14 Glazier Package	250
9.15 Cold Start Engine Option	252
9.16 Arctic Package Option	253
9.17 Arctic Package Load Circuit - Deutz TD2.9L	254
9.18 Block Heater	256
9.19 Oil Quick Drain	257
9.20 SGE - Secondary Guarding	258
9.21 External Platform Railing	260
9.22 Flashing Light	261
9.23 Air Hose To Platform	262
9.24 Diesel Scrubber	263
9.25 Control Box Cover	264
9.26 Positive Air Shut-Off Valve - Deutz TD2.9L	266
9.27 Positive Air Shut-Off Valve - Deutz D2011	268
9.28 Work Lights	270
9.29 Tool Caddy	272
9.30 Half-Height Platform Mesh	274
9.31 Elevate Telematics	278
9.32 Elevate Telematics Subscription	280
9.33 Pipe Rack	281
Section 10 – Labels	283
10.1 Label Kits	284
10.2 Labels - Front and Bottom	285
10.3 Labels - Engine Side	286
10.4 Labels - Controls Side	288
10.5 Labels - Control Compartment	290
10.6 Labels - Fuel	292
10.7 Labels - Engine Compartment	293

Go to Discount-Equipment.com to order your parts

Foreword

General

The information contained in this manual is designed to aid the user in locating and identifying replacement parts. Component parts of various assemblies and subassemblies comprising the work platform are illustrated and accompanied by a descriptive parts list. Exploded drawings are used to show relative location of component parts in disassembly order. If a part cannot be found in this manual, contact Discount-equipment for assistance.

Parts Ordering Information

When ordering replacement parts, the complete part number and description should be used to ensure proper identification and delivery of the desired item. This complete identification should also be used when requesting equipment information.

Method of Listing

Parts are listed in order according to the reference number shown in the illustration, followed by a full description based upon the "NOUN FIRST" method. That is, the noun name of the part is listed first, then the modifying description information which serves to specifically identify the item. For example: PIN, Clevis.

Assemblies at the beginning of a parts list may be identified with a reference letter: A, B, C, etc. These letters are used to identify different configurations of the assembly. Individual parts in these lists have corresponding letters after their description to identify which assembly it is used in. If a part does not have a reference letter, it is used in all of the assemblies.

Bullets (•) are used to show the assembly structure, or parent/child relationship. A part listed at the beginning of the parts list without a bullet before the description is the main assembly, and all of the parts below it with one bullet are the subcomponent parts of that assembly. Two bullets denote a subcomponent of a subcomponent, etc.

Example:

Main Assembly A

- Part 1 (subcomponent of Main Assembly A)
- Part 2 (subcomponent of Main Assembly A)
- • Part 3 (subcomponent of Part 2)

Quantities

The quantities required to complete the assembly are given for each part. If the quantity is (AR), it is understood that the quantity may vary when the machine is equipped with certain options. Order quantity as needed.

How To Order Repair Parts

1. Address all orders to Discount-equipment.
2. Specify model and serial number of the work platform (found on the serial number plate).
3. List the quantity needed.
4. List the length needed (if it is a bulk item).
5. List the part number and description as shown in this manual for each item.
6. Show the billing and shipping address and the name of the individual, if possible.
7. Suggest the best routing.

Customer: _____

Dealer: _____

Model Number: _____

Serial Number: _____

Date Purchased: _____

Recommended Service Parts

Description	Year 1 Qty	Year 2 Qty	Year 3 Qty	Skyjack Part No.
Engine - Deutz D2.9L				
FILTER, Oil - Deutz TD2.9L	2	2	2	147072
FILTER, Fuel pre-filter - Deutz TD2.9L	2	2	2	164772
FILTER, Fuel - Deutz TD2.9L	2	2	2	164771
ELEMENT, Air cleaner - primary	2	2	2	165949
ELEMENT, Air cleaner - secondary	1	1	1	165950
THERMOSTAT, Deutz TD2.9L	0	0	1	166699
HOSE, Radiator return - Deutz TD2.9L	0	0	1	207694
HOSE, Radiator upper - Deutz TD2.9L	0	0	1	207696
HOSE, Radiator lower - Deutz TD2.9L	0	0	1	207695
BELT, Alternator/water pump - Deutz TD2.9L	0	0	1	166694
PUMP, Fuel - Deutz TD2.9L	0	0	1	164770
STARTER, Deutz TD2.9	0	0	1	166692
ALTERNATOR, Deutz TD2.9	0	0	1	166693
Engine - Deutz TCD2.2				
FILTER, Oil - Deutz TCD2.2	2	2	2	224309
FILTER, Fuel pre-filter - Deutz TCD2.2	2	2	2	224323
FILTER, Fuel - Deutz TCD2.2	2	2	2	224320
ELEMENT, Air cleaner - primary	2	2	2	165949
ELEMENT, Air cleaner - secondary	1	1	1	165950
THERMOSTAT, Deutz TCD2.2	0	0	1	224587
HOSE, Radiator return - Deutz TCD2.2	0	0	1	206958
HOSE, Radiator upper - Deutz TCD2.2	0	0	1	206960
HOSE, Radiator lower - Deutz TCD2.2	0	0	1	206959
BELT, Alternator/water pump - Deutz TCD2.2	0	0	1	166694
PUMP, Fuel - Deutz TCD2.2	0	0	1	224314
STARTER, Deutz TCD2.2	0	0	1	224307
ALTERNATOR, Deutz TCD2.2	0	0	1	224310
Engine - Deutz D2011				
FILTER, Oil, Deutz D2011	2	2	2	147072
FILTER, Fuel, Deutz D2011	2	2	2	147071
ELEMENT, Air cleaner - primary, Deutz D2011	2	2	2	704560
ELEMENT, Air cleaner - secondary, Deutz D2011	1	1	1	706549
BELT, Alternator - Deutz D2011	0	0	1	151770
PUMP, Fuel - Deutz D2011	0	0	1	127181
STARTER, Deutz D2011	0	0	1	204249
ALTERNATOR, Deutz D2011	0	0	1	168365

Recommended Service Parts

Description	Year 1 Qty	Year 2 Qty	Year 3 Qty	Skyjack Part No.
Engine - Kubota WG2503				
FILTER, Oil, Kubota	2	2	2	194642
FILTER, Fuel pre-filter - Kubota	2	2	2	136118
ELEMENT, Air cleaner - primary	2	2	2	165947
ELEMENT, Air cleaner - secondary	1	1	1	165948
THERMOSTAT, Kubota	0	0	1	194663
HOSE, Radiator upper - Kubota	0	0	1	194635
HOSE, Radiator lower - Kubota	0	0	1	194635
BELT, Fan - Kubota	0	0	1	194666
PUMP, Fuel - Kubota	1	1	1	171262
STARTER, Kubota	0	0	1	164881
ALTERNATOR, Kubota	0	0	1	194657
SPARK PLUG, Kubota	0	0	1	194658
REGULATOR, Propane	0	0	1	164887
VALVE, Lockoff - Kubota	0	0	1	164889
REGULATOR (EPR), Kubota	0	0	1	194699
MIXER, Kubota	0	0	1	194698
Electrical				
BATTERY	2	2	2	144676
RELAY, Micro	5	5	5	931298
SOCKET, Micro relay	1	1	1	218997
SWITCH, Toggle	2	2	2	102853
SWITCH, Toggle	1	1	1	115747
SWITCH, Toggle	1	1	1	138278
SWITCH, Toggle	1	1	1	148988
BLOCK, N.C. Contact (red plunger, key switch and e-stop)	1	1	1	147053
BLOCK, N.O. Contact (black plunger, key switch)	1	1	1	166141
BLOCK, N.C. Contact (yellow plunger, key switch)	1	1	1	166142
SWITCH, Limit - boom extension	0	1	1	207016
SWITCH, Limit - direction sensing	0	1	1	199408
COIL, Valve	0	1	1	159819
COIL, Valve	0	1	1	159820
COIL, Valve	0	1	1	159821
COIL, Valve	0	1	1	166127
KIT, Drive/steer joystick handle	0	1	1	141338

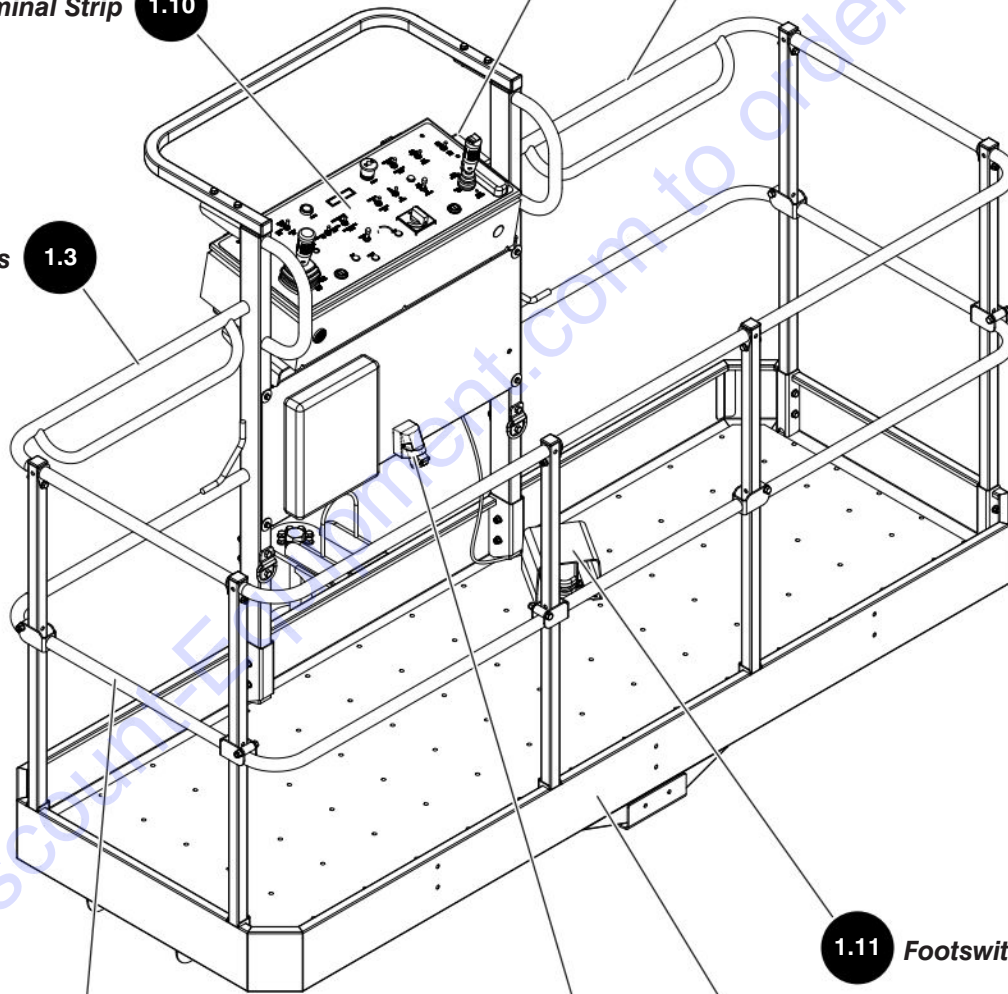
Recommended Service Parts

Description	Year 1 Qty	Year 2 Qty	Year 3 Qty	Skyjack Part No.
Hydraulic				
ELEMENT, High pressure filter - hydraulic	1	1	1	161947
ELEMENT, Return filter - hydraulic	2	2	2	161948
SEAL KIT, Extend cylinder	0	0	1	159255
SEAL KIT, Lift cylinder	0	0	1	147316
SEAL KIT, Master cylinder	0	0	1	159197
SEAL KIT, Slave cylinder	0	0	1	194335
SEAL KIT, Jib cylinder	0	0	1	169208
SEAL KIT, Axle lockout cylinder	0	0	1	154557
SEAL KIT, Rotary actuator	0	0	1	144709
SEAL KIT, Steer cylinder	0	0	1	169242
Boom				
SHIM, 18 gauge (5.75" x 1.50")	0	1	2	159234
SHIM, 21 gauge (5.75" x 1.50")	0	1	2	150956
SHIM, 16 gauge (6.875" x 6.00")	0	1	1	147568
SHIM, 21 gauge (6.875" x 6.00")	0	1	1	147569
PAD, Wear	0	1	2	147447
PAD, Wear	0	1	2	161755
Cowling				
LATCH, Flexible draw	2	2	2	144002
Axles				
SEAL, Differential pinion - front axle	0	0	1	170792
SEAL, Planetary hub - front and rear axle	0	0	1	154631
O-RING, Planetary hub - front axle	0	0	1	403046
SEAL, Inner axle shaft - front axle	0	0	1	151762
SEAL, Outer axle shaft - front axle	0	0	1	923829
SEAL, Differential pinion - rear axle	0	0	1	141074
O-RING, Planetary hub - rear axle	0	0	1	140970
SEAL, Gear box output shaft	0	0	1	170914
SEAL, Gear box input shaft	0	0	1	216408

Section 1 – Platform

- Platform Control Box 1.7
- Boom / Turret Controller 1.8
- Drive / Steer Controller 1.9
- Platform Terminal Strip 1.10
- Outlet 110V - ANSI/CSA 1.13
- 1.1 Platform with Drop Bars
- 1.2 Platform with Swing Gate

Railings 1.3



1.11 Footswitch

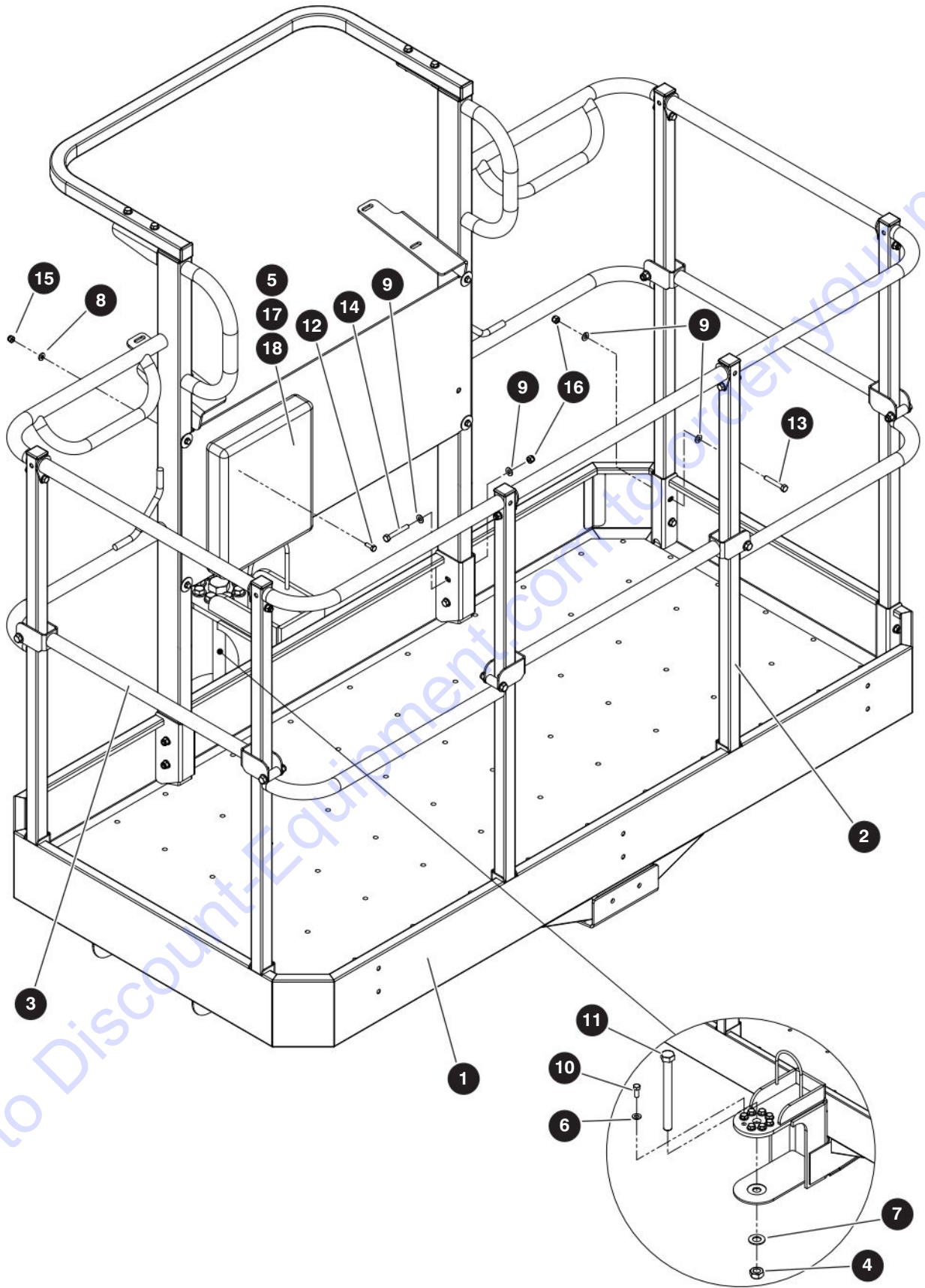
1.4 Platform Base

1.12 Power to Platform - Outlet and Plugs - CE

1.6 Swing Gate

1.5 Drop Bar Gate

1.1 Platform with Drop Bars



M165145AC

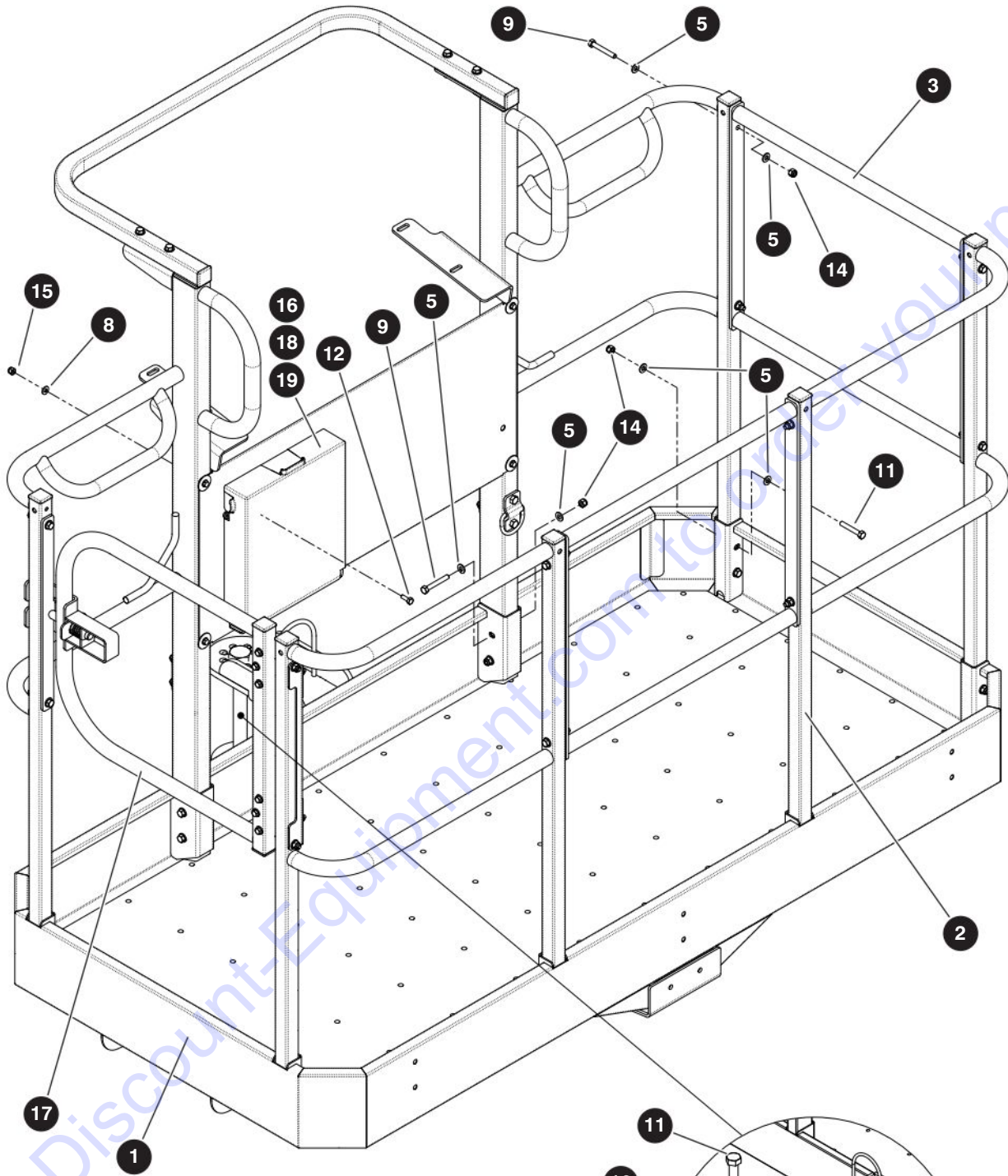
229032ABA

SJ61 T+, SJ66 T+

1.1 Platform with Drop Bars

Index No.	Skyjack Part No.	Qty.	Description
A	218720	1	PLATFORM - 8' with Drop Bars
B	218722	1	PLATFORM - 6' with Drop Bars
1	(Ref.)		<ul style="list-style-type: none"> PLATFORM BASE (For components, refer to 1.4 Platform Base)
2	(Ref.)		<ul style="list-style-type: none"> RAILINGS (For components, refer to 1.3 Railings)
3	(Ref.)		<ul style="list-style-type: none"> DROP BAR GATE (For components, refer to 1.5 Drop Bar Gate)
4	138559	1	<ul style="list-style-type: none"> NUT, Torque lock (1-8 gr C)
5	198789	1	<ul style="list-style-type: none"> BOX, Manual
6	125959	8	<ul style="list-style-type: none"> WASHER, Flat (3/8" hard)
7	102646	1	<ul style="list-style-type: none"> WASHER, Flat (1.00" SAE)
8	103995	4	<ul style="list-style-type: none"> WASHER, Flat (1/4")
9	103996	32	<ul style="list-style-type: none"> WASHER, Flat (0.312")
10	139193	8	<ul style="list-style-type: none"> BOLT, Hex head patch (3/8"-16 x 7/8" gr 8)
11	138696	1	<ul style="list-style-type: none"> BOLT, Hex head (1.0"-8 x 11/2" gr 8)
12	103856	4	<ul style="list-style-type: none"> BOLT, Hex head (1/4"-20 x 3/4" gr 5)
13	103865	12	<ul style="list-style-type: none"> BOLT, Hex head (0.312"-18 x 2.00" gr 5)
14	103866	4	<ul style="list-style-type: none"> BOLT, Hex head (0.312"-18 x 2.25" gr 5)
15	115649	4	<ul style="list-style-type: none"> NUT, Lock (1/4"-20 gr 5 nylon)
16	103984	16	<ul style="list-style-type: none"> NUT, Lock (0.313"-18 gr 5 nylon)
17	207981	1	<ul style="list-style-type: none"> BAG, Resealable (12" x 9")
18	114710	1	<ul style="list-style-type: none"> KEY RING, Skyjack
19	173200	1	MANUAL OF RESPONSIBILITIES (not shown) - ANSI/CSA

1.2 Platform with Swing Gate



M198278AB

229032ABA

16

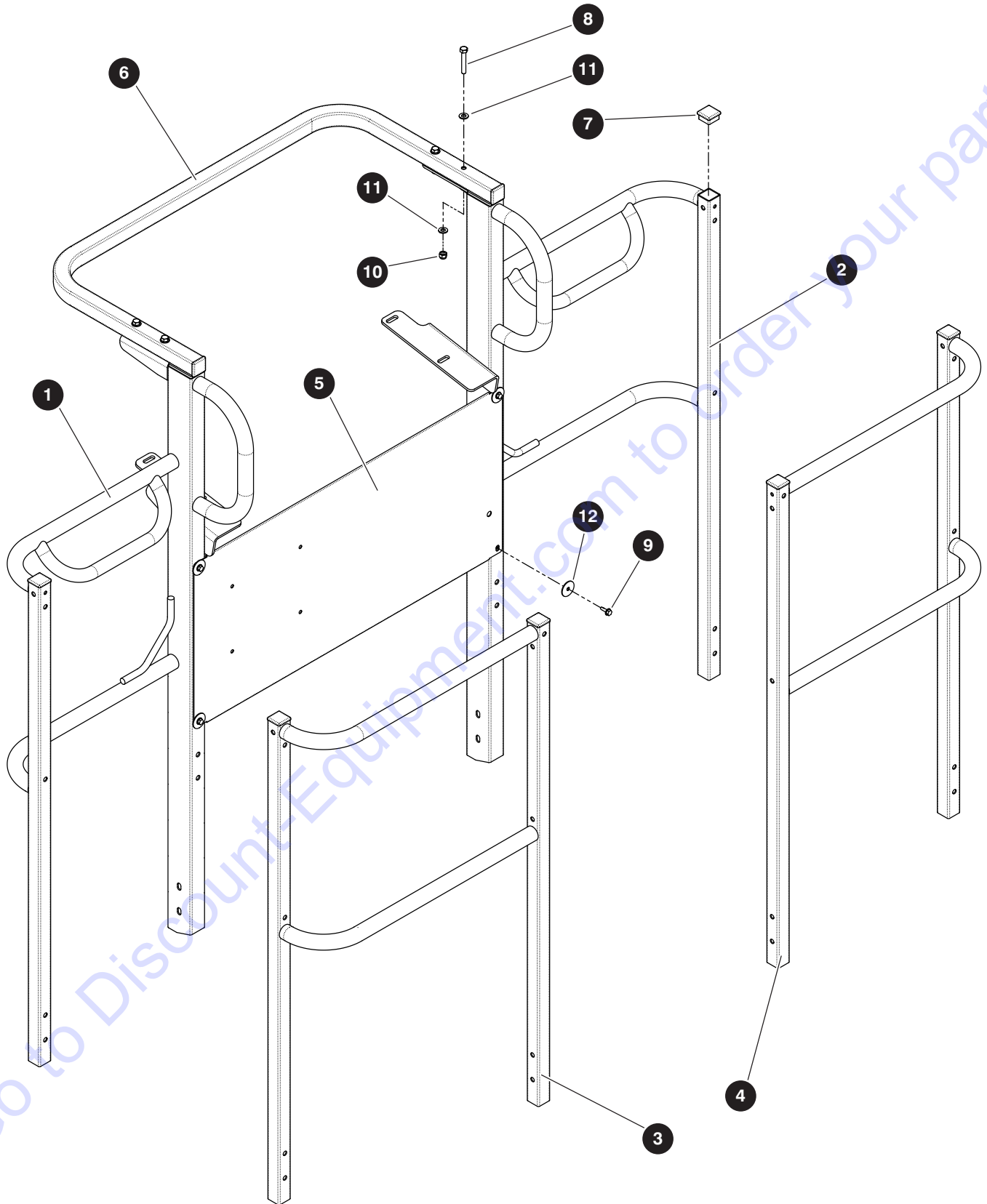
SJ61 T+, SJ66 T+

SKYJACK

1.2 Platform with Swing Gate

Index No.	Skyjack Part No.	Qty.	Description
A	218718	1	PLATFORM - 8' with Side Swing Gate
B	218719	1	PLATFORM - 6' with Side Swing Gate
C	218881	1	PLATFORM - 8' with Rear Swing Gate
D	218721	1	PLATFORM - 6' with Rear Swing Gate
1	(Ref.)		<ul style="list-style-type: none"> PLATFORM BASE (For components, refer to 1.4 Platform Base)
2	(Ref.)		<ul style="list-style-type: none"> RAILINGS (For components, refer to 1.3 Railings)
3	159456	2	<ul style="list-style-type: none"> RAILING EXTENSION (no gate)
4	138559	1	<ul style="list-style-type: none"> NUT, Torque (1-8 gr C)
5	103996	48	<ul style="list-style-type: none"> WASHER, Flat (0.312")
6	125959	8	<ul style="list-style-type: none"> WASHER, Flat (3/8" hard)
7	102646	1	<ul style="list-style-type: none"> WASHER, Flat (1.00" SAE)
8	103995	4	<ul style="list-style-type: none"> WASHER, Flat (1/4")
9	103866	12	<ul style="list-style-type: none"> BOLT, Hex head (0.312"-18 x 2.25" gr 5)
10	139193	8	<ul style="list-style-type: none"> BOLT, Hex head patch (3/8"-16 x 7/8" gr 8)
11	138696	1	<ul style="list-style-type: none"> BOLT, Hex head (1.0"-8 x 11/2" gr 8)
12	103856	4	<ul style="list-style-type: none"> BOLT, Hex head (1/4"-20 x 3/4" gr 5)
13	103865	12	<ul style="list-style-type: none"> BOLT, Hex head (0.312"-18 x 2.00" gr 5)
14	103984	24	<ul style="list-style-type: none"> NUT, Lock (0.313"-18 gr 5 nylon)
15	115649	4	<ul style="list-style-type: none"> NUT, Lock (1/4"-20 gr 5 nylon)
16	198789	1	<ul style="list-style-type: none"> BOX, Manual
17	(Ref.)		<ul style="list-style-type: none"> SWING GATE (For components, refer to 1.6 Swing Gate)
18	207981	1	<ul style="list-style-type: none"> BAG, Resealable (12" x 9")
19	114710	1	<ul style="list-style-type: none"> KEY RING, Skyjack
20	173200	1	MANUAL OF RESPONSIBILITIES (not shown) - ANSI/CSA

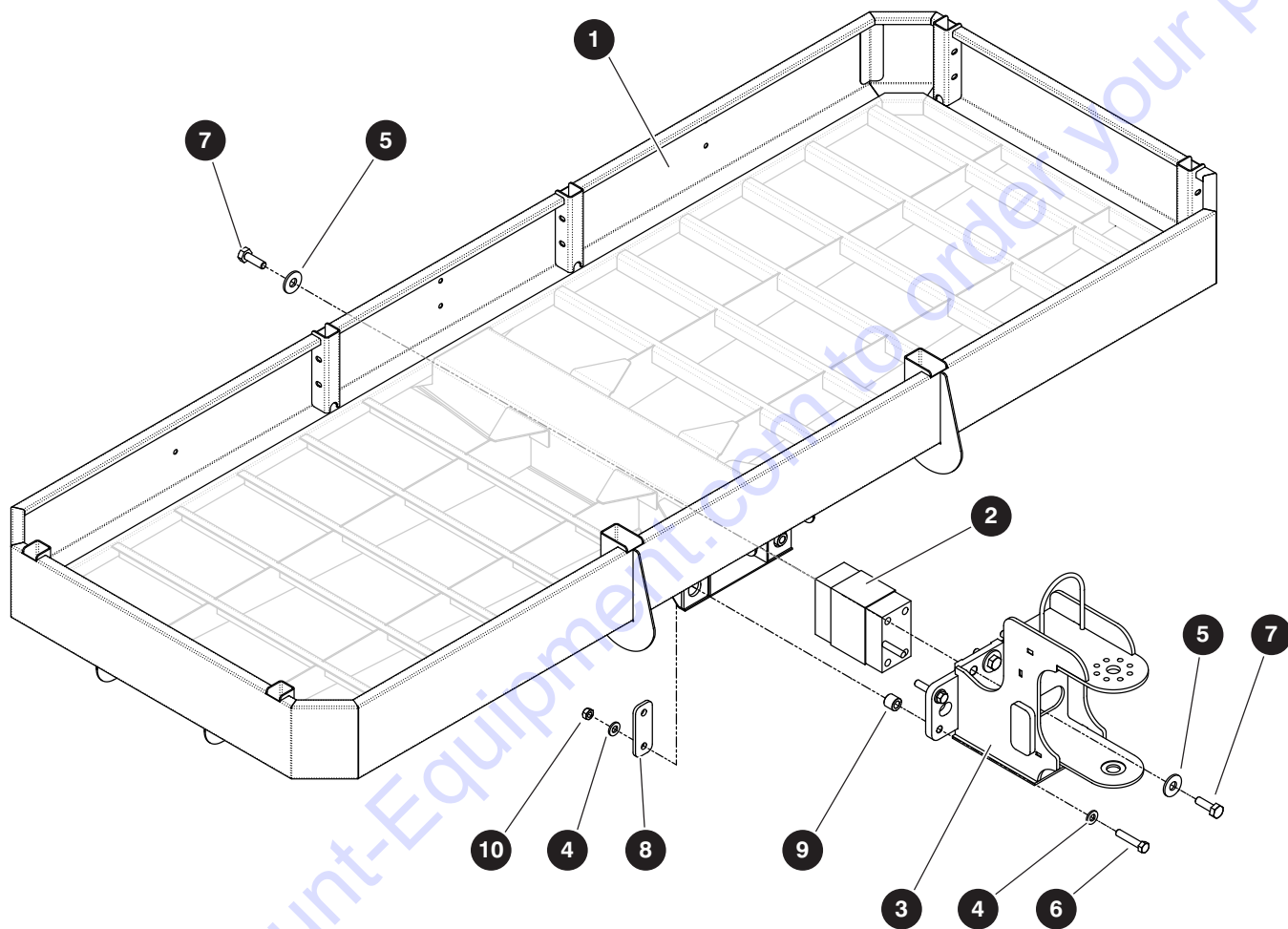
1.3 Railings



1.3 Railings

Index No.	Skyjack Part No.	Qty.	Description
A	218075	1	RAILINGS - 36" x 96"
B	218078	1	RAILINGS - 36" x 72"
1	218741	1	• RAILING, Left front, A
	218745	1	• RAILING, Left front, B
2	218744	1	• RAILING, Right front, A
	218747	1	• RAILING, Right front, B
3	218076	1	• RAILING, Left rear, A
	218079	1	• RAILING, Left rear, B
4	218077	1	• RAILING, Right rear, A
	218080	1	• RAILING, Right rear, B
5	159586	1	• PLATE, Front guard
6	149098	1	• RAILING, Front
7	100702	8	• CAP, Plastic end
8	103865	4	• BOLT, Hex head (5/16"-18 x 2", gr 5)
9	103632	4	• SCREW, Hex head self-tapping (1/4"-14 x 3/4")
10	103984	4	• NUT, Hex lock (5/16"-18, gr 5, nylon)
11	103996	8	• WASHER, Flat (5/16")
12	700598	4	• WASHER, Fender

1.4 Platform Base



M154292AC

229032ABA

20

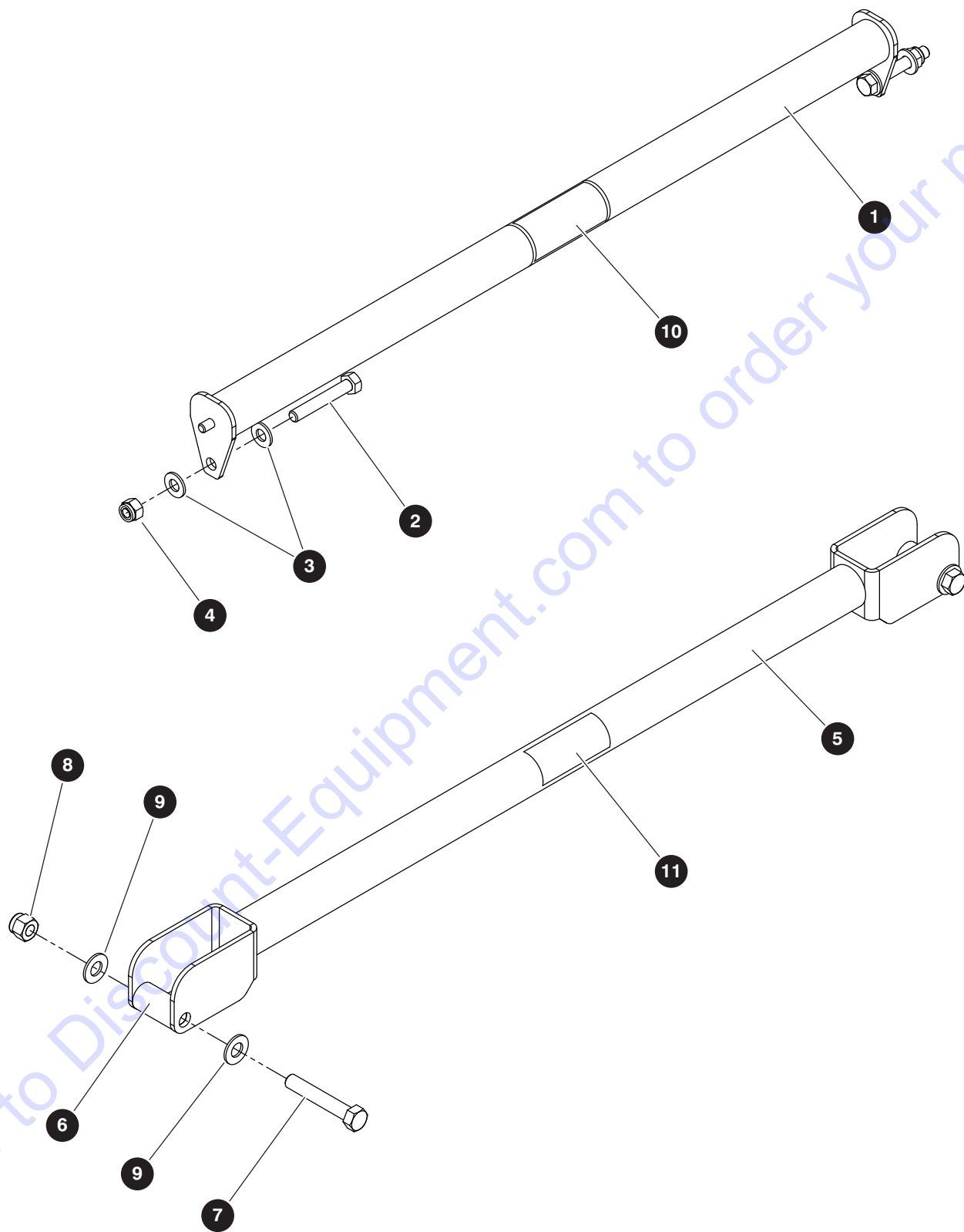
SJ61 T+, SJ66 T+

SKYJACK

1.4 Platform Base

Index No.	Skyjack Part No.	Qty.	Description
A	218086	1	PLATFORM BASE - 36" x 96"
B	218715	1	PLATFORM BASE - 36" x 72"
1	216297	1	• BASE, Platform, A
	218711	1	• BASE, Platform, B
2	218368	1	• LOAD CELL, CAN Moba (1000 kg)
3	216296	1	• MOUNT, Rotary actuator
4	104379	8	• WASHER, Flat hardened (1/20" SAE)
5	217844	8	• WASHER, Structural hardened (M16)
6	144575	4	• BOLT, Hex head (1/2"-13 x 2-1/4" gr 8)
7	144362	8	• BOLT, Hex head patch (M16 x 1-1/2 x 45 Gr 10.9)
8	144365	2	• WASHER, Safety
9	144574	4	• SPACER, Load cell
10	138791	4	• NUT, Torque lock (1/2"-13 Gr C)
11	221394	1	CORD, Patch - MOBA load cell (not shown)
12	144456	1	TOOL, Hand set - MOBA Teach-in (not shown)

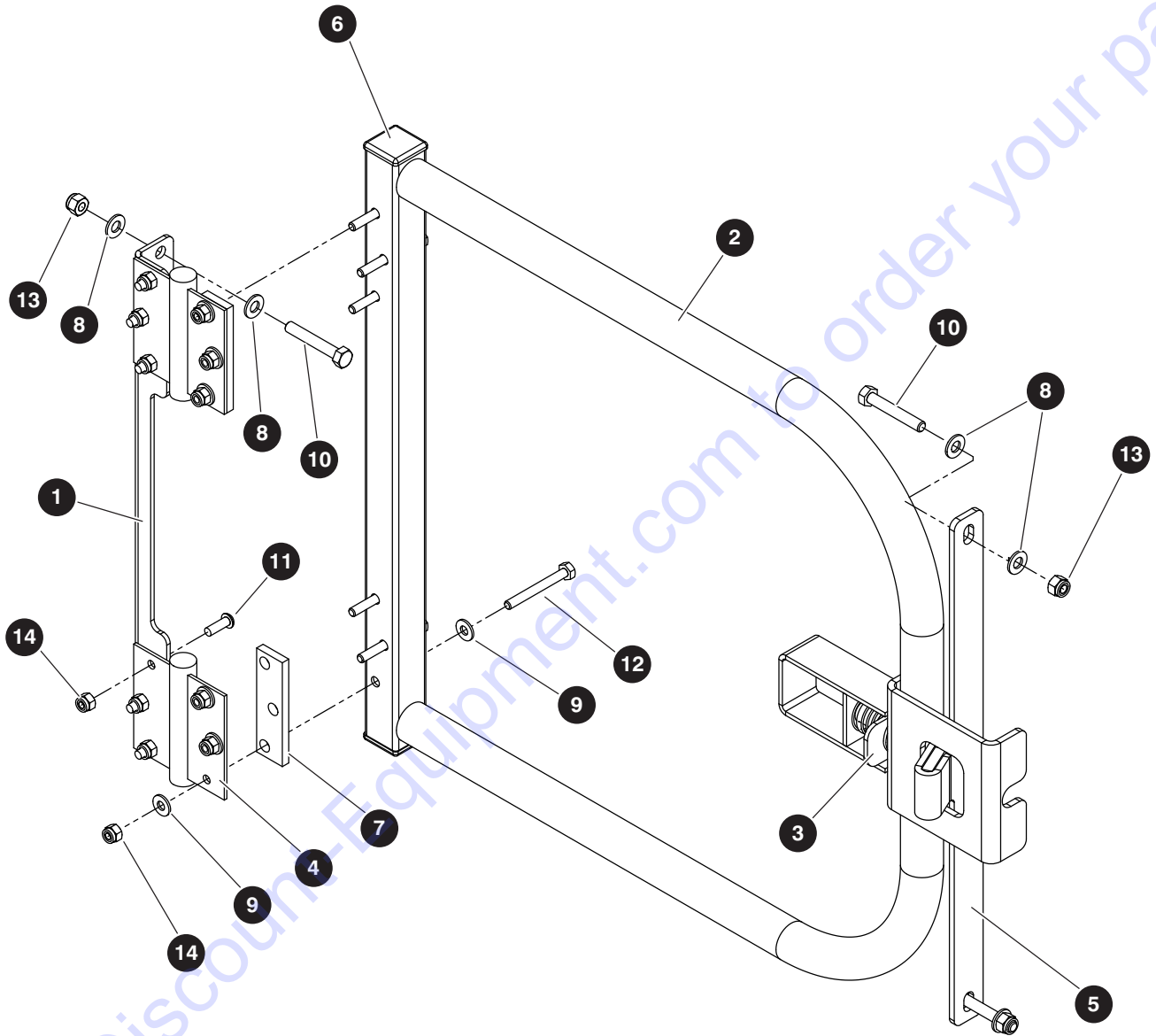
1.5 Drop Bar Gate



1.5 Drop Bar Gate

Index No.	Skyjack Part No.	Qty.	Description
-	194069	1	DROP BAR GATE FIELD KIT
-	171986	3	• DROP BAR ASSEMBLY
1	160708	1	• • WELDMENT, Tie bar
2	103865	2	• • BOLT, Hex head (0.312"-18 x 2.00" gr 5)
3	103996	4	• • WASHER, Flat (0.312")
4	103984	2	• • NUT, Hex head nylon lock (0.312"-18 gr 5)
-	162965	1	• • DROP BAR ASSEMBLY
5	162958	1	• • • WELDMENT, Drop bar
6	154386	2	• • • SPACER (3/8" ID x 3/4" OD x 1.375" lg)
7	103872	2	• • • BOLT, Hex head (3/8"-16 x 2.25" gr 5)
8	104606	2	• • • NUT, Hex head nylon lock (3/8"-16 gr 5)
9	103472	4	• • • WASHER, Flat (3/8")
10	137988	3	• LABEL, Crush/pinch hazard
11	115543	3	• LABEL, "No step"
12	194067	1	• INSTRUCTION, Drop bar installation (not shown)

1.6 Swing Gate



M164618AB

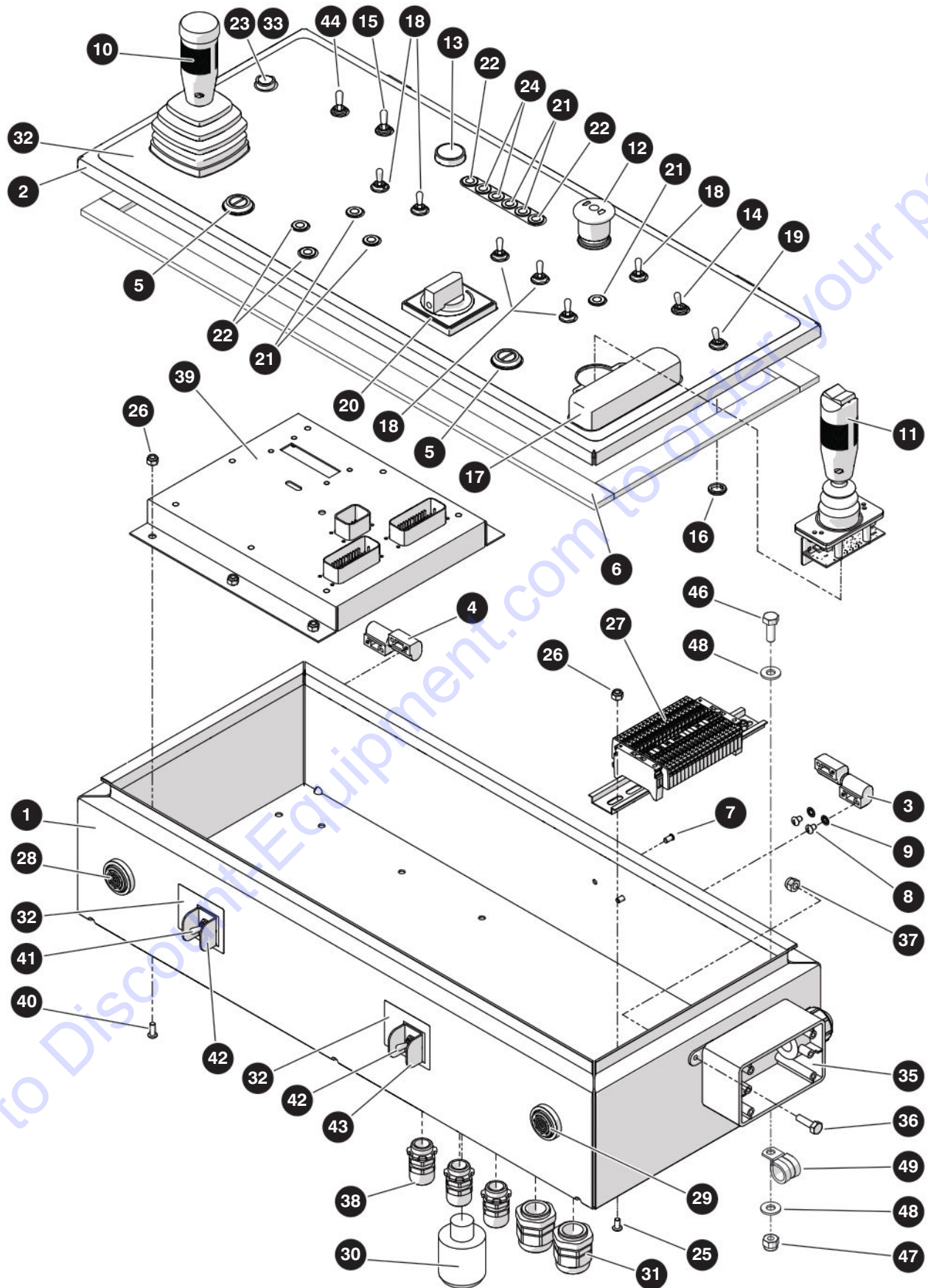
229032ABA

SJ61 T+, SJ66 T+

1.6 Swing Gate

Index No.	Skyjack Part No.	Qty.	Description
-	194073	1	SWING GATE FIELD KIT
-	164618	1	• SWING GATE ASSEMBLY
1	164590	1	• • BRACKET, Hinge mounting
2	164619	1	• • WELDMENT, Gate
3	110824	1	• • LATCH, Door spring pin
	105312	1	• • • LATCH, Nylon bed
	109377	1	• • • PIN, Latch
	105307	1	• • • HANDLE, Gate latch
	103107	1	• • • SPRING, Compression
	100950	1	• • • PIN, Roll (1/8" dia x 1")
4	209527	2	• • HINGE, Spring gate satin chrome
5	166287	1	• • WELDMENT, Locking plate
6	100702	2	• • PLUG, Plastic tube (1-1/4" x 1-1/4")
7	164592	2	• • TAB, Hinge
8	103996	8	• • WASHER, Flat (5/16")
9	103995	12	• • WASHER, Flat (1/4")
10	103865	4	• • BOLT, Hex head (5/16"-18 x 2" gr 5)
11	139168	6	• • SCREW, Button head (1/4"-20 x 3/4")
12	103862	6	• • BOLT, Hex head (1/4"-20 x 2-1/4" gr 5)
13	103984	4	• • NUT, Hex head nylon lock (5/16"-18 gr B)
14	115649	12	• • NUT, Hex head nylon lock (1/4"-20 gr 5)
15	194065	1	• INSTRUCTION, Swing gate installation (not shown)

1.7 Platform Control Box



M218344AD

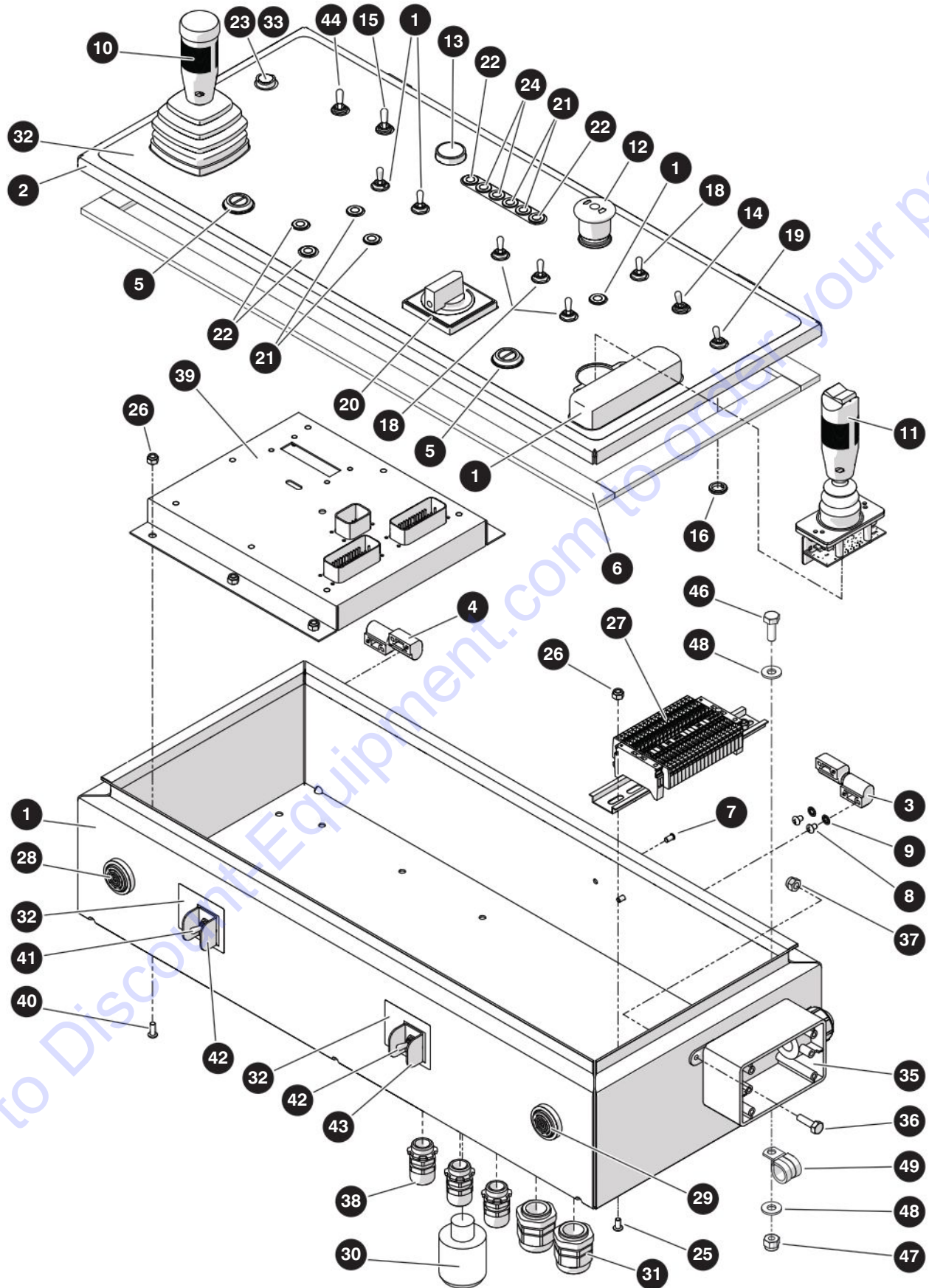
229032ABA

SJ61 T+, SJ66 T+

1.7 Platform Control Box

Index No.	Skyjack Part No.	Qty.	Description
A	218358	1	PLATFORM CONTROL BOX - SJ61 T+ ANSI/CSA
B	218344	1	PLATFORM CONTROL BOX - S66 T+ ANSI/CSA
C	218417	1	PLATFORM CONTROL BOX - SJ66 T+ CE
D	218794	1	PLATFORM CONTROL BOX - SJ66 T+ AS
-	218345	1	• PLATFORM CONTROL BOX
1	218346	1	• • BODY, Platform control box
2	218421	1	• • LID, Platform control box
3	149384	1	• • HINGE, Nylon - LH
4	149385	1	• • HINGE, Nylon - RH
5	138715	2	• • LATCH, Slotted door
6	138334	1	• • STRIP, Weather
7	159879	2	• • STUD, Pem alum (#10-32 x 3/8")
8	103959	8	• • SCREW, Round head machine (#10-32 x 1/4")
9	163512	8	• • NUT, Lock int tooth (#10)
10	(Ref.)	1	• CONTROLLER, Boom / Turret Controller (For components, refer to 1.8 Boom / Turret Controller)
11	(Ref.)	1	• CONTROLLER, Drive / Steer (For components, refer to 1.9 Drive / Steer Controller)
12	144647	1	• SWITCH, Emergency stop
	147056	1	• • LATCH, Mounting
	147053	2	• • BLOCK, NC Contact
	147229	1	• • SWITCH, LED Block (Red)
	147051	1	• • SWITCH HEAD, Emergency stop
13	144648	1	• PUSHBUTTON, Horn
	147056	1	• • LATCH, Mounting
	147054	1	• • BLOCK, NO Contact
	147058	1	• • SWITCH HEAD, Horn pushbutton
14	115574	1	• SWITCH, Toggle (high/low torque)
15	124446	1	• SWITCH, Toggle (engine start)
16	144016	9	• SEAL, Panel bushing, A ,
	144016	10	• SEAL, Panel bushing, B, C, D
17	149402	1	• HANDREST
18	102853	5	• SWITCH, Toggle (platform tilt/rotate, boom in/out, diff lock), A
	102853	6	• SWITCH, Toggle (platform tilt/rotate, boom in/out, jib, diff lock), B, C, D
19	115747	1	• SWITCH, Toggle (engine rpm)
20	138226	1	• CONTROLLER, Function Speed
	198762	1	• • KNOB, Rotary Controller
21	213307	5	• LIGHT, LED - amber
22	213303	4	• LIGHT, LED - green
23	166087	1	• PUSHBUTTON, Yellow
24	213308	2	• LIGHT, LED - red
25	115545	2	• SCREW, Round head machine (#10-32 x 3/8")
26	300450	8	• NUT, Hex lock (#10-32 Gr 5, nylon)
27	(Ref.)	1	• PLATFORM TERMINAL STRIP (For components, refer to 1.10 Platform Terminal Strip)
28	103057	1	• BEEPER, 4-28 V DC Slow pulsing
29	144387	1	• ALARM, Continuous

1.7 Platform Control Box



M218344AD

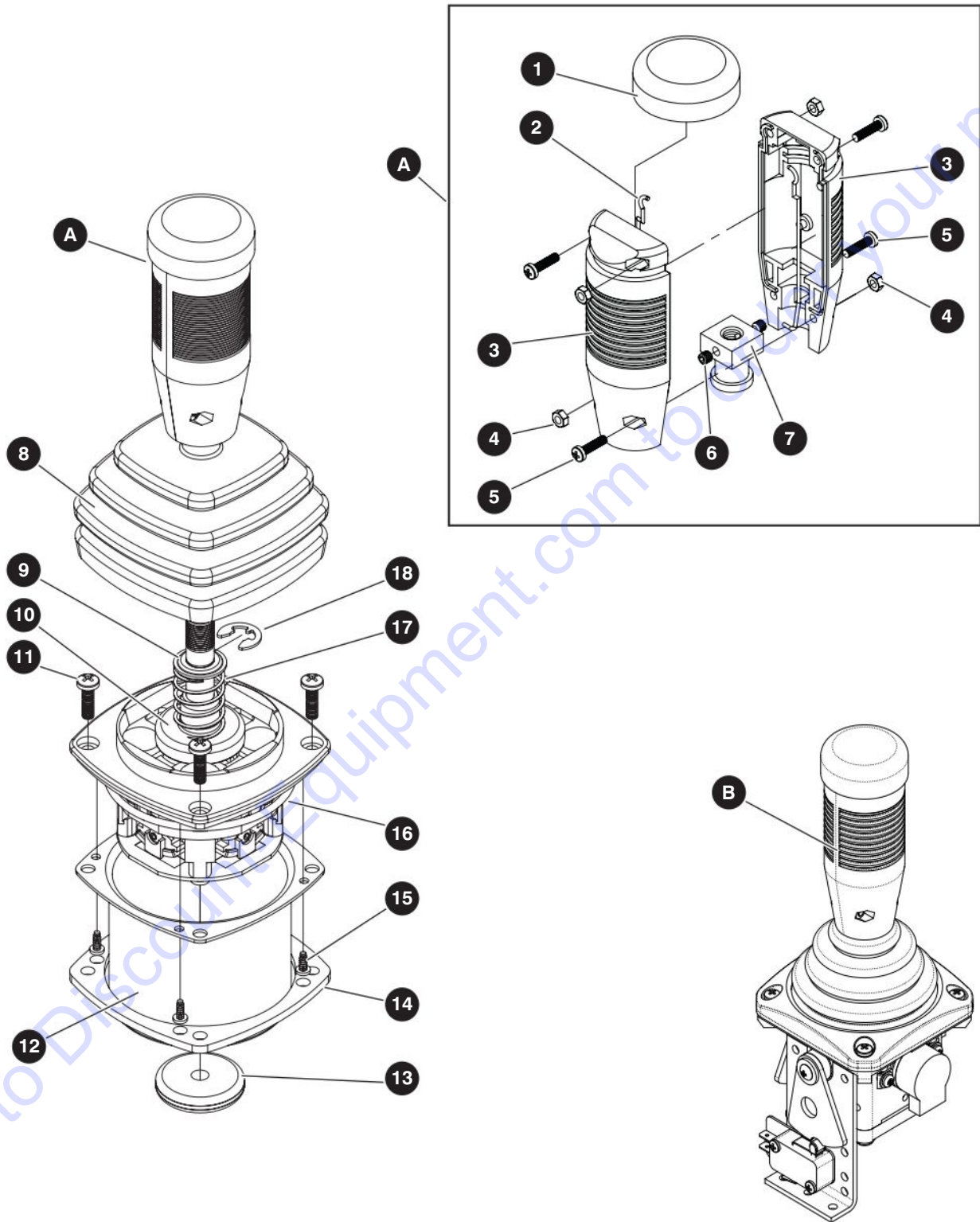
229032ABA

SJ61 T+, SJ66 T+

1.7 Platform Control Box

Index No.	Skyjack Part No.	Qty.	Description
30	166110	1	• ALARM/FLASHER, 12 V - red LED
31	116266	2	• RELIEF, Strain
32	(Ref.)	1	• LABEL ASSEMBLY (For components, refer to 10.8 Labels - Platform)
33	166086	1	• BLOCK, Contact - N/O - yellow LED
34	163021	1	• RESISTOR, 120 ohm (not shown)
35	136328	1	• OUTLET BOX, 110V, A, B
36	103892	2	• BOLT, Hex head (1/4"-20 x 5/8" gr 5), A, B
37	115649	2	• NUT, Hex head nylon (1/4"-20 gr 5), A, B
38	103036	3	• CONNECTOR, Strain relief
39	218382	1	• MODULE, Slave
	218277	1	• • SERVICE TOOL
	218276	1	• • • HARNESS, SMB1 to peak
	218278	1	• • • ADAPTER, PCAN-USB
40	103962	6	• SCREW, Round head machine (10-32 x 1/2")
41	218481	1	• SWITCH, Toggle (platform derate)
42	111181	1	• GUARD, Toggle switch, A, B, D
	111181	2	• GUARD, Toggle switch, C
43	115573	1	• SWITCH, Toggle, C
44	115747	1	SWITCH, Toggle (dual fuel) - Kubota engine
45	144016	1	SEAL, Panel bushing (not shown) - Kubota engine
46	103856	4	BOLT, Hex head (1/4"-20 x 3/4" gr 5)
47	115649	4	NUT, Hex head nylon (1/4"-20 gr 5)
48	103995	8	WASHER, Flat (1/4")
49	103024	1	CLIP, Single (G8)

1.8 Boom / Turret Controller



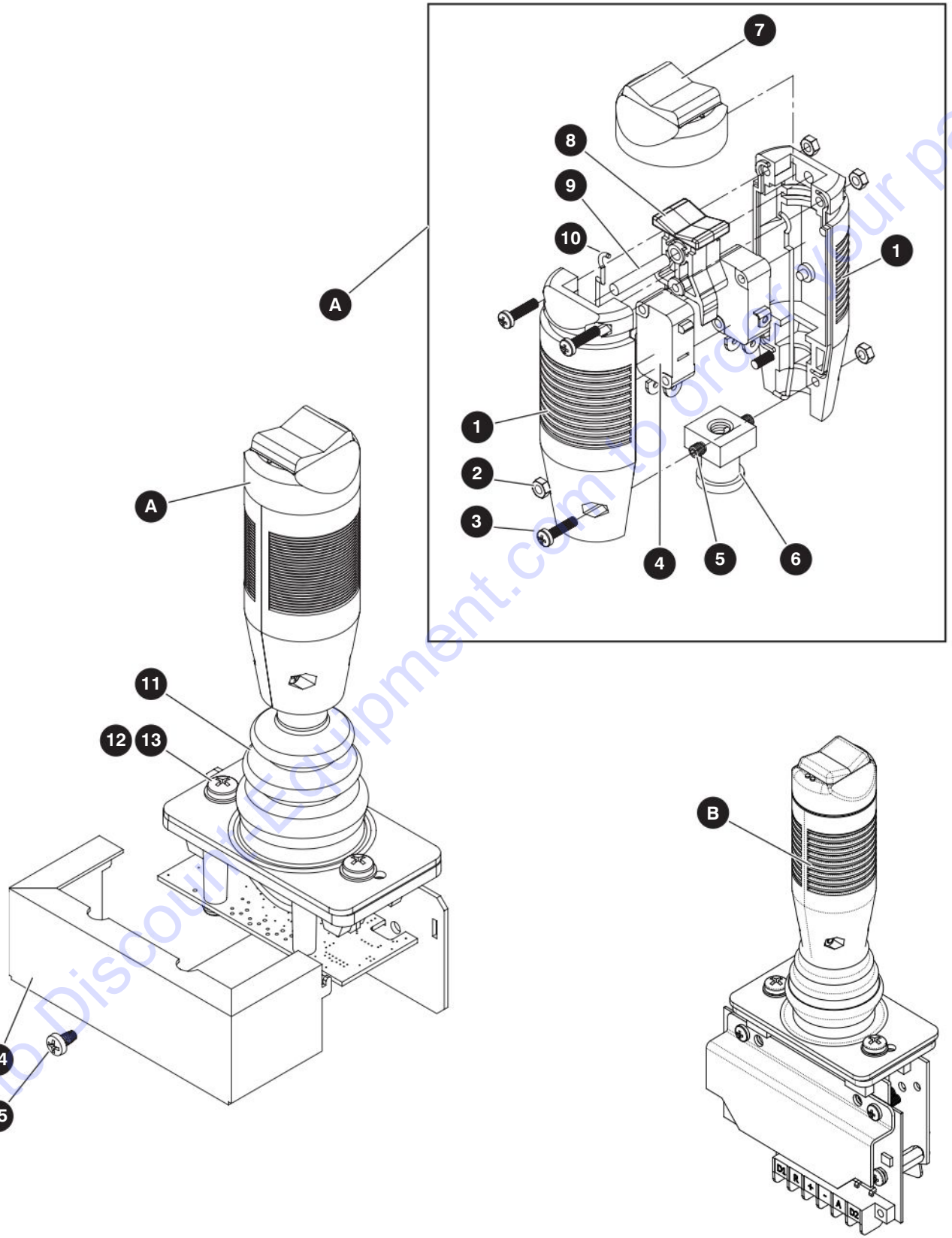
M138225AA_M220628AA

229032ABA

1.8 Boom / Turret Controller

Index No.	Skyjack Part No.	Qty.	Description
A	138225	1	BOOM / TURRET CONTROLLER ASSEMBLY (DUAL AXIS)
1	141326	1	• CAP, Rubber
2	141327	2	• GASKET
3	141325	2	• HANDLE, Half
4	141328	4	• NUT
5	141329	4	• SCREW
6	141331	2	• SCREW, Set
7	141330	1	• COUPLING, (10 mm)
8	141313	1	• BOOT
9	141323	1	• WASHER, Retainer
10	141315	1	• SHOE, Spring
11	141321	4	• SCREW, Mounting (M4)
12	141316	1	• CAN, Enclosure
13	141320	1	• GROMMET, Rubber
14	141317	1	• GASKET, Mounting
15	141319	4	• SCREW
16	141318	1	• O-RING
17	141324	1	• SPRING, Compression
18	141322	1	• CLIP, Retainer
19	216879	1	• CONNECTOR, Male (4-pin) (not shown)
20	216880	1	• CONNECTOR, Female (4-pin) (not shown)
B	220628	1	BOOM / TURRET CONTROLLER (Dual Axis) - Potentiometer style - Optional

1.9 Drive / Steer Controller



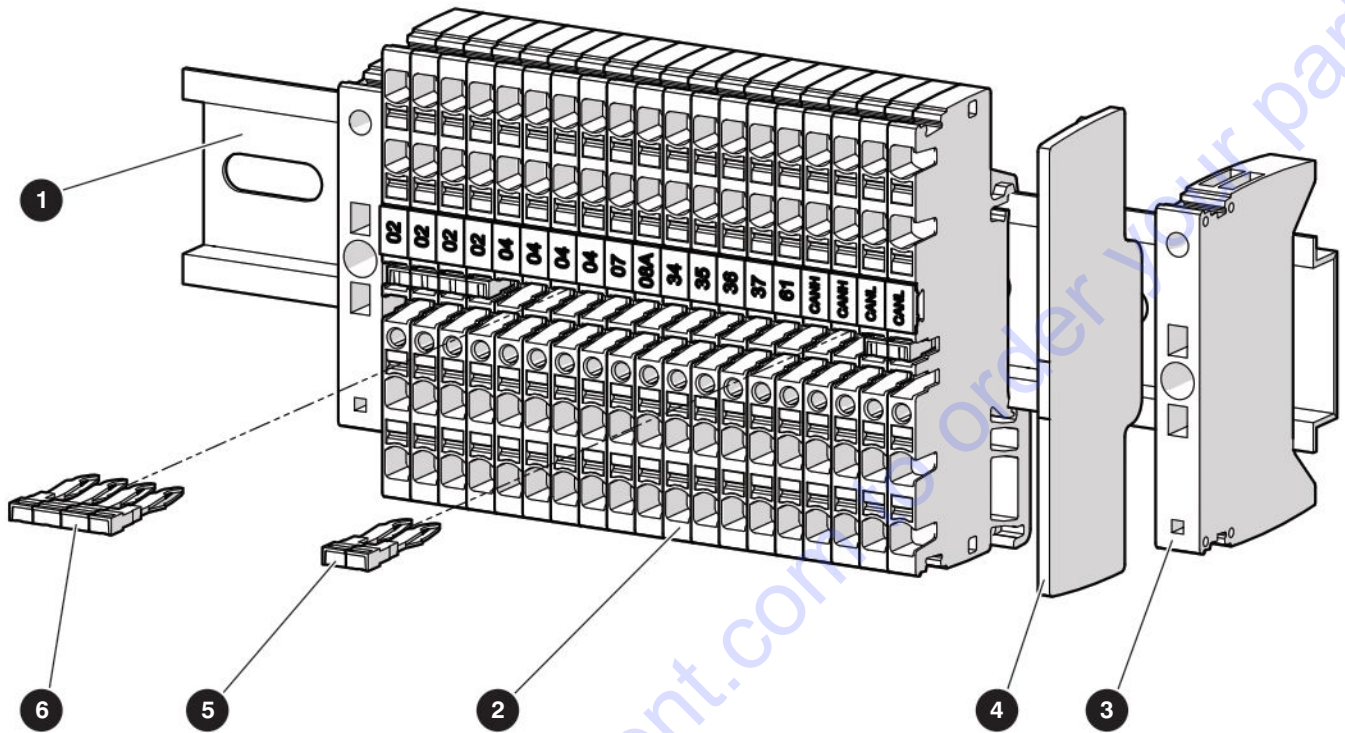
M138224AA_M220627AA

229032ABA

1.9 Drive / Steer Controller

Index No.	Skyjack Part No.	Qty.	Description
A	138224	1	DRIVE / STEER CONTROLLER ASSEMBLY (SINGLE AXIS)
1	141338	2	• HANDLE, Half
2	141328	4	• NUT
3	141329	4	• SCREW
4	141342	2	• MICROSWITCH
5	141331	2	• SCREW, Set
6	141343	1	• COUPLING, (8 MM)
7	141339	1	• CAP, Rubber
8	141340	1	• ROCKER
9	141341	1	• ROCKER, Axle
10	141327	2	• GASKET
11	141334	1	• BOOT ASSEMBLY, Standard
12	141336	2	• SCREW Mounting
13	141335	2	• WASHER, Mounting
14	141333	1	• ENCLOSURE
15	141337	1	• SCREW, Enclosure
B	220627	1	DRIVE / STEER CONTROLLER (Single Axis) - Potentiometer style - Optional

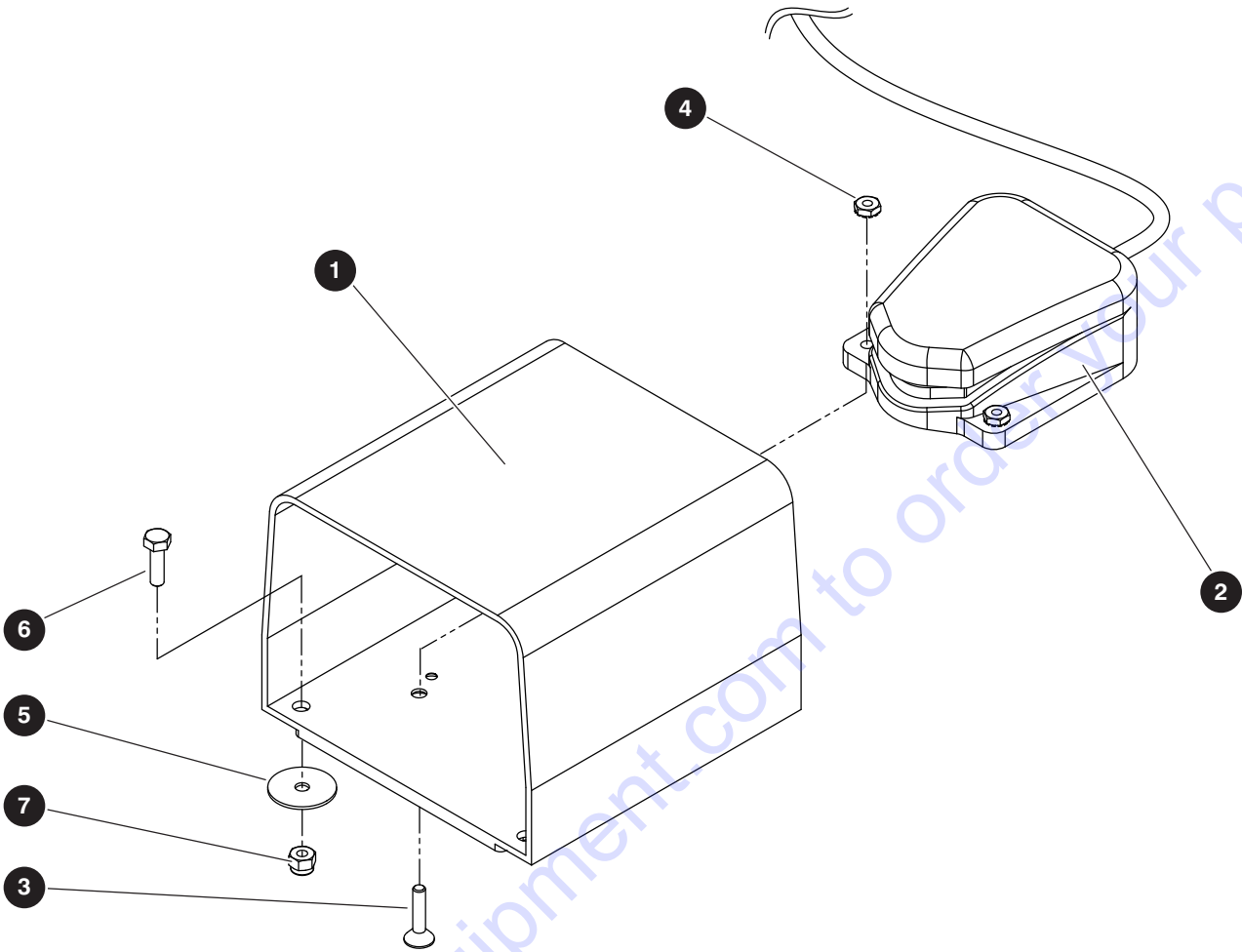
1.10 Platform Terminal Strip



M144403AA_1

Index No.	Skyjack Part No.	Qty.	Description
-	218402	1	PLATFORM TERMINAL STRIP
1	233337	205 mm	• RAIL
2	233338	19	• BLOCK, Terminal
3	233341	2	• PLATE, End
4	233342	1	• PLATE, Separator
5	233343	2	• JUMPER, 2-pin
6	233344	2	• JUMPER, 4-pin

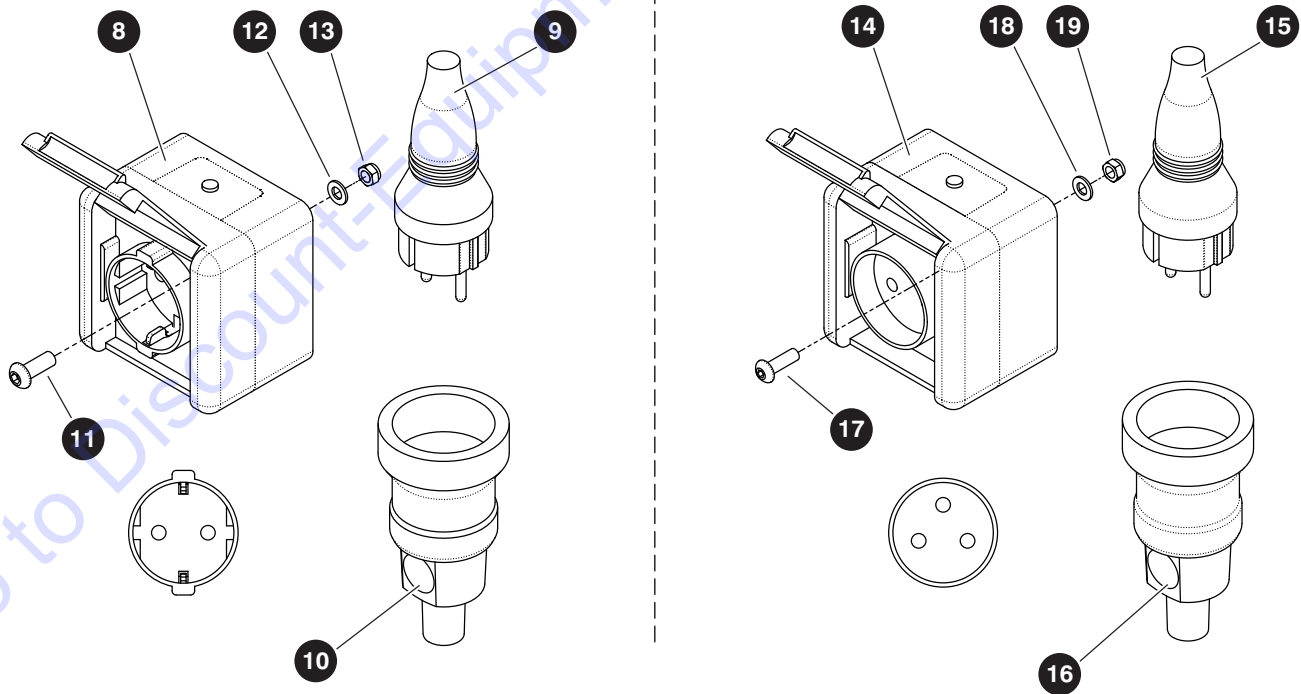
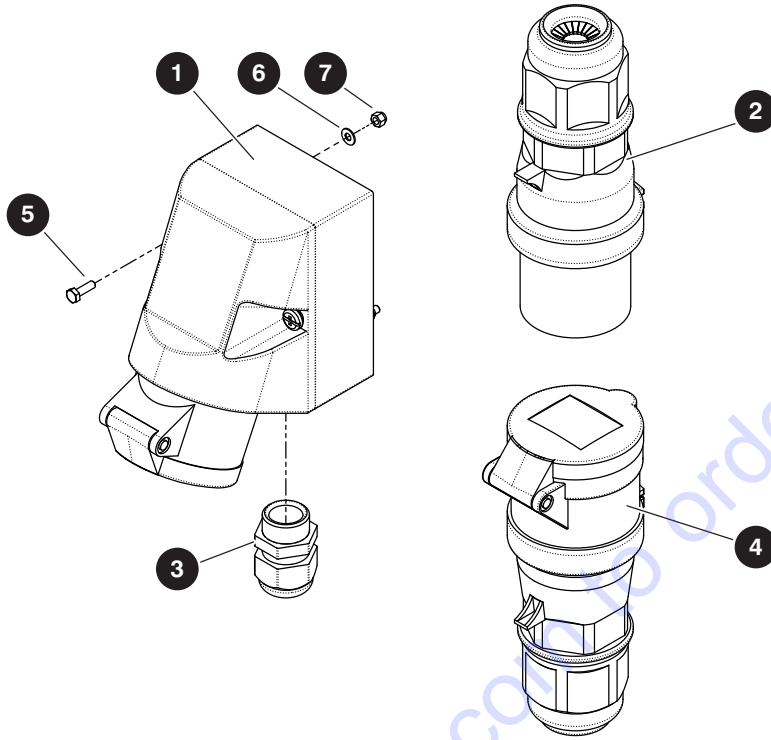
1.11 Footswitch



M154127AC_1

Index No.	Skyjack Part No.	Qty.	Description
-	154127	1	FOOTSWITCH
1	700188	1	• COVER, Footswitch
2	700187	1	• SWITCH, Foot
3	139688	2	• SCREW, Flat head machine (0.25"-20 x 1.00")
4	130017	2	• NUT, Hex head K-lock
5	700598	4	WASHER, Fender
6	103891	4	BOLT, Hex head (0.25"-20 x 0.875" gr 5)
7	115649	4	NUT, Hex head nylon lock (0.25"-20 gr 5)

1.12 Power to Platform - Outlet and Plugs - CE



M226505AA_M226509AA_M226513AA

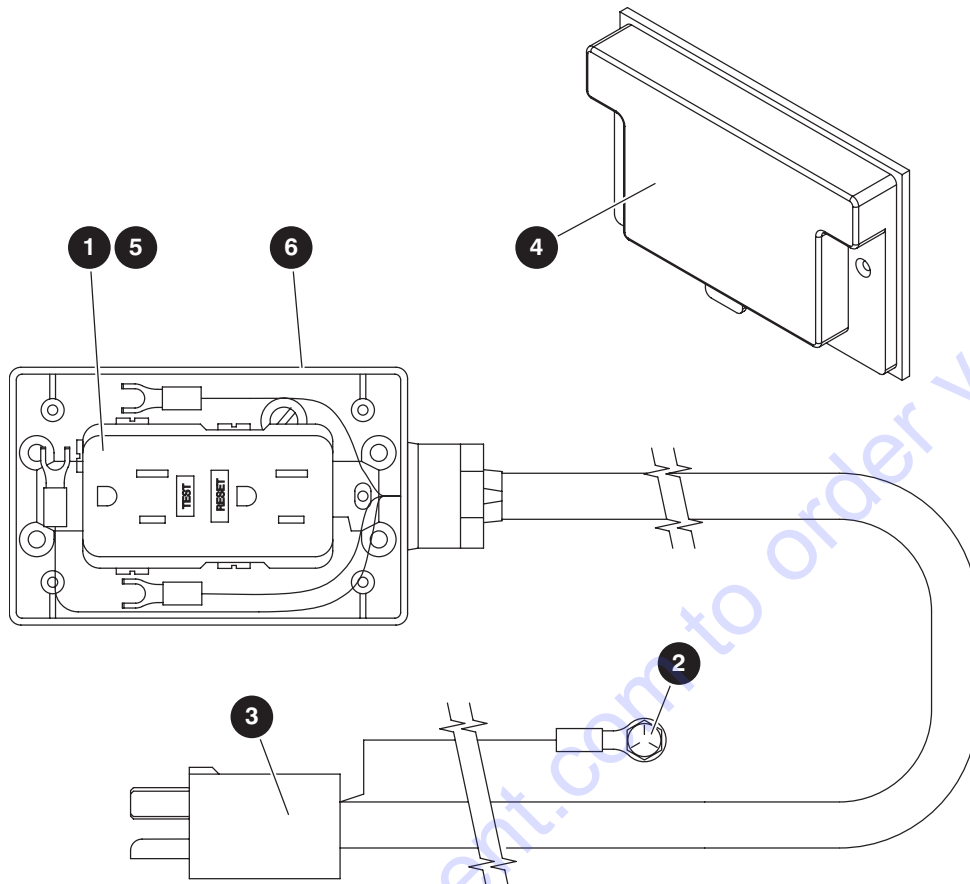
229032ABA

SJ61 T+, SJ66 T+

1.12 Power to Platform - Outlet and Plugs - CE

Index No.	Skyjack Part No.	Qty.	Description
A	226505	1	POWER TO PLATFORM OUTLET - UK with generator
B	226507	1	POWER TO PLATFORM OUTLET - UK no generator
1	226503	1	<ul style="list-style-type: none"> • RECEPTACLE, 16 amp 110 VAC 2P+E
2	226501	1	<ul style="list-style-type: none"> • PLUG, 16 amp 110 VAC 2P+E
3	138373	1	<ul style="list-style-type: none"> • STRAIN RELIEF, M20
4	226502	1	<ul style="list-style-type: none"> • RECEPTACLE, 16 amp 110 VAC 2P+E, A
5	228463	2	<ul style="list-style-type: none"> • BOLT, Hex head (M3 x 0.5 x 10, cl 8.8)
6	600579	2	<ul style="list-style-type: none"> • WASHER, Flat (M4)
7	217626	2	<ul style="list-style-type: none"> • NUT, Hex head nylon lock (M3 x 0.5, cl 8)
C	226509	1	POWER TO PLATFORM OUTLET - Type F with generator
D	226511	1	POWER TO PLATFORM OUTLET - Type F no generator
8	226454	1	<ul style="list-style-type: none"> • OUTLET, Socket - 16 amp 250 V
9	157192	1	<ul style="list-style-type: none"> • PLUG, 250 V
10	226504	1	<ul style="list-style-type: none"> • RECEPTACLE, 250 V 16 amp, C
11	228459	2	<ul style="list-style-type: none"> • BOLT, Hex head (M5 x 0.8 x 16, cl 10.9)
12	933816	2	<ul style="list-style-type: none"> • WASHER, Flat (M5)
13	217628	2	<ul style="list-style-type: none"> • NUT, Hex head nylon lock (M5 x 0.8, cl 8)
E	226513	1	POWER TO PLATFORM OUTLET - Type E with generator
F	226515	1	POWER TO PLATFORM OUTLET - Type E no generator
14	226455	1	<ul style="list-style-type: none"> • OUTLET, Socket - 16 amp 250 V
15	157192	1	<ul style="list-style-type: none"> • PLUG, 250 V
16	226504	1	<ul style="list-style-type: none"> • RECEPTACLE, 250 V 16 amp, E
17	228459	2	<ul style="list-style-type: none"> • BOLT, Hex head (M5 x 0.8 x 16, cl 10.9)
18	933816	2	<ul style="list-style-type: none"> • WASHER, Flat (M5)
19	217628	2	<ul style="list-style-type: none"> • NUT, Hex head nylon lock (M5 x 0.8, cl 8)
-	147392	1	220V CABLE (not shown)

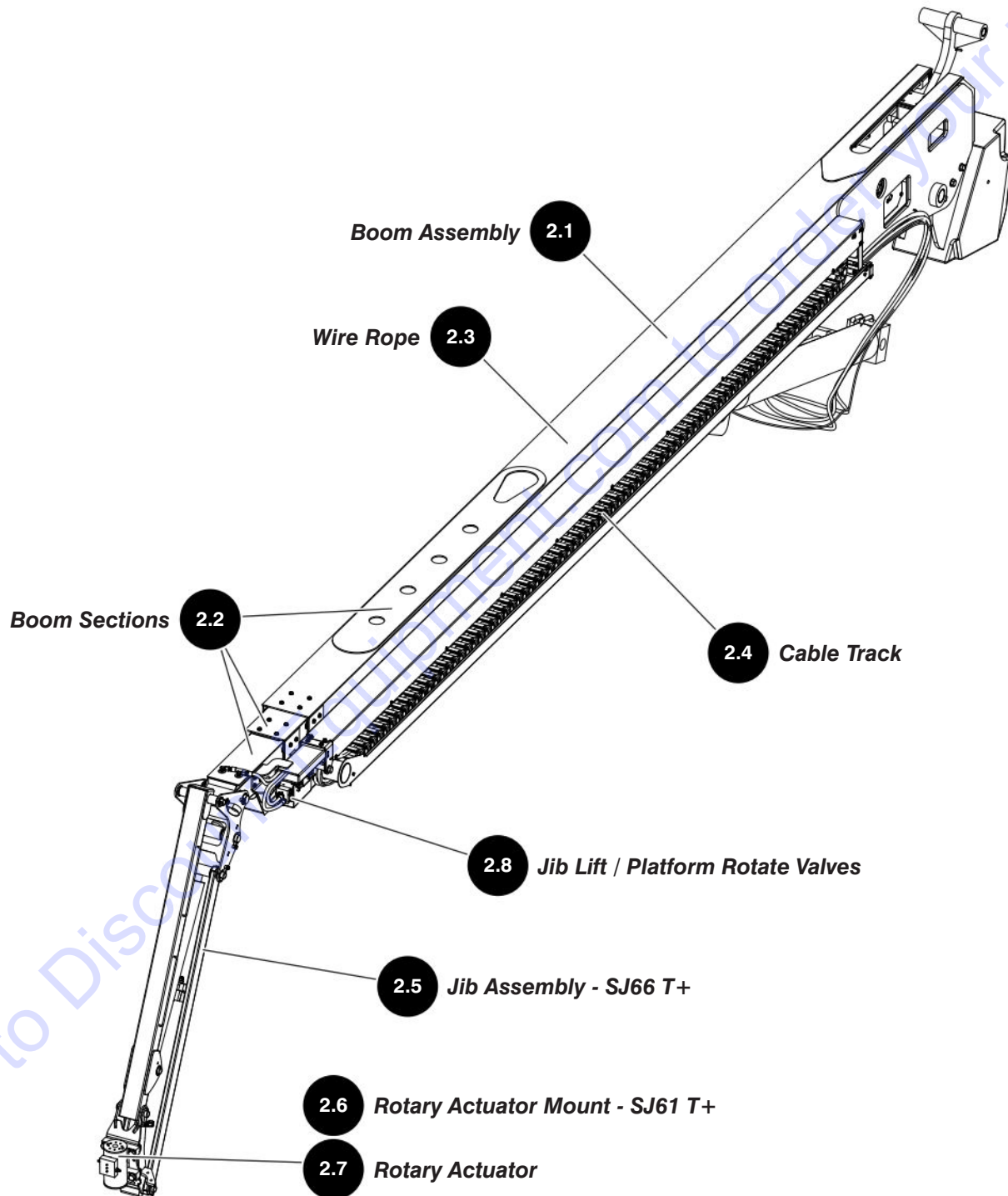
1.13 Outlet 110V - ANSI/CSA



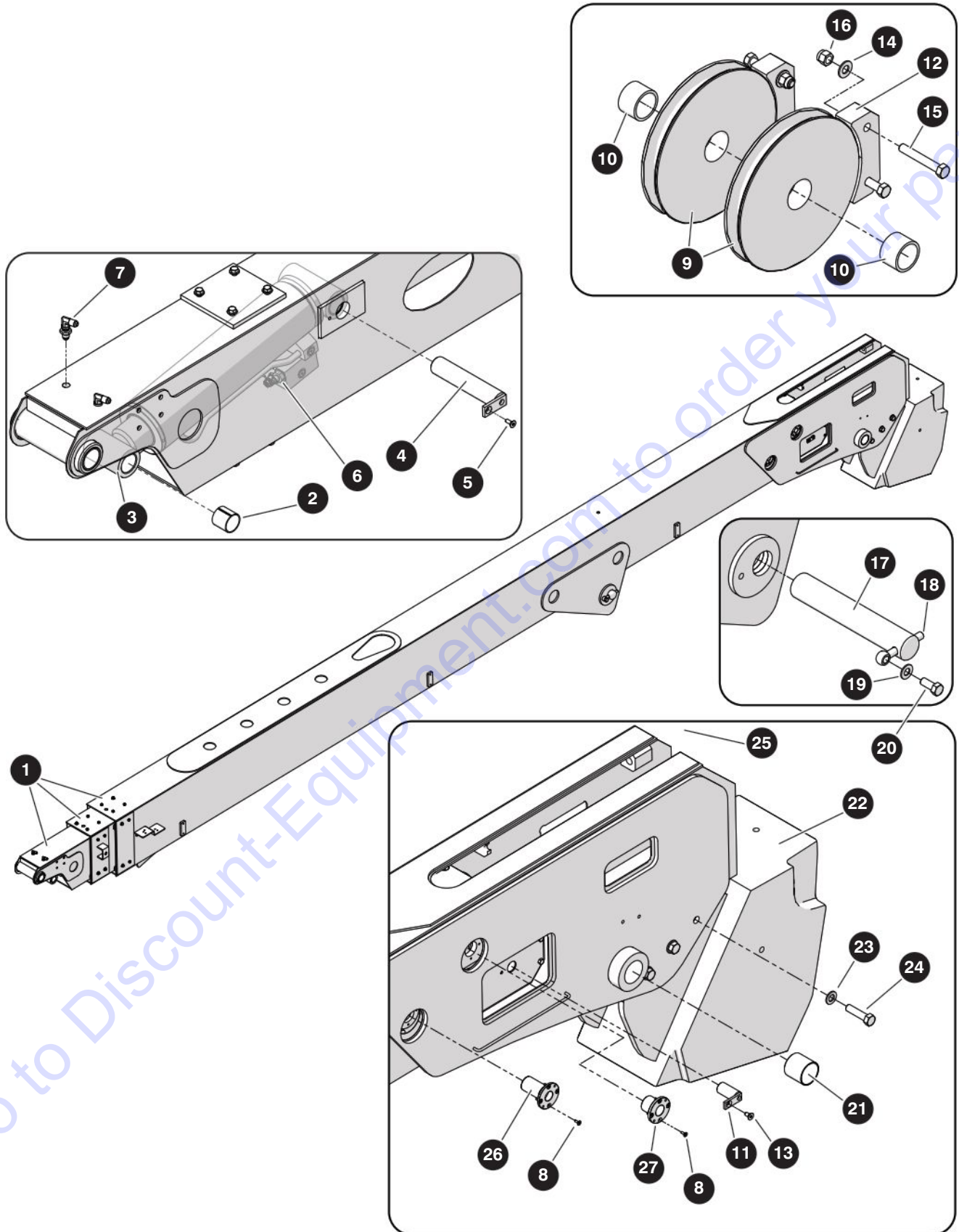
M146741AA

Index No.	Skyjack Part No.	Qty.	Description
A	146741	1	110V OUTLET CABLE ASSEMBLY - SJ61 T+ ANSI/CSA
B	147389	1	110V OUTLET CABLE ASSEMBLY - SJ66 T+ ANSI/CSA
1	109698	1	• RECEPTACLE, GFI A, B
2	112495	1	• BOLT, Hex head (1/4"-20 x 3/8" Grade 5) A, B
3	169524	1	• CABLE, 110V, A
	169525	1	• CABLE, 110V, B
	104208	1	• PLUG, 15A male (125V) A, B
4	109699	1	• PLATE, Weatherproof cover A, B
5	121461	2	• BOLT, Machine round head (#6-32 UNC x 3/8") A, B
6	(Ref.)	1	OUTLET BOX & STRAIN RELIEF (For components, refer to 1.7 Platform Control Box)

Section 2 – Boom



2.1 Boom Assembly



M218029AF

229032ABA

40

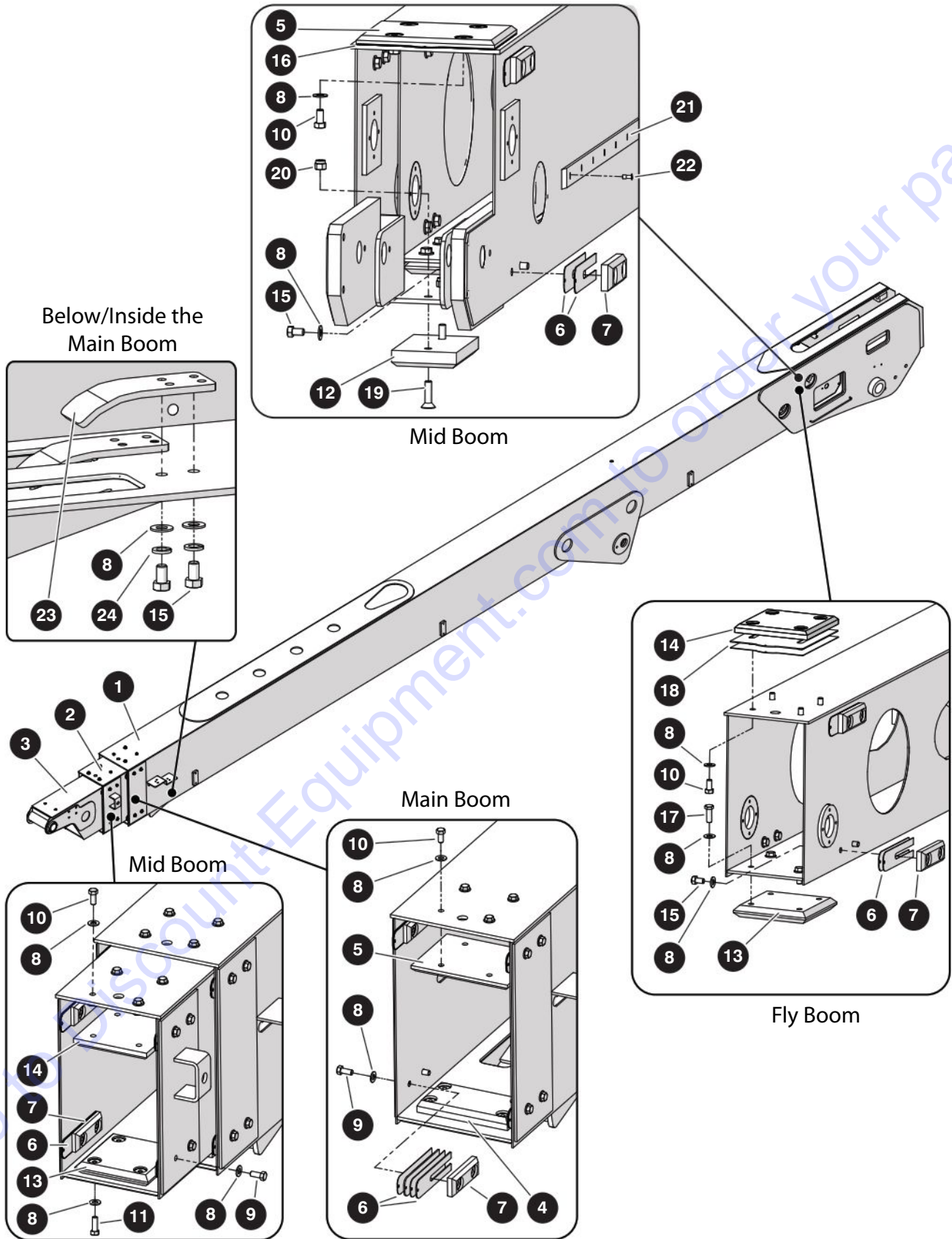
SJ61 T+, SJ66 T+

SKYJACK

2.1 Boom Assembly

Index No.	Skyjack Part No.	Qty.	Description
-	218029	1	BOOM ASSEMBLY
1	(Ref.)	1	<ul style="list-style-type: none"> BOOM SECTIONS (For components, refer to 2.2 Boom Sections)
2	101564	2	<ul style="list-style-type: none"> BUSHING, Fiberglide (1-3/4" x 1-1/2")
3	(Ref.)	1	<ul style="list-style-type: none"> CYLINDER, Slave (For components, refer to 3.6 Slave Cylinder)
4	144688	1	<ul style="list-style-type: none"> PIN, Extend and slave cylinders
5	704642	1	<ul style="list-style-type: none"> SCREW, Flat head cap (5/16"-18 x 3/4", gr 5)
6	103070	2	<ul style="list-style-type: none"> FITTING, Straight (06 JICM - 08 ORBM)
7	138986	2	<ul style="list-style-type: none"> FITTING, 90° bulkhead (06JICM - 06JICM)
8	110853	16	<ul style="list-style-type: none"> SCREW, Flat head cap (1/4" x 5/8", gr 5)
-	166520	2	<ul style="list-style-type: none"> SHEAVE ASSEMBLY
9	165709	1	<ul style="list-style-type: none"> SHEAVE, Wire rope
10	163217	1	<ul style="list-style-type: none"> BUSHING, Bunting
11	150950	2	<ul style="list-style-type: none"> PIN, Pulley
12	163597	2	<ul style="list-style-type: none"> RETAINER, Wire rope
13	701620	2	<ul style="list-style-type: none"> SCREW, Flat head cap (3/8"-16 x 3/4", gr 5)
14	103472	4	<ul style="list-style-type: none"> WASHER, Flat (3/8")
15	103873	4	<ul style="list-style-type: none"> BOLT, Hex head (3/8"-16 x 2-1/2", gr 5)
16	104606	4	<ul style="list-style-type: none"> NUT, Lock (3/8"-16, gr 5)
17	146725	1	<ul style="list-style-type: none"> PIN, Lift cylinder - rod end
18	146898	1	<ul style="list-style-type: none"> PIN, Keeper (5/8")
19	700782	1	<ul style="list-style-type: none"> WASHER, Flat hardened (5/8")
20	103899	1	<ul style="list-style-type: none"> BOLT, Hex head (5/8"-11 x 1-1/2", gr 5)
21	147461	2	<ul style="list-style-type: none"> BUSHING, Fiberglide (2-1/2" x 2-11/16" x 2-1/2")
22	146701	1	<ul style="list-style-type: none"> COUNTERWEIGHT, Boom
23	702194	18	<ul style="list-style-type: none"> WASHER, Flat hardened (3/4")
24	103894	6	<ul style="list-style-type: none"> BOLT, Hex head (3/4"-10 x 3", gr 8)
25	700575	6	<ul style="list-style-type: none"> NUT, Torque lock (3/4"-10, gr C)
26	165288	2	<ul style="list-style-type: none"> PIN, Flange - fly boom
27	211810	2	<ul style="list-style-type: none"> PIN, Flange (1-3/4" x 1-5/8")

2.2 Boom Sections



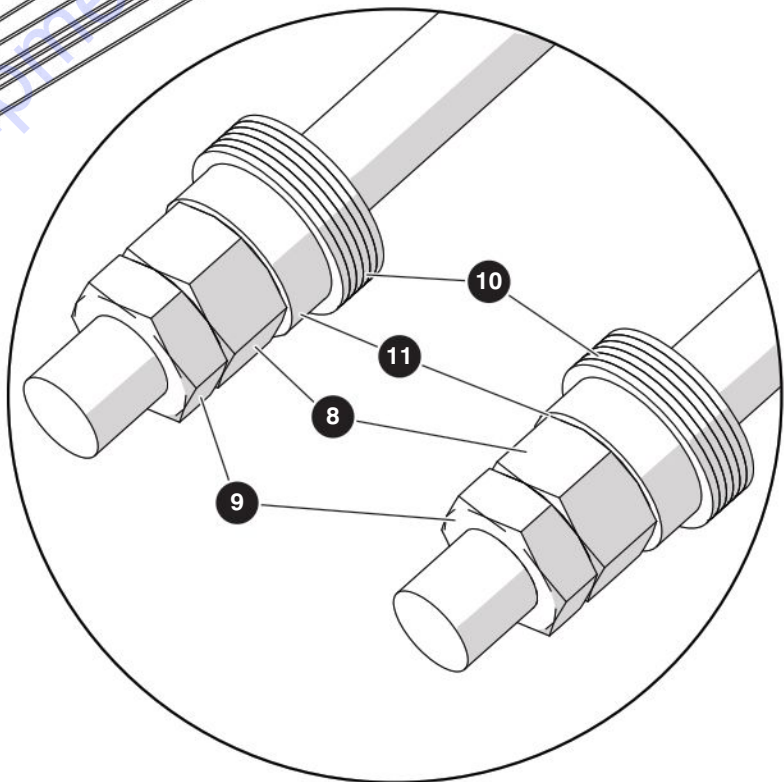
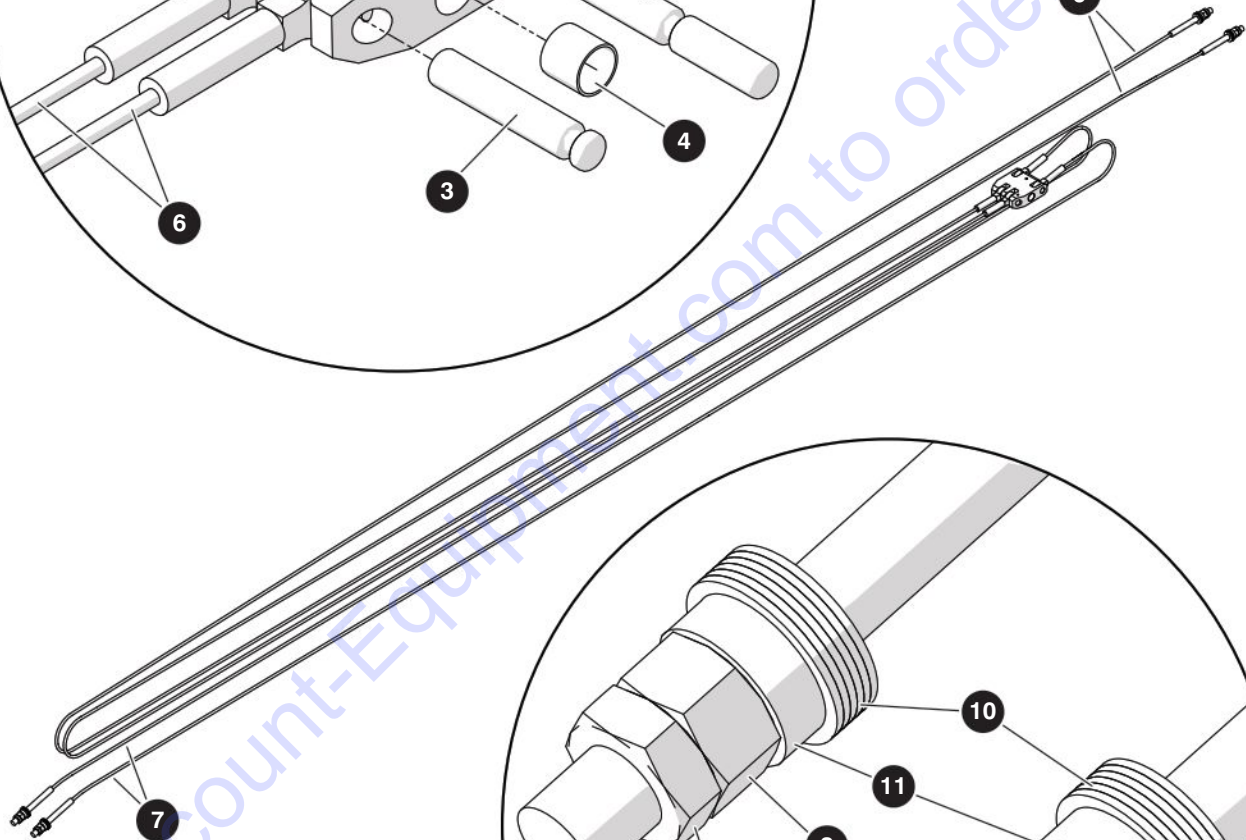
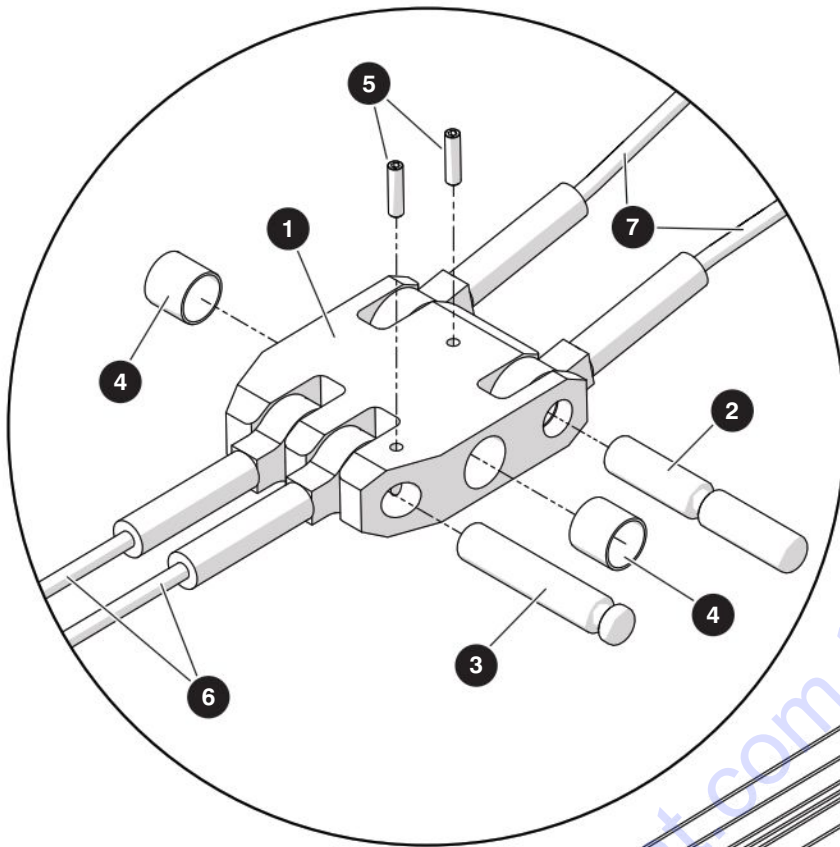
M218028AF

229032ABA

2.2 Boom Sections

Index No.	Skyjack Part No.	Qty.	Description
-	218028	1	BOOM SECTIONS ASSEMBLY
-	218014	1	• BOOM SECTIONS
1	161264	1	• • MAIN BOOM
2	211755	1	• • MID BOOM
3	211756	1	• • FLY BOOM
4	146790	1	• PAD, Main boom - bottom
5	146789	2	• PAD, Main boom - top
6	150956	AR	• SHIM, 21 gauge
	159234	AR	• SHIM, 18 gauge
	147560	AR	• SHIM, 14 gauge
	147559	AR	• SHIM, 12 gauge
7	146788	16	• PAD, Main boom - side
8	103472	64	• WASHER, Flat (3/8")
9	300437	20	• BOLT, Hex head (3/8"-16 x 7/8", gr 5)
10	101632	12	• BOLT, Hex head (3/8"-16 x 3/4", gr)
11	101297	8	• BOLT, Hex head (3/8"-16 x 1-1/4", gr 5)
12	146787	1	• PAD, Mid boom - bottom
13	161755	2	• PAD, Mid boom - top/bottom
14	147447	2	• PAD, Mid boom - top
15	138464	20	• BOLT, Hex head (3/8"-16 x 5/8", gr 5)
16	147566	AR	• SHIM, 16 gauge - mid boom rear
	147567	AR	• SHIM, 21 gauge - mid boom rear
17	103473	4	• BOLT, Hex head (3/8"-16 x 1", gr 5)
18	147568	AR	• SHIM, 16 gauge - fly boom
	147569	AR	• SHIM, 21 gauge - fly boom
19	144197	2	• SCREW, Flat head cap (3/8"-16 x 1-1/2", gr 5)
20	104606	2	• NUT, Lock (3/8"-16, gr 5)
21	218796	1	• RAMP, Limit switch
22	167920	11	• RIVET, Pop (3/16" x 9/16")
23	168409	2	• PLATE, Wire rope guide
24	103999	4	• WASHER, Lock (3/8")

2.3 Wire Rope



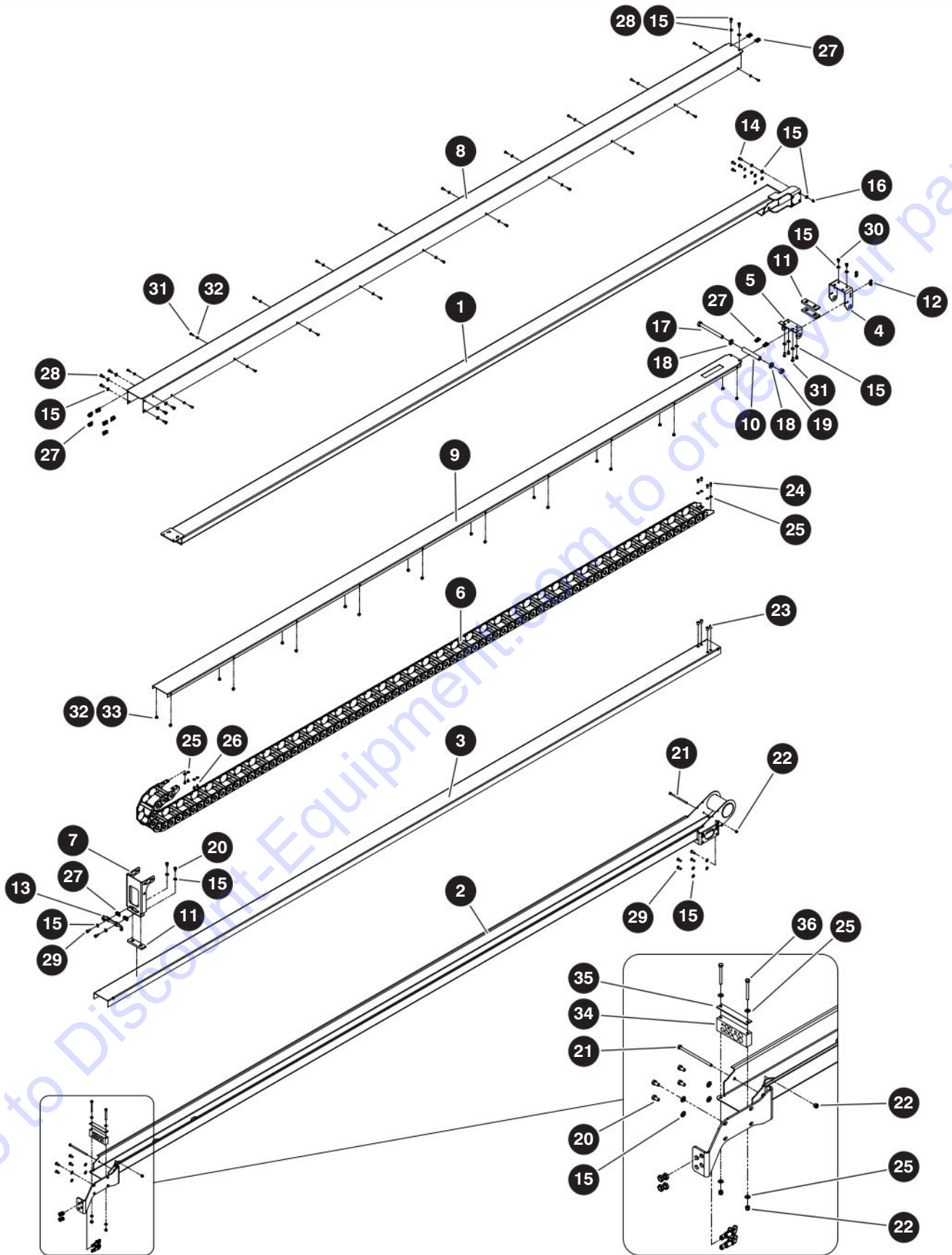
M161267AB

229032ABA

2.3 Wire Rope

Index No.	Skyjack Part No.	Qty.	Description
-	218038	1	WIRE ROPE
-	165400	1	• TERMINAL, Wire rope
1	165401	1	• • PLATE, Wire rope terminal
2	165294	1	• • PIN (1" x 6-1/8")
3	165292	1	• • PIN (1" x 5-1/4")
4	100071	2	• • BUSHING, Fiberglide
5	124541	2	• • SCREW, Set - cup (3/8"-16 x 1-1/2")
6	218031	2	• WIRE ROPE, Upper
7	218032	2	• WIRE ROPE, Lower
8	195531	4	• NUT, Hex head (7/8"-9, gr 5)
9	147556	4	• NUT, Hex head jam (7/8"-9, gr 5)
10	168199	48	• SPRING, Disc
11	168344	4	• SPACER

2.4 Cable Track



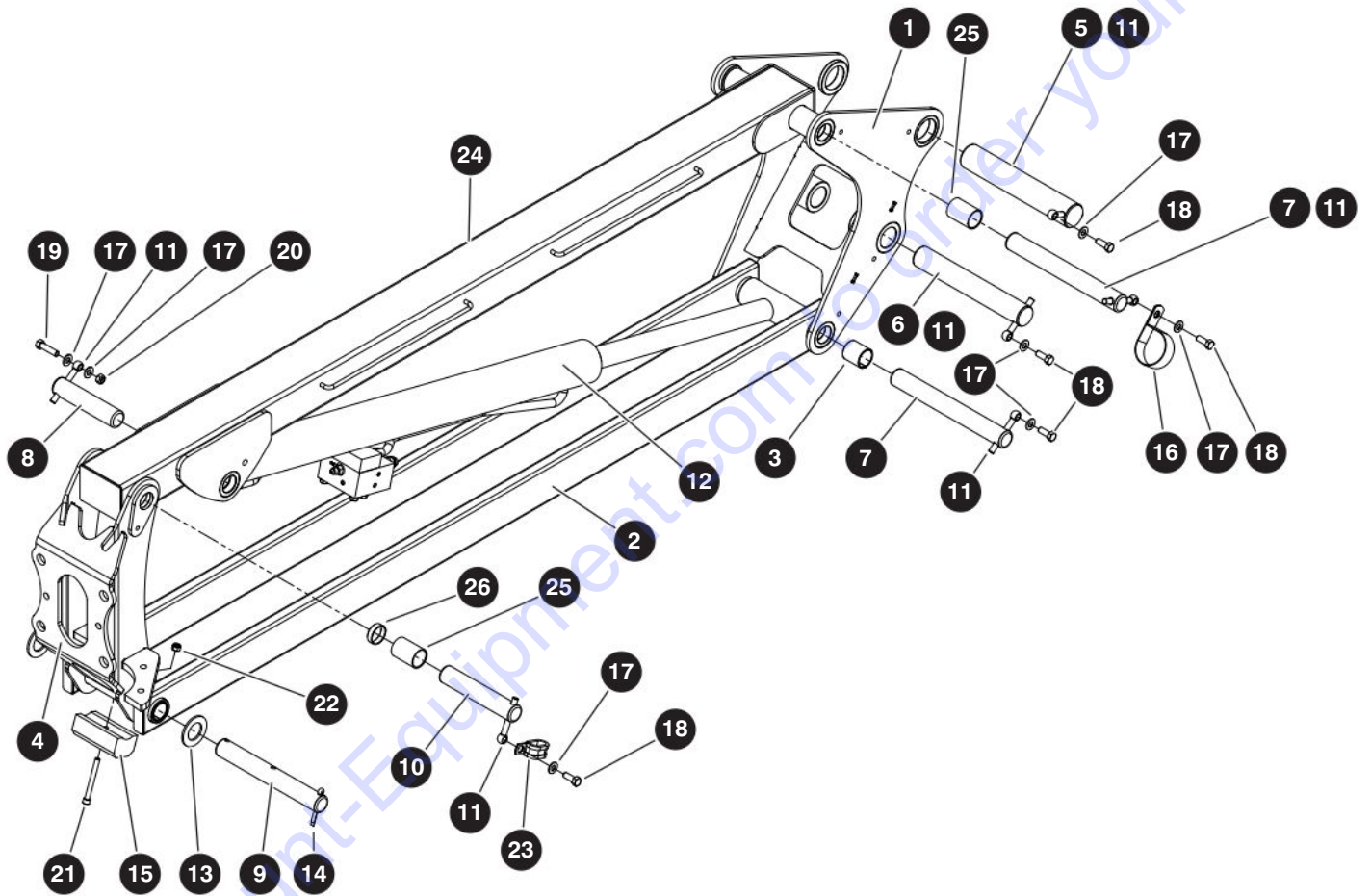
M162248AG

229032ABA

2.4 Cable Track

Index No.	Skyjack Part No.	Qty.	Description
-	162248	1	E-CHAIN CARRIER ASSEMBLY
1	162247	1	• WELDMENT, Tube
2	162243	1	• WELDMENT, E-Chain track
3	162239	1	• FORM, E-Chain support
4	160578	1	• BRACKET, Tube guide
5	160577	1	• BRACKET, Tube guide (lower)
6	164914	1	• E-CHAIN
	195745	1	• • MOUNTING BRACKET SET
	170161	81	• • LINK
	210075	27	• • SEPARATOR
7	161880	1	• BRACKET, E-Chain guide
8	162237	1	• COVER, E-Chain
9	162236	1	• COVER, E-Chain (lower)
10	160576	1	• TUBE, E-Chain guide
11	160416	3	• WEAR PAD, E-Chain
12	125433	4	• BUSHING, Slider
13	160415	1	• COVER PLATE- E-Chain retainer
14	101297	4	• BOLT, Hex head (0.375"-16 x 1.25" Grade 5)
15	103472	32	• WASHER, Flat (3/8")
16	104606	4	• NUT, Hex head nylon lock (0.375"-16 Grade 5)
17	156724	1	• BOLT, Hex head (3/4"-10 x 8" Grade 8)
18	103990	2	• WASHER, Flat (3/4")
19	705240	1	• NUT, Hex head (3/4"-10 Grade 5)
20	138464	8	• BOLT, Hex head (3/8"-16 x 5/8" Grade 5)
21	162714	2	• BOLT, Hex head (5/16"-18 x 6" Grade 5)
22	103984	4	• NUT, Hex lock (5/16"-18 Grade 5, nylon)
23	162464	4	• INSERT, AK Series (5/16"-18)
24	300064	4	• SCREW, Button head cap (5/16"-18 x 3/4")
25	103996	12	• WASHER, Flat (5/16")
26	103948	4	• SCREW, Button head cap (5/16"-18 x 1/2")
27	159294	12	• NUT, Speed clip (3/8"-16)
28	101632	10	• BOLT, Hex head (3/8"-16 x 3/4" Grade 5)
29	300437	2	• BOLT, Hex head (3/8"-16 x 7/8" Grade 5)
30	152341	4	• BOLT, Hex head (3/8"-16 x 1/2" Grade 5)
31	103856	20	• BOLT, Hex head (1/4"-20 x 3/4" Grade 5)
32	103995	40	• WASHER, Flat (1/4")
33	115649	20	• NUT, Hex lock (1/4"-20 Grade 5, nylon)
34	231503	1	• CLAMP, Hose
35	710210	1	• PLATE, Hose guide
36	103867	2	• BOLT, Hex head (5/16"-18 x 3" Grade 5)

2.5 Jib Assembly - SJ66 T+



M160496AD

229032ABA

48

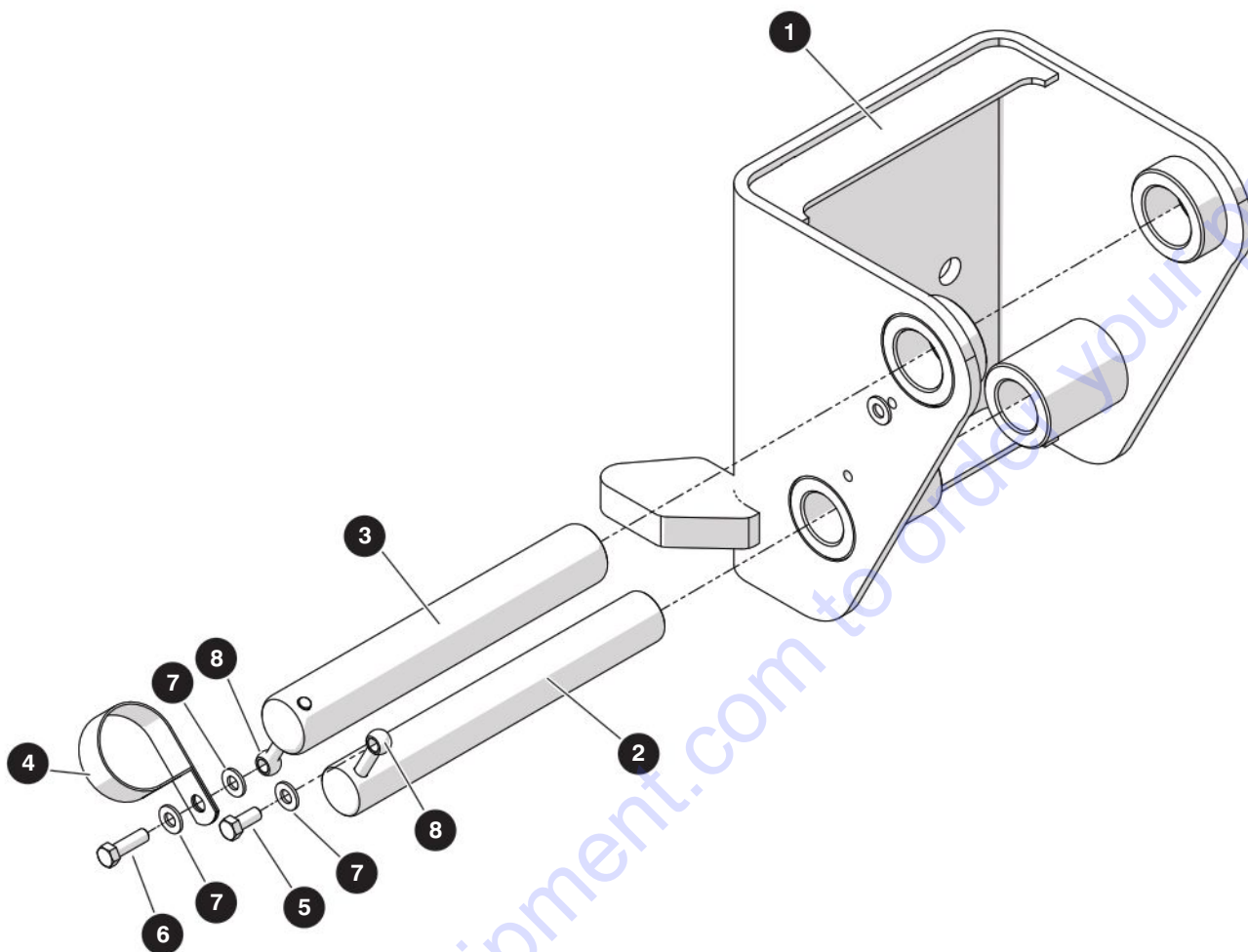
SJ61 T+, SJ66 T+

SKYJACK

2.5 Jib Assembly - SJ66 T+

Index No.	Skyjack Part No.	Qty.	Description
-	218097	1	JIB ASSEMBLY - SJ66 T+
1	218101	1	• BRACKET WELDMENT, Jib
-	231449	2	• ARM ASSEMBLY, Lower
2	231448	1	• • ARM, Lower - Jib
3	125262	2	• • BUSHING, Jib
4	218048	1	• BRACKET, Rotator mount
5	218128	1	• PIN (1.75" OD x 10.5")
6	197497	1	• PIN (1.50" OD x 11.188")
7	154234	2	• PIN, Mounting bracket - jib
8	154235	1	• PIN, Mounting - jib cylinder
9	154237	1	• PIN, Mounting lower arm - rotator
10	162148	1	• PIN, Mounting top arm - rotator
11	146897	6	• PIN, Keeper
12	(Ref.)	1	• CYLINDER, Jib (For components, refer to 3.7 Jib Cylinder)
13	122502	2	• WASHER, Flat (1-1/8" SAE)
14	103972	2	• PIN, Cotter (1/4" dia x 2" lg)
15	162144	1	• PAD, Jib
16	143987	1	• CLAMP, P Tube (2.5")
17	103472	7	• WASHER, Flat (0.375")
18	103473	5	• BOLT, Hex head (0.375"-16 x 1.00" Grade 5)
19	103870	1	• BOLT, Hex head (0.375"-16 x 1.50" Grade 5)
20	144238	1	• NUT, Torque lock (3/8"-16 Grade C)
21	162145	1	• SCREW, Socket head cap (0.312"-18 x 3.00)
22	103984	1	• NUT, Hex head nylon lock (0.312"-18 Grade 5)
23	152333	1	• CLAMP, Tube (5/8")
-	231540	1	• ARM ASSEMBLY, Upper - jib
24	231539	1	• • ARM, Upper - jib
25	125230	6	• • BUSHING, Fiberglide (1-1/4" dia x 2")
26	218107	1	• • SPACER (1.45" OD x 1.25" ID x 0.562" lg)

2.6 Rotary Actuator Mount - SJ61 T+



M218096AF

Index No.	Skyjack Part No.	Qty.	Description
-	218096	1	ROTARY ACTUATOR MOUNT - SJ61 T+
1	218050	1	• BRACKET, Platform Mounting
2	147584	1	• PIN, Jib
3	147585	1	• PIN, Fly boom
4	143987	1	• CLAMP (2-1/2")
5	139193	1	• BOLT, Hex head patch (3/8"-16 x 1-1/4" Gr 8)
6	148421	1	• BOLT, Hex head patch (3/8"-16 x 7/8" Gr 8)
7	125959	3	• WASHER, Flat hardened (3/8")
8	146897	2	• PIN, Keeper (3/8")

PARTS FINDER

**Search Website
by Part Number**



**Search Manual
Library For Parts
Manual & Lookup Part
Numbers – Purchase
or Request Quote**

Search Manuals

Enter your information to help us find the right parts manual for your machine.

* Brand:

* Model:

* Serial:

* Part Number:

SEARCH

**Can't Find Part or
Manual? Request Help
by Manufacturer,
Model & Description**

Parts Order Form

Please fill in the following information to help us find the right part for your machine.

Manufacturer:	<input type="text"/>
Model:	<input type="text"/>
Description:	<input type="text"/>
Part Number:	<input type="text"/>
Quantity:	<input type="text"/>
Notes:	<input type="text"/>

Submit

Discount-Equipment.com is your online resource for quality parts & equipment.

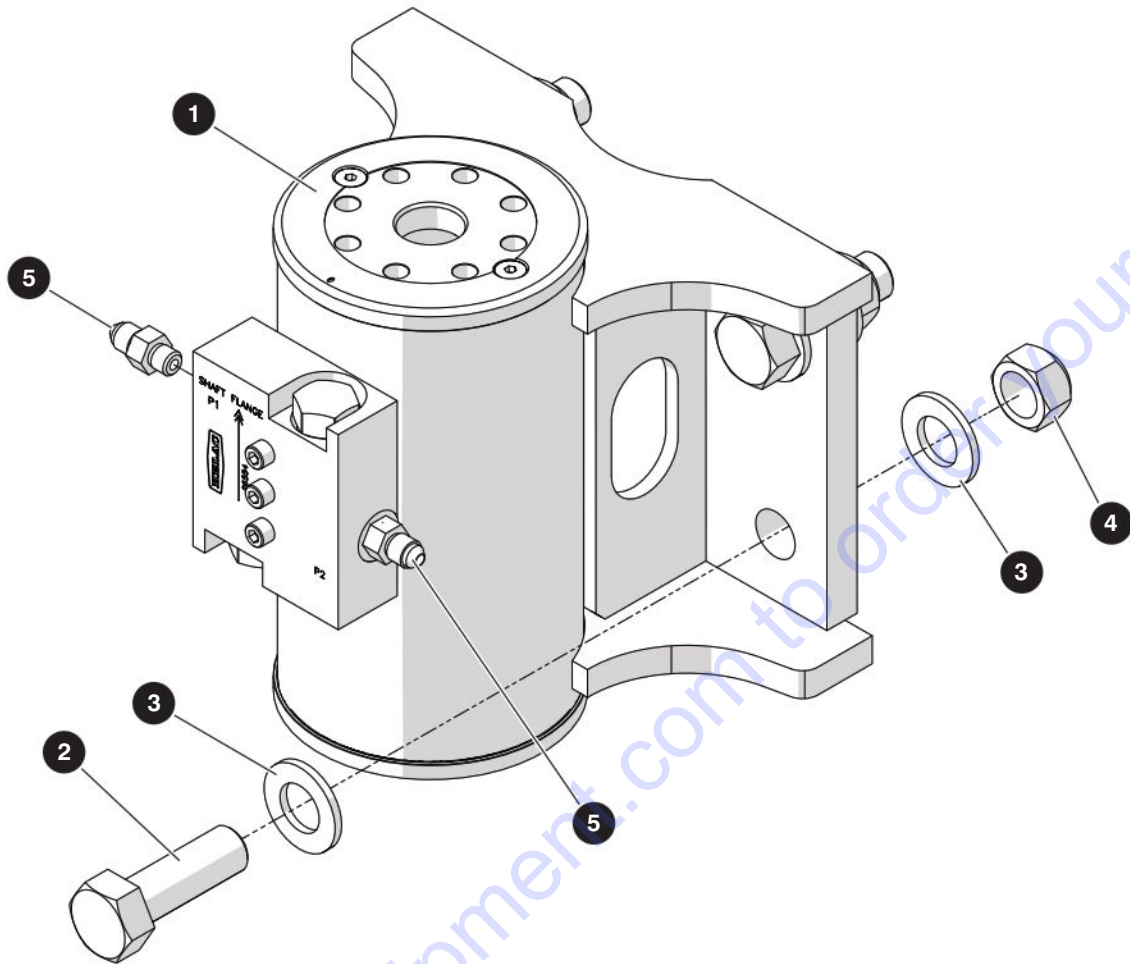
Florida: **561-964-4949** Outside Florida TOLL FREE: **877-690-3101**

Need parts?

Click on this link: <http://www.discount-equipment.com/category/5443-parts/> and choose one of the options to help get the right parts and equipment you are looking for. Please have the machine model and serial number available in order to help us get you the correct parts. If you don't find the part on the website or on one of the online manuals, please fill out the request form and one of our experienced staff members will get back to you with a quote for the right part that your machine needs.

We sell worldwide for the brands: Genie, Terex, JLG, MultiQuip, Mikasa, Essick, Whiteman, Mayco, Toro Stone, Diamond Products, Generac Magnum, Airman, Haulotte, Barreto, Power Blanket, Nifty Lift, Atlas Copco, Chicago Pneumatic, Allmand, Miller Curber, Skyjack, Lull, Skytrak, Tsurumi, Husquvarna Target, Stow, Wacker, Sakai, Mi-T-M, Sullair, Basic, Dynapac, MBW, Weber, Bartell, Bennar Newman, Haulotte, Ditch Runner, Menegotti, Morrison, Contec, Buddy, Crown, Edco, Wyco, Bomag, Laymor, EZ Trench, Bil-Jax, F.S. Curtis, Gehl Pavers, Heli, Honda, ICS/PowerGrit, IHI, Partner, Imer, Clipper, MMD, Koshin, Rice, CH&E, General Equipment, Amida, Coleman, NAC, Gradall, Square Shooter, Kent, Stanley, Tamco, Toku, Hatz, Kohler, Robin, Wisconsin, Northrock, Oztec, Toker TK, Rol-Air, APT, Wylie, Ingersoll Rand / Doosan, Innovatech, Con X, Ammann, Mecalac, Makinex, Smith Surface Prep, Small Line, Wanco, Yanmar

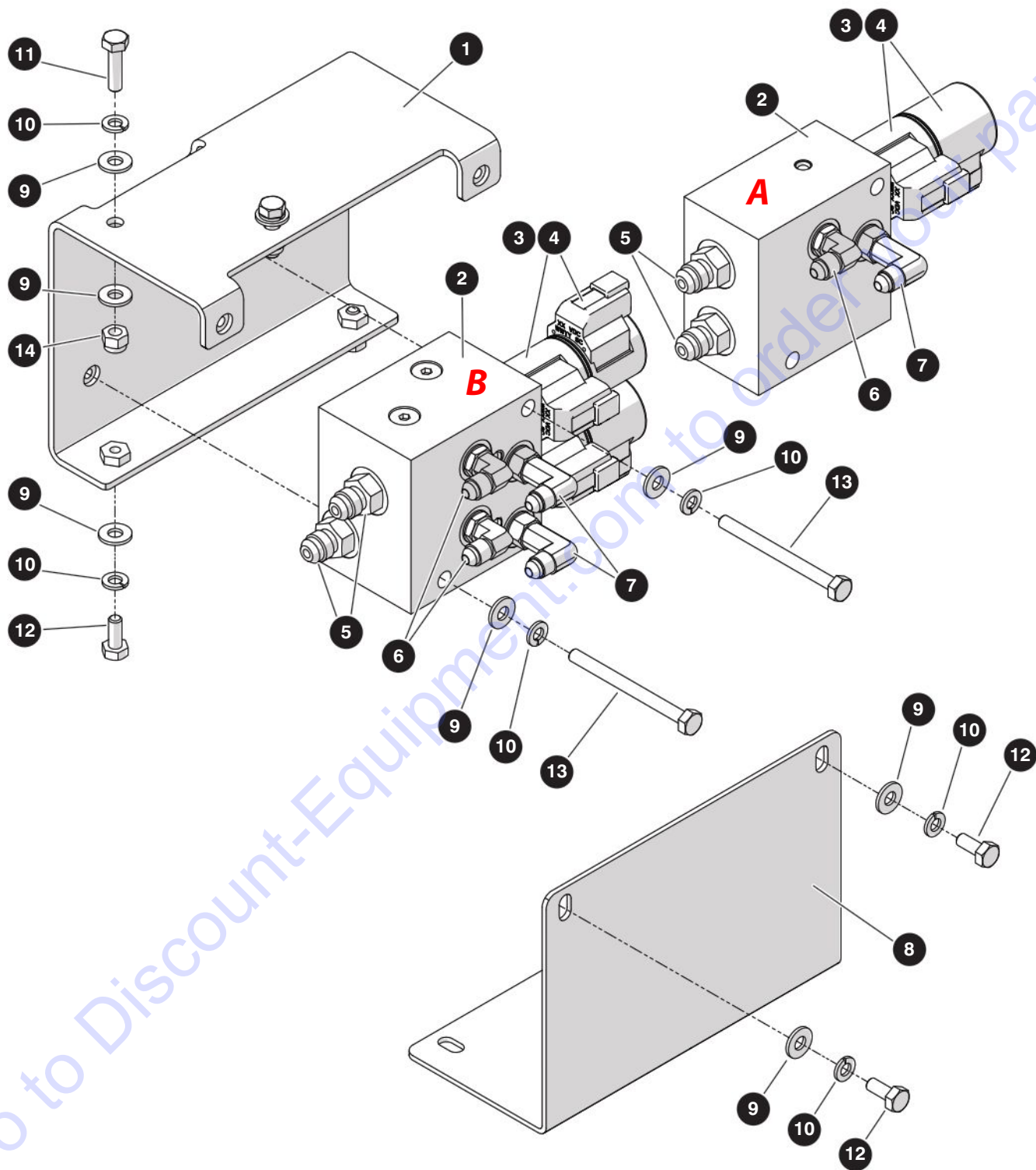
2.7 Rotary Actuator



M218095AB

Index No.	Skyjack Part No.	Qty.	Description
-	218095	1	ROTARY ACTUATOR
1	218126	1	• ROTARY ACTUATOR
2	153606	4	• BOLT, Hex head (3/4"-10 x2-1/4", gr 8)
3	702194	4	• WASHER, Flat hardened (3/4")
4	700575	4	• NUT, Torque lock (3/4"-10, Gr C)
5	126128	2	• FITTING, Straight bulkhead (04 JICM-04 ORBM)
6	TBD	1	SEAL KIT

2.8 Jib Lift / Platform Rotate Valves



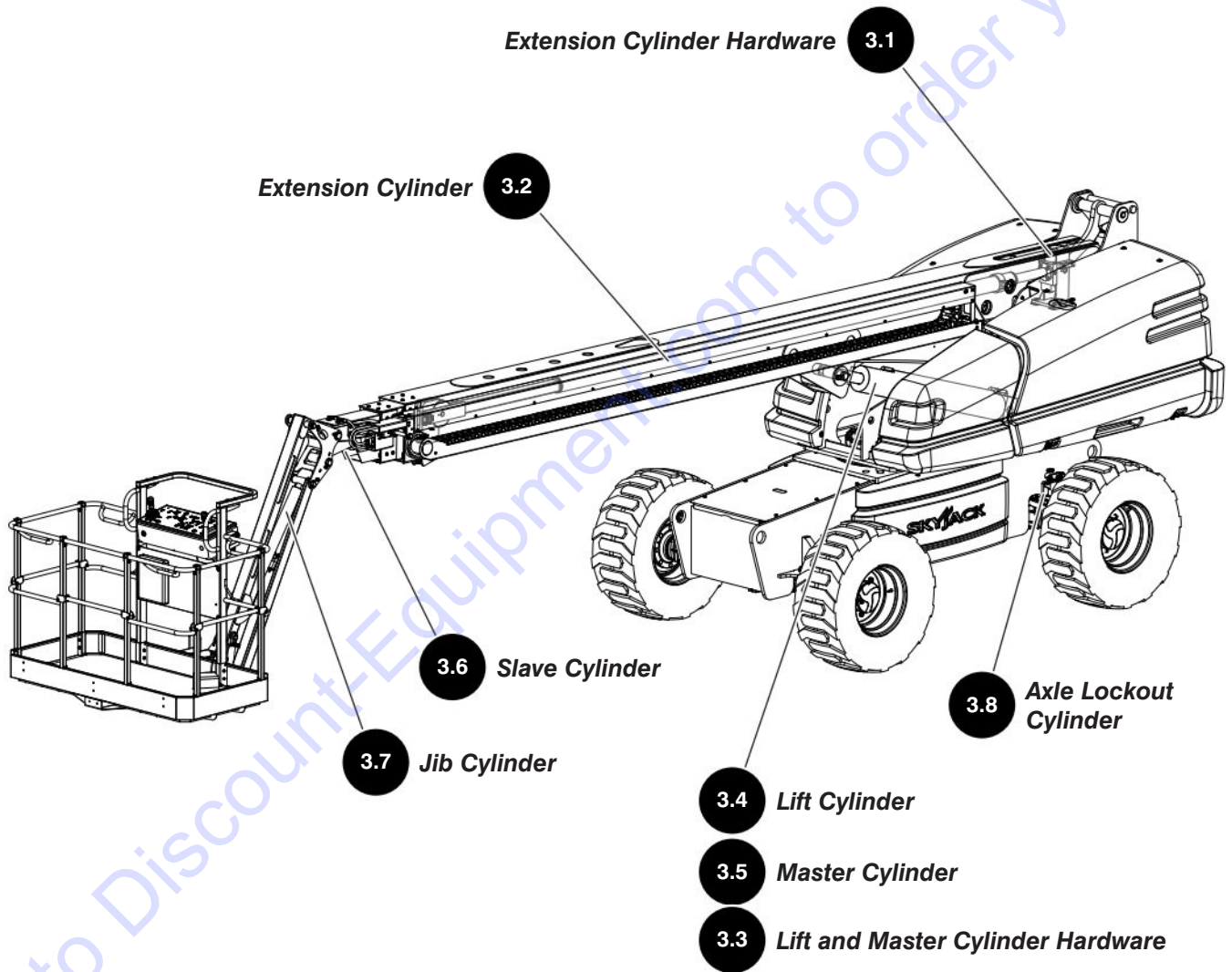
M231508AA_230509AA

229032ABA

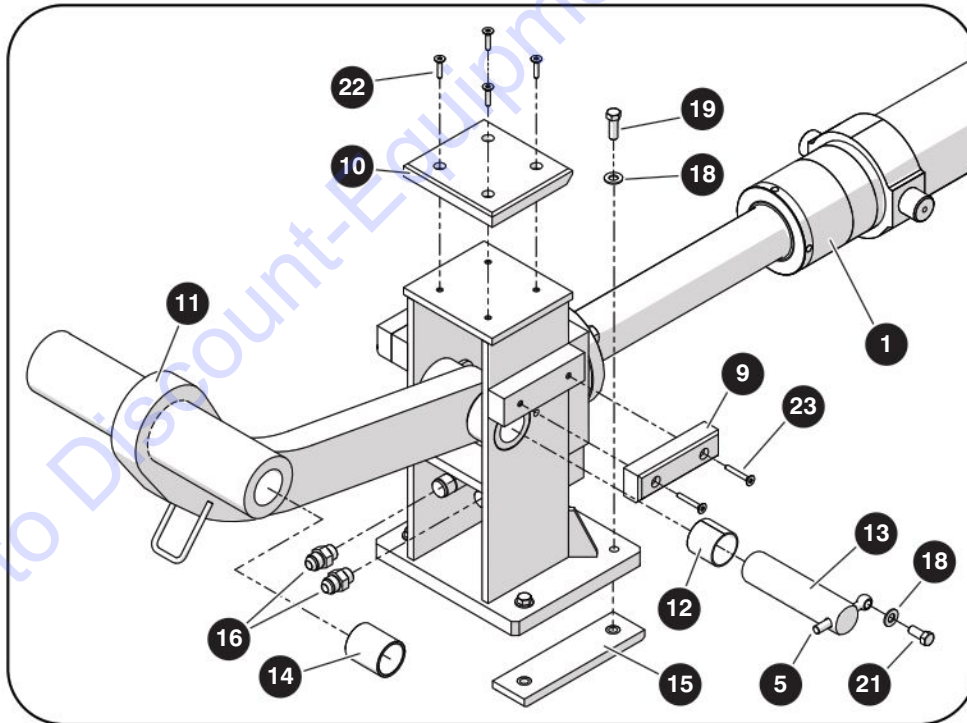
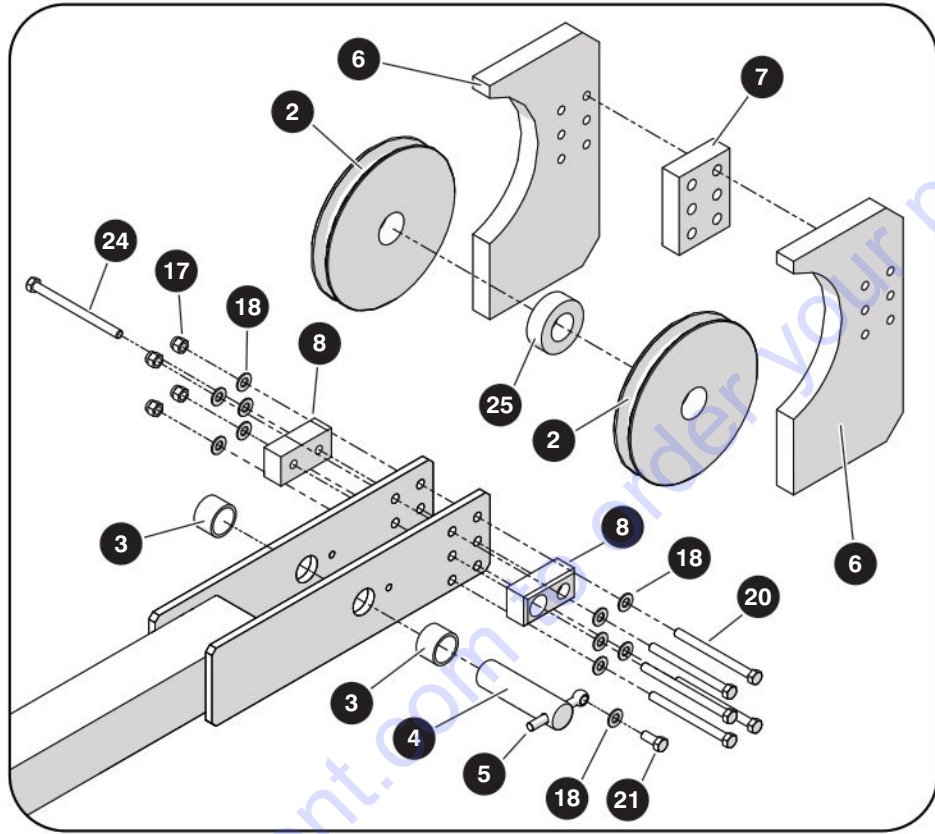
2.8 Jib Lift / Platform Rotate Valves

Index No.	Skyjack Part No.	Qty.	Description
A	231508	1	PLATFORM ROTATE VALVE - SJ61 T+
B	231509	1	JIB LIFT/PLATFORM ROTATE VALVE - SJ65 T+
1	231511	1	• SUPPORT, Manifold
2	231501	1	• PLATFORM ROTATE VALVE A
	231502	1	• JIB LIFT/PLATFORM ROTATE VALVE, B
3	166036	1	• • VALVE, Spool - 4-way, 3 pos, A
	166036	2	• • VALVE, Spool - 4-way, 3 pos, B
4	208881	2	• • COIL, Solenoid - ER (12 V DC size 08), A
	208881	4	• • COIL, Solenoid - ER (12 V DC size 08), B
5	103069	1	• • FITTING, Straight (06JICM-06ORBM), A
	103069	2	• • FITTING, Straight (06JICM-06ORBM), B
6	129127	1	• • FITTING, Elbow 90° (04JICM-06ORBM), A
	129127	4	• • FITTING, Elbow 90° (04JICM-06ORBM), B
7	TBD	1	• • FITTING, Elbow long 90° (06JICM-06ORBM), A
	TBD	1	• • FITTING, Elbow long 90° (06JICM-06ORBM), B
8	231513	1	• COVER
9	103995	10	• WASHER, Flat (1/4")
10	104000	8	• WASHER, Lock (1/4")
11	103857	2	• BOLT, Hex head (1/4"-20 x 1", gr 5)
12	103892	4	• BOLT, Hex head (1/4"-20 x 5/8", gr 5)
13	127284	2	• BOLT, Hex head (1/4"-20 x 2-1/2", gr 5), A
	113583	2	• BOLT, Hex head (1/4"-20 x 3", gr 5), B
14	115649	2	• NUT, Hex lock (1/4"-20 gr 5, nylon)

Section 3 – Cylinders



3.1 Extension Cylinder Hardware



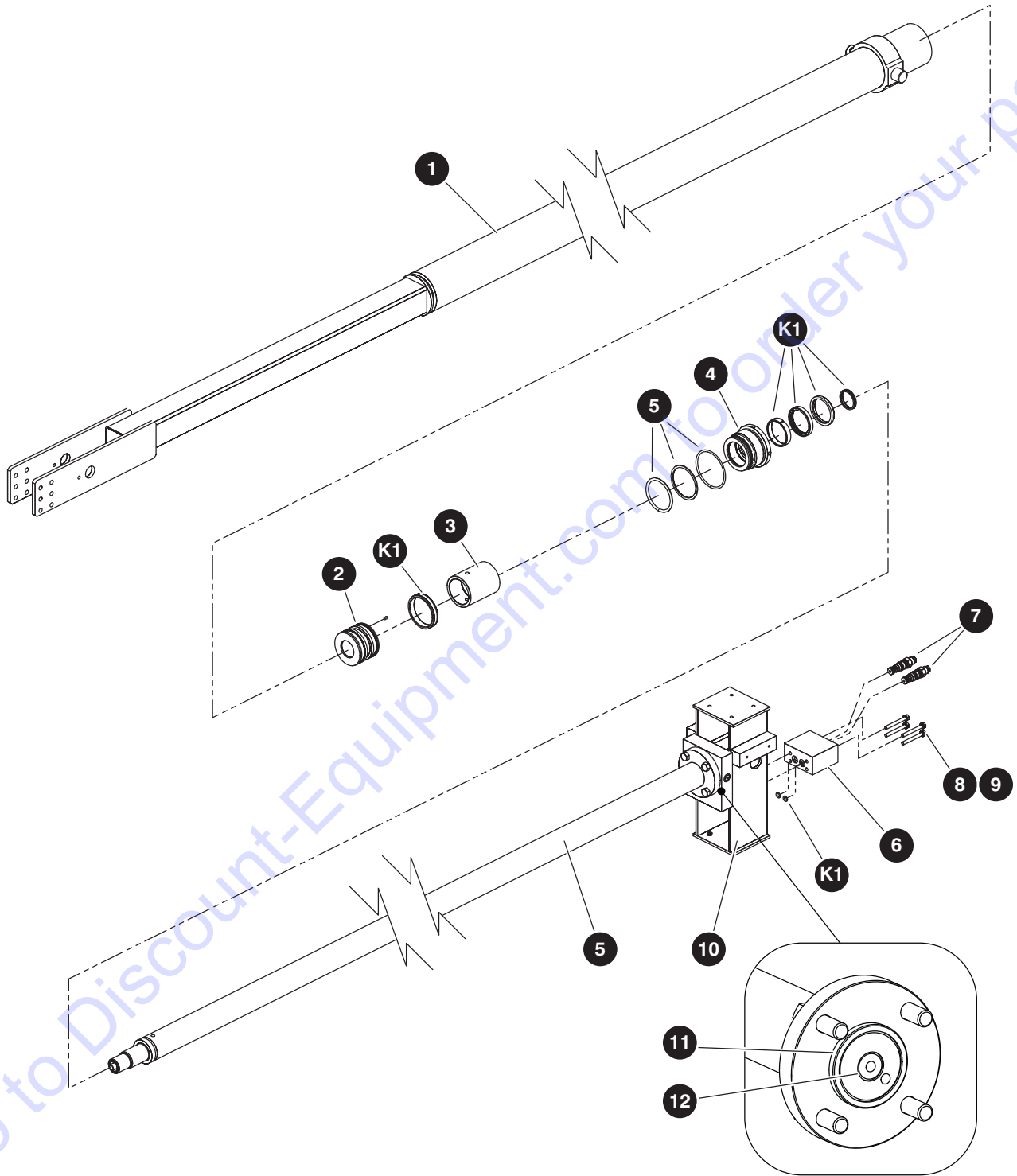
M218039AB

229032ABA

3.1 Extension Cylinder Hardware

Index No.	Skyjack Part No.	Qty.	Description
-	218039	1	EXTENSION CYLINDER ASSEMBLY
1	(Ref.)	1	<ul style="list-style-type: none"> EXTENSION CYLINDER ASSEMBLY (For components, refer to 3.2 Extension Cylinder)
-	166520	2	<ul style="list-style-type: none"> SHEAVE ASSEMBLY
2	165709	1	<ul style="list-style-type: none"> SHEAVE, Wire rope
3	163217	1	<ul style="list-style-type: none"> BUSHING, Fiberglide
4	146728	1	<ul style="list-style-type: none"> PIN, Pulley 1
5	146897	2	<ul style="list-style-type: none"> PIN, Keeper (3/8")
6	158055	2	<ul style="list-style-type: none"> STOP, Cable
7	163211	1	<ul style="list-style-type: none"> SPACER
8	146779	2	<ul style="list-style-type: none"> PAD, Rod end
9	146782	2	<ul style="list-style-type: none"> PAD, Side
10	146783	1	<ul style="list-style-type: none"> PAD, Top
11	146713	1	<ul style="list-style-type: none"> WELDMENT, Link
12	103216	1	<ul style="list-style-type: none"> BUSHING, Fiberglide (1-1/2" ID x 1-1/2" long)
13	220932	1	<ul style="list-style-type: none"> PIN, Link - cylinder end
14	146800	2	<ul style="list-style-type: none"> BUSHING, Fiberglide (1-1/2" ID x 1-3/4" OD x 2" long)
15	191268	2	<ul style="list-style-type: none"> PAD, Top/bottom
16	102659	2	<ul style="list-style-type: none"> FITTING, Straight (08 JICM - 08 ORBM)
17	104606	4	<ul style="list-style-type: none"> NUT, Hex lock (3/8"-16, gr 5, nylon)
18	103472	16	<ul style="list-style-type: none"> WASHER, Flat (3/8")
19	205510	4	<ul style="list-style-type: none"> BOLT, Hex head (3/8"-16 x 1-1/8", gr 5)
20	103913	4	<ul style="list-style-type: none"> BOLT, Hex head (3/8"-16 x 4 1/2", gr 5)
21	125741	2	<ul style="list-style-type: none"> BOLT, Hex head (3/8"-16 x 7/8", gr 8)
22	710256	4	<ul style="list-style-type: none"> SCREW, Flat head cap (1/4"-20 x 1", stainless steel)
23	146918	4	<ul style="list-style-type: none"> SCREW, Flat head cap (1/4"-20 x 1-1/2", gr 5)
24	163510	2	<ul style="list-style-type: none"> BOLT, Hex head (3/8"-16 x 5", gr 5)
25	218125	1	<ul style="list-style-type: none"> SPACER

3.2 Extension Cylinder



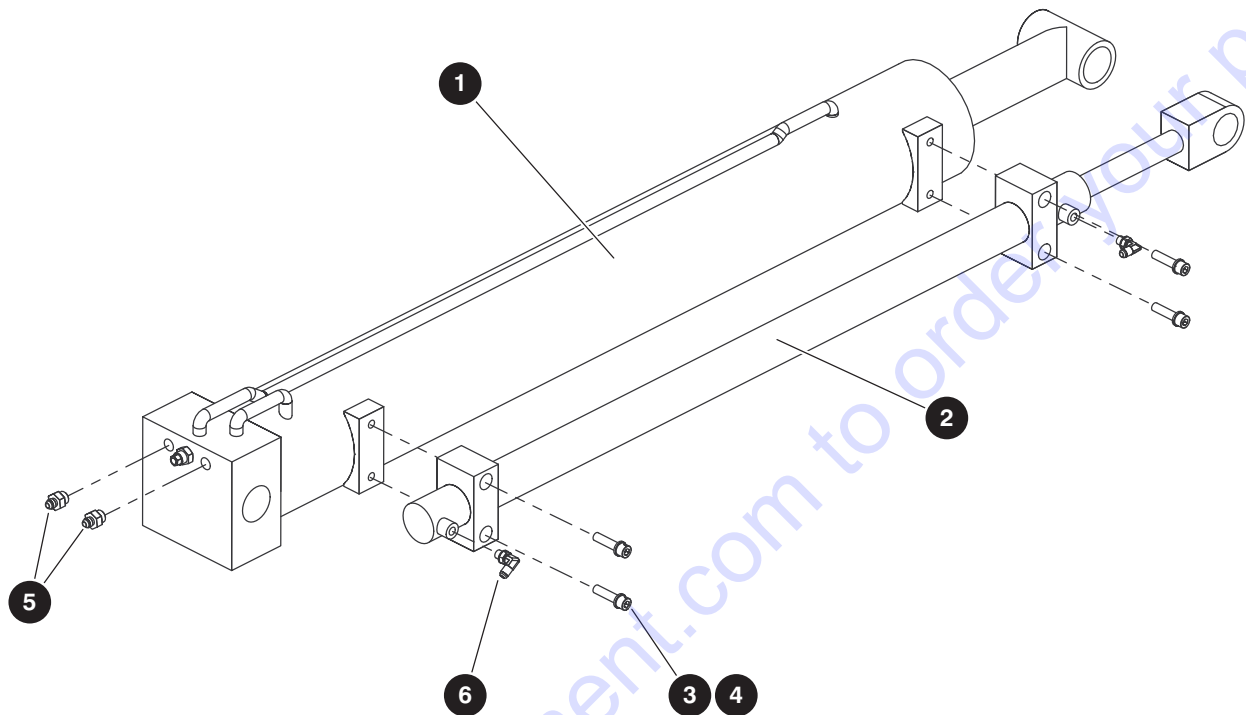
M146699AF

229032ABA

3.2 Extension Cylinder

Index No.	Skyjack Part No.	Qty.	Description
-	146699	1	EXTENSION CYLINDER ASSEMBLY
1	159246	1	• WELDMENT, Tube
2	159247	1	• PISTON
3	159248	1	• SPACER
4	159249	1	• GLAND
5	159250	1	• WELDMENT, Rod
6	159251	1	• BLOCK, Manifold
7	701827	2	• VALVE, Counterbalance
8	159252	1	• SCREW, Hex head cap (5/16"-18)
9	159253	1	• WASHER, Lock (5-16")
10	220571	1	• WELDMENT, Rod attachment
11	220557	1	• O-RING (1-133/N90)
12	220558	1	• O-RING (1-113/N90)
K1	159255	1	KIT, Seal

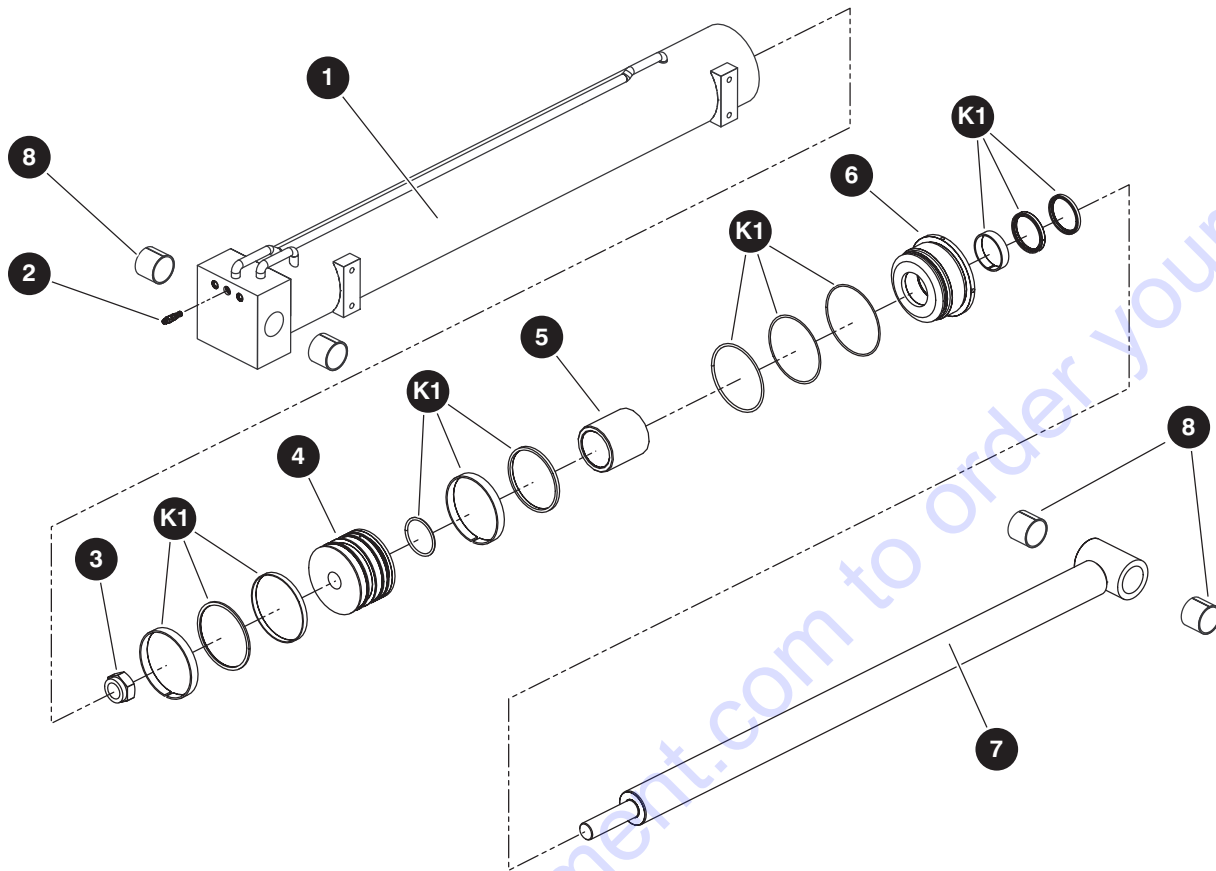
3.3 Lift and Master Cylinder Hardware



M146913AA

Index No.	Skyjack Part No.	Qty.	Description
-	218630	1	LIFT AND MASTER CYLINDER HARDWARE
1	(Ref.)	1	<ul style="list-style-type: none"> LIFT CYLINDER ASSEMBLY (For components, refer to 3.4 Lift Cylinder)
2	(Ref.)	1	<ul style="list-style-type: none"> MASTER CYLINDER ASSEMBLY (For components, refer to 3.5 Master Cylinder)
3	146919	4	<ul style="list-style-type: none"> SCREW, Socket head cap (1/2"-13 x 2-1/2")
4	103470	4	<ul style="list-style-type: none"> WASHER, Lock (1/2", Grade 5)
5	103070	2	<ul style="list-style-type: none"> FITTING, Straight (06 JICM - 08 ORBM)
6	114578	2	<ul style="list-style-type: none"> FITTING, Elbow, 90° (06 JICM - 06 ORBM)

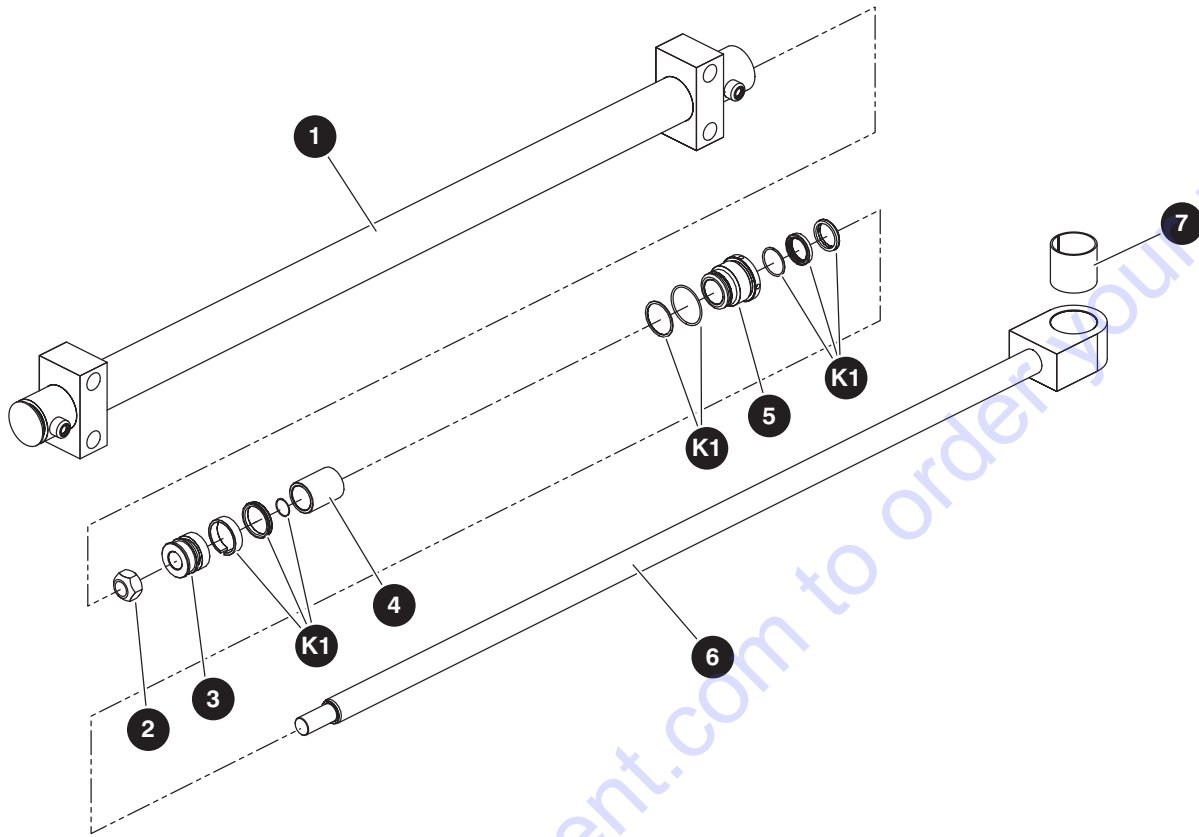
3.4 Lift Cylinder



M146697AA

Index No.	Skyjack Part No.	Qty.	Description
-	230130	1	LIFT CYLINDER ASSEMBLY
1	236641	1	• BARREL
2	236647	1	• VALVE, Counterbalance
3	151088	1	• NUT, Rod
4	236643	1	• PISTON
5	151056	1	• SPACER
6	236644	1	• GLAND
7	236642	1	• ROD
8	236645	4	• BEARING
K	236646	1	KIT, Seal

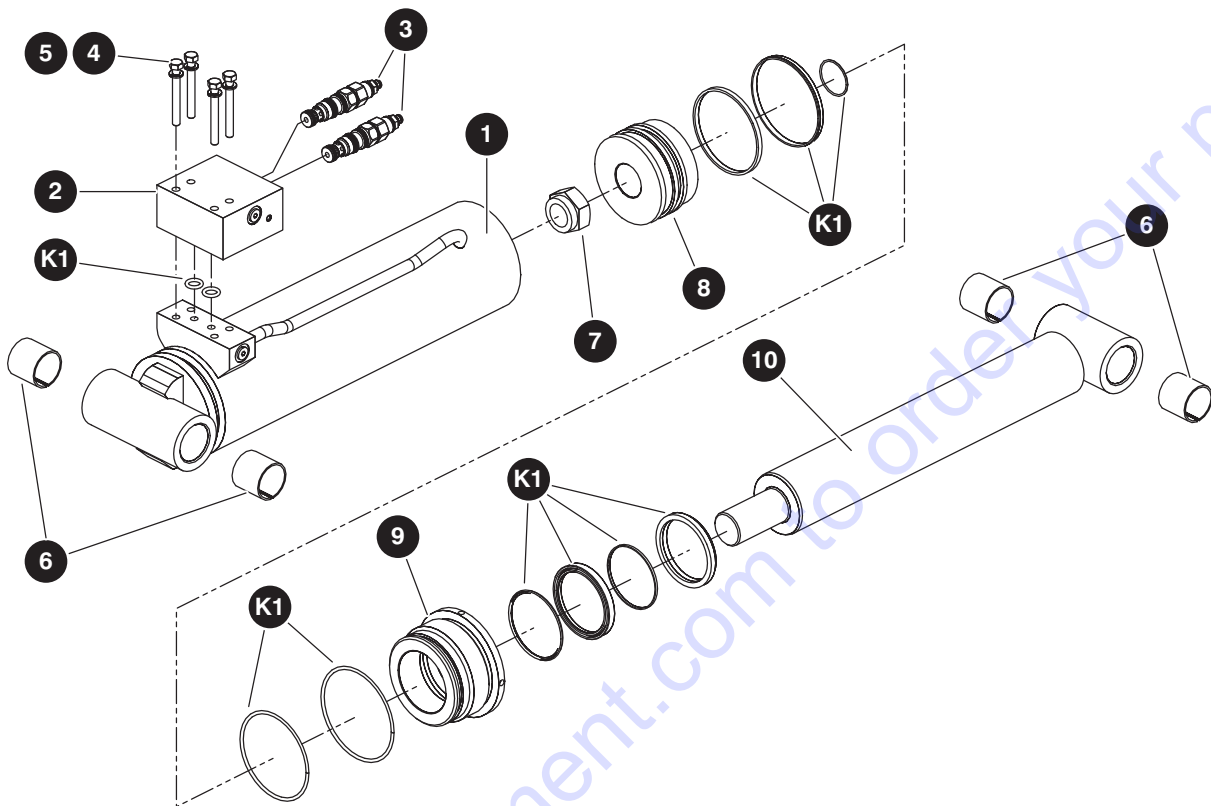
3.5 Master Cylinder



M146879AB

Index No.	Skyjack Part No.	Qty.	Description
-	146879	1	MASTER CYLINDER ASSEMBLY
1	159190	1	• WELDMENT, Tube
2	159191	1	• NUT, Rod
3	159192	1	• PISTON
4	159193	1	• SPACER
5	159194	1	• GLAND
6	159195	1	• WELDMENT, Rod
7	159196	1	• BEARING
K1	159197	1	KIT, Seal

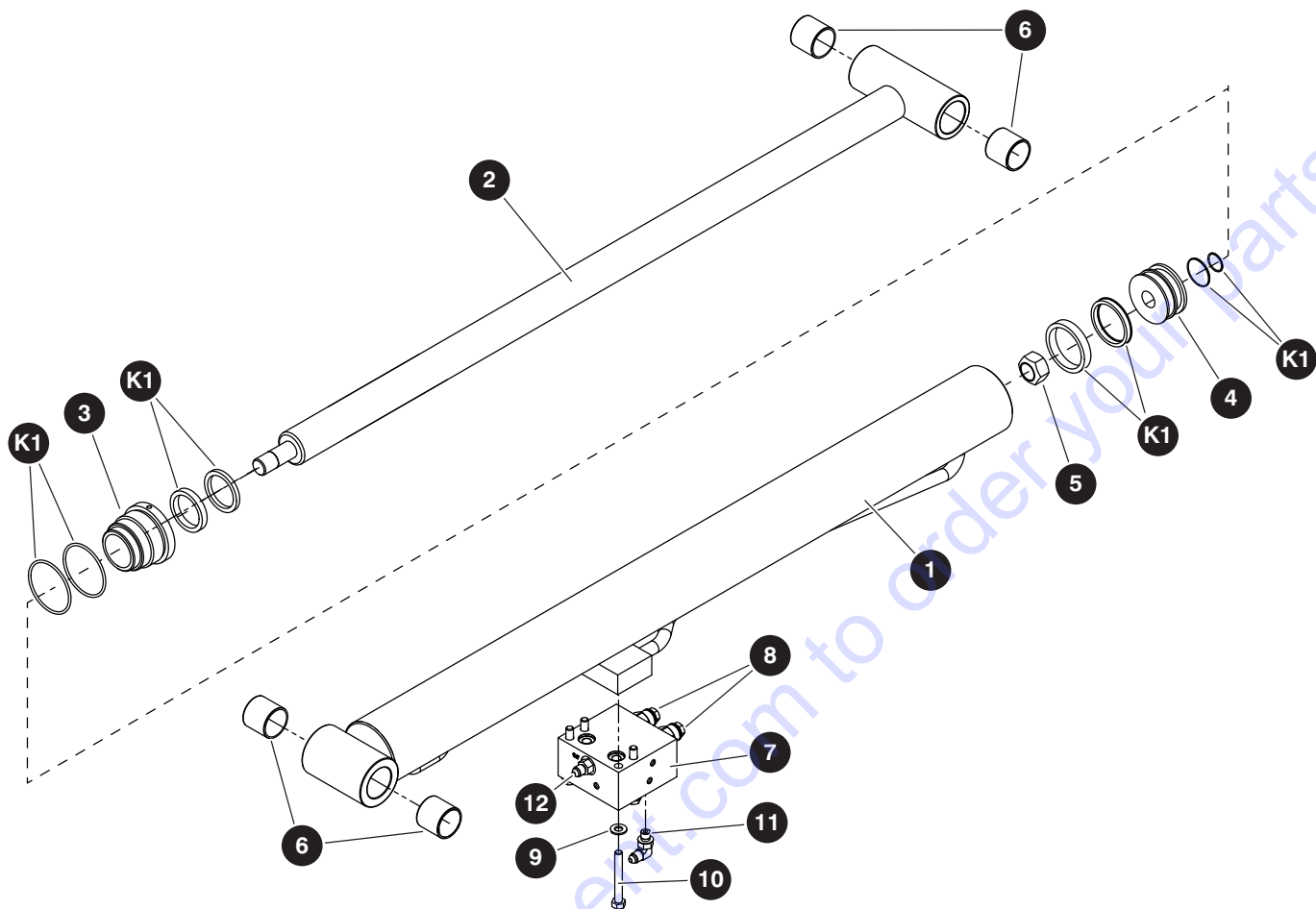
3.6 Slave Cylinder



M146888AB

Index No.	Skyjack Part No.	Qty.	Description
-	166948	1	SLAVE CYLINDER ASSEMBLY
1	151045	1	• WELDMENT, Tube
2	701969	1	• BLOCK, Manifold
3	166772	2	• VALVE, Counterbalance
4	151086	4	• SCREW, Head hex cap (5/16")
5	151085	4	• WASHER, Lock (5/16")
6	103216	4	• BUSHING, Fiberglide (1.5" I.D x 1.5" LG)
7	151084	1	• NUT, Rod
8	151047	1	• PISTON
9	151048	1	• GLAND
10	151046	1	• WELDMENT, Rod
K1	194335	1	KIT, Seal

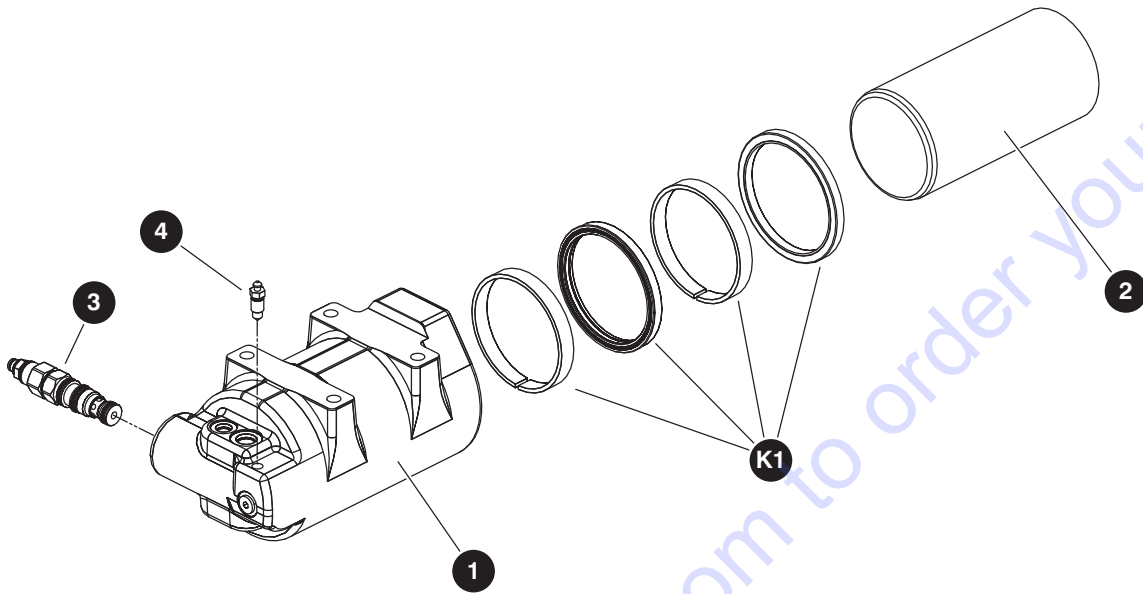
3.7 Jib Cylinder



M166091AA

Index No.	Skyjack Part No.	Qty.	Description
-	166091	1	JIB CYLINDER ASSEMBLY
-	160037	1	• CYLINDER, Jib
1	169203	1	• • TUBE
2	169204	1	• • ROD
3	169205	1	• • PISTON
4	169206	1	• • COVER, Rod
5	169207	1	• • NUT, Rod
6	100071	4	• • BEARING
7	166092	1	• MANIFOLD, Jib Cylinder
8	149488	2	• • VALVE, Counterbalance
9	103996	4	• WASHER, Flat (5/16")
10	103884	4	• BOLT, Head hex (5/16"-16 x 2.50" gr 5)
11	125883	1	• FITTING, Elbow 90° (04JICM-04ORBM)
12	126128	1	• FITTING, Straight (04JICM-04ORBM)
K1	169208	1	KIT, Seal

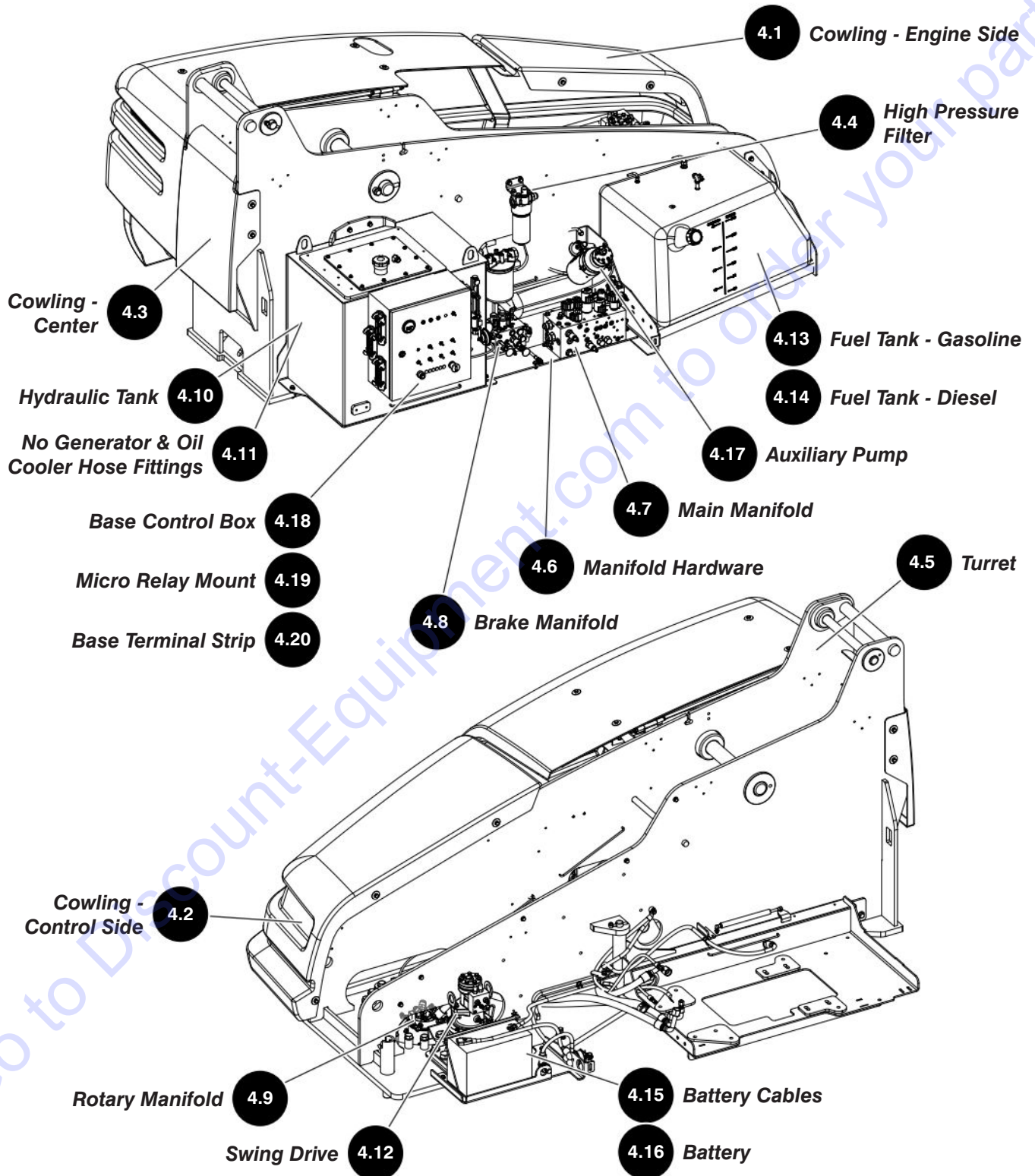
3.8 Axle Lockout Cylinder



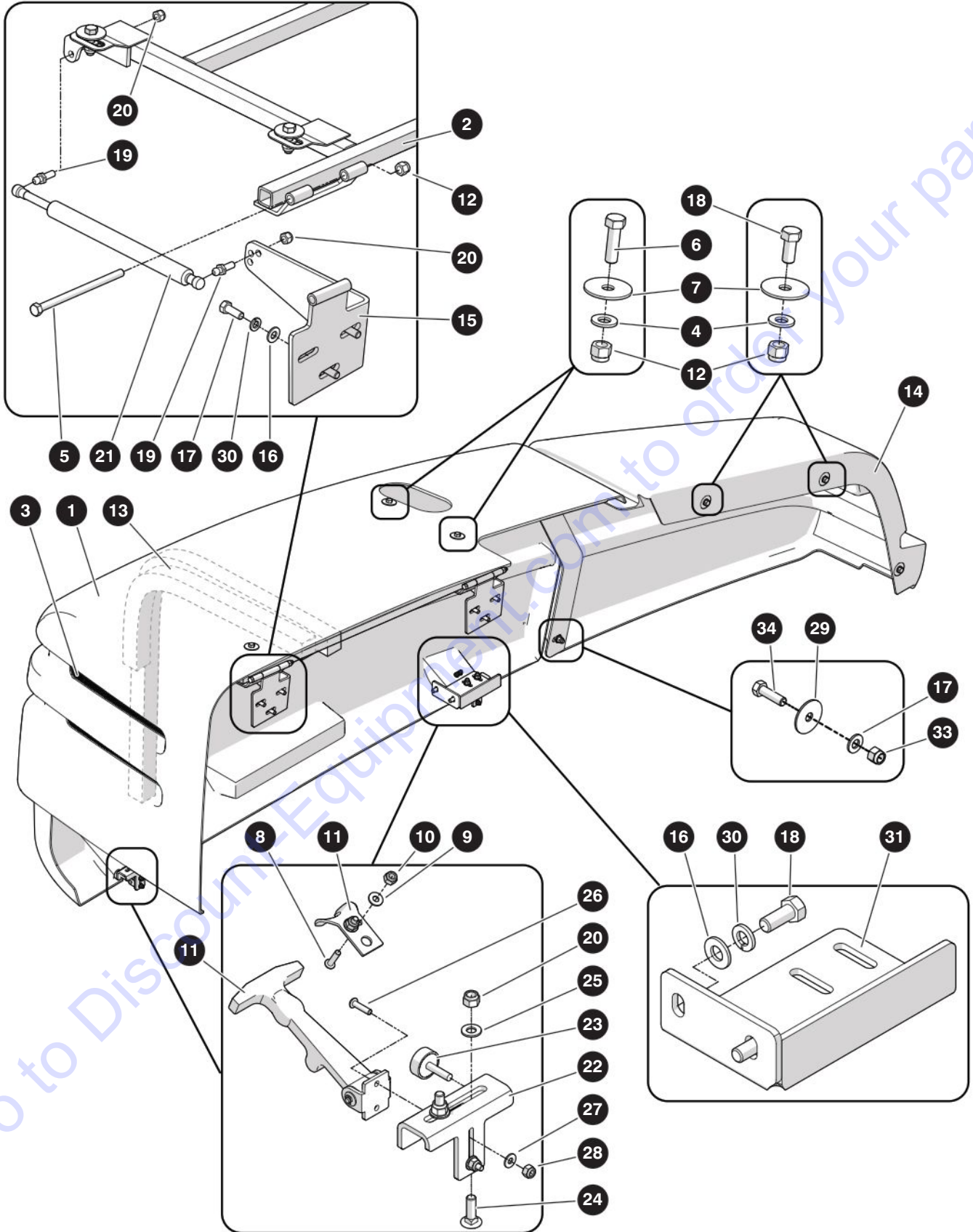
M161095AC

Index No.	Skyjack Part No.	Qty.	Description
-	161095	1	AXLE LOCKOUT CYLINDER ASSEMBLY
1	154558	1	• WELDMENT, Tube
2	154559	1	• ROD
3	160028	1	• VALVE, Counterbalance
4	154561	1	• SCREW, Bleeder
K1	154557	1	KIT, Seal

Section 4 – Turret



4.1 Cowling - Engine Side



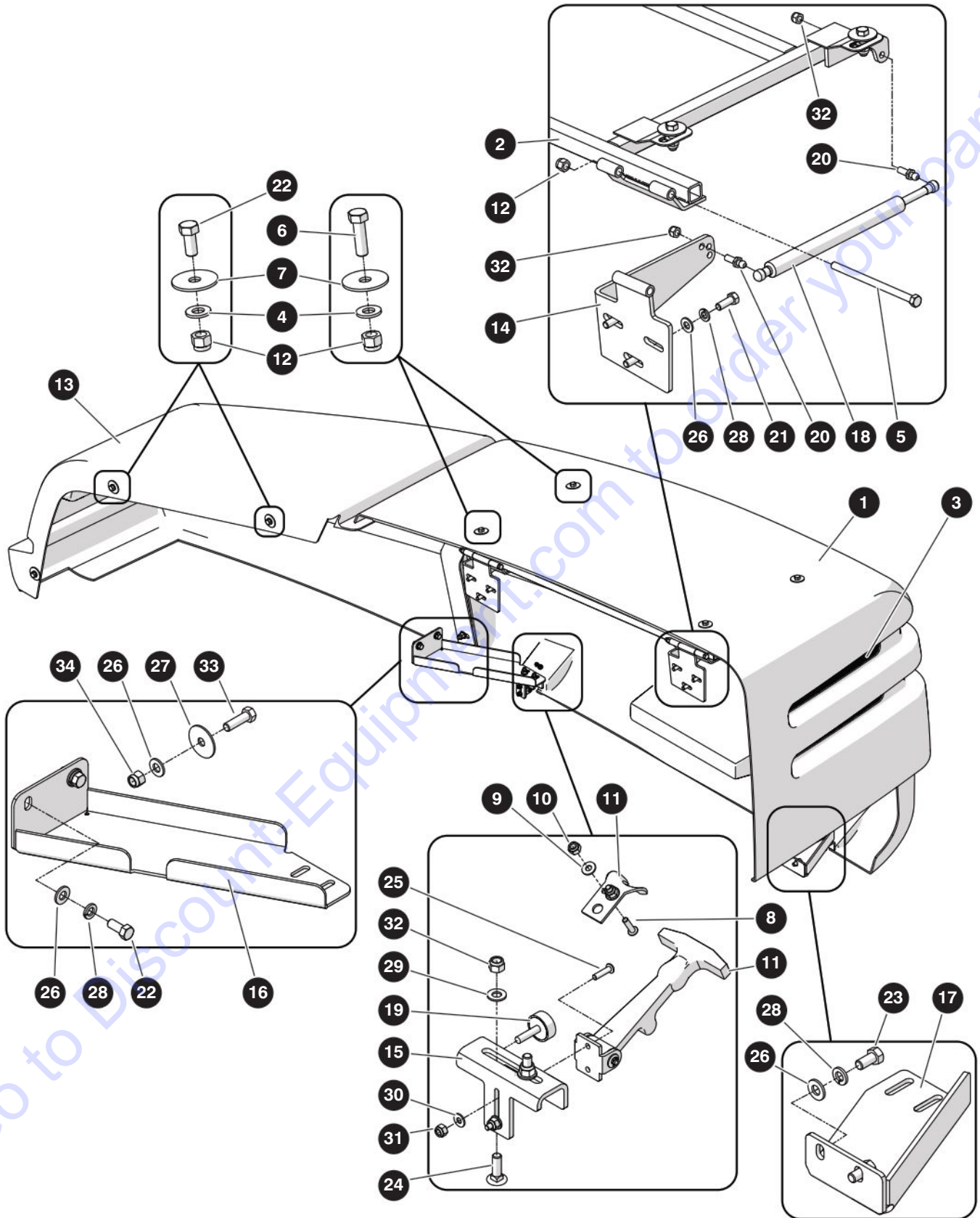
M161765AG

229032ABA

4.1 Cowling - Engine Side

Index No.	Skyjack Part No.	Qty.	Description
-	161765	1	ENGINE SIDE COWLING ASSEMBLY
-	161771	1	• COWLING, Engine side (Hinged)
1	161773	1	• • COWLING SHELL, Engine side (Hinged)
2	160307	1	• • WELDMENT, Cowling frame (Engine side)
3	146933	2	• • PLATE, Perforated
4	125959	4	• • WASHER, Flat hardened (3/8")
5	138736	2	• • BOLT, Hex head (3/8"-16 x 6" Grade 5)
6	101297	4	• • BOLT, Hex head (3/8"-16 x 1 1/4" Grade 5)
7	127067	4	• • WASHER, Flat (3/8" Style BB)
8	138834	4	• • SCREW, Round head machine (#10-24 x 3/4", Grade 5)
9	104694	4	• • WASHER, Flat (#10)
10	126642	4	• • NUT, Hex lock (#10-24 Grade 5, nylon)
11	144002	2	• • LATCH, Flexible draw
12	104606	6	• • NUT, Hex nylon lock (3/8"-16 Grade 5)
13	148368	90"	• • FOAM, 4lb (2" x 2")
14	161772	1	• COWLING, Engine side (Fixed)
15	146882	2	• HINGE WELDMENT, Engine side
16	125959	9	• WASHER, Flat hardened (3/8")
17	103473	6	• BOLT, Hex head (3/8"-16 x 1" Grade 5)
18	300437	5	• BOLT, Hex head (3/8"-16 x 7/8" Grade 5)
19	146903	4	• STUD, Ball (10 mm)
20	103984	8	• NUT, Hex lock (5/16"-18 Grade 5, nylon)
21	146902	2	• GAS SPRING, Cowling
22	146812	2	• BRACKET, Latch mounting
23	144015	2	• MOUNT, Anti vibration
24	133216	4	• CARRIAGE BOLT (5/16"-18 x 1", Grade 5)
25	103996	4	• WASHER, Flat (5/16")
26	138834	4	• SCREW, Round head machine (#10-24 x 3/4", Grade 5)
27	104694	4	• WASHER, Flat (#10)
28	126642	4	• NUT, Hex lock (#10-24 Grade 5, nylon)
29	127067	4	• WASHER, Flat (3/8" Style BB)
30	103999	11	• WASHER, Lock (3/8")
31	146868	1	• BRACKET, Handle mounting
32	110814	2	• CARRIAGE BOLT (5/16"-18 x 0.75", Grade 5)
33	104606	1	• NUT, Lock (3/8"-16, gr 5)
34	101297	1	• BOLT, Hex head (3/8"-16 x 1-1/4", gr 5)

4.2 Cowling - Control Side



M218531AD

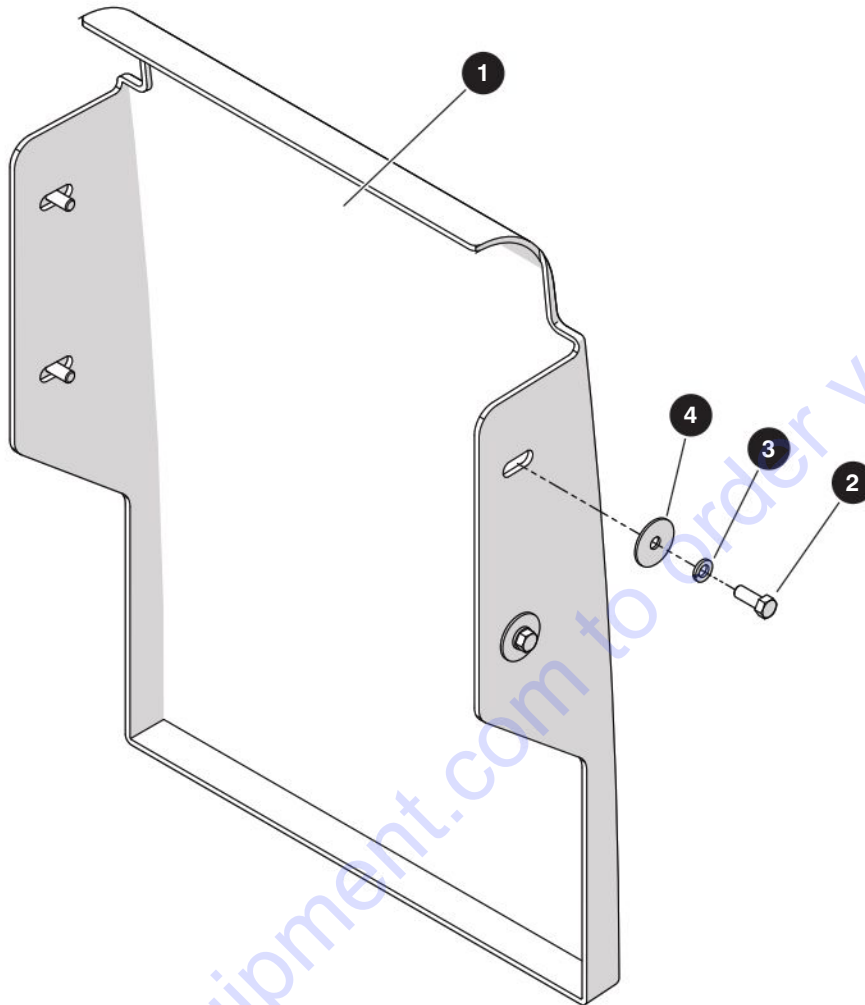
229032ABA

SJ61 T+, SJ66 T+

4.2 Cowling - Control Side

Index No.	Skyjack Part No.	Qty.	Description
-	218531	1	CONTROLS SIDE COWLING ASSEMBLY
-	161767	1	• COWLING, Controls side (Hinged)
1	161769	1	• • COWLING SHELL, Controls side (Hinged)
2	160219	1	• • WELDMENT, Cowling frame (Controls side)
3	146933	2	• • PLATE, Perforated
4	125959	4	• • WASHER, Flat hardened (3/8")
5	138736	2	• • BOLT, Hex head (3/8"-16 x 6" Grade 5)
6	101297	4	• • BOLT, Hex head (3/8"-16 x 1 1/4" Grade 5)
7	127067	4	• • WASHER, Flat (3/8" Style BB)
8	138834	4	• • SCREW, Round head machine (#10-24 x 3/4", Grade 5)
9	104694	4	• • WASHER, Flat (#10)
10	126642	4	• • NUT, Hex lock (#10-24 Grade 5, nylon)
11	144002	2	• • LATCH, Flexible draw
12	104606	6	• • NUT, Hex nylon lock (3/8"-16 Grade 5)
13	161768	1	• COWLING, Controls side (Fixed)
14	146883	2	• HINGE WELDMENT, Controls side
15	146812	2	• BRACKET, Latch mounting
16	146928	1	• BRACKET, Handle mounting
17	147440	1	• BRACKET, Tank side handle
18	146902	2	• GAS SPRING, Cowling
19	144015	2	• MOUNT, Anti vibration
20	146903	4	• STUD, Ball (10 mm)
21	103473	6	• BOLT, Hex head (3/8"-16 x 1" Grade 5)
22	300437	5	• BOLT, Hex head (3/8"-16 x 7/8" Grade 5)
23	101632	2	• BOLT, Hex head (3/8"-16 x 3/4" Grade 5)
24	133216	4	• BOLT, Carriage (5/16"-18 x 1", Grade 5)
25	138834	4	• SCREW, Round head machine (#10-24 x 3/4", Grade 5)
26	125959	11	• WASHER, Flat hardened (3/8")
27	127067	4	• WASHER, Flat (3/8" Style BB)
28	103999	13	• WASHER, Lock (3/8")
29	103996	4	• WASHER, Flat (5/16")
30	104694	4	• WASHER, Flat (#10)
31	126642	4	• NUT, Hex lock (#10-24 Grade 5, nylon)
32	103984	8	• NUT, Hex lock (5/16"-18 Grade 5, nylon)
33	101297	1	• BOLT, Hex head (3/8"-16 x 1-1/4", gr 5)
34	104606	1	• NUT, Lock (3/8"-16, gr 5)

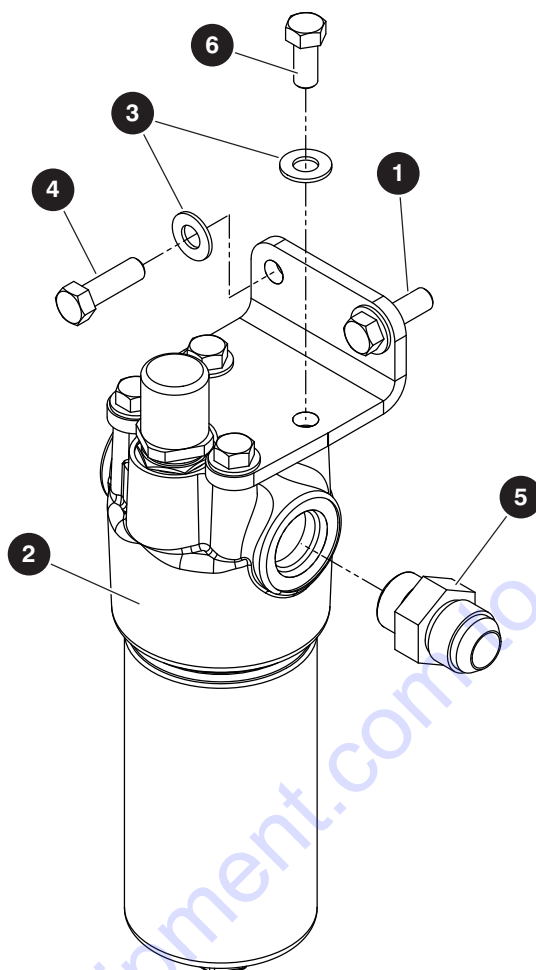
4.3 Cowling - Center



M161766AC

Index No.	Skyjack Part No.	Qty.	Description
-	161766	1	CENTER COWLING ASSEMBLY
1	161775	1	• COWLING, Front
2	103473	4	• BOLT, Hex head (3/8"-16 x 1" Grade 5)
3	103999	4	• WASHER, Lock (3/8")
4	127067	4	• WASHER, Flat (3/8", style BB)

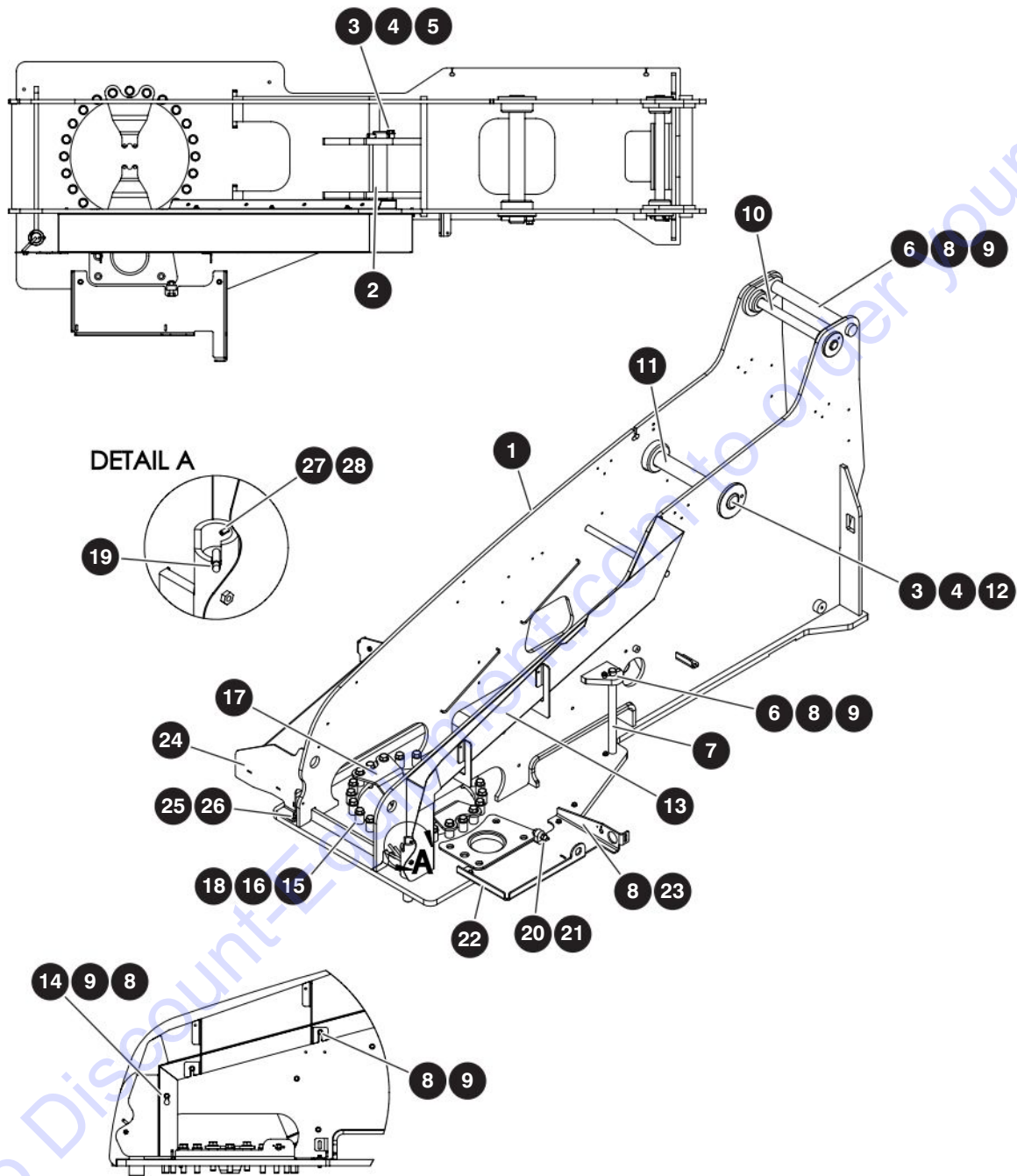
4.4 High Pressure Filter



M163117AC

Index No.	Skyjack Part No.	Qty.	Description
-	163117	1	HIGH PRESSURE FILTER ASSEMBLY
1	162327	1	• BRACKET, High pressure filter
2	161932	1	• FILTER ASSEMBLY, High pressure
	161947	1	• • ELEMENT, High pressure filter
	169246	1	• • PLUG, Indicator with seals
	204202	1	• • O-RING
	204203	1	• • O-RING, Backup
3	103472	6	• WASHER, Flat (3/8")
4	101297	2	• BOLT, Hex head (3/8"-16 x 1 1/4" Grade 5)
5	702118	1	• FITTING, Straight (12 JICM - 12 ORBM)
6	300437	4	• BOLT, Hex head (3/8"-16 x 0.875" Grade 5)

4.5 Turret



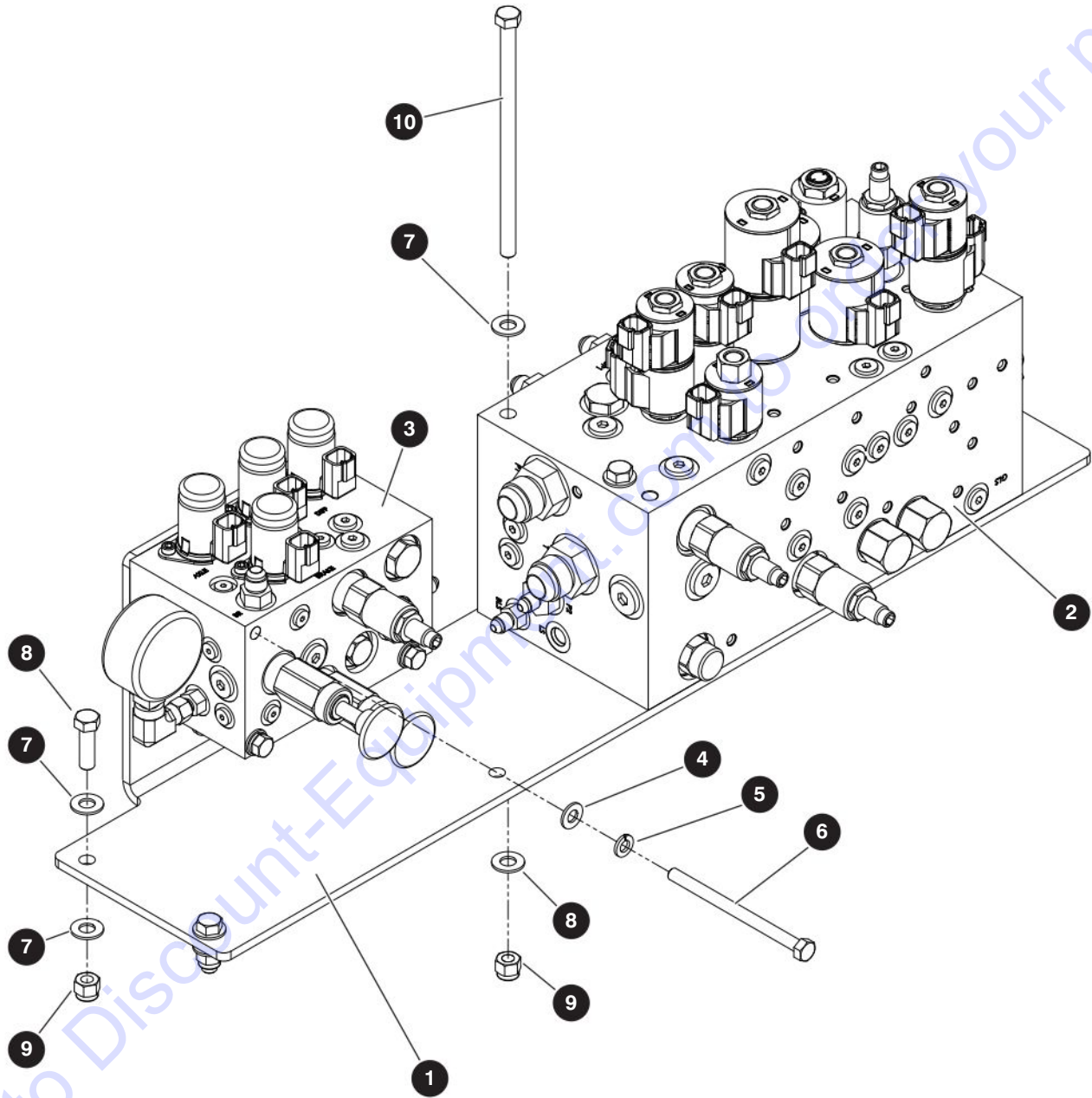
M166613AB

229032ABA

4.5 Turret

Index No.	Skyjack Part No.	Qty.	Description
-	168221	1	TURRET SUBGROUP
1	166610	1	• TURRET WELDMENT
2	146726	1	• PIN, Lift cylinder (body end)
3	146898	2	• PIN, Keeper (5/8")
4	700782	2	• WASHER, Flat (5/8" hard)
5	103898	1	• BOLT, Hex head (5/8" - 11 x 1-3/4 Grade 5)
6	146897	2	• PIN, Keeper (3/8")
7	146873	1	• PIN, Engine Tray
8	103472	19	• WASHER, Flat (3/8")
9	103473	11	• BOLT, Hex head (3/8" - 16 x 1 Grade 5)
10	162940	1	• PIN, Link, Turret end
11	162939	1	• PIN, Main
12	103900	1	• BOLT, Hex head (5/8" - 11 x 1-1/4 Grade 5)
13	146929	1	• WELDMENT, Pocket
14	103999	7	• WASHER, Lock (3/8")
15	702194	24	• WASHER, Flat hardened (3/4")
16	146887	24	• BOLT, Hex head (3/4"-10 x 4" Grade 5, zinc)
17	157897	2	• PLATE, Rotary manifold
18	159418	24	• SPACER, Slewing ring
19	159483	1	• PIN, Transportation locking
20	103981	1	• NUT, Hex head (5/8"-11 Grade 5)
21	103897	1	• BOLT, Hex head (5/8"-11 x 2" Grade 5)
22	231403	1	• TRAY, Battery
23	103870	4	• BOLT, Hex head (3/8" - 16 x 1-1/2 Grade 5)
24	213531	1	• TRAY, Fuel tank
25	103596	2	• BOLT, Hex head (3/8"-16 x 2.00" Grade 5)
26	104606	2	• NUT, Hex head nylon lock (3/8"-16 Grade 5)
27	103857	1	• BOLT, Hex head (1/4"-20 x 1.00" Grade 5)
28	115649	1	• NUT, Hex head nylon lock (1/4"-20 Grade 5)

4.6 Manifold Hardware



M164634AE

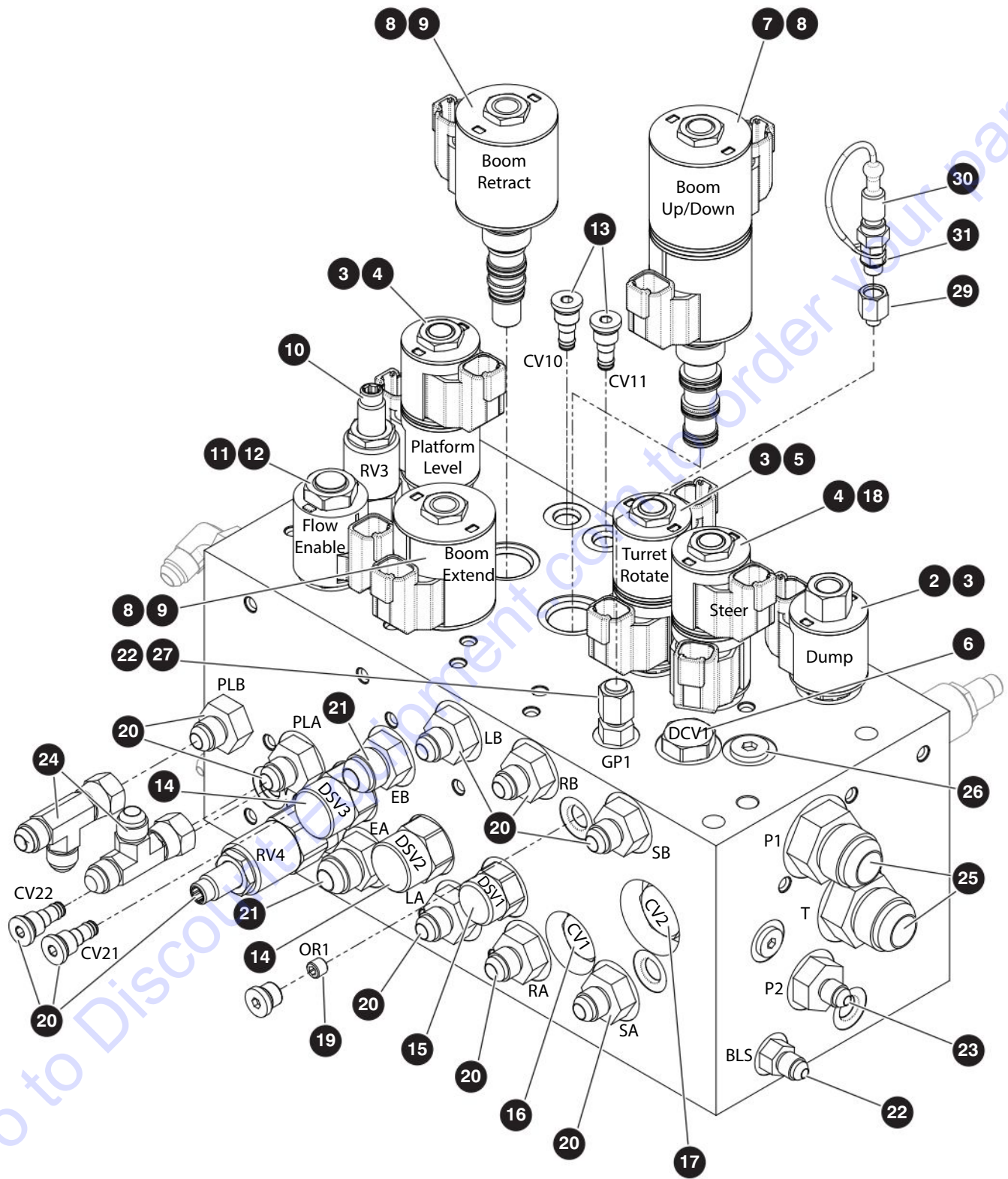
229032ABA

SJ61 T+, SJ66 T+

4.6 Manifold Hardware

Index No.	Skyjack Part No.	Qty.	Description
-	164634	1	MANIFOLD ASSEMBLY
1	164633	1	• BRACKET, Manifold mounting
2	(Ref.)	1	• MANIFOLD, Main (For components, refer to 4.7 Main Manifold)
3	(Ref.)	1	• MANIFOLD, Brake (For components, refer to 4.8 Brake Manifold)
4	103996	3	• WASHER, Flat (0.312")
5	103404	3	• WASHER, Lock (0.312")
6	103869	3	• BOLT, Hex head (0.312"-18 x 4.5" Grade 5)
7	103472	12	• WASHER, Flat (0.375")
8	101297	3	• BOLT, Hex head (0.375"-16 x 1.25" Grade 5)
9	104606	6	• NUT, Hex head nylon lock (0.375"-16 Grade 5)
10	133369	3	• BOLT, Hex head (0.375"-16 x 7.00" Grade 5)

4.7 Main Manifold



M211622AA-4A

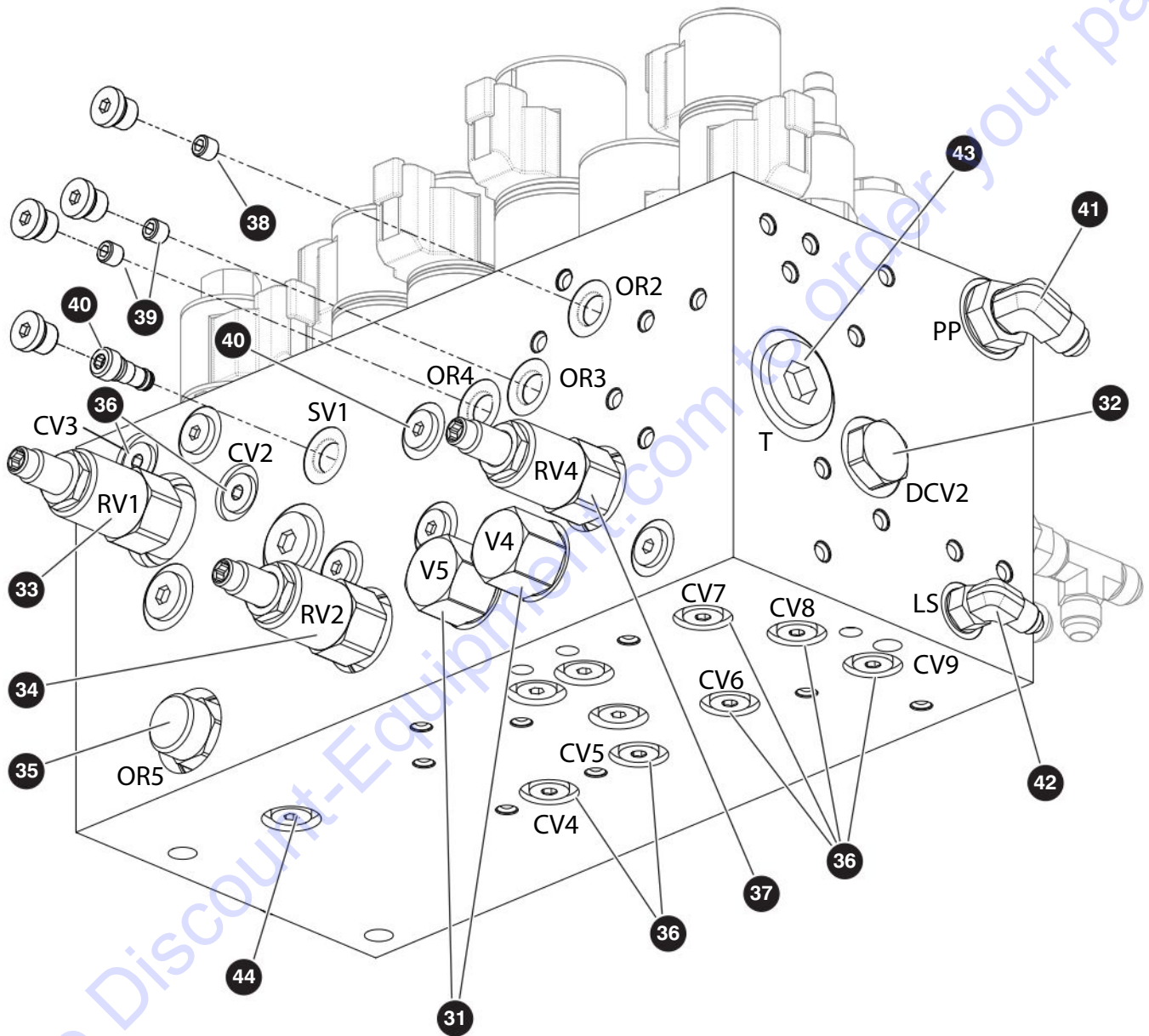
229032ABA

SJ61 T+, SJ66 T+

4.7 Main Manifold

Index No.	Skyjack Part No.	Qty.	Description
-	211622	1	MAIN MANNIFOLD WITH FITTINGS
1	211620	1	• MANIFOLD, Main
2	103656	1	• • CARTRIDGE, Solenoid popp. valve
3	159819	5	• • COIL, 12V DC "ER"
4	166036	2	• • VALVE, Spool
5	166041	1	• • VALVE, Spool
6	159817	2	• • VALVE, Dual P.O. Check DC08-40
7	166052	1	• • VALVE, Spool
8	159820	4	• • COIL, 12V DC ER-Series 10-size
9	166040	2	• • VALVE, Spool
10	166047	1	• • VALVE, Relief
11	166050	1	• • VALVE, Flow control
12	166127	1	• • COIL, "EHPR", 12V DC 70-size
13	159814	12	• • VALVE, Check CV04-20 (5 PSI)
14	166061	2	• • COMPENSATOR, Pressure
15	166062	1	• • COMPENSATOR, Pressure
16	159842	1	• • VALVE, Check
17	159813	1	• • VALVE, Check
18	159821	2	• • COIL, 12V DC "ER/Z"
19	166077	1	• • ORIFICE (0.078")
20	159814	2	• • VALVE, Check CV04-20 (5 PSI)
20	103070	8	• FITTING, Straight (06 JICM - 08 ORBM)
21	102659	2	• FITTING, Straight (08 JICM - 08 ORBM)
22	126128	2	• FITTING, Straight (04 JICM - 04 ORBM)
23	131705	1	• FITTING, Straight (04 JICM - 08 ORBM)
24	103309	2	• FITTING, Run tee (06 JICM - 06 JICM - 06 JICFS)
25	702118	2	• FITTING, Straight (12 JICM - 12 ORBM)
26	121250	2	• FITTING, Plug (04 ORBM hex socket)
27	131286	1	• FITTING, Cap (04 JICF)
			Parts list continued on the next page.
28	122420	1	QUICK DISCONNECT ASSEMBLY - CE & AS
29	122385	1	• COUPLER, Quick disconnect
30	114521	1	• CAP, Dust
31	122428	1	• FITTING, Straight (06 ORBM - 06 ORBM)

4.7 Main Manifold



M164670AE

229032ABA

80

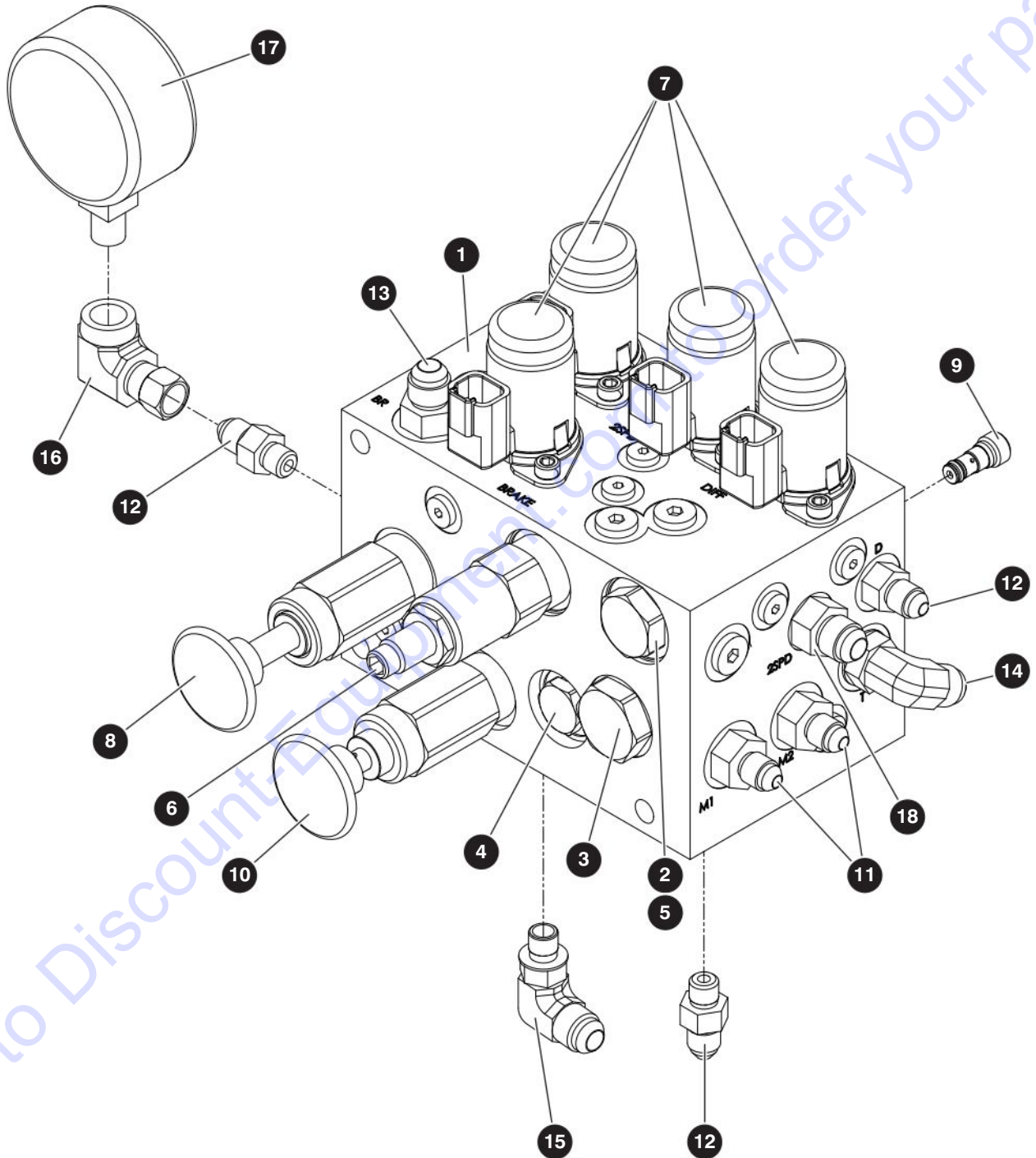
SJ61 T+, SJ66 T+

SKYJACK

4.7 Main Manifold

Index No.	Skyjack Part No.	Qty.	Description
			Parts list continued from the previous page.
31	166060	2	• • VALVE, Control
32	159817	2	• • VALVE, Dual P.O. Check DC08-40
33	166042	1	• • VALVE, Relief
34	166049	1	• • VALVE, Relief
35	166058	1	• • REGULATOR, Pressure
36	159814	12	• • VALVE, Check CV04-20 (5 PSI)
37	166048	1	• • VALVE, Relief
38	166079	1	• • ORIFICE (0.043")
39	166081	2	• • ORIFICE (0.018")
40	141414	2	• • VALVE, Shuttle
41	102665	1	• FITTING, 90° (06 JICM - 08 ORBM)
42	125883	1	• FITTING, 90° (04 JICM - 04 ORBM)
43	111392	1	• FITTING, Plug (12 ORBM Hex socket)
44	121250	2	• FITTING, Plug (04 ORBM Hex socket)

4.8 Brake Manifold



M195057AA

229032ABA

82

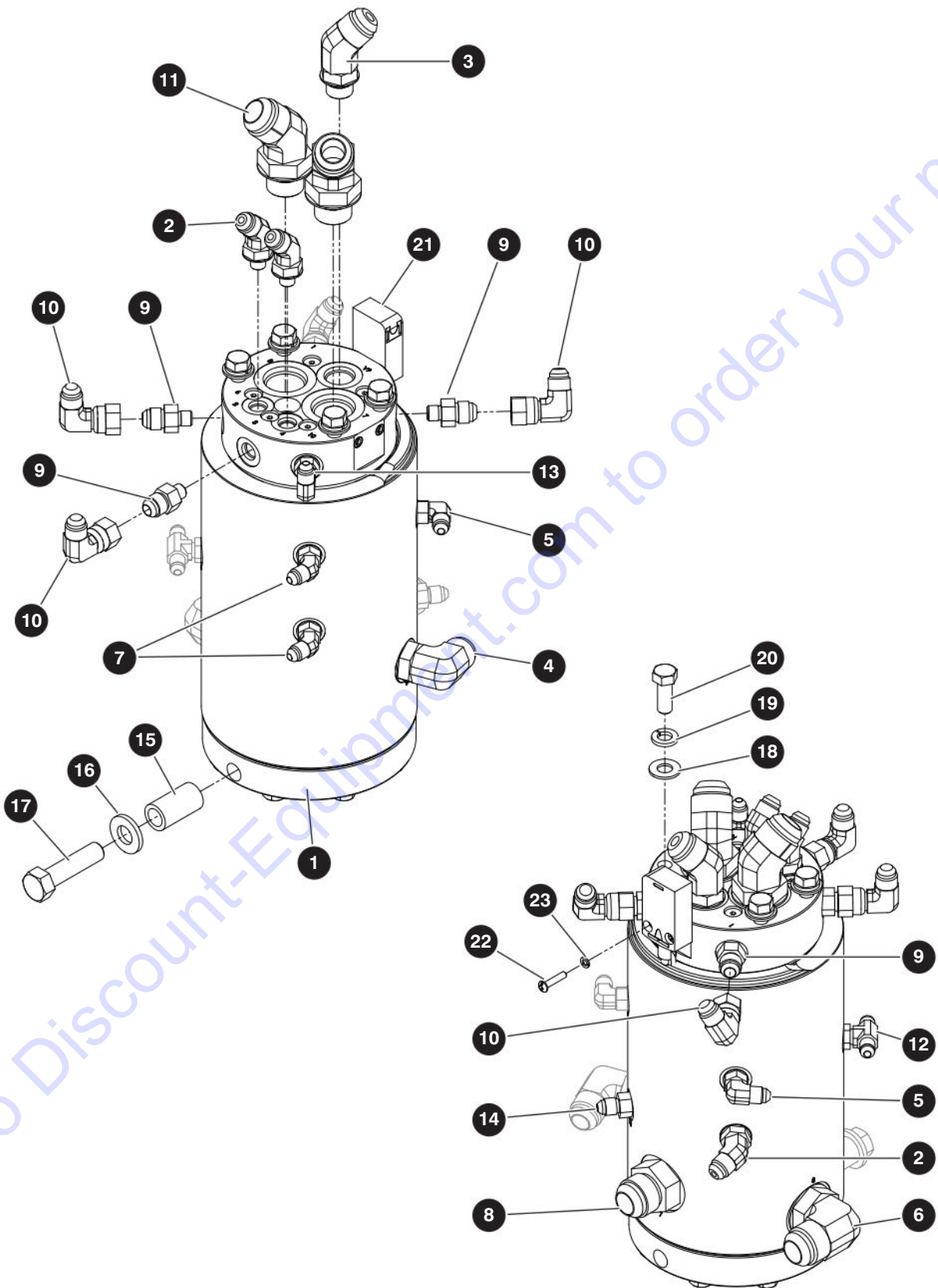
SJ61 T+, SJ66 T+

SKYJACK

4.8 Brake Manifold

Index No.	Skyjack Part No.	Qty.	Description
-	195057	1	BRAKE MANIFOLD ASSEMBLY
-	168642	1	• MANIFOLD, Brake
1	171454	1	• • BLOCK, Manifold
2	171413	1	• • VALVE, Check
3	166053	1	• • VALVE, Shuttle
4	166054	1	• • VALVE, Shuttle
5	171420	1	• • ORIFICE, Disc (0.073")
6	168754	1	• • VALVE, Pressure reducer
7	159827	4	• • VALVE, Solenoid
8	159831	1	• • PUMP, Hand
9	141414	1	• • VALVE, Shuttle
10	141436	1	• • VALVE, Brake release override
11	701956	2	• FITTING, Straight (04 JICM - 06 ORBM)
12	126128	3	• FITTING, Straight (04 JICM - 04 ORBM)
13	103069	1	• FITTING, Straight (06 JICM - 06 ORBM)
14	114578	1	• FITTING, 90° (06 JICM - 06 ORBM)
15	113348	1	• FITTING, 90° (06 JICM - 04 ORBM)
16	144728	1	• FITTING, 90° (04 NPTF - 04 JICF SW)
17	703725	1	• GAUGE, 800 PSI
18	128869	1	• FITTING, Straight (06 JICM - 04 ORBM)

4.9 Rotary Manifold



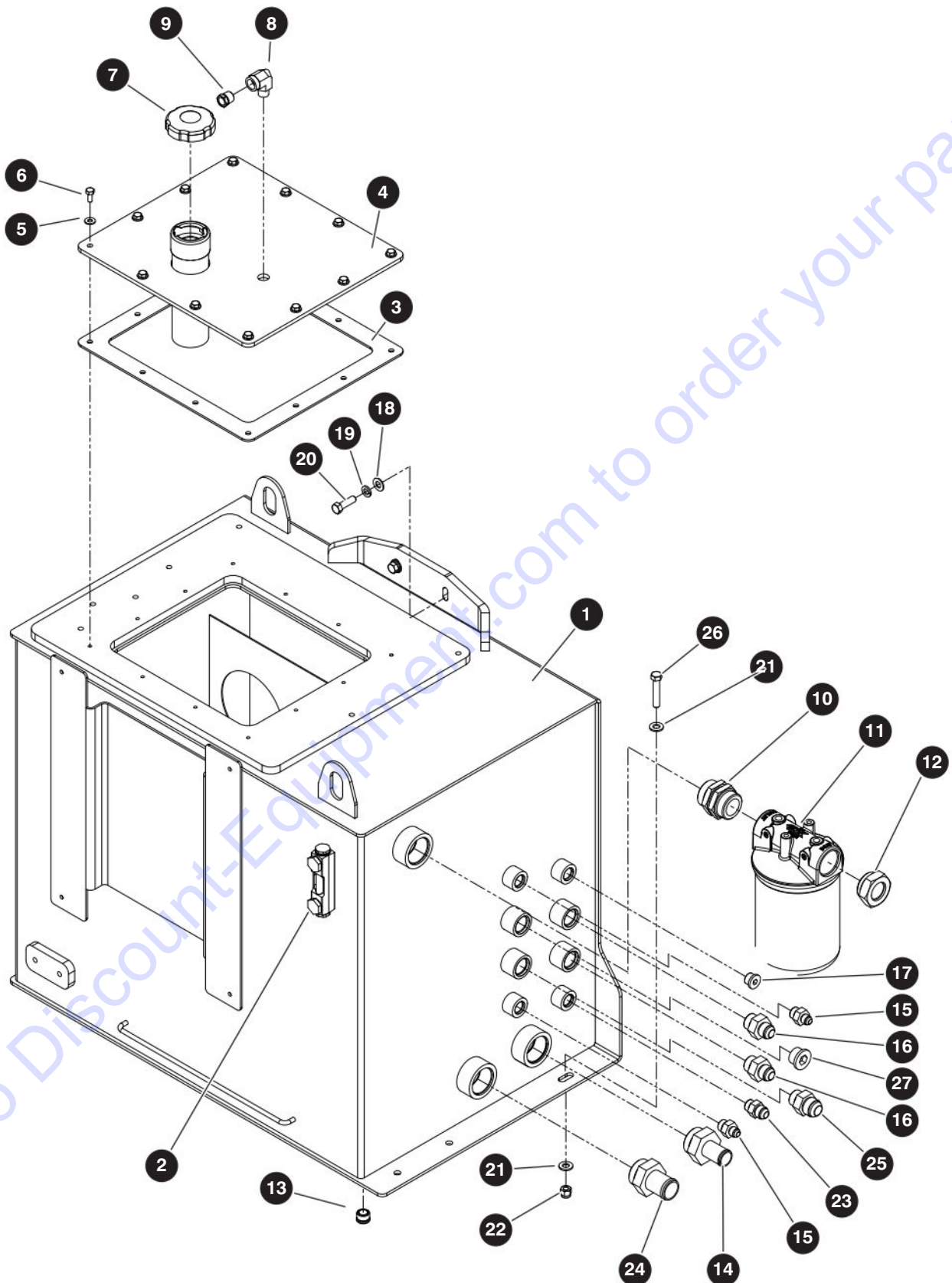
M167237AE

229032ABA

4.9 Rotary Manifold

Index No.	Skyjack Part No.	Qty.	Description
-	167237	1	ROTARY MANIFOLD ASSEMBLY
-	208717	1	• ROTARY MANIFOLD
1	149380	1	• • MANIFOLD, Rotary
2	701478	3	• • FITTING, Elbow, 45° (06 JICM - 04 ORBM)
3	131804	1	• • FITTING, Elbow, 45° (10 JICM - 08 ORBM)
4	135243	1	• • FITTING, Elbow, 90° (10 JICM - 08 ORBM)
5	125883	2	• • FITTING, Elbow, 90° (04 JICM - 04 ORBM)
6	105445	1	• • FITTING, Elbow, 90° (12 JICM - 12 ORBM)
7	131716	7	• • FITTING, Elbow, 45° (04 JICM - 04 ORBM)
8	702118	1	• • FITTING, Straight (12 JICM - 12 ORBM)
9	128869	4	• • FITTING, Straight (06 JICM - 04 ORBM)
10	702761	4	• • FITTING, Straight (06 JICM - 06 JICF SW)
11	131707	2	• • FITTING, Elbow, 45° (12 JICM - 12 ORBM)
12	132463	1	• • FITTING, Branch tee (04MJ - 04MB - 04MJ)
13	147552	1	• • FITTING, Elbow, 90° (04 JICM - 04 ORBM)
14	126128	1	• • FITTING, Straight (46 JICM - 04 ORBM)
15	138956	1	• SPACER, Rotary manifold
16	104379	1	• WASHER, Flat hardened (1/2")
17	103904	1	• BOLT, Hex head (1/2"-13 x 2" Grade 5)
18	103472	4	• WASHER, Flat (3/8")
19	103999	4	• WASHER, Lock (3/8")
20	103473	4	• BOLT, Hex head (3/8"-16 x 1" Grade 5)
21	199408	1	• LIMIT SWITCH, Sealed
	207850	1	• • PLUNGER, Roller
22	103958	2	• SCREW, Round machine (#8 - 32 x 3/4")
23	112249	2	• WASHER, Lock (#8)
K	154659	1	KIT, Seal (Rotary Manifold) (not shown)

4.10 Hydraulic Tank



M163540AD

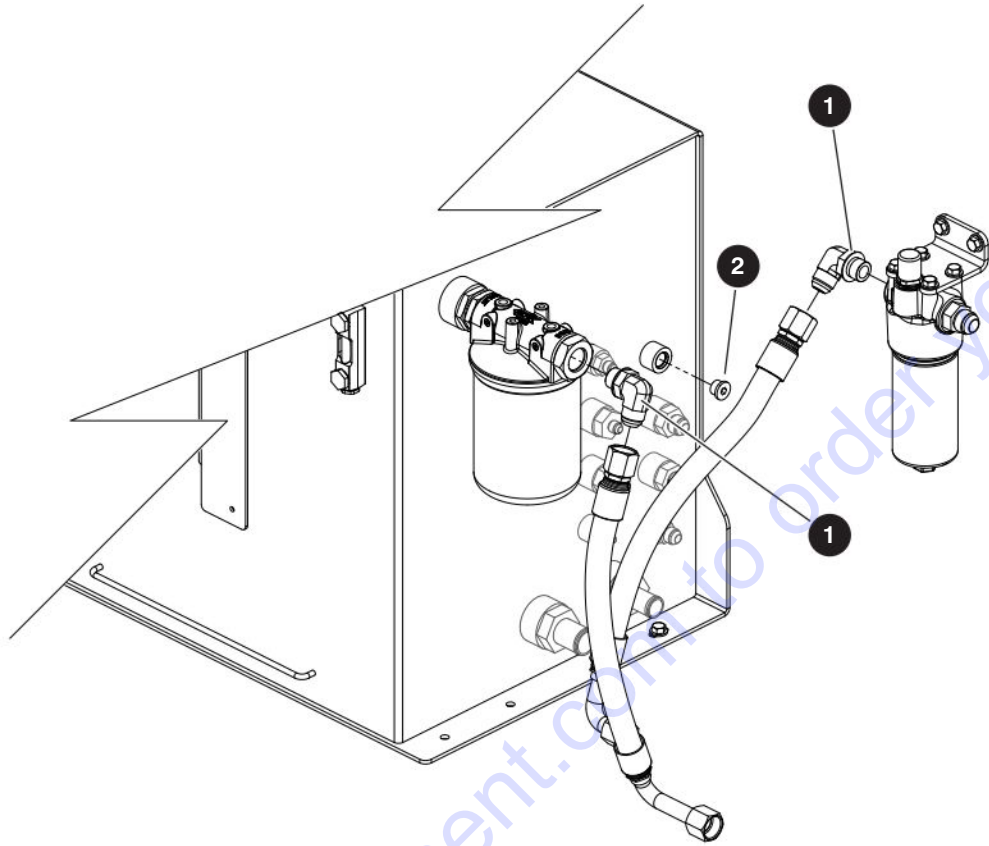
229032ABA

SJ61 T+, SJ66 T+

4.10 Hydraulic Tank

Index No.	Skyjack Part No.	Qty.	Description
-	163540	1	HYDRAULIC TANK WITH FITTINGS ASSEMBLY
-	209547	1	• HYDRAULIC TANK ASSEMBLY
-	163539	1	• • HYDRAULIC TANK
1	163524	1	• • • TANK WELDMENT, Hydraulic
2	138480	1	• • • GAUGE, Hydraulic level/temperature
3	147443	1	• • • GASKET, Hydraulic tank
4	147417	1	• • • COVER, Hydraulic tank
5	103995	12	• • • WASHER, Flat (1/4")
6	103892	12	• • • BOLT, Hex head (1/4"-20 x 5/8" Grade 5)
7	136361	1	• • • CAP, Filler non-vented (2.281" OD)
8	144520	1	• • • FITTING, 90 ° (3/8" NPTF - 3/8" NPTM)
9	137540	1	• • • VENT, Breather (3/8" NPT)
10	139101	1	• • FITTING, Straight (20 ORBM - 20 ORBM)
11	161933	1	• • FILTER ASSEMBLY Return line
	161948	1	• • • FILTER ELEMENT, Return line
12	144071	1	• • FITTING, Straight (20 ORBM - 12 ORBF)
13	143980	1	• • FITTING, Magnetic plug (08 ORBM)
14	147531	1	• • FITTING, Straight (16 BEAD - 20 ORBM)
15	103070	2	• • FITTING, Straight (06 JICM - 08 ORBM)
16	137490	2	• • FITTING, Straight (10 JICM - 12 ORBM)
17	702796	1	• • FITTING, Plug hex socket (08 ORBM)
18	103472	2	• WASHER, Flat (3/8")
19	103999	2	• WASHER, Lock (3/8")
20	101297	2	• BOLT, Hex head (3/8"-16 x 1 1/4" Grade 5)
21	125959	4	• WASHER, Flat (3/8")
22	104606	2	• NUT, Hex head nylon lock (3/8"-16, Grade 5)
23	102659	1	• FITTING, Straight (08 JICM - 08 ORBM)
24	147532	1	• FITTING, Straight (20 BEAD - 20 ORBM)
25	702118	1	• FITTING, Straight (12 JICM - 12 ORBM)
26	103596	2	• BOLT, Hex head (3/8"-16 x 2" Grade 5)
27	111392	1	• PLUG, Fitting (12 ORB hex socket)

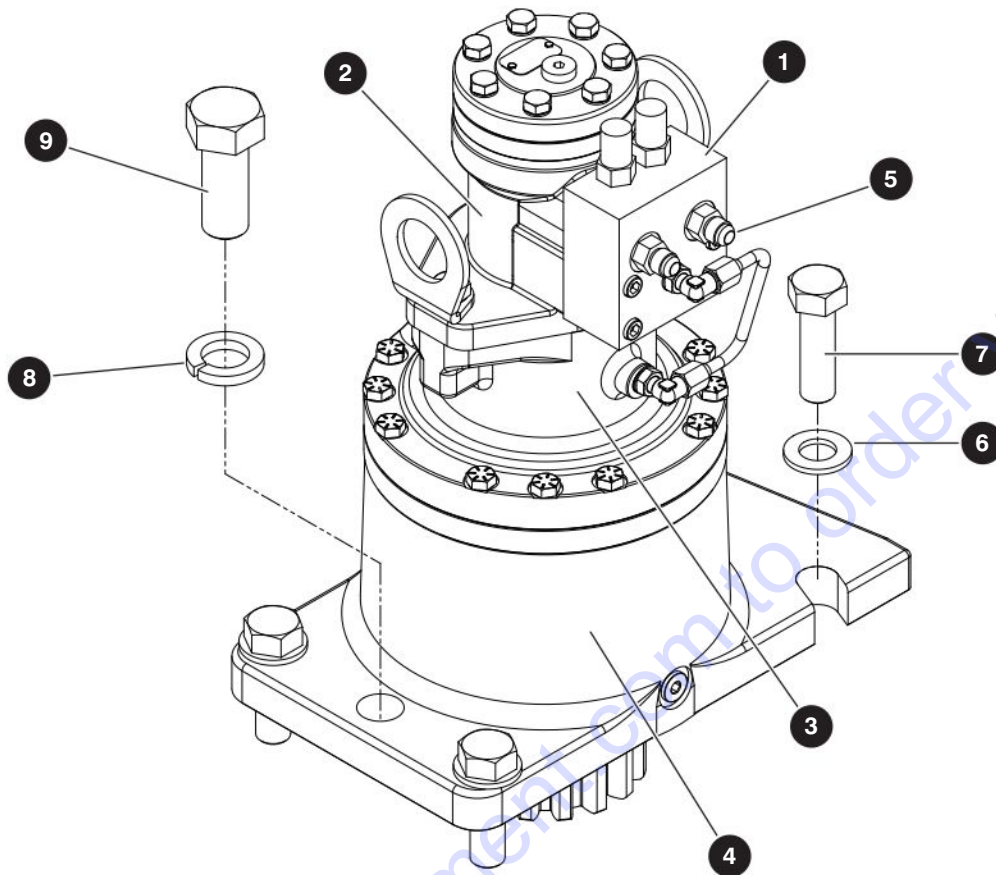
4.11 No Generator & Oil Cooler Hose Fittings



M166341AB

Index No.	Skyjack Part No.	Qty.	Description
1	105445	2	FITTING, Elbow 90° (12 JICM - 12 ORBM)
2	121250	1	FITTING, Plug hollow hex (04 ORB)

4.12 Swing Drive



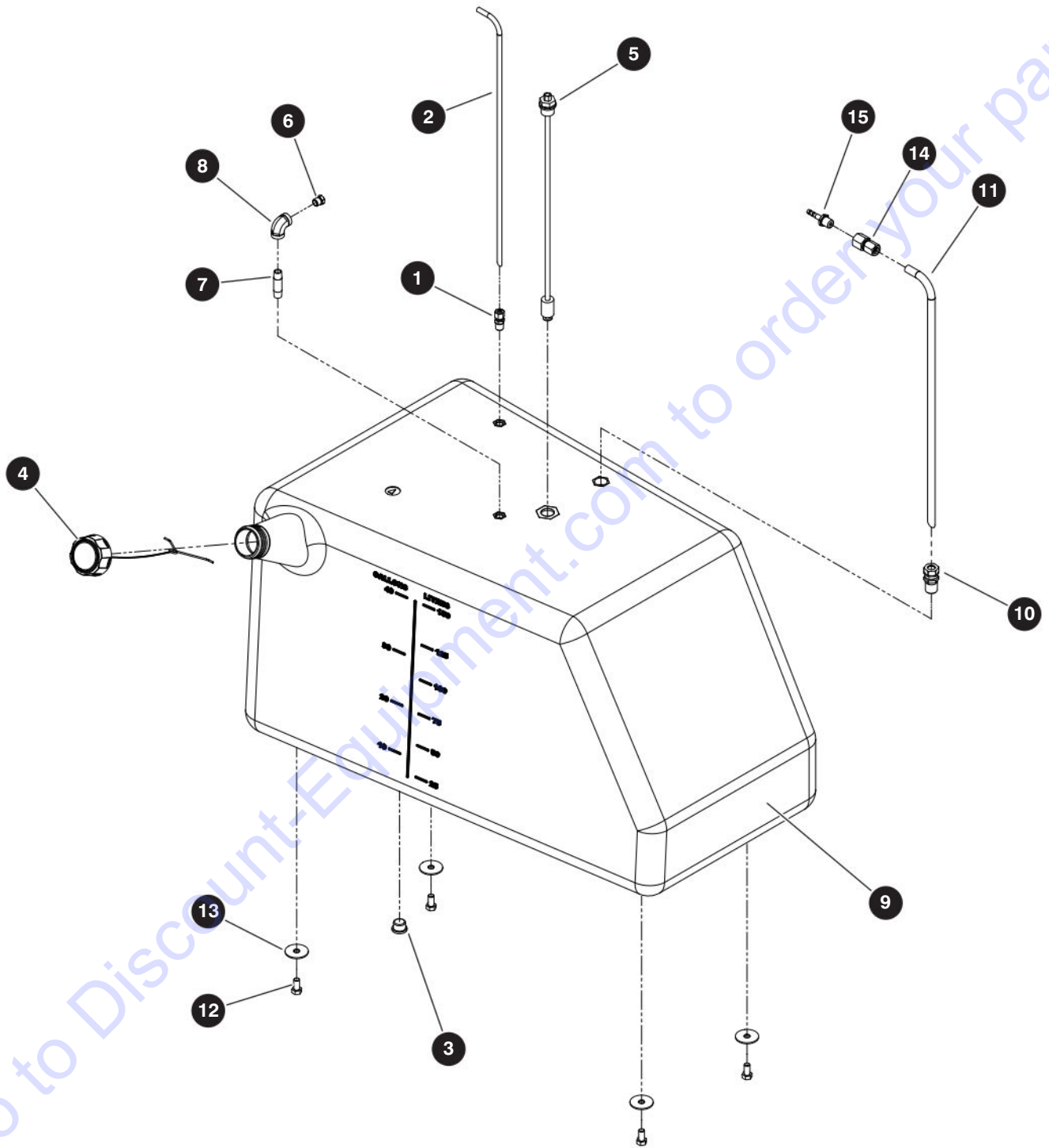
M167466AA

Index No.	Skyjack Part No.	Qty.	Description
-	167466	1	SWING DRIVE ASSEMBLY
-	167209	1	• SWING DRIVE, Turret rotate
1	141488	1	• • MANIFOLD, Swing drive
	141499	2	• • • VALVE, Counterbalance
2	168872	1	• • MOTOR, Hydraulic
3	168873	1	• • BRAKE, Hydraulic
4	146006	1	• • GEAR, Reduction
5	103069	2	• FITTING, Straight (06JICM-06ORBM)
6	702194	4	• WASHER, Flat hardened (3/4")
7	100850	4	• BOLT, Hex head (3/4"-10 x 2.50" Grade 8)
8	107948	1	• WASHER, Lock (1")
9	139181	1	• BOLT, Hex head (1"-8 x 2.5" Grade 8)
K1	168874	1	SEAL KIT, Brake
K2	168875	1	SEAL KIT, Main shaft & ring gear

4.13 Fuel Tank - Gasoline

Index No.	Skyjack Part No.	Qty.	Description
-	171172	1	FUEL TANK ASSEMBLY (Gasoline, steel) - Kubota WG2503
1	101632	4	• BOLT, Hex head (0.375"-16 x 0.75" Grade 5)
2	127062	4	• WASHER, Flat (0.375", Style BB)
-	148478	1	• FUEL TANK ASSEMBLY
3	148479	1	• • TANK, Fuel (steel)
4	117701	1	• • PLUG (3/4-16UNF with magnet)
5	136369	1	• • CAP, Fuel (filler non-vented)
6	138230	1	• • SWITCH, Fuel level
7	103155	2	• • FITTING, Brass tank (#T68-5B)
8	144338	2	• • TUBE, Fuel send/return
9	148422	1	• • GAUGE, Level
10	144392	1	• • VALVE, Dual action
11	(Ref.)	1	• FUEL PUMP, FILTER, MANIFOLD & LINES (For components, refer to 8.8 Fuel Line Hoses – Kubota WG2503 Engine)

4.14 Fuel Tank - Diesel



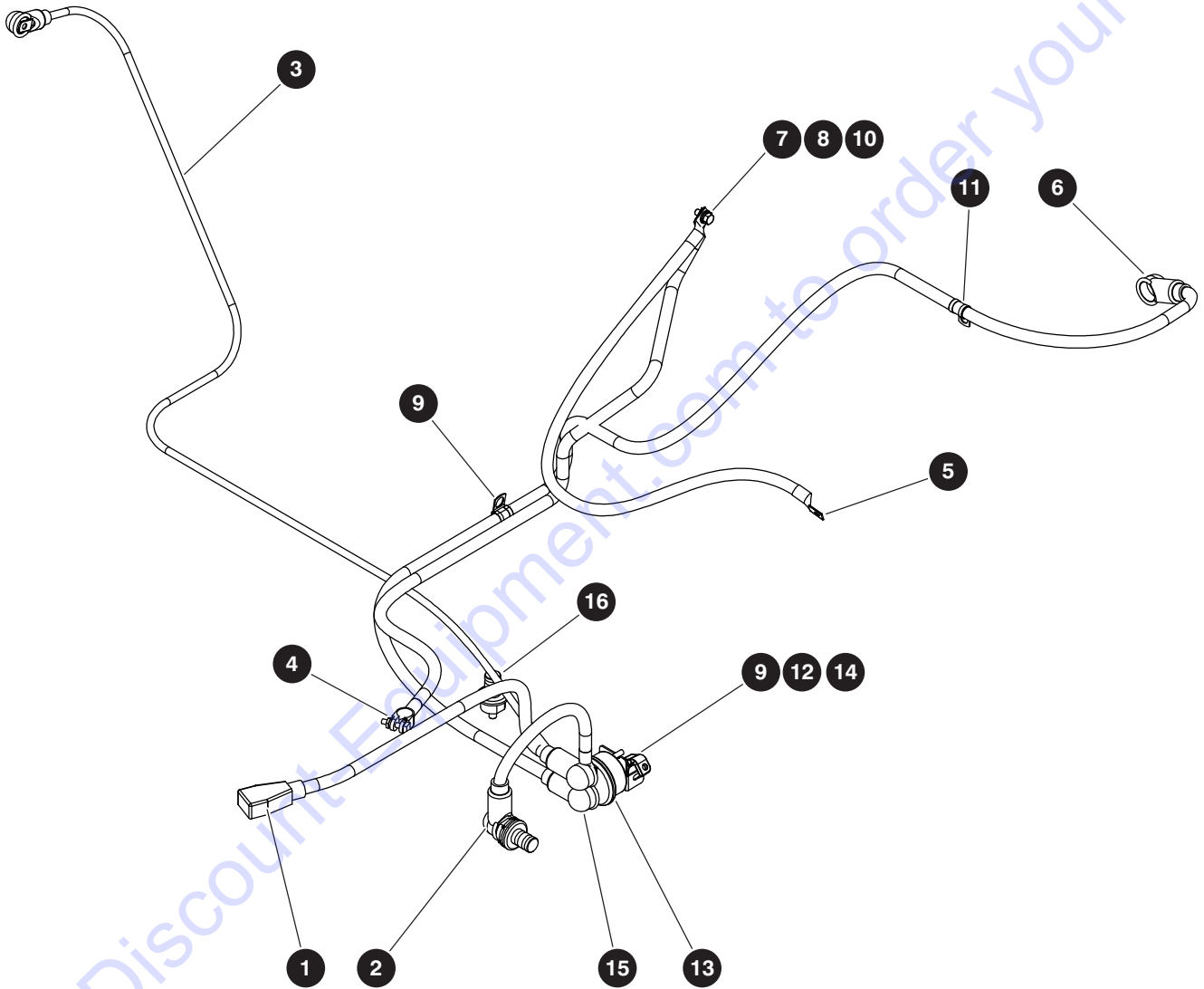
M166658AA

229032ABA

4.14 Fuel Tank - Diesel

Index No.	Skyjack Part No.	Qty.	Description
A	166727	1	TANK ASSEMBLY, Deutz TD2.9L & Perkins 2.2TA
B	166658	1	TANK ASSEMBLY, Deutz D2011
-	210468	1	• TANK ASSEMBLY, Diesel
1	103155	1	• • FITTING, Brass tank (#T68-5B)
2	138491	1	• • TUBE, Fuel send/return
3	137629	1	• • FITTING, Hydraulic plug (10MB)
4	144410	1	• • CAP, Fuel (Non EPA)
5	138230	1	• • SWITCH, Fuel level
6	116408	1	• • BREATHER VENT (1/4" NPT)
7	143478	1	• • FITTING, Brass nipple (1/4" NPT x 2" LG)
8	144325	1	• • FITTING, Brass 90° (1/4" NPTF x 1/4" NPTF)
9	210469	1	• • TANK, Fuel (Molded)
10	164674	1	• • FITTING, Compression tube (1/2" OD x 1/2" NPT)
11	164673	1	• • TUBE, Fuel suction
12	138739	4	• BOLT, Hex head (3/8"-16 x 3/4" Grade 5)
13	127067	4	• WASHER, Flat (3/8", Style BB)
14	165716	1	• FITTING, Straight (08 BT - 06 FP), B
15	165719	1	• FITTING, Hose barb, B

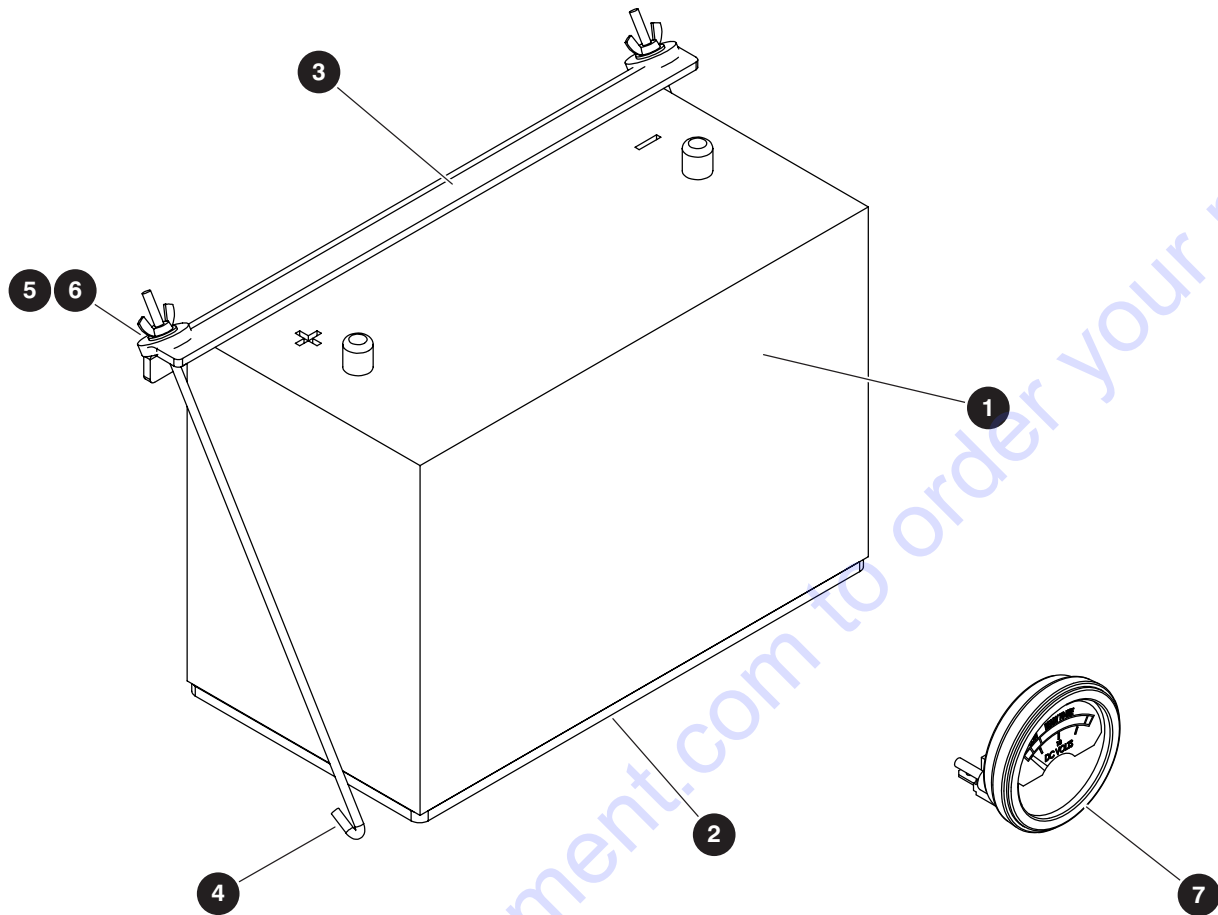
4.15 Battery Cables



4.15 Battery Cables

Index No.	Skyjack Part No.	Qty.	Description
-	167617	1	BATTERY CABLE ASSEMBLY
1	147554	1	• CABLE, Battery (Positive)
2	165850	1	• ASSEMBLY, Cable (Weld #2/0.38*12*0.38, B+,B+)
3	167616	1	• CABLE, Battery (E-pump)
4	147538	1	• CABLE, Battery (Negative)
5	138703	1	• ASSEMBLY, Cable (Weld #2/0 0.38*30*0.31, 00, 00) (Flywheel housing)
6	154245	1	• ASSEMBLY, Cable (Weld #2/0 3/8*75*3/8, 03, 03) (Starter post)
7	103887	1	• BOLT, Hex head (0.32 - 18 x 0.750 Grade 5)
8	103404	1	• WASHER, Lock (0.312)
9	104185	2	• WASHER, Lock (#10)
10	103996	1	• WASHER, Flat (0.312)
11	144129	2	• CLIP, Single (S332G10)
12	108714	1	• MOUNT, Lock out switch
13	119725	1	• SWITCH, Main lockout
14	115545	2	• SCREW, Round head machine (10-32 x 0.375)
15	165874	1	• TERMINAL, Jumper (Red cap)
16	166751	1	• TERMINAL, Jumper (Black cap)

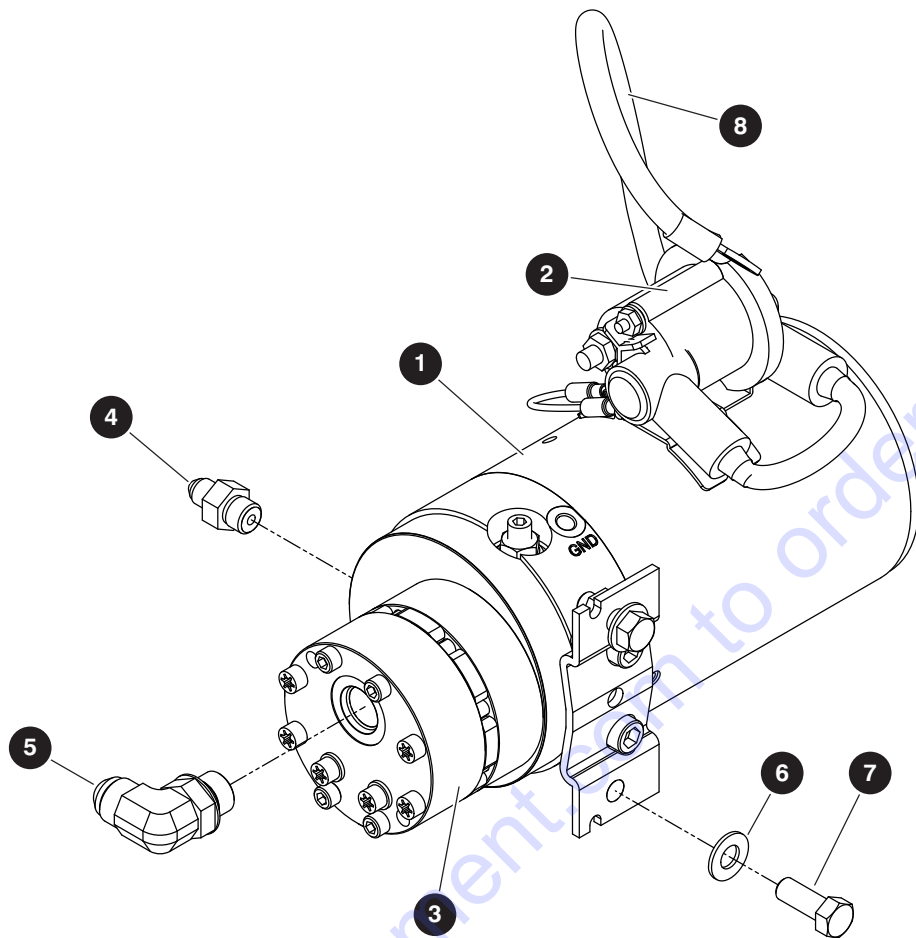
4.16 Battery



M165883AA

Index No.	Skyjack Part No.	Qty.	Description
-	165883	1	BATTERY ASSEMBLY
1	144676	1	• BATTERY (12V, 950 CCA)
2	157464	1	• PAD, Battery
3	150959	1	• BRACKET, Battery Retainer
4	150960	1	• HOLD DOWN, Battery (pair)
5	103995	2	• WASHER, Flat (0.25")
6	115649	2	• NUT, Lock (0.25"-20)
-	167620	1	CHARGE INDICATOR ASSEMBLY (CE & AS)
7	152323	1	• CHARGE INDICATOR, 12V
8	152345	1	• WIRE ASSEMBLY, Charge Indicator, 03 (+) (not shown)
9	167619	1	• WIRE ASSEMBLY, Charge Indicator, 00 (-) (not shown)

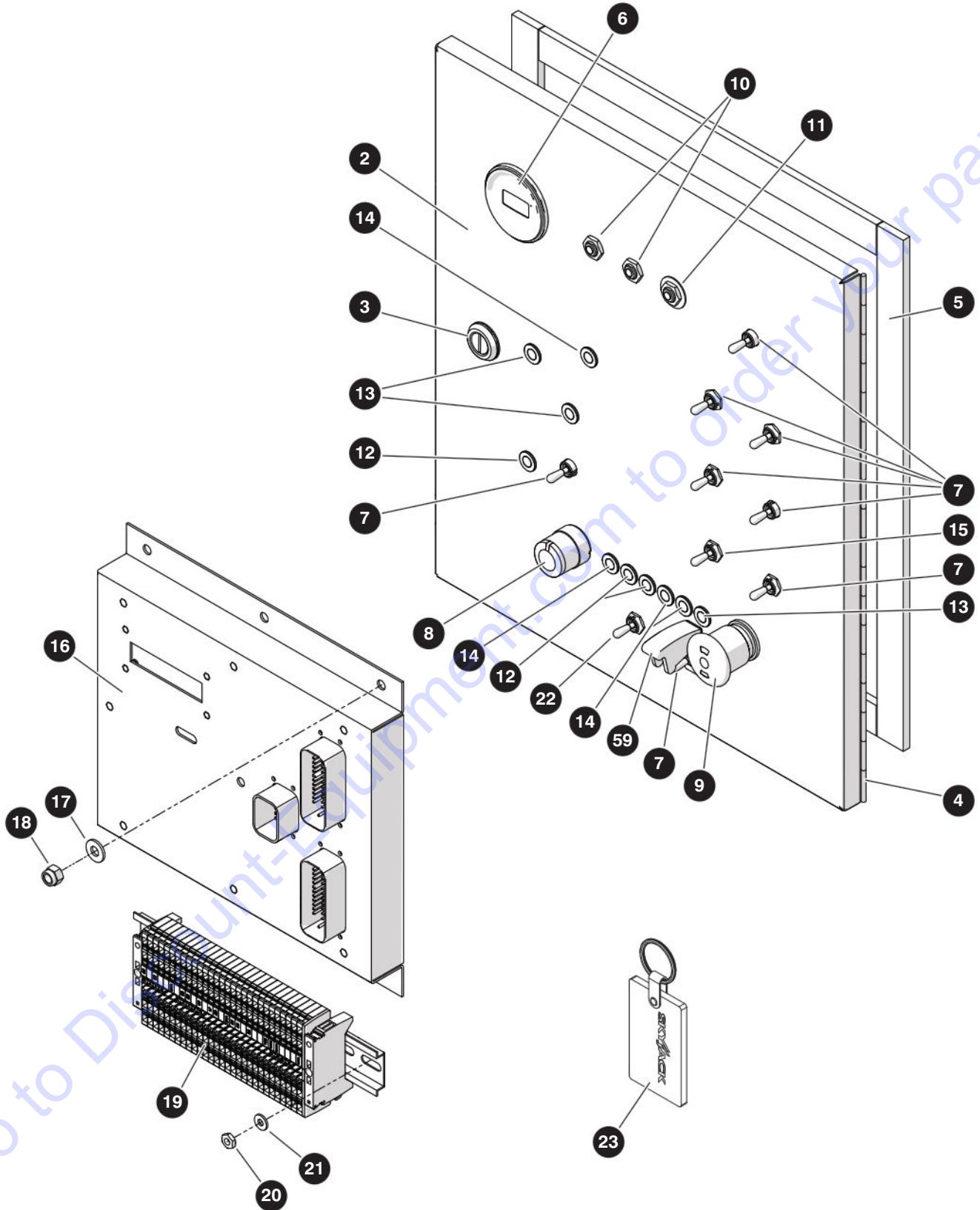
4.17 Auxiliary Pump



M169184AB

Index No.	Skyjack Part No.	Qty.	Description
-	169184	1	AUXILIARY PUMP ASSEMBLY
-	220500	1	• AUXILIARY PUMP WITH FITTINGS
-	160923	1	• • PUMP, Auxiliary
1	168897	1	• • • MOTOR
2	168898	1	• • • CONTACTOR
3	169244	1	• • • PUMP
4	701956	1	• • FITTING, Straight (04 JICM - 06 ORBM)
5	114583	1	• • FITTING, Elbow, 90° (08 JICM - 08 ORBM)
6	103472	2	• WASHER, Lock (0.375")
7	103473	2	• BOLT, Hex head (0.375"-16 x 1.00" Grade 5)
8	148499	1	• CABLE, E-pump ground

4.18 Base Control Box



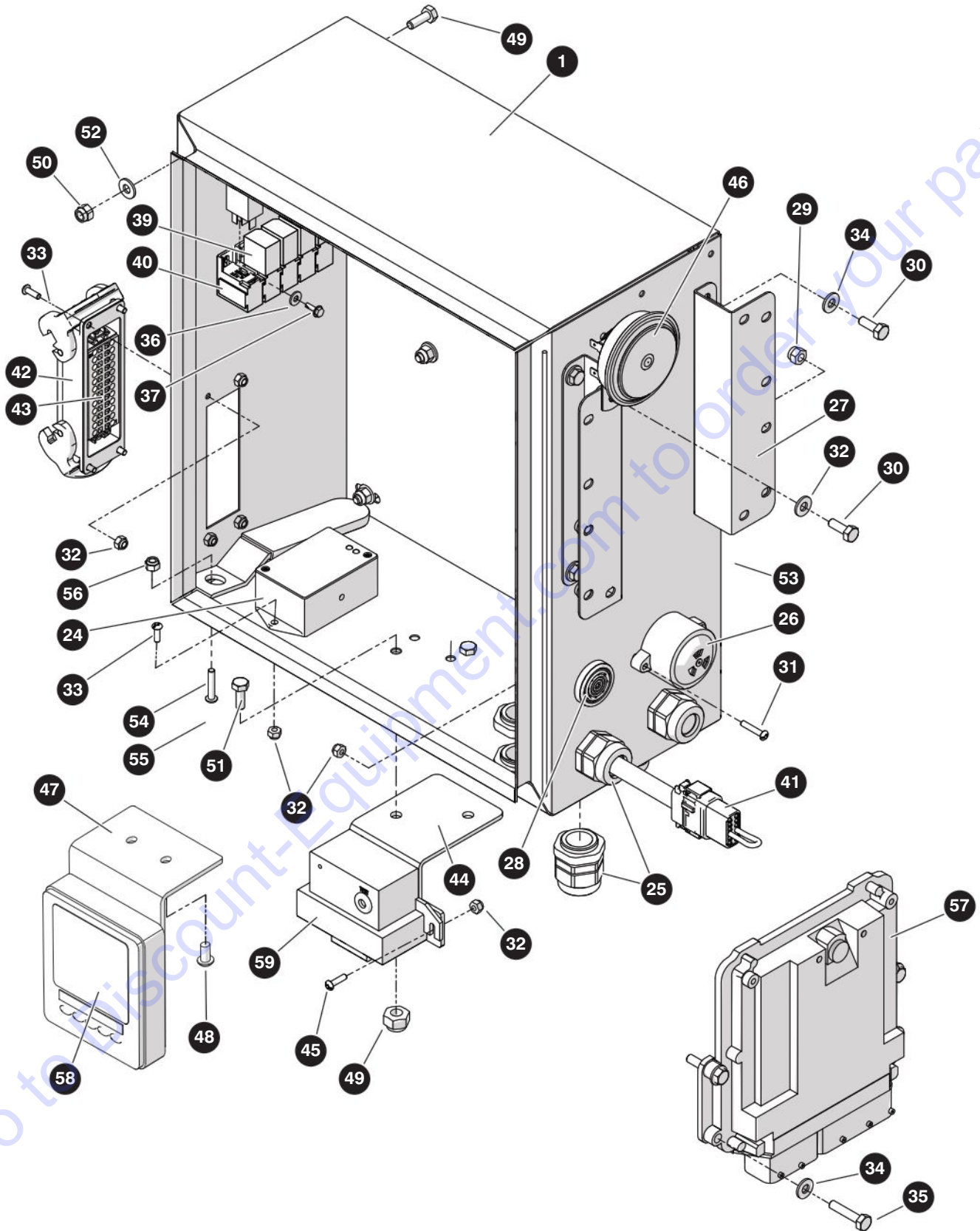
M218432AA-2

229032ABA

4.18 Base Control Box

Index No.	Skyjack Part No.	Qty.	Description
A	218360	1	BASE CONTROLS - SJ61 T+ ANSI/CSA
B	218447	1	BASE CONTROLS - SJ61 T+ ANSI/CSA with Positive Air Shut-Off Option
C	218349	1	BASE CONTROLS - SJ66 T+ ANSI/CSA & AS
D	218429	1	BASE CONTROLS - SJ66 T+ ANSI/CSA with Positive Air Shut-Off Option
E	218424	1	BASE CONTROLS - SJ66 T+ CE
-	218350	1	• CONTROL BOX
1	218355	1	• • BODY, Control box
2	213582	1	• • DOOR, Control box
3	138715	1	• • LATCH, Slotted door
4	138714	1	• • HINGE, Continuous
5	138723	1	• • WEATHER STRIP
6	195940	1	• HOUR METER
7	102853	6	• SWITCH, Toggle, A
	102853	7	• SWITCH, Toggle, B, C, E
	102853	8	• SWITCH, Toggle, D
8	218354	1	• SWITCH, Key, A, B, C, D
	218395	1	• SWITCH, Key, E
	147056	1	• • LATCH, Mounting
	149605	1	• • HEAD, Selector switch - keyed, A, B, C, D
	165829	1	• • HEAD, Selector switch - keyed, E
	166141	1	• • BLOCK, Contact, NO (black plunger)
	166142	1	• • BLOCK, Contact, NO (yellow plunger)
	147053	1	• • BLOCK, NC Contact
9	144652	1	• SWITCH, Emergency stop
	147056	1	• • LATCH, Mounting
	147053	1	• • BLOCK, NC Contact
	147229	1	• • SWITCH, LED block
	147051	1	• • SWITCH HEAD, Emergency stop
10	117325	2	• CIRCUIT BREAKER (15 amp)
11	117326	1	• CIRCUIT BREAKER (20 amp)
12	213308	1	• LIGHT, LED - 12 V (red), A, C, E
	213308	2	• LIGHT, LED - 12 V (red), B, D
13	213303	2	• LIGHT, LED - 12 V (green)
14	213307	7	• LIGHT, LED - 12 V (amber)
15	138278	1	• SWITCH, Toggle
16	218381	1	• MODULE, Master
	218277	1	• • SERVICE TOOL
	218276	1	• • • HARNESS, SMB1 to peak
	218278	1	• • • ADAPTER, PCAN-USB
17	103995	6	• WASHER, Flat (1/4")
18	115649	6	• NUT, Hex lock (1/4"-20 Gr 5, nylon)
19	(Ref.)	1	• TERMINAL STRIP, Base (For components, refer to 4.20 Base Terminal Strip)
20	104003	2	• NUT, Hex (10-32)
21	103991	2	• WASHER, Flat (#8)
22	115574	1	• SWITCH, Toggle, E
23	114710	1	KEYRING

4.18 Base Control Box



M218432AA-1
229032ABA

100

SJ61 T+, SJ66 T+
SKYJACK

4.18 Base Control Box

Index No.	Skyjack Part No.	Qty.	Description
24	166163	1	• SWITCH, Tilt (analog 28°)
25	116266	7	• CONNECTOR, Strain relief
26	103056	1	• BEEPER (7.5 - 16 VDC), A, B, C, D
27	229100	2	• BRACKET, Mounting - ECU
28	144387	1	• ALARM, Continuous, A, B, C, D
29	115649	15	• NUT, Hex lock (1/4"-20 Gr 5, nylon), A, C
	115649	17	• NUT, Hex lock (1/4"-20 Gr 5, nylon), B, D
	115649	16	• NUT, Hex lock (1/4"-20 Gr 5, nylon), E
30	103856	5	• BOLT, Hex head (1/4"-20 x 3/4" Gr 5), A, C
	103856	7	• BOLT, Hex head (1/4"-20 x 3/4" Gr 5), B, D
	103856	4	• BOLT, Hex head (1/4"-20 x 3/4" Gr 5), E
31	126499	2	• SCREW, Round head machine (#8-32 x 7/8")
32	138765	9	• NUT, Hex lock (#8-32 Gr 5, nylon), A
	138765	13	• NUT, Hex lock (#8-32 Gr 5, nylon), B, D
	138765	10	• NUT, Hex lock (#8-32 Gr 5, nylon), C, E
33	103957	14	• SCREW, Round head machine (#8-32 x 1/2")
34	103995	16	• WASHER, Flat (1/4"), A
	103995	15	• WASHER, Flat (1/4"), B, C, D
	103995	14	• WASHER, Flat (1/4"), E
35	103858	4	• BOLT, Hex head (1/4"-20 x 1-1/4")
36	103991	2	• WASHER, Flat (#8)
37	112327	2	• BOLT, Self-tapping (8-18 x 1/2")
38	(Ref.)	1	• WIRING ASSEMBLY (not shown)
	102921	7	• • DIODE, T6A40L
	163021	2	• • RESISTOR, 120 ohm 1/2 W axial lead
	144492	1	• • RESISTOR, 680 ohm 1 W axial lead
39	931298	5	• RELAY
40	218997	5	• SOCKET, Micro relay
41	221144	1	• HARNESS, Trackunit bypass
42	138751	1	• HOUSING, Open bottom - 24 pole double lever
43	138756	1	• SOCKET, 24 pole spring - 16A
44	169666	1	• HOLDER, Positive air option, B, D
45	116192	2	• SCREW, Round head machine (8-32 x 5/8"), B, D
46	146652	1	• HORN, 12 V low tone
47	228204	1	• BRACKET, Engine display
48	300060	2	• BOLT, Button head cap screw (1/4"-20 x 1/2")
49	103856	3	BOLT, Hex head (1/4" - 20 x 3/4" Gr 5)
50	103855	1	BOLT, Hex head (1/4" - 20 x 1/2" Gr 5)
51	115649	9	NUT, Hex nylon lock (1/4" - 20 Gr 5)
52	103995	16	WASHER, Flat (1/4")
53	104000	1	WASHER, Lock (1/4")
54	103987	1	NUT, Hex head (10-24)
55	151155	1	SCREW, Round head machine (10-24 x 1")
56	126642	1	NUT, Hex nylon lock (10-24 Gr 5)
57	164845	1	ECU - Deutz D2.9L
	224303	1	ECU - Deutz TCD2.2
58	191471	1	DISPLAY, Engine - Deutz TCD2.2
59	(Ref.)	1	POSITIVE AIR SHUT-OFF OPTION

(For components, refer to 9.26 Positive Air Shut-Off Valve - Deutz TD2.9L)

PARTS FINDER

**Search Website
by Part Number**



**Search Manual
Library For Parts
Manual & Lookup Part
Numbers – Purchase
or Request Quote**

Search Manuals

Enter your information to help us find the right parts manual for your machine.

* Brand:

* Model:

* Serial:

* Part Number:

SEARCH

**Can't Find Part or
Manual? Request Help
by Manufacturer,
Model & Description**

Parts Order Form

Please fill in the following information to help us find the right part for your machine.

Manufacturer:	<input type="text"/>
Model:	<input type="text"/>
Description:	<input type="text"/>
Part Number:	<input type="text"/>
Quantity:	<input type="text"/>
Notes:	<input type="text"/>

Submit

Discount-Equipment.com is your online resource for quality parts & equipment.

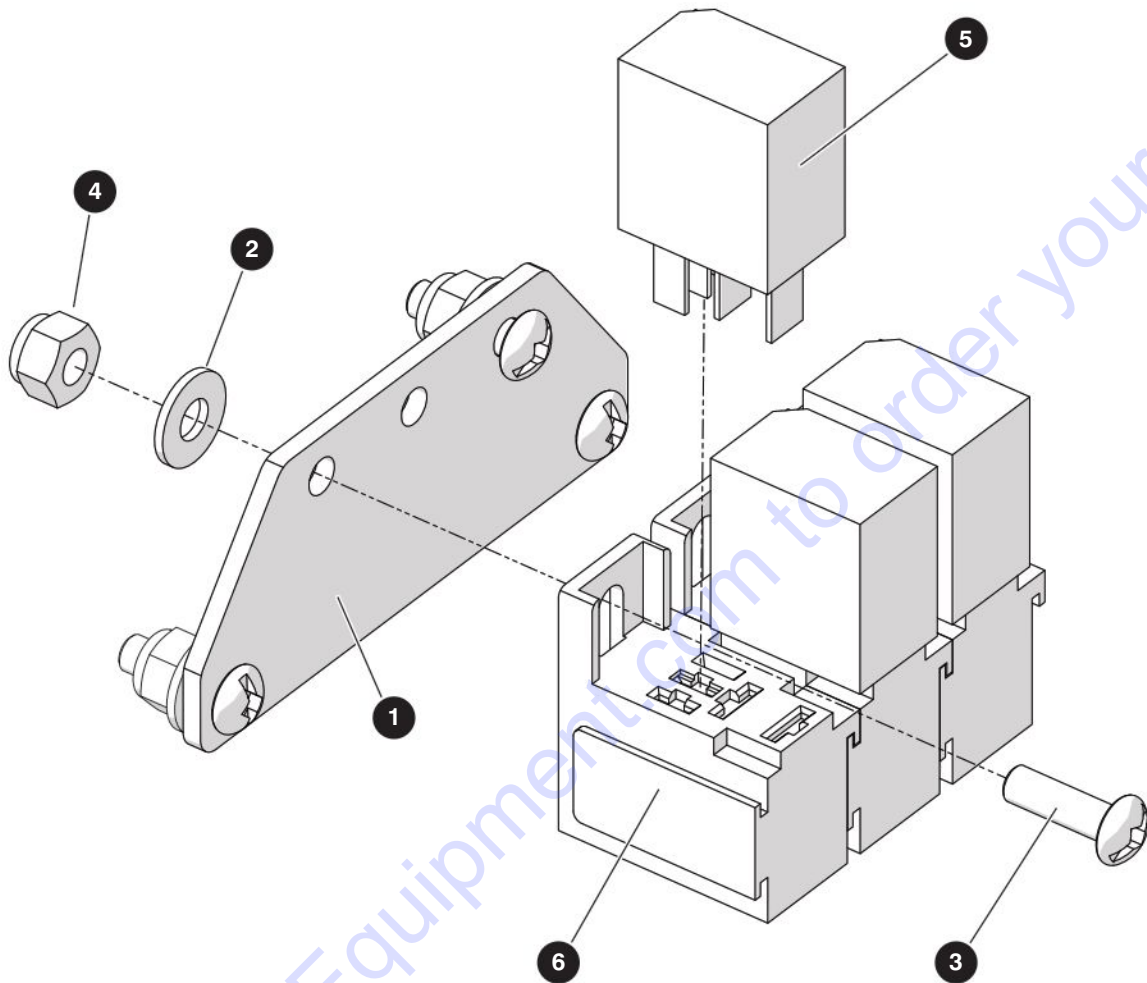
Florida: **561-964-4949** Outside Florida TOLL FREE: **877-690-3101**

Need parts?

Click on this link: <http://www.discount-equipment.com/category/5443-parts/> and choose one of the options to help get the right parts and equipment you are looking for. Please have the machine model and serial number available in order to help us get you the correct parts. If you don't find the part on the website or on one of the online manuals, please fill out the request form and one of our experienced staff members will get back to you with a quote for the right part that your machine needs.

We sell worldwide for the brands: Genie, Terex, JLG, MultiQuip, Mikasa, Essick, Whiteman, Mayco, Toro Stone, Diamond Products, Generac Magnum, Airman, Haulotte, Barreto, Power Blanket, Nifty Lift, Atlas Copco, Chicago Pneumatic, Allmand, Miller Curber, Skyjack, Lull, Skytrak, Tsurumi, Husquvarna Target, Stow, Wacker, Sakai, Mi-T-M, Sullair, Basic, Dynapac, MBW, Weber, Bartell, Bennar Newman, Haulotte, Ditch Runner, Menegotti, Morrison, Contec, Buddy, Crown, Edco, Wyco, Bomag, Laymor, EZ Trench, Bil-Jax, F.S. Curtis, Gehl Pavers, Heli, Honda, ICS/PowerGrit, IHI, Partner, Imer, Clipper, MMD, Koshin, Rice, CH&E, General Equipment, Amida, Coleman, NAC, Gradall, Square Shooter, Kent, Stanley, Tamco, Toku, Hatz, Kohler, Robin, Wisconsin, Northrock, Oztec, Toker TK, Rol-Air, APT, Wylie, Ingersoll Rand / Doosan, Innovatech, Con X, Ammann, Mecalac, Makinex, Smith Surface Prep, Small Line, Wanco, Yanmar

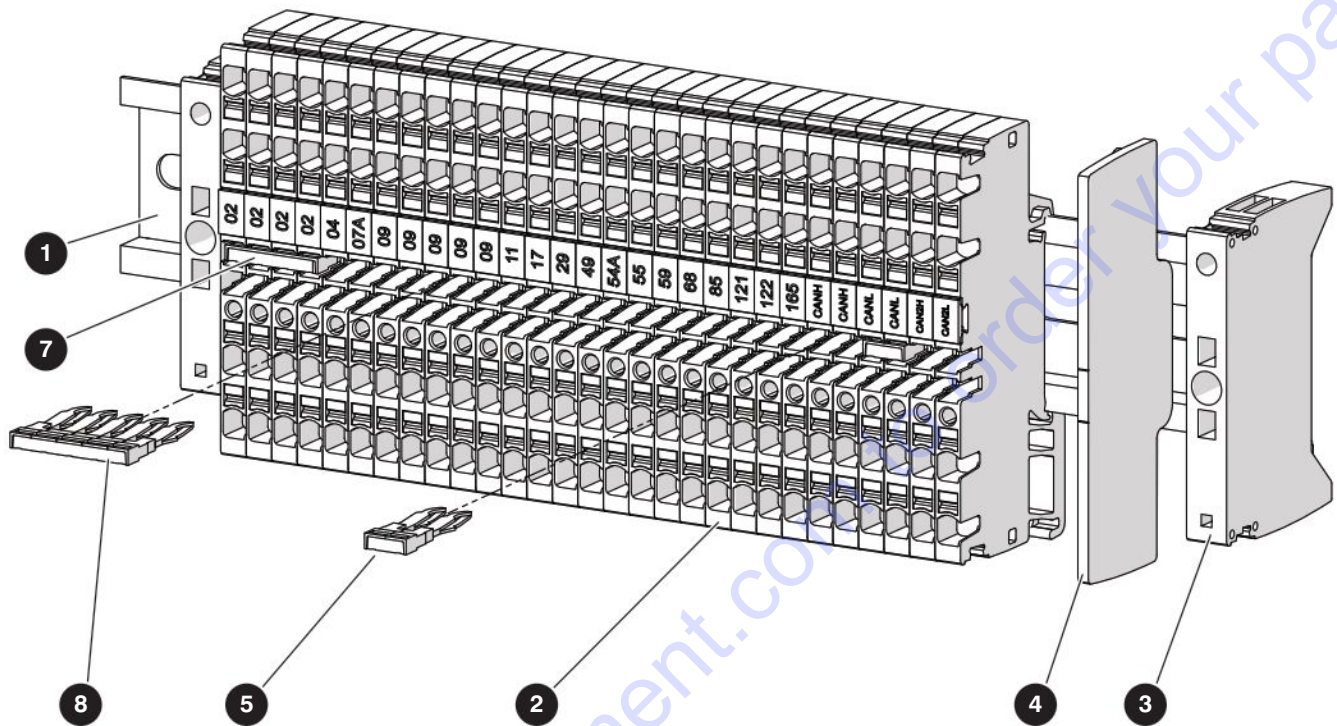
4.19 Micro Relay Mount



M230189AA

Index No.	Skyjack Part No.	Qty.	Description
-	230189	1	MICRO RELAY MOUNT
1	229095	1	• PLATE, Relay mounting
2	104694	4	• WASHER, Flat (10)
3	120094	4	• SCREW, Round head machine (10-32 x 5/8")
4	300450	4	• NUT, Lock (10-32 gr 5 nylon)
5	931298	3	RELAY
6	218997	3	SOCKET, Micro relay

4.20 Base Terminal Strip



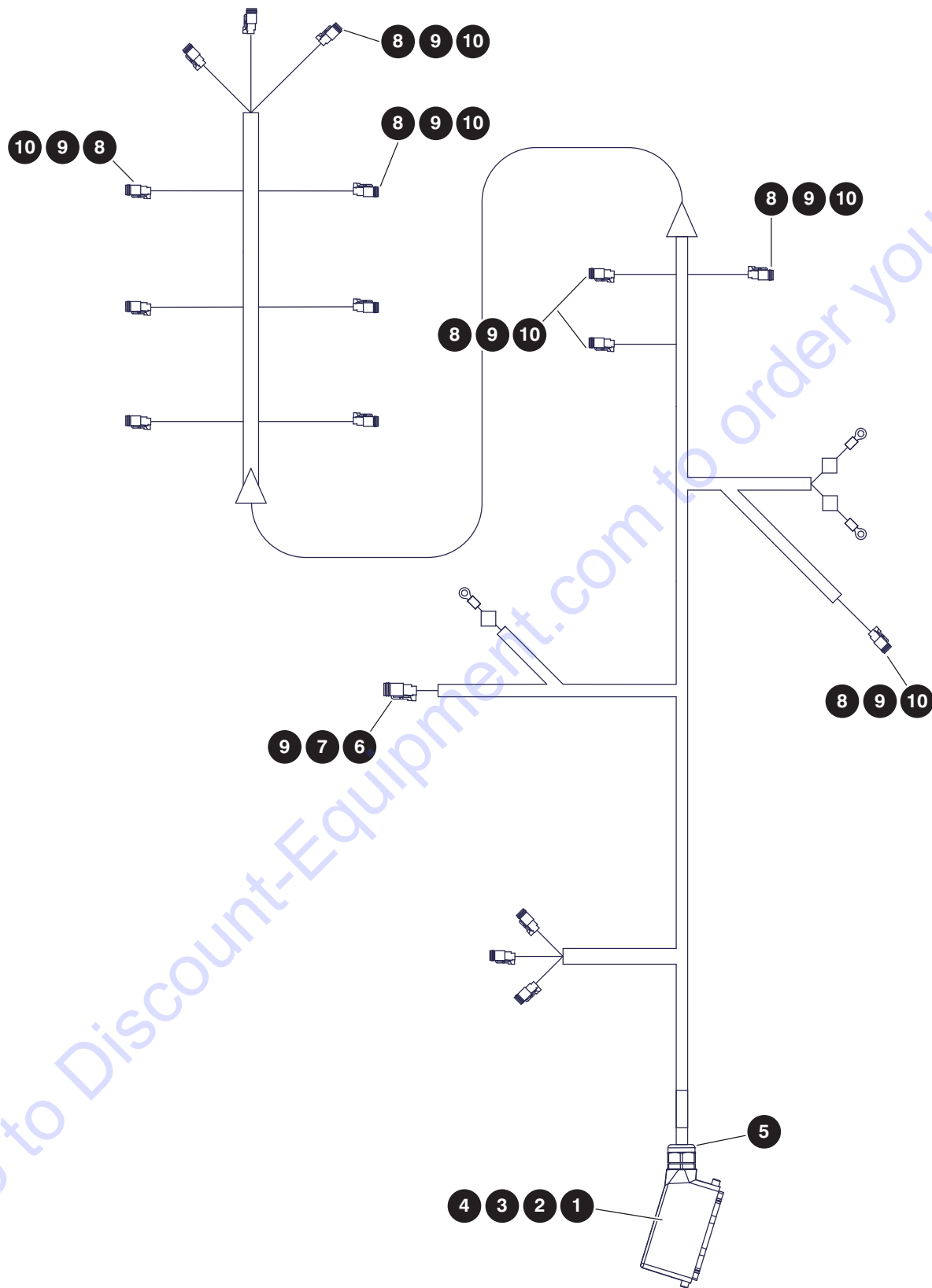
M218353AD

Index No.	Skyjack Part No.	Qty.	Description
-	218353	1	BASE TERMINAL STRIP
1	233337	224 mm	• RAIL
2	233338	29	• BLOCK, Terminal
3	233341	2	• PLATE, End
4	233342	1	• PLATE, Separator
5	233343	2	• JUMPER, 2-pin
6	233344	1	• JUMPER, 4-pin
7	233345	1	• JUMPER, 5-pin

Section 5 – Electrical Harnesses

- 5.1 *Main Electrical Harness*
- 5.2 *Interface Harness - Deutz TD2.9L & D2011*
- 5.3 *Interface Harness - Deutz TCD2.2*
- 5.4 *Battery Cables*
- 5.5 *Jib & Platform Rotate Harnesses*
- 5.6 *ECU Harnesses - Deutz D2011*
- 5.7 *Glow Plug Harness - Deutz TD2.9*
- 5.8 *Glow Plug Harness - Deutz TCD2.2*
- 5.9 *Glow Plug Harness - Deutz D2011*
- 5.10 *Engine Interface Harness - Deutz TD2.9L*
- 5.11 *Engine Interface Harness - Deutz TCD2.2*
- 5.12 *Engine Interface Harness - Kubota WG2503*
- 5.13 *Differential Lock Valve Harness*

5.1 Main Electrical Harness



M165836AA

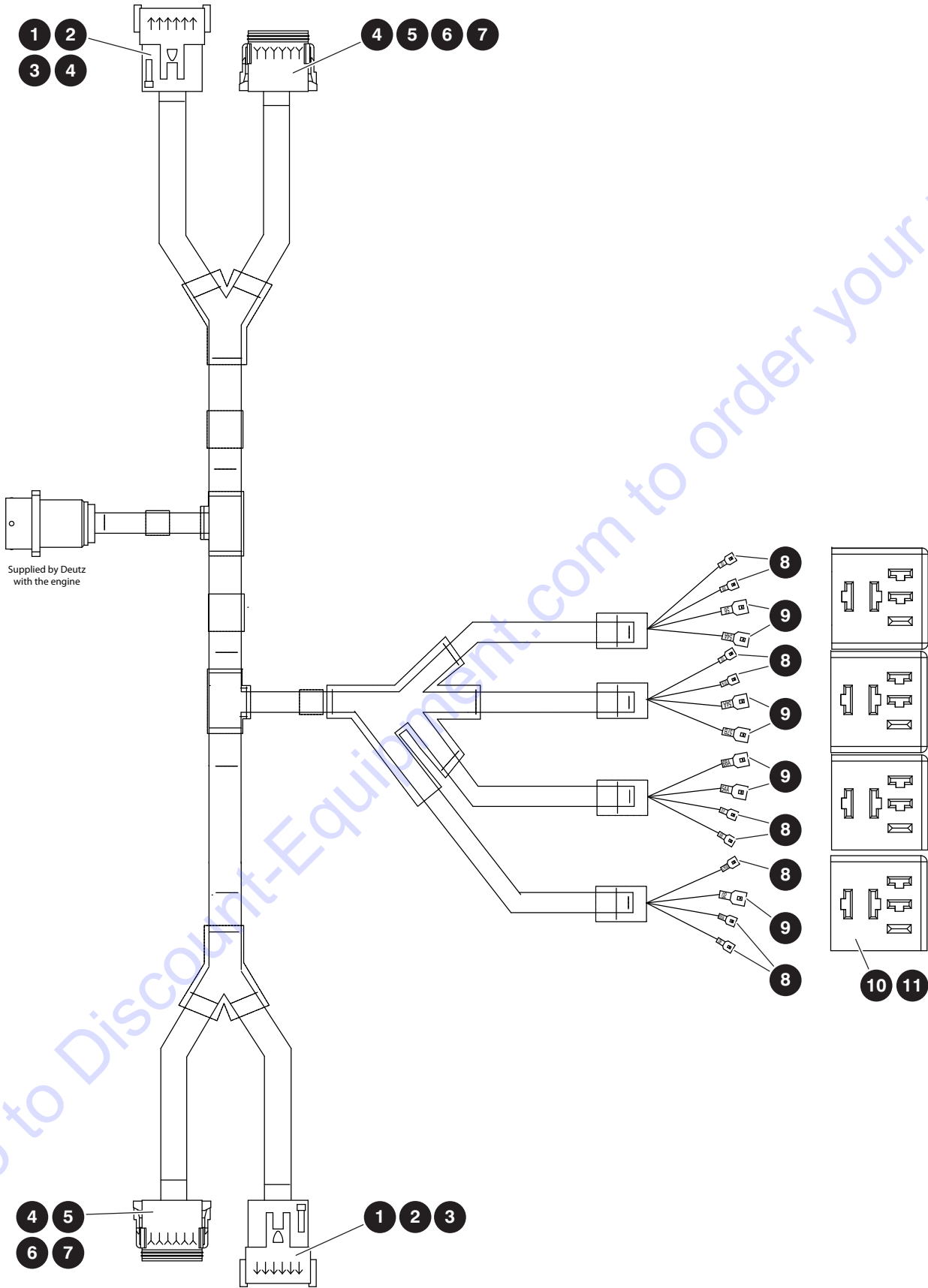
229032ABA

SJ61 T+, SJ66 T+

5.1 Main Electrical Harness

Index No.	Skyjack Part No.	Qty.	Description
-	218399	1	ELECTRICAL HARNESS, Main
1	138753	1	• HOOD, Side 24 pole (M32)
2	138755	1	• PLUG, 24 pole spring (16A)
3	121050	18	• FERULE, Red (16GA)
4	138044	4	• FERULE, Blue (14GA)
5	138754	1	• STRAIN, RELIEF (M32 x 1.5)
6	117579	1	• CONNECTOR, Plug (4-pin)
7	117581	1	• CONNECTOR, Wedge (4-pin)
8	117597	16	• PLUG, Deutsch (2 pin)
9	117591	36	• SOCKET, Deutsch solid (16/18 Gauge)
10	117599	16	• WEDGE, Deutsch (2 pin)

5.2 Interface Harness - Deutz TD2.9L & D2011



M218405AD-2

229032ABA

108

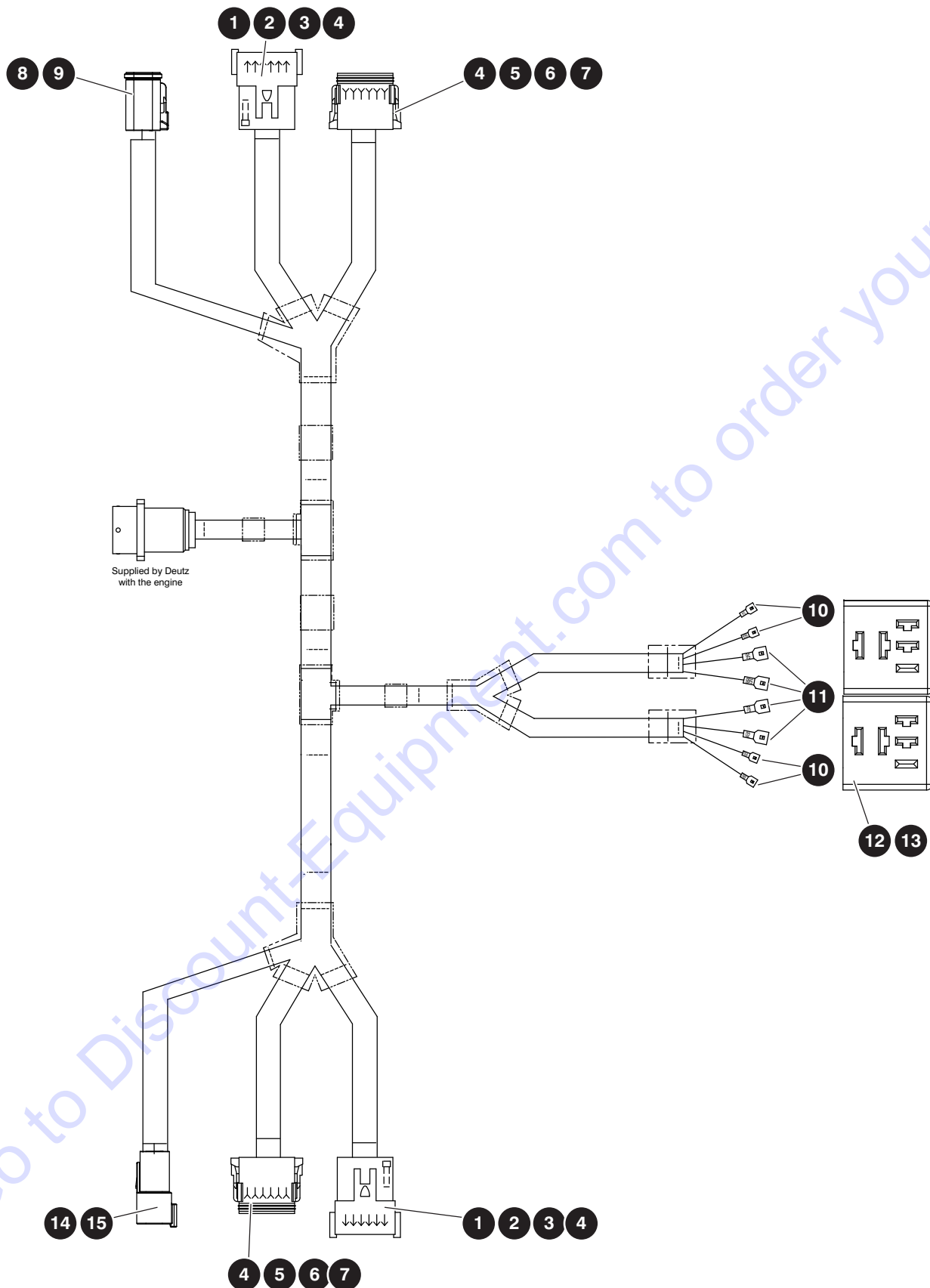
SJ61 T+, SJ66 T+

SKYJACK

5.2 Interface Harness - Deutz TD2.9L & D2011

Index No.	Skyjack Part No.	Qty.	Description
A	218405	1	INTERFACE HARNESS - Deutz TD2.9L
B	218415	1	INTERFACE HARNESS - Deutz D2011
1	117586	2	<ul style="list-style-type: none"> • CONNECTOR, Receptacle 12-pin
2	117588	2	<ul style="list-style-type: none"> • CONNECTOR, Receptacle wedge 12-pin
3	117590	21	<ul style="list-style-type: none"> • CONNECTOR, Contact pin 16-18
4	117594	10	<ul style="list-style-type: none"> • CONNECTOR, Sealing plug
5	117591	18	<ul style="list-style-type: none"> • CONNECTOR, Contact socket 16-18
6	117587	2	<ul style="list-style-type: none"> • CONNECTOR, Plug 12-pin
7	117589	1	<ul style="list-style-type: none"> • CONNECTOR, Plug wedge 12-pin
8	199144	9	<ul style="list-style-type: none"> • TERMINAL, Fastin-on (3/16"), A
	199144	4	<ul style="list-style-type: none"> • TERMINAL, Fastin-on (3/16"), B
9	126808	8	<ul style="list-style-type: none"> • TERMINAL, Non-insulated (1/4" 14-18 GA), A
	126808	4	<ul style="list-style-type: none"> • TERMINAL, Non-insulated (1/4" 14-18 GA), B
10	931298	4	<ul style="list-style-type: none"> • RELAY, A
	931298	2	<ul style="list-style-type: none"> • RELAY, B
11	218997	4	<ul style="list-style-type: none"> • SOCKET, Micro relay, A
	218997	2	<ul style="list-style-type: none"> • SOCKET, Micro relay, B

5.3 Interface Harness - Deutz TCD2.2



M218484AC-2

229032ABA

110

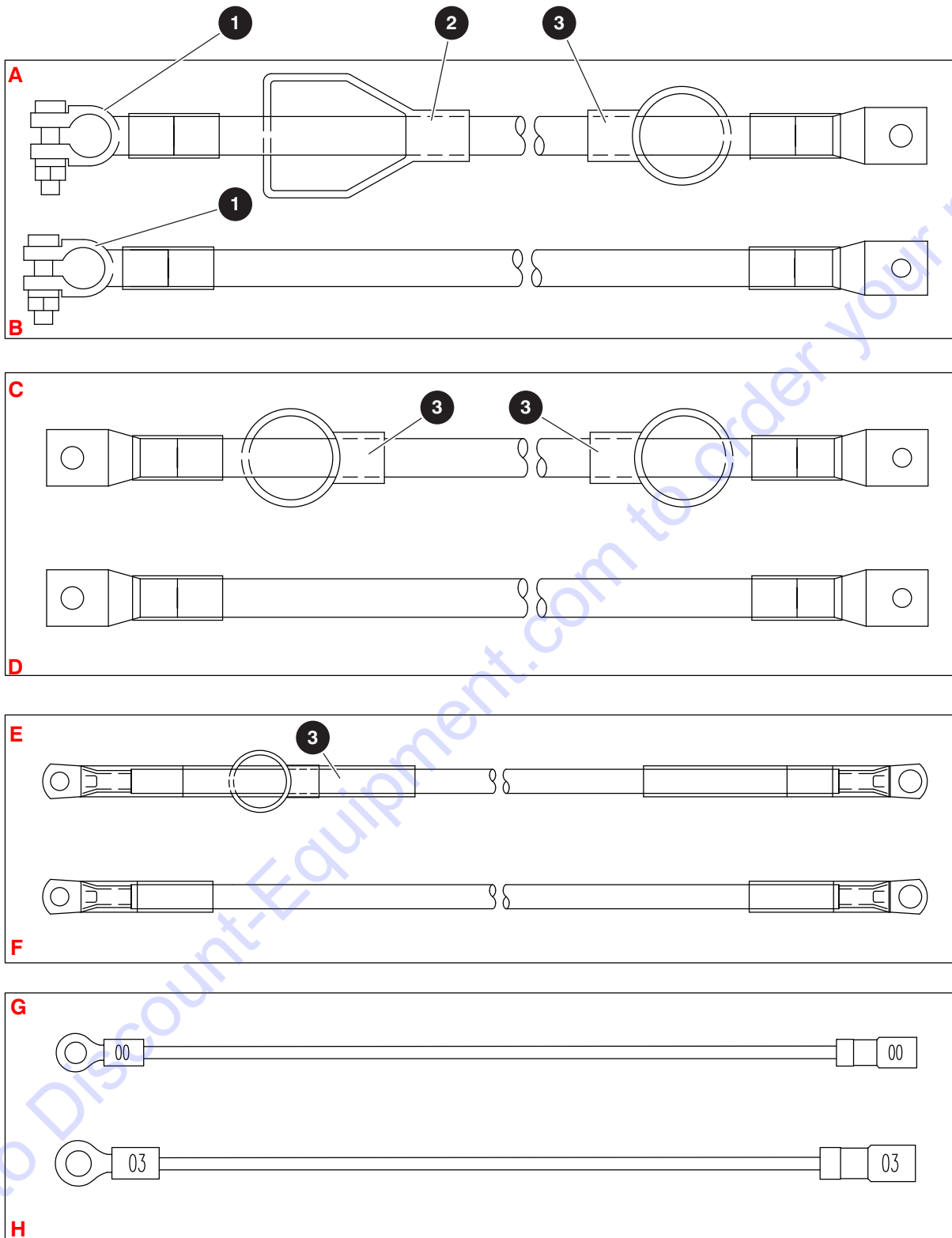
SJ61 T+, SJ66 T+

SKYJACK

5.3 Interface Harness - Deutz TCD2.2

Index No.	Skyjack Part No.	Qty.	Description
-	218484	1	INTERFACE HARNESS - <i>Deutz TCD2.2</i>
1	117586	2	<ul style="list-style-type: none"> • CONNECTOR, Receptacle 12-pin
2	117588	2	<ul style="list-style-type: none"> • CONNECTOR, Receptacle wedge 12-pin
3	117590	21	<ul style="list-style-type: none"> • CONNECTOR, Contact pin 16-18
4	117594	10	<ul style="list-style-type: none"> • CONNECTOR, Sealing plug
5	117591	18	<ul style="list-style-type: none"> • CONNECTOR, Contact socket 16-18
6	117587	2	<ul style="list-style-type: none"> • CONNECTOR, Plug 12-pin
7	117589	1	<ul style="list-style-type: none"> • CONNECTOR, Plug wedge 12-pin
8	158476	1	<ul style="list-style-type: none"> • CONNECTOR, Plug 6-pin
9	158477	1	<ul style="list-style-type: none"> • CONNECTOR, Plug wedge 6-pin
10	199144	9	<ul style="list-style-type: none"> • TERMINAL, Fastin-on (3/16")
11	126808	8	<ul style="list-style-type: none"> • TERMINAL, Non-insulated (1/4" 14-18 GA)
12	931298	4	<ul style="list-style-type: none"> • RELAY
13	218997	4	<ul style="list-style-type: none"> • SOCKET, Micro relay
14	204107	1	<ul style="list-style-type: none"> • CONNECTOR, Receptacle wedge 6-pin
15	204108	1	<ul style="list-style-type: none"> • CONNECTOR, Receptacle 6-pin

5.4 Battery Cables



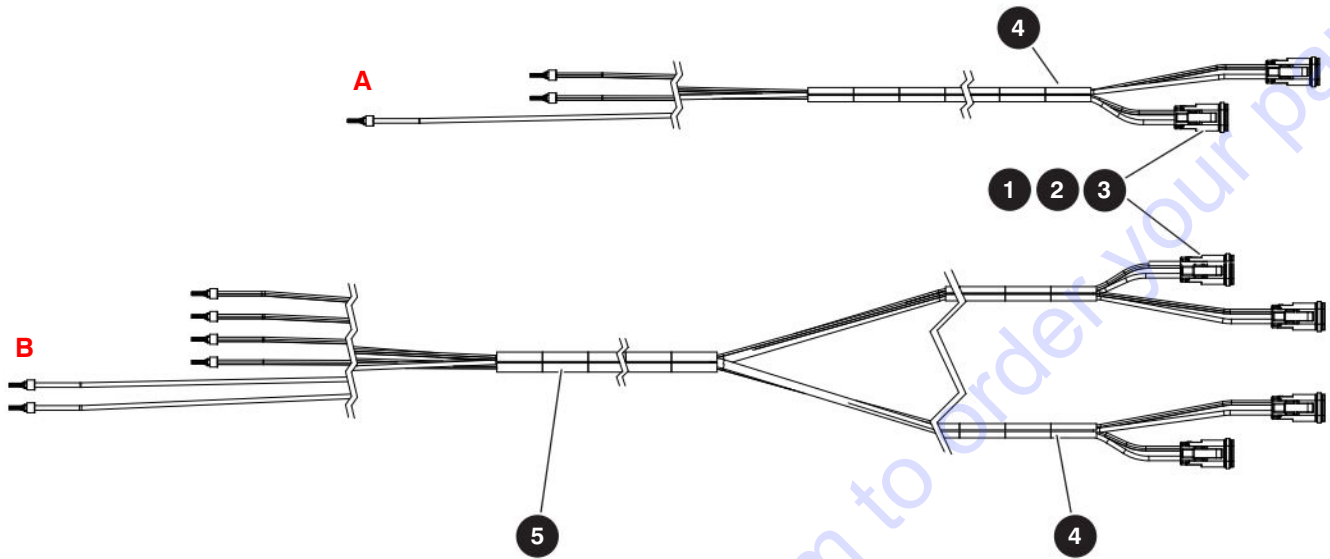
M138700AC

229032ABA

5.4 Battery Cables

Index No.	Skyjack Part No.	Qty.	Description
A	147554	1	CABLE HARNESS (Battery positive to main disconnect switch)
B	147538	1	CABLE HARNESS (Battery negative to chassis ground)
C	154245	1	CABLE HARNESS (Deutz - main disconnect switch to starter)
D	138703	1	CABLE HARNESS (Engine ground to chassis ground)
E	167616	1	CABLE HARNESS (Emergency pump to main disconnect switch)
F	165850	1	CABLE HARNESS (Emergency power unit to main disconnect switch)
G	157639	1	WIRE ASSEMBLY, Charge indicator - 00 - SJ66 T+ CE & AS
H	152345	1	WIRE ASSEMBLY, Charge indicator - 03 - SJ66 T+ CE & AS
1	139030	1	• POST CLAMP, Battery (#2/0 positive), A
	139031	1	• POST CLAMP, Battery (#2/0 negative), B
2	139032	1	• POST BOOT, Battery (#2/0 red)
3	139105	1	• TERMINAL BOOT (#2/0 red), A, E
	139105	2	• TERMINAL BOOT (#2/0 red), C, F
	139106	1	• TERMINAL BOOT (#1 red), E

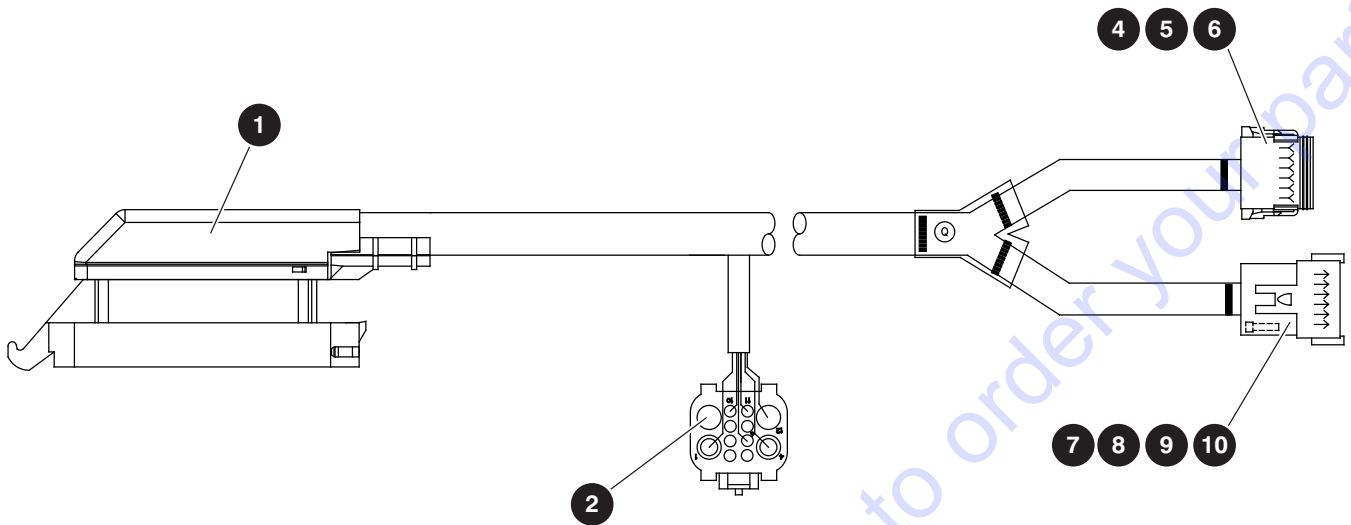
5.5 Jib & Platform Rotate Harnesses



M167740AB_M167698AB

Index No.	Skyjack Part No.	Qty.	Description
A	167740	1	HARNESS, Platform rotate - SJ61 T+
B	167698	1	HARNESS, Jib and platform rotate - SJ66 T+
1	117597	2	• CONNECTOR, Plug 2-pin A
	117597	4	• CONNECTOR, Plug 2-pin B
2	117599	2	• WEDGE, Connector plug 2-pin A
	117599	4	• WEDGE, Connector plug 2-pin B
3	117591	4	• SOCKET, Contact - connector plug 2-pin A
	117591	8	• SOCKET, Contact - connector plug 2-pin B
4	124399	139"	• PROTECTOR, Wire (1/4") A
	124399	38"	• PROTECTOR, Wire (1/4") B
5	111354	120"	• PROTECTOR, Wire (3/8") B

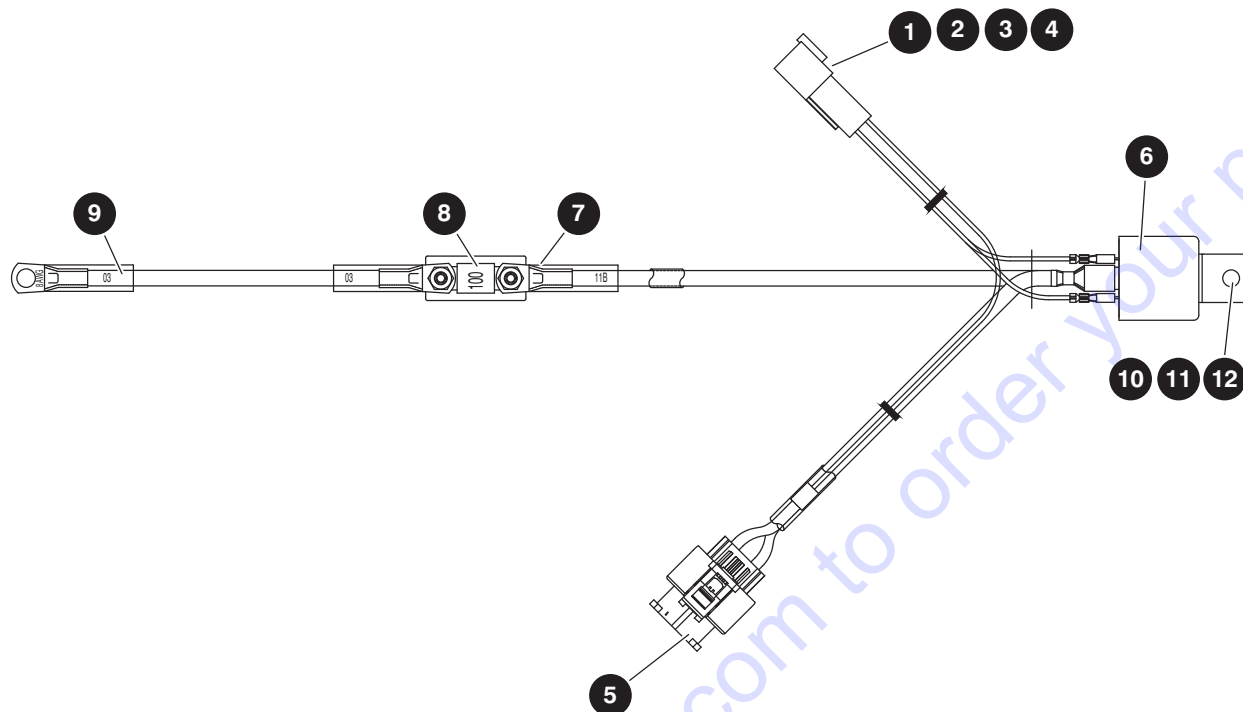
5.6 ECU Harnesses - Deutz D2011



M218433AA-2

Index No.	Skyjack Part No.	Qty.	Description
-	218433	1	HARNESS, ECU - Deutz D2011
1	138574	1	• CONNECTOR KIT, Deutz controller
2	236108	1	• CONNECTOR KIT, Deutz engine
3	138576	1	• CONNECTOR KIT, Deutz programming (not shown)
4	117587	1	• CONNECTOR, Plug 12-pin
5	117589	1	• CONNECTOR, Plug wedge 12-pin
6	117591	13	• CONNECTOR, Contact socket 16-18
7	117586	2	• CONNECTOR, Receptacle 12-pin
8	117588	2	• CONNECTOR, Receptacle wedge 12-pin
9	117590	5	• CONNECTOR, Contact pin 16-18
10	117594	7	• CONNECTOR, Sealing plug

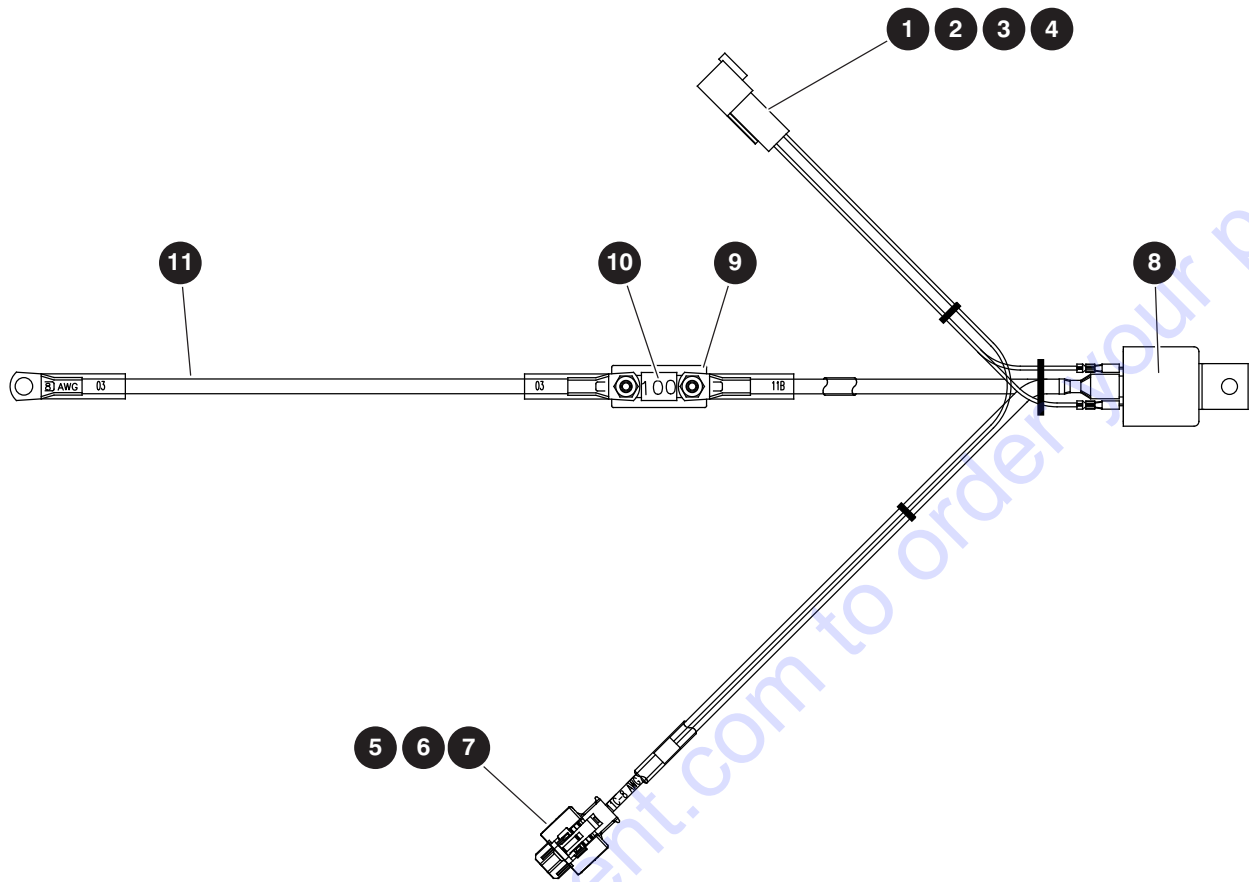
5.7 Glow Plug Harness - Deutz TD2.9



M165022AA

Index No.	Skyjack Part No.	Qty.	Description
-	165022	1	GLOW PLUG HARNESS ASSEMBLY - Deutz TD2.9L engine
-	165028	1	• HARNESS ASSEMBLY, Glow Plug
-	165048	1	• • HARNESS, Glow plug
1	117578	1	• • • RECEPTACLE, Connector (4 pin)
2	117580	1	• • • RECEPTACLE, Connector (4 pin wedge)
3	117590	3	• • • CONTACT PIN, Connector (16-18)
4	117594	1	• • • SEALING PLUG, Connector
5	165050	1	• • • CONNECTOR, (2F TYCO BNG1)
6	165029	1	• • RELAY, 150A (12V SPST)
7	165030	1	• • HOLDER, Fuse (Inline)
8	165031	1	• • FUSE, Bolt-down (100A)
8	165049	1	• • WIRE ASSEMBLY, Power (Glow plug)
10	104698	1	• SCREW, Round head machine (#10-32 x 0.75")
11	104694	2	• WASHER, Flat (#10)
12	300450	1	• NUT, Hex head (#10-32, grade 5)
13	139106	1	• BOOT, Terminal, #4 AWG (not shown)

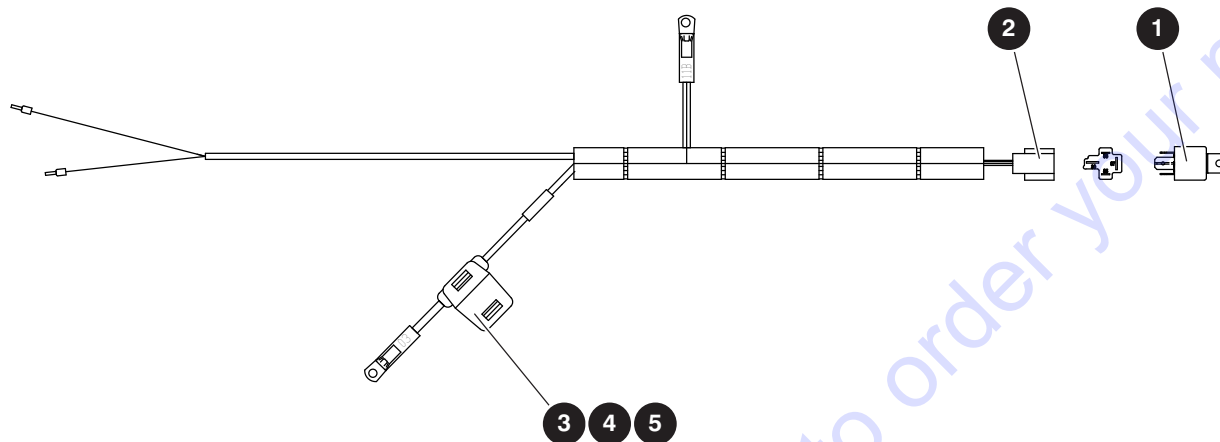
5.8 Glow Plug Harness - Deutz TCD2.2



M224848AA

Index No.	Skyjack Part No.	Qty.	Description
-	206143	1	HARNES ASSEMBLY, Glow Plug - Deutz D2.2
-	206099	1	• HARNESS, Glow plug
1	117578	1	• • RECEPTACLE, Connector (4 pin)
2	117580	1	• • RECEPTACLE, Connector (4 pin wedge)
3	117590	3	• • CONTACT PIN, Connector (16-18)
4	117594	1	• • SEALING PLUG, Connector
5	206100	1	• • CONNECTOR, 1 pole NG1 female
6	206109	1	• • TERMINAL, female (10MM2, 8NG1)
7	165052	1	• • SEAL, Wire - orange (4.3-6.0 mm, 8NG1)
8	165029	1	• RELAY, 150A (12V SPST)
9	165030	1	• HOLDER, Fuse (Inline)
10	165031	1	• FUSE, Bolt-down (100A)
11	206144	1	• WIRE ASSEMBLY, Power (Glow plug)

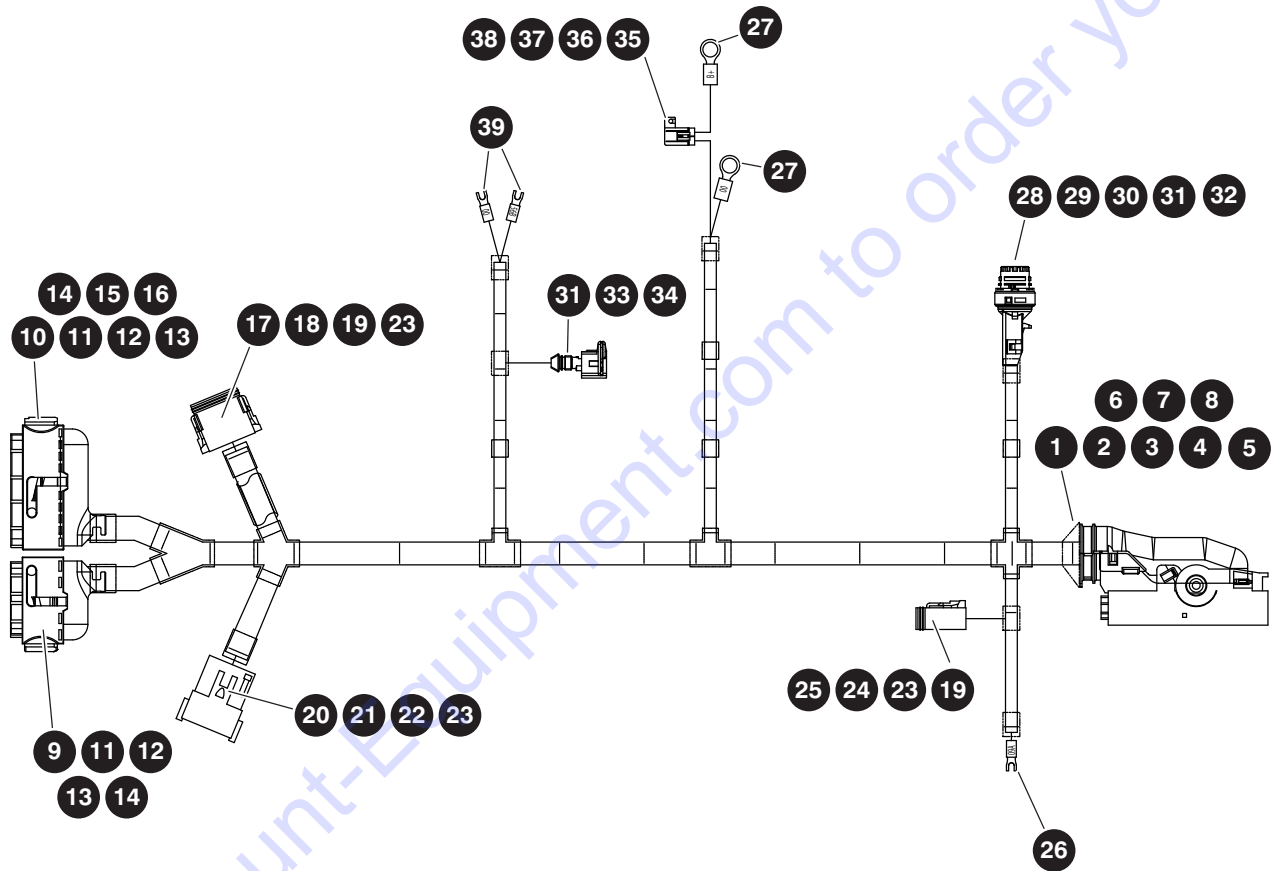
5.9 Glow Plug Harness - Deutz D2011



M148472AD

Index No.	Skyjack Part No.	Qty.	Description
-	148472	1	HARNES, Glow Plug - Deutz D2011 engine
1	138844	1	• RELAY, SPST (80A 12V)
2	138845	1	• SOCKET, Relay (80A)
3	138847	1	• FUSE HOLDER, In-line
4	139195	1	• COVER, Fuse holder
5	138848	1	• FUSE (50A)

5.10 Engine Interface Harness - Deutz TD2.9L



M165769AD-1

229032ABA

120

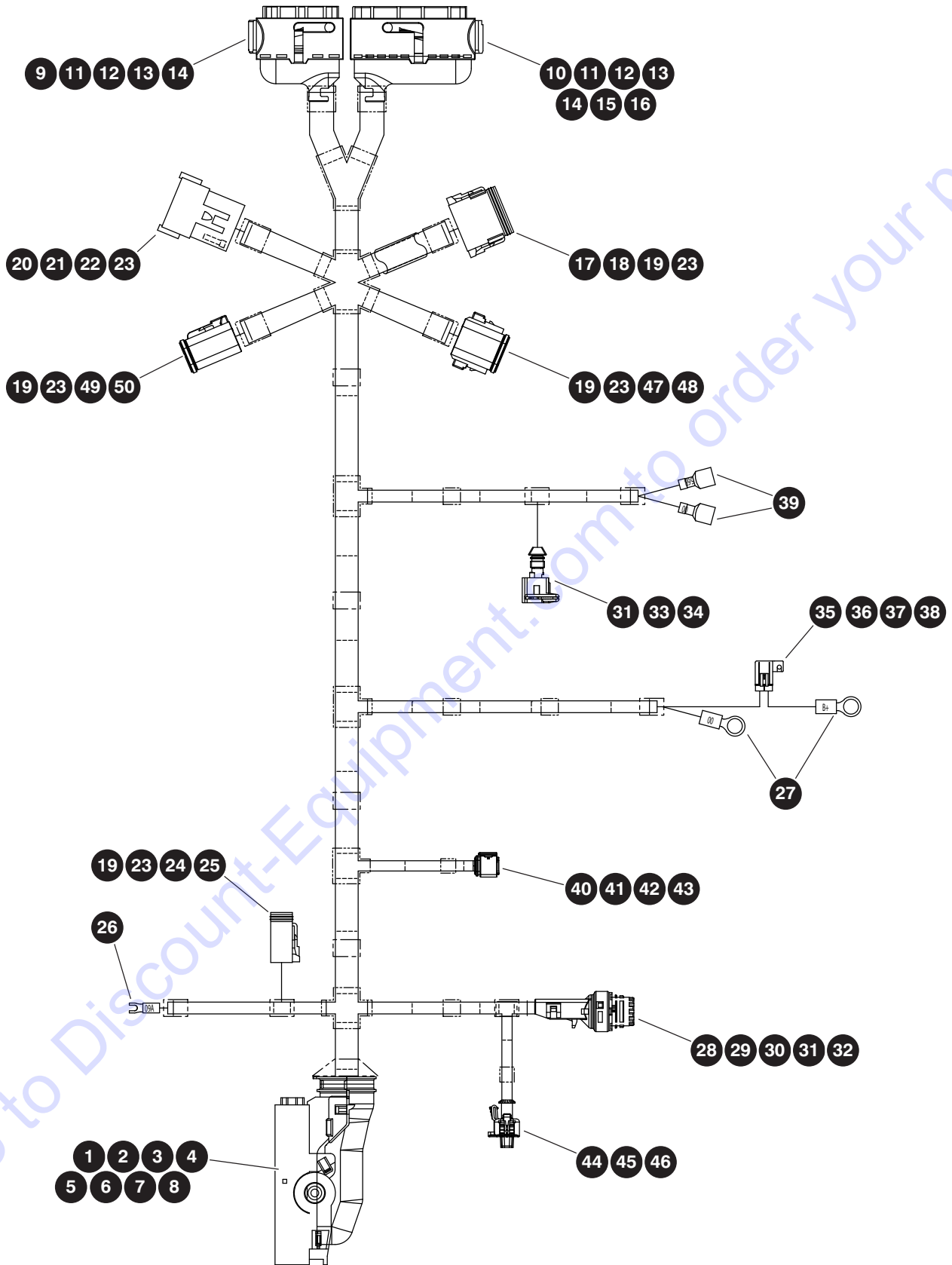
SJ61 T+, SJ66 T+

SKYJACK

5.10 Engine Interface Harness - Deutz TD2.9L

Index No.	Skyjack Part No.	Qty.	Description
-	195627	1	ENGINE INTERFACE HARNESS
1	164544	1	• ASSEMBLY, Connector (62F, AMP MCP)
2	164545	1	• COVER, 62-Pin Connector
3	164546	32	• TERMINAL, Female (1.0 - 0.5mm ² , MCP)
4	164547	32	• SEAL, Wire (Grey, 1.4 - 1.9mm, MCP)
5	164548	24	• PLUG, Cavity (3.6mm, MCP)
6	164549	2	• TERMINAL, Female (2.5 - 1.0mm ² , MCP)
7	164550	2	• SEAL, Wire (White, 2.2 - 3.0mm, MCP)
8	164551	4	• PLUG, Cavity (5.4mm, MCP)
9	164556	1	• ASSEMBLY, Connector (60F, AMP MQS)
10	164567	1	• ASSEMBLY, Connector (94F, AMP MQS+MCP)
11	164561	45	• TERMINAL, Female (0.75 - 0.5mm ² , MQS)
12	164562	15	• TERMINAL, Female (1.5 - 0.75mm ² , MQS)
13	164563	76	• PLUG, Cavity (MQS)
14	164564	12	• PLUG, Cavity (MQS)
15	164572	6	• TERMINAL, Female (2.5 - 1.0mm ² , MCP2.8)
16	164573	6	• SEAL, Wire (Yellow, 2.7 - 3.0mm, JPT/MCP)
17	117587	1	• CONNECTOR, Plug (12-pin)
18	117589	1	• CONNECTOR, Plug (12-pin wedge)
19	117591	13	• CONNECTOR, Contact socket (16-18)
20	117586	1	• CONNECTOR, Receptacle (12-pin)
21	117588	1	• CONNECTOR, Receptacle (12-pin wedge)
22	117590	10	• CONNECTOR, Contact pin (16-18)
23	117594	5	• CONNECTOR, Sealing plug
24	117579	1	• CONNECTOR, Plug (4-pin)
25	117581	1	• CONNECTOR, Plug (4-pin wedge)
26	109892	2	• TERMINAL, Lock fork ((#10), 14-16GA blue)
27	156219	2	• TERMINAL, M8 ring (5.0mm ²)
28	164579	1	• CONNECTOR, Circular (4F, 2.5mm)
29	164580	1	• STRAIN RELIEF, Straight
30	164581	3	• TERMINAL, Female (1.0 - 0.5mm ² , 2.5mm circ.)
31	164578	5	• SEAL, Wire (Light Blue, 1.2 - 2.1mm)
32	156172	1	• PLUG, Cavity (JPT)
33	156163	1	• ASSEMBLY, Connector (2F, AMP)
34	156174	2	• TERMINAL, Female (1.0 - 0.5mm ² , JPT)
35	156127	1	• CONNECTOR, Fuse holder (2F, 630 M/P)
36	156118	2	• TERMINAL, Female (5.0 - 3.0mm ² , 630 M/P, pull-to-seat)
37	156164	1	• FUSE, ATO (30A)
38	156117	1	• COVER, Inline Autofuse
39	105359	2	• TERMINAL, Spade - female (14-16GA insulated blue)

5.11 Engine Interface Harness - Deutz TCD2.2



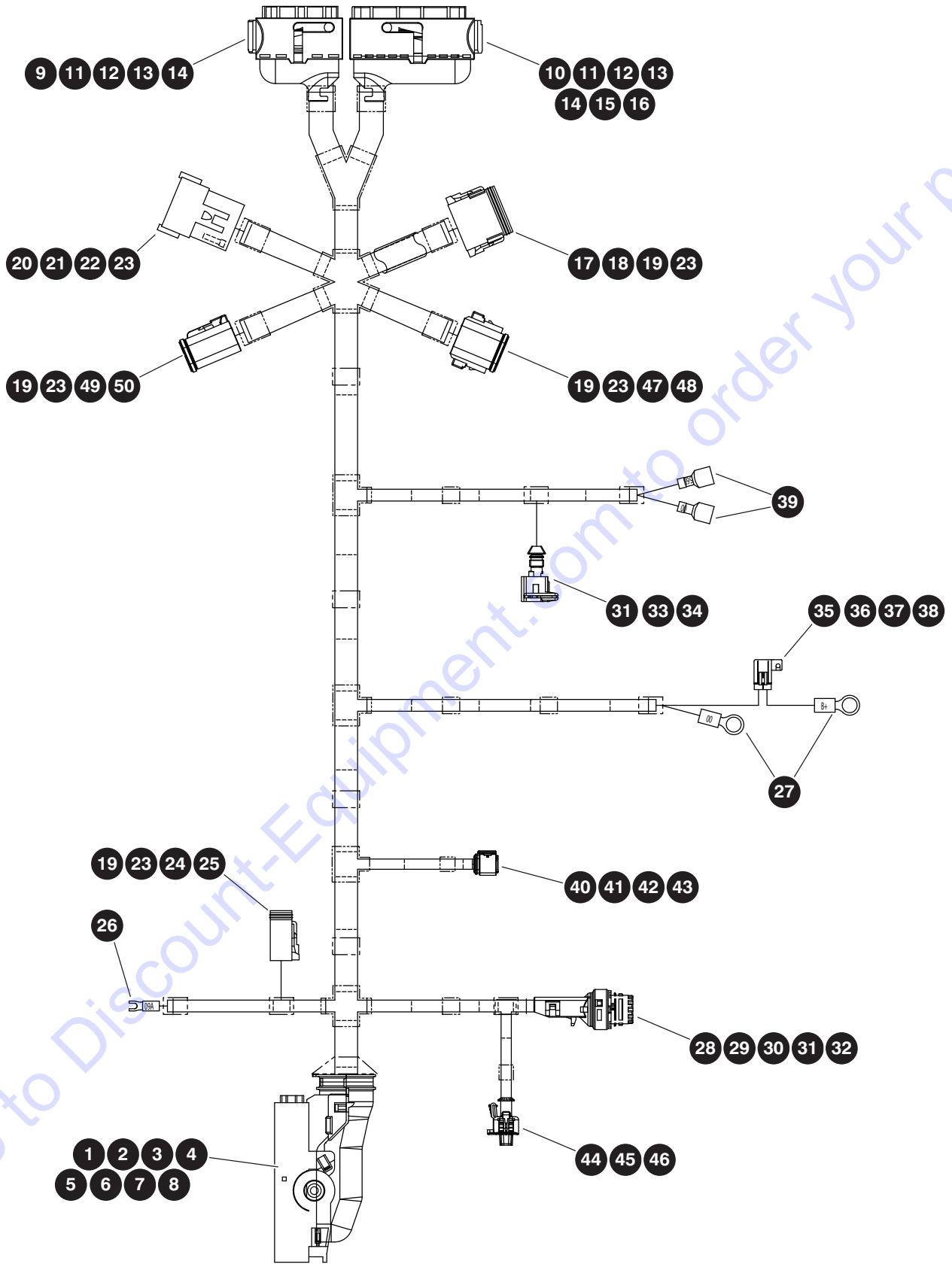
M224638AC-1

229032ABA

5.11 Engine Interface Harness - Deutz TCD2.2

Index No.	Skyjack Part No.	Qty.	Description
-	224638	1	ENGINE INTERFACE HARNESS - Deutz TCD2.2
1	164544	1	• ASSEMBLY, Connector (62F, AMP MCP)
2	164545	1	• COVER, 62-Pin Connector
3	164546	32	• TERMINAL, Female (1.0 - 0.5mm ² , MCP)
4	164547	32	• SEAL, Wire (Grey, 1.4 - 1.9mm, MCP)
5	164548	24	• PLUG, Cavity (3.6mm, MCP)
6	164549	2	• TERMINAL, Female (2.5 - 1.0mm ² , MCP)
7	164550	2	• SEAL, Wire (White, 2.2 - 3.0mm, MCP)
8	164551	4	• PLUG, Cavity (5.4mm, MCP)
9	164556	1	• ASSEMBLY, Connector (60F, AMP MQS)
10	164567	1	• ASSEMBLY, Connector (94F, AMP MQS+MCP)
11	164561	45	• TERMINAL, Female (0.75 - 0.5mm ² , MQS)
12	164562	17	• TERMINAL, Female (1.5 - 0.75mm ² , MQS)
13	164563	76	• PLUG, Cavity (MQS)
14	164564	10	• PLUG, Cavity (MQS)
15	164572	6	• TERMINAL, Female (2.5 - 1.0mm ² , MCP2.8)
16	164573	6	• SEAL, Wire (Yellow, 2.7 - 3.0mm, JPT/MCP)
17	117587	1	• CONNECTOR, Plug (12-pin)
18	117589	1	• CONNECTOR, Plug (12-pin wedge)
19	117591	24	• CONNECTOR, Contact socket (16-18)
20	117586	1	• CONNECTOR, Receptacle (12-pin)
21	117588	1	• CONNECTOR, Receptacle (12-pin wedge)
22	117590	10	• CONNECTOR, Contact pin (16-18)
23	117594	8	• CONNECTOR, Sealing plug
24	117579	1	• CONNECTOR, Plug (4-pin)
25	117581	1	• CONNECTOR, Plug (4-pin wedge)
26	109892	1	• TERMINAL, Lock fork ((#10), 14-16GA blue)
27	156219	2	• TERMINAL, M8 ring (5.0mm ²)
28	164579	1	• CONNECTOR, Circular (4F, 2.5mm)
29	164580	1	• STRAIN RELIEF, Straight
30	164581	3	• TERMINAL, Female (1.0 - 0.5mm ² , 2.5mm circ.)
31	164578	5	• SEAL, Wire (Light Blue, 1.2 - 2.1mm)
32	156172	1	• PLUG, Cavity (JPT)
33	156163	1	• ASSEMBLY, Connector (2F, AMP)
34	156174	2	• TERMINAL, Female (1.0 - 0.5mm ² , JPT)
35	156127	1	• CONNECTOR, Fuse holder (2F, 630 M/P)
36	156118	2	• TERMINAL, Female (5.0 - 3.0mm ² , 630 M/P, pull-to-seat)
37	156164	1	• FUSE, ATO (30A)
38	156117	1	• COVER, Inline Autofuse
39	105359	2	• TERMINAL, Spade - female (14-16GA insulated blue)
40	224607	1	• CONNECTOR, Housing - socket (HDSCS, 8 pin)
41	224608	7	• CONNECTOR, Seal (HDSCS)
42	224609	1	• CONNECTOR, Plug - blind (HDSCS)
43	224610	7	• CONNECTOR, Socket - receptacle
44	224611	1	• CONNECTOR, Housing (2 pin)

5.11 Engine Interface Harness - Deutz TCD2.2



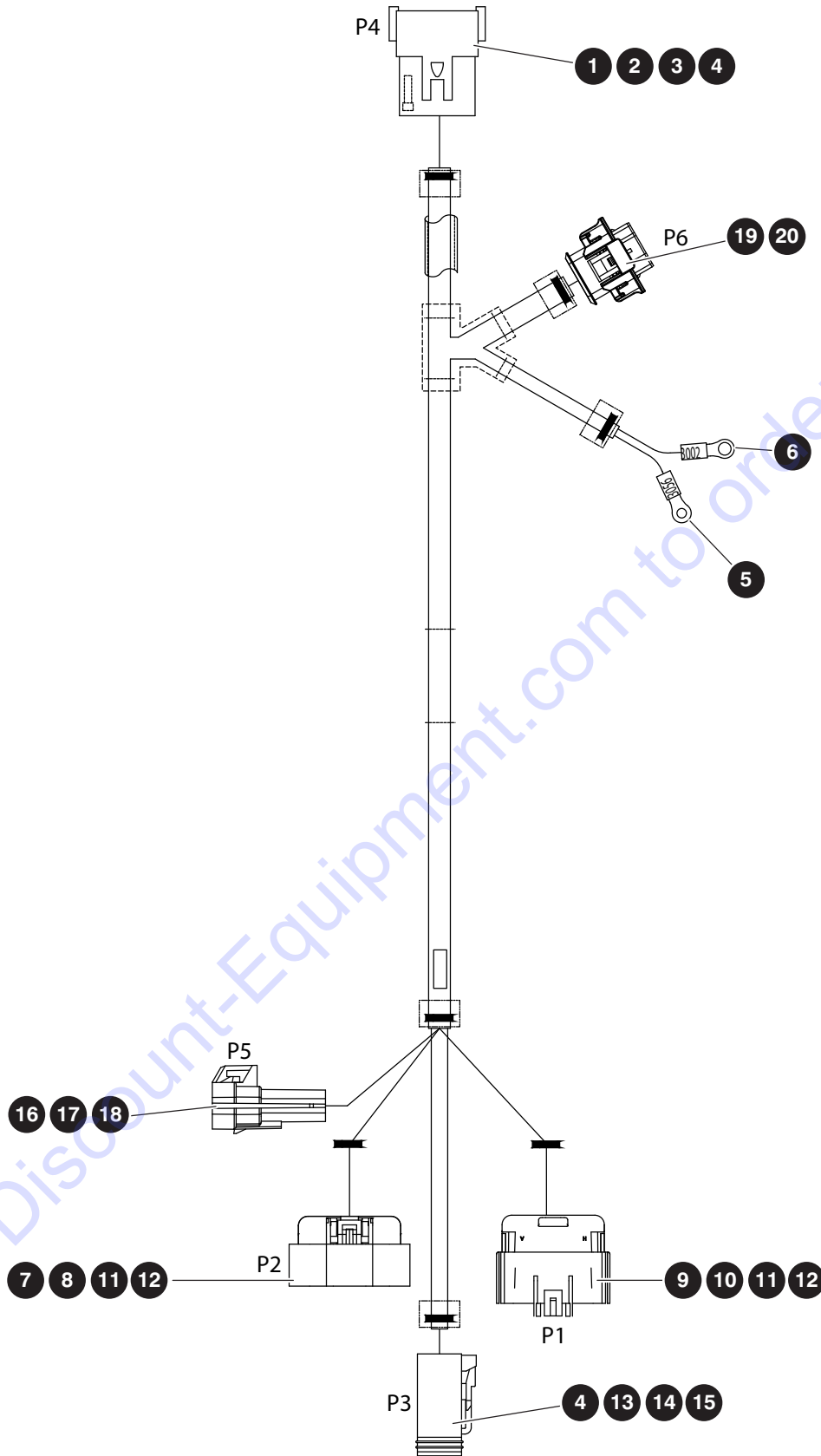
M224638AC-1

229032ABA

5.11 Engine Interface Harness - Deutz TCD2.2

Index No.	Skyjack Part No.	Qty.	Description
45	224612	2	• CONNECTOR, Contact (pin, 18 AWG)
46	224613	2	• CONNECTOR, Seal (18 AWG)
47	117593	1	• CONNECTOR, Plug (8 pin)
48	117585	1	• CONNECTOR, Wedge - plug (8 pin)
49	158476	1	• CONNECTOR, Plug (6 pin)
50	158477	1	• CONNECTOR, Wedge - plug (6 pin)

5.12 Engine Interface Harness - Kubota WG2503



M169377AC-2

229032ABA

126

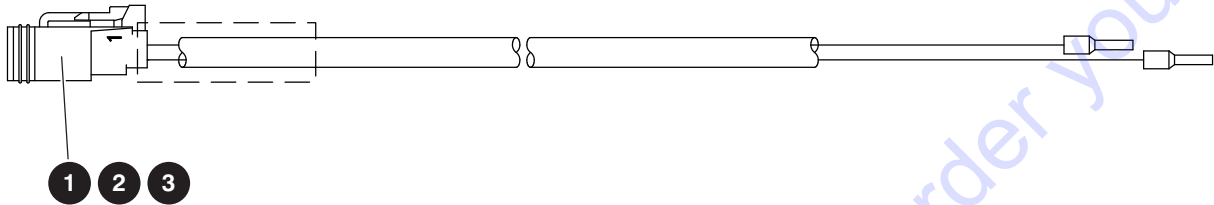
SJ61 T+, SJ66 T+

SKYJACK

5.12 Engine Interface Harness - Kubota WG2503

Index No.	Skyjack Part No.	Qty.	Description
-	169337	1	HARNESS, Engine interface - Kubota WG2503
1	117586	1	• RECEPTACLE, Connector (12 pin)
2	117588	1	• RECEPTACLE, Connector (12 pin wedge)
3	117590	7	• PIN, Connector contact (16-18)
4	117594	7	• PLUG, Connector sealing
5	144337	1	• TERMINAL, Red ring #8
6	119752	1	• TERMINAL, Red ring #10
7	142361	1	• HOUSING, Female (150 GT sealed 16 way)
8	142362	4	• TERMINAL, Female (150 GT series)
9	142363	1	• HOUSING, Male (150 GT sealed 16 way)
10	142364	8	• TERMINAL, Male (150 GT series)
11	142365	12	• SEAL, Wire (150 GT series)
12	142366	20	• PLUG, Cavity (150 GT series)
13	117591	4	• SOCKET, Connector contact (16-18)
14	156180	1	• CONNECTOR, 6F DT
15	156194	1	• WEDGE, Plug
16	166481	1	• CONNECTOR, 4M 150 M/P
17	156260	4	• TERMINAL, Male sealed (0.8-0.5 mm ²) 150 MP
18	163679	1	• TPA, 4W M/P
19	170221	1	• CONNECTOR, 4M Kompakt 1.1m
20	170222	4	• TERMINAL, Female sealed (1.0-0.5 mm ²) BDK2.8

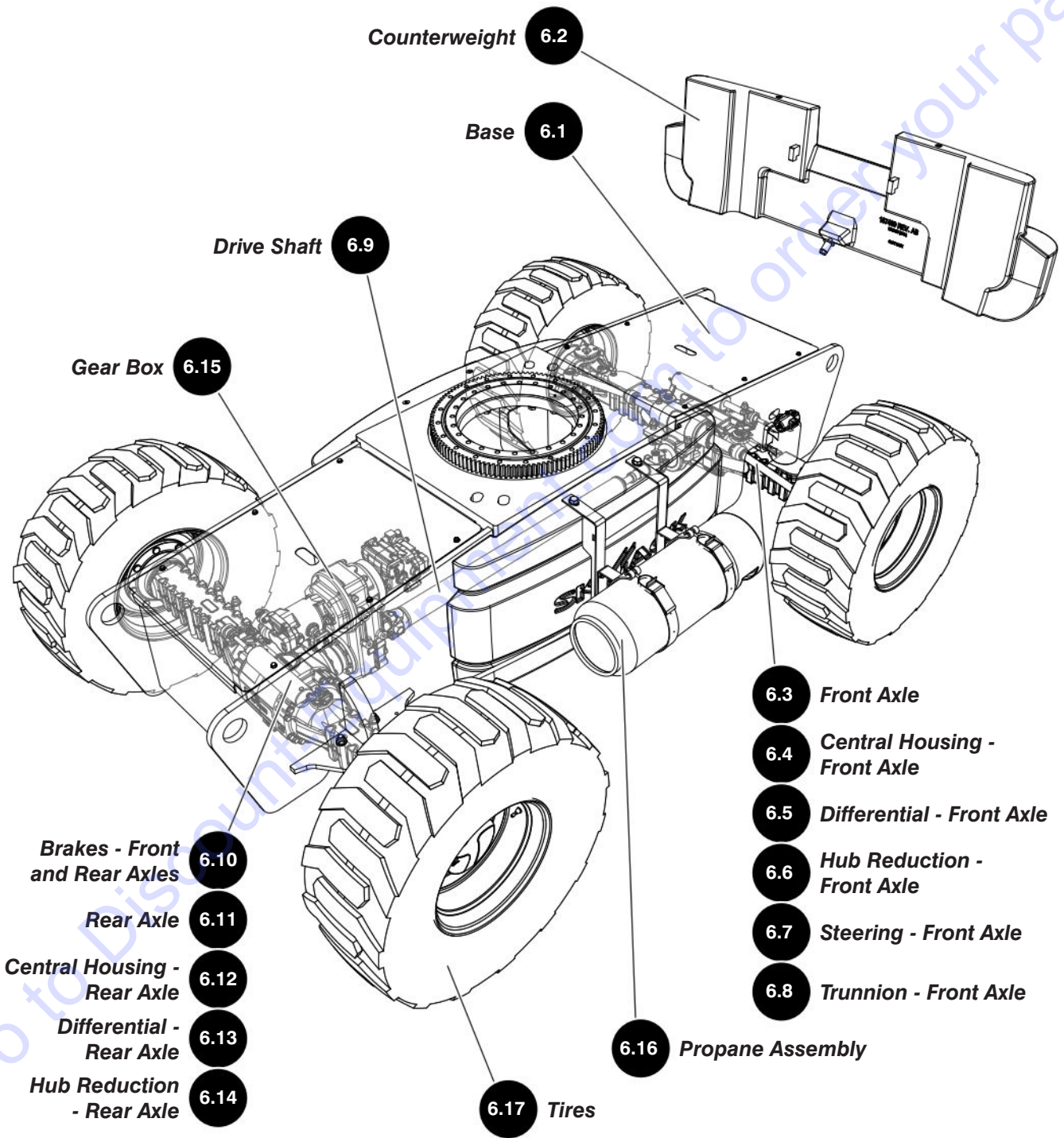
5.13 Differential Lock Valve Harness



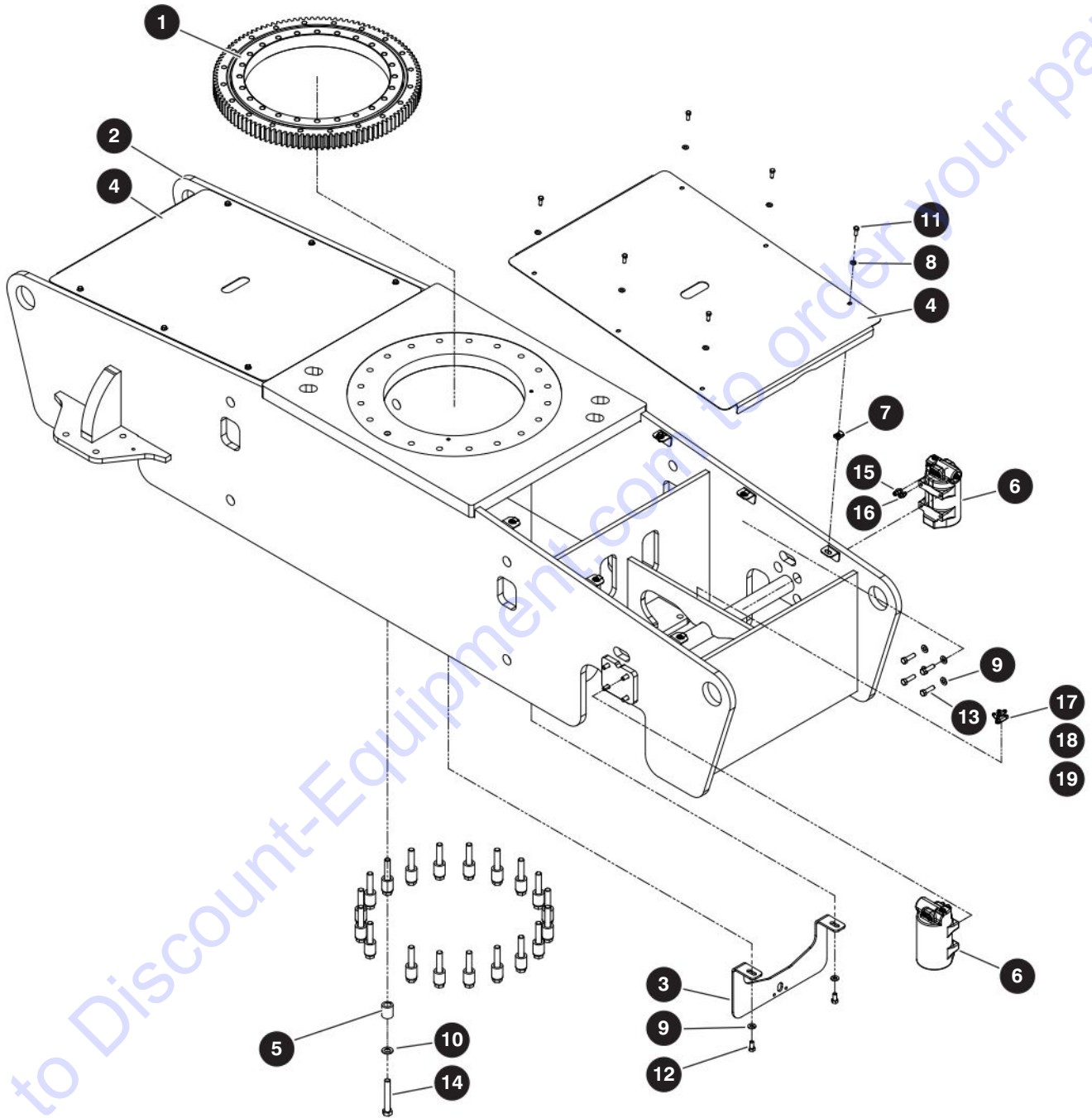
M167072AB

Index No.	Skyjack Part No.	Qty.	Description
-	167072	1	HARNES, Differential Lock Valve
1	117597	1	• CONNECTOR, Plug 2-pin
2	117599	1	• WEDGE, Connector plug 2-pin
3	117591	2	• SOCKET, Contact - connector plug 2-pin

Section 6 – Base



6.1 Base



M159514AA

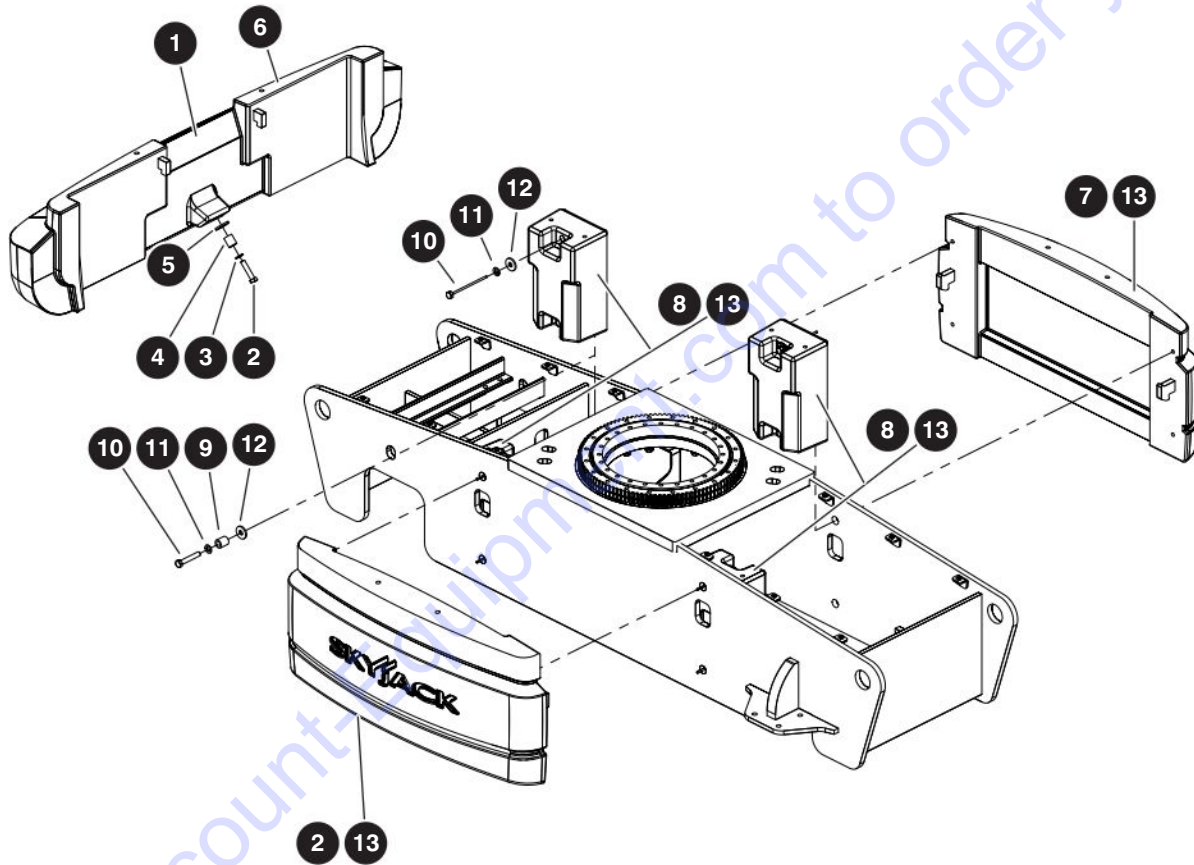
229032ABA

SJ61 T+, SJ66 T+

6.1 Base

Index No.	Skyjack Part No.	Qty.	Description
-	168219	1	BASE ASSEMBLY
1	216504	1	• GEAR, Ring
2	169622	1	• WELDMENT, Base
3	146260	1	• RETAINER, Rotary manifold
4	146272	2	• COVER, Base
5	159418	20	• SPACER
6	(Ref.)	2	• CYLINDER, Axle lockout (For components, refer to 3.8 Axle Lockout Cylinder)
7	159294	16	• NUT, Speed clip (3/8"-16)
8	103472	16	• WASHER, Flat (3/8")
9	104379	10	• WASHER, Flat hardened (1/2")
10	702194	20	• WASHER, Flat hardened (3/4")
11	103473	16	• BOLT, Hex head (3/8"-16 x 1" Grade 5)
12	103911	2	• BOLT, Hex head (1/2"-13 x 1" Grade 5)
13	207653	8	• BOLT, Hex head patch (1/2"-13 x 1 3/4" Grade 8)
14	146773	20	• BOLT, Hex head (3/4"-10 x 5" Grade 8)
15	103069	2	• FITTING, Straight (06 JICM - 06 ORBM)
16	126128	2	• FITTING, Straight (04 JICM - 04 ORBM)
17	131697	1	• FITTING, Tee (04 JICM)
18	131704	1	• FITTING, Tee (06 JICM)
19	707041	1	• FITTING, Straight (06 JICF - 04 JICM)

6.2 Counterweight



M167467AB

229032ABA

132

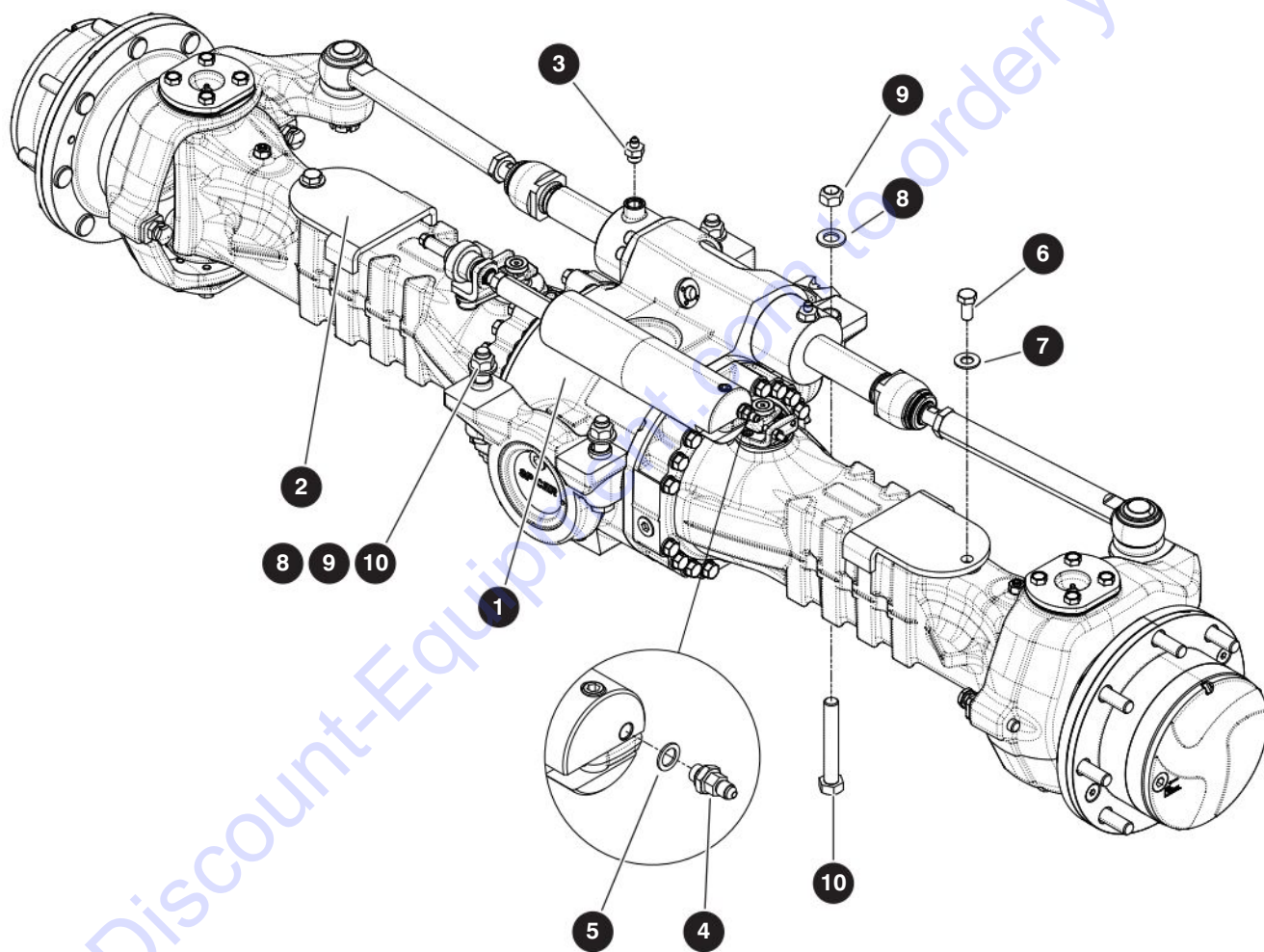
SJ61 T+, SJ66 T+

SKYJACK

6.2 Counterweight

Index No.	Skyjack Part No.	Qty.	Description
A	167564	1	COUNTERWEIGHT ASSEMBLY - SJ61 T+
B	218525	1	COUNTERWEIGHT ASSEMBLY - SJ66 T+
-	167565	1	• TURRET COUNTERWEIGHT, A
-	218528	1	• TURRET COUNTERWEIGHT, B
1	236666	1	• • COUNTERWEIGHT, Front, A
	218529	1	• • COUNTERWEIGHT, Front, B
2	146887	2	• • BOLT, Hex head (3/4"-10 x 4" Grade 8, zinc)
3	702194	2	• • WASHER, Flat (3/4", hardened)
4	159418	2	• • SPACER
5	146983	2	• • WASHER, Counterweight
6	144105	2	• • PLUG, Hole (3/4" threaded)
-	147409	1	• CHASSIS COUNTERWEIGHT, A
	147408	1	• CHASSIS COUNTERWEIGHT, B
7	147423	2	• • COUNTERWEIGHT, Outside
8	146982	4	• • COUNTERWEIGHT, Inside, B
9	159418	8	• • SPACER
10	138276	8	• • BOLT, Hex head (3/4"-10 x 4 1/2" Grade 8), A
	138275	8	• • BOLT, Hex head (3/4"-10 x 8.5" Grade 8), B
11	702194	8	• • WASHER, Flat (3/4", hardened)
12	146983	8	• • WASHER, Counterweight
13	144105	4	• • PLUG, Hole (3/4" threaded), A
	144105	12	• • PLUG, Hole (3/4" threaded), B

6.3 Front Axle



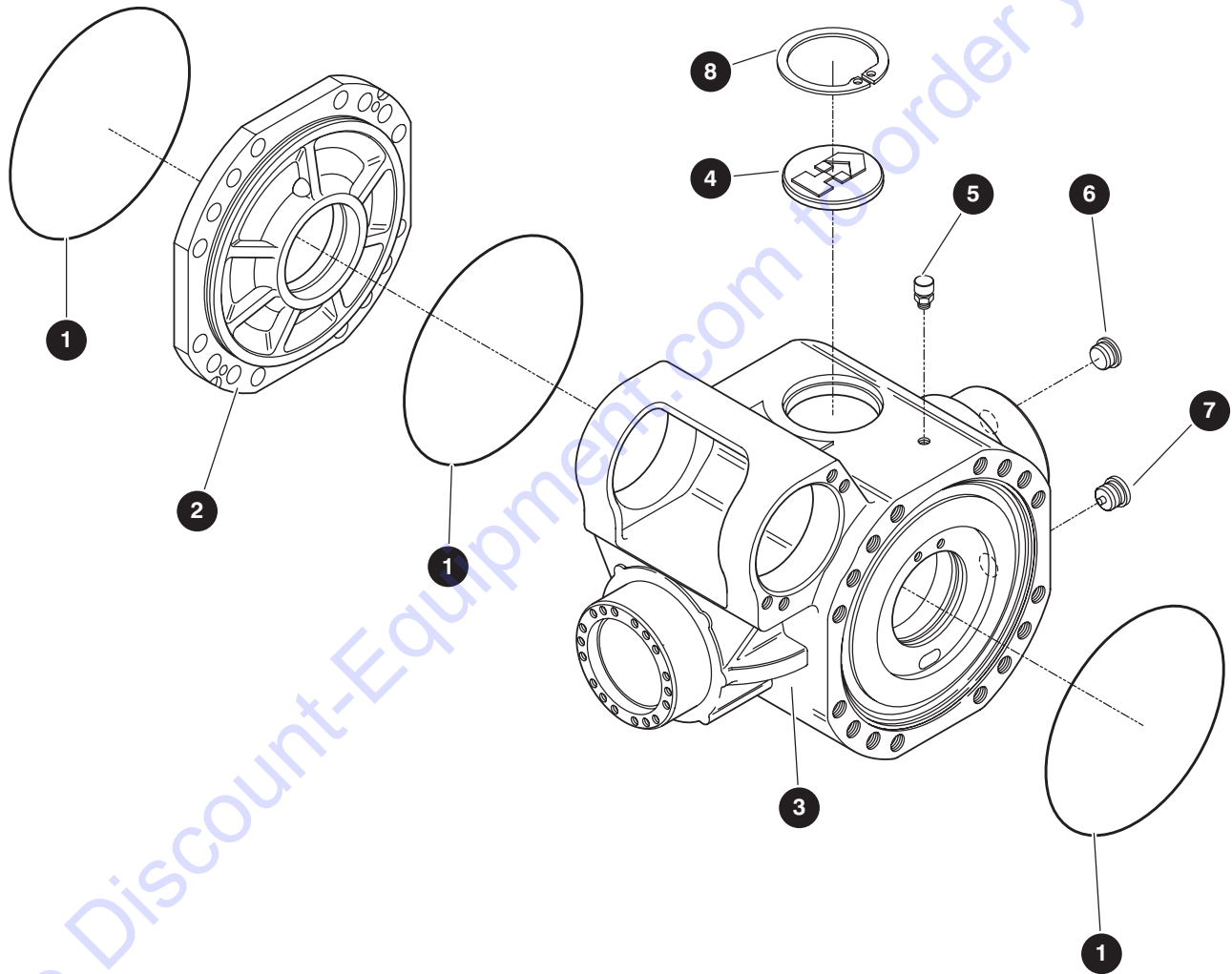
M153404AC_1

229032ABA

6.3 Front Axle

Index No.	Skyjack Part No.	Qty.	Description
-	153404	1	FRONT AXLE ASSEMBLY
1	146176	1	• FRONT AXLE
	151755	1	• • CENTRAL HOUSING - Front Axle (For components, refer to 6.4 Central Housing - Front Axle)
	170788	1	• • DIFFERENTIAL - Front Axle (For components, refer to 6.5 Differential - Front Axle)
	170796	2	• • HUB REDUCTION - Front Axle (For components, refer to 6.6 Hub Reduction - Front Axle)
	141084	2	• • BRAKES - Front Axle (For components, refer to 6.10 Brakes - Front and Rear Axles)
	169240	1	• • STEERING - Front Axle (For components, refer to 6.7 Steering - Front Axle)
	170855	1	• • TRUNNION (For components, refer to 6.8 Trunnion - Front Axle)
2	153602	2	• WEAR PAD
3	131705	2	• FITTING, Straight (08ORBM-04JICM)
4	149195	1	• FITTING, Straight (04JICM-04BSPPM)
5	139126	1	• SEAL, British bonded (04BSPPM)
6	138734	2	• BOLT, Hex head (M14 x 2 x 30mm gr 8.8 zp)
7	700782	2	• WASHER, Flat hardened (0.625")
8	103990	4	• WASHER, Flat (0.750")
9	700575	4	• NUT, Torque lock (0.75"-10 gr C)
10	146773	4	• BOLT, Hex head (0.75"-10 x 5.00 gr 8)

6.4 Central Housing - Front Axle



M151755AC

229032ABA

136

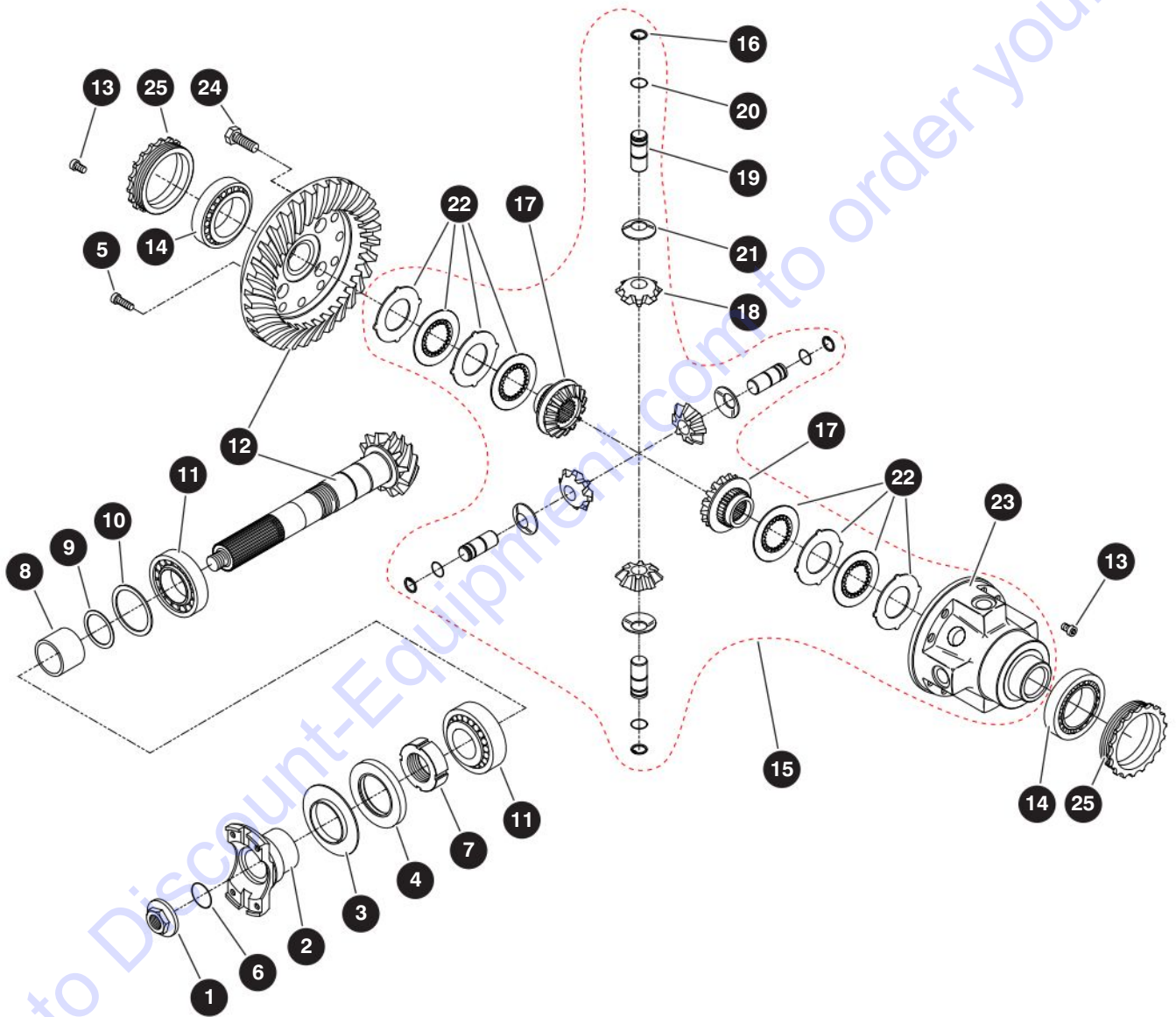
SJ61 T+, SJ66 T+

SKYJACK

6.4 Central Housing - Front Axle

Index No.	Skyjack Part No.	Qty.	Description
-	151755	1	CENTRAL HOUSING - Front Axle
1	140970	3	• O-RING
2	216425	1	• COVER
3	151756	1	• HOUSING
4	140967	1	• PLUG
5	170720	1	• VENT
6	140969	1	• PLUG
7	140968	1	• PLUG, Magnetic
8	140966	1	• CIRCLIP

6.5 Differential - Front Axle



M170788AA_1

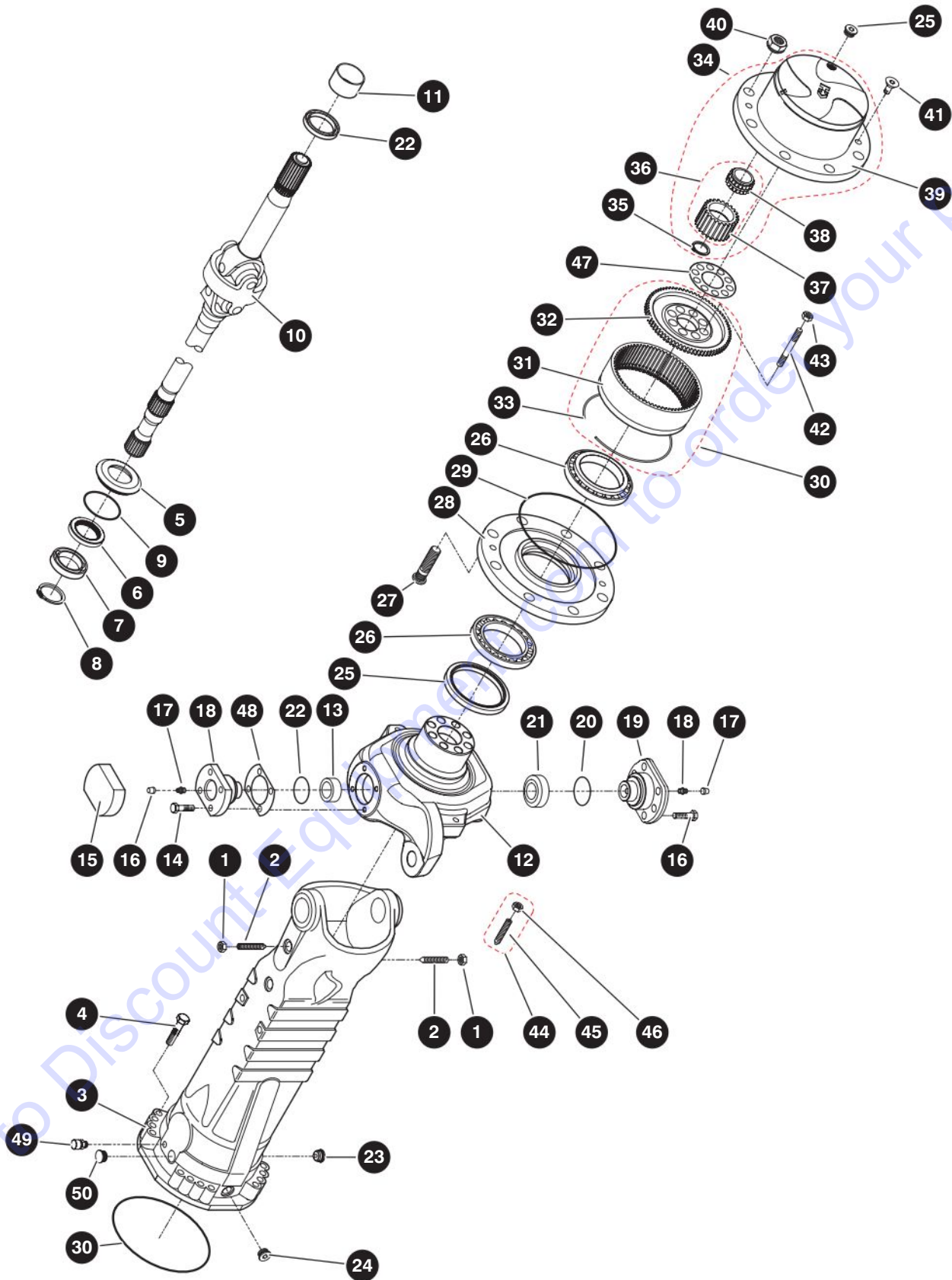
229032ABA

SJ61 T+, SJ66 T+

6.5 Differential - Front Axle

Index No.	Skyjack Part No.	Qty.	Description
-	170788	1	DIFFERENTIAL - Front Axle
1	140974	1	• NUT
-	140975	1	• FLANGE ASSEMBLY
2	170791	1	• • FLANGE
3	409452	1	• • PLATE, Cover
4	170792	1	• SEAL
5	170793	4	• BOLT
6	140979	1	• O-RING
7	140980	1	• NUT, Ring
8	140981	1	• SPACER
9	170789	1	• SHIM KIT
10	170790	1	• SHIM KIT
11	140984	2	• BEARING, Taper roller
12	140985	1	• GEAR SET, Bevel
13	151768	2	• BOLT
14	140987	2	• BEARING, Taper roller
15	140996	1	• DIFFERENTIAL KIT, Limited slip
16	140978	4	• • CIRCLIP
17	140988	2	• • GEAR, Differential side
18	140989	1	• • PINION, Differential
-	196632	4	• • PIN ASSEMBLY
19	140990	1	• • • PIN
20	140991	1	• • • CIRCLIP
21	140992	4	• • WASHER, Friction
22	140986	2	• • DISC KIT
23	140995	1	• • CARRIER, Differential
24	140993	12	• BOLT
25	141068	2	• NUT, Ring

6.6 Hub Reduction - Front Axle



M170796AB

229032ABA

140

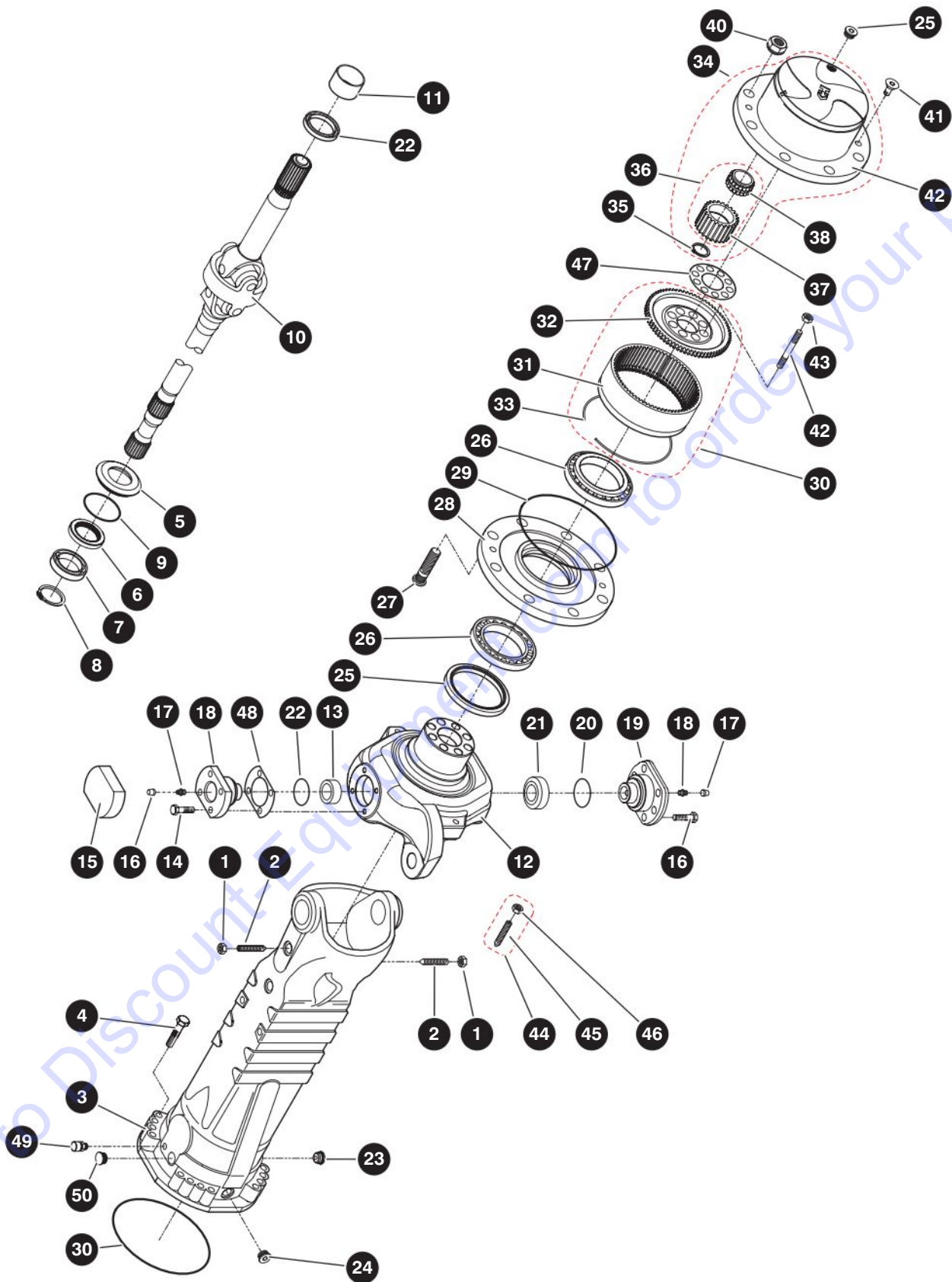
SJ61 T+, SJ66 T+

SKYJACK

6.6 Hub Reduction - Front Axle

Index No.	Skyjack Part No.	Qty.	Description
-	170796	2	HUB REDUCTION - Front Axle
1	141169	2	• NUT
2	141170	2	• BOLT
3	151760	2	• CASE, Axle
4	141079	32	• BOLT
5	151761	2	• BUSHING, Reduction
6	151762	2	• SEAL
7	141073	2	• BEARING, Ball
8	151763	2	• CIRCLIP
9	141171	2	• O-RING
10	216431	2	• UNIVERSAL JOINT, Double
-	141010	1	• CASE KIT, Steering - right
	141011	1	• CASE KIT, Steering - left
11	141039	1	• • BUSHING, Thrust
12	141009	1	• • CASE, Steering - right
	141038	1	• • CASE, Steering - left
13	151765	2	• BUSHING
14	141005	20	• BOLT
15	141007	2	• COVER
16	141006	4	• PLUG
17	141014	2	• FITTING, Grease
18	141004	2	• PIN, Pivot
19	141012	2	• PIN, Pivot
20	141002	2	• SEAL
21	141013	2	• ARTICULATION
22	141040	2	• SEAL
23	140968	2	• PLUG, Magnetic
24	140969	4	• PLUG
25	405116	2	• SEAL
26	141019	4	• BEARING
27	216250	16	• STUD, Wheel
28	141020	2	• HUB, Wheel
29	140970	2	• O-RING
30	141042	2	• SUPPORT KIT, Ring Gear
31	141023	2	• • GEAR, Ring
32	141024	2	• • SUPPORT, Ring gear
33	141022	2	• • CIRCLIP
34	151767	2	• CARRIER KIT, Planet gear
35	141028	3	• • CIRCLIP
36	196643	3	• • GEAR KIT, Planet
37	141029	1	• • • GEAR, Planet
38	141030	1	• • • BEARING
39	141032	1	• • CARRIER, Planet gear

6.6 Hub Reduction - Front Axle



M170796AB

229032ABA

142

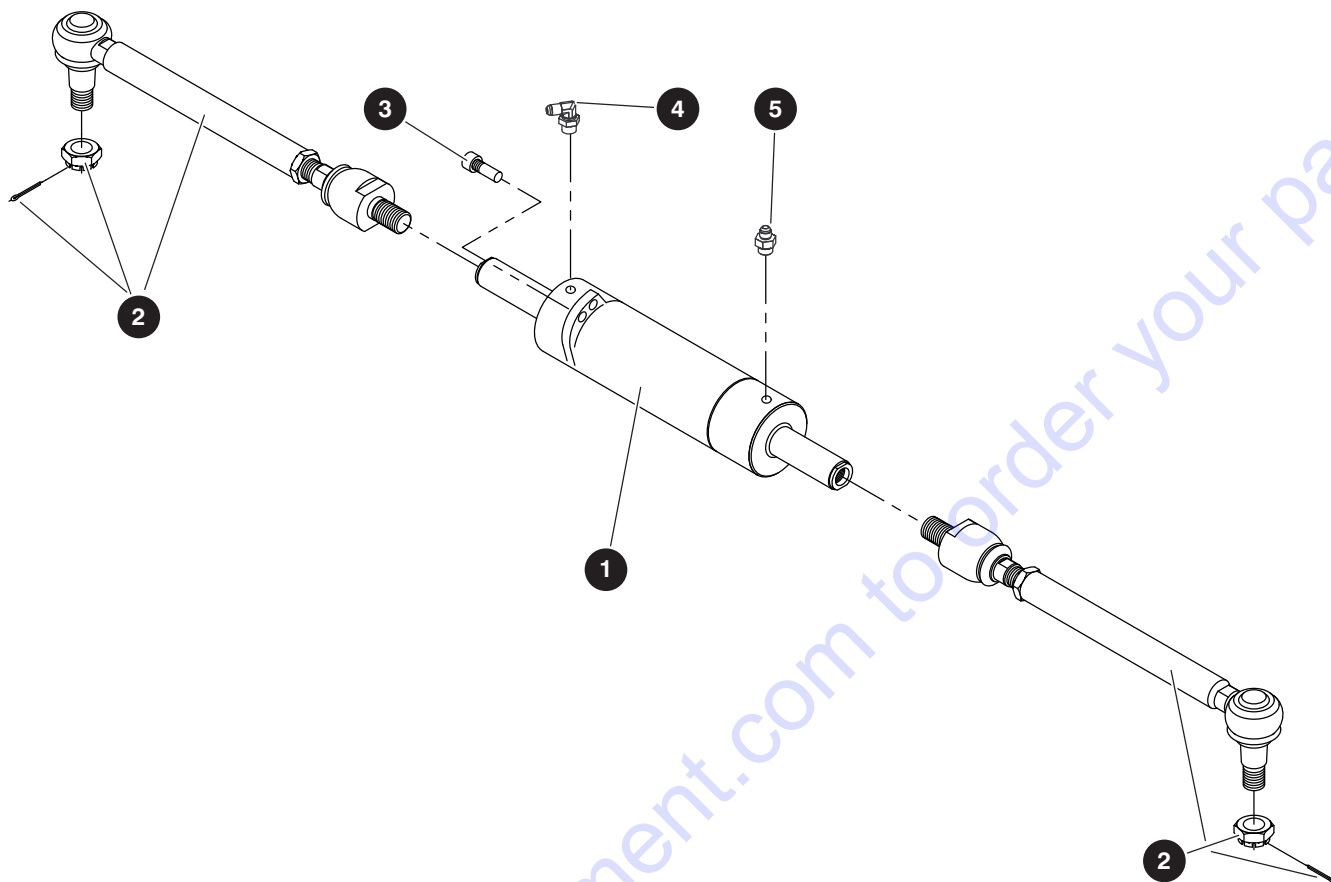
SJ61 T+, SJ66 T+

SKYJACK

6.6 Hub Reduction - Front Axle

Index No.	Skyjack Part No.	Qty.	Description
40	151766	16	• NUT
41	141033	4	• BOLT, Countersunk
42	196638	16	• STUD
43	196639	16	• NUT
44	141017	4	• BOLT KIT, Steering adjust
45	141016	1	• • BOLT
46	141015	1	• • NUT
47	141081	2	• PLATE, Locking
48	216432	1	• KIT, Shim
49	216433	2	• BOLT, Grub
50-	216434	2	• PLUG

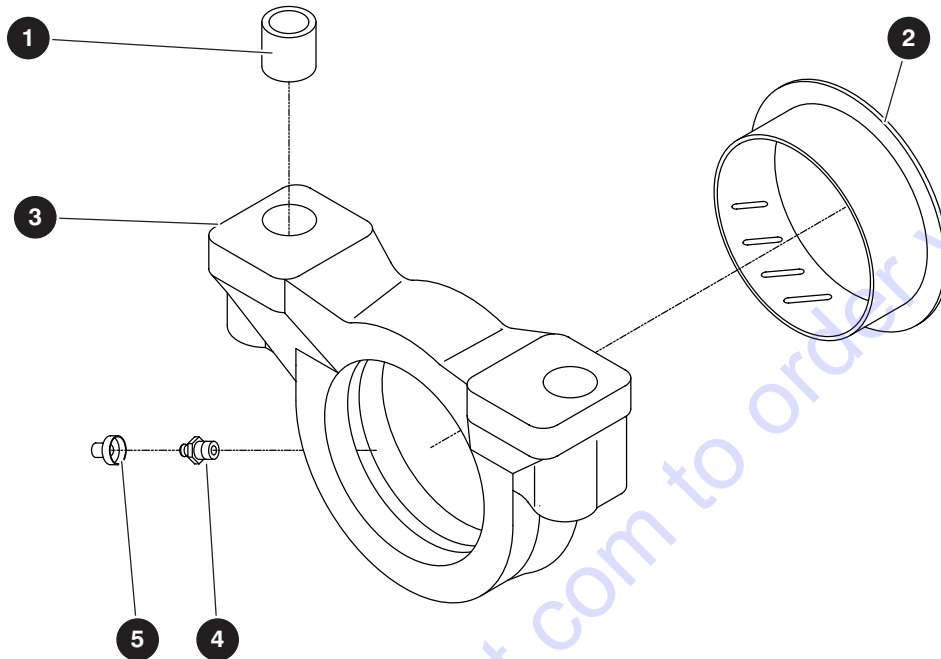
6.7 Steering - Front Axle



M168047AA

Index No.	Skyjack Part No.	Qty.	Description
-	169240	1	STEERING ASSEMBLY
1	169241	1	• CYLINDER, Steer
	169242	1	• • SEAL KIT, Steer cylinder
2	169243	2	• TIE ROD, Articulated
3	195047	4	• BOLT
4	102665	1	FITTING, Elbow 90° (06JICM-08ORBM)
5	103070	1	FITTING, Straight (06JICM - 08ORBM)

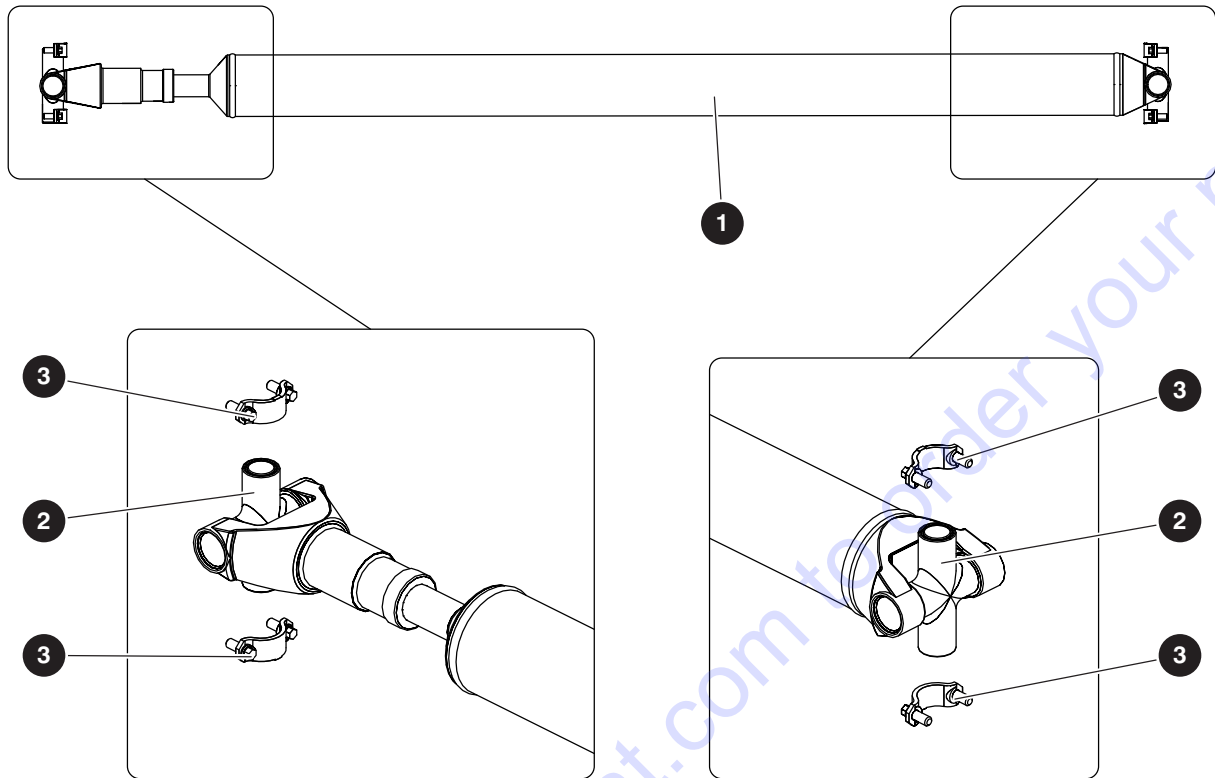
6.8 Trunnion - Front Axle



M170855AB

Index No.	Skyjack Part No.	Qty.	Description
-	170855	2	TRUNNION - Front Axle
-	141052	1	• SUPPORT ASSEMBLY
1	141048	2	• • BUSHING, Reduction
2	170856	1	• • BUSHING, Thrust
3	141050	1	• • SUPPORT
4	141014	1	• • FITTING, Grease
5	141006	1	• • PLUG

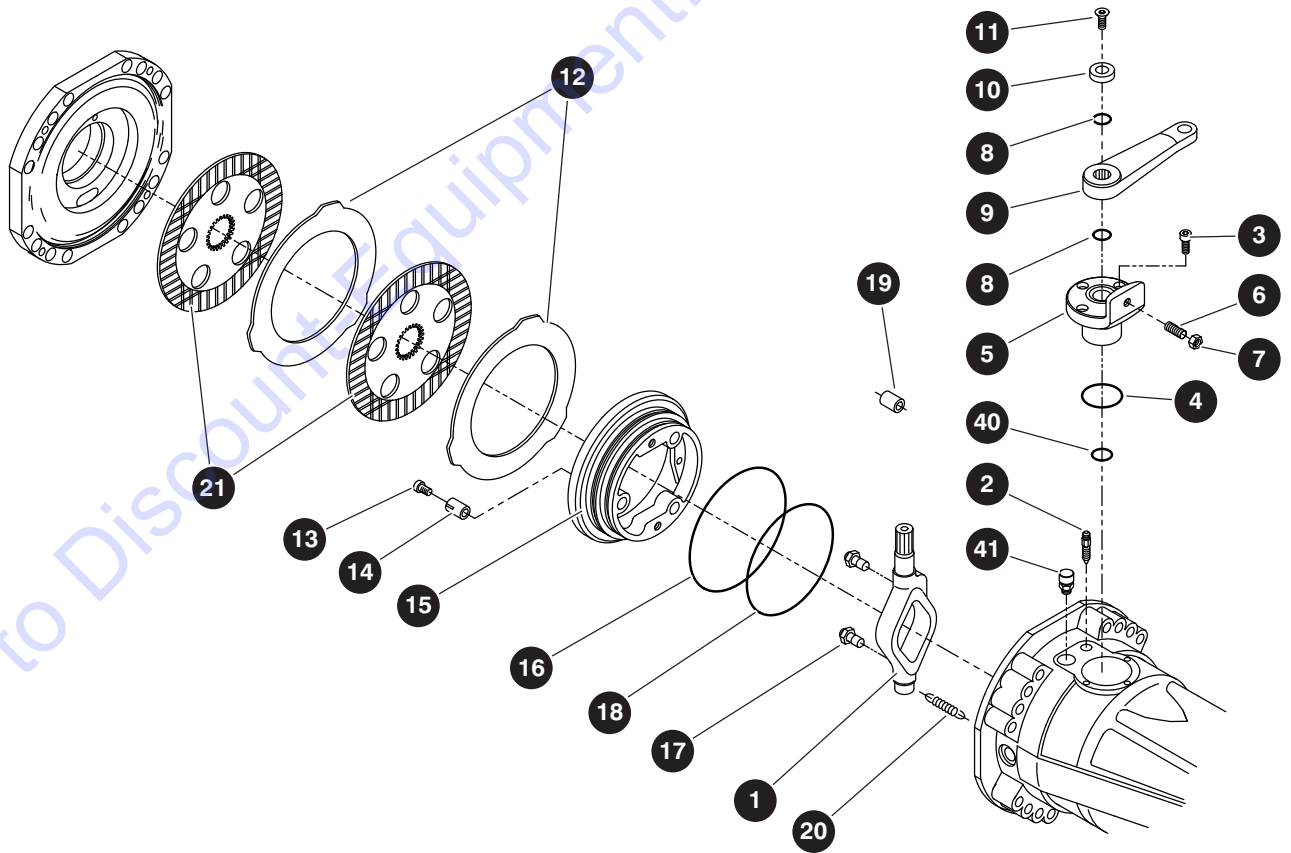
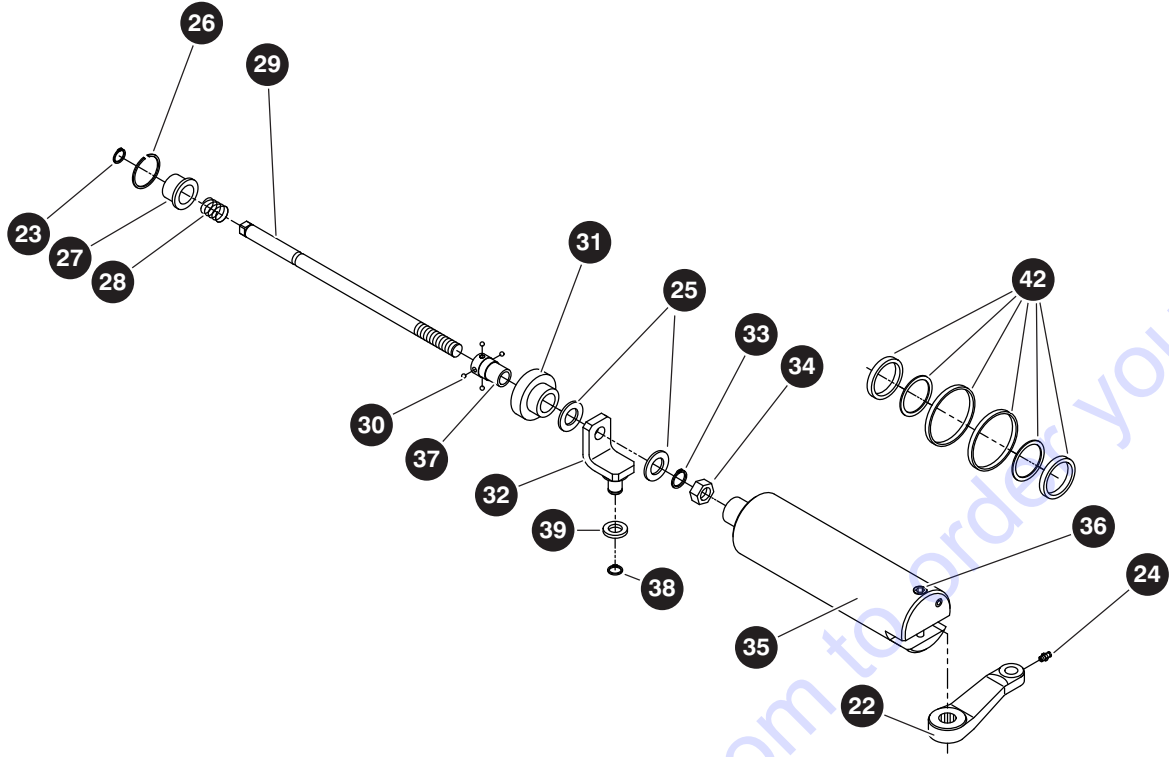
6.9 Drive Shaft



M146267AA

Index No.	Skyjack Part No.	Qty.	Description
1	138980	1	DRIVE SHAFT
2	216872	2	U-JOINT
3	138731	2	U-JOINT STRAP KIT

6.10 Brakes - Front and Rear Axles



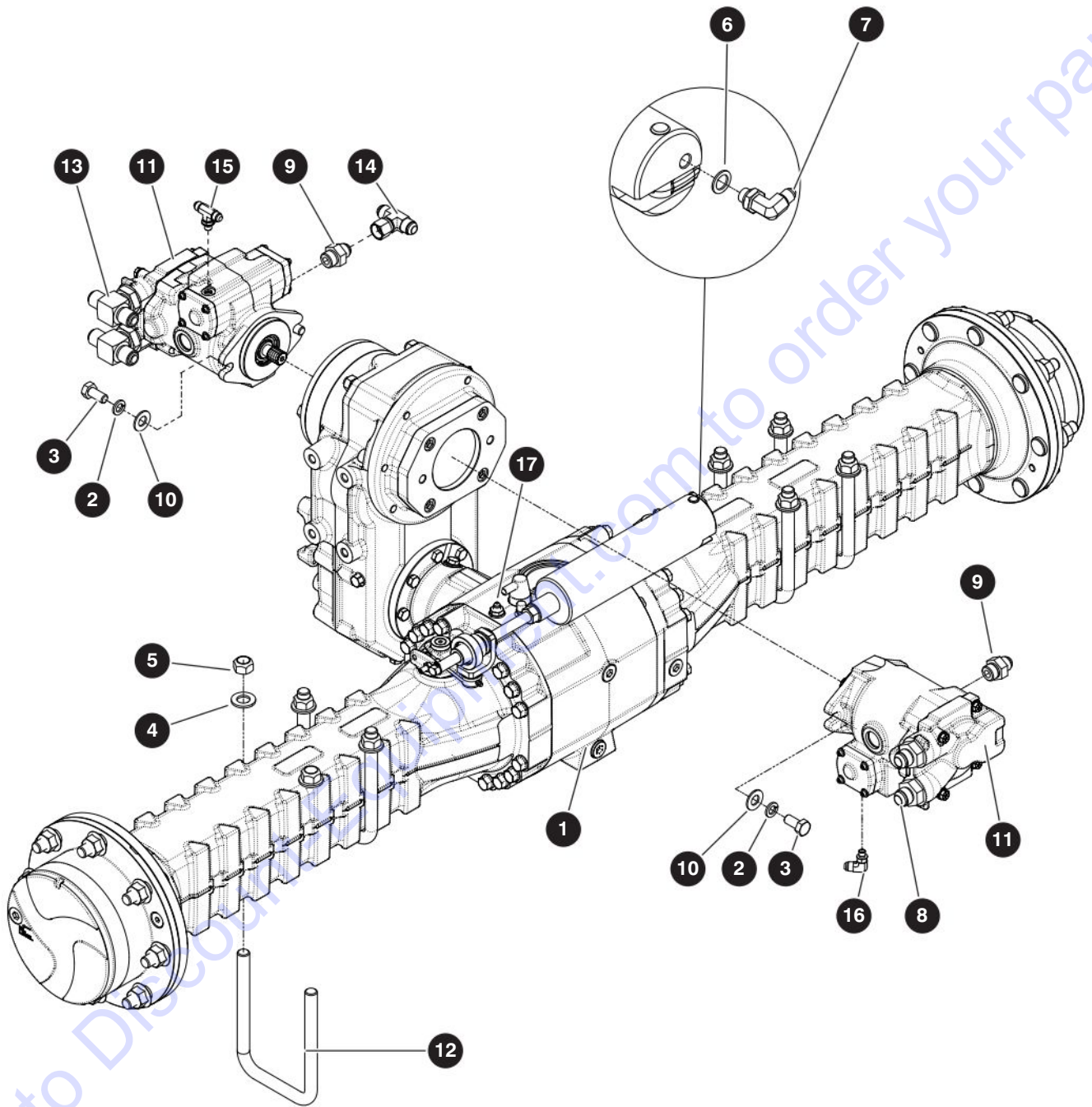
M141084AB

229032ABA

6.10 Brakes - Front and Rear Axles

Index No.	Skyjack Part No.	Qty.	Description
-	141084	4	BRAKES - Front and Rear Axles
1	141103	1	• LEVER - Right
	141085	1	• LEVER - Left
2	216394	2	• BOLT, Bleeding
3	141087	6	• BOLT, Cylinder
4	141088	2	• O-RING
5	216395	2	• BUSHING, Reduction
6	141090	2	• BOLT, Grub
7	141091	2	• NUT
8	141092	2	• O-RING
9	141093	1	• LEVER
10	141094	2	• WASHER
11	141095	2	• BOLT, Countersunk
12	216396	10	• DISC, Brake - intermediate
13	141097	6	• BOLT, Adjusting
-	216398	1	• PISTON KIT - Right
	216399	1	• PISTON KIT - Left
14	216397	3	• • SPRING
15	141099	1	• • PISTON - Right
	141109	1	• • PISTON - Left
16	196658	1	• • O - RING
17	151759	2	• • PUSHER
18	196659	1	• • O-RING
19	196660	2	• BOLT, Pilot
20	141104	6	• SPRING
21	170850	8	• DISC
22	141110	1	• LEVER
23	141111	1	• CIRCLIP
24	141112	2	• FITTING, Grease
25	141113	2	• WASHER
26	141114	1	• RING, Snap
27	141115	1	• BUSHING, Reduction
28	141116	1	• SPRING
29	141117	1	• CAM, Brake
30	141118	4	• BALL, Detend
31	141119	1	• BUSHING, Reduction
32	141120	1	• SUPPORT
33	141121	1	• CIRCLIP
34	141122	1	• NUT
35	141123	1	• CYLINDER, Brake
36	216393	1	• • PIN, Brake cylinder
37	141124	1	• BUSHING, Reduction
38	141125	1	• CIRCLIP
39	141126	1	• SPACER
40	141129	2	• O-RING
41	169159	2	• VENT, Front axle
42	408688	1	• SEAL KIT, Brake cylinder

6.11 Rear Axle



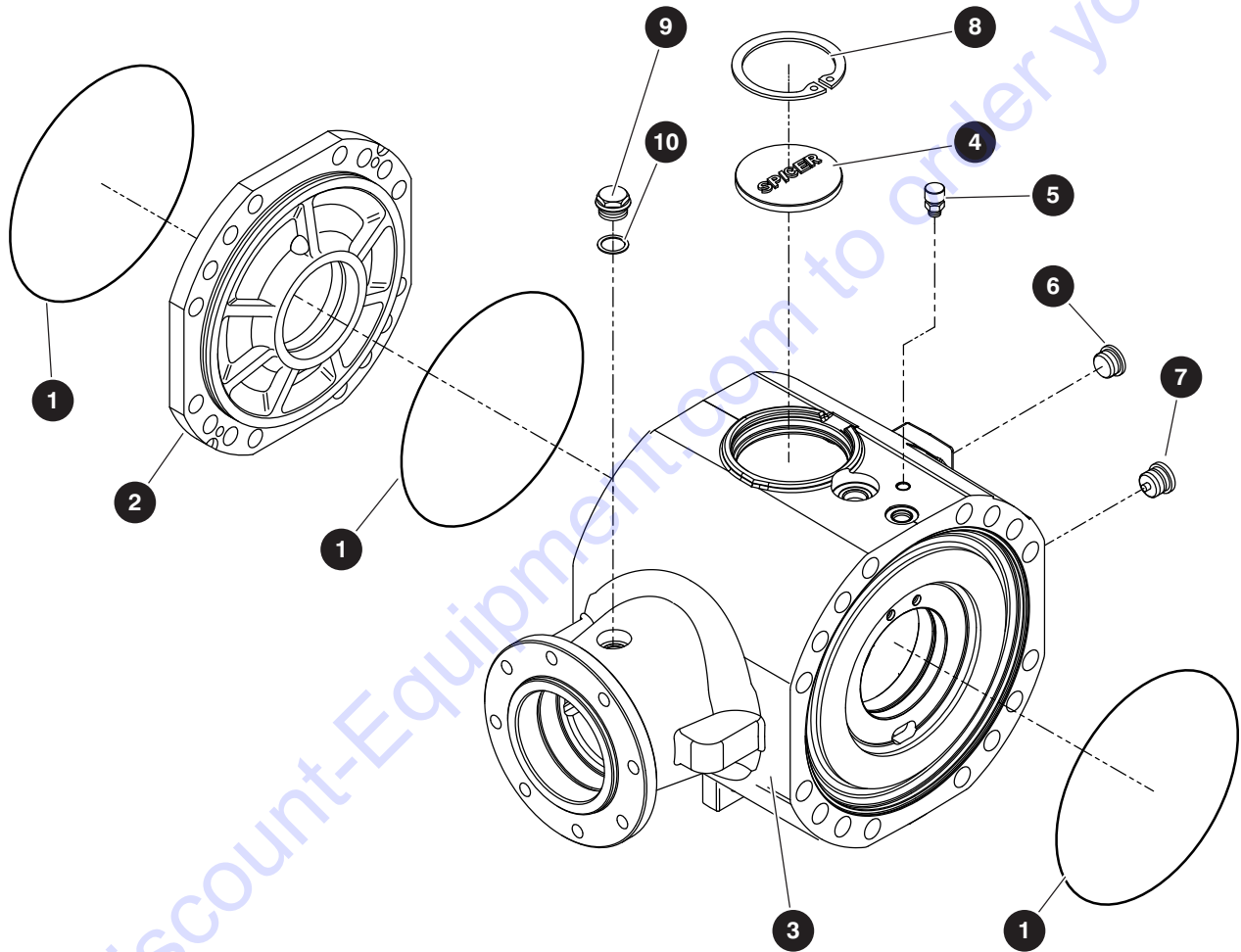
M162755AD_1

229032ABA

6.11 Rear Axle

Index No.	Skyjack Part No.	Qty.	Description
-	162755	1	REAR AXLE ASSEMBLY
1	195083	1	• REAR AXLE
	141057	1	• • CENTRAL HOUSING - Rear Axle (For components, refer to 6.12 Central Housing - Rear Axle)
	216242	1	• • DIFFERENTIAL - Rear Axle (For components, refer to 6.13 Differential - Rear Axle)
	216248	2	• • HUB REDUCTION - Rear Axle (For components, refer to 6.14 Hub Reduction - Rear Axle)
	141084	2	• • BRAKES - Rear Axle (For components, refer to 6.10 Brakes - Front and Rear Axles)
	216400	1	• • GEAR BOX - Rear Axle (For components, refer to 6.15 Gear Box)
2	138738	4	• WASHER, Lock (M14-plated DIN 127B)
3	138734	4	• BOLT, Hex head (M14 X 2 X 30mm gr 8.8 zp)
4	702194	8	• WASHER, Flat hardened (0.75" high/zn)
5	700575	8	• NUT, Torque lock (0.75"-10 gr C)
6	139126	1	• SEAL, British bonded (04BSPPM)
7	144128	1	• FITTING, 90° (04JICM-04BSPPM)
8	702122	2	• FITTING, Straight (16ORBM-12JICM)
9	137490	2	• FITTING, Straight (12ORBM-10JICM)
10	700782	4	• WASHER, Flat (0.625" hard high/zn)
11	163596	2	• MOTOR, Drive - axle 2 speed
	170933	1	• • SEAL KIT, Axle drive motor
12	148866	4	• U-BOLT, Axle mount
13	164566	2	• FITTING, Branch tee (12JICM-12JICM-16ORBM)
14	164565	1	• FITTING, Branch tee (10JICM-10JICM-10JICF)
15	165618	1	• FITTING, Branch tee (6JICM-6JICM-4ORBM)
16	113348	1	• FITTING, 90° (06JICM-04ORBM)
17	149181	1	• FITTING, Straight (04JICM-M14 X 1.5)

6.12 Central Housing - Rear Axle



M141057AB

229032ABA

152

SJ61 T+, SJ66 T+

SKYJACK

6.12 Central Housing - Rear Axle

Index No.	Skyjack Part No.	Qty.	Description
-	141057	1	CENTRAL HOUSING - Rear Axle
1	140970	3	• O-RING
2	216238	1	• COVER
3	216239	1	• HOUSING
4	140967	1	• PLUG
5	170720	1	• VENT, Central housing
6	140969	1	• PLUG, Magnetic
7	140968	1	• PLUG, Magnetic
8	140966	1	• CIRCLIP
9	216240	1	• BOLT
10	216241	1	• WASHER, Seal

PARTS FINDER

**Search Website
by Part Number**



**Search Manual
Library For Parts
Manual & Lookup Part
Numbers – Purchase
or Request Quote**

Search Manuals

Enter your information to help us find the right parts manual for your machine.

* Brand:

* Model:

* Serial:

* Part Number:

SEARCH

**Can't Find Part or
Manual? Request Help
by Manufacturer,
Model & Description**

Parts Order Form

Please fill in the following information to help us find the right part for your machine.

Manufacturer:	<input type="text"/>
Model:	<input type="text"/>
Description:	<input type="text"/>
Part Number:	<input type="text"/>
Quantity:	<input type="text"/>
Notes:	<input type="text"/>

Submit

Discount-Equipment.com is your online resource for quality parts & equipment.

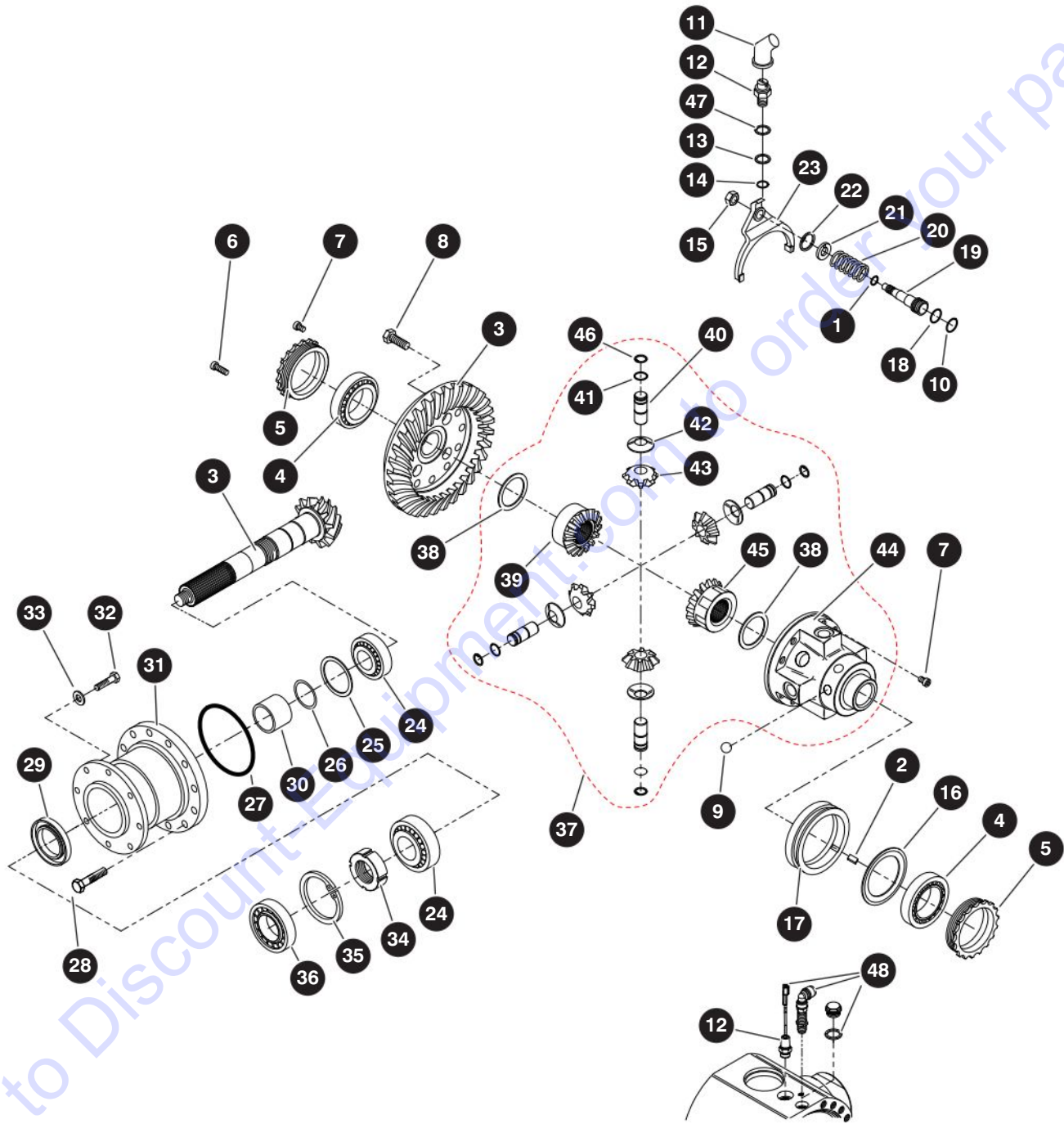
Florida: **561-964-4949** Outside Florida TOLL FREE: **877-690-3101**

Need parts?

Click on this link: <http://www.discount-equipment.com/category/5443-parts/> and choose one of the options to help get the right parts and equipment you are looking for. Please have the machine model and serial number available in order to help us get you the correct parts. If you don't find the part on the website or on one of the online manuals, please fill out the request form and one of our experienced staff members will get back to you with a quote for the right part that your machine needs.

We sell worldwide for the brands: Genie, Terex, JLG, MultiQuip, Mikasa, Essick, Whiteman, Mayco, Toro Stone, Diamond Products, Generac Magnum, Airman, Haulotte, Barreto, Power Blanket, Nifty Lift, Atlas Copco, Chicago Pneumatic, Allmand, Miller Curber, Skyjack, Lull, Skytrak, Tsurumi, Husquvarna Target, Stow, Wacker, Sakai, Mi-T-M, Sullair, Basic, Dynapac, MBW, Weber, Bartell, Bennar Newman, Haulotte, Ditch Runner, Menegotti, Morrison, Contec, Buddy, Crown, Edco, Wyco, Bomag, Laymor, EZ Trench, Bil-Jax, F.S. Curtis, Gehl Pavers, Heli, Honda, ICS/PowerGrit, IHI, Partner, Imer, Clipper, MMD, Koshin, Rice, CH&E, General Equipment, Amida, Coleman, NAC, Gradall, Square Shooter, Kent, Stanley, Tamco, Toku, Hatz, Kohler, Robin, Wisconsin, Northrock, Oztec, Toker TK, Rol-Air, APT, Wylie, Ingersoll Rand / Doosan, Innovatech, Con X, Ammann, Mecalac, Makinex, Smith Surface Prep, Small Line, Wanco, Yanmar

6.13 Differential - Rear Axle



M216242AA

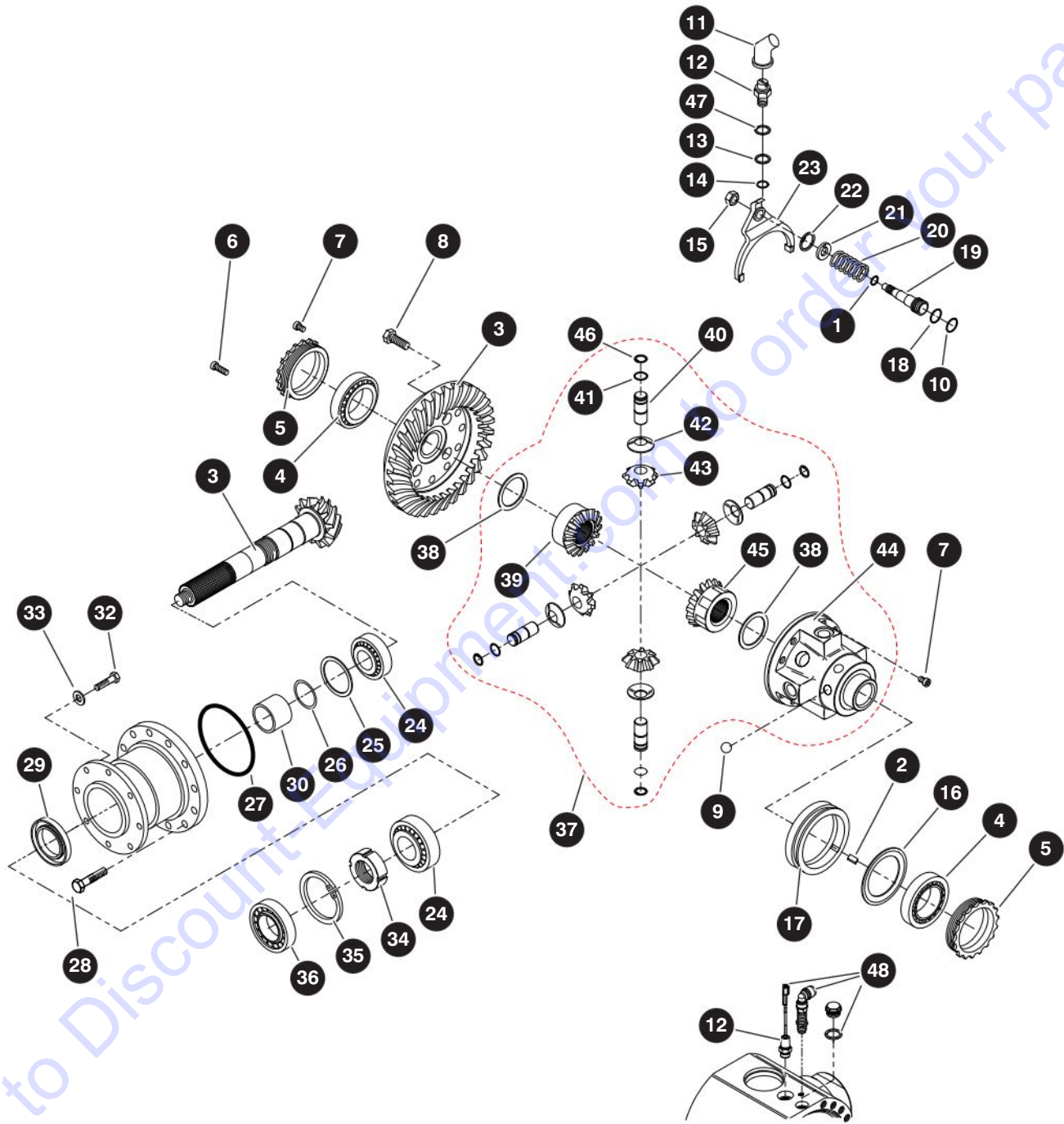
229032ABA

SJ61 T+, SJ66 T+

6.13 Differential - Rear Axle

Index No.	Skyjack Part No.	Qty.	Description
-	216242	1	DIFFERENTIAL - Rear Axle
1	154571	1	• CIRCLIP
2	216243	1	• KEY, Woodrif
3	216244	1	• GEAR SET, Bevel
4	196626	2	• BEARING, Taper roller
5	141068	2	• NUT, Ring
6	140977	4	• BOLT, Cylinder
7	151768	2	• BOLT
8	140993	12	• BOLT
9	154574	6	• BALL, Detend
10	154575	1	• RING
11	154576	1	• BOOT
12	154577	1	• SWITCH, Security
13	154578	1	• WASHER, Seal
14	154579	1	• O-RING
15	154580	1	• NUT
16	154581	1	• SHEET
17	154582	1	• SLEEVE
18	154583	1	• O-RING
19	154584	1	• PISTON
20	154585	1	• SPRING
21	154586	1	• PLUG
22	154587	1	• CIRCLIP
23	154588	1	• FORK, Selector
24	140984	2	• BEARING, Taper roller
25	170790	1	• KIT, Shim
26	170789	1	• KIT, Shim
27	141064	1	• O-RING
28	141072	2	• BOLT, Hexagon
29	141074	1	• SEAL
30	141062	1	• SPACER
31	141063	1	• COVER
32	216245	8	• BOLT
33	141075	8	• WASHER, Spring
34	140980	1	• NUT, Ring
35	140966	1	• CIRCLIP

6.13 Differential - Rear Axle



M216242AA

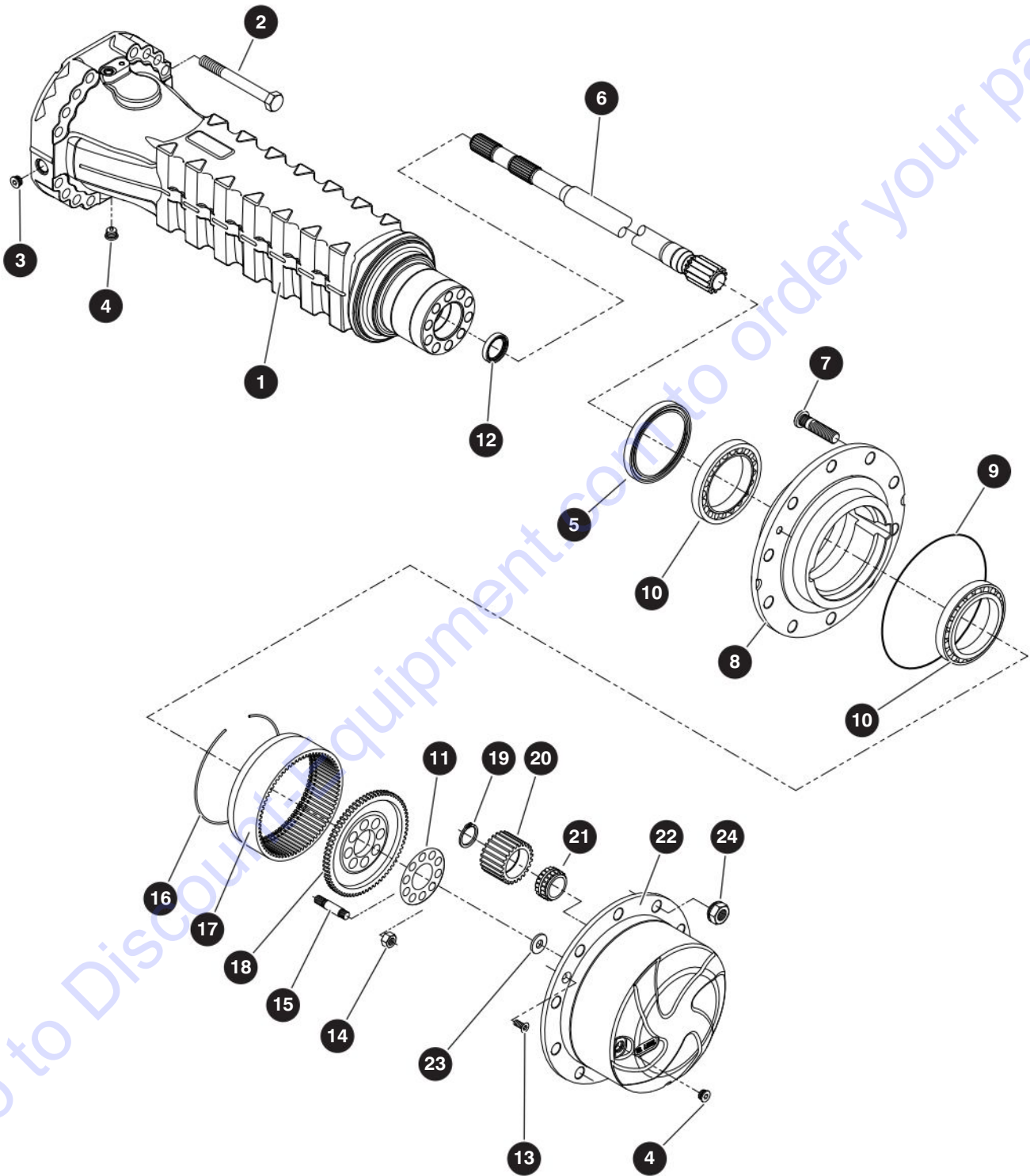
229032ABA

SJ61 T+, SJ66 T+

6.13 Differential - Rear Axle

Index No.	Skyjack Part No.	Qty.	Description
36	141073	1	• BEARING, Ball
37	216246	1	• DIFFERENTIAL KIT
38	404185	2	• • WASHER, Friction
39	404182	1	• • SIDE GEAR, Differential
40	196632	4	• • PIN
41	403069	4	• • CIRCLIP
42	404186	4	• • WASHER, Friction
43	404180	4	• • PINION, Differential
44	404179	1	• • CARRIER, Differential
45	404183	1	• • SIDE GEAR, Differential
46	403073	4	• • CIRCLIP
47	154589	1	• WASHER, Seal
48	216247	1	• PLUG

6.14 Hub Reduction - Rear Axle



M216248AA

229032ABA

158

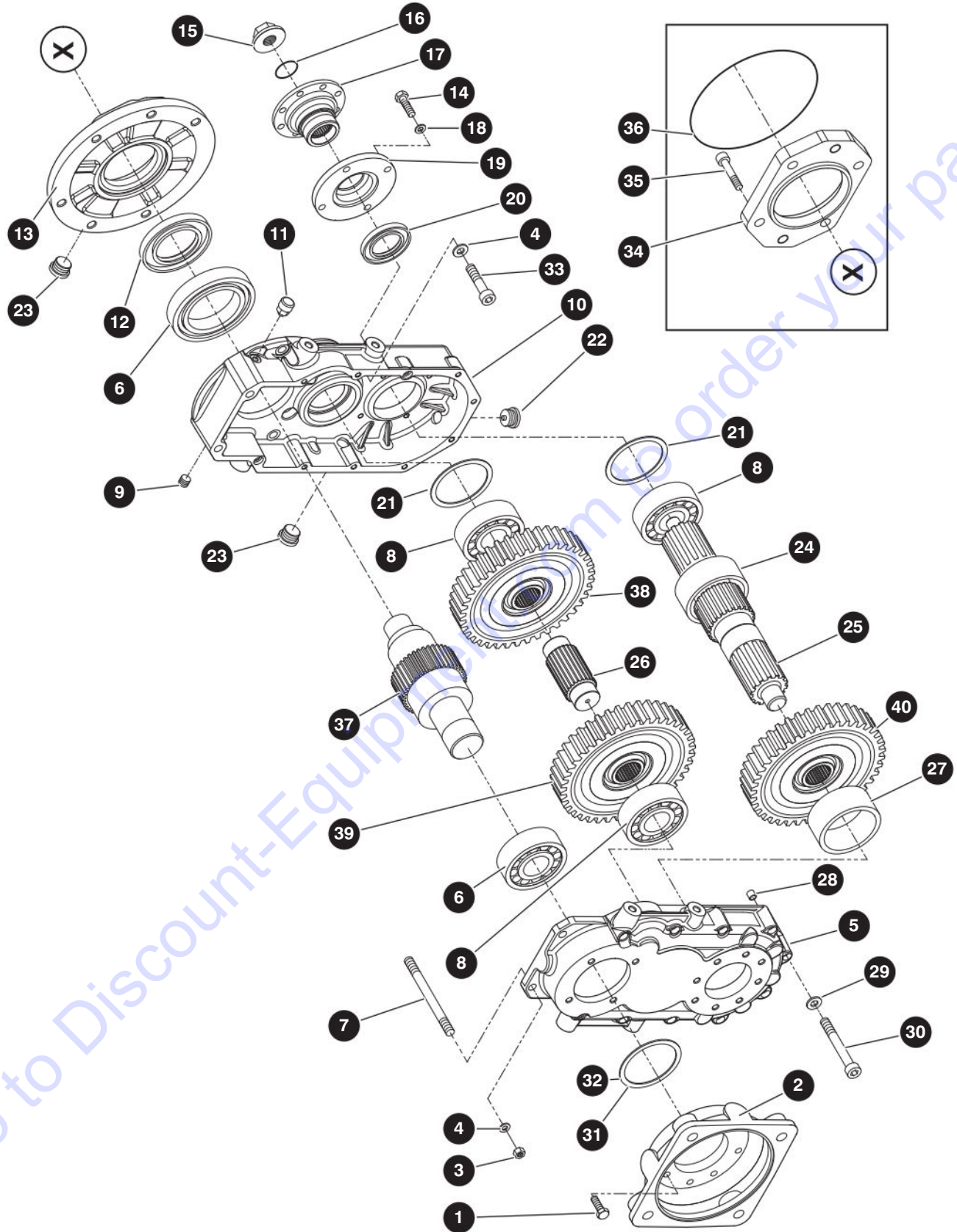
SJ61 T+, SJ66 T+

SKYJACK

6.14 Hub Reduction - Rear Axle

Index No.	Skyjack Part No.	Qty.	Description
-	216248	2	HUB REDUCTION - Rear Axle
1	216249	2	• CASE, Axle
2	141079	28	• BOLT
3	140968	2	• PLUG, Magnetic
4	140969	4	• PLUG, Magnetic
5	405116	2	• SEAL, Inner
6	141080	2	• SHAFT, Half
7	216250	16	• STUD, Wheel
8	141020	2	• HUB, Wheel
9	140970	2	• O-RING
10	141019	4	• BEARING
11	141081	2	• PLATE, Locking
12	216254	2	• SEAL
13	141033	4	• BOLT, Countersunk
14	196639	16	• NUT
15	216255	16	• STUD
-	141042	2	• SUPPORT KIT, Ring gear
16	141022	2	• • CIRCLIP
17	141023	2	• • GEAR, Ring
18	141024	2	• • SUPPORT, Ring gear
-	141034	2	• CARRIER KIT, Planet gear
19	141028	6	• • CIRCLIP
-	216251	1	• • PLANET GEAR KIT
20	216252	6	• • • GEAR, Planet
21	216253	6	• • • BEARING
22	141032	2	• • CARRIER, Planet gear
23	141037	2	• • WASHER, Friction
24	154590	16	• NUT

6.15 Gear Box



M216400AA

229032ABA

160

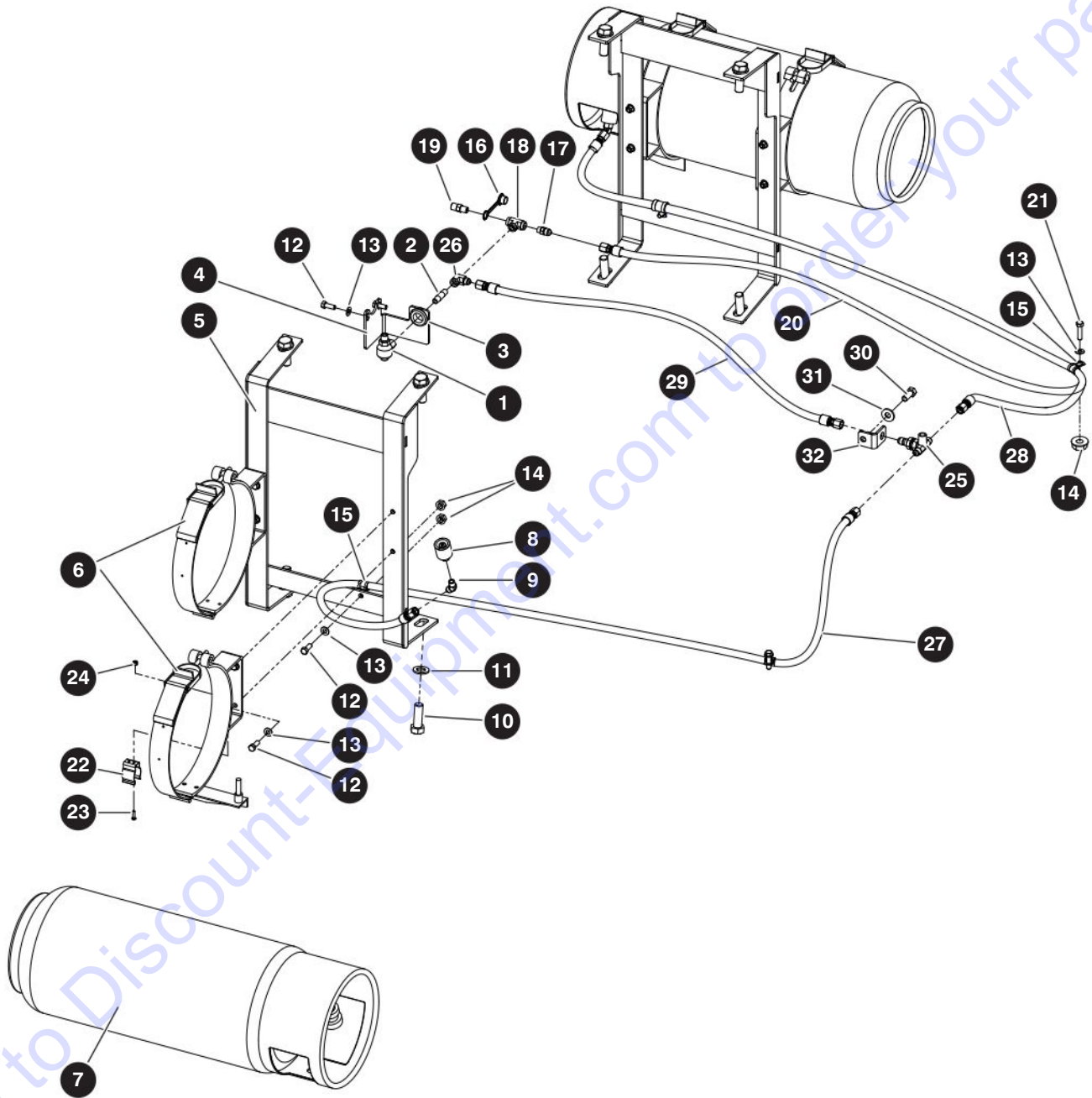
SJ61 T+, SJ66 T+

SKYJACK

6.15 Gear Box

Index No.	Skyjack Part No.	Qty.	Description
-	216400	1	GEAR BOX
1	141158	4	• BOLT, Cylinder
2	216401	1	• COVER
3	216402	2	• NUT
4	216403	2	• WASHER, Spring
5	216404	1	• HOUSING
6	216405	2	• BEARING, Ball
7	216406	2	• STUD
8	170908	2	• BEARING, Ball
9	216407	2	• BOLT, Grub
10	141369	1	• COVER
11	141000	1	• VENT
12	216408	2	• SEAL
13	216409	1	• COVER
14	170907	4	• BOLT
15	216410	1	• NUT
16	216411	1	• O-RING
17	216412	1	• FLANGE
18	141373	4	• WASHER, Spring
19	141374	1	• COVER
20	170914	1	• SEAL
21	170906	1	• KIT, Shim
22	141144	1	• PLUG, Magnet
23	408806	1	• PLUG, Drain
24	141375	1	• SPACER
25	141376	1	• SHAFT, Output
26	216413	1	• SHAFT
27	216414	1	• SPACER
28	216415	2	• BUSHING, Reduction
29	216416	10	• WASHER, Spring
30	216417	10	• BOLT, Cylinder
31	216418	1	• SHIM
32	216419	1	• SHIM
33	216420	4	• BOLT, Cylinder
34	141157	1	• COVER
35	216421	6	• BOLT, Cylinder
36	216422	1	• O-RING
-	141385	1	GEAR KIT
37	141386	1	• SHAFT, Input
38	141387	1	• GEAR
39	141388	1	• GEAR
40	141389	1	• GEAR

6.16 Propane Assembly



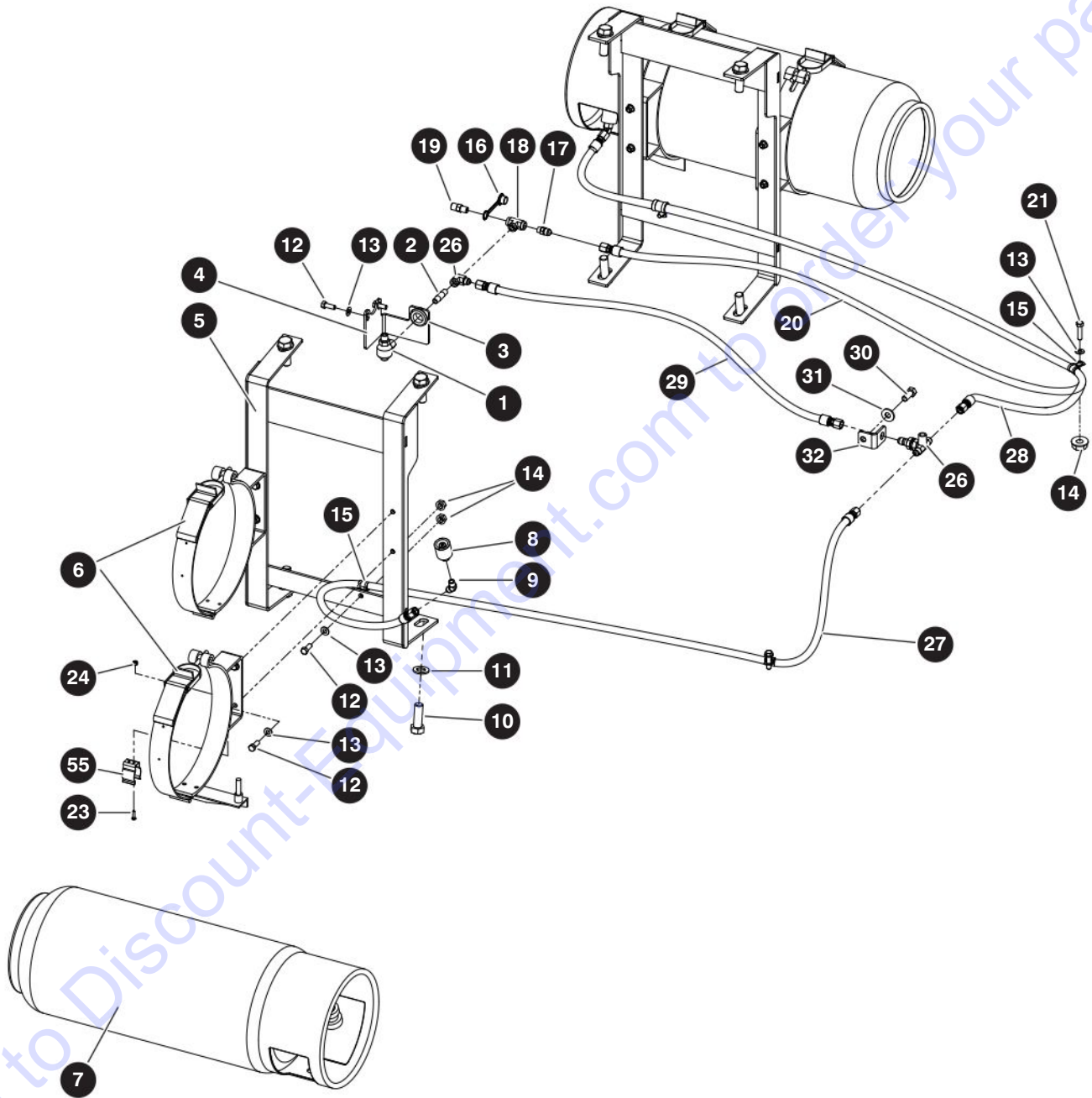
M147517AC_M147520AC

229032ABA

6.16 Propane Assembly

Index No.	Skyjack Part No.	Qty.	Description
A	147519	1	SINGLE PROPANE TANK, 44 lb tank - Standard
B	221411	1	SINGLE PROPANE TANK, 33 lb tank - Optional
C	147520	1	DUAL PROPANE TANK, 44 lb tank - Optional
D	221412	1	DUAL PROPANE TANK, 33 lb tank - Optional
1	702239	1	• FITTING, Elbow, 90° swivel (06 NPTM - 04 NPTF)
2	143478	1	• FITTING, Nipple (04 NPTM - 2 lg brass)
3	144294	1	• GROMMET (1" x 1.375" x 0.188")
4	161077	1	• BRACKET, Propane fitting retainer
5	147514	1	• WELDMENT, Propane tank bracket, A
	147514	2	• WELDMENT, Propane tank bracket, C
6	144295	1	• MOUNTING, Propane bottle (pair), A
	144295	2	• MOUNTING, Propane bottle (pair), C
	221768	2	• • BRACKET, Propane tank
	221769	2	• • LATCH
	221770	1	• • PIN, Locating
	221771	2	• • SCREW, Sem
7	702253	1	• BOTTLE, Propane (43.5#), A
	145976	1	• BOTTLE, Propane (43.5#), B
	702253	2	• BOTTLE, Propane (43.5#), C
	145976	2	• BOTTLE, Propane (43.5#), D
8	103006	1	• QUICK COUPLING, Female tank, A, B
	103006	2	• QUICK COUPLING, Female tank, C, C
9	103159	1	• FITTING, Elbow, 45° (06 SAE 45M - 04 NPTM), A, B
	103159	2	• FITTING, Elbow, 45° (06 SAE 45M - 04 NPTM), C, D
10	138673	4	• BOLT, Hex head (3/4"-10 x 2 1/4" Grade 5), A, B
	138673	8	• BOLT, Hex head (3/4"-10 x 2 1/4" Grade 5), C, D
11	702194	4	• WASHER, Flat (3/4" hard), A, B
	702194	8	• WASHER, Flat (3/4" hard), C, D
12	103473	7	• BOLT, Hex head (3/8"-16 x 1" Grade 5), A, B
	103473	12	• BOLT, Hex head (3/8"-16 x 1" Grade 5), C, D
13	103472	8	• WASHER, Flat (3/8"), A, B
	103472	14	• WASHER, Flat (3/8"), C, D
14	112601	8	• NUT, Hex flange (3/8"-16), A, B
	112601	14	• NUT, Hex flange (3/8"-16), C, D
15	144129	2	• CLIP, Single, A, B
	144129	4	• CLIP, Single, C, D
16	111622	1	• CAP, Rain, A, B
17	103156	1	• FITTING, Straight (06 SAE45M - 04 NPTF steel), A, B
18	132919	1	• FITTING, Branch tee (04 NPTF steel), A, B
19	300799	1	• Valve, Relief (propane), A, B
20	147549	1	• HOSE, Propane (45 SAE x 113", type III), A, B
21	103870	1	• BOLT, Hex head (3/8"-16 x 1 1/2" Grade 5), A, B
	103870	2	• BOLT, Hex head (3/8"-16 x 1 1/2" Grade 5), C, D
22	137235	1	• CLIP, Gripper (1.5"-2.5 diameter), A
	137235	2	• CLIP, Gripper (1.5"-2.5 diameter), B

6.16 Propane Assembly



M147517AC_M147520AC

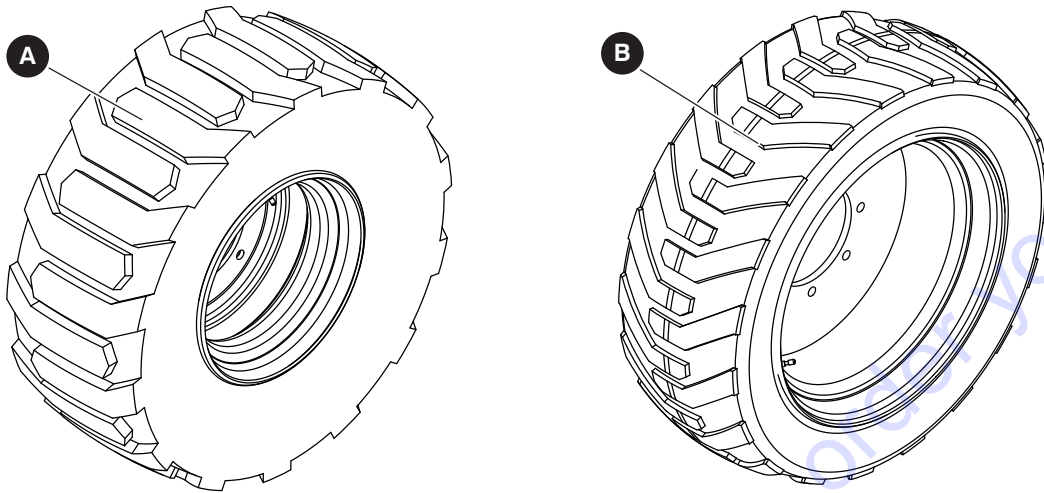
229032ABA

SJ61 T+, SJ66 T+

6.16 Propane Assembly

Index No.	Skyjack Part No.	Qty.	Description
23	138834	2	• SCREW, Round head machine (#10-24 x 3/4"), A
	138834	4	• SCREW, Round head machine (#10-24 x 3/4"), B
24	126642	2	• NUT, Hex lock (#10-24 Grade 5, nylon), A
	126642	4	• NUT, Hex lock (#10-24 Grade 5, nylon), B
25	123062	1	• FITTING, Shuttle tee, C
26	144334	1	• FITTING, Elbow 90° (06 SAE45M - 04 NPTF), B
27	147547	1	• HOSE, Propane (45 SAE x 83", type III), B
28	147544	1	• HOSE, Propane (45 SAE x 76", type III), B
29	103098	1	• HOSE, Propane (45 SAE x 42", type III), B
30	103909	1	• BOLT, Hex head (1/2"-13 x 1 1/4" Grade 5), B
31	104379	1	• WASHER, Lock (0.5" hard), B
32	147546	1	• BRACKET, Shuttle tee, B

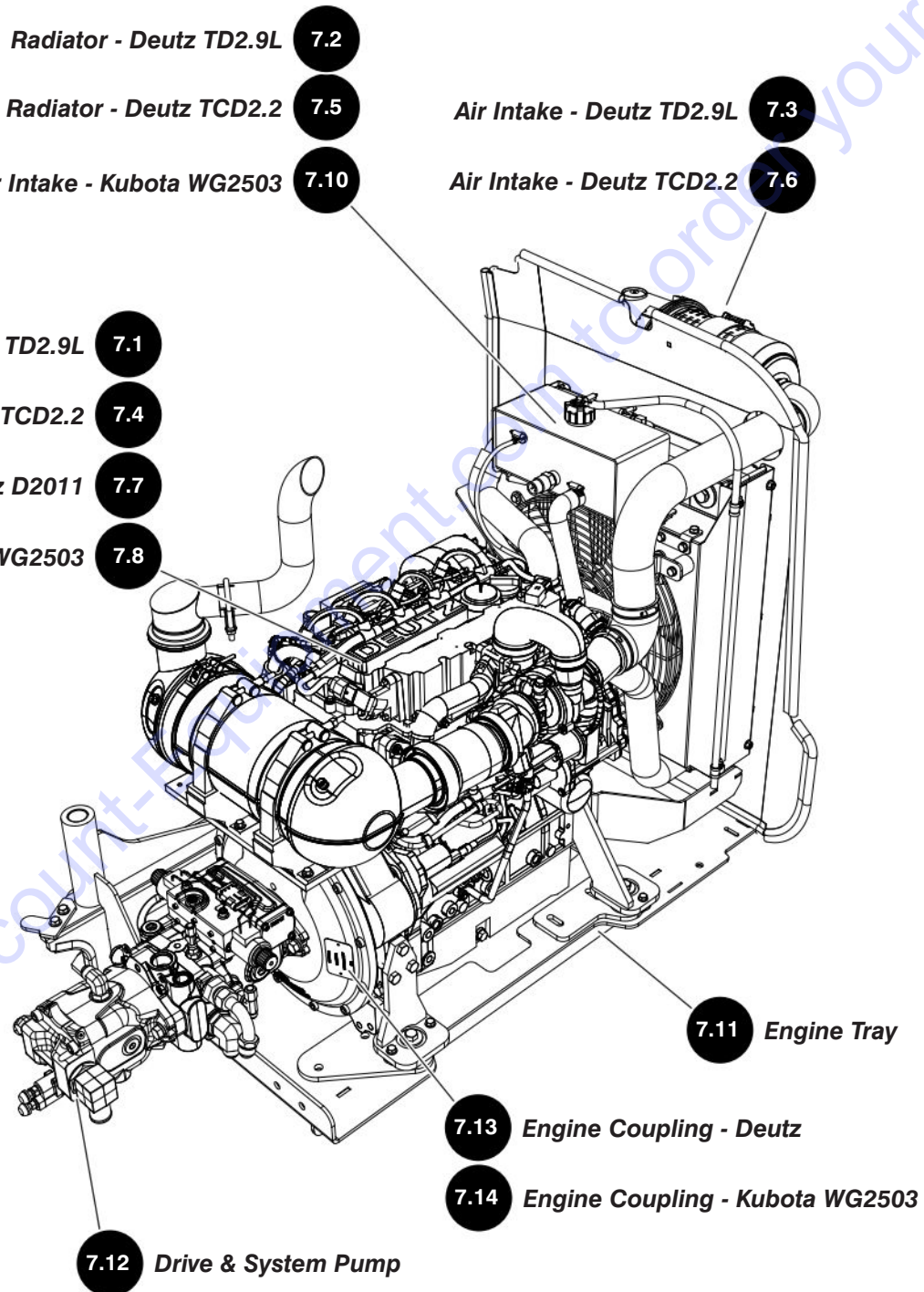
6.17 Tires



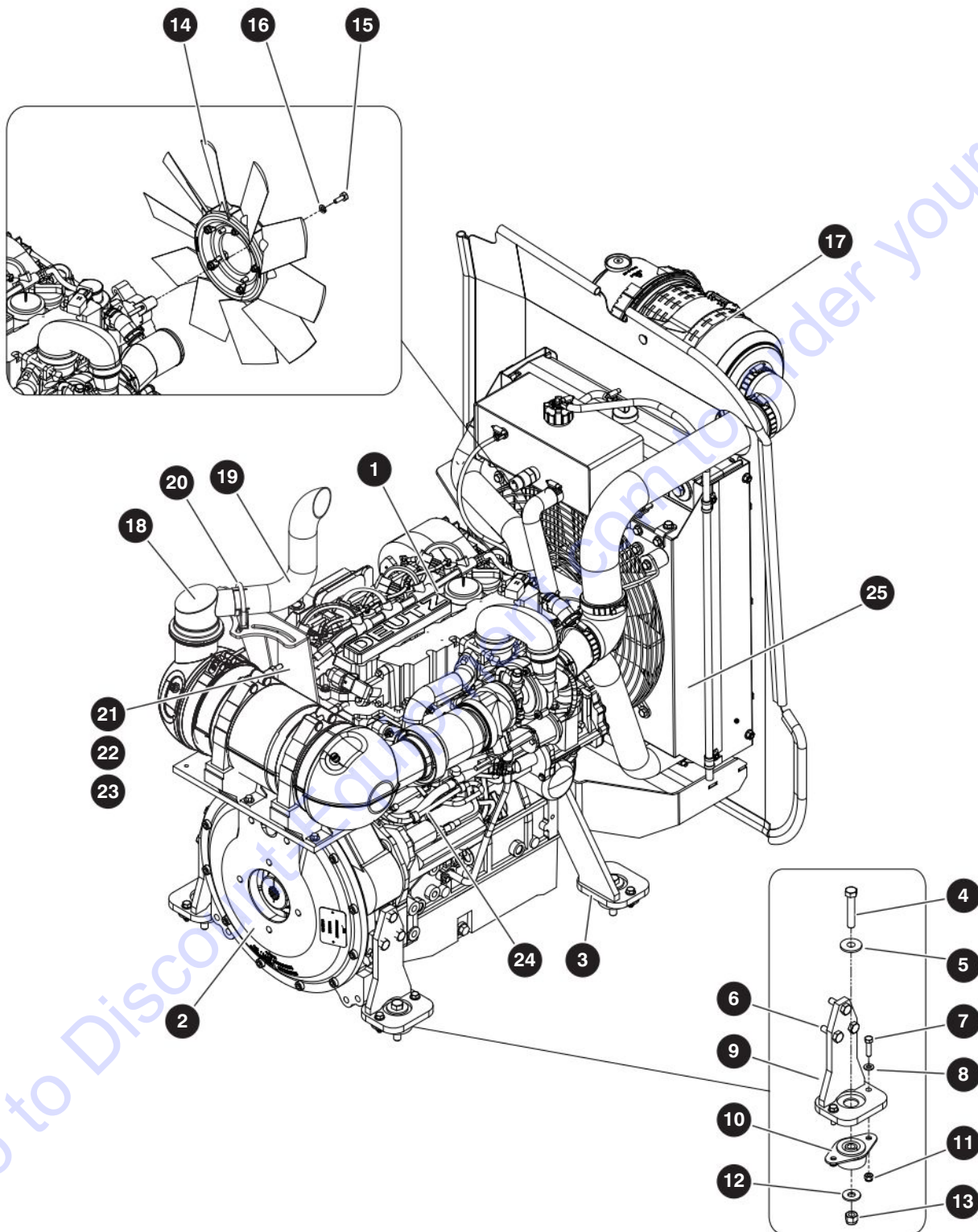
M159919AA & Optionals

Index No.	Skyjack Part No.	Qty.	Description
A	167462	2	WHEEL ASSEMBLY, Left hand - Foam filled tire
	167463	2	WHEEL ASSEMBLY, Right hand - Foam filled tire
	160911	1	• RIM (11 3/4" x 19 1/2")
	148483	1	• TIRE (15" x 19 1/2" - 16 PR)
	143996	1	• VALVE STEM, Carlisle (TR-501)
	162400	1	• FOAM FILL (40/60 rubber crumb)
B	211562	2	WHEEL ASSEMBLY, Left hand - Non-marking foam filled tire
	211563	2	WHEEL ASSEMBLY, Right hand - Non-marking foam filled tire
	160911	1	• RIM (11 3/4" x 19 1/2")
	211564	1	• TIRE (385/65 D19.5, 16PR, non-marking)
	932593	1	• VALVE STEM, Carlisle (TR-501)
	162400	1	• FOAM FILL (40/60 rubber crumb)

Section 7 – Engines



7.1 Engine - Deutz TD2.9L



M165906AF

229032ABA

168

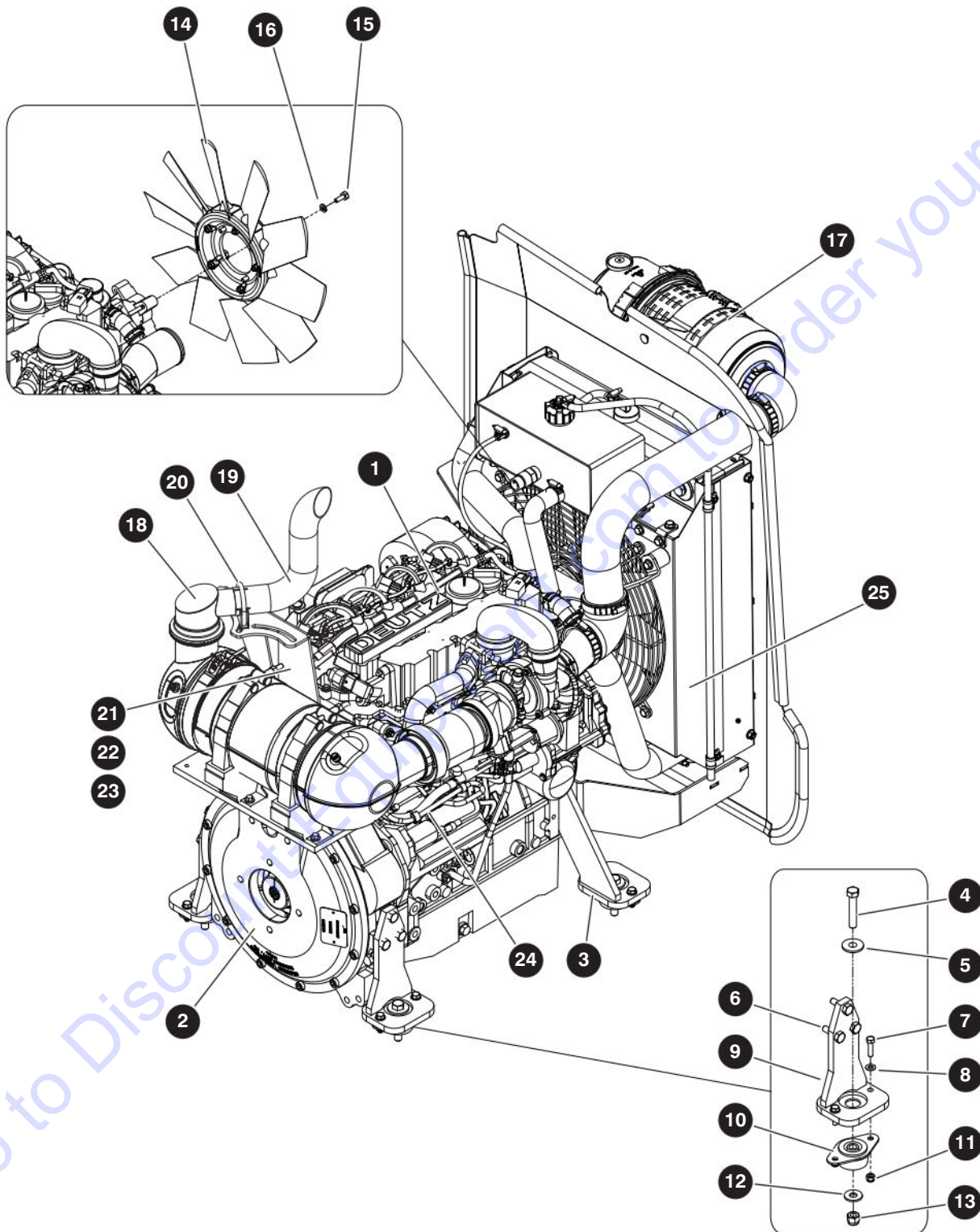
SJ61 T+, SJ66 T+

SKYJACK

7.1 Engine - Deutz TD2.9L

Index No.	Skyjack Part No.	Qty.	Description
-	165906	1	ENGINE ASSEMBLY - Deutz TD2.9L
1	213096	1	• ENGINE, Diesel - Deutz TD2.9L
	147072	1	• • FILTER, Oil
	164770	1	• • PUMP, Fuel
	164771	1	• • FILTER, Fuel
	164772	1	• • PRE-FILTER, Fuel
	169249	1	• • • CABLE, Sensor - pre-filter
	166689	1	• • CAP, Oil filler
	166690	1	• • DIPSTICK
	166691	1	• • PLUG, Oil pan drain
	166692	1	• • STARTER, 3.2kW
	166693	1	• • ALTERNATOR
	166694	1	• • BELT, Alternator and water pump
	166695	1	• • GASKET SET
	166696	1	• • PUMP, Coolant
	166697	1	• • TURBOCHARGER
	166698	1	• • PLUG, Glow
	166699	1	• • THERMOSTAT
	166700	1	• • SENSOR, Fuel pressure
	166701	1	• • SENSOR, Mag pick-up
	166702	1	• • SENSOR, Coolant temperature
	166703	1	• • SENSOR, Oil pressure
	166704	1	• • SENSOR, Intake air pressure
	166705	1	• • SENSOR, Intake air temperature
	216889	1	• • SENSOR, Rail pressure
	216891	1	• • RAIL
	164845	1	• • ECU
	199169	1	• • OUTLET, DOC
-	167211	1	• ENGINE COUPLINGS
2	(Ref.)	1	• • ENGINE COUPLING ASSEMBLY (For components, refer to 7.13 Engine Coupling - Deutz)
-	167210	1	• • ENGINE MOUNTS - Deutz D2.9L
3	163049	1	• • • MOUNT, Front RH
	163047	1	• • • MOUNT, Front LH
4	103469	4	• • • BOLT, Hex head (1/2"-13 x 3.25", Grade 5)
5	163200	4	• • • WASHER, Snubbing, engine mount
6	149419	10	• • • BOLT, Hex head (M12 x 1.75" x 35mm, Grade 8.8)
7	112532	8	• • • BOLT, Hex head (5/16"-18 x 1.25", Grade 5)
8	103996	8	• • • WASHER, Flat (5/16")
9	163051	2	• • • MOUNT, Rear engine
10	163028	4	• • • MOUNT, Vibration - Deutz

7.1 Engine - Deutz TD2.9L



M165906AF

229032ABA

170

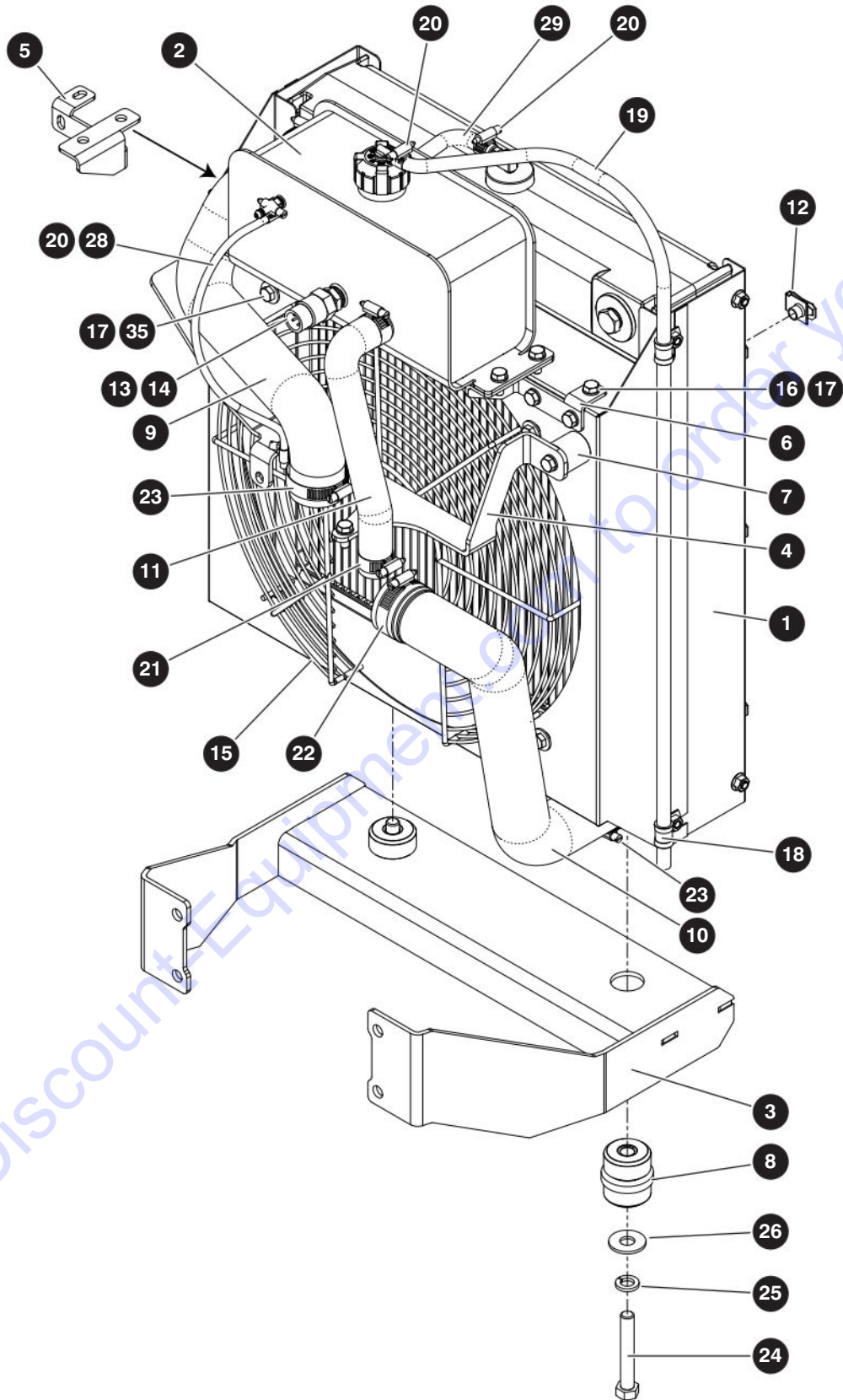
SJ61 T+, SJ66 T+

SKYJACK

7.1 Engine - Deutz TD2.9L

Index No.	Skyjack Part No.	Qty.	Description
11	103984	8	• • • NUT, Hex nylon lock (5/16"-18, Grade 5)
12	104379	4	• • • WASHER, Flat (1/2" hard)
13	702507	4	• • • NUT, Hex nylon lock (1/2"-13, Grade 5)
-	165900	1	• FAN INSTALL ASSEMBLY
14	163223	1	• • FAN, Deutz (17")
15	133174	4	• • BOLT, Hex head (M8 x 1.25 x 20mm Grade 5, ZP)
16	116218	4	• • WASHER, Lock (M8)
17	165903	1	• AIR INTAKE ASSEMBLY (For components, refer to 7.3 Air Intake - Deutz D2.9L)
-	165905	1	• EXHAUST ASSEMBLY
18	164525	1	• • ADAPTER, Exhaust
19	164553	1	• • TAILPIPE, Deutz
20	148377	1	• • CLAMP, Exhaust (2")
21	194346	1	• • BRACKET, Exhaust
22	133174	3	• • BOLT, Hex head (M8-1.25 x 20 gr 8.8)
23	133232	3	• • WASHER, Flat (M8)
24	165602	1	• CABLE, Alternator
25	(Ref.)	1	• RADIATOR (For components, refer to 7.2 Radiator - Deutz TD2.9L)

7.2 Radiator - Deutz TD2.9L



M197931AA

229032ABA

172

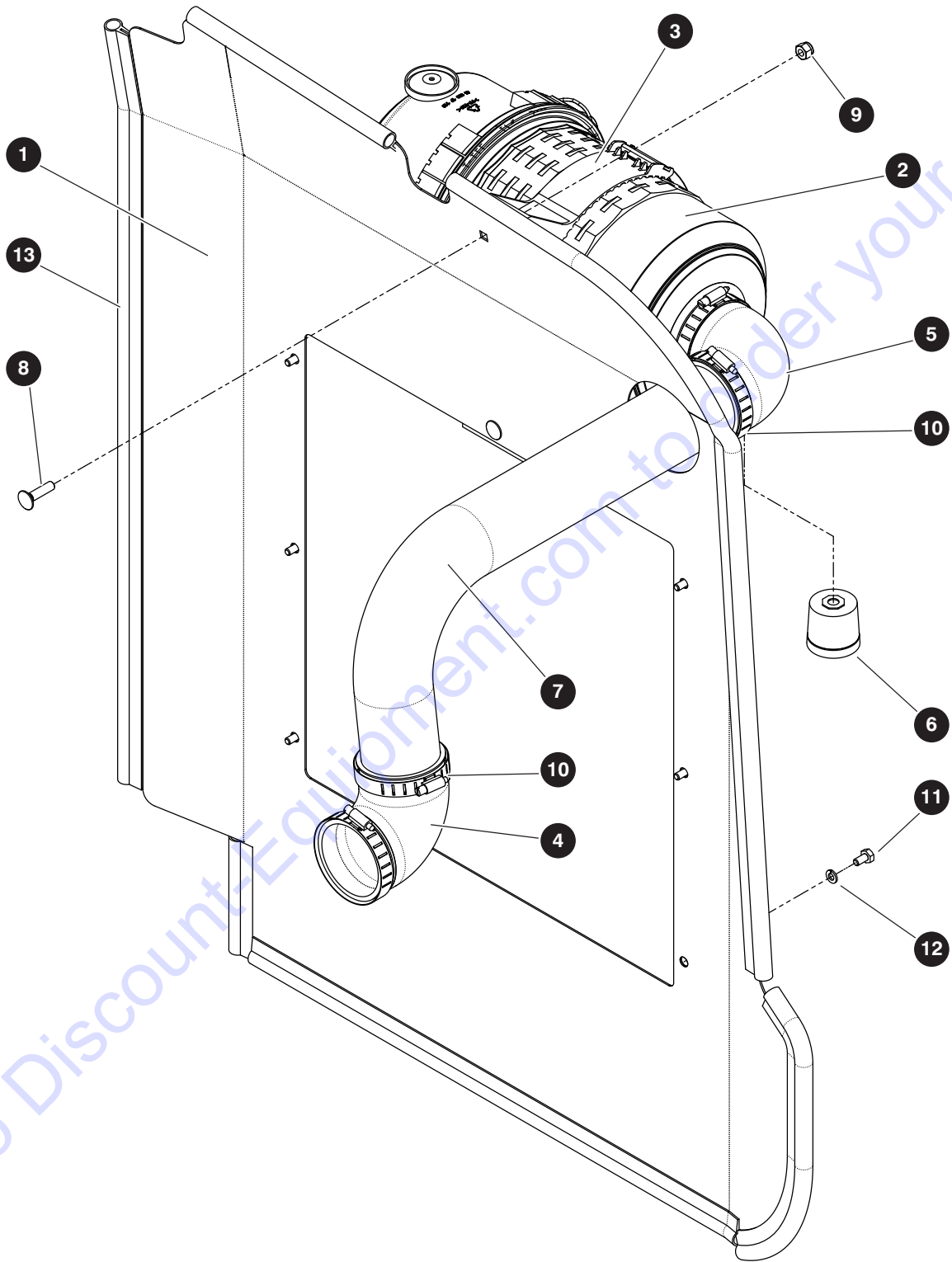
SJ61 T+, SJ66 T+

SKYJACK

7.2 Radiator - Deutz TD2.9L

Index No.	Skyjack Part No.	Qty.	Description
-	165887	1	RADIATOR ASSEMBLY, Deutz TD2.9L
1	163229	1	• RADIATOR, Deutz TD2.9L
	210168	1	• • SHROUD, Fan
2	163230	1	• RESERVOIR, Overflow, Deutz TD2.9L
	223207	1	• • CAP, Reservoir
-	220934	1	• KIT, Radiator, Deutz TD2.9L
3	194839	1	• • MOUNT, Radiator
4	221390	1	• • BRACKET, Upper radiator support
5	210223	1	• • MOUNT, Degas
6	210224	1	• • MOUNT, Degas
7	190430	2	• • ISOLATOR, Upper
8	132945	2	• • ISOLATOR, Lower
9	207694	1	• • HOSE, Radiator - return
10	207695	1	• • HOSE, Radiator - lower
11	207696	1	• • HOSE, Radiator - upper
12	149496	6	• NUT, Speed clip (1/4"-20 x 1/2" L)
13	165058	1	• SENSOR, Coolant level
14	166949	1	• WASHER, M16 Sealing
15	163394	1	• GUARD, Fan 17"
16	133174	17	• BOLT, Hex head (M8 x 1 1/4" x 20mm Grade 5 Zinc DIN933)
17	133232	13	• WASHER, Flat (M8 DIN126)
18	144129	2	• CLIP, Single (S332G10)
19	102984	40"	• FUEL LINE, 5/16" #4PB-B194
20	103321	3	• CLAMP, Gear (SAE #4, 1/4" - 5/8")
21	142415	2	• CLAMP, Gear (SAE #20, 3/4" - 1 3/4")
22	133222	1	• CLAMP, Gear (SAE #32, 1 9/16" - 2 1/2")
23	104528	3	• CLAMP, Gear (SAE #28, 1 5/16" - 2 1/4")
24	108818	2	• BOLT, Hex head (1/2"-13 x 2 3/4" Grade 5)
25	103470	2	• WASHER, Lock (1/2" Grade 5)
26	137241	1	• WASHER, Fender (1/2" ID)
27	166164	4	• WASHER, Flat (5/16" Standard)
28	160366	13"	• FUEL LINE, 3/16"
29	166737	6"	• FUEL LINE, 5/16"

7.3 Air Intake - Deutz TD2.9L



M165903AE

229032ABA

174

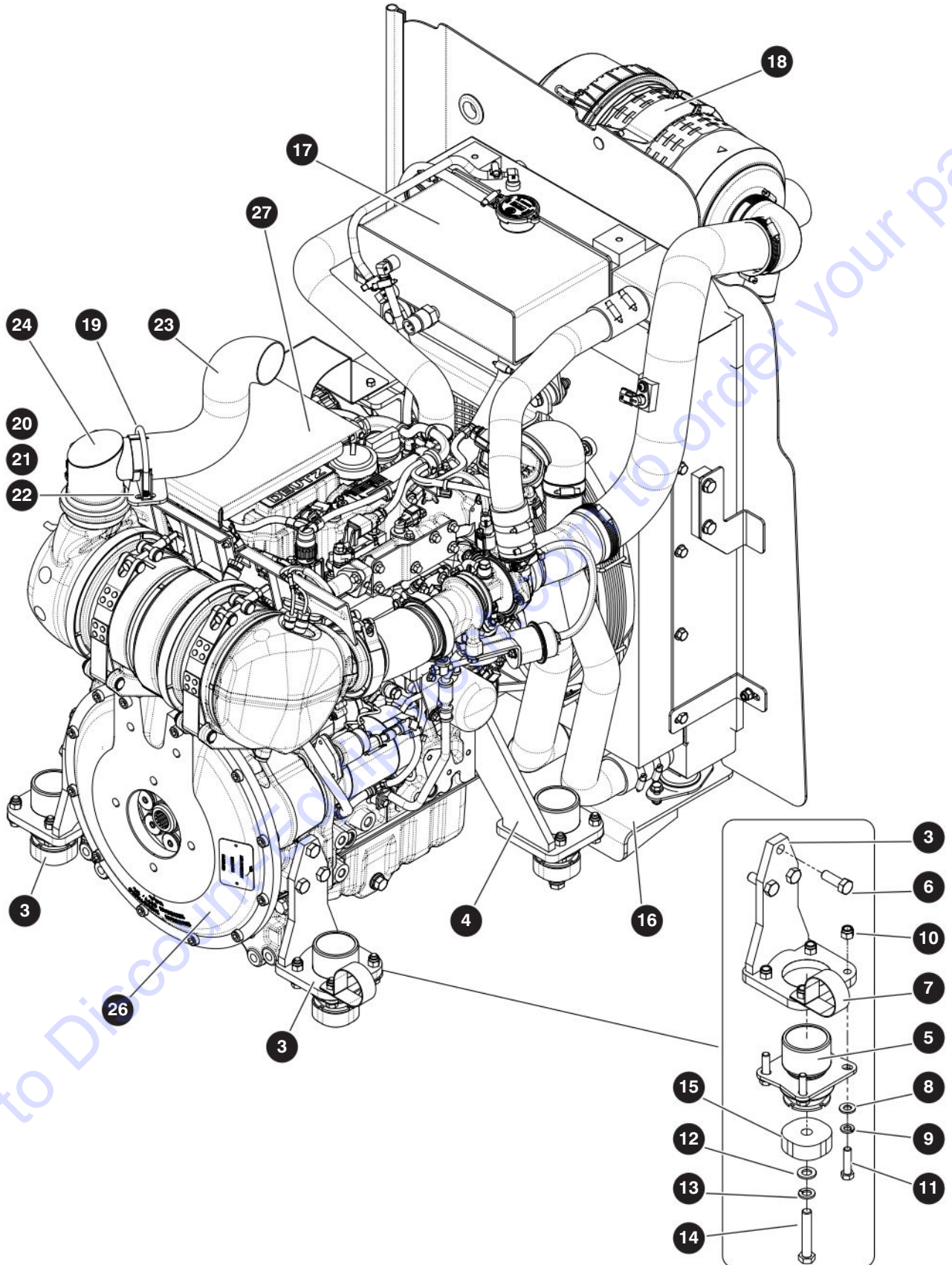
SJ61 T+, SJ66 T+

SKYJACK

7.3 Air Intake - Deutz TD2.9L

Index No.	Skyjack Part No.	Qty.	Description
-	165903	1	AIR INTAKE ASSEMBLY
1	164543	1	• AIR DAM, Deutz
2	163243	1	• AIR CLEANER
	165949	1	• • ELEMENT, Primary
	165950	1	• • ELEMENT, Secondary
	194405	1	• • CAP, Air cleaner
3	163245	1	• BRACKET, Air cleaner
4	163248	1	• CONNECTOR, 90°
5	163249	1	• CONNECTOR, 90°
6	163250	1	• INDICATOR, Service
7	168345	1	• TUBE, Air intake
8	106049	2	• BOLT, Carriage (5/16"-18 x 1 1/4" Grade 5)
9	103984	2	• NUT, Hex lock (5/16"-18 Grade 5, Nylon)
10	121869	4	• GEAR CLAMP, SAE No. 40, 2 1/16" - 3"
11	103856	6	• BOLT, Hex head (1/4"-20 x 0.75" Grade 5)
12	104000	6	• WASHER, Lock (1/4")
13	149357	120"	• SEAL, Bulb

7.4 Engine - Deutz TCD2.2



M228373AA

229032ABA

176

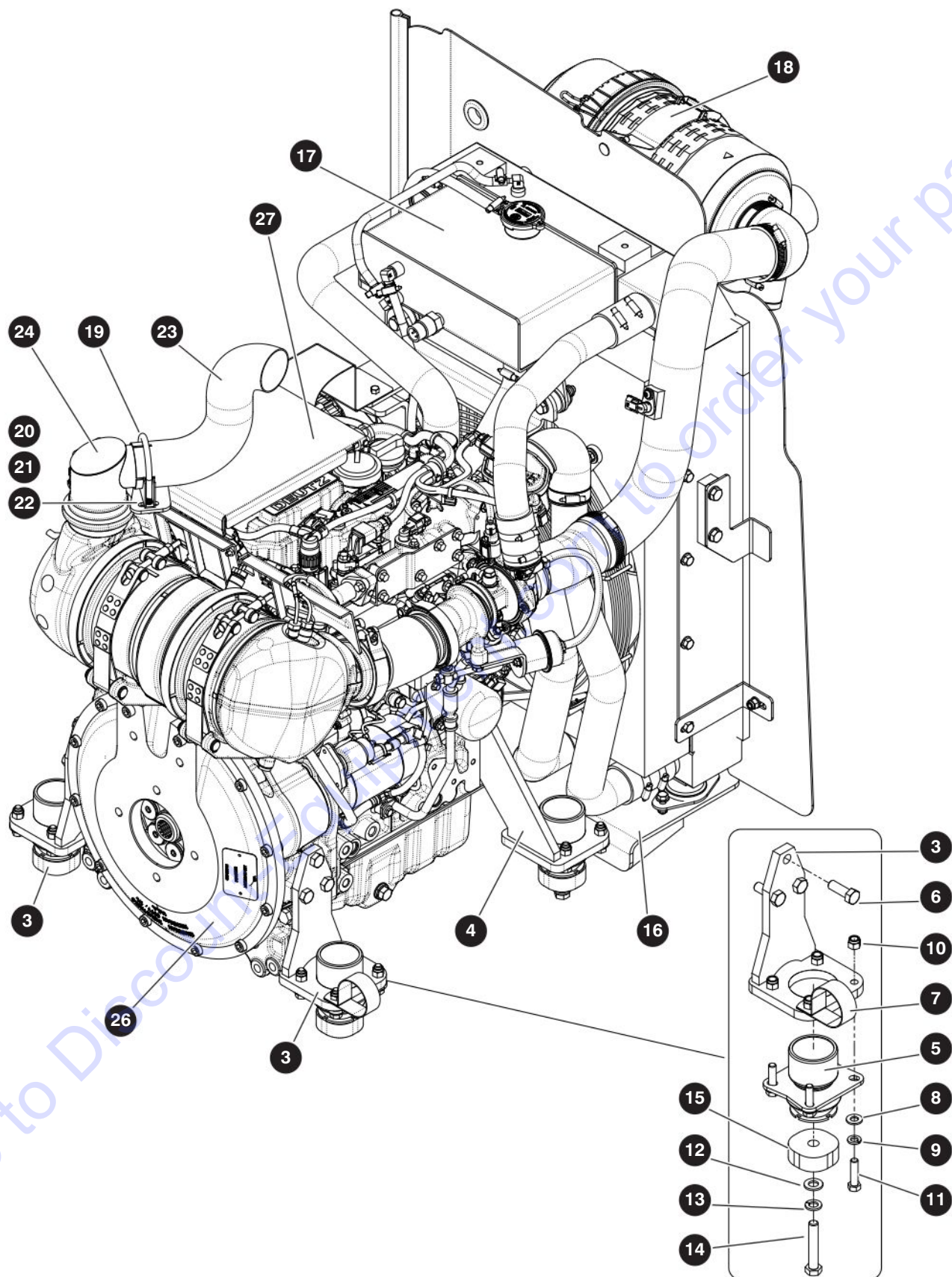
SJ61 T+, SJ66 T+

SKYJACK

7.4 Engine - Deutz TCD2.2

Index No.	Skyjack Part No.	Qty.	Description
-	228373	1	ENGINE ASSEMBLY - Deutz TD2.9L
1	223249	1	• ENGINE, Diesel - Deutz TD2.9L
	224309	1	• • FILTER, Oil
	224314	1	• • PUMP, Fuel
	224320	1	• • FILTER, Fuel
	224322	1	• • • CARTRIDGE, Fuel filter
	224315	1	• • • SENSOR, Pressure
	224323	1	• • PRE-FILTER, Fuel
	224323	1	• • • CARTRIDGE, Fuel pre-filter
	169249	1	• • • CABLE, Sensor - pre-filter
	166689	1	• • CAP, Oil filler
	224308	1	• • DIPSTICK
	224584	1	• • PLUG, DRAIN - Oil pan
	224585	1	• • O-RING, Drain plug
	224307	1	• • STARTER
	224588	1	• • SWITCH, Solenoid - starter
	224312	1	• • RELAY, Starter
	224310	1	• • ALTERNATOR
	166694	1	• • BELT, Alternator and water pump
	224304	1	• • FAN
	224316	1	• • PUMP, Coolant
	229045	1	• • PLUG, Glow
	224586	1	• • INJECTOR
	224587	1	• • THERMOSTAT
	166701	1	• • SENSOR, Mag pick-up
	224318	1	• • SENSOR, Temperature
	196886	1	• • SENSOR, Tacho-generator
	224589	1	• • SENSOR, Pressure
	224303	1	• • ECU
	224305	1	• • INLET, Catalyst
	224319	1	• • OUTLET, Catalyst
	206788	1	• • HEATER, Immersion
-	228412	1	• ENGINE MOUNTS - Deutz D2.9L
3	226252	2	• • MOUNT, Rear engine
4	225257	1	• • MOUNT, Front RH
	225255	1	• • MOUNT, Front LH (not shown)
5	232359	4	• • MOUNT, Vibration - Deutz
6	149419	10	• • BOLT, Hex head (M12 x 1.75" x 35mm, Grade 8.8)
7	171177	1	• • CLAMP, Loop (2")
8	125959	16	• • WASHER, Flat (3/8" hard)
9	103999	16	• • WASHER, Lock (3/8")
10	104606	16	• • NUT, Hex nylon lock (3/8"-16, Grade 5)
11	103870	16	• • BOLT, Hex head (3/8"-16-18 x 1-1/2", Grade 5)
12	933817	4	• • WASHER, Flat (M12)
13	600549	4	• • WASHER, Lock (M12)
14	217868	4	• • BOLT, Hex head (M12 x 1.75 x 70, cl 10.9)

7.4 Engine - Deutz TCD2.2



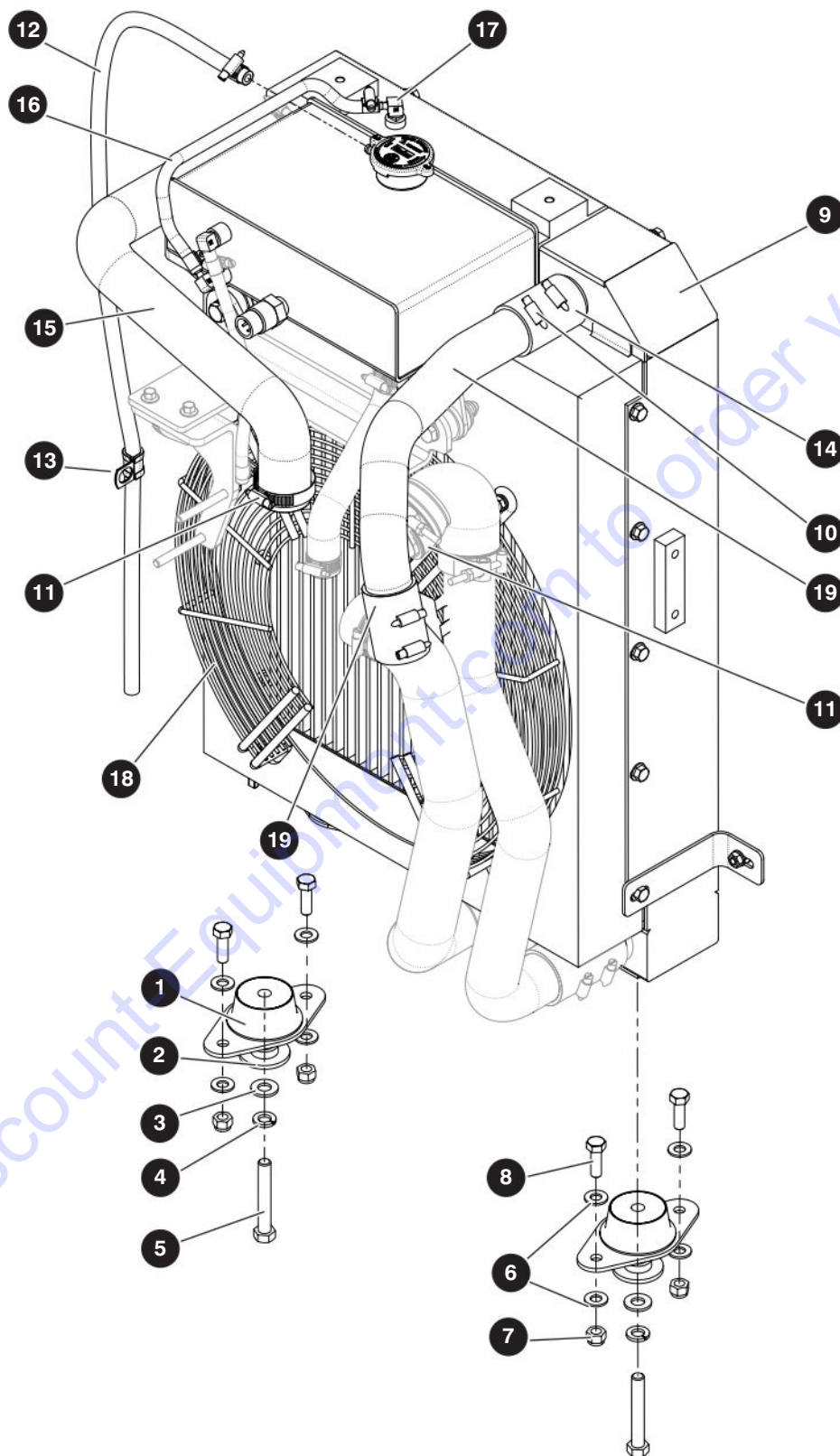
M228373AA

229032ABA

7.4 Engine - Deutz TCD2.2

Index No.	Skyjack Part No.	Qty.	Description
15	228408	4	<ul style="list-style-type: none"> • SPACER
16	(Ref.)	1	<ul style="list-style-type: none"> • RADIATOR MOUNT (For components, refer to 7.5 Radiator - Deutz TCD2.2)
17	(Ref.)	1	<ul style="list-style-type: none"> • RADIATOR (For components, refer to 7.5 Radiator - Deutz TCD2.2)
18	(Ref.)	1	<ul style="list-style-type: none"> • AIR INTAKE ASSEMBLY (For components, refer to 7.6 Air Intake - Deutz TCD2.2)
-	228436	1	<ul style="list-style-type: none"> • EXHAUST ASSEMBLY
19	167788	1	<ul style="list-style-type: none"> • CLAMP, U-bolt (2-1/2" x 9/16")
20	228442	1	<ul style="list-style-type: none"> • BRACKET, Exhaust
21	933833	2	<ul style="list-style-type: none"> • WASHER, Flat (M10 OD 20)
22	217865	2	<ul style="list-style-type: none"> • BOLT, Hex head (M10 x 1.5 x 75, cl 10.9)
23	228444	1	<ul style="list-style-type: none"> • TAIL PIPE
24	228440	1	<ul style="list-style-type: none"> • ADAPTER, Exhaust
25	165602	1	<ul style="list-style-type: none"> • CABLE, Alternator (not shown)
26	(Ref.)	1	<ul style="list-style-type: none"> • ENGINE COUPLING ASSEMBLY (For components, refer to 7.13 Engine Coupling - Deutz)
27	232447	1	<ul style="list-style-type: none"> • HEAT SHIELD ASSEMBLY
	232450	1	<ul style="list-style-type: none"> • SHIELD, Heat
	232448	1	<ul style="list-style-type: none"> • BARRIER, Adhesive-backed

7.5 Radiator - Deutz TCD2.2



M226268AC_M226295AA

229032ABA

180

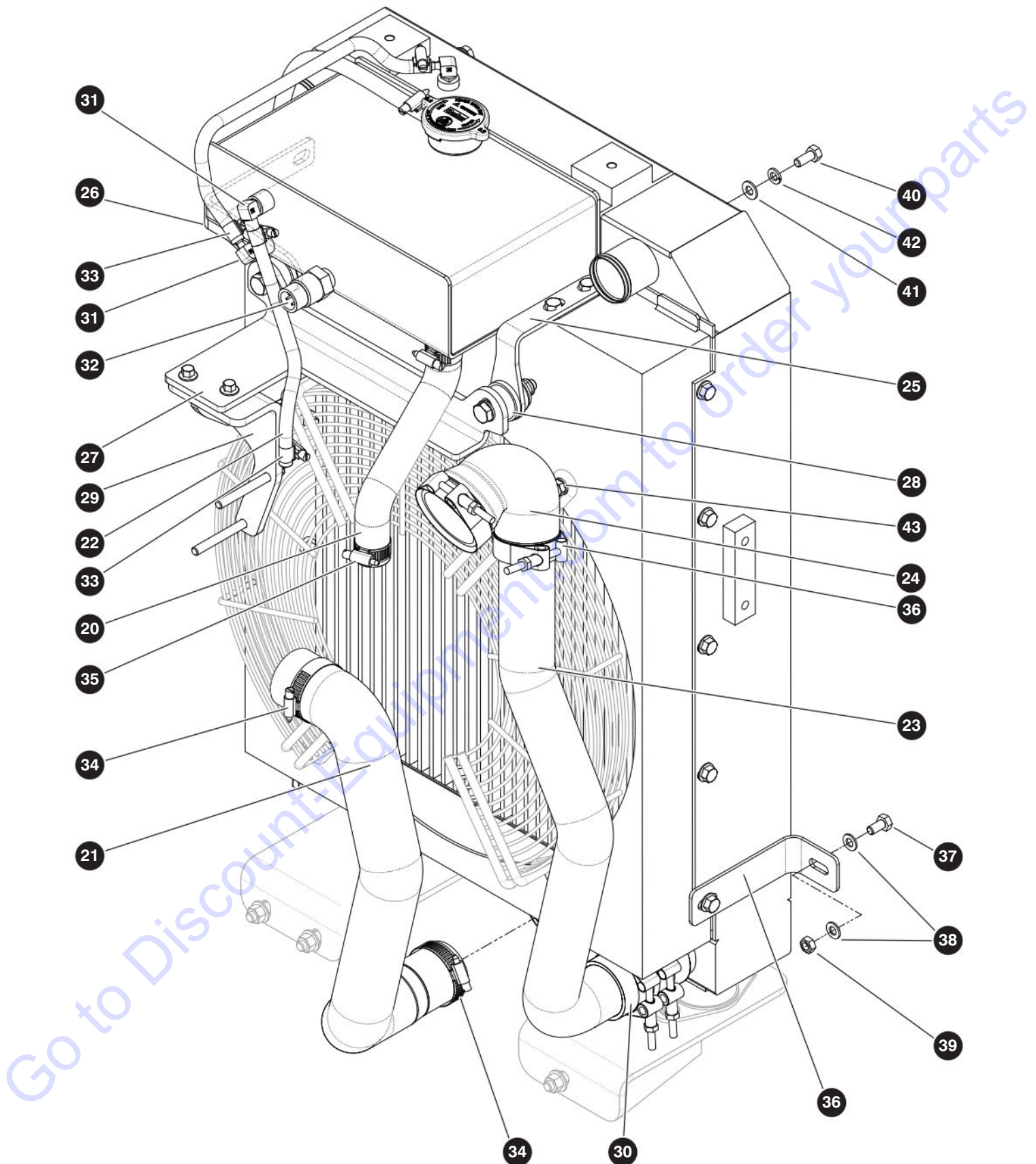
SJ61 T+, SJ66 T+

SKYJACK

7.5 Radiator - Deutz TCD2.2

Index No.	Skyjack Part No.	Qty.	Description
-	232732	1	RADIATOR MOUNT - Deutz TCD2.2
1	232733	1	• MOUNT, Radiator
2	163200	2	• MOUNT, Snubbing
3	125959	2	• WASHER, Flat (3/8" hard)
4	103999	5	• WASHER, Lock (3/8")
5	103873	2	• BOLT, Hex head (3/8"-16 x 2-1/2", gr 5)
6	103996	8	• WASHER, Flat (5/16")
7	103984	4	• NUT, Lock (5/16"-18, gr 5 nylon)
8	103864	4	• BOLT, Hex head (5/16"-16 x 1", gr 5)
-	226268	1	RADIATOR - Deutz TCD2.2
9	206955	1	• RADIATOR
10	104528	6	• CLAMP, Hose (1-3/4")
11	121869	1	• CLAMP, Hose (2-1/2")
12	102984	40"	• FUEL LINE (5/16")
13	144129	2	• CLAMP, Loop cushioned (#10)
-	226269	1	• HOSE AND BRACKET KIT
14	230696	4	• • SLEEVE, Rubber
15	206958	1	• • HOSE, Water
16	224579	1	• • HOSE (1/4" x 23")
17	206966	1	• • FITTING, Hose barb (90° 1/4" NPT)
18	226275	1	• • GUARD, Fan
19	206956	1	• • PIPING, Charge air - upper
			The parts list continues on the next page.

7.5 Radiator - Deutz TCD2.2



M226268AC_M226295AA_1

229032ABA

182

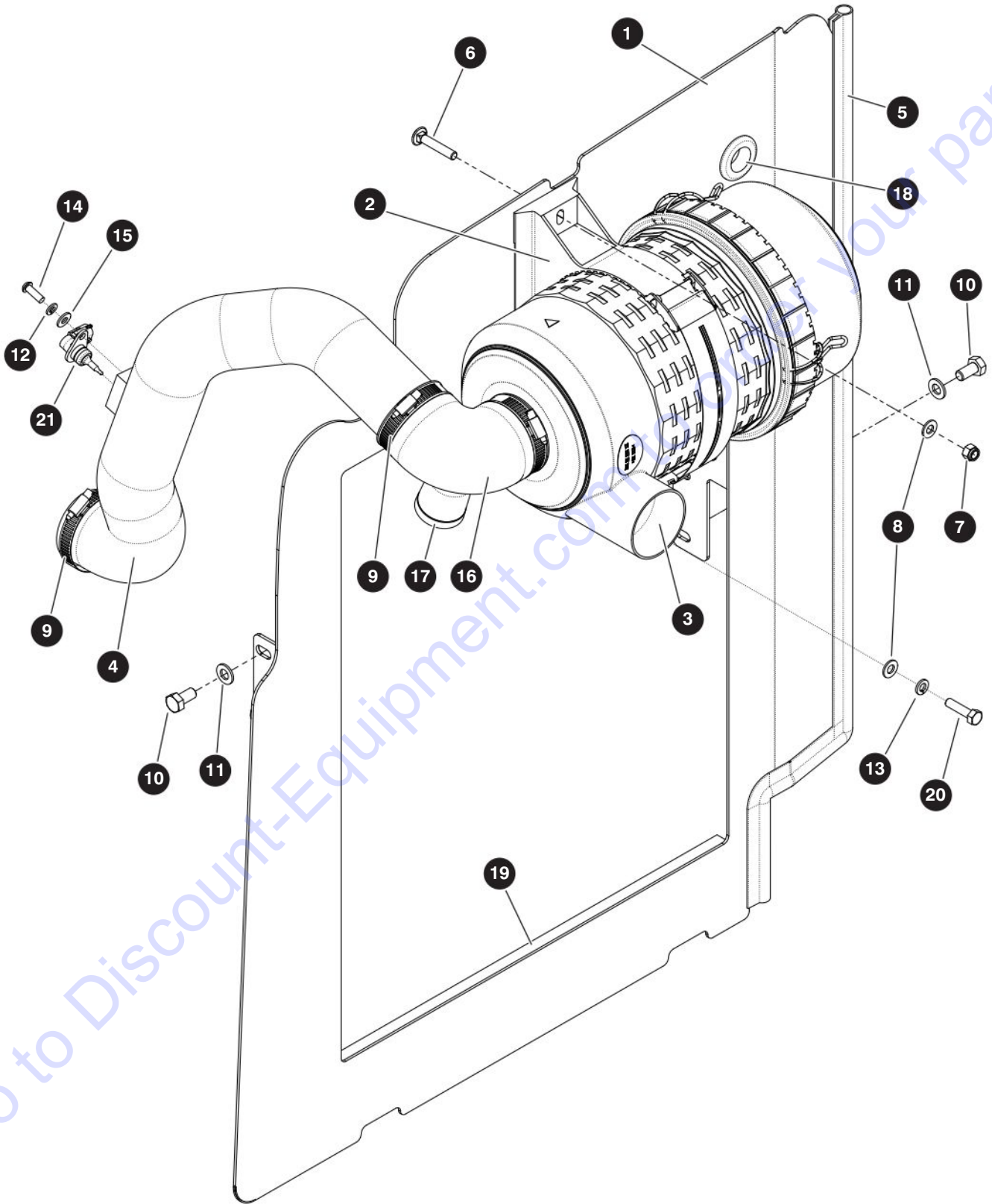
SJ61 T+, SJ66 T+

SKYJACK

7.5 Radiator - Deutz TCD2.2

Index No.	Skyjack Part No.	Qty.	Description
20	206960	1	• • HOSE, Compensation
21	230697	1	• • HOSE, Coolant - lower
22	206968	1	• • HOSE (1/4" x 12")
23	224582	1	• • PIPING, Charge air - lower
24	232513	1	• • ELBOW, CAC
25	232511	1	• • BRACKET, Right
26	232512	1	• • BRACKET, Left
27	230699	1	• • BRACKET, Center
28	224580	2	• • ISOLATOR
29	232514	1	• • PLATE, Retaining
30	230698	1	• • SLEEVE, Rubber
31	206966	2	• • FITTING, Hose barb (90° 1/4" NPT)
32	165058	1	• SENSOR, Coolant level
33	102519	5	• CLAMP, Hose (3/8")
34	133222	5	• CLAMP, Hose (2")
35	102854	2	• CLAMP, Gear (#12)
36	231321	2	• BRACKET, Baffle plate
37	133174	2	• BOLT, Hex head (M8 x 1325 x 16 mm, gr 8.8)
38	133232	4	• WASHER, Flat (M8)
39	933696	2	• NUT, HEx head (M8-1.25, gr 5)
40	103864	2	• BOLT, Hex head (5/16"-18 x 3/4")
41	103996	2	• WASHER, Flat (5/16")
42	103404	2	• WASHER, Lock (5/16")
43	166164	4	• WASHER, Flat (5/16")

7.6 Air Intake - Deutz TCD2.2



M228435AA

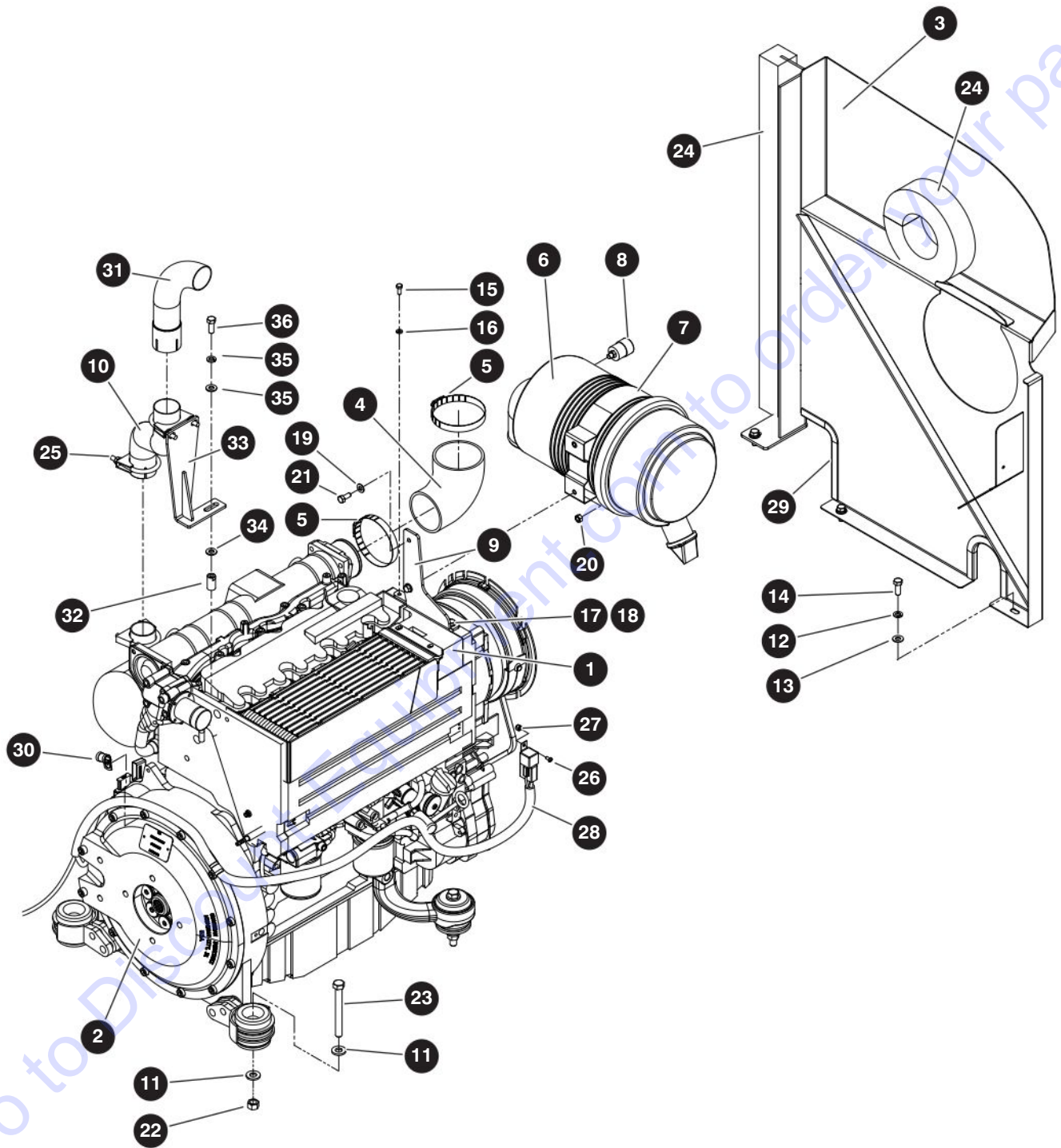
229032ABA

SJ61 T+, SJ66 T+

7.6 Air Intake - Deutz TCD2.2

Index No.	Skyjack Part No.	Qty.	Description
-	228435	1	AIR INTAKE - Deutz TCD2.2
1	228438	1	• PLATE, Baffle
2	163245	1	• BRACKET, Air cleaner - E300
3	163243	1	• AIR CLEANER - E300
	165949	1	• • ELEMENT, Primary
	165950	1	• • ELEMENT, Secondary
	194405	1	• • CAP, Air cleaner
4	228736	1	• TUBE, Air intake
5	137625	42"	• TRIM, Rubber
6	158380	2	• BOLT, Carriage (5/16"-18 x 1-3/4", gr 5)
7	103984	2	• NUT, Lock (5/16"-18, gr 5 nylon)
8	103996	4	• WASHER, Flat (5/16")
9	163193	2	• CLAMP, Hose (3")
10	933833	4	• WASHER, Flat (M10-OD 20)
11	103848	4	• BOLT, Hex head (M10-1.25 x 20 mm, gr 8.8)
12	140000	1	• WASHER, Lock (1/4")
13	103404	2	• WASHER, Lock (5/16")
14	139168	1	• SCREW, Button head cap (1/4"-20 x 3/4", gr 5)
15	103995	1	• WASHER, Flat (1/4")
16	163249	1	• CONNECTOR, 90°
17	163250	1	• INDICATOR, Service
18	144294	1	• GROMMET, Rubber (1" x 1-3/8" x 3/16")
19	231324	97"	• TRIM, Rubber
20	112532	2	• BOLT, Hex head (5/16"-18 x 1-1/4", gr 5)
21	224625	1	SENSOR, Air intake (supplied with the engine)

7.7 Engine - Deutz D2011



M146915AQ

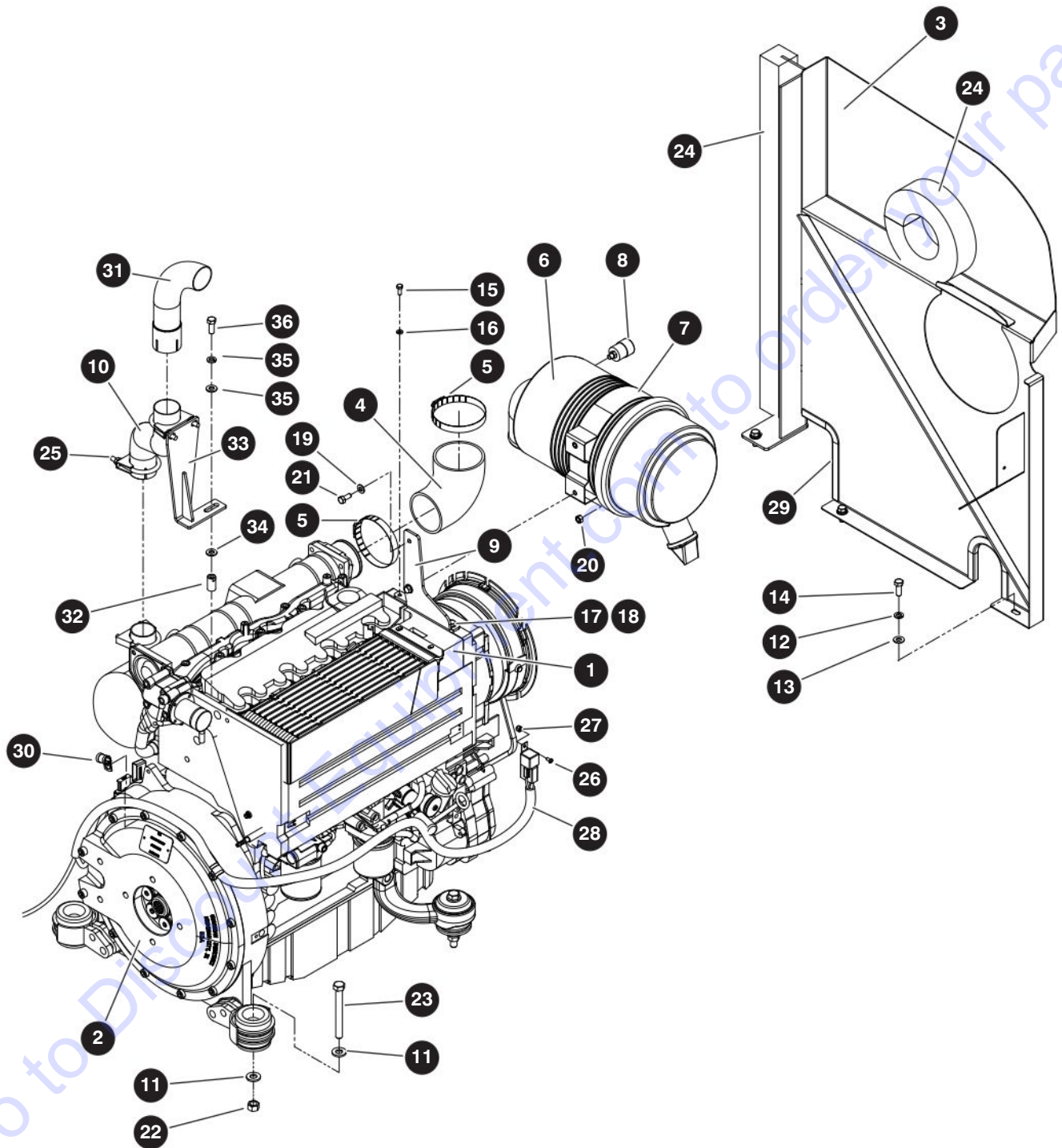
229032ABA

SJ61 T+, SJ66 T+

7.7 Engine - Deutz D2011

Index No.	Skyjack Part No.	Qty.	Description
-	146915	1	ENGINE ASSEMBLY - Deutz D2011
1	218978	1	• ENGINE, Diesel (Deutz)
	127181	1	• • PUMP, Fuel injection
	127182	1	• • CAP, Filler
	127183	1	• • FLYWHEEL
	127184	1	• • CONNECTOR, Plug-in
	127185	1	• • CONNECTOR, Plug-in
	127186	1	• • CABLE, Interconnect
	204249	1	• • STARTER
	151769	1	• • EXHAUST, Silencer
	151770	1	• • V-BELT, Narrow
	147071	1	• • FILTER, Fuel
	147072	1	• • FILTER, Oil
	157659	1	• • DIPSTICK
	168055	1	• • SOLENOID, Fuel
	168365	1	• • ALTERNATOR
	168366	1	• • SWITCH, Oil temperature
	168367	1	• • SENDER, Temperature
	194225	1	• • WIRE, Starter
2	(Ref.)	1	• ENGINE COUPLING ASSEMBLY (For components, refer to 7.13 Engine Coupling - Deutz)
3	146988	1	• WELDMENT, Baffle
4	138508	1	• ELBOW, 90° Reducer (air intake)
5	138665	2	• CLAMP, Gear (SAE NO. 56)
6	703312	1	• AIR CLEANER, Engine
	704560	1	• • FILTER, Primary
	706549	1	• • FILTER, Secondary
7	703315	1	• BAND, Air cleaner mounting
8	139091	1	• INDICATOR, Air restriction
9	147550	1	• BRACKET, Air filter
10	147511	1	• STACK, Exhaust
11	104379	8	• WASHER, Flat hardened (1/2")
12	103472	4	• WASHER, Flat (3/8")
13	103999	4	• WASHER, Lock (3/8")
14	103473	4	• BOLT, Hex head (3/8"-16 x 1" Grade 5)
15	104608	1	• BOLT, Hex head (M6 x 1mm x 16mm Grade 9.8)
16	600190	1	• WASHER, Flat (M6)
17	133174	1	• BOLT, Hex head (M8 x 1.25mm x 22mm Grade 5, zinc)
18	600184	1	• WASHER, Flat (M8)
19	103996	2	• WASHER, Flat (5/16")
20	100397	2	• NUT, Hex head (5/16"-18 Grade 5)
21	103887	3	• BOLT, Hex head (5/16"-18 x 3/4" Grade 5)
22	123856	4	• NUT, Hex head (1/2"-13 Grade 8)

7.7 Engine - Deutz D2011



M146915AQ

229032ABA

188

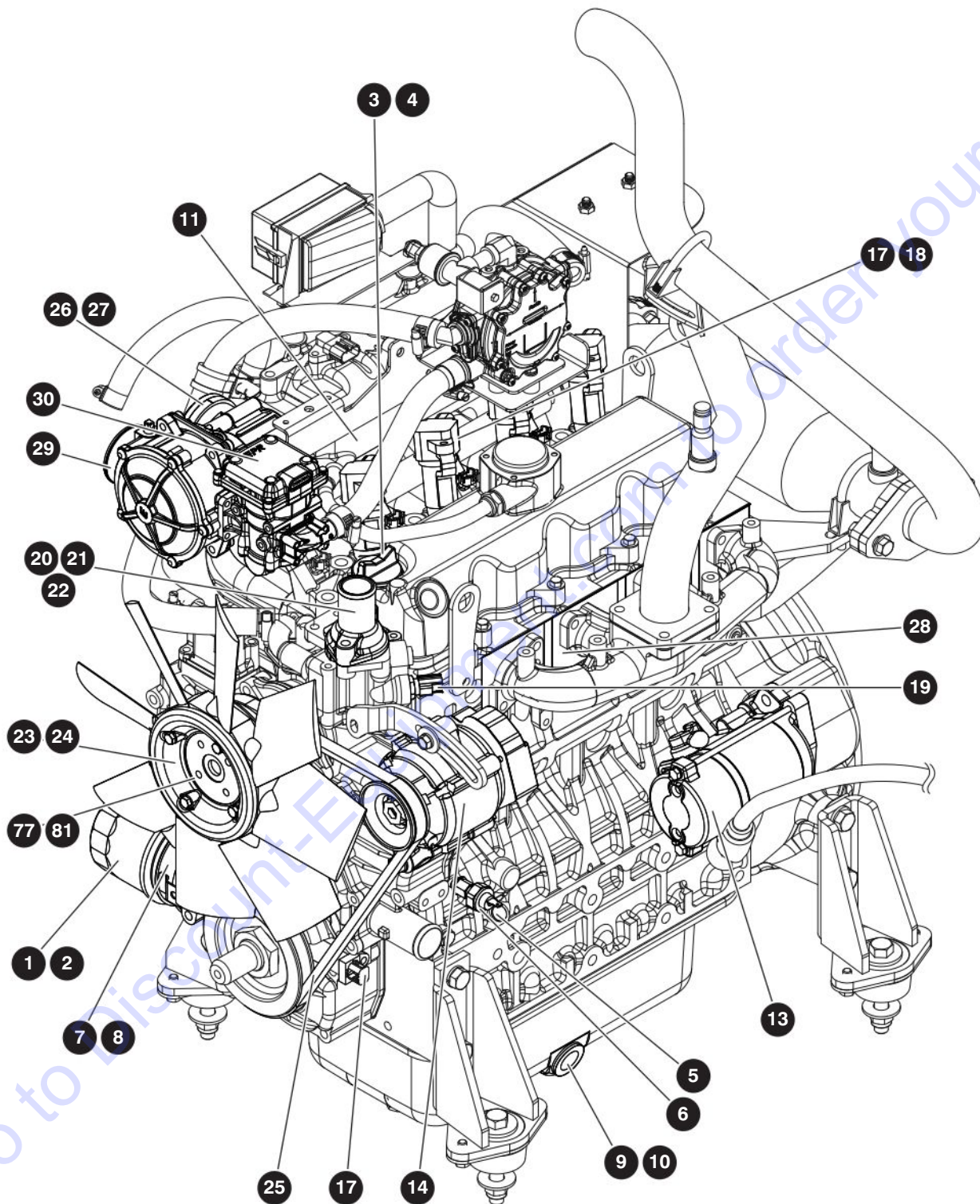
SJ61 T+, SJ66 T+

SKYJACK

7.7 Engine - Deutz D2011

Index No.	Skyjack Part No.	Qty.	Description
23	111420	4	• BOLT, Hex head (1/2"-13 x 4 1/2" Grade 5)
24	148368	53"	• FOAM (2" x 2")
25	148377	2	• CLAMP, Exhaust pipe (2")
26	115545	1	• SCREW, Round head machine (10-32 x 3/8")
27	300450	1	• NUT, Hex lock (#10-32, Grade 5, nylon)
28	(Ref.)	1	• HARNESS, Glow Plug (Deutz diesel engine) (For components, refer to 5.9 Glow Plug Harness - Deutz D2011)
29	117398	19"	• TRIM, Protective
30	144129	2	• CLIP, Single (S332G10)
31	153962	1	• PIPE, Exhaust (2")
32	171886	1	• SPACER, Exhaust bracket
33	170407	1	• BRACKET, Exhaust stack
34	933817	2	• WASHER, Flat (M12)
35	116995	1	• WASHER, Lock (M12)
36	933791	1	• BOLT, Hex head cap screw (M12 x 1.75 gr 8.8)

7.8 Engine - Kubota WG2503



M171223AB-1

229032ABA

190

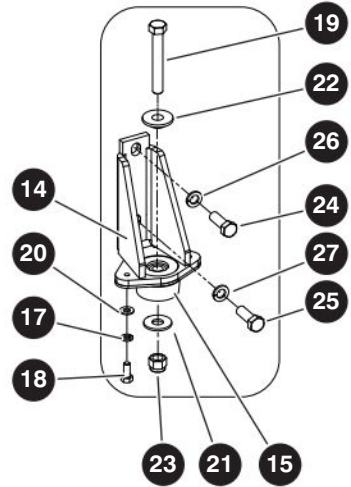
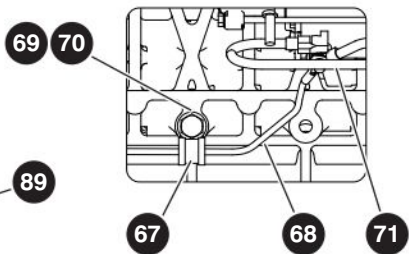
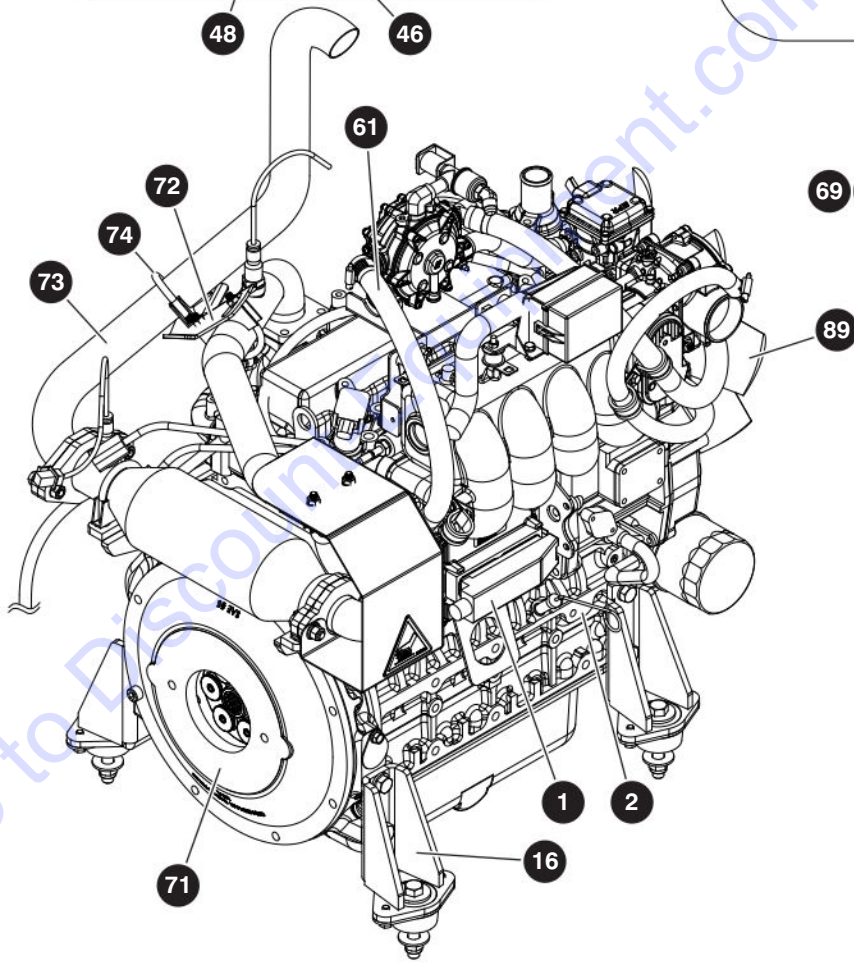
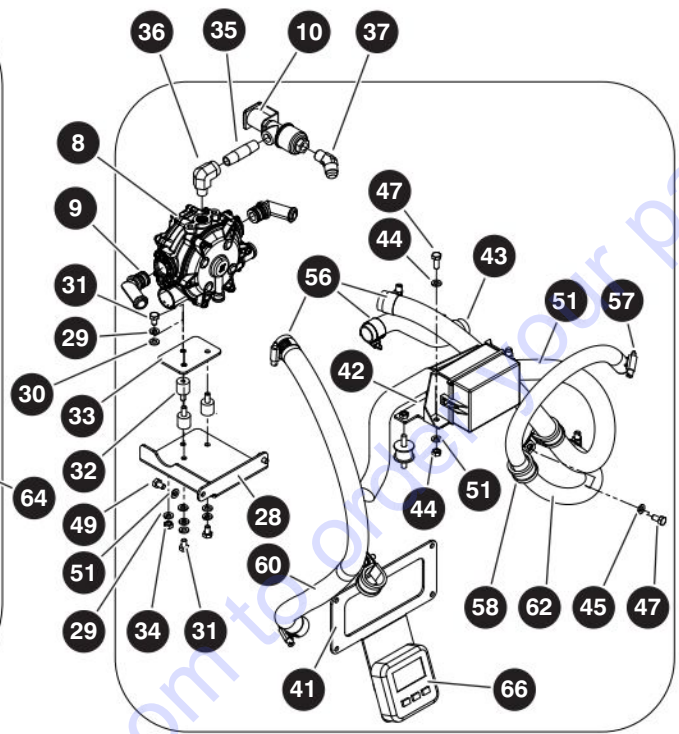
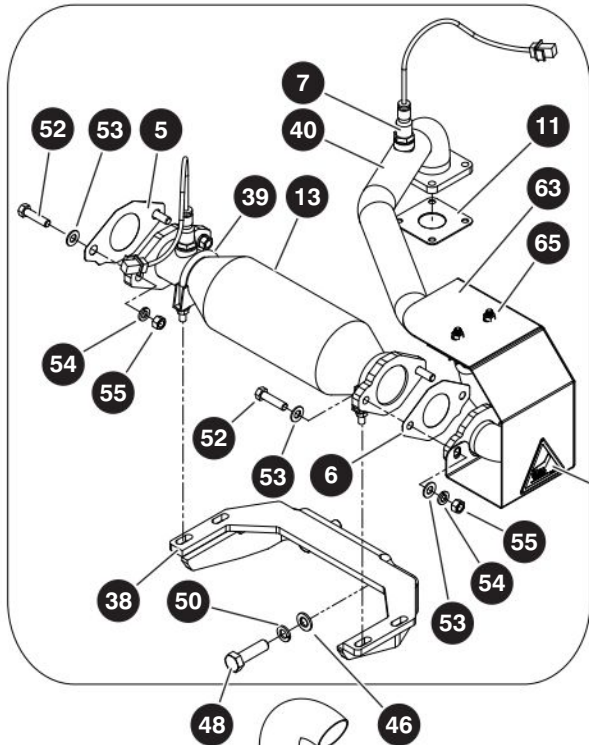
SJ61 T+, SJ66 T+

SKYJACK

7.8 Engine - Kubota WG2503

Index No.	Skyjack Part No.	Qty.	Description
-	171225	1	ENGINE ASSEMBLY - Kubota WG2503 - ANSI/CSA
-	221959	1	• ENGINE, Dual fuel - Kubota
-	221958	1	• • ENGINE, Kubota WG2503
-	209330	1	• • ENGINE, Kubota WG2503
1	194642	1	• • • FILTER, Oil
2	194643	1	• • • CARTRIDGE, Oil filter
3	164644	1	• • • CAP, Oil fill
4	194645	1	• • • O-RING, Oil FILL CAP
5	194646	1	• • • PLUG, Oil gauge
6	194647	1	• • • SWITCH, Oil
7	194648	1	• • • COOLER, Oil
8	194649	1	• • • SEAL, Oil cooler
9	194650	1	• • • PLUG, Oil pan
10	194651	1	• • • O-RING, Oil pan plug
11	194653	4	• • • INJECTOR
12	194655	1	• • • HARNESS, Wire (not shown)
13	194656	1	• • • STARTER
14	194657	1	• • • ALTERNATOR
15	194658	4	• • • PLUG, Spark
16	194659	4	• • • COIL, Ignition
17	194660	1	• • • SENSOR, Camshaft speed
18	194661	1	• • • SENSOR, Crankshaft speed (not shown)
19	194662	1	• • • SENSOR, Water temp
20	194663	1	• • • THERMOSTAT
21	194664	1	• • • GASKET, Thermostat
22	194697	1	• • • COVER, Thermostat
23	170411	1	• • • FAN
24	194665	1	• • • PULLEY, Fan
25	194666	1	• • • BELT, Fan
26	194667	1	• • • BODY, Throttle
27	194668	1	• • • GASKET, Throttle body
28	194669	1	• • • GASKET, Exhaust manifold
29	194698	1	• • • MIXER
30	194699	1	• • • REGULATOR

7.9 Engine Accessories - Kubota WG2503



M171225AB-3

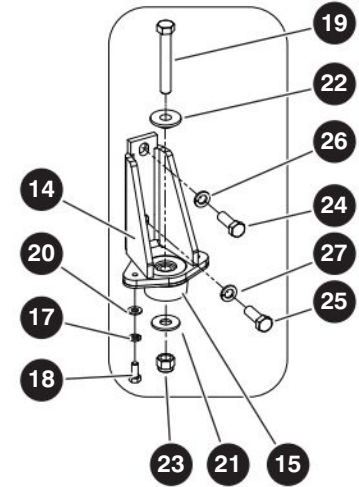
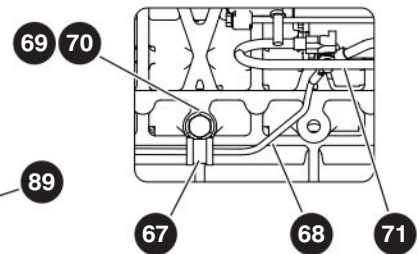
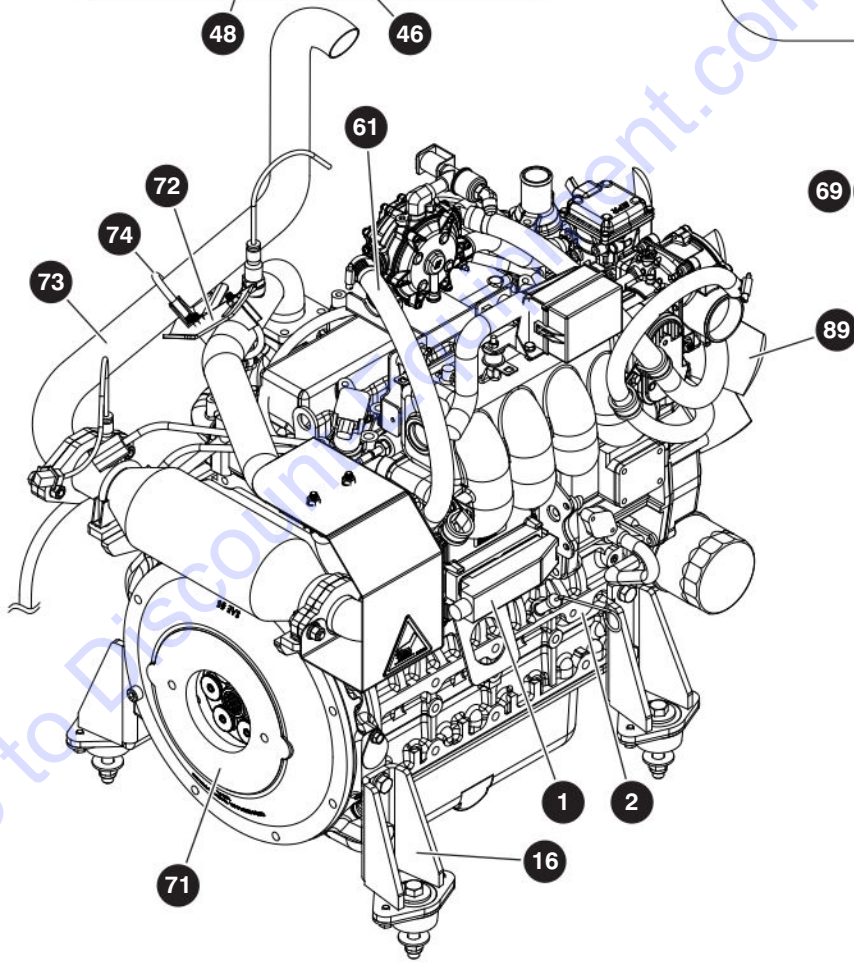
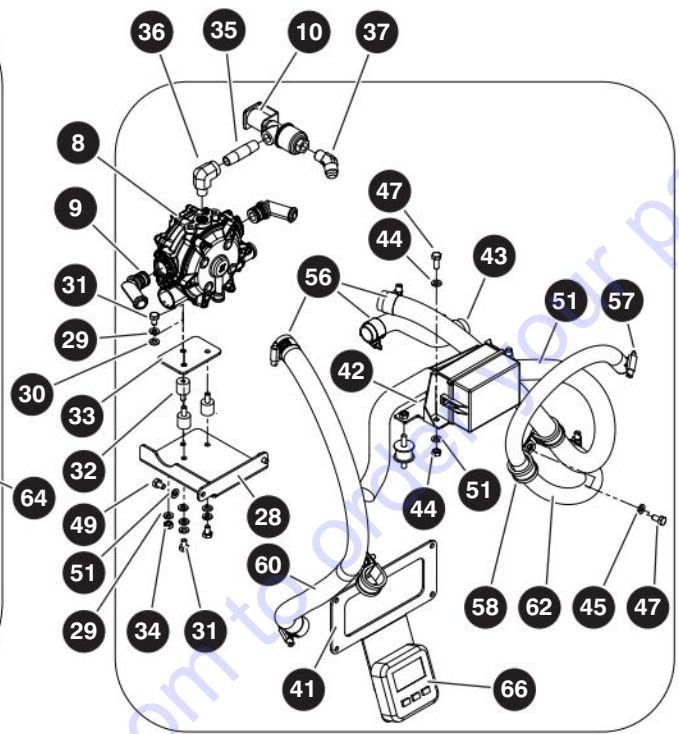
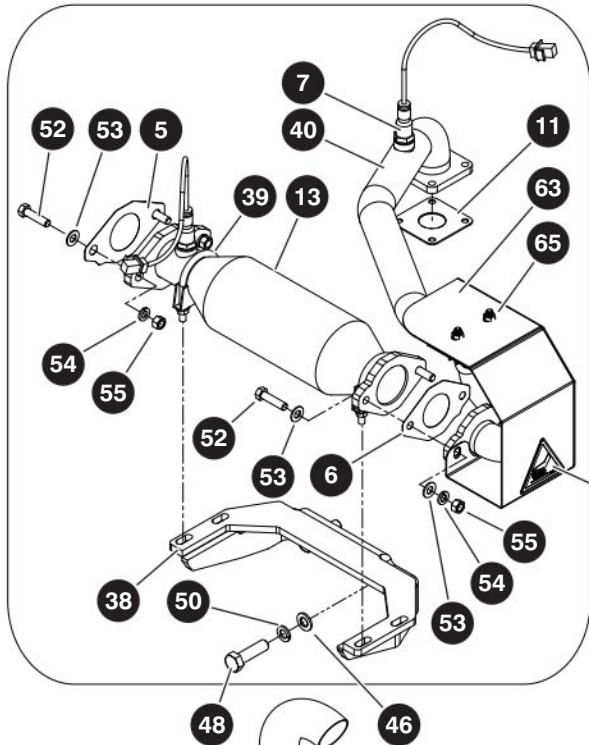
229032ABA

SJ61 T+, SJ66 T+

7.9 Engine Accessories - Kubota WG2503

Index No.	Skyjack Part No.	Qty.	Description
1	194652	1	• • • DIPSTICK (shown on next page)
2	194654	1	• • • ECU (shown on next page)
-	171262	1	• • KIT, Engine - Kubota WG2503
3	164881	1	• • • PUMP, Fuel (not shown) (For components, refer to 8.8 Fuel Line Hoses – Kubota WG2503 Engine)
4	164883	1	• • • MANIFOLD, Fuel pressure (not shown) (For components, refer to 8.8 Fuel Line Hoses – Kubota WG2503 Engine)
5	164886	1	• • • GASKET, Cat 1
6	164885	1	• • • GASKET, Cat 2
7	164880	2	• • • SENSOR, O2
8	164887	1	• • • REGULATOR, LP
9	164888	2	• • • CONNECTOR, Vaporizer
10	164889	1	• • • VALVE, LP lock off
11	170416	1	• • • GASKET, Exhaust
12	136118	1	• • • FILTER, Fuel (not shown) (For components, refer to 8.8 Fuel Line Hoses – Kubota WG2503 Engine)
13	164896	1	• • CONVERTER, Catalytic
-	168706	1	• ENGINE MOUNTS
14	169606	2	• • MOUNT, Engine - rear
15	132028	4	• • MOUNT, Vibration
16	169605	2	• • MOUNT, Engine - front
17	103404	8	• • WASHER, Lock (0.312")
18	103887	8	• • BOLT, Hex head (0.312"-18 x 0.75" gr 5)
19	125525	4	• • BOLT, Hex head (0.50"-13 x 3.50" gr 5)
20	103996	8	• • WASHER, Flat (0.312")
21	137241	4	• • WASHER, Flat (0.50" AA)
22	163200	4	• • WASHER, Snubbing
23	702507	4	• • NUT, Hex head nylon lock (0.50"-13)
24	166767	4	• • BOLT, Hex head (M12 x 1.25 x 32 gr 8.8)
25	166821	4	• • BOLT, Hex head (M14 x 1.50 x 35 gr 8.8)
26	116995	4	• • WASHER, Lock (M12)
27	137838	4	• • WASHER, Lock (M14)
-	170434	1	• ENGINE ACCESSORIES
-	221961	1	• • VAPORIZER, WG2503
28	221960	1	• • • BRACKET, Vaporizer
29	121758	4	• • • WASHER, Lock (M6)
30	933834	4	• • • WASHER, Flat (M6)
31	600723	3	• • • BOLT, Hex head (M6 x 1 x 10mm gr 8.8)
32	165927	3	• • • MOUNT, Virbration
33	170399	1	• • • PLATE, Vaporizer
34	800354	1	• • • NUT, Hex head (M6-1.00)
35	143478	1	• • • FITTING, Nipple - brass (0.25" NPT x 2.00")
36	103164	1	• • • FITTING, 90° elbow (04 NPTF - 04 NPTM)
37	103159	1	• • • FITTING, 45° elbow (06 SAE45M - 04 NPTM)
38	169599	1	• • BRACKET, Catalytic converter
39	148377	2	• • CLAMP, Exhaust pipe (2")

7.9 Engine Accessories - Kubota WG2503



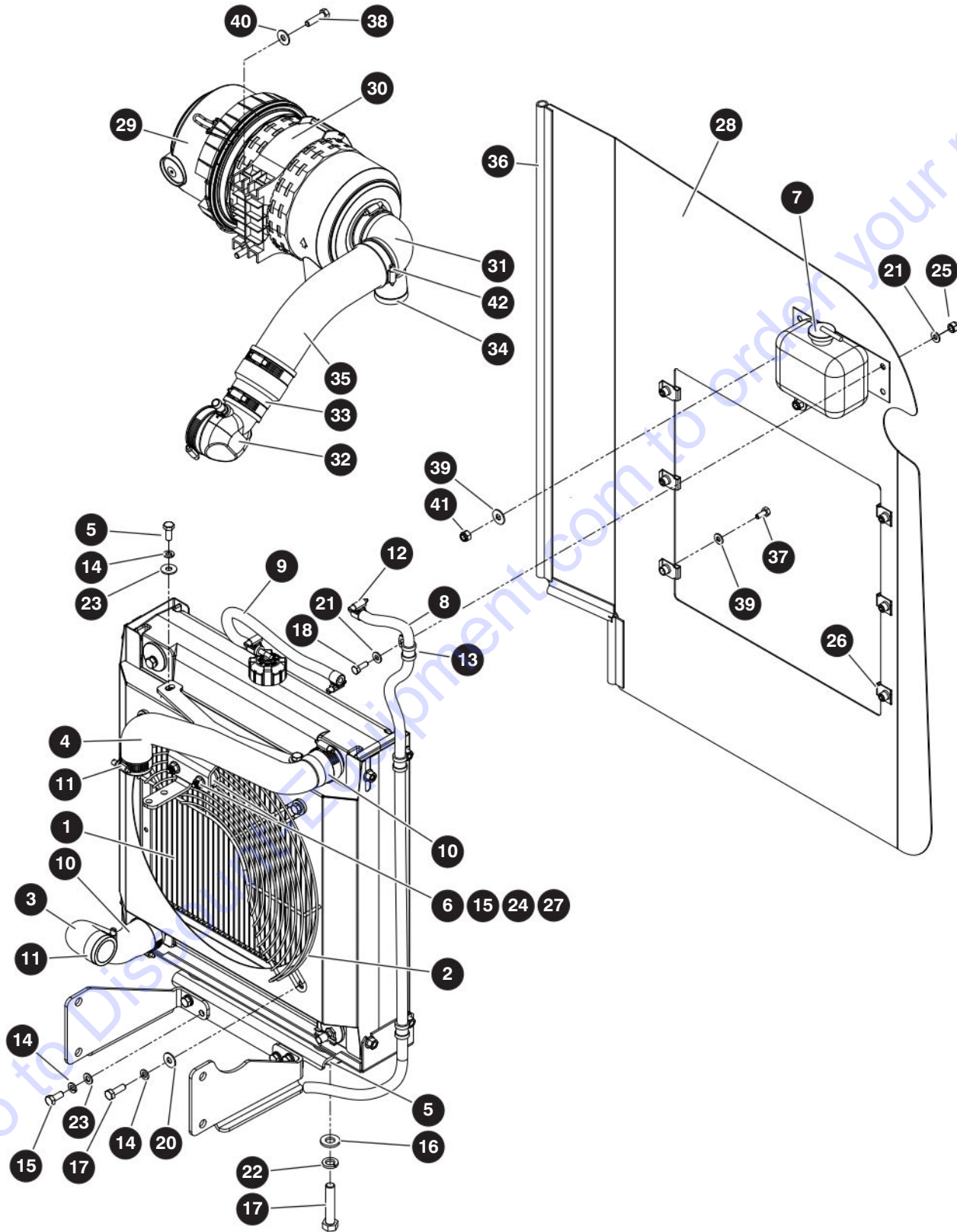
M171225AB-2

229032ABA

7.9 Engine Accessories - Kubota WG2503

Index No.	Skyjack Part No.	Qty.	Description
40	169568	1	• • PIPE, Exhaust
41	170436	1	• • BRACKET, Display
42	170435	1	• • PLATE, Fuse box
43	165930	9"	• • HOSE, Vapour (0.75")
44	800354	2	• • NUT, Hex head (M6-1.00)
45	933834	4	• • WASHER, Flat (M6)
46	600426	2	• • WASHER, Flat (M12)
47	104608	8	• • BOLT, Hex head (M6 x 1 x 16mm gr 9.8)
48	166767	2	• • BOLT, Hex head (M12 x 1.25 x 35mm gr 8.8)
49	600723	3	• • BOLT, Hex head (M6 x 1 x 10mm gr 8.8)
50	116995	2	• • WASHER, Lock (M12)
51	121758	9	• • WASHER, Lock (M6)
52	103870	4	• • BOLT, Hex head (0.375"-16 x 1.50" gr 5)
53	103472	8	• • WASHER, Flat (0.375")
54	103999	4	• • WASHER, Lock (0.375")
55	103978	4	• • WASHER, Nut (0.375"-16 gr 5)
56	103320	7	• • CLAMP, Hose (1.00")
57	102854	2	• • CLAMP, Hose (0.75")
58	168707	3	• • CLAMP, Loop (1")
59	170411	1	• • FAN, Kubota (13.5" dia)
60	925229	25"	• • HOSE (0.625")
61	925229	30"	• • HOSE (0.625")
62	163509	23"	• • HOSE (300 psi)
63	171120	1	• • SHIELD, Heat
64	169537	1	• • LABEL, Hot surface
65	102287	1	• • CLAMP, U-bolt (1.75" x 2.875")
66	166739	1	• • DISPLAY, Engine parameter
67	144129	2	• • CLAMP, Cushion
68	209197	1	• • HARNESS, Alternator
	209198	1	• • • CABLE, Alternator
	209199	1	• • • CABLE, Starter
	165030	1	• • • HOLDER, Fuse
	198387	1	• • • FUSE, Bolt-down (60 A)
69	123713	2	• • BOLT, Hex head (M12 x 1.25 x 16 mm gr 9.8)
70	933817	2	• • WASHER, Flat (M12)
71	134373	1	• • STUD, Extension - starter
	(Ref.)	1	• BELL HOUSING (For components, refer to 7.14 Engine Coupling - Kubota WG2503)
72	171222	1	• BRACKET, Tail pipe
73	171070	1	• PIPE, Tail
74	102287	2	• CLAMP, U-bolt (1.75" x 2.875")
75	198346	1	• HARNESS, Power relay (not shown)

7.10 Radiator & Air Intake - Kubota WG2503



M168708AA_M171010AA

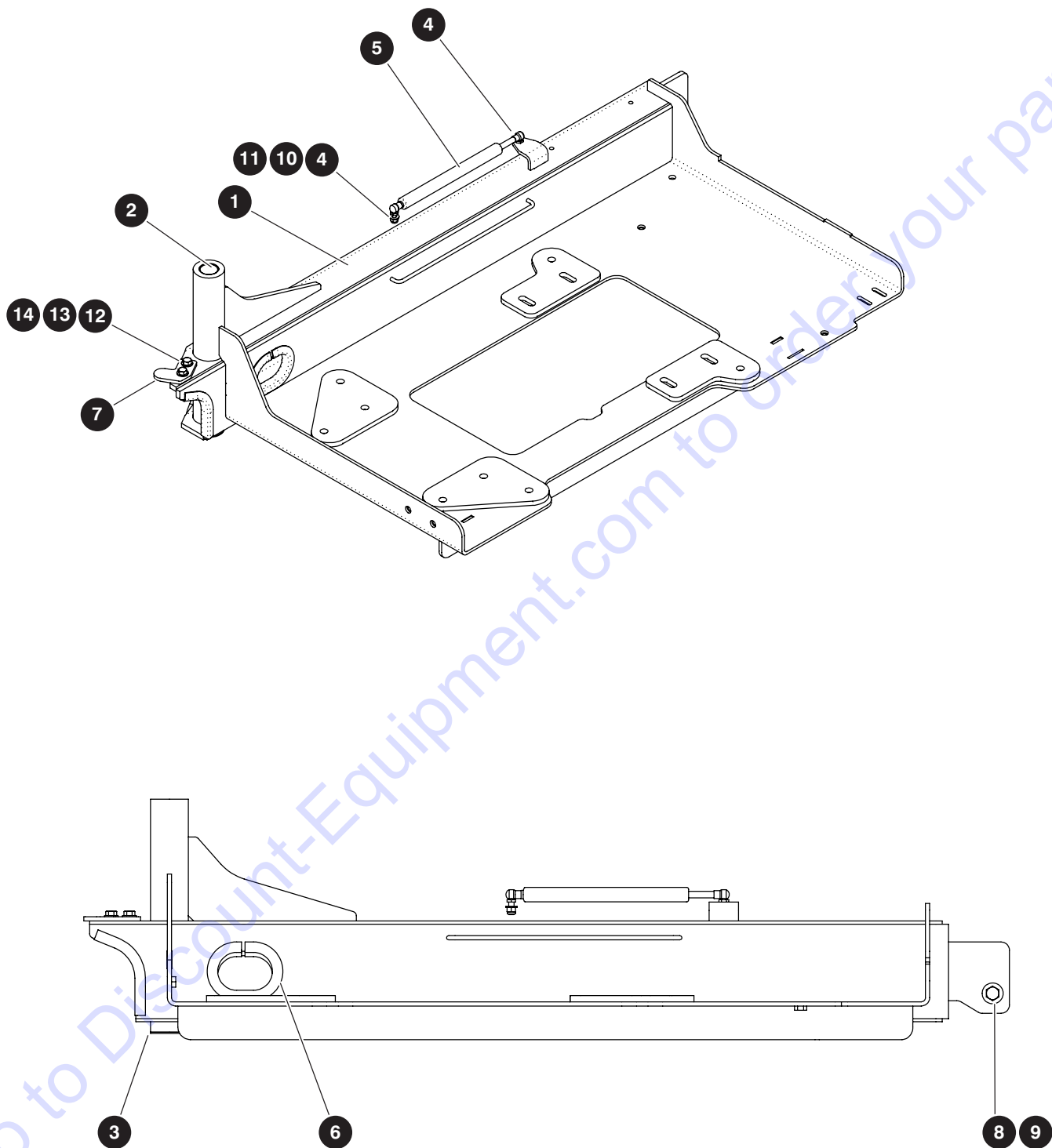
229032ABA

SJ61 T+, SJ66 T+

7.10 Radiator & Air Intake - Kubota WG2503

Index No.	Skyjack Part No.	Qty.	Description
-	168708	1	RADIATOR ASSEMBLY
1	168423	1	• RADIATOR, Kubota WG2503
2	169273	1	• GUARD, Fan
-	168424	1	• BRACKET KIT, Radiator
3	194635	1	• • HOSE, Lower
4	194636	1	• • HOSE, Upper
5	194637	2	• • ISOLATOR (46.4 mm x 51.21 mm, 0.50"-13))
6	194638	4	• • ISOLATOR (25 mm x 19 mm, M8-1.25)
7	147142	1	• RESERVOIR, Coolant
8	102984	35"	• LINE, Fuel (0.3125")
9	102984	12"	• LINE, Fuel (0.3125")
10	133222	2	• CLAMP, Hose (2.00")
11	104528	2	• CLAMP, Hose (1.75")
12	163521	3	• CLAMP, Hose (0.63")
13	149495	3	• CLAMP, Tube (0.50")
14	116218	11	• WASHER, Lock (M8)
15	133174	10	• BOLT, Hex head (M8-1.25 x 20 gr 8.8)
16	933655	3	• BOLT, Hex head (M8-1.25 x 25 gr 8.8)
17	103901	2	• BOLT, Hex head (0.50"-13 x 2.50" gr 5)
18	103856	1	• BOLT, Hex head (0.25"-20 x 0.75" gr 5)
19	104379	2	• WASHER, Flat (0.50" SAE hardened)
20	166164	5	• WASHER, Flat (0.312" USS)
21	103995	2	• WASHER, Flat (0.025")
22	103470	2	• WASHER, Lock (0.50" gr 5)
23	133232	4	• WASHER, Flat (M8)
24	933832	2	• WASHER, Flat (M8 - OD 16.0)
25	115649	1	• NUT, Hex head nylon lock (0.25"-20 gr 5)
26	149496	6	• NUT, Speed clip (0.25"-20 x 0.50")
27	933696	2	• NUT, Hex head nylon lock (M8-1.25)
-	171010	1	AIR INTAKE ASSEMBLY
28	171004	1	• BAFFLE, Kubota
29	163242	1	• CLEANER, Air - EP200
	165947	1	• • ELEMENT, Primary
	165948	1	• • ELEMENT, Secondary
30	169773	1	• BRACKET, Air cleaner
31	163247	1	• CONNECTOR, 90° service
32	168990	1	• TUBE, Side port
33	163508	1	• COUPLING, Flex (1.75"-2.50")
34	163250	1	• INDICATOR, Service
35	167809	1	• TUBE, Air intake
36	137625	41"	• TRIM, Rubber
37	103892	6	• BOLT, Hex head (0.25"-20 x 0.625" gr 5)
38	112532	2	• BOLT, Hex head (0.312"-18 x 1.25" gr 5)
39	103995	6	• WASHER, Flat (0.25")
40	166164	4	• WASHER, Flat (0.312" USS)
41	103984	2	• NUT, Hex head nylon lock (0.313"-18 gr 5)
42	121869	1	• CLAMP, Hose (2.50")

7.11 Engine Tray



M165666AA

229032ABA

198

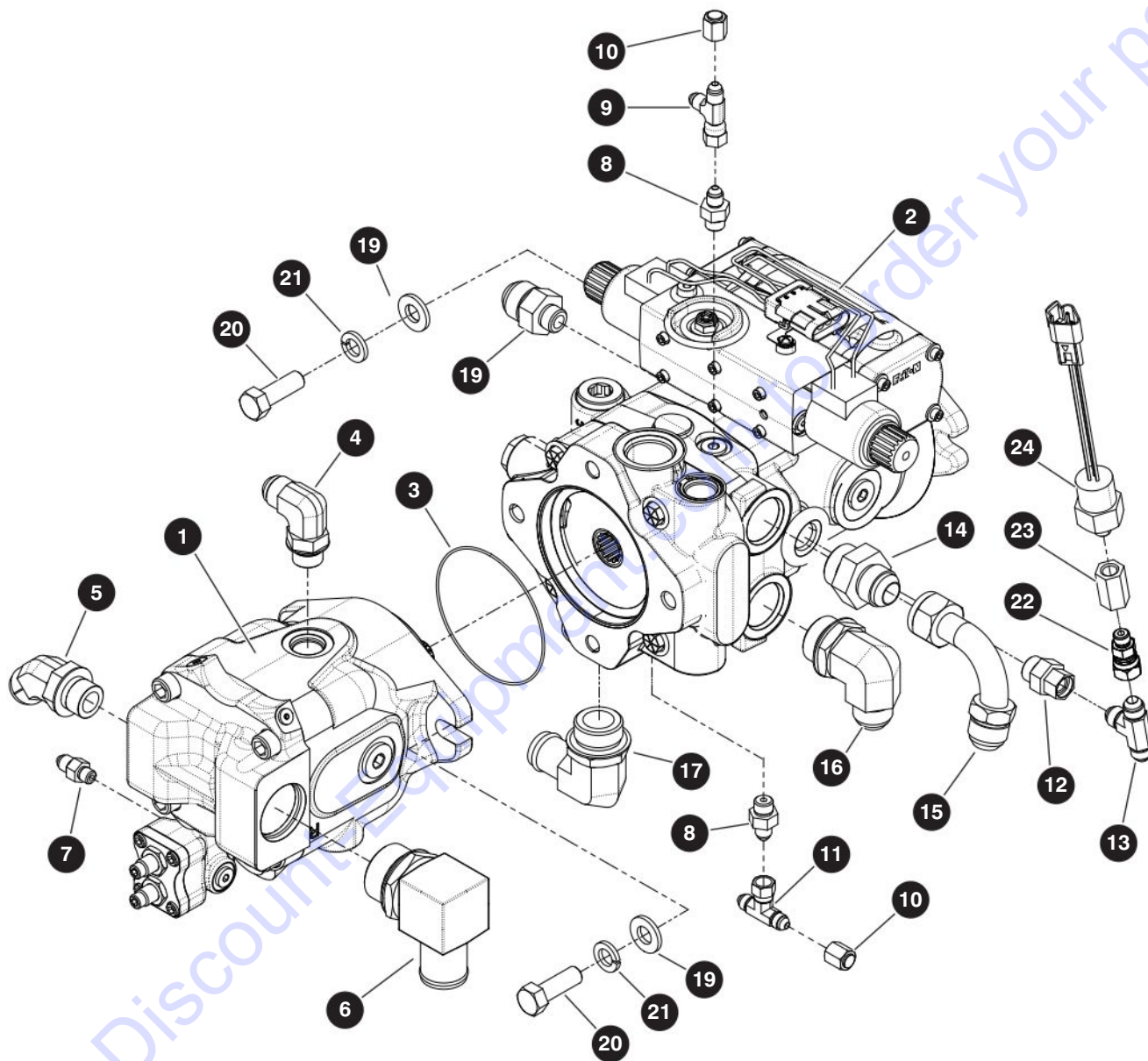
SJ61 T+, SJ66 T+

SKYJACK

7.11 Engine Tray

Index No.	Skyjack Part No.	Qty.	Description
-	165666	1	ENGINE TRAY ASSEMBLY
1	228378	1	• WELDMENT, Tray
2	100071	2	• BUSHING, Fiberglide
3	121703	1	• THRUST WASHER, Fiberglide
4	146903	2	• STUD, Ball (10mm)
5	146902	1	• GAS SPRING
6	119922	24.5"	• TRIM, Protective (1/4"-1/2", Bulk)
7	167256	1	• STOP, Engine tray
8	104379	1	• WASHER, Flat (1/2")
9	103911	1	• BOLT, Hex head (1/2"-13 x 1" Grade 5)
10	103996	2	• WASHER, Flat (5/16")
11	103984	2	• NUT, Hex lock (5/16"-18 Grade 5, nylon)
12	103472	4	• WASHER, Flat (3/8")
13	103870	2	• BOLT, Hex head (3/8"-16 x 1 1/2" Grade 5)
14	104606	2	• NUT, Hex lock (3/8"-16 Grade 5, nylon)

7.12 Drive & System Pump



M162661AB

229032ABA

200

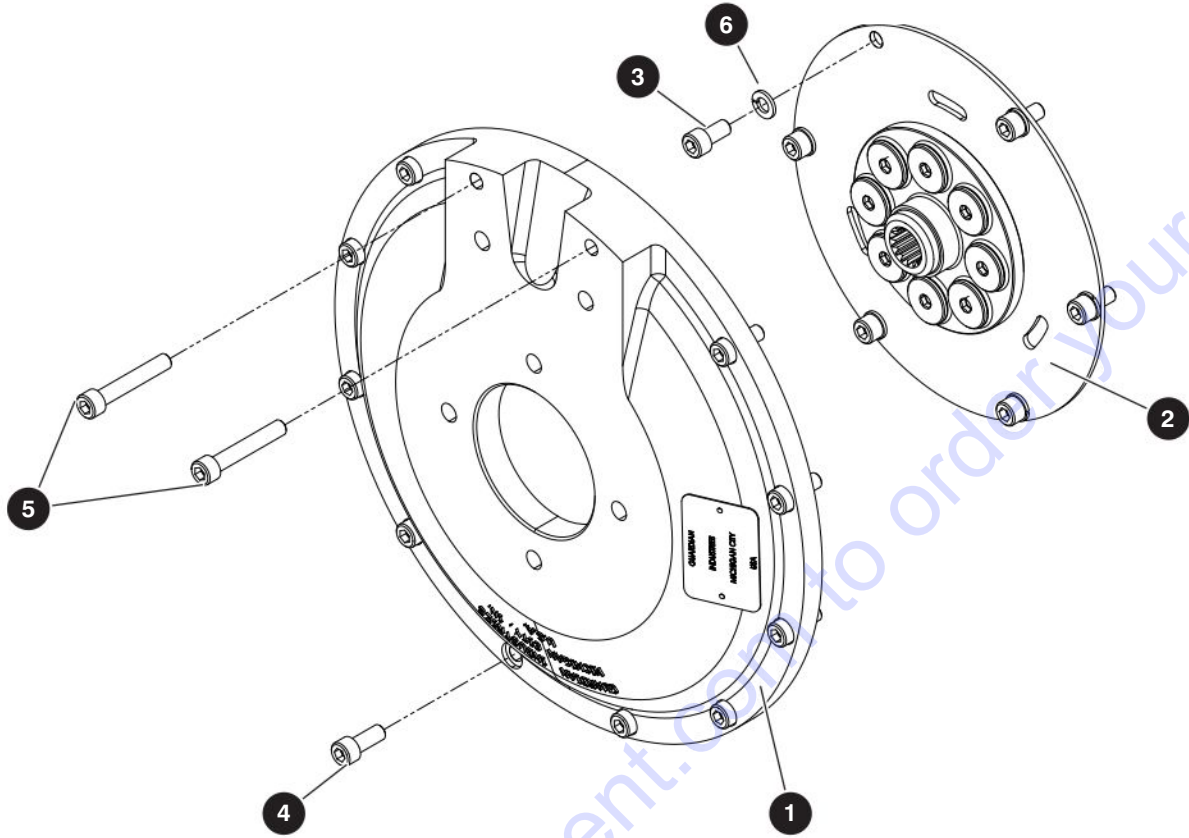
SJ61 T+, SJ66 T+

SKYJACK

7.12 Drive & System Pump

Index No.	Skyjack Part No.	Qty.	Description
-	228293	1	DRIVE AND SYSTEM PUMP ASSEMBLY
1	163595	1	• PUMP, System
2	169006	1	• PUMP, Drive
	170926	1	• • SHIM
	170952	1	• • O-RING
	170953	1	• • SPRING
	170954	1	• • PLUG
	170955	1	• • POPPET
	209333	1	• • CONTROL UNIT, Servo
3	159878	1	• O-RING, 2-045
4	135091	1	• FITTING, Elbow, 90° (10 JICM - 10 ORBM)
5	131707	1	• FITTING, Elbow, 45° (12 JICM - 12 ORBM)
6	162869	1	• FITTING, Elbow, 90° (20 BEAD - 20 ORBM)
7	126128	1	• FITTING, Straight (04 JICM - 04 ORBM)
8	701956	2	• FITTING, Straight (04 JICM - 06 ORBM)
9	707917	1	• FITTING, Tee (04 JICM - 04 JICM - 04 JICFS)
10	131286	2	• FITTING, Cap (04 JICF)
11	160792	1	• FITTING, Tee (04 JICFS - 04 JICFS - 04 JICM)
12	162043	1	• FITTING, Straight (08 ORBM - 06 JICFS)
13	131704	1	• FITTING, Tee (06 JICM)
14	702122	1	• FITTING, Straight (12 JICM - 16 ORBM)
15	139159	1	• FITTING, 90° (12JICM - 12JICF SW)
16	710124	1	• FITTING, Elbow, 90° (12 JICM - 16 ORBM)
17	138983	1	• FITTING, Elbow, 90° (16 BEAD - 16 ORBM)
18	702118	1	• FITTING, Straight (12 JICM - 12 ORBM)
19	104379	4	• WASHER, Flat hardened (1/2")
20	103907	4	• BOLT, Hex head (1/2"-13 x 1 1/2" Grade 5)
21	103470	4	• WASHER, Lock (1/2" Grade 5)
22	224060	1	• FITTING, Straight (04 ORBM-06 JICFS)
23	212239	1	• FITTING, Straight (04 ORBF-04 ORBF)
24	228294	1	• SWITCH, Pressure - 250 psi
K1	160637	1	SEAL KIT, Drive Pump
K2	160638	1	SEAL KIT, System Pump

7.13 Engine Coupling - Deutz



M168043AA

Index No.	Skyjack Part No.	Qty.	Description
-	168043	1	ENGINE COUPLING ASSEMBLY - Deutz
1	152332	1	• HOUSING
2	168034	1	• COUPLING, Flywheel
3	168042	6	• BOLT, Socket head cap screw (M10 x 1.50 x 20mm, Grade 8.8)
4	168053	10	• BOLT, Socket head cap screw (M10 x 1.50 x 25mm, Grade 8.8)
5	152335	2	• BOLT, Socket head cap screw (M10 x 1.50 x 60mm, Grade 8.8)
6	132497	6	• WASHER, Lock (M10)

PARTS FINDER

**Search Website
by Part Number**



**Search Manual
Library For Parts
Manual & Lookup Part
Numbers – Purchase
or Request Quote**

Search Manuals

Enter your information to help us find the right parts manual for your machine.

* Brand:

* Model:

* Serial:

* Part Number:

SEARCH

**Can't Find Part or
Manual? Request Help
by Manufacturer,
Model & Description**

Parts Order Form

Please fill in the following information to help us find the right part for your machine.

Manufacturer:	<input type="text"/>
Model:	<input type="text"/>
Description:	<input type="text"/>
Part Number:	<input type="text"/>
Quantity:	<input type="text"/>
Notes:	<input type="text"/>

Discount-Equipment.com is your online resource for quality parts & equipment.

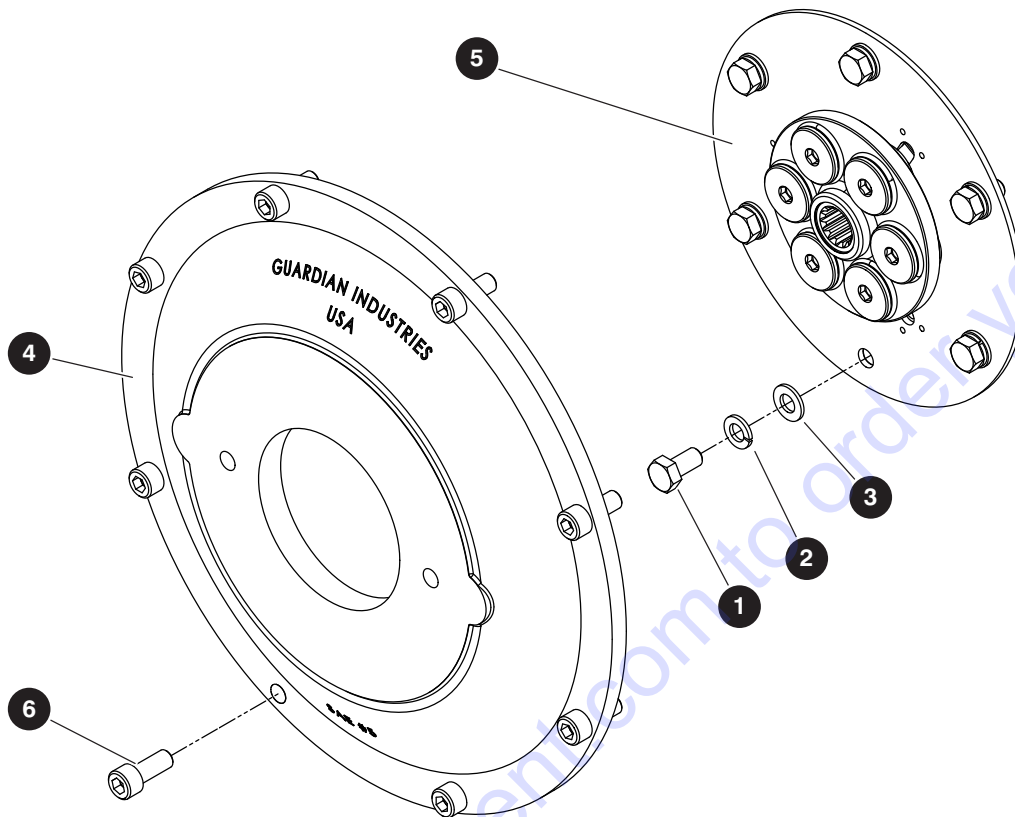
Florida: **561-964-4949** Outside Florida TOLL FREE: **877-690-3101**

Need parts?

Click on this link: <http://www.discount-equipment.com/category/5443-parts/> and choose one of the options to help get the right parts and equipment you are looking for. Please have the machine model and serial number available in order to help us get you the correct parts. If you don't find the part on the website or on one of the online manuals, please fill out the request form and one of our experienced staff members will get back to you with a quote for the right part that your machine needs.

We sell worldwide for the brands: Genie, Terex, JLG, MultiQuip, Mikasa, Essick, Whiteman, Mayco, Toro Stone, Diamond Products, Generac Magnum, Airman, Haulotte, Barreto, Power Blanket, Nifty Lift, Atlas Copco, Chicago Pneumatic, Allmand, Miller Curber, Skyjack, Lull, Skytrak, Tsurumi, Husquvarna Target, Stow, Wacker, Sakai, Mi-T-M, Sullair, Basic, Dynapac, MBW, Weber, Bartell, Bennar Newman, Haulotte, Ditch Runner, Menegotti, Morrison, Contec, Buddy, Crown, Edco, Wyco, Bomag, Laymor, EZ Trench, Bil-Jax, F.S. Curtis, Gehl Pavers, Heli, Honda, ICS/PowerGrit, IHI, Partner, Imer, Clipper, MMD, Koshin, Rice, CH&E, General Equipment, Amida, Coleman, NAC, Gradall, Square Shooter, Kent, Stanley, Tamco, Toku, Hatz, Kohler, Robin, Wisconsin, Northrock, Oztec, Toker TK, Rol-Air, APT, Wylie, Ingersoll Rand / Doosan, Innovatech, Con X, Ammann, Mecalac, Makinex, Smith Surface Prep, Small Line, Wanco, Yanmar

7.14 Engine Coupling - Kubota WG2503



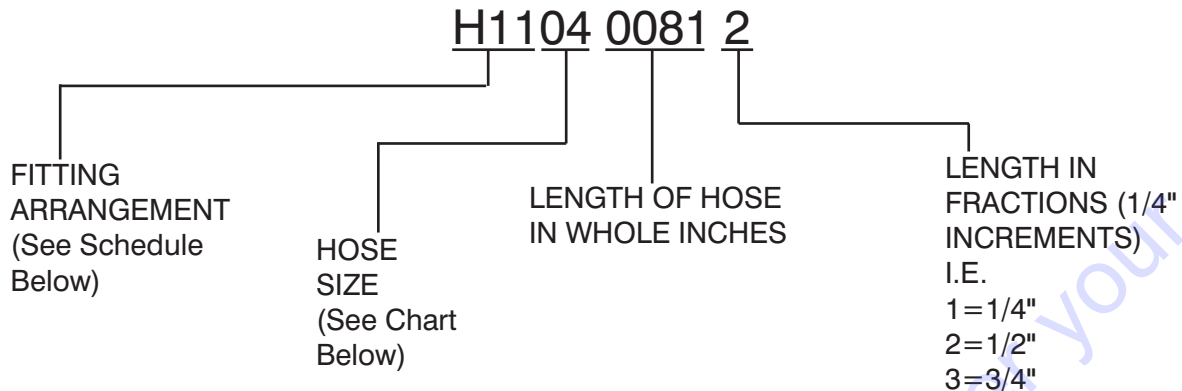
M168043AA

Index No.	Skyjack Part No.	Qty.	Description
-	170745	1	BELL HOUSING ASSEMBLY - Kubota WG2503
1	103848	6	• BOLT, Hex head (M10 x 1.25 x 20mm, Grade 8.8)
2	132497	6	• WASHER, Lock (M10)
3	600315	6	• WASHER, Flat (M10)
-	168628	1	• HOUSING ASSEMBLY
4	194719	1	• • HOUSING, Bell
5	194720	1	• • COUPLING, Spline
6	168053	8	• BOLT, Socket head cap screw (M10 x 1.50 x 25mm, Grade 8.8)

Section 8 – Hose Connections

- 8.1 *Standard Hose Numbering System*
- 8.2 *Hydraulic Hoses – Cylinders*
- 8.3 *Hydraulic Hoses – Control Compartment*
- 8.4 *Hydraulic Hoses – Pumps & Swing Drive*
- 8.5 *Hydraulic Hoses – Base and Axles*
- 8.6 *Fuel Line Hoses – Deutz TD2.9L & TCD2.2 Engines*
- 8.7 *Fuel Line Hoses – Deutz D2011 Engine*
- 8.8 *Fuel Line Hoses – Kubota WG2503 Engine*
- 8.9 *Turret Grease Hose*

8.1 Standard Hose Numbering System



Using the number above as an example (H1104 0081 2). This hose requires a 37° JIC, female swivel fitting on one end. A medium length 90° JIC, female swivel fitting for the other end. The Hose must meet or exceed S.A.E. 100R13 hose specification, and be a total of 81-1/2" long.



NOTE

Hose ends and hose must be from same manufacturer per S.A.E. J1273 Nov. '91, Sections 3.10 and 4.2. Hose ends and hose must be of the same size i.e. #4 size fittings must be used with #4 size hose.

Hole Size Chart

Size	03	04	06	08	10	12	16	20	24	32	40	48	56	64
ID	3/16"	1/4"	3/8"	1/2"	5/8"	3/4"	1"	1-1/4"	1-1/2"	2"	2-1/2"	3"	3-1/2"	4"

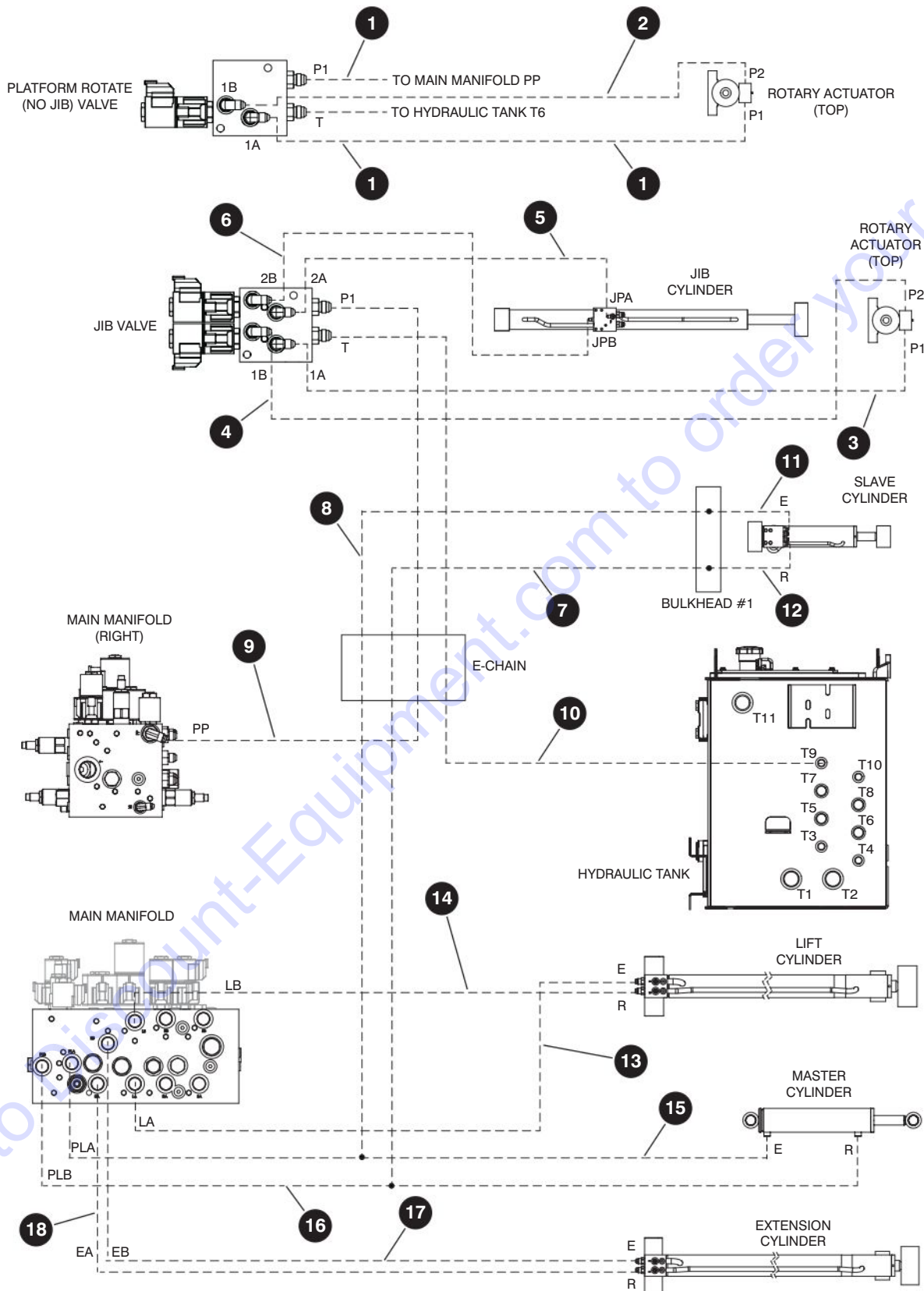
Fitting Arrangement Schedule

Hose Prefix	Hose End Fitting	Hose End Fitting	S.A.E. Hose Specification
H01	FEMALE, 37° JIC, SWIVEL	FEMALE, 37° JIC, SWIVEL	100R17
H02	FEMALE, 37° JIC, SWIVEL	FEMALE, 37° JIC, SWIVEL	100R13
H03	FEMALE, 37° JIC, SWIVEL	45°, FEMALE, 37° JIC, SWIVEL	100R17
H04	FEMALE, 37° JIC, SWIVEL	45°, FEMALE, 37° JIC, SWIVEL	100R13
H05	FEMALE, 37° JIC, SWIVEL	LONG 90°, FEMALE, 37° JIC, SWIVEL	100R17
H06	FEMALE, 37° JIC, SWIVEL	SHORT 90°, FEMALE, 37° JIC, SWIVEL	100R17
H07	LONG 90°, FEMALE, 37° JIC, SWIVEL	LONG 90°, FEMALE, 37° JIC, SWIVEL	100R17
H08	FEMALE, 37° JIC, SWIVEL	FEMALE, 37° JIC, SWIVEL	100R4
H09	FEMALE, 37° JIC, SWIVEL	45°, FEMALE, 37° JIC, SWIVEL	100R4
H10	FEMALE, 37° JIC, SWIVEL	MALE PIPE THREAD FITTING	100R17
H11	FEMALE, 37° JIC, SWIVEL	MEDIUM 90°, FEMALE, 37° JIC, SWIVEL	100R13
H12	SHORT 90°, FEMALE, 37° JIC, SWIVEL	SHORT 90°, FEMALE, 37° JIC, SWIVEL	100R17
H13	FEMALE, 37° JIC, SWIVEL	REUSABLE MALE PIPE THREAD FITTING	300 PSI
H14	REUSABLE MALE PIPE THREAD FITTING	NO FITTING	300 PSI
H15	REUSABLE FEMALE, 37° JIC, SWIVEL	REUSABLE FEMALE, 37° JIC, SWIVEL	300 PSI

8.1 Standard Hose Numbering System

Hose Prefix	Hose End Fitting	Hose End Fitting	S.A.E. Hose Specification
H16	NO FITTING	NO FITTING	100R4
H17	NO FITTING	NO FITTING	300 PSI
H18	REUSABLE, FEMALE, 37° JIC, SWIVEL	NO FITTING	300 PSI
H19	LONG 90°, FEMALE, 37° JIC, SWIVEL	FEMALE, 37° JIC, SWIVEL	100R13
H20	FEMALE, SHORT 37° JIC, SWIVEL	SHORT 90°, FEMALE, 37° JIC, SWIVEL	100R4
H21	FEMALE, SHORT 37° JIC, SWIVEL	SHORT 90°, FEMALE, 37° JIC, SWIVEL	100R2AT
H22	FEMALE, 37° JIC, SWIVEL	FEMALE, 37° JIC, SWIVEL	100R2AT
H23	FEMALE, LONG 37° JIC, SWIVEL	LONG 90°, FEMALE, 37° JIC, SWIVEL	100R2AT
H24	FEMALE, SHORT 37° JIC, SWIVEL	SHORT 90°, FEMALE, 37° JIC, SWIVEL	100R13
H25	FEMALE, 37° JIC, SWIVEL	FEMALE, 37° JIC, SWIVEL	100R4
H26	SHORT 90°, FEMALE, 37° JIC, SWIVEL	FEMALE, 37° JIC, SWIVEL	100R17
H27	LONG 90°, FEMALE, 37° JIC, SWIVEL	FEMALE, 37° JIC, SWIVEL	100R17
H28	FEMALE, 37° JIC, SWIVEL	FEMALE, 37° JIC, SWIVEL	100R17
H29	SHORT 45°, FEMALE, 37° JIC, SWIVEL	FEMALE, 37° JIC, SWIVEL	100R17
H30	MEDIUM 90°, FEMALE, 37° JIC, SWIVEL	FEMALE, 37° JIC, SWIVEL	100R17
H31	FEMALE, 37° JIC, SWIVEL	FEMALE, 37° JIC, SWIVEL	100R17
H32	SHORT 45°, FEMALE, 37° JIC, SWIVEL	FEMALE, 37° JIC, SWIVEL	100R17
H33	MEDIUM 45°, FEMALE, 37° JIC, SWIVEL	FEMALE, 37° JIC, SWIVEL	100R17
H34	SHORT 90°, FEMALE, 37° JIC, SWIVEL	FEMALE, 37° JIC, SWIVEL	100R17
H35	MEDIUM 90°, FEMALE, 37° JIC, SWIVEL	FEMALE, 37° JIC, SWIVEL	100R17
H36	LONG 90°, FEMALE, 37° JIC, SWIVEL	FEMALE, 37° JIC, SWIVEL	100R17
H37	SHORT 45°, FEMALE, 37° JIC, SWIVEL	FEMALE, 37° JIC, SWIVEL	100R4
H38	SHORT 90°, FEMALE, 37° JIC, SWIVEL	FEMALE, 37° JIC, SWIVEL	100R4
H39	LONG 90°, FEMALE, 37° JIC, SWIVEL	FEMALE, 37° JIC, SWIVEL	100R4
H40	SHORT 90°, FEMALE, 37° JIC, SWIVEL	FEMALE, 37° JIC, SWIVEL	100R16
H43	FEMALE, 37° JIC, SWIVEL	FEMALE, 37° JIC, SWIVEL	100R16
H51	FEMALE, 37° JIC, SWIVEL	FEMALE, 37° JIC, SWIVEL	100R17
H52	SHORT 45°, FEMALE, 37° JIC, SWIVEL	FEMALE, 37° JIC, SWIVEL	100R17
H53	MEDIUM 45°, FEMALE, 37° JIC, SWIVEL	FEMALE, 37° JIC, SWIVEL	100R17
H54	SHORT 90°, FEMALE, 37° JIC, SWIVEL	FEMALE, 37° JIC, SWIVEL	100R17
H55	MEDIUM 90°, FEMALE, 37° JIC, SWIVEL	FEMALE, 37° JIC, SWIVEL	100R17
H56	LONG 90°, FEMALE, 37° JIC, SWIVEL	FEMALE, 37° JIC, SWIVEL	100R17

8.2 Hydraulic Hoses – Cylinders



M168062AB_HHC_Cylinders

229032ABA

208

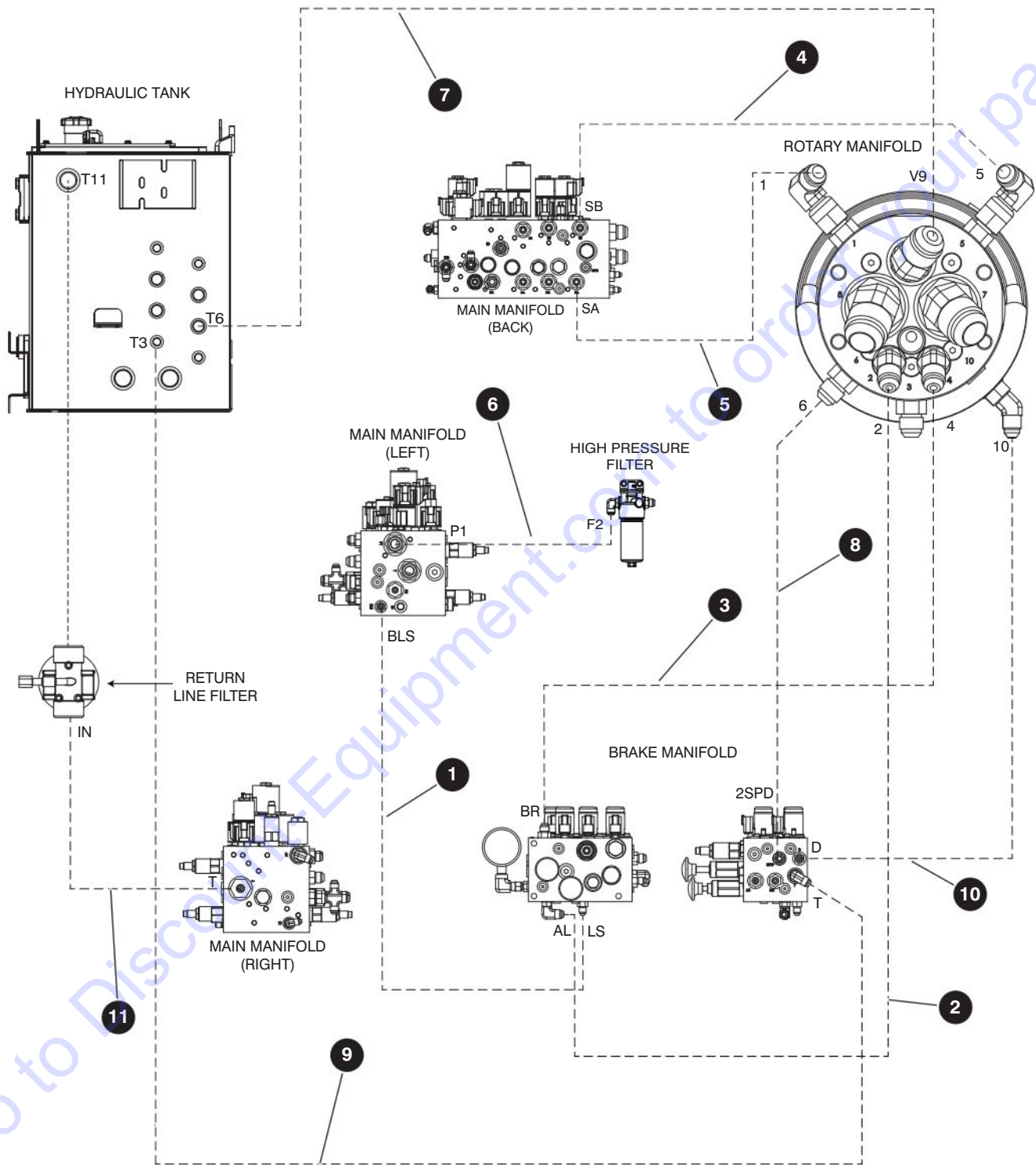
SJ61 T+, SJ66 T+

SKYJACK

8.2 Hydraulic Hoses – Cylinders

Index No.	Hose P/N	From		To		
		Description	Port	Port	Description	
-	218734	NO JIB HOSE KIT - SJ61 T+				
1	H0304 0039 0	Rotary Actuator	1A	P1	Platform Rotate Manifold	
2	H0304 0028 0	Rotary Actuator	1B	P2	Platform Rotate Manifold	
-	218731	JIB HOSE KIT - SJ66 T+				
3	H3404 0112 0	Rotary Actuator	P1	1A	Jib/Platform Rotate Manifold	
4	H3404 0102 0	Rotary Actuator	P2	1B	Jib/Platform Rotate Manifold	
5	H3104 0090 0	Jib Cylinder	JPA	2A	Jib/Platform Rotate Manifold	
6	H3104 0090 0	Jib Cylinder	JPB	2B	Jib/Platform Rotate Manifold	
-	164714	BOOM HOSE KIT				
7	H3106 0808 0	Slave Cylinder	R	PLA	Main Manifold	
8	H3106 0808 0	Slave Cylinder	E	PLB	Main Manifold	
9	H3106 0808 0	Jib/Platform Rotate Manifold	P1	PP	Main Manifold	
10	H3106 0828 0	Jib/Platform Rotate Manifold	T	T9	Hydraulic Tank	
-	-	SLAVE CYLINDER				
11	H0306 0025 0	Bulkhead (Fly Boom)	-	E	Slave Cylinder	
12	H0306 0025 0	Bulkhead (Fly Boom)	-	R	Slave Cylinder	
-	166084	TURRET HOSE KIT				
13	H3406 0049 0	Main Manifold	LA	E	Lift Cylinder	
14	H3406 0049 0	Main Manifold	LB	R	Lift Cylinder	
15	H3406 0064 0	Main Manifold	PLA	E	Master Cylinder	
16	H3406 0111 0	Main Manifold	PLB	R	Master Cylinder	
17	H3108 0165 0	Main Manifold	EB	E	Extend Cylinder	
18	H3108 0165 0	Main Manifold	EA	R	Extend Cylinder	
Index No.	Skyjack Part No.	Qty.	Description			
19	131732	1	SLEEVE, Protection (HG-46) (not shown)			

8.3 Hydraulic Hoses – Control Compartment



M166084AE

229032ABA

210

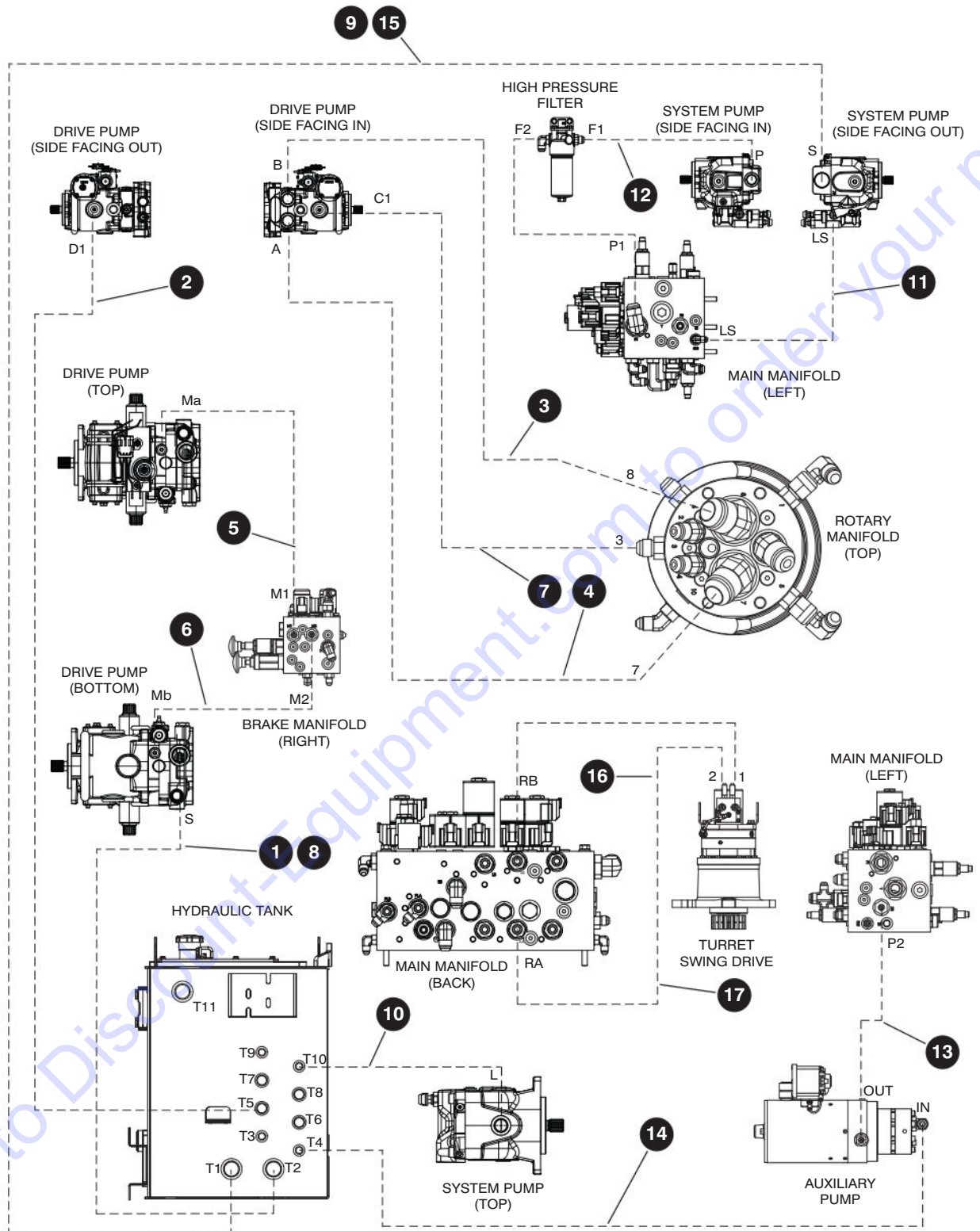
SJ61 T+, SJ66 T+

SKYJACK

8.3 Hydraulic Hoses – Control Compartment

Index No.	Hose P/N	From		To		
		Description	Port	Port	Description	
-	166084	TURRET HOSE KIT (kit also includes hoses from 8.2 and 8.4)				
1	H5404 0008 2	Main Manifold	BLS	LS	Brake Manifold	
2	H5106 0057 0	Main Manifold	AL	2	Rotary Manifold	
3	H5406 0026 0	Main Manifold	BR	4	Rotary Manifold	
4	H5206 0052 0	Main Manifold	SB	5	Rotary Manifold	
5	H5206 0052 0	Main Manifold	SA	1	Rotary Manifold	
6	H5412 0022 0	Main Manifold	P1	F2	Pressure Filter	
7	H3610 0056 0	Hydraulic Tank	T6	V9	Rotary Manifold	
8	H5406 0053 0	Brake Manifold	2SPD	6	Rotary Manifold	
9	H5416 0015 0	Brake Manifold	T	T3	Hydraulic Tank	
10	H5404 0054 0	Brake Manifold	D	10	Rotary Manifold	
-	166341	NO GENERATOR/OIL COOLER HOSE KIT				
11	H5612 0019 0	Main Manifold	T	IN	Return Filter	

8.4 Hydraulic Hoses – Pumps & Swing Drive



M168062AA_HHC_EC

229032ABA

212

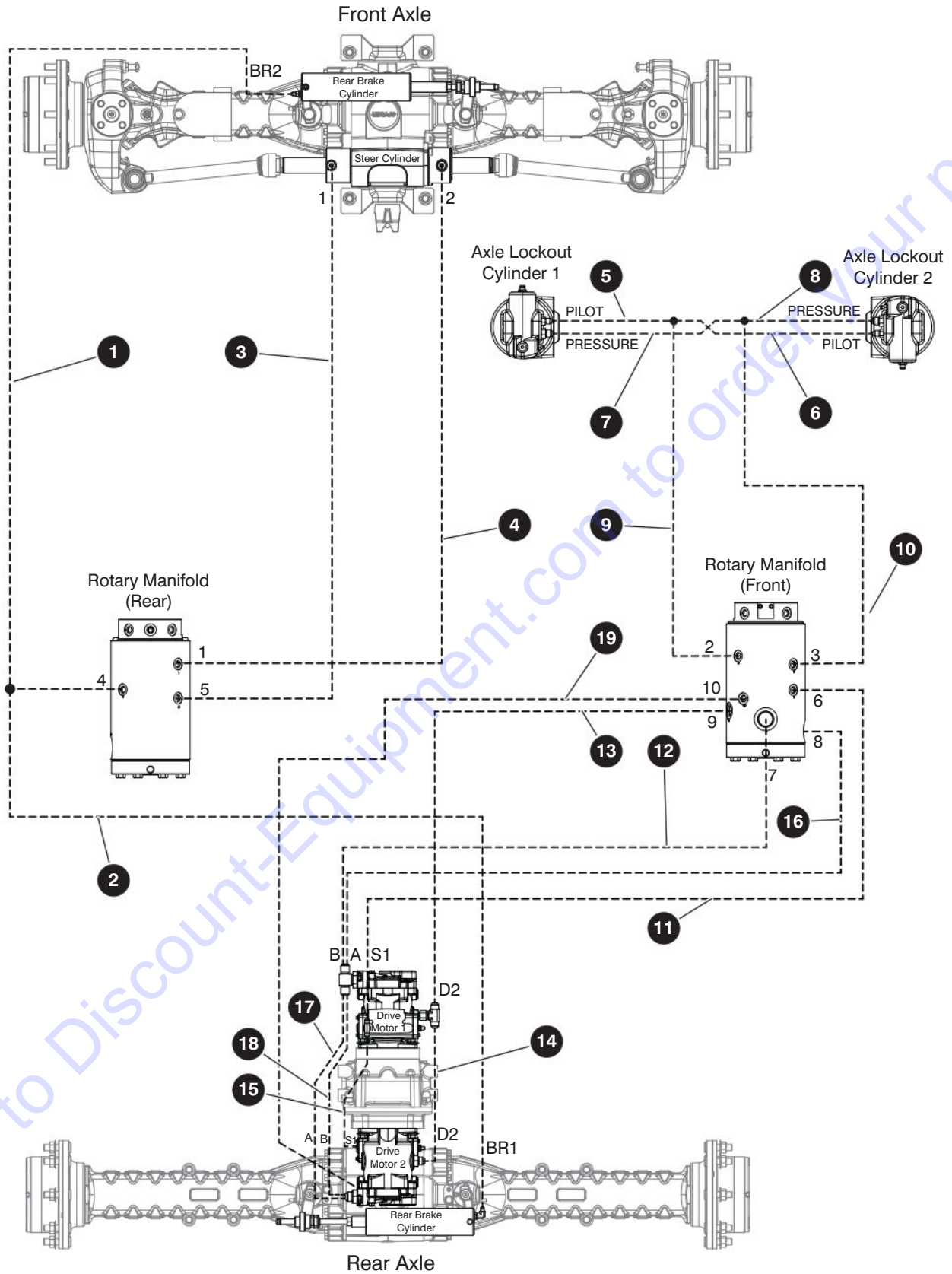
SJ61 T+, SJ66 T+

SKYJACK

8.4 Hydraulic Hoses – Pumps & Swing Drive

Index No.	Hose P/N	From		To		
		Description	Port	Port	Description	
-	164658	DRIVE PUMP HOSE KIT				
1	H1616 0053 0	Drive Pump (Suction)	S	T2	Hydraulic Tank	
2	H3412 0063 0	Drive Pump	D1	T5	Hydraulic Tank	
3	H1912 0051 0	Drive Pump	B	8	Rotary Manifold	
4	H1112 0056 0	Drive Pump	A	7	Rotary Manifold	
5	H4004 0061 0	Drive Pump	Ma	M1	Brake Manifold	
6	H4004 0054 0	Drive Pump	Mb	M2	Brake Manifold	
7	H3106 0063 0	Drive Pump	C1	3	Rotary Manifold	
8	139177	Hose Clamp (33-37)				
-	164659	SYSTEM PUMP HOSE KIT				
9	H1620 0073 0	System Pump (Suction)	S	T1	Hydraulic Tank	
10	H3210 0062 0	System Pump (Case Drain)	L	T10	Hydraulic Tank	
11	H0104 0048 0	Sytem Pump	LS	LS	Main Manifold	
12	H3412 0060 0	System Pump	P	F1	Pressure Filter	
13	H5404 0020 0	Auxiliary Pump	OUT	P2	Main Manifold	
14	H5108 0031 0	Auxiliary Pump	IN	T4	Hydraulic Tank	
15	139178	Hose Clamp (40-43)				
-	166084	TURRET HOSE KIT (kit also includes hoses from 8.2 and 8.3)				
16	H3406 0064 0	Main Manifold	RB	1	Swing Drive	
17	H3406 0064 0	Main Manifold	RA	2	Swing Drive	

8.5 Hydraulic Hoses – Base and Axles



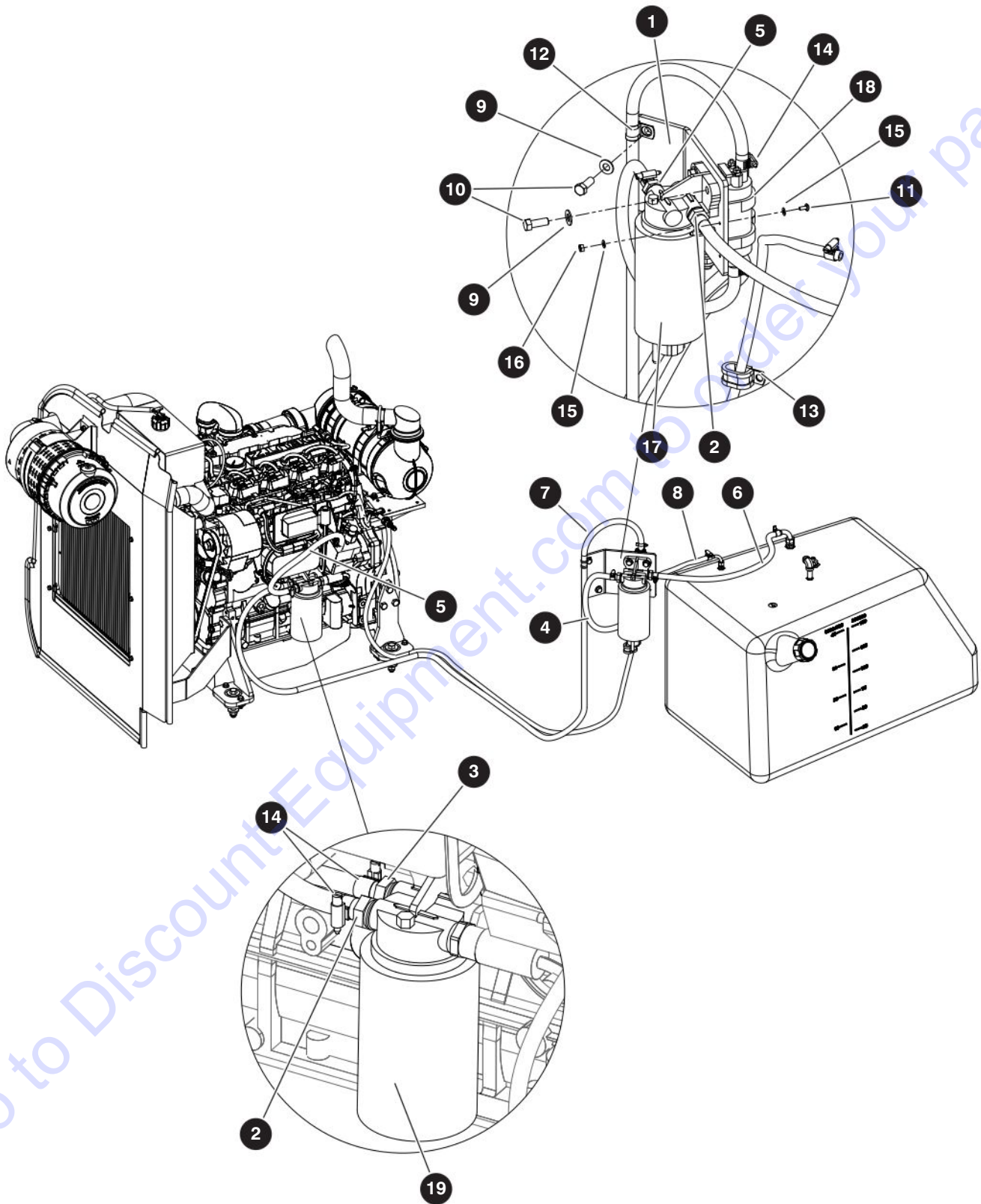
M164574AD

229032ABA

8.5 Hydraulic Hoses – Base and Axles

Index No.	Hose P/N	From		To	
		Description	Port	Port	Description
-	164574	CHASSIS HOSE KIT			
1	H5404 0057 0	Front Brake Cylinder	BR2	4	Rotary Manifold
2	H5204 0058 0	Rear Brake Cylinder	BR1	4	Rotary Manifold
3	H5404 0046 0	Steer Cylinder	1	5	Rotary Manifold
4	H5404 0046 0	Steer Cylinder	2	1	Rotary Manifold
5	H5104 0018 0	Axle Lock Cylinder 1 Pilot	-	-	Axle Lock Pilot Tee
6	H5104 0018 0	Axle Lock Cylinder 2 Pilot	-	-	Axle Lock Pilot Tee
7	H5106 0018 0	Axle Lock Cylinder 1 Pressure	-	-	Axle Lock Pressure Tee
8	H5106 0018 0	Axle Lock Cylinder 2 Pressure	-	-	Axle Lock Pressure Tee
9	H5104 0056 0	Axle Lock Pilot Tee	-	2	Rotary Manifold
10	H5104 0056 0	Axle Lock Pressure Tee	-	3	Rotary Manifold
11	H5206 0027 0	Rotary Manifold	6	S1	Drive Motor 1
12	H0212 0023 0	Rotary Manifold	7	B	Drive Motor 1
13	H5110 0028 0	Rotary Manifold	9	D2	Drive Motor 1
14	H5410 0017 0	Drive Motor 1	D2	D2	Drive Motor 2
15	H5406 0021 0	Drive Motor 1	S1	S1	Drive Motor 2
16	H0412 0025 0	Rotary Manifold	8	A	Drive Motor 1
17	H1112 0024 2	Drive Motor 1	B	A	Drive Motor 2
18	H1112 0024 2	Drive Motor 1	A	B	Drive Motor 2
19	H5404 0052 0	Rotary Manifold	10	-	Rear Axle Differential Lock

8.6 Fuel Line Hoses – Deutz TD2.9L & TCD2.2 Engines



M166109AC

229032ABA

216

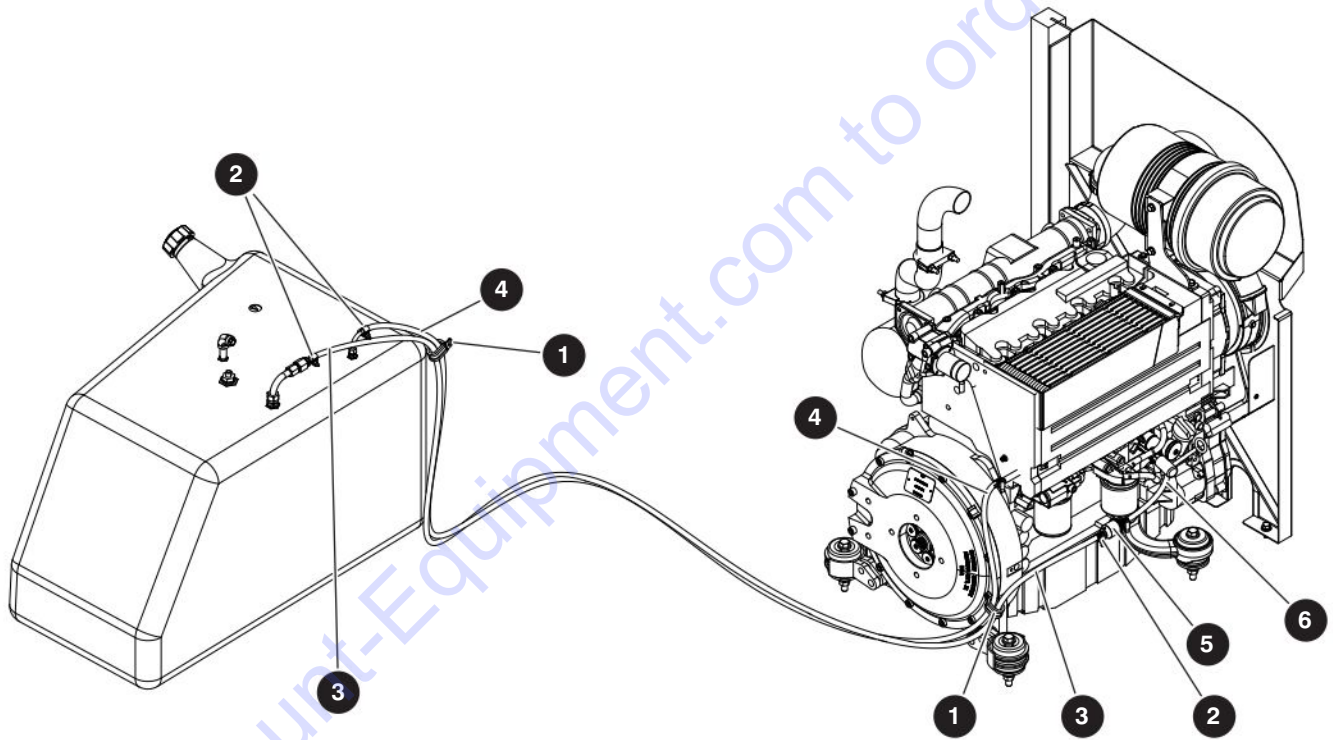
SJ61 T+, SJ66 T+

SKYJACK

8.6 Fuel Line Hoses – Deutz TD2.9L & TCD2.2 Engines

Index No.	Skyjack Part No.	Qty.	Description
-	166109	1	FUEL LINE HOSES - Deutz TD2.9L & TCD2.2
1	166108	1	• BRACKET, Fuel assembly
2	163222	3	• FITTING, Fuel hose
3	164977	1	• FITTING, Fuel hose (3/8")
4	163509	20"	• HOSE, Fuel line (1/2" ID)
5	163509	21"	• HOSE, Fuel line (1/2" ID)
6	163509	22"	• HOSE, Fuel line (1/2" ID)
7	166737	105"	• HOSE, Fuel line rubber (3/8" ID)
8	102984	87"	• HOSE, Fuel line (5/16" ID)
9	103472	4	• WASHER, Flat (3/8")
10	103473	4	• BOLT, Hex head (3/8" - 6 x 1" Grade 5)
11	104698	4	• SCREW, Round head machine (#10-32 x 0.75")
12	144129	1	• CLIP, Single S332G10
13	103078	1	• CLIP, Double S344G10
14	163521	10	• CLAMP, Gear hose (5/8")
15	104694	8	• WASHER, Flat (#10)
16	300450	4	• NUT, Hex head mylon lock (#10-32 Grade 5)
17	164772	1	PREFILTER, Fuel (supplied with engine) - Deutz TD2.9L
	224323	1	PREFILTER, Fuel (supplied with engine) - Deutz TCD2.2
18	164770	1	PUMP, Fuel (supplied with engine) - Deutz TD2.9L
	224314	1	PUMP, Fuel (supplied with engine) - Deutz TCD2.2
19	164771	1	FILTER, Fuel (supplied with engine) - Deutz TD2.9L
	224320	1	FILTER, Fuel (supplied with engine) - Deutz TCD2.2

8.7 Fuel Line Hoses – Deutz D2011 Engine



M146703AD

229032ABA

218

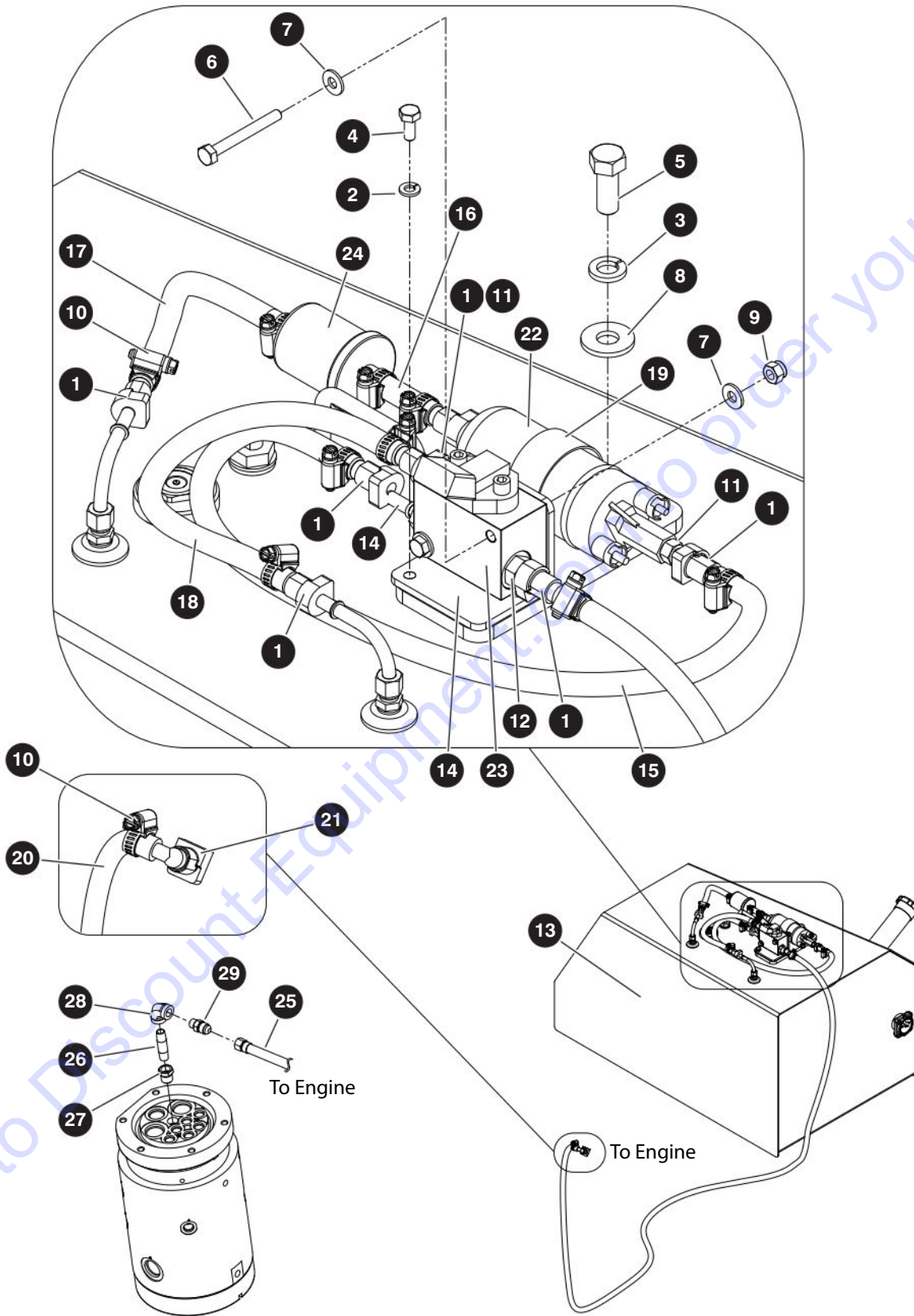
SJ61 T+, SJ66 T+

SKYJACK

8.7 Fuel Line Hoses – Deutz D2011 Engine

Index No.	Skyjack Part No.	Qty.	Description
-	146703	1	FUEL LINE ASSEMBLY, Deutz D2011 Diesel Engine
1	103078	2	<ul style="list-style-type: none"> • CLAMP, Double lock cushioned (G10)
2	103321	6	<ul style="list-style-type: none"> • CLAMP, Gear (SAE #4, 1/4"-13/16")
3	102984	120"	<ul style="list-style-type: none"> • HOSE, Fuel line (5/16" ID)
4	102984	110"	<ul style="list-style-type: none"> • HOSE, Fuel line (5/16" ID)
5	139254	1	<ul style="list-style-type: none"> • FILTER, In-line fuel
6	102984	9"	<ul style="list-style-type: none"> • HOSE, Fuel line (5/16" ID)

8.8 Fuel Line Hoses – Kubota WG2503 Engine



M171172AA_M171196AA

229032ABA

220

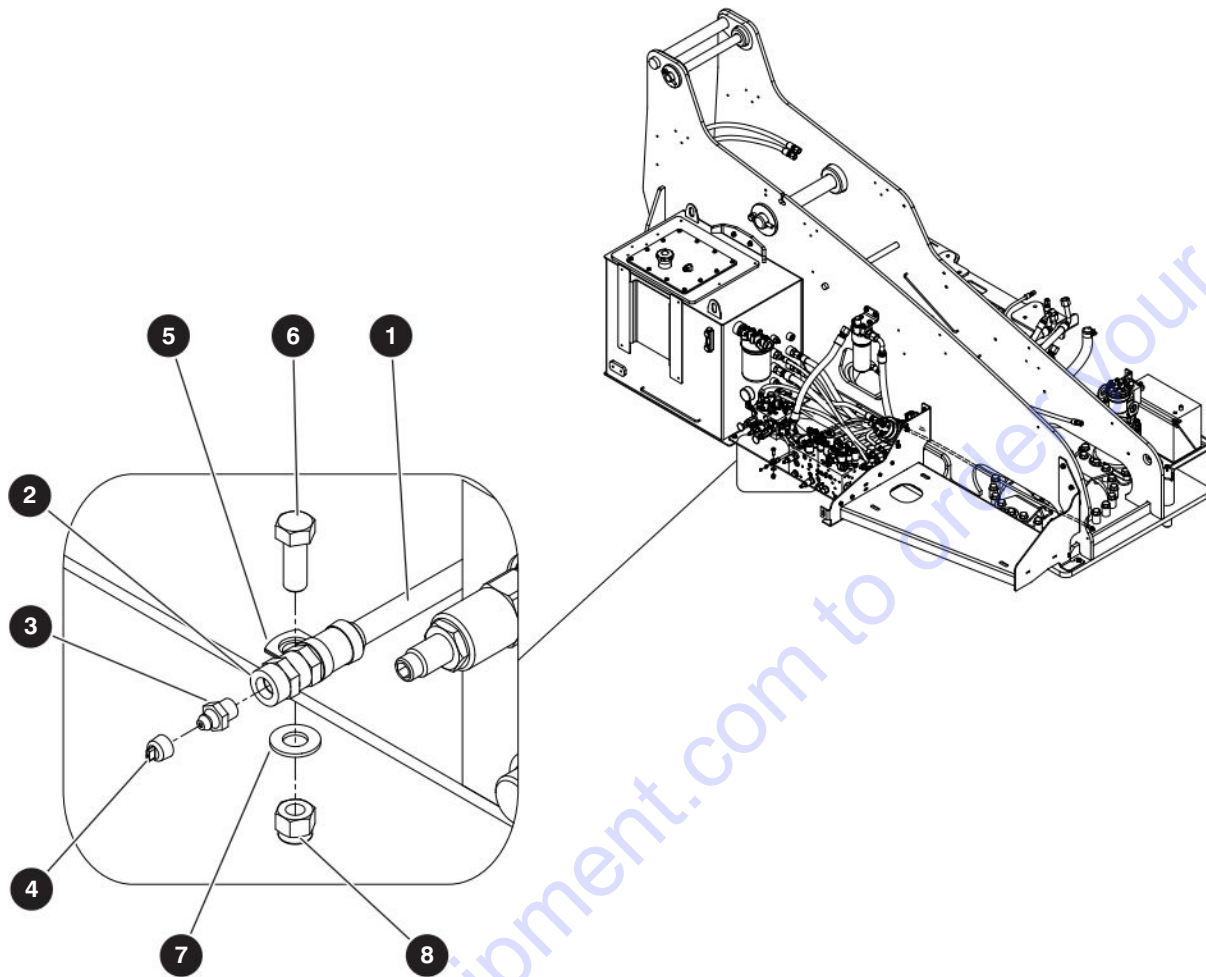
SJ61 T+, SJ66 T+

SKYJACK

8.8 Fuel Line Hoses – Kubota WG2503 Engine

Index No.	Skyjack Part No.	Qty.	Description
-	171172	1	FUEL TANK ASSEMBLY - Kubota WG2503
1	142397	7	• QUICK CONNECT, Straight
2	104000	2	• WASHER, Lock (0.25")
3	103470	1	• WASHER, Lock (0.50")
4	103892	2	• BOLT, Hex head (0.25"-20 x 0.625" gr 5)
5	103909	4	• BOLT, Hex head (0.50"-13 x 1.25" gr 5)
6	103862	4	• BOLT, Hex head (0.25"-20 x 2.25" gr 5)
7	103995	4	• WASHER, Flat (0.25")
8	104379	1	• WASHER, Flat (0.50" hard)
9	115649	2	• NUT, Hex head nylon lock (0.25"-20 gr 5)
10	103321	10	• CLAMP, Gear
11	170571	2	• QUICK CONNECT (SAE #3)
12	170572	2	• QUICK CONNECT (SAE #6)
13	(Ref.)	1	• TANK, Gasoline - steel (For components, refer to 4.13 Fuel Tank - Gasoline)
14	166755	1	• BRACKET, Fuel manifold
15	142405	24"	• FUEL LINE, 5/16"
16	142405	2.25"	• FUEL LINE, 5/16"
17	142405	8"	• FUEL LINE, 5/16"
18	142405	14"	• FUEL LINE, 5/16"
19	171177	1	• CLAMP, Loop
20	142405	120"	• FUEL LINE, 5/16"
21	142398	1	• QUICK CONNECT, 90 elbow°
22	164881	1	PUMP, Fuel
23	164883	1	MANIFOLD, Fuel pressure
24	136118	1	FILTER, Fuel
-	171196	1	PROPANE LINE ASSEMBLY
25	144327	1	• HOSE, Propane
26	143478	1	• FITTING, Nipple (04NPTM- x 2.00" lg)
27	100385	1	• FITTING, Straight (04NPTF-06NPTM)
28	144325	1	• FITTING, 90° elbow (04NPTF-04NPTF)
29	103156	1	• FITTING, Straight (06JICM-04NPTM)

8.9 Turret Grease Hose



M164655AB

Index No.	Skyjack Part No.	Qty.	Description
-	164655	1	TURRET GREASE LINE ASSEMBLY
1	164656	1	HOSE, Grease line (108")
2	139095	1	FITTING, Straight (1/8 NPTF - 1/8 NPTF)
3	102027	1	FITTING, Straight grease (1/8 NPT)
4	132565	1	CAP, Grease (GC5)
5	144129	1	CLIP, Single
6	103473	1	BOLT, Hex head (0.375"-16 x 1.00" Grade 5)
7	103472	1	WASHER, Flat (0.375")
8	104606	1	NUT, Hex head nylon lock (0.375"-16 Grade 5)

Section 9 – Optional Equipment

9.1 Oil Cooler with No Generator

9.2 Oil Cooler

9.3 Generator and Oil Cooler - 3.5kW

9.4 Generator - 3.5 kW

9.5 Hydraulic Hoses - Generator & Oil Cooler - 3.5 kW

9.6 Generator & Oil Cooler - 7.5 kW

9.7 Generator - 7.5 kW

9.8 Hydraulic Hoses - 7.5 kW Generator and Oil Cooler

9.9 Generator & Oil Cooler - 12 kW

9.10 Generator - 12 kW

9.11 Hydraulic Hoses - 12 kW Generator & Oil Cooler

9.12 Generator & Oil Cooler Wiring

9.13 Welder & Mount

9.14 Glazier Package

9.15 Cold Start Engine Option

9.16 Arctic Package Option

9.17 Arctic Package Load Circuit - Deutz TD2.9L

9.18 Block Heater

9.19 Oil Quick Drain

9.20 SGE - Secondary Guarding

9.21 External Platform Railing

9.22 Flashing Light

1.13 Outlet 110V - ANSI/CSA

9.24 Diesel Scrubber

9.25 Control Box Cover

9.26 Positive Air Shut-Off Valve - Deutz TD2.9L

9.27 Positive Air Shut-Off Valve - Deutz D2011

9.28 Work Lights

9.29 Tool Caddy

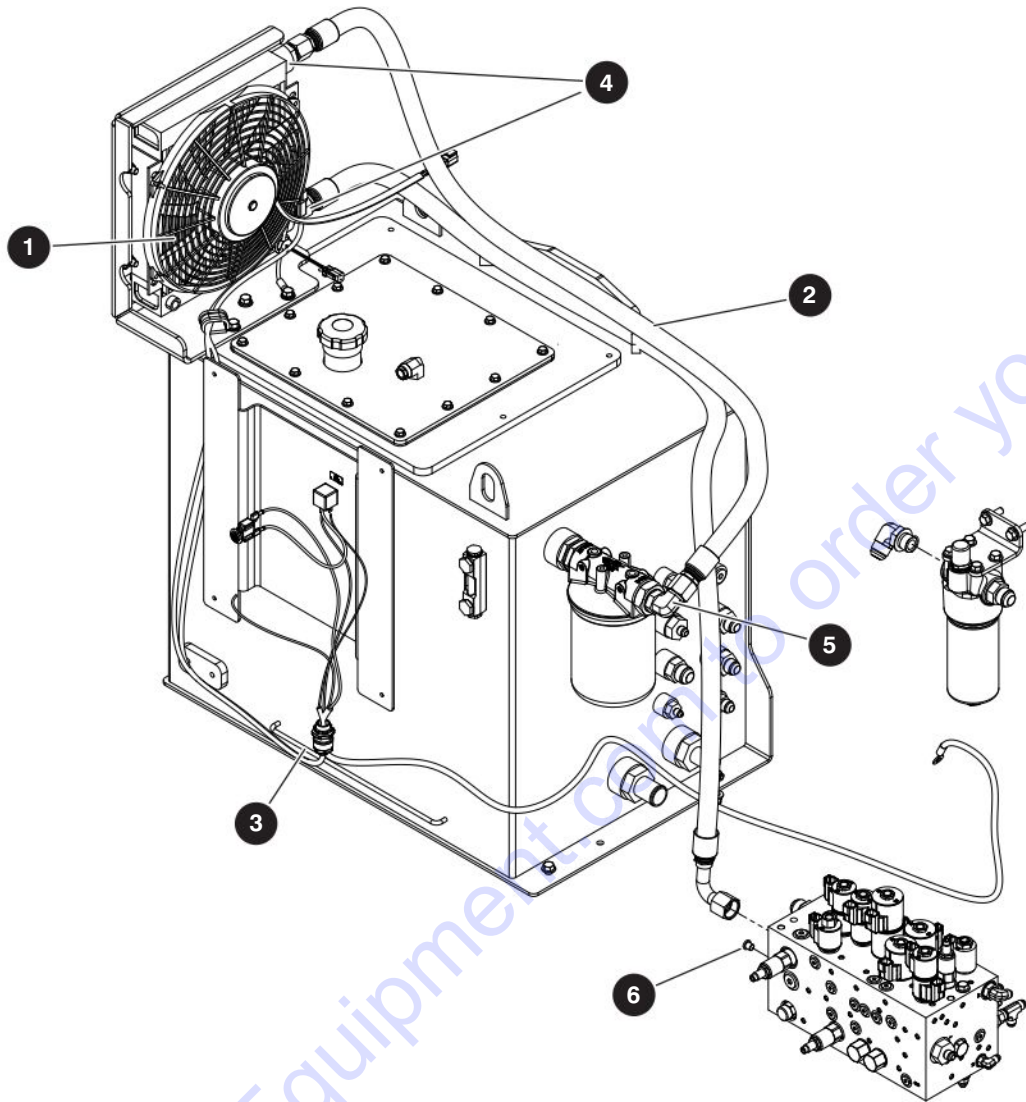
9.30 Half-Height Platform Mesh

9.31 Elevate Telematics

9.32 Elevate Telematics

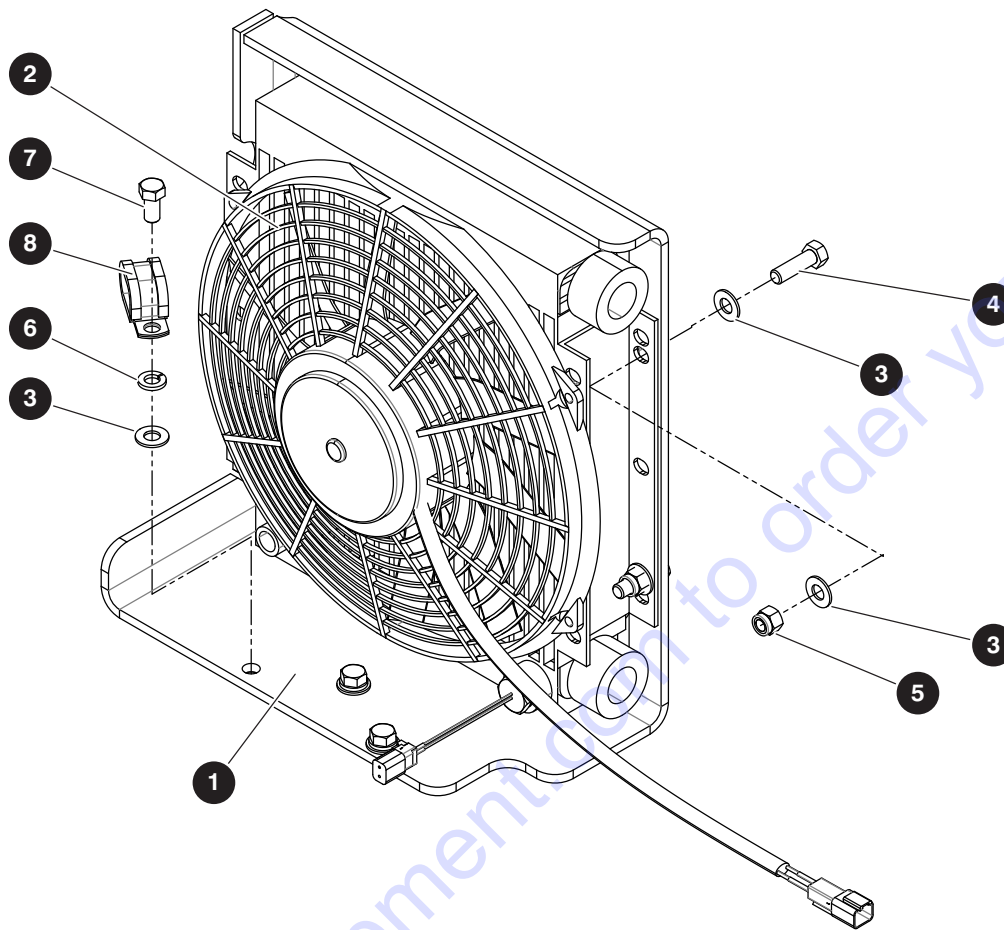
9.33 Pipe Rack

9.1 Oil Cooler with No Generator



M166342AB

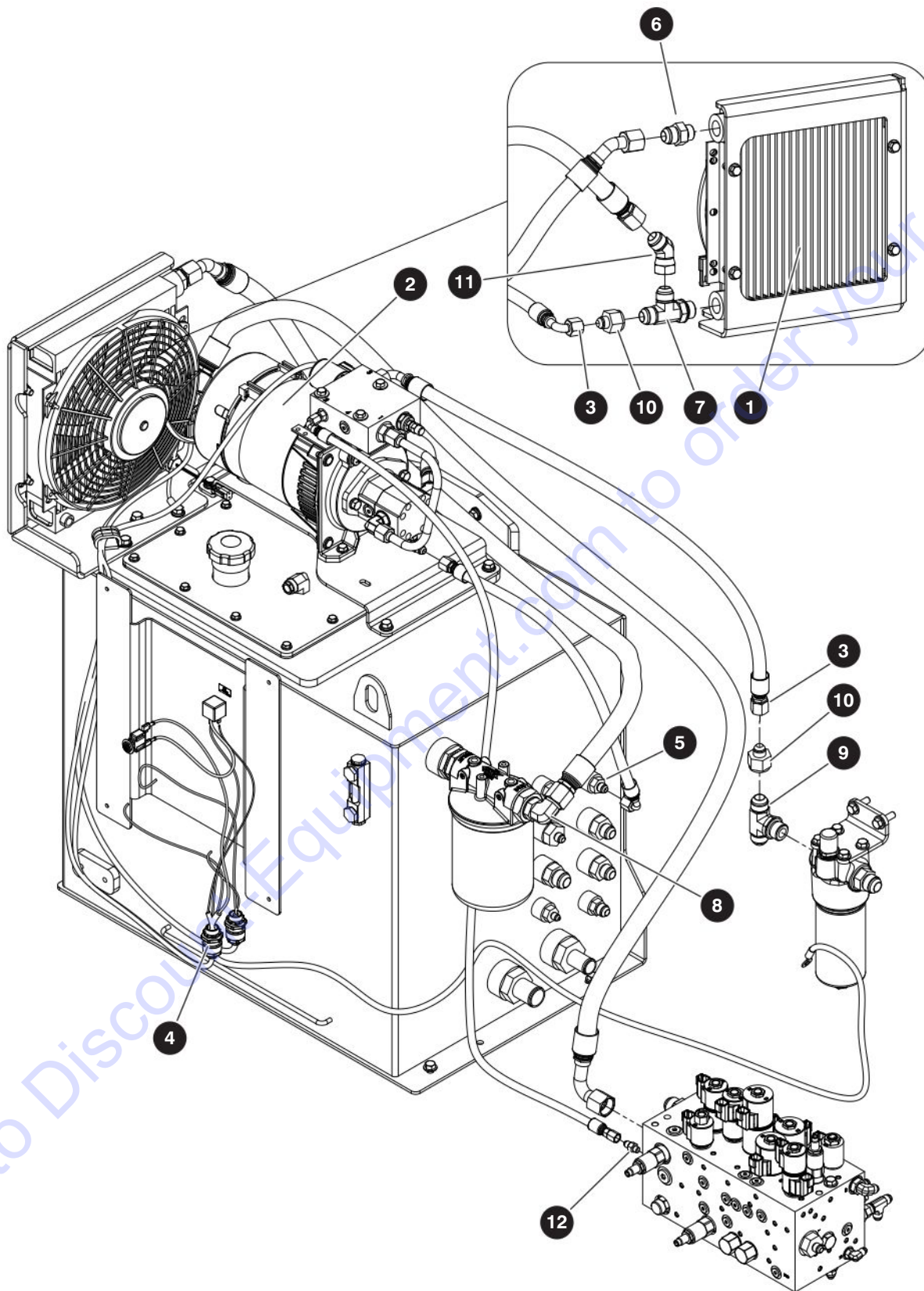
Index No.	Skyjack Part No.	Qty.	Description
-	166342	1	OIL COOLER WITH NO GENERATOR
1	(Ref.)	1	<ul style="list-style-type: none"> OIL COOLER ASSEMBLY (For components, refer to 9.2 Oil Cooler)
2	(Ref.)	1	<ul style="list-style-type: none"> OIL COOLER HOSE KIT (For components, refer to 9.5 Hydraulic Hoses - Generator & Oil Cooler - 3.5 kW)
3	(Ref.)	1	<ul style="list-style-type: none"> WIRING ASSEMBLIES (not shown) (For components, refer to 9.12 Generator & Oil Cooler Wiring)
4	702118	2	<ul style="list-style-type: none"> FITTING, Straight (12JICM-12ORBM)
5	105445	2	<ul style="list-style-type: none"> FITTING, Elbow 90° (12JICM-12ORBM)
6	121250	1	<ul style="list-style-type: none"> FITTING, Plug (04 ORBM hex socket)



M166352AB

Index No.	Skyjack Part No.	Qty.	Description
-	166352	1	OIL COOLER ASSEMBLY
1	162329	1	• BRACKET, Generator mounting
2	160800	1	• COOLER Hydraulic oil 12VDC
	169245	1	• • THERMOSTAT, Oil Cooler
	207428	1	• • FAN, Vented - 12V
3	103472	11	• WASHER, Flat (0.375")
4	101297	4	• BOLT, Hex head (0.375"-16 x 1.25" gr 5)
5	104606	4	• NUT, Hex head nylon lock (0.375"-16 gr 5)
6	103999	3	• WASHER, Lock (0.375")
7	101632	3	• BOLT, Hex head (0.375"-16 x 0.75" gr 5)
8	103078	1	• CLIP, Double (S344G10)

9.3 Generator and Oil Cooler - 3.5kW



M166343AB

229032ABA

226

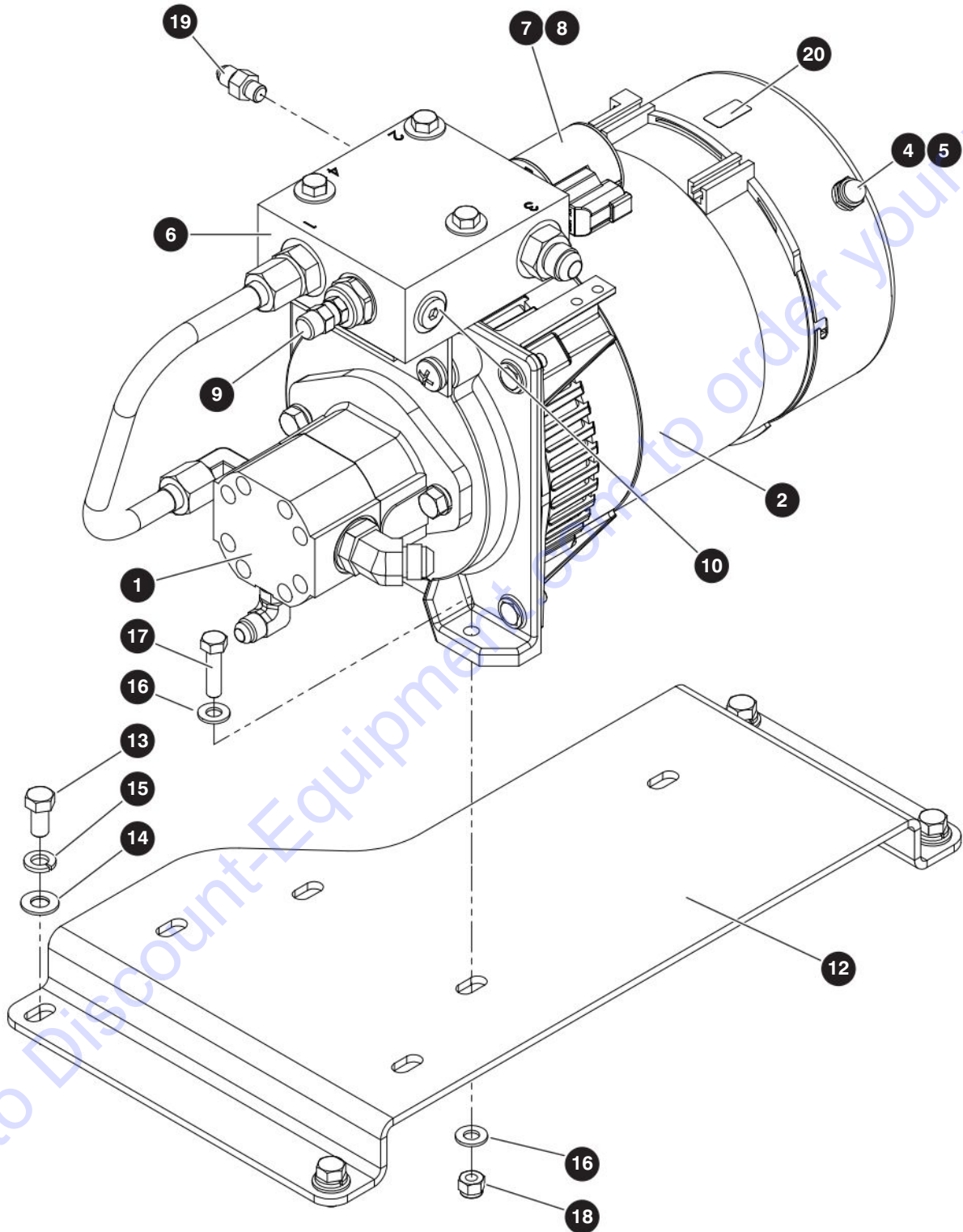
SJ61 T+, SJ66 T+

SKYJACK

9.3 Generator and Oil Cooler - 3.5kW

Index No.	Skyjack Part No.	Qty.	Description
A	230438	1	GENERATOR AND OIL COOLER ASSEMBLY, 3.5kW 60hz - ANSI/CSA
B	230139	1	GENERATOR AND OIL COOLER ASSEMBLY, 3.5kW 50hz - CE
1	(Ref.)	1	<ul style="list-style-type: none"> • OIL COOLER ASSEMBLY (For components, refer to 9.2 Oil Cooler)
2	(Ref.)	1	<ul style="list-style-type: none"> • GENERATOR ASSEMBLY (For components, refer to 9.4 Generator - 3.5 kW)
3	(Ref.)	1	<ul style="list-style-type: none"> • GENERATOR HOSE KIT (For components, refer to 9.5 Hydraulic Hoses - Generator & Oil Cooler - 3.5 kW)
4	(Ref.)	1	<ul style="list-style-type: none"> • WIRING ASSEMBLIES (For components, refer to 9.12 Generator & Oil Cooler Wiring)
5	103070	1	<ul style="list-style-type: none"> • FITTING, Straight (06JICM-08ORBM)
6	702118	1	<ul style="list-style-type: none"> • FITTING, Straight (12JICM-12ORBM)
7	144116	1	<ul style="list-style-type: none"> • FITTING, Run tee (12JICM-12ORBM-12JICM)
8	105445	1	<ul style="list-style-type: none"> • FITTING, Elbow 90° (12JICM-12ORBM)
9	707277	1	<ul style="list-style-type: none"> • FITTING, Branch tee (12JICM-12JICM-12ORBM)
10	703412	2	<ul style="list-style-type: none"> • FITTING, Straight (12JICF-08JICM)
11	702120	1	<ul style="list-style-type: none"> • FITTING, Elbow 45° (12JICM-12JICF)
12	144474	1	<ul style="list-style-type: none"> • FITTING, Straight (04JICM-04ORBM x 0.028 port)

9.4 Generator - 3.5 kW



M166369AD

229032ABA

228

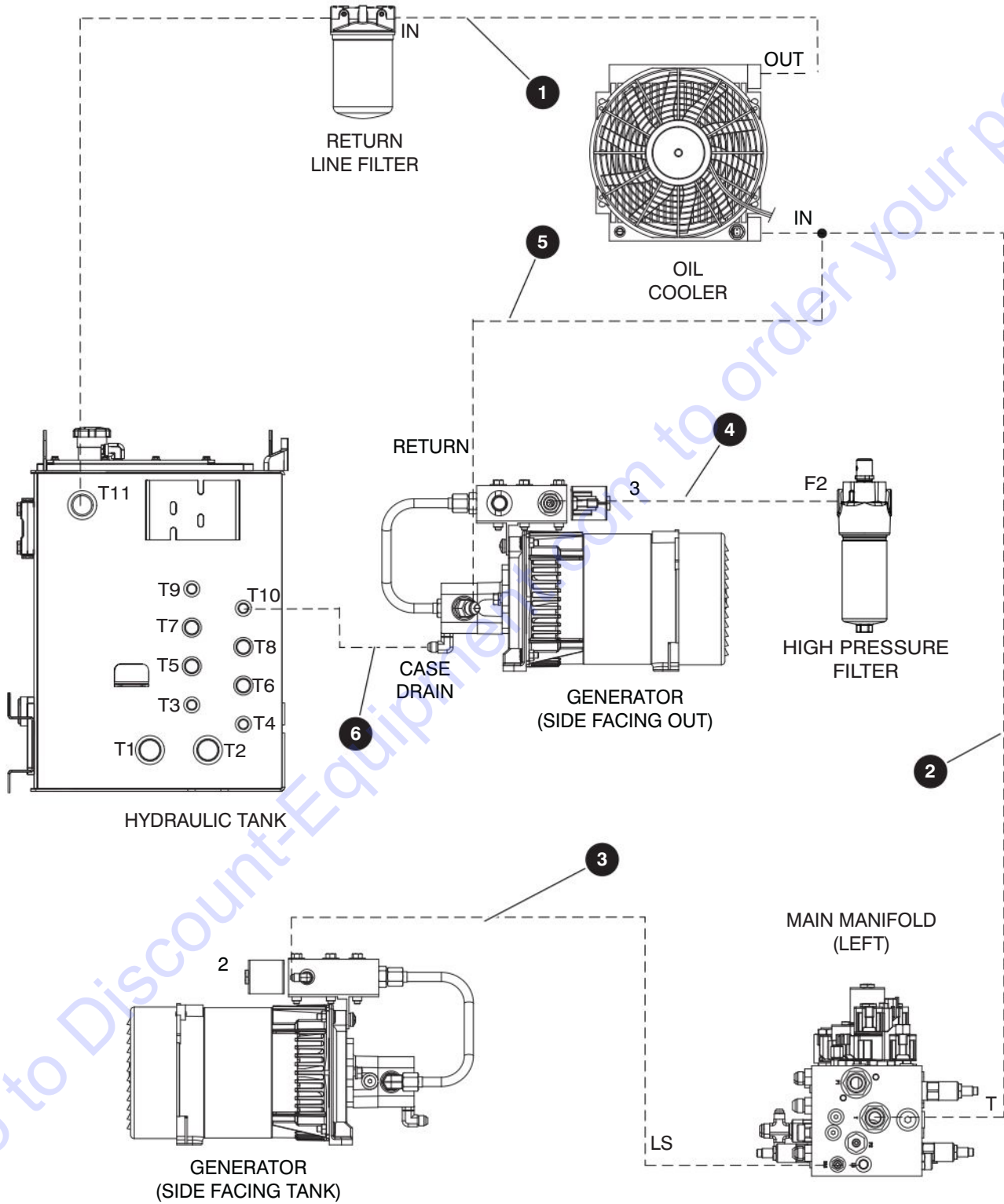
SJ61 T+, SJ66 T+

SKYJACK

9.4 Generator - 3.5 kW

Index No.	Skyjack Part No.	Qty.	Description
A	166369	1	GENERATOR ASSEMBLY - 3.5kW 60Hz - ANSI/CSA
B	166452	1	GENERATOR ASSEMBLY - 3.5kW 50Hz - CE
-	166448	1	• GENERATOR, 3.5kW - 60Hz, A
	166450	1	• GENERATOR, 3.5kW - 50Hz, B
1	171419	1	• • MOTOR, Hydraulic - 5 cc
2	197773	1	• • ALTERNATOR, Generator - 60 Hz, A
3	197774	1	• • ALTERNATOR, Generator - 50 Hz, B
	197775	1	• • CORD, GFI (not shown)
4	117325	1	• • BREAKER, Circuit - 15 amp
5	162508	1	• • BOOT, Circuit breaker
-	168618	1	• • MANIFOLD, Generator - 3.5 kW
6	197769	1	• • • BLOCK, Manifold
7	168056	1	• • • VALVE, Solenoid
8	168057	1	• • • COIL, Solenoid
9	171450	1	• • • VALVE, Flow control
10	197770	1	• • • VALVE, Check
11	204105	1	• • CAPACITOR (not shown)
12	166364	1	• BRACKET, Generator mounting
13	101632	4	• BOLT, Hex head (0.375"-16 x 0.75", Grade 5)
14	103472	4	• WASHER, Flat (0.375")
15	103999	4	• WASHER, Lock (0.375")
16	103996	5	• WASHER, Flat (0.312")
17	112532	3	• BOLT, Hex head (0.312"-18 x 1.25", Grade 5)
18	103984	3	• NUT, Hex head (0.312"-18, Grade 5)
19	144474	1	• FITTING, Straight (04 JICM - 04 ORBM x 0.025 port)
20	117390	1	• LABEL, Push to reset generator

9.5 Hydraulic Hoses - Generator & Oil Cooler - 3.5 kW



M166370AC

229032ABA

230

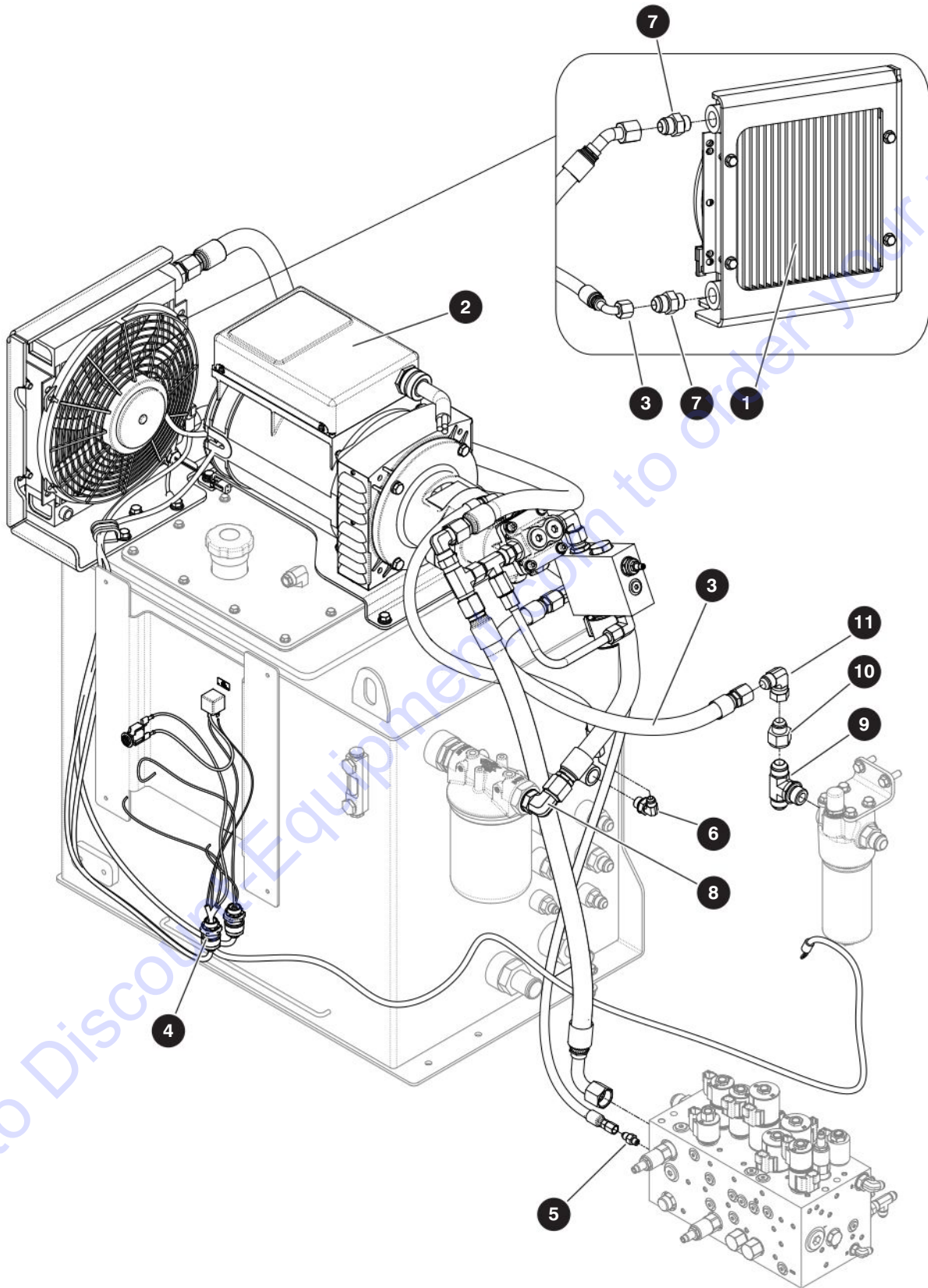
SJ61 T+, SJ66 T+

SKYJACK

9.5 Hydraulic Hoses - Generator & Oil Cooler - 3.5 kW

Index No.	Hose P/N	From		To	
		Description	Port	Port	Description
-	166353	OIL COOLER HOSE KIT (NO GENERATOR)			
1	H5112 0060 0	Oil Cooler	OUT	IN	Return Filter
2	H5412 0068 0	Main Manifold	T	IN	Oil Cooler
-	166370	GENERATOR WITH OIL COOLER HOSE KIT - 3.5kW			
1	H5212 0056 0	Oil Cooler	OUT	IN	Return Filter
2	H5412 0078 0	Main Manifold	T	IN	Oil Cooler
3	H5404 0060 0	Generator Manifold	2	LS	Main Manifold
4	H5408 0036 0	High Pressure Filter	F2	3	Generator Manifold
5	H5408 0020 0	Generator Motor (Return)	-	IN	Oil Cooler
6	H5406 0025 0	Generator Motor (Case Drain)	-	T10	Hydraulic Tank

9.6 Generator & Oil Cooler - 7.5 kW



M209119AA

229032ABA

232

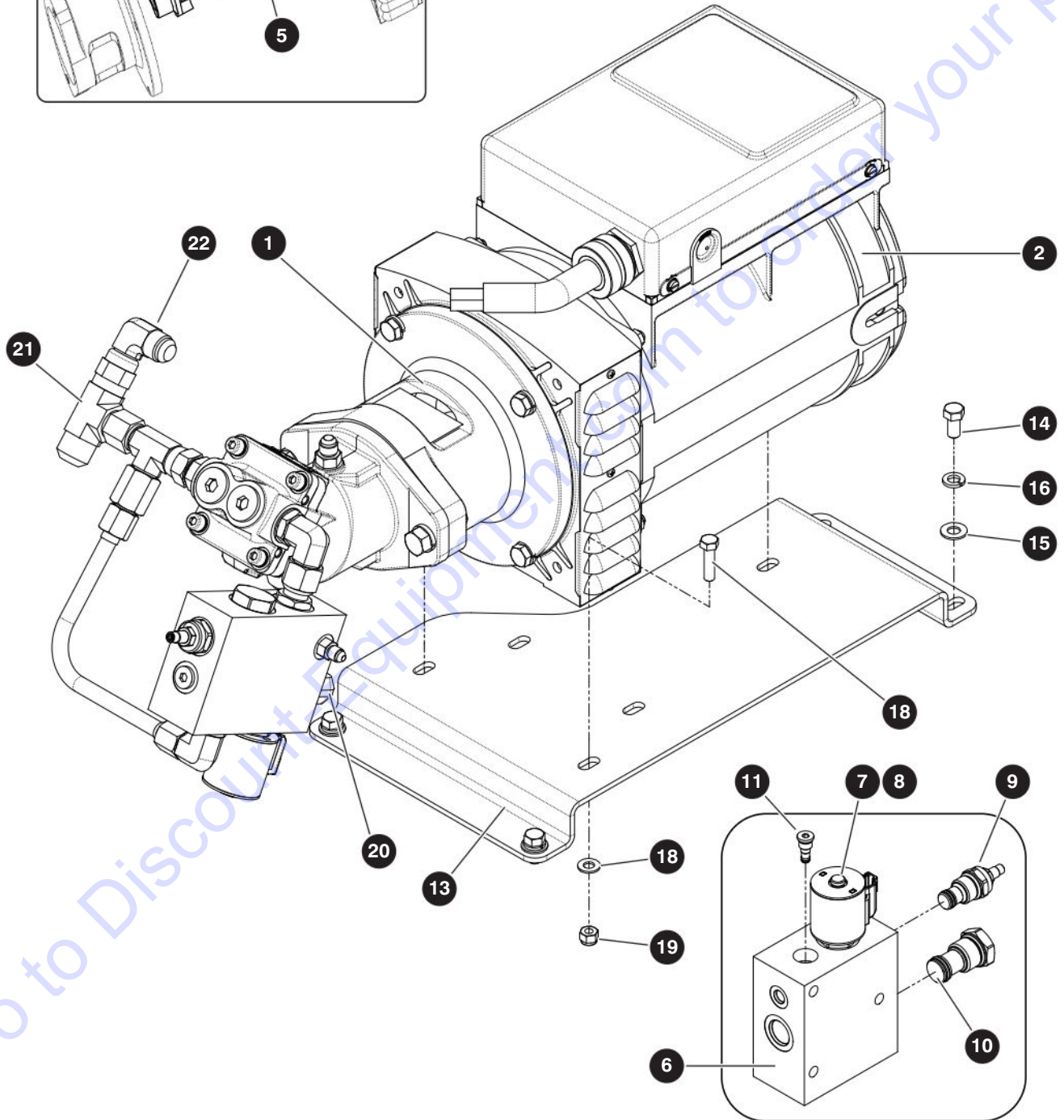
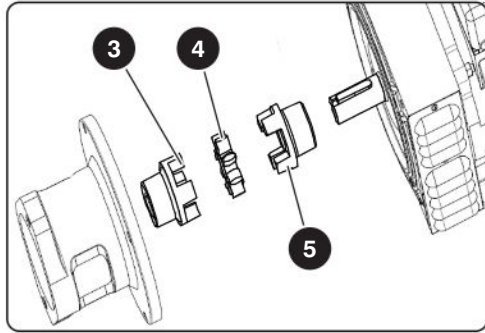
SJ61 T+, SJ66 T+

SKYJACK

9.6 Generator & Oil Cooler - 7.5 kW

Index No.	Skyjack Part No.	Qty.	Description
-	209119	1	GENERATOR AND OIL COOLER ASSEMBLY, 7.5kW 50hz - AS
1	(Ref.)	1	<ul style="list-style-type: none"> • OIL COOLER ASSEMBLY (For components, refer to 9.2 Oil Cooler)
2	(Ref.)	1	<ul style="list-style-type: none"> • GENERATOR ASSEMBLY (For components, refer to 9.7 Generator - 7.5 kW)
3	(Ref.)	1	<ul style="list-style-type: none"> • GENERATOR HOSE KIT (For components, refer to 9.8 Hydraulic Hoses - 7.5 kW Generator and Oil Cooler)
4	(Ref.)	1	<ul style="list-style-type: none"> • WIRING ASSEMBLIES (For components, refer to 9.12 Generator & Oil Cooler Wiring)
5	126128	1	<ul style="list-style-type: none"> • FITTING, Straight (04JICM-04ORBM)
6	102665	1	<ul style="list-style-type: none"> • FITTING, Elbow 90° (06JICM-08ORBM)
7	702118	2	<ul style="list-style-type: none"> • FITTING, Straight (12JICM-12ORBM)
8	105445	1	<ul style="list-style-type: none"> • FITTING, Elbow 90° (12JICM-12ORBM)
9	707277	1	<ul style="list-style-type: none"> • FITTING, Branch tee (12JICM-12JICM-12ORBM)
10	139153	1	<ul style="list-style-type: none"> • FITTING, Straight (12JICF-10JICM)
11	703626	1	<ul style="list-style-type: none"> • FITTING, Elbow 90° (10JICM-10JICFSW)

9.7 Generator - 7.5 kW



M209123AA

229032ABA

234

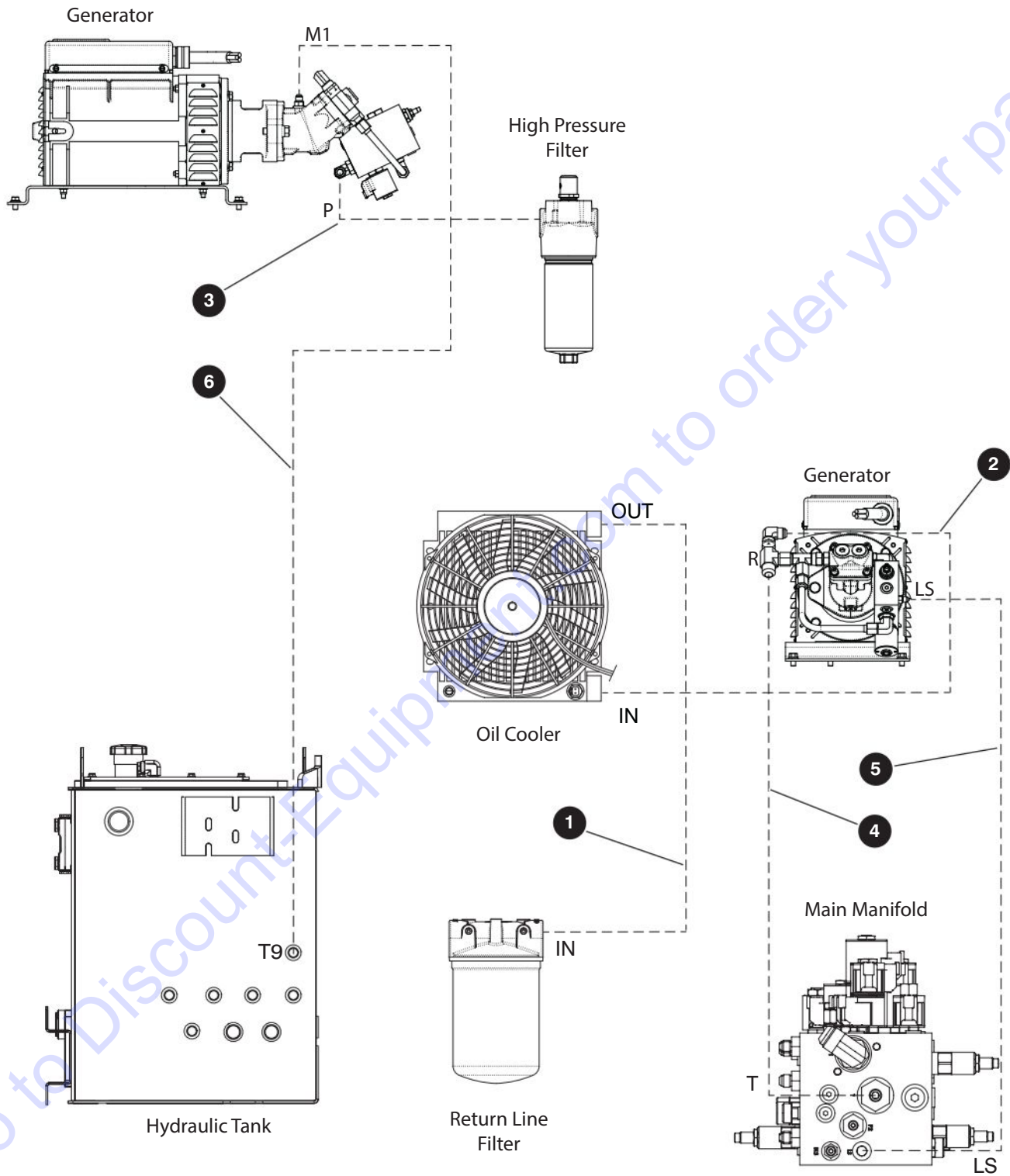
SJ61 T+, SJ66 T+

SKYJACK

9.7 Generator - 7.5 kW

Index No.	Skyjack Part No.	Qty.	Description
-	209123	1	GENERATOR ASSEMBLY - 12 kW - AS
-	213051	1	• GENERATOR, 12kW
1	195467	1	• • MOTOR, Hydraulic - 12 cc
	195595	1	• • SEAL KIT, Generator
2	212457	1	• • ALTERNATOR, Generator
3	197777	1	• • COUPLING, Motor
4	197778	1	• • INSERT, Coupling
5	197779	1	• • COUPLING, Alternator
-	197766	1	• • MANIFOLD, Generator
6	198586	1	• • • BLOCK, Manifold
7	168058	1	• • • VALVE, Solenoid
8	168057	1	• • • COIL, Solenoid
9	171450	1	• • • VALVE, Flow control
10	168058	1	• • • VALVE, Solenoid (12)
11	197770	1	• • • VALVE, Check (04)
12	171410	1	• • • VALVE, Check (12)
13	166364	1	• BRACKET, Generator mounting
14	101632	4	• BOLT, Hex head (0.375"-16 x 0.75", Grade 5)
15	103472	4	• WASHER, Flat (0.375")
16	103999	4	• WASHER, Lock (0.375")
17	103996	5	• WASHER, Flat (0.312")
18	112532	3	• BOLT, Hex head (0.312"-18 x 1.25", Grade 5)
19	103984	3	• NUT, Hex head (0.312"-18, Grade 5)
20	135091	1	• FITTING, Elbow 90° (10 JICM - 10 ORBM)
21	166468	1	• FITTING, Branch tee (12JICM-12JICM-10JICF)
22	703284	1	• FITTING, Elbow 90° (12JICM-12JICFSW)

9.8 Hydraulic Hoses - 7.5 kW Generator and Oil Cooler



M209340AA

229032ABA

236

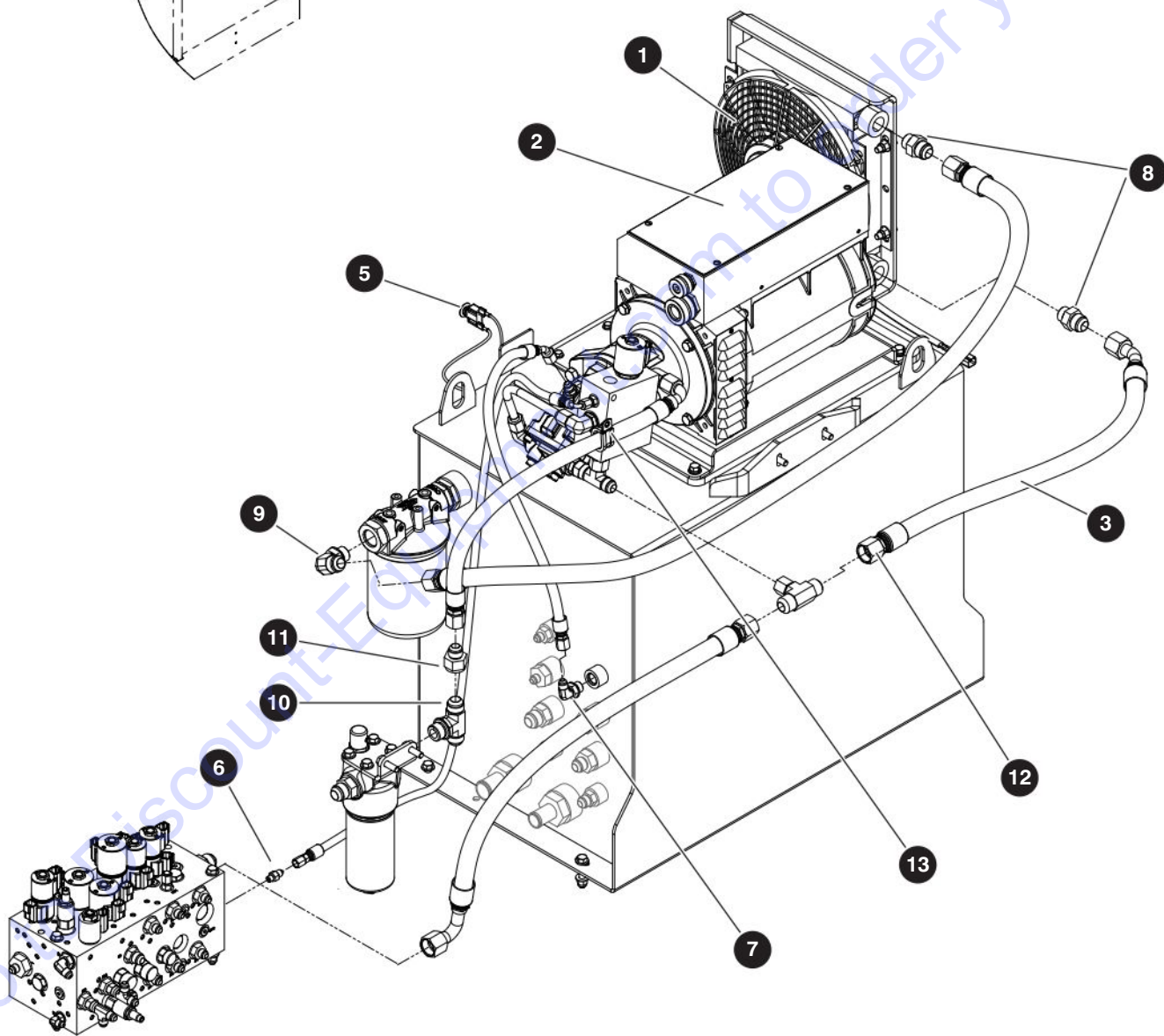
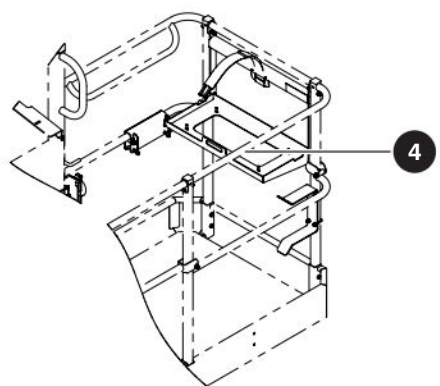
SJ61 T+, SJ66 T+

SKYJACK

9.8 Hydraulic Hoses - 7.5 kW Generator and Oil Cooler

Index No.	Hose P/N	From		To		
		Description	Port	Port	Description	
-	209340	7.5 kW GENERATOR HOSE KIT				
1	H5112 0060 0	Oil Cooler	OUT	IN	Return Line Filter	
2	H5212 0045 0	Oil Cooler	IN	R	Generator	
3	H5110 0034 0	Generator	P	-	High Pressure Filter	
4	H5412 0038 0	Generator	R	T	Main Manifold	
5	H5404 0046 0	Generator	LS	LS	Main Manifold	
6	H5406 0037 0	Generator	M1	T9	Hydraulic Tank	

9.9 Generator & Oil Cooler - 12 kW



M166345AC

229032ABA

238

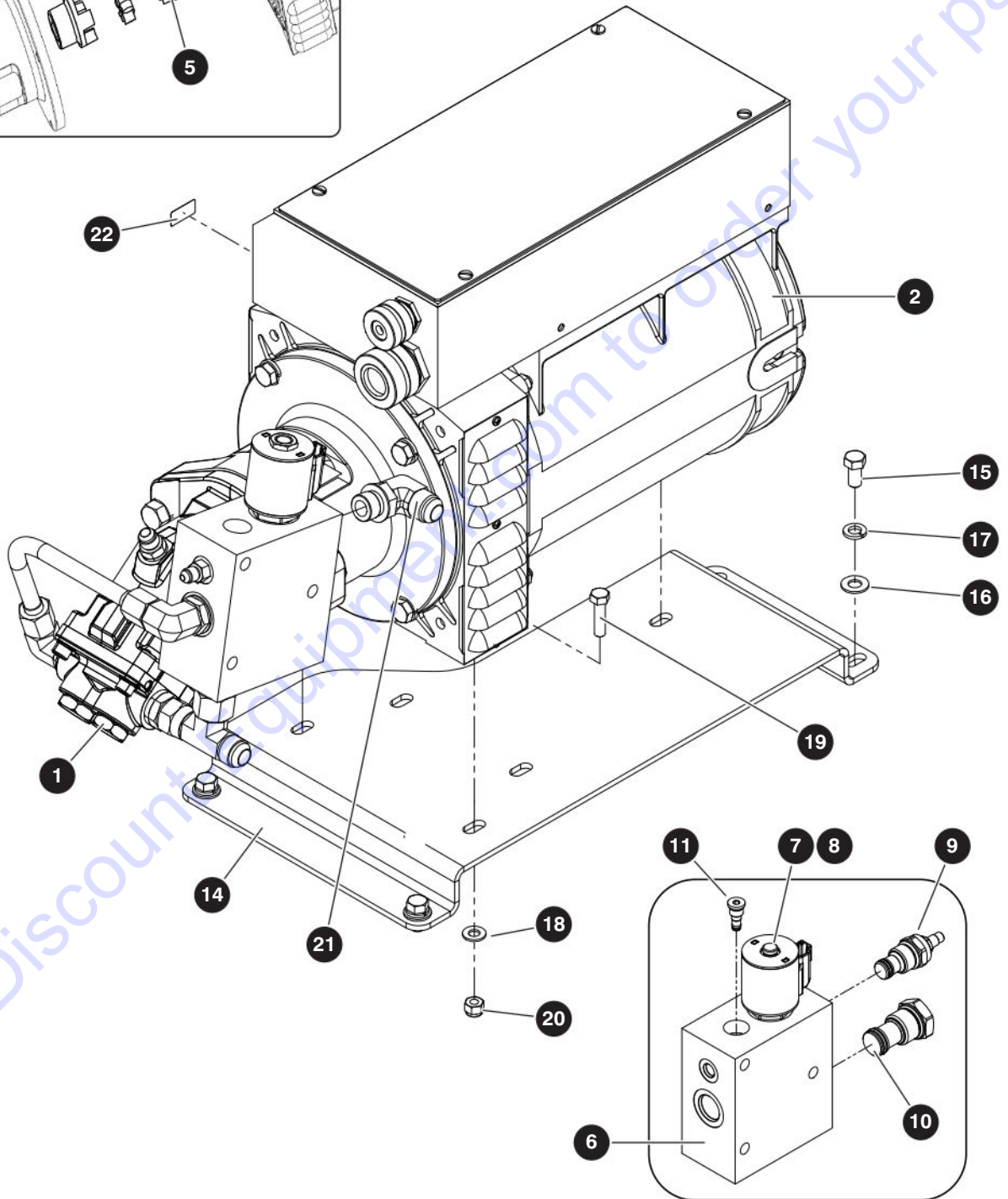
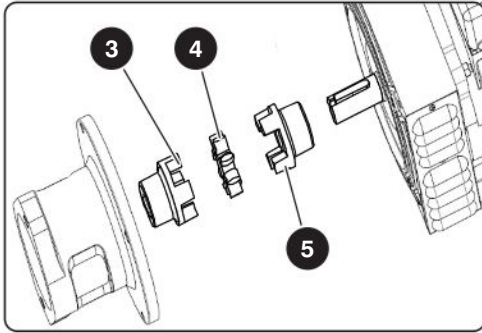
SJ61 T+, SJ66 T+

SKYJACK

9.9 Generator & Oil Cooler - 12 kW

Index No.	Skyjack Part No.	Qty.	Description
A	230139	1	GENERATOR AND OIL COOLER ASSEMBLY, 12kW 60hz - SJ61 T+ ANSI/CSA
B	230140	1	GENERATOR AND OIL COOLER ASSEMBLY, 12kW 60hz - SJ66 T+ ANSI/CSA
1	(Ref.)	1	<ul style="list-style-type: none"> OIL COOLER ASSEMBLY (For components, refer to 9.2 Oil Cooler)
2	(Ref.)	1	<ul style="list-style-type: none"> GENERATOR ASSEMBLY - 12kW (For components, refer to 9.10 Generator - 12 kW)
3	(Ref.)	1	<ul style="list-style-type: none"> GENERATOR HOSE KIT - 12kW (For components, refer to 9.11 Hydraulic Hoses - 12 kW Generator & Oil Cooler)
4	(Ref.)	1	<ul style="list-style-type: none"> WELDER MOUNT (For components, refer to 9.13 Welder & Mount)
5	(Ref.)	1	<ul style="list-style-type: none"> WIRING ASSEMBLIES (For components, refer to 9.12 Generator & Oil Cooler Wiring)
6	126128	1	<ul style="list-style-type: none"> FITTING, Straight (04JICM-04ORBM)
7	102665	1	<ul style="list-style-type: none"> FITTING, Elbow 90° (06JICM-08ORBM)
8	702118	2	<ul style="list-style-type: none"> FITTING, Straight (12JICM-12ORBM)
9	105445	1	<ul style="list-style-type: none"> FITTING, Elbow 90° (12JICM-12ORBM)
10	707277	1	<ul style="list-style-type: none"> FITTING, Branch tee (12JICM-12JICM-12ORBM)
11	139153	1	<ul style="list-style-type: none"> FITTING, Straight (12JICF-10JICM)
12	166468	1	<ul style="list-style-type: none"> FITTING, Branch tee (12JICM-12JICM-12JICF SW)
13	103078	1	<ul style="list-style-type: none"> CLIP, Double

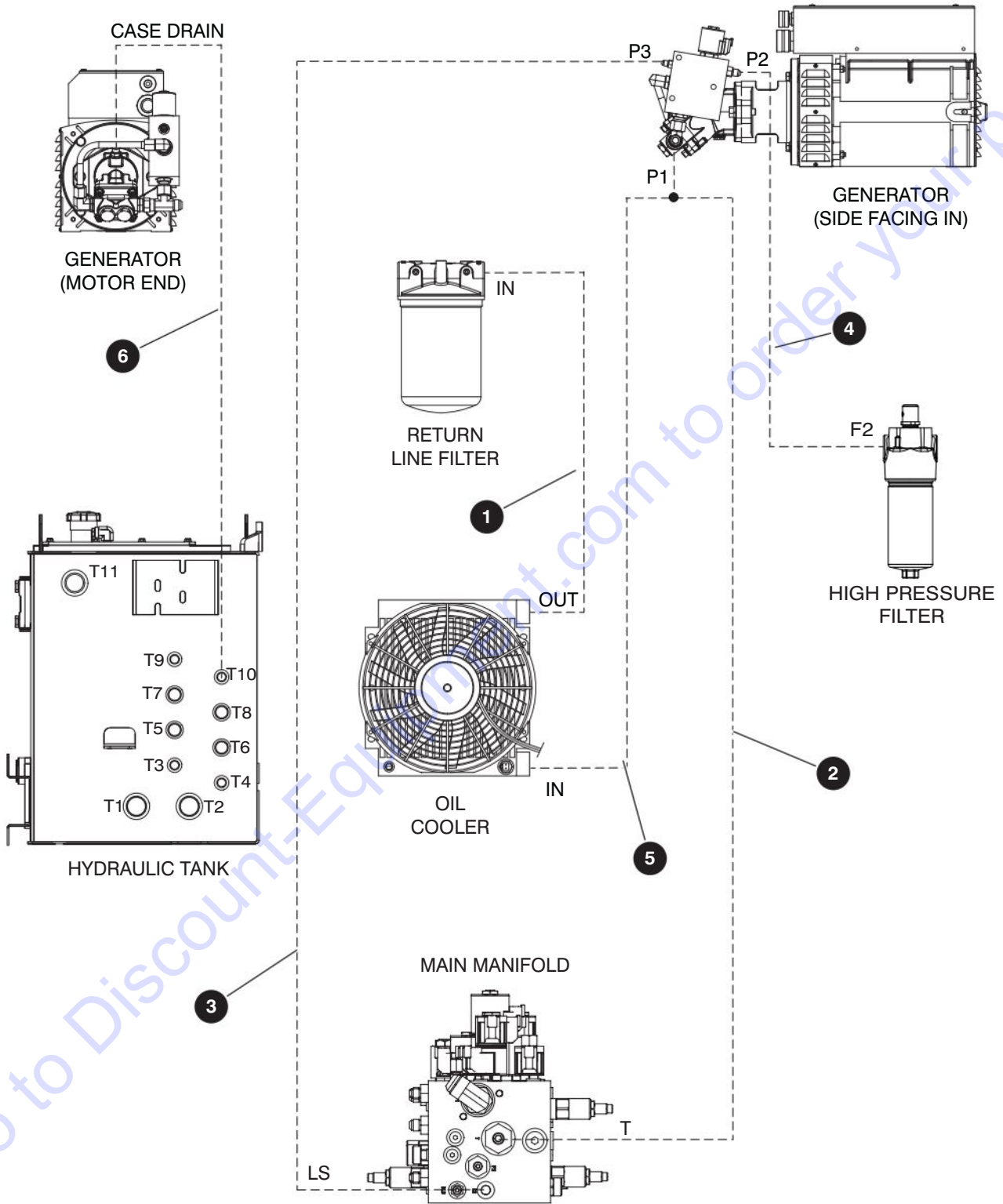
9.10 Generator - 12 kW



9.10 Generator - 12 kW

Index No.	Skyjack Part No.	Qty.	Description
-	166455	1	GENERATOR ASSEMBLY - 12 kW - ANSI/CSA
-	160764	1	• GENERATOR, 12kW
1	195467	1	• • MOTOR, Hydraulic - 12 cc
	195595	1	• • SEAL KIT, Generator - 12 kW
2	197781	1	• • ALTERNATOR, Generator
3	197779	1	• • COUPLING, Motor
4	197780	1	• • INSERT, Coupling
5	197781	1	• • COUPLING, Alternator
-	197764	1	• • MANIFOLD, Generator
6	197767	1	• • • BLOCK, Manifold
7	168058	1	• • • VALVE, Solenoid
8	168057	1	• • • COIL, Solenoid
9	171450	1	• • • VALVE, Flow control
10	168058	1	• • • VALVE, Check (12)
11	197770	1	• • • VALVE, Check (04)
12	198971	1	• • BREAKER, GFCI DIN rail - 15A (not shown)
13	198972	1	• • BREAKER, 3 pole DIN rail - 40A (not shown)
14	166364	1	• BRACKET, Generator mounting
15	101632	4	• BOLT, Hex head (0.375"-16 x 0.75", Grade 5)
16	103472	4	• WASHER, Flat (0.375")
17	103999	4	• WASHER, Lock (0.375")
18	103996	5	• WASHER, Flat (0.312")
19	112532	3	• BOLT, Hex head (0.312"-18 x 1.25", Grade 5)
20	103984	3	• NUT, Hex head (0.312"-18, Grade 5)
21	135091	1	• FITTING, Elbow 90° (10 JICM - 10 ORBM)
22	117390	1	• LABEL, Push to reset generator

9.11 Hydraulic Hoses - 12 kW Generator & Oil Cooler



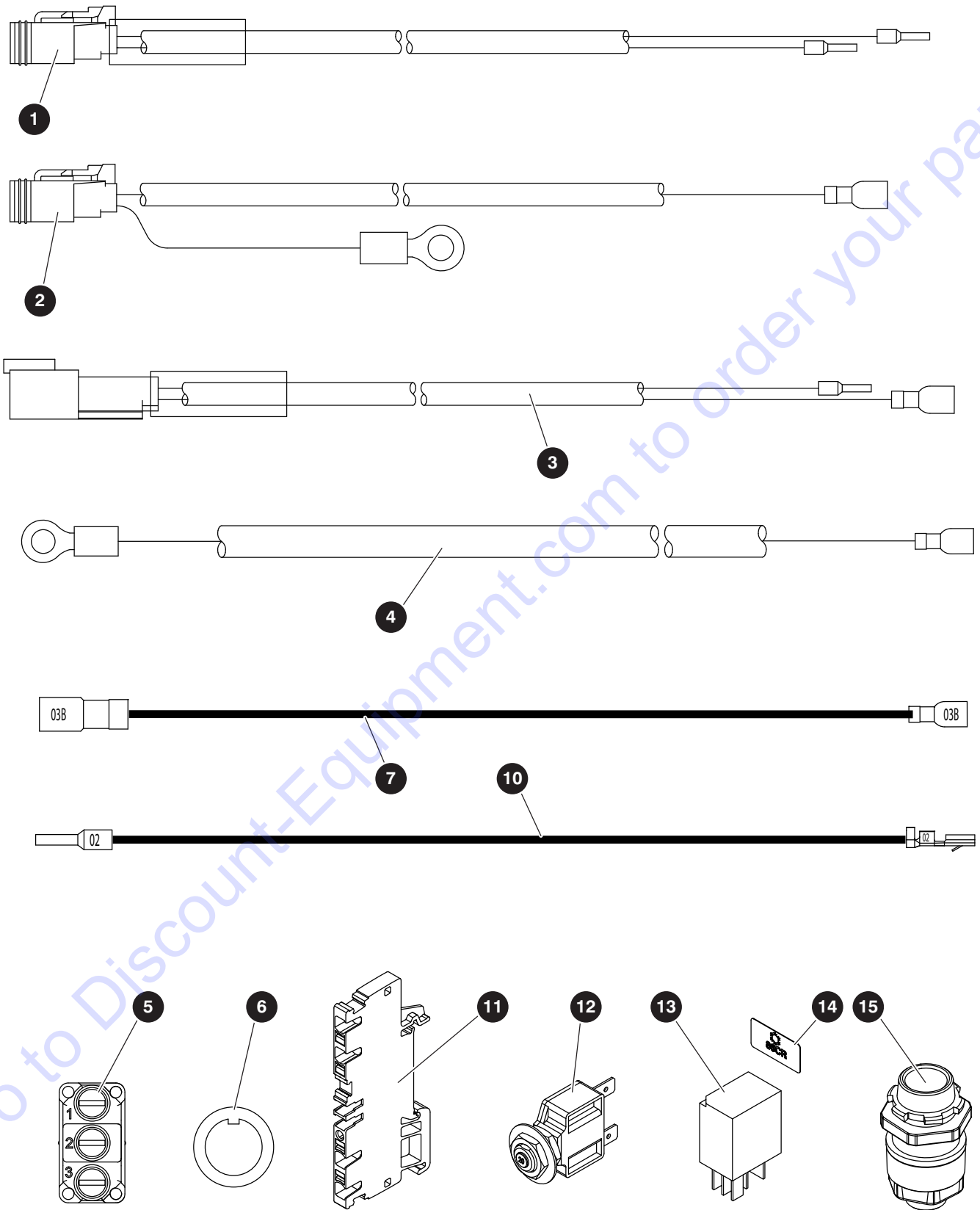
M166412AB

229032ABA

9.11 Hydraulic Hoses - 12 kW Generator & Oil Cooler

Index No.	Hose P/N	From		To		
		Description	Port	Port	Description	
-	166457	GENERATOR WITH OIL COOLER HOSE KIT - 12kW				
1	H5112 0060 0	Oil Cooler	OUT	IN	Return Filter	
2	H5412 0036 0	Main Manifold	T	P1	Generator Manifold (Return)	
3	H5404 0054 0	Generator Manifold	P3	LS	Main Manifold	
4	H5410 0025 0	High Pressure Filter	F2	P2	Generator Manifold	
5	H5212 0032 0	Generator Manifold (Return)	P1	IN	Oil Cooler	
6	H5206 0026 0	Generator Motor (Case Drain)	-	T10	Hydraulic Tank	

9.12 Generator & Oil Cooler Wiring



M235626AA_M230430AA

229032ABA

244

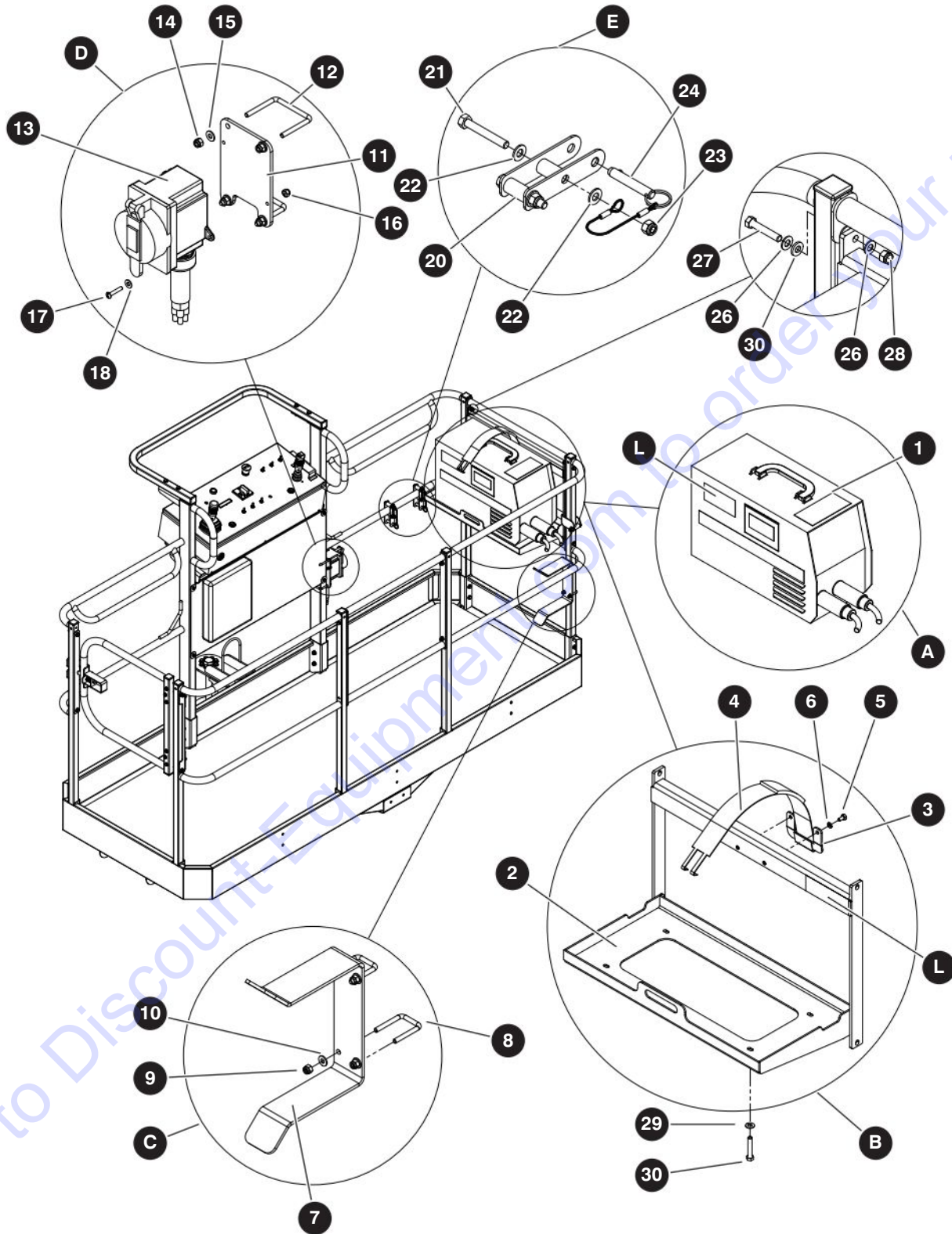
SJ61 T+, SJ66 T+

SKYJACK

9.12 Generator & Oil Cooler Wiring

Index No.	Skyjack Part No.	Qty.	Description
A	231331	1	OIL COOLER WIRING ASSEMBLY
B	231333	1	GENERATOR WIRING ASSEMBLY - 3.5 kW and 7.5 kW
C	231334	1	GENERATOR WIRING ASSEMBLY - 12 kW - SJ61 T+
D	231335	1	GENERATOR WIRING ASSEMBLY - 12 kW - SJ66 T+
1	144068	1	• HARNESS, Generator valve, B
	117597	1	• • PLUG, 2 Pin connector
	117599	1	• • PLUG, 2 Pin wedge connector
	117590	1	• • CONTACT SOCKET, Connector (16/18 GA)
2	148484	1	• HARNESS, Cooler fan, A, B
	117597	1	• • PLUG, 2 Pin connector
	117599	1	• • PLUG, 2 Pin wedge connector
	117593	2	• • CONTACT SOCKET, Connector (14-16)
3	231332	1	• HARNESS, Cooler temperature sensor, A, B
	117590	1	• • CONTACT SOCKET, Connector (16/18 GA)
	117596	1	• • RECEPTACLE, 2 Pin connector (Deutsch)
	117598	1	• • RECEPTACLE, 2 Pin wedge connector (Deutsch)
4	144074	1	• HARNESS, Oil cooler power, A, B
-	198382	1	• TOGGLE SWITCH, Platform control box, B, C, D
5	115747	1	• • SWITCH, Toggle (1NT1-3)
6	144016	1	• • SEAL, Panel bushing
7	163087	1	• WIRE, Oiler cooler relay, A, B
8	166560	1	• WELDER POWER CABLE (not shown), D
9	166565	1	• WELDER POWER CABLE (not shown), E
10	235625	1	• WIRE, 02, A, B ,
11	218996	1	• BLOCK, Terminal - 85, B ,
12	117326	1	• CIRCUIT BREAKER, 20 amp, A, B
13	931298	1	• RELAY, A, B
14	144193	1	• LABEL, Relay - 86CR, A, B
15	116266	1	• CONNECTOR, Strain relief, A

9.13 Welder & Mount



M159917AD

229032ABA

246

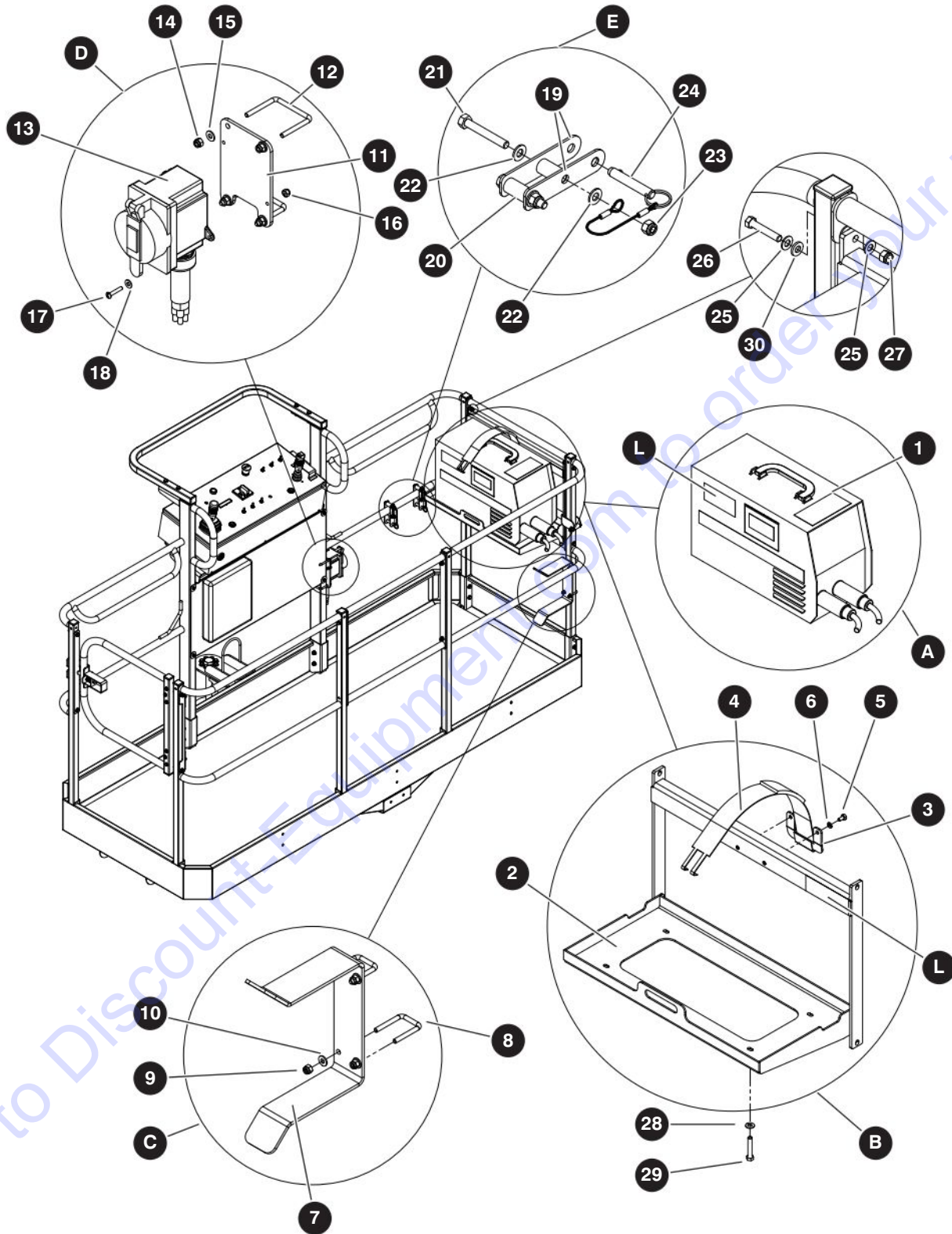
SJ61 T+, SJ66 T+

SKYJACK

9.13 Welder & Mount

Index No.	Skyjack Part No.	Qty.	Description
A 1	148383	1	WELDER ASSEMBLY
	138811	1	• WELDER (275A)
	138813	1	• CABLE, Electrode (14')
	144376	1	• • ELECTRODE HOLDER (400A)
	144573	168"	• • CABLE
	138814	1	• CABLE, Work (14')
	144377	1	• • GROUND CLAMP (400A)
	144573	168"	• • CABLE
	144374	1	• PLUG, Locking (50A / 250V / 3P)
	144603	2	• CLAMP, Cushioned loop (0.875" diameter)
L	147112	1	• LABEL, Welder weight (90 lbs)
-	159917	1	MOUNTING ASSEMBLY, 12kW Welder
B 2 3 4 5 6 L	159948	1	• WELDER TRAY ASSEMBLY
	159955	1	• • TRAY, Welder
	137814	1	• • PLATE, Strap
	103020	1	• • STRAPS (pair)
	103855	2	• • BOLT, Hex head (1/4"-20 x 0.50", Grade 5)
	104000	2	• • WASHER, Lock (1/4")
	L	147112	1
C 7 8 9 10	144218	1	• BRACKET ASSEMBLY
	144220	1	• • BRACKET, Welding cables
	144219	2	• • U BOLT, Welder bracket
	115649	4	• • NUT, Hex lock (1/4"-20 Grade 5, nylon)
	103995	4	• • WASHER, Flat (1/4")
D 11 12 13 14 15 16 17 18	144221	1	• RECEPTACLE ASSEMBLY
	144222	1	• • PLATE, Receptacle mounting
	144223	2	• • U BOLT, Receptacle mounting
	141614	1	• • ELECTRICAL COMPONENTS ASSEMBLY
	139835	1	• • • FD BOX, 50A Receptacle
	139832	1	• • • RECEPTACLE, Single locking
	139836	1	• • • COVER, Weather resistant
	144367	1	• • • STRAIN RELIEF, 1-18" straight
	115649	4	• • NUT, Hex lock (1/4"-20 Grade 5, nylon)
	103995	4	• • WASHER, Flat (1/4")
	300450	2	• • NUT, Hex lock (#10-32 Grade 5, nylon)
105621	2	• • SCREW, Round head machine (#10-32 x 1")	
104694	2	• • WASHER, Flat (#10)	

9.13 Welder & Mount



M159917AD

229032ABA

248

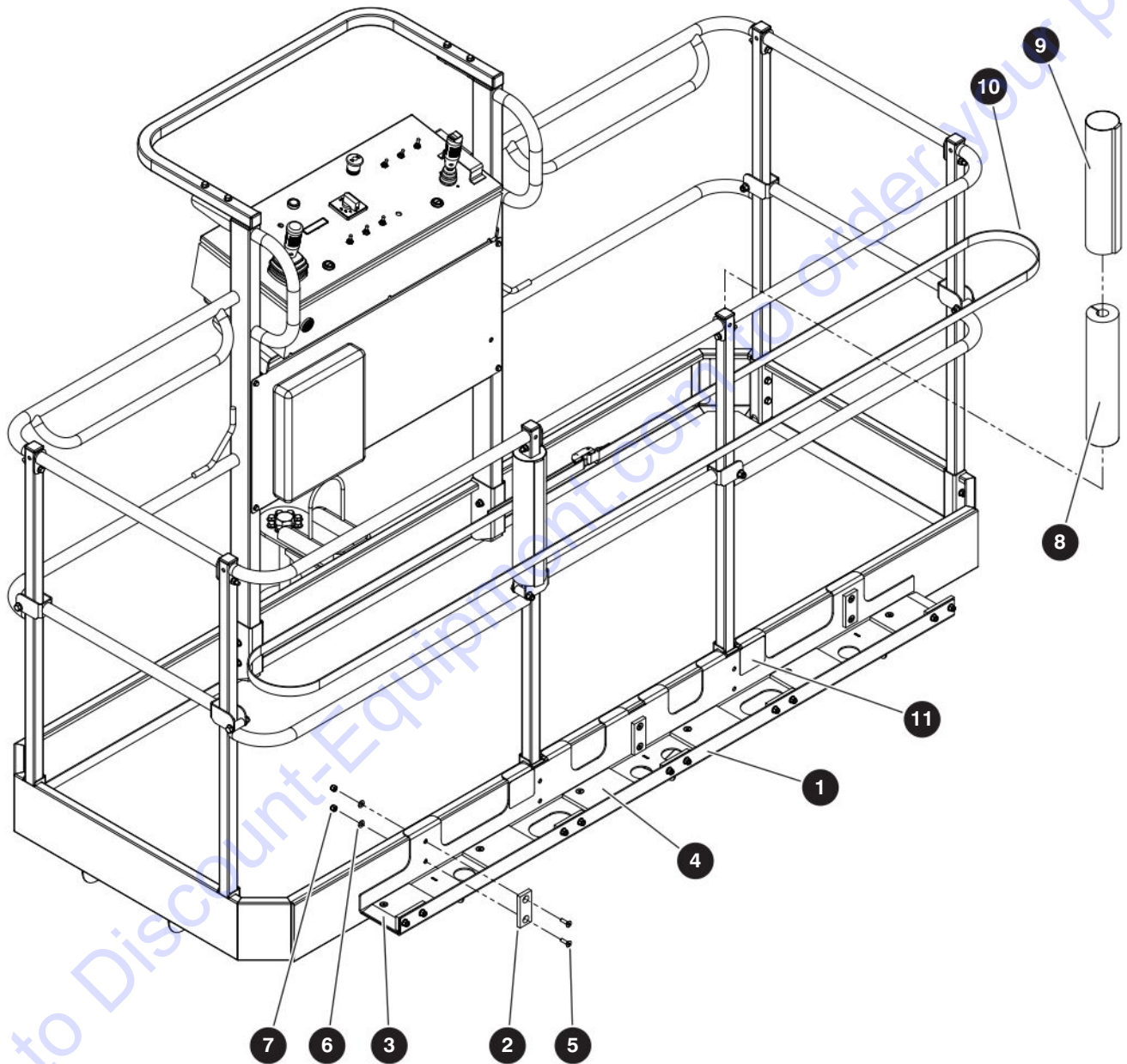
SJ61 T+, SJ66 T+

SKYJACK

9.13 Welder & Mount

Index No.	Skyjack Part No.	Qty.	Description
E	168530	1	• HANGER ASSEMBLY
19	169160	2	• • BRACKET, Welder cable
20	159947	2	• • SPACER, Welder tray
21	103866	2	• • BOLT, Hex head (5/16"-18 x 2 1/4 Grade 5)
22	103996	4	• • WASHER, Flat (5/16")
23	103984	2	• • NUT, Hex lock nylon lock (5/16"-18 Grade 5)
24	124548	1	• • PIN, Quick release
25	103996	8	• WASHER, Flat (5/16")
26	103884	4	• BOLT, Hex head (5/16"-18 x 2.50", Grade 5)
27	103984	4	• NUT, Hex head nylon lock (5/16"-18, Grade 5)
28	103995	4	• WASHER, Flat (1/4")
29	103857	4	• BOLT, Hex head (1/4"-20 x 1.00" Grade 5)
30	159960	2	• SPACER, Nylon (0.403" ID x 0.75" OD, x 0.312" long) (drop bar entrance)
	168336	2	• SPACER, Nylon (0.394" ID x 0.75" OD, x 0.125" long)

9.14 Glazier Package



M162073AB

229032ABA

250

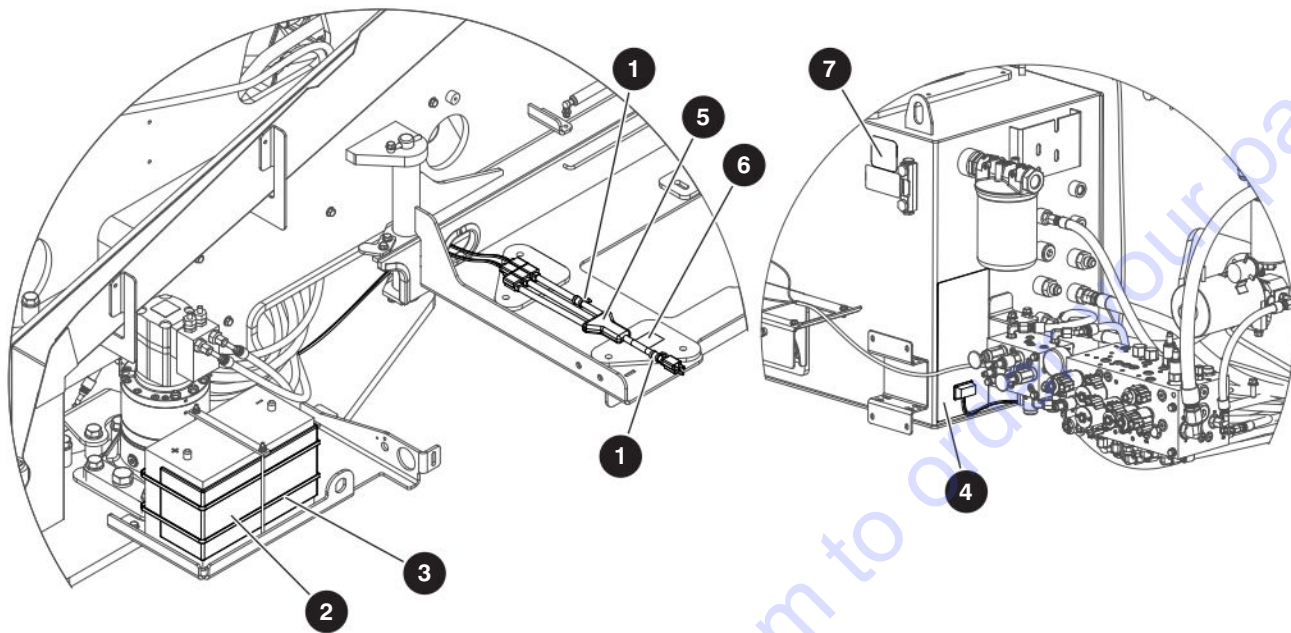
SJ61 T+, SJ66 T+

SKYJACK

9.14 Glazier Package

Index No.	Skyjack Part No.	Qty.	Description
-	162073	1	GLAZIER RACK
-	159898	1	• ASSEMBLY, Glazier Rack
-	154404	1	• • ASSEMBLY, Glazier tray
1	154402	1	• • • WELDMENT, Glazier tray
2	154401	8	• • • PAD, Wear - side tray
3	154399	2	• • • PAD, Wear - end tray
4	154400	4	• • • PAD, Wear - in tray
5	162116	28	• • • SCREW, Flat socket head cap (5/16"-18 x 1.00", Grade 5)
6	103996	28	• • • WASHER, Flat (5/16")
7	103984	28	• • • NUT, Hex head nylon lock (5/16"-18, Grade 5)
8	144491	2	• • FOAM, Support
9	144604	2	• • COVER, Bumper
10	144613	1	• • STRAP, Glazier kit
11	172630	2	• • LABEL, Panel cradle capacity
-	162026	1	• INSTRUCTIONS, Glazier package (not shown)

9.15 Cold Start Engine Option



M166325AA

Index No.	Skyjack Part No.	Qty.	Description
-	166325	1	COLD START WARMING KIT
1	144129	2	• CLIP, Single (S332G10)
2	703290	1	• BLANKET, Battery
3	144727	2	• TIE WRAP, Cable (43.3")
4	166261	1	• HEATER, Pad (1000W)
5	159888	1	• CORD, "W" (12/13AWG 15A x 2' long)
6	146021	1	LABEL, Hydraulic oil/battery warmer cord
7	143593	1	LABEL, Hydraulic oil Tellus T46
8	146162	1	LABEL, Cold weather factory oil (on engine oil dipstick) (Deutz engines) (not shown)

PARTS FINDER

**Search Website
by Part Number**



**Search Manual
Library For Parts
Manual & Lookup Part
Numbers – Purchase
or Request Quote**

Search Manuals

Enter your information to help us find the right parts manual for your machine.

* Brand:

* Model:

* Serial:

* Part Number:

SEARCH

**Can't Find Part or
Manual? Request Help
by Manufacturer,
Model & Description**

Parts Order Form

Please fill in the following information to help us find the right part for your machine.

Manufacturer:	<input type="text"/>
Model:	<input type="text"/>
Description:	<input type="text"/>
Part Number:	<input type="text"/>
Quantity:	<input type="text"/>
Notes:	<input type="text"/>

Submit

Discount-Equipment.com is your online resource for quality parts & equipment.

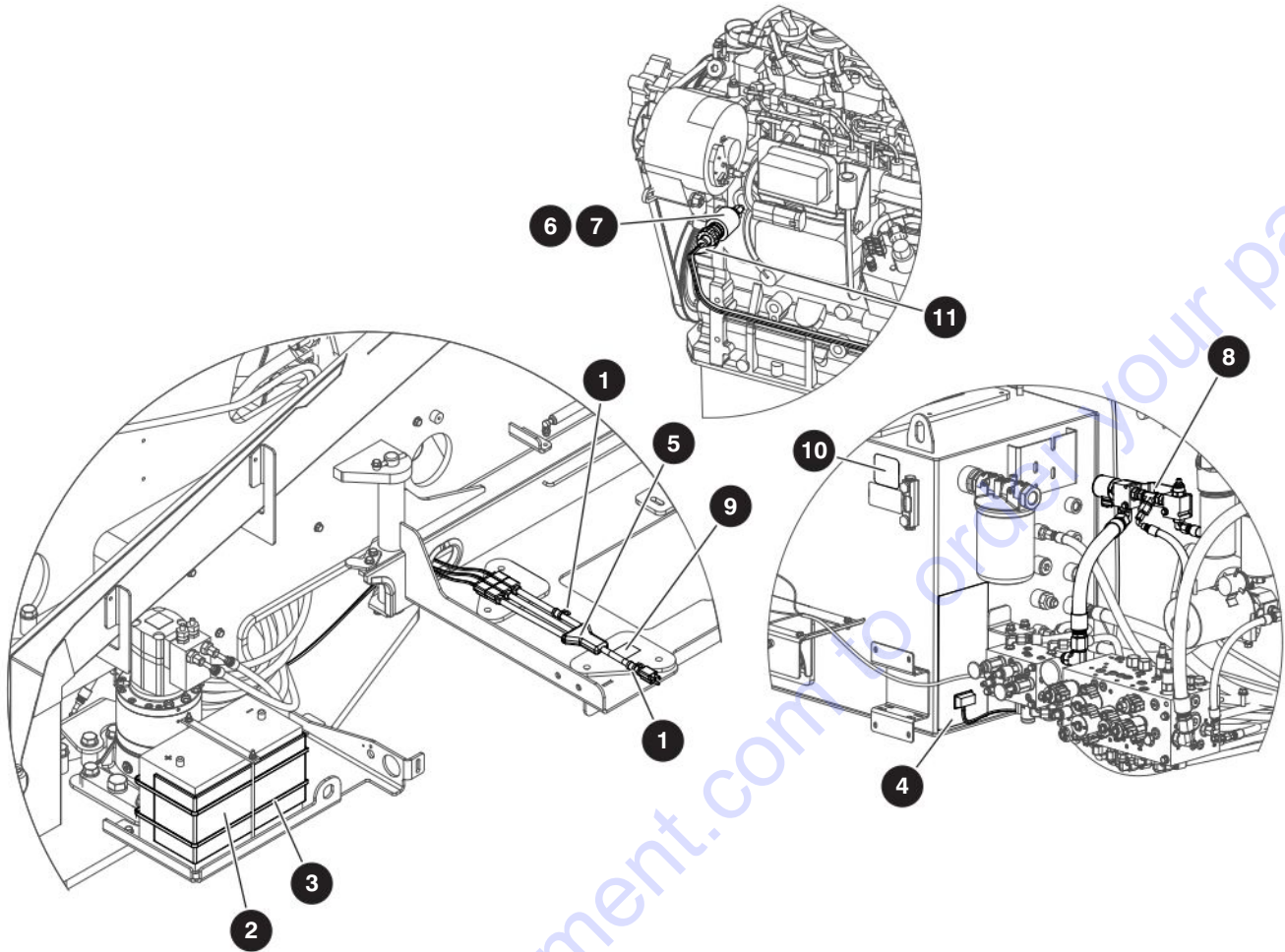
Florida: **561-964-4949** Outside Florida TOLL FREE: **877-690-3101**

Need parts?

Click on this link: <http://www.discount-equipment.com/category/5443-parts/> and choose one of the options to help get the right parts and equipment you are looking for. Please have the machine model and serial number available in order to help us get you the correct parts. If you don't find the part on the website or on one of the online manuals, please fill out the request form and one of our experienced staff members will get back to you with a quote for the right part that your machine needs.

We sell worldwide for the brands: Genie, Terex, JLG, MultiQuip, Mikasa, Essick, Whiteman, Mayco, Toro Stone, Diamond Products, Generac Magnum, Airman, Haulotte, Barreto, Power Blanket, Nifty Lift, Atlas Copco, Chicago Pneumatic, Allmand, Miller Curber, Skyjack, Lull, Skytrak, Tsurumi, Husquvarna Target, Stow, Wacker, Sakai, Mi-T-M, Sullair, Basic, Dynapac, MBW, Weber, Bartell, Bennar Newman, Haulotte, Ditch Runner, Menegotti, Morrison, Contec, Buddy, Crown, Edco, Wyco, Bomag, Laymor, EZ Trench, Bil-Jax, F.S. Curtis, Gehl Pavers, Heli, Honda, ICS/PowerGrit, IHI, Partner, Imer, Clipper, MMD, Koshin, Rice, CH&E, General Equipment, Amida, Coleman, NAC, Gradall, Square Shooter, Kent, Stanley, Tamco, Toku, Hatz, Kohler, Robin, Wisconsin, Northrock, Oztec, Toker TK, Rol-Air, APT, Wylie, Ingersoll Rand / Doosan, Innovatech, Con X, Ammann, Mecalac, Makinex, Smith Surface Prep, Small Line, Wanco, Yanmar

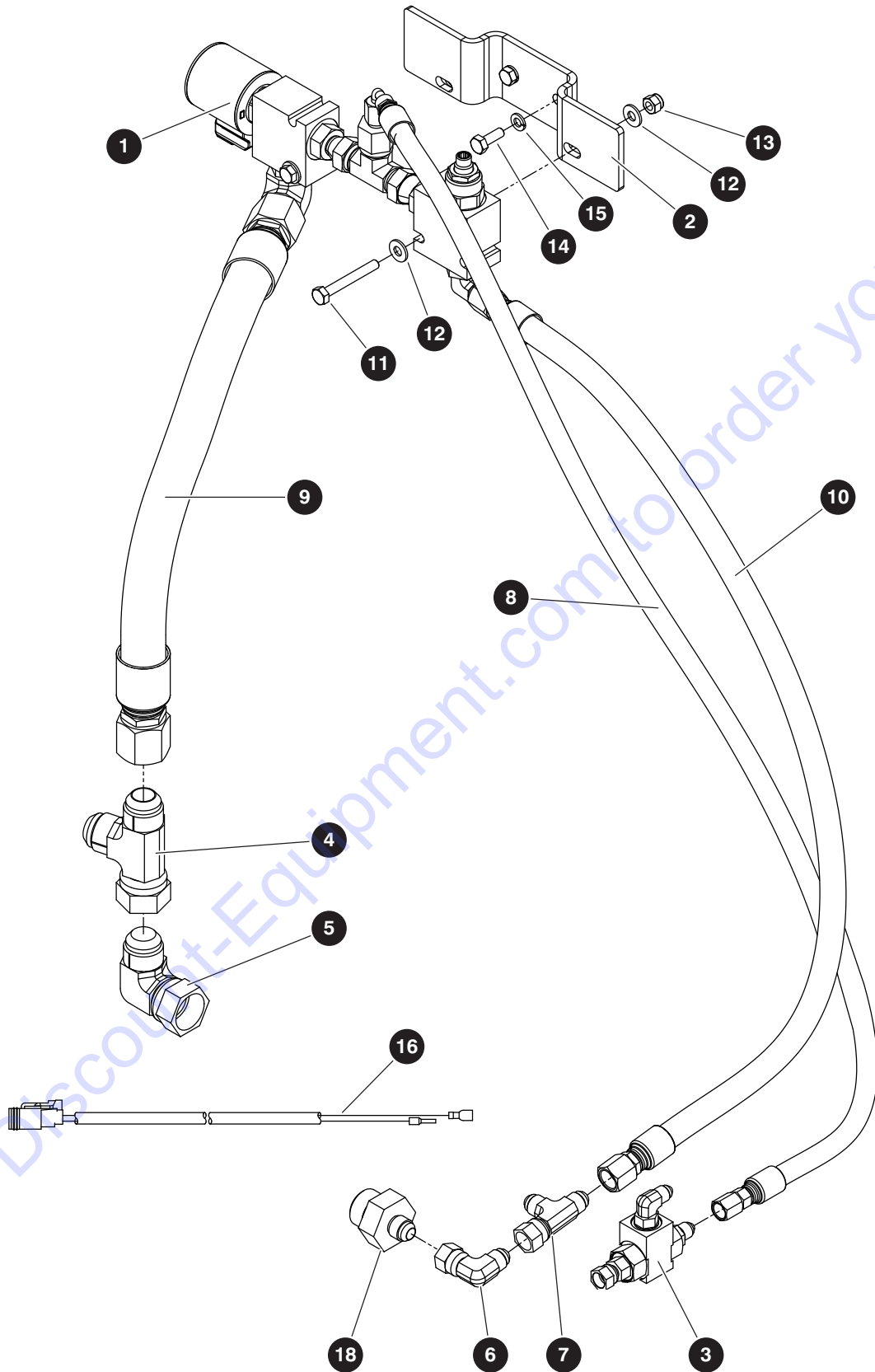
9.16 Arctic Package Option



M165885AB-1

Index No.	Skyjack Part No.	Qty.	Description
-	166325	1	COLD START WARMING KIT
1	144129	2	• CLIP, Single (S332G10)
2	703290	1	• BLANKET, Battery
3	144727	2	• TIE WRAP, Cable (43.3")
4	166261	1	• HEATER, Pad (1000W)
5	159888	1	• CORD, "W" (12/13AWG 15A x 2' long)
6	165559	1	HEATER, Block (Deutz TD2.9 engine)
	144642	1	HEATER, Oil pan (Deutz D2011 engine)
	170072	1	HEATER, Block (Kubota engine)
7	170073	1	ADAPTER, Block heater (Kubota engine)
8	(Ref.)	1	LOAD CIRCUIT MANIFOLD (Deutz TD2.9 engine) (For components, refer to 9.17 Arctic Package Load Circuit - Deutz TD2.9L)
9	144632	1	LABEL, Hydraulic oil/battery warmer
10	144633	1	LABEL, Arctic hydraulic oil
11	144635	1	LABEL, Arctic engine oil (Deutz engines)

9.17 Arctic Package Load Circuit - Deutz TD2.9L



M218993AA

229032ABA

254

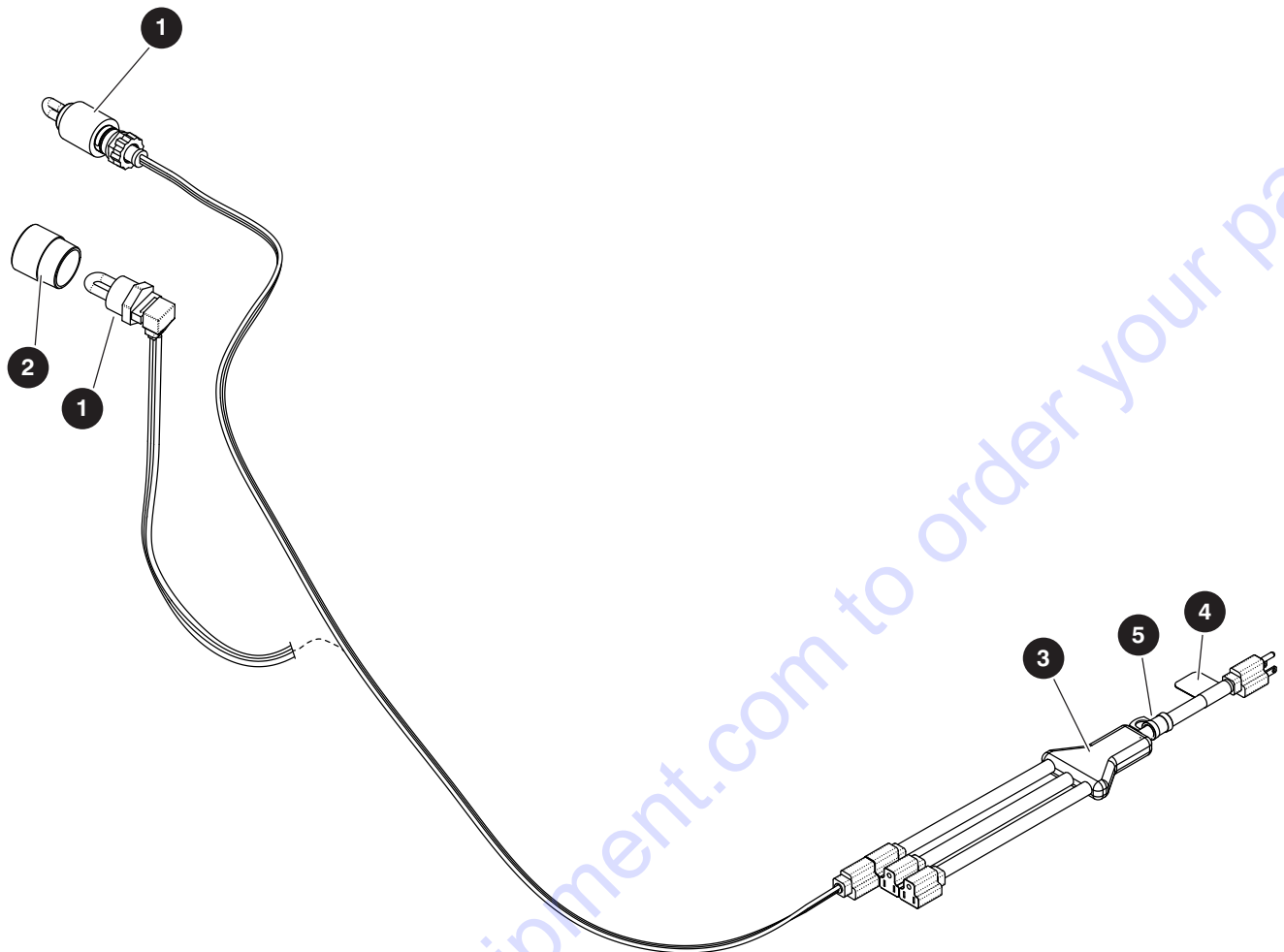
SJ61 T+, SJ66 T+

SKYJACK

9.17 Arctic Package Load Circuit - Deutz TD2.9L

Index No.	Skyjack Part No.	Qty.	Description
-	218993	1	LOAD CIRCUIT KIT - Deutz TD2.9L
1	194496	1	• MANIFOLD ASSEMBLY
2	170624	1	• BRACKET, Manifold
3	194872	1	• VALVE, Shuttle
4	703413	1	• FITTING, Run tee (12JICM-12JICFS-12JICM)
5	703284	1	• FITTING, 90° elbow (12JICM-12JICFSW)
6	702761	1	• FITTING, 90° elbow (06JICM-06JICFSW)
7	103309	1	• FITTING, Run tee (06JICM-06JICM-06JICF)
8	H540400340	1	• HOSE, Hydraulic (0.25"/100R17 x 34")
9	H511200300	1	• HOSE, Hydraulic (0.75"/100R17 x 30")
10	H510600570	1	• HOSE, Hydraulic (0.38"/100R17 x 57")
11	103861	2	• BOLT, Hex head (0.25"-20 x 2.00" gr 5)
12	103995	4	• WASHER, Flat (0.25")
13	115649	2	• NUT, Hex head nylon lock (0.25"-20 gr 5)
14	103856	2	• BOLT, Hex head (0.25"-20 x 0.75" gr 5)
15	104000	2	• WASHER, Lock (0.25")
16	218989	1	• HARNESS, Load circuit - 4XT
17	218991	1	• SCHEMATIC, Load circuit - 4XT (not shown)
18	109052	1	• FITTING, 06JISM-12ORBM)
19	204125	1	INSTRUCTION, Load circuit - 6XT (not shown)

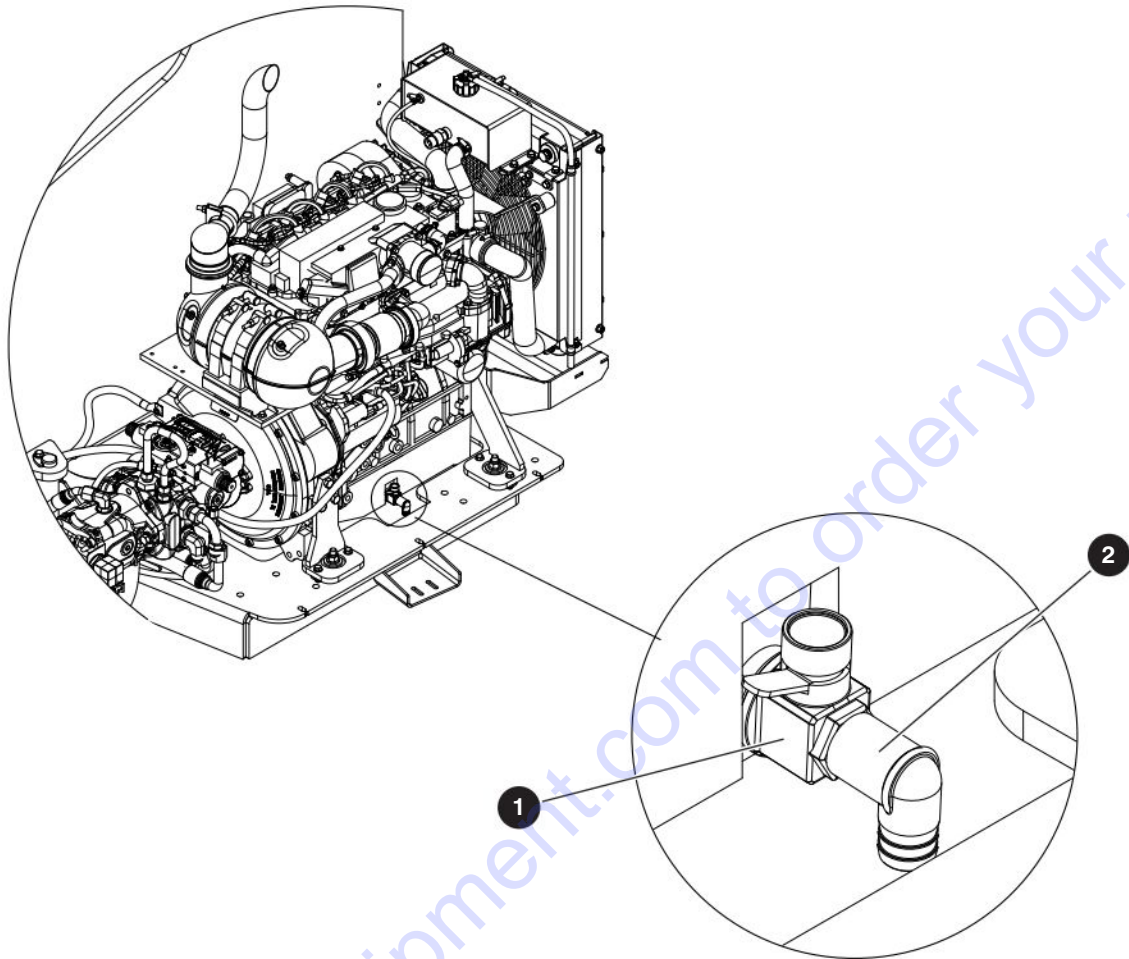
9.18 Block Heater



M171564AA_M170738AA

Index No.	Skyjack Part No.	Qty.	Description
A	171564	1	BLOCK HEATER - Deutz TD2.9L engine
B	213417	1	BLOCK HEATER - Kubota WG2503 engine
1	165559	1	• HEATER, Block (120V) - Deutz TD/D2.9L, A
	170738	1	• HEATER, Block - Kubota WG2503, B
2	170073	1	• ADAPTER, B
3	159888	1	• CORD, "W"
4	168880	1	• LABEL, Block heater
5	144129	1	• CLIP, Single (S332G10)

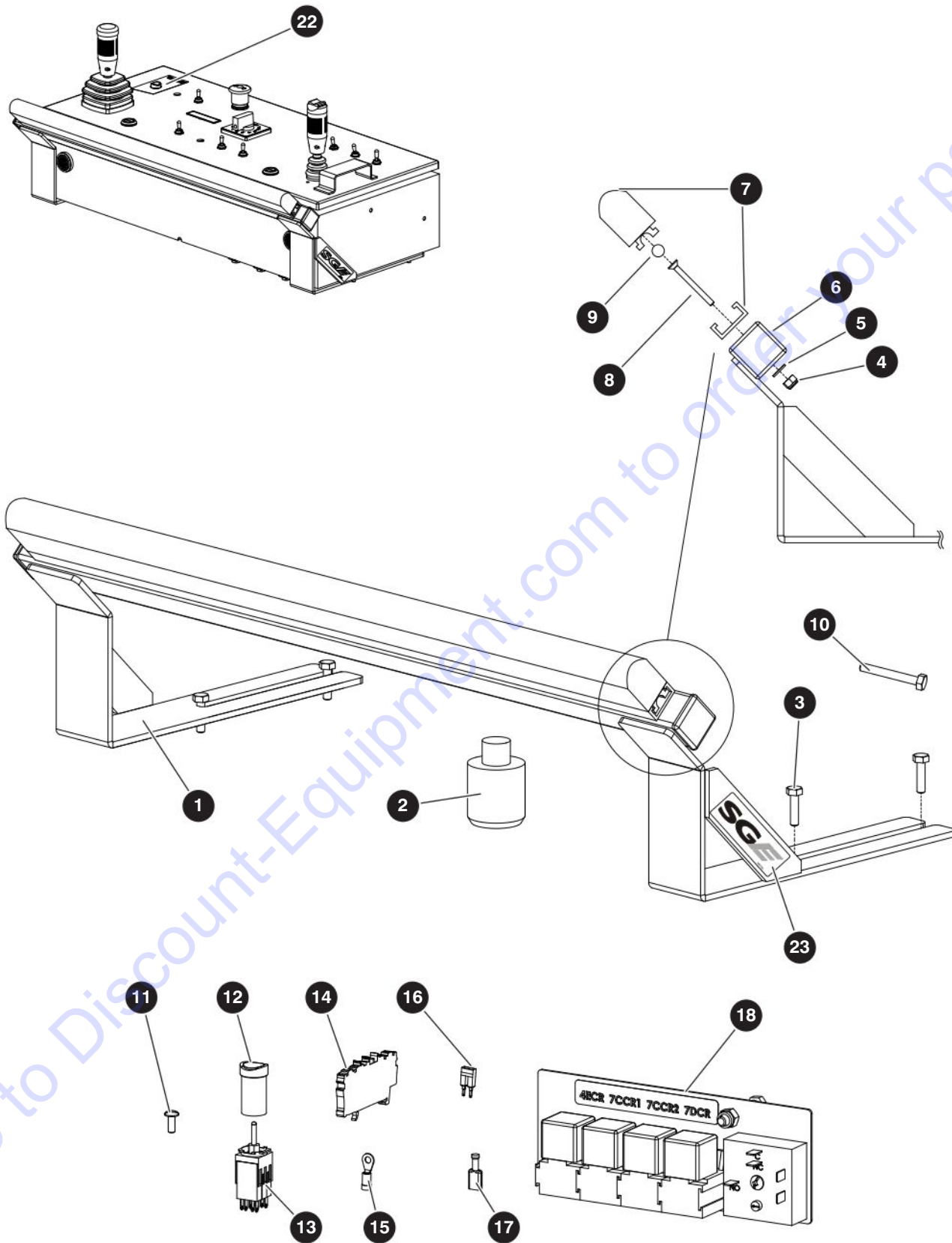
9.19 Oil Quick Drain



M169469AA

Index No.	Skyjack Part No.	Qty.	Description
A	169469	1	OIL QUICK DRAIN - Deutz Engines
B	171265	1	OIL QUICK DRAIN - Kubota Engines
1	167431	1	• VALVE, Oil drain, A
	170731	1	• VALVE, Oil drain, B
2	167432	1	• ELBOW, 90° oil drain, A

9.20 SGE - Secondary Guarding



M166232AA

229032ABA

258

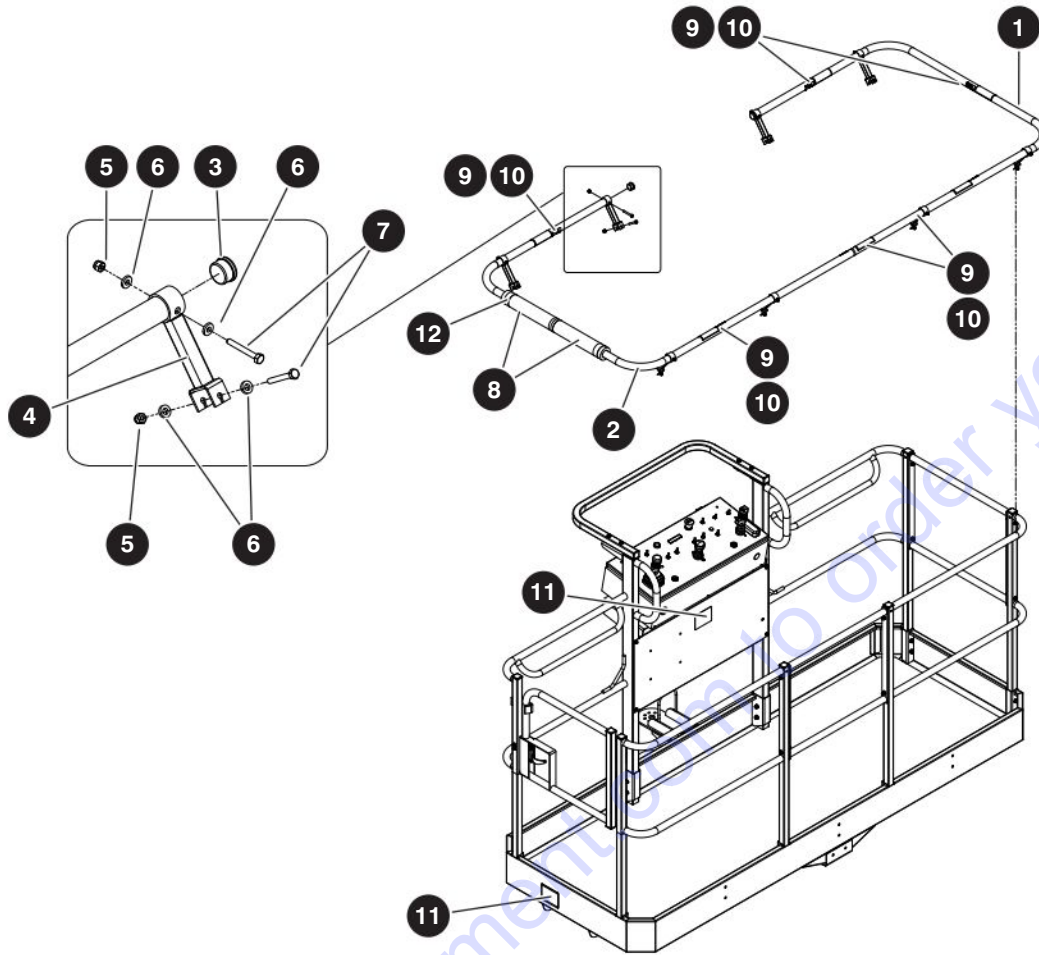
SJ61 T+, SJ66 T+

SKYJACK

9.20 SGE - Secondary Guarding

Index No.	Skyjack Part No.	Qty.	Description
-	166232	1	SGE ASSEMBLY (Secondary Guarding)
-	166106	1	SGE ASSEMBLY
1	166101	1	• SUPPORT ASSEMBLY, Sensing edge
2	166110	1	• ALARM/FLASHER, 12V, red LED
3	103857	4	• BOLT, Hex head (1/4"-20 x 1.00, Grade 5)
4	300450	3	• NUT, Hex head nylon lock (10-32, Grade 5)
5	104694	3	• WASHER, Flat (#10)
6	100702	2	• CAP, Plastic End
7	166107	1	• EDGE, Sensing with countersunk rail
8	166105	3	• BOLT, Flat head cap screw (10-32 x 1.75". Grade 5)
9	166104	1	• ROD, Sensing edge lock
10	103861	2	• BOLT, Hex head (1/4"-20 x 2.00, Grade 5) - ANSI/CSA
11	167218	1	• SCREW, Machine slotted binding head (6-32 x 0.25")
-	166085	1	• ELECTRICAL ASSEMBLY, SGE
12	166087	1	• • PUSH BUTTON OPERATOR, Yellow flush spring return
13	166086	1	• • CONTACT BLOCK BODY, N/O, yellow LED 12-24V
14	137940	4	• • BLOCK, Terminal
15	102955	1	• • TERMINAL, Ring 14-16GA, #6 blue
16	137942	2	• • JUMPER, 2 pin
17	105359	2	• • TERMINAL, Female spade 14-16GA, insulated blue
18	166018	1	• • RELAY ASSEMBLY
	166112	1	• • • PLATE, Relay mounting
	138749	4	• • • SOCKET, Automotive relay
	164683	1	• • • TIMER, Delay on make 0.1-10.0 s
	127131	4	• • • RELAY
	163241	2	• • • SPACER
	103860	2	• • • BOLT, Hex head (0.25-20" x 1.75", Grade 5)
	115649	2	• • • NUT, Hex head nylon lock (0.25"-20, Grade 5)
	104003	3	• • • NUT, Hex head (10-32)
	115545	2	• • • SCREW, Socket head cap (10-32 x 0.375")
	105621	1	• • • SCREW, Round head machine (10-32 x 1.00")
	166026	1	• • • LABEL, Relay - secondary guarding
19	166032	1	• • WIRE ASSEMBLY, SGE (not shown)
20	166786	1	• • WIRE KIT, SGE Base control (not shown)
21	113719	8	• • TIEWRAP, 3-5/8" long black (not shown)
22	166139	1	• LABEL, SGE (reset button)
23	166756	2	• LABEL, SGE
24	167257	1	INSTALLATION INSTRUCTIONS, SGE (not shown) - ANSI/CSA
25	165063	1	INSTALLATION INSTRUCTIONS, SGE (not shown) - CE & AS

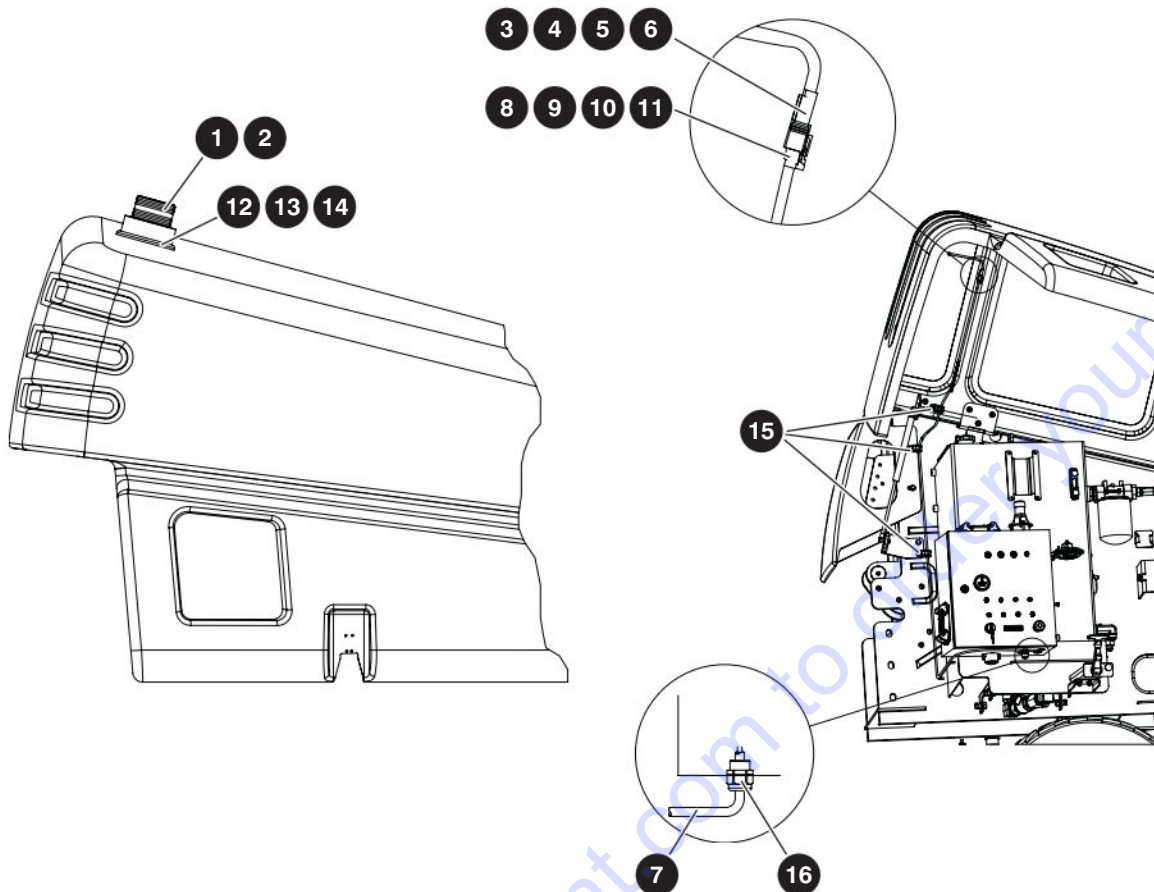
9.21 External Platform Railing



M144780AD

Index No.	Skyjack Part No.	Qty.	Description
-	163409	1	EXTERNAL PLATFORM RAILING ASSEMBLY (96" x 36")
1	144706	1	• TUBE, External railing (Right)
2	144712	1	• TUBE, External railing (Left)
3	144048	2	• PLUG, Round end
4	144747	8	• WELDMENT, External railing stand-off
5	115649	16	• NUT, Hex head (1/4"-20 Grade 5, nylon)
6	103995	32	• WASHER, Flat (1/4")
7	103861	16	• BOLT, Hex head (1/4"-20 x 2" Grade 5)
8	104183	2	• PAD, Entry railing (1')
9	115543	6	• LABEL, Warning no step
10	137988	6	• LABEL, Hazard crush/pinch point
11	144722	2	• LABEL, Capacity (475 lb/2 person)
12	119803	1	• LABEL, Caution tape

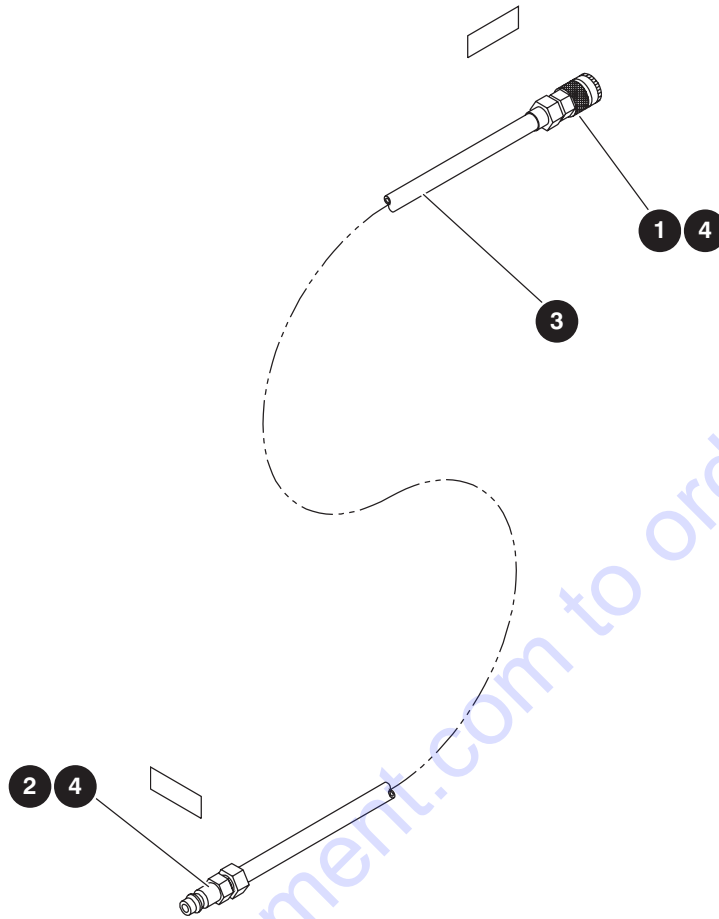
9.22 Flashing Light



M144026AA2

Index No.	Skyjack Part No.	Qty.	Description
-	148353	1	FLASHING LIGHT ASSEMBLY
1	144078	1	• ASSEMBLY, Flashing amber light
2	143971	1	• • STROBE LIGHT, Amber (12/24 VDC)
	144215	1	• • • FLASH TUBE
3	117596	1	• • CONNECTOR RECEPTACLE (2 pin)
4	117590	2	• • CONNECTOR CONTACT PIN (16/18 GA)
5	117598	1	• • WEDGE, Receptacle (2 pin)
6	124399	4"	• • SPLIT LOOM (1/4 inch)
7	144079	1	• HARNESS, Flashing amber light
8	117597	1	• • PLUG, Connector (2 pin)
9	117591	2	• • SOCKET, Connector contact (16/18 GA)
10	117599	1	• • WEDGE, Plug (2 pin)
11	103256	120	• • CABTIRE, SJ (18/2)
12	122498	3	• SCREW, Machine round head (10-32 x 1-1/4")
13	300450	3	• NUT, Lock nylon insert (10-32)
14	104694	3	• WASHER, Flat (10-32)
15	102972	3	• CLIP, Double (G8)
16	103041	1	• CONNECTOR, Strain relief (blue)

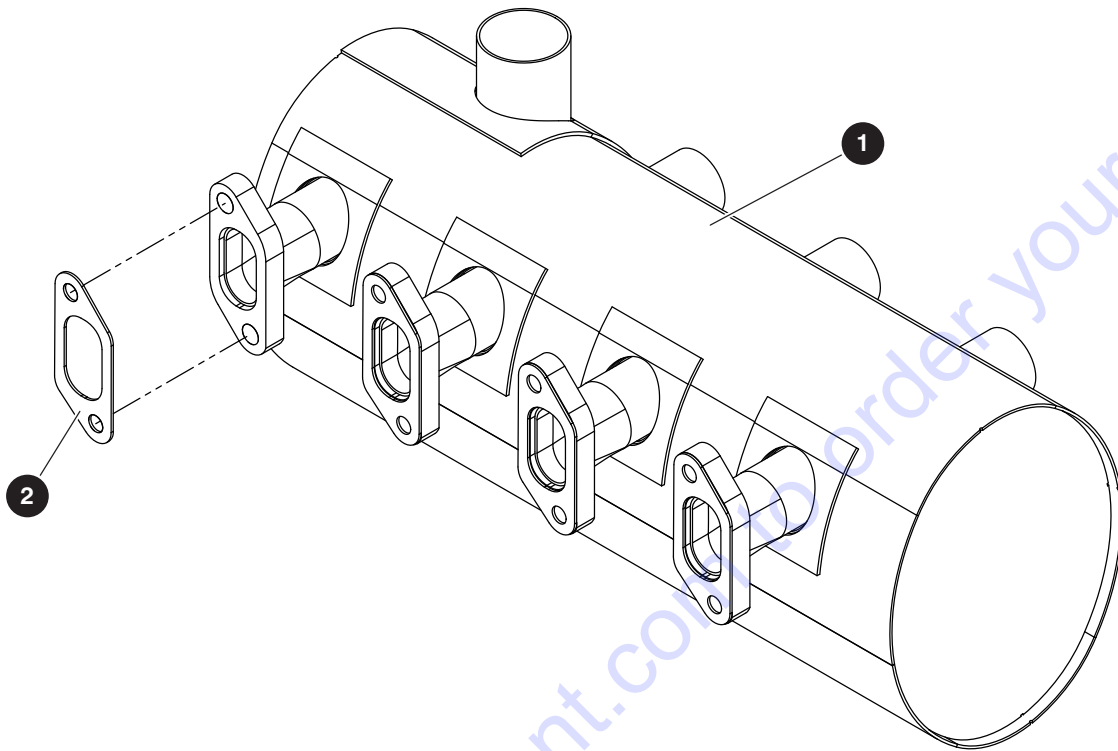
9.23 Air Hose To Platform



ML3F-1017AA

Index No.	Skyjack Part No.	Qty.	Description
A	146735	1	AIR HOSE TO PLATFORM - SJ61 T+
B	147420	1	AIR HOSE TO PLATFORM - SJ66 T+
1	107882	1	• FITTING, Female disconnect (#B22E)
2	107883	1	• FITTING, Male disconnect (16.1262)
3	107884	960"	• HOSE, Air (1/2" diameter), A
	107884	1032"	• HOSE, Air (1/2" diameter), B
4	109050	2	• FITTING, Hose barb (Brass)

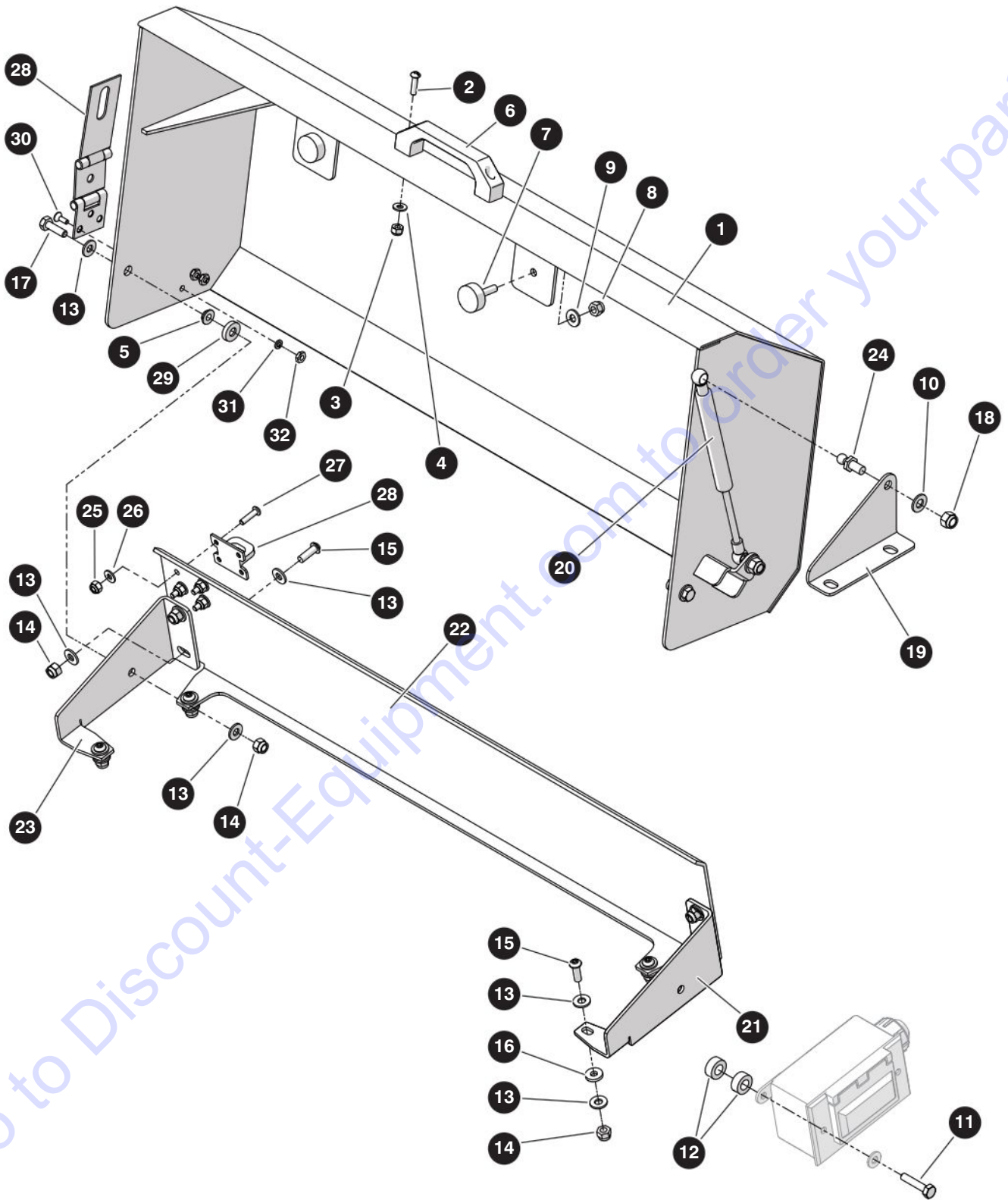
9.24 Diesel Scrubber



M146223AB

Index No.	Skyjack Part No.	Qty.	Description
-	146223	1	DIESEL SCRUBBER - Deutz D2011
1	148419	1	<ul style="list-style-type: none"> • MUFFLER, Diesel Scrubber
2	144299	4	<ul style="list-style-type: none"> • GASKET, Catalytic muffler

9.25 Control Box Cover



M216819AA

229032ABA

264

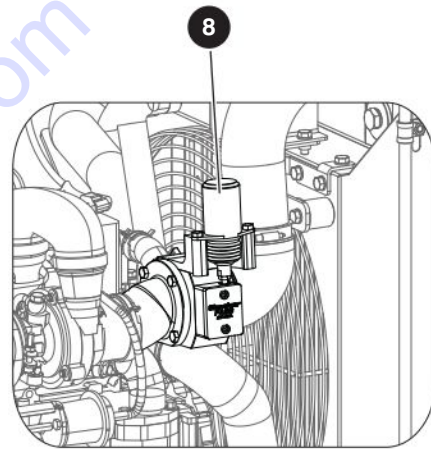
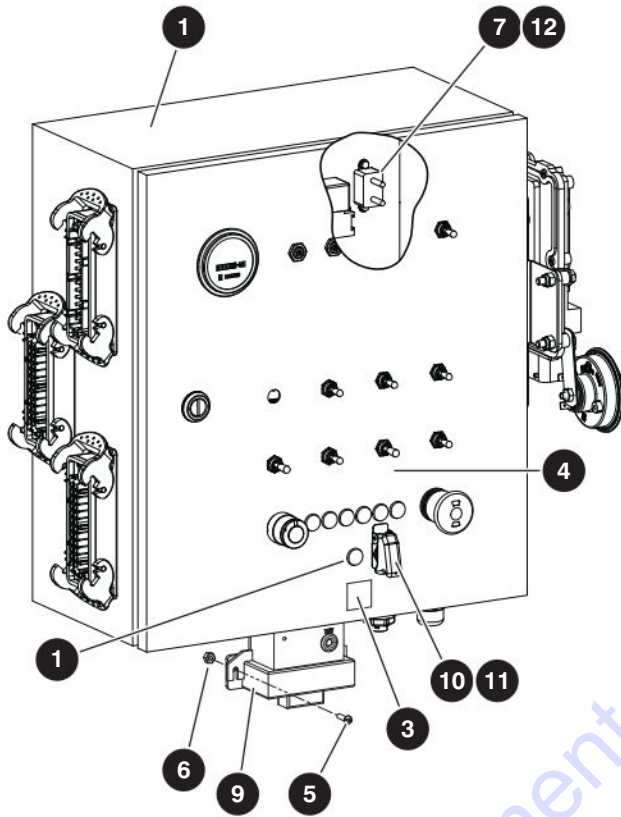
SJ61 T+, SJ66 T+

SKYJACK

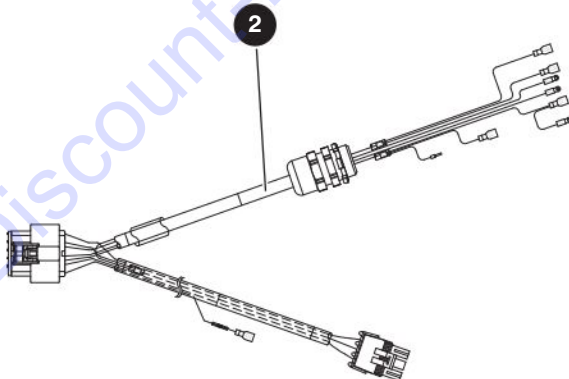
9.25 Control Box Cover

Index No.	Skyjack Part No.	Qty.	Description
-	216918	1	CONTROL BOX COVER
-	216917	1	<ul style="list-style-type: none"> COVER ASSEMBLY, Control box
1	216919	1	<ul style="list-style-type: none"> COVER, Control box
2	104698	2	<ul style="list-style-type: none"> SCREW, Round machine (#10-32 x 1")
3	300450	2	<ul style="list-style-type: none"> NUT, Hex lock (#10-32 Grade 5, nylon)
4	104694	2	<ul style="list-style-type: none"> WASHER, Flat (#10)
5	154305	2	<ul style="list-style-type: none"> BUSHING, Flanged (0.25" ID x 0.1875")
6	137653	1	<ul style="list-style-type: none"> HANDLE, Pull
7	144015	2	<ul style="list-style-type: none"> MOUNT, Anti-vibration
8	115649	2	<ul style="list-style-type: none"> NUT, Hex lock (0.25"-20 Grade 5, nylon)
9	103995	2	<ul style="list-style-type: none"> WASHER, Flat (0.25")
10	103996	2	<ul style="list-style-type: none"> WASHER, Flat (0.3125")
11	103858	2	<ul style="list-style-type: none"> BOLT, Hex head (0.25"-20 x 1.25" Grade 5)
12	159960	4	<ul style="list-style-type: none"> SPACER, (0.75" OD)
13	103995	16	<ul style="list-style-type: none"> WASHER, Flat (0.25")
14	115649	10	<ul style="list-style-type: none"> NUT, Hex lock (0.25"-20 Grade 5, nylon)
15	139168	8	<ul style="list-style-type: none"> SCREW, Button head cap (0.25"-20 x 0.75")
16	159956	4	<ul style="list-style-type: none"> WASHER, Rubber (0.25")
17	103891	2	<ul style="list-style-type: none"> BOLT, Hex head (0.25"-20 x 0.875" Grade 5)
18	103984	2	<ul style="list-style-type: none"> NUT, Hex lock (0.3125"-18 Grade 5, nylon)
19	154323	1	<ul style="list-style-type: none"> BRACKET, Gas spring
20	162101	1	<ul style="list-style-type: none"> GAS SPRING, Control box cover
21	162048	1	<ul style="list-style-type: none"> PLATE, Right side cover
22	216921	1	<ul style="list-style-type: none"> PLATE, Back cover
23	162049	1	<ul style="list-style-type: none"> PLATE, Left side cover
24	162123	2	<ul style="list-style-type: none"> STUD, Ball (10 mm x 0.54")
25	300450	4	<ul style="list-style-type: none"> NUT, Hex head nylon lock (10-32, Grade 5)
26	104694	4	<ul style="list-style-type: none"> WASHER, Flat (10)
27	104698	4	<ul style="list-style-type: none"> SCREW, Round head machine (10-32 x 0.75")
28	216675	1	<ul style="list-style-type: none"> HASP, Double hinge (3.25")
29	168336	3	<ul style="list-style-type: none"> SPACER, Nylon (0.394" ID x 0.75" OD x 0.125" long)
30	124031	3	<ul style="list-style-type: none"> SCREW, Flat head (10-32 x 0.50")
31	104185	3	<ul style="list-style-type: none"> WASHER, Lock (10)
32	104003	3	<ul style="list-style-type: none"> NUT, Hex (10-32)
33	162032	1	<ul style="list-style-type: none"> INSTRUCTION, Control box cover installation (not shown)

9.26 Positive Air Shut-Off Valve - Deutz TD2.9L



On the engine



M194222AA_M192007AA_M194146ABAA

229032ABA

266

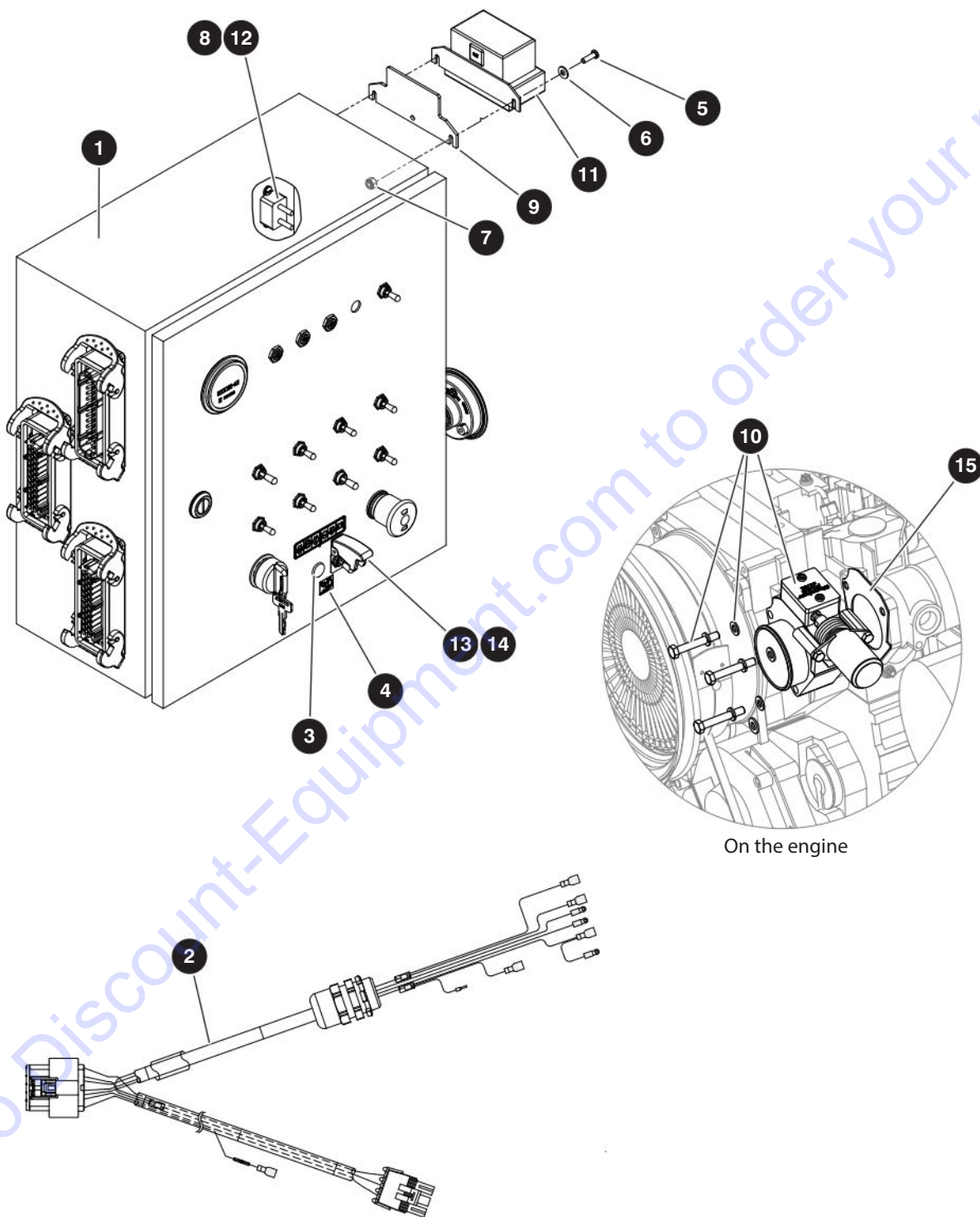
SJ61 T+, SJ66 T+

SKYJACK

9.26 Positive Air Shut-Off Valve - Deutz TD2.9L

Index No.	Skyjack Part No.	Qty.	Description
1	(Ref.)	1	BASE CONTROLS FOR POSITIVE AIR SHUT-OFF - ANSI/CSA Deutz TD2.9L (For components, refer to 4.18 Base Control Box)
2	192007	1	• HARNESS, Positive air shut-off option
3	169923	1	• LABEL, Positive air shutoff switch
4	(Ref.)	1	• LABELS, Base controls & relays (For components, refer to 10.5 Labels - Control Compartment)
-	194146	-	POSITIVE AIR SHUT-OFF VALVE
5	116192	2	• SCREW, Round head machine (8-32 x 0.625")
6	138765	2	• NUT, Hex head nylon lock (8-32 gr 5)
7	112327	2	• BOLT, Self-tapping (8-18 x 0.50")
8	168544	1	• SHUTOFF SYSTEM, Positive air - DZTA2.9T4-12VAR
9	171821	1	• • LIMITER, Automatic rev - R5
10	171826	1	• • COVER, Toggle safety (red)
11	115574	1	• • SWITCH, Toggle (1NT1-2)
12	171899	1	• • CIRCUIT BREAKER, Auto reset (20 amp)

9.27 Positive Air Shut-Off Valve - Deutz D2011



M195517AA_M195144AA_M195327AA

229032ABA

268

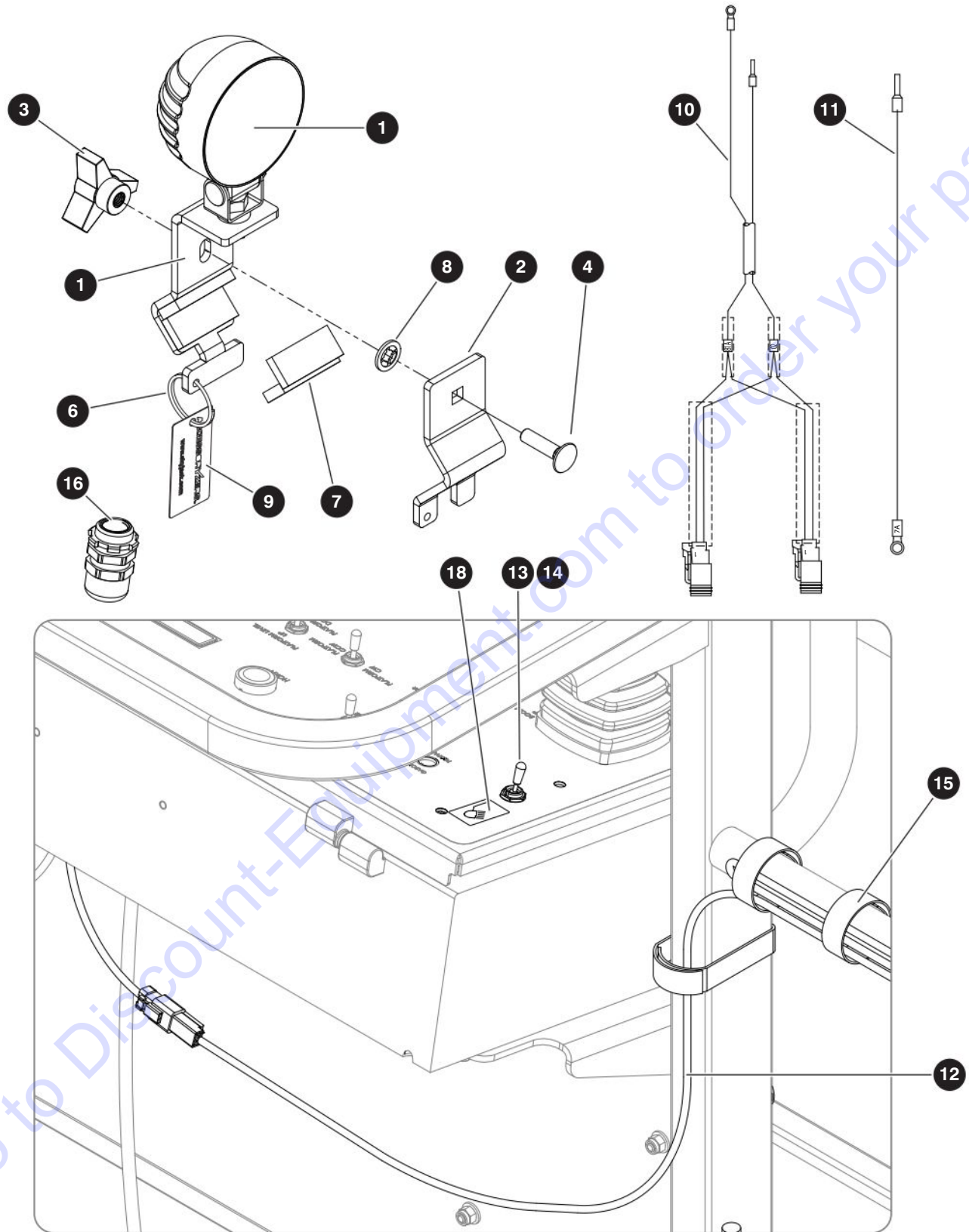
SJ61 T+, SJ66 T+

SKYJACK

9.27 Positive Air Shut-Off Valve - Deutz D2011

Index No.	Skyjack Part No.	Qty.	Description
A	195515	1	BASE CONTROLS WITH POSI-AIR SHUT-OFF - SJ61 T+ Deutz D2011 ANSI/CSA
B	195517	1	BASE CONTROLS WITH POSI-AIR SHUT-OFF - SJ66 T+ Deutz D2011 ANSI/CSA
1	195340	1	<ul style="list-style-type: none"> • BASE CONTROL BOX WITH MODIFICATIONS, A • BASE CONTROL BOX WITH MODIFICATIONS, B (For components, refer to 4.18 Base Control Box)
	195147	1	
2	195144	1	<ul style="list-style-type: none"> • • HARNESS, Positive air shut-off option
3	164832	1	<ul style="list-style-type: none"> • • INDICATOR, Light (red)
4	169923	1	<ul style="list-style-type: none"> • LABEL, Positive air shut-off
5	120094	2	<ul style="list-style-type: none"> • SCREW, Round head machine (10-32 x 0.625")
6	104694	2	<ul style="list-style-type: none"> • WASHER, Flat (#10)
7	300450	4	<ul style="list-style-type: none"> • NUT, Hex head nylon lock (10-32, grade 5)
8	115545	2	<ul style="list-style-type: none"> • SCREW, Round head machine (#10-32 x 0.375")
9	195404	1	<ul style="list-style-type: none"> • BACKPLATE, PASO controller
-	195327	1	POSITIVE AIR SHUT-OFF SYSTEM - Deutz D2011 ANSI/CSA
10	195326	1	<ul style="list-style-type: none"> • VALVE, Positive air shut-off - Deutz 2011
11	171821	1	<ul style="list-style-type: none"> • LIMITER, Automatic rev - R5
12	171899	1	<ul style="list-style-type: none"> • CIRCUIT BREAKER, Auto reset (20 amp)
13	171826	1	<ul style="list-style-type: none"> • COVER, Toggle safety (red)
14	115574	1	<ul style="list-style-type: none"> • SWITCH, Toggle (1NT1-2)
15	195379	1	<ul style="list-style-type: none"> • GASKET, PASO - Deutz D201

9.28 Work Lights



M207504AA

229032ABA

270

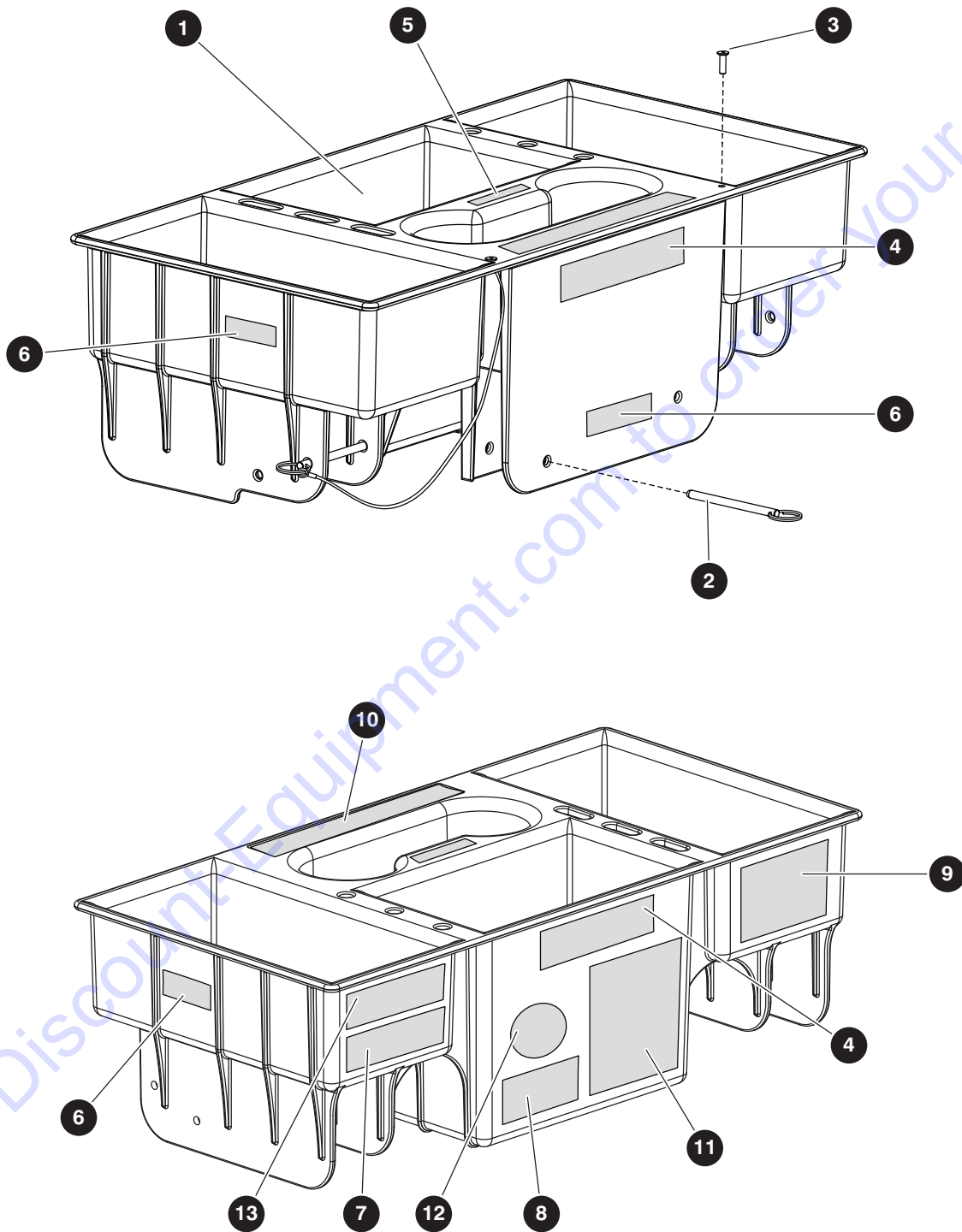
SJ61 T+, SJ66 T+

SKYJACK

9.28 Work Lights

Index No.	Skyjack Part No.	Qty.	Description
-	207504	1	PLATFORM WORK LIGHTS FIELD KIT
-	165134	1	• WORK LIGHTS ASSEMBLY
-	208789	1	• • WORK LIGHTS ASSEMBLY
1	207672	2	• • • BRACKET, Inner - work light
2	207669	2	• • • BRACKET, Outer - work light
3	169005	2	• • • KNOB, Three arm (0.3125" threaded insert)
4	106049	2	• • • BOLT, Carriage (0.3125"-18 x 1.25" gr 5)
5	171888	2	• • • LAMP, Work
6	160320	2	• • • RING, Retaining
7	103628	14"	• • • RUBBER, Self seal
8	208790	2	• • • WASHER, Self-retaining
9	208935	2	• • • TAG, Accessoryzers
-	169002	1	• • WORK LIGHT ELECTRICAL ASSEMBLY
10	168634	1	• • • WIRE ASSEMBLY, Work light (toggle to e-stop and harness)
11	168635	1	• • • WIRE ASSEMBLY, Work light (terminal block to harness)
12	168637	2	• • • HARNESS, Work light
13	115574	1	• • • SWITCH, Toggle (1NT1-2)
14	144016	1	• • • SEAL, Toggle switch
15	149599	10	• • • TIE, Cable - velcro
16	103036	1	• • • CONNECTOR, Strain relief
17	168636	1	• • • WIRING DIAGRAM, Work light (not shown)
18	172305	1	• LABEL, Work light
19	208829	1	• INSTALLATION INSTRUCTION, Work lights (not shown)

9.29 Tool Caddy



M204334AB

229032ABA

272

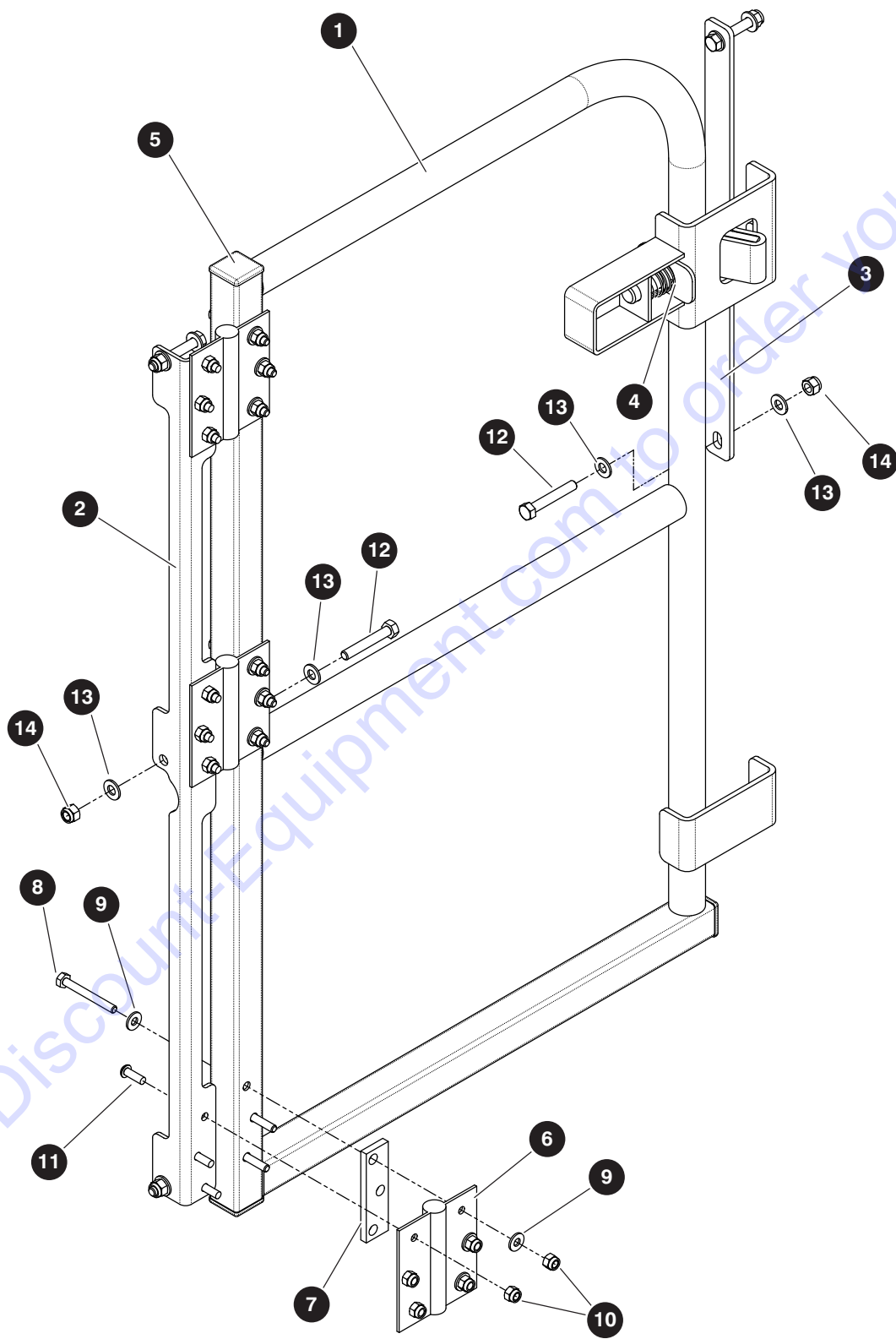
SJ61 T+, SJ66 T+

SKYJACK

9.29 Tool Caddy

Index No.	Skyjack Part No.	Qty.	Description
-	211271	1	TOOL CADDY KIT
-	204334	1	• TOOL CADDY ASSEMBLY
1	198945	1	• • TOOL CADDY TRAY, Plastic (Std)
2	198965	2	• • PIN, Quick release 1/4x3.2 LG with Lanyard
3	116161	2	• • RIVET, Pop (0.1875" x 0.565")
4	172293	2	• • LABEL, Skyjack logo, 5" white
5	172294	1	• • LABEL, Skyjack logo, 3" white
6	168421	3	• • LABEL, Lock pin in place
7	172245	1	• • LABEL, Tool caddy weight
8	172246	1	• • LABEL, Tool caddy pin location
9	172247	1	• • LABEL, Tool caddy location
10	172292	1	• • LABEL, Accessoryzers, 8" white
11	172298	1	• • LABEL, Tool caddy models serial numbers
12	172299	1	• • LABEL, Do not block exit/entrance
13	172297	1	• • LABEL, Drive slowly when tool caddy is installed
14	204306	1	• INSTRUCTIONS, Tool caddy installation (not shown)

9.30 Half-Height Platform Mesh



M211359AA

229032ABA

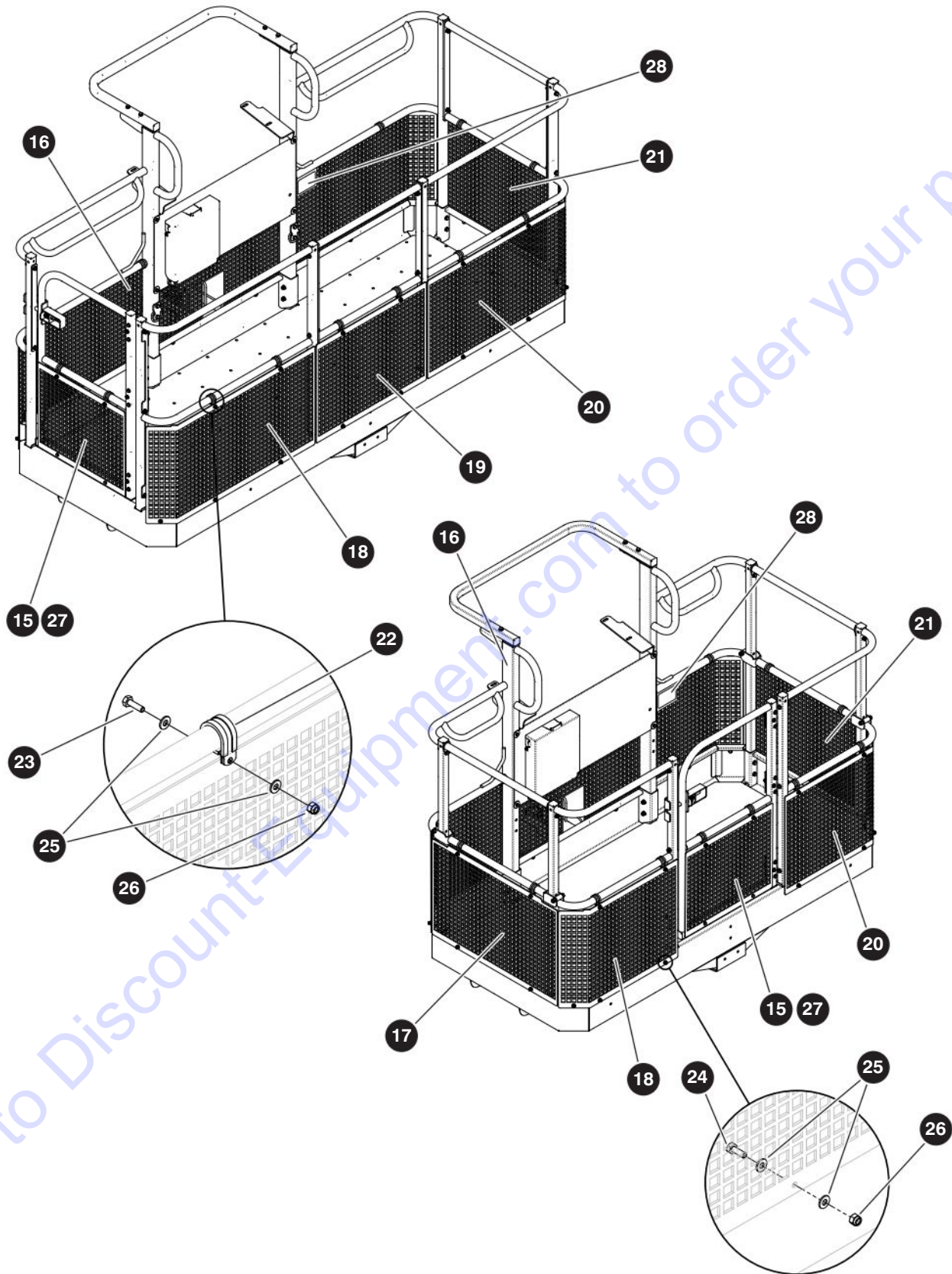
SJ61 T+, SJ66 T+

9.30 Half-Height Platform Mesh

Index No.	Skyjack Part No.	Qty.	Description
A	211776	1	• HALF HEIGHT MESH KIT for 8' / 2.44 m Rear Entry Platform
B	211777	1	• HALF HEIGHT MESH KIT for 8' / 2.44 m Side Entry Platform
C	211778	1	• HALF HEIGHT MESH KIT for 6' / 2.44 m Rear Entry Platform
-	211360	1	• MESH ASSEMBLY, Rear entry 8' / 2.44 m platform, A
-	211362	1	• MESH ASSEMBLY, Side entry 8' / 2.44 m platform, B
-	211363	1	• MESH ASSEMBLY, Rear entry 6' / 2.44 m platform, C
-	211359	1	• • FULL SWING GATE
1	209032	1	• • • GATE, Swing - full
2	211375	1	• • • BRACKET, Mounting - hinge
3	166287	1	• • • PLATE, Locking
4	110824	1	• • • LATCH, Pin - door spring
	105312	1	• • • • BED, Latch
	109377	1	• • • • PIN, Latch (0.625" x 4.187")
	105307	1	• • • • HANDLE, Latch
	103107	1	• • • • SPRING, Compression
	100950		• • • • PIN, Spring (0.125" x 1.00")
5	100702	3	• • • PLUG, Tube (1.25" x 1.25")
6	209527	3	• • • HINGE, Spring
7	164592	3	• • • TAB, Hinge
8	103862	9	• • • BOLT, Hex head (0.25"-20 x 2.25" gr 5)
9	103995	18	• • • WASHER, Flat (0.25")
10	115649	18	• • • NUT, Lock (0.25"-20 gr 5 nylon)
11	139168	9	• • • BOLT, Button head cap screw (0.25"-20 x 0.75")
12	103865	5	• • • BOLT, Hex head (0.312"-18 x 2.00" gr 5)
13	103996	10	• • • WASHER, Flat (0.312")
14	103984	5	• • • NUT, Lock (0.313"-18 gr 5 nylon)

Parts list continued on the next page.

9.30 Half-Height Platform Mesh



M211777AA_M211778AA

229032ABA

276

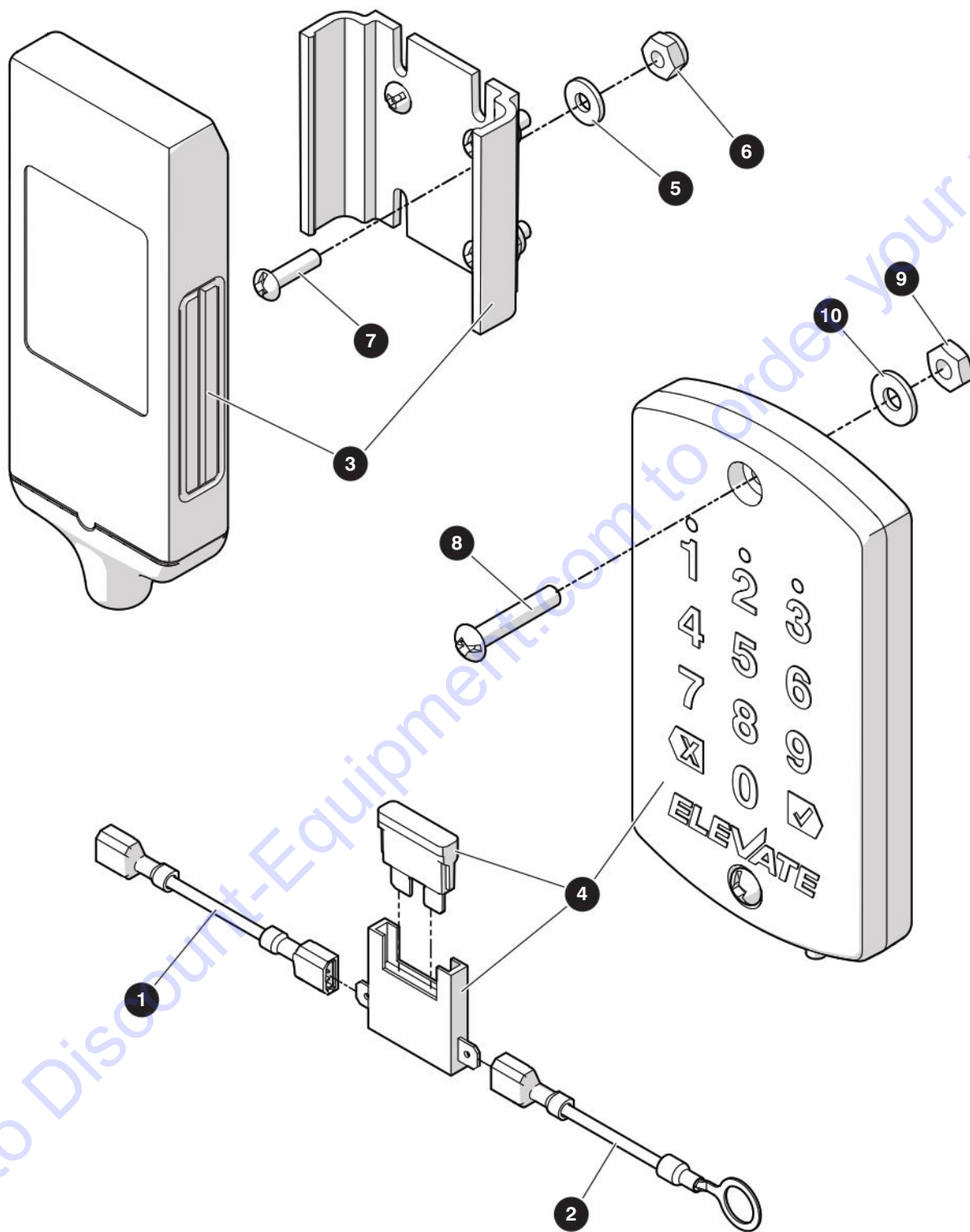
SJ61 T+, SJ66 T+

SKYJACK

9.30 Half-Height Platform Mesh

Index No.	Skyjack Part No.	Qty.	Description
A	211776	1	• HALF HEIGHT MESH KIT for 8' / 2.44 m Rear Entry Platform
B	211777	1	• HALF HEIGHT MESH KIT for 8' / 2.44 m Side Entry Platform
C	211778	1	• HALF HEIGHT MESH KIT for 6' / 1.83 m Rear Entry Platform
Parts list continued from the previous page.			
15	208942	1	• • MESH, Gate
16	209029	1	• • MESH, Front - 36" x 96" / 0.91 m x 2.44 m platform, A, B
	211604	1	• • MESH, Front - 36" x 72" / 0.91 m x 1.83 m platform, C
17	208940	1	• • MESH, Side - 36" / 0.91 m platform, A, C
18	209041	1	• • MESH, Rear LH - 36" x 96" / 0.91 m x 2.44 m platform, A, B
	211603	1	• • MESH, Rear LH - 36" x 72" / 0.91 m x 1.83 m platform, C
	211613	1	• • MESH, Rear mid - 36" x 96" / 0.91 m x 2.44 m platform, B
20	211361	1	• • MESH, Rear RH - 36" x 96" / 0.91 m x 2.44 m platform, A, B
	211602	1	• • MESH, Rear RH - 36" x 96" / 0.91 m x 2.44 m platform, C
21	208940	1	• • MESH, Side - 36" / 0.91 m platform, A, B, C
22	209030	14	• • CLAMP, Loop - cushioned (#19), A, B, C
23	103891	14	• • BOLT, Hex head (0.25"-20 x 0.875" gr 5), A, B, C
24	103856	16	• • BOLT, Hex head (0.25"-20 x 0.75" gr 5), A, B, C
25	103995	60	• • WASHER, Flat (0.25"), A, B, C
26	115649	30	• • NUT, Lock (0.25"-20 gr 5 nylon), A, B, C
27	103632	2	• • BOLT, Self-tapping hex head (0.25"-14 x 0.75")
28	172519	1	• • LABEL, Mesh weight (25 kg/55 lb)
29	211727	1	• INSTRUCTION, Half height platform mesh installation (not shown)

9.31 Elevate Telematics



M236118A


229032ABA

278


SJ61 T+, SJ66 T+

SKYJACK

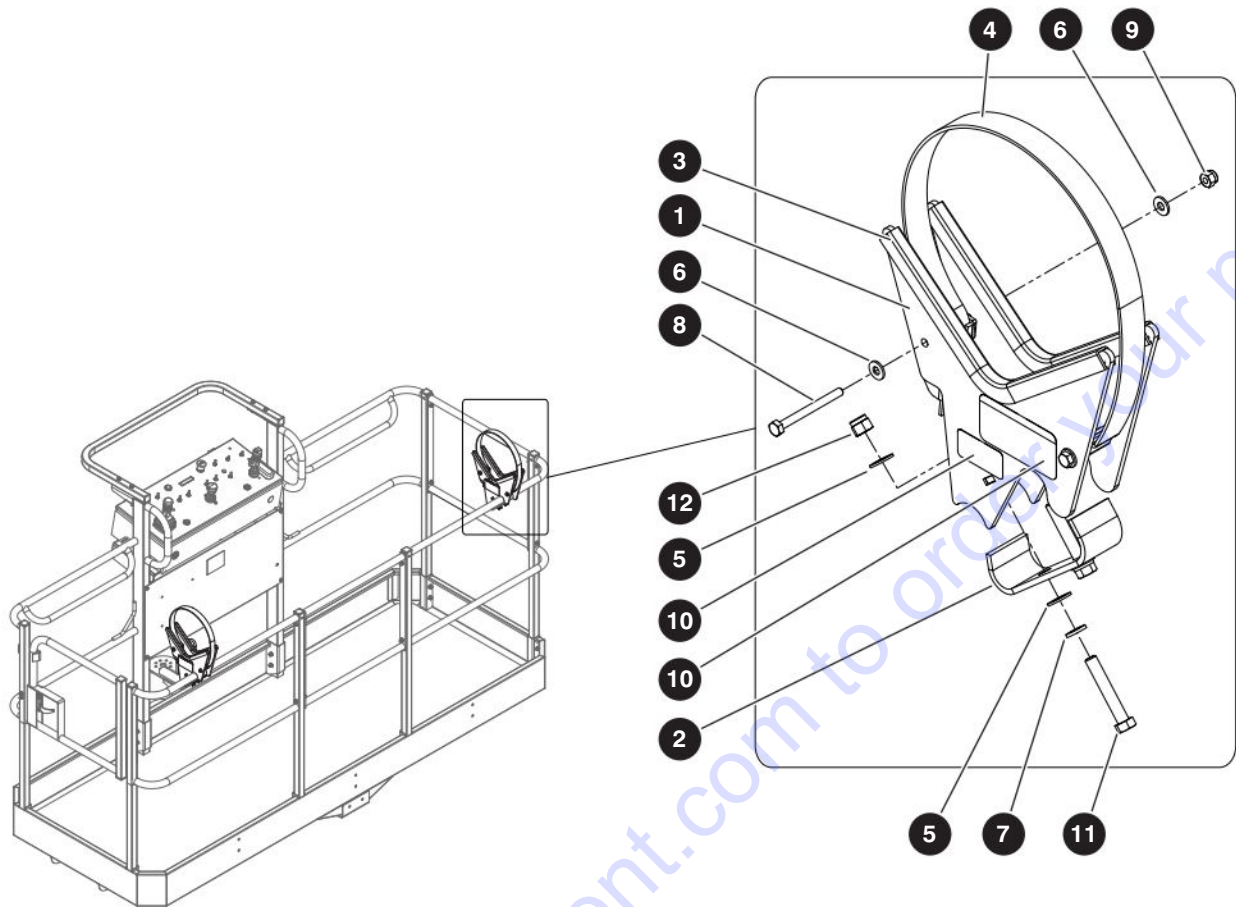
9.31 Elevate Telematics

Index No.	Skyjack Part No.	Qty.	Description
			 NOTE A subscription is required to use the Elevate Telematics option. Refer to "Elevate Telematics Subscription" on page 280.
A	236118	1	ELEVATE TELEMATICS WITH KEYPAD INSTALLATION KIT
B	236169	1	ELEVATE TELEMATICS WITHOUT KEYPAD INSTALLATION KIT
-	218453	1	• ELEVATE TELEMATICS INSTALLATION KIT, A
	218454	1	• ELEVATE TELEMATICS INSTALLATION KIT, B
-	236134	1	• • ELEVATE TELEMATICS ASSEMBLY, A
	236135	1	• • ELEVATE TELEMATICS ASSEMBLY, B
1	221149	1	• • • WIRE ASSEMBLY, B+
2	220577	1	• • • WIRE ASSEMBLY, B+
3	213098	1	• • • TELEMATICS, Elevate GPS ME501-4
4	213099	1	• • • TELEMATICS, Elevate keypad, A
5	191833	4	• • • WASHER, Flat (#6)
6	196306	4	• • • NUT, Lock (6-32 gr 5 nylon)
7	114678	4	• • • SCREW, Round head machine (6-32 x 1/2")
8	126499	2	• • • SCREW, Round head machine (8-32 x 7/8"), A
9	103986	2	• • • NUT, Hex (8-32), A
10	103991	2	• • • WASHER, Flat (#8), A
11	102892	20	• TIE, Cable (5-3/8") (not shown)
12	221111	1	• INSTRUCTION, Operating - Elevate telematics (not shown), A
13	236117	1	• INSTRUCTIONS, Elevate telematics installation (not shown)

9.32 Elevate Telematics Subscription

Index No.	Skyjack Part No.	Qty.	Description
			 NOTE <i>One of the following subscriptions is required to use the Elevate Telematics option.</i>
1	221153	1	SUBSCRIPTION, Elevate telematics - Monitoring (12 months)
2	221647	1	SUBSCRIPTION, Elevate telematics - Engage (12 months)
3	221348	1	SUBSCRIPTION, Elevate telematics - Engage + Access (12 months)
4	221154	1	SUBSCRIPTION, Elevate telematics - Monitoring (36 months)
5	221650	1	SUBSCRIPTION, Elevate telematics - Engage (36 months)
6	221651	1	SUBSCRIPTION, Elevate telematics - Engage + Access (36 months)
7	221155	1	SUBSCRIPTION, Elevate telematics - Monitoring (60 months)
8	221654	1	SUBSCRIPTION, Elevate telematics - Engage (60 months)
9	221655	1	SUBSCRIPTION, Elevate telematics - Engage + Access (60 months)

9.33 Pipe Rack



M159901AD

Index No.	Skyjack Part No.	Qty.	Description
-	162052	1	PIPE RACK ASSEMBLY
-	162051	-	• PIPE RACK
-	159901	2	• • PIPE RACK, Bracket assembly
1	159902	1	• • • WELDMENT, Pipe rack bracket
2	159904	1	• • • PLATE, Pipe rack bottom
3	117398	2	• • • TRIM, Protective
4	144500	1	• • • STRAP, Pipe rack
5	103472	4	• • • WASHER, Flat (3/8")
6	103995	4	• • • WASHER, Flat (1/4")
7	103999	2	• • • WASHER, Lock (3/8")
8	144501	2	• • • BOLT, Hex head (1/4"-20 x 2 3/4" Grade 5)
9	115649	2	• • • NUT, Hex lock (1/4"-20 Grade 5, nylon)
10	144748	2	• • • LABEL, Pipe rack capacity
11	103873	2	• • • BOLT, Hex head (3/8"-16 x 2 1/2" Grade 5)
12	104606	2	• • • NUT, Hex lock (3/8"-16 Grade 5, nylon)
13	171239	2	• • • LABEL, Capacity (Pipe rack)
14	162725	1	• INSTRUCTIONS, Pipe rack installation (not shown)

Section 10 – Labels

10.1 *Label Kits*

10.2 *Labels - Front and Bottom*

10.3 *Labels - Engine Side*

10.4 *Labels - Controls Side*

10.5 *Labels - Control Compartment*

10.6 *Labels - Fuel*

10.7 *Labels - Engine Compartment*

10.8 *Labels - Platform*

10.1 Label Kits

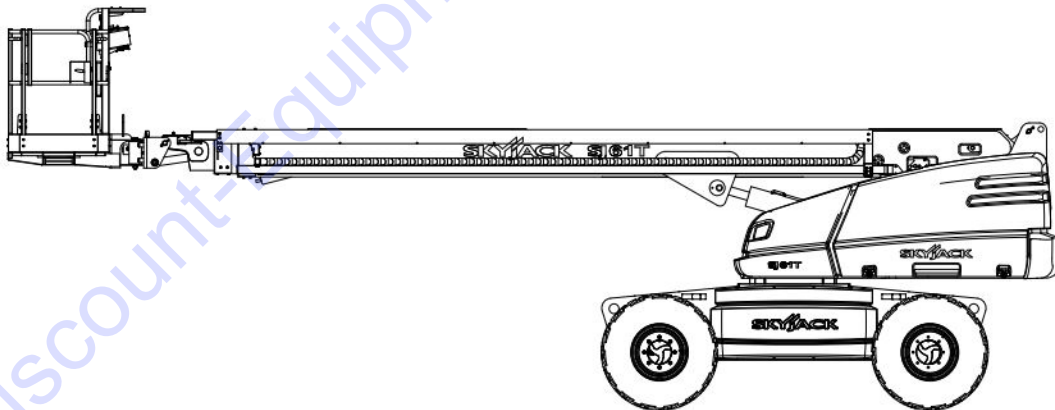
The following label kits contain all of the labels required for a complete standard machine, with the exception of:

- Serial number plates
- Platform capacity labels
- Tire type, load, and pressure labels
- Model number labels
- Engine- and fuel-specific labels
- Powerline clearance label for AS
- Safety tape

Contact Discount-equipment to order those labels individually.

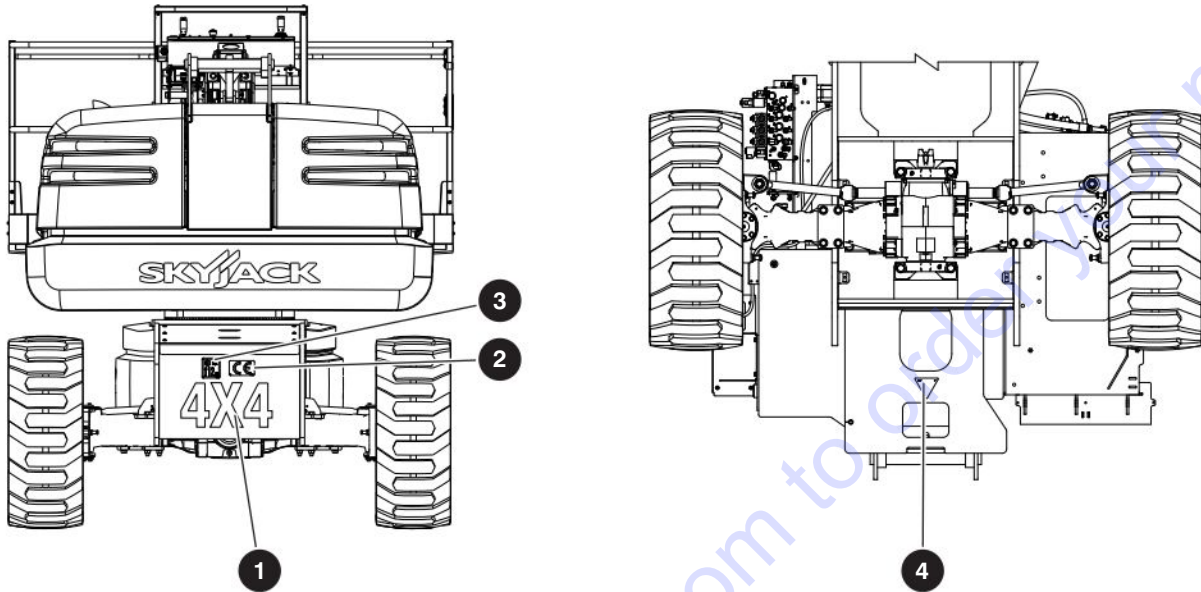
Supply the model number, country and language when ordering label kits.

Index No.	Skyjack Part No.	Qty.	Description
1	TBD	1	LABEL KIT - SJ61 T+ ANSI/CSA
	TBD	1	LABEL KIT - SJ66 T+ ANSI/CSA
	TBD	1	LABEL KIT - SJ66 T+CE
	TBD	1	LABEL KIT - SJ66 T+ AS



SKYJACK™

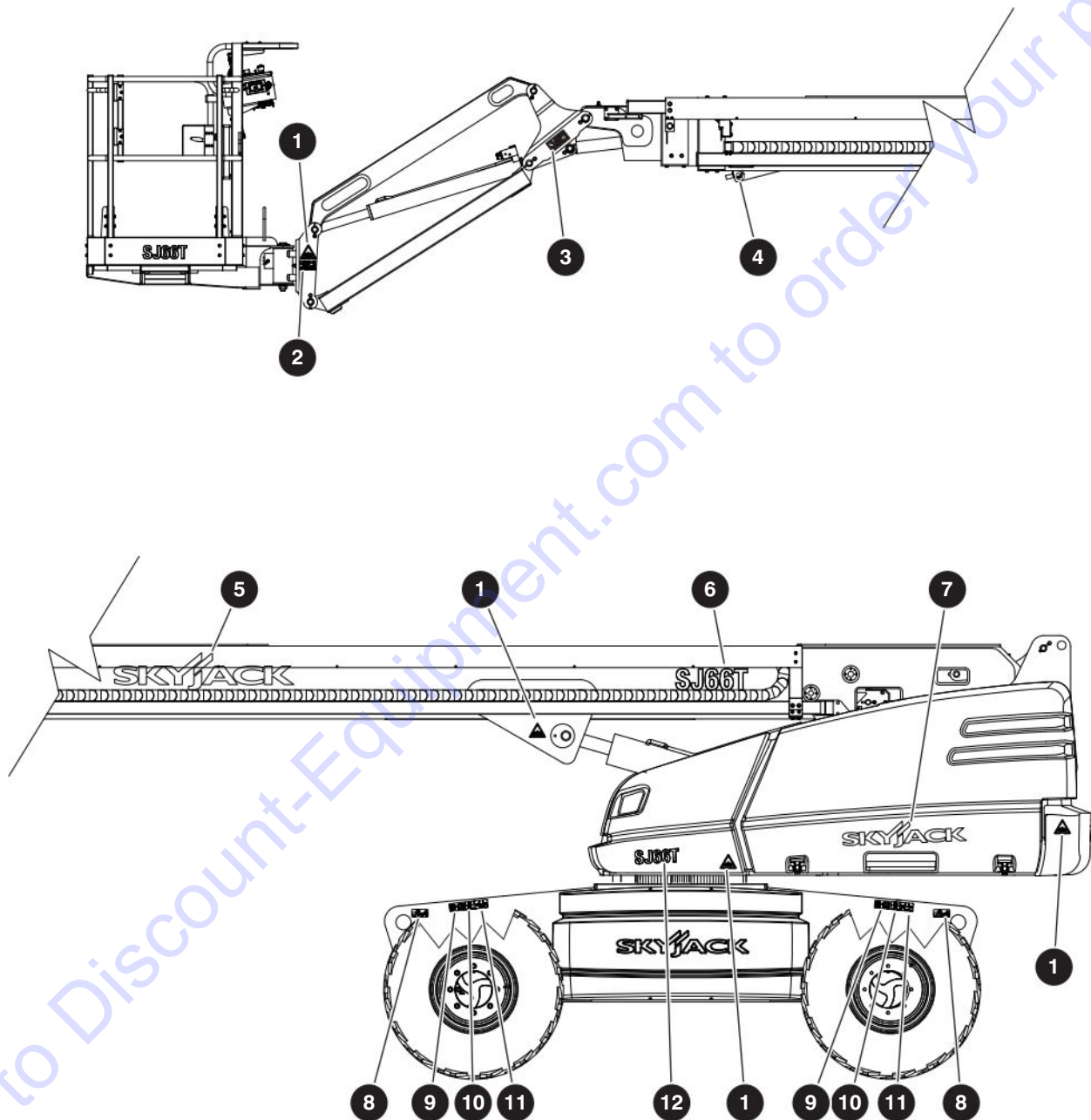
10.2 Labels - Front and Bottom



PM - Front and Bottom 6XT

Index No.	Skyjack Part No.	Qty.	Description
1	159509	2	LABEL, "4X4" (front & back)
2	117023	2	LABEL, "CE" mark - CE (front & back)
3	150976	2	LABEL, Sound power level - CE & AS (front & back)
4	137988	1	LABEL, Crush/Pinch point

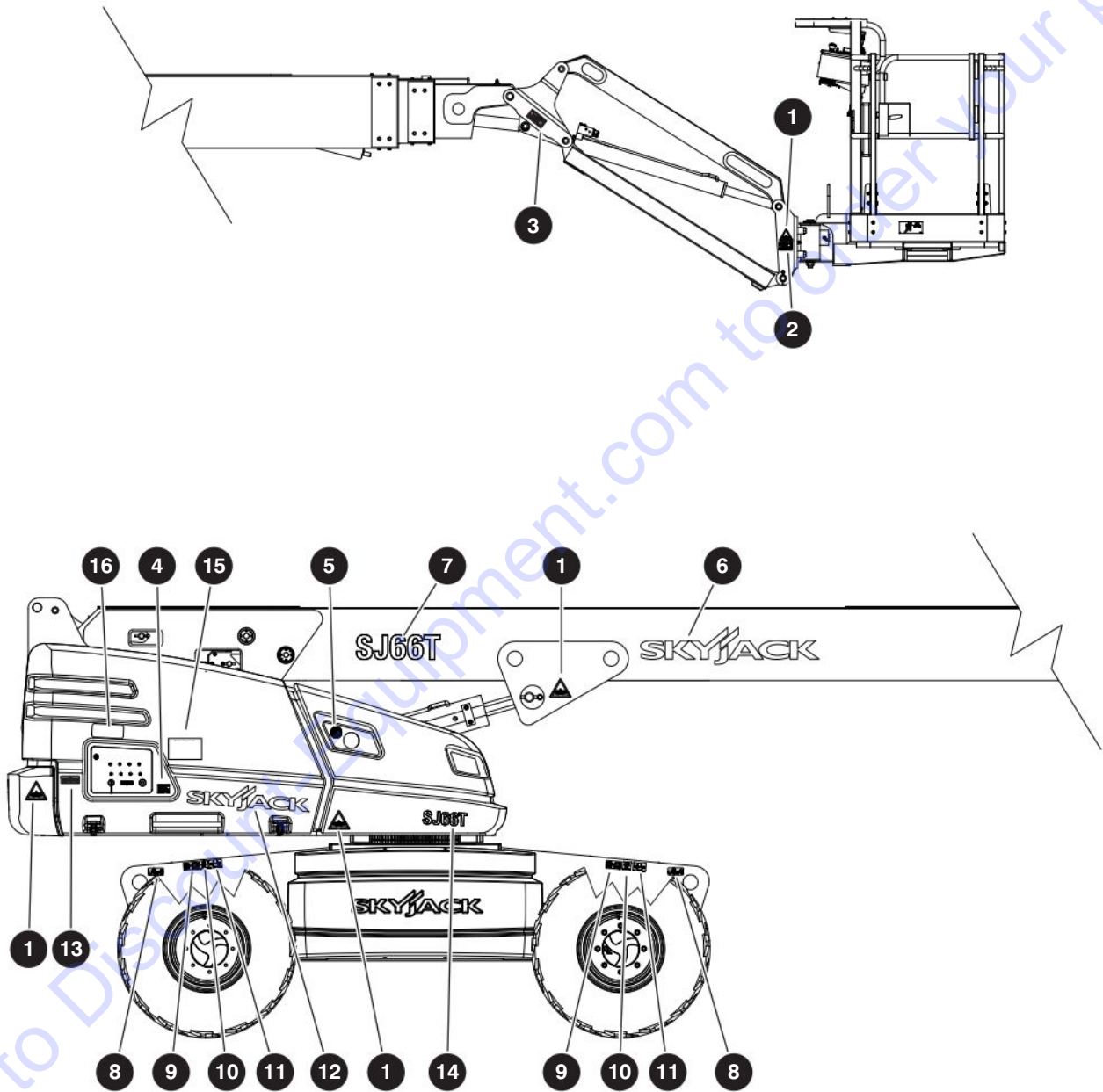
10.3 Labels - Engine Side



10.3 Labels - Engine Side

Index No.	Skyjack Part No.	Qty.	Description
1	139314	4	LABEL, Body crush
2	147111	1	LABEL, Transportation tie down points - CE/AS
3	137988	1	LABEL, Crush/Pinch point
4	156613	1	LABEL, Do not alter
5	164767	1	LABEL, Skyjack (63")
6	164644	1	LABEL, SJ61 T+ (25")
	164648	1	LABEL, SJ66 T+ (25")
7	158555	1	LABEL, Skyjack logo
8	124767	2	LABEL, Tie down/lift lugs
9	124631	2	LABEL, Wheel info
10	169384	2	LABEL, Wheel load (5600kg/12360lb) - SJ61 T+
	169383	2	LABEL, Wheel load (6300kg/13900lb) - SJ66 T+
11	149551	2	LABEL, Tire pressure (95 psi) - Standard air tires
	169350	2	LABEL, Tire pressure (100 psi) - High floatation air tires
	142384	2	LABEL, Foam fill only - Foam tires
12	164645	1	LABEL, SJ61 T+ (10") - SJ61 T+
	164647	1	LABEL, SJ66 T+ (10") - SJ66 T+

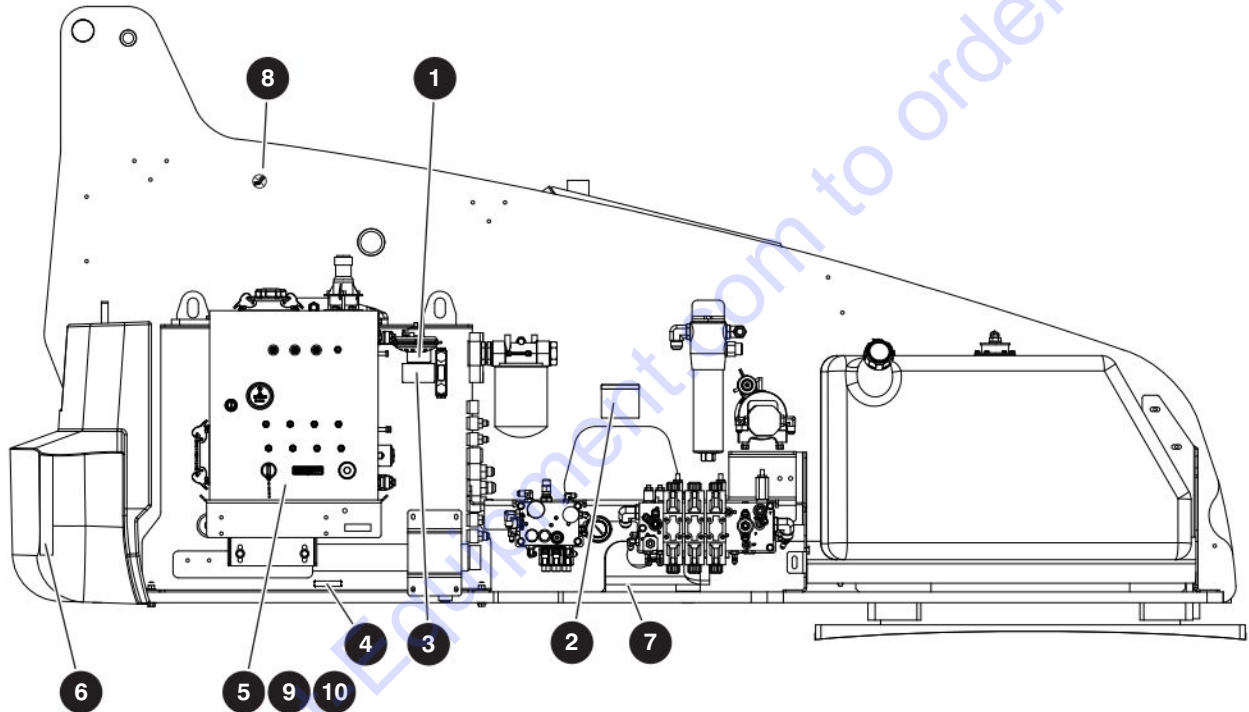
10.4 Labels - Controls Side



10.4 Labels - Controls Side

Index No.	Skyjack Part No.	Qty.	Description
1	139314	4	LABEL, Body crush
2	147111	1	LABEL, Transportation tie down points - CE/AS
3	137988	1	LABEL, Crush/Pinch point
4	143760	1	LABEL, Emergency lowering at base controls - ANSI/CSA/AS
	147100	1	LABEL, Emergency lowering at base controls - CE
5	138146	1	LABEL, No smoking
6	164767	1	LABEL, Skyjack (63")
7	164644	1	LABEL, SJ61 T+ (25")
	164648	1	LABEL, SJ66 T+ (25")
8	124767	2	LABEL, Tie down/lift lugs
9	124631	2	LABEL, Wheel info
10	169384	2	LABEL, Wheel load (5600kg/12360lb)
11	173202	2	LABEL, Tip over hazard
12	158555	1	LABEL, Skyjack logo
13	156441	1	LABEL, Annual inspection
14	164645	1	LABEL, SJ61 T+ (10")
	164647	1	LABEL, SJ66 T+ (10")
15	161631	1	LABEL, Power line clearance - AS
16	173300	1	LABEL, Regeneration procedure - Deutz TCD2.2

10.5 Labels - Control Compartment

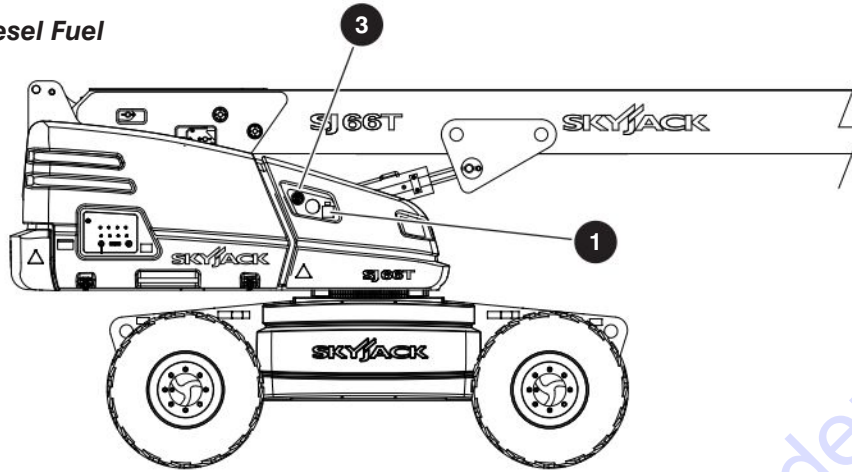


10.5 Labels - Control Compartment

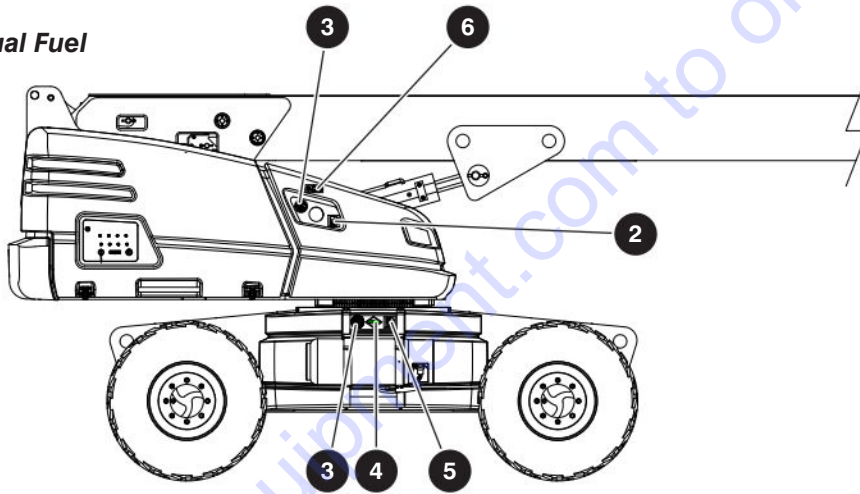
Index No.	Skyjack Part No.	Qty.	Description
1	143593	1	LABEL, Hydraulic oil Tellus T46 - Standard oil
	172427	1	LABEL, Hydraulic oil Tellus T46 - Biodegradable oil
2	161139	1	LABEL, Caution winch/tow procedure
3	146016	1	LABEL, Hydraulic oil level (Min/Max)
4	138211	1	LABEL, Connect AC supply
5	218356	1	LABEL, Base control - ANSI/CSA & AS
	218584	1	LABEL, Base control - ANSI/CSA with positive air shut-off option
	218423	1	LABEL, Base control - CE
6	119803	11.5"	LABEL, Caution tape - CE & AS
7	152230	1	LABEL, Grease point
8	156613	1	LABEL, Do not alter
9	218364	1	LABEL, Relay
10	194143	1	LABEL, Relay 403 ACR - Positive air shut-off Option

10.6 Labels - Fuel

Diesel Fuel



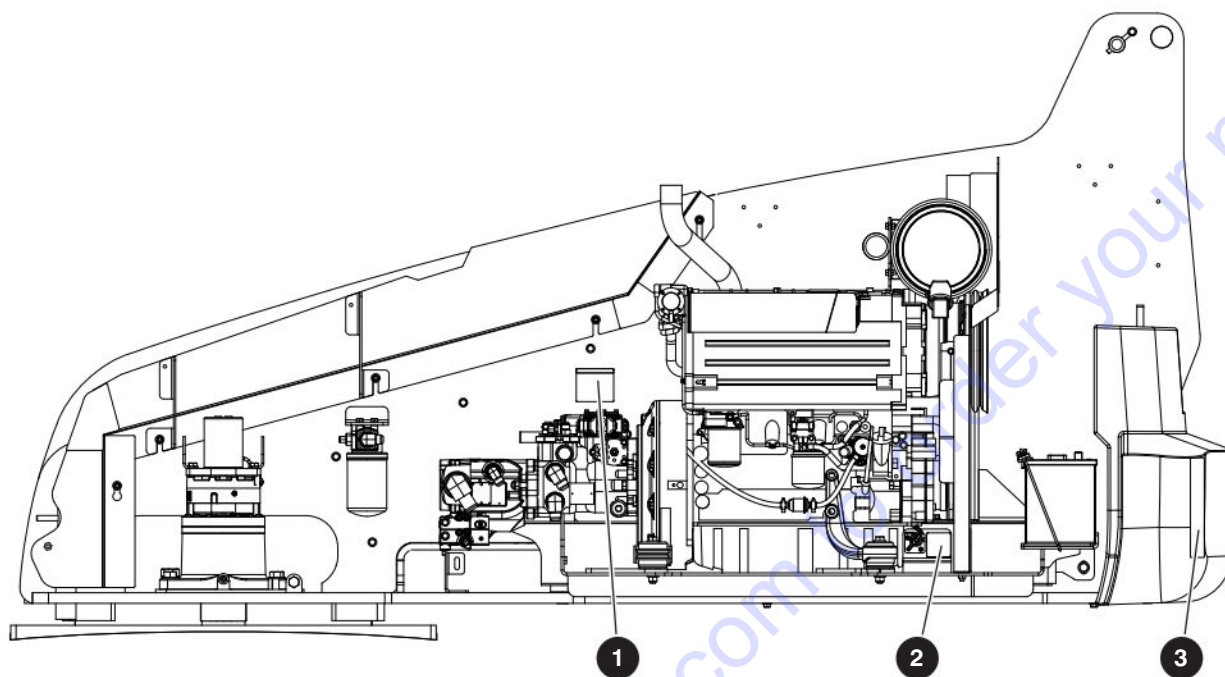
Dual Fuel



M163653AA_M148462AB

Index No.	Skyjack Part No.	Qty.	Description
1	162852	1	LABEL, Ultra low sulfur diesel fuel only
2	132400	1	LABEL, Unleaded fuel only
3	138146	2	LABEL, No smoking - single propane tank
	138146	3	LABEL, No smoking - dual propane tanks
4	120390	1	LABEL, Propane Pictorial - single propane tank
	120390	2	LABEL, Propane Pictorial - dual propane tanks
5	103023	1	LABEL, LPG fuel - single propane tank
	103023	2	LABEL, LPG fuel - dual propane tanks
6	168457	1	LABEL, Open fuel cap slowly

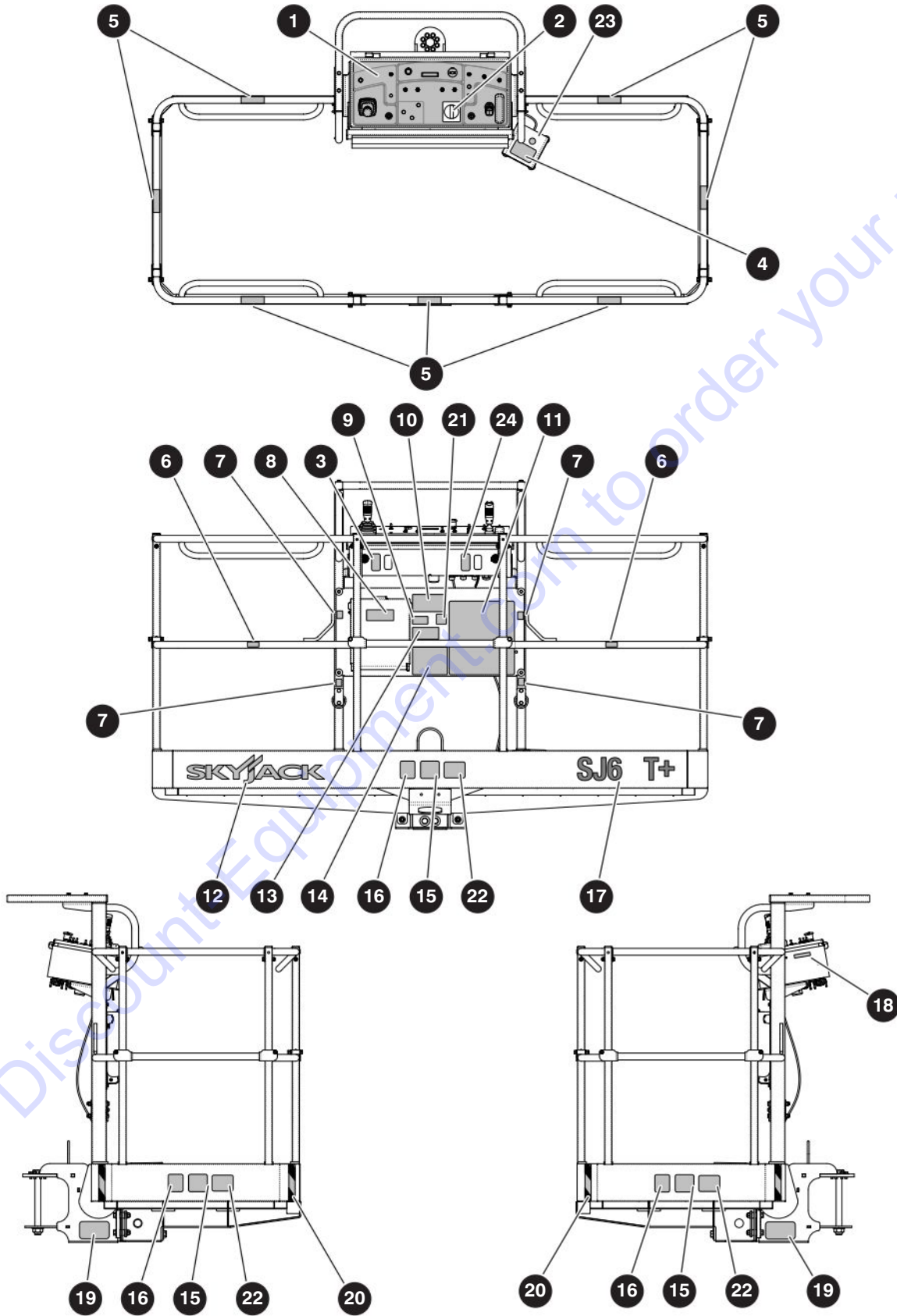
10.7 Labels - Engine Compartment



PM - Engine Compartment 6XT

Index No.	Skyjack Part No.	Qty.	Description
1	161139	1	LABEL, Caution winch/tow procedure
2	119674	1	LABEL, Battery disconnect switch
3	119803	11.5"	LABEL, Caution tape - CE & AS

10.8 Labels - Platform



M173487AB_PI

229032ABA

10.8 Labels - Platform

Index No.	Skyjack Part No.	Qty.	Description
1	231420	1	LABEL, Platform control box - ANSI/CSA
	218422	1	LABEL, Platform control box - CE
	218590	1	LABEL, Platform control box - AS
2	142428	1	LABEL, Boom rotary pot
3	231398	1	LABEL, Override switch glazier
4	143638	1	LABEL, Footswitch enable
5	137988	6	LABEL, Crush/pinch point
6	173717	7	LABEL, Warning - no step
7	172639	4	LABEL, Harness anchorage - ANSI/CSA, AS
	172640	4	LABEL, Harness anchorage - CE
8	123628	1	LABEL, Manual box
9	173081	1	LABEL, California proposition 65 - ANSI/CSA
10	173604	4	LABEL, Capacity - dual (1000/660/600)
11	173192	1	LABEL, Warning - hazards
12	158554	1	LABEL, Skyjack logo (20")
13	147043	1	LABEL, "Click it!"
14	161631	1	LABEL, Clearance power lines - AS
15	124362	3	LABEL, Warning - do not wear jewelry
16	159513	3	LABEL, Daily maintenance checklist
17	173597	1	LABEL, "SJ61 T+" (17")
	173555	1	LABEL, "SJ66 T+" (17")
18	138211	1	LABEL, Conneect AC supply
19	147111	2	LABEL, Tie down points transportation
20	119803	26"	LABEL, Safety tape (1" wide)
21	173202	1	LABEL, Tip over hazard
22	172693	3	LABEL, Non-insulated
23	156613	1	LABEL, Do not alter
24	224616	1	LABEL, Regeneration supression switch - Deutz TCD2.2

PARTS FINDER

**Search Website
by Part Number**



**Search Manual
Library For Parts
Manual & Lookup Part
Numbers – Purchase
or Request Quote**

Search Manuals

Enter your information to help us find the right parts manual for your machine.

* Brand:

* Model:

* Serial:

* Part Number:

SEARCH

**Can't Find Part or
Manual? Request Help
by Manufacturer,
Model & Description**

Parts Order Form

Please fill in the following information to help us find the right part for your machine.

Manufacturer:	<input type="text"/>
Model:	<input type="text"/>
Description:	<input type="text"/>
Part Number:	<input type="text"/>
Quantity:	<input type="text"/>
Notes:	<input type="text"/>

Discount-Equipment.com is your online resource for quality parts & equipment.

Florida: **561-964-4949** Outside Florida TOLL FREE: **877-690-3101**

Need parts?

Click on this link: <http://www.discount-equipment.com/category/5443-parts/> and choose one of the options to help get the right parts and equipment you are looking for. Please have the machine model and serial number available in order to help us get you the correct parts. If you don't find the part on the website or on one of the online manuals, please fill out the request form and one of our experienced staff members will get back to you with a quote for the right part that your machine needs.

We sell worldwide for the brands: Genie, Terex, JLG, MultiQuip, Mikasa, Essick, Whiteman, Mayco, Toro Stone, Diamond Products, Generac Magnum, Airman, Haulotte, Barreto, Power Blanket, Nifty Lift, Atlas Copco, Chicago Pneumatic, Allmand, Miller Curber, Skyjack, Lull, Skytrak, Tsurumi, Husquvarna Target, Stow, Wacker, Sakai, Mi-T-M, Sullair, Basic, Dynapac, MBW, Weber, Bartell, Bennar Newman, Haulotte, Ditch Runner, Menegotti, Morrison, Contec, Buddy, Crown, Edco, Wyco, Bomag, Laymor, EZ Trench, Bil-Jax, F.S. Curtis, Gehl Pavers, Heli, Honda, ICS/PowerGrit, IHI, Partner, Imer, Clipper, MMD, Koshin, Rice, CH&E, General Equipment, Amida, Coleman, NAC, Gradall, Square Shooter, Kent, Stanley, Tamco, Toku, Hatz, Kohler, Robin, Wisconsin, Northrock, Oztec, Toker TK, Rol-Air, APT, Wylie, Ingersoll Rand / Doosan, Innovatech, Con X, Ammann, Mecalac, Makinex, Smith Surface Prep, Small Line, Wanco, Yanmar