

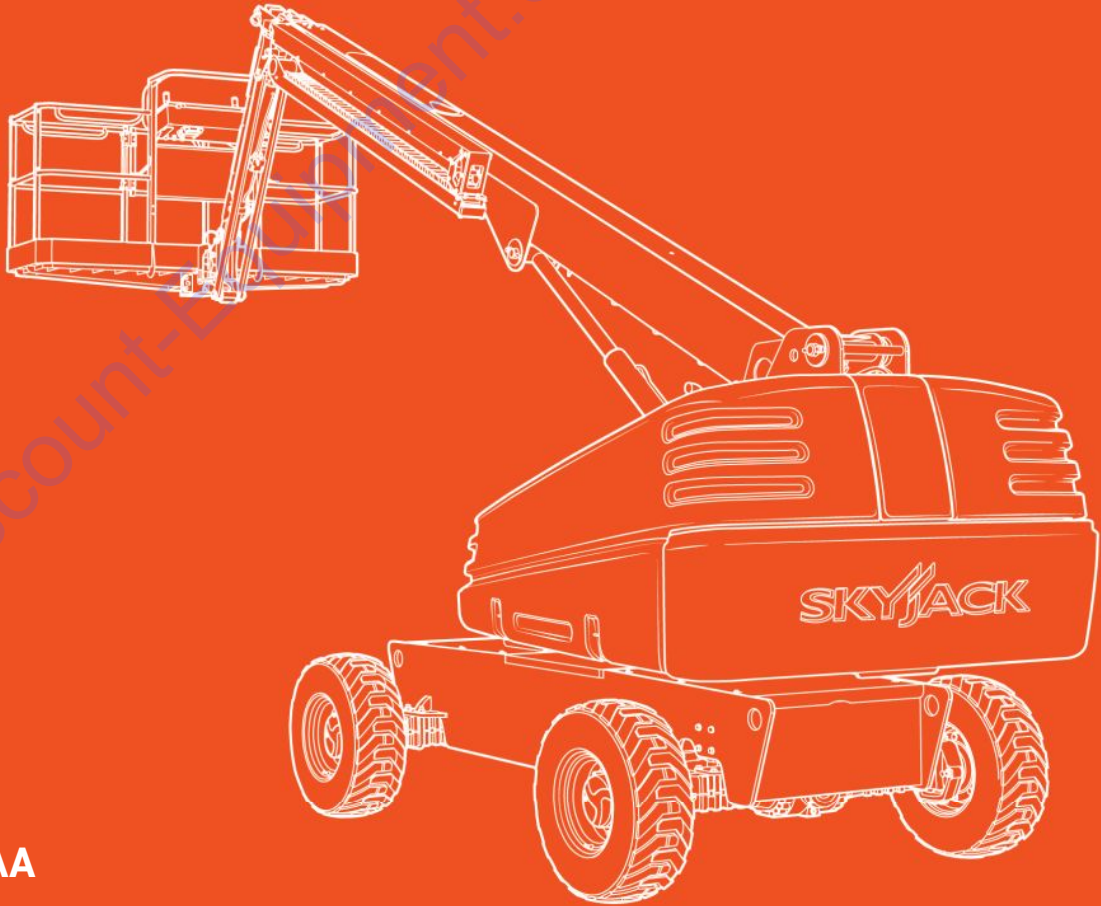
**SKYJACK™**

# PARTS MANUAL

---

**SJ40 T+, SJ45 T+**

TELESCOPIC BOOMS



**238270AAA**

March 2021  
ANSI/CSA, CE, AS

# PARTS FINDER

**Search Website  
by Part Number**



**Search Manual  
Library For Parts  
Manual & Lookup Part  
Numbers – Purchase  
or Request Quote**

**Search Manuals**

Enter your information to help us find the right parts manual for your machine.

\* Brand:

\* Model:

\* Serial:

\* Part Number:

SEARCH

**Can't Find Part or  
Manual? Request Help  
by Manufacturer,  
Model & Description**

**Parts Order Form**

Please fill in the following information to help us find the right part for your machine.

Manufacturer:	<input type="text"/>
Model:	<input type="text"/>
Description:	<input type="text"/>
Part Number:	<input type="text"/>
Quantity:	<input type="text"/>
Notes:	<input type="text"/>

Submit

Discount-Equipment.com is your online resource for quality parts & equipment.

Florida: **561-964-4949** Outside Florida TOLL FREE: **877-690-3101**

**Need parts?**

Click on this link: <http://www.discount-equipment.com/category/5443-parts/> and choose one of the options to help get the right parts and equipment you are looking for. Please have the machine model and serial number available in order to help us get you the correct parts. If you don't find the part on the website or on one of the online manuals, please fill out the request form and one of our experienced staff members will get back to you with a quote for the right part that your machine needs.

We sell worldwide for the brands: Genie, Terex, JLG, MultiQuip, Mikasa, Essick, Whiteman, Mayco, Toro Stone, Diamond Products, Generac Magnum, Airman, Haulotte, Barreto, Power Blanket, Nifty Lift, Atlas Copco, Chicago Pneumatic, Allmand, Miller Curber, Skyjack, Lull, Skytrak, Tsurumi, Husquvarna Target, Stow, Wacker, Sakai, Mi-T-M, Sullair, Basic, Dynapac, MBW, Weber, Bartell, Bennar Newman, Haulotte, Ditch Runner, Menegotti, Morrison, Contec, Buddy, Crown, Edco, Wyco, Bomag, Laymor, EZ Trench, Bil-Jax, F.S. Curtis, Gehl Pavers, Heli, Honda, ICS/PowerGrit, IHI, Partner, Imer, Clipper, MMD, Koshin, Rice, CH&E, General Equipment, Amida, Coleman, NAC, Gradall, Square Shooter, Kent, Stanley, Tamco, Toku, Hatz, Kohler, Robin, Wisconsin, Northrock, Oztec, Toker TK, Rol-Air, APT, Wylie, Ingersoll Rand / Doosan, Innovatech, Con X, Ammann, Mecalac, Makinex, Smith Surface Prep, Small Line, Wanco, Yanmar

**This manual is for MEWPs with serial numbers:**

**SJ40 T+: A400 000 263 - A400 099 999**

**SJ45 T+: A400 000 263 - A400 099 999**

**Please refer to the website ([www.discount-equipment.com](http://www.discount-equipment.com))  
for contact information, other serial numbers, the most  
recent technical manuals, and USB software.**

Go to Discount-Equipment.com to order your parts

# Table of Contents

<b>Foreword</b> .....	<b>7</b>
General.....	7
Parts Ordering Information.....	7
Method of Listing.....	7
Quantities.....	7
How To Order Repair Parts.....	7
Recommended Service Parts.....	8
<b>Section 1 – Platform</b> .....	<b>11</b>
1.1 Platform with Drop Bars.....	12
1.2 Platform with Swing Gate.....	14
1.3 Railings.....	16
1.4 Platform Base.....	18
1.5 Drop Bar Gate.....	20
1.6 Swing Gate.....	22
1.7 Platform Control Box.....	24
1.8 Boom / Turret Controller.....	28
1.9 Drive / Steer Controller.....	30
1.10 Platform Terminal Strip.....	32
1.11 Footswitch.....	33
1.12 Power to Platform - CE & AS.....	34
1.13 Power to Platform - ANSI/CSA.....	36
<b>Section 2 – Boom</b> .....	<b>37</b>
2.1 Boom.....	38
2.2 Cable Track.....	40
2.3 Limit Switches.....	42
2.4 Jib Lift / Platform Rotate Valve.....	44
2.5 Jib - SJ45 T+.....	46
2.6 Rotary Actuator Mount - SJ40 T+.....	48
2.7 Rotary Actuator.....	49
2.8 Extension Cylinder Support.....	50
<b>Section 3 – Cylinders</b> .....	<b>51</b>
3.1 Lift Cylinder.....	52
3.2 Extension Cylinder.....	54
3.3 Master Cylinder.....	56
3.4 Slave Cylinder.....	57

3.5	Jib Cylinder .....	58
3.6	Axle Lock Cylinder .....	59
<b>Section 4 – Turret .....</b>		<b>61</b>
4.1	Turret .....	62
4.2	Cowling - Engine Side .....	64
4.3	Cowling - Controls Side .....	66
4.4	Cowling - Centre .....	68
4.5	Counterweights .....	69
4.6	Lift Cylinder Bracket .....	70
4.7	High Pressure Filter .....	71
4.8	Grease Line .....	72
4.9	Swing Drive .....	74
4.10	Auxiliary Pump .....	75
4.11	Manifold Hardware .....	76
4.12	Main Manifold .....	78
4.13	Brake Manifold .....	82
4.14	Rotary Manifold .....	84
4.15	Hydraulic Tank .....	86
4.16	Fuel Tank .....	88
4.17	Battery .....	90
4.18	Base Control Box .....	92
4.19	Base Terminal Strip .....	96
<b>Section 5 – Electrical Harnesses .....</b>		<b>99</b>
5.1	Main Electrical Harness .....	100
5.2	Engine Harness .....	102
5.3	Engine Fuse Box .....	104
5.4	Battery Cables .....	106
5.5	Control & CANbus Cables .....	108
5.6	Jib and Platform Rotate Harnesses .....	109
5.7	Differential Lock Valve Harness .....	110
<b>Section 6 – Base .....</b>		<b>111</b>
6.1	Base .....	112
6.2	Front Axle .....	114
6.3	Central Housing - Front Axle .....	116
6.4	Differential - Front Axle .....	118
6.5	Hub Reduction - Front Axle .....	120
6.6	Steering - Front Axle .....	124
6.7	Trunnion - Front Axle .....	125
6.8	Rear Axle .....	126
6.9	Central Housing - Rear Axle .....	128
6.10	Differential - Rear Axle .....	130

6.11	Hub Reduction - Rear Axle	134
6.12	Brakes - Rear Axle	136
6.13	Gear Box	138
6.14	Tires	140
<b>Section 7 – Engines</b>		<b>141</b>
7.1	Kubota D1305 Engine	142
7.2	Air Intake & Exhaust	146
7.3	Fuel Lines	148
7.4	Drive & System Pumps	150
<b>Section 8 – Hydraulic Hoses</b>		<b>153</b>
8.1	Standard Hose Numbering System	154
8.2	Boom Hoses	156
8.3	Control Compartment Hoses	158
8.4	Engine Compartment Hoses	160
8.5	Base & Axle Hoses	162
<b>Section 9 – Optional Equipment</b>		<b>165</b>
9.1	Welder and Mount	166
9.2	Oil Quick Drain	170
9.3	Flashing Amber Light	171
9.4	External Railing	172
9.5	Pipe Rack	173
9.6	Glazier Rack	174
9.7	Control Box Cover	176
9.8	Tool Caddy	178
9.9	Half-Height Platform Mesh	180
9.10	Elevate Telematics	184
9.11	Elevate Telematics Subscription	186
<b>Section 10 – Labels</b>		<b>187</b>
10.1	Label Kit	188
10.2	Labels - Front and Back	189
10.3	Labels - Engine Side	190
10.4	Labels - Controls Side	192
10.5	Labels - Controls Compartment	194
10.6	Labels - Engine Compartment	196
10.7	Labels - Fuel	197
10.8	Labels - Platform	198

---

# Foreword

## General

The information contained in this manual is designed to aid the user in locating and identifying replacement parts. Component parts of various assemblies and subassemblies comprising the work platform are illustrated and accompanied by a descriptive parts list. Exploded drawings are used to show relative location of component parts in disassembly order. If a part cannot be found in this manual, contact Discount-equipment for assistance.

## Parts Ordering Information

When ordering replacement parts, the complete part number and description should be used to ensure proper identification and delivery of the desired item. This complete identification should also be used when requesting equipment information.

## Method of Listing

Parts are listed in order according to the reference number shown in the illustration, followed by a full description based upon the "NOUN FIRST" method. That is, the noun name of the part is listed first, then the modifying description information which serves to specifically identify the item. For example: PIN, Clevis.

Assemblies at the beginning of a parts list may be identified with a reference letter: A, B, C, etc. These letters are used to identify different configurations of the assembly. Individual parts in these lists have corresponding letters after their description to identify which assembly it is used in. If a part does not have a reference letter, it is used in all of the assemblies.

Bullets (•) are used to show the assembly structure, or parent/child relationship. A part listed at the beginning of the parts list without a bullet before the description is the main assembly, and all of the parts below it with one bullet are the subcomponent parts of that assembly. Two bullets denote a subcomponent of a subcomponent, etc.

### Example:

Main Assembly A

- Part 1 (subcomponent of Main Assembly A)
- Part 2 (subcomponent of Main Assembly A)
- • Part 3 (subcomponent of Part 2)

## Quantities

The quantities required to complete the assembly are given for each part. If the quantity is (AR), it is understood that the quantity may vary when the machine is equipped with certain options. Order quantity as needed.

## How To Order Repair Parts

1. Address all orders to Discount-equipment.
2. Specify model and serial number of the work platform (found on the serial number plate).
3. List the quantity needed.
4. List the length needed (if it is a bulk item).
5. List the part number and description as shown in this manual for each item.
6. Show the billing and shipping address and the name of the individual, if possible.
7. Suggest the best routing.

**Customer:** \_\_\_\_\_

**Dealer:** \_\_\_\_\_

**Model Number:** \_\_\_\_\_

**Serial Number:** \_\_\_\_\_

**Date Purchased:** \_\_\_\_\_

# Recommended Service Parts

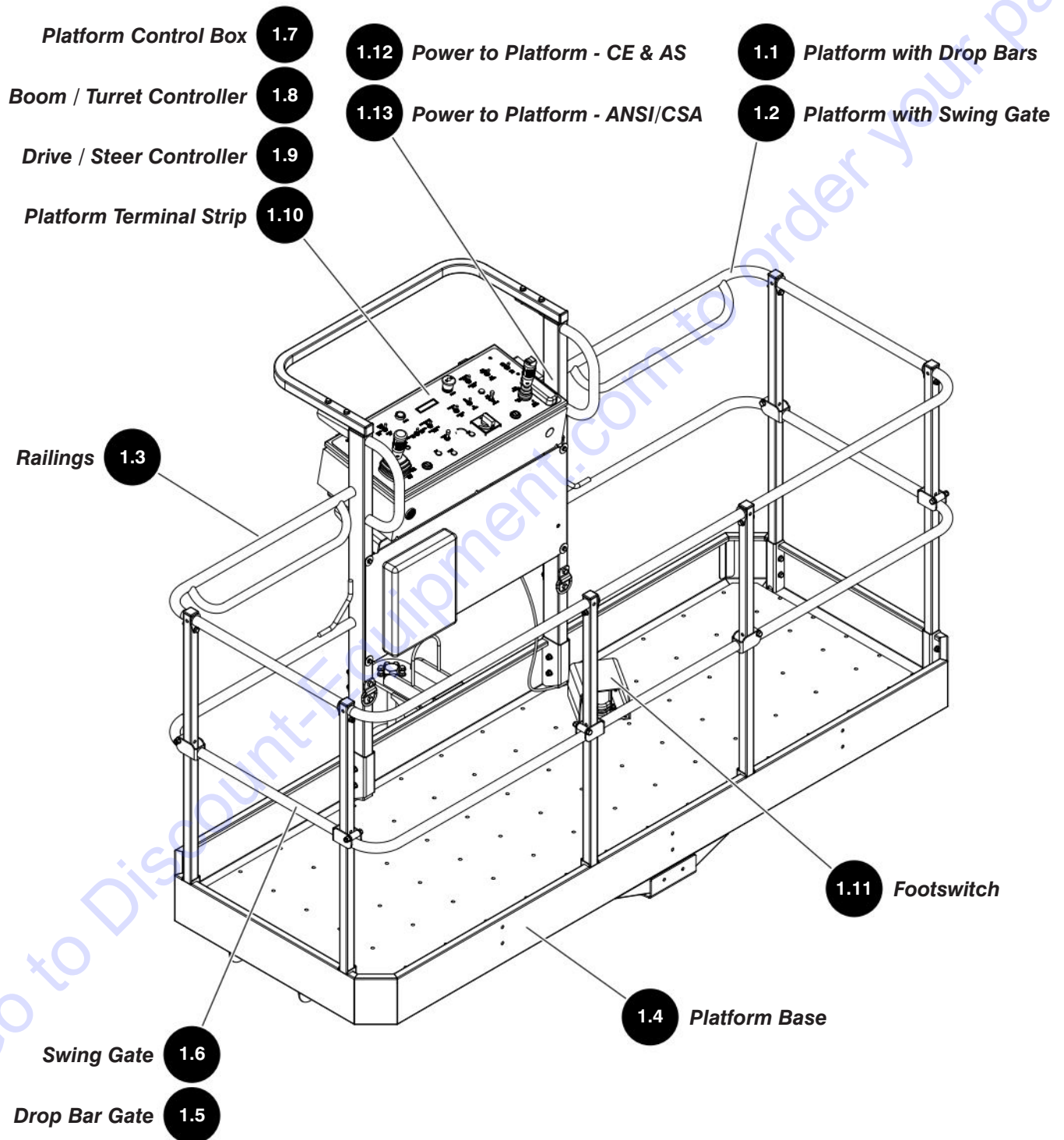
Description	Year 1 Qty	Year 2 Qty	Year 3 Qty	Skyjack Part No.
<b>Engine - Kubota D1305</b>				
FILTER, Oil - inner	2	2	2	236071
CARTRIDGE, Oil filter	2	2	2	147129
FILTER, Fuel	2	2	2	236089
ELEMENT, Air cleaner	2	2	2	132913
THERMOSTAT	0	0	1	136109
BELT, Fan	0	0	1	236079
PUMP, Fuel transfer	1	1	1	236080
STARTER	0	0	1	236072
ALTERNATOR	0	0	1	236073
<b>Electrical</b>				
BATTERY	2	2	2	144676
RELAY, Micro	5	5	5	931298
SOCKET, Micro relay	1	1	1	218997
SWITCH, Toggle	2	2	2	102853
SWITCH, Toggle	1	1	1	148988
SWITCH, Toggle	1	1	1	138278
SWITCH, Toggle	1	1	1	115747
BLOCK, N.C. Contact (red plunger, key switch and e-stop)	1	1	1	147053
BLOCK, N.O. Contact (black plunger, key switch)	1	1	1	166141
BLOCK, N.C. Contact (yellow plunger, key switch)	1	1	1	166142
SWITCH, Limit - boom lift	0	1	1	199408
SWITCH, Limit - boom extension	0	1	1	207016
SWITCH, Limit - direction sensing	0	1	1	199408
COIL, Valve	0	1	1	159819
COIL, Valve	0	1	1	159820
COIL, Valve	0	1	1	166127
KIT, Drive/steer joystick handle	0	1	1	141338
<b>Cowling</b>				
LATCH, Flexible draw	2	2	2	144002



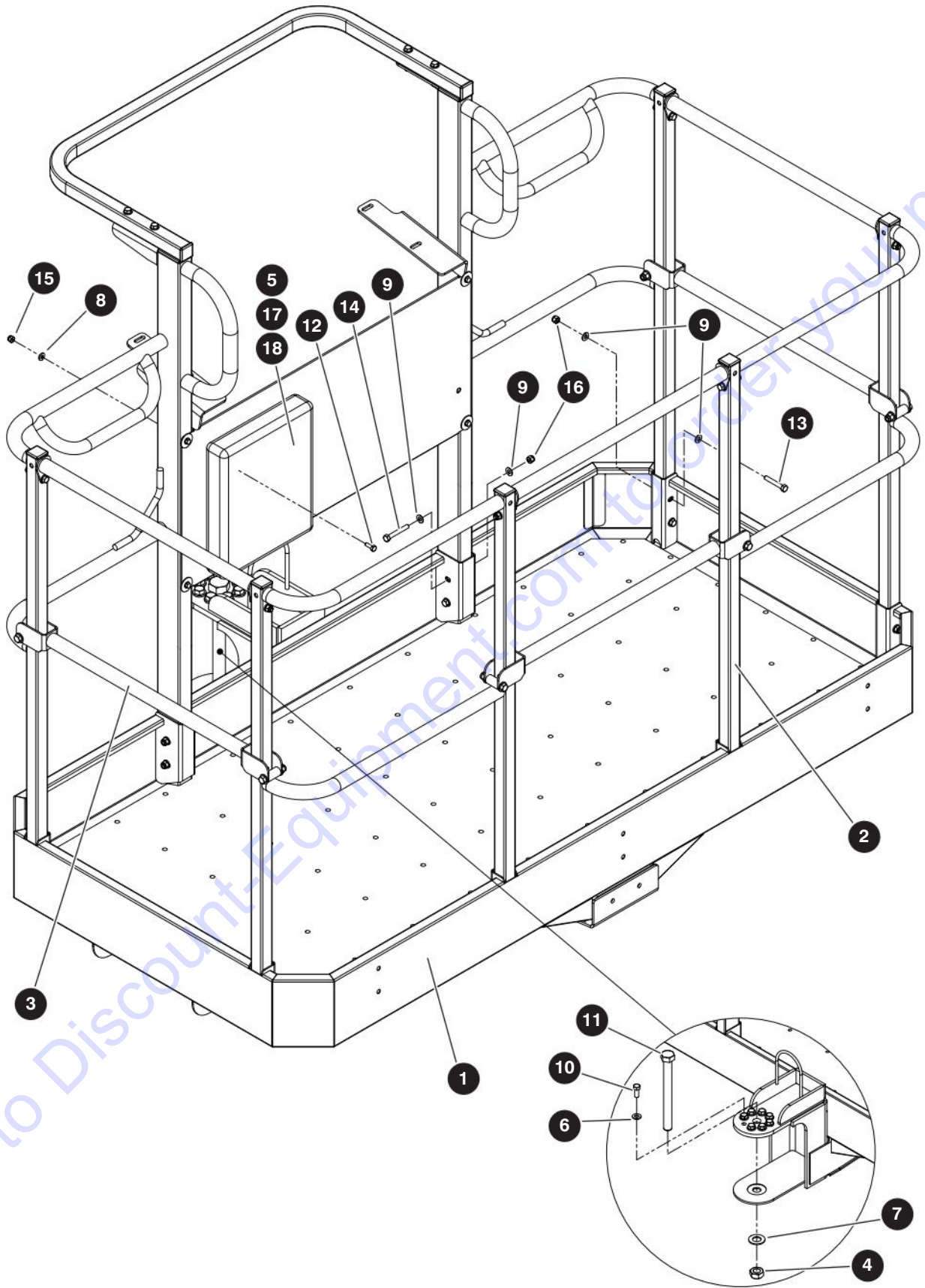
## Recommended Service Parts

Description	Year 1 Qty	Year 2 Qty	Year 3 Qty	Skyjack Part No.
<b>Hydraulic</b>				
ELEMENT, High pressure filter - hydraulic	1	1	1	161947
ELEMENT, Return filter - hydraulic	2	2	2	161948
SEAL KIT, Extend cylinder	0	0	1	TBD
SEAL KIT, Lift cylinder	0	0	1	TBD
SEAL KIT, Master cylinder	0	0	1	TBD
SEAL KIT, Slave cylinder	0	0	1	TBD
SEAL KIT, Jib cylinder	0	0	1	169208
SEAL KIT, Axle lockout cylinder	0	0	1	154557
SEAL KIT, Rotary actuator	0	0	1	TBD
SEAL KIT, Steer cylinder	0	0	1	169242
<b>Boom</b>				
SHIM, 10 gauge (1-1/20" x 5.75")	0	1	2	138966
SHIM, 12 gauge (1-1/20" x 5.75")	0	1	2	138967
SHIM, 14 gauge (1-1/20" x 5.75")	0	1	2	139968
SHIM, 16 gauge (5.25" x 5.875")	0	1	1	144196
SHIM, 21 gauge (5.25" x 5.875")	0	1	1	141199
SHIM, 16 gauge (6.00" x 8.00")	0	1	1	144195
SHIM, 21 gauge (6.00" x 8.00")	0	1	1	144198
PAD, Wear	0	1	2	706781
PAD, Wear	0	1	2	706783
<b>Axles</b>				
SEAL, Differential pinion - front axle	0	0	1	170792
SEAL, Planetary hub - front and rear axle	0	0	1	405116
O-RING, Planetary hub - front axle	0	0	1	140970
SEAL, Inner axle shaft - front axle	0	0	1	151762
SEAL, Outer axle shaft - front axle	0	0	1	141040
SEAL, Differential pinion - rear axle	0	0	1	141074
O-RING, Planetary hub - rear axle	0	0	1	140970
SEAL, Gear box output shaft	0	0	1	170914
SEAL, Gear box input shaft	0	0	1	216408

# Section 1 – Platform



# 1.1 Platform with Drop Bars



M165145AC

238270AAA

12

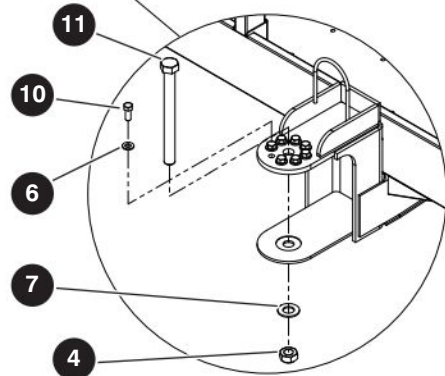
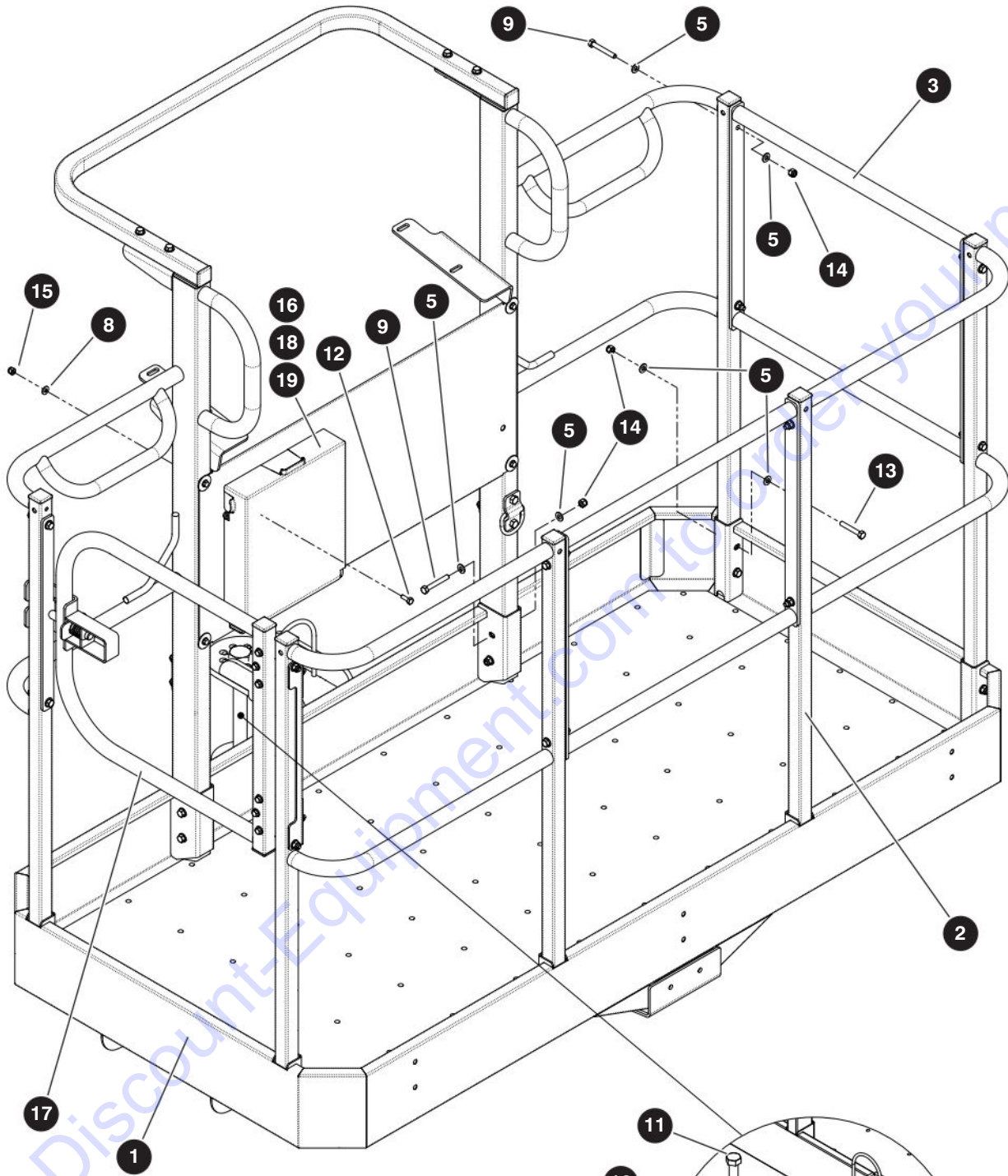
SJ40 T+, SJ45 T+

SKYJACK

## 1.1 Platform with Drop Bars

Index No.	Skyjack Part No.	Qty.	Description
<b>A</b>	218720	1	PLATFORM - 8' with Drop Bars
<b>B</b>	218722	1	PLATFORM - 6' with Drop Bars
1	(Ref.)	1	<ul style="list-style-type: none"> <li>PLATFORM BASE (For components, refer to 1.4 Platform Base)</li> </ul>
2	(Ref.)	1	<ul style="list-style-type: none"> <li>RAILINGS (For components, refer to 1.3 Railings)</li> </ul>
3	(Ref.)	1	<ul style="list-style-type: none"> <li>DROP BAR GATE (For components, refer to 1.5 Drop Bar Gate)</li> </ul>
4	138559	1	<ul style="list-style-type: none"> <li>NUT, Torque lock (1-8 gr C)</li> </ul>
5	198789	1	<ul style="list-style-type: none"> <li>BOX, Manual</li> </ul>
6	125959	8	<ul style="list-style-type: none"> <li>WASHER, Flat (3/8" hard)</li> </ul>
7	102646	1	<ul style="list-style-type: none"> <li>WASHER, Flat (1.00" SAE)</li> </ul>
8	103995	4	<ul style="list-style-type: none"> <li>WASHER, Flat (1/4")</li> </ul>
9	103996	32	<ul style="list-style-type: none"> <li>WASHER, Flat (0.312")</li> </ul>
10	139193	8	<ul style="list-style-type: none"> <li>BOLT, Hex head patch (3/8"-16 x 7/8" gr 8)</li> </ul>
11	138696	1	<ul style="list-style-type: none"> <li>BOLT, Hex head (1.0"-8 x 11/2" gr 8)</li> </ul>
12	103856	4	<ul style="list-style-type: none"> <li>BOLT, Hex head (1/4"-20 x 3/4" gr 5)</li> </ul>
13	103865	12	<ul style="list-style-type: none"> <li>BOLT, Hex head (0.312"-18 x 2.00" gr 5)</li> </ul>
14	103866	4	<ul style="list-style-type: none"> <li>BOLT, Hex head (0.312"-18 x 2.25" gr 5)</li> </ul>
15	115649	4	<ul style="list-style-type: none"> <li>NUT, Lock (1/4"-20 gr 5 nylon)</li> </ul>
16	103984	16	<ul style="list-style-type: none"> <li>NUT, Lock (0.313"-18 gr 5 nylon)</li> </ul>
17	207981	1	<ul style="list-style-type: none"> <li>BAG, Resealable (12" x 9")</li> </ul>
18	114710	1	<ul style="list-style-type: none"> <li>KEY RING, Skyjack</li> </ul>
19	173200	1	MANUAL OF RESPONSIBILITIES (not shown) - <b>ANSI/CSA</b>

## 1.2 Platform with Swing Gate



M198278AB

238270AAA

14

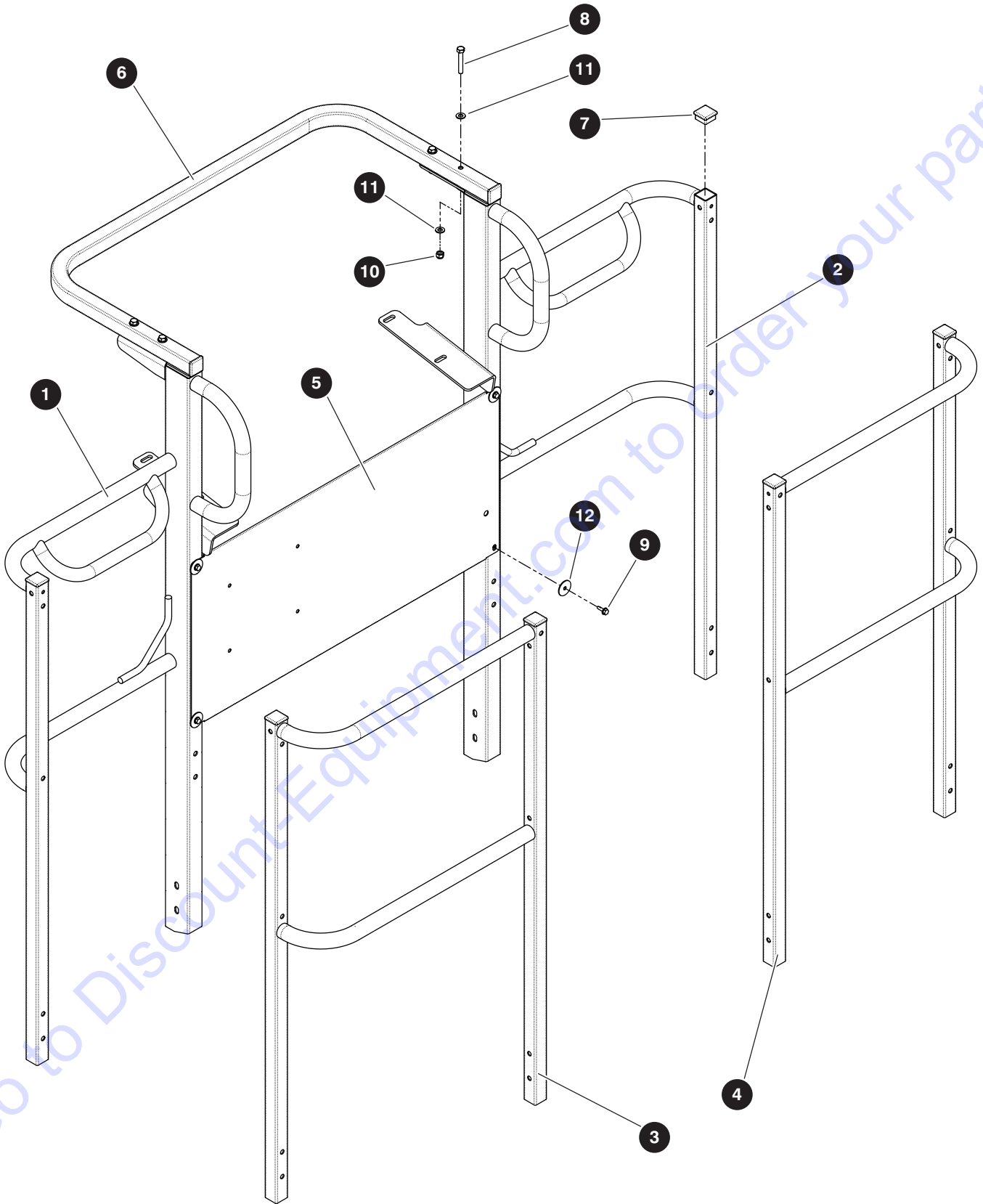
SJ40 T+, SJ45 T+

SKYJACK

## 1.2 Platform with Swing Gate

Index No.	Skyjack Part No.	Qty.	Description
<b>A</b>	218718	1	PLATFORM - 8' with Side Swing Gate
<b>B</b>	218719	1	PLATFORM - 6' with Side Swing Gate
<b>C</b>	218881	1	PLATFORM - 8' with Rear Swing Gate
<b>D</b>	218721	1	PLATFORM - 6' with Rear Swing Gate
1	(Ref.)	1	<ul style="list-style-type: none"> <li>PLATFORM BASE (For components, refer to 1.4 Platform Base)</li> </ul>
2	(Ref.)	1	<ul style="list-style-type: none"> <li>RAILINGS (For components, refer to 1.3 Railings)</li> </ul>
3	159456	2	<ul style="list-style-type: none"> <li>RAILING EXTENSION (no gate)</li> </ul>
4	138559	1	<ul style="list-style-type: none"> <li>NUT, Torque (1-8 gr C)</li> </ul>
5	103996	48	<ul style="list-style-type: none"> <li>WASHER, Flat (0.312")</li> </ul>
6	125959	8	<ul style="list-style-type: none"> <li>WASHER, Flat (3/8" hard)</li> </ul>
7	102646	1	<ul style="list-style-type: none"> <li>WASHER, Flat (1.00" SAE)</li> </ul>
8	103995	4	<ul style="list-style-type: none"> <li>WASHER, Flat (1/4")</li> </ul>
9	103866	12	<ul style="list-style-type: none"> <li>BOLT, Hex head (0.312"-18 x 2.25" gr 5)</li> </ul>
10	139193	8	<ul style="list-style-type: none"> <li>BOLT, Hex head patch (3/8"-16 x 7/8" gr 8)</li> </ul>
11	138696	1	<ul style="list-style-type: none"> <li>BOLT, Hex head (1.0"-8 x 1 1/2" gr 8)</li> </ul>
12	103856	4	<ul style="list-style-type: none"> <li>BOLT, Hex head (1/4"-20 x 3/4" gr 5)</li> </ul>
13	103865	12	<ul style="list-style-type: none"> <li>BOLT, Hex head (0.312"-18 x 2.00" gr 5)</li> </ul>
14	103984	24	<ul style="list-style-type: none"> <li>NUT, Lock (0.313"-18 gr 5 nylon)</li> </ul>
15	115649	4	<ul style="list-style-type: none"> <li>NUT, Lock (1/4"-20 gr 5 nylon)</li> </ul>
16	198789	1	<ul style="list-style-type: none"> <li>BOX, Manual</li> </ul>
17	(Ref.)	1	<ul style="list-style-type: none"> <li>SWING GATE (For components, refer to 1.6 Swing Gate)</li> </ul>
18	207981	1	<ul style="list-style-type: none"> <li>BAG, Resealable (12" x 9")</li> </ul>
19	114710	1	<ul style="list-style-type: none"> <li>KEY RING, Skyjack</li> </ul>
20	173200	1	MANUAL OF RESPONSIBILITIES (not shown) - <b>ANSI/CSA</b>

# 1.3 Railings



M154334AF\_1

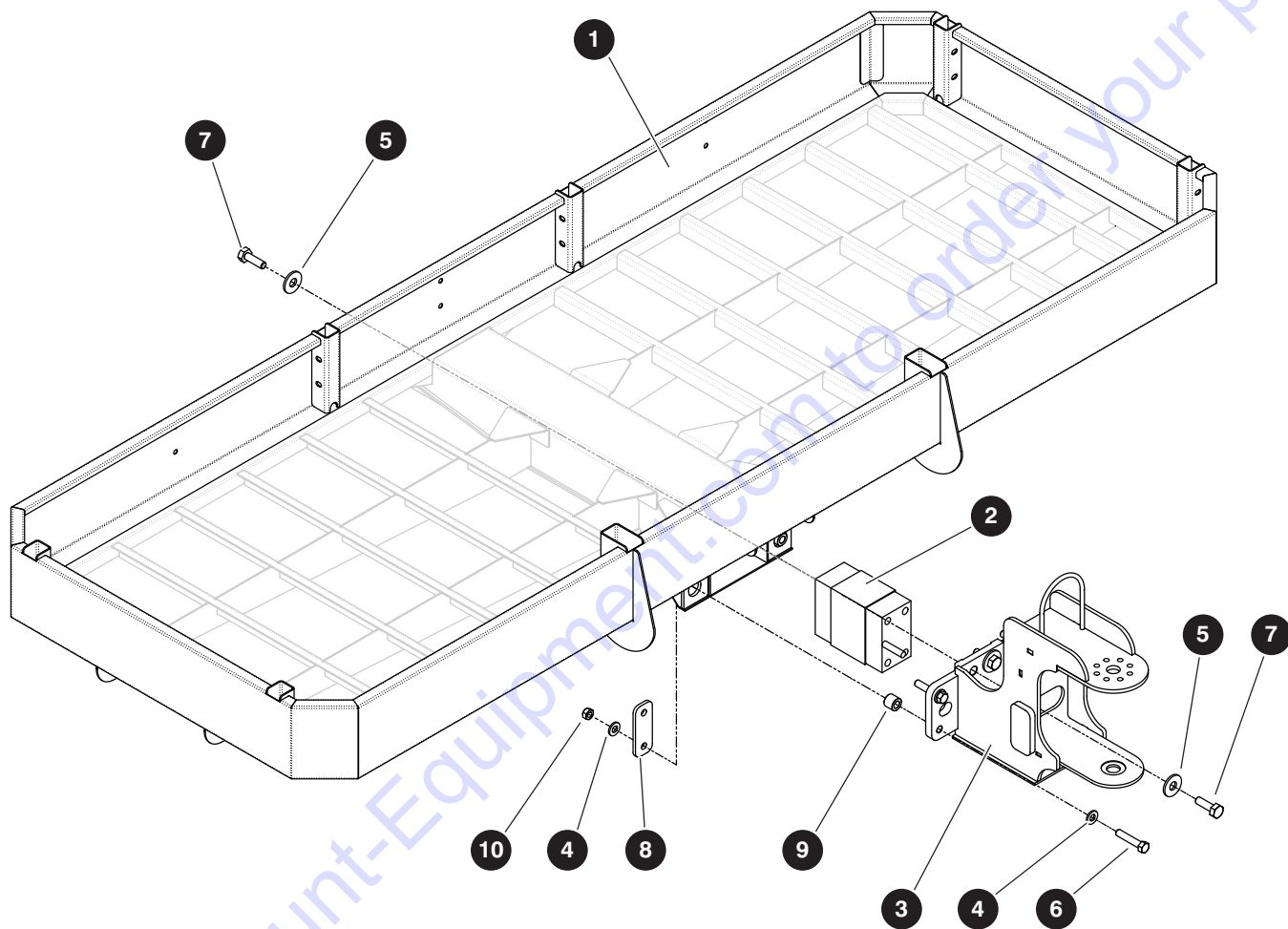
238270AAA

## 1.3 Railings

Index No.	Skyjack Part No.	Qty.	Description
<b>A</b>	218075	1	RAILINGS - <b>36" x 96"</b>
<b>B</b>	218078	1	RAILINGS - <b>36" x 72"</b>
1	218741	1	• RAILING, Left front, <b>A</b>
	218745	1	• RAILING, Left front, <b>B</b>
2	218744	1	• RAILING, Right front, <b>A</b>
	218747	1	• RAILING, Right front, <b>B</b>
3	218076	1	• RAILING, Left rear, <b>A</b>
	218079	1	• RAILING, Left rear, <b>B</b>
4	218077	1	• RAILING, Right rear, <b>A</b>
	218080	1	• RAILING, Right rear, <b>B</b>
5	159586	1	• PLATE, Front guard
6	149098	1	• RAILING, Front
7	100702	8	• CAP, Plastic end
8	103865	4	• BOLT, Hex head (5/16"-18 x 2", gr 5)
9	103632	4	• SCREW, Hex head self-tapping (1/4"-14 x 3/4")
10	103984	4	• NUT, Hex lock (5/16"-18, gr 5, nylon)
11	103996	8	• WASHER, Flat (5/16")
12	700598	4	• WASHER, Fender



## 1.4 Platform Base



M154292AC

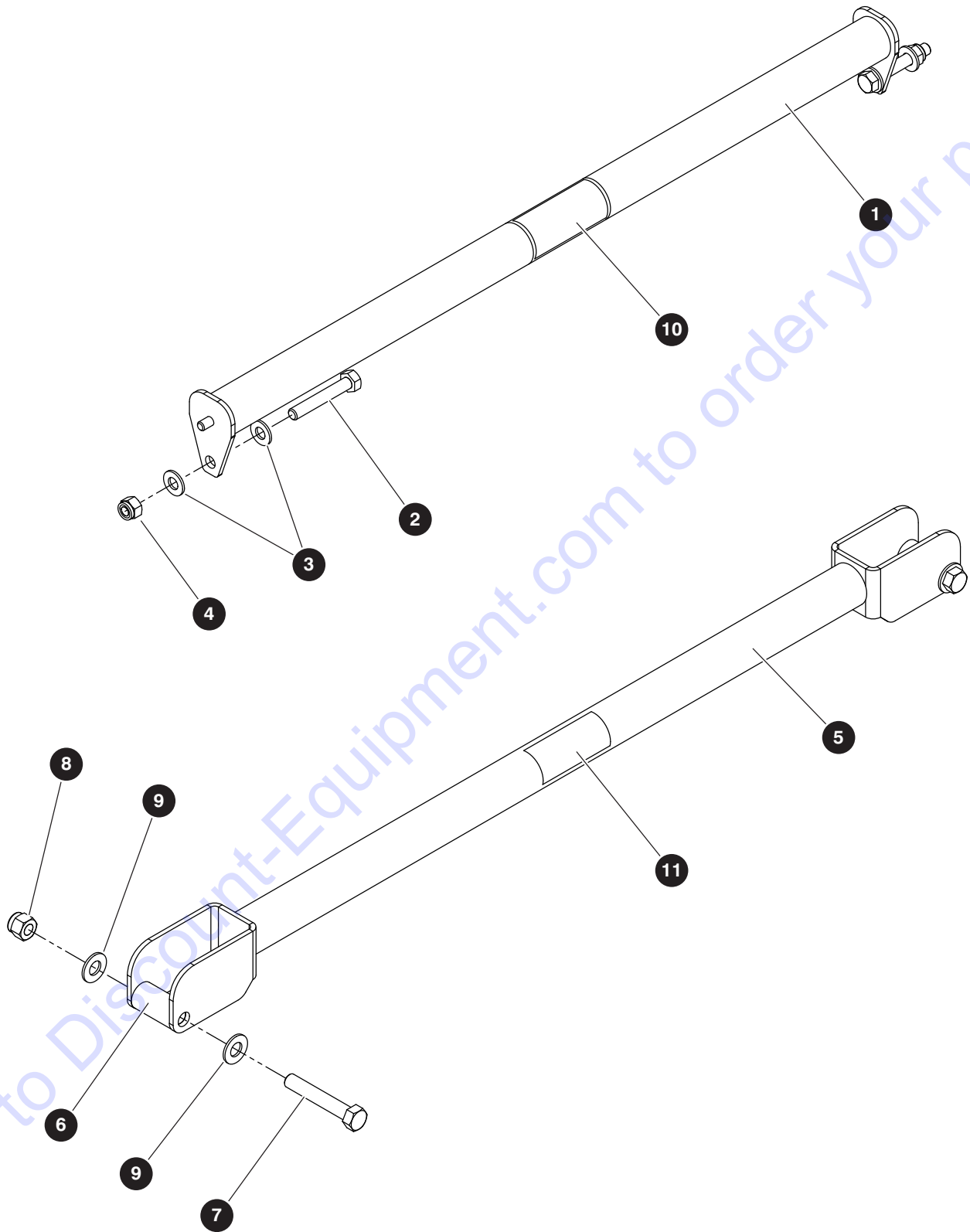
238270AAA

SJ40 T+, SJ45 T+

## 1.4 Platform Base

Index No.	Skyjack Part No.	Qty.	Description
<b>A</b>	218086	1	PLATFORM BASE - <b>36" x 96"</b>
<b>B</b>	218715	1	PLATFORM BASE - <b>36" x 72"</b>
1	216297	1	• BASE, Platform, <b>A</b>
	218711	1	• BASE, Platform, <b>B</b>
2	218368	1	• LOAD CELL, CAN Moba (1000 kg)
3	216296	1	• MOUNT, Rotary actuator
4	104379	8	• WASHER, Flat hardened (1/20" SAE)
5	217844	8	• WASHER, Structural hardened (M16)
6	144575	4	• BOLT, Hex head (1/2"-13 x 2-1/4" gr 8)
7	144362	8	• BOLT, Hex head patch (M16 x 1-1/2 x 45 Gr 10.9)
8	144365	2	• WASHER, Safety
9	144574	4	• SPACER, Load cell
10	138791	4	• NUT, Torque lock (1/2"-13 Gr C)
11	221394	1	CORD, Patch - MOBA load cell (not shown)
12	144456	1	TOOL, Hand set - MOBA Teach-in (not shown)

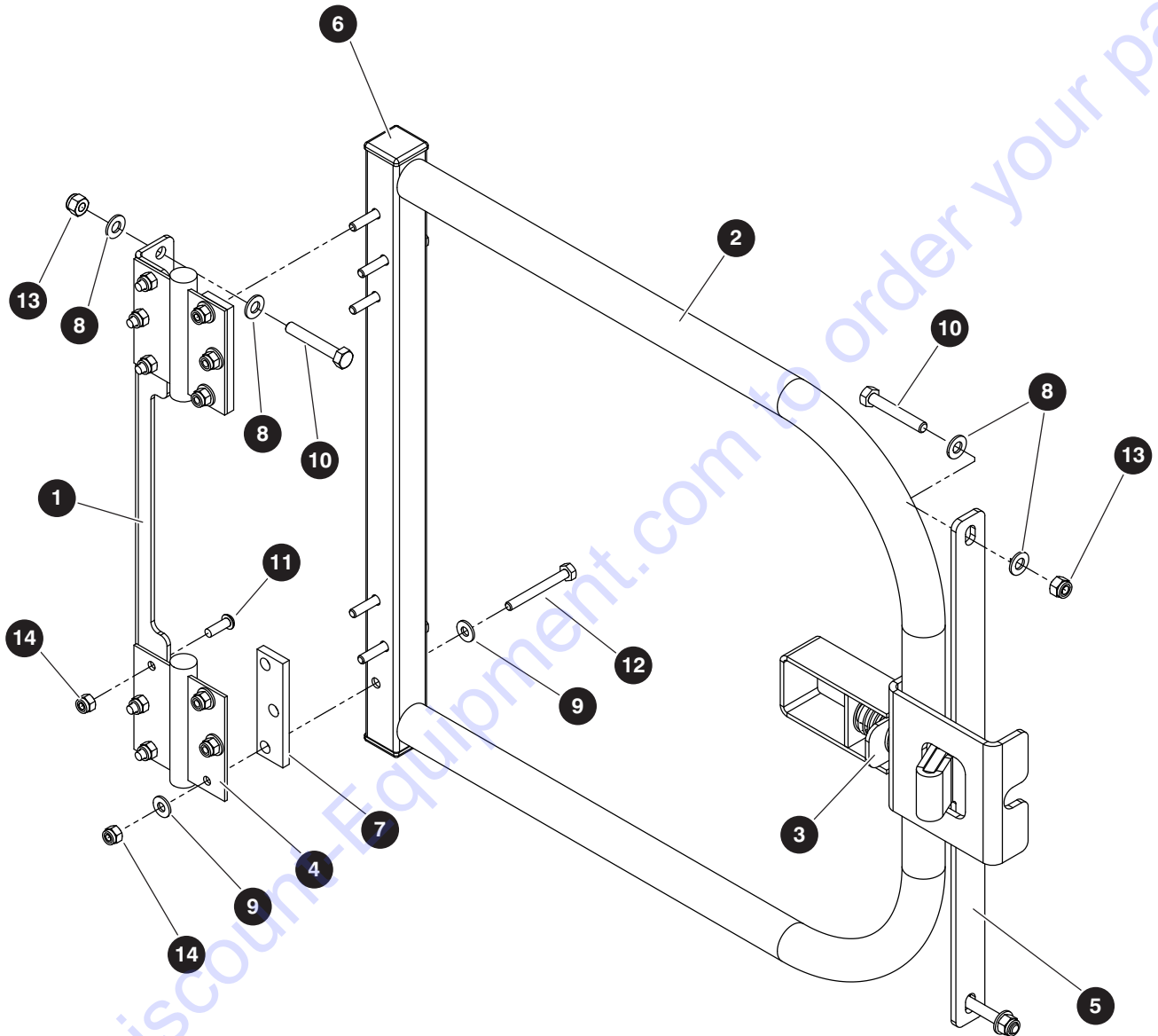
## 1.5 Drop Bar Gate



# 1.5 Drop Bar Gate

Index No.	Skyjack Part No.	Qty.	Description
-	194069	1	DROP BAR GATE FIELD KIT
-	171986	3	• DROP BAR ASSEMBLY
1	160708	1	• • WELDMENT, Tie bar
2	103865	2	• • BOLT, Hex head (0.312"-18 x 2.00" gr 5)
3	103996	4	• • WASHER, Flat (0.312")
4	103984	2	• • NUT, Hex head nylon lock (0.312"-18 gr 5)
-	162965	1	• • DROP BAR ASSEMBLY
5	162958	1	• • • WELDMENT, Drop bar
6	154386	2	• • • SPACER (3/8" ID x 3/4" OD x 1.375" lg)
7	103872	2	• • • BOLT, Hex head (3/8"-16 x 2.25" gr 5)
8	104606	2	• • • NUT, Hex head nylon lock (3/8"-16 gr 5)
9	103472	4	• • • WASHER, Flat (3/8")
10	137988	3	• LABEL, Crush/pinch hazard
11	115543	3	• LABEL, "No step"
12	194067	1	• INSTRUCTION, Drop bar installation (not shown)

## 1.6 Swing Gate



M164618AB

238270AAA

**22**

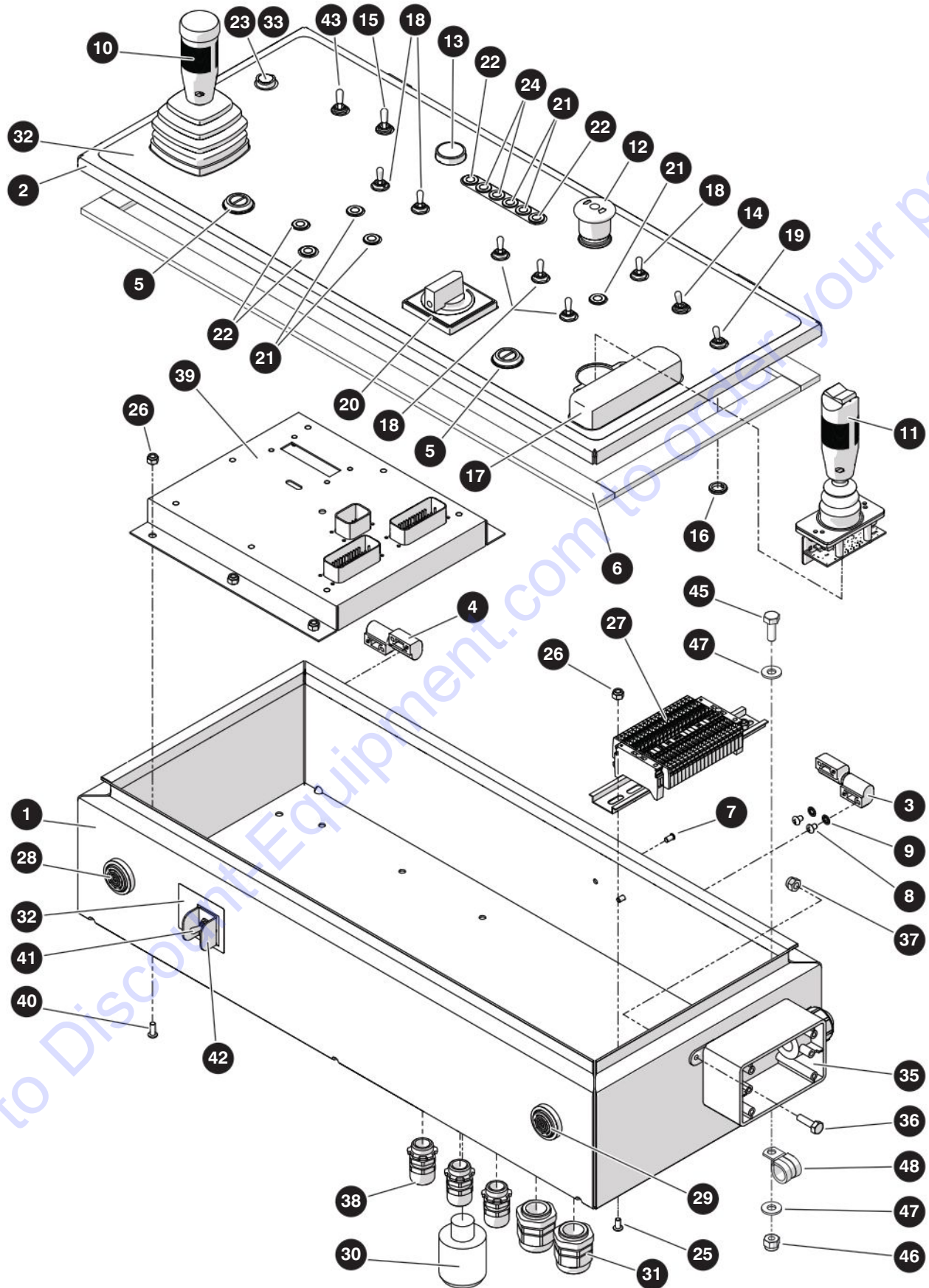
SJ40 T+, SJ45 T+

**SKYJACK**

## 1.6 Swing Gate

Index No.	Skyjack Part No.	Qty.	Description
-	194073	1	SWING GATE FIELD KIT
-	164618	1	• SWING GATE ASSEMBLY
1	164590	1	• • BRACKET, Hinge mounting
2	164619	1	• • WELDMENT, Gate
3	110824	1	• • LATCH, Door spring pin
	105312	1	• • • LATCH, Nylon bed
	109377	1	• • • PIN, Latch
	105307	1	• • • HANDLE, Gate latch
	103107	1	• • • SPRING, Compression
	100950	1	• • • PIN, Roll (1/8" dia x 1")
4	209527	2	• • HINGE, Spring gate satin chrome
5	166287	1	• • WELDMENT, Locking plate
6	100702	2	• • PLUG, Plastic tube (1-1/4" x 1-1/4")
7	164592	2	• • TAB, Hinge
8	103996	8	• • WASHER, Flat (5/16")
9	103995	12	• • WASHER, Flat (1/4")
10	103865	4	• • BOLT, Hex head (5/16"-18 x 2" gr 5)
11	139168	6	• • SCREW, Button head (1/4"-20 x 3/4")
12	103862	6	• • BOLT, Hex head (1/4"-20 x 2-1/4" gr 5)
13	103984	4	• • NUT, Hex head nylon lock (5/16"-18 gr B)
14	115649	12	• • NUT, Hex head nylon lock (1/4"-20 gr 5)
15	194065	1	• INSTRUCTION, Swing gate installation (not shown)

# 1.7 Platform Control Box



M218344AD

238270AAA

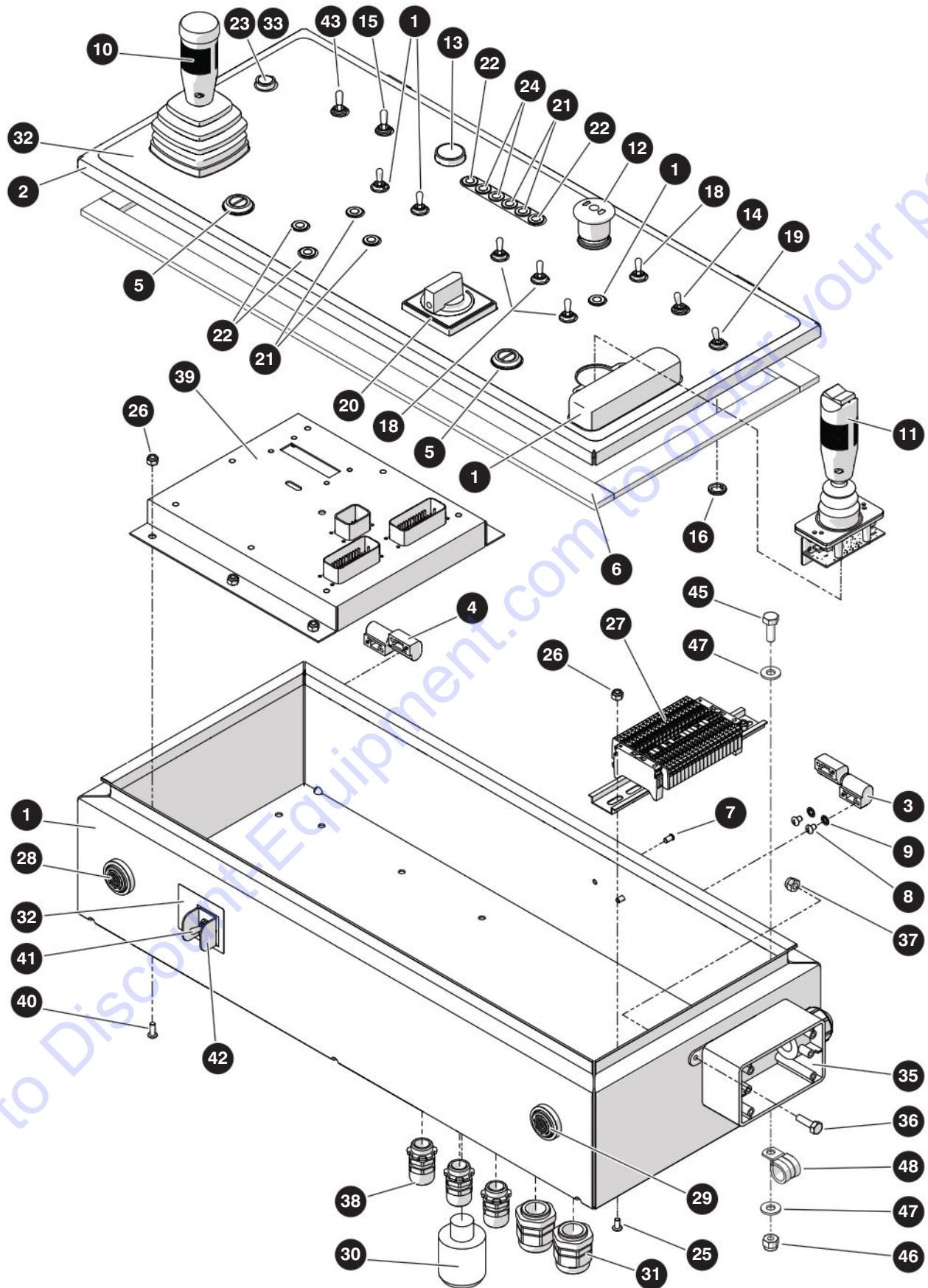
SJ40 T+, SJ45 T+

## 1.7 Platform Control Box

Index No.	Skyjack Part No.	Qty.	Description
<b>A</b>	218358	1	PLATFORM CONTROL BOX - <b>SJ40 T+ ANSI/CSA</b>
<b>B</b>	218344	1	PLATFORM CONTROL BOX - <b>SJ45 T+ ANSI/CSA</b>
<b>C</b>	218794	1	PLATFORM CONTROL BOX - <b>SJ45 T+ CE &amp; AS</b>
-	218345	1	• PLATFORM CONTROL BOX
1	218346	1	• • BODY, Platform control box
2	218421	1	• • LID, Platform control box
3	149384	1	• • HINGE, Nylon - LH
4	149385	1	• • HINGE, Nylon - RH
5	138715	2	• • LATCH, Slotted door
6	138334	1	• • STRIP, Weather
7	159879	2	• • STUD, Pem alum (#10-32 x 3/8")
8	103959	8	• • SCREW, Round head machine (#10-32 x 1/4")
9	163512	8	• • NUT, Lock int tooth (#10)
10	(Ref.)	1	• CONTROLLER, Boom / Turret Controller (For components, refer to 1.8 Boom / Turret Controller)
11	(Ref.)	1	• CONTROLLER, Drive / Steer (For components, refer to 1.9 Drive / Steer Controller)
12	144647	1	• SWITCH, Emergency stop
	147056	1	• • LATCH, Mounting
	147053	2	• • BLOCK, NC Contact
	147229	1	• • SWITCH, LED Block (Red)
	147051	1	• • SWITCH HEAD, Emergency stop
13	144648	1	• PUSHBUTTON, Horn
	147056	1	• • LATCH, Mounting
	147054	1	• • BLOCK, NO Contact
	147058	1	• • SWITCH HEAD, Horn pushbutton
14	115574	1	• SWITCH, Toggle (high/low torque)
15	124446	1	• SWITCH, Toggle (engine start)
16	144016	9	• SEAL, Panel bushing, <b>A</b>
	144016	10	• SEAL, Panel bushing, <b>B, C</b>
17	149402	1	• HANDREST
18	102853	5	• SWITCH, Toggle (platform tilt/rotate, boom in/out, diff lock), <b>A</b>
	102853	6	• SWITCH, Toggle (platform tilt/rotate, boom in/out, jib, diff lock), <b>B, C</b>
19	115747	1	• SWITCH, Toggle (engine rpm)
20	138226	1	• CONTROLLER, Function Speed
	198762	1	• • KNOB, Rotary Controller
21	213307	5	• LIGHT, LED - amber
22	213303	4	• LIGHT, LED - green
23	166087	1	• PUSHBUTTON, Yellow
24	213308	2	• LIGHT, LED - red
25	115545	2	• SCREW, Round head machine (#10-32 x 3/8")
26	300450	8	• NUT, Hex lock (#10-32 Gr 5, nylon)
27	(Ref.)	1	• PLATFORM TERMINAL STRIP (For components, refer to 1.10 Platform Terminal Strip)
28	103057	1	• BEEPER, 4-28 V DC Slow pulsing
29	144387	1	• ALARM, Continuous
30	166110	1	• ALARM/FLASHER, 12 V - red LED



# 1.7 Platform Control Box



M218344AD

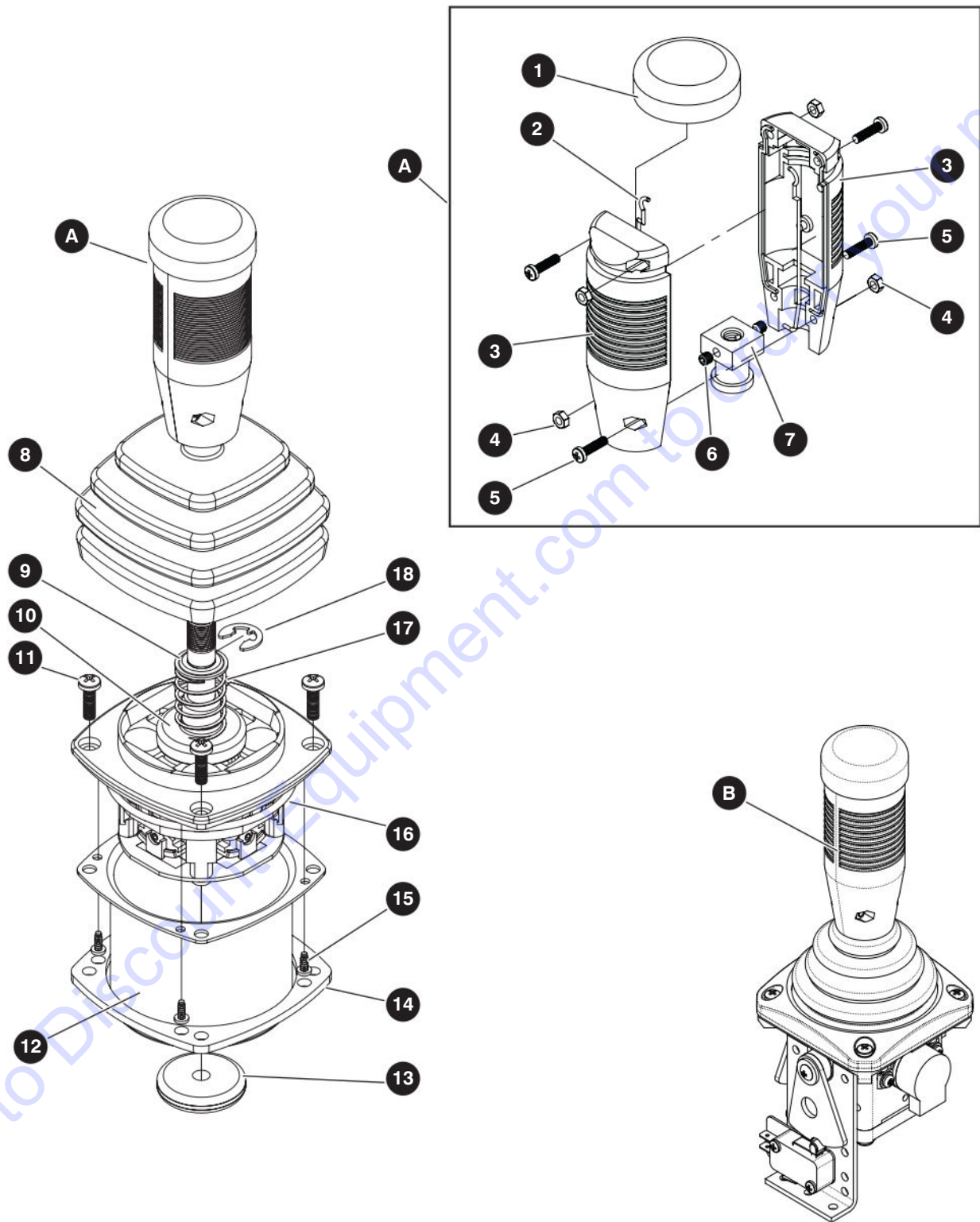
238270AAA

SJ40 T+, SJ45 T+

## 1.7 Platform Control Box

Index No.	Skyjack Part No.	Qty.	Description
31	116266	2	• RELIEF, Strain
32	(Ref.)	1	• LABEL ASSEMBLY (For components, refer to 10.8 Labels - Platform)
33	166086	1	• BLOCK, Contact - N/O - yellow LED
34	163021	1	• RESISTOR, 120 ohm (not shown)
35	136328	1	• OUTLET BOX, 110V, <b>A, B</b>
36	103892	2	• BOLT, Hex head (1/4"-20 x 5/8" gr 5), <b>A, B</b>
37	115649	2	• NUT, Hex head nylon (1/4"-20 gr 5), <b>A, B</b>
38	103036	3	• CONNECTOR, Strain relief
39	218382	1	• MODULE, Slave
	218277	1	• • SERVICE TOOL
	218276	1	• • • HARNESS, SMB1 to peak
	218278	1	• • • ADAPTER, PCAN-USB
40	103962	6	• SCREW, Round head machine (10-32 x 1/2")
41	218481	1	• SWITCH, Toggle (platform derate)
42	111181	1	• GUARD, Toggle switch
43	115747	1	SWITCH, Toggle (dual fuel) - <b>Kubota engine</b>
44	144016	1	SEAL, Panel bushing (not shown) - <b>Kubota engine</b>
45	103856	4	BOLT, Hex head (1/4"-20 x 3/4" gr 5)
46	115649	4	NUT, Hex head nylon (1/4"-20 gr 5)
47	103995	8	WASHER, Flat (1/4")
48	103024	1	CLIP, Single (G8)

# 1.8 Boom / Turret Controller



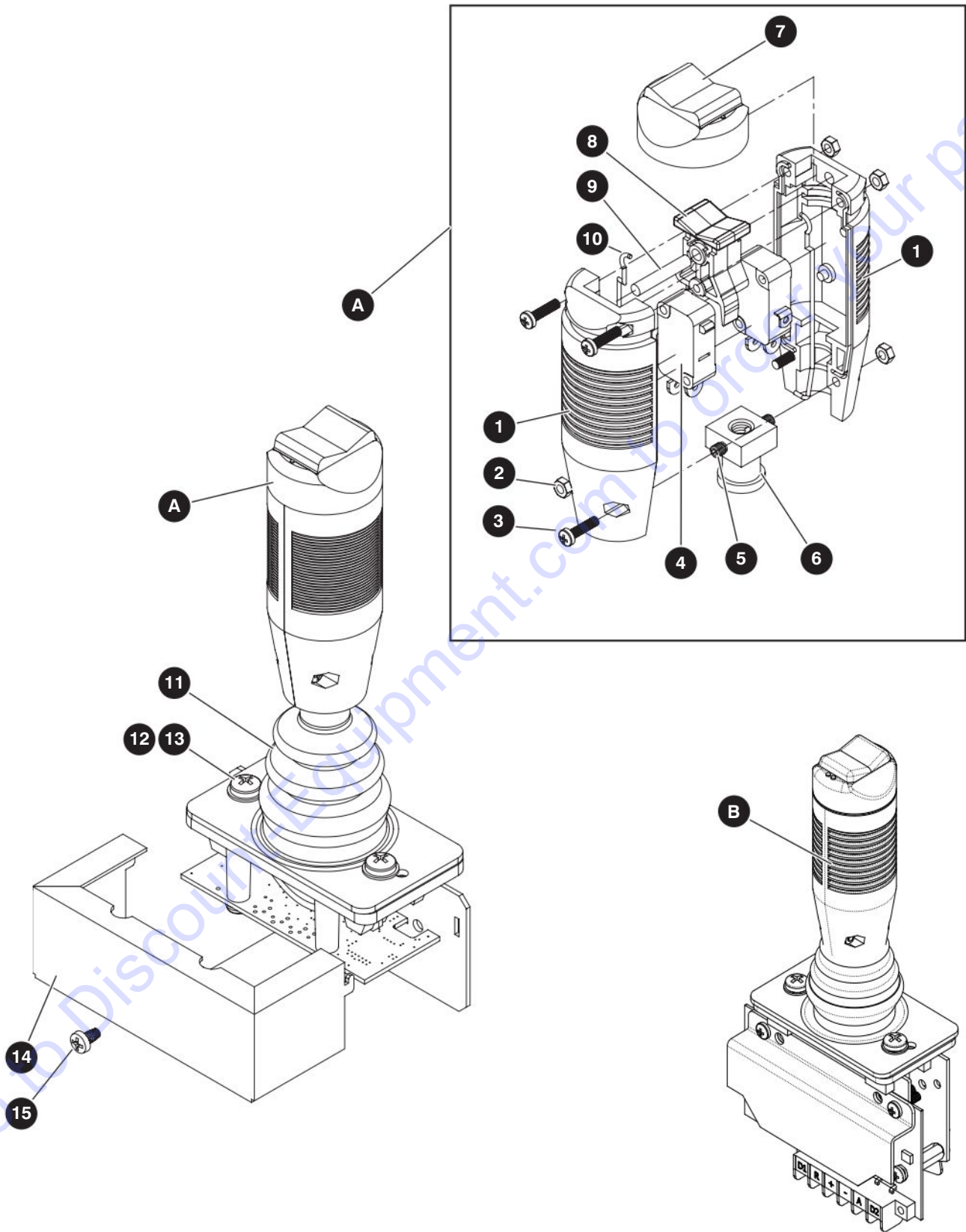
M138225AA\_M220628AA

238270AAA

## 1.8 Boom / Turret Controller

Index No.	Skyjack Part No.	Qty.	Description
<b>A</b>	138225	1	BOOM / TURRET CONTROLLER - Dual Axis
1	141326	1	• CAP, Rubber
2	141327	2	• GASKET
3	141325	2	• HANDLE, Half
4	141328	4	• NUT
5	141329	4	• SCREW
6	141331	2	• SCREW, Set
7	141330	1	• COUPLING, (10 mm)
8	141313	1	• BOOT
9	141323	1	• WASHER, Retainer
10	141315	1	• SHOE, Spring
11	141321	4	• SCREW, Mounting (M4)
12	141316	1	• CAN, Enclosure
13	141320	1	• GROMMET, Rubber
14	141317	1	• GASKET, Mounting
15	141319	4	• SCREW
16	141318	1	• O-RING
17	141324	1	• SPRING, Compression
18	141322	1	• CLIP, Retainer
19	216879	1	• CONNECTOR, Male (4-pin) (not shown)
20	216880	1	• CONNECTOR, Female (4-pin) (not shown)
<b>B</b>	220628	1	BOOM / TURRET CONTROLLER (Dual Axis) - Potentiometer style - <b>Optional</b>

# 1.9 Drive / Steer Controller



M138224AA\_M220627AA

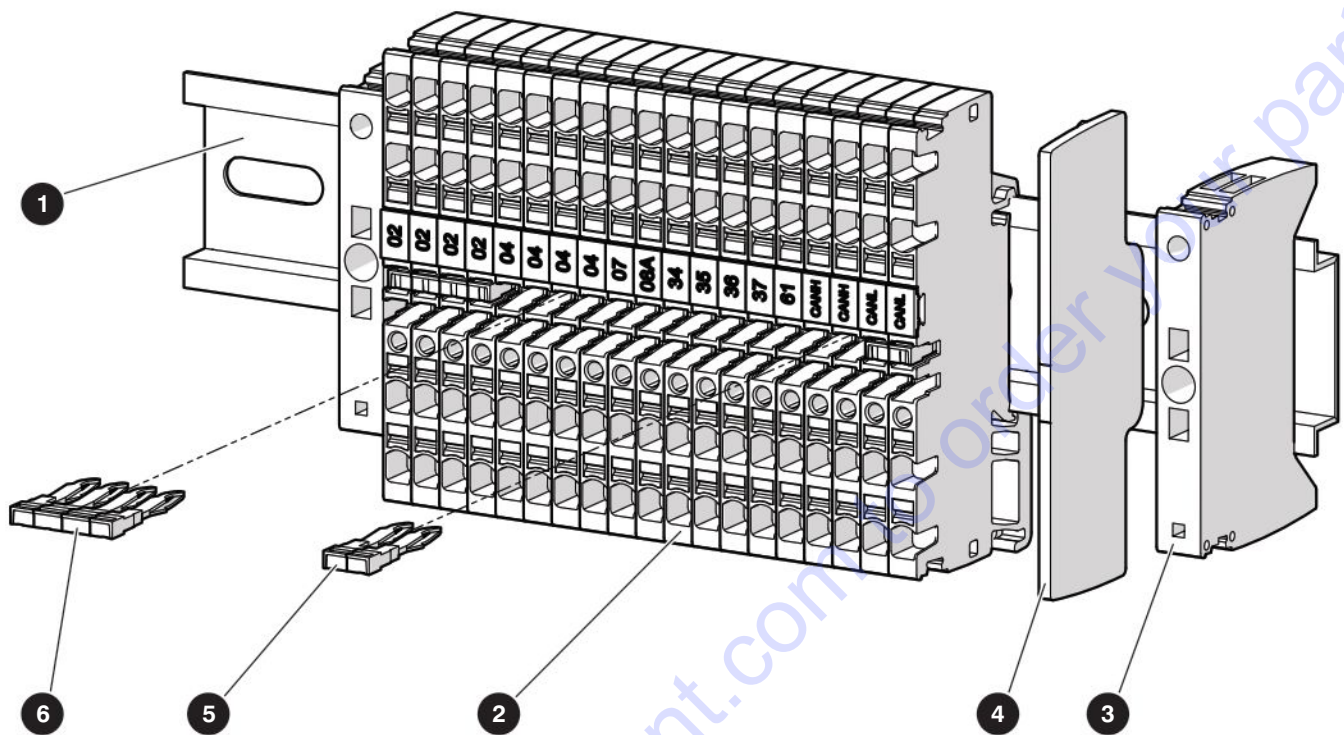
238270AAA

SJ40 T+, SJ45 T+

## 1.9 Drive / Steer Controller

Index No.	Skyjack Part No.	Qty.	Description
<b>A</b>	138224	1	DRIVE / STEER CONTROLLER - Single axis
1	141338	2	• HANDLE, Half
2	141328	4	• NUT
3	141329	4	• SCREW
4	141342	2	• MICROSWITCH
5	141331	2	• SCREW, Set
6	141343	1	• COUPLING, (8 MM)
7	141339	1	• CAP, Rubber
8	141340	1	• ROCKER
9	141341	1	• ROCKER, Axle
10	141327	2	• GASKET
11	141334	1	• BOOT ASSEMBLY, Standard
12	141336	2	• SCREW Mounting
13	141335	2	• WASHER, Mounting
14	141333	1	• ENCLOSURE
15	141337	1	• SCREW, Enclosure
<b>B</b>	220627	1	DRIVE / STEER CONTROLLER (Single Axis) - Potentiometer style - <b>Optional</b>

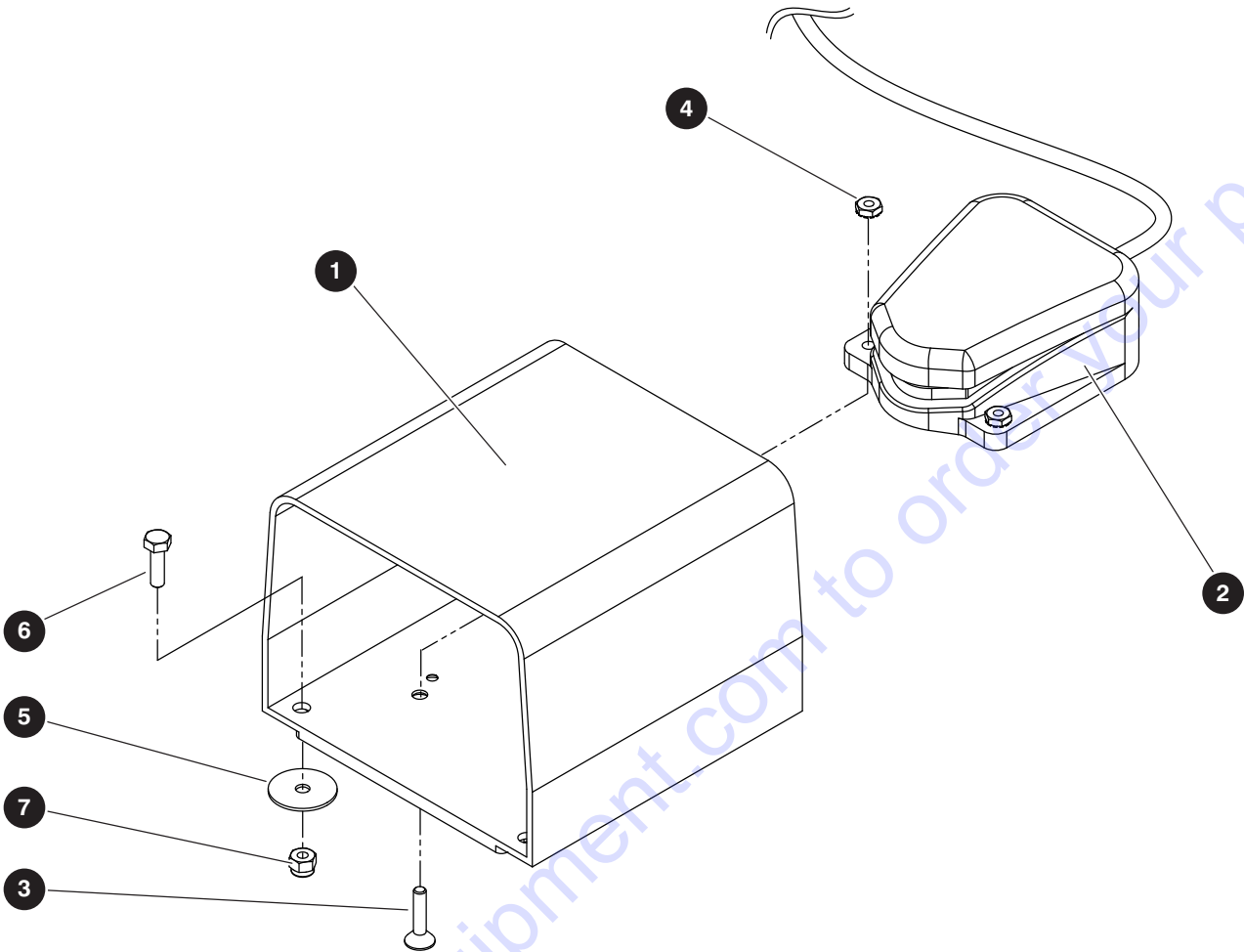
## 1.10 Platform Terminal Strip



M144403AA\_1

Index No.	Skyjack Part No.	Qty.	Description
-	218402	1	PLATFORM TERMINAL STRIP
1	233337	205 mm	• RAIL
2	233338	19	• BLOCK, Terminal
3	233341	2	• PLATE, End
4	233342	1	• PLATE, Separator
5	233343	2	• JUMPER, 2-pin
6	233344	2	• JUMPER, 4-pin

# 1.11 Footswitch

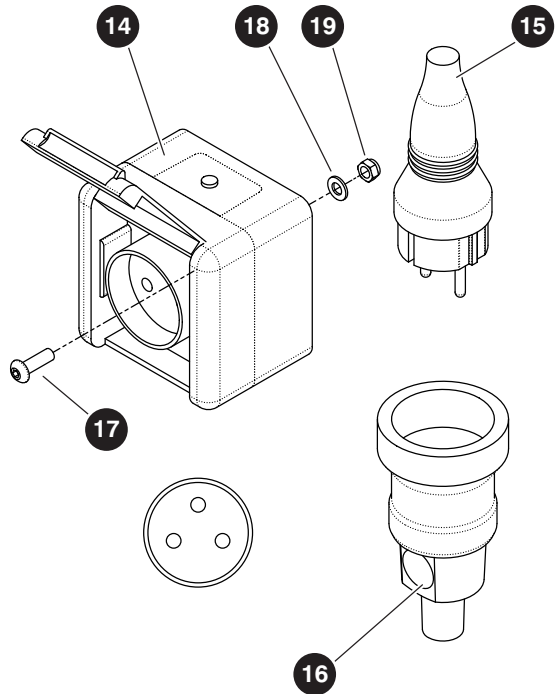
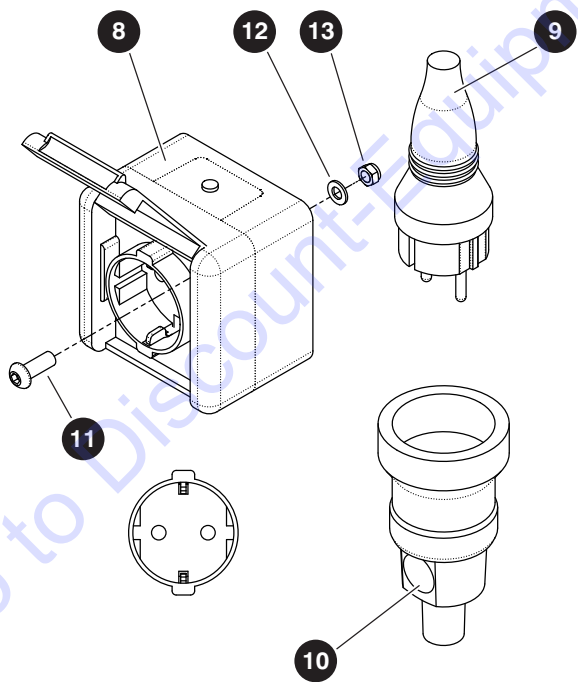
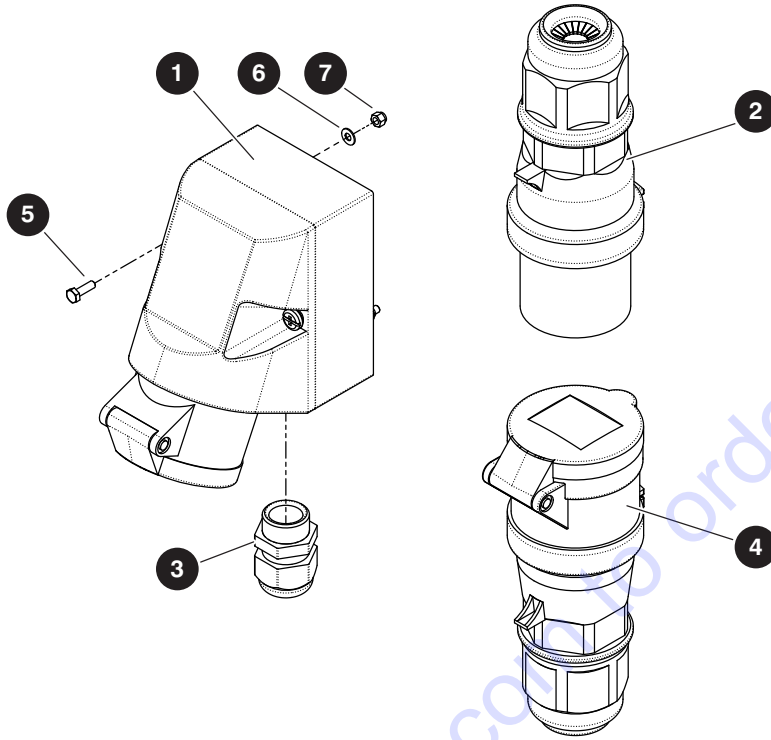


M154127AC\_1

Index No.	Skyjack Part No.	Qty.	Description
-	154127	1	FOOTSWITCH
1	700188	1	• COVER, Footswitch
2	700187	1	• SWITCH, Foot
3	139688	2	• SCREW, Flat head machine (1/4"-20 x 1.00")
4	130017	2	• NUT, Hex head K-lock
5	700598	4	WASHER, Fender
6	103891	4	BOLT, Hex head (1/4"-20 x 7/8" gr 5)
7	115649	4	NUT, Hex head nylon lock (1/4"-20 gr 5)



# 1.12 Power to Platform - CE & AS



M226505AA\_M226509AA\_M226513AA

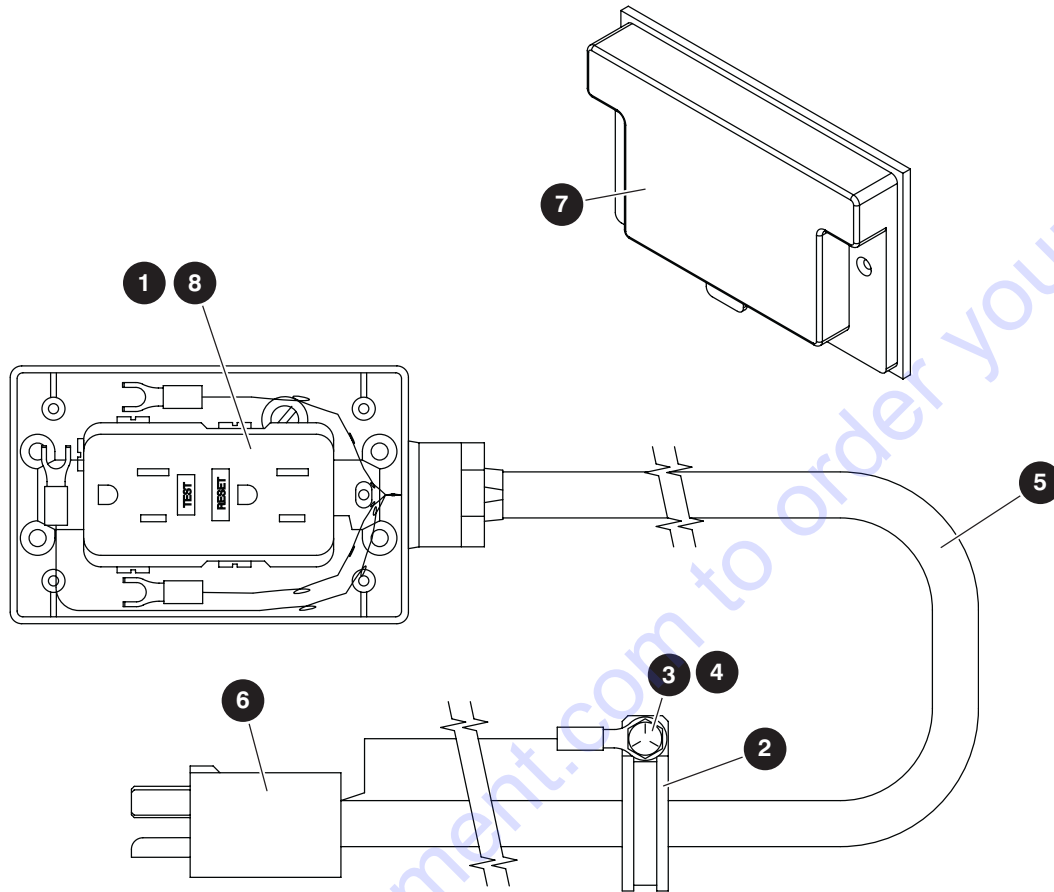
238270AAA

SJ40 T+, SJ45 T+

## 1.12 Power to Platform - CE & AS

Index No.	Skyjack Part No.	Qty.	Description
<b>A</b>	226505	1	POWER TO PLATFORM OUTLET - <b>UK with generator</b>
<b>B</b>	226507	1	POWER TO PLATFORM OUTLET - <b>UK no generator</b>
1	226503	1	• RECEPTACLE, 16 amp 110 VAC 2P+E
2	226501	1	• PLUG, 16 amp 110 VAC 2P+E
3	138373	1	• STRAIN RELIEF, M20
4	226502	1	• RECEPTACLE, 16 amp 110 VAC 2P+E, <b>A</b>
5	228463	2	• BOLT, Hex head (M3 x 0.5 x 10, cl 8.8)
6	600579	2	• WASHER, Flat (M4)
7	217626	2	• NUT, Hex head nylon lock (M3 x 0.5, cl 8)
<b>C</b>	226509	1	POWER TO PLATFORM OUTLET - <b>Type F with generator</b>
<b>D</b>	226511	1	POWER TO PLATFORM OUTLET - <b>Type F no generator</b>
8	226454	1	• OUTLET, Socket - 16 amp 250 V
9	157192	1	• PLUG, 250 V
10	226504	1	• RECEPTACLE, 250 V 16 amp, <b>C</b>
11	228459	2	• BOLT, Hex head (M5 x 0.8 x 16, cl 10.9)
12	933816	2	• WASHER, Flat (M5)
13	217628	2	• NUT, Hex head nylon lock (M5 x 0.8, cl 8)
<b>E</b>	226513	1	POWER TO PLATFORM OUTLET - <b>Type E with generator</b>
<b>F</b>	226515	1	POWER TO PLATFORM OUTLET - <b>Type E no generator</b>
14	226455	1	• OUTLET, Socket - 16 amp 250 V
15	157192	1	• PLUG, 250 V
16	226504	1	• RECEPTACLE, 250 V 16 amp, <b>E</b>
17	228459	2	• BOLT, Hex head (M5 x 0.8 x 16, cl 10.9)
18	933816	2	• WASHER, Flat (M5)
19	217628	2	• NUT, Hex head nylon lock (M5 x 0.8, cl 8)
-	144449	1	CABLE, 220V (not shown)

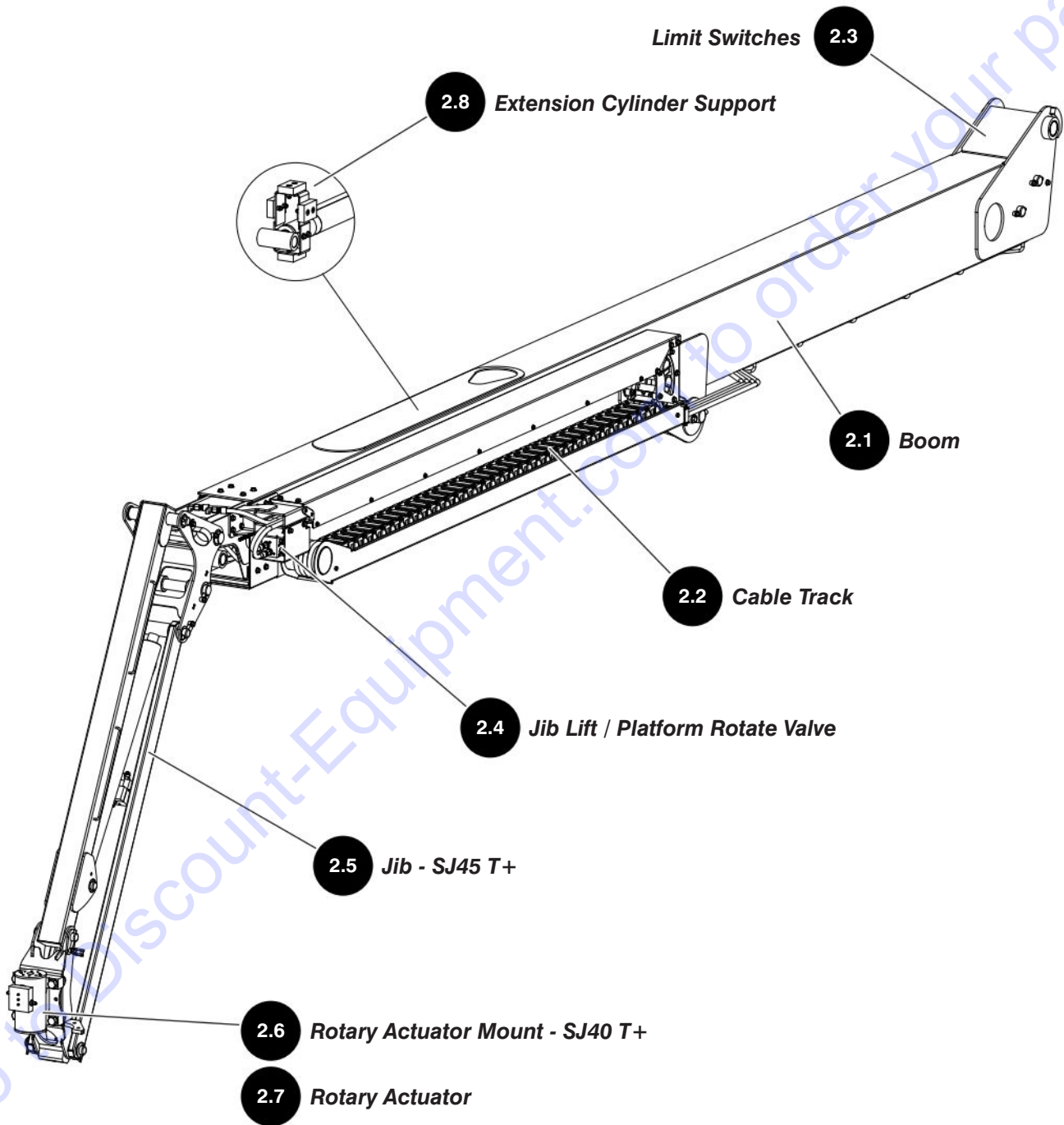
# 1.13 Power to Platform - ANSI/CSA



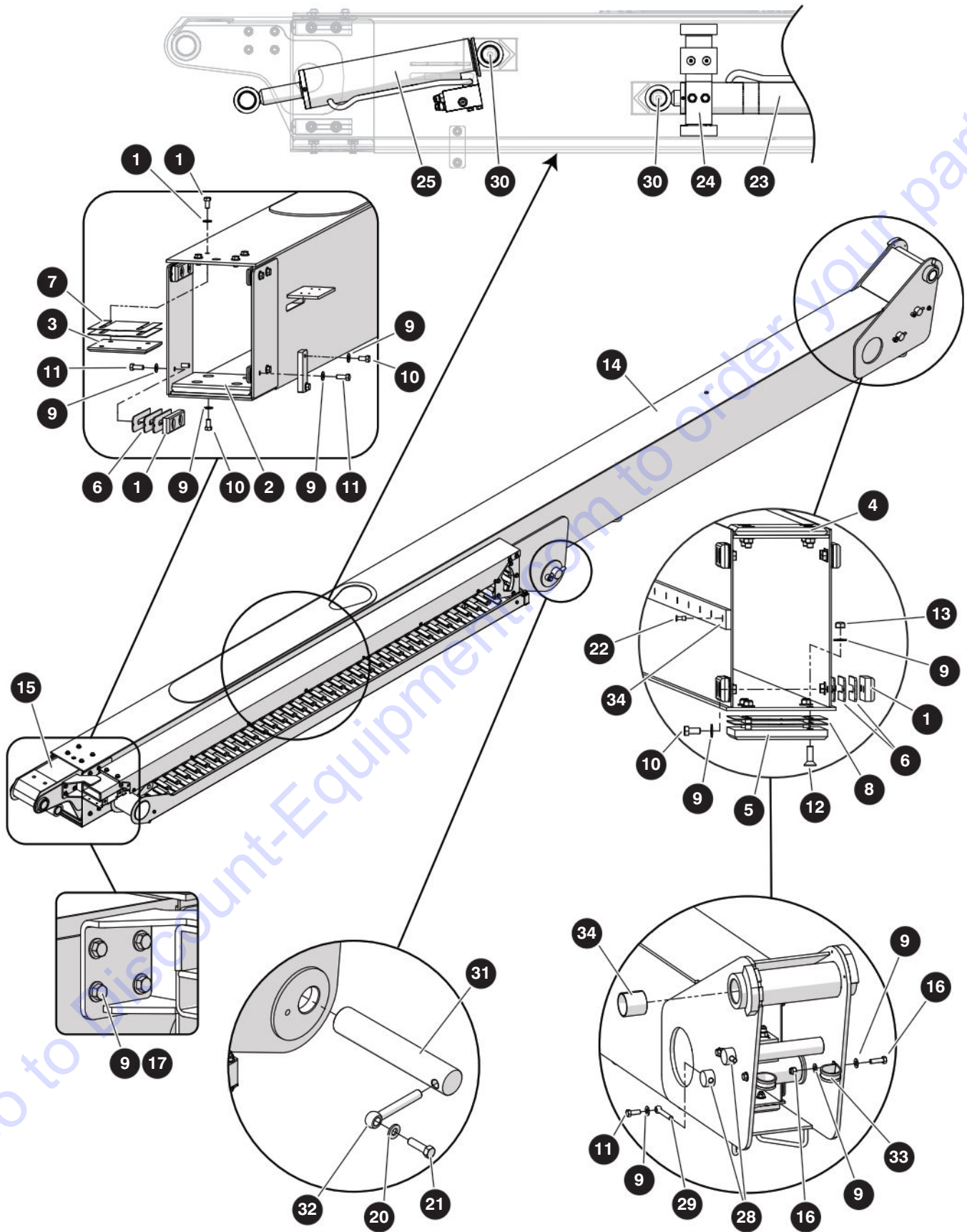
M138706AA

Index No.	Skyjack Part No.	Qty.	Description
<b>A</b>	138706	1	CABLE, 110V Outlet - <b>SJ40 T+ ANSI/CSA</b>
<b>B</b>	138707	1	CABLE, 110V Outlet - <b>SJ45 T+ ANSI/CSA</b>
1	109698	1	• RECEPTACLE, GFI
2	103024	1	• CLIP, Single (G8)
3	103856	1	• BOLT, Hex head (1/4"-20 x 3/4" Gr 5)
4	103995	1	• WASHER, Flat (1/4")
5	143961	1	• CABLE ASSEMBLY, 110V, <b>A</b>
	143962	1	• CABLE ASSEMBLY, 110V, <b>B</b>
6	104208	1	• PLUG, 15A male (125V)
7	109699	1	• PLATE, Weatherproof cover
8	121461	2	• BOLT, Machine round head (#6-32 UNC x 3/8)

## Section 2 – Boom



## 2.1 Boom



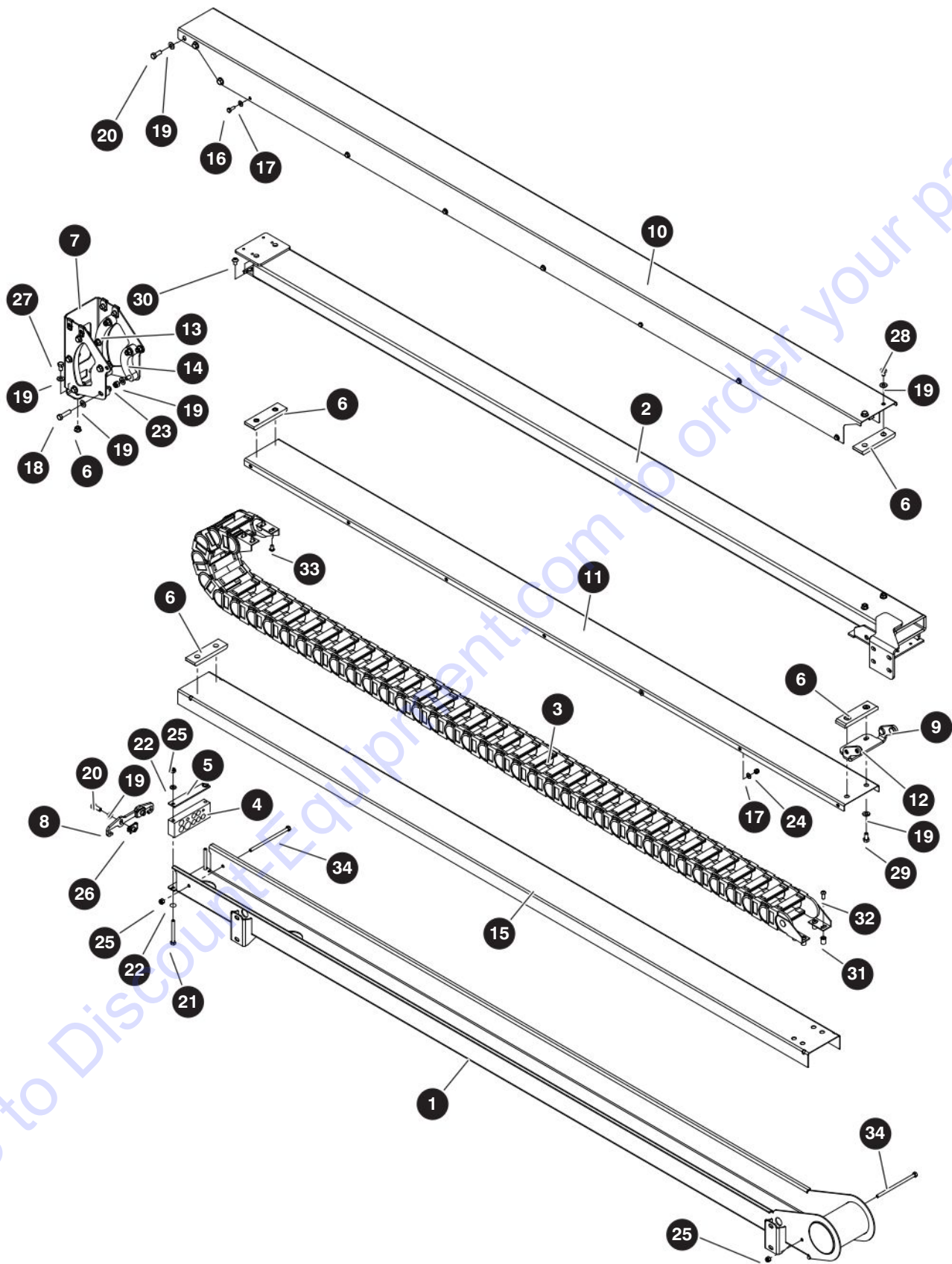
M216498AD

238270AAA

## 2.1 Boom

Index No.	Skyjack Part No.	Qty.	Description
-	216498	1	BOOM ASSEMBLY
1	139056	8	• PAD, Wear - mid boom side
2	139053	1	• PAD, Wear - mid boom bottom
3	139058	1	• PAD, Wear - mid boom top
4	706781	1	• PAD, Wear (1/2" x 6" x 8")
5	706783	1	• PAD, Wear - fly boom bottom
6	138966	8	• SHIM, 10 gauge
	138967	8	• SHIM, 12 gauge
	138968	8	• SHIM, 14 gauge
7	144196	1	• SHIM, 16 gauge - main boom
	144199	1	• SHIM, 21 gauge - main boom
8	144195	1	• SHIM, 16 gauge - fly boom
	144198	1	• SHIM, 21 gauge - fly boom
9	103472	50	• WASHER, Flat (3/8")
10	101632	20	• BOLT, Hex head (3/8"-16 x 3/4", gr 5)
11	103473	10	• BOLT, Hex head (3/8"-16 x 1", gr 5)
12	701621	8	• BOLT, Flat head cap screw (3/8"-16 x 1-1/4", gr 5)
13	144238	8	• NUT, Torque lock (3/8"-16 gr C)
-	216497	1	• BOOM SECTIONS
14	161297	1	• • MAIN BOOM
15	161298	1	• • FLY BOOM
16	104606	6	• NUT, Hex head nylon lock (3/8"-16, gr 5)
17	117430	4	• BOLT, Hex head (3/8"-16 x 1-1/4", gr 8)
18	101297	2	• BOLT, Hex head (3/8"-16 x 1-1/4", gr 5)
19	704642	2	• SCREW, Flat head cap (5/16"-18 x 3/4", gr 5)
20	104379	1	• WASHER, Flat hardened (1/2")
21	103906	1	• BOLT, Hex head (1/20"-13 x 1-3/4", gr 5)
22	157759	11	• RIVET, Pop (3/16")
23	(Ref.)	1	• CYLINDER, Extension (For components, refer to 3.2 Extension Cylinder)
24	(Ref.)	1	• SUPPORT, Extension cylinder (For components, refer to 2.8 Extension Cylinder Support)
25	(Ref.)	1	• CYLINDER, Slave (For components, refer to 3.4 Slave Cylinder)
26	(Ref.)	1	• CABLE TRACK ASSEMBLY (For components, refer to 2.2 Cable Track)
27	161336	2	• SPACER (3" OD x 1.563" ID x 0.188")
28	165260	2	• PIN, Mounting bracket
29	146897	2	• PIN, Keeper (3/8")
30	144688	2	• PIN, Extend and slave cylinder
31	148819	1	• PIN, Lift cylinder
32	146898	1	• PIN, Keeper (5/8")
33	133241	2	• CLAMP, Tube - cushioned
34	101564	2	• BUSHING, Fiberglide (1-3/4" OD x 1-1/2" lg)

## 2.2 Cable Track



M161292AD

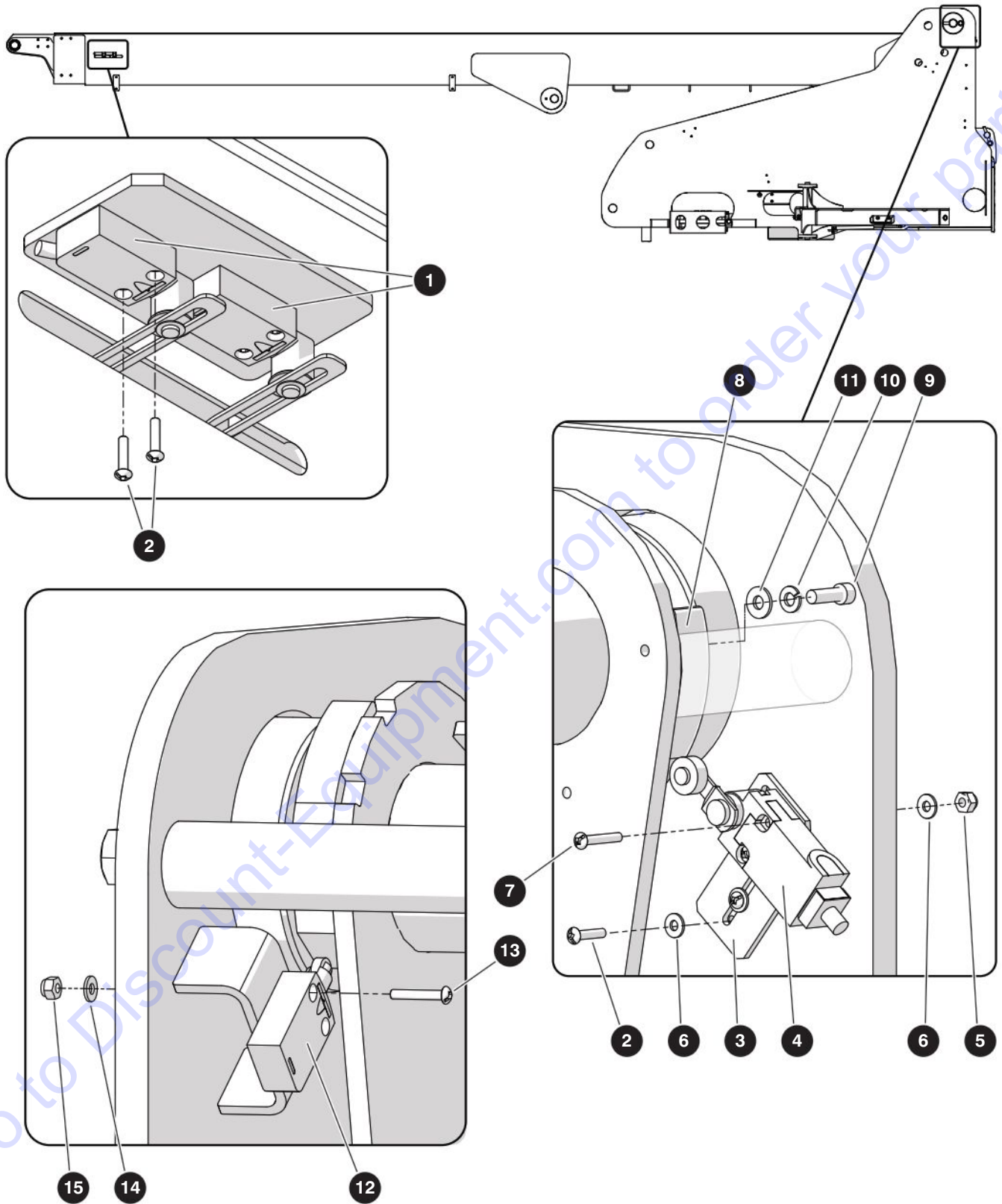
238270AAA

## 2.2 Cable Track

Index No.	Skyjack Part No.	Qty.	Description
-	161292	1	CABLE TRACK
1	163474	1	• WELDMENT, Lower track
2	163475	1	• WELDMENT, Tube
3	164910	1	• E-CHAIN
	195745	1	• • MOUNTING BRACKET SET
	170161	39	• • LINK
	210075	13	• • SEPARATOR
4	231503	1	• CLAMP, Hose
5	710210	1	• PLATE, Hose guide
6	160416	4	• WEAR PAD, Cable track
7	160413	1	• BRACKET, Guide
8	160415	1	• PLATE, Cover retainer
9	125433	4	• BUSHING, Slider
10	160414	1	• COVER, E-chain - upper
11	160411	1	• COVER, E-chain - lower
12	160409	1	• BRACKET, Tube guide
13	160412	2	• GUIDE, Outer
14	160410	2	• GUIDE, Inner
15	164906	1	• FORM, Support
16	103856	14	• BOLT, Hex head (1/4"-20 x 3/4" Gr 5)
17	103995	28	• WASHER, Flat (1/4")
18	706789	10	• BOLT, Hex head (3/8"-16 x 1 1/2" Gr 5)
19	103472	36	• WASHER, Flat (3/8")
20	103473	8	• BOLT, Hex head (3/8"-16 x 1" Gr 5)
21	103867	2	• BOLT, Hex head (5/16"-18 x 3" Gr 5)
22	103996	4	• WASHER, Flat (5/16")
23	138765	12	• NUT, Hex head nylon lock (8-32, gr 5)
24	115649	14	• NUT, Hex head nylon lock (1/4"-20, gr 5)
25	103984	4	• NUT, Hex head nylon lock (5/16"-18, gr 5)
26	159294	6	• NUT, Speed clip (3/8"-16)
27	138464	2	• BOLT, Hex head (3/8"-16 x 5/8" Gr 5)
28	152341	2	• BOLT, Hex head (3/8"-16 x 1/2" Gr 5)
29	101632	2	• BOLT, Hex head (3/8"-16 x 3/4" Gr 5)
30	154078	2	• SCREW, Button head cap (3/8"-16 x 1/2")
31	162464	4	• INSERT, AK Series (5/16"-18)
32	300064	4	• SCREW, Button head cap (5/16"-18 x 3/4")
33	103948	4	• SCREW, Button head cap (5/16"-18 x 1/2")
34	162714	2	• BOLT, Hex head (5/16"-18 x 6" Gr 5)



## 2.3 Limit Switches



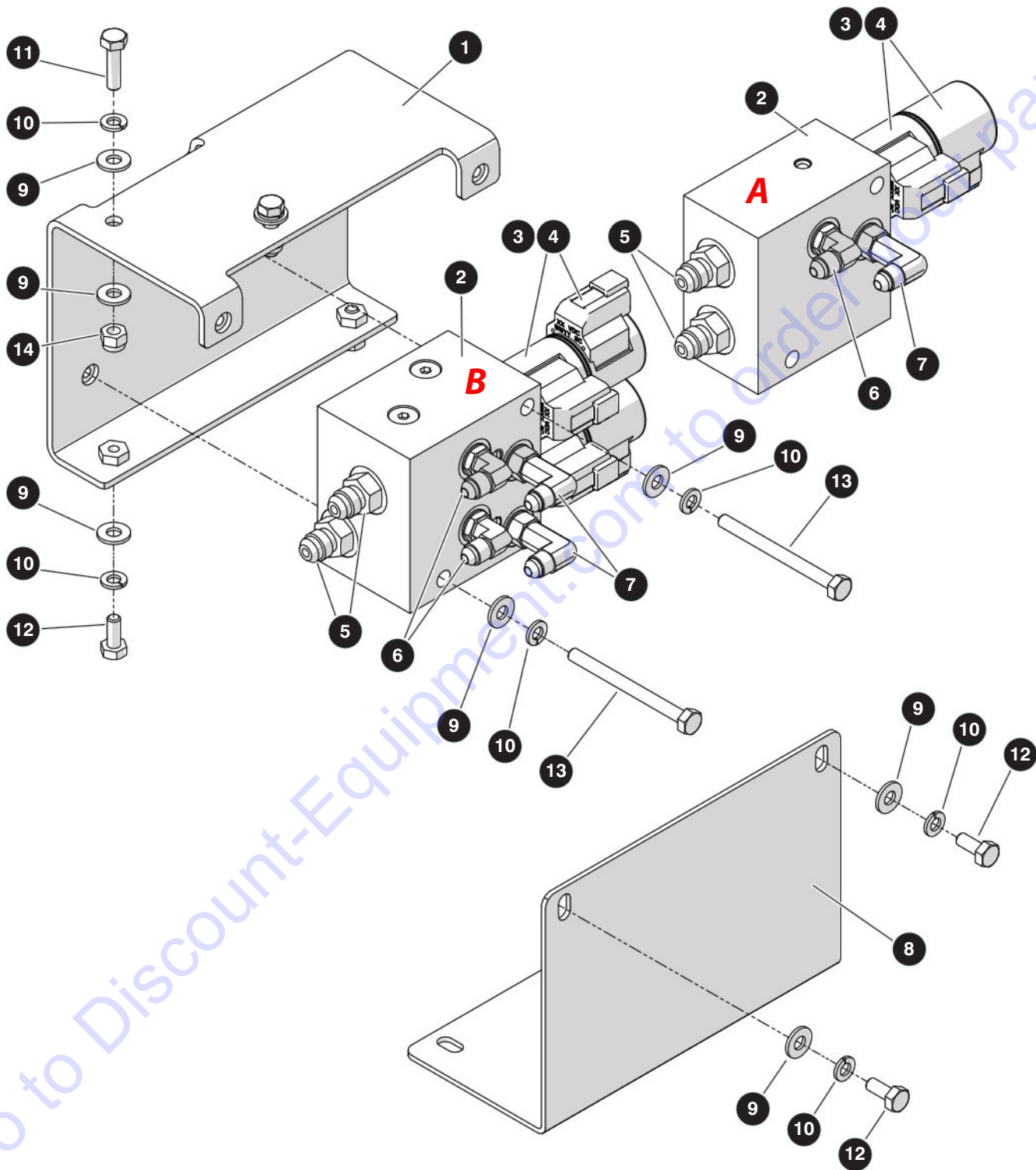
M216839AC

238270AAA

## 2.3 Limit Switches

Index No.	Skyjack Part No.	Qty.	Description
-	216839	1	LIMIT SWITCHES
1	207016	2	• LIMIT SWITCH, Adjustable lever - 15 m
2	103958	6	• SCREW, Round head machine (8-32 x 3/4")
3	216842	1	• BRACKET, Limit switch - turret
4	218271	1	• LIMIT SWITCH, Roller lever
5	138765	2	• NUT, Lock (8-32 gr 5 nylon)
6	103991	4	• WASHER, Flat (8)
7	112248	2	• SCREW, Round head machine (8-32 x 1")
8	216840	1	• PLATE, Cam - main boom
9	103941	2	• SCREW, Sockt head cap (1/4"-20 x 3/4")
10	104000	2	• WASHER, Lock (1/4")
11	103995	2	• WASHER, Flat (1/4")
-	163118	1	BOOM LIFT LIMIT SWITCH
12	199408	1	• SWITCH, Limit - roller plunger
	207850	1	• • HEAD, PLUNGER, Roller
13	112248	2	• SCREW, Round head machine (#8-32 x 1.00")
14	103991	2	• WASHER, Flat (#8)
15	138765	2	• NUT, Hex head nylon lock (#8-32 gr 5)

## 2.4 Jib Lift / Platform Rotate Valve



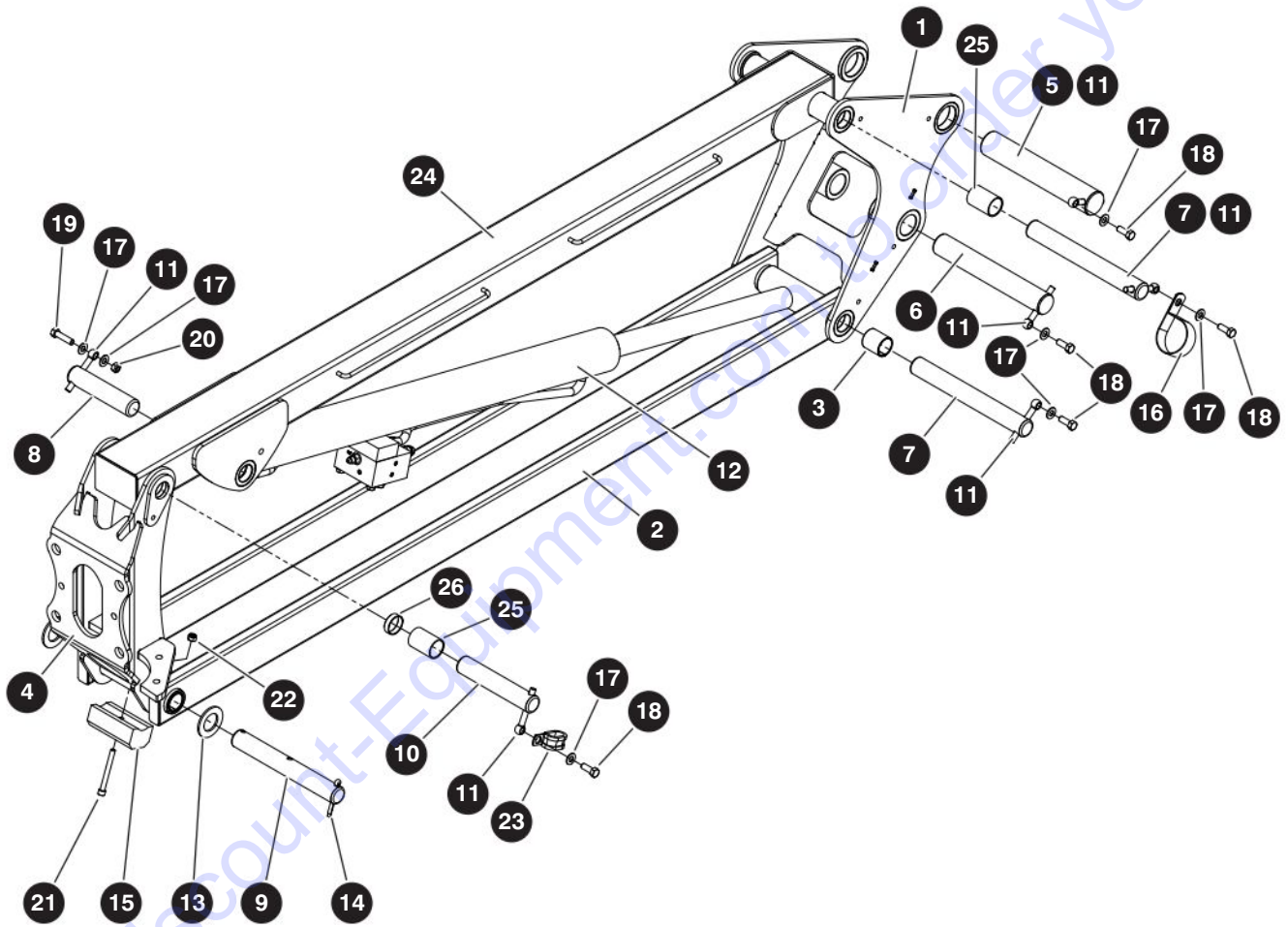
M231508AA\_230509AA

238270AAA

## 2.4 Jib Lift / Platform Rotate Valve

Index No.	Skyjack Part No.	Qty.	Description
<b>A</b>	231508	1	PLATFORM ROTATE VALVE - <b>SJ40 T+</b>
<b>B</b>	231509	1	JIB LIFT/PLATFORM ROTATE VALVE - <b>SJ45 T+</b>
1	231511	1	• SUPPORT, Manifold
2	231501	1	• PLATFORM ROTATE VALVE <b>A</b>
	231502	1	• JIB LIFT/PLATFORM ROTATE VALVE, <b>B</b>
3	166036	1	• • VALVE, Spool - 4-way, 3 pos, <b>A</b>
	166036	2	• • VALVE, Spool - 4-way, 3 pos, <b>B</b>
4	208881	2	• • COIL, Solenoid - ER (12 V DC size 08), <b>A</b>
	208881	4	• • COIL, Solenoid - ER (12 V DC size 08), <b>B</b>
5	103069	1	• • FITTING, Straight (06JICM-06ORBM), <b>A</b>
	103069	2	• • FITTING, Straight (06JICM-06ORBM), <b>B</b>
6	129127	1	• • FITTING, Elbow 90° (04JICM-06ORBM), <b>A</b>
	129127	4	• • FITTING, Elbow 90° (04JICM-06ORBM), <b>B</b>
7	TBD	1	• • FITTING, Elbow long 90° (06JICM-06ORBM), <b>A</b>
	TBD	1	• • FITTING, Elbow long 90° (06JICM-06ORBM), <b>B</b>
8	231513	1	• COVER
9	103995	4	• WASHER, Flat (1/4")
10	104000	2	• WASHER, Lock (1/4")
11	103857	2	• BOLT, Hex head (1/4"-20 x 1", gr 5)
12	103892	2	• BOLT, Hex head (1/4"-20 x 5/8", gr 5)
13	127284	2	• BOLT, Hex head (1/4"-20 x 2-1/2", gr 5), <b>A</b>
	113583	2	• BOLT, Hex head (1/4"-20 x 3", gr 5), <b>B</b>
14	115649	2	• NUT, Hex lock (1/4"-20 gr 5, nylon)

## 2.5 Jib - SJ45 T+



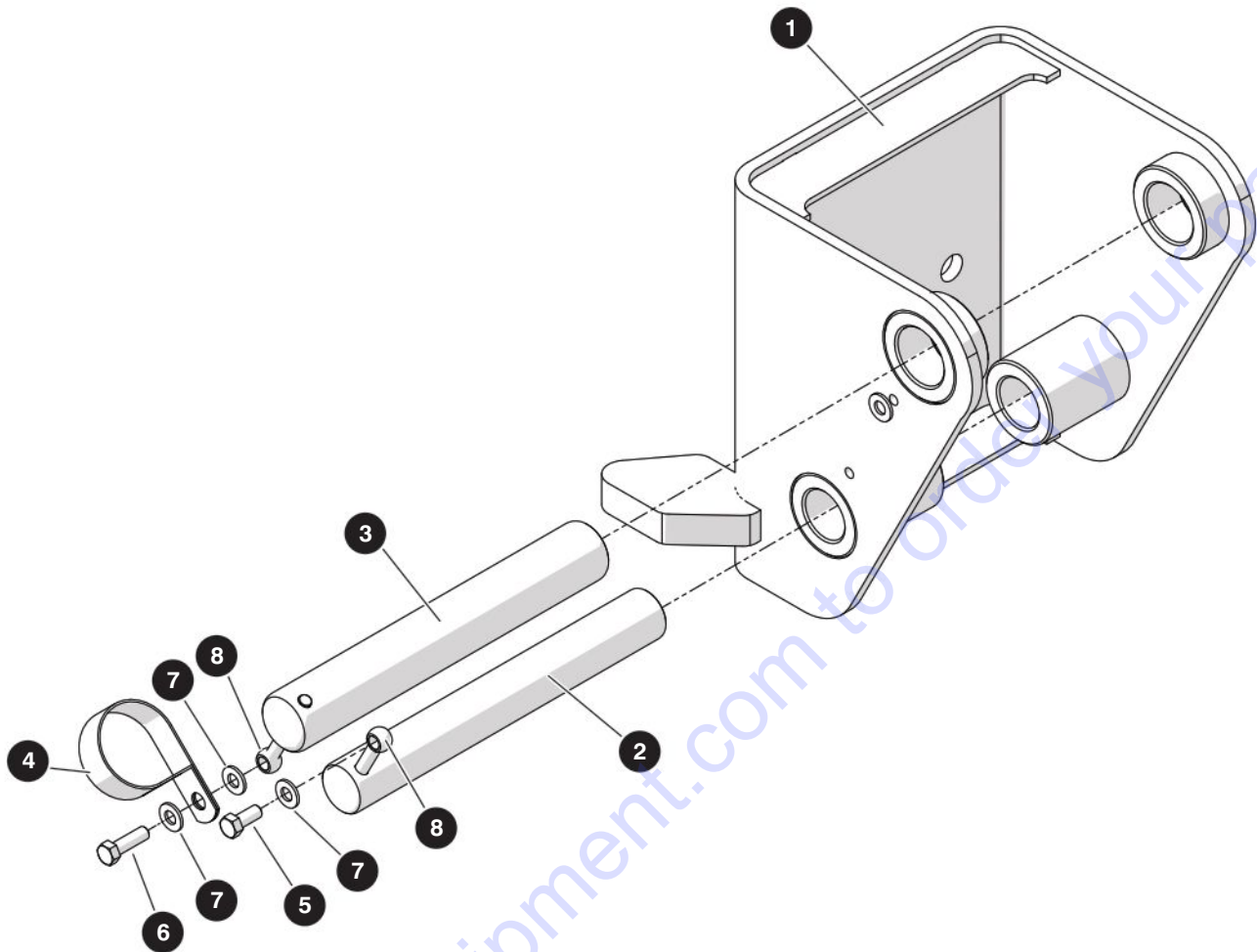
M160496AD

238270AAA

## 2.5 Jib - SJ45 T+

Index No.	Skyjack Part No.	Qty.	Description
-	218097	1	JIB ASSEMBLY
1	218101	1	• BRACKET, Jib
-	160499	2	• ARM ASSEMBLY, Lower - jib
2	167846	1	• • ARM, Lower - Jib
3	125262	2	• • BUSHING, Jib
4	218048	1	• BRACKET, Mount - rotator
5	218128	1	• PIN (1-3/4" OD x 10-5/8")
6	197497	1	• PIN (1-1/2" OD x 11-3/16")
7	154234	2	• PIN, Jib bracket mounting
8	154235	1	• PIN, Jib cylinder mounting
9	154237	1	• PIN, Lower arm mounting - rotator
10	162148	1	• PIN, Top arm mounting - rotator
11	146897	6	• PIN, Keeper (3/8")
12	(Ref.)	1	• JIB CYLINDER ASSEMBLY (For components, refer to 3.5 Jib Cylinder)
13	122502	2	• WASHER, Flat (1-1/8" SAE)
14	103972	2	• PIN, Cotter (1/4" dia x 2.00" lg)
15	162144	1	• PAD, Jib
16	143987	1	• CLAMP, P (2-1/2" tube)
17	103472	7	• WASHER, Flat (3/8")
18	103473	5	• BOLT, Hex head (3/8"-16 x 1", gr 5)
19	103870	1	• BOLT, Hex head (3/8"-16 x 1-1/20", gr 5)
20	144238	1	• NUT, Torque lock (3/8"-16, gr C)
21	162145	1	• SCREW, Socket head cap (5/16"-18, gr 5)
22	103984	1	• NUT, Hex head nylon lock (5/16"-18, gr 5)
23	152333	1	• CLAMP, Tube (5/8" cushioned)
-	218108	1	• ARM ASSEMBLY, Upper - jib
24	160498	1	• • ARM, Upper - jib
25	125230	6	• • BUSHING, Fiberglide (1-1/4" dia x 2" lg)
26	154239	1	• • SPACER (1.4" OD x 1-1/4" ID x 0.4" lg)

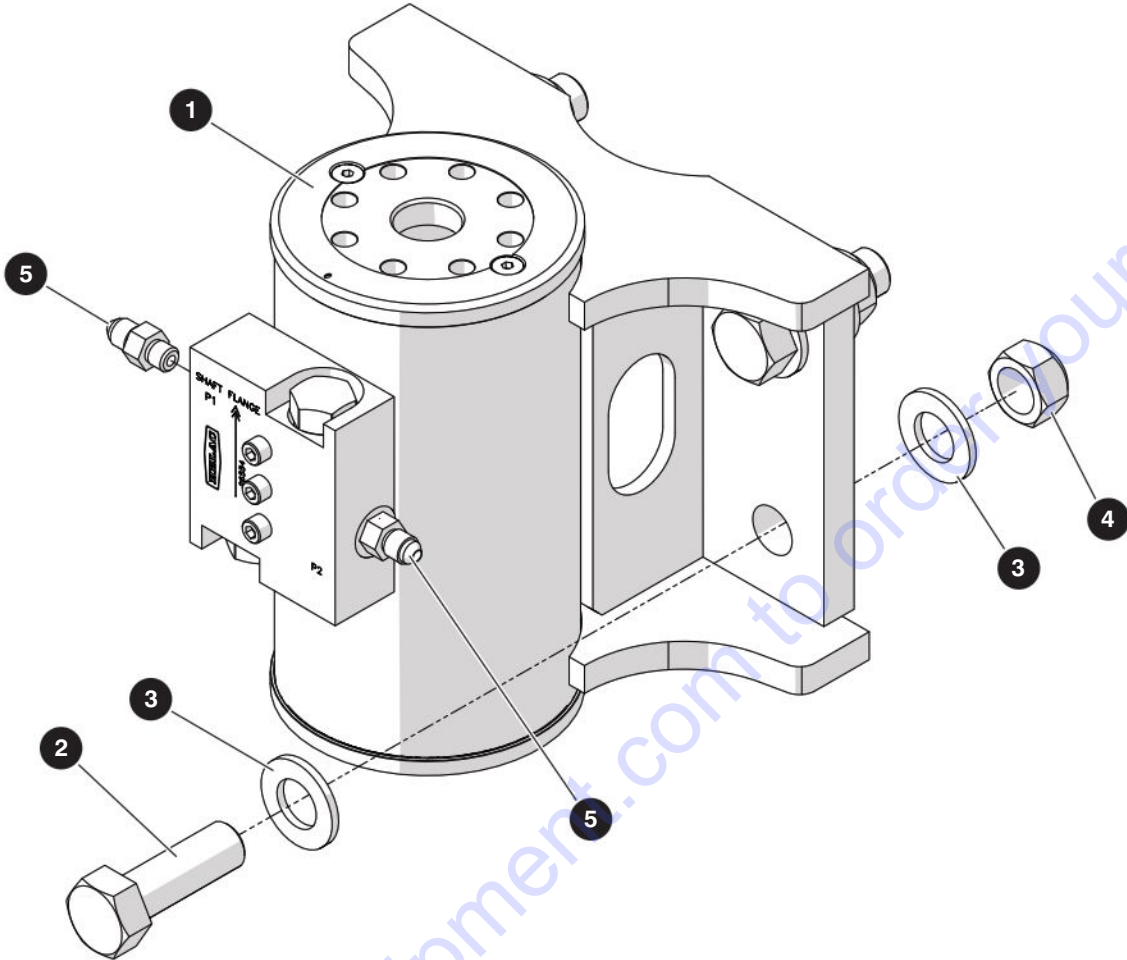
## 2.6 Rotary Actuator Mount - SJ40 T+



M218096AF

Index No.	Skyjack Part No.	Qty.	Description
-	218096	1	ROTARY ACTUATOR MOUNT - <b>SJ40 T+</b>
1	218050	1	• BRACKET, Platform Mounting
2	147584	1	• PIN, Jib
3	147585	1	• PIN, Fly boom
4	143987	1	• CLAMP (2-1/2")
5	139193	1	• BOLT, Hex head patch (3/8"-16 x 1-1/4" Gr 8)
6	148421	1	• BOLT, Hex head patch (3/8"-16 x 7/8" Gr 8)
7	125959	3	• WASHER, Flat hardened (3/8")
8	146897	2	• PIN, Keeper (3/8")

## 2.7 Rotary Actuator

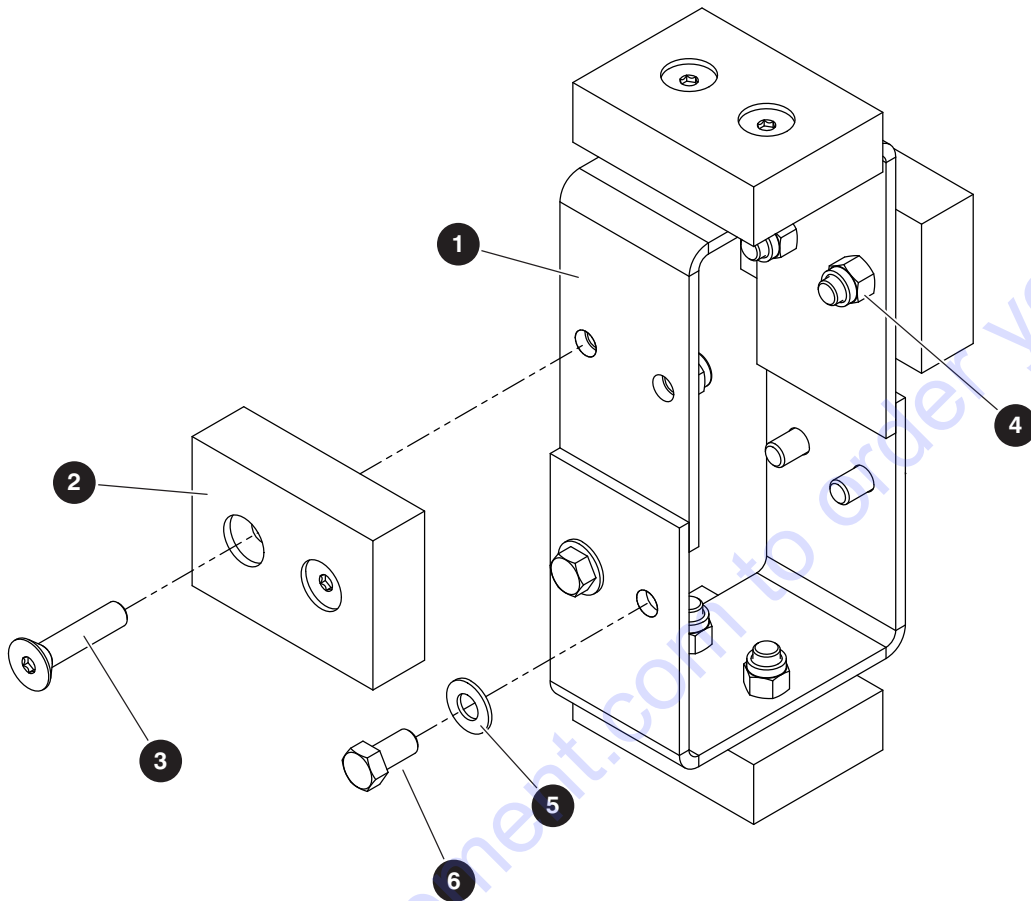


M218095AB

Index No.	Skyjack Part No.	Qty.	Description
-	218095	1	ROTARY ACTUATOR
1	218126	1	• ROTARY ACTUATOR
2	153606	4	• BOLT, Hex head (3/4"-10 x2-1/4", gr 8)
3	702194	4	• WASHER, Flat hardened (3/4")
4	700575	4	• NUT, Torque lock (3/4"-10, Gr C)
5	126128	2	• FITTING, Straight bulkhead (04 JICM-04 ORBM)
6	TBD	1	SEAL KIT



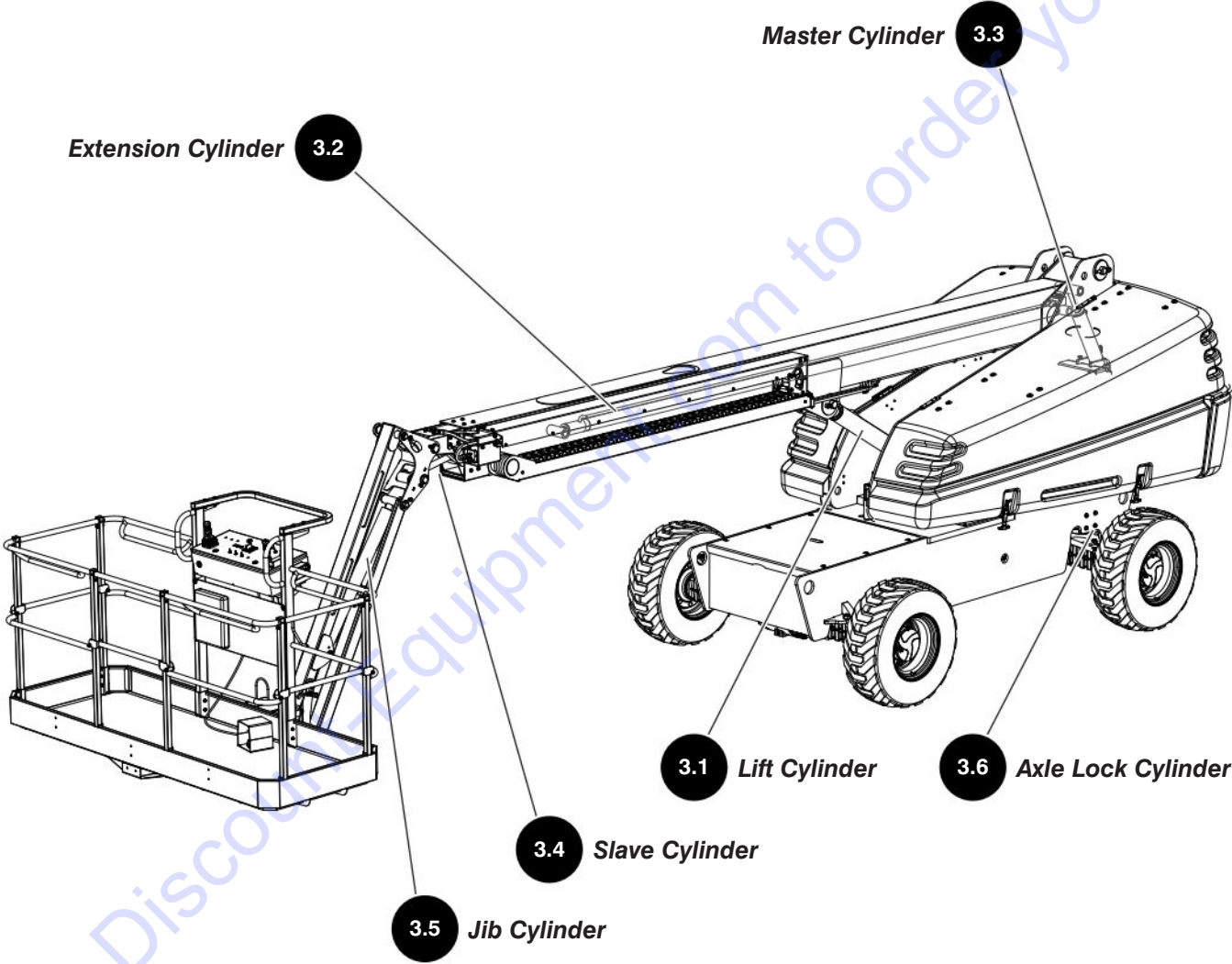
## 2.8 Extension Cylinder Support



M710214AD

Index No.	Skyjack Part No.	Qty.	Description
-	710214	1	EXTENSION CYLINDER SUPPORT
1	710213	1	• BRACKET, Extension cylinder
2	701538	4	• PAD, Wear
3	711085	8	• SCREW, Flat head cap (3/8"-16 x 1 3/4" Gr 5)
4	104606	8	• NUT, Hex lock (3/8"-16 Gr 5, nylon)
5	103472	4	WASHER, Flat (3/8")
6	101632	4	BOLT, Hex head (3/8"-16 x 3/4", gr 5)

# Section 3 – Cylinders



# PARTS FINDER

**Search Website  
by Part Number**



**Search Manual  
Library For Parts  
Manual & Lookup Part  
Numbers – Purchase  
or Request Quote**

**Search Manuals**

Enter your information to help us find the right parts manual for your machine.

\* Brand:

\* Model:

\* Serial:

\* Part Number:

SEARCH

**Can't Find Part or  
Manual? Request Help  
by Manufacturer,  
Model & Description**

**Parts Order Form**

Please fill in the following information to help us find the right part for your machine.

MANUFACTURER:

MODEL:

DESCRIPTION:

SEARCH

Discount-Equipment.com is your online resource for quality parts & equipment.

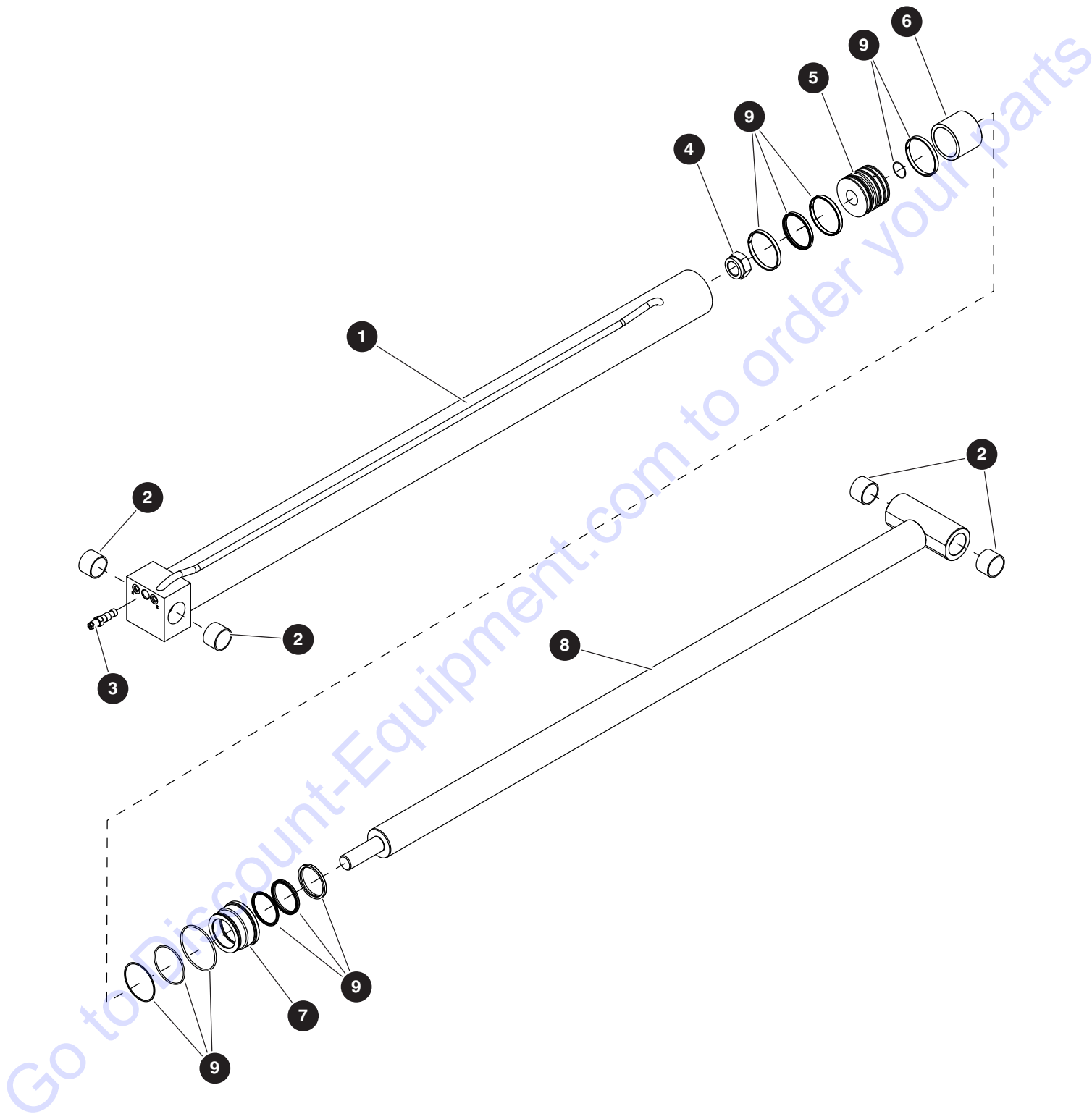
Florida: **561-964-4949** Outside Florida TOLL FREE: **877-690-3101**

**Need parts?**

Click on this link: <http://www.discount-equipment.com/category/5443-parts/> and choose one of the options to help get the right parts and equipment you are looking for. Please have the machine model and serial number available in order to help us get you the correct parts. If you don't find the part on the website or on one of the online manuals, please fill out the request form and one of our experienced staff members will get back to you with a quote for the right part that your machine needs.

We sell worldwide for the brands: Genie, Terex, JLG, MultiQuip, Mikasa, Essick, Whiteman, Mayco, Toro Stone, Diamond Products, Generac Magnum, Airman, Haulotte, Barreto, Power Blanket, Nifty Lift, Atlas Copco, Chicago Pneumatic, Allmand, Miller Curber, Skyjack, Lull, Skytrak, Tsurumi, Husquvarna Target, Stow, Wacker, Sakai, Mi-T-M, Sullair, Basic, Dynapac, MBW, Weber, Bartell, Bennar Newman, Haulotte, Ditch Runner, Menegotti, Morrison, Contec, Buddy, Crown, Edco, Wyco, Bomag, Laymor, EZ Trench, Bil-Jax, F.S. Curtis, Gehl Pavers, Heli, Honda, ICS/PowerGrit, IHI, Partner, Imer, Clipper, MMD, Koshin, Rice, CH&E, General Equipment, Amida, Coleman, NAC, Gradall, Square Shooter, Kent, Stanley, Tamco, Toku, Hatz, Kohler, Robin, Wisconsin, Northrock, Oztec, Toker TK, Rol-Air, APT, Wylie, Ingersoll Rand / Doosan, Innovatech, Con X, Ammann, Mecalac, Makinex, Smith Surface Prep, Small Line, Wanco, Yanmar

### 3.1 Lift Cylinder



M166123AA

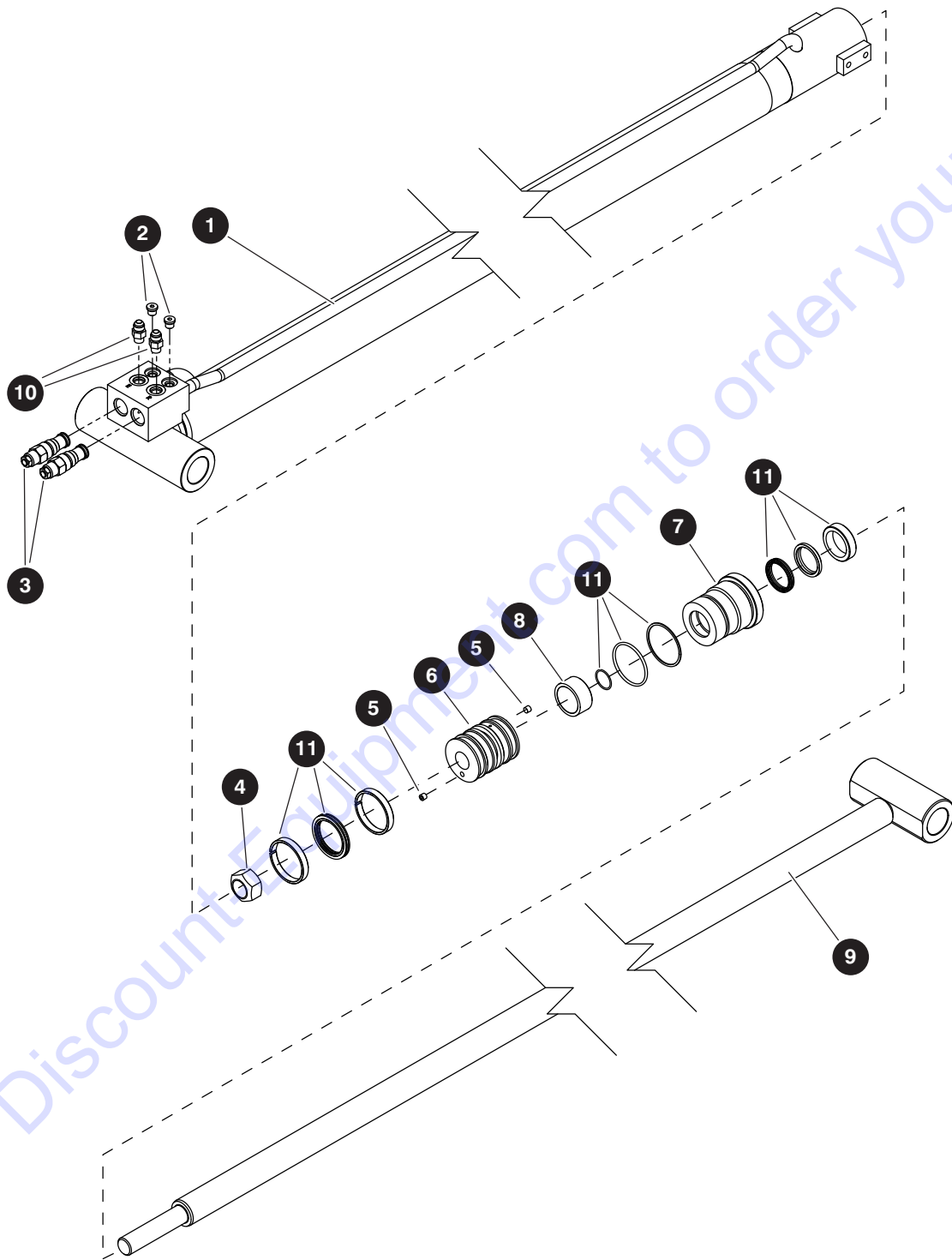
238270AAA

SJ40 T+, SJ45 T+

### 3.1 Lift Cylinder

Index No.	Skyjack Part No.	Qty.	Description
-	218258	1	LIFT CYLINDER
1	236615	1	• BARREL
2	236619	4	• BEARING, Self-lubricating
3	236621	1	• VALVE, Counterbalance
4	TBD	1	• NUT, Rod
5	236617	1	• PISTON
6	TBD	1	• SPACER
7	236618	1	• GLAND
8	236616	1	• ROD
9	236620	1	SEAL KIT

## 3.2 Extension Cylinder



M163480AB

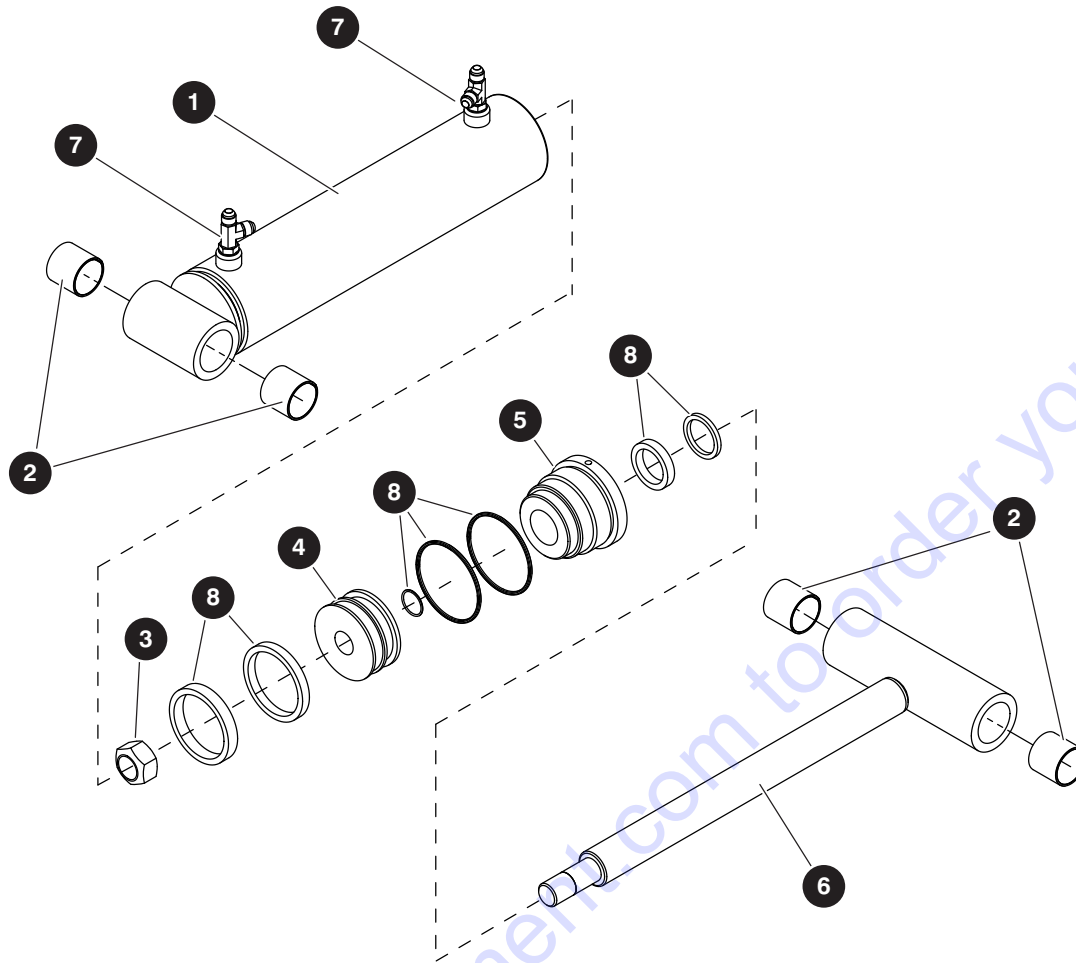
238270AAA

SJ40 T+, SJ45 T+

## 3.2 Extension Cylinder

Index No.	Skyjack Part No.	Qty.	Description
-	216838	1	EXTENSION CYLINDER
1	236635	1	• BARREL
2	121250	2	• PLUG, O-ring (7/16)
3	236640	2	• VALVE, Counterbalance
4	104400	1	• NUT, Rod
5	141446	2	• PLUG, 1/16 Orifice (NPTF)
6	236637	1	• PISTON
7	236638	1	• GLAND
8	TBD	1	• SPACER
9	236636	1	• ROD
10	103069	2	FITTING, Straight (06JICM-06ORBM)
11	236639	1	SEAL KIT

### 3.3 Master Cylinder

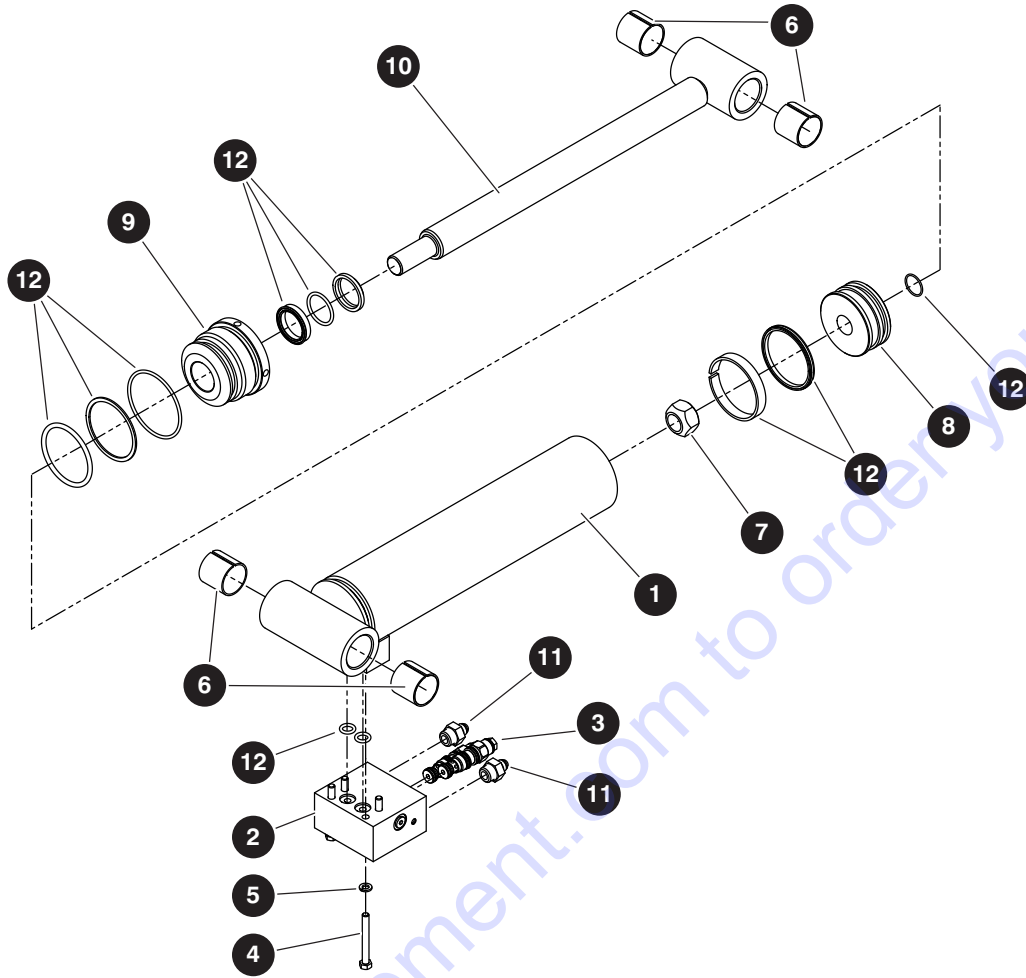


M163113AB

Index No.	Skyjack Part No.	Qty.	Description
-	218611	1	MASTER CYLINDER
-	231500	1	• CYLINDER, Master
1	236622	1	• • BARREL
2	236626	4	• • BEARING
3	104400	1	• • NUT, Rod
4	236624	1	• • PISTON
5	236625	1	• • GLAND
6	236623	1	• • ROD
7	114581	2	• FITTING, Run tee (06 JICM - 06 ORBM - 06 JICM)
8	236627	1	SEAL KIT



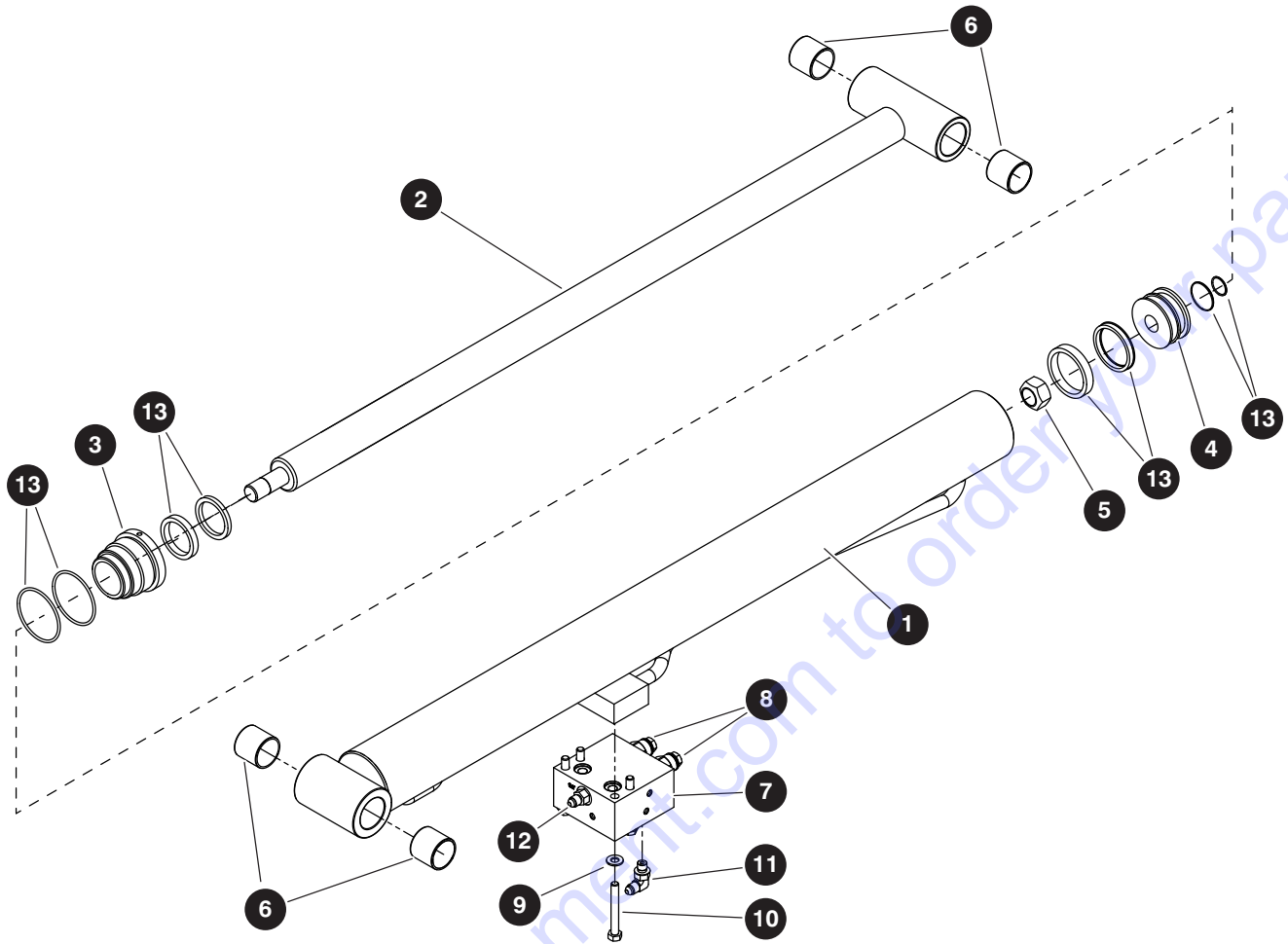
### 3.4 Slave Cylinder



M161294AB

Index No.	Skyjack Part No.	Qty.	Description
-	218612	1	SLAVE CYLINDER
-	216832	1	• CYLINDER, Slave
1	236628	1	• • BARREL
2	TBD	1	• • BLOCK, Manifold
3	236634	2	• • VALVE, Counterbalance
4	103884	4	• • SCREW, Head hex cap (5/16")
5	103404	4	• • WASHER, Lock (5/16")
6	236632	4	• • BEARING
7	104400	1	• • NUT, Rod
8	236630	1	• • PISTON
9	236631	1	• • GLAND
10	236629	1	• • ROD
11	131705	2	• FITTING, Straight (04JICM-08ORBM)
12	236632	1	SEAL KIT

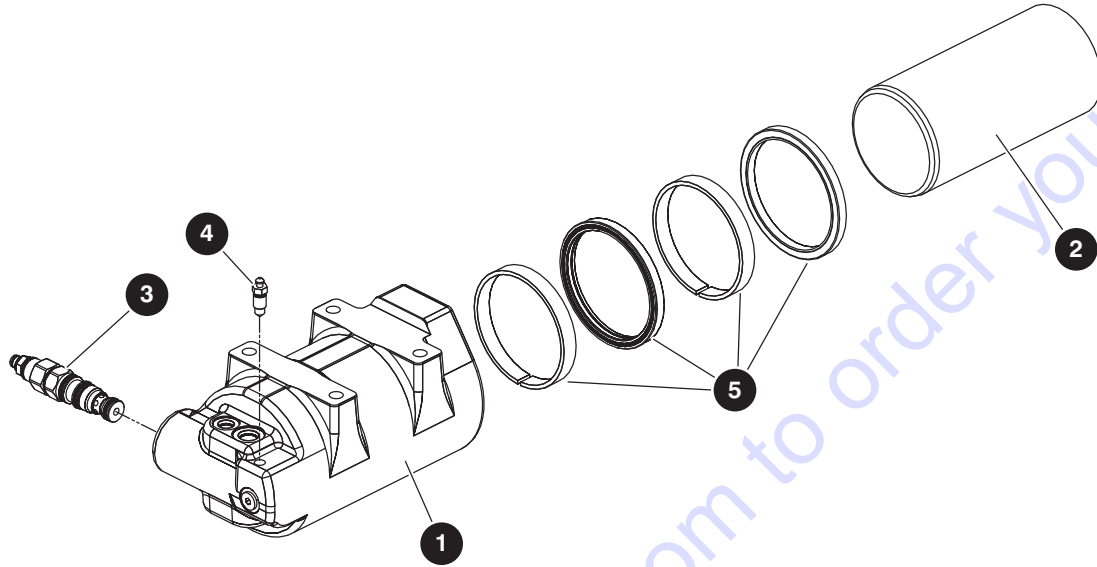
### 3.5 Jib Cylinder



M166091AA

Index No.	Skyjack Part No.	Qty.	Description
-	166091	1	JIB CYLINDER
-	160037	1	• CYLINDER, Jib
1	169203	1	• • BARREL
2	169204	1	• • ROD
3	169205	1	• • PISTON
4	169206	1	• • COVER, Rod
5	169207	1	• • NUT, Rod
6	100071	4	• • BEARING
7	166092	1	• MANIFOLD, Jib Cylinder
8	149488	2	• • VALVE, Counterbalance
9	103996	4	• WASHER, Flat (5/16")
10	103884	4	• BOLT, Head hex (5/16"-16 x 2.50" gr 5)
11	125883	1	• FITTING, Elbow 90° (04JICM-04ORBM)
12	126128	1	• FITTING, Straight (04JICM-04ORBM)
13	169208	1	SEAL KIT

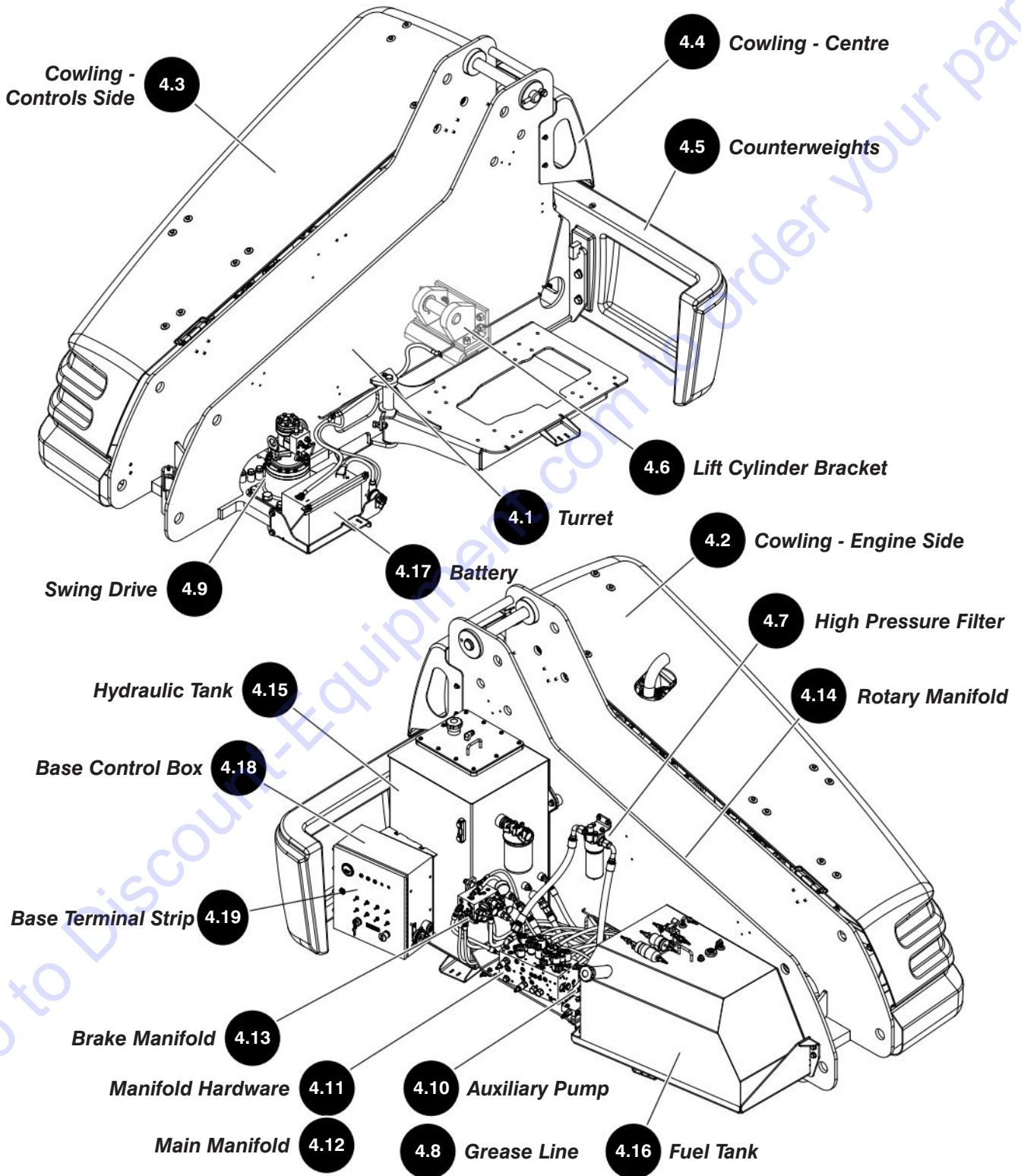
### 3.6 Axle Lock Cylinder



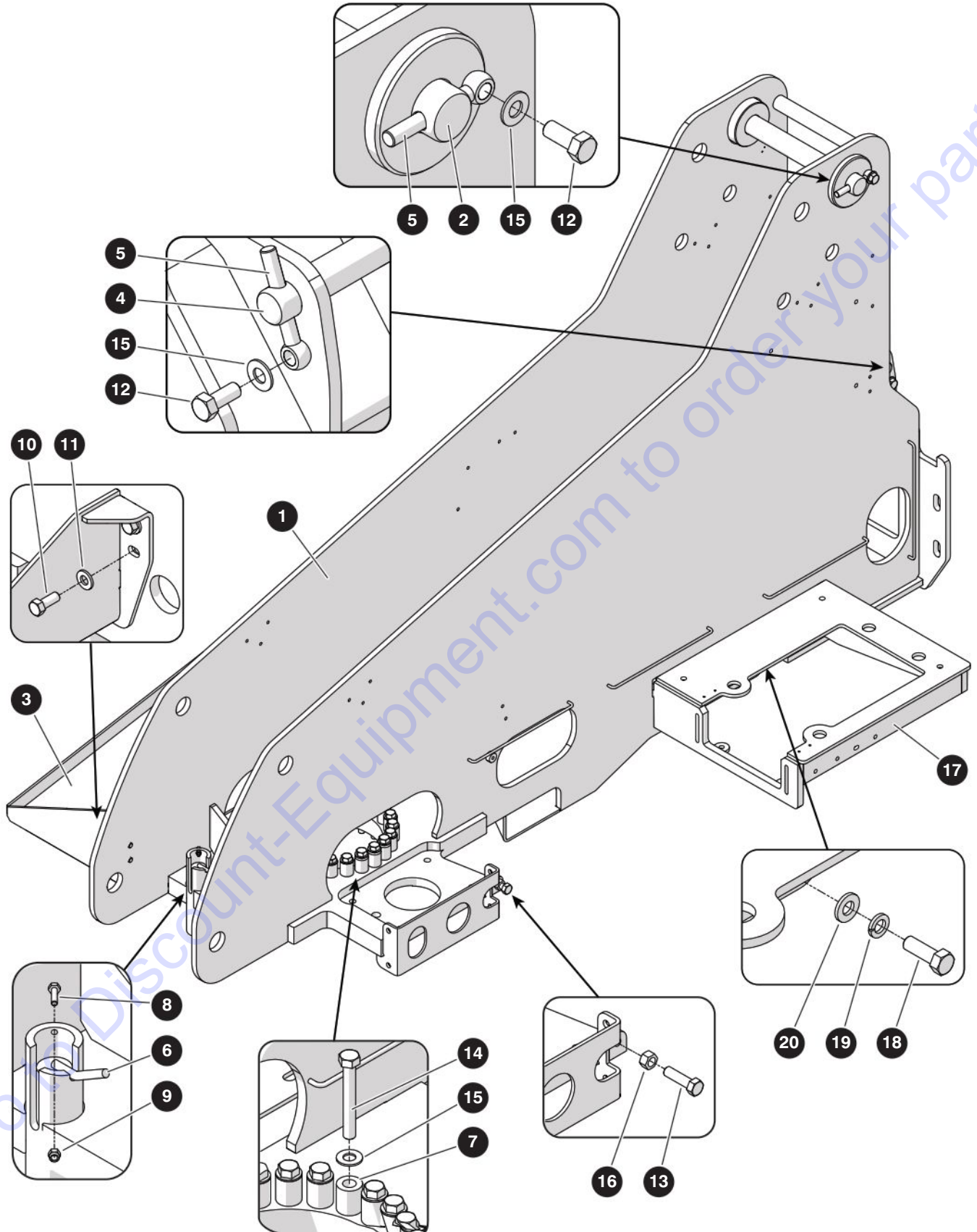
M161095AC

Index No.	Skyjack Part No.	Qty.	Description
-	212871	1	AXLE LOCK CYLINDER
1	154558	1	• BARREL
2	154559	1	• ROD
3	212872	1	• VALVE, Counterbalance
4	154561	1	• SCREW, Bleeder
5	154557	1	SEAL KIT

# Section 4 – Turret



## 4.1 Turret



M238331AA

238270AAA

62

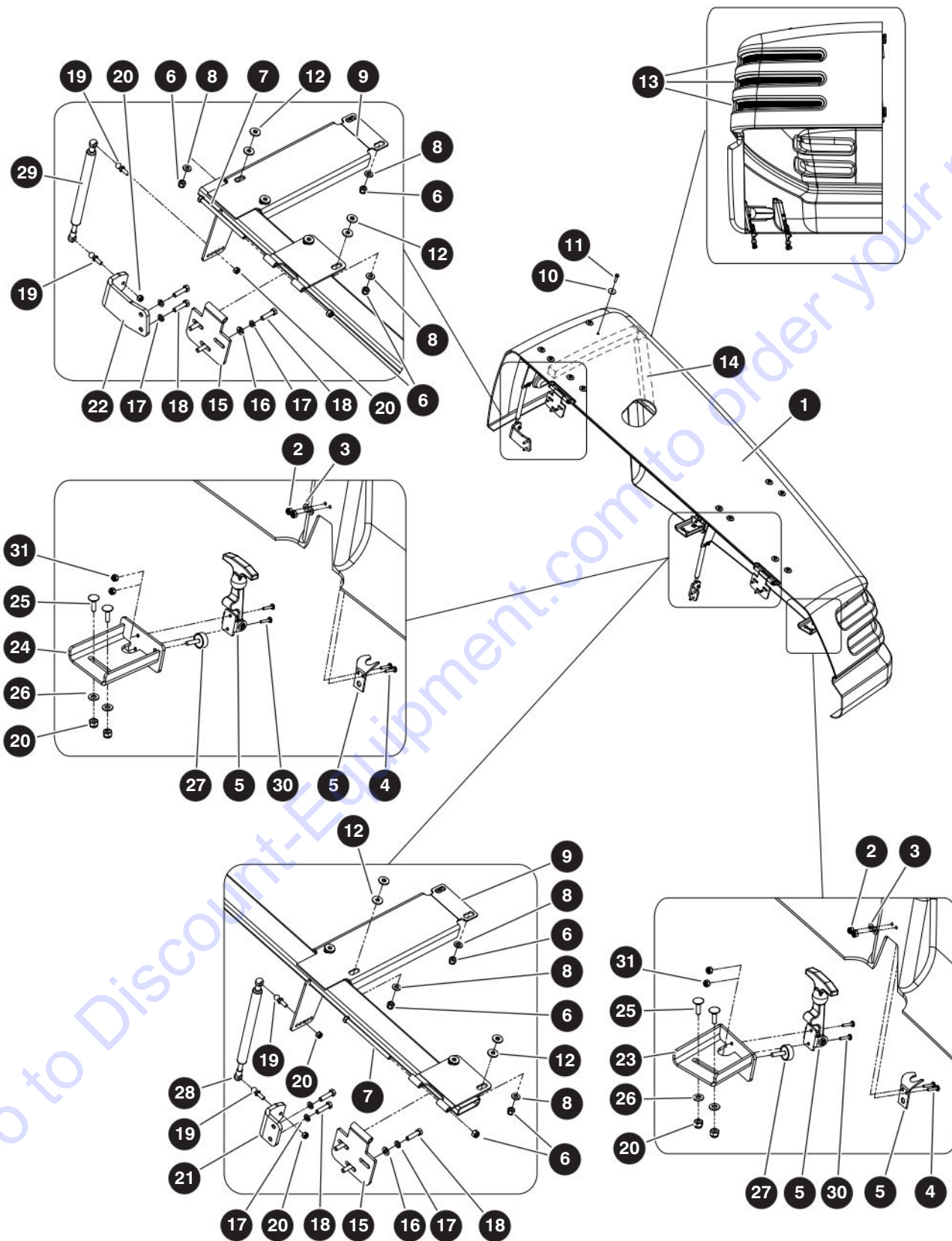
SJ40 T+, SJ45 T+

SKYJACK

## 4.1 Turret

Index No.	Skyjack Part No.	Qty.	Description
-	238331	1	TURRET
-	238332	1	• TURRET ASSEMBLY
1	238333	1	• • TURRET
2	163119	1	• • PIN, Pivot (2" x 16-3/4")
3	163123	1	• SUPPORT, Fuel tank
4	218587	1	• PIN (1-1/2" dia x 7-5/8")
5	146898	2	• PIN, Keeper (5/8")
6	159483	1	• PIN, Transportation locking
7	163120	23	• SPACER (1-5/16" OD x 11/16" ID x 1-1/20")
8	103857	1	• BOLT, Hex head (1/4"-20 x 1" gr 5)
9	115649	1	• NUT, Hex head nylon lock (1/4"-20 gr 5)
10	103909	4	• BOLT, Hex head (1/20"-13 x 1-1/4" gr 5)
11	104379	4	• WASHER, Flat hardened (1/2")
12	103899	2	• BOLT, Hex head (5/8"-11 x 1-1/20" gr 5)
13	103896	1	• BOLT, Hex head (5/8"-11 x 2-1/4" gr 5)
14	701762	23	• BOLT, Hex head (5/8"-11 x 4-1/2" gr 5)
15	700782	25	• WASHER, Flat - hardened (5/8")
16	103981	1	• NUT, Hex (5/8"-11 gr 5)
-	238732	1	ENGINE TRAY ASSEMBLY
17	235796	1	• ENGINE TRAY
18	103907	3	• BOLT, Hex head (1/2"-13 x 1-1/2", gr 5)
19	103470	3	• WASHER, Lock (1/2")
20	104379	3	• WASHER, Flat hard (1/2")

## 4.2 Cowling - Engine Side



M161696AB\_1

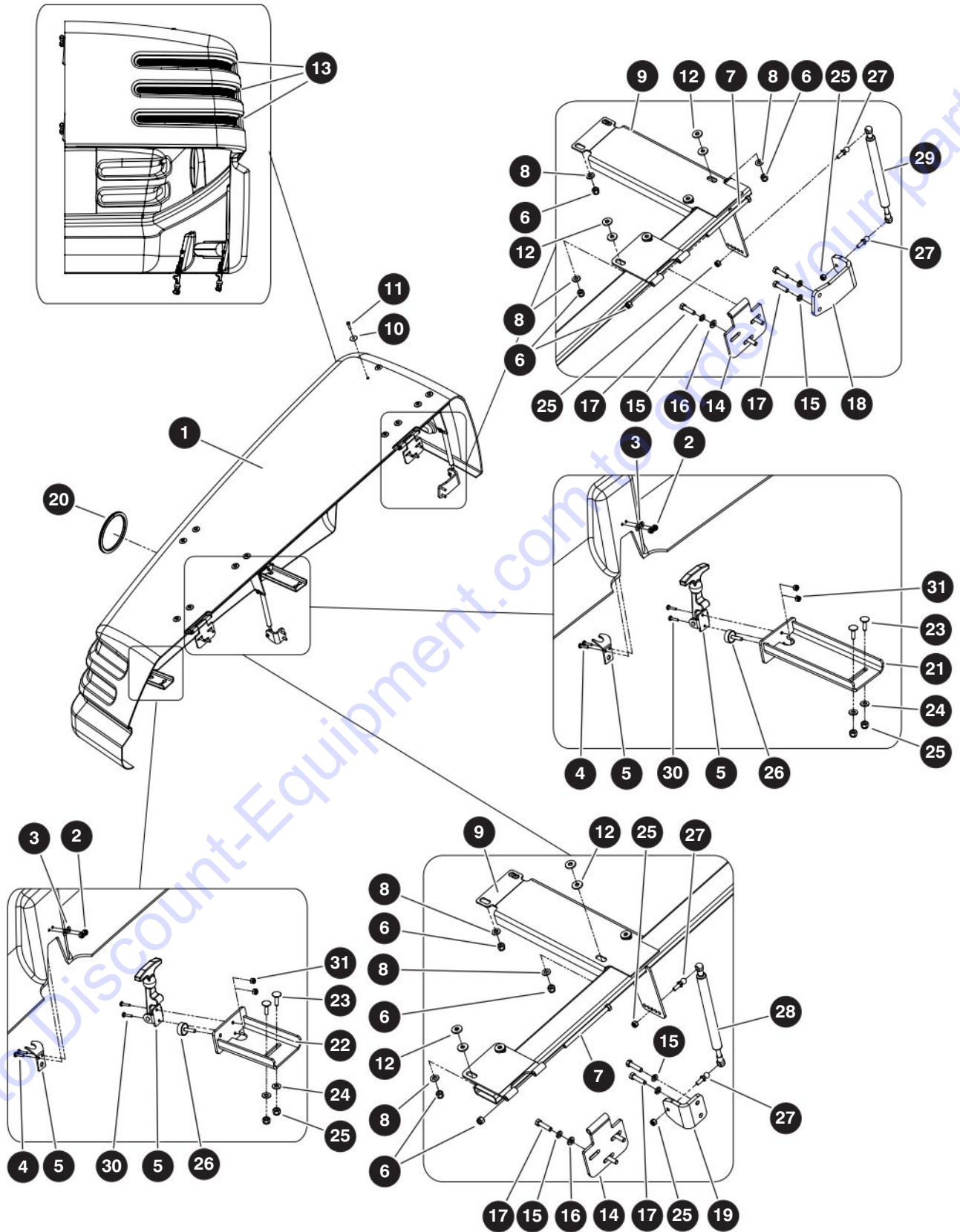
238270AAA

## 4.2 Cowling - Engine Side

Index No.	Skyjack Part No.	Qty.	Description
-	161696	1	ENGINE SIDE COWLING
-	161699	1	• COWLING, Assembly (Engine Side)
1	161701	1	• • COWLING, Shell (Engine Side)
2	126642	4	• • NUT, Hex lock (#10-24 Gr 5, nylon)
3	104694	4	• • WASHER, Flat (#10)
4	138834	4	• • SCREW, Round machine (#10-24 x 3/4")
5	144002	2	• • LATCH, Flexible draw
6	104606	14	• • NUT, Hex lock (3/8"-16 Gr 5, nylon)
7	138736	2	• • BOLT, Hex head (3/8"-16 x 6" Gr 5)
8	125959	12	• • WASHER, Flat hardened (3/8")
9	159678	1	• • WELDMENT, Cowling frame (Engine side)
10	127067	12	• • WASHER, Flat (3/8" Style BB)
11	103870	12	• • BOLT, Hex head (3/8"-16 x 1 1/2" Gr 5)
12	152416	16	• • WASHER, Rubber (1" x 3/8" x 1/8" TK)
13	165547	3	• • PLATE, Perforated
14	148368	48"	• • SEAL, Foam
15	138311	2	• WELDMENT, Hinge (Vertical)
16	125959	6	• WASHER, Flat hardened (3/8")
17	103999	10	• WASHER, Lock (3/8")
18	103870	10	• BOLT, Hex head (3/8"-16 x 1 1/2" Gr 5)
19	138836	4	• STUD, Ball
20	103984	8	• NUT, Hex lock (5/16"-18 Gr 5, nylon)
21	138288	1	• BRACKET, Gas spring (Front)
22	138313	1	• BRACKET, Gas spring (Rear)
23	144025	1	• BRACKET, Cowling latch (Battery tray)
24	144024	1	• BRACKET, Cowling latch (Engine tray)
25	133216	4	• BOLT, Carriage (5/16"-18 x 1" Gr 5)
26	103996	4	• WASHER, Flat (5/16")
27	144015	2	• MOUNT, Anit-vibration
28	138312	1	• GAS SPRING, Cowling (Rear)
29	144010	1	• GAS SPRING, Cowling (Front)
30	138834	4	• SCREW, Round machine (#10-24 x 3/4")
31	126642	4	• NUT, Hex lock (#10-24 Gr 5, nylon)



## 4.3 Cowling - Controls Side



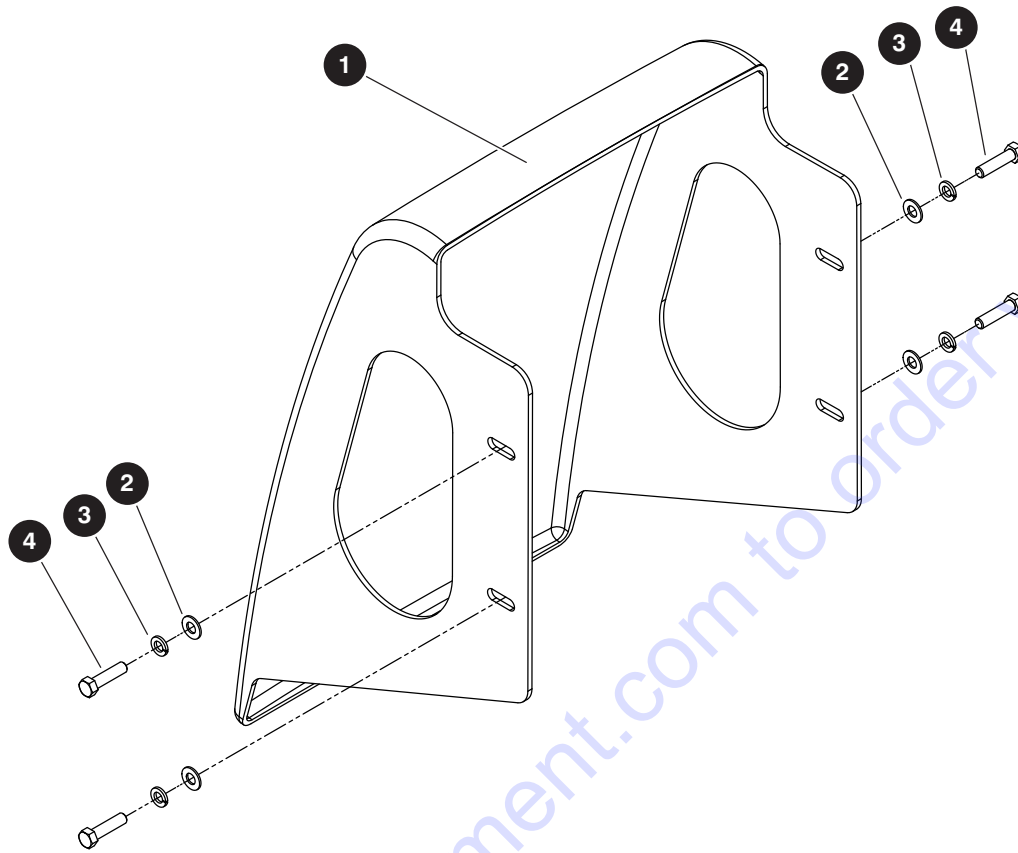
M161695AB

238270AAA

## 4.3 Cowling - Controls Side

Index No.	Skyjack Part No.	Qty.	Description
-	218501	1	CONTROLS SIDE COWLING
-	161698	1	• COWLING, Assembly (controls side)
1	161700	1	• • COWLING, Shell (controls side)
2	126642	4	• • NUT, Hex lock (#10-24 Gr 5, nylon)
3	104694	4	• • WASHER, Flat (#10)
4	138834	4	• • SCREW, Round machine (#10-24 x 3/4")
5	144002	2	• • LATCH, Flexible draw
6	104606	14	• • NUT, Hex lock (3/8"-16 Gr 5, nylon)
7	138736	2	• • BOLT, Hex head (3/8"-16 x 6" Gr 5)
8	125959	12	• • WASHER, Flat hardened (3/8")
9	159677	1	• • WELDMENT, Cowling frame (controls side)
10	127067	12	• • WASHER, Flat (3/8" Style BB)
11	103870	12	• • BOLT, Hex head (3/8"-16 x 1 1/2" Gr 5)
12	152416	16	• • WASHER, Rubber (1" x 3/8" x 1/8" TK)
13	165547	3	• • PLATE, Perforated
14	138311	2	• WELDMENT, Hinge (Vertical)
15	103999	10	• WASHER, Lock (3/8")
16	125959	6	• WASHER, Flat hardened (3/8")
17	103870	10	• BOLT, Hex head (3/8"-16 x 1 1/2" Gr 5)
18	138818	1	• BRACKET, Gas spring (rear)
19	138288	1	• BRACKET, Gas spring (front)
20	144042	1	• TRIM, Protective (fuel cutout)
21	144022	1	• BRACKET, Cowling latch (hydraulic tray)
22	144023	1	• BRACKET, Cowling latch (fuel tray)
23	133216	4	• BOLT, Carriage (5/16"-18 x 1" Gr 5)
24	103996	4	• WASHER, Flat (5/16")
25	103984	8	• NUT, Hex lock (5/16"-18 Gr 5, nylon)
26	144015	2	• MOUNT, Anit-vibration
27	138836	4	• STUD, Ball
28	138312	1	• GAS SPRING, Cowling (rear)
29	144010	1	• GAS SPRING, Cowling (front)
30	138834	4	• SCREW, Round machine (#10-24 x 3/4")
31	126642	4	• NUT, Hex lock (#10-24 Gr 5, nylon)

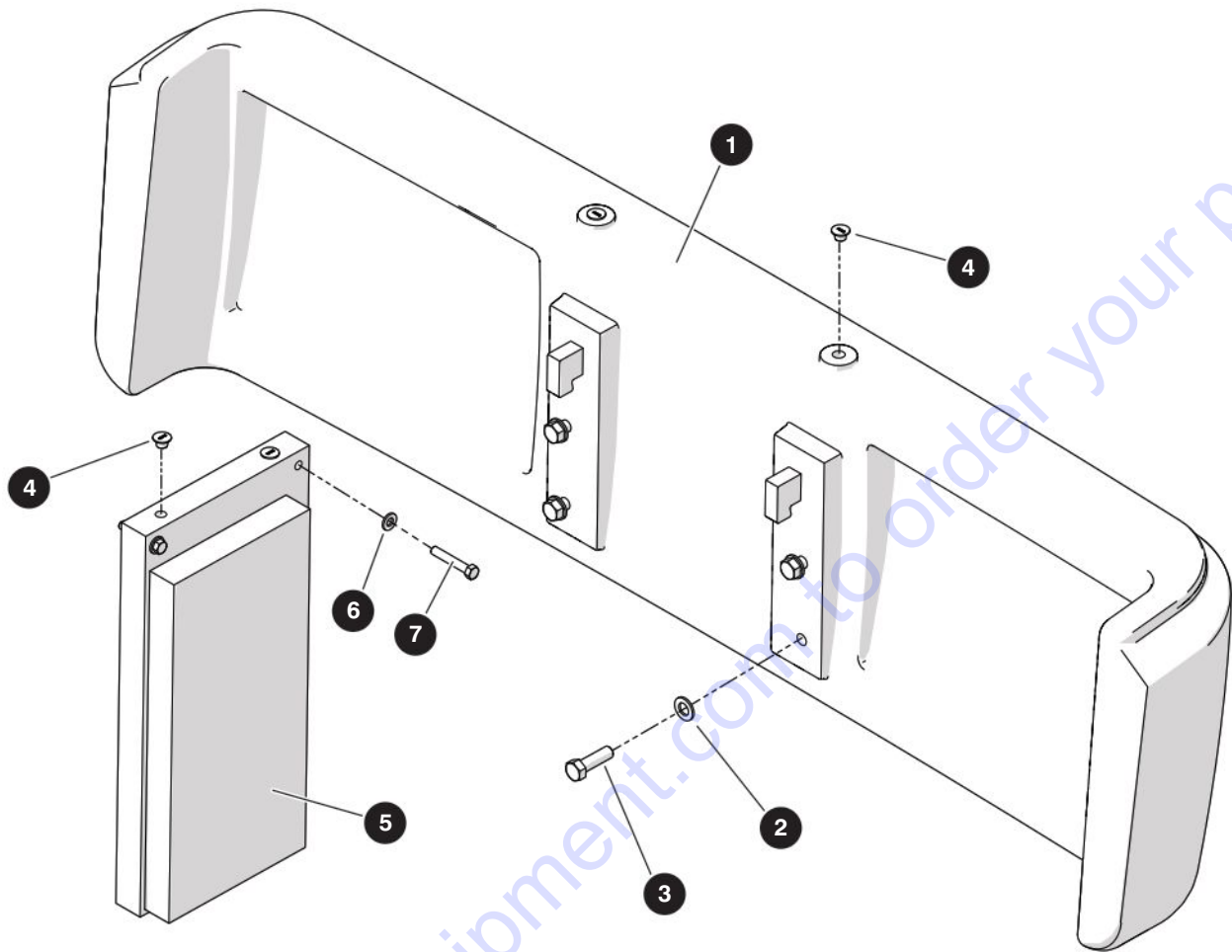
## 4.4 Cowling - Centre



M161697AA

Index No.	Skyjack Part No.	Qty.	Description
-	161697	1	CENTER COWLING
1	161702	1	• COWLING, Shell (centre)
2	103472	4	• WASHER, Flat (3/8")
3	103999	4	• WASHER, Lock (3/8")
4	103870	4	• BOLT, Hex head (3/8"-16 x 1-1/2" gr 5)

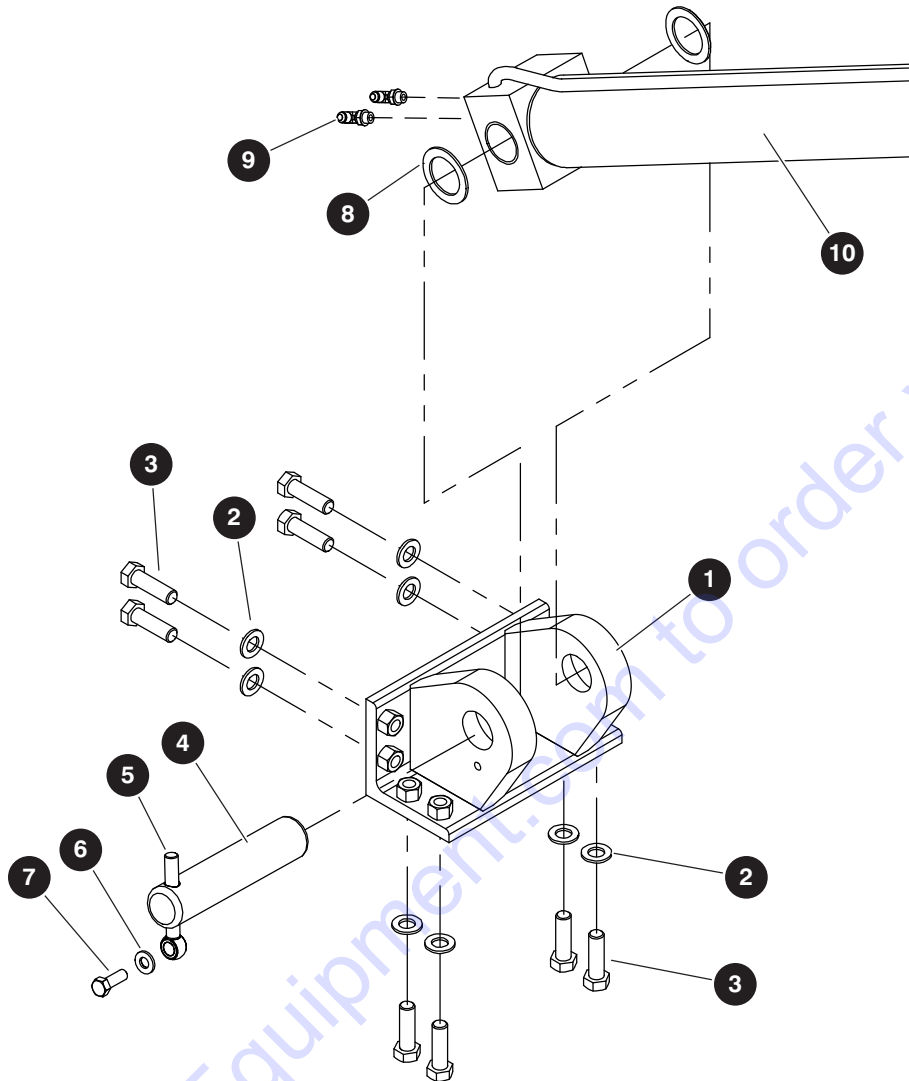
## 4.5 Counterweights



M238326AA

Index No.	Skyjack Part No.	Qty.	Description
<b>A</b>	238324	1	COUNTERWEIGHT - <b>SJ40 T+</b>
<b>B</b>	238326	1	COUNTERWEIGHT - <b>SJ45 T+</b>
1	236665	1	• COUNTERWEIGHT, Turret, <b>A</b>
	218512	1	• COUNTERWEIGHT, Turret, <b>B</b>
2	702194	4	• WASHER, Flat hardened (3/4")
3	139151	4	• BOLT, Hex head patch (3/4"-10 x 2-1/2" Gr 8)
4	144105	2	• PLUG, Threaded hole (3/4")
5	238327	1	• COUNTERWEIGHT, Additional
6	104379	3	• WASHER, Flat (1/2")
7	196596	3	• BOLT, Hex head (1/2"-13 x 3", gr 8)

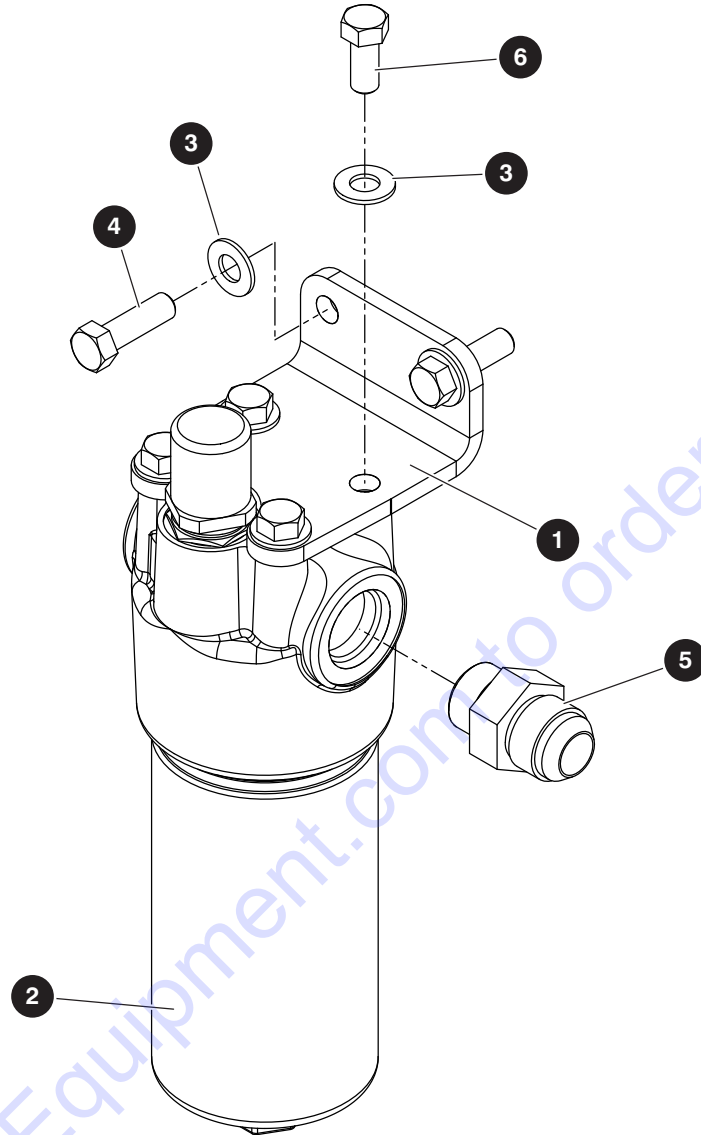
## 4.6 Lift Cylinder Bracket



M166667AA

Index No.	Skyjack Part No.	Qty.	Description
-	166667	1	LIFT CYLINDER WITH BRACKET ASSEMBLY
1	144288	1	• BRACKET, Lift cylinder
2	702194	8	• WASHER, Flat (3/4")
3	151102	8	• BOLT, Hex head (3/4"-10 x 2 1/2" Gr 5)
4	144681	1	• PIN, Lift cylinder cap
5	146898	1	• PIN, Keeper (5/8")
6	104379	1	• WASHER, Flat (1/2")
7	103907	1	• BOLT, Hex head (1/2"-13 x 1 1/2" Gr 5)
8	144290	2	• WASHER, Thrust (2.01" ID x 3" OD x 1/8")
9	114580	2	• FITTING, Elbow, 45° (06 JICM - 06 ORBM)
10	(Ref.)	-	• LIFT CYLINDER ASSEMBLY (For components, refer to 3.1 Lift Cylinder)

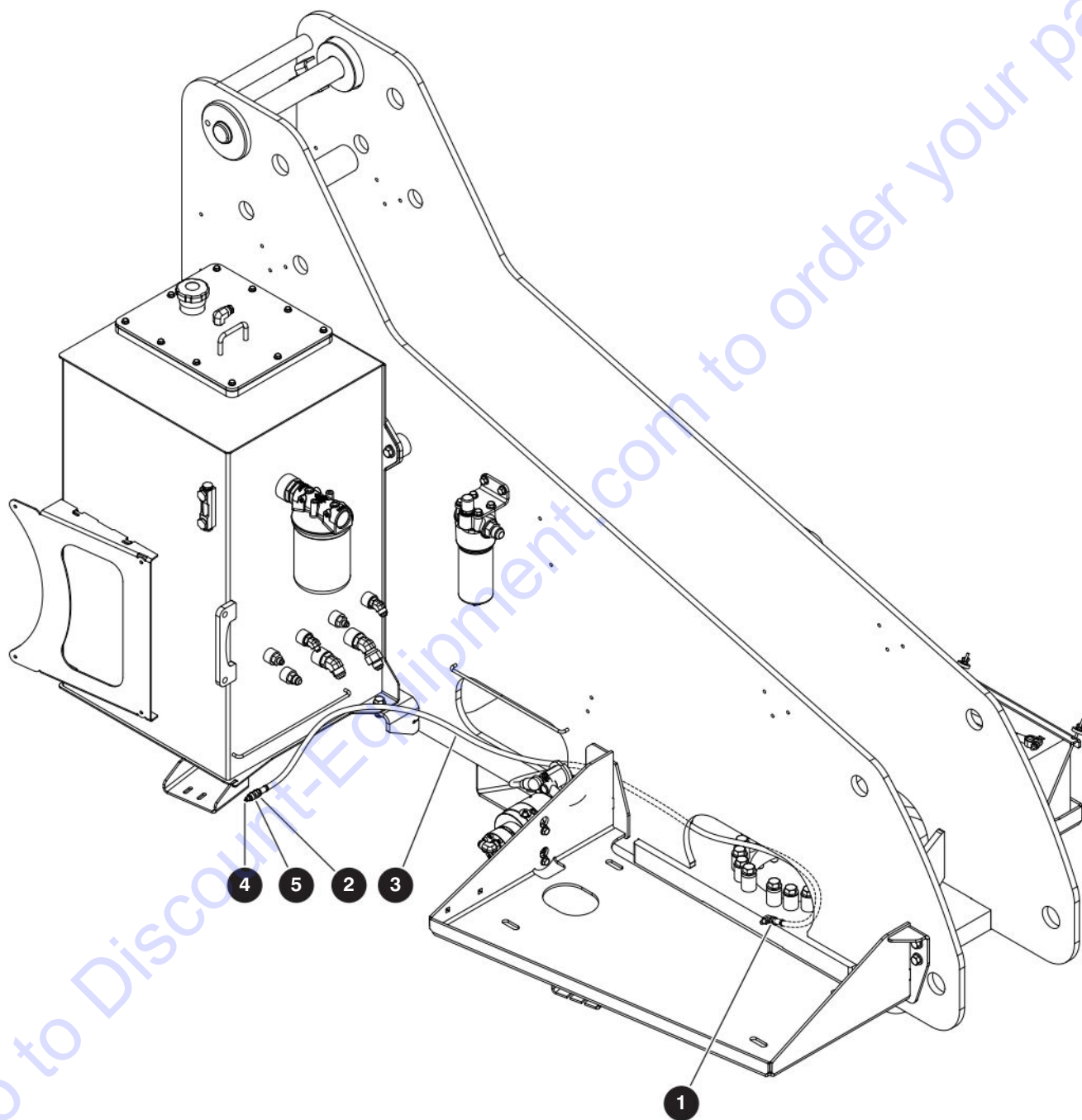
## 4.7 High Pressure Filter



M163117AC

Index No.	Skyjack Part No.	Qty.	Description
-	163117	1	HIGH PRESSURE FILTER
1	162327	1	• BRACKET, Pressure filter
2	161932	1	• FILTER ASSEMBLY, Pressure (with indicator)
	161947	1	• • ELEMENT, Pressure filter
	169246	1	• • PLUG, Indicator with seals
	204202	1	• • O-RING
	204203	1	• • O-RING, Backup
3	103472	6	• WASHER, Flat (3/8")
4	101297	2	• BOLT, Hex head (3/8"-16 x 1-1/4" Gr 5)
5	702118	1	• FITTING, Straight (12JICM-12ORBM)
6	300437	4	• BOLT, Hex head (3/8"-16 x 7/8" gr 5)

## 4.8 Grease Line



M167663AA

238270AAA

**72**

SJ40 T+, SJ45 T+

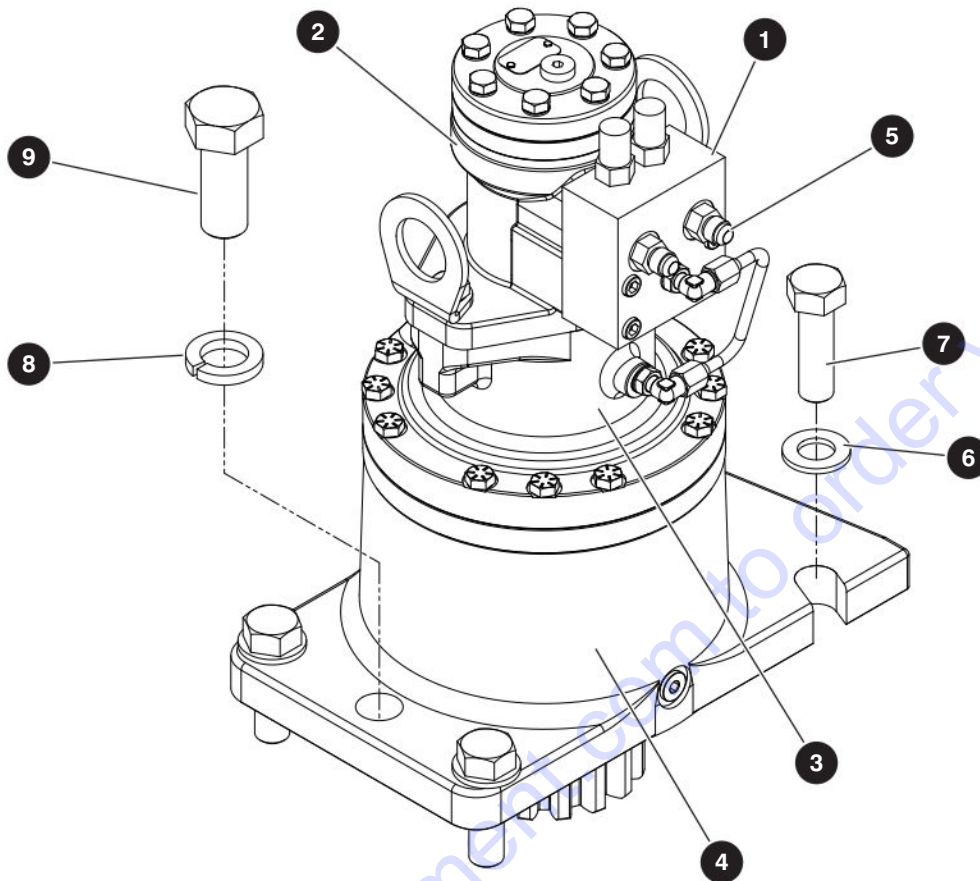
**SKYJACK**

## 4.8 Grease Line

Index No.	Skyjack Part No.	Qty.	Description
-	167663	1	GREASE LINE
1	139115	1	• FITTING, 90° (1/4 NPTM - 1/8 NPTF)
2	139095	1	• FITTING, Straight (1/8NPTF - 1/8NPTF)
3	167664	1	• HOSE, Grease line (70")
4	132565	1	• CAP, Grease (GC5)
5	102027	1	• FITTING, Grease straight (1/8 NPT)



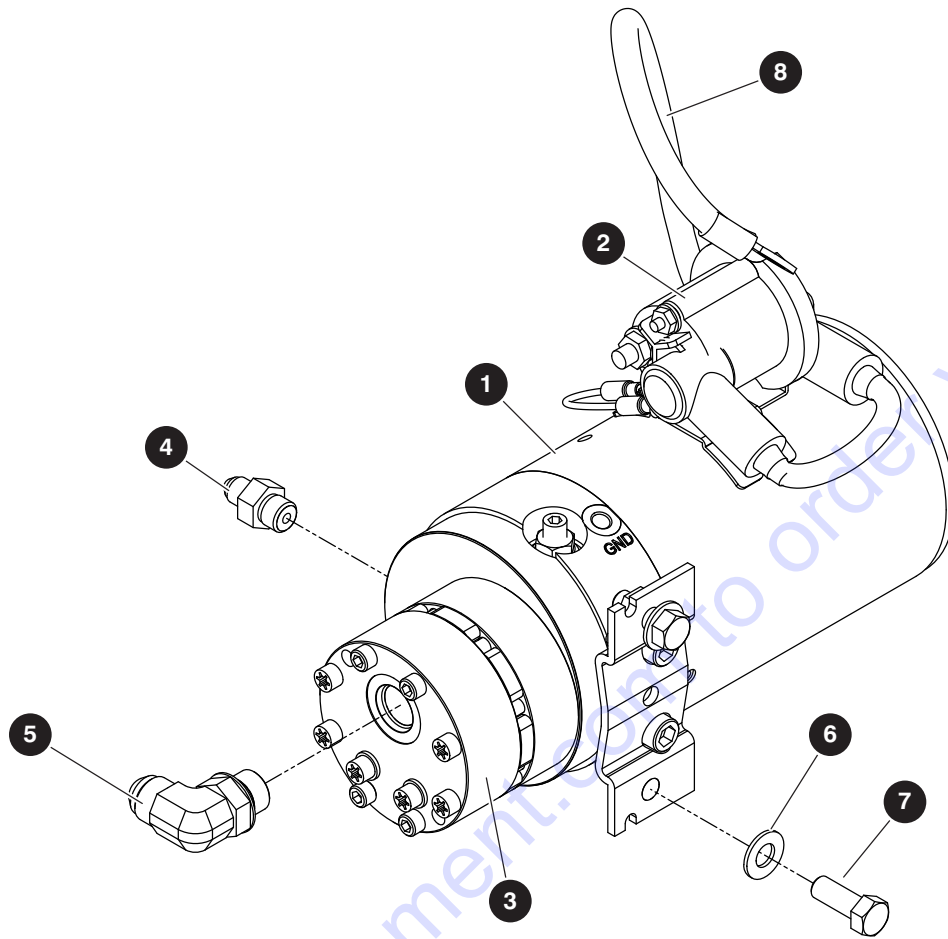
## 4.9 Swing Drive



M167466AA

Index No.	Skyjack Part No.	Qty.	Description
-	167466	1	SWING DRIVE ASSEMBLY
-	167209	1	• SWING DRIVE, Turret rotate
1	141488	1	• • MANIFOLD, Swing drive
	141499	2	• • • VALVE, Counterbalance
2	168872	1	• • MOTOR, Hydraulic
3	168873	1	• • BRAKE, Hydraulic
4	146006	1	• • GEAR, Reduction
5	103069	2	• FITTING, Straight (06JICM-06ORBM)
6	702194	4	• WASHER, Flat hardened (3/4")
7	100850	4	• BOLT, Hex head (3/4"-10 x 2.50" Gr 8)
8	107948	1	• WASHER, Lock (1")
9	139181	1	• BOLT, Hex head (1"-8 x 2.5" Gr 8)
10	168874	1	SEAL KIT, Brake (not shown)
11	168875	1	SEAL KIT, Main shaft & ring gear (not shown)

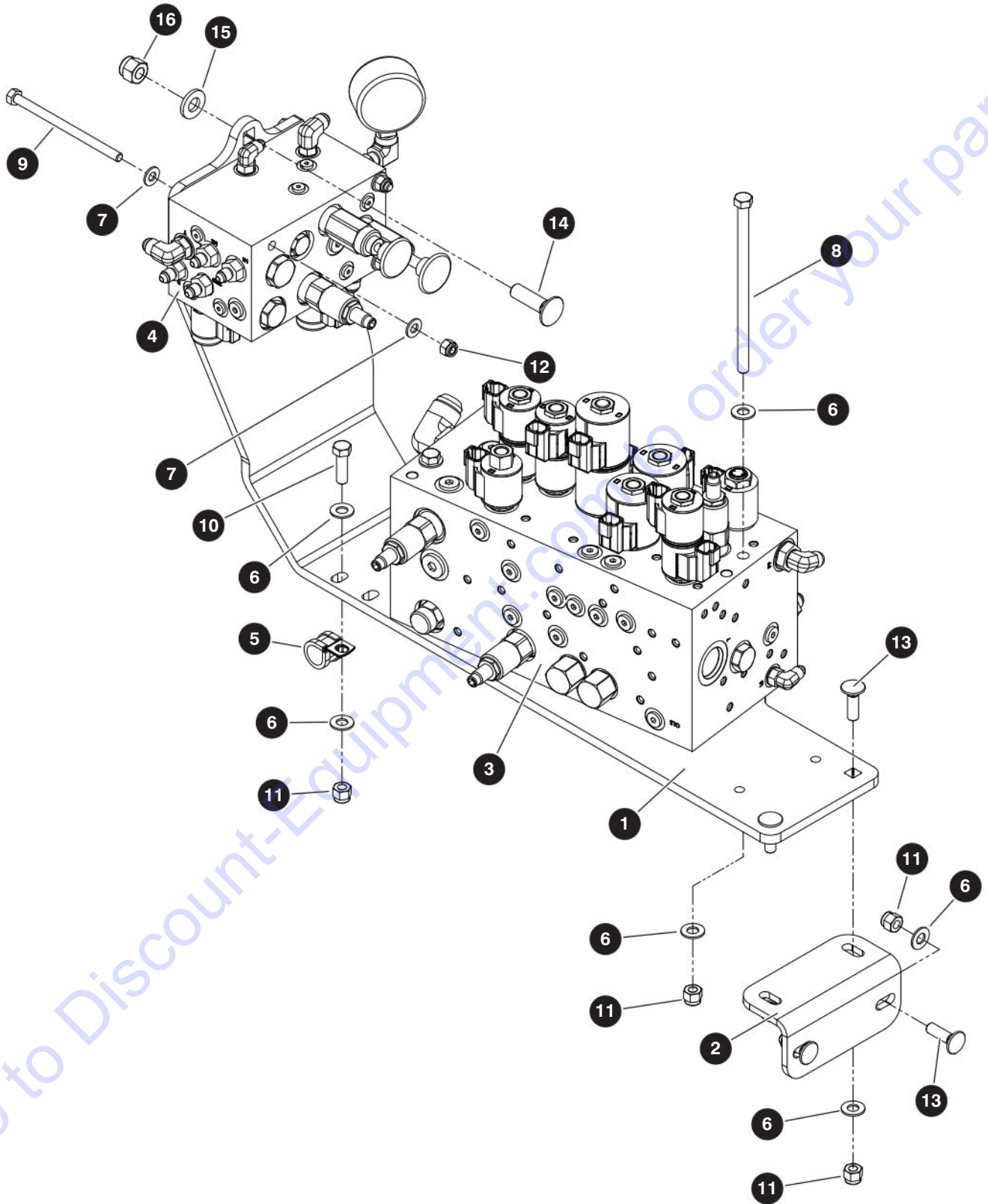
## 4.10 Auxiliary Pump



M169184AB

Index No.	Skyjack Part No.	Qty.	Description
-	169184	1	AUXILIARY PUMP
-	220500	1	• AUXILIARY PUMP WITH FITTINGS
-	160923	1	• • PUMP, Auxiliary
1	168897	1	• • • MOTOR
2	168898	1	• • • CONTACTOR
3	169244	1	• • • PUMP
4	701956	1	• • FITTING, Straight (04 JICM - 06 ORBM)
5	114583	1	• • FITTING, Elbow, 90° (08 JICM - 08 ORBM)
6	103472	2	• WASHER, Lock (3/8")
7	103473	2	• BOLT, Hex head (3/8"-16 x 1.00" Gr 5)
8	148499	1	• CABLE, E-pump ground

## 4.11 Manifold Hardware



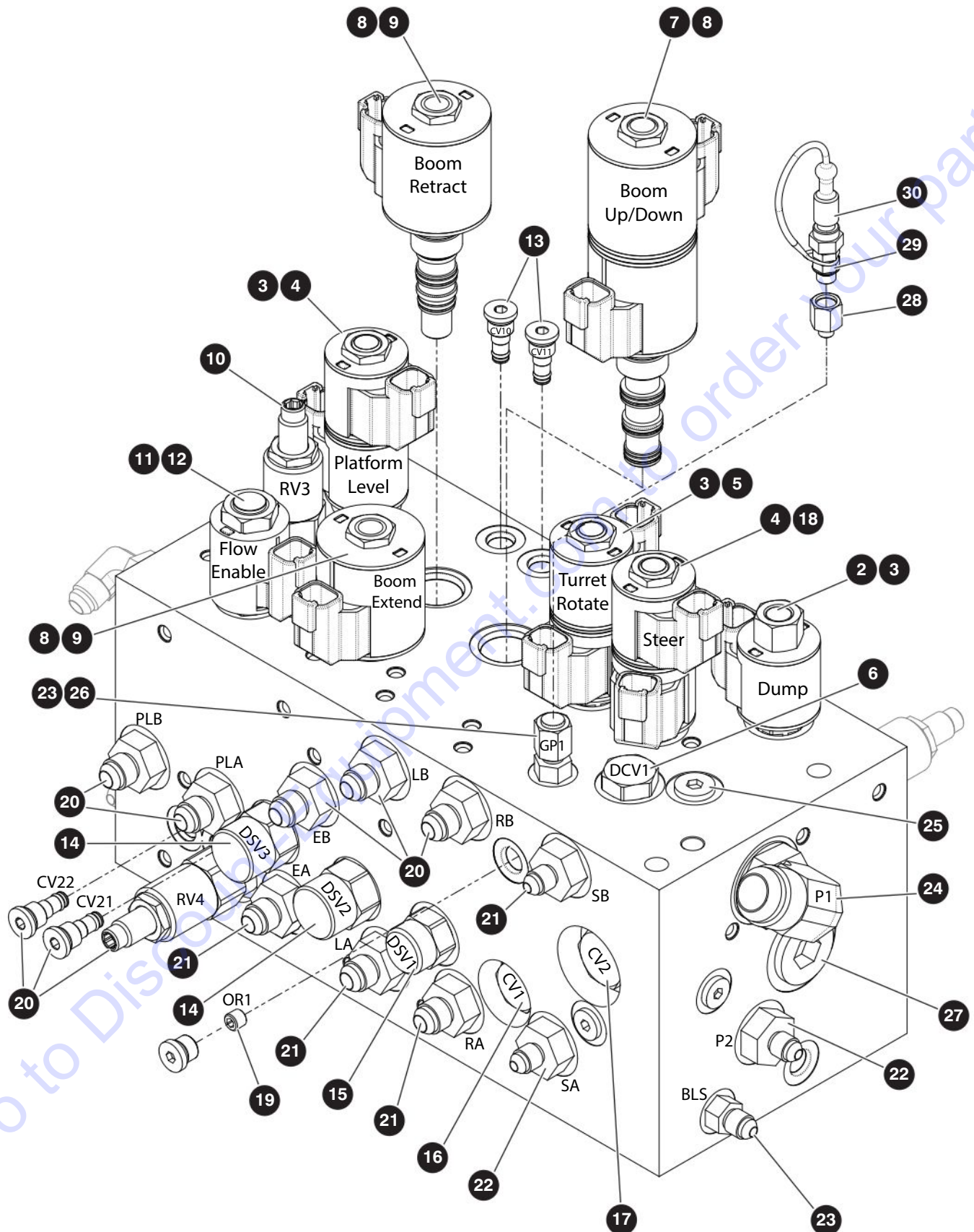
M163885AD

238270AAA

## 4.11 Manifold Hardware

Index No.	Skyjack Part No.	Qty.	Description
-	163885	1	MANIFOLD HARDWARE - <b>ANSI/CSA</b>
-	166836	1	MANIFOLD HARDWARE - <b>CE &amp; AS</b>
1	163886	1	• SUPPORT, Manifold
2	163887	1	• BRACKET, Manifold support
3	(Ref.)	1	• MAIN MANIFOLD (For components, refer to 4.12 Main Manifold)
4	(Ref.)	1	• BRAKE MANIFOLD (For components, refer to 4.13 Brake Manifold)
5	152402	1	• CLAMP, Tube (cushioned)
6	103472	12	• WASHER, Flat (3/8")
7	103996	6	• WASHER, Flat (0.312")
8	133369	3	• BOLT, Hex head (3/8"-16 x 7.00" gr 5)
9	138762	3	• BOLT, Hex head (0.312"-18 x 5.00" gr 5)
10	101297	1	• BOLT, Hex head (3/8"-16 x 1-1/4" gr 5)
11	104606	8	• NUT, Hex head nylon lock (3/8"-16 gr 5)
12	103984	3	• NUT, Hex head nylon lock (0.312"-18 gr 5)
13	127393	4	• BOLT, Carriage (3/8"-16 x 1-1/4" gr 5)
14	165901	2	• BOLT, Carriage (1/20"-13 x 1-3/4" gr 5)
15	104379	2	• WASHER, Flat hardened (1/20")
16	702507	2	• NUT, Hex head nylon lock (1/20"-13 gr 5)

## 4.12 Main Manifold



M211621AA-4A

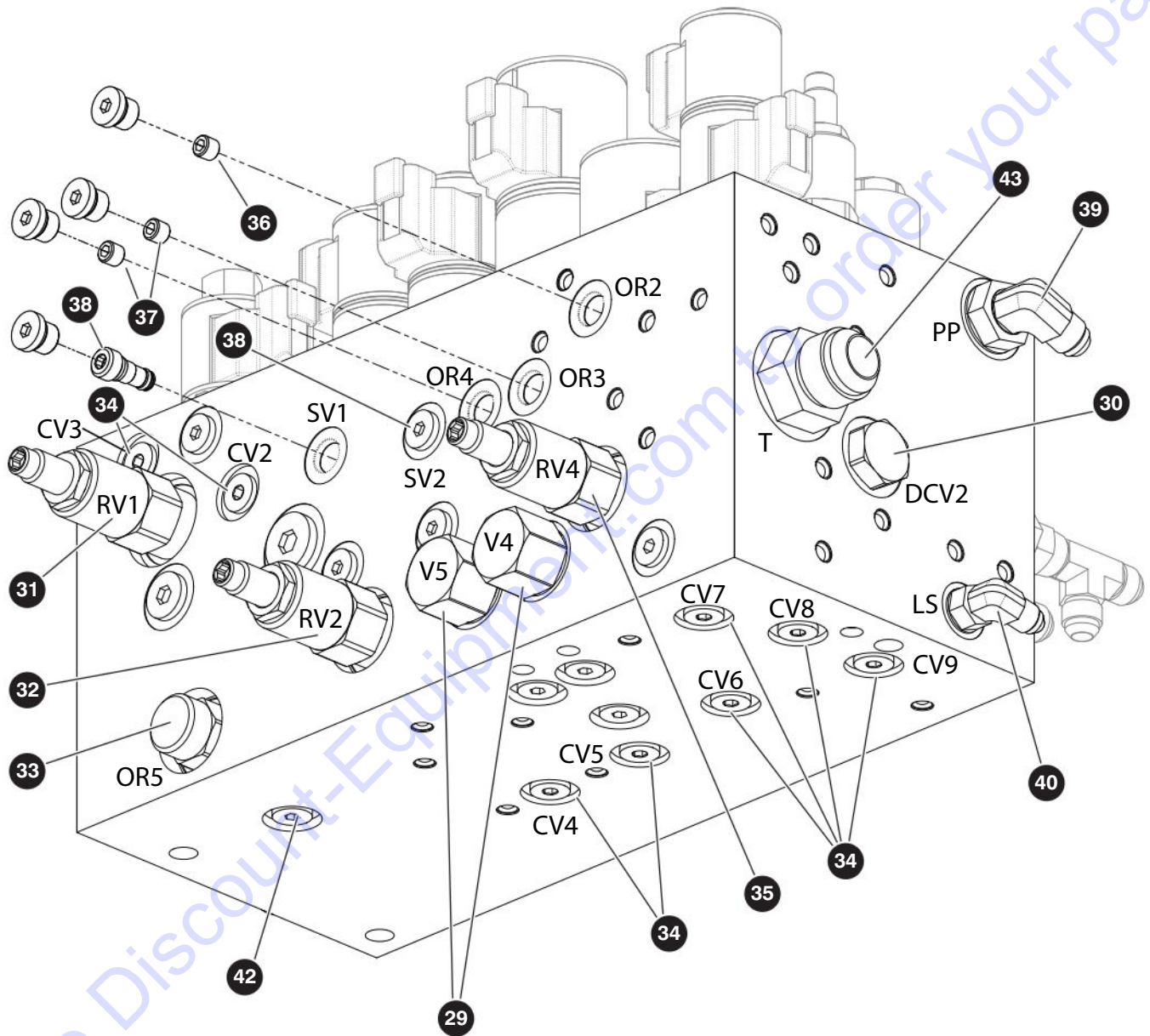
238270AAA

SJ40 T+, SJ45 T+

## 4.12 Main Manifold

Index No.	Skyjack Part No.	Qty.	Description
<b>A</b>	211621	1	MAIN MANIFOLD - <b>ANSI/CSA</b>
<b>B</b>	212190	1	MAIN MANIFOLD - <b>CE &amp; AS</b>
1	211620	1	• MANIFOLD, Main
2	103656	1	• • CARTRIDGE, Solenoid popp. valve
3	159819	5	• • COIL, 12V DC "ER"
4	166036	2	• • VALVE, Spool
5	166041	1	• • VALVE, Spool
6	159817	2	• • VALVE, Dual P.O. Check DC08-40
7	166052	1	• • VALVE, Spool
8	159820	4	• • COIL, 12V DC ER-Series 10-size
9	166040	2	• • VALVE, Spool
10	166047	1	• • VALVE, Relief
11	166050	1	• • VALVE, Flow control
12	166127	1	• • COIL, "EHPR", 12V DC 70-size
13	159814	10	• • VALVE, Check CV04-20 (5 PSI)
14	166061	2	• • COMPENSATOR, Pressure
15	166062	1	• • COMPENSATOR, Pressure
16	159842	1	• • VALVE, Check
17	159813	1	• • VALVE, Check
18	159821	2	• • COIL, 12V DC "ER/Z"
19	166077	1	• • ORIFICE (0.078")
20	159814	2	• • VALVE, Check CV04-20 (5 PSI)
21	103070	8	• FITTING, Straight (06 JICM - 08 ORBM)
22	131705	3	• FITTING, Straight (08 ORBM - 04 JICM)
23	126128	2	• FITTING, Straight (04 JICM - 04 ORBM)
24	105445	1	• FITTING, Elbow, 90° (12 JICM - 12 ORBM)
25	121250	2	• FITTING, Plug (04 ORBM)
26	131286	1	• FITTING, Cap (04 JICF), <b>A</b>
27	111392	1	• FITTING, Plug (12 ORB Hex socket)
28	160885	1	• FITTING, Straight (04 ORBM - 06 ORBF), <b>B</b>
29	122385	1	• QUICK DISCONNECT, <b>B</b>
30	114521	1	• CAP, Dust, <b>B</b>

## 4.12 Main Manifold



M211621AA-5

238270AAA

80

SJ40 T+, SJ45 T+

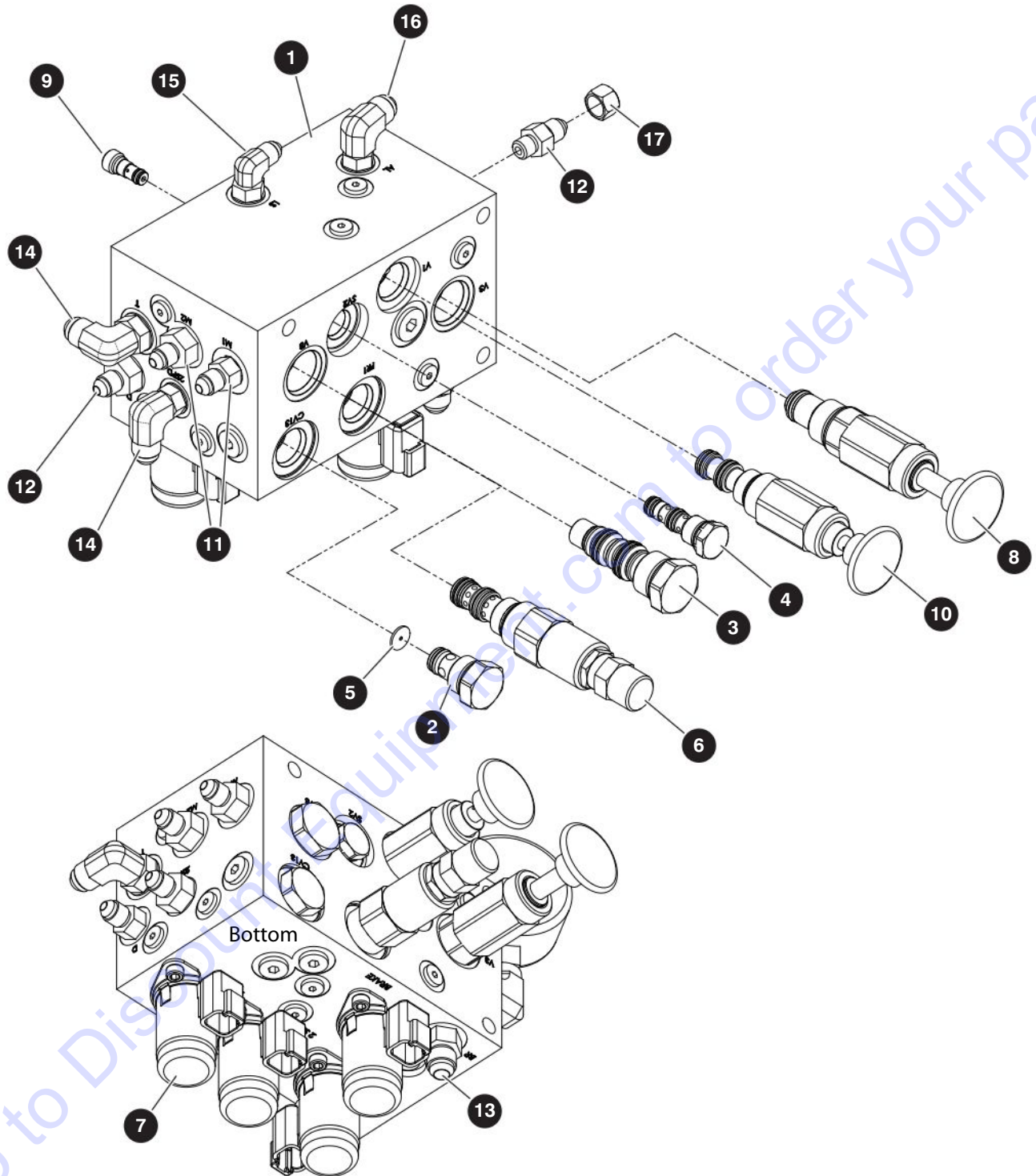
SKYJACK

## 4.12 Main Manifold

Index No.	Skyjack Part No.	Qty.	Description
			<b>Parts list continued from the previous page.</b>
29	166060	2	• • VALVE, Control
30	159817	2	• • VALVE, Dual P.O. Check DC08-40
31	166042	1	• • VALVE, Relief
32	166049	1	• • VALVE, Relief
33	166058	1	• • REGULATOR, Pressure
34	159814	12	• • VALVE, Check CV04-20 (5 PSI)
35	166048	1	• • VALVE, Relief
36	166079	1	• • ORIFICE (0.043")
37	166081	2	• • ORIFICE (0.018")
38	141414	2	• • VALVE, Shuttle
39	102665	1	• FITTING, 90° (06 JICM - 08 ORBM)
40	125883	1	• FITTING, 90° (04 JICM - 04 ORBM)
41	111392	1	• FITTING, Plug (12 ORBM Hex socket)
42	121250	2	• FITTING, Plug (04 ORBM Hex socket)
43	702118	1	FITTING, Straight (12 JICM - 12 ORBM) <b>(no generator/cooler option)</b>



## 4.13 Brake Manifold



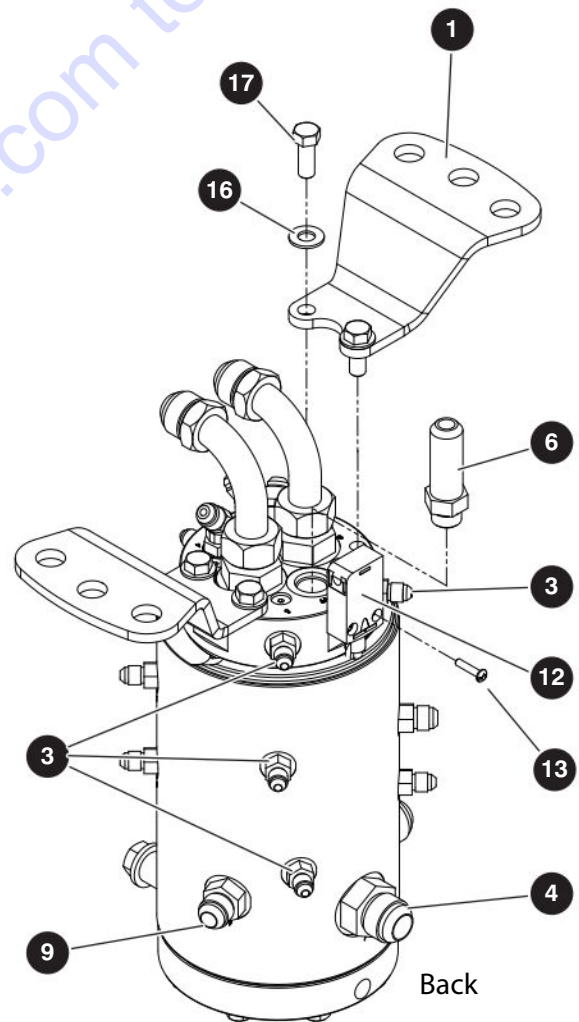
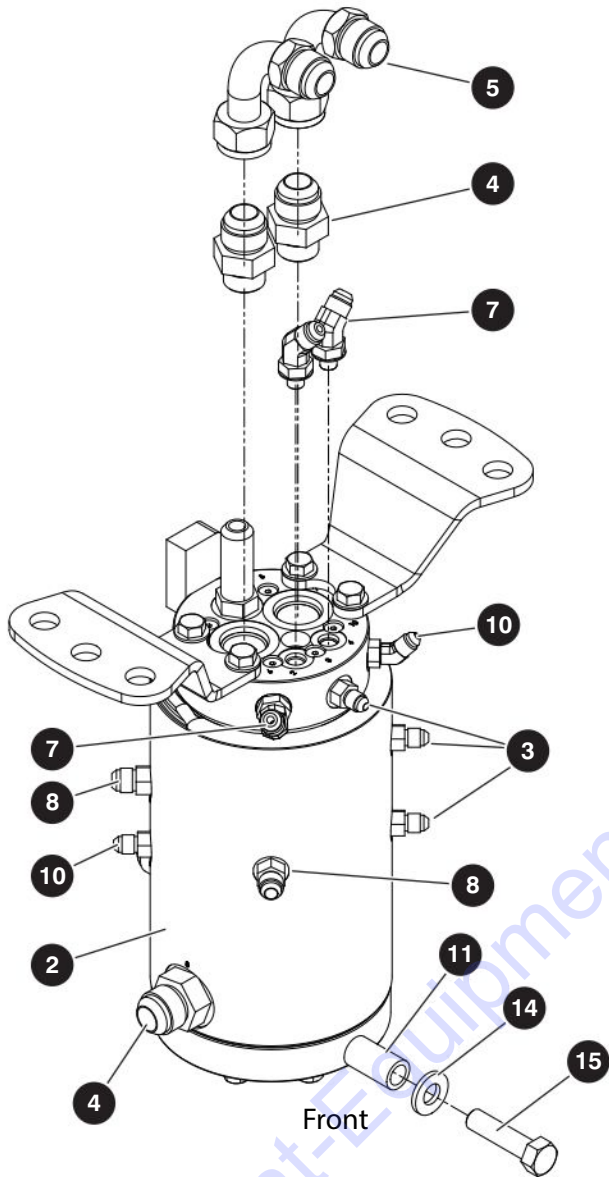
M195349AD

238270AAA

## 4.13 Brake Manifold

Index No.	Skyjack Part No.	Qty.	Description
-	195349	1	BRAKE MANIFOLD
-	168642	1	• MANIFOLD, Brake
1	171454	1	• • BLOCK, Manifold
2	171413	1	• • VALVE, Check
3	166053	1	• • VALVE, Shuttle
4	166054	1	• • VALVE, Shuttle
5	171420	1	• • ORIFICE, Disc (0.073")
6	168754	1	• • VALVE, Pressure reducer
7	159827	4	• • VALVE, Solenoid
8	159831	1	• • PUMP, Hand
9	141414	1	• • VALVE, Shuttle
10	141436	1	• • VALVE, Brake release override
11	701956	2	• FITTING, Straight (04 JICM-06 ORBM)
12	126128	2	• FITTING, Straight (04 JICM-04 ORBM)
13	103069	1	• FITTING, Straight (06 JICM-06 ORBM)
14	114578	1	• FITTING, Elbow, 90° (06 JICM-06 ORBM)
15	125883	1	• FITTING, Elbow, 90° (04 JICM-04 ORBM)
16	113348	2	• FITTING, Elbow, 90° (06 JICM-04 ORBM)
17	703725	1	• GAUGE, 800 psi

## 4.14 Rotary Manifold



M165994AE

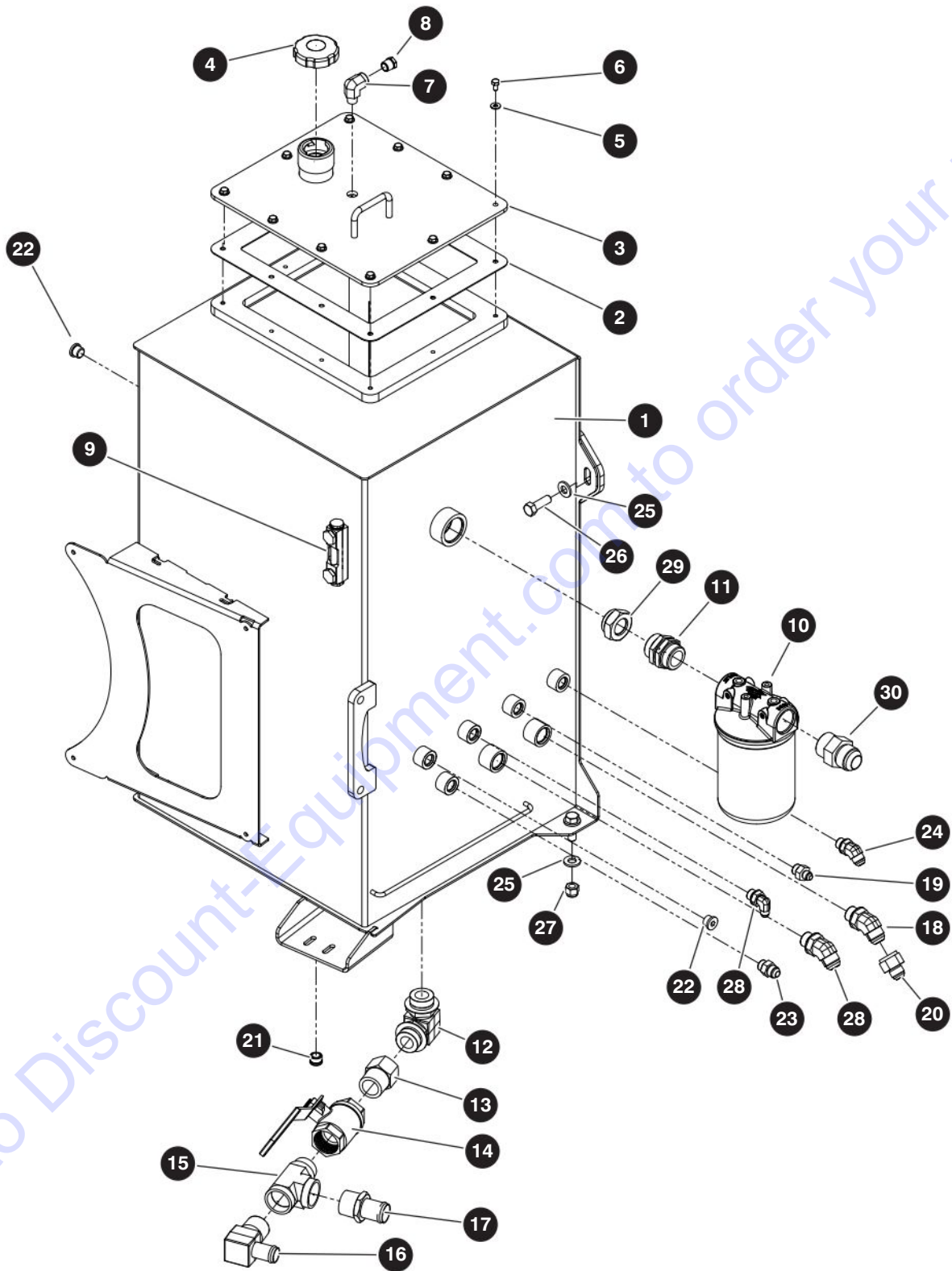
238270AAA

SJ40 T+, SJ45 T+

## 4.14 Rotary Manifold

Index No.	Skyjack Part No.	Qty.	Description
-	165994	1	ROTARY MANIFOLD
1	157827	2	• BRACKET, Rotary manifold mounting
-	208655	1	• ROTARY MANIFOLD ASSEMBLY
2	149380	1	• • MANIFOLD, Rotary
3	126128	8	• • FITTING, Straight (04JICM - 04ORBM)
4	702118	4	• • FITTING, Straight (12JICM - 12ORBM)
5	139159	2	• • FITTING, 90° (12JICM - 12JICF SW)
6	166002	1	• • FITTING, Straight long (08JICM - 08ORBM)
7	701478	3	• • FITTING, 45° (06JICM - 04ORBM)
8	128869	2	• • FITTING, Straight (06JICM - 04ORBM)
9	102659	1	• • FITTING, Straight (08JICM - 08ORBM)
10	131716	1	• • FITTING, 45° (04JICM - 04ORBM)
11	138956	1	• SPACER, Rotary manifold
12	199408	1	• LIMIT SWITCH, Roller plunger
	207850	1	• • PLUNGER, Roller
13	103958	2	• SCREW, Round machine (#8-32 x 3/4")
14	104379	1	• WASHER, Flat hardened (1/2")
15	103904	1	• BOLT, Hex head (1/2"-13 x 2" Gr 5)
16	103472	4	• WASHER, Flat (3/8")
17	103473	4	• BOLT, Hex head (3/8"-16 x 1" Gr 5)
18	154659	1	SEAL KIT, Rotary Manifold (not shown)

## 4.15 Hydraulic Tank



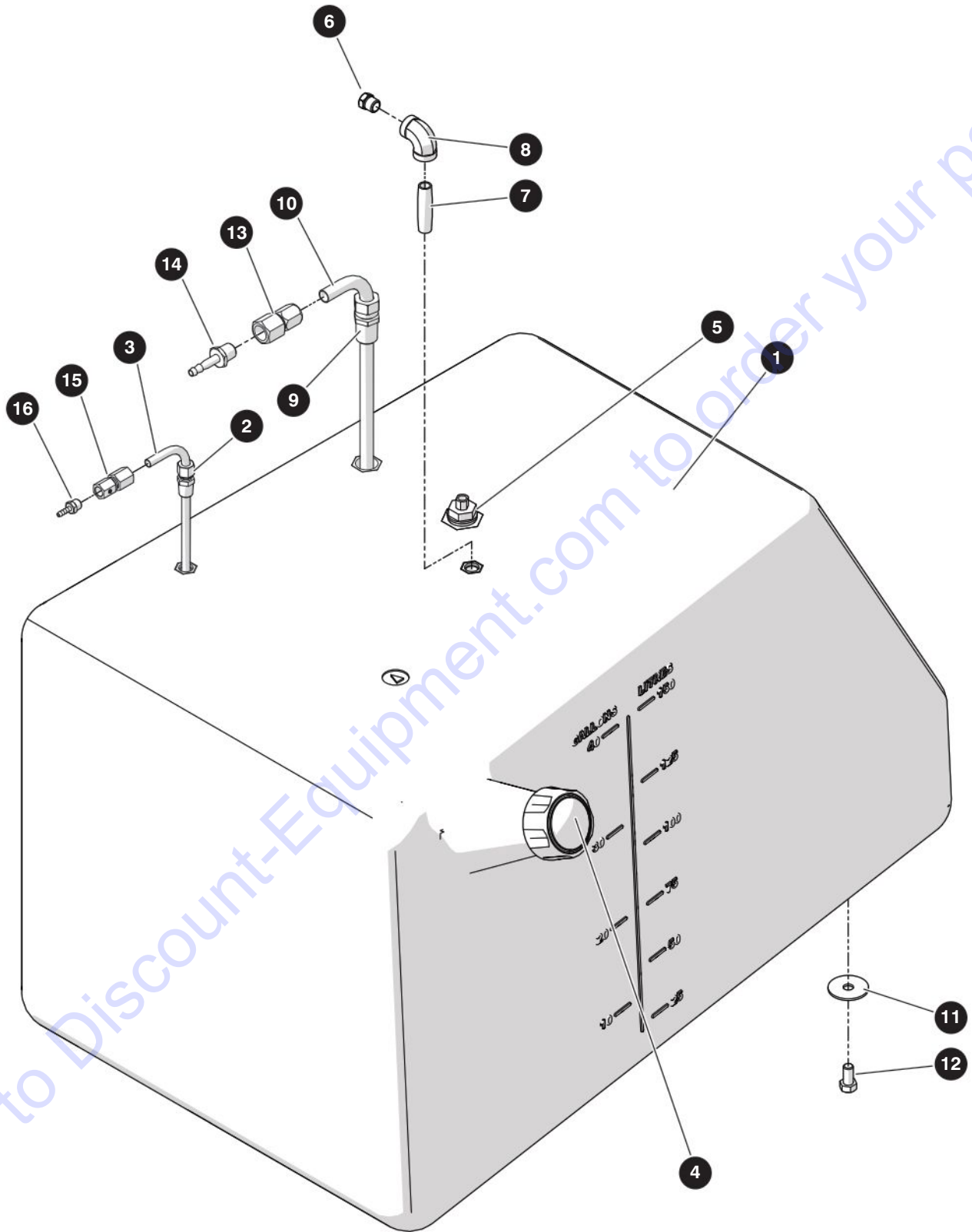
M209549AB

238270AAA

## 4.15 Hydraulic Tank

Index No.	Skyjack Part No.	Qty.	Description
-	163115	1	HYDRAULIC TANK
-	209549	1	• HYDRAULIC TANK ASSEMBLY
-	163152	1	• • TANK, Hydraulic
1	163153	1	• • • WELDMENT, Hydraulic tank
2	138477	1	• • • GASKET, Hydraulic tank
3	138498	1	• • • COVER, Hydraulic tank
4	136361	1	• • • CAP, Filler (non-vented)
5	103995	10	• • • WASHER, Flat (1/4")
6	103855	10	• • • BOLT, Hex head (1/4"-20 x 1/2" Gr 5)
7	144520	1	• • • FITTING, 90° (3/8" NPTF - 3/8" NPTM)
8	137540	1	• • • VENT, Breather (3/8" NPT)
9	138480	1	• • • GAUGE, Hydraulic oil level/temperature
10	161933	1	• • FILTER, In-line return
	161948	1	• • • FILTER ELEMENT, Return line
11	139101	1	• • FITTING, Straight (20ORBM - 20ORBM)
12	139164	1	• • FITTING, 90° (20ORBM)
13	139165	1	• • FITTING, Straight (20NPTM - 20ORBF)
14	704087	1	• • VALVE, (1/4 Turn ball #20 NPTF)
15	708798	1	• • FITTING, Tee (20 NPTF)
16	139097	1	• • FITTING, 90° (20 NPTM - 16 BEADM)
17	703708	1	• • FITTING, Straight (20 NPTM - 20 BEADM)
18	131707	2	• • FITTING, 45° (12JICM - 12ORBM)
19	103070	1	• • FITTING, Straight (06JICM - 08ORBM)
20	139153	1	• • FITTING, Straight (12JICF - 10JICM)
21	143980	1	• • PLUG, Drain (#8ORBM Magnetic)
22	702796	2	• • FITTING, Plug (08ORBM)
23	102659	2	• • FITTING, Straight (08JICM - 08ORBM)
24	139739	1	• • FITTING, 45° (08JICM - 08ORBM)
25	104379	9	• • WASHER, Flat hardened (1/20")
26	103907	6	• • BOLT, Hex head (1/20"-13 x 1-1/20" gr 5)
27	702507	3	• • NUT, Hex head nylon lock (1/20"-13 gr 5)
28	102665	1	• • FITTING, 90° (06JICM - 08ORBM)
29	144074	1	• • FITTING, Straight (20ORBM - 12ORBF)
30	702118	1	FITTING, Straight (12ORBM - 12ORBM) <i>(no generator/no cooler option)</i>

## 4.16 Fuel Tank



M237599AB

238270AAA

88

SJ40 T+, SJ45 T+

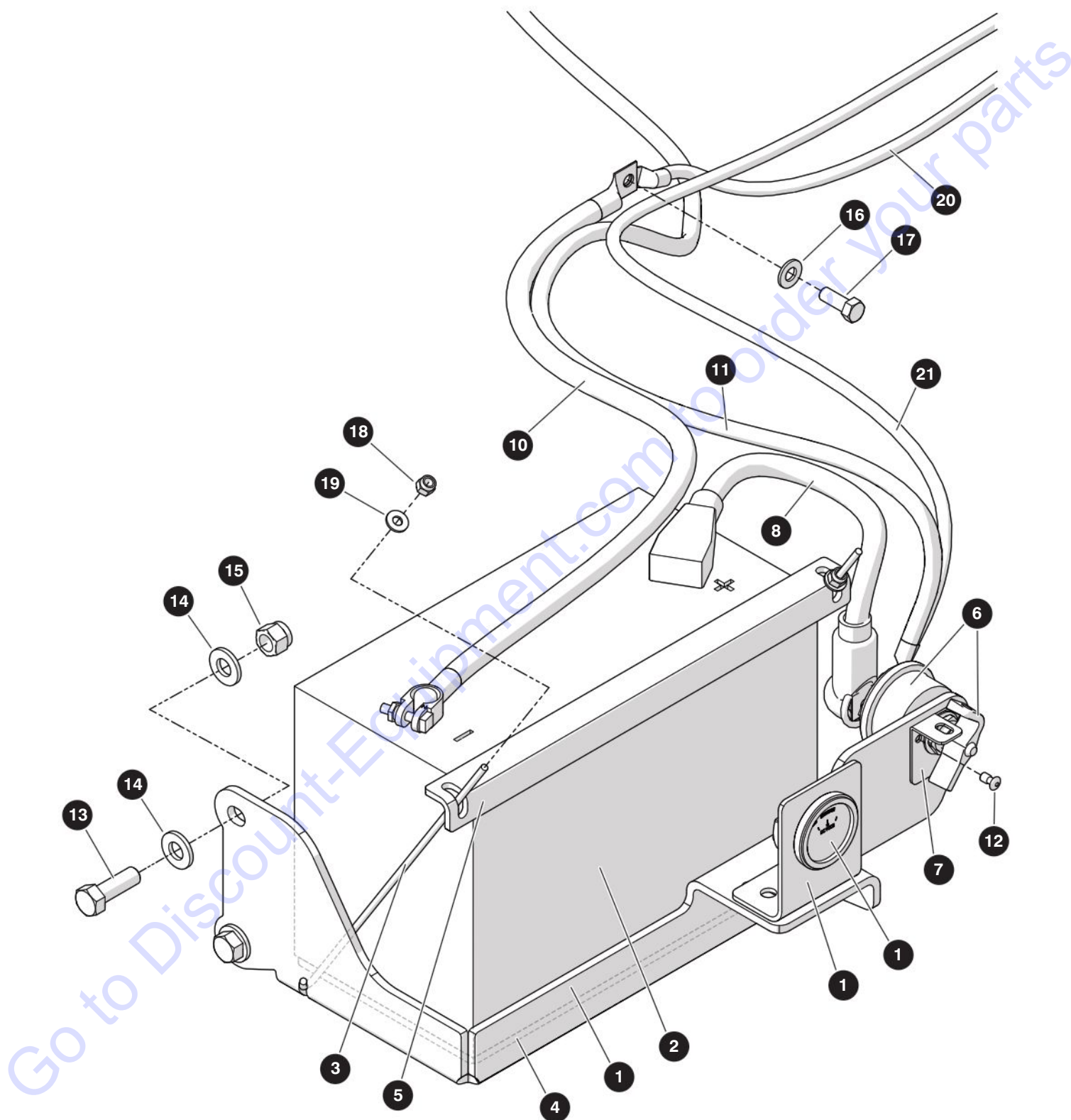
SKYJACK

## 4.16 Fuel Tank

Index No.	Skyjack Part No.	Qty.	Description
-	237599	1	FUEL TANK
-	210468	1	• FUEL TANK, Diesel
1	210469	1	• • TANK, Fuel - diesel
2	103155	1	• • FITTING, Brass tank (#T68-5B)
3	138491	1	• • TUBE, Fuel send/return
4	144410	1	• • CAP, Fuel (Non EPA)
5	138230	1	• • SWITCH, Fuel level
6	116408	1	• • BREATHER VENT (1/4" NPT)
7	143478	1	• • FITTING, Brass nipple (1/4" NPT x 2" lg)
8	144325	1	• • FITTING, Brass 90° (1/4" NPTF x 1/4" NPTF)
9	164674	1	• • FITTING, Compression tube (1/2" OD x 1/2" NPT)
10	164673	1	• • TUBE, Fuel suction
11	127067	4	• WASHER, Flat (3/8", style BB)
12	138739	4	• BOLT, Hex head (3/8"-16 x 3/4", gr 5)
13	165716	1	• FITTING, Straight (08BT-06FP)
14	165719	1	• FITTING, Hose barb - beaded (5/16" tube)
15	237600	1	• FITTING, Straight adapter (05BT-02FP)
16	237603	1	• FITTING, Hose barb (1/8" line)



## 4.17 Battery



M238041AB\_M170461AA

238270AAA

90

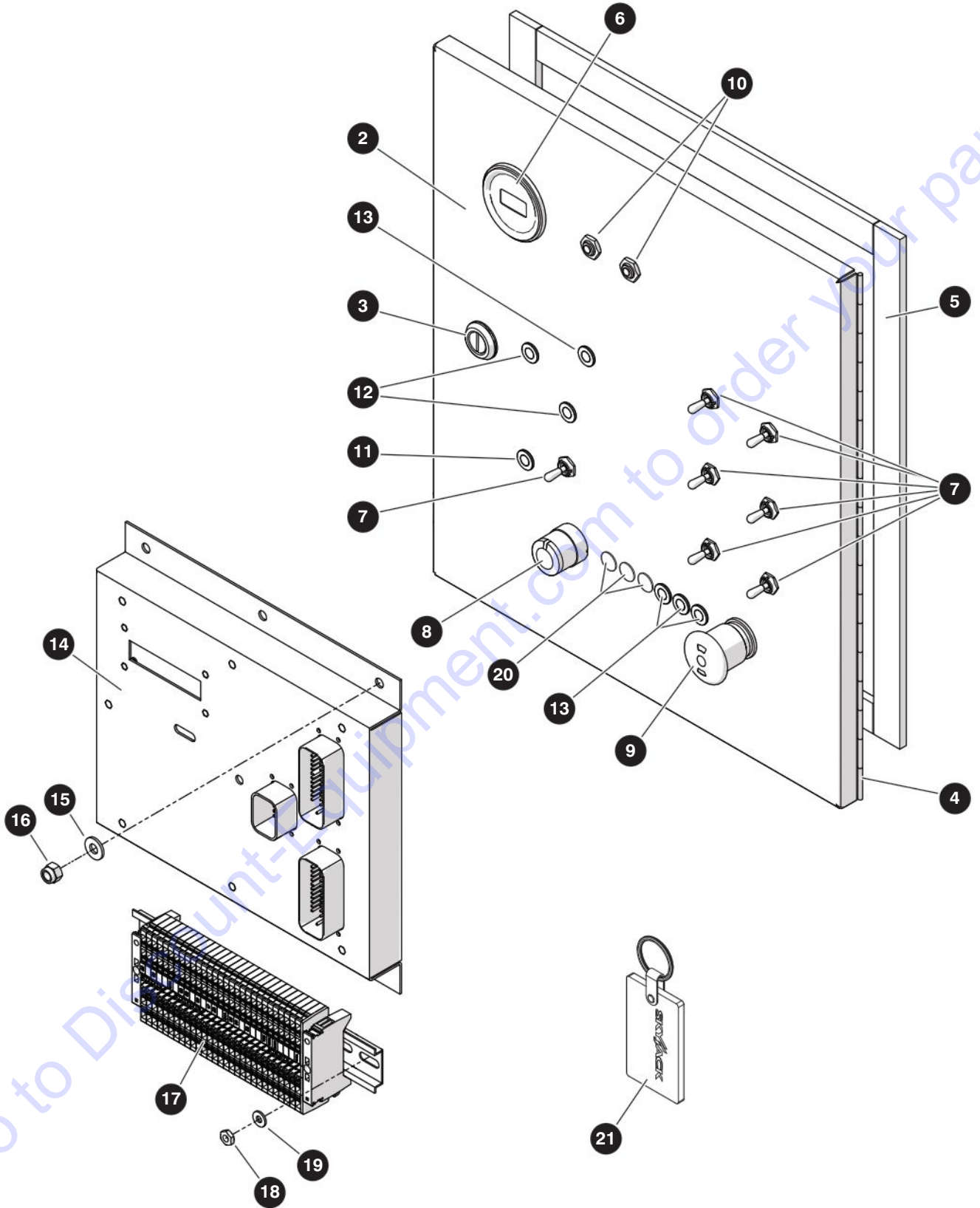
SJ40 T+, SJ45 T+

SKYJACK

## 4.17 Battery

Index No.	Skyjack Part No.	Qty.	Description
-	238041	1	BATTERY ASSEMBLY
1	163160	1	• BRACKET, Battery Support
2	144676	1	• BATTERY , 12 V (950 CCA)
3	150960	1	• HOLD DOWN, Battery (pair)
4	157464	1	• PAD, Battery
5	150959	1	• BRACKET, Battery retainer
6	119725	1	• SWITCH, Main lockout
7	108714	1	• MOUNT, Lockout switch
8	138700	1	• CABLE, Battery (positive post to disconnect)
9	167076	1	• CABLE, Battery (ground)
10	167733	1	• CABLE, Battery (negative post - 25")
11	167734	1	• CABLE, Battery (positive to auxiliary pump - 55")
12	157756	2	• RIVET, Pop (3/16" x 0.45")
13	103907	6	• BOLT, Hex head (1/2"-13 x 1-1/2" gr 5)
14	104379	12	• WASHER, Flat hardened (1/2")
15	702507	6	• NUT, hex head nylon lock (1/2"-13 gr 5)
16	125959	1	• WASHER, Flat hardened (3/8")
17	103473	1	• BOLT, Hex head (3/8"-16 x 1" gr 5)
18	115649	2	• NUT, Lock (1/4"-20)
19	103995	2	• WASHER, Flat (1/4")
20	238399	1	• CABLE, Welding (1 GA 3/8" x 106-1/2" x 5/16" (103,103))
21	238400	1	• CABLE, Welding (1 GA 3/8" x 80" x 5/16" (0,0))
-	170461	1	CHARGER INDICATOR - <b>CE &amp; AS</b>
20	157473	1	• MOUNT, Charge indicator
21	152323	1	• INDICATOR, Charge (12V)
22	152344	1	• WIRE, Charge indicator (00) to battery post (not shown)
23	157655	1	• WIRE, Charge indicator (03) to disconnect switch (not shown)

# 4.18 Base Control Box



M218432AA-2

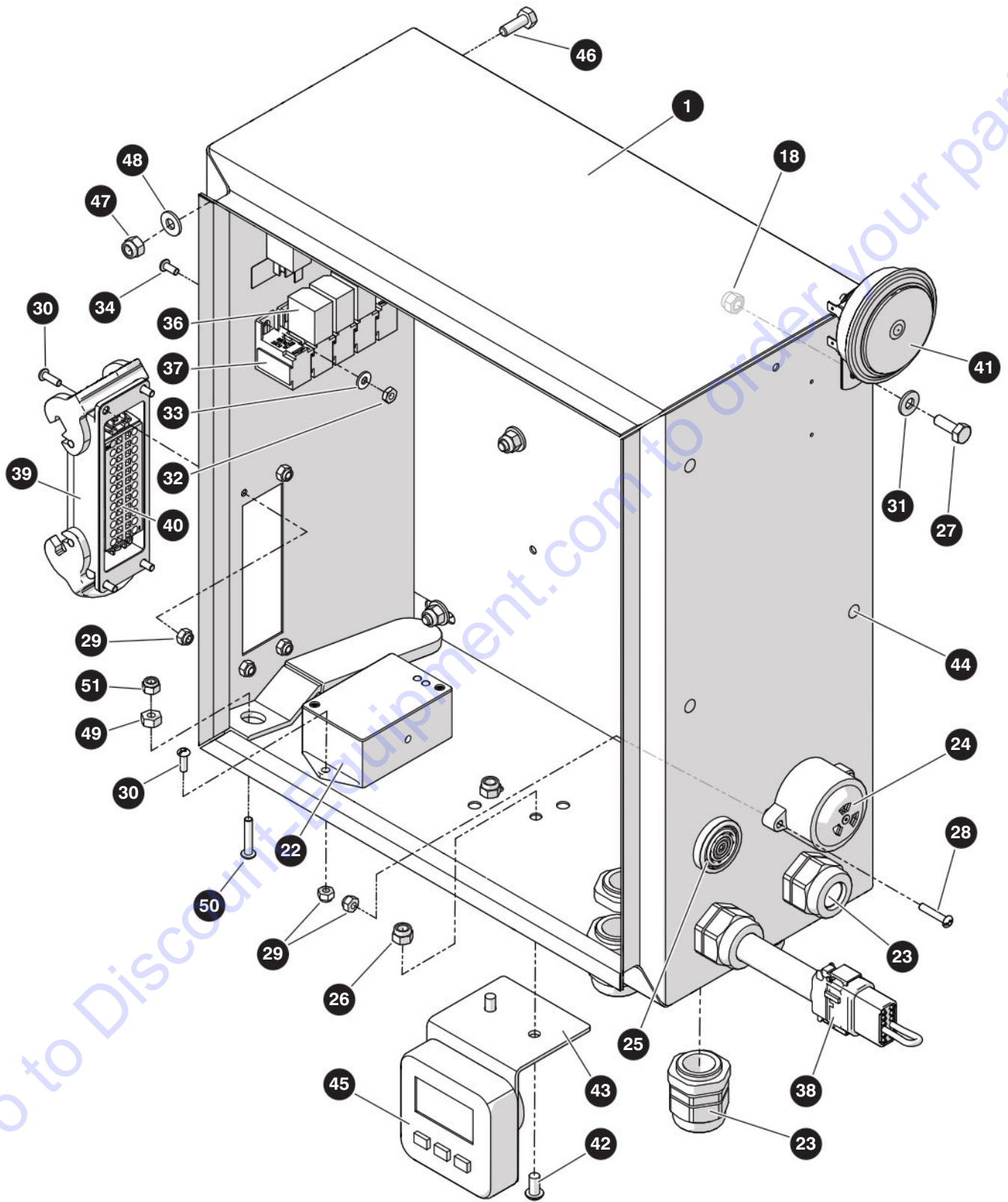
238270AAA

SJ40 T+, SJ45 T+

## 4.18 Base Control Box

Index No.	Skyjack Part No.	Qty.	Description
<b>A</b>	238397	1	BASE CONTROLS - <b>SJ40 T+ ANSI/CSA</b>
<b>B</b>	238022	1	BASE CONTROLS - <b>SJ45 T+ ANSI/CSA &amp; AS</b>
<b>C</b>	238412	1	BASE CONTROLS - <b>SJ45 T+ CE</b>
-	218350	1	• CONTROL BOX
1	218355	1	• • BODY, Control box
2	213582	1	• • DOOR, Control box
3	138715	1	• • LATCH, Slotted door
4	138714	1	• • HINGE, Continuous
5	138723	1	• • WEATHER STRIP
6	195940	1	• HOUR METER, Digital
7	102853	6	• SWITCH, Toggle, <b>A</b>
	102853	7	• SWITCH, Toggle, <b>B, C</b>
8	218354	1	• SWITCH, Key, <b>A, B</b>
	218920	1	• SWITCH, Key, <b>C</b>
	147056	1	• • LATCH, Mounting
	149605	1	• • HEAD, Selector switch - keyed, <b>A, B</b>
	165829	1	• • HEAD, Selector switch - keyed, <b>C</b>
	166141	1	• • BLOCK, Contact, NO (black plunger)
	166142	1	• • BLOCK, Contact, NO (yellow plunger)
	147053	1	• • BLOCK, NC Contact
9	144652	1	• SWITCH, Emergency stop
	147056	1	• • LATCH, Mounting
	147053	1	• • BLOCK, NC Contact
	147229	1	• • SWITCH, LED block
	147051	1	• • SWITCH HEAD, Emergency stop
10	117325	2	• CIRCUIT BREAKER (15 amp)
11	213308	1	• LIGHT, LED - 12 V (red)
12	213303	3	• LIGHT, LED - 12 V (green)
13	213307	3	• LIGHT, LED - 12 V (amber)
14	238028	1	• MODULE, Master
	218277	1	• • SERVICE TOOL
	218276	1	• • • HARNESS, SMB1 to peak
	218278	1	• • • ADAPTER, PCAN-USB
15	103995	6	• WASHER, Flat (1/4")
16	115649	6	• NUT, Hex lock (1/4"-20 Gr 5, nylon)
17	(Ref.)	1	• TERMINAL STRIP, Base (For components, refer to 4.19 Base Terminal Strip)
18	104003	2	• NUT, Hex (10-32)
19	103991	2	• WASHER, Flat (#8)
20	114377	3	• PLUG, Hole (1/2")
21	114710	1	KEYRING

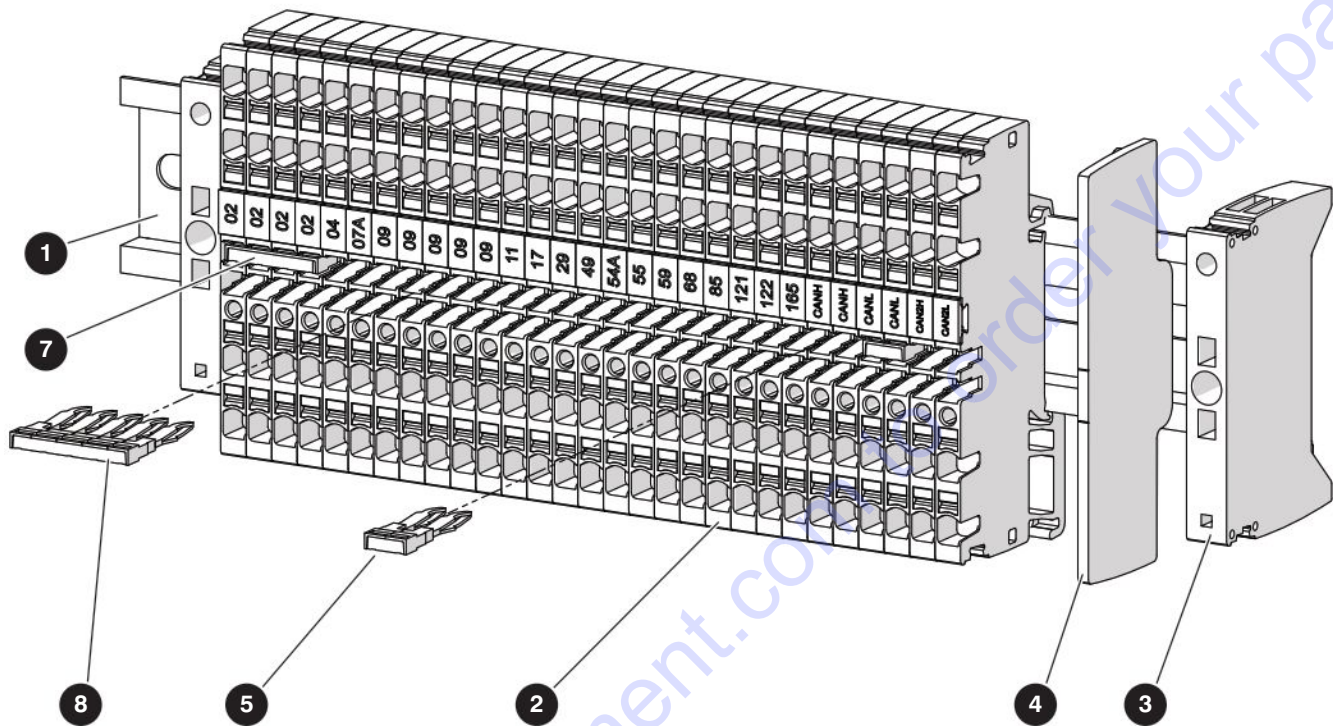
## 4.18 Base Control Box



## 4.18 Base Control Box

Index No.	Skyjack Part No.	Qty.	Description
22	166163	1	• SWITCH, Tilt (analog 28°)
23	116266	7	• CONNECTOR, Strain relief
24	103056	1	• BEEPER (7.5 - 16 VDC), <b>A, B</b>
25	144387	1	• ALARM, Continuous
26	115649	2	• NUT, Hex lock (1/4"-20 Gr 5, nylon)
27	103856	2	• BOLT, Hex head (1/4"-20 x 3/4" Gr 5)
28	126499	2	• SCREW, Round head machine (#8-32 x 7/8")
29	138765	10	• NUT, Hex lock (#8-32 Gr 5, nylon)
30	103957	6	• SCREW, Round head machine (#8-32 x 1/2")
31	103995	2	• WASHER, Flat (1/4")
32	103986	2	• NUT, Hex (8-32)
33	103991	4	• WASHER, Flat (#8)
34	204325	4	• SCREW, Round head machine (8-18 x 5/16")
35	(Ref.)	1	• WIRING ASSEMBLY (not shown)
	102921	7	• • DIODE, T6A40L
	163021	2	• • RESISTOR, 120 ohm 1/2 W axial lead
	144492	1	• • RESISTOR, 680 ohm 1 W axial lead
36	931298	4	• RELAY
37	218997	5	• SOCKET, Micro relay
38	221144	1	• HARNESS, Trackunit bypass
39	138751	1	• HOUSING, Open bottom - 24 pole double lever
40	138756	1	• SOCKET, 24 pole spring - 16A
41	146652	1	• HORN, 12 V low tone
42	300060	2	• BOLT, Button head cap (1/4"-20 x 1/2")
43	198215	3	• BRACKET, Engine display
44	144264	3	• PLUG, Hole (9/32")
45	166739	1	DISPLAY, Engine
46	103856	4	BOLT, Hex head (1/4" - 20 x 3/4" Gr 5)
47	115649	4	NUT, Hex nylon lock (1/4" - 20 Gr 5)
48	103995	4	WASHER, Flat (1/4")
49	103987	1	NUT, Hex head (10-24)
50	151155	1	SCREW, Round head machine (10-24 x 1")
51	126642	1	NUT, Hex nylon lock (10-24 Gr 5)

## 4.19 Base Terminal Strip



M218353AD

Index No.	Skyjack Part No.	Qty.	Description
-	218353	1	BASE TERMINAL STRIP
1	233337	224 mm	• RAIL
2	233338	29	• BLOCK, TERMINAL
3	233341	2	• PLATE, END
4	233342	1	• PLATE, SEPARATOR
5	233343	2	• JUMPER, 2-pin
6	233344	1	• JUMPER, 4-pin
7	233345	1	• JUMPER, 5-pin

---

Go to [Discount-Equipment.com](http://Discount-Equipment.com) to order your parts



---

## Section 5 – Electrical Harnesses

**5.1** *Main Electrical Harness*

**5.2** *Engine Harness*

**5.3** *Engine Fuse Box*

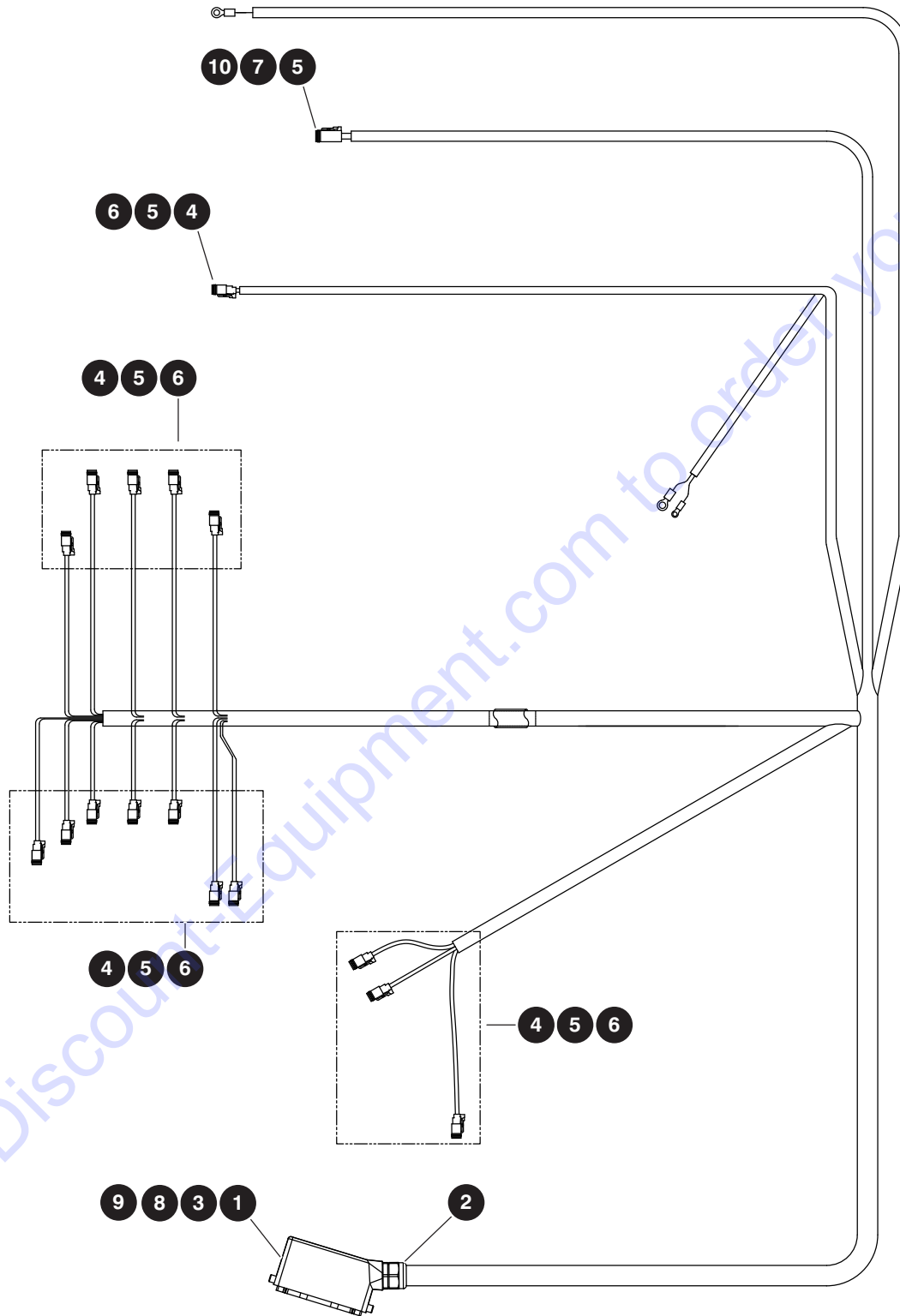
**5.4** *Battery Cables*

**5.5** *Control & CANbus Cables*

**5.6** *Jib and Platform Rotate Harnesses*

**5.7** *Differential Lock Valve Harness*

# 5.1 Main Electrical Harness



M162819AA

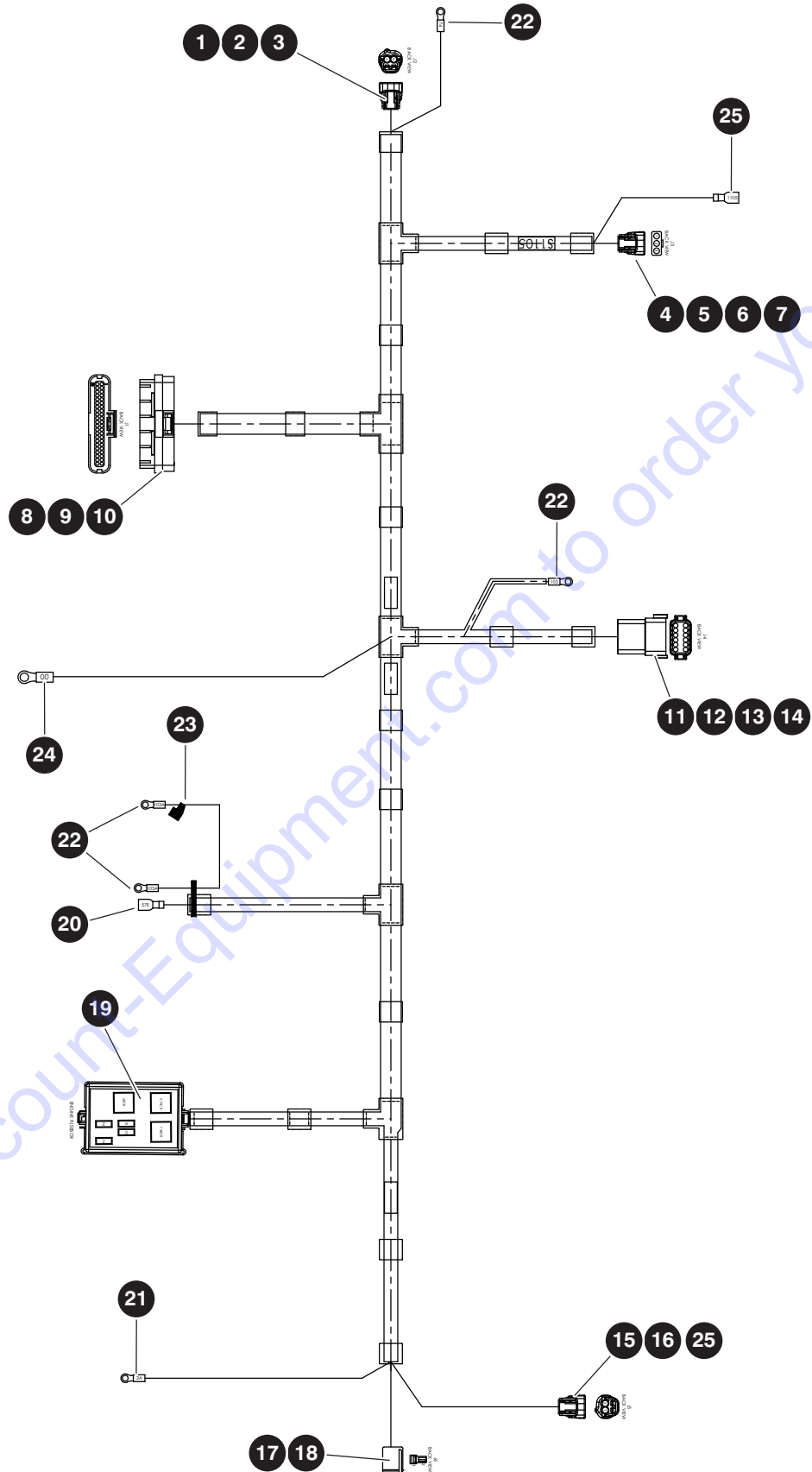
238270AAA

SJ40 T+, SJ45 T+

## 5.1 Main Electrical Harness

Index No.	Skyjack Part No.	Qty.	Description
-	218398	1	MAIN ELECTRICAL HARNESS
1	138753	1	• HOOD, Side 24 pole (M32)
2	138754	1	• STRAIN, RELIEF (M32 x 1-1/2)
3	138755	1	• PLUG, 24 pole spring (16A)
4	117597	16	• PLUG, Deutsch (2 pin)
5	117591	38	• SOCKET, Deutsch solid (16/18 Gauge)
6	117599	16	• WEDGE, Deutsch (2 pin)
7	117579	1	• CONNECTOR, 4-Pin
8	121050	18	• FERULE, Red (16GA)
9	138044	4	• FERULE, Blue (14GA)
10	117581	1	• WEDGE, 4-Pin

## 5.2 Engine Harness



M218405AD-1

238270AAA

# PARTS FINDER

**Search Website  
by Part Number**



**Search Manual  
Library For Parts  
Manual & Lookup Part  
Numbers – Purchase  
or Request Quote**

**Search Manuals**

Enter your information to help us find the right parts manual for your machine.

\* Brand:

\* Model:

\* Serial:

\* Part Number:

SEARCH

**Can't Find Part or  
Manual? Request Help  
by Manufacturer,  
Model & Description**

**Parts Order Form**

Please fill in the following information to help us find the right part for your machine.

MANUFACTURER:

MODEL:

DESCRIPTION:

DATE:

TIME:

PHONE:

EMAIL:

ADDRESS:

CITY:

STATE:

ZIP:

NAME:

COMPANY:

PHONE:

EMAIL:

REQUEST FOR QUOTE

Discount-Equipment.com is your online resource for quality parts & equipment.

Florida: **561-964-4949** Outside Florida TOLL FREE: **877-690-3101**

**Need parts?**

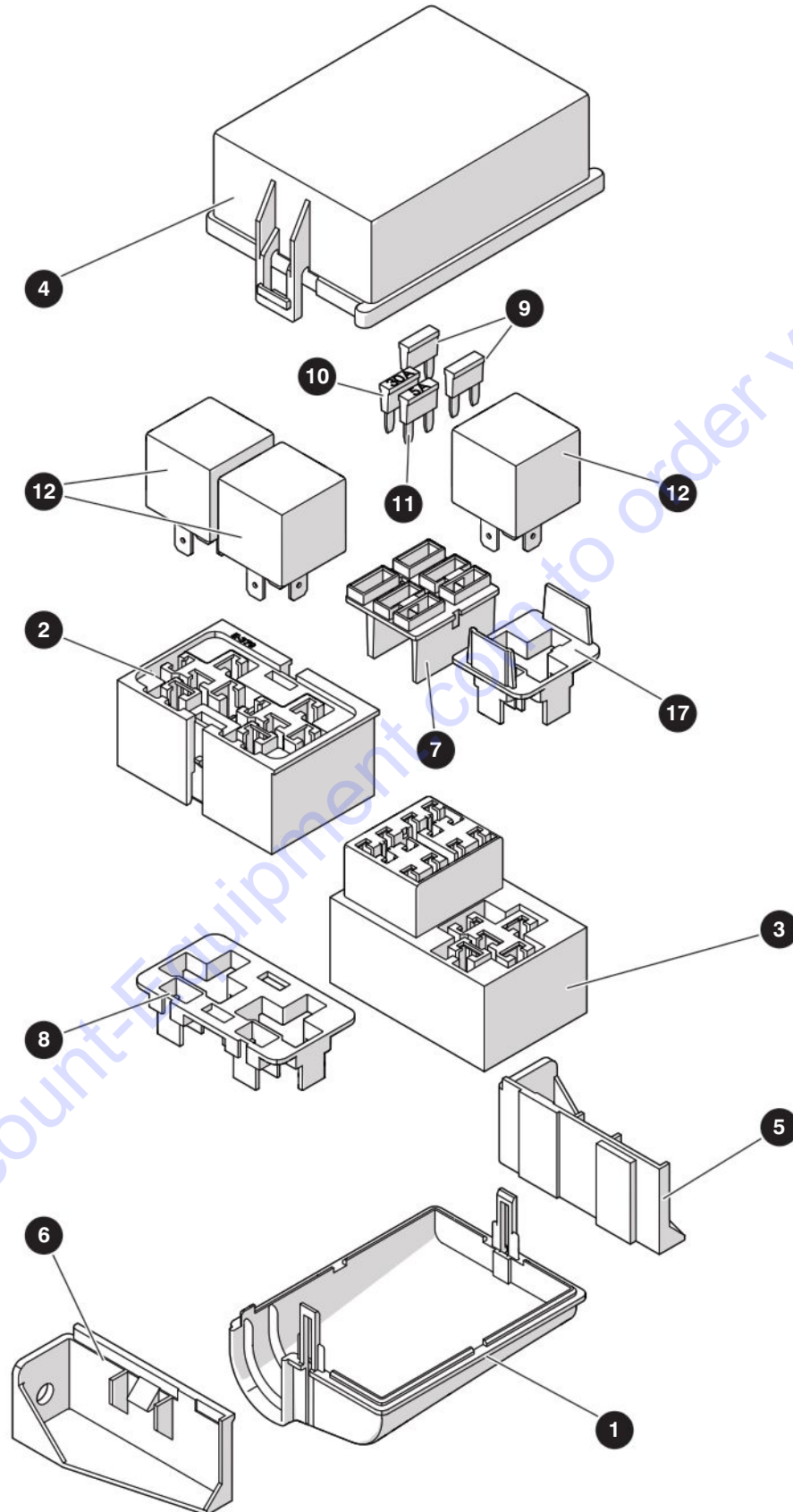
Click on this link: <http://www.discount-equipment.com/category/5443-parts/> and choose one of the options to help get the right parts and equipment you are looking for. Please have the machine model and serial number available in order to help us get you the correct parts. If you don't find the part on the website or on one of the online manuals, please fill out the request form and one of our experienced staff members will get back to you with a quote for the right part that your machine needs.

We sell worldwide for the brands: Genie, Terex, JLG, MultiQuip, Mikasa, Essick, Whiteman, Mayco, Toro Stone, Diamond Products, Generac Magnum, Airman, Haulotte, Barreto, Power Blanket, Nifty Lift, Atlas Copco, Chicago Pneumatic, Allmand, Miller Curber, Skyjack, Lull, Skytrak, Tsurumi, Husquvarna Target, Stow, Wacker, Sakai, Mi-T-M, Sullair, Basic, Dynapac, MBW, Weber, Bartell, Bennar Newman, Haulotte, Ditch Runner, Menegotti, Morrison, Contec, Buddy, Crown, Edco, Wyco, Bomag, Laymor, EZ Trench, Bil-Jax, F.S. Curtis, Gehl Pavers, Heli, Honda, ICS/PowerGrit, IHI, Partner, Imer, Clipper, MMD, Koshin, Rice, CH&E, General Equipment, Amida, Coleman, NAC, Gradall, Square Shooter, Kent, Stanley, Tamco, Toku, Hatz, Kohler, Robin, Wisconsin, Northrock, Oztec, Toker TK, Rol-Air, APT, Wylie, Ingersoll Rand / Doosan, Innovatech, Con X, Ammann, Mecalac, Makinex, Smith Surface Prep, Small Line, Wanco, Yanmar

## 5.2 Engine Harness

Index No.	Skyjack Part No.	Qty.	Description
-	236167	1	ENGINE HARNESS
1	215850	1	• CONNECTOR, 2 Pole - automotive
2	215852	2	• CONTACT, Female - automotive
3	215853	2	• SEAL, Wire - automotive
4	215864	1	• CONNECTOR, 3 Pole - automotive
5	215866	3	• CONTACT, Female - automotive
6	215867	3	• SEAL, Wire - automotive
7	215865	1	• CONNECTOR, Rear holder
8	215868	1	• CONNECTOR, 44 position - ECU
9	215869	22	• CONTACT, Female - ECU
10	215870	22	• PLUG, Wire - ECU
11	117586	1	• CONNECTOR, Receptacle (12 pin)
12	117589	1	• CONNECTOR, Receptacle - wedge (12 pin)
13	117590	7	• CONNECTOR, Contact (PIN 16 - 18)
14	117594	5	• CONNECTOR, Sealing plug
15	215871	1	• CONNECTOR, 2 Pole - automotive
16	215872	2	• CONTACT, Female - automotive
17	215874	1	• CONNECTOR, 2 Pole - alternator
18	215875	2	• CONTACT, Female - alternator
19	(Ref.)	1	• FUSEBOX (For components, refer to 5.3 Engine Fuse Box)
20	105568	1	• TERMINAL, Female - yellow 10-12 AWG
21	216788	1	• TERMINAL, Ring - red 18-22 GA
22	108172	1	• TERMINAL, Ring 10-12 GA
23	117696	1	• BOOT, Terminal
24	114595	1	• TERMINAL, Female 18-22 GA
25	238414	2	• WIRE SEAL, Amp

## 5.3 Engine Fuse Box

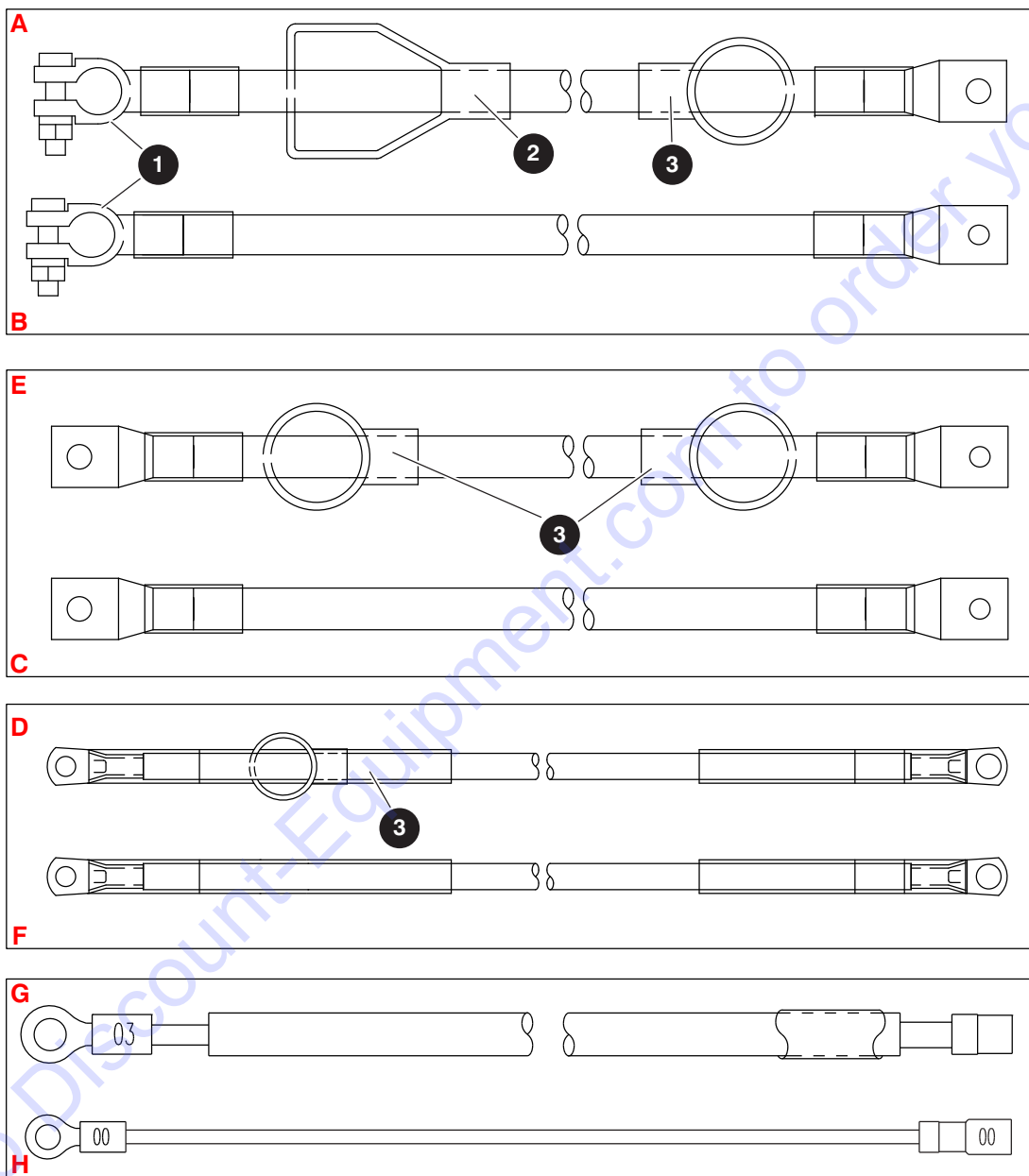


## 5.3 Engine Fuse Box

Index No.	Skyjack Part No.	Qty.	Description
-	236168	1	FUSE BOX
1	198654	1	• COVER, Fuse box - bottom
2	198646	1	• BLOCK, Fuse box - dual ISO relay
3	198647	1	• BLOCK, Fuse box - ISO relay, 6 fuses
4	198651	1	• COVER, Fuse box - top
5	198652	1	• BRACKET, Fuse box - RH
6	198653	1	• BRACKET, Fuse box - LH
7	198649	1	• SPACER, Half module - mini fuse
8	198650	1	• SPACER, ISO relay
9	170626	2	• FUSE, ATM - 10A
10	198727	1	• FUSE, ATM - 30A
11	198725	1	• FUSE, ATM - 5A
12	127131	3	• RELAY, 12V 40 AMP
13	198657	4	• TERMINAL, Female - ISO relay (14/16 AWG) (not shown)
14	198658	4	• TERMINAL, Female - ISO relay (18/20 AWG) (not shown)
15	198662	1	• TERMINAL, Female - mini fuse (18/20 AWG) (not shown)
16	198661	5	• TERMINAL, Female - mini fuse (14/16 AWG) (not shown)
17	198648	1	• SPACER, Half module - ISO relay
18	198655	4	• TERMINAL, Female - ISO relay (10/12 AWG) (not shown)
19	198660	2	• TERMINAL, Female - mini fuse (10/12 AWG) (not shown)



## 5.4 Battery Cables



M238041AB-1

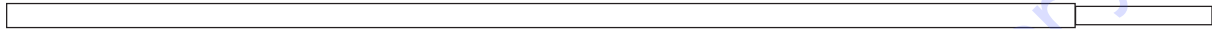
238270AAA

## 5.4 Battery Cables

Index No.	Skyjack Part No.	Qty.	Description
<b>A</b>	138700	1	BATTERY CABLE (Battery positive to main disconnect switch)
<b>B</b>	167733	1	BATTERY CABLE (Battery negative to chassis ground)
<b>C</b>	167076	1	BATTERY CABLE (Engine ground to chassis ground)
<b>D</b>	167734	1	BATTERY CABLE (Emergency pump to main disconnect switch)
<b>E</b>	238400	1	BATTERY CABLE (Main disconnect switch to starter)
<b>F</b>	238300	1	BATTERY CABLE (Chassis ground to starter)
<b>G</b>	157655	1	WIRE ASSEMBLY, Charge indicator 03
<b>H</b>	152344	1	WIRE ASSEMBLY, Charge indicator 00
1	139030	1	• POST CLAMP, Battery (#2/0 positive) <b>A</b>
	139031	1	• POST CLAMP, Battery (#2/0 negative) <b>B</b>
2	139032	1	• POST BOOT, Battery (#2/0 red)
3	139105	1	• TERMINAL BOOT (#2/0 red) <b>A, D</b>
		2	• TERMINAL BOOT (#2/0 red) <b>E</b>
	139106	1	• TERMINAL BOOT (#1 red) <b>D</b>

## 5.5 Control & CANbus Cables

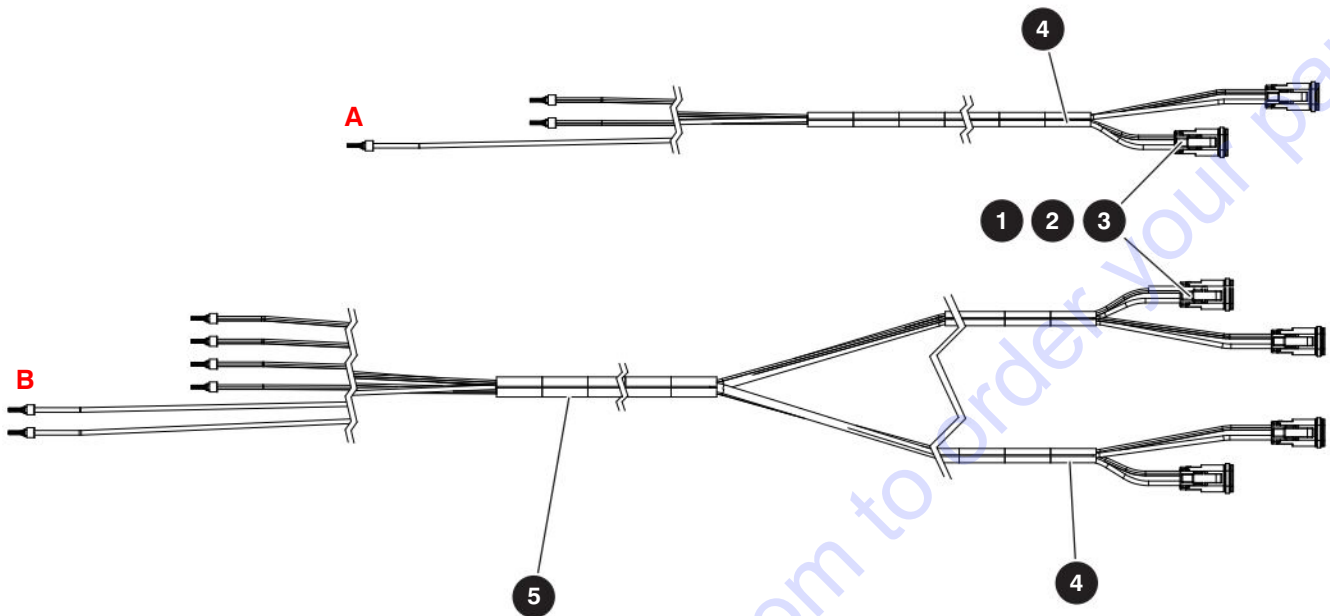
---



M218859AA

Index No.	Skyjack Part No.	Qty.	Description
1	218486	1	CONTROL CABLE (960")
2	218485	1	CANBUS CABLE (960")

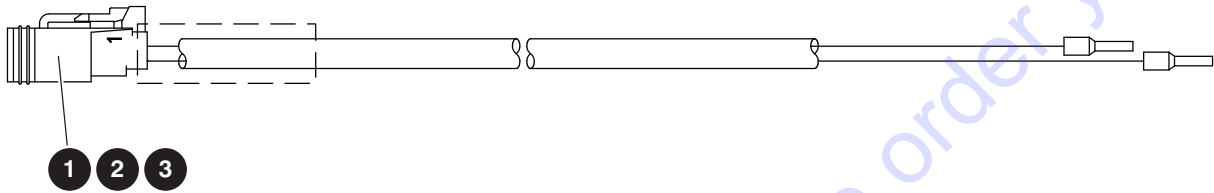
## 5.6 Jib and Platform Rotate Harnesses



M167740AB\_M167698AB

Index No.	Skyjack Part No.	Qty.	Description
<b>A</b>	167740	1	HARNESS, Platform rotate - <b>SJ40 T+</b>
<b>B</b>	167698	1	HARNESS, Jib and platform rotate - <b>SJ45 T+</b>
1	117597	2	• CONNECTOR, Plug 2-pin, <b>A</b>
	117597	4	• CONNECTOR, Plug 2-pin, <b>B</b>
2	117599	2	• WEDGE, Connector plug 2-pin, <b>A</b>
	117599	4	• WEDGE, Connector plug 2-pin, <b>B</b>
3	117591	4	• SOCKET, Contact - connector plug 2-pin, <b>A</b>
	117591	8	• SOCKET, Contact - connector plug 2-pin, <b>B</b>
4	124399	139"	• PROTECTOR, Wire (1/4"), <b>A</b>
	124399	38"	• PROTECTOR, Wire (1/4"), <b>B</b>
5	111354	120"	• PROTECTOR, Wire (3/8"), <b>B</b>

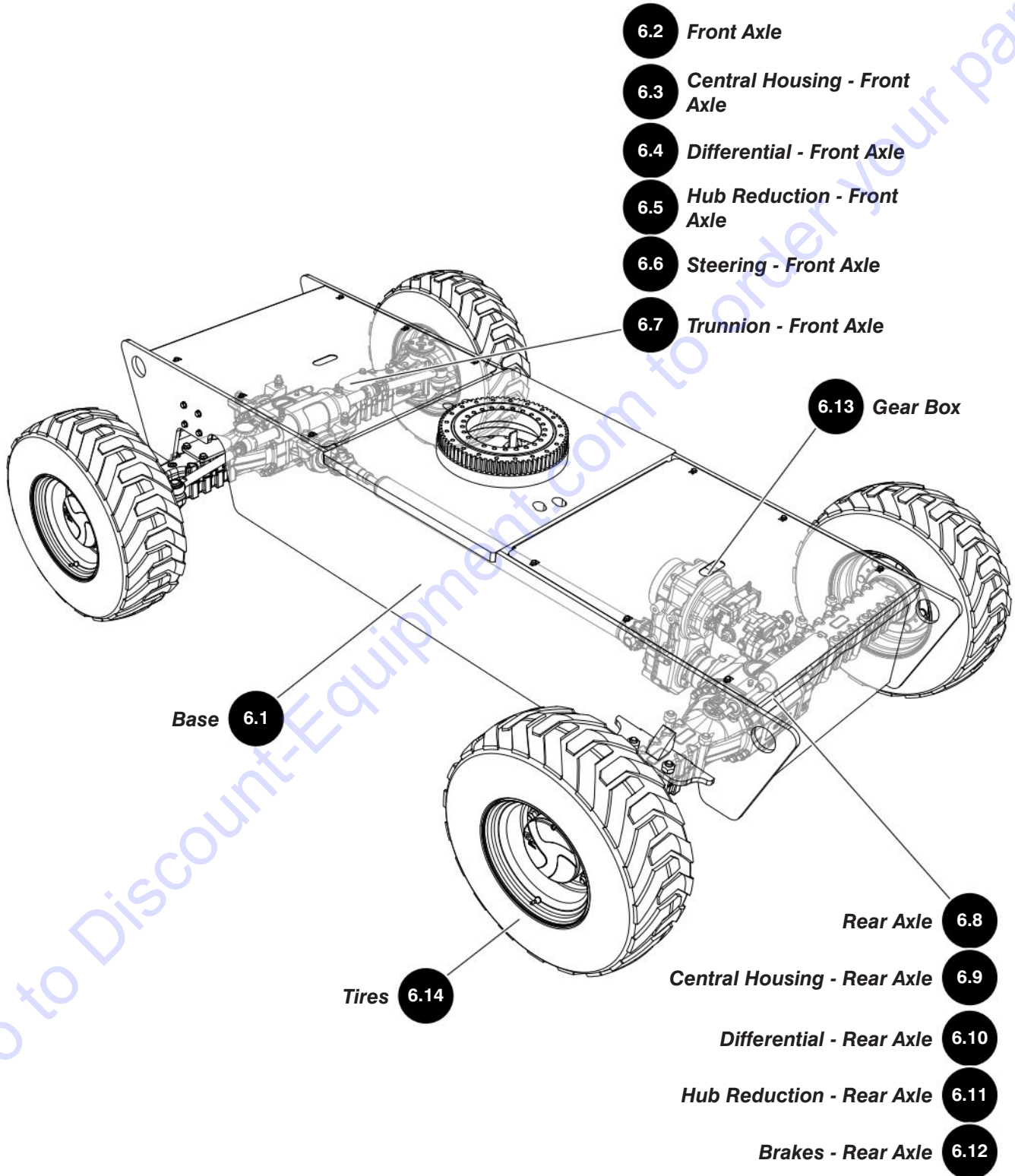
## 5.7 Differential Lock Valve Harness



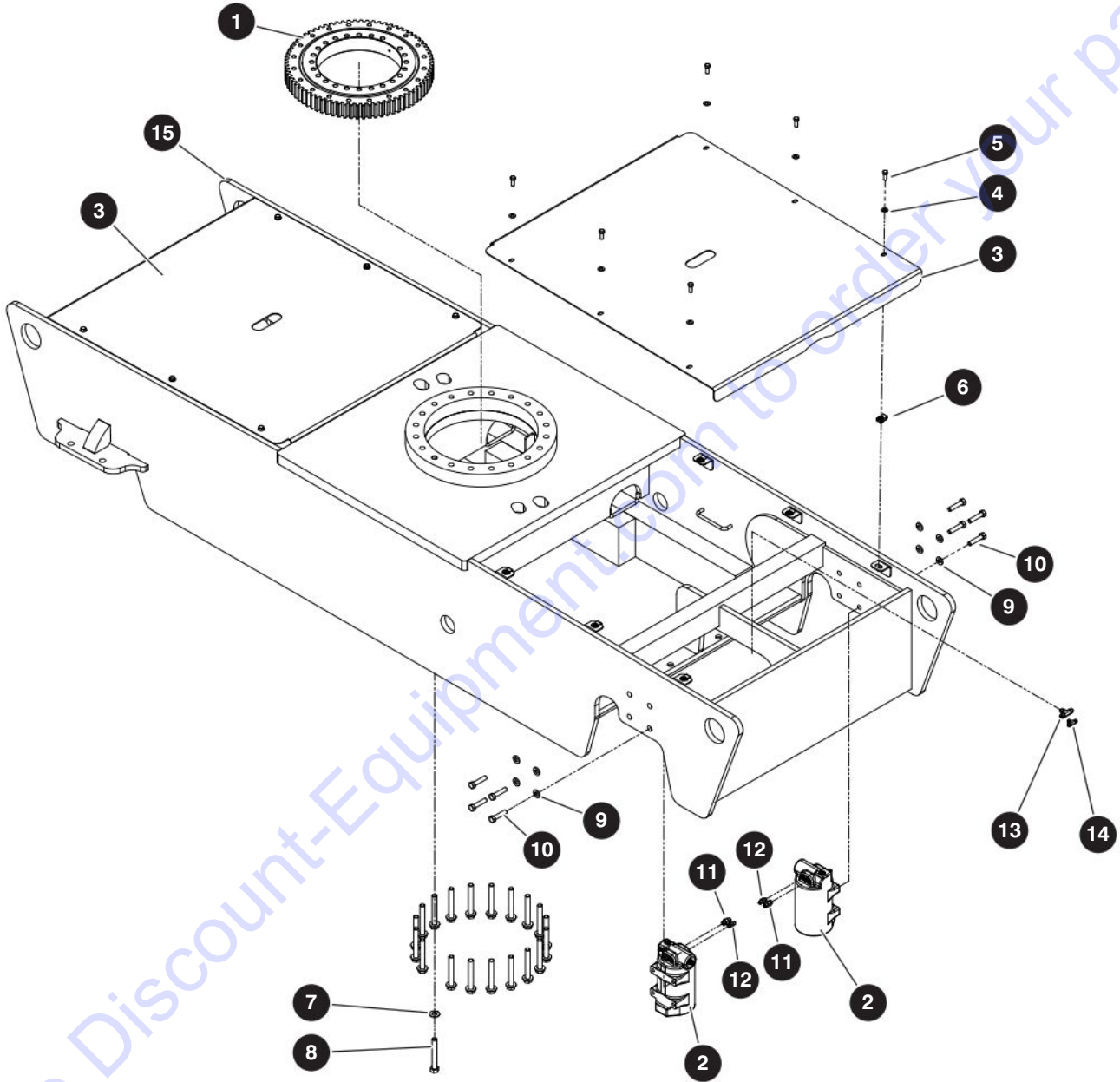
M167072AB

Index No.	Skyjack Part No.	Qty.	Description
-	167072	1	DIFFERENTIAL LOCK VALVE HARNESS
1	117597	1	• CONNECTOR, Plug 2-pin
2	117599	1	• WEDGE, Connector plug 2-pin
3	117591	2	• SOCKET, Contact - connector plug 2-pin

# Section 6 – Base



# 6.1 Base



M159589AA

238270AAA

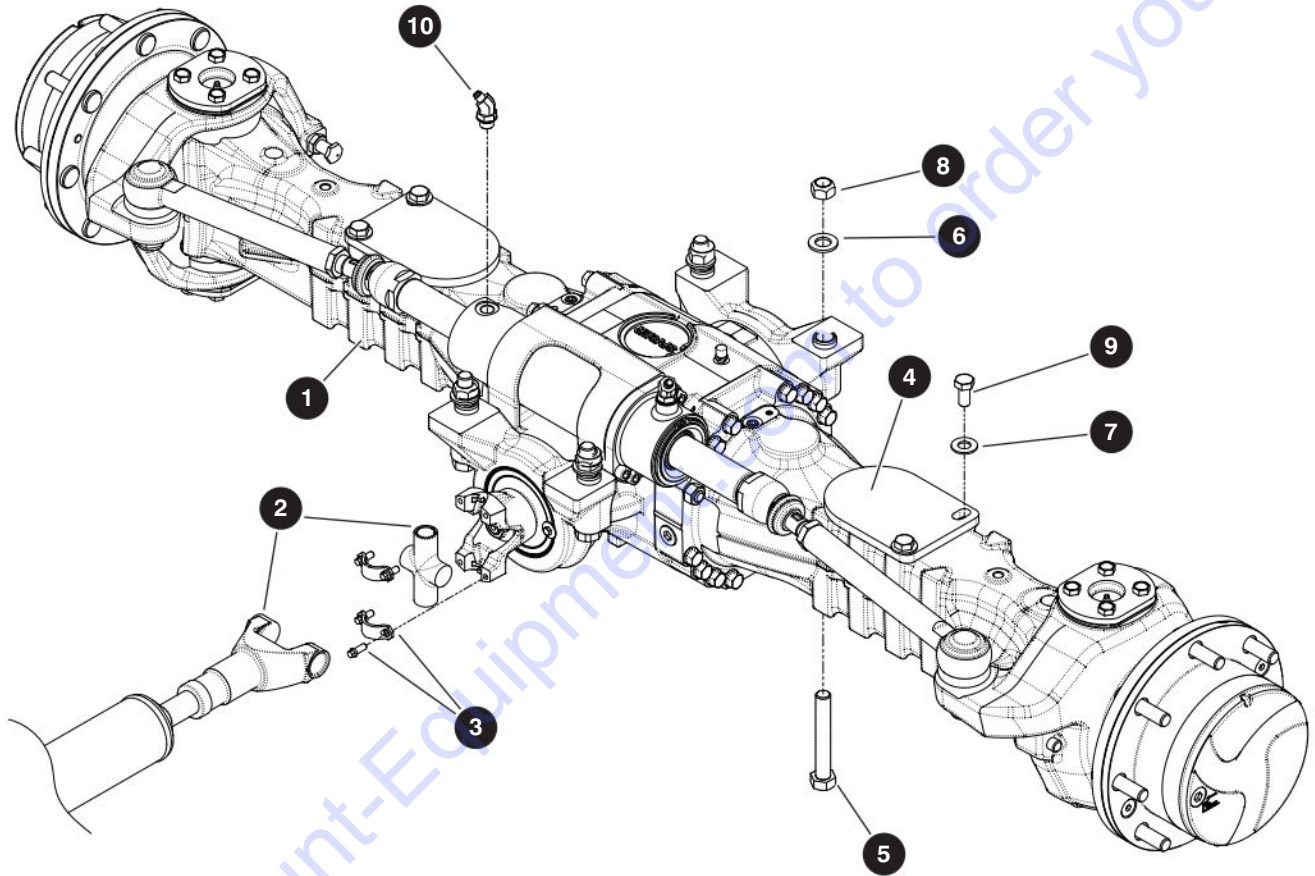
SJ40 T+, SJ45 T+

## 6.1 Base

Index No.	Skyjack Part No.	Qty.	Description
-	218699	1	BASE ASSEMBLY
1	703661	1	• GEAR, Ring
2	(Ref.)	2	• CYLINDER, Axle lock (For components, refer to 3.6 Axle Lock Cylinder)
3	159580	2	• COVER, Base
4	103472	12	• WASHER, Flat (3/8")
5	103473	12	• BOLT, Hex head (3/4"-16 x 1" Gr 5)
6	159294	12	• NUT, Speed clip (3/8"-16)
7	700782	20	• WASHER, Flat hardened (5/8")
8	701762	20	• BOLT, Hex head (5/8"-11 x 4 1/2" Gr 8)
9	104379	8	• WASHER, Flat hardened (1/2")
10	106447	8	• BOLT, Hex head (1/2"-13 x 2.25" Gr 8)
11	103069	2	• FITTING, Straight (06 JICM - 06 ORBM)
12	126128	2	• FITTING, Straight (04 JICM - 04 ORBM)
13	131704	1	• FITTING, Tee (06 JICM)
14	131697	1	• FITTING, Tee (04 JICM)
15	169615	1	• WELDMENT, Chassis



## 6.2 Front Axle



M159593AB

238270AAA

114

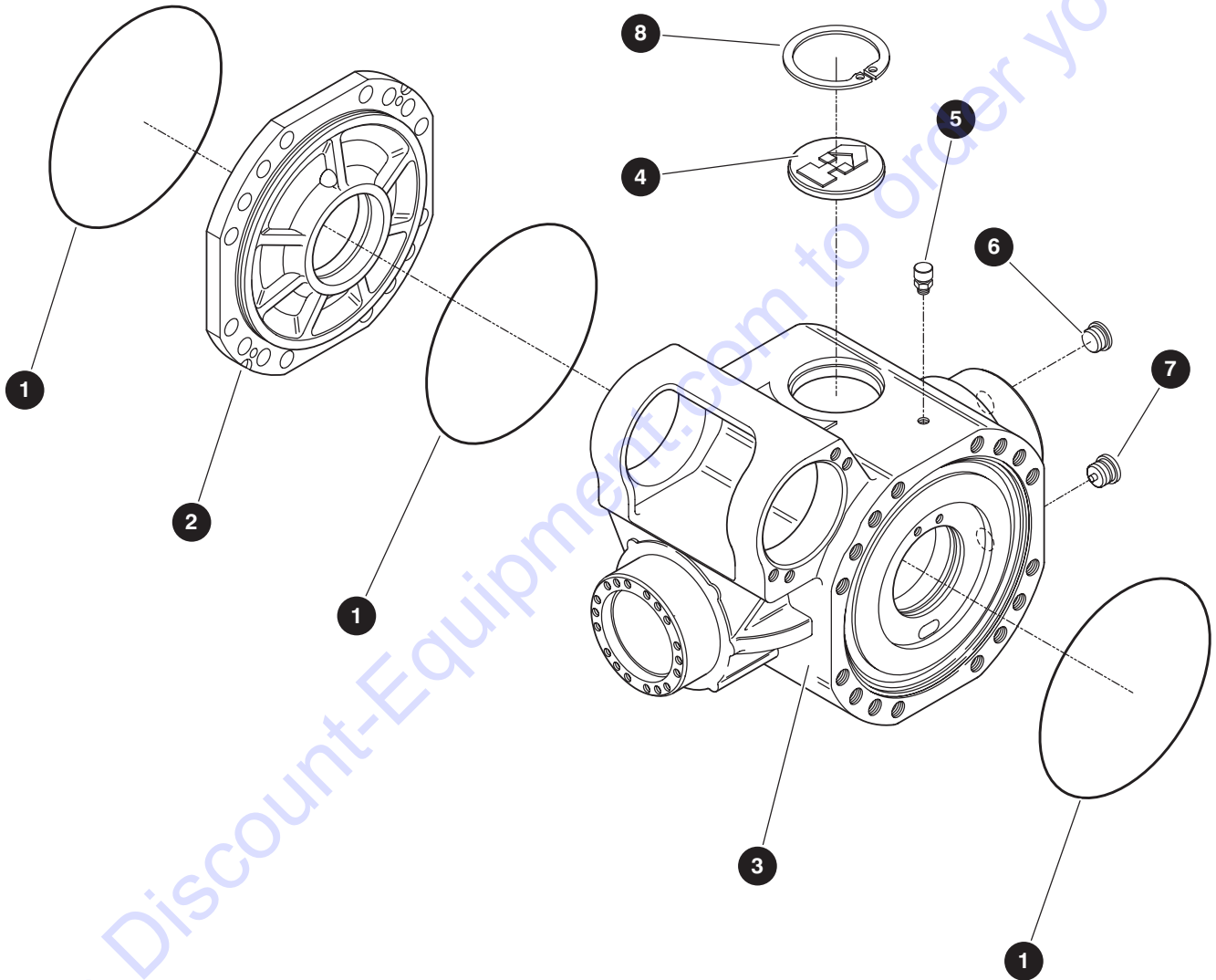
SJ40 T+, SJ45 T+

SKYJACK

## 6.2 Front Axle

Index No.	Skyjack Part No.	Qty.	Description
-	236662	1	FRONT AXLE
1	163740 (Ref.)	1	• AXLE, Front
	(Ref.)	2	• • HUB REDUCTION - Front Axle (For components, refer to 6.5 Hub Reduction - Front Axle)
	(Ref.)	1	• • DIFFERENTIAL - Front Axle (For components, refer to 6.4 Differential - Front Axle)
	(Ref.)	1	• • CENTRAL HOUSING - Front Axle (For components, refer to 6.3 Central Housing - Front Axle)
	(Ref.)	1	• • STEERING - Front Axle (For components, refer to 6.6 Steering - Front Axle)
	(Ref.)	2	• • TRUNNION - Front Axle (For components, refer to 6.7 Trunnion - Front Axle)
2	138980	1	• DRIVESHAFT
	216872	2	• • U-JOINT
3	138731	2	• HARDWARE KIT, U-joint
4	159594	2	• WEAR PAD, Oscillating cylinder
5	146773	4	• BOLT, Hex head (3/4"-10 x 5.00" gr 8)
6	702194	4	• WASHER, Flat (3/4" hardened)
7	700782	4	• WASHER, Flat (5/8" hardened)
8	700575	4	• NUT, Torque lock (3/4"-10 gr C)
9	138734	4	• BOLT, Hex head (M14 x 2 x 50 mm gr 8.8)
10	139103	2	• FITTING, 45° (04JICM-08ORB)

## 6.3 Central Housing - Front Axle



M151755AC

238270AAA

**116**

SJ40 T+, SJ45 T+

**SKYJACK**

## 6.3 Central Housing - Front Axle

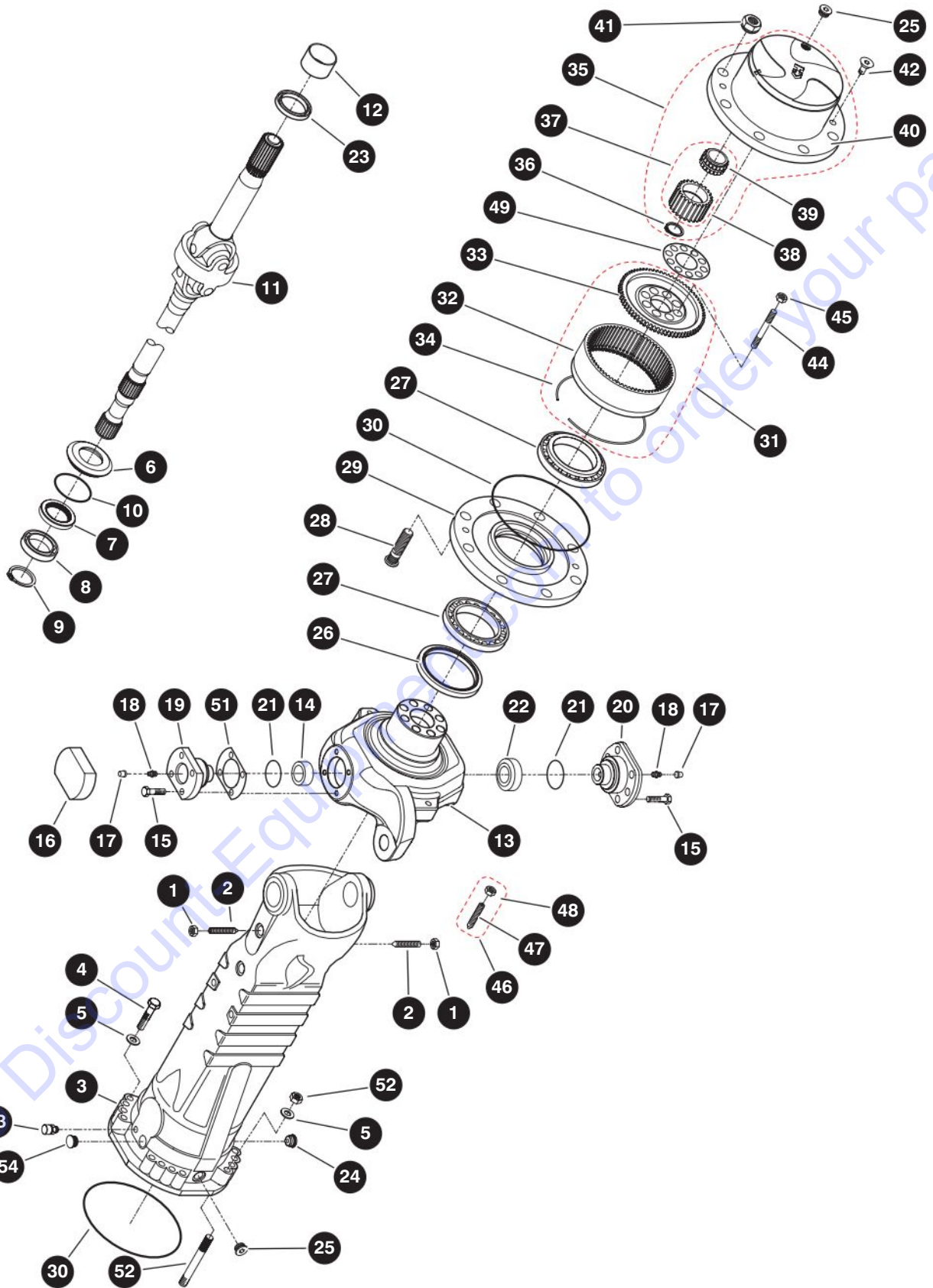
Index No.	Skyjack Part No.	Qty.	Description
-	151755	1	CENTRAL HOUSING - Front Axle
1	140970	3	• O-RING
2	216425	1	• COVER
3	151756	1	• HOUSING
4	140967	1	• PLUG
5	170720	1	• VENT
6	140969	1	• PLUG
7	140968	1	• PLUG, Magnetic
8	140966	1	• CIRCLIP



## 6.4 Differential - Front Axle

Index No.	Skyjack Part No.	Qty.	Description
-	170788	1	DIFFERENTIAL - Front Axle
1	140974	1	• NUT
-	140975	1	• FLANGE ASSEMBLY
2	170791	1	• • FLANGE
3	409452	1	• • PLATE, Cover
4	170792	1	• SEAL
5	170793	4	• BOLT
6	140979	1	• O-RING
7	140980	1	• NUT, Ring
8	140981	1	• SPACER
9	170789	1	• SHIM KIT
10	170790	1	• SHIM KIT
11	140984	2	• BEARING, Taper roller
12	140985	1	• GEAR SET, Bevel
13	151768	2	• BOLT
14	140987	2	• BEARING, Taper roller
15	140996	1	• DIFFERENTIAL KIT, Limited slip
16	140978	4	• • CIRCLIP
17	140988	2	• • GEAR, Differential side
18	140989	1	• • PINION, Differential
-	196632	4	• • PIN ASSEMBLY
19	140990	1	• • • PIN
20	140991	1	• • • CIRCLIP
21	140992	4	• • WASHER, Friction
22	140986	2	• • DISC KIT
23	140995	1	• • CARRIER, Differential
24	140993	12	• BOLT
25	141068	2	• NUT, Ring

# 6.5 Hub Reduction - Front Axle



M216429AA

238270AAA

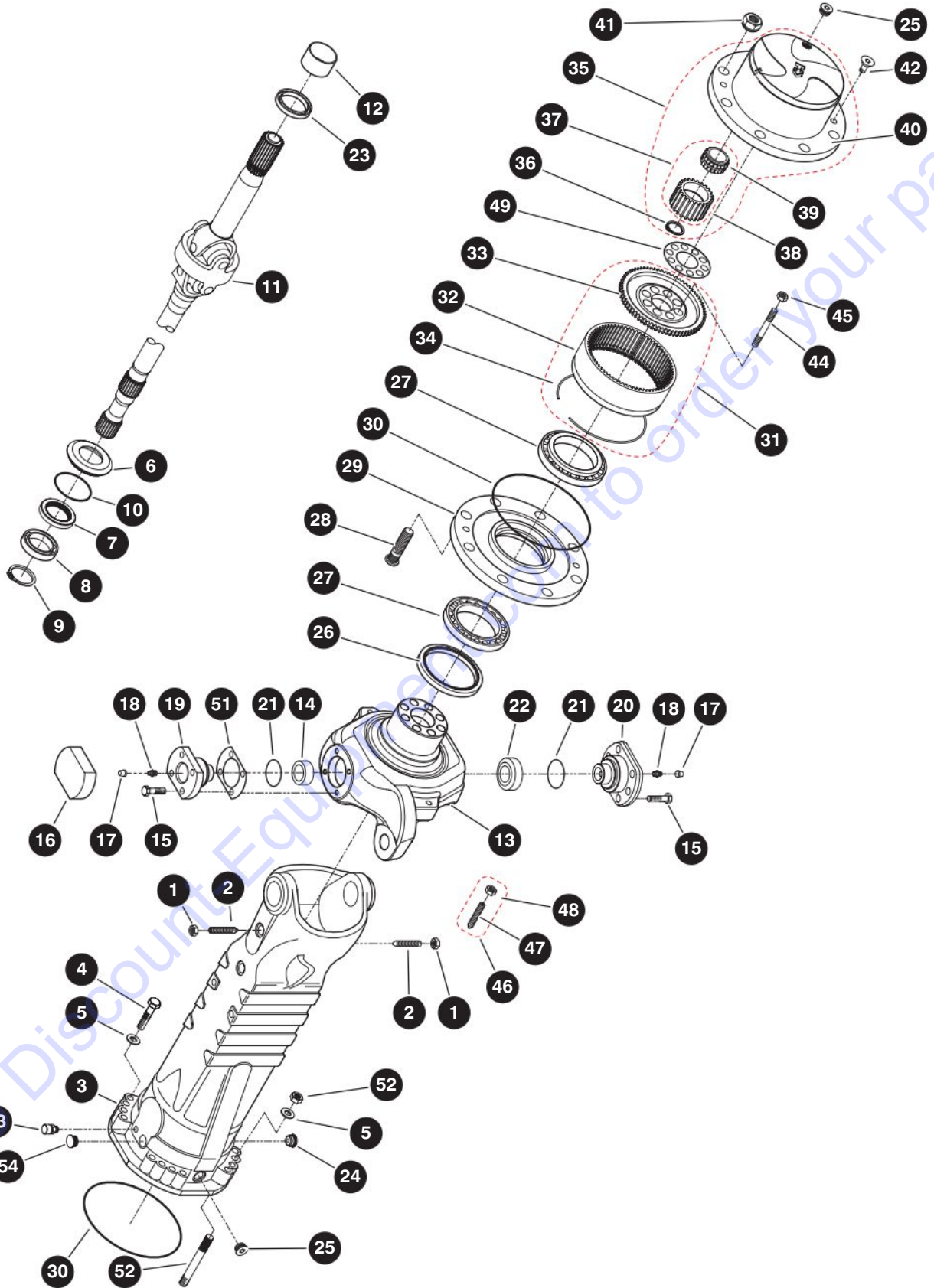
SJ40 T+, SJ45 T+

## 6.5 Hub Reduction - Front Axle

Index No.	Skyjack Part No.	Qty.	Description
-	216429	2	HUB REDUCTION - Front Axle
1	141167	2	• NUT
2	141170	2	• BOLT
3	216430	2	• CASE, Axle
4	141079	28	• BOLT
5	141166	4	• WASHER
6	151761	2	• BUSHING, Reduction
7	151762	2	• SEAL
8	141073	2	• BEARING, Ball
9	151763	2	• CIRCLIP
10	141171	2	• O-RING
11	216431	2	• UNIVERSAL JOINT, Double
-	141010	1	• CASE KIT, Steering - <b>right</b>
	141011	1	• CASE KIT, Steering - <b>left</b>
12	141039	1	• • BUSHING, Thrust
13	141009	1	• • CASE, Steering - <b>right</b>
	141038	1	• • CASE, Steering - <b>left</b>
14	151765	2	• BUSHING
15	141005	20	• BOLT
16	141007	2	• COVER
17	141006	4	• PLUG
18	141014	2	• FITTING, Grease
19	141004	2	• PIN, Pivot
20	141012	2	• PIN, Pivot
21	141002	2	• SEAL
22	141013	2	• ARTICULATION
23	141040	2	• SEAL
24	140968	2	• PLUG, Magnetic
25	140969	4	• PLUG
26	405116	2	• SEAL
27	141019	4	• BEARING
28	216250	16	• STUD, Wheel
29	141020	2	• HUB, Wheel
30	140970	2	• O-RING
31	141042	2	• SUPPORT KIT, Ring Gear
32	141023	2	• • GEAR, Ring
33	141024	2	• • SUPPORT, Ring gear
34	141022	2	• • CIRCLIP
35	151767	2	• CARRIER KIT, Planet gear
36	141028	3	• • CIRCLIP
37	196643	3	• • GEAR KIT, Planet
38	141029	1	• • • GEAR, Planet
39	141030	1	• • • BEARING
40	141032	1	• • CARRIER, Planet gear



# 6.5 Hub Reduction - Front Axle



M216429AA

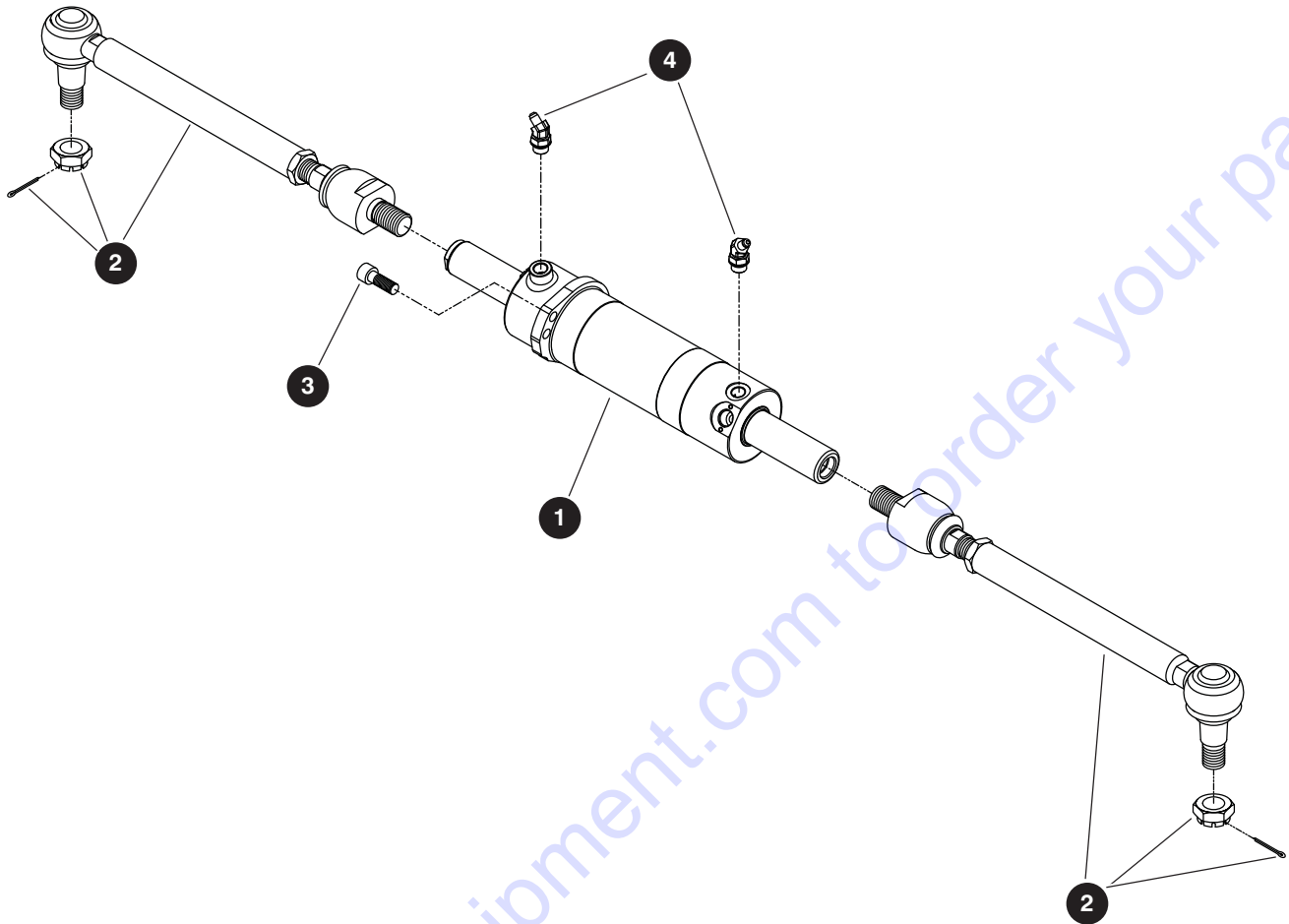
238270AAA

SJ40 T+, SJ45 T+

## 6.5 Hub Reduction - Front Axle

Index No.	Skyjack Part No.	Qty.	Description
41	151766	16	• NUT
42	141033	4	• BOLT, Countersunk
43	196638	16	• STUD
44	196639	16	• NUT
45	141017	4	• BOLT KIT, Steering adjust
46	141016	1	• • BOLT
47	141015	1	• • NUT
48	141081	2	• PLATE, Locking
49	140966	2	• CIRCLIP
50	216432	1	• KIT, Shim
51	141165	4	• STUD
52	141167	4	• NUT
53	216433	2	• BOLT, Grub
54	216434	2	• PLUG

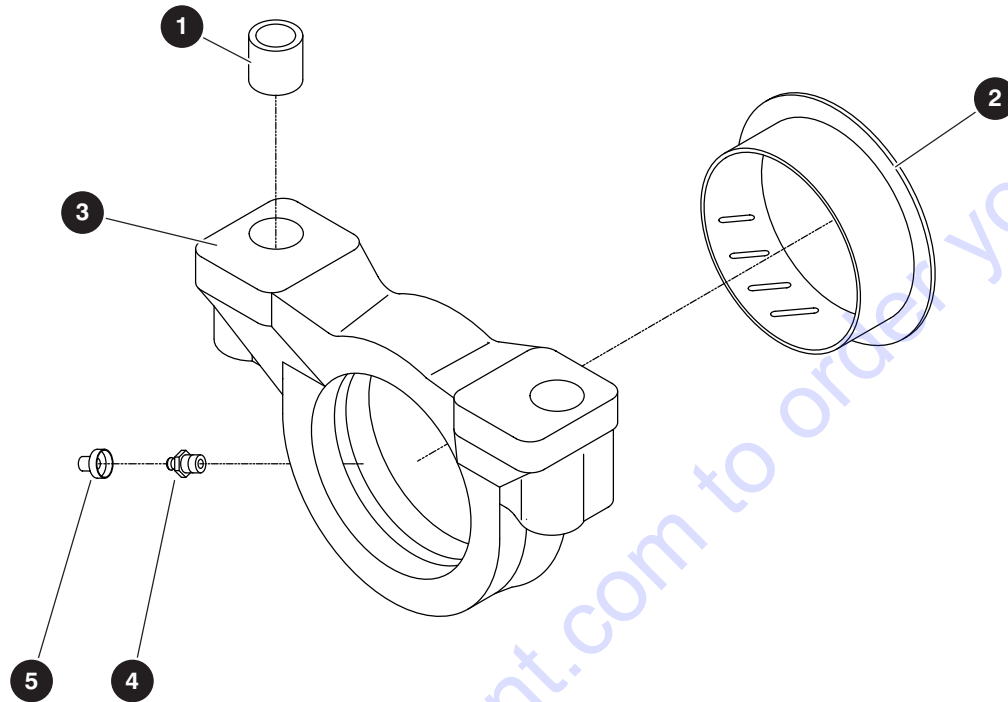
## 6.6 Steering - Front Axle



M169240AB

Index No.	Skyjack Part No.	Qty.	Description
-	169240	1	STEERING - Front Axle
1	169241	1	• CYLINDER, Steer
	169242	1	• • SEAL KIT, Steer cylinder
2	169243	2	• ROD, Tie
3	195047	4	• BOLT
4	139103	2	FITTING, 45° (04 JICM - 08 ORBM)

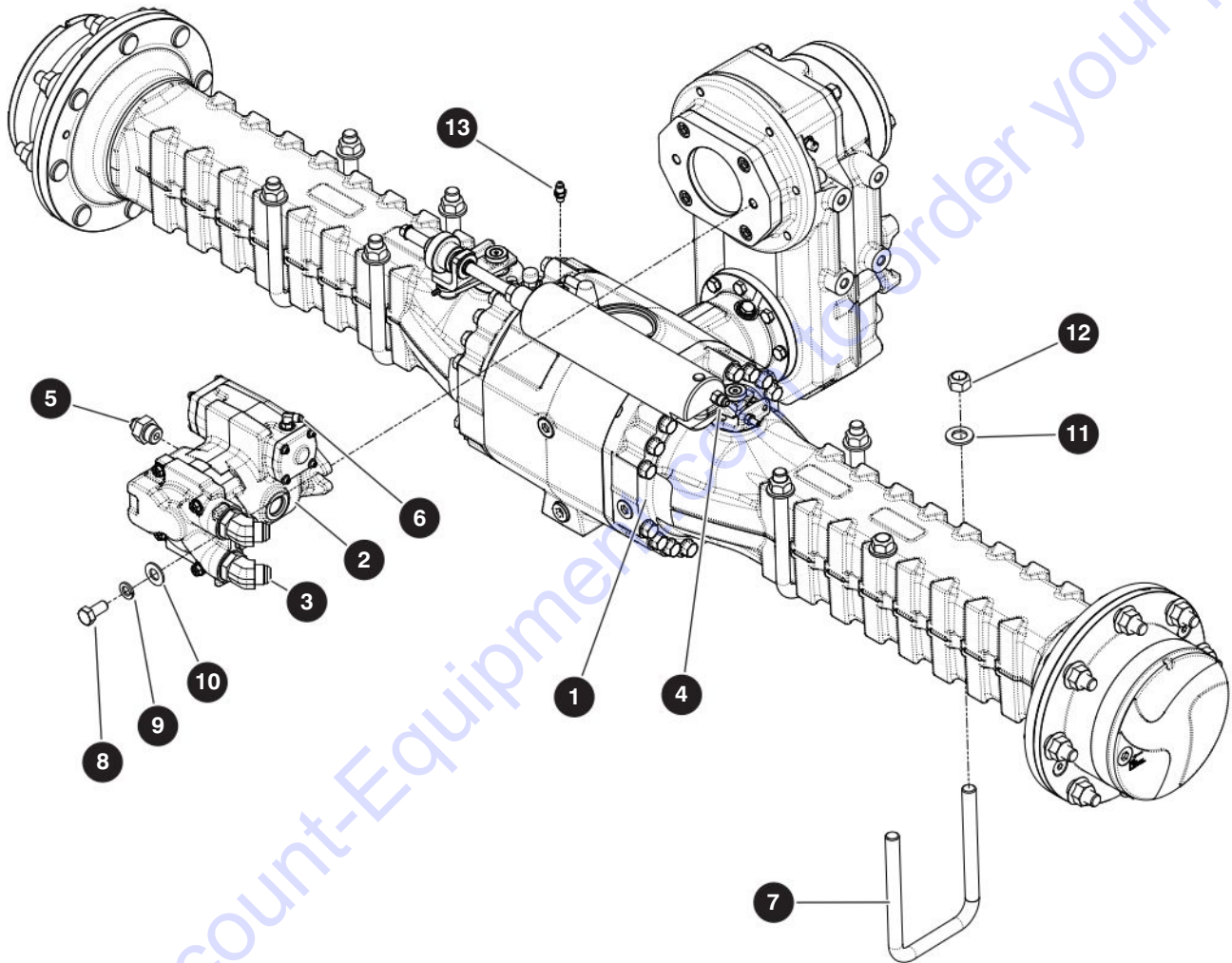
## 6.7 Trunnion - Front Axle



M170855AB

Index No.	Skyjack Part No.	Qty.	Description
-	170855	2	TRUNNION - Front Axle
-	141052	1	• SUPPORT ASSEMBLY
1	141048	2	• • BUSHING, Reduction
2	170856	1	• • BUSHING, Thrust
3	141050	1	• • SUPPORT
4	141014	1	• • FITTING, Grease
5	141006	1	• • PLUG

## 6.8 Rear Axle



M166952AC

238270AAA

126

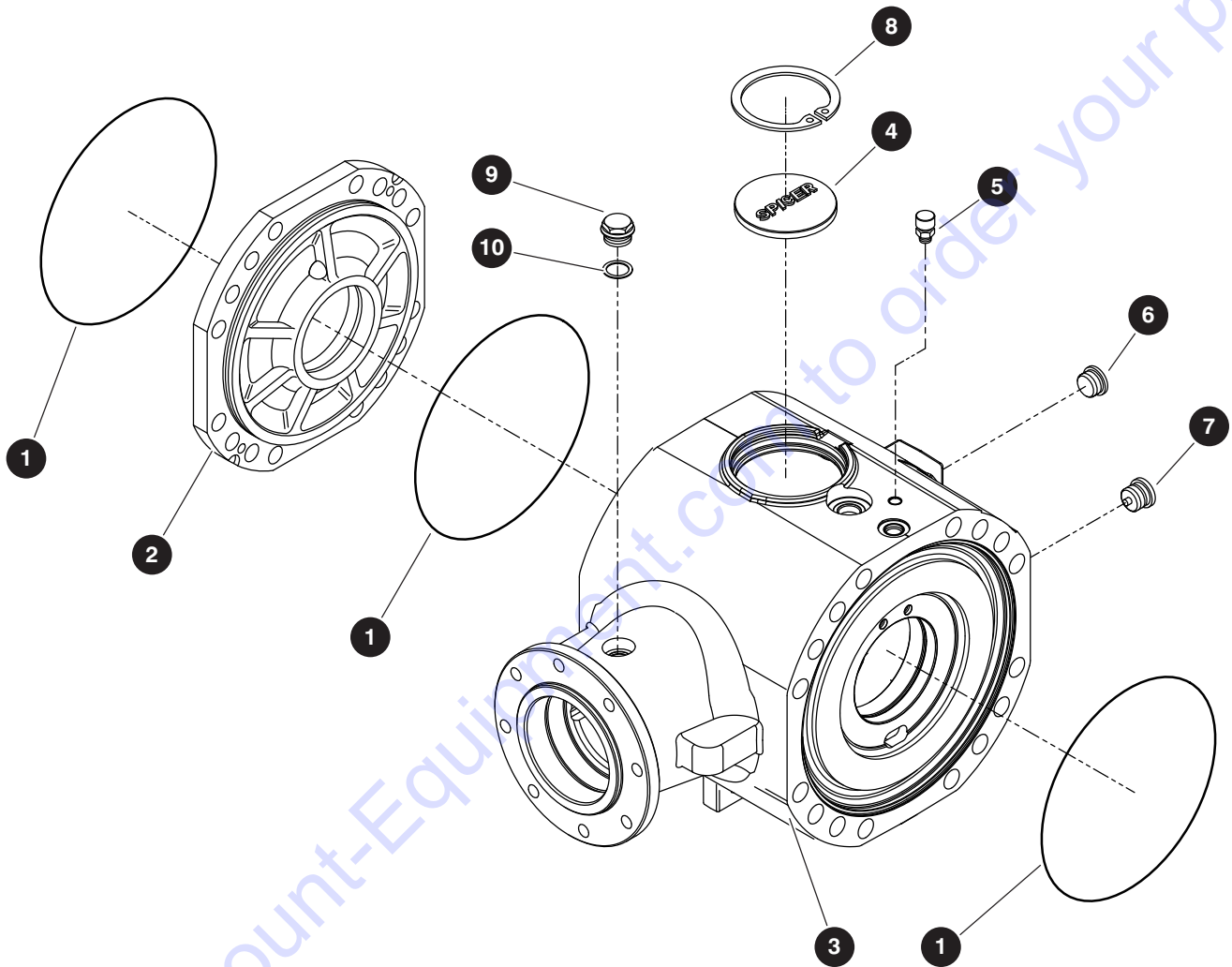
SJ40 T+, SJ45 T+

SKYJACK

## 6.8 Rear Axle

Index No.	Skyjack Part No.	Qty.	Description
-	166952	1	REAR AXLE ASSEMBLY
1	195083	1	• REAR AXLE
	141057	1	• • CENTRAL HOUSING - Rear Axle
	216242	1	• • DIFFERENTIAL - Rear Axle
	216248	2	• • HUB REDUCTION - Rear Axle
	141084	2	• • BRAKES - Rear Axle
	216400	1	• • GEAR BOX - Rear Axle
2	161964	1	• MOTOR, Drive - axle 2 speed
	147306	1	• • SEAL KIT, Drive motor
3	751973	2	• FITTING, 45° (12JICM-16ORBM)
4	138985	1	• FITTING, Straight (06JICM-04BSPPM)
5	105446	1	• FITTING, Straight (08JICM-12ORBM)
6	125883	1	• FITTING, 90° (04JICM-04ORBM)
7	148866	4	• U-BOLT, Axle mount
8	138734	2	• BOLT, Hex head (M14 X 2 X 30mm gr 8.8 zp)
9	138738	2	• WASHER, Lock (M14-plated DIN 127B)
10	700782	2	• WASHER, Flat (5/8" hard high/zn)
11	702194	8	• WASHER, Flat hardened (3/4" high/zn)
12	700575	8	• NUT, Torque lock (3/4"-10 gr C)
13	149181	1	• FITTING, Straight (04JICM-M14x1-1/2)

## 6.9 Central Housing - Rear Axle



M141057AB

238270AAA

128

SJ40 T+, SJ45 T+

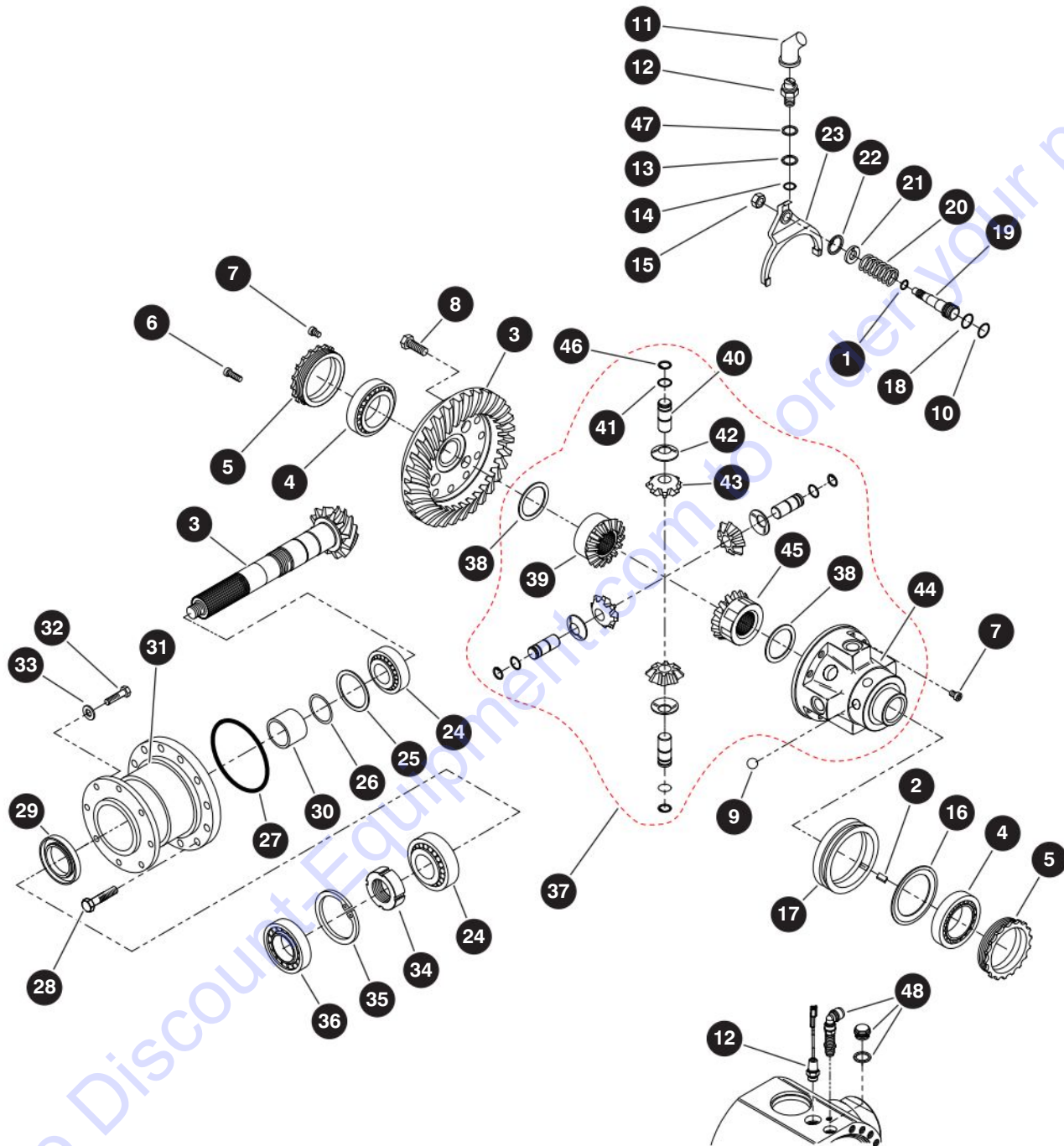
SKYJACK

## 6.9 Central Housing - Rear Axle

Index No.	Skyjack Part No.	Qty.	Description
-	141057	1	CENTRAL HOUSING - Rear Axle
1	140970	3	• O-RING
2	216238	1	• COVER
3	216239	1	• HOUSING
4	140967	1	• PLUG
5	170720	1	• VENT, Central housing
6	140969	1	• PLUG, Magnetic
7	140968	1	• PLUG, Magnetic
8	140966	1	• CIRCLIP
9	216240	1	• BOLT
10	216241	1	• WASHER, Seal



# 6.10 Differential - Rear Axle



M216242AA

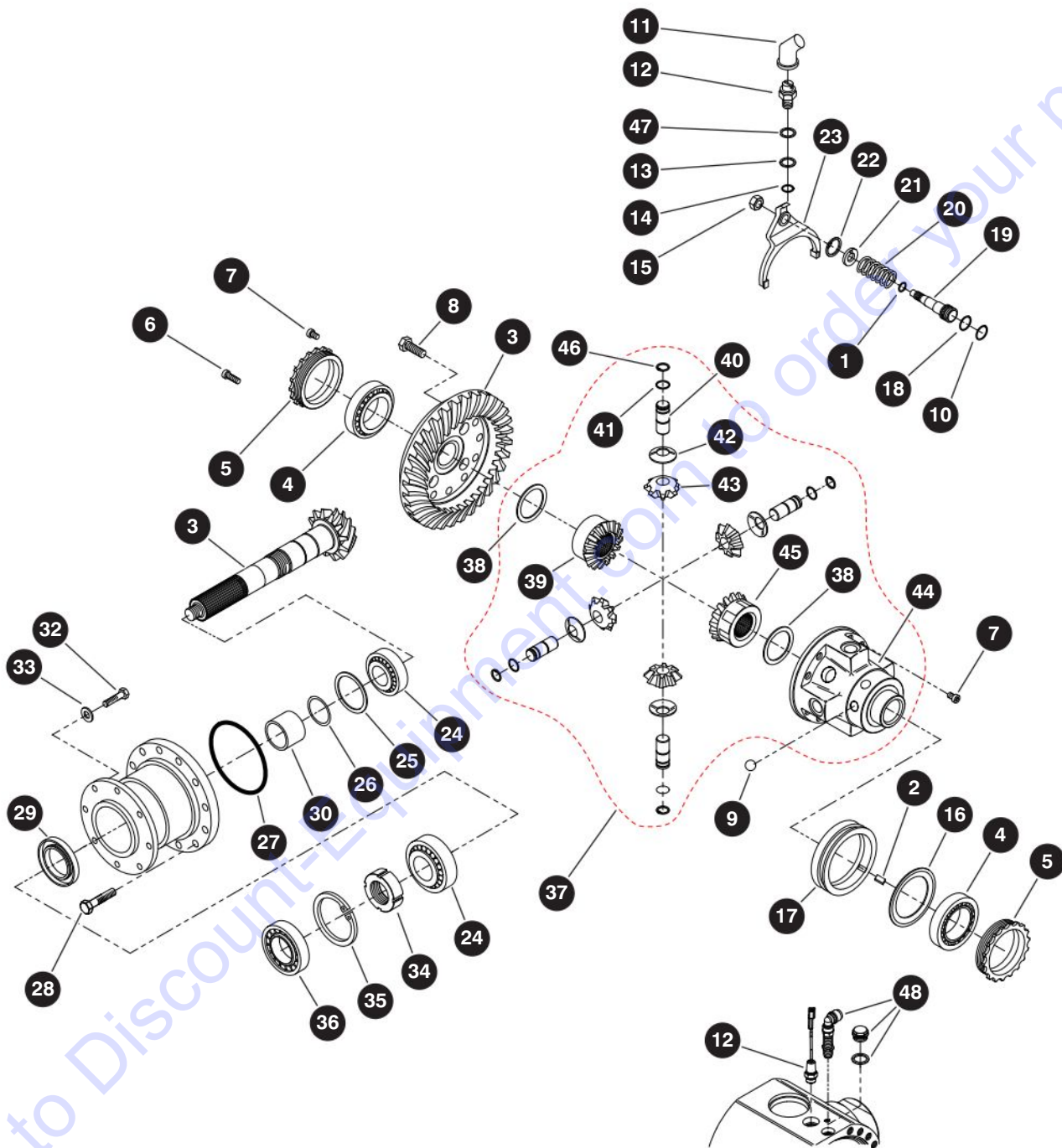
238270AAA

SJ40 T+, SJ45 T+

## 6.10 Differential - Rear Axle

Index No.	Skyjack Part No.	Qty.	Description
-	216242	1	DIFFERENTIAL - Rear Axle
1	154571	1	• CIRCLIP
2	216243	1	• KEY, Woodrif
3	216244	1	• GEAR SET, Bevel
4	196626	2	• BEARING, Taper roller
5	141068	2	• NUT, Ring
6	140977	4	• BOLT, Cylinder
7	151768	2	• BOLT
8	140993	12	• BOLT
9	154574	6	• BALL, Detend
10	154575	1	• RING
11	154576	1	• BOOT
12	154577	1	• SWITCH, Security
13	154578	1	• WASHER, Seal
14	154579	1	• O-RING
15	154580	1	• NUT
16	154581	1	• SHEET
17	154582	1	• SLEEVE
18	154583	1	• O-RING
19	154584	1	• PISTON
20	154585	1	• SPRING
21	154586	1	• PLUG
22	154587	1	• CIRCLIP
23	154588	1	• FORK, Selector
24	140984	2	• BEARING, Taper roller
25	170790	1	• KIT, Shim
26	170789	1	• KIT, Shim
27	141064	1	• O-RING
28	141072	2	• BOLT, Hexagon
29	141074	1	• SEAL
30	141062	1	• SPACER
31	141063	1	• COVER
32	216245	8	• BOLT
33	141075	8	• WASHER, Spring
34	140980	1	• NUT, Ring
35	140966	1	• CIRCLIP
36	141073	1	• BEARING, Ball

# 6.10 Differential - Rear Axle



M216242AA

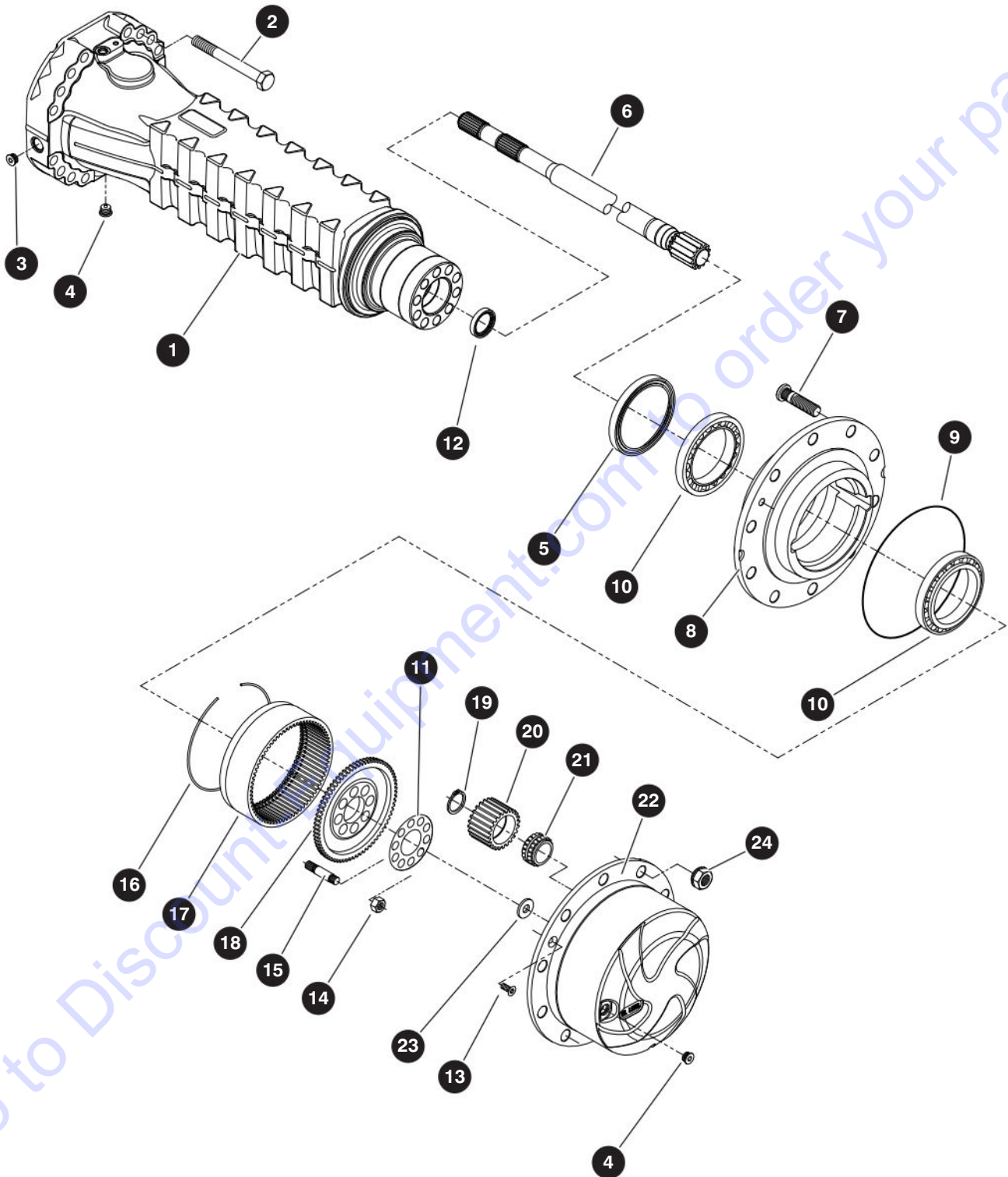
238270AAA

SJ40 T+, SJ45 T+

## 6.10 Differential - Rear Axle

Index No.	Skyjack Part No.	Qty.	Description
37	216246	1	• DIFFERENTIAL KIT
38	404185	2	• • WASHER, Friction
39	404182	1	• • SIDE GEAR, Differential
40	196632	4	• • PIN
41	403069	4	• • CIRCLIP
42	404186	4	• • WASHER, Friction
43	404180	4	• • PINION, Differential
44	404179	1	• • CARRIER, Differential
45	404183	1	• • SIDE GEAR, Differential
46	403073	4	• • CIRCLIP
47	154589	1	• WASHER, Seal
48	216247	1	• PLUG

## 6.11 Hub Reduction - Rear Axle



M216248AA

238270AAA

134

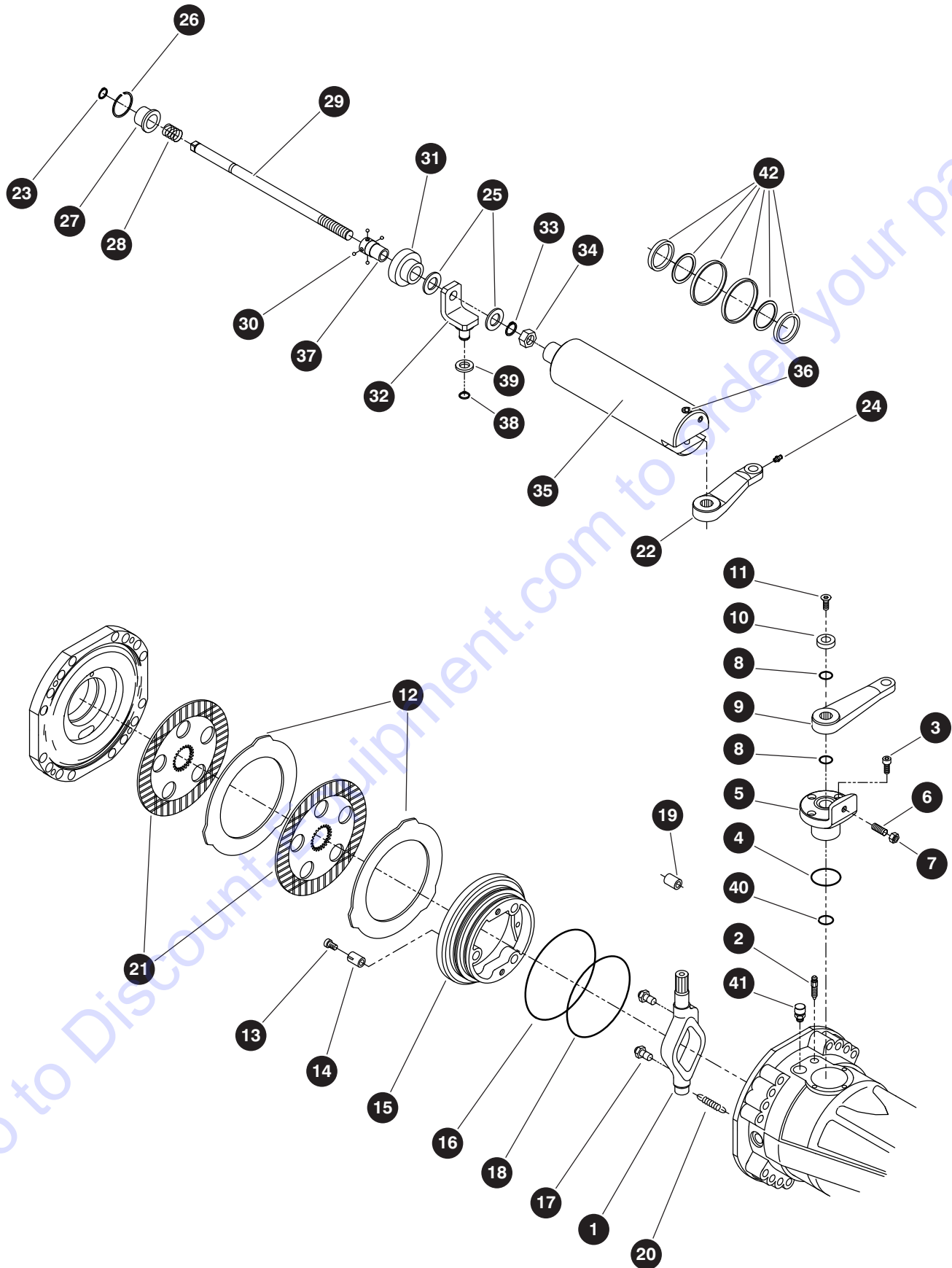
SJ40 T+, SJ45 T+

SKYJACK

## 6.11 Hub Reduction - Rear Axle

Index No.	Skyjack Part No.	Qty.	Description
-	216248	2	HUB REDUCTION - Rear Axle
1	216249	2	• CASE, Axle
2	141079	28	• BOLT
3	140968	2	• PLUG, Magnetic
4	140969	4	• PLUG, Magnetic
5	405116	2	• SEAL, Inner
6	141080	2	• SHAFT, Half
7	216250	16	• STUD, Wheel
8	141020	2	• HUB, Wheel
9	140970	2	• O-RING
10	141019	4	• BEARING
11	141081	2	• PLATE, Locking
12	216254	2	• SEAL
13	141033	4	• BOLT, Countersuck
14	196639	16	• NUT
15	216255	16	• STUD
-	141042	2	• SUPPORT KIT, Ring gear
16	141022	2	• • CIRCLIP
17	141023	2	• • GEAR, Ring
18	141024	2	• • SUPPORT, Ring gear
-	141034	2	• CARRIER KIT, Planet gear
19	141028	6	• • CIRCLIP
-	216251	1	• • PLANET GEAR KIT
20	216252	6	• • • GEAR, Planet
21	216253	6	• • • BEARING
22	141032	2	• • CARRIER, Planet gear
23	141037	2	• • WASHER, Friction
24	154590	16	• NUT

# 6.12 Brakes - Rear Axle



M141084AB

238270AAA

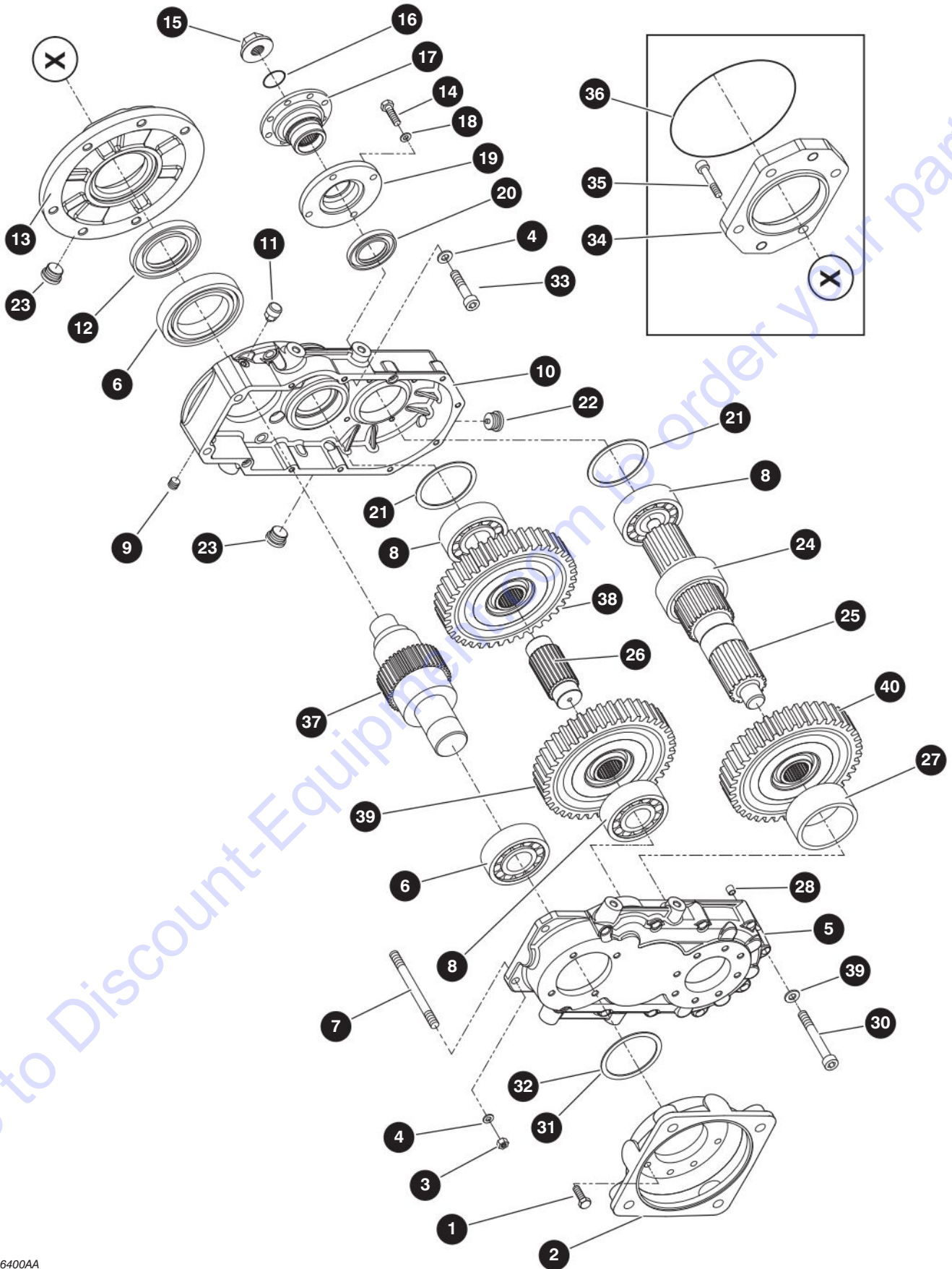
SJ40 T+, SJ45 T+

## 6.12 Brakes - Rear Axle

Index No.	Skyjack Part No.	Qty.	Description
-	141084	2	BRAKES - Rear Axle
1	141103	1	• LEVER - <b>Right</b>
	141085	1	• LEVER - <b>Left</b>
2	216394	2	• BOLT, Bleeding
3	141087	6	• BOLT, Cylinder
4	141088	2	• O-RING
5	216395	2	• BUSHING, Reduction
6	141090	2	• BOLT, Grub
7	141091	2	• NUT
8	141092	2	• O-RING
9	141093	1	• LEVER
10	141094	2	• WASHER
11	141095	2	• BOLT, Countersunk
12	216396	10	• DISC, Brake - intermediate
13	141097	6	• BOLT, Adjusting
-	216398	1	• PISTON KIT - <b>Right</b>
	216399	1	• PISTON KIT - <b>Left</b>
14	216397	3	• • SPRING
15	141099	1	• • PISTON - <b>Right</b>
	141109	1	• • PISTON - <b>Left</b>
16	196658	1	• • O - RING
17	151759	2	• • PUSHER
18	196659	1	• • O-RING
19	196660	2	• BOLT, Pilot
20	141104	6	• SPRING
21	170850	8	• DISC
22	141110	1	• LEVER
23	141111	1	• CIRCLIP
24	141112	2	• FITTING, Grease
25	141113	2	• WASHER
26	141114	1	• RING, Snap
27	141115	1	• BUSHING, Reduction
28	141116	1	• SPRING
29	141117	1	• CAM, Brake
30	141118	4	• BALL, Detend
31	141119	1	• BUSHING, Reduction
32	141120	1	• SUPPORT
33	141121	1	• CIRCLIP
34	141122	1	• NUT
35	141123	1	• CYLINDER, Brake
36	216393	1	• • PIN, Brake cylinder
37	141124	1	• BUSHING, Reduction
38	141125	1	• CIRCLIP
39	141126	1	• SPACER
40	141129	2	• O-RING
41	169159	2	• VENT, Front axle
42	408688	1	• SEAL KIT, Brake cylinder



# 6.13 Gear Box



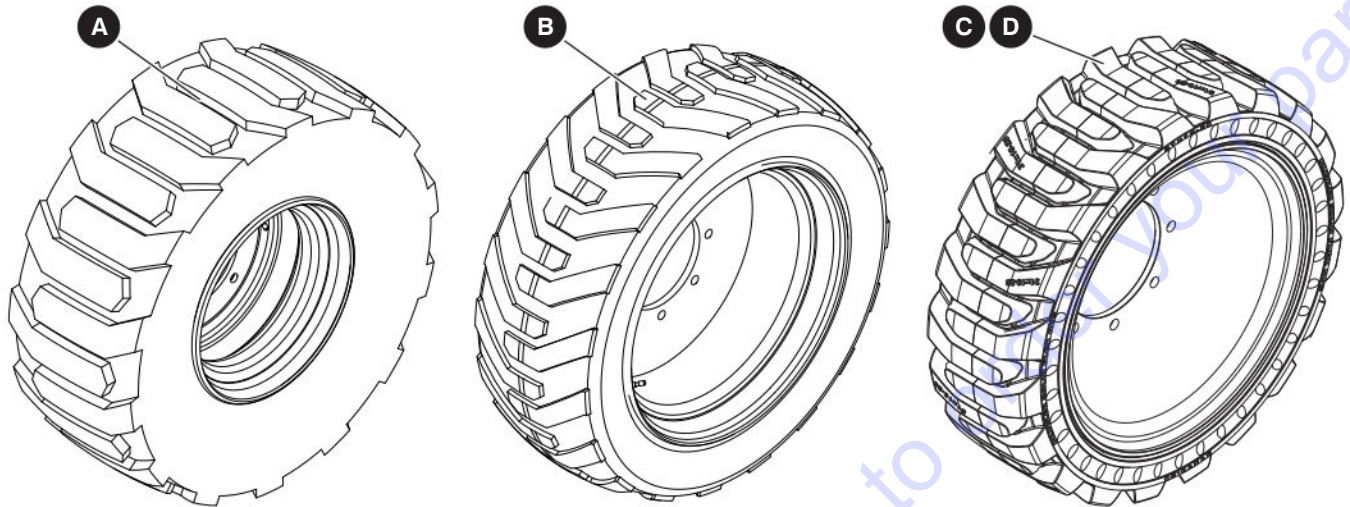
M216400AA

238270AAA

## 6.13 Gear Box

Index No.	Skyjack Part No.	Qty.	Description
-	216400	1	GEAR BOX
1	141158	4	• BOLT, Cylinder
2	216401	1	• COVER
3	216402	2	• NUT
4	216403	2	• WASHER, Spring
5	216404	1	• HOUSING
6	216405	2	• BEARING, Ball
7	216406	2	• STUD
8	170908	2	• BEARING, Ball
9	216407	2	• BOLT, Grub
10	141369	1	• COVER
11	141000	1	• VENT
12	216408	2	• SEAL
13	216409	1	• COVER
14	170907	4	• BOLT
15	216410	1	• NUT
16	216411	1	• O-RING
17	216412	1	• FLANGE
18	141373	4	• WASHER, Spring
19	141374	1	• COVER
20	170914	1	• SEAL
21	170906	1	• KIT, Shim
22	141144	1	• PLUG, Magnet
23	408806	1	• PLUG, Drain
24	141375	1	• SPACER
25	141376	1	• SHAFT, Output
26	216413	1	• SHAFT
27	216414	1	• SPACER
28	216415	2	• BUSHING, Reduction
29	216416	10	• WASHER, Spring
30	216417	10	• BOLT, Cylinder
31	216418	1	• SHIM
32	216419	1	• SHIM
33	216420	4	• BOLT, Cylinder
34	141157	1	• COVER
35	216421	6	• BOLT, Cylinder
36	216422	1	• O-RING
-	141385	1	GEAR KIT
37	141386	1	• SHAFT, Input
38	141387	1	• GEAR
39	141388	1	• GEAR
40	141389	1	• GEAR

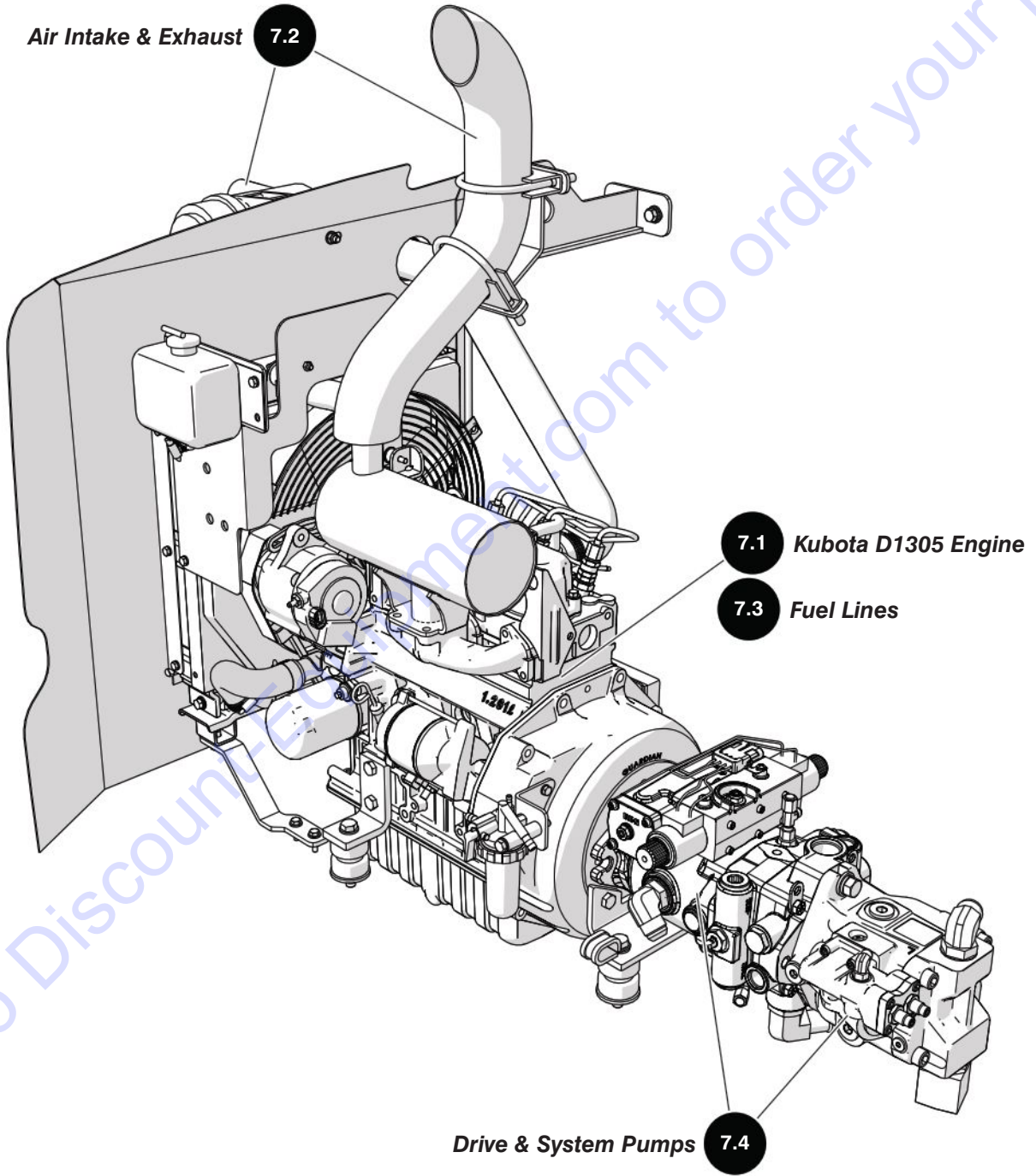
## 6.14 Tires



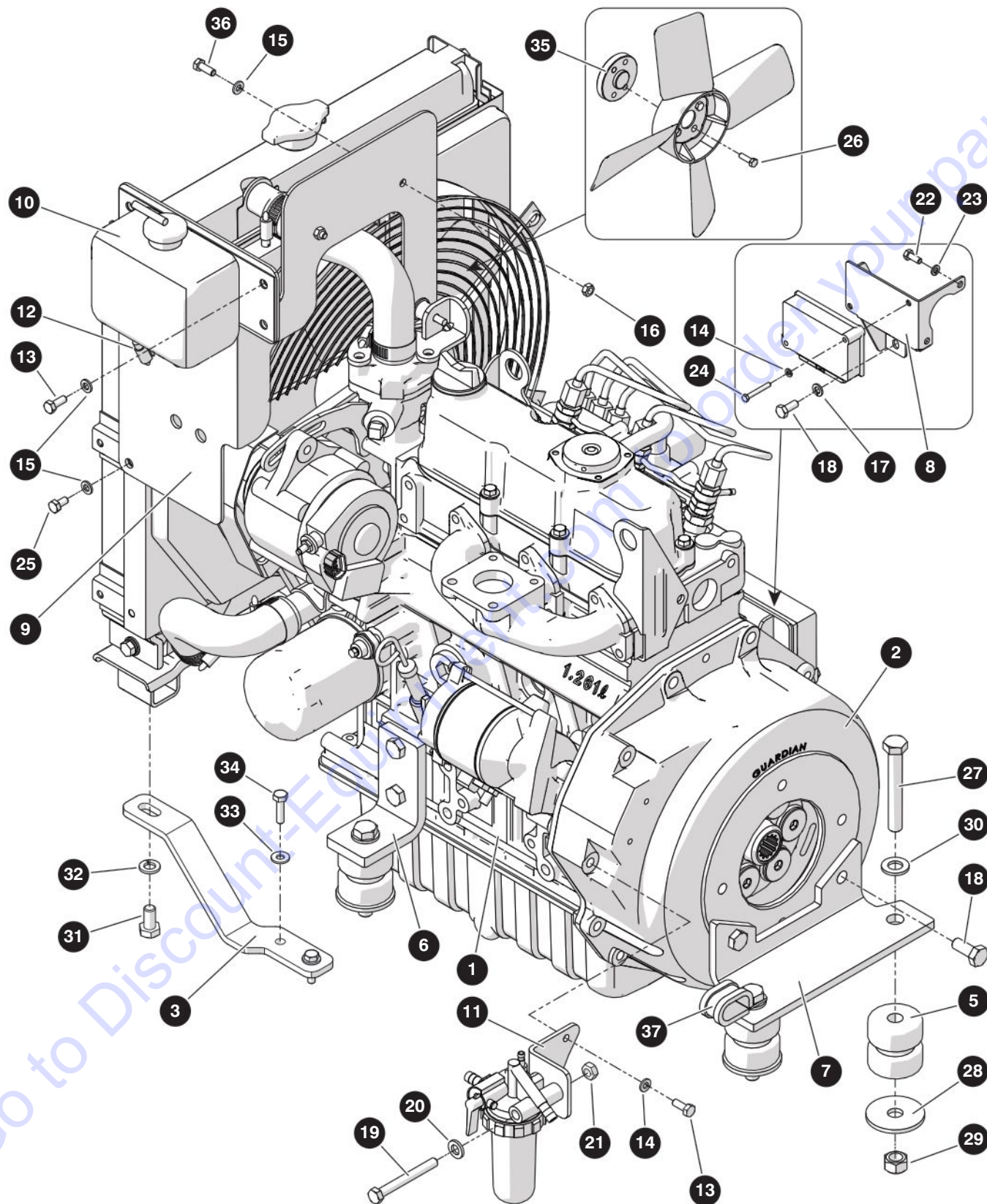
M159919AA & Optionals

Index No.	Skyjack Part No.	Qty.	Description
<b>A</b>	167240	2	FOAM-FILLED WHEEL - LH
	167241	2	FOAM-FILLED WHEEL - RH
<b>B</b>	211557	2	FOAM-FILLED NON-MARKING WHEEL - LH, 12 ply
	211558	2	FOAM-FILLED NON-MARKING WHEEL - RH, 12 ply
<b>C</b>	222143	2	SOLID WHEEL, LH
	2221447	2	SOLID WHEEL, RH
<b>D</b>	222078	2	SOLID NON-MARKING WHEEL, LH
	222079	2	SOLID NON-MARKING WHEEL, RH

# Section 7 – Engines



# 7.1 Kubota D1305 Engine



M237594AG

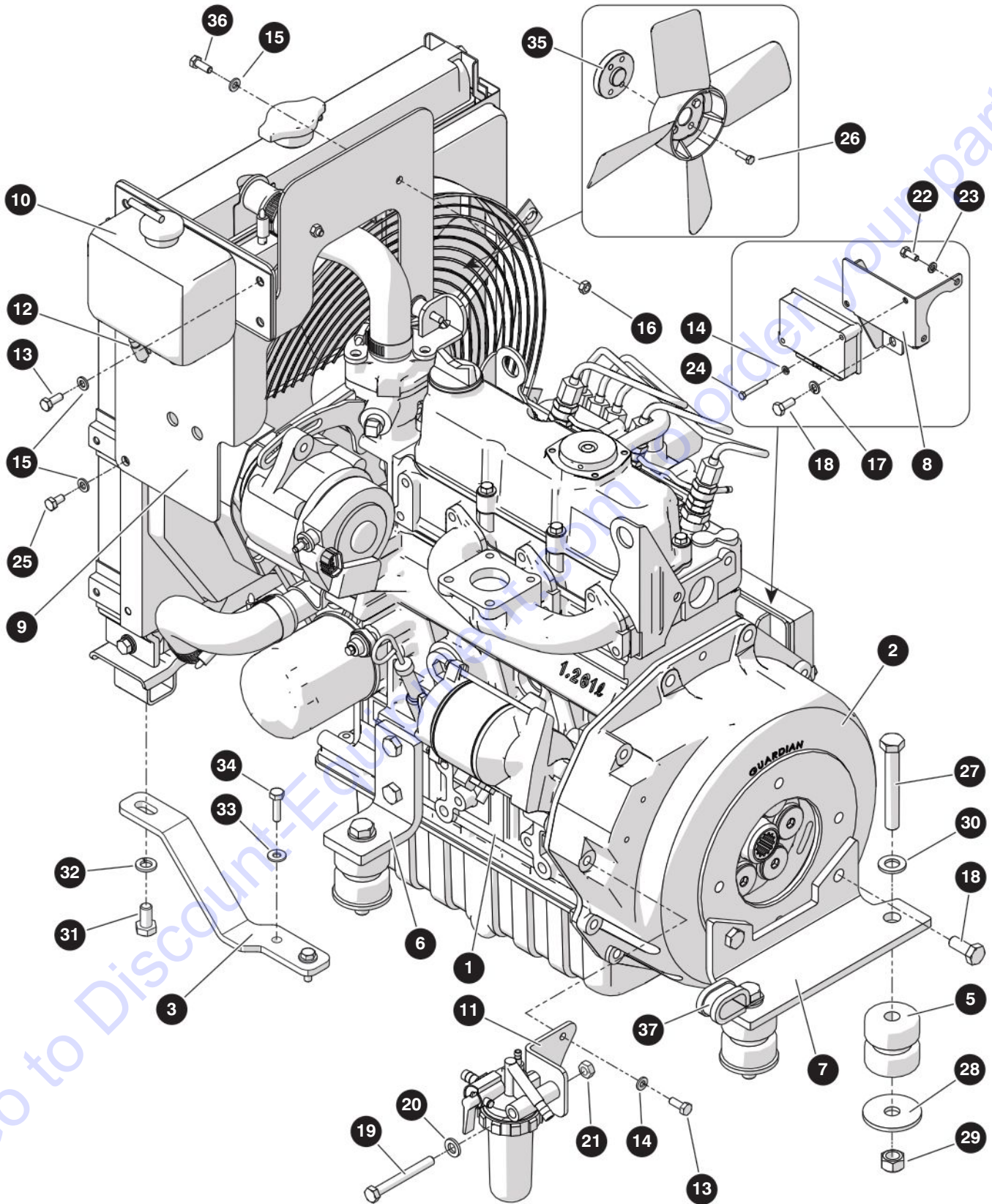
238270AAA

SJ40 T+, SJ45 T+

## 7.1 Kubota D1305 Engine

Index No.	Skyjack Part No.	Qty.	Description
-	237594	1	KUBOTA ENGINE - D1305
1	215012	1	• ENGINE, Kubota D1305 E4B
	236071	1	• • FILTER, Oil - inner
	147129	1	• • CARTRIDGE, Oil filter
	236072	1	• • STARTER
	236073	1	• • ALTERNATOR
	236074	1	• • STAY, Dynamo
	236075	1	• • GUARD, Alternator
	228540	1	• • GLOW PLUG
	236076	1	• • SOLENOID, Stop
	236077	1	• • PUMP, Water
	136109	1	• • THERMOSTAT
	210118	1	• • PIPE, Water return
	236078	1	• • FAN, Cooling
	236079	1	• • BELT, Fan
	236080	1	• • PUMP, Fuel transfer
	236081	1	• • DIPSTICK
	236082	1	• • SENSOR, Water temp
	236083	1	• • MANUAL, Operator's - Kubota D1305
	236084	1	• • GASKET, Exhaust
	236090	1	• • ECU
	236088	1	• • FUEL FILTER ASSEMBLY
	236089	1	• • • FILTER, Fuel
	236091	1	• • RADIATOR KIT
2	239474	1	• HOUSING, Flywheel - D1305
3	238504	1	• BRACKET, Radiator mount (shown)
4	238505	1	• BRACKET, Radiator mount (not shown - opposite side)
5	237586	4	• MOUNT, Vibration - 75A
6	215021	2	• BRACKET, Engine mount
7	237601	1	• BRACKET, Engine mount
8	215249	1	• BRACKET, ECU
9	238766	1	• BRACKET, Overflow tank
10	147142	1	• RESERVOIR, Coolant
11	215108	1	• BRACKET, Fuel filter
12	103321	1	• CLAMP, Gear (SAE NO. 4 - 1/4"-13/16")
13	104608	4	• BOLT, Hex head (M6 x 1 x 16 mm, gr 9.8)
14	121758	4	• WASHER Lock (M6)
15	600190	6	• WASHER, Flat (M6)
16	800354	4	• NUT, Hex head (M6-1.00)
17	132497	1	• WASHER Lock (M10)
18	228454	7	• BOLT, Hex head (M10 x 1.25 x 25, cl 8.8)
19	217410	1	• BOLT, Hex head (M8 x 1.25 x 70, cl 8.8)
20	600184	1	• WASHER, Flat (M8)
21	121059	1	• NUT, Hex head (M8-1.25, gr 5)
22	133174	1	• BOLT, Hex head (M8-1.25 x 2,0 gr 8.8)
23	116218	1	• WASHER Lock (M8)

# 7.1 Kubota D1305 Engine



M237594AG

238270AAA

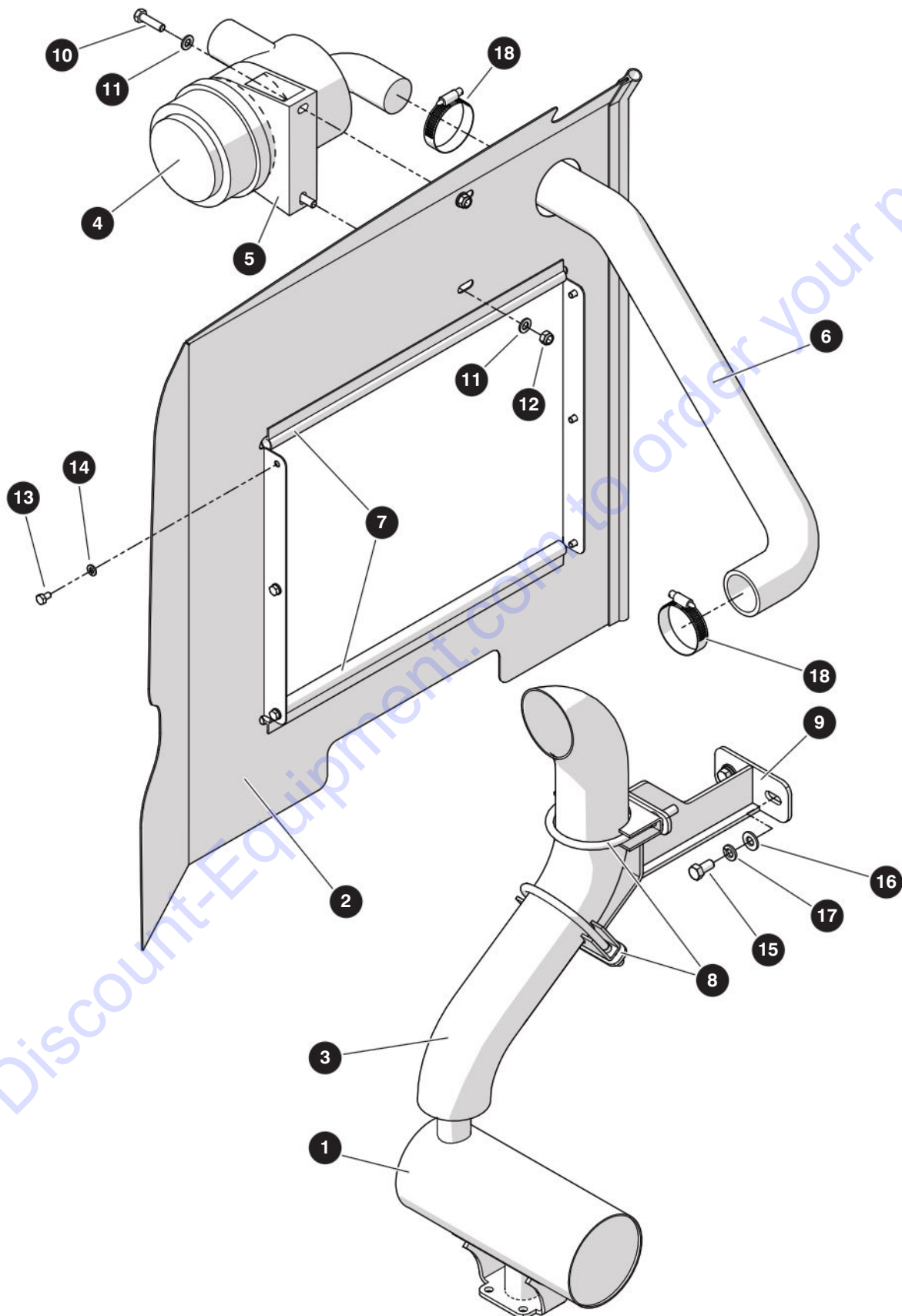
SJ40 T+, SJ45 T+

## 7.1 Kubota D1305 Engine

Index No.	Skyjack Part No.	Qty.	Description
24	217225	2	• BOLT, Hex head (M6 x 1 x 45, cl 8.8)
25	933646	2	• BOLT, Hex head (M6 x 1 x 12 mm, cl 8.8)
26	217871	4	• BOLT, Hex head (M6 x 1 x 20, cl 10.9)
27	217278	4	• BOLT, Hex head (M12 x 1.75 x 85, cl 8.8)
28	212939	4	• WASHER, Flat (1/2" style BB)
29	217619	4	• NUT, Torque lock (M12 x 1.75, cl 10)
30	933817	4	• WASHER, Flat (M12, cl 200 Y)
31	933740	2	• BOLT, Hex head (M10 x 1.5 x 20, cl 10.9)
32	130884	2	• WASHER Lock (M10)
33	103995	4	• WASHER, Flat (1/4")
34	103857	4	• BOLT-Hex head/ZINC (1/4"-20 x 1", gr 5)
35	238516	1	• FAN SPACER, (3/8")
36	217392	2	• BOLT, Hex head (M6 x 1 x 16, cl 8.8)
37	152333	1	• CLAMP, Tube - cushioned (5/8" with 17/32" hole)



## 7.2 Air Intake & Exhaust



M237596AE

238270AAA

146

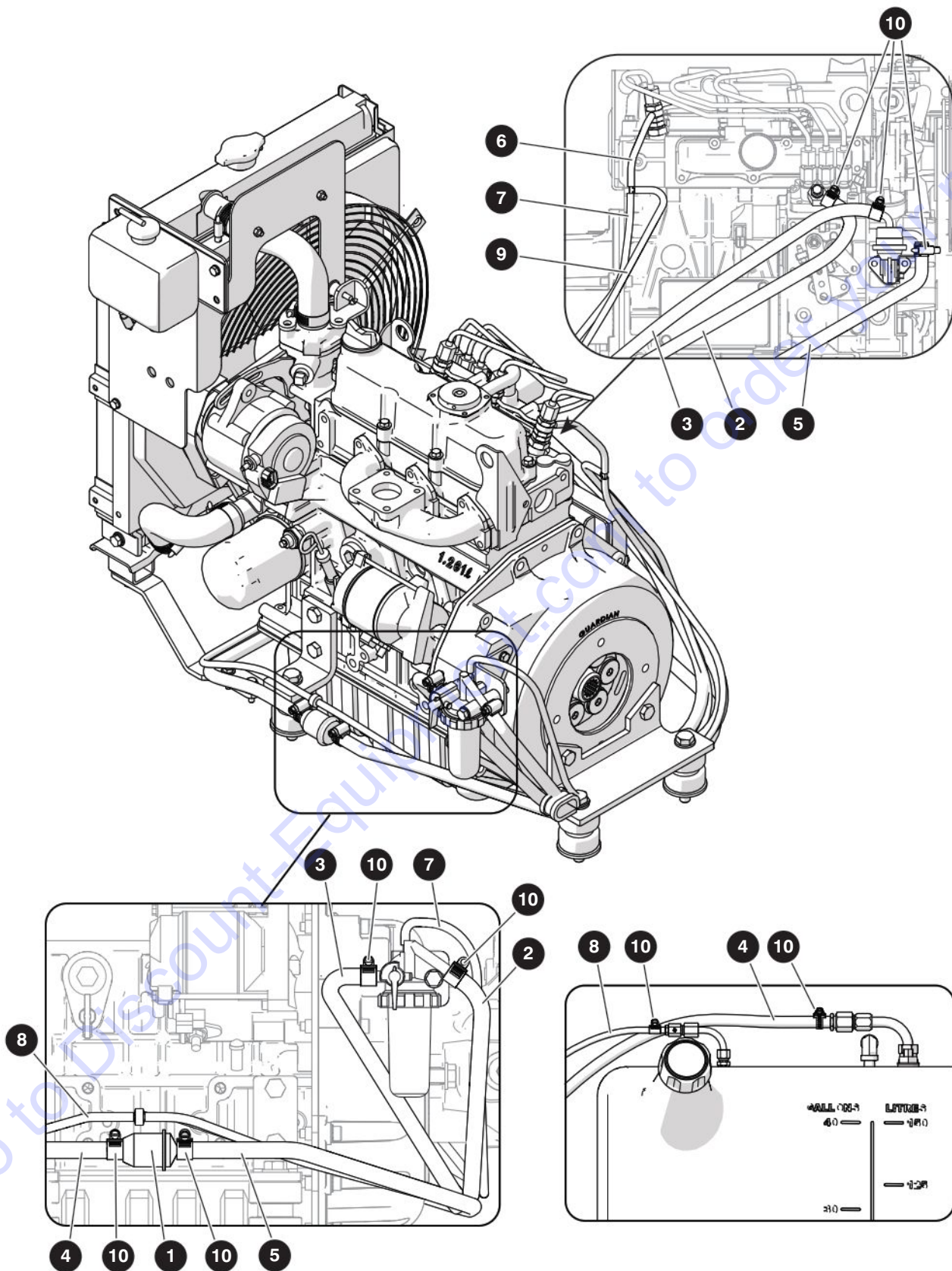
SJ40 T+, SJ45 T+

SKYJACK

## 7.2 Air Intake & Exhaust

Index No.	Skyjack Part No.	Qty.	Description
-	237596	1	AIR INTAKE & EXHAUST
1	237590	1	• MUFFLER, Kubota D1305
2	235391	1	• BAFFLE, Engine intake
3	239496	1	• TUBE, Exhaust - D1305
4	128601	1	• AIR CLEANER
	132913	1	• • ELEMENT, Filter
5	128602	1	• BAND, Mounting - air cleaner
6	238520	1	• HOSE, Intake - air cleaner
7	137625	62"	• TRIM, Rubber
8	928271	2	• CLAMP, Exhaust (3")
9	239700	1	• BRACKET, Exhaust
10	217878	2	• BOLT, Hex head (M8 x 1.25 x 30, cl 10.9)
11	933832	4	• WASHER, Flat (M8)
12	223162	2	• NUT, Lock - hex head nylon (M8 x 1.25, cl 10)
13	600723	6	• BOLT, Hex head (M6-1 x 10 mm, gr 8.8)
14	121758	6	• WASHER, Lock (M6)
15	101632	2	• BOLT, Hex head (3/8"-16 x 3/4, gr 5)
16	125959	2	• WASHER, Flat hardened (3/8")
17	103999	2	• WASHER, Lock (3/8")
18	133222	2	• CLAMP, Gear (#32)

## 7.3 Fuel Lines



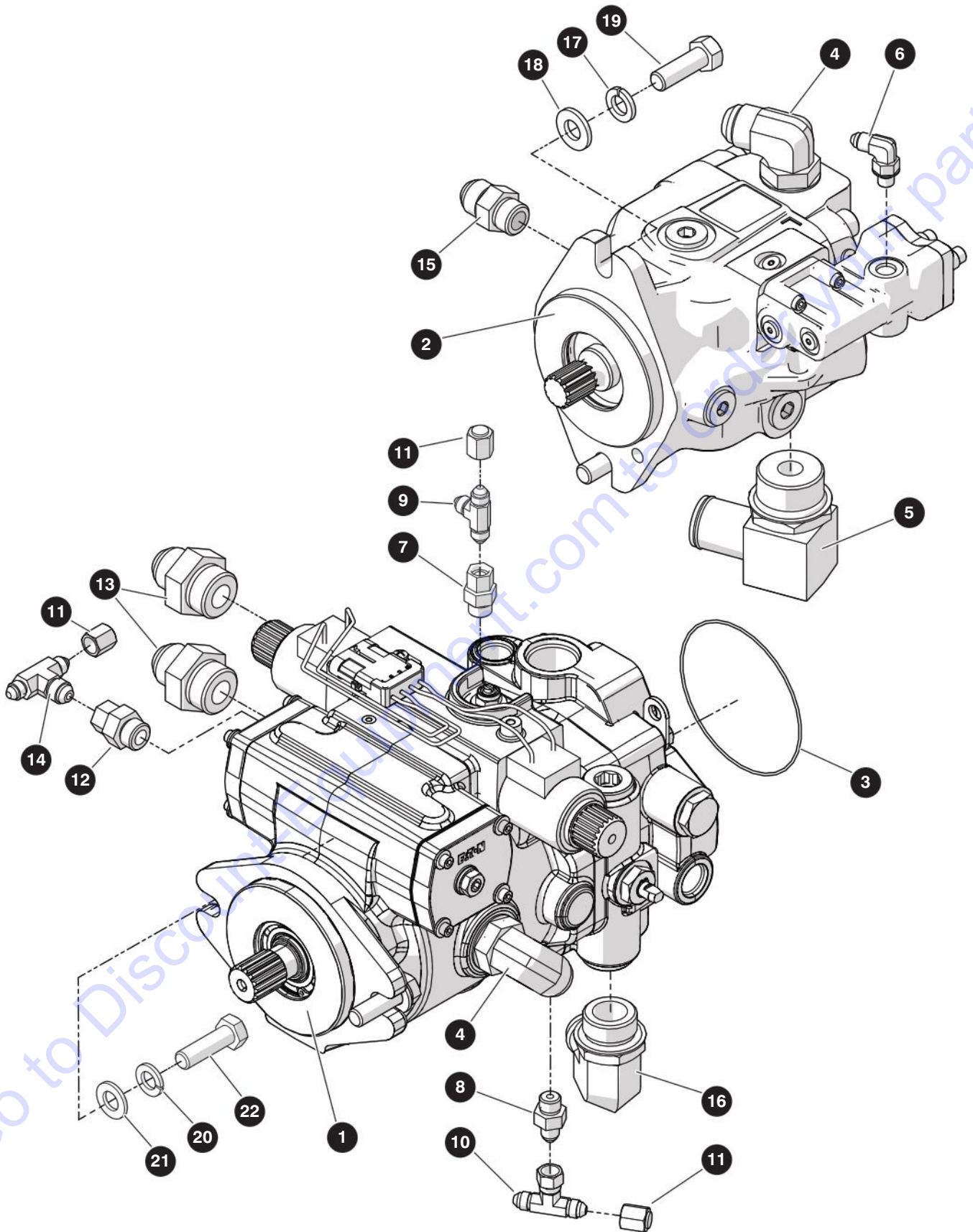
M237598AB

238270AAA

## 7.3 Fuel Lines

Index No.	Skyjack Part No.	Qty.	Description
-	237598	1	DIESEL FUEL LINES
1	139254	1	• FILTER, Fuel In-line
2	102984	48"	• FUEL LINE (5/16")
3	102984	50"	• FUEL LINE (5/16")
4	102984	120"	• FUEL LINE (5/16")
5	102984	50"	• FUEL LINE (5/16")
6	102660	5"	• HOSE, Fuel line (1/8")
7	102660	40"	• HOSE, Fuel line (1/8")
8	102660	110"	• HOSE, Fuel line (1/8")
9	102660	30"	• HOSE, Fuel line (1/8")
10	103321	9	• CLAMP, Gear

## 7.4 Drive & System Pumps



M237597AB

238270AAA

150

SJ40 T+, SJ45 T+

SKYJACK

## 7.4 Drive & System Pumps

Index No.	Skyjack Part No.	Qty.	Description
-	237597	1	DRIVE & SYSTEM PUMPS
1	169006	1	• PUMP, Drive
	170926	1	• • SHIM
	170952	1	• • O-RING
	170953	1	• • SPRING
	170954	1	• • PLUG
	170955	1	• • POPPET
	209333	1	• • CONTROL UNIT, Servo
2	163595	1	• PUMP, System
3	159878	1	• O-RING, 2-045
4	105445	2	• FITTING, Elbow 90° (12JICM - 12ORBM)
5	162869	1	• FITTING, Elbow 90° (20 BEAD - 20 ORBM)
6	125883	1	• FITTING, Elbow 90° (04JICM - 04ORBM)
7	160885	1	• FITTING, Straight (06 ORBM - 04 JICFS)
8	701956	1	• FITTING, Straight (04JICM - 06ORBM)
9	131697	1	• FITTING, Tee (04 JICM)
10	160792	1	• FITTING, Branch tee (04 JICFSW - 04 JICM)
11	131286	3	• FITTING, Cap (04 JICF)
12	162043	1	• FITTING, Straight (04 ORBM - M18M)
13	702122	2	• FITTING, Straight (12 JICM - 16 ORBM)
14	162044	1	• FITTING, Tee (04 JICM - 04 JICM - 06 JICM)
15	137630	1	• WASHER, Lock (1/2" Gr 5)
16	138983	1	• WASHER, Flat hardened (1/2")
17	103470	2	• WASHER, Lock (1/2" Gr 5)
18	104379	2	• WASHER, Flat hardened (1/2")
19	103907	2	• BOLT, Hex head (1/2"-13 x 1 1/2" Gr 5)
20	600549	2	• WASHER, Lock (M12)
21	600426	2	• WASHER, Flat (M12)
22	217892	2	• BOLT, Hex head (M12 x 1.75 x 40, cl 10.9)
23	160637	1	SEAL KIT, Drive Pump
24	160638	1	SEAL KIT, System Pump

# PARTS FINDER

**Search Website  
by Part Number**



**Search Manual  
Library For Parts  
Manual & Lookup Part  
Numbers – Purchase  
or Request Quote**

**Search Manuals**

Enter your information to search for a manual or to purchase a manual or parts.

\* Brand:

\* Model:

\* Serial:

\* Part Number:

SEARCH

**Can't Find Part or  
Manual? Request Help  
by Manufacturer,  
Model & Description**

**Parts Order Form**

Please fill in the following information:

Manufacturer:

Model:

Description:

Quantity:

Part Number:

Part Name:

Part Description:

Part Category:

Part Location:

Part Status:

Part Condition:

Part Material:

Part Color:

Part Weight:

Part Dimensions:

Part Price:

Part Notes:

Submit

Discount-Equipment.com is your online resource for quality parts & equipment.

Florida: **561-964-4949** Outside Florida TOLL FREE: **877-690-3101**

**Need parts?**

Click on this link: <http://www.discount-equipment.com/category/5443-parts/> and choose one of the options to help get the right parts and equipment you are looking for. Please have the machine model and serial number available in order to help us get you the correct parts. If you don't find the part on the website or on one of the online manuals, please fill out the request form and one of our experienced staff members will get back to you with a quote for the right part that your machine needs.

We sell worldwide for the brands: Genie, Terex, JLG, MultiQuip, Mikasa, Essick, Whiteman, Mayco, Toro Stone, Diamond Products, Generac Magnum, Airman, Haulotte, Barreto, Power Blanket, Nifty Lift, Atlas Copco, Chicago Pneumatic, Allmand, Miller Curber, Skyjack, Lull, Skytrak, Tsurumi, Husquvarna Target, Stow, Wacker, Sakai, Mi-T-M, Sullair, Basic, Dynapac, MBW, Weber, Bartell, Bennar Newman, Haulotte, Ditch Runner, Menegotti, Morrison, Contec, Buddy, Crown, Edco, Wyco, Bomag, Laymor, EZ Trench, Bil-Jax, F.S. Curtis, Gehl Pavers, Heli, Honda, ICS/PowerGrit, IHI, Partner, Imer, Clipper, MMD, Koshin, Rice, CH&E, General Equipment, Amida, Coleman, NAC, Gradall, Square Shooter, Kent, Stanley, Tamco, Toku, Hatz, Kohler, Robin, Wisconsin, Northrock, Oztec, Toker TK, Rol-Air, APT, Wylie, Ingersoll Rand / Doosan, Innovatech, Con X, Ammann, Mecalac, Makinex, Smith Surface Prep, Small Line, Wanco, Yanmar

---

# Section 8 – Hydraulic Hoses

**8.1** *Standard Hose Numbering System*

**8.2** *Boom Hoses*

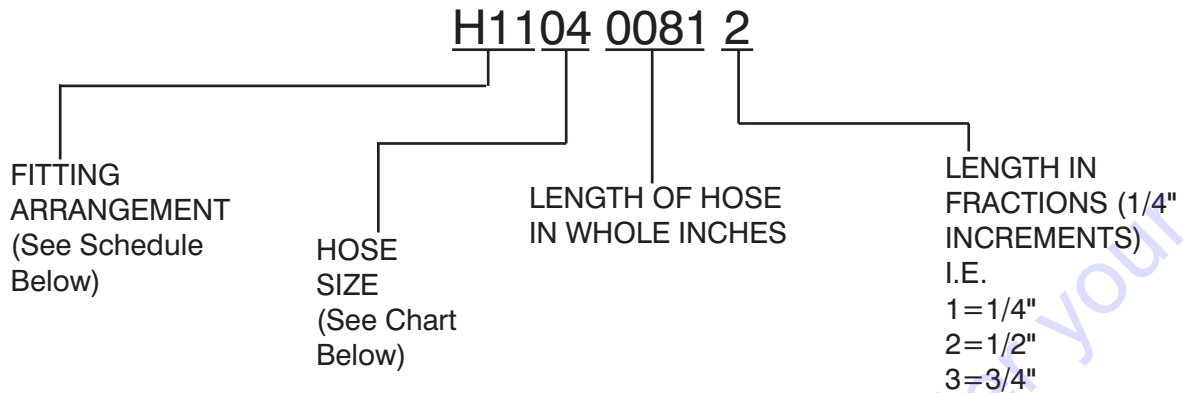
**8.3** *Control Compartment Hoses*

**8.4** *Engine Compartment Hoses*

**8.5** *Base & Axle Hoses*



## 8.1 Standard Hose Numbering System



Using the number above as an example (H1104 0081 2). This hose requires a 37° JIC, female swivel fitting on one end. A medium length 90° JIC, female swivel fitting for the other end. The Hose must meet or exceed S.A.E. 100R13 hose specification, and be a total of 81-1/2" long.



### NOTE

*Hose ends and hose must be from same manufacturer per S.A.E. J1273 Nov. '91, Sections 3.10 and 4.2. Hose ends and hose must be of the same size i.e. #4 size fittings must be used with #4 size hose.*

**Hole Size Chart**

Size	03	04	06	08	10	12	16	20	24	32	40	48	56	64
ID	3/16"	1/4"	3/8"	1/2"	5/8"	3/4"	1"	1-1/4"	1-1/2"	2"	2-1/2"	3"	3-1/2"	4"

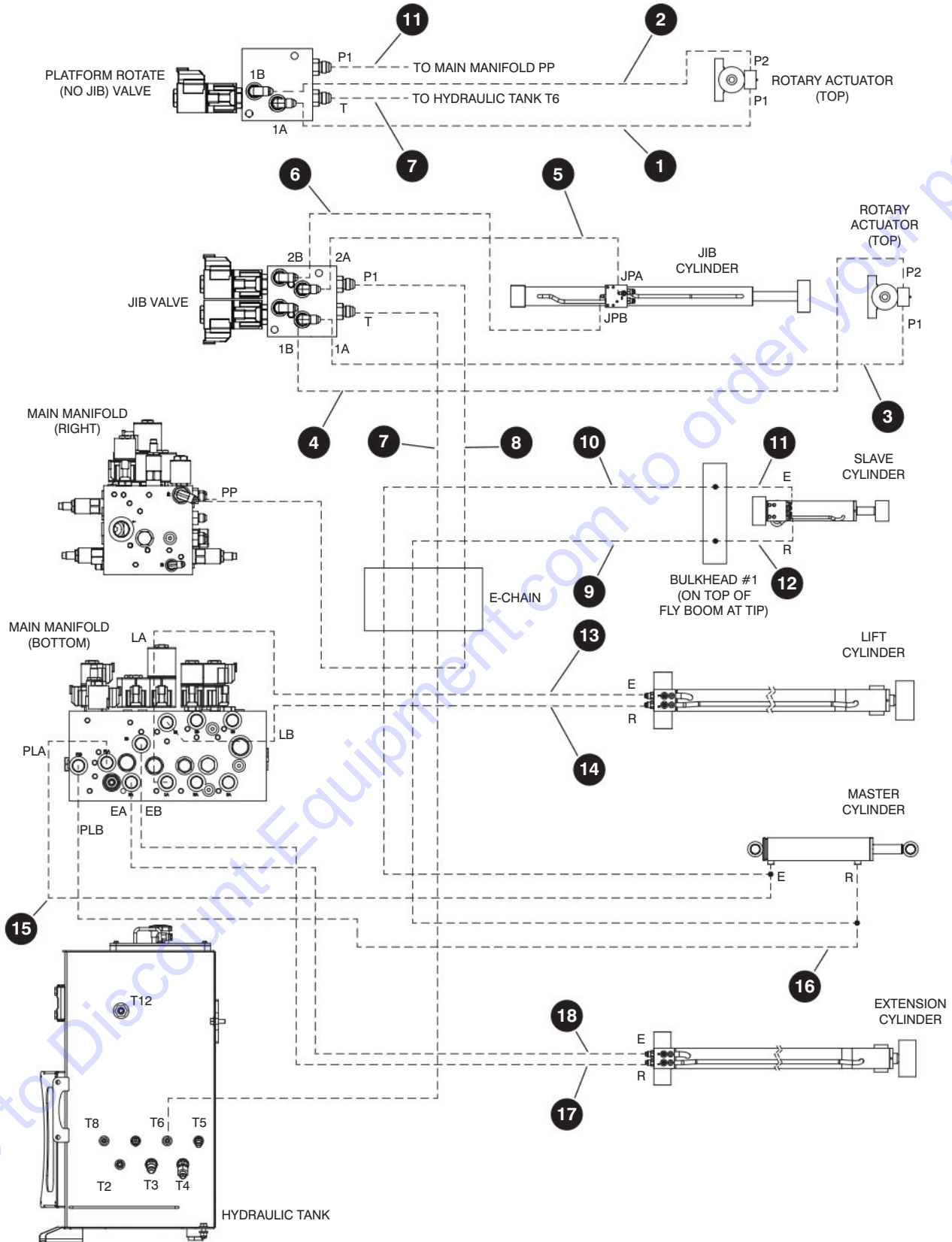
**Fitting Arrangement Schedule**

Hose Prefix	Hose End Fitting	Hose End Fitting	S.A.E. Hose Specification
H01	FEMALE, 37° JIC, SWIVEL	FEMALE, 37° JIC, SWIVEL	100R17
H02	FEMALE, 37° JIC, SWIVEL	FEMALE, 37° JIC, SWIVEL	100R13
H03	FEMALE, 37° JIC, SWIVEL	45°, FEMALE, 37° JIC, SWIVEL	100R17
H04	FEMALE, 37° JIC, SWIVEL	45°, FEMALE, 37° JIC, SWIVEL	100R13
H05	FEMALE, 37° JIC, SWIVEL	LONG 90°, FEMALE, 37° JIC, SWIVEL	100R17
H06	FEMALE, 37° JIC, SWIVEL	SHORT 90°, FEMALE, 37° JIC, SWIVEL	100R17
H07	LONG 90°, FEMALE, 37° JIC, SWIVEL	LONG 90°, FEMALE, 37° JIC, SWIVEL	100R17
H08	FEMALE, 37° JIC, SWIVEL	FEMALE, 37° JIC, SWIVEL	100R4
H09	FEMALE, 37° JIC, SWIVEL	45°, FEMALE, 37° JIC, SWIVEL	100R4
H10	FEMALE, 37° JIC, SWIVEL	MALE PIPE THREAD FITTING	100R17
H11	FEMALE, 37° JIC, SWIVEL	MEDIUM 90°, FEMALE, 37° JIC, SWIVEL	100R13
H12	SHORT 90°, FEMALE, 37° JIC, SWIVEL	SHORT 90°, FEMALE, 37° JIC, SWIVEL	100R17
H13	FEMALE, 37° JIC, SWIVEL	REUSABLE MALE PIPE THREAD FITTING	300 PSI
H14	REUSABLE MALE PIPE THREAD FITTING	NO FITTING	300 PSI
H15	REUSABLE FEMALE, 37° JIC, SWIVEL	REUSABLE FEMALE, 37° JIC, SWIVEL	300 PSI

## 8.1 Standard Hose Numbering System

Hose Prefix	Hose End Fitting	Hose End Fitting	S.A.E. Hose Specification
H16	NO FITTING	NO FITTING	100R4
H17	NO FITTING	NO FITTING	300 PSI
H18	REUSABLE, FEMALE, 37° JIC, SWIVEL	NO FITTING	300 PSI
H19	LONG 90°, FEMALE, 37° JIC, SWIVEL	FEMALE, 37° JIC, SWIVEL	100R13
H20	FEMALE, SHORT 37° JIC, SWIVEL	SHORT 90°, FEMALE, 37° JIC, SWIVEL	100R4
H21	FEMALE, SHORT 37° JIC, SWIVEL	SHORT 90°, FEMALE, 37° JIC, SWIVEL	100R2AT
H22	FEMALE, 37° JIC, SWIVEL	FEMALE, 37° JIC, SWIVEL	100R2AT
H23	FEMALE, LONG 37° JIC, SWIVEL	LONG 90°, FEMALE, 37° JIC, SWIVEL	100R2AT
H24	FEMALE, SHORT 37° JIC, SWIVEL	SHORT 90°, FEMALE, 37° JIC, SWIVEL	100R13
H25	FEMALE, 37° JIC, SWIVEL	FEMALE, 37° JIC, SWIVEL	100R4
H26	SHORT 90°, FEMALE, 37° JIC, SWIVEL	FEMALE, 37° JIC, SWIVEL	100R17
H27	LONG 90°, FEMALE, 37° JIC, SWIVEL	FEMALE, 37° JIC, SWIVEL	100R17
H28	FEMALE, 37° JIC, SWIVEL	FEMALE, 37° JIC, SWIVEL	100R17
H29	SHORT 45°, FEMALE, 37° JIC, SWIVEL	FEMALE, 37° JIC, SWIVEL	100R17
H30	MEDIUM 90°, FEMALE, 37° JIC, SWIVEL	FEMALE, 37° JIC, SWIVEL	100R17
H31	FEMALE, 37° JIC, SWIVEL	FEMALE, 37° JIC, SWIVEL	100R17
H32	SHORT 45°, FEMALE, 37° JIC, SWIVEL	FEMALE, 37° JIC, SWIVEL	100R17
H33	MEDIUM 45°, FEMALE, 37° JIC, SWIVEL	FEMALE, 37° JIC, SWIVEL	100R17
H34	SHORT 90°, FEMALE, 37° JIC, SWIVEL	FEMALE, 37° JIC, SWIVEL	100R17
H35	MEDIUM 90°, FEMALE, 37° JIC, SWIVEL	FEMALE, 37° JIC, SWIVEL	100R17
H36	LONG 90°, FEMALE, 37° JIC, SWIVEL	FEMALE, 37° JIC, SWIVEL	100R17
H37	SHORT 45°, FEMALE, 37° JIC, SWIVEL	FEMALE, 37° JIC, SWIVEL	100R4
H38	SHORT 90°, FEMALE, 37° JIC, SWIVEL	FEMALE, 37° JIC, SWIVEL	100R4
H39	LONG 90°, FEMALE, 37° JIC, SWIVEL	FEMALE, 37° JIC, SWIVEL	100R4
H40	SHORT 90°, FEMALE, 37° JIC, SWIVEL	FEMALE, 37° JIC, SWIVEL	100R16
H43	FEMALE, 37° JIC, SWIVEL	FEMALE, 37° JIC, SWIVEL	100R16
H51	FEMALE, 37° JIC, SWIVEL	FEMALE, 37° JIC, SWIVEL	100R17
H52	SHORT 45°, FEMALE, 37° JIC, SWIVEL	FEMALE, 37° JIC, SWIVEL	100R17
H53	MEDIUM 45°, FEMALE, 37° JIC, SWIVEL	FEMALE, 37° JIC, SWIVEL	100R17
H54	SHORT 90°, FEMALE, 37° JIC, SWIVEL	FEMALE, 37° JIC, SWIVEL	100R17
H55	MEDIUM 90°, FEMALE, 37° JIC, SWIVEL	FEMALE, 37° JIC, SWIVEL	100R17
H56	LONG 90°, FEMALE, 37° JIC, SWIVEL	FEMALE, 37° JIC, SWIVEL	100R17

## 8.2 Boom Hoses



M216834AD\_Hoses

238270AAA

156

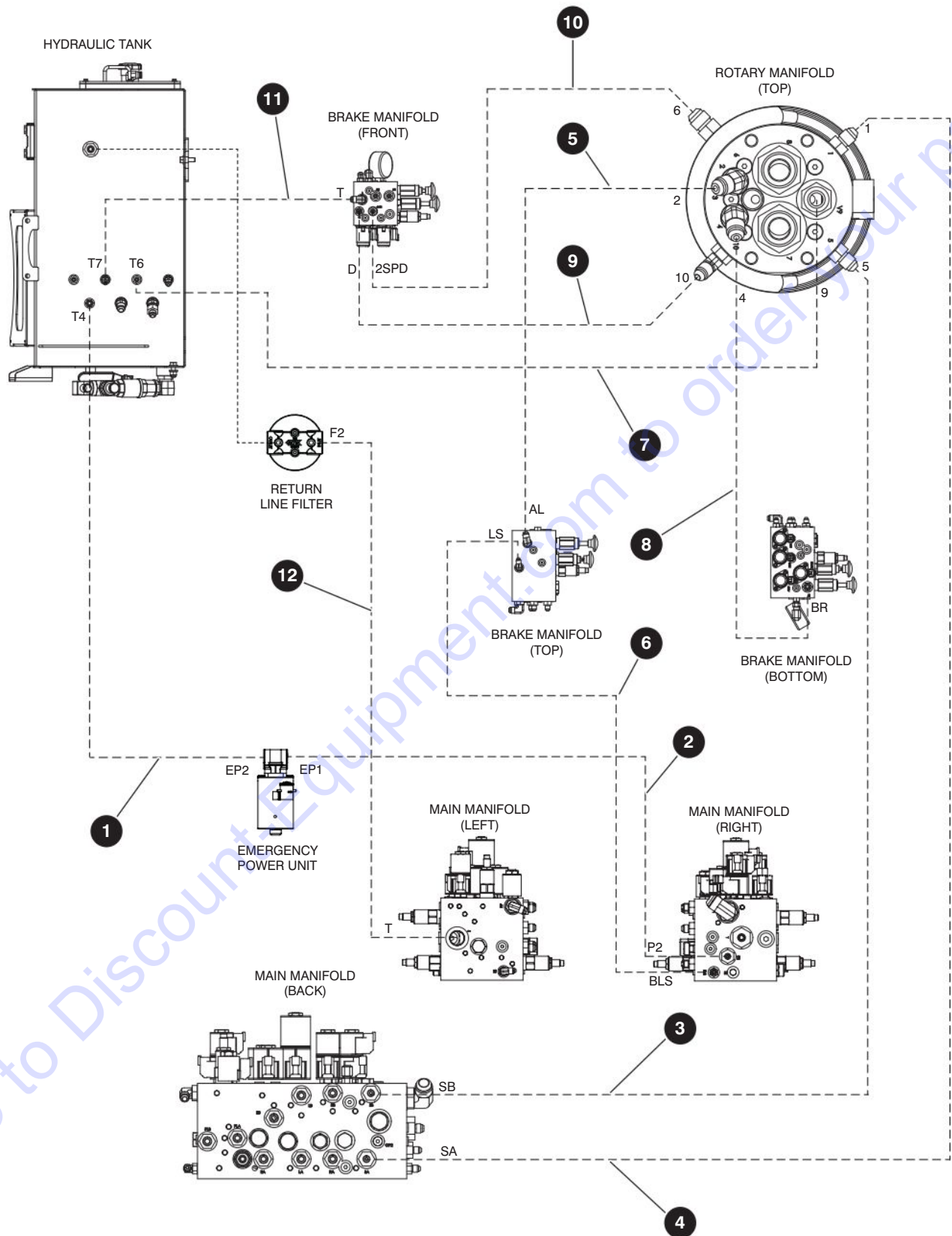
SJ40 T+, SJ45 T+

SKYJACK

## 8.2 Boom Hoses

Index No.	Hose P/N	From		To	
		Description	Port	Port	Description
-	218734	NO JIB HOSE KIT - <b>SJ40 T+</b>			
1	H0304 0039 0	Rotary Actuator	1A	P1	Platform Rotate Manifold
2	H0304 0027 0	Rotary Actuator	1B	P2	Platform Rotate Manifold
-	218731	JIB HOSE KIT - <b>SJ45 T+</b>			
3	H3404 0112 0	Rotary Actuator	P1	1A	Jib/Platform Rotate Manifold
4	H3404 0102 0	Rotary Actuator	P2	1B	Jib/Platform Rotate Manifold
5	H3104 0090 0	Jib Cylinder	JPA	2A	Jib/Platform Rotate Manifold
6	H3104 0090 0	Jib Cylinder	JPB	2B	Jib/Platform Rotate Manifold
-	165999	BOOM HOSE KIT			
7	H3106 0564 0	Jib/Platform Rotate Manifold	T	T6	Hydraulic Tank
8	H3106 0559 0	Jib/Platform Rotate Manifold	P1	PP	Main Manifold
9	H3106 0497 0	Master Cylinder	R	-	Bulkhead (Fly Boom)
10	H3106 0492 0	Master Cylinder	E	-	Bulkhead (Fly Boom)
-	161296	SLAVE CYLINDER HOSE KIT			
11	H0306 0025 0	Slave Cylinder	E	-	Bulkhead (Fly Boom)
12	H0306 0025 0	Slave Cylinder	R	-	Bulkhead (Fly Boom)
-	165997	TURRET HOSE KIT (kit also includes hoses from 8.3 & 8.4)			
13	H3206 0044 0	Main Manifold	LA	E	Lift Cylinder
14	H3206 0044 0	Main Manifold	LB	R	Lift Cylinder
15	H3406 0075 0	Main Manifold	PLA	E	Master Cylinder
16	H3406 0077 0	Main Manifold	PLB	R	Master Cylinder
17	H3406 0098 0	Main Manifold	EB	R	Extend Cylinder
18	H3406 0098 0	Main Manifold	EA	E	Extend Cylinder
Index No.	Skyjack Part No.	Qty.	Description		
19	131732	1	SLEEVE, Protection (HG-46) (not shown)		

## 8.3 Control Compartment Hoses



M165997AF\_Hose

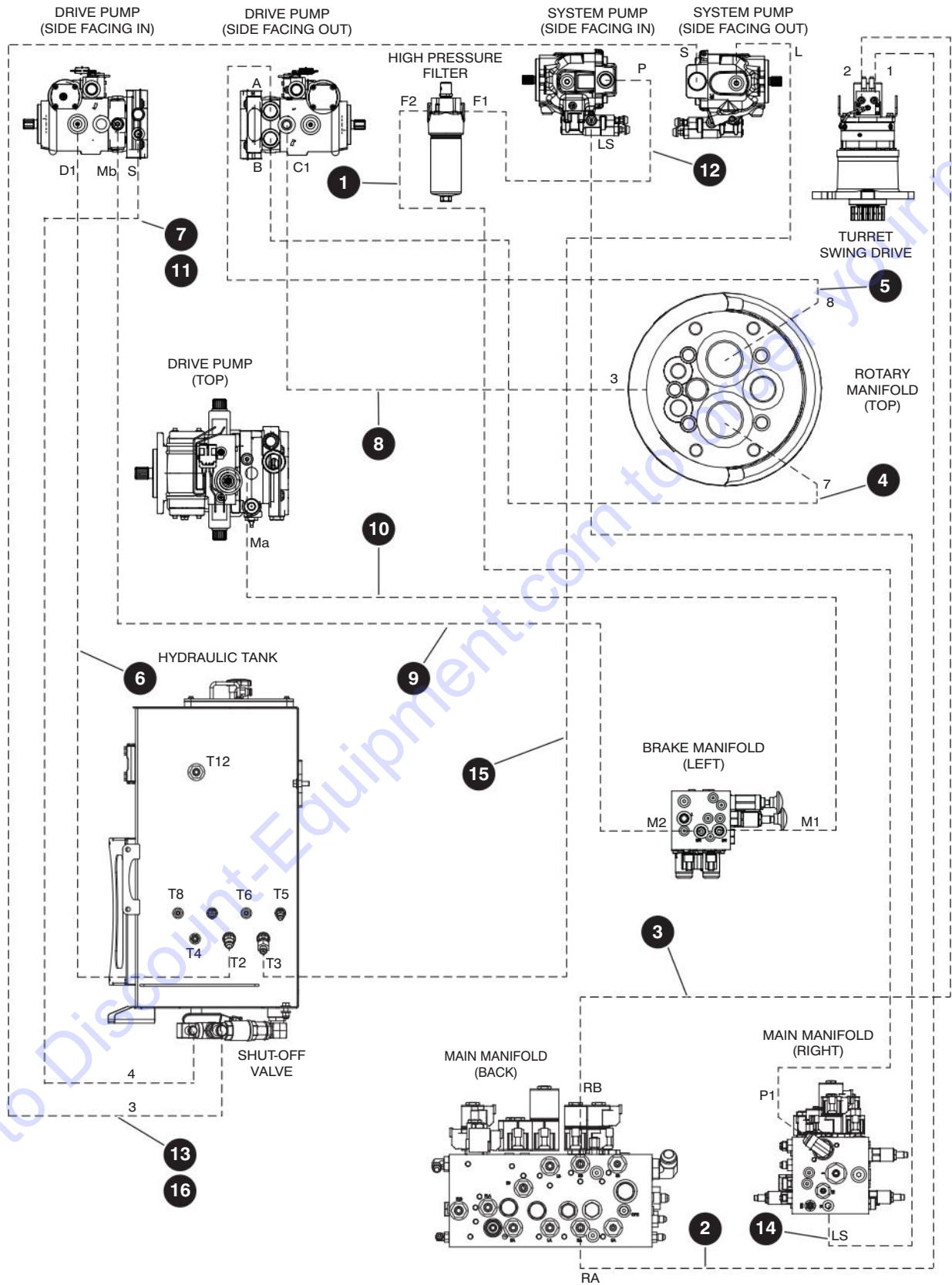
238270AAA

SJ40 T+, SJ45 T+

## 8.3 Control Compartment Hoses

Index No.	Hose P/N	From		To	
		Description	Port	Port	Description
-	165997	TURRET HOSE KIT (kit also includes hoses from 8.2 & 8.4)			
1	H5208 0026 0	Hydraulic Tank	T4	EP2	Emergency Power Unit
2	H5404 0023 0	Emergency Power Unit	EP1	P2	Main Manifold
3	H5404 0056 0	Main Manifold	SB	5	Rotary Manifold
4	H5404 0060 0	Main Manifold	SA	1	Rotary Manifold
5	H5206 0074 0	Brake Manifold	AL	2	Rotary Manifold
6	H5404 0025 0	Main Manifold	BLS	LS	Brake Manifold
7	H5408 0053 0	Hydraulic Tank	T6	9	Rotary Manifold
8	H5206 0066 0	Brake Manifold	BR	4	Rotary Manifold
9	H5404 0071 0	Brake Manifold	D	10	Rotary Manifold
10	H5406 0071 0	Brake Manifold	2SPD	6	Rotary Manifold
11	H5406 0034 0	Brake Manifold	T	T7	Hydraulic Tank
-	166351	NO GENERATOR/COOLER HOSE KIT			
12	H5412 0036 0	Main Manifold	T	F2	Return Filter

# 8.4 Engine Compartment Hoses



M165997AC\_M2354100AB\_M235399AB

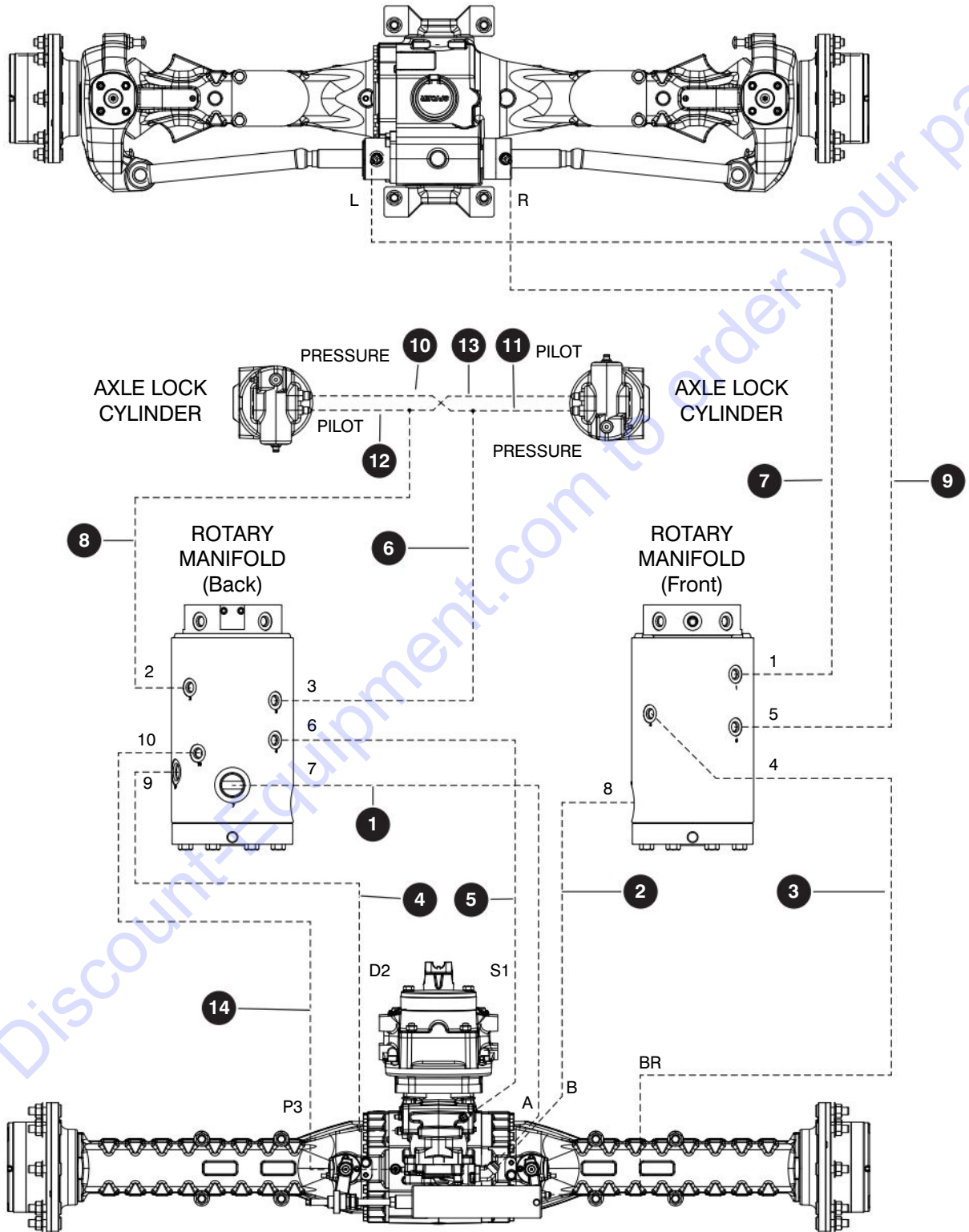
238270AAA

## 8.4 Engine Compartment Hoses

Index No.	Hose P/N	From		To		
		Description	Port	Port	Description	
-	165997	TURRET HOSE KIT (kit also includes hoses from 8.2 & 8.3)				
1	H5412 0025 0	Pressure Filter	F2	P1	Main Manifold	
2	H3406 0058 0	Main Manifold	RA	1	Swing Drive	
3	H3406 0058 0	Main Manifold	RB	2	Swing Drive	
-	235400	DRIVE PUMP HOSE KIT				
4	H1112 0069 0	Drive Pump	B	7	Rotary Manifold	
5	H1112 0069 0	Drive Pump	A	8	Rotary Manifold	
6	H0312 0092 0	Drive Pump	D1	T2	Hydraulic Tank	
7	H1616 0053 0	Drive Pump	S	T1	Hydraulic Tank	
8	H0604 0077 0	Drive Pump	C1	3	Rotary Manifold	
9	H4004 0120 0	Drive Pump	Mb	M2	Brake Manifold	
10	H4004 0120 0	Drive Pump	Ma	M1	Brake Manifold	
11	139177	CLAMP, Hose (33-37)				
-	235399	SYSTEM PUMP HOSE KIT				
12	H0612 0110 0	System Pump	P	F1	Pressure Filter	
13	H1620 0050 0	System Pump	S	T1	Hydraulic Tank	
14	H0104 0104 0	System Pump	LS	LS	Main Manifold	
15	H0310 0082 0	System Pump	L	T3	Hydraulic Tank	
16	139178	CLAMP, Hose (40-43)				



## 8.5 Base & Axle Hoses



M165995AC

238270AAA

## 8.5 Base & Axle Hoses

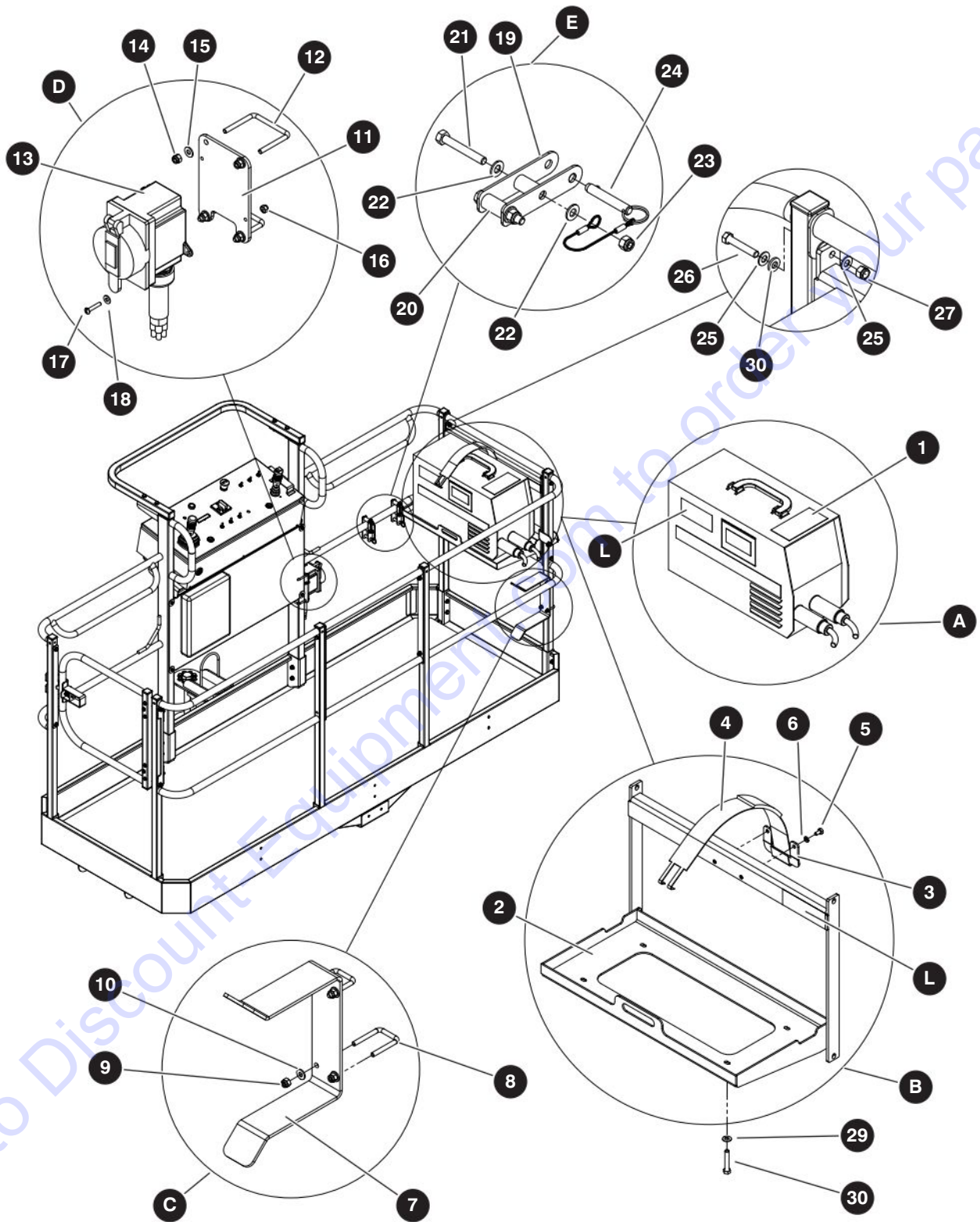
Index No.	Hose P/N	From		To	
		Description	Port	Port	Description
-	165995	CHASSIS HOSE KIT			
1	H2412 0060 0	Rotary Manifold	7	A	Drive Motor
2	H0412 0058 0	Rotary Manifold	8	B	Drive Motor
3	H5406 0071 0	Rotary Manifold	4	BR	Axle Brake
4	H5208 0062 0	Rotary Manifold	9	D2	Drive Motor
5	H5404 0068 0	Rotary Manifold	6	2SPD	Drive Motor
6	H5406 0065 0	Rotary Manifold	3	-	Axle Lock Pressure Tee
7	H3404 0060 0	Rotary Manifold	1	R	Steer Cylinder
8	H3406 0068 0	Rotary Manifold	2	-	Axle Lock Cylinder Pilot Tee
9	H3404 0060 0	Rotary Manifold	5	L	Steer Cylinder
10	H5106 0017 0	Axle Lock Pressure Tee	-	L	Axle Lock Cylinder: Pressure
11	H5106 0017 0	Axle Lock Pressure Tee	-	R	Axle Lock Cylinder: Pressure
12	H5104 0017 0	Axle Lock Pilot Tee	-	L	Axle Lock Cylinder: Pilot
13	H5104 0017 0	Axle Lock Pilot Tee	-	R	Axle Lock Cylinder: Pilot
14	H5404 0068 0	Rotary Maifold	10	P3	Axle Differential Lock

---

## Section 9 – Optional Equipment

- 9.1 *Welder and Mount*
- 9.2 *Oil Quick Drain*
- 9.3 *Flashing Amber Light*
- 9.4 *External Railing*
- 9.5 *Pipe Rack*
- 9.6 *Glazier Rack*
- 9.7 *Control Box Cover*
- 9.8 *Tool Caddy*
- 9.9 *Half-Height Platform Mesh*
- 9.10 *Elevate Telematics*
- 9.11 *Elevate Telematics Subscription*

# 9.1 Welder and Mount



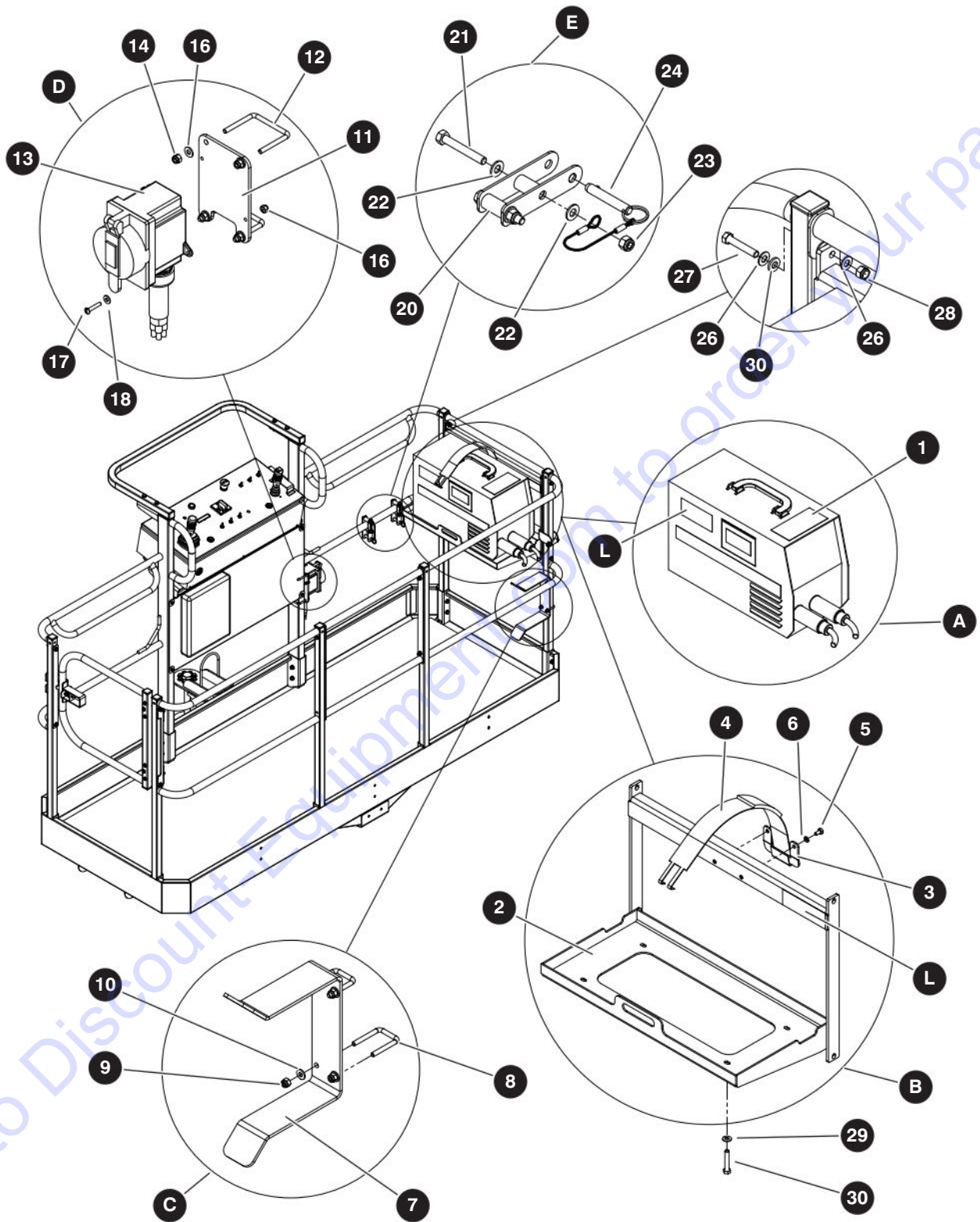
M159917AD

238270AAA

## 9.1 Welder and Mount

Index No.	Skyjack Part No.	Qty.	Description
<b>A</b> 1	148383	1	WELDER ASSEMBLY
	138811	1	• WELDER (275A)
	138813	1	• CABLE, Electrode (14')
	144376	1	• • ELECTRODE HOLDER (400A)
	106746	168"	• • CABLE
	138814	1	• CABLE, Work (14')
	144377	1	• • GrOUND CLAMP (400A)
	106746	168"	• • CABLE
	144374	1	• PLUG, Locking (50A / 250V / 3P)
	144603	2	• CLAMP, Cushioned loop (7/8" diameter)
L	147112	2	• LABEL, Welder weight (90 lbs)
-	159917	1	MOUNTING ASSEMBLY, 12kW Welder
<b>B</b> 2 3 4 5 6 L	159948	1	• WELDER TRAY ASSEMBLY
	159955	1	• • TRAY, Welder
	137814	1	• • PLATE, Strap
	103020	1	• • STRAPS (pair)
	103855	2	• • BOLT, Hex head (1/4"-20 x 1/20", Gr 5)
	104000	2	• • WASHER, Lock (1/4")
	L	147112	1
<b>C</b> 7 8 9 10	144218	1	• BRACKET ASSEMBLY
	144220	1	• • BRACKET, Welding cables
	144219	2	• • U BOLT, Welder bracket
	115649	4	• • NUT, Hex lock (1/4"-20 Gr 5, nylon)
	103995	4	• • WASHER, Flat (1/4")
<b>D</b> 11 12 13  14 15 16 17 18	144221	1	• RECEPTACLE ASSEMBLY
	144222	1	• • PLATE, Receptacle mounting
	144223	2	• • U BOLT, Receptacle mounting
	141614	1	• • ELECTRICAL COMPONENTS ASSEMBLY
	139835	1	• • • FD BOX, 50A Receptacle
	139832	1	• • • RECEPTACLE, Single locking
	139836	1	• • • COVER, Weather resistant
	103962	2	• • • SCREW, Round head machine (#10-32 x 1/20")
	104964	2	• • • WASHER, Flat (#10)
	144367	1	• • • STRAIN RELIEF, 1-18" straight
	115649	4	• • NUT, Hex lock (1/4"-20 Gr 5, nylon)
	103995	4	• • WASHER, Flat (1/4")
	300450	2	• • NUT, Hex lock (#10-32 Gr 5, nylon)
	105621	2	• • SCREW, Round head machine (#10-32 x 1")
104694	2	• • WASHER, Flat (#10)	

# 9.1 Welder and Mount



M159917AD

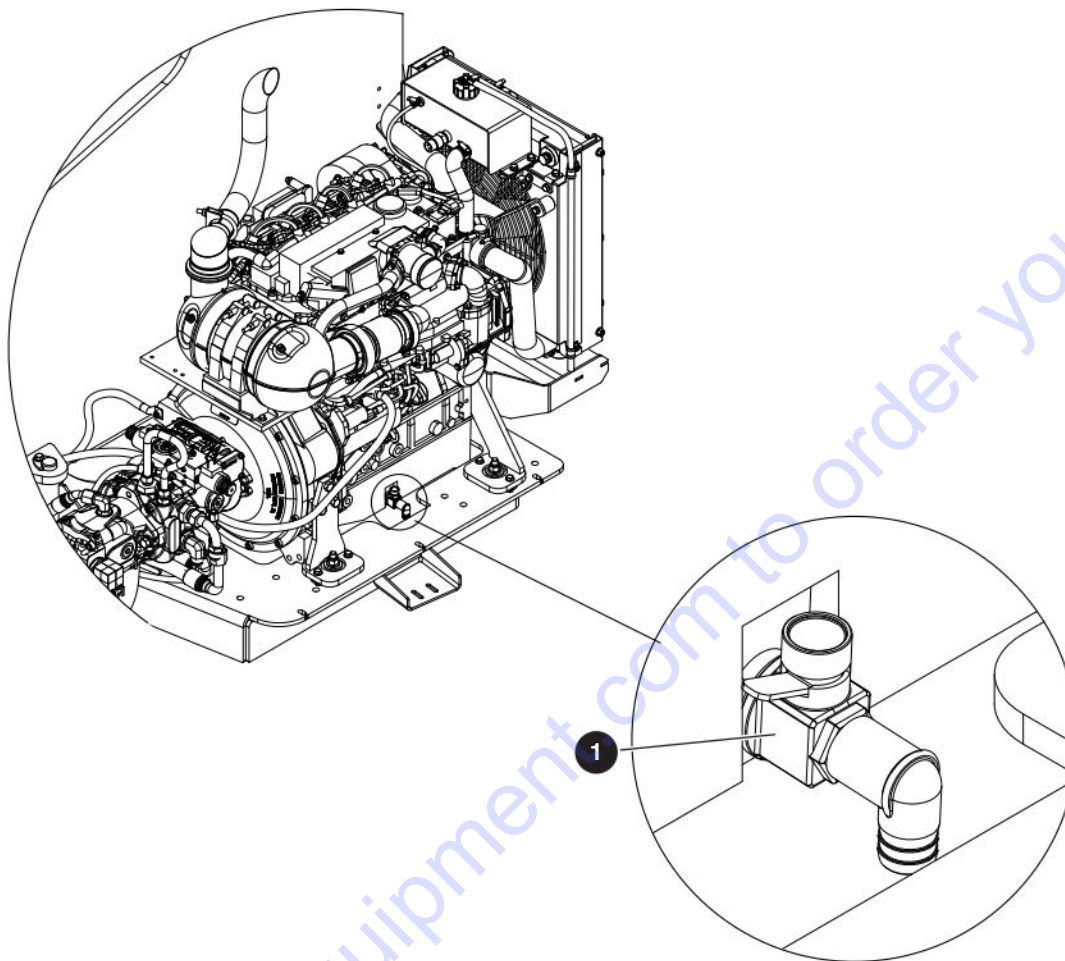
238270AAA

SJ40 T+, SJ45 T+

## 9.1 Welder and Mount

Index No.	Skyjack Part No.	Qty.	Description
<b>E</b>	168530	1	<ul style="list-style-type: none"> <li>• HANGER ASSEMBLY</li> </ul>
19	169160	2	<ul style="list-style-type: none"> <li>• • BRACKET, Welder cable</li> </ul>
20	159947	2	<ul style="list-style-type: none"> <li>• • SPACER, Welder tray</li> </ul>
21	103866	2	<ul style="list-style-type: none"> <li>• • BOLT, Hex head (5/16"-18 x 2 1/4 Gr 5)</li> </ul>
22	103996	4	<ul style="list-style-type: none"> <li>• • WASHER, Flat (5/16")</li> </ul>
23	103984	2	<ul style="list-style-type: none"> <li>• • NUT, Hex lock nylon lock (5/16"-18 Gr 5)</li> </ul>
24	124548	1	<ul style="list-style-type: none"> <li>• • PIN, Quick release</li> </ul>
25	103996	8	<ul style="list-style-type: none"> <li>• WASHER, Flat (5/16")</li> </ul>
26	103884	4	<ul style="list-style-type: none"> <li>• BOLT, Hex head (5/16"-18 x 2.50", Gr 5)</li> </ul>
27	103984	4	<ul style="list-style-type: none"> <li>• NUT, Hex head nylon lock (5/16"-18, Gr 5)</li> </ul>
28	103995	4	<ul style="list-style-type: none"> <li>• WASHER, Flat (1/4")</li> </ul>
29	103857	9	<ul style="list-style-type: none"> <li>• BOLT, Hex head (1/4"-20 x 1.00" Gr 5)</li> </ul>
30	159960	2	<ul style="list-style-type: none"> <li>• SPACER, Nylon (0.403" ID x 3/4" OD, x 0.312" long) - <b>drop bar entrance</b></li> </ul>
	168336	2	<ul style="list-style-type: none"> <li>• SPACER, Nylon (0.394" ID x 3/4" OD, x 0.125" long) - <b>swing gate entrance</b></li> </ul>

## 9.2 Oil Quick Drain

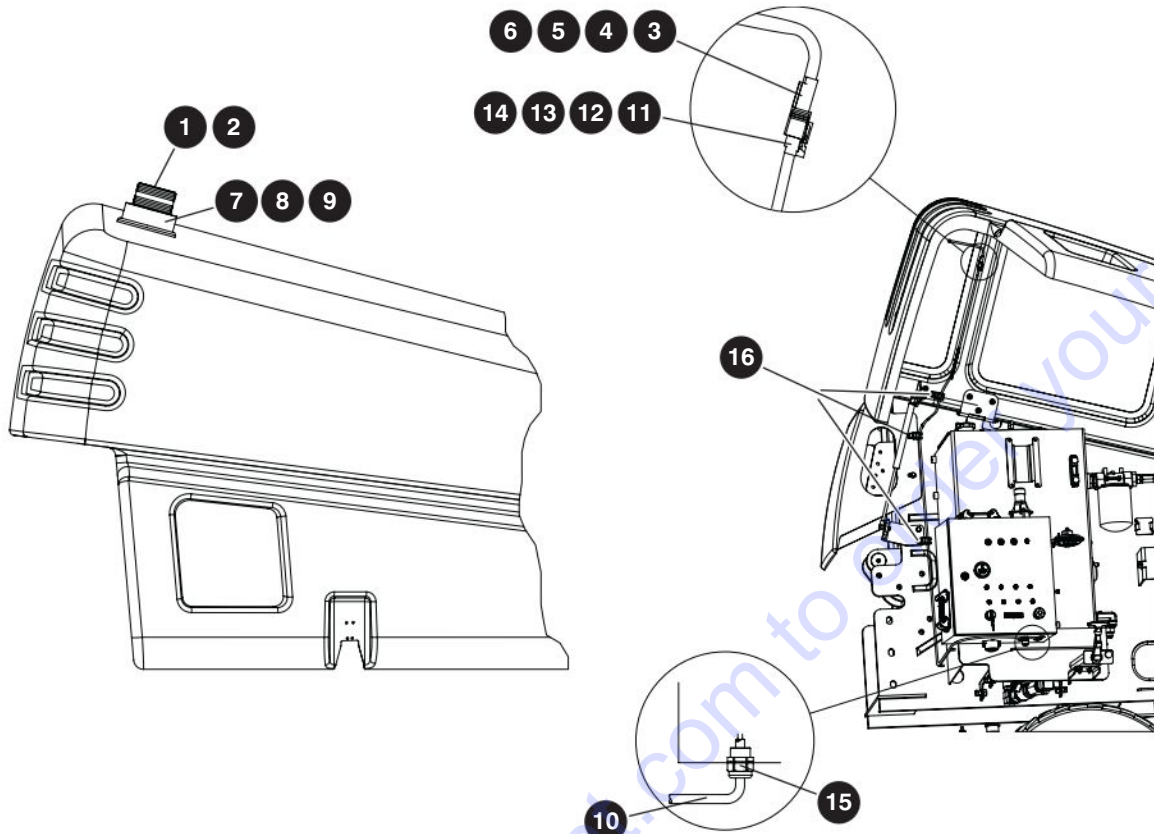


M169469AA

Index No.	Skyjack Part No.	Qty.	Description
<b>B</b>	171265	1	OIL QUICK DRAIN - <b>Kubota Engines</b>
1	170731	1	• VALVE, Oil drain



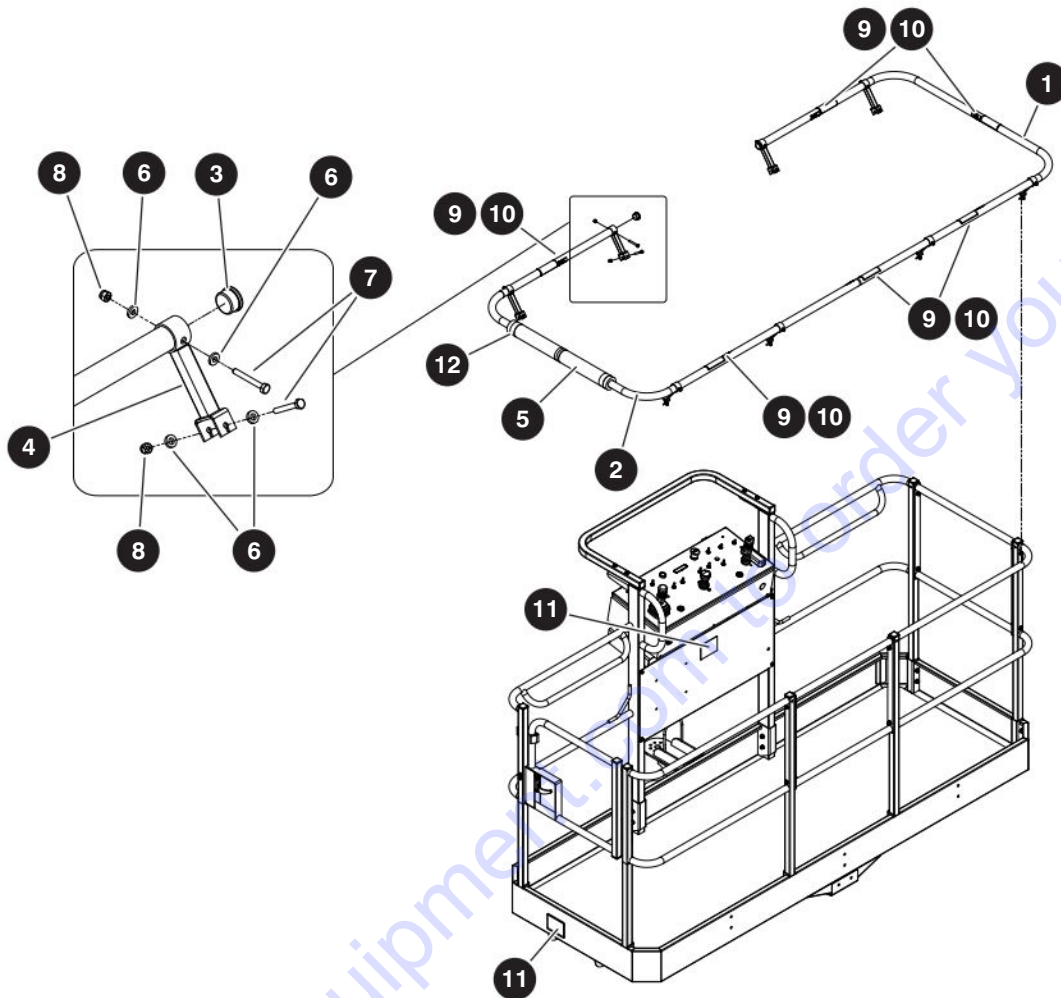
## 9.3 Flashing Amber Light



M144026AA2

Index No.	Skyjack Part No.	Qty.	Description
-	144026	1	FLASHING AMBER LIGHT
1	144078	1	• FLASHING AMBER LIGHT ASSEMBLY
2	143971	1	• • STROBE LIGHT, Amber (12/24 VDC)
	144215	1	• • • FLASH TUBE
3	117596	1	• • CONNECTOR RECEPTACLE (2 pin)
4	117590	2	• • CONNECTOR CONTACT PIN (16/18 GA)
5	117598	1	• • WEDGE, Receptacle (2 pin)
6	124399	4"	• • SPLIT LOOM (1/4 inch)
7	122498	3	• SCREW, Round head machine (#10-32 x 1 1/4")
8	300450	3	• NUT, Hex lock/nylon insert (#10-32 UNF)
9	104694	3	• WASHER, Flat (#10 SAE)
10	144079	1	• HARNESS, Flash amber light
11	117597	1	• • PLUG, Connector (2 pin)
12	117591	2	• • SOCKET, Connector contact (16/18 GA)
13	117599	1	• • WEDGE, Plug (2 pin)
14	103256	120	• • CABTIRE, SJ (18/2)
15	103041	1	• STRAIN RELIEF (blue)
16	102972	3	• CLIP, Double (G8)

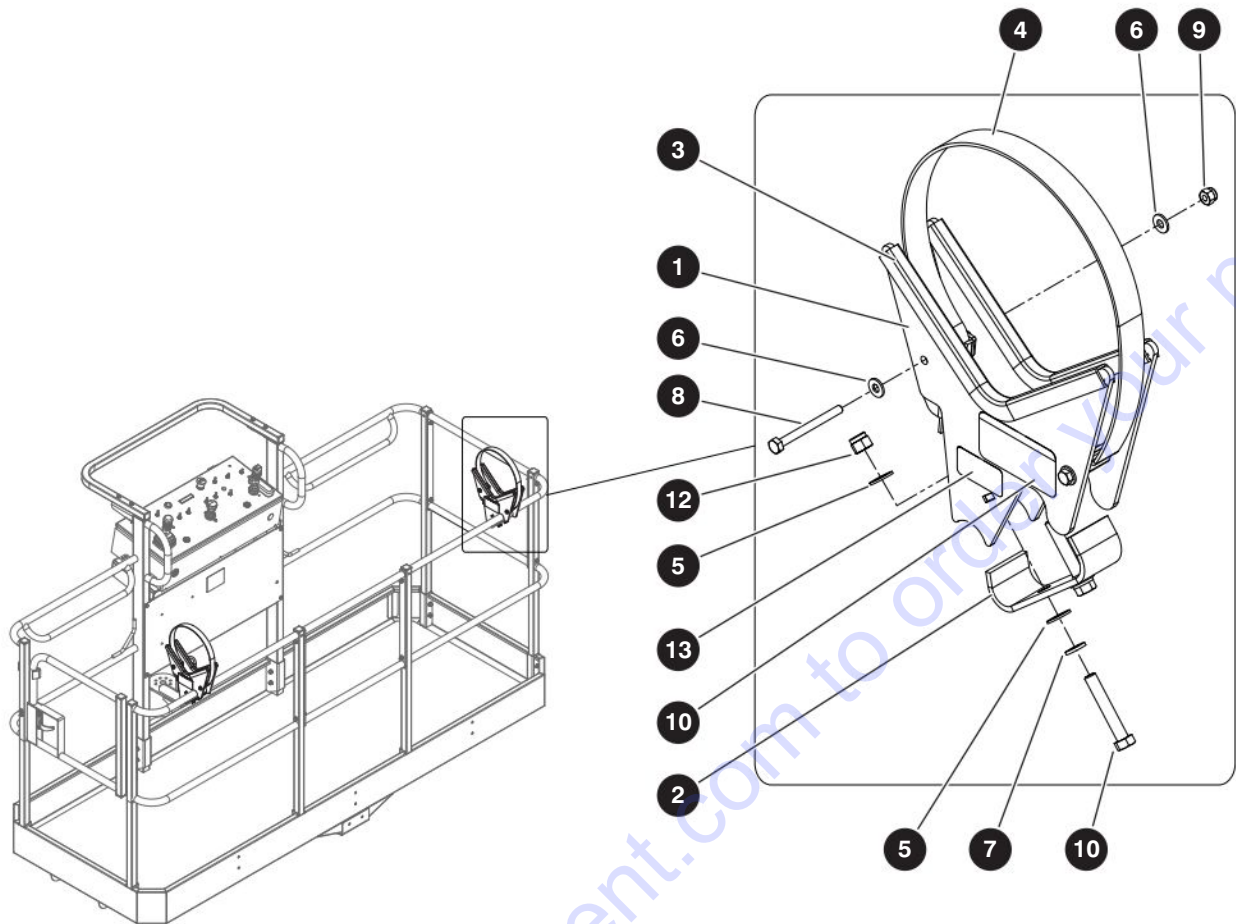
## 9.4 External Railing



M163409AA

Index No.	Skyjack Part No.	Qty.	Description
-	163408	1	EXTERNAL RAILING - <b>ANSI/CSA &amp; CE with 96" x 36" platform</b>
1	144706	1	• TUBE, External railing (Right)
2	144712	1	• TUBE, External railing (Left)
3	144048	2	• PLUG, Round end
4	144747	8	• WELDMENT, External railing stand-off
5	104183	2'	• PADDING, Entry rail
6	103995	32	• WASHER, Flat (1/4")
7	103861	16	• BOLT, Hex head (1/4"-20 x 2" Gr 5)
8	115649	16	• NUT, Hex head (1/4"-20 Gr 5, nylon)
9	115543	6	• LABEL, Warning no step
10	137988	6	• LABEL, Hazard crush/pinch point
11	144722	2	• LABEL, Capacity (475 lb/2 person)
12	119803	22.5"	• LABEL, Caution tape

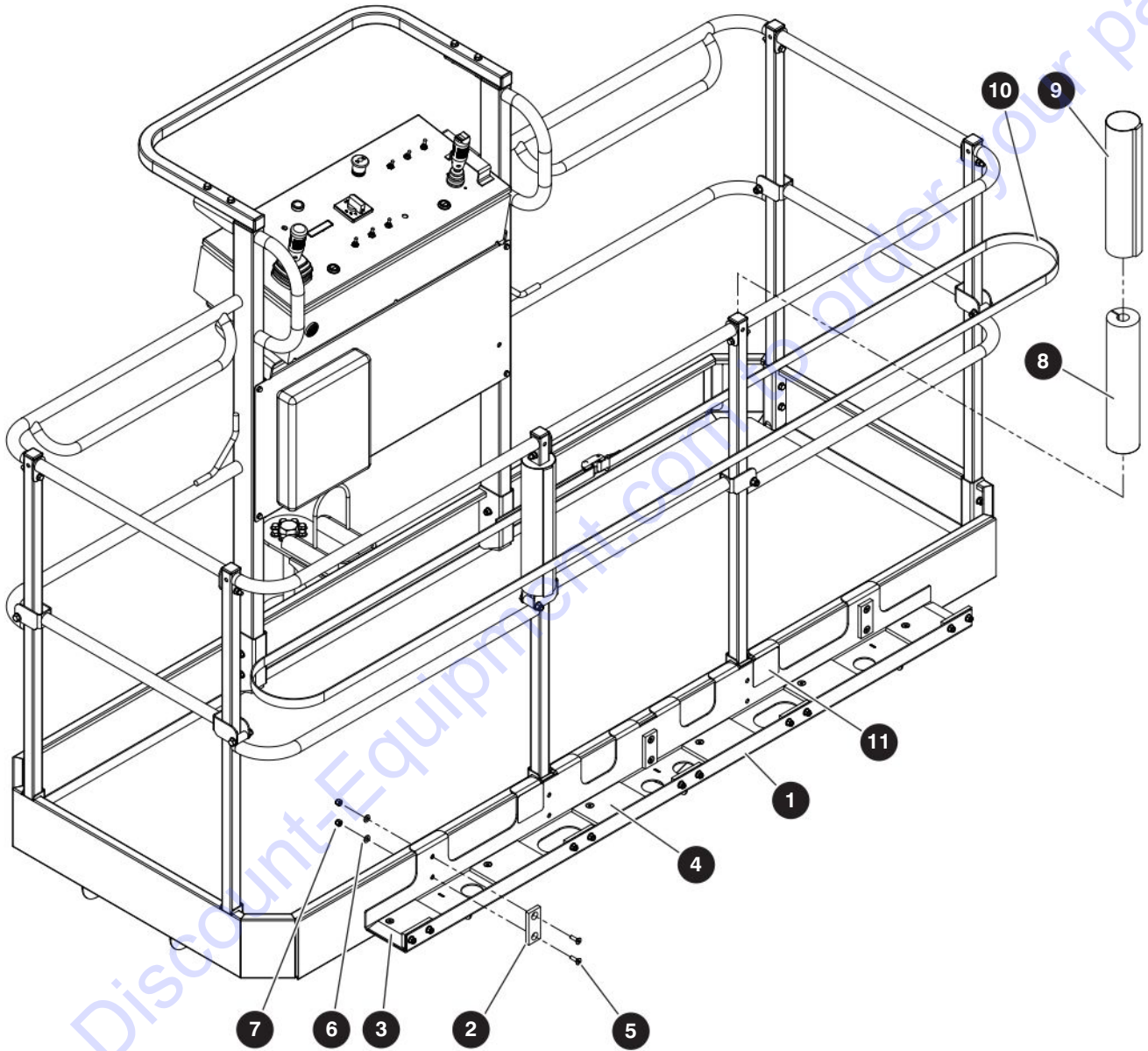
## 9.5 Pipe Rack



M159901AD

Index No.	Skyjack Part No.	Qty.	Description
-	162052	1	PIPE RACK ASSEMBLY
-	162051	1	• PIPE RACK
-	159901	2	• • PIPE RACK, Bracket assembly
1	159902	1	• • • WELDMENT, Pipe rack bracket
2	159904	1	• • • PLATE, Pipe rack bottom
3	117398	2	• • • TRIM, Protective
4	144500	1	• • • STRAP, Pipe rack
5	103472	4	• • • WASHER, Flat (3/8")
6	103995	4	• • • WASHER, Flat (1/4")
7	103999	2	• • • WASHER, Lock (3/8")
8	144501	2	• • • BOLT, Hex head (1/4"-20 x 2 3/4" Gr 5)
9	115649	2	• • • NUT, Hex lock (1/4"-20 Gr 5, nylon)
10	144748	2	• • • LABEL, Pipe rack capacity
11	103873	2	• • • BOLT, Hex head (3/8"-16 x 2 1/2" Gr 5)
12	104606	2	• • • NUT, Hex lock (3/8"-16 Gr 5, nylon)
13	144748	2	• • • LABEL, Capacity (Pipe rack)
14	162725	1	• INSTRUCTIONS, Pipe rack (not shown)

## 9.6 Glazier Rack



M162073AB

238270AAA

174

SJ40 T+, SJ45 T+

SKYJACK

## 9.6 Glazier Rack

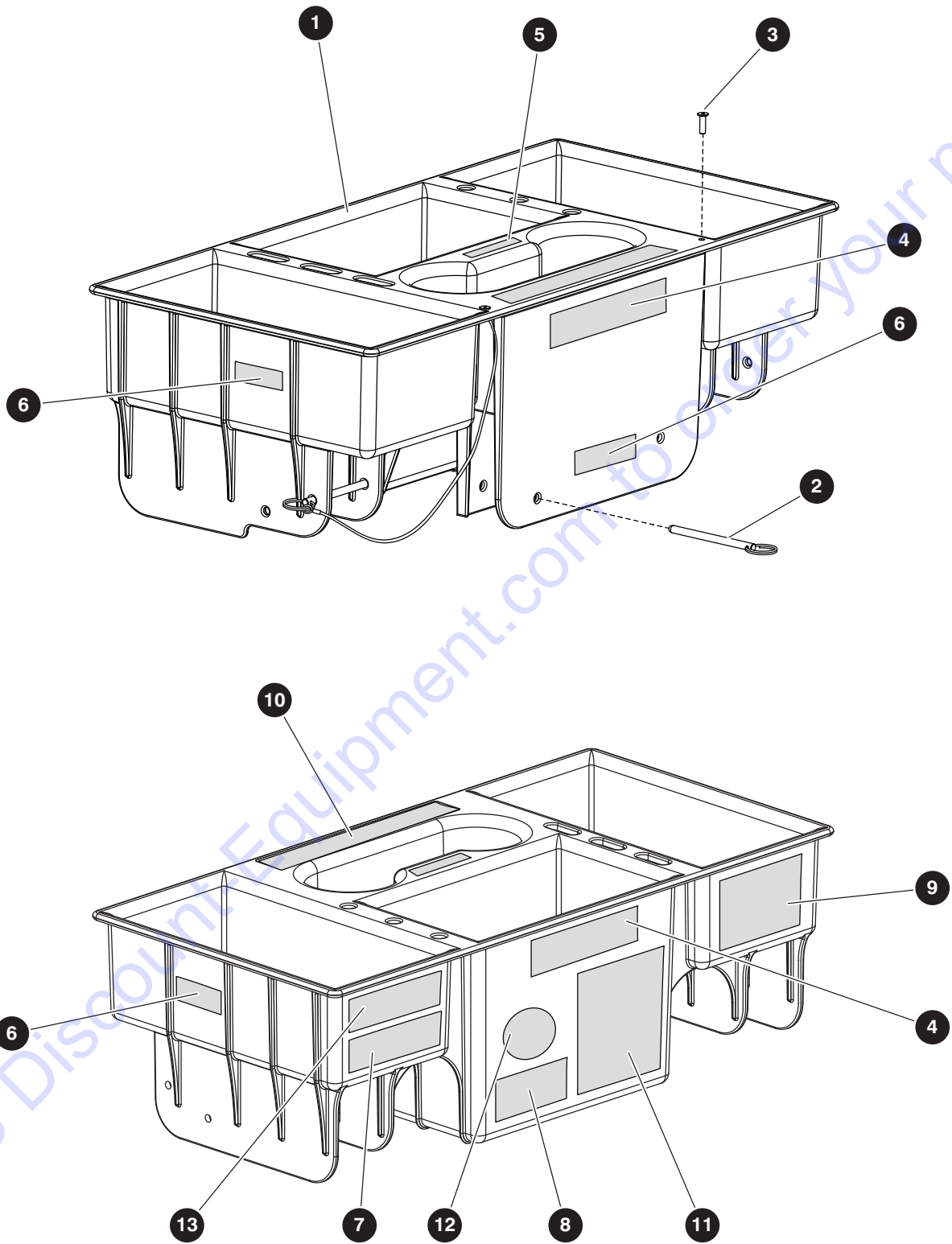
Index No.	Skyjack Part No.	Qty.	Description
-	162073	1	GLAZIER RACK
-	159898	1	• ASSEMBLY, Glazier Rack
-	154404	1	• • ASSEMBLY, Glazier tray
1	154402	1	• • • WELDMENT, Glazier tray
2	154401	8	• • • PAD, Wear - side tray
3	154399	2	• • • PAD, Wear - end tray
4	154400	4	• • • PAD, Wear - in tray
5	162116	28	• • • SCREW, Flat socket head cap (5/16"-18 x 1.00", Gr 5)
6	103996	28	• • • WASHER, Flat (5/16")
7	103984	28	• • • NUT, Hex head nylon lock (5/16"-18, Gr 5)
8	144491	2	• • FOAM, Support
9	144604	2	• • COVER, Bumper
10	144613	1	• • STRAP, Glazier kit
11	172630	2	• • LABEL, Panel cradle capacity
-	162026	1	• INSTRUCTIONS, Glazier package (not shown)



## 9.7 Control Box Cover

Index No.	Skyjack Part No.	Qty.	Description
-	216918	1	CONTROL BOX COVER
-	216917	1	• COVER ASSEMBLY, Control box
1	216919	1	• • COVER, Control box
2	104698	2	• • SCREW, Round machine (#10-32 x 1")
3	300450	2	• • NUT, Hex lock (#10-32 Gr 5, nylon)
4	104694	2	• • WASHER, Flat (#10)
5	154305	2	• • BUSHING, Flanged (1/4" ID x 3/16")
6	137653	1	• • HANDLE, Pull
7	144015	2	• • MOUNT, Anti-vibration
8	115649	2	• • NUT, Hex lock (1/4"-20 Gr 5, nylon)
9	103995	2	• • WASHER, Flat (1/4")
10	103996	2	• WASHER, Flat (0.3125")
11	103858	2	• BOLT, Hex head (1/4"-20 x 1-1/4" Gr 5)
12	159960	4	• SPACER, (3/4" OD)
13	103995	16	• WASHER, Flat (1/4")
14	115649	10	• NUT, Hex lock (1/4"-20 Gr 5, nylon)
15	139168	8	• SCREW, Button head cap (1/4"-20 x 3/4")
16	159956	4	• WASHER, Rubber (1/4")
17	103891	2	• BOLT, Hex head (1/4"-20 x 7/8" Gr 5)
18	103984	2	• NUT, Hex lock (0.3125"-18 Gr 5, nylon)
19	154323	1	• BRACKET, Gas spring
20	162101	1	• GAS SPRING, Control box cover
21	162048	1	• PLATE, Right side cover
22	216921	1	• PLATE, Back cover
23	162049	1	• PLATE, Left side cover
24	162123	2	• STUD, Ball (10 mm x 1/24")
25	300450	4	• NUT, Hex head nylon lock (10-32, Gr 5)
26	104694	4	• WASHER, Flat (10)
27	104698	4	• SCREW, Round head machine (10-32 x 3/4")
28	216675	1	• HASP, Double hinge (3.25")
29	168336	3	• SPACER, Nylon (0.394" ID x 3/4" OD x 0.125" long)
30	124031	3	• SCREW, Flat head (10-32 x 1/20")
31	104185	3	• WASHER, Lock (10)
32	104003	3	• NUT, Hex (10-32)
33	162032	1	• INSTRUCTION, Control box cover installation (not shown)

## 9.8 Tool Caddy



M204334AB

238270AAA

178

SJ40 T+, SJ45 T+

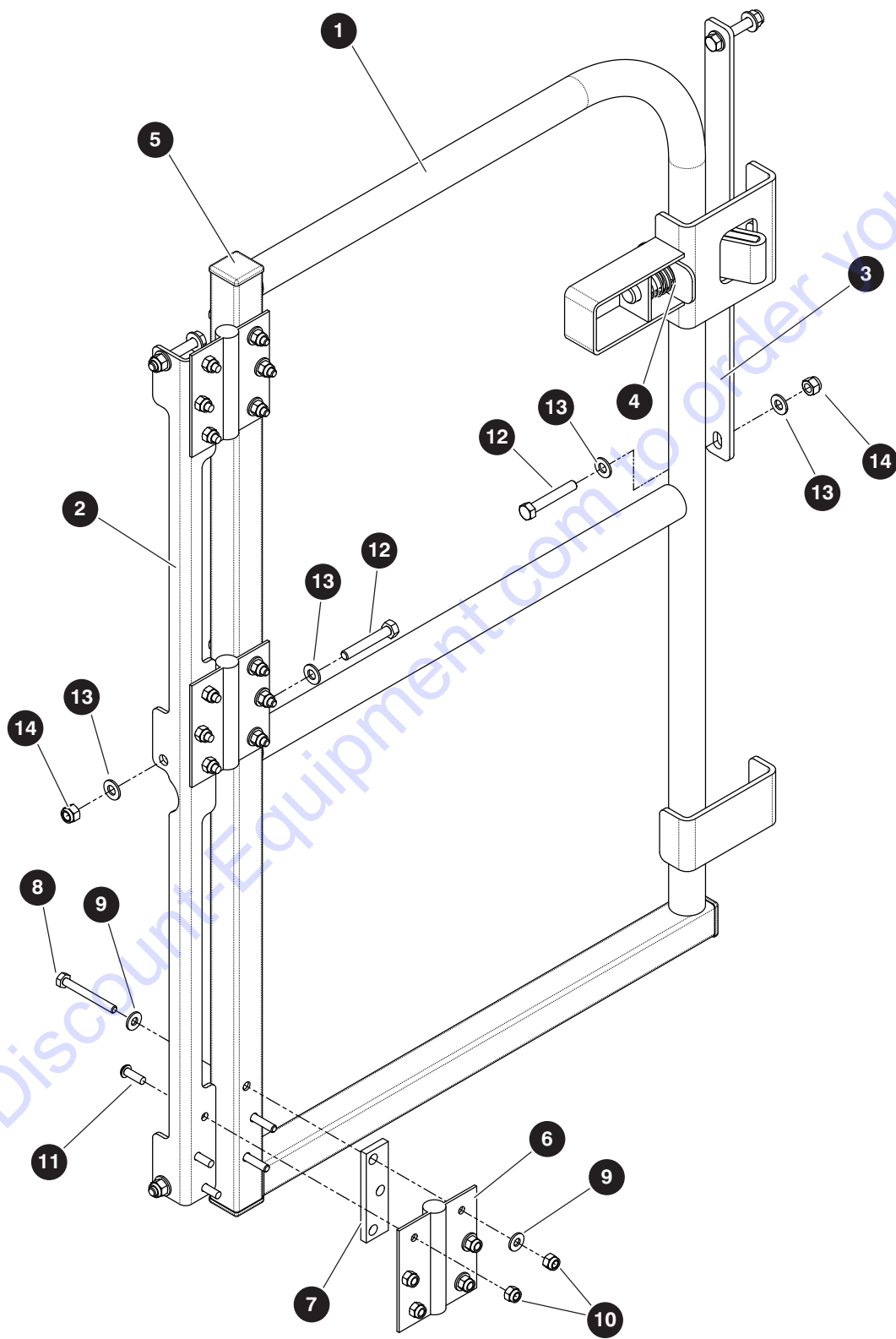
SKYJACK



## 9.8 Tool Caddy

Index No.	Skyjack Part No.	Qty.	Description
-	211271	1	TOOL CADDY KIT
-	204334	1	• TOOL CADDY ASSEMBLY
1	198945	1	• • TOOL CADDY TRAY, Plastic (Std)
2	198965	2	• • PIN, Quick release 1/4x3.2 LG with Lanyard
3	116161	2	• • RIVET, Pop (3/16" x 1/265")
4	172293	2	• • LABEL, Skyjack logo, 5" white
5	172294	1	• • LABEL, Skyjack logo, 3" white
6	168421	3	• • LABEL, Lock pin in place
7	172245	1	• • LABEL, Tool caddy weight
8	172246	1	• • LABEL, Tool caddy pin location
9	172247	1	• • LABEL, Tool caddy location
10	172292	1	• • LABEL, Accessoryzers, 8" white
11	172298	1	• • LABEL, Tool caddy models serial numbers
12	172299	1	• • LABEL, Do not block exit/entrance
13	172297	1	• • LABEL, Drive slowly when tool caddy is installed
14	204306	1	• INSTRUCTIONS, Tool caddy installation (not shown)

## 9.9 Half-Height Platform Mesh



M211359AA

238270AAA

SJ40 T+, SJ45 T+

## 9.9 Half-Height Platform Mesh

Index No.	Skyjack Part No.	Qty.	Description
<b>A</b>	211776	1	• HALF HEIGHT MESH KIT for 8' / 2.44 m Rear Entry Platform
<b>B</b>	211777	1	• HALF HEIGHT MESH KIT for 8' / 2.44 m Side Entry Platform
<b>C</b>	211778	1	• HALF HEIGHT MESH KIT for 6' / 2.44 m Rear Entry Platform
-	211360	1	• MESH ASSEMBLY, Rear entry 8' / 2.44 m platform, <b>A</b>
-	211362	1	• MESH ASSEMBLY, Side entry 8' / 2.44 m platform, <b>B</b>
-	211363	1	• MESH ASSEMBLY, Rear entry 6' / 2.44 m platform, <b>C</b>
-	211359	1	• • FULL SWING GATE
1	209032	1	• • • GATE, Swing - full
2	211375	1	• • • BRACKET, Mounting - hinge
3	166287	1	• • • PLATE, Locking
4	110824	1	• • • LATCH, Pin - door spring
	105312	1	• • • • BED, Latch
	109377	1	• • • • PIN, Latch (5/8" x 4.187")
	105307	1	• • • • HANDLE, Latch
	103107	1	• • • • SPRING, Compression
	100950		• • • • PIN, Spring (0.125" x 1.00")
5	100702	3	• • • PLUG, Tube (1-1/4" x 1-1/4")
6	209527	3	• • • HINGE, Spring
7	164592	3	• • • TAB, Hinge
8	103862	9	• • • BOLT, Hex head (1/4"-20 x 2.25" gr 5)
9	103995	18	• • • WASHER, Flat (1/4")
10	115649	18	• • • NUT, Lock (1/4"-20 gr 5 nylon)
11	139168	9	• • • BOLT, Button head cap screw (1/4"-20 x 3/4")
12	103865	5	• • • BOLT, Hex head (0.312"-18 x 2.00" gr 5)
13	103996	10	• • • WASHER, Flat (0.312")
14	103984	5	• • • NUT, Lock (0.313"-18 gr 5 nylon)

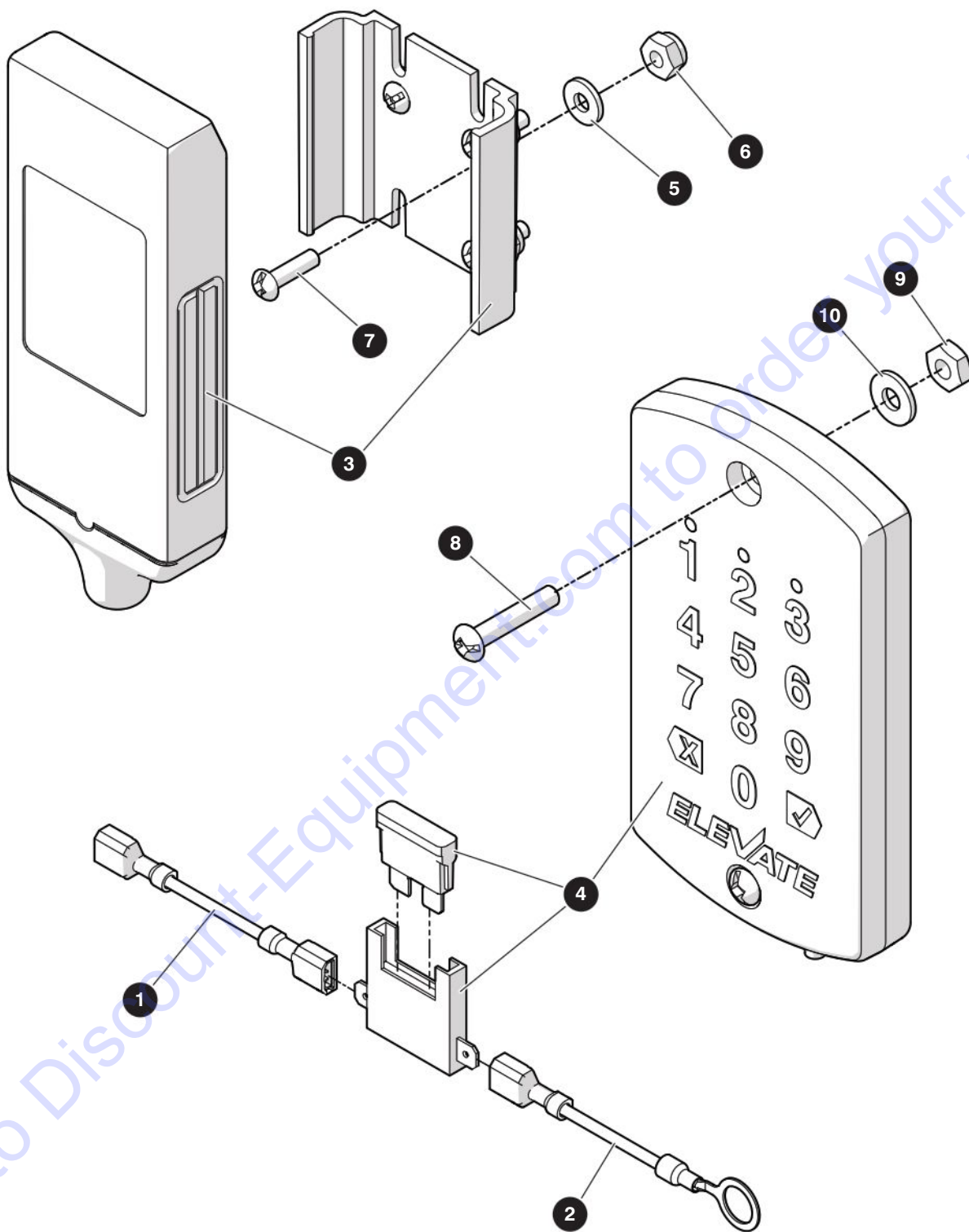
*Parts list continued on the next page.*



## 9.9 Half-Height Platform Mesh

Index No.	Skyjack Part No.	Qty.	Description
<b>A</b>	211776	1	• HALF HEIGHT MESH KIT for 8' / 2.44 m Rear Entry Platform
<b>B</b>	211777	1	• HALF HEIGHT MESH KIT for 8' / 2.44 m Side Entry Platform
<b>C</b>	211778	1	• HALF HEIGHT MESH KIT for 6' / 1.83 m Rear Entry Platform
<b>Parts list continued from the previous page.</b>			
15	208942	1	• • MESH, Gate
16	209029	1	• • MESH, Front - 36" x 96" / 0.91 m x 2.44 m platform, <b>A, B</b>
	211604	1	• • MESH, Front - 36" x 72" / 0.91 m x 1.83 m platform, <b>C</b>
17	208940	1	• • MESH, Side - 36" / 0.91 m platform, <b>A, C</b>
18	209041	1	• • MESH, Rear LH - 36" x 96" / 0.91 m x 2.44 m platform, <b>A, B</b>
	211603	1	• • MESH, Rear LH - 36" x 72" / 0.91 m x 1.83 m platform, <b>C</b>
19	211613	1	• • MESH, Rear mid - 36" x 96" / 0.91 m x 2.44 m platform, <b>B</b>
20	211361	1	• • MESH, Rear RH - 36" x 96" / 0.91 m x 2.44 m platform, <b>A, B</b>
	211602	1	• • MESH, Rear RH - 36" x 96" / 0.91 m x 2.44 m platform, <b>C</b>
21	208940	1	• • MESH, Side - 36" / 0.91 m platform, <b>A, B, C</b>
22	209030	14	• • CLAMP, Loop - cushioned (#19), <b>A, B, C</b>
23	103891	14	• • BOLT, Hex head (1/4"-20 x 7/8" gr 5), <b>A, B, C</b>
24	103856	16	• • BOLT, Hex head (1/4"-20 x 3/4" gr 5), <b>A, B, C</b>
25	103995	60	• • WASHER, Flat (1/4"), <b>A, B, C</b>
26	115649	30	• • NUT, Lock (1/4"-20 gr 5 nylon), <b>A, B, C</b>
27	103632	2	• • BOLT, Self-tapping hex head (1/4"-14 x 3/4")
28	172519	1	• • LABEL, Mesh weight (25 kg/55 lb)
29	211727	1	• INSTRUCTION, Half height platform mesh installation (not shown)


## 9.10 Elevate Telematics




M236118A

238270AAA

## 9.10 Elevate Telematics

Index No.	Skyjack Part No.	Qty.	Description
			 <b>NOTE</b> A subscription is required to use the Elevate Telematics option. Refer to "Elevate Telematics Subscription" on page 186.
<b>A</b>	236118	1	ELEVATE TELEMATICS WITH KEYPAD INSTALLATION KIT
<b>B</b>	236169	1	ELEVATE TELEMATICS WITHOUT KEYPAD INSTALLATION KIT
-	218453	1	• ELEVATE TELEMATICS INSTALLATION KIT, <b>A</b>
	218454	1	• ELEVATE TELEMATICS INSTALLATION KIT, <b>B</b>
-	236134	1	• • ELEVATE TELEMATICS ASSEMBLY, <b>A</b>
	236135	1	• • ELEVATE TELEMATICS ASSEMBLY, <b>B</b>
1	221149	1	• • • WIRE ASSEMBLY, B+
2	220577	1	• • • WIRE ASSEMBLY, B+
3	213098	1	• • • TELEMATICS, Elevate GPS ME501-4
4	213099	1	• • • TELEMATICS, Elevate keypad, <b>A</b>
5	191833	4	• • • WASHER, Flat (#6)
6	196306	4	• • • NUT, Lock (6-32 gr 5 nylon)
7	114678	4	• • • SCREW, Round head machine (6-32 x 1/2")
8	126499	2	• • • SCREW, Round head machine (8-32 x 7/8"), <b>A</b>
9	103986	2	• • • NUT, Hex (8-32), <b>A</b>
10	103991	2	• • • WASHER, Flat (#8), <b>A</b>
11	102892	20	• TIE, Cable (5-3/8") (not shown)
12	221111	1	• INSTRUCTION, Operating - Elevate telematics (not shown), <b>A</b>
13	236117	1	• INSTRUCTIONS, Elevate telematics installation (not shown)

## 9.11 Elevate Telematics Subscription

Index No.	Skyjack Part No.	Qty.	Description
<p> <b>NOTE</b>  <i>One of the following subscriptions is required to use the Elevate Telematics option.</i></p>			
1	221153	1	SUBSCRIPTION, Elevate telematics - Monitoring (12 months)
2	221647	1	SUBSCRIPTION, Elevate telematics - Engage (12 months)
3	221348	1	SUBSCRIPTION, Elevate telematics - Engage + Access (12 months)
4	221154	1	SUBSCRIPTION, Elevate telematics - Monitoring (36 months)
5	221650	1	SUBSCRIPTION, Elevate telematics - Engage (36 months)
6	221651	1	SUBSCRIPTION, Elevate telematics - Engage + Access (36 months)
7	221155	1	SUBSCRIPTION, Elevate telematics - Monitoring (60 months)
8	221654	1	SUBSCRIPTION, Elevate telematics - Engage (60 months)
9	221655	1	SUBSCRIPTION, Elevate telematics - Engage + Access (60 months)



---

## Section 10 – Labels

**10.1** *Label Kit*

**10.2** *Labels - Front and Back*

**10.3** *Labels - Engine Side*

**10.4** *Labels - Controls Side*

**10.5** *Labels - Controls Compartment*

**10.6** *Labels - Engine Compartment*

**10.7** *Labels - Fuel*

**10.8** *Labels - Platform*

## 10.1 Label Kit

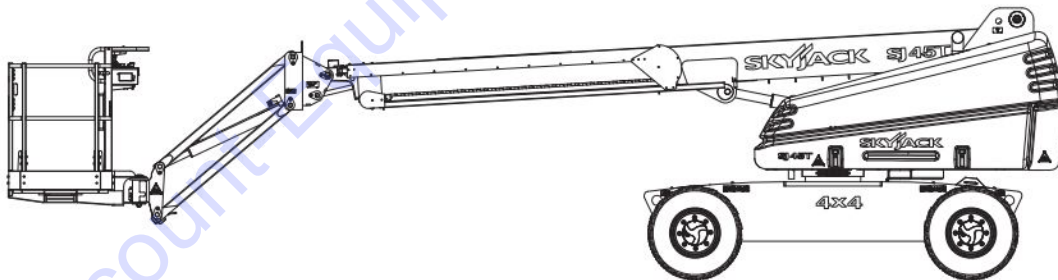
The following label kits contain all of the labels required for a complete standard machine, with the exception of:

- Serial number plates
- Engine- and fuel-specific labels
- Powerline clearance label for AS
- Platform capacity labels
- Safety tape

Contact Discount-equipment to order those labels individually.

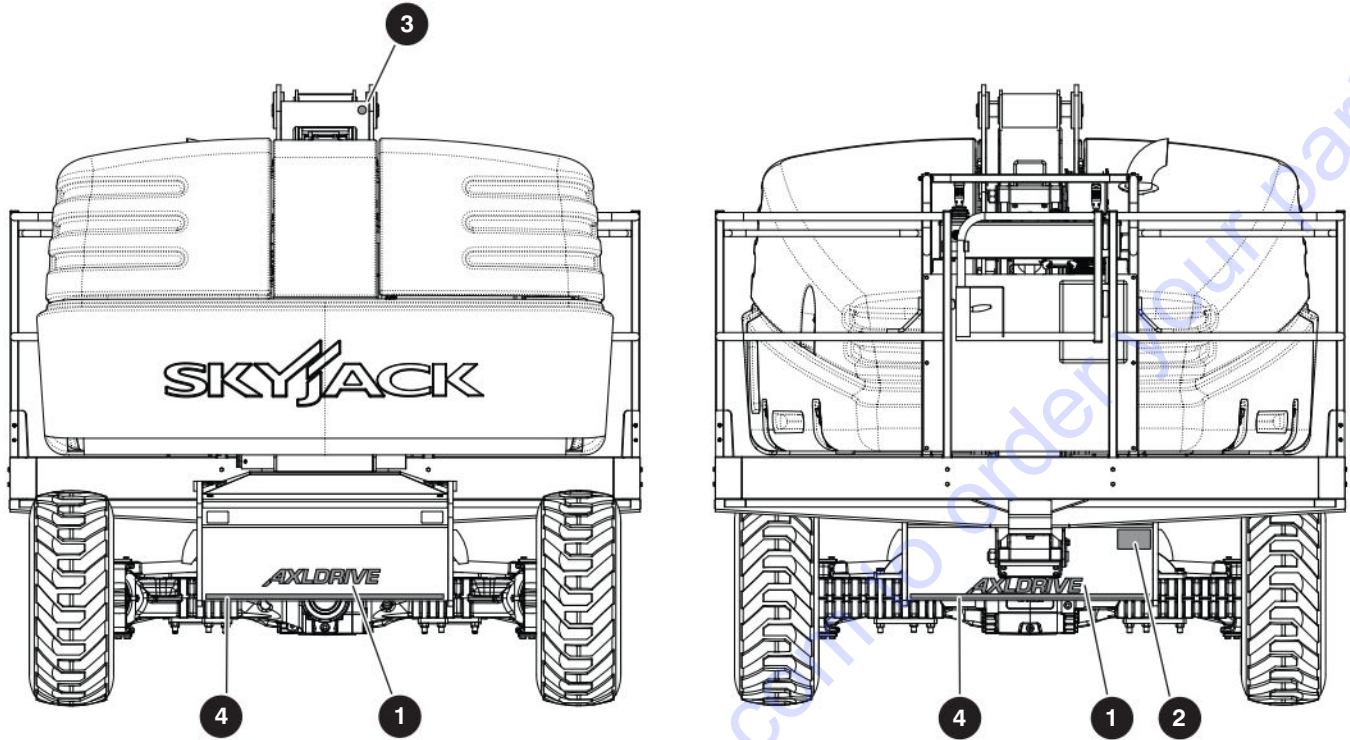
Supply the model number, country and language when ordering label kits.

Index No.	Skyjack Part No.	Qty.	Description
1	TBD	1	LABEL KIT - SJ40 T+ ANSI/CSA
	TBD	1	LABEL KIT - SJ45 T+ ANSI/CSA
	TBD	1	LABEL KIT - SJ45 T+CE
	TBD	1	LABEL KIT - SJ45 T+ AS



**SKYJACK**™

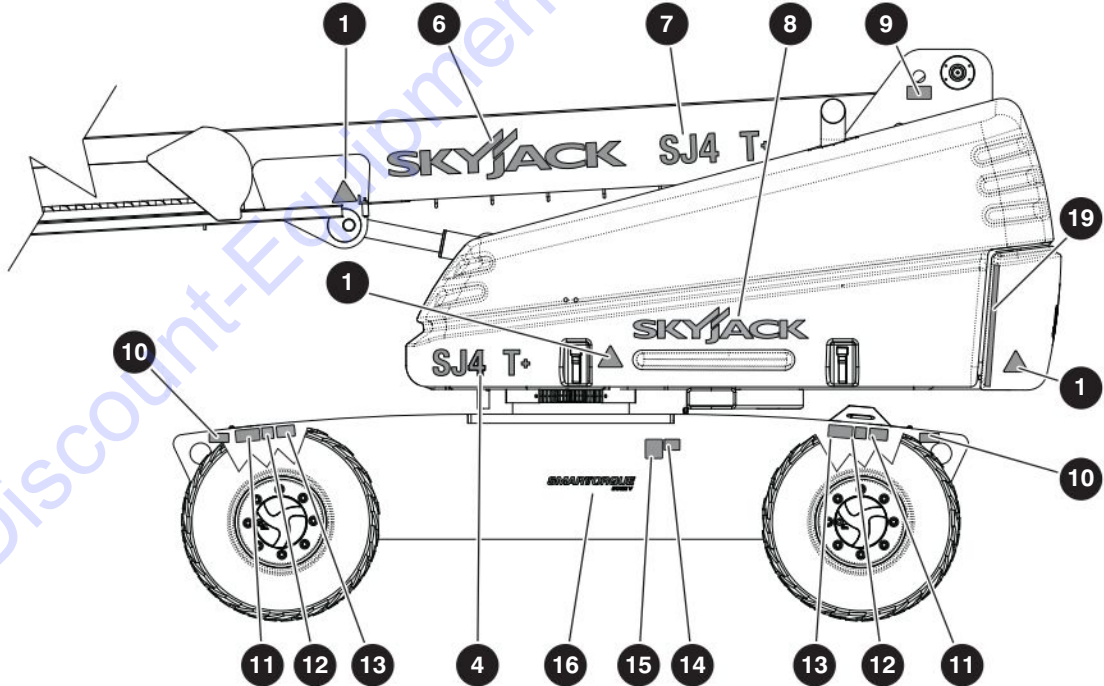
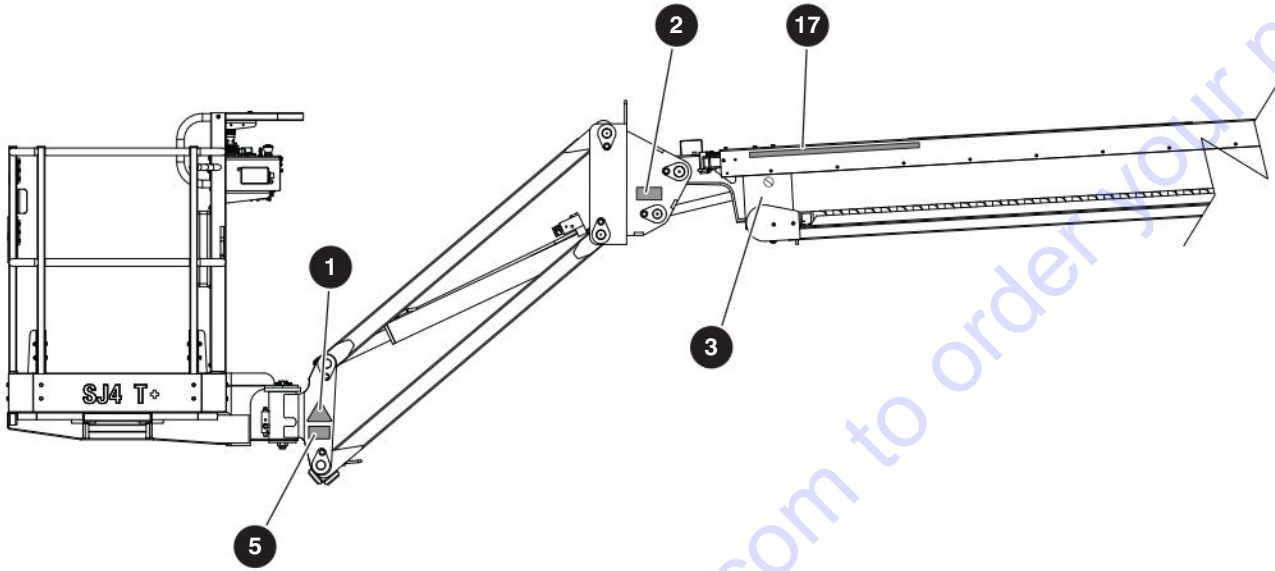
## 10.2 Labels - Front and Back



M173524AB\_FB

Index No.	Skyjack Part No.	Qty.	Description
1	173302	2	LABEL, Axle drive
2	(Ref.)	1	LABEL, Serial plate <i>(not included in kit, please consult Discount-equipment)</i>
3	156613	1	LABEL, Do not alter
4	119803	36"	TAPE, Caution - 1"

# 10.3 Labels - Engine Side



M173478AB\_M173841AB\_ES

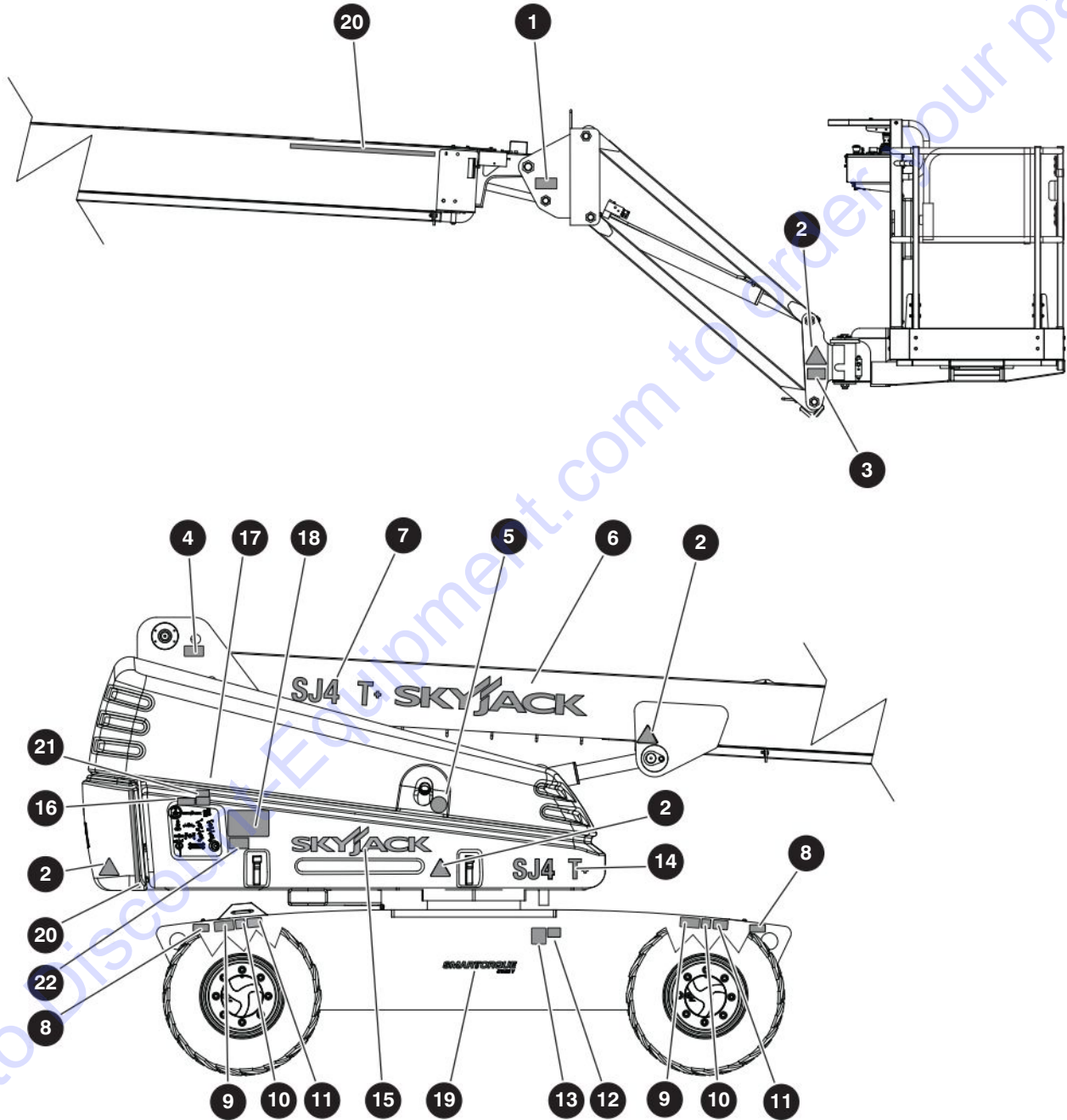
238270AAA

SJ40 T+, SJ45 T+

## 10.3 Labels - Engine Side

Index No.	Skyjack Part No.	Qty.	Description
1	223640	4	LABEL, Body crush
2	137988	1	LABEL, Crush/Pinch point
3	156613	1	LABEL, Do not alter
4	173244	1	LABEL, SJ40 T+
	173595	1	LABEL, SJ45 T+
5	147111	1	LABEL, Transportation tie down points - <b>CE &amp; AS</b>
6	164773	1	LABEL, Skyjack (51")
7	173425	1	LABEL, SJ40 T+
	173596	1	LABEL, SJ45 T+
8	158555	1	LABEL, Skyjack (29")
9	143688	1	LABEL, Lift point
10	137988	2	LABEL, Tie down/lift lugs
11	124631	2	LABEL, Wheel info
12	169502	2	LABEL, Wheel load 3450 kg/7600 lb - <b>SJ40 T+</b>
	169380	2	LABEL, Wheel load 3630 kg/8000 lb - <b>SJ45 T+</b>
13	173202	2	LABEL, Tip over hazard
14	117023	1	LABEL, "CE" mark - <b>CE</b>
15	173585	1	LABEL, Sound power level - 98 dB - <b>CE</b>
	128226	1	LABEL, Sound power level - 103 dB - <b>AS</b>
16	173303	1	LABEL, Smart Torque Stage V - <b>Deutz D2.2 engine</b>
17	119803	55"	TAPE, Caution - 1"

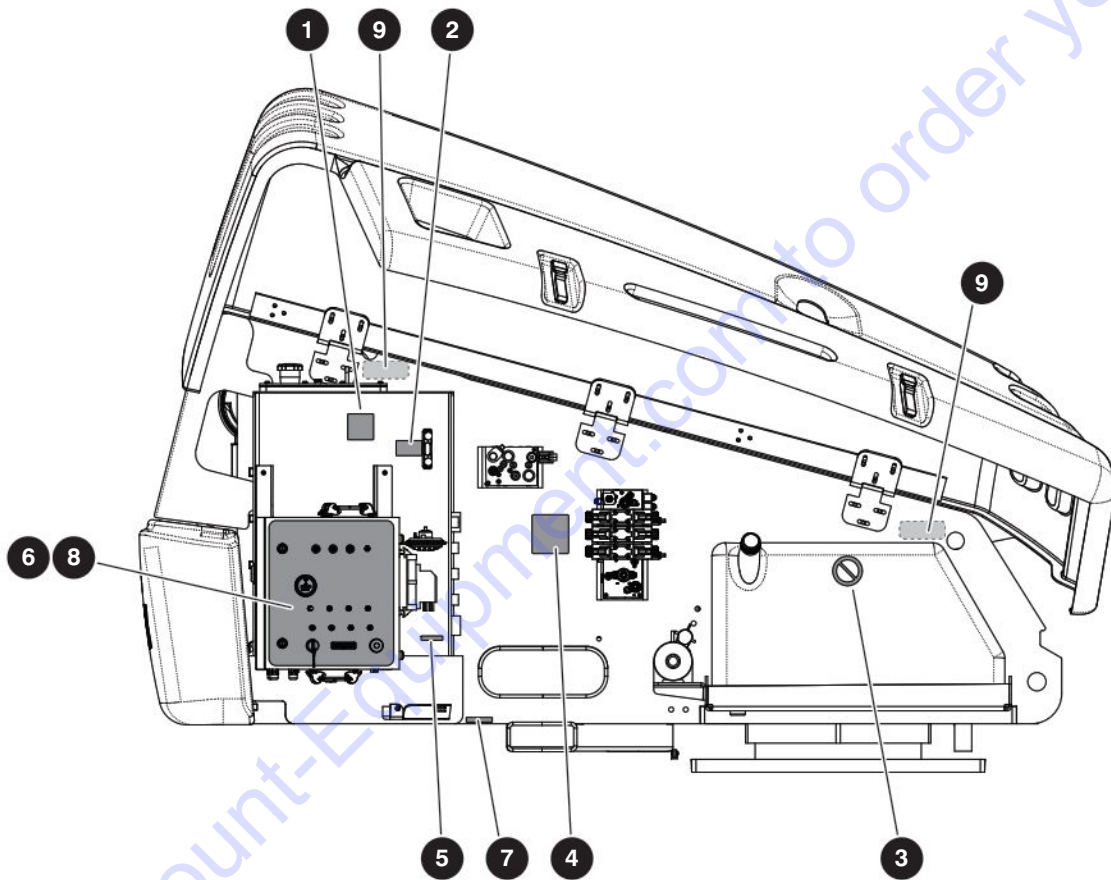
# 10.4 Labels - Controls Side



## 10.4 Labels - Controls Side

Index No.	Skyjack Part No.	Qty.	Description
1	137988	1	LABEL, Crush/Pinch point
2	223640	4	LABEL, Body crush
3	147111	1	LABEL, Transportation tie down points - <b>CE &amp; AS</b>
4	143688	1	LABEL, Lift point
5	138146	1	LABEL, No smoking
6	164773	1	LABEL, Skyjack (51")
7	173425	1	LABEL, SJ40 T+
	173596	1	LABEL, SJ45 T+
8	124767	2	LABEL, Tie down/lift lugs
9	124631	2	LABEL, Wheel info
10	169502	2	LABEL, Wheel load 3450 kg/7600 lb - <b>SJ40 T+</b> LABEL,
	169380	2	Wheel load 3630 kg/8000 lb - <b>SJ45 T+</b> LABEL, Tip over
11	173202	2	hazard
12	117023	1	LABEL, "CE" mark - <b>CE</b>
13	173585	1	LABEL, Sound power level - 98 dB - <b>CE</b>
	128226	1	LABEL, Sound power level - 103 dB - <b>AS</b> LABEL, SJ40 T
14	173244	1	+
	173595	1	LABEL, SJ45 T+
15	158555	1	LABEL, Skyjack (29")
16	172656	1	LABEL, Annual inspection
17	172939	1	LABEL, Emergency lowering at base controls LABEL,
18	161631	1	Power line clearance - <b>AS</b>
19	173303	1	LABEL, Smart Torque Stage V
20	119803	55"	TAPE, Caution - 1"
21	172695	1	LABEL, Annual inspection
22	(Ref.)	1	LABEL, QR code ( <b>consult Discount-equipment</b> )

## 10.5 Labels - Controls Compartment

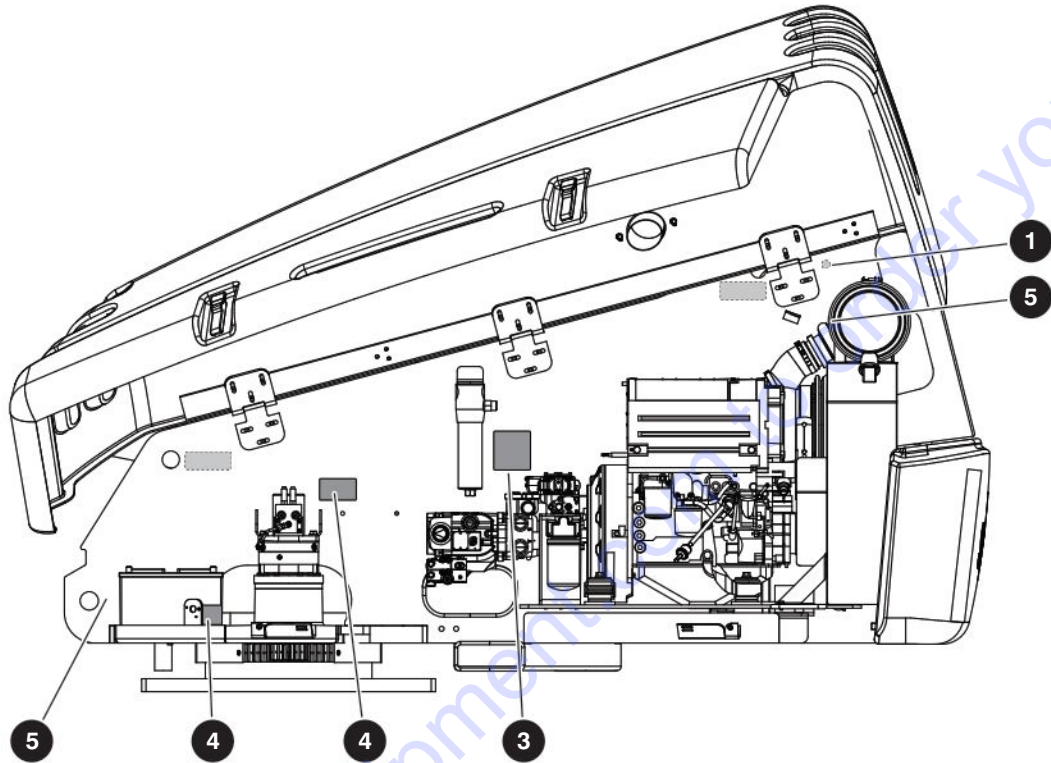




## 10.5 Labels - Controls Compartment

Index No.	Skyjack Part No.	Qty.	Description
1	143593	1	LABEL, Hydraulic oil - Tellus T46 - <b>Standard Oil</b>
	172427	1	LABEL, Hydraulic oil - Shell Naturelle Bio HF-E 46 - <b>Bio Oil</b>
	144633	1	LABEL, Hydraulic oil - Univis HVI - <b>Arctic Oil</b>
2	146016	1	LABEL, Hydraulic oil level (min/max)
3	138146	1	LABEL, No smoking
4	223638	1	LABEL, Caution winch/tow procedure
5	138211	1	LABEL, Connect AC supply
6	213584	1	LABEL, Base controls
7	172512	1	LABEL, Grease
8	218364	1	LABEL, Relays
	218431	1	LABEL, Relays - <b>Positive Air Shut-Off Option</b>
9	172680	2	LABEL, Maintenance support

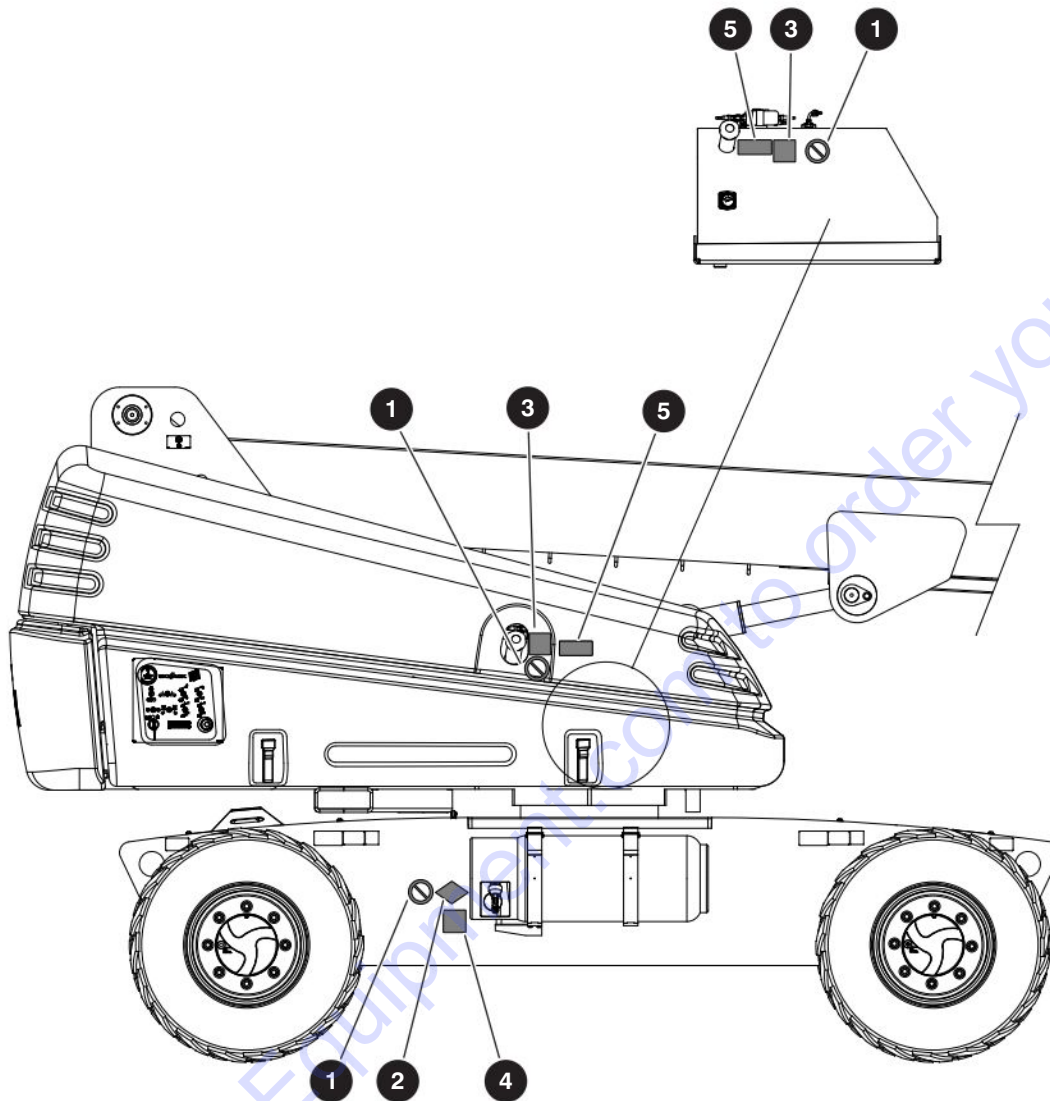
## 10.6 Labels - Engine Compartment



M173478AB\_EC

Index No.	Skyjack Part No.	Qty.	Description
1	156613	1	LABEL, Do not alter
2	119803	19"	LABEL, Caution tape - <b>CE &amp; AS</b>
3	223638	1	LABEL, Caution winch/tow procedure
4	119674	1	LABEL, Battery disconnect switch
5	172680	2	LABEL, Maintenance support
6	(Ref.)	1	LABEL, QR code ( <b>consult Discount-equipment</b> )

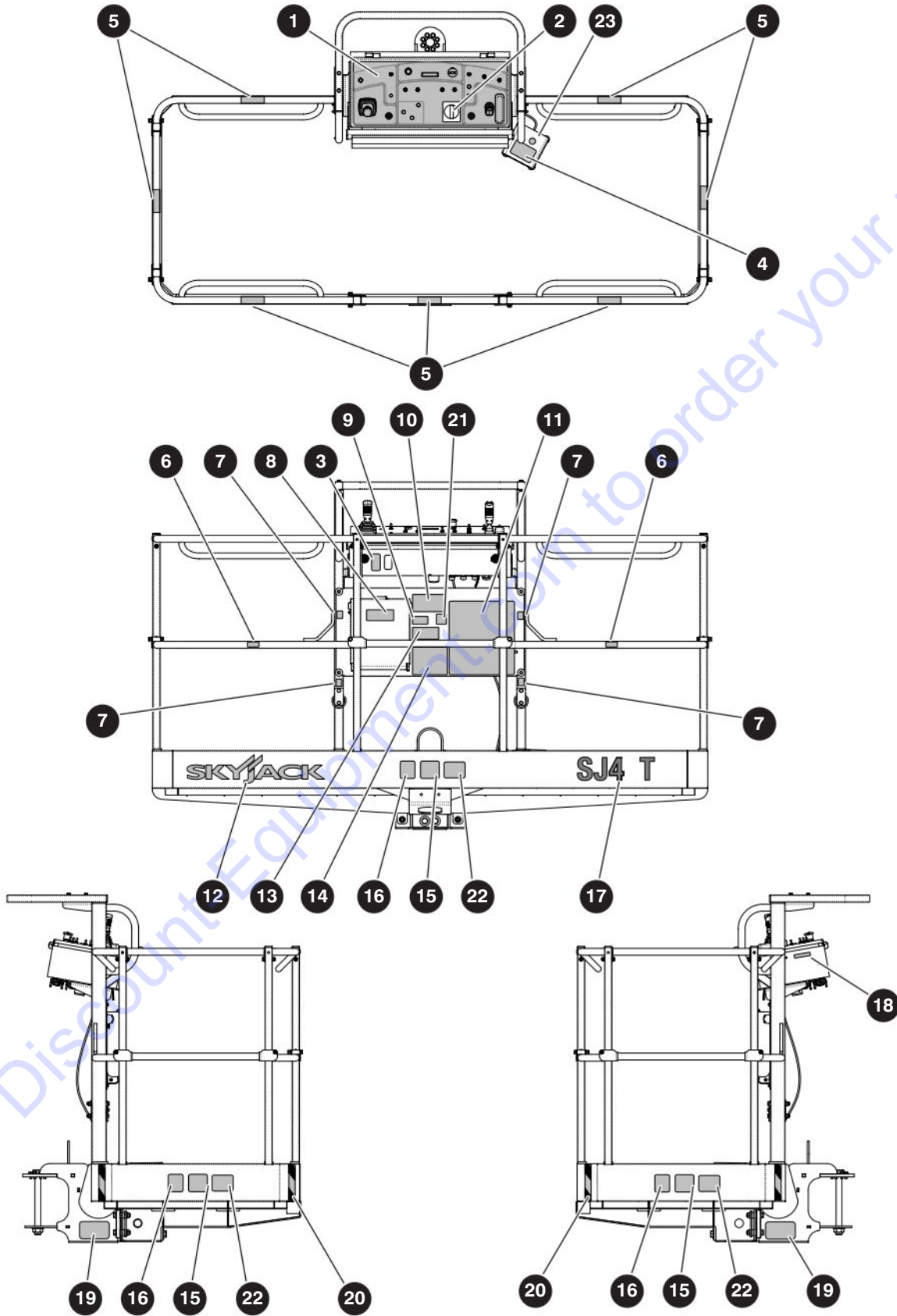
## 10.7 Labels - Fuel



M144401AB

Index No.	Skyjack Part No.	Qty.	Description
1	138146	1	LABEL, No smoking - <b>Deutz</b>
	138146	2	LABEL, No smoking - <b>Kubota Single tank</b>
	138146	3	LABEL, No smoking - <b>Kubota Double tank</b>
2	120390	1	LABEL, Propane Pictorial - <b>Kubota Single tank</b>
	120390	2	LABEL, Propane Pictorial - <b>Kubota Double tank</b>
3	102962	2	LABEL, Low or ultra low sulfur diesel fuel only - <b>Deutz D2011</b>
	162852	2	LABEL, Ultra low sulfur diesel fuel only - <b>Deutz D2.9L &amp; D2.2</b>
	132400	2	LABEL, Unleaded fuel only - <b>Kubota</b>
4	103023	1	LABEL, LPG fuel - <b>Kubota</b>
5	168457	2	LABEL, Open fuel cap slowly - <b>Kubota</b>

# 10.8 Labels - Platform



## 10.8 Labels - Platform

Index No.	Skyjack Part No.	Qty.	Description
1	231420	1	LABEL, Platform control box - <b>ANSI/CSA</b>
	213590	1	LABEL, Platform control box - <b>CE &amp; AS</b>
2	142428	1	LABEL, Boom rotary pot
3	231398	1	LABEL, Override switch glazier
4	143638	1	LABEL, Footswitch enable
5	137988	6	LABEL, Crush/pinch point
6	115543	7	LABEL, Warning - no step
7	172639	4	LABEL, Harness anchorage - <b>ANSI/CSA, AS</b>
	172640	4	LABEL, Harness anchorage - <b>CE</b>
8	123628	1	LABEL, Manual box
9	173081	1	LABEL, California proposition 65 - <b>ANSI/CSA</b>
10	173606	4	LABEL, Capacity - dual (1000/750/600) - <b>SJ 40 T+</b>
	173604	4	LABEL, Capacity - dual (1000/660/600) - <b>SJ 45 T+</b>
11	173192	1	LABEL, Warning - hazards
12	158554	1	LABEL, Skyjack logo (20")
13	147043	1	LABEL, "Click it!"
14	161631	1	LABEL, Clearance power lines - <b>AS</b>
15	124362	3	LABEL, Warning - do not wear jewelry
16	159513	3	LABEL, Daily maintenance checklist
17	173422	1	LABEL, "SJ40 T+" (17")
	173595	1	LABEL, "SJ45 T+" (17")
18	138211	1	LABEL, Conneect AC supply
19	147111	2	LABEL, Tie down points transportation
20	119803	26"	LABEL, Safety tape (1" wide)
21	173202	1	LABEL, Tip over hazard
22	172693	3	LABEL, Non-insulated
23	156613	1	LABEL, Do not alter

# PARTS FINDER

**Search Website  
by Part Number**



**Search Manual  
Library For Parts  
Manual & Lookup Part  
Numbers – Purchase  
or Request Quote**

**Search Manuals**

Enter your information to help us find the right parts manual for your machine.

\* Brand:

\* Model:

\* Serial:

\* Part Number:

SEARCH

**Can't Find Part or  
Manual? Request Help  
by Manufacturer,  
Model & Description**

**Parts Order Form**

Please fill in the following information to help us find the right part for your machine.

Manufacturer:	<input type="text"/>
Model:	<input type="text"/>
Description:	<input type="text"/>
Part Number:	<input type="text"/>
Quantity:	<input type="text"/>
Notes:	<input type="text"/>

Submit

Discount-Equipment.com is your online resource for quality parts & equipment.

Florida: **561-964-4949** Outside Florida TOLL FREE: **877-690-3101**

**Need parts?**

Click on this link: <http://www.discount-equipment.com/category/5443-parts/> and choose one of the options to help get the right parts and equipment you are looking for. Please have the machine model and serial number available in order to help us get you the correct parts. If you don't find the part on the website or on one of the online manuals, please fill out the request form and one of our experienced staff members will get back to you with a quote for the right part that your machine needs.

We sell worldwide for the brands: Genie, Terex, JLG, MultiQuip, Mikasa, Essick, Whiteman, Mayco, Toro Stone, Diamond Products, Generac Magnum, Airman, Haulotte, Barreto, Power Blanket, Nifty Lift, Atlas Copco, Chicago Pneumatic, Allmand, Miller Curber, Skyjack, Lull, Skytrak, Tsurumi, Husquvarna Target, Stow, Wacker, Sakai, Mi-T-M, Sullair, Basic, Dynapac, MBW, Weber, Bartell, Bennar Newman, Haulotte, Ditch Runner, Menegotti, Morrison, Contec, Buddy, Crown, Edco, Wyco, Bomag, Laymor, EZ Trench, Bil-Jax, F.S. Curtis, Gehl Pavers, Heli, Honda, ICS/PowerGrit, IHI, Partner, Imer, Clipper, MMD, Koshin, Rice, CH&E, General Equipment, Amida, Coleman, NAC, Gradall, Square Shooter, Kent, Stanley, Tamco, Toku, Hatz, Kohler, Robin, Wisconsin, Northrock, Oztec, Toker TK, Rol-Air, APT, Wylie, Ingersoll Rand / Doosan, Innovatech, Con X, Ammann, Mecalac, Makinex, Smith Surface Prep, Small Line, Wanco, Yanmar