

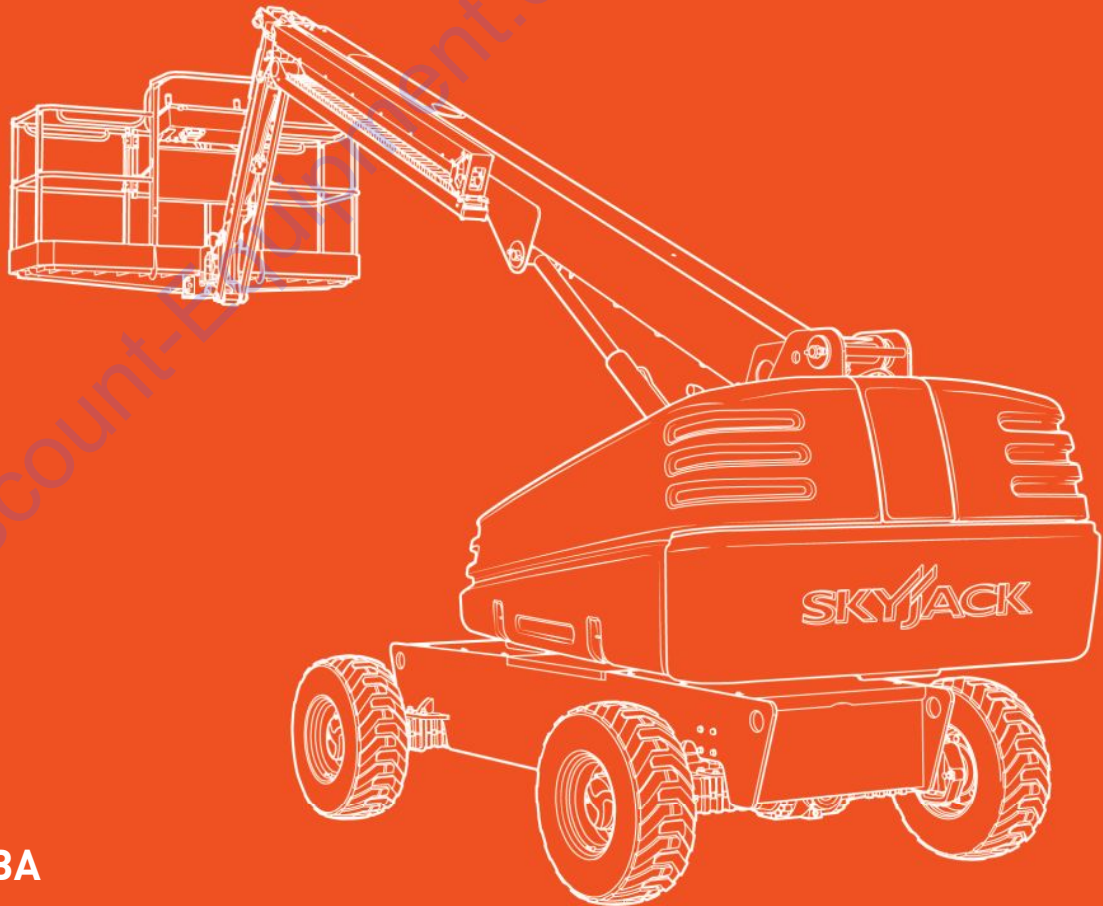


SKYJACK

PARTS MANUAL

SJ40 T+, SJ45 T+

TELESCOPIC BOOMS



229031ABA

August 2020
ANSI/CSA, CE, AS

PARTS FINDER

**Search Website
by Part Number**



**Search Manual
Library For Parts
Manual & Lookup Part
Numbers – Purchase
or Request Quote**

Search Manuals

Enter your information to help us find the right parts manual for your machine.

* Brand:

* Model:

* Serial:

* Part Number:

SEARCH

**Can't Find Part or
Manual? Request Help
by Manufacturer,
Model & Description**

Parts Order Form

Please fill in the following information to help us find the right part for your machine.

Manufacturer:	<input type="text"/>
Model:	<input type="text"/>
Description:	<input type="text"/>
Part Number:	<input type="text"/>
Quantity:	<input type="text"/>
Notes:	<input type="text"/>

Submit

Discount-Equipment.com is your online resource for quality parts & equipment.

Florida: **561-964-4949** Outside Florida TOLL FREE: **877-690-3101**

Need parts?

Click on this link: <http://www.discount-equipment.com/category/5443-parts/> and choose one of the options to help get the right parts and equipment you are looking for. Please have the machine model and serial number available in order to help us get you the correct parts. If you don't find the part on the website or on one of the online manuals, please fill out the request form and one of our experienced staff members will get back to you with a quote for the right part that your machine needs.

We sell worldwide for the brands: Genie, Terex, JLG, MultiQuip, Mikasa, Essick, Whiteman, Mayco, Toro Stone, Diamond Products, Generac Magnum, Airman, Haulotte, Barreto, Power Blanket, Nifty Lift, Atlas Copco, Chicago Pneumatic, Allmand, Miller Curber, Skyjack, Lull, Skytrak, Tsurumi, Husquvarna Target, Stow, Wacker, Sakai, Mi-T-M, Sullair, Basic, Dynapac, MBW, Weber, Bartell, Bennar Newman, Haulotte, Ditch Runner, Menegotti, Morrison, Contec, Buddy, Crown, Edco, Wyco, Bomag, Laymor, EZ Trench, Bil-Jax, F.S. Curtis, Gehl Pavers, Heli, Honda, ICS/PowerGrit, IHI, Partner, Imer, Clipper, MMD, Koshin, Rice, CH&E, General Equipment, Amida, Coleman, NAC, Gradall, Square Shooter, Kent, Stanley, Tamco, Toku, Hatz, Kohler, Robin, Wisconsin, Northrock, Oztec, Toker TK, Rol-Air, APT, Wylie, Ingersoll Rand / Doosan, Innovatech, Con X, Ammann, Mecalac, Makinex, Smith Surface Prep, Small Line, Wanco, Yanmar

This manual is for MEWPs with serial numbers:

SJ40 T+ & SJ45 T+: A400 000 001 - A400 999 999

Please refer to the website (www.discount-equipment.com)
for contact information, other serial numbers, the most
recent technical manuals, and USB software.

Go to Discount-Equipment.com to order your parts

Table of Contents

Foreword	7
General.....	7
Parts Ordering Information.....	7
Method of Listing.....	7
Quantities.....	7
How To Order Repair Parts.....	7
Recommended Service Parts.....	8
Section 1 – Platform	11
1.1 Platform with Drop Bars.....	12
1.2 Platform with Swing Gate.....	14
1.3 Railings.....	16
1.4 Platform Base.....	18
1.5 Drop Bar Gate.....	20
1.6 Swing Gate.....	22
1.7 Platform Control Box.....	24
1.8 Boom / Turret Controller.....	28
1.9 Drive / Steer Controller.....	30
1.10 Platform Terminal Strip.....	32
1.11 Footswitch.....	33
1.12 Power to Platform - Outlet and Plugs - CE.....	34
1.13 Outlet - 110/220V.....	36
Section 2 – Boom	37
2.1 Boom.....	38
2.2 Cable Track.....	40
2.3 Limit Switches.....	42
2.4 Jib Lift / Platform Rotate Valve.....	44
2.5 Jib - SJ45 T+.....	46
2.6 Rotary Actuator Mount - SJ40 T+.....	48
2.7 Rotary Actuator.....	49
2.8 Extension Cylinder Support.....	50
Section 3 – Cylinders	51
3.1 Lift Cylinder.....	52
3.2 Extension Cylinder.....	54
3.3 Master Cylinder.....	56
3.4 Slave Cylinder.....	57

3.5	Jib Cylinder	58
3.6	Axle Lock Cylinder.....	59
Section 4 – Turret		61
4.1	Turret	62
4.2	Cowling - Engine Side	64
4.3	Cowling - Controls Side	66
4.4	Cowling - Centre	68
4.5	Counterweight	69
4.6	Lift Cylinder Bracket	70
4.7	High Pressure Filter.....	71
4.8	Swing Drive	72
4.9	Auxiliary Pump.....	73
4.10	Manifold Hardware	74
4.11	Main Manifold	76
4.12	Brake Manifold.....	80
4.13	Rotary Manifold	82
4.14	Hydraulic Tank	84
4.15	Fuel Tank - Kubota.....	86
4.16	Fuel Tank - Deutz	88
4.17	Battery	90
4.18	Base Control Box.....	92
4.19	Mircro Relay Mount - Deutz	96
4.20	Base Terminal Strip	97
Section 5 – Electrical Harnesses		99
5.1	Main Electrical Harness	100
5.2	Interface Harness	102
5.3	Battery Cables	104
5.4	Control Cables.....	106
5.5	Jib and Platform Rotate Harnesses	107
5.6	ECU Harnesses	108
5.7	Glow Plug Harness - Deutz D2.9L.....	109
5.8	Glow Plug Harness - Deutz D2.2.....	110
5.9	Glow Plug Harness - Deutz D2011	111
5.10	Engine Interface Harness - Deutz D2.9L	112
5.11	Engine Interface Harness - Deutz D2.2	114
5.12	Engine Interface Harness - Kubota WG2503	116
5.13	Differential Lock Valve Harness	118
Section 6 – Base.....		119
6.1	Base	120
6.2	Front Axle.....	122
6.3	Central Housing - Front Axle.....	124

6.4	Differential - Front Axle	126
6.5	Hub Reduction - Front Axle	128
6.6	Steering - Front Axle	132
6.7	Trunnion - Front Axle	133
6.8	Rear Axle	134
6.9	Central Housing - Rear Axle	136
6.10	Differential - Rear Axle	138
6.11	Hub Reduction - Rear Axle	142
6.12	Brakes - Rear Axle	144
6.13	Gear Box	146
6.14	Propane Tanks	148
6.15	Tires	150
Section 7 – Engines		151
7.1	Deutz D2.9L Engine	152
7.2	Radiator - Deutz D2.9L	156
7.3	Air Intake - Deutz D2.9L	158
7.4	Deutz D2.2 Engine	160
7.5	Radiator - Deutz D2.2	164
7.6	Air Intake - Deutz D2.2	166
7.7	Deutz D2011 Engine	168
7.8	Kubota WG2503 Engine	170
7.9	Kubota WG2503 Engine Accessories	172
7.10	Radiator & Air Intake - Kubota WG2503	176
7.11	Drive & System Pumps	180
7.12	Engine Coupling - Deutz	182
7.13	Engine Coupling - Kubota WG2503	183
Section 8 – Hose Connections		185
8.1	Standard Hose Numbering System	186
8.2	Hydraulic Hoses - Boom	188
8.3	Hydraulic Hoses - Control Compartment	190
8.4	Hydraulic Hoses - Engine Compartment	192
8.5	Hydraulic Hoses - Base & Axles	194
8.6	Fuel Lines - Deutz D2.9L & D2.2 Engines	196
8.7	Fuel Lines - Deutz D2011 Engine	198
8.8	Fuel Lines - Kubota WG2503	200
8.9	Propane Lines - Kubota WG2503	202
8.10	Grease Line	204
Section 9 – Optional Equipment		207
9.1	Air Hose To Platform	208
9.2	Flashing Amber Light	209
9.3	Generator and Oil Cooler - 3.5 kW	210

9.4	Oil Cooler	212
9.5	Generator - 3.5 kW	213
9.6	Generator and Oil Cooler Wiring	214
9.7	Generator and Oil Cooler Hoses - 3.5 kW	216
9.8	Generator and Oil Cooler - 7.5 kW	218
9.9	Generator and Oil Cooler - 12 kW	220
9.10	Generator - 12 kW	222
9.11	Generator and Oil Cooler Hoses - 12 kW	224
9.12	Welder and Mount	226
9.13	Cold Start	230
9.14	Arctic Package	231
9.15	Cold and Arctic Load Circuit - Deutz D2.9L	232
9.16	Block Heater	234
9.17	Oil Quick Drain	235
9.18	Diesel Scrubber - Deutz D2011	236
9.19	External Railing	237
9.20	Glazier Rack	238
9.21	SGE - Secondary Guarding	240
9.22	Control Box Cover	242
9.23	Positive Air Shut-off	244
9.24	Work Lights	246
9.25	Tool Caddy	248
9.26	Half-Height Platform Mesh	250
9.27	Elevate Telematics	254
9.28	Elevate Telematics Subscription	256
9.29	Pipe Rack	257
Section 10 – Labels		259
10.1	Label Kit	260
10.2	Labels - Front and Back	261
10.3	Labels - Engine Side	262
10.4	Labels - Controls Side	264
10.5	Labels - Controls Compartment	266
10.6	Labels - Engine Compartment	268
10.7	Labels - Fuel	269
10.8	Labels - Platform	270

Foreword

General

The information contained in this manual is designed to aid the user in locating and identifying replacement parts. Component parts of various assemblies and subassemblies comprising the work platform are illustrated and accompanied by a descriptive parts list. Exploded drawings are used to show relative location of component parts in disassembly order. If a part cannot be found in this manual, contact Discount-equipment for assistance.

Parts Ordering Information

When ordering replacement parts, the complete part number and description should be used to ensure proper identification and delivery of the desired item. This complete identification should also be used when requesting equipment information.

Method of Listing

Parts are listed in order according to the reference number shown in the illustration, followed by a full description based upon the "NOUN FIRST" method. That is, the noun name of the part is listed first, then the modifying description information which serves to specifically identify the item. For example: PIN, Clevis.

Assemblies at the beginning of a parts list may be identified with a reference letter: A, B, C, etc. These letters are used to identify different configurations of the assembly. Individual parts in these lists have corresponding letters after their description to identify which assembly it is used in. If a part does not have a reference letter, it is used in all of the assemblies.

Bullets (•) are used to show the assembly structure, or parent/child relationship. A part listed at the beginning of the parts list without a bullet before the description is the main assembly, and all of the parts below it with one bullet are the subcomponent parts of that assembly. Two bullets denote a subcomponent of a subcomponent, etc.

Example:

Main Assembly A

- Part 1 (subcomponent of Main Assembly A)
- Part 2 (subcomponent of Main Assembly A)
- • Part 3 (subcomponent of Part 2)

Quantities

The quantities required to complete the assembly are given for each part. If the quantity is (AR), it is understood that the quantity may vary when the machine is equipped with certain options. Order quantity as needed.

How To Order Repair Parts

1. Address all orders to Discount-equipment.
2. Specify model and serial number of the work platform (found on the serial number plate).
3. List the quantity needed.
4. List the length needed (if it is a bulk item).
5. List the part number and description as shown in this manual for each item.
6. Show the billing and shipping address and the name of the individual, if possible.
7. Suggest the best routing.

Customer: _____

Dealer: _____

Model Number: _____

Serial Number: _____

Date Purchased: _____

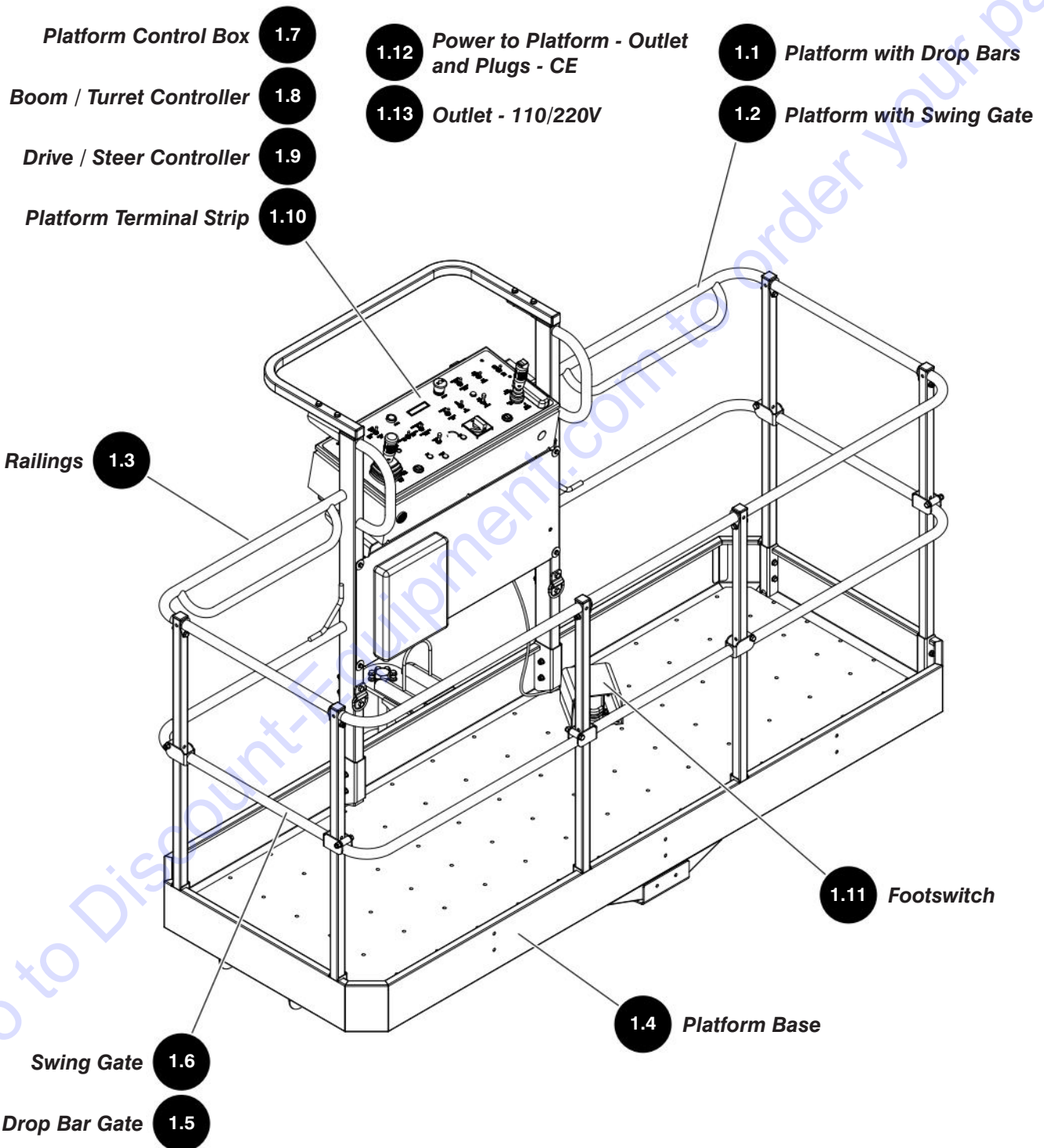
Recommended Service Parts

Description	Year 1 Qty	Year 2 Qty	Year 3 Qty	Skyjack Part No.
Engine - Deutz D2.9L				
FILTER, Oil - Deutz TD2.9L	2	2	2	147072
FILTER, Fuel pre-filter - Deutz TD2.9L	2	2	2	164772
FILTER, Fuel - Deutz TD2.9L	2	2	2	164771
ELEMENT, Air cleaner - primary	2	2	2	165947
ELEMENT, Air cleaner - secondary	1	1	1	165948
THERMOSTAT, Deutz TD2.9L	0	0	1	166699
HOSE, Radiator return - Deutz TD2.9L	0	0	1	170951
HOSE, Radiator upper - Deutz TD2.9L	0	0	1	170934
HOSE, Radiator lower - Deutz TD2.9L	0	0	1	170935
BELT, Alternator/water pump - Deutz TD2.9L	0	0	1	166694
PUMP, Fuel - Deutz TD2.9L	0	0	1	164770
STARTER, Deutz TD2.9	0	0	1	166692
ALTERNATOR, Deutz TD2.9	0	0	1	166693
Engine - Deutz D2011				
FILTER, Oil, Deutz D2011	2	2	2	147072
FILTER, Fuel, Deutz D2011	2	2	2	147071
ELEMENT, Air cleaner - primary, Deutz D2011	2	2	2	165947
ELEMENT, Air cleaner - secondary, Deutz D2011	1	1	1	165948
BELT, Alternator - Deutz D2011	0	0	1	127189
PUMP, Fuel - Deutz D2011	0	0	1	127181
STARTER, Deutz D2011	0	0	1	204249
Engine - Kubota WG2503				
FILTER, Oil, Kubota	2	2	2	194642
FILTER, Fuel pre-filter - Kubota	2	2	2	136118
ELEMENT, Air cleaner - primary	2	2	2	165947
ELEMENT, Air cleaner - secondary	1	1	1	165948
THERMOSTAT, Kubota	0	0	1	194663
HOSE, Radiator upper - Kubota	0	0	1	194636
HOSE, Radiator lower - Kubota	0	0	1	194635
BELT, Fan - Kubota	0	0	1	194666
PUMP, Fuel - Kubota	1	1	1	164881
STARTER, Kubota	0	0	1	194656
ALTERNATOR, Kubota	0	0	1	194657
SPARK PLUG, Kubota	0	0	1	194658

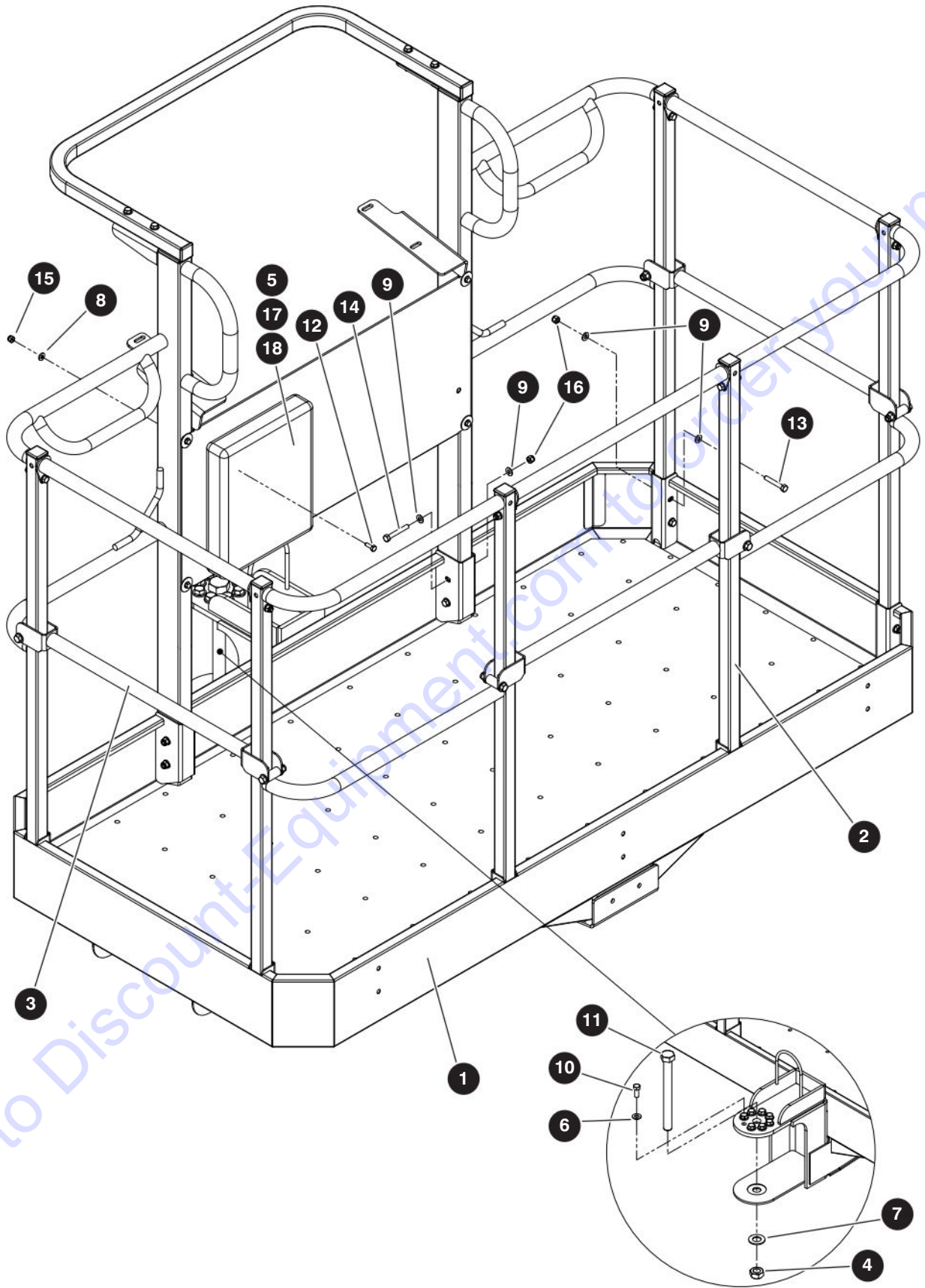
Recommended Service Parts

Description	Year 1 Qty	Year 2 Qty	Year 3 Qty	Skyjack Part No.
REGULATOR, Propane	0	0	1	164887
VALVE, Lockoff - Kubota	0	0	1	164889
REGULATOR (EPR), Kubota	0	0	1	194699
MIXER, Kubota	0	0	1	194698
Electrical				
BATTERY	2	2	2	144676
RELAY, Micro	5	5	5	931298
SOCKET, Micro relay	1	1	1	218997
SWITCH, Toggle	2	2	2	102853
SWITCH, Toggle	1	1	1	148988
SWITCH, Toggle	1	1	1	138278
SWITCH, Toggle	1	1	1	115747
BLOCK, N.C. Contact (red plunger, key switch and e-stop)	1	1	1	147053
BLOCK, N.O. Contact (black plunger, key switch)	1	1	1	166141
BLOCK, N.C. Contact (yellow plunger, key switch)	1	1	1	166142
SWITCH, Limit - boom lift	0	1	1	199408
SWITCH, Limit - boom extension	0	1	1	207016
SWITCH, Limit - direction sensing	0	1	1	199408
COIL, Valve	0	1	1	159819
COIL, Valve	0	1	1	159820
COIL, Valve	0	1	1	166127
KIT, Drive/steer joystick handle	0	1	1	141338
Hydraulic				
ELEMENT, High pressure filter - hydraulic	1	1	1	161947
ELEMENT, Return filter - hydraulic	2	2	2	161948
SEAL KIT, Extend cylinder	0	0	1	TBD
SEAL KIT, Lift cylinder	0	0	1	TBD
SEAL KIT, Master cylinder	0	0	1	TBD
SEAL KIT, Slave cylinder	0	0	1	TBD
SEAL KIT, Jib cylinder	0	0	1	169208
SEAL KIT, Axle lockout cylinder	0	0	1	154557
SEAL KIT, Rotary actuator	0	0	1	TBD
SEAL KIT, Steer cylinder	0	0	1	169242

Section 1 – Platform



1.1 Platform with Drop Bars



M165145AC

229031ABA

12

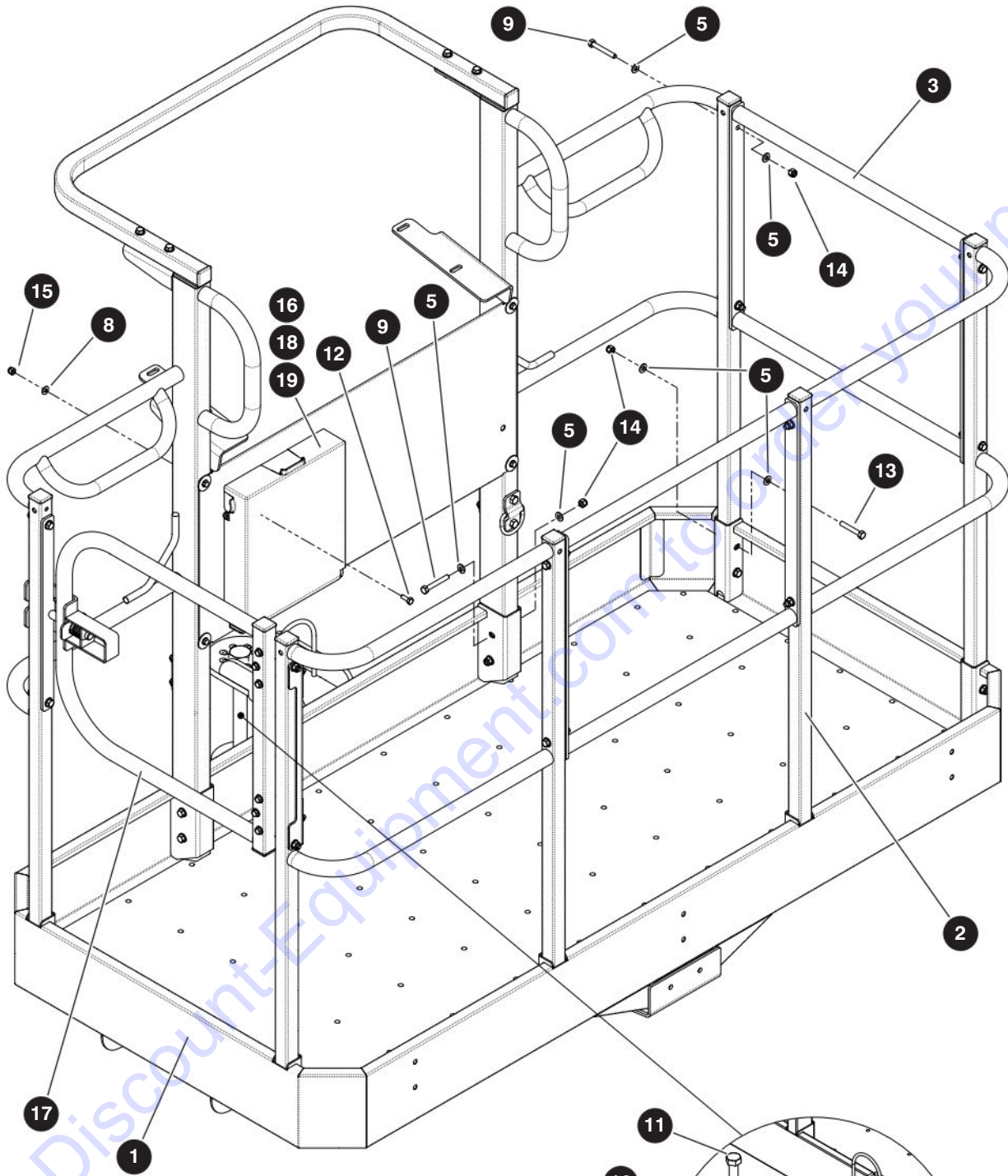
SJ40 T+, SJ45 T+

SKYJACK

1.1 Platform with Drop Bars

Index No.	Skyjack Part No.	Qty.	Description
A	218720	1	PLATFORM - 8' with Drop Bars
B	218722	1	PLATFORM - 6' with Drop Bars
1	(Ref.)	1	<ul style="list-style-type: none"> PLATFORM BASE (For components, refer to 1.4 Platform Base)
2	(Ref.)	1	<ul style="list-style-type: none"> RAILINGS (For components, refer to 1.3 Railings)
3	(Ref.)	1	<ul style="list-style-type: none"> DROP BAR GATE (For components, refer to 1.5 Drop Bar Gate)
4	138559	1	<ul style="list-style-type: none"> NUT, Torque lock (1-8 gr C)
5	198789	1	<ul style="list-style-type: none"> BOX, Manual
6	125959	8	<ul style="list-style-type: none"> WASHER, Flat (3/8" hard)
7	102646	1	<ul style="list-style-type: none"> WASHER, Flat (1.00" SAE)
8	103995	4	<ul style="list-style-type: none"> WASHER, Flat (1/4")
9	103996	32	<ul style="list-style-type: none"> WASHER, Flat (0.312")
10	139193	8	<ul style="list-style-type: none"> BOLT, Hex head patch (3/8"-16 x 7/8" gr 8)
11	138696	1	<ul style="list-style-type: none"> BOLT, Hex head (1.0"-8 x 11/2" gr 8)
12	103856	4	<ul style="list-style-type: none"> BOLT, Hex head (1/4"-20 x 3/4" gr 5)
13	103865	12	<ul style="list-style-type: none"> BOLT, Hex head (0.312"-18 x 2.00" gr 5)
14	103866	4	<ul style="list-style-type: none"> BOLT, Hex head (0.312"-18 x 2.25" gr 5)
15	115649	4	<ul style="list-style-type: none"> NUT, Lock (1/4"-20 gr 5 nylon)
16	103984	16	<ul style="list-style-type: none"> NUT, Lock (0.313"-18 gr 5 nylon)
17	207981	1	<ul style="list-style-type: none"> BAG, Resealable (12" x 9")
18	114710	1	<ul style="list-style-type: none"> KEY RING, Skyjack
19	173200	1	MANUAL OF RESPONSIBILITIES (not shown) - ANSI/CSA

1.2 Platform with Swing Gate



M198278AB

229031ABA

14

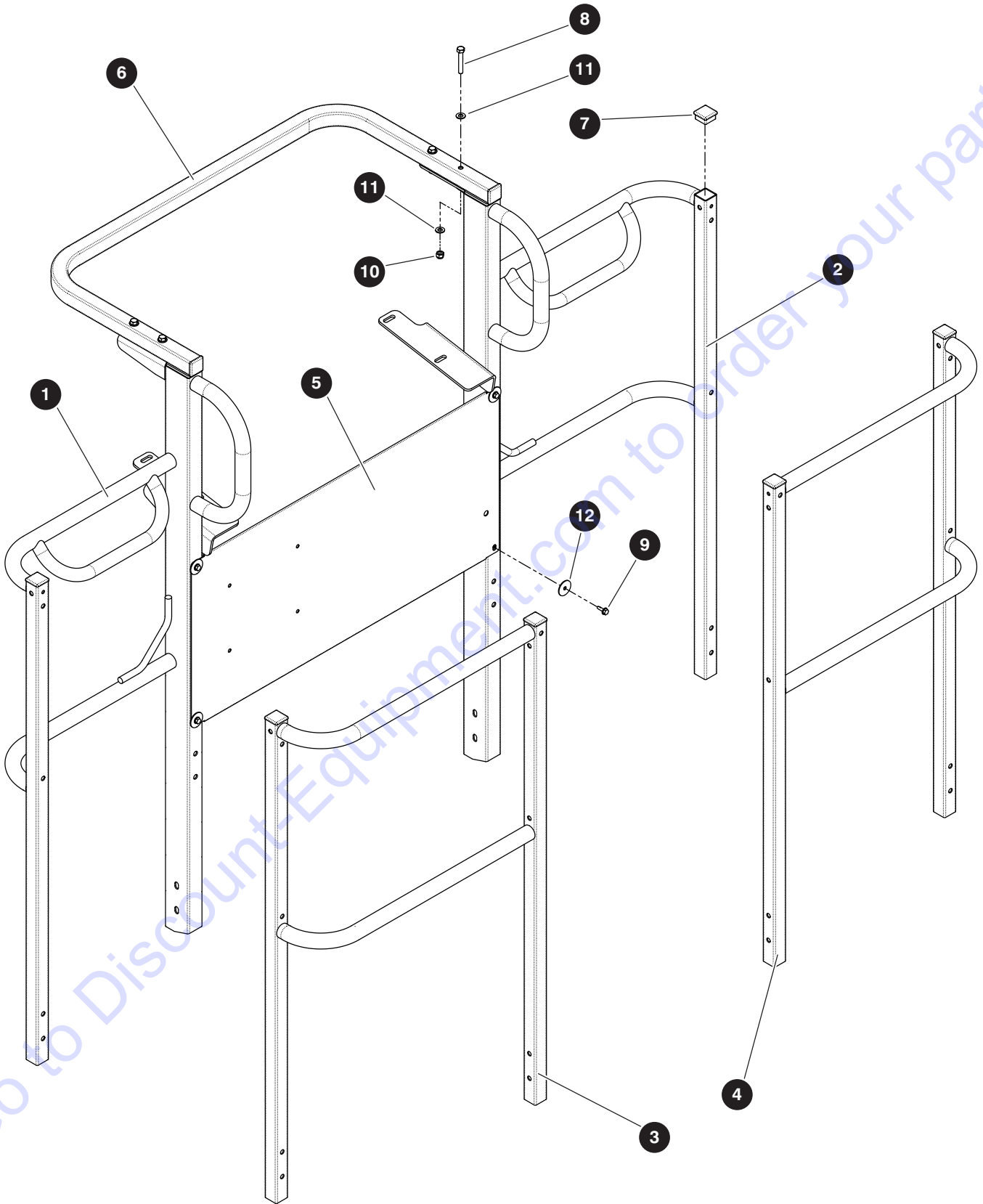
SJ40 T+, SJ45 T+

SKYJACK

1.2 Platform with Swing Gate

Index No.	Skyjack Part No.	Qty.	Description
A	218718	1	PLATFORM - 8' with Side Swing Gate
B	218719	1	PLATFORM - 6' with Side Swing Gate
C	218881	1	PLATFORM - 8' with Rear Swing Gate
D	218721	1	PLATFORM - 6' with Rear Swing Gate
1	(Ref.)	1	<ul style="list-style-type: none"> PLATFORM BASE (For components, refer to 1.4 Platform Base)
2	(Ref.)	1	<ul style="list-style-type: none"> RAILINGS (For components, refer to 1.3 Railings)
3	159456	2	<ul style="list-style-type: none"> RAILING EXTENSION (no gate)
4	138559	1	<ul style="list-style-type: none"> NUT, Torque (1-8 gr C)
5	103996	48	<ul style="list-style-type: none"> WASHER, Flat (0.312")
6	125959	8	<ul style="list-style-type: none"> WASHER, Flat (3/8" hard)
7	102646	1	<ul style="list-style-type: none"> WASHER, Flat (1.00" SAE)
8	103995	4	<ul style="list-style-type: none"> WASHER, Flat (1/4")
9	103866	12	<ul style="list-style-type: none"> BOLT, Hex head (0.312"-18 x 2.25" gr 5)
10	139193	8	<ul style="list-style-type: none"> BOLT, Hex head patch (3/8"-16 x 7/8" gr 8)
11	138696	1	<ul style="list-style-type: none"> BOLT, Hex head (1.0"-8 x 1 1/2" gr 8)
12	103856	4	<ul style="list-style-type: none"> BOLT, Hex head (1/4"-20 x 3/4" gr 5)
13	103865	12	<ul style="list-style-type: none"> BOLT, Hex head (0.312"-18 x 2.00" gr 5)
14	103984	24	<ul style="list-style-type: none"> NUT, Lock (0.313"-18 gr 5 nylon)
15	115649	4	<ul style="list-style-type: none"> NUT, Lock (1/4"-20 gr 5 nylon)
16	198789	1	<ul style="list-style-type: none"> BOX, Manual
17	(Ref.)	1	<ul style="list-style-type: none"> SWING GATE (For components, refer to 1.6 Swing Gate)
18	207981	1	<ul style="list-style-type: none"> BAG, Resealable (12" x 9")
19	114710	1	<ul style="list-style-type: none"> KEY RING, Skyjack
20	173200	1	MANUAL OF RESPONSIBILITIES (not shown) - ANSI/CSA

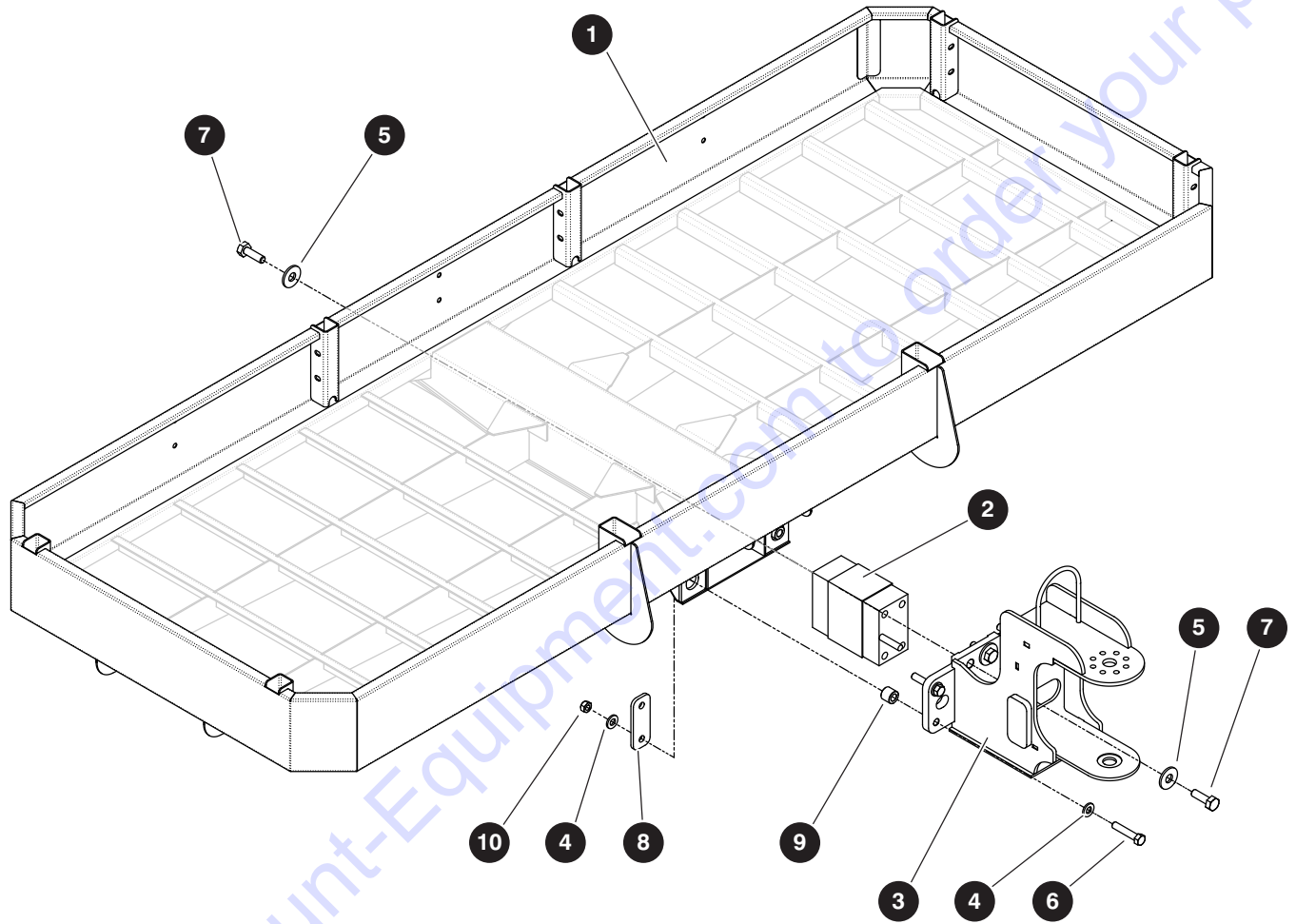
1.3 Railings



1.3 Railings

Index No.	Skyjack Part No.	Qty.	Description
A	218075	1	RAILINGS - 36" x 96"
B	218078	1	RAILINGS - 36" x 72"
1	218741	1	• RAILING, Left front, A
	218745	1	• RAILING, Left front, B
2	218744	1	• RAILING, Right front, A
	218747	1	• RAILING, Right front, B
3	218076	1	• RAILING, Left rear, A
	218079	1	• RAILING, Left rear, B
4	218077	1	• RAILING, Right rear, A
	218080	1	• RAILING, Right rear, B
5	159586	1	• PLATE, Front guard
6	149098	1	• RAILING, Front
7	100702	8	• CAP, Plastic end
8	103865	4	• BOLT, Hex head (5/16"-18 x 2", gr 5)
9	103632	4	• SCREW, Hex head self-tapping (1/4"-14 x 3/4")
10	103984	4	• NUT, Hex lock (5/16"-18, gr 5, nylon)
11	103996	8	• WASHER, Flat (5/16")
12	700598	4	• WASHER, Fender

1.4 Platform Base



M154292AC

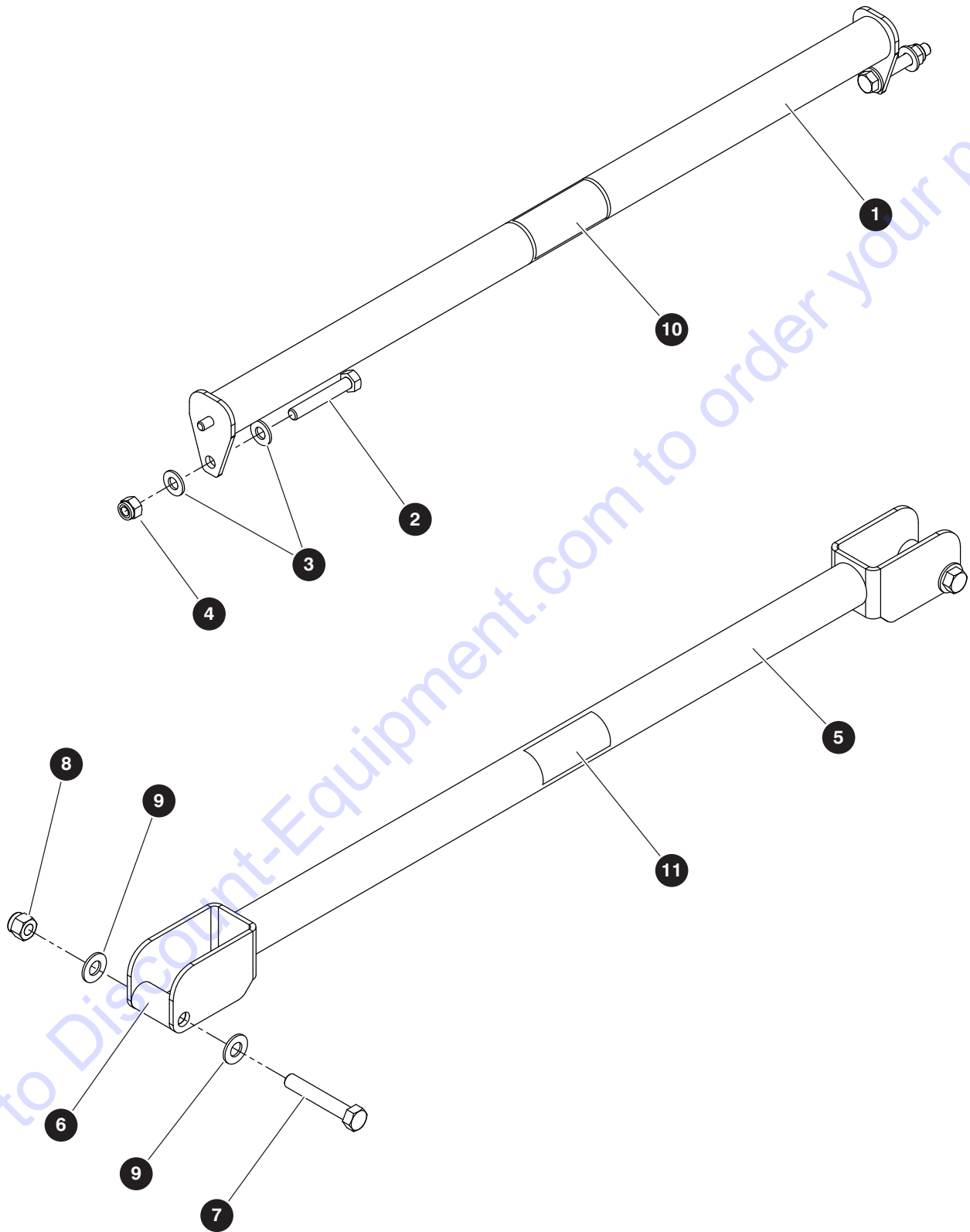
229031ABA

SJ40 T+, SJ45 T+

1.4 Platform Base

Index No.	Skyjack Part No.	Qty.	Description
A	218086	1	PLATFORM BASE - 36" x 96"
B	218715	1	PLATFORM BASE - 36" x 72"
1	216297	1	• BASE, Platform, A
	218711	1	• BASE, Platform, B
2	218368	1	• LOAD CELL, CAN Moba (1000 kg)
3	216296	1	• MOUNT, Rotary actuator
4	104379	8	• WASHER, Flat hardened (1/20" SAE)
5	217844	8	• WASHER, Structural hardened (M16)
6	144575	4	• BOLT, Hex head (1/2"-13 x 2-1/4" gr 8)
7	144362	8	• BOLT, Hex head patch (M16 x 1-1/2 x 45 Gr 10.9)
8	144365	2	• WASHER, Safety
9	144574	4	• SPACER, Load cell
10	138791	4	• NUT, Torque lock (1/2"-13 Gr C)
11	221394	1	CORD, Patch - MOBA load cell (not shown)
12	144456	1	TOOL, Hand set - MOBA Teach-in (not shown)

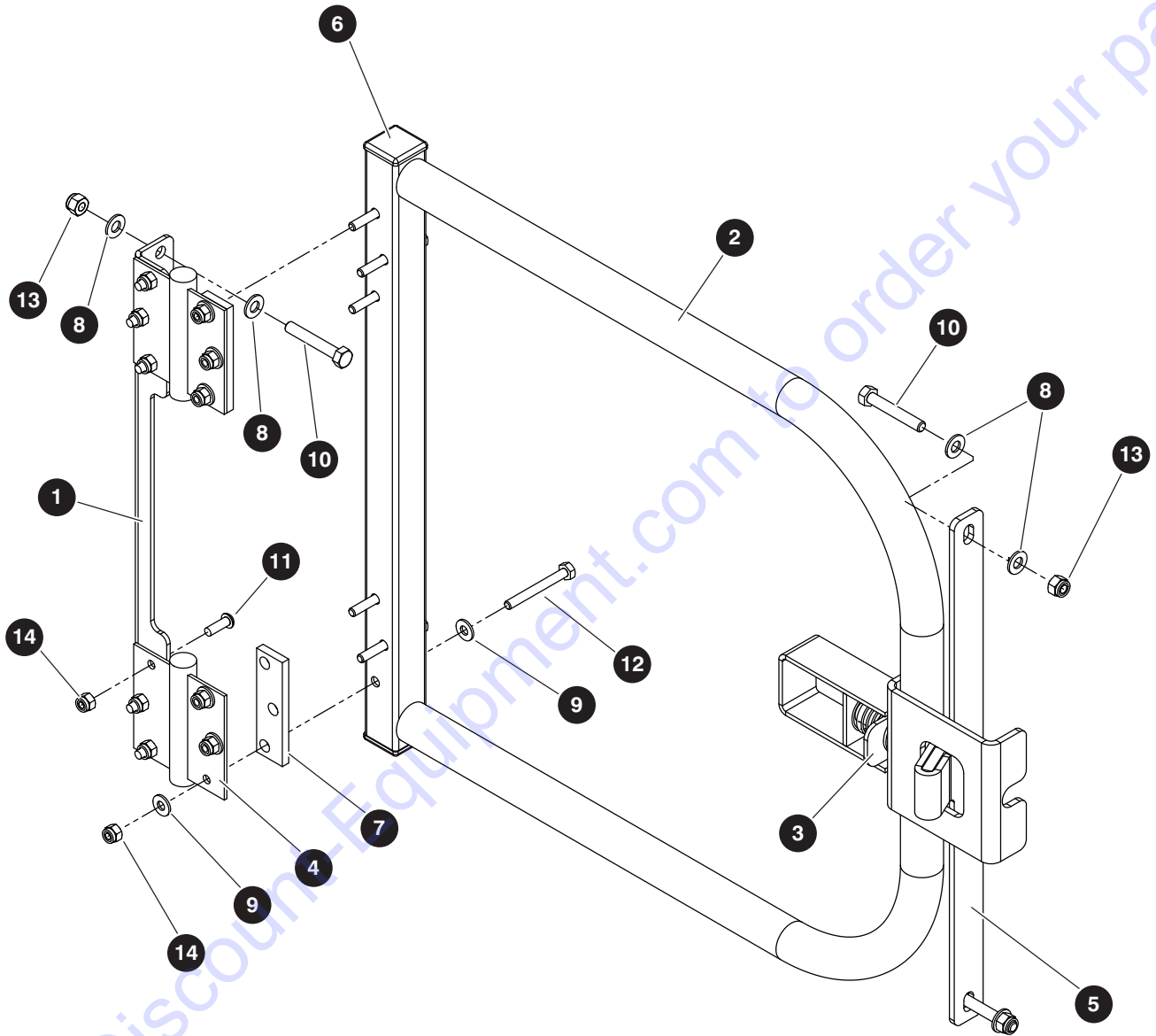
1.5 Drop Bar Gate



1.5 Drop Bar Gate

Index No.	Skyjack Part No.	Qty.	Description
-	194069	1	DROP BAR GATE FIELD KIT
-	171986	3	• DROP BAR ASSEMBLY
1	160708	1	• • WELDMENT, Tie bar
2	103865	2	• • BOLT, Hex head (0.312"-18 x 2.00" gr 5)
3	103996	4	• • WASHER, Flat (0.312")
4	103984	2	• • NUT, Hex head nylon lock (0.312"-18 gr 5)
-	162965	1	• • DROP BAR ASSEMBLY
5	162958	1	• • • WELDMENT, Drop bar
6	154386	2	• • • SPACER (3/8" ID x 3/4" OD x 1.375" lg)
7	103872	2	• • • BOLT, Hex head (3/8"-16 x 2.25" gr 5)
8	104606	2	• • • NUT, Hex head nylon lock (3/8"-16 gr 5)
9	103472	4	• • • WASHER, Flat (3/8")
10	137988	3	• LABEL, Crush/pinch hazard
11	115543	3	• LABEL, "No step"
12	194067	1	• INSTRUCTION, Drop bar installation (not shown)

1.6 Swing Gate



M164618AB

229031ABA

SJ40 T+, SJ45 T+

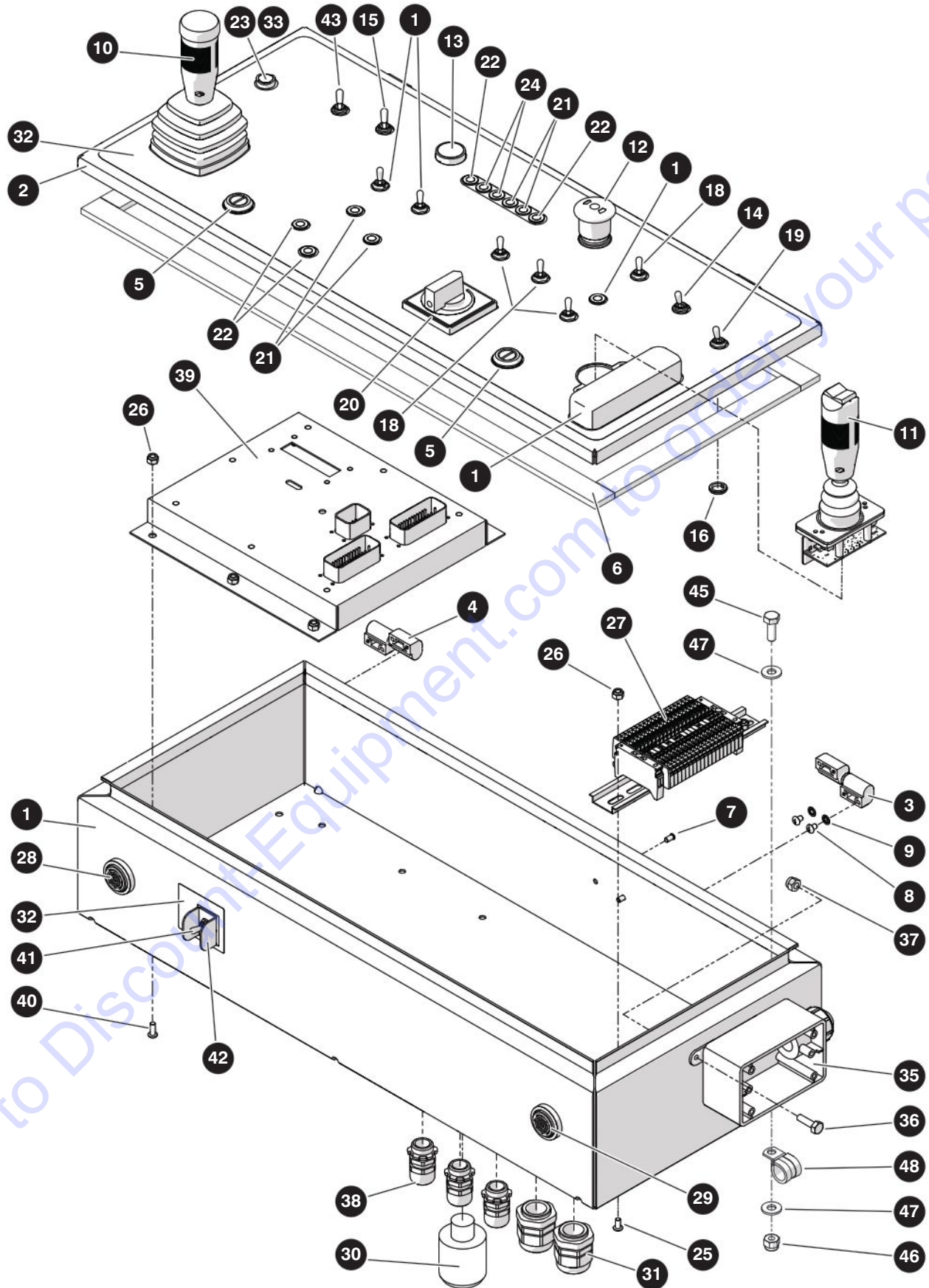
1.6 Swing Gate

Index No.	Skyjack Part No.	Qty.	Description
-	194073	1	SWING GATE FIELD KIT
-	164618	1	• SWING GATE ASSEMBLY
1	164590	1	• • BRACKET, Hinge mounting
2	164619	1	• • WELDMENT, Gate
3	110824	1	• • LATCH, Door spring pin
	105312	1	• • • LATCH, Nylon bed
	109377	1	• • • PIN, Latch
	105307	1	• • • HANDLE, Gate latch
	103107	1	• • • SPRING, Compression
	100950	1	• • • PIN, Roll (1/8" dia x 1")
4	209527	2	• • HINGE, Spring gate satin chrome
5	166287	1	• • WELDMENT, Locking plate
6	100702	2	• • PLUG, Plastic tube (1-1/4" x 1-1/4")
7	164592	2	• • TAB, Hinge
8	103996	8	• • WASHER, Flat (5/16")
9	103995	12	• • WASHER, Flat (1/4")
10	103865	4	• • BOLT, Hex head (5/16"-18 x 2" gr 5)
11	139168	6	• • SCREW, Button head (1/4"-20 x 3/4")
12	103862	6	• • BOLT, Hex head (1/4"-20 x 2-1/4" gr 5)
13	103984	4	• • NUT, Hex head nylon lock (5/16"-18 gr B)
14	115649	12	• • NUT, Hex head nylon lock (1/4"-20 gr 5)
15	194065	1	• INSTRUCTION, Swing gate installation (not shown)

1.7 Platform Control Box

Index No.	Skyjack Part No.	Qty.	Description
A	218358	1	PLATFORM CONTROL BOX - SJ40 T+ ANSI/CSA
B	218344	1	PLATFORM CONTROL BOX - SJ45 T+ ANSI/CSA
C	218794	1	PLATFORM CONTROL BOX - SJ45 T+ CE & AS
-	218345	1	• PLATFORM CONTROL BOX
1	218346	1	• • BODY, Platform control box
2	218421	1	• • LID, Platform control box
3	149384	1	• • HINGE, Nylon - LH
4	149385	1	• • HINGE, Nylon - RH
5	138715	2	• • LATCH, Slotted door
6	138334	1	• • STRIP, Weather
7	159879	2	• • STUD, Pem alum (#10-32 x 3/8")
8	103959	8	• • SCREW, Round head machine (#10-32 x 1/4")
9	163512	8	• • NUT, Lock int tooth (#10)
10	(Ref.)	1	• CONTROLLER, Boom / Turret Controller (For components, refer to 1.8 Boom / Turret Controller)
11	(Ref.)	1	• CONTROLLER, Drive / Steer (For components, refer to 1.9 Drive / Steer Controller)
12	144647	1	• SWITCH, Emergency stop
	147056	1	• • LATCH, Mounting
	147053	2	• • BLOCK, NC Contact
	147229	1	• • SWITCH, LED Block (Red)
	147051	1	• • SWITCH HEAD, Emergency stop
13	144648	1	• PUSHBUTTON, Horn
	147056	1	• • LATCH, Mounting
	147054	1	• • BLOCK, NO Contact
	147058	1	• • SWITCH HEAD, Horn pushbutton
14	115574	1	• SWITCH, Toggle (high/low torque)
15	124446	1	• SWITCH, Toggle (engine start)
16	144016	9	• SEAL, Panel bushing, A
	144016	10	• SEAL, Panel bushing, B, C
17	149402	1	• HANDREST
18	102853	5	• SWITCH, Toggle (platform tilt/rotate, boom in/out, diff lock), A
	102853	6	• SWITCH, Toggle (platform tilt/rotate, boom in/out, jib, diff lock), B, C
19	115747	1	• SWITCH, Toggle (engine rpm)
20	138226	1	• CONTROLLER, Function Speed
	198762	1	• • KNOB, Rotary Controller
21	213307	5	• LIGHT, LED - amber
22	213303	4	• LIGHT, LED - green
23	166087	1	• PUSHBUTTON, Yellow
24	213308	2	• LIGHT, LED - red
25	115545	2	• SCREW, Round head machine (#10-32 x 3/8")
26	300450	8	• NUT, Hex lock (#10-32 Gr 5, nylon)
27	(Ref.)	1	• PLATFORM TERMINAL STRIP (For components, refer to 1.10 Platform Terminal Strip)
28	103057	1	• BEEPER, 4-28 V DC Slow pulsing
29	144387	1	• ALARM, Continuous
30	166110	1	• ALARM/FLASHER, 12 V - red LED

1.7 Platform Control Box



M218344AD

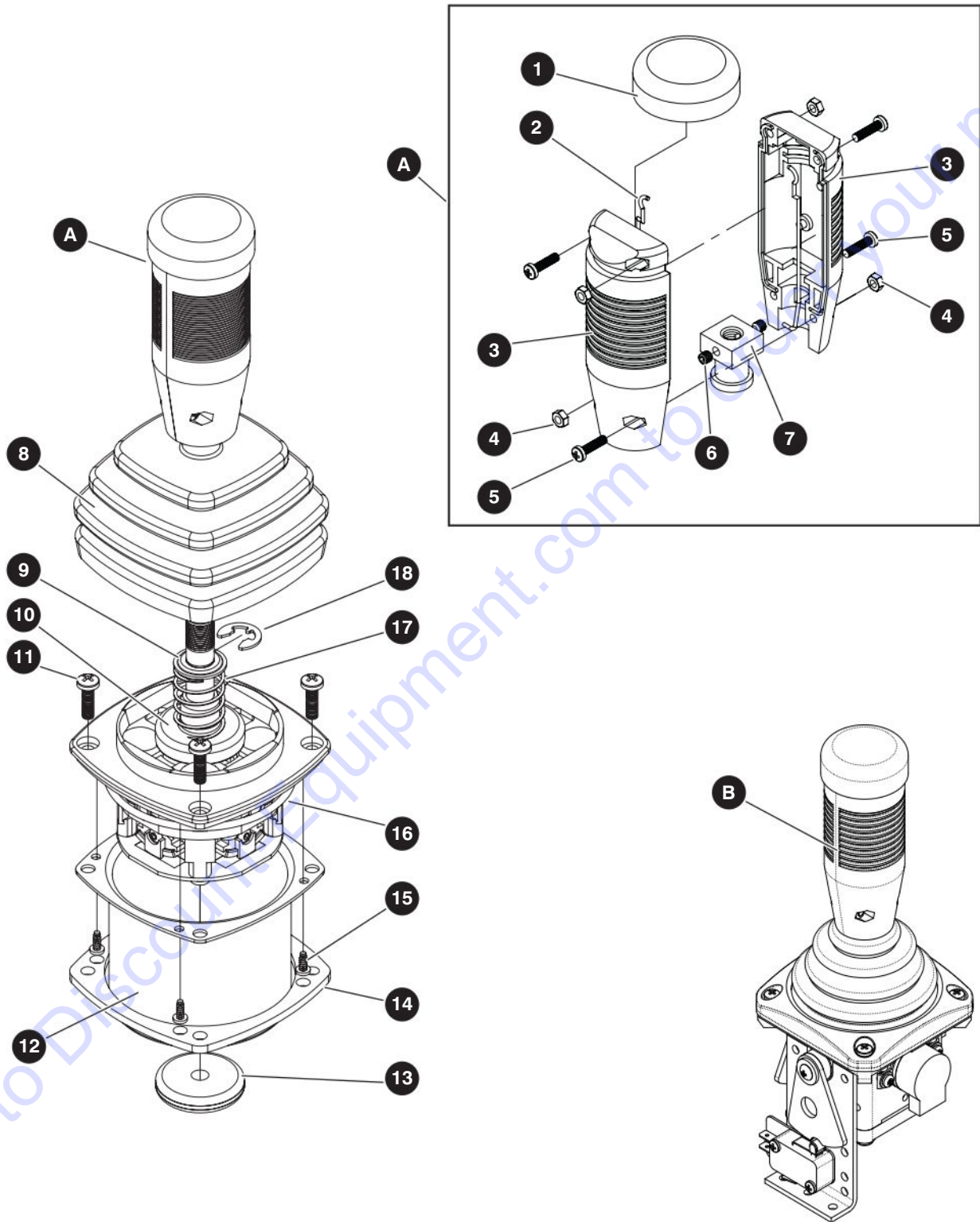
229031ABA

SJ40 T+, SJ45 T+

1.7 Platform Control Box

Index No.	Skyjack Part No.	Qty.	Description
31	116266	2	• RELIEF, Strain
32	(Ref.)	1	• LABEL ASSEMBLY (For components, refer to 10.8 Labels - Platform)
33	166086	1	• BLOCK, Contact - N/O - yellow LED
34	163021	1	• RESISTOR, 120 ohm (not shown)
35	136328	1	• OUTLET BOX, 110V, A, B
36	103892	2	• BOLT, Hex head (1/4"-20 x 5/8" gr 5), A, B
37	115649	2	• NUT, Hex head nylon (1/4"-20 gr 5), A, B
38	103036	3	• CONNECTOR, Strain relief
39	218382	1	• MODULE, Slave
	218277	1	• • SERVICE TOOL
	218276	1	• • • HARNESS, SMB1 to peak
	218278	1	• • • ADAPTER, PCAN-USB
40	103962	6	• SCREW, Round head machine (10-32 x 1/2")
41	218481	1	• SWITCH, Toggle (platform derate)
42	111181	1	• GUARD, Toggle switch
43	115747	1	SWITCH, Toggle (dual fuel) - Kubota engine
44	144016	1	SEAL, Panel bushing (not shown) - Kubota engine
45	103856	4	BOLT, Hex head (1/4"-20 x 3/4" gr 5)
46	115649	4	NUT, Hex head nylon (1/4"-20 gr 5)
47	103995	8	WASHER, Flat (1/4")
48	103024	1	CLIP, Single (G8)

1.8 Boom / Turret Controller



M138225AA_M220628AA

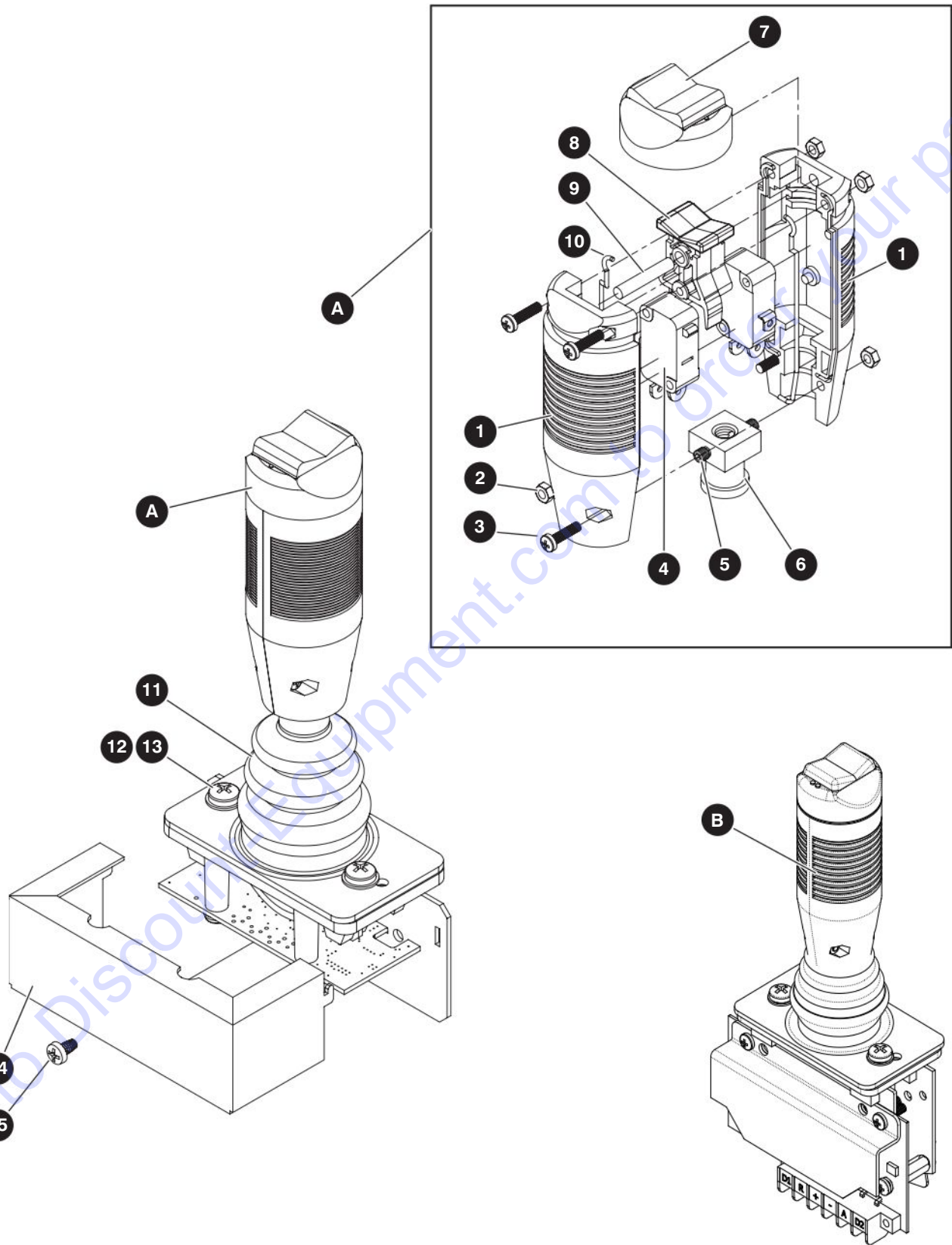
229031ABA

SJ40 T+, SJ45 T+

1.8 Boom / Turret Controller

Index No.	Skyjack Part No.	Qty.	Description
A	138225	1	BOOM / TURRET CONTROLLER - Dual Axis
1	141326	1	• CAP, Rubber
2	141327	2	• GASKET
3	141325	2	• HANDLE, Half
4	141328	4	• NUT
5	141329	4	• SCREW
6	141331	2	• SCREW, Set
7	141330	1	• COUPLING, (10 mm)
8	141313	1	• BOOT
9	141323	1	• WASHER, Retainer
10	141315	1	• SHOE, Spring
11	141321	4	• SCREW, Mounting (M4)
12	141316	1	• CAN, Enclosure
13	141320	1	• GROMMET, Rubber
14	141317	1	• GASKET, Mounting
15	141319	4	• SCREW
16	141318	1	• O-RING
17	141324	1	• SPRING, Compression
18	141322	1	• CLIP, Retainer
19	216879	1	• CONNECTOR, Male (4-pin) (not shown)
20	216880	1	• CONNECTOR, Female (4-pin) (not shown)
B	220628	1	BOOM / TURRET CONTROLLER (Dual Axis) - Potentiometer style - Optional

1.9 Drive / Steer Controller



M138224AA_M220627AA

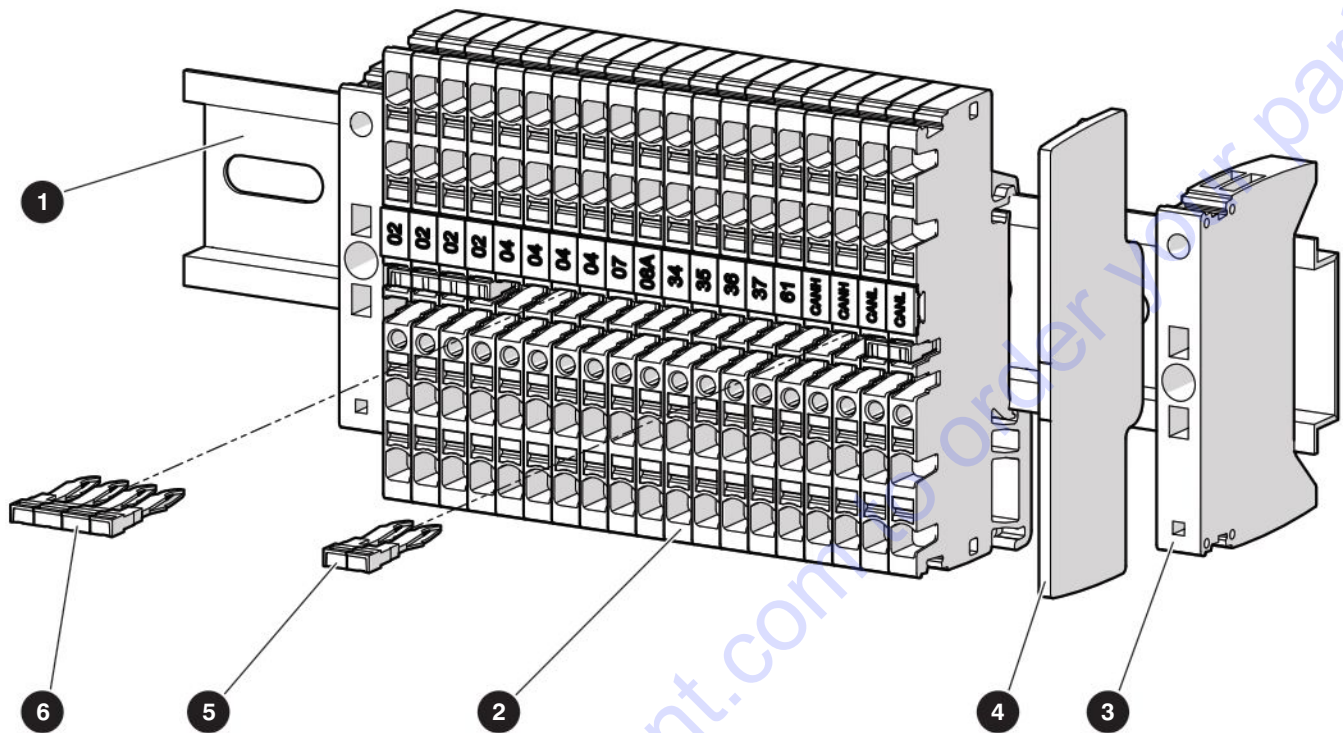
229031ABA

SJ40 T+, SJ45 T+

1.9 Drive / Steer Controller

Index No.	Skyjack Part No.	Qty.	Description
A	138224	1	DRIVE / STEER CONTROLLER - Single axis
1	141338	2	• HANDLE, Half
2	141328	4	• NUT
3	141329	4	• SCREW
4	141342	2	• MICROSWITCH
5	141331	2	• SCREW, Set
6	141343	1	• COUPLING, (8 MM)
7	141339	1	• CAP, Rubber
8	141340	1	• ROCKER
9	141341	1	• ROCKER, Axle
10	141327	2	• GASKET
11	141334	1	• BOOT ASSEMBLY, Standard
12	141336	2	• SCREW Mounting
13	141335	2	• WASHER, Mounting
14	141333	1	• ENCLOSURE
15	141337	1	• SCREW, Enclosure
B	220627	1	DRIVE / STEER CONTROLLER (Single Axis) - Potentiometer style - Optional

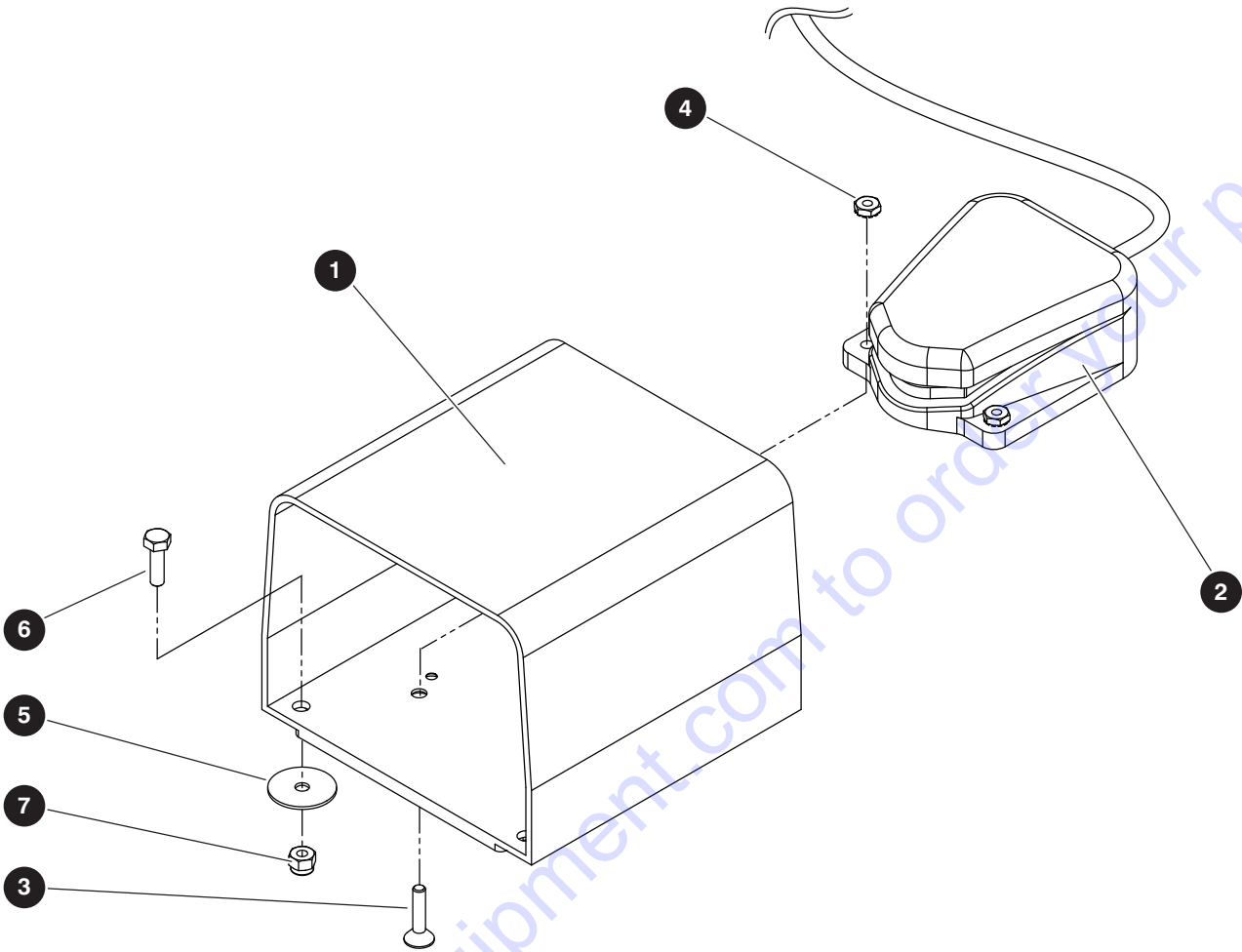
1.10 Platform Terminal Strip



M144403AA_1

Index No.	Skyjack Part No.	Qty.	Description
-	218402	1	PLATFORM TERMINAL STRIP
1	233337	205 mm	• RAIL
2	233338	19	• BLOCK, Terminal
3	233341	2	• PLATE, End
4	233342	1	• PLATE, Separator
5	233343	2	• JUMPER, 2-pin
6	233344	2	• JUMPER, 4-pin

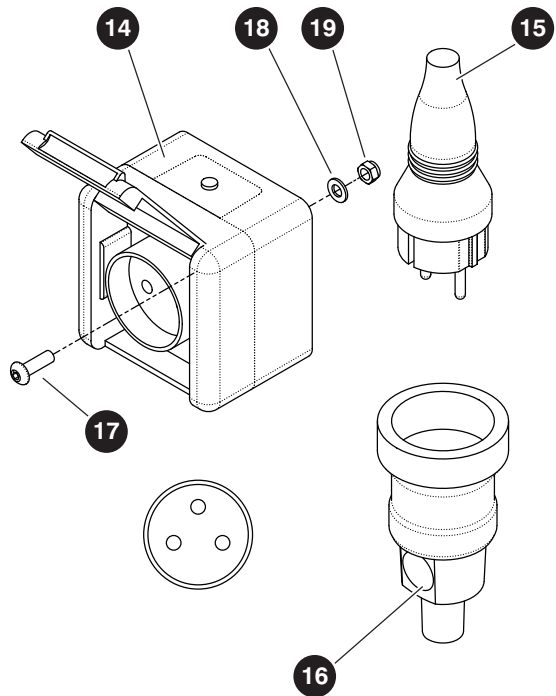
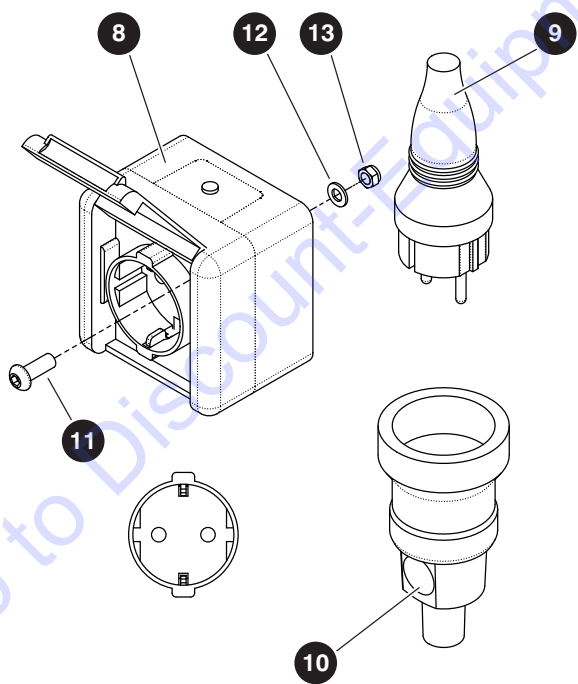
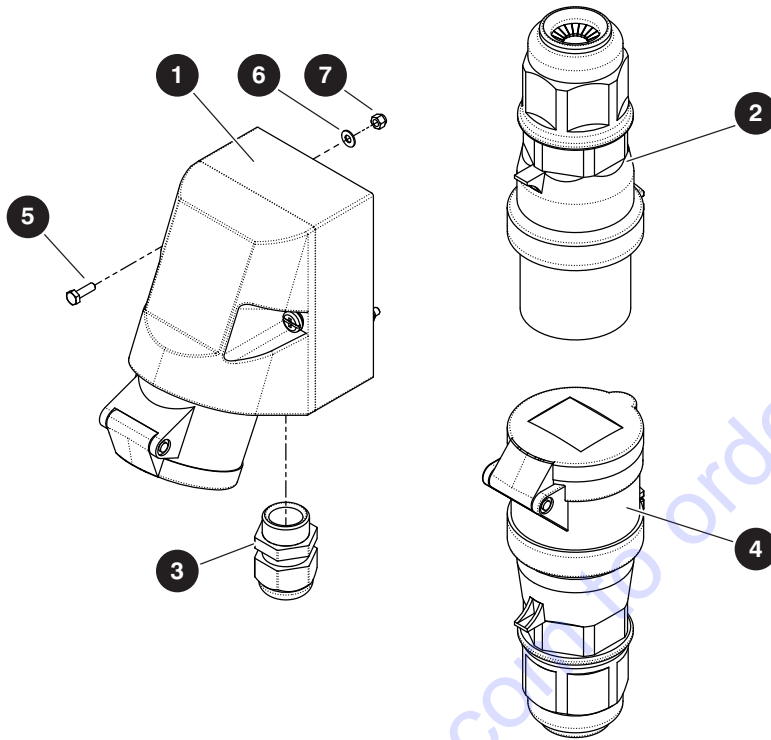
1.11 Footswitch



M154127AC_1

Index No.	Skyjack Part No.	Qty.	Description
-	154127	1	FOOTSWITCH
1	700188	1	• COVER, Footswitch
2	700187	1	• SWITCH, Foot
3	139688	2	• SCREW, Flat head machine (1/4"-20 x 1.00")
4	130017	2	• NUT, Hex head K-lock
5	700598	4	WASHER, Fender
6	103891	4	BOLT, Hex head (1/4"-20 x 7/8" gr 5)
7	115649	4	NUT, Hex head nylon lock (1/4"-20 gr 5)

1.12 Power to Platform - Outlet and Plugs - CE



M226505AA_M226509AA_M226513AA

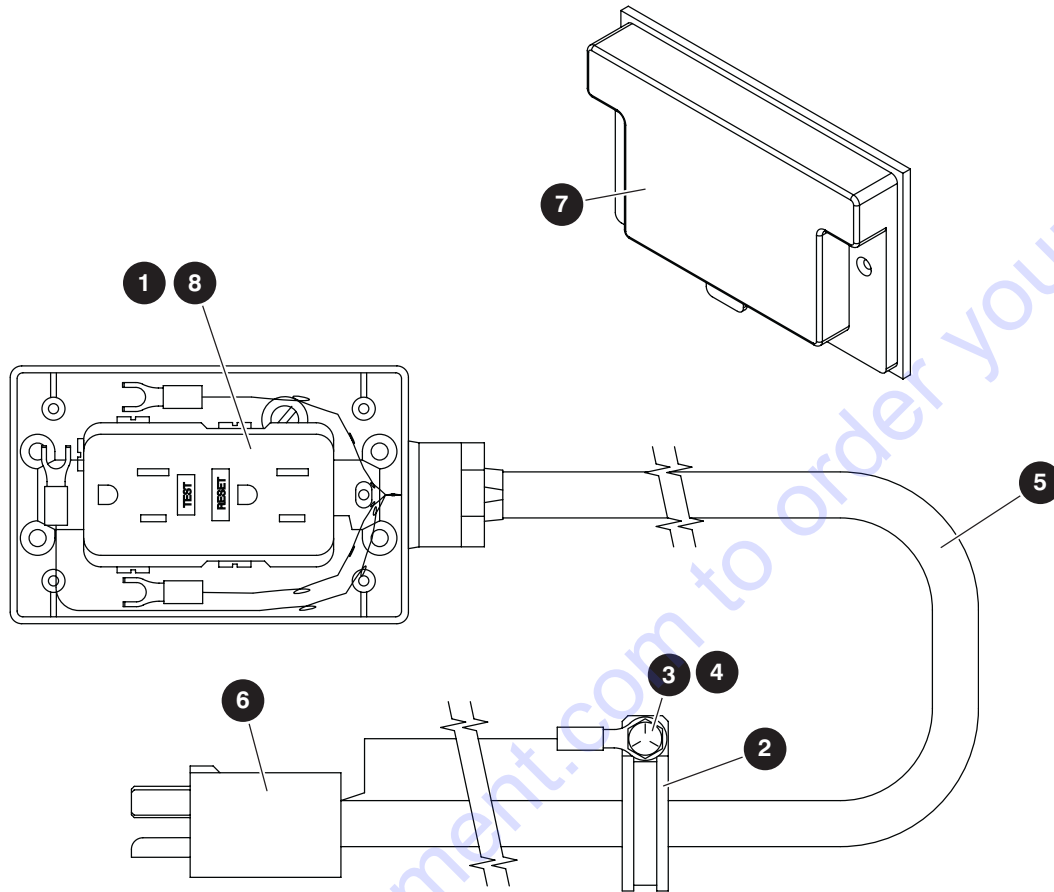
229031ABA

SJ40 T+, SJ45 T+

1.12 Power to Platform - Outlet and Plugs - CE

Index No.	Skyjack Part No.	Qty.	Description
A	226505	1	POWER TO PLATFORM OUTLET - UK with generator
B	226507	1	POWER TO PLATFORM OUTLET - UK no generator
1	226503	1	<ul style="list-style-type: none"> • RECEPTACLE, 16 amp 110 VAC 2P+E
2	226501	1	<ul style="list-style-type: none"> • PLUG, 16 amp 110 VAC 2P+E
3	138373	1	<ul style="list-style-type: none"> • STRAIN RELIEF, M20
4	226502	1	<ul style="list-style-type: none"> • RECEPTACLE, 16 amp 110 VAC 2P+E, A
5	228463	2	<ul style="list-style-type: none"> • BOLT, Hex head (M3 x 0.5 x 10, cl 8.8)
6	600579	2	<ul style="list-style-type: none"> • WASHER, Flat (M4)
7	217626	2	<ul style="list-style-type: none"> • NUT, Hex head nylon lock (M3 x 0.5, cl 8)
C	226509	1	POWER TO PLATFORM OUTLET - Type F with generator
D	226511	1	POWER TO PLATFORM OUTLET - Type F no generator
8	226454	1	<ul style="list-style-type: none"> • OUTLET, Socket - 16 amp 250 V
9	157192	1	<ul style="list-style-type: none"> • PLUG, 250 V
10	226504	1	<ul style="list-style-type: none"> • RECEPTACLE, 250 V 16 amp, C
11	228459	2	<ul style="list-style-type: none"> • BOLT, Hex head (M5 x 0.8 x 16, cl 10.9)
12	933816	2	<ul style="list-style-type: none"> • WASHER, Flat (M5)
13	217628	2	<ul style="list-style-type: none"> • NUT, Hex head nylon lock (M5 x 0.8, cl 8)
E	226513	1	POWER TO PLATFORM OUTLET - Type E with generator
F	226515	1	POWER TO PLATFORM OUTLET - Type E no generator
14	226455	1	<ul style="list-style-type: none"> • OUTLET, Socket - 16 amp 250 V
15	157192	1	<ul style="list-style-type: none"> • PLUG, 250 V
16	226504	1	<ul style="list-style-type: none"> • RECEPTACLE, 250 V 16 amp, E
17	228459	2	<ul style="list-style-type: none"> • BOLT, Hex head (M5 x 0.8 x 16, cl 10.9)
18	933816	2	<ul style="list-style-type: none"> • WASHER, Flat (M5)
19	217628	2	<ul style="list-style-type: none"> • NUT, Hex head nylon lock (M5 x 0.8, cl 8)
-	144449	1	CABLE, 220V (not shown)

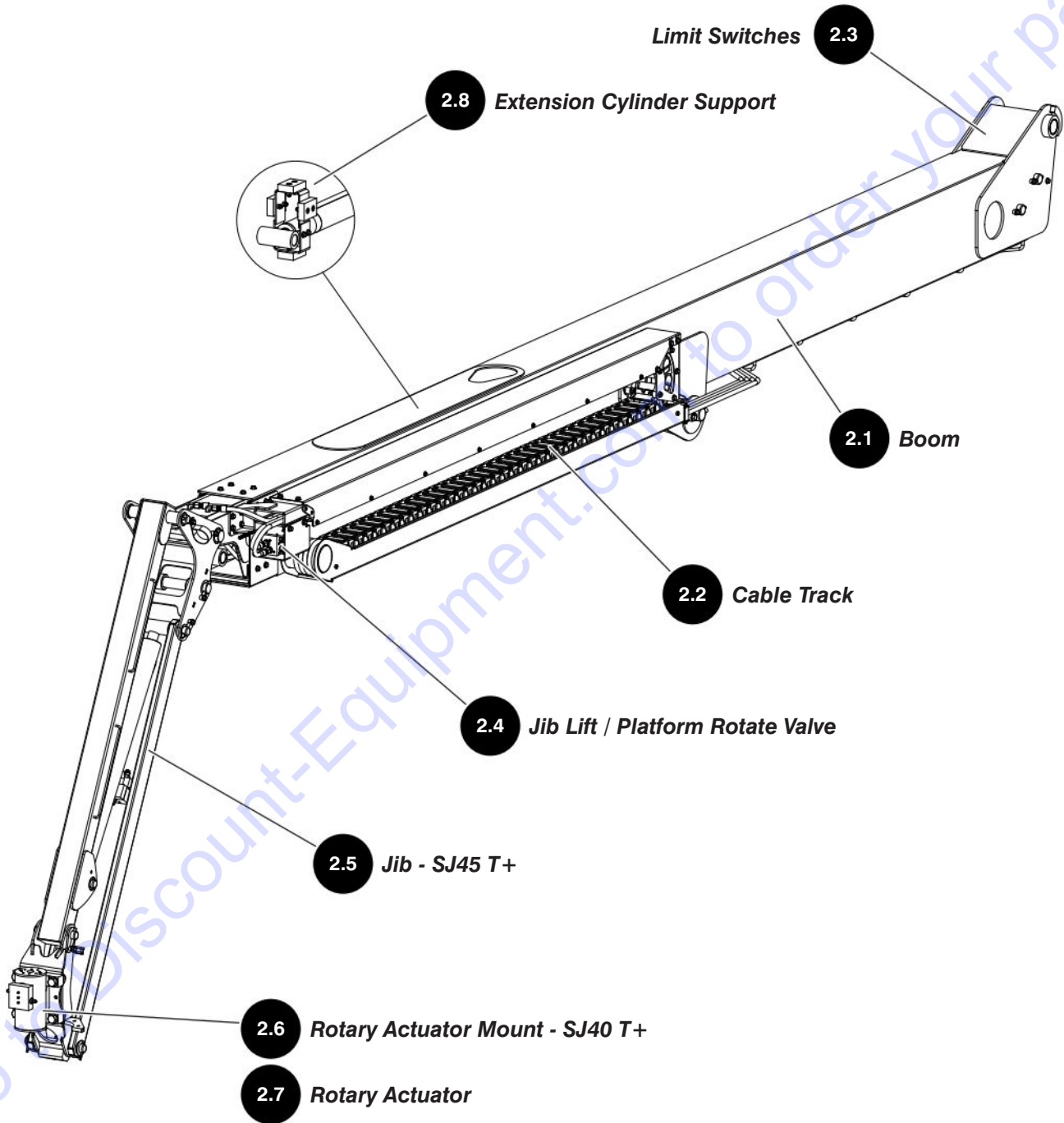
1.13 Outlet - 110/220V



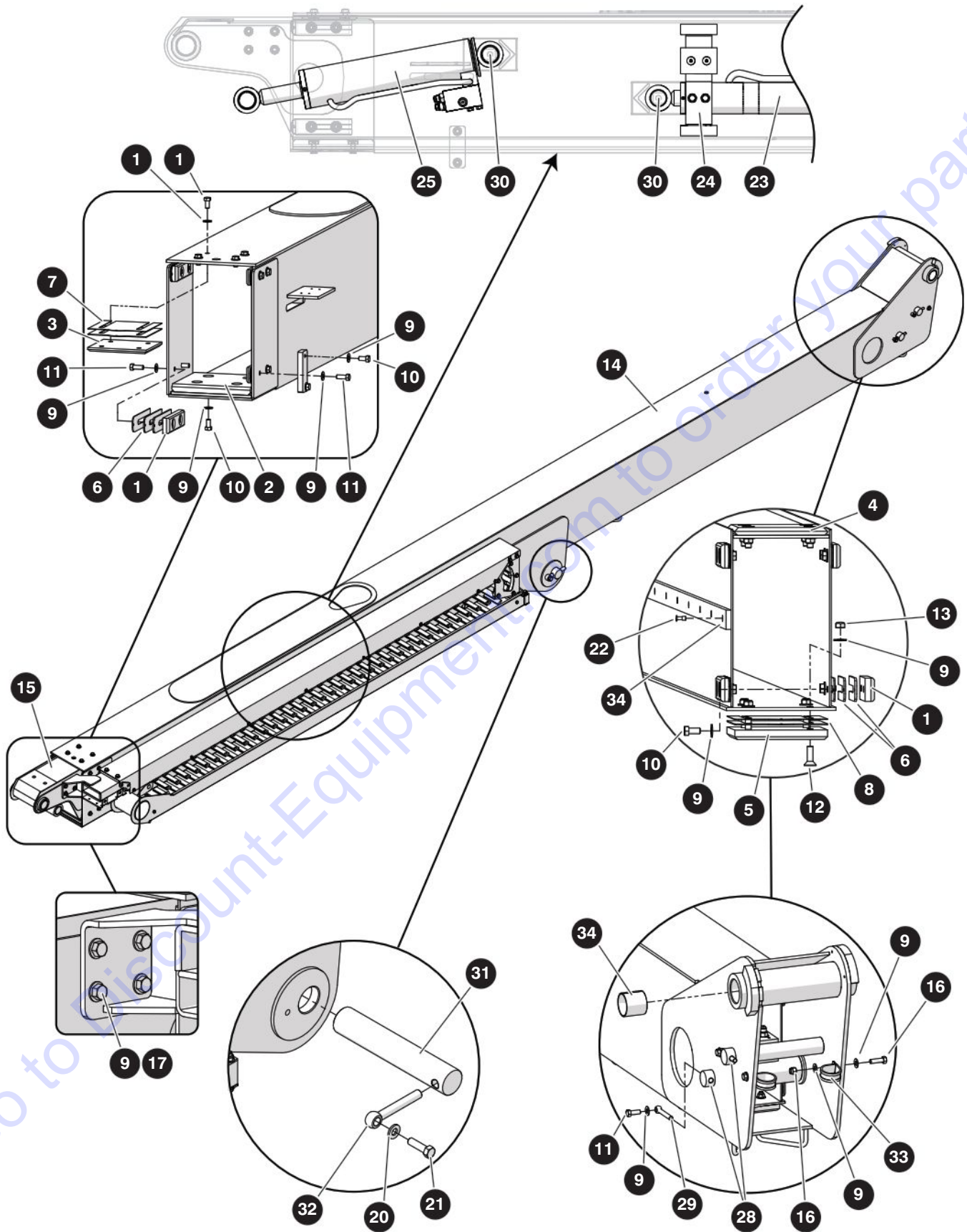
M138706AA

Index No.	Skyjack Part No.	Qty.	Description
A	138706	1	CABLE, 110V Outlet - SJ40 T+ ANSI/CSA
B	138707	1	CABLE, 110V Outlet - SJ45 T+ ANSI/CSA
1	109698	1	• RECEPTACLE, GFI
2	103024	1	• CLIP, Single (G8)
3	103856	1	• BOLT, Hex head (1/4"-20 x 3/4" Gr 5)
4	103995	1	• WASHER, Flat (1/4")
5	143961	1	• CABLE ASSEMBLY, 110V, A
	143962	1	• CABLE ASSEMBLY, 110V, B
6	104208	1	• PLUG, 15A male (125V)
7	109699	1	• PLATE, Weatherproof cover
8	121461	2	• BOLT, Machine round head (#6-32 UNC x 3/8)

Section 2 – Boom



2.1 Boom



M216498AD

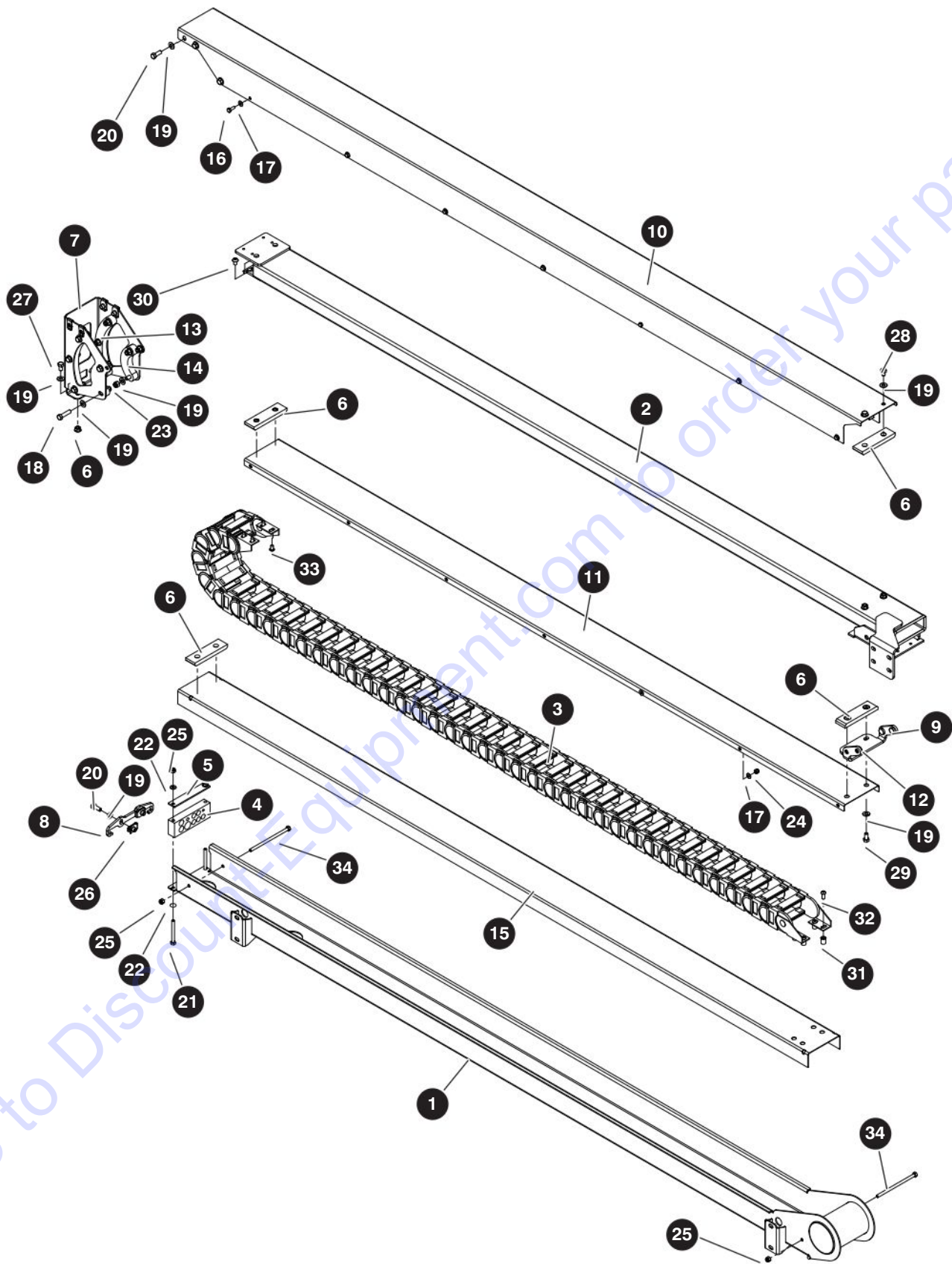
229031ABA

SJ40 T+, SJ45 T+

2.1 Boom

Index No.	Skyjack Part No.	Qty.	Description
-	216498	1	BOOM ASSEMBLY
1	139056	8	• PAD, Wear - mid boom side
2	139053	1	• PAD, Wear - mid boom bottom
3	139058	1	• PAD, Wear - mid boom top
4	706781	1	• PAD, Wear (1/2" x 6" x 8")
5	706783	1	• PAD, Wear - fly boom bottom
6	138966	8	• SHIM, 10 gauge
	138967	8	• SHIM, 12 gauge
	138968	8	• SHIM, 14 gauge
7	144196	1	• SHIM, 16 gauge - main boom
	144199	1	• SHIM, 21 gauge - main boom
8	144195	1	• SHIM, 16 gauge - fly boom
	144198	1	• SHIM, 21 gauge - fly boom
9	103472	50	• WASHER, Flat (3/8")
10	101632	20	• BOLT, Hex head (3/8"-16 x 3/4", gr 5)
11	103473	10	• BOLT, Hex head (3/8"-16 x 1", gr 5)
12	701621	8	• BOLT, Flat head cap screw (3/8"-16 x 1-1/4", gr 5)
13	144238	8	• NUT, Torque lock (3/8"-16 gr C)
-	216497	1	• BOOM SECTIONS
14	161297	1	• • MAIN BOOM
15	161298	1	• • FLY BOOM
16	104606	6	• NUT, Hex head nylon lock (3/8"-16, gr 5)
17	117430	4	• BOLT, Hex head (3/8"-16 x 1-1/4", gr 8)
18	101297	2	• BOLT, Hex head (3/8"-16 x 1-1/4", gr 5)
19	704642	2	• SCREW, Flat head cap (5/16"-18 x 3/4", gr 5)
20	104379	1	• WASHER, Flat hardened (1/2")
21	103906	1	• BOLT, Hex head (1/20"-13 x 1-3/4", gr 5)
22	157759	11	• RIVET, Pop (3/16")
23	(Ref.)	1	• CYLINDER, Extension (For components, refer to 3.2 Extension Cylinder)
24	(Ref.)	1	• SUPPORT, Extension cylinder (For components, refer to 2.8 Extension Cylinder Support)
25	(Ref.)	1	• CYLINDER, Slave (For components, refer to 3.4 Slave Cylinder)
26	(Ref.)	1	• CABLE TRACK ASSEMBLY (For components, refer to 2.2 Cable Track)
27	161336	2	• SPACER (3" OD x 1.563" ID x 0.188")
28	165260	2	• PIN, Mounting bracket
29	146897	2	• PIN, Keeper (3/8")
30	144688	2	• PIN, Extend and slave cylinder
31	148819	1	• PIN, Lift cylinder
32	146898	1	• PIN, Keeper (5/8")
33	133241	2	• CLAMP, Tube - cushioned
34	101564	2	• BUSHING, Fiberglide (1-3/4" OD x 1-1/2" lg)

2.2 Cable Track



M161292AD

229031ABA

40

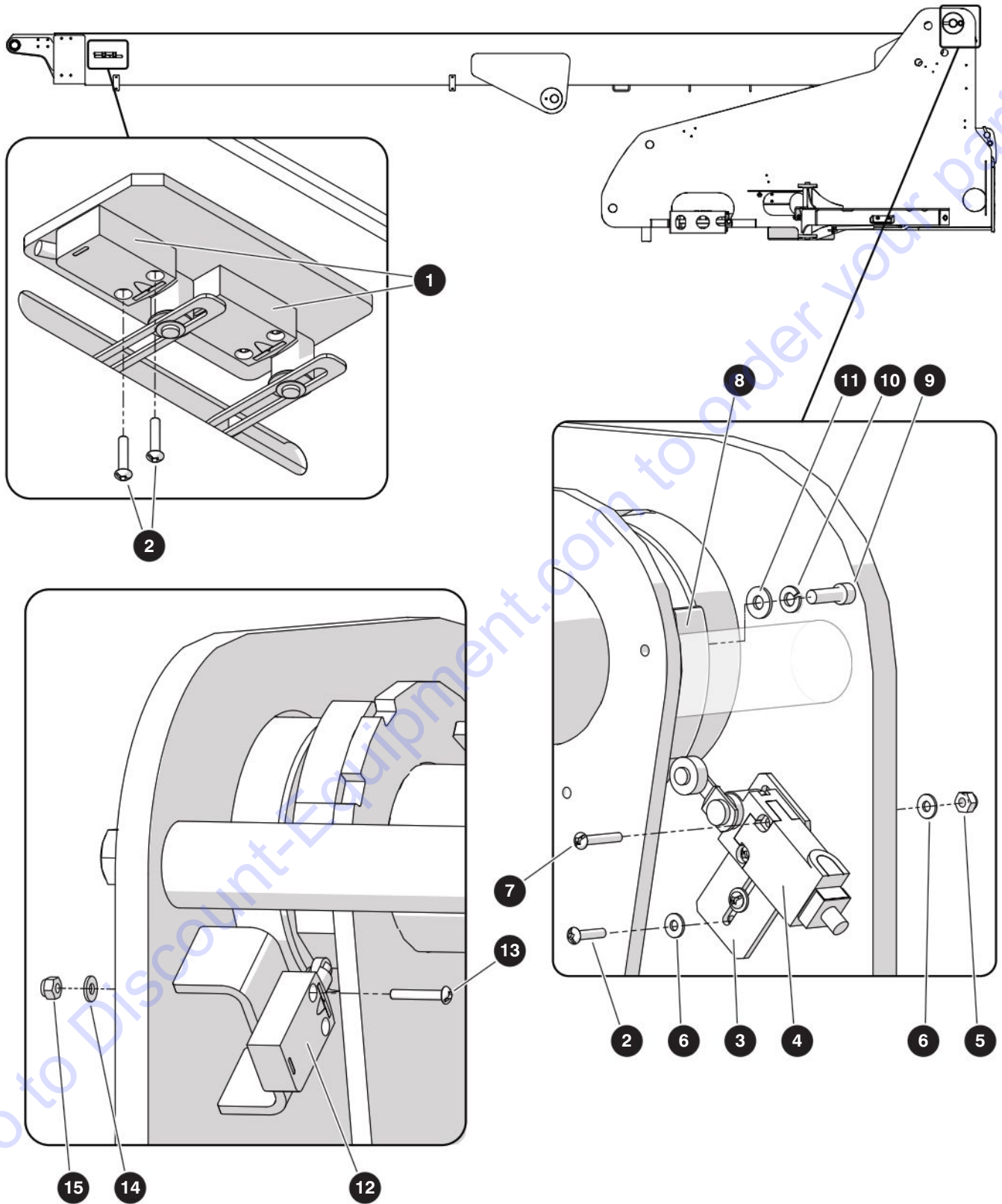
SJ40 T+, SJ45 T+

SKYJACK

2.2 Cable Track

Index No.	Skyjack Part No.	Qty.	Description
-	161292	1	CABLE TRACK
1	163474	1	• WELDMENT, Lower track
2	163475	1	• WELDMENT, Tube
3	164910	1	• E-CHAIN
	195745	1	• • MOUNTING BRACKET SET
	170161	39	• • LINK
	210075	13	• • SEPARATOR
4	231503	1	• CLAMP, Hose
5	710210	1	• PLATE, Hose guide
6	160416	4	• WEAR PAD, Cable track
7	160413	1	• BRACKET, Guide
8	160415	1	• PLATE, Cover retainer
9	125433	4	• BUSHING, Slider
10	160414	1	• COVER, E-chain - upper
11	160411	1	• COVER, E-chain - lower
12	160409	1	• BRACKET, Tube guide
13	160412	2	• GUIDE, Outer
14	160410	2	• GUIDE, Inner
15	164906	1	• FORM, Support
16	103856	14	• BOLT, Hex head (1/4"-20 x 3/4" Gr 5)
17	103995	28	• WASHER, Flat (1/4")
18	706789	10	• BOLT, Hex head (3/8"-16 x 1 1/2" Gr 5)
19	103472	36	• WASHER, Flat (3/8")
20	103473	8	• BOLT, Hex head (3/8"-16 x 1" Gr 5)
21	103867	2	• BOLT, Hex head (5/16"-18 x 3" Gr 5)
22	103996	4	• WASHER, Flat (5/16")
23	138765	12	• NUT, Hex head nylon lock (8-32, gr 5)
24	115649	14	• NUT, Hex head nylon lock (1/4"-20, gr 5)
25	103984	4	• NUT, Hex head nylon lock (5/16"-18, gr 5)
26	159294	6	• NUT, Speed clip (3/8"-16)
27	138464	2	• BOLT, Hex head (3/8"-16 x 5/8" Gr 5)
28	152341	2	• BOLT, Hex head (3/8"-16 x 1/2" Gr 5)
29	101632	2	• BOLT, Hex head (3/8"-16 x 3/4" Gr 5)
30	154078	2	• SCREW, Button head cap (3/8"-16 x 1/2")
31	162464	4	• INSERT, AK Series (5/16"-18)
32	300064	4	• SCREW, Button head cap (5/16"-18 x 3/4")
33	103948	4	• SCREW, Button head cap (5/16"-18 x 1/2")
34	162714	2	• BOLT, Hex head (5/16"-18 x 6" Gr 5)

2.3 Limit Switches



M216839AC

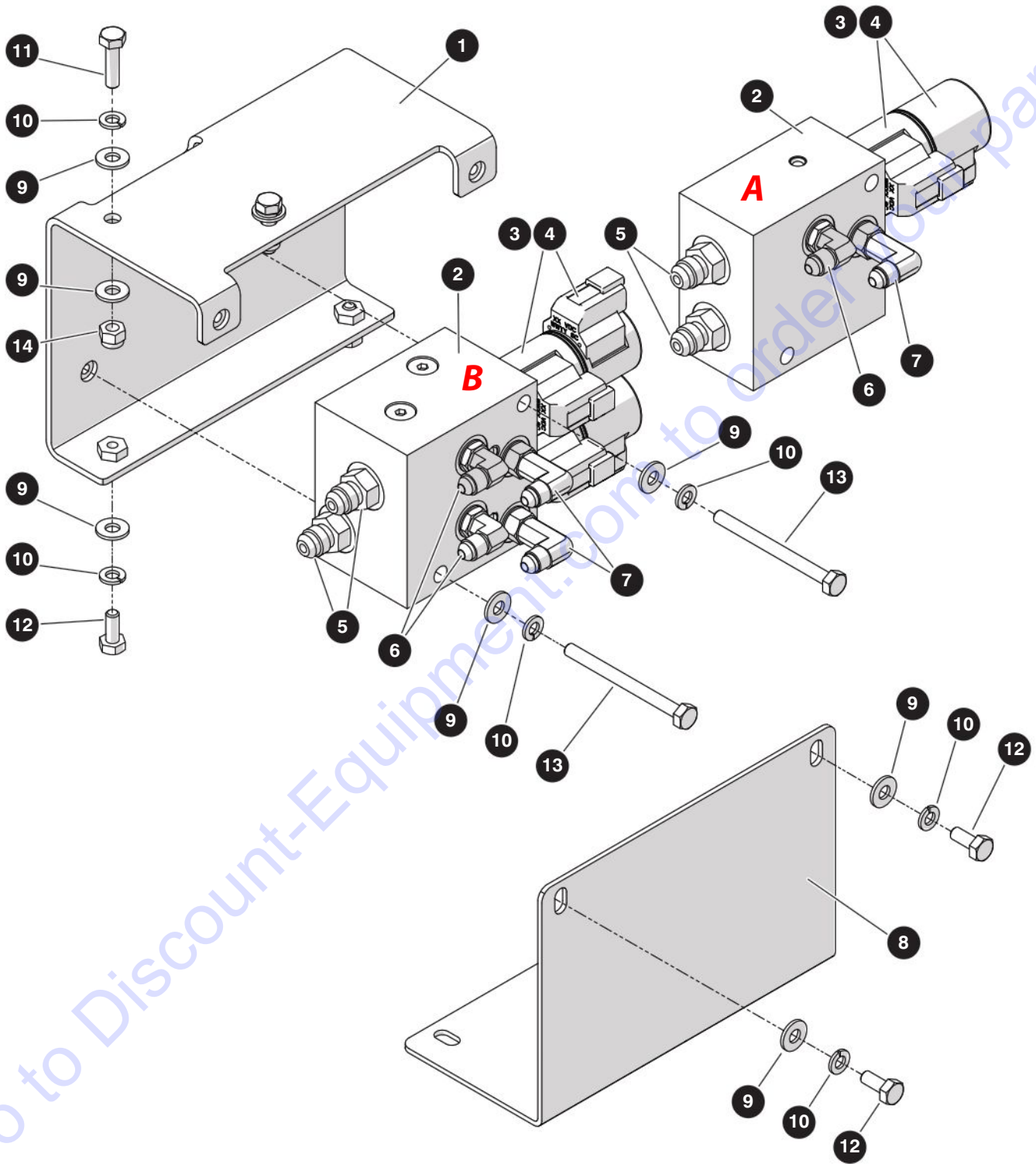
229031ABA

SJ40 T+, SJ45 T+

2.3 Limit Switches

Index No.	Skyjack Part No.	Qty.	Description
-	216839	1	LIMIT SWITCHES
1	207016	2	• LIMIT SWITCH, Adjustable lever - 15 m
2	103958	6	• SCREW, Round head machine (8-32 x 3/4")
3	216842	1	• BRACKET, Limit switch - turret
4	218271	1	• LIMIT SWITCH, Roller lever
5	138765	2	• NUT, Lock (8-32 gr 5 nylon)
6	103991	4	• WASHER, Flat (8)
7	112248	2	• SCREW, Round head machine (8-32 x 1")
8	216840	1	• PLATE, Cam - main boom
9	103941	2	• SCREW, Sockt head cap (1/4"-20 x 3/4")
10	104000	2	• WASHER, Lock (1/4")
11	103995	2	• WASHER, Flat (1/4")
-	163118	1	BOOM LIFT LIMIT SWITCH
12	199408	1	• SWITCH, Limit - roller plunger
	207850	1	• • HEAD, PLUNGER, Roller
13	112248	2	• SCREW, Round head machine (#8-32 x 1.00")
14	103991	2	• WASHER, Flat (#8)
15	138765	2	• NUT, Hex head nylon lock (#8-32 gr 5)

2.4 Jib Lift / Platform Rotate Valve



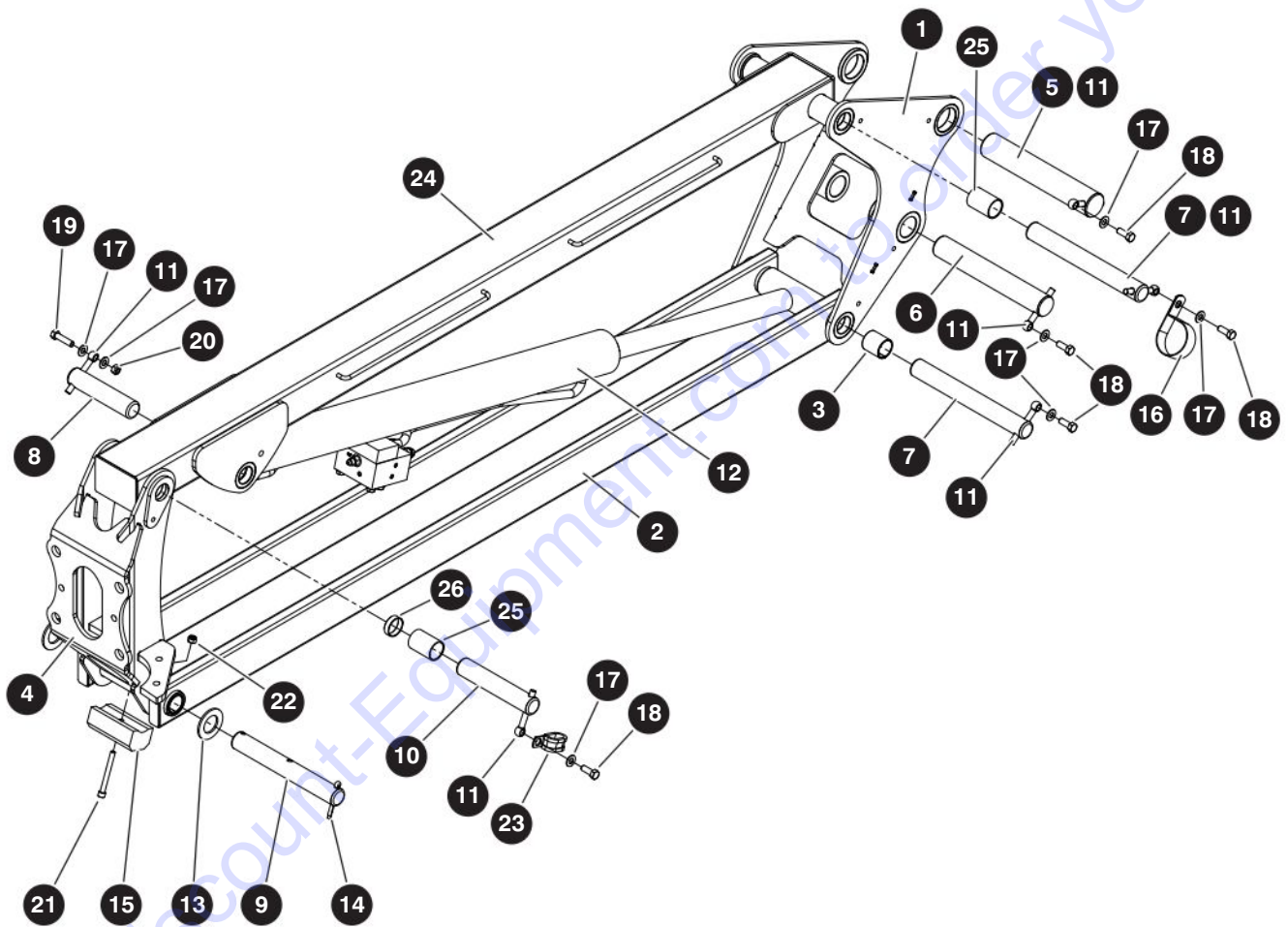
M231508AA_230509AA

229031ABA

2.4 Jib Lift / Platform Rotate Valve

Index No.	Skyjack Part No.	Qty.	Description
A	231508	1	PLATFORM ROTATE VALVE - SJ40 T+
B	231509	1	JIB LIFT/PLATFORM ROTATE VALVE - SJ45 T+
1	231511	1	• SUPPORT, Manifold
2	231501	1	• PLATFORM ROTATE VALVE A
	231502	1	• JIB LIFT/PLATFORM ROTATE VALVE, B
3	166036	1	• • VALVE, Spool - 4-way, 3 pos, A
	166036	2	• • VALVE, Spool - 4-way, 3 pos, B
4	208881	2	• • COIL, Solenoid - ER (12 V DC size 08), A
	208881	4	• • COIL, Solenoid - ER (12 V DC size 08), B
5	103069	1	• • FITTING, Straight (06JICM-06ORBM), A
	103069	2	• • FITTING, Straight (06JICM-06ORBM), B
6	129127	1	• • FITTING, Elbow 90° (04JICM-06ORBM), A
	129127	4	• • FITTING, Elbow 90° (04JICM-06ORBM), B
7	TBD	1	• • FITTING, Elbow long 90° (06JICM-06ORBM), A
	TBD	1	• • FITTING, Elbow long 90° (06JICM-06ORBM), B
8	231513	1	• COVER
9	103995	4	• WASHER, Flat (1/4")
10	104000	2	• WASHER, Lock (1/4")
11	103857	2	• BOLT, Hex head (1/4"-20 x 1", gr 5)
12	103892	2	• BOLT, Hex head (1/4"-20 x 5/8", gr 5)
13	127284	2	• BOLT, Hex head (1/4"-20 x 2-1/2", gr 5), A
	113583	2	• BOLT, Hex head (1/4"-20 x 3", gr 5), B
14	115649	2	• NUT, Hex lock (1/4"-20 gr 5, nylon)

2.5 Jib - SJ45 T+



M160496AD

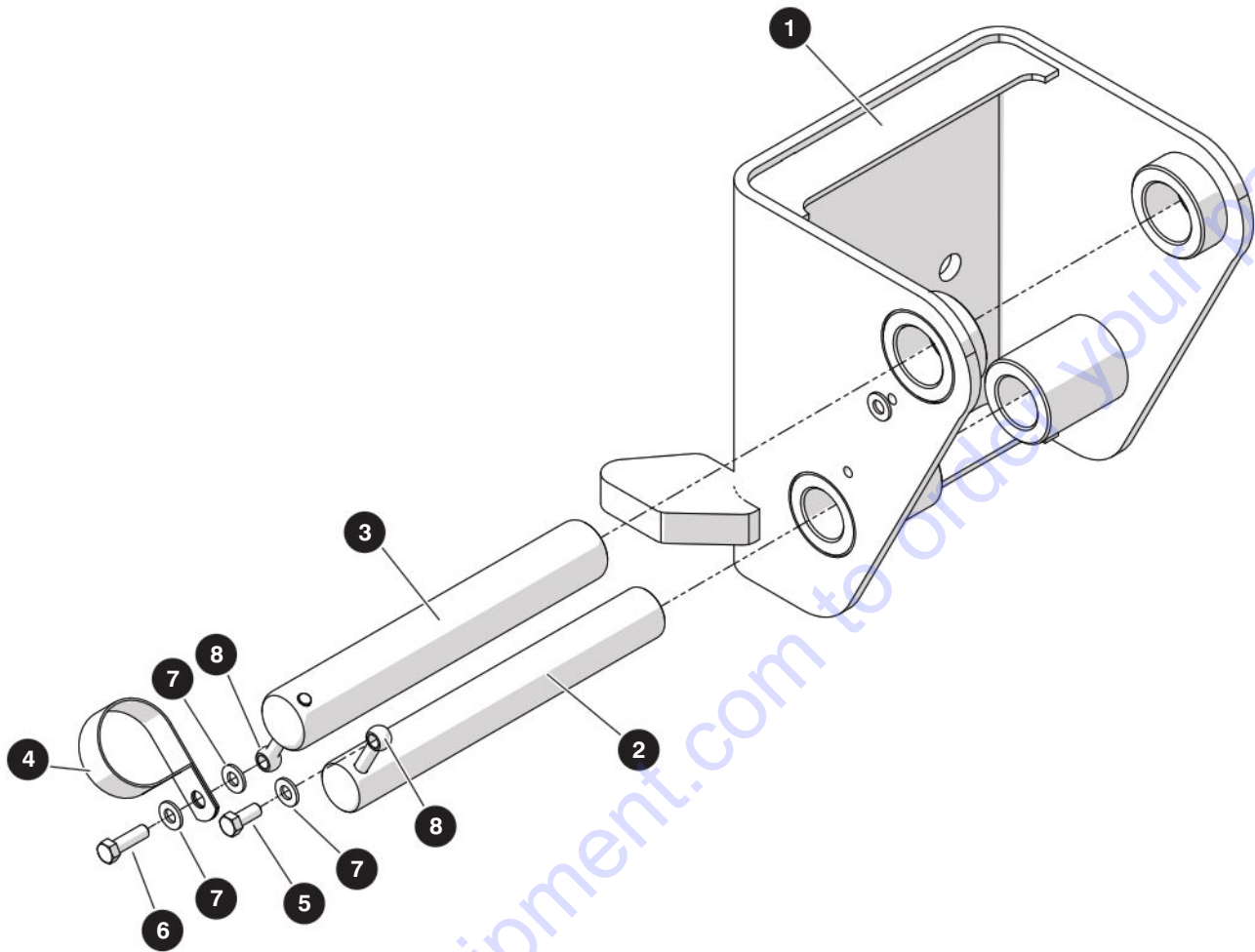
229031ABA

SJ40 T+, SJ45 T+

2.5 Jib - SJ45 T+

Index No.	Skyjack Part No.	Qty.	Description
-	218097	1	JIB ASSEMBLY
1	218101	1	• BRACKET, Jib
-	160499	2	• ARM ASSEMBLY, Lower - jib
2	167846	1	• • ARM, Lower - Jib
3	125262	2	• • BUSHING, Jib
4	218048	1	• BRACKET, Mount - rotator
5	218128	1	• PIN (1-3/4" OD x 10-5/8")
6	197497	1	• PIN (1-1/2" OD x 11-3/16")
7	154234	2	• PIN, Jib bracket mounting
8	154235	1	• PIN, Jib cylinder mounting
9	154237	1	• PIN, Lower arm mounting - rotator
10	162148	1	• PIN, Top arm mounting - rotator
11	146897	6	• PIN, Keeper (3/8")
12	(Ref.)	1	• JIB CYLINDER ASSEMBLY (For components, refer to 3.5 Jib Cylinder)
13	122502	2	• WASHER, Flat (1-1/8" SAE)
14	103972	2	• PIN, Cotter (1/4" dia x 2.00" lg)
15	162144	1	• PAD, Jib
16	143987	1	• CLAMP, P (2-1/2" tube)
17	103472	7	• WASHER, Flat (3/8")
18	103473	5	• BOLT, Hex head (3/8"-16 x 1", gr 5)
19	103870	1	• BOLT, Hex head (3/8"-16 x 1-1/20", gr 5)
20	144238	1	• NUT, Torque lock (3/8"-16, gr C)
21	162145	1	• SCREW, Socket head cap (5/16"-18, gr 5)
22	103984	1	• NUT, Hex head nylon lock (5/16"-18, gr 5)
23	152333	1	• CLAMP, Tube (5/8" cushioned)
-	218108	1	• ARM ASSEMBLY, Upper - jib
24	160498	1	• • ARM, Upper - jib
25	125230	6	• • BUSHING, Fiberglide (1-1/4" dia x 2" lg)
26	154239	1	• • SPACER (1.4" OD x 1-1/4" ID x 0.4" lg)

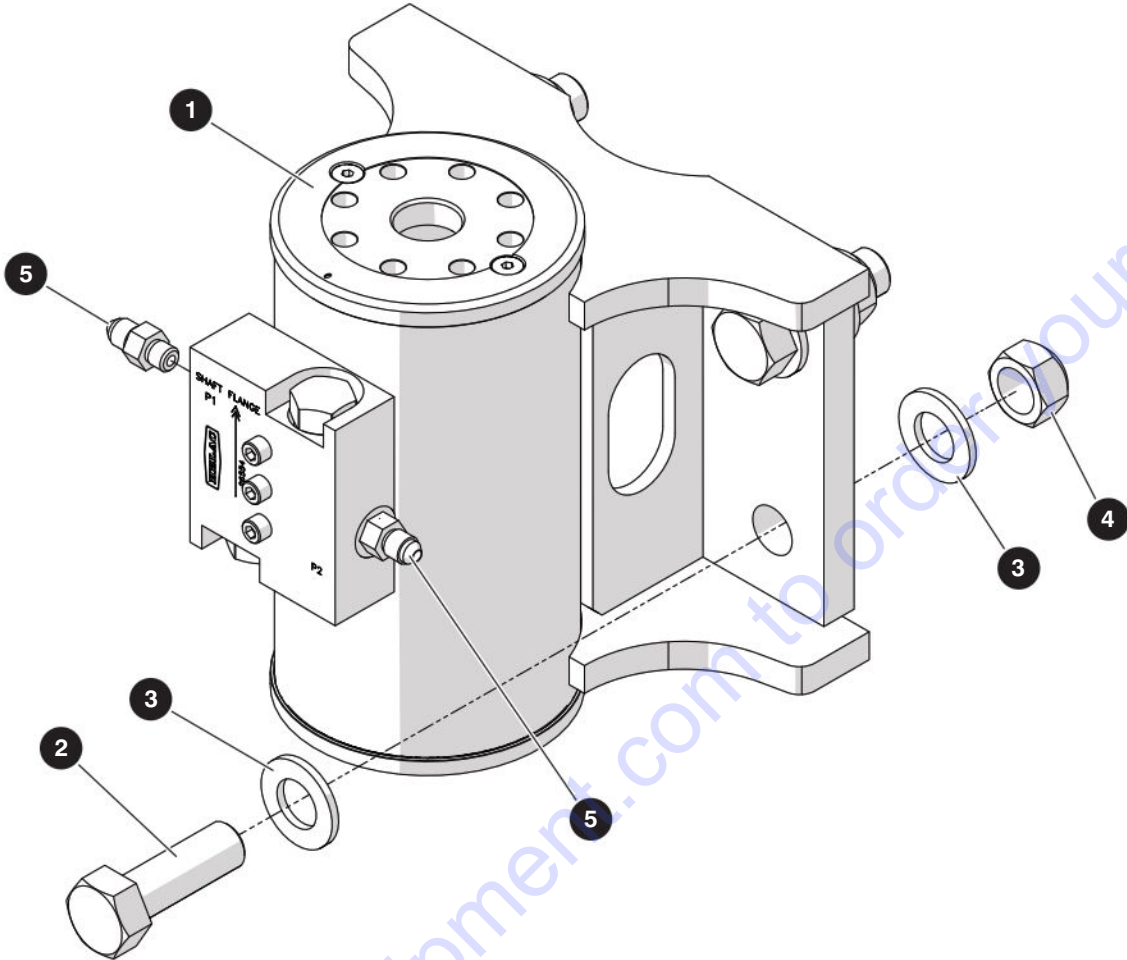
2.6 Rotary Actuator Mount - SJ40 T+



M218096AF

Index No.	Skyjack Part No.	Qty.	Description
-	218096	1	ROTARY ACTUATOR MOUNT - SJ40 T+
1	218050	1	• BRACKET, Platform Mounting
2	147584	1	• PIN, Jib
3	147585	1	• PIN, Fly boom
4	143987	1	• CLAMP (2-1/2")
5	139193	1	• BOLT, Hex head patch (3/8"-16 x 1-1/4" Gr 8)
6	148421	1	• BOLT, Hex head patch (3/8"-16 x 7/8" Gr 8)
7	125959	3	• WASHER, Flat hardened (3/8")
8	146897	2	• PIN, Keeper (3/8")

2.7 Rotary Actuator



M218095AB

Index No.	Skyjack Part No.	Qty.	Description
-	218095	1	ROTARY ACTUATOR
1	218126	1	• ROTARY ACTUATOR
2	153606	4	• BOLT, Hex head (3/4"-10 x2-1/4", gr 8)
3	702194	4	• WASHER, Flat hardened (3/4")
4	700575	4	• NUT, Torque lock (3/4"-10, Gr C)
5	126128	2	• FITTING, Straight bulkhead (04 JICM-04 ORBM)
6	TBD	1	SEAL KIT

PARTS FINDER

**Search Website
by Part Number**



**Search Manual
Library For Parts
Manual & Lookup Part
Numbers – Purchase
or Request Quote**

Search Manuals

Enter your information to help us find the right parts manual for your machine.

* Brand:

* Model:

* Serial:

* Part Number:

SEARCH

**Can't Find Part or
Manual? Request Help
by Manufacturer,
Model & Description**

Parts Order Form

Please fill in the following information to help us find the right part for your machine.

Manufacturer:

Model:

Description:

Quantity:

Part Number:

Part Name:

Part Description:

Part Category:

Part Location:

Part Status:

Part Condition:

Part Material:

Part Color:

Part Weight:

Part Dimensions:

Part Price:

Part Lead Time:

Part Availability:

Part Notes:

Submit

Discount-Equipment.com is your online resource for quality parts & equipment.

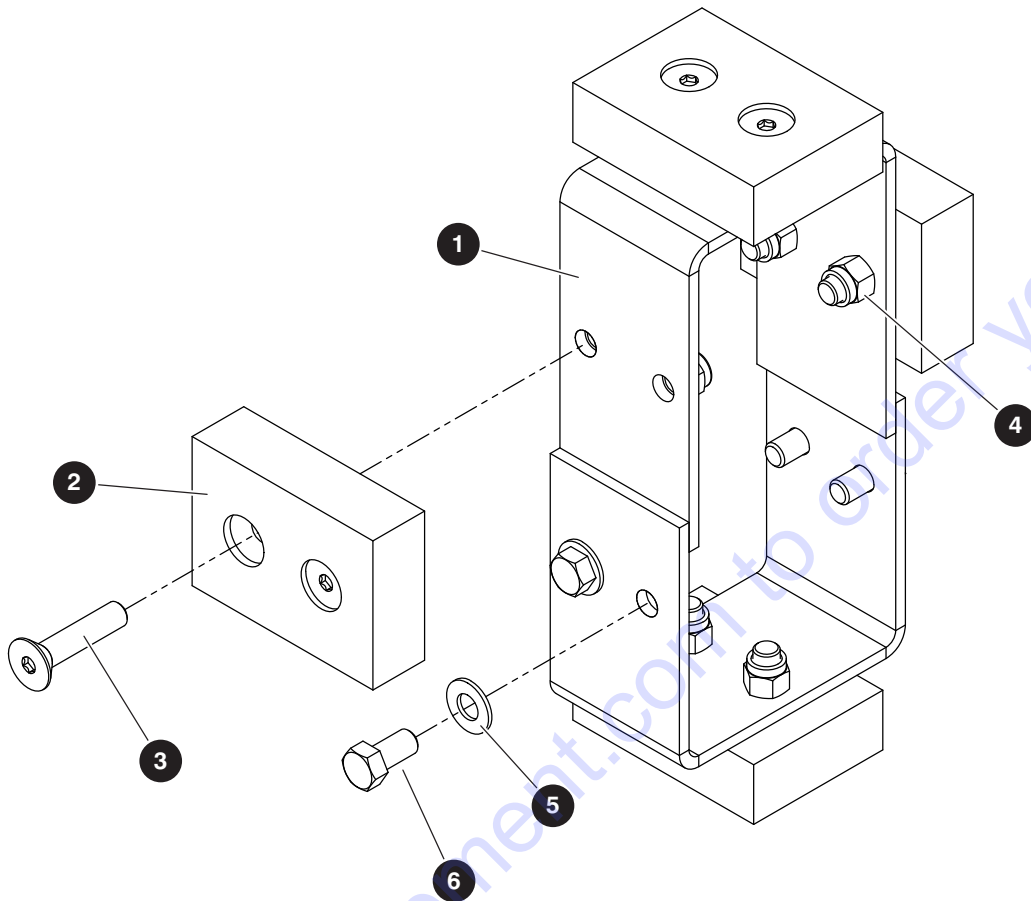
Florida: **561-964-4949** Outside Florida TOLL FREE: **877-690-3101**

Need parts?

Click on this link: <http://www.discount-equipment.com/category/5443-parts/> and choose one of the options to help get the right parts and equipment you are looking for. Please have the machine model and serial number available in order to help us get you the correct parts. If you don't find the part on the website or on one of the online manuals, please fill out the request form and one of our experienced staff members will get back to you with a quote for the right part that your machine needs.

We sell worldwide for the brands: Genie, Terex, JLG, MultiQuip, Mikasa, Essick, Whiteman, Mayco, Toro Stone, Diamond Products, Generac Magnum, Airman, Haulotte, Barreto, Power Blanket, Nifty Lift, Atlas Copco, Chicago Pneumatic, Allmand, Miller Curber, Skyjack, Lull, Skytrak, Tsurumi, Husquvarna Target, Stow, Wacker, Sakai, Mi-T-M, Sullair, Basic, Dynapac, MBW, Weber, Bartell, Bennar Newman, Haulotte, Ditch Runner, Menegotti, Morrison, Contec, Buddy, Crown, Edco, Wyco, Bomag, Laymor, EZ Trench, Bil-Jax, F.S. Curtis, Gehl Pavers, Heli, Honda, ICS/PowerGrit, IHI, Partner, Imer, Clipper, MMD, Koshin, Rice, CH&E, General Equipment, Amida, Coleman, NAC, Gradall, Square Shooter, Kent, Stanley, Tamco, Toku, Hatz, Kohler, Robin, Wisconsin, Northrock, Oztec, Toker TK, Rol-Air, APT, Wylie, Ingersoll Rand / Doosan, Innovatech, Con X, Ammann, Mecalac, Makinex, Smith Surface Prep, Small Line, Wanco, Yanmar

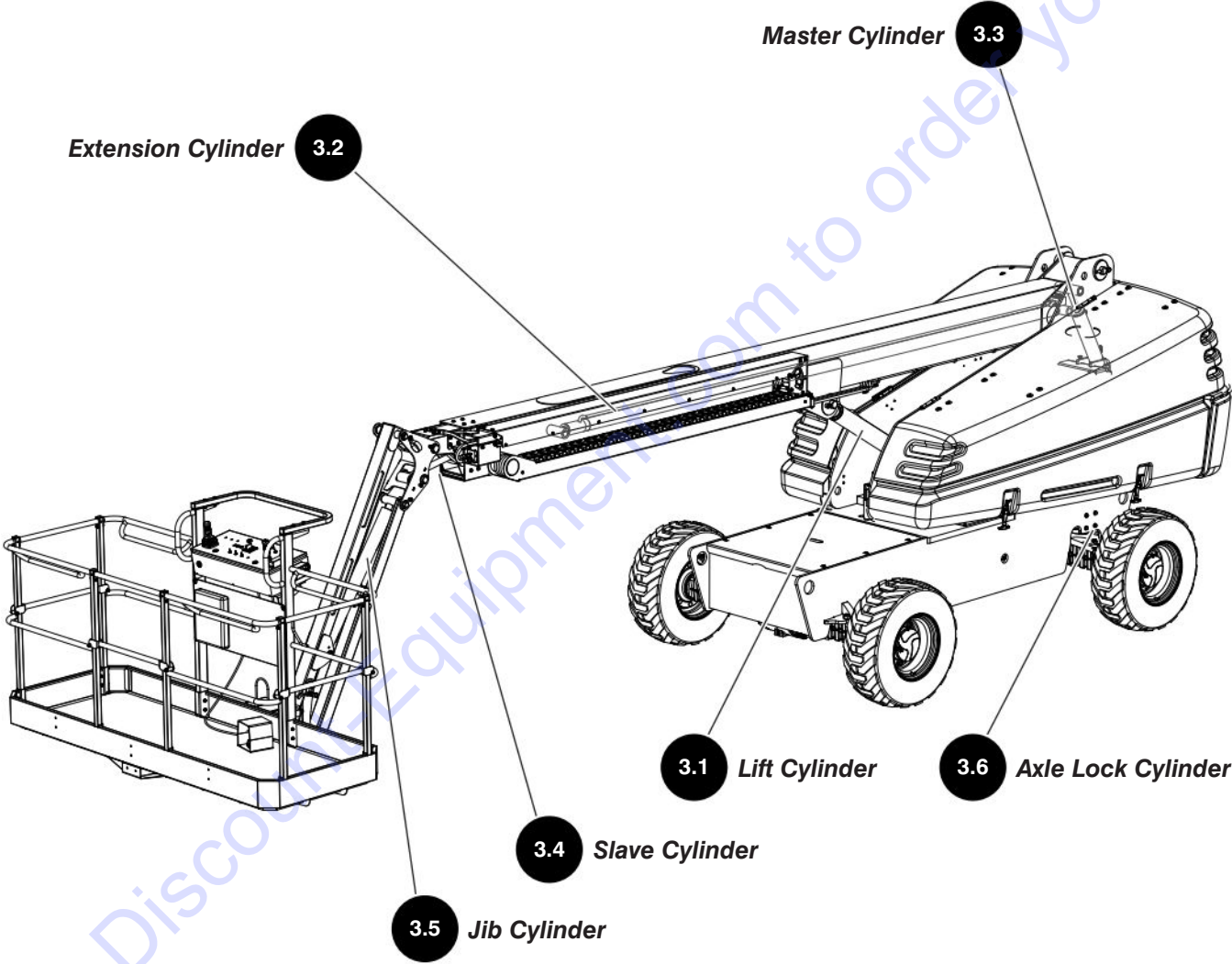
2.8 Extension Cylinder Support



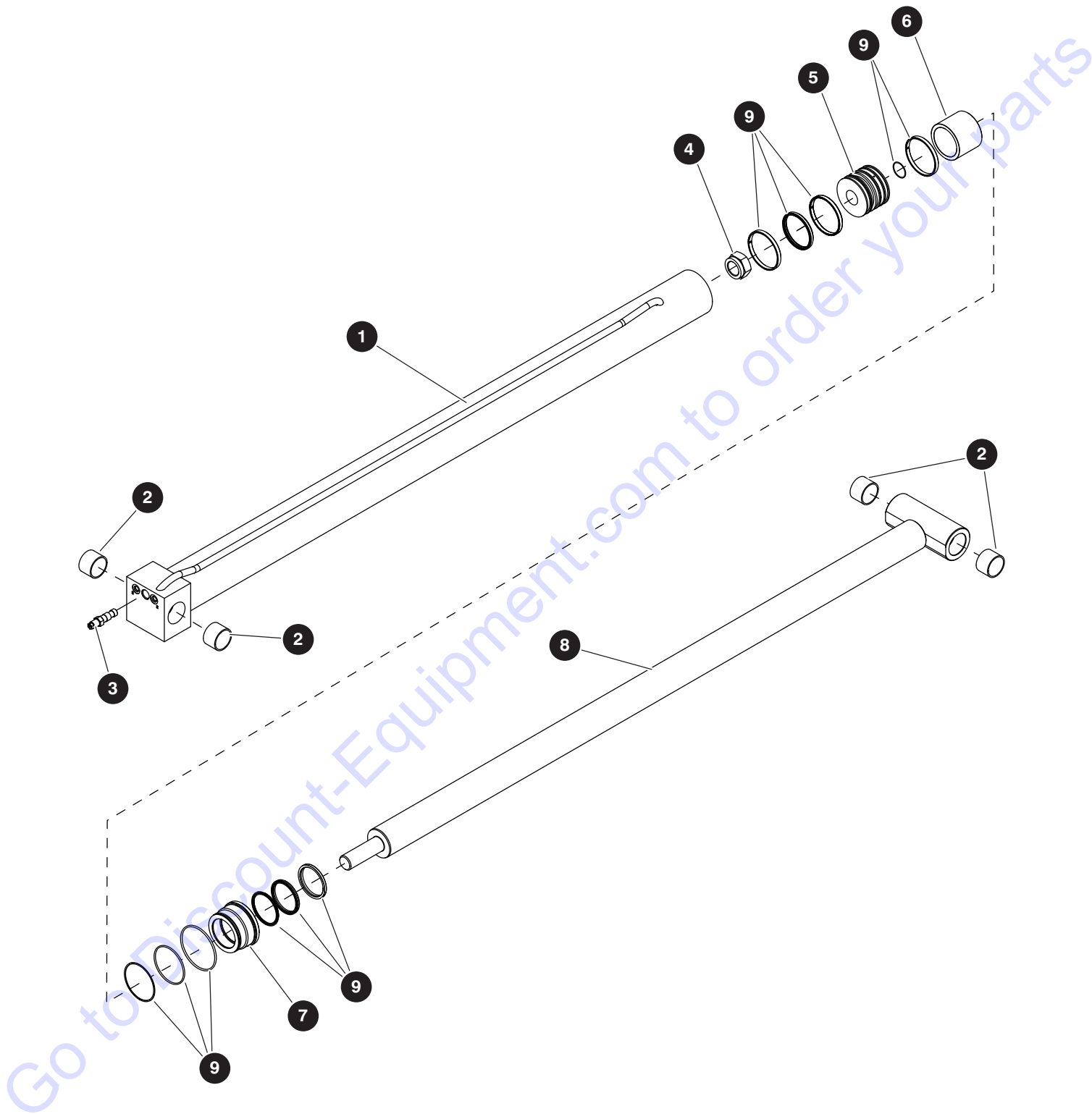
M710214AD

Index No.	Skyjack Part No.	Qty.	Description
-	710214	1	EXTENSION CYLINDER SUPPORT
1	710213	1	• BRACKET, Extension cylinder
2	701538	4	• PAD, Wear
3	711085	8	• SCREW, Flat head cap (3/8"-16 x 1 3/4" Gr 5)
4	104606	8	• NUT, Hex lock (3/8"-16 Gr 5, nylon)
5	103472	4	WASHER, Flat (3/8")
6	101632	4	BOLT, Hex head (3/8"-16 x 3/4", gr 5)

Section 3 – Cylinders



3.1 Lift Cylinder



M166123AA

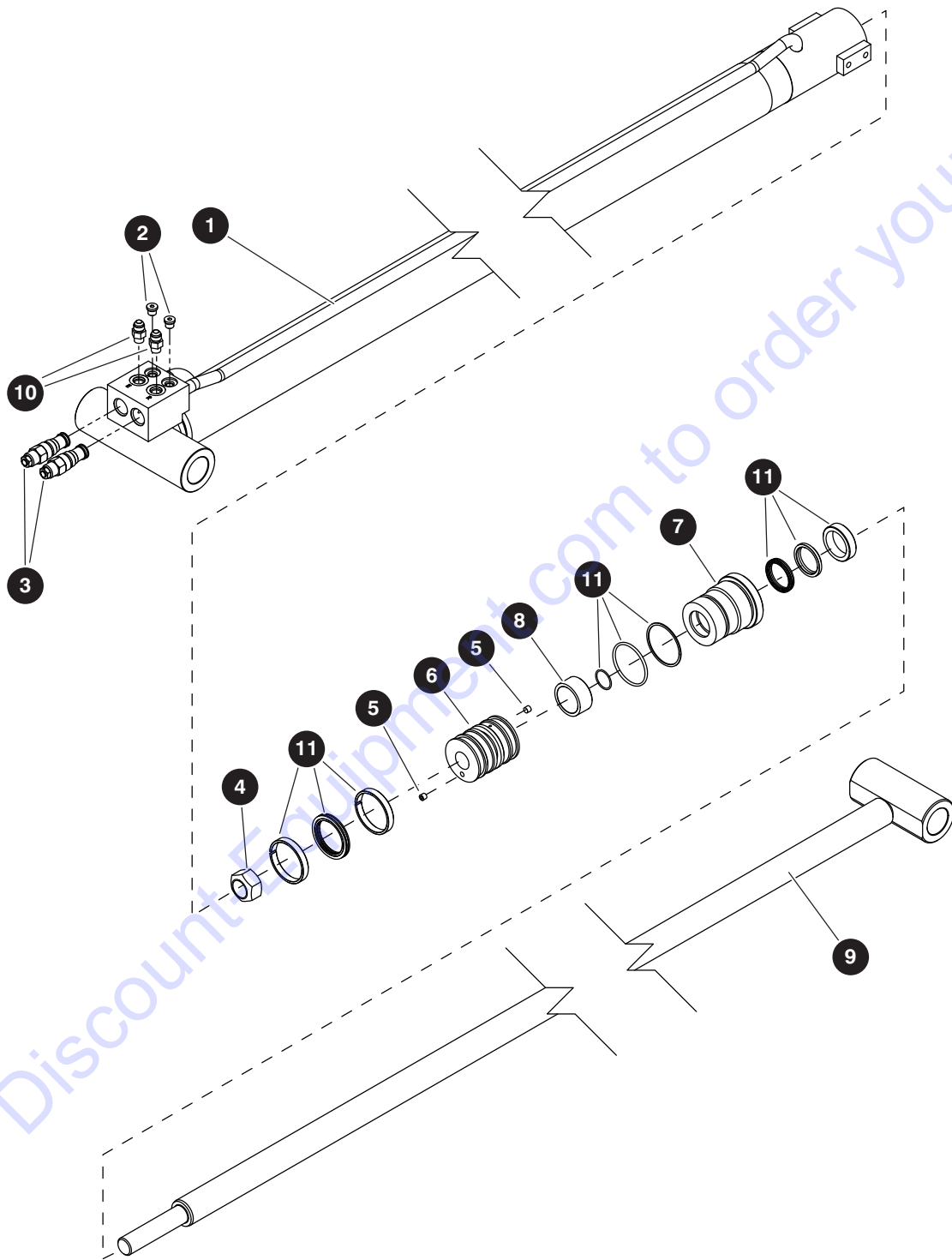
229031ABA

SJ40 T+, SJ45 T+

3.1 Lift Cylinder

Index No.	Skyjack Part No.	Qty.	Description
-	218258	1	LIFT CYLINDER
1	236615	1	• BARREL
2	236619	4	• BEARING, Self-lubricating
3	236621	1	• VALVE, Counterbalance
4	TBD	1	• NUT, Rod
5	236617	1	• PISTON
6	TBD	1	• SPACER
7	236618	1	• GLAND
8	236616	1	• ROD
9	236620	1	SEAL KIT

3.2 Extension Cylinder



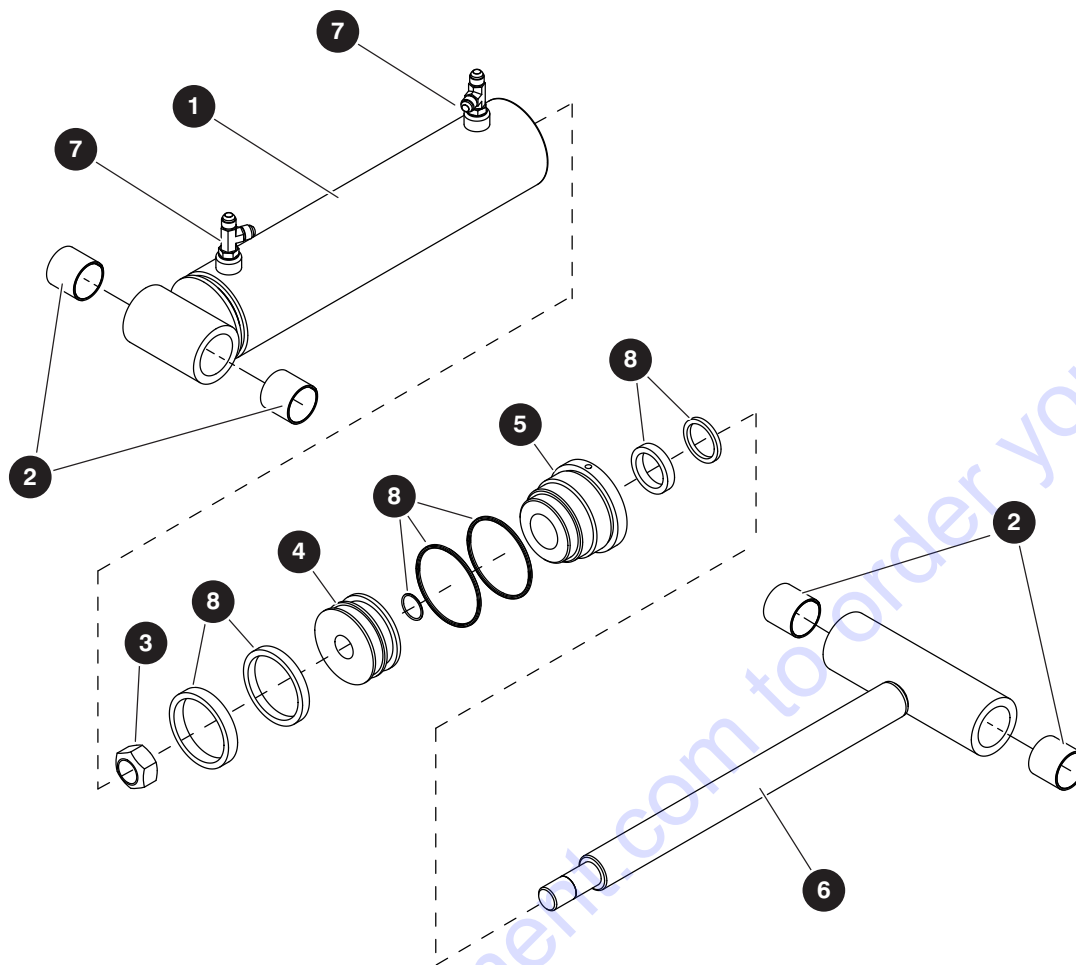
M163480AB

229031ABA

3.2 Extension Cylinder

Index No.	Skyjack Part No.	Qty.	Description
-	216838	1	EXTENSION CYLINDER
1	236635	1	• BARREL
2	121250	2	• PLUG, O-ring (7/16)
3	236640	2	• VALVE, Counterbalance
4	104400	1	• NUT, Rod
5	141446	2	• PLUG, 1/16 Orifice (NPTF)
6	236637	1	• PISTON
7	236638	1	• GLAND
8	TBD	1	• SPACER
9	236636	1	• ROD
10	103069	2	FITTING, Straight (06JICM-06ORBM)
11	236639	1	SEAL KIT

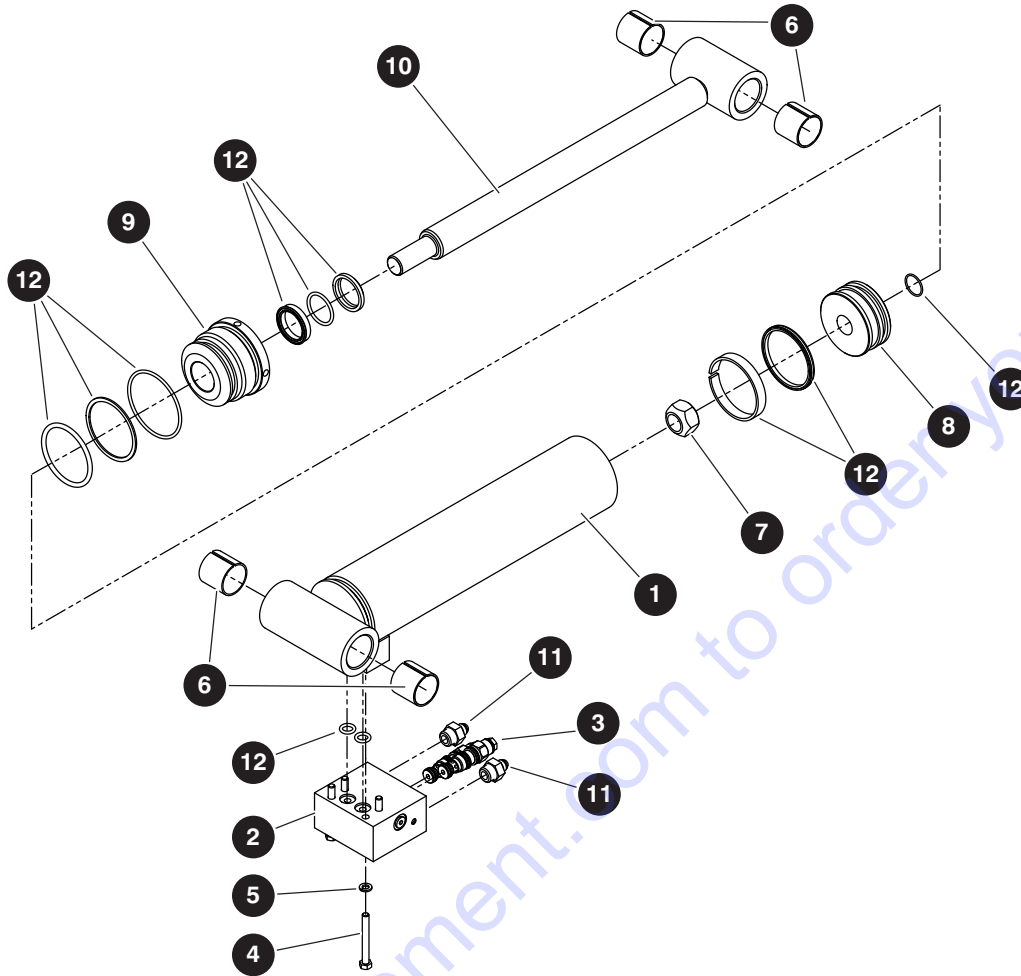
3.3 Master Cylinder



M163113AB

Index No.	Skyjack Part No.	Qty.	Description
-	218611	1	MASTER CYLINDER
-	231500	1	• CYLINDER, Master
1	236622	1	• • BARREL
2	236626	4	• • BEARING
3	104400	1	• • NUT, Rod
4	236624	1	• • PISTON
5	236625	1	• • GLAND
6	236623	1	• • ROD
7	114581	2	• FITTING, Run tee (06 JICM - 06 ORBM - 06 JICM)
8	236627	1	SEAL KIT

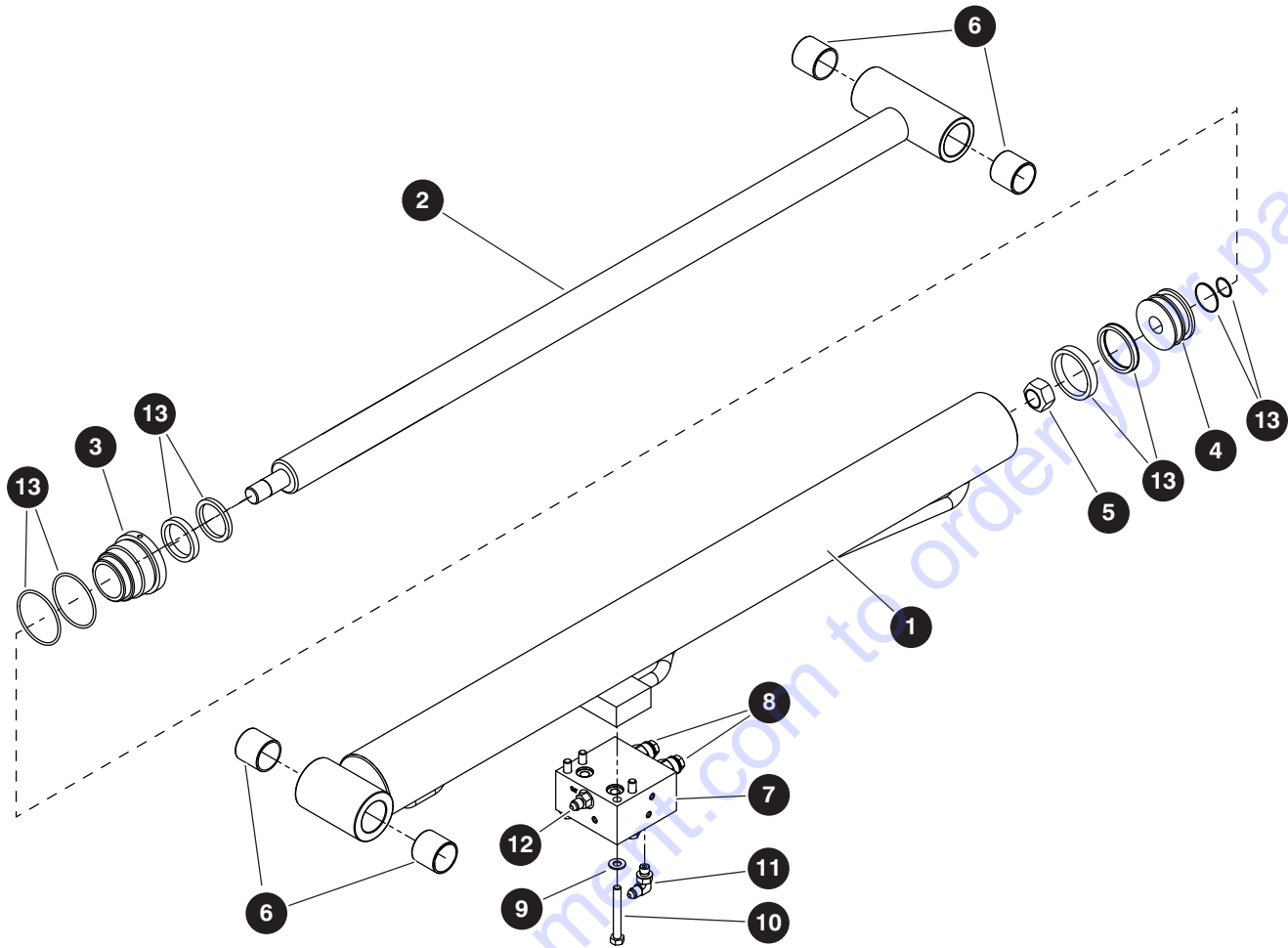
3.4 Slave Cylinder



M161294AB

Index No.	Skyjack Part No.	Qty.	Description
-	218612	1	SLAVE CYLINDER
-	216832	1	• CYLINDER, Slave
1	236628	1	• • BARREL
2	TBD	1	• • BLOCK, Manifold
3	236634	2	• • VALVE, Counterbalance
4	103884	4	• • SCREW, Head hex cap (5/16")
5	103404	4	• • WASHER, Lock (5/16")
6	236632	4	• • BEARING
7	104400	1	• • NUT, Rod
8	236630	1	• • PISTON
9	236631	1	• • GLAND
10	236629	1	• • ROD
11	131705	2	• FITTING, Straight (04JICM-08ORBM)
12	236632	1	SEAL KIT

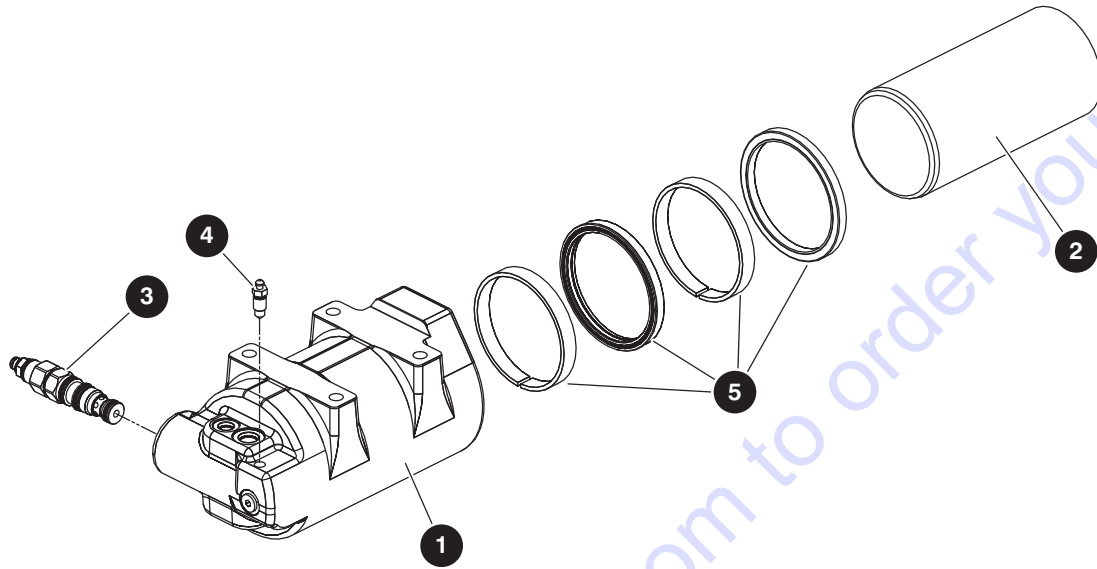
3.5 Jib Cylinder



M166091AA

Index No.	Skyjack Part No.	Qty.	Description
-	166091	1	JIB CYLINDER
-	160037	1	• CYLINDER, Jib
1	169203	1	• • BARREL
2	169204	1	• • ROD
3	169205	1	• • PISTON
4	169206	1	• • COVER, Rod
5	169207	1	• • NUT, Rod
6	100071	4	• • BEARING
7	166092	1	• MANIFOLD, Jib Cylinder
8	149488	2	• • VALVE, Counterbalance
9	103996	4	• WASHER, Flat (5/16")
10	103884	4	• BOLT, Head hex (5/16"-16 x 2.50" gr 5)
11	125883	1	• FITTING, Elbow 90° (04JICM-04ORBM)
12	126128	1	• FITTING, Straight (04JICM-04ORBM)
13	169208	1	SEAL KIT

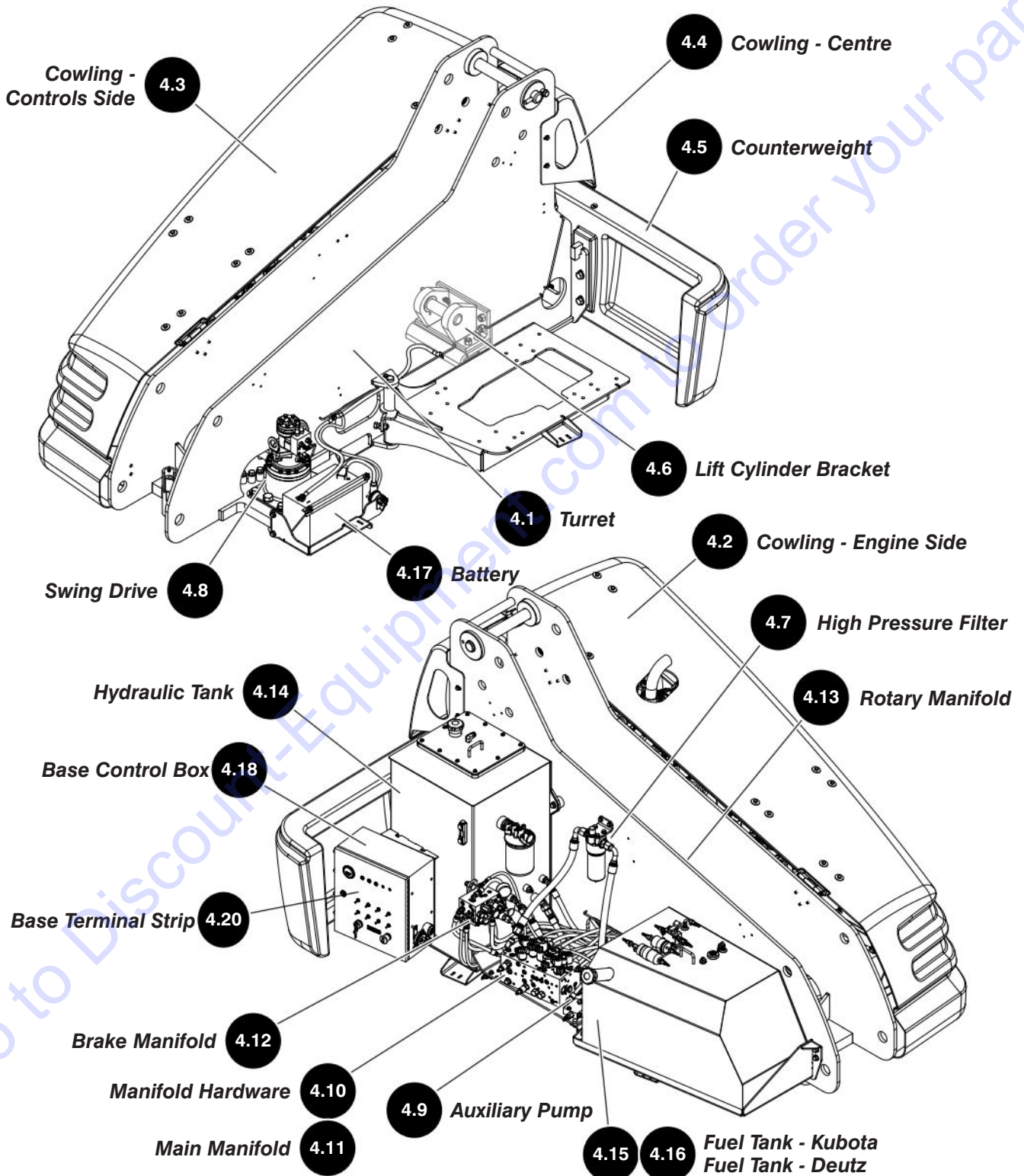
3.6 Axle Lock Cylinder



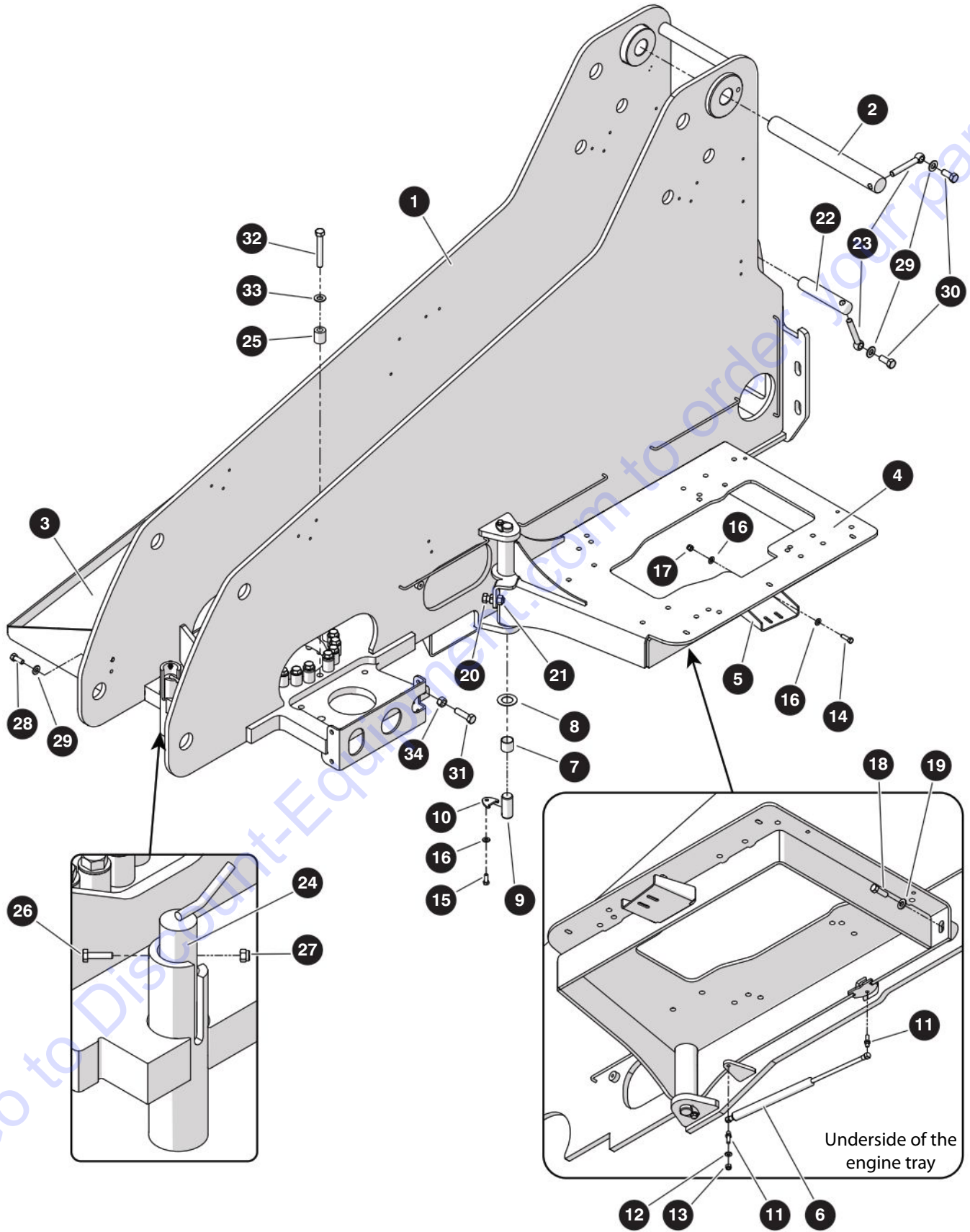
M161095AC

Index No.	Skyjack Part No.	Qty.	Description
-	212871	1	AXLE LOCK CYLINDER
1	154558	1	• BARREL
2	154559	1	• ROD
3	212872	1	• VALVE, Counterbalance
4	154561	1	• SCREW, Bleeder
5	154557	1	SEAL KIT

Section 4 – Turret



4.1 Turret



M218585AD

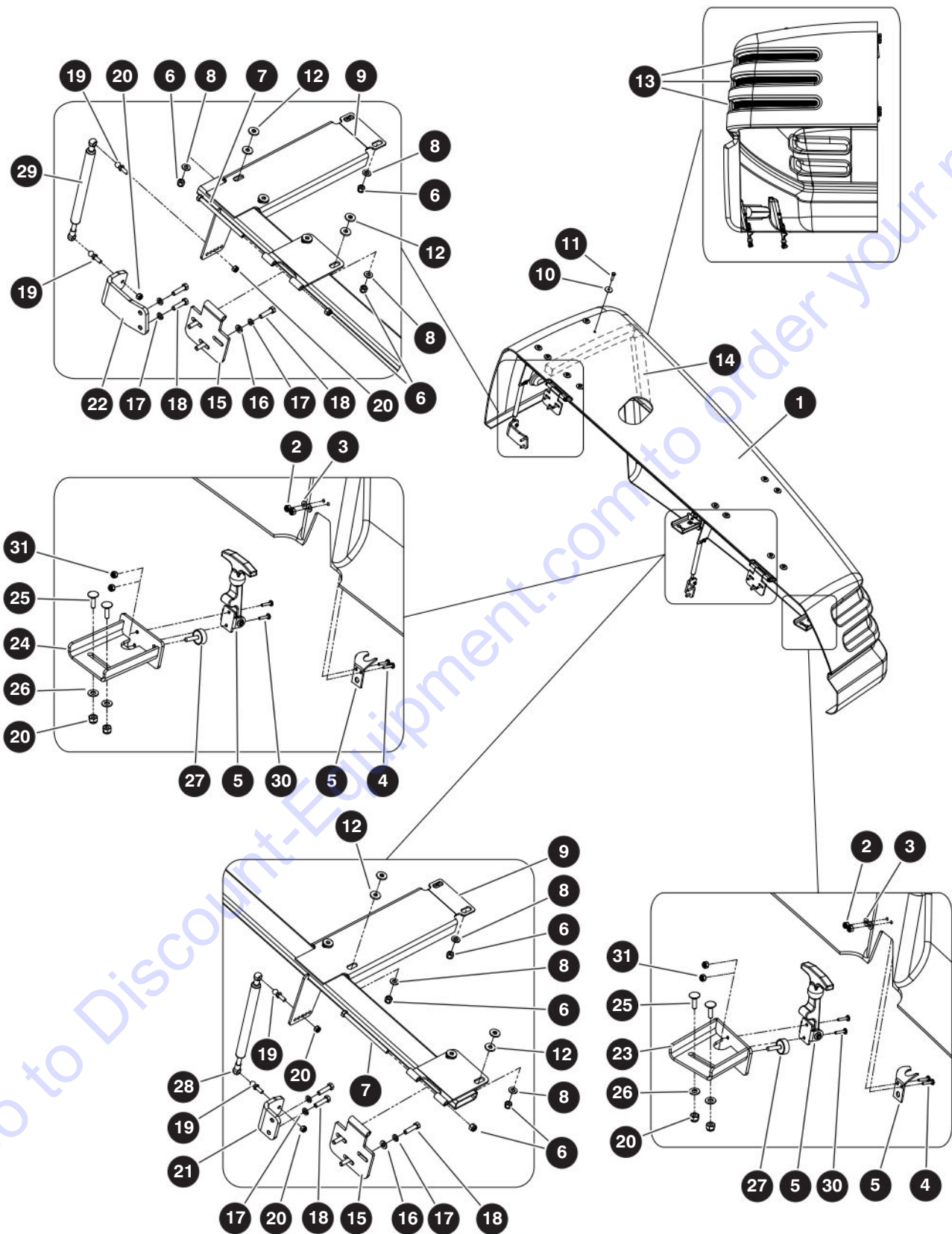
229031ABA

SJ40 T+, SJ45 T+

4.1 Turret

Index No.	Skyjack Part No.	Qty.	Description
-	218585	1	TURRET
-	218087	1	• TURRET ASSEMBLY
1	231400	1	• • TURRET
2	163119	1	• • PIN, Pivot (2" x 16-3/4")
3	163123	1	• SUPPORT, Fuel tank
-	218588	1	• ENGINE TRAY
4	228369	1	• • TRAY, Engine
5	163150	1	• • BRACKET, Cowling support
6	146902	1	• • SPRING, Gas
7	100071	2	• • BUSHING, Fiberglide
8	121703	1	• • WASHER, Thrust - fiberglide
9	162319	2	• • PIN, Pivot (1-1/4" OD x 2-7/8")
10	162321	2	• • PLATE, Pin lock (1-1/40" x 3/16")
11	146903	2	• • STUD, Ball (10 mm)
12	103996	2	• • WASHER, Flat (5/16")
13	103984	2	• • NUT, Hex head nylon lock (5/16"-18 gr 5)
14	101297	2	• • BOLT, Hex head (3/8"-16 x 1-1/4" gr 5)
15	103473	2	• • BOLT, Hex head (3/8"-16 x 1" gr 5)
16	125959	6	• • WASHER, Flat - hardened (3/8")
17	104606	2	• • NUT, Hex head nylon lock (3/8"-16 gr 5)
18	103907	1	• • BOLT, Hex head (1/2"-13 x 1-1/2" gr 5)
19	104379	1	• • WASHER, Flat - hardened (1/2")
20	103897	1	• • BOLT, Hex head (5/8"-11 x 2" gr 5)
21	103981	1	• • NUT, Hex head (5/8"-11 gr 5)
22	218587	1	• PIN (1-1/2" dia x 7-5/8")
23	146898	2	• PIN, Keeper (5/8")
24	159483	1	• PIN, Transportation locking
25	163120	23	• SPACER (1-5/16" OD x 11/16" ID x 1-1/20")
26	103857	1	• BOLT, Hex head (1/4"-20 x 1" gr 5)
27	115649	1	• NUT, Hex head nylon lock (1/4"-20 gr 5)
28	103909	4	• BOLT, Hex head (1/20"-13 x 1-1/4" gr 5)
29	104379	4	• WASHER, Flat hardened (1/2")
30	103899	2	• BOLT, Hex head (5/8"-11 x 1-1/20" gr 5)
31	103896	1	• BOLT, Hex head (5/8"-11 x 2-1/4" gr 5)
32	701762	23	• BOLT, Hex head (5/8"-11 x 4-1/2" gr 5)
33	700782	25	• WASHER, Flat - hardened (5/8")
34	103981	1	• NUT, Hex (5/8"-11 gr 5)

4.2 Cowling - Engine Side



M161696AB_1

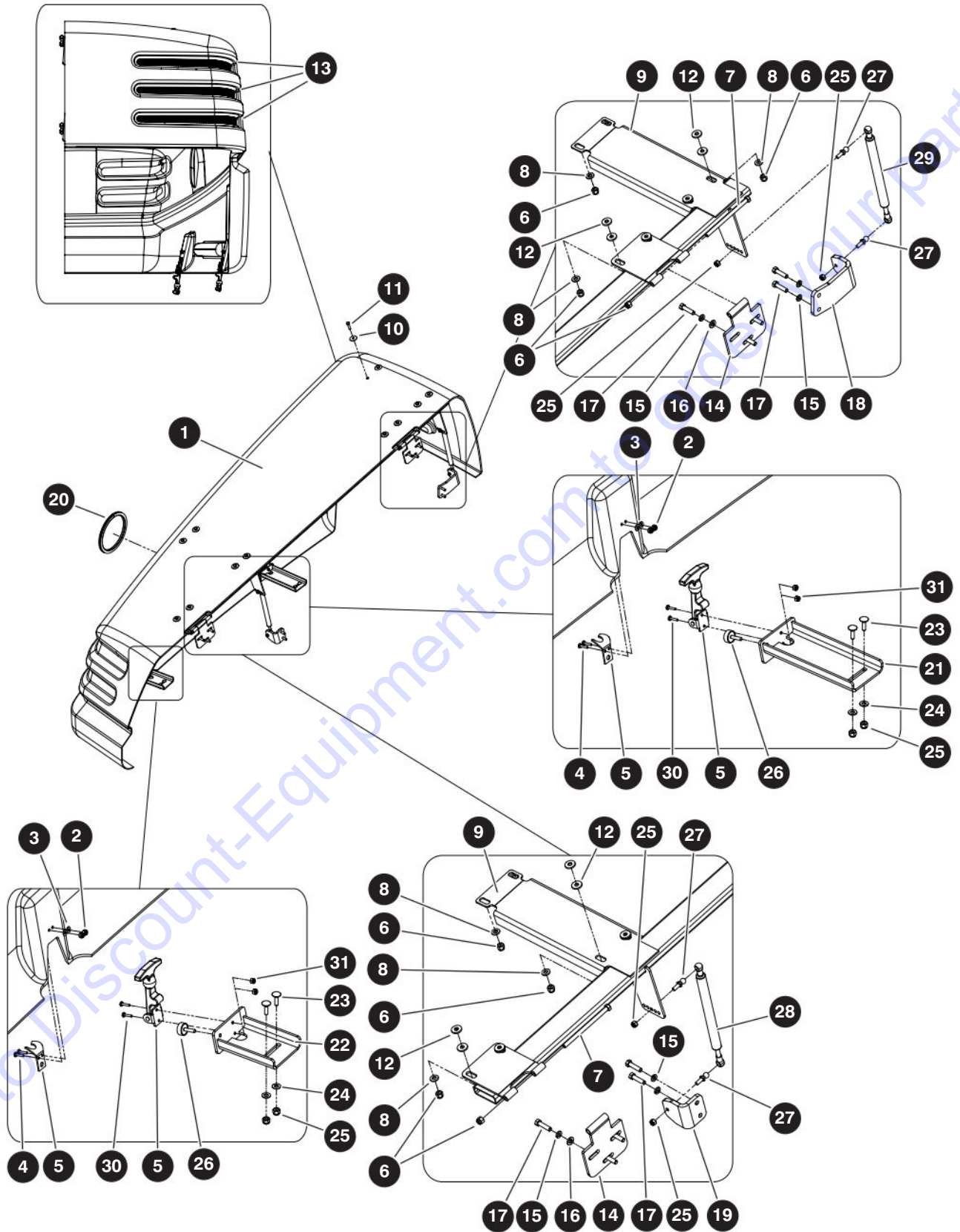
229031ABA

SJ40 T+, SJ45 T+

4.2 Cowling - Engine Side

Index No.	Skyjack Part No.	Qty.	Description
-	161696	1	ENGINE SIDE COWLING
-	161699	1	• COWLING, Assembly (Engine Side)
1	161701	1	• • COWLING, Shell (Engine Side)
2	126642	4	• • NUT, Hex lock (#10-24 Gr 5, nylon)
3	104694	4	• • WASHER, Flat (#10)
4	138834	4	• • SCREW, Round machine (#10-24 x 3/4")
5	144002	2	• • LATCH, Flexible draw
6	104606	14	• • NUT, Hex lock (3/8"-16 Gr 5, nylon)
7	138736	2	• • BOLT, Hex head (3/8"-16 x 6" Gr 5)
8	125959	12	• • WASHER, Flat hardened (3/8")
9	159678	1	• • WELDMENT, Cowling frame (Engine side)
10	127067	12	• • WASHER, Flat (3/8" Style BB)
11	103870	12	• • BOLT, Hex head (3/8"-16 x 1 1/2" Gr 5)
12	152416	16	• • WASHER, Rubber (1" x 3/8" x 1/8" TK)
13	165547	3	• • PLATE, Perforated
14	148368	48"	• • SEAL, Foam
15	138311	2	• WELDMENT, Hinge (Vertical)
16	125959	6	• WASHER, Flat hardened (3/8")
17	103999	10	• WASHER, Lock (3/8")
18	103870	10	• BOLT, Hex head (3/8"-16 x 1 1/2" Gr 5)
19	138836	4	• STUD, Ball
20	103984	8	• NUT, Hex lock (5/16"-18 Gr 5, nylon)
21	138288	1	• BRACKET, Gas spring (Front)
22	138313	1	• BRACKET, Gas spring (Rear)
23	144025	1	• BRACKET, Cowling latch (Battery tray)
24	144024	1	• BRACKET, Cowling latch (Engine tray)
25	133216	4	• BOLT, Carriage (5/16"-18 x 1" Gr 5)
26	103996	4	• WASHER, Flat (5/16")
27	144015	2	• MOUNT, Anit-vibration
28	138312	1	• GAS SPRING, Cowling (Rear)
29	144010	1	• GAS SPRING, Cowling (Front)
30	138834	4	• SCREW, Round machine (#10-24 x 3/4")
31	126642	4	• NUT, Hex lock (#10-24 Gr 5, nylon)

4.3 Cowling - Controls Side



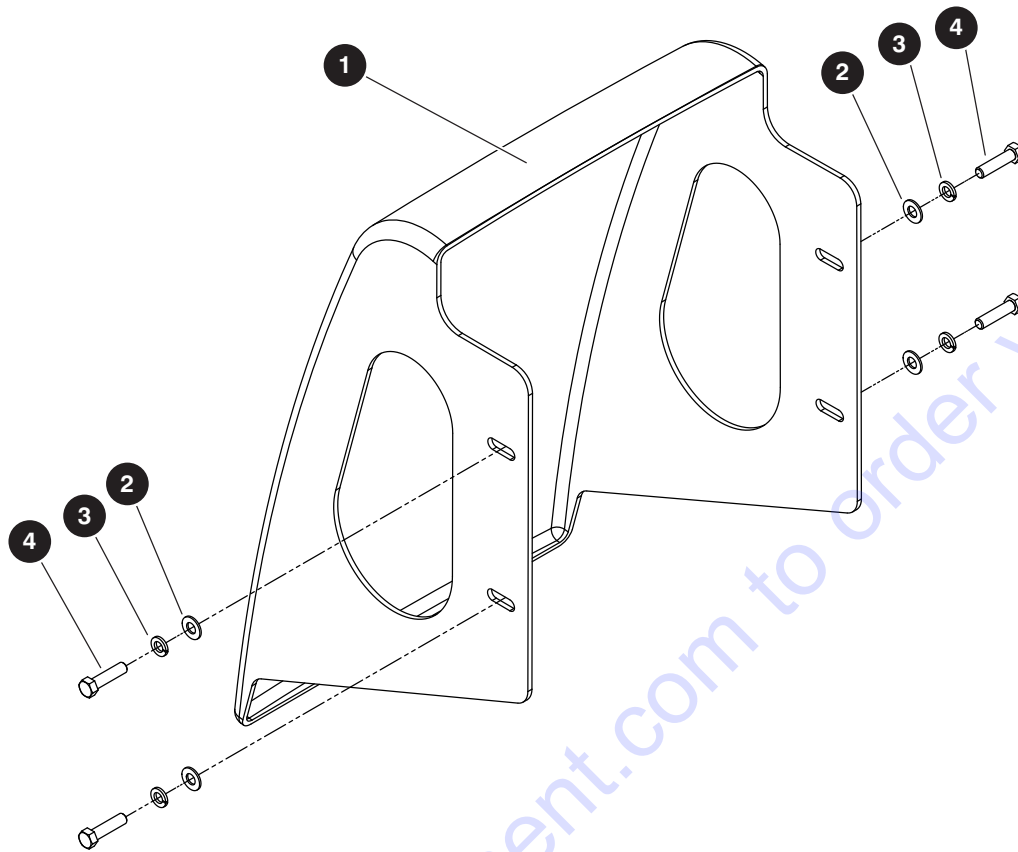
M161695AB

229031ABA

4.3 Cowling - Controls Side

Index No.	Skyjack Part No.	Qty.	Description
-	161695	1	CONTROLS SIDE COWLING
-	161698	1	• COWLING, Assembly (Controls Side)
1	161700	1	• • COWLING, Shell (Controls Side)
2	126642	4	• • NUT, Hex lock (#10-24 Gr 5, nylon)
3	104694	4	• • WASHER, Flat (#10)
4	138834	4	• • SCREW, Round machine (#10-24 x 3/4")
5	144002	2	• • LATCH, Flexible draw
6	104606	14	• • NUT, Hex lock (3/8"-16 Gr 5, nylon)
7	138736	2	• • BOLT, Hex head (3/8"-16 x 6" Gr 5)
8	125959	12	• • WASHER, Flat hardened (3/8")
9	159677	1	• • WELDMENT, Cowling frame (Controls side)
10	127067	12	• • WASHER, Flat (3/8" Style BB)
11	103870	12	• • BOLT, Hex head (3/8"-16 x 1 1/2" Gr 5)
12	152416	16	• • WASHER, Rubber (1" x 3/8" x 1/8" TK)
13	165547	3	• • PLATE, Perforated
14	138311	2	• WELDMENT, Hinge (Vertical)
15	103999	10	• WASHER, Lock (3/8")
16	125959	6	• WASHER, Flat hardened (3/8")
17	103870	10	• BOLT, Hex head (3/8"-16 x 1 1/2" Gr 5)
18	138818	1	• BRACKET, Gas spring (Rear)
19	138288	1	• BRACKET, Gas spring (Front)
20	144042	1	• TRIM, Protective (Fuel cutout)
21	144022	1	• BRACKET, Cowling latch (Hydraulic tray)
22	144023	1	• BRACKET, Cowling latch (Fuel tray)
23	133216	4	• BOLT, Carriage (5/16"-18 x 1" Gr 5)
24	103996	4	• WASHER, Flat (5/16")
25	103984	8	• NUT, Hex lock (5/16"-18 Gr 5, nylon)
26	144015	2	• MOUNT, Anit-vibration
27	138836	4	• STUD, Ball
28	138312	1	• GAS SPRING, Cowling (Rear)
29	144010	1	• GAS SPRING, Cowling (Front)
30	138834	4	• SCREW, Round machine (#10-24 x 3/4")
31	126642	4	• NUT, Hex lock (#10-24 Gr 5, nylon)

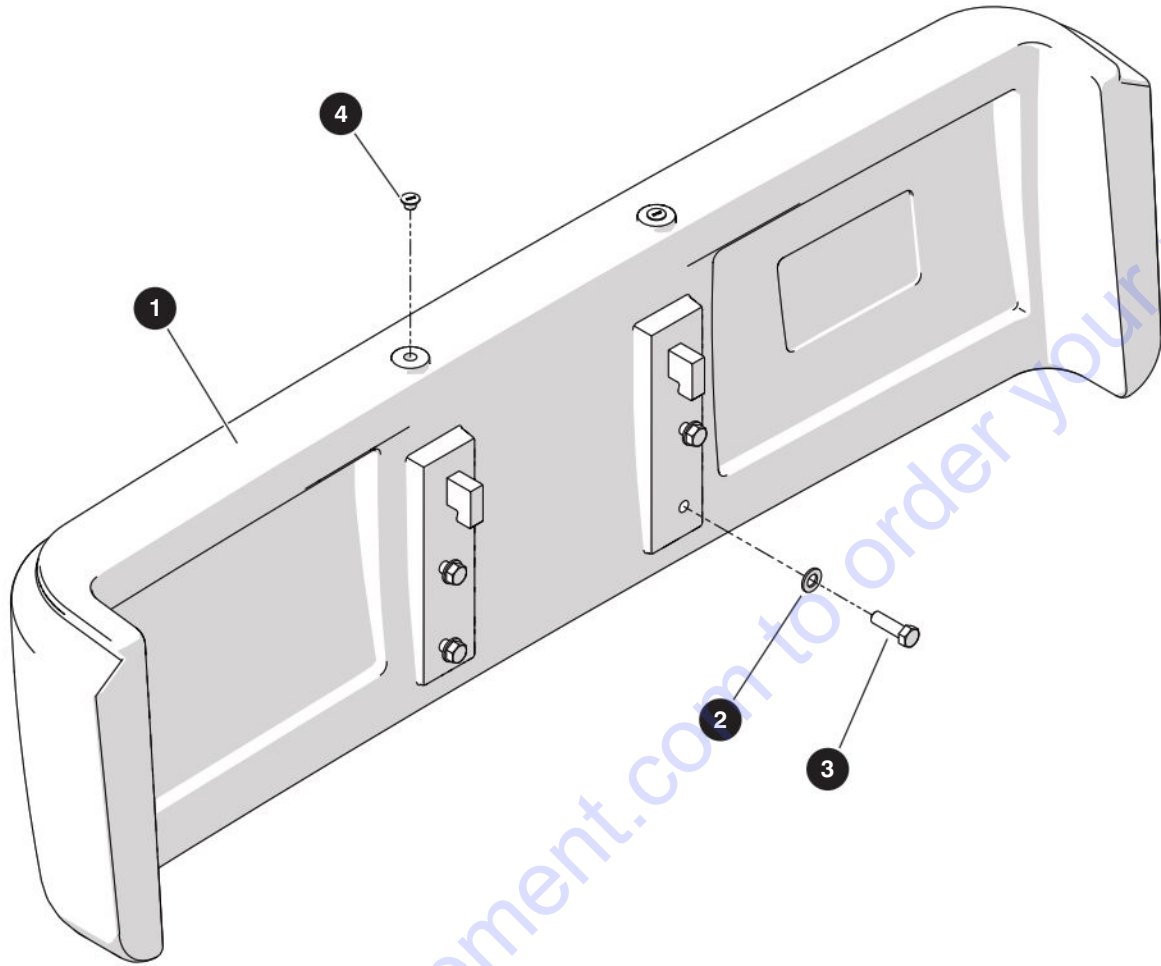
4.4 Cowling - Centre



M161697AA

Index No.	Skyjack Part No.	Qty.	Description
-	161697	1	CENTER COWLING
1	161702	1	• COWLING, Shell (centre)
2	103472	4	• WASHER, Flat (3/8")
3	103999	4	• WASHER, Lock (3/8")
4	103870	4	• BOLT, Hex head (3/8"-16 x 1-1/2" gr 5)

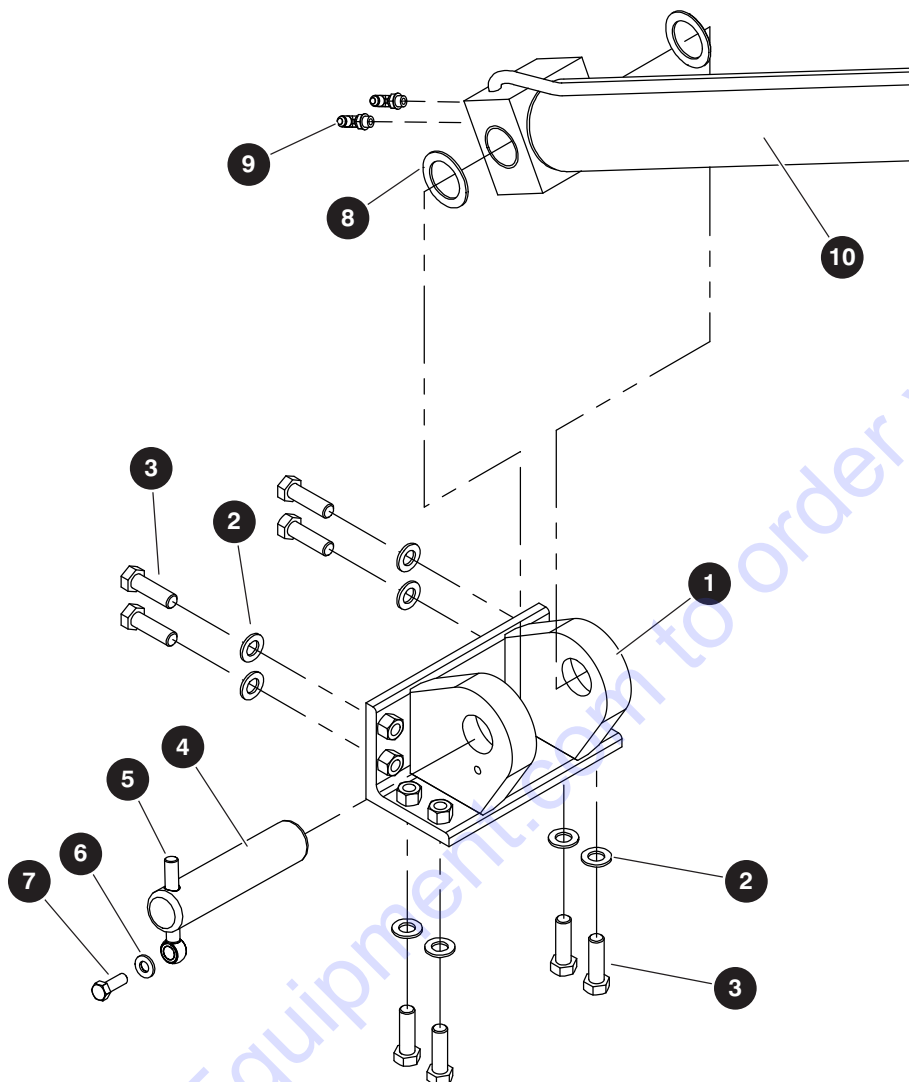
4.5 Counterweight



M218511AB

Index No.	Skyjack Part No.	Qty.	Description
A	167624	1	COUNTERWEIGHT - SJ40 T+
B	167381	1	COUNTERWEIGHT - SJ45 T+
1	236665	1	• COUNTERWEIGHT, Turret, A
	218512	1	• COUNTERWEIGHT, Turret, B
2	702194	4	• WASHER, Flat hardened (3/4")
3	139151	4	• BOLT, Hex head patch (3/4"-10 x 2-1/2" Gr 8)
4	144105	2	• PLUG, Threaded hole (3/4")

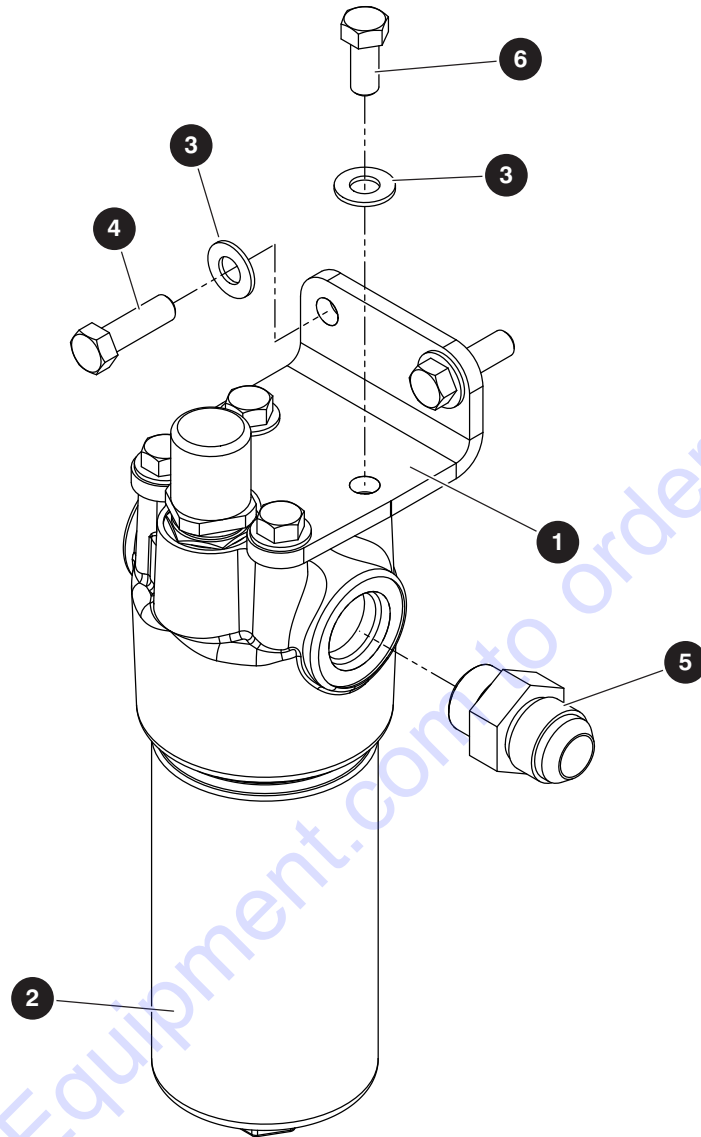
4.6 Lift Cylinder Bracket



M166667AA

Index No.	Skyjack Part No.	Qty.	Description
-	166667	1	LIFT CYLINDER WITH BRACKET ASSEMBLY
1	144288	1	• BRACKET, Lift cylinder
2	702194	8	• WASHER, Flat (3/4")
3	151102	8	• BOLT, Hex head (3/4"-10 x 2 1/2" Gr 5)
4	144681	1	• PIN, Lift cylinder cap
5	146898	1	• PIN, Keeper (5/8")
6	104379	1	• WASHER, Flat (1/2")
7	103907	1	• BOLT, Hex head (1/2"-13 x 1 1/2" Gr 5)
8	144290	2	• WASHER, Thrust (2.01" ID x 3" OD x 1/8")
9	114580	2	• FITTING, Elbow, 45° (06 JICM - 06 ORBM)
10	(Ref.)	-	• LIFT CYLINDER ASSEMBLY (For components, refer to 3.1 Lift Cylinder)

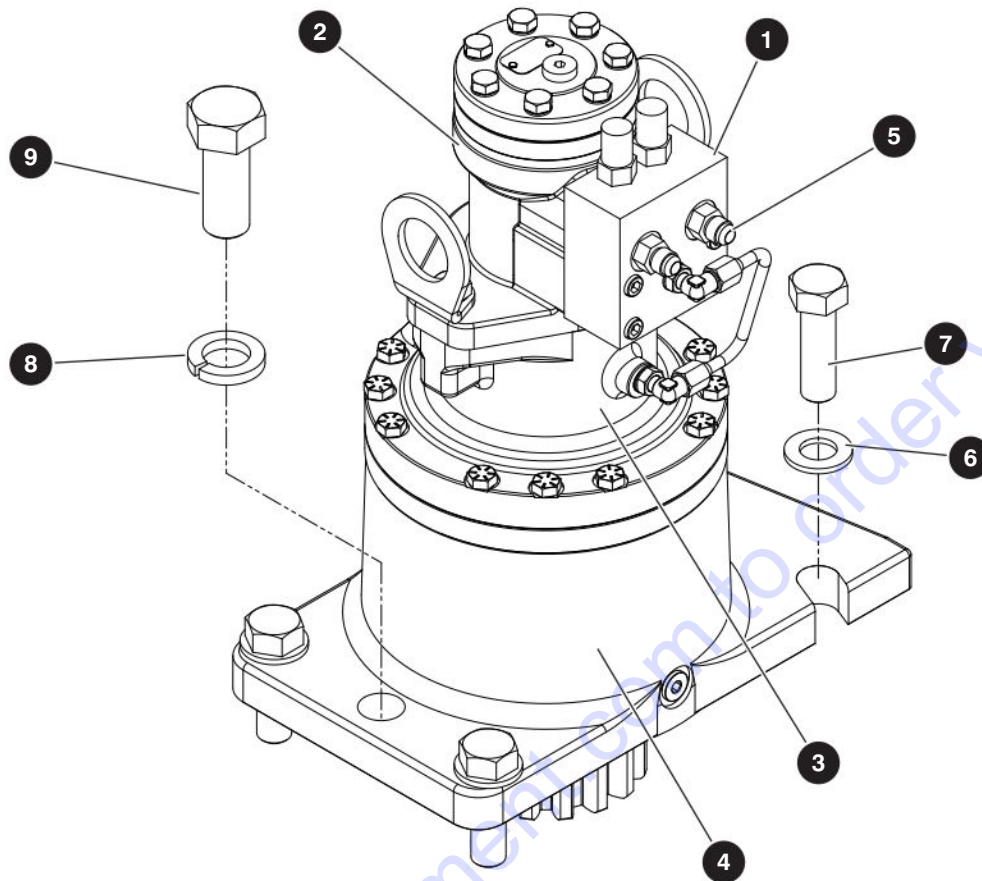
4.7 High Pressure Filter



M163117AC

Index No.	Skyjack Part No.	Qty.	Description
-	163117	1	HIGH PRESSURE FILTER
1	162327	1	• BRACKET, Pressure filter
2	161932	1	• FILTER ASSEMBLY, Pressure (with indicator)
	161947	1	• • ELEMENT, Pressure filter
	169246	1	• • PLUG, Indicator with seals
	204202	1	• • O-RING
	204203	1	• • O-RING, Backup
3	103472	6	• WASHER, Flat (3/8")
4	101297	2	• BOLT, Hex head (3/8"-16 x 1-1/4" Gr 5)
5	702118	1	• FITTING, Straight (12JICM-12ORBM)
6	300437	4	• BOLT, Hex head (3/8"-16 x 7/8" gr 5)

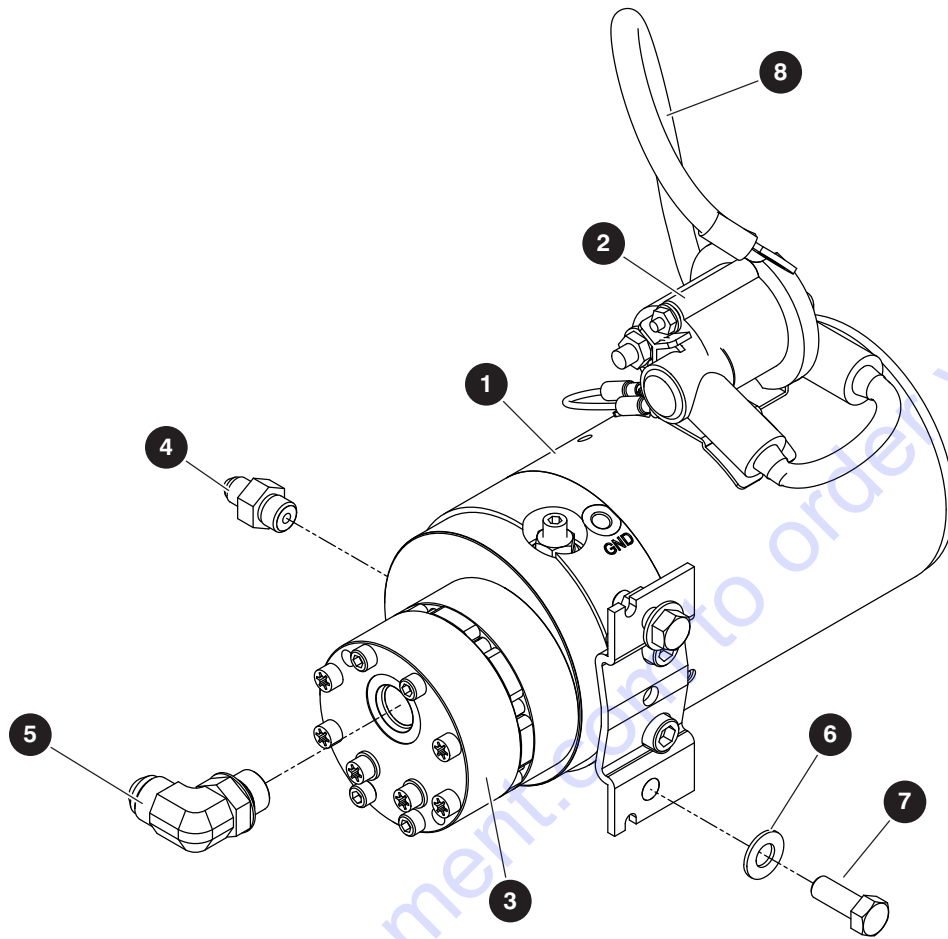
4.8 Swing Drive



M167466AA

Index No.	Skyjack Part No.	Qty.	Description
-	167466	1	SWING DRIVE ASSEMBLY
-	167209	1	• SWING DRIVE, Turret rotate
1	141488	1	• • MANIFOLD, Swing drive
	141499	2	• • • VALVE, Counterbalance
2	168872	1	• • MOTOR, Hydraulic
3	168873	1	• • BRAKE, Hydraulic
4	146006	1	• • GEAR, Reduction
5	103069	2	• FITTING, Straight (06JICM-06ORBM)
6	702194	4	• WASHER, Flat hardened (3/4")
7	100850	4	• BOLT, Hex head (3/4"-10 x 2.50" Gr 8)
8	107948	1	• WASHER, Lock (1")
9	139181	1	• BOLT, Hex head (1"-8 x 2.5" Gr 8)
10	168874	1	SEAL KIT, Brake (not shown)
11	168875	1	SEAL KIT, Main shaft & ring gear (not shown)

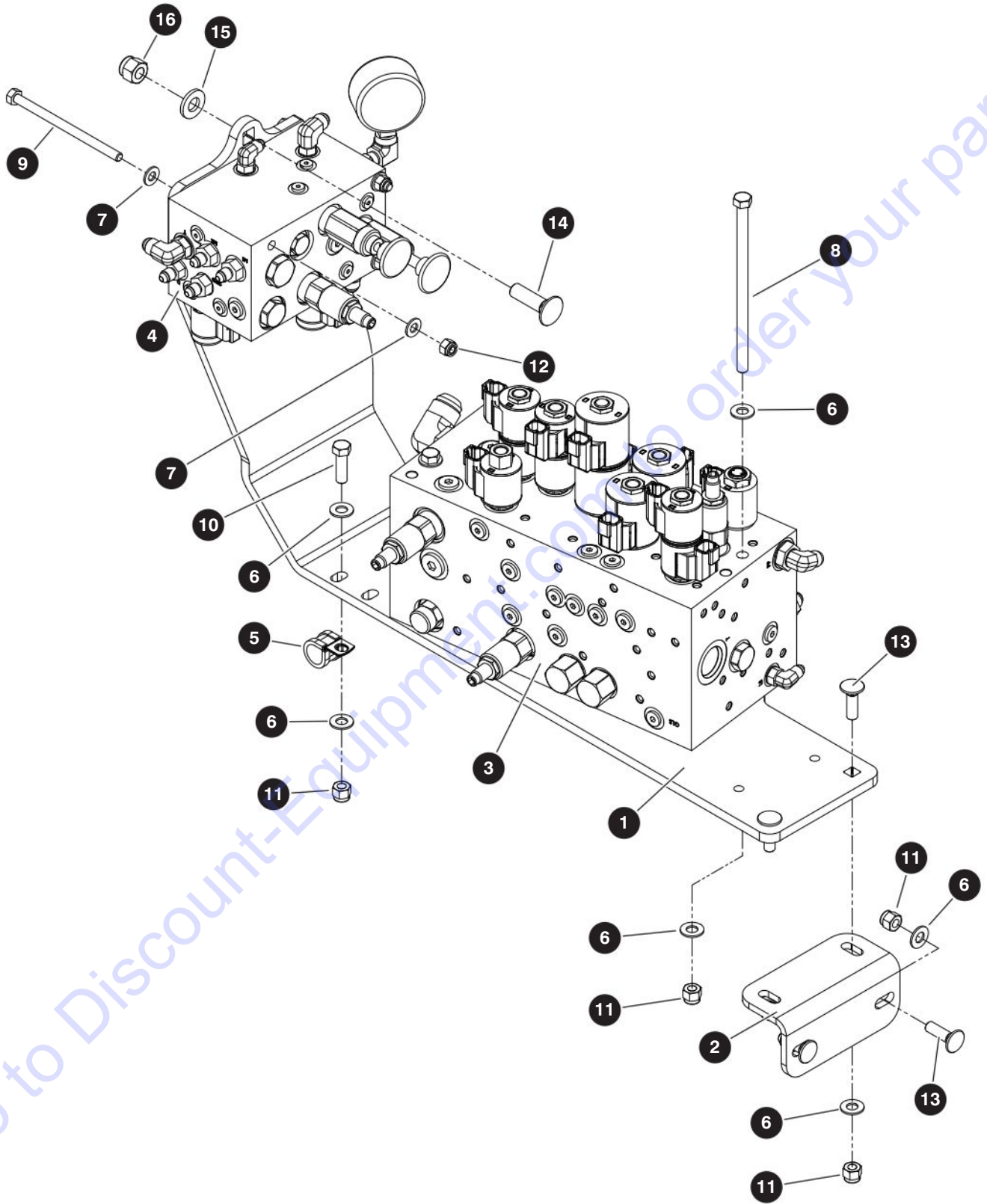
4.9 Auxiliary Pump



M169184AB

Index No.	Skyjack Part No.	Qty.	Description
-	169184	1	AUXILIARY PUMP
-	220500	1	• AUXILIARY PUMP WITH FITTINGS
-	160923	1	• • PUMP, Auxiliary
1	168897	1	• • • MOTOR
2	168898	1	• • • CONTACTOR
3	169244	1	• • • PUMP
4	701956	1	• • FITTING, Straight (04 JICM - 06 ORBM)
5	114583	1	• • FITTING, Elbow, 90° (08 JICM - 08 ORBM)
6	103472	2	• WASHER, Lock (3/8")
7	103473	2	• BOLT, Hex head (3/8"-16 x 1.00" Gr 5)
8	148499	1	• CABLE, E-pump ground

4.10 Manifold Hardware



M163885AD

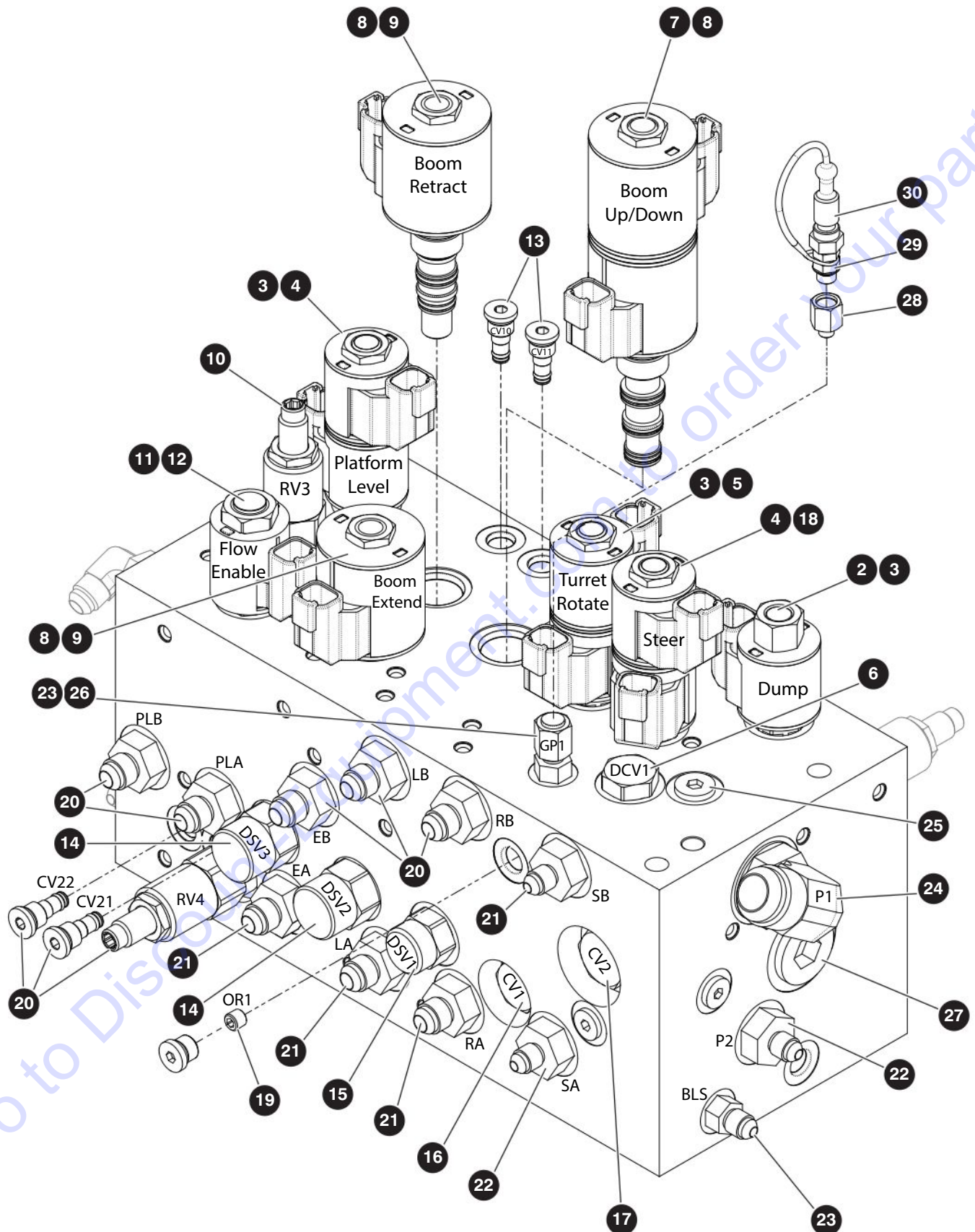
229031ABA

SJ40 T+, SJ45 T+

4.10 Manifold Hardware

Index No.	Skyjack Part No.	Qty.	Description
-	163885	1	MANIFOLD HARDWARE - ANSI/CSA
-	166836	1	MANIFOLD HARDWARE - CE & AS
1	163886	1	• SUPPORT, Manifold
2	163887	1	• BRACKET, Manifold support
3	(Ref.)	1	• MAIN MANIFOLD (For components, refer to 4.11 Main Manifold)
4	(Ref.)	1	• BRAKE MANIFOLD (For components, refer to 4.12 Brake Manifold)
5	152402	1	• CLAMP, Tube (cushioned)
6	103472	12	• WASHER, Flat (3/8")
7	103996	6	• WASHER, Flat (0.312")
8	133369	3	• BOLT, Hex head (3/8"-16 x 7.00" gr 5)
9	138762	3	• BOLT, Hex head (0.312"-18 x 5.00" gr 5)
10	101297	1	• BOLT, Hex head (3/8"-16 x 1-1/4" gr 5)
11	104606	8	• NUT, Hex head nylon lock (3/8"-16 gr 5)
12	103984	3	• NUT, Hex head nylon lock (0.312"-18 gr 5)
13	127393	4	• BOLT, Carriage (3/8"-16 x 1-1/4" gr 5)
14	165901	2	• BOLT, Carriage (1/20"-13 x 1-3/4" gr 5)
15	104379	2	• WASHER, Flat hardened (1/20")
16	702507	2	• NUT, Hex head nylon lock (1/20"-13 gr 5)

4.11 Main Manifold



M211621AA-4A

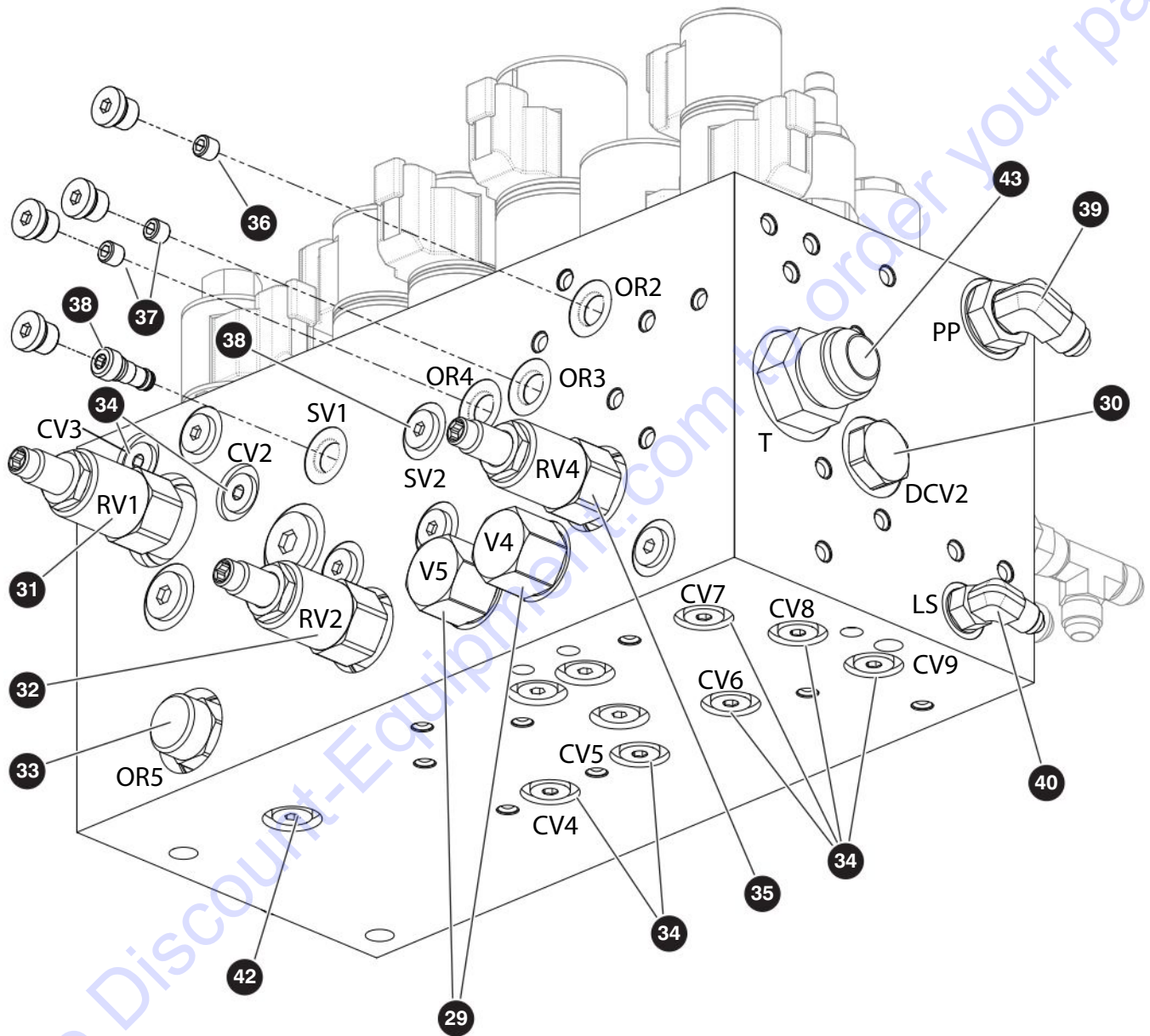
229031ABA

SJ40 T+, SJ45 T+

4.11 Main Manifold

Index No.	Skyjack Part No.	Qty.	Description
A	211621	1	MAIN MANIFOLD - ANSI/CSA
B	212190	1	MAIN MANIFOLD - CE & AS
1	211620	1	• MANIFOLD, Main
2	103656	1	• • CARTRIDGE, Solenoid popp. valve
3	159819	5	• • COIL, 12V DC "ER"
4	166036	2	• • VALVE, Spool
5	166041	1	• • VALVE, Spool
6	159817	2	• • VALVE, Dual P.O. Check DC08-40
7	166052	1	• • VALVE, Spool
8	159820	4	• • COIL, 12V DC ER-Series 10-size
9	166040	2	• • VALVE, Spool
10	166047	1	• • VALVE, Relief
11	166050	1	• • VALVE, Flow control
12	166127	1	• • COIL, "EHPR", 12V DC 70-size
13	159814	10	• • VALVE, Check CV04-20 (5 PSI)
14	166061	2	• • COMPENSATOR, Pressure
15	166062	1	• • COMPENSATOR, Pressure
16	159842	1	• • VALVE, Check
17	159813	1	• • VALVE, Check
18	159821	2	• • COIL, 12V DC "ER/Z"
19	166077	1	• • ORIFICE (0.078")
20	159814	2	• • VALVE, Check CV04-20 (5 PSI)
21	103070	8	• FITTING, Straight (06 JICM - 08 ORBM)
22	131705	3	• FITTING, Straight (08 ORBM - 04 JICM)
23	126128	2	• FITTING, Straight (04 JICM - 04 ORBM)
24	105445	1	• FITTING, Elbow, 90° (12 JICM - 12 ORBM)
25	121250	2	• FITTING, Plug (04 ORBM)
26	131286	1	• FITTING, Cap (04 JICF), A
27	111392	1	• FITTING, Plug (12 ORB Hex socket)
28	160885	1	• FITTING, Straight (04 ORBM - 06 ORBF), B
29	122385	1	• QUICK DISCONNECT, B
30	114521	1	• CAP, Dust, B

4.11 Main Manifold



M211621AA-5

229031ABA

78

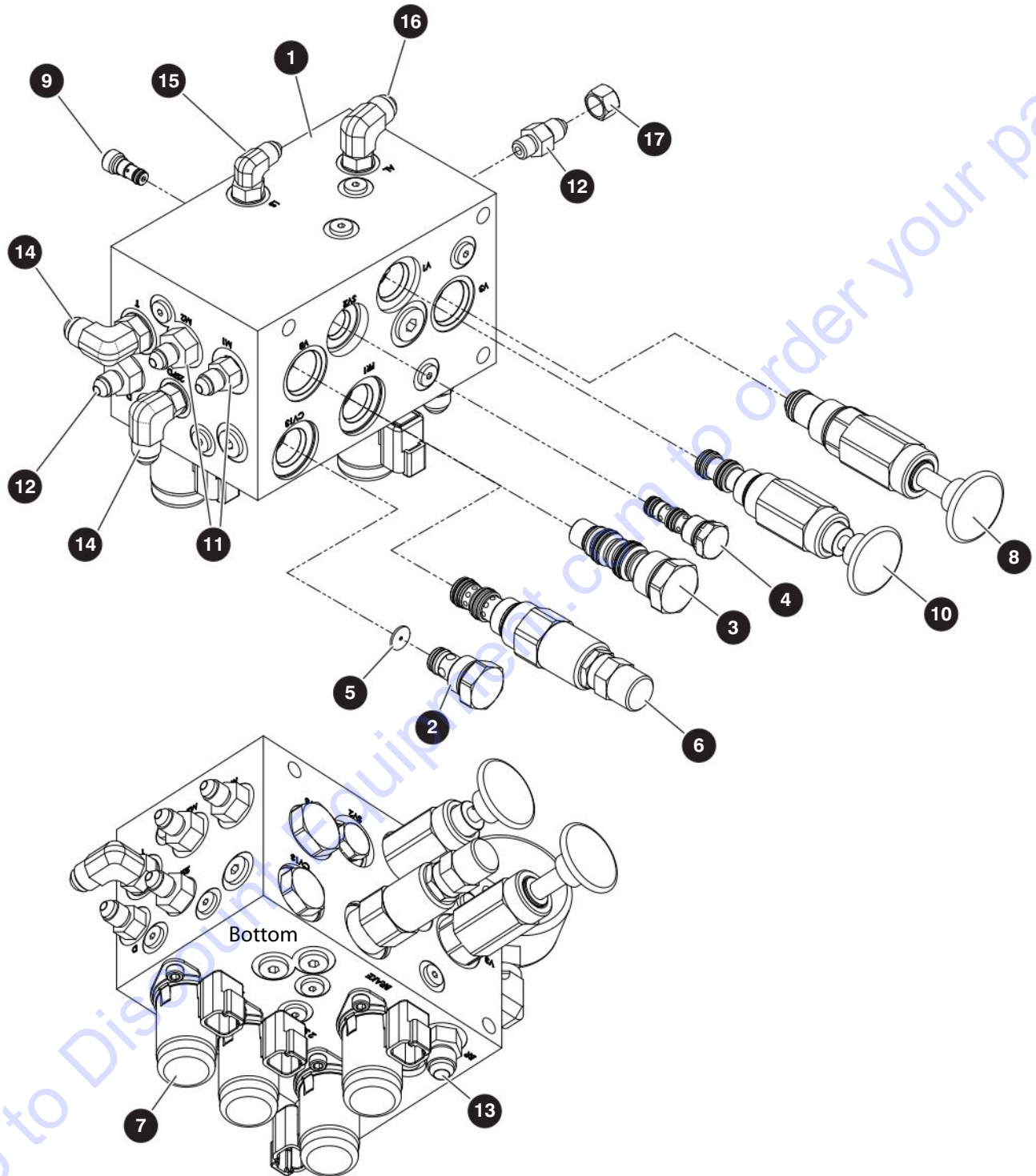
SJ40 T+, SJ45 T+

SKYJACK

4.11 Main Manifold

Index No.	Skyjack Part No.	Qty.	Description
			Parts list continued from the previous page.
29	166060	2	• • VALVE, Control
30	159817	2	• • VALVE, Dual P.O. Check DC08-40
31	166042	1	• • VALVE, Relief
32	166049	1	• • VALVE, Relief
33	166058	1	• • REGULATOR, Pressure
34	159814	12	• • VALVE, Check CV04-20 (5 PSI)
35	166048	1	• • VALVE, Relief
36	166079	1	• • ORIFICE (0.043")
37	166081	2	• • ORIFICE (0.018")
38	141414	2	• • VALVE, Shuttle
39	102665	1	• FITTING, 90° (06 JICM - 08 ORBM)
40	125883	1	• FITTING, 90° (04 JICM - 04 ORBM)
41	111392	1	• FITTING, Plug (12 ORBM Hex socket)
42	121250	2	• FITTING, Plug (04 ORBM Hex socket)
43	702118	1	FITTING, Straight (12 JICM - 12 ORBM) (no generator/cooler option)

4.12 Brake Manifold



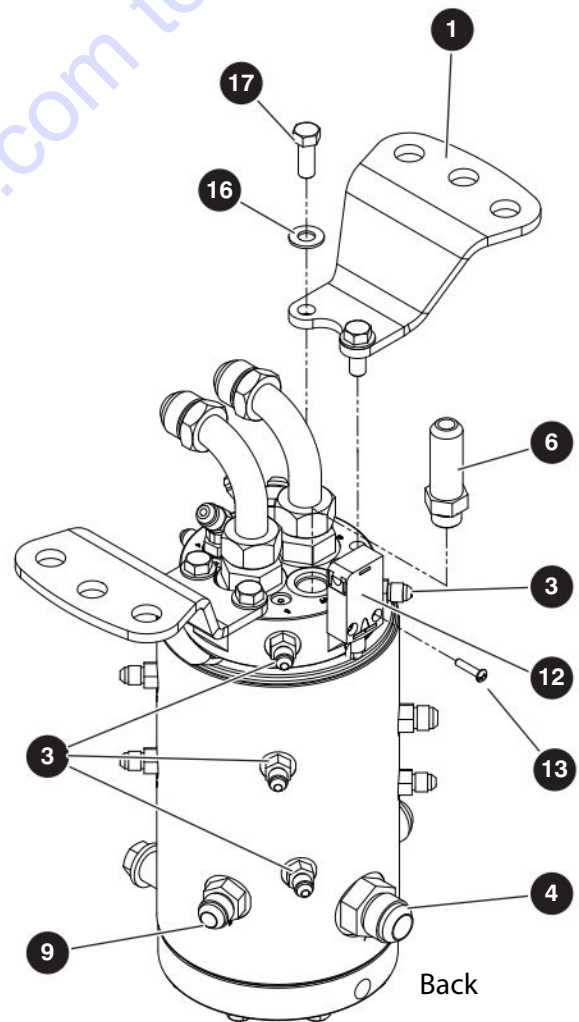
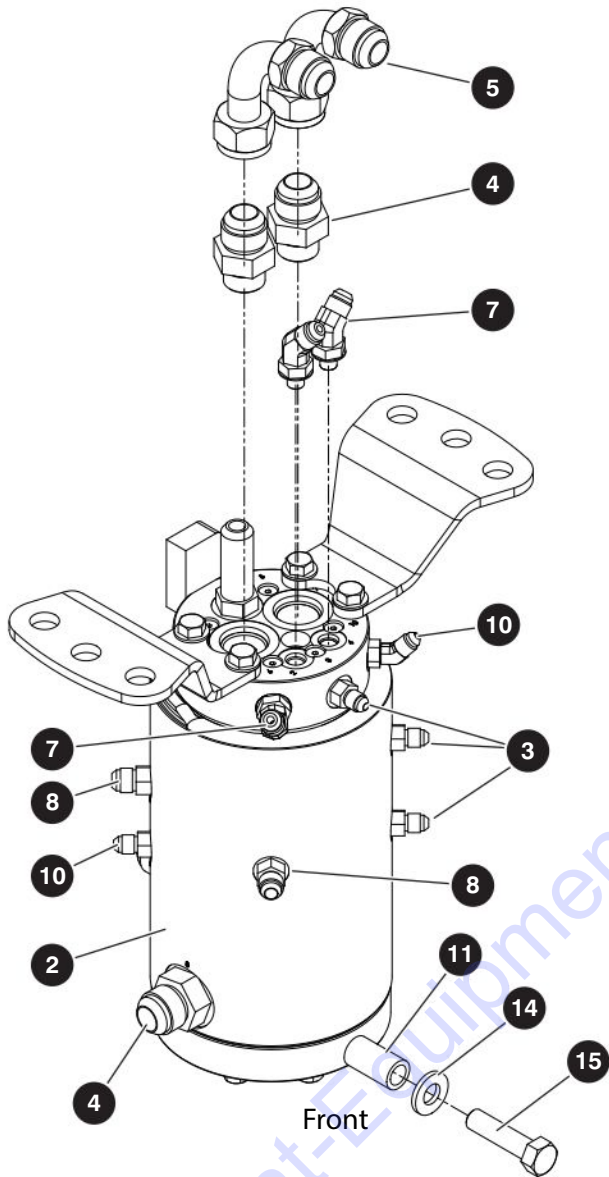
M195349AD

229031ABA

4.12 Brake Manifold

Index No.	Skyjack Part No.	Qty.	Description
-	195349	1	BRAKE MANIFOLD
-	168642	1	• MANIFOLD, Brake
1	171454	1	• • BLOCK, Manifold
2	171413	1	• • VALVE, Check
3	166053	1	• • VALVE, Shuttle
4	166054	1	• • VALVE, Shuttle
5	171420	1	• • ORIFICE, Disc (0.073")
6	168754	1	• • VALVE, Pressure reducer
7	159827	4	• • VALVE, Solenoid
8	159831	1	• • PUMP, Hand
9	141414	1	• • VALVE, Shuttle
10	141436	1	• • VALVE, Brake release override
11	701956	2	• FITTING, Straight (04 JICM-06 ORBM)
12	126128	2	• FITTING, Straight (04 JICM-04 ORBM)
13	103069	1	• FITTING, Straight (06 JICM-06 ORBM)
14	114578	1	• FITTING, Elbow, 90° (06 JICM-06 ORBM)
15	125883	1	• FITTING, Elbow, 90° (04 JICM-04 ORBM)
16	113348	2	• FITTING, Elbow, 90° (06 JICM-04 ORBM)
17	703725	1	• GAUGE, 800 psi

4.13 Rotary Manifold



M165994AE

229031ABA

SJ40 T+, SJ45 T+

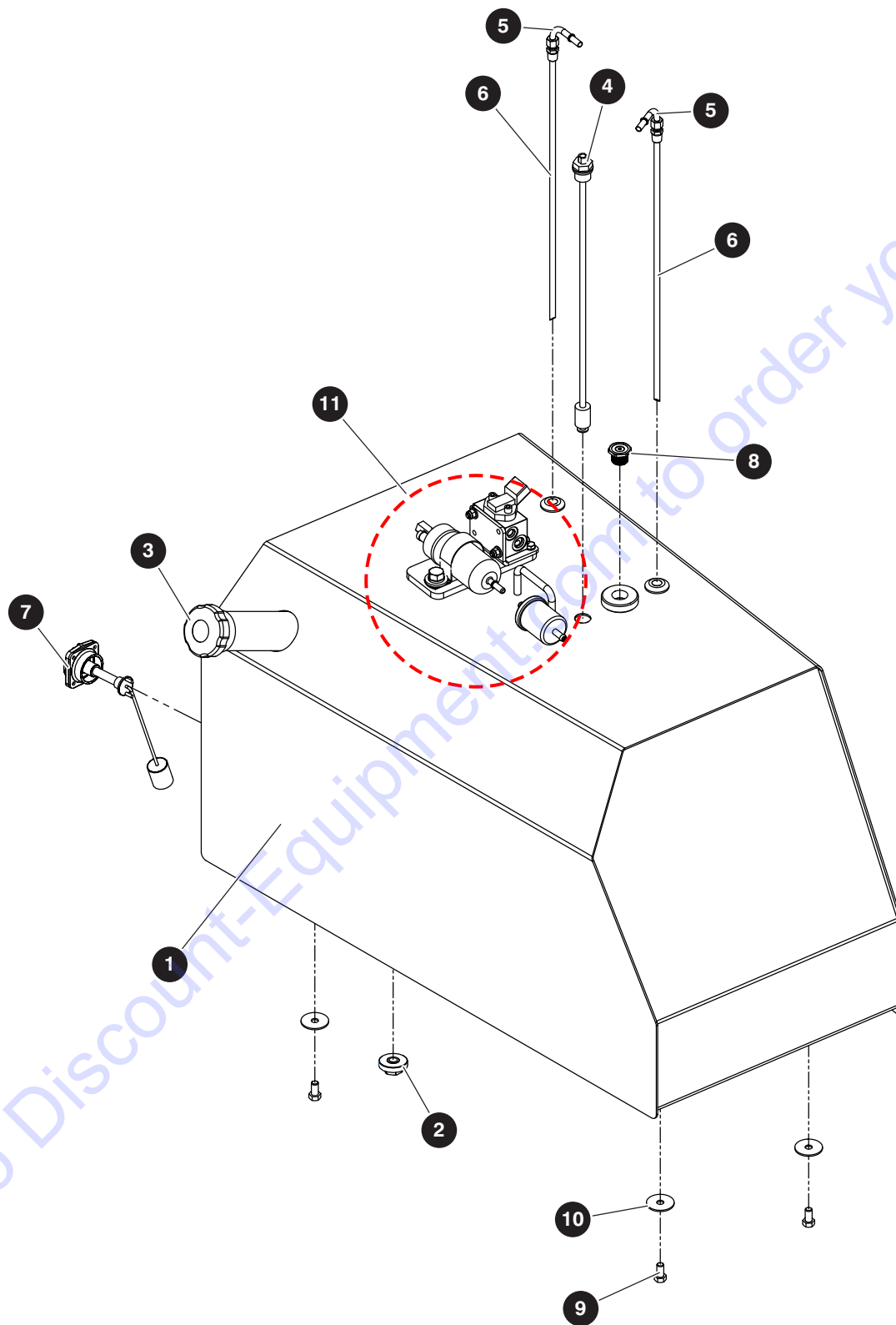
4.13 Rotary Manifold

Index No.	Skyjack Part No.	Qty.	Description
-	165994	1	ROTARY MANIFOLD
1	157827	2	• BRACKET, Rotary manifold mounting
-	208655	1	• ROTARY MANIFOLD ASSEMBLY
2	149380	1	• • MANIFOLD, Rotary
3	126128	8	• • FITTING, Straight (04JICM - 04ORBM)
4	702118	4	• • FITTING, Straight (12JICM - 12ORBM)
5	139159	2	• • FITTING, 90° (12JICM - 12JICF SW)
6	166002	1	• • FITTING, Straight long (08JICM - 08ORBM)
7	701478	3	• • FITTING, 45° (06JICM - 04ORBM)
8	128869	2	• • FITTING, Straight (06JICM - 04ORBM)
9	102659	1	• • FITTING, Straight (08JICM - 08ORBM)
10	131716	1	• • FITTING, 45° (04JICM - 04ORBM)
11	138956	1	• SPACER, Rotary manifold
12	199408	1	• LIMIT SWITCH, Roller plunger
	207850	1	• • PLUNGER, Roller
13	103958	2	• SCREW, Round machine (#8-32 x 3/4")
14	104379	1	• WASHER, Flat hardened (1/2")
15	103904	1	• BOLT, Hex head (1/2"-13 x 2" Gr 5)
16	103472	4	• WASHER, Flat (3/8")
17	103473	4	• BOLT, Hex head (3/8"-16 x 1" Gr 5)
18	154659	1	SEAL KIT, Rotary Manifold (not shown)

4.14 Hydraulic Tank

Index No.	Skyjack Part No.	Qty.	Description
-	163115	1	HYDRAULIC TANK
-	209549	1	• HYDRAULIC TANK ASSEMBLY
-	163152	1	• • TANK, Hydraulic
1	163153	1	• • • WELDMENT, Hydraulic tank
2	138477	1	• • • GASKET, Hydraulic tank
3	138498	1	• • • COVER, Hydraulic tank
4	136361	1	• • • CAP, Filler (non-vented)
5	103995	10	• • • WASHER, Flat (1/4")
6	103855	10	• • • BOLT, Hex head (1/4"-20 x 1/2" Gr 5)
7	144520	1	• • • FITTING, 90° (3/8" NPTF - 3/8" NPTM)
8	137540	1	• • • VENT, Breather (3/8" NPT)
9	138480	1	• • • GAUGE, Hydraulic oil level/temperature
10	161933	1	• • FILTER, In-line return
	161948	1	• • • FILTER ELEMENT, Return line
11	139101	1	• • FITTING, Straight (20ORBM - 20ORBM)
12	139164	1	• • FITTING, 90° (20ORBM)
13	139165	1	• • FITTING, Straight (20NPTM - 20ORBF)
14	704087	1	• • VALVE, (1/4 Turn ball #20 NPTF)
15	708798	1	• • FITTING, Tee (20 NPTF)
16	139097	1	• • FITTING, 90° (20 NPTM - 16 BEADM)
17	703708	1	• • FITTING, Straight (20 NPTM - 20 BEADM)
18	131707	2	• • FITTING, 45° (12JICM - 12ORBM)
19	103070	1	• • FITTING, Straight (06JICM - 08ORBM)
20	139153	1	• • FITTING, Straight (12JICF - 10JICM)
21	143980	1	• • PLUG, Drain (#8ORBM Magnetic)
22	702796	2	• • FITTING, Plug (08ORBM)
23	102659	2	• • FITTING, Straight (08JICM - 08ORBM)
24	139739	1	• • FITTING, 45° (08JICM - 08ORBM)
25	104379	9	• • WASHER, Flat hardened (1/20")
26	103907	6	• • BOLT, Hex head (1/20"-13 x 1-1/20" gr 5)
27	702507	3	• • NUT, Hex head nylon lock (1/20"-13 gr 5)
28	102665	1	• • FITTING, 90° (06JICM - 08ORBM)
29	144074	1	• • FITTING, Straight (20ORBM - 12ORBF)
30	702118	1	FITTING, Straight (12ORBM - 12ORBM) <i>(no generator/no cooler option)</i>

4.15 Fuel Tank - Kubota



M171172AA-1

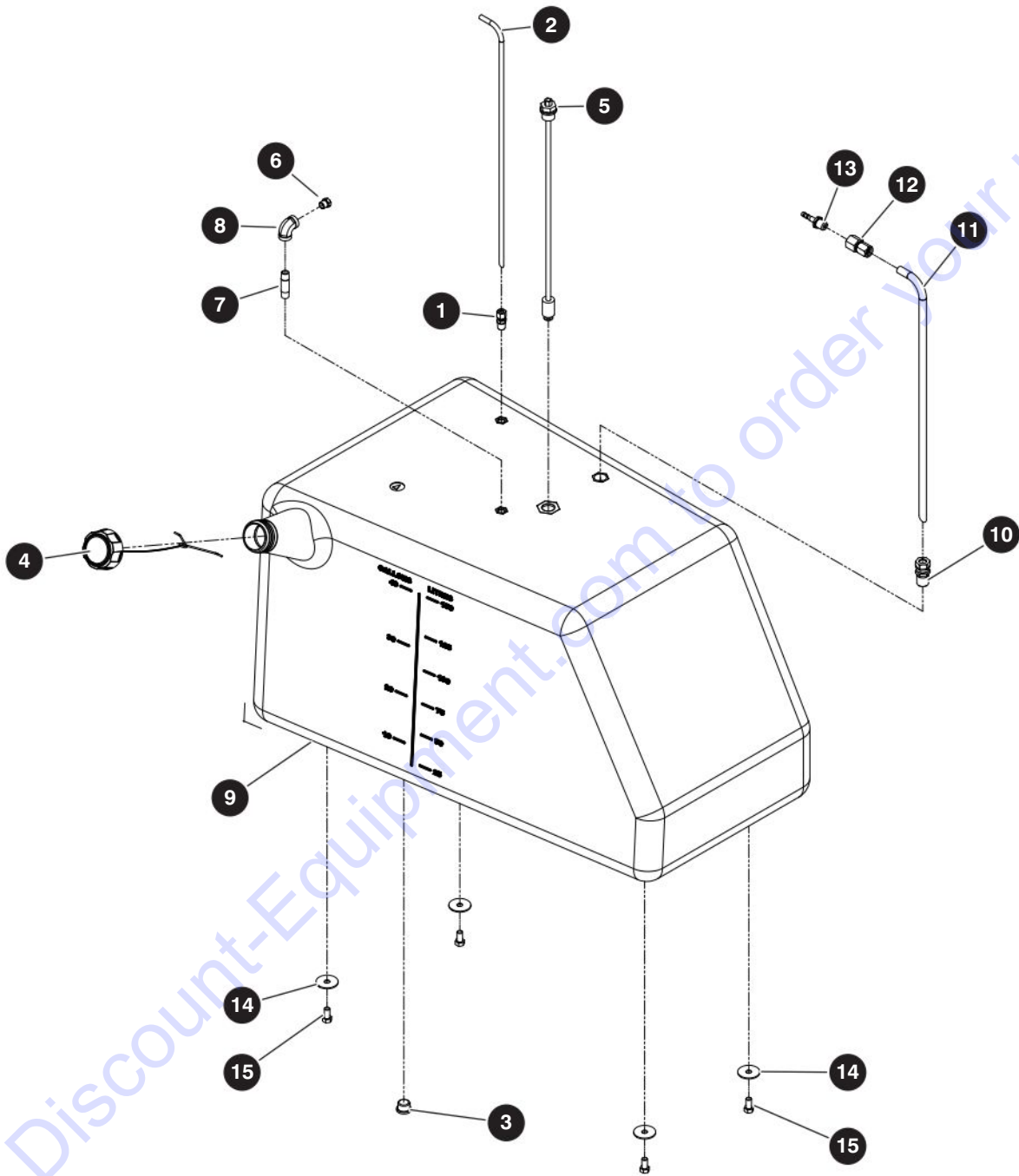
229031ABA

SJ40 T+, SJ45 T+

4.15 Fuel Tank - Kubota

Index No.	Skyjack Part No.	Qty.	Description
-	148478	1	FUEL TANK - Kubota WG2503
1	148479	1	• TANK, Fuel (steel)
2	117701	1	• PLUG (3/4-16UNF with magnet)
3	136369	1	• CAP, Fuel (filler non-vented)
4	138230	1	• SWITCH, Fuel level
5	103155	2	• FITTING, Brass tank (#T68-5B)
6	144338	2	• TUBE, Fuel send/return
7	148422	1	• GAUGE, Level
8	144392	1	• VALVE, Dual action
9	101632	4	BOLT, Hex head (3/8-16 x 3/4" gr 5)
10	127067	4	WASHER, Flat (3/8" BB style)
11	(Ref.)	1	FUEL PUMP, FILTER, & MANIFOLD

4.16 Fuel Tank - Deutz



M138940AM

229031ABA

88

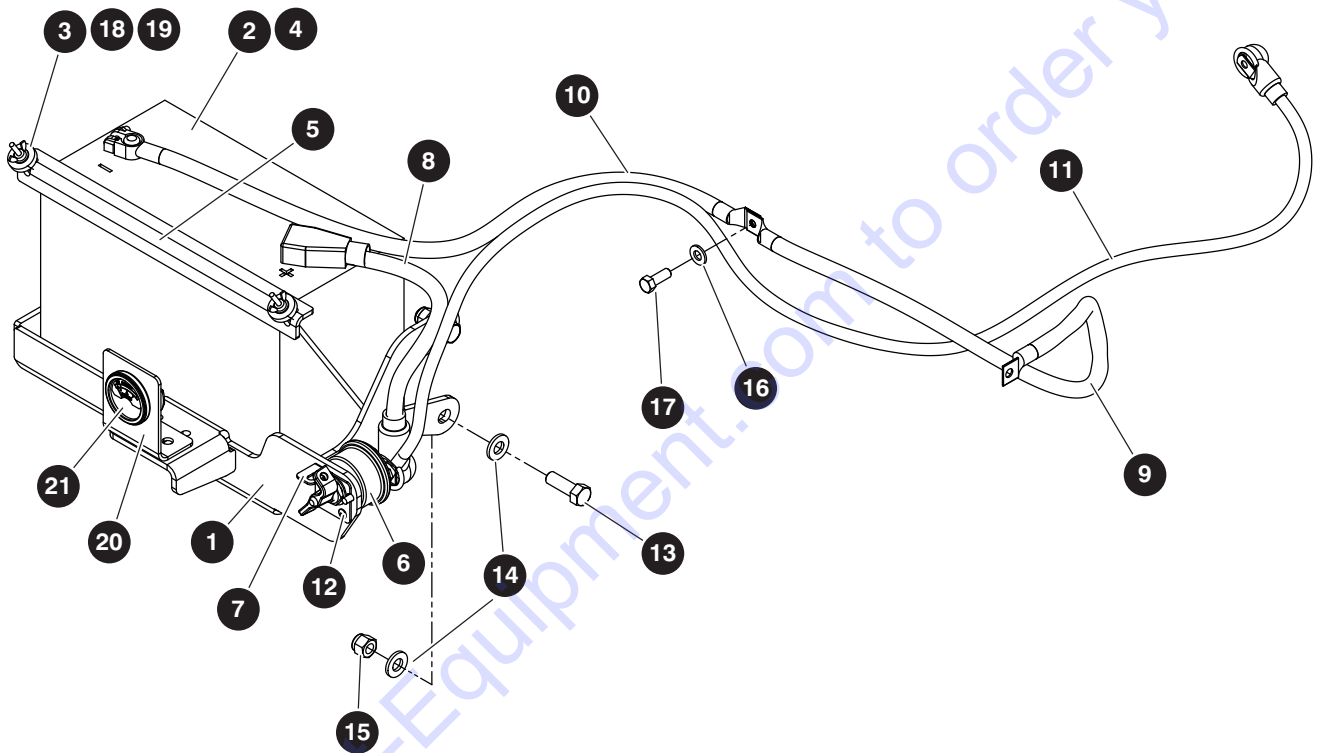
SJ40 T+, SJ45 T+

SKYJACK

4.16 Fuel Tank - Deutz

Index No.	Skyjack Part No.	Qty.	Description
A	165833	1	FUEL TANK - Deutz D2.9L
B	139182	1	FUEL TANK - Deutz D2011
-	210468	1	• TANK ASSEMBLY, Diesel, S/N
1	103155	1	• • FITTING, Brass tank (#T68-5B)
2	138491	1	• • TUBE, Fuel send/return
3	137629	1	• • FITTING, Hydraulic plug (10MB)
4	144410	1	• • CAP, Fuel (Non EPA)
5	138230	1	• • SWITCH, Fuel level
6	116408	1	• • BREATHER VENT (1/4" NPT)
7	143478	1	• • FITTING, Brass nipple (1/4" NPT x 2" LG)
8	144325	1	• • FITTING, Brass 90° (1/4" NPTF x 1/4" NPTF)
9	210469	1	• • TANK, Fuel - diesel
10	164674	1	• • FITTING, Compression tube (1/2" OD x 1/2" NPT)
11	164673	1	• • TUBE, Fuel suction
12	165716	1	• FITTING, Straight (08 BT - 06 FP) B
13	165719	1	• FITTING, Hose barb B
14	127067	4	• WASHER, Flat (3/8", Style BB)
15	138739	4	• BOLT, Hex head (3/8"-16 x 3/4" Gr 5)
16	102962	2	• LABEL, Diesel fuel

4.17 Battery



M163114AB

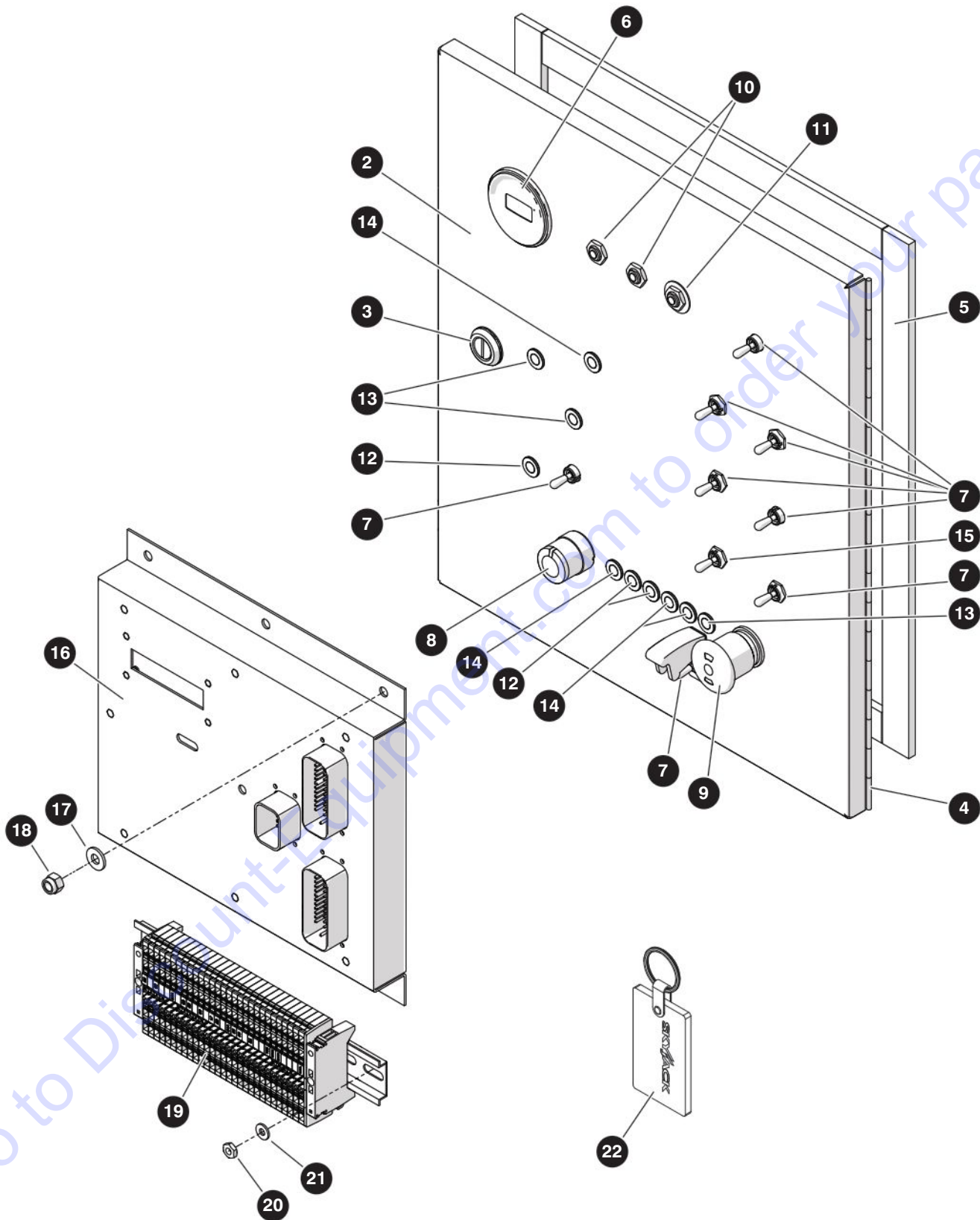
229031ABA

90

SJ40 T+, SJ45 T+

SKYJACK

4.18 Base Control Box



M218432AA-2

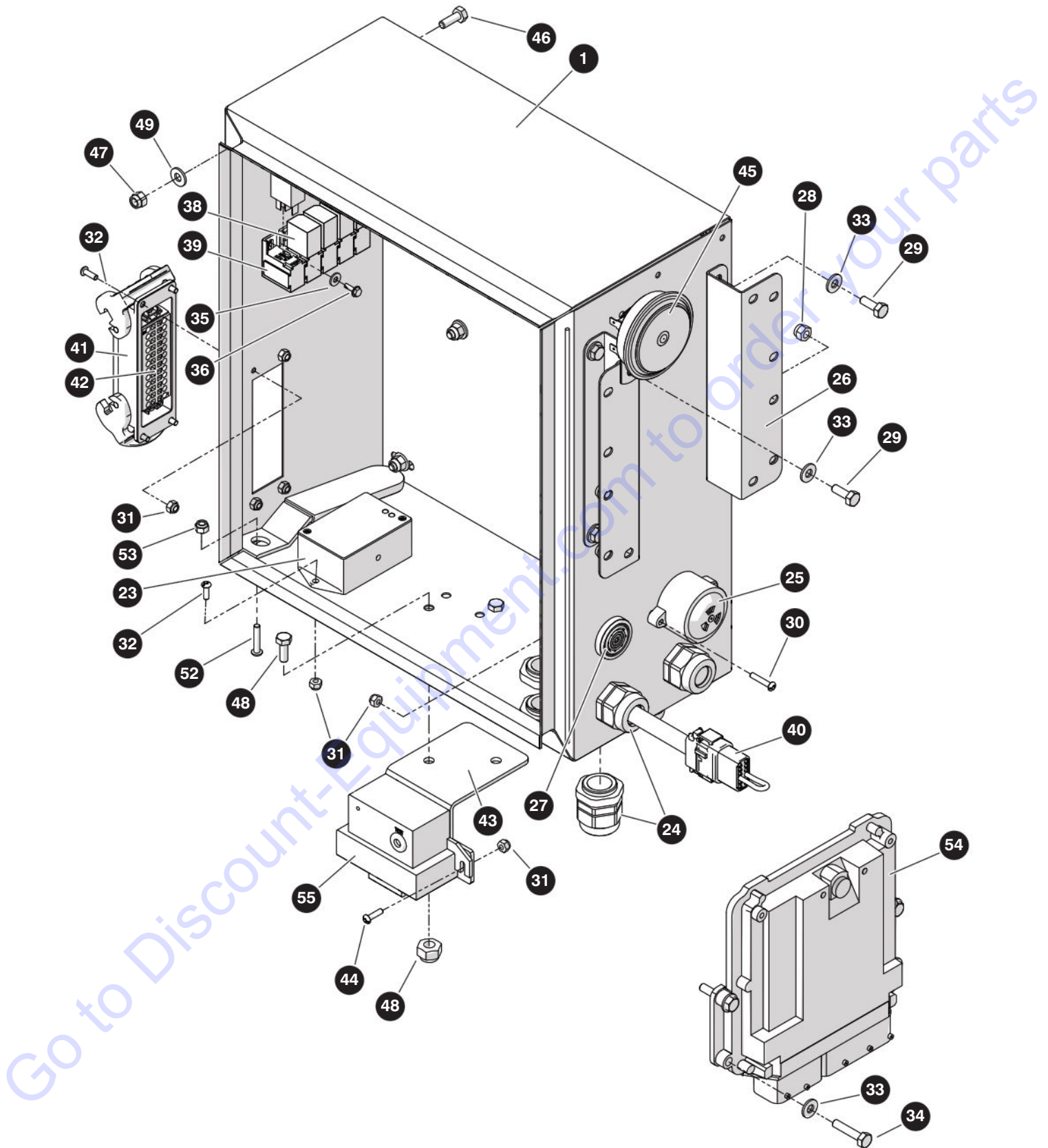
229031ABA

SJ40 T+, SJ45 T+

4.18 Base Control Box

Index No.	Skyjack Part No.	Qty.	Description
A	218360	1	BASE CONTROLS - SJ40 T+ ANSI/CSA
B	218447	1	BASE CONTROLS - SJ40 T+ ANSI/CSA with Positive Air Shut-Off Option
C	218349	1	BASE CONTROLS - SJ45 T+ ANSI/CSA & AS
D	218429	1	BASE CONTROLS - SJ45 T+ ANSI/CSA with Positive Air Shut-Off Option
E	218795	1	BASE CONTROLS - SJ45 T+ CE
-	218350	1	• CONTROL BOX
1	218355	1	• • BODY, Control box
2	213582	1	• • DOOR, Control box
3	138715	1	• • LATCH, Slotted door
4	138714	1	• • HINGE, Continuous
5	138723	1	• • WEATHER STRIP
6	195940	1	• HOUR METER
7	102853	6	• SWITCH, Toggle, A
	102853	7	• SWITCH, Toggle, B, C, E
	102853	8	• SWITCH, Toggle, D
8	218354	1	• SWITCH, Key, A, B, C, D
	218920	1	• SWITCH, Key, E
	147056	1	• • LATCH, Mounting
	149605	1	• • HEAD, Selector switch - keyed, A, B, C, D
	165829	1	• • HEAD, Selector switch - keyed, E
	166141	1	• • BLOCK, Contact, NO (black plunger)
	166142	1	• • BLOCK, Contact, NO (yellow plunger)
	147053	1	• • BLOCK, NC Contact
9	144652	1	• SWITCH, Emergency stop
	147056	1	• • LATCH, Mounting
	147053	1	• • BLOCK, NC Contact
	147229	1	• • SWITCH, LED block
	147051	1	• • SWITCH HEAD, Emergency stop
10	117325	2	• CIRCUIT BREAKER (15 amp)
11	117326	1	• CIRCUIT BREAKER (20 amp)
12	213308	3	• LIGHT, LED - 12 V (red), A, C, E
	213308	4	• LIGHT, LED - 12 V (red), B, D
13	213303	3	• LIGHT, LED - 12 V (green)
14	213307	4	• LIGHT, LED - 12 V (amber)
15	138278	1	• SWITCH, Toggle
16	218381	1	• MODULE, Master
	218277	1	• • SERVICE TOOL
	218276	1	• • • HARNESS, SMB1 to peak
	218278	1	• • • ADAPTER, PCAN-USB
17	103995	6	• WASHER, Flat (1/4")
18	115649	6	• NUT, Hex lock (1/4"-20 Gr 5, nylon)
19	(Ref.)	1	• TERMINAL STRIP, Base (For components, refer to 4.20 Base Terminal Strip)
20	104003	2	• NUT, Hex (10-32)
21	103991	2	• WASHER, Flat (#8)
22	114710	1	KEYRING

4.18 Base Control Box



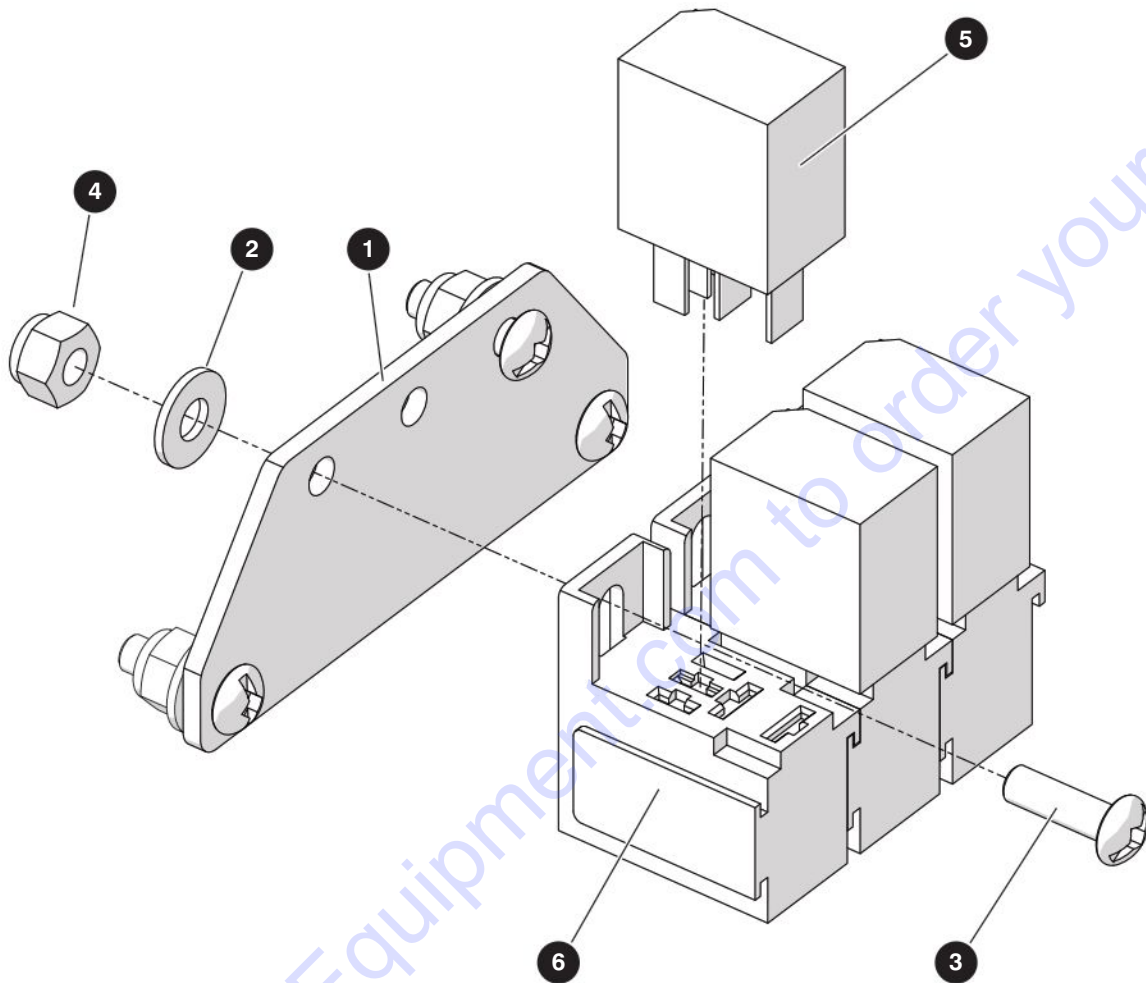
M218432AA-1

229031ABA

4.18 Base Control Box

Index No.	Skyjack Part No.	Qty.	Description
23	166163	1	• SWITCH, Tilt (analog 28°)
24	116266	7	• CONNECTOR, Strain relief
25	103056	1	• BEEPER (7.5 - 16 VDC), A, B, C, D
26	229100	2	• BRACKET, Mounting - ECU
27	144387	1	• ALARM, Continuous
28	115649	9	• NUT, Hex lock (1/4"-20 Gr 5, nylon), A, C
	115649	11	• NUT, Hex lock (1/4"-20 Gr 5, nylon), B, D
	115649	8	• NUT, Hex lock (1/4"-20 Gr 5, nylon), E
29	103856	5	• BOLT, Hex head (1/4"-20 x 3/4" Gr 5), A, C
	103856	7	• BOLT, Hex head (1/4"-20 x 3/4" Gr 5), B, D
	103856	4	• BOLT, Hex head (1/4"-20 x 3/4" Gr 5), E
30	126499	2	• SCREW, Round head machine (#8-32 x 7/8")
31	138765	9	• NUT, Hex lock (#8-32 Gr 5, nylon), A
	138765	13	• NUT, Hex lock (#8-32 Gr 5, nylon), B, D
	138765	10	• NUT, Hex lock (#8-32 Gr 5, nylon), C, E
32	103957	14	• SCREW, Round head machine (#8-32 x 1/2")
33	103995	10	• WASHER, Flat (1/4"), A
	103995	9	• WASHER, Flat (1/4"), B, C, D
	103995	8	• WASHER, Flat (1/4"), E
34	103858	4	• BOLT, Hex head (1/4"-20 x 1-1/4")
35	103991	2	• WASHER, Flat (#8)
36	112327	2	• BOLT, Self-tapping (8-18 x 1/2")
37	(Ref.)	1	• WIRING ASSEMBLY (not shown)
	102921	7	• • DIODE, T6A40L
	163021	2	• • RESISTOR, 120 ohm 1/2 W axial lead
	144492	1	• • RESISTOR, 680 ohm 1 W axial lead
38	931298	5	• RELAY
39	218997	5	• SOCKET, Micro relay
40	221144	1	• HARNESS, Trackunit bypass
41	138751	1	• HOUSING, Open bottom - 24 pole double lever
42	138756	1	• SOCKET, 24 pole spring - 16A
43	169666	1	• HOLDER, Positive air option, B, D
44	116192	2	• SCREW, Round head machine (8-32 x 5/8"), B, D
45	146652	1	• HORN, 12 V low tone
46	103856	3	BOLT, Hex head (1/4" - 20 x 3/4" Gr 5)
47	103855	1	BOLT, Hex head (1/4" - 20 x 1/2" Gr 5)
48	115649	9	NUT, Hex nylon lock (1/4" - 20 Gr 5)
49	103995	16	WASHER, Flat (1/4")
50	104000	1	WASHER, Lock (1/4")
51	103987	1	NUT, Hex head (10-24)
52	151155	1	SCREW, Round head machine (10-24 x 1")
53	126642	1	NUT, Hex nylon lock (10-24 Gr 5)
54	164845	1	ECU - Deutz D2.9L
55	(Ref.)	1	POSITIVE AIR SHUT-OFF OPTION (For components, refer to 9.23 Positive Air Shut-off)

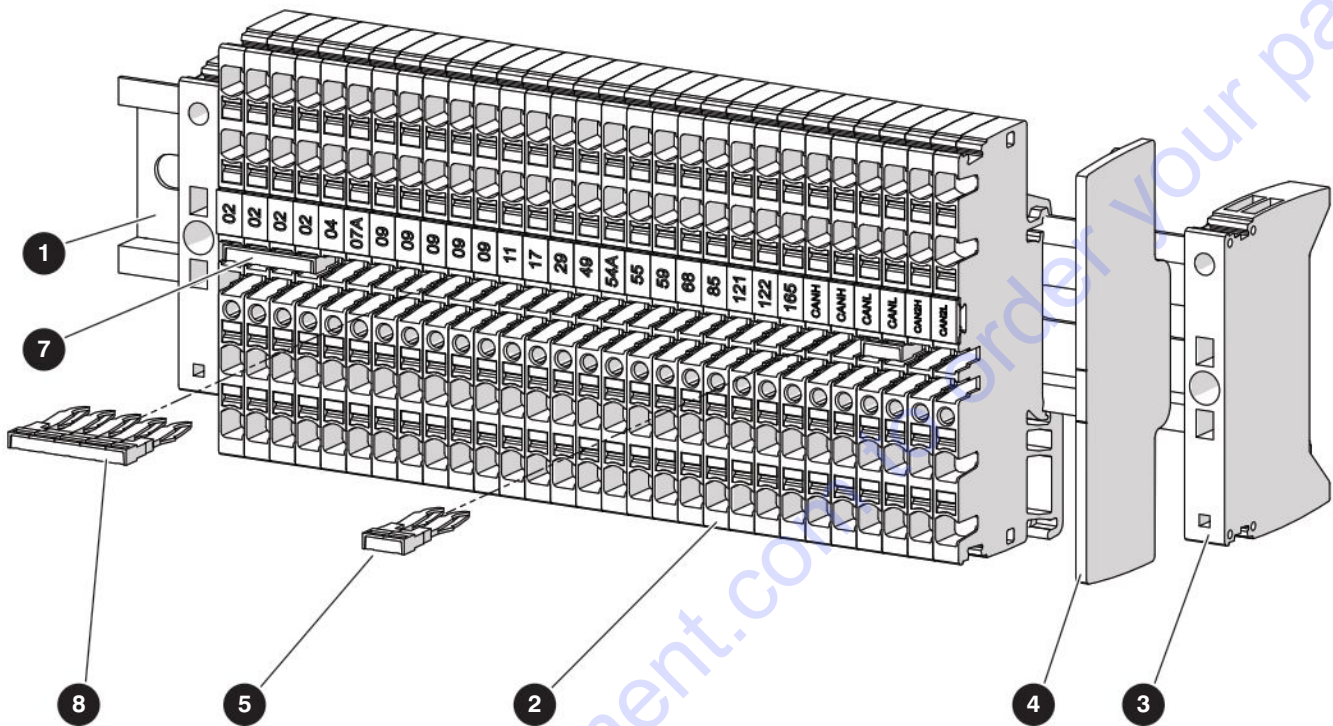
4.19 Micro Relay Mount - Deutz



M230189AA

Index No.	Skyjack Part No.	Qty.	Description
-	230189	1	MICRO RELAY MOUNT
1	229095	1	• PLATE, Relay mounting
2	104694	4	• WASHER, Flat (10)
3	120094	4	• SCREW, Round head machine (10-32 x 5/8")
4	300450	4	• NUT, Lock (10-32 gr 5 nylon)
5	931298	3	RELAY
6	218997	3	SOCKET, Micro relay

4.20 Base Terminal Strip



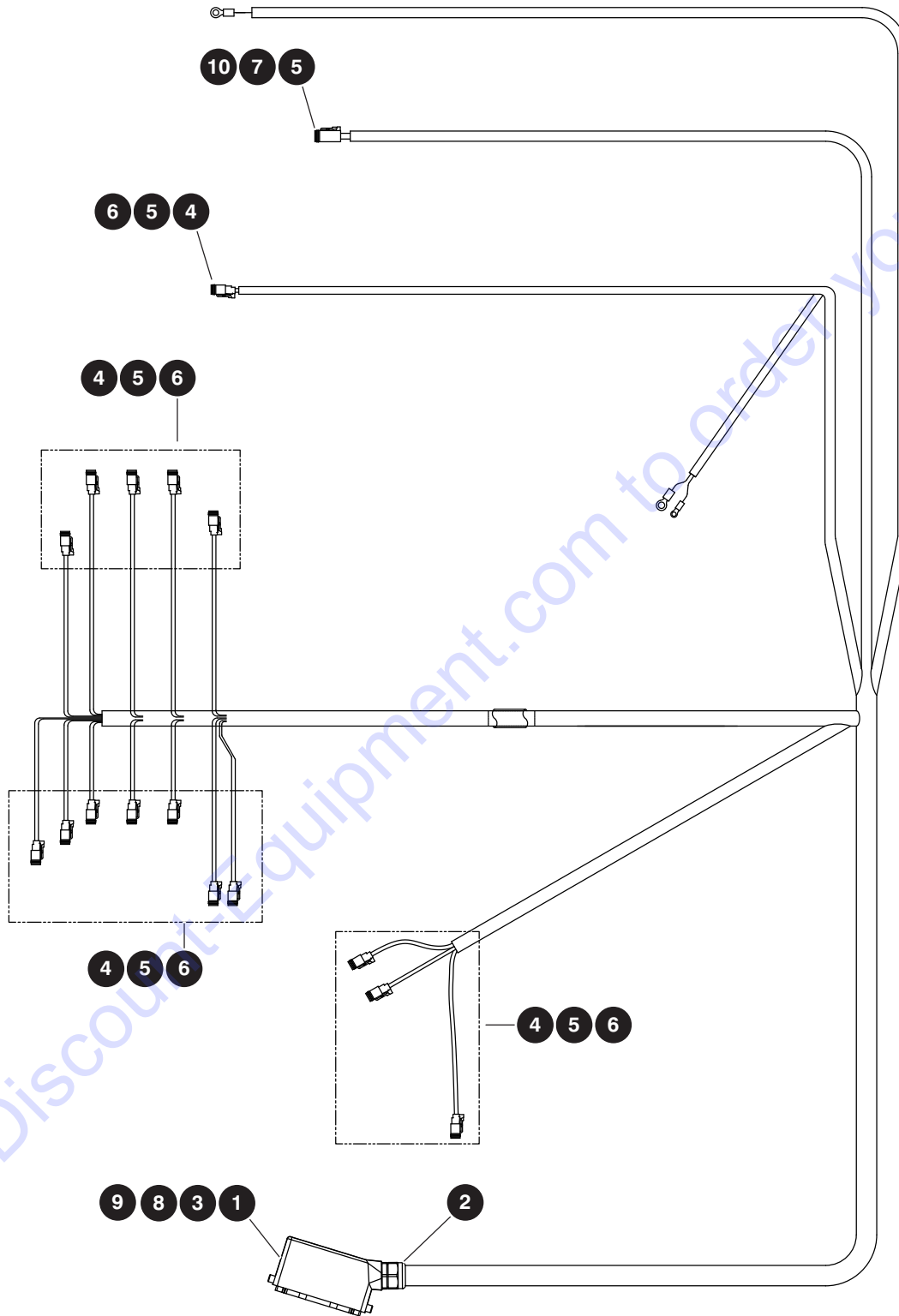
M218353AD

Index No.	Skyjack Part No.	Qty.	Description
-	218353	1	BASE TERMINAL STRIP
1	233337	224 mm	• RAIL
2	233338	29	• BLOCK, TERMINAL
3	233341	2	• PLATE, END
4	233342	1	• PLATE, SEPARATOR
5	233343	2	• JUMPER, 2-pin
6	233344	1	• JUMPER, 4-pin
7	233345	1	• JUMPER, 5-pin

Section 5 – Electrical Harnesses

- 5.1 *Main Electrical Harness*
- 5.2 *Interface Harness*
- 5.3 *Battery Cables*
- 5.4 *Control Cables*
- 5.5 *Jib and Platform Rotate Harnesses*
- 5.6 *ECU Harnesses*
- 5.7 *Glow Plug Harness - Deutz D2.9L*
- 5.8 *Glow Plug Harness - Deutz D2.2*
- 5.9 *Glow Plug Harness - Deutz D2011*
- 5.10 *Engine Interface Harness - Deutz D2.9L*
- 5.11 *Engine Interface Harness - Deutz D2.2*
- 5.12 *Engine Interface Harness - Kubota WG2503*
- 5.13 *Differential Lock Valve Harness*

5.1 Main Electrical Harness



M162819AA

229031ABA

100

SJ40 T+, SJ45 T+

SKYJACK

PARTS FINDER

**Search Website
by Part Number**



**Search Manual
Library For Parts
Manual & Lookup Part
Numbers – Purchase
or Request Quote**

Search Manuals

Enter your information to help us find the right parts manual for your machine.

* Brand:

* Model:

* Serial:

* Part Number:

SEARCH

**Can't Find Part or
Manual? Request Help
by Manufacturer,
Model & Description**

Parts Order Form

Please fill in the following information to help us find the right part for your machine.

Manufacturer:	<input type="text"/>
Model:	<input type="text"/>
Description:	<input type="text"/>
Part Number:	<input type="text"/>
Quantity:	<input type="text"/>
Notes:	<input type="text"/>

Submit

Discount-Equipment.com is your online resource for quality parts & equipment.

Florida: **561-964-4949** Outside Florida TOLL FREE: **877-690-3101**

Need parts?

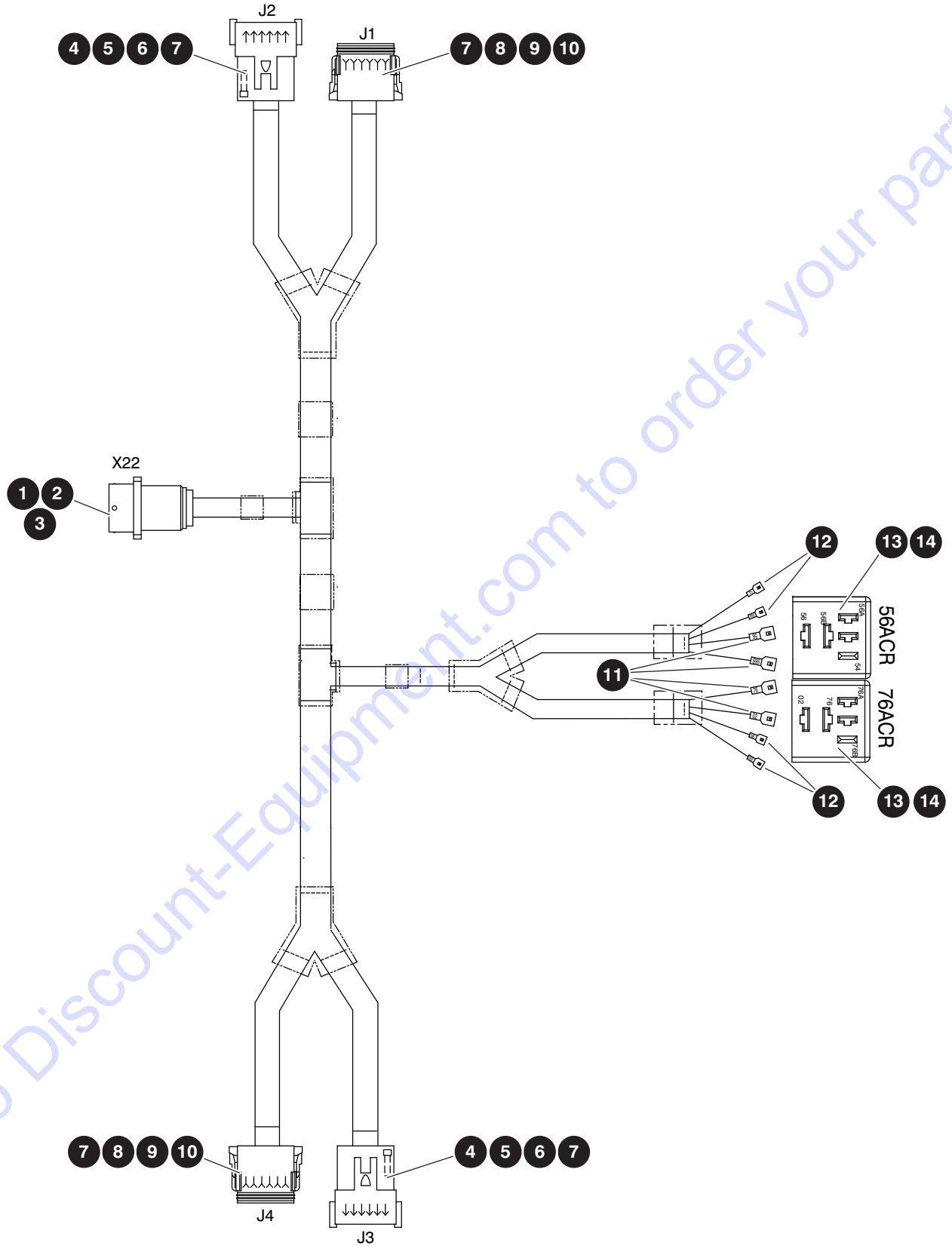
Click on this link: <http://www.discount-equipment.com/category/5443-parts/> and choose one of the options to help get the right parts and equipment you are looking for. Please have the machine model and serial number available in order to help us get you the correct parts. If you don't find the part on the website or on one of the online manuals, please fill out the request form and one of our experienced staff members will get back to you with a quote for the right part that your machine needs.

We sell worldwide for the brands: Genie, Terex, JLG, MultiQuip, Mikasa, Essick, Whiteman, Mayco, Toro Stone, Diamond Products, Generac Magnum, Airman, Haulotte, Barreto, Power Blanket, Nifty Lift, Atlas Copco, Chicago Pneumatic, Allmand, Miller Curber, Skyjack, Lull, Skytrak, Tsurumi, Husquvarna Target, Stow, Wacker, Sakai, Mi-T-M, Sullair, Basic, Dynapac, MBW, Weber, Bartell, Bennar Newman, Haulotte, Ditch Runner, Menegotti, Morrison, Contec, Buddy, Crown, Edco, Wyco, Bomag, Laymor, EZ Trench, Bil-Jax, F.S. Curtis, Gehl Pavers, Heli, Honda, ICS/PowerGrit, IHI, Partner, Imer, Clipper, MMD, Koshin, Rice, CH&E, General Equipment, Amida, Coleman, NAC, Gradall, Square Shooter, Kent, Stanley, Tamco, Toku, Hatz, Kohler, Robin, Wisconsin, Northrock, Oztec, Toker TK, Rol-Air, APT, Wylie, Ingersoll Rand / Doosan, Innovatech, Con X, Ammann, Mecalac, Makinex, Smith Surface Prep, Small Line, Wanco, Yanmar

5.1 Main Electrical Harness

Index No.	Skyjack Part No.	Qty.	Description
-	218398	1	MAIN ELECTRICAL HARNESS
1	138753	1	• HOOD, Side 24 pole (M32)
2	138754	1	• STRAIN, RELIEF (M32 x 1-1/2)
3	138755	1	• PLUG, 24 pole spring (16A)
4	117597	16	• PLUG, Deutsch (2 pin)
5	117591	38	• SOCKET, Deutsch solid (16/18 Gauge)
6	117599	16	• WEDGE, Deutsch (2 pin)
7	117579	1	• CONNECTOR, 4-Pin
8	121050	18	• FERULE, Red (16GA)
9	138044	4	• FERULE, Blue (14GA)
10	117581	1	• WEDGE, 4-Pin

5.2 Interface Harness



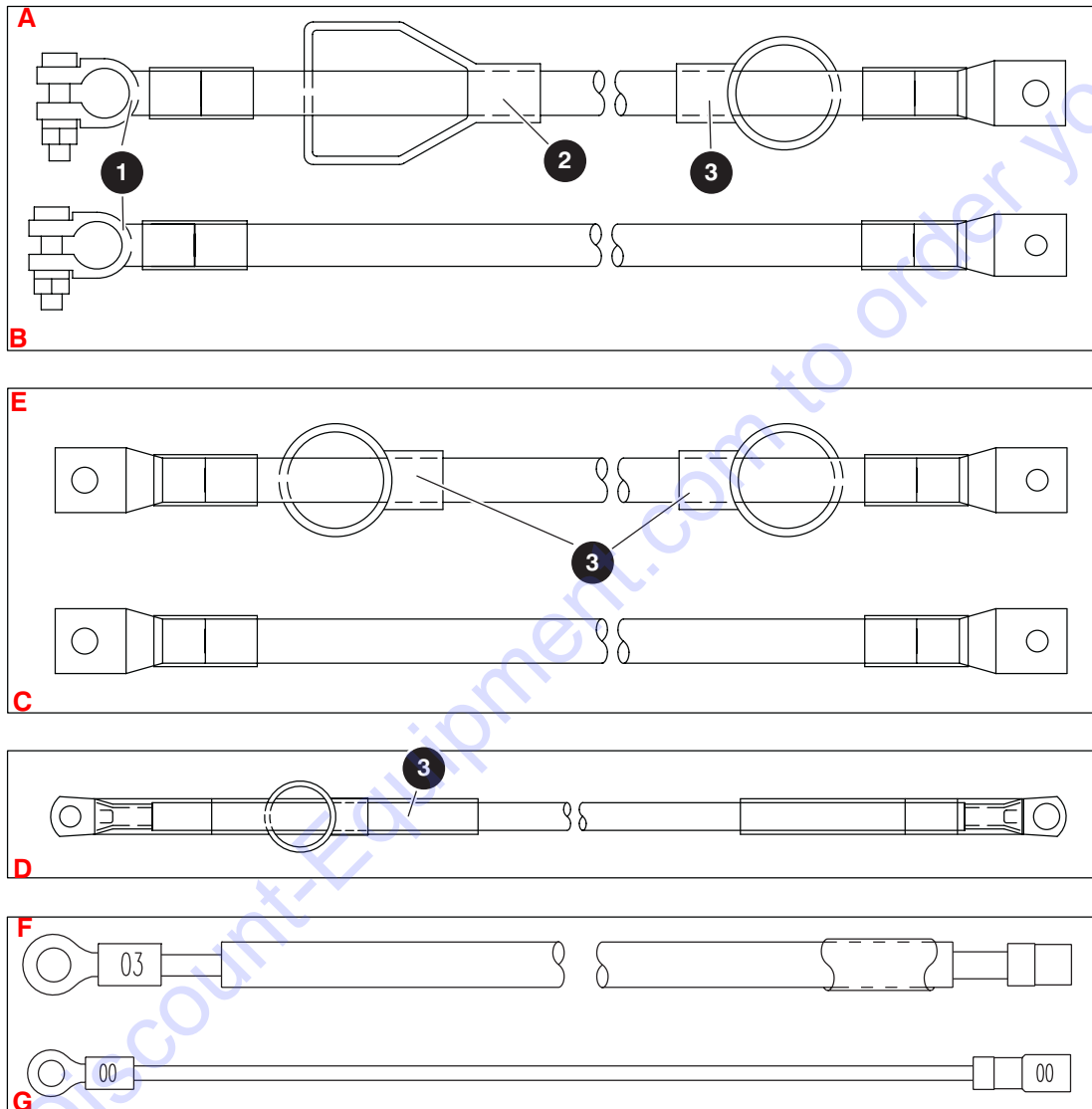
M218405AD-1

229031ABA

5.2 Interface Harness

Index No.	Skyjack Part No.	Qty.	Description
-	218405	1	INTERFACE HARNESS - Deutz D2.9 & D2.2
1	164860	1	• CONNETOR, 12F Cannon trident
2	164861	1	• CLAMP, Cable - Cannon trident
3	164862	1	• TERMINAL, Female - Cannon trident (18-16 GA)
4	117586	16	• CONNECTOR, Receptacle - 12 pin
5	117588	38	• CONNECTOR, Receptacle - 12 pin wedge
6	117590	16	• CONNECTOR, Contact pin (16-18)
7	117594	1	• CONNECTOR, Sealing plug
8	117591	18	• CONNECTOR, Contact socket (16-18)
9	117587	4	• CONNECTOR, Plug - 12 pin
10	117589	1	• CONNECTOR, Plug - 12 pin wedge
11	126808	1	• TERMINAL, 1/4 non-insulated (14-18 GA)
12	199144	1	• TERMINAL, 3/16 SS Fastin-on
13	931298	2	• RELAY
14	218997	2	• SOCKET, Micro relay

5.3 Battery Cables



M138700AB

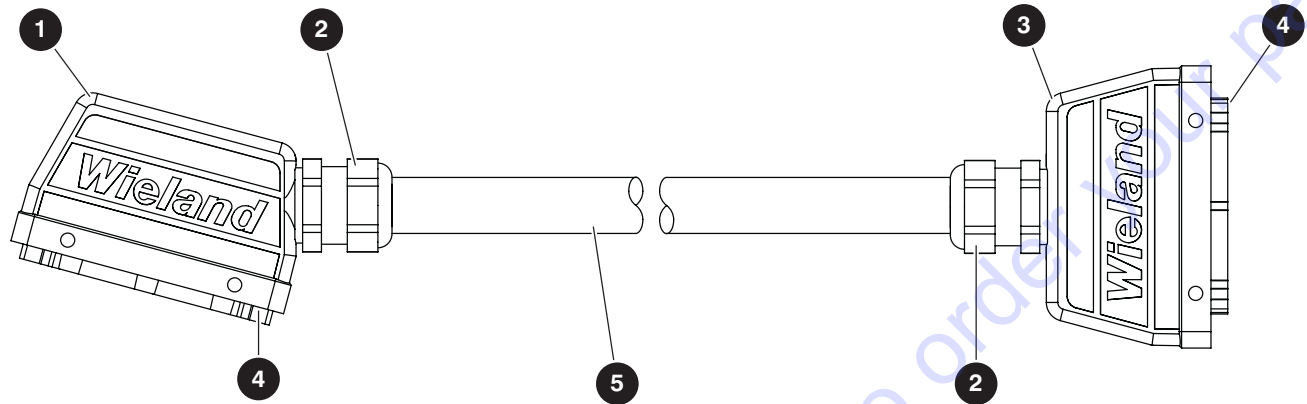
229031ABA

SJ40 T+, SJ45 T+

5.3 Battery Cables

Index No.	Skyjack Part No.	Qty.	Description
A	138700	1	BATTERY CABLE (Battery positive to main disconnect switch)
B	167733	1	BATTERY CABLE (Battery negative to chassis ground)
C	167076	1	BATTERY CABLE (Engine ground to chassis ground)
D	167734	1	BATTERY CABLE (Emergency pump to main disconnect switch)
E	138701	1	BATTERY CABLE (Main disconnect switch to starter)
F	157655	1	WIRE ASSEMBLY, Charge indicator 03
G	152344	1	WIRE ASSEMBLY, Charge indicator 00
1	139030	1	• POST CLAMP, Battery (#2/0 positive) A
	139031	1	• POST CLAMP, Battery (#2/0 negative) B
2	139032	1	• POST BOOT, Battery (#2/0 red)
3	139105	1	• TERMINAL BOOT (#2/0 red) A, D
		2	• TERMINAL BOOT (#2/0 red) E
	139106	1	• TERMINAL BOOT (#1 red) D

5.4 Control Cables



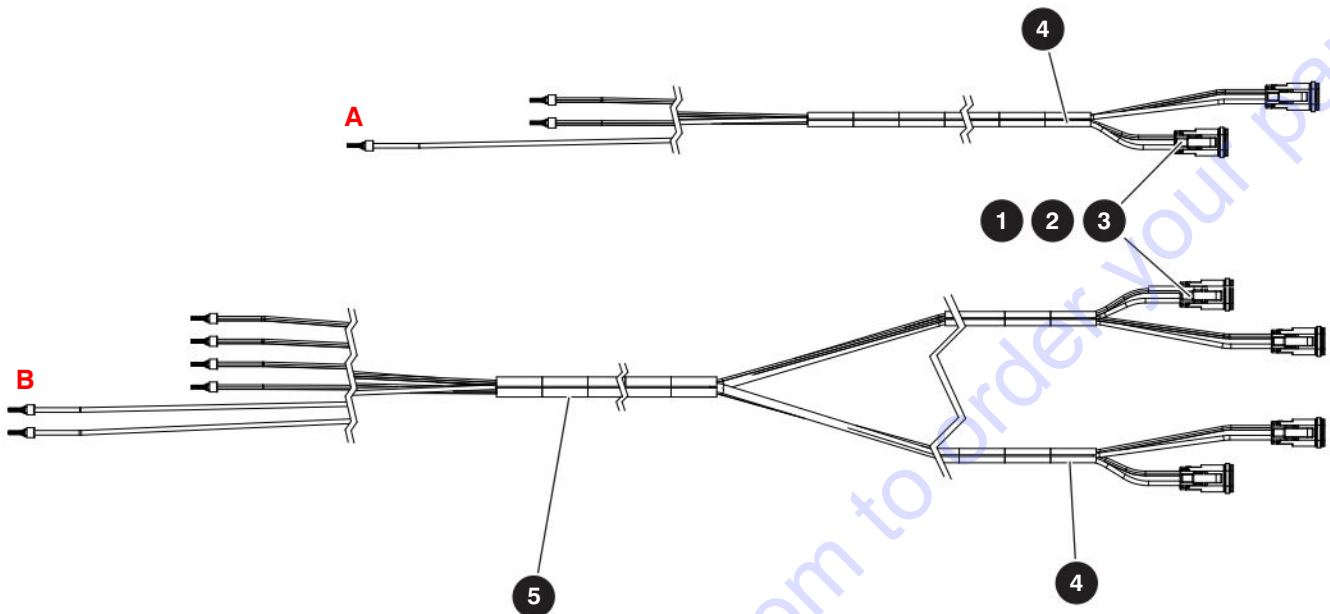
To Base Control Console

To Platform Control Console

M138758-A

Index No.	Skyjack Part No.	Qty.	Description
A	165549	1	CONTROL CABLE ASSEMBLY, C - SJ40 T+
B	165551	1	CONTROL CABLE ASSEMBLY, D - SJ40 T+
C	165572	1	CONTROL CABLE ASSEMBLY, C - SJ45 T+
D	165574	1	CONTROL CABLE ASSEMBLY, D - SJ45 T+
1	138753	1	• HOOD, Side 24 (M32)
2	233265	2	• RELIEF, Strain (M32 x 1-1/2)
3	138752	1	• HOOD, Top 24 pole (M32)
4	138755	2	• PLUG, 24 Pole spring (16A), A, C
	138756	2	• SOCKET, 24 Pole spring (16A), B, D
5	165550	1	• CABLE, Control "C" Cut (16/24C 40T), A
	165552	1	• CABLE, Control "D" Cut (18/24C 40T), B
	165573	1	• CABLE, Control "C" Cut (16/24C 45T), C
	165575	1	• CABLE, Control "D" Cut (18/24C 45T), D

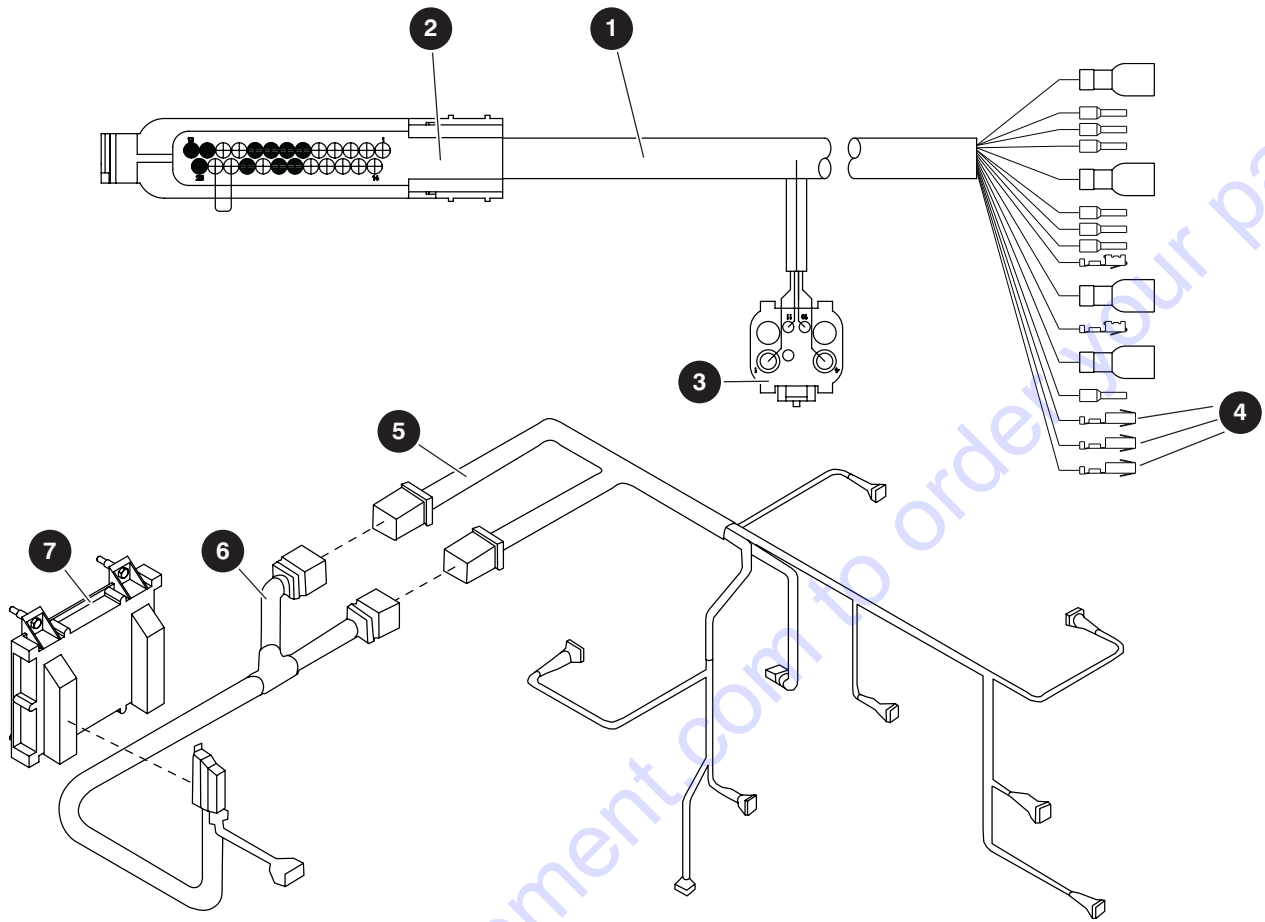
5.5 Jib and Platform Rotate Harnesses



M167740AB_M167698AB

Index No.	Skyjack Part No.	Qty.	Description
A	167740	1	HARNESS, Platform rotate - SJ40 T+
B	167698	1	HARNESS, Jib and platform rotate - SJ45 T+
1	117597	2	• CONNECTOR, Plug 2-pin, A
	117597	4	• CONNECTOR, Plug 2-pin, B
2	117599	2	• WEDGE, Connector plug 2-pin, A
	117599	4	• WEDGE, Connector plug 2-pin, B
3	117591	4	• SOCKET, Contact - connector plug 2-pin, A
	117591	8	• SOCKET, Contact - connector plug 2-pin, B
4	124399	139"	• PROTECTOR, Wire (1/4"), A
	124399	38"	• PROTECTOR, Wire (1/4"), B
5	111354	120"	• PROTECTOR, Wire (3/8"), B

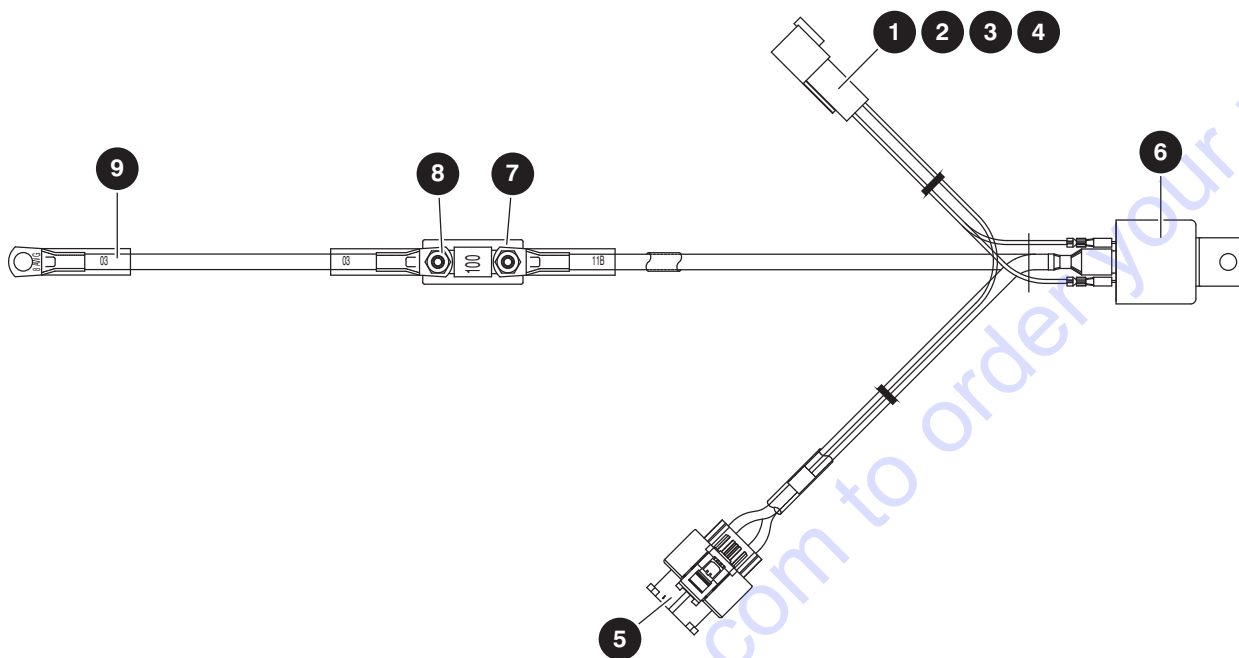
5.6 ECU Harnesses



M138708AA, M146007AA_146008AA

Index No.	Skyjack Part No.	Qty.	Description
1	138708	1	HARNESS, ECU
2	138574	1	• CONNECTOR KIT, Deutz controller
3	150975	1	• CONNECTOR KIT, Deutz engine
4	138576	1	• CONNECTOR KIT, Deutz programming
5	146007	1	HARNESS, Cable
6	146008	1	HARNESS, Interconnect Cable
7	(Ref.)	1	ENGINE CONTROL UNIT, Deutz

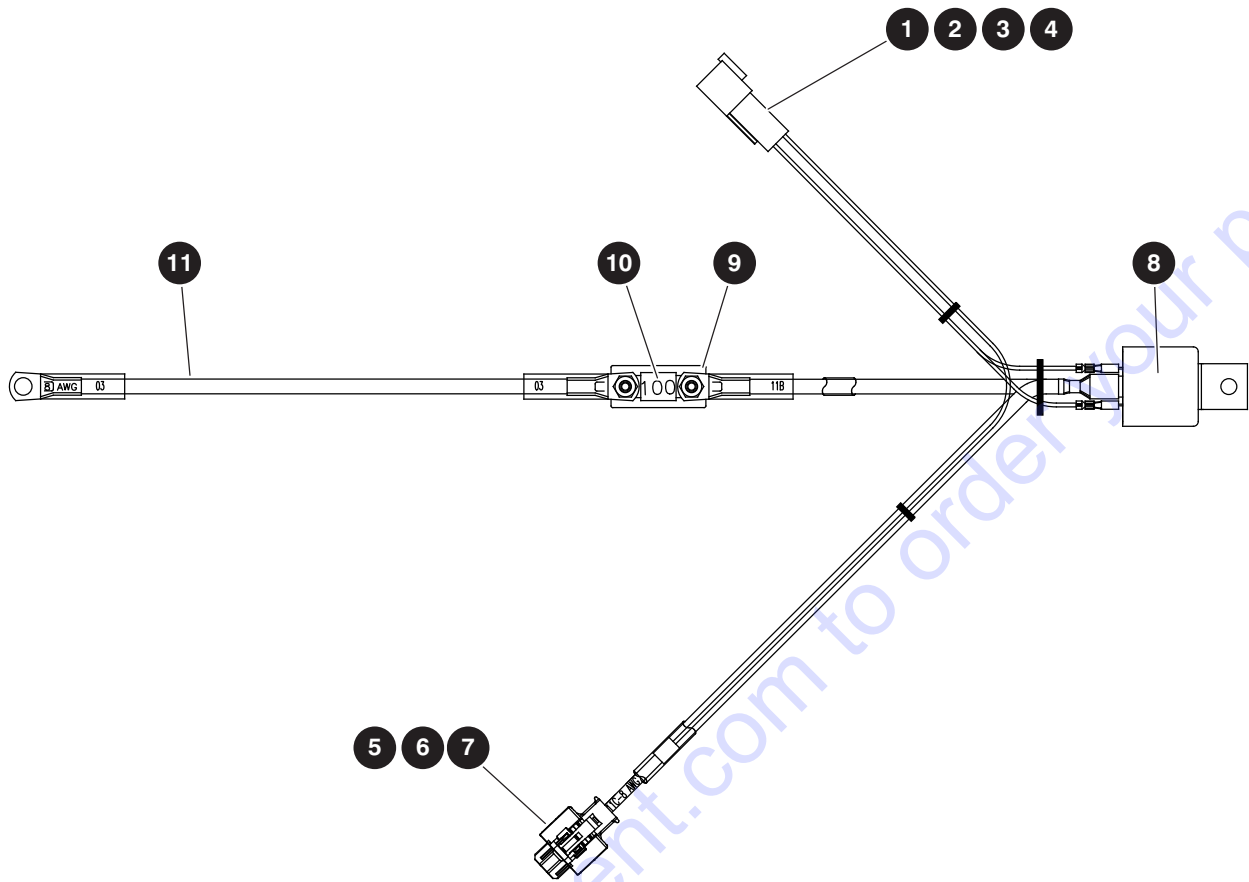
5.7 Glow Plug Harness - Deutz D2.9L



M165028AB_1

Index No.	Skyjack Part No.	Qty.	Description
-	165028	1	HARNESS ASSEMBLY, Glow Plug - Deutz D2.9L
-	165048	1	• HARNESS, Glow plug
1	117578	1	• • RECEPTACLE, Connector (4 pin)
2	117580	1	• • RECEPTACLE, Connector (4 pin wedge)
3	117590	3	• • CONTACT PIN, Connector (16-18)
4	117594	1	• • SEALING PLUG, Connector
5	165050	1	• • CONNECTOR, (2F TYCO BNG1)
6	165029	1	• RELAY, 150A (12V SPST)
7	165030	1	• HOLDER, Fuse (Inline)
8	165031	1	• FUSE, Bolt-down (100A)
9	165049	1	• WIRE ASSEMBLY, Power (Glow plug)

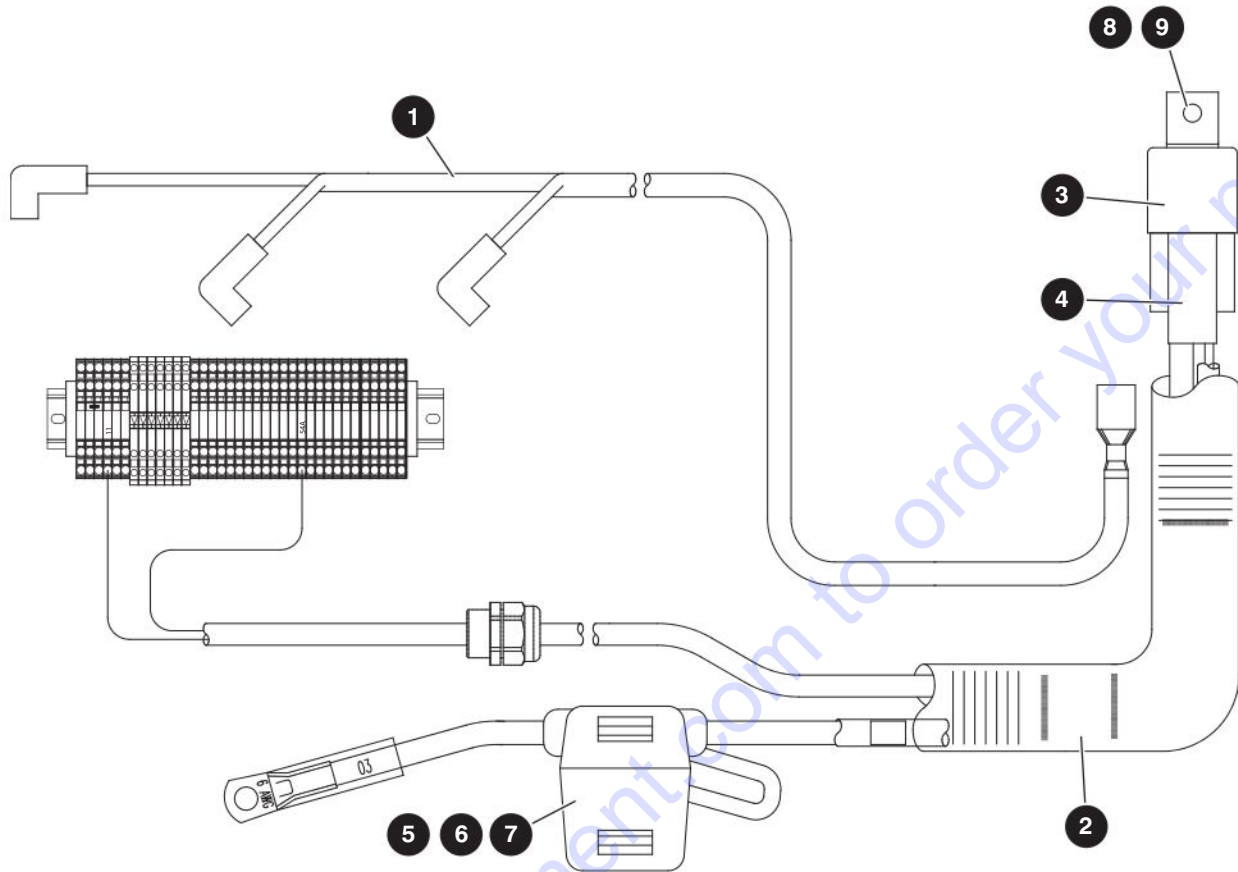
5.8 Glow Plug Harness - Deutz D2.2



M224848AA

Index No.	Skyjack Part No.	Qty.	Description
-	224848	1	HARNESS ASSEMBLY, Glow Plug - Deutz D2.2
-	224668	1	• HARNESS, Glow plug
1	117578	1	• • RECEPTACLE, Connector (4 pin)
2	117580	1	• • RECEPTACLE, Connector (4 pin wedge)
3	117590	3	• • CONTACT PIN, Connector (16-18)
4	117594	1	• • SEALING PLUG, Connector
5	206100	1	• • CONNECTOR, 1 pole NG1 female
6	206109	1	• • TERMINAL, female (10MM2, 8NG1)
7	165052	1	• • SEAL, Wire - orange (4.3-6.0 mm, 8NG1)
8	165029	1	• RELAY, 150A (12V SPST)
9	165030	1	• HOLDER, Fuse (Inline)
10	165031	1	• FUSE, Bolt-down (100A)
11	206144	1	• WIRE ASSEMBLY, Power (Glow plug)

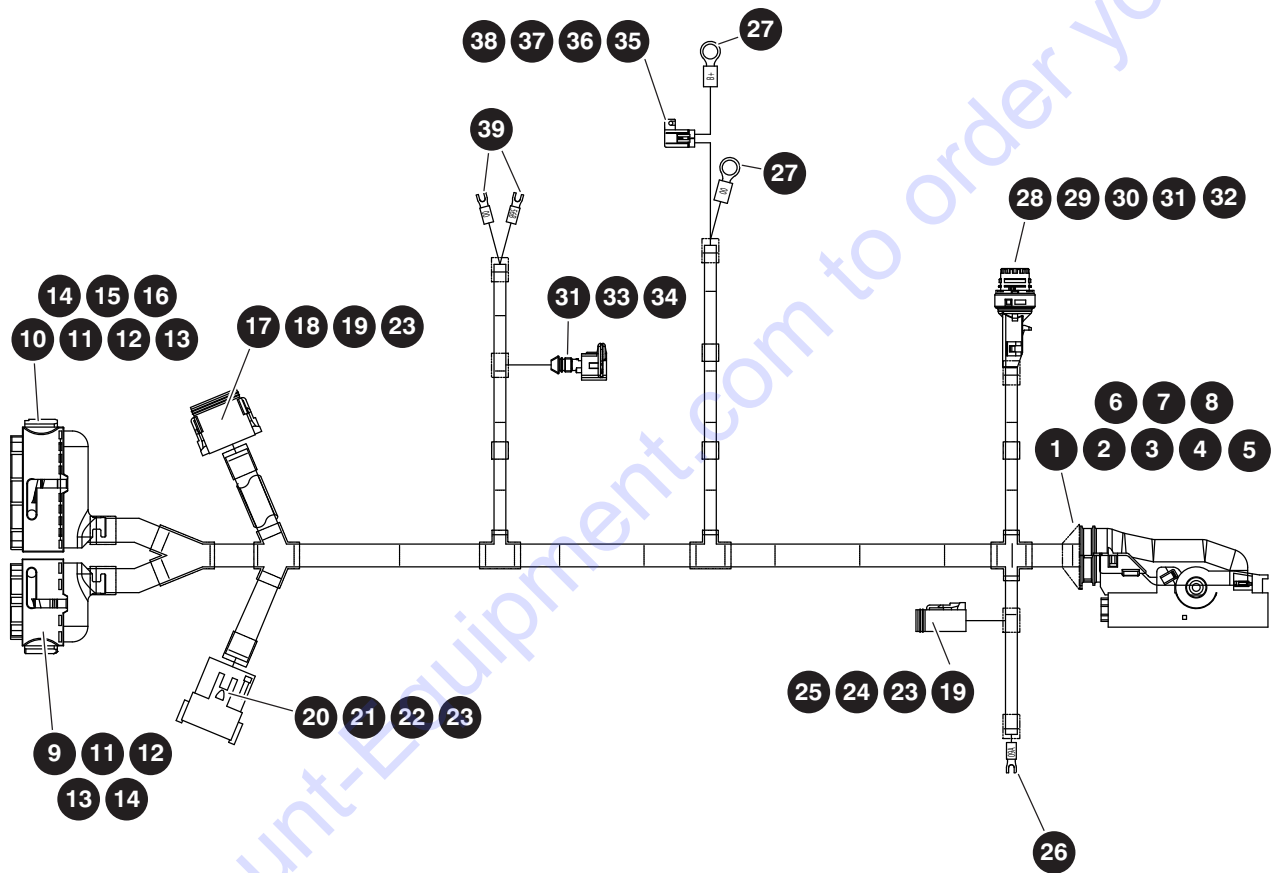
5.9 Glow Plug Harness - Deutz D2011



M138849AE

Index No.	Skyjack Part No.	Qty.	Description
-	138849	1	HARNESS ASSEMBLY, Glow Plug - Deutz D2011
1	139199	1	• HARNESS, Glow plug
2	139198	1	• HARNESS, Glow plug relay
3	138844	1	• • RELAY, SPST (80A 12V)
4	138845	1	• • SOCKET, Relay (80A)
5	138847	1	• • FUSE HOLDER, Inline
6	138848	1	• • FUSE (50A)
7	139195	1	• • COVER, Fuse holder
8	115545	1	• SCREW, Machine (10-32 x 3/8")
9	300450	1	• NUT, Hex head nylon lock (10-32)

5.10 Engine Interface Harness - Deutz D2.9L



M165769AD-1

229031ABA

112

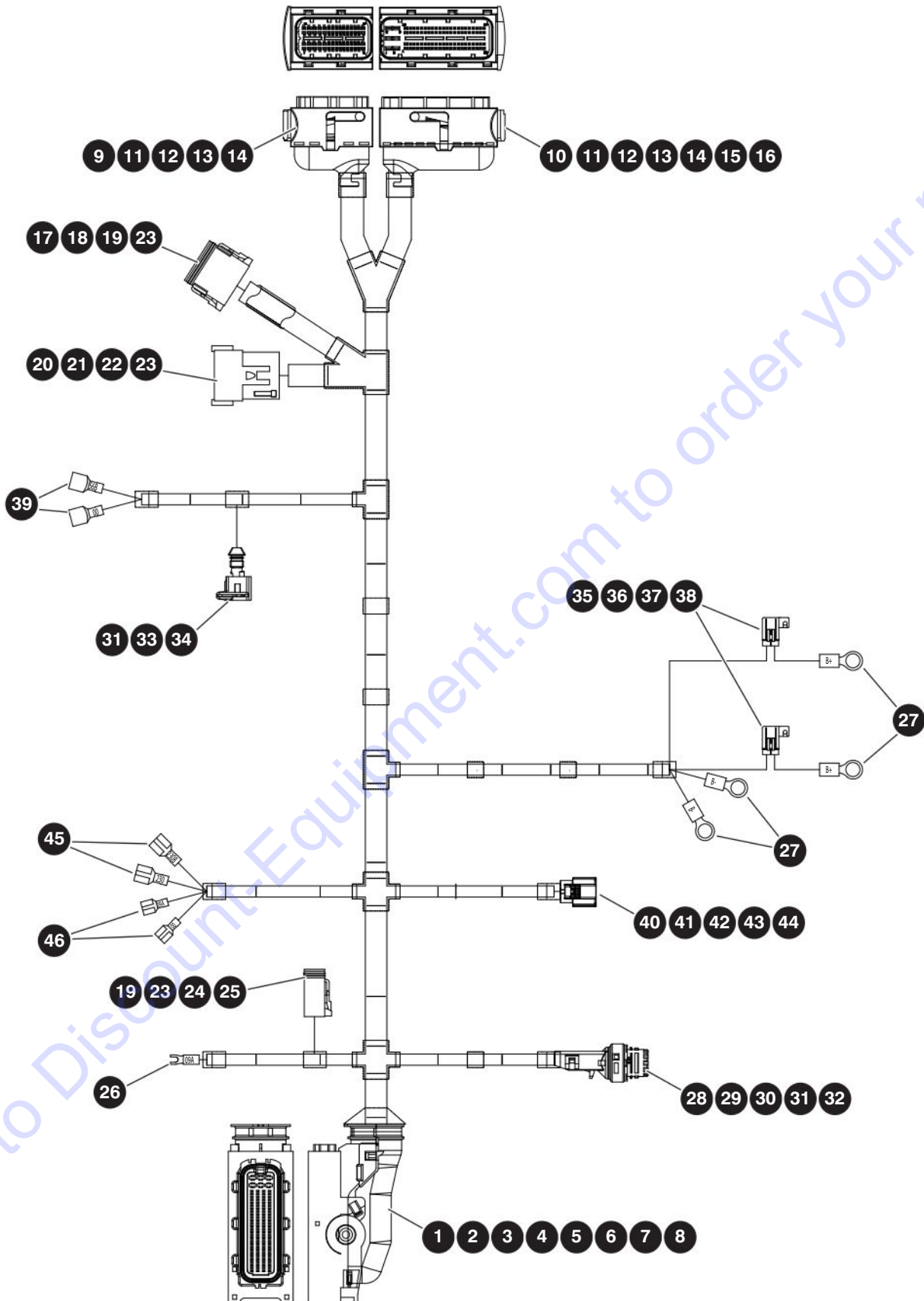
SJ40 T+, SJ45 T+

SKYJACK

5.10 Engine Interface Harness - Deutz D2.9L

Index No.	Skyjack Part No.	Qty.	Description
A	195627	1	ENGINE INTERFACE HARNESS - Deutz D2.9L S/N 98 002 138 & above
B	164584	1	ENGINE INTERFACE HARNESS - Deutz D2.9L S/N 98 002 137 & below
1	164544	1	<ul style="list-style-type: none"> • ASSEMBLY, Connector (62F, AMP MCP)
2	164545	1	<ul style="list-style-type: none"> • COVER, 62-Pin Connector
3	164546	32	<ul style="list-style-type: none"> • TERMINAL, Female (1.0 - 1/2mm², MCP)
4	164547	32	<ul style="list-style-type: none"> • SEAL, Wire (Grey, 1.4 - 1.9mm, MCP)
5	164548	24	<ul style="list-style-type: none"> • PLUG, Cavity (3.6mm, MCP)
6	164549	2	<ul style="list-style-type: none"> • TERMINAL, Female (2.5 - 1.0mm², MCP)
7	164550	2	<ul style="list-style-type: none"> • SEAL, Wire (White, 2.2 - 3.0mm, MCP)
8	164551	4	<ul style="list-style-type: none"> • PLUG, Cavity (5.4mm, MCP)
9	164556	1	<ul style="list-style-type: none"> • ASSEMBLY, Connector (60F, AMP MQS)
10	164567	1	<ul style="list-style-type: none"> • ASSEMBLY, Connector (94F, AMP MQS+MCP)
11	164561	45	<ul style="list-style-type: none"> • TERMINAL, Female (3/4 - 1/2mm², MQS)
12	164562	15	<ul style="list-style-type: none"> • TERMINAL, Female (1-1/2 - 3/4mm², MQS)
13	164563	76	<ul style="list-style-type: none"> • PLUG, Cavity (MQS)
14	164564	12	<ul style="list-style-type: none"> • PLUG, Cavity (MQS)
15	164572	6	<ul style="list-style-type: none"> • TERMINAL, Female (2.5 - 1.0mm², MCP2.8)
16	164573	6	<ul style="list-style-type: none"> • SEAL, Wire (Yellow, 2.7 - 3.0mm, JPT/MCP)
17	117587	1	<ul style="list-style-type: none"> • CONNECTOR, Plug (12-pin)
18	117589	1	<ul style="list-style-type: none"> • CONNECTOR, Plug (12-pin wedge)
19	117591	13	<ul style="list-style-type: none"> • CONNECTOR, Contact socket (16-18)
20	117586	1	<ul style="list-style-type: none"> • CONNECTOR, Receptacle (12-pin)
21	117588	1	<ul style="list-style-type: none"> • CONNECTOR, Receptacle (12-pin wedge)
22	117590	10	<ul style="list-style-type: none"> • CONNECTOR, Contact pin (16-18)
23	117594	5	<ul style="list-style-type: none"> • CONNECTOR, Sealing plug
24	117579	1	<ul style="list-style-type: none"> • CONNECTOR, Plug (4-pin)
25	117581	1	<ul style="list-style-type: none"> • CONNECTOR, Plug (4-pin wedge)
26	109892	2	<ul style="list-style-type: none"> • TERMINAL, Lock fork ((#10), 14-16GA blue)
27	156219	2	<ul style="list-style-type: none"> • TERMINAL, M8 ring (5.0mm²)
28	164579	1	<ul style="list-style-type: none"> • CONNECTOR, Circular (4F, 2.5mm)
29	164580	1	<ul style="list-style-type: none"> • STRAIN RELIEF, Straight
30	164581	3	<ul style="list-style-type: none"> • TERMINAL, Female (1.0 - 1/2mm², 2.5mm circ.)
31	164578	5	<ul style="list-style-type: none"> • SEAL, Wire (Light Blue, 1.2 - 2.1mm)
32	156172	1	<ul style="list-style-type: none"> • PLUG, Cavity (JPT)
33	156163	1	<ul style="list-style-type: none"> • ASSEMBLY, Connector (2F, AMP)
34	156174	2	<ul style="list-style-type: none"> • TERMINAL, Female (1.0 - 1/2mm², JPT)
35	156127	1	<ul style="list-style-type: none"> • CONNECTOR, Fuse holder (2F, 630 M/P)
36	156118	2	<ul style="list-style-type: none"> • TERMINAL, Female (5.0 - 3.0mm², 630 M/P, pull-to-seat)
37	156164	1	<ul style="list-style-type: none"> • FUSE, ATO (30A)
38	156117	1	<ul style="list-style-type: none"> • COVER, Inline Autofuse
39	105359	2	<ul style="list-style-type: none"> • TERMINAL, Spade - female (14-16GA insulated blue), A
	109892	2	<ul style="list-style-type: none"> • TERMINAL, Lock fork ((#10), 14-16GA blue), B

5.11 Engine Interface Harness - Deutz D2.2



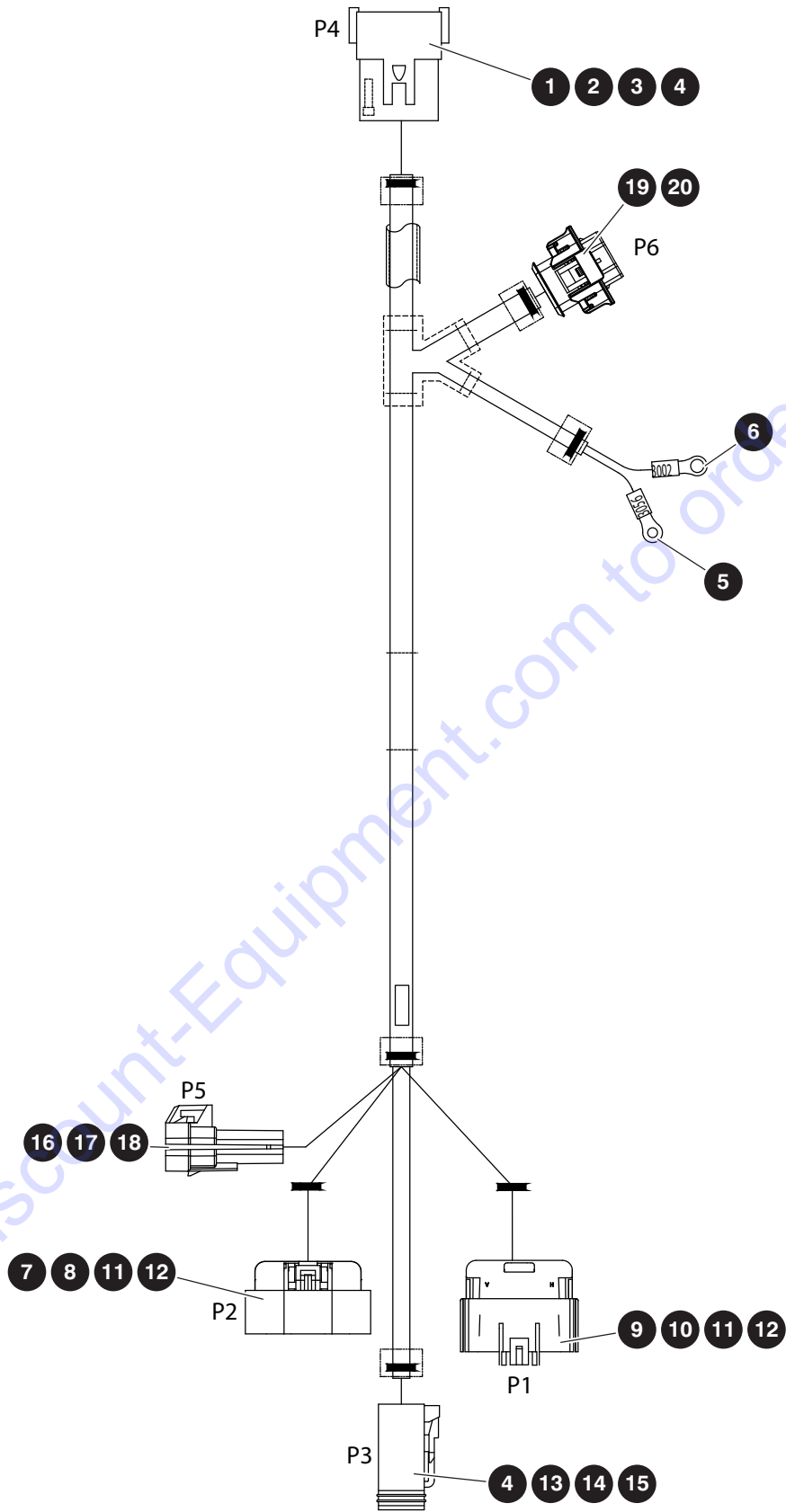
M224673AC_1

229031ABA

5.11 Engine Interface Harness - Deutz D2.2

46Index No.	Skyjack Part No.	Qty.	Description
-	224673	1	ENGINE INTERFACE HARNESS - Deutz D2.2
1	164544	1	• CONECTOR ASSEMBLY (62F, AMP MCP)
2	164545	1	• COVER, 62-Pin Connector
3	164546	32	• TERMINAL, Female (1.0 - 1/2mm2, MCP)
4	164547	32	• SEAL, Wire (Grey, 1.4 - 1.9mm, MCP)
5	164548	24	• PLUG, Cavity (3.6mm, MCP)
6	164549	2	• TERMINAL, Female (2.5 - 1.0mm2, MCP)
7	164550	2	• SEAL, Wire (White, 2.2 - 3.0mm, MCP)
8	164551	4	• PLUG, Cavity (5.4mm, MCP)
9	164556	1	• ASSEMBLY, Connector (60F, AMP MQS)
10	164567	1	• ASSEMBLY, Connector (94F, AMP MQS+MCP)
11	164561	43	• TERMINAL, Female (3/4 - 1/2mm2, MQS)
12	164562	18	• TERMINAL, Female (1-1/2 - 3/4mm2, MQS)
13	164563	77	• PLUG, Cavity (MQS)
14	164564	10	• PLUG, Cavity (MQS)
15	164572	6	• TERMINAL, Female (2.5 - 1.0mm2, MCP2.8)
16	164573	6	• SEAL, Wire (Yellow, 2.7 - 3.0mm, JPT/MCP)
17	117587	1	• CONNECTOR, Plug (12-pin)
18	117589	1	• CONNECTOR, Plug (12-pin wedge)
19	117591	15	• CONNECTOR, Contact socket (16-18)
20	117586	1	• CONNECTOR, Receptacle (12-pin)
21	117588	1	• CONNECTOR, Receptacle (12-pin wedge)
22	117590	10	• CONNECTOR, Contact pin (16-18)
23	117594	3	• CONNECTOR, Sealing plug
24	117579	1	• CONNECTOR, Plug (4-pin)
25	117581	1	• CONNECTOR, Plug (4-pin wedge)
26	109892	2	• TERMINAL, Lock fork ((#10), 14-16GA blue)
27	156219	4	• TERMINAL, M8 ring (5.0mm2)
28	164579	1	• CONNECTOR, Circular (4F, 2.5mm)
29	164580	1	• STRAIN RELIEF, Straight
30	164581	3	• TERMINAL, Female (1.0 - 1/2mm2, 2.5mm circ.)
31	164578	5	• SEAL, Wire (Light Blue, 1.2 - 2.1mm)
32	156172	1	• PLUG, Cavity (JPT)
33	156163	1	• ASSEMBLY, Connector (2F, AMP)
34	156174	2	• TERMINAL, Female (1.0 - 1/2mm2, JPT)
35	156127	1	• CONNECTOR, Fuse holder (2F, 630 M/P)
36	156118	2	• TERMINAL, Female (5.0 - 3.0mm2, 630 M/P, pull-to-seat)
37	156164	2	• FUSE, ATO (30A)
38	156117	2	• COVER, Inline Autofuse
39	105359	2	• TERMINAL, Spade - female (14-16GA insulated blue)
40	224688	1	• CONNECTOR, 2P 1-1/2 + 2P WP hybrid
41	224823	1	• CONNECTOR, 18 awg seal
42	224824	1	• CONNECTOR, 18 awg terminal
43	224865	2	• TERMINAL, Yazaki - 10GA female
44	224866	2	• SEAL, Yazaki - 10 GA
45	138846	2	• TERMINAL, 8-10 GA 3/8 non insulated
46	126808	2	• TERMINAL, 14-18 GA 1/4 non insulated

5.12 Engine Interface Harness - Kubota WG2503



M169377AC-2

229031ABA

116

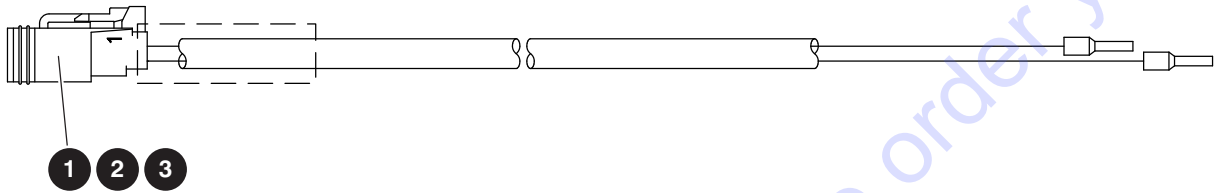
SJ40 T+, SJ45 T+

SKYJACK

5.12 Engine Interface Harness - Kubota WG2503

Index No.	Skyjack Part No.	Qty.	Description
-	169337	1	ENGINE INTERFACE HARNESS - Kubota WG2503
1	117586	1	• RECEPTACLE, Connector (12 pin)
2	117588	1	• RECEPTACLE, Connector (12 pin wedge)
3	117590	10	• PIN, Connector contact (16-18)
4	117594	4	• PLUG, Connector sealing
5	144337	1	• TERMINAL, Red ring #8
6	119752	1	• TERMINAL, Red ring #10
7	142361	1	• HOUSING, Female (150 GT sealed 16 way)
8	142362	4	• TERMINAL, Female (150 GT series)
9	142363	1	• HOUSING, Male (150 GT sealed 16 way)
10	142364	9	• TERMINAL, Male (150 GT series)
11	142365	13	• SEAL, Wire (150 GT series)
12	142366	19	• PLUG, Cavity (150 GT series)
13	117591	4	• SOCKET, Connector contact (16-18)
14	156180	1	• CONNECTOR, 6F DT
15	156194	1	• WEDGE, Plug
16	166481	1	• CONNECTOR, 4M 150 M/P
17	156260	4	• TERMINAL, Male sealed (0.8-1/2 mm ²) 150 MP
18	163679	1	• TPA, 4W M/P
19	170221	1	• CONNECTOR, 4M Kompakt 1.1m
20	170222	4	• TERMINAL, Female sealed (1.0-1/2 mm ²) BDK2.8

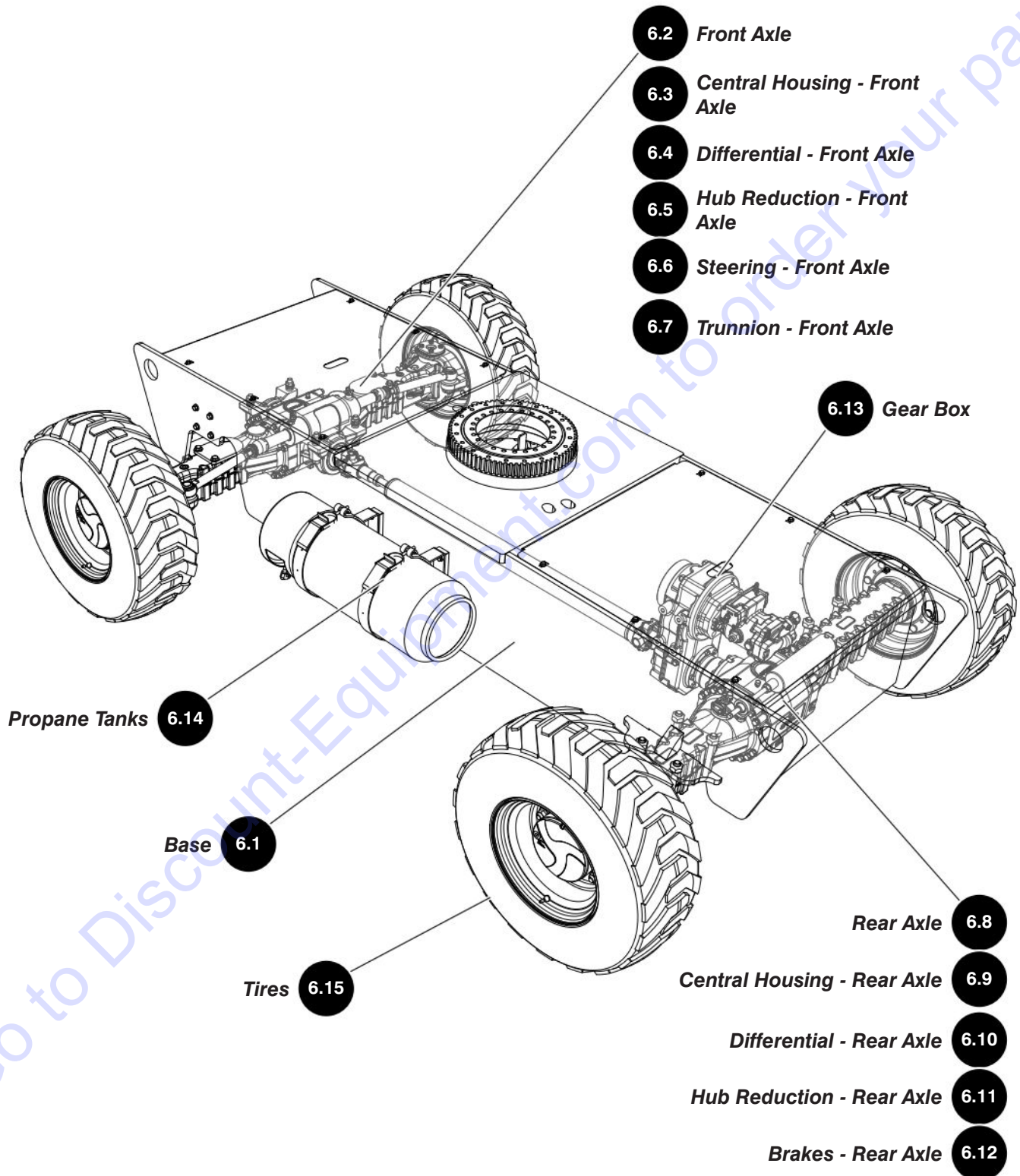
5.13 Differential Lock Valve Harness



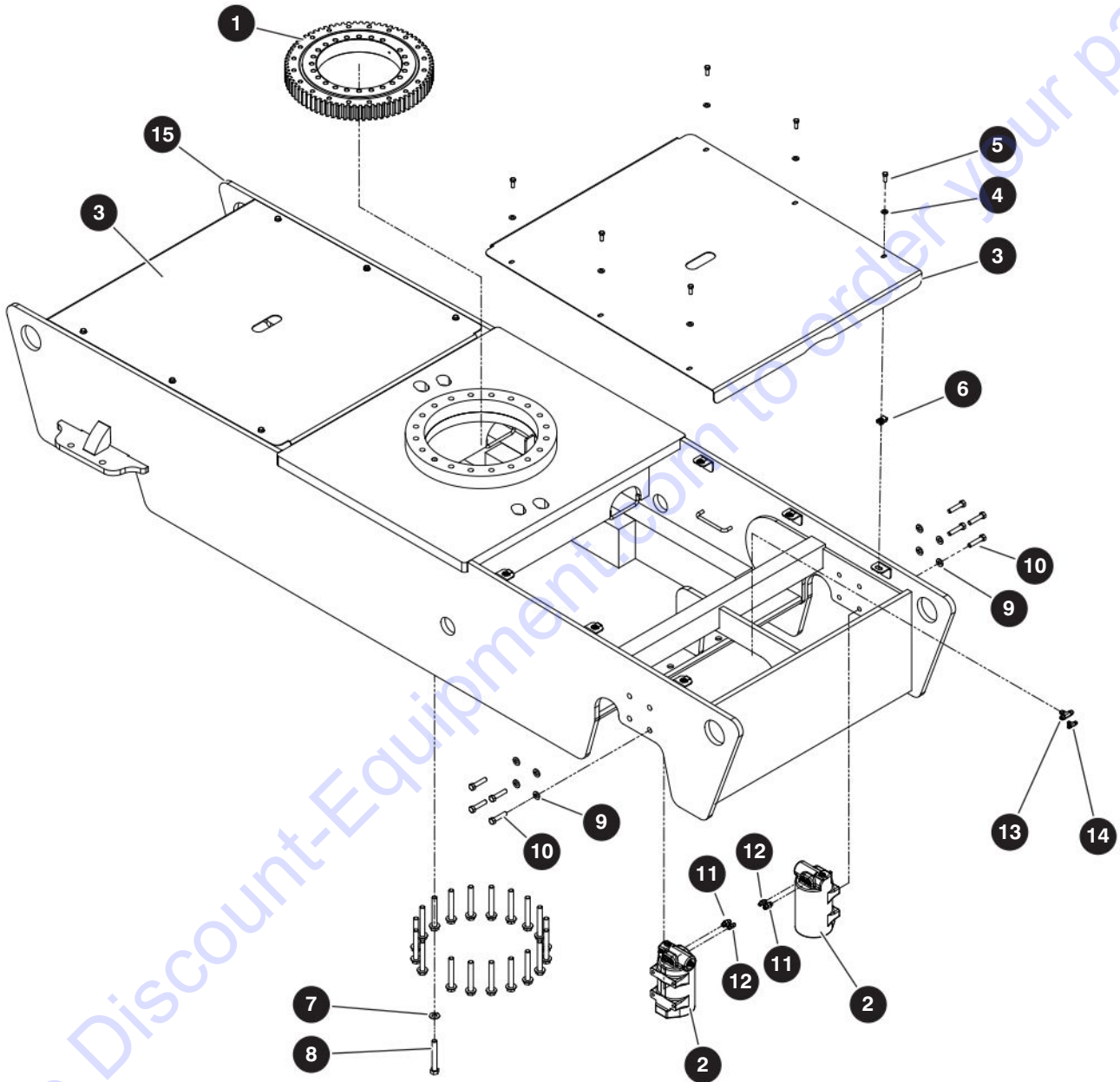
M167072AB

Index No.	Skyjack Part No.	Qty.	Description
-	167072	1	DIFFERENTIAL LOCK VALVE HARNESS
1	117597	1	• CONNECTOR, Plug 2-pin
2	117599	1	• WEDGE, Connector plug 2-pin
3	117591	2	• SOCKET, Contact - connector plug 2-pin

Section 6 – Base



6.1 Base



M159589AA

229031ABA

120

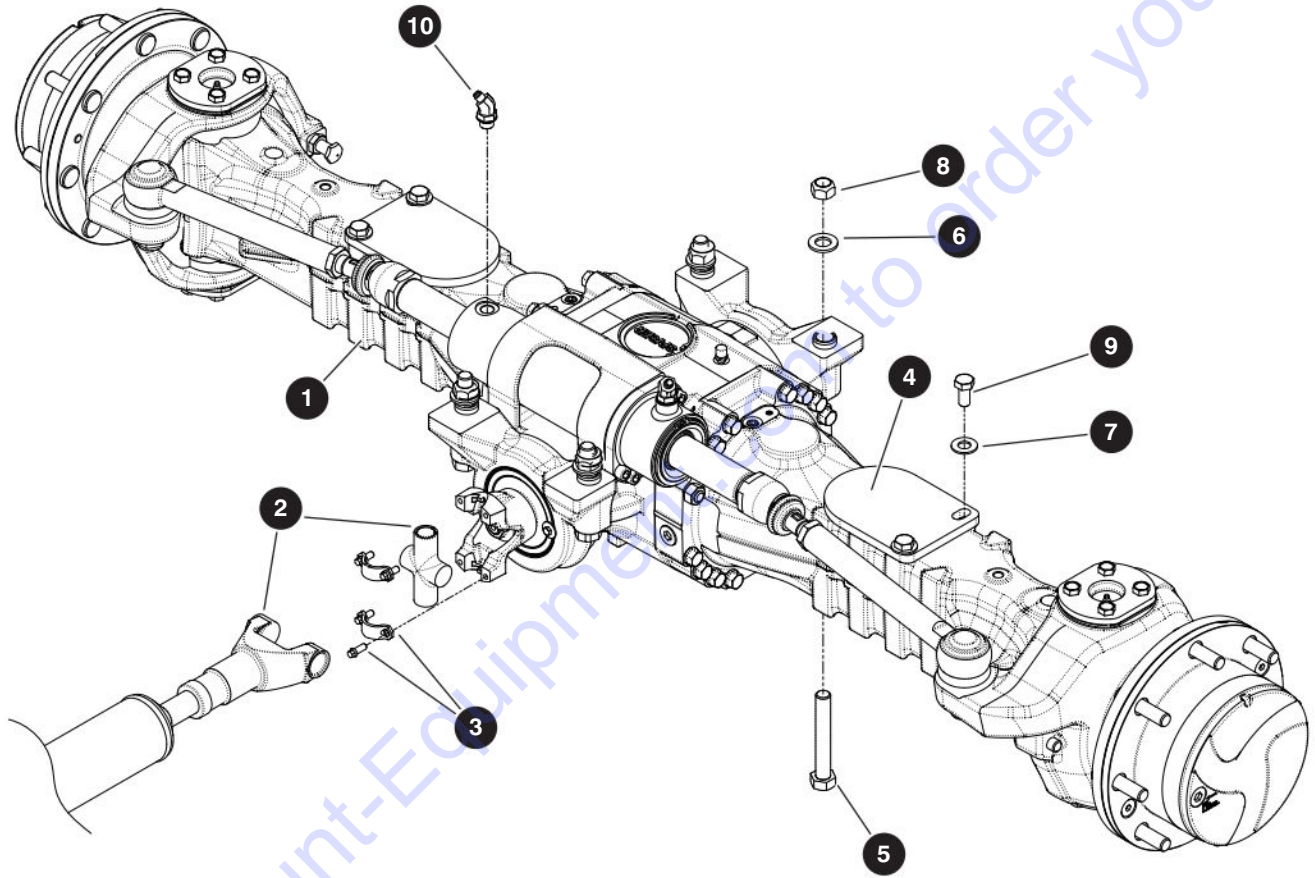
SJ40 T+, SJ45 T+

SKYJACK

6.1 Base

Index No.	Skyjack Part No.	Qty.	Description
-	218699	1	BASE ASSEMBLY
1	703661	1	• GEAR, Ring
2	(Ref.)	2	• CYLINDER, Axle lock (For components, refer to 3.6 Axle Lock Cylinder)
3	159580	2	• COVER, Base
4	103472	12	• WASHER, Flat (3/8")
5	103473	12	• BOLT, Hex head (3/4"-16 x 1" Gr 5)
6	159294	12	• NUT, Speed clip (3/8"-16)
7	700782	20	• WASHER, Flat hardened (5/8")
8	701762	20	• BOLT, Hex head (5/8"-11 x 4 1/2" Gr 8)
9	104379	8	• WASHER, Flat hardened (1/2")
10	106447	8	• BOLT, Hex head (1/2"-13 x 2.25" Gr 8)
11	103069	2	• FITTING, Straight (06 JICM - 06 ORBM)
12	126128	2	• FITTING, Straight (04 JICM - 04 ORBM)
13	131704	1	• FITTING, Tee (06 JICM)
14	131697	1	• FITTING, Tee (04 JICM)
15	169615	1	• WELDMENT, Chassis

6.2 Front Axle



M159593AB

229031ABA

122

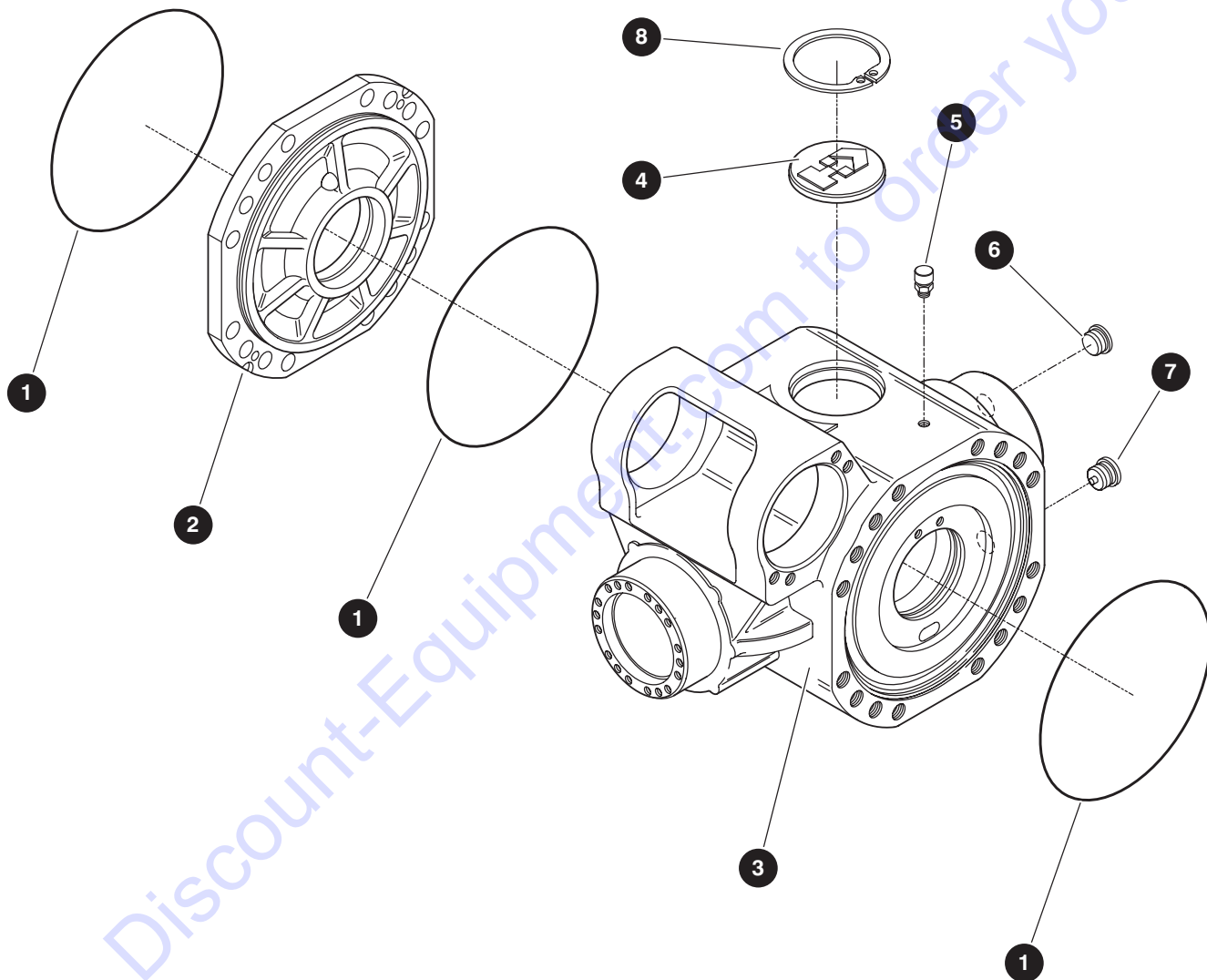
SJ40 T+, SJ45 T+

SKYJACK

6.2 Front Axle

Index No.	Skyjack Part No.	Qty.	Description
-	236662	1	FRONT AXLE
1	163740 (Ref.)	1	• AXLE, Front
	(Ref.)	2	• • HUB REDUCTION - Front Axle (For components, refer to 6.5 Hub Reduction - Front Axle)
	(Ref.)	1	• • DIFFERENTIAL - Front Axle (For components, refer to 6.4 Differential - Front Axle)
	(Ref.)	1	• • CENTRAL HOUSING - Front Axle (For components, refer to 6.3 Central Housing - Front Axle)
	(Ref.)	1	• • STEERING - Front Axle (For components, refer to 6.6 Steering - Front Axle)
	(Ref.)	2	• • TRUNNION - Front Axle (For components, refer to 6.7 Trunnion - Front Axle)
2	138980	1	• DRIVESHAFT
	216872	2	• • U-JOINT
3	138731	2	• HARDWARE KIT, U-joint
4	159594	2	• WEAR PAD, Oscillating cylinder
5	146773	4	• BOLT, Hex head (3/4"-10 x 5.00" gr 8)
6	702194	4	• WASHER, Flat (3/4" hardened)
7	700782	4	• WASHER, Flat (5/8" hardened)
8	700575	4	• NUT, Torque lock (3/4"-10 gr C)
9	138734	4	• BOLT, Hex head (M14 x 2 x 50 mm gr 8.8)
10	139103	2	• FITTING, 45° (04JICM-08ORB)

6.3 Central Housing - Front Axle



M151755AC

229031ABA

124

SJ40 T+, SJ45 T+

SKYJACK

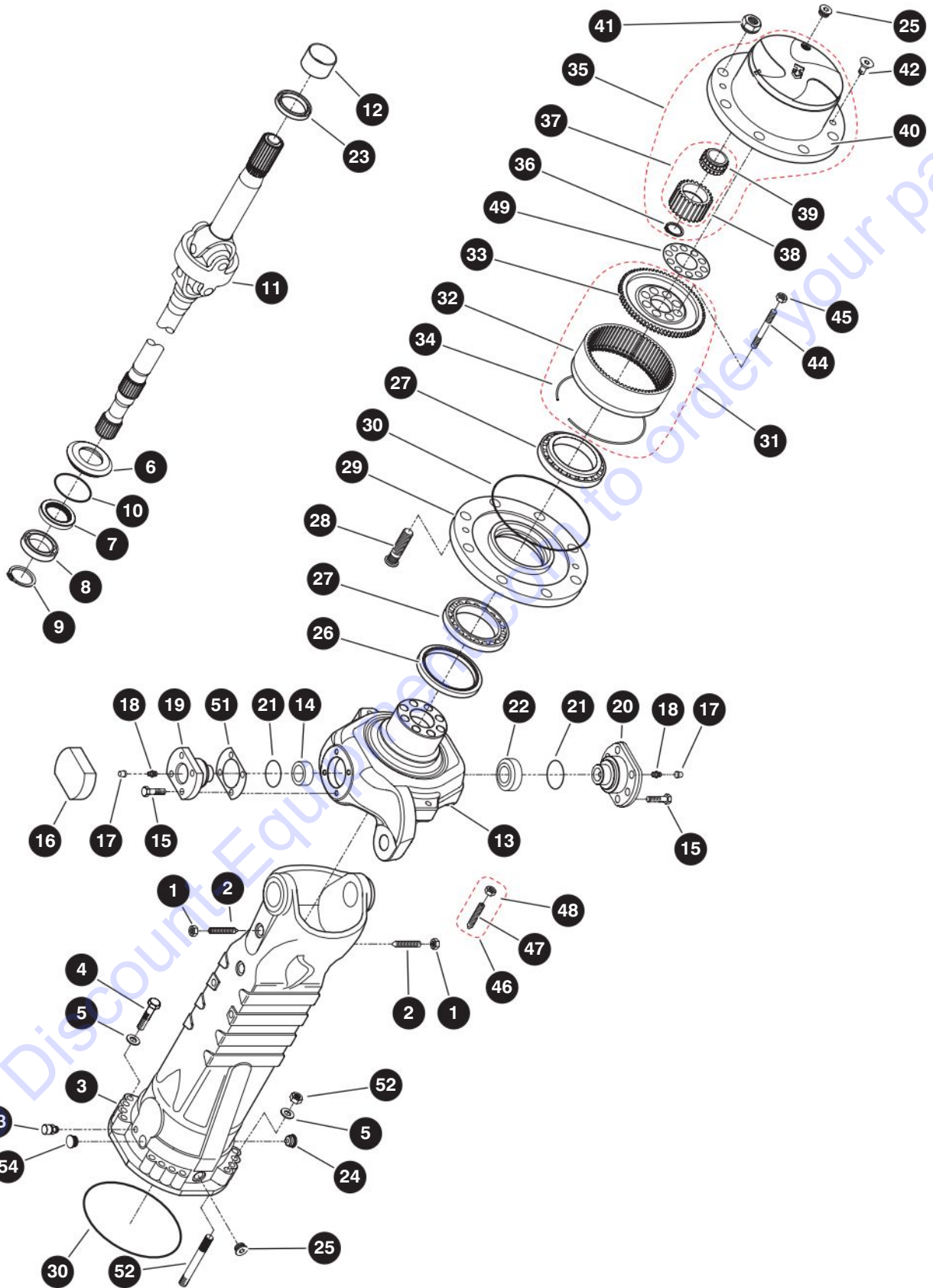
6.3 Central Housing - Front Axle

Index No.	Skyjack Part No.	Qty.	Description
-	151755	1	CENTRAL HOUSING - Front Axle
1	140970	3	• O-RING
2	216425	1	• COVER
3	151756	1	• HOUSING
4	140967	1	• PLUG
5	170720	1	• VENT
6	140969	1	• PLUG
7	140968	1	• PLUG, Magnetic
8	140966	1	• CIRCLIP

6.4 Differential - Front Axle

Index No.	Skyjack Part No.	Qty.	Description
-	170788	1	DIFFERENTIAL - Front Axle
1	140974	1	• NUT
-	140975	1	• FLANGE ASSEMBLY
2	170791	1	• • FLANGE
3	409452	1	• • PLATE, Cover
4	170792	1	• SEAL
5	170793	4	• BOLT
6	140979	1	• O-RING
7	140980	1	• NUT, Ring
8	140981	1	• SPACER
9	170789	1	• SHIM KIT
10	170790	1	• SHIM KIT
11	140984	2	• BEARING, Taper roller
12	140985	1	• GEAR SET, Bevel
13	151768	2	• BOLT
14	140987	2	• BEARING, Taper roller
15	140996	1	• DIFFERENTIAL KIT, Limited slip
16	140978	4	• • CIRCLIP
17	140988	2	• • GEAR, Differential side
18	140989	1	• • PINION, Differential
-	196632	4	• • PIN ASSEMBLY
19	140990	1	• • • PIN
20	140991	1	• • • CIRCLIP
21	140992	4	• • WASHER, Friction
22	140986	2	• • DISC KIT
23	140995	1	• • CARRIER, Differential
24	140993	12	• BOLT
25	141068	2	• NUT, Ring

6.5 Hub Reduction - Front Axle



M216429AA

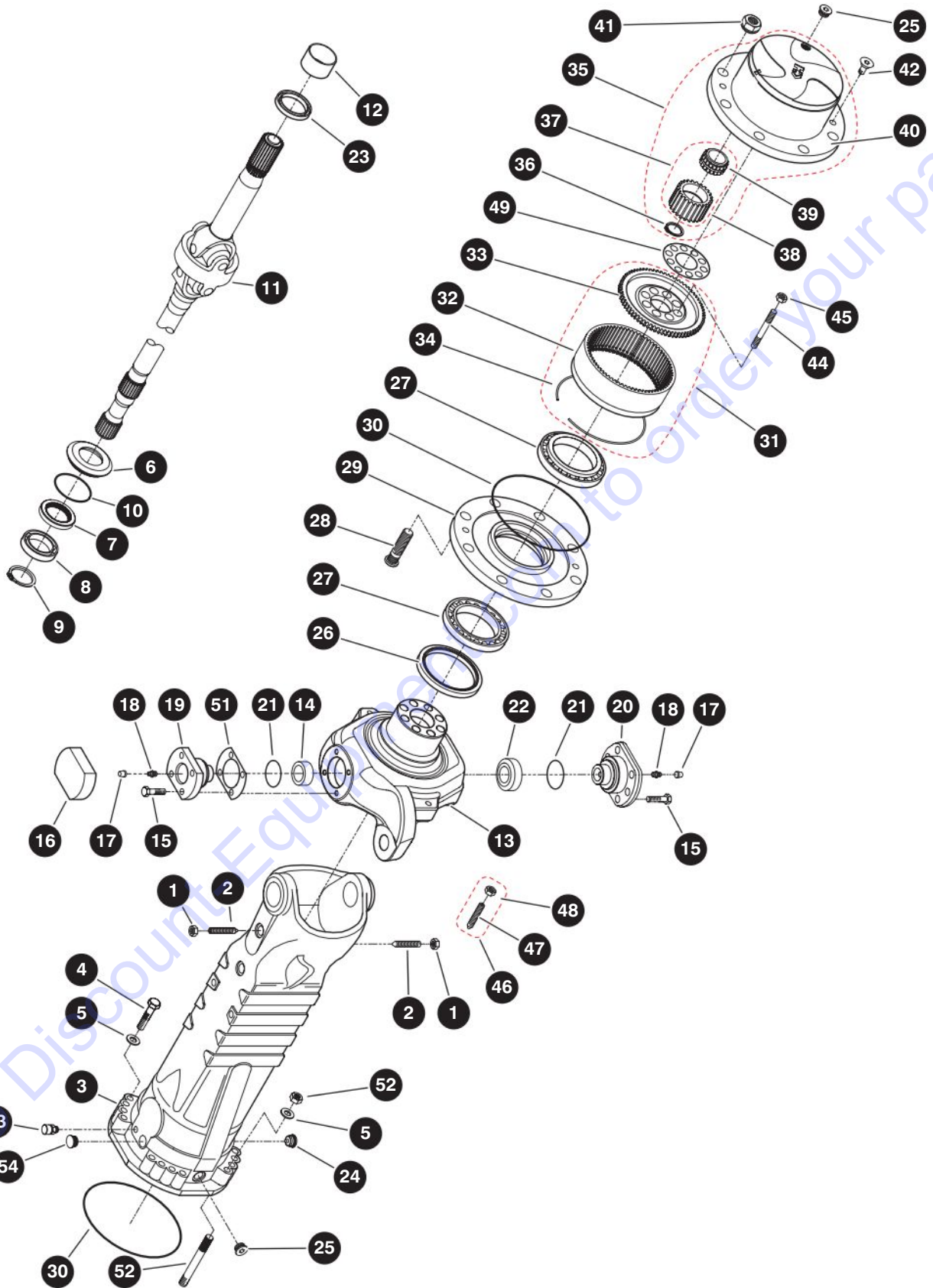
229031ABA

SJ40 T+, SJ45 T+

6.5 Hub Reduction - Front Axle

Index No.	Skyjack Part No.	Qty.	Description
-	216429	2	HUB REDUCTION - Front Axle
1	141167	2	• NUT
2	141170	2	• BOLT
3	216430	2	• CASE, Axle
4	141079	28	• BOLT
5	141166	4	• WASHER
6	151761	2	• BUSHING, Reduction
7	151762	2	• SEAL
8	141073	2	• BEARING, Ball
9	151763	2	• CIRCLIP
10	141171	2	• O-RING
11	216431	2	• UNIVERSAL JOINT, Double
-	141010	1	• CASE KIT, Steering - right
-	141011	1	• CASE KIT, Steering - left
12	141039	1	• • BUSHING, Thrust
13	141009	1	• • CASE, Steering - right
	141038	1	• • CASE, Steering - left
14	151765	2	• BUSHING
15	141005	20	• BOLT
16	141007	2	• COVER
17	141006	4	• PLUG
18	141014	2	• FITTING, Grease
19	141004	2	• PIN, Pivot
20	141012	2	• PIN, Pivot
21	141002	2	• SEAL
22	141013	2	• ARTICULATION
23	141040	2	• SEAL
24	140968	2	• PLUG, Magnetic
25	140969	4	• PLUG
26	405116	2	• SEAL
27	141019	4	• BEARING
28	216250	16	• STUD, Wheel
29	141020	2	• HUB, Wheel
30	140970	2	• O-RING
31	141042	2	• SUPPORT KIT, Ring Gear
32	141023	2	• • GEAR, Ring
33	141024	2	• • SUPPORT, Ring gear
34	141022	2	• • CIRCLIP
35	151767	2	• CARRIER KIT, Planet gear
36	141028	3	• • CIRCLIP
37	196643	3	• • GEAR KIT, Planet
38	141029	1	• • • GEAR, Planet
39	141030	1	• • • BEARING
40	141032	1	• • CARRIER, Planet gear

6.5 Hub Reduction - Front Axle



M216429AA

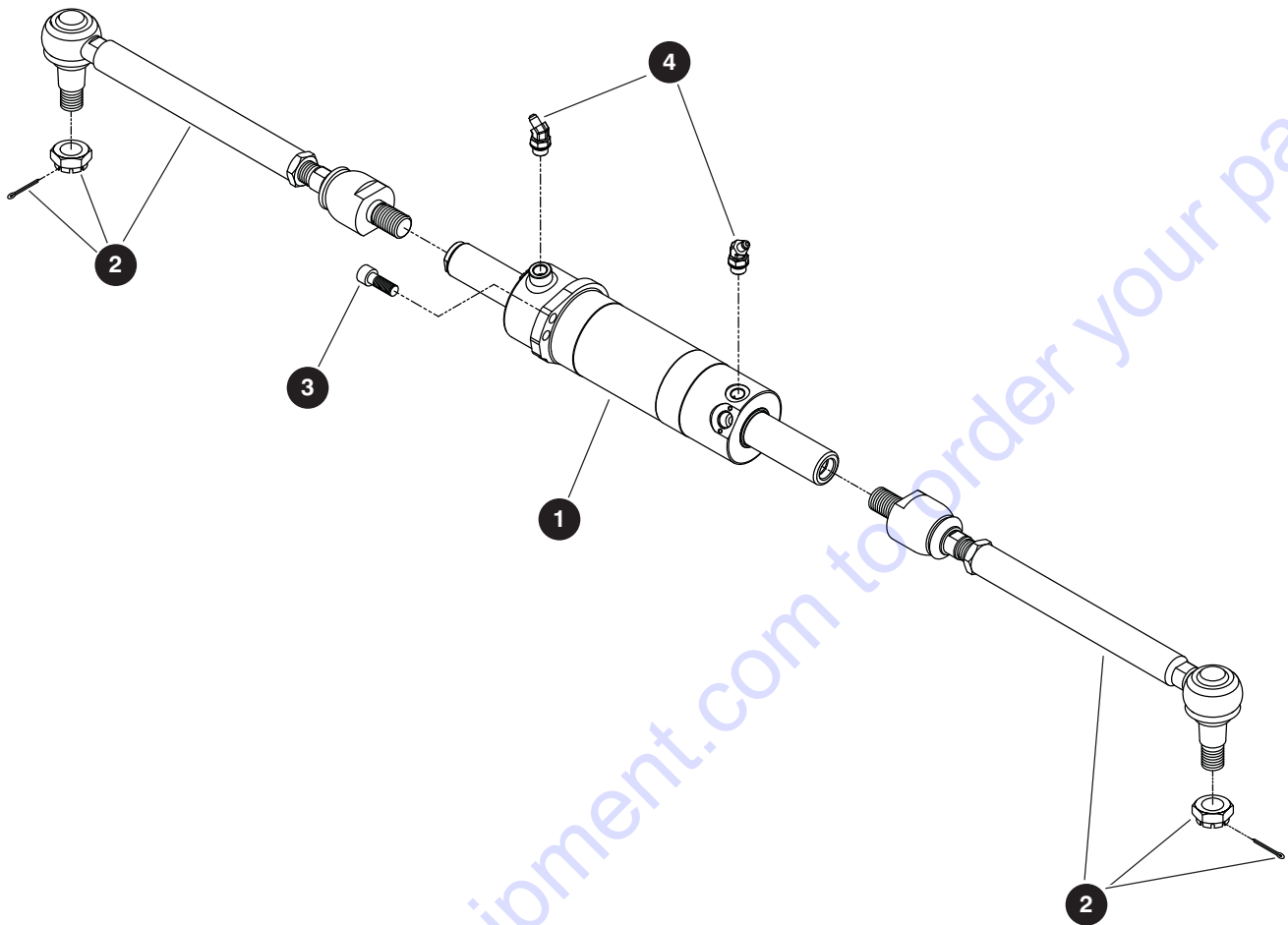
229031ABA

SJ40 T+, SJ45 T+

6.5 Hub Reduction - Front Axle

Index No.	Skyjack Part No.	Qty.	Description
41	151766	16	• NUT
42	141033	4	• BOLT, Countersunk
43	196638	16	• STUD
44	196639	16	• NUT
45	141017	4	• BOLT KIT, Steering adjust
46	141016	1	• • BOLT
47	141015	1	• • NUT
48	141081	2	• PLATE, Locking
49	140966	2	• CIRCLIP
50	216432	1	• KIT, Shim
51	141165	4	• STUD
52	141167	4	• NUT
53	216433	2	• BOLT, Grub
54	216434	2	• PLUG

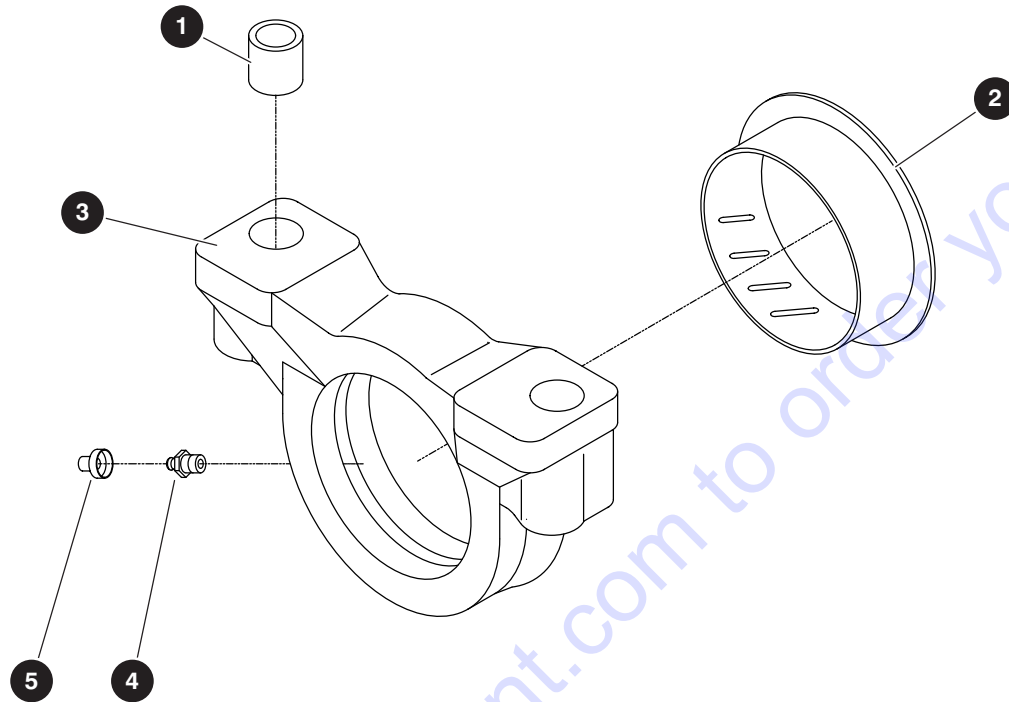
6.6 Steering - Front Axle



M169240AB

Index No.	Skyjack Part No.	Qty.	Description
-	169240	1	STEERING - Front Axle
1	169241	1	• CYLINDER, Steer
	169242	1	• • SEAL KIT, Steer cylinder
2	169243	2	• ROD, Tie
3	195047	4	• BOLT
4	139103	2	FITTING, 45° (04 JICM - 08 ORBM)

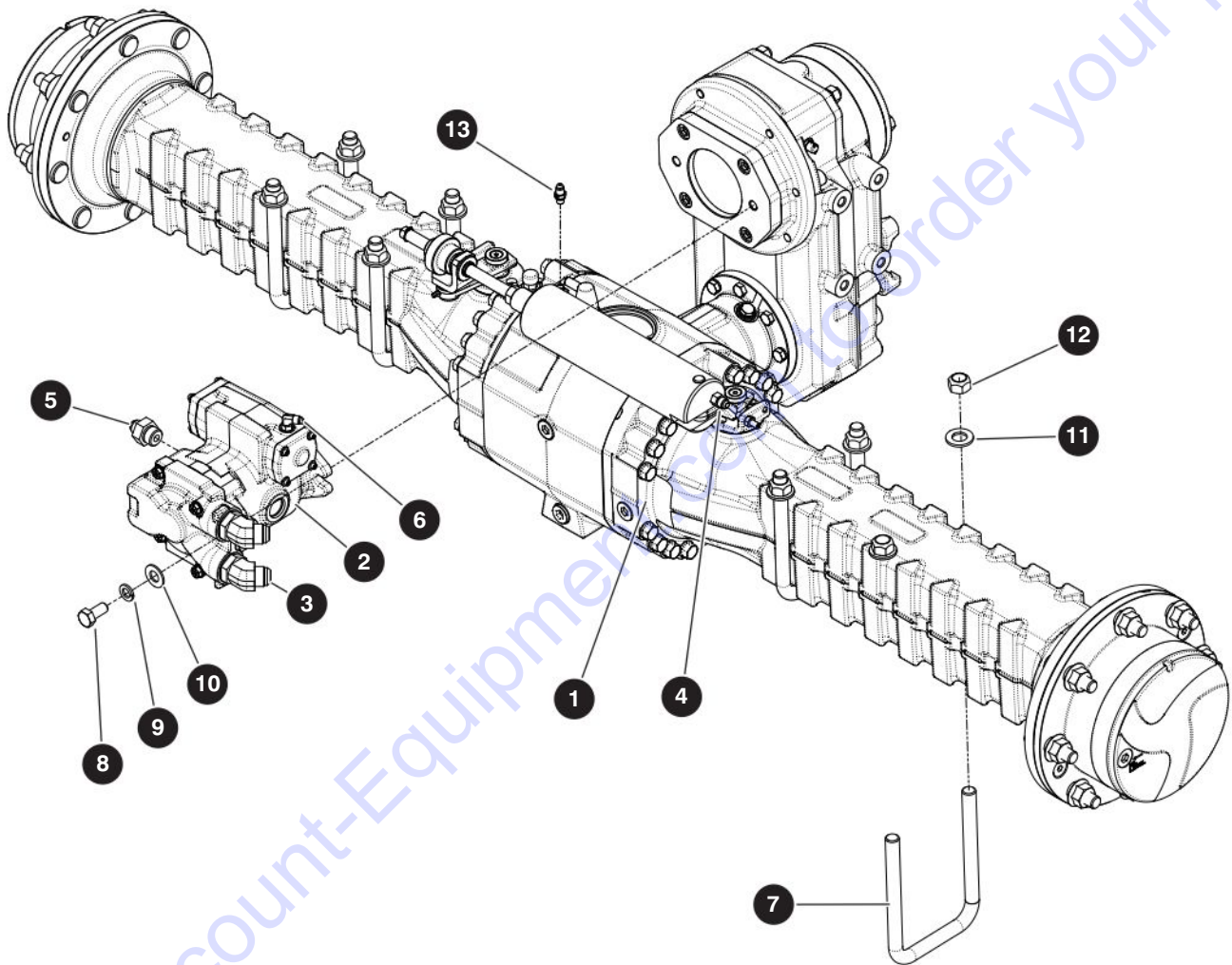
6.7 Trunnion - Front Axle



M170855AB

Index No.	Skyjack Part No.	Qty.	Description
-	170855	2	TRUNNION - Front Axle
-	141052	1	• SUPPORT ASSEMBLY
1	141048	2	• • BUSHING, Reduction
2	170856	1	• • BUSHING, Thrust
3	141050	1	• • SUPPORT
4	141014	1	• • FITTING, Grease
5	141006	1	• • PLUG

6.8 Rear Axle



M166952AC

229031ABA

134

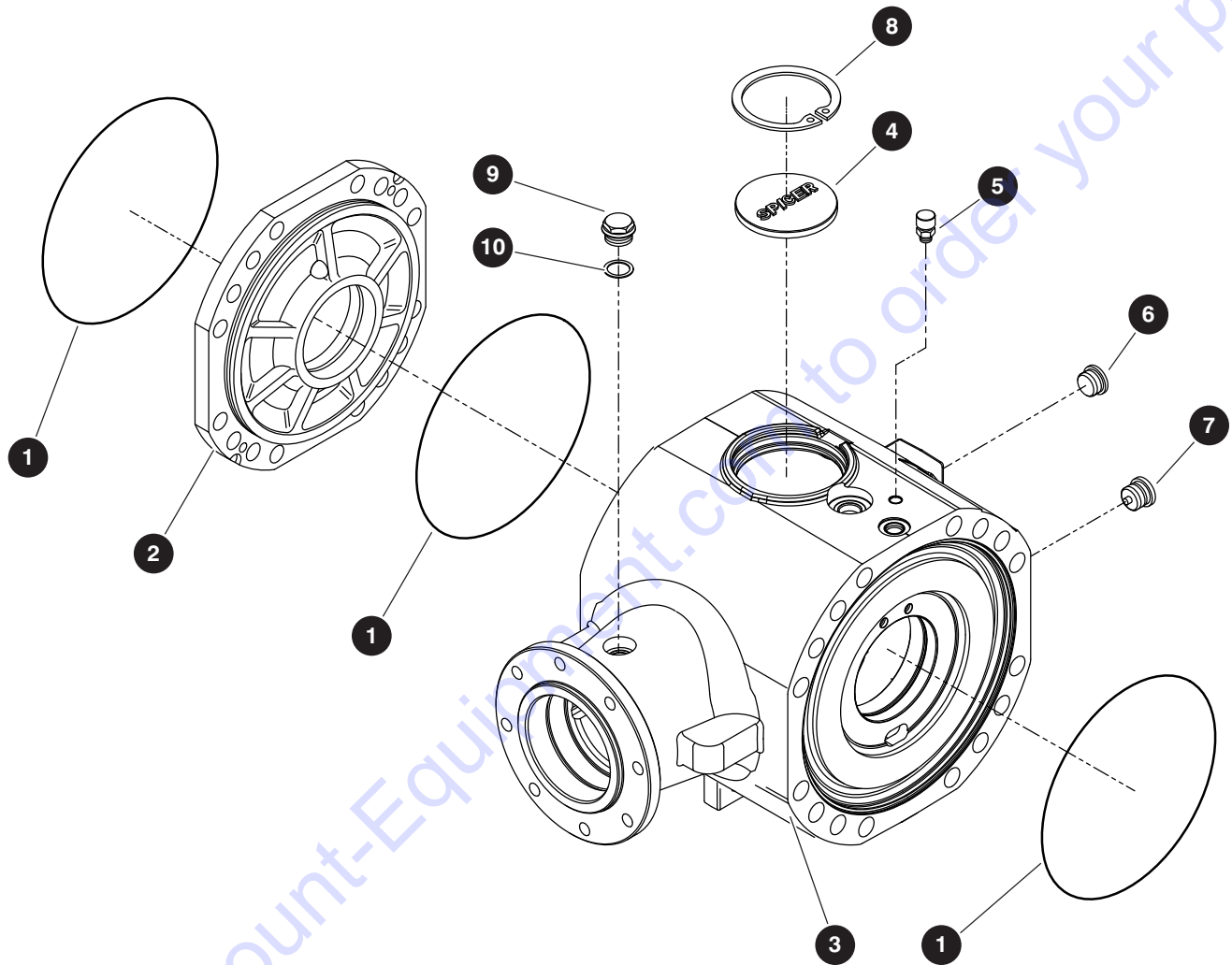
SJ40 T+, SJ45 T+

SKYJACK

6.8 Rear Axle

Index No.	Skyjack Part No.	Qty.	Description
-	166952	1	REAR AXLE ASSEMBLY
1	195083	1	• REAR AXLE
	141057	1	• • CENTRAL HOUSING - Rear Axle
	216242	1	• • DIFFERENTIAL - Rear Axle
	216248	2	• • HUB REDUCTION - Rear Axle
	141084	2	• • BRAKES - Rear Axle
	216400	1	• • GEAR BOX - Rear Axle
2	161964	1	• MOTOR, Drive - axle 2 speed
	147306	1	• • SEAL KIT, Drive motor
3	751973	2	• FITTING, 45° (12JICM-16ORBM)
4	138985	1	• FITTING, Straight (06JICM-04BSPPM)
5	105446	1	• FITTING, Straight (08JICM-12ORBM)
6	125883	1	• FITTING, 90° (04JICM-04ORBM)
7	148866	4	• U-BOLT, Axle mount
8	138734	2	• BOLT, Hex head (M14 X 2 X 30mm gr 8.8 zp)
9	138738	2	• WASHER, Lock (M14-plated DIN 127B)
10	700782	2	• WASHER, Flat (5/8" hard high/zn)
11	702194	8	• WASHER, Flat hardened (3/4" high/zn)
12	700575	8	• NUT, Torque lock (3/4"-10 gr C)
13	149181	1	• FITTING, Straight (04JICM-M14x1-1/2)

6.9 Central Housing - Rear Axle



M141057AB

229031ABA

136

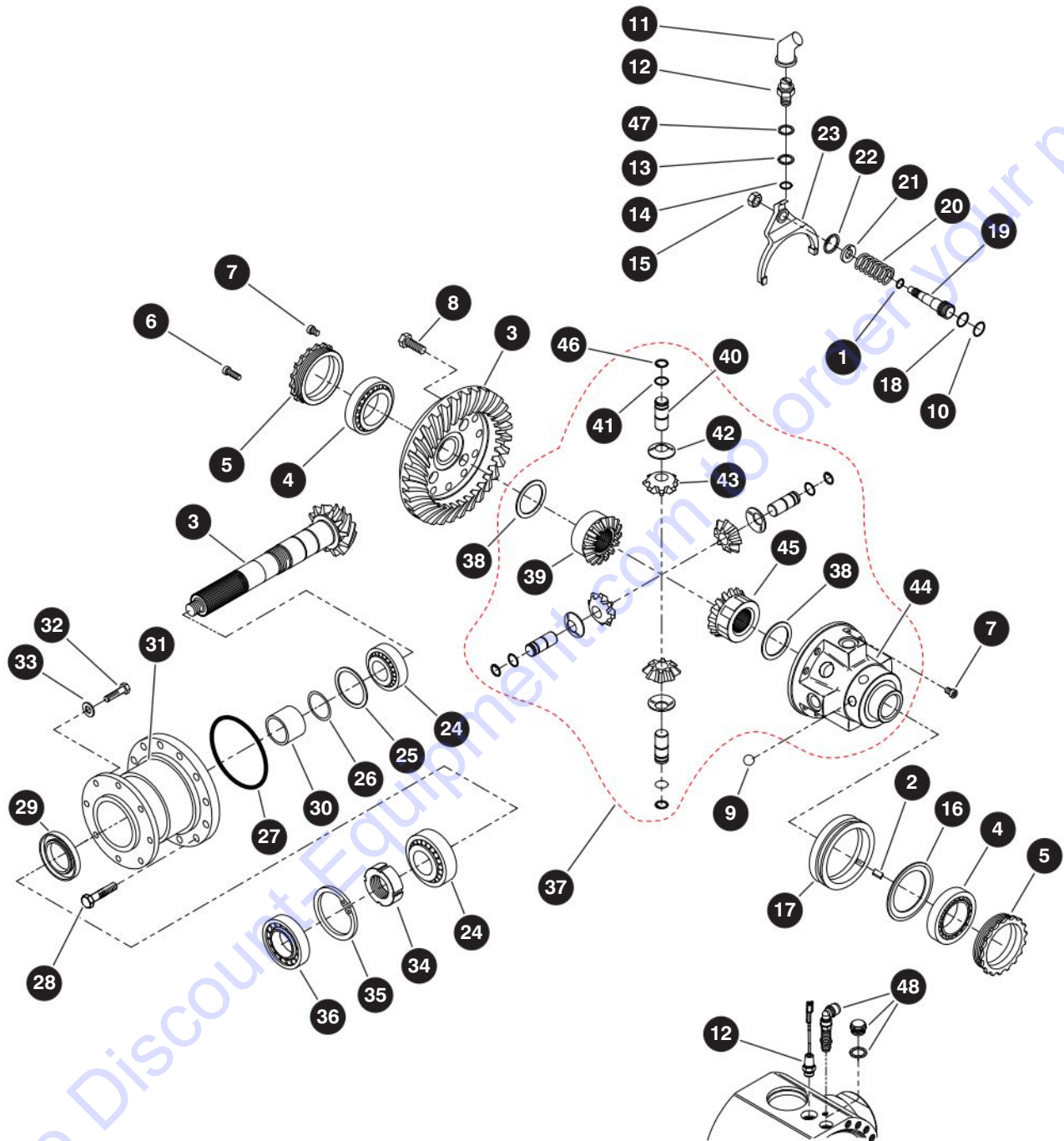
SJ40 T+, SJ45 T+

SKYJACK

6.9 Central Housing - Rear Axle

Index No.	Skyjack Part No.	Qty.	Description
-	141057	1	CENTRAL HOUSING - Rear Axle
1	140970	3	• O-RING
2	216238	1	• COVER
3	216239	1	• HOUSING
4	140967	1	• PLUG
5	170720	1	• VENT, Central housing
6	140969	1	• PLUG, Magnetic
7	140968	1	• PLUG, Magnetic
8	140966	1	• CIRCLIP
9	216240	1	• BOLT
10	216241	1	• WASHER, Seal

6.10 Differential - Rear Axle



M216242AA

229031ABA

138

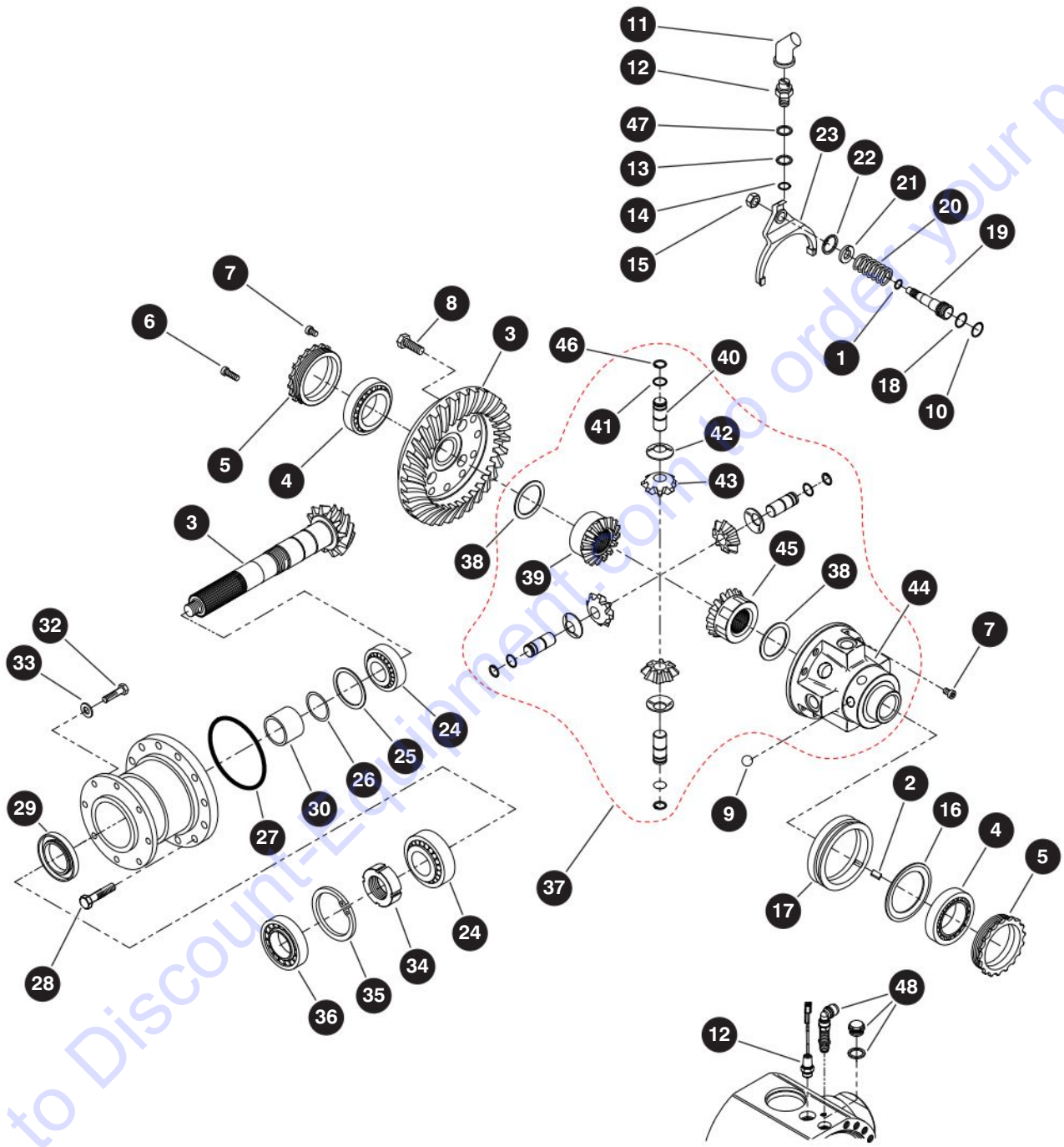
SJ40 T+, SJ45 T+

SKYJACK

6.10 Differential - Rear Axle

Index No.	Skyjack Part No.	Qty.	Description
-	216242	1	DIFFERENTIAL - Rear Axle
1	154571	1	• CIRCLIP
2	216243	1	• KEY, Woodrif
3	216244	1	• GEAR SET, Bevel
4	196626	2	• BEARING, Taper roller
5	141068	2	• NUT, Ring
6	140977	4	• BOLT, Cylinder
7	151768	2	• BOLT
8	140993	12	• BOLT
9	154574	6	• BALL, Detend
10	154575	1	• RING
11	154576	1	• BOOT
12	154577	1	• SWITCH, Security
13	154578	1	• WASHER, Seal
14	154579	1	• O-RING
15	154580	1	• NUT
16	154581	1	• SHEET
17	154582	1	• SLEEVE
18	154583	1	• O-RING
19	154584	1	• PISTON
20	154585	1	• SPRING
21	154586	1	• PLUG
22	154587	1	• CIRCLIP
23	154588	1	• FORK, Selector
24	140984	2	• BEARING, Taper roller
25	170790	1	• KIT, Shim
26	170789	1	• KIT, Shim
27	141064	1	• O-RING
28	141072	2	• BOLT, Hexagon
29	141074	1	• SEAL
30	141062	1	• SPACER
31	141063	1	• COVER
32	216245	8	• BOLT
33	141075	8	• WASHER, Spring
34	140980	1	• NUT, Ring
35	140966	1	• CIRCLIP
36	141073	1	• BEARING, Ball

6.10 Differential - Rear Axle



M216242AA

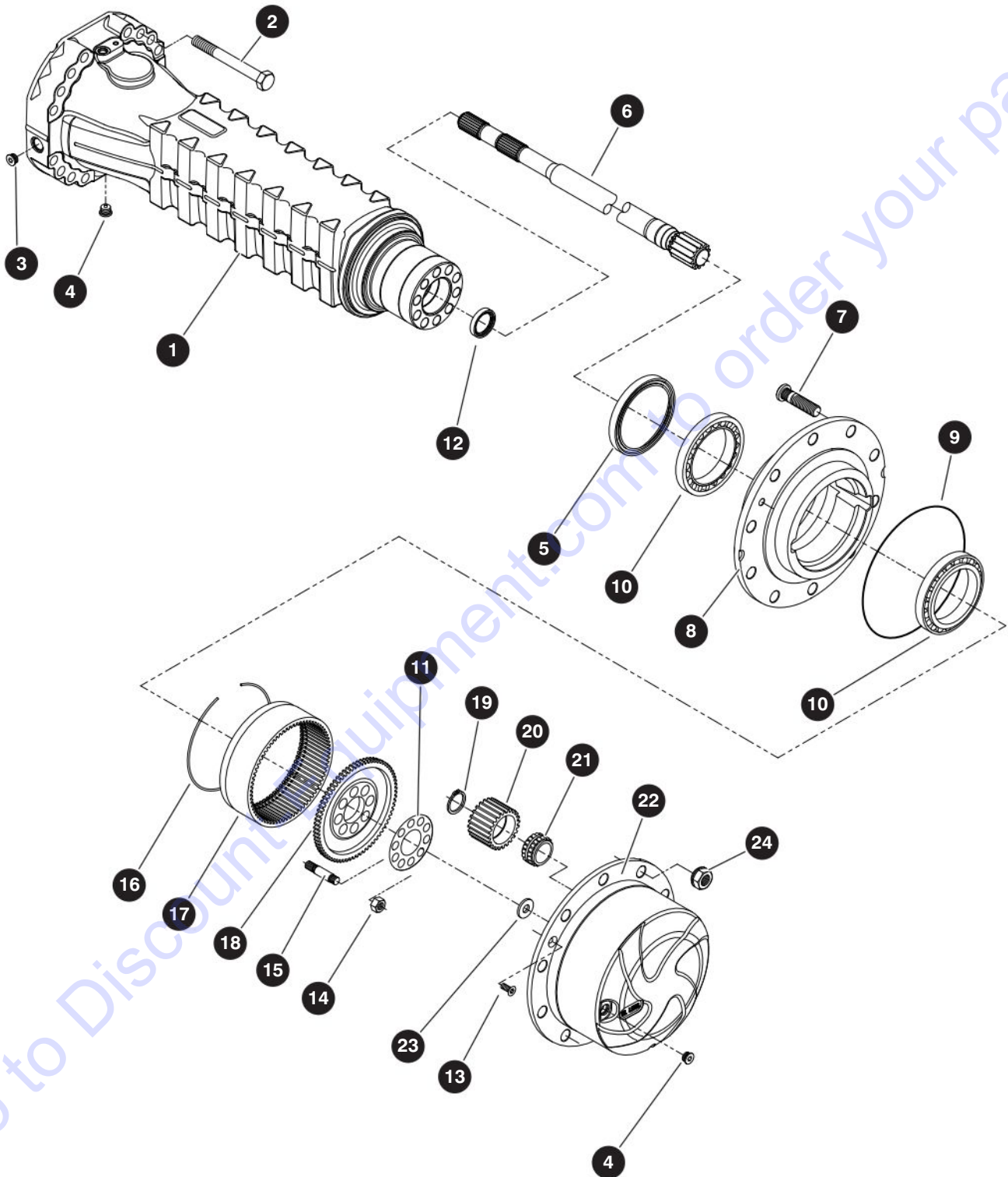
229031ABA

SJ40 T+, SJ45 T+

6.10 Differential - Rear Axle

Index No.	Skyjack Part No.	Qty.	Description
37	216246	1	• DIFFERENTIAL KIT
38	404185	2	• • WASHER, Friction
39	404182	1	• • SIDE GEAR, Differential
40	196632	4	• • PIN
41	403069	4	• • CIRCLIP
42	404186	4	• • WASHER, Friction
43	404180	4	• • PINION, Differential
44	404179	1	• • CARRIER, Differential
45	404183	1	• • SIDE GEAR, Differential
46	403073	4	• • CIRCLIP
47	154589	1	• WASHER, Seal
48	216247	1	• PLUG

6.11 Hub Reduction - Rear Axle



M216248AA

229031ABA

142

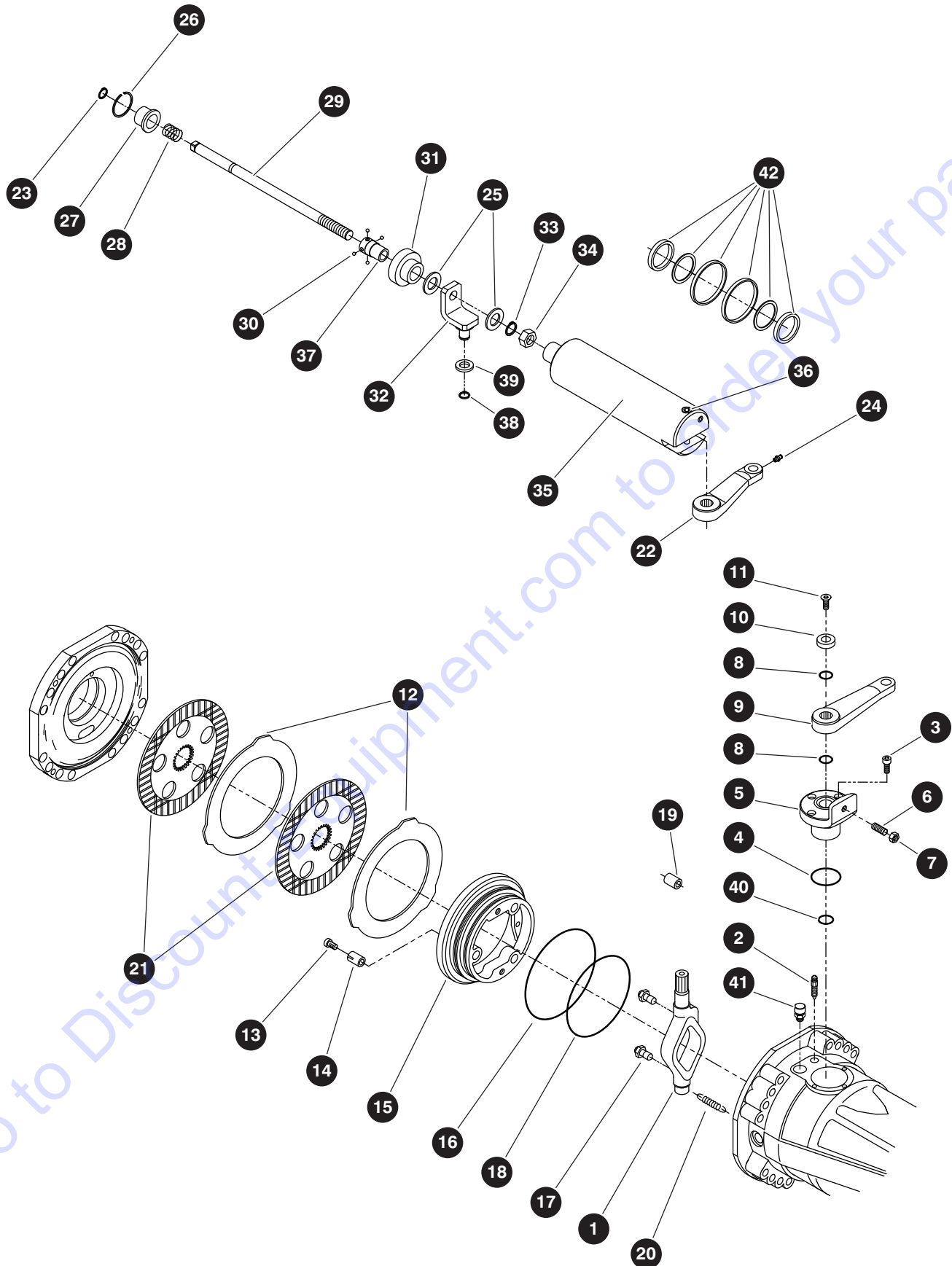
SJ40 T+, SJ45 T+

SKYJACK

6.11 Hub Reduction - Rear Axle

Index No.	Skyjack Part No.	Qty.	Description
-	216248	2	HUB REDUCTION - Rear Axle
1	216249	2	• CASE, Axle
2	141079	28	• BOLT
3	140968	2	• PLUG, Magnetic
4	140969	4	• PLUG, Magnetic
5	405116	2	• SEAL, Inner
6	141080	2	• SHAFT, Half
7	216250	16	• STUD, Wheel
8	141020	2	• HUB, Wheel
9	140970	2	• O-RING
10	141019	4	• BEARING
11	141081	2	• PLATE, Locking
12	216254	2	• SEAL
13	141033	4	• BOLT, Countersuck
14	196639	16	• NUT
15	216255	16	• STUD
-	141042	2	• SUPPORT KIT, Ring gear
16	141022	2	• • CIRCLIP
17	141023	2	• • GEAR, Ring
18	141024	2	• • SUPPORT, Ring gear
-	141034	2	• CARRIER KIT, Planet gear
19	141028	6	• • CIRCLIP
-	216251	1	• • PLANET GEAR KIT
20	216252	6	• • • GEAR, Planet
21	216253	6	• • • BEARING
22	141032	2	• • CARRIER, Planet gear
23	141037	2	• • WASHER, Friction
24	154590	16	• NUT

6.12 Brakes - Rear Axle



M141084AB

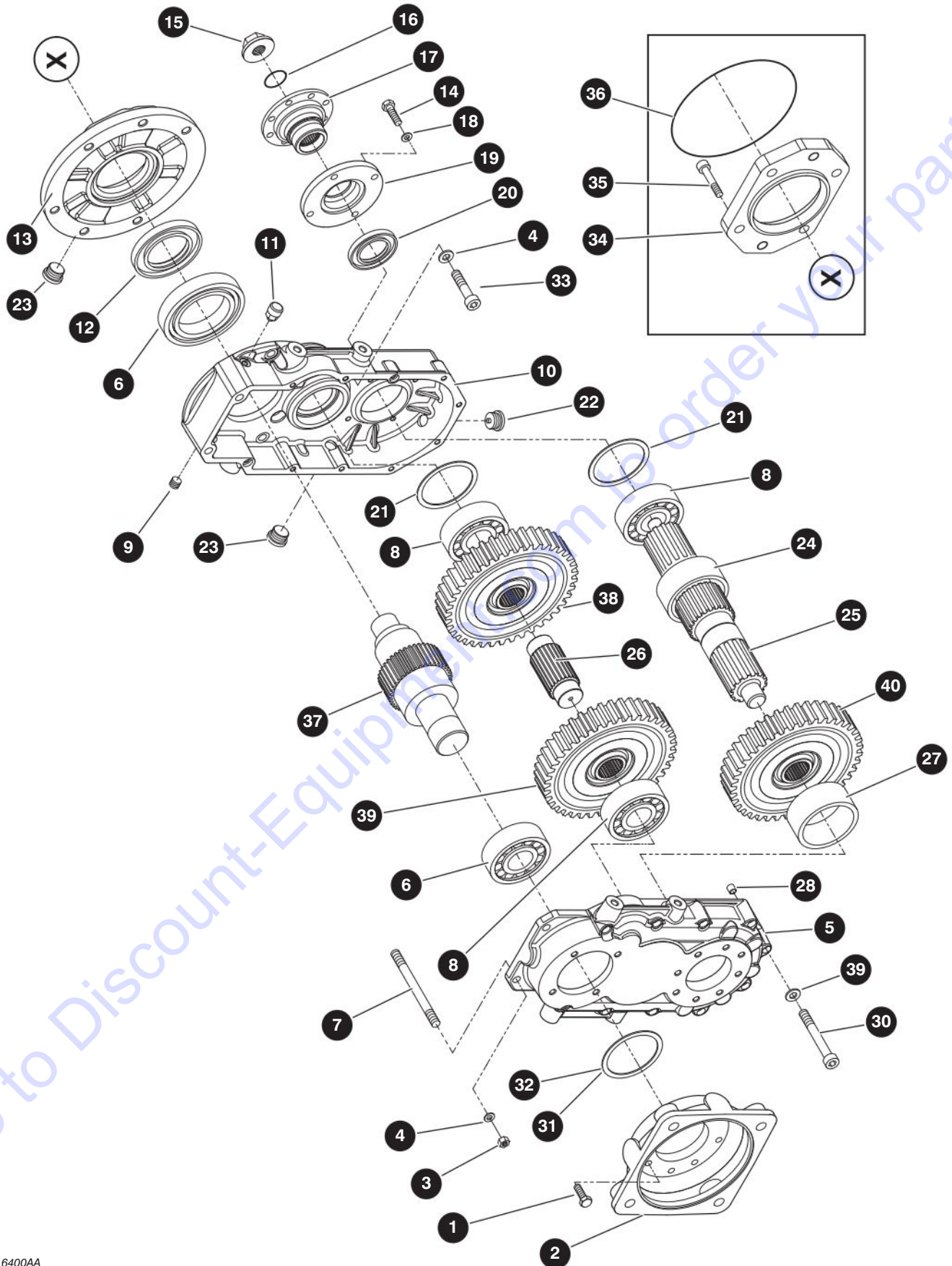
229031ABA

SJ40 T+, SJ45 T+

6.12 Brakes - Rear Axle

Index No.	Skyjack Part No.	Qty.	Description
-	141084	2	BRAKES - Rear Axle
1	141103	1	• LEVER - Right
	141085	1	• LEVER - Left
2	216394	2	• BOLT, Bleeding
3	141087	6	• BOLT, Cylinder
4	141088	2	• O-RING
5	216395	2	• BUSHING, Reduction
6	141090	2	• BOLT, Grub
7	141091	2	• NUT
8	141092	2	• O-RING
9	141093	1	• LEVER
10	141094	2	• WASHER
11	141095	2	• BOLT, Countersunk
12	216396	10	• DISC, Brake - intermediate
13	141097	6	• BOLT, Adjusting
-	216398	1	• PISTON KIT - Right
	216399	1	• PISTON KIT - Left
14	216397	3	• • SPRING
15	141099	1	• • PISTON - Right
	141109	1	• • PISTON - Left
16	196658	1	• • O - RING
17	151759	2	• • PUSHER
18	196659	1	• • O-RING
19	196660	2	• BOLT, Pilot
20	141104	6	• SPRING
21	170850	8	• DISC
22	141110	1	• LEVER
23	141111	1	• CIRCLIP
24	141112	2	• FITTING, Grease
25	141113	2	• WASHER
26	141114	1	• RING, Snap
27	141115	1	• BUSHING, Reduction
28	141116	1	• SPRING
29	141117	1	• CAM, Brake
30	141118	4	• BALL, Detend
31	141119	1	• BUSHING, Reduction
32	141120	1	• SUPPORT
33	141121	1	• CIRCLIP
34	141122	1	• NUT
35	141123	1	• CYLINDER, Brake
36	216393	1	• • PIN, Brake cylinder
37	141124	1	• BUSHING, Reduction
38	141125	1	• CIRCLIP
39	141126	1	• SPACER
40	141129	2	• O-RING
41	169159	2	• VENT, Front axle
42	408688	1	• SEAL KIT, Brake cylinder

6.13 Gear Box



M216400AA

229031ABA

146

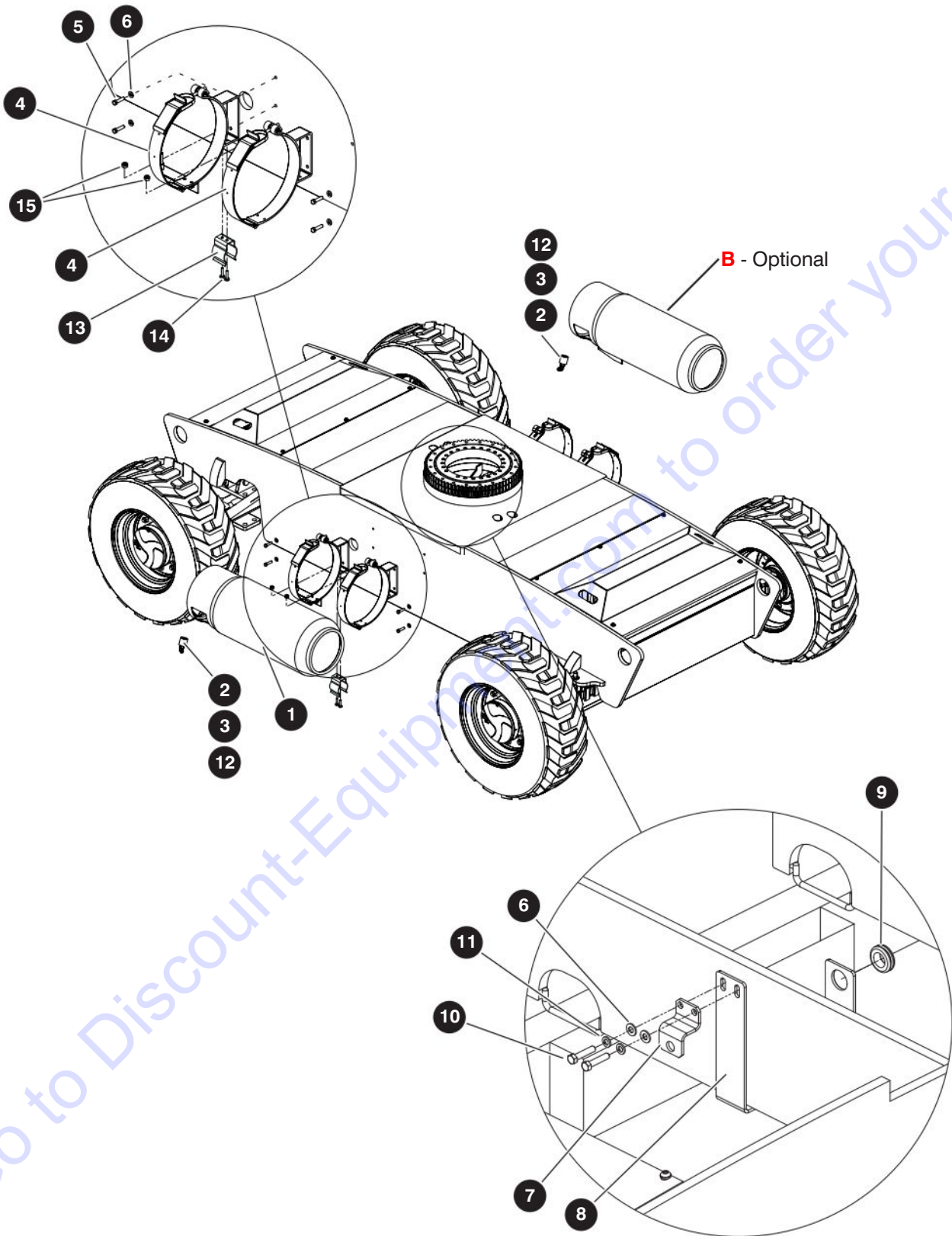
SJ40 T+, SJ45 T+

SKYJACK

6.13 Gear Box

Index No.	Skyjack Part No.	Qty.	Description
-	216400	1	GEAR BOX
1	141158	4	• BOLT, Cylinder
2	216401	1	• COVER
3	216402	2	• NUT
4	216403	2	• WASHER, Spring
5	216404	1	• HOUSING
6	216405	2	• BEARING, Ball
7	216406	2	• STUD
8	170908	2	• BEARING, Ball
9	216407	2	• BOLT, Grub
10	141369	1	• COVER
11	141000	1	• VENT
12	216408	2	• SEAL
13	216409	1	• COVER
14	170907	4	• BOLT
15	216410	1	• NUT
16	216411	1	• O-RING
17	216412	1	• FLANGE
18	141373	4	• WASHER, Spring
19	141374	1	• COVER
20	170914	1	• SEAL
21	170906	1	• KIT, Shim
22	141144	1	• PLUG, Magnet
23	408806	1	• PLUG, Drain
24	141375	1	• SPACER
25	141376	1	• SHAFT, Output
26	216413	1	• SHAFT
27	216414	1	• SPACER
28	216415	2	• BUSHING, Reduction
29	216416	10	• WASHER, Spring
30	216417	10	• BOLT, Cylinder
31	216418	1	• SHIM
32	216419	1	• SHIM
33	216420	4	• BOLT, Cylinder
34	141157	1	• COVER
35	216421	6	• BOLT, Cylinder
36	216422	1	• O-RING
-	141385	1	GEAR KIT
37	141386	1	• SHAFT, Input
38	141387	1	• GEAR
39	141388	1	• GEAR
40	141389	1	• GEAR

6.14 Propane Tanks



M144252AD

229031ABA

148

SJ40 T+, SJ45 T+

SKYJACK

6.14 Propane Tanks

Index No.	Skyjack Part No.	Qty.	Description
A	144251	1	SINGLE PROPANE TANK ASSEMBLY
B	144252	1	DOUBLE PROPANE TANK ASSEMBLY
1	702253	1	• BOTTLE, Propane (43.5#), A
	702253	2	• BOTTLE, Propane (43.5#), B
2	103006	1	• QUICK COUPLING, Female tank, A
	103006	2	• QUICK COUPLING, Female tank, B
3	144334	1	• FITTING, Elbow, 90° (06SAE 45M - 04NPTM), A
	144334	2	• FITTING, Elbow, 90° (06SAE 45M - 04NPTM), B
4	144295	1	• MOUNTING, Propane bottle, A
	144295	2	• MOUNTING, Propane bottle, B
	221768	2	• • BRACKET, Propane tank
	221769	2	• • LATCH
	221770	1	• • PIN, Locating
	221771	2	• • SCREW, Sem
5	103870	4	• BOLT, Hex head (3/8"-16 x 1 1/2" Gr 5), A
	103870	8	• BOLT, Hex head (3/8"-16 x 1 1/2" Gr 5), B
6	125959	6	• WASHER, Flat hardened (3/8"), A
	125959	10	• WASHER, Flat hardened (3/8"), B
7	144283	1	• BRACKET, Tee mount, B
8	161084	1	• BRACKET, Swivel lock
9	144294	1	• GrOMMET (1 x 1 3/8" x 3/16")
10	103871	2	• BOLT, Hex head (3/8"-16 x 1 3/4" Gr 5)
11	103999	2	• WASHER, Lock (3/8")
12	143478	1	• FITTING, Nipple (04NPTM x 2", brass), A
	143478	2	• FITTING, Nipple (04NPTM x 2", brass), B
13	137235	1	• GrIPPER CLIP, A
	137235	2	• GrIPPER CLIP, B
14	138834	1	• SCREW, Round head machine (#10-24 x 3/4"), A
	138834	2	• SCREW, Round head machine (#10-24 x 3/4"), B
15	126642	2	• NUT, Hex lock (#10-24 Gr 5, nylon), A
	126642	4	• NUT, Hex lock (#10-24 Gr 5, nylon), B
-	(Ref.)	-	HOSE CONNECTION, Fittings and Fuel line (For components, refer to 8.9 Propane Lines - Kubota WG2503)

PARTS FINDER

**Search Website
by Part Number**



**Search Manual
Library For Parts
Manual & Lookup Part
Numbers – Purchase
or Request Quote**

Search Manuals

Enter your information to help us find the right parts manual for your machine.

* Brand:

* Model:

* Serial:

* Part Number:

SEARCH

**Can't Find Part or
Manual? Request Help
by Manufacturer,
Model & Description**

Parts Order Form

Please fill in the following information to help us find the right part for your machine.

Manufacturer:	<input type="text"/>
Model:	<input type="text"/>
Description:	<input type="text"/>
Part Number:	<input type="text"/>
Quantity:	<input type="text"/>
Notes:	<input type="text"/>

Submit

Discount-Equipment.com is your online resource for quality parts & equipment.

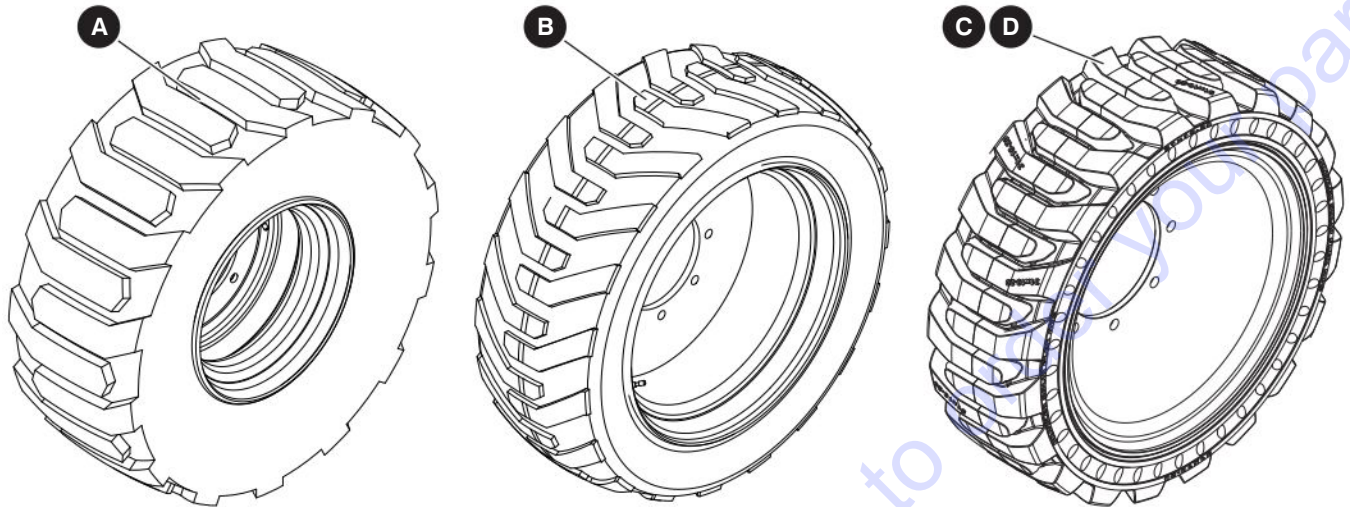
Florida: **561-964-4949** Outside Florida TOLL FREE: **877-690-3101**

Need parts?

Click on this link: <http://www.discount-equipment.com/category/5443-parts/> and choose one of the options to help get the right parts and equipment you are looking for. Please have the machine model and serial number available in order to help us get you the correct parts. If you don't find the part on the website or on one of the online manuals, please fill out the request form and one of our experienced staff members will get back to you with a quote for the right part that your machine needs.

We sell worldwide for the brands: Genie, Terex, JLG, MultiQuip, Mikasa, Essick, Whiteman, Mayco, Toro Stone, Diamond Products, Generac Magnum, Airman, Haulotte, Barreto, Power Blanket, Nifty Lift, Atlas Copco, Chicago Pneumatic, Allmand, Miller Curber, Skyjack, Lull, Skytrak, Tsurumi, Husquvarna Target, Stow, Wacker, Sakai, Mi-T-M, Sullair, Basic, Dynapac, MBW, Weber, Bartell, Bennar Newman, Haulotte, Ditch Runner, Menegotti, Morrison, Contec, Buddy, Crown, Edco, Wyco, Bomag, Laymor, EZ Trench, Bil-Jax, F.S. Curtis, Gehl Pavers, Heli, Honda, ICS/PowerGrit, IHI, Partner, Imer, Clipper, MMD, Koshin, Rice, CH&E, General Equipment, Amida, Coleman, NAC, Gradall, Square Shooter, Kent, Stanley, Tamco, Toku, Hatz, Kohler, Robin, Wisconsin, Northrock, Oztec, Toker TK, Rol-Air, APT, Wylie, Ingersoll Rand / Doosan, Innovatech, Con X, Ammann, Mecalac, Makinex, Smith Surface Prep, Small Line, Wanco, Yanmar

6.15 Tires



M159919AA & Optionals

Index No.	Skyjack Part No.	Qty.	Description
A	167240	2	FOAM-FILLED WHEEL - LH
	167241	2	FOAM-FILLED WHEEL - RH
B	211557	2	FOAM-FILLED NON-MARKING WHEEL - LH, 12 ply
	211558	2	FOAM-FILLED NON-MARKING WHEEL - RH, 12 ply
C	222306	2	SOLID WHEEL, LH
	222307	2	SOLID WHEEL, RH
D	222078	2	SOLID NON-MARKING WHEEL, LH
	222079	2	SOLID NON-MARKING WHEEL, RD

Section 7 – Engines

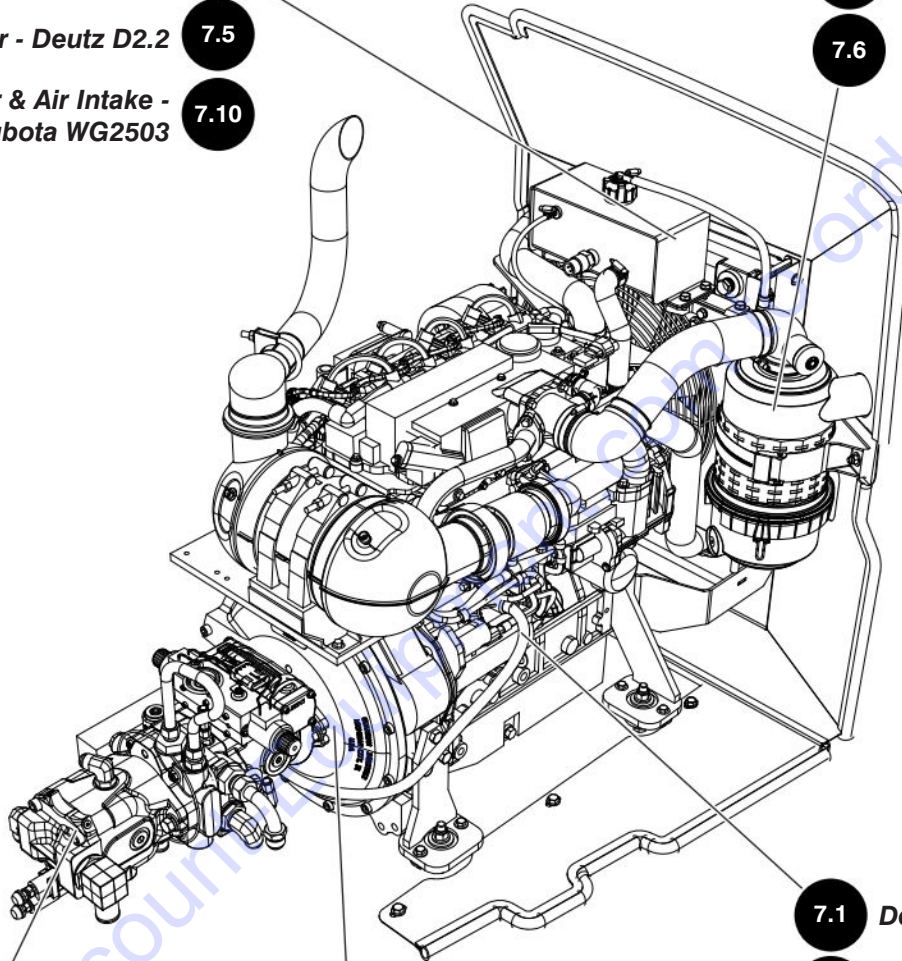
Radiator - Deutz D2.9L 7.2

Radiator - Deutz D2.2 7.5

**Radiator & Air Intake -
Kubota WG2503** 7.10

7.3 Air Intake - Deutz D2.9L

7.6 Air Intake - Deutz D2.2



7.1 Deutz D2.9L Engine

7.4 Deutz D2.2 Engine

7.7 Deutz D2011 Engine

7.8 Kubota WG2503 Engine

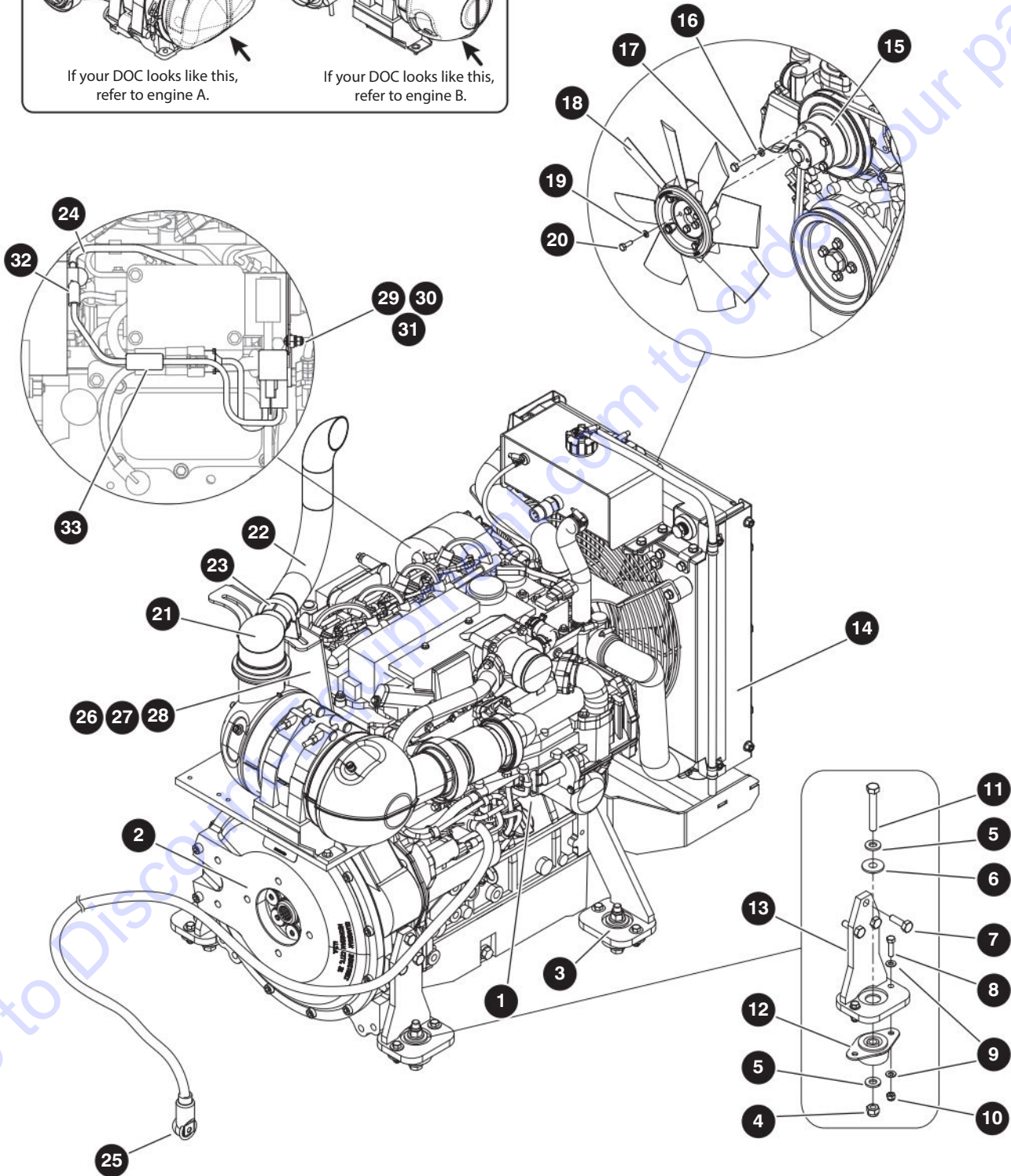
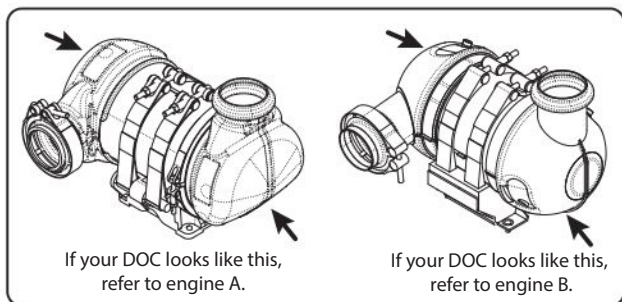
**7.9 Kubota WG2503 Engine
Accessories**

7.11 Drive & System Pumps

7.12 Engine Coupling - Deutz

**7.13 Engine Coupling - Kubota
WG2503**

7.1 Deutz D2.9L Engine



M167804AF

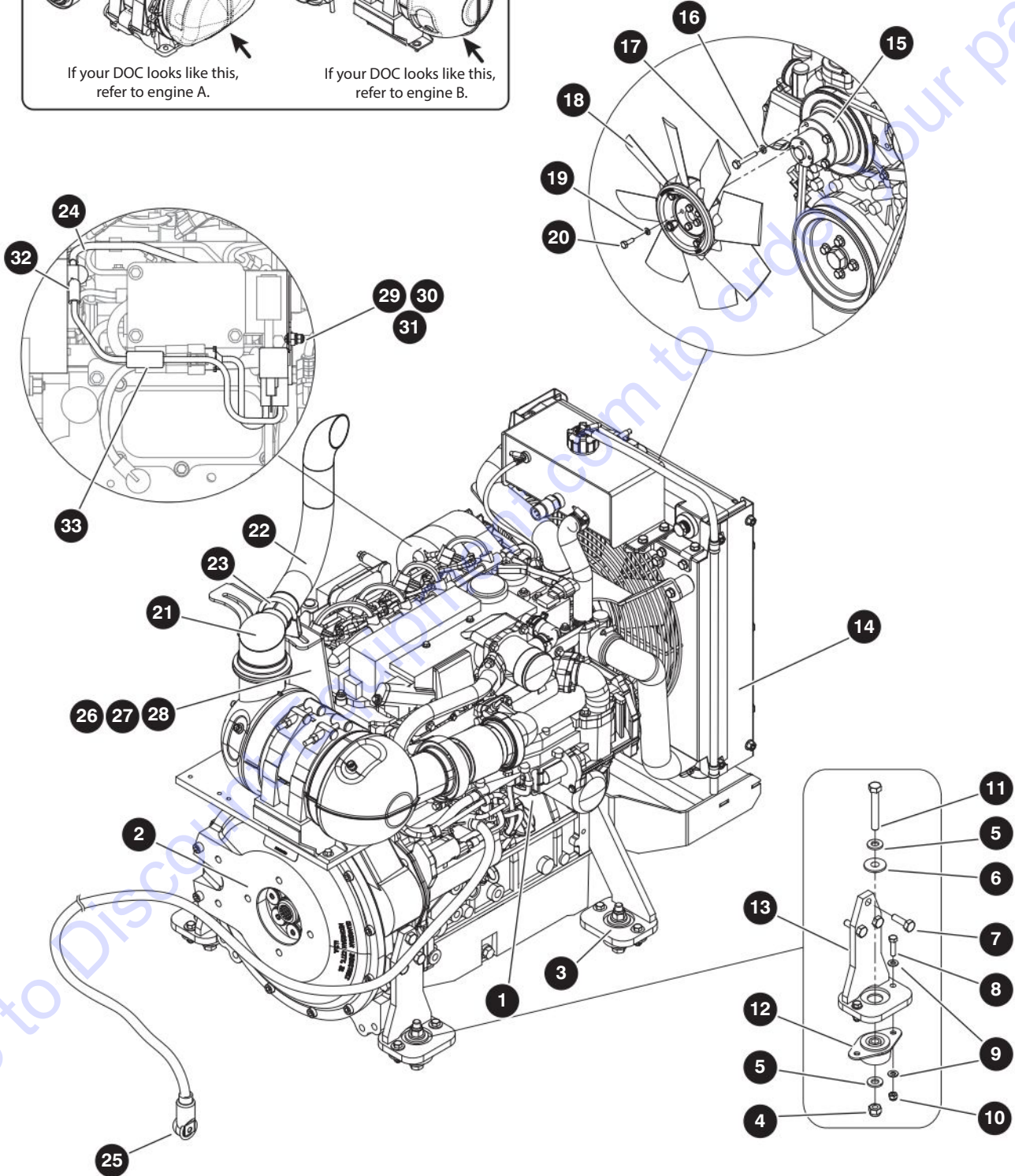
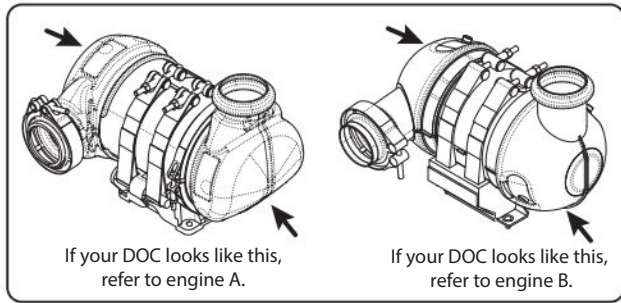
229031ABA

SJ40 T+, SJ45 T+

7.1 Deutz D2.9L Engine

Index No.	Skyjack Part No.	Qty.	Description
-	167804	1	ENGINE ASSEMBLY - Deutz D2.9L
1	213095	1	• ENGINE, Diesel - Deutz
	147072	1	• • FILTER, Oil
	164770	1	• • PUMP, Fuel
	164771	1	• • FILTER, Fuel
	164772	1	• • PRE-FILTER, Fuel
	166689	1	• • CAP, Oil filler
	166690	1	• • DIPSTICK
	166691	1	• • PLUG, Oil pan drain
	166692	1	• • STARTER, 3.2kW
	166693	1	• • ALTERNATOR
	166694	1	• • BELT, Alternator and water pump
	166695	1	• • GASKET SET
	166696	1	• • PUMP, Coolant
	166698	1	• • PLUG, Glow
	166699	1	• • THERMOSTAT
	166700	1	• • SENSOR, Fuel pressure
	166701	1	• • SENSOR, Mag pick-up
	166702	1	• • SENSOR, Coolant temperature
	166703	1	• • SENSOR, Oil pressure
	166704	1	• • SENSOR, Intake air pressure
	164845	1	• • ECU
	170956	1	• • COMPENSATOR
	170957	1	• • CLIP, Compensator
	170958	1	• • NUT, Compensator
	170959	1	• • CLIP, Compensator
	170961	1	• • GASKET, Compensator
2	(Ref.)	1	• ENGINE COUPLING ASSEMBLY (For components, refer to 7.12 Engine Coupling - Deutz)
3	163047	1	• MOUNT, Front LH (shown)
	163049	1	• MOUNT, Front RH (not shown)
4	702507	4	• NUT, Hex head nylon lock (1/2"-13, Gr 5)
5	104379	8	• WASHER, Flat hardened (1/2")
6	163200	4	• WASHER, Snubbing, engine mount
7	149419	6	• BOLT, Hex head (M12 x 1-3/4" x 35mm, Gr 8.8)
8	112532	8	• BOLT, Hex head (5/16"-18 x 1-1/4", Gr 5)
9	103996	16	• WASHER, Flat (5/16")
10	103984	8	• NUT, Hex head nylon lock (5/16"-18, Gr 5)
11	103469	4	• BOLT, Hex head (1/2"-13 x 3.25", Gr 5)
12	163028	4	• MOUNT, Vibration - Deutz
13	163051	2	• MOUNT, Rear engine

7.1 Deutz D2.9L Engine



M167804AF

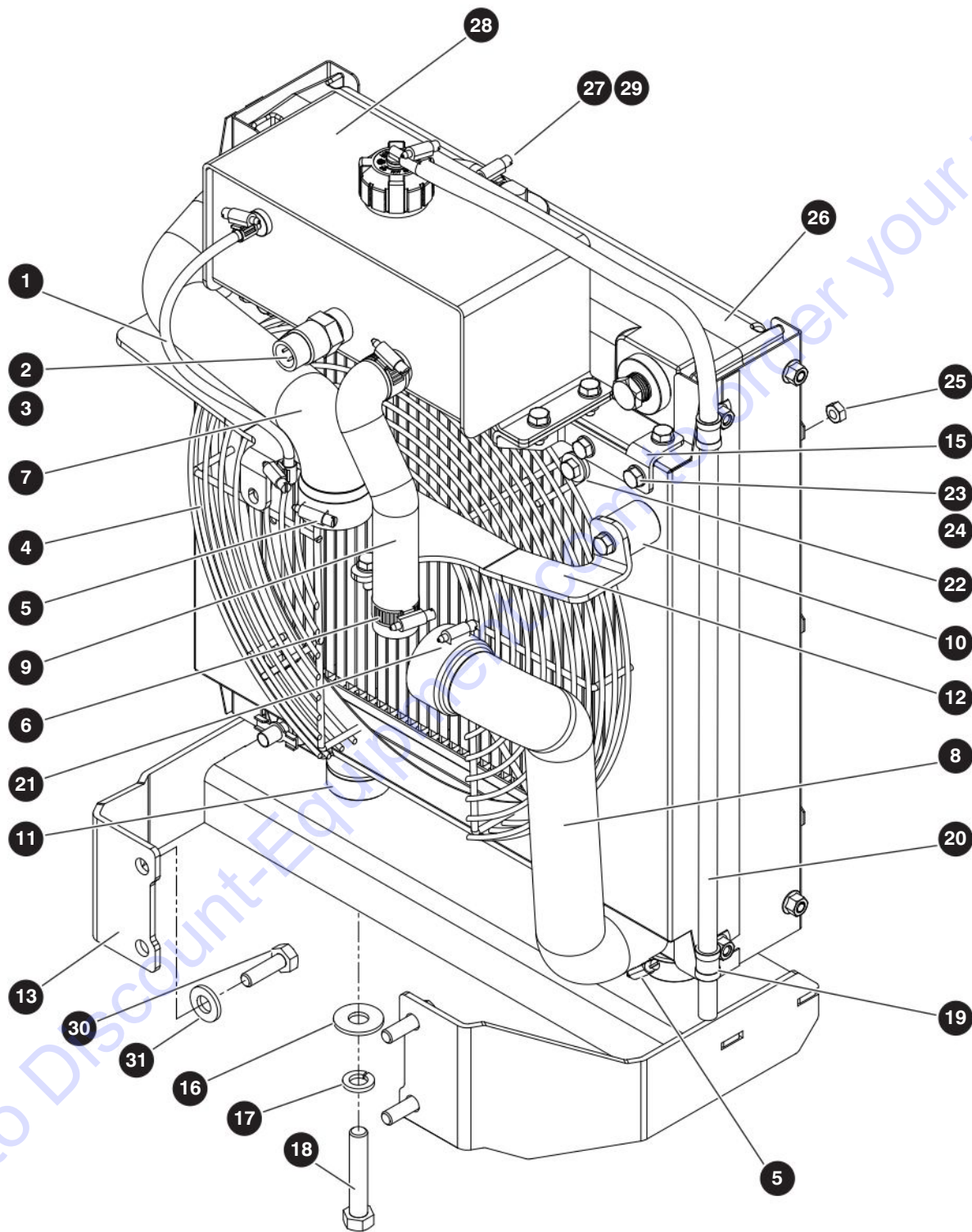
229031ABA

SJ40 T+, SJ45 T+

7.1 Deutz D2.9L Engine

Index No.	Skyjack Part No.	Qty.	Description
14	165038	1	<ul style="list-style-type: none"> RADIATOR ASSEMBLY (For components, refer to 7.2 Radiator - Deutz D2.9L)
-	165072	1	<ul style="list-style-type: none"> FAN ASSEMBLY
15	163225	1	<ul style="list-style-type: none"> ADAPTER, Fan 14"
16	116218	4	<ul style="list-style-type: none"> WASHER, Lock (M8 plated)
17	139769	4	<ul style="list-style-type: none"> BOLT, Hex head (M8 x 1-1/4" x 45mm, Gr 8.8)
18	163224	1	<ul style="list-style-type: none"> FAN, 14" dia. - Deutz D2.9L
19	104000	4	<ul style="list-style-type: none"> WASHER, Lock (1/4")
20	103856	4	<ul style="list-style-type: none"> BOLT, Hex head (1/4"-20 x 3/4", Gr 5)
21	164525	1	<ul style="list-style-type: none"> ADAPTER, Exhaust
22	167811	1	<ul style="list-style-type: none"> TAILPIPE, Deutz D2.9
23	148377	1	<ul style="list-style-type: none"> CLAMP, Exhaust pipe (2")
24	165602	1	<ul style="list-style-type: none"> CABLE, Alternator
25	138701	1	<ul style="list-style-type: none"> CABLE
26	194346	1	<ul style="list-style-type: none"> BRACKET, Exhaust
27	133232	3	<ul style="list-style-type: none"> WASHER, Flat (M8)
28	133174	3	<ul style="list-style-type: none"> BOLT, Hex head (M8-1-1/4 X 20 Gr 8.8)
-	165022	1	GLOW PLUG HARNESS ASSEMBLY
29	104698	1	<ul style="list-style-type: none"> SCREW, Round head machine (#10-32 x 3/4")
30	104694	2	<ul style="list-style-type: none"> WASHER, Flat (#10)
31	300450	1	<ul style="list-style-type: none"> NUT, Hex head (#10-32, gr 5)
32	139106	1	<ul style="list-style-type: none"> BOOT, Terminal, #4 AWG
33	(Ref.)	1	<ul style="list-style-type: none"> HARNESS ASSEMBLY, Glow plug (For components, refer to 5.7 Glow Plug Harness - Deutz D2.9L)

7.2 Radiator - Deutz D2.9L



M165038AH

229031ABA

156

SJ40 T+, SJ45 T+

SKYJACK

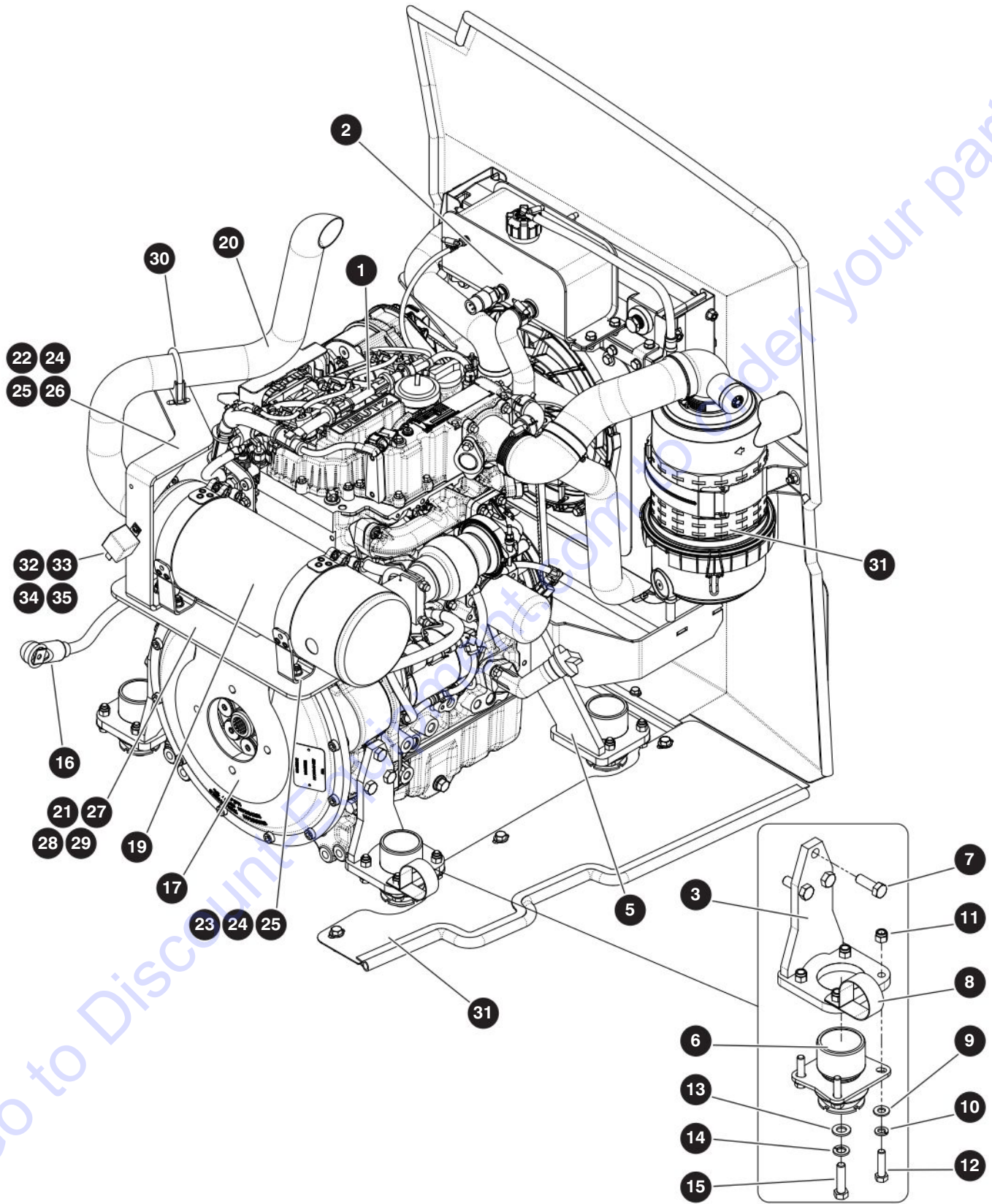
7.2 Radiator - Deutz D2.9L

Index No.	Skyjack Part No.	Qty.	Description
-	165038	1	RADIATOR ASSEMBLY - Deutz D2.9L
1	160366	11"	• HOSE, Fuel Line (3/16")
2	165058	1	• SENSOR, Coolant level
3	166949	1	• WASHER, Sealing (M16)
4	163395	1	• GUARD, Fan
5	133222	1	• CLAMP, Gear (SAE No. 32, 1-9/16" - 2-1/2")
6	142415	2	• CLAMP, Gear (SAE No. 20, 3/4" - 1-3/4")
-	163228	1	• KIT, Radiator - Deutz D2.9L
7	170934	1	• • HOSE, Radiator - upper
8	170935	1	• • HOSE, Radiator - lower
9	170951	1	• • HOSE, Radiator - return
10	190430	2	• • ISOLATOR, 32 X 32, MB-1-1/4
11	190428	2	• • ISOLATOR, 46.4MM, 51.21MM, 1/2-13
12	224571	1	• • BRACKET, Upper radiator support
13	224572	1	• • BRACKET, Radiator mount
14	210223	1	• • BRACKET, Degas mount (not shown, opposite to item 15)
15	210224	1	• • BRACKET, Degas mount
16	137241	2	• WASHER, Fender (1/2" ID)
17	103470	2	• WASHER, Lock (1/2", Gr 5)
18	108818	2	• BOLT, Hex head (1/2"-13 x 2.75", Gr 5)
19	144129	2	• CLIP, Single (S332G10)
20	102984	34"	• LINE, Fuel (5/16" ID)
21	104528	3	• CLAMP, Gear (SAE No. 28, 1-5/16" - 2-1/4")
22	166164	4	• WASHER, Flat (5/16")
23	133174	17	• BOLT, Hex head (M8 x 1-1/4 x 20mm, Gr 5)
24	133232	13	• WASHER, Flat (M8)
25	149496	6	• NUT, Speed clip (1/4"-20 x 1/2L)
26	163226	1	• RADIATOR, Deutz D2.9L
	212384	1	• • SHROUD, Fan
27	103321	5	• CLAMP, Gear (SAE No. 4, 1/4" - 5/8")
28	163227	1	• RESERVOIR, Coolant, Degas TK - Deutz D2.9L
29	166737	3.75"	• LINE, Fuel (3/8" ID)
30	933666	3	BOLT, Hex head (M12 x 1-3/4" x 35mm, Gr 10.9)
31	104379	3	WASHER, Flat hardened (1/2")

7.3 Air Intake - Deutz D2.9L

Index No.	Skyjack Part No.	Qty.	Description
-	167806	1	AIR INTAKE ASSEMBLY
1	167807	1	• BAFFLE, Air intake
2	167809	1	• TUBE, Air intake
3	167810	1	• PLATE, Baffle - side
4	163244	1	• BRACKET, Air cleaner
5	163242	1	• CLEANER, Air
	165947	1	• • ELEMENT, Primary
	165948	1	• • ELEMENT, Secondary
6	163247	1	• CONNECTOR, 90°, service indicator
7	163246	1	• CONNECTOR, 90°, air cleaner
8	163250	1	• INDICATOR, Service
9	121869	4	• CLAMP, Gear (2.063" - 3.000")
10	149357	145"	• SEAL, Bulb
11	148368	33"	• SEAL, Self adhesive foam 2" x 2"
12	167845	33"	• SEAL, Bulb 90°
13	166164	4	• WASHER, Flat (0.312" USS)
14	103995	6	• WASHER, Flat (1/4")
15	103886	2	• BOLT, Hex head (1/4"-20 x 5/8", Gr 5)
16	103856	6	• BOLT, Hex head (1/4"-20 x 5/8", Gr 5)
17	103984	2	• NUT, Hex head nylon lock (5/16"-18, Gr 5)
18	103472	8	• WASHER, Flat (3/8")
19	101297	4	• BOLT, Hex head (3/8"-16 x 1-1/4", Gr 5)
20	104606	4	• NUT, Hex head nylon lock (3/8"-16 Gr 5)

7.4 Deutz D2.2 Engine



M228390AA

229031ABA

160

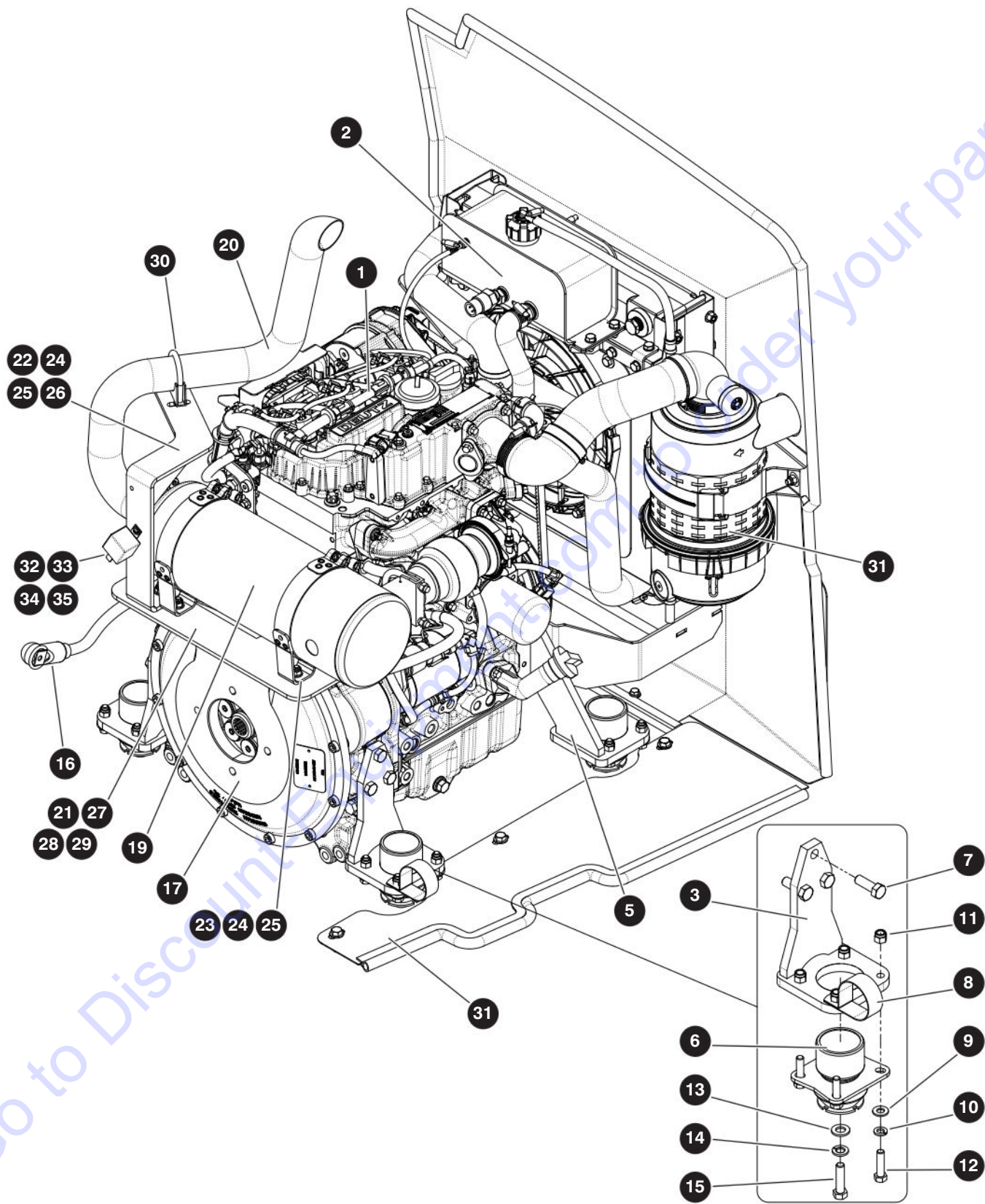
SJ40 T+, SJ45 T+

SKYJACK

7.4 Deutz D2.2 Engine

Index No.	Skyjack Part No.	Qty.	Description
-	228390	1	ENGINE ASSEMBLY - Deutz D2.2
1	226300	1	• ENGINE - Deutz D2.2
	224309	1	• • FILTER, Oil
	224314	1	• • PUMP, Fuel
	224320	1	• • FILTER, Fuel
	224322	1	• • • CARTRIDGE, Fuel filter
	224315	1	• • • SENSOR, Pressure
	229047	1	• • PRE-FILTER, Fuel
	164772	1	• • • CARTRIDGE, Fuel pre-filter
	169249	1	• • • CABLE, Sensor - pre-filter
	166689	1	• • CAP, Oil filler
	166690	1	• • DIPSTICK
	224584	1	• • PLUG, Oil pan drain
	229048	1	• • STARTER
	229049	1	• • SWITCH, Solenoid - starter
	224312	1	• • RELAY, Starter
	224310	1	• • ALTERNATOR
	166694	1	• • BELT, Alternator and water pump
	229045	1	• • PLUG, Glow
	194465	1	• • INJECTOR
	224587	1	• • THERMOSTAT
	224317	1	• • SENSOR, Tacho-generator
	166701	1	• • SENSOR, Mag pick-up
	224318	1	• • SENSOR, Temperature
	224589	1	• • SENSOR, Pressure
	224303	1	• • ECU
2	(Ref.)	1	• RADIATOR ASSEMBLY (For components, refer to 7.5 Radiator - Deutz D2.2)
-	228352	1	• ENGINE MOUNTS
3	226252	2	• • MOUNT, Rear engine
4	226255	1	• • MOUNT, Front LH (not shown)
5	226257	1	• • MOUNT, Front RH
6	205697	4	• • ISOLATOR
7	149419	10	• • BOLT, Hex head (M12 x 1-3/4 x 35 mm, gr 8.8 zp)
8	171177	1	• • CLAMP, Loop (2")
9	125959	16	• • WASHER, Flat (3/8" hard)
10	103999	16	• • WASHER, Lock (3/8")
11	104606	16	• • NUT, Lock (3/8"-16 gr 5 nylon)
12	103870	16	• • BOLT, Hex head (3/8"-16 x 1-1/2", gr 5)
13	933817	4	• • WASHER, Flat (M12 cl 200 Y)
14	600549	4	• • WASHER, Lock (M12 plated DIN 127B)
15	217267	4	• • BOLT, Hex head (M12 x 1-3/4 x 45 cl 10.9 DIN 931)
16	165678	1	• CABLE, Starter
17	(Ref.)	1	• ENGINE COUPLING (For components, refer to 7.12 Engine Coupling - Deutz)
18	165602		• CABLE, Alternator (not shown)

7.4 Deutz D2.2 Engine



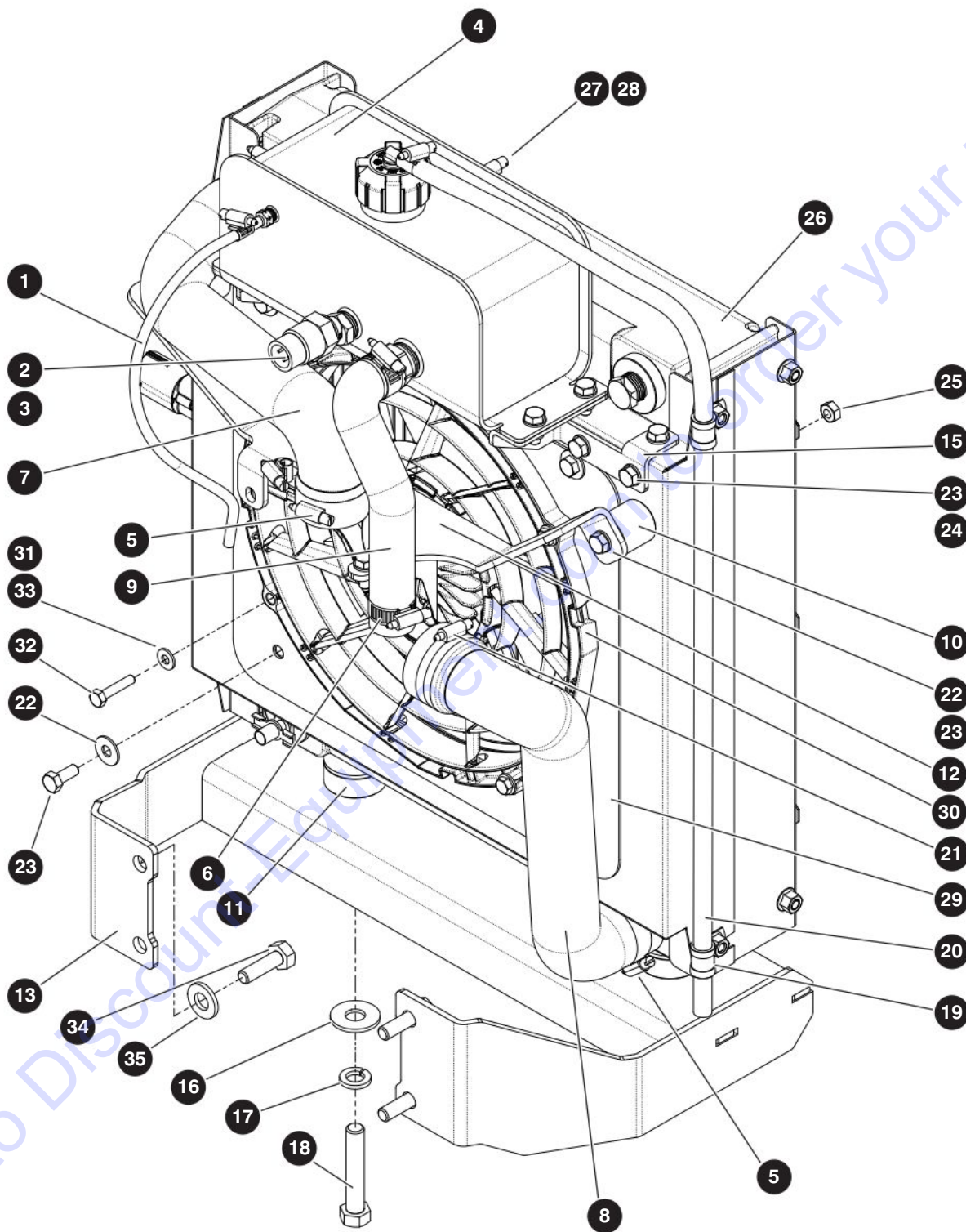
M228390AA

229031ABA

7.4 Deutz D2.2 Engine

Index No.	Skyjack Part No.	Qty.	Description
-	228398	1	• EXHAUST ASSEMBLY
19	228353	1	• • MUFFLER KIT, Deutz D2.2
20	228397	1	• • PIPE, Exhaust
21	228361	1	• • BRACKET, Muffler mounting
22	228402	1	• • BRACKET, Exhaust
23	103864	4	• • BOLT, Hex head (5/16"-18 x 1", gr 5)
24	103996	10	• • WASHER, Flat (5/16")
25	103984	5	• • NUT, Lock (5/16"-18, gr 5 nylon)
26	112532	1	• • BOLT, HXHD (5/16"-18 x 1-1/4", gr 5)
27	933833	4	• • WASHER, Flat (M10 OD 20)
28	130884	4	• • WASHER, Lock (M10 plated DIN 127B)
29	130023	4	• • BOLT, Hex head (M10 x 1-1/2 x 60 mm cl 8.8 zp)
30	148377	1	• • CLAMP, Exhaust pipe (2")
31	(Ref.)	1	• AIR INTAKE ASSEMBLY (For components, refer to 7.6 Air Intake - Deutz D2.2)
32	1165029	1	RELAY, 150 A, 12 V SPST
33	138834	1	SCREW, Round head machine (10-24 x 3/4")
34	104694	2	WASHER, Flat (#10)
35	126642	1	NUT, Lock (10-24, gr 5)

7.5 Radiator - Deutz D2.2



M228389AB

229031ABA

164

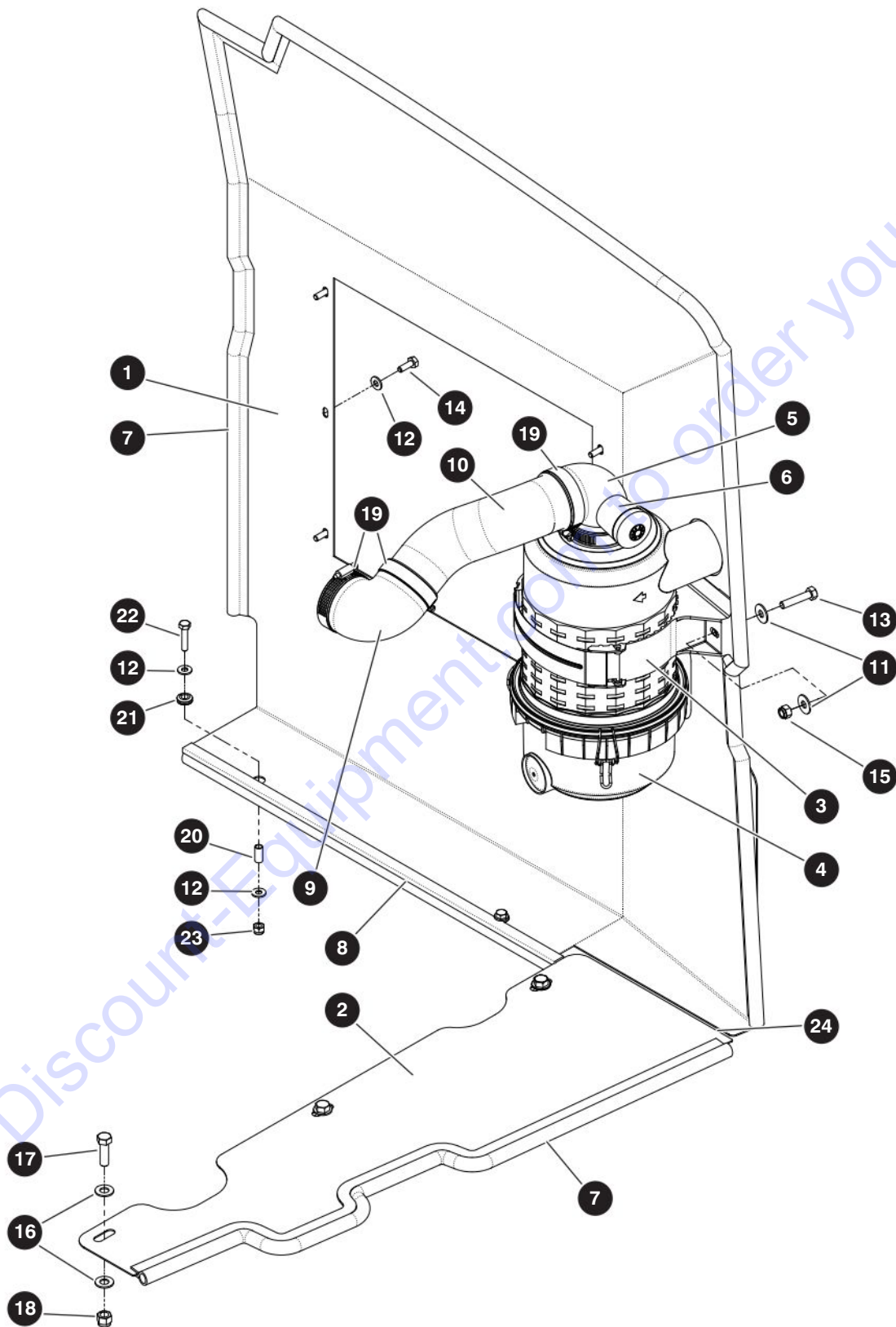
SJ40 T+, SJ45 T+

SKYJACK

7.5 Radiator - Deutz D2.2

Index No.	Skyjack Part No.	Qty.	Description
-	228389	1	RADIATOR ASSEMBLY - Deutz D2.2
1	160366	13"	• HOSE, Fuel Line (3/16")
2	165058	1	• SENSOR, Coolant level
3	166949	1	• WASHER, Sealing (M16)
4	163227	1	• RESERVOIR, Coolant, Degas TK - Deutz D2.9L
5	133222	1	• CLAMP, Gear (SAE No. 32, 1-9/16" - 2-1/2")
6	142415	2	• CLAMP, Gear (SAE No. 20, 3/4" - 1-3/4")
-	163228	1	• KIT, Radiator - Deutz D2.9L
7	170934	1	• • HOSE, Radiator - upper
8	170935	1	• • HOSE, Radiator - lower
9	170951	1	• • HOSE, Radiator - return
10	190430	2	• • ISOLATOR, 32 X 32, MB-1-1/4
11	190428	2	• • ISOLATOR, 46.4MM, 51.21MM, 1/2-13
12	224571	1	• • BRACKET, Upper radiator support
13	224572	1	• • BRACKET, Radiator mount
14	210223	1	• • BRACKET, Degas mount (not shown, opposite to item 15)
15	210224	1	• • BRACKET, Degas mount
16	137241	2	• WASHER, Fender (1/2" ID)
17	103470	2	• WASHER, Lock (1/2", Gr 5)
18	108818	2	• BOLT, Hex head (1/2"-13 x 2.75", Gr 5)
19	144129	2	• CLIP, Single (S332G10)
20	102984	34"	• LINE, Fuel (5/16" ID)
21	104528	3	• CLAMP, Gear (SAE No. 28, 1-5/16" - 2-1/4")
22	166164	4	• WASHER, Flat (5/16")
23	133174	17	• BOLT, Hex head (M8 x 1-1/4 x 20mm, Gr 5)
24	133232	13	• WASHER, Flat (M8)
25	149496	6	• NUT, Speed clip (1/4"-20 x 1/2L)
26	163226	1	• RADIATOR, Deutz D2.9L
	212384	1	• • SHROUD, Fan
27	103321	5	• CLAMP, Gear (SAE No. 4, 1/4" - 5/8")
28	166737	3.75"	• LINE, Fuel (3/8" ID)
-	228392	1	• FAN, Electric
29	228388	1	• • PLATE, Fan support
30	224827	1	• • FAN, Electric
31	103995	8	• • WASHER, Flat (1/4")
32	103858	4	• • BOLT, Hex head (1/4"-20 x 1.-1/4", gr 5)
33	103980	4	• • NUT, Hex head (1/4"-20, gr 8)
34	933666	3	BOLT, Hex head (M12 x 1-3/4" x 35mm, Gr 10.9)
35	104379	3	WASHER, Flat hardened (1/2")

7.6 Air Intake - Deutz D2.2



M228374AB

229031ABA

166

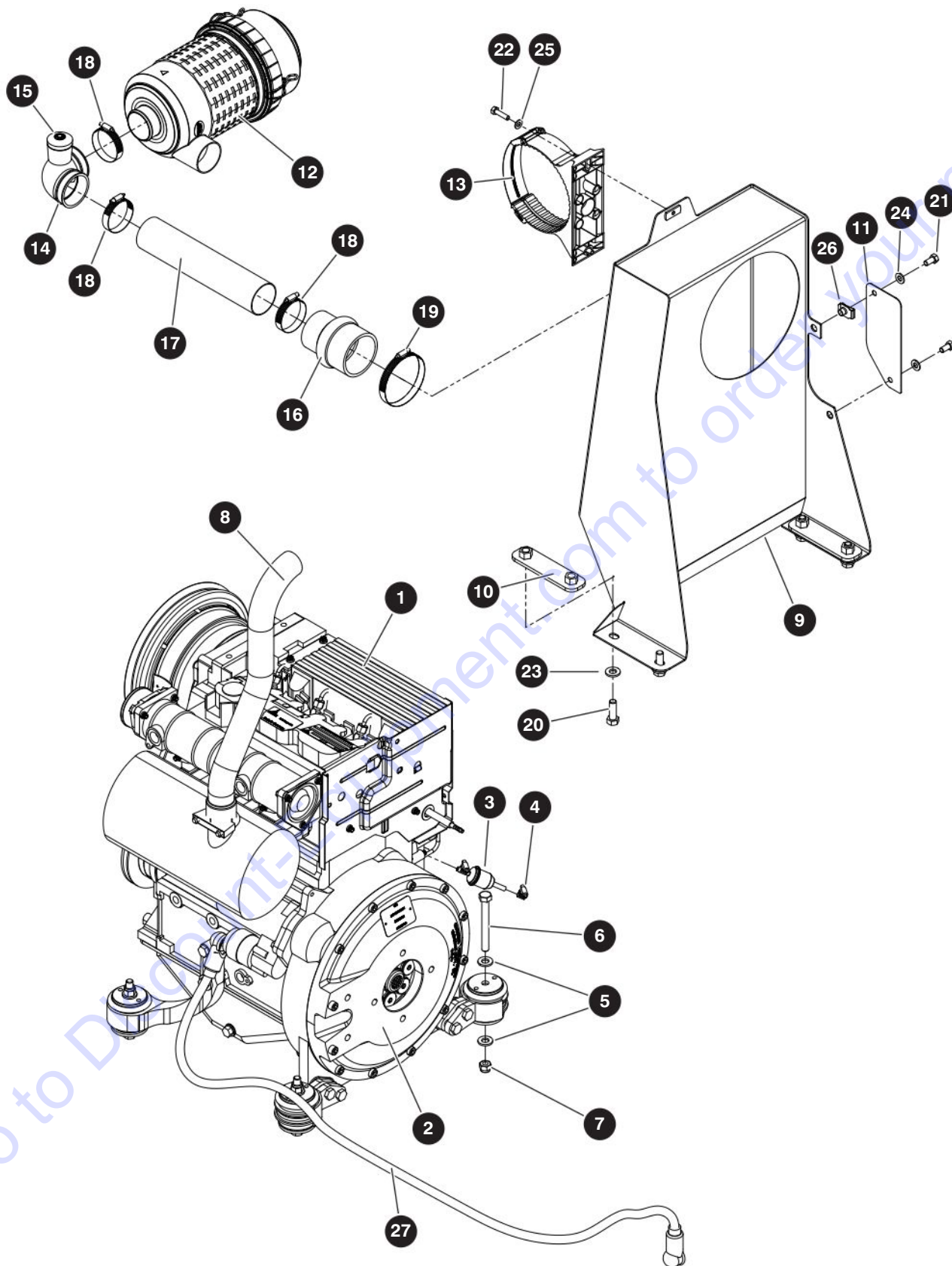
SJ40 T+, SJ45 T+

SKYJACK

7.6 Air Intake - Deutz D2.2

Index No.	Skyjack Part No.	Qty.	Description
-	228374	1	AIR INTAKE ASSEMBLY - Deutz D2.2
1	228375	1	• PLATE, Baffle - air intake
2	228380	1	• PLATE, Baffle - side
3	163244	1	• BRACKET , Air cleaner - E200
4	163242	1	• AIR CLEANER - E200
	165947	1	• • ELEMENT, Primary
	165948	1	• • ELEMENT, Secondary
5	163247	1	• CONNECTOR, 90° - E200
6	163250	1	• INDICATOR, Service
7	149357	145"	• SEAL, Bulb
8	167845	23"	• SEAL, 90° bulb (0.04-0.07 grip)
9	163246	1	• CONNECTOR, 90° - E200
10	228376	1	• TUBE, Air intake
11	166164	4	• WASHER, Flat (5/16" USS)
12	103995	10	• WASHER, Flat (1/4")
13	103886	2	• BOLT, Hex head (5/16"-18 x 1-1/2", gr. 5)
14	103856	6	• BOLT, Hex head (1/4"-20 x 3/4", gr. 5)
15	103984	2	• NUT, LOCK 0.313-18 Gr5 - NYL
16	103472	6	• WASHER, Flat (3/8")
17	101297	3	• BOLT, Hex head (3/8"-16 x 1-1/4", gr. 5)
18	104606	3	• NUT, Lock (3/8"-16, gr. 5 nylon)
19	121869	4	• CLAMP, Hose (2-1/2")
20	128571	2	• SLEEVE, Anit-vibration mount
21	100616	2	• GrOMMET, Rubber (5/16" x 9/16" x 1/8")
22	103858	2	• BOLT, Hex head (1/4"-20 x 1-1/4", gr. 5)
23	115649	2	• NUT, Lock (1/4"-20, gr. 5 nylon)
24	167845	10"	• SEAL, Bulb (90°)

7.7 Deutz D2011 Engine



M165908AD

229031ABA

168

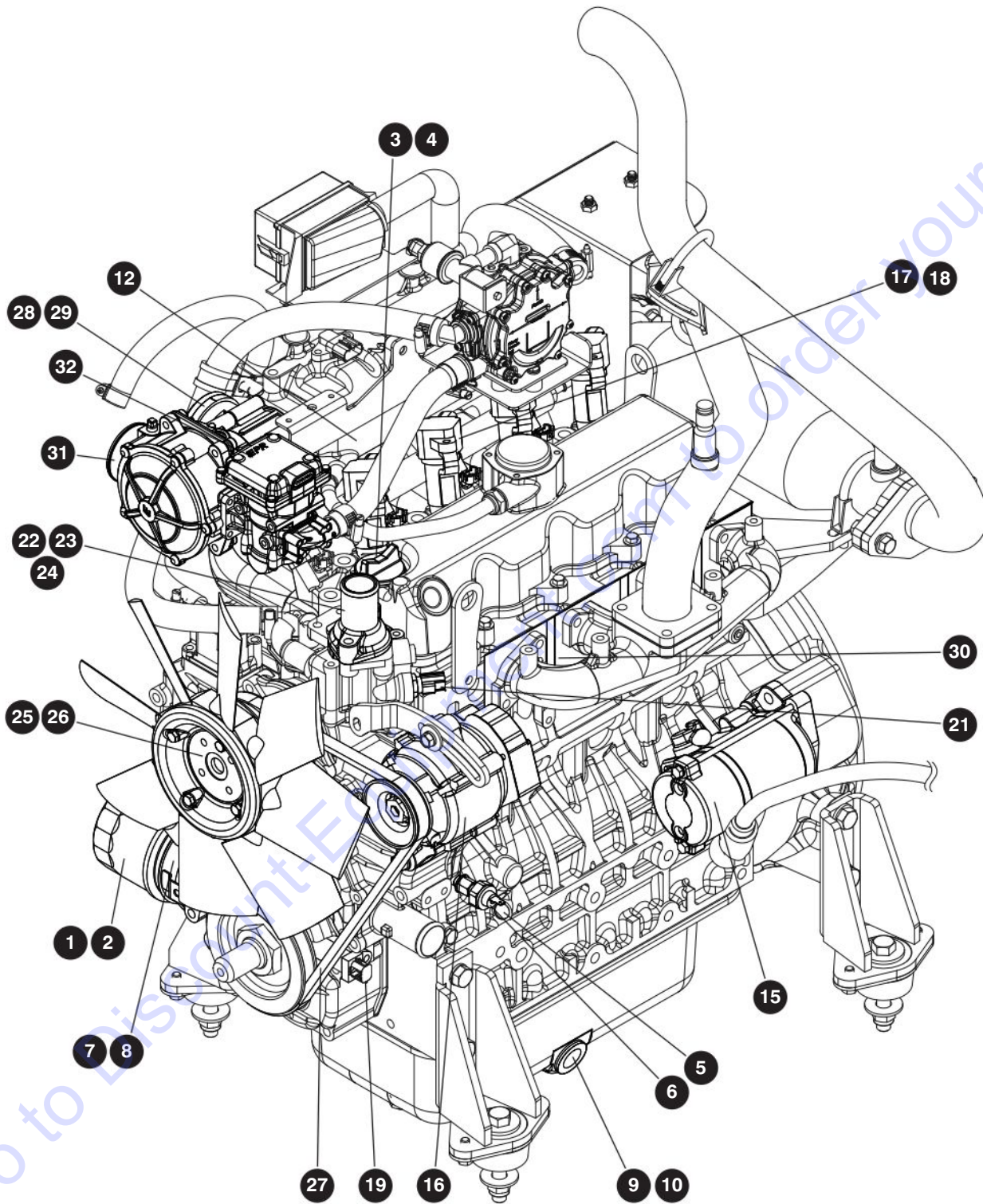
SJ40 T+, SJ45 T+

SKYJACK

7.7 Deutz D2011 Engine

Index No.	Skyjack Part No.	Qty.	Description
-	235688	1	ENGINE ASSEMBLY - Deutz D2011
1	167801	1	• ENGINE, Diesel (Deutz D2011 L03i)
	127181	1	• • PUMP, Fuel injection
	127182	1	• • CAP, Filler
	127183	1	• • FLYWHEEL
	127184	1	• • CONNECTOR, Plug-in
	127185	1	• • CONNECTOR, Plug-in
	127186	1	• • CABLE, Interconnect
	204249	1	• • STARTER
	127188	1	• • EXHAUST, Silencer
	127189	1	• • V-BELT, Narrow
	147071	1	• • FILTER, Fuel
	147072	1	• • FILTER, Oil
	157647	1	• • ACTUATOR, Engine shutdown
	157748	1	• • DIPSTICK
	233339	1	• • PAN, Oil
	233340	1	• • COOLER, Oil
2	(Ref.)	1	• ENGINE COUPLING ASSEMBLY (For components, refer to 7.12 Engine Coupling - Deutz)
3	139254	1	• FILTER, In-line fuel
4	103321	2	• CLAMP, Gear (1/4" - 5/8")
5	104379	8	• WASHER, Flat hardened (1/20")
6	111420	4	• BOLT, Hex head (1/20"-13 x 4.50" gr 5)
7	702507	4	• NUT, Hex head (1/20"-13 gr 5)
8	163744	1	EXHAUST STACK
-	235689	1	AIR INTAKE ASSEMBLY
9	165909	1	• SHROUD, Intake
10	165919	1	• RETAINER, Intake shroud
11	167795	1	• PLATE, Belt guard
12	163242	1	• CLEANER, Air
	165947	1	• • ELEMENT, Primary
	165948	1	• • ELEMENT, Secondary
13	163244	1	• BRACKET, Air cleaner
14	163247	1	• CONNECTOR, Service indicator
15	163250	1	• INDICATOR, Service
16	149208	1	• REDUCER, Air intake
17	165921	1	• TUBE, Air inlet
18	121869	3	• CLAMP, Gear (2-1/6" - 3")
19	138665	1	• CLAMP, Gear (3-9/16" - 4-1/2")
20	103907	4	• BOLT, Hex head (1/20"-13 x 1-1/20" gr 5)
21	101632	2	• BOLT, Hex head (3/8"-16 x 3/4" gr 5)
22	112532	2	• BOLT, Hex head (0.312"-18 x 1-1/4" gr 5)
23	104379	4	• WASHER, Flat hardened (1/20")
24	125959	2	• WASHER, Flat hardened (3/8")
25	103996	2	• WASHER, Flat (0.312")
26	159294	2	• NUT, Speed clip (3/8"-16)
27	167784	1	STARTER CABLE, (+) (64")

7.8 Kubota WG2503 Engine



M171223AB-1

229031ABA

170

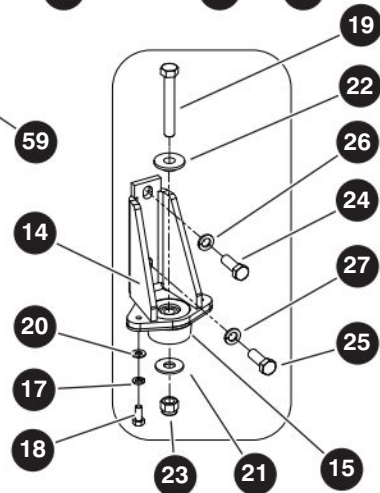
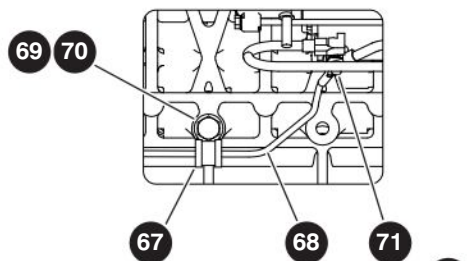
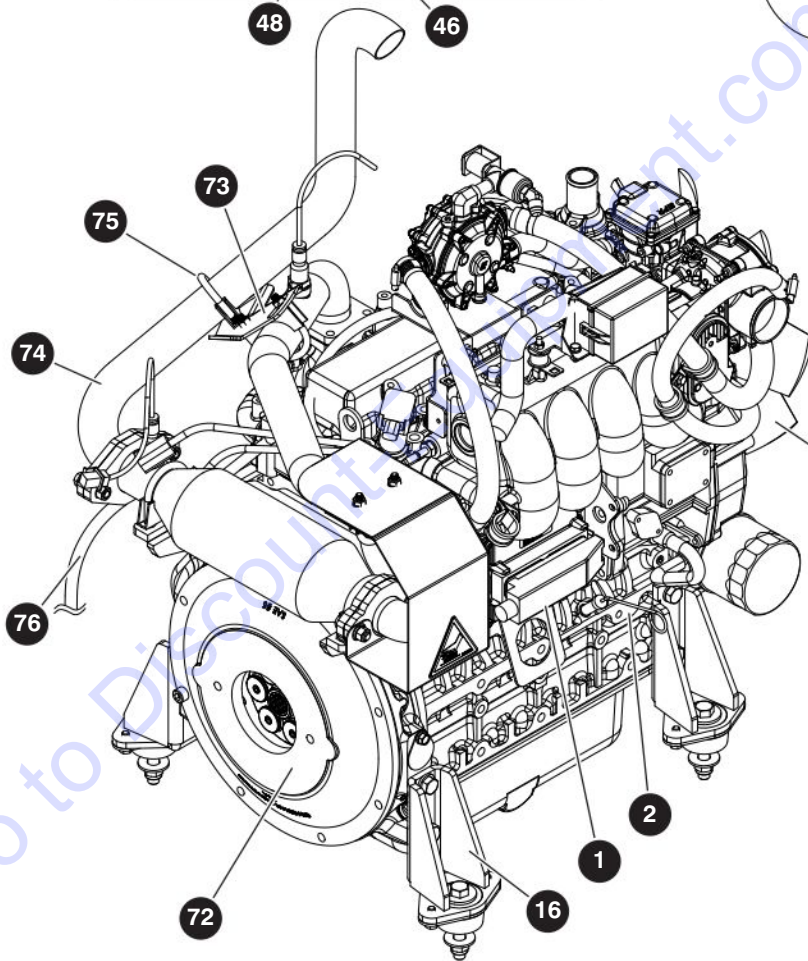
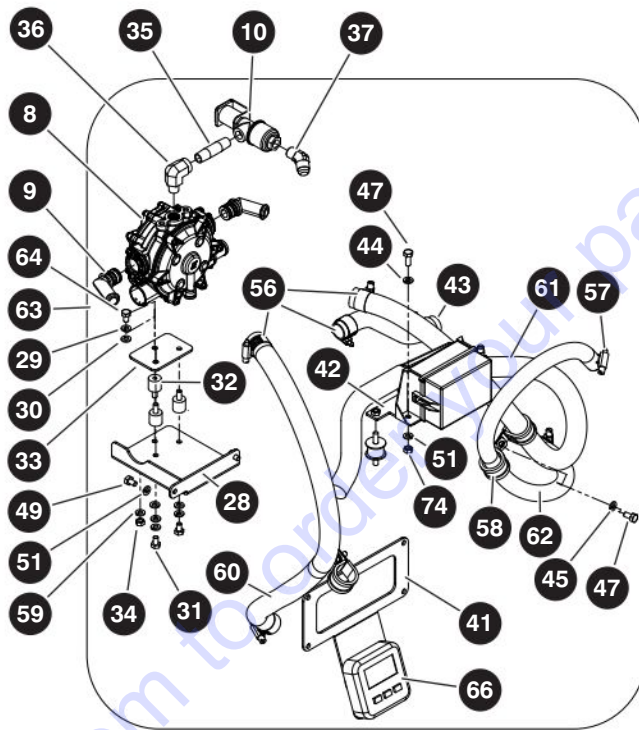
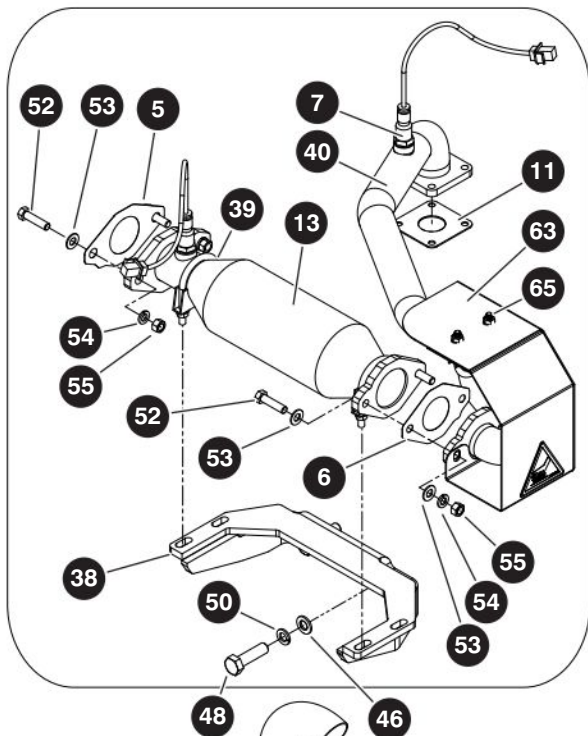
SJ40 T+, SJ45 T+

SKYJACK

7.8 Kubota WG2503 Engine

Index No.	Skyjack Part No.	Qty.	Description
-	171225	1	KUBOTA WG2503 ENGINE ASSEMBLY
-	221959	1	• ENGINE, Dual fuel - Kubota
-	221958	1	• • ENGINE, Kubota WG2503
1	194642	1	• • • FILTER, Oil
2	194643	1	• • • CARTRIDGE, Oil filter
3	164644	1	• • • CAP, Oil fill
4	194645	1	• • • O-RING, Oil FILL CAP
5	194646	1	• • • PLUG, Oil gauge
6	194647	1	• • • SWITCH, Oil
7	194648	1	• • • COOLER, Oil
8	194649	1	• • • SEAL, Oil cooler
9	194650	1	• • • PLUG, Oil pan
10	194651	1	• • • O-RING, Oil pan plug
11	194652	1	• • • DIPSTICK (shown on next page)
12	194653	4	• • • INJECTOR
13	194654	1	• • • ECU (shown on next page)
14	194655	1	• • • HARNESS, Wire (not shown)
15	194656	1	• • • STARTER
16	194657	1	• • • ALTERNATOR
17	194658	4	• • • PLUG, Spark
18	194659	4	• • • COIL, Ignition
19	194660	1	• • • SENSOR, Camshaft speed
20	194661	1	• • • SENSOR, Crankshaft speed (not shown)
21	194662	1	• • • SENSOR, Water temp
22	194663	1	• • • THERMOSTAT
23	194664	1	• • • GASKET, Thermostat
24	194697	1	• • • COVER, Thermostat
25	170411	1	• • • FAN
26	194665	1	• • • PULLEY, Fan
27	194666	1	• • • BELT, Fan
28	194667	1	• • • BODY, Throttle
29	194668	1	• • • GASKET, Throttle body
30	194669	1	• • • GASKET, Exhaust manifold
31	194698	1	• • • MIXER
32	194699	1	• • • REGULATOR

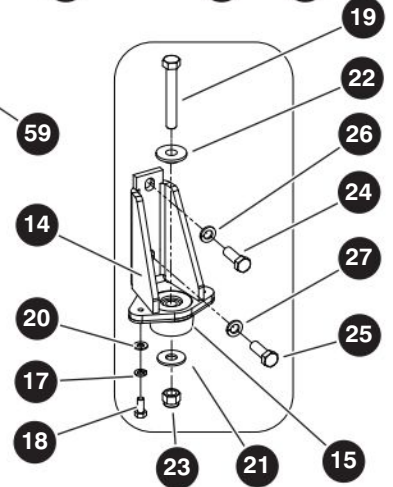
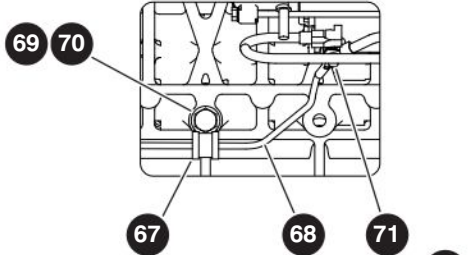
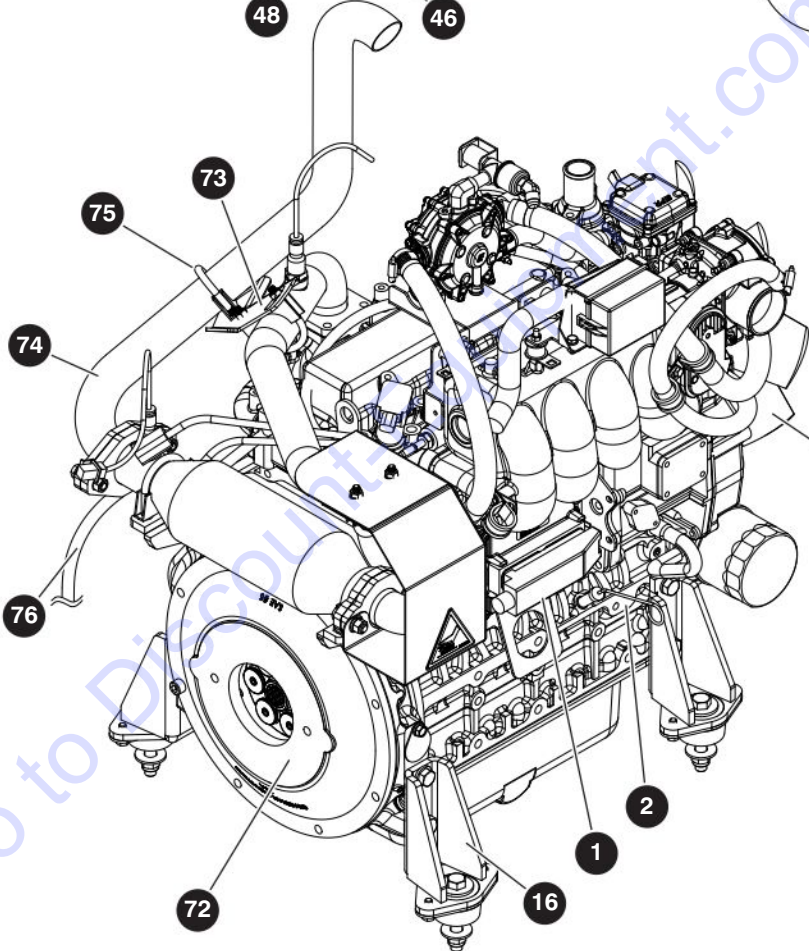
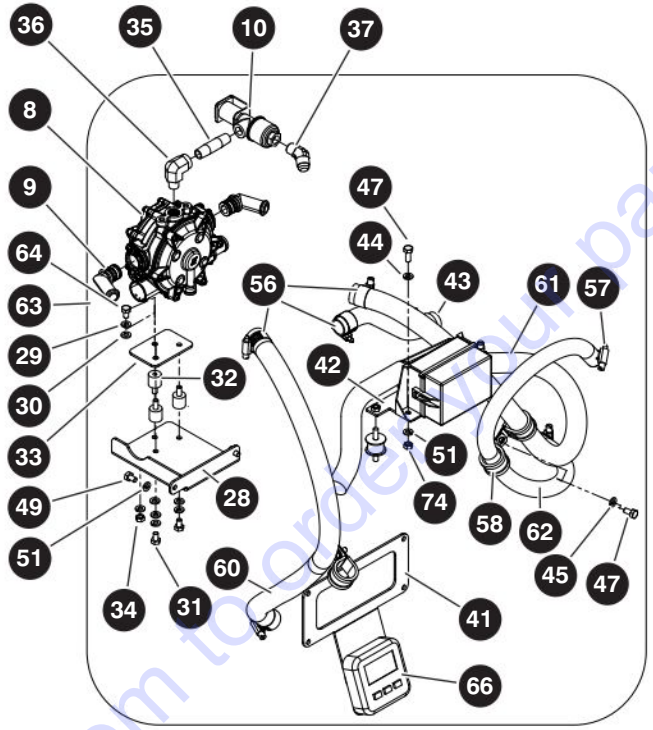
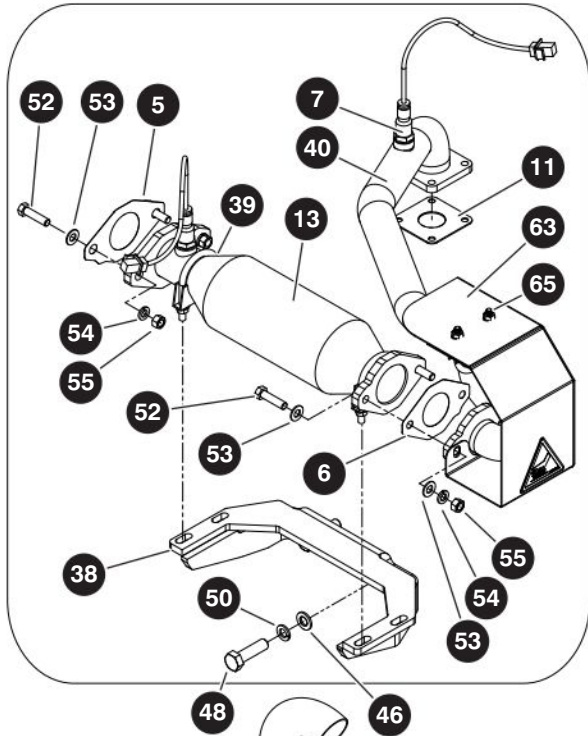
7.9 Kubota WG2503 Engine Accessories



7.9 Kubota WG2503 Engine Accessories

Index No.	Skyjack Part No.	Qty.	Description
1	194654	1	• • • ECU
2	194652	1	• • • DIPSTICK
-	171262	1	• • KIT, Engine - Kubota WG2503
3	164881	1	• • • PUMP, Fuel (not shown)
4	164883	1	• • • MANIFOLD, Fuel pressure (not shown)
5	164886	1	• • • GASKET, Cat 1
6	164885	1	• • • GASKET, Cat 2
7	164880	2	• • • SENSOR, O2
8	164887	1	• • • REGULATOR, LP
9	164888	2	• • • CONNECTOR, Vaporizer
10	164889	1	• • • VALVE, LP lock off
11	170416	1	• • • GASKET, Exhaust
12	136118	1	• • • FILTER, Fuel (not shown)
13	164896	1	• • CONVERTER, Catalytic
-	168706	1	• ENGINE MOUNTS
14	169606	2	• • MOUNT, Engine - rear
15	132028	4	• • MOUNT, Vibration
16	169605	2	• • MOUNT, Engine - front
17	103404	8	• • WASHER, Lock (0.312")
18	103887	8	• • BOLT, Hex head (0.312"-18 x 3/4" gr 5)
19	125525	4	• • BOLT, Hex head (1/20"-13 x 3.50" gr 5)
20	103996	8	• • WASHER, Flat (0.312")
21	137241	4	• • WASHER, Flat (1/20" AA)
22	163200	4	• • WASHER, Snubbing
23	702507	4	• • NUT, Hex head nylon lock (1/20"-13)
24	166767	4	• • BOLT, Hex head (M12 x 1-1/4 x 32 gr 8.8)
25	166821	4	• • BOLT, Hex head (M14 x 1-1/20 x 35 gr 8.8)
26	116995	4	• • WASHER, Lock (M12)
27	137838	4	• • WASHER, Lock (M14)
-	170434	1	• ENGINE ACCESSORIES
-	168711	1	• • VAPORIZER, WG2503, A
-	221961	1	• • VAPORIZER, WG2503, B
28	169595	1	• • • BRACKET, Vaporizer, A
-	221960	1	• • • BRACKET, Vaporizer, B
29	121758	4	• • • WASHER, Lock (M6)
30	933834	4	• • • WASHER, Flat (M6)
31	600723	3	• • • BOLT, Hex head (M6 x 1 x 10mm gr 8.8)
32	165927	3	• • • MOUNT, Virbration
33	170399	1	• • • PLATE, Vaporizer
34	800354	1	• • • NUT, Hex head (M6-1.00)
35	143478	1	• • • FITTING, Nipple - brass (1/4" NPT x 2.00")
36	103164	1	• • • FITTING, 90° elbow (04 NPTF - 04 NPTM)
37	103159	1	• • • FITTING, 45° elbow (06 SAE45M - 04 NPTM)

7.9 Kubota WG2503 Engine Accessories



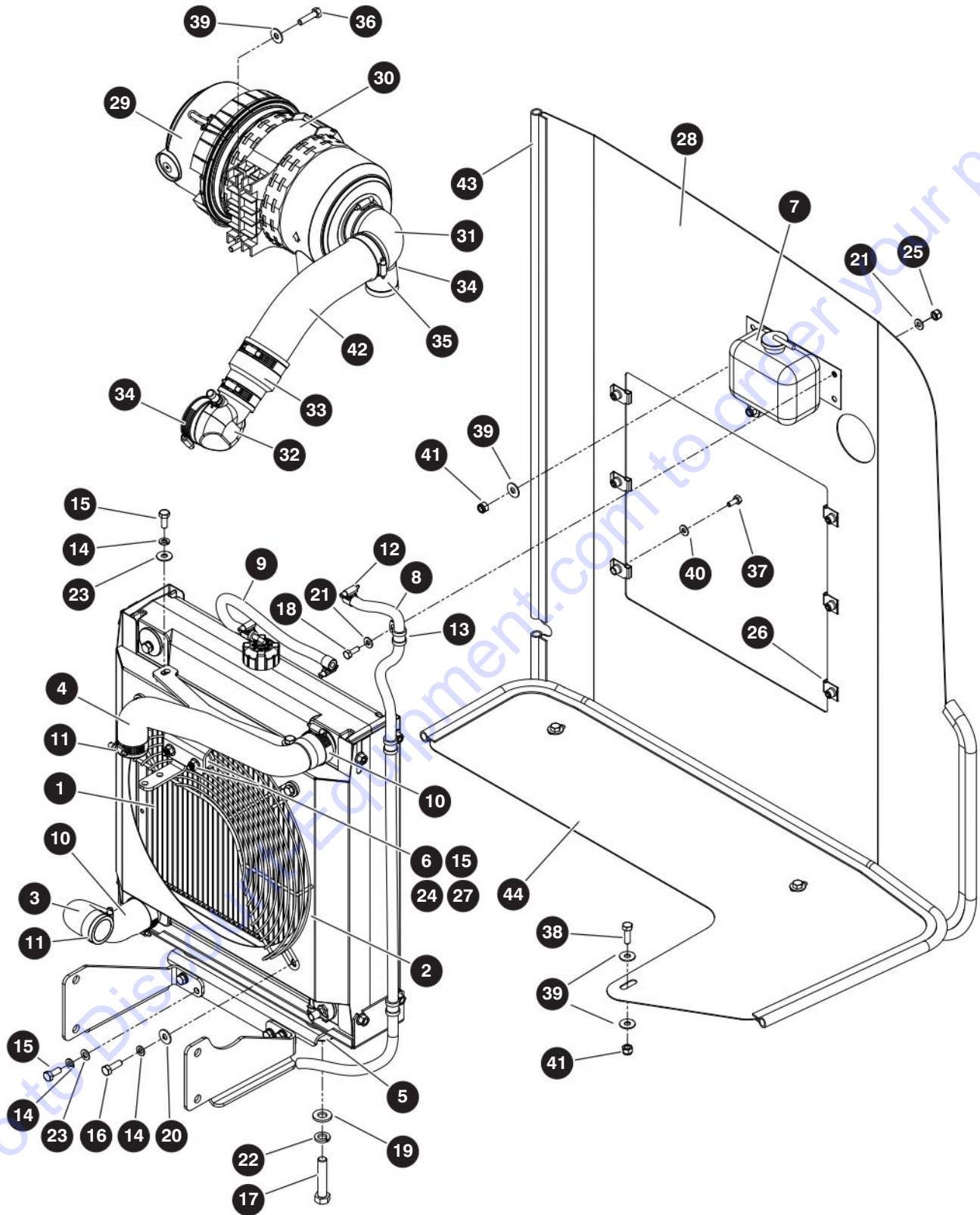
M171225AB-3

229031ABA

7.9 Kubota WG2503 Engine Accessories

Index No.	Skyjack Part No.	Qty.	Description
38	169599	1	• • BRACKET, Catalytic converter
39	148377	2	• • CLAMP, Exhaust pipe (2")
40	169568	1	• • PIPE, Exhaust
41	170436	1	• • BRACKET, Display
42	170435	1	• • PLATE, Fuse box, A
-	221962	1	• • PLATE, Fuse box, B
43	165930	9"	• • HOSE, Vapour (3/4")
44	800354	2	• • NUT, Hex head (M6-1.00)
45	933834	4	• • WASHER, Flat (M6)
46	600426	2	• • WASHER, Flat (M12)
47	104608	8	• • BOLT, Hex head (M6 x 1 x 16mm gr 9.8)
48	166767	2	• • BOLT, Hex head (M12 x 1-1/4 x 35mm gr 8.8)
49	600723	3	• • BOLT, Hex head (M6 x 1 x 10mm gr 8.8)
50	116995	2	• • WASHER, Lock (M12)
51	121758	9	• • WASHER, Lock (M6)
52	103870	4	• • BOLT, Hex head (3/8"-16 x 1-1/20" gr 5)
53	103472	8	• • WASHER, Flat (3/8")
54	103999	4	• • WASHER, Lock (3/8")
55	103978	4	• • WASHER, Nut (3/8"-16 gr 5)
56	103320	7	• • CLAMP, Hose (1.00")
57	102854	2	• • CLAMP, Hose (3/4")
58	168707	3	• • CLAMP, Loop (1")
59	170411	1	• • FAN, Kubota (13.5" dia)
60	925229	25"	• • HOSE (5/8")
61	925229	30"	• • HOSE (5/8")
62	163509	23"	• • HOSE (300 psi)
63	171120	1	• • SHIELD, Heat
64	169537	1	• • LABEL, Hot surface
65	102287	1	• • CLAMP, U-bolt (1-3/4" x 2.875")
66	166739	1	• • DISPLAY, Engine parameter
67	144129	2	• • CLAMP, Cushion
68	209197	1	• • HARNESS, Alternator
	209198	1	• • • CABLE, Alternator
	209199	1	• • • CABLE, Starter
	165030	1	• • • HOLDER, Fuse
	198387	1	• • • FUSE, Bolt-down (60 A)
69	123713	2	• • BOLT, Hex head (M12 x 1-1/4 x 16mm gr 9.8)
70	933817	2	• • WASHER, Flat (M12)
71	134373	1	• • STUD, Extension - starter
72	(Ref.)	1	• BELL HOUSING (For components, refer to 7.13 Engine Coupling - Kubota WG2503)
73	171222	1	• BRACKET, Tail pipe
74	169624	1	• PIPE, Tail
75	102287	2	• CLAMP, U-bolt (1-3/4" x 2.875")
76	138701	1	• CABLE ASSEMBLY - Weld (#2/0 3/8" x 81" x 5/16")
77	198346	1	• HARNESS, Power relay (not shown)

7.10 Radiator & Air Intake - Kubota WG2503



M171225AB

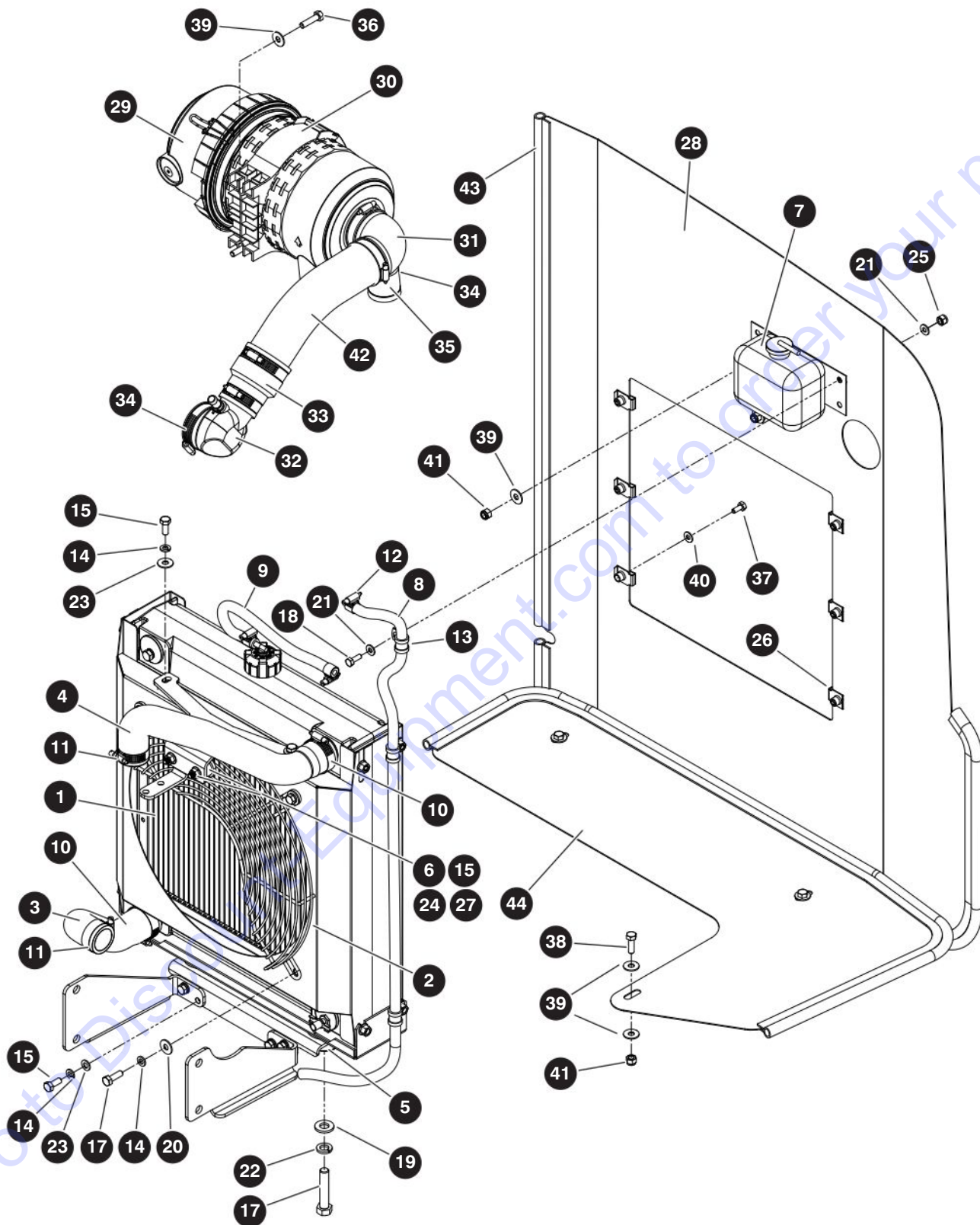
229031ABA

SJ40 T+, SJ45 T+

7.10 Radiator & Air Intake - Kubota WG2503

Index No.	Skyjack Part No.	Qty.	Description
1	168423	1	• RADIATOR, Kubota WG2503
-	209295	1	• • SHROUD, Fan
2	169273	1	• GUARD, Fan
-	168424	1	• BRACKET KIT, Radiator
3	194635	1	• • HOSE, Lower
4	194636	1	• • HOSE, Upper
5	194637	2	• • ISOLATOR (46.4 mm x 51.21 mm, 1/20"-13))
6	194638	4	• • ISOLATOR (25 mm x 19 mm, M8-1-1/4)
7	147142	1	• RESERVOIR, Coolant
8	102984	35"	• LINE, Fuel (0.3125")
9	102984	12"	• LINE, Fuel (0.3125")
10	133222	2	• CLAMP, Hose (2.00")
11	104528	2	• CLAMP, Hose (1-3/4")
12	163521	3	• CLAMP, Hose (0.63")
13	149495	3	• CLAMP, Tube (1/20")
14	116218	11	• WASHER, Lock (M8)
15	133174	10	• BOLT, Hex head (M8-1-1/4 x 20 gr 8.8)
16	933655	3	• BOLT, Hex head (M8-1-1/4 x 25 gr 8.8)
17	103901	2	• BOLT, Hex head (1/20"-13 x 2.50" gr 5)
18	103856	1	• BOLT, Hex head (1/4"-20 x 3/4" gr 5)
19	104379	2	• WASHER, Flat (1/20" SAE hardened)
20	166164	5	• WASHER, Flat (0.312" USS)
21	103995	2	• WASHER, Flat (0.1/4")
22	103470	2	• WASHER, Lock (1/20" gr 5)
23	133232	4	• WASHER, Flat (M8)
24	933832	2	• WASHER, Flat (M8 - OD 16.0)
25	115649	1	• NUT, Hex head nylon lock (1/4"-20 gr 5)
26	149496	6	• NUT, Speed clip (1/4"-20 x 1/20")
27	933696	2	• NUT, Hex head nylon lock (M8-1-1/4)
-	171014	1	AIR INTAKE ASSEMBLY
28	171013	1	• BAFFLE, Kubota
29	163242	1	• CLEANER, Air - EP200
	165947	1	• • ELEMENT, Primary
	165948	1	• • ELEMENT, Secondary
30	169773	1	• BRACKET, Air cleaner
31	163247	1	• CONNECTOR, 90° service
32	168990	1	• TUBE, Side port
33	163508	1	• COUPLING, Flex (1-3/4"-2.50")
34	121869	3	• CLAMP, Hose (2.50")
35	163250	1	• INDICATOR, Service
36	112532	2	• BOLT, Hex head (0.312"-18 x 1-1/4" gr 5)
37	103892	6	• BOLT, Hex head (1/4"-20 x 5/8" gr 5)

7.10 Radiator & Air Intake - Kubota WG2503



M171225AB

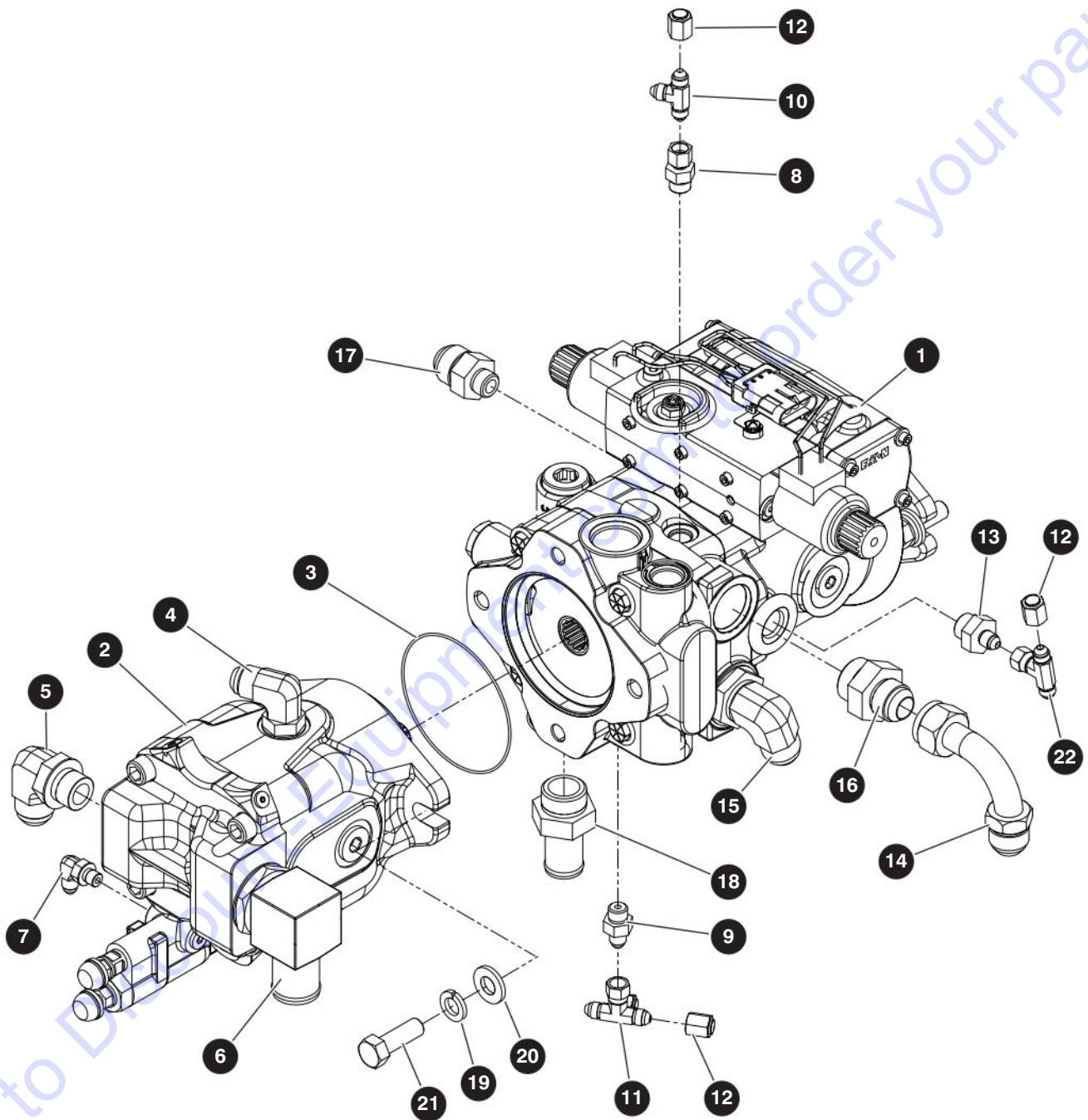
229031ABA

SJ40 T+, SJ45 T+

7.10 Radiator & Air Intake - Kubota WG2503

Index No.	Skyjack Part No.	Qty.	Description
38	103864	3	• BOLT, Hex head (0.312"-18 x 1.00" gr 5)
39	166164	2	• WASHER, Flat (0.312" USS)
40	103995	6	• WASHER, Flat (1/4")
41	103984	2	• NUT, Hex head nylon lock (0.313"-18 gr 5)
42	167809	1	• TUBE, Air intake
43	137625	112"	• TRIM, Rubber
44	171015	1	• TRAY, Baffle plate

7.11 Drive & System Pumps



M167668AC

229031ABA

180

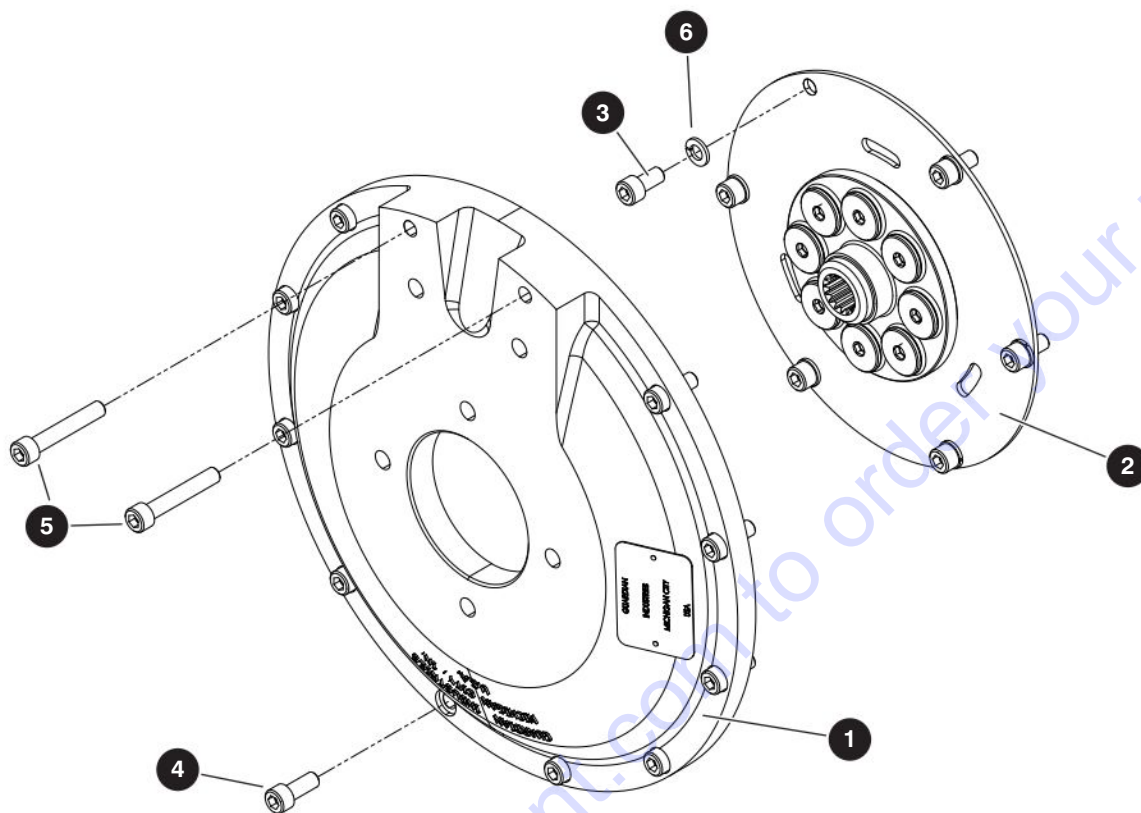
SJ40 T+, SJ45 T+

SKYJACK

7.11 Drive & System Pumps

Index No.	Skyjack Part No.	Qty.	Description
A	167668	1	DRIVE & SYSTEM PUMP - Deutz D2.9L, D2011 and Kubota
B	230308	1	DRIVE & SYSTEM PUMP - Deutz D2..2
1	169006	1	• PUMP, Drive, A
	170926	1	• • SHIM
	170952	1	• • O-RING
	170953	1	• • SPRING
	170954	1	• • PLUG
	170955	1	• • POPPET
	209333	1	• • CONTROL UNIT, Servo
	228718	1	• PUMP, Drive, B
2	163595	1	• PUMP, System
3	159878	1	• O-RING, 2-045
4	135091	1	• FITTING, Elbow 90° (10 JICM - 10 ORBM)
5	105445	1	• FITTING, Elbow 90° (12JICM - 12ORBM)
6	162869	1	• FITTING, Elbow 90° (20 BEAD - 20 ORBM)
7	125883	1	• FITTING, Elbow 90° (04JICM - 04ORBM)
8	160885	1	• FITTING, Straight (06 ORBM - 04 JICFS)
9	701956	1	• FITTING, Straight (04JICM - 06ORBM)
10	131697	1	• FITTING, Tee (04 JICM)
11	160792	1	• FITTING, Branch tee (04 JICFSW - 04 JICM)
12	131286	3	• FITTING, Cap (04 JICF)
13	162043	1	• FITTING, Straight (04 ORBM - M18M)
14	139159	1	• FITTING, Elbow 90° (12JICM - 12JICF SW)
15	710124	1	• FITTING, Elbow 90° (12 JICM - 16 ORBM)
16	702122	1	• FITTING, Straight (12 JICM - 16 ORBM)
17	702118	1	• FITTING, Straight (12 JICM - 12 ORBM)
18	166671	1	• FITTING, Straight (16 JICM - 16 ORBM)
19	103470	4	• WASHER, Lock (1/2" Gr 5)
20	104379	4	• WASHER, Flat hardened (1/2")
21	103907	4	• BOLT, Hex head (1/2"-13 x 1 1/2" Gr 5)
22	162044	1	• FITTING, Tee (04 JICM - 04 JICM - 06 JICM)
23	160637	1	SEAL KIT, Drive Pump
24	160638	1	SEAL KIT, System Pump

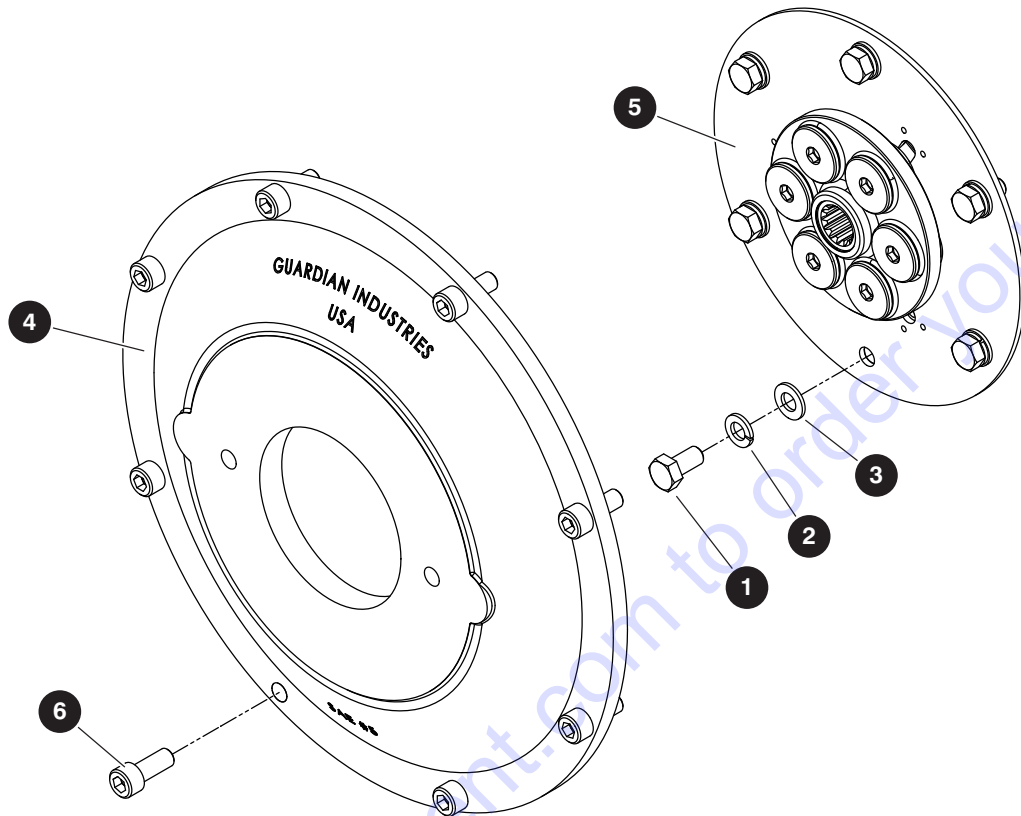
7.12 Engine Coupling - Deutz



M168043AA

Index No.	Skyjack Part No.	Qty.	Description
-	168043	1	ENGINE COUPLING - Deutz D2011 and D2.9L
1	152332	1	• HOUSING
2	168034	1	• COUPLING, Flywheel
3	168042	6	• BOLT, Socket head cap screw (M10 x 1-1/20 x 20mm, Gr 8.8)
4	168053	10	• BOLT, Socket head cap screw (M10 x 1-1/20 x 25mm, Gr 8.8)
5	152335	2	• BOLT, Socket head cap screw (M10 x 1-1/20 x 60mm, Gr 8.8)
6	132497	6	• WASHER, Lock (M10)

7.13 Engine Coupling - Kubota WG2503



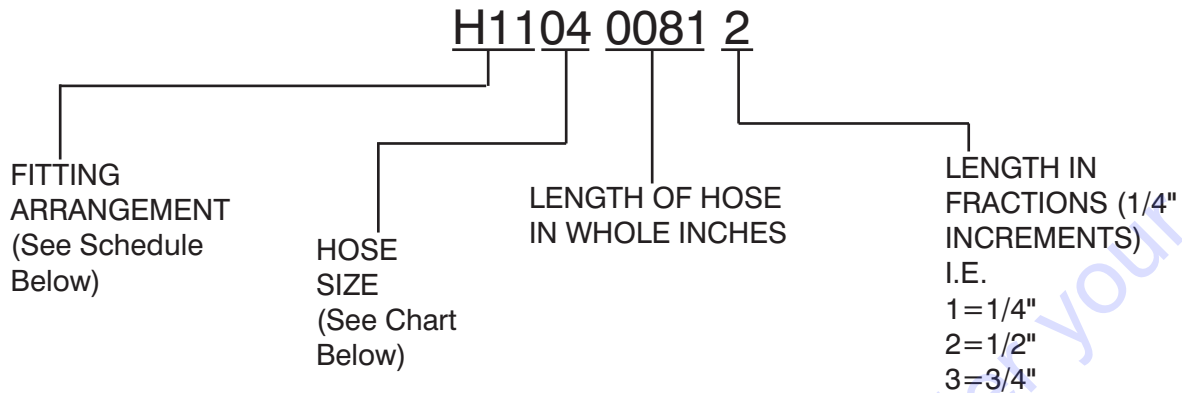
M168043AA

Index No.	Skyjack Part No.	Qty.	Description
-	170745	1	BELL HOUSING ASSEMBLY - Kubota WG2503
1	103848	6	• BOLT, Hex head (M10 x 1-1/4 x 20mm, Gr 8.8)
2	132497	6	• WASHER, Lock (M10)
3	600315	6	• WASHER, Flat (M10)
-	168628	1	• HOUSING ASSEMBLY
4	194719	1	• • HOUSING, Bell
5	194720	1	• • COUPLING, Spline
6	168053	8	• BOLT, Socket head cap screw (M10 x 1-1/20 x 25mm, Gr 8.8)

Section 8 – Hose Connections

- 8.1 *Standard Hose Numbering System*
- 8.2 *Hydraulic Hoses - Boom*
- 8.3 *Hydraulic Hoses - Control Compartment*
- 8.4 *Hydraulic Hoses - Engine Compartment*
- 8.5 *Hydraulic Hoses - Base & Axles*
- 8.6 *Fuel Lines - Deutz D2.9L & D2.2 Engines*
- 8.7 *Fuel Lines - Deutz D2011 Engine*
- 8.8 *Fuel Lines - Kubota WG2503*
- 8.9 *Propane Lines - Kubota WG2503*
- 8.10 *Grease Line*

8.1 Standard Hose Numbering System



Using the number above as an example (H1104 0081 2). This hose requires a 37° JIC, female swivel fitting on one end. A medium length 90° JIC, female swivel fitting for the other end. The Hose must meet or exceed S.A.E. 100R13 hose specification, and be a total of 81-1/2" long.



NOTE

Hose ends and hose must be from same manufacturer per S.A.E. J1273 Nov. '91, Sections 3.10 and 4.2. Hose ends and hose must be of the same size i.e. #4 size fittings must be used with #4 size hose.

Hole Size Chart

Size	03	04	06	08	10	12	16	20	24	32	40	48	56	64
ID	3/16"	1/4"	3/8"	1/2"	5/8"	3/4"	1"	1-1/4"	1-1/2"	2"	2-1/2"	3"	3-1/2"	4"

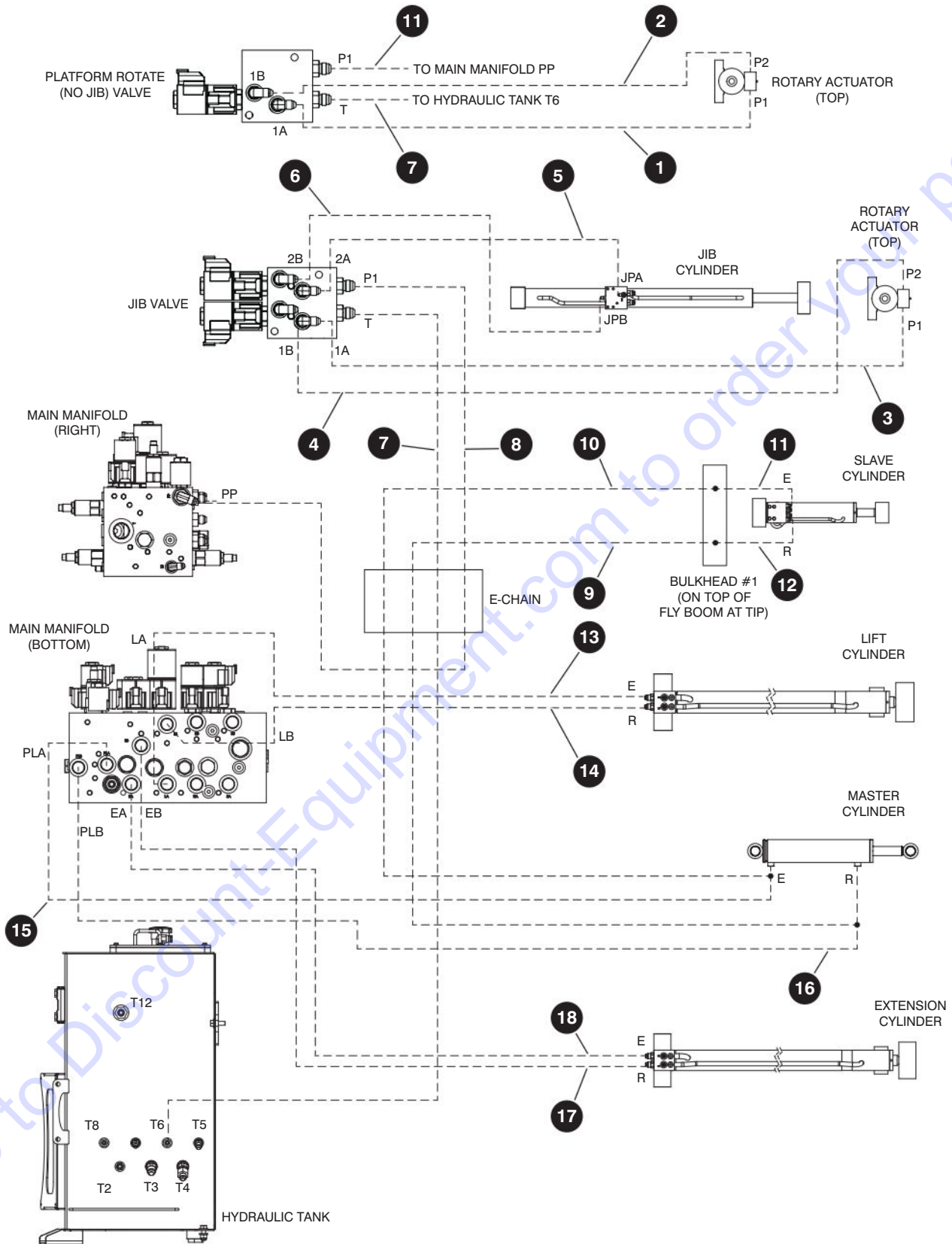
Fitting Arrangement Schedule

Hose Prefix	Hose End Fitting	Hose End Fitting	S.A.E. Hose Specification
H01	FEMALE, 37° JIC, SWIVEL	FEMALE, 37° JIC, SWIVEL	100R17
H02	FEMALE, 37° JIC, SWIVEL	FEMALE, 37° JIC, SWIVEL	100R13
H03	FEMALE, 37° JIC, SWIVEL	45°, FEMALE, 37° JIC, SWIVEL	100R17
H04	FEMALE, 37° JIC, SWIVEL	45°, FEMALE, 37° JIC, SWIVEL	100R13
H05	FEMALE, 37° JIC, SWIVEL	LONG 90°, FEMALE, 37° JIC, SWIVEL	100R17
H06	FEMALE, 37° JIC, SWIVEL	SHORT 90°, FEMALE, 37° JIC, SWIVEL	100R17
H07	LONG 90°, FEMALE, 37° JIC, SWIVEL	LONG 90°, FEMALE, 37° JIC, SWIVEL	100R17
H08	FEMALE, 37° JIC, SWIVEL	FEMALE, 37° JIC, SWIVEL	100R4
H09	FEMALE, 37° JIC, SWIVEL	45°, FEMALE, 37° JIC, SWIVEL	100R4
H10	FEMALE, 37° JIC, SWIVEL	MALE PIPE THREAD FITTING	100R17
H11	FEMALE, 37° JIC, SWIVEL	MEDIUM 90°, FEMALE, 37° JIC, SWIVEL	100R13
H12	SHORT 90°, FEMALE, 37° JIC, SWIVEL	SHORT 90°, FEMALE, 37° JIC, SWIVEL	100R17
H13	FEMALE, 37° JIC, SWIVEL	REUSABLE MALE PIPE THREAD FITTING	300 PSI
H14	REUSABLE MALE PIPE THREAD FITTING	NO FITTING	300 PSI
H15	REUSABLE FEMALE, 37° JIC, SWIVEL	REUSABLE FEMALE, 37° JIC, SWIVEL	300 PSI

8.1 Standard Hose Numbering System

Hose Prefix	Hose End Fitting	Hose End Fitting	S.A.E. Hose Specification
H16	NO FITTING	NO FITTING	100R4
H17	NO FITTING	NO FITTING	300 PSI
H18	REUSABLE, FEMALE, 37° JIC, SWIVEL	NO FITTING	300 PSI
H19	LONG 90°, FEMALE, 37° JIC, SWIVEL	FEMALE, 37° JIC, SWIVEL	100R13
H20	FEMALE, SHORT 37° JIC, SWIVEL	SHORT 90°, FEMALE, 37° JIC, SWIVEL	100R4
H21	FEMALE, SHORT 37° JIC, SWIVEL	SHORT 90°, FEMALE, 37° JIC, SWIVEL	100R2AT
H22	FEMALE, 37° JIC, SWIVEL	FEMALE, 37° JIC, SWIVEL	100R2AT
H23	FEMALE, LONG 37° JIC, SWIVEL	LONG 90°, FEMALE, 37° JIC, SWIVEL	100R2AT
H24	FEMALE, SHORT 37° JIC, SWIVEL	SHORT 90°, FEMALE, 37° JIC, SWIVEL	100R13
H25	FEMALE, 37° JIC, SWIVEL	FEMALE, 37° JIC, SWIVEL	100R4
H26	SHORT 90°, FEMALE, 37° JIC, SWIVEL	FEMALE, 37° JIC, SWIVEL	100R17
H27	LONG 90°, FEMALE, 37° JIC, SWIVEL	FEMALE, 37° JIC, SWIVEL	100R17
H28	FEMALE, 37° JIC, SWIVEL	FEMALE, 37° JIC, SWIVEL	100R17
H29	SHORT 45°, FEMALE, 37° JIC, SWIVEL	FEMALE, 37° JIC, SWIVEL	100R17
H30	MEDIUM 90°, FEMALE, 37° JIC, SWIVEL	FEMALE, 37° JIC, SWIVEL	100R17
H31	FEMALE, 37° JIC, SWIVEL	FEMALE, 37° JIC, SWIVEL	100R17
H32	SHORT 45°, FEMALE, 37° JIC, SWIVEL	FEMALE, 37° JIC, SWIVEL	100R17
H33	MEDIUM 45°, FEMALE, 37° JIC, SWIVEL	FEMALE, 37° JIC, SWIVEL	100R17
H34	SHORT 90°, FEMALE, 37° JIC, SWIVEL	FEMALE, 37° JIC, SWIVEL	100R17
H35	MEDIUM 90°, FEMALE, 37° JIC, SWIVEL	FEMALE, 37° JIC, SWIVEL	100R17
H36	LONG 90°, FEMALE, 37° JIC, SWIVEL	FEMALE, 37° JIC, SWIVEL	100R17
H37	SHORT 45°, FEMALE, 37° JIC, SWIVEL	FEMALE, 37° JIC, SWIVEL	100R4
H38	SHORT 90°, FEMALE, 37° JIC, SWIVEL	FEMALE, 37° JIC, SWIVEL	100R4
H39	LONG 90°, FEMALE, 37° JIC, SWIVEL	FEMALE, 37° JIC, SWIVEL	100R4
H40	SHORT 90°, FEMALE, 37° JIC, SWIVEL	FEMALE, 37° JIC, SWIVEL	100R16
H43	FEMALE, 37° JIC, SWIVEL	FEMALE, 37° JIC, SWIVEL	100R16
H51	FEMALE, 37° JIC, SWIVEL	FEMALE, 37° JIC, SWIVEL	100R17
H52	SHORT 45°, FEMALE, 37° JIC, SWIVEL	FEMALE, 37° JIC, SWIVEL	100R17
H53	MEDIUM 45°, FEMALE, 37° JIC, SWIVEL	FEMALE, 37° JIC, SWIVEL	100R17
H54	SHORT 90°, FEMALE, 37° JIC, SWIVEL	FEMALE, 37° JIC, SWIVEL	100R17
H55	MEDIUM 90°, FEMALE, 37° JIC, SWIVEL	FEMALE, 37° JIC, SWIVEL	100R17
H56	LONG 90°, FEMALE, 37° JIC, SWIVEL	FEMALE, 37° JIC, SWIVEL	100R17

8.2 Hydraulic Hoses - Boom



M216834AD_Hoses

229031ABA

188

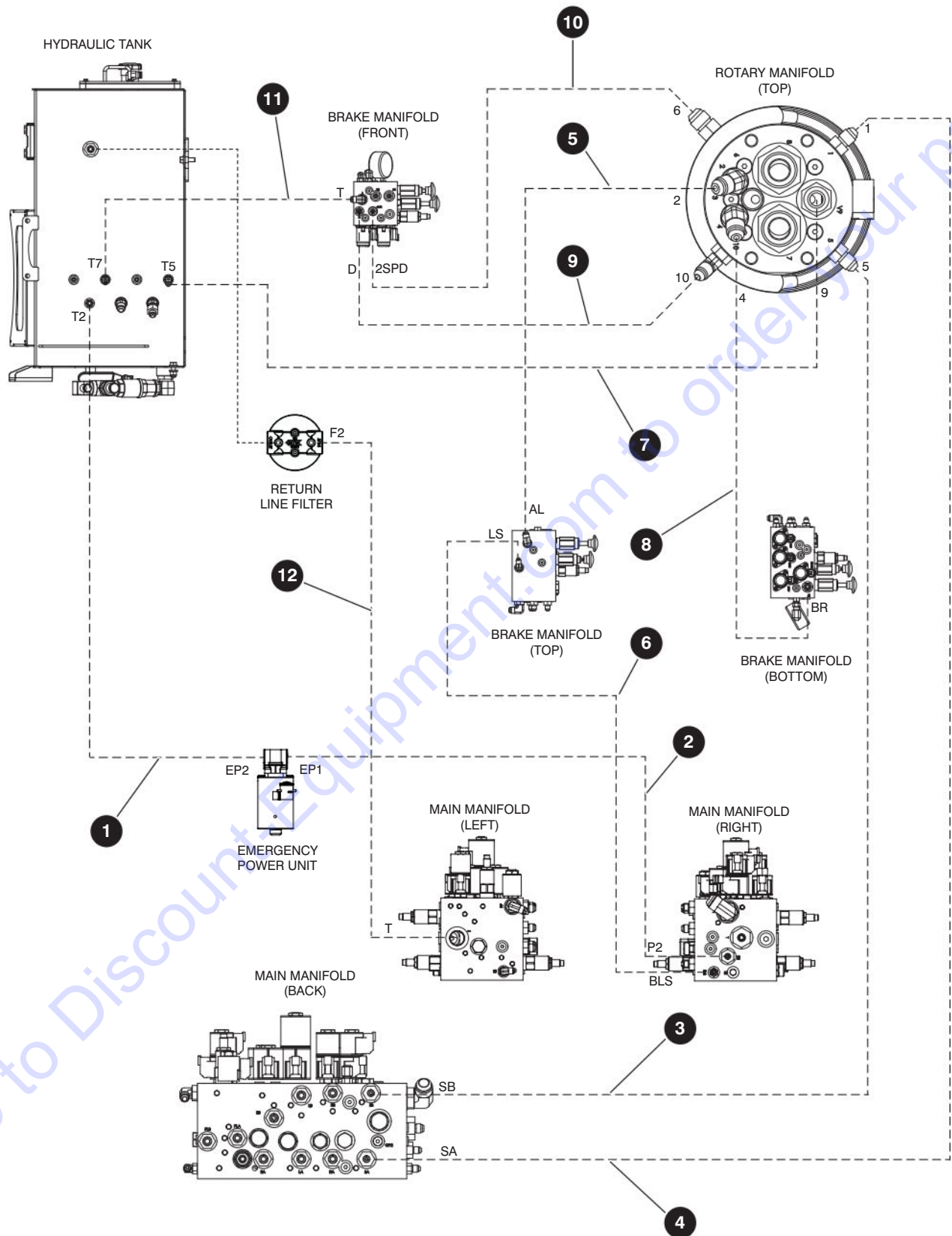
SJ40 T+, SJ45 T+

SKYJACK

8.2 Hydraulic Hoses - Boom

Index No.	Hose P/N	From		To	
		Description	Port	Port	Description
-	218734	NO JIB HOSE KIT - SJ40 T+			
1	H0304 0039 0	Rotary Actuator	1A	P1	Platform Rotate Manifold
2	H0304 0027 0	Rotary Actuator	1B	P2	Platform Rotate Manifold
-	218731	JIB HOSE KIT - SJ45 T+			
3	H3404 0112 0	Rotary Actuator	P1	1A	Jib/Platform Rotate Manifold
4	H3404 0102 0	Rotary Actuator	P2	1B	Jib/Platform Rotate Manifold
5	H3104 0090 0	Jib Cylinder	JPA	2A	Jib/Platform Rotate Manifold
6	H3104 0090 0	Jib Cylinder	JPB	2B	Jib/Platform Rotate Manifold
-	165999	BOOM HOSE KIT			
7	H3106 0564 0	Jib/Platform Rotate Manifold	T	T6	Hydraulic Tank
8	H3106 0559 0	Jib/Platform Rotate Manifold	P1	PP	Main Manifold
9	H3106 0497 0	Master Cylinder	R	-	Bulkhead (Fly Boom)
10	H3106 0492 0	Master Cylinder	E	-	Bulkhead (Fly Boom)
-	161296	SLAVE CYLINDER HOSE KIT			
11	H0306 0025 0	Slave Cylinder	E	-	Bulkhead (Fly Boom)
12	H0306 0025 0	Slave Cylinder	R	-	Bulkhead (Fly Boom)
-	165997	TURRET HOSE KIT			
		(kit also includes hoses from 8.3 & 8.4)			
13	H3206 0044 0	Main Manifold	LA	E	Lift Cylinder
14	H3206 0044 0	Main Manifold	LB	R	Lift Cylinder
15	H3406 0075 0	Main Manifold	PLA	E	Master Cylinder
16	H3406 0077 0	Main Manifold	PLB	R	Master Cylinder
17	H3406 0098 0	Main Manifold	EB	R	Extend Cylinder
18	H3406 0098 0	Main Manifold	EA	E	Extend Cylinder
Index No.	Skyjack Part No.	Qty.	Description		
19	131732	1	SLEEVE, Protection (HG-46) (not shown)		

8.3 Hydraulic Hoses - Control Compartment



M165997AE_Hose

229031ABA

190

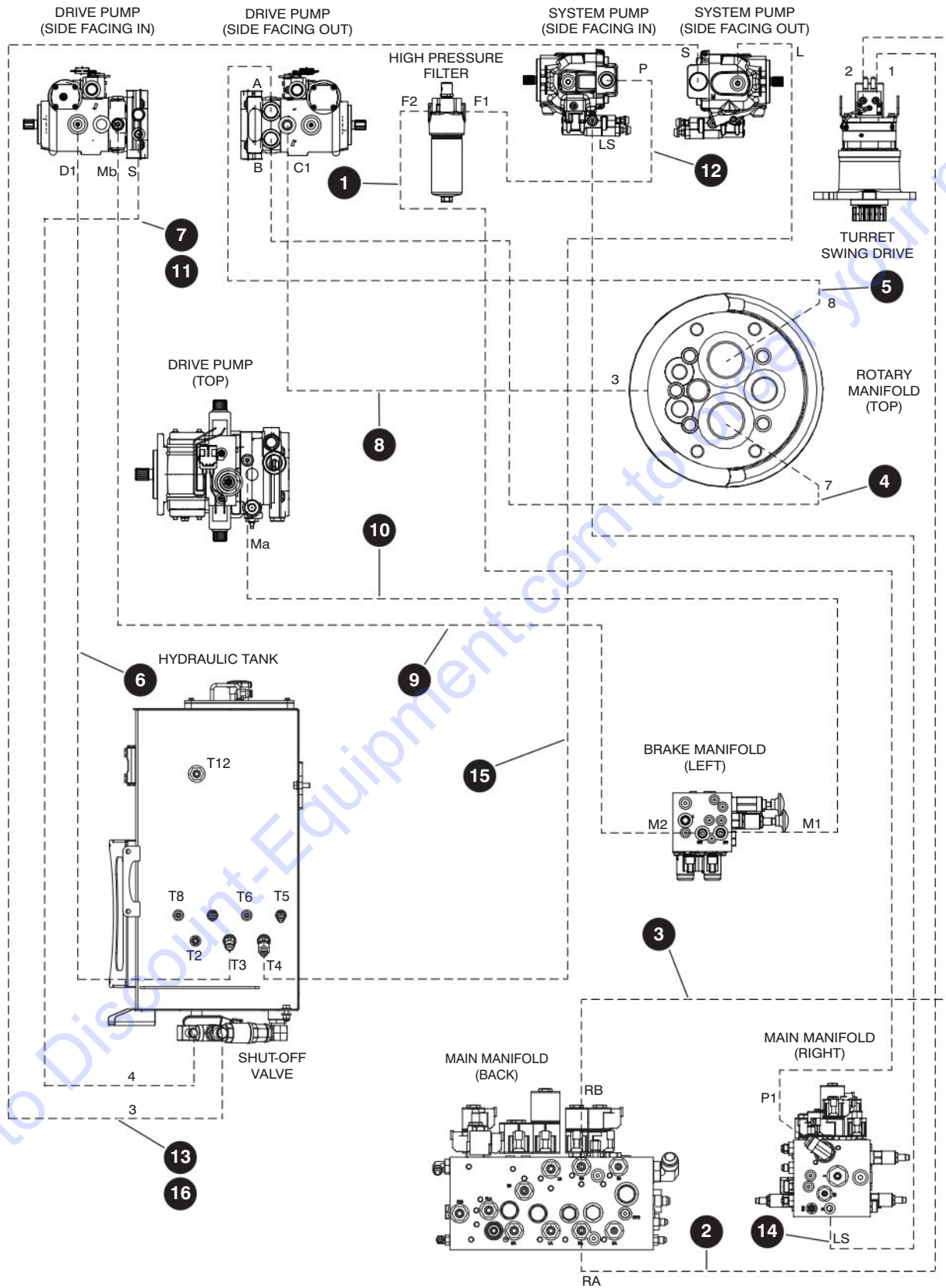
SJ40 T+, SJ45 T+

SKYJACK

8.3 Hydraulic Hoses - Control Compartment

Index No.	Hose P/N	From		To	
		Description	Port	Port	Description
-	165997	TURRET HOSE KIT (kit also includes hoses from 8.2 & 8.4)			
1	H5208 0026 0	Hydraulic Tank	T2	EP2	Emergency Power Unit
2	H5404 0023 0	Emergency Power Unit	EP1	P2	Main Manifold
3	H5404 0056 0	Main Manifold	SB	5	Rotary Manifold
4	H5404 0060 0	Main Manifold	SA	1	Rotary Manifold
5	H5206 0074 0	Brake Manifold	AL	2	Rotary Manifold
6	H5404 0025 0	Main Manifold	BLS	LS	Brake Manifold
7	H5408 0053 0	Hydraulic Tank	T5	9	Rotary Manifold
8	H5206 0066 0	Brake Manifold	BR	4	Rotary Manifold
9	H5404 0071 0	Brake Manifold	D	10	Rotary Manifold
10	H5406 0071 0	Brake Manifold	2SPD	6	Rotary Manifold
11	H5406 0034 0	Brake Manifold	T	T7	Hydraulic Tank
-	166351	NO GENERATOR/COOLER HOSE KIT			
12	H5412 0036 0	Main Manifold	T	F2	Return Filter

8.4 Hydraulic Hoses - Engine Compartment



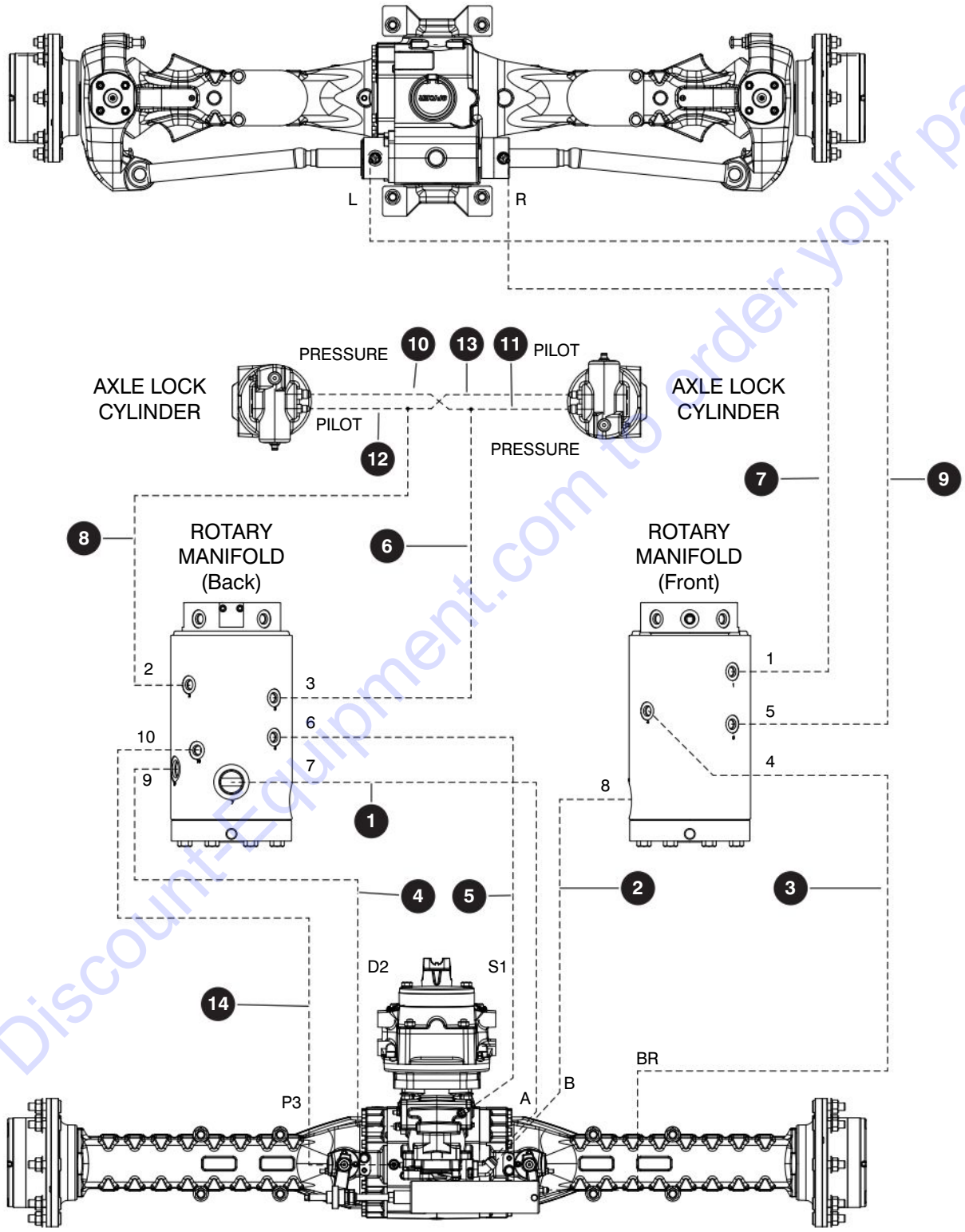
M165996AC_M165997AC_M165998AC

229031ABA

8.4 Hydraulic Hoses - Engine Compartment

Index No.	Hose P/N	From		To		
		Description	Port	Port	Description	
-	165997	TURRET HOSE KIT (kit also includes hoses from 8.2 & 8.3)				
1	H5412 0025 0	Pressure Filter	F2	P1	Main Manifold	
2	H3406 0058 0	Main Manifold	RA	1	Swing Drive	
3	H3406 0058 0	Main Manifold	RB	2	Swing Drive	
-	165996	DRIVE PUMP HOSE KIT				
4	H1112 0045 0	Drive Pump	B	7	Rotary Manifold	
5	H1912 0045 0	Drive Pump	A	8	Rotary Manifold	
6	H0612 0057 0	Drive Pump	D1	T3	Hydraulic Tank	
7	H1616 0061 0	Hydraulic Tank	T1	S	Drive Pump	
8	H0604 0057 0	Drive Pump	C1	3	Rotary Manifold	
9	H4004 0080 0	Drive Pump	Mb	M2	Brake Manifold	
10	H4004 0087 0	Drive Pump	Ma	M1	Brake Manifold	
11	139177	CLAMP, Hose (33-37)				
-	165998	SYSTEM PUMP HOSE KIT				
12	H0612 0069 0	System Pump	P	F1	Pressure Filter	
13	H1620 0068 0	Hydraulic Tank	T1	S	System Pump	
14	H0104 0052 0	System Pump	LS	LS	Main Manifold	
15	H0310 0059 0	System Pump	L	T4	Hydraulic Tank	
16	139178	CLAMP, Hose (40-43)				

8.5 Hydraulic Hoses - Base & Axles



M165995AC

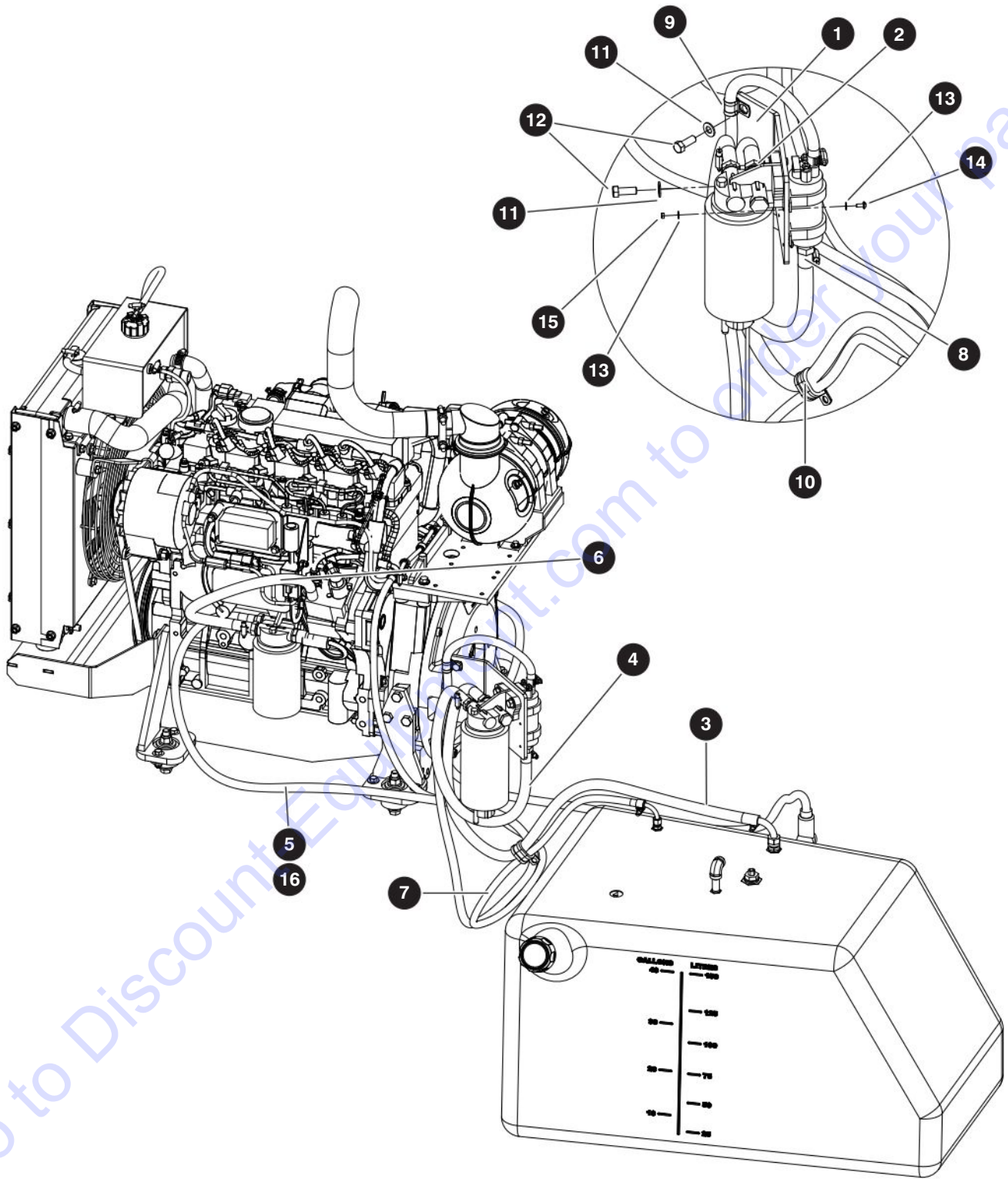
229031ABA

SJ40 T+, SJ45 T+

8.5 Hydraulic Hoses - Base & Axles

Index No.	Hose P/N	From		To	
		Description	Port	Port	Description
-	165995	CHASSIS HOSE KIT			
1	H2412 0060 0	Rotary Manifold	7	A	Drive Motor
2	H0412 0058 0	Rotary Manifold	8	B	Drive Motor
3	H5406 0071 0	Rotary Manifold	4	BR	Axle Brake
4	H5208 0062 0	Rotary Manifold	9	D2	Drive Motor
5	H5404 0068 0	Rotary Manifold	6	2SPD	Drive Motor
6	H5406 0065 0	Rotary Manifold	3	-	Axle Lock Pressure Tee
7	H3404 0060 0	Rotary Manifold	1	R	Steer Cylinder
8	H3406 0068 0	Rotary Manifold	2	-	Axle Lock Cylinder Pilot Tee
9	H3404 0060 0	Rotary Manifold	5	L	Steer Cylinder
10	H5106 0017 0	Axle Lock Pressure Tee	-	L	Axle Lock Cylinder: Pressure
11	H5106 0017 0	Axle Lock Pressure Tee	-	R	Axle Lock Cylinder: Pressure
12	H5104 0017 0	Axle Lock Pilot Tee	-	L	Axle Lock Cylinder: Pilot
13	H5104 0017 0	Axle Lock Pilot Tee	-	R	Axle Lock Cylinder: Pilot
14	H5404 0068 0	Rotary Maifold	10	P3	Axle Differential Lock

8.6 Fuel Lines - Deutz D2.9L & D2.2 Engines



M167805AA

229031ABA

196

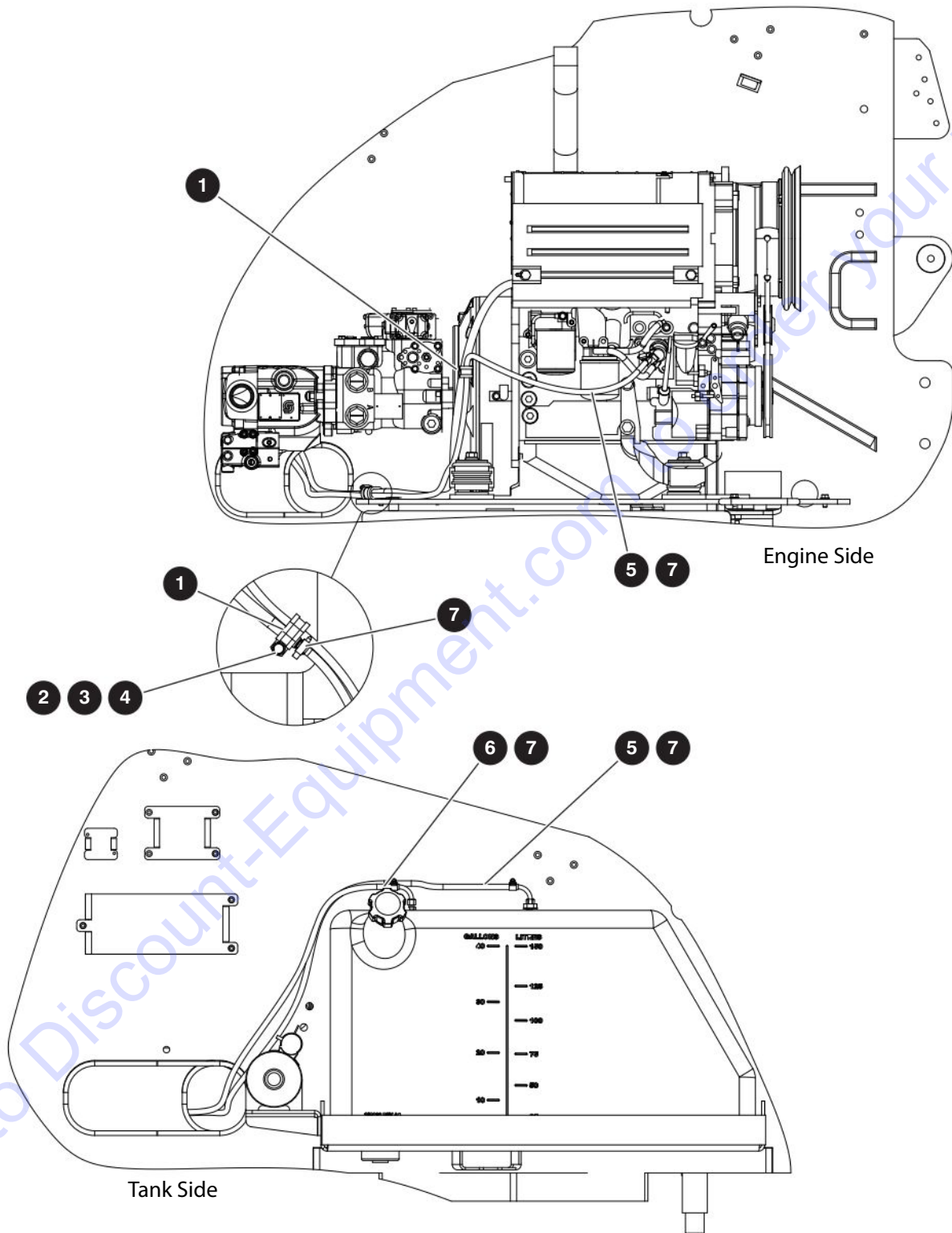
SJ40 T+, SJ45 T+

SKYJACK

8.6 Fuel Lines - Deutz D2.9L & D2.2 Engines

Index No.	Skyjack Part No.	Qty.	Description
A	167805	1	FUEL LINES - Deutz D2.9L
B	228396	1	FUEL LINES - Deutz D2.2
1	166108	1	• BRACKET, Fuel assembly
2	163222	3	• FITTING, Fuel hose (1/2"), A
	163222	2	• FITTING, Fuel hose (1/2"), B
3	163509	47"	• HOSE, Fuel line (1/2" ID) - suction to pre-filter
4	163509	26"	• HOSE, Fuel line (1/2" ID) - pre-filter to fuel pump
5	166737	96"	• HOSE, Fuel line (3/8" ID) - fuel pump to primary filter
6	163509	21"	• HOSE, Fuel line (1/2" ID) - primary filter to injection pump, A
7	102984	71"	• HOSE, Fuel line (5/16" ID) - fuel return to tank
8	163521	10	• CLAMP, Hose (#10, 5/8"), A
	163521	8	• CLAMP, Hose (#10, 5/8"), B
9	144129	1	• CLIP, Single
10	103078	1	• CLIP, Double
11	103472	4	• WASHER, Flat (3/8")
12	103473	4	• BOLT, Hex head (3/8"-16 x 1.00" gr 5)
13	104694	8	• WASHER, Flat (#10")
14	104698	4	• SCREW, Round head machine (#10-32 x 3/4")
15	300450	4	• NUT, Hex head nylon lock (#10-32 gr 5)
16	163222	3	• FITTING, Fuel hose (1/2"), A
	164977	1	• FITTING, Fuel hose (3/8"), B

8.7 Fuel Lines - Deutz D2011 Engine



M139139AC

229031ABA

8.7 Fuel Lines - Deutz D2011 Engine

Index No.	Skyjack Part No.	Qty.	Description
-	139139	1	FUEL LINES - Deutz D2011
1	103078	2	• CLAMP, Loop double cushion (G10)
2	103996	1	• WASHER, Flat (5/16")
3	103404	1	• WASHER, Lock (5/16")
4	103887	1	• BOLT, Hex head (5/16"-18 x 3/4", Gr 5)
5	102984	106"	• HOSE, Fuel line (5/16")
6	102984	65"	• HOSE, Fuel line (5/16")
7	103321	4	• CLAMP, Gear (SAE No. 4, 1/4" - 13/16")

PARTS FINDER

**Search Website
by Part Number**



**Search Manual
Library For Parts
Manual & Lookup Part
Numbers – Purchase
or Request Quote**

Search Manuals

Enter your information to help us find the right manual for your machine.

* Brand:

* Model:

* Serial:

* Part Number:

SEARCH

**Can't Find Part or
Manual? Request Help
by Manufacturer,
Model & Description**

Parts Order Form

Please fill in the following information to help us find the right part for your machine.

Manufacturer:	<input type="text"/>
Model:	<input type="text"/>
Description:	<input type="text"/>
Part Number:	<input type="text"/>
Quantity:	<input type="text"/>
Notes:	<input type="text"/>

Submit

Discount-Equipment.com is your online resource for quality parts & equipment.

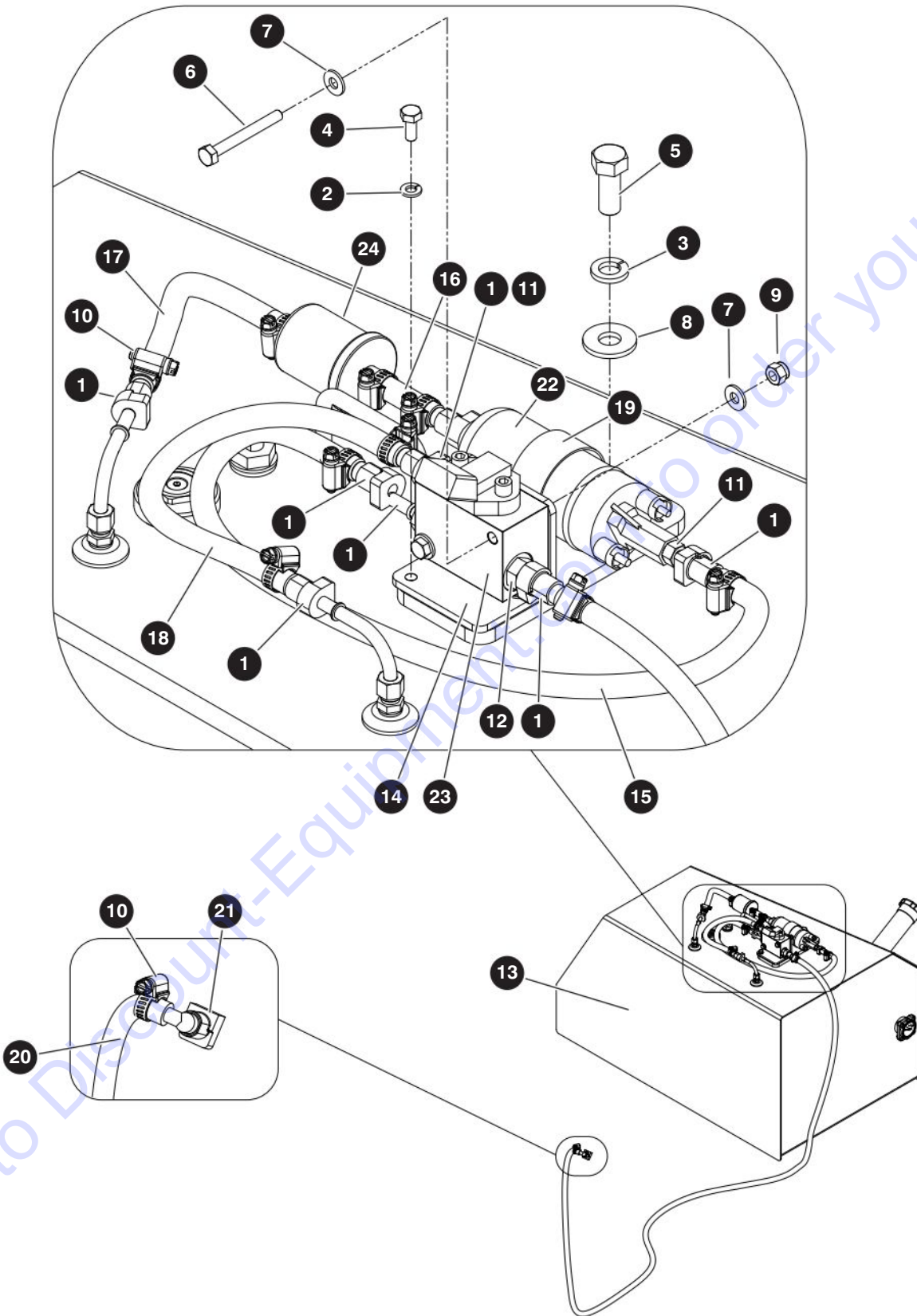
Florida: **561-964-4949** Outside Florida TOLL FREE: **877-690-3101**

Need parts?

Click on this link: <http://www.discount-equipment.com/category/5443-parts/> and choose one of the options to help get the right parts and equipment you are looking for. Please have the machine model and serial number available in order to help us get you the correct parts. If you don't find the part on the website or on one of the online manuals, please fill out the request form and one of our experienced staff members will get back to you with a quote for the right part that your machine needs.

We sell worldwide for the brands: Genie, Terex, JLG, MultiQuip, Mikasa, Essick, Whiteman, Mayco, Toro Stone, Diamond Products, Generac Magnum, Airman, Haulotte, Barreto, Power Blanket, Nifty Lift, Atlas Copco, Chicago Pneumatic, Allmand, Miller Curber, Skyjack, Lull, Skytrak, Tsurumi, Husquvarna Target, Stow, Wacker, Sakai, Mi-T-M, Sullair, Basic, Dynapac, MBW, Weber, Bartell, Bennar Newman, Haulotte, Ditch Runner, Menegotti, Morrison, Contec, Buddy, Crown, Edco, Wyco, Bomag, Laymor, EZ Trench, Bil-Jax, F.S. Curtis, Gehl Pavers, Heli, Honda, ICS/PowerGrit, IHI, Partner, Imer, Clipper, MMD, Koshin, Rice, CH&E, General Equipment, Amida, Coleman, NAC, Gradall, Square Shooter, Kent, Stanley, Tamco, Toku, Hatz, Kohler, Robin, Wisconsin, Northrock, Oztec, Toker TK, Rol-Air, APT, Wylie, Ingersoll Rand / Doosan, Innovatech, Con X, Ammann, Mecalac, Makinex, Smith Surface Prep, Small Line, Wanco, Yanmar

8.8 Fuel Lines - Kubota WG2503



M171172AA-2

229031ABA

200

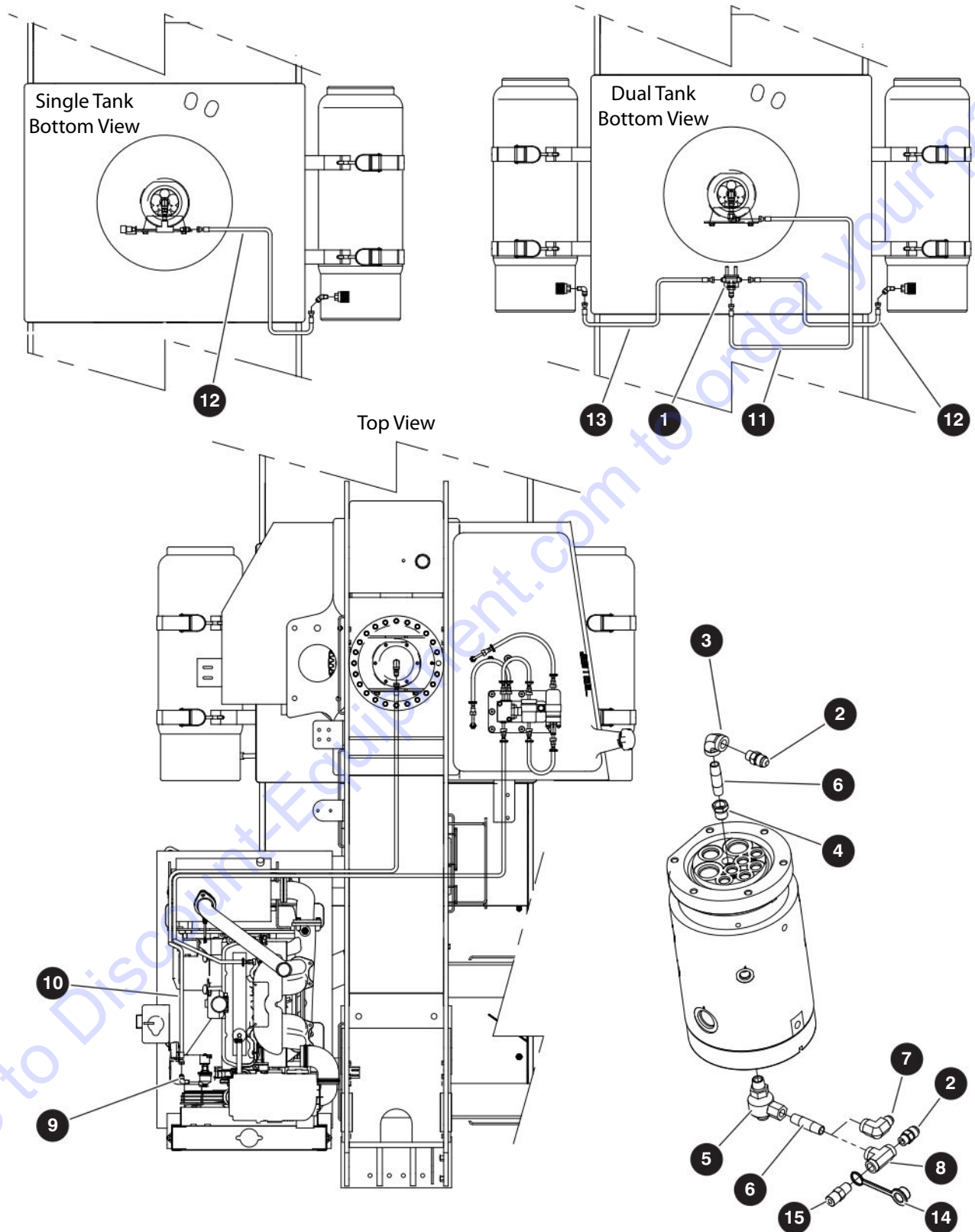
SJ40 T+, SJ45 T+

SKYJACK

8.8 Fuel Lines - Kubota WG2503

Index No.	Skyjack Part No.	Qty.	Description
-	171172	1	FUEL TANK AND LINES - Kubota WG2503
1	142397	7	<ul style="list-style-type: none"> • QUICK CONNECT, Straight
2	104000	2	<ul style="list-style-type: none"> • WASHER, Lock (1/4")
3	103470	1	<ul style="list-style-type: none"> • WASHER, Lock (1/20")
4	103892	2	<ul style="list-style-type: none"> • BOLT, Hex head (1/4"-20 x 5/8" gr 5)
5	103909	4	<ul style="list-style-type: none"> • BOLT, Hex head (1/20"-13 x 1-1/4" gr 5)
6	103862	4	<ul style="list-style-type: none"> • BOLT, Hex head (1/4"-20 x 2.25" gr 5)
7	103995	4	<ul style="list-style-type: none"> • WASHER, Flat (1/4")
8	104379	1	<ul style="list-style-type: none"> • WASHER, Flat (1/20" hard)
9	115649	2	<ul style="list-style-type: none"> • NUT, Hex head nylon lock (1/4"-20 gr 5)
10	103321	10	<ul style="list-style-type: none"> • CLAMP, Gear
11	170571	2	<ul style="list-style-type: none"> • QUICK CONNECT (SAE #3)
12	170572	2	<ul style="list-style-type: none"> • QUICK CONNECT (SAE #6)
13	(Ref.)	1	<ul style="list-style-type: none"> • TANK, Gasoline - steel <p style="margin-left: 20px;">(For components, refer to 4.15 Fuel Tank - Kubota)</p>
14	166755	1	<ul style="list-style-type: none"> • BRACKET, Fuel manifold
15	142405	24"	<ul style="list-style-type: none"> • FUEL LINE, 5/16"
16	142405	2.25"	<ul style="list-style-type: none"> • FUEL LINE, 5/16"
17	142405	8"	<ul style="list-style-type: none"> • FUEL LINE, 5/16"
18	142405	14"	<ul style="list-style-type: none"> • FUEL LINE, 5/16"
19	171177	1	<ul style="list-style-type: none"> • CLAMP, Loop
20	142405	120"	<ul style="list-style-type: none"> • FUEL LINE, 5/16"
21	142398	1	<ul style="list-style-type: none"> • QUICK CONNECT, 90 elbow
22	164881	1	PUMP, Fuel
23	164883	1	MANIFOLD, Fuel pressure
24	136118	1	FILTER, Fuel

8.9 Propane Lines - Kubota WG2503



M171173AA_M171174AA

229031ABA

202

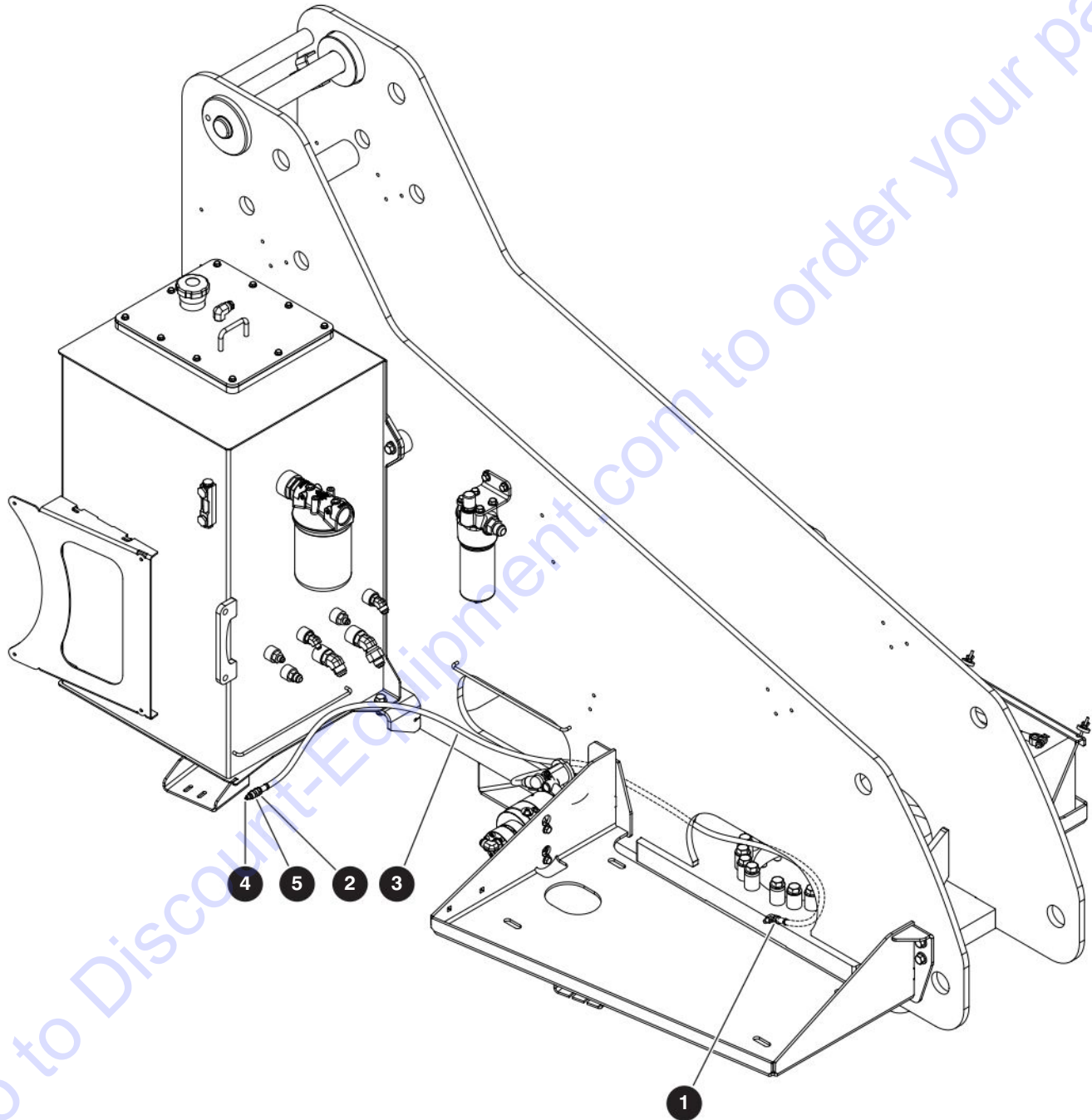
SJ40 T+, SJ45 T+

SKYJACK

8.9 Propane Lines - Kubota WG2503

Index No.	Skyjack Part No.	Qty.	Description
A	171173	1	PROPANE LINES - Kubota WG2503 with single propane tank
B	171174	1	PROPANE LINES - Kubota WG2503 with dual propane tank
1	123062	1	• SHUTTLE, Tee B
2	103156	2	• FITTING, Straight (06 SAE 45M - 04NPTM, brass) A
		1	• FITTING, Straight (06 SAE 45M - 04NPTM, brass) B
3	144325	1	• FITTING, Elbow, 90° (04NPTF - 04NPTF, brass)
4	100385	1	• FITTING, Straight (04NPTF - 06NPTM)
5	702239	1	• FITTING, Live swivel, 90° (04NPTF - 06NPTM)
6	143478	2	• FITTING, Nipple (04NPTM x 2", brass)
7	144334	1	• FITTING, Elbow, 90° (06 SAE 45 - 04NPTF, brass) B
8	132919	1	• FITTING, Tee branch (04NPTF, brass) A
9	103158	1	• FITTING, Elbow 90° (06 SAE45M - 04NPTM, brass)
10	144327	1	• HOSE, Propane (45 SAE x 103 TYPE III)
11	103098	1	• HOSE, Propane (45 SAE x 42 TYPE III) B
12	144326	1	• HOSE, Propane (45 SAE x 36 TYPE III)
13	123067	1	• HOSE, Propane (45 SAE x 31 TYPE III) B
14	111622	1	• CAP, Rain A
15	300799	1	• VALVE, Relief A

8.10 Grease Line



M167663AA

229031ABA

204

SJ40 T+, SJ45 T+

SKYJACK

8.10 Grease Line

Index No.	Skyjack Part No.	Qty.	Description
-	167663	1	GREASE LINE
1	139115	1	• FITTING, 90° (1/4 NPTM - 1/8 NPTF)
2	139095	1	• FITTING, Straight (1/8NPTF - 1/8NPTF)
3	167664	1	• HOSE, Grease line (70")
4	132565	1	• CAP, Grease (GC5)
5	102027	1	• FITTING, Grease straight (1/8 NPT)

Section 9 – Optional Equipment

9.1 Air Hose To Platform

9.2 Flashing Amber Light

9.3 Generator and Oil Cooler - 3.5 kW

9.4 Oil Cooler

9.5 Generator - 3.5 kW

9.6 Generator and Oil Cooler Wiring

9.7 Generator and Oil Cooler Hoses - 3.5 kW

9.8 Generator and Oil Cooler - 7.5 kW

9.9 Generator and Oil Cooler - 12 kW

9.10 Generator - 12 kW

9.11 Generator and Oil Cooler Hoses - 12 kW

9.12 Welder and Mount

9.13 Cold Start

9.14 Arctic Package

9.15 Cold and Arctic Load Circuit - Deutz D2.9L

9.16 Block Heater

9.17 Oil Quick Drain

9.18 Diesel Scrubber - Deutz D2011

9.19 External Railing

9.20 Glazier Rack

9.21 SGE - Secondary Guarding

9.22 Control Box Cover

9.23 Positive Air Shut-off

9.24 Work Lights

9.25 Tool Caddy

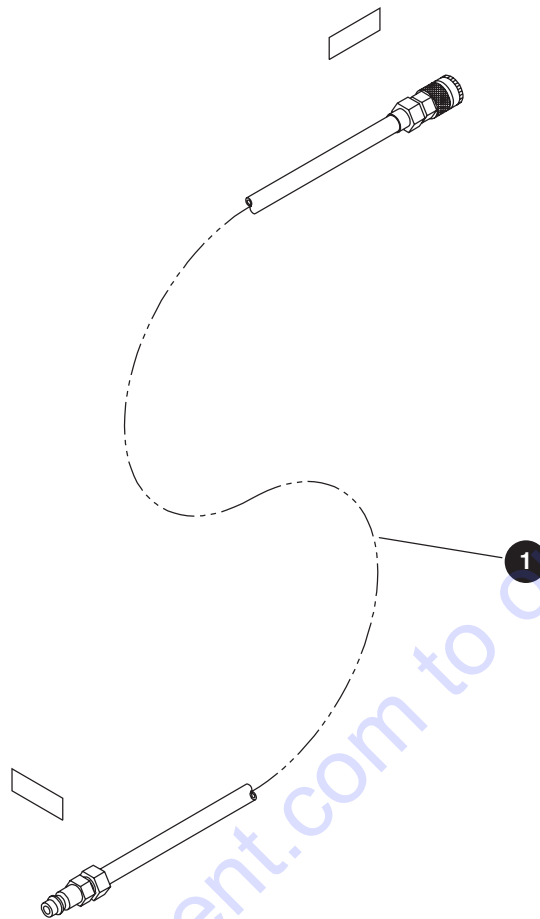
9.26 Half-Height Platform Mesh

9.27 Elevate Telematics

9.28 Elevate Telematics Subscription

9.29 Pipe Rack

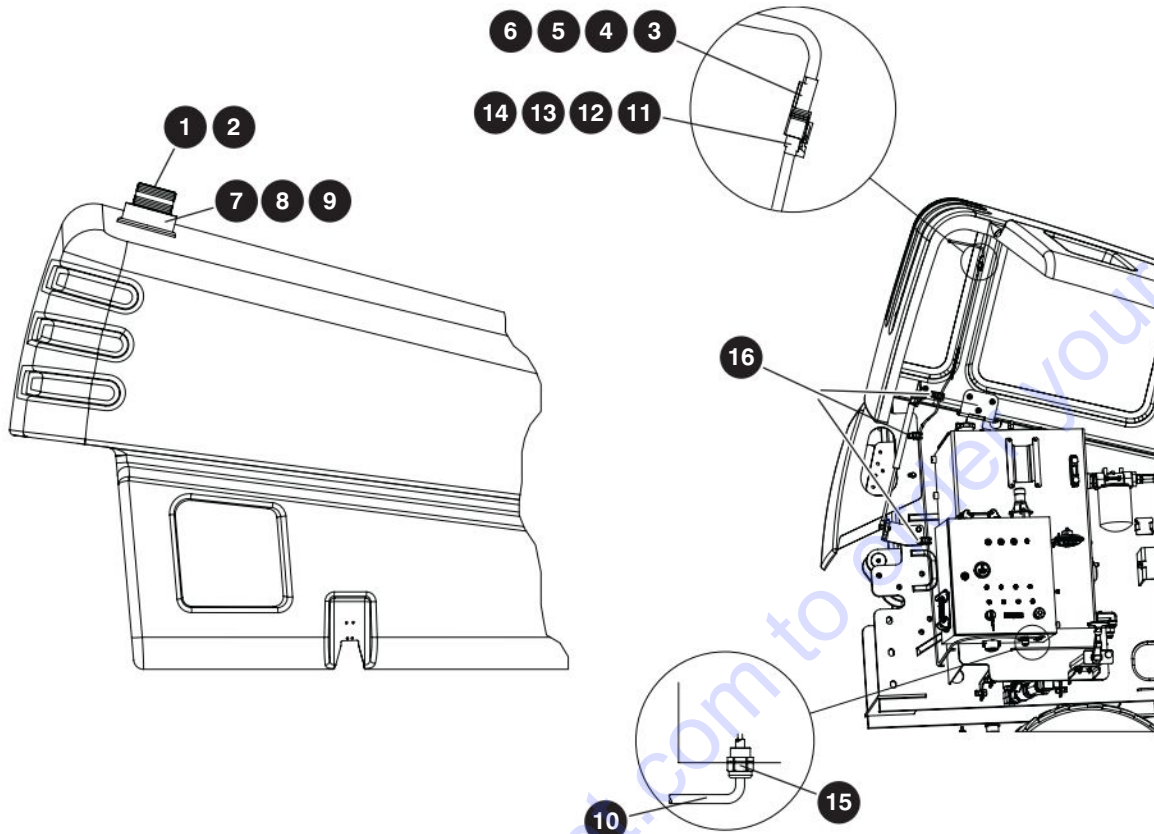
9.1 Air Hose To Platform



ML3F-1017AA

Index No.	Skyjack Part No.	Qty.	Description
A	139201	1	AIR HOSE TO PLATFORM - ANSI/CSA, SJ40 T+
B	139202	1	AIR HOSE TO PLATFORM - ANSI/CSA, SJ45 T+
C	144461	1	AIR HOSE TO PLATFORM - CE & AS
1	107882	1	• FITTING, Female disconnect, A, B
	107883	1	• FITTING, Male disconnect, A, B
	107884	732	• HOSE, Air (1/2" diameter), A
		792	• HOSE, Air (1/2" diameter), B, C
	109050	2	• FITTING, Hose barb (Brass), A, B
	107886	2	• CLAMP, Hose, A, B

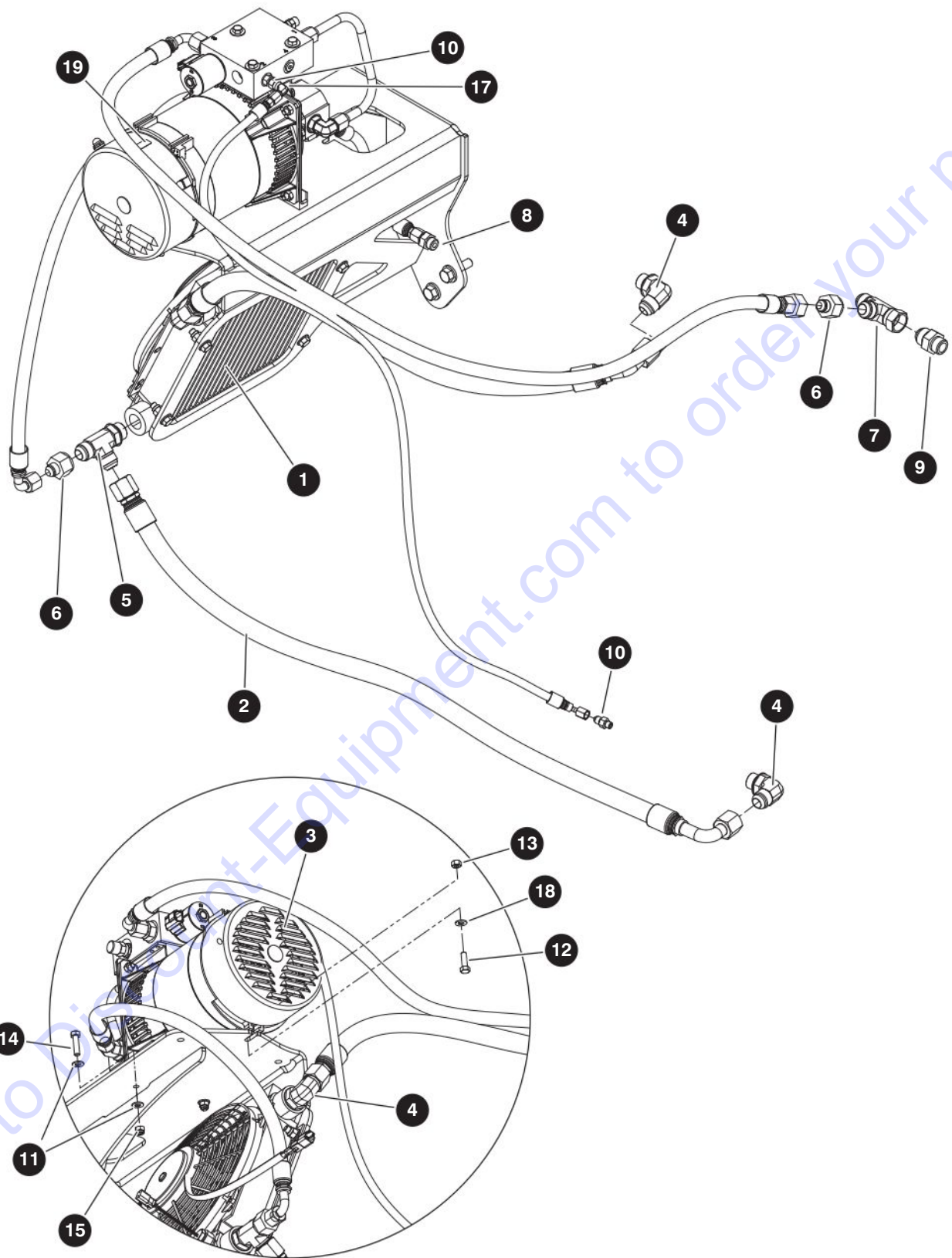
9.2 Flashing Amber Light



M144026AA2

Index No.	Skyjack Part No.	Qty.	Description
-	144026	1	FLASHING AMBER LIGHT
1	144078	1	• FLASHING AMBER LIGHT ASSEMBLY
2	143971	1	• • STROBE LIGHT, Amber (12/24 VDC)
	144215	1	• • • FLASH TUBE
3	117596	1	• • CONNECTOR RECEPTACLE (2 pin)
4	117590	2	• • CONNECTOR CONTACT PIN (16/18 GA)
5	117598	1	• • WEDGE, Receptacle (2 pin)
6	124399	4"	• • SPLIT LOOM (1/4 inch)
7	122498	3	• SCREW, Round head machine (#10-32 x 1 1/4")
8	300450	3	• NUT, Hex lock/nylon insert (#10-32 UNF)
9	104694	3	• WASHER, Flat (#10 SAE)
10	144079	1	• HARNESS, Flash amber light
11	117597	1	• • PLUG, Connector (2 pin)
12	117591	2	• • SOCKET, Connector contact (16/18 GA)
13	117599	1	• • WEDGE, Plug (2 pin)
14	103256	120	• • CABTIRE, SJ (18/2)
15	103041	1	• STRAIN RELIEF (blue)
16	102972	3	• CLIP, Double (G8)

9.3 Generator and Oil Cooler - 3.5 kW



M166413AE

229031ABA

210

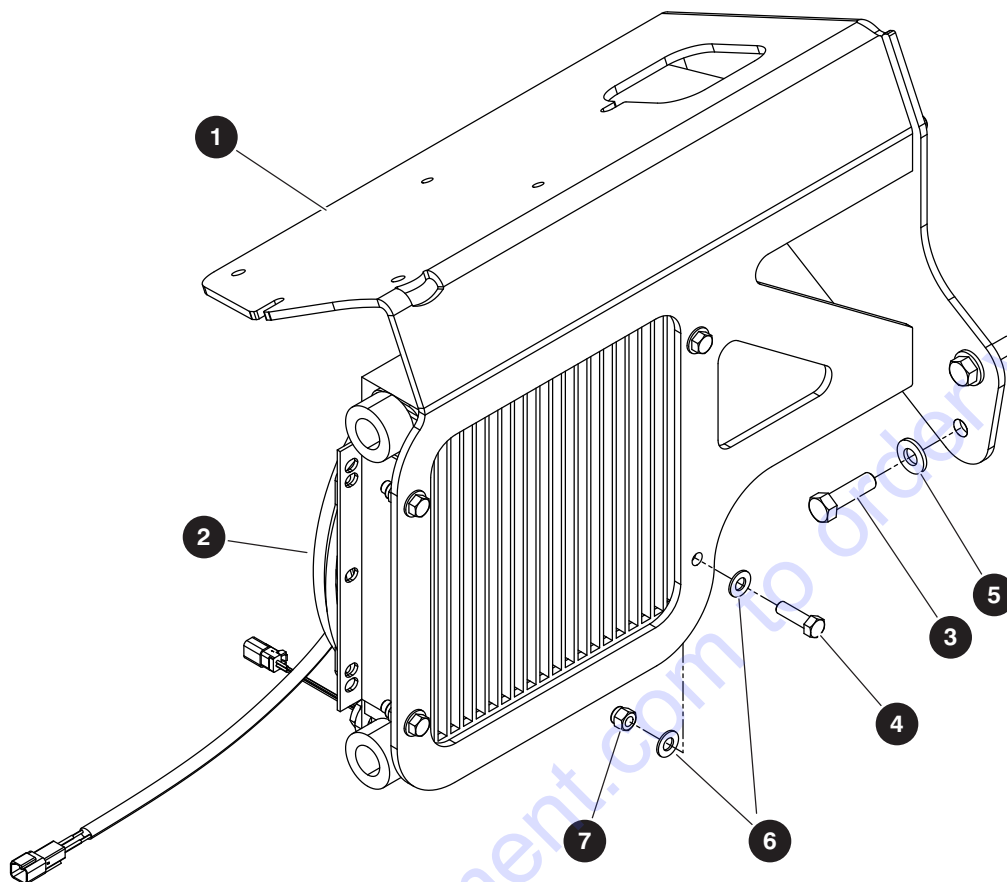
SJ40 T+, SJ45 T+

SKYJACK

9.3 Generator and Oil Cooler - 3.5 kW

Index No.	Skyjack Part No.	Qty.	Description
A	230422	1	GENERATOR AND OIL COOLER, 3.5kW 60hz - ANSI/CSA
B	230423	1	GENERATOR AND OIL COOLER, 3.5kW 50hz - CE
1	(Ref.)	1	<ul style="list-style-type: none"> • OIL COOLER ASSEMBLY (For components, refer to 9.4 Oil Cooler)
2	(Ref.)	1	<ul style="list-style-type: none"> • GENERATOR/COOLER HOSE KIT (For components, refer to 9.7 Generator and Oil Cooler Hoses - 3.5 kW)
3	(Ref.)	1	<ul style="list-style-type: none"> • GENERATOR, 3.5kW 60hz A
	(Ref.)	1	<ul style="list-style-type: none"> • GENERATOR, 3.5kW 50hz B (For components, refer to 9.5 Generator - 3.5 kW)
4	105445	3	<ul style="list-style-type: none"> • FITTING, Elbow 90° (12JICM-12ORBM)
5	144116	1	<ul style="list-style-type: none"> • FITTING, Run tee (12JICM-12ORBM-12JICM)
6	703412	2	<ul style="list-style-type: none"> • FITTING, Straight (12JICF-08JICM)
7	701413	1	<ul style="list-style-type: none"> • FITTING, Tee (12JICM-12JICM-12JICFSW)
8	103070	1	<ul style="list-style-type: none"> • FITTING, Straight (06JICM-08ORBM)
9	702118	1	<ul style="list-style-type: none"> • FITTING, Straight (12JICM-12ORBM)
10	144474	2	<ul style="list-style-type: none"> • FITTING, Straight (04JICM-04ORBM)
11	103996	4	<ul style="list-style-type: none"> • WASHER, Flat (3/8")
12	136665	1	<ul style="list-style-type: none"> • BOLT, Hex head (M10 x 1-1/4 x 35mm Gr 8.8)
13	144260	1	<ul style="list-style-type: none"> • NUT, Hex head nylon lock (M10-1-1/4 Gr 8.8)
14	112532	2	<ul style="list-style-type: none"> • BOLT, Hex head (0.312"-18 x 1-1/4" gr 5)
15	103984	2	<ul style="list-style-type: none"> • NUT, Hex head nylon lock (0.313"-18 gr 5)
16	(Ref.)	1	<ul style="list-style-type: none"> • WIRING ASSEMBLIES (not shown) (For components, refer to 9.6 Generator and Oil Cooler Wiring)
17	702875	1	<ul style="list-style-type: none"> • FITTING, Elbow 90° (04JICM-04JICFSW)
18	103472	1	<ul style="list-style-type: none"> • WASHER, Flat (3/8")
19	117390	1	<ul style="list-style-type: none"> • LABEL, Push to reset generator

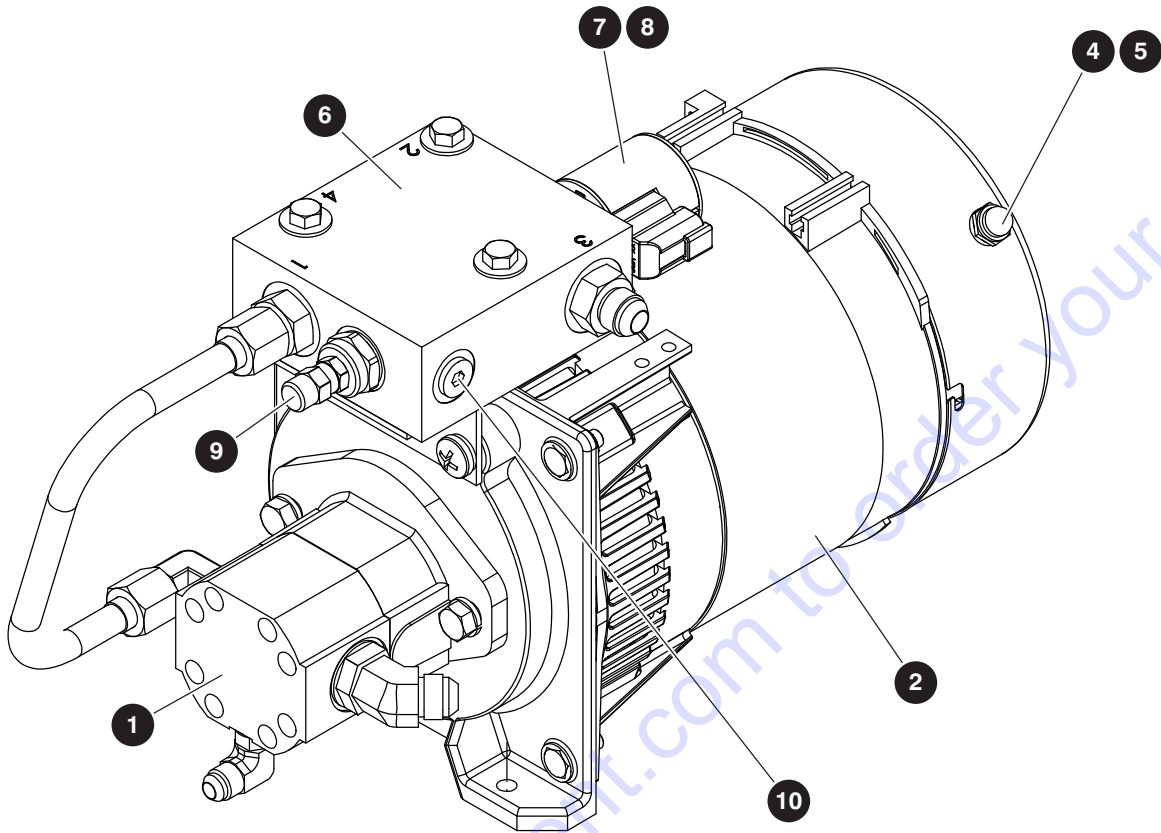
9.4 Oil Cooler



M166366AA

Index No.	Skyjack Part No.	Qty.	Description
-	166366	1	OIL COOLER
1	166367	1	• BRACKET, Generator mounting
2	160800	1	• COOLER Hydraulic oil 12VDC
	169245	1	• • THERMOSTAT, Oil cooler
	207428	1	• • FAN, Vented - 12C
3	103909	5	• BOLT, Hex head (1/20"-13 x 1-1/4" gr 5)
4	101297	4	• BOLT, Hex head (3/8"-16 x 1-1/4" gr 5)
5	104379	5	• WASHER, Flat hardened (1/20")
6	103472	8	• WASHER, Flat (3/8")
7	104606	4	• NUT, Hex head nylon lock (3/8"-16 gr 5)

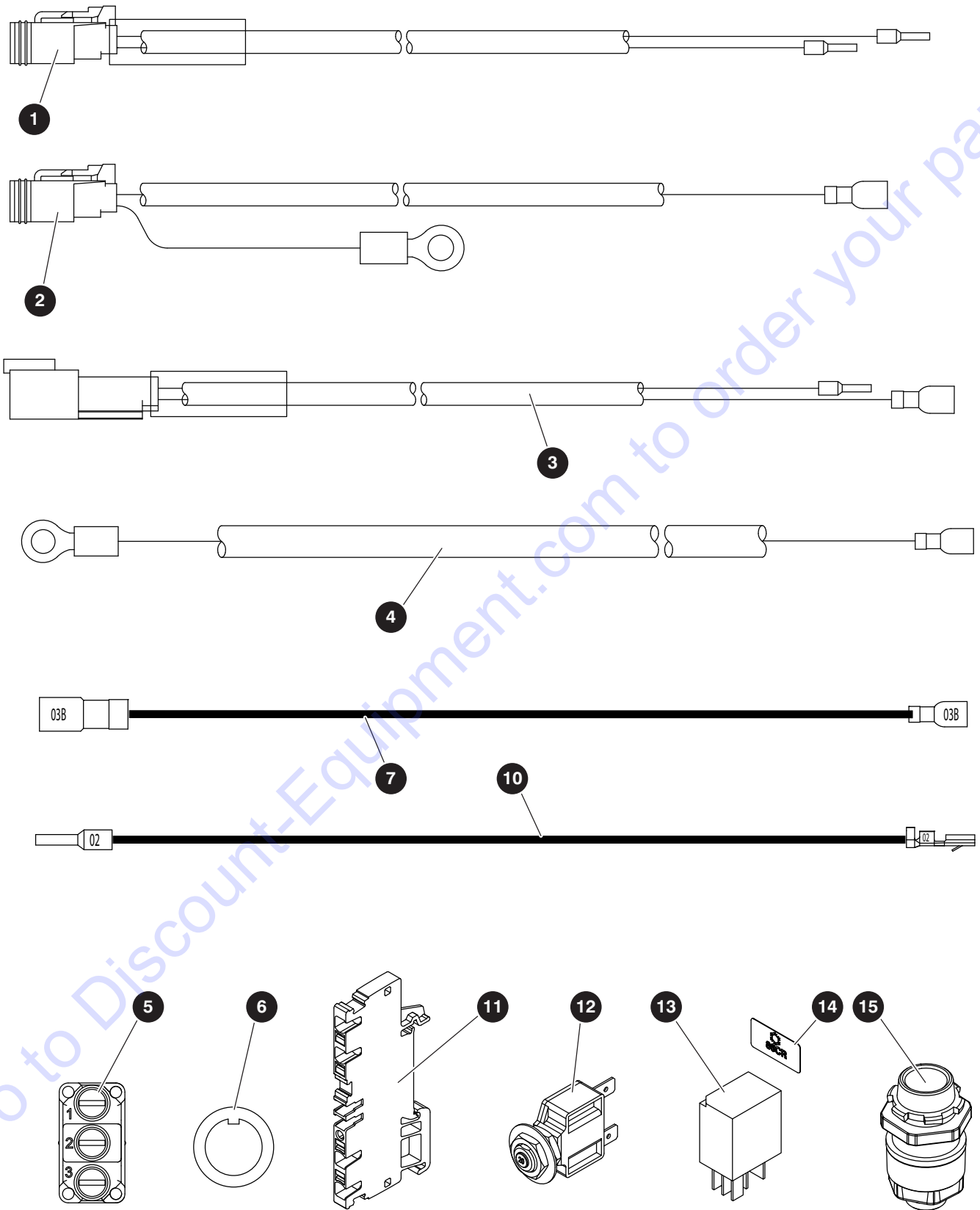
9.5 Generator - 3.5 kW



M144102AB

Index No.	Skyjack Part No.	Qty.	Description
A	166448	1	GENERATOR, 3.5kW 60hz - ANSI/CSA
B	166450	1	GENERATOR, 3.5kW 50hz - CE
1	171419	1	• MOTOR, Hydraulic - 5 cc
2	197773	1	• ALTERNATOR, Generator - 60 Hz, A
	197774	1	• ALTERNATOR, Generator - 50 Hz, B
3	197775	1	• CORD, GFI (not shown)
4	117325	1	• BREAKER, Circuit - 15 amp
5	162508	1	• BOOT, Circuit breaker
-	168618	1	• MANIFOLD, Generator - 3.5 kW
6	197769	1	• • BLOCK, Manifold
7	168056	1	• • VALVE, Solenoid
8	168057	1	• • COIL, Solenoid
9	171450	1	• • VALVE, Flow control
10	197770	1	• • VALVE, Check
11	204105	1	• CAPACITOR (not shown)

9.6 Generator and Oil Cooler Wiring



M235626AA_M230430AA

229031ABA

214

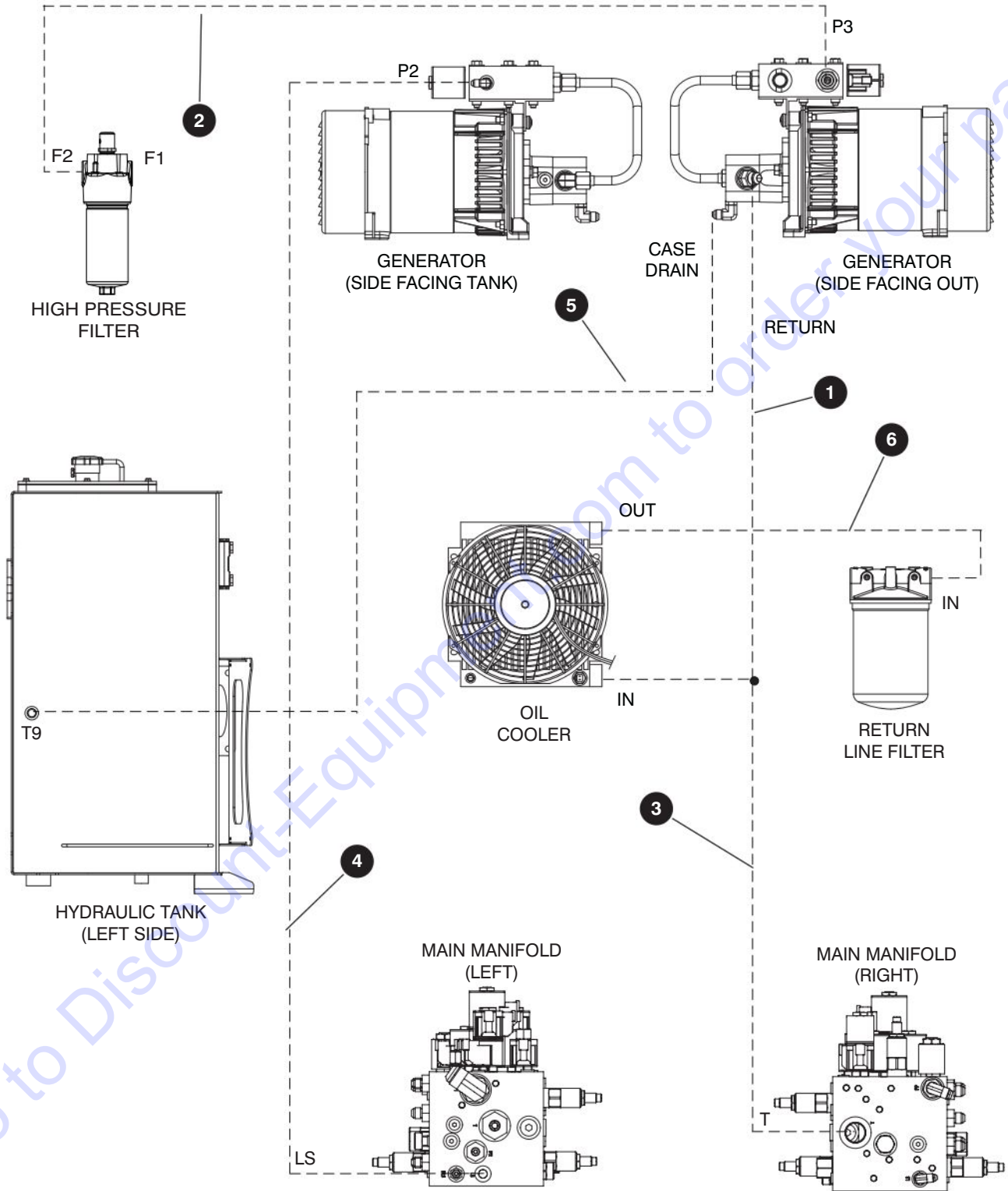
SJ40 T+, SJ45 T+

SKYJACK

9.6 Generator and Oil Cooler Wiring

Index No.	Skyjack Part No.	Qty.	Description
A	235626	1	OIL COOLER WIRING ASSEMBLY
B	230430	1	GENERATOR WIRING ASSEMBLY - 7.5 kW & 12 kW
C	230428	1	GENERATOR WIRING ASSEMBLY - 3.5 kW
D	165791	1	GENERATOR WIRING ASSEMBLY - 12 kW - SJ40 T+
E	165792	1	GENERATOR WIRING ASSEMBLY - 12 kW - SJ45 T+
1	144068	1	• HARNESS, Generator valve, B, C
	117597	1	• • PLUG, 2 Pin connector
	117599	1	• • PLUG, 2 Pin wedge connector
	117590	1	• • CONTACT SOCKET, Connector (16/18 GA)
2	144069	1	• HARNESS, Cooler fan, A, B, C
	117597	1	• • PLUG, 2 Pin connector
	117599	1	• • PLUG, 2 Pin wedge connector
	117593	2	• • CONTACT SOCKET, Connector (14-16)
3	218434	1	• HARNESS, Cooler temperature sensor, A, B, C
	117590	1	• • CONTACT SOCKET, Connector (16/18 GA)
	117596	1	• • RECEPTACLE, 2 Pin connector (Deutsch)
	117598	1	• • RECEPTACLE, 2 Pin wedge connector (Deutsch)
4	144074	1	• HARNESS, Oil cooler power, A, B, C
-	198382	1	• TOGGLE SWITCH, Platform control box, C, D, E
5	115747	1	• • SWITCH, Toggle (1NT1-3)
6	144016	1	• • SEAL, Panel bushing
7	163087	1	• WIRE, Oiler cooler relay, A, B, C
8	144180	1	• WELDER POWER CABLE (not shown), D
9	144181	1	• WELDER POWER CABLE (not shown), E
10	235625	1	• WIRE, 02, A, B, C
11	218996	1	• BLOCK, Terminal - 85, B, C
12	117326	1	• CIRCUIT BREAKER, 20 amp, A, B, C
13	931298	1	• RELAY, A, B, C
14	144193	1	• LABEL, Relay - 86CR, A, B, C
15	116266	1	• CONNECTOR, Strain relief, A, B
	103041	2	• CONNECTOR, Strain relief, C

9.7 Generator and Oil Cooler Hoses - 3.5 kW



M144056AB_1

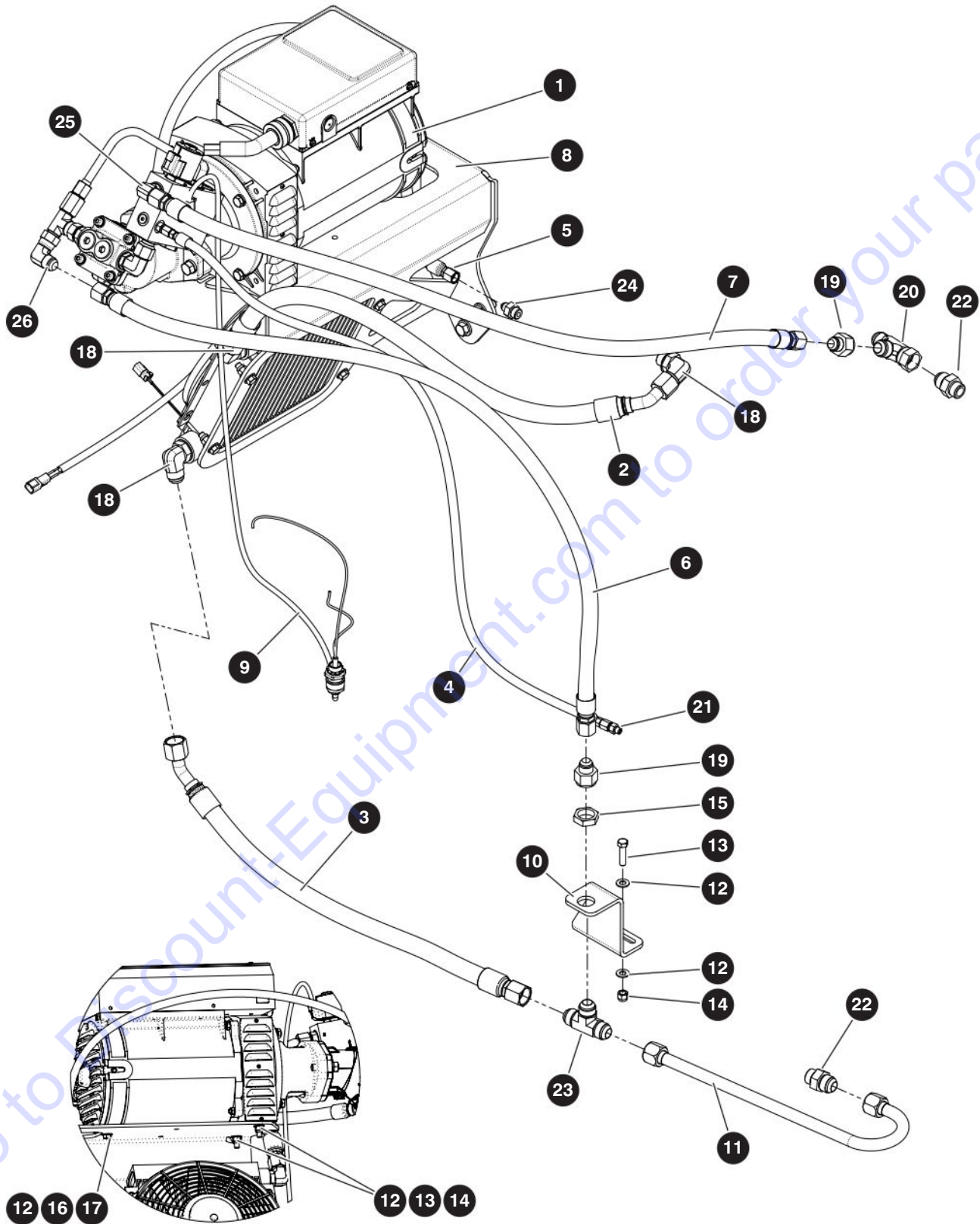
229031ABA

SJ40 T+, SJ45 T+

9.7 Generator and Oil Cooler Hoses - 3.5 kW

Index No.	Hose P/N	From		To		
		Description	Port	Port	Description	
-	166398	3.5 kW GENERATOR AND OIL COOLER HOSE KIT				
1	H5408 0030 0	Generator (Return Port)	-	IN	Oil Cooler	
2	H5408 0064 0	Generator (Manifold Pressure)	P3	F2	Pressure Filter	
3	H5412 0053 0	Oil Cooler	IN	T	Main Manifold	
4	H5204 0058 0	Generator	P2	LS	Main Manifold	
5	H5206 0014 0	Generator (Case Drain)	-	T9	Hydraulic Tank	
6	H5212 0038 0	Oil Cooler	OUT	IN	In-Line Return Filter	
-	166365	OIL COOLER ONLY HOSE KIT (No Generator)				
3	H5412 0053 0	Oil Cooler	IN	T	Main Manifold	
6	H5212 0038 0	Oil Cooler	OUT	IN	In-Line Return Filter	

9.8 Generator and Oil Cooler - 7.5 kW



M209077AA

229031ABA

218

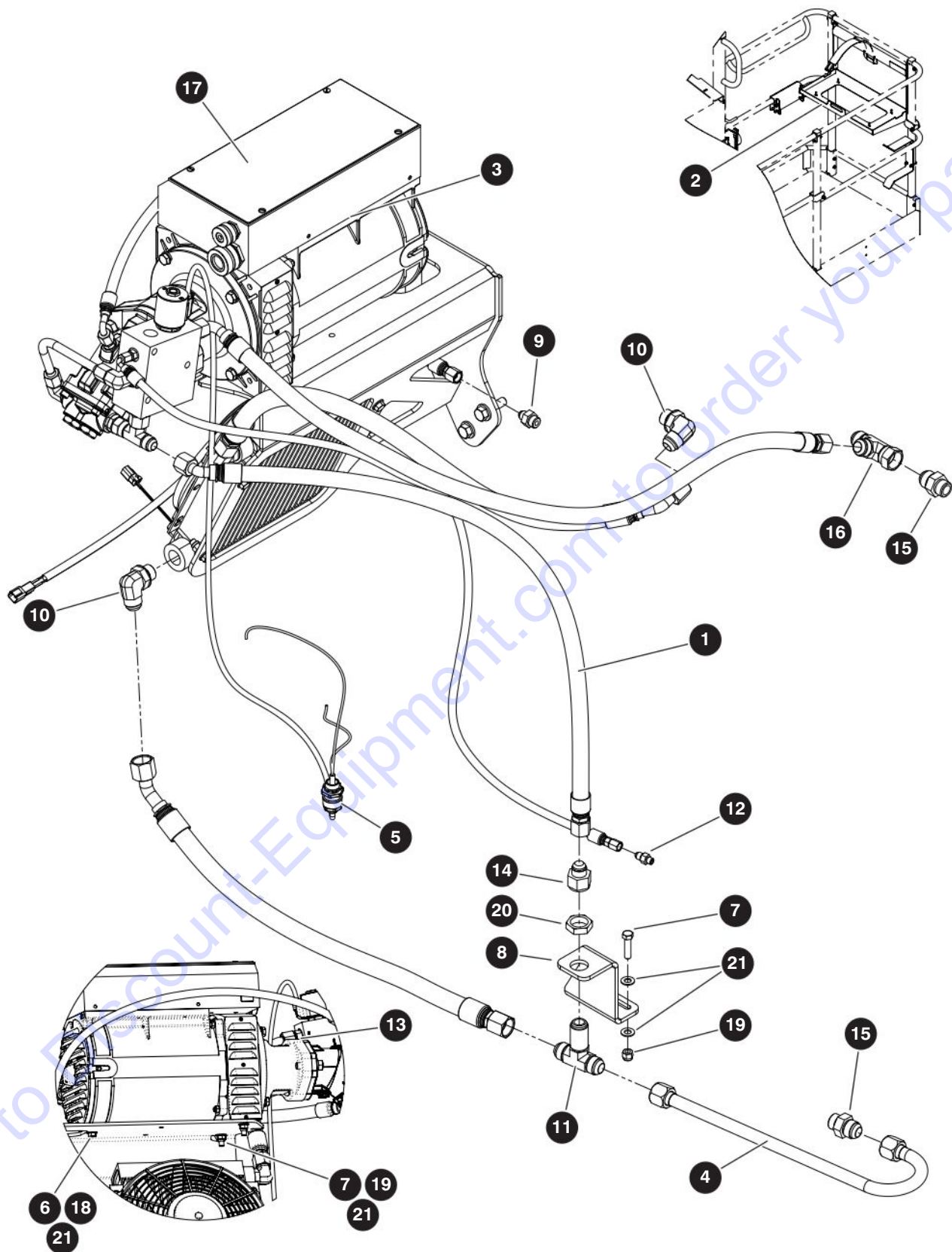
SJ40 T+, SJ45 T+

SKYJACK

9.8 Generator and Oil Cooler - 7.5 kW

Index No.	Skyjack Part No.	Qty.	Description
-	230424	1	7.5 kW GENERATOR AND OIL COOLER - AS
1	209080	1	• GENERATOR, Hydraulic - 7.5 kW
	212457	1	• • • ALTERNATOR, Generator - 50 Hz
	195467	1	• • • MOTOR, Hydraulic - 12 cc
	197779	1	• • • COUPLING, Motor
	197780	1	• • • INSERT, Coupling
	197781	1	• • • COUPLING, Alternator
	212460	1	• • • CORD, 8'
	197766	1	• • • MANIFOLD, Generator
	171450	1	• • • • VALVE, Flow regulator
	197770	1	• • • • VALVE, Check
	168057	1	• • • • COIL, Solenoid
	198586	1	• • • • BLOCK, Manifold
	168058	1	• • • • VALVE, Flow enable
	171410	1	• • • • VALVE, Check (LS)
	710508	2	• • • • FITTING, Plug
-	209252	1	• GENERATOR/COOLER HOSE KIT
2	H521200380	1	• • HOSE, Hydraulic (3/4 / 100R17 x 38")
3	H521200380	1	• • HOSE, Hydraulic (3/4 / 100R17 x 38")
4	H510400600	1	• • HOSE, Hydraulic (1/4 / 100R17 x 60")
5	H540600450	1	• • HOSE, Hydraulic (0.38 / 100R17 x 45")
6	H511000530	1	• • HOSE, Hydraulic (0.63 / 100R17 x 53")
7	H511000630	1	• • HOSE, Hydraulic (0.63 / 100R17 x 63")
8	(Ref.)	1	• OIL COOLER ASSEMBLY (For components, refer to 9.4 Oil Cooler)
9	(Ref.)	1	• WIRING ASSEMBLIES (For components, refer to 9.6 Generator and Oil Cooler Wiring)
10	167052	1	• BRACKET, Bulkhead mount
11	167054	1	• TUBE (34"- OD x 0.095" wall)
12	103472	9	• WASHER, Flat (3/8")
13	103870	4	• BOLT, Hex head (3/8"-16 x 1-1/20" Gr 5)
14	104606	4	• NUT, Hex head nylon lock (3/8"-16, gr 5)
15	167203	1	• FITTING, Nut bulkhead (12JIC)
16	103850	1	• BOLT, Hex head (M10 x 1-1/4 x 30mm, gr 8.8)
17	144260	1	• NUT, Hex head (M10-1-1/4, gr 8.8)
18	105445	3	• FITTING, 90° (12JICM-12ORBM)
19	139153	2	• FITTING, Straight (12JICF-10JICM)
20	703413	1	• FITTING, Tee (12JICM-12JICM-12JICFSW)
21	126128	1	• FITTING, Straight (04JICM-04ORBM)
22	702118	2	• FITTING, Straight (12JICM-12ORBM)
23	167201	1	• FITTING, Tee bulkhead (12JICM-12JICM-12JICM)
24	103070	1	• FITTING, Straight (6JICM-08ORBM)
25	135091	1	• FITTING, 90° (10JICM-10ORBM)
26	703626	1	• FITTING, 90° (10JICM-10JICFSW)

9.9 Generator and Oil Cooler - 12 kW



M165786AB

229031ABA

220

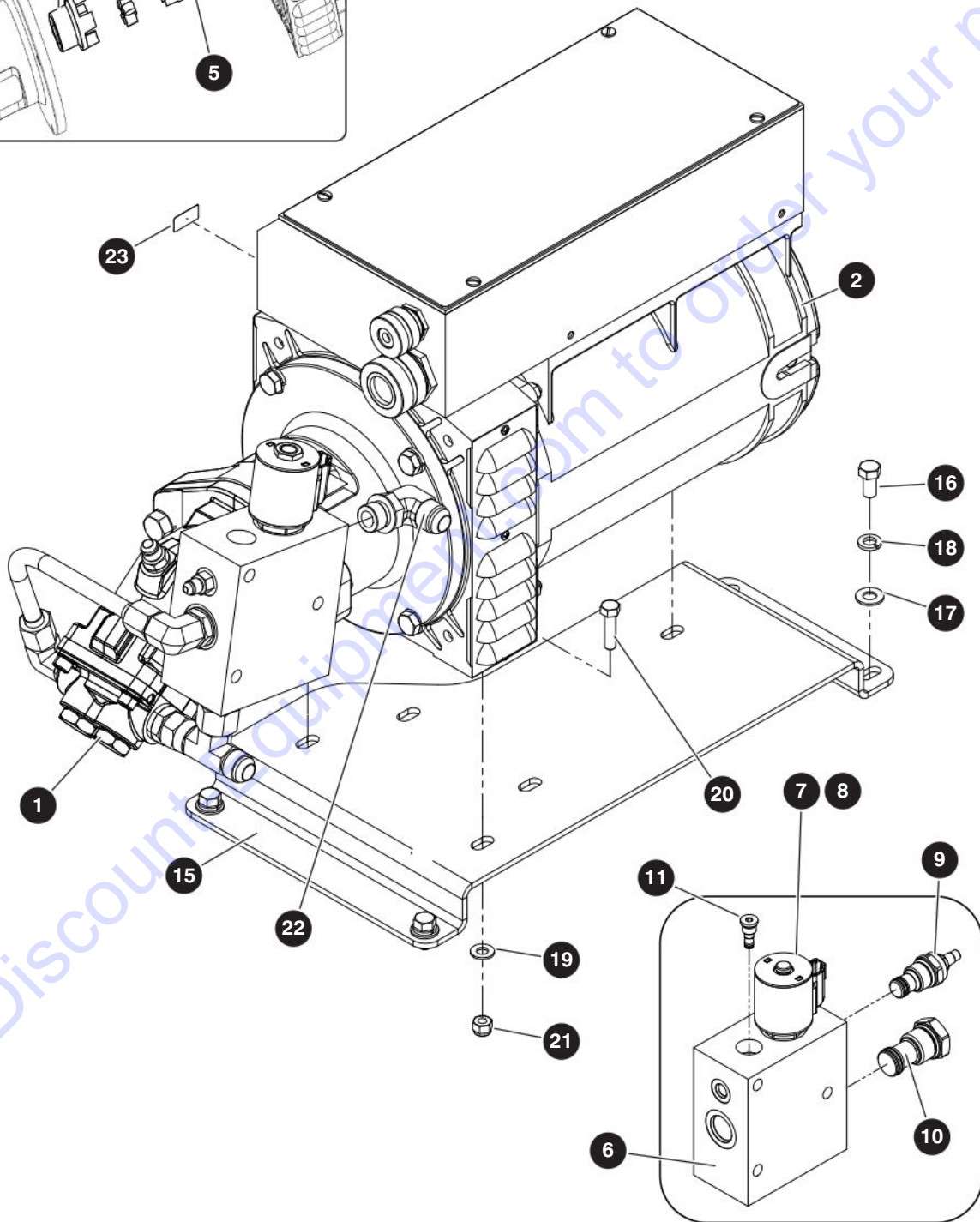
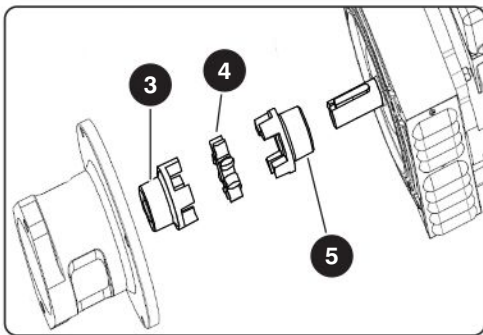
SJ40 T+, SJ45 T+

SKYJACK

9.9 Generator and Oil Cooler - 12 kW

Index No.	Skyjack Part No.	Qty.	Description
-	230425	1	12 kW GENERATOR AND OIL COOLER ASSEMBLY - SJ40 T+ ANSI/CSA
-	230426	1	12 kW GENERATOR AND OIL COOLER ASSEMBLY - SJ45 T+ ANSI/CSA
1	(Ref.)	1	<ul style="list-style-type: none"> • GENERATOR/COOLER HOSE KIT (For components, refer to 9.11 Generator and Oil Cooler Hoses - 12 kW)
2	(Ref.)	1	<ul style="list-style-type: none"> • WELDER MOUNTING ASSEMBLY (For components, refer to 9.12 Welder and Mount)
3	(Ref.)	1	<ul style="list-style-type: none"> • OIL COOLER ASSEMBLY (For components, refer to 9.4 Oil Cooler)
4	167054	1	<ul style="list-style-type: none"> • TUBE (34"- OD x 0.095" wall)
5	(Ref.)	1	<ul style="list-style-type: none"> • WIRING ASSEMBLIES (For components, refer to 9.6 Generator and Oil Cooler Wiring)
6	103850	1	<ul style="list-style-type: none"> • BOLT, Hex head (M10 x 1-1/4 x 30mm, gr 8.8)
7	103870	4	<ul style="list-style-type: none"> • BOLT, Hex head (3/8"-16 x 1-1/20" Gr 5)
8	167052	1	<ul style="list-style-type: none"> • BRACKET, Bulkhead mount
9	103070	1	<ul style="list-style-type: none"> • FITTING, Straight (6JICM-08ORBM)
10	105445	3	<ul style="list-style-type: none"> • FITTING, 90° (12JICM-12ORBM)
11	167201	1	<ul style="list-style-type: none"> • FITTING, Tee bulkhead (12JICM-12JICM-12JICM)
12	126128	1	<ul style="list-style-type: none"> • FITTING, Straight (04JICM-04ORBM)
13	137630	1	<ul style="list-style-type: none"> • FITTING, Straight (10JICM-10ORBM)
14	139153	1	<ul style="list-style-type: none"> • FITTING, Straight (12JICF-10JICM)
15	702118	2	<ul style="list-style-type: none"> • FITTING, Straight (12JICM-12ORBM)
16	703413	1	<ul style="list-style-type: none"> • FITTING, Tee (12JICM-12JICM-12JICFSW)
17	(Ref.)	1	<ul style="list-style-type: none"> • GENERATOR, Hydraulic (12 kW) (For components, refer to 9.10 Generator - 12 kW)
18	144260	1	<ul style="list-style-type: none"> • NUT, Hex head (M10-1-1/4, gr 8.8)
19	104606	4	<ul style="list-style-type: none"> • NUT, Hex head nylon lock (3/8"-16, gr 5)
20	167203	1	<ul style="list-style-type: none"> • FITTING, Nut bulkhead (12JIC)
21	103472	9	<ul style="list-style-type: none"> • WASHER, Flat (3/8")
L	117390	1	<ul style="list-style-type: none"> • LABEL, Push-To-Reset Generator

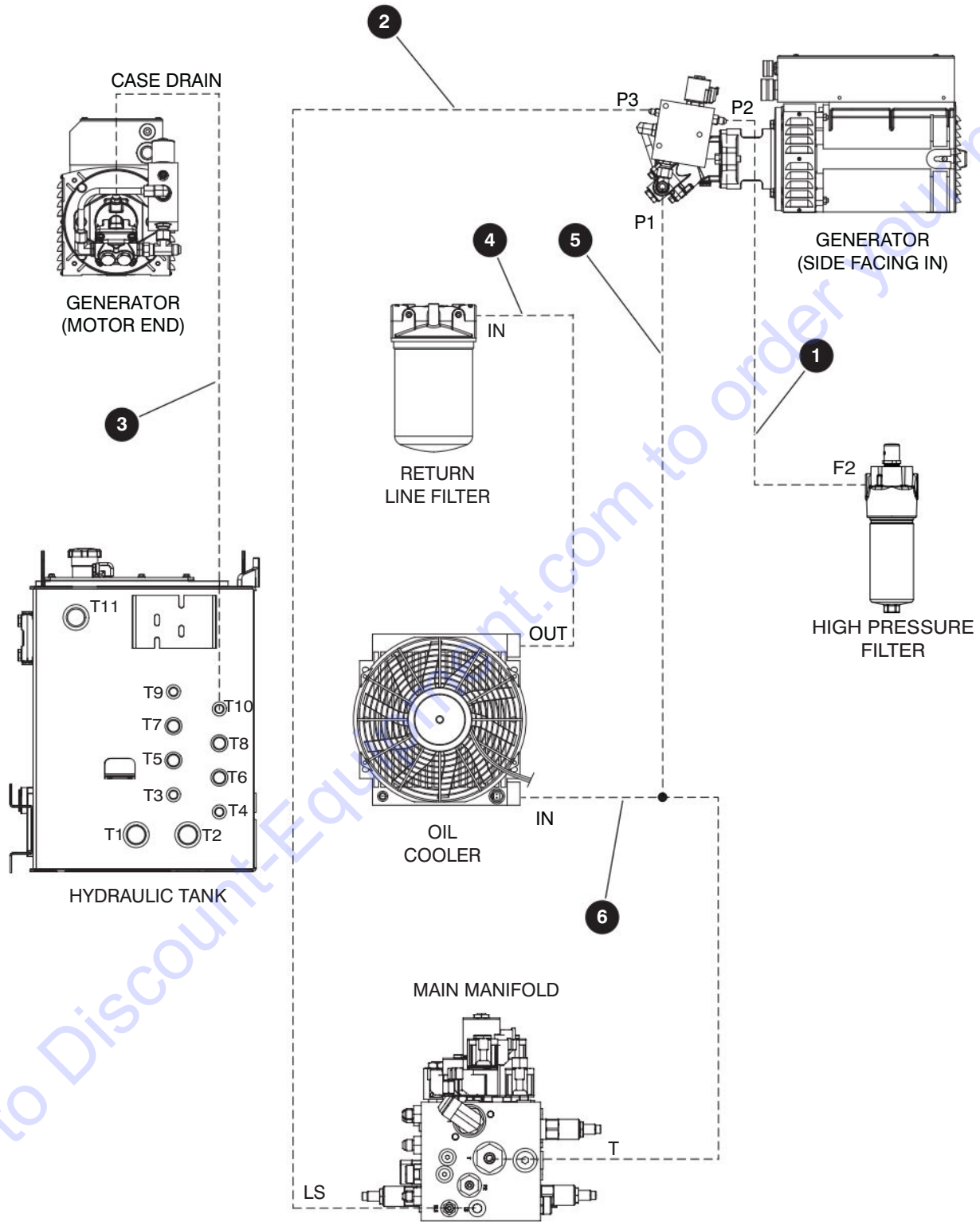
9.10 Generator - 12 kW



9.10 Generator - 12 kW

Index No.	Skyjack Part No.	Qty.	Description
-	166455	1	GENERATOR ASSEMBLY - 12 kW - ANSI/CSA
-	160764	1	• GENERATOR, 12 kW
1	195467	1	• • MOTOR, Hydraulic - 12 cc
2	197781	1	• • ALTERNATOR, Generator
3	197779	1	• • COUPLING, Motor
4	197780	1	• • INSERT, Coupling
5	197781	1	• • COUPLING, Alternator
-	197764	1	• • MANIFOLD, Generator
6	197767	1	• • • BLOCK, Manifold
7	168058	1	• • • VALVE, Solenoid
8	168057	1	• • • COIL, Solenoid
9	171450	1	• • • VALVE, Flow control
10	168058	1	• • • VALVE, Check (12)
11	197770	1	• • • VALVE, Check (04)
12	195595	1	• • SEAL KIT, Generator - 12 kW (not shown)
13	198971	1	• • BREAKER, GFCI DIN rail - 15A (not shown)
14	198972	1	• • BREAKER, 3 pole DIN rail - 40A (not shown)
15	166364	1	• BRACKET, Generator mounting
16	101632	4	• BOLT, Hex head (3/8"-16 x 3/4", Gr 5)
17	103472	4	• WASHER, Flat (3/8")
18	103999	4	• WASHER, Lock (3/8")
19	103996	5	• WASHER, Flat (0.312")
20	112532	3	• BOLT, Hex head (0.312"-18 x 1-1/4", Gr 5)
21	103984	3	• NUT, Hex head (0.312"-18, Gr 5)
22	135091	1	• FITTING, Elbow 90° (10 JICM - 10 ORBM)
23	117390	1	• LABEL, Push to reset generator

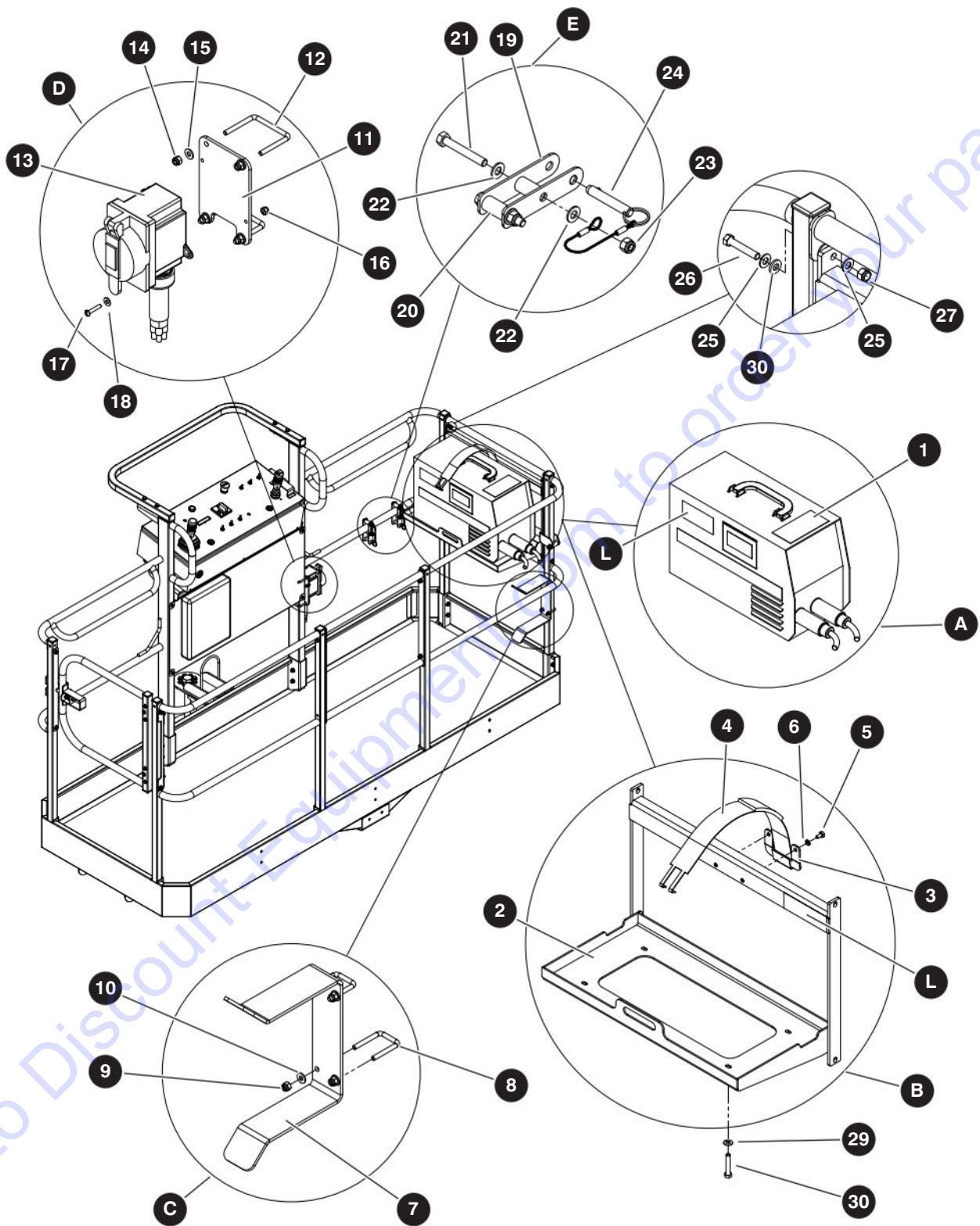
9.11 Generator and Oil Cooler Hoses - 12 kW



9.11 Generator and Oil Cooler Hoses - 12 kW

Index No.	Hose P/N	From		To		
		Description	Port	Port	Description	
-	166412	12 kW GENERATOR HOSE KIT				
1	H5410 0049 0	Generator Manifold	P2	F2	Pressure Filter	
2	H5404 0057 0	Generator Manifold	P3	LS	Main Manifold	
3	H5406 0045 0	Generator (Case Drain)	-	T9	Hydraulic Tank	
4	H5212 0038 0	Oil Cooler	OUT	IN	Return Filter	
5	H5212 0045 0	Generator (Return)	P1	-	Tee fitting	
6	H5212 0038 0	Oil Cooler	IN	-	Tee fitting	

9.12 Welder and Mount



M159917AD

229031ABA

226

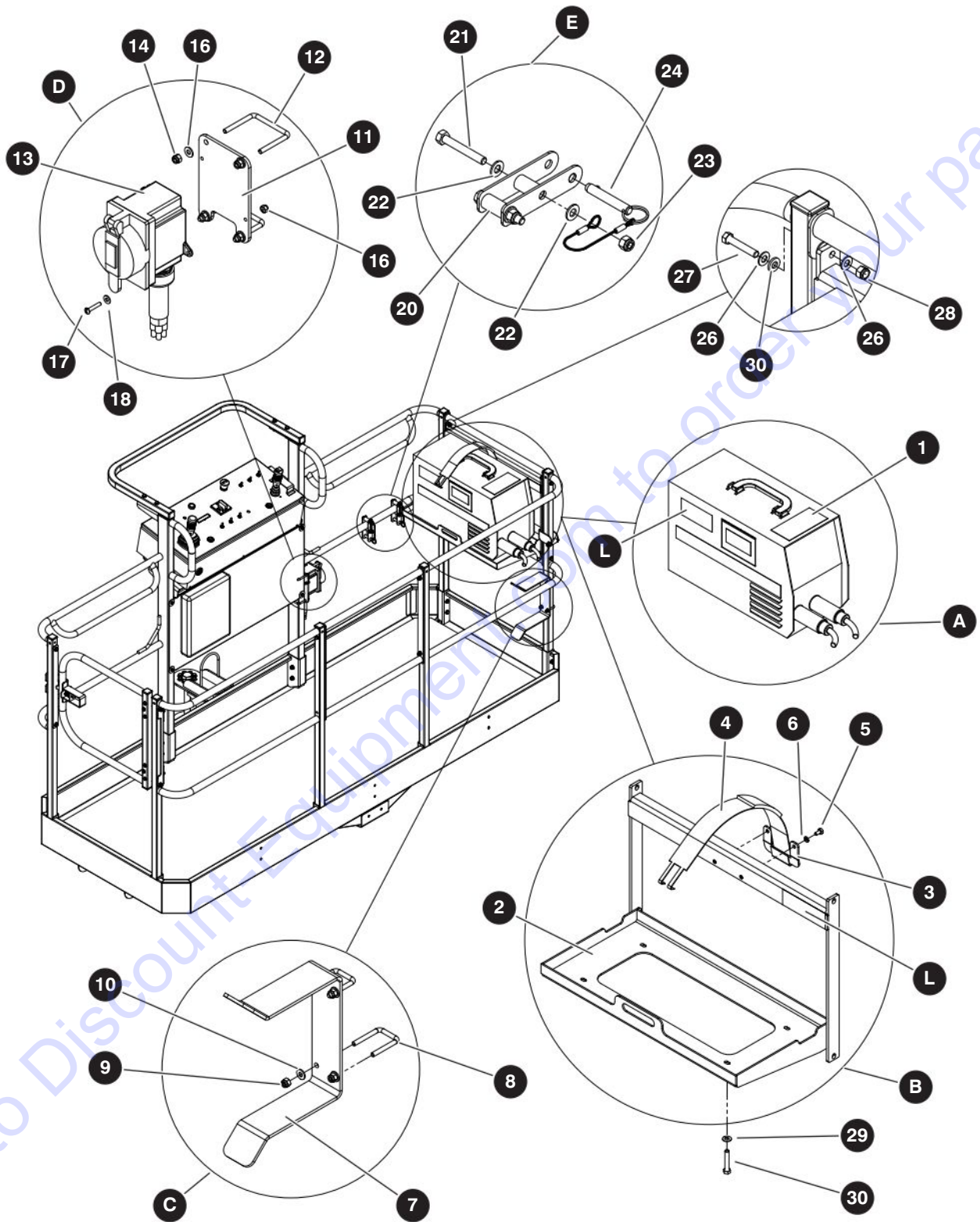
SJ40 T+, SJ45 T+

SKYJACK

9.12 Welder and Mount

Index No.	Skyjack Part No.	Qty.	Description
A 1	148383	1	WELDER ASSEMBLY
	138811	1	• WELDER (275A)
	138813	1	• CABLE, Electrode (14')
	144376	1	• • ELECTRODE HOLDER (400A)
	106746	168"	• • CABLE
	138814	1	• CABLE, Work (14')
	144377	1	• • GrOUND CLAMP (400A)
	106746	168"	• • CABLE
	144374	1	• PLUG, Locking (50A / 250V / 3P)
	144603	2	• CLAMP, Cushioned loop (7/8" diameter)
L	147112	2	• LABEL, Welder weight (90 lbs)
-	159917	1	MOUNTING ASSEMBLY, 12kW Welder
B 2 3 4 5 6 L	159948	1	• WELDER TRAY ASSEMBLY
	159955	1	• • TRAY, Welder
	137814	1	• • PLATE, Strap
	103020	1	• • STRAPS (pair)
	103855	2	• • BOLT, Hex head (1/4"-20 x 1/20", Gr 5)
	104000	2	• • WASHER, Lock (1/4")
	L	147112	1
C 7 8 9 10	144218	1	• BRACKET ASSEMBLY
	144220	1	• • BRACKET, Welding cables
	144219	2	• • U BOLT, Welder bracket
	115649	4	• • NUT, Hex lock (1/4"-20 Gr 5, nylon)
	103995	4	• • WASHER, Flat (1/4")
D 11 12 13 14 15 16 17 18	144221	1	• RECEPTACLE ASSEMBLY
	144222	1	• • PLATE, Receptacle mounting
	144223	2	• • U BOLT, Receptacle mounting
	141614	1	• • ELECTRICAL COMPONENTS ASSEMBLY
	139835	1	• • • FD BOX, 50A Receptacle
	139832	1	• • • RECEPTACLE, Single locking
	139836	1	• • • COVER, Weather resistant
	103962	2	• • • SCREW, Round head machine (#10-32 x 1/20")
	104964	2	• • • WASHER, Flat (#10)
	144367	1	• • • STRAIN RELIEF, 1-18" straight
	115649	4	• • NUT, Hex lock (1/4"-20 Gr 5, nylon)
	103995	4	• • WASHER, Flat (1/4")
	300450	2	• • NUT, Hex lock (#10-32 Gr 5, nylon)
	105621	2	• • SCREW, Round head machine (#10-32 x 1")
104694	2	• • WASHER, Flat (#10)	

9.12 Welder and Mount



M159917AD

229031ABA

228

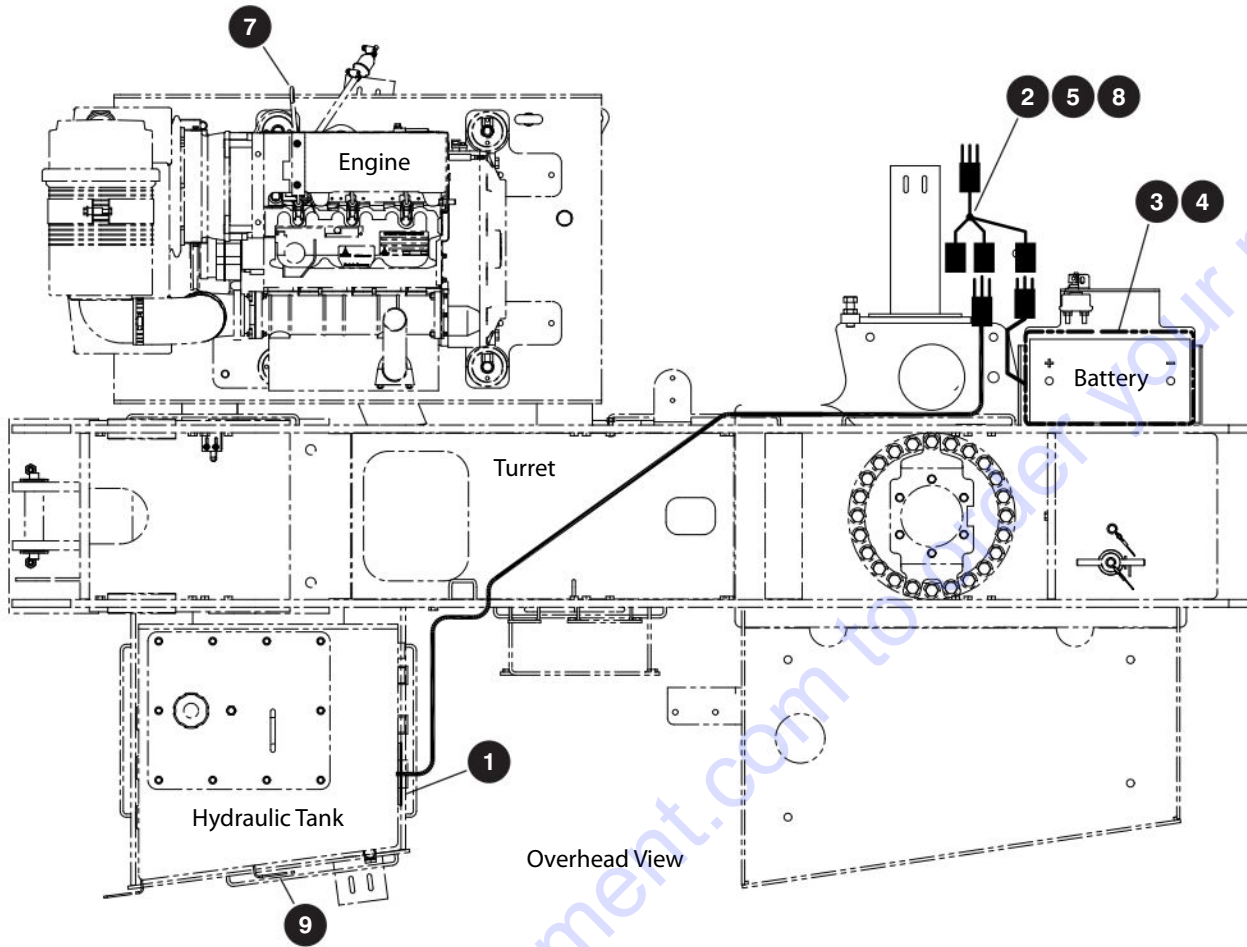
SJ40 T+, SJ45 T+

SKYJACK

9.12 Welder and Mount

Index No.	Skyjack Part No.	Qty.	Description
E	168530	1	<ul style="list-style-type: none"> • HANGER ASSEMBLY
19	169160	2	<ul style="list-style-type: none"> • • BRACKET, Welder cable
20	159947	2	<ul style="list-style-type: none"> • • SPACER, Welder tray
21	103866	2	<ul style="list-style-type: none"> • • BOLT, Hex head (5/16"-18 x 2 1/4 Gr 5)
22	103996	4	<ul style="list-style-type: none"> • • WASHER, Flat (5/16")
23	103984	2	<ul style="list-style-type: none"> • • NUT, Hex lock nylon lock (5/16"-18 Gr 5)
24	124548	1	<ul style="list-style-type: none"> • • PIN, Quick release
25	103996	8	<ul style="list-style-type: none"> • WASHER, Flat (5/16")
26	103884	4	<ul style="list-style-type: none"> • BOLT, Hex head (5/16"-18 x 2.50", Gr 5)
27	103984	4	<ul style="list-style-type: none"> • NUT, Hex head nylon lock (5/16"-18, Gr 5)
28	103995	4	<ul style="list-style-type: none"> • WASHER, Flat (1/4")
29	103857	9	<ul style="list-style-type: none"> • BOLT, Hex head (1/4"-20 x 1.00" Gr 5)
30	159960	2	<ul style="list-style-type: none"> • SPACER, Nylon (0.403" ID x 3/4" OD, x 0.312" long) - drop bar entrance
	168336	2	<ul style="list-style-type: none"> • SPACER, Nylon (0.394" ID x 3/4" OD, x 0.125" long) - swing gate entrance

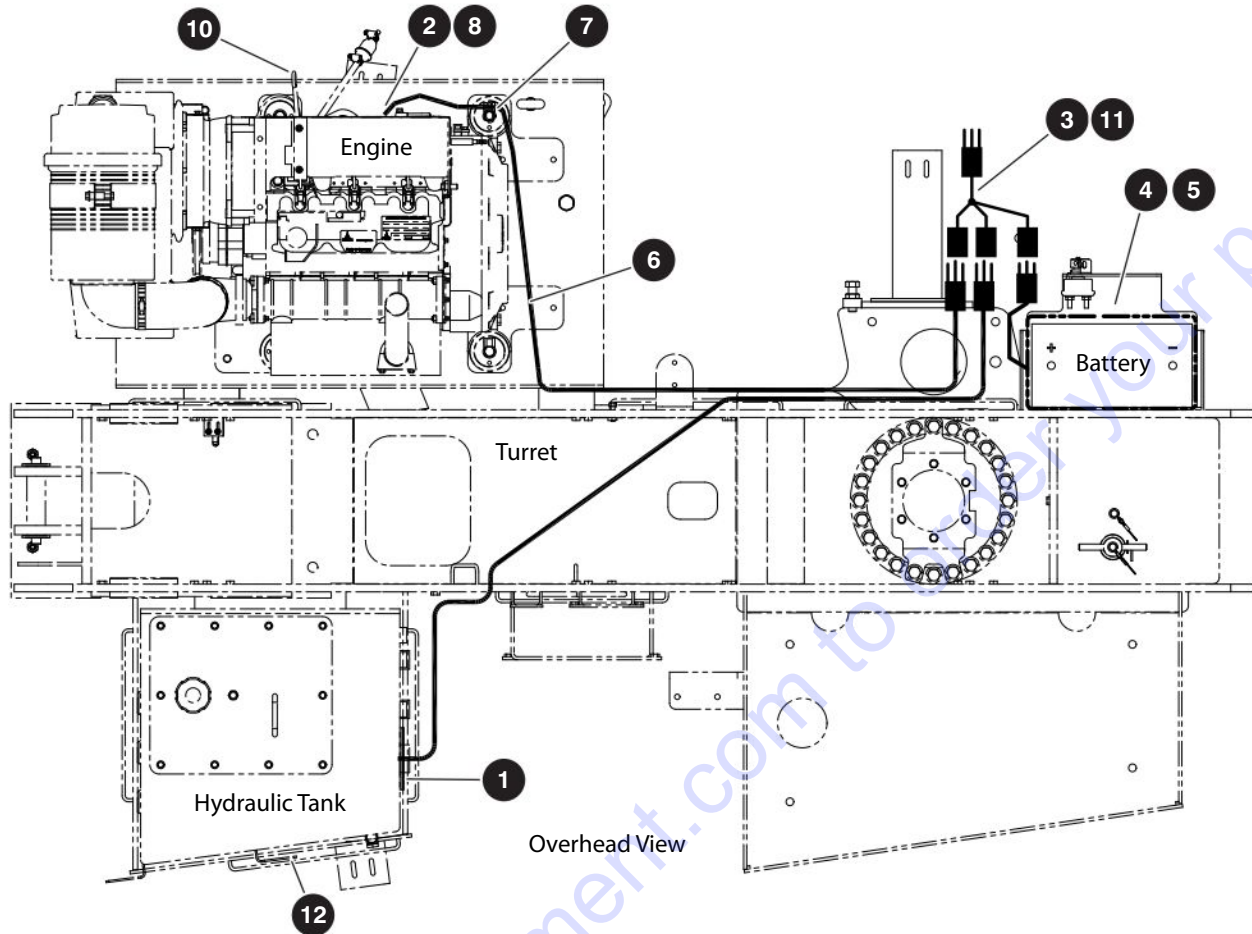
9.13 Cold Start



M138850AD

Index No.	Skyjack Part No.	Qty.	Description
A	167878	1	COLD START ENGINE KIT - Deutz D2.9L
B	167876	1	COLD START ENGINE KIT - Deutz D2011
C	166325	1	COLD START ENGINE KIT - Kubota WG2503
1	166261	1	• HEATER, Pad (1000W)
2	159888	1	• CORD, "W"
3	703290	1	• BLANKET, Battery
4	144727	2	• CABLE TIE, 43.3" Black
5	144129	2	• CLIP, Single
6	(Ref.)	1	• LOAD CIRCUIT ASSEMBLY (not shown), A
7	146162	1	• LABEL, Pictorial cold weather factory oil (on oil dipstick), A, B
8	146021	1	• LABEL, Hydraulic oil/battery warmer cord
9	143593	1	• LABEL, Shell Tellus T46 oil (on hydraulic tank)

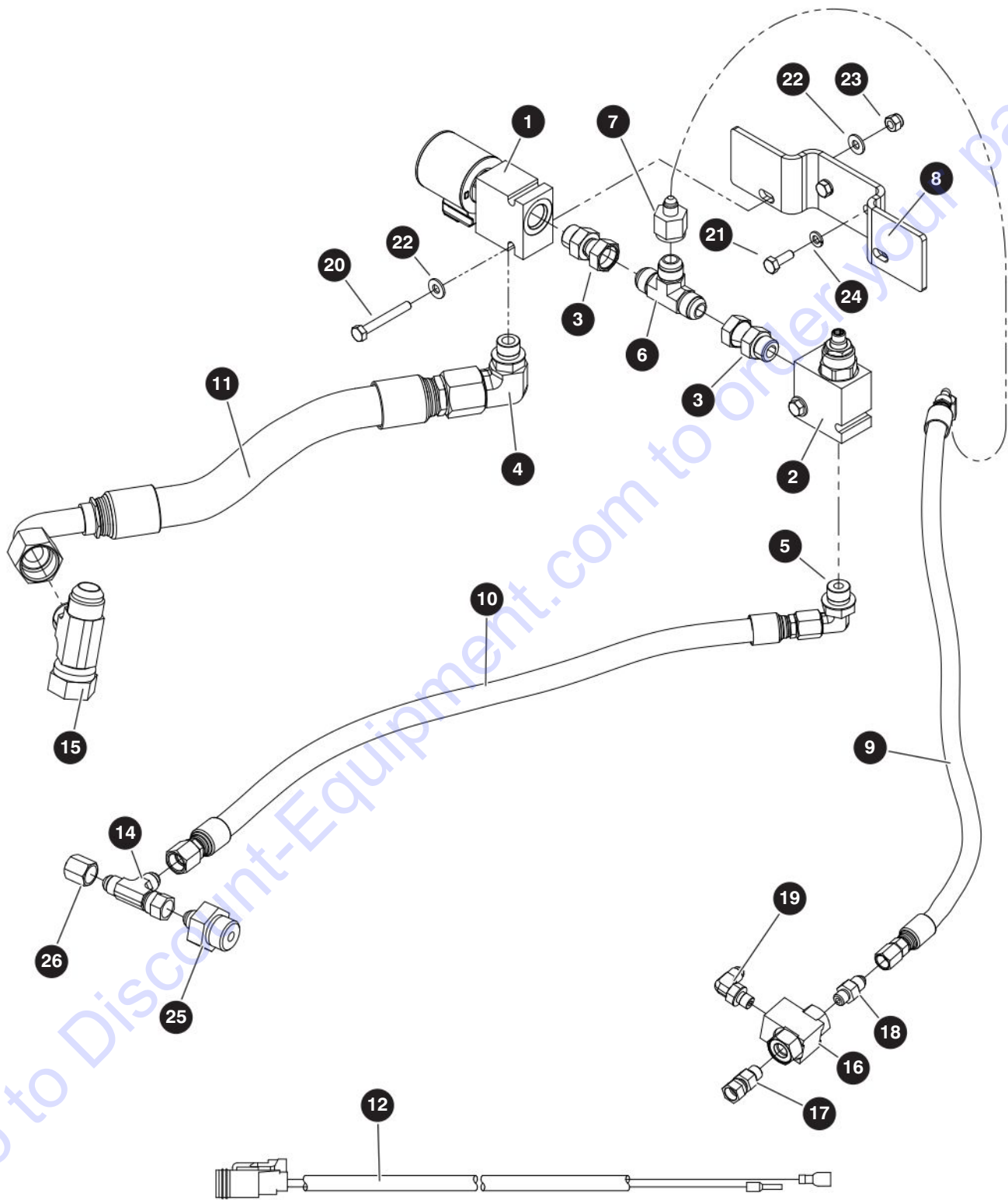
9.14 Arctic Package



M144034AH

Index No.	Skyjack Part No.	Qty.	Description
A	235621	1	ARCTIC PACKAGE KIT - Deutz D2.9L
B	167881	1	ARCTIC PACKAGE KIT - Deutz D2011
C	171146	1	ARCTIC PACKAGE KIT - Kubota WG2503
1	166261	1	• HEATER, Pad (1000W)
2	165559	1	• HEATER, Block (Deutz D2.9L), A
	144642	1	• HEATER, Oil pan element (Deutz D2011), B
	170072	1	• HEATER, Block, C
3	159888	1	• CORD, "W"
4	703290	1	• BLANKET, Battery
5	144727	2	• TIE WRAP (43.3")
6	166299	1	• CORD, Oil pan heater (6'), B
7	144129	1	• CLIP, Single (S332G10)
8	170073	1	• ADAPTER, Block heater, C
9	(Ref.)	1	• LOAD CIRCUIT ASSEMBLY (not shown), A (For components, refer to 9.15 Cold and Arctic Load Circuit - Deutz D2.9L)
10	144635	1	• LABEL, Arctic engine oil (on oil dipstick), A, B
11	144632	1	• LABEL, Hydraulic oil/battery heater
12	144633	1	• LABEL, Arctic hydraulic oil Tellus T46

9.15 Cold and Arctic Load Circuit - Deutz D2.9L



M218992AA

229031ABA

232

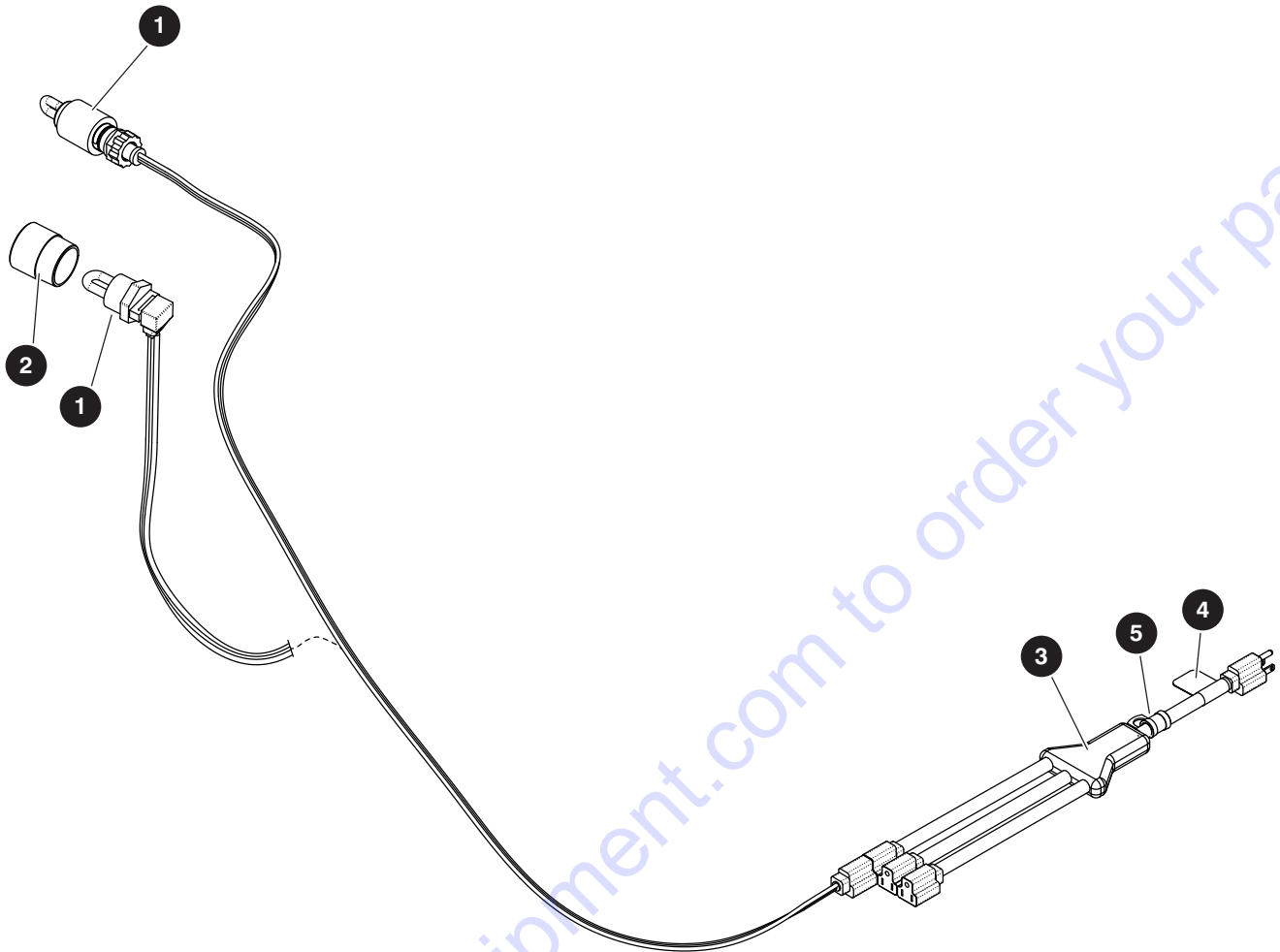
SJ40 T+, SJ45 T+

SKYJACK

9.15 Cold and Arctic Load Circuit - Deutz D2.9L

Index No.	Skyjack Part No.	Qty.	Description
-	218992	1	COLD & ARCTIC PACKAGE LOAD CIRCUIT - Deutz D2.9L
-	194496	1	• MANIFOLD ASSEMBLY, Load circuit
1	194492	1	• • VALVE ASSEMBLY, Load circuit select
2	194493	1	• • VALVE ASSEMBLY, Needle
3	194516	2	• • FITTING, Straight (08JICF-08ORBM)
4	149226	1	• • FITTING, 90 (12JICM-08ORBM)
5	102665	1	• • FITTING, 90 (06JICM-08ORBM)
6	194575	1	• • FITTING, Tee (08JICM-08JICM-08JICM)
7	706812	1	• • FITTING, Straight (08JICF-04JICM)
8	170624	1	• BRACKET, Manifold
9	H540400340	1	• HOSE, Hydraulic (34")
10	H510600200	1	• HOSE, Hydraulic (20")
11	H541200140	1	• HOSE, Hydraulic (14")
12	218989	1	• HARNESS, Load circuit
13	218991	1	• SCHEMATIC, Load circuit (not shown)
14	103309	1	• FITTING, Run tee (06JICM-06JICM-06JICFS)
15	703413	1	• FITTING, Swivel run tee (12JICM-12JICFS-12JICM)
-	194872	1	• VALVE ASSEMBLY, Shuttle
16	138394	1	• • VALVE, Shuttle
17	148445	1	• • FITTING, Straight
18	126128	1	• • FITTING, Straight
19	125883	1	• • FITTING, 90 (04JICM-04ORBM)
20	103861	2	• BOLT, Hex head (1/4"-20 x 2.00" gr 5)
21	103856	2	• BOLT, Hex head (1/4"-20 x 3/4" gr 5)
22	103995	4	• WASHER, Flat (1/4")
23	115649	2	• NUT, Hex head nylon lock (1/4-20 gr 5)
24	104000	2	• WASHER, Lock (1/4")
25	109052	1	• FITTING, Straight (06JICM-12ORBM)
26	107666	1	• FITTING, Cap (06JICF)
27	TBD	1	INSTALLATION INSTRUCTION, Load circuit (not shown)

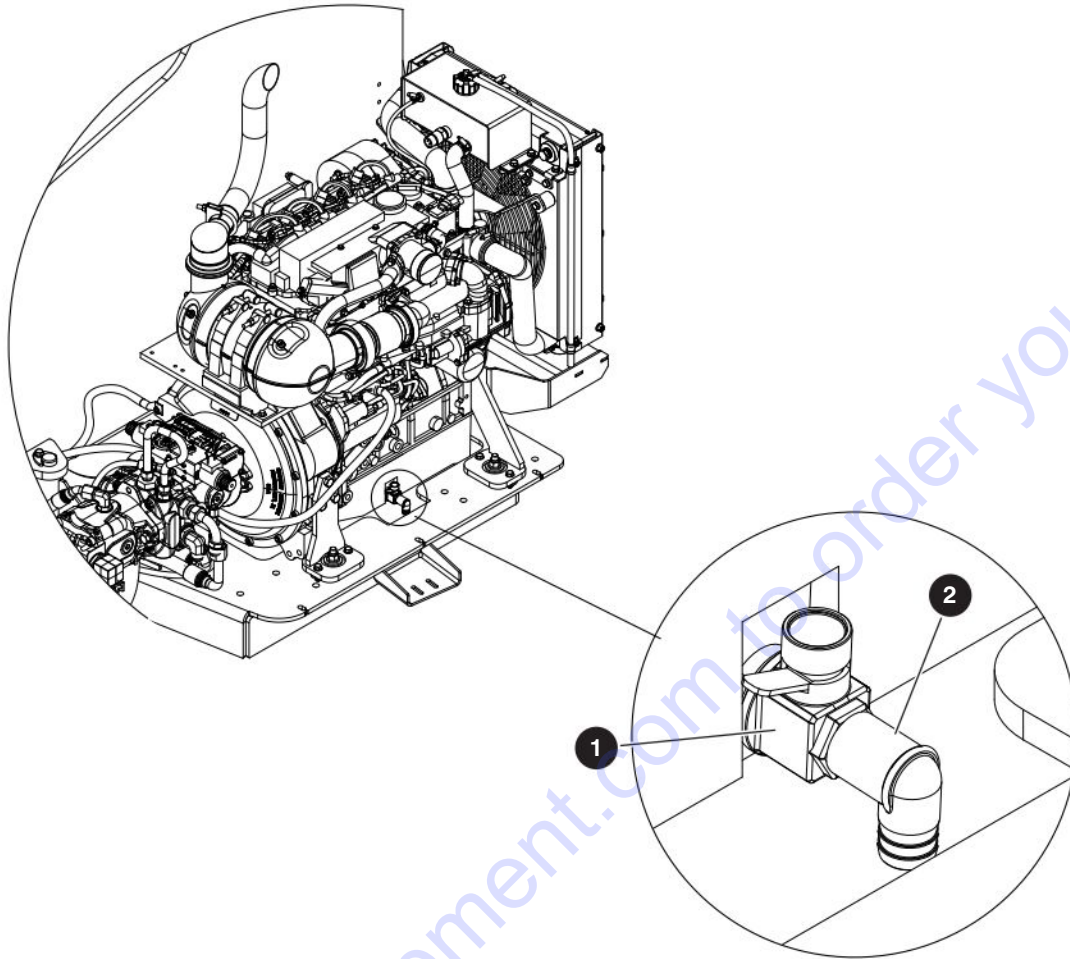
9.16 Block Heater



M171564AA_M170738AA

Index No.	Skyjack Part No.	Qty.	Description
A	171564	1	BLOCK HEATER - Deutz TD2.9L engine
B	213417	1	BLOCK HEATER - Kubota WG2503 engine
1	165559	1	• HEATER, Block (120V) - Deutz TD/D2.9L, A
	170738	1	• HEATER, Block - Kubota WG2503, B
2	170073	1	• ADAPTER, B
3	159888	1	• CORD, "W"
4	168880	1	• LABEL, Block heater
5	144129	1	• CLIP, Single (S332G10)

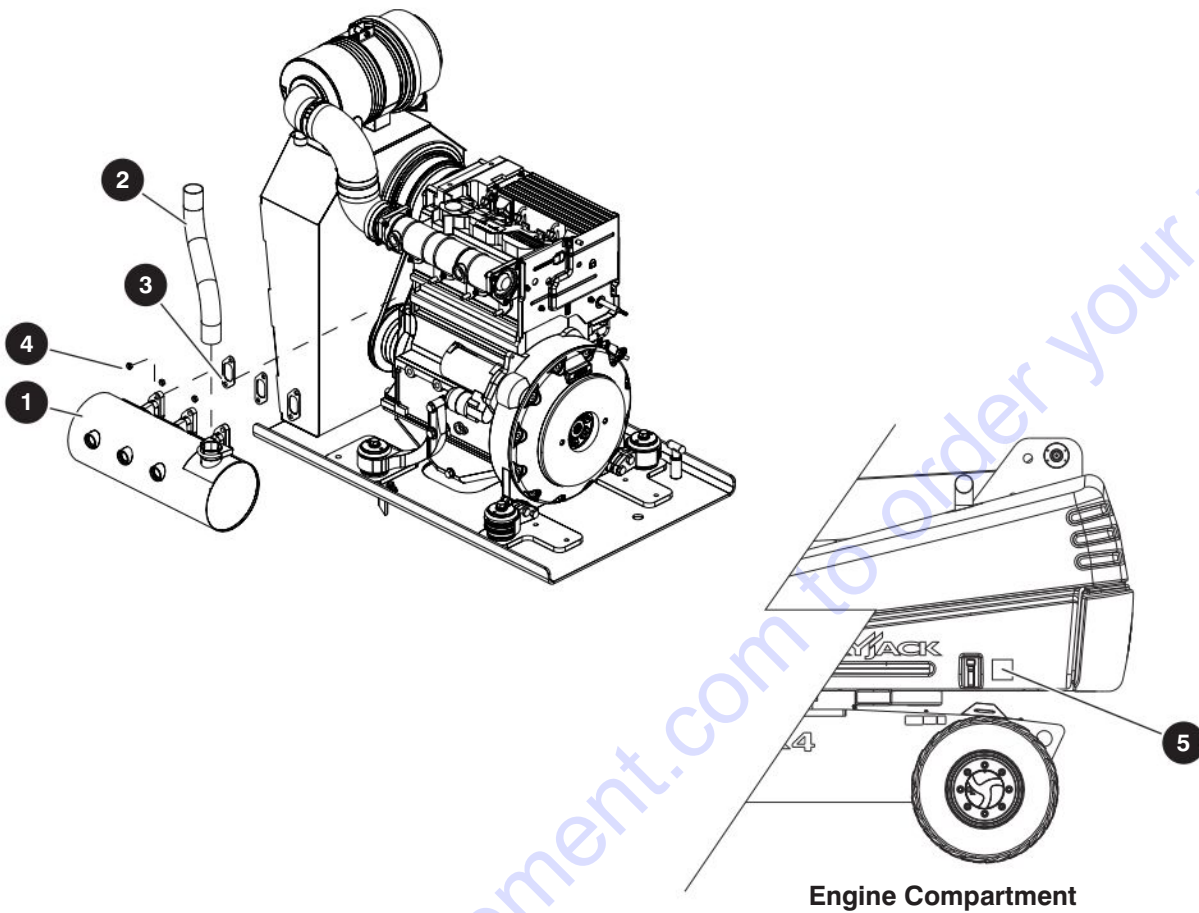
9.17 Oil Quick Drain



M169469AA

Index No.	Skyjack Part No.	Qty.	Description
A	169469	1	OIL QUICK DRAIN - Deutz Engines
B	171265	1	OIL QUICK DRAIN - Kubota Engines
1	167431	1	• VALVE, Oil drain, A
	170731	1	• VALVE, Oil drain, B
2	167432	1	• ELBOW, 90° oil drain, A

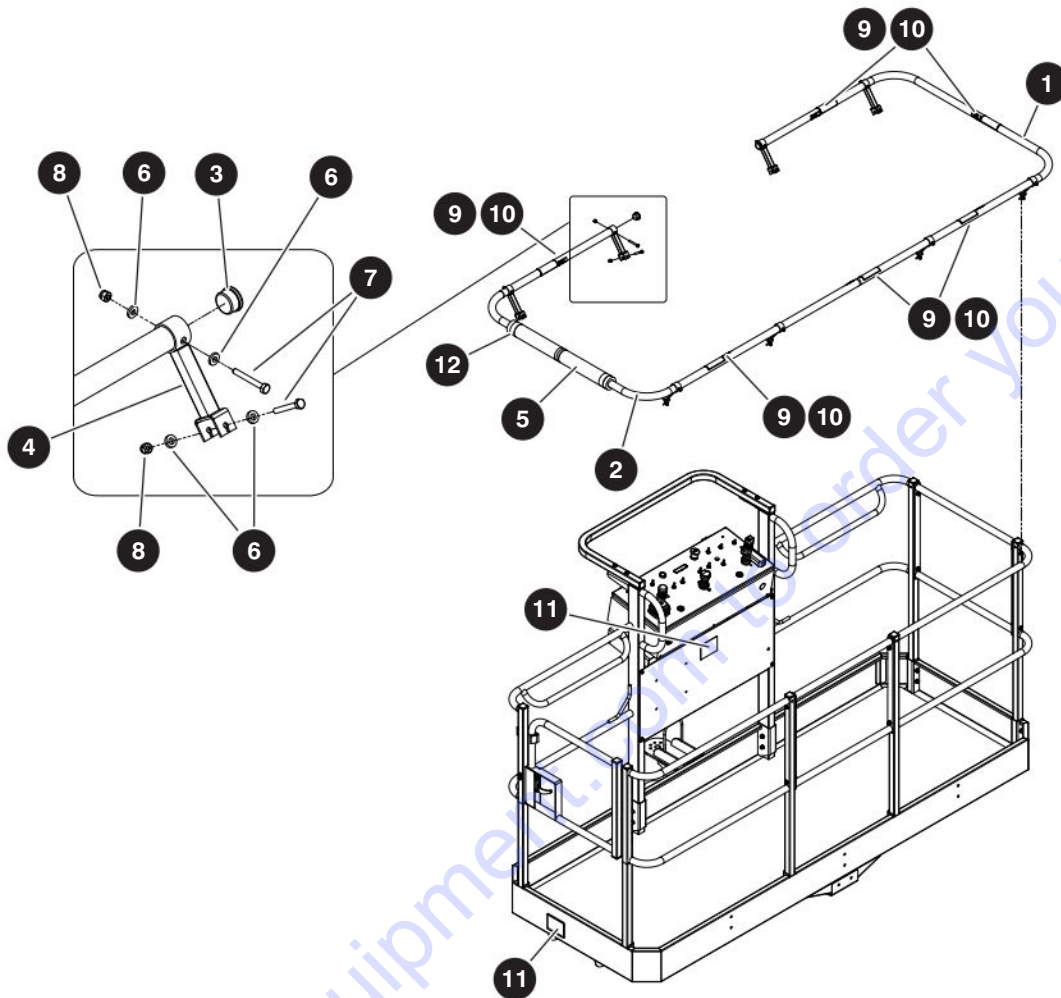
9.18 Diesel Scrubber - Deutz D2011



M144297AA

Index No.	Skyjack Part No.	Qty.	Description
-	235691	1	DIESEL SCRUBBER OPTION
1	144298	1	• MUFFLER, Catalytic
2	163745	1	• STACK, Exhaust
3	144299	3	• GASKET
4	144300	6	• NUT
5	144301	1	• LABEL, Catalytic muffler

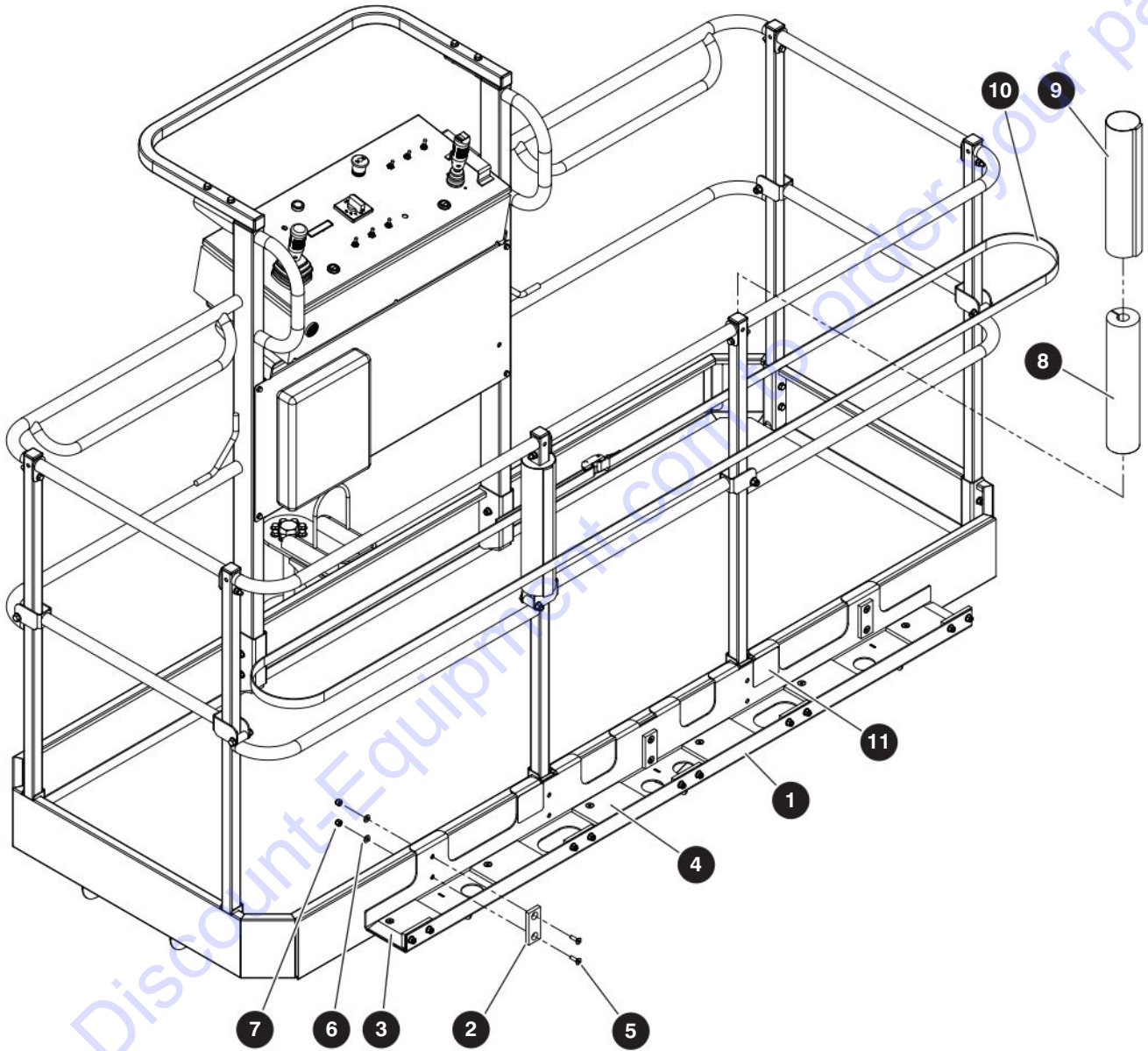
9.19 External Railing



M163409AA

Index No.	Skyjack Part No.	Qty.	Description
-	163408	1	EXTERNAL RAILING - ANSI/CSA & CE with 96" x 36" platform
1	144706	1	• TUBE, External railing (Right)
2	144712	1	• TUBE, External railing (Left)
3	144048	2	• PLUG, Round end
4	144747	8	• WELDMENT, External railing stand-off
5	104183	2'	• PADDING, Entry rail
6	103995	32	• WASHER, Flat (1/4")
7	103861	16	• BOLT, Hex head (1/4"-20 x 2" Gr 5)
8	115649	16	• NUT, Hex head (1/4"-20 Gr 5, nylon)
9	115543	6	• LABEL, Warning no step
10	137988	6	• LABEL, Hazard crush/pinch point
11	144722	2	• LABEL, Capacity (475 lb/2 person)
12	119803	22.5"	• LABEL, Caution tape

9.20 Glazier Rack



M162073AB

229031ABA

238

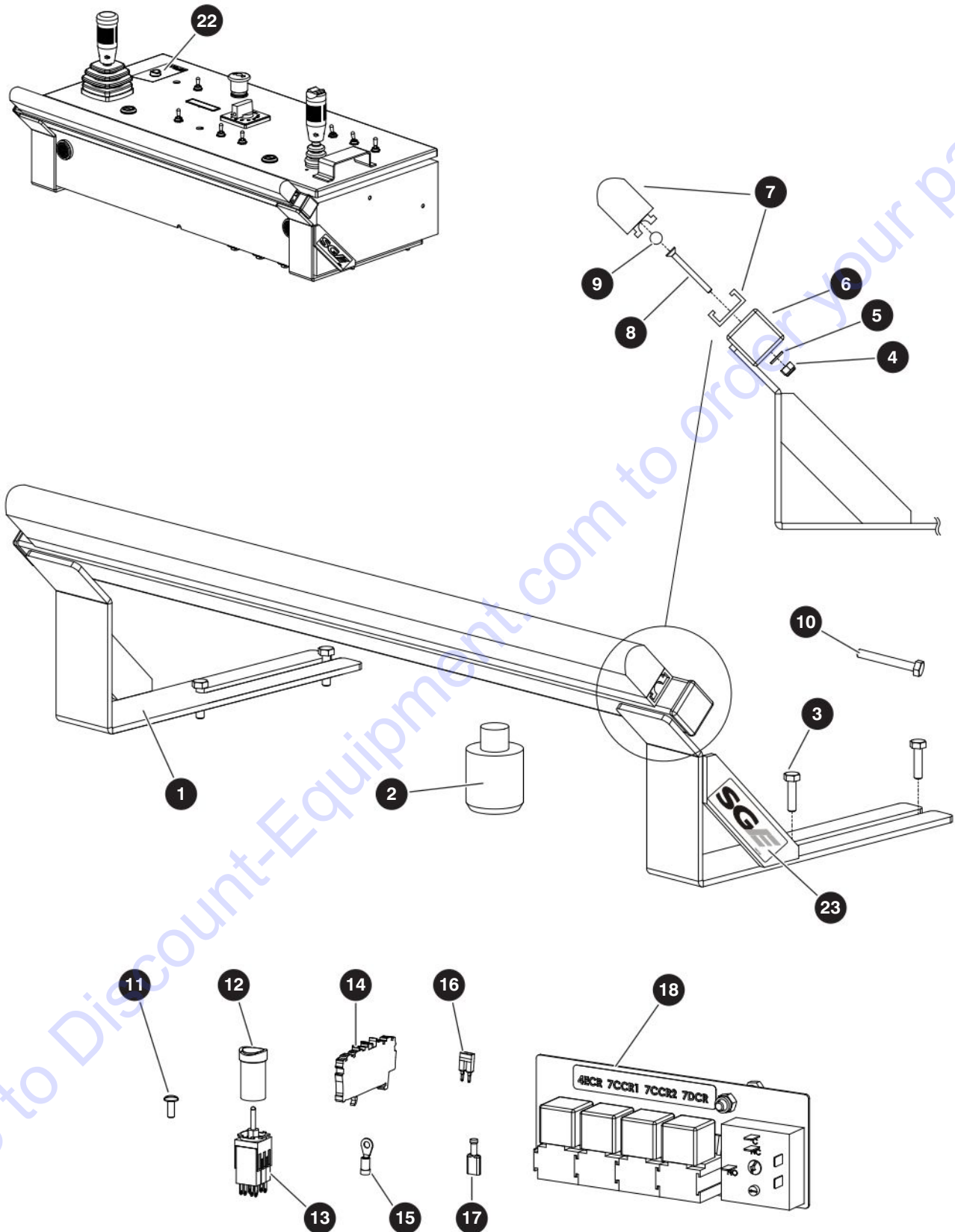
SJ40 T+, SJ45 T+

SKYJACK

9.20 Glazier Rack

Index No.	Skyjack Part No.	Qty.	Description
-	162073	1	GLAZIER RACK
-	159898	1	• ASSEMBLY, Glazier Rack
-	154404	1	• • ASSEMBLY, Glazier tray
1	154402	1	• • • WELDMENT, Glazier tray
2	154401	8	• • • PAD, Wear - side tray
3	154399	2	• • • PAD, Wear - end tray
4	154400	4	• • • PAD, Wear - in tray
5	162116	28	• • • SCREW, Flat socket head cap (5/16"-18 x 1.00", Gr 5)
6	103996	28	• • • WASHER, Flat (5/16")
7	103984	28	• • • NUT, Hex head nylon lock (5/16"-18, Gr 5)
8	144491	2	• • FOAM, Support
9	144604	2	• • COVER, Bumper
10	144613	1	• • STRAP, Glazier kit
11	172630	2	• • LABEL, Panel cradle capacity
-	162026	1	• INSTRUCTIONS, Glazier package (not shown)

9.21 SGE - Secondary Guarding



M166232AA

229031ABA

240

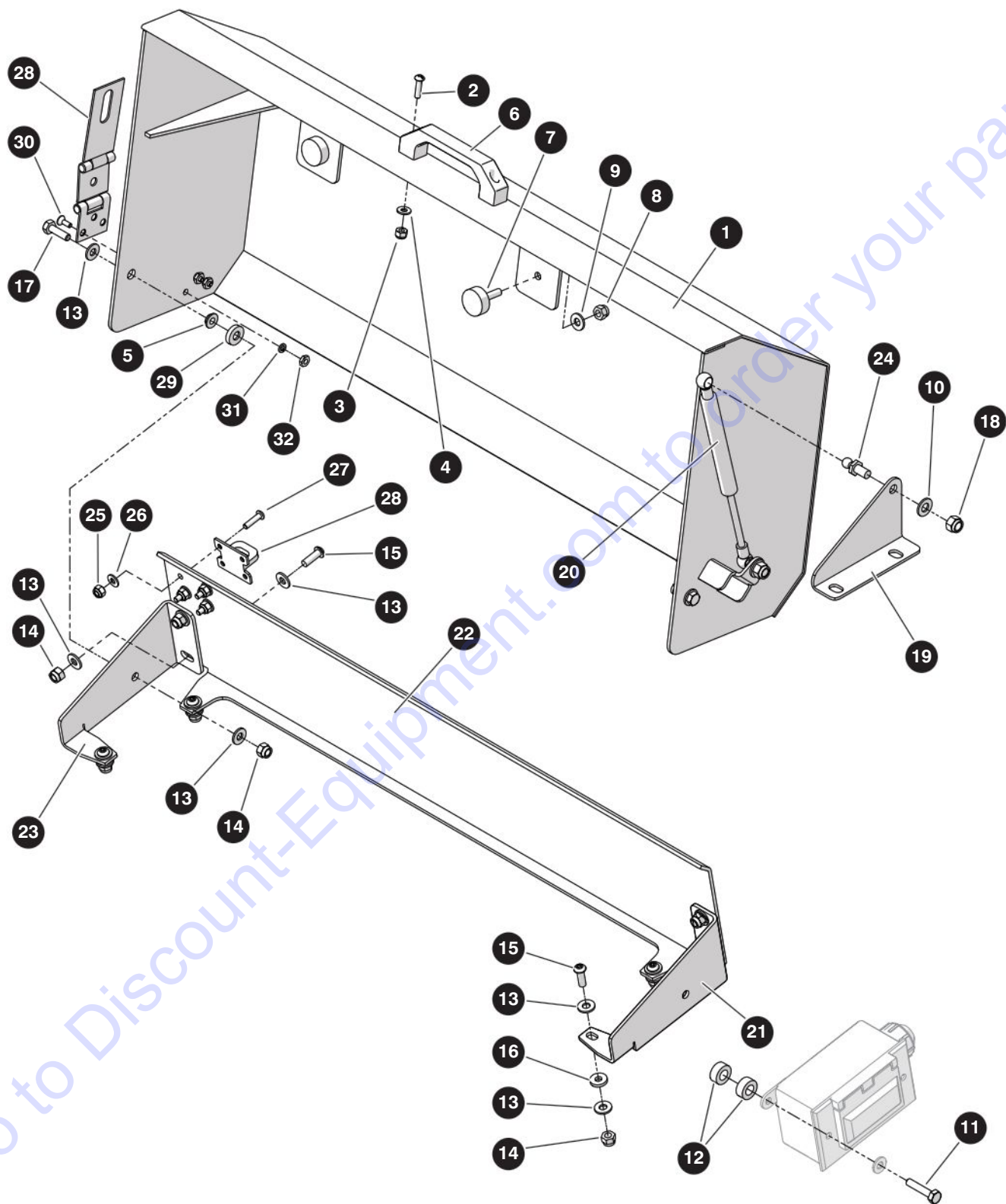
SJ40 T+, SJ45 T+

SKYJACK

9.21 SGE - Secondary Guarding

Index No.	Skyjack Part No.	Qty.	Description
-	166232	1	SGE (Secondary Guarding - Electrical)
-	166106	1	SGE ASSEMBLY
1	166101	1	• SUPPORT ASSEMBLY, Sensing edge
2	166110	1	• ALARM/FLASHER, 12V, red LED
3	103857	4	• BOLT, Hex head (1/4"-20 x 1.00, Gr 5)
4	300450	3	• NUT, Hex head nylon lock (10-32, Gr 5)
5	104694	3	• WASHER, Flat (#10)
6	100702	2	• CAP, Plastic End
7	166107	1	• EDGE, Sensing with countersunk rail
8	166105	3	• BOLT, Flat head cap screw (10-32 x 1-3/4". Gr 5)
9	166104	1	• ROD, Sensing edge lock
10	103861	2	• BOLT, Hex head (1/4"-20 x 2.00, Gr 5) (ANSI/CSA)
11	167218	1	• SCREW, Machine slotted binding head (6-32 x 1/4")
-	166085	1	• ELECTRICAL ASSEMBLY, SGE
12	166087	1	• • PUSH BUTTON OPERATOR, Yellow flush spring return
13	166086	1	• • CONTACT BLOCK BODY, N/O, yellow LED 12-24V
14	137940	4	• • BLOCK, Terminal
15	102955	1	• • TERMINAL, Ring 14-16GA, #6 blue
16	137942	2	• • JUMPER, 2 pin
17	105359	2	• • TERMINAL, Female spade 14-16GA, insulated blue
18	166018	1	• • RELAY ASSEMBLY
	166112	1	• • • PLATE, Relay mounting
	138749	4	• • • SOCKET, Automotive relay
	164683	1	• • • TIMER, Delay on make 0.1-10.0 s
	127131	4	• • • RELAY
	163241	2	• • • SPACER
	103860	2	• • • BOLT, Hex head (1/4"-20" x 1-3/4", Gr 5)
	115649	2	• • • NUT, Hex head nylon lock (1/4"-20, Gr 5)
	104003	3	• • • NUT, Hex head (10-32)
	115545	2	• • • SCREW, Socket head cap (10-32 x 3/8")
	105621	1	• • • SCREW, Round head machine (10-32 x 1.00")
	166026	1	• • • LABEL, Relay - secondary guarding
19	166032	1	• • WIRE ASSEMBLY, SGE (not shown)
20	166786	1	• • WIRE KIT, SGE Base control (not shown)
21	113719	8	• • TIEWRAP, 3-5/8" long black (not shown)
22	166139	1	• LABEL, SGE (reset button)
23	166756	2	• LABEL, SGE
-	167257	1	INSTALLATION INSTRUCTIONS, SGE (not shown) - ANSI/CSA
-	165063	1	INSTALLATION INSTRUCTIONS, SGE (not shown) - CE & AS

9.22 Control Box Cover



M216819AA

229031ABA

242

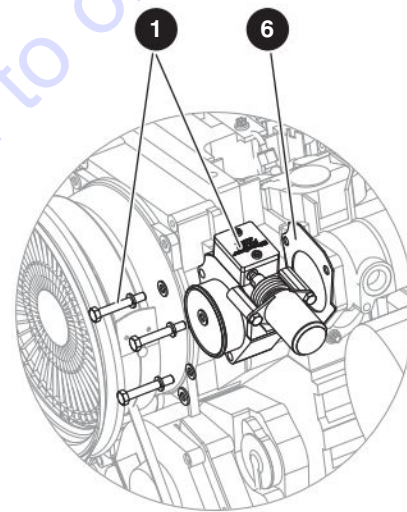
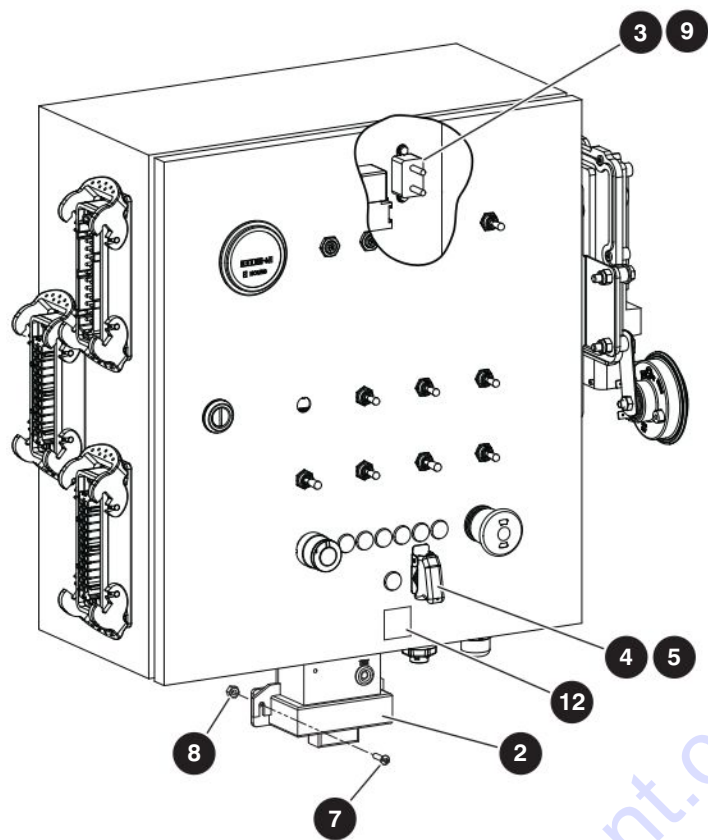
SJ40 T+, SJ45 T+

SKYJACK

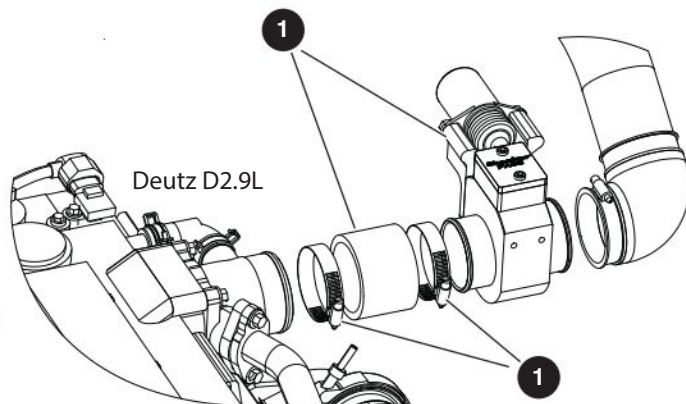
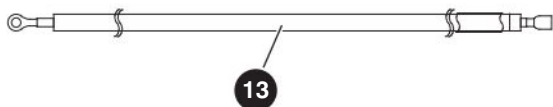
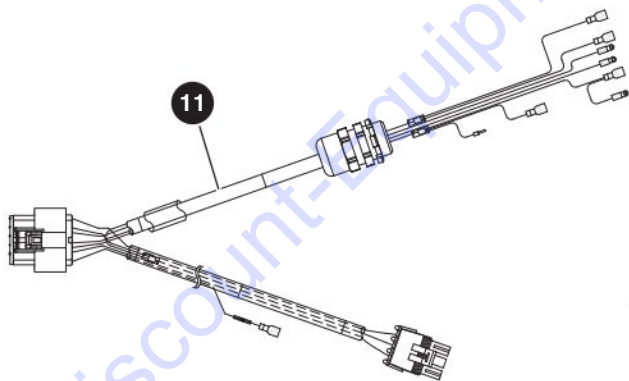
9.22 Control Box Cover

Index No.	Skyjack Part No.	Qty.	Description
-	216918	1	CONTROL BOX COVER
-	216917	1	• COVER ASSEMBLY, Control box
1	216919	1	• • COVER, Control box
2	104698	2	• • SCREW, Round machine (#10-32 x 1")
3	300450	2	• • NUT, Hex lock (#10-32 Gr 5, nylon)
4	104694	2	• • WASHER, Flat (#10)
5	154305	2	• • BUSHING, Flanged (1/4" ID x 3/16")
6	137653	1	• • HANDLE, Pull
7	144015	2	• • MOUNT, Anti-vibration
8	115649	2	• • NUT, Hex lock (1/4"-20 Gr 5, nylon)
9	103995	2	• • WASHER, Flat (1/4")
10	103996	2	• WASHER, Flat (0.3125")
11	103858	2	• BOLT, Hex head (1/4"-20 x 1-1/4" Gr 5)
12	159960	4	• SPACER, (3/4" OD)
13	103995	16	• WASHER, Flat (1/4")
14	115649	10	• NUT, Hex lock (1/4"-20 Gr 5, nylon)
15	139168	8	• SCREW, Button head cap (1/4"-20 x 3/4")
16	159956	4	• WASHER, Rubber (1/4")
17	103891	2	• BOLT, Hex head (1/4"-20 x 7/8" Gr 5)
18	103984	2	• NUT, Hex lock (0.3125"-18 Gr 5, nylon)
19	154323	1	• BRACKET, Gas spring
20	162101	1	• GAS SPRING, Control box cover
21	162048	1	• PLATE, Right side cover
22	216921	1	• PLATE, Back cover
23	162049	1	• PLATE, Left side cover
24	162123	2	• STUD, Ball (10 mm x 1/24")
25	300450	4	• NUT, Hex head nylon lock (10-32, Gr 5)
26	104694	4	• WASHER, Flat (10)
27	104698	4	• SCREW, Round head machine (10-32 x 3/4")
28	216675	1	• HASP, Double hinge (3.25")
29	168336	3	• SPACER, Nylon (0.394" ID x 3/4" OD x 0.125" long)
30	124031	3	• SCREW, Flat head (10-32 x 1/20")
31	104185	3	• WASHER, Lock (10)
32	104003	3	• NUT, Hex (10-32)
33	162032	1	• INSTRUCTION, Control box cover installation (not shown)

9.23 Positive Air Shut-off



Deutz D2011



M194234AA_M195417AA_M192007AB

229031ABA

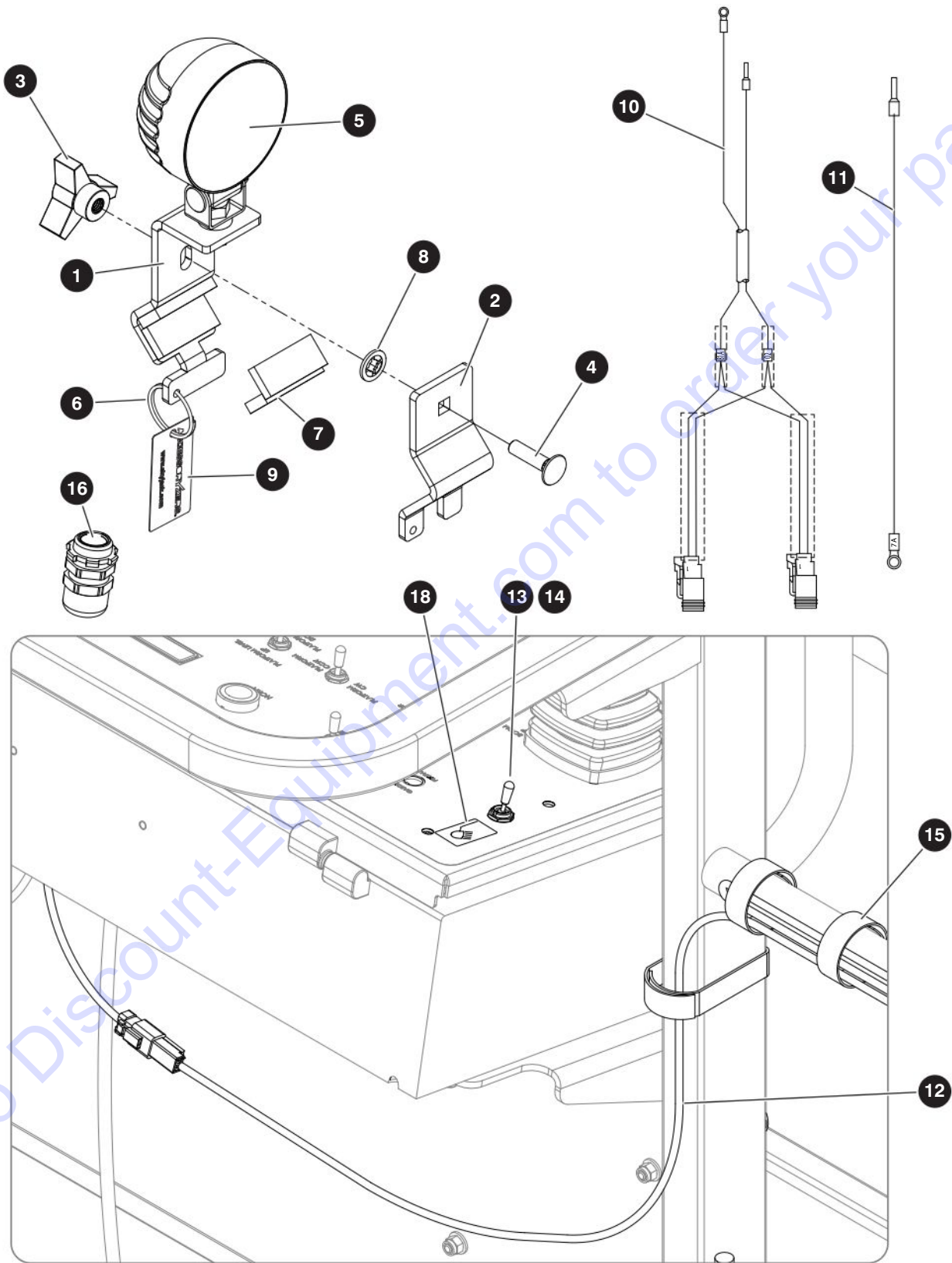
244

SJ40 T+, SJ45 T+

SKYJACK

9.23 Positive Air Shut-off

Index No.	Skyjack Part No.	Qty.	Description
A	194234	1	POSITIVE AIR SHUT-OFF OPTION - Deutz D2.9L Engine
B	195327	1	POSITIVE AIR SHUT-OFF OPTION - Deutz D2011 Engine
1	169646	1	• SHUTOFF SYSTEM, Positive air - Deutz D2.9L, A
	195326	1	• VALVE, Positive air shut-off - Deutz 2011, B
2	171821	1	• LIMITER, Automatic rev - R5
3	171899	1	• CIRCUIT BREAKER, Auto reset (20 amp)
4	171826	1	• COVER, Toggle safety (red)
5	115574	1	• SWITCH, Toggle (1NT1-2)
6	195379	1	• GASKET, PASO - Deutz D2011, B
7	116192	2	• SCREW, Round head machine (8-32 x 5/8")
8	138765	2	• NUT, Hex head nylon lock (8-32 gr 5)
9	112327	2	• BOLT, Self-tapping (8-18 x 1/20")
10	121869	2	• CLAMP, Hose (2.5"), A
A	(Ref.)	1	BASE CONTROL BOX with Positive Air Shut-Off Option - Deutz D2.9L (For components, refer to 4.18 Base Control Box)
B	(Ref.)	1	BASE CONTROL BOX with Positive Air Shut-Off Option - Deutz D2011 (For components, refer to 4.18 Base Control Box)
11	192007	1	• HARNESS, Positive air shutoff, A
	195144	1	• HARNESS, Positive air shutoff, B
12	169923	1	• LABEL, Positive air shutoff
13	226350	1	EXTENSION WIRE (81")



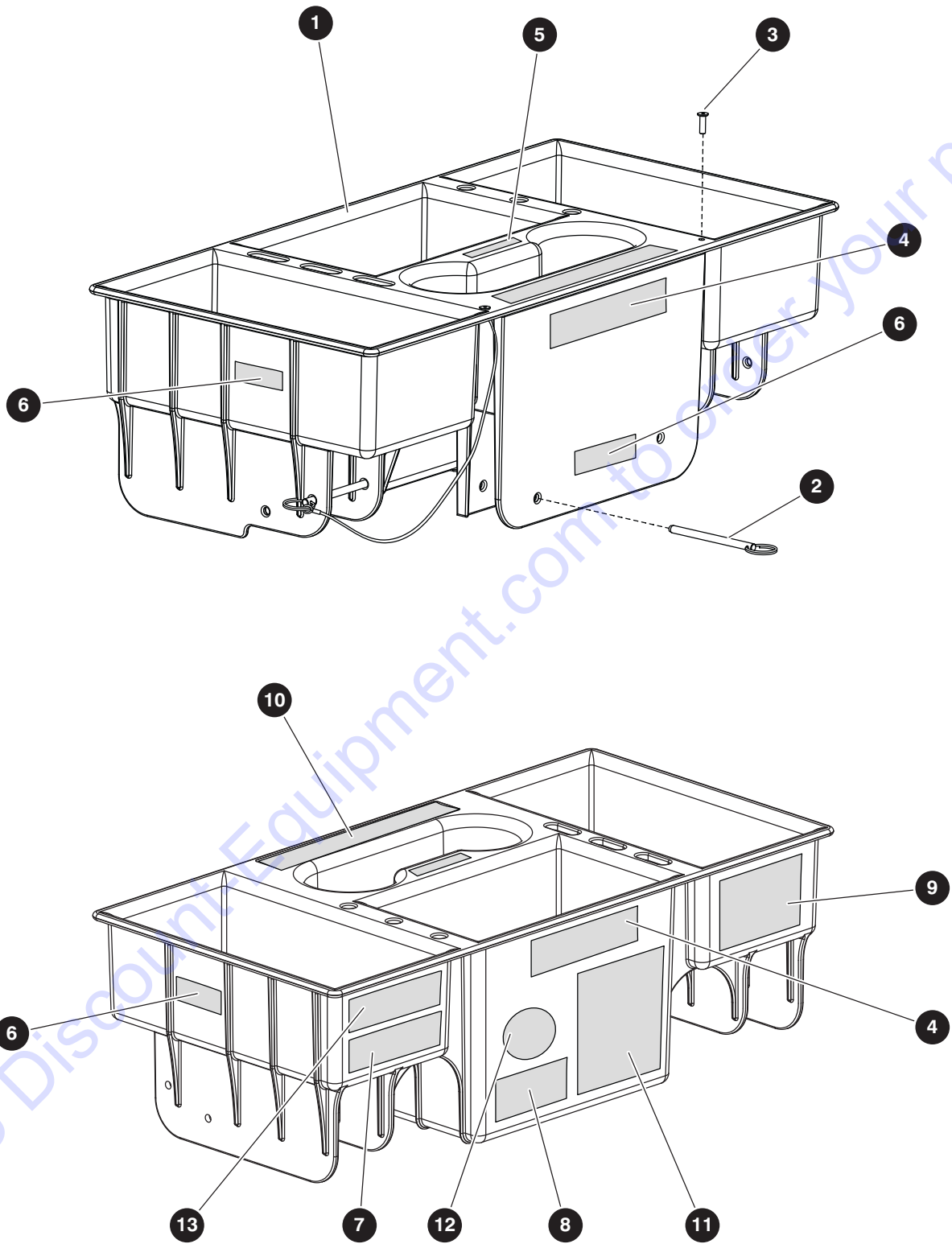
M204334AA_1

229031ABA

SJ40 T+, SJ45 T+

Index No.	Skyjack Part No.	Qty.	Description
-	207504	1	PLATFORM WORK LIGHTS FIELD KIT
-	165134	1	• WORK LIGHTS ASSEMBLY
-	208789	1	• • WORK LIGHTS ASSEMBLY
1	207672	2	• • • BRACKET, Inner - work light
2	207669	2	• • • BRACKET, Outer - work light
3	169005	2	• • • KNOB, Three arm (0.3125" threaded insert)
4	106049	2	• • • BOLT, Carriage (0.3125"-18 x 1-1/4" gr 5)
5	171888	2	• • • LAMP, Work
6	160320	2	• • • RING, Retaining
7	103628	14"	• • • RUBBER, Self seal
8	208790	2	• • • WASHER, Self-retaining
9	208935	2	• • • TAG, Accessoryzers
-	169002	1	• • WORK LIGHT ELECTRICAL ASSEMBLY
10	168634	1	• • • WIRE ASSEMBLY, Work light (toggle to e-stop and harness)
11	168635	1	• • • WIRE ASSEMBLY, Work light (terminal block to harness)
12	168637	2	• • • HARNESS, Work light
13	115574	1	• • • SWITCH, Toggle (1NT1-2)
14	144016	1	• • • SEAL, Toggle switch
15	149599	10	• • • TIE, Cable - velcro
16	103036	1	• • • CONNECTOR, Strain relief
17	168636	1	• • • WIRING DIAGRAM, Work light (not shown)
18	172305	1	• LABEL, Work light
19	208829	1	• INSTALLATION INSTRUCTION, Work lights (not shown)

9.25 Tool Caddy



M204334AB

229031ABA

248

SJ40 T+, SJ45 T+

SKYJACK

9.25 Tool Caddy

Index No.	Skyjack Part No.	Qty.	Description
-	211271	1	TOOL CADDY KIT
-	204334	1	• TOOL CADDY ASSEMBLY
1	198945	1	• • TOOL CADDY TRAY, Plastic (Std)
2	198965	2	• • PIN, Quick release 1/4x3.2 LG with Lanyard
3	116161	2	• • RIVET, Pop (3/16" x 1/265")
4	172293	2	• • LABEL, Skyjack logo, 5" white
5	172294	1	• • LABEL, Skyjack logo, 3" white
6	168421	3	• • LABEL, Lock pin in place
7	172245	1	• • LABEL, Tool caddy weight
8	172246	1	• • LABEL, Tool caddy pin location
9	172247	1	• • LABEL, Tool caddy location
10	172292	1	• • LABEL, Accessoryzers, 8" white
11	172298	1	• • LABEL, Tool caddy models serial numbers
12	172299	1	• • LABEL, Do not block exit/entrance
13	172297	1	• • LABEL, Drive slowly when tool caddy is installed
14	204306	1	• INSTRUCTIONS, Tool caddy installation (not shown)

PARTS FINDER

**Search Website
by Part Number**



**Search Manual
Library For Parts
Manual & Lookup Part
Numbers – Purchase
or Request Quote**

Search Manuals

Enter your information to help us find the right parts manual for your machine.

* Brand:

* Model:

* Serial:

* Part Number:

SEARCH

**Can't Find Part or
Manual? Request Help
by Manufacturer,
Model & Description**

Parts Order Form

Please fill in the following information to help us find the right part for your machine.

Manufacturer:	<input type="text"/>
Model:	<input type="text"/>
Description:	<input type="text"/>
Part Number:	<input type="text"/>
Quantity:	<input type="text"/>
Notes:	<input type="text"/>

Submit

Discount-Equipment.com is your online resource for quality parts & equipment.

Florida: **561-964-4949** Outside Florida TOLL FREE: **877-690-3101**

Need parts?

Click on this link: <http://www.discount-equipment.com/category/5443-parts/> and choose one of the options to help get the right parts and equipment you are looking for. Please have the machine model and serial number available in order to help us get you the correct parts. If you don't find the part on the website or on one of the online manuals, please fill out the request form and one of our experienced staff members will get back to you with a quote for the right part that your machine needs.

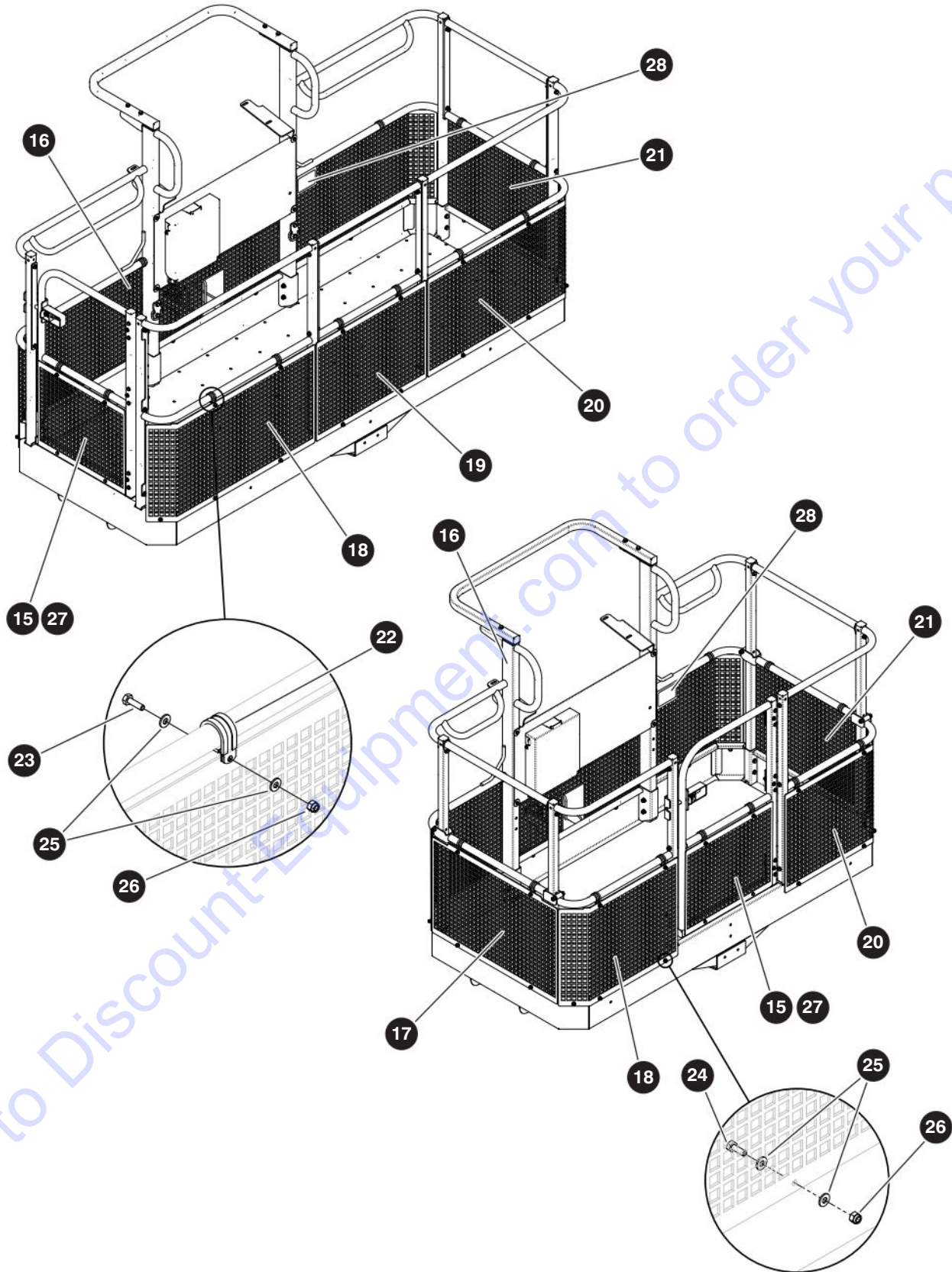
We sell worldwide for the brands: Genie, Terex, JLG, MultiQuip, Mikasa, Essick, Whiteman, Mayco, Toro Stone, Diamond Products, Generac Magnum, Airman, Haulotte, Barreto, Power Blanket, Nifty Lift, Atlas Copco, Chicago Pneumatic, Allmand, Miller Curber, Skyjack, Lull, Skytrak, Tsurumi, Husquvarna Target, Stow, Wacker, Sakai, Mi-T-M, Sullair, Basic, Dynapac, MBW, Weber, Bartell, Bennar Newman, Haulotte, Ditch Runner, Menegotti, Morrison, Contec, Buddy, Crown, Edco, Wyco, Bomag, Laymor, EZ Trench, Bil-Jax, F.S. Curtis, Gehl Pavers, Heli, Honda, ICS/PowerGrit, IHI, Partner, Imer, Clipper, MMD, Koshin, Rice, CH&E, General Equipment, Amida, Coleman, NAC, Gradall, Square Shooter, Kent, Stanley, Tamco, Toku, Hatz, Kohler, Robin, Wisconsin, Northrock, Oztec, Toker TK, Rol-Air, APT, Wylie, Ingersoll Rand / Doosan, Innovatech, Con X, Ammann, Mecalac, Makinex, Smith Surface Prep, Small Line, Wanco, Yanmar

9.26 Half-Height Platform Mesh

Index No.	Skyjack Part No.	Qty.	Description
A	211776	1	• HALF HEIGHT MESH KIT for 8' / 2.44 m Rear Entry Platform
B	211777	1	• HALF HEIGHT MESH KIT for 8' / 2.44 m Side Entry Platform
C	211778	1	• HALF HEIGHT MESH KIT for 6' / 2.44 m Rear Entry Platform
-	211360	1	• MESH ASSEMBLY, Rear entry 8' / 2.44 m platform, A
-	211362	1	• MESH ASSEMBLY, Side entry 8' / 2.44 m platform, B
-	211363	1	• MESH ASSEMBLY, Rear entry 6' / 2.44 m platform, C
-	211359	1	• • FULL SWING GATE
1	209032	1	• • • GATE, Swing - full
2	211375	1	• • • BRACKET, Mounting - hinge
3	166287	1	• • • PLATE, Locking
4	110824	1	• • • LATCH, Pin - door spring
	105312	1	• • • • BED, Latch
	109377	1	• • • • PIN, Latch (5/8" x 4.187")
	105307	1	• • • • HANDLE, Latch
	103107	1	• • • • SPRING, Compression
	100950		• • • • PIN, Spring (0.125" x 1.00")
5	100702	3	• • • PLUG, Tube (1-1/4" x 1-1/4")
6	209527	3	• • • HINGE, Spring
7	164592	3	• • • TAB, Hinge
8	103862	9	• • • BOLT, Hex head (1/4"-20 x 2.25" gr 5)
9	103995	18	• • • WASHER, Flat (1/4")
10	115649	18	• • • NUT, Lock (1/4"-20 gr 5 nylon)
11	139168	9	• • • BOLT, Button head cap screw (1/4"-20 x 3/4")
12	103865	5	• • • BOLT, Hex head (0.312"-18 x 2.00" gr 5)
13	103996	10	• • • WASHER, Flat (0.312")
14	103984	5	• • • NUT, Lock (0.313"-18 gr 5 nylon)

Parts list continued on the next page.

9.26 Half-Height Platform Mesh



M211777AA_M211778AA

229031ABA

252

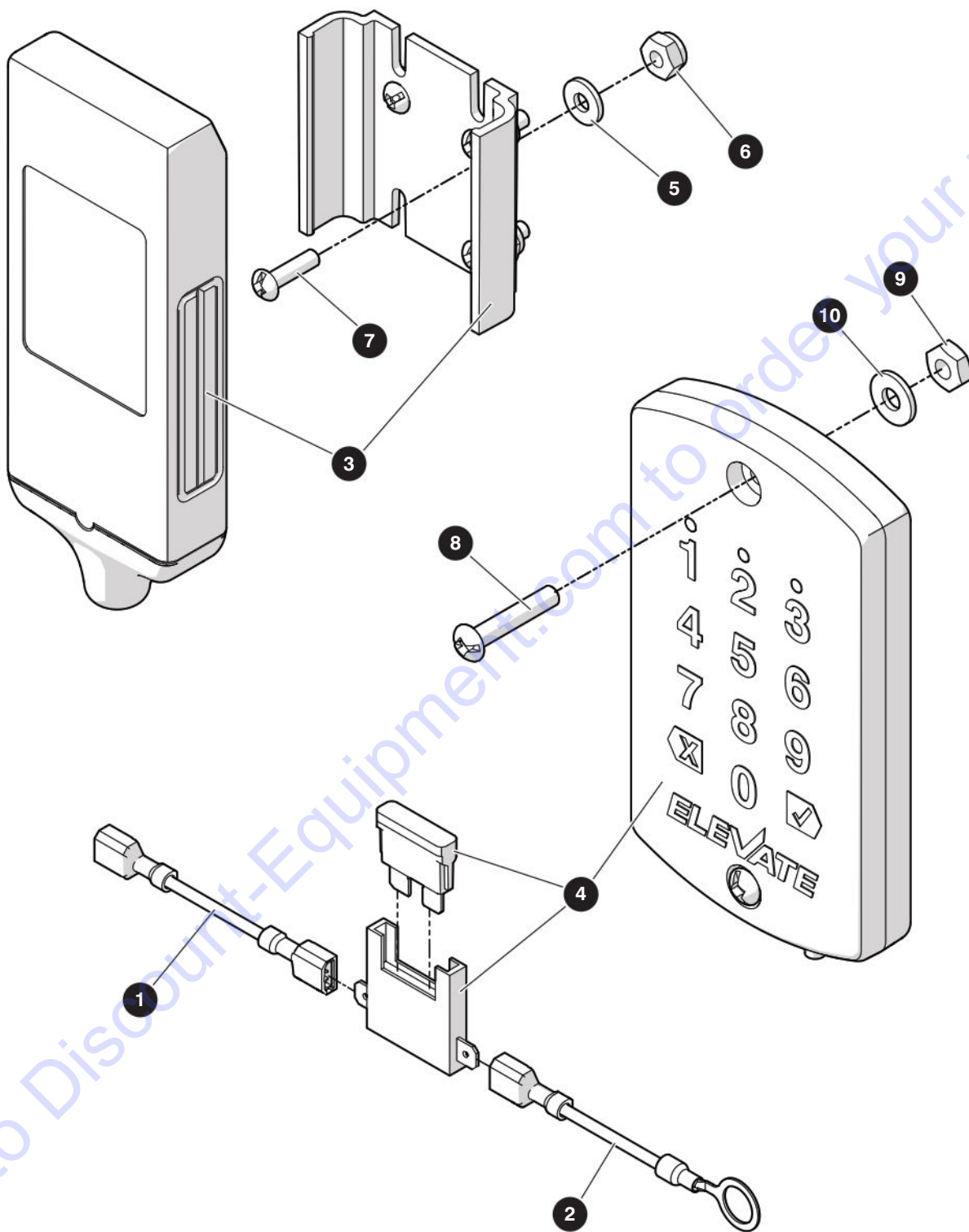
SJ40 T+, SJ45 T+

SKYJACK

9.26 Half-Height Platform Mesh

Index No.	Skyjack Part No.	Qty.	Description
A	211776	1	• HALF HEIGHT MESH KIT for 8' / 2.44 m Rear Entry Platform
B	211777	1	• HALF HEIGHT MESH KIT for 8' / 2.44 m Side Entry Platform
C	211778	1	• HALF HEIGHT MESH KIT for 6' / 1.83 m Rear Entry Platform
Parts list continued from the previous page.			
15	208942	1	• • MESH, Gate
16	209029	1	• • MESH, Front - 36" x 96" / 0.91 m x 2.44 m platform, A, B
	211604	1	• • MESH, Front - 36" x 72" / 0.91 m x 1.83 m platform, C
17	208940	1	• • MESH, Side - 36" / 0.91 m platform, A, C
18	209041	1	• • MESH, Rear LH - 36" x 96" / 0.91 m x 2.44 m platform, A, B
	211603	1	• • MESH, Rear LH - 36" x 72" / 0.91 m x 1.83 m platform, C
19	211613	1	• • MESH, Rear mid - 36" x 96" / 0.91 m x 2.44 m platform, B
20	211361	1	• • MESH, Rear RH - 36" x 96" / 0.91 m x 2.44 m platform, A, B
	211602	1	• • MESH, Rear RH - 36" x 96" / 0.91 m x 2.44 m platform, C
21	208940	1	• • MESH, Side - 36" / 0.91 m platform, A, B, C
22	209030	14	• • CLAMP, Loop - cushioned (#19), A, B, C
23	103891	14	• • BOLT, Hex head (1/4"-20 x 7/8" gr 5), A, B, C
24	103856	16	• • BOLT, Hex head (1/4"-20 x 3/4" gr 5), A, B, C
25	103995	60	• • WASHER, Flat (1/4"), A, B, C
26	115649	30	• • NUT, Lock (1/4"-20 gr 5 nylon), A, B, C
27	103632	2	• • BOLT, Self-tapping hex head (1/4"-14 x 3/4")
28	172519	1	• • LABEL, Mesh weight (25 kg/55 lb)
29	211727	1	• INSTRUCTION, Half height platform mesh installation (not shown)

9.27 Elevate Telematics



M236118A


229031ABA

254


SJ40 T+, SJ45 T+

SKYJACK

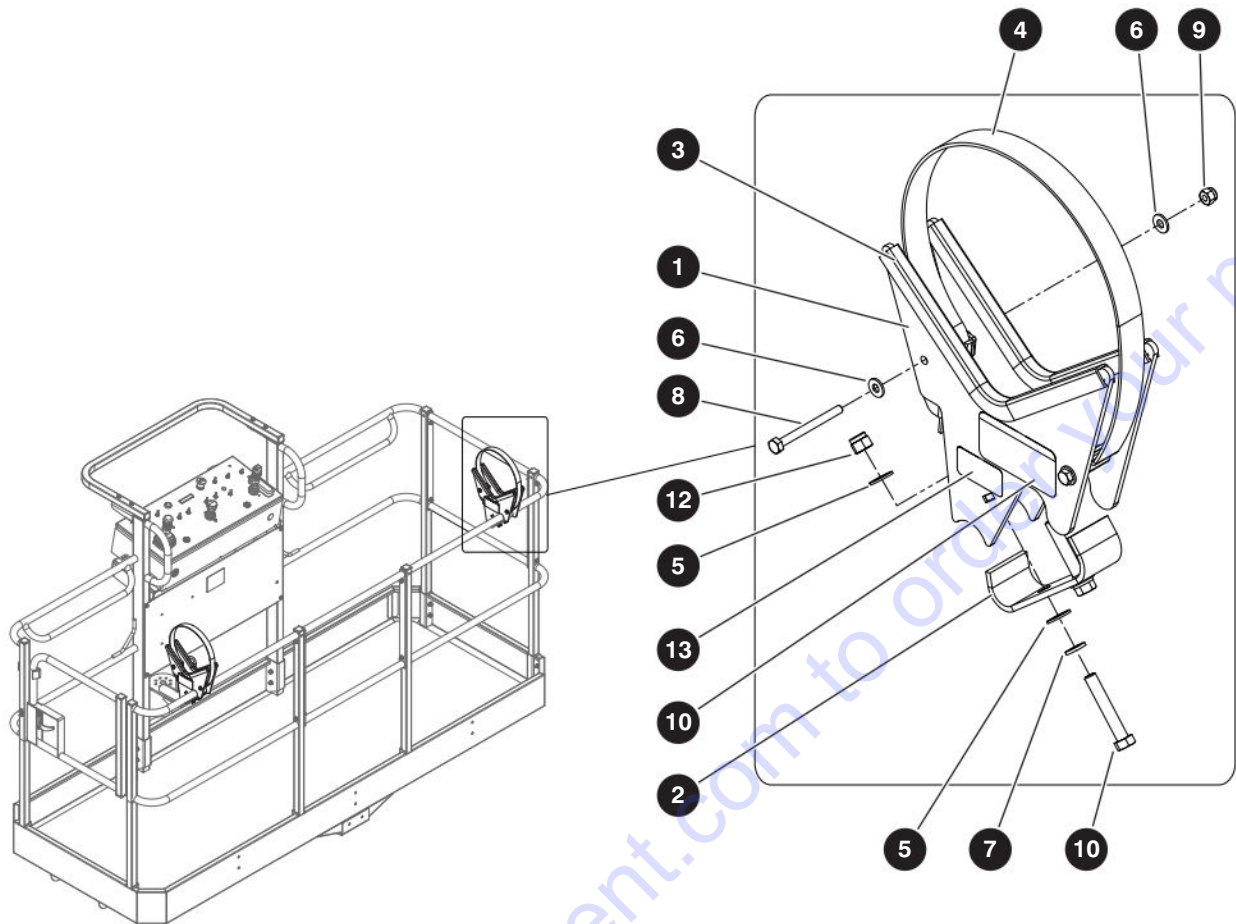
9.27 Elevate Telematics

Index No.	Skyjack Part No.	Qty.	Description
			 NOTE A subscription is required to use the Elevate Telematics option. Refer to "Elevate Telematics Subscription" on page 256.
A	236118	1	ELEVATE TELEMATICS WITH KEYPAD INSTALLATION KIT
B	236169	1	ELEVATE TELEMATICS WITHOUT KEYPAD INSTALLATION KIT
-	218453	1	• ELEVATE TELEMATICS INSTALLATION KIT, A
	218454	1	• ELEVATE TELEMATICS INSTALLATION KIT, B
-	236134	1	• • ELEVATE TELEMATICS ASSEMBLY, A
	236135	1	• • ELEVATE TELEMATICS ASSEMBLY, B
1	221149	1	• • • WIRE ASSEMBLY, B+
2	220577	1	• • • WIRE ASSEMBLY, B+
3	213098	1	• • • TELEMATICS, Elevate GPS ME501-4
4	213099	1	• • • TELEMATICS, Elevate keypad, A
5	191833	4	• • • WASHER, Flat (#6)
6	196306	4	• • • NUT, Lock (6-32 gr 5 nylon)
7	114678	4	• • • SCREW, Round head machine (6-32 x 1/2")
8	126499	2	• • • SCREW, Round head machine (8-32 x 7/8"), A
9	103986	2	• • • NUT, Hex (8-32), A
10	103991	2	• • • WASHER, Flat (#8), A
11	102892	20	• TIE, Cable (5-3/8") (not shown)
12	221111	1	• INSTRUCTION, Operating - Elevate telematics (not shown), A
13	236117	1	• INSTRUCTIONS, Elevate telematics installation (not shown)

9.28 Elevate Telematics Subscription

Index No.	Skyjack Part No.	Qty.	Description
<p> NOTE <i>One of the following subscriptions is required to use the Elevate Telematics option.</i></p>			
1	221153	1	SUBSCRIPTION, Elevate telematics - Monitoring (12 months)
2	221647	1	SUBSCRIPTION, Elevate telematics - Engage (12 months)
3	221348	1	SUBSCRIPTION, Elevate telematics - Engage + Access (12 months)
4	221154	1	SUBSCRIPTION, Elevate telematics - Monitoring (36 months)
5	221650	1	SUBSCRIPTION, Elevate telematics - Engage (36 months)
6	221651	1	SUBSCRIPTION, Elevate telematics - Engage + Access (36 months)
7	221155	1	SUBSCRIPTION, Elevate telematics - Monitoring (60 months)
8	221654	1	SUBSCRIPTION, Elevate telematics - Engage (60 months)
9	221655	1	SUBSCRIPTION, Elevate telematics - Engage + Access (60 months)

9.29 Pipe Rack



M159901AD

Index No.	Skyjack Part No.	Qty.	Description
-	162052	1	PIPE RACK ASSEMBLY
-	162051	1	• PIPE RACK
-	159901	2	• • PIPE RACK, Bracket assembly
1	159902	1	• • • WELDMENT, Pipe rack bracket
2	159904	1	• • • PLATE, Pipe rack bottom
3	117398	2	• • • TRIM, Protective
4	144500	1	• • • STRAP, Pipe rack
5	103472	4	• • • WASHER, Flat (3/8")
6	103995	4	• • • WASHER, Flat (1/4")
7	103999	2	• • • WASHER, Lock (3/8")
8	144501	2	• • • BOLT, Hex head (1/4"-20 x 2 3/4" Gr 5)
9	115649	2	• • • NUT, Hex lock (1/4"-20 Gr 5, nylon)
10	144748	2	• • • LABEL, Pipe rack capacity
11	103873	2	• • • BOLT, Hex head (3/8"-16 x 2 1/2" Gr 5)
12	104606	2	• • • NUT, Hex lock (3/8"-16 Gr 5, nylon)
13	144748	2	• • • LABEL, Capacity (Pipe rack)
14	162725	1	• INSTRUCTIONS, Pipe rack (not shown)

Section 10 – Labels

10.1 *Label Kit*

10.2 *Labels - Front and Back*

10.3 *Labels - Engine Side*

10.4 *Labels - Controls Side*

10.5 *Labels - Controls Compartment*

10.6 *Labels - Engine Compartment*

10.7 *Labels - Fuel*

10.8 *Labels - Platform*

10.1 Label Kit

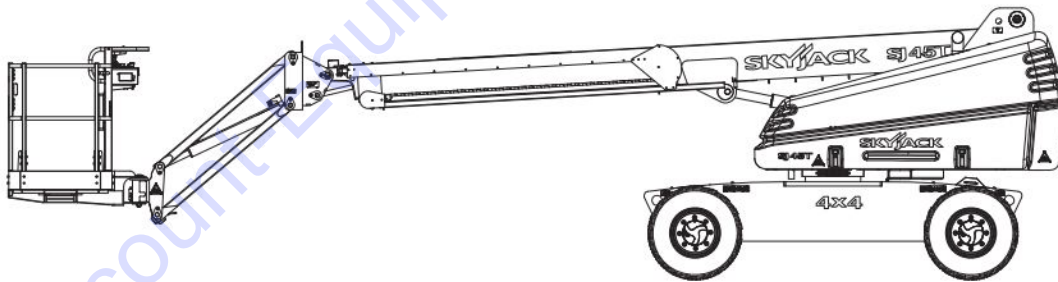
The following label kits contain all of the labels required for a complete standard machine, with the exception of:

- Serial number plates
- Engine- and fuel-specific labels
- Powerline clearance label for AS
- Platform capacity labels
- Safety tape

Contact Discount-equipment to order those labels individually.

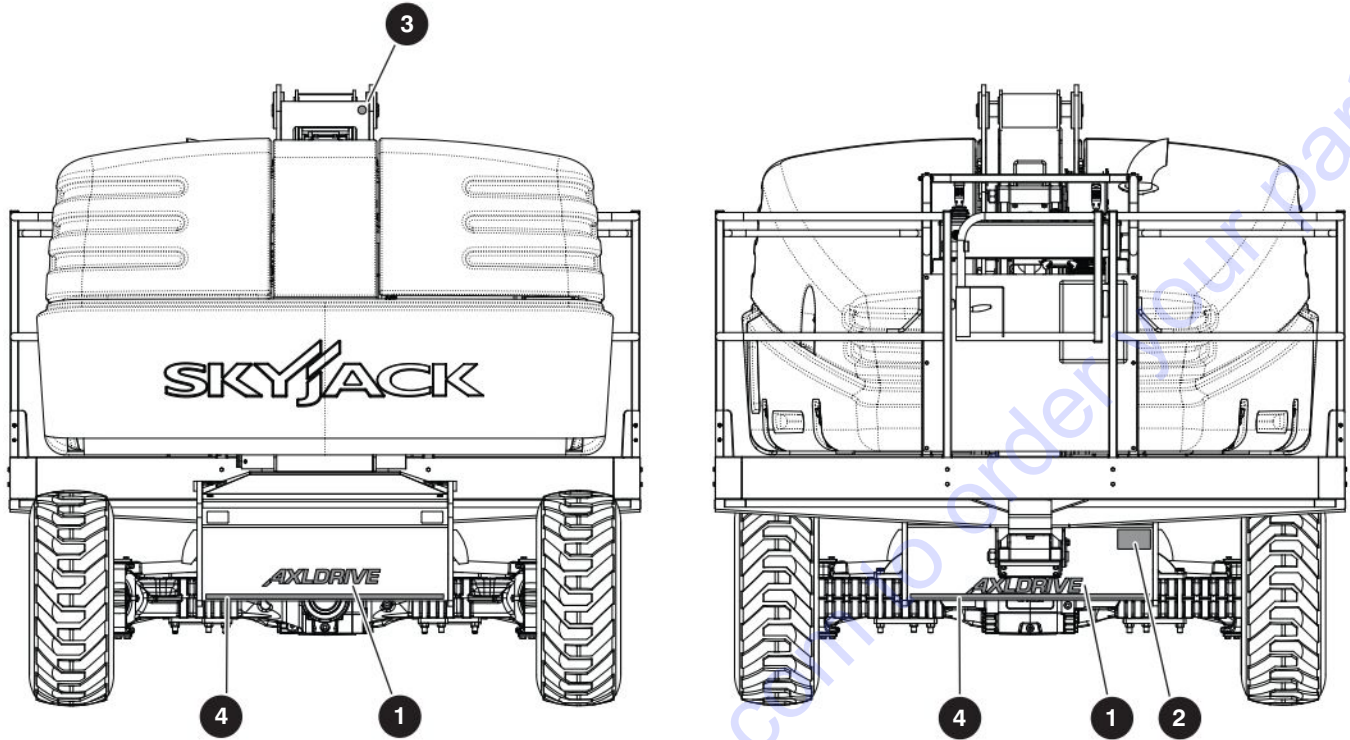
Supply the model number, country and language when ordering label kits.

Index No.	Skyjack Part No.	Qty.	Description
1	TBD	1	LABEL KIT - SJ40 T+ ANSI/CSA
	TBD	1	LABEL KIT - SJ45 T+ ANSI/CSA
	TBD	1	LABEL KIT - SJ45 T+CE
	TBD	1	LABEL KIT - SJ45 T+ AS



SKYJACK™

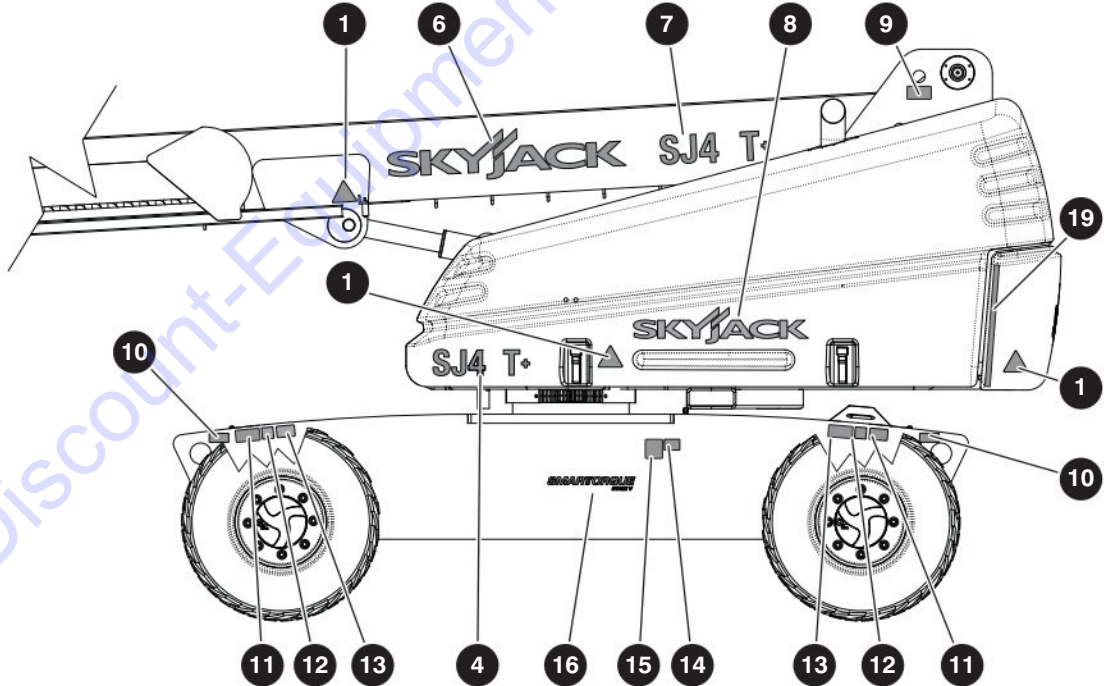
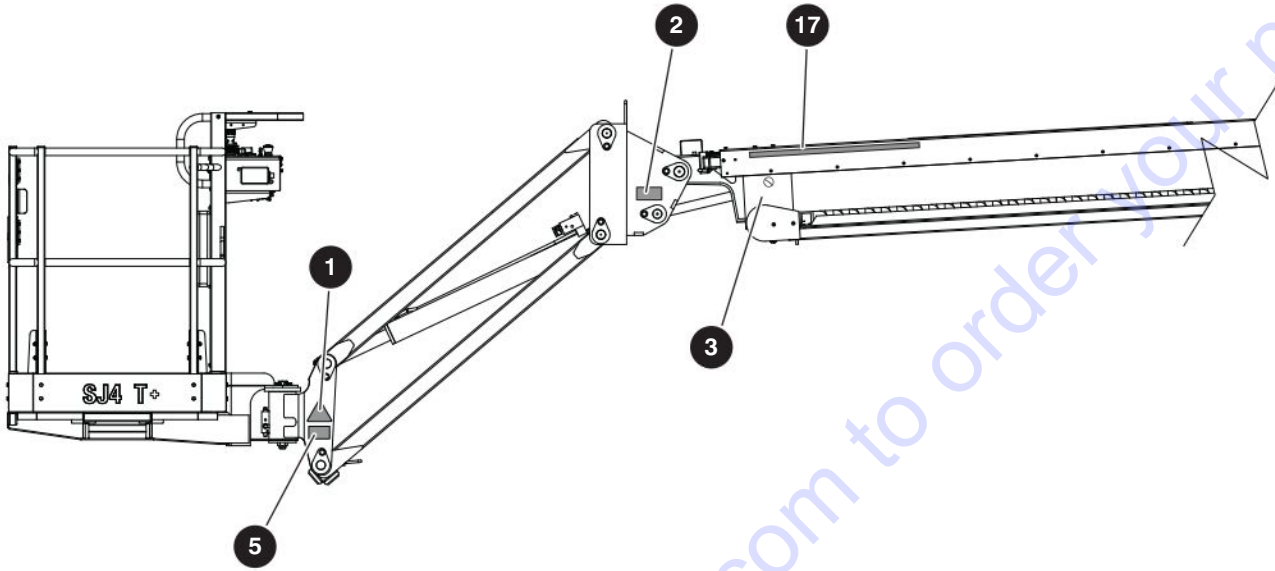
10.2 Labels - Front and Back



M173524AB_FB

Index No.	Skyjack Part No.	Qty.	Description
1	173302	2	LABEL, Axledrive
2	(Ref.)	1	LABEL, Serial plate <i>(not included in kit, please consult factory)</i>
3	156613	1	LABEL, Do not alter
4	119803	36"	TAPE, Caution - 1"

10.3 Labels - Engine Side



M173478AB_M173841AB_ES

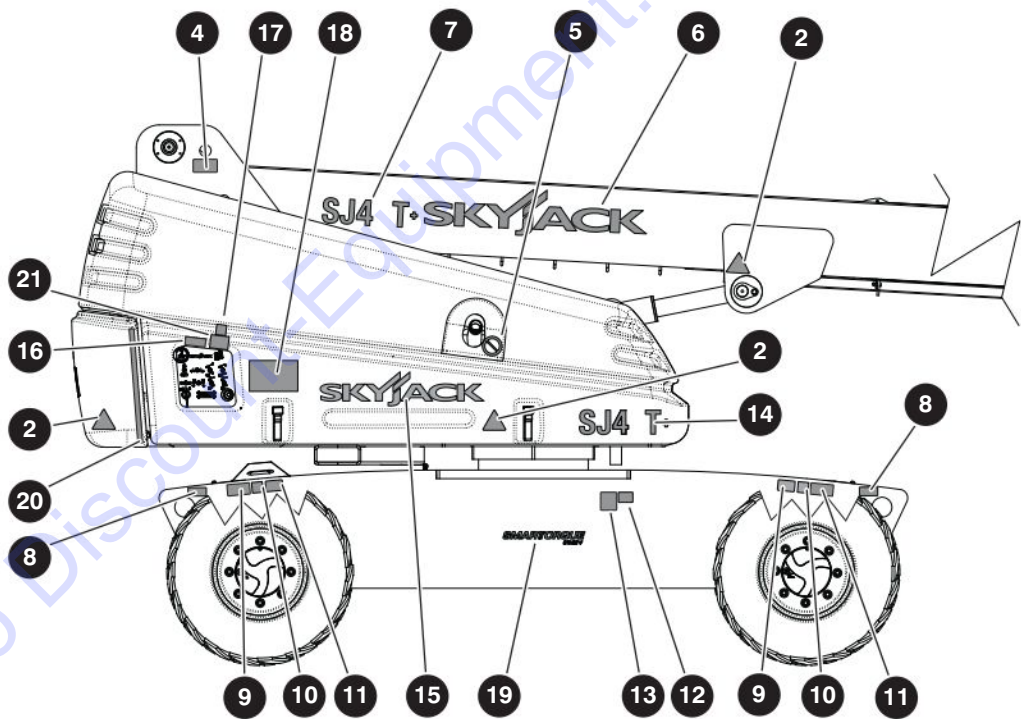
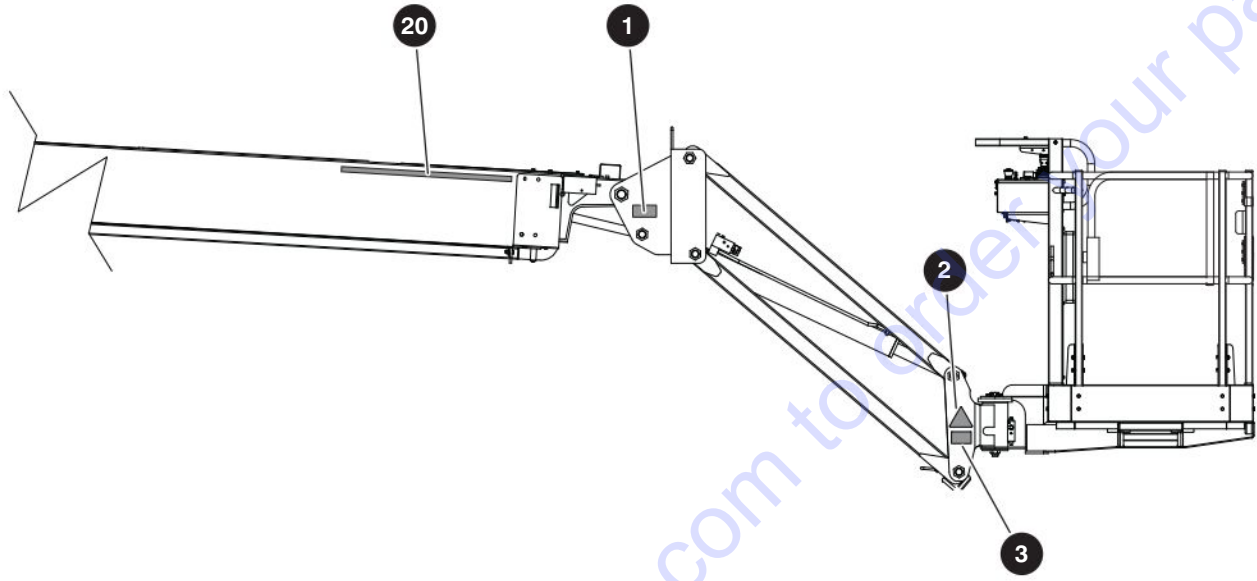
229031ABA

SJ40 T+, SJ45 T+

10.3 Labels - Engine Side

Index No.	Skyjack Part No.	Qty.	Description
1	223640	4	LABEL, Body crush
2	137988	1	LABEL, Crush/Pinch point
3	156613	1	LABEL, Do not alter
4	173244	1	LABEL, SJ40 T+
	173595	1	LABEL, SJ45 T+
5	147111	1	LABEL, Transportation tie down points - CE & AS
6	164773	1	LABEL, Skyjack (51")
7	173425	1	LABEL, SJ40 T+
	173596	1	LABEL, SJ45 T+
8	158555	1	LABEL, Skyjack (29")
9	143688	1	LABEL, Lift point
10	137988	2	LABEL, Tie down/lift lugs
11	124631	2	LABEL, Wheel info
12	169502	2	LABEL, Wheel load 3450 kg/7600 lb - SJ40 T+
	169380	2	LABEL, Wheel load 3630 kg/8000 lb - SJ45 T+
13	173202	2	LABEL, Tip over hazard
14	117023	1	LABEL, "CE" mark - CE
15	173585	1	LABEL, Sound power level - 98 dB - CE
	128226	1	LABEL, Sound power level - 103 dB - AS
16	173303	1	LABEL, Smart Torque Stage V - Deutz D2.2 engine
17	119803	55"	TAPE, Caution - 1"

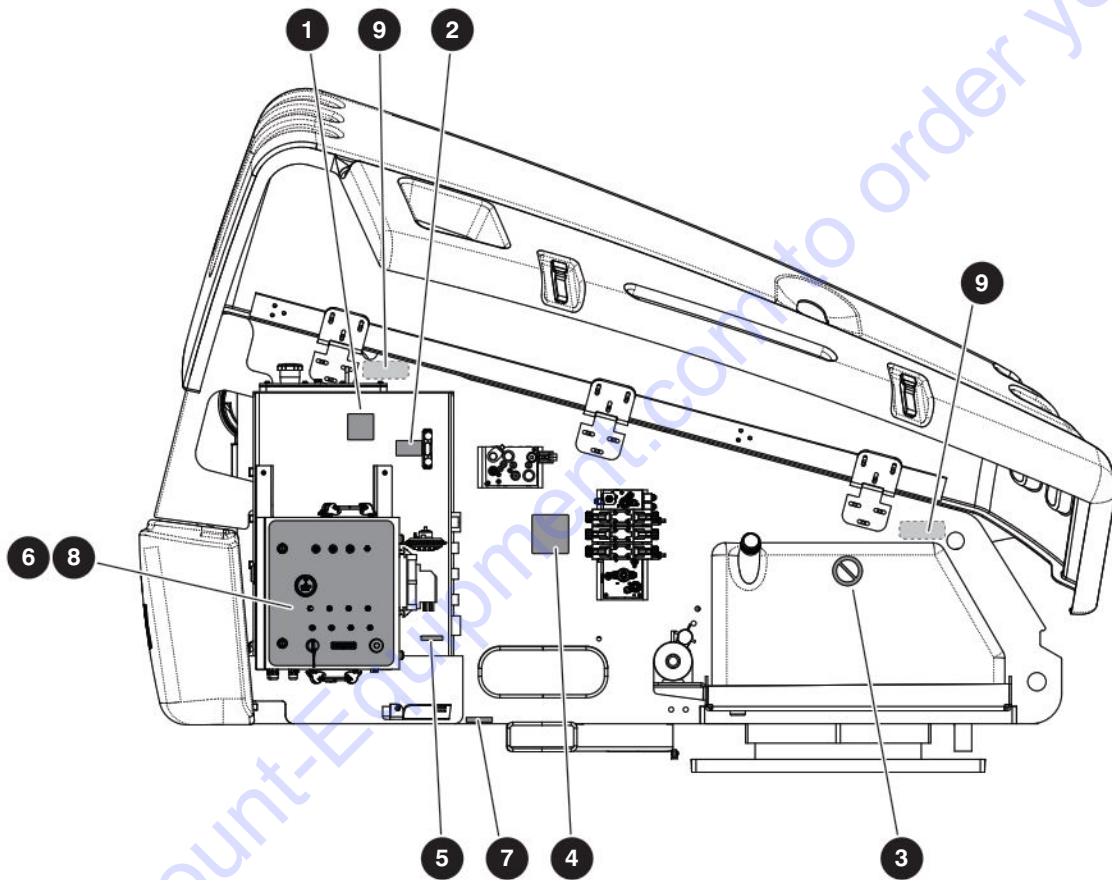
10.4 Labels - Controls Side



10.4 Labels - Controls Side

Index No.	Skyjack Part No.	Qty.	Description
1	137988	1	LABEL, Crush/Pinch point
2	223640	4	LABEL, Body crush
3	147111	1	LABEL, Transportation tie down points - CE & AS
4	143688	1	LABEL, Lift point
5	138146	1	LABEL, No smoking
6	164773	1	LABEL, Skyjack (51")
7	173425	1	LABEL, SJ40 T+
	173596	1	LABEL, SJ45 T+
8	124767	2	LABEL, Tie down/lift lugs
9	124631	2	LABEL, Wheel info
10	169502	2	LABEL, Wheel load 3450 kg/7600 lb - SJ40 T+
	169380	2	LABEL, Wheel load 3630 kg/8000 lb - SJ45 T+
11	173202	2	LABEL, Tip over hazard
12	117023	1	LABEL, "CE" mark - CE
13	173585	1	LABEL, Sound power level - 98 dB - CE
	128226	1	LABEL, Sound power level - 103 dB - AS
14	173244	1	LABEL, SJ40 T+
	173595	1	LABEL, SJ45 T+
15	158555	1	LABEL, Skyjack (29")
16	172656	1	LABEL, Annual inspection
17	172939	1	LABEL, Emergency lowering at base controls
18	161631	1	LABEL, Power line clearance - AS
19	173303	1	LABEL, Smart Torque Stage V - Deutz D2.2 engine
20	119803	55"	TAPE, Caution - 1"
21	172695	1	LABEL, Annual inspection

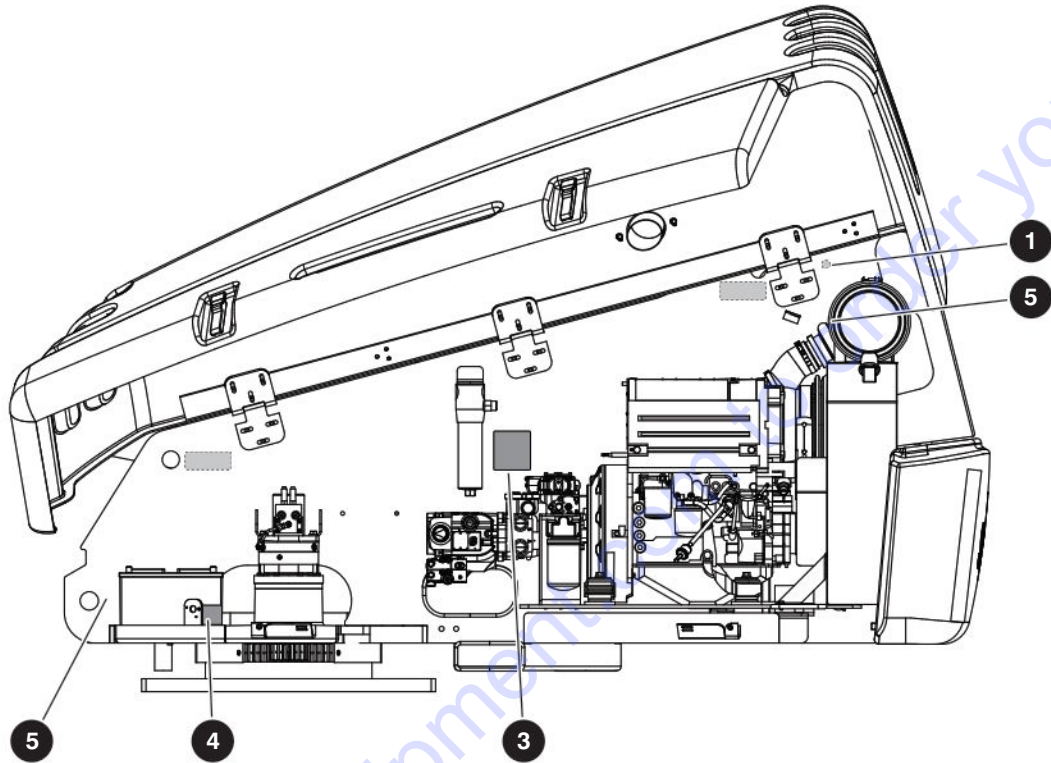
10.5 Labels - Controls Compartment



10.5 Labels - Controls Compartment

Index No.	Skyjack Part No.	Qty.	Description
1	143593	1	LABEL, Hydraulic oil - Tellus T46 - Standard Oil
	172427	1	LABEL, Hydraulic oil - Shell Naturelle Bio HF-E 46 - Bio Oil
	144633	1	LABEL, Hydraulic oil - Univis HVI - Arctic Oil
2	146016	1	LABEL, Hydraulic oil level (min/max)
3	138146	1	LABEL, No smoking
4	223638	1	LABEL, Caution winch/tow procedure
5	138211	1	LABEL, Connect AC supply
6	213584	1	LABEL, Base controls
7	172512	1	LABEL, Grease
8	218364	1	LABEL, Relays
	218431	1	LABEL, Relays - Positive Air Shut-Off Option
9	172680	2	LABEL, Maintenance support

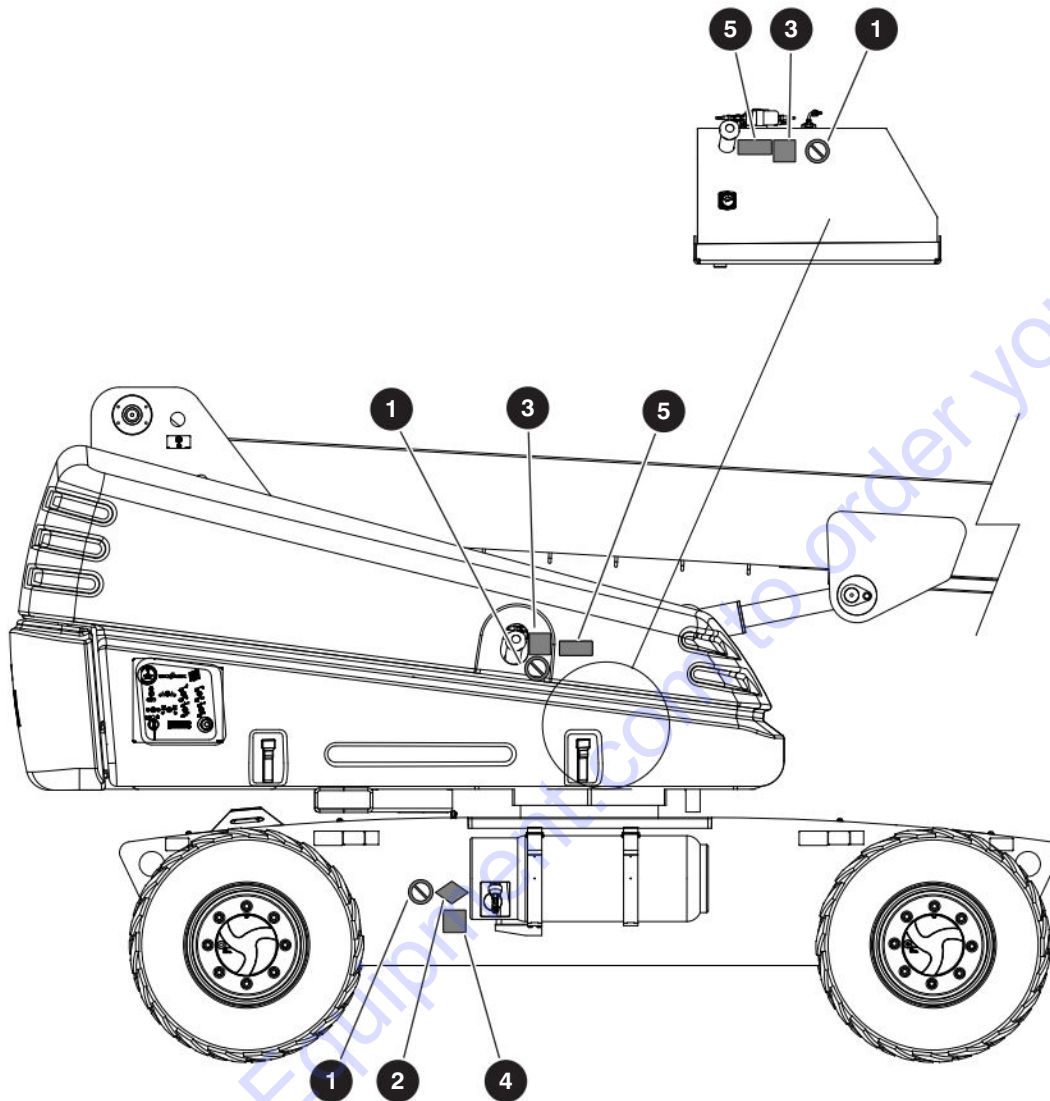
10.6 Labels - Engine Compartment



M173478AB_EC

Index No.	Skyjack Part No.	Qty.	Description
1	156613	1	LABEL, Do not alter
2	119803	19"	LABEL, Caution tape - CE & AS
3	223638	1	LABEL, Caution winch/tow procedure
4	119674	1	LABEL, Battery disconnect switch
5	172680	2	LABEL, Maintenance support

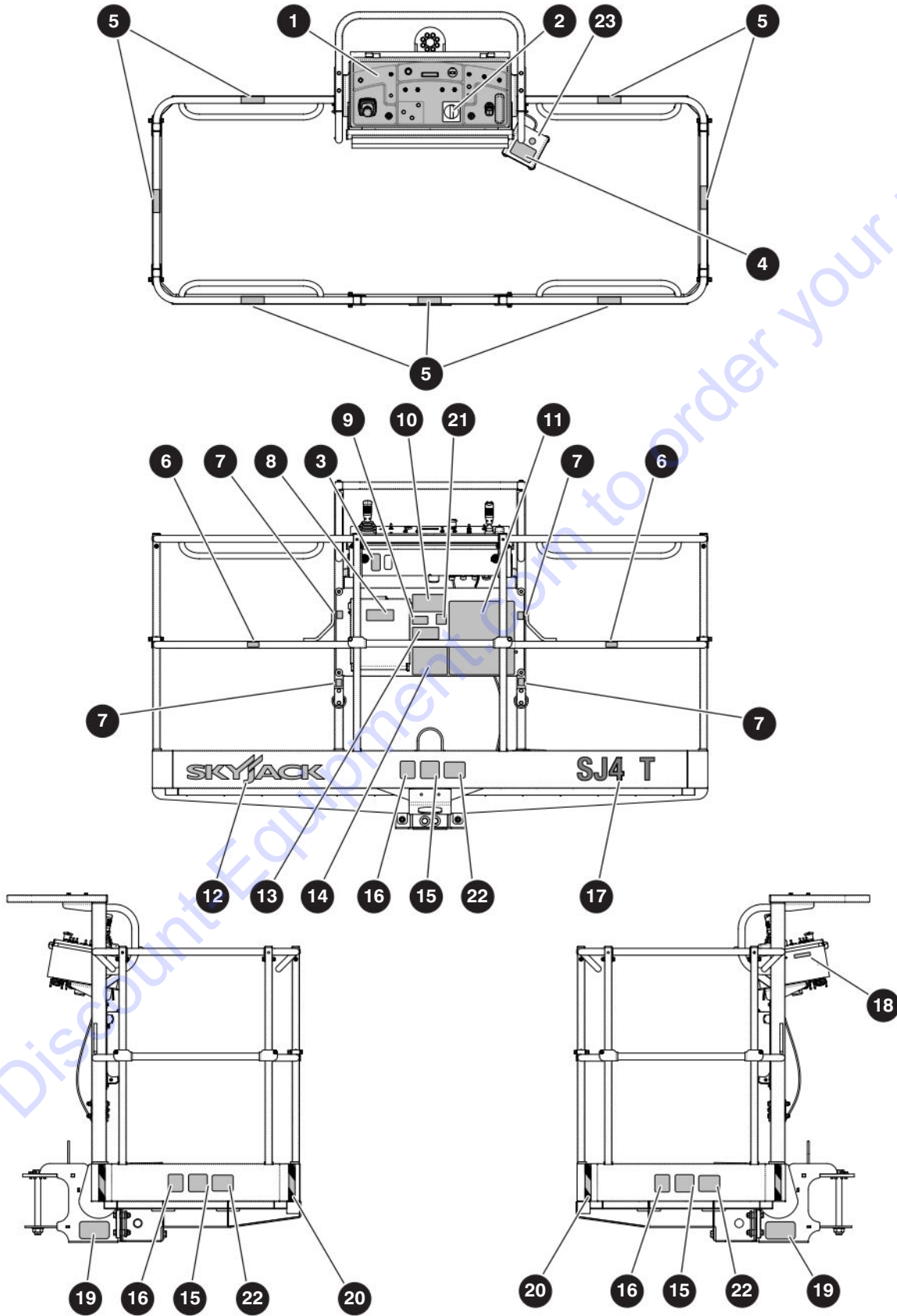
10.7 Labels - Fuel



M144401AB

Index No.	Skyjack Part No.	Qty.	Description
1	138146	1	LABEL, No smoking - Deutz
	138146	2	LABEL, No smoking - Kubota Single tank
	138146	3	LABEL, No smoking - Kubota Double tank
2	120390	1	LABEL, Propane Pictorial - Kubota Single tank
	120390	2	LABEL, Propane Pictorial - Kubota Double tank
3	102962	2	LABEL, Low or ultra low sulfur diesel fuel only - Deutz D2011
	162852	2	LABEL, Ultra low sulfur diesel fuel only - Deutz D2.9L & D2.2
	132400	2	LABEL, Unleaded fuel only - Kubota
4	103023	1	LABEL, LPG fuel - Kubota
5	168457	2	LABEL, Open fuel cap slowly - Kubota

10.8 Labels - Platform



M173478AB_PI

229031ABA

10.8 Labels - Platform

Index No.	Skyjack Part No.	Qty.	Description
1	231420	1	LABEL, Platform control box - ANSI/CSA
	213590	1	LABEL, Platform control box - CE & AS
2	142428	1	LABEL, Boom rotary pot
3	231398	1	LABEL, Override switch glazier
4	143638	1	LABEL, Footswitch enable
5	137988	6	LABEL, Crush/pinch point
6	115543	7	LABEL, Warning - no step
7	172639	4	LABEL, Harness anchorage - ANSI/CSA, AS
	172640	4	LABEL, Harness anchorage - CE
8	123628	1	LABEL, Manual box
9	173081	1	LABEL, California proposition 65 - ANSI/CSA
10	173606	4	LABEL, Capacity - dual (1000/750/600) - SJ 40 T+
	173604	4	LABEL, Capacity - dual (1000/660/600) - SJ 45 T+
11	173192	1	LABEL, Warning - hazards
12	158554	1	LABEL, Skyjack logo (20")
13	147043	1	LABEL, "Click it!"
14	161631	1	LABEL, Clearance power lines - AS
15	124362	3	LABEL, Warning - do not wear jewelry
16	159513	3	LABEL, Daily maintenance checklist
17	173422	1	LABEL, "SJ40 T+" (17")
	173595	1	LABEL, "SJ45 T+" (17")
18	138211	1	LABEL, Conneect AC supply
19	147111	2	LABEL, Tie down points transportation
20	119803	26"	LABEL, Safety tape (1" wide)
21	173202	1	LABEL, Tip over hazard
22	172693	3	LABEL, Non-insulated
23	156613	1	LABEL, Do not alter

PARTS FINDER

**Search Website
by Part Number**



**Search Manual
Library For Parts
Manual & Lookup Part
Numbers – Purchase
or Request Quote**

Search Manuals

Enter your information to help us find the right parts manual for your machine.

* Brand:

* Model:

* Serial:

* Part Number:

SEARCH

**Can't Find Part or
Manual? Request Help
by Manufacturer,
Model & Description**

Parts Order Form

Please fill in the following information to help us find the right part for your machine.

Manufacturer:	<input type="text"/>
Model:	<input type="text"/>
Description:	<input type="text"/>
Part Number:	<input type="text"/>
Quantity:	<input type="text"/>
Notes:	<input type="text"/>

Submit

Discount-Equipment.com is your online resource for quality parts & equipment.

Florida: **561-964-4949** Outside Florida TOLL FREE: **877-690-3101**

Need parts?

Click on this link: <http://www.discount-equipment.com/category/5443-parts/> and choose one of the options to help get the right parts and equipment you are looking for. Please have the machine model and serial number available in order to help us get you the correct parts. If you don't find the part on the website or on one of the online manuals, please fill out the request form and one of our experienced staff members will get back to you with a quote for the right part that your machine needs.

We sell worldwide for the brands: Genie, Terex, JLG, MultiQuip, Mikasa, Essick, Whiteman, Mayco, Toro Stone, Diamond Products, Generac Magnum, Airman, Haulotte, Barreto, Power Blanket, Nifty Lift, Atlas Copco, Chicago Pneumatic, Allmand, Miller Curber, Skyjack, Lull, Skytrak, Tsurumi, Husquvarna Target, Stow, Wacker, Sakai, Mi-T-M, Sullair, Basic, Dynapac, MBW, Weber, Bartell, Bennar Newman, Haulotte, Ditch Runner, Menegotti, Morrison, Contec, Buddy, Crown, Edco, Wyco, Bomag, Laymor, EZ Trench, Bil-Jax, F.S. Curtis, Gehl Pavers, Heli, Honda, ICS/PowerGrit, IHI, Partner, Imer, Clipper, MMD, Koshin, Rice, CH&E, General Equipment, Amida, Coleman, NAC, Gradall, Square Shooter, Kent, Stanley, Tamco, Toku, Hatz, Kohler, Robin, Wisconsin, Northrock, Oztec, Toker TK, Rol-Air, APT, Wylie, Ingersoll Rand / Doosan, Innovatech, Con X, Ammann, Mecalac, Makinex, Smith Surface Prep, Small Line, Wanco, Yanmar