

SKYJACK

PARTS MANUAL

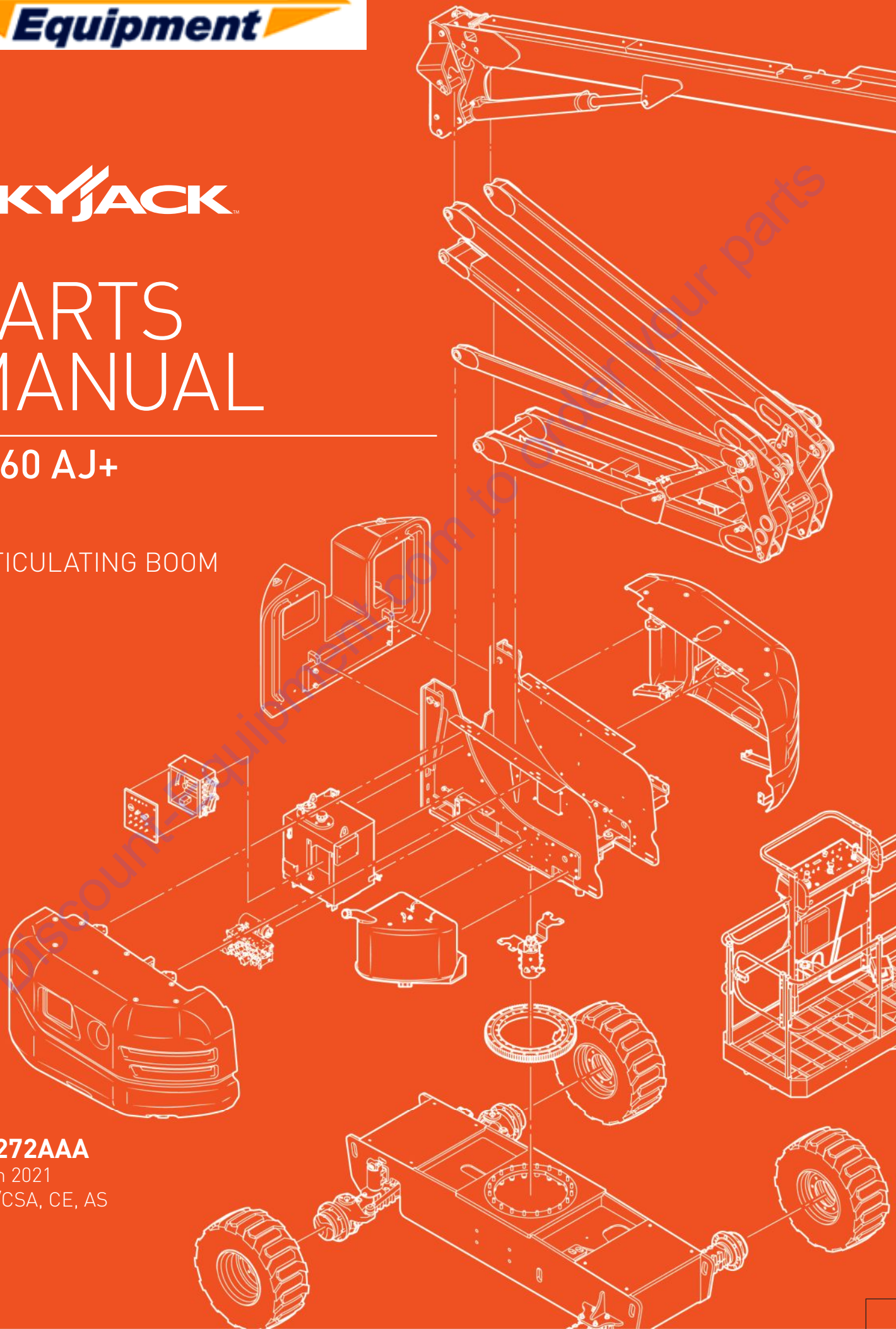
SJ60 AJ+

ARTICULATING BOOM

238272AAA

March 2021

ANSI/CSA, CE, AS



PARTS FINDER

**Search Website
by Part Number**



**Search Manual
Library For Parts
Manual & Lookup Part
Numbers – Purchase
or Request Quote**

Search Manuals

Enter your information to help us find the right parts manual for your machine.

* Brand:

* Model:

* Serial:

* Part Number:

SEARCH

**Can't Find Part or
Manual? Request Help
by Manufacturer,
Model & Description**

Parts Order Form

Please fill in the following information to help us find the right part for your machine.

Manufacturer:	<input type="text"/>
Model:	<input type="text"/>
Description:	<input type="text"/>
Part Number:	<input type="text"/>
Quantity:	<input type="text"/>
Notes:	<input type="text"/>

Submit

Discount-Equipment.com is your online resource for quality parts & equipment.

Florida: **561-964-4949** Outside Florida TOLL FREE: **877-690-3101**

Need parts?

Click on this link: <http://www.discount-equipment.com/category/5443-parts/> and choose one of the options to help get the right parts and equipment you are looking for. Please have the machine model and serial number available in order to help us get you the correct parts. If you don't find the part on the website or on one of the online manuals, please fill out the request form and one of our experienced staff members will get back to you with a quote for the right part that your machine needs.

We sell worldwide for the brands: Genie, Terex, JLG, MultiQuip, Mikasa, Essick, Whiteman, Mayco, Toro Stone, Diamond Products, Generac Magnum, Airman, Haulotte, Barreto, Power Blanket, Nifty Lift, Atlas Copco, Chicago Pneumatic, Allmand, Miller Curber, Skyjack, Lull, Skytrak, Tsurumi, Husquvarna Target, Stow, Wacker, Sakai, Mi-T-M, Sullair, Basic, Dynapac, MBW, Weber, Bartell, Bennar Newman, Haulotte, Ditch Runner, Menegotti, Morrison, Contec, Buddy, Crown, Edco, Wyco, Bomag, Laymor, EZ Trench, Bil-Jax, F.S. Curtis, Gehl Pavers, Heli, Honda, ICS/PowerGrit, IHI, Partner, Imer, Clipper, MMD, Koshin, Rice, CH&E, General Equipment, Amida, Coleman, NAC, Gradall, Square Shooter, Kent, Stanley, Tamco, Toku, Hatz, Kohler, Robin, Wisconsin, Northrock, Oztec, Toker TK, Rol-Air, APT, Wylie, Ingersoll Rand / Doosan, Innovatech, Con X, Ammann, Mecalac, Makinex, Smith Surface Prep, Small Line, Wanco, Yanmar

This manual is for MEWPs with serial numbers:

SJ60 AJ+: A302 100 001 - A302 199 999

Please refer to the website (www.discount-equipment.com)
for contact information, other serial numbers, the most
recent technical manuals, and USB software.

Go to Discount-Equipment.com to order your parts

Table of Contents

Foreword	7
General.....	7
Parts Ordering Information.....	7
Method of Listing.....	7
Quantities.....	7
How To Order Repair Parts.....	7
Recommended Service Parts.....	8
Section 1 – Platform	11
1.1 Platform with Drop Bars.....	12
1.2 Platform with Swing Gate.....	14
1.3 Railings.....	16
1.4 Platform Base.....	18
1.5 Swing Gate.....	20
1.6 Drop Bar.....	22
1.7 Footswitch.....	23
1.8 Platform Control Box.....	24
1.9 Boom / Turret Controller.....	28
1.10 Drive / Steer Controller.....	30
1.11 Riser Controller.....	32
1.12 SGE.....	33
1.13 Platform Terminal Strip.....	34
1.14 Power to Platform - ANSI/CSA.....	35
1.15 Power to Platform - CE & AS.....	36
Section 2 – Boom	39
2.1 Riser.....	40
2.2 Main and Fly Boom.....	44
2.3 Fly.....	48
2.4 Upper Pivot.....	49
2.5 Cable Track.....	50
2.6 Jib.....	52
2.7 Jib Manifold.....	56
2.8 Limit Switches.....	58
2.9 Rotary Actuator.....	60
Section 3 – Cylinders	61
3.1 Riser Lift.....	62
3.2 Riser.....	63

3.3	Lift Cylinder	64
3.4	Master Cylinder	65
3.5	Slave Cylinder	66
3.6	Axle Lock Cylinder	67
3.7	Extension Cylinder	68
3.8	Jib Cylinder	70
Section 4 – Turret		73
4.1	Turret	74
4.2	Engine Tray	76
4.3	Counterweight	77
4.4	Cowling Mounting - Engine Side	78
4.5	Cowling Mounting - Controls Side	80
4.6	Cowling - Engine Side	82
4.7	Cowling - Controls Side	83
4.8	Main Manifold	84
4.9	Brake Manifold	88
4.10	Fuel Tank - Diesel	90
4.11	Fuel Tank - Gasoline	92
4.12	Hydraulic Tank	94
4.13	High Pressure Filter	96
4.14	Swing Drive	97
4.15	Base Controls	98
4.16	Base Terminal Strip	102
4.17	Emergency Power Unit	103
4.18	Battery	104
4.19	High Pressure Shuttle Valve	106
4.20	Grease Line	107
Section 5 – Base		109
5.1	Base	110
5.2	Axle Hardware - Front	112
5.3	Axle Hardware - Rear	113
5.4	Front Axle	114
5.5	Central Housing - Front Axle	116
5.6	Differential - Front Axle	118
5.7	Steering - Front Axle	120
5.8	Trunnion - Front Axle	121
5.9	Drive Shaft	122
5.10	Rear Axle	124
5.11	Differential - Rear	126
5.12	Central Housing - Rear	128
5.13	Gear Box	130

5.14	Brakes	132
5.15	Rotary Manifold	136
5.16	Propane Tank	138
5.17	Tires	140
Section 6 – Engines		143
6.1	Kubota D1305 Engine	144
6.2	Air Intake & Exhaust - Kubota D1305	148
6.3	Fuel Lines - Kubota D1305	150
6.4	Kubota WG972 Engine	152
6.5	Air Intake & Exhaust - Kubota WG972	156
6.6	Regulator/Vaporizer Mount - Kubota WG972	158
6.7	Propane Tanks & Lines - Kubota WG972	160
6.8	Fuel Lines - Kubota WG972	162
6.9	Drive & System Pumps	164
Section 7 – Electrical Harnesses		167
7.1	Main Electrical and Fuel Level Switch Harnesses	168
7.2	Engine Harness - D1305	170
7.3	Engine Fuse Box - Kubota D1305	172
7.4	Engine Harness - Kubota WG972	174
7.5	ECU Power Harness - Kubota WG972	176
7.6	Fuel Pump Harness - Kubota WG972	177
7.7	Lowering Throttle Valve Harness	178
7.8	Rotate Select Harness	179
7.9	Battery Cables	180
7.10	CANbus & Control Cables	182
7.11	Differential Lock Valve Harness	183
Section 8 – Hose Connections		185
8.1	Hose Numbering System	186
8.2	Turret Hoses	188
8.3	Chassis Hoses	190
8.4	Drive & System Pump Hoses	192
8.5	Boom Hoses	194
Section 9 – Optional Equipment		197
9.1	Hostile Environment Kit	198
9.2	Control Box Cover	200
9.3	Welder & Mount	202
9.4	Glazier Package	206
9.5	External Railing	208
9.6	Pipe Rack	210
9.7	Tool Caddy	212

9.8	Half-Height Platform Mesh	214
9.9	Residual Current Device (RCD)	218
9.10	Oil Quick Drain	219
9.11	Elevate Telematics	220
9.12	Elevate Telematics Subscription	222
9.13	Flashing Light	223
9.14	All Motion Alarm	224
Section 10 – Labels		225
10.1	Label Kits	226
10.2	Labels - Engine Side	228
10.3	Labels - Controls Side	230
10.4	Labels - Controls Compartment	232
10.5	Labels - Engine Compartment	233
10.6	Labels - Platform	234
10.7	Labels - Front & Back	236

Go to Discount-Equipment.com to order your parts

Foreword

General

The information contained in this manual is designed to aid the user in locating and identifying replacement parts. Component parts of various assemblies and subassemblies comprising the work platform are illustrated and accompanied by a descriptive parts list. Exploded drawings are used to show relative location of component parts in disassembly order. If a part cannot be found in this manual, contact Discount-equipment for assistance.

Parts Ordering Information

When ordering replacement parts, the complete part number and description should be used to ensure proper identification and delivery of the desired item. This complete identification should also be used when requesting equipment information.

Method of Listing

Parts are listed in order according to the reference number shown in the illustration, followed by a full description based upon the "NOUN FIRST" method. That is, the noun name of the part is listed first, then the modifying description information which serves to specifically identify the item. For example: PIN, Clevis.

Assemblies at the beginning of a parts list may be identified with a reference letter: A, B, C, etc. These letters are used to identify different configurations of the assembly. Individual parts in these lists have corresponding letters after their description to identify which assembly it is used in. If a part does not have a reference letter, it is used in all of the assemblies.

Bullets (•) are used to show the assembly structure, or parent/child relationship. A part listed at the beginning of the parts list without a bullet before the description is the main assembly, and all of the parts below it with one bullet are the subcomponent parts of that assembly. Two bullets denote a subcomponent of a subcomponent, etc.

Example:

Main Assembly A

- Part 1 (subcomponent of Main Assembly A)
- Part 2 (subcomponent of Main Assembly A)
- • Part 3 (subcomponent of Part 2)

Quantities

The quantities required to complete the assembly are given for each part. If the quantity is (AR), it is understood that the quantity may vary when the machine is equipped with certain options. Order quantity as needed.

How To Order Repair Parts

1. Address all orders to Discount-equipment.
2. Specify model and serial number of the work platform (found on the serial number plate).
3. List the quantity needed.
4. List the length needed (if it is a bulk item).
5. List the part number and description as shown in this manual for each item.
6. Show the billing and shipping address and the name of the individual, if possible.
7. Suggest the best routing.

Customer: _____

Dealer: _____

Model Number: _____

Serial Number: _____

Date Purchased: _____

Recommended Service Parts

Description	Year 1 Qty	Year 2 Qty	Year 3 Qty	Skyjack Part No.
Engine - Kubota D1305				
FILTER, Oil - inner	2	2	2	236071
CARTRIDGE, Oil filter	2	2	2	147129
FILTER, Fuel	2	2	2	236089
ELEMENT, Air cleaner	2	2	2	132913
THERMOSTAT	0	0	1	136109
BELT, Fan	0	0	1	236079
PUMP, Fuel transfer	1	1	1	236080
STARTER	0	0	1	236072
ALTERNATOR	0	0	1	236073
Engine - Kubota WG972				
ELEMENT, Air cleaner	2	2	2	132913
ALTERNATOR	0	0	1	237570
BELT, Fan	0	1	1	136114
ELEMENT, Fuel Filter	2	2	2	136118
PUMP, Fuel	1	1	1	163557
FILTER, LP	0	1	1	142300
FILTER, Oil	2	2	2	237654
SPARK PLUG	3	3	3	166642
STARTER	0	0	1	159216
THERMOSTAT	0	0	1	237573
Electrical				
BATTERY	2	2	2	144676
RELAY, Automotive	5	5	5	127131
RELAY, Micro	5	5	5	931298
SOCKET, Automotive relay	1	1	1	138749
SOCKET, Micro relay	1	1	1	218997
SWITCH, Toggle	2	2	2	138278
SWITCH, Toggle	1	1	1	148988
SWITCH, Toggle	1	1	1	138279
SWITCH, Toggle	1	1	1	115747
SWITCH, Toggle	1	1	1	124446
SWITCH, Toggle	1	1	1	115574
BLOCK, N.C. Contact (red plunger, key switch and e-stop)	1	1	1	147053
BLOCK, N.O. Contact (black plunger, key switch)	1	1	1	166141
BLOCK, N.C. Contact (yellow plunger, key switch)	1	1	1	166142
SWITCH, Limit - fly boom	0	1	1	207016

Recommended Service Parts

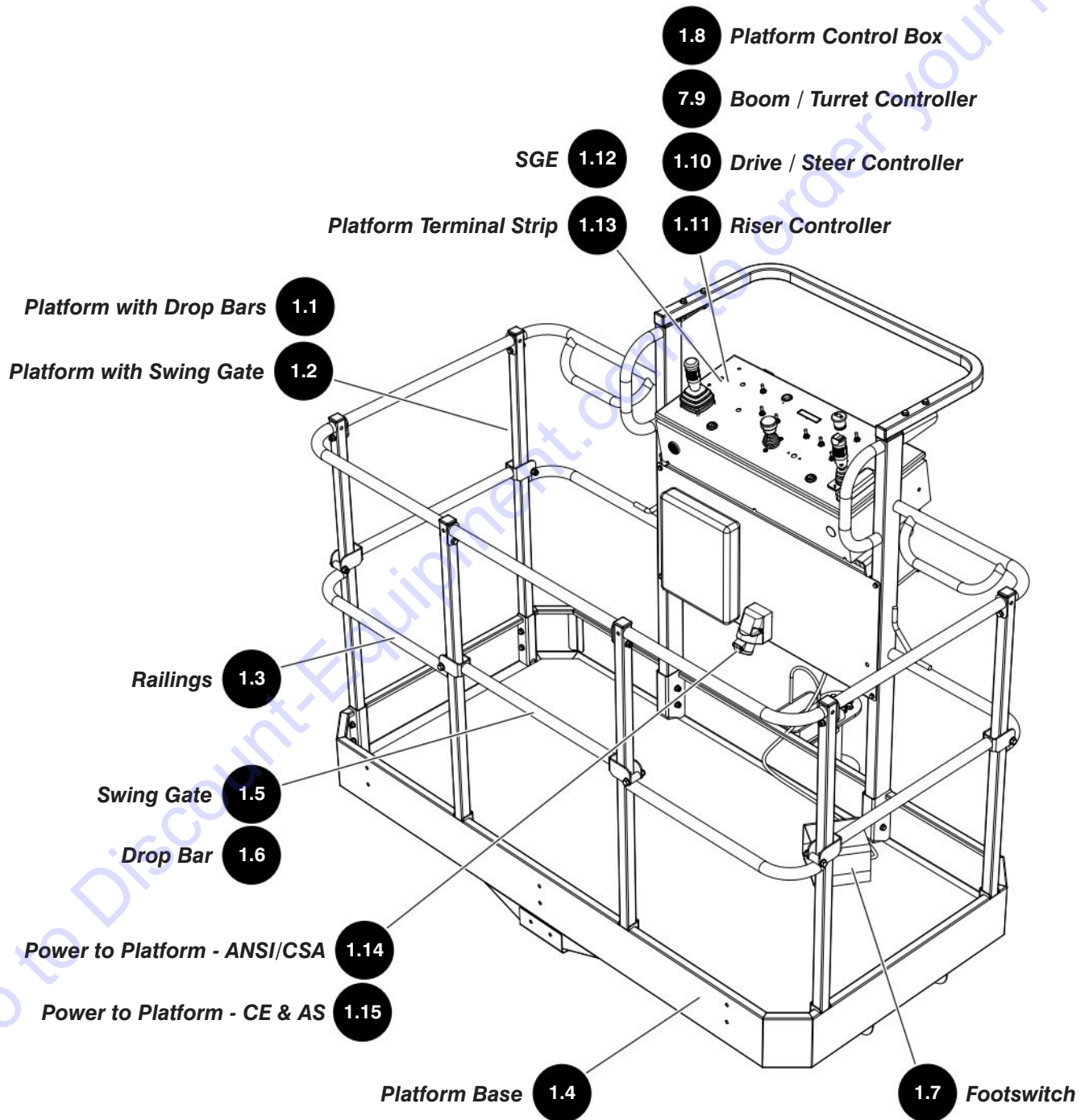
Description	Year 1 Qty	Year 2 Qty	Year 3 Qty	Skyjack Part No.
SWITCH, Limit - main boom	0	1	1	207033
SWITCH, Limit - riser	0	1	1	207021
SWITCH, Limit - direction sensing	0	1	1	199408
COIL, Valve	0	1	1	159819
COIL, Valve	0	1	1	159820
COIL, Valve	0	1	1	159821
COIL, Valve	0	1	1	159822
KIT, Drive/steer joystick handle	0	1	1	141338
Hydraulic				
ELEMENT, High pressure filter - hydraulic	1	1	1	138402
ELEMENT, Return filter - hydraulic	2	2	2	162657
SEAL KIT, Extension cylinder	0	0	1	160690
SEAL KIT, Lift cylinder	0	0	1	160671
SEAL KIT, Riser cylinder	0	0	1	160664
SEAL KIT, Master cylinder	0	0	1	160682
SEAL KIT, Slave cylinder	0	0	1	160685
SEAL KIT, Jib cylinder	0	0	1	160696
SEAL KIT, Axle lockout cylinder	0	0	1	154557
SEAL KIT, Rotary actuator	0	0	1	144709
SEAL KIT, Steer cylinder	0	0	1	141251
Boom				
SHIM, 16 gauge (5.00" x 5.00")	0	1	1	162153
SHIM, 20 gauge (5.00" x 5.00")	0	1	1	162152
SHIM, 16 gauge (1.50" x 5.25")	0	1	1	148837
SHIM, 20 gauge (1.50" x 5.25")	0	1	2	148838
PAD, Wear	0	1	2	153590
Cowling				
LATCH, Flexible draw	2	2	2	144002
Axles				
SEAL, Differential pinion - front axle	0	0	1	140976
SEAL, Planetary hub - front and rear axle	0	0	1	141018
O-RING, Planetary hub - front axle	0	0	1	140970
SEAL, Inner axle shaft - front axle	0	0	1	151762
SEAL, Outer axle shaft - front axle	0	0	1	141040
SEAL, Differential pinion - rear axle	0	0	1	141074
O-RING, Planetary hub - rear axle	0	0	1	140970
SEAL, Gear box output shaft	0	0	1	141149

Recommended Service Parts

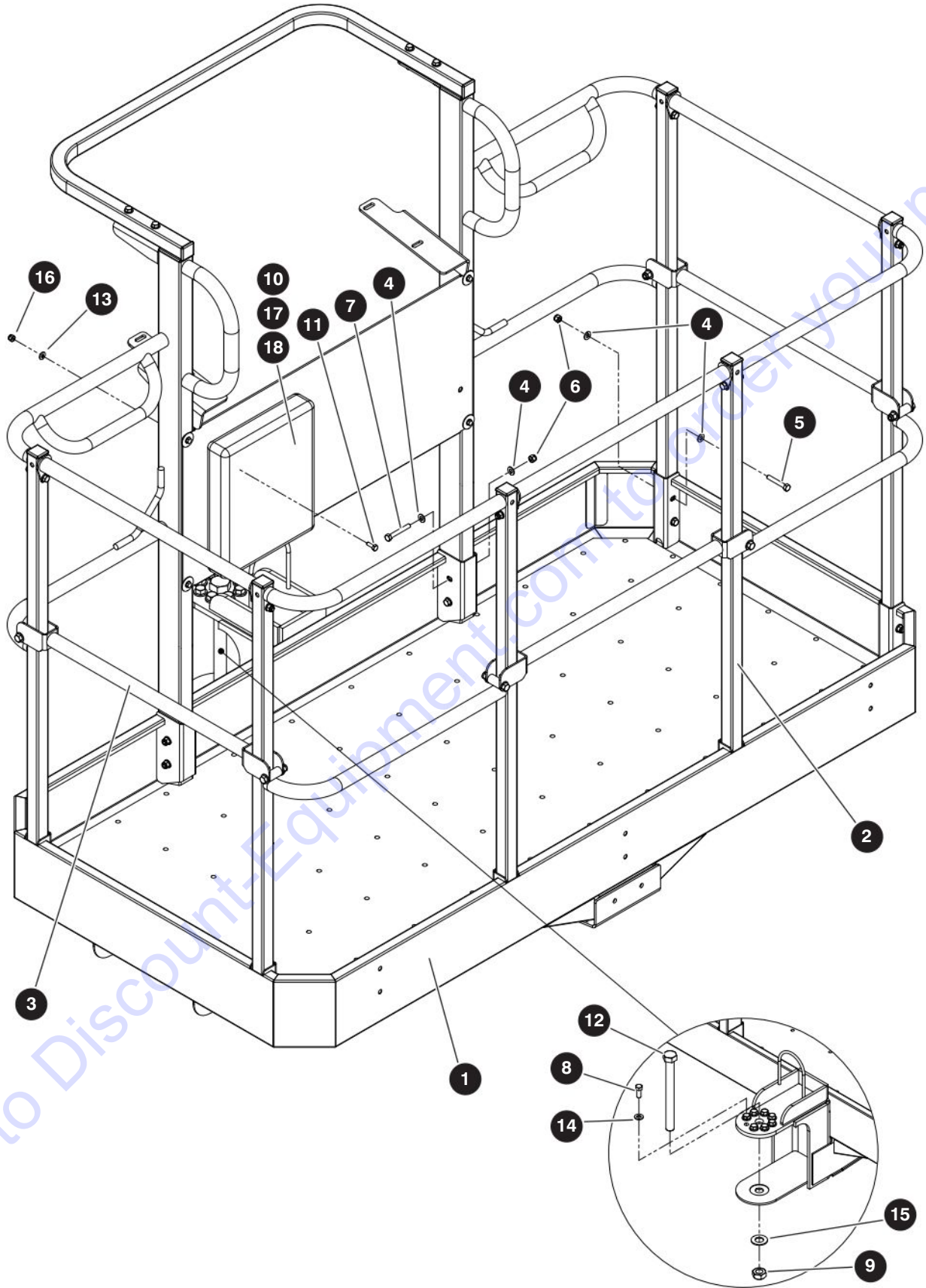
Description	Year 1 Qty	Year 2 Qty	Year 3 Qty	Skyjack Part No.
SEAL, Gear box input shaft	0	0	1	141370

Go to Discount-Equipment.com to order your parts

Section 1 – Platform



1.1 Platform with Drop Bars



M166489AA

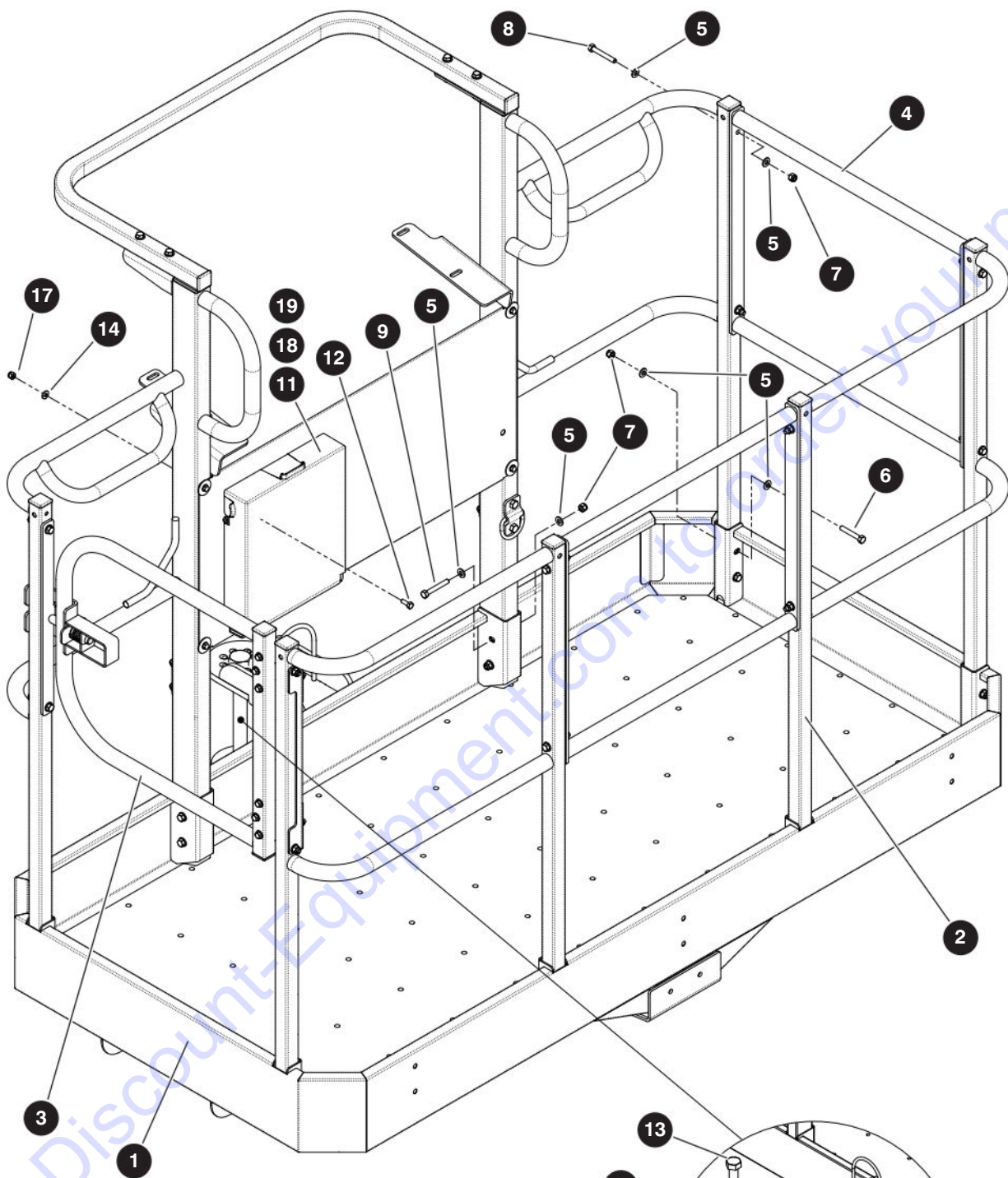
238272AAA

SJ60 AJ+

1.1 Platform with Drop Bars

Index No.	Skyjack Part No.	Qty.	Description
A	218720	1	PLATFORM - 8' with Drop Bars - ANSI/CSA
B	154343	1	PLATFORM - 8' with Drop Bars - CE & AS
C	218722	1	PLATFORM - 6' with Drop Bars - ANSI/CSA
D	154339	1	PLATFORM - 6' with Drop Bar - CE & AS
1	(Ref.)	1	<ul style="list-style-type: none"> PLATFORM BASE (For components, refer to 1.4 Platform Base)
2	(Ref.)	1	<ul style="list-style-type: none"> RAILINGS (For components, refer to 1.3 Railings)
3	(Ref.)	3	<ul style="list-style-type: none"> DROP BARS (For components, refer to 1.6 Drop Bar)
4	103996	32	<ul style="list-style-type: none"> WASHER, Flat (0.312")
5	103865	12	<ul style="list-style-type: none"> BOLT, Hex head (0.312"-18 x 2.00" gr 5)
6	103984	16	<ul style="list-style-type: none"> NUT, Lock (0.313"-18 gr 5 nylon)
7	103866	4	<ul style="list-style-type: none"> BOLT, Hex head (0.312"-18 x 2.25" gr 5)
8	139193	8	<ul style="list-style-type: none"> BOLT, Hex head patch (0.375"-16 x 0.875" gr 8)
9	138559	1	<ul style="list-style-type: none"> NUT, Torque lock (1-8 gr C)
10	198789	1	<ul style="list-style-type: none"> BOX, Manual
11	103856	4	<ul style="list-style-type: none"> BOLT, Hex head (0.25"-20 x 0.75" gr 5)
12	138696	1	<ul style="list-style-type: none"> BOLT, Hex head (1.0"-8 x 10.5" gr 8)
13	103995	4	<ul style="list-style-type: none"> WASHER, Flat (0.25")
14	125959	8	<ul style="list-style-type: none"> WASHER, Flat (0.375" hard)
15	102646	1	<ul style="list-style-type: none"> WASHER, Flat (1.00" SAE)
16	115649	4	<ul style="list-style-type: none"> NUT, Lock (0.25"-20 gr 5 nylon)
17	207981	1	<ul style="list-style-type: none"> BAG, Resealable (12" x 9" x 0.002")
18	114710	1	<ul style="list-style-type: none"> KEY RING, Skyjack
19	173200	1	MANUAL, Manual of responsibilities (not shown)
3	159456	2	<ul style="list-style-type: none"> RAILING EXTENSION (no gate)

1.2 Platform with Swing Gate



M198278AB

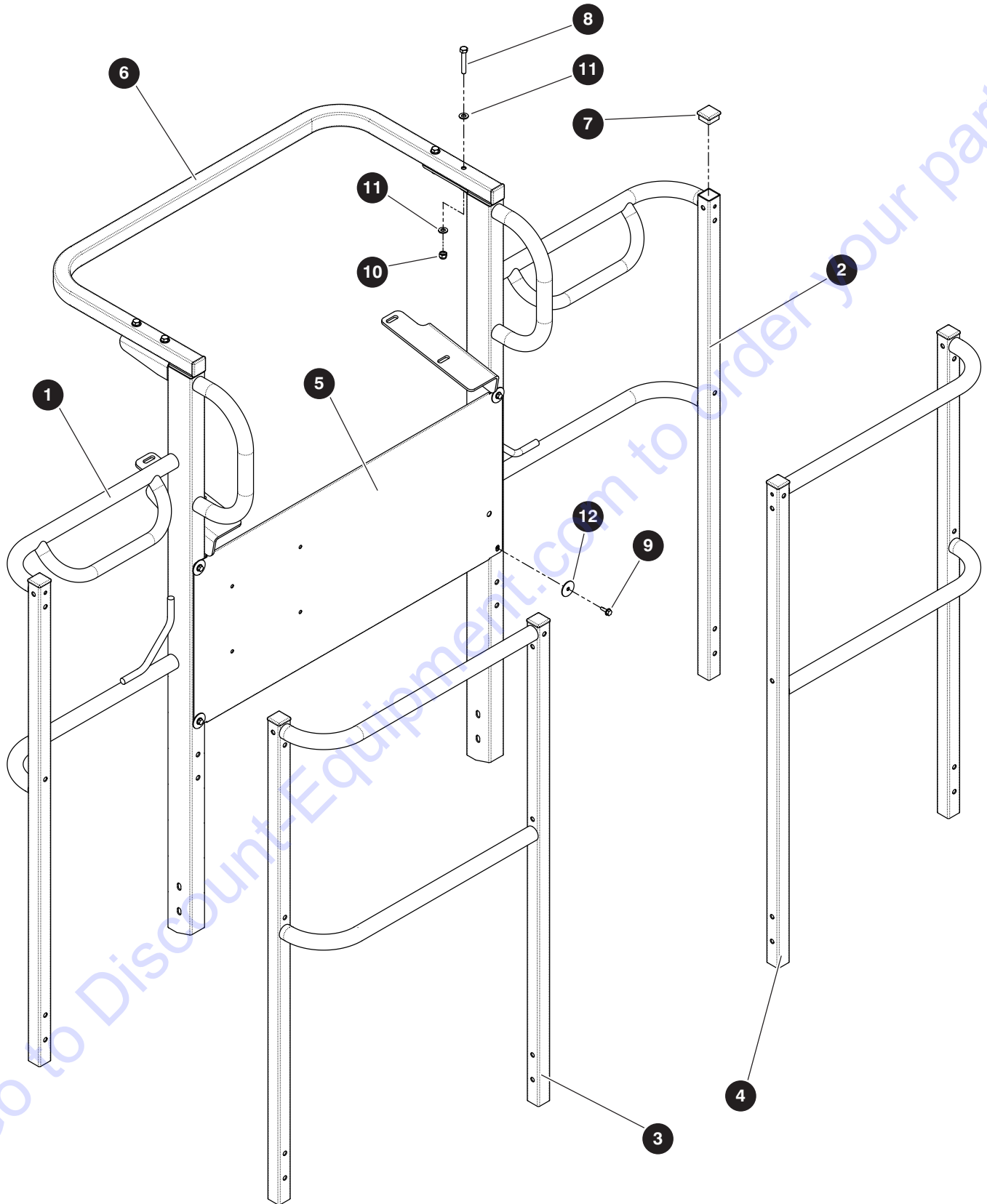
238272AAA

SJ60 AJ+

1.2 Platform with Swing Gate

Index No.	Skyjack Part No.	Qty.	Description
A	218718	1	PLATFORM - 8' with Side Swing Gate - ANSI/CSA
B	212613	1	PLATFORM - 8' with Side Swing Gate - CE
C	154313	1	PLATFORM - 8' with Rear Swing Gate - CE & AS
D	218881	1	PLATFORM - 6' with Side Swing Gate - ANSI/CSA
E	154337	1	PLATFORM - 6' with Rear Swing Gate - CE & AS
1	(Ref.)	1	<ul style="list-style-type: none"> PLATFORM BASE (For components, refer to 1.4 Platform Base)
2	(Ref.)	1	<ul style="list-style-type: none"> RAILINGS (For components, refer to 1.3 Railings)
3	(Ref.)	1	<ul style="list-style-type: none"> SWING GATE (For components, refer to 1.6 Drop Bar)
4	159456	2	<ul style="list-style-type: none"> RAILING EXTENSION (no gate)
5	103996	48	<ul style="list-style-type: none"> WASHER, Flat (0.312")
6	103865	12	<ul style="list-style-type: none"> BOLT, Hex head (0.312"-18 x 2.00" gr 5)
7	103984	24	<ul style="list-style-type: none"> NUT, Lock (0.313"-18 gr 5 nylon)
8	103866	12	<ul style="list-style-type: none"> BOLT, Hex head (0.312"-18 x 2.25" gr 5)
9	139193	8	<ul style="list-style-type: none"> BOLT, Hex head patch (0.375"-16 x 0.875" gr 8)
10	138559	1	<ul style="list-style-type: none"> NUT, Torque lock (1-8 gr C)
11	198789	1	<ul style="list-style-type: none"> BOX, Manual
12	103856	4	<ul style="list-style-type: none"> BOLT, Hex head (0.25"-20 x 0.75" gr 5)
13	138696	1	<ul style="list-style-type: none"> BOLT, Hex head (1.0"-8 x 10.5" gr 8)
14	103995	4	<ul style="list-style-type: none"> WASHER, Flat (0.25")
15	125959	8	<ul style="list-style-type: none"> WASHER, Flat (0.375" hard)
16	102646	1	<ul style="list-style-type: none"> WASHER, Flat (1.00" SAE)
17	115649	4	<ul style="list-style-type: none"> NUT, Lock (0.25"-20 gr 5 nylon)
18	207981	1	<ul style="list-style-type: none"> BAG, Resealable (12" x 9" x 0.002")
19	114710	1	<ul style="list-style-type: none"> KEY RING, Skyjack
20	173200	1	MANUAL, Manual of responsibilities (not shown)

1.3 Railings



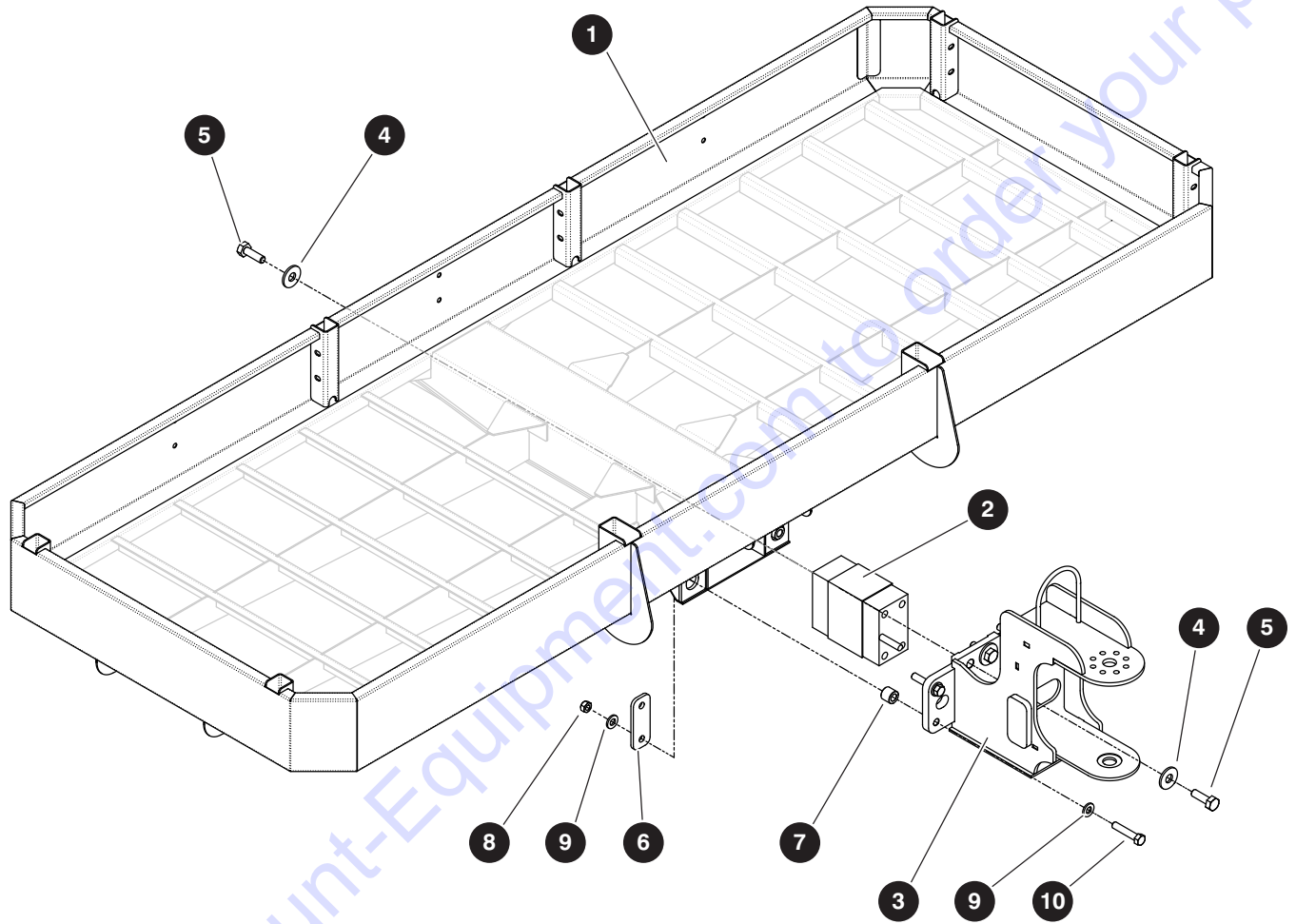
M154334AF_1

238272AAA

1.3 Railings

Index No.	Skyjack Part No.	Qty.	Description
A	218075	1	RAILINGS - 36" x 96"
B	218078	1	RAILINGS - 36" x 72"
1	218741	1	• RAILING, Left front, A
	218745	1	• RAILING, Left front, B
2	218744	1	• RAILING, Right front, A
	218747	1	• RAILING, Right front, B
3	218076	1	• RAILING, Left rear, A
	218079	1	• RAILING, Left rear, B
4	218077	1	• RAILING, Right rear, A
	218080	1	• RAILING, Right rear, B
5	159586	1	• PLATE, Front guard
6	149098	1	• RAILING, Front
7	100702	8	• CAP, Plastic end
8	103865	4	• BOLT, Hex head (5/16"-18 x 2" Grade 5)
9	103632	4	• SCREW, Hex head self-tapping (1/4"-14 x 3/4")
10	103984	4	• NUT, Hex lock (5/16"-18 Grade 5, nylon)
11	103996	8	• WASHER, Flat (5/16")
12	700598	4	• WASHER, Fender

1.4 Platform Base



M154292AC

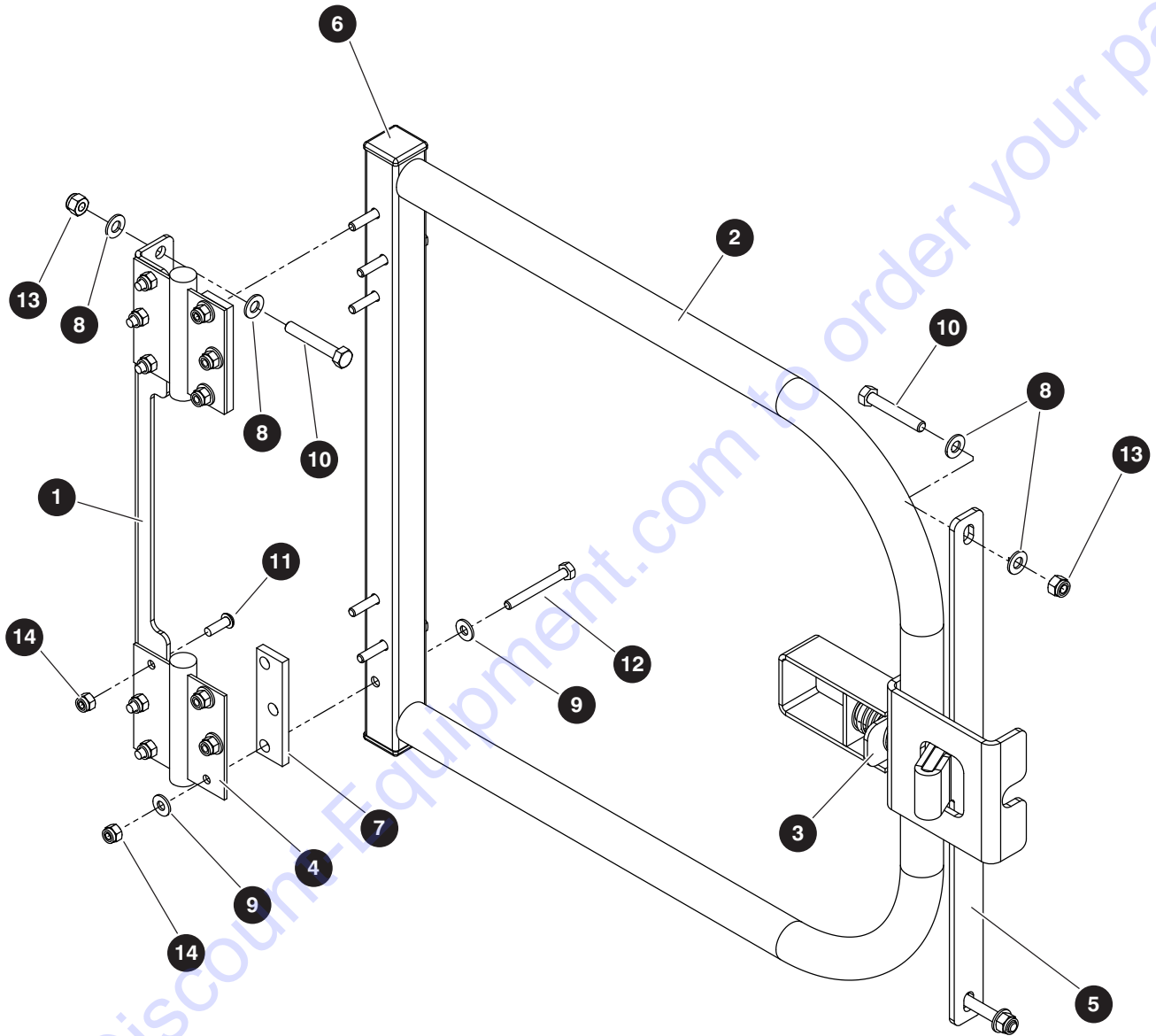
238272AAA

SJ60 AJ+

1.4 Platform Base

Index No.	Skyjack Part No.	Qty.	Description
A	218086	1	PLATFORM BASE, ANSI/CSA- 36" x 96"
B	218715	1	PLATFORM BASE, ANSI/CSA - 36" x 72"
C	154292	1	PLATFORM BASE, CE & AS - 36" x 96"
D	154361	1	PLATFORM BASE, CE & AS - 36" x 72"
1	216297	1	• BASE, Platform, A
	218711	1	• BASE, Platform, B
	154291	1	• BASE, Platform, C
	154310	1	• BASE, Platform, D
2	218368	1	• LOAD CELL, Moba, A, B
	144363	1	• LOAD CELL, Moba, C, D
3	216296	1	• MOUNT, Rotary actuator, A, B
	154289	1	• MOUNT, Rotary actuator, C, D
4	217844	8	• WASHER, Flat hardened structural (M16)
5	144362	8	• BOLT, Hex head patch (M16 x 1.5 x 45 Grade 10.9, Zinc)
6	144365	2	• WASHER, Safety
7	144574	4	• SPACER, Load cell
8	138791	4	• NUT, Torque lock (1/2"-13 Grade C)
9	104379	8	• WASHER, Flat hardened (0.50" SAE)
10	144575	4	• BOLT, Hex head (0.50"-13 x 2.25" gr 8)
11	221394	1	CORD, Patch - MOBA load cell (not shown), C, D
12	144456	1	TOOL, Hand set - MOBA Teach-in (not shown), C, D

1.5 Swing Gate



M164618AB

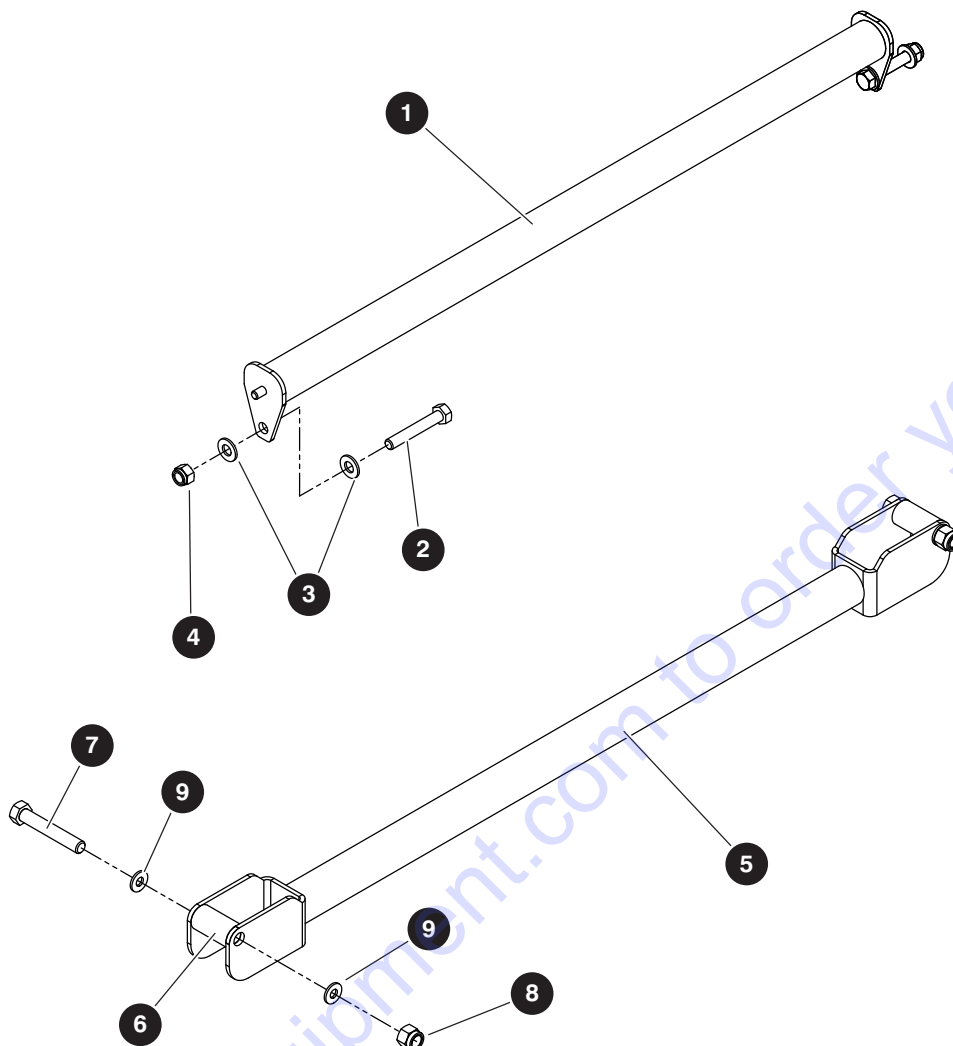
238272AAA

SJ60 AJ+

1.5 Swing Gate

Index No.	Skyjack Part No.	Qty.	Description
-	194073	1	SWING GATE FIELD KIT
-	164618	1	• SWING GATE ASSEMBLY
1	164590	1	• • BRACKET, Hinge mounting
2	164619	1	• • WELDMENT, Gate
3	110824	1	• • LATCH, Door spring pin
	105312	1	• • • LATCH, Nylon bed
	109377	1	• • • PIN, Latch
	105307	1	• • • HANDLE, Gate latch
	103107	1	• • • SPRING, Compression
	100950	1	• • • PIN, Roll (1/8" dia x 1.00")
4	209527	2	• • HINGE, Spring gate satin chrome
5	166287	1	• • WELDMENT, Locking plate
6	100702	2	• • PLUG, Plastic tube (1-1/4" x 1-1/4")
7	164592	2	• • TAB, Hinge
8	103996	8	• • WASHER, Flat (0.31")
9	103995	12	• • WASHER, Flat (0.25")
10	103865	4	• • BOLT, Hex head (0.31"-18 x 2.00" gr 5)
11	139168	6	• • SCREW, Button head (0.25"-20 x 0.75")
12	103862	6	• • BOLT, Hex head (0.25"-20 x 2.25" gr 5)
13	103984	4	• • NUT, Hex head nylon lock (0.31"-18 gr B)
14	115649	12	• • NUT, Hex head nylon lock (0.25"-20 gr 5)
15	194065	1	• INSTRUCTION, Swing gate installation (not shown)

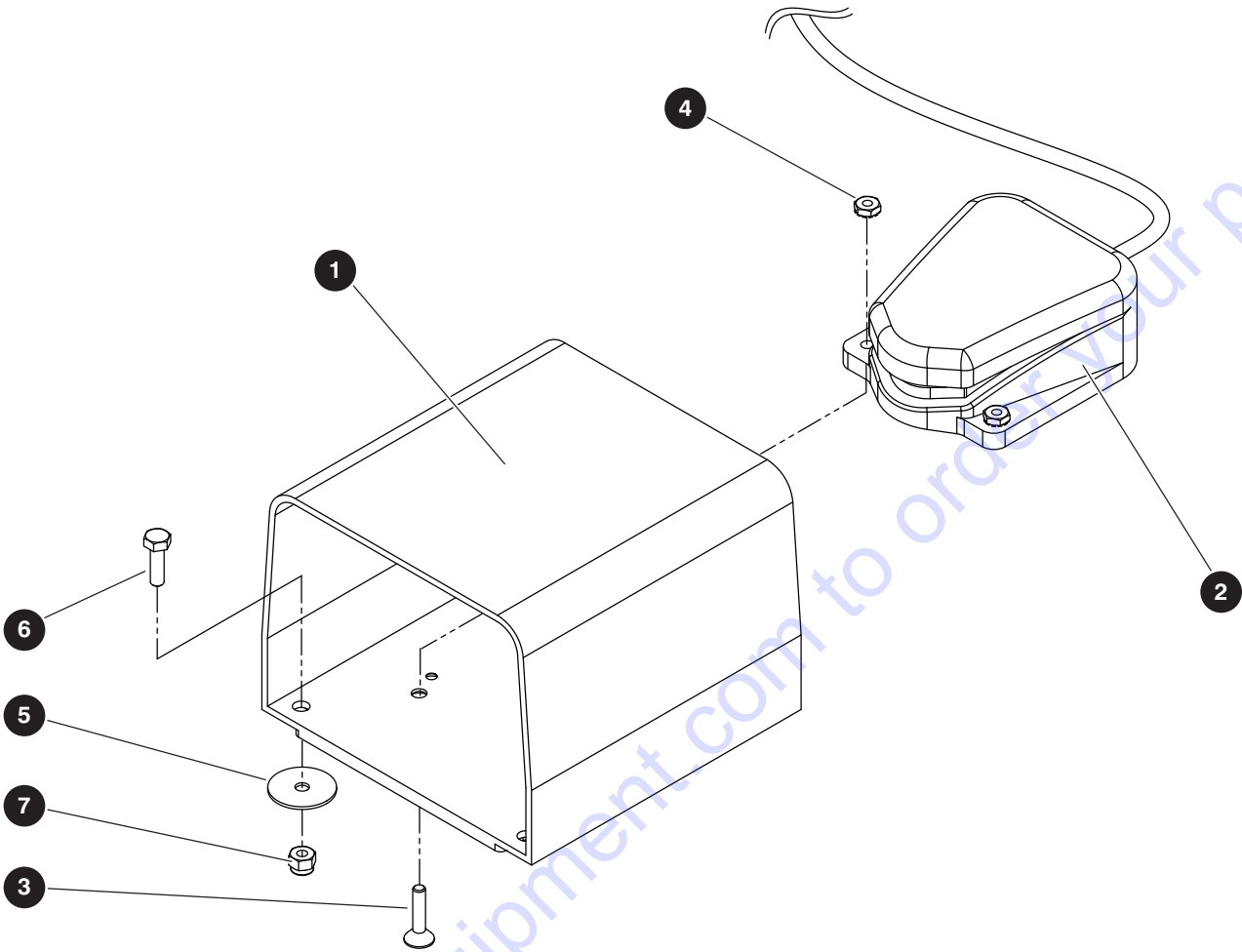
1.6 Drop Bar



M192280AA

Index No.	Skyjack Part No.	Qty.	Description
-	194069	1	DROP BAR GATE FIELD KIT
-	171986	1	• DROP BAR GATE
1	160708	1	• • TIE BAR
2	103865	2	• • BOLT, Hex head (0.312"-18 x 2.00" gr 5)
3	103996	4	• • WASHER, Flat (0.312" SAE)
4	103984	2	• • NUT, Lock (0.313"-18 gr 5 nylon)
-	162965	1	• • DROP BAR ASSEMBLY
5	162958	1	• • • DROP BAR
6	154386	2	• • • SPACER (0.375" ID x 0.75" OD x 1.375" lg)
7	103872	2	• • • BOLT, Hex head (0.375"-16 x 2.25" gr 5)
8	104606	2	• • • NUT, Lock (0.375"-16 gr 5 nylon)
9	103472	4	• • • WASHER, Flat (0.375" SAE)
10	194067	1	• INSTRUCTION, Drop bar installation (not shown)

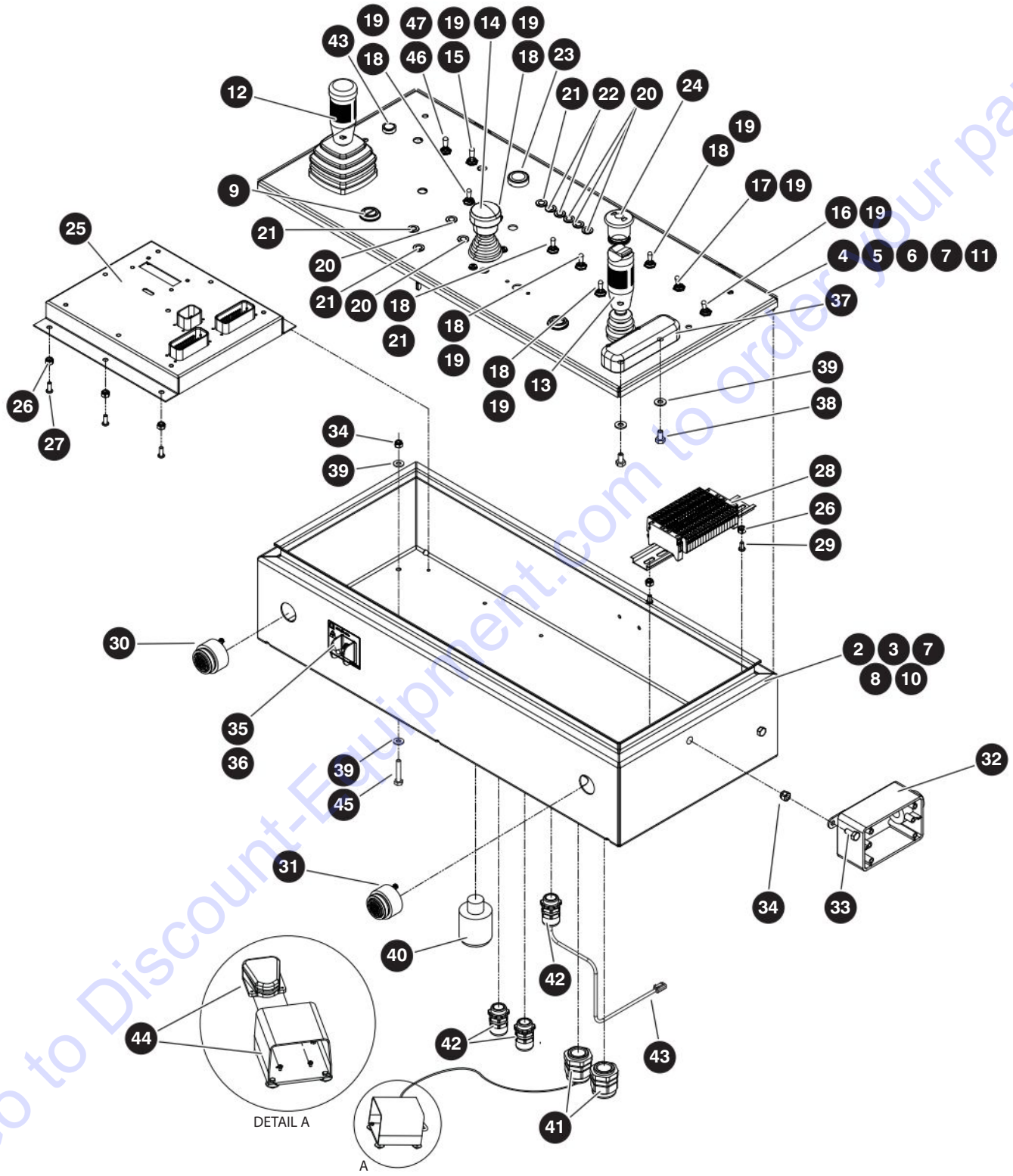
1.7 Footswitch



M154127AC_1

Index No.	Skyjack Part No.	Qty.	Description
-	154127	1	FOOTSWITCH
1	700188	1	• COVER, Footswitch
2	700187	1	• SWITCH, Foot
3	139688	2	• SCREW, Flat head machine (0.25"-20 x 1.00")
4	130017	2	• NUT, Hex head K-lock
5	700598	4	WASHER, Fender
6	103891	4	BOLT, Hex head (0.25"-20 x 0.875" gr 5)
7	115649	4	NUT, Hex head nylon lock (0.25"-20 gr 5)

1.8 Platform Control Box



M218373AE

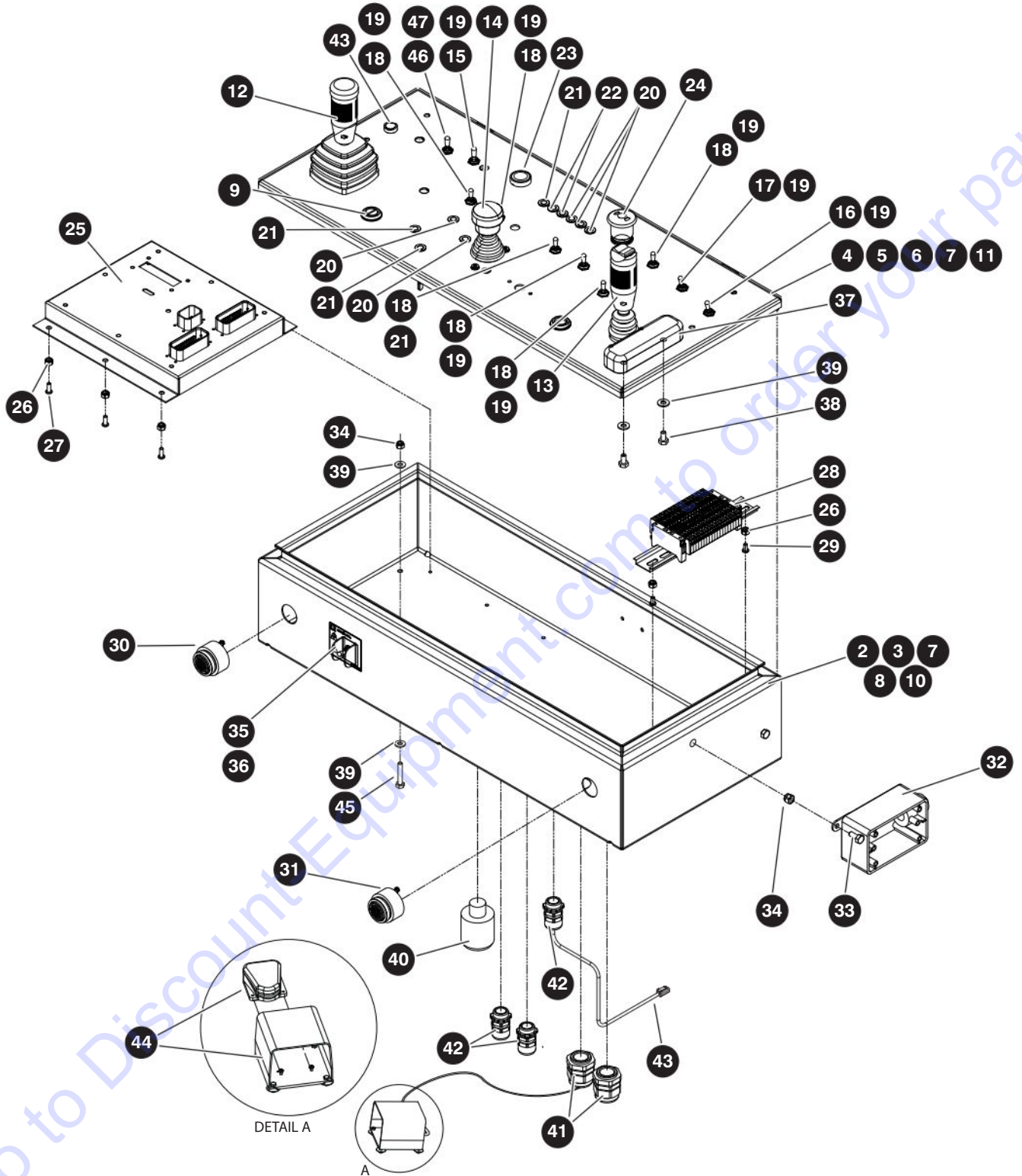
238272AAA

SJ60 AJ+

1.8 Platform Control Box

Index No.	Skyjack Part No.	Qty.	Description
-	218281	1	PLATFORM CONTROL BOX - ANSI/CSA
1	218373	1	• PLATFORM CONTROL BOX
2	218345	1	• • CONTROL BOX, Platform
3	218346	1	• • • BODY, Control box
4	218421	1	• • • LID, Control box
5	149384	1	• • • HINGE, Nylon (Left hand)
6	149385	1	• • • HINGE, Nylon (Right hand)
7	103959	8	• • • SCREW, Round machine (#10-24 x 1/4")
8	159879	2	• • • STUD, Aluminum (#10-32 x 3/8")
9	138715	2	• • • LATCH, Slotted door
10	138334	1	• • • WEATHER STRIP, Cut
11	163512	8	• • • WASHER, Int. tooth lock (#10)
12	(Ref.)	1	• • BOOM / TURRET CONTROLLER (For components, refer to 1.9 Boom / Turret Controller)
13	(Ref.)	1	• • DRIVE / STEER CONTROLLER (For components, refer to 1.10 Drive / Steer Controller)
14	(Ref.)	1	• • RISER CONTROLLER (For components, refer to 1.11 Riser Controller)
15	124446	1	• • SWITCH, Toggle
16	115747	1	• • SWITCH, Toggle
17	115574	1	• • SWITCH, Toggle
18	102853	6	• • SWITCH, Toggle
19	144016	9	• • SEAL, Panel bushing
20	213307	5	• • LIGHT, LED amber
21	213303	4	• • LIGHT, LED green
22	213308	2	• • LIGHT, LED red
23	144648	1	• • SWITCH ASSEMBLY, Horn pushbutton
	147056	1	• • • LATCH, Mounting
	147054	1	• • • BLOCK, NO Contact
	147058	1	• • • SWITCH HEAD, Horn pushbutton
24	144647	1	• • SWITCH ASSEMBLY, E-Stop
	147056	1	• • • LATCH, Mounting
	147229	1	• • • SWITCH, LED Block (Red)
	147053	2	• • • BLOCK, NC Contact
	147051	1	• • • SWITCH HEAD, E-Stop
25	218382	1	• • MODULE, Slave
	218277	1	• • SERVICE TOOL
	218276	1	• • • HARNESS, SMB1 to peak
	218278	1	• • • ADAPTER, PCAN-USB
26	300450	8	• • NUT, Lock (10-32 Grade 5, nylon)
27	103962	6	• • SCREW, Round head machine (10-32 x 1/2")
28	(Ref.)	1	• • PLATFORM TERMINAL STRIP (For components, refer to 1.13 Platform Terminal Strip)
29	115545	2	• • SCREW, Round machine (#10-32 x 3/8")
30	103057	1	• • BEEPER, 4-28 VFC Slow pulsing
31	144387	1	• • ALARM, Continuous tone

1.8 Platform Control Box



M218373AE

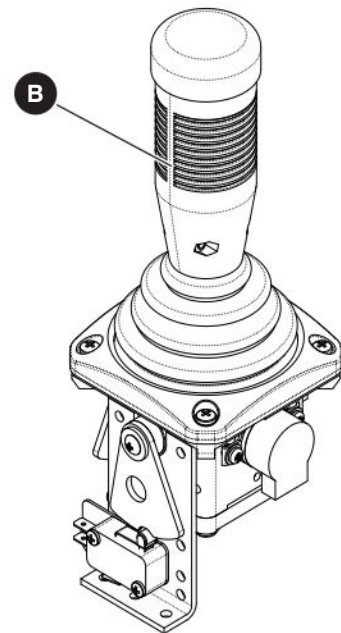
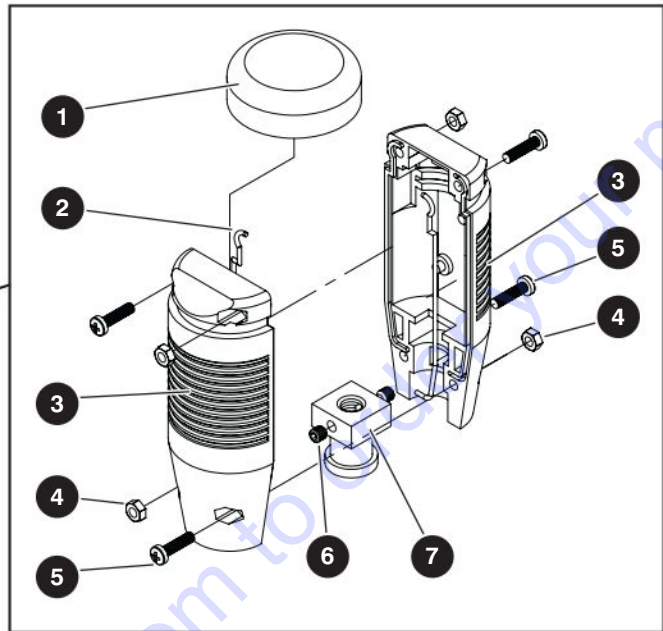
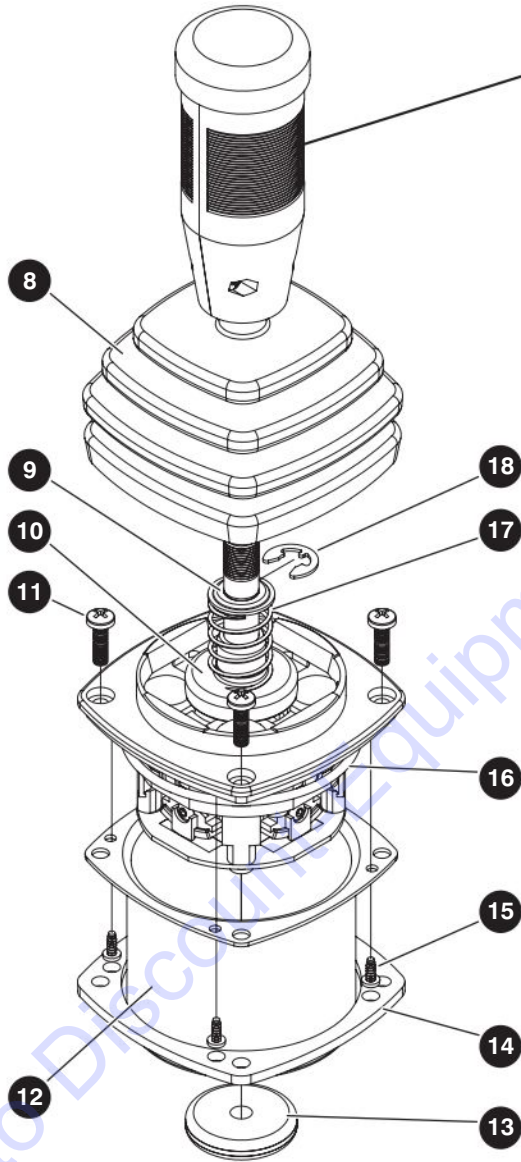
238272AAA

SJ60 AJ+

1.8 Platform Control Box

Index No.	Skyjack Part No.	Qty.	Description
32	136328	1	• • 110V OUTLET BOX
33	103892	2	• • BOLT, Hex head (1/4"-20 x 5/8", Grade5)
34	115649	4	• • NUT, Hex lock (1/4"-20 Grade 5, nylon)
35	218481	1	• • SWITCH, Toggle (INT1-3D)
36	111181	1	• • GUARD, Toggle switch
37	149402	1	• • HANDREST
38	103855	2	• • BOLT, Hex head (1/4"-20 x 1/2" Grade 5)
39	103995	8	• • WASHER, Flat (1/4")
40	166110	1	• • ALARM, LED red (12V)
41	116266	2	• • CONNECTOR, Liquid tight (Heyco)
42	103036	3	• • STRAIN RELIEF, Connector
43	(Ref.)	1	• HARNESS, Rotate select (For components, refer to 7.8 Rotate Select Harness)
44	(Ref.)	1	• FOOTSWITCH (For components, refer to 1.7 Footswitch)
45	103856	4	• BOLT, Hex head (1/4"-20 x 3/4", gr 5)
46	115574	1	SWITCH, Toggle, Kubota Engine
47	144016	1	SEAL, Panel bushing, Kubota Engine

1.9 Boom / Turret Controller



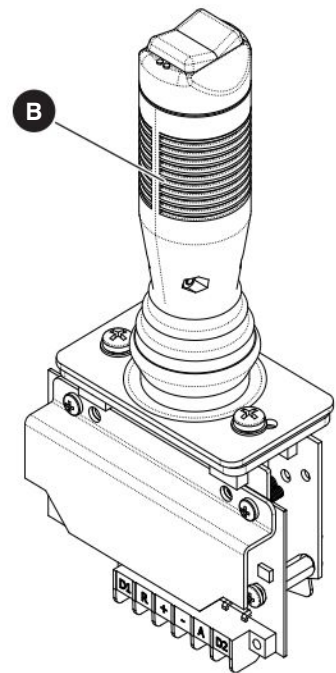
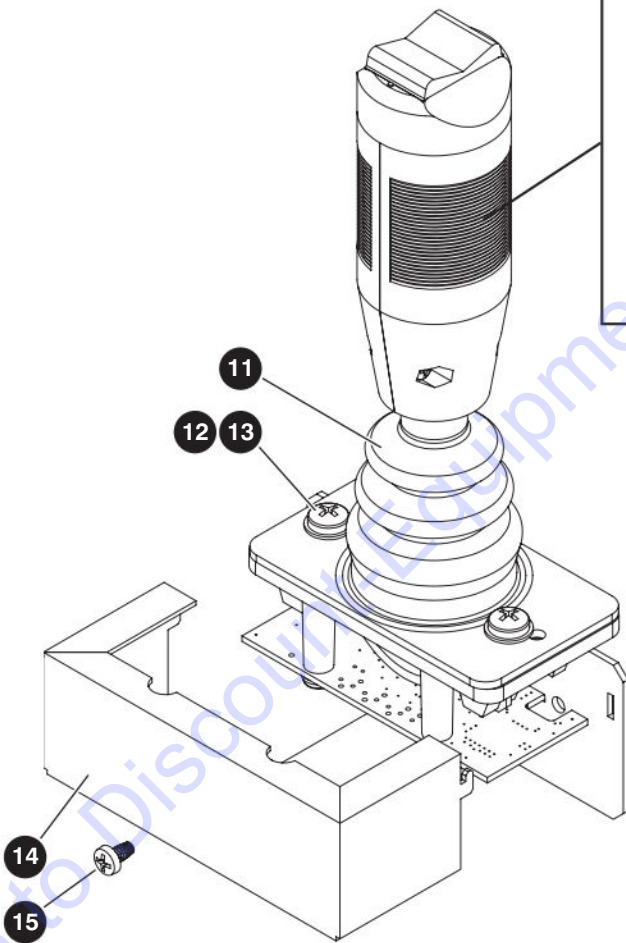
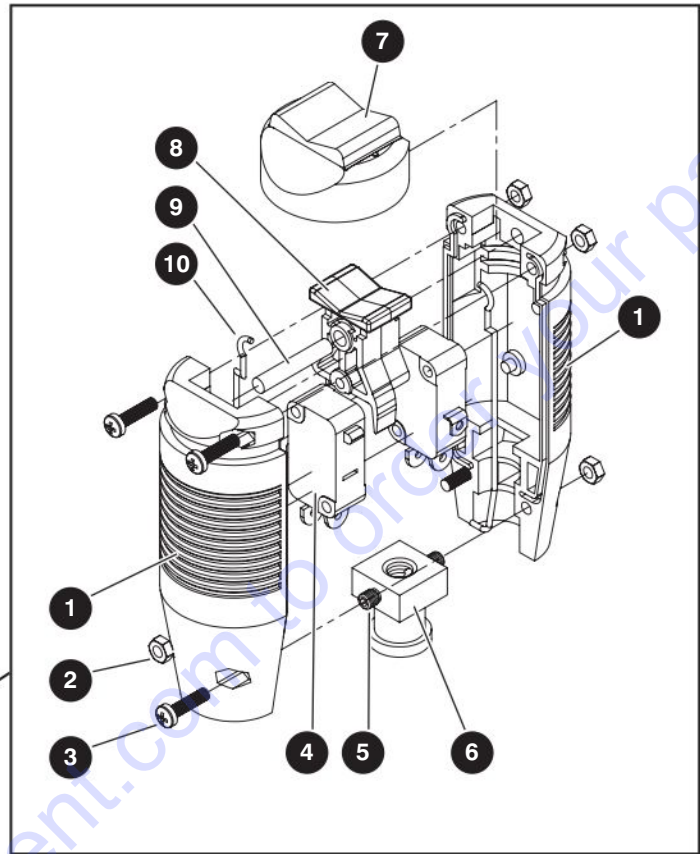
M138225AA

238272AAA

1.9 Boom / Turret Controller

Index No.	Skyjack Part No.	Qty.	Description
A	138225	1	BOOM / TURRET CONTROLLER (DUAL AXIS)
1	141326	1	• CAP, Rubber
2	141327	2	• GASKET
3	141325	2	• HANDLE, Half
4	141328	4	• NUT
5	141329	4	• SCREW
6	141331	2	• SCREW, Set
7	141330	1	• COUPLING, (10 mm)
8	141313	1	• BOOT
9	141323	1	• WASHER, Retainer
10	141315	1	• SHOE, Spring
11	141321	4	• SCREW, Mounting (M4)
12	141316	1	• CAN, Enclosure
13	141320	1	• GROMMET, Rubber
14	141317	1	• GASKET, Mounting
15	141319	4	• SCREW
16	141318	1	• O-RING
17	141324	1	• SPRING, Compression
18	141322	1	• CLIP, Retainer
19	216879	1	• CONNECTOR, Male (4-pin) (not shown)
20	216880	1	• CONNECTOR, Female (4-pin) (not shown)
B	220628	1	BOOM / TURRET CONTROLLER (DUAL AXIS) - Potentiometer style - Optional

1.10 Drive / Steer Controller



M138224AA

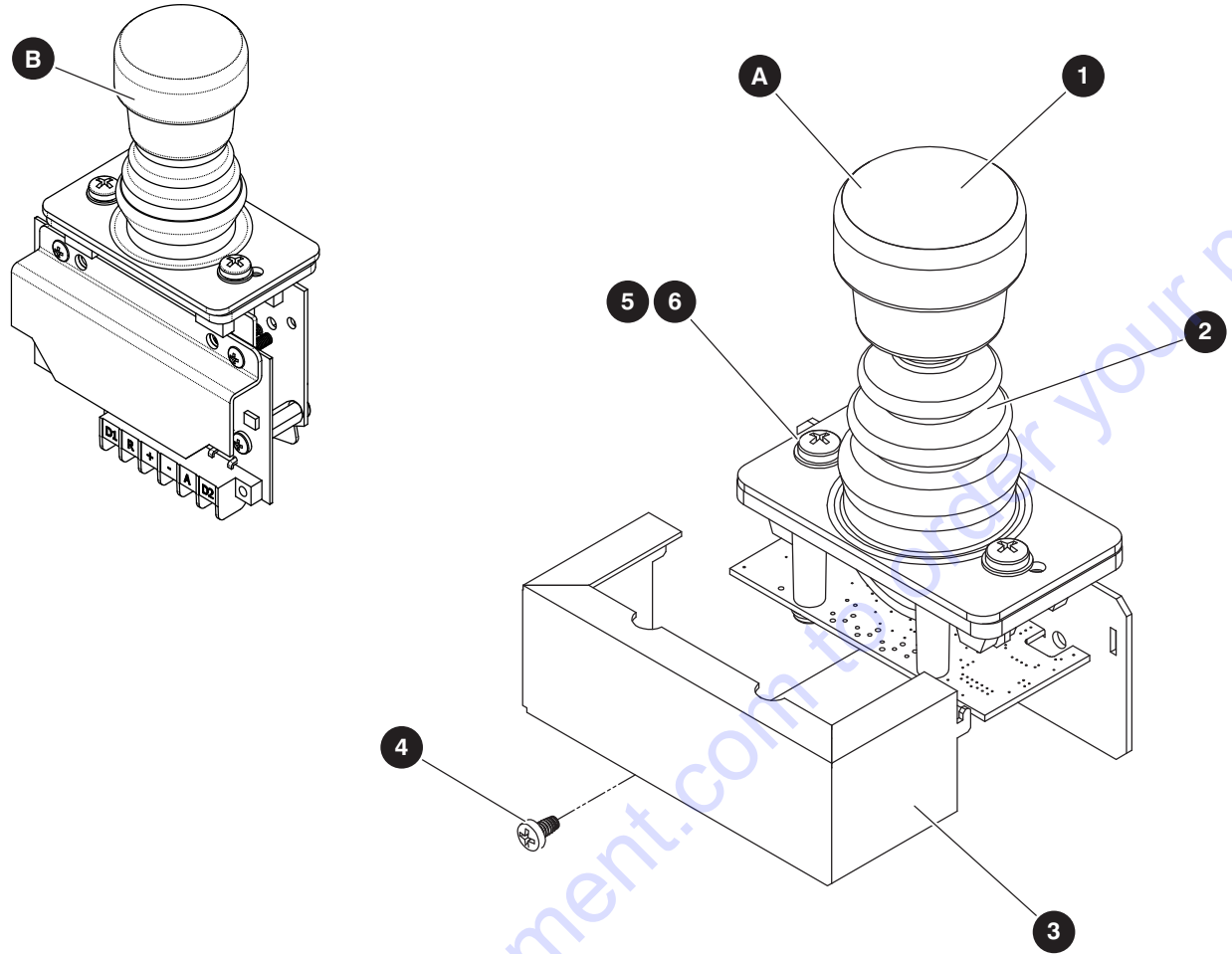
238272AAA

SJ60 AJ+

1.10 Drive / Steer Controller

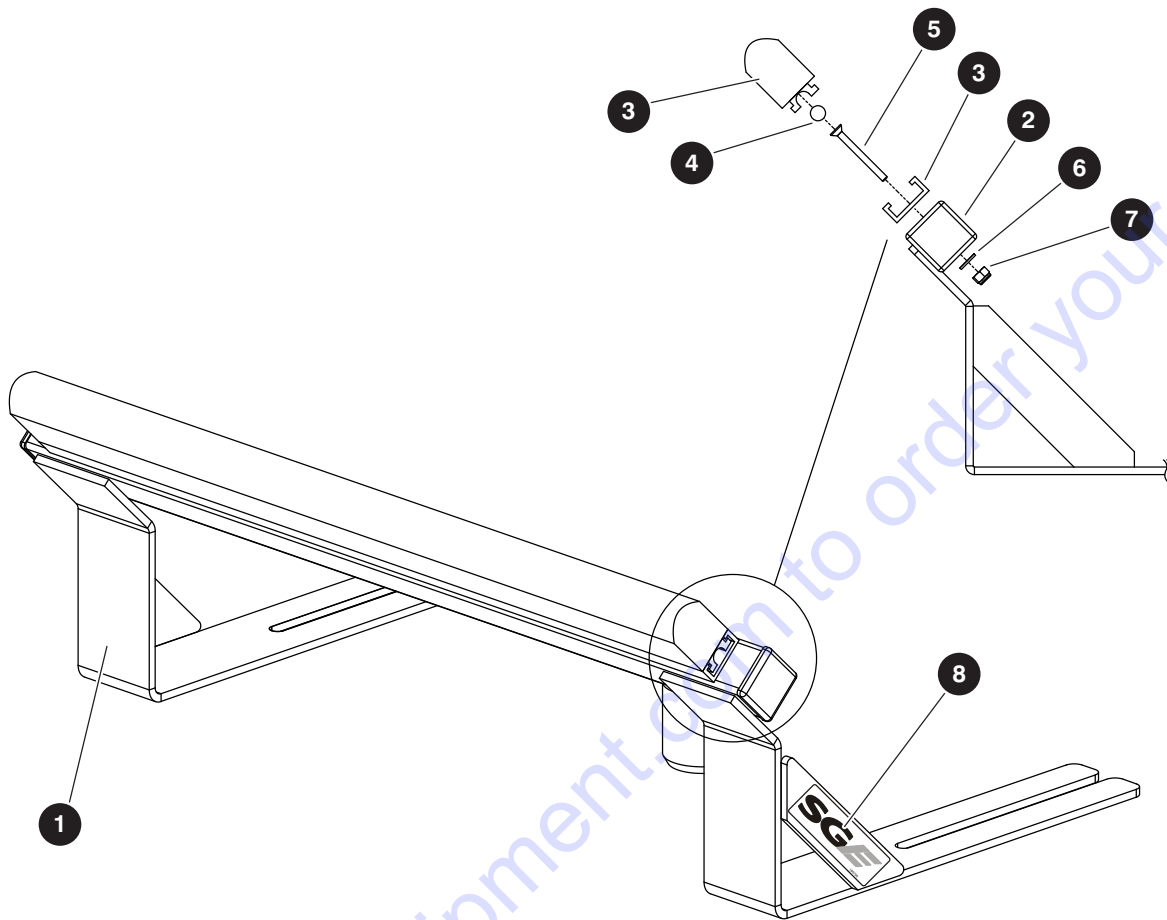
Index No.	Skyjack Part No.	Qty.	Description
A	138224	1	DRIVE / STEER CONTROLLER (SINGLE AXIS)
1	141338	2	• HANDLE, Half
2	141328	4	• NUT
3	141329	4	• SCREW
4	141342	2	• MICROSWITCH
5	141331	2	• SCREW, Set
6	141343	1	• COUPLING, (8 MM)
7	141339	1	• CAP, Rubber
8	141340	1	• ROCKER
9	141341	1	• ROCKER, Axel
10	141327	2	• GASKET
11	141334	1	• BOOT ASSEMBLY, Standard
12	141336	2	• SCREW Mounting
13	141335	2	• WASHER, Mounting
14	141333	1	• ENCLOSURE
15	141337	1	• SCREW, Enclosure
B	220627	1	DRIVE / STEER CONTROLLER (SINGLE AXIS) - Potentiometer style - Optional

1.11 Riser Controller



M148707AA

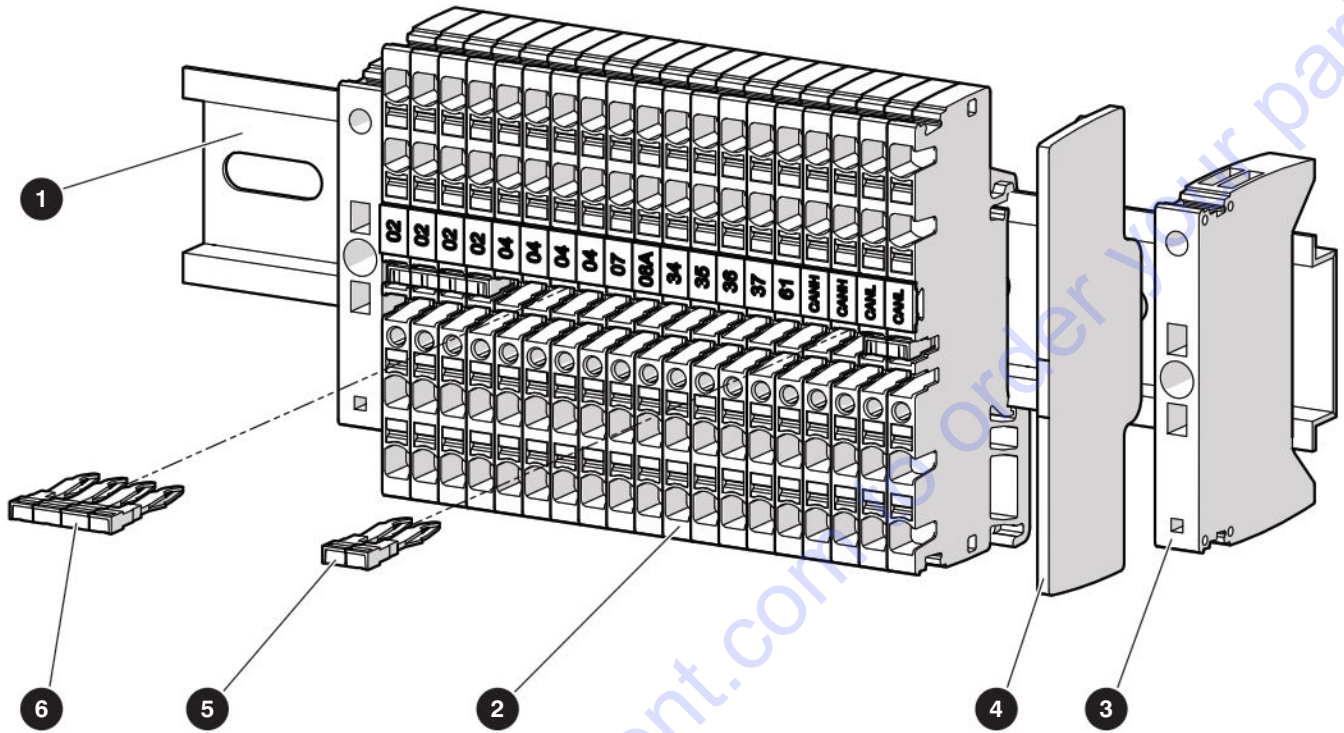
Index No.	Skyjack Part No.	Qty.	Description
A	148707	1	RISER BOOM CONTROLLER (SINGLE AXIS)
1	154648	1	• CAP, Handle
2	141334	1	• BOOT, Standard
3	141333	1	• ENCLOSURE
4	141337	1	• SCREW, Enclosure
5	141336	2	• SCREW, Mount
6	141335	2	• WASHER, Mount
B	220626	1	RISER BOOM CONTROLLER (Single Axis) - Potentiometer style - Optional



M198348AA

Index No.	Skyjack Part No.	Qty.	Description
-	198348	1	SGE
1	166101	1	• SUPPORT, Sensing edge
2	100702	2	• PLUG, Tube (1.25" x 1.25")
3	166107	1	• SENSING EDGE
4	166104	1	• ROD, Sensing edge lock
5	166105	3	• SCREW, Flat head cap (10-32 x 1.75" gr 5)
6	104694	3	• WASHER, Flat (#10)
7	300450	3	• NUT, Lock (10-32 gr 5 nylon)
8	166756	2	• LABEL, SGE
9	167218	1	• SCREW, Slotted binding head (6-32 x 0.25") (not shown)

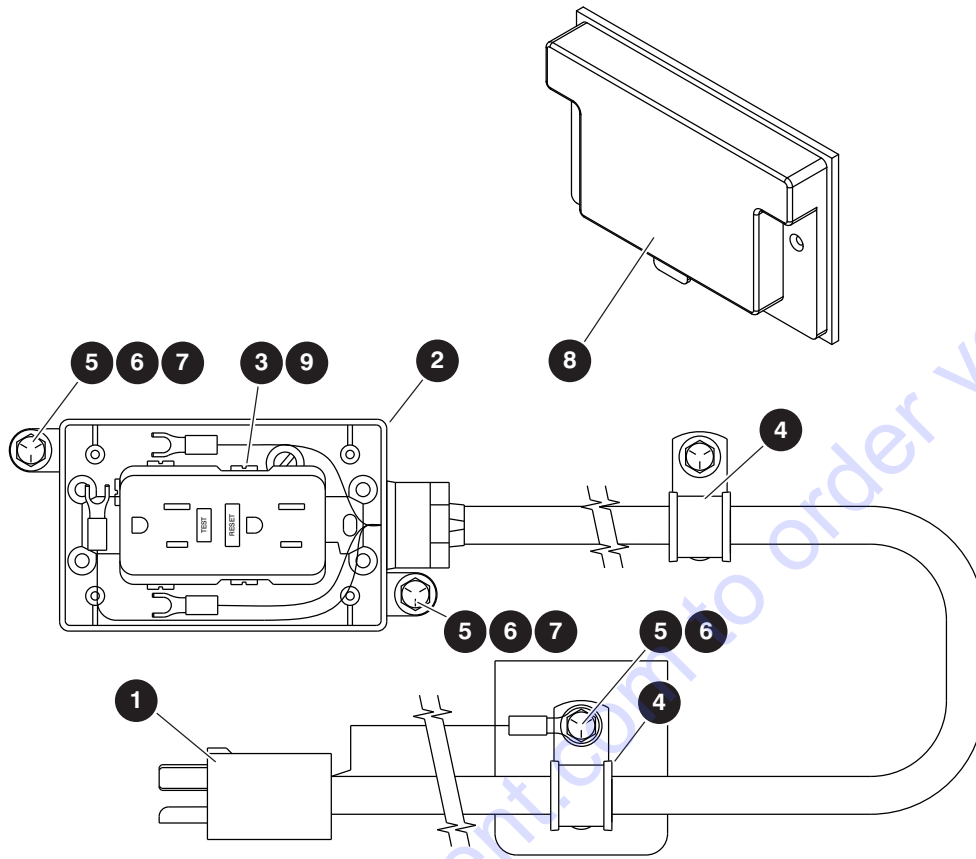
1.13 Platform Terminal Strip



M218402AD

Index No.	Skyjack Part No.	Qty.	Description
-	218402	1	PLATFORM TERMINAL STRIP
1	233337	205 mm	• RAIL
2	233338	19	• BLOCK, Terminal
3	233341	2	• PLATE, End
4	233342	1	• PLATE, Separator
5	233343	2	• JUMPER, 2-pin
6	233344	2	• JUMPER, 4-pin

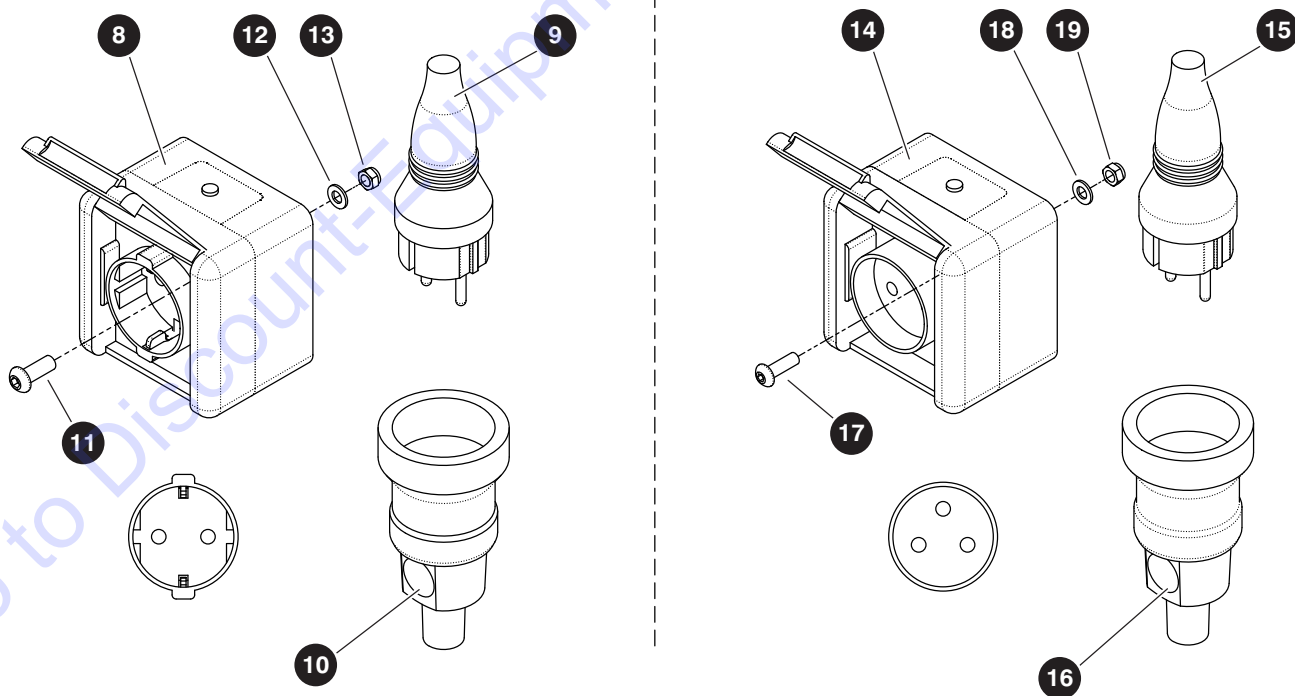
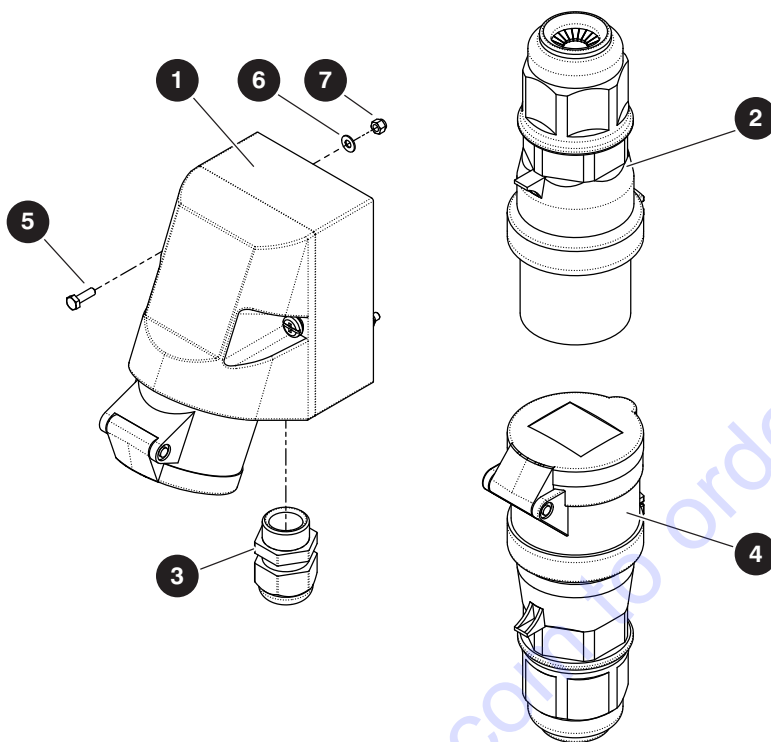
1.14 Power to Platform - ANSI/CSA



M154306AB

Index No.	Skyjack Part No.	Qty.	Description
A	154306	1	110V OUTLET ASSEMBLY - ANSI/CSA
1	159913	1	• CABLE ASSEMBLY, 110V
	104208	1	• • PLUG, Male 15A 125V
2	136328	1	• BOX, AC outlet
3	109698	1	• RECEPTACLE, GFI
4	103024	2	• CLIP, Single
5	103857	3	• BOLT, Hex head (1/4"-20 x 1" Grade 5)
6	103995	3	• WASHER, Flat (1/4")
7	115649	2	• NUT, Hex lock (1/4"-20 Grade 5, nylon)
8	109699	1	• PLATE, Weatherproof cover
9	121461	2	• BOLT, Round machine (#6-32 x 3/8")

1.15 Power to Platform - CE & AS



M226505AA_M226509AA_M226513AA

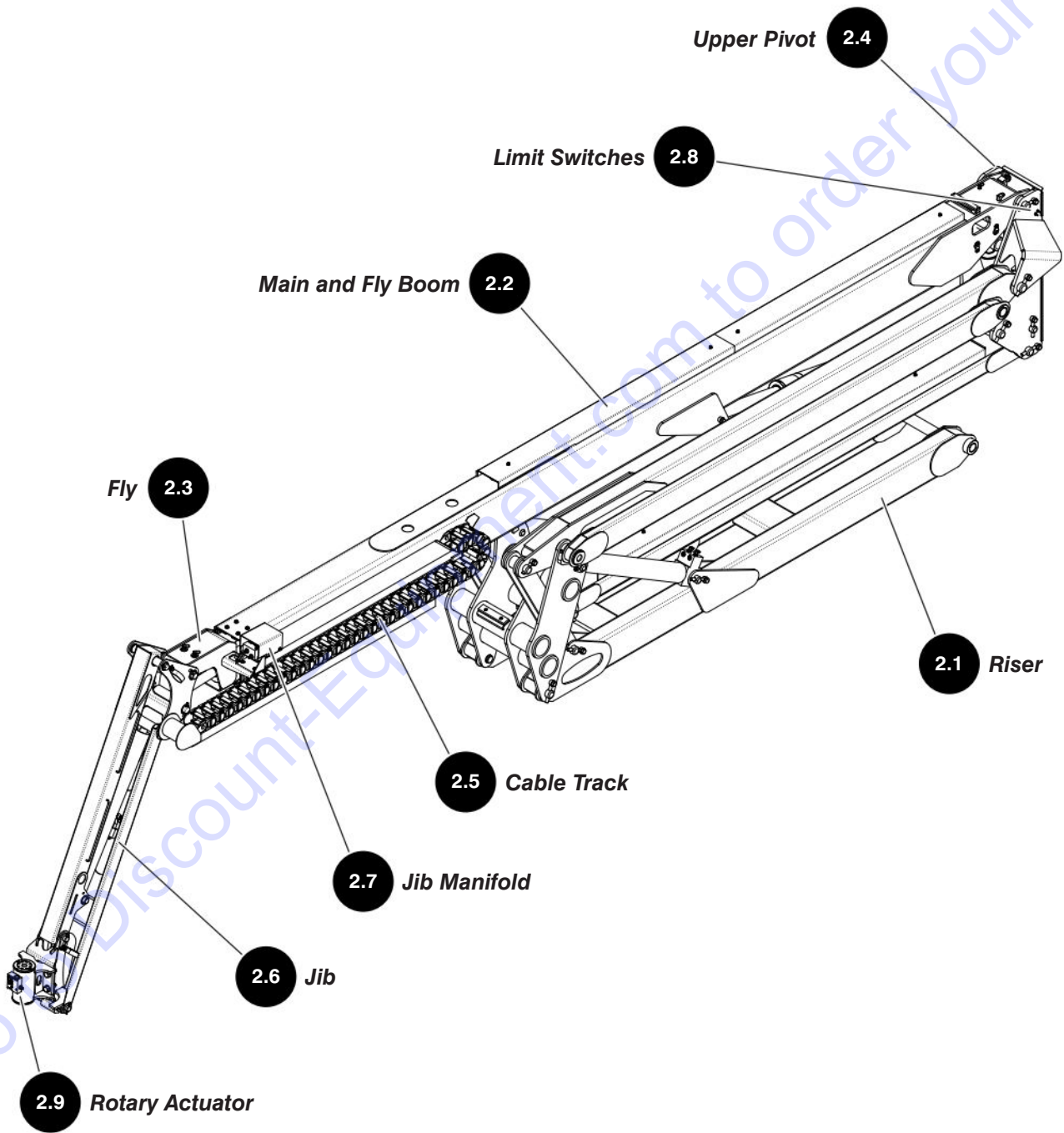
238272AAA

SJ60 AJ+

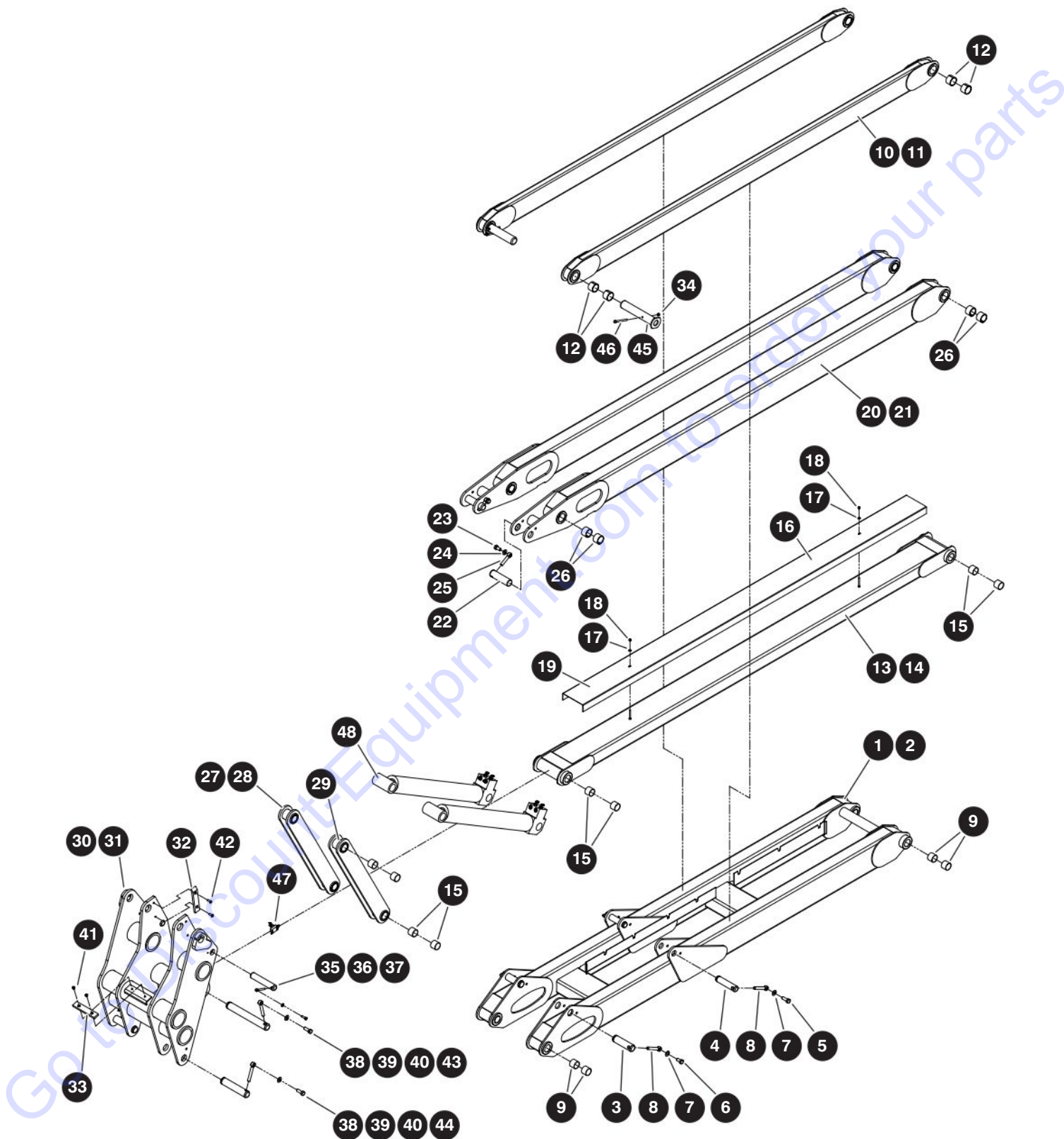
1.15 Power to Platform - CE & AS

Index No.	Skyjack Part No.	Qty.	Description
A	226505	1	POWER TO PLATFORM OUTLET - UK with generator
B	226507	1	POWER TO PLATFORM OUTLET - UK no generator
1	226503	1	<ul style="list-style-type: none"> • RECEPTACLE, 16 amp 110 VAC 2P+E
2	226501	1	<ul style="list-style-type: none"> • PLUG, 16 amp 110 VAC 2P+E
3	138373	1	<ul style="list-style-type: none"> • STRAIN RELIEF, M20
4	226502	1	<ul style="list-style-type: none"> • RECEPTACLE, 16 amp 110 VAC 2P+E, A
5	228463	2	<ul style="list-style-type: none"> • BOLT, Hex head (M3 x 0.5 x 10, cl 8.8)
6	600579	2	<ul style="list-style-type: none"> • WASHER, Flat (M4)
7	217626	2	<ul style="list-style-type: none"> • NUT, Hex head nylon lock (M3 x 0.5, cl 8)
C	226509	1	POWER TO PLATFORM OUTLET - Type F with generator
D	226511	1	POWER TO PLATFORM OUTLET - Type F no generator
8	226454	1	<ul style="list-style-type: none"> • OUTLET, Socket - 16 amp 250 V
9	157192	1	<ul style="list-style-type: none"> • PLUG, 250 V
10	226504	1	<ul style="list-style-type: none"> • RECEPTACLE, 250 V 16 amp, C
11	228459	2	<ul style="list-style-type: none"> • BOLT, Hex head (M5 x 0.8 x 16, cl 10.9)
12	933816	2	<ul style="list-style-type: none"> • WASHER, Flat (M5)
13	217628	2	<ul style="list-style-type: none"> • NUT, Hex head nylon lock (M5 x 0.8, cl 8)
E	226513	1	POWER TO PLATFORM OUTLET - Type E with generator
F	226515	1	POWER TO PLATFORM OUTLET - Type E no generator
14	226455	1	<ul style="list-style-type: none"> • OUTLET, Socket - 16 amp 250 V
15	157192	1	<ul style="list-style-type: none"> • PLUG, 250 V
16	226504	1	<ul style="list-style-type: none"> • RECEPTACLE, 250 V 16 amp, E
17	228459	2	<ul style="list-style-type: none"> • BOLT, Hex head (M5 x 0.8 x 16, cl 10.9)
18	933816	2	<ul style="list-style-type: none"> • WASHER, Flat (M5)
19	217628	2	<ul style="list-style-type: none"> • NUT, Hex head nylon lock (M5 x 0.8, cl 8)
-	103259	975"	CABLE, 220V (not shown)
-	159913	1	CABLE, 110V (not shown)

Section 2 – Boom



2.1 Riser



M153448AD-1

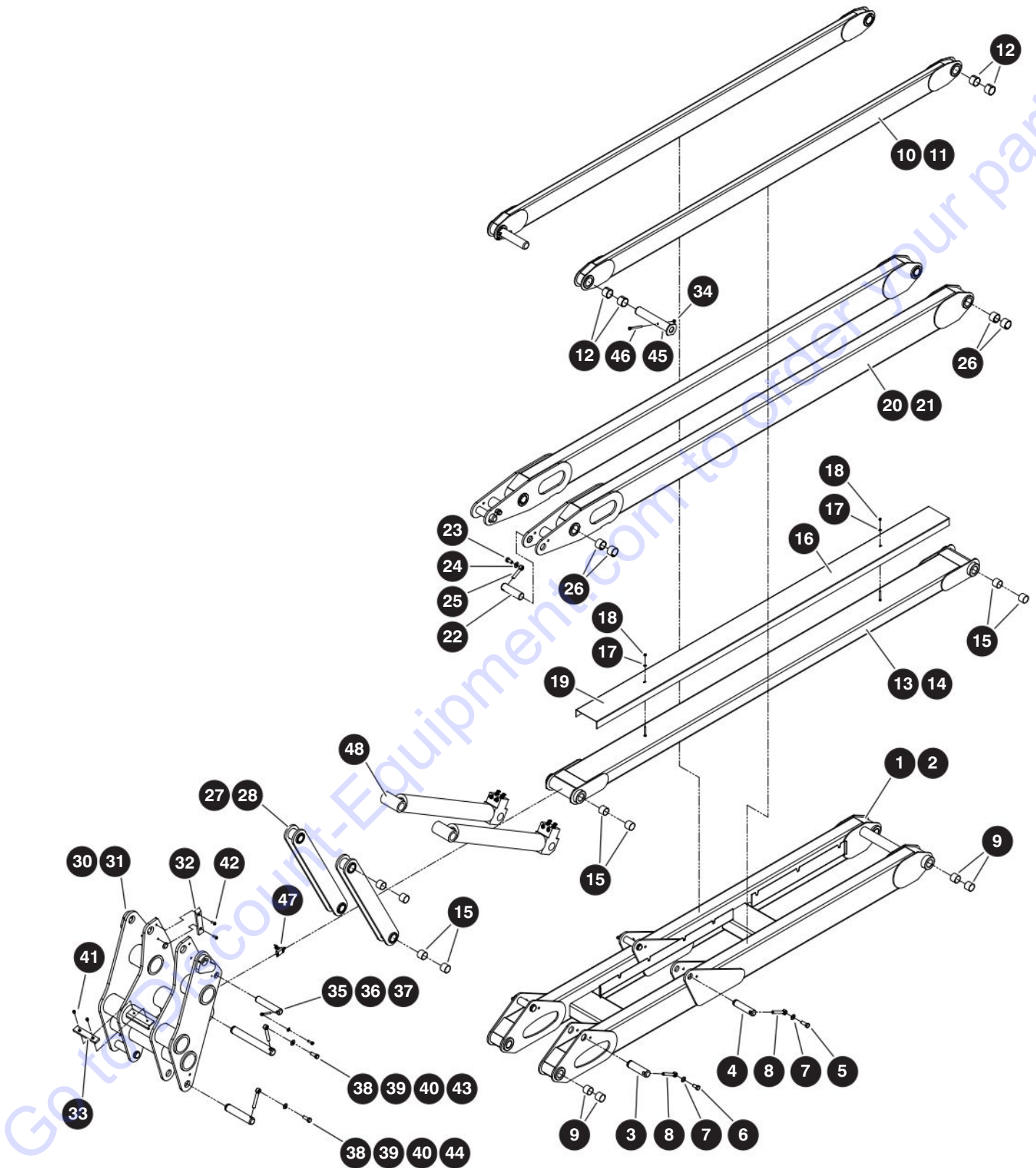
238272AAA

SJ60 AJ+

2.1 Riser

Index No.	Skyjack Part No.	Qty.	Description
A	231359	1	RISER BOOM, ANSI/CSA
B	218001	1	RISER BOOM, CE, AS
1	153811	1	• BOOM, Lower riser
2	153773	1	• • WELDMENT, Lower riser
3	153862	2	• • PIN, (1 3/4" diameter x 6 3/8")
4	153861	2	• • PIN, (1 1/2" diameter x 6 15/16")
5	162045	2	• • BOLT, Hex head patch (5/8"-11 x 1 1/2" Grade 8)
6	149015	2	• • BOLT, Hex head patch (5/8"-11 x 1 1/4" Grade 8)
7	700782	4	• • WASHER, Flat hardened (5/8")
8	146898	4	• • PIN, Keeper (5/8")
9	101564	8	• • BUSHING, Fiberglide (1 3/4" ID x 1 1/2")
10	153799	2	• BOOM, Second riser
11	153752	1	• • WELDMENT, Second riser
12	153844	4	• • BUSHING, CJS 3224 (2" ID x 1 1/2")
13	231506	1	• BOOM ASSEMBLY, Third riser, A
	153798	1	• BOOM ASSEMBLY, Third riser, B
14	153745	1	• • WELDMENT, Third riser
15	101564	4	• • BUSHING, Fiberglide (1 3/4" ID x 1 1/2")
16	153782	1	• • COVER, Third riser
17	103995	2	• • WASHER, Flat (1/4")
18	115649	2	• • NUT, Hex lock (1/4"-20 Grade 5, nylon)
19	231505	2	• • CLAMP, Hose, A
	162119	2	• • CLAMP, Hose, B
20	218002	2	• BOOM ASSEMBLY, Upper riser
21	218003	1	• • WELDMENT, Upper riser
22	159853	1	• • PIN, (1 3/4" diameter x 6 7/32")
23	162045	1	• • BOLT, Hex head patch (5/8"-11 x 1 1/2" Grade 8)
24	700782	1	• • WASHER, Flat hardened (5/8")
25	159860	1	• • PIN, Keeper (5/8" short)
26	153844	4	• • BUSHING, CJS 3224 (2" ID x 1 1/2")
27	153797	2	• BOOM ASSEMBLY, Link
28	153753	1	• • WELDMENT, Link
29	101564	4	• • BUSHING, Fiberglide (1 3/4" ID x 1 1/2")
30	153813	1	• BOOM ASSEMBLY, Lower pivot
31	154076	1	• • WELDMENT, Machined lower pivot
32	153937	2	• • PAD, Bumper (7 1/2" x 1 1/2" x 1/2")
33	153944	1	• • PAD, Wear (7 1/2" x 1 1/2" x 1/2")
34	104606	2	• • NUT, Hex lock (3/8"-16 Grade 5, nylon)
35	125959	2	• • WASHER, Flat hardened (3/8")
36	139193	2	• • BOLT, Hex head patch (3/8"-16 x 7/8" Grade 8, Zinc)
37	162133	2	• • WELDMENT, Pin (1 1/2" diameter, 8" long)
38	146898	3	• • PIN, Keeper (5/8")
39	700782	3	• • WASHER, Flat hardened (5/8")
40	148944	3	• • BOLT, Hex head patch (5/8"-11 x 1 3/4" Grade 8)
41	154078	2	• • SCREW, Button head cap (3/8"-16 x 1/2")

2.1 Riser



M153448AD-1

238272AAA

42

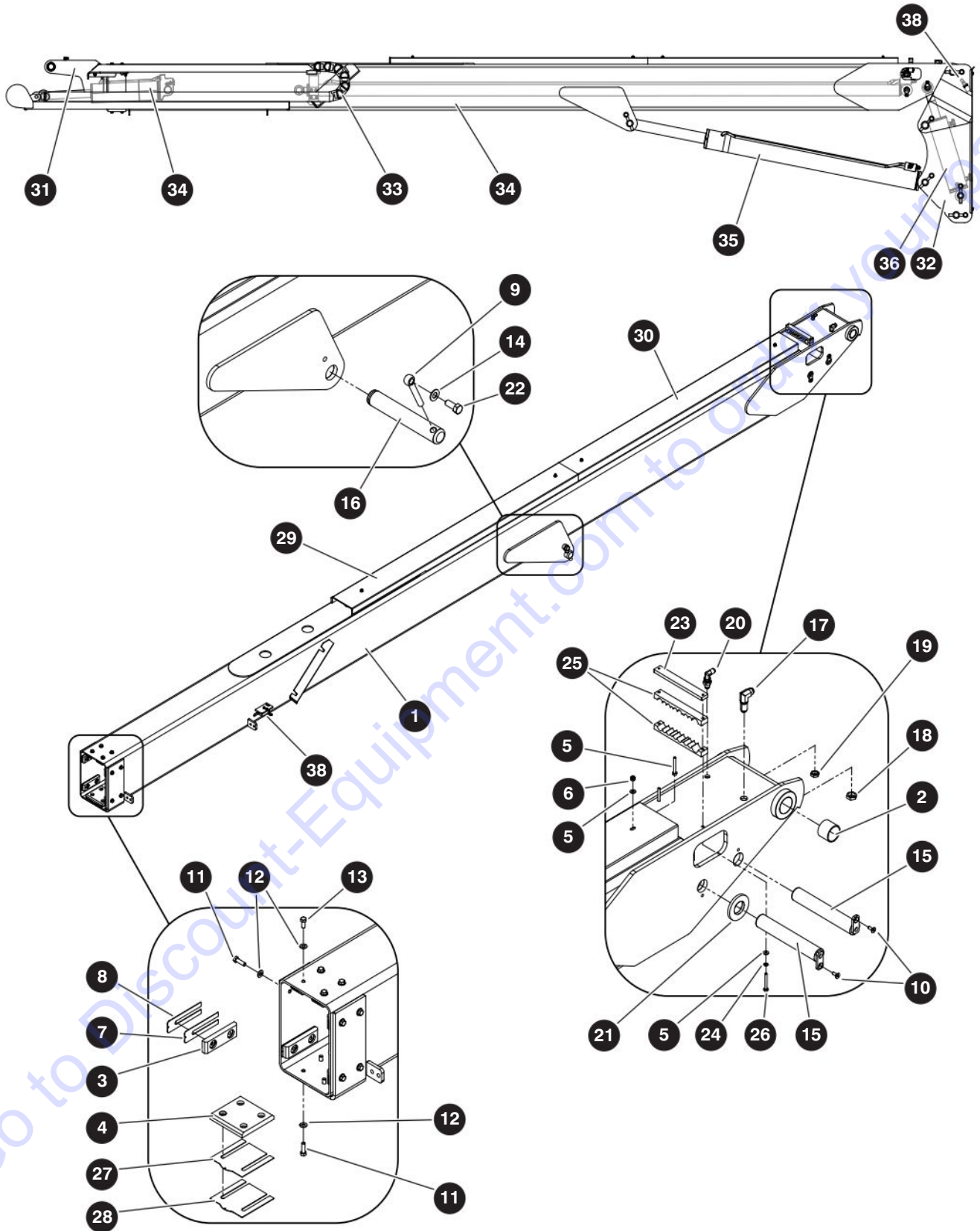
SJ60 AJ+

SKYJACK

2.1 Riser

Index No.	Skyjack Part No.	Qty.	Description
42	103949	4	<ul style="list-style-type: none"> • SCREW, Button head cap (3/8"-16 x 1")
43	153689	1	<ul style="list-style-type: none"> • PIN, (1 3/4" diameter x 13 3/4")
44	153869	2	<ul style="list-style-type: none"> • PIN, (1 3/4" diameter x 8 11/16")
45	153927	2	<ul style="list-style-type: none"> • PIN, (2" diameter x 11.313")
46	159859	2	<ul style="list-style-type: none"> • BOLT, Hex head (3/8"-16 x 4 1/4" Grade 8)
47	(Ref.)	1	<ul style="list-style-type: none"> • LIMIT SWITCH ASSEMBLY, Riser boom (For components, refer to 2.8 Limit Switches)
48	(Ref.)	1	<ul style="list-style-type: none"> • CYLINDER ASSEMBLY, Riser boom (For components, refer to 3.1 Riser Lift)
49	(Ref.)	1	<ul style="list-style-type: none"> • HOSE ASSEMBLY, Riser boom (not shown) (For components, refer to 8.5 Boom Hoses)

2.2 Main and Fly Boom



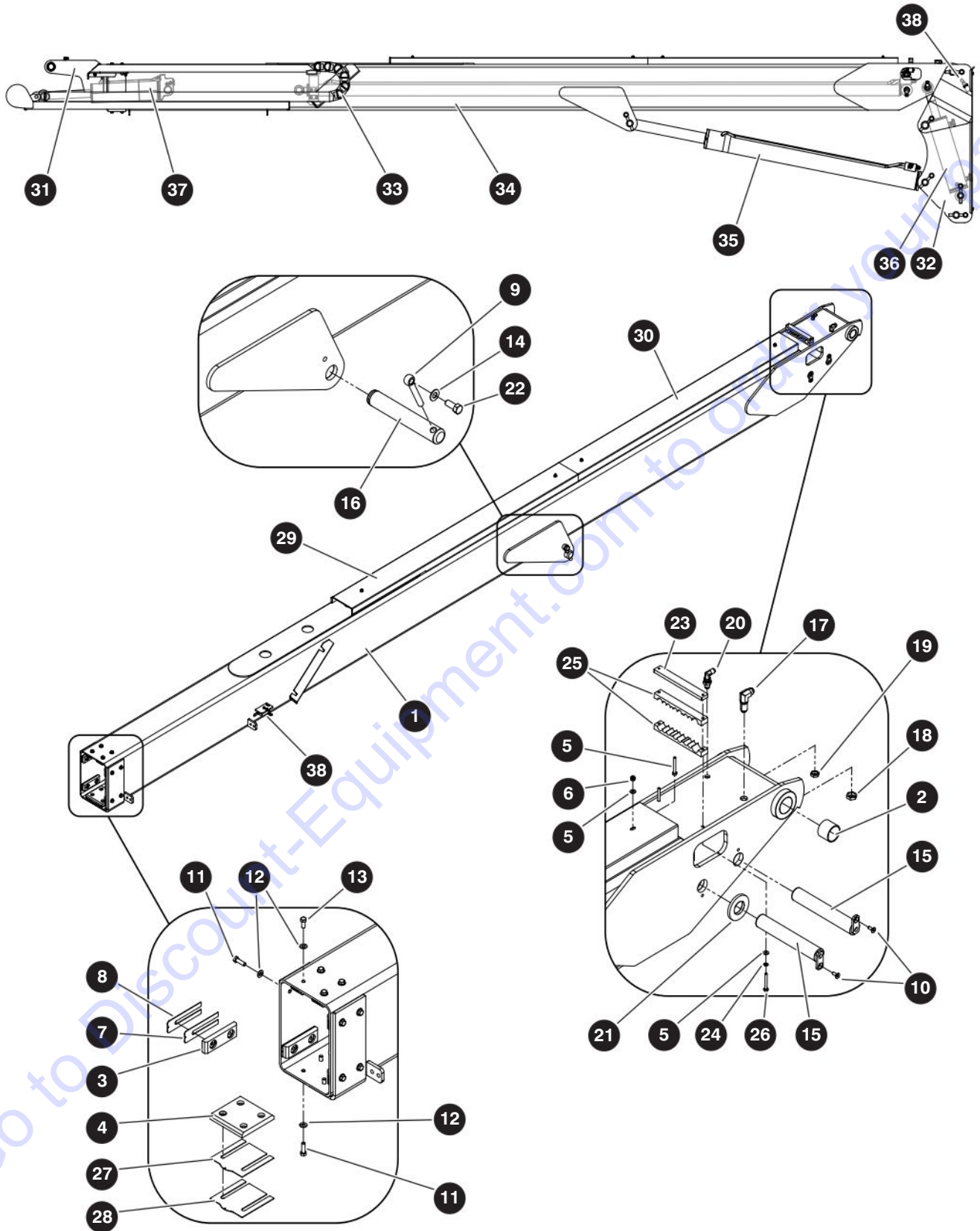
M153450AD_1

238272AAA

2.2 Main and Fly Boom

Index No.	Skyjack Part No.	Qty.	Description
A	218614	1	MAIN AND FLY BOOM, ANSI/CSA
B	230450	1	MAIN AND FLY BOOM, CE, AS
-	230461	1	• BOOM, Main, A
-	218625	1	• BOOM, Main, B
1	153563	1	• • WELDMENT, Main boom
2	101564	2	• • BUSHING, Fiberglide (1 3/4" ID x 1 1/2")
3	148828	6	• • PAD, Wear (5" x 1 1/2" x 5/8")
4	153590	1	• • PAD ASSEMBLY, Wear (5" x 5" x 5/8")
5	103995	6	• • WASHER, Flat (1/4")
6	115649	4	• • NUT, Hex lock (1/4"-20 Grade 5, nylon)
7	148837	6	• • SHIM, 16 Gauge (1 1/2" x 5 1/4")
8	148838	6	• • SHIM, 20 Gauge (1 1/2" x 5 1/4")
9	146898	1	• • PIN, Keeper (5/8")
10	704642	2	• • SCREW, Flat head cap (5/16"-18 x 3/4" Grade 5)
11	101297	12	• • BOLT, Hex head (3/8"-16 x 1 1/4" Grade 5)
12	103472	16	• • WASHER, Flat (3/8")
13	300437	4	• • BOLT, Hex head (3/8"-16 x 7/8" Grade 5)
14	700782	1	• • WASHER, Flat hardened (5/8")
15	153864	2	• • PIN, (1 1/2" diameter x 9.188")
16	153690	1	• • PIN, (1 3/4" diameter x 10.688")
17	154241	1	• • FITTING, 90° bulkhead (08JICM-08JICM)
18	154242	1	• • NUT, Bulkhead (08JIC)
19	139157	1	• • NUT, Bulkhead (06JIC)
20	138986	1	• • FITTING, 90° bulkhead (06JICM-06JICM)
21	159852	2	• • SPACER PLATE, Extension cylinder
22	162045	1	• • BOLT, Hex head patch (5/8"-11 x 1 1/2" Grade 8)
23	162117	1	• • PLATE, Clamp main
24	104000	2	• • WASHER, Lock (1/4")
25	231504	1	• • CLAMP, Hose main, A
	162129	1	• • CLAMP, Hose main, B
26	103861	2	• • BOLT, Hex head (1/4"-20 x 2-3/4" Grade 5)
27	162153	1	• • SHIM, 16 Gauge (5" x 5")
28	162152	1	• • SHIM, 20 Gauge (5" x 5")
29	162156	1	• • COVER, Boom front
30	162155	1	• • COVER, Boom back
31	(Ref.)	1	• FLY BOOM (For components, refer to 2.3 Fly)
32	(Ref.)	1	• UPPER PIVOT (For components, refer to 2.4 Upper Pivot)
33	(Ref.)	1	• CABLE TRACK (For components, refer to 2.5 Cable Track)
34	(Ref.)	1	• EXTENSION CYLINDER (For components, refer to 3.7 Extension Cylinder)

2.2 Main and Fly Boom



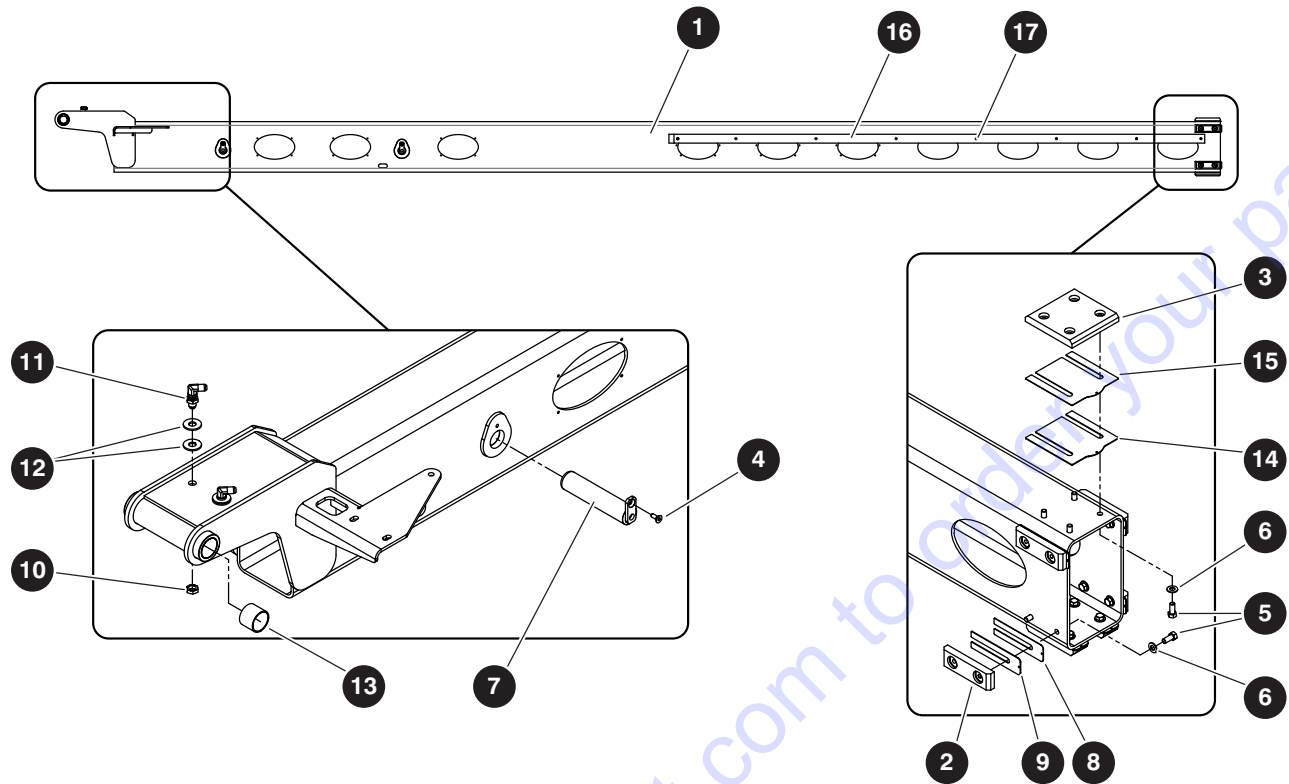
M153450AD_1

238272AAA

2.2 Main and Fly Boom

Index No.	Skyjack Part No.	Qty.	Description
35	(Ref.)	1	<ul style="list-style-type: none"> LIFT CYLINDER (For components, refer to 3.3 Lift Cylinder)
36	(Ref.)	1	<ul style="list-style-type: none"> MASTER CYLINDER (For components, refer to 3.4 Master Cylinder)
37	(Ref.)	1	<ul style="list-style-type: none"> SLAVE CYLINDER (For components, refer to 3.5 Slave Cylinder)
38	(Ref.)	1	<ul style="list-style-type: none"> LIMIT SWITCH ASSEMBLY (For components, refer to 2.8 Limit Switches)
39	(Ref.)	1	<ul style="list-style-type: none"> HARNESS ASSEMBLY, Main/Fly boom (not shown) (For components, refer to 7.10 CANbus & Control Cables)

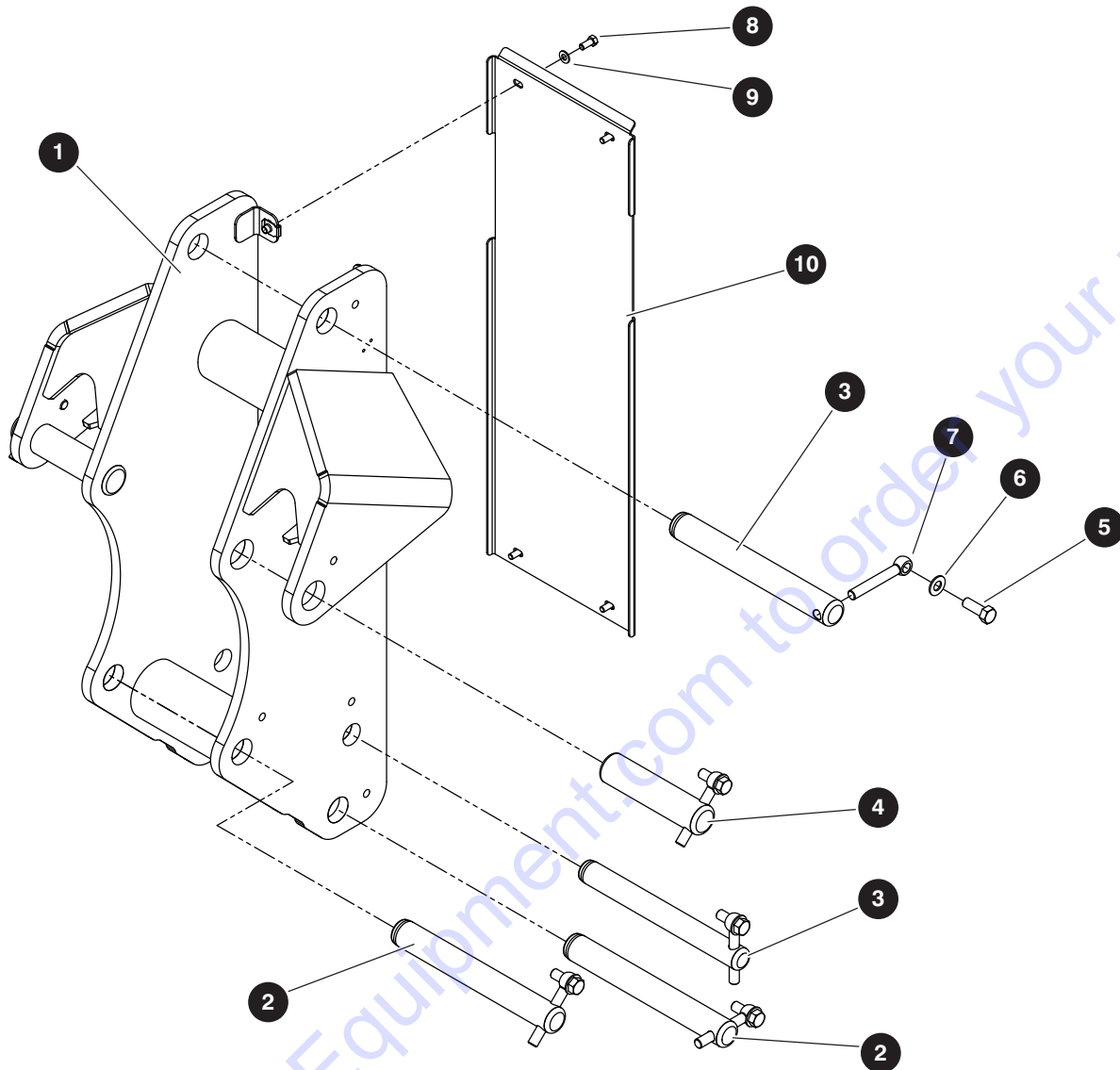
2.3 Fly



M218636AC

Index No.	Skyjack Part No.	Qty.	Description
-	218636	1	• FLY
1	153575	1	• • WELDMENT, Fly boom
2	148828	6	• • PAD, Wear (5" x 1 1/2" x 5/8")
3	153590	1	• • PAD, Wear (5" x 5" x 5/8")
4	704642	2	• • SCREW, Flat head cap (5/16"-18 x 3/4" Grade 5)
5	300437	16	• • BOLT, Hex head (3/8"-16 x 7/8" Grade 5)
6	103472	16	• • WASHER, Flat (3/8")
7	153692	2	• • PIN, (1 1/2" diameter x 6 3/4")
8	148837	AR	• • SHIM, 16 Gauge (1 1/2" x 5 1/4")
9	148838	AR	• • SHIM, 20 Gauge (1 1/2" x 5 1/4")
10	139157	2	• • NUT, Bulkhead (06 JIC)
11	138986	2	• • FITTING, 90° bulkhead (06JICM-06JICM)
12	137241	4	• • WASHER, Flat (1/2")
13	103216	2	• • BUSHING, Fiberglide (1 1/2" ID x 1 1/2")
14	162153	AR	• • SHIM, 16 Gauge (5" x 5")
15	162152	AR	• • SHIM, 20 Gauge (5" x 5")
16	218639	1	• • RAMP, Limit switch
17	197500	8	• • RIVET, Pop (3/16")

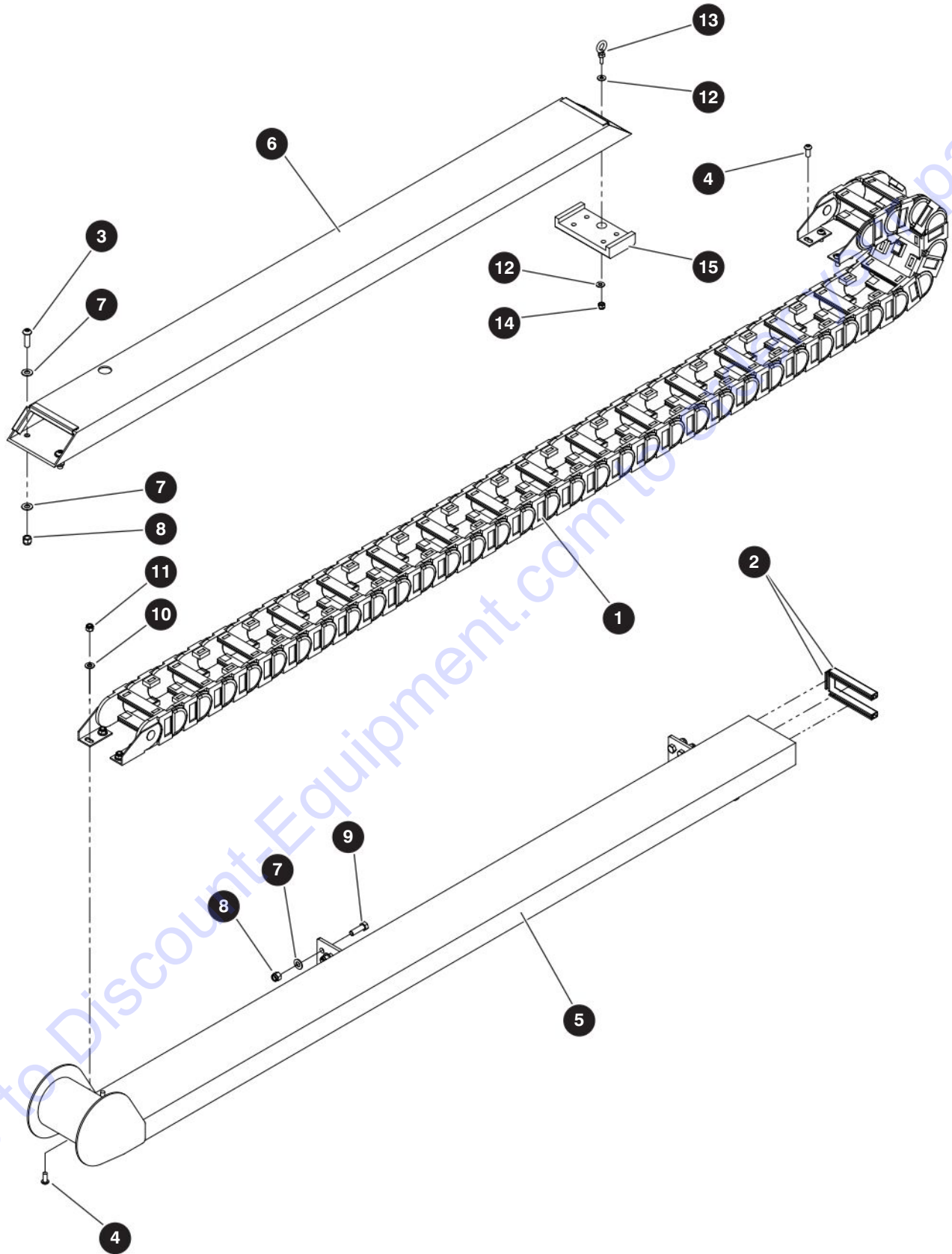
2.4 Upper Pivot



M153740AD

Index No.	Skyjack Part No.	Qty.	Description
A	230460	1	• UPPER PIVOT, ANSI/CSA
B	218651	1	• UPPER PIVOT, CE, AS
1	154051	1	• • WELDMENT, Machined upper pivot
2	153689	3	• • PIN, (1 3/4" diameter x 13 3/4")
3	153925	1	• • PIN, (1 1/2" diameter x 13 3/4")
4	153924	2	• • PIN, (2" diameter x 8.281")
5	148944	6	• • BOLT, Hex head patch (5/8"-11 x 1 3/4" Grade 8)
6	700782	6	• • WASHER, Flat hardened (5/8")
7	146898	6	• • PIN, Keeper (5/8")
8	139193	4	• • BOLT, Hex head patch (3/8"-16 x 7/8" Grade 8, Zinc)
9	125959	4	• • WASHER, Flat hardened (3/8")
10	159867	1	• • COVER PLATE, Upper pivot
11	159294	4	• • NUT, Speed Clip (3/8"-16)

2.5 Cable Track



M153827AG

238272AAA

SJ60 AJ+

PARTS FINDER

**Search Website
by Part Number**



**Search Manual
Library For Parts
Manual & Lookup Part
Numbers – Purchase
or Request Quote**

Search Manuals

Enter your information to help us find the right parts manual for your machine.

* Brand:

* Model:

* Serial:

* Part Number:

SEARCH

**Can't Find Part or
Manual? Request Help
by Manufacturer,
Model & Description**

Parts Order Form

Please fill in the following information to help us find the right part for your machine.

Manufacturer:	<input type="text"/>
Model:	<input type="text"/>
Description:	<input type="text"/>
Part Number:	<input type="text"/>
Quantity:	<input type="text"/>
Notes:	<input type="text"/>

Submit

Discount-Equipment.com is your online resource for quality parts & equipment.

Florida: **561-964-4949** Outside Florida TOLL FREE: **877-690-3101**

Need parts?

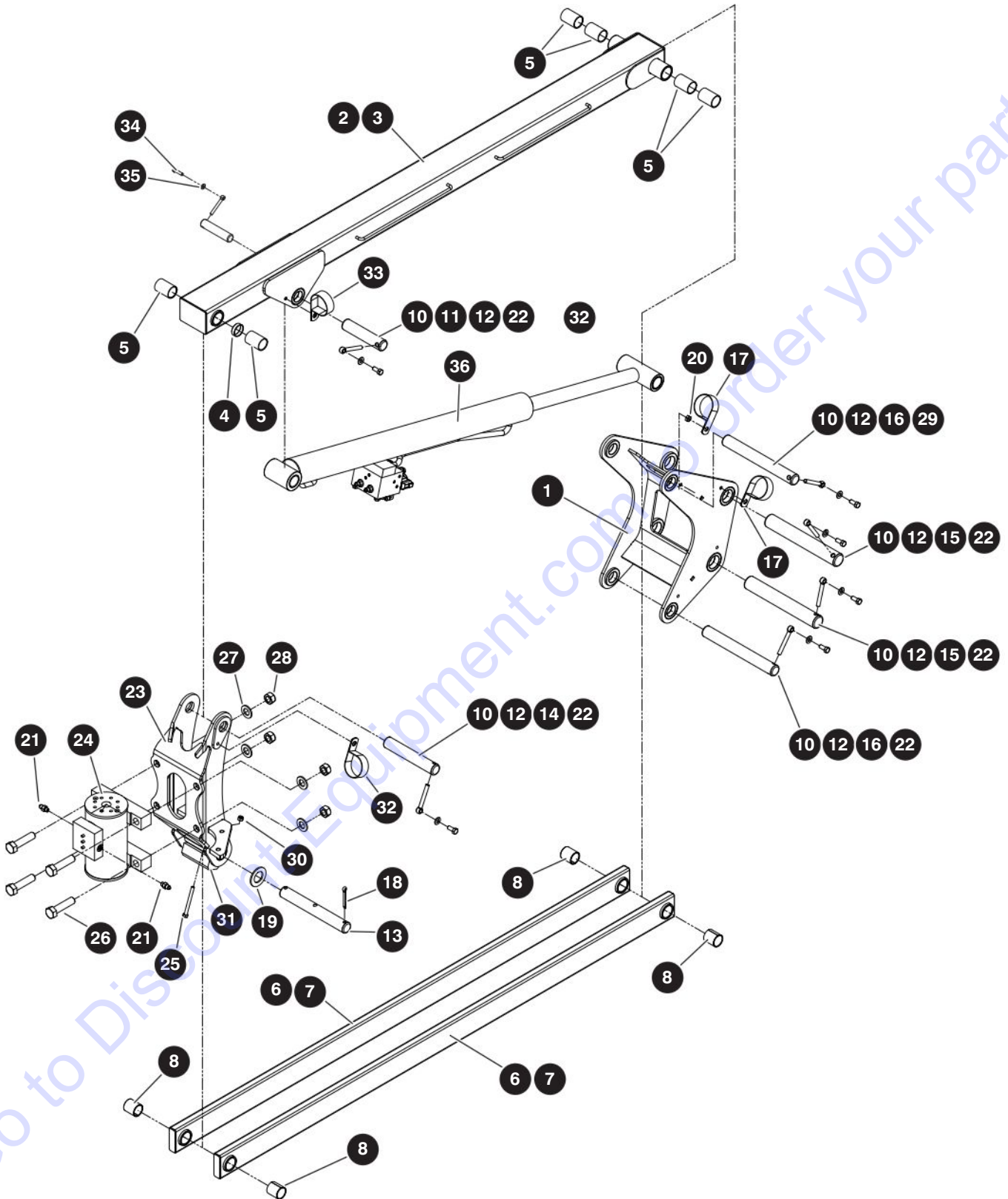
Click on this link: <http://www.discount-equipment.com/category/5443-parts/> and choose one of the options to help get the right parts and equipment you are looking for. Please have the machine model and serial number available in order to help us get you the correct parts. If you don't find the part on the website or on one of the online manuals, please fill out the request form and one of our experienced staff members will get back to you with a quote for the right part that your machine needs.

We sell worldwide for the brands: Genie, Terex, JLG, MultiQuip, Mikasa, Essick, Whiteman, Mayco, Toro Stone, Diamond Products, Generac Magnum, Airman, Haulotte, Barreto, Power Blanket, Nifty Lift, Atlas Copco, Chicago Pneumatic, Allmand, Miller Curber, Skyjack, Lull, Skytrak, Tsurumi, Husquvarna Target, Stow, Wacker, Sakai, Mi-T-M, Sullair, Basic, Dynapac, MBW, Weber, Bartell, Bennar Newman, Haulotte, Ditch Runner, Menegotti, Morrison, Contec, Buddy, Crown, Edco, Wyco, Bomag, Laymor, EZ Trench, Bil-Jax, F.S. Curtis, Gehl Pavers, Heli, Honda, ICS/PowerGrit, IHI, Partner, Imer, Clipper, MMD, Koshin, Rice, CH&E, General Equipment, Amida, Coleman, NAC, Gradall, Square Shooter, Kent, Stanley, Tamco, Toku, Hatz, Kohler, Robin, Wisconsin, Northrock, Oztec, Toker TK, Rol-Air, APT, Wylie, Ingersoll Rand / Doosan, Innovatech, Con X, Ammann, Mecalac, Makinex, Smith Surface Prep, Small Line, Wanco, Yanmar

2.5 Cable Track

Index No.	Skyjack Part No.	Qty.	Description
-	153827	1	• E-CHAIN ASSEMBLY
1	162157	1	• • CHAIN, Extension
	195745	1	• • • BRACKET ASSEMBLY, E-Chain
	170161	36	• • • CHAIN LINK, Replacement
	210076	36	• • • SEPARATOR
2	117398	26"	• • TRIM, Protective
3	122257	3	• • SCREW, Button head cap (3/8"-16 x 1 1/4")
4	300064	4	• • SCREW, Button head cap (5/16"-18 x 3/4")
5	153742	1	• • WELDMENT, Lower extension chain
6	153792	1	• • TUBE, Upper extension chain
7	103472	10	• • WASHER, Flat (3/8")
8	104606	7	• • NUT, Hex lock (3/8"-16 Grade 5, nylon)
9	101297	4	• • BOLT, Hex head (3/8"-16 x 1 1/4" Grade 5)
10	103996	8	• • WASHER, Flat (5/16")
11	103984	4	• • NUT, Hex lock (5/16"-18 Grade 5, nylon)
12	103995	2	• • WASHER, Flat (1/4")
13	162168	1	• • BOLT, Eye (1/4"-20 x 1" Zinc)
14	115649	1	• • NUT, Hex nylon lock (1/4"-20 Grade 5)
15	199487	1	• • PAD, Wear - e-chain

2.6 Jib



M154294AB-4

238272AAA

52

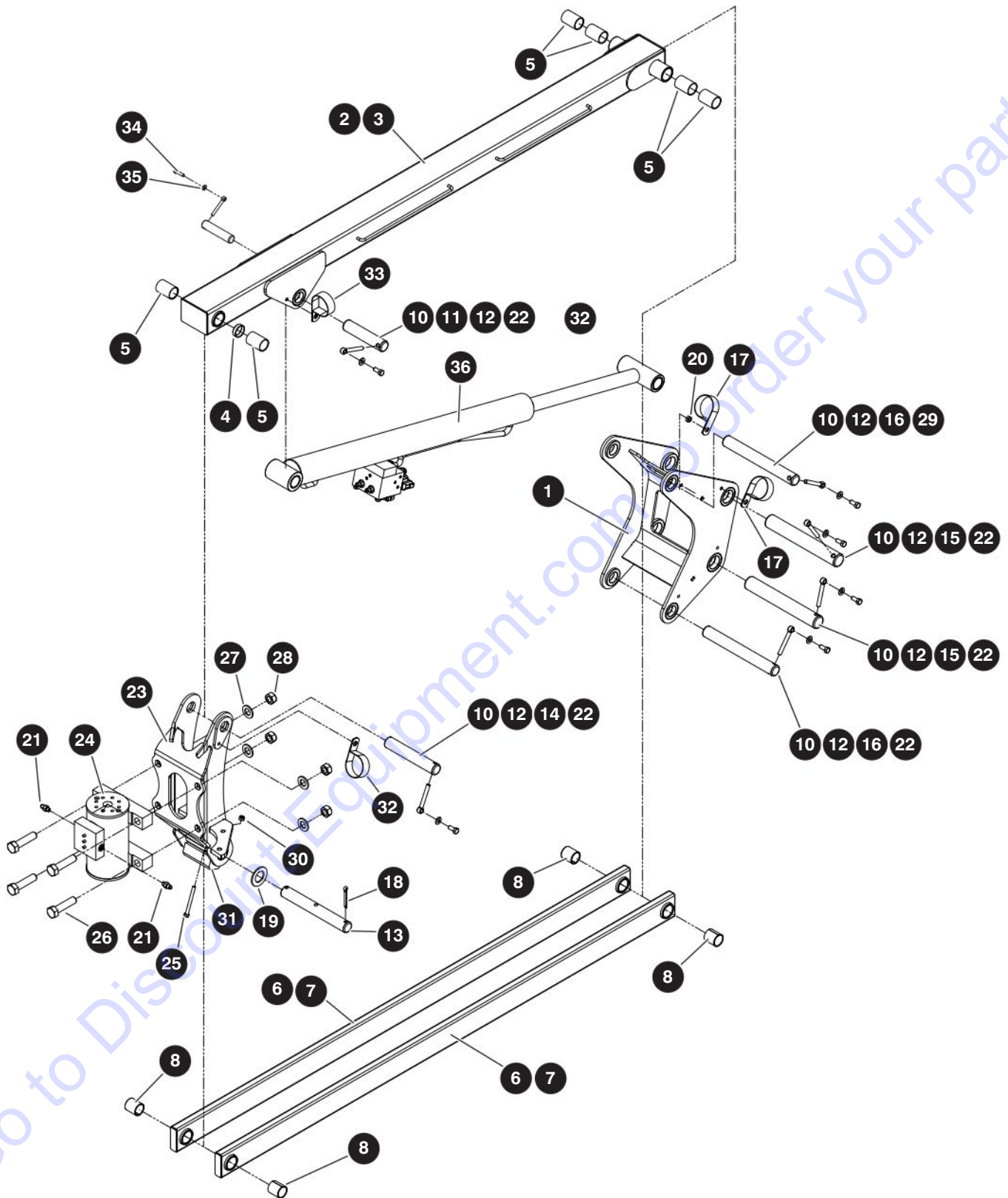
SJ60 AJ+

SKYJACK

2.6 Jib

Index No.	Skyjack Part No.	Qty.	Description
A	218120	1	• JIB, ANSI/CSA
B	154240	1	• JIB, CE, AS
1	218121	1	• • BRACKET, Boom assembly mounting, A
	154215	1	• • BRACKET, Boom assembly mounting, B
2	231540	1	• • ARM ASSEMBLY, Top jib, A
	154378	1	• • ARM ASSEMBLY, Top jib, B
3	231539	1	• • • WELDMENT, Top jib arm, A
	154221	1	• • • WELDMENT, Top jib arm, B
4	218107	1	• • • SPACER, (1 1/4" ID), A
	154239	1	• • • SPACER, (1 1/4" ID), B
5	125230	6	• • • BUSHING, Fiberglide (1 1/4" ID x 2")
6	231449	2	• • ARM ASSEMBLY, Lower jib, A
	154379	2	• • ARM ASSEMBLY, Lower jib, B
7	231448	1	• • • WELDMENT, Lower jib arm, A
	154228	1	• • • WELDMENT, Lower jib arm, B
8	125262	2	• • • BUSHING, CJS 2024 (1 1/4" ID x 1 1/2")
10	146897	6	• • PIN, Keeper (3/8")
11	154235	1	• • PIN, (1 1/4" diameter x 5 3/4")
12	103472	7	• • WASHER, Flat hardened (3/8"), A
	125959	6	• • WASHER, Flat hardened (3/8"), B
13	154237	1	• • PIN, (1 1/4" diameter x 9 5/8")
14	162148	1	• • PIN, (1 1/4" diameter x 5 3/4")
15	197497	2	• • PIN, (1.5" diameter x 11.188")
	165260	2	• • PIN, (1.5" diameter x 10.656")
16	154234	2	• • PIN, (1 1/4" diameter x 10 17/32")
17	143987	1	• • CLAMP, P (2 1/2" tube), A, B
	143987	4	• • CLAMP, P (2 1/2" tube), B
18	103972	2	• • COTTER PIN, (1/4" diameter x 2")
19	122502	2	• • WASHER, Flat (1 1/8")
20	103984	1	• • NUT, Hex lock (5/16"-18 Grade 5, nylon)
21	126128	2	• • FITTING, Straight (04JICM-04ORBM)
22	103473	5	• • BOLT, Hex head patch (3/8"-16 x 1" Grade 8, Zinc), A
	139193	5	• • BOLT, Hex head patch (3/8"-16 x 7/8" Grade 8, Zinc), B
23	218048	1	• • BRACKET, Rotary mount, A
	161956	1	• • BRACKET, Rotary mount, B
24	(Ref.)	1	• • ACTUATOR, Rotary (For components, refer to 2.9 Rotary Actuator)
25	162145	1	• • SHCS (5/16"-18 x 3" Zinc)
26	153606	4	• • BOLT, Hex head (3/4"-10 x 2-1/4" Grade 8), A
	103894	4	• • BOLT, Hex head (3/4"-10 x 3" Grade 8), B
27	702194	4	• • WASHER, Flat hardened (3/4")
28	700575	4	• • NUT, Torque lock (3/4"-10 Grade C)
29	706789	1	• • BOLT, Hex head (3/8"-16 x 1 1/2" Grade 5), B
30	104606	1	• • NUT, Hex nylon lock (3/8"-16 Grade 5), B
31	162144	1	• • PAD, Jib, 63AJ
32	152333	1	• • CLAMP, P (5/8" tube), A
	143987	1	• • CLAMP, P (5/8" tube), B

2.6 Jib



M154294AB-4

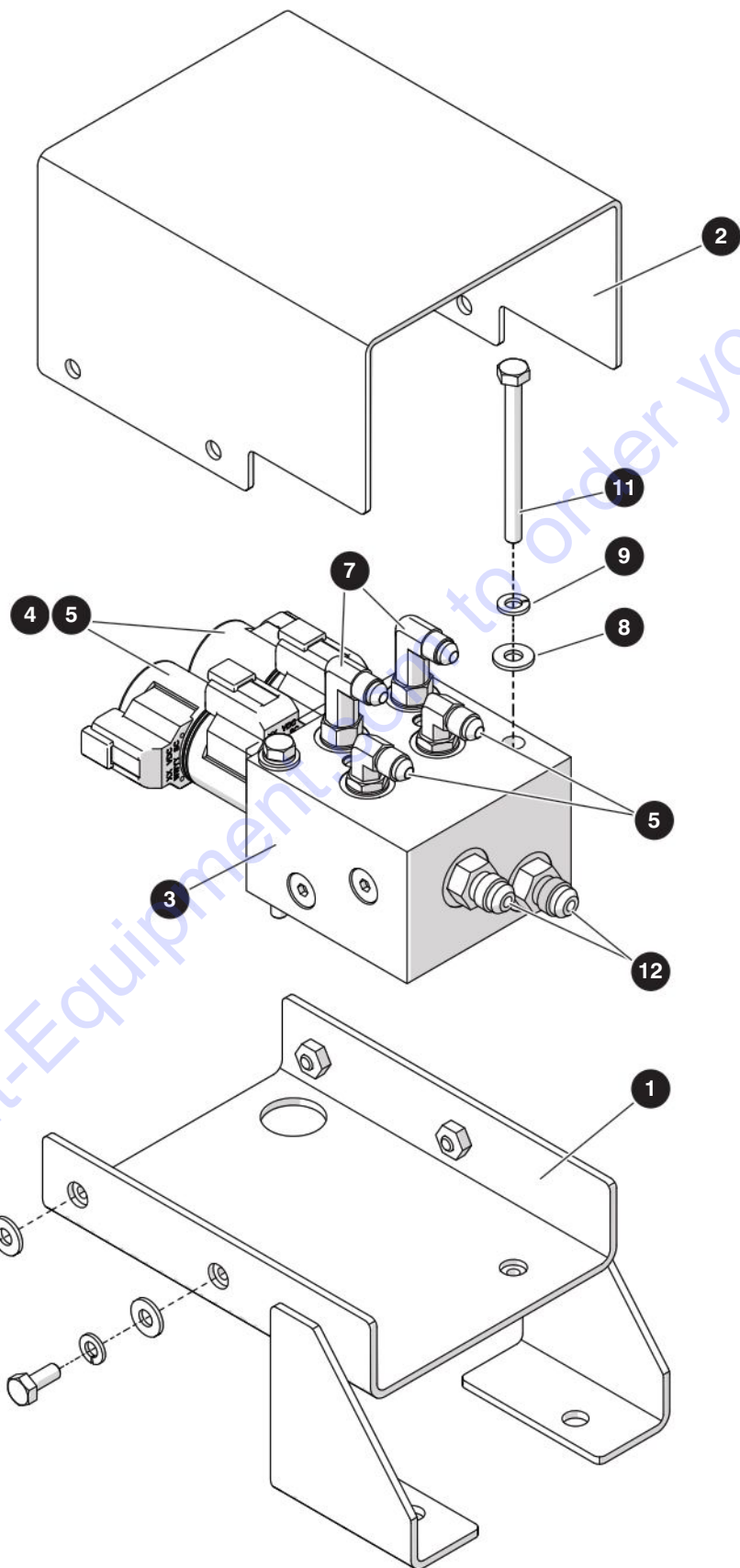
238272AAA

SJ60 AJ+

2.6 Jib

Index No.	Skyjack Part No.	Qty.	Description
33	143987	2	<ul style="list-style-type: none"> • • CLAMP, P (5/8" tube), B
34	103870	1	<ul style="list-style-type: none"> • • BOLT, Hex head (3/8"-16 x 1 1/2" Grade 5), A
35	144238	1	<ul style="list-style-type: none"> • • NUT, Hex nylon lock (3/8"-16 Grade C), A
36	(Ref.)	1	<ul style="list-style-type: none"> • CYLINDER ASSEMBLY, Jib boom <p style="margin-left: 20px;">(For components, refer to 3.8 Jib Cylinder)</p>

2.7 Jib Manifold



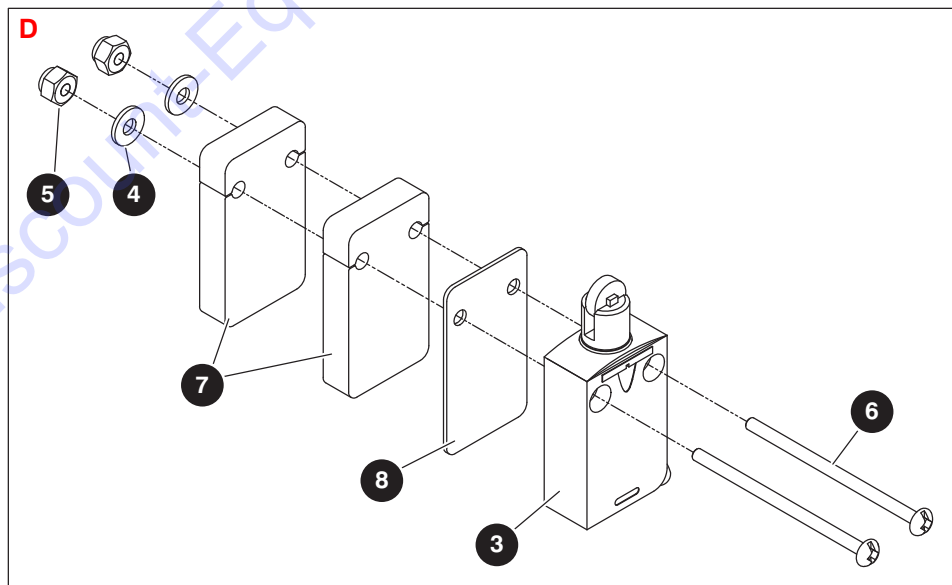
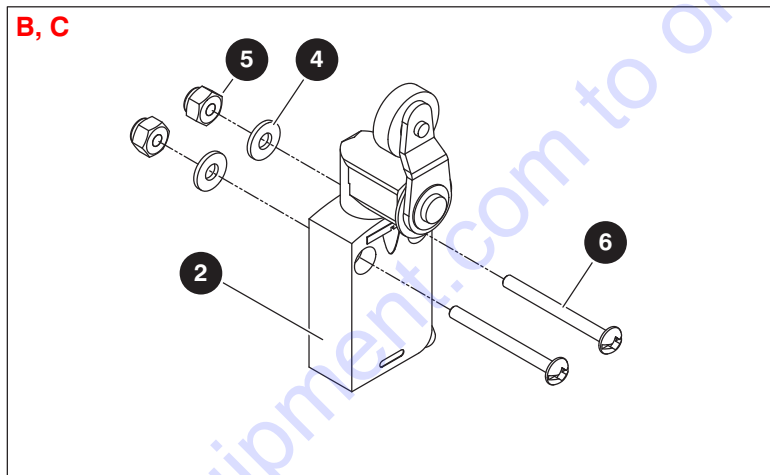
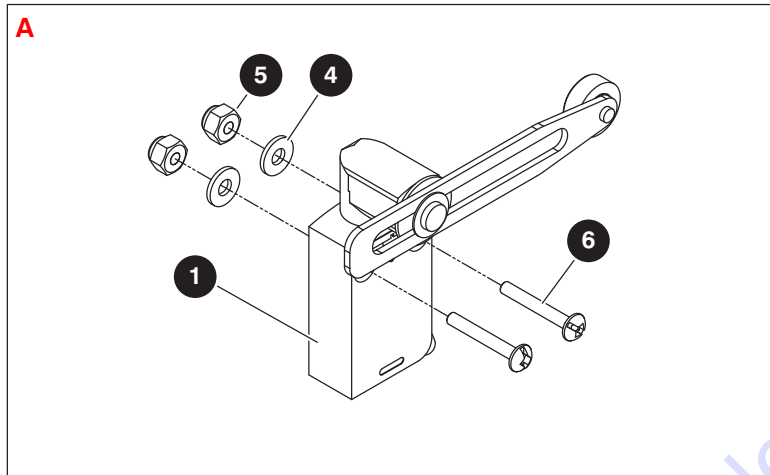
M167646AB

238272AAA

2.7 Jib Manifold

Index No.	Skyjack Part No.	Qty.	Description
-	231510	1	JIB MANIFOLD
1	231514	1	• SUPPORT, Manifold
2	231517	1	• COVER
3	231501	1	• MANIFOLD, Jib
4	166036	2	• • VALVE
5	208881	4	• • COIL
6	125883	2	• • FITTING, 90° (04JICM-04ORBM)
7	147552	2	• • FITTING, 90° long (04JICM004ORBM)
8	103995	6	• WASHER, Flat (1/4")
9	104000	6	• WASHER, Lock (1/4")
10	103892	4	• BOLT, Hex head (0.25"-20 x 0.625" Grade 5)
11	113583	2	• BOLT, Hex head (0.25"-20 x 3.00" Grade 5)
12	701956	2	• FITTING, Straight (04 JICM - 06 ORBM)

2.8 Limit Switches



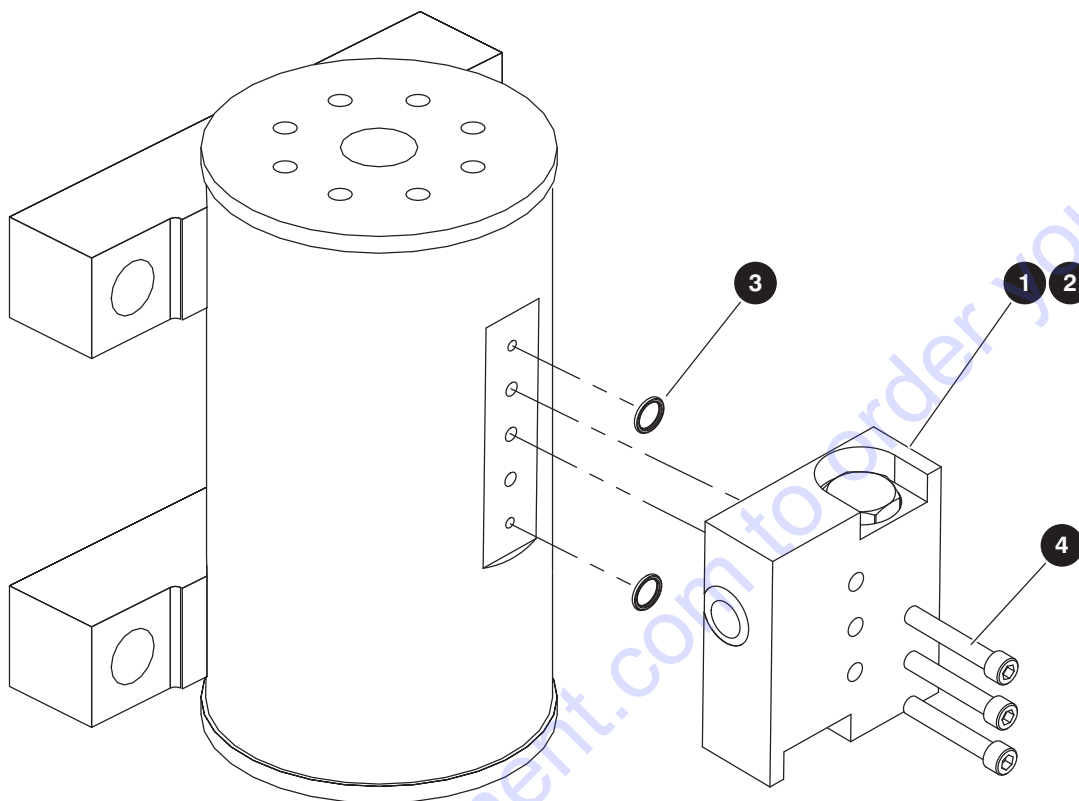
M153854AD_M153855AD_M153856AF

238272AAA

2.8 Limit Switches

Index No.	Skyjack Part No.	Qty.	Description
A	153854	1	LIMIT SWITCH ASSEMBLY, FLY BOOM (LOWER)
B	207059	1	LIMIT SWITCH ASSEMBLY, FLY BOOM (UPPER)
C	153855	1	LIMIT SWITCH ASSEMBLY, MAIN BOOM
D	153856	1	LIMIT SWITCH ASSEMBLY, RISER BOOM
1	207016	1	• LIMIT SWITCH, Adjustable lever, A
	160009	1	• • HEAD, Limit switch
	207849	1	• • BODY, Limit switch
	160011	1	• • LEVER, Limit switch
	207853	1	• • CORD, Switch (15m)
2	207059	1	• LIMIT SWITCH, Fixed lever, B
	207033	1	• LIMIT SWITCH, Fixed lever, C
	160009	1	• • HEAD, Limit switch
	207849	1	• • BODY, Limit switch
	160011	1	• • LEVER, Limit switch
	207853	1	• • CORD, Switch (17m)
3	207021	1	• LIMIT SWITCH, Roller plunger, D
	207850	1	• • HEAD, Limit switch
	207851	1	• • CORD, Switch (5.5m)
4	103991	2	• WASHER, Flat (#8)
5	138765	2	• NUT, Hex lock (8-32 Grade 5, nylon)
6	112248	2	• SCREW, Round machine (#8-32 x 1"), A
	103958	2	• SCREW, Round machine (#8-32 x 3/4"), B
	162061	2	• SCREW, Round machine (#8-32 x 2"), C
	154077	2	• SCREW, Round machine (#8-32 x 2 1/2"), D
7	162087	2	• SPACER, Limit switch plate, D
8	162088	1	• SHIM, Limit switch (18 GA), D

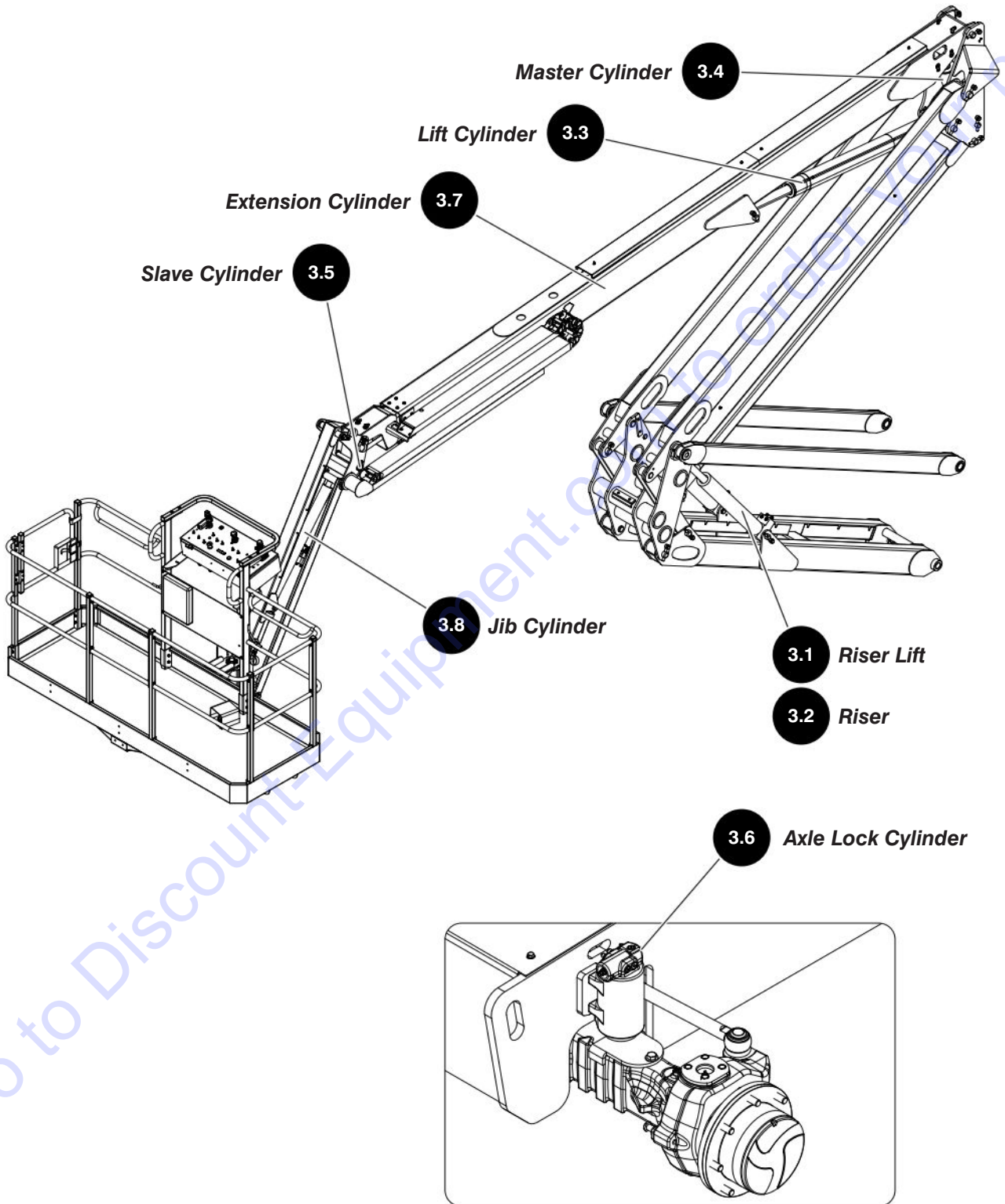
2.9 Rotary Actuator



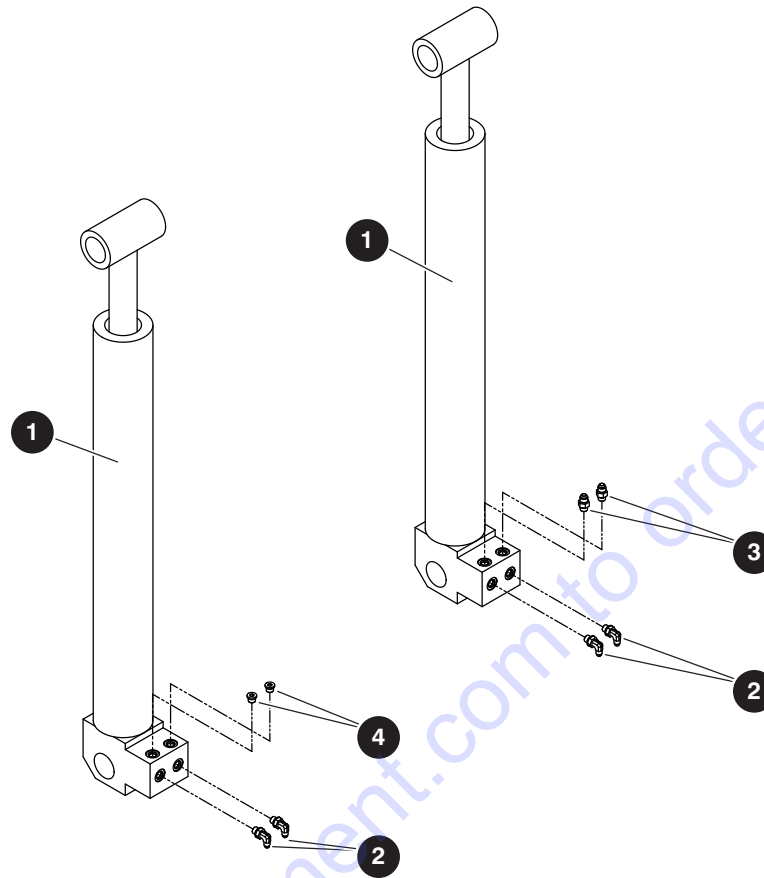
M138232AA-2

Index No.	Skyjack Part No.	Qty.	Description
A	218126	1	ASSEMBLY, Rotary Actuator, ANSI/CSA
B	144710	1	ASSEMBLY, Rotary Actuator, CE/AS
1	141360	1	• ASSEMBLY, Valve
2	141399	2	• • VALVE, Counterbalance
3	141400	2	• • SEAL, Port
4	141464	3	• • BOLT, Mounting
K	144709	1	SEAL KIT, Rotary actuator

Section 3 – Cylinders

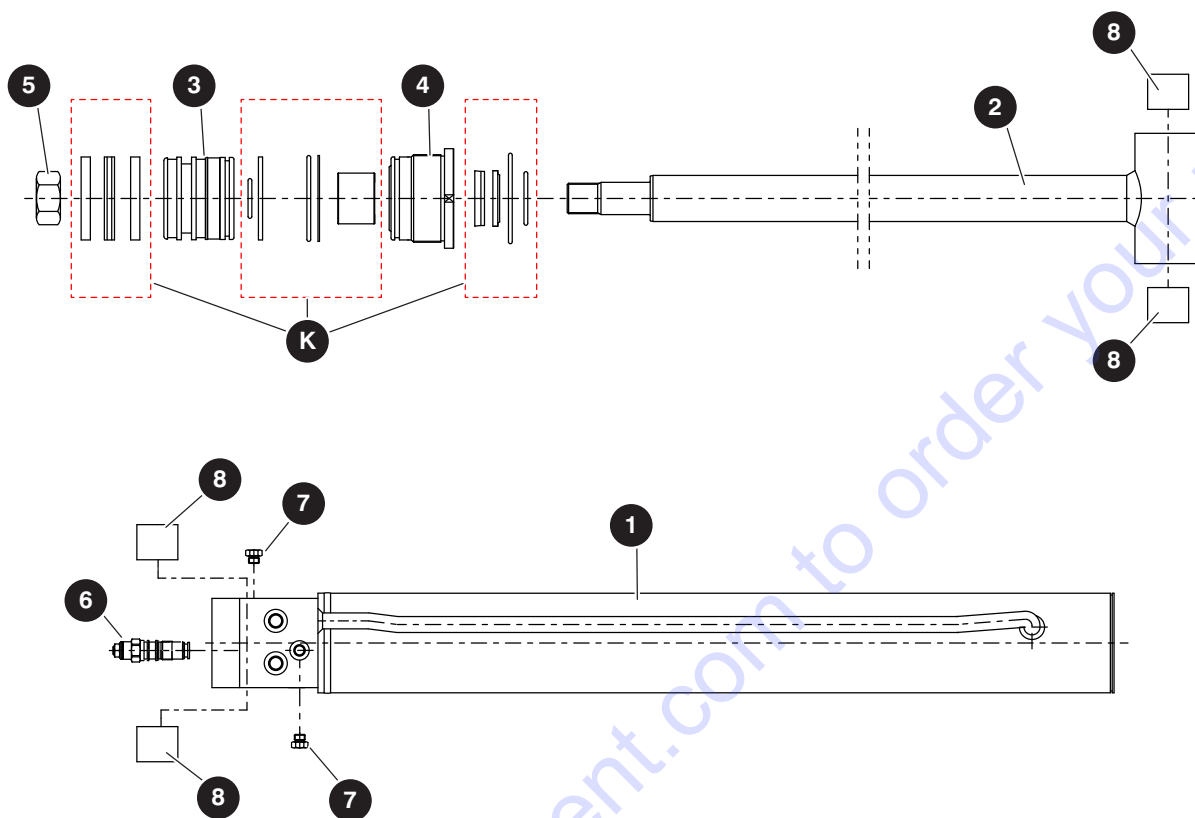


3.1 Riser Lift



M154247AB

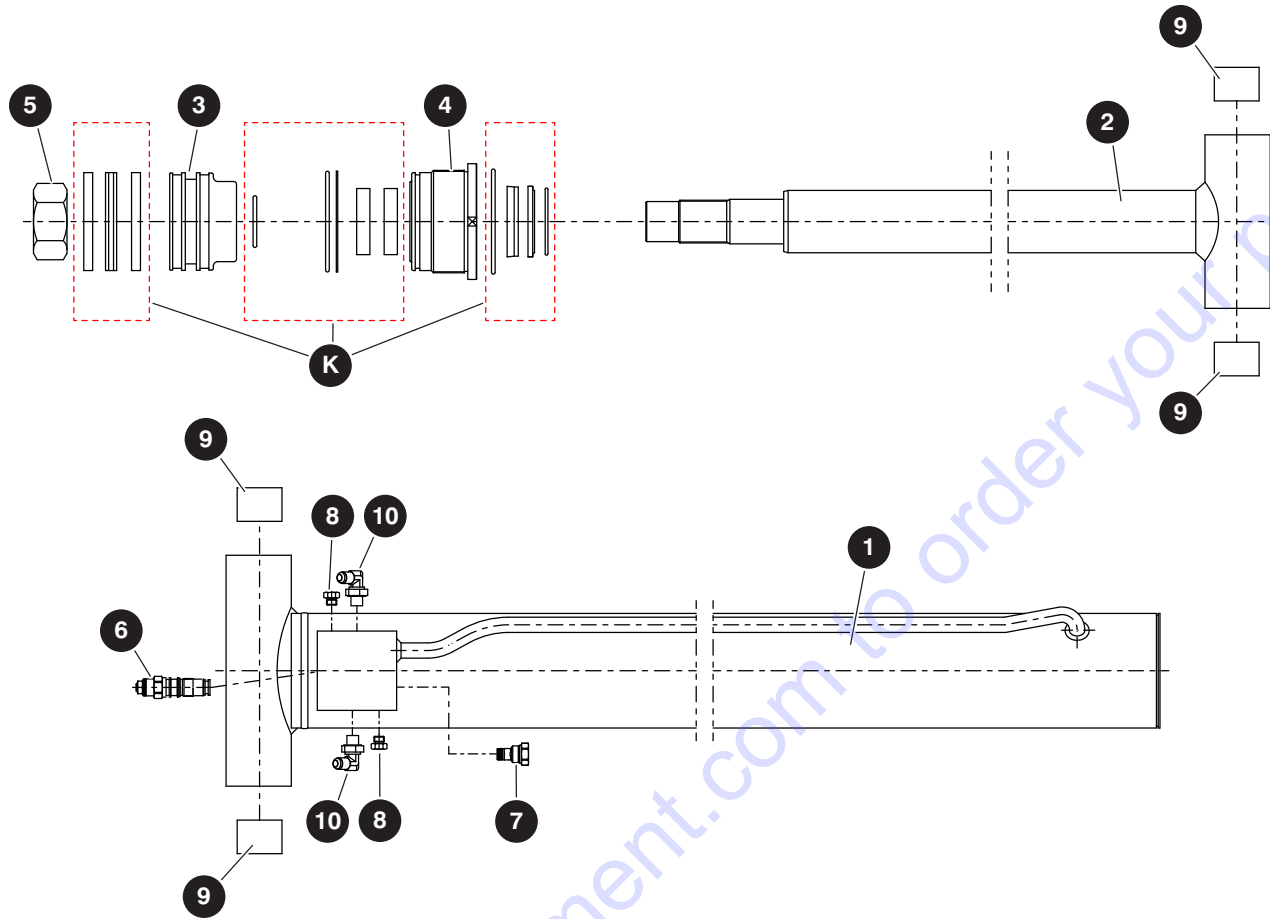
Index No.	Skyjack Part No.	Qty.	Description
-	154247	1	CYLINDER, RISER LIFT
1	(Ref.)	2	<ul style="list-style-type: none"> • CYLINDER, Riser boom lift (For components, refer to 3.2 Riser)
2	129127	4	<ul style="list-style-type: none"> • FITTING, 90° (04JICM-06ORBM)
3	103069	2	<ul style="list-style-type: none"> • FITTING, Straight (06JICM-06ORBM)
4	160655	2	<ul style="list-style-type: none"> • PLUG, Hex socket (9/16"-18 UNF-2B)



M153534AC

Index No.	Skyjack Part No.	Qty.	Description
-	153534	1	CYLINDER, RISER BOOM
1	160658	1	• WELDMENT, Tube
2	160659	1	• WELDMENT, Rod
3	160660	1	• PISTON
4	160661	1	• GLAND
5	160662	1	• NUT, Rod
6	149488	1	• VALVE, Counterbalance
7	160656	2	• PLUG, Hex socket (7/16"-20 UNF-2B)
8	160663	4	• BEARING, MRP (D 1 1/2" x L 1 1/2")
K	160664	1	SEAL KIT, Riser boom cylinder

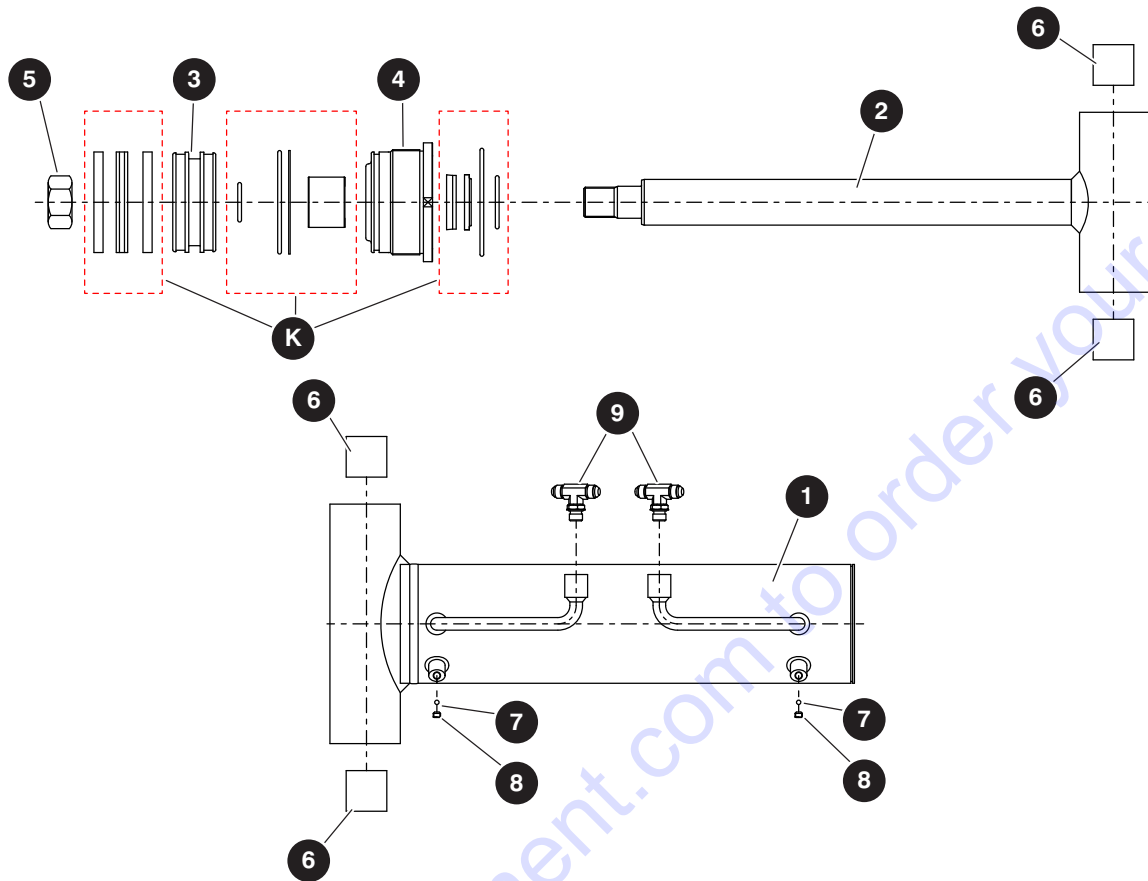
3.3 Lift Cylinder



M154248AC

Index No.	Skyjack Part No.	Qty.	Description
-	154248	1	CYLINDER ASSEMBLY, MAIN BOOM LIFT
-	153530	1	• CYLINDER, Main boom lift
1	160665	1	• • WELDMENT, Tube
2	160666	1	• • WELDMENT, Rod
3	160667	1	• • PISTON
4	160668	1	• • GLAND
5	160662	1	• • NUT, Rod
6	159841	1	• • VALVE, Counterbalance
7	159842	1	• • VALVE, Check
8	160656	2	• • PLUG, Hex socket (7/16"-20 UNF-2B)
9	160670	4	• • BEARING, MRP (D 1 3/4" x L 1 1/2")
10	114578	2	• FITTING, 90° (06JICM-06ORBM)
K	160671	1	SEAL KIT, Main boom lift cylinder

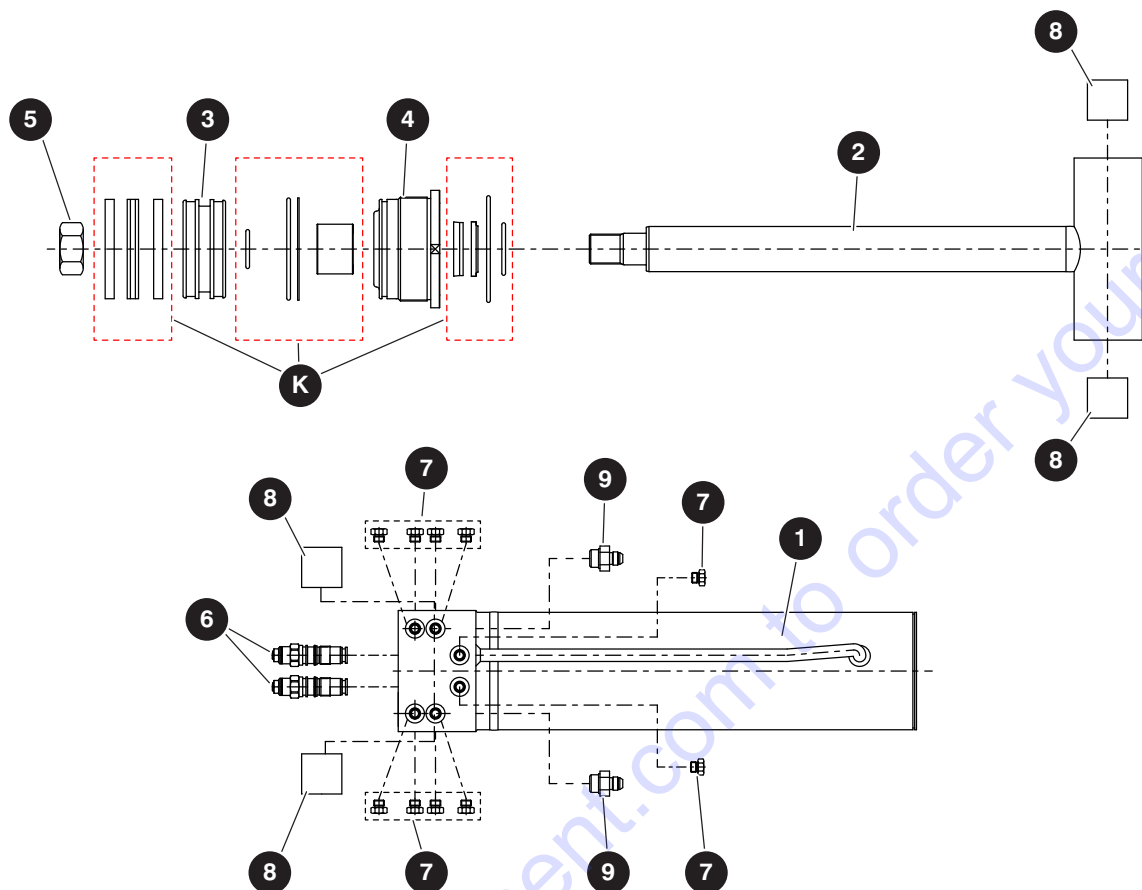
3.4 Master Cylinder



M154249AB

Index No.	Skyjack Part No.	Qty.	Description
-	154249	1	CYLINDER ASSEMBLY, MASTER
-	153533	1	• CYLINDER, Master
1	160698	1	• • WELDMENT, Tube
2	160673	1	• • WELDMENT, Rod
3	160676	1	• • PISTON
4	160677	1	• • GLAND
5	160662	1	• • NUT, Rod
6	160679	4	• • BEARING, MRP (D 1 1/2" x L 1 3/4")
7	160680	2	• • BALL, Steel (3/16")
8	160681	2	• • SCREW, Set (M8)
9	114579	2	• FITTING, Tee (06JICM-06JICM-06ORB M)
K	160682	1	SEAL KIT, Master cylinder

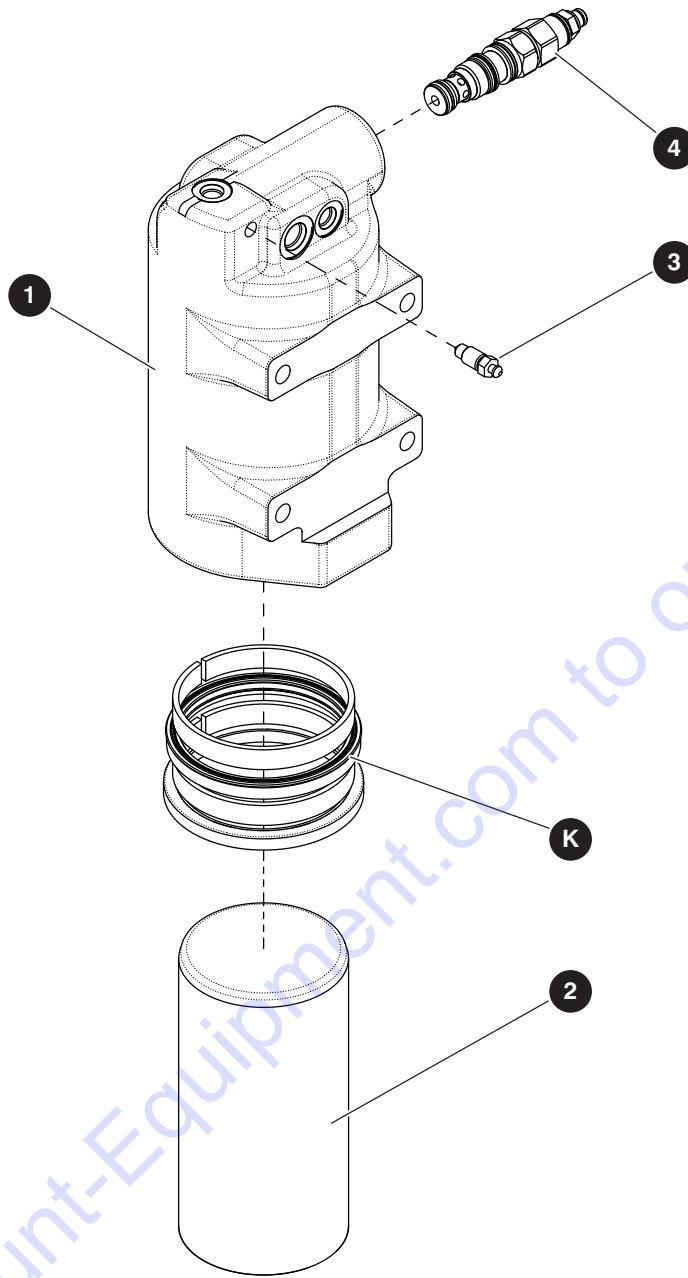
3.5 Slave Cylinder



M154250AB

Index No.	Skyjack Part No.	Qty.	Description
-	154250	1	CYLINDER ASSEMBLY, SLAVE
-	153535	1	• CYLINDER, Slave
1	160683	1	• • WELDMENT, Tube
2	160684	1	• • WELDMENT, Rod
3	160676	1	• • PISTON
4	160677	1	• • GLAND
5	160662	1	• • NUT, Rod
6	710088	2	• • VALVE, Counterbalance
7	160656	10	• • PLUG, Hex socket (7/16"-20 UNF-2B)
8	160679	4	• • BEARING, MRP (D 1 1/2" x L 1 3/4")
9	103070	2	• FITTING, Straight (06JICM-08ORBM)
K	160685	1	SEAL KIT, Slave cylinder

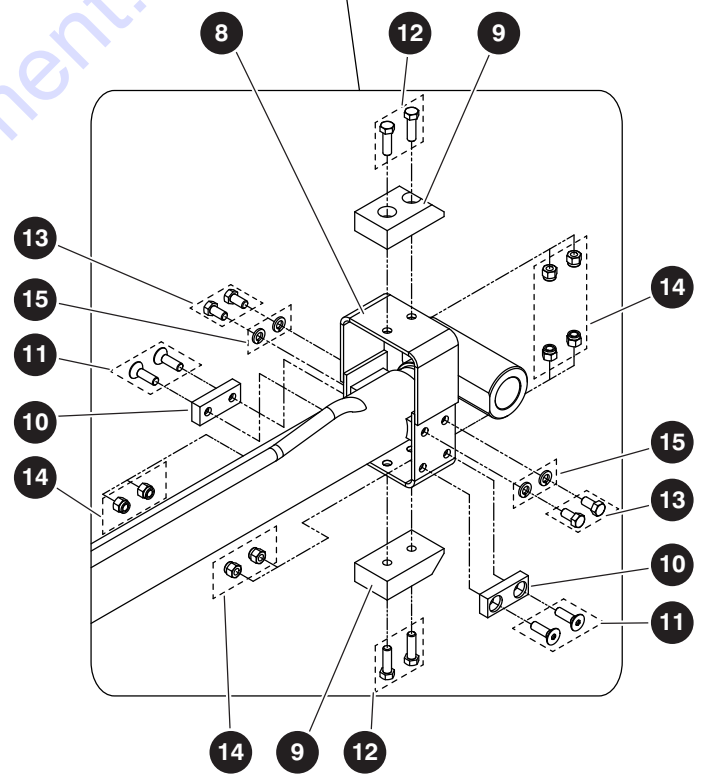
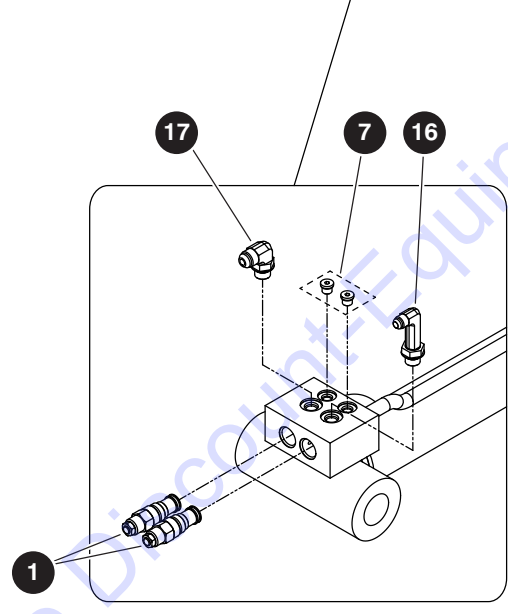
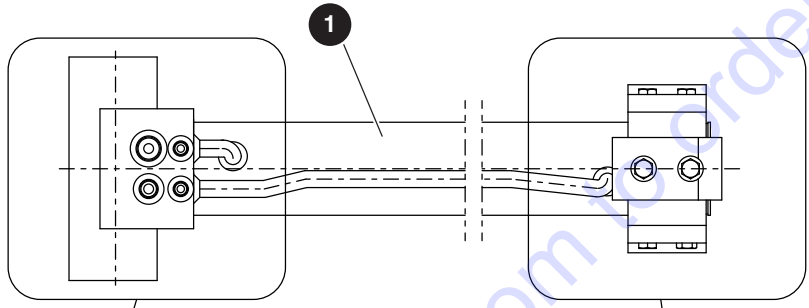
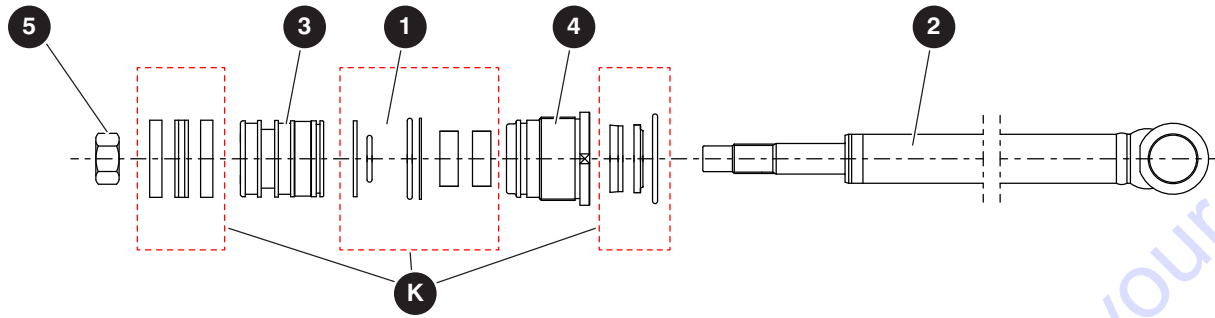
3.6 Axle Lock Cylinder



M198433AB

Index No.	Skyjack Part No.	Qty.	Description
-	212871	1	AXLE LOCK CYLINDER
1	154558	1	• BARREL
2	154559	1	• ROD
3	154561	1	• SCREW, Bleed
4	212872	1	• VALVE, Counterbalance - 4800 psi
K	154557	1	SEAL KIT, Axle lock cylinder

3.7 Extension Cylinder



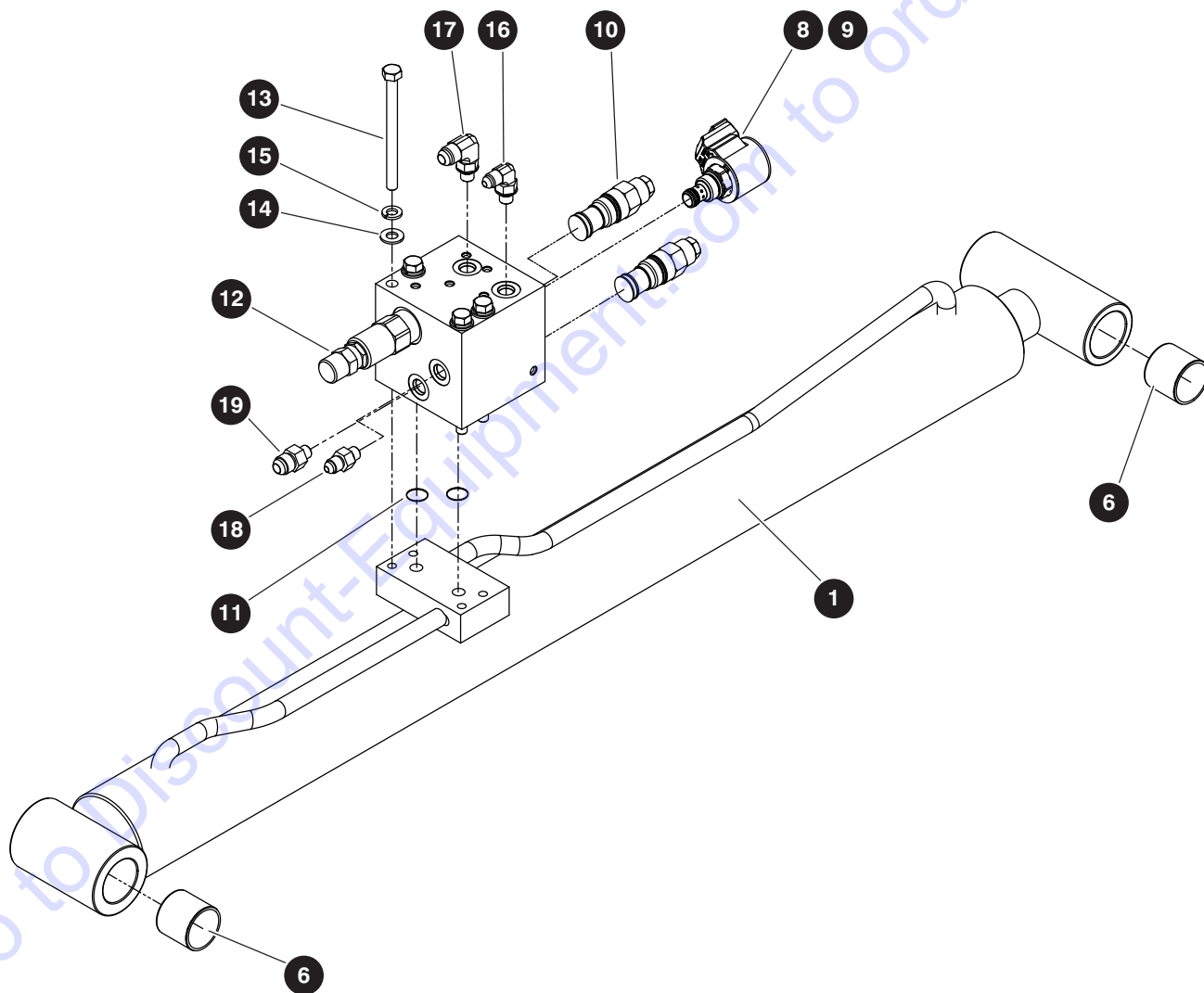
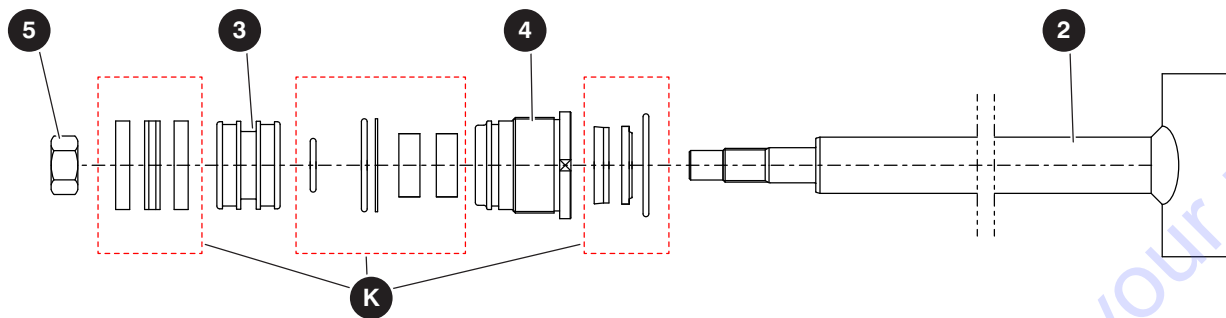
M154251AC

238272AAA

3.7 Extension Cylinder

Index No.	Skyjack Part No.	Qty.	Description
-	154251	1	CYLINDER ASSEMBLY, FLY BOOM EXTENSION
-	154207	1	• CYLINDER, Fly boom extension
1	160686	1	• • WELDMENT, Tube
2	160687	1	• • WELDMENT, Rod
3	160688	1	• • PISTON
4	160689	1	• • GLAND
5	160662	1	• • NUT, Rod
6	141453	2	• • VALVE, Counterbalance
7	160656	2	• • PLUG, Hex socket (7/16"-20 UNF-2B)
-	154214	1	• SUPPORT ASSEMBLY, Fly boom extension cylinder
8	154209	1	• • WELDMENT, Fly boom cylinder support
9	154212	2	• • WEAR PAD, Fly boom cylinder support (Top & bottom)
10	154213	2	• • WEAR PAD, Fly boom cylinder support (Side)
11	701621	4	• • SCREW, Flat head cap (3/8"-16 x 1 1/4" Grade 5)
12	101297	4	• • BOLT, Hex head (3/8"-16 x 1 1/4" Grade 5)
13	101632	4	• • BOLT, Hex head (3/8"-16 x 3/4" Grade 5)
14	104606	8	• • NUT, Hex lock (3/8"-16 Grade 5, nylon)
15	103999	4	• • WASHER, Lock (3/8")
16	162071	1	• FITTING, 90° (06JICM-06ORBM LL)
17	114583	1	• FITTING, 90° (08JICM-08ORBM)
K	160690	1	SEAL KIT, Fly boom extension cylinder

3.8 Jib Cylinder



M171059AB

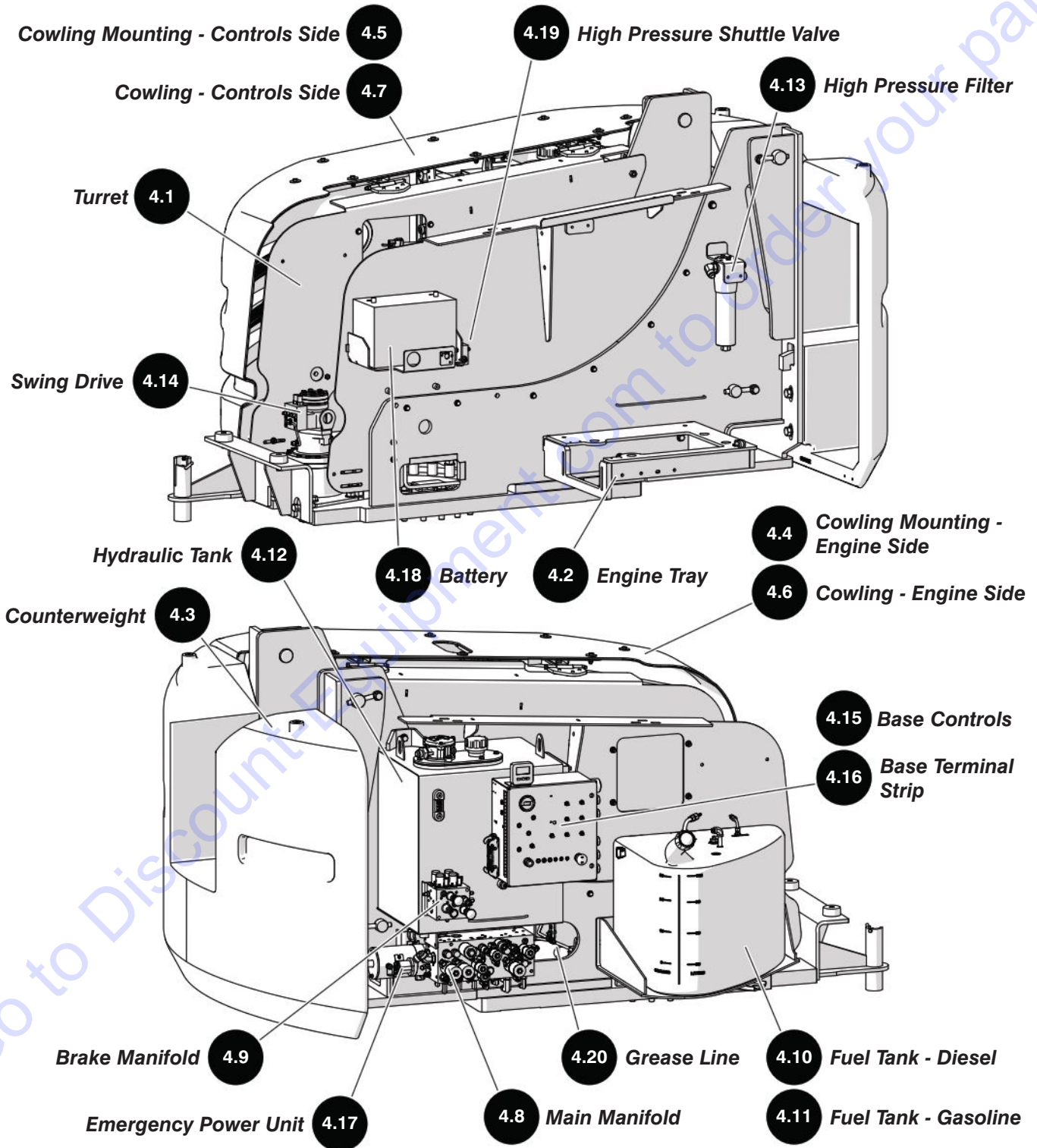
238272AAA

SJ60 AJ+

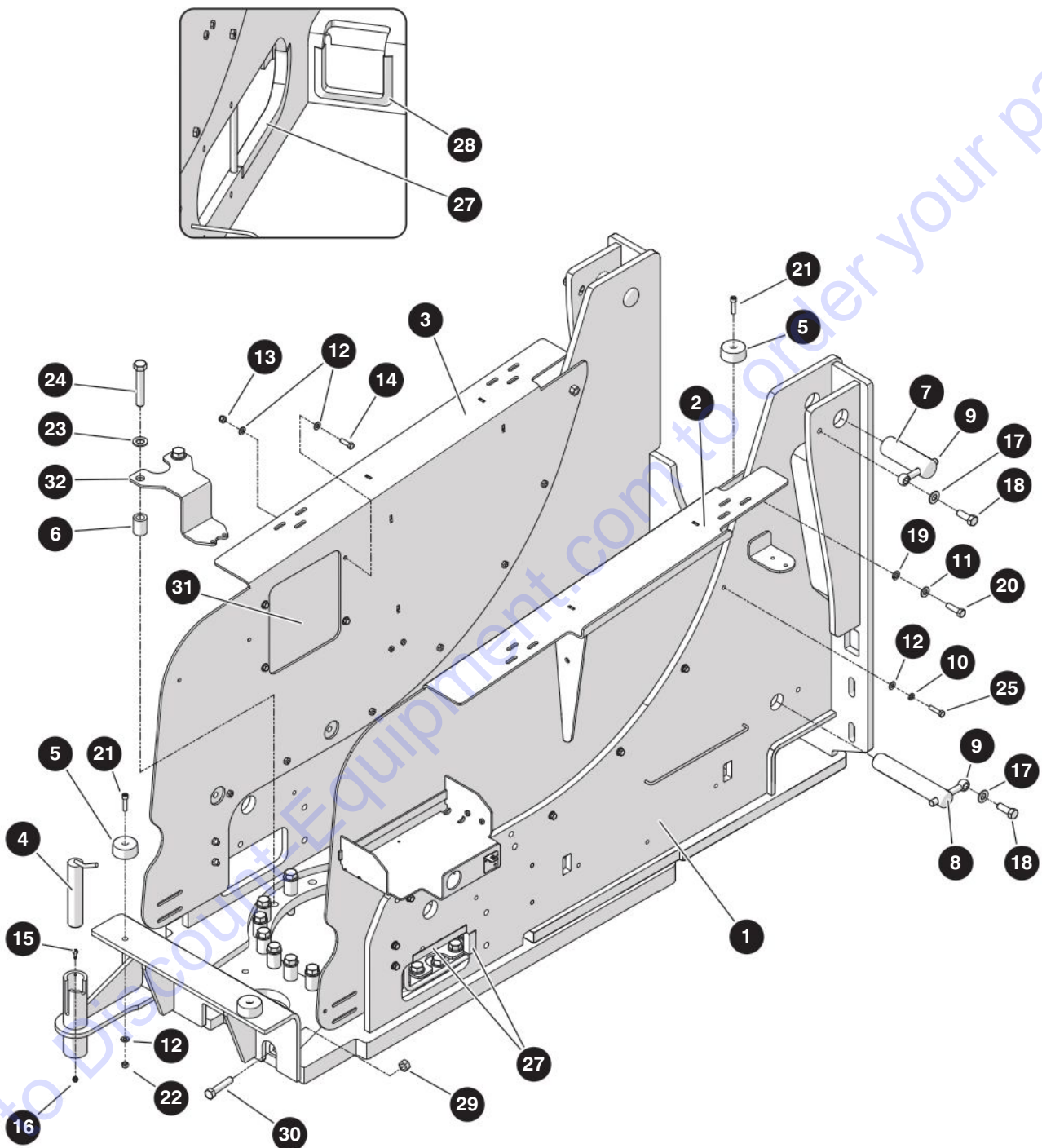
3.8 Jib Cylinder

Index No.	Skyjack Part No.	Qty.	Description
A	166091	1	CYLINDER ASSEMBLY, JIB BOOM, ANSI/CSA
B	171059	1	CYLINDER ASSEMBLY, JIB BOOM, CE, AS
-	160037	1	• CYLINDER, Jib boom
1	162849	1	• • WELDMENT, Tube
2	160692	1	• • WELDMENT, Rod
3	160693	1	• • PISTON
4	160694	1	• • GLAND
5	160662	1	• • NUT, Rod
6	160695	4	• • BEARING, MRP (D 1 1/4" x L 1 1/4")
7	160656	2	• • PLUG, Hex socket (7/16"-20 UNF-2B)
-	171012	1	• VALVE ASSEMBLY, Jib cylinder
8	194544	1	• • VALVE, Solenoid (2 position 3 way), B
9	168057	1	• • COIL, 12 VDC, B
10	149488	2	• • VALVE, Counterbalance
11	159836	2	• • O-RING (2-205)
12	164651	1	• • VALVE, Cross-relief, B
13	103884	4	• BOLT, Hex head (0.312"-18 x 2.5" Grade 5), A
	103882	4	• BOLT, Hex head (0.312"-18 x 4.00" Grade 5), B
14	103996	4	• WASHER, Flat (0.312")
15	103404	4	• WASHER, Lock (0.312"), B
16	125883	1	• FITTING, 90° (04JICM-04ORBM)
17	113348	1	• FITTING, 90° (06JICM-04ORBM), B
18	126128	1	• FITTING, Straight (04JICM-04ORBM)
19	128869	1	• FITTING, Straight (06JICM-04ORBM), B
K	160696	1	SEAL KIT, Jib boom cylinder

Section 4 – Turret



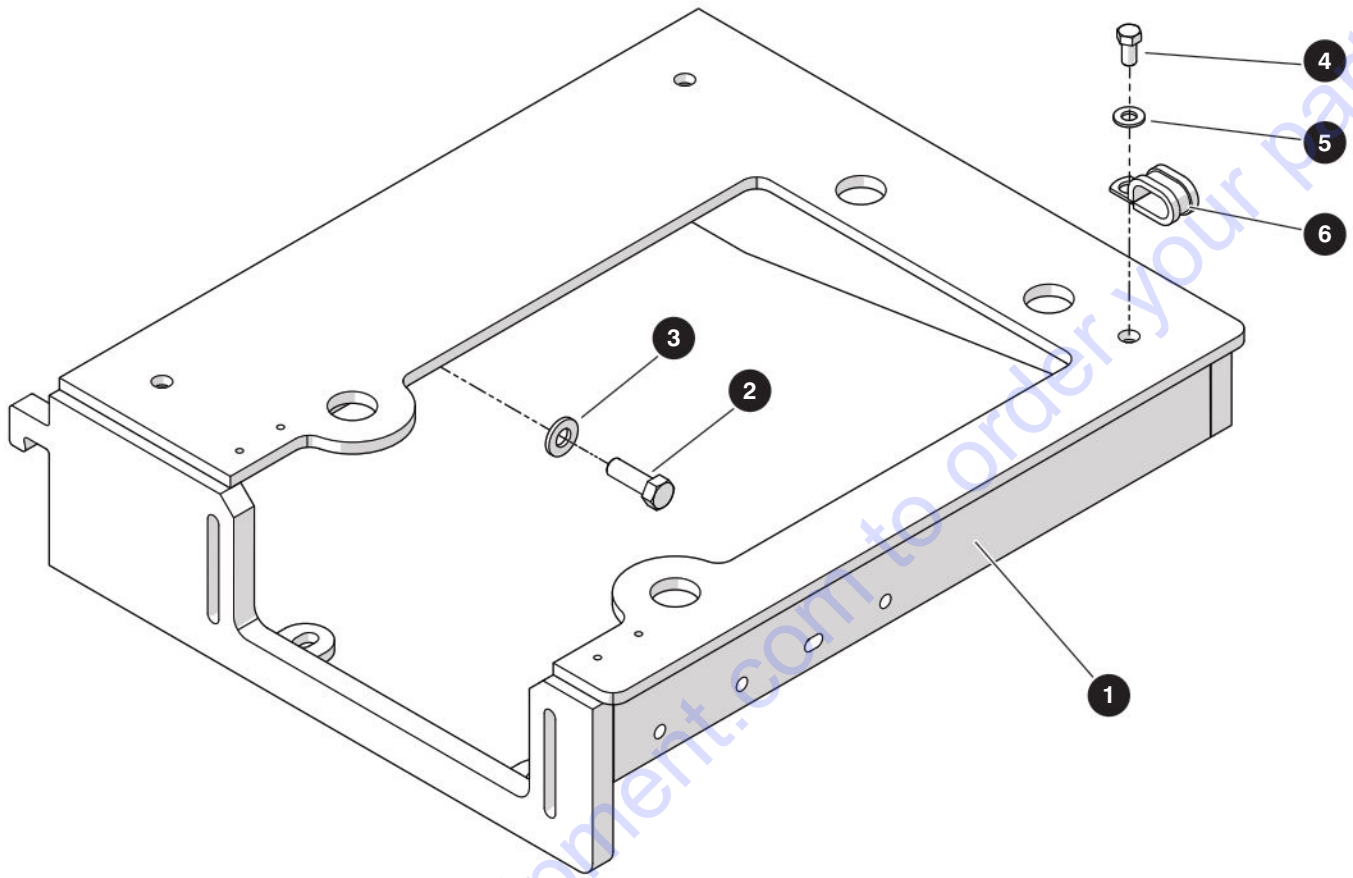
4.1 Turret



4.1 Turret

Index No.	Skyjack Part No.	Qty.	Description
-	237993	1	TURRET ASSEMBLY
1	237981	1	• TURRET
2	154144	1	• PANEL, Engine side
3	166550	1	• PANEL, Control side
4	159483	1	• PIN, Turret lock
5	111135	3	• PAD, Bumper
6	159418	24	• SPACER, Ring gear
7	153865	2	• PIN, (2" dia x 6")
8	153860	2	• PIN, (1-3/4" dia x 9-7/8")
9	146898	4	• PIN, Keeper (5/8")
10	103999	17	• WASHER, Lock (3/8")
11	103470	1	• WASHER, Lock (1/2", gr 5)
12	103472	25	• WASHER, Flat (3/8")
13	104606	4	• NUT, Hex lock (3/8"-16, gr 5)
14	101297	4	• BOLT, Hex head (3/8"-16 x 1-1/4", gr 5)
15	103857	1	• BOLT, Hex head (1/4"-20 x 1", gr 5)
16	115649	1	• NUT, Hex lock (1/4"-20, gr 5)
17	700782	4	• WASHER, Flat hardened (5/8")
18	148944	4	• BOLT, Hex head patch (5/8"-11 x 1-3/4", gr 8)
19	104379	1	• WASHER, Flat (1/2")
20	103906	1	• BOLT, Hex head (1/2"-13 x 1 3/4", gr 5)
21	103938	3	• SCREW, Socket head cap (3/8"-16 x 1-1/2")
22	103978	2	• NUT, Hex head (3/8"-16, gr 5)
23	702194	24	• WASHER, Flat hardened (3/4")
24	138276	24	• BOLT, Hex head (3/4"-10 x 4-1/2", gr 5)
25	103870	12	• BOLT, Hex head (3/8"-16 x 1-1/2", gr 5)
26	103871	3	• BOLT, Hex head (3/8"-16 x 1-3/4", gr 5)
27	162053	A/R	• TRIM, Protective (3/4")
28	119922	A/R	• TRIM, Protective (1/4" - 1/2")
29	103981	2	• NUT, Hex head (5/8"-11, gr 5)
30	154197	2	• BOLT, Hex head (5/8"-11 x 3", gr 5)
31	166878	1	COVER, Oil cooler
32	153710	2	BRACKET, Rotary manifold

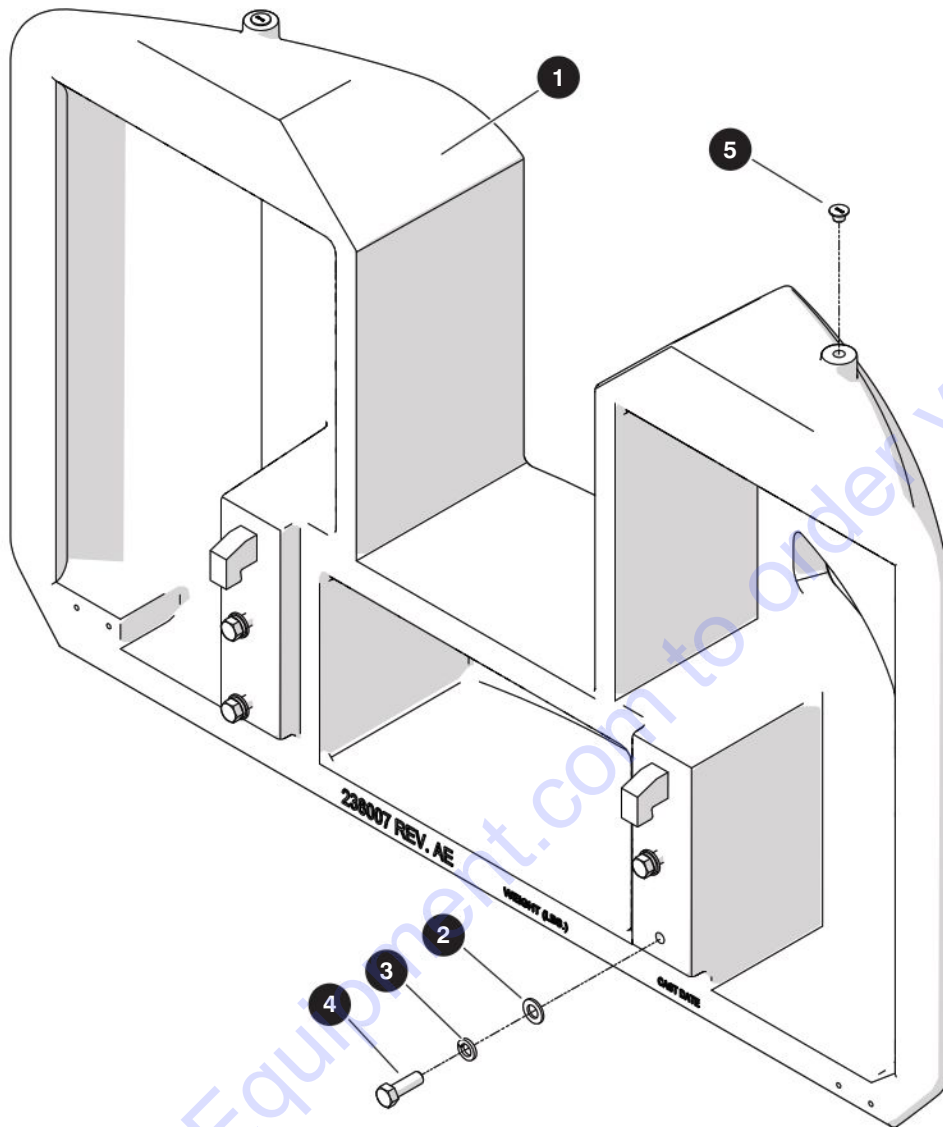
4.2 Engine Tray



M238732AB

Index No.	Skyjack Part No.	Qty.	Description
-	238732	1	ENGINE TRAY ASSEMBLY
1	235796	1	• ENGINE TRAY WELDMENT
2	103907	3	• BOLT, Hex head (1/2"-13 x 1-1/2", gr 5)
3	104379	3	• WASHER, Flat hardened (1/2")
4	101632	1	• BOLT, Hex head (3/8"-16 x 3/4", gr 5)
5	125959	1	• WASHER, Flat hardened (3/8")
6	152333	1	• CLAMP, Tube - cushioned (5/8" with 17/32" hole)

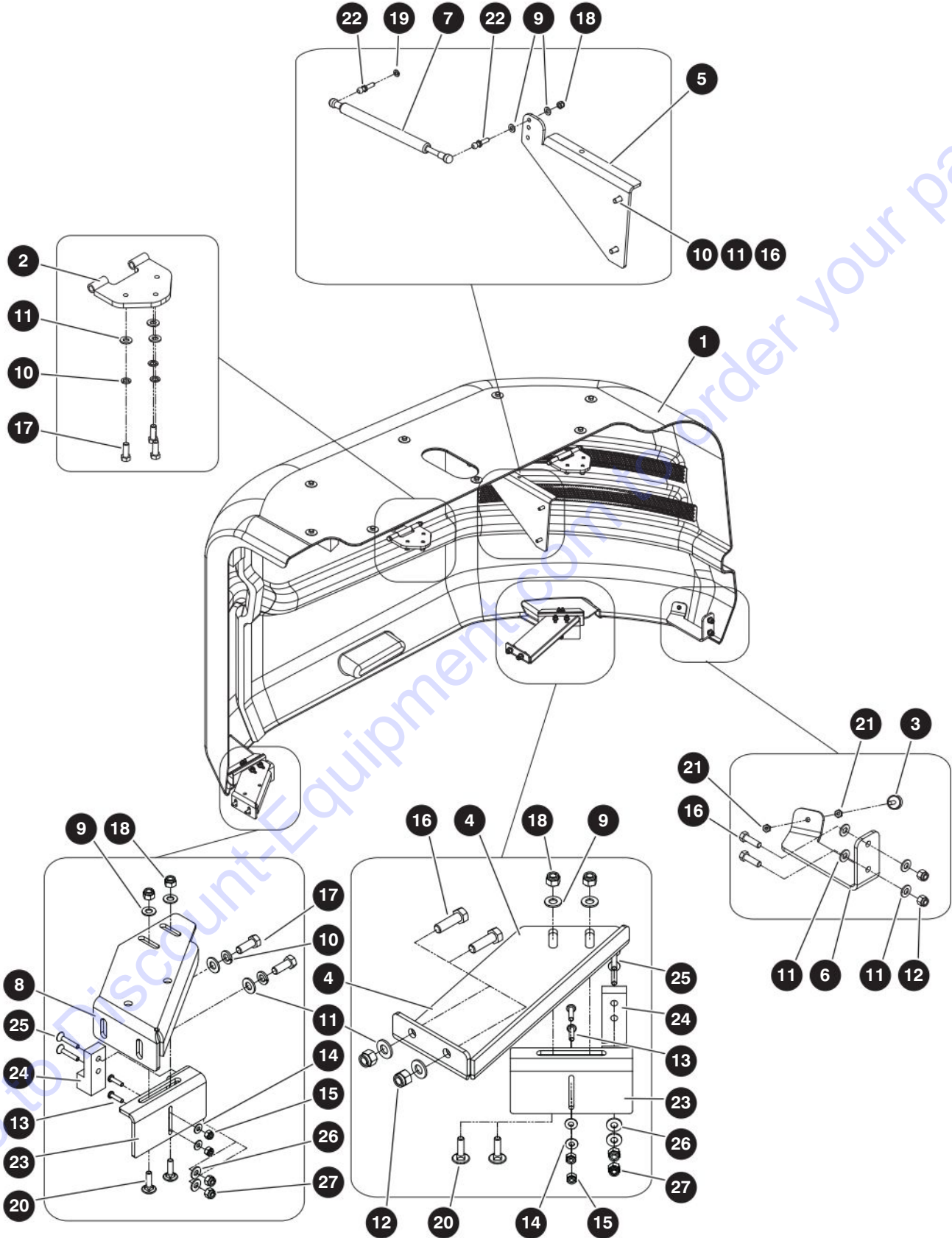
4.3 Counterweight



M169120AA

Index No.	Skyjack Part No.	Qty.	Description
A	238006	1	COUNTERWEIGHT
1	238007	1	• COUNTERWEIGHT
2	702194	4	• WASHER, Flat hardened (3/4")
3	104002	4	• WASHER, Lock (3/4")
4	153606	4	• BOLT, Hex head (3/4"-10 x 2 1/4" Grade 8)
5	144105	2	• PLUG, Threaded hole (3/4")

4.4 Cowling Mounting - Engine Side



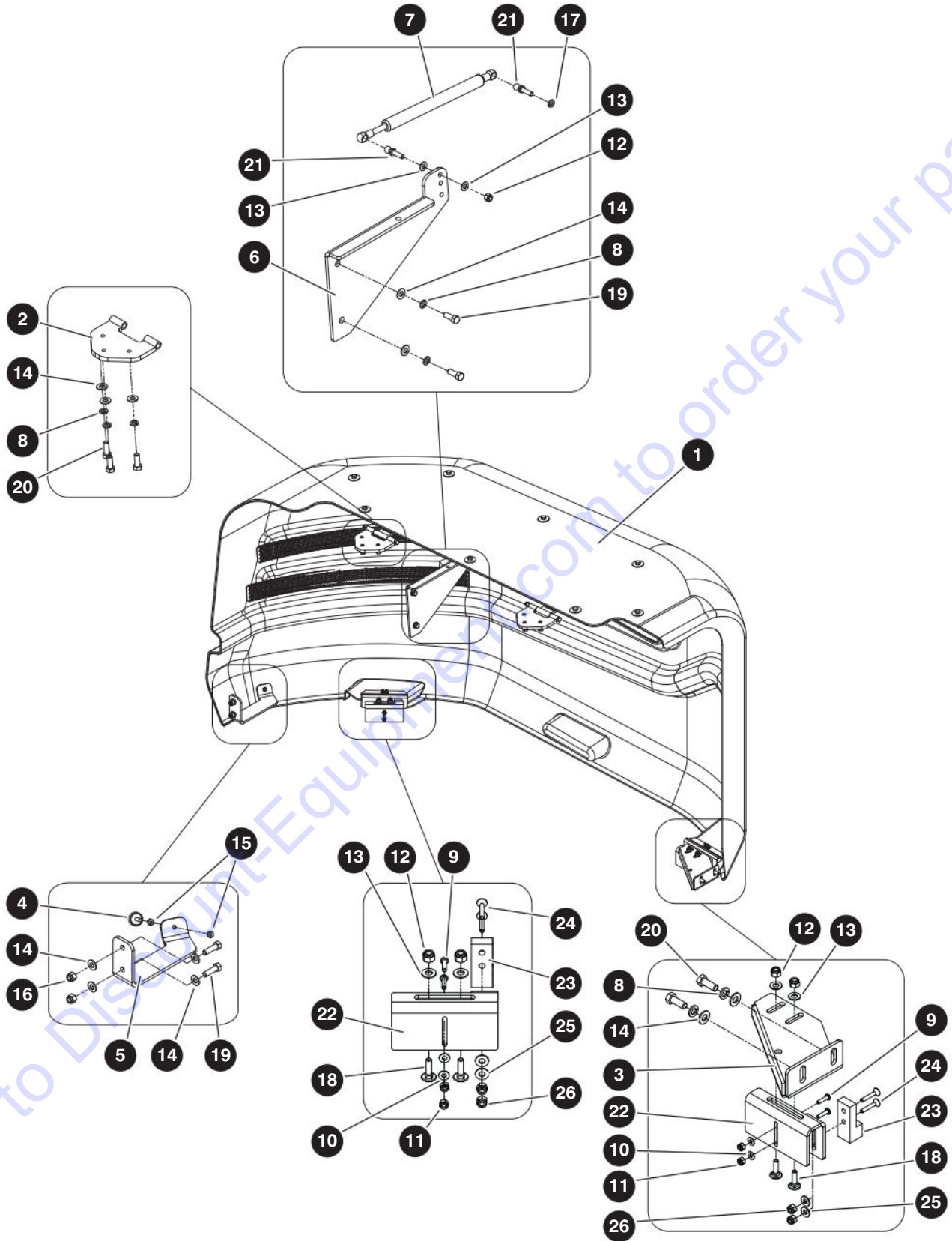
M154174AG

238272AAA

4.4 Cowling Mounting - Engine Side

Index No.	Skyjack Part No.	Qty.	Description
-	154174	1	COWLING ASSEMBLY MOUNTING, ENGINE SIDE
1	(Ref.)	1	<ul style="list-style-type: none"> COWLING, Assembly (Engine Side) (For components, refer to 4.6 Cowling - Engine Side)
2	162142	2	<ul style="list-style-type: none"> WELDMENT, Hinge
3	144015	1	<ul style="list-style-type: none"> MOUNT, Anti-vibration
4	153910	1	<ul style="list-style-type: none"> BRACKET, Handle mounting
5	159877	1	<ul style="list-style-type: none"> BRACKET, Gas spring
6	153881	1	<ul style="list-style-type: none"> BRACKET, Standoff - RH cowling
7	159959	1	<ul style="list-style-type: none"> GAS SPRING, Cowling
8	159870	1	<ul style="list-style-type: none"> BRACKET, Handle mounting
9	103996	6	<ul style="list-style-type: none"> WASHER, Flat (5/16")
10	103999	10	<ul style="list-style-type: none"> WASHER, Lock (3/8")
11	125959	18	<ul style="list-style-type: none"> WASHER, Flat hardened (3/8")
12	104606	4	<ul style="list-style-type: none"> NUT, Hex lock (3/8"-16 Grade 5, nylon)
13	138834	4	<ul style="list-style-type: none"> SCREW, Round machine (#10-24 x 3/4")
14	104694	4	<ul style="list-style-type: none"> WASHER, Flat (#10)
15	126642	4	<ul style="list-style-type: none"> NUT, Hex lock (#10-24 Grade 5, nylon)
16	101297	6	<ul style="list-style-type: none"> BOLT, Hex head (3/8"-16 x 1 1/4" Grade 5)
17	103473	8	<ul style="list-style-type: none"> BOLT, Hex head (3/8"-16 x 1" Grade 5)
18	103984	5	<ul style="list-style-type: none"> NUT, Hex lock (5/16"-18 Grade 5, nylon)
19	103404	1	<ul style="list-style-type: none"> WASHER, Lock (5/16")
20	133216	4	<ul style="list-style-type: none"> CARRIAGE BOLT, (5/16"-18 x 1" Grade 5)
21	103983	2	<ul style="list-style-type: none"> NUT, Hex jam (1/4"-20 Grade 5)
22	138836	2	<ul style="list-style-type: none"> BALL, Stud
23	162151	2	<ul style="list-style-type: none"> BRACKET, Latch mounting
24	162136	2	<ul style="list-style-type: none"> SUPPORT, Cowling
25	163397	4	<ul style="list-style-type: none"> SCREW, Flat head hex (1/4"-20 x 1 1/4" Grade 5 Zinc)
26	103995	4	<ul style="list-style-type: none"> WASHER, Flat (1/4")
27	115649	4	<ul style="list-style-type: none"> NUT, Hex nylon lock (1/4"-20 Grade 5)

4.5 Cowling Mounting - Controls Side



M154175AG

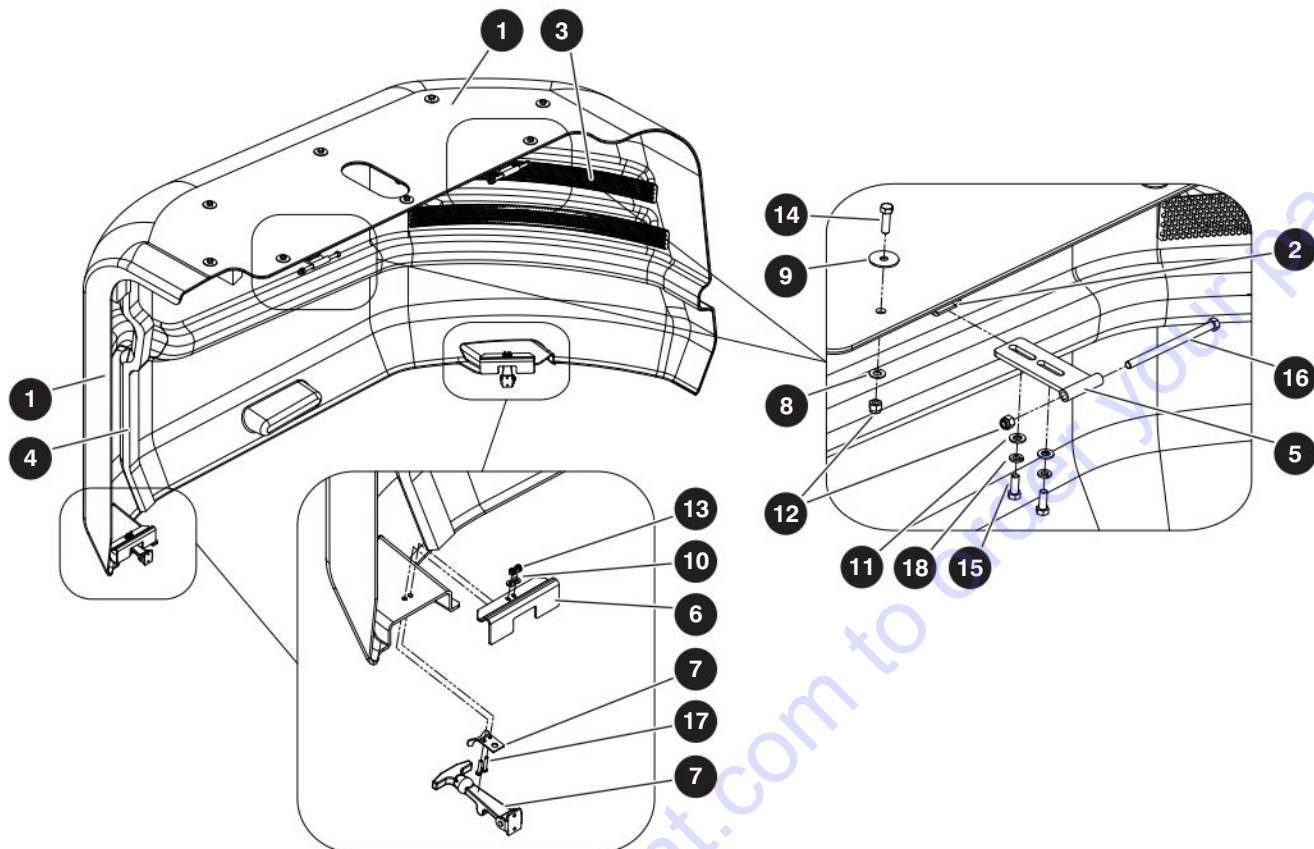
238272AAA

SJ60 AJ+

4.5 Cowling Mounting - Controls Side

Index No.	Skyjack Part No.	Qty.	Description
-	218572	1	COWLING MOUNTING, CONTROLS SIDE
1	(Ref.)	1	<ul style="list-style-type: none"> COWLING, Assembly (Controls Side) (For components, refer to 4.7 Cowling - Controls Side)
2	162142	2	<ul style="list-style-type: none"> WELDMENT, Hinge
3	159870	1	<ul style="list-style-type: none"> BRACKET, Handle mounting
4	144015	1	<ul style="list-style-type: none"> MOUNT, Anti-vibration
5	153882	1	<ul style="list-style-type: none"> BRACKET, Standoff - LH cowling
6	159877	1	<ul style="list-style-type: none"> BRACKET, Gas spring
7	159959	1	<ul style="list-style-type: none"> GAS SPRING, Cowling
8	103999	10	<ul style="list-style-type: none"> WASHER, Lock (3/8")
9	138834	4	<ul style="list-style-type: none"> SCREW, Round machine (#10-24 x 3/4")
10	104694	4	<ul style="list-style-type: none"> WASHER, Flat (#10)
11	126642	4	<ul style="list-style-type: none"> NUT, Hex lock (#10-24 Grade 5, nylon)
12	103984	5	<ul style="list-style-type: none"> NUT, Hex lock (5/16"-18 Grade 5, nylon)
13	103996	6	<ul style="list-style-type: none"> WASHER, Flat (5/16")
14	125959	14	<ul style="list-style-type: none"> WASHER, Flat hardened (3/8")
15	103983	2	<ul style="list-style-type: none"> NUT, Hex jam (1/4"-20 Grade 5)
16	104606	2	<ul style="list-style-type: none"> NUT, Hex lock (3/8"-16 Grade 5, nylon)
17	103404	1	<ul style="list-style-type: none"> WASHER, Lock (5/16")
18	133216	4	<ul style="list-style-type: none"> CARRIAGE BOLT, (5/16"-18 x 1" Grade 5)
19	101297	4	<ul style="list-style-type: none"> BOLT, Hex head (3/8"-16 x 1 1/4" Grade 5)
20	103473	8	<ul style="list-style-type: none"> BOLT, Hex head (3/8"-16 x 1" Grade 5)
21	138836	2	<ul style="list-style-type: none"> BALL, Stud
22	162151	2	<ul style="list-style-type: none"> BRACKET, Latch mounting
23	162136	2	<ul style="list-style-type: none"> SUPPORT, Cowling
24	163397	4	<ul style="list-style-type: none"> SCREW, Flat head hex (1/4"-20 x 1 1/4" Grade 5 Zinc)
25	103995	4	<ul style="list-style-type: none"> WASHER, Flat (1/4")
26	115649	4	<ul style="list-style-type: none"> NUT, Hex nylon lock (1/4"-20 Grade 5)

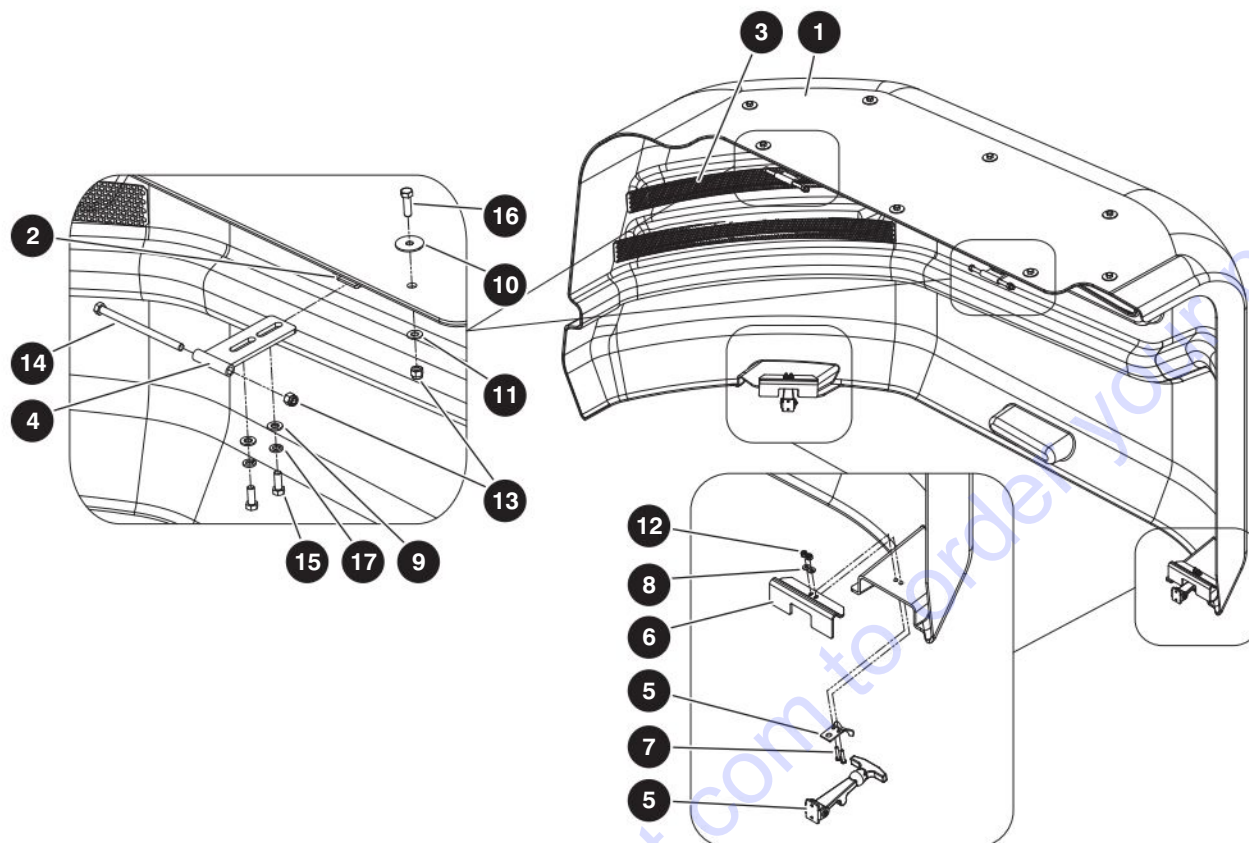
4.6 Cowling - Engine Side



M154179AB

Index No.	Skyjack Part No.	Qty.	Description
-	154179	1	COWLING ASSEMBLY, ENGINE SIDE
1	154176	1	• COWLING, Shell (Engine side)
2	159871	1	• WELDMENT, Cowling mount structure
3	154009	2	• PLATE, Perforated
4	148368	116"	• FOAM SEAL, #1441 (2" x 2")
5	149484	2	• HINGE, Upper weldment
6	154172	2	• STOP, Cowling
7	144002	2	• LATCH, Flexible draw
8	103472	8	• WASHER, Flat (3/8")
9	127067	8	• WASHER, Flat (3/8" style BB)
10	104694	4	• WASHER, Flat (#10)
11	125959	4	• WASHER, Flat hardened (3/8")
12	104606	10	• NUT, Hex lock (3/8"-16 Grade 5, nylon)
13	126642	4	• NUT, Hex lock (#10-24 Grade 5, nylon)
14	101297	8	• BOLT, Hex head (3/8"-16 x 1 1/4" Grade 5)
15	103473	4	• BOLT, Hex head (3/8"-16 x 1" Grade 5)
16	138736	2	• BOLT, Hex head (3/8"-16 x 6" Grade 5)
17	151155	4	• SCREW, Round machine (#10-24 x 1")
18	103999	4	• WASHER, Lock (3/8")

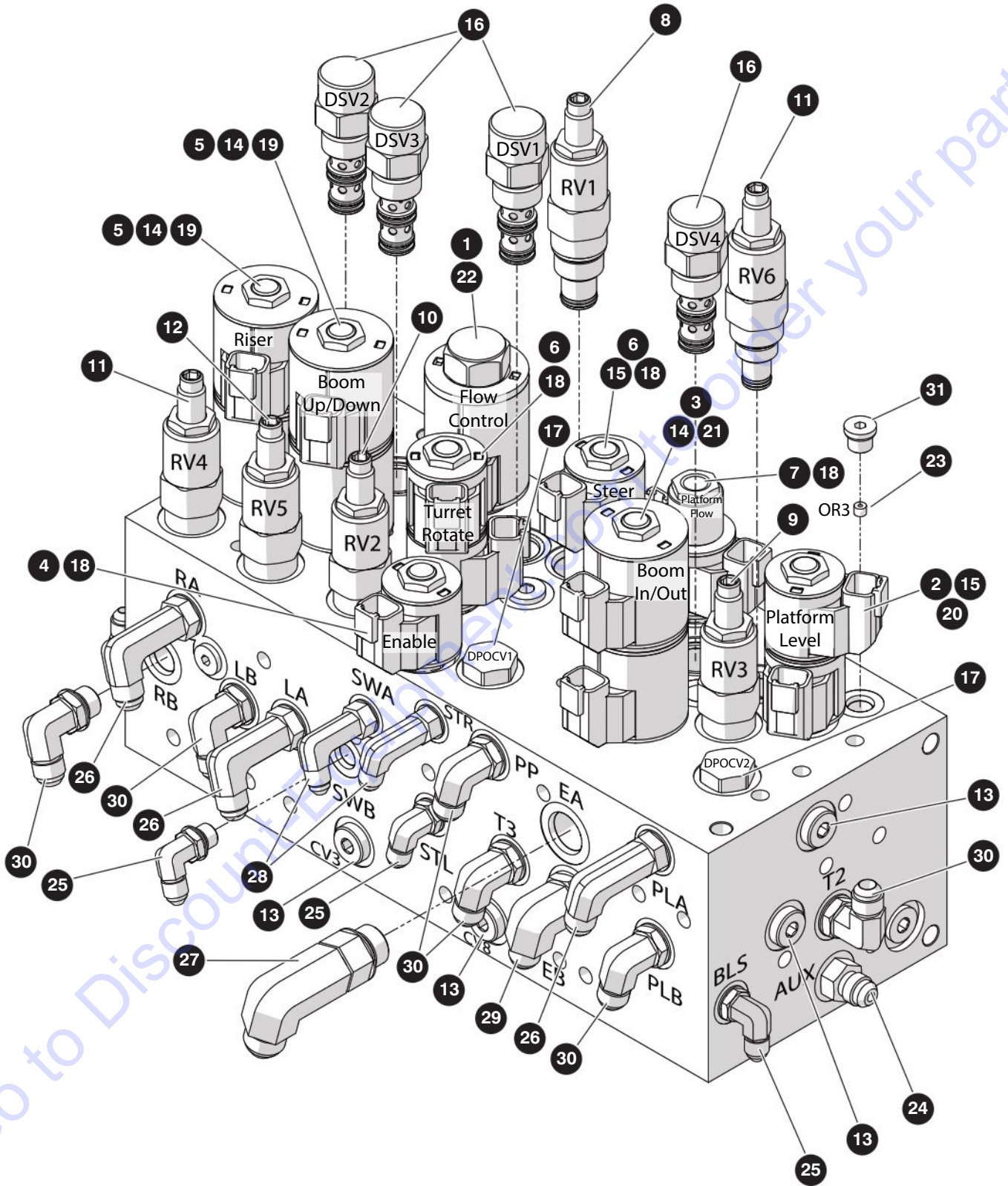
4.7 Cowling - Controls Side



M154180AB

Index No.	Skyjack Part No.	Qty.	Description
-	154180	1	COWLING ASSEMBLY, CONTROLS SIDE
1	154177	1	• COWLING, Shell (Controls side)
2	159871	1	• WELDMENT, Cowling mount structure
3	154009	2	• PLATE, Perforated
4	149484	2	• HINGE, Upper weldment
5	144002	2	• LATCH, Flexible draw
6	154172	2	• STOP, Cowling
7	151155	4	• SCREW, Round machine (#10-24 x 1")
8	104694	4	• WASHER, Flat (#10)
9	125959	4	• WASHER, Flat hardened (3/8")
10	127067	8	• WASHER, Flat (3/8" style BB)
11	103472	8	• WASHER, Flat (3/8")
12	126642	4	• NUT, Hex lock (#10-24 Grade 5, nylon)
13	104606	10	• NUT, Hex lock (3/8"-16 Grade 5, nylon)
14	138736	2	• BOLT, Hex head (3/8"-16 x 6" Grade 5)
15	103473	4	• BOLT, Hex head (3/8"-16 x 1" Grade 5)
16	101297	8	• BOLT, Hex head (3/8"-16 x 1 1/4" Grade 5)
17	103999	4	• WASHER, Lock (3/8")

4.8 Main Manifold



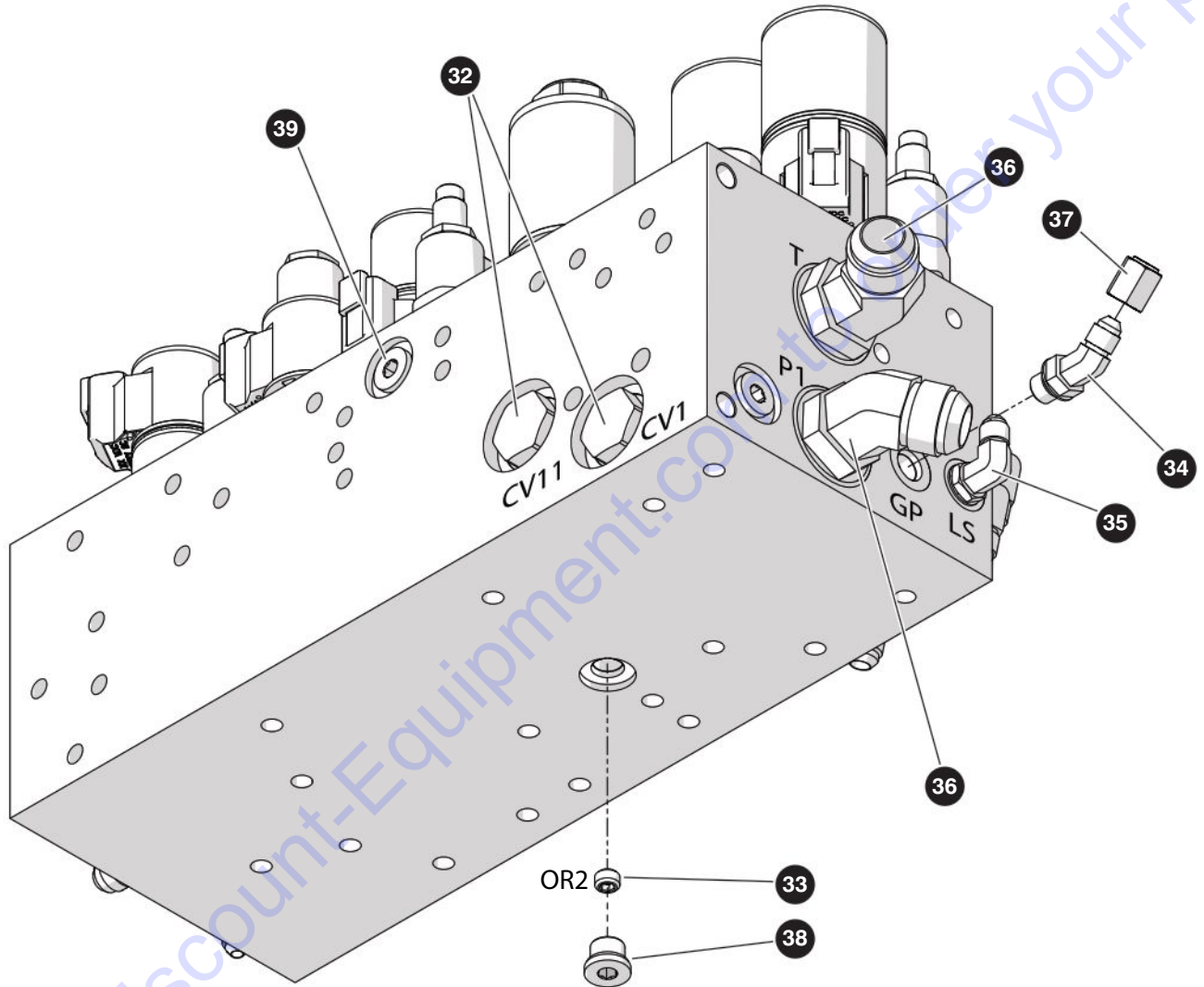
M218406AB

238272AAA

4.8 Main Manifold

Index No.	Skyjack Part No.	Qty.	Description
-	218406	1	MAIN MANIFOLD - ANSI/CSA
1	159838	1	• VALVE, Flow control
2	159803	1	• VALVE, Solenoid cartridge
3	191797	1	• VALVE, Solenoid
4	159805	1	• VALVE, Solenoid cartridge
5	159806	2	• VALVE, Solenoid cartridge - proportional
6	208875	2	• VALVE, Spool (5 way, 3 pos)
7	231438	1	• VALVE, Solenoid - proportional
8	159808	1	• VALVE, Relief (3100 psi)
9	208877	1	• VALVE, Relief (1800 psi)
10	236112	1	• VALVE, Relief (1750 psi)
11	236110	2	• VALVE, Relief (1850 psi)
12	159811	1	• VALVE, Relief (1400 psi)
13	171412	4	• VALVE, Check
14	159814	3	• VALVE, Check
15	171411	2	• DISC, Check valve
16	159816	4	• VALVE, Pressure compensator
17	208883	2	• VALVE, Check
18	208881	5	• COIL, 12 V DC - ER series (size 08)
19	212554	4	• COIL, 12 V DC - ER series (size 10)
20	159821	3	• COIL, 12 V DC - ER/Z series (size 10)
21	168057	2	• COIL, 12 V DC - ER/Z series (size 10)
22	159839	1	• COIL, 12 V DV - ER series (size 70)
23	208880	1	• ORIFICE (0.040")
24	103069	1	• FITTING, Straight (06JICM-06ORBM)
25	125883	3	• FITTING, 90° (04JICM-04ORBM)
26	162071	3	• FITTING, 90° LL (06JICM-06ORBM)
27	702798	1	• FITTING, 90° LL (08JICM-08ORBM)
28	126366	2	• FITTING, 90° LL (04JICM-04ORBM)
29	102665	1	• FITTING, 90° (06JICM-08ORBM)
30	114578	6	• FITTING, 90° (06JICM-06ORBM)
31	121250	2	• FITTING, Plug (04ORBM)
			Continued on the next page.

4.8 Main Manifold



M218406AB-2

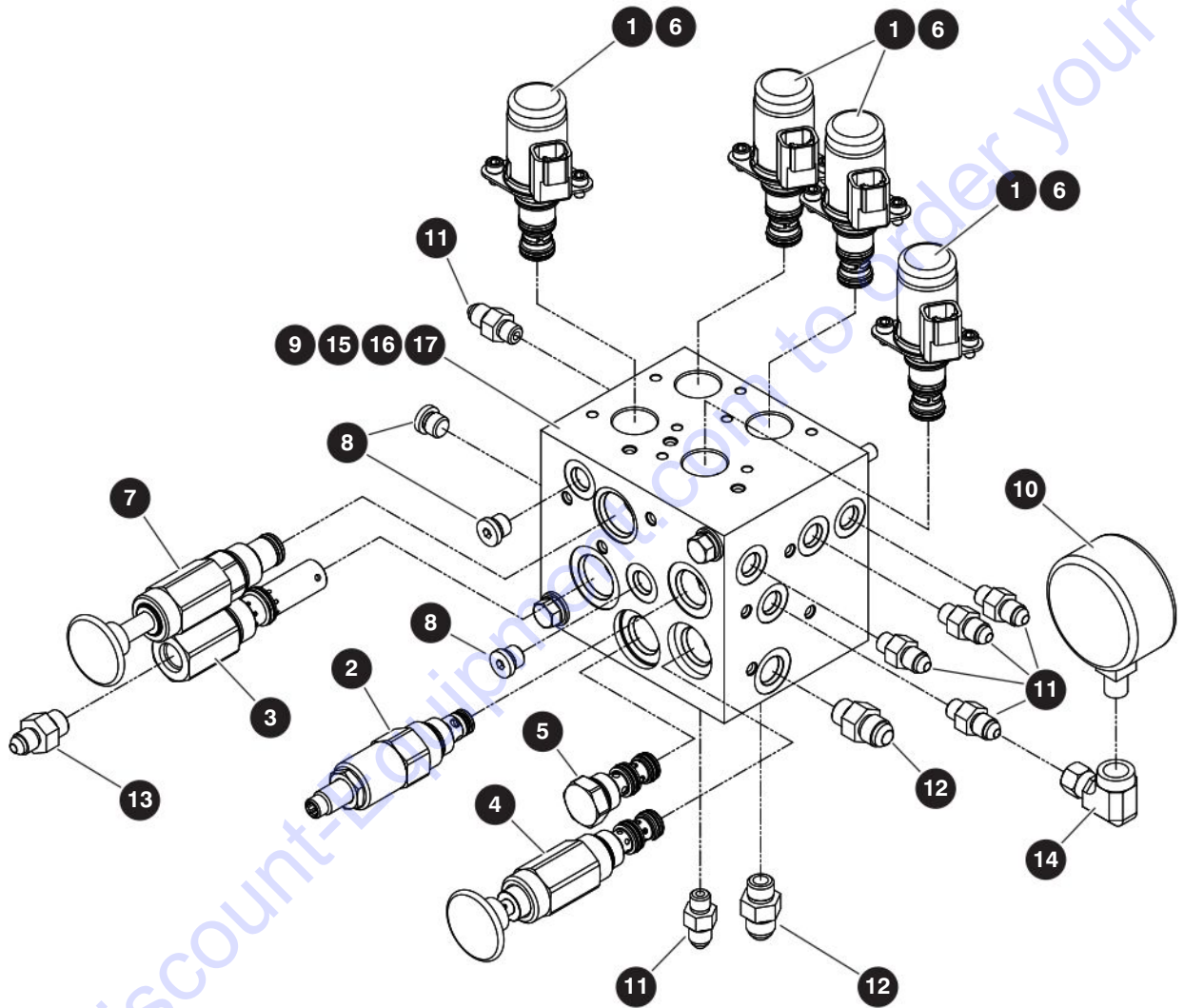
238272AAA

SJ60 AJ+

4.8 Main Manifold

Index No.	Skyjack Part No.	Qty.	Description
32	159813	2	<ul style="list-style-type: none"> • VALVE, Check
33	159825	1	<ul style="list-style-type: none"> • ORIFICE, (0.040")
34	131716	1	<ul style="list-style-type: none"> • FITTING, 45° (04JICM-04ORBM)
35	125883	1	<ul style="list-style-type: none"> • FITTING, 90° (04JICM-04ORBM)
36	131716	1	<ul style="list-style-type: none"> • FITTING, 45° (12JICM-12ORBM)
37	131286	1	<ul style="list-style-type: none"> • FITTING, Cap (04JICF)
38	121250	2	<ul style="list-style-type: none"> • FITTING, Plug (04ORBM)
39	104437	3	<ul style="list-style-type: none"> • FITTING, Plug (06ORBM)

4.9 Brake Manifold



M153410AD

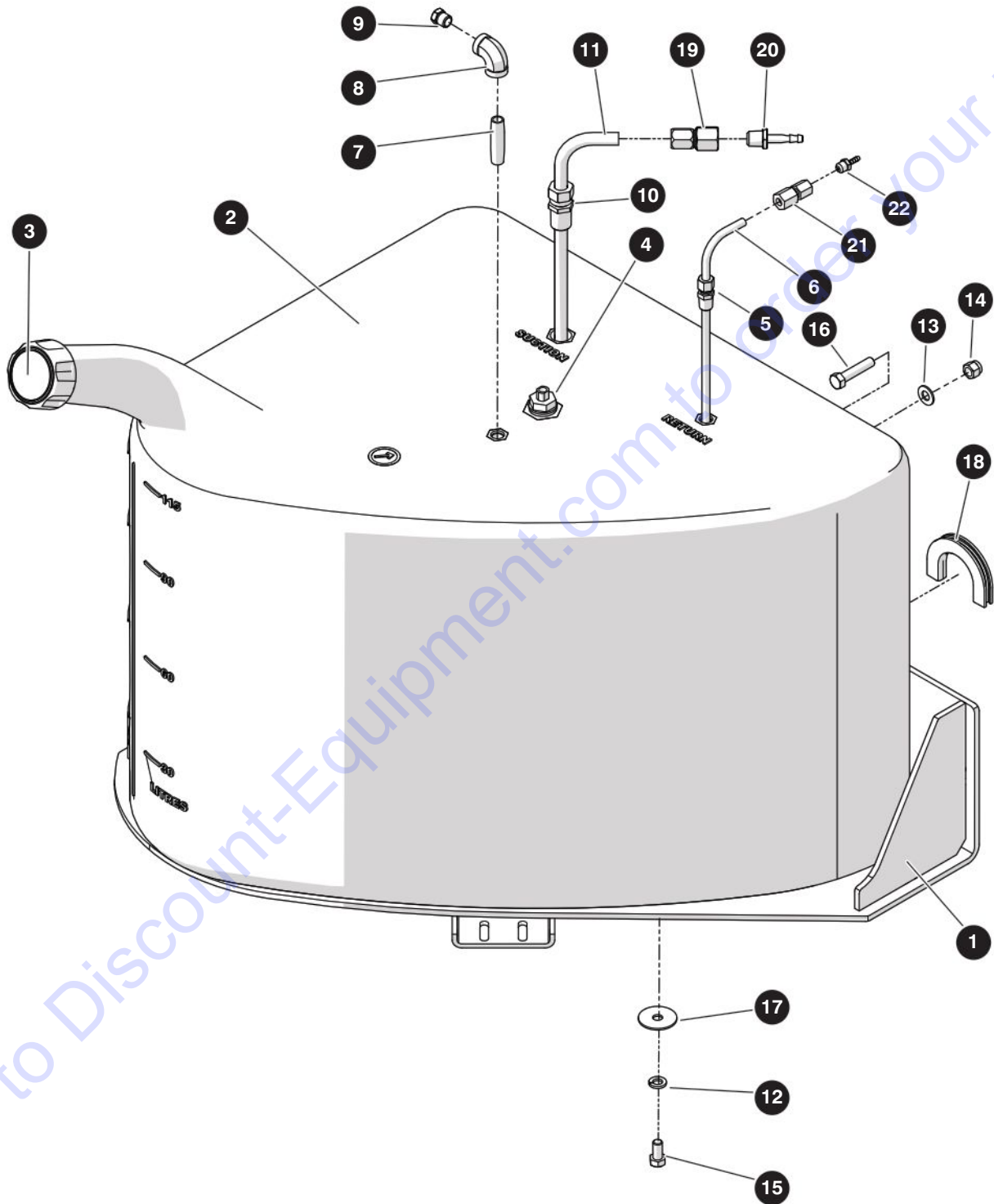
238272AAA

SJ60 AJ+

4.9 Brake Manifold

Index No.	Skyjack Part No.	Qty.	Description
-	153410	1	BRAKE MANIFOLD ASSEMBLY
-	153804	1	• VALVE ASSEMBLY, Brake control
1	159827	4	• • VALVE, Solenoid (2 position 3 way)
2	159828	1	• • VALVE, Relief
3	159829	1	• • VALVE, Pressure reducing
4	141436	1	• • VALVE, Brake release override
5	159812	1	• • VALVE, Load shuttle
6	159830	8	• • SCREW, Socket head cap (M8-5)
7	159831	1	• • PUMP, Hand
8	160644	3	• • PLUG, (SAE-4)
9	159832	1	• • MANIFOLD, Brake
10	703725	1	• GAUGE, 800 PSI
11	126128	6	• FITTING, Straight (04JICM-04ORBM)
12	103069	2	• FITTING, Straight (06JICM-06ORBM)
13	701956	1	• FITTING, Straight (04JICM-06ORBM)
14	144728	1	• FITTING, 90° (04NPTF-04JICF SW)
15	103996	2	• WASHER, Flat (5/16")
16	103404	2	• WASHER, Lock (5/16")
17	103869	2	• BOLT, Hex head (5/16"-18 x 4 1/2" Grade 5)

4.10 Fuel Tank - Diesel



M238486AB

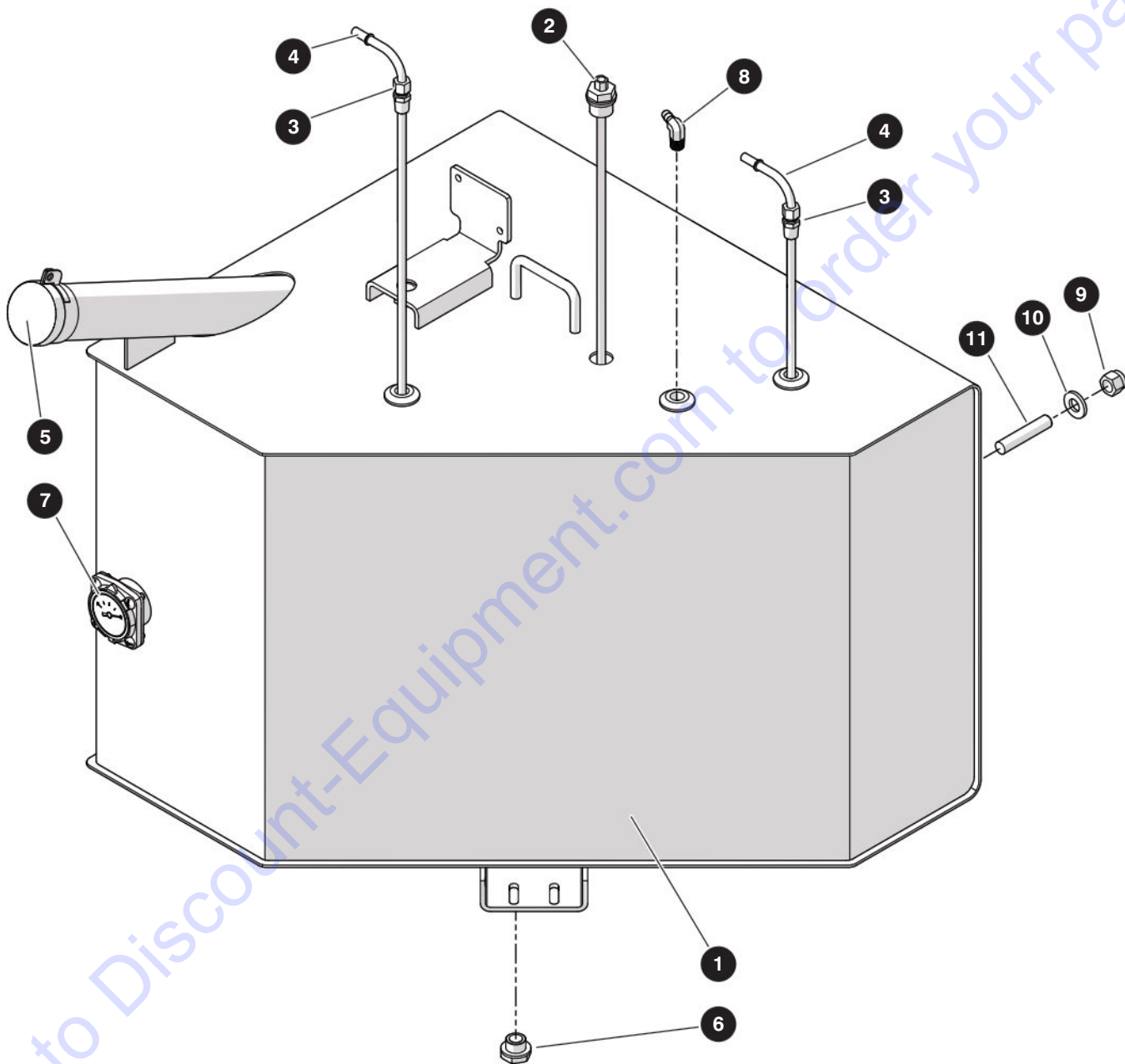
238272AAA

SJ60 AJ+

4.10 Fuel Tank - Diesel

Index No.	Skyjack Part No.	Qty.	Description
-	238486	1	DIESEL FUEL TANK - Kubota D1305
1	154151	1	• TRAY, Fuel tank
-	210471	1	• TANK, Fuel
2	210472	1	• • TANK, Diesel
3	144410	1	• • CAP, Fuel (Non EPA)
4	138230	1	• • SWITCH, Fuel level
5	103155	1	• • FITTING, Brass (1/4" NPT)
6	138491	1	• • TUBE, Fuel send/return
7	143478	1	• • FITTING, Brass nipple (1/4" NPT x 2")
8	144325	1	• • FITTING, 90°, Brass (1/4" NPTF x 1/4" NPTF)
9	116408	1	• • VENT, Breather (1/4" NPT)
10	164674	1	• • FITTING, Compression tube (1/2" OD x 12 NPT)
11	164673	1	• • TUBE, Fuel Suction
12	103999	4	• WASHER, Lock (3/8")
13	103472	6	• WASHER, Flat (3/8")
14	104606	3	• NUT, Hex lock (3/8"-16 Grade 5, nylon)
15	101632	4	• BOLT, Hex head (3/8"-16 x 3/4" Grade 5)
16	103871	3	• BOLT, Hex head (3/8"-16 x 1 3/4" Grade 5)
17	127067	4	• WASHER, Flat (3/8" style BB)
18	117398	3.5"	• TRIM, Protective
19	165716	1	• FITTING, Straight (08 BT - 06 FP)
20	165719	1	• FITTING, Hose barb
21	237600	1	• FITTING, Straight adapter (05BT-02FP)
22	237603	1	• FITTING, Hose barb (1/8" line)

4.11 Fuel Tank - Gasoline



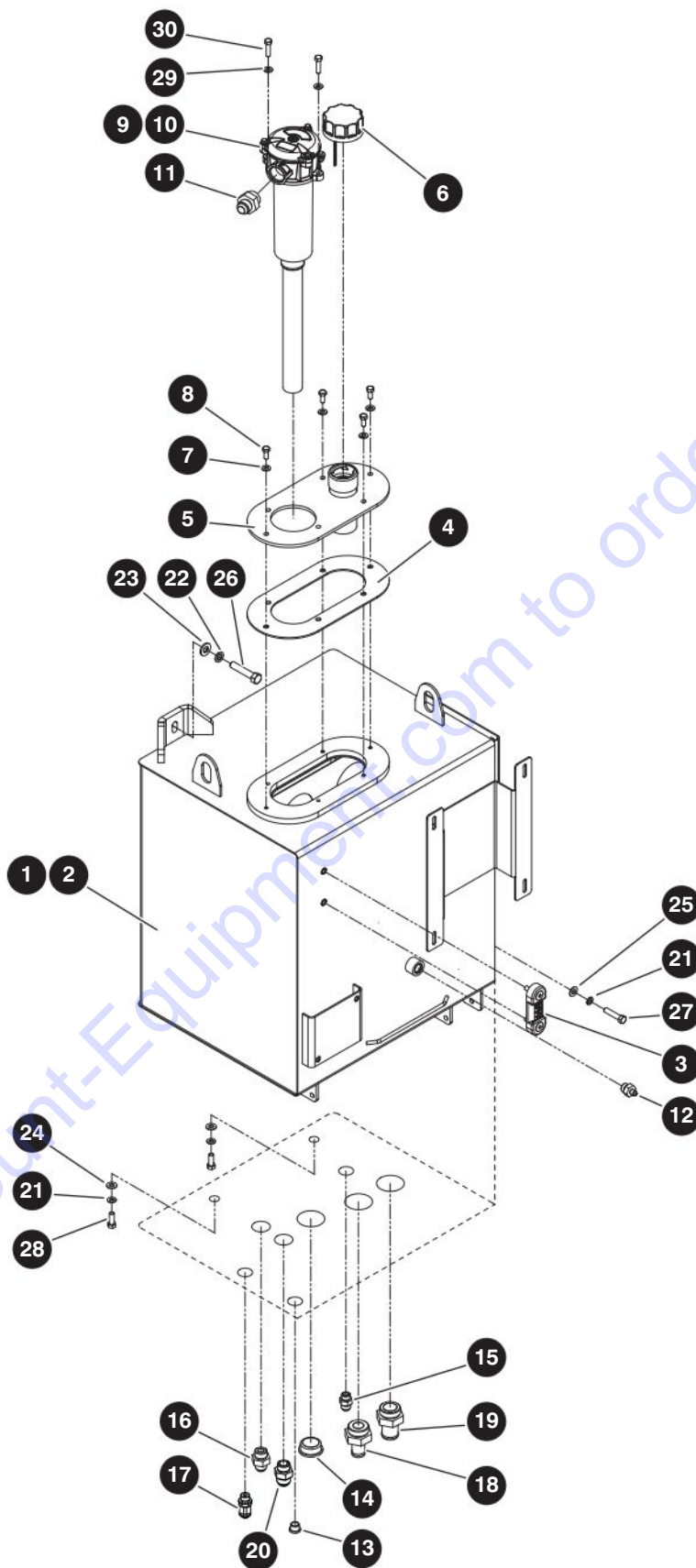
M154056AD

238272AAA

4.11 Fuel Tank - Gasoline

Index No.	Skyjack Part No.	Qty.	Description
-	238721	1	GASOLINE FUEL TANK - Kubota WG9725
-	238723	1	• FUEL TANK (steel)
1	238724	1	• • TANK, Fuel
2	138230	1	• • SWITCH, Fuel level
3	103155	2	• • FITTING, Brass (1/4" NPT)
4	144338	2	• • TUBE, Fuel send/return
5	238744	1	• • CAP, Fuel filler (non-vented)
6	117701	1	• • PLUG, Tank (3/4"-16 UNF with magnet)
7	144393	1	• • GAUGE, Fuel level
8	102907	1	• • FITTING, Brass 90° (5/16"-1/4" NPT)
9	702507	4	• NUT, Hex lock (1/2"-13 Grade 5, nylon)
10	104379	4	• WASHER, Flat (1/2" hard)
11	154070	4	• ROD, Threaded (1/2"-13 x 2 1/2")

4.12 Hydraulic Tank



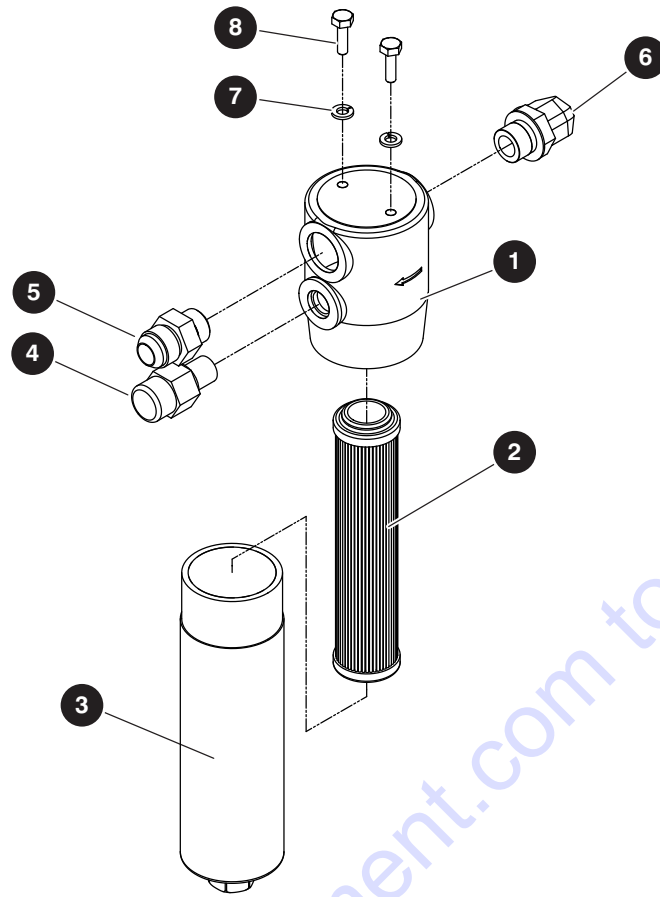
M153623AG

238272AAA

4.12 Hydraulic Tank

Index No.	Skyjack Part No.	Qty.	Description
-	153623	1	HYDRAULIC TANK ASSEMBLY
-	209554	1	• HYDRAULIC TANK with fittings
1	153940	1	• • TANK ASSEMBLY, Hydraulic
2	154366	1	• • • TANK ASSEMBLY, Painted hydraulic
3	103236	1	• • • INDICATOR, Oil level
4	152393	1	• • • GASKET, Hydraulic tank
5	154367	1	• • • COVER, Painted hydraulic tank
6	139429	1	• • • CAP, Fill breather (10 micron)
7	103996	4	• • • WASHER, Flat (5/16")
8	103887	4	• • • BOLT, Hex head (5/16"-18 x 3/4" Grade 5)
9	153929	1	• • FILTER, Return
10	162657	1	• • • ELEMENT, Filter
11	702122	1	• • FITTING, Straight (12JICM-16ORBM)
12	131705	1	• • FITTING, Straight (04JICM-08ORBM)
13	702796	1	• • FITTING, Hex socket plug (08ORBM)
14	144113	1	• • FITTING, Hex socket plug (20ORBM)
15	102659	1	• • FITTING, Straight (08JICM-08ORBM)
16	137490	1	• • FITTING, Straight (10JICM-12ORBM)
17	702118	1	• • FITTING, Straight (12JICM-12ORBM)
18	147531	1	• • FITTING, Straight (16BEAD-20ORBM)
19	147532	1	• • FITTING, Straight (20BEAD-20ORBM)
20	131804	1	• • FITTING, 45° (10JICM-08ORBM)
21	103999	3	• WASHER, Lock (3/8")
22	103470	1	• WASHER, Lock (1/2")
23	104379	1	• WASHER, Flat hardened (1/2")
24	125959	2	• WASHER, Flat hardened (3/8")
25	103472	1	• WASHER, Flat (3/8")
26	106447	1	• BOLT, Hex head (1/2"-13 x 2 1/2" Grade 8)
27	103871	1	• BOLT, Hex head (3/8"-16 x 1 3/4" Grade 5)
28	103473	2	• BOLT, Hex head (3/8"-16 x 1" Grade 5)
29	103996	2	• WASHER, Flat (5/16")
30	112532	2	• BOLT, Hex head (5/16"-18 x 1 1/4" Grade 5)

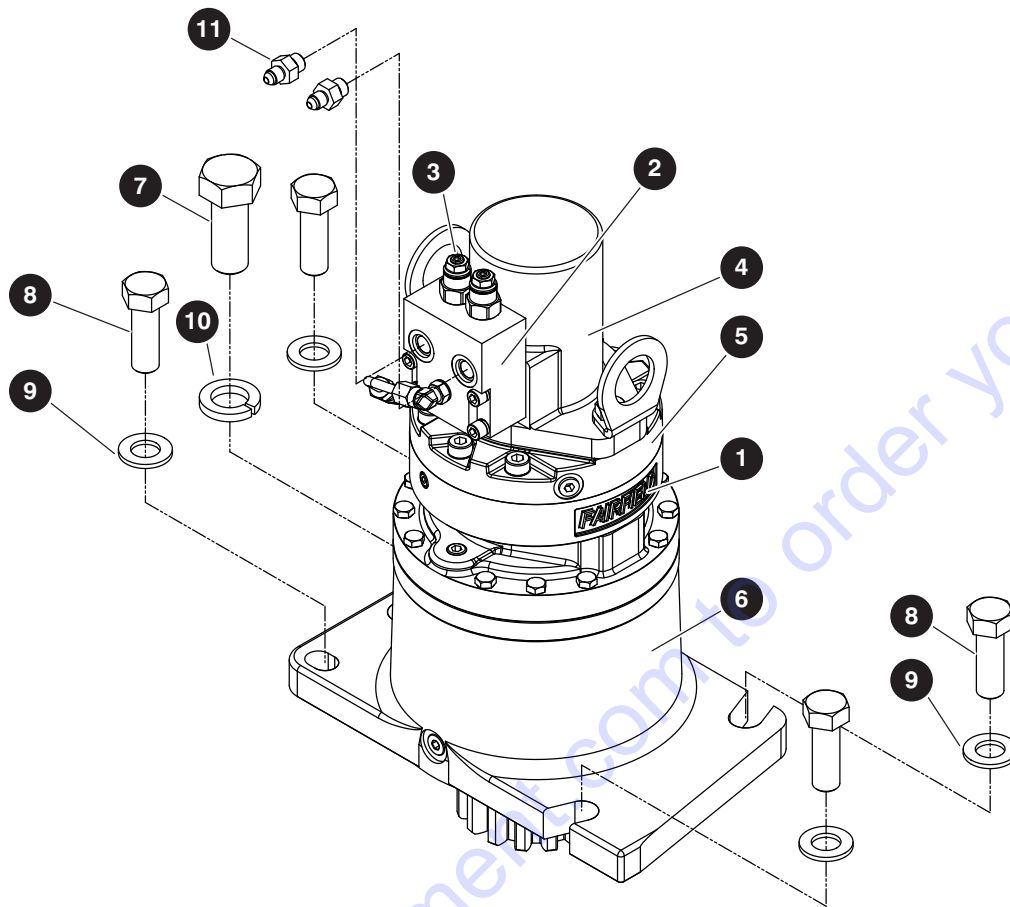
4.13 High Pressure Filter



M153432AB

Index No.	Skyjack Part No.	Qty.	Description
-	153432	1	HIGH PRESSURE FILTER ASSEMBLY
1	138399	1	• HEAD, High pressure filter
2	138402	1	• ELEMENT, High pressure filter
3	138400	1	• HOUSING, High pressure filter
	168878	1	• • O-RING
	168879	1	• • O-RING, Backup
4	138401	1	• INDICATOR, Filter cleanliness
5	702118	1	• FITTING, Straight (12JICM-12ORBM)
6	105445	1	• FITTING, 90° (12JICM-12ORBM)
7	116218	2	• WASHER, Plated lock (M8)
8	133869	2	• BOLT, Hex head (ZP, M8 1.25mm x 25mm Grade 8.8)

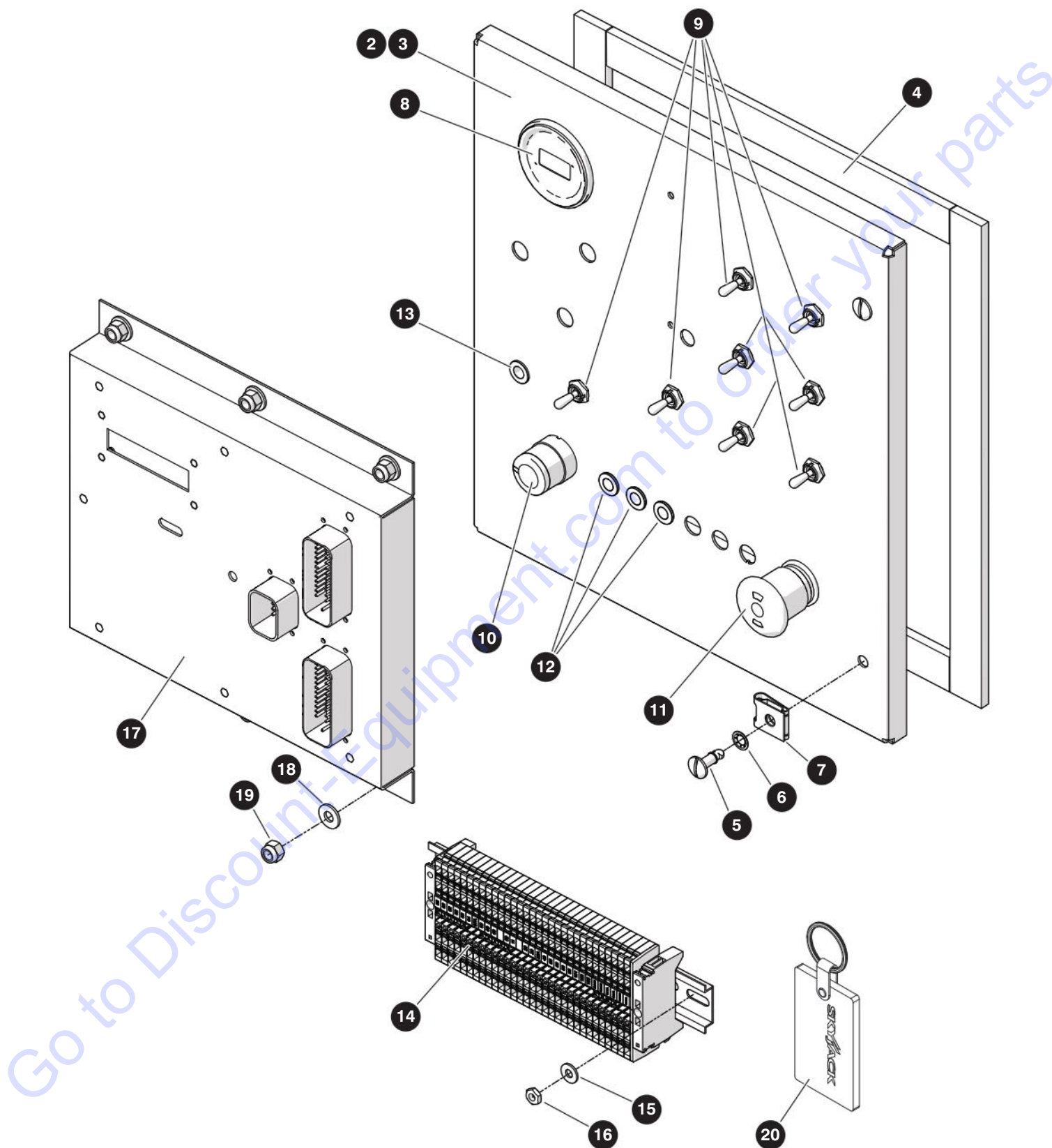
4.14 Swing Drive



M153607AC

Index No.	Skyjack Part No.	Qty.	Description
-	167475	1	TURRET ROTATION DRIVE ASSEMBLY
1	167209	1	• DRIVE ASSEMBLY, Turret swing
2	141488	1	• • MANIFOLD, Swing drive
3	141499	2	• • • VALVE, Counterbalance
4	168872	1	• • MOTOR, Hydraulic
5	168873	1	• • BRAKE, Hydraulic
6	146006	1	• • GEAR, Reduction
7	139181	1	• BOLT, Hex head (1"-8 x 2 1/2" Grade 8, Zinc)
8	153606	4	• BOLT, Hex head (3/4"-10 x 2 1/4" Grade 8)
9	702194	4	• WASHER, Flat hardened (3/4")
10	107948	1	• WASHER, Lock (1")
11	701956	2	• FITTING, Straight (04JICM-06ORBM)
K1	168874	1	SEAL KIT, Brake (not shown)
K2	168875	1	SEAL KIT, Main shaft & ring gear (not shown)

4.15 Base Controls



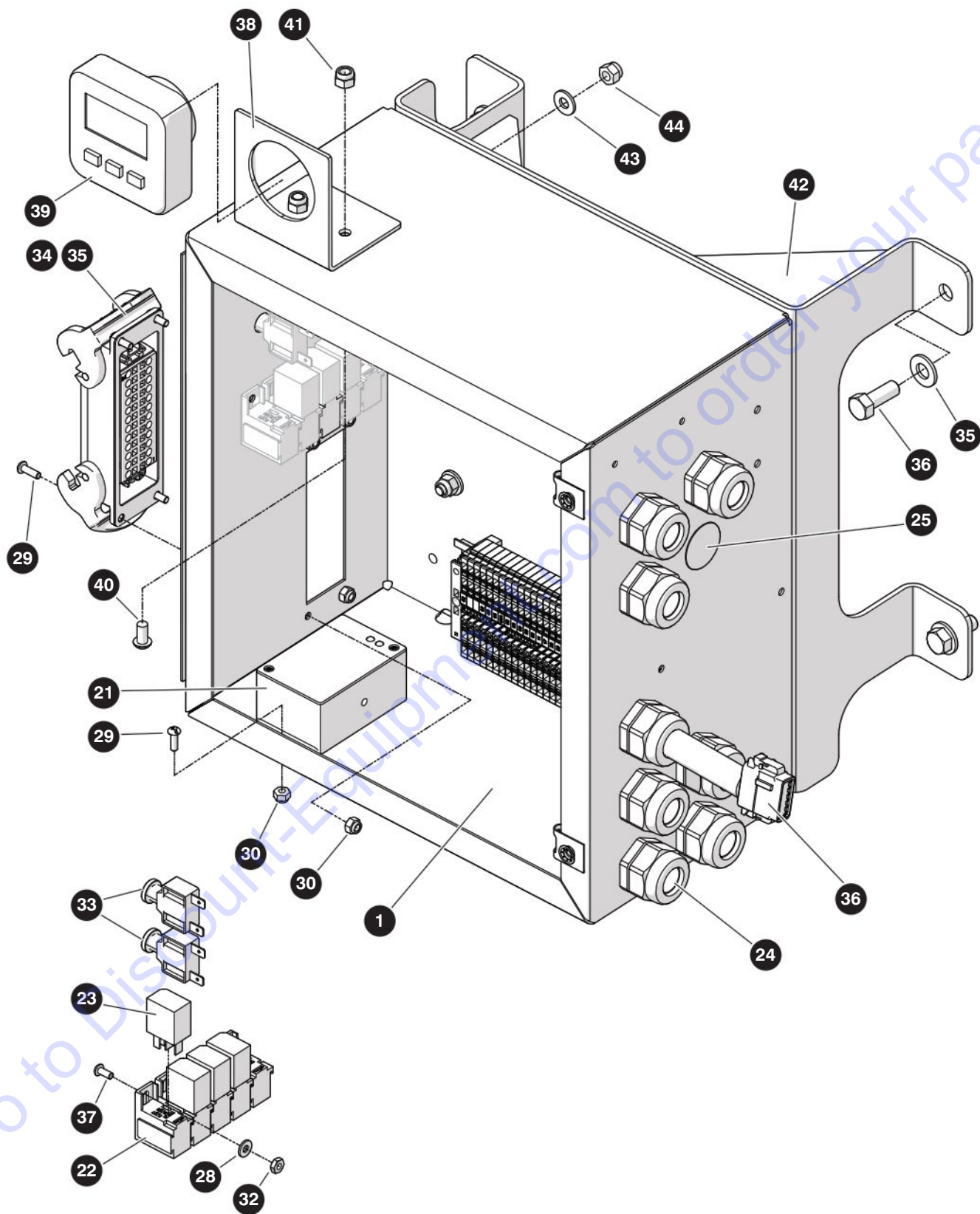
M238424AB-1

238272AAA

4.15 Base Controls

Index No.	Skyjack Part No.	Qty.	Description
-	238017	1	BASE CONTROL BOX
-	238408	1	• CONTROL BOX
1	238407	1	• • BODY, Control box
2	218243	1	• • DOOR, Control box
3	149281	1	• • HINGE, Continuous
4	149282	1	• • WEATHER STRIP
5	149437	2	• • BOLT - 1/4 turn
6	149320	2	• • RETAINER - 1/4 turn
7	149321	2	• • RECEPTACLE - 1/4 turn
8	195940	1	• HOUR METER
9	102853	8	• SWITCH, Toggle
10	218354	1	• SWITCH, Key
	147056	1	• • LATCH, Mounting
	149605	1	• • HEAD, Selector switch - keyed
	166141	1	• • BLOCK, Contact, NO (black plunger)
	166142	1	• • BLOCK, Contact, NO (yellow plunger)
	147053	1	• • BLOCK, NC Contact
11	144652	1	• SWITCH, Emergency stop
	147056	1	• • LATCH, Mounting
	147053	1	• • BLOCK, NC Contact
	147229	1	• • SWITCH, LED block
	147051	1	• • SWITCH HEAD, Emergency stop
12	213307	4	• LIGHT, LED amber - 12V
13	213308	1	• LIGHT, LED red - 12V
14	(Ref.)	1	• TERMINAL STRIP, Base (For components, refer to 4.16 Base Terminal Strip)
15	104694	2	• WASHER, Flat (#10)
16	104003	2	• NUT, Hex (10-32)
17	238028	1	• MODULE, Master
	218277	1	• • SERVICE TOOL
	218276	1	• • • HARNESS, SMB1 to peak
	218278	1	• • • ADAPTER, PCAN-USB
18	103995	6	• WASHER, Flat (1/4")
19	115649	6	• NUT, Hex lock (1/4"-20 Gr 5, nylon)
20	114710	1	KEYRING

4.15 Base Controls



M238424AB-2

238272AAA

100

SJ60 AJ+

SKYJACK

PARTS FINDER

**Search Website
by Part Number**



**Search Manual
Library For Parts
Manual & Lookup Part
Numbers – Purchase
or Request Quote**

Search Manuals

Enter your information to help us find the right parts manual for your machine.

* Brand:

* Model:

* Serial:

* Part Number:

SEARCH

**Can't Find Part or
Manual? Request Help
by Manufacturer,
Model & Description**

Parts Order Form

Please fill in the following information to help us find the right part for your machine.

Manufacturer:	<input type="text"/>
Model:	<input type="text"/>
Description:	<input type="text"/>
Part Number:	<input type="text"/>
Quantity:	<input type="text"/>
Notes:	<input type="text"/>

Discount-Equipment.com is your online resource for quality parts & equipment.

Florida: **561-964-4949** Outside Florida TOLL FREE: **877-690-3101**

Need parts?

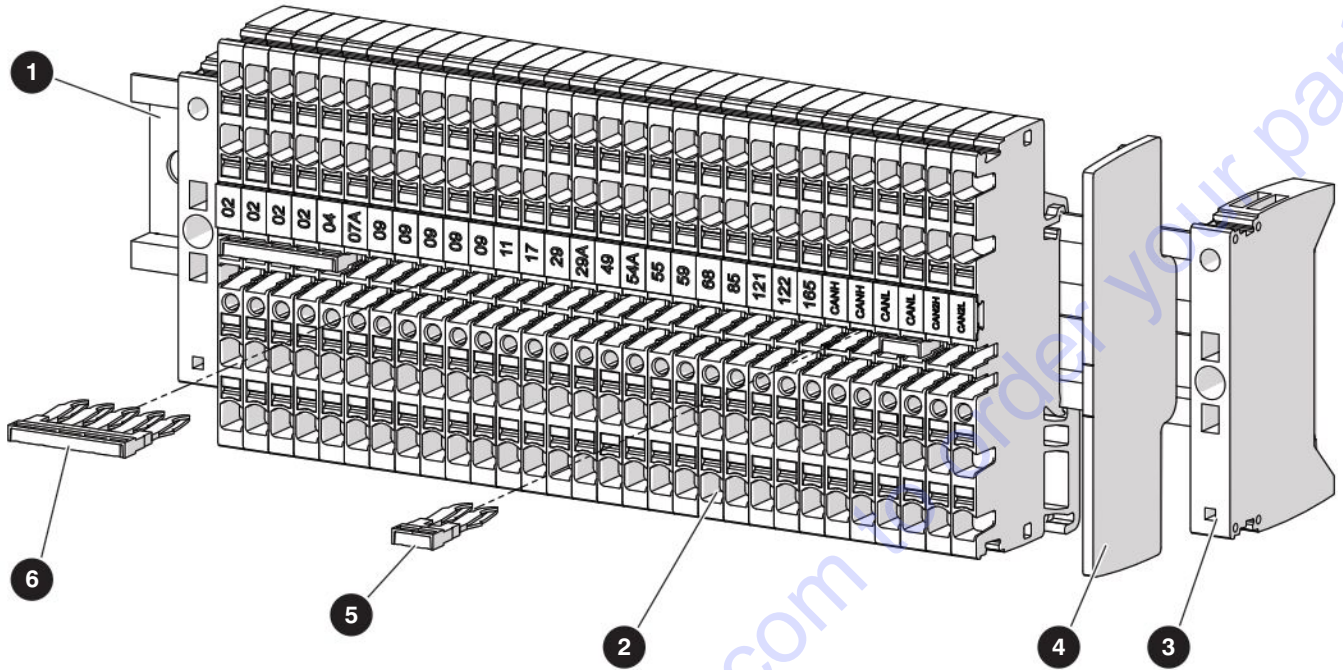
Click on this link: <http://www.discount-equipment.com/category/5443-parts/> and choose one of the options to help get the right parts and equipment you are looking for. Please have the machine model and serial number available in order to help us get you the correct parts. If you don't find the part on the website or on one of the online manuals, please fill out the request form and one of our experienced staff members will get back to you with a quote for the right part that your machine needs.

We sell worldwide for the brands: Genie, Terex, JLG, MultiQuip, Mikasa, Essick, Whiteman, Mayco, Toro Stone, Diamond Products, Generac Magnum, Airman, Haulotte, Barreto, Power Blanket, Nifty Lift, Atlas Copco, Chicago Pneumatic, Allmand, Miller Curber, Skyjack, Lull, Skytrak, Tsurumi, Husquvarna Target, Stow, Wacker, Sakai, Mi-T-M, Sullair, Basic, Dynapac, MBW, Weber, Bartell, Bennar Newman, Haulotte, Ditch Runner, Menegotti, Morrison, Contec, Buddy, Crown, Edco, Wyco, Bomag, Laymor, EZ Trench, Bil-Jax, F.S. Curtis, Gehl Pavers, Heli, Honda, ICS/PowerGrit, IHI, Partner, Imer, Clipper, MMD, Koshin, Rice, CH&E, General Equipment, Amida, Coleman, NAC, Gradall, Square Shooter, Kent, Stanley, Tamco, Toku, Hatz, Kohler, Robin, Wisconsin, Northrock, Oztec, Toker TK, Rol-Air, APT, Wylie, Ingersoll Rand / Doosan, Innovatech, Con X, Ammann, Mecalac, Makinex, Smith Surface Prep, Small Line, Wanco, Yanmar

4.15 Base Controls

Index No.	Skyjack Part No.	Qty.	Description
21	149426	1	• ANGLE TRANSDUCER - DUAL AXIS
22	218997	5	• SOCKET, Micro relay
23	931298	4	• RELAY
24	116266	8	• CONNECTOR, Liquid tight (Heyco)
25	131938	1	• PLUG, Hole (1-1/8")
26	103056	1	• BEEPER (7.5 - 16 VDC)
27	146652	1	• HORN. (12V)
28	103991	2	• WASHER, Flat (#8)
29	103957	6	• SCREW, Round head machine (8-32 x 1/2")
30	138765	8	• NUT, Lock (8-32 Grade5, zinc-nylon)
31	126499	2	• SCREW, Round head machine (8-32 x 7/8")
32	103986	2	• NUT, Hex (8-32)
33	117325	2	• BREAKER, Circuit (15 AMP)
34	138751	1	• HOUSING - OPEN BOT. 24 POLE DBL. LEVER
35	138756	1	• SOCKET, 24 POLE SPRING 16A
36	221144	1	• HARNESS, Elevate telematics bypass
37	204325	2	• SCREW, Round head machine (8-32 x 3/8")
38	238420	1	• BRACKET, Engine display
39	166739	1	• DISPAY, Engine parameter
40	300060	2	• BOLT, Button head cap (1/4"-20 x 1/2")
41	115649	2	• NUT, Lock (1/4"-20, gr 5)
42	149056	1	BRACKET, Control box mount
43	103995	4	WASHER, Flat (1/4")
44	115649	4	NUT, Lock (1/4"-20, gr 5)
45	125959	3	WASHER, Flat (3/8")
46	103473	3	BOLT, Hex head (3/8"-16 x 1, gr 5)

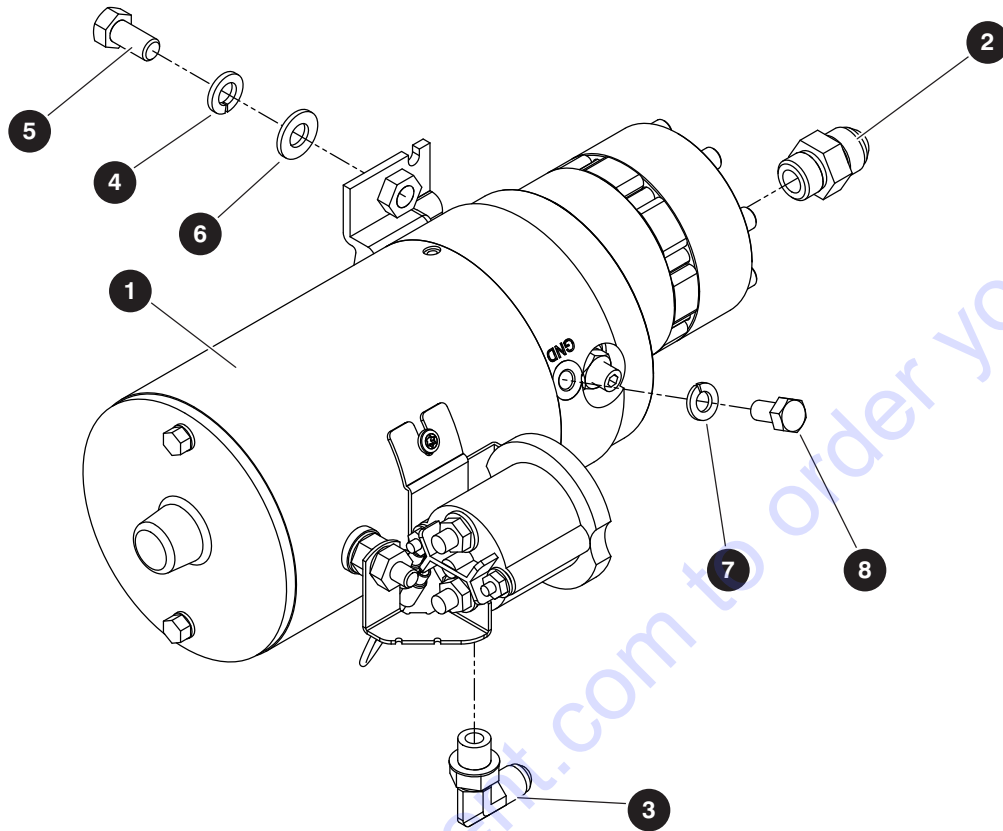
4.16 Base Terminal Strip



M218498AD

Index No.	Skyjack Part No.	Qty.	Description
-	218498	1	BASE TERMINAL STRIP
1	233337	224 mm	• RAIL
2	233338	32	• BLOCK, Terminal
3	233341	2	• PLATE, End
4	233342	1	• PLATE, Separator
5	233343	2	• JUMPER, 2-pin
6	233345	2	• JUMPER, 5-pin

4.17 Emergency Power Unit



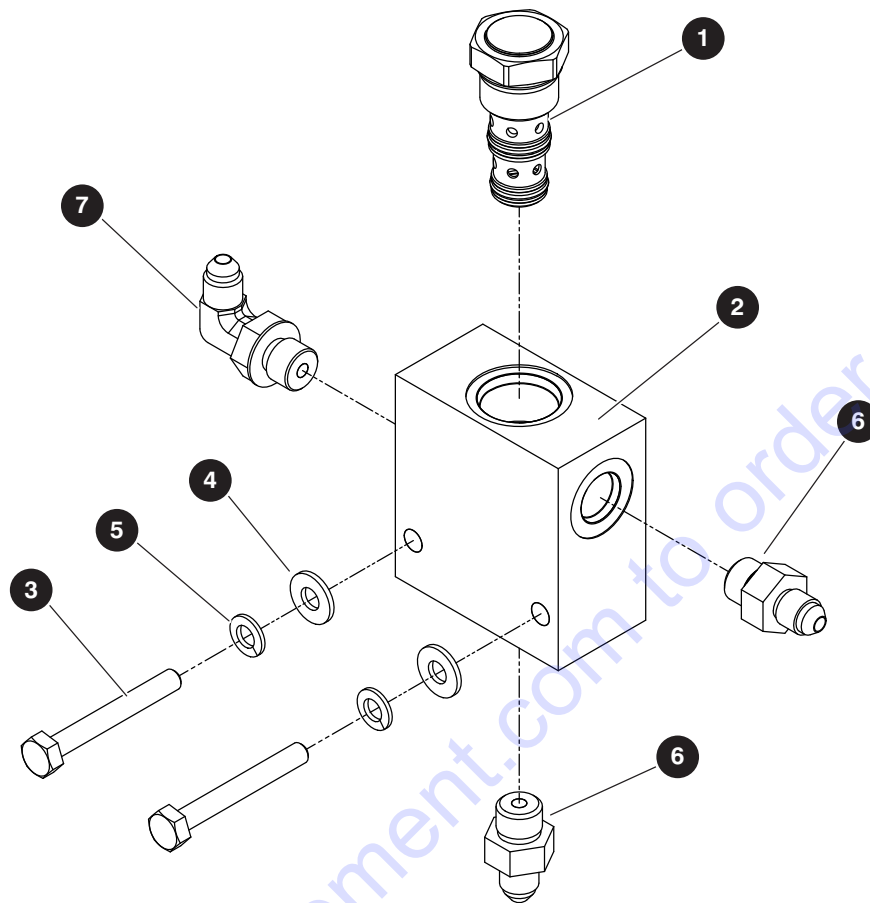
M169399AA

Index No.	Skyjack Part No.	Qty.	Description
-	169399	1	EMERGENCY POWER UNIT ASSEMBLY
-	213916	1	• EMERGENCY POWER UNIT WITH FITTINGS
1	167433	1	• • POWER UNIT, Emergency (Bucher)
	170924	1	• • • PUMP
	168897	1	• • • MOTOR, 12 volt DC
	168898	1	• • • SWITCH, Start (12 VDC)
	170925	1	• • • VALVE, Relief - 1001 psi
2	102659	1	• • FITTING, Straight (08JICM-08ORBM)
3	114578	1	• • FITTING, 90° (06JICM-06ORBM)
4	103999	2	• WASHER, Lock (3/8")
5	101632	2	• BOLT, Hex head (3/8"-16 x 3/4" Grade 5)
6	125959	2	• WASHER, Flat hardened (3/8")
7	103404	1	• WASHER, Lock (0.312")
8	148331	1	• BOLT, Hex head (0.312"-18 x 0.625" gr 5)

4.18 Battery

Index No.	Skyjack Part No.	Qty.	Description
-	-	1	BATTERY ASSEMBLY
1	157464	1	• PAD, Battery
2	144676	1	• BATTERY (12V, 950 CCA)
3	150959	1	• BRACKET, Battery retainer
4	128572	1	• HOLD DOWN, Battery (pair)
5	119725	1	• SWITCH, Main lockout
6	108714	1	• MOUNT, Lock out switch
7	119674	1	• LABEL, Battery Disconnect
8	103472	1	• WASHER, Flat (3/8")
9	138464	1	• BOLT, Hex head (3/8"-16 x 0.650" Grade 5)
10	103995	2	• WASHER, Flat (1/4")
11	115649	2	• NUT, Lock (1/4"-20 gr 5)
12	238430	1	• CABLE, Weld (#2/0 3/8" x 33 x 3/8") (00,00)
13	238402	1	• CABLE, Weld (1GA 3/8" x 89 x 5/16") (103,103)
14	238403	1	• CABLE, Weld (1GA 3/8" x 77 x 5/16") (00,00)
15	138700	1	• CABLE, Battery (post + to disc)
	139032	1	• • BOOT, Battery post - red
	139105	1	• • BOOT, Terminal - red
16	147541	1	• CABLE, Battery
	139106	1	• • BOOT, Terminal - red
-	170482	1	CHARGE INDICATOR ASSEMBLY
17	152323	1	• INDICATOR, Charge
18	152344	1	• WIRE ASSEMBLY, Charge indicator (00) (not shown)
19	152345	1	• WIRE ASSEMBLY, Charge indicator (03) (not shown)

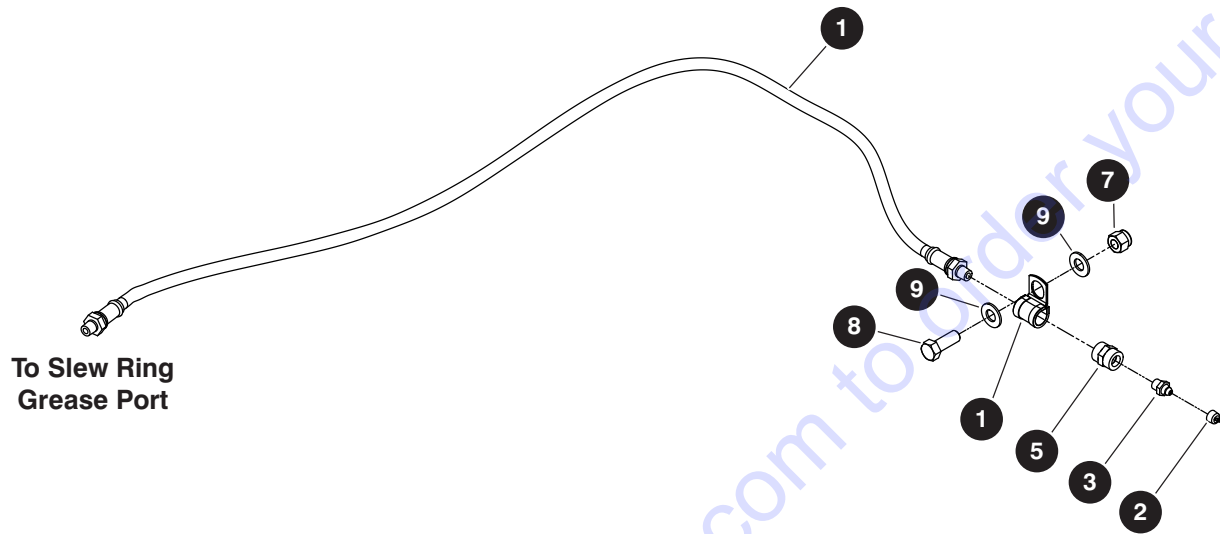
4.19 High Pressure Shuttle Valve



M154043AD

Index No.	Skyjack Part No.	Qty.	Description
-	154043	1	HIGH PRESSURE SHUTTLE VALVE ASSEMBLY
-	153814	1	• VALVE ASSEMBLY, 5000 PSI Shuttle
1	159833	1	• • VALVE, Load shuttle
2	159834	1	• • MANIFOLD, Shuttle
3	103861	2	• BOLT, Hex head (1/4"-20 x 2" Grade 5)
4	103995	2	• WASHER, Flat (1/4")
5	104000	2	• WASHER, Lock (1/4")
6	701956	2	• FITTING, Straight (04JICM-06ORBM)
7	129127	1	• FITTING, 90° (04JICM-06ORBM)

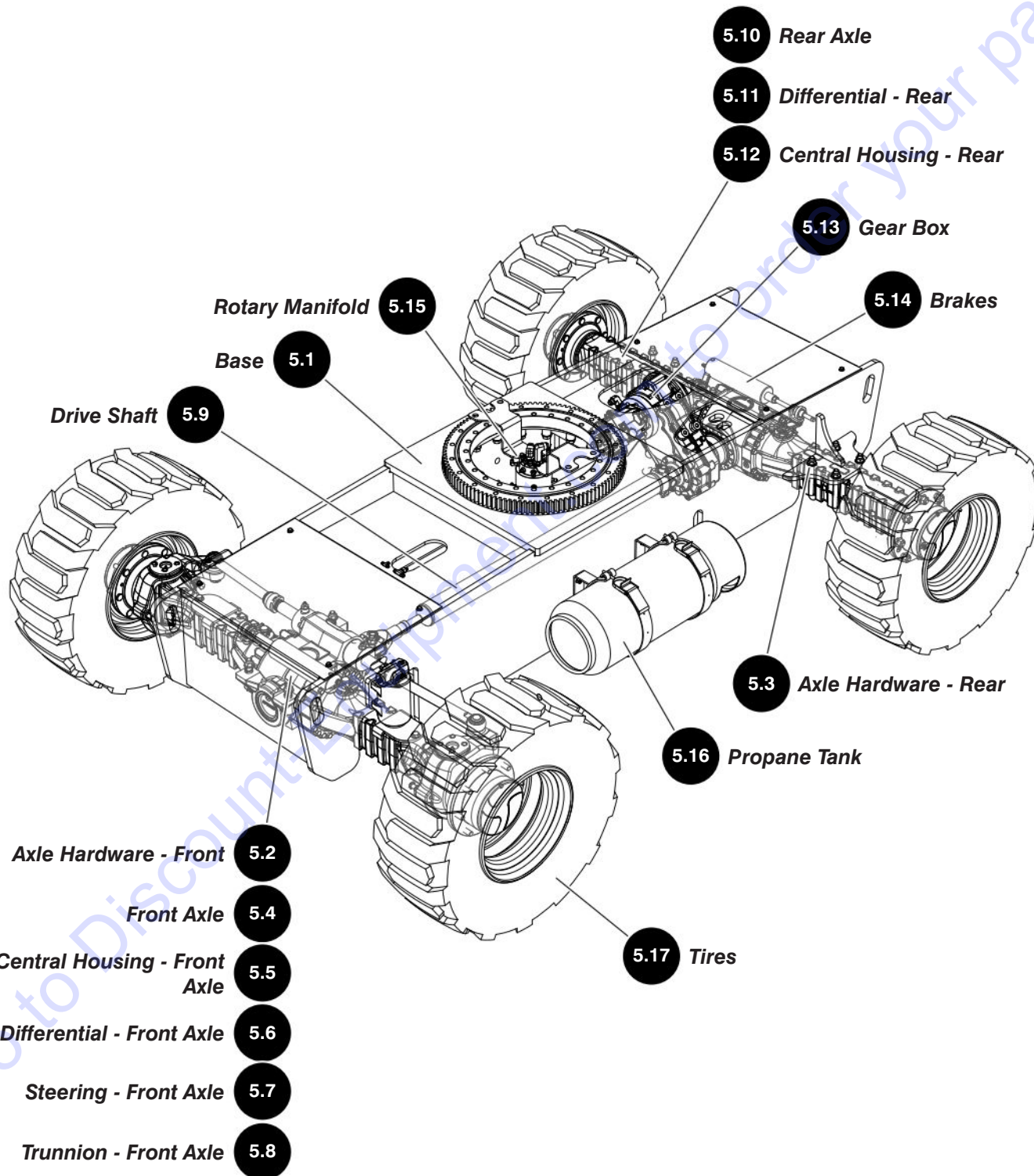
4.20 Grease Line



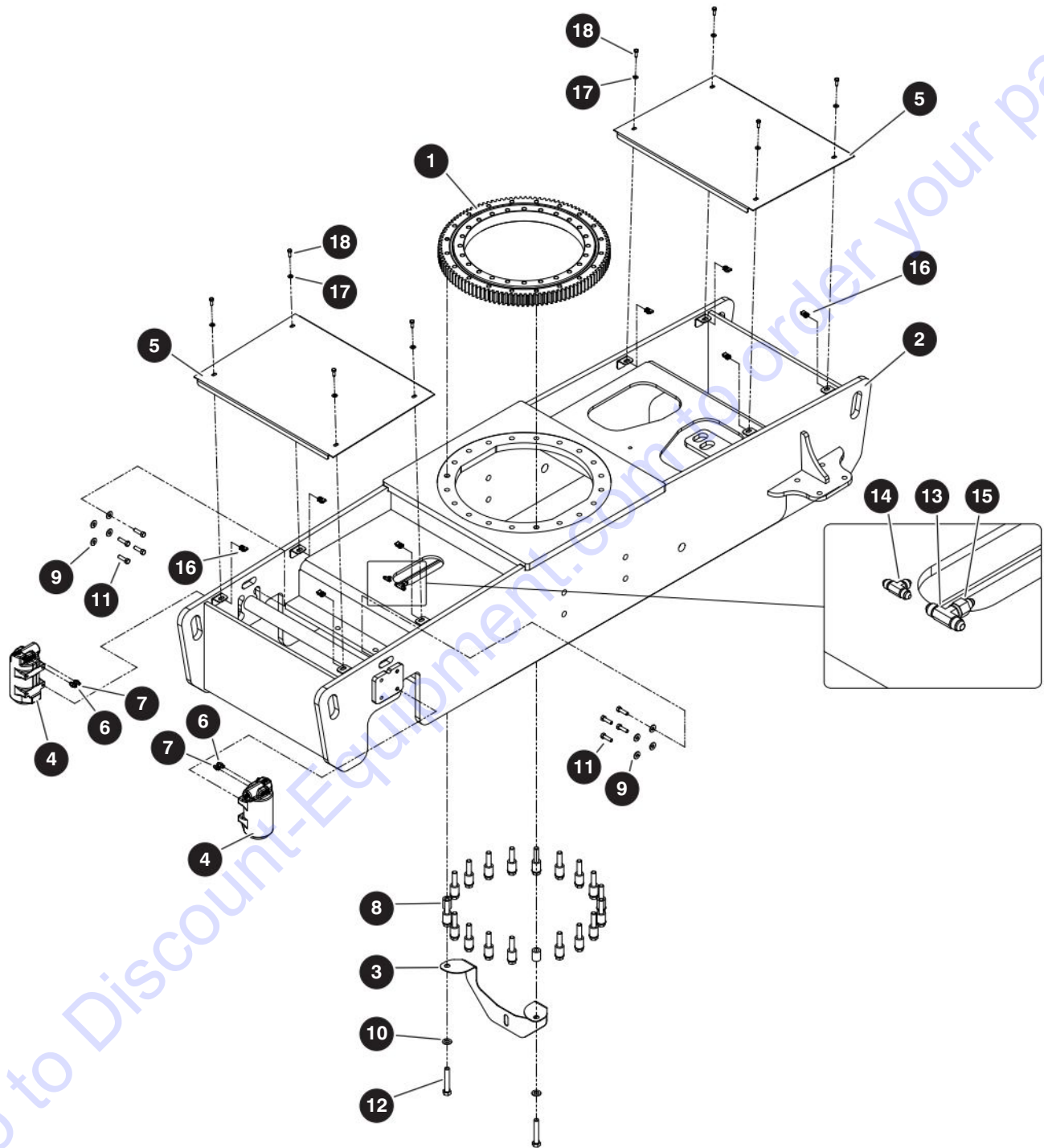
M154188AC

Index No.	Skyjack Part No.	Qty.	Description
-	238426	1	GREASE LINE
1	144129	1	• CLIP, Single
2	132565	1	• CAP, Grease
3	102027	1	• FITTING, Straight grease (1/8" NPT)
4	238422	1	• LINE, Grease
5	139095	1	• FITTING, Straight (1/8"NPTF-1/8"NPTF)
6	102891	2	• TIE-WRAP, Black (7 1/4") (not shown)
7	103473	1	• BOLT, Hex head (3/8"-16 x 1" Grade 5)
8	104606	1	• NUT, Hex lock (3/8"-16 Grade 5, nylon)
9	103472	2	• WASHER, Flat (3/8")

Section 5 – Base



5.1 Base



M153546AC

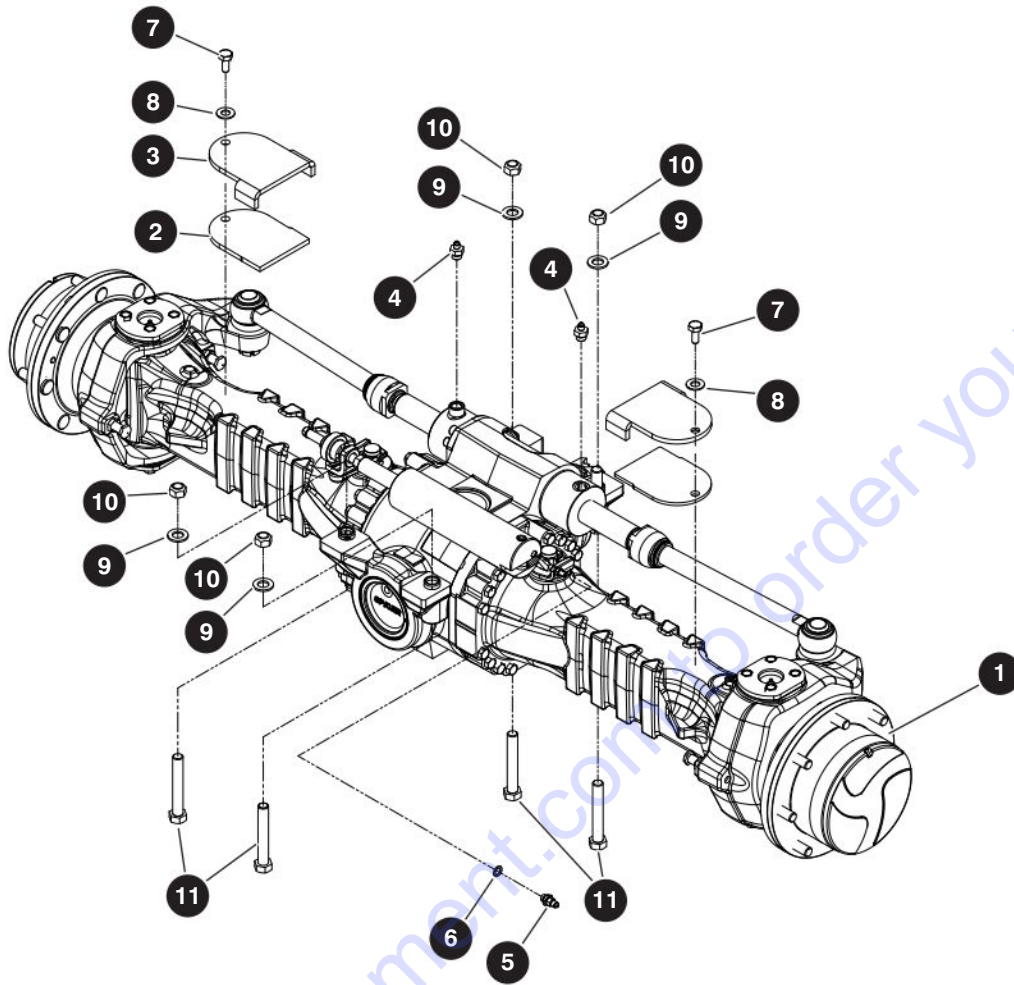
238272AAA

SJ60 AJ+

5.1 Base

Index No.	Skyjack Part No.	Qty.	Description
-	218897	1	BASE ASSEMBLY
1	216504	1	• GEAR, Ring
2	169627	1	• WELDMENT, Base
3	153548	1	• RETAINER, Rotary manifold
4	(Ref.)	2	• CYLINDER, Axle lock (For components, refer to 3.6 Axle Lock Cylinder)
5	153549	2	• COVER, Base
6	103069	2	• FITTING, Straight (06JICM-06ORBM)
7	126128	2	• FITTING, Straight (04JICM-04ORBM)
8	159418	20	• SPACER, Ring gear
9	104379	8	• WASHER, Flat (0.50 hardened")
10	702194	20	• WASHER, Flat hardened (3/4")
11	207653	8	• BOLT, Hex head patch (1/2"-13 x 1 3/4" Grade 8)
12	138276	20	• BOLT, Hex head (3/4"-10 x 4 1/2" Grade 8)
13	131704	1	• FITTING, Tee (06JICM-06JICM-06JICM)
14	131697	1	• FITTING, Tee (04JICM-04JICM-04JICM)
15	707041	1	• FITTING, Straight (06JICF-04JICM)
16	159294	8	• NUT, Speed Clip (3/8"-16)
17	103472	8	• WASHER, Flat (3/8")
18	103473	8	• BOLT, Hex head (3/8"-16 x 1" Grade 5)

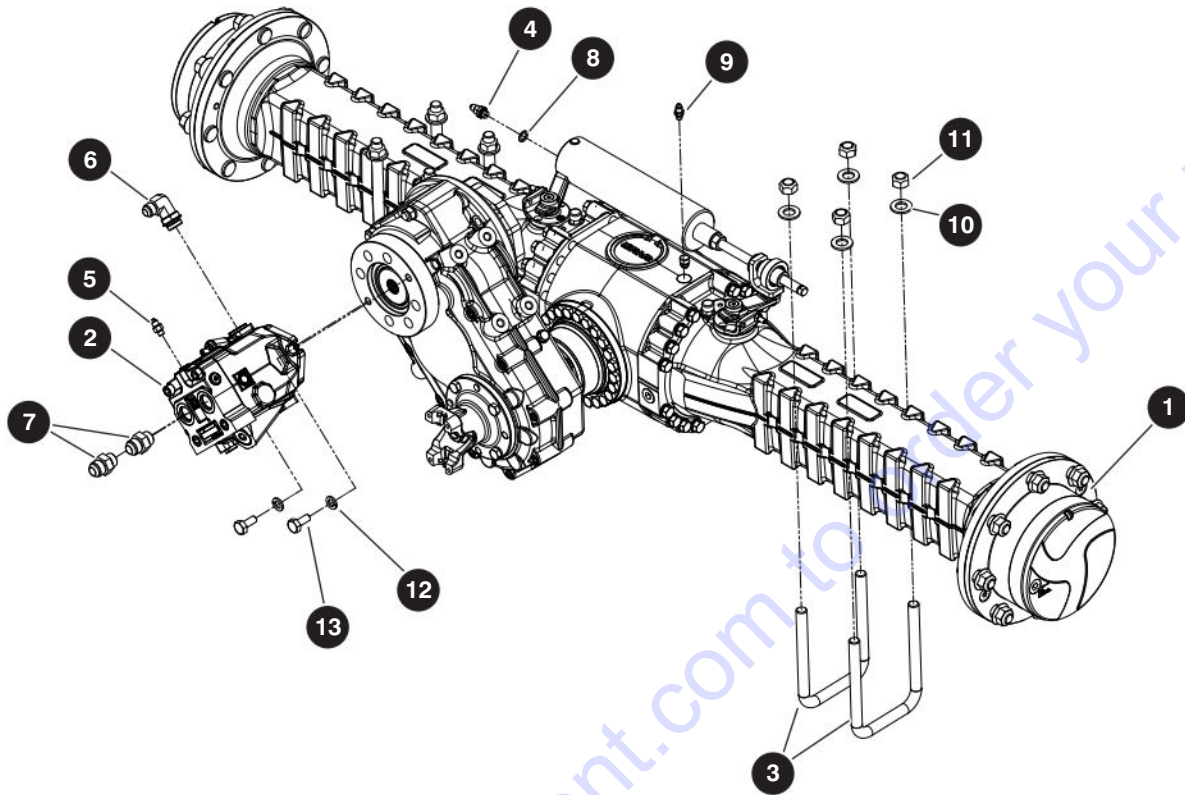
5.2 Axle Hardware - Front



M231442AA

Index No.	Skyjack Part No.	Qty.	Description
-	231442	1	AXLE ASSEMBLY HARDWARE - FRONT
1	(Ref.)	1	<ul style="list-style-type: none"> AXLE ASSEMBLY, Front (For components, refer to 5.4 Front Axle)
2	231443	2	<ul style="list-style-type: none"> PLATE, Oscillation
3	153602	2	<ul style="list-style-type: none"> PLATE, Wear pad
4	131705	2	<ul style="list-style-type: none"> FITTING, Straight (04JICM-08ORBM)
5	149195	1	<ul style="list-style-type: none"> FITTING, Straight (04JICM-04BSPPM)
6	139126	1	<ul style="list-style-type: none"> SEAL, British bonded
7	171913	2	<ul style="list-style-type: none"> BOLT, Hex head (M14-2.0 x 35mm Grade 10.9)
8	700782	2	<ul style="list-style-type: none"> WASHER, Flat hardened (5/8")
9	103990	4	<ul style="list-style-type: none"> WASHER, Flat (3/4")
10	700575	4	<ul style="list-style-type: none"> NUT, Torque lock (3/4"-10 Grade C)
11	146773	4	<ul style="list-style-type: none"> BOLT, Hex head (3/4"-10 x 5" Grade 8)

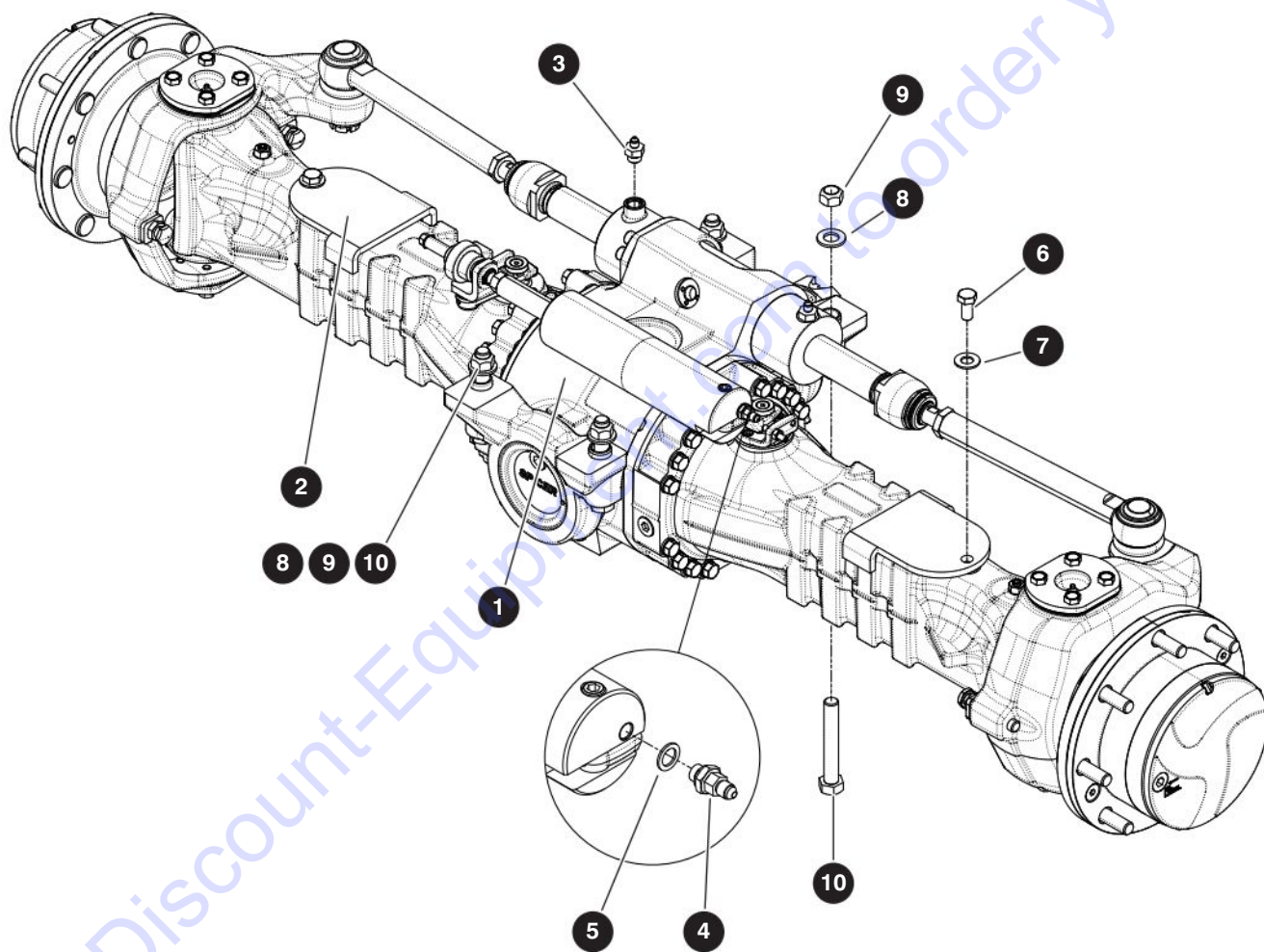
5.3 Axle Hardware - Rear



M153405AC

Index No.	Skyjack Part No.	Qty.	Description
-	153405	1	AXLE ASSEMBLY HARDWARE - REAR
1	(Ref.)	1	<ul style="list-style-type: none"> AXLE ASSEMBLY, Rear (with gear box) (For components, refer to 5.10 Rear Axle)
2	154138	1	<ul style="list-style-type: none"> MOTOR, Hydraulic drive
3	148866	4	<ul style="list-style-type: none"> U-BOLT, Axle mount
4	149195	1	<ul style="list-style-type: none"> FITTING, Straight (04JICM-04BSPPM)
5	126128	1	<ul style="list-style-type: none"> FITTING, Straight (04JICM-04ORBM)
6	138981	1	<ul style="list-style-type: none"> FITTING, 90° (10JICM-12ORBM)
7	702118	2	<ul style="list-style-type: none"> FITTING, Straight (12JICM-12ORBM)
8	139126	1	<ul style="list-style-type: none"> SEAL, British bonded
9	149181	1	<ul style="list-style-type: none"> FITTING, Straight (04JICM-M14 x 1.5mm)
10	702194	8	<ul style="list-style-type: none"> WASHER, Flat hardened (3/4")
11	700575	8	<ul style="list-style-type: none"> NUT, Torque lock (3/4"-10 Grade C)
12	138738	2	<ul style="list-style-type: none"> WASHER, Plated lock (M14)
13	138734	2	<ul style="list-style-type: none"> BOLT, Hex head (ZP, M14-2.0 x 30mm Grade 8.8)

5.4 Front Axle



M153404AC_1

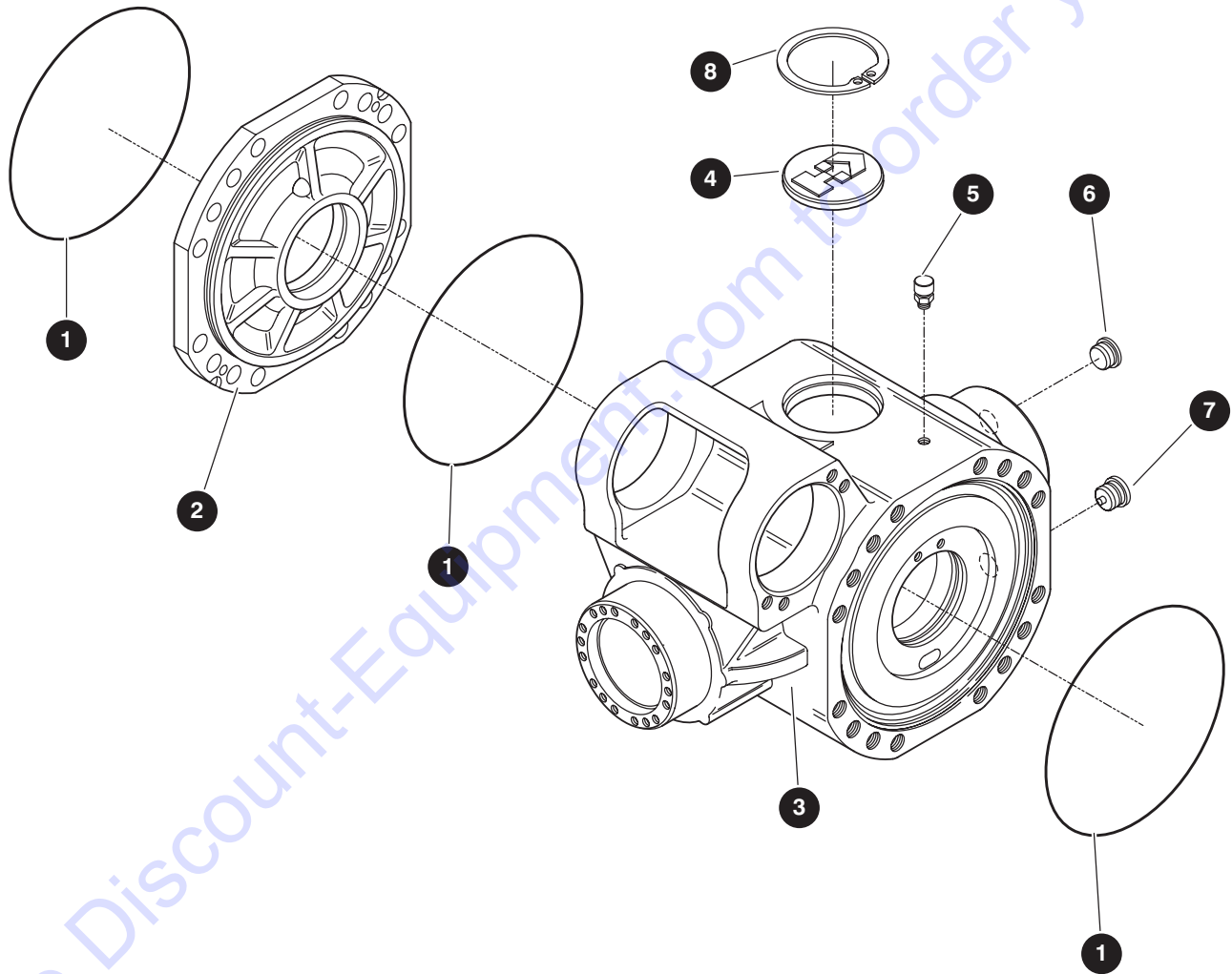
238272AAA

SJ60 AJ+

5.4 Front Axle

Index No.	Skyjack Part No.	Qty.	Description
-	231442	1	FRONT AXLE ASSEMBLY
1	146176	1	• FRONT AXLE
	151755	1	• • CENTRAL HOUSING - Front Axle (For components, refer to 5.5 Central Housing - Front Axle)
	170788	1	• • DIFFERENTIAL - Front Axle (For components, refer to 5.6 Differential - Front Axle)
	169240	1	• • STEERING - Front Axle (For components, refer to 5.7 Steering - Front Axle)
	170855	1	• • TRUNNION (For components, refer to 5.8 Trunnion - Front Axle)
2	153602	2	• WEAR PAD
3	131705	2	• FITTING, Straight (08ORBM-04JICM)
4	149195	1	• FITTING, Straight (04JICM-04BSPPM)
5	139126	1	• SEAL, British bonded (04BSPPM)
6	138734	2	• BOLT, Hex head (M14 x 2 x 30mm gr 8.8 zp)
7	700782	2	• WASHER, Flat hardened (0.625")
8	103990	4	• WASHER, Flat (0.750")
9	700575	4	• NUT, Torque lock (0.75"-10 gr C)
10	146773	4	• BOLT, Hex head (0.75"-10 x 5.00 gr 8)

5.5 Central Housing - Front Axle



M151755AC

238272AAA

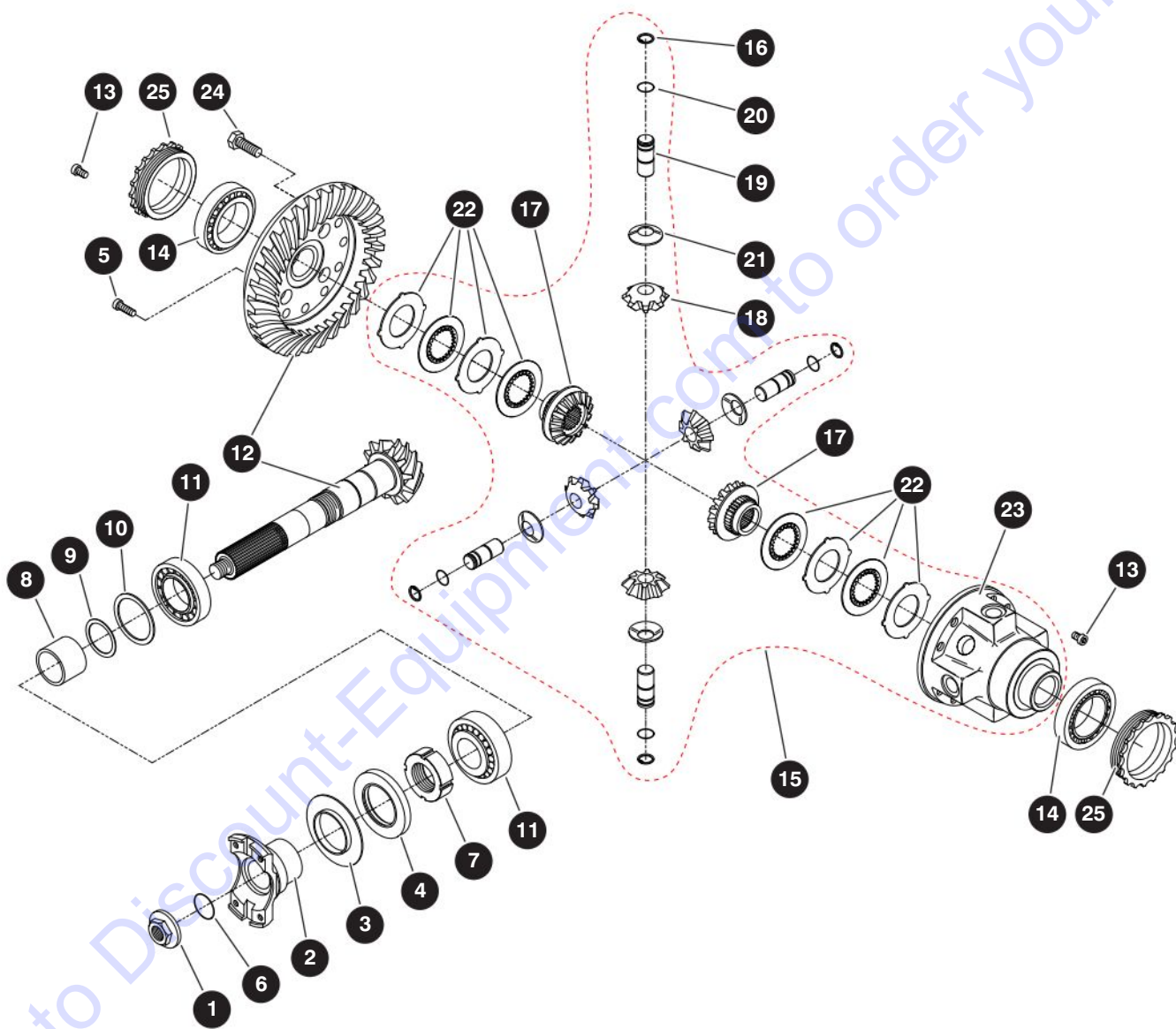
116

SJ60 AJ+

SKYJACK

Index No.	Skyjack Part No.	Qty.	Description
-	151755	1	CENTRAL HOUSING - Front Axle
1	140970	3	• O-RING
2	216425	1	• COVER
3	151756	1	• HOUSING
4	140967	1	• PLUG
5	170720	1	• VENT
6	140969	1	• PLUG
7	140968	1	• PLUG, Magnetic
8	140966	1	• CIRCLIP

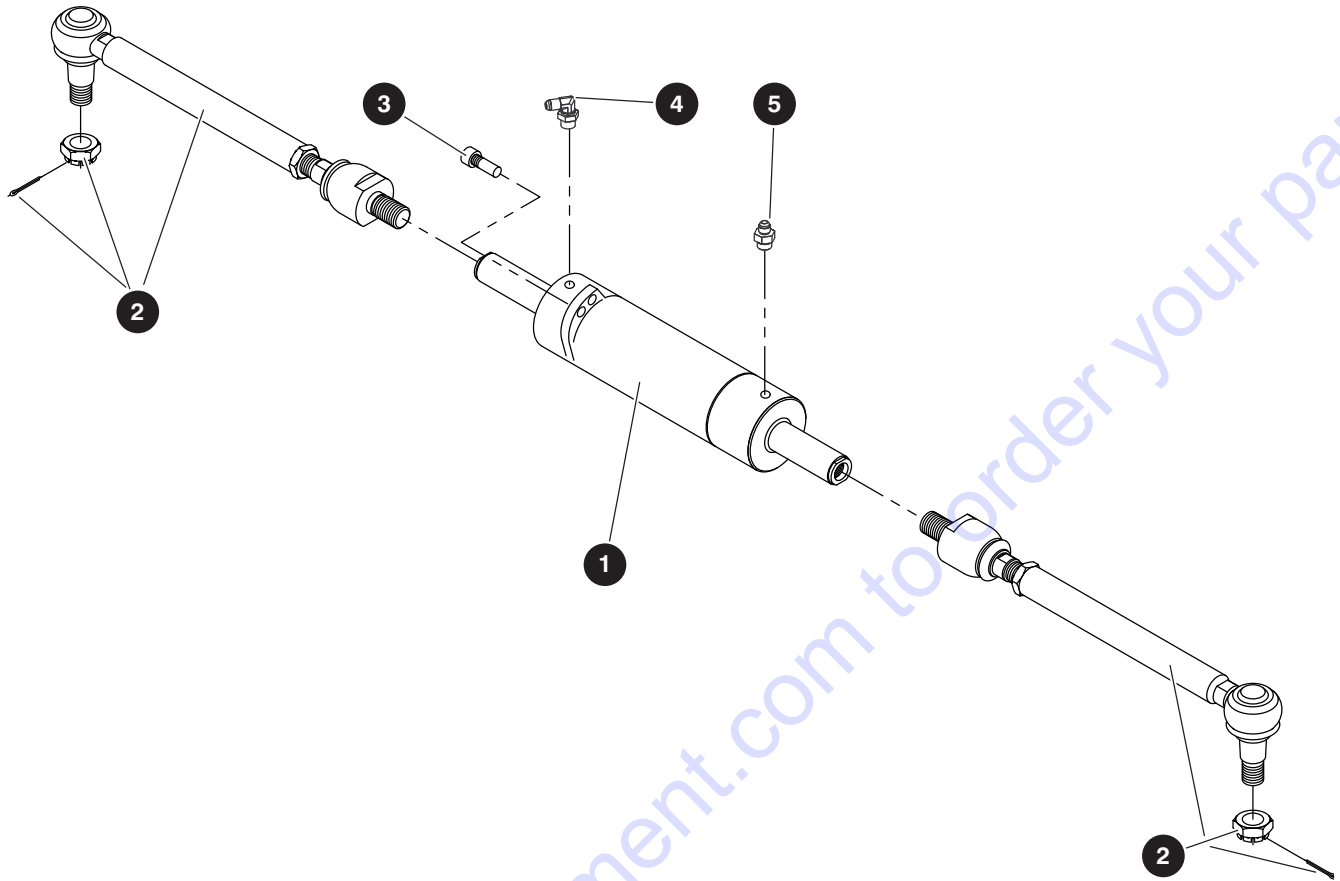
5.6 Differential - Front Axle



5.6 Differential - Front Axle

Index No.	Skyjack Part No.	Qty.	Description
-	170788	1	DIFFERENTIAL - Front Axle
1	140974	1	• NUT
-	140975	1	• FLANGE ASSEMBLY
2	170791	1	• • FLANGE
3	409452	1	• • PLATE, Cover
4	170792	1	• SEAL
5	170793	4	• BOLT
6	140979	1	• O-RING
7	140980	1	• NUT, Ring
8	140981	1	• SPACER
9	170789	1	• SHIM KIT
10	170790	1	• SHIM KIT
11	140984	2	• BEARING, Taper roller
12	140985	1	• GEAR SET, Bevel
13	151768	2	• BOLT
14	140987	2	• BEARING, Taper roller
15	140996	1	• DIFFERENTIAL KIT, Limited slip
16	140978	4	• • CIRCLIP
17	140988	2	• • GEAR, Differential side
18	140989	1	• • PINION, Differential
-	196632	4	• • PIN ASSEMBLY
19	140990	1	• • • PIN
20	140991	1	• • • CIRCLIP
21	140992	4	• • WASHER, Friction
22	140986	2	• • DISC KIT
23	140995	1	• • CARRIER, Differential
24	140993	12	• BOLT
25	141068	2	• NUT, Ring

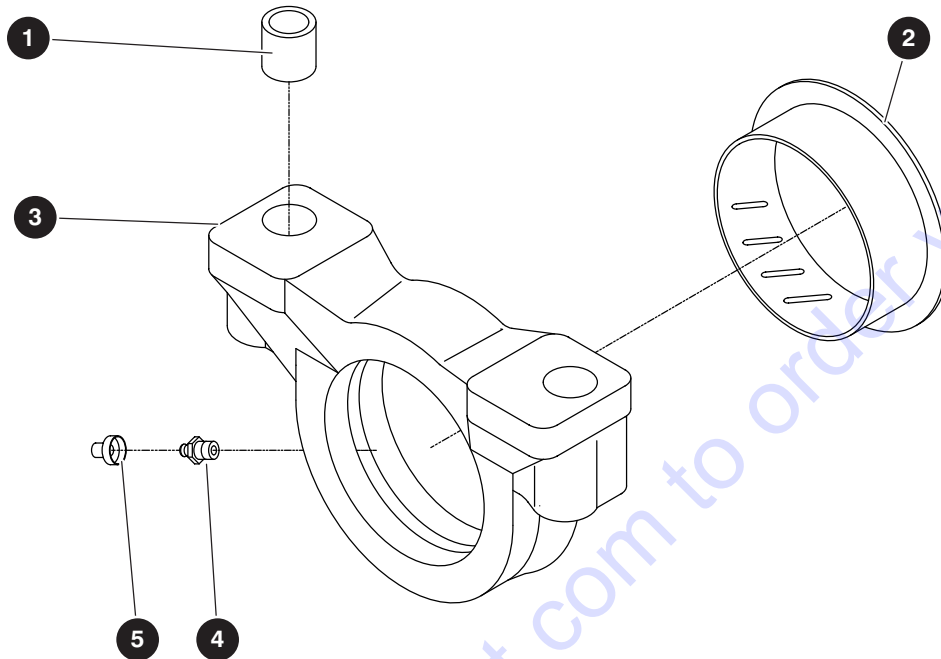
5.7 Steering - Front Axle



M168047AA

Index No.	Skyjack Part No.	Qty.	Description
-	169240	1	STEERING ASSEMBLY
1	169241	1	• CYLINDER, Steer
	169242	1	• • SEAL KIT, Steer cylinder
2	169243	2	• TIE ROD, Articulated
3	195047	4	• BOLT
4	102665	1	FITTING, Elbow 90° (06JICM-08ORBM)
5	103070	1	FITTING, Straight (06JICM - 08ORBM)

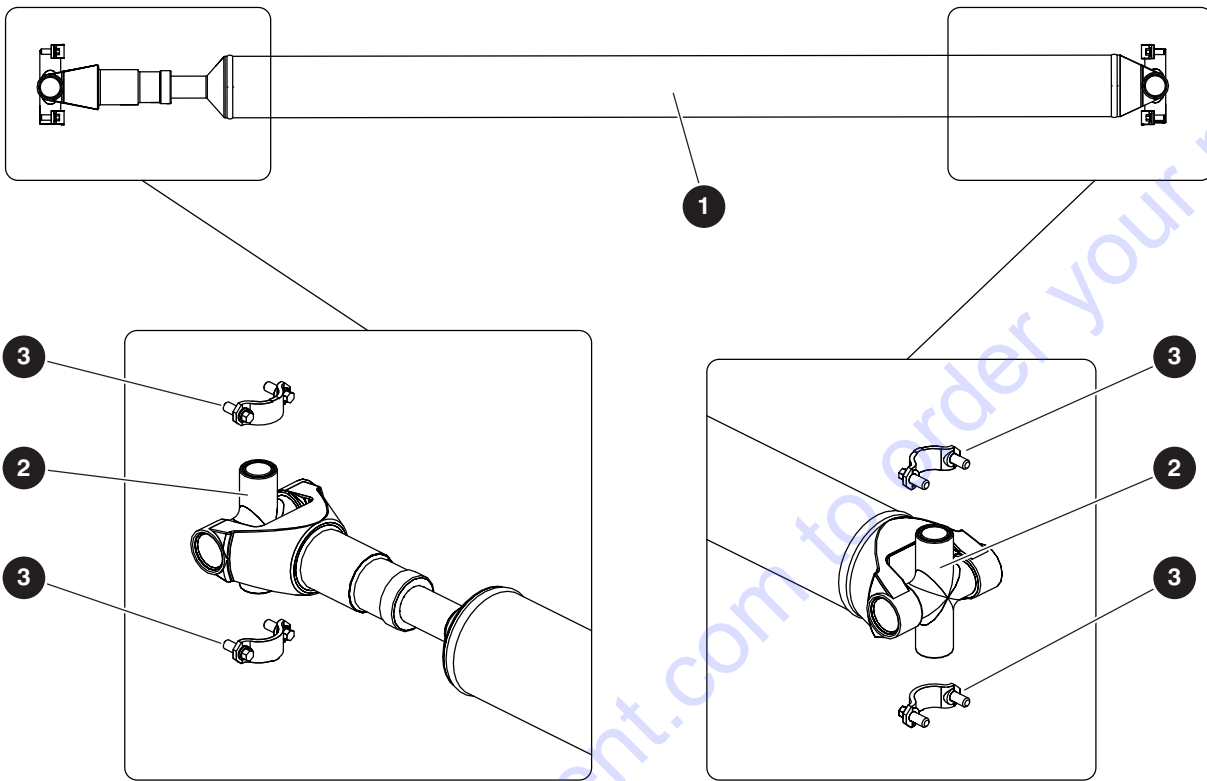
5.8 Trunnion - Front Axle



M170855AB

Index No.	Skyjack Part No.	Qty.	Description
-	170855	2	TRUNNION - Front Axle
-	141052	1	• SUPPORT ASSEMBLY
1	141048	2	• • BUSHING, Reduction
2	170856	1	• • BUSHING, Thrust
3	141050	1	• • SUPPORT
4	141014	1	• • FITTING, Grease
5	141006	1	• • PLUG

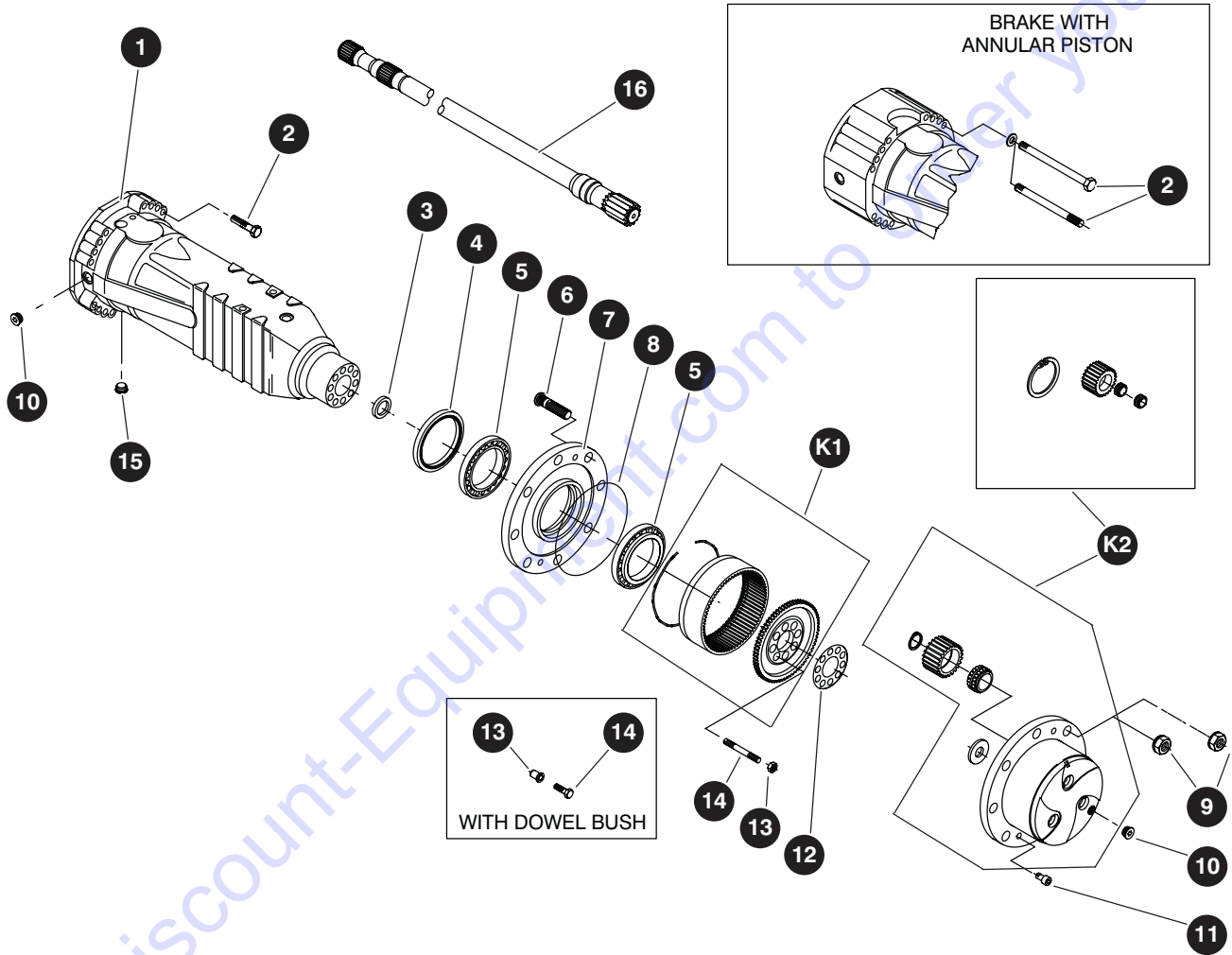
5.9 Drive Shaft



M146267AA

Index No.	Skyjack Part No.	Qty.	Description
1	138980	1	SHAFT, Drive
2	216872	2	U-JOINT
3	138731	2	STRAP KIT, U-Joint

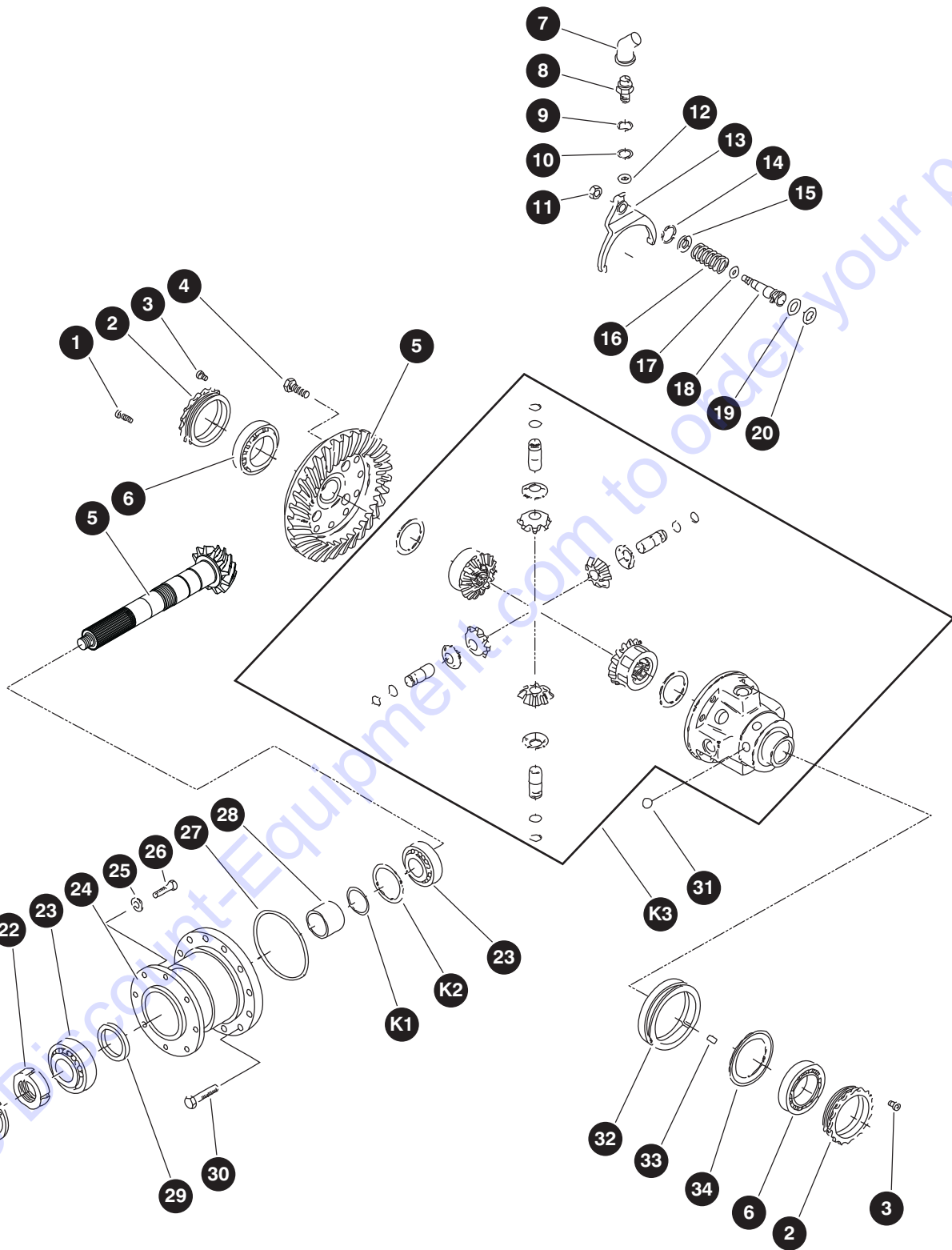
5.10 Rear Axle



5.10 Rear Axle

Index No.	Skyjack Part No.	Qty.	Description
-	148916	1	REAR AXLE ASSEMBLY
1	141078	2	• CASE, Axle
2	141079	32	• BOLT
3	141082	2	• SEAL
4	141018	2	• SEAL
5	141019	4	• BEARING
6	141021	16	• STUD, Wheel
7	141020	2	• HUB, Wheel
8	140970	2	• O-RING
9	154590	16	• NUT
10	140969	4	• PLUG
11	141033	4	• BOLT, Countersunk
12	141081	2	• PLATE, Locking
13	141027	16	• NUT
14	141026	16	• STUD
15	140968	2	• PLUG, Magnet
16	141080	2	• SHAFT, Half
-	(Ref.)	1	DIFFERENTIAL ASSEMBLY, Rear Axle (For components, refer to 5.11 Differential - Rear)
-	(Ref.)	1	CENTRAL HOUSING ASSEMBLY, Rear Axle (For components, refer to 5.12 Central Housing - Rear)
-	(Ref.)	1	GEAR BOX, Rear Axle (For components, refer to 5.13 Gear Box)
-	(Ref.)	1	BRAKE ASSEMBLY, Front and Rear Axle (For components, refer to 5.14 Brakes)
K1	141042	2	KIT, Ring gear support
K2	141034	2	KIT, Planet gear carrier

5.11 Differential - Rear



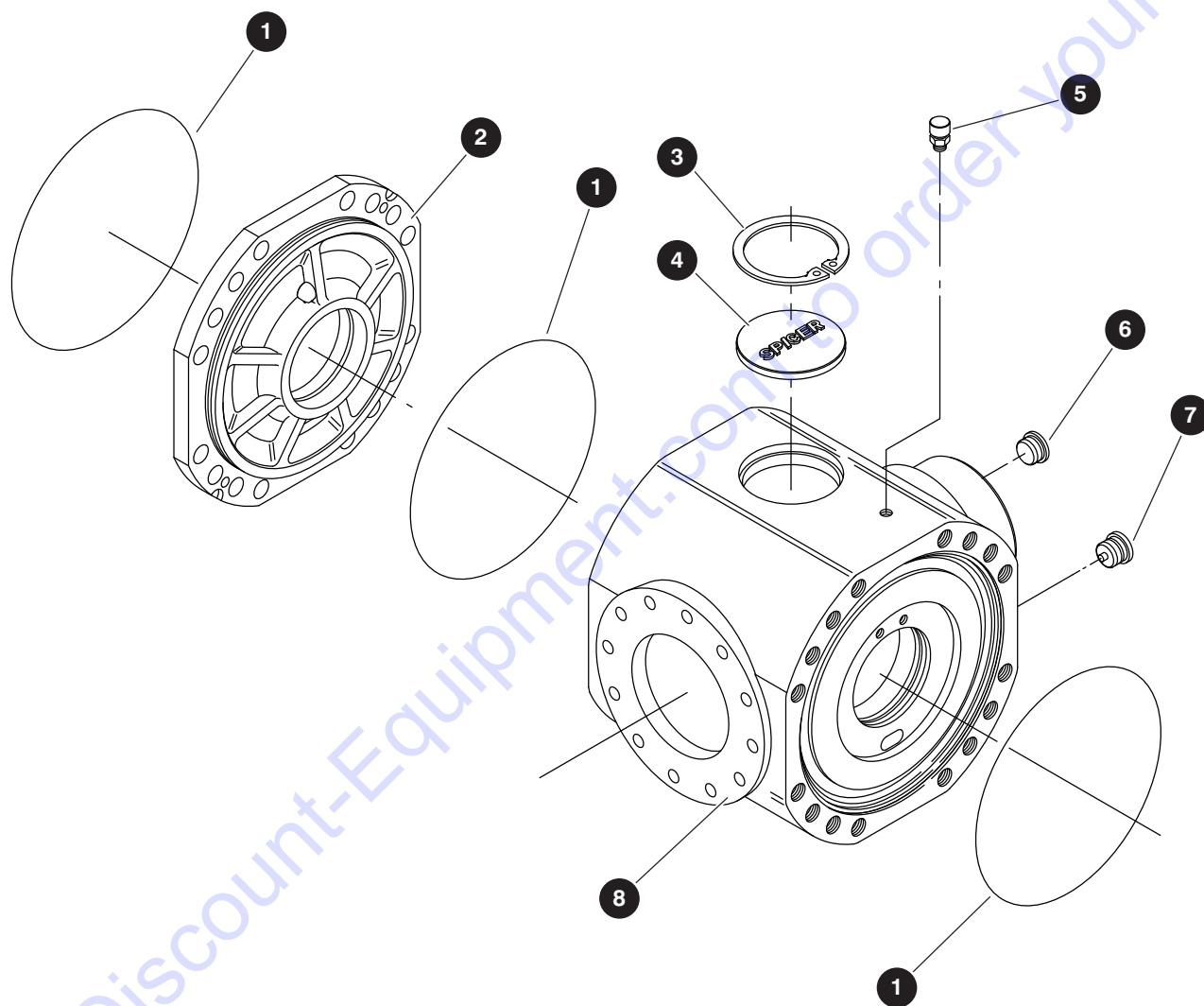
M148916AA_D

238272AAA

5.11 Differential - Rear

Index No.	Skyjack Part No.	Qty.	Description
1	140977	4	BOLT
2	141068	2	NUT, Ring
3	151768	2	BOLT
4	140993	12	BOLT
5	141065	1	GEAR SET, Bevel
6	140987	2	BEARING, Taper roller
7	154576	1	BOOT
8	154577	1	SWITCH, Security
9	154589	1	WASHER, Seal
10	154578	1	WASHER, Seal
11	154580	1	NUT
12	154579	1	O-RING
13	154588	1	SELECTOR FORK
14	154587	1	CIRCLIP
15	154586	1	PLUG
16	154585	1	SPRING
17	154571	1	CIRCLIP
18	154584	1	PISTON
19	154583	1	O-RING
20	154575	1	RING
21	140966	1	CIRCLIP
22	140980	1	RING NUT
23	140984	2	BEARING, Taper roller
24	141063	1	COVER
25	141075	8	WASHER, Spring
26	141076	8	BOLT, Hexagon
27	141064	1	O-RING
28	141062	1	SPACER
29	141074	1	SEAL
30	141072	12	BOLT, Hexagon
31	154574	6	BALL, Detent
32	154582	1	SELECTOR
33	154572	1	KEY
34	154581	1	SHEET
K1	140982	1	KIT, Shim
K2	140983	1	KIT, Shim
K3	154573	1	KIT, Differential position

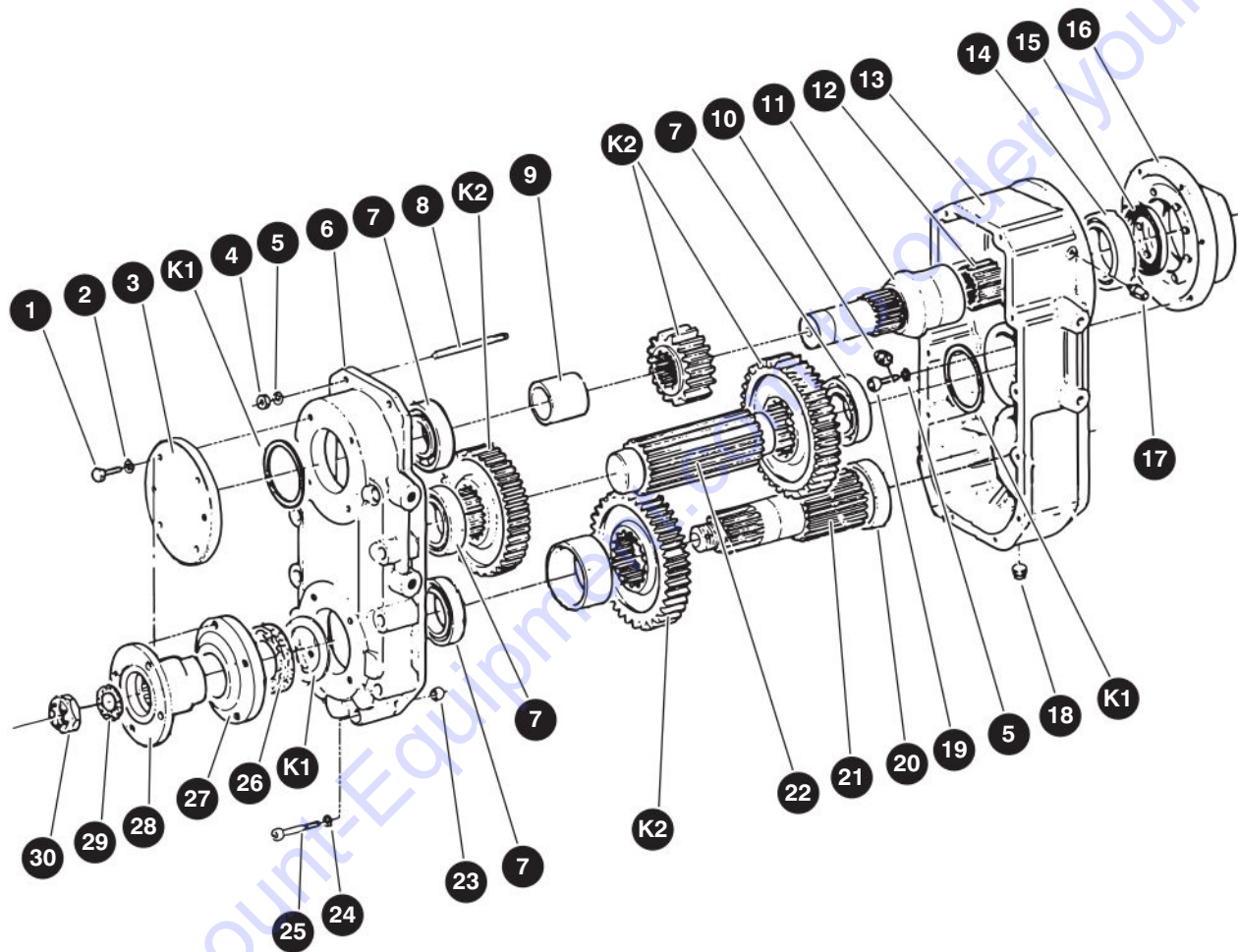
5.12 Central Housing - Rear



5.12 Central Housing - Rear

Index No.	Skyjack Part No.	Qty.	Description
-	154602	1	CENTRAL HOUSING ASSEMBLY
1	140970	3	• O-RING
2	141054	1	• COVER, Intermediate
3	140966	1	• CIRCLIP
4	140967	1	• PLUG
5	141059	1	• VENT
6	140969	1	• PLUG
7	140968	1	• PLUG, Magnet
8	154570	1	• HOUSING

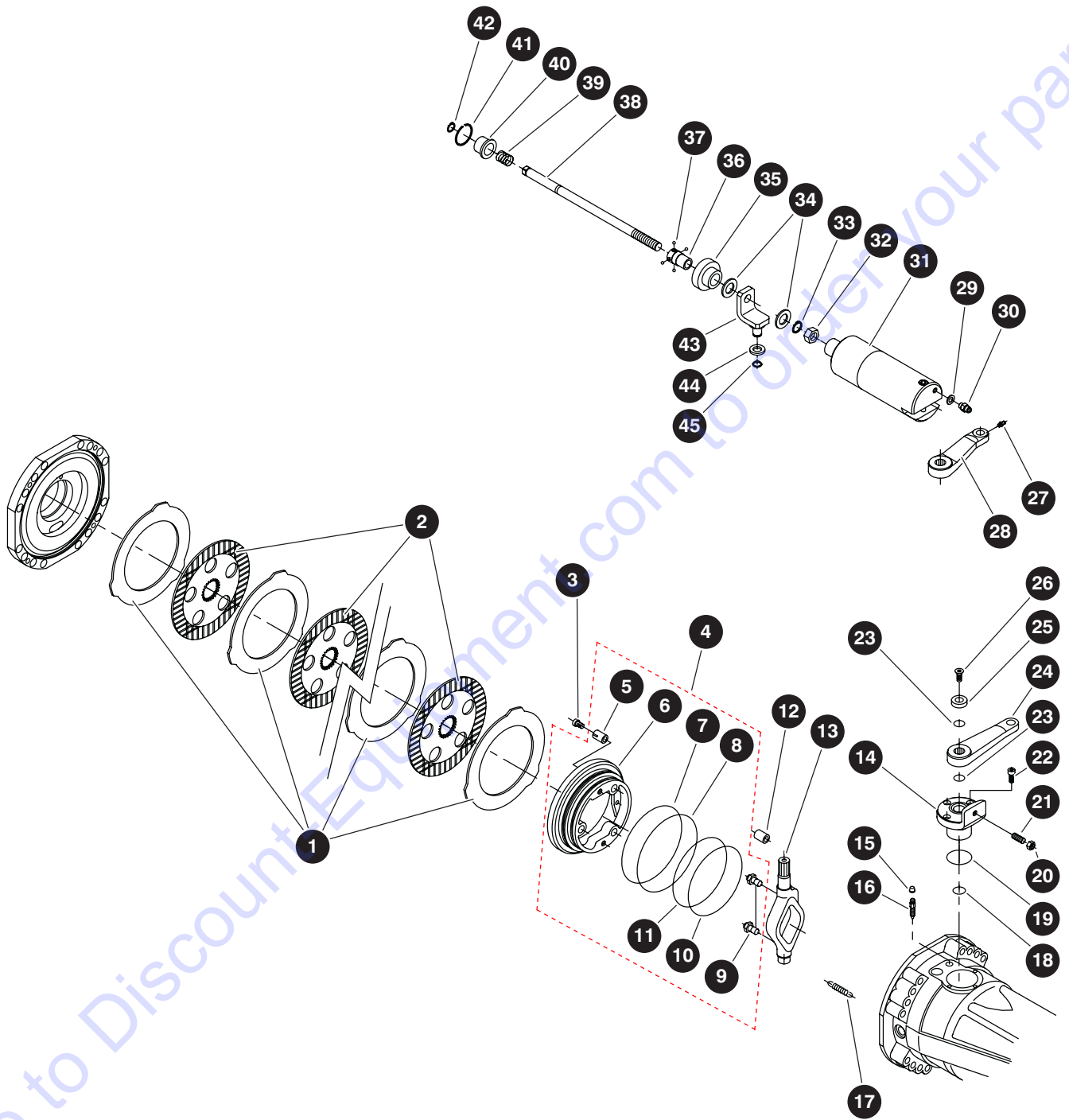
5.13 Gear Box



5.13 Gear Box

Index No.	Skyjack Part No.	Qty.	Description
-	154591	1	BOX, Gear
1	141072	4	• BOLT, Hex
2	141373	4	• WASHER, Spring
3	154592	1	• COVER
4	141363	2	• NUT
5	141364	4	• WASHER, Spring
6	154593	1	• HOUSING
7	141137	3	• BEARING, Ball
8	141367	2	• STUD
9	141378	1	• SPACER
10	141143	1	• PLUG
11	154594	2	• SHAFT, Input
12	154595	2	• BUSHING
13	154596	1	• COVER
14	141366	1	• BEARING, Ball
15	141370	1	• SEAL
16	141371	1	• COVER
17	141134	1	• VENT
18	141144	1	• PLUG, Magnet
19	141383	4	• BOLT
20	141375	1	• SPACER
21	141376	1	• SHAFT, Output
22	141377	1	• SHAFT
23	141379	2	• BUSHING, Reduction
24	141380	10	• WASHER, Spring
25	141381	10	• BOLT
26	141149	1	• SEAL
27	141374	1	• COVER
28	141151	1	• FLANGE
29	141152	1	• O-RING
30	141372	1	• NUT
K1	140994	2	KIT, Shim
K2	141385	1	KIT, Gear

5.14 Brakes



M141084AB

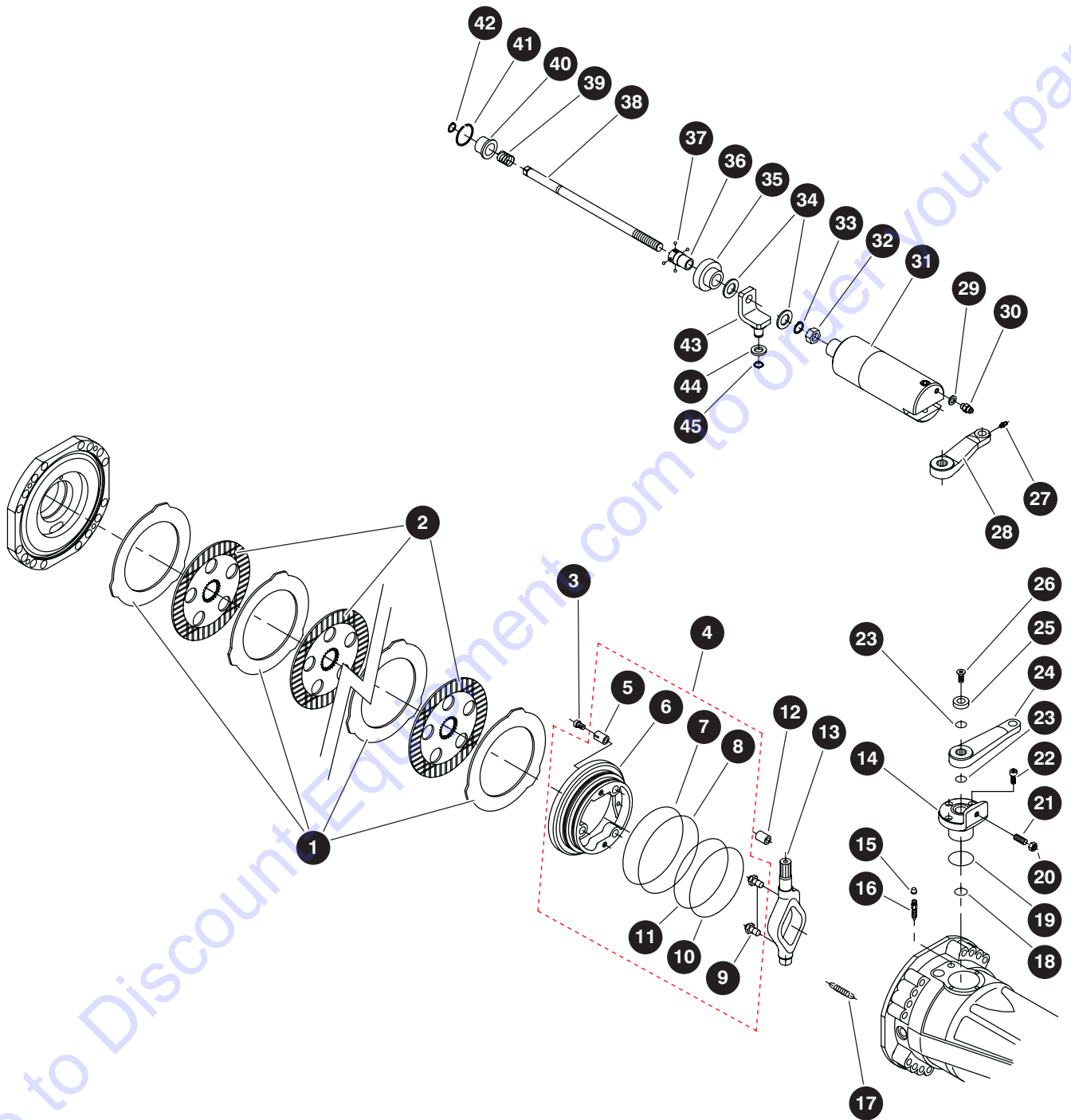
238272AAA

SJ60 AJ+

5.14 Brakes

Index No.	Skyjack Part No.	Qty.	Description
1	141096	10	BRAKE DISC, Intermediate
2	141108	8	DISC, Brake
3	141097	6	BOLT, Adjusting
4	151757	1	PISTON (Right)
	151758	1	PISTON (Left)
5	141098	3	• SPRING
6	141109	1	• PISTON (Right)
	141099	1	• PISTON (Left)
7	141100	1	• RING, Back-up (Front Axle)
8	141101	1	• O-RING
9	151759	2	• PUSHER
10	141106	1	• RING, Back-up (Front Axle)
11	141107	1	• O-RING
12	141102	2	DOWEL
13	141085	1	LEVER (Right)
	141103	1	LEVER (Left)
14	141089	2	BUSHING, Reduction
15	141006	2	PLUG
16	141086	2	BOLT, Bleeding
17	141104	6	SPRING
18	141129	2	O-RING
19	141088	2	O-RING
20	141091	2	NUT
21	141090	2	BOLT
22	141087	6	BOLT
23	141092	2	O-RING
24	141093	1	LEVER
25	141094	2	WASHER
26	141095	2	BOLT, Countersunk
27	141112	1	FITTING, Grease
28	141110	1	LEVER
29	139126	1	SEAL, British bonded
30	138985	1	FITTING, Straight (06JICM-04BSPPM) (Front Axle)
	149195	1	FITTING, 90° (04JICM-04BSPPM) (Rear Axle)
31	141123	1	CYLINDER, Wheel
32	141122	1	NUT
33	141121	1	CIRCLIP
34	141113	2	WASHER
35	141119	1	BUSHING, Reduction
36	141124	1	BUSHING, Reduction
37	141118	4	BALL, Detend
38	141117	1	CAM, Brake
39	141116	1	SPRING
40	141115	1	BUSHING, Reduction

5.14 Brakes



M141084AB

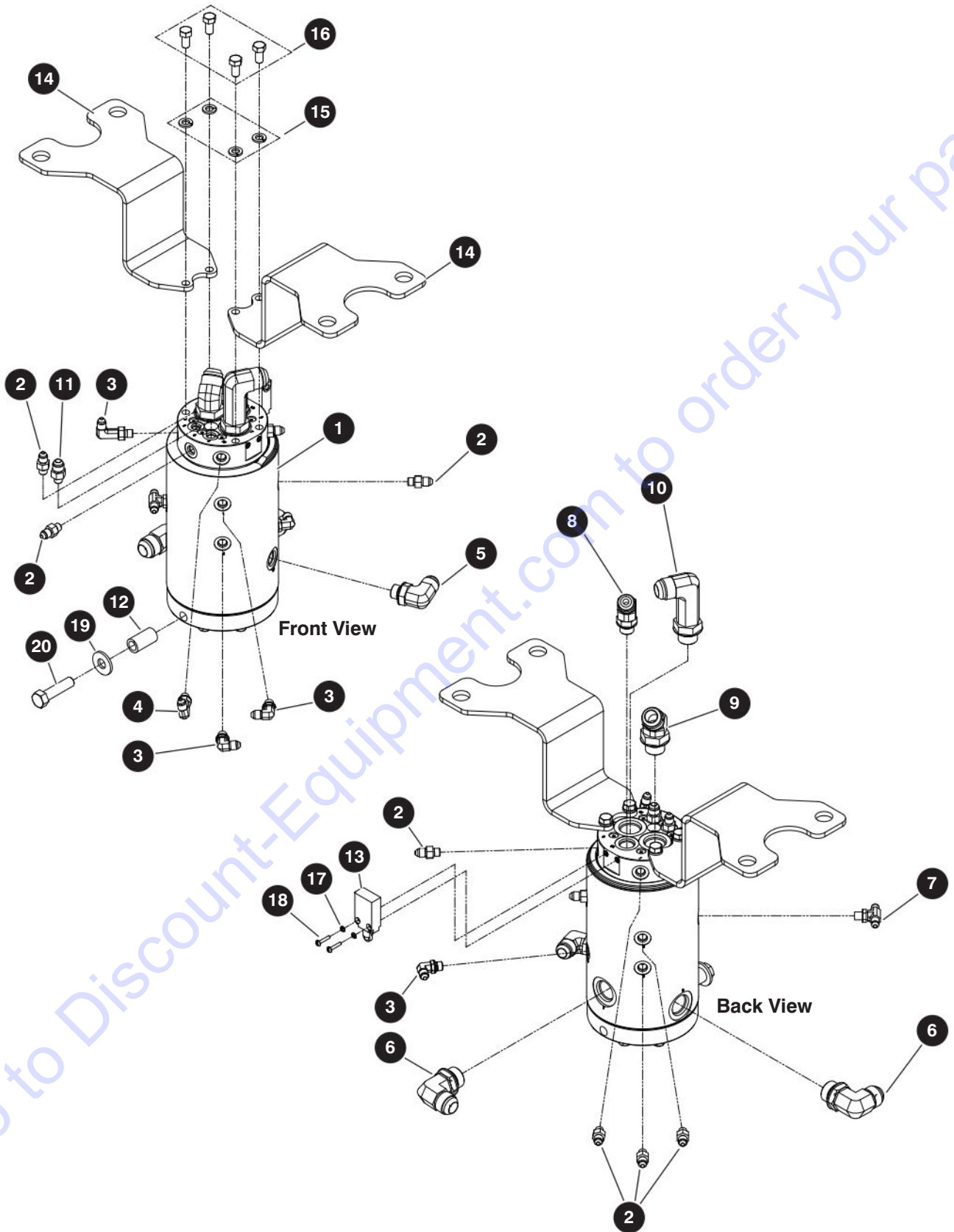
238272AAA

SJ60 AJ+

5.14 Brakes

Index No.	Skyjack Part No.	Qty.	Description
41	141114	1	RING, Snap
42	141111	1	CIRCLIP
43	141120	1	SUPPORT
44	141126	1	SPACER
45	141125	1	CIRCLIP
K	408688	1	KIT, Seal (Brake cylinder) (not shown)

5.15 Rotary Manifold



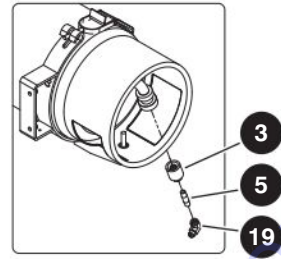
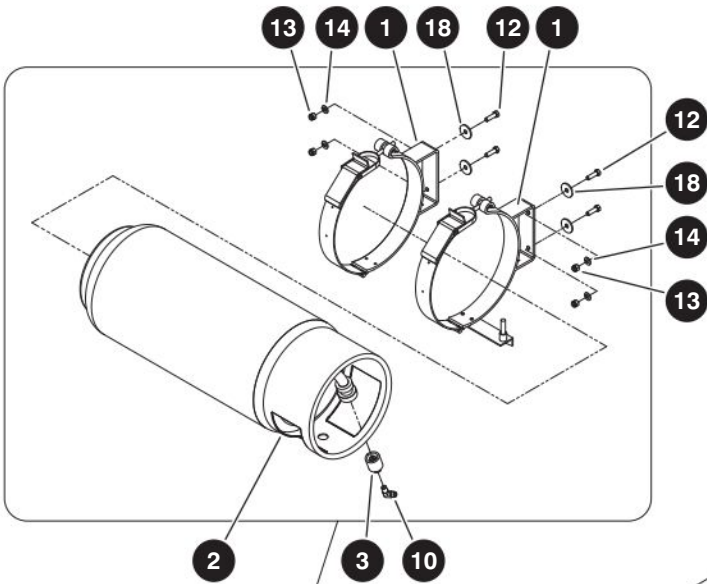
M153412AD

238272AAA

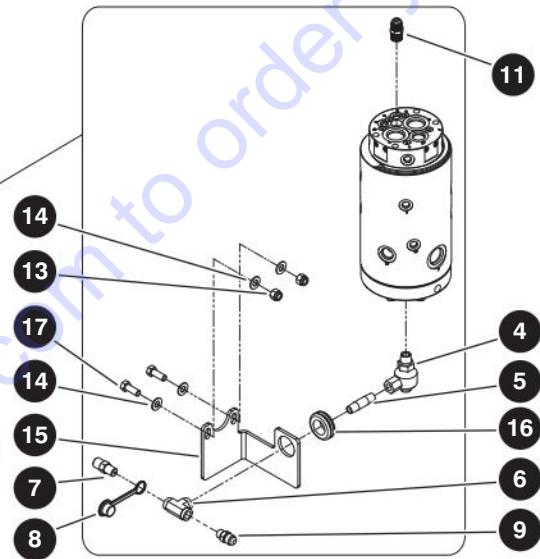
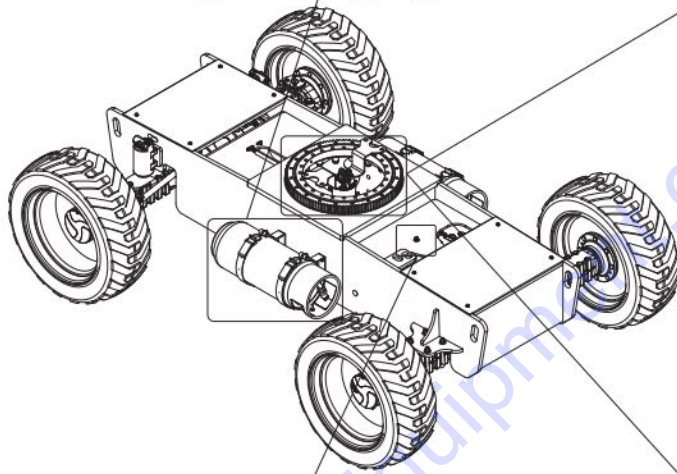
5.15 Rotary Manifold

Index No.	Skyjack Part No.	Qty.	Description
-	153412	1	ROTARY MANIFOLD
-	208624	1	• ROTARY MANIFOLD ASSEMBLY
1	149380	1	• • MANIFOLD, Rotary
2	126128	7	• • FITTING, Straight (04JICM-04ORBM)
3	125883	3	• • FITTING, 90° (04JICM-04ORBM)
4	147552	2	• • FITTING, 90° (04JICM-04ORBM LL)
5	135243	1	• • FITTING, 90° (10JICM-08ORBM)
6	105445	2	• • FITTING, 90° (12JICM-12ORBM)
7	132463	1	• • FITTING, Tee (04MJ-04MB-04MJ)
8	131804	1	• • FITTING, 45° (10JICM-08ORBM)
9	131707	1	• • FITTING, 45° (12JICM-12ORBM)
10	139099	1	• • FITTING, 90° (12JICM-12ORBM LL)
11	128869	1	• • FITTING, Straight (06JICM-04ORBM)
12	138956	1	• SPACER, Rotary manifold
13	199408	1	• LIMIT SWITCH, Roller plunger (sealed)
	207850	1	• • HEAD, Limit switch
14	153710	2	• BRACKET, Rotary manifold mounting
15	103999	4	• WASHER, Lock (3/8")
16	101632	4	• BOLT, Hex head (3/8"-16 x 3/4" Grade 5)
17	112249	2	• WASHER, Lock (#8)
18	103958	2	• SCREW, Round machine (#8-32 x 3/4")
19	104379	1	• WASHER, Flat (1/2")
20	139007	1	• BOLT, Hex head (1/2"-13 x 2" Grade 8)

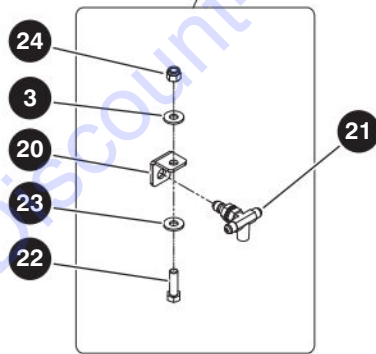
5.16 Propane Tank



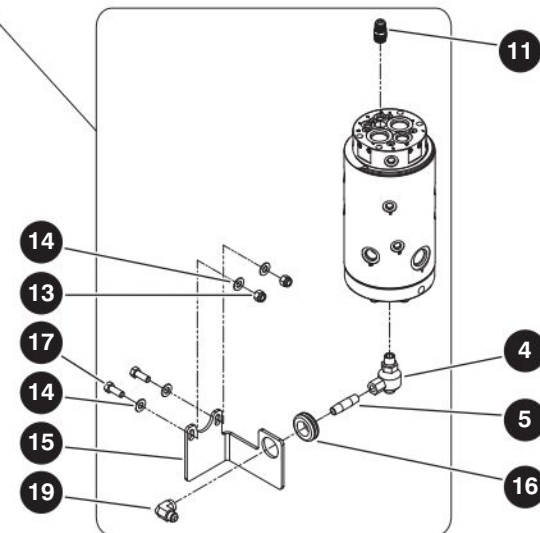
COUPLING CONNECTION
(DUAL TANK - ENGINE SIDE)



SINGLE PROPANE TANK ASSEMBLY
AT ROTARY MANIFOLD



SHUTTLE TEE ASSEMBLY
(DUAL PROPANE TANK)



DUAL PROPANE TANK ASSEMBLY
AT ROTARY MANIFOLD

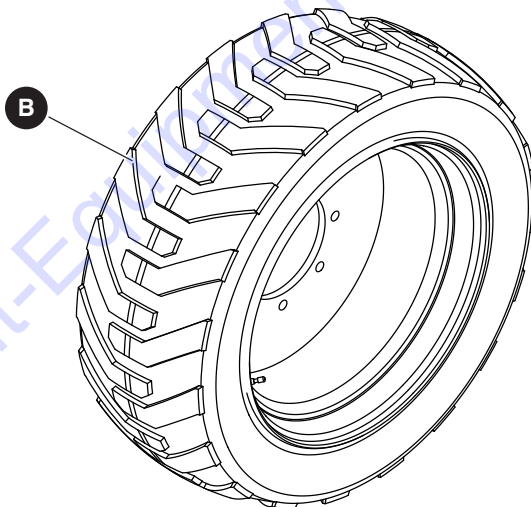
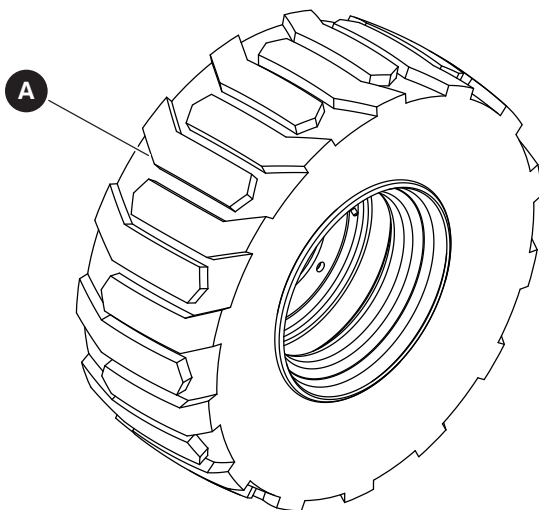
M153990AD_M154023AD

238272AAA

5.16 Propane Tank

Index No.	Skyjack Part No.	Qty.	Description
A	153990	1	SINGLE PROPANE TANK, 44 lb tank - ANSI/CSA
B	154023	1	DUAL PROPANE TANK, 44 lb tank - ANSI/CSA Optional
1	144295	1	• MOUNTING, Propane tank, A
	144295	2	• MOUNTING, Propane tank, B
	221768	2	• • BRACKET, Propane tank
	221769	2	• • LATCH
	221770	1	• • PIN, Locating
	221771	2	• • SCREW, Sem
2	702253	1	• TANK, Propane (43.5 lb), A
	702253	2	• TANK, Propane (43.5 lb), B
3	103006	1	• QUICK COUPLING, Female tank, A
	103006	2	• QUICK COUPLING, Female tank, B
4	702239	1	• FITTING, 90° Swivel (04NPTF-06NPTM)
5	143478	1	• FITTING, Brass nipple (1/4" NPT x 2"), A
	143478	2	• FITTING, Brass nipple (1/4" NPT x 2"), B
6	132919	1	• FITTING, Tee (04NPTF-04NPTF-04NPTF), A
7	300799	1	• VALVE, Relief, A
8	111622	1	• CAP, Rain (for H123 valve), A
9	103156	1	• FITTING, Straight (06SAE45M-04NPTM), A
10	144334	1	• FITTING, 90° (06SAE45M-04NPTF), A
	103158	1	• FITTING, 90° (06SAE45M-04NPTM), B
11	154025	1	• FITTING, Straight (06SAE45M-06NPTM)
12	139006	4	• BOLT, Hex head (3/8"-16 x 2" Grade 8), A
	103596	8	• BOLT, Hex head (3/8"-16 x 2" Grade 5), B
13	104606	6	• NUT, Hex lock (3/8"-16 Grade 5, nylon), A
	104606	10	• NUT, Hex lock (3/8"-16 Grade 5, nylon), B
14	103472	8	• WASHER, Flat (3/8"), A
	103472	12	• WASHER, Flat (3/8"), B
15	161077	1	• BRACKET, Propane fitting retainer
16	144294	1	• GROMMET, Rubber
17	103473	2	• BOLT, Hex head (3/8"-16 x 1" Grade 5)
18	127067	4	• WASHER, Flat (3/8" style BB), A
	127067	8	• WASHER, Flat (3/8" style BB), B
19	144334	2	• FITTING, 90° (06SAE45M-04NPTF), B
20	147546	1	• BRACKET, Shuttle tee, B
21	123062	1	• SHUTTLE TEE, B
22	103906	1	• BOLT, Hex head (1/2"-13 x 1 3/4" Grade 5), B
23	104379	2	• WASHER, Flat (1/2" hard), B
24	702507	1	• NUT, Hex lock (1/2"-13 Grade 5, nylon), B

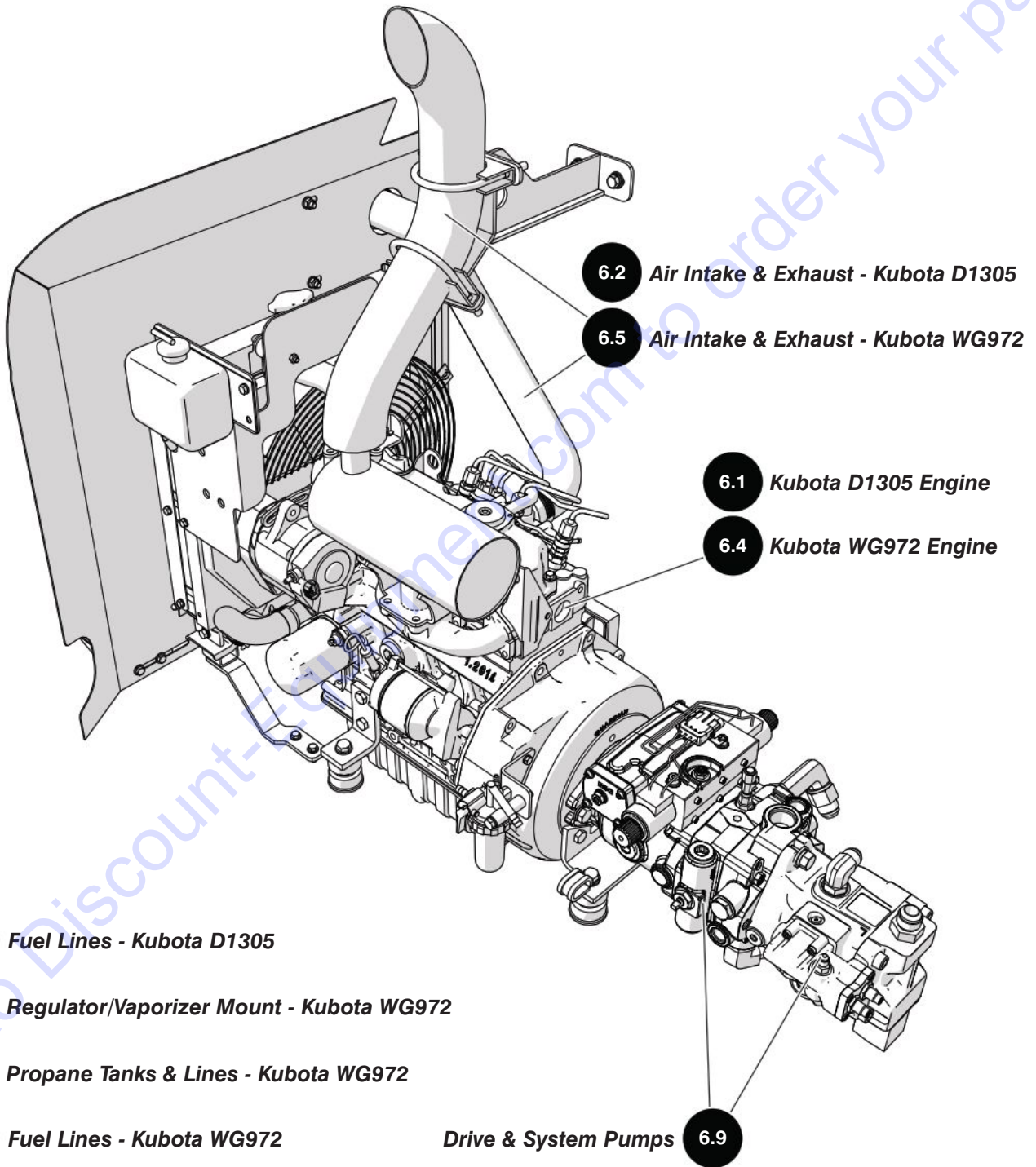
5.17 Tires



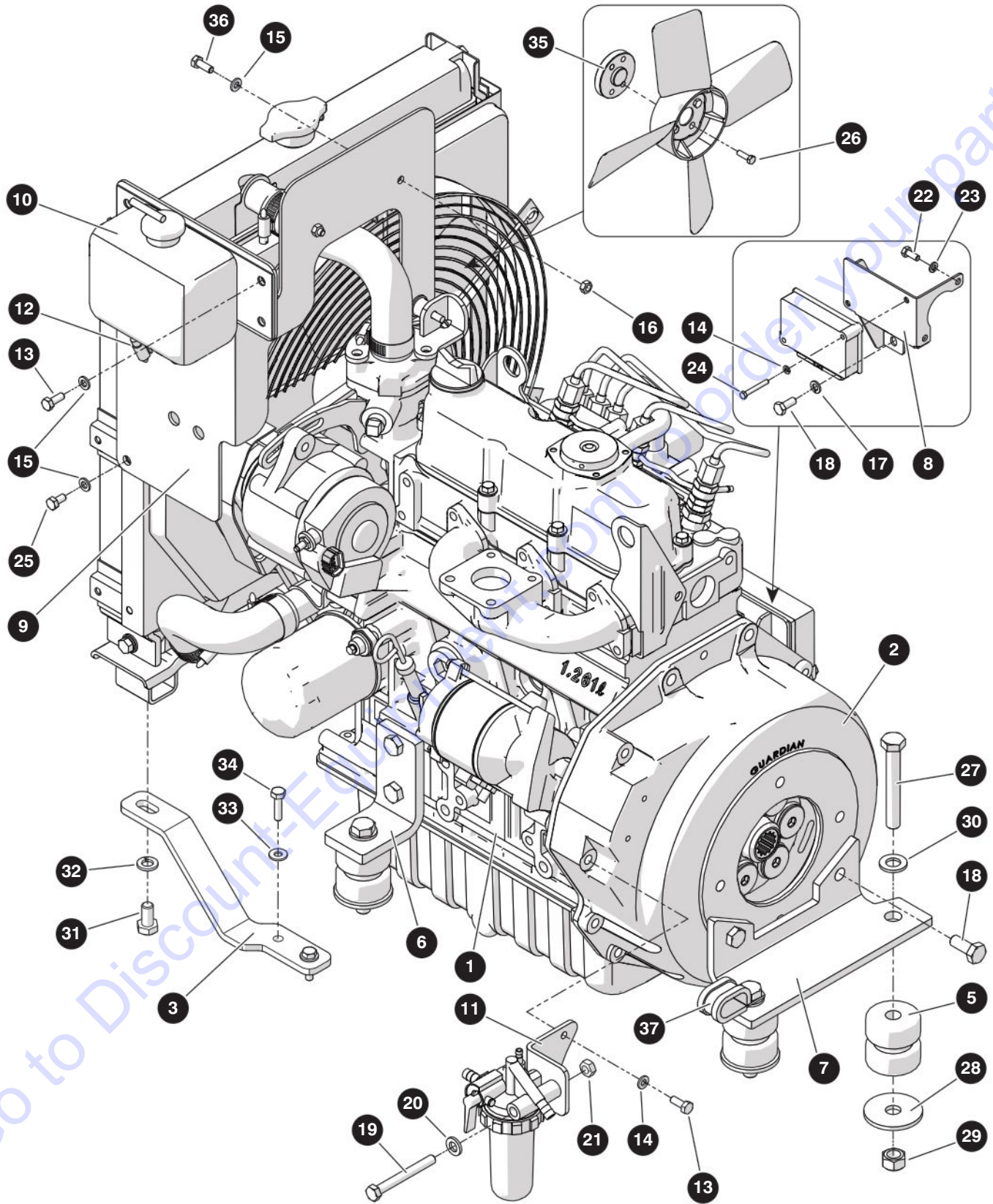
5.17 Tires

Index No.	Skyjack Part No.	Qty.	Description
A	167471	2	WHEEL ASSEMBLY, Left hand (Foam filled)
	167472	2	WHEEL ASSEMBLY, Right hand (Foam filled)
B	167477	2	WHEEL ASSEMBLY, Low Profile Left hand (Foam filled Non-marking)
	167476	2	WHEEL ASSEMBLY, Low Profile Right hand (Foam filled Non-marking)
1	159928	1	• RIM, (17 1/2" x 10 1/2"), A
	153423	1	• RIM, (24 1/2" x 11 3/4", 3" outset), B
2	143996	1	• VALVE STEM, Carlisle (TR-501), A
	144309	1	• VALVE STEM, OTR tires, B
3	159927	1	• TIRE, (36.7" x 14.1"), A
	153437	1	• TIRE, Non-marking (355/55D625), B
4	162400	1	• TIRE FILL, Foam (40/60 rubber crumb) A, B

Section 6 – Engines



6.1 Kubota D1305 Engine



M237594AG

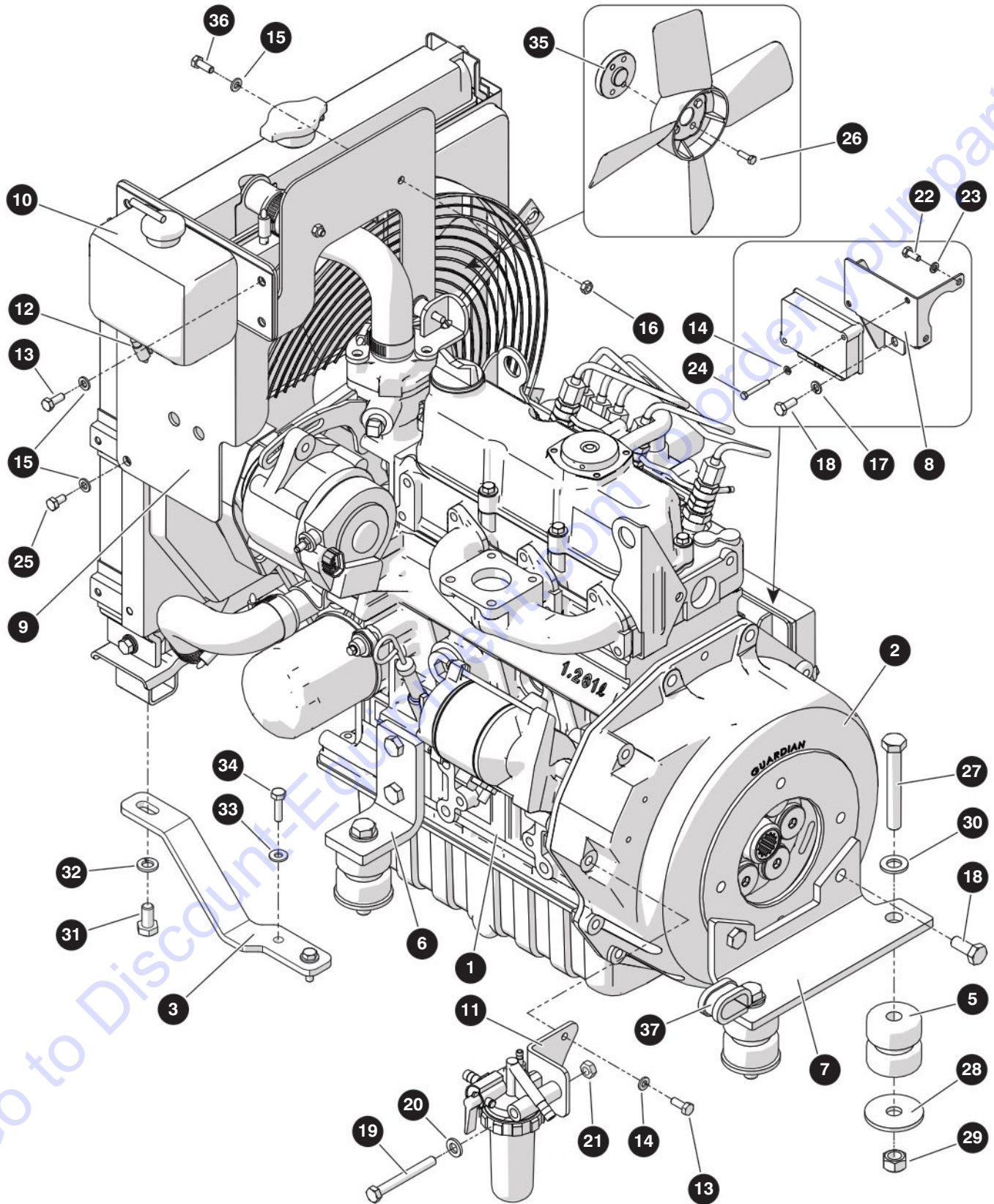
238272AAA

SJ60 AJ+

6.1 Kubota D1305 Engine

Index No.	Skyjack Part No.	Qty.	Description
-	237594	1	KUBOTA ENGINE - D1305
1	215012	1	• ENGINE, Kubota D1305 E4B
	236071	1	• • FILTER, Oil - inner
	147129	1	• • CARTRIDGE, Oil filter
	236072	1	• • STARTER
	236073	1	• • ALTERNATOR
	236074	1	• • STAY, Dynamo
	236075	1	• • GUARD, Alternator
	228540	1	• • GLOW PLUG
	236076	1	• • SOLENOID, Stop
	236077	1	• • PUMP, Water
	136109	1	• • THERMOSTAT
	210118	1	• • PIPE, Water return
	236078	1	• • FAN, Cooling
	236079	1	• • BELT, Fan
	236080	1	• • PUMP, Fuel transfer
	236081	1	• • DIPSTICK
	236082	1	• • SENSOR, Water temp
	236083	1	• • MANUAL, Operator's - Kubota D1305
	236084	1	• • GASKET, Exhaust
	236090	1	• • ECU
	236088	1	• • FUEL FILTER ASSEMBLY
	236089	1	• • • FILTER, Fuel
	236091	1	• • RADIATOR KIT
2	239474	1	• HOUSING, Flywheel - D1305
3	238504	1	• BRACKET, Radiator mount (shown)
4	238505	1	• BRACKET, Radiator mount (not shown - opposite side)
5	237586	4	• MOUNT, Vibration - 75A
6	215021	2	• BRACKET, Engine mount
7	237601	1	• BRACKET, Engine mount
8	215249	1	• BRACKET, ECU
9	238766	1	• BRACKET, Overflow tank
10	147142	1	• RESERVOIR, Coolant
11	215108	1	• BRACKET, Fuel filter
12	103321	1	• CLAMP, Gear (SAE NO. 4 - 1/4"-13/16")
13	104608	4	• BOLT, Hex head (M6 x 1 x 16 mm, gr 9.8)
14	121758	4	• WASHER Lock (M6)
15	600190	6	• WASHER, Flat (M6)
16	800354	4	• NUT, Hex head (M6-1.00)
17	132497	1	• WASHER Lock (M10)
18	228454	7	• BOLT, Hex head (M10 x 1.25 x 25, cl 8.8)
19	217410	1	• BOLT, Hex head (M8 x 1.25 x 70, cl 8.8)
20	600184	1	• WASHER, Flat (M8)
21	121059	1	• NUT, Hex head (M8-1.25, gr 5)
22	133174	1	• BOLT, Hex head (M8-1.25 x 2,0 gr 8.8)
23	116218	1	• WASHER Lock (M8)

6.1 Kubota D1305 Engine



M237594AG

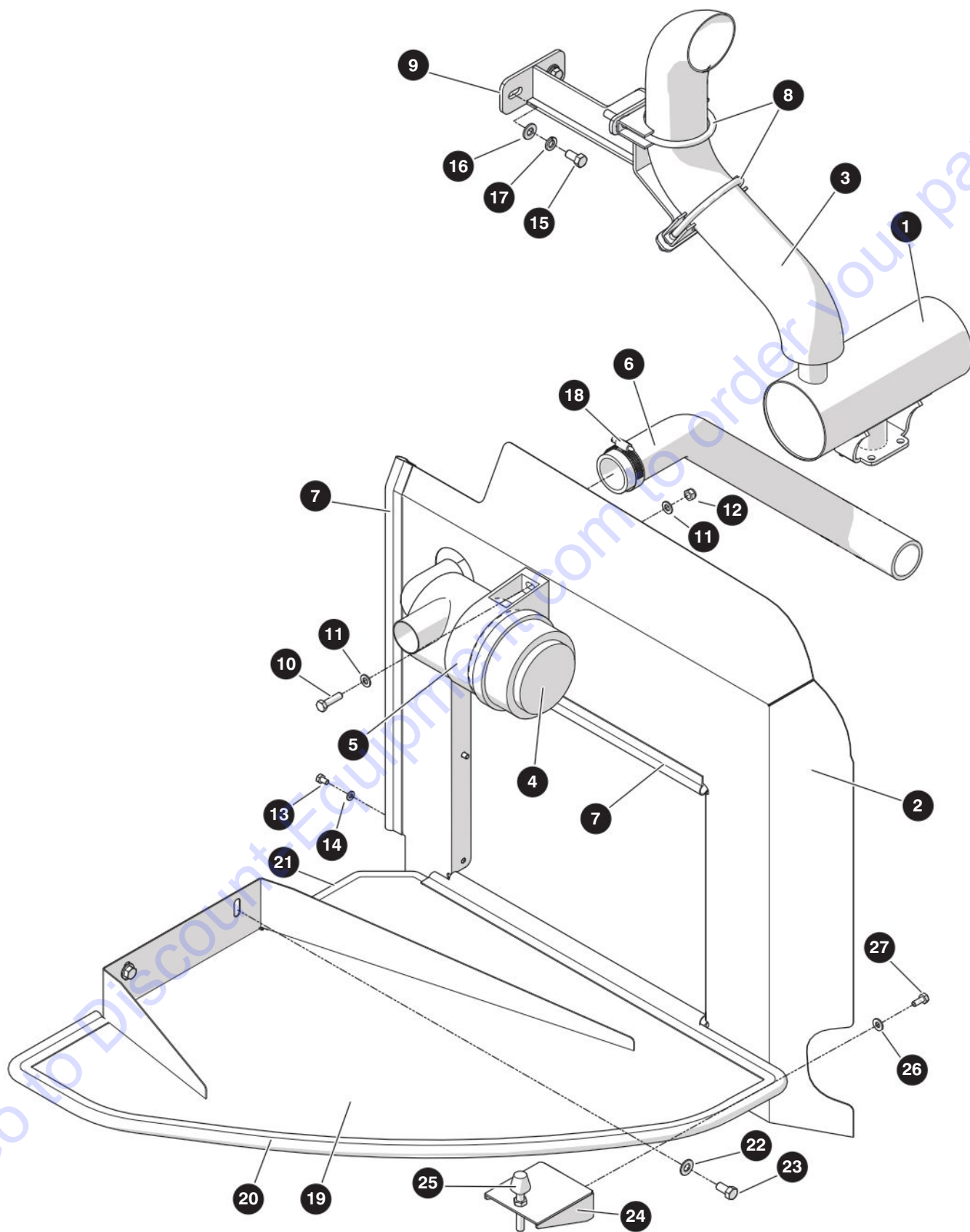
238272AAA

SJ60 AJ+

6.1 Kubota D1305 Engine

Index No.	Skyjack Part No.	Qty.	Description
24	217225	2	• BOLT, Hex head (M6 x 1 x 45, cl 8.8)
25	933646	2	• BOLT, Hex head (M6 x 1 x 12 mm, cl 8.8)
26	217871	4	• BOLT, Hex head (M6 x 1 x 20, cl 10.9)
27	217278	4	• BOLT, Hex head (M12 x 1.75 x 85, cl 8.8)
28	212939	4	• WASHER, Flat (1/2" style BB)
29	217619	4	• NUT, Torque lock (M12 x 1.75, cl 10)
30	933817	4	• WASHER, Flat (M12, cl 200 Y)
31	933740	2	• BOLT, Hex head (M10 x 1.5 x 20, cl 10.9)
32	130884	2	• WASHER Lock (M10)
33	103995	4	• WASHER, Flat (1/4")
34	103857	4	• BOLT-Hex head/ZINC (1/4"-20 x 1", gr 5)
35	238516	1	• FAN SPACER, (3/8")
36	217392	2	• BOLT, Hex head (M6 x 1 x 16, cl 8.8)
37	152333	1	• CLAMP, Tube - cushioned (5/8" with 17/32" hole)

6.2 Air Intake & Exhaust - Kubota D1305



M237605AF

238272AAA

148

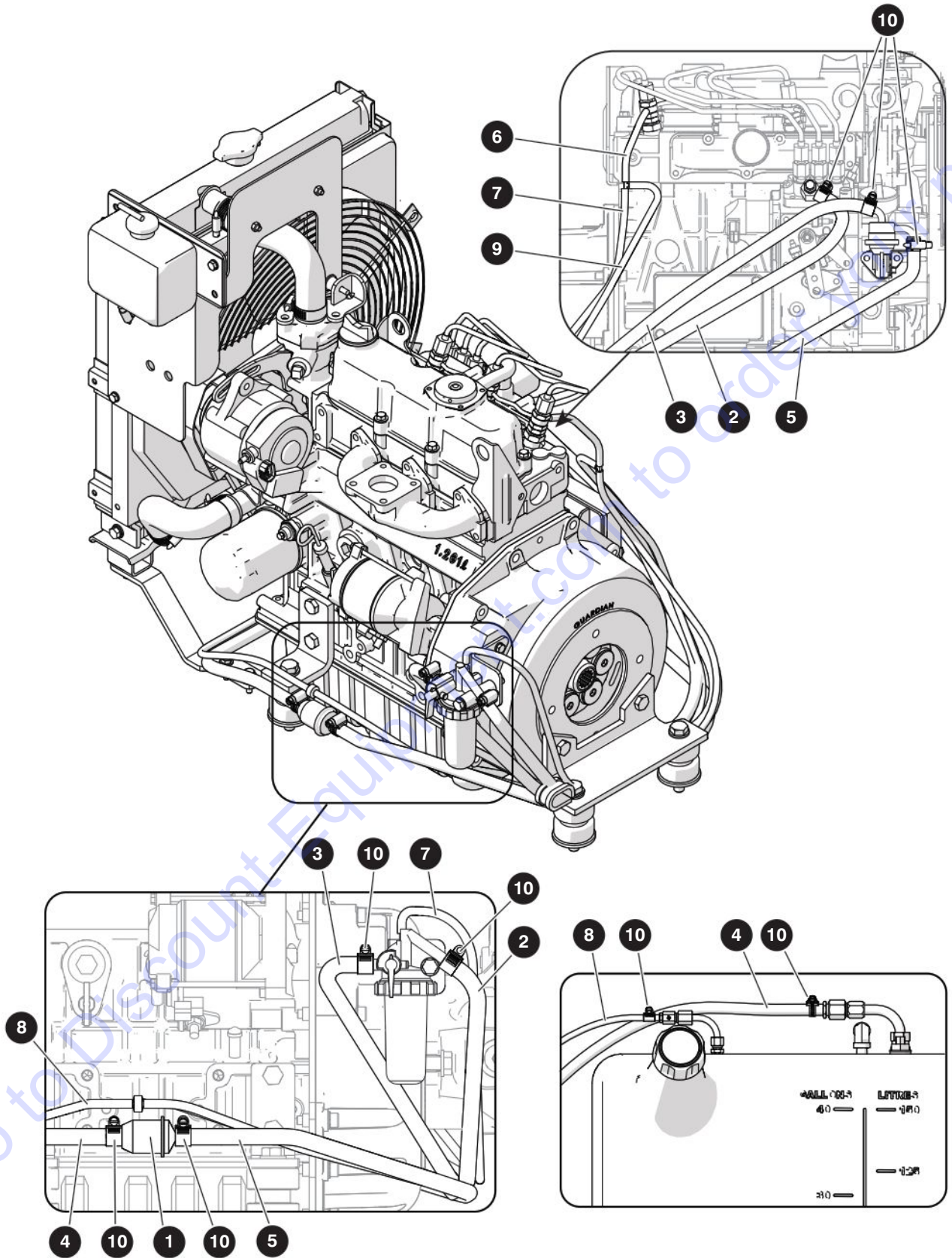
SJ60 AJ+

SKYJACK

6.2 Air Intake & Exhaust - Kubota D1305

Index No.	Skyjack Part No.	Qty.	Description
-	237605	1	AIR INTAKE & EXHAUST
1	237590	1	• MUFFLER, Kubota D1305
2	237578	1	• BAFFLE, Engine intake
3	238522	1	• TUBE, Exhaust - D1305
4	128601	1	• AIR CLEANER
	132913	1	• • ELEMENT, Filter
5	128602	1	• BAND, Mounting - air cleaner
6	238520	1	• HOSE, Intake - air cleaner
7	137625	56"	• TRIM, Rubber
8	928271	2	• CLAMP, Exhaust (3")
9	238526	1	• BRACKET, Exhaust
10	217878	2	• BOLT, Hex head (M8 x 1.25 x 30, cl 10.9)
11	933832	4	• WASHER, Flat (M8)
12	223162	2	• NUT, Lock - hex head nylon (M8 x 1.25, cl 10)
13	600723	6	• BOLT, Hex head (M6-1 x 10 mm, gr 8.8)
14	121758	6	• WASHER, Lock (M6)
15	101632	2	• BOLT, Hex head (3/8"-16 x 3/4, gr 5)
16	125959	2	• WASHER, Flat hardened (3/8")
17	103999	2	• WASHER, Lock (3/8")
18	133222	2	• CLAMP, Gear (#32)
19	238356	1	• BAFFLE, Horizontal
20	137625	21"	• TRIM, Rubber
21	220305	4"	• TRIM, Edge
22	103472	4	• WASHER, Flat (3/8")
23	155488	2	• BOLT, Hex head (3/8"-16 x 3/4", gr 5)
24	238367	1	• BRACKET, Bumper
25	116494	1	• BUMPER, Vibration
26	103995	2	• WASHER, Flat (1/4")
27	103892	2	• BOLT, Hex head (1/4"-20 x 5/8", gr 5)

6.3 Fuel Lines - Kubota D1305



M238515AB

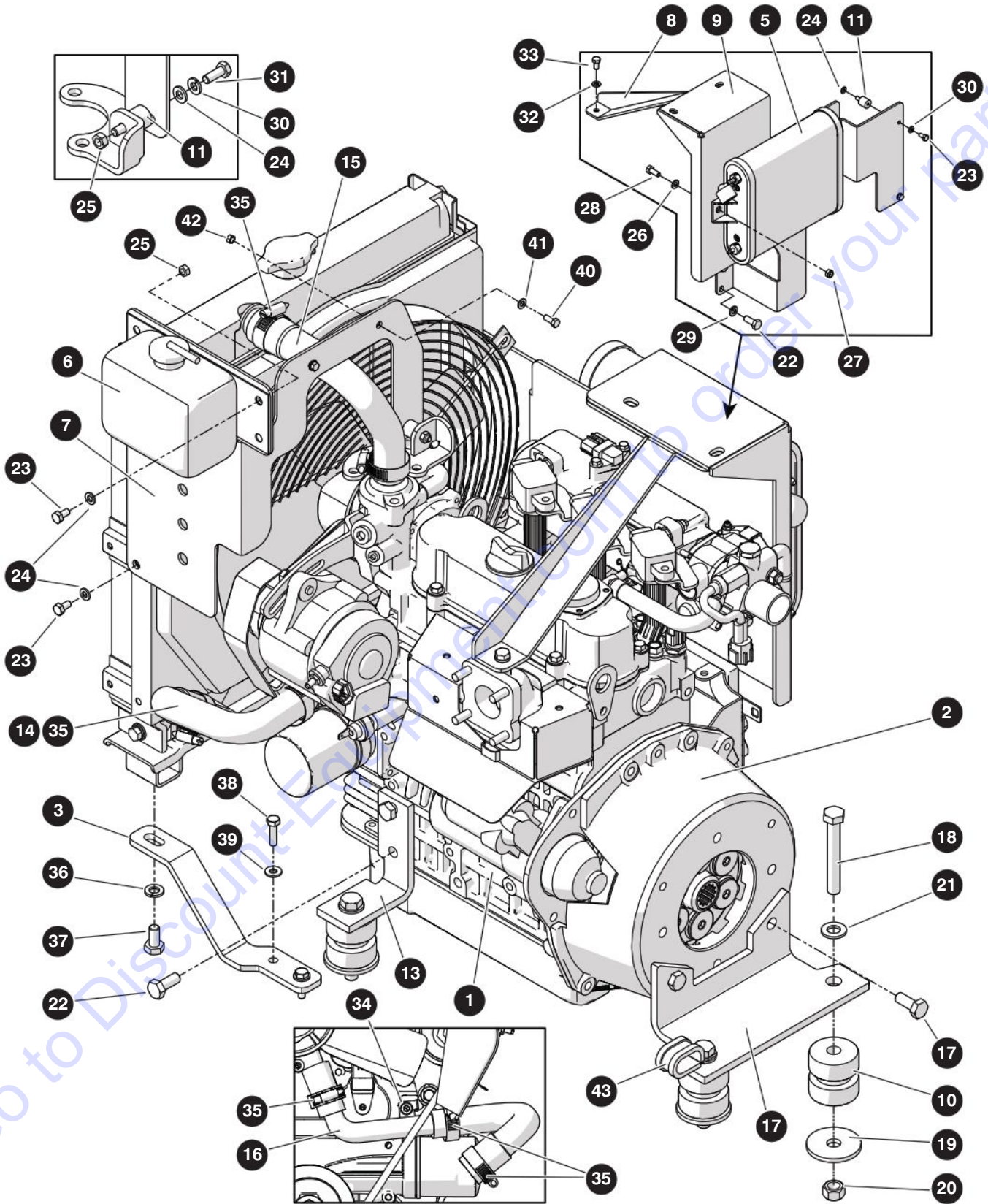
238272AAA

SJ60 AJ+

6.3 Fuel Lines - Kubota D1305

Index No.	Skyjack Part No.	Qty.	Description
-	238487	1	DIESEL FUEL LINES
1	139254	1	• FILTER, Fuel In-line
2	102984	48"	• FUEL LINE (5/16")
3	102984	50"	• FUEL LINE (5/16")
4	102984	105"	• FUEL LINE (5/16")
5	102984	50"	• FUEL LINE (5/16")
6	102660	5"	• HOSE, Fuel line (1/8")
7	102660	40"	• HOSE, Fuel line (1/8")
8	102660	105"	• HOSE, Fuel line (1/8")
9	102660	30"	• HOSE, Fuel line (1/8")
10	103321	9	• CLAMP, Gear

6.4 Kubota WG972 Engine



M237595AF

238272AAA

SJ60 AJ+

PARTS FINDER

**Search Website
by Part Number**



**Search Manual
Library For Parts
Manual & Lookup Part
Numbers – Purchase
or Request Quote**

Search Manuals

Enter your information to search for a manual or to purchase a manual or parts.

* Brand:

* Model:

* Serial:

* Part Number:

SEARCH

**Can't Find Part or
Manual? Request Help
by Manufacturer,
Model & Description**

Parts Order Form

Please fill in the following information:

Manufacturer:

Model:

Description:

Quantity:

Part Number:

Part Name:

Part Description:

Part Category:

Part Location:

Part Status:

Part Condition:

Part Material:

Part Color:

Part Weight:

Part Dimensions:

Part Price:

Part Lead Time:

Part Notes:

Submit

Discount-Equipment.com is your online resource for quality parts & equipment.

Florida: **561-964-4949** Outside Florida TOLL FREE: **877-690-3101**

Need parts?

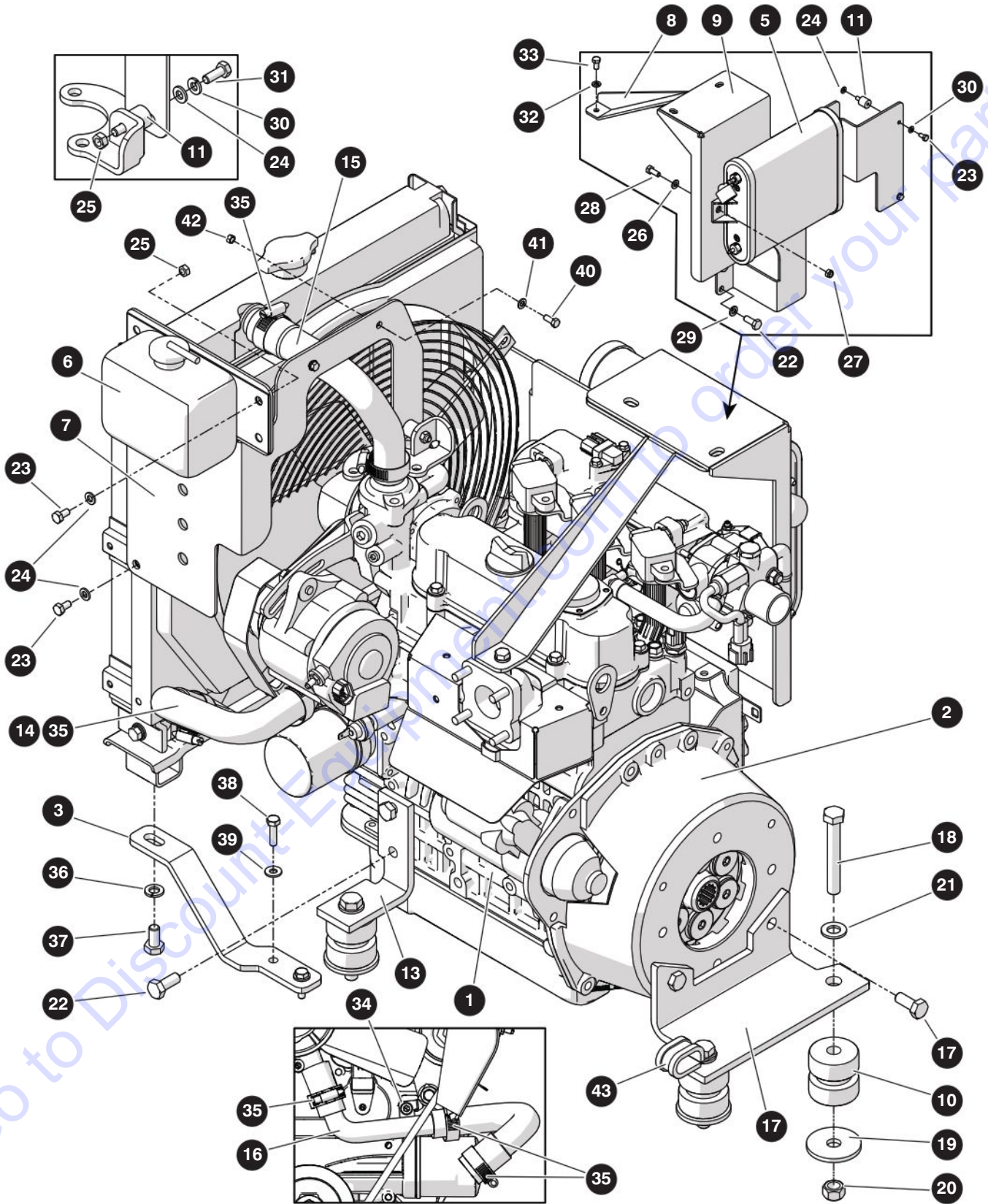
Click on this link: <http://www.discount-equipment.com/category/5443-parts/> and choose one of the options to help get the right parts and equipment you are looking for. Please have the machine model and serial number available in order to help us get you the correct parts. If you don't find the part on the website or on one of the online manuals, please fill out the request form and one of our experienced staff members will get back to you with a quote for the right part that your machine needs.

We sell worldwide for the brands: Genie, Terex, JLG, MultiQuip, Mikasa, Essick, Whiteman, Mayco, Toro Stone, Diamond Products, Generac Magnum, Airman, Haulotte, Barreto, Power Blanket, Nifty Lift, Atlas Copco, Chicago Pneumatic, Allmand, Miller Curber, Skyjack, Lull, Skytrak, Tsurumi, Husquvarna Target, Stow, Wacker, Sakai, Mi-T-M, Sullair, Basic, Dynapac, MBW, Weber, Bartell, Bennar Newman, Haulotte, Ditch Runner, Menegotti, Morrison, Contec, Buddy, Crown, Edco, Wyco, Bomag, Laymor, EZ Trench, Bil-Jax, F.S. Curtis, Gehl Pavers, Heli, Honda, ICS/PowerGrit, IHI, Partner, Imer, Clipper, MMD, Koshin, Rice, CH&E, General Equipment, Amida, Coleman, NAC, Gradall, Square Shooter, Kent, Stanley, Tamco, Toku, Hatz, Kohler, Robin, Wisconsin, Northrock, Oztec, Toker TK, Rol-Air, APT, Wylie, Ingersoll Rand / Doosan, Innovatech, Con X, Ammann, Mecalac, Makinex, Smith Surface Prep, Small Line, Wanco, Yanmar

6.4 Kubota WG972 Engine

Index No.	Skyjack Part No.	Qty.	Description
-	237595	1	KUBOTA WG972 ENGINE
1	220411	1	• ENGINE, Kubota EG972 E3F
	236102	1	• • CRANKCASE
	136094	1	• • GUIDE, Oil gauge
	159207	1	• • PAN
	236103	1	• • GEAR CASE
	236104	1	• • PUMP, Water
	236105	1	• • INLET MANIFOLD
	166634	1	• • THROTTLE BODY
	236106	1	• • MIXER
	166636	1	• • EXHAUST MANIFOLD
	236107	1	• • COVER, Cylinder head
	237841	1	• • FILTER, Oil - inner
	237842	1	• • CARTRIDGE, Oil filter
	159213	1	• • DIPSTICK
	194646	1	• • PLUG, Oil gauge
	237843	1	• • ECU
	237844	1	• • STAY 1, ECU
	237845	1	• • STAY 2, ECU
	237846	1	• • WIRE HARNESS, ECU
	159216	1	• • STARTER
	237847	1	• • ALTERNATOR
	237760	1	• • STAY, Alternator
	136103	1	• • GUARD , Alternator
	166642	3	• • SPARK PLUG
	237761	1	• • FLANGE, Water
	237762	1	• • THERMOSTAT
	136110	1	• • COVER, Thermostat
	236078	1	• • FAN, Cooling
	237764	1	• • COLLAR, Fan
	136112	1	• • PULLEY, Fan
	220382	1	• • PULLEY, Fan drive
	136114	1	• • BELT, Fan
	237765	1	• • SWITCH, Oil
	237766	1	• • MANUAL, Operator's - WG972
	166645	1	• • SENSOR, O2
	136118	1	• • FILTER, Fuel
	158923	1	• • VAPORIZER
	237766	1	• • VALVE, 2 way
	166647	1	• • MUFLER, Cat
	166648	2	• • GASKET, Exhaust
	237768	1	• • COVER, Muffler
	237769	1	• • COVER, Muffler flange
	237770	1	• • HOSE Water
	237771	2	• • CLAMP, Hose
	237772	1	• • RADIATOR

6.4 Kubota WG972 Engine



M237595AF

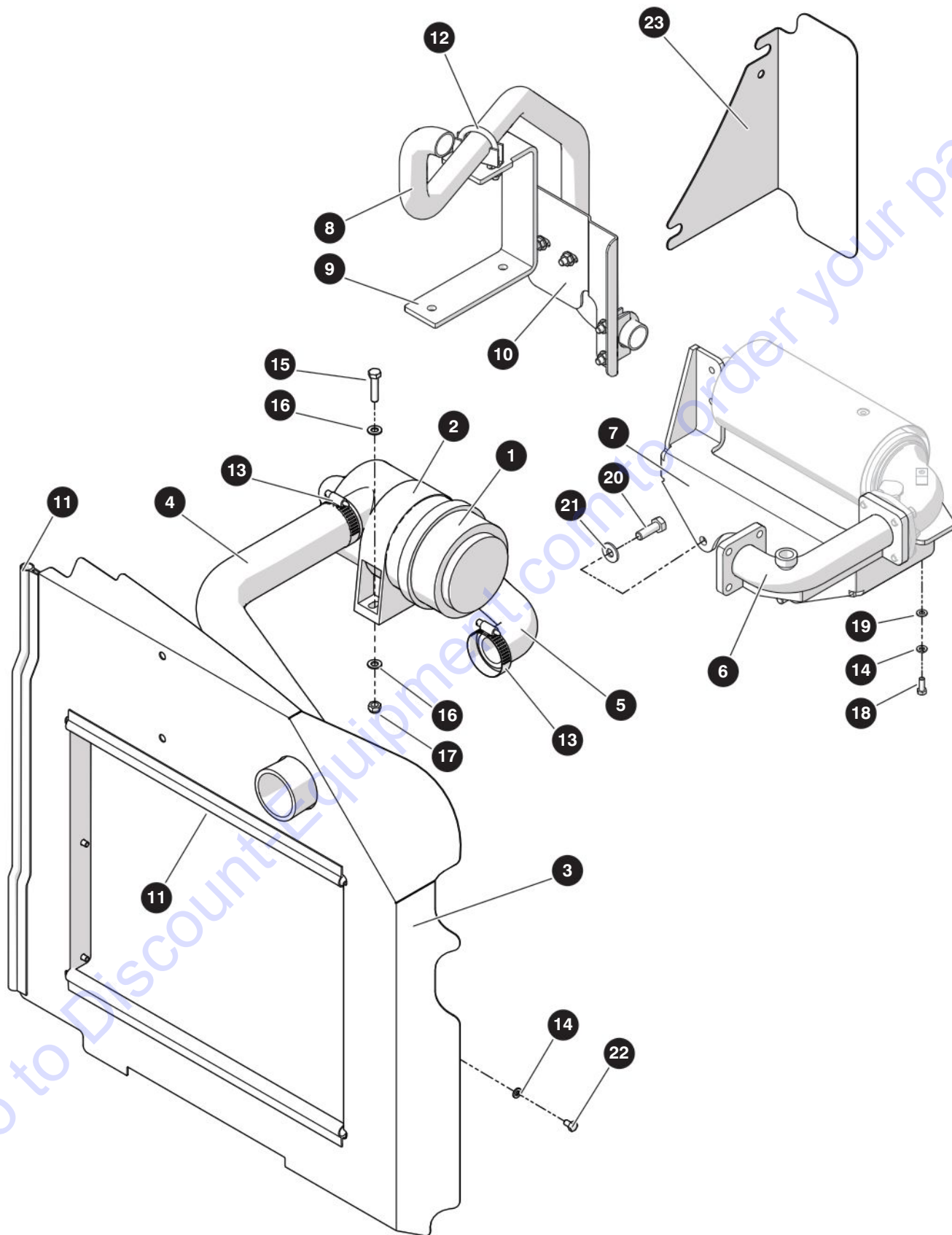
238272AAA

SJ60 AJ+

6.4 Kubota WG972 Engine

Index No.	Skyjack Part No.	Qty.	Description
2	239475	1	• HOUSING, Flywheel housing
3	238504	1	• BRACKET, Radiator mount (shown)
4	238505	1	• BRACKET, Radiator mount (not shown - opposite side)
5	158920	1	• CANISTER, Evaporative
6	147142	1	• RESERVOIR, Coolant
7	222072	1	• BRACKET, Overflow tank
8	222043	1	• SUPPORT, Evaporative canister
9	232945	1	• BRACKET, Evaporative canister
10	237586	4	• MOUNT, Vibration
11	165927	3	• MOUNT, Vibration
12	215174	1	• BRACKET, Engine mount – FL-RR (not shown - opposite side)
13	215173	1	• BRACKET, Engine mount – FR-RL (shown)
14	222074	1	• HOSE, Radiator outlet
15	222073	1	• HOSE, Radiator inlet
16	220367	1	• TUBE, Beaded
17	237602	1	• BRACKET, Engine mount
18	217278	4	• BOLT, Hex head (M12 x 1.75 x 85, cl 8.8)
19	212939	4	• WASHER, Flat hardened (0.536" x 2")
20	217619	4	• NUT, Torque lock (M12 x 1.75, cl 10)
21	933817	4	• WASHER, Flat (M12)
22	228454	10	• BOLT, Hex head (M10 x 1.25 x 25 cl 8.8)
23	933646	6	• BOLT, Hex head (M6 x 1 x 12mm cl 8.8)
24	600190	7	• WASHER, Flat (M6)
25	800354	3	• NUT, Hex head (M6-1)
26	933832	2	• WASHER, Flat (M8-16)
27	223163	2	• NUT, Hex head lock (M8 x 1.25, cl 8)
28	133174	2	• BOLT, Hex head (M8-1.25 x 20, gr 8.8)
29	132497	2	• WASHER, Lock (M10)
30	121758	3	• WASHER, Lock (M6)
31	217392	1	• BOLT, Hex head (M6 x 1 x 16, cl 8.8)
32	116218	1	• WASHER, Lock (M8)
33	217401	1	• BOLT, Hex head (M8 x 1.25 x 16, cl 10.9)
34	217083	1	• SCREW, Socket head cap (M8 x 1.25 x 20, cl 12.9)
35	133696	5	• CLAMP, Hose (1-1/2")
36	130884	2	• WASHER, Lock (M10)
37	933740	2	• BOLT, Hex head (M10 x 1.5 x 20, cl 10.9)
38	103857	4	• BOLT, Hex head (1/4"-20 x 1", gr 5)
39	103995	4	• WASHER, Flat (1/4")
40	228453	2	• BOLT, Hex head (M5 x 0.8 x 12 cl 8.8)
41	134530	2	• WASHER, Flat (M5)
42	217576	2	• NUT, Hex (M5 x 0.8, cl 8)
43	152333	1	• CLAMP, Tube - cushioned (5/8" with 17/32" hole)

6.5 Air Intake & Exhaust - Kubota WG972



M238747AC

238272AAA

156

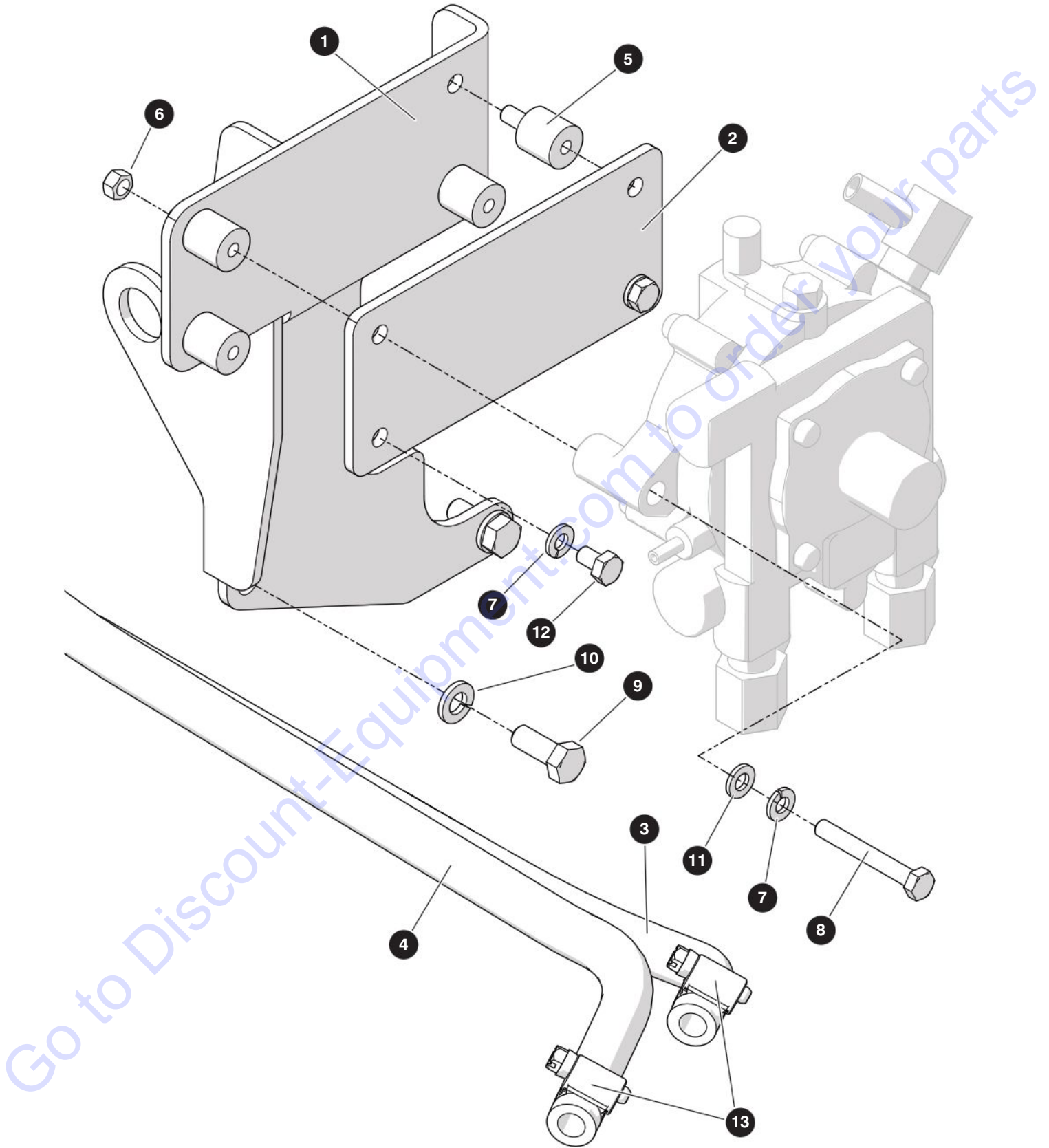
SJ60 AJ+

SKYJACK

6.5 Air Intake & Exhaust - Kubota WG972

Index No.	Skyjack Part No.	Qty.	Description
-	238747	1	AIR INTAKE & EXHAUST - Kubota WG972
1	128601	1	• AIR CLEANER
	133289	1	• • HOUSING, Filter
	132913	1	• • ELEMENT, Filter - air cleaner
2	128602	1	• BAND, Mounting - air cleaner
3	238750	1	• BAFFLE, Engine intake
4	215170	1	• TUBE, Air intake
5	220383	1	• HOSE, Air intake
6	222057	1	• ADAPTER, Exhaust
7	232946	1	• BRACKET, Exhaust
8	238719	1	• TUBE, Exhaust
9	238718	1	• BRACKET, Exhaust mount
10	238731	1	• HEAT SHIELD, Exhaust
11	137625	58	• TRIM, Rubber
12	136969	3	• CLAMP, Exhaust - U-bolt (1-1/4")
13	104528	3	• CLAMP, Hose (1-3/4")
14	121758	5	• WASHER, Lock (M6)
15	217879	2	• BOLT, Hex head (M8 x 1.25 x 30, cl 10.9)
16	933832	4	• WASHER, Flat (M8)
17	223162	2	• NUT, Lock - hex head nylon (M8 x 1.25, cl 10)
18	217870	1	• BOLT, Hex head (M6 x 1 x 16, cl 10.9)
19	600190	1	• WASHER, Flat (M6)
20	933658	2	• BOLT, Hex head (M10 x 1.5 x 30 mm, gr 10.9)
21	600572	2	• WASHER, Flat hardened (M10)
22	600723	6	• BOLT, Hex head (M6-1 x 10 mm, gr 8.8)
23	239473	1	• HEAT SHIELD, Exhaust

6.6 Regulator/Vaporizer Mount - Kubota WG972



M238748AC-2

238272AAA

158

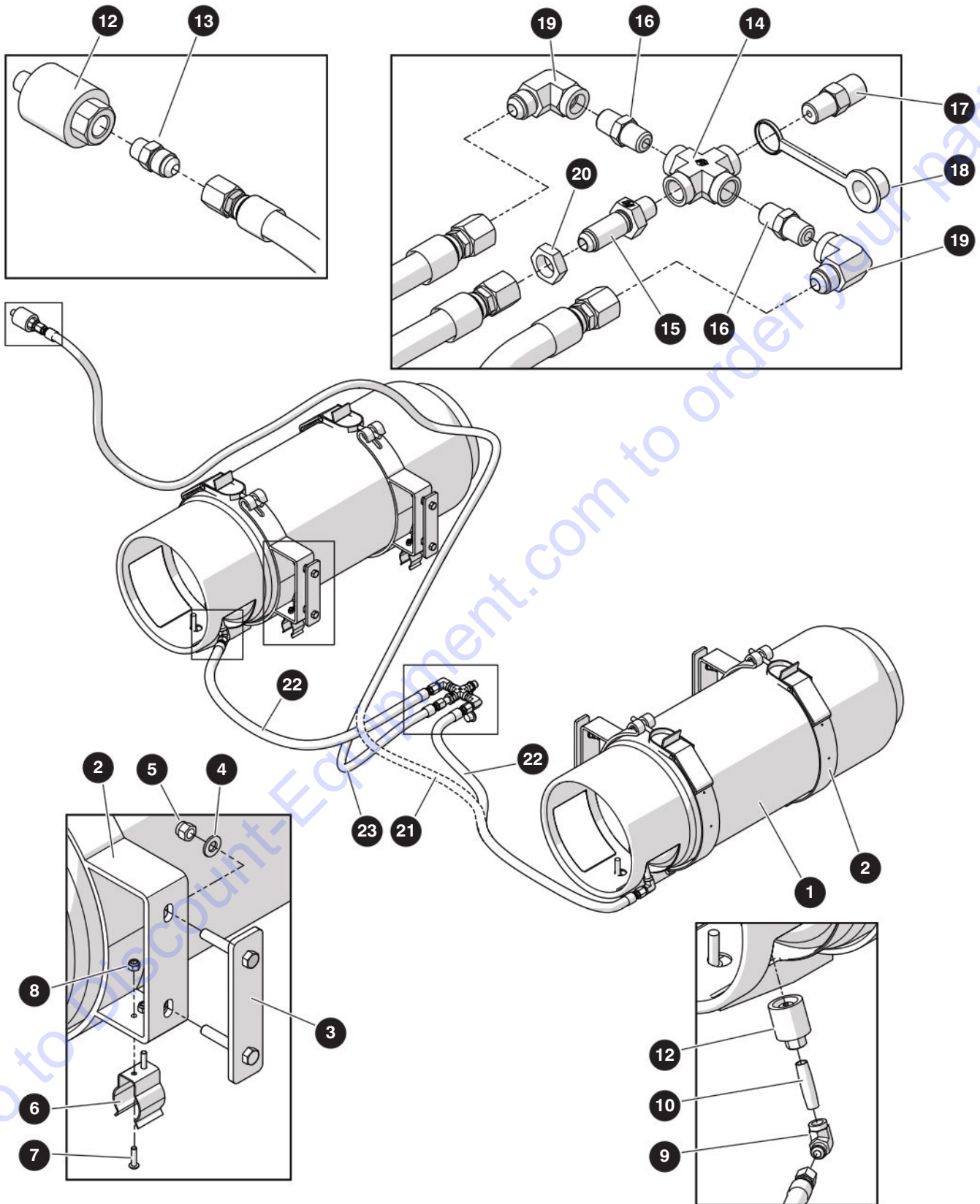
SJ60 AJ+

SKYJACK

6.6 Regulator/Vaporizer Mount - Kubota WG972

Index No.	Skyjack Part No.	Qty.	Description
-	-	1	REGULATOR VAPORIZER MOUNT - Kubota WG972
1	220439	1	• WLDT, VAPORIZER BRACKET
2	220412	1	• PLATE, VAPORIZER MOUNTING
3	300797	17.25	• HOSE 3/8 IN 6 HORIZON 200
4	300797	20.5	• HOSE 3/8 IN 6 HORIZON 200
5	165927	4	• M6 VIBRATION DAMPING MOUNT
6	217578	4	• NUT HEX M6 X 0.75 CL 8 ZP
7	121758	6	• WASHER LOCK M6-PLATED DIN 127B
8	217398	2	• BOLT, HEX HD M6 X 1 X 45 CL 8.8 FT ZP
9	217876	2	• BOLT, HEX HD M8 X 1.25 X 20 CL 10.9 DIN 933
10	116218	2	• WASHER LOCK M8-PLATED DIN 127B
11	600190	3	• WASHER, FLAT M6 DIN 125 (600190)
12	600723	4	• BOLT, HEX HD M6 X 1 X 10, cl 8.8)
13	103321	2	• CLAMP, Gear

6.7 Propane Tanks & Lines - Kubota WG972



M238510AB

238272AAA

160

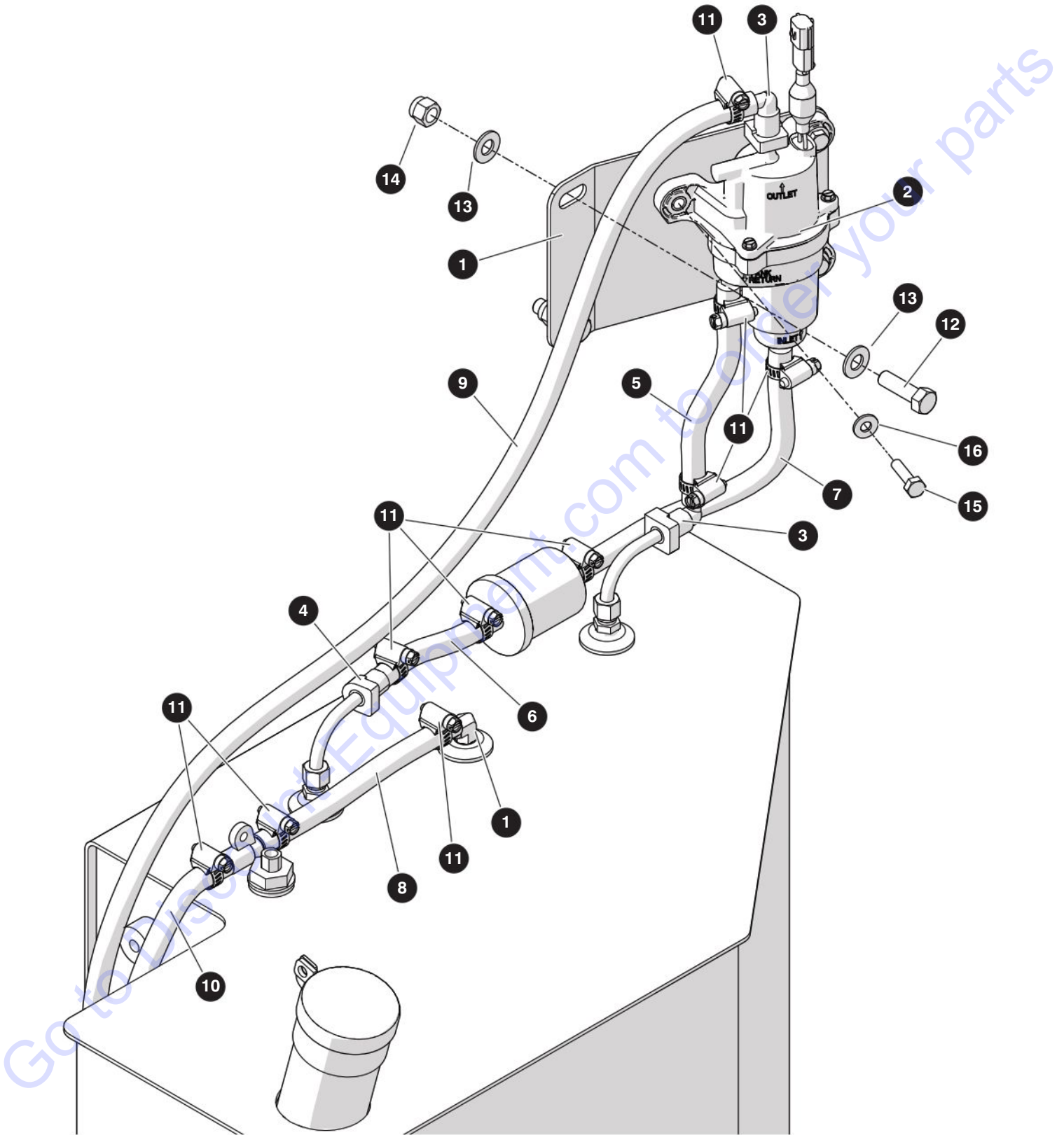
SJ60 AJ+

SKYJACK

6.7 Propane Tanks & Lines - Kubota WG972

Index No.	Skyjack Part No.	Qty.	Description
A	238509	1	SINGLE PROPANE TANK
B	238510	1	DOUBLE PROPANE TANKS
1	702253	1	• BOTTLE, Propane (43.5#), A
	702253	2	• BOTTLE, Propane (43.5#), B
2	144295	1	• MOUNTING, Propane bottle, A
	144295	2	• MOUNTING, Propane bottle, B
	221768	2	• • BRACKET, Propane tank
	221769	2	• • LATCH
	221770	1	• • PIN, Locating
	221771	2	• • SCREW, Sem
3	149029	2	• RETAINER, Propane mount, A
	149029	4	• RETAINER, Propane mount, B
4	125959	4	• WASHER, Flat hardened (3/8"), A
	125959	8	• WASHER, Flat hardened (3/8"), B
5	104606	4	• NUT, Hex lock (3/8"-16 Grade 5, nylon), A
	104606	8	• NUT, Hex lock (3/8"-16 Grade 5, nylon), B
6	137235	2	• CLIP, Gripper (1.5"-2.5 diameter), A
	137235	4	• CLIP, Gripper (1.5"-2.5 diameter), B
7	138834	4	• SCREW, Round head machine (#10-24 x 3/4"), A
	138834	8	• SCREW, Round head machine (#10-24 x 3/4"), B
8	126642	4	• NUT, Hex lock (#10-24 Grade 5, nylon), A
	126642	8	• NUT, Hex lock (#10-24 Grade 5, nylon), B
9	144334	1	• FITTING, Elbow 90° (06 SAE 45M - 04 NPTF), A
	144334	2	• FITTING, Elbow 90° (06 SAE 45M - 04 NPTF), B
10	143478	1	• NIPPLE, Brass (1/4 NPT x 2"), A
	143478	2	• NIPPLE, Brass (1/4 NPT x 2"), B
11	103006	1	• QUICK COUPLING, Female tank, A
	103006	2	• QUICK COUPLING, Female tank, B
12	125793	1	• VALVE, Shut off
13	103156	1	• FITTING, Straight (06 SAE 45M - 04 NPTM), A
-	235352	1	• PROPANE TEE, B
14	235350	1	• • FITTING, Cross (04NPTF-04NPTF-04NPTF-04NPTF)
15	235351	1	• • FITTING, Bulkhead (04NPTM-06JICM)
16	230931	2	• • VALVE, Check - 2 psi
17	130099	1	• • VALVE, Relief - 04NPT
18	111622	1	• • CAP, Rain
19	144334	2	• • FITTING, 90° (06JICM-04NPTF)
20	139157	1	• • FITTING, Bulkhead nut (06JIC)
21	211434	1	• HOSE, Propane (156"), A
22	103098	2	• HOSE, Propane (42"), B
24	211429	1	• HOSE, Propane (135"), B

6.8 Fuel Lines - Kubota WG972



M238510AB

238272AAA

162

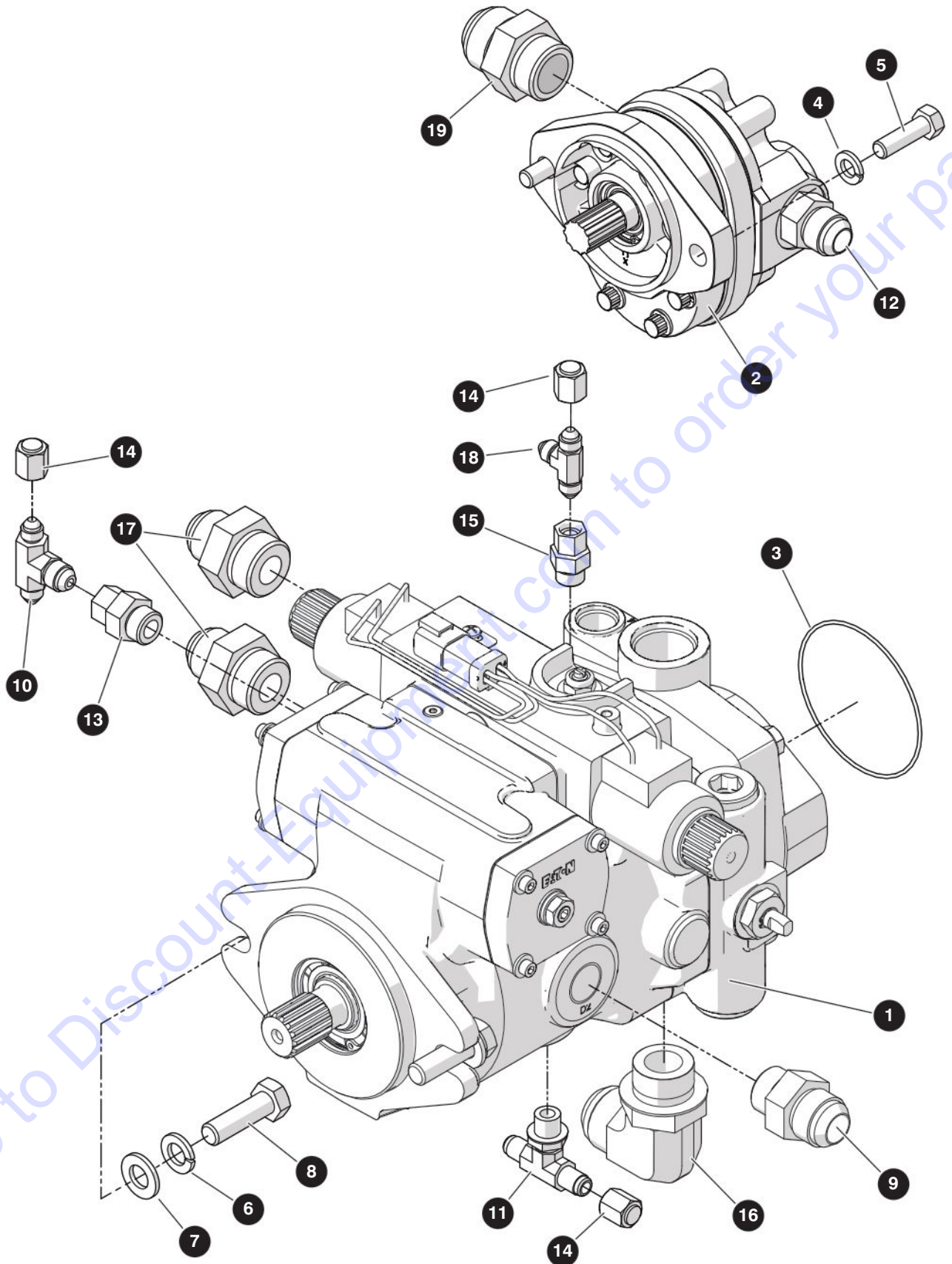
SJ60 AJ+

SKYJACK

6.8 Fuel Lines - Kubota WG972

Index No.	Skyjack Part No.	Qty.	Description
-	238517	1	FUEL LINES - Kubota WG972
1	238518	1	• BRACKET, Mount - fuel pump
2	237610	1	• FUEL PUMP, Gasoline
3	142398	2	• FITTING, 90° quick connect - fuel
4	142397	1	• FITTING, Straight quick connect - fuel
5	142405	7"	• FUEL LINE (5/16")
6	142405	5"	• FUEL LINE (5/16")
7	142405	10"	• FUEL LINE (5/16")
8	142405	7"	• FUEL LINE (5/16")
9	142405	120"	• FUEL LINE (5/16")
10	142405	115"	• FUEL LINE (5/16")
11	103321	12	• CLAMP, Gear
12	101297	2	• BOLT, Hex head (3/8"-16 x 1-1/4", gr 5)
13	103472	4	• WASHER, Flat (3/8")
14	104606	5	• NUT, Lock (3/8"-16, gr 5)
15	103857	6	• BOLT, Hex head (1/2"-20 x 1", gr 5)
16	103995	6	• WASHER, Flat (3/8")

6.9 Drive & System Pumps



M238498AB

238272AAA

SJ60 AJ+

6.9 Drive & System Pumps

Index No.	Skyjack Part No.	Qty.	Description
-	237597	1	DRIVE & SYSTEM PUMPS
1	170599	1	• PUMP, Drive
2	161963	1	• PUMP, System
3	162387	1	• O-RING (3-1/4" x 1/16")
4	103999	2	• WASHER, Lock (3/8")
5	101297	2	• BOLT, Hex head (3/8"-16 x 1-1/4", gr 5)
6	600549	2	• WASHER, Lock (M12)
7	600426	2	• WASHER, Flat (M12)
8	217892	2	• BOLT, Hex head (M12 x 1.75 x 40, cl 10.9)
9	702118	1	• FITTING, Straight (12JICM-12ORBM)
10	162044	1	• FITTING, Tee (04JICM-04JICM-06JICM)
11	148490	1	• FITTING, Brach tee (04JICM-04JICM-06ORBM)
12	137630	1	• FITTING, Straight (10JICM-10ORBM)
13	162043	1	• FITTING, Straight (06JICFS-08ORBM)
14	131286	3	• FITTING, Cap (04JICF)
15	160885	1	• FITTING, Straight (06 ORBM-04 JICFS)
16	707040	1	• FITTING, 90° (16JICM-16ORBM)
17	702122	2	• FITTING, Straight (12JICM-16ORBM)
18	131697	1	• FITTING, Tee (04JICM)
19	138667	1	•
20	160637	1	SEAL KIT, Drive Pump

Section 7 – Electrical Harnesses

7.1 *Main Electrical and Fuel Level Switch Harnesses*

7.2 *Engine Harness - D1305*

7.3 *Engine Fuse Box - Kubota D1305*

7.4 *Engine Harness - Kubota WG972*

7.5 *ECU Power Harness - Kubota WG972*

7.6 *Fuel Pump Harness - Kubota WG972*

7.7 *Lowering Throttle Valve Harness*

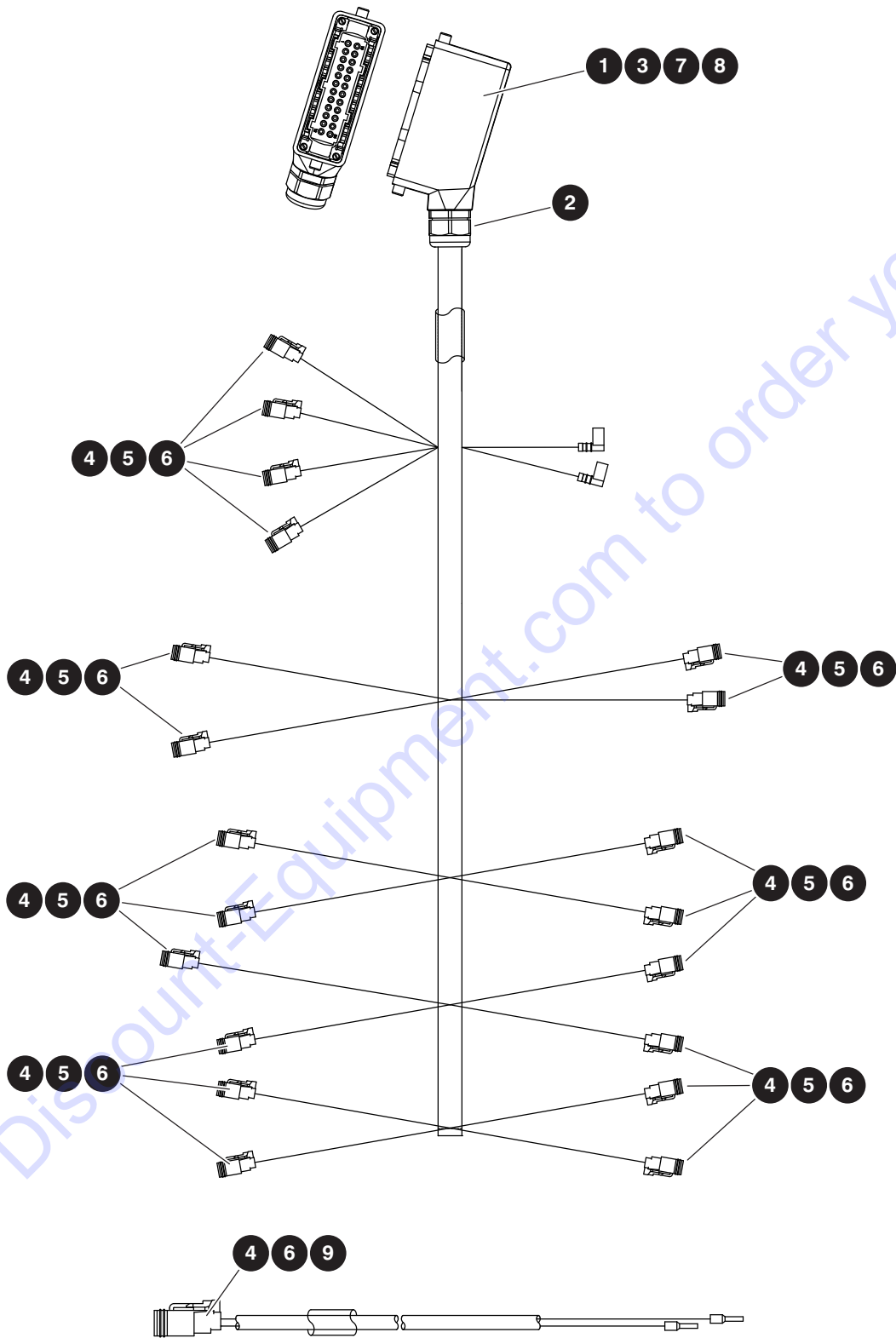
7.8 *Rotate Select Harness*

7.9 *Battery Cables*

7.10 *CANbus & Control Cables*

7.11 *Differential Lock Valve Harness*

7.1 Main Electrical and Fuel Level Switch Harnesses



M153816AD_M153941AB

238272AAA

168

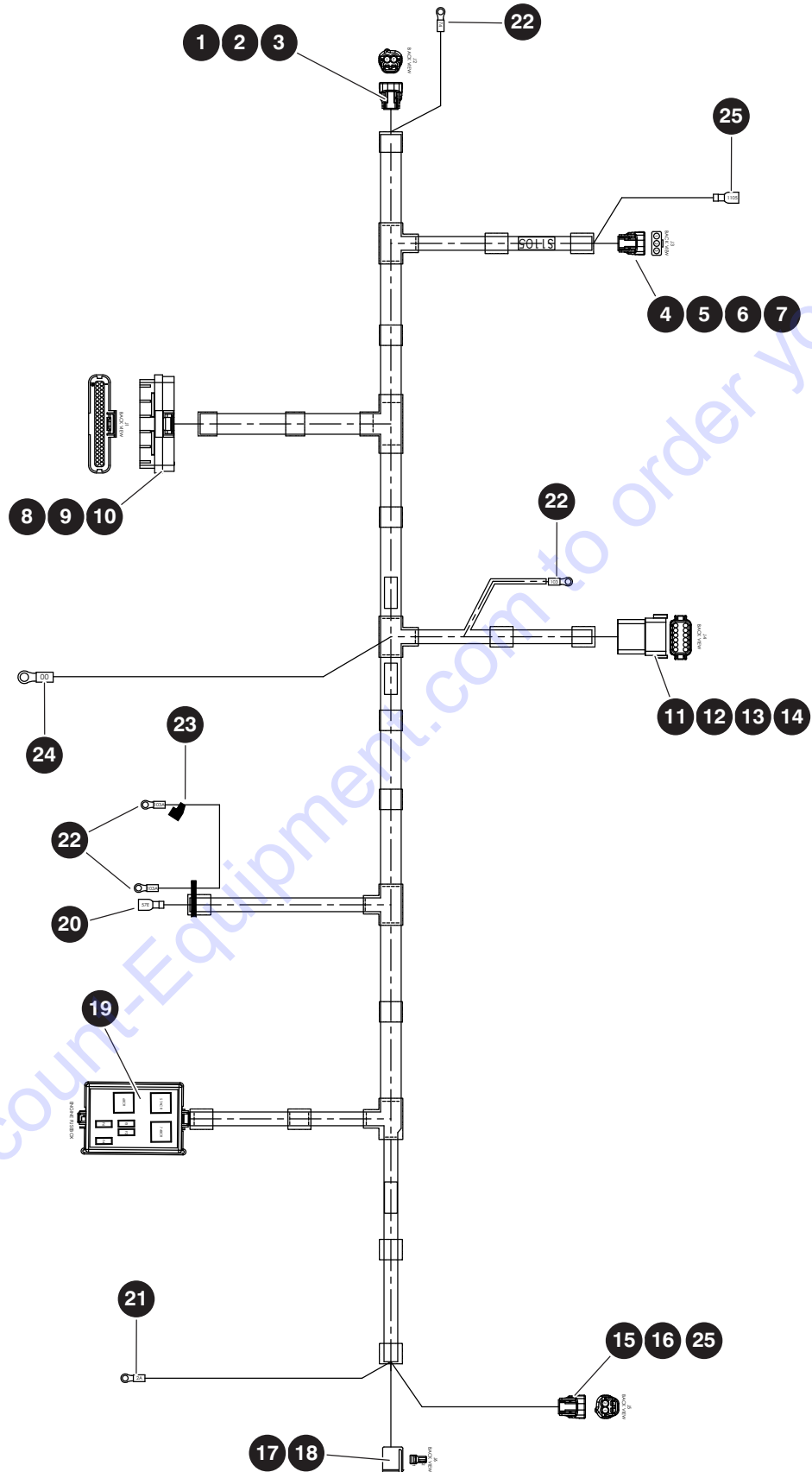
SJ60 AJ+

SKYJACK

7.1 Main Electrical and Fuel Level Switch Harnesses

Index No.	Skyjack Part No.	Qty.	Description
A	218496	1	MAIN WIRING HARNESS
B	218495	1	FUEL LEVEL SWITCH HARNESS
1	138753	1	• HOOD, Side 24 pole (M32)
2	138754	1	• RELIEF, Strain (M32 x 1.5)
3	138755	1	• PLUG, 24 Pole spring (16A)
4	117597	20	• PLUG, Deutsch (2-pin) A
		1	• PLUG, Deutsch (2-pin) B
5	117591	40	• SOCKET, Deutsch (16/18 GA)
6	117599	20	• WEDGE, Deutsch (2-pin), A
		1	• WEDGE, Deutsch (2-pin), B
7	115401	21	• FERRULE, (18 GA)
8	138044	3	• FERRULE, (14 GA)
9	117590	2	• SOCKET, Contact (16/18 GA), B

7.2 Engine Harness - D1305



M218405AD-1

238272AAA

170

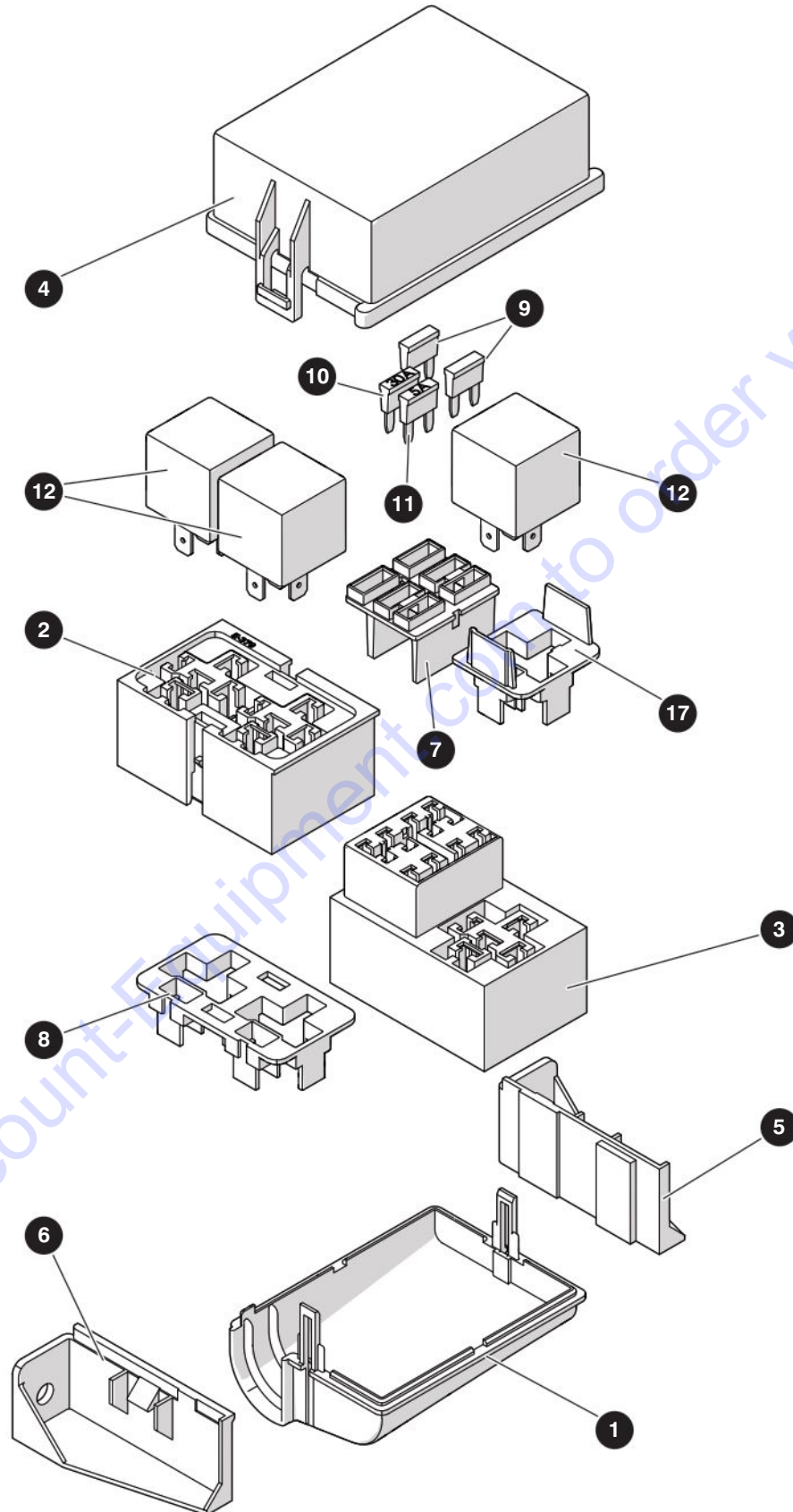
SJ60 AJ+

SKYJACK

7.2 Engine Harness - D1305

Index No.	Skyjack Part No.	Qty.	Description
-	236167	1	ENGINE HARNESS
1	215850	1	• CONNECTOR, 2 Pole - automotive
2	215852	2	• CONTACT, Female - automotive
3	215853	2	• SEAL, Wire - automotive
4	215864	1	• CONNECTOR, 3 Pole - automotive
5	215866	3	• CONTACT, Female - automotive
6	215867	3	• SEAL, Wire - automotive
7	215865	1	• CONNECTOR, Rear holder
8	215868	1	• CONNECTOR, 44 position - ECU
9	215869	22	• CONTACT, Female - ECU
10	215870	22	• PLUG, Wire - ECU
11	117586	1	• CONNECTOR, Receptacle (12 pin)
12	117589	1	• CONNECTOR, Receptacle - wedge (12 pin)
13	117590	7	• CONNECTOR, Contact (PIN 16 - 18)
14	117594	5	• CONNECTOR, Sealing plug
15	215871	1	• CONNECTOR, 2 Pole - automotive
16	215872	2	• CONTACT, Female - automotive
17	215874	1	• CONNECTOR, 2 Pole - alternator
18	215875	2	• CONTACT, Female - alternator
19	(Ref.)	1	• FUSEBOX (For components, refer to 7.3 Engine Fuse Box - Kubota D1305)
20	105568	1	• TERMINAL, Female - yellow 10-12 AWG
21	216788	1	• TERMINAL, Ring - red 18-22 GA
22	108172	1	• TERMINAL, Ring 10-12 GA
23	117696	1	• BOOT, Terminal
24	114595	1	• TERMINAL, Female 18-22 GA
25	238414	2	• WIRE SEAL, Amp

7.3 Engine Fuse Box - Kubota D1305



M236168AB

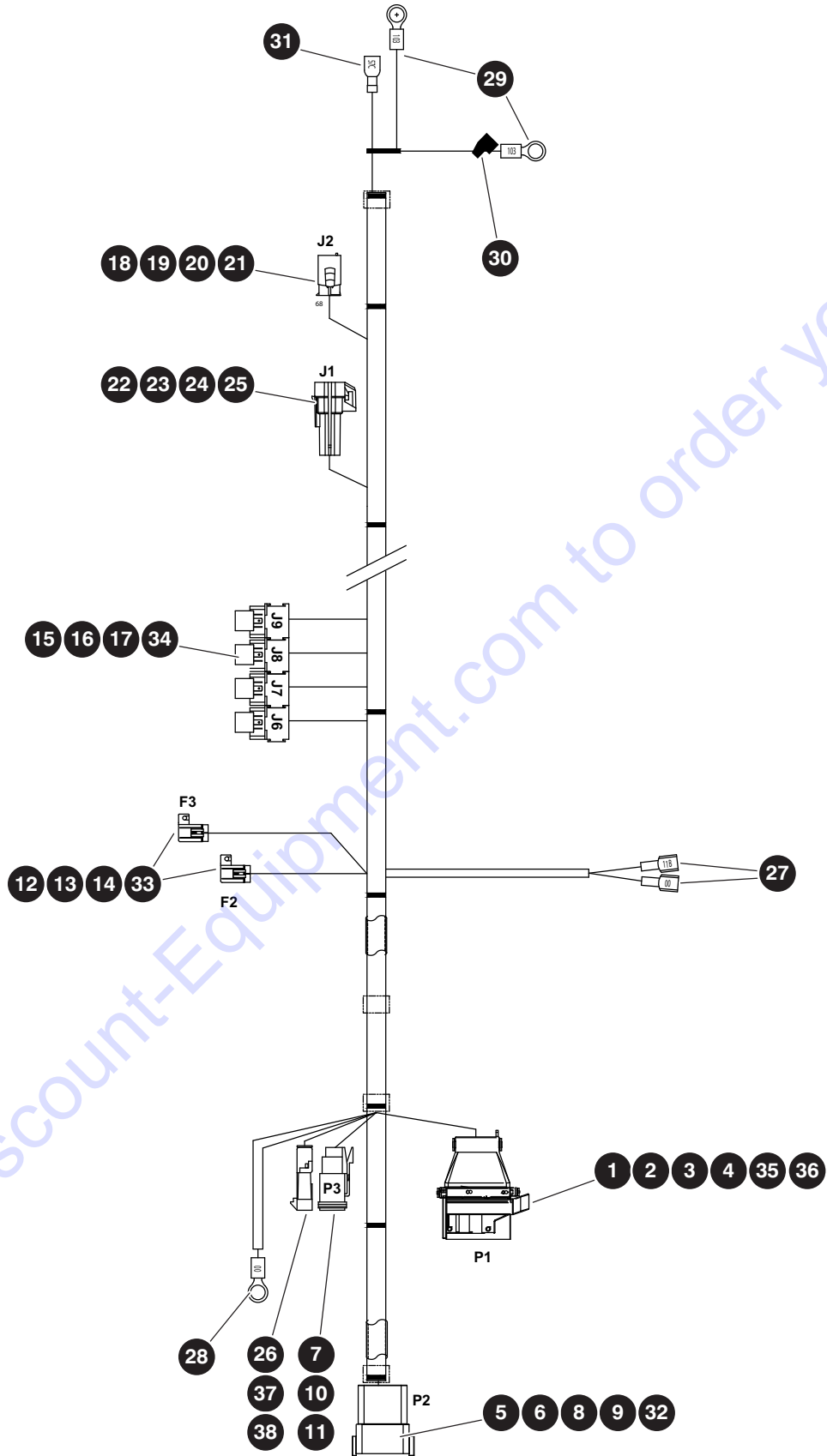
238272AAA

SJ60 AJ+

7.3 Engine Fuse Box - Kubota D1305

Index No.	Skyjack Part No.	Qty.	Description
-	236168	1	FUSE BOX
1	198654	1	• COVER, Fuse box - bottom
2	198646	1	• BLOCK, Fuse box - dual ISO relay
3	198647	1	• BLOCK, Fuse box - ISO relay, 6 fuses
4	198651	1	• COVER, Fuse box - top
5	198652	1	• BRACKET, Fuse box - RH
6	198653	1	• BRACKET, Fuse box - LH
7	198649	1	• SPACER, Half module - mini fuse
8	198650	1	• SPACER, ISO relay
9	170626	2	• FUSE, ATM - 10A
10	198727	1	• FUSE, ATM - 30A
11	198725	1	• FUSE, ATM - 5A
12	127131	3	• RELAY, 12V 40 AMP
13	198657	4	• TERMINAL, Female - ISO relay (14/16 AWG) (not shown)
14	198658	4	• TERMINAL, Female - ISO relay (18/20 AWG) (not shown)
15	198662	1	• TERMINAL, Female - mini fuse (18/20 AWG) (not shown)
16	198661	5	• TERMINAL, Female - mini fuse (14/16 AWG) (not shown)
17	198648	1	• SPACER, Half module - ISO relay
18	198655	4	• TERMINAL, Female - ISO relay (10/12 AWG) (not shown)
19	198660	2	• TERMINAL, Female - mini fuse (10/12 AWG) (not shown)

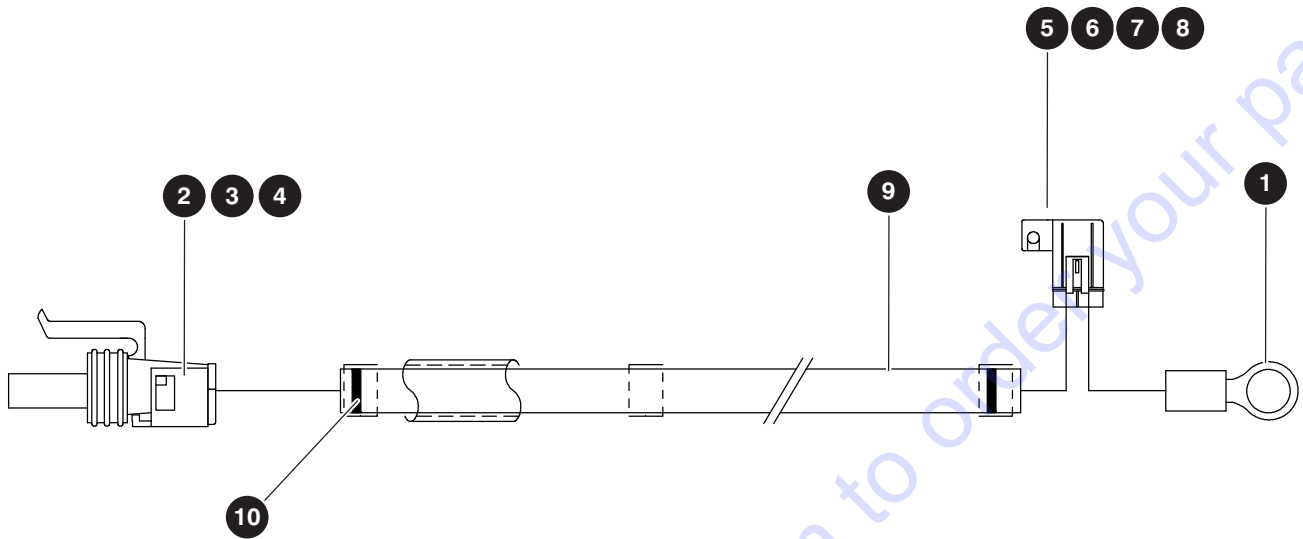
7.4 Engine Harness - Kubota WG972



7.4 Engine Harness - Kubota WG972

Index No.	Skyjack Part No.	Qty.	Description
-	169377	1	ENGINE HARNESS - Kubota WG972
1	163675	1	• CONNECTOR (42M)
2	163676	11	• TERMINAL, Female (18 - 20 GA)
3	156173	4	• TERMINAL, Female (2.5 - 1.5 mm ²)
4	156174	4	• TERMINAL, Female (1.0 - 0.5 mm ²)
5	117586	1	• RECEPTACLE, Connector (12 pin)
6	117589	1	• CONNECTOR, Plug - wedge (12 pin)
7	117591	2	• SOCKET, Connector contact (16-18)
8	117592	3	• CONNECTOR, contact pin (14-16)
9	117594	5	• CONNECTOR, Sealing plug
10	117597	1	• CONNECTOR, Plug (2 PIN)
11	117599	1	• CONNECTOR, Plug - wedge (2 pin)
12	157850	2	• CONNECTOR, 2F Fuse holder
13	157851	4	• TERMINAL, Female (2.5 - 1.5 mm ²)
14	156117	2	• COVER, Inline autofuse
15	138749	4	• SOCKET, Relay - automotive
16	126808	11	• TERMINAL, Female (14 - 18 GA)
17	163677	5	• TERMINAL, Female (12 - 16 GA)
18	141581	1	• CONNECTOR, 3 way socket
19	141582	1	• TERMINAL, Female (1.25 - 0.5 mm ²)
20	142183	1	• SEAL, Wire (2.7 - 1.8 mm)
21	156167	2	• PLUG, Cavity
22	166481	1	• CONNECTOR, 4M, 150 M/P
23	163679	1	• TPA (4W)
24	163680	4	• TERMINAL, Male (0.8 - 0.5 mm ²)
25	156146	4	• SEAL, Wire (2.9 - 2.0 mm)
26	156106	1	• CONNECTOR (1M)
27	114595	2	• TERMINAL, Female (18 - 22 AWG)
28	108172	1	• TERMINAL, Ring (10 - 12 GA x 3/8")
29	238222	1	• WIRE ASSEMBLY, Fuse link
30	117696	1	• TERMINAL, Boot
31	105359	1	• TERMINAL, Female (14 - 16 GA)
32	117590	4	• PIN, Connector contact (16-18)
33	156202	2	• FUSE (5A)
34	127131	4	• RELAY (12 V, 40 A)
35	166583	1	• BACKSHELL
36	166584	1	• SEAL, Inner
37	156116	1	• TERMINAL, Male (3.0 - 2.0 mm ²)
38	157868	1	• SEAL, Wire (4.3 - 3.5 mm)
39	117590	4	• PIN, Connector contact (16-18)

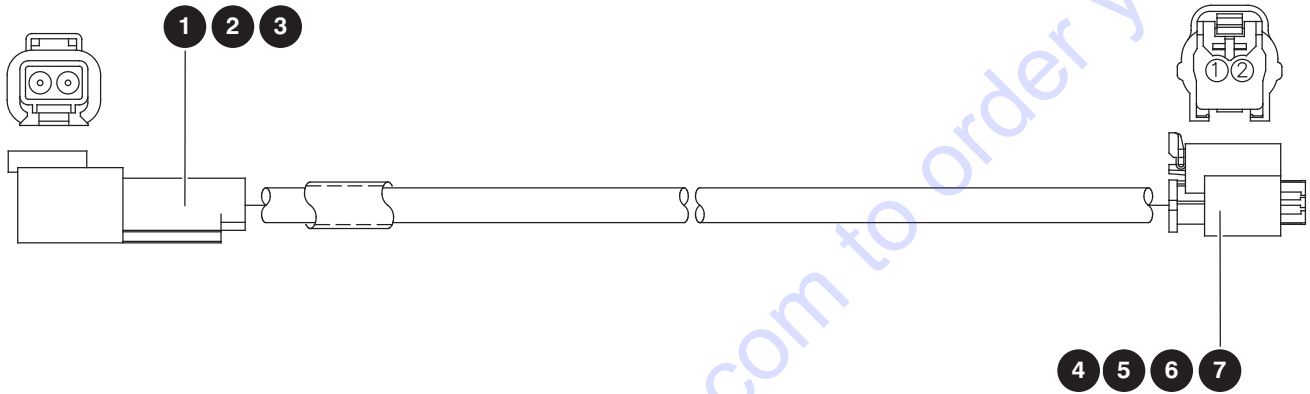
7.5 ECU Power Harness - Kubota WG972



M166776AA

Index No.	Skyjack Part No.	Qty.	Description
-	166776	1	ECU POWER HARNESS
1	108172	1	• TERMINAL, Ring (10 - 12 GA, 3/8")
2	156108	1	• CONNECTOR, Female
3	156138	1	• TERMINAL, Female
4	157868	1	• SEAL, Wire
5	156127	1	• CONNECTOR, Female - Fuse holder
6	156118	2	• TERMINAL, Female
7	156117	1	• COVER, Inline autofuse
8	156164	1	• FUSE (30 A)
9	124399	183"	• PROTECTOR, Wire (1/4")
10	113719	2	• TIEWRAP (3 - 5/8")

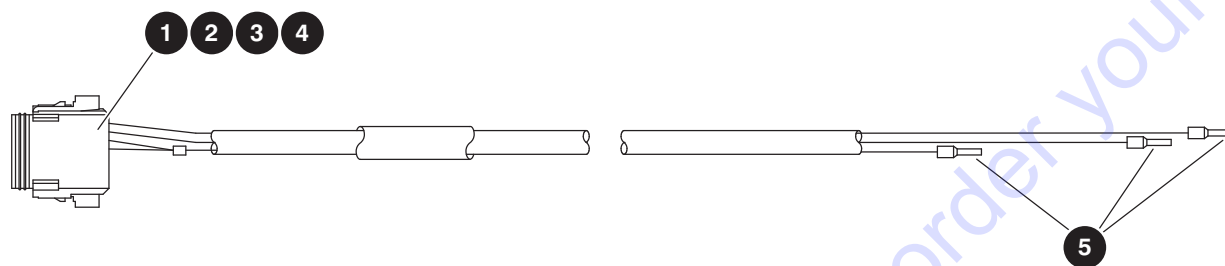
7.6 Fuel Pump Harness - Kubota WG972



M238418AB

Index No.	Skyjack Part No.	Qty.	Description
-	238418	1	ECU POWER HARNESS
1	117596	1	• RECEPTACLE, Connector - deutsch 2 pin
2	117596	2	• PIN, Contact (16/18 GA)
3	117596	1	• WEDGE, Receptacle - deutsch 2 pin
4	117596	1	• CONNECTOR, 2 pole plug
5	117596	2	• SEAL, Wire - green (2-1.4 mm)
6	117596	1	• CONTACT, Female - automotive
7	117596	1	• PLATE, Connector 2P

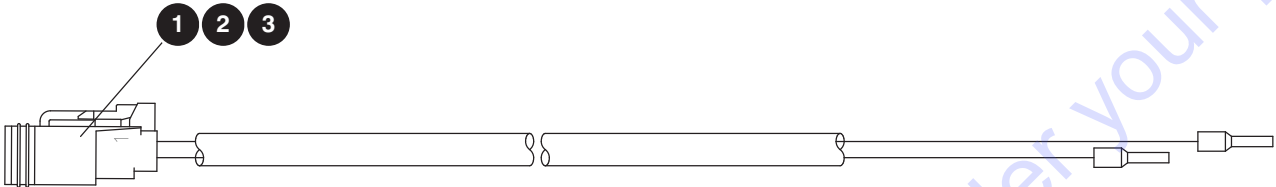
7.7 Lowering Throttle Valve Harness



M154357AA

Index No.	Skyjack Part No.	Qty.	Description
-	154357	1	LOWERING THROTTLE VALVE HARNESS
1	117583	1	• CONNECTOR, Plug (8 pin)
2	117591	4	• SOCKET, Deutsch (16/18 GA)
3	117594	4	• CONNECTOR, Seal plug
4	117585	1	• CONNECTOR, Wedge (8 pin)
5	115401	3	• FERRULE, (18 GA)

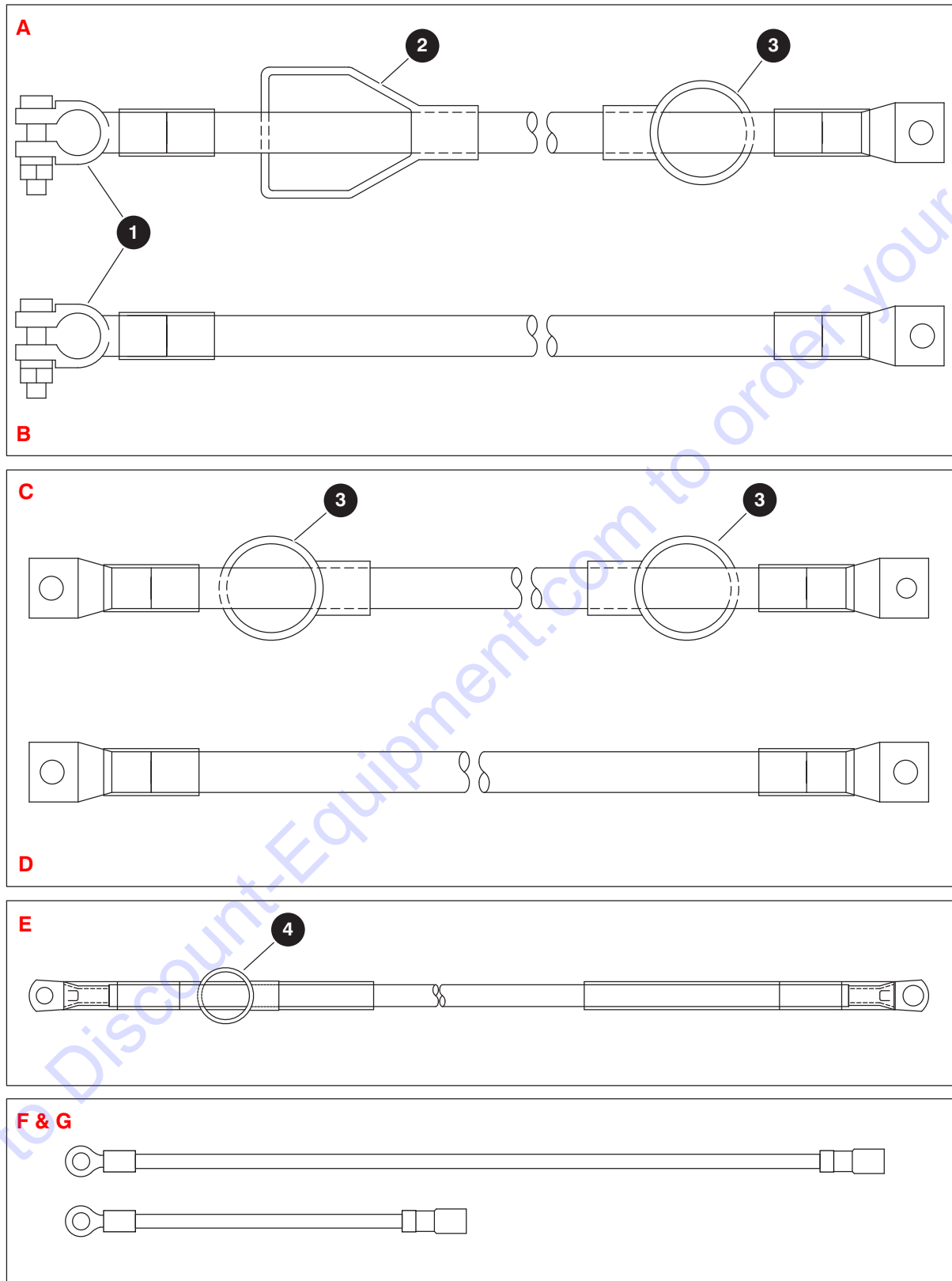
7.8 Rotate Select Harness



M154128AD

Index No.	Skyjack Part No.	Qty.	Description
-	154128	1	ROTATE SELECT HARNESS
1	117597	1	• PLUG, Deutsch (2-pin)
2	117599	1	• WEDGE, Deutsch (2-pin)
3	117591	2	• SOCKET, Deutsch (16/18 GA)

7.9 Battery Cables



M138700AB_M154243AB_M154245AB_M154244AB_M149254AA_M159915AA_M149255AA_M147541AB

238272AAA

180

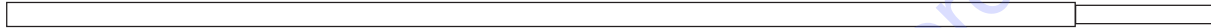
SJ60 AJ+

SKYJACK

7.9 Battery Cables

Index No.	Skyjack Part No.	Qty.	Description
A	138700	1	CABLE HARNESS (Battery positive to main disconnect switch)
B	238430	1	CABLE HARNESS (Battery negative to turret ground)
C	238402	1	CABLE HARNESS (Engine starter to main disconnect switch)
D	238403	1	CABLE HARNESS (Turret ground to starter)
E	147541	1	CABLE HARNESS (Engine starter to emergency pump)
F	152344	1	WIRE ASSEMBLY (Charge indicator, 00) - CE & AS
G	152345	1	WIRE ASSEMBLY (Charge indicator, 03) - CE & AS
1	139030	1	• POST CLAMP, Battery (#2/0 positive), A
	139031	1	• POST CLAMP, Battery (#2/0 negative), B
2	139032	1	• POST CLAMP, Battery (#2/0 negative), A
3	139105	1	• TERMINAL BOOT, (#2/0 red), A
		2	• TERMINAL BOOT, (#2/0 red), C
4	139106	1	• TERMINAL BOOT, (#1 red), F, G

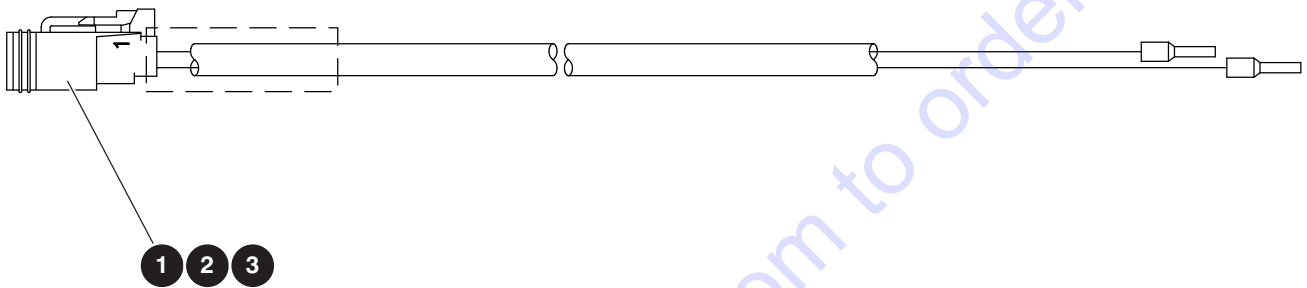
7.10 CANbus & Control Cables



M218859AA

Index No.	Skyjack Part No.	Qty.	Description
1	218486	1	CONTROL CABLE (960")
2	218485	1	CANBUS CABLE (960")

7.11 Differential Lock Valve Harness



M162072AB

Index No.	Skyjack Part No.	Qty.	Description
-	167072	1	DIFFERENTIAL LOCK VALVE HARNESS
1	117597	1	• PLUG, Deutsch (2-pin)
2	117599	1	• WEDGE, Deutsch (2-pin)
3	117591	2	• SOCKET, Deutsch (16/18 GA)

Section 8 – Hose Connections

8.1 *Hose Numbering System*

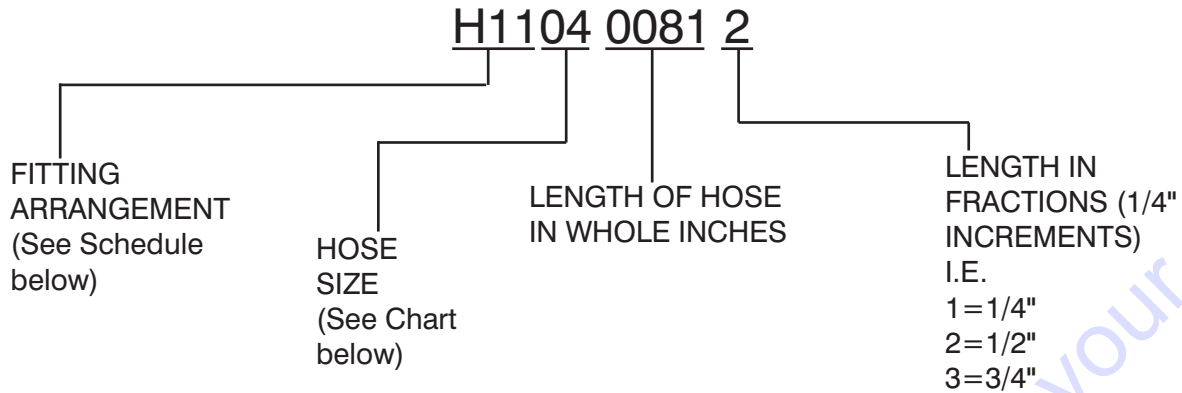
8.2 *Turret Hoses*

8.3 *Chassis Hoses*

8.4 *Drive & System Pump Hoses*

8.5 *Boom Hoses*

8.1 Hose Numbering System



Using the number above as an example, H1104 0081 2, this hose requires a 37° JIC female swivel fitting on one end, and a medium length 90° JIC female swivel fitting for the other end. The hose must meet or exceed the S.A.E. 100R13 hose specification, and be a total of 81-1/2" long.



NOTE

Hose ends and hose must be from same manufacturer per S.A.E. J1273 Nov. '91, Sections 3.10 and 4.2. Hose ends and hose must be of the same size i.e. #4 size fittings must be used with #4 size hose.

Hose Size Chart

Size	03	04	06	08	10	12	16	20	24	32	40	48	56	64
ID	3/16"	1/4"	3/8"	1/2"	5/8"	3/4"	1"	1-1/4"	1-1/2"	2"	2-1/2"	3"	3-1/2"	4"

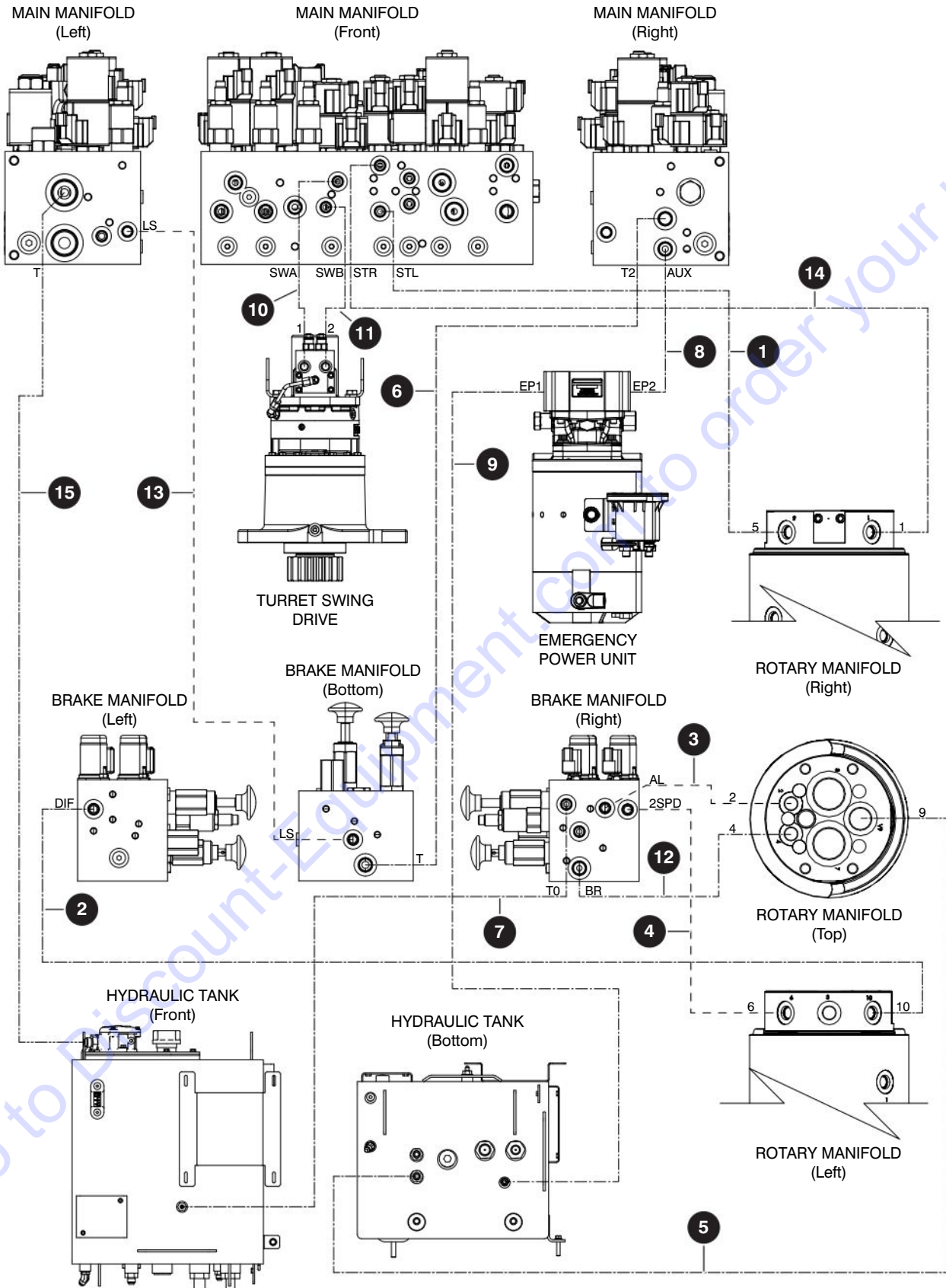
Fitting Arrangement Schedule

Hose Prefix	Hose End Fitting	Hose End Fitting	S.A.E. Hose Specification
H01	FEMALE, 37° JIC, SWIVEL	FEMALE, 37° JIC, SWIVEL	100R17
H02	FEMALE, 37° JIC, SWIVEL	FEMALE, 37° JIC, SWIVEL	100R13
H03	FEMALE, 37° JIC, SWIVEL	45°, FEMALE, 37° JIC, SWIVEL	100R17
H04	FEMALE, 37° JIC, SWIVEL	45°, FEMALE, 37° JIC, SWIVEL	100R13
H05	FEMALE, 37° JIC, SWIVEL	LONG 90°, FEMALE, 37° JIC, SWIVEL	100R17
H06	FEMALE, 37° JIC, SWIVEL	SHORT 90°, FEMALE, 37° JIC, SWIVEL	100R17
H07	LONG 90°, FEMALE, 37° JIC, SWIVEL	LONG 90°, FEMALE, 37° JIC, SWIVEL	100R17
H08	FEMALE, 37° JIC, SWIVEL	FEMALE, 37° JIC, SWIVEL	100R4
H09	FEMALE, 37° JIC, SWIVEL	45°, FEMALE, 37° JIC, SWIVEL	100R4
H10	FEMALE, 37° JIC, SWIVEL	MALE PIPE THREAD FITTING	100R17
H11	FEMALE, 37° JIC, SWIVEL	MEDIUM 90°, FEMALE, 37° JIC, SWIVEL	100R13
H12	SHORT 90°, FEMALE, 37° JIC, SWIVEL	SHORT 90°, FEMALE, 37° JIC, SWIVEL	100R17
H13	FEMALE, 37° JIC, SWIVEL	REUSABLE MALE PIPE THREAD FITTING	300 PSI
H14	REUSABLE MALE PIPE THREAD FITTING	NO FITTING	300 PSI
H15	REUSABLE FEMALE, 37° JIC, SWIVEL	REUSABLE FEMALE, 37° JIC, SWIVEL	300 PSI
H16	NO FITTING	NO FITTING	100R4
H17	NO FITTING	NO FITTING	300 PSI
H18	REUSABLE, FEMALE, 37° JIC, SWIVEL	NO FITTING	300 PSI

8.1 Hose Numbering System

Hose Prefix	Hose End Fitting	Hose End Fitting	S.A.E. Hose Specification
H19	LONG 90°, FEMALE, 37° JIC, SWIVEL	FEMALE, 37° JIC, SWIVEL	100R13
H20	FEMALE, SHORT 37° JIC, SWIVEL	SHORT 90°, FEMALE, 37° JIC, SWIVEL	100R4
H21	FEMALE, SHORT 37° JIC, SWIVEL	SHORT 90°, FEMALE, 37° JIC, SWIVEL	100R2AT
H22	FEMALE, 37° JIC, SWIVEL	FEMALE, 37° JIC, SWIVEL	100R2AT
H23	FEMALE, LONG 37° JIC, SWIVEL	LONG 90°, FEMALE, 37° JIC, SWIVEL	100R2AT
H24	FEMALE, SHORT 37° JIC, SWIVEL	SHORT 90°, FEMALE, 37° JIC, SWIVEL	100R13
H25	FEMALE, 37° JIC, SWIVEL	FEMALE, 37° JIC, SWIVEL	100R4
H30	MEDIUM 90°, FEMALE, 37° JIC, SWIVEL	FEMALE, 37° JIC, SWIVEL	100R17
H31	FEMALE, 37° JIC, SWIVEL	FEMALE, 37° JIC, SWIVEL	100R17
H32	SHORT 45°, FEMALE, 37° JIC, SWIVEL	FEMALE, 37° JIC, SWIVEL	100R17
H33	MEDIUM 45°, FEMALE, 37° JIC, SWIVEL	FEMALE, 37° JIC, SWIVEL	100R17
H34	SHORT 90°, FEMALE, 37° JIC, SWIVEL	FEMALE, 37° JIC, SWIVEL	100R17
H35	MEDIUM 90°, FEMALE, 37° JIC, SWIVEL	FEMALE, 37° JIC, SWIVEL	100R17
H36	LONG 90°, FEMALE, 37° JIC, SWIVEL	FEMALE, 37° JIC, SWIVEL	100R17
H37	SHORT 45°, FEMALE, 37° JIC, SWIVEL	FEMALE, 37° JIC, SWIVEL	100R4
H38	SHORT 90°, FEMALE, 37° JIC, SWIVEL	FEMALE, 37° JIC, SWIVEL	100R4
H39	LONG 90°, FEMALE, 37° JIC, SWIVEL	FEMALE, 37° JIC, SWIVEL	100R4
H40	SHORT 90°, FEMALE, 37° JIC, SWIVEL	FEMALE, 37° JIC, SWIVEL	100R16
H43	FEMALE, 37° JIC, SWIVEL	FEMALE, 37° JIC, SWIVEL	100R16
H51	FEMALE, 37° JIC, SWIVEL	FEMALE, 37° JIC, SWIVEL	100R17
H52	SHORT 45°, FEMALE, 37° JIC, SWIVEL	FEMALE, 37° JIC, SWIVEL	100R17
H53	MEDIUM 45°, FEMALE, 37° JIC, SWIVEL	FEMALE, 37° JIC, SWIVEL	100R17
H54	SHORT 90°, FEMALE, 37° JIC, SWIVEL	FEMALE, 37° JIC, SWIVEL	100R17
H55	MEDIUM 90°, FEMALE, 37° JIC, SWIVEL	FEMALE, 37° JIC, SWIVEL	100R17
H56	LONG 90°, FEMALE, 37° JIC, SWIVEL	FEMALE, 37° JIC, SWIVEL	100R17
H57	SHORT 45°, FEMALE, SAE ORFS, SWIVEL	FEMALE, SAE ORFS, SWIVEL	100R13
H58	FEMALE, SAE ORFS, SWIVEL	FEMALE, SAE ORFS, SWIVEL	100R13
H59	MEDIUM 90°, FEMALE, SAE ORFS, SWIVEL	FEMALE, SAE ORFS, SWIVEL	100R13
H60	FEMALE, 37° JIC, SWIVEL	FEMALE, 37° JIC, SWIVEL	100R17
H61	FEMALE, 37° JIC, SWIVEL	FEMALE, 37° JIC, SWIVEL	100R16
H62	SHORT 90°, FEMALE, 37° JIC, SWIVEL	FEMALE, 37° JIC, SWIVEL	100R16
H63	MEDIUM 90°, FEMALE, 37° JIC, SWIVEL	FEMALE, 37° JIC, SWIVEL	100R16
H64	LONG 90°, FEMALE, 37° JIC, SWIVEL	FEMALE, 37° JIC, SWIVEL	100R16
H65	MEDIUM 67°, FEMALE, 37° JIC, SWIVEL	FEMALE, 37° JIC, SWIVEL	100R12
H66	FEMALE, 37° JIC, SWIVEL	NO FITTING	100R4
H67	FEMALE, 37° JIC, SWIVEL	FEMALE, 37° JIC, SWIVEL	100R19
H68	SHORT 45°, FEMALE, 37° JIC, SWIVEL	FEMALE, 37° JIC, SWIVEL	100R19
H69	MEDIUM 90°, FEMALE, 37° JIC, SWIVEL	FEMALE, 37° JIC, SWIVEL	100R19
H70	LONG 90°, FEMALE, 37° JIC, SWIVEL	FEMALE, 37° JIC, SWIVEL	100R19
H71	LONG 90°, FEMALE, SAE ORFS, SWIVEL	FEMALE, SAE ORFS, SWIVEL	100R15

8.2 Turret Hoses



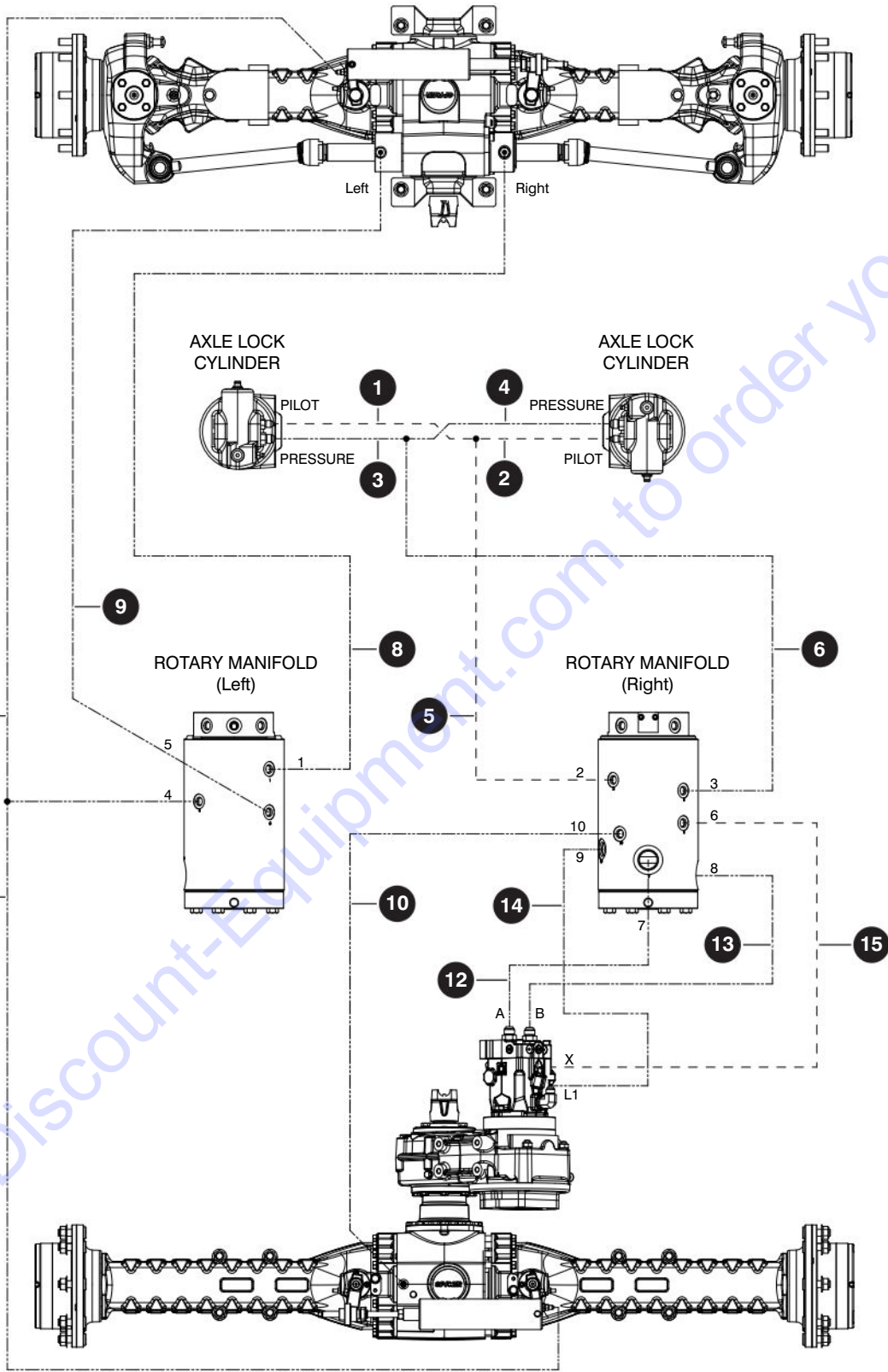
M153408AB_M153409AB

238272AAA

8.2 Turret Hoses

Index No.	Hose P/N	From		To	
		Description	Port	Port	Description
-	237609	TURRET HOSE KIT			
1	H3404 0058 0	Main Manifold	STL	5	Rotary Manifold
2	H3404 0083 0	Brake Manifold	DIF	10	Rotary Manifold
3	H3404 0088 0	Brake Manifold	AL	2	Rotary Manifold
4	H3404 0088 0	Brake Manifold	2SPD	6	Rotary Manifold
5	H3110 0065 0	Rotary Manifold	9	-	Hydraulic Tank: M. Case Drain
6	H3406 0022 0	Main Manifold	T2	T	Brake Manifold
7	H3104 0009 0	Brake Manifold	T0	-	Hydraulic Tank: H-Pump Suction
8	H3406 0024 0	Main Manifold	AUX	EP2	Emergency Power Unit
9	H3408 0020 0	Emergency Power Unit	EP1	-	Hydraulic Tank: E-Pump Suction
10	H3404 0078 0	Main Manifold	SWA	1	Turret Rotation Drive
11	H3404 0078 0	Main Manifold	SWB	2	Turret Rotation Drive
12	H3404 0063 0	Brake Manifold	BR	4	Rotary Manifold
13	H3104 0015 0	Main Manifold	LS	LS	Brake Manifold
14	H3404 0039 0	Main Manifold	STR	1	Rotary Manifold
15	H3912 0031 0	Main Manifold	T	-	Return Line Filter

8.3 Chassis Hoses



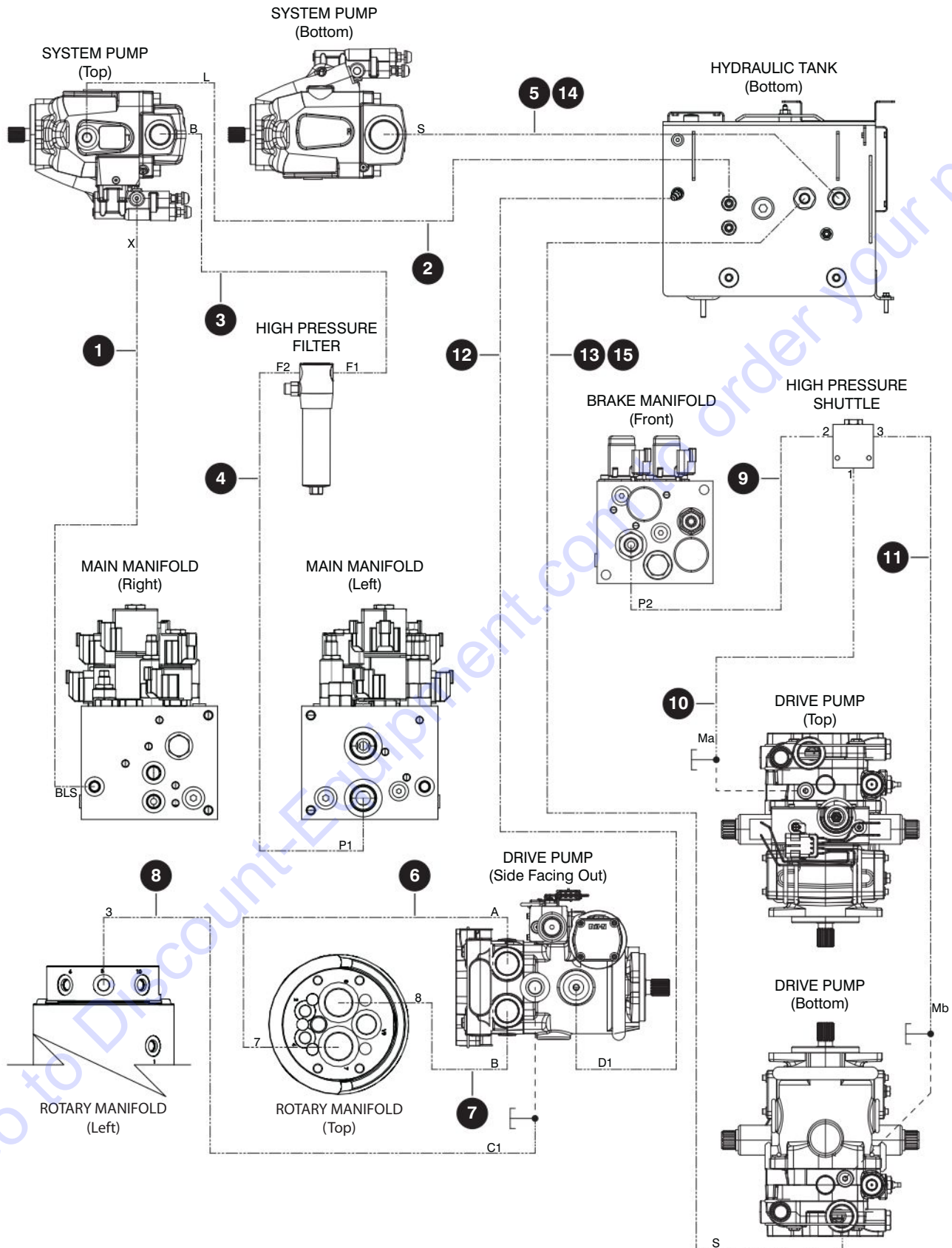
M153407AB

238272AAA

8.3 Chassis Hoses

Index No.	Hose P/N	From		To	
		Description	Port	Port	Description
-	153407	CHASSIS HOSE KIT			
1	H3104 0031 0	Axle Lock - Pilot Left	-	-	Axle Lock: Pilot Tee
2	H3104 0031 0	Axle Lock - Pilot Right	-	-	Axle Lock: Pilot Tee
3	H3106 0031 0	Axle Lock - Pressure Left	-	-	Axle Lock: Pressure Tee
4	H3106 0031 0	Axle Lock - Pressure Right	-	-	Axle Lock: Pressure Tee
5	H3404 0034 0	Rotary Manifold	2	-	Axle Lock: Pilot Tee
6	H3404 0034 0	Rotary Manifold	3	-	Axle Lock: Pressure Tee
7	H3404 0056 2	Rotary Manifold	4	-	Front Axle Brake Cylinder
8	H3204 0045 0	Rotary Manifold	1	-	Front Axle: Steer Cylinder: Right
9	H3204 0045 0	Rotary Manifold	5	-	Front Axle: Steer Cylinder: Left
10	H3404 0052 0	Rotary Manifold	10	-	Rear Axle: Diff. Lock Cylinder
11	H3404 0059 0	Rotary Manifold	4	-	Rear Axle: Brake Cylinder
12	H1912 0018 0	Rotary Manifold	7	A	Drive Motor
13	H0212 0022 0	Rotary Manifold	8	B	Drive Motor
14	H3110 0032 0	Rotary Manifold	9	L1	Drive Motor
15	H3404 0028 0	Rotary Manifold	6	X	Drive Motor

8.4 Drive & System Pump Hoses



M153644AD_M153645AB

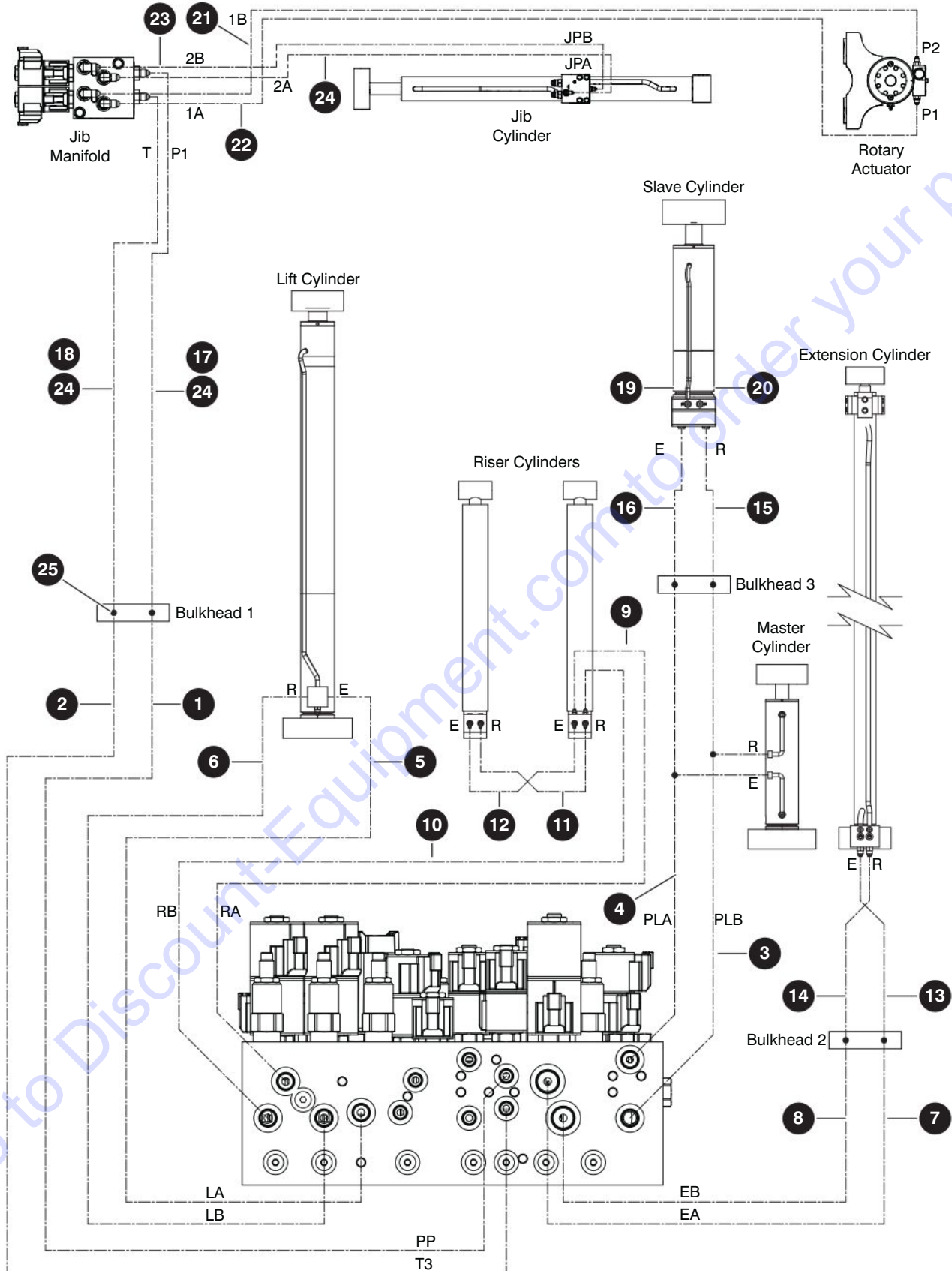
238272AAA

8.4 Drive & System Pump Hoses

Index No.	Hose P/N	From		To		
		Description	Port	Port	Description	
A	237579	SYSTEM PUMP HOSE KIT				
1	H3404 0084 0	System Pump	X	BLS	Main Manifold	
2	H3410 0070 0	System Pump	L	-	Hydraulic Tank: S.P. Case Drain	
3	H3412 0028 0	System Pump	B	F1	High Pressure Filter	
4	H3412 0072 0	High Pressure Filter	F2	P1	Main Manifold	
5	H1620 0077 0	System Pump	S	-	Hydraulic Tank: S.P. Suction	
B	1237580	DRIVE PUMP HOSE KIT				
6	H0212 0083 0	Drive Pump	A	7	Rotary Manifold	
7	H0212 0078 0	Drive Pump	B	8	Rotary Manifold	
8	H3104 0080 0	Drive Pump	C1	3	Rotary Manifold	
9	H4004 0135 0	Brake Manifold	P2	2	High Pressure Shuttle Valve	
10	H4004 0060 0	Drive Pump	Ma	1	High Pressure Shuttle Valve	
11	H4004 0055 0	Drive Pump	Mb	3	High Pressure Shuttle Valve	
12	H3812 0065 0	Drive Pump	D1	T1	Hydraulic Tank: D.P. Case Drain	
13	H1616 0075 0	Drive Pump	S	T2	Hydraulic Tank: D.P. Suction	

Index No.	Skyjack Part No.	Qty.	Description
14	139178	2	CLAMP, Hose (1-1/4" (40-43), A
15	139177	2	CLAMP, Hose (1-.0"-1.45"), B

8.5 Boom Hoses



M153512AB_M235644AB

238272AAA

SJ60 AJ+

8.5 Boom Hoses

Index No.	Hose P/N	From		To	
		Description	Port	Port	Description
A	153512	RISER HOSE KIT			
1	H3106 0349 0	Main Manifold	PP	P1	Bulkhead 1
2	H3106 0349 0	Main Manifold	T3	T	Bulkhead 1
3	H3106 0346 0	Main Manifold	PLB	R	Union (Master Cylinder)
4	H3106 0346 0	Main Manifold	PLA	E	Union (Master Cylinder)
5	H3106 0346 0	Main Manifold	LA	E	Lift Cylinder
6	H3106 0346 0	Main Manifold	LB	R	Lift Cylinder
7	H3108 0377 0	Main Manifold	EA	E	Bulkhead 2
8	H3106 0377 0	Main Manifold	EB	R	Bulkhead 2
9	H3106 0153 0	Main Manifold	RA	E	Riser Cylinder
10	H3106 0153 0	Main Manifold	RB	R	Riser Cylinder
11	H3104 0028 2	Riser Cylinder (Right)	R	R	Riser Cylinder (Left)
12	H3104 0028 2	Riser Cylinder (Right)	E	E	Riser Cylinder (Left)
13	H3408 0009 2	Bulkhead 2	-	E	Fly Boom Extension Cylinder
14	H3406 0009 0	Bulkhead 2	-	R	Fly Boom Extension Cylinder
B	235644	BOOM HOSE KIT			
15	H3106 0475 0	Bulkhead 1	-	P1	Jib Manifold
16	H3106 0475 0	Bulkhead 1	-	T	Jib Manifold
17	H3106 0475 0	Bulkhead 3	-	R	Slave Cylinder
18	H3106 0475 0	Bulkhead 3	-	E	Slave Cylinder
19	H3406 0026 1	Bulkhead 3	-	E	Master Cylinder
20	H3406 0026 1	Bulkhead 3	-	R	Master Cylinder
	218925	JIB HOSE KIT			
21	H3404 0106 0	Jib Manifold	1B	P2	Platform Rotary Actuator
22	H3404 0118 0	Jib Manifold	1A	P1	Platform Rotary Actuator
23	H3104 0090 0	Jib Manifold	2B	JPB	Jib Cylinder
24	H3104 0090 0	Jib Manifold	2A	JPA	Jib Cylinder
Index No.	Skyjack Part No.	Qty.	Description		
23	131732	60"	HOSE PROTECTOR, HG-46 (main manifold to boom cylinders), A (not shown)		
24	140914	80"	HOSE PROTECTOR, HG-28 (jib cylinder to bulkhead #1), B		
25	162110	2	FITTING, Straight (06 JICM - 06JICM) (on bulkhead #1), B		
26	163725	40"	SLEEVE, Hose (slave to master and jib to bulkhead #1), B (not shown)		

Section 9 – Optional Equipment

9.1 *Hostile Environment Kit*

9.2 *Control Box Cover*

9.3 *Welder & Mount*

9.4 *Glazier Package*

9.5 *External Railing*

9.6 *Pipe Rack*

9.7 *Tool Caddy*

9.8 *Half-Height Platform Mesh*

9.9 *Residual Current Device (RCD)*

9.10 *Oil Quick Drain*

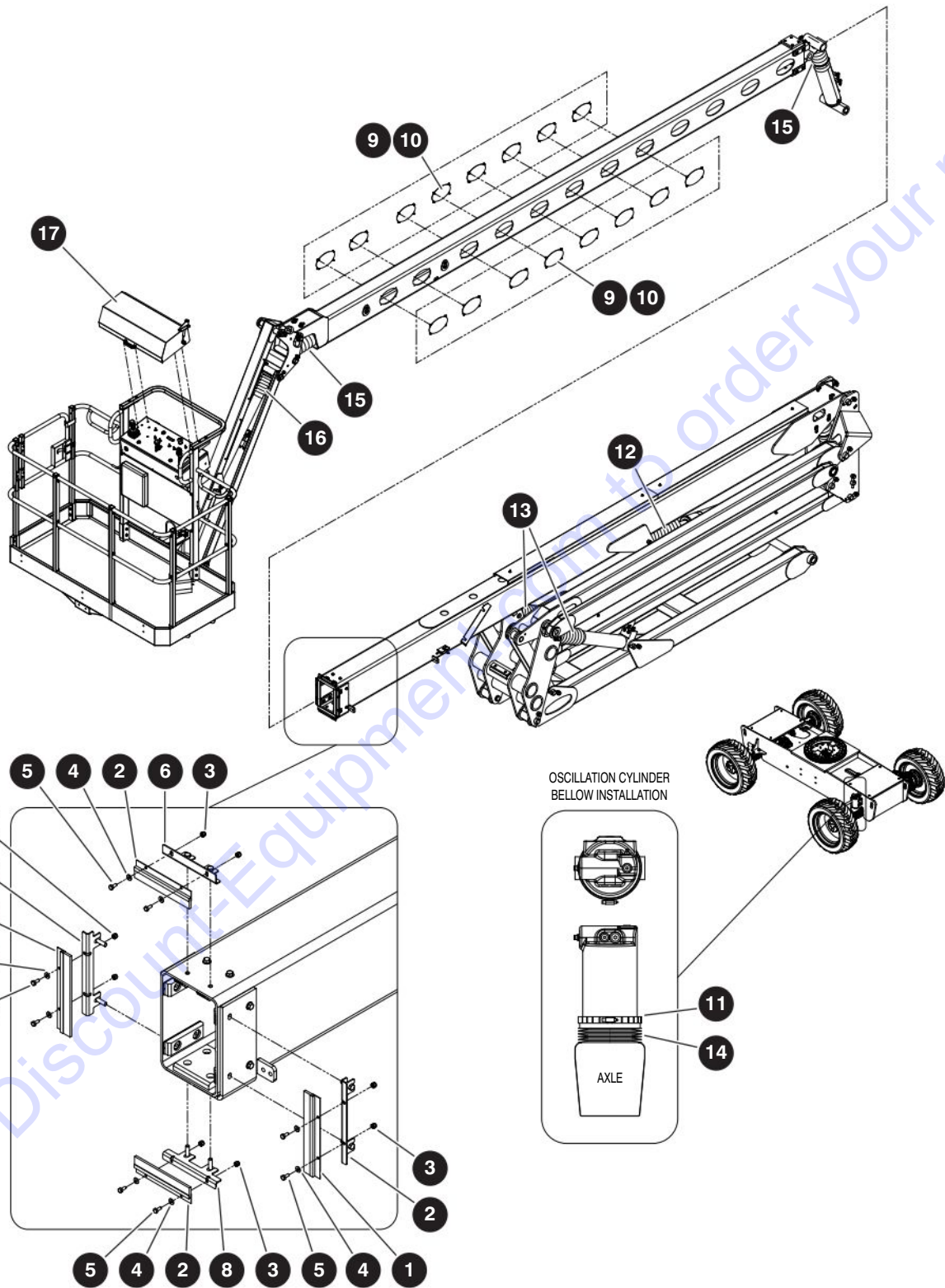
9.11 *Elevate Telematics*

9.12 *Elevate Telematics Subscription*

9.13 *Flashing Light*

9.14 *All Motion Alarm*

9.1 Hostile Environment Kit



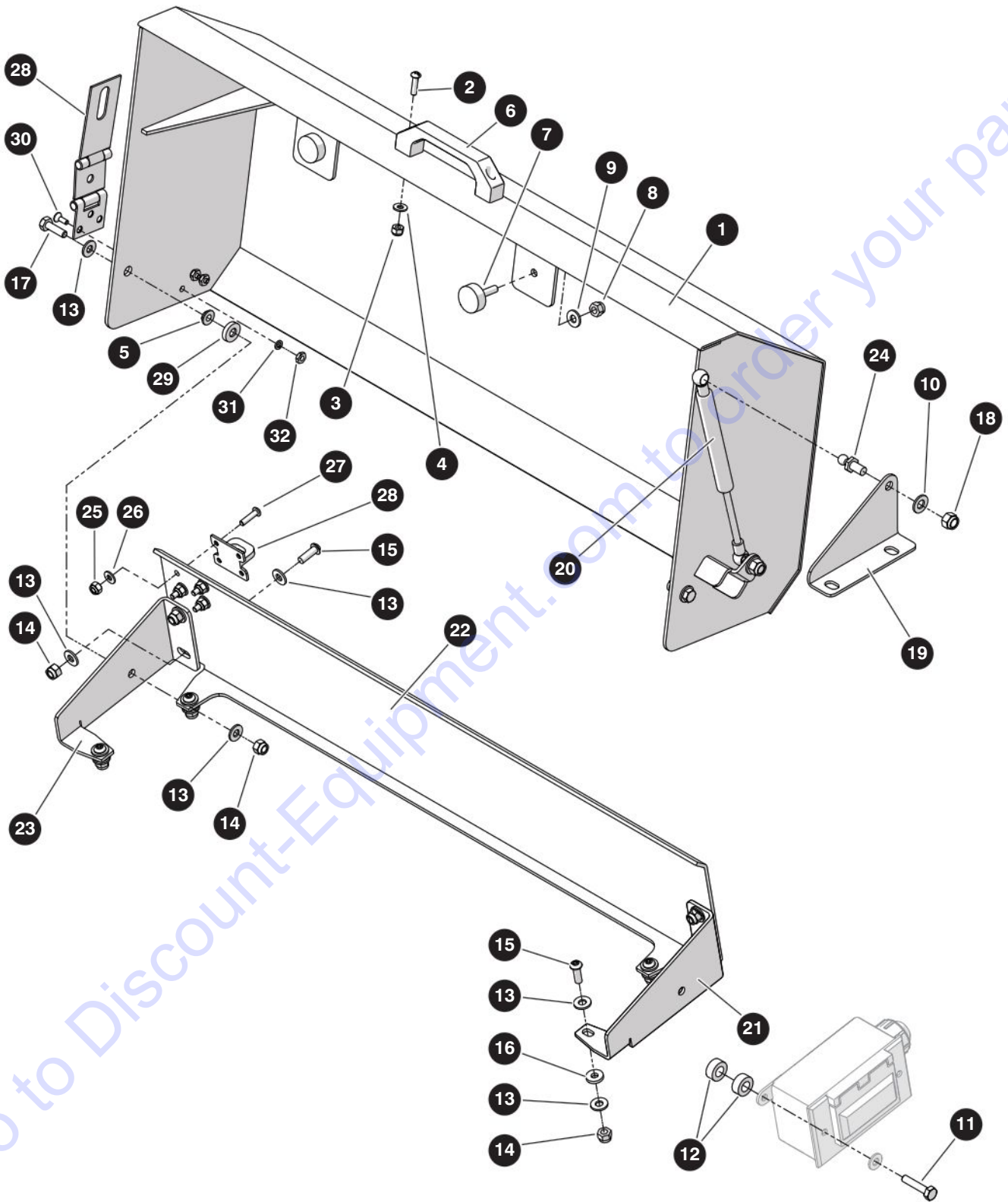
M159916AB

238272AAA

9.1 Hostile Environment Kit

Index No.	Skyjack Part No.	Qty.	Description
-	159916	1	HOSTILE ENVIRONMENT KIT
1	154269	2	• BRUSH, Side boom wiper
2	154270	2	• BRUSH, Top and bottom boom wiper
3	115649	8	• NUT, Hex lock (1/4"-20 Grade 5, nylon)
4	103995	8	• WASHER, Flat (1/4")
5	103892	8	• BOLT, Hex head (1/4"-20 x 5/8" Grade 5)
6	154272	1	• BRACKET, Top wiper
7	154271	2	• BRACKET, Side wiper
8	154273	1	• BRACKET, Bottom wiper
9	154274	16	• COVER, Fly boom
10	157759	64	• RIVET, Pop (3/16")
11	159933	2	• CLAMP, Gear (2 1/2"-5 1/2")
12	154328	1	• BELLOW, Main boom lift cylinder
13	154327	2	• BELLOW, Riser boom lift cylinder
14	159932	2	• BELLOW, Axel oscillation cylinder
15	154329	2	• BELLOW, Master/Extension cylinder
16	154330	1	• BELLOW, Jib cylinder
17	(Ref.)	1	• COVER, Platform control box (For components, refer to 9.2 Control Box Cover)

9.2 Control Box Cover



M216819AA

238272AAA

200

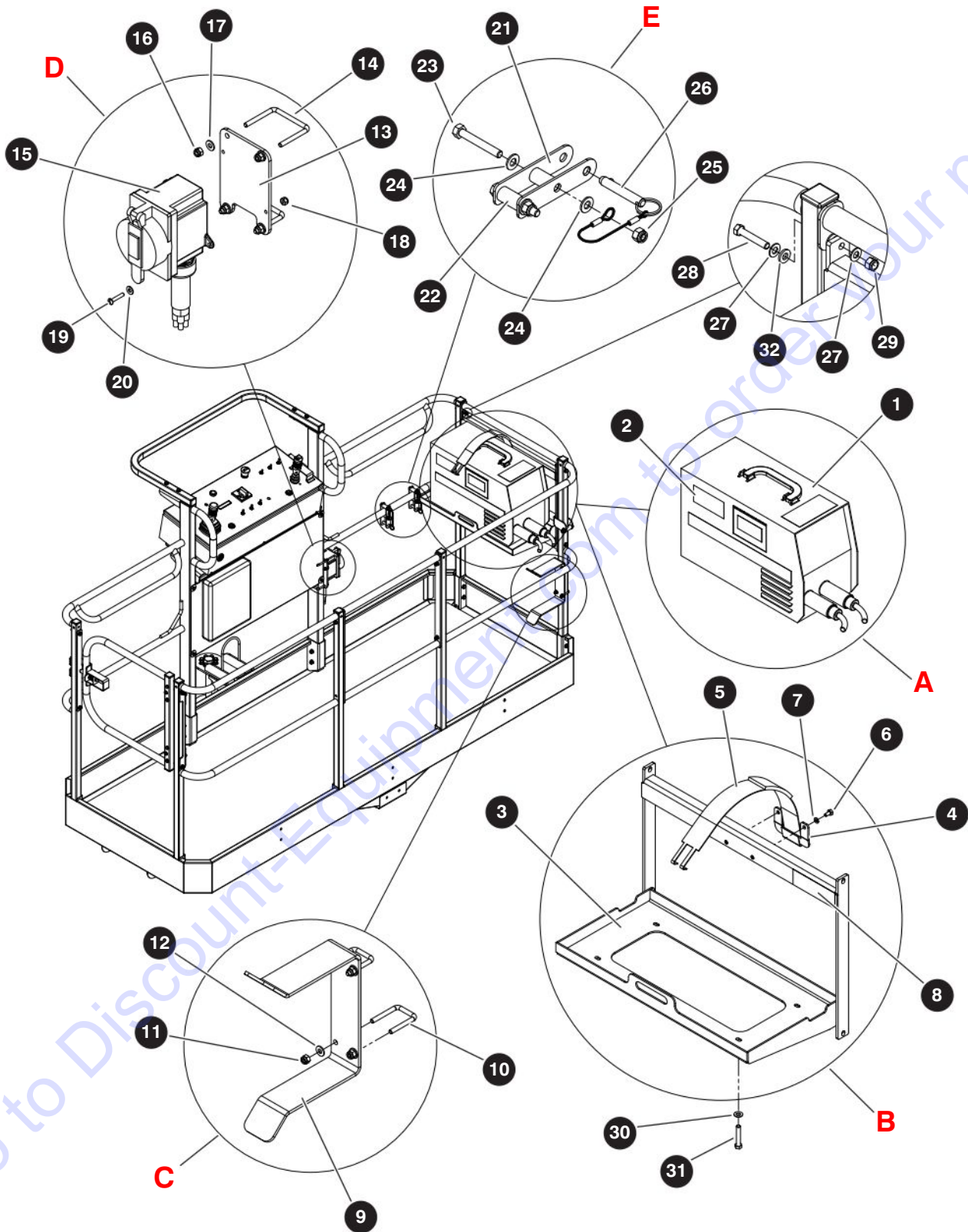
SJ60 AJ+

SKYJACK

9.2 Control Box Cover

Index No.	Skyjack Part No.	Qty.	Description
-	216918	1	CONTROL BOX COVER
-	216917	1	• COVER ASSEMBLY, Control box
1	216919	1	• • COVER, Control box
2	104698	2	• • SCREW, Round machine (#10-32 x 1")
3	300450	2	• • NUT, Hex lock (#10-32 Grade 5, nylon)
4	104694	2	• • WASHER, Flat (#10)
5	154305	2	• • BUSHING, Flanged (0.25" ID x 0.1875")
6	137653	1	• • HANDLE, Pull
7	144015	2	• • MOUNT, Anti-vibration
8	115649	2	• • NUT, Hex lock (0.25"-20 Grade 5, nylon)
9	103995	2	• • WASHER, Flat (0.25")
10	103996	2	• WASHER, Flat (0.3125")
11	103858	2	• BOLT, Hex head (0.25"-20 x 1.25" Grade 5)
12	159960	4	• SPACER, (0.75" OD)
13	103995	16	• WASHER, Flat (0.25")
14	115649	10	• NUT, Hex lock (0.25"-20 Grade 5, nylon)
15	139168	8	• SCREW, Button head cap (0.25"-20 x 0.75")
16	159956	4	• WASHER, Rubber (0.25")
17	103891	2	• BOLT, Hex head (0.25"-20 x 0.875" Grade 5)
18	103984	2	• NUT, Hex lock (0.3125"-18 Grade 5, nylon)
19	154323	1	• BRACKET, Gas spring
20	162101	1	• GAS SPRING, Control box cover
21	162048	1	• PLATE, Right side cover
22	216921	1	• PLATE, Back cover
23	162049	1	• PLATE, Left side cover
24	162123	2	• STUD, Ball (10 mm x 0.54")
25	300450	4	• NUT, Hex head nylon lock (10-32, Grade 5)
26	104694	4	• WASHER, Flat (10)
27	104698	4	• SCREW, Round head machine (10-32 x 0.75")
28	216675	1	• HASP, Double hinge (3.25")
29	168336	3	• SPACER, Nylon (0.394" ID x 0.75" OD x 0.125" long)
30	124031	3	• SCREW, Flat head (10-32 x 0.50")
31	104185	3	• WASHER, Lock (10)
32	104003	3	• NUT, Hex (10-32)
33	162032	1	• INSTRUCTION, Control box cover installation (not shown)

9.3 Welder & Mount



M159917AD

238272AAA

202

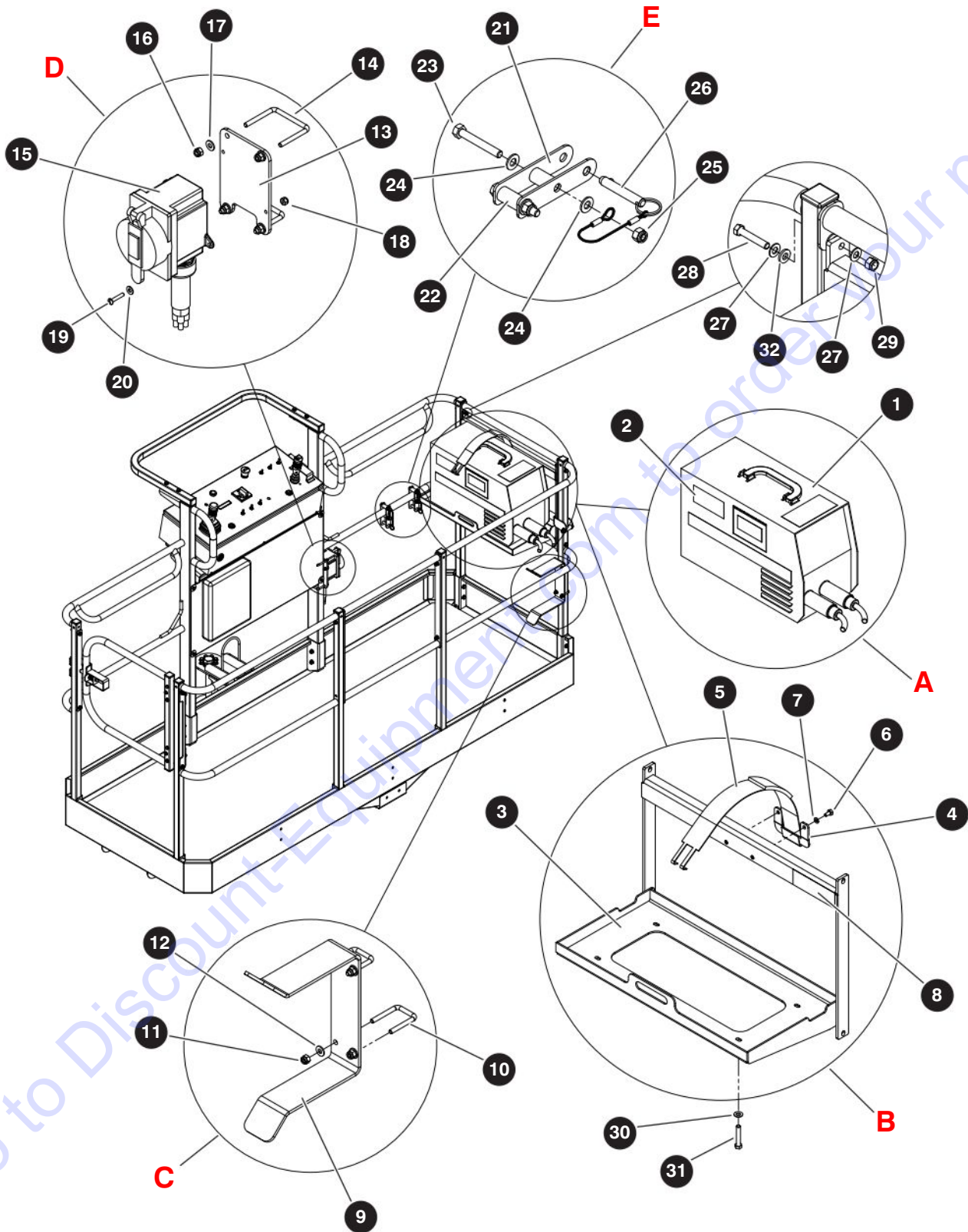
SJ60 AJ+

SKYJACK

9.3 Welder & Mount

Index No.	Skyjack Part No.	Qty.	Description
A 1	148383	1	WELDER ASSEMBLY - ANSI/CSA
	138811	1	• WELDER (275A)
	138813	1	• CABLE, Electrode (14')
	144376	1	• • ELECTRODE HOLDER (400A)
	144573	168"	• • CABLE
	138814	1	• CABLE, Work (14')
	144377	1	• • GROUND CLAMP (400A)
	144573	168"	• • CABLE
	144374	1	• PLUG, Locking (50A / 250V / 3P)
	144603	2	• CLAMP, Cushioned loop (0.875" diameter)
2	147112	1	• LABEL, Welder weight (90 lbs)
-	159917	1	MOUNTING ASSEMBLY, 12kW Welder
B 3	159948	1	• WELDER TRAY ASSEMBLY
	159955	1	• • TRAY, Welder
	137814	1	• • PLATE, Strap
	103020	1	• • STRAPS (pair)
	103855	2	• • BOLT, Hex head (1/4"-20 x 0.50", Grade 5)
	104000	2	• • WASHER, Lock (1/4")
	147112	1	• • LABEL, Welder weight (90 lbs)
	C 9	144218	1
144220		1	• • BRACKET, Welding cables
144219		2	• • U BOLT, Welder bracket
115649		4	• • NUT, Hex lock (1/4"-20 Grade 5, nylon)
103995		4	• • WASHER, Flat (1/4")
D 13	144221	1	• RECEPTACLE ASSEMBLY
	144222	1	• • PLATE, Receptacle mounting
	144223	2	• • U BOLT, Receptacle mounting
	141614	1	• • ELECTRICAL COMPONENTS ASSEMBLY
	139835	1	• • • FD BOX, 50A Receptacle
	139832	1	• • • RECEPTACLE, Single locking
	139836	1	• • • COVER, Weather resistant
	144367	1	• • • STRAIN RELIEF, 1-18" straight
	115649	4	• • NUT, Hex lock (1/4"-20 Grade 5, nylon)
	103995	4	• • WASHER, Flat (1/4")
	300450	2	• • NUT, Hex lock (#10-32 Grade 5, nylon)
	105621	2	• • SCREW, Round head machine (#10-32 x 1")
20	104694	2	• • WASHER, Flat (#10)

9.3 Welder & Mount



M159917AD

238272AAA

204

SJ60 AJ+

SKYJACK

PARTS FINDER

**Search Website
by Part Number**



**Search Manual
Library For Parts
Manual & Lookup Part
Numbers – Purchase
or Request Quote**

Search Manuals

Enter your information to help us find the right manual for your machine.

* Brand:

* Model:

* Serial:

* Part Number:

SEARCH

**Can't Find Part or
Manual? Request Help
by Manufacturer,
Model & Description**

Parts Order Form

Please fill in the following information to help us find the right part for your machine.

Manufacturer:

Model:

Description:

Quantity:

Part Number:

Part Name:

Part Description:

Part Category:

Part Location:

Part Status:

Part Condition:

Part Material:

Part Color:

Part Weight:

Part Dimensions:

Part Price:

Part Lead Time:

Part Availability:

Part Notes:

Submit

Discount-Equipment.com is your online resource for quality parts & equipment.

Florida: **561-964-4949** Outside Florida TOLL FREE: **877-690-3101**

Need parts?

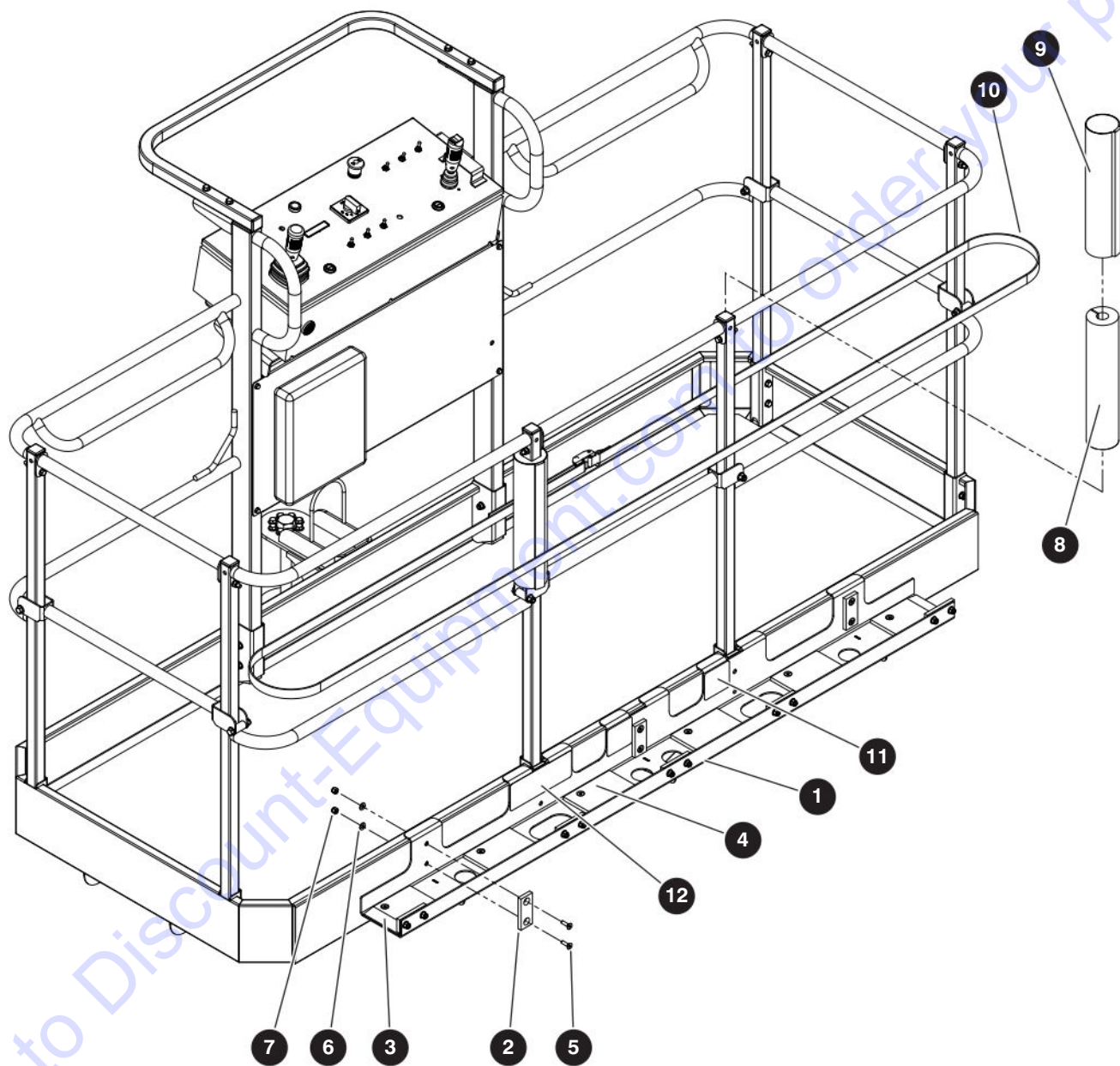
Click on this link: <http://www.discount-equipment.com/category/5443-parts/> and choose one of the options to help get the right parts and equipment you are looking for. Please have the machine model and serial number available in order to help us get you the correct parts. If you don't find the part on the website or on one of the online manuals, please fill out the request form and one of our experienced staff members will get back to you with a quote for the right part that your machine needs.

We sell worldwide for the brands: Genie, Terex, JLG, MultiQuip, Mikasa, Essick, Whiteman, Mayco, Toro Stone, Diamond Products, Generac Magnum, Airman, Haulotte, Barreto, Power Blanket, Nifty Lift, Atlas Copco, Chicago Pneumatic, Allmand, Miller Curber, Skyjack, Lull, Skytrak, Tsurumi, Husquvarna Target, Stow, Wacker, Sakai, Mi-T-M, Sullair, Basic, Dynapac, MBW, Weber, Bartell, Bennar Newman, Haulotte, Ditch Runner, Menegotti, Morrison, Contec, Buddy, Crown, Edco, Wyco, Bomag, Laymor, EZ Trench, Bil-Jax, F.S. Curtis, Gehl Pavers, Heli, Honda, ICS/PowerGrit, IHI, Partner, Imer, Clipper, MMD, Koshin, Rice, CH&E, General Equipment, Amida, Coleman, NAC, Gradall, Square Shooter, Kent, Stanley, Tamco, Toku, Hatz, Kohler, Robin, Wisconsin, Northrock, Oztec, Toker TK, Rol-Air, APT, Wylie, Ingersoll Rand / Doosan, Innovatech, Con X, Ammann, Mecalac, Makinex, Smith Surface Prep, Small Line, Wanco, Yanmar

9.3 Welder & Mount

Index No.	Skyjack Part No.	Qty.	Description
E	168530	2	• HANGER ASSEMBLY
21	169160	2	• • BRACKET, Welder cable
22	159947	2	• • SPACER, Welder tray
23	103866	2	• • BOLT, Hex head (5/16"-18 x 2 1/4 Grade 5)
24	103996	4	• • WASHER, Flat (5/16")
25	103984	2	• • NUT, Hex lock nylon lock (5/16"-18 Grade 5)
26	124548	1	• • PIN, Quick release
27	103996	8	• WASHER, Flat (5/16")
28	103884	4	• BOLT, Hex head (5/16"-18 x 2.50", Grade 5)
29	103984	4	• NUT, Hex head nylon lock (5/16"-18, Grade 5)
30	103995	4	• WASHER, Flat (1/4")
31	103857	4	• BOLT, Hex head (1/4"-20 x 1.00" Grade 5)
32	159960	2	• SPACER, Nylon (0.403" ID x 0.75" OD, x 0.312" long) (drop bar entrance)
	168336	2	• SPACER, Nylon (0.394" ID x 0.75" OD, x 0.125" long)

9.4 Glazier Package



M162073AB

238272AAA

206

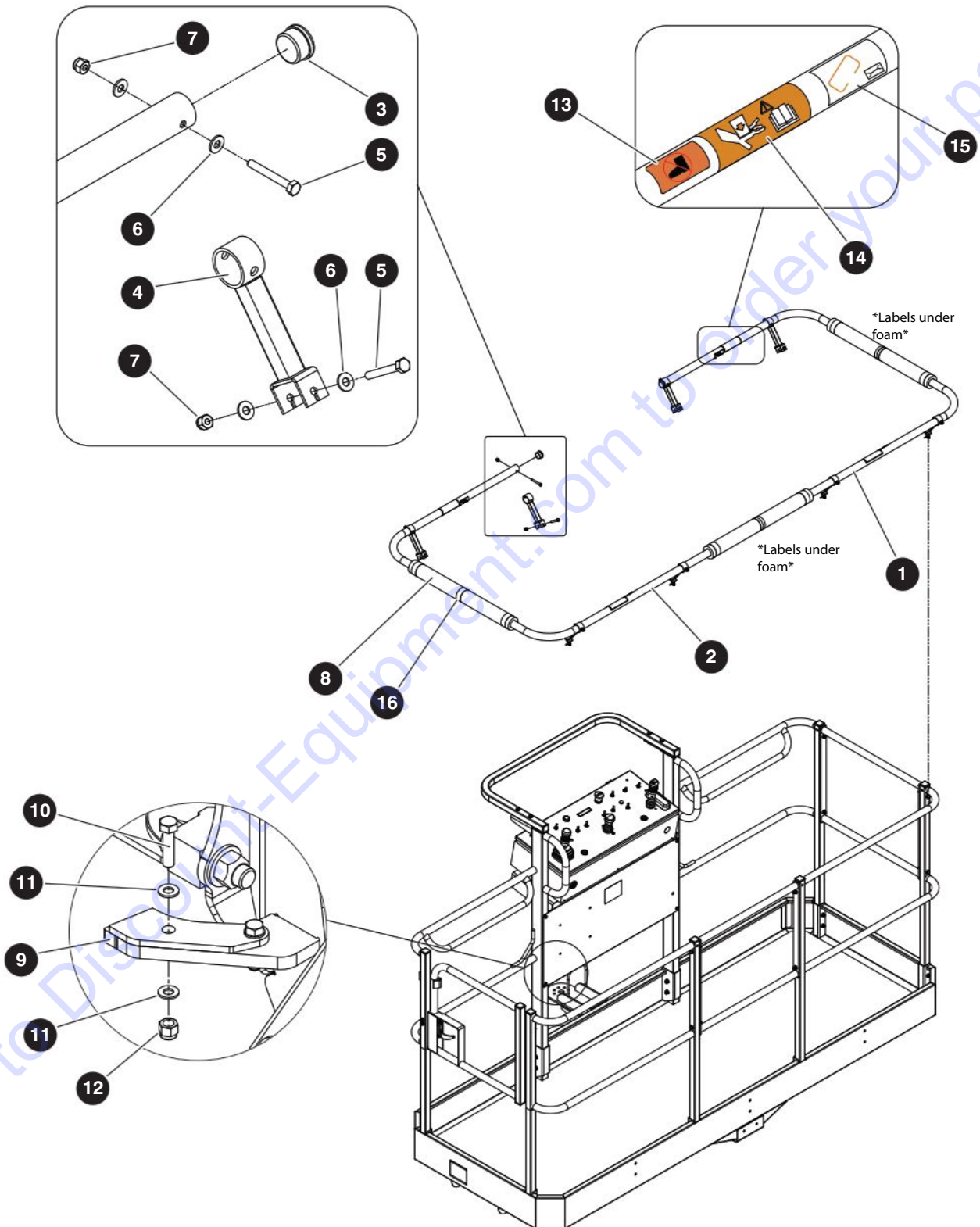
SJ60 AJ+

SKYJACK

9.4 Glazier Package

Index No.	Skyjack Part No.	Qty.	Description
-	162073	1	GLAZIER RACK
-	159898	1	• ASSEMBLY, Glazier Rack
-	154404	1	• • ASSEMBLY, Glazier tray
1	154402	1	• • • WELDMENT, Glazier tray
2	154401	8	• • • PAD, Wear - side tray
3	154399	2	• • • PAD, Wear - end tray
4	154400	4	• • • PAD, Wear - in tray
5	162116	28	• • • SCREW, Flat socket head cap (5/16"-18 x 1.00", Grade 5)
6	103996	28	• • • WASHER, Flat (5/16")
7	103984	28	• • • NUT, Hex head nylon lock (5/16"-18, Grade 5)
8	144491	2	• • FOAM, Support
9	144604	2	• • COVER, Bumper
10	144613	1	• • STRAP, Glazier kit
11	171238	1	• • LABEL, Panel option weight
12	172630	2	• • LABEL, Panel cradle capacity
-	162026	1	• INSTRUCTIONS, Glazier package (not shown)

9.5 External Railing



M162055AD_1

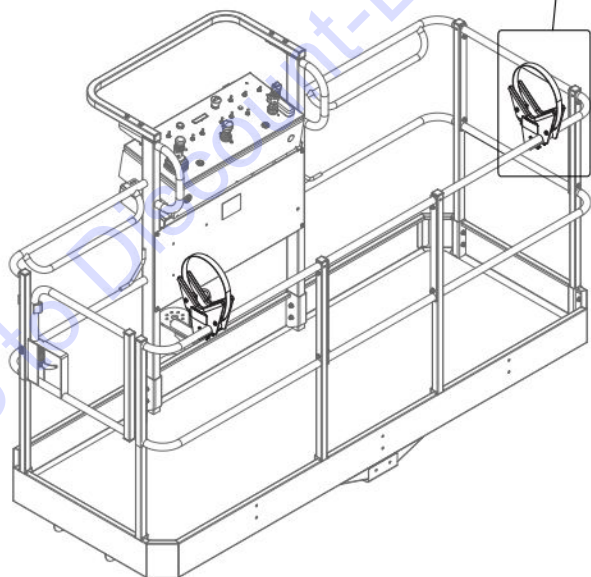
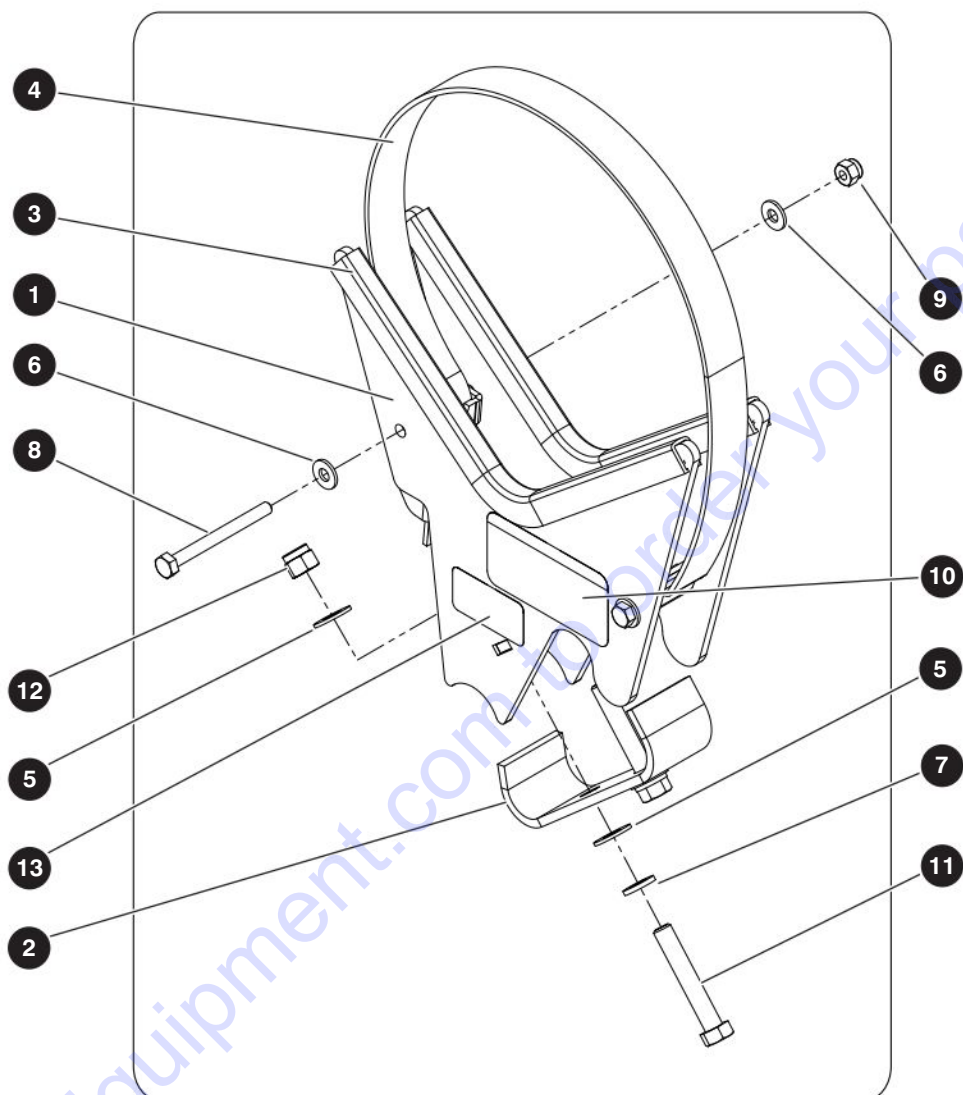
238272AAA

SJ60 AJ+

9.5 External Railing

Index No.	Skyjack Part No.	Qty.	Description
-	162056	-	EXTERNAL RAILING FIELD KIT - <i>for the 8' platform only</i>
-	162055	1	• EXTERNAL RAILING ASSEMBLY
1	144706	1	• • TUBE, External railing (right)
2	144712	1	• • TUBE, External railing (left)
3	144048	2	• • PLUG, Round end
4	144747	8	• • WELDMENT, External railing stand-off
5	103861	16	• • BOLT, Hex head (0.25"-20 x 2" Grade 5)
6	103995	32	• • WASHER, Flat (0.25")
7	115649	16	• • NUT, Hex head nylon lock (0.25"-20 Grade 5)
8	104183	6'	• • PAD, Entry railing
9	162139	1	• • PLATE, External railing stop
10	103870	2	• • BOLT, Hex head (0.375"-16 x 1.50" Grade 5)
11	125959	4	• • WASHER, Flat (0.375")
12	104606	2	• • NUT, Hex head nylon lock (0.375"-16 Grade 5)
13	115543	6	• • LABEL, Warning no step
14	137988	6	• • LABEL, Hazard crush/pinch point
15	171237	6	• • LABEL, External railing weight
16	119803	1	• • LABEL, Caution tape (108' roll)
17	162030	1	• INSTRUCTION, External railing installation (not shown)

9.6 Pipe Rack

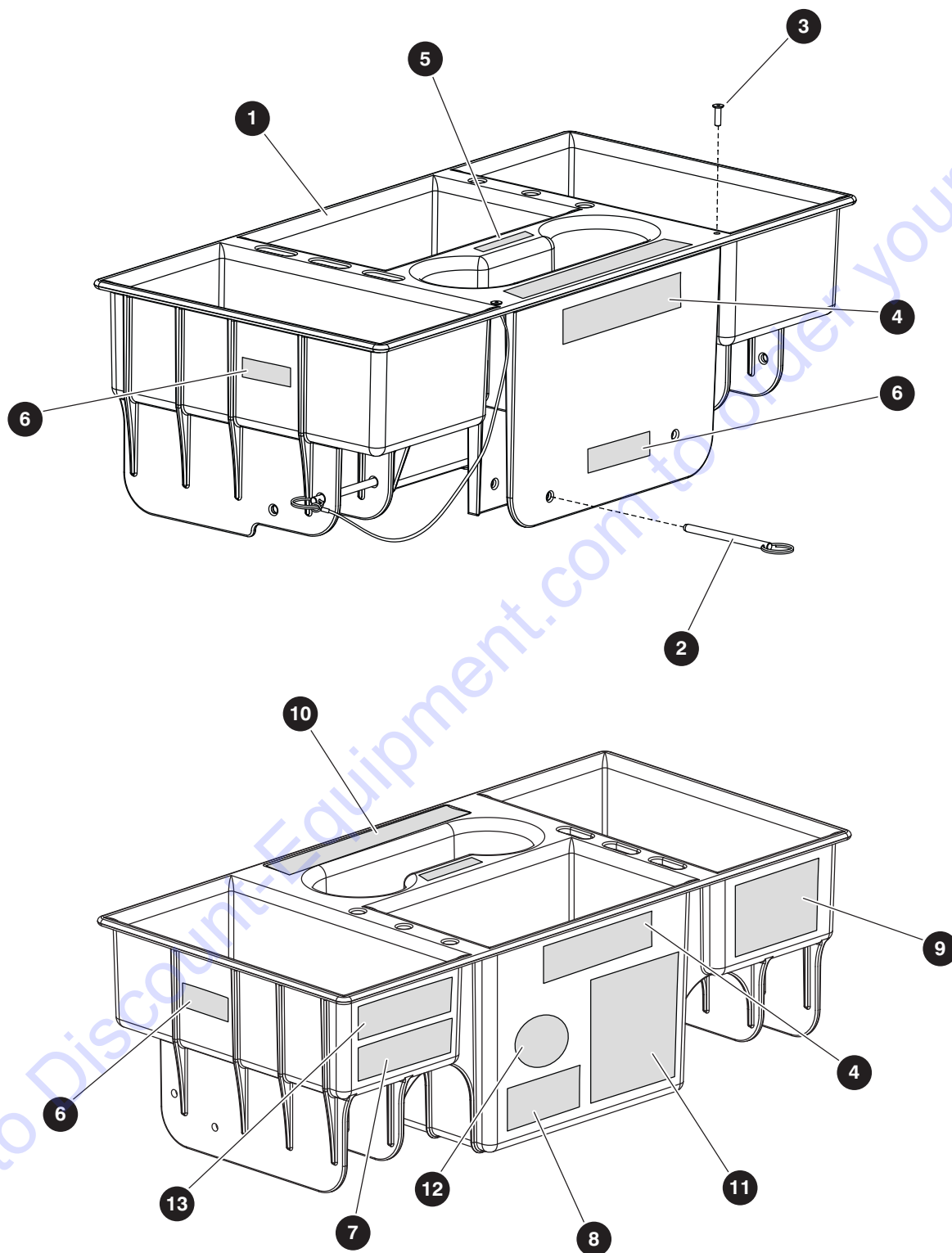


M162052AD
238272AAA

9.6 Pipe Rack

Index No.	Skyjack Part No.	Qty.	Description
-	162052	1	PIPE RACK ASSEMBLY
-	162051	1	• PIPE RACK
-	159901	2	• • PIPE RACK, Bracket assembly
1	159902	1	• • • WELDMENT, Pipe rack bracket
2	159904	1	• • • PLATE, Pipe rack bottom
3	117398	2	• • • TRIM, Protective
4	144500	1	• • • STRAP, Pipe rack
5	103472	4	• • • WASHER, Flat (3/8")
6	103995	4	• • • WASHER, Flat (1/4")
7	103999	2	• • • WASHER, Lock (3/8")
8	144501	2	• • • BOLT, Hex head (1/4"-20 x 2 3/4" Grade 5)
9	115649	2	• • • NUT, Hex lock (1/4"-20 Grade 5, nylon)
10	172469	2	• • • LABEL, Pipe rack capacity
11	103873	2	• • • BOLT, Hex head (3/8"-16 x 2 1/2" Grade 5)
12	104606	2	• • • NUT, Hex lock (3/8"-16 Grade 5, nylon)
13	171239	2	• • • LABEL, Capacity (Pipe rack)
14	162725	1	• INSTRUCTIONS, Pipe rack (not shown)

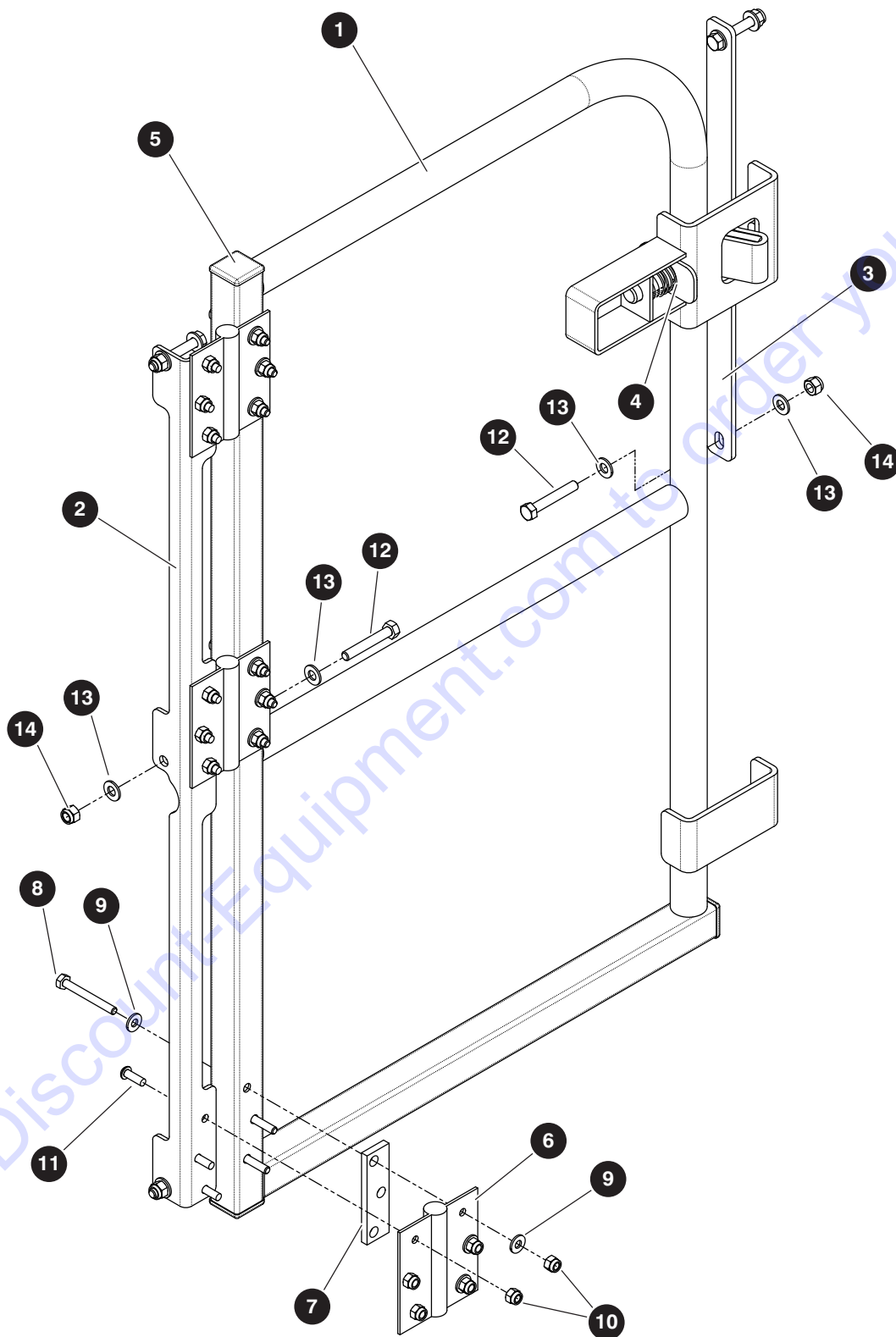
9.7 Tool Caddy



9.7 Tool Caddy

Index No.	Skyjack Part No.	Qty.	Description
-	211271	1	TOOL CADDY KIT
-	204334	1	• TOOL CADDY ASSEMBLY
1	198945	1	• • TOOL CADDY TRAY, Plastic (Std)
2	198965	2	• • PIN, Quick release 1/4x3.2 LG with Lanyard
3	116161	2	• • RIVET, Pop (0.1875" x 0.565")
4	172293	2	• • LABEL, Skyjack logo, 5" white
5	172294	1	• • LABEL, Skyjack logo, 3" white
6	168421	3	• • LABEL, Lock pin in place
7	172245	1	• • LABEL, Tool caddy weight
8	172246	1	• • LABEL, Tool caddy pin location
9	172247	1	• • LABEL, Tool caddy location
10	172292	1	• • LABEL, Accessoryzers, 8" white
11	172298	1	• • LABEL, Tool caddy models serial numbers
12	172299	1	• • LABEL, Do not block exit/entrance
13	172297	1	• • LABEL, Drive slowly when tool caddy is installed
14	204306	1	• INSTRUCTIONS, Tool caddy installation (not shown)

9.8 Half-Height Platform Mesh



M211359AA

238272AAA

214

SJ60 AJ+

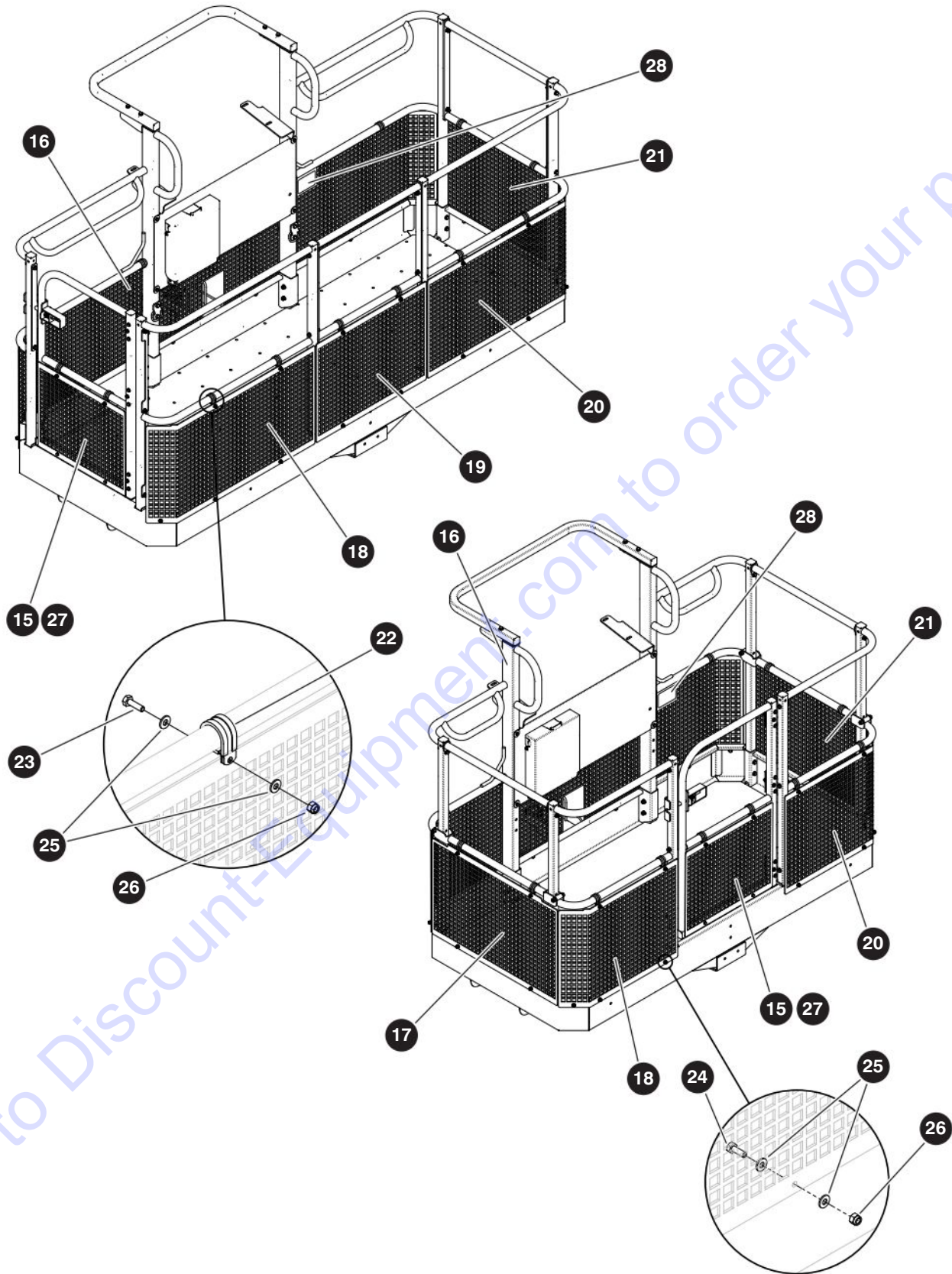
SKYJACK

9.8 Half-Height Platform Mesh

Index No.	Skyjack Part No.	Qty.	Description
A	211776	1	• HALF HEIGHT MESH KIT for 8' / 2.44 m Rear Entry Platform
B	211777	1	• HALF HEIGHT MESH KIT for 8' / 2.44 m Side Entry Platform
C	211778	1	• HALF HEIGHT MESH KIT for 6' / 2.44 m Rear Entry Platform
-	211360	1	• MESH ASSEMBLY, Rear entry 8' / 2.44 m platform, A
-	211362	1	• MESH ASSEMBLY, Side entry 8' / 2.44 m platform, B
-	211363	1	• MESH ASSEMBLY, Rear entry 6' / 2.44 m platform, C
-	211359	1	• • FULL SWING GATE
1	209032	1	• • • GATE, Swing - full
2	211375	1	• • • BRACKET, Mounting - hinge
3	166287	1	• • • PLATE, Locking
4	110824	1	• • • LATCH, Pin - door spring
	105312	1	• • • • BED, Latch
	109377	1	• • • • PIN, Latch (0.625" x 4.187")
	105307	1	• • • • HANDLE, Latch
	103107	1	• • • • SPRING, Compression
	100950		• • • • PIN, Spring (0.125" x 1.00")
5	100702	3	• • • PLUG, Tube (1.25" x 1.25")
6	209527	3	• • • HINGE, Spring
7	164592	3	• • • TAB, Hinge
8	103862	9	• • • BOLT, Hex head (0.25"-20 x 2.25" gr 5)
9	103995	18	• • • WASHER, Flat (0.25")
10	115649	18	• • • NUT, Lock (0.25"-20 gr 5 nylon)
11	139168	9	• • • BOLT, Button head cap screw (0.25"-20 x 0.75")
12	103865	5	• • • BOLT, Hex head (0.312"-18 x 2.00" gr 5)
13	103996	10	• • • WASHER, Flat (0.312")
14	103984	5	• • • NUT, Lock (0.313"-18 gr 5 nylon)

Parts list continued on the next page.

9.8 Half-Height Platform Mesh



M211777AA_M211778AA

238272AAA

216

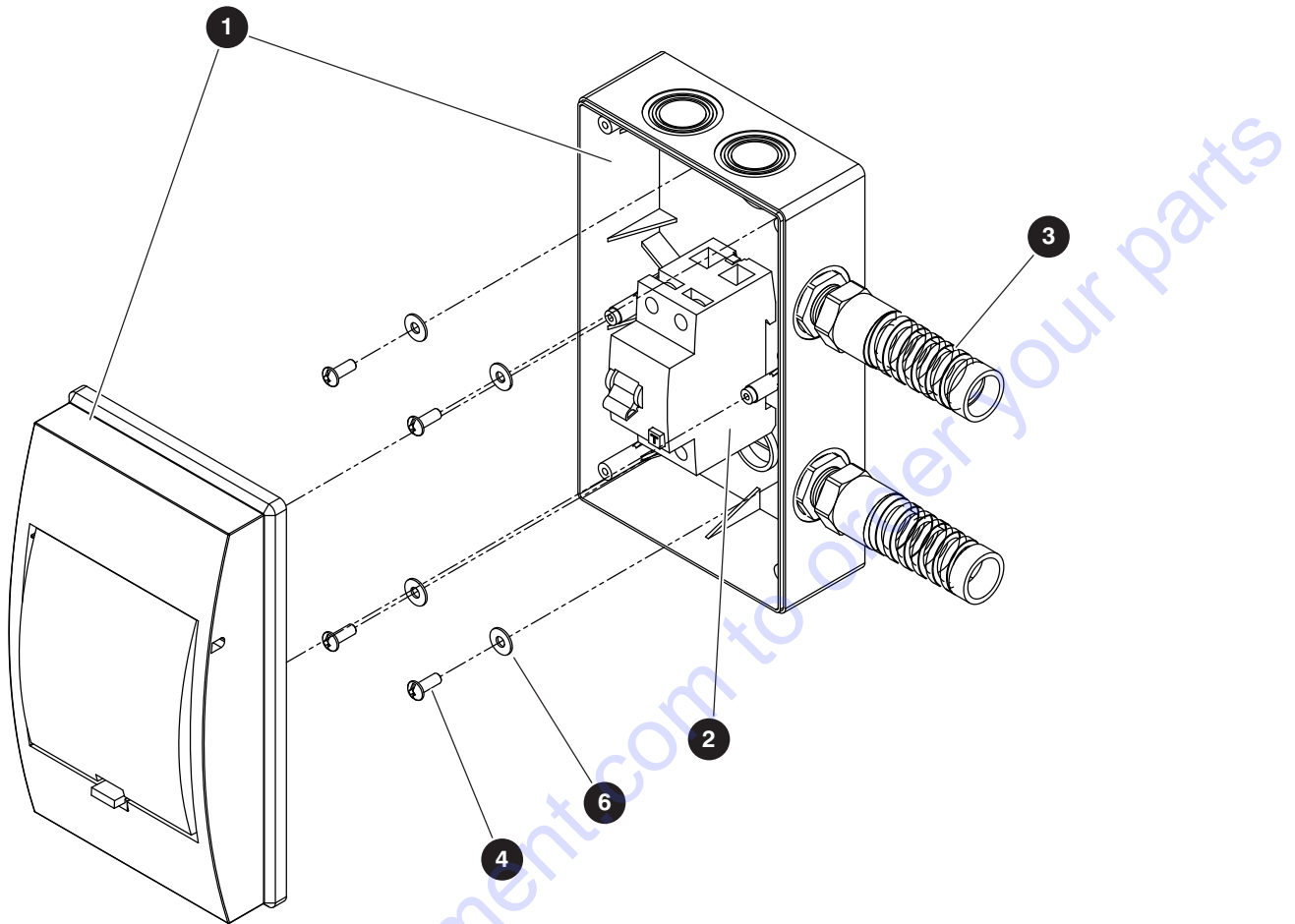
SJ60 AJ+

SKYJACK

9.8 Half-Height Platform Mesh

Index No.	Skyjack Part No.	Qty.	Description
A	211776	1	• HALF HEIGHT MESH KIT for 8' / 2.44 m Rear Entry Platform
B	211777	1	• HALF HEIGHT MESH KIT for 8' / 2.44 m Side Entry Platform
C	211778	1	• HALF HEIGHT MESH KIT for 6' / 1.83 m Rear Entry Platform
Parts list continued from the previous page.			
15	208942	1	• • MESH, Gate
16	209029	1	• • MESH, Front - 36" x 96" / 0.91 m x 2.44 m platform, A, B
	211604	1	• • MESH, Front - 36" x 72" / 0.91 m x 1.83 m platform, C
17	208940	1	• • MESH, Side - 36" / 0.91 m platform, A, C
18	209041	1	• • MESH, Rear LH - 36" x 96" / 0.91 m x 2.44 m platform, A, B
	211603	1	• • MESH, Rear LH - 36" x 72" / 0.91 m x 1.83 m platform, C
	211613	1	• • MESH, Rear mid - 36" x 96" / 0.91 m x 2.44 m platform, B
20	211361	1	• • MESH, Rear RH - 36" x 96" / 0.91 m x 2.44 m platform, A, B
	211602	1	• • MESH, Rear RH - 36" x 96" / 0.91 m x 2.44 m platform, C
21	208940	1	• • MESH, Side - 36" / 0.91 m platform, A, B, C
22	209030	14	• • CLAMP, Loop - cushioned (#19), A, B, C
23	103891	14	• • BOLT, Hex head (0.25"-20 x 0.875" gr 5), A, B, C
24	103856	16	• • BOLT, Hex head (0.25"-20 x 0.75" gr 5), A, B, C
25	103995	60	• • WASHER, Flat (0.25"), A, B, C
26	115649	30	• • NUT, Lock (0.25"-20 gr 5 nylon), A, B, C
27	103632	2	• • BOLT, Self-tapping hex head (0.25"-14 x 0.75")
28	172519	1	• • LABEL, Mesh weight (25 kg/55 lb)
29	211727	1	• INSTRUCTION, Half height platform mesh installation (not shown)

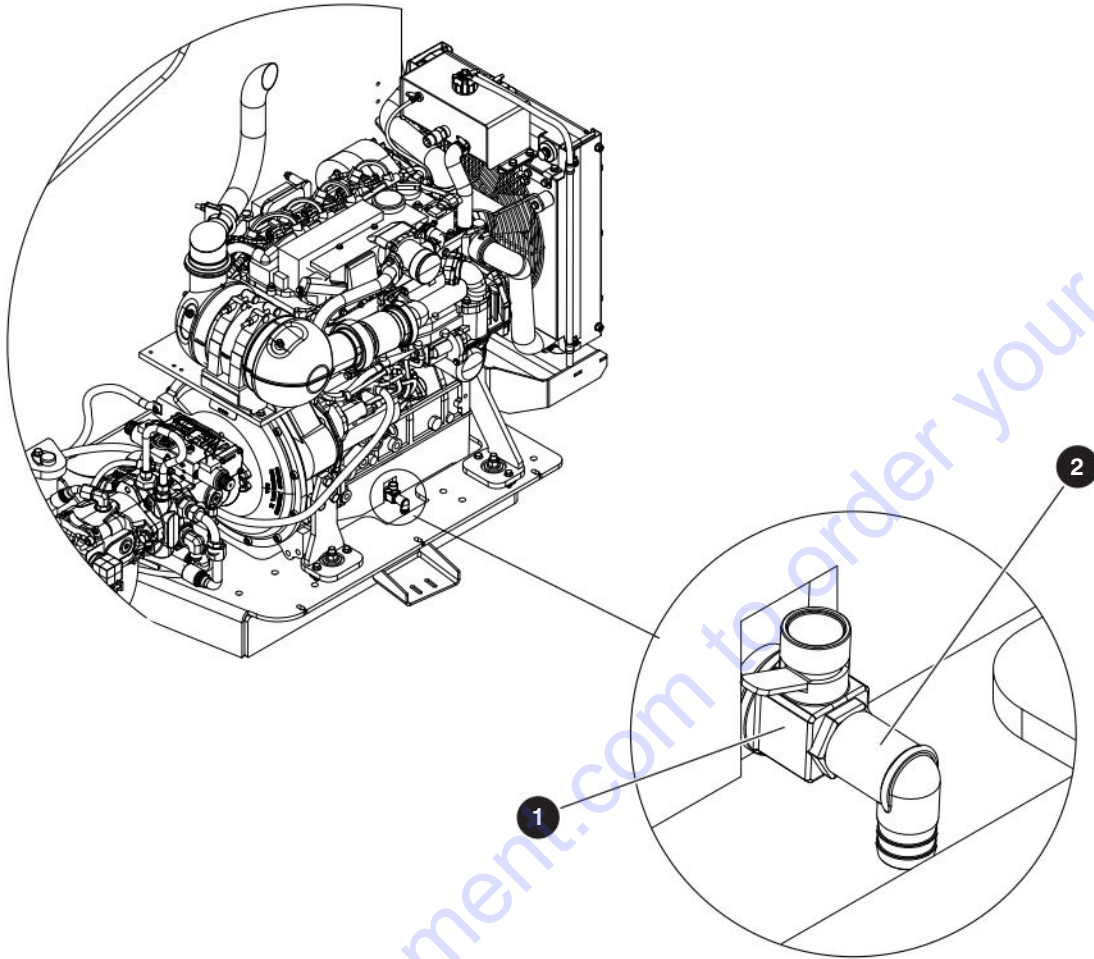
9.9 Residual Current Device (RCD)



M196063AB

Index No.	Skyjack Part No.	Qty.	Description
-	196063	1	RESIDUAL CURRENT DEVICE (RCD)
1	196027	1	• ENCLOSURE, RCD
2	168379	1	• RCCB, Type A - Doepke DFS 2A
3	158212	2	• RELIEF, Strain (PG-13.5)
4	103962	4	• SCREW, Round head machine (10-32 x 0.50")
5	117542	144"	• CABTIRE, 14/3 (not shown)
6	117952	4	• WASHER, Seal (0.203" ID x 0.50" OD x 0.40")

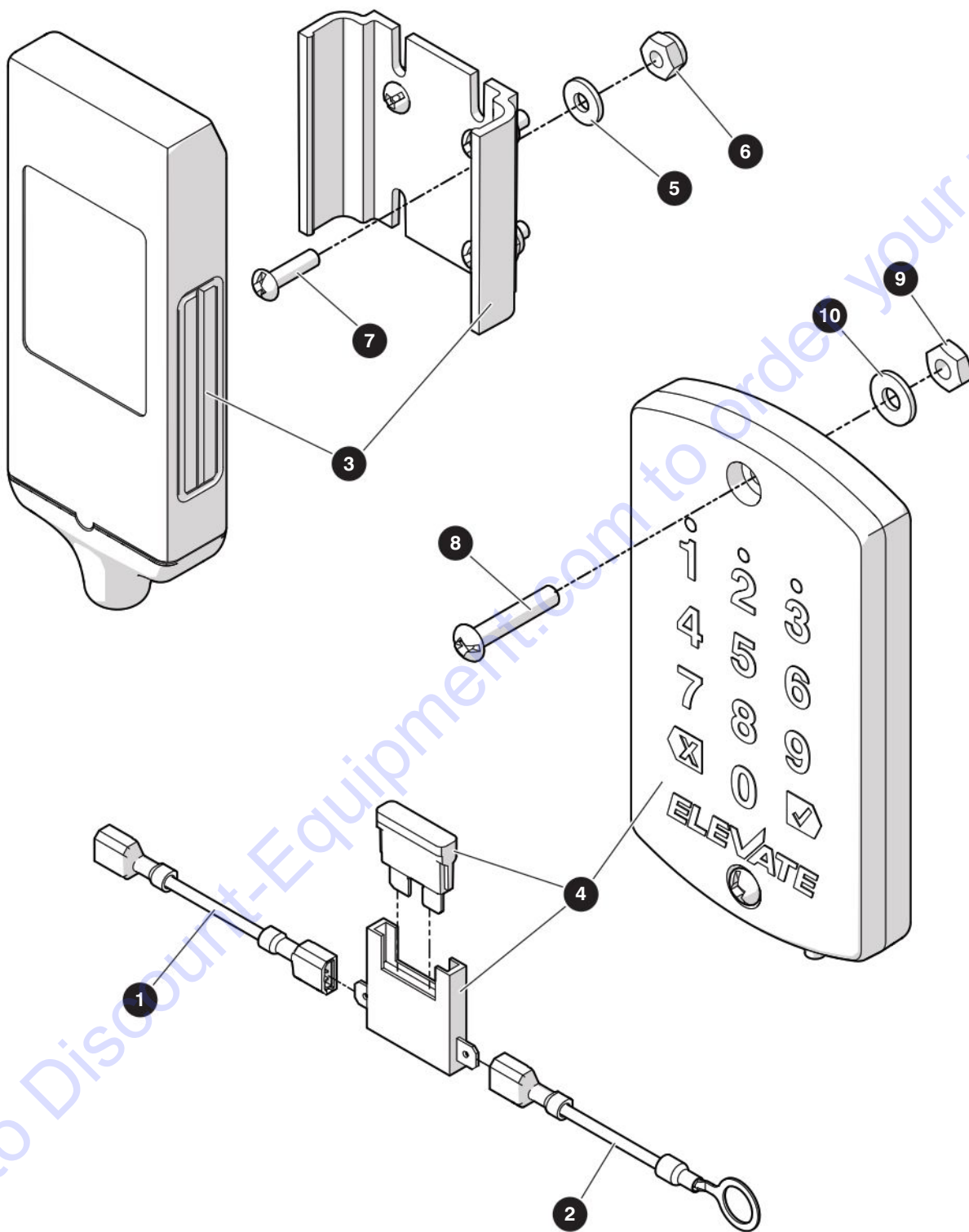
9.10 Oil Quick Drain



M169469AA

Index No.	Skyjack Part No.	Qty.	Description
A	169469	1	OIL QUICK DRAIN - Deutz Engines
B	171265	1	OIL QUICK DRAIN - Kubota Engines
1	167431	1	• VALVE, Oil drain, A
	170731	1	• VALVE, Oil drain, B
2	167432	1	• ELBOW, 90° oil drain, A

9.11 Elevate Telematics



M236118A


238272AAA

220


SJ60 AJ+

SKYJACK

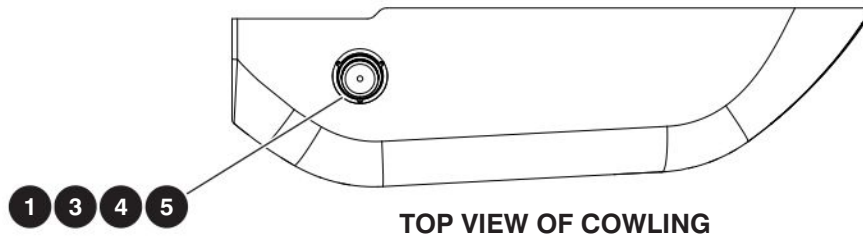
9.11 Elevate Telematics

Index No.	Skyjack Part No.	Qty.	Description
			 NOTE A subscription is required to use the Elevate Telematics option. Refer to "Elevate Telematics Subscription" on page 222.
A	236118	1	ELEVATE TELEMATICS WITH KEYPAD INSTALLATION KIT
B	236169	1	ELEVATE TELEMATICS WITHOUT KEYPAD INSTALLATION KIT
-	218453	1	• ELEVATE TELEMATICS INSTALLATION KIT, A
	218454	1	• ELEVATE TELEMATICS INSTALLATION KIT, B
-	236134	1	• • ELEVATE TELEMATICS ASSEMBLY, A
	236135	1	• • ELEVATE TELEMATICS ASSEMBLY, B
1	221149	1	• • • WIRE ASSEMBLY, B+
2	220577	1	• • • WIRE ASSEMBLY, B+
3	213098	1	• • • TELEMATICS, Elevate GPS ME501-4
4	213099	1	• • • TELEMATICS, Elevate keypad, A
5	191833	4	• • • WASHER, Flat (#6)
6	196306	4	• • • NUT, Lock (6-32 gr 5 nylon)
7	114678	4	• • • SCREW, Round head machine (6-32 x 1/2")
8	126499	2	• • • SCREW, Round head machine (8-32 x 7/8"), A
9	103986	2	• • • NUT, Hex (8-32), A
10	103991	2	• • • WASHER, Flat (#8), A
11	102892	20	• TIE, Cable (5-3/8") (not shown)
12	221111	1	• INSTRUCTION, Operating - Elevate telematics (not shown), A
13	236117	1	• INSTRUCTIONS, Elevate telematics installation (not shown)

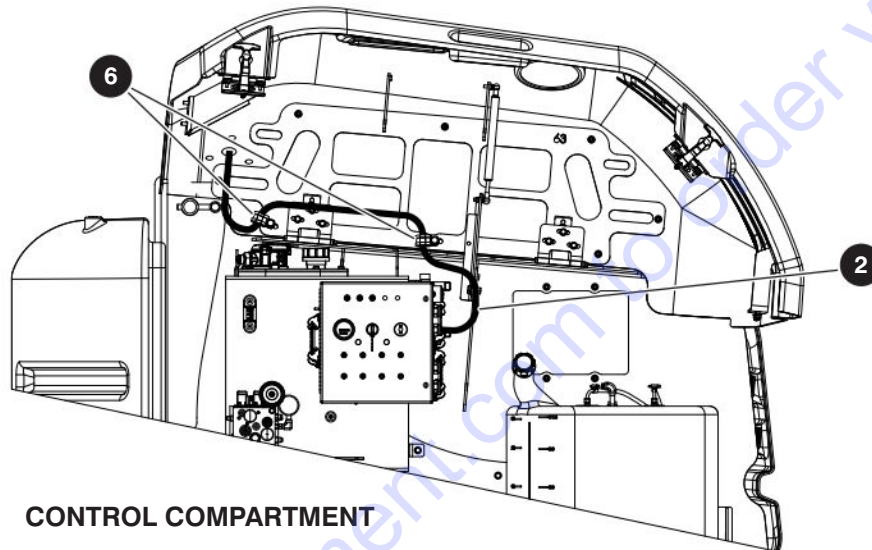
9.12 Elevate Telematics Subscription

Index No.	Skyjack Part No.	Qty.	Description
			 NOTE <i>One of the following subscriptions is required to use the Elevate Telematics option.</i>
1	221153	1	SUBSCRIPTION, Elevate telematics - Monitoring (12 months)
2	221647	1	SUBSCRIPTION, Elevate telematics - Engage (12 months)
3	221348	1	SUBSCRIPTION, Elevate telematics - Engage + Access (12 months)
4	221154	1	SUBSCRIPTION, Elevate telematics - Monitoring (36 months)
5	221650	1	SUBSCRIPTION, Elevate telematics - Engage (36 months)
6	221651	1	SUBSCRIPTION, Elevate telematics - Engage + Access (36 months)
7	221155	1	SUBSCRIPTION, Elevate telematics - Monitoring (60 months)
8	221654	1	SUBSCRIPTION, Elevate telematics - Engage (60 months)
9	221655	1	SUBSCRIPTION, Elevate telematics - Engage + Access (60 months)

9.13 Flashing Light



TOP VIEW OF COWLING

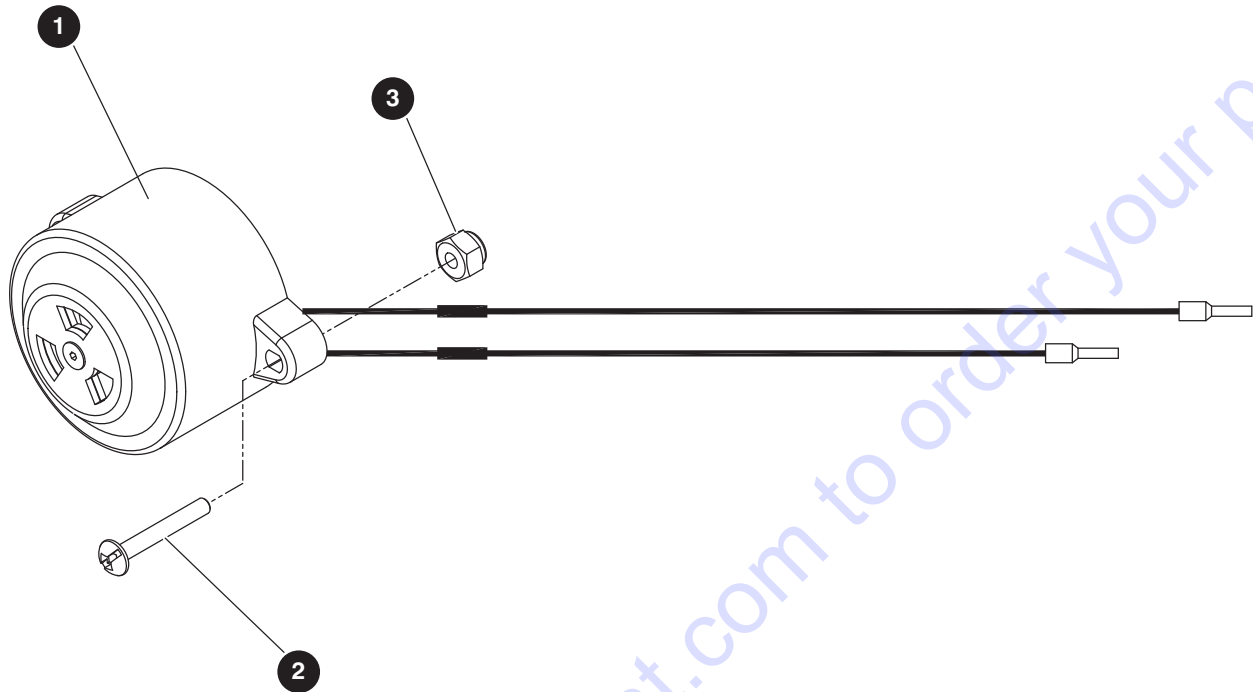


CONTROL COMPARTMENT

M162060AA

Index No.	Skyjack Part No.	Qty.	Description
-	162060	1	FLASHING AMBER LIGHT ASSEMBLY
1	144078	1	• AMBER LIGHT ASSEMBLY, Flashing
	143971	1	• • STROBE LIGHT, Amber (12/24 VDC)
	144215	1	• • • FLASH TUBE
	117596	1	• • PLUG, Deutsch (2-pin)
	117590	2	• • SOCKET, Contact (16/18 GA)
2	117598	1	• • WEDGE, Deutsch (2-pin)
	152585	1	• HARNESS, Flashing amber light
	117597	1	• • PLUG, Deutsch (2-pin)
	117599	1	• • WEDGE, Deutsch (2-pin)
3	117591	2	• • SOCKET, Deutsch (16/18 GA)
	122498	3	• SCREW, Round machine (#10-32 x 1 1/4")
4	300450	3	• NUT, Hex lock (#10-32 Grade 5, nylon)
5	104694	3	• WASHER, Flat (#10)
6	102972	2	• CLIP, Double (G8)

9.14 All Motion Alarm



M152362AA

Index No.	Skyjack Part No.	Qty.	Description
-	194434	1	ALL MOTION ALARM FIELD KIT
-	152361	1	• ALL MOTION ALARM ASSEMBLY
1	152362	1	• • ALARM, All motion with lead wires
2	112248	2	• • SCREW, Round head machine (8-32 x 1.00")
3	138765	2	• • NUT, Hex head nylon lock (8-32 gr 5)
4	170950	1	• INSTRUCTION, All motion alarm installation (not shown)

Section 10 – Labels

10.1 *Label Kits*

10.2 *Labels - Engine Side*

10.3 *Labels - Controls Side*

10.4 *Labels - Controls Compartment*

10.5 *Labels - Engine Compartment*

10.6 *Labels - Platform*

10.7 *Labels - Front & Back*

10.1 Label Kits

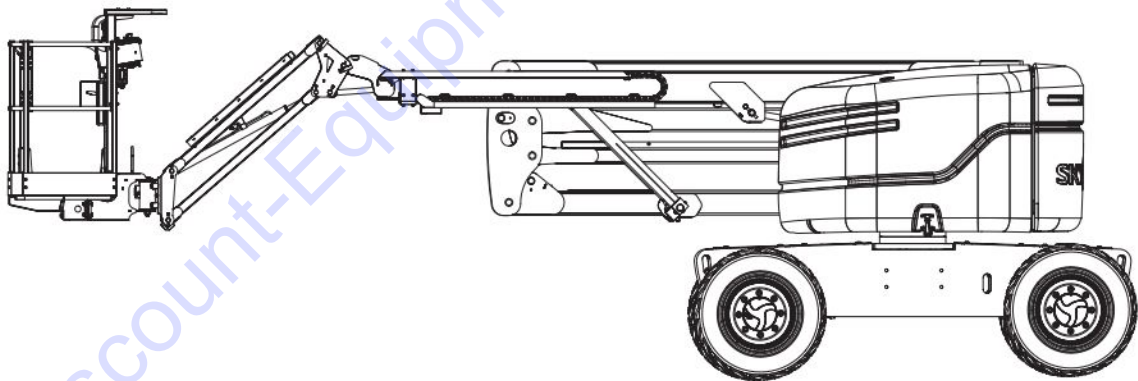
The following label kits contain all of the labels required for a complete standard machine, with the exception of:

- **Serial number plates**
- **Platform capacity labels**
- **Base control box labels**
- **Engine- and fuel-specific labels**
- **Powerline clearance label for AS**
- **Safety tape**

Contact Discount-equipment to order those labels individually.

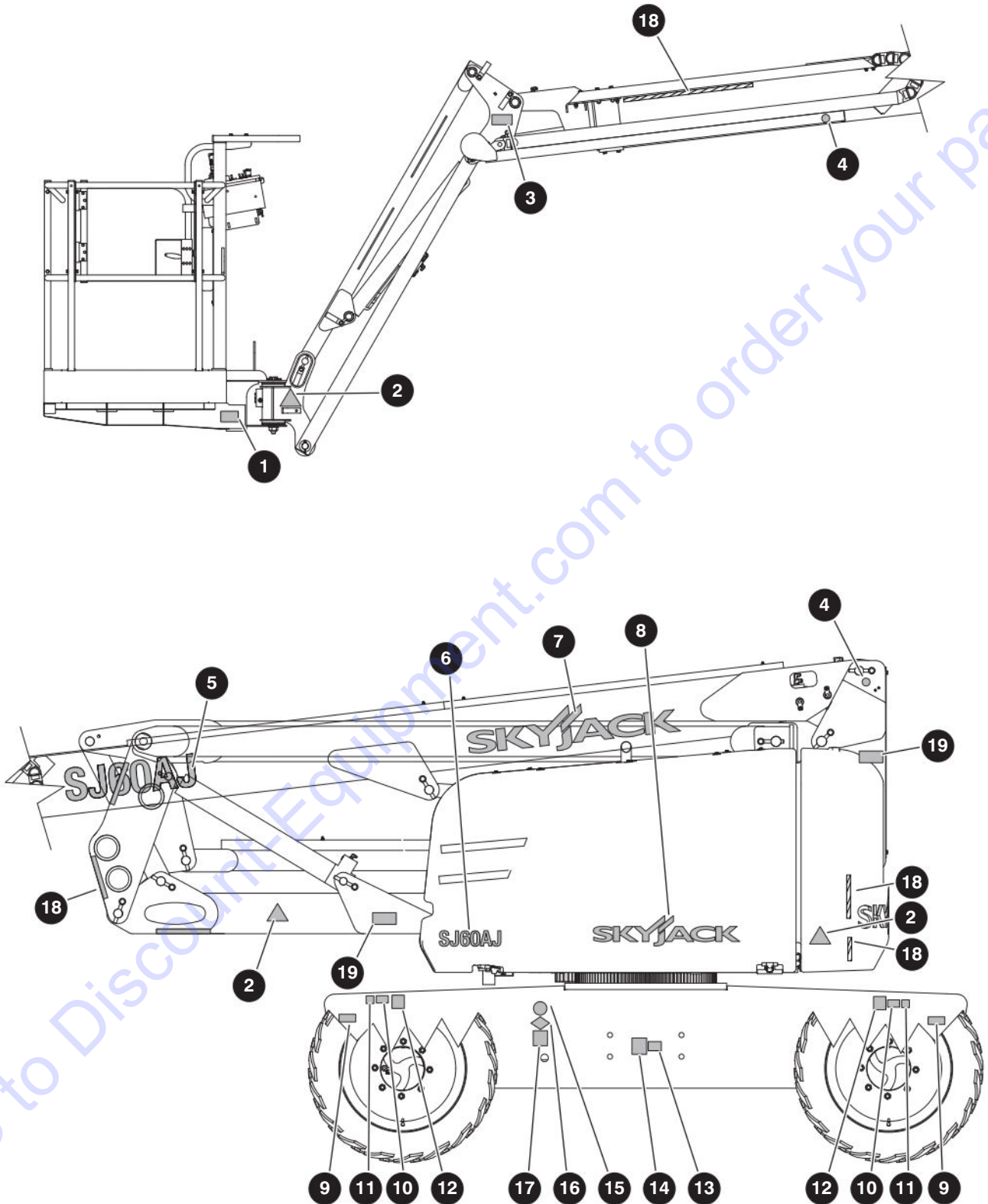
Supply the model number, country and language when ordering label kits.

Index No.	Skyjack Part No.	Qty.	Description
1	TBD	1	LABEL KIT, SJ60 AJ+, ANSI
2	TBD	1	LABEL KIT, SJ60 AJ+, CE
3	TBD	1	LABEL KIT, SJ60 AJ+, AS



SKYJACK™

10.2 Labels - Engine Side



M238843AB-1

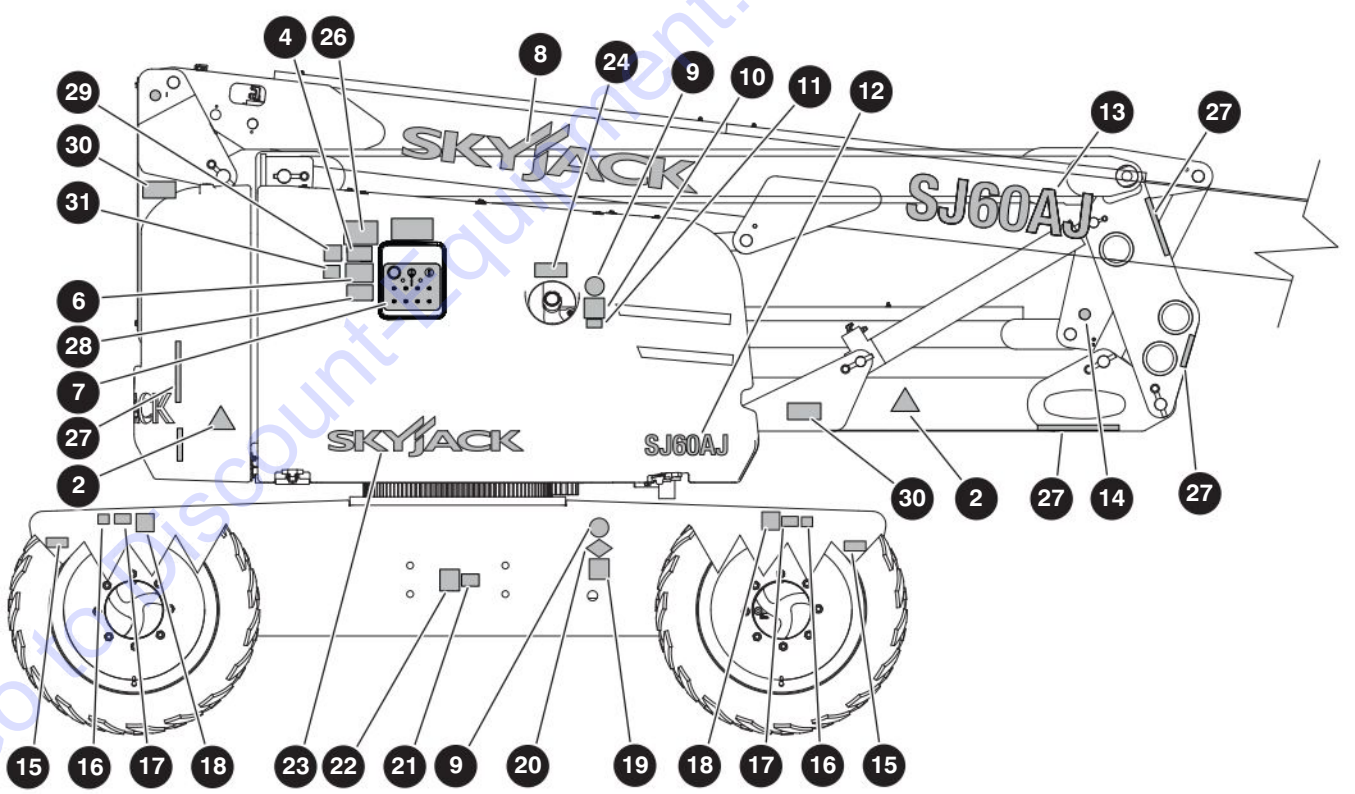
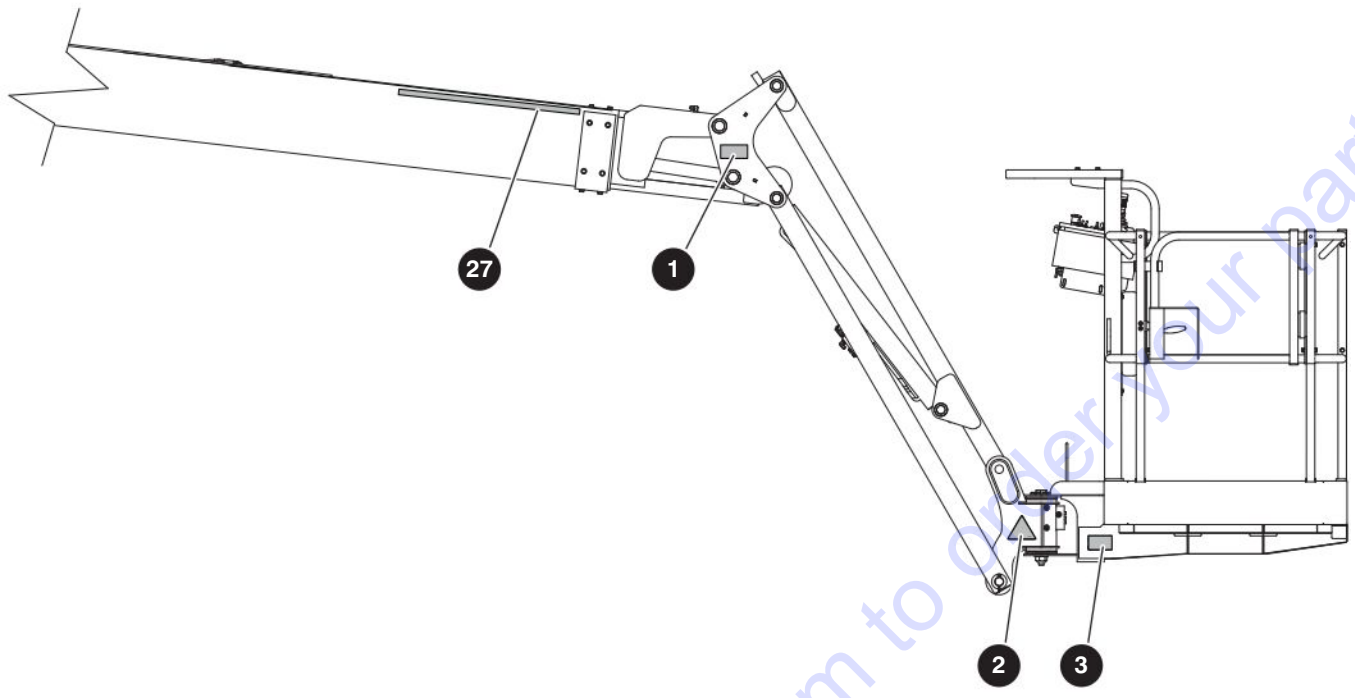
238272AAA

SJ60 AJ+

10.2 Labels - Engine Side

Index No.	Skyjack Part No.	Qty.	Description
1	147111	1	LABEL, Transportation tie down point
2	223640	3	LABEL, Body crush
3	137988	1	LABEL, Crush/pinch point
4	156613	2	LABEL, Do not alter
5	237736	1	LABEL, SJ60 AJ+ (26")
6	237735	1	LABEL, SJ60 AJ+ (19")
7	164773	1	LABEL, Skyjack (51")
8	158555	1	LABEL, Skyjack (29")
9	124767	2	LABEL, Tie down/lift lugs
10	124631	2	LABEL, Wheel info
11	173740	2	LABEL, Wheel load 4082 kg/9000 lb
12	173202	2	LABEL, Tip over hazard air filled tires
13	117023	1	LABEL, "CE" mark - CE
14	173848	1	LABEL, Sound power level - CE & AS
15	138146	1	LABEL, No smoking - Kubota WG972 with dual propane tank option
16	120390	1	LABEL, Propane - Kubota WG972 with dual propane tank option
17	103023	1	LABEL, Liquid propane fuel - Kubota WG972 with dual propane tank option
18	119803	87	LABEL, Caution tape
19	172680	2	LABEL, Maintenance support booms

10.3 Labels - Controls Side



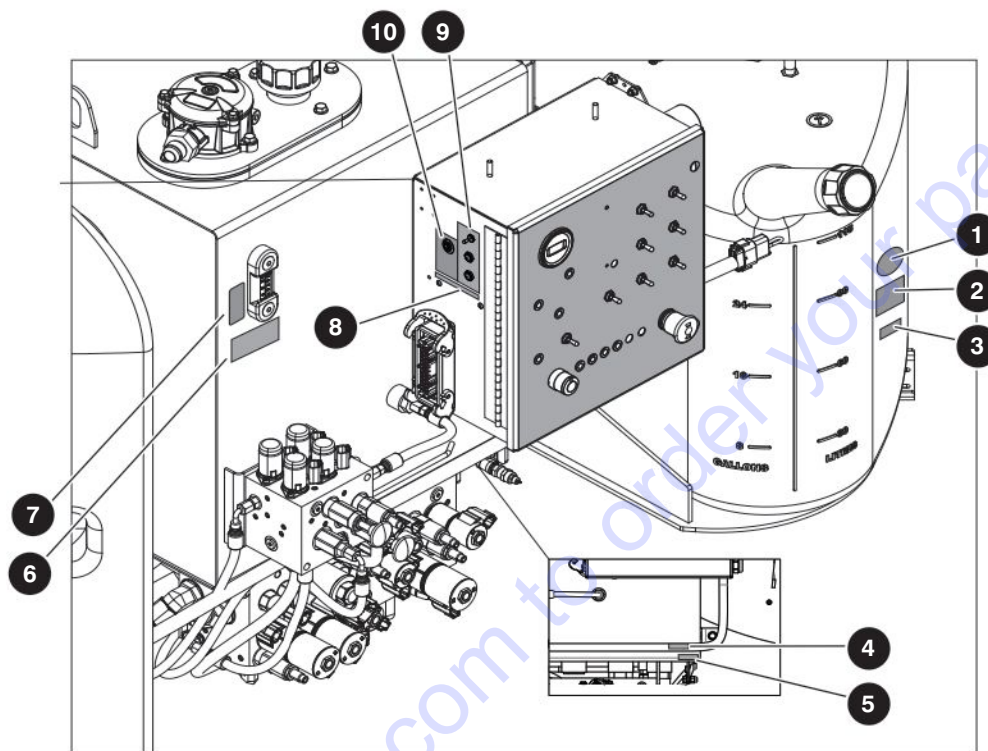
M238843AB-2

238272AAA

10.3 Labels - Controls Side

Index No.	Skyjack Part No.	Qty.	Description
1	137988	1	LABEL, Crush/pinch point
2	223640	3	LABEL, Body crush
3	147111	1	LABEL, Transportation tie down point
4	172656	1	LABEL, Annual inspection
5	161631	1	LABEL, Power line clearance - AS
6	173193	1	LABEL, Emergency lowering at base controls - ANSI/CSA
	173187	1	LABEL, Emergency lowering at base controls - CE & AS
7	238409	1	LABEL, Base controls
8	164773	1	LABEL, Skyjack (51")
9	138146	1	LABEL, No smoking
10	162852	1	LABEL, Ultra low sulfur fuel
11	149502	1	LABEL, Low sulfur fuel
12	237735	1	LABEL, SJ60 AJ+ (19")
13	237736	1	LABEL, SJ60 AJ+ (26")
14	156613	1	LABEL, Do not alter
15	124767	2	LABEL, Tie down/lift lugs
16	124631	2	LABEL, Wheel info
17	171190	2	LABEL, Wheel load 5080 kg/11200 lb
18	173202	2	LABEL, Tip over hazard air filled tires
19	103023	1	LABEL, Liquid propane fuel - Kubota WG972
20	120390	1	LABEL, Propane - Kubota WG972
21	117023	1	LABEL, "CE" mark - CE
22	150976	1	LABEL, Sound power level - CE & AS
23	158555	1	LABEL, Skyjack (29")
24	168457	1	LABEL, Open fuel cap slowly - Kubota WG972
26	173621	1	LABEL, Elevate
27	119803	87	LABEL, Caution tape
28	(Ref.)	1	LABEL, QR code (consult Discount-equipment)
29	172695	1	LABEL, Warning annual inspection
30	172680	1	LABEL, Maintenance support booms
31	172939	1	LABEL, Emergency lowering identification

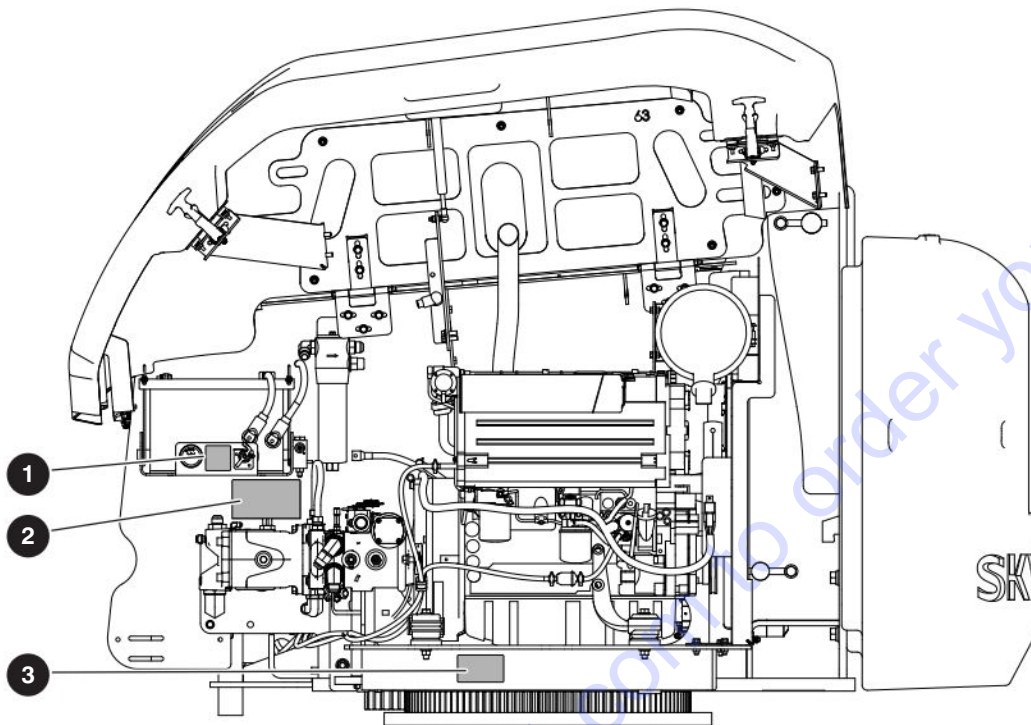
10.4 Labels - Controls Compartment



M173496AA_CS

Index No.	Skyjack Part No.	Qty.	Description
1	138146	1	LABEL, No smoking
2	162852	1	LABEL, Ultra low sulfur fuel only
3	149502	1	LABEL, Low sulfur fuel
4	172512	1	LABEL, Grease point
5	138211	1	LABEL, Connect AC supply
6	223638	1	LABEL, Winch/tow procedure
7	146016	1	LABEL, Hydraulic oil level (min/max)
9	218362	1	LABEL, Side - CB1 & CB2
10	218363	1	LABEL, Side - CB3 & CB4

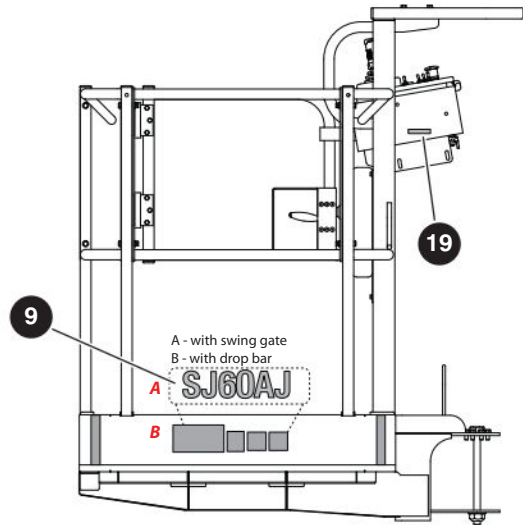
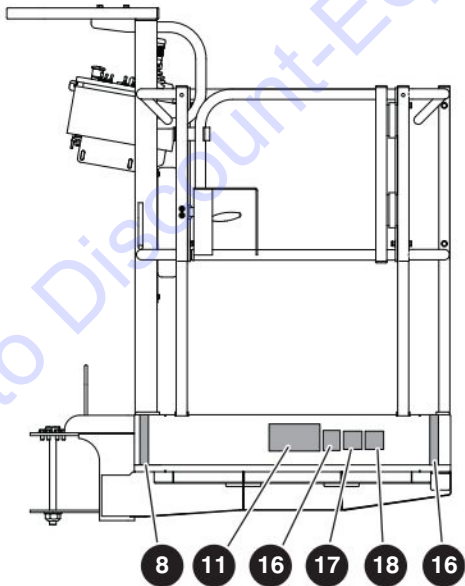
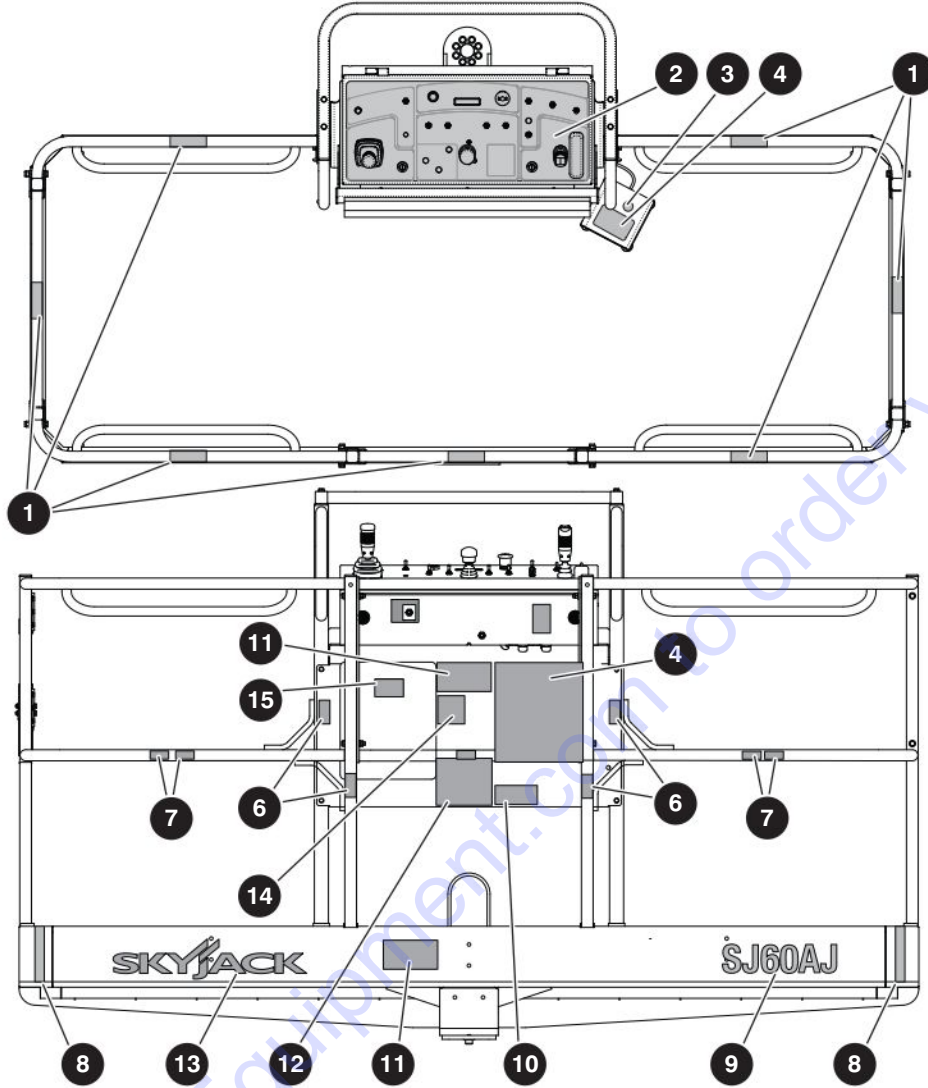
10.5 Labels - Engine Compartment



M173496AB_M173497AC_EC

Index No.	Skyjack Part No.	Qty.	Description
1	119674	1	LABEL, Battery disconnect switch
2	223638	1	LABEL, Winch/tow procedure
3	(Ref.)	1	LABEL, QR code (consult Discount-equipment)

10.6 Labels - Platform



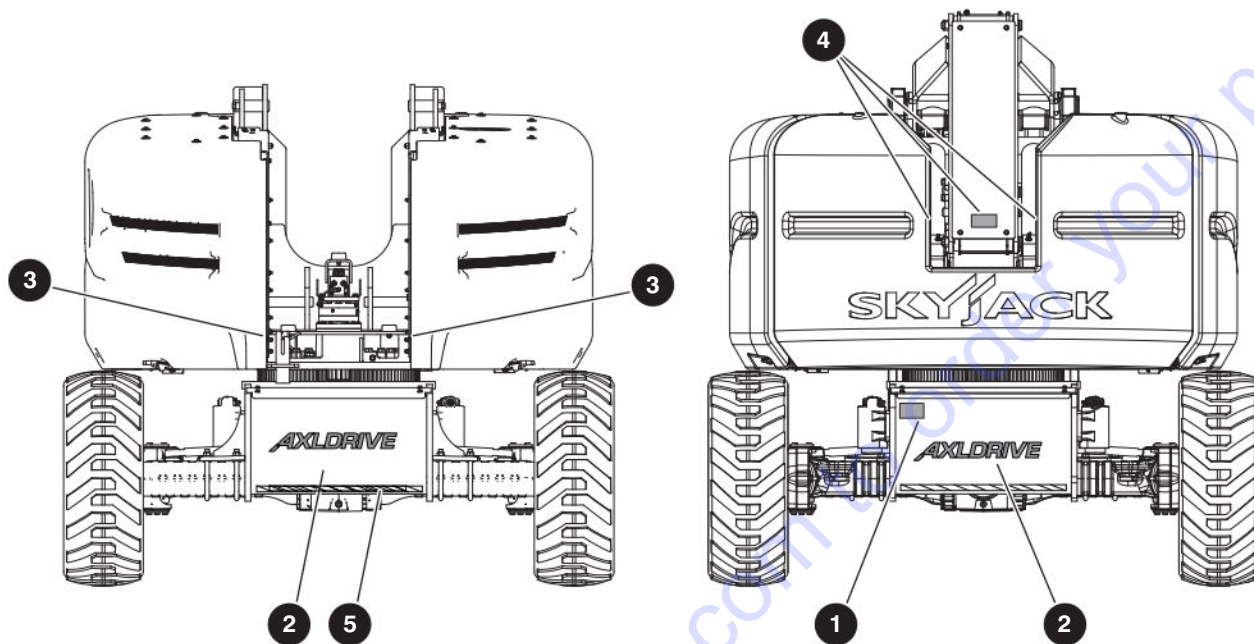
M238843AB-3

238272AAA

10.6 Labels - Platform

Index No.	Skyjack Part No.	Qty.	Description
1	137988	7	LABEL, Crush/pinch point
2	218494	1	LABEL, Platform control box
3	156613	1	LABEL, Do not alter
4	143638	1	LABEL, Footswitch enable (on/off)
5	173192	1	LABEL, Warning hazard booms
6	172639	4	LABEL, Harness anchorage, ANSI/CSA & AS
	172640	4	LABEL, Harness anchorage, CE
7	173717	7	LABEL, Do not walk or stand
8	119803	24"	LABEL, Caution tape
9	237735	2	LABEL, SJ60 AJ+ (19")
10	147043	1	LABEL, AWPT "Click It!"
11	173607	4	LABEL, Dual capacity (1000/660/600)
12	161631	1	LABEL, Power line clearance, AS
	173081	1	LABEL, California proposition 65, ANSI/CSA
13	158554	1	LABEL, Skyjack (20")
14	173202	1	LABEL, Tip over hazard air filled tires
15	123628	1	LABEL, Manual box
16	159513	1	LABEL, Daily maintenance checklist, A
	159513	3	LABEL, Daily maintenance checklist, B
17	172693	1	LABEL, Non-insulated, A
	172693	3	LABEL, Non-insulated, B
18	124362	1	LABEL, Warning do not wear jewelry, A
	124362	3	LABEL, Warning do not wear jewelry, B
19	138211	1	LABEL, Connect AC supply

10.7 Labels - Front & Back



63AJ_Labels-F&B

Index No.	Skyjack Part No.	Qty.	Description
1	(Ref.)	1	LABEL, Serial plate <i>(please consult Discount-equipment)</i>
2	159509	2	LABEL, "4X4"
3	223640	2	LABEL, Body crush
4	137988	3	LABEL, Crush/pinch point
5	119803	56"	LABEL, Caution tape

PARTS FINDER

**Search Website
by Part Number**



**Search Manual
Library For Parts
Manual & Lookup Part
Numbers – Purchase
or Request Quote**

Search Manuals

Enter your information to help us find the right parts manual for your machine.

* Brand:

* Model:

* Serial:

* Part Number:

SEARCH

**Can't Find Part or
Manual? Request Help
by Manufacturer,
Model & Description**

Parts Order Form

Please fill in the following information to help us find the right part for your machine.

Manufacturer:	<input type="text"/>
Model:	<input type="text"/>
Description:	<input type="text"/>
Part Number:	<input type="text"/>
Quantity:	<input type="text"/>
Notes:	<input type="text"/>

Submit

Discount-Equipment.com is your online resource for quality parts & equipment.

Florida: **561-964-4949** Outside Florida TOLL FREE: **877-690-3101**

Need parts?

Click on this link: <http://www.discount-equipment.com/category/5443-parts/> and choose one of the options to help get the right parts and equipment you are looking for. Please have the machine model and serial number available in order to help us get you the correct parts. If you don't find the part on the website or on one of the online manuals, please fill out the request form and one of our experienced staff members will get back to you with a quote for the right part that your machine needs.

We sell worldwide for the brands: Genie, Terex, JLG, MultiQuip, Mikasa, Essick, Whiteman, Mayco, Toro Stone, Diamond Products, Generac Magnum, Airman, Haulotte, Barreto, Power Blanket, Nifty Lift, Atlas Copco, Chicago Pneumatic, Allmand, Miller Curber, Skyjack, Lull, Skytrak, Tsurumi, Husquvarna Target, Stow, Wacker, Sakai, Mi-T-M, Sullair, Basic, Dynapac, MBW, Weber, Bartell, Bennar Newman, Haulotte, Ditch Runner, Menegotti, Morrison, Contec, Buddy, Crown, Edco, Wyco, Bomag, Laymor, EZ Trench, Bil-Jax, F.S. Curtis, Gehl Pavers, Heli, Honda, ICS/PowerGrit, IHI, Partner, Imer, Clipper, MMD, Koshin, Rice, CH&E, General Equipment, Amida, Coleman, NAC, Gradall, Square Shooter, Kent, Stanley, Tamco, Toku, Hatz, Kohler, Robin, Wisconsin, Northrock, Oztec, Toker TK, Rol-Air, APT, Wylie, Ingersoll Rand / Doosan, Innovatech, Con X, Ammann, Mecalac, Makinex, Smith Surface Prep, Small Line, Wanco, Yanmar