

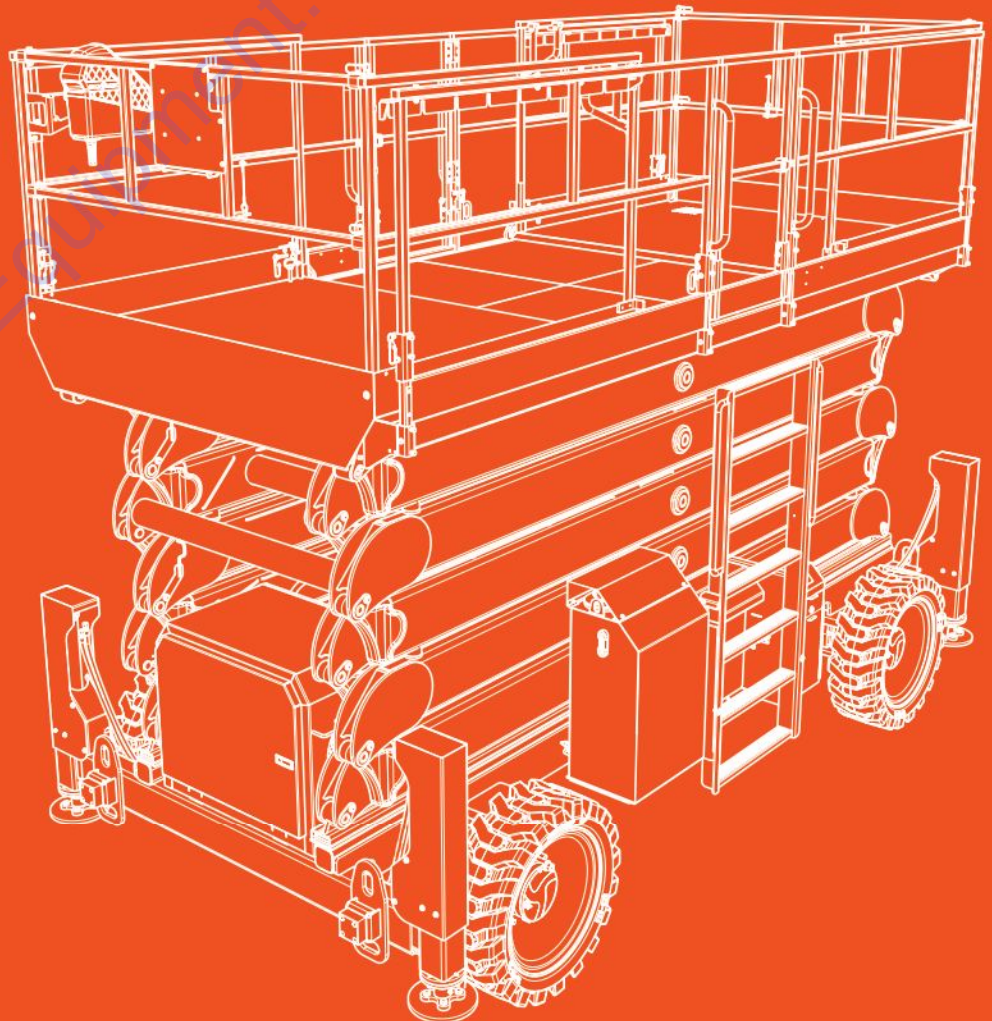


SKYJACK

PARTS MANUAL

SJ9664 RT

ROUGH TERRAIN SCISSOR LIFT



239430AAA

January 2021

ANSI/CSA, CE, AS

PARTS FINDER

**Search Website
by Part Number**



**Search Manual
Library For Parts
Manual & Lookup Part
Numbers – Purchase
or Request Quote**

A screenshot of the "Search Manuals" form. The form has a title "Search Manuals" and a subtitle "Please provide information to help us locate the manual you are looking for." It includes several input fields: "Brand" (a dropdown menu), "Model Number" (a text field), "Serial Number" (a text field), "Year" (a dropdown menu), "Serial" (a text field), "Part Number" (a text field), "Part Name" (a text field), and "Comments" (a text area). A "Search" button is located at the bottom of the form.

**Can't Find Part or
Manual? Request Help
by Manufacturer,
Model & Description**

A screenshot of the "Parts Order Form". The form has a title "Parts Order Form" and a subtitle "Please fill in the information below." It includes several input fields: "Manufacturer" (a dropdown menu), "Model" (a text field), "Description" (a text field), "Part Number" (a text field), "Part Name" (a text field), "Quantity" (a text field), "Date Received" (a text field), "Order Code" (a text field), "Phone" (a text field), "Email" (a text field), and "Fax" (a text field). A "Submit" button is located at the bottom of the form.

Discount-Equipment.com is your online resource for quality parts & equipment.

Florida: **561-964-4949** Outside Florida TOLL FREE: **877-690-3101**

Need parts?

Click on this link: <http://www.discount-equipment.com/category/5443-parts/> and choose one of the options to help get the right parts and equipment you are looking for. Please have the machine model and serial number available in order to help us get you the correct parts. If you don't find the part on the website or on one of the online manuals, please fill out the request form and one of our experienced staff members will get back to you with a quote for the right part that your machine needs.

We sell worldwide for the brands: Genie, Terex, JLG, MultiQuip, Mikasa, Essick, Whiteman, Mayco, Toro Stone, Diamond Products, Generac Magnum, Airman, Haulotte, Barreto, Power Blanket, Nifty Lift, Atlas Copco, Chicago Pneumatic, Allmand, Miller Curber, Skyjack, Lull, Skytrak, Tsurumi, Husquvarna Target, Stow, Wacker, Sakai, Mi-T-M, Sullair, Basic, Dynapac, MBW, Weber, Bartell, Bennar Newman, Haulotte, Ditch Runner, Menegotti, Morrison, Contec, Buddy, Crown, Edco, Wyco, Bomag, Laymor, EZ Trench, Bil-Jax, F.S. Curtis, Gehl Pavers, Heli, Honda, ICS/PowerGrit, IHI, Partner, Imer, Clipper, MMD, Koshin, Rice, CH&E, General Equipment, Amida, Coleman, NAC, Gradall, Square Shooter, Kent, Stanley, Tamco, Toku, Hatz, Kohler, Robin, Wisconsin, Northrock, Oztec, Toker TK, Rol-Air, APT, Wylie, Ingersoll Rand / Doosan, Innovatech, Con X, Ammann, Mecalac, Makinex, Smith Surface Prep, Small Line, Wanco, Yanmar

This manual is for MEWPs with serial numbers:

SJ9664 RT: A203 000 001 - A203 999 999

Please refer to the website (www.discount-equipment.com) for contact information, other serial numbers, the most recent technical manuals, and USB software.

Go to Discount-Equipment.com to order your parts

Table of Contents

Foreword.....	7
General.....	7
Parts Ordering Information.....	7
Method of Listing.....	7
Quantities.....	7
How To Order Repair Parts.....	7
Recommended Service Parts.....	8
Section 1 – Platform.....	11
1.1 Main Platform Deck.....	12
1.2 Main Platform Railings - Single Extension Deck.....	14
1.3 Main Platform Railings - Dual Extension Decks.....	16
1.4 Full Gate.....	18
1.5 Extension Deck Platform.....	20
1.6 Extension Deck Railings.....	22
1.7 Platform Control Box.....	24
1.8 Joystick.....	26
1.9 Power Outlet - ANSI/CSA.....	28
1.10 Power Outlet - CE/AS/.....	30
Section 2 – Scissors.....	33
2.1 Scissor Assembly.....	34
2.2 Scissor Level 1/3.....	36
2.3 Scissor Level 2/4.....	38
2.4 Scissor Level Top.....	40
2.5 Center Pin.....	42
2.6 Centering Link.....	44
2.7 Lower Sliders.....	45
2.8 Upper Sliders.....	46
2.9 Lift Cylinders.....	48
2.10 Lift Cylinder Manifolds.....	50
2.11 Maintenance Stand.....	52
2.12 Scissor Electrical Components.....	54
Section 3 – Base.....	57
3.1 Chassis.....	58
3.2 Drive Shaft Guard.....	60
3.3 Lateral Bracket - Right Side.....	61

3.4	Lateral Bracket - Left Side	62
3.5	Axles	64
3.6	Differential - Front Axle	66
3.7	Hub Reduction - Front Axle	68
3.8	Central Housing - Front Axle	72
3.9	Steering - Front Axle	73
3.10	Differential - Rear Axle	74
3.11	Hub Reduction - Rear Axle	76
3.12	Brakes - Rear Axle	78
3.13	Gear Box - Rear Axle	80
3.14	Central Housing - Rear Axle	82
3.15	Drive Motor	83
3.16	Tires	84
3.17	Ladder	86
3.18	Fuel Tank	87
3.19	Outriggers	88
3.20	Outrigger Cylinder	90
3.21	Outrigger Limit Switches	92
3.22	Machine Controller	93
3.23	Base Control Box Hardware	94
3.24	Base Control Box	96
3.25	Battery	100
3.26	Hydraulic Tank	102
3.27	Drive Manifold	104
3.28	Auxiliary Manifold	106
3.29	Pressure Reducing Manifold	108
3.30	Outrigger Manifold	109
Section 4 – Engine		111
4.1	Engine Cover Cage	112
4.2	Engine Covers	114
4.3	Engine - Kubota D1305	116
4.4	Air Intake - Kubota D1305	120
4.5	Exhaust - Kubota D1305	122
4.6	Pump - Kubota D1305	124
4.7	Bell Housing - Kubota D1305	125
4.8	Fuel Lines - Kubota D1305	126
4.9	Electrical Components - Kubota D1305	128
4.10	Engine - Kubota WG972	130
4.11	Air Intake - Kubota WG972	134
4.12	Exhaust - Kubota WG972	136
4.13	Regulator/Vaporizer - Kubota WG972	138
4.14	Pump - Kubota WG972	139

4.15	Bell Housing - Kubota WG972	140
4.16	Electrical Components - Kubota WG972	141
4.17	Fuel System - Kubota WG972	142
4.18	Propane Tank - Kubota WG972	144
Section 5 – Electrical Harnesses		147
5.1	Kubota D1305 Engine Harness	148
5.2	Fuse Box - Kubota D1305	150
5.3	Kubota WG972 Engine Harness	152
5.4	Positive Air Shut Off Harness	154
5.5	Fuel Pump Harness	156
5.6	ECU Power Harness	157
5.7	Control A Harness	158
5.8	Control B Harness	159
5.9	Base Control Cable	160
5.10	Drive Manifold Harness	161
5.11	Outrigger Manifold Harness	162
5.12	Outrigger Control Harness	163
5.13	Holding Valve Harnesses	164
5.14	Scissor Harness	165
5.15	Machine Controller Harness	166
5.16	CANBUS Harness	168
5.17	Angle Transducer/Beeper/Flashing Light Harness	169
5.18	Load Cell Module Harness	170
5.19	Load Cell Module Power Harness	171
5.20	Load Cell Module CAN Harness	172
5.21	Platform Harness	173
5.22	Generator and Oil Cooler Harness	174
5.23	Generator Control Harness	175
Section 6 – Hose Connections		177
6.1	Standard Hose Numbering System	178
6.2	Hydraulic Hoses - Base	180
6.3	Hydraulic Hoses - Outriggers	184
6.4	Hydraulic Hoses - Scissors	186
Section 7 – Optional Equipment		189
7.1	Heavy Duty Pipe Rack	190
7.2	Tool Caddy Kit	192
7.3	Material Handling Stand	194
7.4	Eco Start	196
7.5	Wire Loop Lock Pin	197
7.6	RCD Option	198
7.7	Belt-Driven Generator - 3.5 kW	200

7.8	Hydraulic Generator - 7.5 kW	202
7.9	Hydraulic Hoses - 7.5 kW Generator	204
7.10	Cold & Arctic Weather Packages	206
7.11	Arctic Weather Package	208
7.12	Elevate Telematics	210
7.13	Elevate Telematics Subscription	212
7.14	Storage Box	213
Section 8 – Labels		215
8.1	Label Kits	217
8.2	Labels - Left & Right Sides	218
8.3	Labels - Front & Back	220
8.4	Labels - Engines	222
8.5	Labels - Outriggers	224
8.6	Labels - Railings	225
8.7	Labels - Control Boxes	226

Go to Discount-Equipment.com to order your parts

Foreword

General

The information contained in this manual is designed to aid the user in locating and identifying replacement parts. Component parts of various assemblies and subassemblies comprising the work platform are illustrated and accompanied by a descriptive parts list. Exploded drawings are used to show relative location of component parts in disassembly order. If a part cannot be found in this manual, contact Discount-equipment for assistance.

Parts Ordering Information

When ordering replacement parts, the complete part number and description should be used to ensure proper identification and delivery of the desired item. This complete identification should also be used when requesting equipment information.

Method of Listing

Parts are listed in order according to the reference number shown in the illustration, followed by a full description based upon the "NOUN FIRST" method. That is, the noun name of the part is listed first, then the modifying description information which serves to specifically identify the item. For example: PIN, Clevis.

Assemblies at the beginning of a parts list may be identified with a reference letter: A, B, C, etc. These letters are used to identify different configurations of the assembly. Individual parts in these lists have corresponding letters after their description to identify which assembly it is used in. If a part does not have a reference letter, it is used in all of the assemblies.

Bullets (•) are used to show the assembly structure, or parent/child relationship. A part listed at the beginning of the parts list without a bullet before the description is the main assembly, and all of the parts below it with one bullet are the subcomponent parts of that assembly. Two bullets denote a subcomponent of a subcomponent, etc.

Example:

Main Assembly A

- Part 1 (subcomponent of Main Assembly A)
- Part 2 (subcomponent of Main Assembly A)
- • Part 3 (subcomponent of Part 2)

Quantities

The quantities required to complete the assembly are given for each part. If the quantity is (AR), it is understood that the quantity may vary when the machine is equipped with certain options. Order quantity as needed.

How To Order Repair Parts

1. Address all orders to Discount-equipment
2. Specify model and serial number of the work platform (found on the serial number plate).
3. List the quantity needed.
4. List the length needed (if it is a bulk item).
5. List the part number and description as shown in this manual for each item.
6. Show the billing and shipping address and the name of the individual, if possible.
7. Suggest the best routing.

Customer: _____

Dealer: _____

Model Number: _____

Serial Number: _____

Date Purchased: _____

Recommended Service Parts

Description	Year 1 Qty	Year 2 Qty	Year 3 Qty	Skyjack Part No.
Mechanical				
Belt, Generator (3.5kW Diesel D1305)	1	1	1	220368
Belt, Generator (3.5KW Duel Fuel WG972)	1	1	1	222477
Extension Deck Roller	4	4	4	222283
Extension Deck, Pad, Bottom Slide	6	12	12	101956
Extension Deck, UHMW Roller	4	4	4	222285
Hub, Coupler (engine to pump)	1	1	1	231193
Knob, Rotary Latch	1	1	1	111534
Latch Rotary, Maintenance Stand	1	1	1	112307
Platform Pad, Bottom Slide	8	8	8	101955
Platform Roller	4	4	4	222284
Quick Release Pin-large loop	12	12	12	216212
Scissor Puck PU55D large	4	4	4	105395
Scissor Puck PU55D small	4	4	8	111135
Electrical				
Angle Transducer	1	1	1	220597
Circuit Breaker CB1, CB2 (25Amp)	0	0	1	137919
Circuit Breaker CB3 (20Amp)	0	0	1	117326
Contact Block NC (Off/Base/Platform)	0	0	1	166142
Contact Block NO (Horn)	0	1	1	147054
Contact Block NO (Off/Base/Platform)	0	0	1	166141
Emergency Stop Head	1	1	1	147051
E-Stop Contact Block NC	0	1	1	147053
Flashing Light, Amber LED	0	0	1	216142
Guard, Toggle switches	4	4	4	111181
Joystick Controller Assembly	0	0	1	215811
Keyed Selector Switch, Head (Off/Base/Platform) ANSI	0	1	1	149605
Keyed Selector Switch, Head (Off/Base/Platform) CE	0	1	1	165829
Latch, Switch Contact Blocks	0	2	2	147056
LED Block, Red 12V	0	1	1	147229
Light, Amber LED	0	1	1	226130
Light, Green LED	0	1	3	226129
Outrigger Limit switch	2	2	8	207021
Pushbutton Head, Black (Horn)	1	1	1	144648
Relay 12V	0	1	1	127131
Toggle Switch 1NT1-2	1	2	2	115574
Toggle Switch 1NT1-7	4	8	12	102853

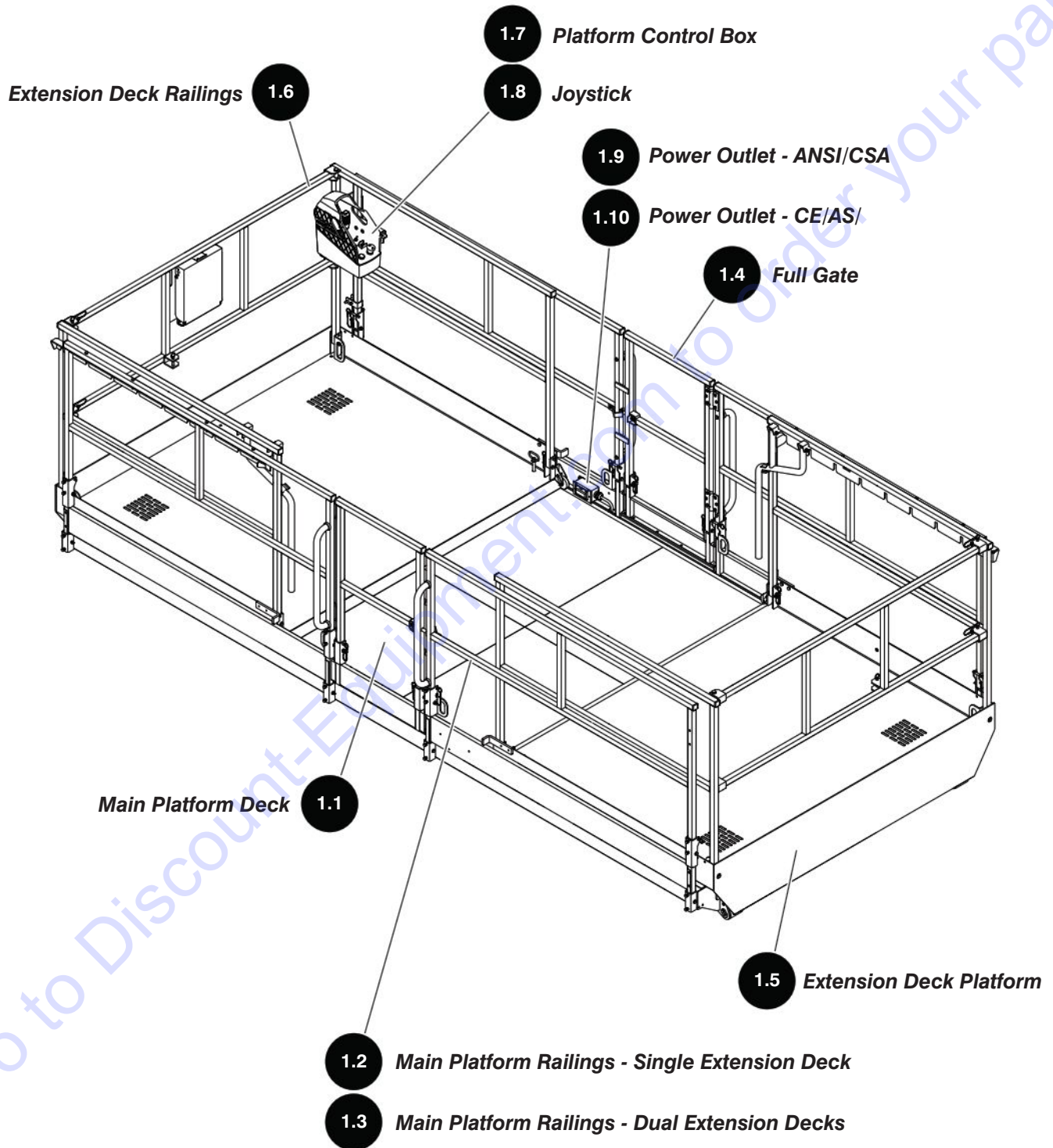
Recommended Service Parts

Description	Year 1 Qty	Year 2 Qty	Year 3 Qty	Skyjack Part No.
Hydraulic				
Check Valve, LS	0	1	2	171412
Check Valve, Outrigger Cylinder	0	1	4	104115
Check Valve, Outrigger Manifold	0	1	4	229301
Element, Hydraulic Filter Cartridge	1	1	1	161949
Pressure Reducing Valve, Auxiliary (PR1)	0	1	1	229298
Pressure Reducing Valve, Pilot (PR2)	0	1	1	229299
Pressure Reducing Valve (PR3)	0	1	1	229299
Pressure Transducer	1	1	1	217934
Relief Valve, Holding Valve Manifold	2	2	2	231759
Relief Valve, Lift	0	1	1	229297
Relief Valve, Main Manifold System	0	1	1	229296
Relief Valve, Steer	0	1	1	238568
Seal Kit, Lift Cylinder	0	2	2	TBD
Seal Kit, Outrigger Cylinder	0	1	2	235945
Seal Kit, Steer Cylinder	0	1	1	224394
Valve, Counterbalance, Drive (REV, FWD)	0	0	2	229302
Valve, Directional (Drive)	0	0	1	206190
Valve, Directional (Steer Priority)	0	0	1	229295
Valve, Enable, Outrigger Manifold	0	1	1	229304
Valve, Outrigger (Extend/Retract)	0	0	2	159804
Valve, Outrigger Manifold	0	1	1	159804
Valve, Solenoid - Cartridge Spool (Brake)	0	0	1	159827
Valve, Solenoid - Cartridge Spool (Differential Lock)	0	0	1	159827
Valve, Solenoid - Cartridge Spool (Dump)	0	0	1	229291
Valve, Solenoid - Cartridge Spool (Forward/Reverse)	0	0	2	213997
Valve, Solenoid - Cartridge Spool (Freewheel)	0	0	1	229292
Valve, Solenoid - Cartridge Spool (Holding)	0	1	2	103655
Valve, Solenoid - Cartridge Spool (Lift)	0	0	1	229293
Valve, Solenoid - Cartridge Spool (Lower)	0	0	1	229303
Valve, Solenoid - Cartridge Spool (Steer)	0	0	1	229294

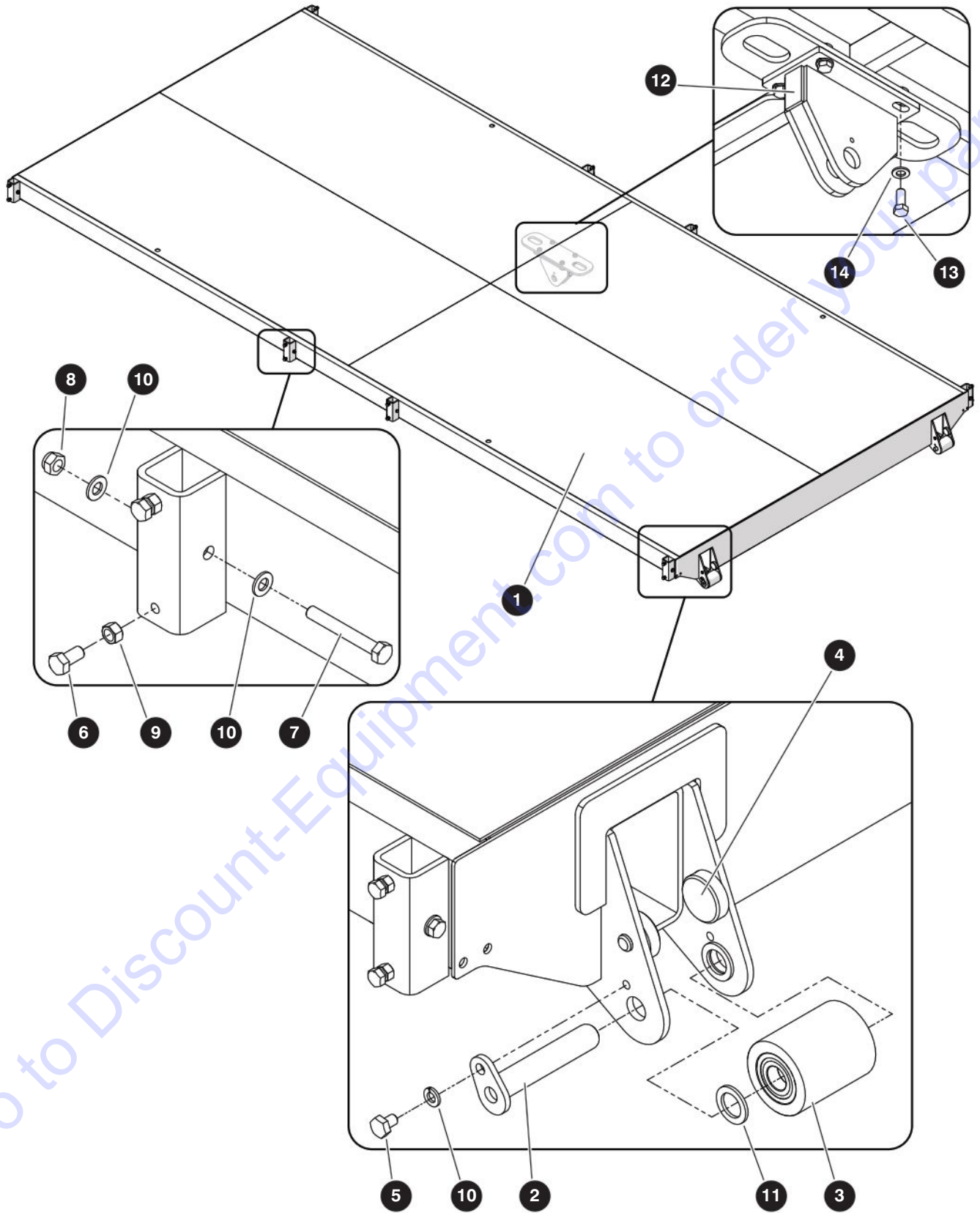
Recommended Service Parts

Description	Year 1 Qty	Year 2 Qty	Year 3 Qty	Skyjack Part No.
Engine Kubota Diesel D1305				
Air Filter Element	1	1	1	132913
Alternator	0	0	1	236073
Belt, Fan	0	1	1	236079
Fuel Filter Element	1	1	1	236089
Fuel pump	0	1	1	236080
Glow plug	3	3	3	228540
In-line fuel filter	1	1	1	139254
Oil filter	1	1	1	236071
Starter	0	1	1	236072
Thermostat	0	1	1	136109
Water Temperature switch	0	1	1	236082
Engine Kubota Dual Fuel WG972				
Air Filter Element	1	1	1	132913
Alternator	0	0	1	237570
Belt, Fan	0	1	1	136114
Fuel Filter Element	1	1	1	136118
Fuel pump	0	1	1	163557
LP Filter	0	1	1	142300
Oil filter	1	1	1	237654
Spark Plug	3	3	3	166642
Starter	0	1	1	159216
Thermostat	0	1	1	237573

Section 1 – Platform



1.1 Main Platform Deck



M222272AD

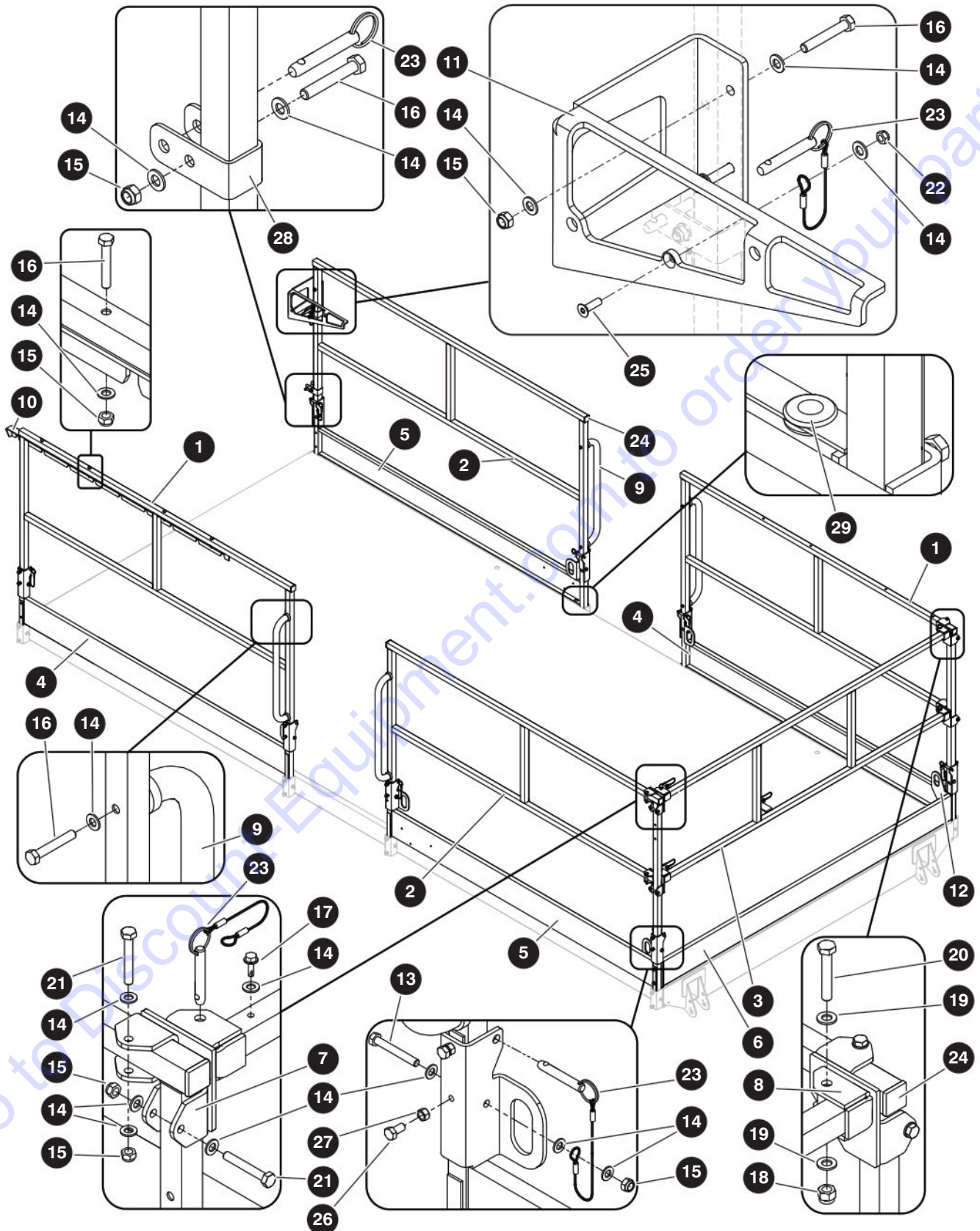
239430AAA

SJ9664 RT

1.1 Main Platform Deck

Index No.	Skyjack Part No.	Qty.	Description
A	237510	1	MAIN PLATFORM DECK - SINGLE EXTENSION
B	237453	1	MAIN PLATFORM DECK - DUAL EXTENSION
1	239190	1	• PLATFORM, Main deck, A
	239190	1	• PLATFORM, Main deck, B
2	102226	2	• PIN, Extension deck roller, A
	102226	4	• PIN, Extension deck roller, B
3	222284	2	• ROLLER (19.05 ID x 60 OD x 73 mm), A
	222284	4	• ROLLER (19.05 ID x 60 OD x 73 mm), B
4	101956	4	• PAD, Bottom slide, A
	101956	8	• PAD, Bottom slide, B
5	228462	2	• BOLT, Hex head (M8 x 1.25 x 12, cl 10.9)
6	217401	16	• BOLT, Hex head (M8 x 1.25 x 16, cl 10.9)
7	217236	8	• BOLT, Hex head (M8 x 1.25 x 60, cl 10.9)
8	223162	8	• NUT, Hex lock (M8 x 1.25, cl 10)
9	217796	16	• NUT, Hex (M8 x 1.25, cl 10)
10	232528	16	• WASHER, Flat (M8), A
	232528	18	• WASHER, Flat (M8), B
11	239191	4	• SPACER (0.76 x 1.125 x 16GA), A
	239191	8	• SPACER (0.76 x 1.125 x 16GA), B
12	239184	2	• HOUSING, Upper - centre bar, B
13	933659	8	• BOLT, Hex head (M12 x 1.75 x 30, cl 10.9) , B
14	600426	8	• WASHER, Flat (M12), B

1.2 Main Platform Railings - Single Extension Deck



M222266AE

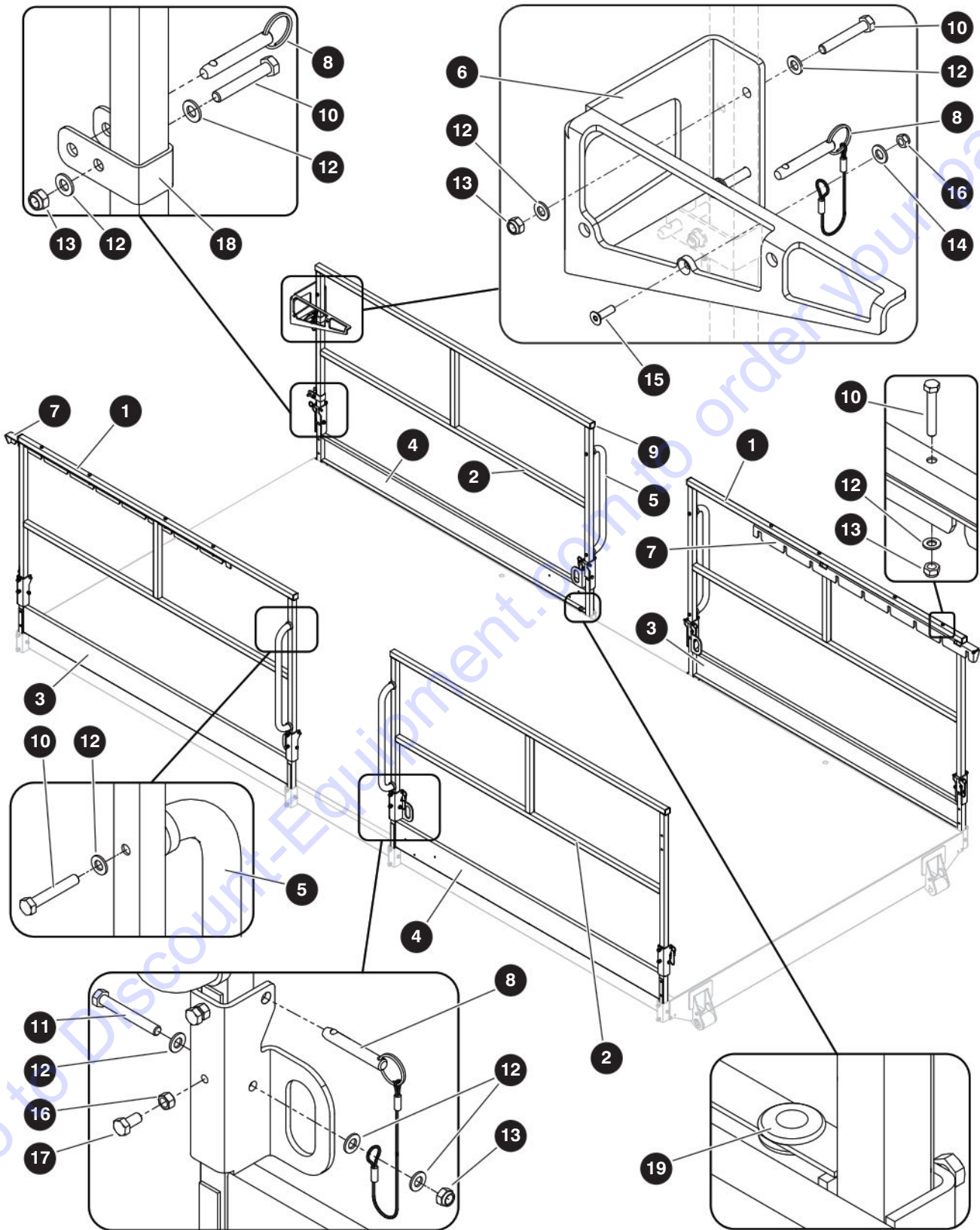
239430AAA

SJ9664 RT

1.2 Main Platform Railings - Single Extension Deck

Index No.	Skyjack Part No.	Qty.	Description
-	237513	1	MAIN PLATFORM RAILINGS - SINGLE EXTENSION DECK
1	237405	2	• RAILING, Platform
2	237408	2	• RAILING, Platform - lock
3	220244	1	• RAILING, End
4	237410	2	• KICK PLATE, Lower
5	237412	2	• KICK PLATE, Lower with anchor
6	220249	1	• KICK PLATE, End - short
7	220296	2	• BRACKET, Rail mount - RH
8	220297	2	• BRACKET, Rail mount - LH
9	215125	4	• HANDLE, Entrance - bolt on
10	237447	2	• PLATE, Extension lock
11	215184	1	• BRACKET, Control box mounting
12	220292	2	• LUG, Harness (5 mm)
13	217236	8	• BOLT, Hex head (M8 x 1.25 x 60, cl 10.9)
14	600184	72	• WASHER, Flat (M8)
15	223162	28	• NUT, Hex lock (M8 x 1.25, cl 10)
16	217234	16	• BOLT, Hex head (M8 x 1.25 x 50, cl 10.9)
17	103632	3	• BOLT, Self-tapping (1/4"-14 x 3/4")
18	933697	2	• NUT, Hex nylon Lock (M10-1.5)
19	600315	4	• WASHER, Flat (M10 DIN 125)
20	217862	2	• BOLT, Hex head (M10 x 1.5 x 60, cl 10.9)
21	933795	12	• BOLT, Hex head (M8 x 1.25 x 55 mm, gr 10.9)
22	223178	1	• NUT, Hex nylon lock (M6 x 1, cl 10)
23	216212	14	• PIN, Locking (3/8 x 1.8 large loop)
24	215094	10	• PLUG, Square tube (30 x 30 x 2)
25	217493	1	• SCREW, Flat head cap screw (M6 x 1 x 20, cl 10.9)
26	217401	16	• BOLT, Hex head (M8 x 1.25 x 16, cl 10.9)
27	217796	16	• NUT, Hex (M8 x 1.25, cl 10)
28	231667	2	• CLAMP, Cable
29	104059	1	GROMMET, Rubber (1/2 x 13/16 x 1/8) (not shown)

1.3 Main Platform Railings - Dual Extension Decks



M222274AF

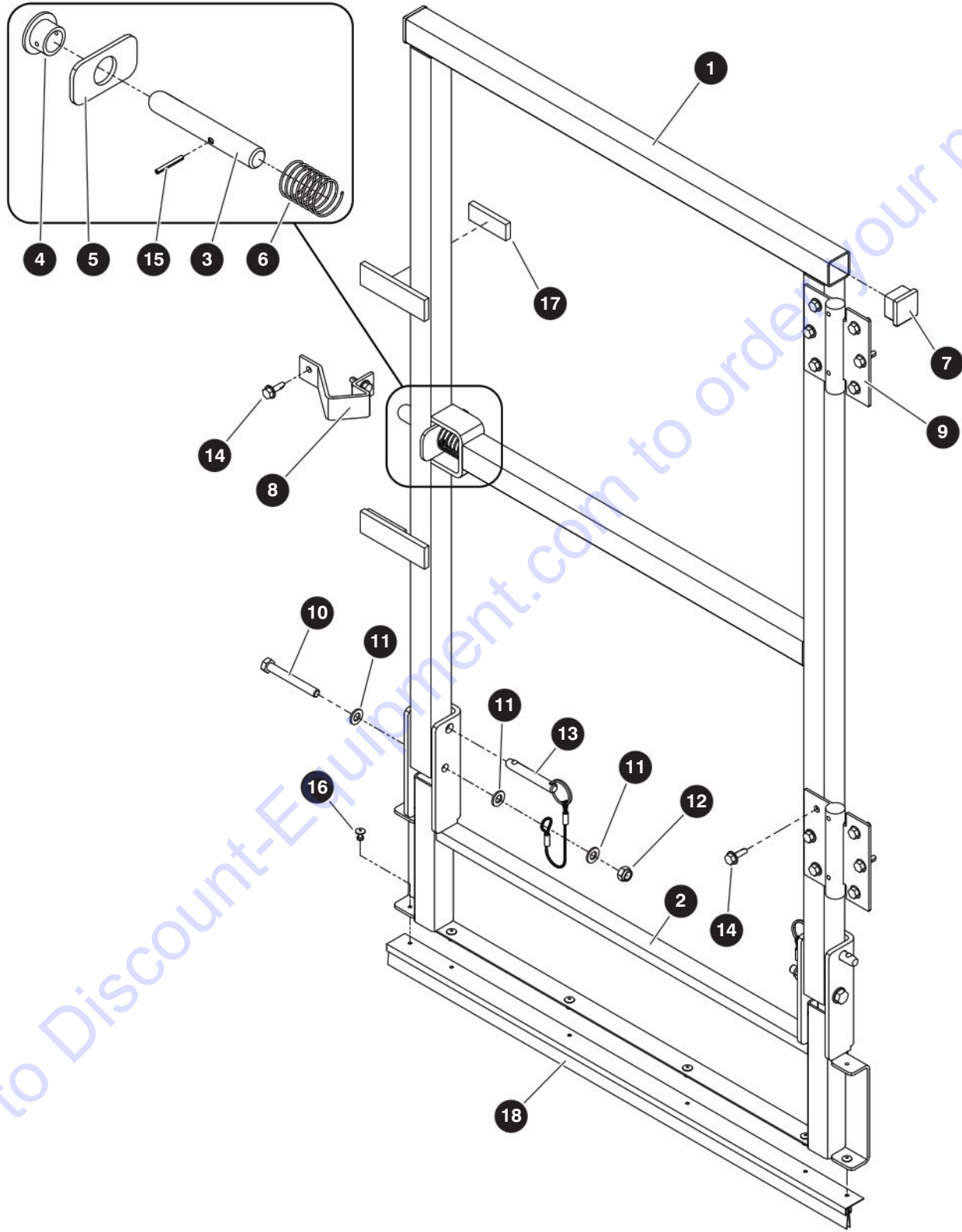
239430AAA

SJ9664 RT

1.3 Main Platform Railings - Dual Extension Decks

Index No.	Skyjack Part No.	Qty.	Description
A	237404	1	MAIN PLATFORM RAILINGS - DUAL DECKS - <i>with detent ball lock pins (standard)</i>
B	232987	1	MAIN PLATFORM RAILINGS - DUAL DECKS - <i>with wire loop lock pins (optional)</i>
1	215186	2	• RAILING, Platform, A
	237405	2	• RAILING, Platform, B
2	215195	2	• RAILING, Platform - lock, A
	237408	2	• RAILING, Platform - lock, B
3	215180	2	• KICK PLATE, Lower, A
	237410	2	• KICK PLATE, Lower, B
4	215183	2	• KICK PLATE, Lower with anchor, A
	237412	2	• KICK PLATE, Lower with anchor, B
5	215125	4	• HANDLE, Entrance - bolt on
6	215184	1	• BRACKET, Control box mounting
7	215227	2	• PLATE, Extension lock, A
	237447	2	• PLATE, Extension lock, B
8	216212	11	• PIN, Lock - detent ball, A
	160274	11	• PIN, Lock - wire loop (not shown), B
9	215094	8	• PLUG, Square tube (30 x 30 x 2)
10	217234	20	• BOLT, Hex head (M8 x 1.25 x 50, cl 10.9)
11	217236	8	• BOLT, Hex head (M8 x 1.25 x 60, cl 10.9)
12	600184	49	• WASHER, Flat (M8)
13	223162	20	• NUT, Hex lock (M8 x 1.25, cl 10)
14	223178	1	• NUT, Hex lock (M6 x 1, cl 10)
15	217493	1	• SCREW, Flat head cap screw (M6 x 1 x 20, cl 10.9)
16	217796	16	• NUT, Hex (M8 x 1.25, cl 10)
17	217401	16	• BOLT, Hex head (M8 x 1.25 x 16, cl 10.9)ZP
18	231667	2	• CLAMP, Cable
19	104059	1	GROMMET, Rubber (1/2 x 13/16 x 1/8) (not shown)

1.4 Full Gate



M66787AA

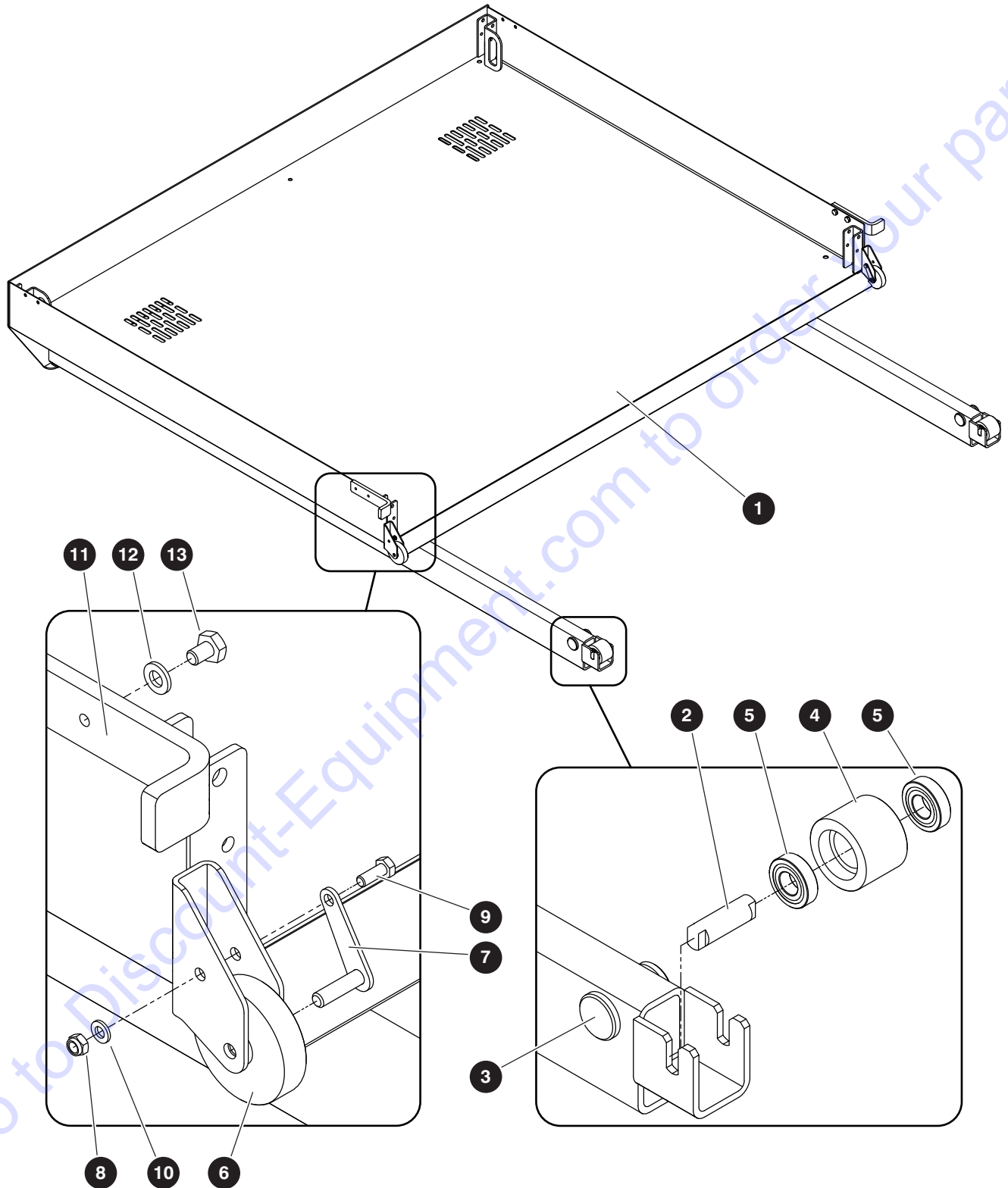
239430AAA

SJ9664 RT

1.4 Full Gate

Index No.	Skyjack Part No.	Qty.	Description
A	215298	1	FULL GATE - with detent ball lock pins (standard)
B	232988	1	FULL GATE - with wire loop lock pins (optional)
1	215320	1	• GATE, Full height hinged
2	215198	1	• GATE, Bottom hinged
3	109377	1	• PIN, Latch
4	105312	1	• LATCH, Bed
5	105307	1	• HANDLE, Gate latch
6	103107	1	• SPRING, Compression
7	215094	2	• PLUG, Square tube (30 x 30 x 2)
8	110693	1	• PLATE, Stop gate latch
9	209527	2	• HINGE, Spring
10	223175	2	• BOLT, Hex head (M8 x 1.25 x 65, cl 10.9)
11	600184	6	• WASHER, Flat (M8)
12	223162	2	• NUT, Hex lock (M8 x 1.25, cl 10)
13	216212	2	• PIN, Lock - detent ball, A
	160274	2	• PIN, Lock - wire loop (not shown), B
14	103632	14	• BOLT, Self-tapping - Hex head (0.25 x 14 x 0.75)
15	100950	1	• PIN, Roll (1/8 x 1.00)
16	119945	6	• RIVET (1/8 x 0.390)
17	103628	2"	• RUBBER, Self seal
18	220258	1	• GATE, Angle sweeper

1.5 Extension Deck Platform



M222279AE

239430AAA

20

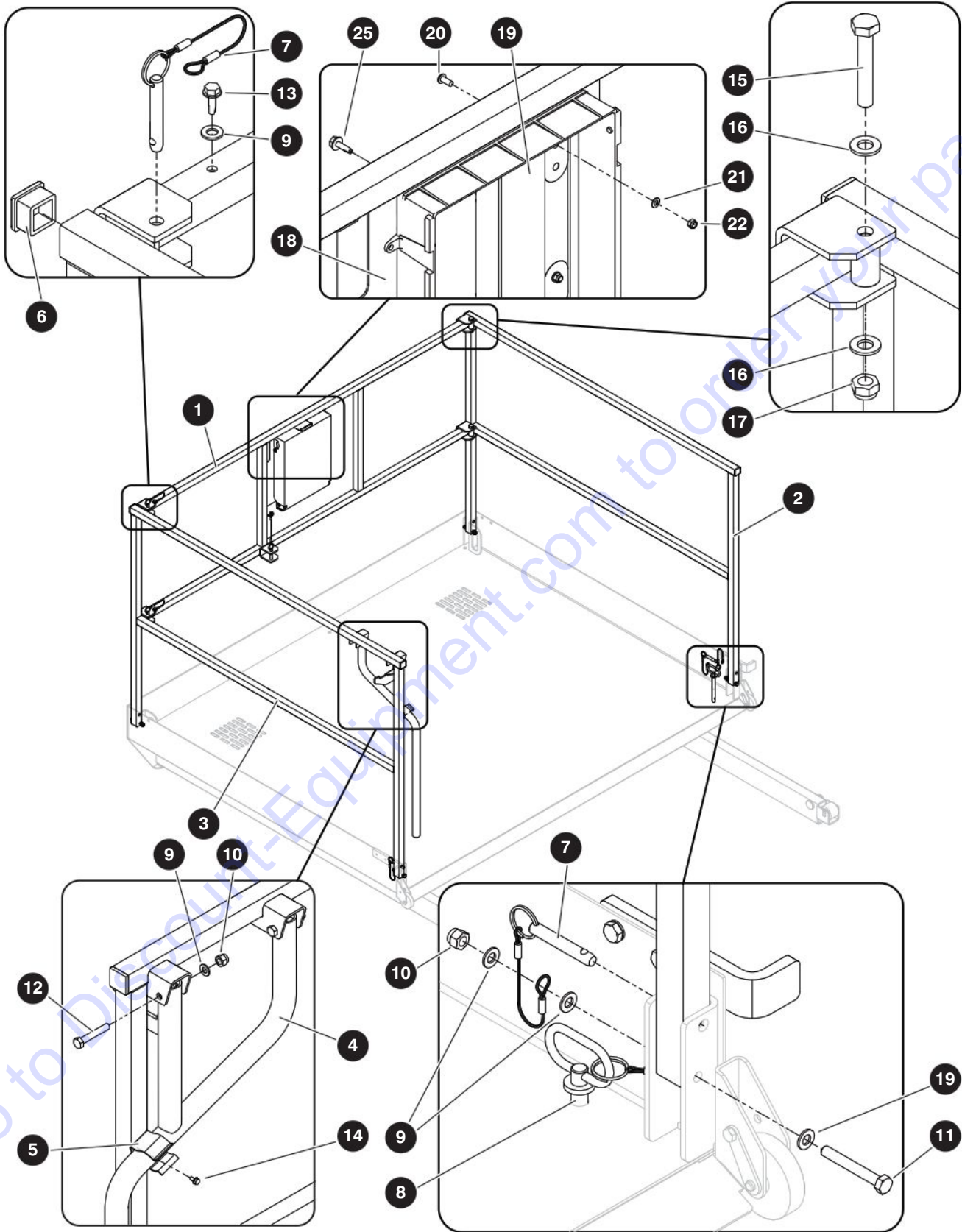
SJ9664 RT

SKYJACK

1.5 Extension Deck Platform

Index No.	Skyjack Part No.	Qty.	Description
-	237452	1	EXTENSION DECK PLATFORM
1	215150	1	• PLATFORM, Extension deck
2	195411	2	• PIN, Extension deck
3	101956	6	• PAD, Bottom slide (1/4")
-	237414	2	• ROLLER (19.05 ID x 64 OD)
4	237415	1	• • ROLLER, Bearing (19.05 ID x 64 OD)
5	222281	2	• • BEARING, Ball (3/4" x 5/8" x 7/16")
6	222285	2	• ROLLER, UHMW (65 OD)
7	222288	2	• PIN (8 mm x 35 mm)
8	223164	2	• NUT, Hex lock (M6 x 1, cl 8)
9	217870	2	• BOLT, Hex head (M6 x 1 x 16, cl 10.9)
10	133219	2	• WASHER, Flat (M6)
11	220300	2	• BRACKET, Deck stop
12	600184	4	• WASHER, Flat (M8)
13	228462	4	• BOLT, Hex lock (M8 x 1.25 X 12, cl 10.9)

1.6 Extension Deck Railings



M222280AD

239430AAA

22

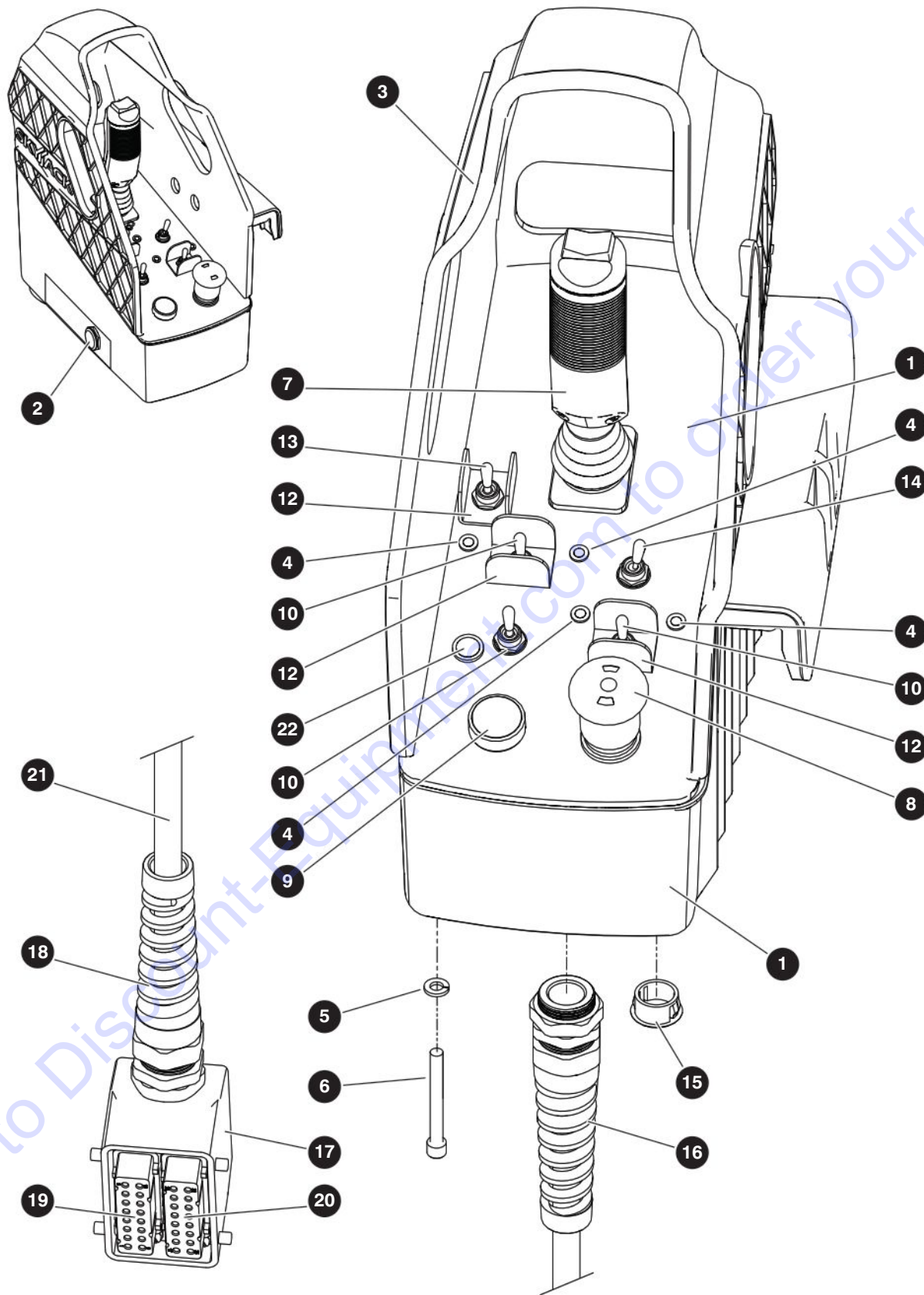
SJ9664 RT

SKYJACK

1.6 Extension Deck Railings

Index No.	Skyjack Part No.	Qty.	Description
A	237455	1	EXTENSION DECK RAILING - <i>with detent ball lock pins (standard)</i>
B	232993	1	EXTENSION DECK RAILING - <i>with wire loop lock pins (optional)</i>
1	215175	1	• RAILING, Extension deck end
2	215169	1	• RAILING, Extension deck side RH
3	215177	1	• RAILING, Extension deck side, A
	237456	1	• RAILING, Extension deck side, B
4	222296	1	• HANDLE, Locking
5	137235	1	• GRIPPER, Clip
6	215094	4	• PLUG, Square tube (30 x 30 x 2)
7	216212	5	• PIN, Lock - detent ball, A
	160274	5	• PIN, Lock - wire loop (not shown), B
8	231714	1	• PIN ASSEMBLY, Hitch (0.50)
	231657	1	• • PIN, Hitch (1/2")
	218810	1	• • LANYARD, 8"
	160320	1	• • RING, Lanyard
9	600184	14	• WASHER, Flat (M8)
10	933696	6	• NUT, Hex lock (M8 - 1.25)
11	217236	4	• BOLT, Hex head (M8 x 1.25 x 60, cl 10.9)
12	217234	2	• BOLT, Hex head (M8 x 1.25 x 50, cl 10.9)
13	223176	2	• SCREW, Self-tapping (ST4.2 x 1.4 x 9.5)
14	103632	3	• BOLT, Self-tapping (0.25 x 14 x 0.75)
15	217862	2	• BOLT, Hex head (M10 x 1.5 x 60, cl 10.9)
16	600315	4	• WASHER, Flat (M10)
17	223615	2	• NUT, Hex lock (M10 x 1.5, cl 8)
-	231611	1	MANUAL BOX ASSEMBLY
18	231612	1	• PLATE, Mounting
19	198789	1	• BOX, Manual
20	219355	4	• BOLT, Button head cap screw (M5 x 0.8 x 12, cl 10.9)
21	933816	4	• WASHER, Flat (M5)
22	217628	4	• NUT, Hex nylon lock (M5 x 0.8, cl 8)
23	114710	1	• KEYRING, Skyjack (not shown)
24	207981	1	• BAG, Resealable (12" x 9") (not shown)
25	103632	4	BOLT, Self-tapping (1/4"-14 x 3/4")
26	173200	1	MANUAL OF RESPONSIBILITIES (not shown)

1.7 Platform Control Box



M222181AC

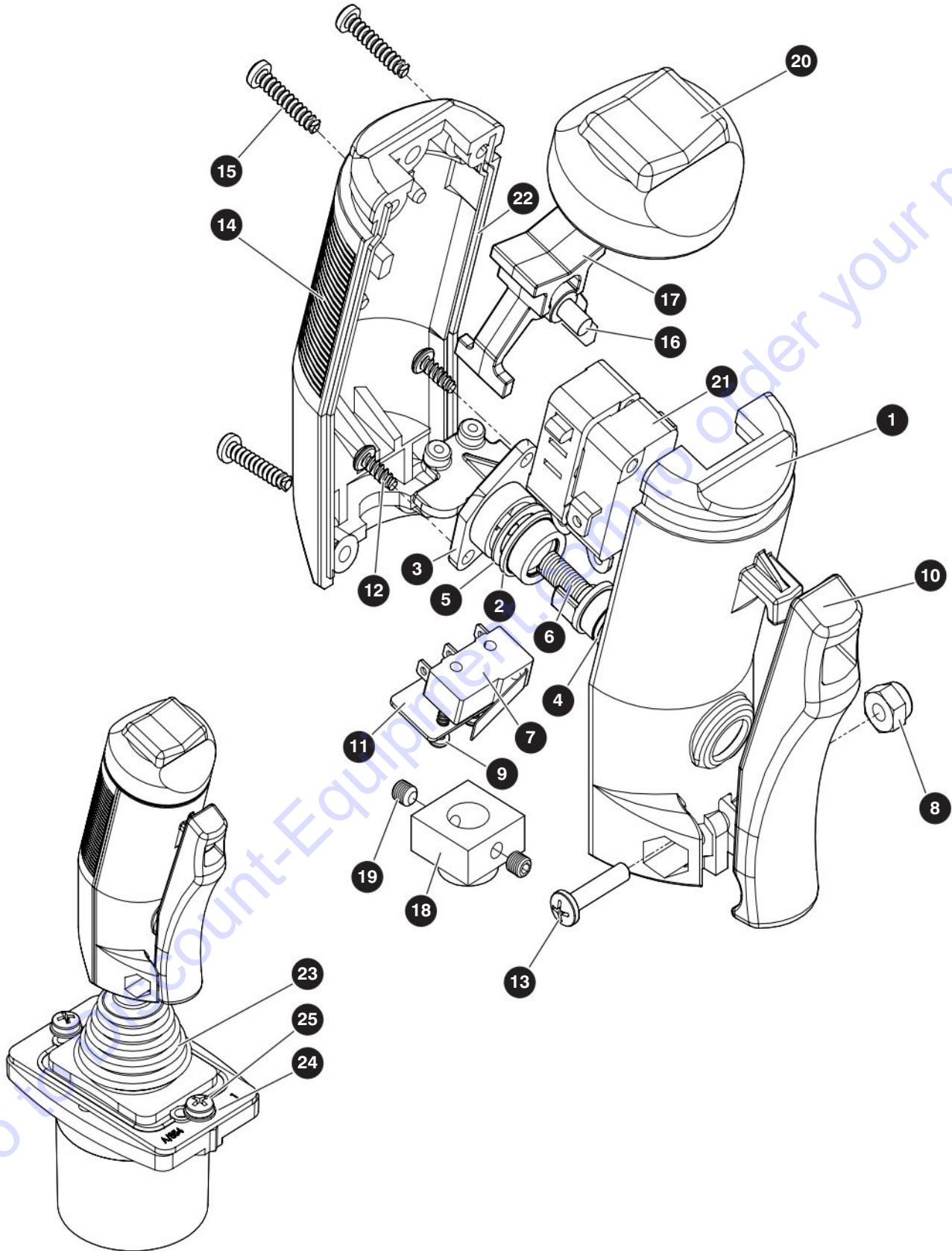
239430AAA

SJ9664 RT

1.7 Platform Control Box

Index No.	Skyjack Part No.	Qty.	Description
A	222181	1	PLATFORM CONTROL BOX - Standard
B	226136	1	PLATFORM CONTROL BOX - SGLE Option
-	226131	1	• BOX, Control, A
	226141	1	• BOX, Control - SGLE, B
1	196205	1	• • BASE, Control box, A
	226142	1	• • BASE, Control box - SGLE, B
	220965	1	• • • BASE, Control box with SGLE, B
2	226143	1	• • • SWITCH, SGLE, B
	(Ref.)	1	• • • LABEL, SGLE, B (For components, refer to Section 8.7 Labels - Control Boxes)
3	196207	1	• • COVER, Control box
4	226129	4	• LIGHT, Green LED
5	104000	6	• WASHER, Lock (0.25)
6	103943	6	• SCREW, SCH (0.250 x 20 x 2)
7	(Ref.)	1	• JOYSTICK (0-5V) (For components, refer to Section 1.8 Joystick)
8	144652	1	• SWITCH, Platform E-Stop
	147056	1	• • LATCH
	147229	1	• • BLOCK, LED (12 V)
	147053	2	• • BLOCK, Contact NC
	147051	1	• • HEAD, Emergency stop
9	144648	1	• SWITCH, Horn
	147056	1	• • LATCH
	147054	1	• • BLOCK, Contact NO
	147058	1	• • HEAD, Push button
10	102853	3	• SWITCH, Toggle 1NT1-7
11	144016	5	• SEAL, Panel bushing - Toggle switch
12	111181	5	• GUARD, Toggle switch
13	207741	1	• SWITCH, Toggle - 1 pole 3 position
14	115574	1	• SWITCH, Toggle 1NT1-2
15	102956	2	• PLUG, Snap-in
16	196141	1	• CORDGRIP
-	222182	1	• CONTROL CABLE, Platform control
17	132788	1	• • HOOD
18	196141	1	• • CORDGRIP
19	114468	1	• • INSERT, Female (17-32)
20	114467	1	• • INSERT, Female (1-16)
21	115274	46"	• • CONTROL CABLE
22	(Ref.)	1	LIGHT, LED - blue - EcoStart Option (For components, refer to Section 7.4 Eco Start)

1.8 Joystick



M215811AB_1

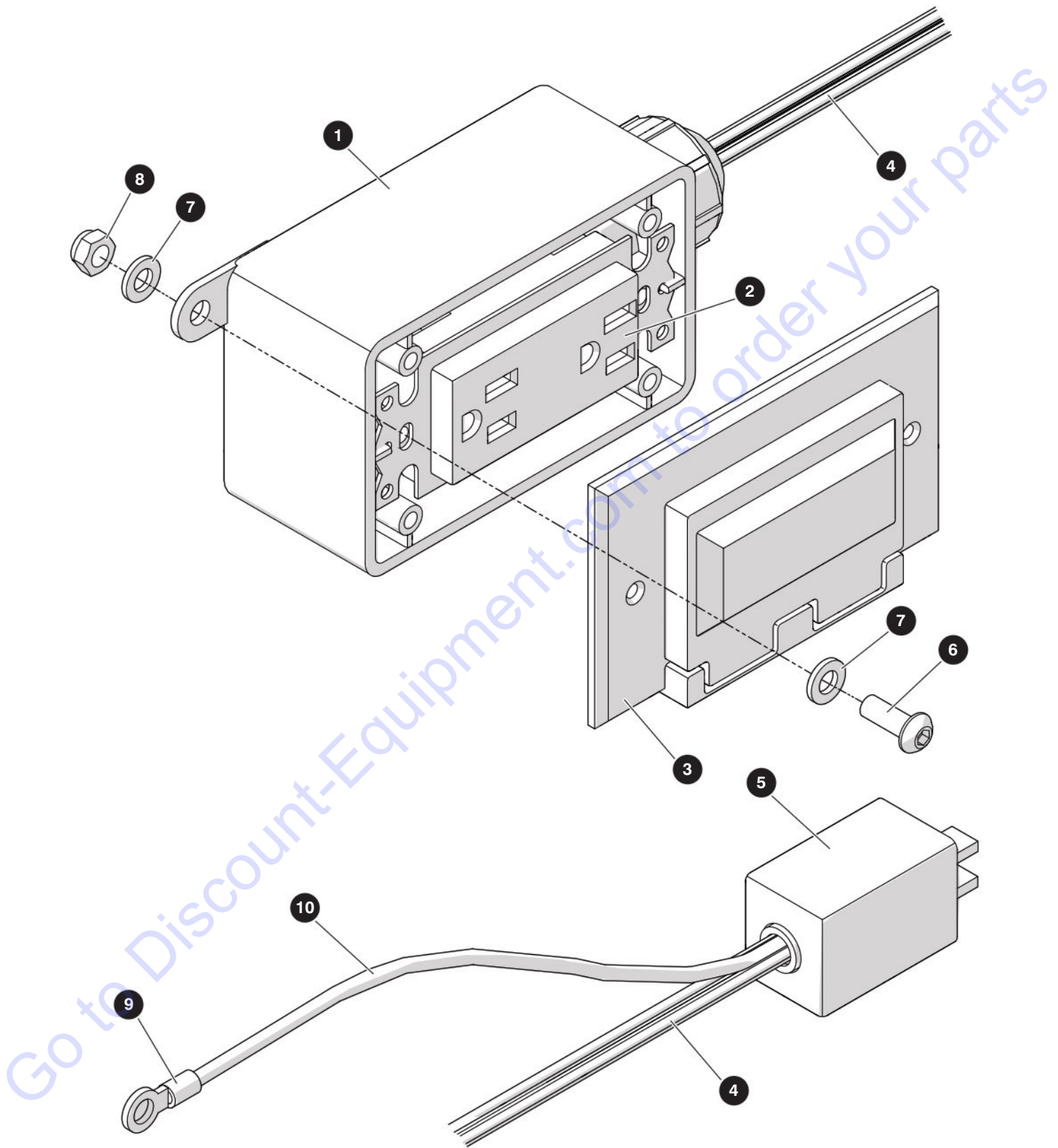
239430AAA

SJ9664 RT

1.8 Joystick

Index No.	Skyjack Part No.	Qty.	Description
-	215811	1	JOYSTICK
1	159068	1	• HANDLE, Front
2	159613	1	• BOOT
3	141335	1	• HOLDER, Switch
4	141341	1	• PLUNGER
5	154717	1	• WASHER
6	122961	1	• SPRING
7	154718	1	• MICROSWITCH, Mini
8	122879	1	• NUT (6-32)
9	141331	2	• SCREW (#2 x 0.5")
10	122964	1	• LEVER, Trigger
11	159057	1	• INSULATOR
12	159058	2	• SCREW (#4 x 5/16")
13	159059	1	• SCREW (6-32 x 5/8")
14	159060	1	• HANDLE, Back
15	159061	4	• SCREW (4 x 5/8 PLASTITE)
16	159062	1	• AXEL
17	169063	1	• ROCKER
18	159064	1	• COUPLING
19	159065	2	• SCREW, Set (M4 x 4)
20	141327	1	• BOOT, HANDLE
21	141336	1	• MICROSWITCH
22	-	2	• GASKET (4")
23	127179	1	• BOOT
24	159066	2	• WASHER, Mounting
25	159067	2	• SCREW, Mounting

1.9 Power Outlet - ANSI/CSA



M222102AD

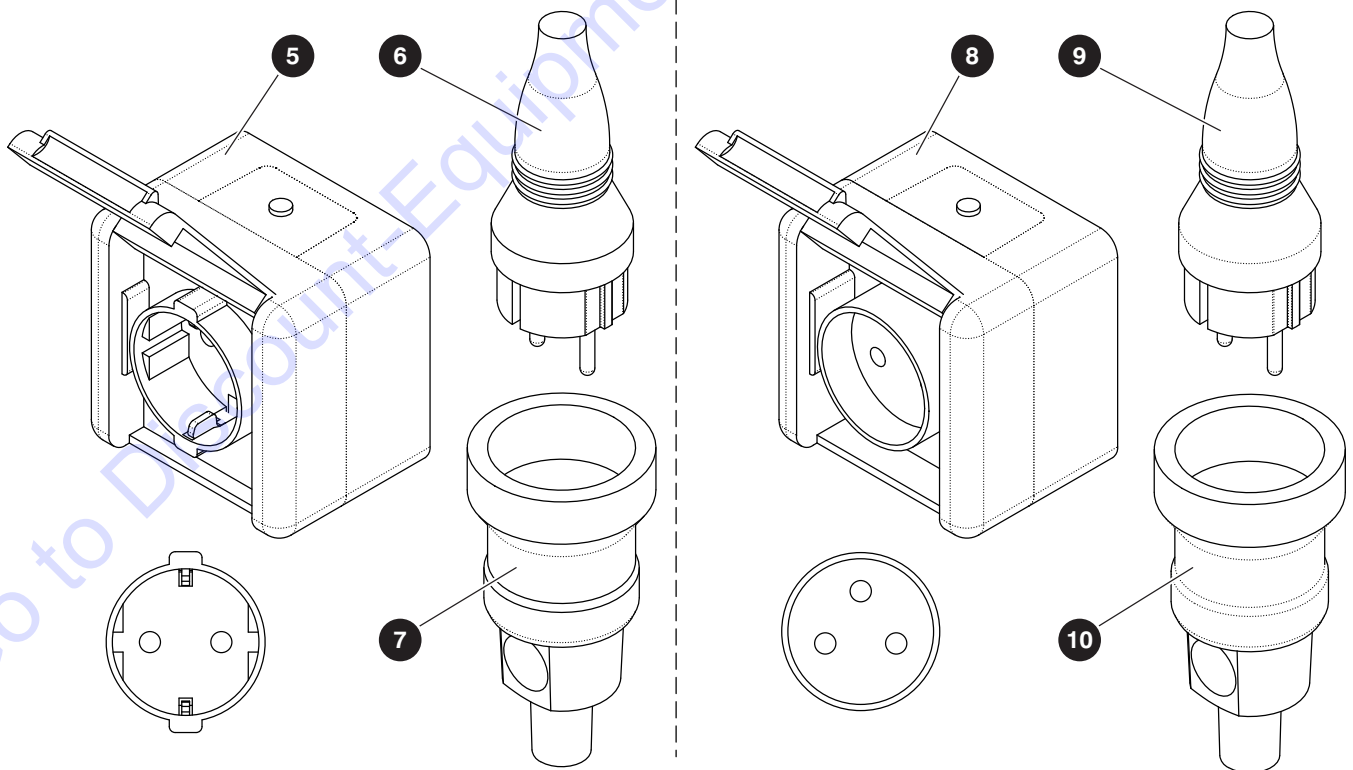
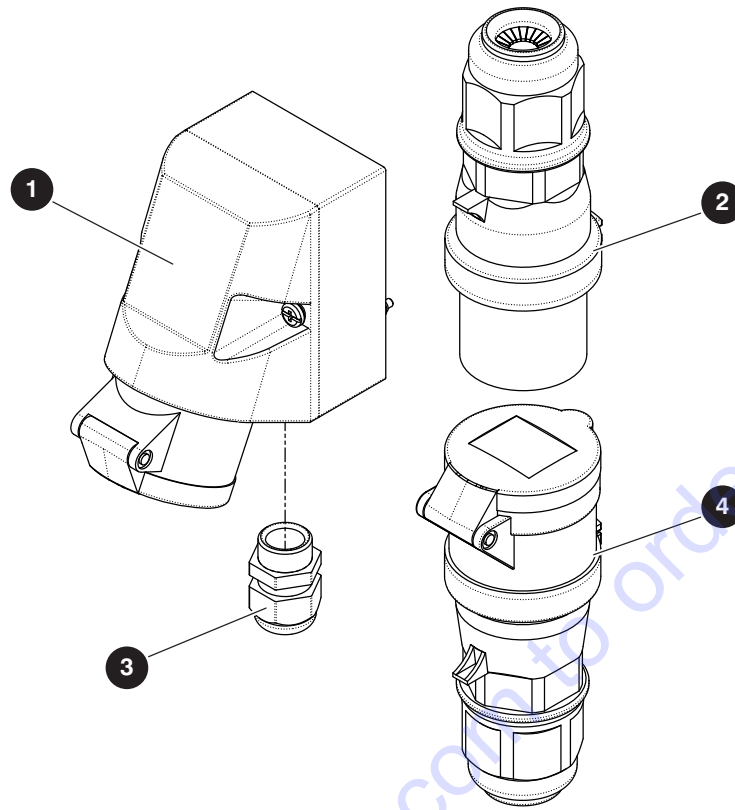
239430AAA

SJ9664 RT

1.9 Power Outlet - ANSI/CSA

Index No.	Skyjack Part No.	Qty.	Description
-	222102	1	POWER OUTLET
1	136328	1	• BOX, Outlet (110V)
2	109698	1	• RECEPTACLE, GFCI
3	109699	1	• COVER, GFI
4	105269	1150"	• CABTIRE (14/3)
5	104208	1	• PLUG, Male (15A - 125V)
6	228456	2	• BOLT, Button head cap screw (M6 x 1 x 16, cl 10.9)
7	933834	4	• WASHER, Flat (M6)
8	223164	2	• NUT, Hex lock (M6 x 1, cl 8)
9	102939	1	• TERMINAL, Ring - blue (14-16 GA)
10	112998	15"	• WIRE, Green (14 AWG)
11	138211	2	LABEL, Connect AC power supply

1.10 Power Outlet - CE/AS/



M232475AA_M232479AA_M232477AA

239430AAA

SJ9664 RT

1.10 Power Outlet - CE/AS/

Index No.	Skyjack Part No.	Qty.	Description
A	230225	1	POWER OUTLET - UK no generator
B	232475	1	POWER OUTLET - UK with generator
1	226503	1	• RECEPTACLE, 16 amp 110 VAC 2P+E
2	226501	1	• PLUG, 16 amp 110 VAC 2P+E
3	138373	1	• STRAIN RELIEF, M20
4	226502	1	• RECEPTACLE, 16 amp 110 VAC 2P+E, B
C	230221	1	POWER OUTLET - Type F no generator
D	232479	1	POWER OUTLET - Type F with generator
5	226454	1	• OUTLET, Socket - 16 amp 250 V
6	157192	1	• PLUG, 250 V
7	226504	1	• RECEPTACLE, 250 V 16 amp, D
E	230219	1	POWER OUTLET - Type E no generator
F	232477	1	POWER OUTLET - Type E with generator
8	226455	1	• OUTLET, Socket - 16 amp 250 V
9	157192	1	• PLUG, 250 V
10	226504	1	• RECEPTACLE, 250 V 16 amp, F
G	222108	1	POWER CABLE - SJ9263 RT CE, AS
11	105269	1097"	• CABTIRE (14/3), G
12	138211	2	• LABEL, Connect AC power supply

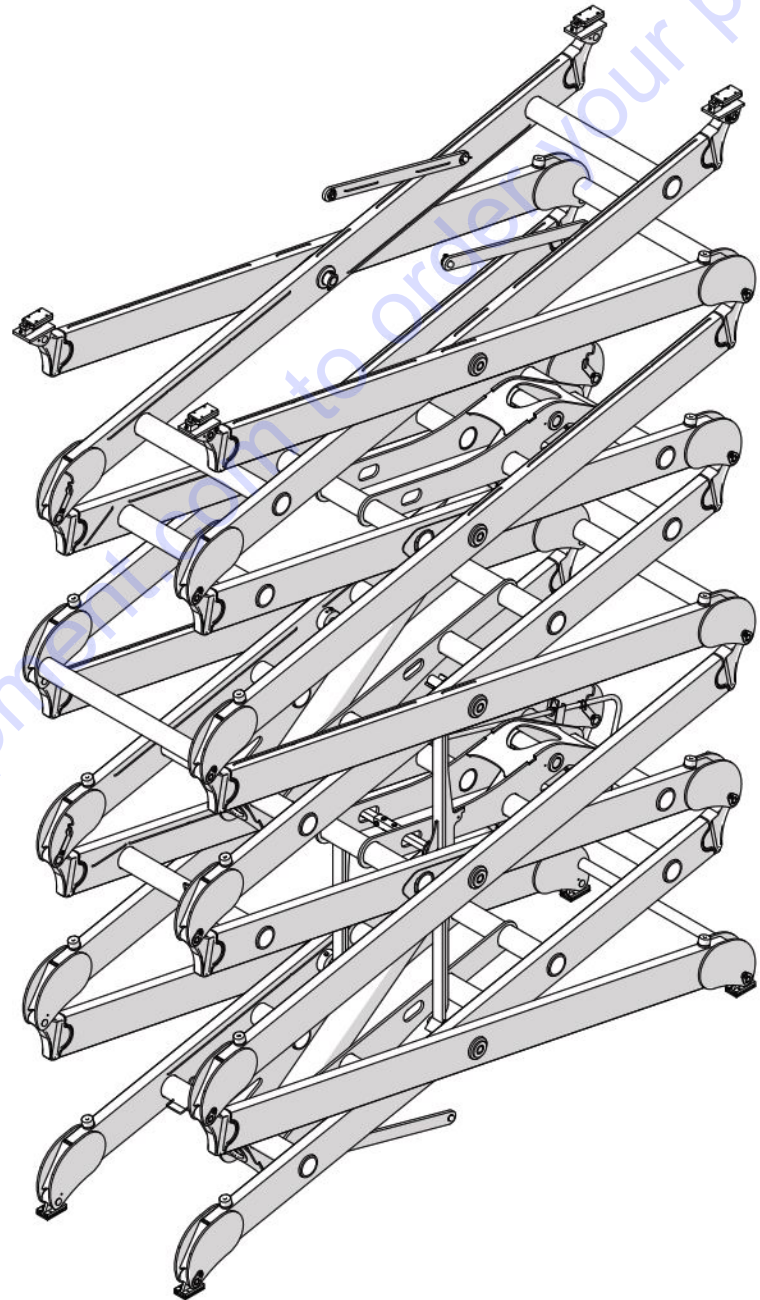
 **Notes**

Lined area for taking notes.

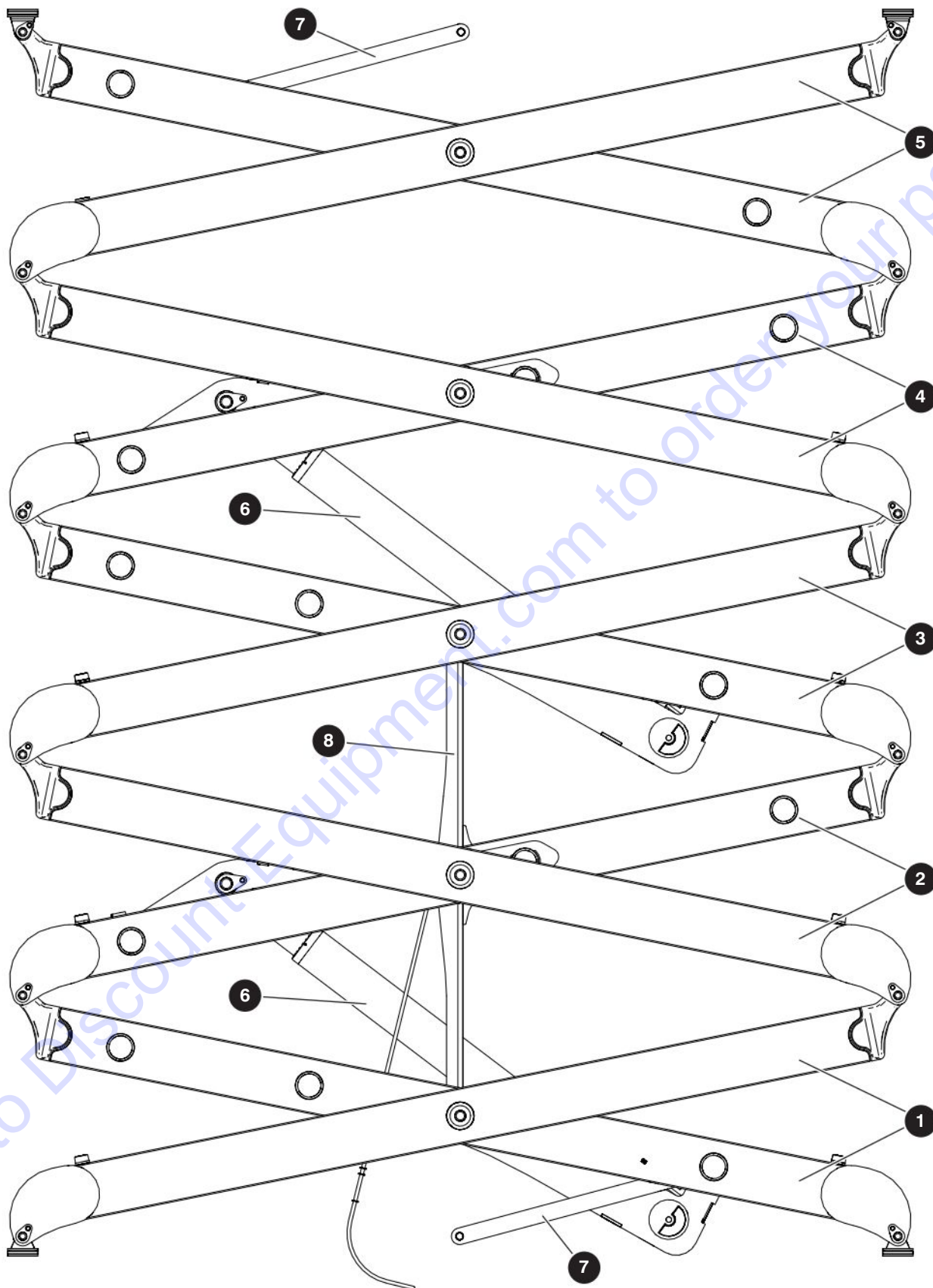
[Go to Discount-Equipment.com](http://Discount-Equipment.com) to order your parts

Section 2 – Scissors

- 2.1 Scissor Assembly
- 2.2 Scissor Level 1/3
- 2.3 Scissor Level 2/4
- 2.4 Scissor Level Top
- 2.5 Center Pin
- 2.6 Centering Link
- 2.7 Lower Sliders
- 2.8 Upper Sliders
- 2.9 Lift Cylinders
- 2.10 Lift Cylinder Manifolds
- 2.11 Maintenance Stand
- 2.12 Scissor Electrical Components



2.1 Scissor Assembly



M237649AA

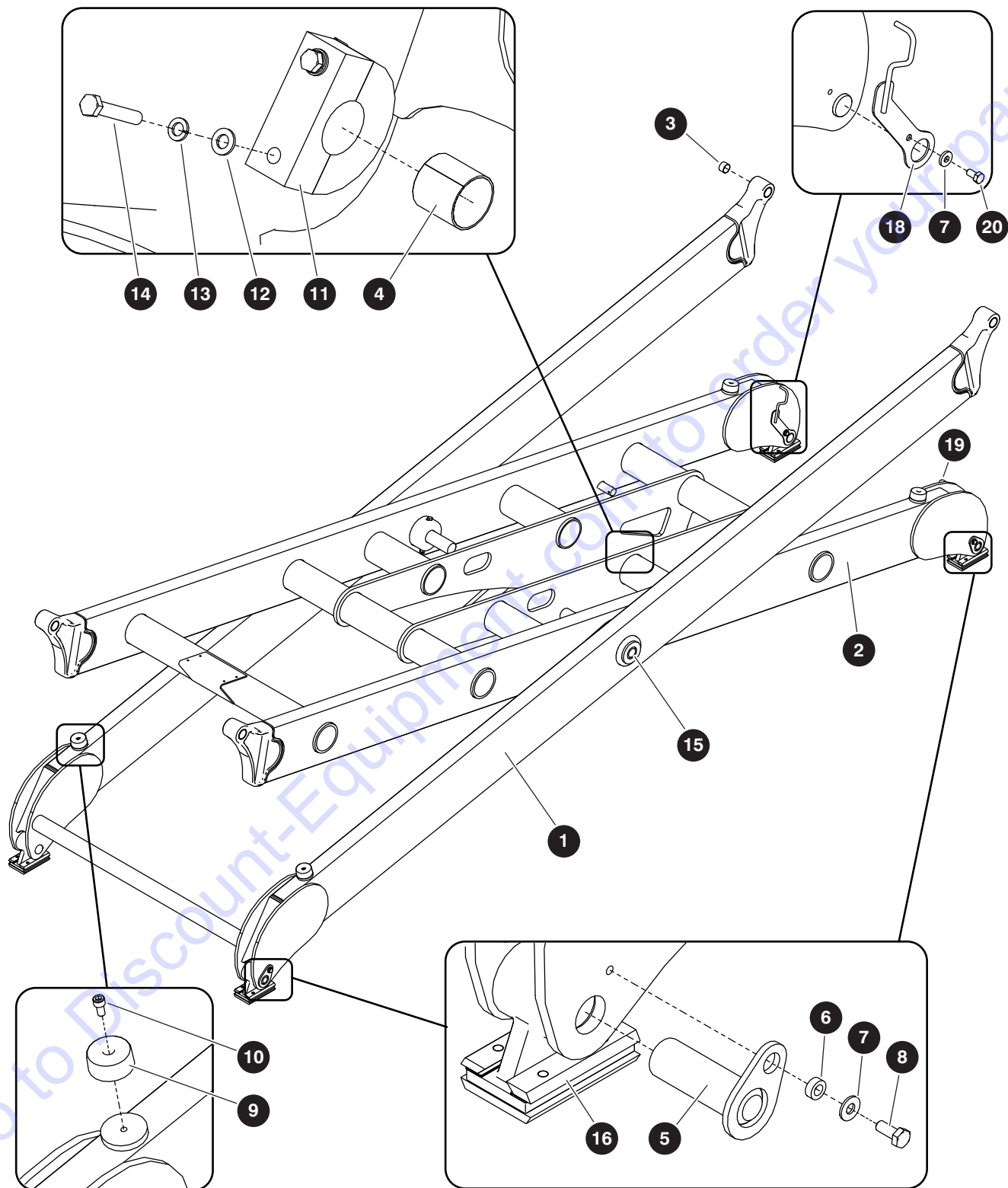
239430AAA

SJ9664 RT

2.1 Scissor Assembly

Index No.	Skyjack Part No.	Qty.	Description
-	237649	1	SCISSOR ASSEMBLY
1	(Ref.)	1	<ul style="list-style-type: none"> • SCISSOR LEVEL 1 <i>(For components, refer to Section 2.2 Scissor Level 1/3)</i>
2	(Ref.)	2	<ul style="list-style-type: none"> • SCISSOR LEVEL 2 <i>(For components, refer to Section 2.3 Scissor Level 2/4)</i>
3	(Ref.)	1	<ul style="list-style-type: none"> • SCISSOR LEVEL 3 <i>(For components, refer to Section 2.2 Scissor Level 1/3)</i>
4	(Ref.)	1	<ul style="list-style-type: none"> • SCISSOR LEVEL 4 <i>(For components, refer to Section 2.3 Scissor Level 2/4)</i>
5	(Ref.)	1	<ul style="list-style-type: none"> • SCISSOR LEVEL TOP <i>(For components, refer to Section 2.4 Scissor Level Top)</i>
6	(Ref.)	2	<ul style="list-style-type: none"> • LIFT CYLINDER <i>(For components, refer to Section 2.9 Lift Cylinders)</i>
7	(Ref.)	2	<ul style="list-style-type: none"> • CENTERING LINK <i>(For components, refer to Section 2.6 Centering Link)</i>
8	(Ref.)	1	<ul style="list-style-type: none"> • MAINTENANCE STAND <i>(For components, refer to Section 2.11 Maintenance Stand)</i>
9	(Ref.)	1	<ul style="list-style-type: none"> • HOSE KIT, Scissors <i>(For components, refer to Section 6.4 Hydraulic Hoses - Scissors)</i>

2.2 Scissor Level 1/3



M237669AB_M237674AC

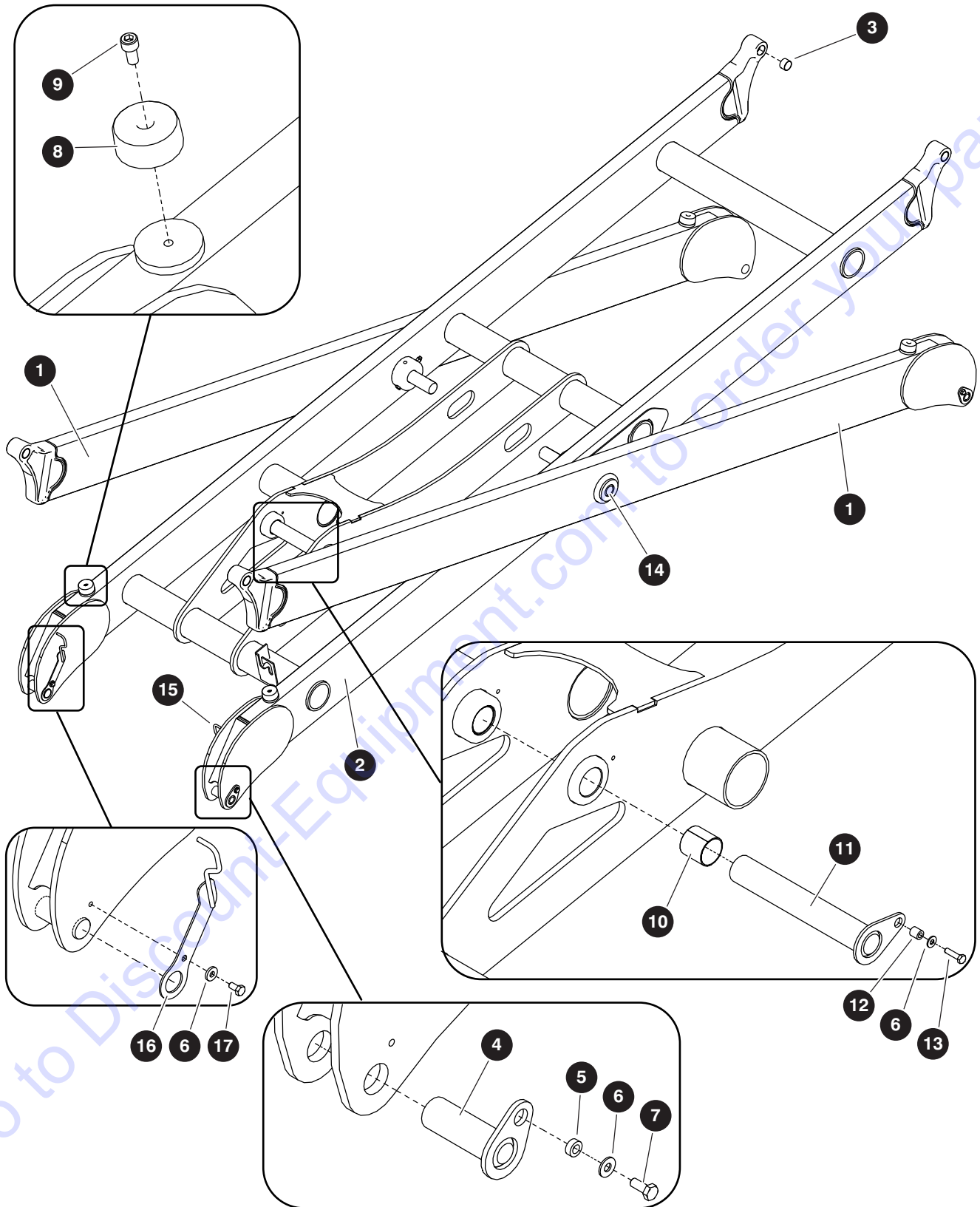
239430AAA

SJ9664 RT

2.2 Scissor Level 1/3

Index No.	Skyjack Part No.	Qty.	Description
A	237674	1	OUTER LEVEL 1
B	237682	1	OUTER LEVEL 3
C	237669	1	INNER LEVEL 1
D	237671	1	INNER LEVEL 3
1	237645	1	• LEVEL, Outer - small tube, A
	237646	1	• LEVEL, Outer - small tube, B
2	237680	1	• LEVEL, Inner - lower cylinder, C
	237629	1	• LEVEL, Inner - lower cylinder, D
3	100904	2	• BUSHING, Fiberglide (1-1/2" x 1")
4	237698	2	• BUSHING (2-1/4" x 2-1/4" lg)
5	237652	2	• PIN (1-1/2" x 4-1/4")
6	237655	2	• BOSS, Bolt
7	933735	2	• WASHER, Flat (M10)
8	933657	2	• BOLT, Hex head (M10 x 1.5 x 25, cl 10.9 ft zp)
9	237697	2	• BUMPER, Round, A, B
10	168042	2	• BOLT, Socket head (M10-1.50 x 20), A, B
11	236896	2	• PILLOWBLOCK, Top, C, D
12	223166	4	• WASHER, Hard structural (M14 zp), C, D
13	138738	4	• WASHER, Lock (M14 plated DIN 127B), C, D
14	217296	4	• BOLT, Hex head (M14 x 2 x 80, cl 10.9 pt zp), C, D
15	(Ref.)	2	• CENTER PIN ASSEMBLY, A, B <i>(For components, refer to Section 2.5 Center Pin)</i>
16	(Ref.)	2	• BOTTOM SLIDER <i>(For components, refer to Section 2.7 Lower Sliders)</i>
17	119922	20.5"	• TRIM, Edge (1/4"-1/2") (not shown)
18	238157	1	• GUIDE, Hose, D
19	238158	1	• GUIDE, Hose, D
20	933640	2	• BOLT, Hex head cap screw (M10 x 1.5 x 20 mm, cl 8.8), C, D

2.3 Scissor Level 2/4



M237675AD_M237670AC

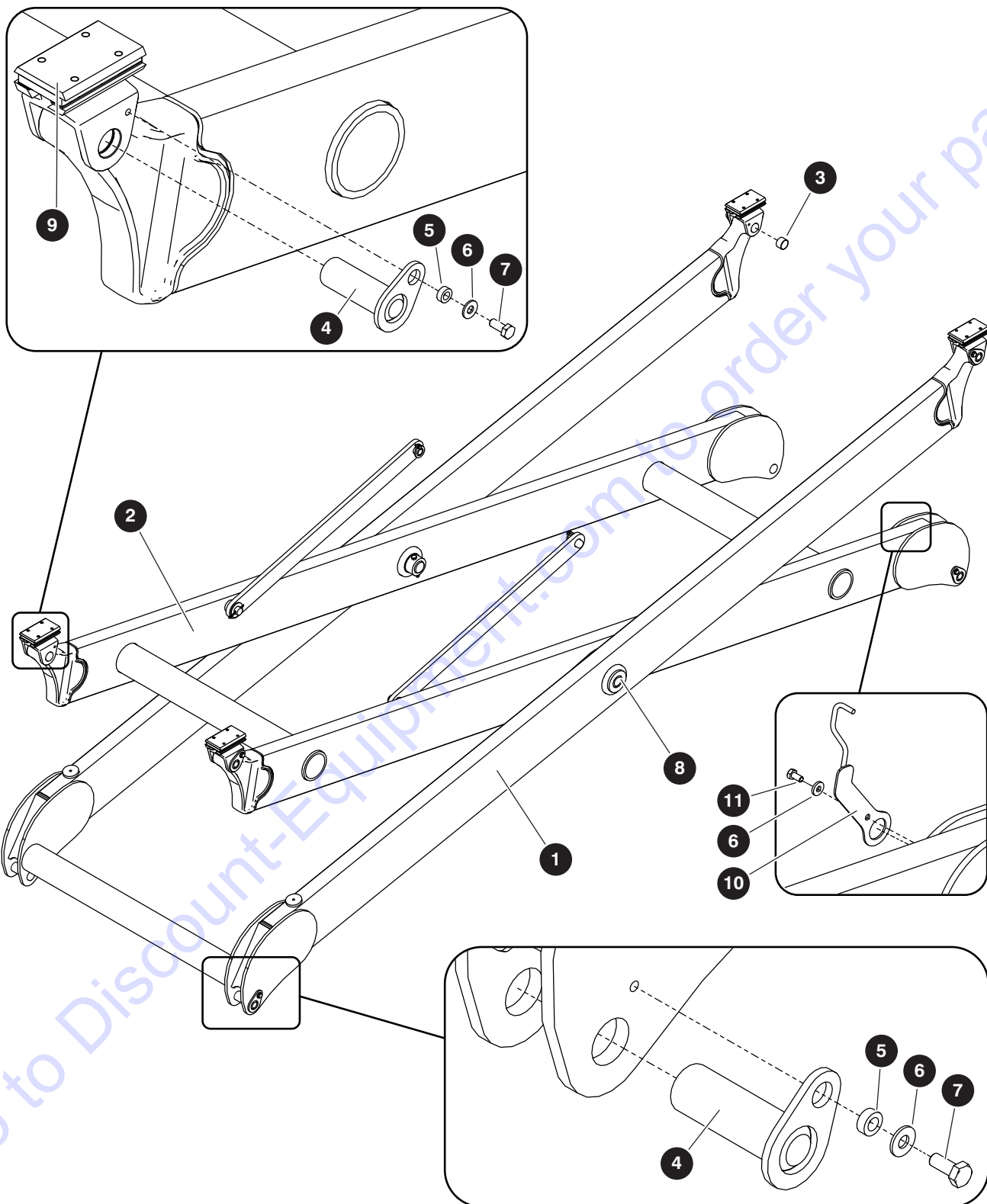
239430AAA

SJ9664 RT

2.3 Scissor Level 2/4

Index No.	Skyjack Part No.	Qty.	Description
A	237675	1	OUTER LEVEL 2
B	237676	1	OUTER LEVEL 4
C	237670	1	INNER LEVEL 2
D	237672	1	INNER LEVEL 4
1	237615	2	• SCISSOR ARM, Outer, A
	237646	1	• SCISSOR ARM, Outer, B
2	237681	1	• SCISSOR, Inner - lower cylinder (upper end), C
	237639	1	• SCISSOR, Inner - lower cylinder (upper end), D
3	100904	4	• BUSHING, Fiberglide 1-1/2" x 1"
4	237652	2	• PIN, 1-1/2" x 4-14"
5	237655	2	• BOSS, Bolt
6	933735	2	• WASHER, Flat (M10)
7	933657	2	• BOLT, Hex head (M10 x 1.5 x 25, cl 10.9 ft zp)
8	237697	2	• BUMPER, Round
9	168042	2	• BOLT, Socket head (M10-1.50 x 20)
10	237698	2	• BUSHING, 2-1/4" x 2-1/4" lg, C, D
11	237659	1	• PIN, 2-1/4" x 14-1/4", C, D
12	237666	1	• BOSS, Bolt, C, D
13	217888	1	• BOLT, Hex head (M10 x 1.5 x 40, cl 10.9 ft zp), C, D
14	(Ref.)	2	• CENTER PIN ASSEMBLY, C, D <i>(For components, refer to Section 2.5 Center Pin)</i>
15	238157	1	• GUIDE, Hose, C, D
16	238158	1	• GUIDE, Hose, C
17	933640	2	• BOLT, Hex head cap screw (M10 x 1.5 x 20 mm, cl 8.8), C, D

2.4 Scissor Level Top



M237677AE_M237673AE

239430AAA

40

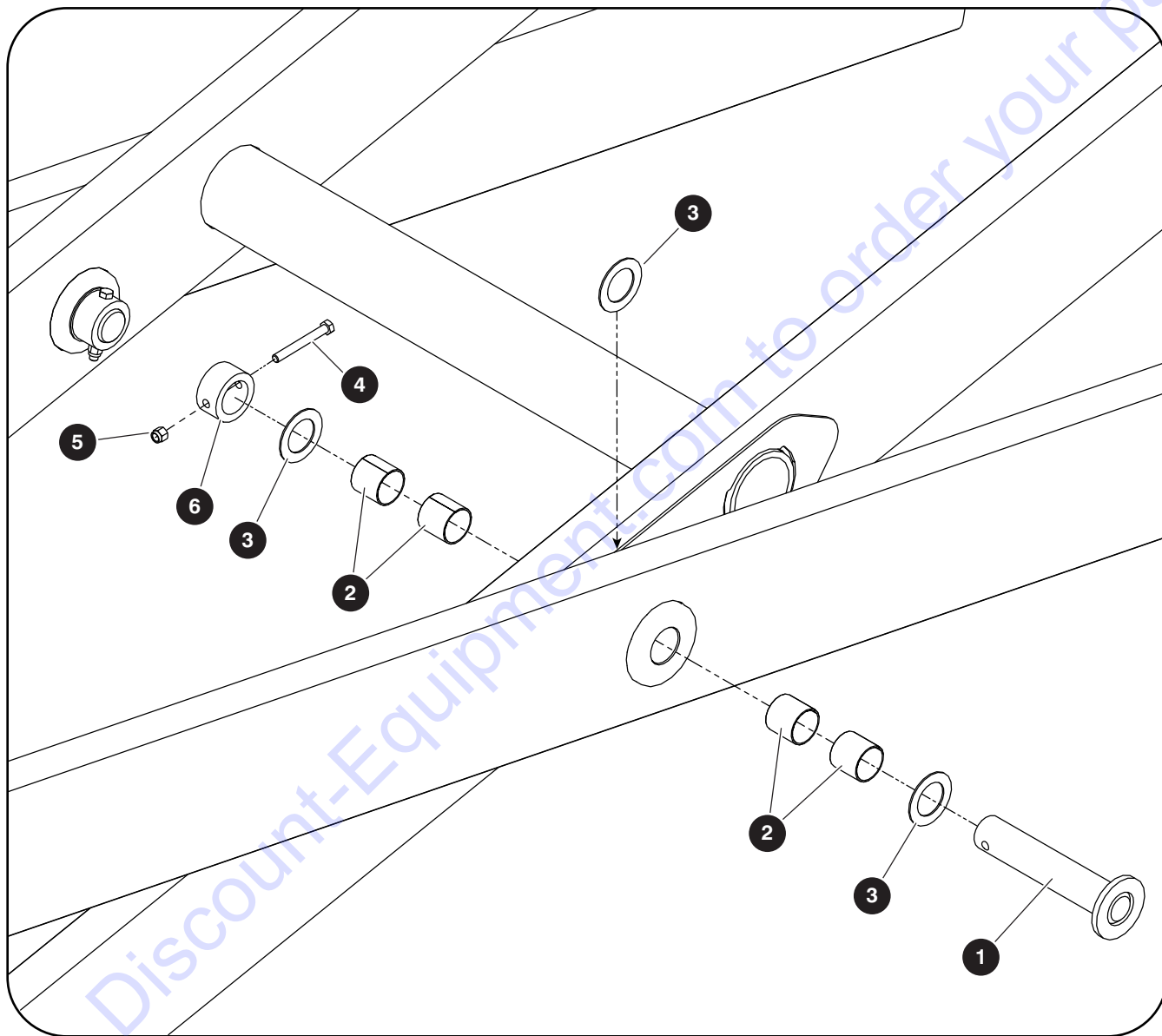
SJ9664 RT

SKYJACK

2.4 Scissor Level Top

Index No.	Skyjack Part No.	Qty.	Description
A	237677	1	OUTER LEVEL 5
B	237673	1	INNER LEVEL 5
1	237646	1	• LEVEL, Outer - small tube, A
2	237643	1	• LEVEL, Inner - lower cylinder, B
3	100904	2	• BUSHING, Fiberglide 1-1/2" x 1"
4	237652	2	• PIN, 1-1/2" x 4-14"
5	237655	2	• BOSS, Bolt
6	933735	2	• WASHER, Flat (M10)
7	933657	2	• BOLT, Hex head (M10 x 1.5 x 25, cl 10.9 ft zp)
8	(Ref.)	2	• CENTER PIN ASSEMBLY, A <i>(For components, refer to Section 2.5 Center Pin)</i>
9	(Ref.)	2	• UPPER SLIDER <i>(For components, refer to Section 2.7 Lower Sliders)</i>
10	238158	1	• GUIDE, Hose, B
11	933640	2	• BOLT, Hex head cap screw (M10 x 1.5 x 20 mm, cl 8.8), B

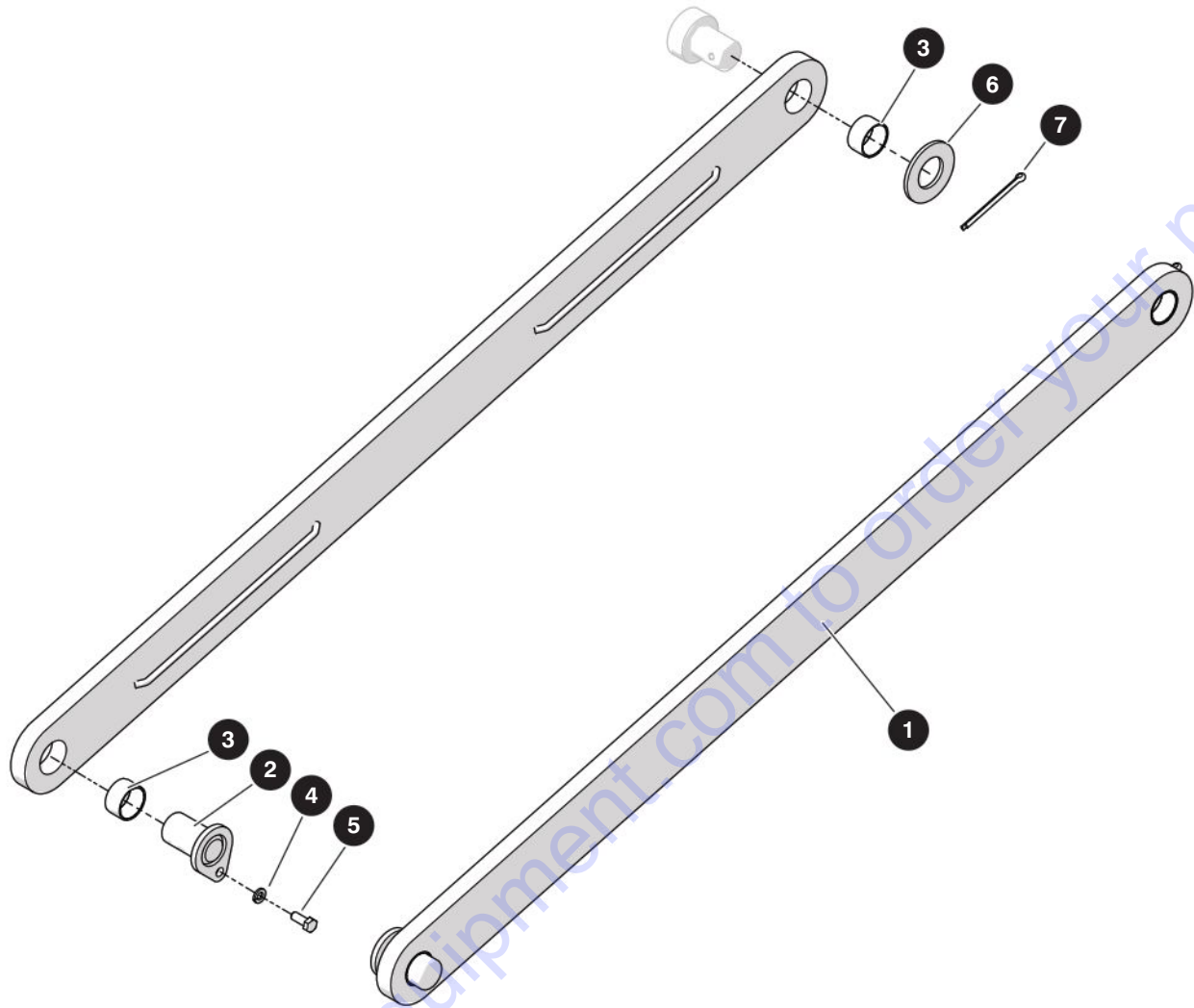
2.5 Center Pin



2.5 Center Pin

Index No.	Skyjack Part No.	Qty.	Description
-	-	2	CENTER PIN ASSEMBLY
1	237927	1	• PIN, Centre - Levels 1, 2, 3
	237665	1	• PIN, Centre - Levels 4, 5
2	148817	4	• BUSHING, CJS 3232 (2" x 2")
3	237658	2	• BEARING, Thrust (2" x 3-1/4" x 0.094") - Levels 1, 2, 3
	237658	3	• BEARING, Thrust (2" x 3-1/4" x 0.094") - Levels 4, 5
4	217284	1	• BOLT, Hex head (M12 x 1.75 x 150, cl 8.8 pt zp) - Levels 1, 2, 3
	933791	1	• BOLT, Hex head (M12 x 1.75 x 150, cl 8.8 pt zp) - Levels 4, 5
5	933698	1	• NUT, Hex nylon (M12-1.75)
6	237663	1	• TUBE, Pin retention - Levels 4, 5

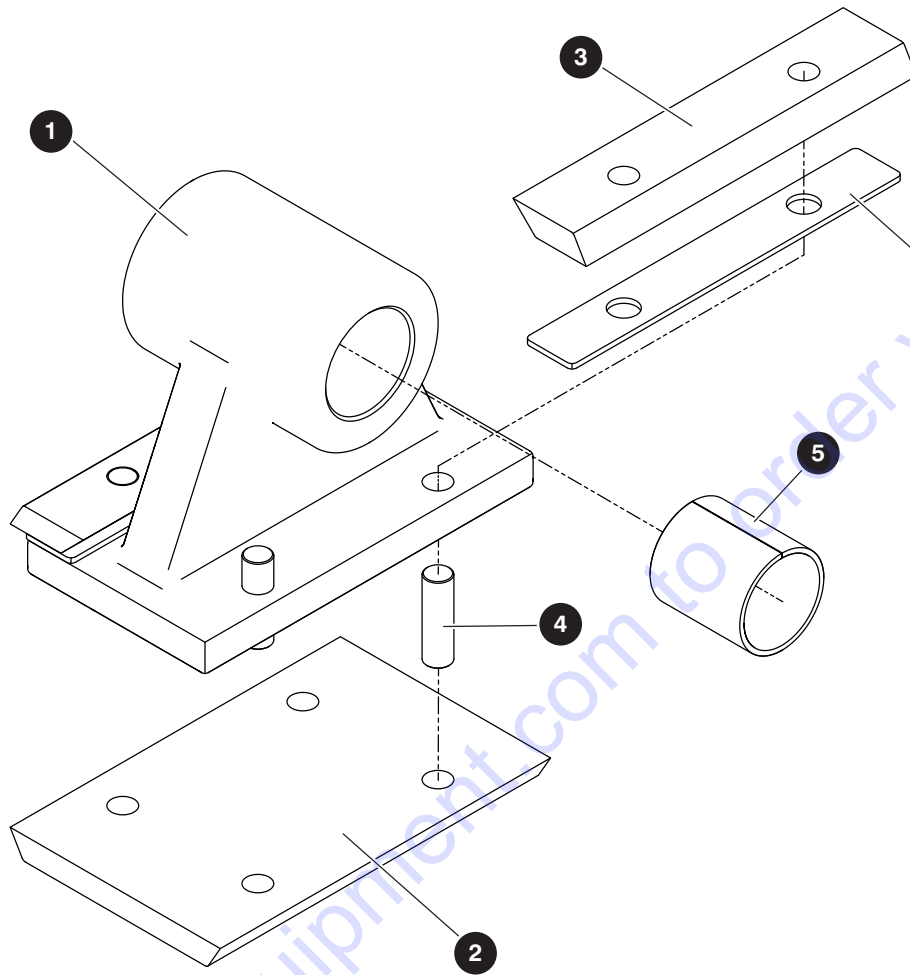
2.6 Centering Link



M237684AB

Index No.	Skyjack Part No.	Qty.	Description
-	237684	2	CENTERING LINK
1	238132	2	• BAR, Centering
2	215731	2	• PIN, Center bar (31.75 mm)
3	101523	4	• BUSHING, Fiberglide (1¼" x ¾")
4	116218	2	• WASHER, Lock (M8)
5	217876	2	• BOLT, Hex head (M8 x 1.25 x 20, cl 10.9)
6	103997	2	• WASHER, Flat (1.250)
7	217846	2	• PIN, Cotter (5 mm x 71 mm)

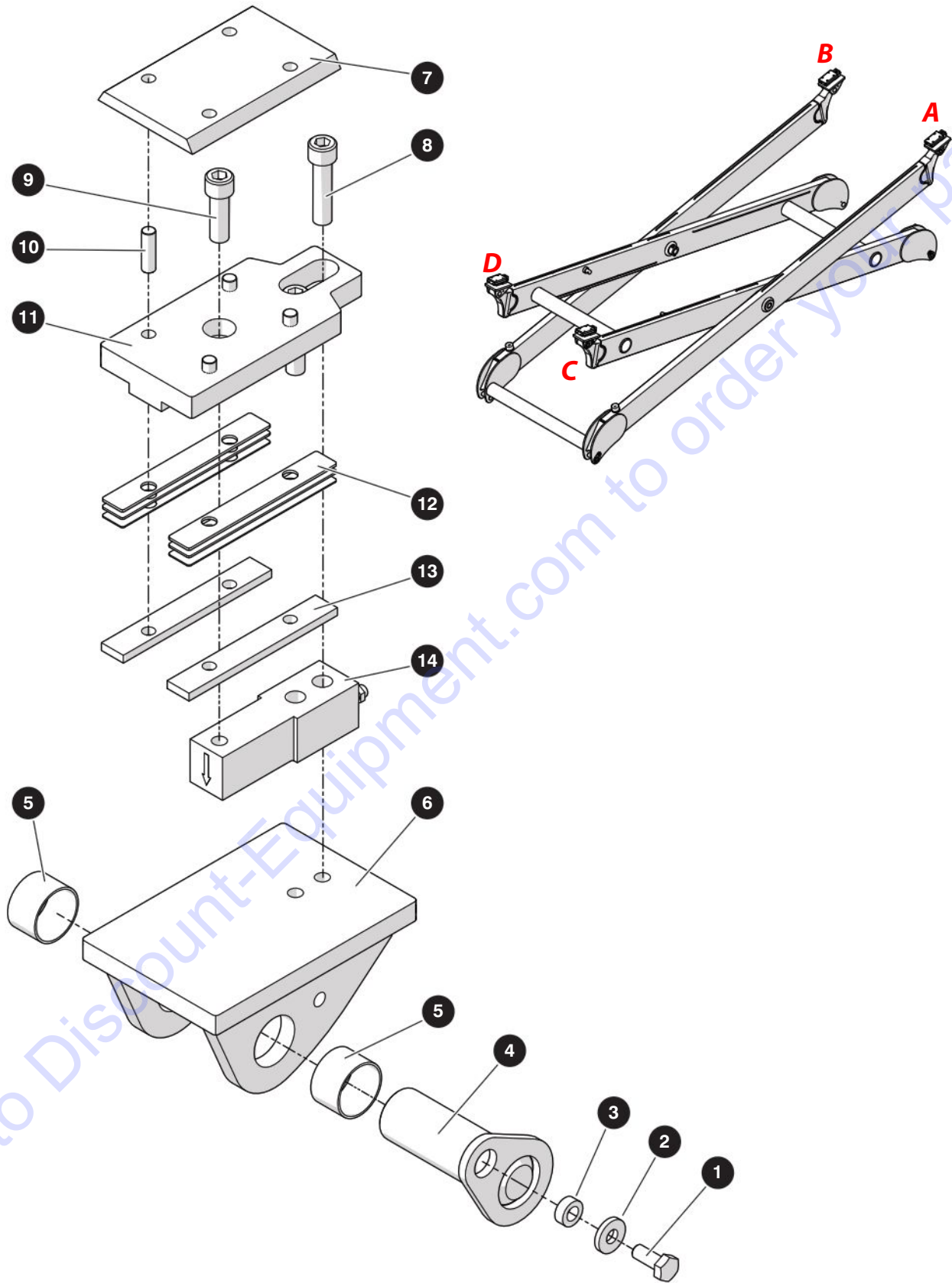
2.7 Lower Sliders



M215985AC

Index No.	Skyjack Part No.	Qty.	Description
-	-	4	LOWER SLIDER ASSEMBLY
1	236892	1	• SLIDER, Male - cast
2	101950	1	• PAD, Slider - large
3	103701	2	• PAD, Slider - small
4	101949	4	• PIN (3/8" dia)
5	100904	2	• BUSHING, Fiberglide (1-1/2" dia x 1")
6	220306	AR	• SHIM, Slider (1 mm)
	220307	AR	• SHIM, Slider (1.5 mm)
	220308	AR	• SHIM, Slider (2 mm)

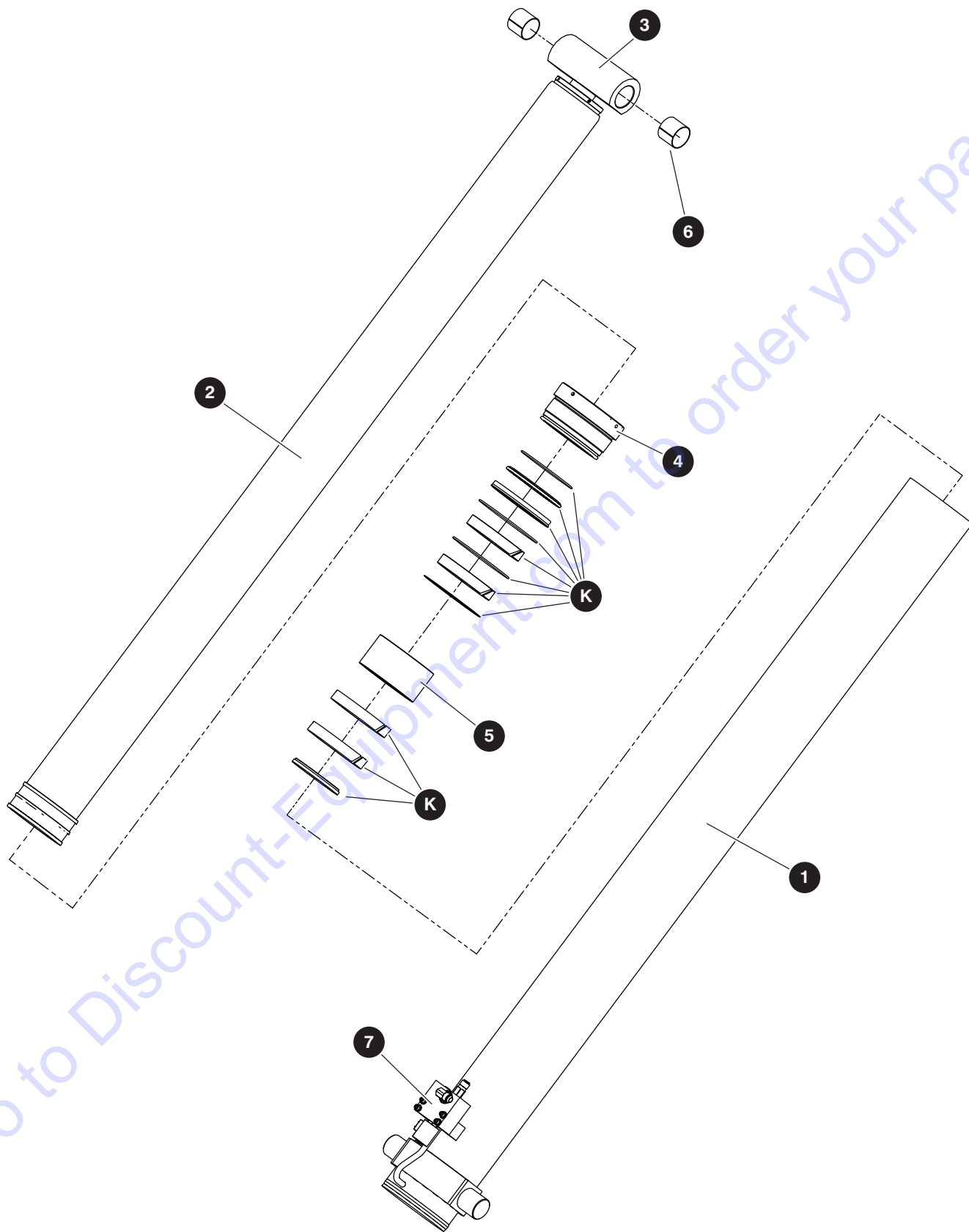
2.8 Upper Sliders



2.8 Upper Sliders

Index No.	Skyjack Part No.	Qty.	Description
-	-	4	UPPER SLIDERS
1	933657	1	• BOLT, Hex head (M10 x 1.5 x 25, cl 10.9)
2	933735	1	• WASHER, Flat (M10)
3	237655	1	• BOSS, Bolt
4	237652	1	• PIN (1-1/2" x 4-1/4")
5	100904	2	• BUSHING, Fiberglide (1/2" x 1")
6	239216	1	• SLIDER, Female - cast
7	101950	1	• PAD, Slider - large
8	239206	2	• SCREW, Socket head cap (1/2"-13 x 2, gr 8)
9	239223	1	• SCREW, Socket head cap (1/2"-13 x 1-1/2", gr 8)
10	101949	4	• PIN (3/8" dia)
11	239214	1	• PLATE, Base
12	239225	AR	• SHIM, Slider (14 GA)
	239224	AR	• SHIM, Slider (16 GA)
	239210	AR	• SHIM, Slider (20 GA)
13	239205	2	• PAD, Slider - small
14	238775	1	• LOAD CELL, 270" cable (outside level, right side), A
	238776	1	• LOAD CELL, 210" cable (outside level, left side), B
	238777	1	• LOAD CELL, 185" cable (inside level, right side), C
	238778	1	• LOAD CELL, 115" cable (inside level, left side), D

2.9 Lift Cylinders



M237614AA

239430AAA

SJ9664 RT

2.9 Lift Cylinders

Index No.	Skyjack Part No.	Qty.	Description
A	237679	1	LIFT CYLINDER, TOP
B	237678	1	LIFT CYLINDER, BOTTOM
-	237614	1	• CYLINDER, LIFT
1	TBD	1	• • BARREL
2	TBD	1	• • ROD
3	TBD	1	• • ROD EYE
4	TBD	1	• • GLAND
5	TBD	1	• • SPACER
6	236645	2	• • BEARING, Fiberglide
7	(Ref.)	1	• MANIFOLD, Holding <i>(For components, refer to Section 2.10 Lift Cylinder Manifolds)</i>
K	TBD	1	SEAL KIT

PARTS FINDER

**Search Website
by Part Number**



**Search Manual
Library For Parts
Manual & Lookup Part
Numbers – Purchase
or Request Quote**

Search Manuals

Enter your information to help us find the right parts manual for your machine.

* Brand:

* Model:

* Serial:

* Part Number:

SEARCH

**Can't Find Part or
Manual? Request Help
by Manufacturer,
Model & Description**

Parts Order Form

Please fill in the following information to help us find the right part for your machine.

Manufacturer:	<input type="text"/>
Model:	<input type="text"/>
Description:	<input type="text"/>
Part Number:	<input type="text"/>
Quantity:	<input type="text"/>
Notes:	<input type="text"/>

Submit

Discount-Equipment.com is your online resource for quality parts & equipment.

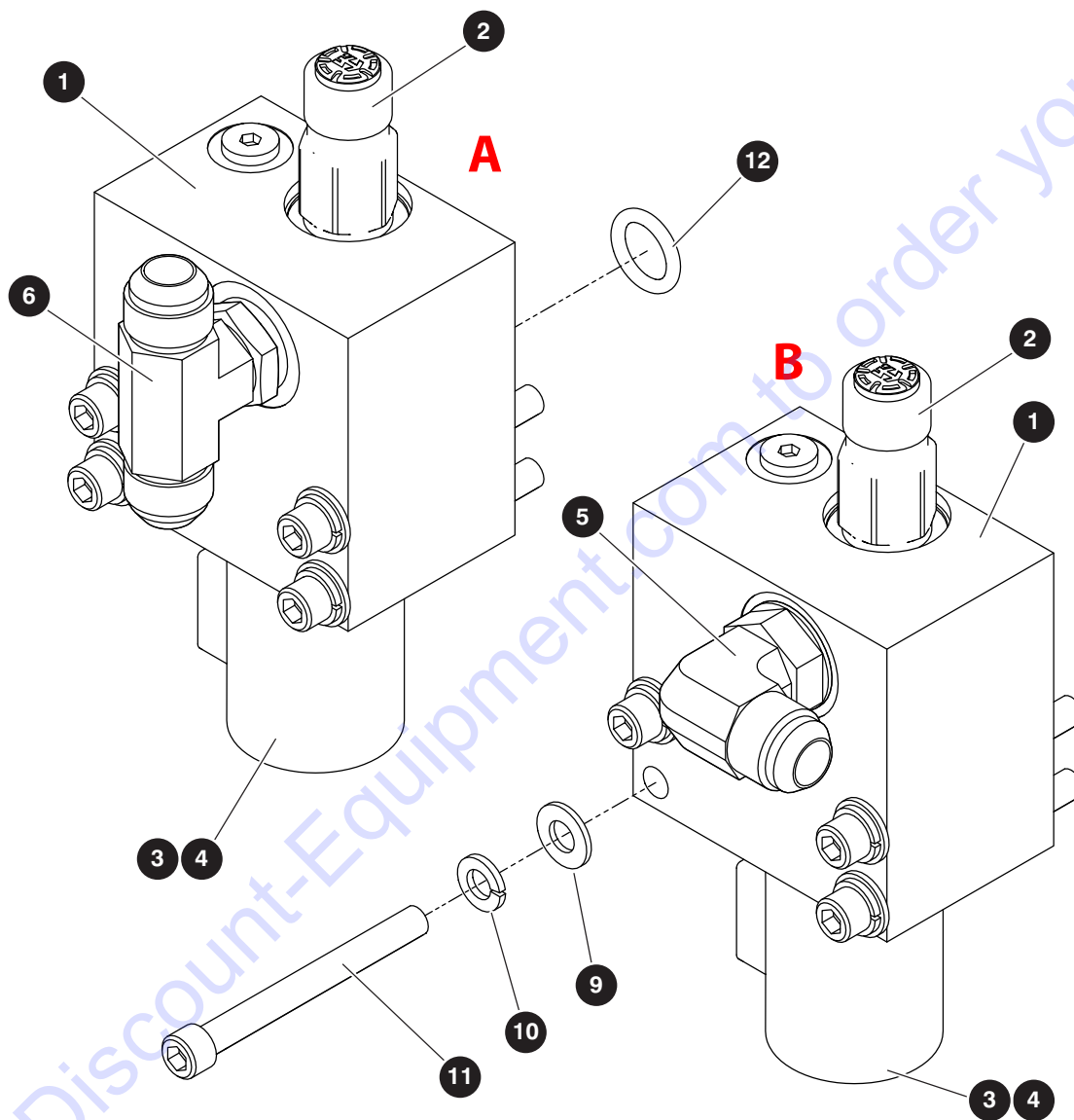
Florida: **561-964-4949** Outside Florida TOLL FREE: **877-690-3101**

Need parts?

Click on this link: <http://www.discount-equipment.com/category/5443-parts/> and choose one of the options to help get the right parts and equipment you are looking for. Please have the machine model and serial number available in order to help us get you the correct parts. If you don't find the part on the website or on one of the online manuals, please fill out the request form and one of our experienced staff members will get back to you with a quote for the right part that your machine needs.

We sell worldwide for the brands: Genie, Terex, JLG, MultiQuip, Mikasa, Essick, Whiteman, Mayco, Toro Stone, Diamond Products, Generac Magnum, Airman, Haulotte, Barreto, Power Blanket, Nifty Lift, Atlas Copco, Chicago Pneumatic, Allmand, Miller Curber, Skyjack, Lull, Skytrak, Tsurumi, Husquvarna Target, Stow, Wacker, Sakai, Mi-T-M, Sullair, Basic, Dynapac, MBW, Weber, Bartell, Bennar Newman, Haulotte, Ditch Runner, Menegotti, Morrison, Contec, Buddy, Crown, Edco, Wyco, Bomag, Laymor, EZ Trench, Bil-Jax, F.S. Curtis, Gehl Pavers, Heli, Honda, ICS/PowerGrit, IHI, Partner, Imer, Clipper, MMD, Koshin, Rice, CH&E, General Equipment, Amida, Coleman, NAC, Gradall, Square Shooter, Kent, Stanley, Tamco, Toku, Hatz, Kohler, Robin, Wisconsin, Northrock, Oztec, Toker TK, Rol-Air, APT, Wylie, Ingersoll Rand / Doosan, Innovatech, Con X, Ammann, Mecalac, Makinex, Smith Surface Prep, Small Line, Wanco, Yanmar

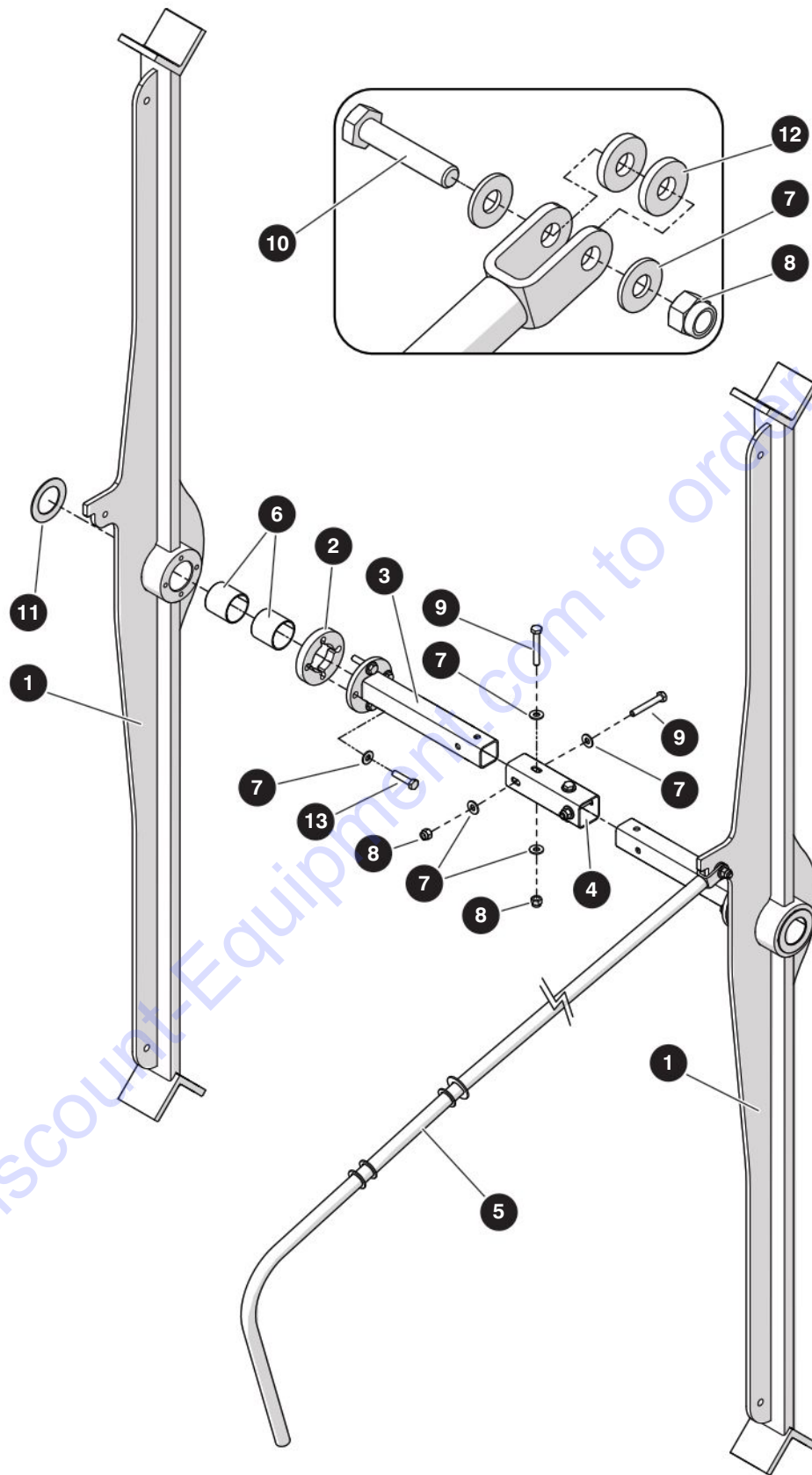
2.10 Lift Cylinder Manifolds



2.10 Lift Cylinder Manifolds

Index No.	Skyjack Part No.	Qty.	Description
A	237650	1	SCISSOR MANIFOLD - Bottom cylinder
B	238092	1	SCISSOR MANIFOLD - Top cylinder
1	238125	1	• MANIFOLD, Holding
2	238128	1	• VALVE, Relief - 3500 psi
3	238126	1	• VALVE, Poppet solenoid
4	238127	1	• COIL, Valve (12 V)
5	135091	1	• FITTING, 90° (10JICM-10ORB), B
6	144331	1	• FITTING, Tee (10JICM-10JICM-10ORB), A
9	103996	4	WASHER, Flat (5/16")
10	103404	4	WASHER, Lock (5/16")
11	162145	4	SCREW, Socket head cap (5/16"-18 x 3")
12	103403	1	SEAL, O-ring

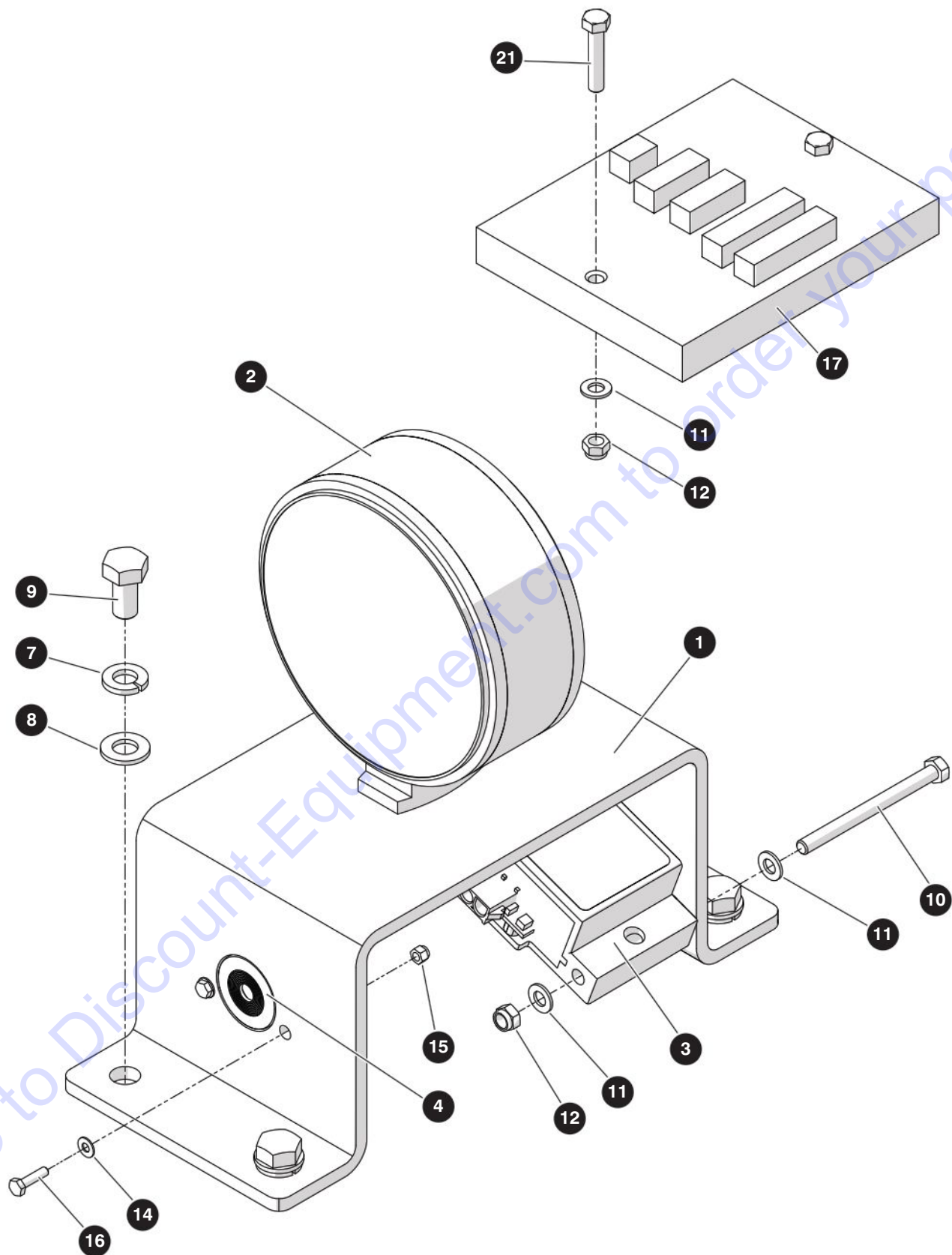
2.11 Maintenance Stand



2.11 Maintenance Stand

Index No.	Skyjack Part No.	Qty.	Description
-	237971	1	MAINTENANCE STAND
1	237962	2	• MAINTENANCE BAR
2	148817	4	• BUSHING, CJS 3232 (2" x 2" lg)
3	237963	2	• ROD, Maintenance bar
4	237966	1	• TUBE (1.315 OD x 1.097 ID x 4.5)
5	237969	1	• HANDLE, Maintenance bar
6	217392	8	• BOLT, Hex head (M6 x 1 x 16, cl 8.8 ft zp)
7	121758	8	• WASHER, Lock (M6 plated DIN 127B)
8	217225	4	• BOLT, Hex head (M6 x 1 x 45, cl 8.8 pt zp)
9	223164	4	• NUT, Hex nylon lock (M6 x 1, cl 8 zp)
10	933770	1	• BOLT, Hex head (M8-1.25 x 40 mm, cl 8.8 ye)
11	223162	1	• NUT, Hex nylon (M8 x 1.25, cl 10 zp)

2.12 Scissor Electrical Components



M238094AB

239430AAA

SJ9664 RT

2.12 Scissor Electrical Components

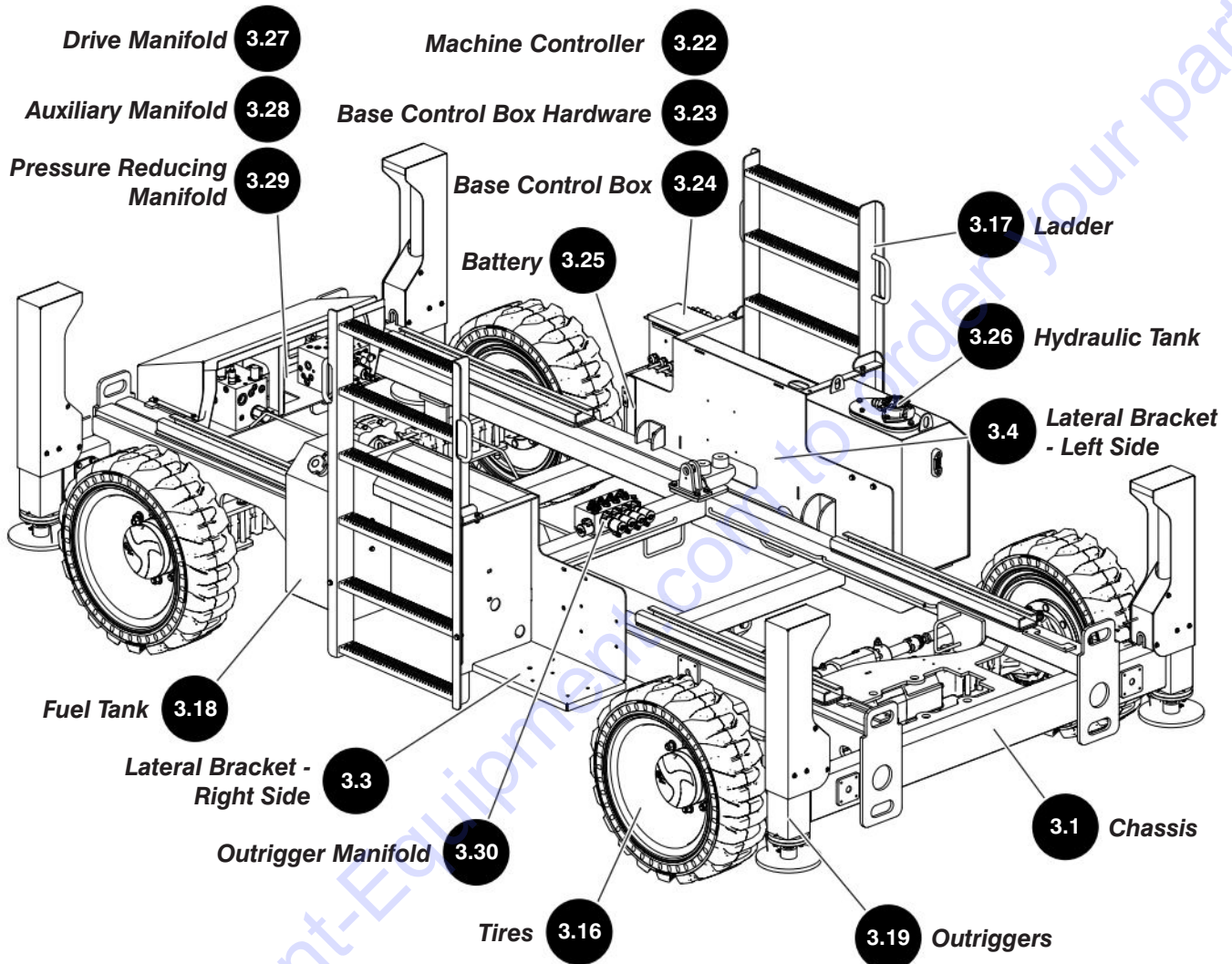
Index No.	Skyjack Part No.	Qty.	Description
-	238094	1	SCISSOR ELECTRICAL COMPONENTS
1	222263	1	• BRACKET, Angle transducer mount
2	222494	1	• FLASHING LIGHT, Amber LED
3	220597	1	• TRANSDUCER, Angle - Dual
	212730	1	• • LAMP, LED
	114595	2	• • TERMINAL, Female (18 - 22 AWG red)
4	215817	1	• BEEPER
	170620	1	• • BEEPER, SP-1048
	114594	2	• • TERMINAL, Male (18 - 22 AWG)
5	(Ref.)	1	• HARNESS, Holding - lower (not shown)
6	(Ref.)	1	• HARNESS, Holding - upper (not shown) <i>(For components, refer to Section 5.13 Holding Valve Harnesses)</i>
7	116218	4	• WASHER, Lock (M8)
8	600184	4	• WASHER, Flat (M8)
9	933660	4	• BOLT, Hex head (M8 x 1.25 x 16, gr 8.8)
10	217219	2	• BOLT, Hex head (M5 x 0.8 x 60, gr 8.8)
11	933816	6	• WASHER, Flat (M5)
12	217628	4	• NUT, Hex lock (M5 x 0.8, cl 8)
13	228464	2	• WASHER, Flat (M3)
14	217626	2	• NUT, Hex lock (M3 x 0.5, cl 8)
15	228468	2	• BOLT, Hex head (M3 x 0.5 x 12, gr 8.8)
16	(Ref.)	1	• HARNESS, Angle transducer/beeper/flashing light (not shown) <i>(For components, refer to Section 5.17 Angle Transducer/Beeper/Flashing Light Harness)</i>
17	(Ref.)	1	• MODULE, Load cell
18	(Ref.)	1	• HARNESS, Load cell module (not shown) <i>(For components, refer to Section 5.18 Load Cell Module Harness)</i>
19	(Ref.)	1	• HARNESS, Load cell module power (not shown) <i>(For components, refer to Section 5.19 Load Cell Module Power Harness)</i>
20	(Ref.)	1	• HARNESS, Load cell module CAN (not shown) <i>(For components, refer to Section 5.20 Load Cell Module CAN Harness)</i>
21	239234	2	• BOLT, Hex head (M5 x 0.8 x 20, gr 9.8)

 **Notes**

Lined area for taking notes, consisting of 28 horizontal lines.

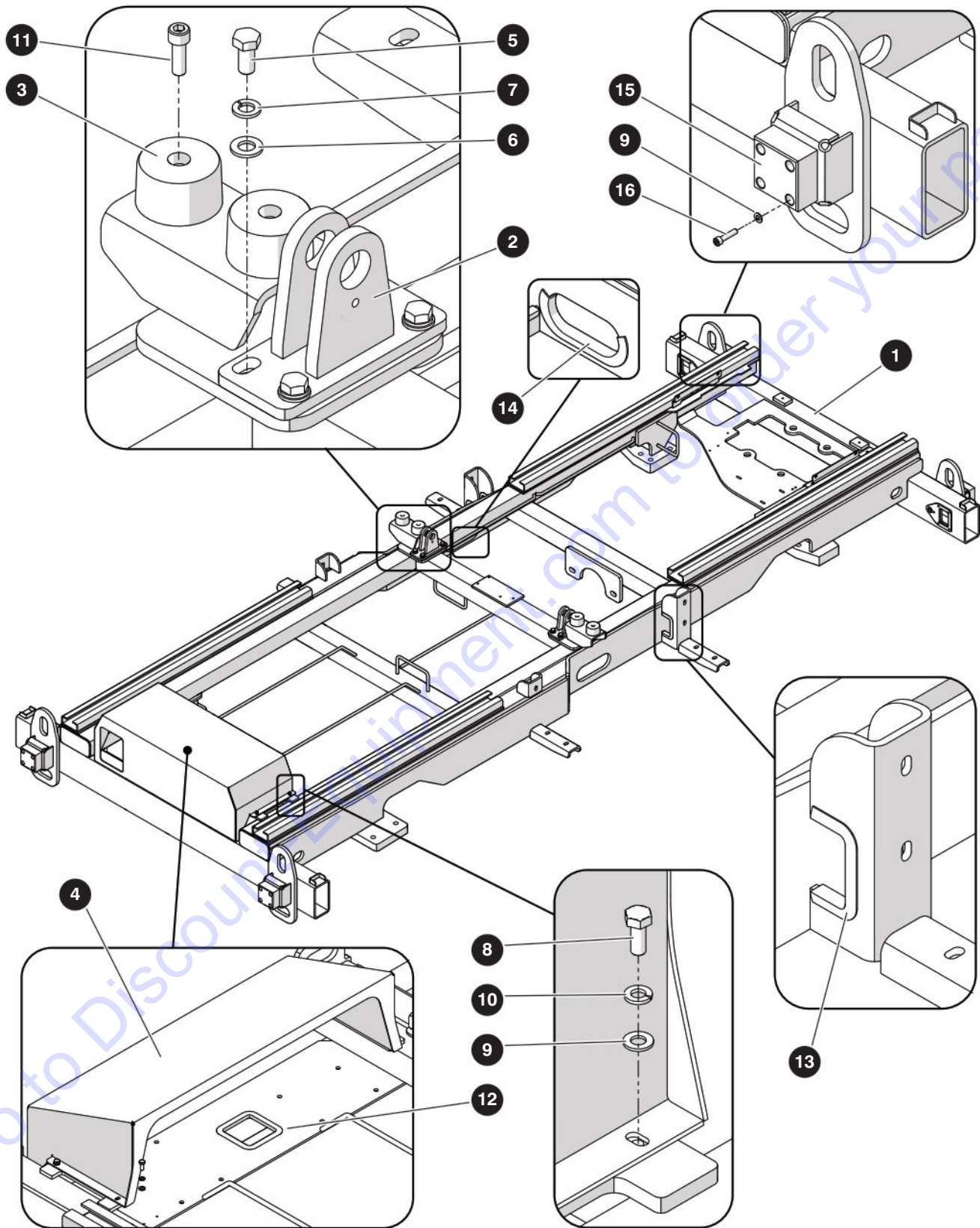
Go to Discount-Equipment.com to order your parts

Section 3 – Base



- 3.2 Drive Shaft Guard
- 3.5 Axles
- 3.6 Differential - Front Axle
- 3.7 Hub Reduction - Front Axle
- 3.8 Central Housing - Front Axle
- 3.9 Steering - Front Axle
- 3.10 Differential - Rear Axle
- 3.11 Hub Reduction - Rear Axle
- 3.12 Brakes - Rear Axle
- 3.13 Gear Box - Rear Axle
- 3.14 Central Housing - Rear Axle
- 3.15 Drive Motor
- 3.20 Outrigger Cylinder
- 3.21 Outrigger Limit Switches

3.1 Chassis



M237423AB

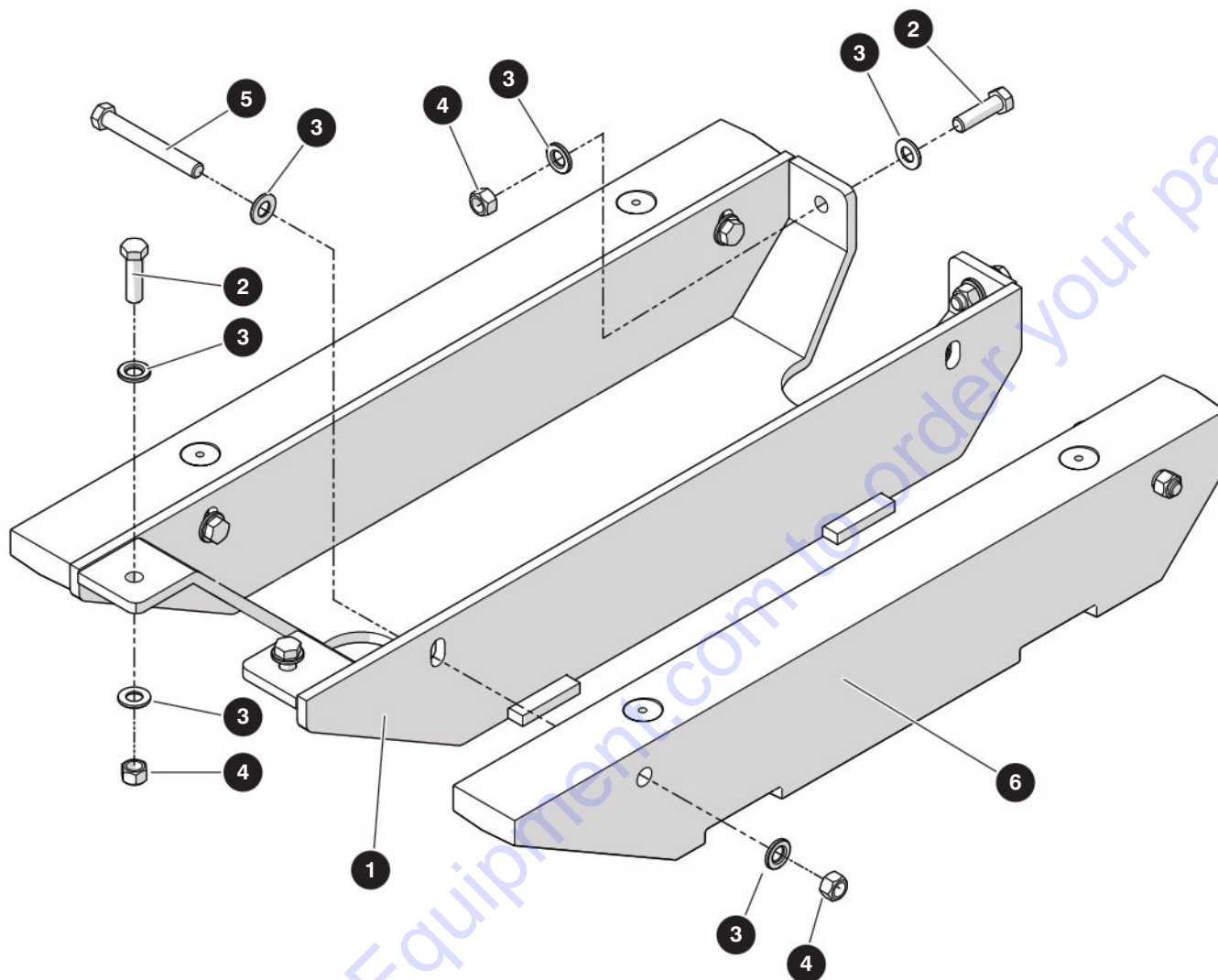
239430AAA

SJ9664 RT

3.1 Chassis

Index No.	Skyjack Part No.	Qty.	Description
-	237423	1	CHASSIS
1	237423	1	• CHASSIS
2	215941	2	• HOUSING, Center bar
3	105395	4	• PUCK, PU55D (2.55 x 1.5)
4	237476	1	• COVER, Manifold
5	217843	8	• BOLT, Hex head (M12 x 1.75 x 25, cl 10.9)
6	933817	8	• WASHER, Flat (M12)
7	600549	8	• WASHER, Lock (M12)
8	133174	4	• BOLT, Hex head (M8 x 1.25 x 20, gr 8.8)
9	600184	20	• WASHER, Flat (M8)
10	116218	4	• WASHER, Lock (M8)
11	232529	4	• BOLT, Socket head (M10 x 1.5 x 30, cl 12.9)
12	110007	15.38"	• CHANNEL, Edge (not shown)
13	119922	32"	• TRIM, Protective (1/4"-1/2")
14	196566	12"	• TRIM, Protective (1/2"-5/8")
15	237469	4	• BUMPER, Chassis
16	217087	16	• SCREW, Socket head cap (M8 x 1.25 x 35, cl12.9)

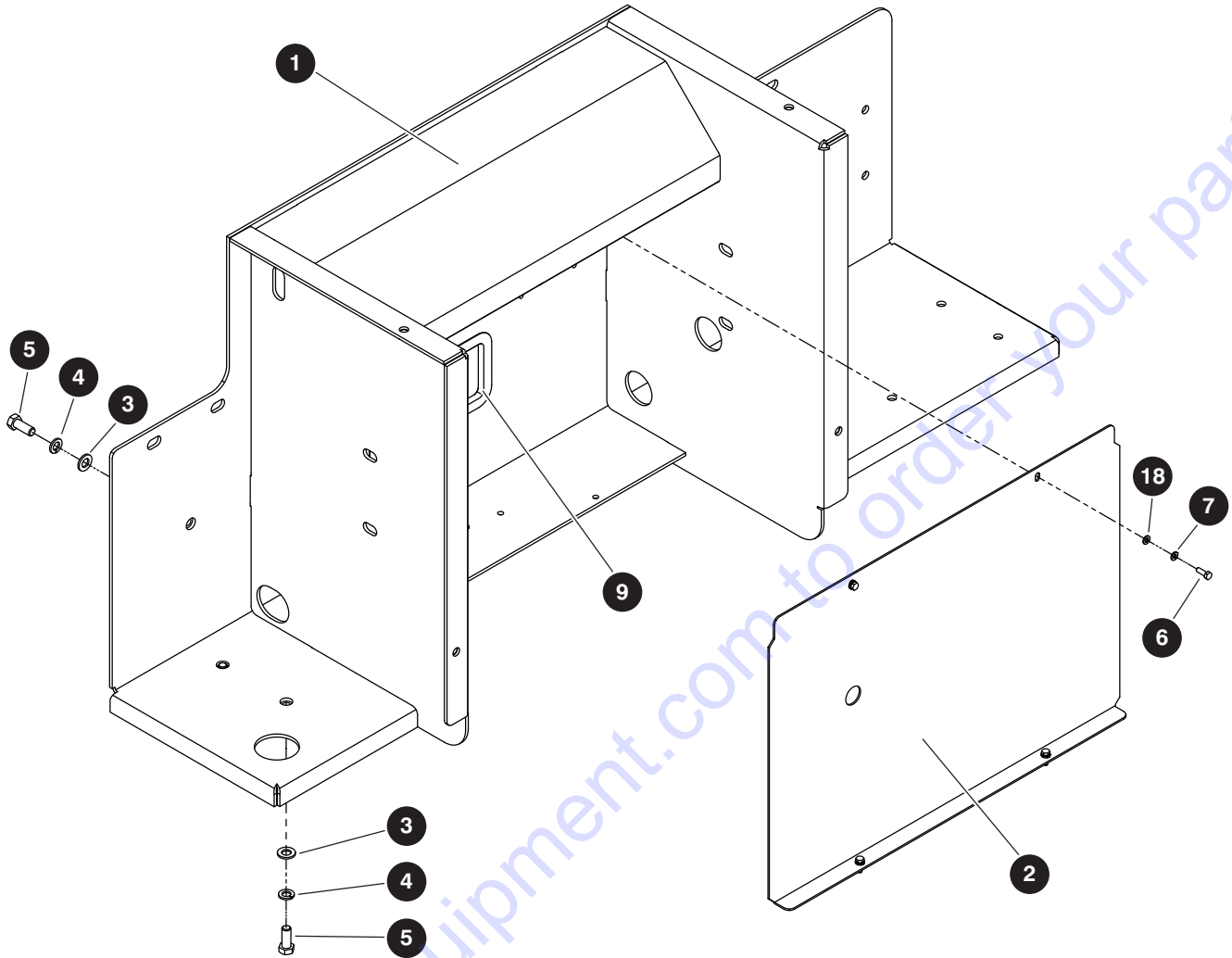
3.2 Drive Shaft Guard



M231670AC

Index No.	Skyjack Part No.	Qty.	Description
-	231670	1	DRIVE SHAFT GUARD
1	231671	1	• GUARD, Drive Shaft
2	217334	4	• BOLT, Hex head (M20 x 2.5 x 70, cl 10.9)
3	933632	16	• WASHER, Structural hard (M20)
4	217632	8	• NUT, Torque lock (M20 x 2.5, cl 10)
5	238830	4	• BOLT, Hex head (M20 x 2.5 x 160, cl 10.9)
6	238829	2	• COUNTERWEIGHT

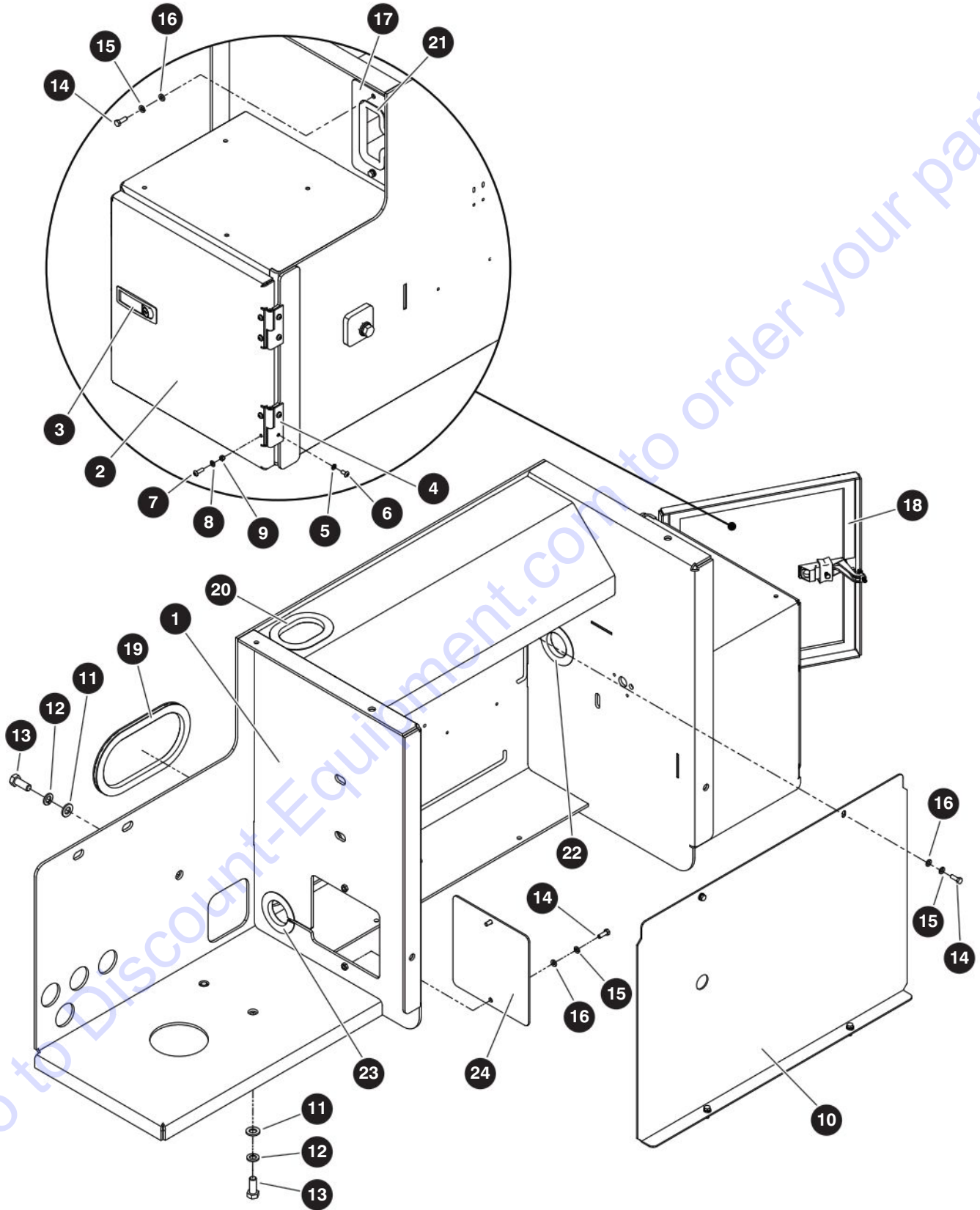
3.3 Lateral Bracket - Right Side



M222145AE-2

Index No.	Skyjack Part No.	Qty.	Description
-	-	1	LATERAL BRACKET - RIGHT SIDE
1	222350	1	• BRACKET, Lateral RHS
2	222315	1	• COVER, Lateral bracket
3	933817	6	• WASHER, Flat (M12)
4	116995	6	• WASHER, Lock (M12)
5	152324	6	• BOLT, Hex head (M12 x 1.75 x 25, gr 8.8)
6	217393	4	• BOLT, Hex head (M6 x 1.00 x 18, gr 8.8)
7	121758	4	• WASHER, Lock (M6)
8	933834	4	• WASHER, Flat (M6)
9	110007	22-1/8"	• CHANNEL, Black edge

3.4 Lateral Bracket - Left Side



M222145AE-1

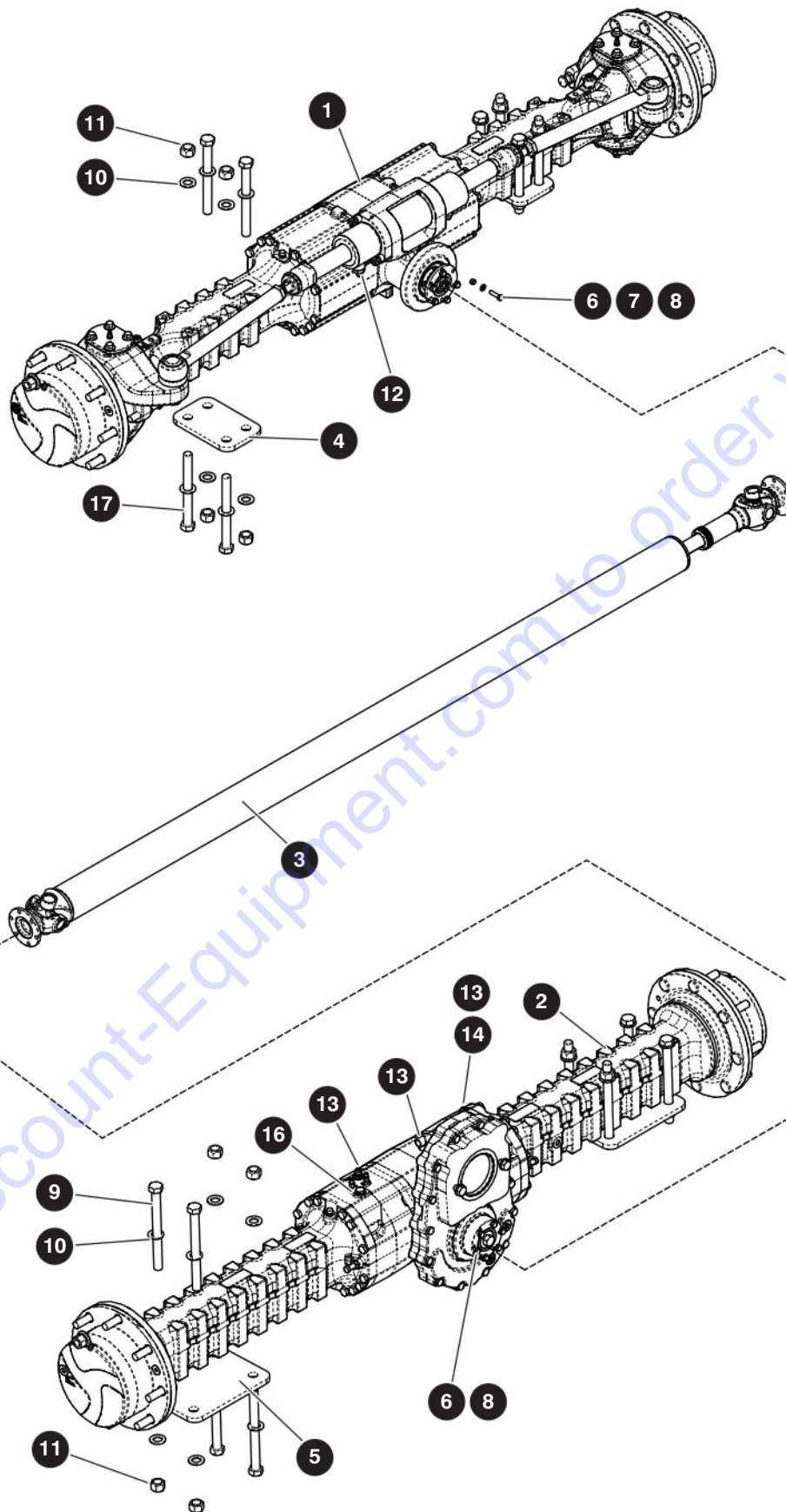
239430AAA

SJ9664 RT

3.4 Lateral Bracket - Left Side

Index No.	Skyjack Part No.	Qty.	Description
-	-	1	LATERAL BRACKET - LEFT SIDE
-	222090	1	• LATERAL BRACKET - LHS
1	222320	1	• • BRACKER, Lateral
-	222319	1	• • BATTERY DOOR
2	222318	1	• • • DOOR
3	222351	1	• • • LATCH, Cam lock
4	222355	2	• • HINGE, LH
5	228640	4	• • WASHER, Lock (M5)
6	228457	4	• • BOLT, Button head cap (M5 x 0.8 x 10, cl 10.9)
7	228459	4	• • BOLT, Button head cap (M5 x 0.8 x 16, cl 10.9)
8	933816	8	• • WASHER, Flat (M5)
9	217628	4	• • NUT, Hex head lock (M5 x 0.8, cl 8)
10	222315	1	• COVER, Lateral bracket
11	933817	6	• WASHER, Flat (M12)
12	116995	6	• WASHER, Lock (M12)
13	152324	6	• BOLT, Hex head (M12 x 1.75 x 25, gr 8.8)
14	217393	6	• BOLT, Hex head (M6 x 1.00 x 18, gr 8.8)
15	121758	6	• WASHER, Lock (M6)
16	933834	6	• WASHER, Flat (M6)
17	222343	1	• COVER, Cable harness
18	103628	4-3/4"	• RUBBER, Self seal
19	110007	20-1/4"	• CHANNEL, Edge - black
20	110007	9-3/4"	• CHANNEL, Edge - black
21	117398	11"	• TRIM, Protective
22	110007	6-1/4"	• CHANNEL, Edge - black
23	110007	6"	• CHANNEL, Edge - black
24	222125	1	• COVER, Pad heater

3.5 Axles



M222142AK

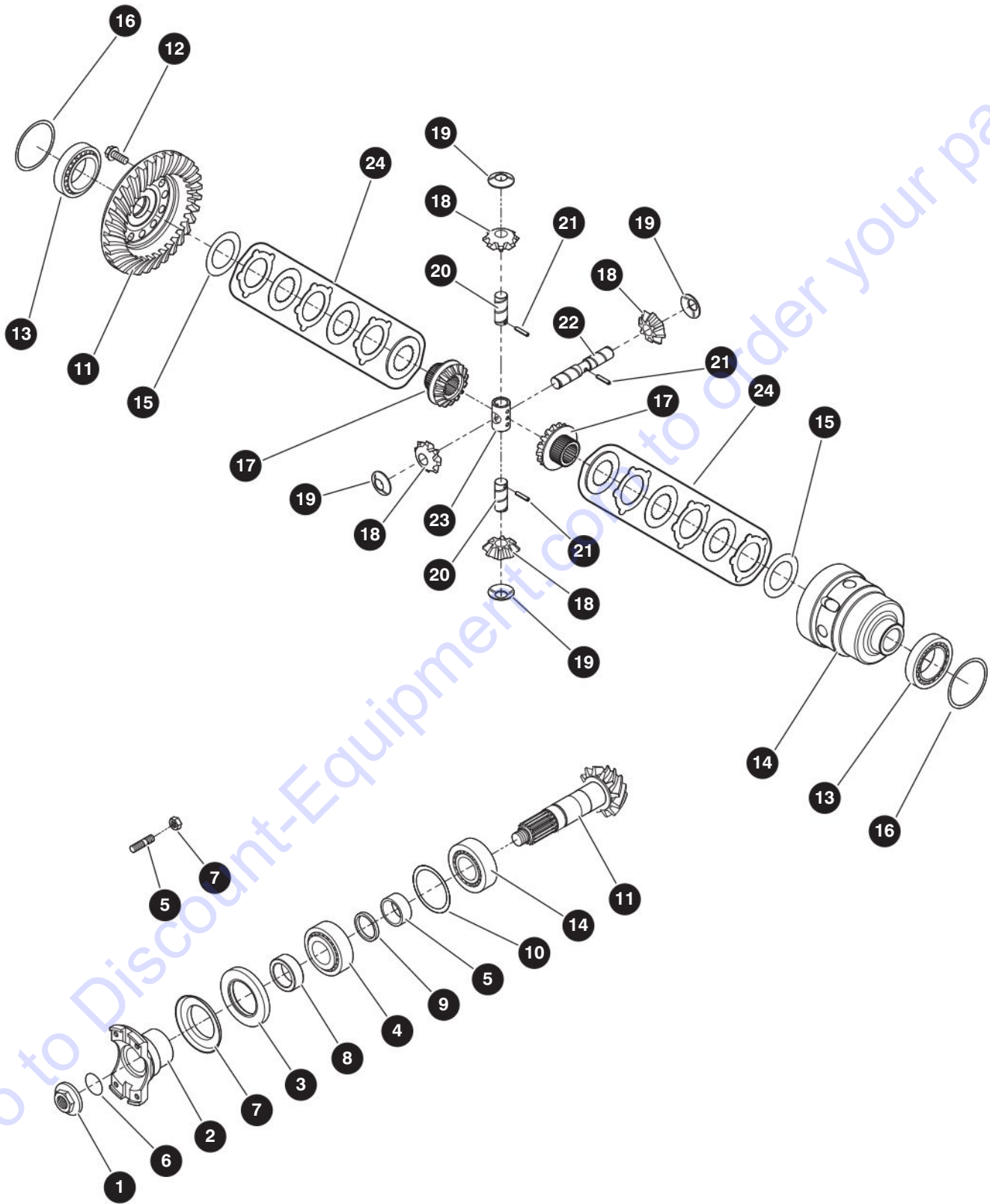
239430AAA

SJ9664 RT

3.5 Axles

Index No.	Skyjack Part No.	Qty.	Description
-	222142	1	AXLES
1	215271	1	<ul style="list-style-type: none"> • AXLE, Steering (front) <i>(For components, refer to Section 3.6 Differential - Front Axle)</i> <i>(For components, refer to Section 3.7 Hub Reduction - Front Axle)</i> <i>(For components, refer to Section 3.8 Central Housing - Front Axle)</i> <i>(For components, refer to Section 3.9 Steering - Front Axle)</i>
2	231650	1	<ul style="list-style-type: none"> • AXLE, Rigid (rear) <i>(For components, refer to Section 3.10 Differential - Rear Axle)</i> <i>(For components, refer to Section 3.11 Hub Reduction - Rear Axle)</i> <i>(For components, refer to Section 3.12 Brakes - Rear Axle)</i> <i>(For components, refer to Section 3.13 Gear Box - Rear Axle)</i> <i>(For components, refer to Section 3.14 Central Housing - Rear Axle)</i>
3	231675	1	<ul style="list-style-type: none"> • DRIVE SHAFT
	231189	2	<ul style="list-style-type: none"> • • FLANGE, Yoke
	231190	2	<ul style="list-style-type: none"> • • U-JOINT, Bearing
4	215431	2	<ul style="list-style-type: none"> • PLATE, Axle mount front
5	231679	2	<ul style="list-style-type: none"> • PLATE, Axle mount rear
6	217878	12	<ul style="list-style-type: none"> • BOLT, Hex head (M8 x 1.25 x 30, cl 10.9)
7	217796	12	<ul style="list-style-type: none"> • NUT, Hex (M8 x 1.25, cl 10)
8	232528	12	<ul style="list-style-type: none"> • WASHER, Flat (M8)
9	217357	8	<ul style="list-style-type: none"> • BOLT, Hex head (M20 x 2.5 x 260, cl 10.9)
10	231699	32	<ul style="list-style-type: none"> • WASHER (M20)
11	217623	16	<ul style="list-style-type: none"> • NUT, Torque lock (M20 x 2.5, cl 10)
12	168769	2	<ul style="list-style-type: none"> • FITTING, Straight (M18ORBM 06JICM)
13	190364	3	<ul style="list-style-type: none"> • FITTING, Retaining ring (06MJ - 14 mm)
14	103309	1	<ul style="list-style-type: none"> • FITTING, Run tee #6
15	132565	5	<ul style="list-style-type: none"> • CAP, Grease (GC5) (not shown)
16	171198	2	<ul style="list-style-type: none"> • FILTER, Breather
17	239503	8	<ul style="list-style-type: none"> • BOLT, Hex head (M20 x 2.5 x 240, cl 10.9)

3.6 Differential - Front Axle



M222142AG

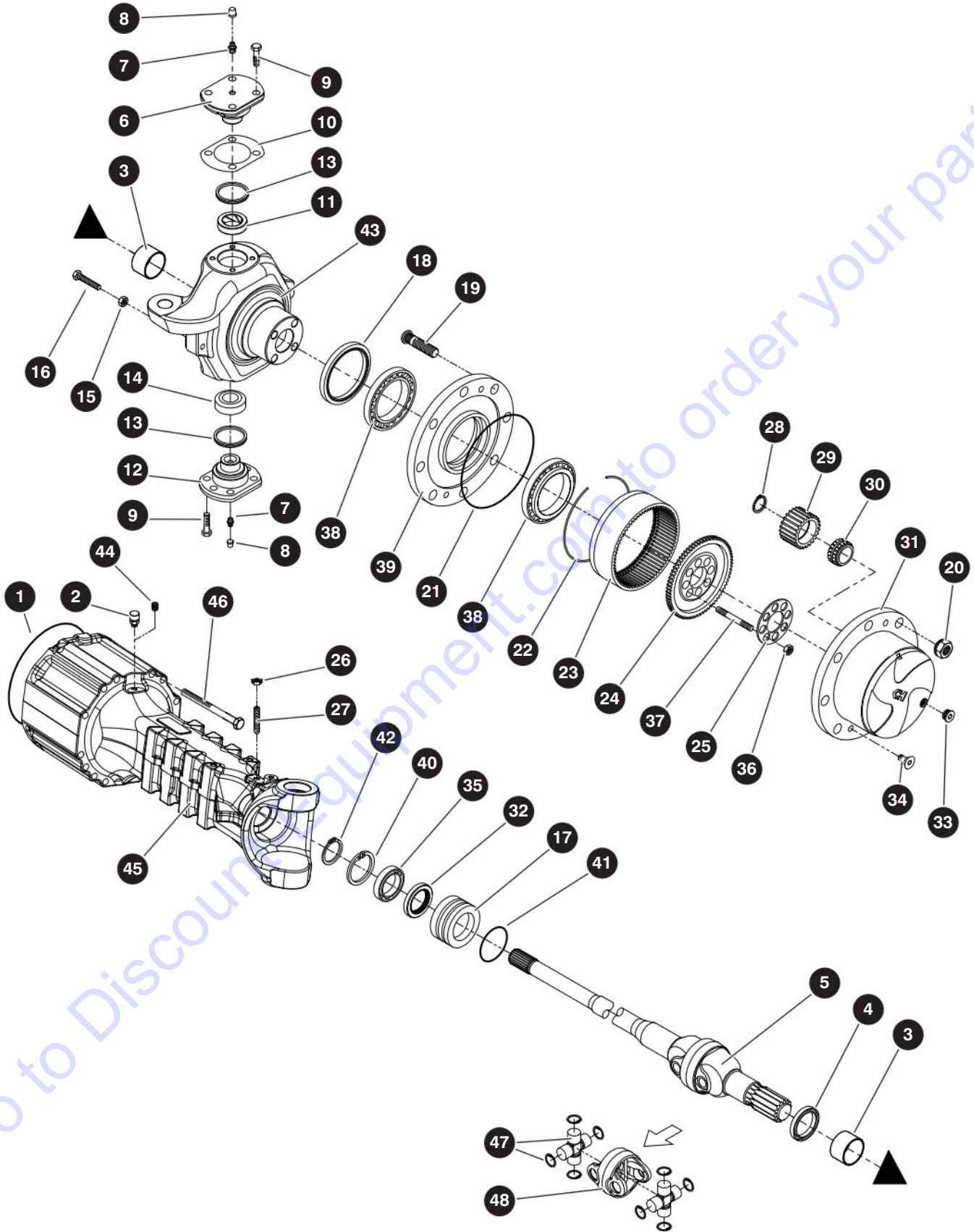
239430AAA

SJ9664 RT

3.6 Differential - Front Axle

Index No.	Skyjack Part No.	Qty.	Description
-	-	1	DIFFERENTIAL - Front Axle
1	141372	1	• NUT
2	237778	1	• FLANGE
3	170792	1	• SEAL
4	224336	2	• BEARING
5	224337	1	• SPACER
6	224354	1	• O-RING
7	224353	1	• PLATE, Cover
8	224340	1	• SPACER
9	224339	1	• SHIM KIT
10	224338	1	• SHIM KIT
11	154611	1	• GEAR SET, Bevel
12	224341	12	• BOLT
13	224343	2	• BEARING, Taper roller
14	154614	1	• CARRIER, Differential
15	224345	1	• WASHER, Friction
16	224342	1	• SHIM KIT
17	224423	2	• SIDE GEAR, Differential
18	154618	4	• PINION, Differential
19	237779	4	• WASHER, Friction
20	224349	2	• PIN
21	224350	3	• DOWEL
22	224424	1	• PIN
23	224352	1	• RETAINER, Shaft
24	154616	2	• DISC, Clutch

3.7 Hub Reduction - Front Axle



M222142AG

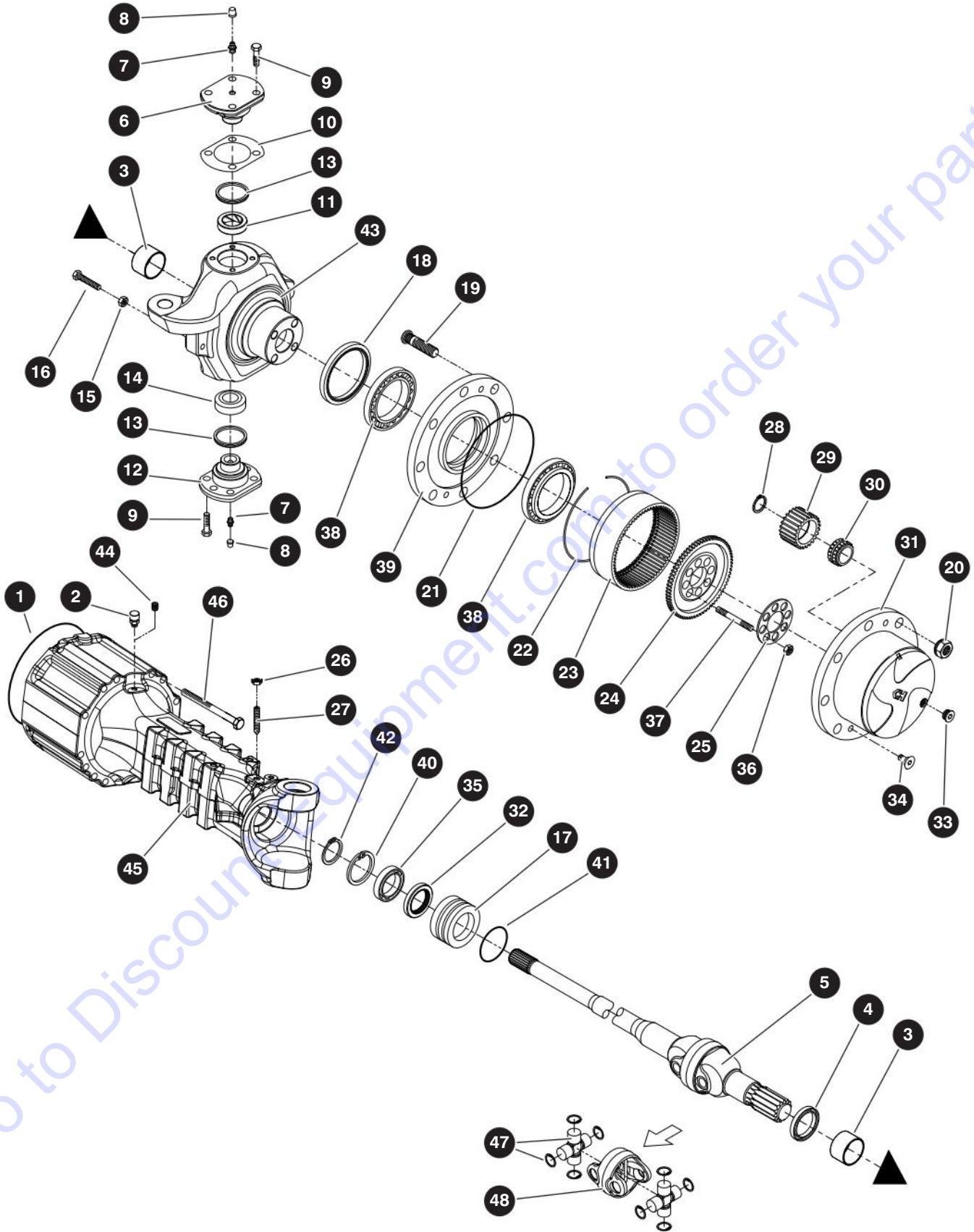
239430AAA

SJ9664 RT

3.7 Hub Reduction - Front Axle

Index No.	Skyjack Part No.	Qty.	Description
-	123456	1	HUB REDUCTION - Front Axle
1	224356	2	• O-RING
2	224357	1	• PLUG
3	224359	1	• BUSHING, Thrust
4	224360	2	• SEAL
5	237780	2	• JOINT
6	237781	2	• PIN, Pivot
7	168273	4	• FITTING, Grease
8	141006	4	• PLUG
9	140993	20	• BOLT
10	224363	1	• SHIM KIT
11	151765	2	• BUSHING
12	224366	2	• PIN, Pivot
13	224446	2	• • SEAL
14	224365	2	• • ARTICULATION
-	168284	4	• BOLT KIT, Steering adjust
15	141015	4	• • NUT
16	168275	4	• • BOLT
17	224368	2	• BUSHING, Reduction
18	224369	2	• SEAL
19	237782	16	• STUD, Wheel
20	224448	16	• NUT
21	140970	2	• O-RING
-	141042	2	• SUPPORT KIT, Ring gear
22	141022	2	• • CIRCLIP
23	141023	2	• • RING GEAR
24	141024	2	• • SUPPORT, Ring gear
25	141081	2	• PLATE, Locking
26	224372	2	• NUT
27	224373	2	• BOLT
-	151767	2	• PLANET GEAR CARRIER ASSEMBLY
28	141028	3	• • CIRCLIP
-	216251	6	• • PLANET GEAR KIT
29	216252	6	• • • GEAR, Planet
30	216253	6	• • • BEARING
31	237783	1	• • CARRIER, Planet gear
32	224374	2	• SEAL
33	237776	2	• PLUG, Magnetic
34	141033	4	• BOLT, Countersunk
35	224375	2	• BEARING
36	196639	8	• NUT
37	216255	8	• STUD
38	141019	4	• BEARING
39	224376	2	• HUB, Wheel
40	224377	2	• CIRCLIP
41	224378	2	• O-RING

3.7 Hub Reduction - Front Axle



M222142AG

239430AAA

70

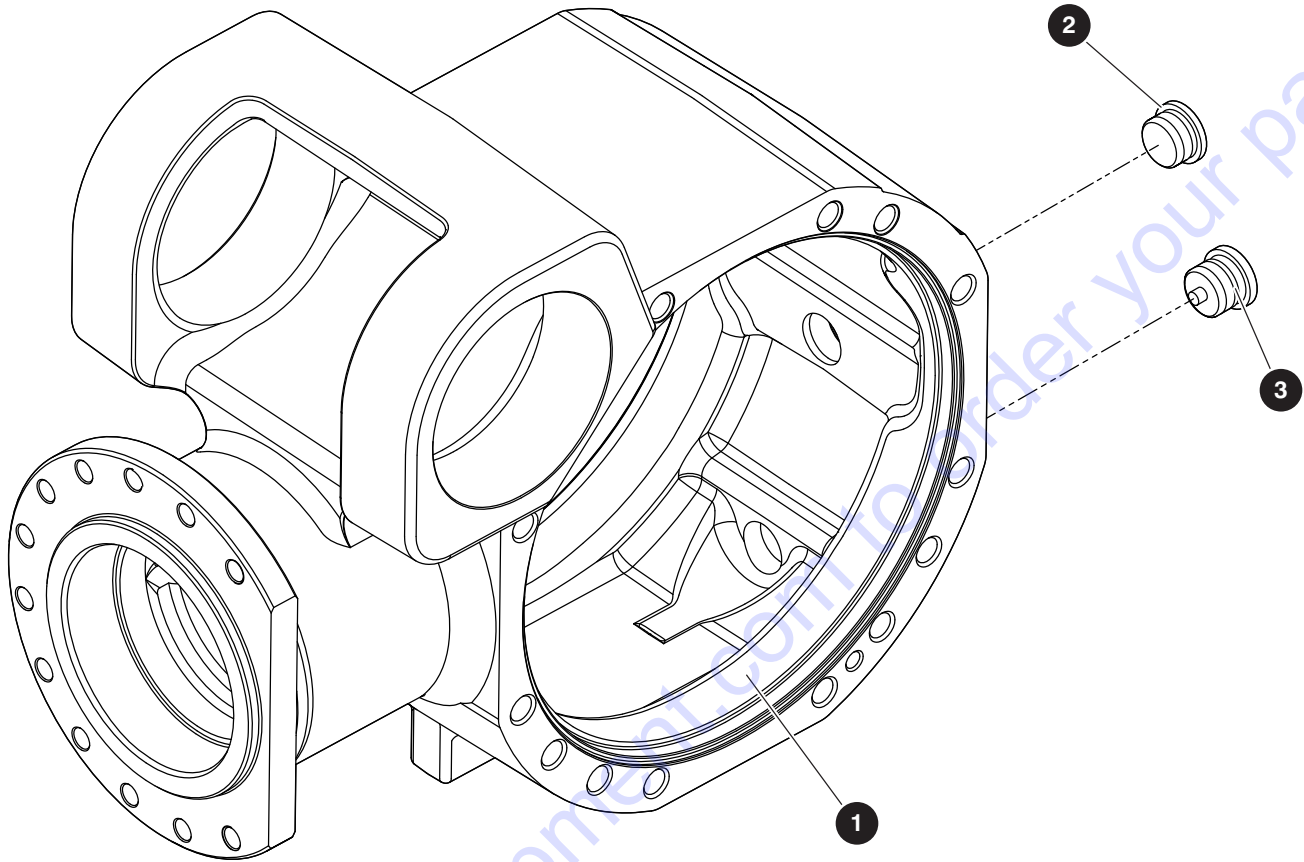
SJ9664 RT

SKYJACK

3.7 Hub Reduction - Front Axle

Index No.	Skyjack Part No.	Qty.	Description
42	224379	2	• CIRCLIP
43	237784	1	• STEERING CASE - Right
	237785	1	• STEERING CASE - Left
44	224382	1	• PLUG
45	237786	2	• CASE, Axle
46	224449	28	• BOLT, Hexagon
47	224388	2	• U-JOINT CROSS
48	224389	1	• U-JOINT CENTER SECTION

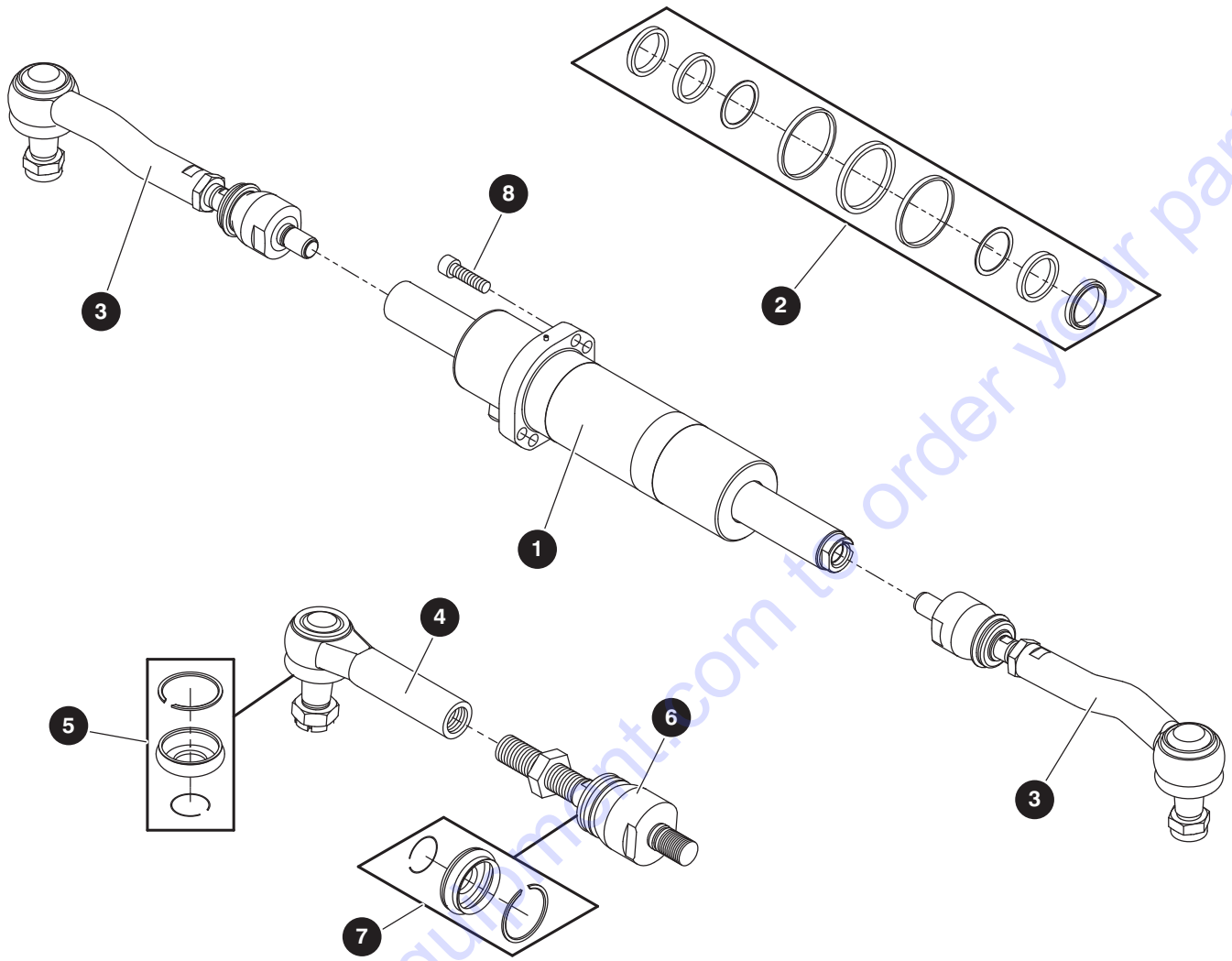
3.8 Central Housing - Front Axle



M215271AE-1

Index No.	Skyjack Part No.	Qty.	Description
-	-	1	CENTRAL HOUSING - Front Axle
1	237775	1	• HOUSING
2	237776	1	• PLUG, Magnetic
3	237777	1	• PLUG

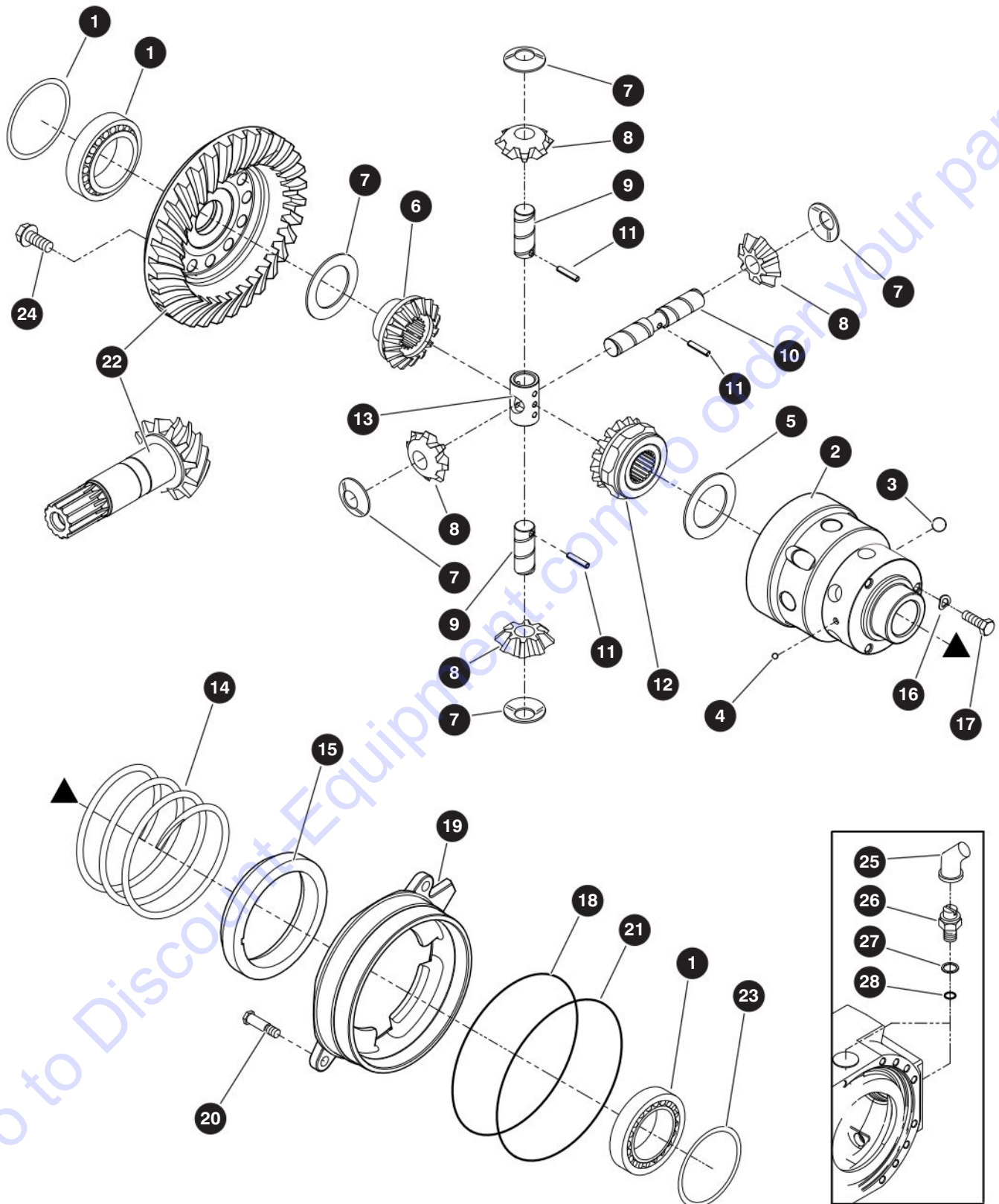
3.9 Steering - Front Axle



M215271AE-4

Index No.	Skyjack Part No.	Qty.	Description
-	-	1	STEERING ASSEMBLY - Front Axle
1	237787	1	• CYLINDER
2	224394	1	• • SEAL KIT
3	154643	2	• TIE ROD, Articulated
4	237788	1	• • JOINT, 90°
5	224398	1	• • • RUBBER BOOT & LOCKING RING KIT
6	224396	1	• • JOINT, Axial
7	224397	1	• • • RUBBER BOOT & LOCKING RING KIT
8	224393	4	• BOLT

3.10 Differential - Rear Axle



M215272AF-2

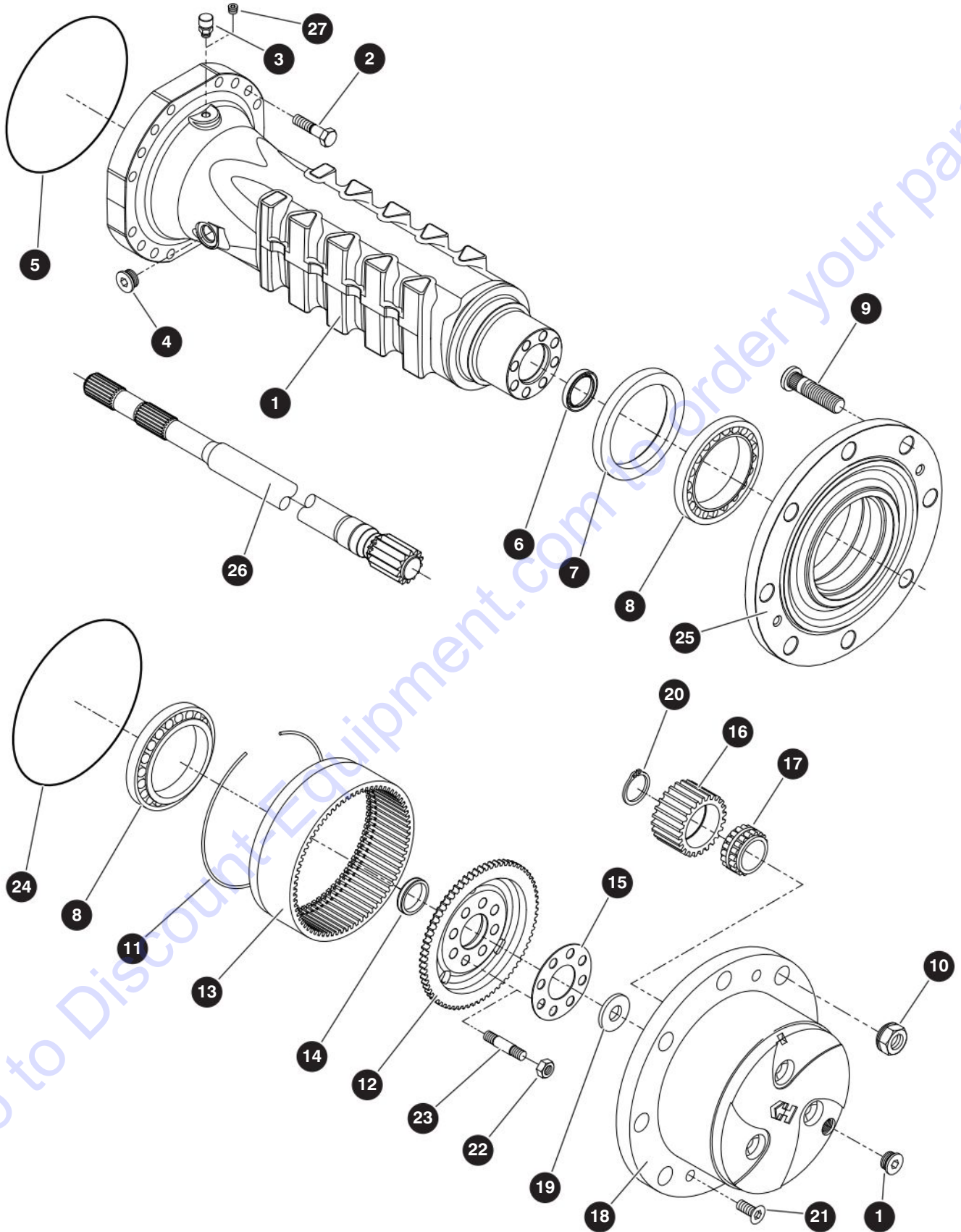
239430AAA

SJ9664 RT

3.10 Differential - Rear Axle

Index No.	Skyjack Part No.	Qty.	Description
-	-	1	DIFFERENTIAL - Rear axle
1	224343	2	• BEARING, Taper roller
-	237801	1	• DIFFERENTIAL KIT
2	237793	1	• • CARRIER, Differential
3	154574	6	• • BALL, Detent
4	141118	1	• • BALL, Detent
5	224345	2	• • WASHER, Friction
6	224346	1	• • GEAR, Side - differential
7	237779	4	• • WASHER, Friction
8	154618	4	• • PINION, Differential
9	224349	2	• • PIN
10	224424	1	• • PIN
11	224350	3	• • DOWEL
12	237794	1	• • GEAR, Side - differential
13	224352	1	• • RETAINER, Shaft
14	237796	1	• • SPRING
15	237797	1	• • SELECTOR, Change
16	237612	3	• • WASHER
17	237613	3	• • BOLT
18	237798	1	• • RING
19	237799	1	• • PISTON
20	237800	2	• • BOLT, Adjusting
21	237798	1	• • RING
22	237795	1	• GEAR SET, Bevel
23	224342	1	• SHIM KIT
24	224341	12	• BOLT
25	409419	1	• BOOT
26	170879	1	• SWITCH, Security
27	403095	1	• WASHER, Seal
28	403051	1	• O-RING

3.11 Hub Reduction - Rear Axle



M215272AF-3

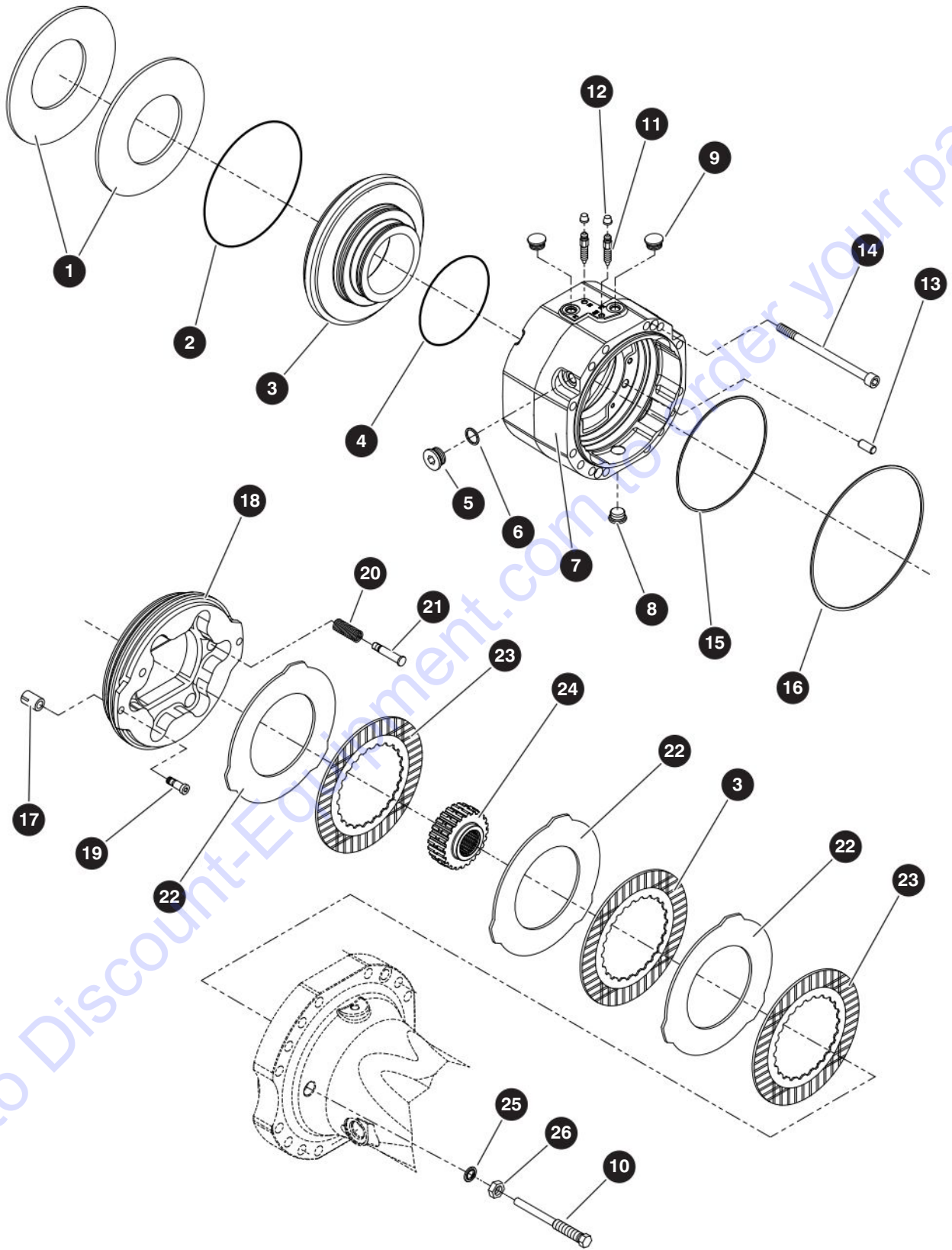
239430AAA

SJ9664 RT

3.11 Hub Reduction - Rear Axle

Index No.	Skyjack Part No.	Qty.	Description
-	-	1	HUB REDUCTION - Rear axle
1	237802	2	• CASE, Axle
2	224449	28	• BOLT, Hexagon
3	224357	1	• PLUG
4	237777	4	• PLUG
5	224356	2	• O-RING
6	237803	2	• RING
7	224369	2	• SEAL
8	141019	4	• BEARING
9	237782	16	• STUD, Wheel
10	224448	16	• NUT
-	141042	2	• SUPPORT KIT, Ring gear
11	141022	2	• • CIRCLIP
12	141024	2	• • SUPPORT, Ring gear
13	141023	2	• • GEAR, Ring
14	237804	2	• RING, Centering
15	237805	2	• PLATE, Locking
-	141034	2	• CARRIER KIT, Planet gear
	216251	6	• • PLANET GEAR ASSEMBLY
16	216252	6	• • • GEAR, Planet
17	216253	6	• • • BEARING
18	237783	2	• • CARRIER, Planet gear
19	141037	2	• • WASHER, Friction
20	141028	6	• • CIRCLIP
21	141033	4	• BOLT, Countersunk
22	141027	8	• NUT
23	216255	8	• STUD
24	140970	2	• O-RING
25	224376	2	• HUB, Wheel
26	237806	2	• SHAFT, Half
27	224382	1	• PLUG

3.12 Brakes - Rear Axle



M215272AF-4

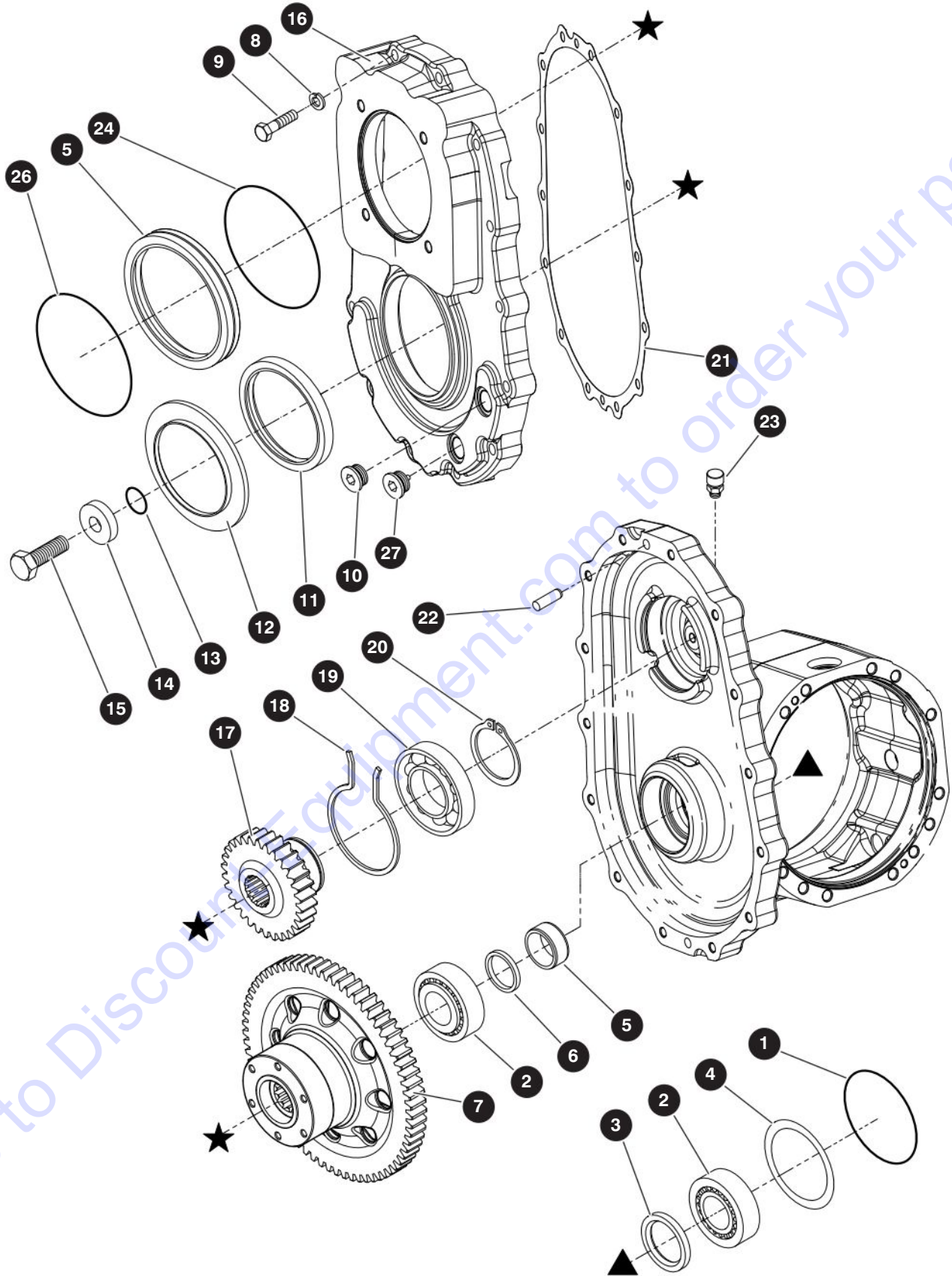
239430AAA

SJ9664 RT

3.12 Brakes - Rear Axle

Index No.	Skyjack Part No.	Qty.	Description
-	-	1	BRAKES - Rear axle
1	237807	4	• SPRING
2	237808	2	• O-RING
3	237809	2	• PISTON
4	141064	2	• O-RING
5	224466	2	• PLUG
6	224469	2	• WASHER
7	237810	2	• COVER
8	237590	2	• PLUG, Magnetic
9	216247	4	• PLUG
10	237811	4	• BOLT, Adjusting
11	224467	4	• BOLT, Bleeding
12	141006	4	• PLUG
13	403116	2	• DOWEL
15	237812	4	• BOLT, Cylinder
15	237813	2	• SEAL
16	237814	2	• SEAL
17	216397	6	• SPRING
18	237815	2	• PISTON
19	168291	6	• BOLT, Adjusting
20	237816	6	• SPRING
21	237800	6	• BOLT, Adjusting
22	224471	8	• DISC, Brake - intermediate
23	237817	6	• DISC, Brake
24	237818	2	• BUSHING, Reduction
25	403096	4	• WASHER, Lock
26	403087	4	• NUT

3.13 Gear Box - Rear Axle



M215272AF-5

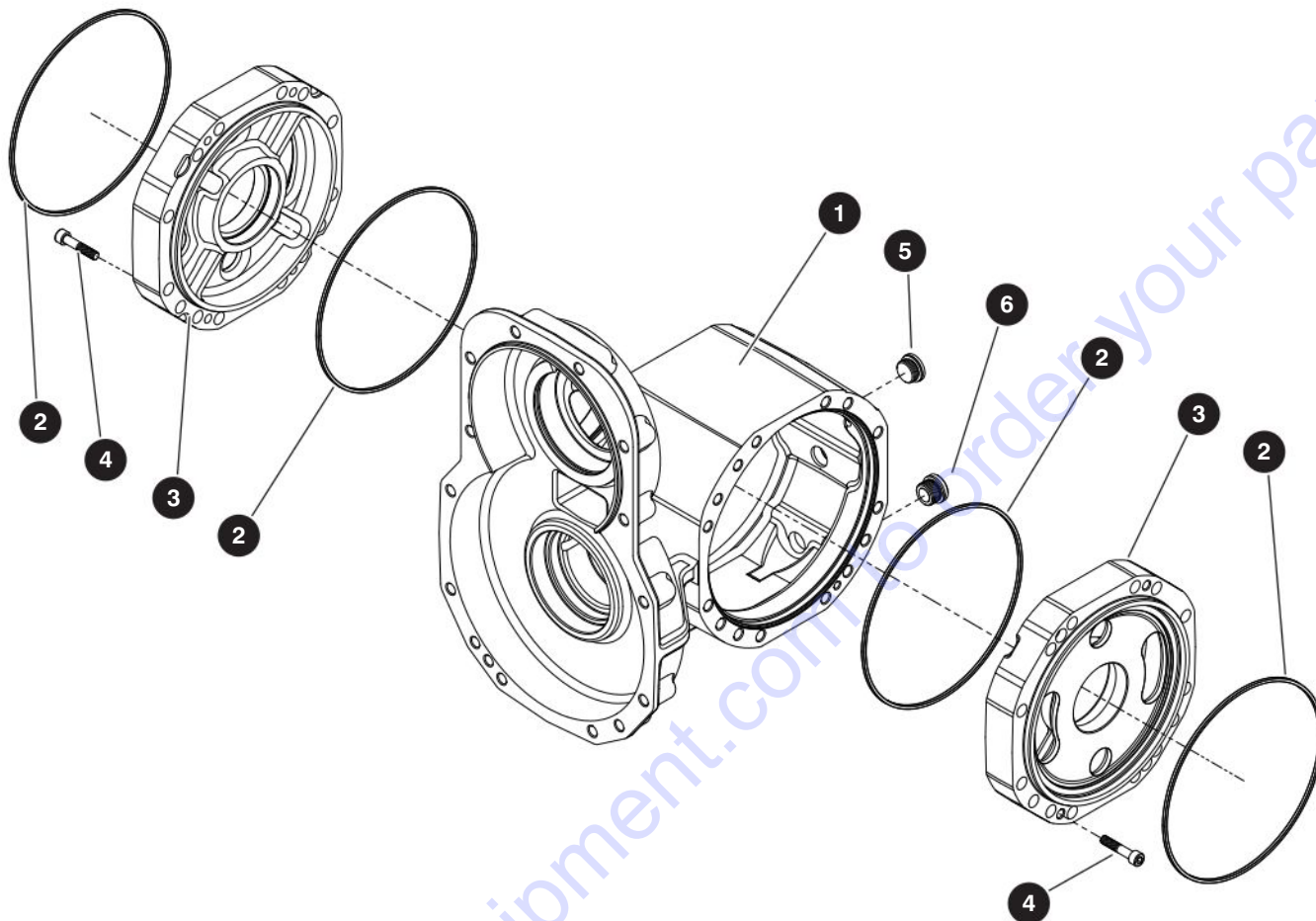
239430AAA

SJ9664 RT

3.13 Gear Box - Rear Axle

Index No.	Skyjack Part No.	Qty.	Description
-	-	1	GEAR BOX - Rear axle
1	237819	1	• O-RING
2	224336	2	• BEARING
3	170886	1	• SEAL
4	224338	1	• SHIM KIT
5	224337	1	• SPACER
6	224339	1	• SHIM KIT
7	237820	1	• GEAR
8	141075	14	• WASHER, Spring
9	237821	14	• BOLT, Cylinder
10	237822	1	• PLUG
11	237823	1	• SEAL
12	237824	1	• SHEET
13	224354	1	• O-RING
14	237825	1	• WASHER
15	237826	1	• BOLT
16	237827	1	• COVER
17	237828	1	• GEAR
18	237829	1	• CIRCLIP
19	237830	1	• BEARING, Ball
20	237831	1	• CIRCLIP
21	237832	1	• SEAL
22	237833	2	• DOWEL
23	237834	1	• VENT
24	237835	1	• O-RING
25	237834	1	• O-RING
26	237836	1	• O-RING
27	237837	1	• PLUG

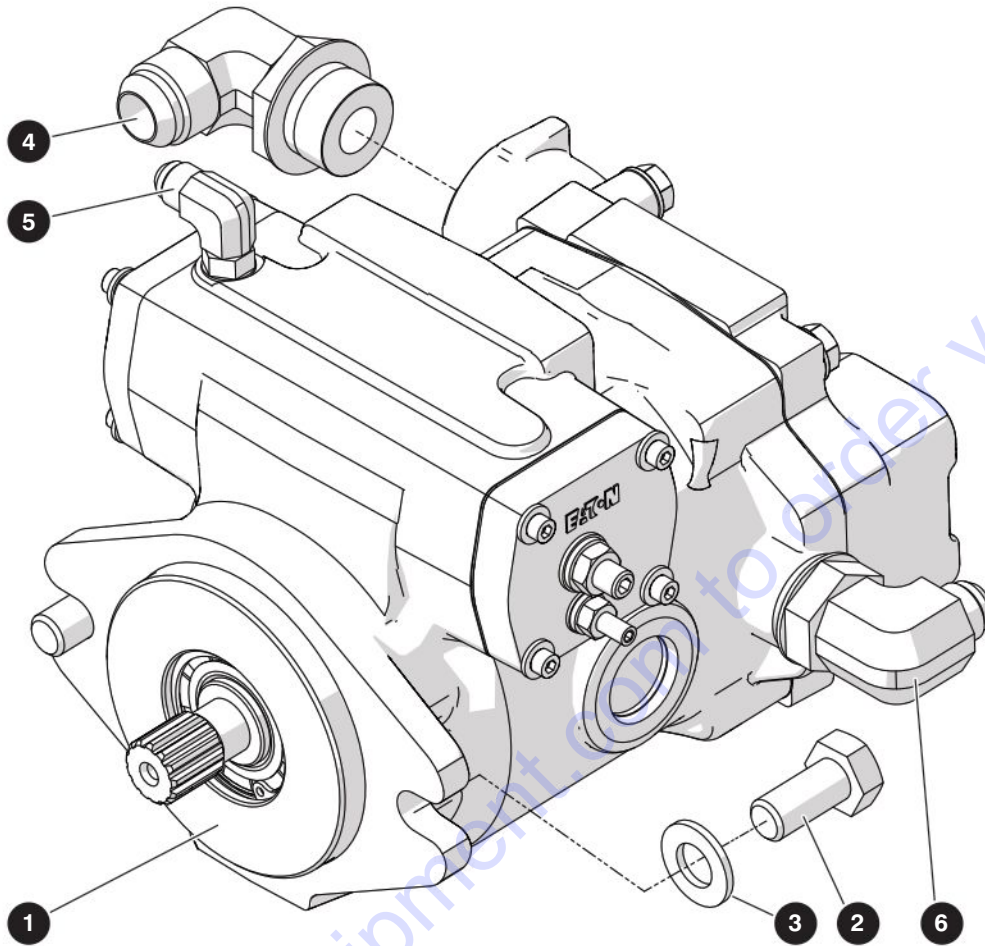
3.14 Central Housing - Rear Axle



M215272AF-1

Index No.	Skyjack Part No.	Qty.	Description
-	-	1	CENTRAL HOUSING
1	237789	1	• HOUSING
2	224356	4	• O-RING
3	237790	1	• COVER
4	237791	4	• BOLT, Cylinder
5	237777	1	• PLUG
6	237776	1	• PLUG, Magnetic
7	237792	1	• COVER

3.15 Drive Motor



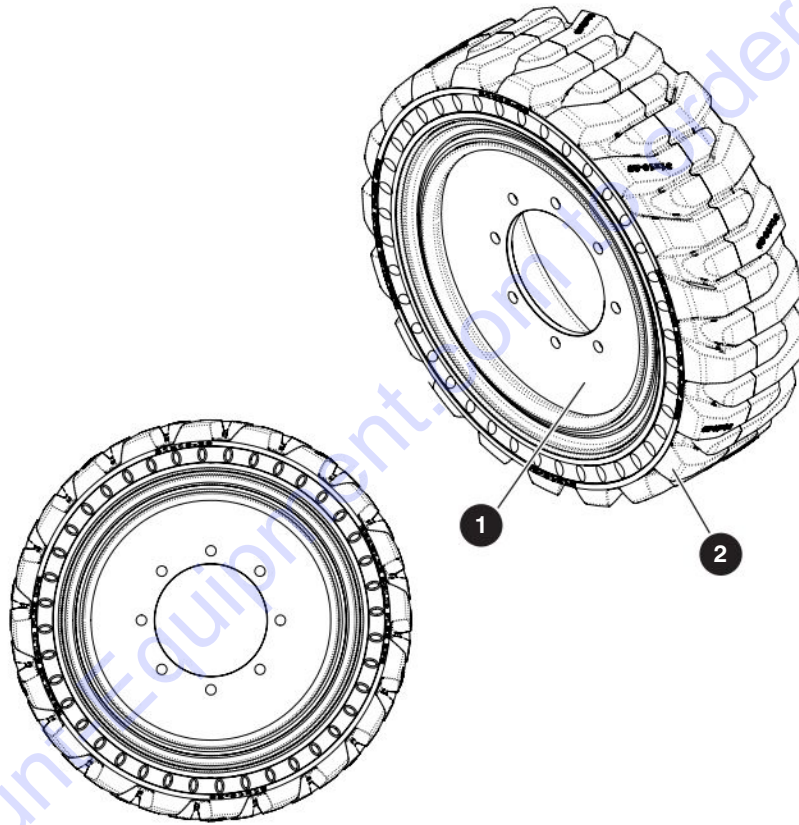
M238771AA

Index No.	Skyjack Part No.	Qty.	Description
A	238771	1	DRIVE MOTOR - Kubota D1305
B	238772	1	DRIVE MOTOR - Kubota WG972
1	238769	1	• MOTOR, Hydraulic - 2 speed, A
	238770	1	• MOTOR, Hydraulic - 2 speed, B
2	138734	2	• BOLT, Hex head (M14 x 2 x 30 mm, gr. 8.8)
3	191096	2	• WASHER, Flat (M14)
4	710124	2	• FITTING, 90° (12JICM-16ORBM)
5	113348	1	• FITTING, 90° (06JICM-04ORBM)
6	112366	1	• FITTING, 90° (08JICM-12ORBM)

3.16 Tires

⚠ WARNING

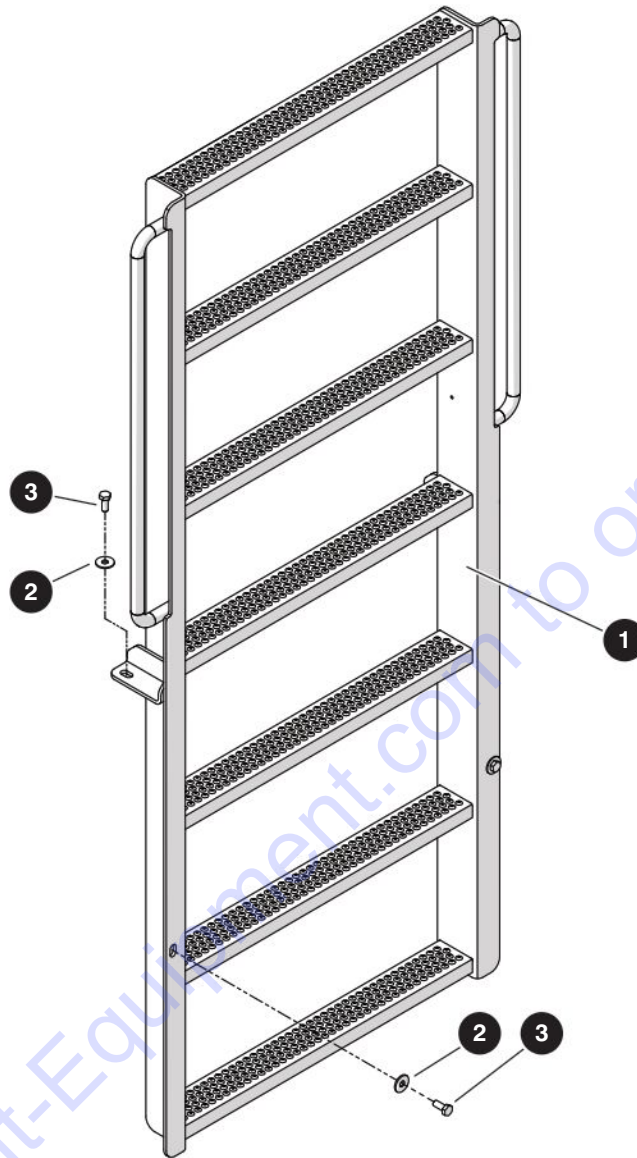
Do not use tires other than the tires that Skyjack specifies for this MEWP. Do not mix different types of tires or use tires that are not in good condition. Only replace the tires with the same types that are approved by Skyjack. The use of other tires can make the MEWP less stable. If you do not obey, there is a risk of death or serious injury.



3.16 Tires

Index No.	Skyjack Part No.	Qty.	Description
-	231643	2	TIRES, SKS900 - RH
-	231644	2	TIRES, SKS900 - LH
1	231632	2	• • RIM, 7.5 x 20 Offset (2.16")
2	231641	2	• • TIRE, SKS900 - Trelleborg (12 x 33 - 20)
-	231662	2	TIRES, SKS900 non-marking - RH
-	231663	2	TIRES, SKS900 non-marking - LH
1	231632	2	• • RIM, 7.5 x 20 Offset (2.16")
2	231661	2	• • TIRE, Non-marking - Trelleborg SKS900 (33 x 12 - 20)
-	231205	2	TIRES, SP - RH
-	231204	2	TIRES, SP - LH
1	231632	2	• • RIM, 7.5 x 20 Offset (2.16")
2	231641	2	• • TIRE, Solid - Brawler (12 x 33 - 20)

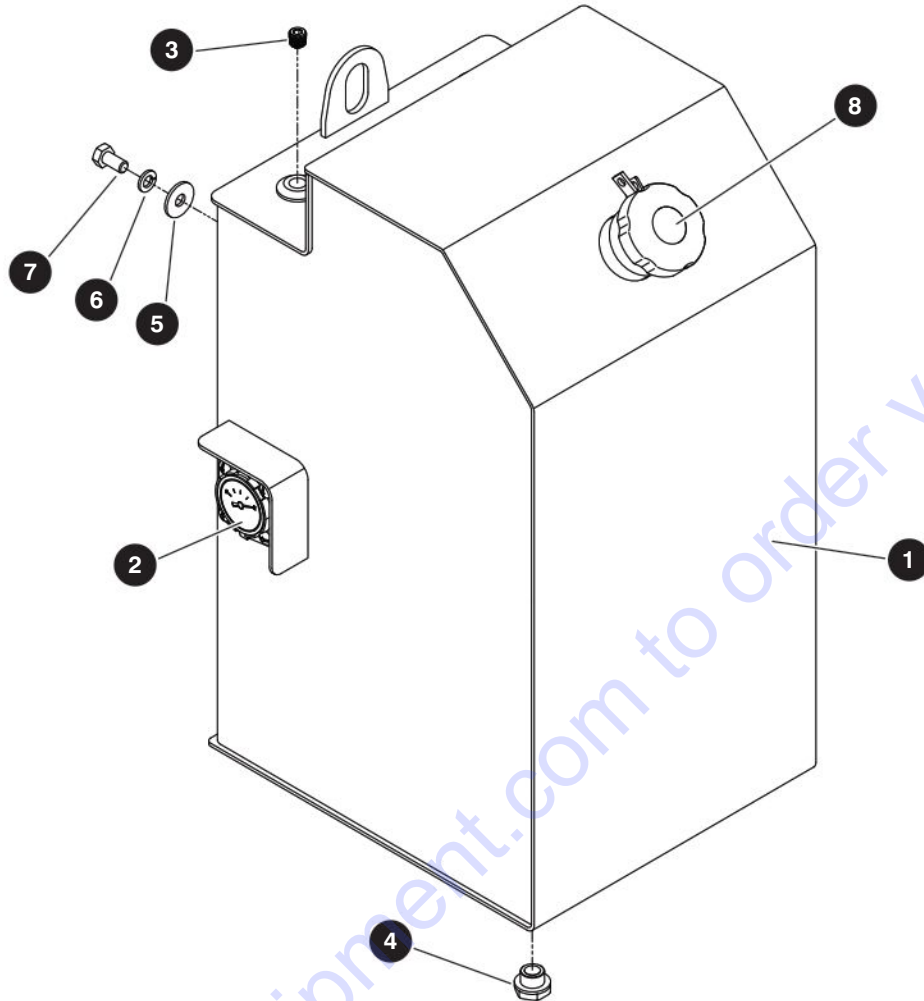
3.17 Ladder



M222147AE

Index No.	Skyjack Part No.	Qty.	Description
-	222147	1	LADDER ASSEMBLY
1	215462	2	• LADDER,
2	217839	8	• WASHER, Fender (M10)
3	223168	8	• BOLT, Hex head (M10 x 1.5 x 25, gr 8.8)

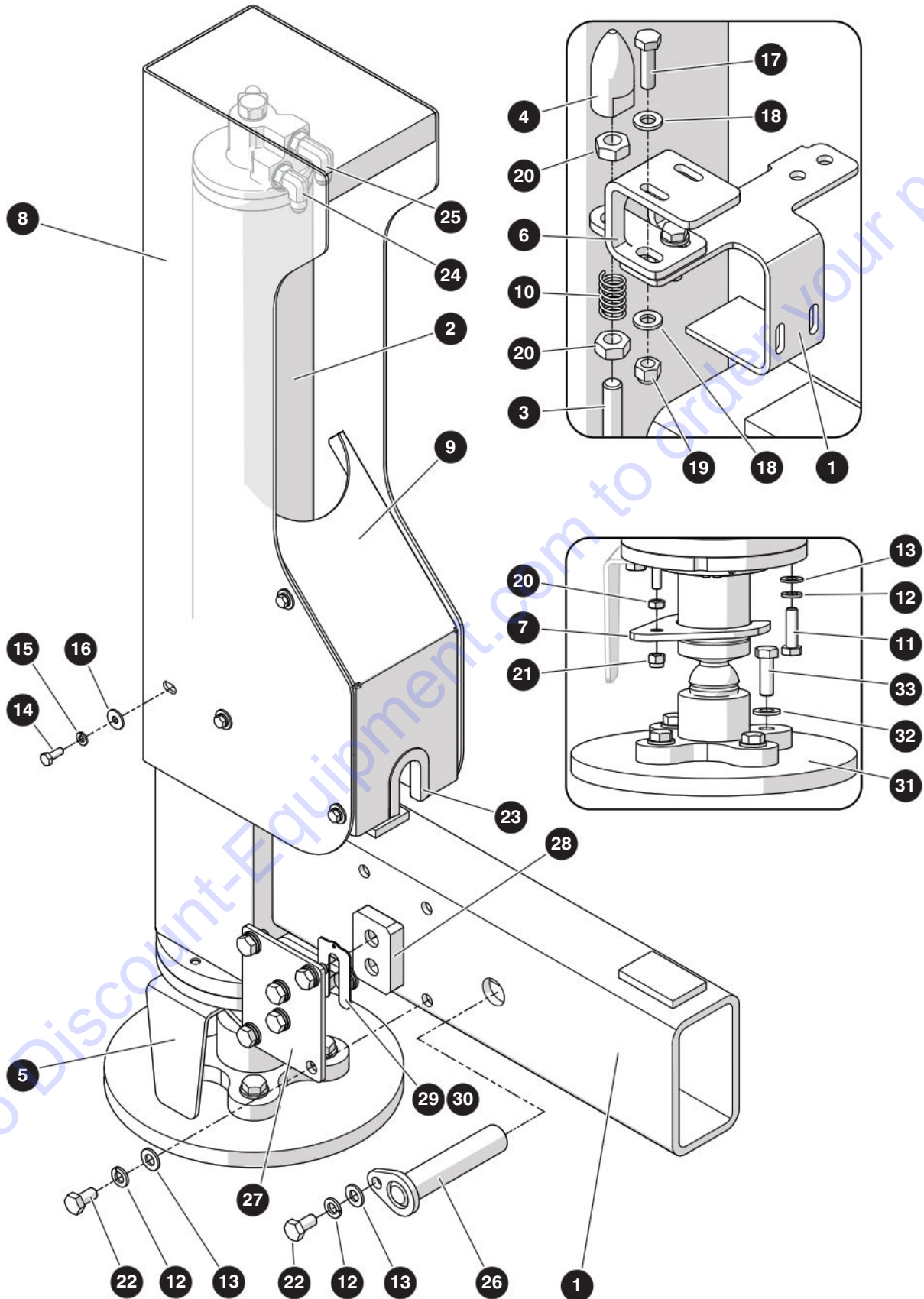
3.18 Fuel Tank



M222354AB

Index No.	Skyjack Part No.	Qty.	Description
-	222354	1	FUEL TANK
-	238242	1	• TANK, Fuel - Universal
1	238243	1	• • TANK, Fuel
2	215496	1	• • GAUGE, Fuel
3	215497	3	• • PLUG, Hex socket solid
4	117701	1	• • PLUG, Tank
5	217839	4	• WASHER, Fender (M10)
6	132497	4	• WASHER, Lock (M10)
7	933640	4	• BOLT, Hex head cap screw (M10 x 1.5 x 20, gr 8.8)
8	215469	1	CAP, Filler - Vented (Diesel Engines)
	215468	1	CAP, Filler - Non-Vented (Dual Fuel Engines)

3.19 Outriggers



M231626AC

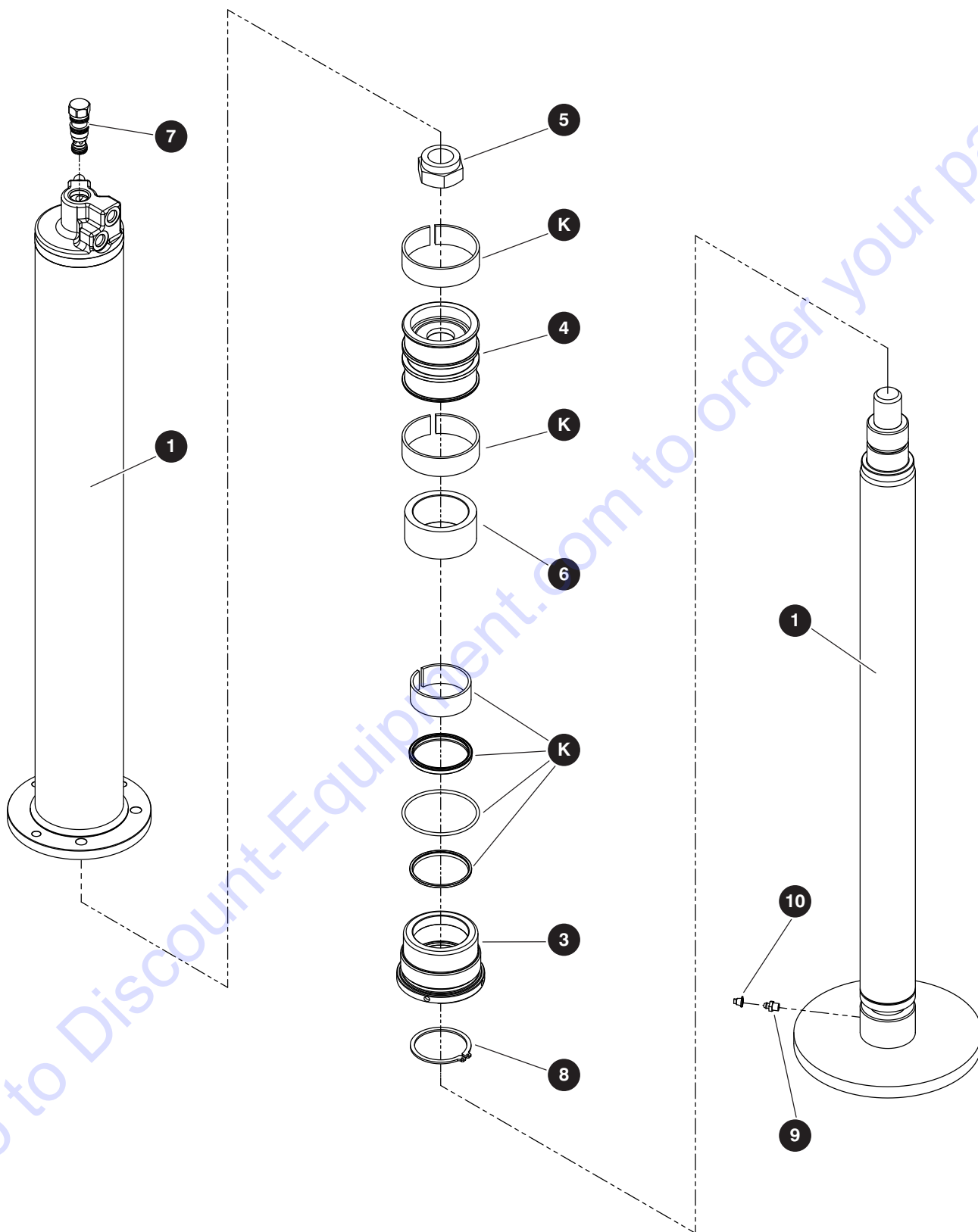
239430AAA

SJ9664 RT

3.19 Outriggers

Index No.	Skyjack Part No.	Qty.	Description
-	231626	2	OUTRIGGERS - left front, right rear
	231627	2	OUTRIGGERS - right front, left rear
1	238162	1	• MOUNT, Outrigger weldment
2	(Ref.)	1	• CYLINDER, Outrigger <i>(For components, refer to Section 3.20 Outrigger Cylinder)</i>
3	215407	1	• ACTUATOR, Rod
4	215413	1	• CAP, Nut (M8 x 1.25)
5	238166	1	• PLATE, Kick
6	215439	1	• BRACKET, Switch mount
7	215406	1	• CLIP, Plastic
8	231628	1	• COVER, Outrigger
9	215467	1	• COVER, Maintenance weldment
10	215416	1	• SPRING, Compression
11	933648	3	• BOLT, Hex head (M10 x 1.5 x 30, cl 10.9)
12	130884	10	• WASHER, Lock (M10)
13	933833	10	• WASHER, Flat (M10)
14	104608	8	• BOLT, Hex head (M6 x 1 x 16, gr 9.8)
15	121758	8	• WASHER, Lock (M6)
16	217837	8	• WASHER, Fender (M6)
17	217395	2	• BOLT, Hex head (M6 x 1 x 22, cl 8.8)
18	933834	4	• WASHER, Flat (M6)
19	933695	2	• NUT, Hex lock (M6 x 1.0)
20	121059	3	• NUT, Hex head (M8 x 1.25, gr 5)
21	933696	1	• NUT, Hex lock (M8 x 1.25)
22	933740	7	• BOLT, Hex head (M10 x 1.5 x 20, cl 10.9)
23	119922	1	• TRIM, Protective (1/4" - 1/2")
24	114578	1	• FITTING, 90° (06JICM-06ORBM)
25	139104	1	• FITTING, 90° large (06JICM-06ORBM)
26	215355	1	• PIN, Outrigger weldment
27	215408	1	• PLATE, Bumper
28	215411	1	• WEAR PAD, Black
29	215415	1	• SHIM (1.00 mm)
30	215412	1	• SHIM (0.5 mm)
31	238161	1	• PAD, Outrigger (10")
32	600426	4	• WASHER, Flat (M12)
33	933666	4	• BOLT, Hex head (M12 x 1.75 x 35, cl 10.9)

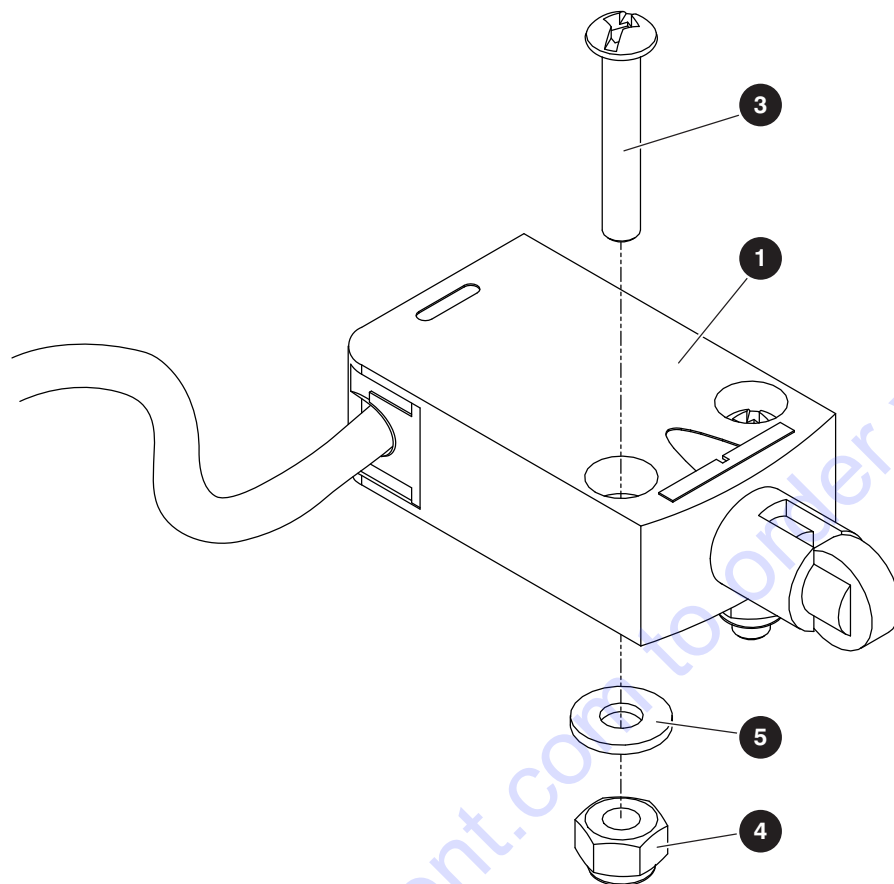
3.20 Outrigger Cylinder



3.20 Outrigger Cylinder

Index No.	Skyjack Part No.	Qty.	Description
-	238160	4	OUTRIGGER CYLINDER
1	235940	1	• BARREL
2	239427	1	• ROD
3	135942	1	• GLAND
4	235943	1	• PISTON
5	106230	1	• NUT, Lock (1-1/4"-12, gr C)
6	235944	1	• SPACER
7	232999	1	• VALVE, Check (100 psi)
8	126279	1	• RING, Retaining
9	102027	1	• FITTING, Grease (1/8" NPT)
10	132565	1	• CAP, Rubber
K	235945	1	KIT, Seal

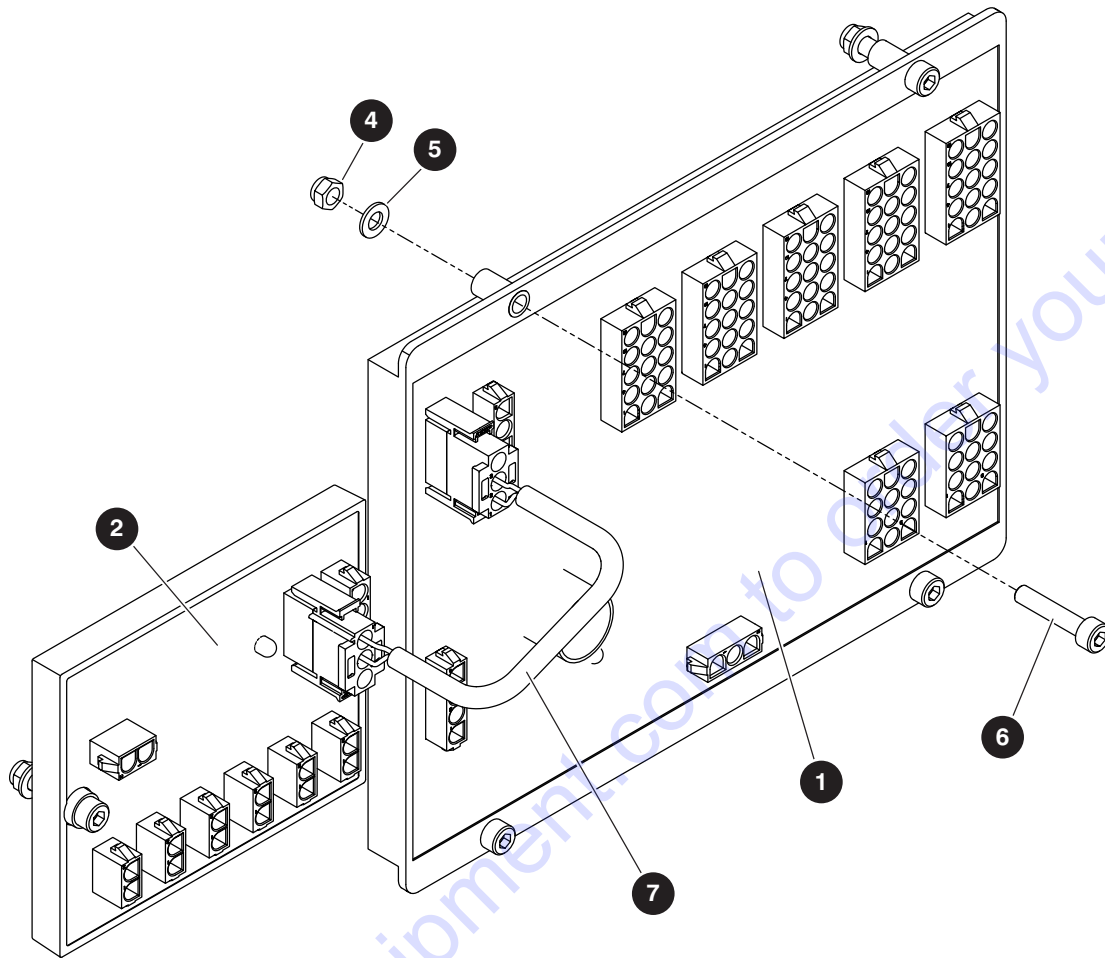
3.21 Outrigger Limit Switches



M215162AB

Index No.	Skyjack Part No.	Qty.	Description
-	215162	1	LIMIT SWITCH Outrigger Front Left - retract
-	215160	1	LIMIT SWITCH Outrigger Rear Left - retract
-	232968	1	LIMIT SWITCH Outrigger Front Right - retract
-	232970	1	LIMIT SWITCH Outrigger Rear Right - retract
-	232971	1	LIMIT SWITCH, Outrigger Rear Right - extend
-	215172	1	LIMIT SWITCH, Outrigger Front Left - extend
-	215161	1	LIMIT SWITCH, Outrigger Rear Left - extend
-	232969	1	LIMIT SWITCH, Outrigger Front Right - extend
1	199486	1	<ul style="list-style-type: none"> • SWITCH, Limit - roller plunger
2	105360	2	<ul style="list-style-type: none"> • TERMINAL, Male (14-16 GA) (not shown)
3	11224	2	SCREW, Round head machine (8-32 x 1")
4	138762	2	NUT, Lock (8-32)
5	103991	2	WASHER, flat (8)

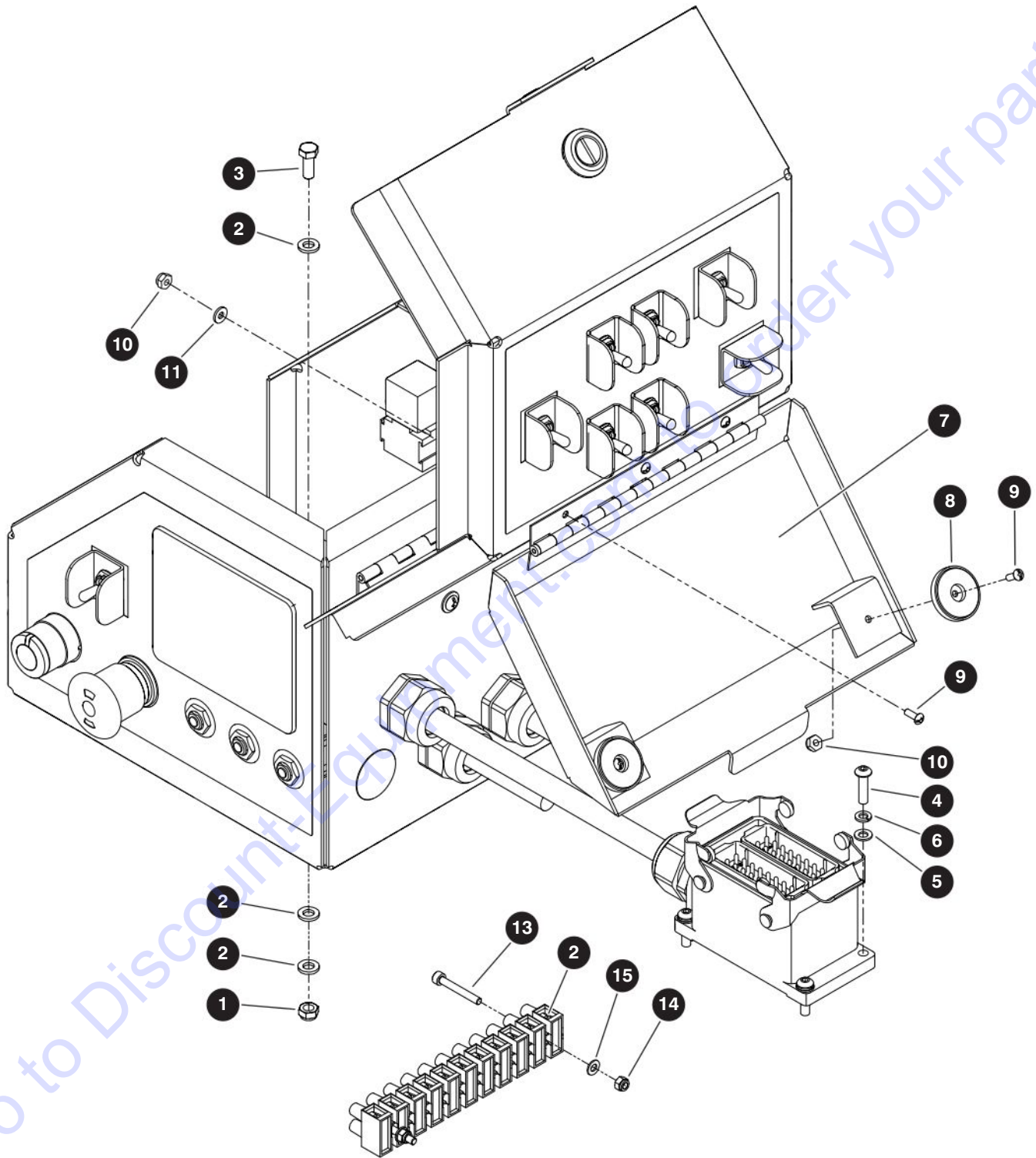
3.22 Machine Controller



M215876AD

Index No.	Skyjack Part No.	Qty.	Description
-	238635	1	MACHINE CONTROLLER
1	215780	1	• CONTROLLER, Skycoded
2	222184	1	• CONTROLLER, Valve driver
3	(Ref.)	1	• HARNESS, Machine Controller (not shown) <i>(For components, refer to Section 5.15 Machine Controller Harness)</i>
4	217628	6	• NUT, Hex lock (M5 x 0.8, cl 8)
5	933816	6	• WASHER, Flat (M5)
6	217060	6	• SCREW, Socket head cap screw (M5 x 0.8 x 25, cl 12.9)
7	232965	1	• HARNESS, CANBUS

3.23 Base Control Box Hardware



M222052AE

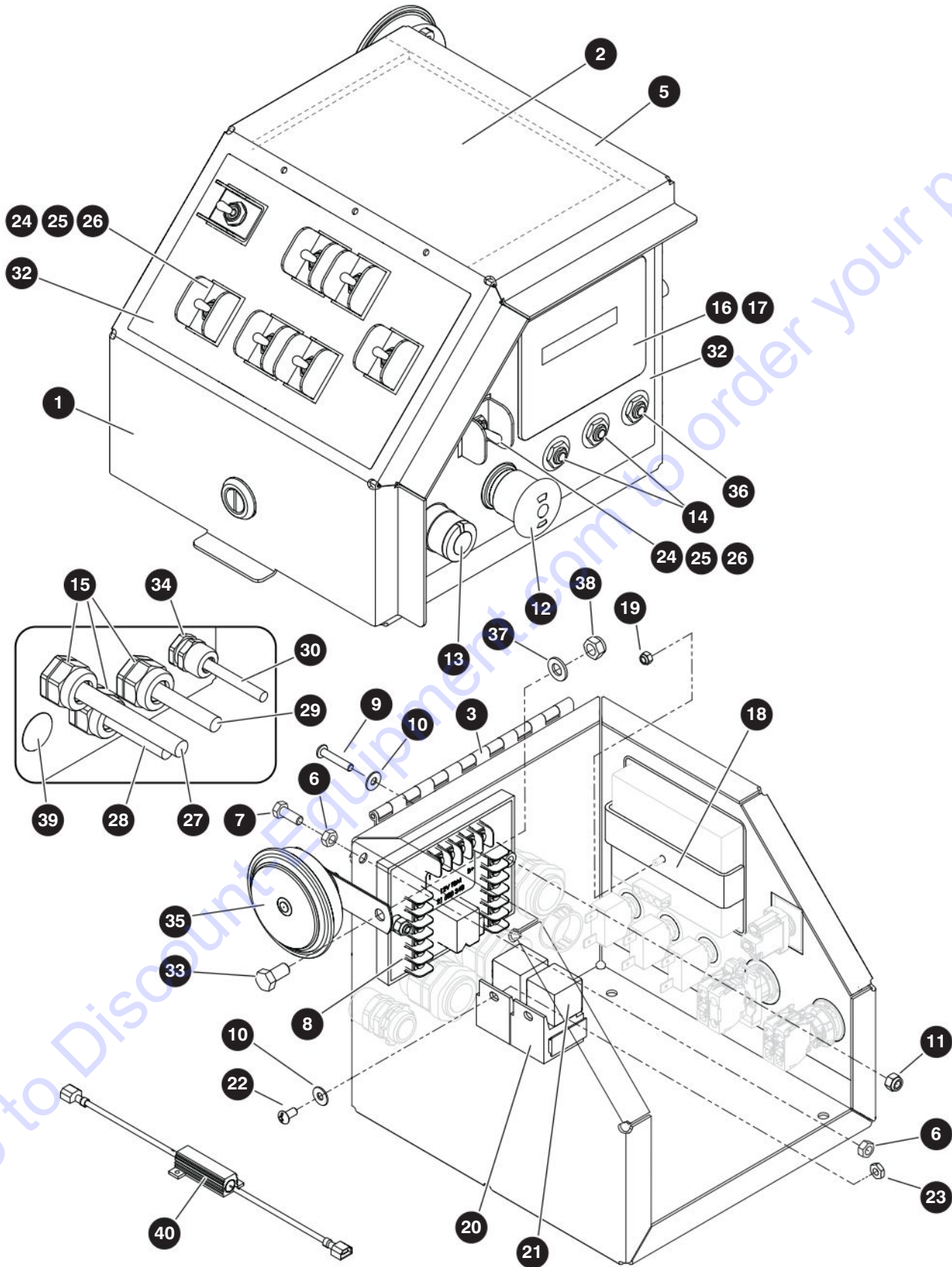
239430AAA

SJ9664 RT

3.23 Base Control Box Hardware

Index No.	Skyjack Part No.	Qty.	Description
-	-	1	BASE CONTROL BOX HARDWARE
1	223164	4	• NUT, Hex lock (M6 x 1.0, cl 8)
2	133219	12	• WASHER, Flat (M6)
3	217392	4	• BOLT, Hex head (M6 x 1.0 x 16, cl 8.8)
4	217543	4	• BOLT, Button head cap (M5 x 0.8 x 20, cl 10.9)
5	933816	4	• WASHER, Flat (M5)
6	228460	4	• WASHER, Lock (M5)
7	220349	1	• COVER, CB
8	220357	2	• MAGNET, CB
9	121461	5	• SCREW, Round head machined (6 - 32 x 0.375)
10	196306	5	• NUT, Lock (6 - 32, gr 5)
11	117951	3	• WASHER, Seal (#6)
12	222193	1	• TERMINAL STRIP, Outrigger limit switches
13	217052	2	• SCREW, Socket head cap screw (M4 x 0.7 x 30, cl 12.9)
14	121484	2	• NUT, Lock (M4 x 0.7)
15	600579	2	• WASHER, Flat (M4)

3.24 Base Control Box



M215897AF_M237933

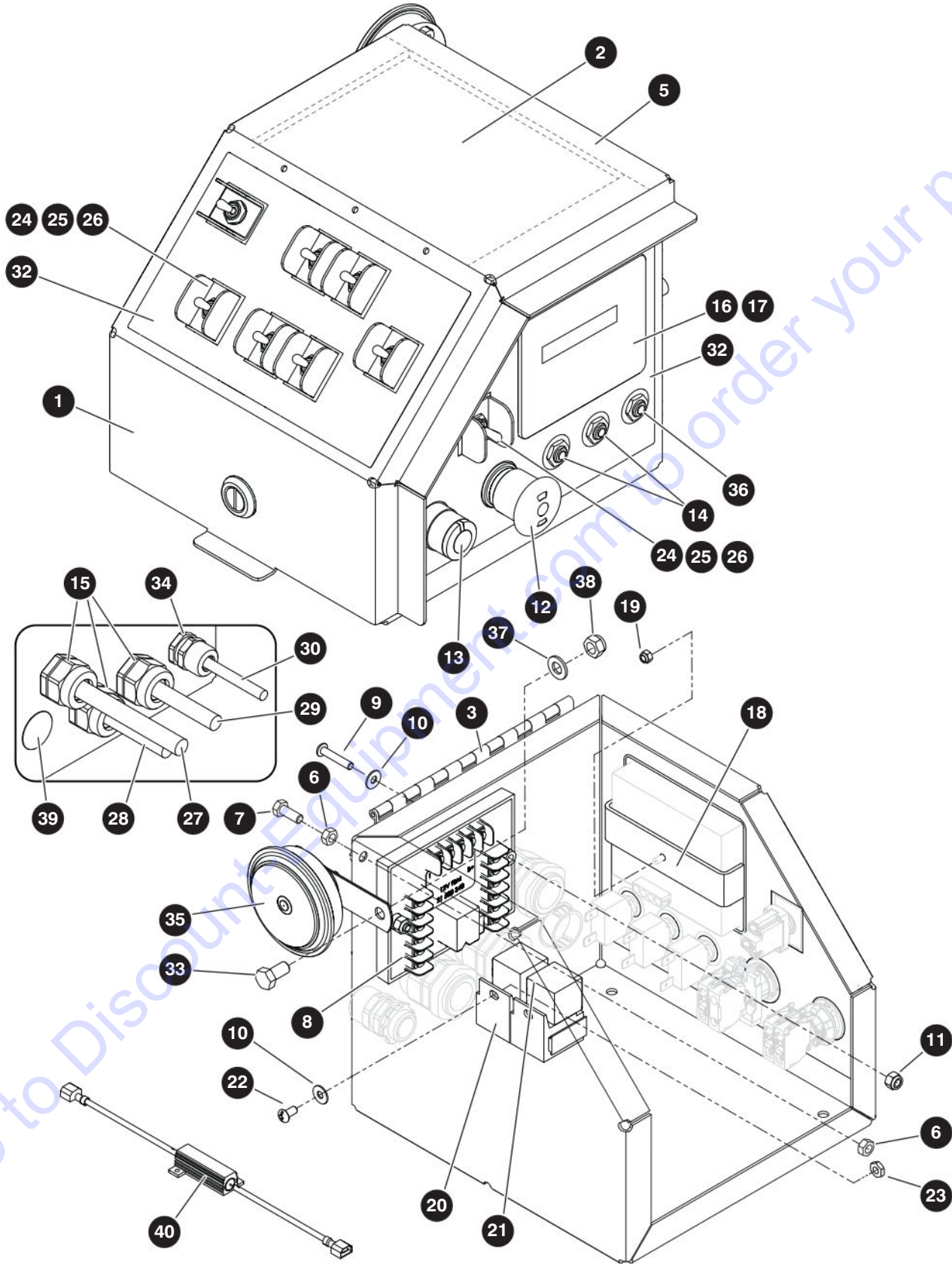
239430AAA

SJ9664 RT

3.24 Base Control Box

Index No.	Skyjack Part No.	Qty.	Description
A	215897	1	BASE CONTROL BOX - with Outriggers - ANSI/CSA & AS
B	215899	1	BASE CONTROL BOX - with Outriggers - CE
C	222192	1	BASE CONTROL BOX - no Outriggers - ANSI/CSA
-	(Ref.)	1	• ENCLOSURE, Base control box
1	220416	1	• • BASE PLATE, Base control box
2	220417	1	• • FRONT PLATE, Base control box
3	215863	1	• • HINGE, Base control box
4	220414	1	• • LATCH, Slotted door
5	103628	1	• • RUBBER, Self seal
6	800354	2	• • NUT, Hex head (M6 x 1.00)
7	217392	1	• • BOLT, Hex head (M6 x 1 x 16, 8.8)
8	215783	1	• CONTROLLER, Power - current sensing
9	105621	2	• SCREW, Round head (10 - 32 x 1.0)
10	117952	3	• WASHER, Seal (0.203 ID x 0.5 OD x 0.40)
11	300450	2	• NUT, Lock (10 - 32, gr 5)
12	144652	1	• SWITCH, E-Stop
13	164949	1	• SWITCH, Key - ANSI, A, C
	165828	1	• SWITCH, Key - CE, B
14	137919	2	• BREAKER, Circuit (25 A)
15	116266	2	• CONNECTOR, Heyco liquid tight
16	217921	1	• MODULE, Display
17	221682	1	• GASKET, Display module
18	211905	1	• STRAP, Display module
19	121484	1	• NUT, Lock (M4 x 0.70)
20	138749	2	• SOCKET, Automotive relay
21	127131	2	• RELAY (12 V - 40 A)
22	115545	1	• SCREW, Round head machine (10 - 32 x 0.375)
23	104003	1	• NUT, Hex (10 - 32)
24	102853	8	• SWITCH, Toggle (1NT1-7), A, B
	102853	4	• SWITCH, Toggle (1NT1-7), C
25	144016	8	• SEAL, Panel bushing - toggle switch, A, B
	144016	4	• SEAL, Panel bushing - toggle switch, C
26	111181	8	• GUARD, Toggle switch, A, B
	111181	4	• GUARD, Toggle switch, C
27	(Ref.)	1	• HARNESS, Control cable - base <i>(For components, refer to Section 5.9 Base Control Cable)</i>
28	(Ref.)	1	• HARNESS, Control - A <i>(For components, refer to Section 5.7 Control A Harness)</i>
29	(Ref.)	1	• HARNESS, Control - B <i>(For components, refer to Section 5.8 Control B Harness)</i>
30	(Ref.)	1	• HARNESS, Control - Outrigger, A, B <i>(For components, refer to Section 5.12 Outrigger Control Harness)</i>

3.24 Base Control Box



M215897AF_M237933AA

239430AAA

SJ9664 RT

PARTS FINDER

**Search Website
by Part Number**



**Search Manual
Library For Parts
Manual & Lookup Part
Numbers – Purchase
or Request Quote**

Search Manuals

Enter your information to help us find the right parts manual for your machine.

* Brand:

* Model:

* Serial:

* Part Number:

SEARCH

**Can't Find Part or
Manual? Request Help
by Manufacturer,
Model & Description**

Parts Order Form

Please fill in the following information to help us find the right part for your machine.

Manufacturer:	<input type="text"/>
Model:	<input type="text"/>
Description:	<input type="text"/>
Part Number:	<input type="text"/>
Quantity:	<input type="text"/>
Notes:	<input type="text"/>

Submit

Discount-Equipment.com is your online resource for quality parts & equipment.

Florida: **561-964-4949** Outside Florida TOLL FREE: **877-690-3101**

Need parts?

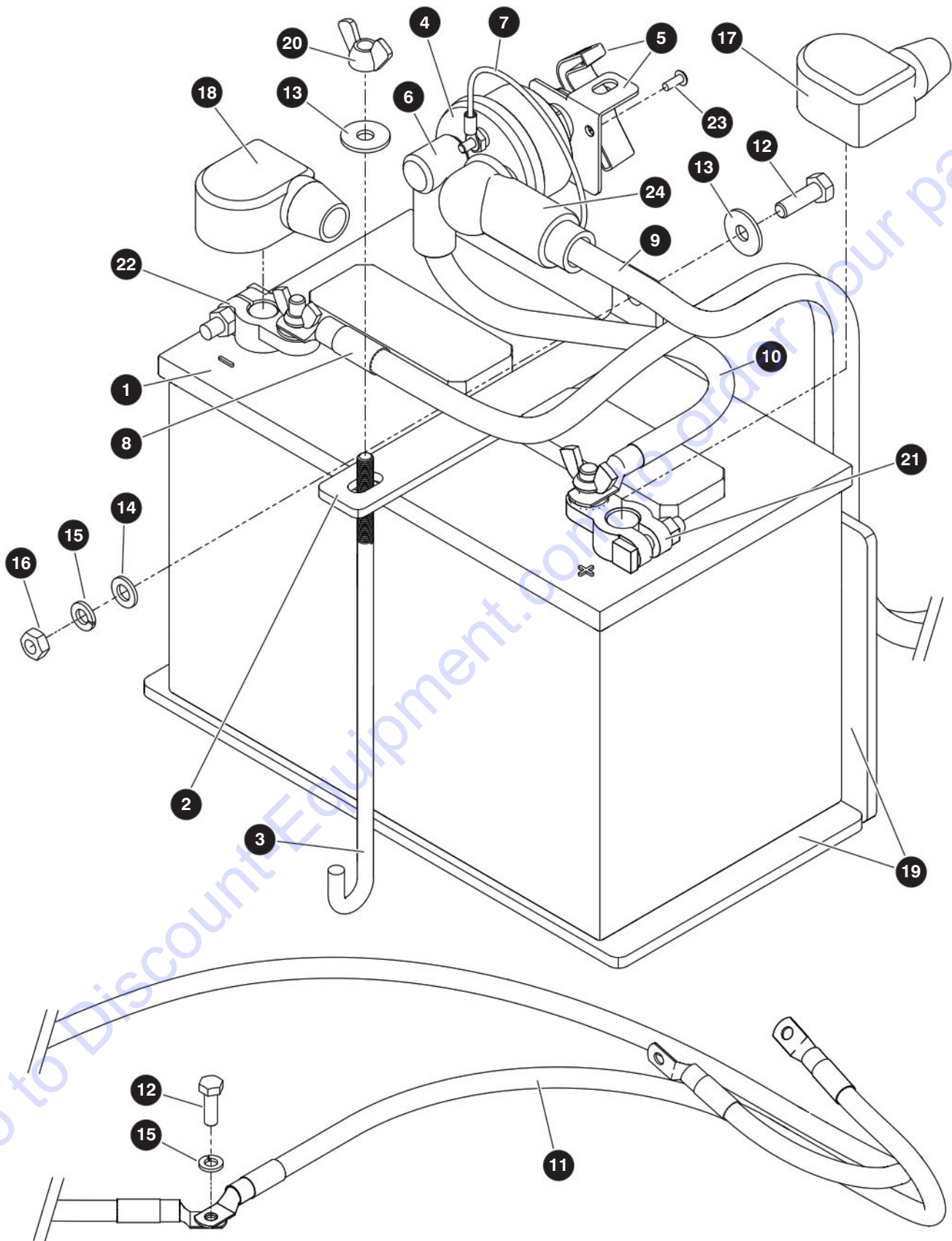
Click on this link: <http://www.discount-equipment.com/category/5443-parts/> and choose one of the options to help get the right parts and equipment you are looking for. Please have the machine model and serial number available in order to help us get you the correct parts. If you don't find the part on the website or on one of the online manuals, please fill out the request form and one of our experienced staff members will get back to you with a quote for the right part that your machine needs.

We sell worldwide for the brands: Genie, Terex, JLG, MultiQuip, Mikasa, Essick, Whiteman, Mayco, Toro Stone, Diamond Products, Generac Magnum, Airman, Haulotte, Barreto, Power Blanket, Nifty Lift, Atlas Copco, Chicago Pneumatic, Allmand, Miller Curber, Skyjack, Lull, Skytrak, Tsurumi, Husquvarna Target, Stow, Wacker, Sakai, Mi-T-M, Sullair, Basic, Dynapac, MBW, Weber, Bartell, Bennar Newman, Haulotte, Ditch Runner, Menegotti, Morrison, Contec, Buddy, Crown, Edco, Wyco, Bomag, Laymor, EZ Trench, Bil-Jax, F.S. Curtis, Gehl Pavers, Heli, Honda, ICS/PowerGrit, IHI, Partner, Imer, Clipper, MMD, Koshin, Rice, CH&E, General Equipment, Amida, Coleman, NAC, Gradall, Square Shooter, Kent, Stanley, Tamco, Toku, Hatz, Kohler, Robin, Wisconsin, Northrock, Oztec, Toker TK, Rol-Air, APT, Wylie, Ingersoll Rand / Doosan, Innovatech, Con X, Ammann, Mecalac, Makinex, Smith Surface Prep, Small Line, Wanco, Yanmar

3.24 Base Control Box

Index No.	Skyjack Part No.	Qty.	Description
31	215898	1	• WIRING, Control box - outrigger (not shown) A, B
	222194	1	• WIRING, Control box (not shown), C
32	(Ref.)	1	• LABELS <i>(For components, refer to Section 8.7 Labels - Control Boxes)</i>
33	217401	1	• BOLT, Hex head (M8 x 1.25 x 16, cl 10.9)
34	103036	1	• CONNECTOR, Strain relief (1/2"), A, B
	116266	1	• CONNECTOR, Heyco liquid tight, C
35	146652	1	• HORN, 12 V low tone
36	222211	1	• BREAKER, Circuit (3A)
37	933832	1	• WASHER, Flat (M8)
38	223163	1	• NUT, Hex lock (M8 x 1.25. cl 8)
39	116266	2	• CONNECTOR, Heyco liquid tight, A, B
	131938	1	• PLUG, 1.125 DIA, C
40	231738	1	RESISTOR ASSEMBLY (with wires) - 3 ohm - SJ9233 RT & SJ9243 RT
	210142	1	• RESISTOR - 3 ohm 50 W
	231740	1	RESISTOR ASSEMBLY (with wires) - 2 ohm - SJ9253 RT
	171988	1	• RESISTOR - 2 ohm 25 W

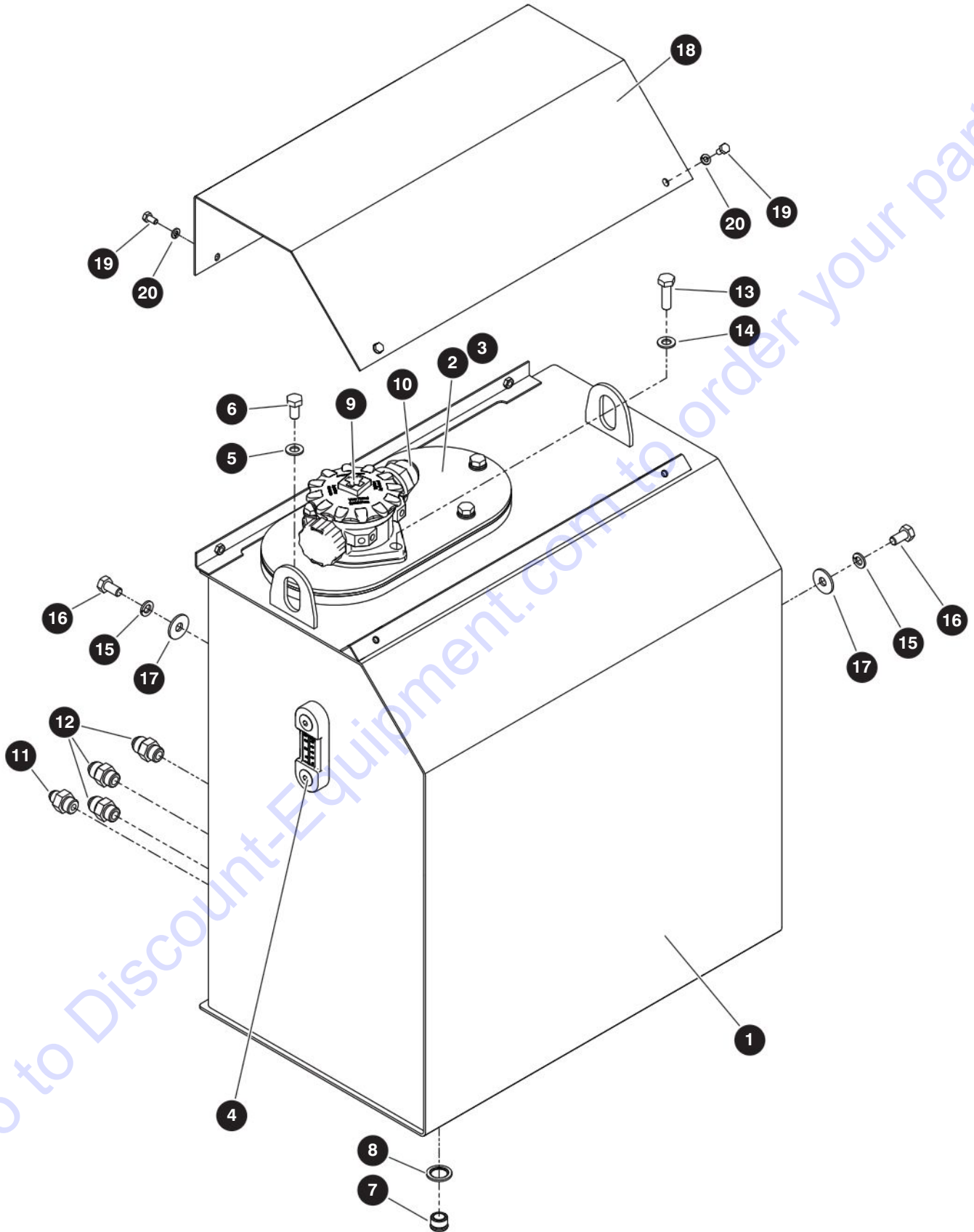
3.25 Battery



3.25 Battery

Index No.	Skyjack Part No.	Qty.	Description
-	215845	1	BATTERY
1	103295	1	• BATTERY (12V)
2	215354	1	• PLATE, Battery restraint
3	215353	1	• J-BOLT, Battery restraint
4	210051	1	• SWITCH, Main disconnect
5	108714	1	• KIT, Locking lever
6	117408	1	• BOOT, Battery - red
7	126438	1	• WIRE, Main disconnect
8	230551	1	• CABLE, Welding (#1GA, 3/8 x 114 x 5/16)
9	230552	1	• CABLE, Welding (#1GA, 3/8 x 140 x 5/16)
10	230671	1	• CABLE, Welding (#2GA, 3/8 x 15 x 3/8)
11	230553	1	• CABLE, Welding (#1GA, 3/8 x 28 x 3/8)
12	133869	2	• BOLT, Hex head (M8 x 1.25 x 25, gr 8.8)
13	217838	2	• WASHER, Fender (M8)
14	933832	1	• WASHER, Flat (M8)
15	116218	2	• WASHER, Lock (M8)
16	121059	1	• NUT, Hex head (M8 x 1.25, gr 5)
17	123776	1	• INSULATOR, Battery boot (red) XL
18	155795	1	• INSULATOR, Battery boot (black) XL
19	157464	2	• PAD, Battery (950)
20	217563	1	• NUT, Wing (M8 x 1.25)
21	128619	1	• TERMINAL, Marine Top to 3/8 Stud Positive
22	128620	1	• TERMINAL, Marine Top to 5/16 Stud Negative
23	162754	2	• RIVET (0.1536 x 0.312)
24	139105	1	• BOOT, Battery - red (#2/0)

3.26 Hydraulic Tank



M237448AC_HT

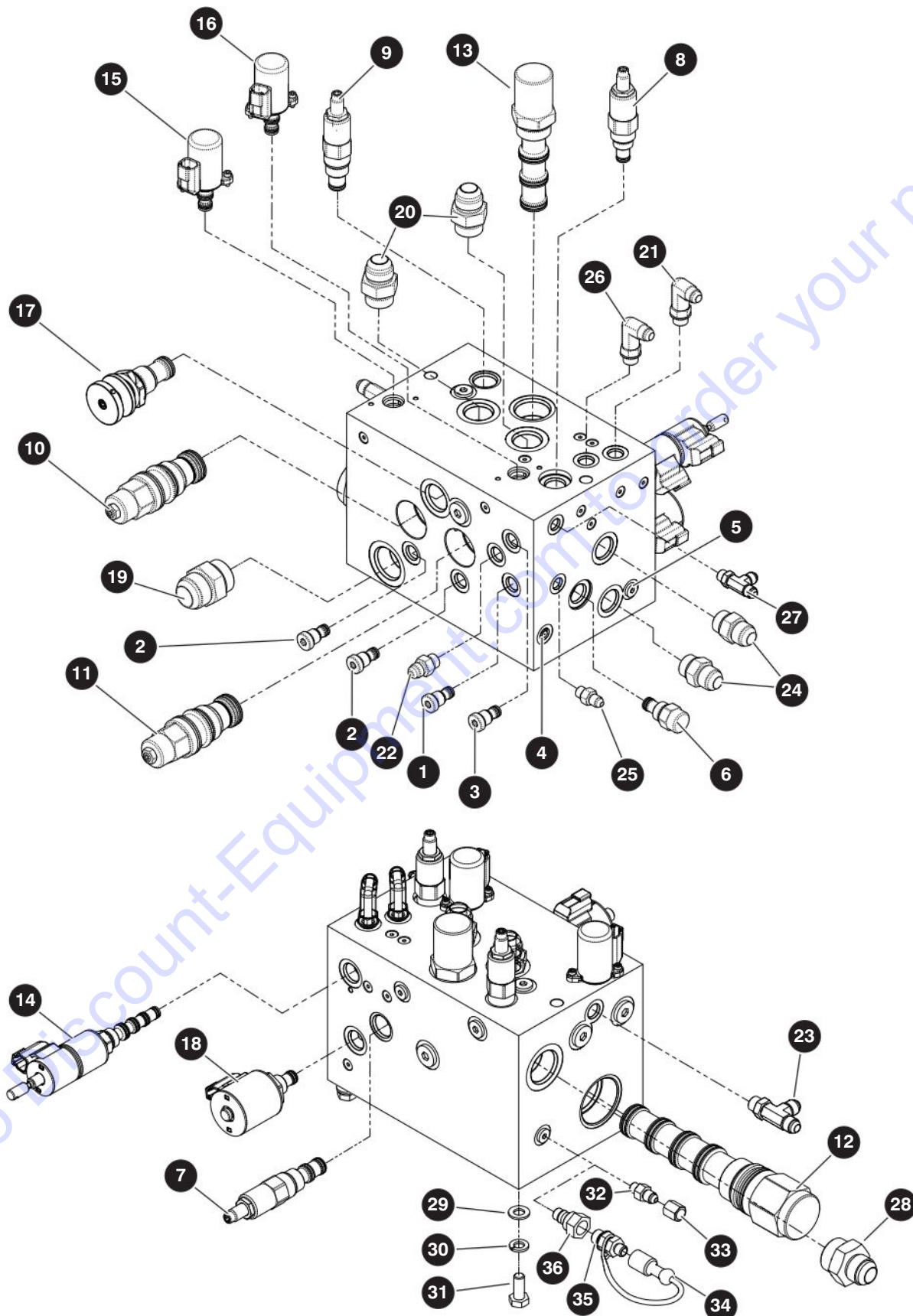
239430AAA

SJ9664 RT

3.26 Hydraulic Tank

Index No.	Skyjack Part No.	Qty.	Description
-	-	1	HYDRAULIC TANK
-	237532	1	• HYDRAULIC TANK
1	237533	1	• • TANK, Hydraulic
2	215479	1	• • GASKET, Hydraulic tank
3	215480	1	• • COVER, Hydraulic tank
4	103236	1	• • INDICATOR, level 3"
5	933833	4	• • WASHER, Flat (M10)
6	103847	4	• • BOLT, Hex head (M10 x 1.5 x 20, gr 8.8)
7	143980	1	• • FITTING, Magnetic plug (08ORBM)
8	120190	1	• • WASHER, Sealing
9	237552	1	• FILTER, In-tank return
10	138667	1	• FITTING, Straight (16JICM-16ORBM)
11	103070	1	• FITTING, Straight (06JICM-08ORBM)
12	102659	2	• FITTING, Straight (08JICM-08ORBM)
13	217413	2	• BOLT, Hex head (M10 x 1.5 x 35, cl 8.8)
14	933833	2	• WASHER, Flat (M10)
15	132497	4	• WASHER, Lock (M10)
16	933640	4	• BOLT, Hex head cap screw (M10 x 1.5 x 20, cl 8.8)
17	217839	4	• WASHER, Fender (M10)
18	237548	1	• PLATE, Tank top cover
19	933646	4	• BOLT, Hex head (M6 x 1 x 12mm, cl 8.8)
20	121758	4	• WASHER, Lock (M6)

3.27 Drive Manifold



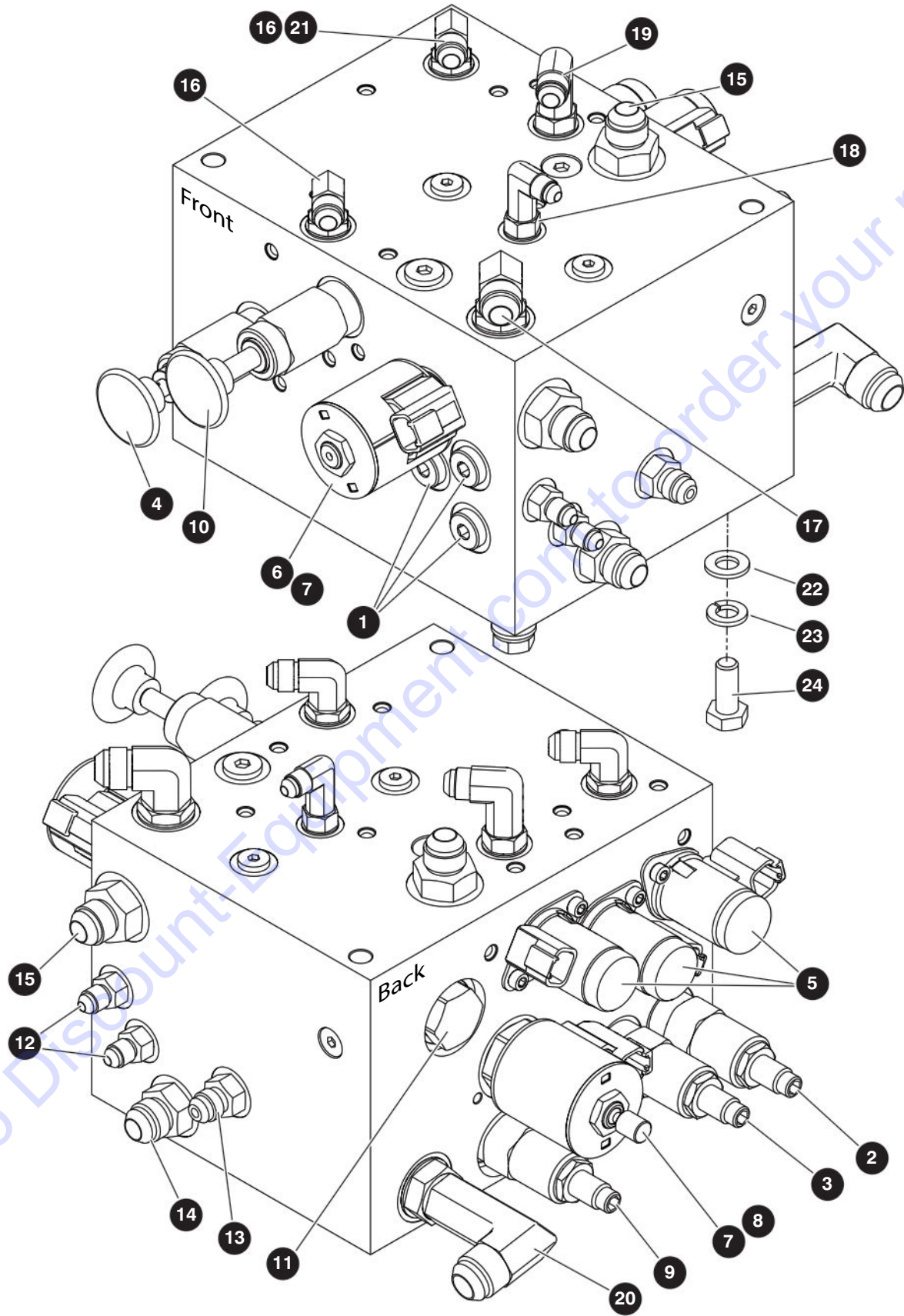
M215851AC_M231757AA

239430AAA

3.27 Drive Manifold

Index No.	Skyjack Part No.	Qty.	Description
-	215851	1	DRIVE MANIFOLD
1	171412	1	• ORIFICE, Auxiliary LS
2	171412	2	• CHECK VALVE, Drive LS
3	171412	1	• CHECK VALVE, Steer LS
4	229300	1	• ORIFICE, Drive (0.025")
5	171416	1	• ORIFICE, Steer (0.020")
6	166058	1	• FLOW CONTROL (0.1 GPM)
7	229298	1	• VALVE, Pressure reducing - auxiliary
8	206185	1	• RELIEF, Steer
9	229296	1	• RELIEF, System
10	229302	1	• COUNTERBALANCE, Drive reverse
11	229302	1	• COUNTERBALANCE, Drive forward
12	206190	1	• VALVE, Directional drive
13	229295	1	• VALVE, Priority steer
14	229294	1	• VALVE, Steering
15	213997	1	• VALVE, Drive forward
16	213997	1	• VALVE, Drive reverse
17	137182	1	• VALVE, Freewheel
18	229291	1	• VALVE, Pressure dump
19	138667	1	• FITTING, Straight (16JICM-16ORBM)
20	702118	2	• FITTING, Straight (12JICM-12ORBM)
21	139104	1	• FITTING, 90° long (06JICM-06ORBM)
22	103069	1	• FITTING, Straight (06JICM-06ORBM)
23	114581	1	• FITTING, Tee - swivel run (06JICM-06ORBMS-06JICM)
24	137630	2	• FITTING, Straight (10JICM-10ORBM)
25	126128	1	• FITTING, Straight (04JICM-04ORBM)
26	114578	1	• FITTING, 90° (06JICM-06ORBM)
27	211844	1	• FITTING, Tee - swivel run (04JICM-04ORBMS-04JICM)
28	702122	1	• FITTING, Straight (12JICM-16ORBM)
29	933833	4	WASHER, Flat (M10)
30	132497	4	WASHER, Lock (M10)
31	223168	4	BOLT, Hex head (M10 x 1.5 x 25, cl 8.8)
-	231757	1	TEST GAUGE PORT - ANSI/CSA
32	126128	1	• FITTING, Straight (04JICM-04ORBM)
33	131286	1	• FITTING, Cap (04JICF)
-	231758	1	TEST GAUGE PORT - CE & AS
34	114521	1	• CAP, Dust (06 QD)
35	122385	1	• FITTING, Quick disconnect (06 ORBF)
36	231751	1	• FITTING, Straight (06JICM-04ORBM)

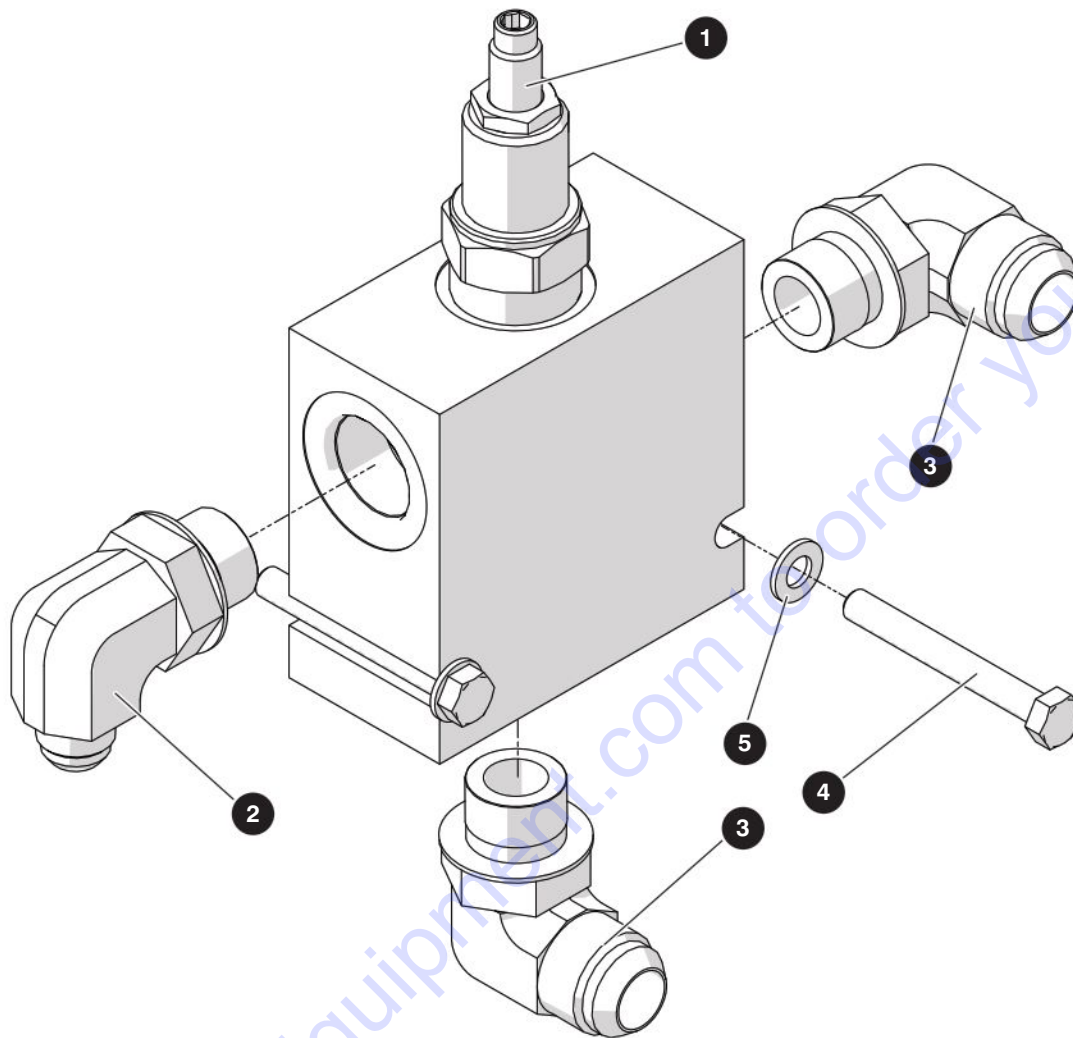
3.28 Auxiliary Manifold



3.28 Auxiliary Manifold

Index No.	Skyjack Part No.	Qty.	Description
-	215800	1	AUXILIARY MANIFOLD
1	171412	1	• VALVE, Check
2	238663	1	• VALVE, Pressure reducing
3	229297	1	• VALVE, Pressure reducing
4	141436	1	• VALVE, Brake release
5	159827	3	• VALVE, Solenoid cartridge
6	229293	1	• VALVE, Solenoid
7	212554	1	• COIL, Solenoid
8	229303	1	• VALVE, Solenoid
9	238662	1	• VALVE, Relief
10	159831	1	• VALVE, Hand pump
11	238664	1	• VALVE, Check
12	126128	2	• FITTING, Straight (04JICM-04ORBM)
13	103069	2	• FITTING, Straight (06JICM-06ORBM)
14	102659	1	• FITTING, Straight (08JICM-08ORBM)
15	103071	2	• FITTING, Straight (08JICM-10ORBM)
16	114578	1	• FITTING, 90° (06JICM-06ORBM)
17	114583	1	• FITTING, 90° (08JICM-08ORBM)
18	125883	1	• FITTING, 90° long (04JICM-04ORBM)
19	139104	1	• FITTING, 90° long (06JICM-06ORBM)
20	191857	1	• FITTING, 90° extra long (10JICM-10ORBM)
21	238660	1	• PLUG, Orifice (0.035")
22	933833	4	WASHER, Flat (M10)
23	132497	4	WASHER, Lock (M10)
24	223168	4	BOLT, Hex head (M10 x 1.5 x 25, cl 8.8)

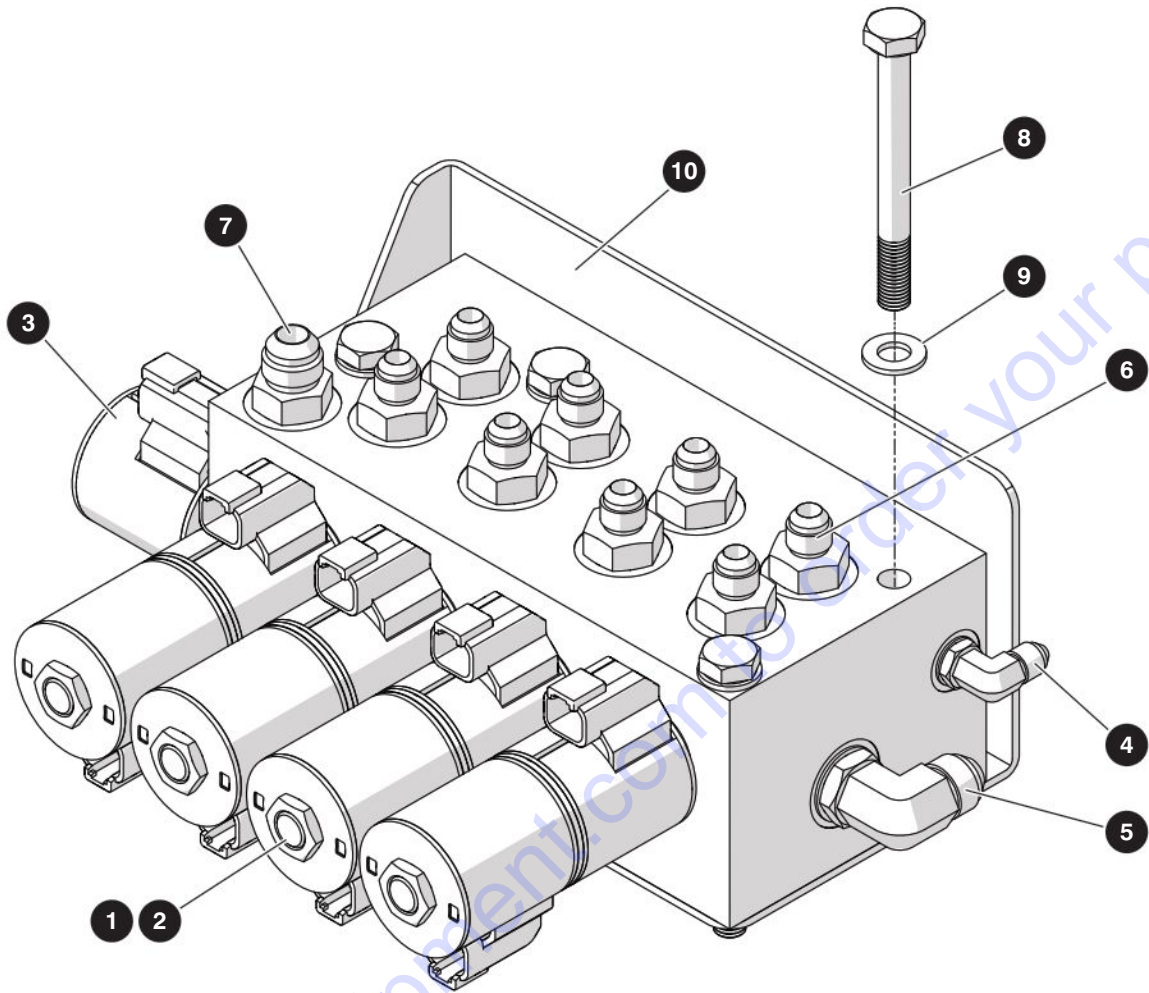
3.29 Pressure Reducing Manifold



M215788AE_M233003AA

Index No.	Skyjack Part No.	Qty.	Description
-	238252	1	PRESSURE REDUCING MANIFOLD
1	238253	1	• VALVE, Pressure reducing - 3250 psi
2	112366	1	• FITTING, 90° (08JICM-12ORBM)
3	105445	2	• FITTING, 90° (12JICM-12ORBM)
4	217409	2	BOLT, Hex head (M8 x 1.25 x 65, cl 8.8)
5	933832	2	WASHER, Flat (M8)

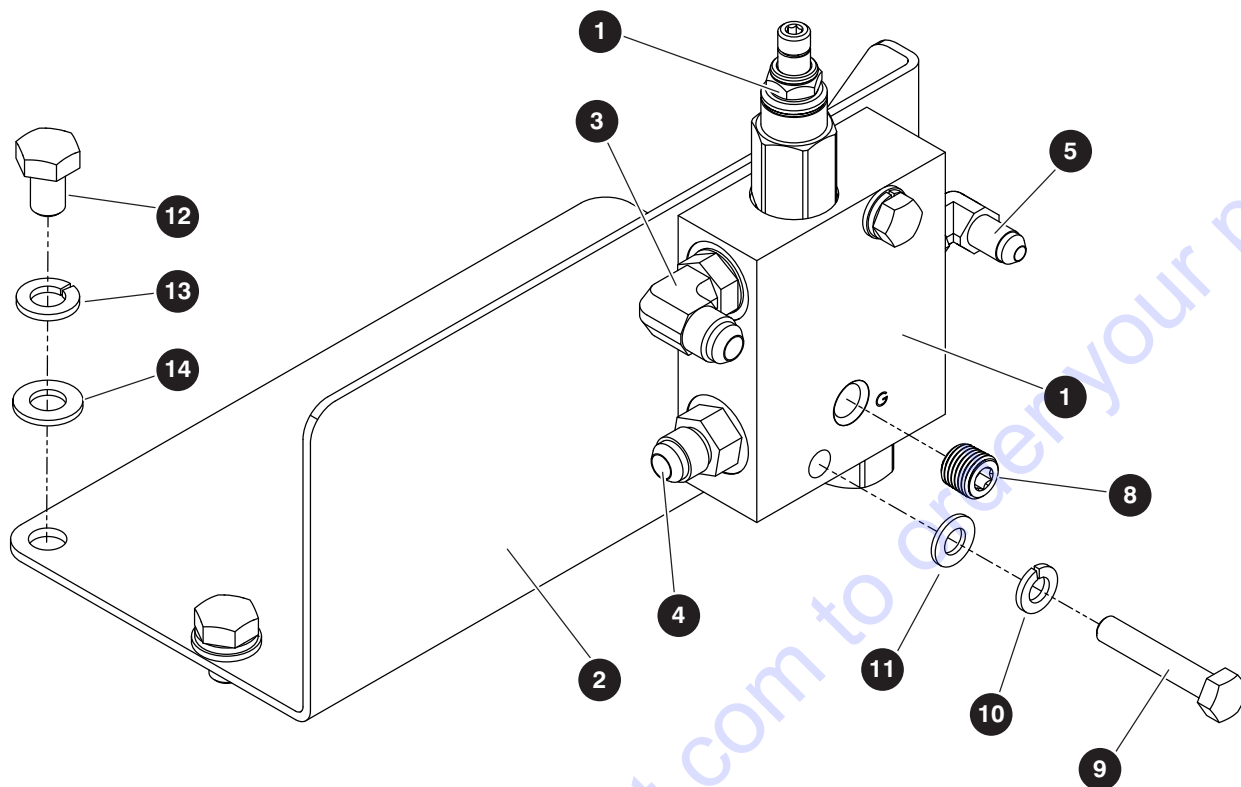
3.30 Outrigger Manifold



M238819AB

1 Index 7 No.	Skyjack Part No.	Qty.	Description
-	238819	1	OUTRIGGER MANIFOLD
-	215797	1	• MANIFOLD, Outrigger
1	229301	4	• • CHECK VALVE, Outrigger LS
2	159804	4	• • VALVE, Outrigger
3	229304	1	• • VALVE, Outrigger enable
4	125883	1	• • FITTING, 90° (04JICM-04ORBM)
5	114583	1	• • FITTING, 90° (08JICM-08ORBM)
6	103070	8	• • FITTING, Straight (06JICM-08ORBM)
7	102659	1	• • FITTING, Straight (08JICM-08ORBM)
8	401161	4	• BOLT, Hex (M10 x 1.5 x 16, cl 10.9)
9	933833	4	• WASHER, Flat (M10)
10	238250	1	• BRACKET, Pressure reducing manifold

3.30 Pressure Reducing Manifold



M222199AC

Index No.	Skyjack Part No.	Qty.	Description
-	222199	1	PRESSURE REDUCING MANIFOLD
1	231735	1	• MANIFOLD, Pressure reducing
2	231737	1	• BRACKET, Inline manifold
3	114578	1	• FITTING, 90 deg (06JICM-06ORBM)
4	151691	1	• FITTING, with orifice
5	129127	1	• FITTING, 90 deg (04JICM-06ORBM)
6	702796	2	• PLUG, Fitting (Hex-socket 08 ORB) (not shown)
7	121250	1	• PLUG, Fitting (04 ORBM) (not shown)
8	215497	1	• PLUG, Hex-socket (1/4")
9	139769	2	• BOLT, Hex head (M8 x 1.25 x 45, gr 8.8)
10	116218	2	• WASHER, Lock (M8)
11	933832	2	• WASHER, Flat (M8)
12	217883	4	• BOLT, Hex head (M10 x 1.5 x 16, cl 10.9)
13	132497	4	• WASHER, Lock (M10)
14	933833	4	• WASHER, Flat (M10)

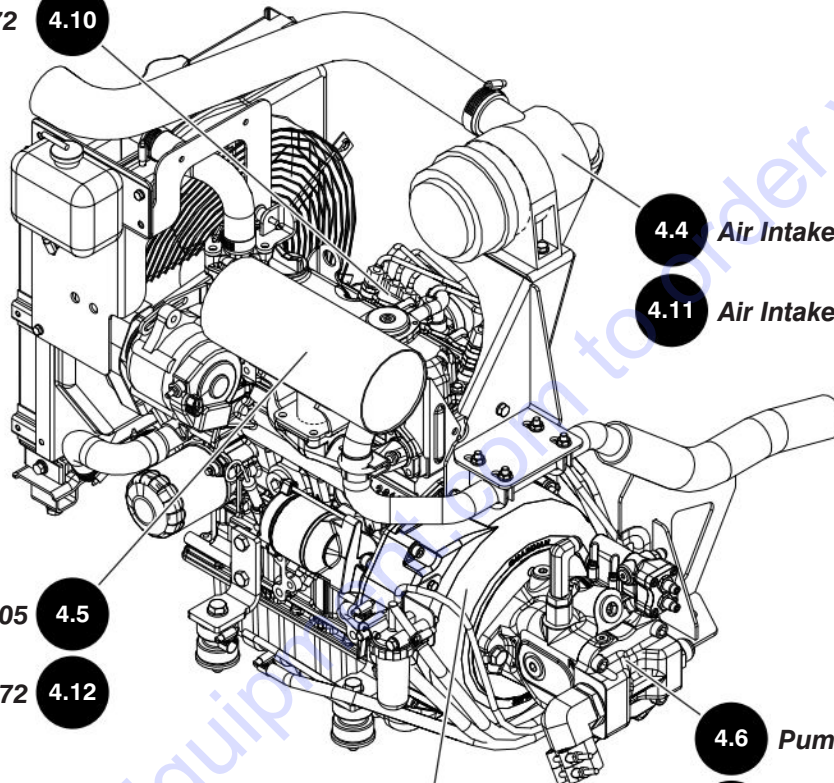
Section 4 – Engine

Engine - Kubota D1305

4.3

Engine - Kubota WG972

4.10



4.4 Air Intake - Kubota D1305

4.11 Air Intake - Kubota WG972

Exhaust - Kubota D1305

4.5

Exhaust - Kubota WG972

4.12

4.6 Pump - Kubota D1305

4.14 Pump - Kubota WG972

Bell Housing - Kubota D1305

4.7

Bell Housing - Kubota WG972

4.15

4.1 Engine Cover Cage

4.16 Electrical Components - Kubota WG972

4.8 Fuel Lines - Kubota D1305

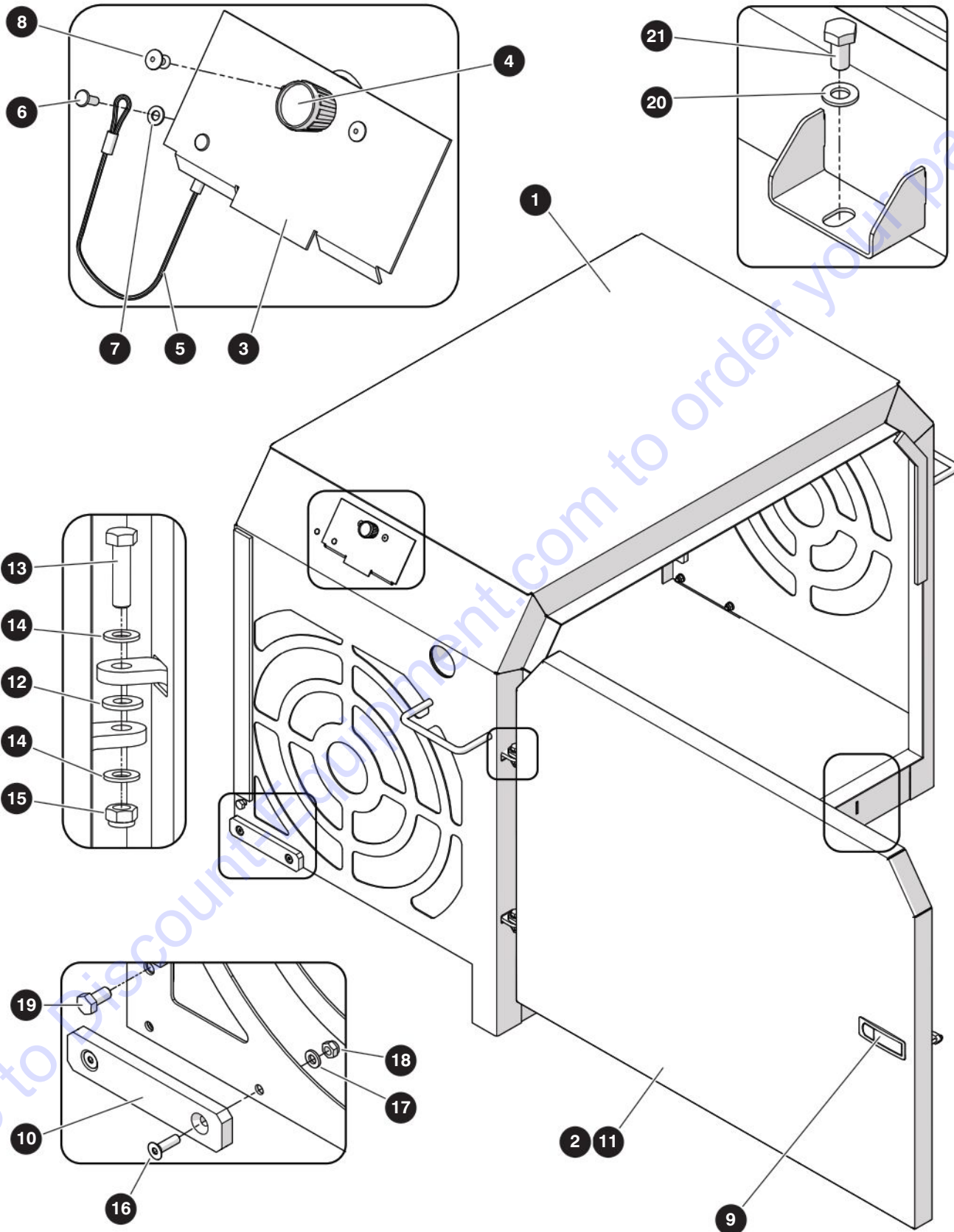
4.17 Fuel System - Kubota WG972

4.9 Electrical Components - Kubota D1305

4.18 Propane Tank - Kubota WG972

4.13 Regulator/Vaporizer - Kubota WG972

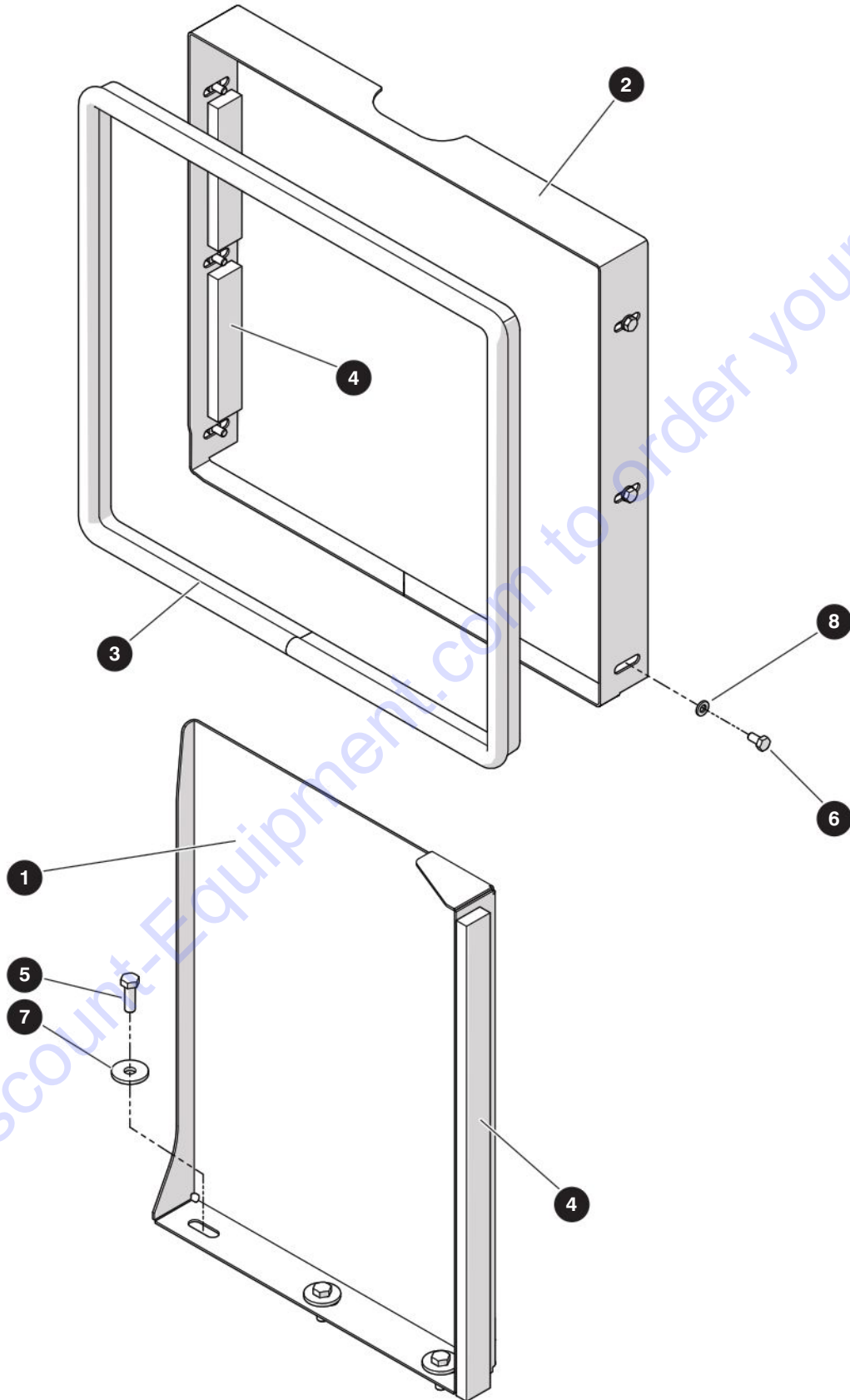
4.1 Engine Cover Cage



4.1 Engine Cover Cage

Index No.	Skyjack Part No.	Qty.	Description
-	237416	1	ENGINE COVER CAGE
1	237417	1	• CAGE, Engine cover
2	237483	1	• DOOR, Engine cover
-	237471	1	• HATCH, Lock
3	215246	1	• • PLATE, Rad access door
4	168066	1	• • LATCH, Spring
5	105807	1	• • LANYARD (6")
6	162754	2	• • RIVET (0.1653-0.312)
7	600579	2	• • WASHER, Flat (M4)
8	119945	2	• • RIVET, Pop (1/8 x 0.39)
9	191416	1	• LATCH, Door
10	237466	2	• PAD, Slide
11	103628	9.5"	• RUBBER, Self seal
12	222500	2	• WASHER, Nylon (M8)
13	217878	2	• BOLT, Hex head (M8 x 1.25 x 30, cl 10.9)
14	600184	4	• WASHER, Flat (M8)
15	223162	2	• NUT, Hex lock (M8 x 1.25, cl 10)
16	217493	4	• SCREW, Flat head countersunk (M6 x 1 x 20, cl 10.9)
17	600190	4	• WASHER, Flat (M6)
18	223164	4	• NUT, Hex head nylon lock (M6)
19	217401	2	• BOLT, Hex head (M8 x 1.25 x 16, cl 10.9)
20	223172	2	• WASHER, Flat (M10)
21	933740	2	• BOLT, Hex head (M10 x 1.5 x 20, cl 10.9)

4.2 Engine Covers



M237520AA

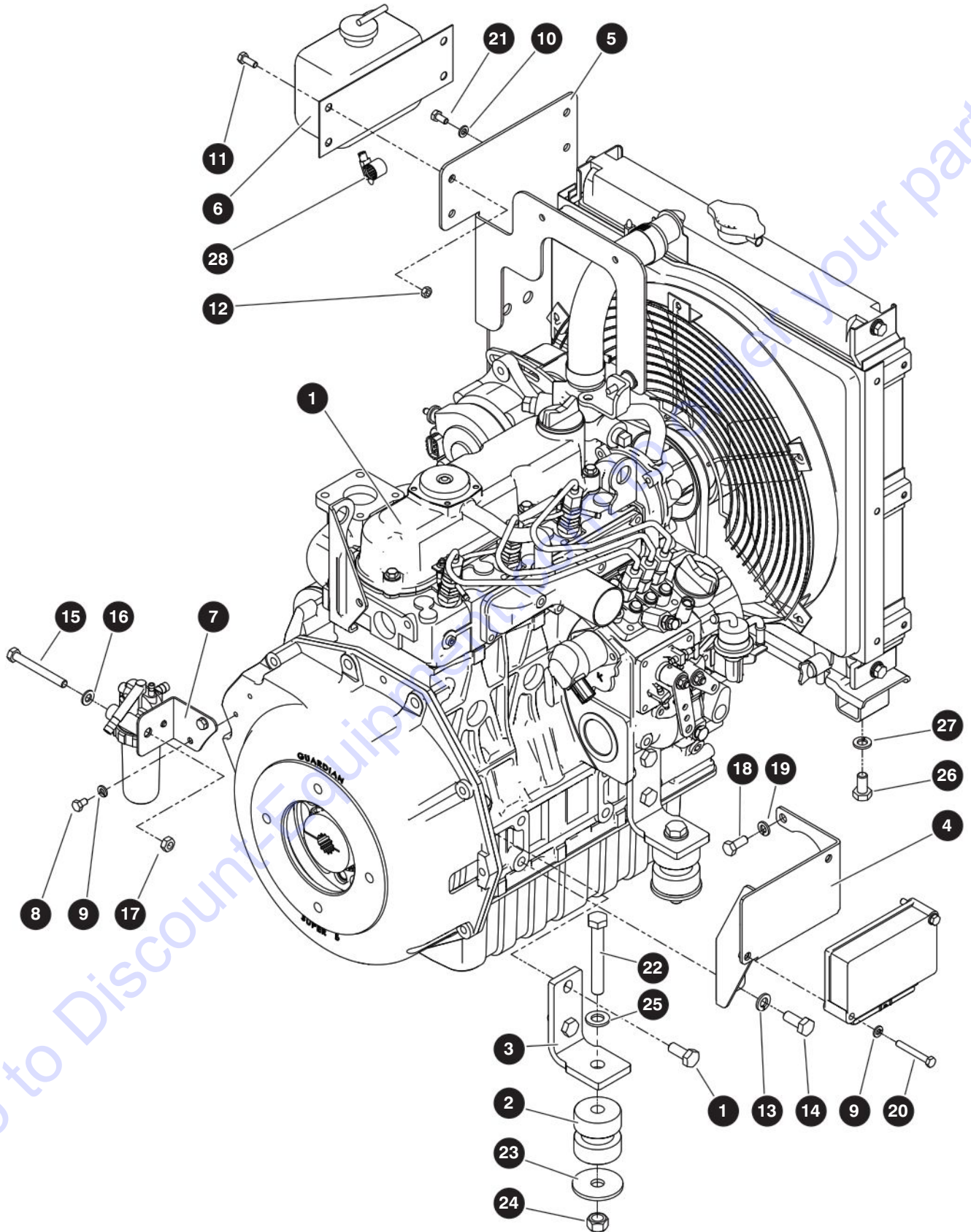
239430AAA

SJ9664 RT

4.2 Engine Covers

Index No.	Skyjack Part No.	Qty.	Description
-	237520	1	ENGINE COVERS
1	237557	1	• COVER, Extension
2	237558	1	• SHROUD, Radiator
3	137625	66"	• TRIM, Rubber
4	235975	38.5"	• FOAM, Adhesive (0.438 x 1)
5	217877	3	• BOLT, Hex head (M8 x 1.25 x 25, cl 10.9)
6	933646	6	• BOLT, Hex head (M6 x 1 x 12, cl 8.8)
7	933284	3	• WASHER, Flat (M8 x 3)
8	133219	6	• WASHER, Flat (M6)

4.3 Engine - Kubota D1305



M215245AF

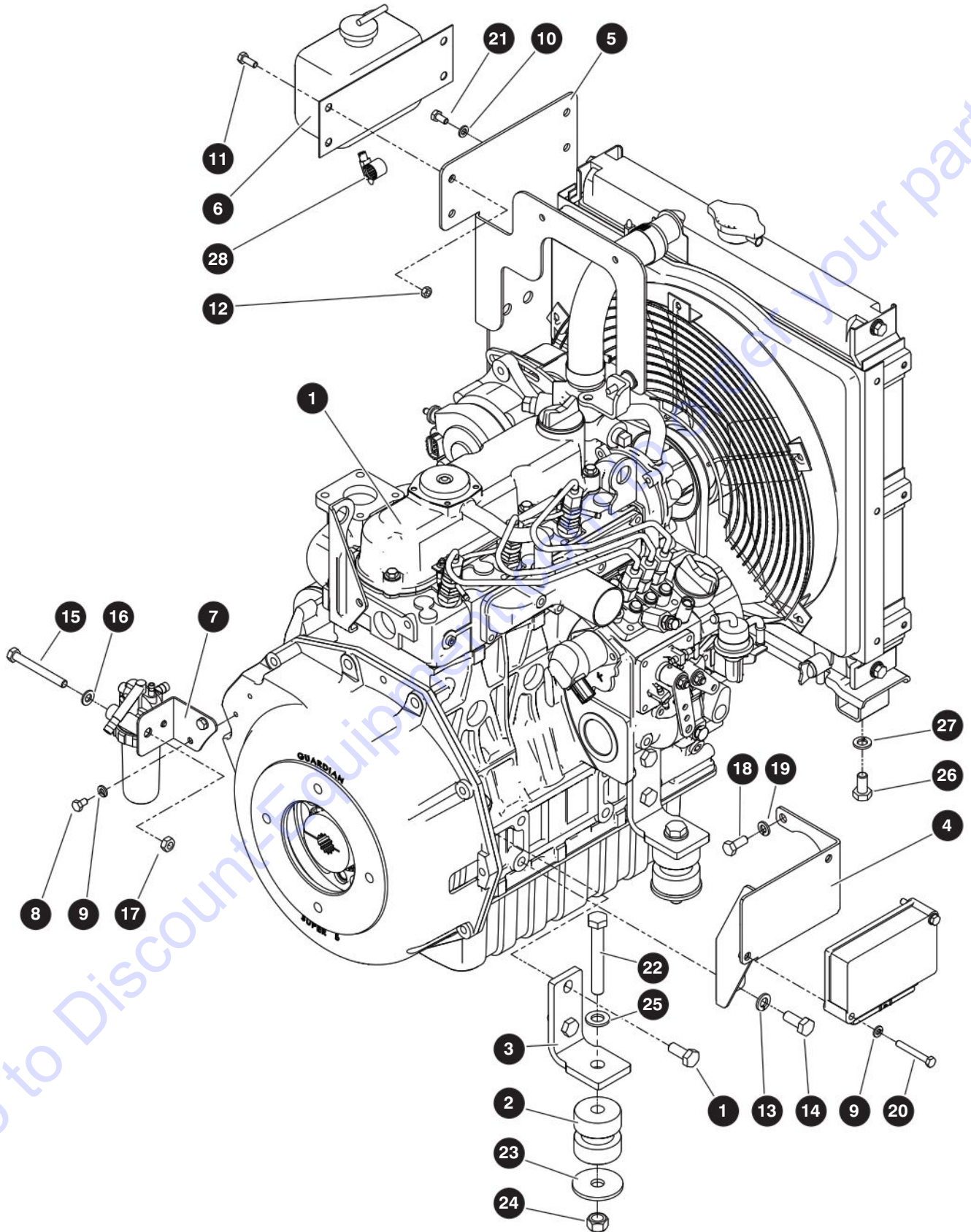
239430AAA

SJ9664 RT

4.3 Engine - Kubota D1305

Index No.	Skyjack Part No.	Qty.	Description
-	215245	1	KUBOTA ENGINE D1305
1	215012	1	• ENGINE, Kubota D1305 E4B
	236071	1	• • FILTER, Oil - inner
	147129	1	• • CARTRIDGE, Oil filter
	236072	1	• • STARTER
	236073	1	• • ALTERNATOR
	236074	1	• • STAY, Dynamo
	236075	1	• • GUARD, Alternator
	228540	1	• • GLOW PLUG
	236076	1	• • SOLENOID, Stop
	236077	1	• • PUMP, Water
	136109	1	• • THERMOSTAT
	210118	1	• • PIPE, Water return
	236078	1	• • FAN, Cooling
	236079	1	• • BELT, Fan
	236080	1	• • PUMP, Fuel transfer
	236081	1	• • DIPSTICK
	236082	1	• • SENSOR, Water temp
	236083	1	• • MANUAL, Operator's - Kubota D1305
	236084	1	• • GASKET, Exhaust
	236090	1	• • ECU
	236088	1	• • FUEL FILTER ASSEMBLY
	236089	1	• • • FILTER, Fuel
	236091	1	• • RADIATOR KIT
2	147634	4	• MOUNT, Engine vibrational control
3	215021	4	• BRACKET, Engine mount
4	215249	1	• BRACKET, ECU
5	215171	1	• BRACKET, Overflow tank
6	147142	1	• RESERVOIR, Coolant
7	215108	1	• BRACKET, Fuel filter
8	600723	2	• BOLT, Hex head (M6 x 1 x 10, gr 8.8)
9	121758	4	• WASHER, Lock (M6)
10	600190	4	• WASHER, Flat (M6)
11	104608	2	• BOLT, Hex head (M6 x 1 x 16, gr 9.8)
12	800354	2	• NUT, Hex head (M6)
13	132497	1	• WASHER, Lock (M10)
14	228454	9	• BOLT, Hex head (M10 x 1.25 x 25, cl 8.8)
15	217410	1	• BOLT, Hex head (M8 x 1.25 x 70, cl 8.8)
16	600184	1	• WASHER, Flat (M8)
17	121059	1	• NUT, Hex head (M8 x 1.25, gr 5)

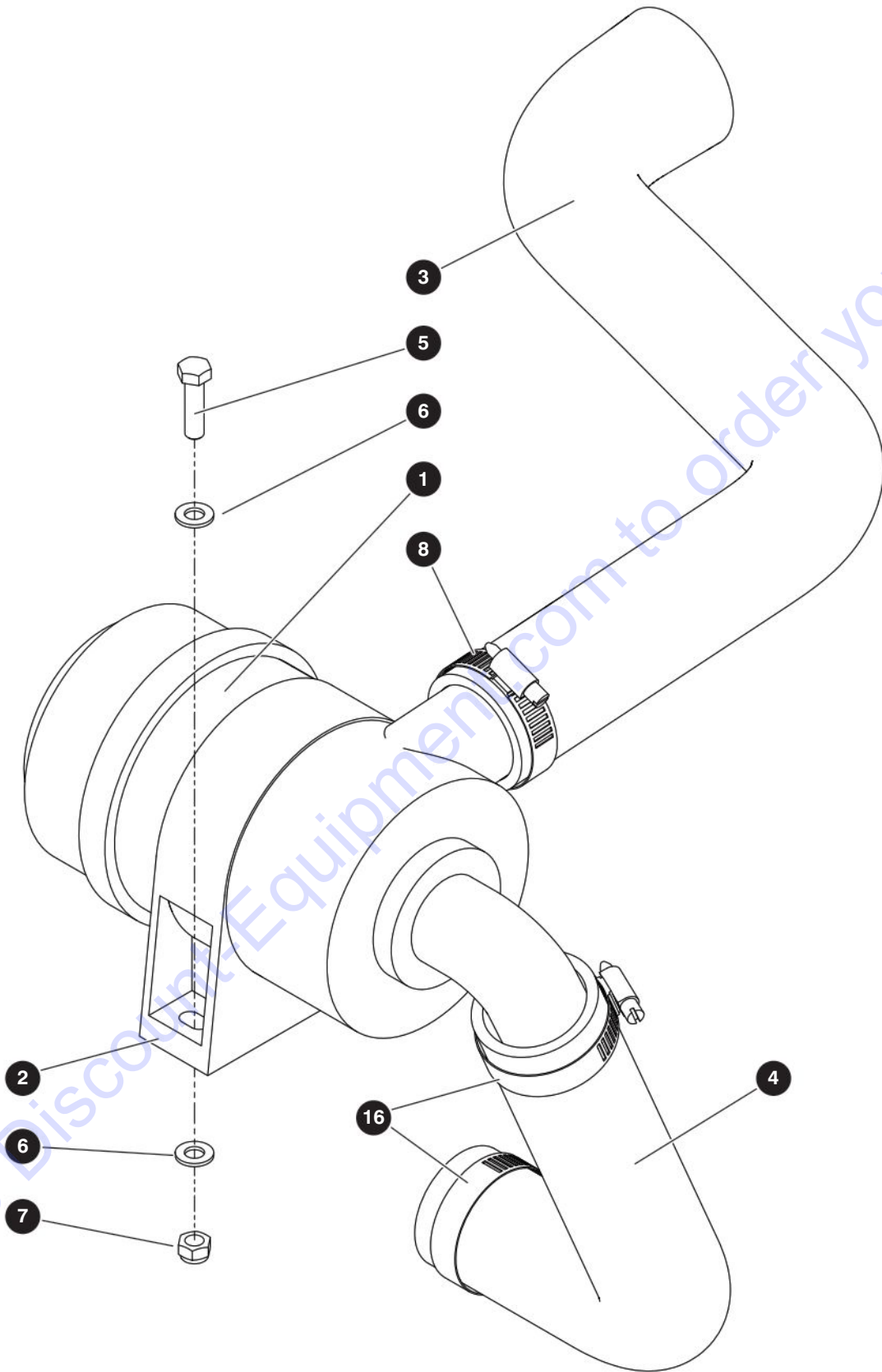
4.3 Engine - Kubota D1305



4.3 Engine - Kubota D1305

Index No.	Skyjack Part No.	Qty.	Description
18	133174	1	• BOLT, Hex head (M8 x 1.25 x 20, cl 8.8)
19	116218	1	• WASHER, Lock (M8)
20	217225	2	• BOLT, Hex head (M6 x 1 x 45, cl 8.8)
21	933646	2	• BOLT, Hex head (M6 x 1 x 12, cl 8.8)
22	217278	4	• BOLT, Hex head (M12 x 1.75 x 85, cl 8.8)
23	212939	4	• WASHER, Flat (0.500)
24	217619	4	• NUT, Torque lock (M12 x 1.75, cl 10)
25	933817	4	• WASHER, Flat (M12)
26	933740	2	• BOLT, Hex head (M10 x 1.5 x 20, cl 10.9)
27	130884	2	• WASHER, Lock (M10)
28	103321	1	• CLAMP, Gear

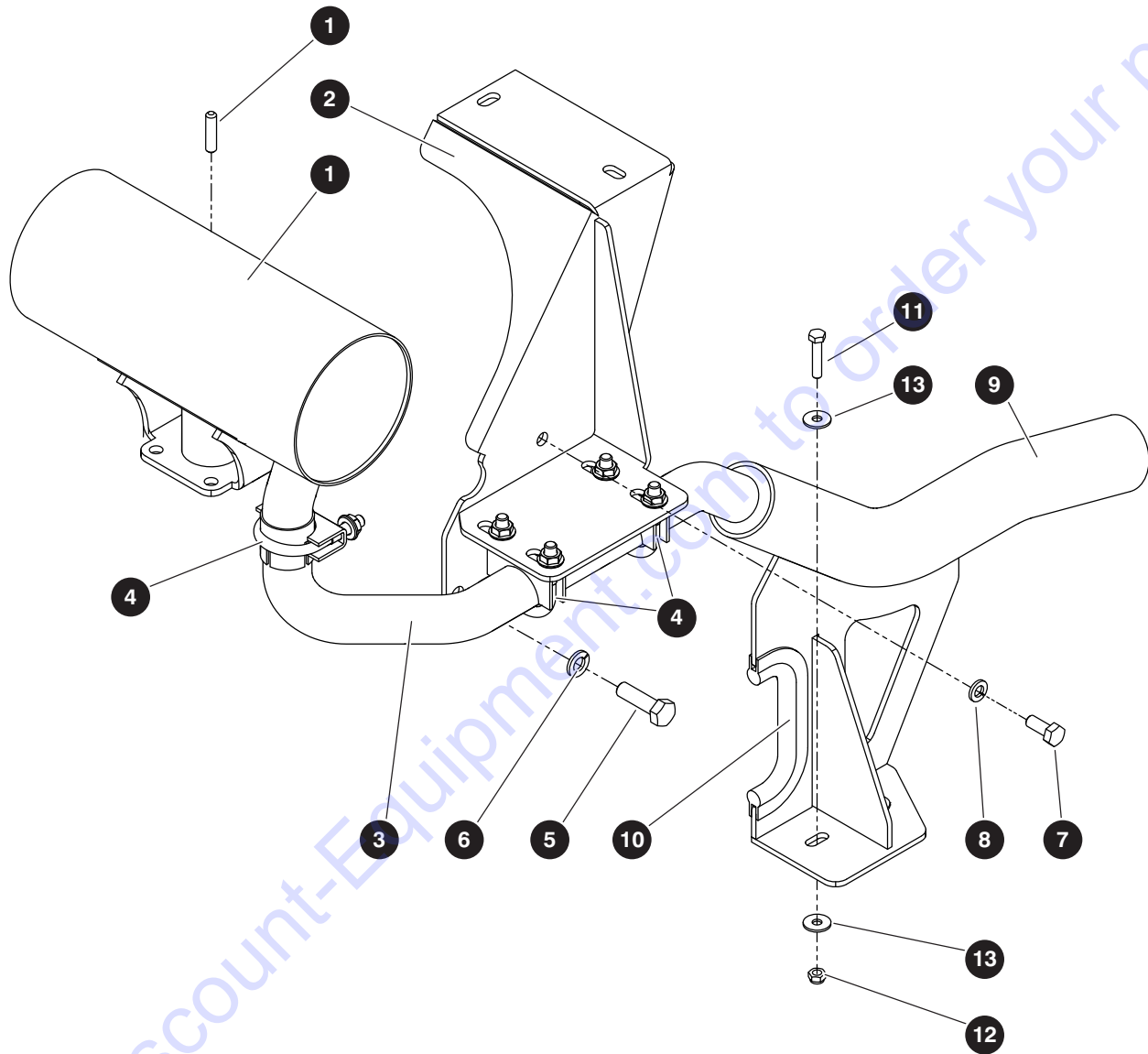
4.4 Air Intake - Kubota D1305



4.4 Air Intake - Kubota D1305

Index No.	Skyjack Part No.	Qty.	Description
-	-	1	AIR INTAKE ASSEMBLY - Deutz D1305
1	128601	1	• AIR CLEANER
	132913	1	• • ELEMENT, Filter - air cleaner
2	128602	1	• BAND, Mounting - air cleaner
3	215170	1	• TUBE, Air intake
4	215216	1	• HOSE, Air intake
5	217878	2	• BOLT, Hex head (M8 x 1.25 x 30, cl 10.9)
6	933832	4	• WASHER, Flat (M8)
7	223162	2	• NUT, Hex lock (M8 x 1.25, cl 10)
8	133222	3	• CLAMP, Gear

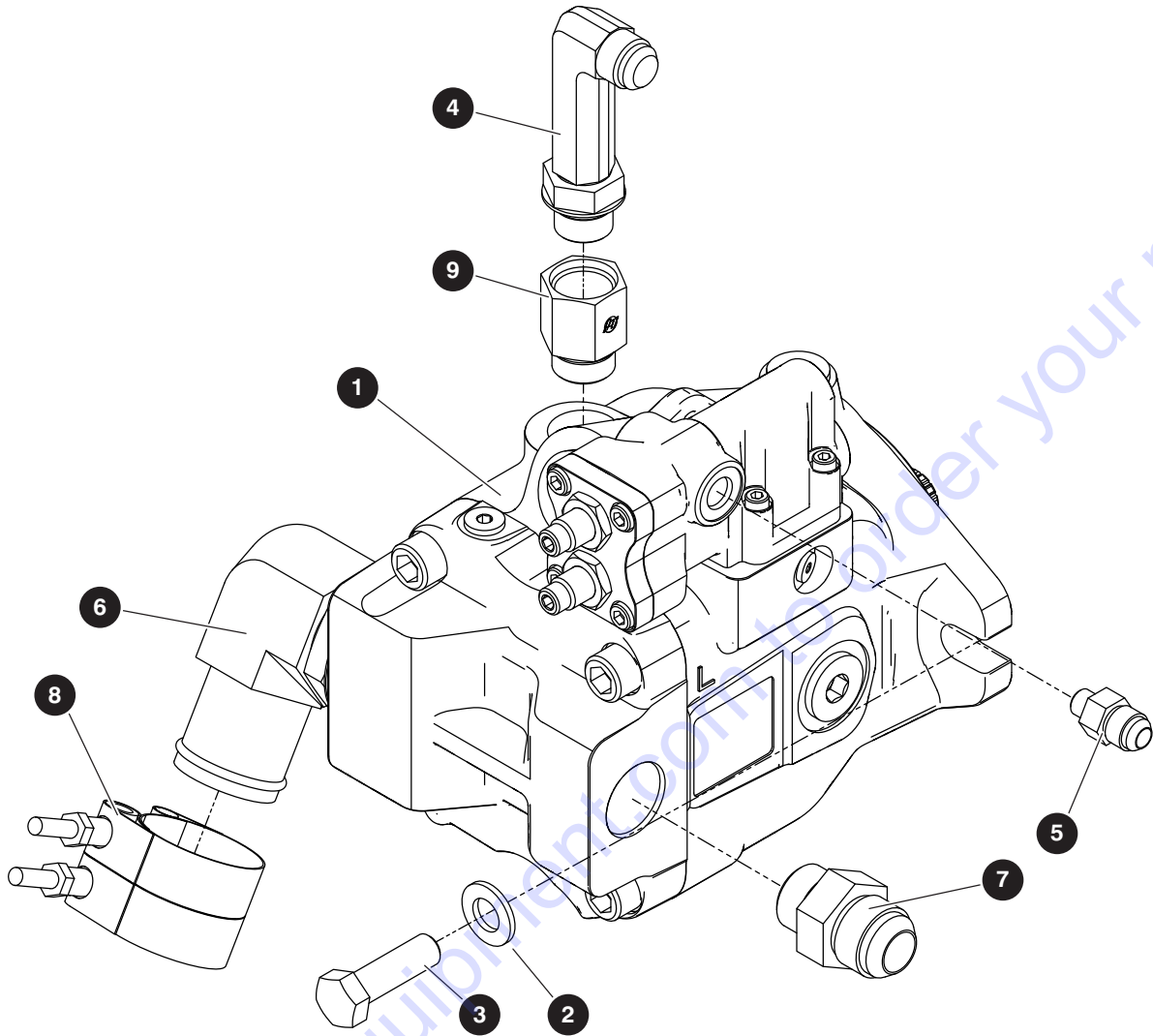
4.5 Exhaust - Kubota D1305



4.5 Exhaust - Kubota D1305

Index No.	Skyjack Part No.	Qty.	Description
-	-	1	EXHAUST - Kubota D1305
1	215106	1	• MUFFLER, Kubota D1305 - Standard
	220424	1	• SCRUBBER, Kubota D1305 - Scrubber option
2	215024	1	• MOUNT, Air cleaner
3	220376	1	• TUBE, Exhaust D1305
4	136969	3	• CLAMP, Exhaust U-bolt
5	136665	2	• BOLT, Hex head (M10 x 1.25 x 35, gr 8.8)
6	132497	2	• WASHER, Lock (M10)
7	133174	1	• BOLT, Hex head (M8 x 1.25 x 20, gr 8.8)
8	116218	1	• WASHER, Lock (M8)
9	220375	1	• PIPE, Exhaust extension
10	110007	6	• CHANNEL, Black edge
11	217873	2	• BOLT, Hex head (M6 x 1 x 30, cl 10.9)
12	223178	2	• NUT, Hex lock (M6 x 1, cl 10)
13	217837	4	• WASHER, Fender (M6)

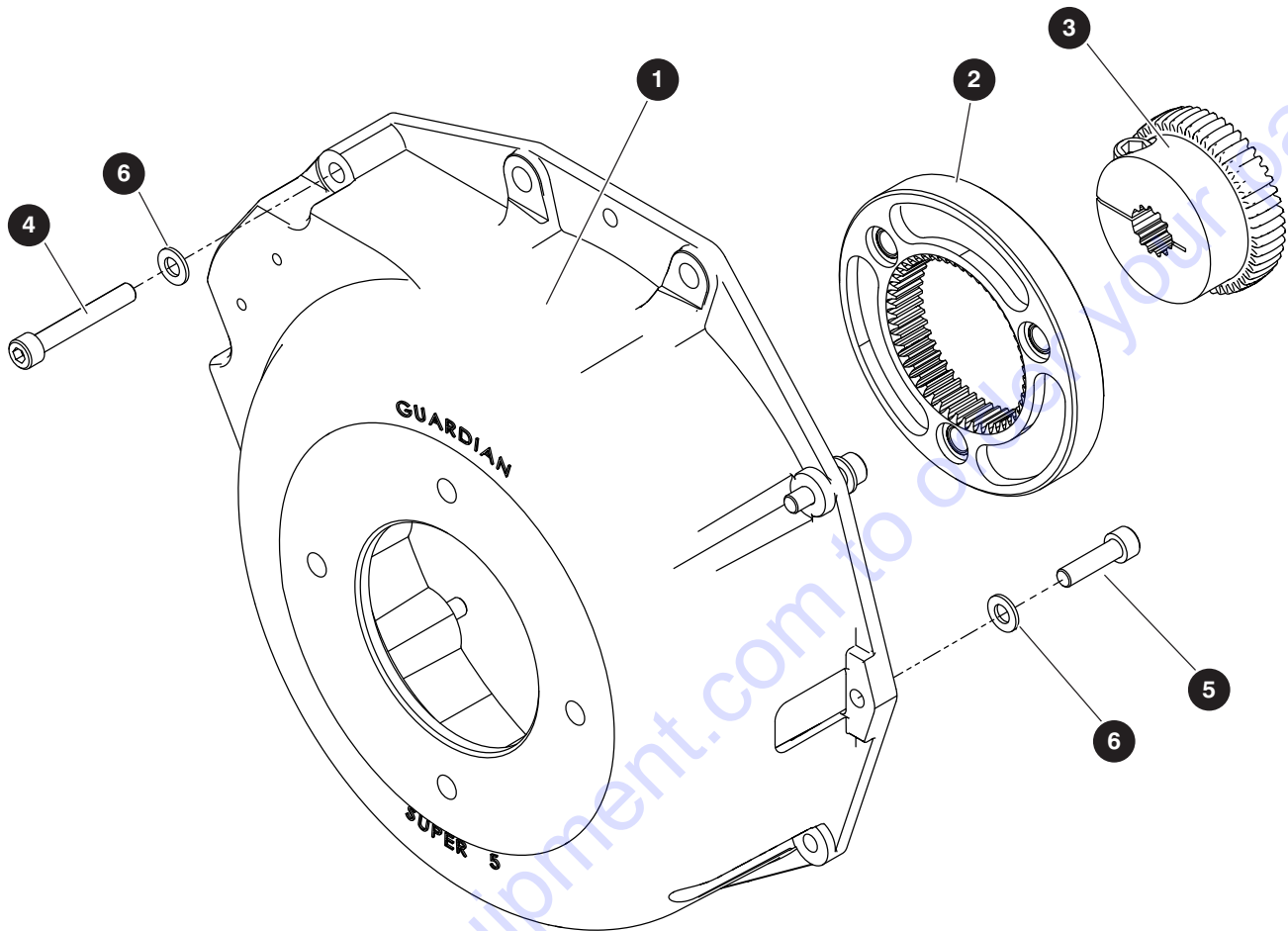
4.6 Pump - Kubota D1305



M215233AG

Index No.	Skyjack Part No.	Qty.	Description
-	-	1	PISTON PUMP, Kubota D1305
1	233000	1	• PUMP, Piston (28CC 4200 PSI)
	236275	1	• • SEAL KIT, Piston pump
2	600426	2	• WASHER, Flat (M12)
3	217892	2	• BOLT, Hex head (M12 x 1.75 x 40, cl 10.9)
4	232942	1	• FITTING, 90 deg LL (08JICM - 10ORBM)
5	128869	1	• FITTING, Straight (06JIC-04ORBM)
6	232938	1	• FITTING, 90 Deg (24BEAD - 20ORBM)
7	702118	1	• FITTING, Straight (12ORBM - 12JICM)
8	190697	2	• CLAMP, T-Bolt (1.75 DIA - 2.00 DIA)
9	224191	1	• FITTING, Straight (10ORBM-10ORBF)

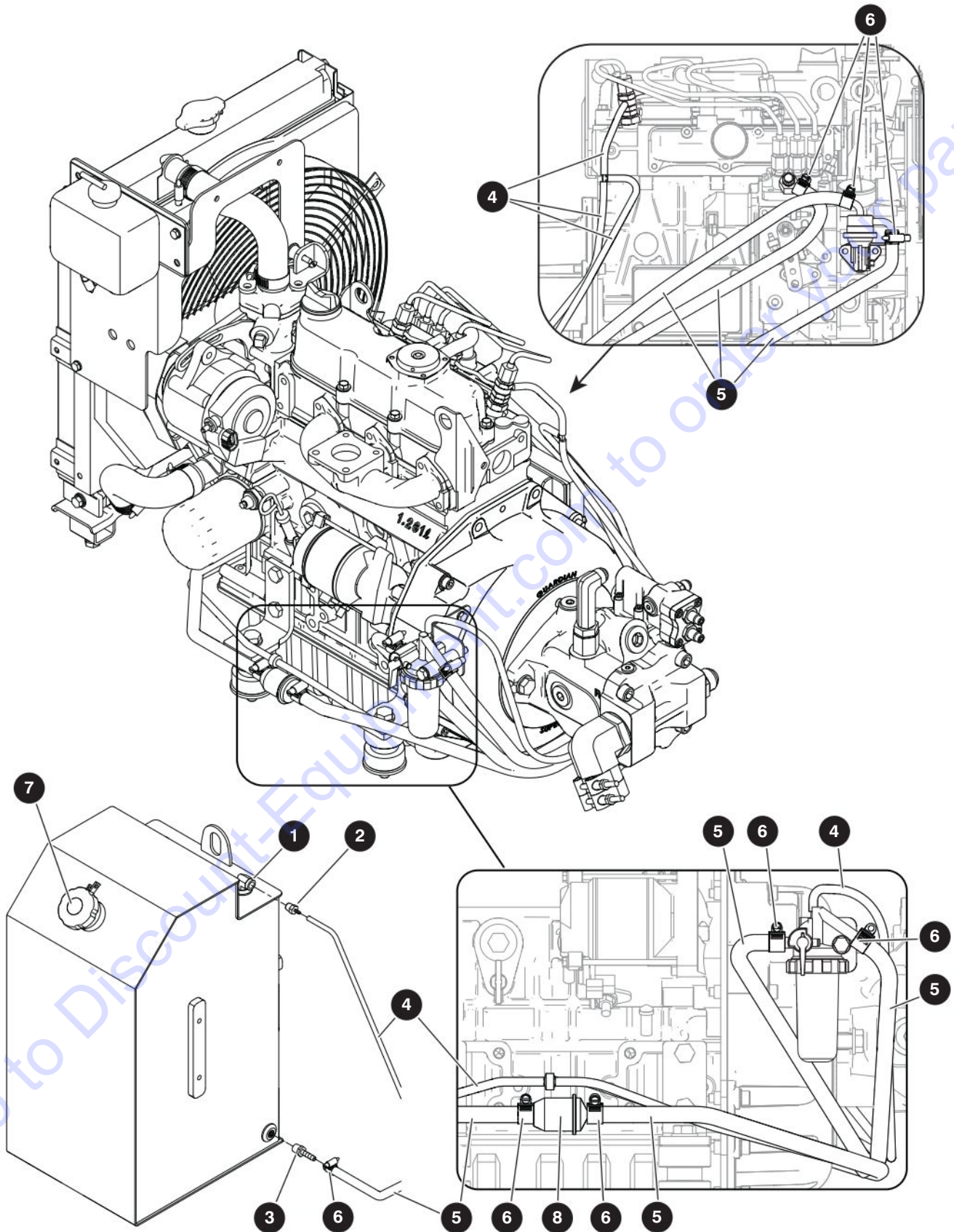
4.7 Bell Housing - Kubota D1305



M215015AG

Index No.	Skyjack Part No.	Qty.	Description
-	215015	1	BELL HOUSING - Kubota D1305
1	231191	1	• COVER
2	231192	1	• FLYWHEEL
3	231193	1	• HUB
4	TBD	6	SCREW, Socket head cap (M8-1.25 x 55 mm)
5	TBD	2	SCREW, Socket head cap (M8-1.25 x 30 mm)
6	TBD	8	WASHER, Flat (M8)

4.8 Fuel Lines - Kubota D1305



M220422AE

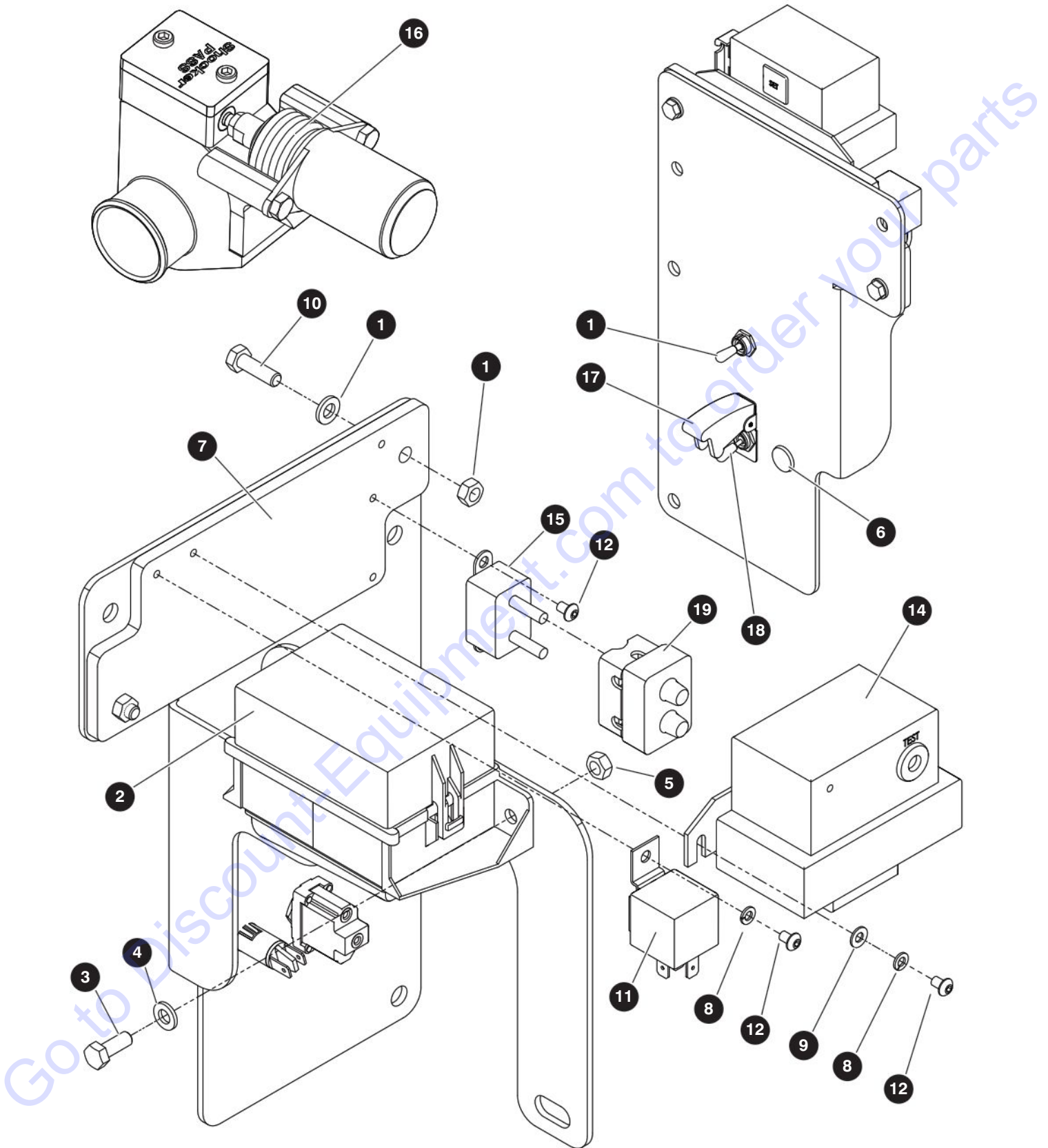
239430AAA

SJ9664 RT

4.8 Fuel Lines - Kubota D1305

Index No.	Skyjack Part No.	Qty.	Description
-	220422	1	FUEL LINE, KUBOTA D1305
1	103164	1	• FITTING, 90 Degree (04NPTF 04NPTM)
2	103176	1	• FITTING (1/8" BAR x 1/4" NPT)
3	166176	1	• HOSE, Barb (5/16" x 1/4" NPT)
4	102660	18.5"	• HOSE, Fuel line (1/8)
5	102984	273"	• FUEL LINE (5/16 #47PB - B194)
6	103321	8	• CLAMP, Gear
7	215469	1	• CAP, Filler - Vented
8	139254	1	• FILTER, Fuel In-line

4.9 Electrical Components - Kubota D1305



M220378AB

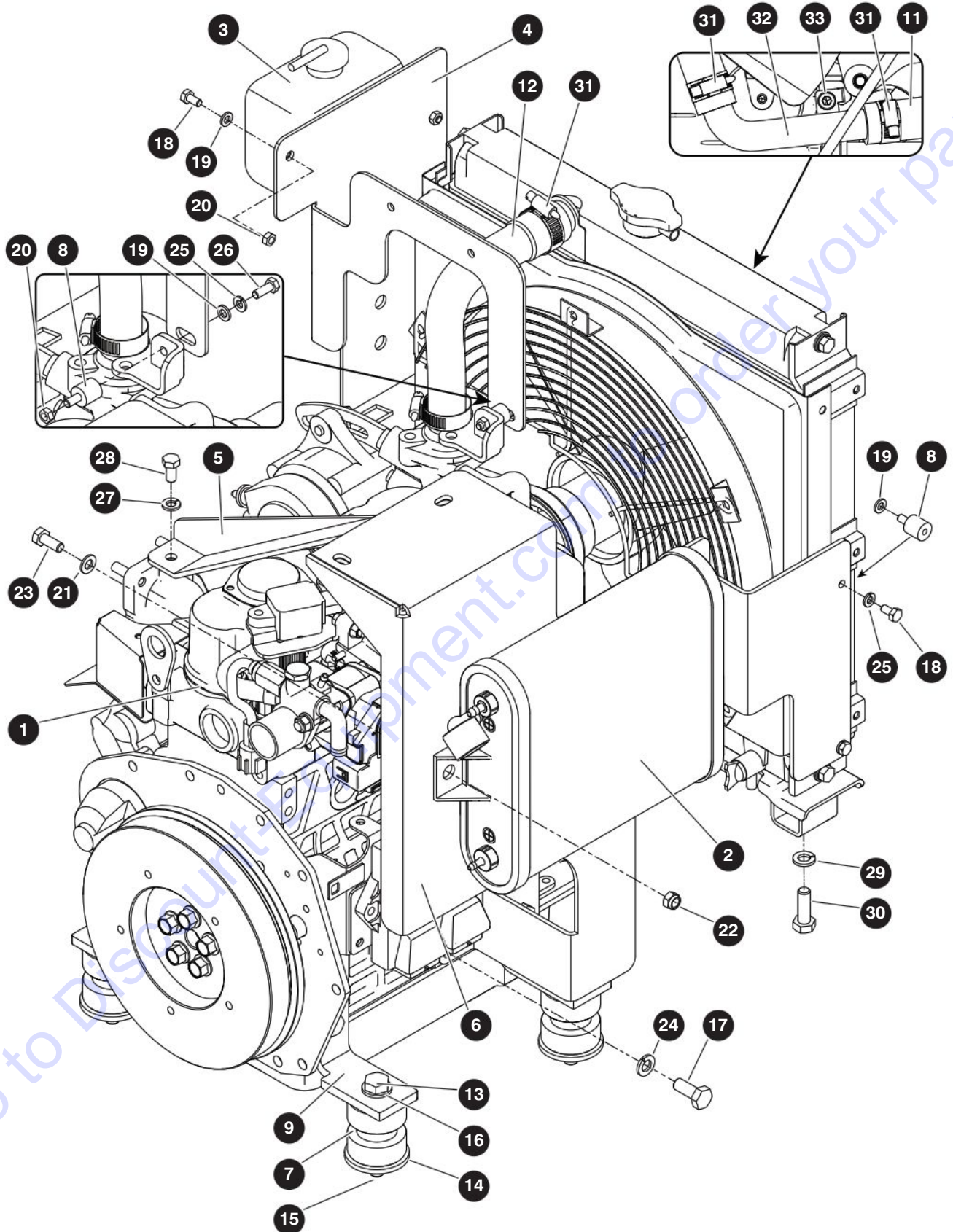
239430AAA

SJ9664 RT

4.9 Electrical Components - Kubota D1305

Index No.	Skyjack Part No.	Qty.	Description
A	222032	1	ELECTRICAL COMPONENTS - Kubota D1305 Standard
B	220378	1	ELECTRICAL COMPONENTS - Kubota D1305 with Positive Air Shut-off Option
1	102853	1	• SWITCH, Toggle 1NT1-7
2	(Ref.)	1	• FUSE BOX <i>(For components, refer to Section 5.2 Fuse Box - Kubota D1305)</i>
3	217392	2	• BOLT, Hex head (M6 x 1 x 16, cl 8.8)
4	600190	2	• WASHER, Flat (M6)
5	800354	2	• NUT, Hex head (M6 x 1)
6	164832	1	• LIGHT, Indicator (12V - red), B
7	222023	1	• PLATE, Mount - rev limiter, B
8	118369	3	• WASHER, Lock (M4) , B
9	223180	2	• WASHER, Flat (M4) , B
10	217384	2	• BOLT, Hex head (M6 x 1 x 20, cl 8.8), B
11	127035	1	• RELAY, 12V - 40A , B
12	232526	5	• BOLT, Button head cap screw (M4 x 0.7 x 6, cl 10.9), B
13	(Ref.)	1	• HARNESS, Positive Air Shut-Off (not shown), B <i>(For components, refer to Section 5.4 Positive Air Shut Off Harness)</i>
-	171908	1	SHOCKER PASS, 11750-D1305/D902, B
14	171821	1	• LIMITER, Automatic rev (R5)
15	171899	1	• BREAKER, Auto reset (20 A)
16	171823	1	• VALVE, Auto shut off (1.75") (located on the engine)
17	171826	1	• COVER, Red toggle safety
18	115574	1	• SWITCH, Toggle
19	196529	1	• INSULATOR, Stud mount circuit breaker

4.10 Engine - Kubota WG972



M215241AF

239430AAA

130

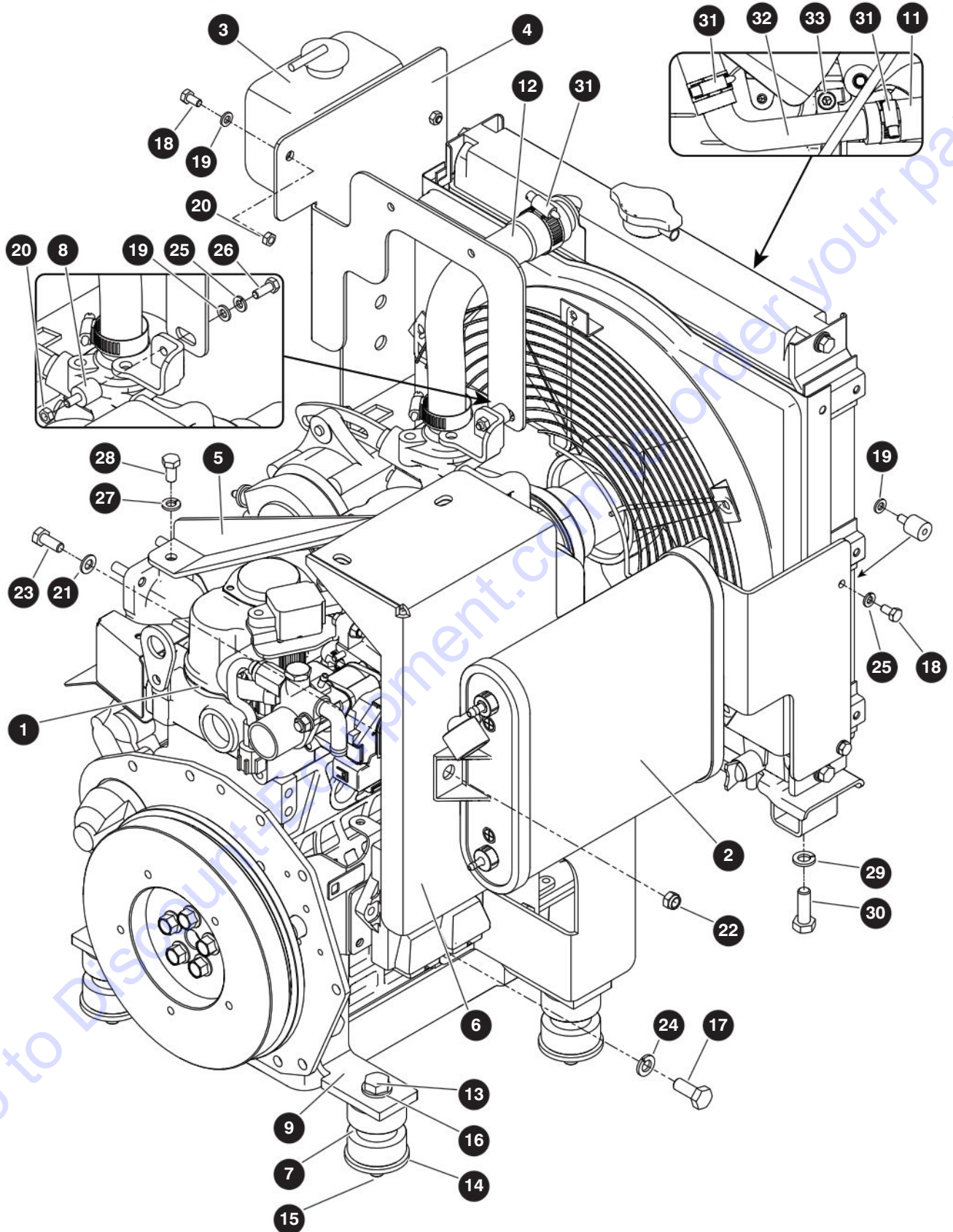
SJ9664 RT

SKYJACK

4.10 Engine - Kubota WG972

Index No.	Skyjack Part No.	Qty.	Description
-	215241	1	ENGINE, KUBOTA - WG972
1	220411	1	• ENGINE, Kubota WG972 E3F
	236102	1	• • CRANASE
	136094	1	• • GUIDE, Oil gauge
	159207	1	• • PAN
	236103	1	• • GEAR CASE
	236104	1	• • PUMP, Water
	236105	1	• • INLET MANIFOLD
	166634	1	• • THROTTLE BODY
	236106	1	• • MIXER
	166636	1	• • EXHAUST MANIFOLD
	236107	1	• • COVER, Cylinder head
	237841	1	• • FILTER, Oil - inner
	237842	1	• • CARTRIDGE, Oil filter
	159213	1	• • DIPSTICK
	194646	1	• • PLUG, Oil gauge
	237843	1	• • ECU
	237844	1	• • STAY 1, ECU
	237845	1	• • STAY 2, ECU
	237846	1	• • WIRE HARNESS, ECU
	159216	1	• • STARTER
	237847	1	• • ALTERNATOR
	237760	1	• • STAY, Alternator
	136103	1	• • GUARD , Alternator
	166642	3	• • SPARK PLUG
	237761	1	• • FLANGE, Water
	237762	1	• • THERMOSTAT
	136110	1	• • COVER, Thermostat
	236078	1	• • FAN, Cooling
	237764	1	• • COLLAR, Fan
	136112	1	• • PULLEY, Fan
	220382	1	• • PULLEY, Fan drive
	136114	1	• • BELT, Fan
	237765	1	• • SWITCH, Oil
	237766	1	• • MANUAL, Operator's - WG972
	166645	1	• • SENSOR, O2
	136118	1	• • FILTER, Fuel
	158923	1	• • VAPORIZER
	237766	1	• • VALVE, 2 way
	166647	1	• • MUFFLER, Cat

4.10 Engine - Kubota WG972



M215241AF

239430AAA

132

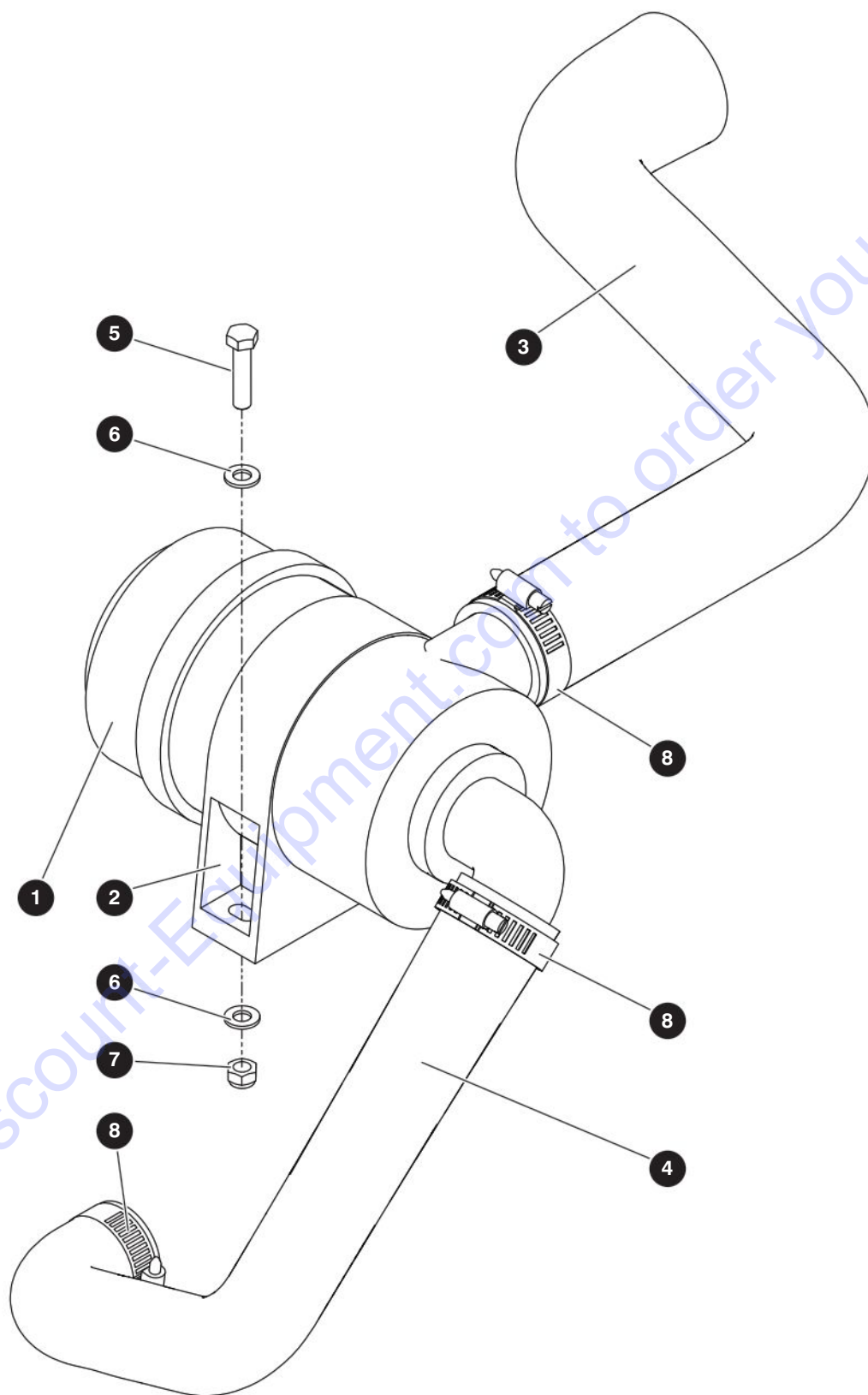
SJ9664 RT

SKYJACK

4.10 Engine - Kubota WG972

Index No.	Skyjack Part No.	Qty.	Description
	166648	2	• • GASKET, Exhaust
	237768	1	• • COVER, Muffler
	237769	1	• • COVER, Muffler flange
	237770	1	• • HOSE, Water
	237771	2	• • CLAMP, Hose
	237772	1	• • RADIATOR
2	158920	1	• CANISTER, Evaporative
3	147142	1	• RESERVOIR, Coolant
4	222072	1	• BRACKET, Overflow tank
5	222043	1	• SUPPORT, Evaporative
6	222070	1	• BRACKET, Evaporative canister
7	147634	4	• MOUNT, Engine vibration control
8	165927	3	• MOUNT, Vibration damping
9	215173	2	• BRACKET, Engine mount (FR RL) (shown)
10	215174	2	• BRACKET, Engine mount (FL RR) (not shown)
11	222074	1	• HOSE, Radiator outlet
12	222073	1	• HOSE, Radiator inlet
13	217278	4	• BOLT, Hex head (M12 x 1.5 x 85, cl 8.8)
14	212939	4	• WASHER (0.536 ID x 2.004 OD x 0.172)
15	217619	4	• NUT, Torque lock (M12 x 1.75, cl 10)
16	933817	4	• WASHER, Flat (M12)
17	228454	10	• BOLT, Hex head (M10 x 1.25 x 25, cl 8.8)
18	933646	6	• BOLT, Hex head (M6 x 1 x 12, cl 8.8)
19	600190	7	• WASHER, Flat (M6)
20	800354	3	• NUT, Hex (M6 x 1.0)
21	600426	2	• WASHER, Flat (M12)
22	217586	2	• NUT, Hex (M12 x 1.75 x 25, gr 8.8)
23	152324	2	• BOLT, Hex head (M12 x 1.75 x 25, cl 8.8)
24	132497	2	• WASHER, Lock (M10)
25	121758	3	• WASHER, Lock (M6)
26	217392	1	• BOLT, Hex head (M6 x 1 x 16, cl 8.8)
27	116218	1	• WASHER, Lock (M8)
28	217401	1	• BOLT, Hex head (M8 x 1.25 x 16, cl 10.9)
29	130884	2	• WASHER, Lock (M10)
30	933658	2	• BOLT, Hex head (M10 x 1.5 x 30, gr 10.9)
31	133696	5	• CLAMP, Hose
32	220367	1	• TUBE, Beaded
33	217083	1	• SCREW, Socket head cap screw (M8 x 1.25 x 20, cl 12.9)

4.11 Air Intake - Kubota WG972



M222034AE-1

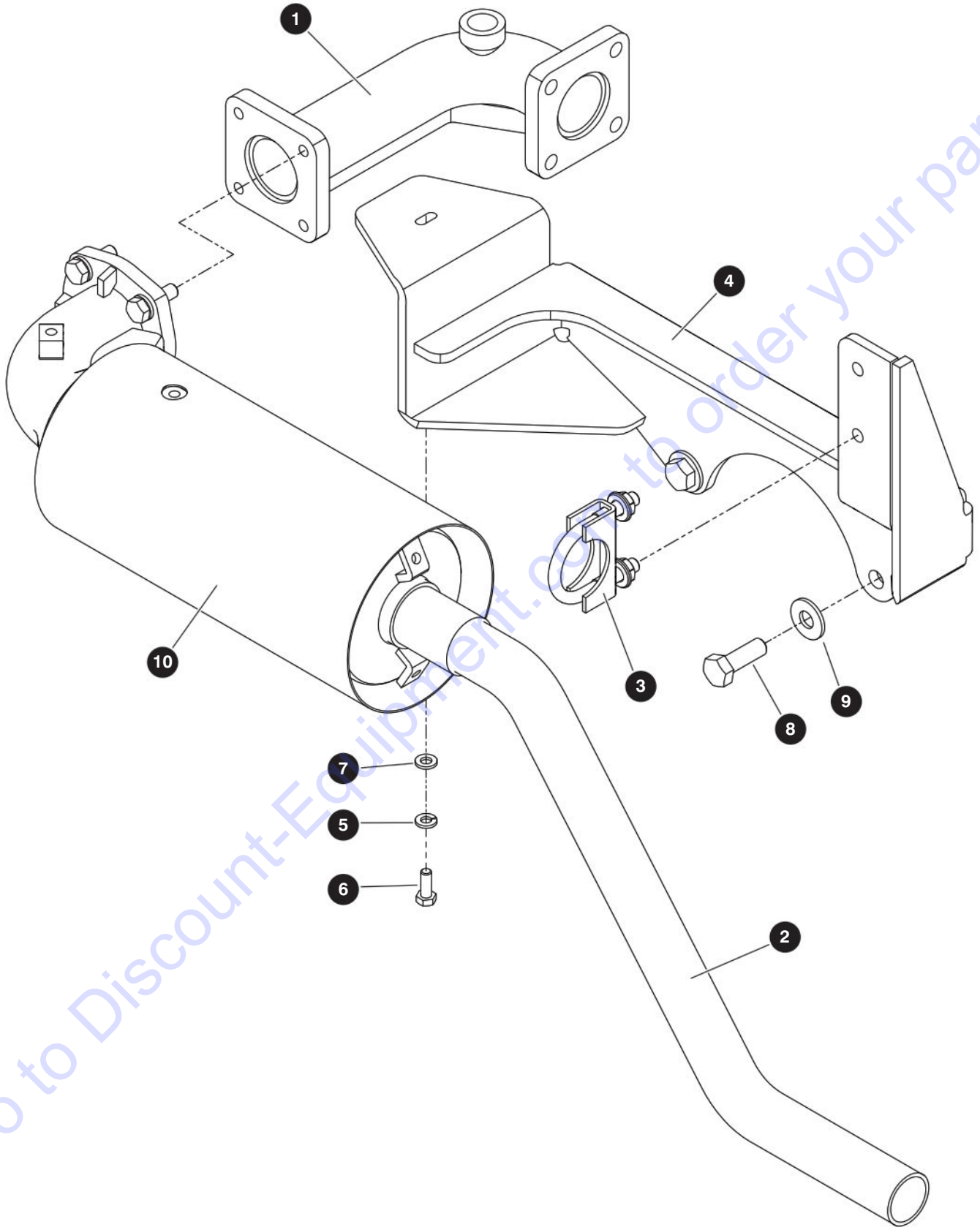
239430AAA

SJ9664 RT

4.11 Air Intake - Kubota WG972

Index No.	Skyjack Part No.	Qty.	Description
-	-	1	AIR INTAKE - Kubota WG972
1	128601	1	• AIR CLEANER
	133289	1	• • HOUSING, Filter
	132913	1	• • ELEMENT, Filter - air cleaner
2	128602	1	• BAND, Mounting - Air cleaner
3	215170	1	• TUBE, Air intake
4	220383	1	• HOSE, Air intake
5	217879	2	• BOLT, Hex head (M8 x 1.25 x 35, cl 10.9)
6	933832	4	• WASHER, Flat (M8)
7	223162	2	• NUT, Hex lock (M8 x 1.25, cl 10)
8	104528	3	• CLAMP, Hose (1-3/4")

4.12 Exhaust - Kubota WG972



M222034AE-2

239430AAA

136

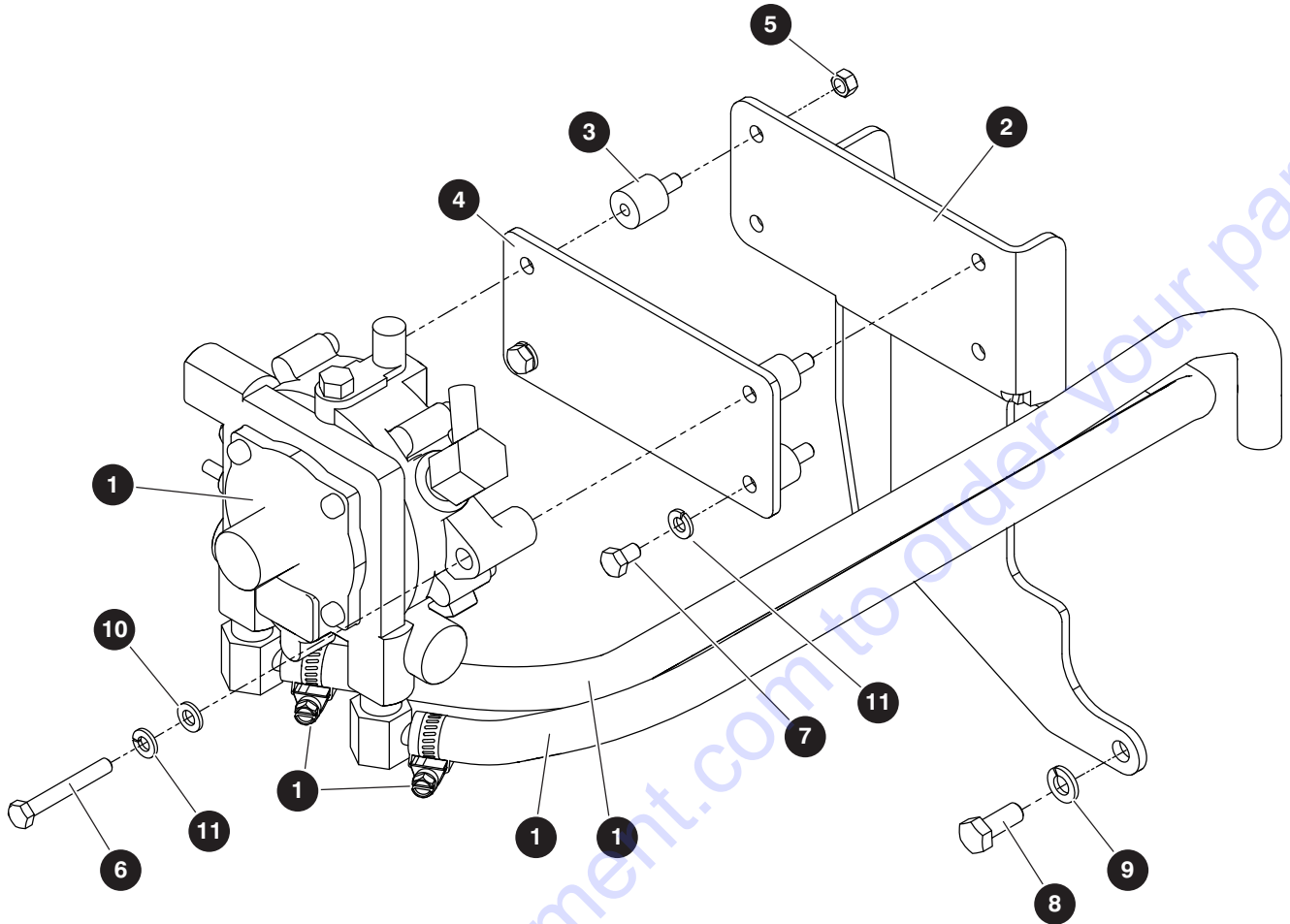
SJ9664 RT

SKYJACK

4.12 Exhaust - Kubota WG972

Index No.	Skyjack Part No.	Qty.	Description
-	-	1	EXHAUST - Kubota WG972
1	222057	1	• ADAPTER, Exhaust
2	215217	1	• TUBE, Exhaust
3	136969	1	• CLAMP, Exhaust - U Bolt (1¼")
4	232946	1	• BRACKET, Exhaust
5	121758	1	• WASHER, Lock (M6)
6	217870	1	• BOLT, Hex head (M6 x 1 x 16, cl 10.9)
7	600190	3	• WASHER, Flat (M6)
8	933658	2	• BOLT, Hex head (M10 x 1.5 x 30, cl 10.9)
9	600572	2	• WASHER, Flat (M10)
10	166647	1	• MUFFLER, Cat

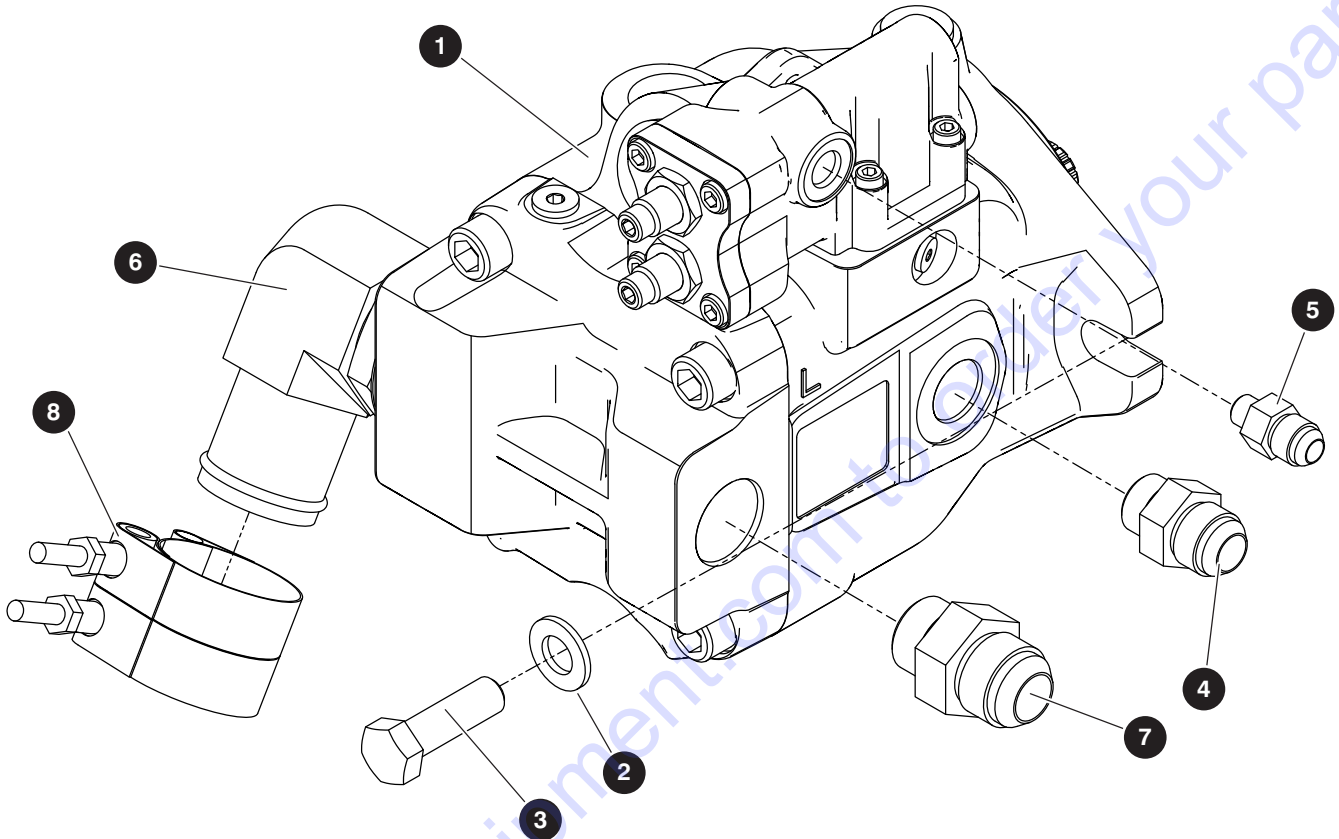
4.13 Regulator/Vaporizer - Kubota WG972



M222033AF

Index No.	Skyjack Part No.	Qty.	Description
1	158923	1	• REGULATOR/VAPORIZER
2	220439	1	• BRACKET, Vaporizer
3	165927	4	• MOUNT, Vibration damping
4	220412	1	• PLATE, Vaporizer mounting
5	217587	4	• NUT, Hex (M6 x 0.75, cl 8)
6	217398	2	• BOLT, Hex head (M6 x 1 x 45, cl 8.8)
7	600723	2	• BOLT, Hex head (M6 x 1 x 10, gr 8.8)
8	217876	2	• BOLT, Hex head (M8 x 1.25 x 20, gr 10.9)
9	116218	2	• WASHER, Lock (M8)
10	600190	3	• WASHER, Flat (M6)
11	121758	4	• WASHER, Lock (M6)
12	121758	1.44	• HOSE (3/8")
13	121758	1.7	• HOSE (3/8")
14	121758	2	• CLAMP, Gear

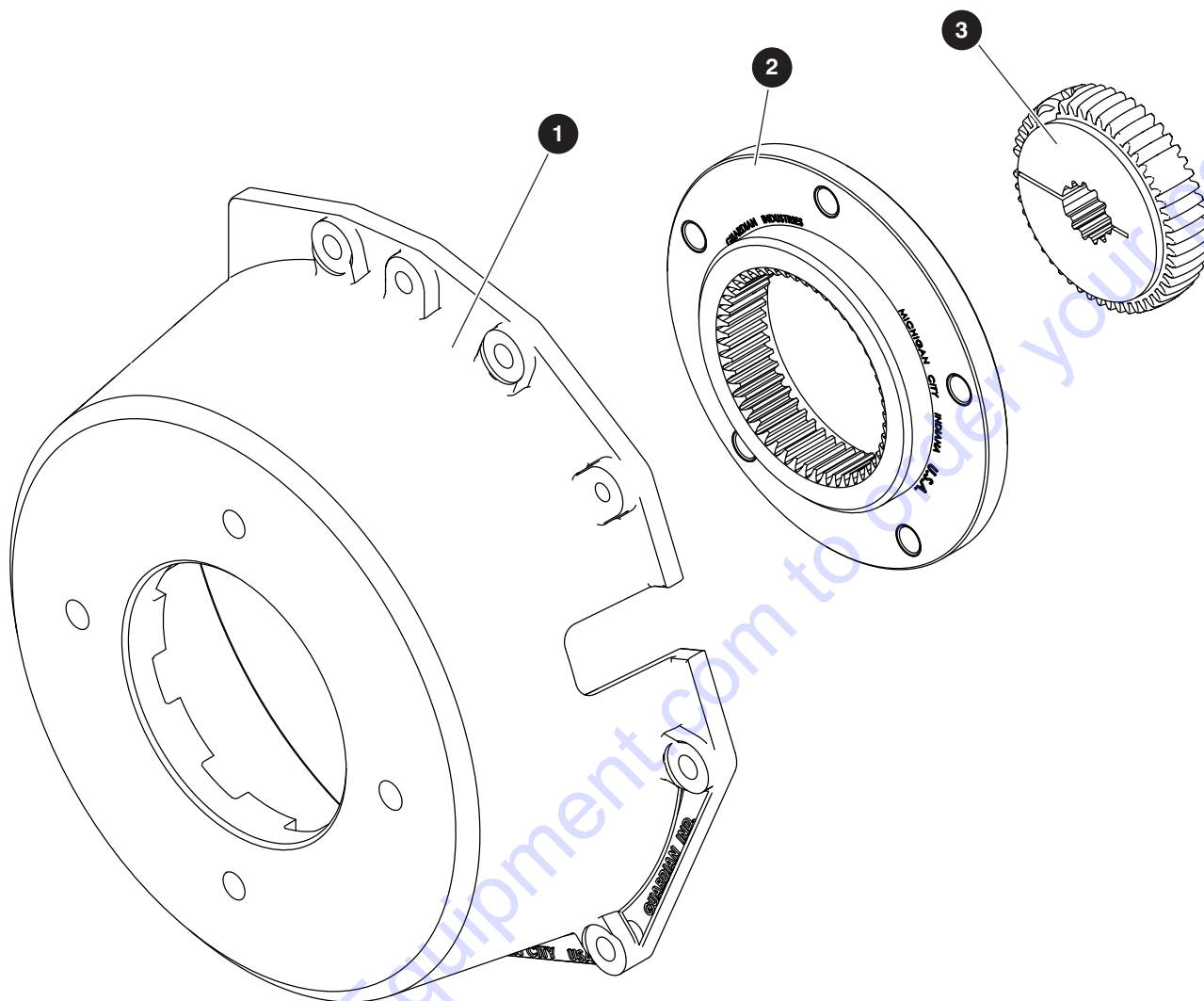
4.14 Pump - Kubota WG972



M222033AF

Index No.	Skyjack Part No.	Qty.	Description
-	-	1	PISTON PUMP, Kubota WG972
1	233000	1	• PUMP, Piston (28CC 4200 PSI)
2	933666	2	• BOLT, Hex head (M12 x 1.75 x 35, cl 10.9)
3	600426	2	• WASHER, Flat (M12)
4	128869	1	• FITTING, Straight (06JIC-04ORBM)
5	702118	1	• FITTING, Straight (12ORBM-12ORBM)
6	232938	1	• FITTING, 90° (24BEAD-20ORBM)
4	103071	1	• FITTING, Straight (08JIC-10ORBM)
8	190697	2	• CLAMP, T-Bolt (1.75 DIA - 2.00 DIA)

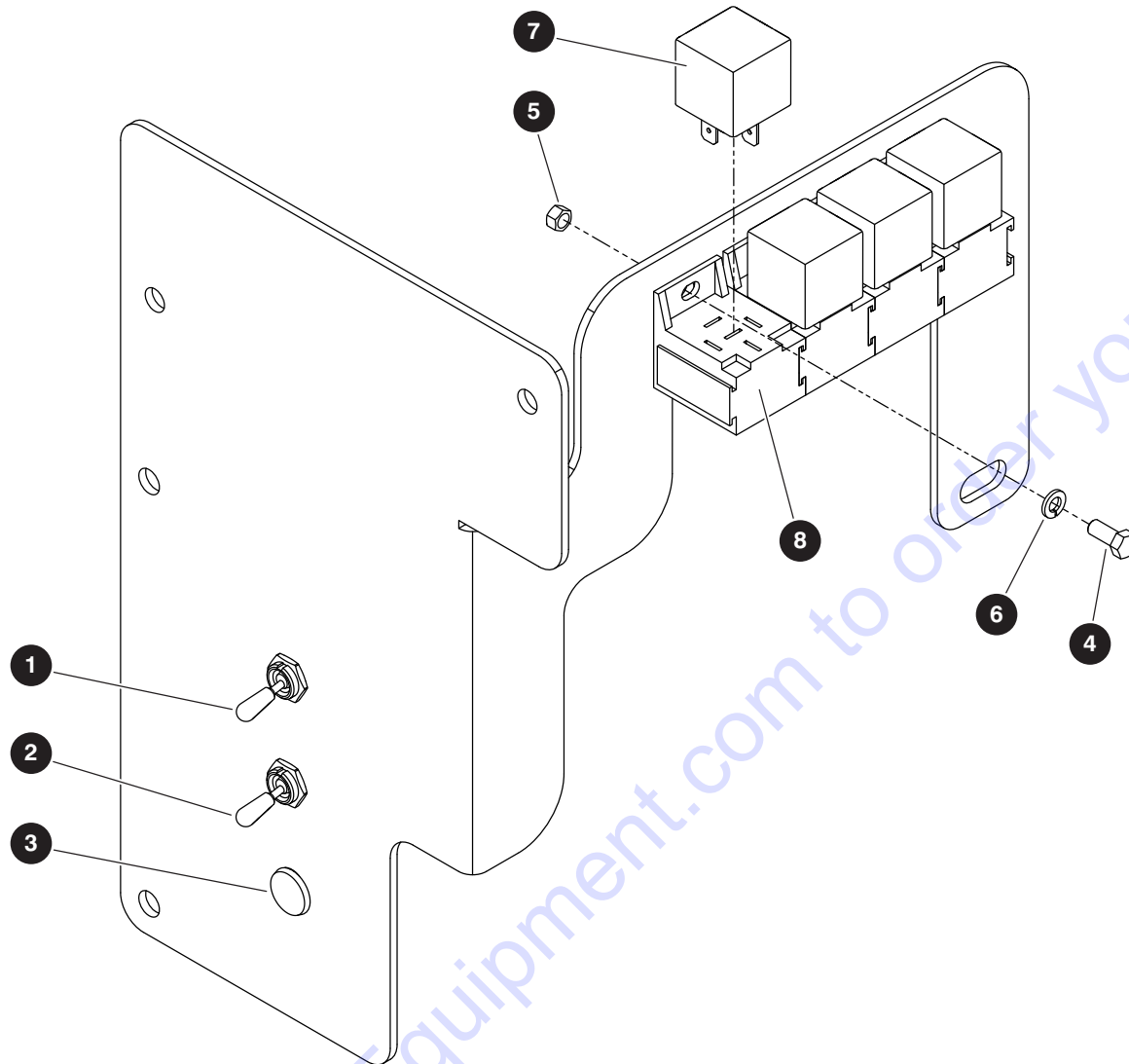
4.15 Bell Housing - Kubota WG972



M215016AF

Index No.	Skyjack Part No.	Qty.	Description
-	215016	1	BELL HOUSING - Kubota WG972
1	237355	1	• COVER
2	237356	1	• FLYWHEEL
3	237357	1	• HUB

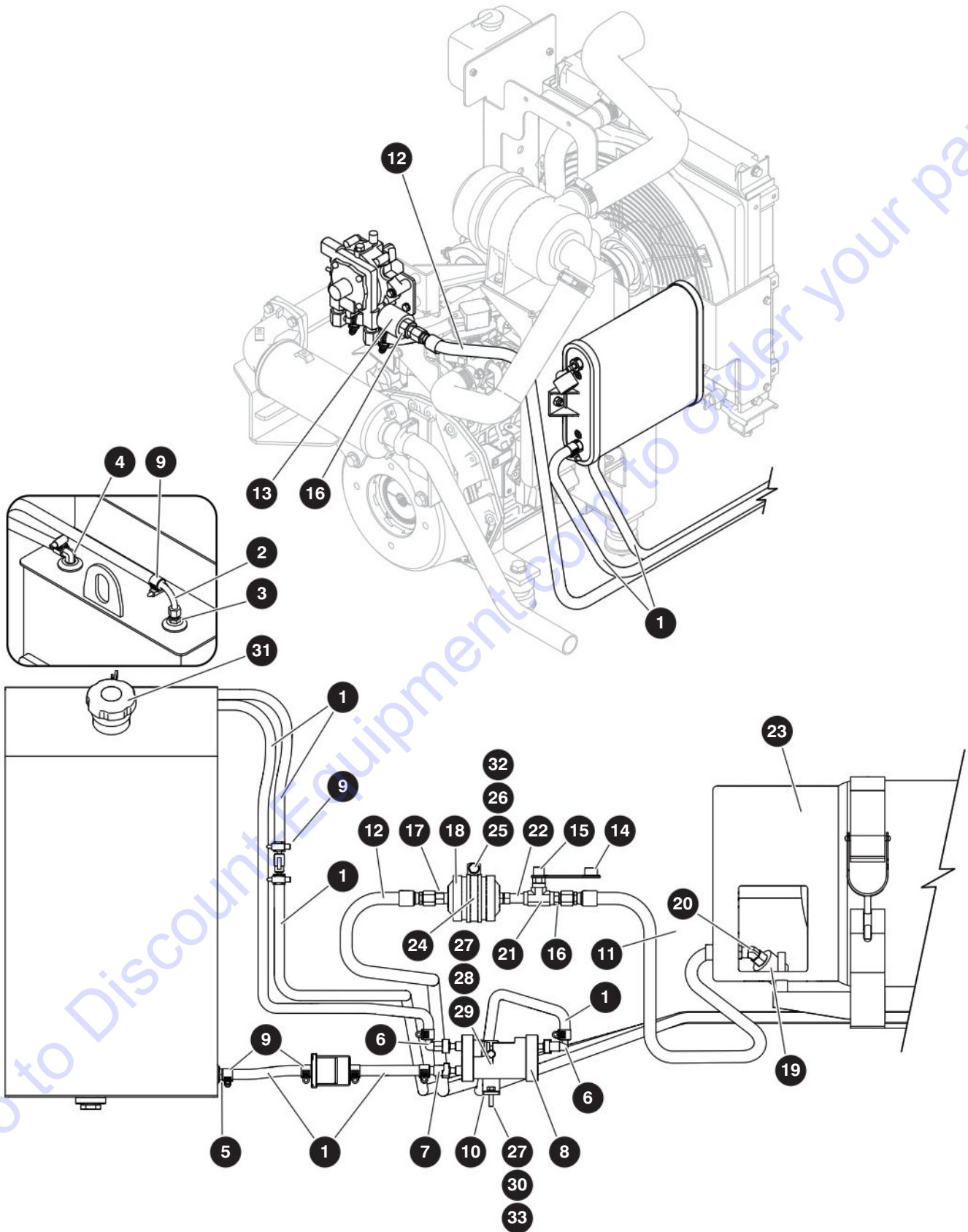
4.16 Electrical Components - Kubota WG972



M66811AA

Index No.	Skyjack Part No.	Qty.	Description
-	222035	1	ELECTRICAL COMPONENTS - Kubota WG972
1	115573	1	• SWITCH, Toggle 1TL1-8
2	115574	1	• SWITCH, Toggle 1NT1-2
3	133133	1	• INDICATOR, Light (12V)
4	228453	2	• BOLT, Hex head (M5 x 0.8 x 12, cl 8.8)
5	217576	2	• NUT, Hex (M5 x 0.8, cl 8)
6	228460	2	• WASHER, Lock (M5)
7	127131	4	• RELAY (12 V - 40 A)
8	138749	4	• SOCKET, Relay

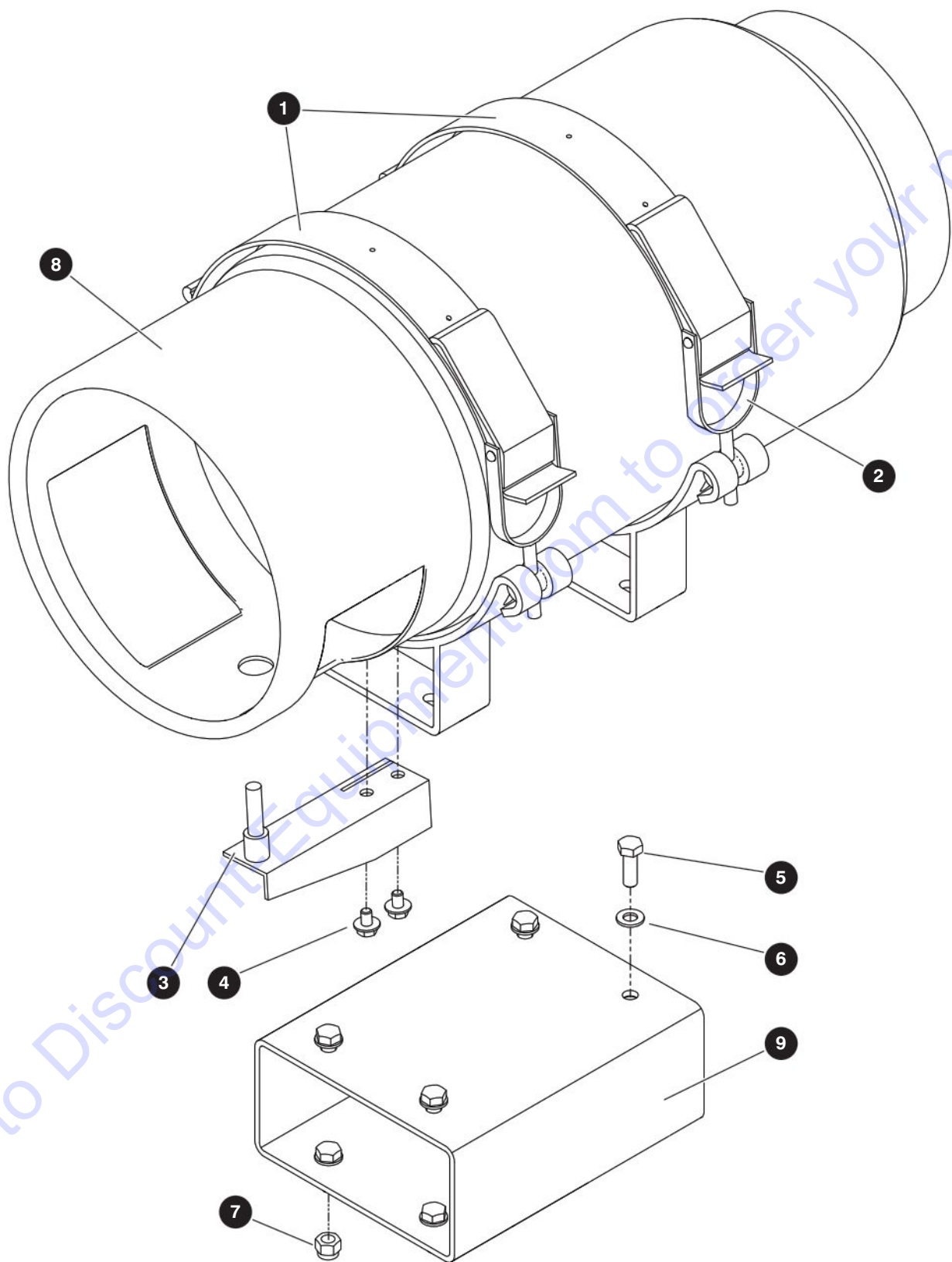
4.17 Fuel System - Kubota WG972



4.17 Fuel System - Kubota WG972

Index No.	Skyjack Part No.	Qty.	Description
-	215493	1	FUEL SYSTEM - Kubota WG972
-	220409	1	• FUEL LINES
1	142405	295"	• • LINE, Fuel
2	103155	1	• • FITTING, Tank
3	215499	1	• • TUBE, Gas - Send/Return
4	102907	1	• • FITTING, 90 Deg (5/16 - 1/4NPT)
5	166176	1	• • BARB, Hose (5/16 - 1/4NPT)
6	142398	2	• • QUICK CONNECT, Fuel - 90 Deg
7	142397	1	• • QUICK CONNECT, Fuel - Straight
8	163557	1	• • PUMP, Fuel
9	103321	12	• • CLAMP, Gear
10	222051	1	• BRACKET, Fuel pump
-	220410	1	• FUEL HOSES
11	103098	1	• • HOSE, Propane
12	133648	1	• • HOSE, Propane Fuel
13	125793	1	• • VALVE, Shut-Off - Propane
14	111622	1	• • CAP, Cap-Rain
15	300799	1	• • VALVE, Relief
16	103156	2	• • FITTING, Straight (06SAE45M - 04NPTM)
17	143477	1	• • FITTING, 45 Deg
18	142300	1	• • FILTER, LP
19	103006	1	• • COUPLING, Quick - tank (Female)
20	103159	1	• • FITTING, 45 Deg (06SAE45M - 04NPTM)
21	132919	1	• • FITTING, Fitting-Tee (04NPTF)
22	143478	1	• • FITTING,ipple (04NPTM-2 lg brass)
23	(Ref.)	1	• PROPANE TANK ASSEMBLY <i>(For components, refer to Section 4.18 Propane Tank - Kubota WG972)</i>
24	143987	1	• CLAMP, Loop (#40)
25	133869	1	• BOLT, Hex head (M8 x 1.25 x 25, cl 8.8)
26	600184	1	• WASHER, Flat (M8)
27	933834	2	• WASHER, Flat (M6)
28	223178	1	• NUT, Hex lock (M6 x 1, cl 10)
29	217226	1	• BOLT, Hex head (M6 x 1 x 50, cl 8.8)
30	933627	1	• BOLT, Hex head (M6 x 1 x 25, cl 8.8)
31	215468	1	• CAP, Filler - Non-Vented
32	116218	1	• WASHER, Lock (M8)
33	121758	1	• WASHER, Lock (M6)

4.18 Propane Tank - Kubota WG972



4.18 Propane Tank - Kubota WG972

Index No.	Skyjack Part No.	Qty.	Description
-	-	1	PROPANE TANK - Kubota WG972
-	144295	1	• MOUNTING KIT, Propane tank
1	221768	2	• • BRACKET, Tank
2	221769	2	• • LATCH
3	221770	1	• • PIN, Locating
4	221771	2	• • SCREW, Sem
5	933658	8	• BOLT, Hex head (M10 x 1.5 x 30, cl 10.9)
6	933833	8	• WASHER, Flat (M10)
7	933697	8	• NUT, Hex lock (M10 x 1.5)
8	145976	1	• TANK Propane
9	231684	1	• SPACER, Propane tank

Section 5 – Electrical Harnesses

5.1 *Kubota D1305 Engine Harness*

5.2 *Fuse Box - Kubota D1305*

5.3 *Kubota WG972 Engine Harness*

5.4 *Positive Air Shut Off Harness*

5.5 *Fuel Pump Harness*

5.6 *ECU Power Harness*

5.7 *Control A Harness*

5.8 *Control B Harness*

5.9 *Base Control Cable*

5.10 *Drive Manifold Harness*

5.11 *Outrigger Manifold Harness*

5.12 *Outrigger Control Harness*

5.13 *Holding Valve Harnesses*

5.14 *Scissor Harness*

5.15 *Machine Controller Harness*

5.16 *CANBUS Harness*

5.17 *Angle Transducer/Beeper/Flashing Light Harness*

5.18 *Load Cell Module Harness*

5.19 *Load Cell Module Power Harness*

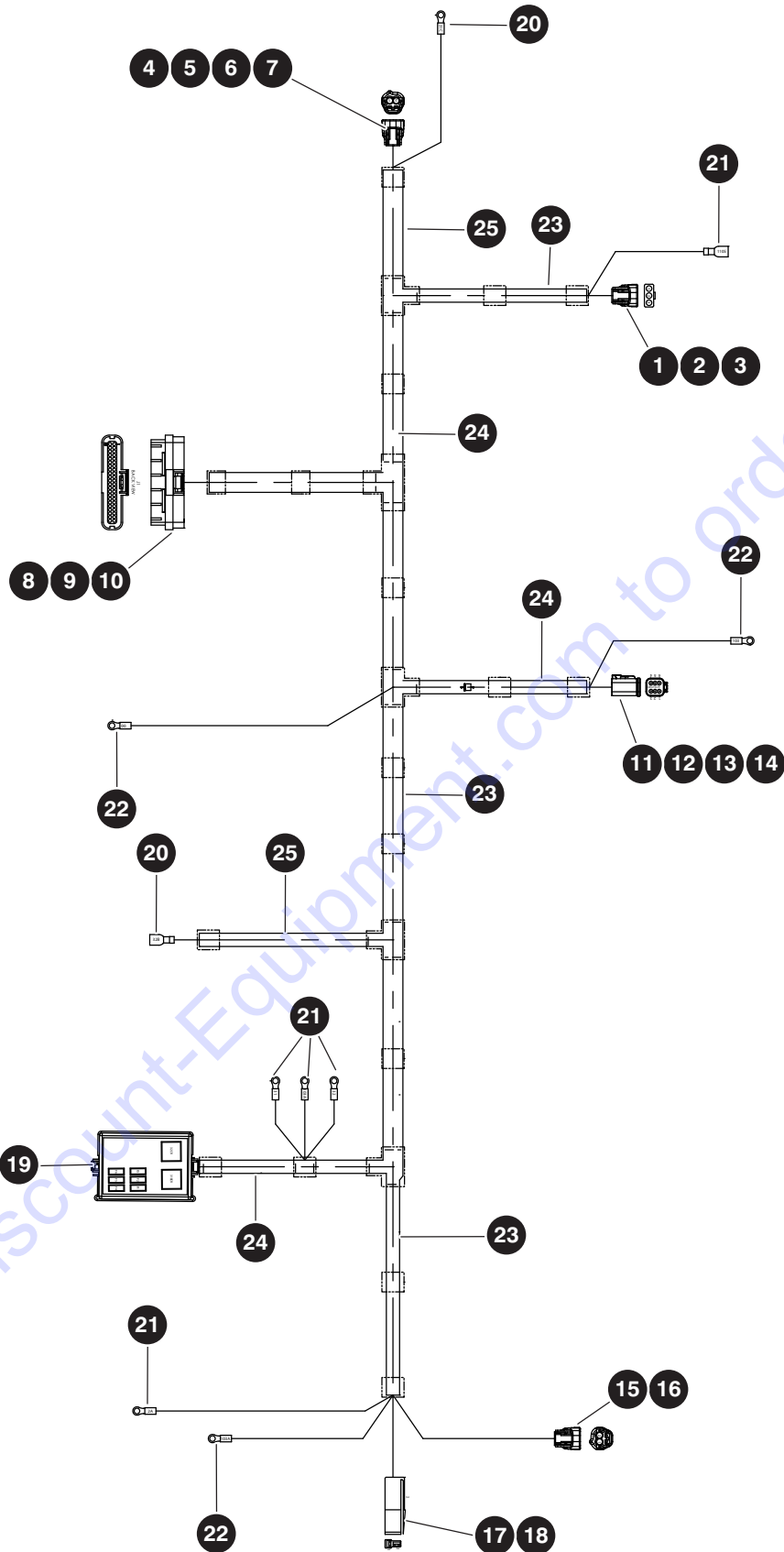
5.20 *Load Cell Module CAN Harness*

5.21 *Platform Harness*

5.22 *Generator and Oil Cooler Harness*

5.23 *Generator Control Harness*

5.1 Kubota D1305 Engine Harness



M215856AE

239430AAA

SJ9664 RT

PARTS FINDER

**Search Website
by Part Number**



**Search Manual
Library For Parts
Manual & Lookup Part
Numbers – Purchase
or Request Quote**

Search Manuals

Enter your information to help us find the right parts manual for your machine.

* Brand:

* Model:

* Serial:

* Part Number:

SEARCH

**Can't Find Part or
Manual? Request Help
by Manufacturer,
Model & Description**

Parts Order Form

Please fill in the following information to help us find the right part for your machine.

Manufacturer:	<input type="text"/>
Model:	<input type="text"/>
Description:	<input type="text"/>
Part Number:	<input type="text"/>
Quantity:	<input type="text"/>
Notes:	<input type="text"/>

Submit

Discount-Equipment.com is your online resource for quality parts & equipment.

Florida: **561-964-4949** Outside Florida TOLL FREE: **877-690-3101**

Need parts?

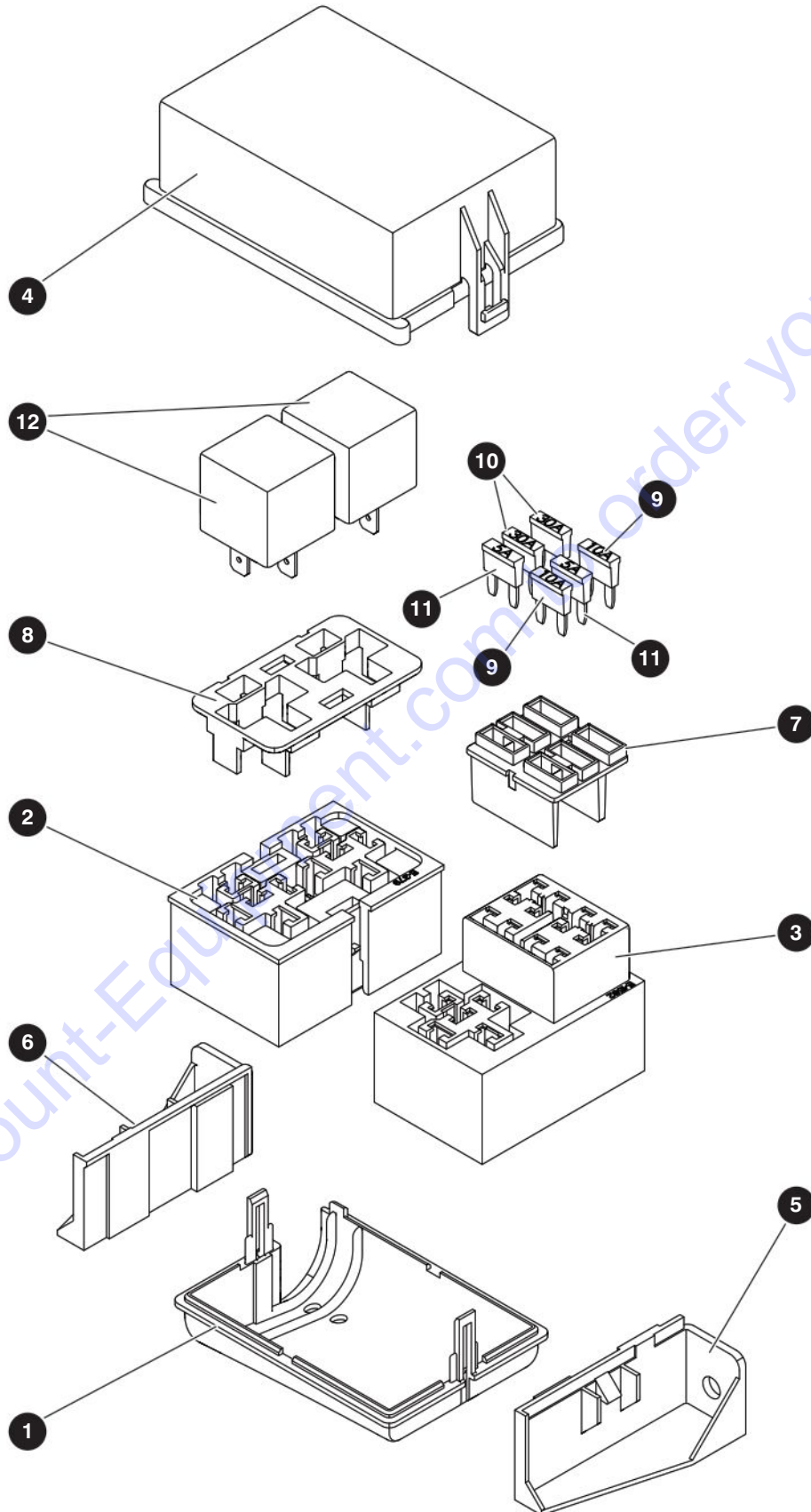
Click on this link: <http://www.discount-equipment.com/category/5443-parts/> and choose one of the options to help get the right parts and equipment you are looking for. Please have the machine model and serial number available in order to help us get you the correct parts. If you don't find the part on the website or on one of the online manuals, please fill out the request form and one of our experienced staff members will get back to you with a quote for the right part that your machine needs.

We sell worldwide for the brands: Genie, Terex, JLG, MultiQuip, Mikasa, Essick, Whiteman, Mayco, Toro Stone, Diamond Products, Generac Magnum, Airman, Haulotte, Barreto, Power Blanket, Nifty Lift, Atlas Copco, Chicago Pneumatic, Allmand, Miller Curber, Skyjack, Lull, Skytrak, Tsurumi, Husquvarna Target, Stow, Wacker, Sakai, Mi-T-M, Sullair, Basic, Dynapac, MBW, Weber, Bartell, Bennar Newman, Haulotte, Ditch Runner, Menegotti, Morrison, Contec, Buddy, Crown, Edco, Wyco, Bomag, Laymor, EZ Trench, Bil-Jax, F.S. Curtis, Gehl Pavers, Heli, Honda, ICS/PowerGrit, IHI, Partner, Imer, Clipper, MMD, Koshin, Rice, CH&E, General Equipment, Amida, Coleman, NAC, Gradall, Square Shooter, Kent, Stanley, Tamco, Toku, Hatz, Kohler, Robin, Wisconsin, Northrock, Oztec, Toker TK, Rol-Air, APT, Wylie, Ingersoll Rand / Doosan, Innovatech, Con X, Ammann, Mecalac, Makinex, Smith Surface Prep, Small Line, Wanco, Yanmar

5.1 Kubota D1305 Engine Harness

Index No.	Skyjack Part No.	Qty.	Description
-	215856	1	KUBOTA D1305 ENGINE HARNESS
1	215850	1	• CONNECTOR, 2 Pole - automotive
2	215852	2	• CONTACT, Female - automotive
3	215853	2	• SEAL, Wire - automotive
4	215864	1	• CONNECTOR, 3 Pole - automotive
5	215866	3	• CONTACT, Female - automotive
6	215867	3	• SEAL, Wire - automotive
7	215865	1	• CONNECTOR, Rear holder
8	215868	1	• CONNECTOR, 44 position - ECU
9	215869	21	• CONTACT, Female - ECU
10	215870	23	• PLUG, Wire - ECU
11	204108	1	• CONNECTOR, Receptacle (6 PIN)
12	204107	1	• CONNECTOR, Receptacle - wedge (6 PIN)
13	117592	5	• CONNECTOR, Contact (PIN 14 - 16)
14	117594	1	• CONNECTOR, Sealing plug
15	215871	1	• CONNECTOR, 2 Pole - automotive
16	215872	2	• CONTACT, Female - automotive
17	215874	1	• CONNECTOR, 2 Pole - alternator
18	215875	2	• CONTACT, Female - alternator
19	215849	1	• FUSEBOX
20	105359	2	• TERMINAL, Female (14 - 16 GA)
21	216788	5	• TERMINAL, Ring (18 - 22 GA)
22	102940	3	• TERMINAL, Ring (10 - 12 GA)
23	103090	56"	• PROTECTOR, Wire (3/4" ID)
24	120748	92"	• PROTECTOR, Wire (1/2" ID)
25	111354	78"	• PROTECTOR, Wire (3/8" ID)

5.2 Fuse Box - Kubota D1305



M215849AB

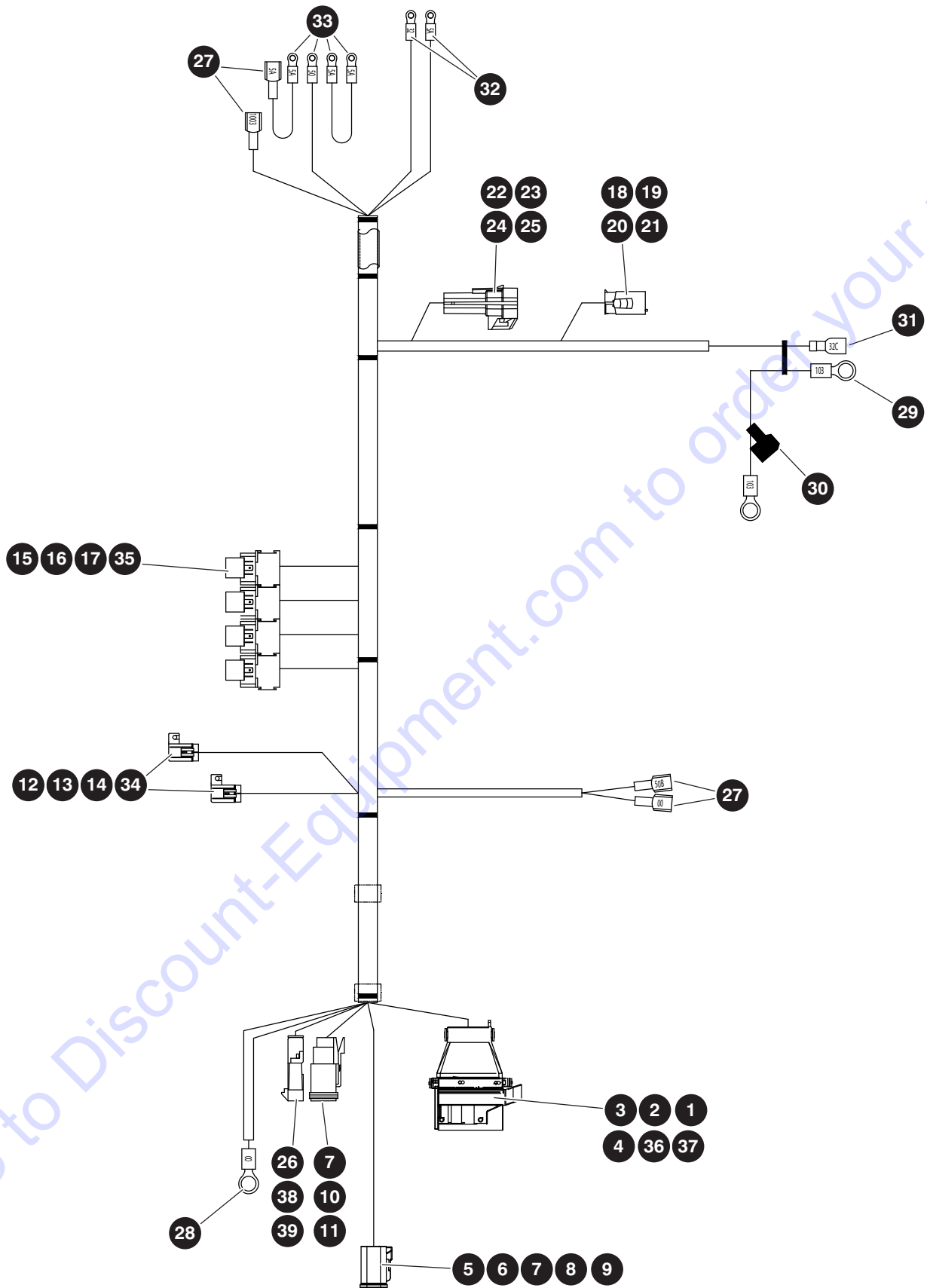
239430AAA

SJ9664 RT

5.2 Fuse Box - Kubota D1305

Index No.	Skyjack Part No.	Qty.	Description
-	215849	1	FUSE BOX - Kubota D1305
1	198654	1	• COVER, Fuse box - bottom
2	198646	1	• BLOCK, Fuse box - dual ISO relay
3	198647	1	• BLOCK, Fuse box - ISO relay, 6 fuses
4	198651	1	• COVER, Fuse box - top
5	198652	1	• BRACKET, Fuse box - RH
6	198653	1	• BRACKET, Fuse box - LH
7	198649	1	• SPACER, Half module - mini fuse
8	198650	1	• SPACER, ISO relay
9	170626	2	• FUSE, ATM - 10A
10	198727	2	• FUSE, ATM - 30A
11	198725	2	• FUSE, ATM - 5A
12	127131	2	• RELAY, 12V 40 AMP
13	198655	1	• TERMINAL, Female - ISO relay (10/12 AWG) (not shown)
14	198657	4	• TERMINAL, Female - ISO relay (14/16 AWG) (not shown)
15	198658	3	• TERMINAL, Female - ISO relay (18/20 AWG) (not shown)
16	198662	4	• TERMINAL, Female - mini fuse (18/20 AWG) (not shown)
17	198661	8	• TERMINAL, Female - mini fuse (14/16 AWG) (not shown)

5.3 Kubota WG972 Engine Harness



M222189AC

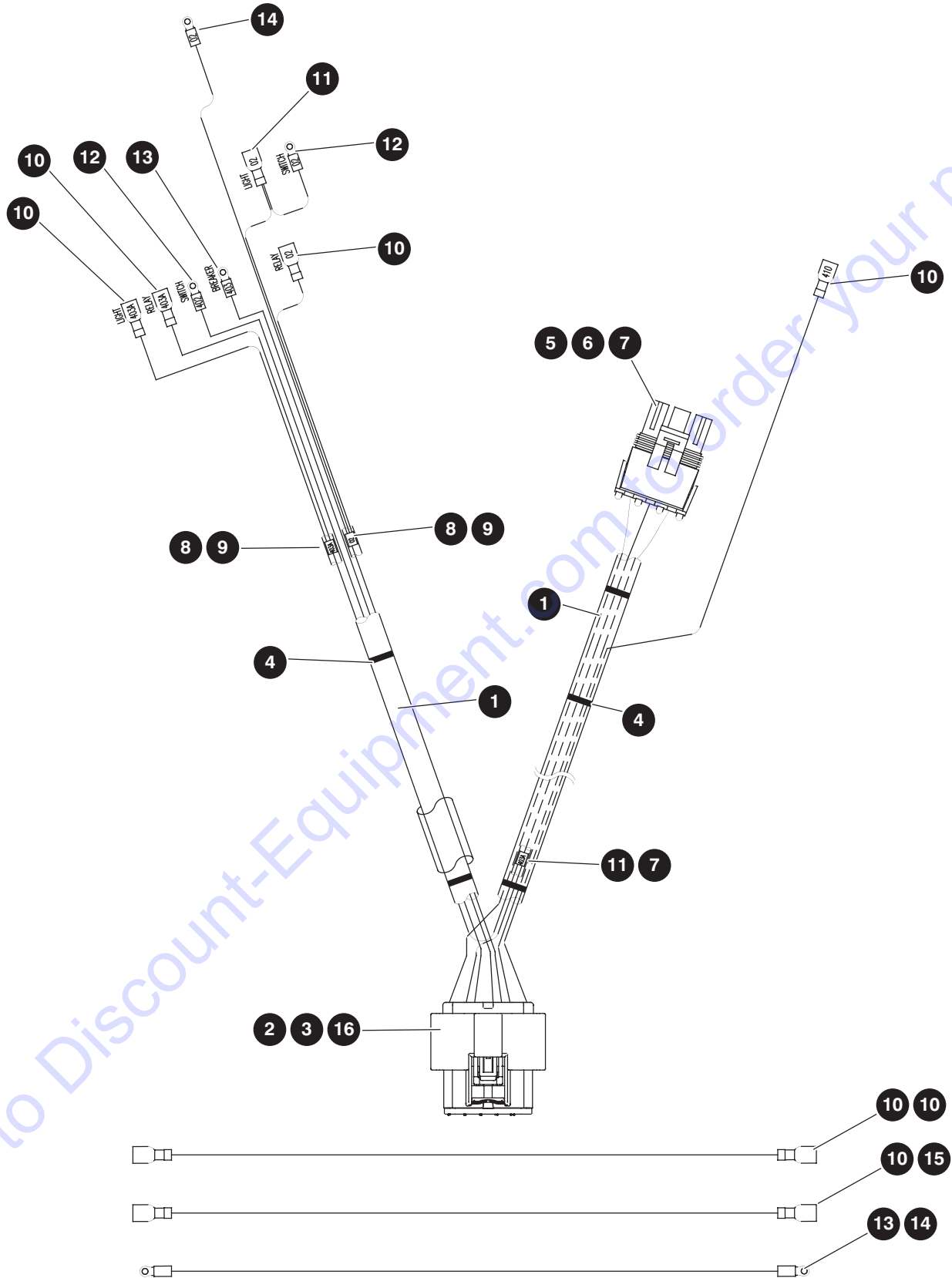
239430AAA

SJ9664 RT

5.3 Kubota WG972 Engine Harness

Index No.	Skyjack Part No.	Qty.	Description
-	222189	1	KUBOTA WG972 ENGINE HARNESS
1	163675	1	• CONNECTOR (42M)
2	163676	8	• TERMINAL, Female (18 - 20 GA)
3	156173	2	• TERMINAL, Female (2.5 - 1.5 mm2)
4	156174	11	• TERMINAL, Female (1.0 - 0.5 mm2)
5	158476	1	• CONNECTOR, Plug (6 PIN)
6	158477	1	• CONNECTOR, Plug - wedge (6 PIN)
7	117591	6	• CONNECTOR, Contact socket (16 - 18)
8	117593	1	• CONNECTOR, Contact socket (14 - 16)
9	117594	1	• CONNECTOR, Sealing plug
10	117597	1	• CONNECTOR, Plug (2 PIN)
11	117599	1	• CONNECTOR, Plug - wedge (2 PIN)
12	157850	2	• CONNECTOR, 2F Fuse holder
13	157851	4	• TERMINAL, Female (2.5 - 1.5 mm2)
14	156117	2	• COVER, Inline autofuse
15	138749	4	• SOCKET, Relay - automotive
16	126808	12	• TERMINAL, Female (14 - 18 GA)
17	163677	4	• TERMINAL, Female (12 - 16 GA)
18	141581	1	• CONNECTOR, 3 way socket
19	141582	1	• TERMINAL, Female (1.25 - 0.5 mm2)
20	142183	1	• SEAL, Wire (2.7 - 1.8 mm)
21	156167	2	• PLUG, Cavity
22	166481	1	• CONNECTOR (4M)
23	163679	1	• TPA (4W)
24	163680	4	• TERMINAL, Male (0.8 - 0.5 mm2)
25	156146	4	• SEAL, Wire (2.9 - 2.0 mm)
26	156106	1	• CONNECTOR (1M)
27	114595	3	• TERMINAL, Female (18 - 22 AWG)
28	108172	1	• TERMINAL, Ring (10 - 12 GA x 3/8")
29	238222	1	• WIRE ASSEMBLY, Fuse link
30	117696	1	• TERMINAL, Boot
31	105359	1	• TERMINAL, Female (14 - 16 GA)
32	102955	2	• TERMINAL, Ring (14 - 16 GA)
33	119749	4	• TERMINAL, Ring (22 - 18 AWG)
34	156202	2	• FUSE (5A)
35	127131	4	• RELAY (12 V, 40 A)
36	166583	1	• BACKSHELL
37	166584	1	• SEAL, Inner
38	156116	1	• TERMINAL, Male (3.0 - 2.0 mm2)
39	157868	1	• SEAL, Wire (4.3 - 3.5 mm)

5.4 Positive Air Shut Off Harness



M220366AA

239430AAA

154

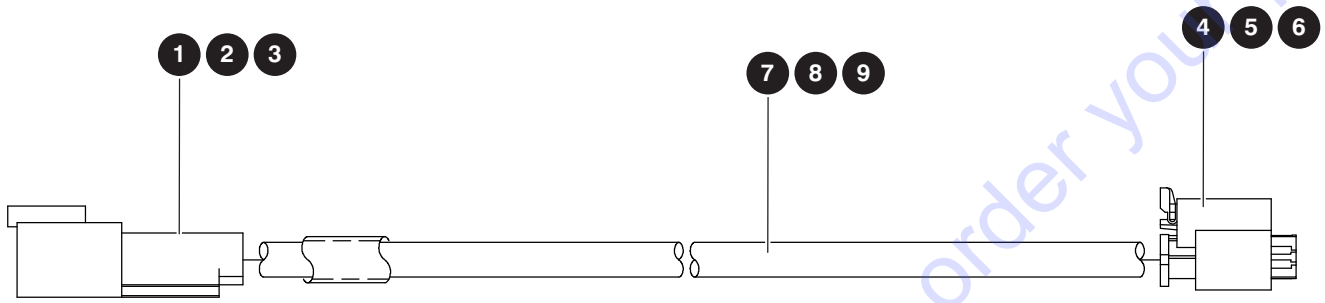
SJ9664 RT

SKYJACK

5.4 Positive Air Shut Off Harness

Index No.	Skyjack Part No.	Qty.	Description
-	220366	1	POSITIVE AIR SHUT OFF HARNESS
1	111354	27	• PROTECTOR, Wire (3/8")
2	171900	1	• PLUG, Connector (10 way)
3	171901	7	• CONTACT, Connector - female
4	113719	6	• TIEWRAP, Long (3.9)
5	156114	1	• CONNECTOR, 3F
6	156138	3	• TERMINAL, Female
7	124369	3	• SEAL, Wire
8	119431	3	• SPLICE, non insulated
9	120356	4.5	• HEATSHRINK, (3/16)
10	105359	8	• TERMINAL, Female (14-16 GA)
11	105568	1	• TERMINAL, (12-10 GA)
12	102955	2	• TERMINAL, Ring (14 -16 GA) #6
13	102936	1	• TERMINAL, Ring (14 -16 GA) #10
14	102941	2	• TERMINAL, Ring (0.38)
15	105360	1	• TERMINAL, Male (14 -16 GA)
16	167722	3	• PLUG, Cavity

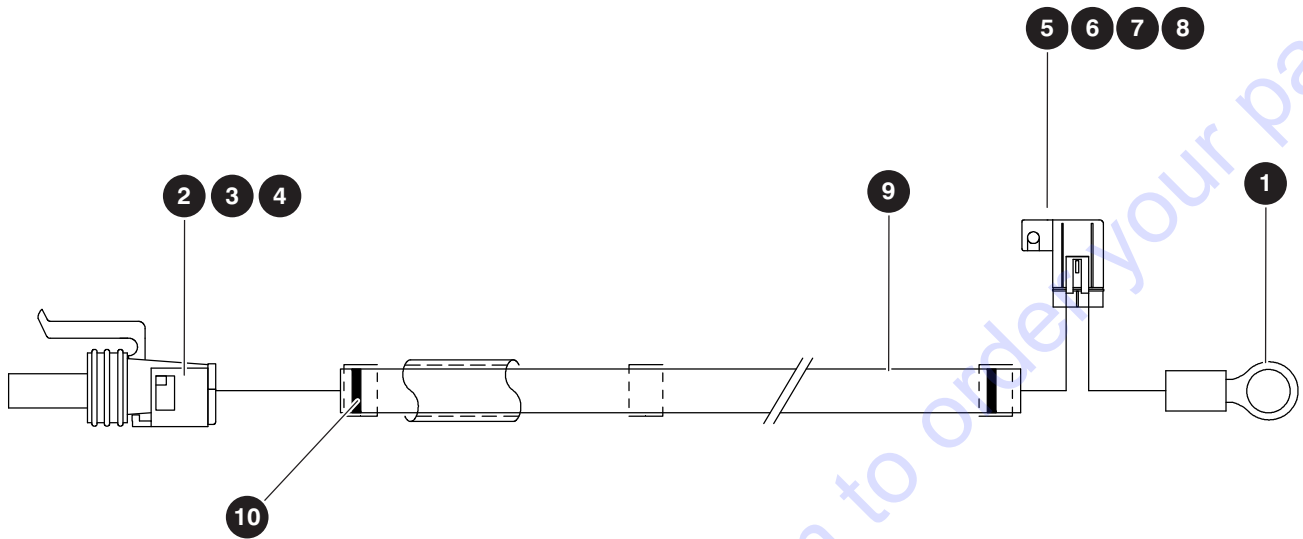
5.5 Fuel Pump Harness



M166628AC

Index No.	Skyjack Part No.	Qty.	Description
-	166628	1	FUEL PUMP HARNESS
1	117596	1	• CONNECTOR, Receptacle (2 PIN)
2	117590	2	• CONNECTOR, Contact pin (16 - 18 GA)
3	117598	1	• CONNECTOR, Receptacle - wedge (2 PIN)
4	166625	1	• CONNECTOR, Female
5	166626	2	• SEAL, Wire
6	166627	2	• TERMINAL, Female
7	164615	169"	• WIRE, Black (18 AWG, 16 - 30)
8	164617	169"	• WIRE, White (18 AWG, 16 - 30)
9	124399	169"	• PROTECTOR, Wire (1/4")

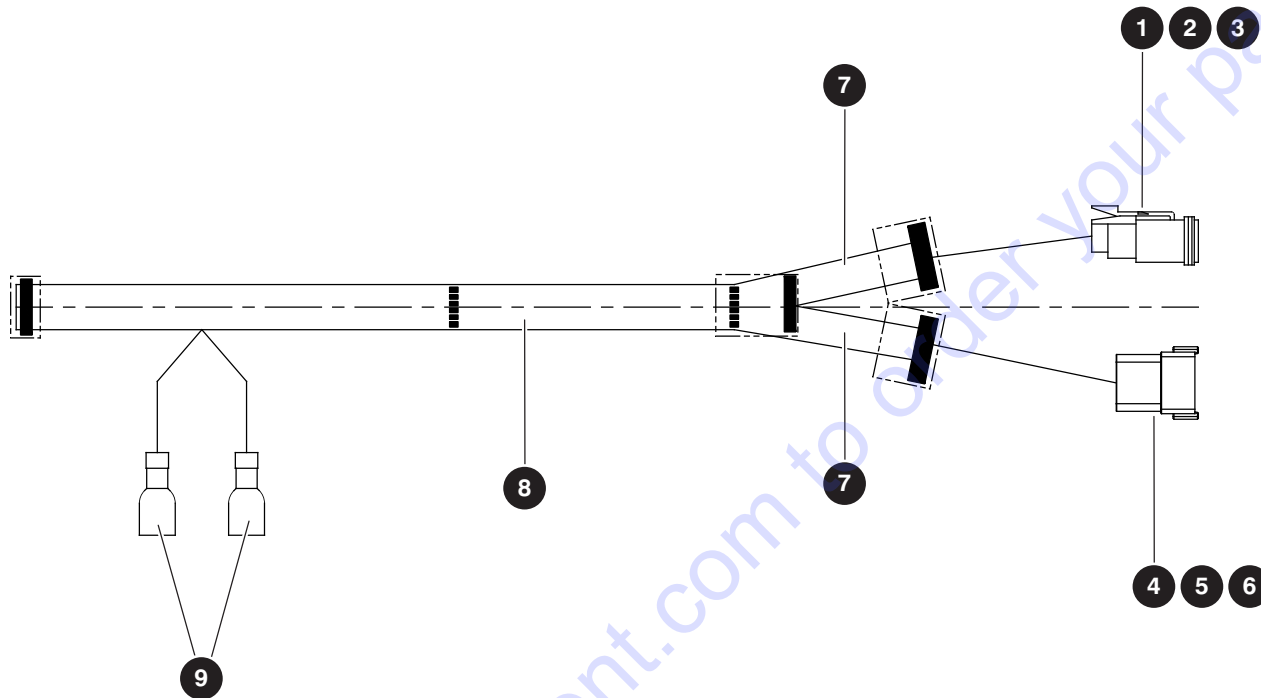
5.6 ECU Power Harness



M166776AA

Index No.	Skyjack Part No.	Qty.	Description
-	166776	1	ECU POWER HARNESS
1	108172	1	• TERMINAL, Ring (10 - 12 GA, 3/8")
2	156108	1	• CONNECTOR, Female
3	156138	1	• TERMINAL, Female
4	157868	1	• SEAL, Wire
5	156127	1	• CONNECTOR, Female - Fuse holder
6	156118	2	• TERMINAL, Female
7	156117	1	• COVER, Inline autofuse
8	156164	1	• FUSE (30 A)
9	124399	183"	• PROTECTOR, Wire (1/4")
10	113719	2	• TIEWRAP (3 - 5/8")

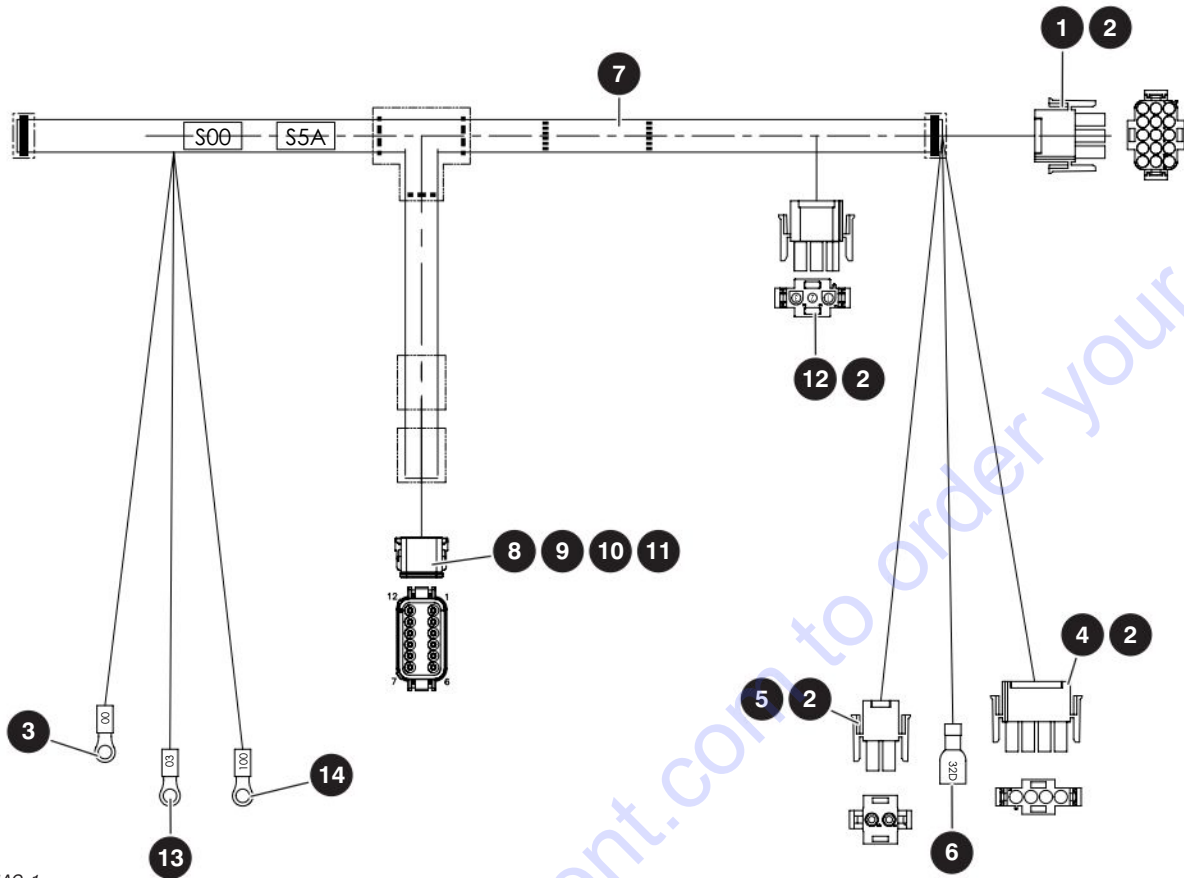
5.7 Control A Harness



M215830AE-1

Index No.	Skyjack Part No.	Qty.	Description
-	215830	1	CONTROL A HARNESS
1	117587	1	• CONNECTOR, Plug (12 PIN)
2	117589	1	• CONNECTOR, Plug - Wedge (12 PIN)
3	117593	12	• CONNECTOR, Contact socket female (14 - 16)
4	117586	1	• CONNECTOR, Receptacle (12 PIN)
5	117588	1	• CONNECTOR, Receptacle - Wedge (12 PIN)
6	117592	12	• CONNECTOR, Contact pin male (14 - 16)
7	120748	100"	• PROTECTOR, Wire (1/2" ID)
8	103090	890"	• PROTECTOR, Wire (3/4" ID)
9	105359	2	• TERMINAL, Female (14 - 16 GA)

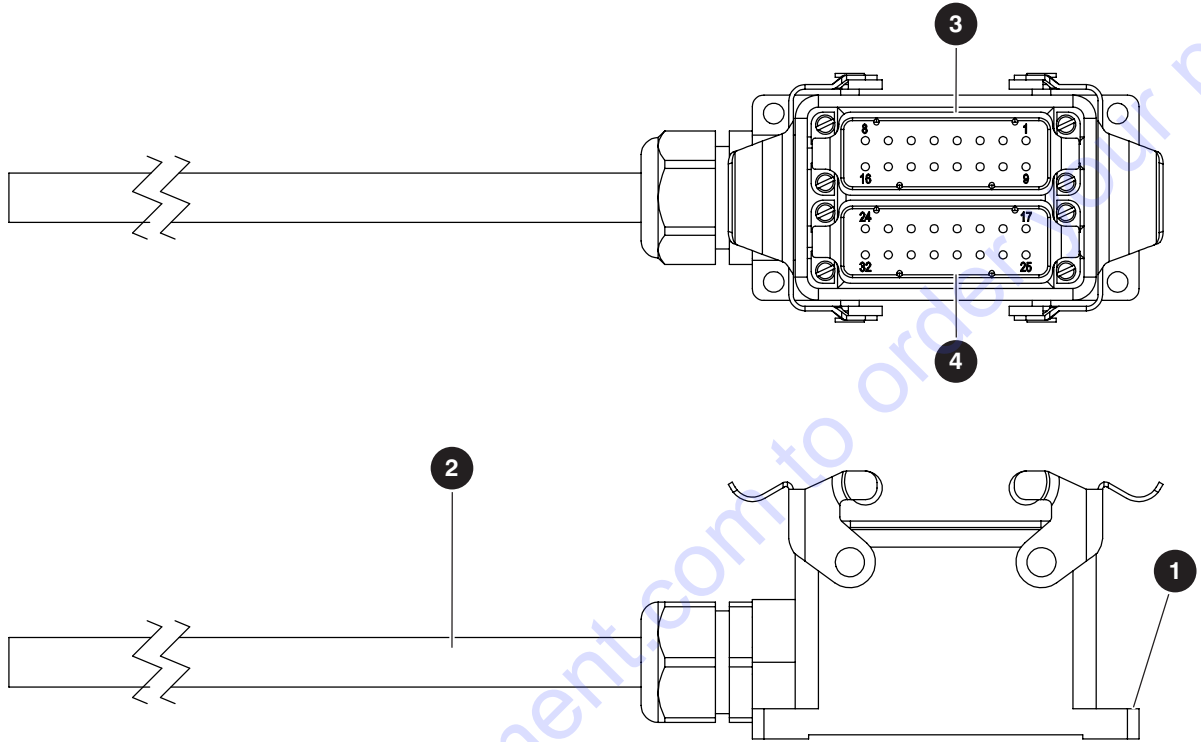
5.8 Control B Harness



M215831AC_1

Index No.	Skyjack Part No.	Qty.	Description
-	215831	1	CONTROL B HARNESS
1	116994	1	• HOUSING, 15 Pole plug male
2	116990	23	• PIN, Female wire
3	102940	2	• TERMINAL, Ring female (10 - 12 GA)
4	130448	1	• HOUSING, 4 Pole plug male
5	116992	1	• HOUSING, 2 Pole plug male
6	105359	1	• TERMINAL, Female (14-16 GA)
7	103090	37.5	• PROTECTOR, Wire (3/4" ID)
8	220611	1	• CONNECTOR, DTM06 12S
9	220612	1	• CONNECTOR, DTM06 Wedge
10	220613	6	• CONNECTOR, Contact socket
11	156152	6	• PLUG, Sealing
12	130446	1	• HOUSING, 3 Pole plug
13	108171	1	• TERMINAL, Ring (10-12 GA)
14	108172	1	• TERMINAL, Ring (10-12 GA) - 3/8"

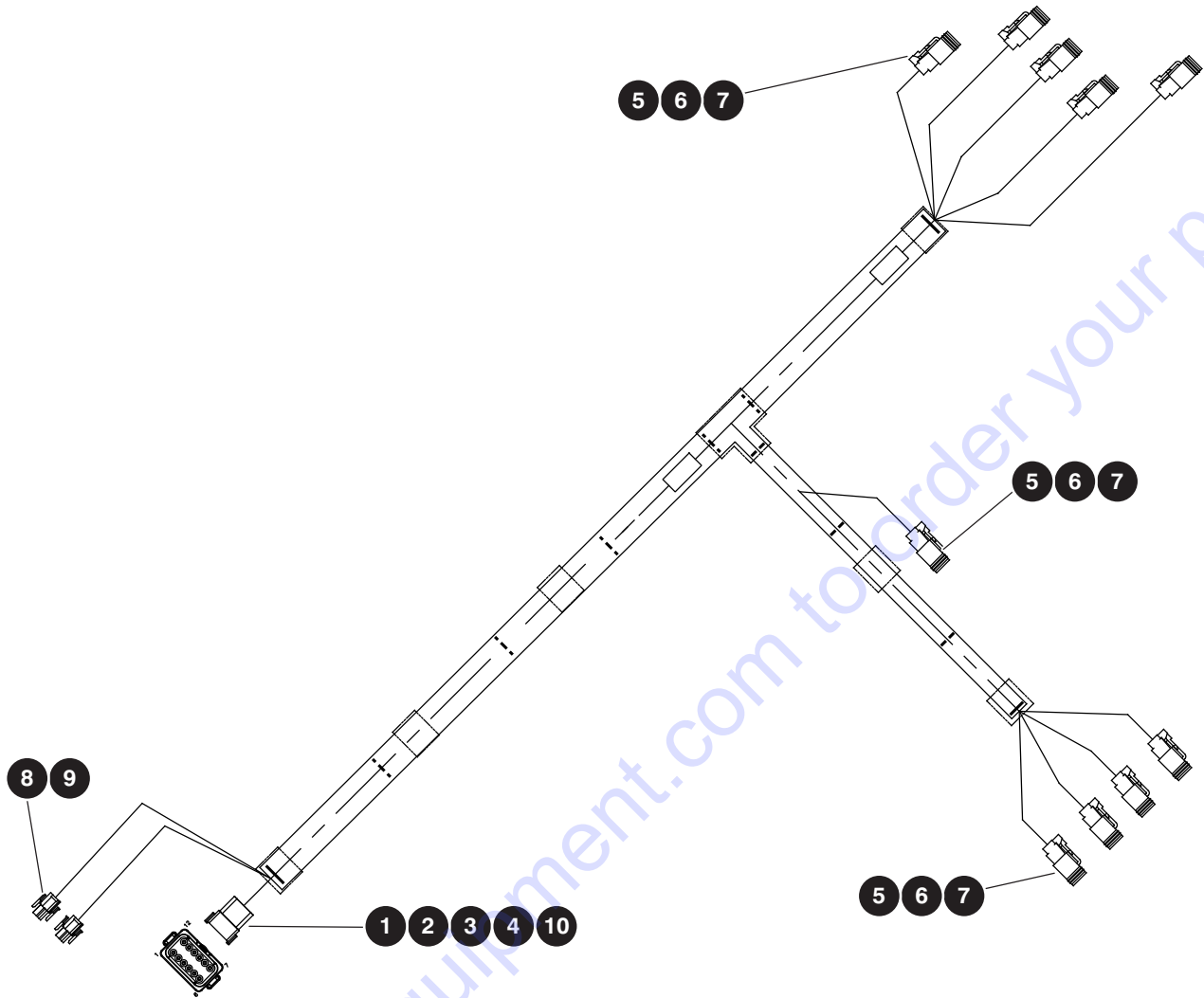
5.9 Base Control Cable



M215889AC

Index No.	Skyjack Part No.	Qty.	Description
-	215889	1	BASE CONTROL CABLE
1	114465	1	• HOUSING (32 PIN)
2	157878	4365"	• BRAID (1/4" - 3/4")
3	114469	1	• INSERT, Male (1 - 16)
4	114470	1	• INSERT, Male (17 - 32)

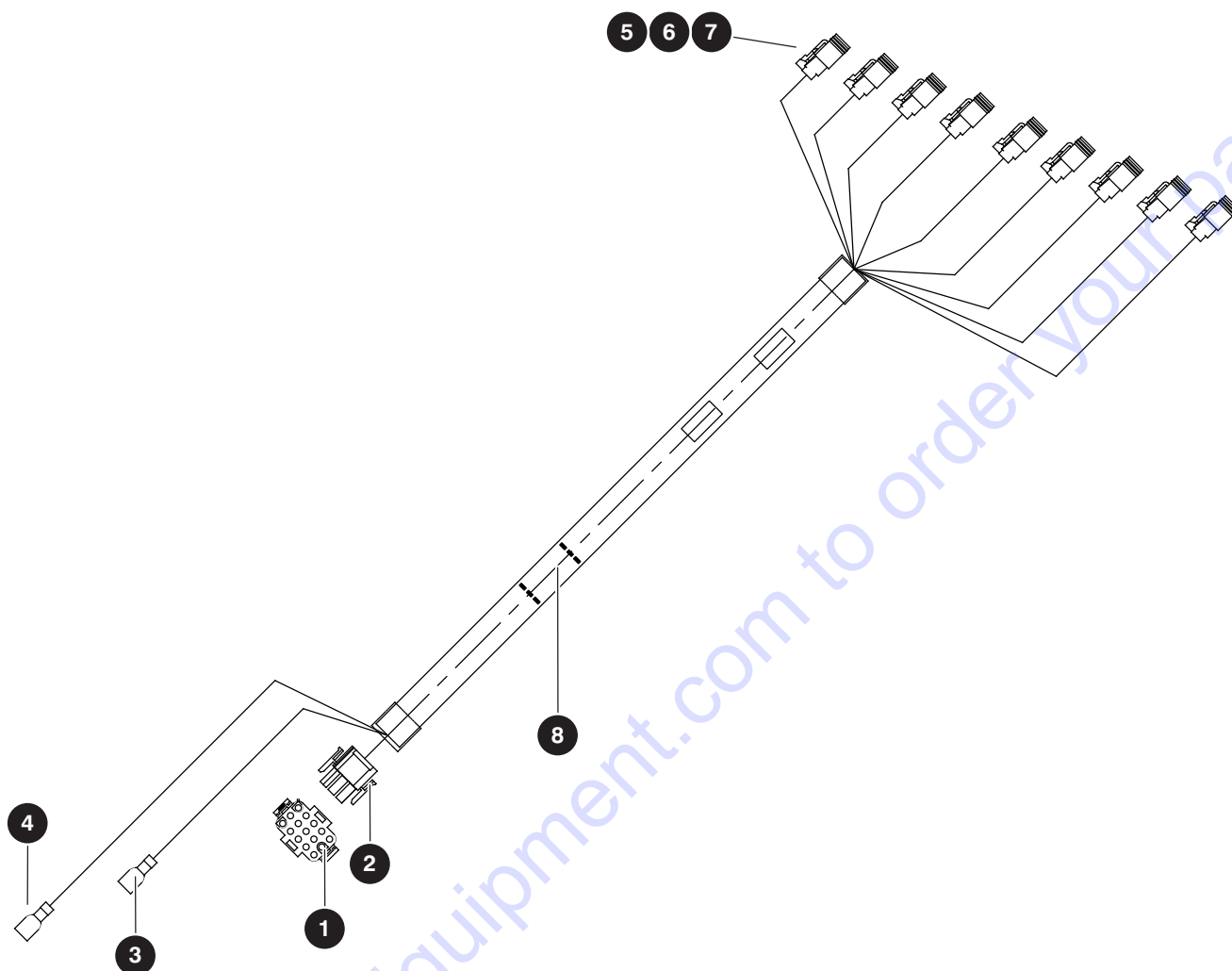
5.10 Drive Manifold Harness



M238632AA

Index No.	Skyjack Part No.	Qty.	Description
-	238632	1	DRIVE MANIFOLD HARNESS
1	117586	1	• CONNECTOR, Receptacle (12 PIN)
2	117588	1	• CONNECTOR, Receptacle - wedge (12 PIN)
3	117590	8	• CONNECTOR, Contact (PIN 16 - 18)
4	117594	2	• CONNECTOR, Sealing plug
5	117597	11	• CONNECTOR, Plug (2 PIN)
6	117599	11	• CONNECTOR, Plug - wedge (2 PIN)
7	117591	22	• CONNECTOR, Contact socket (16 - 18)
8	116992	2	• HOUSING, 2 Pole plug male
9	116990	4	• PIN, Female wire
10	117592	2	• CONNECTOR, Contact pin (14-16)

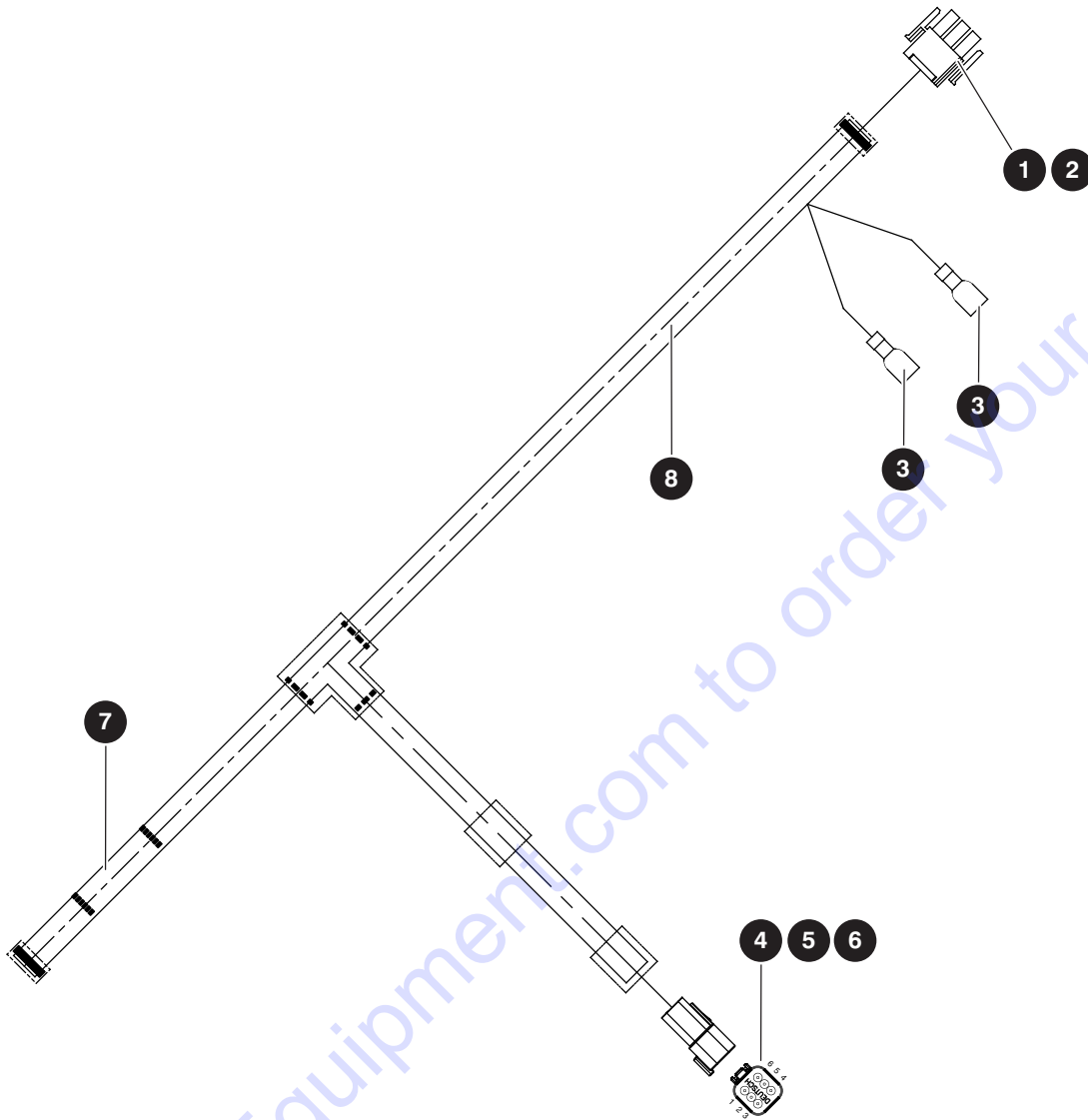
5.11 Outrigger Manifold Harness



M222195AA-1

Index No.	Skyjack Part No.	Qty.	Description
-	222195	1	OUTRIGGER MANIFOLD HARNESS
1	116994	1	• HOUSING, 15 pole plug male
2	116990	8	• PIN, Female wire
3	105359	1	• TERMINAL, Female (14 -16 GA)
4	105360	1	• TERMINAL, Male (14-16 GA x 1/4)
5	117597	9	• PLUG, Connector (2 pin)
6	117599	9	• PLUG, Connector - wedge (2 pin)
7	117591	18	• SOCKET, Connector - contact
8	120748	210 cm	• PROTECTOR, Wire

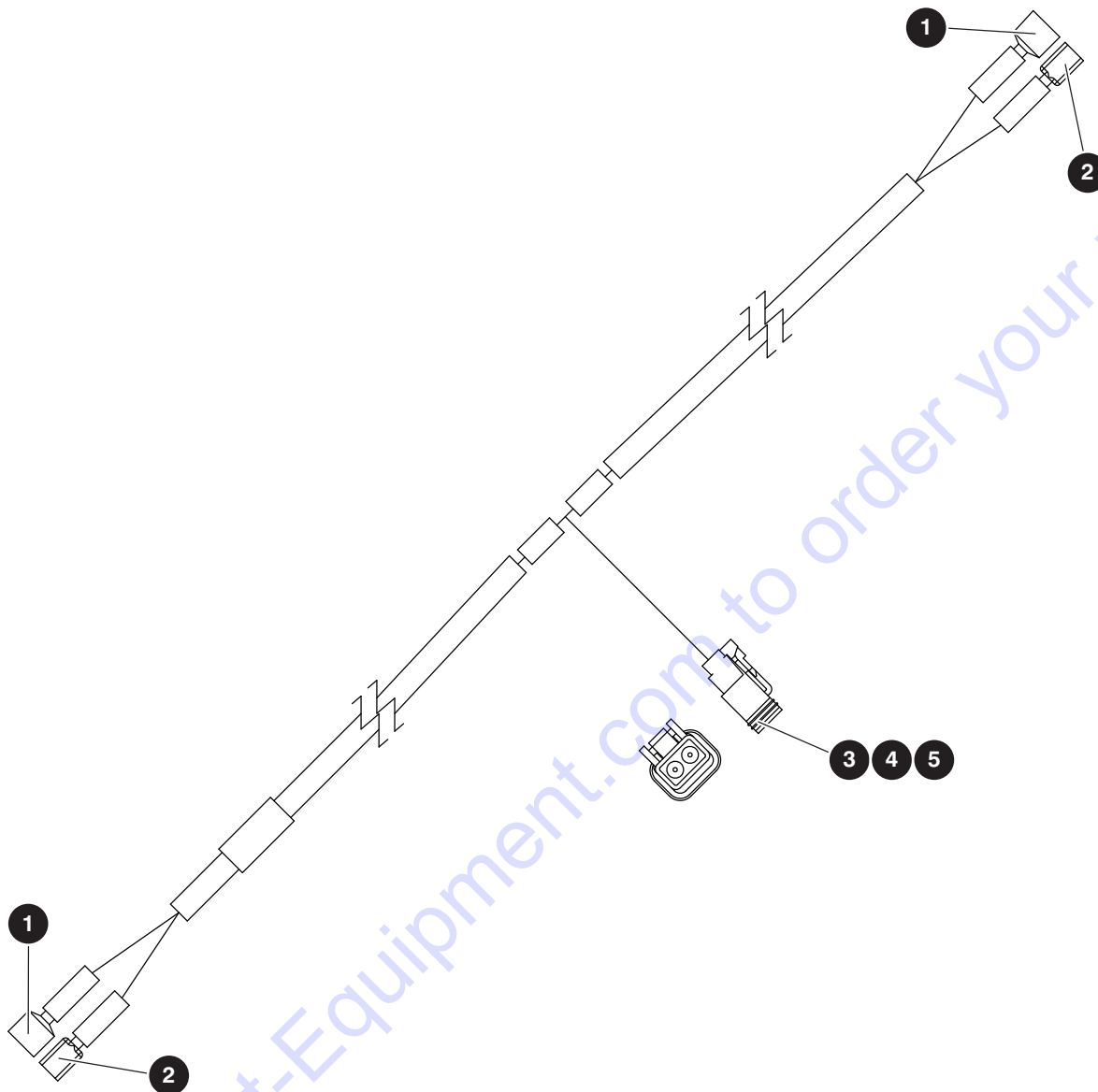
5.12 Outrigger Control Harness



M215890AB-1

Index No.	Skyjack Part No.	Qty.	Description
-	215890	1	OUTRIGGER CONTROL HARNESS
1	130449	1	• HOUSING, 12 Pole plug male
2	116990	9	• PIN, Female wire
3	105359	1	• TERMINAL, Ring female (14 - 16 GA)
4	204108	1	• CONNECTOR, Receptacle (6 PIN)
5	204107	1	• CONNECTOR, Receptacle - Wedge (6 PIN)
6	117590	6	• CONNECTOR, Contact pin (16 - 18)
7	103090	950"	• PROTECTOR, Wire (3/4" ID)
8	120748	250"	• PROTECTOR, Wire (3/4" ID)

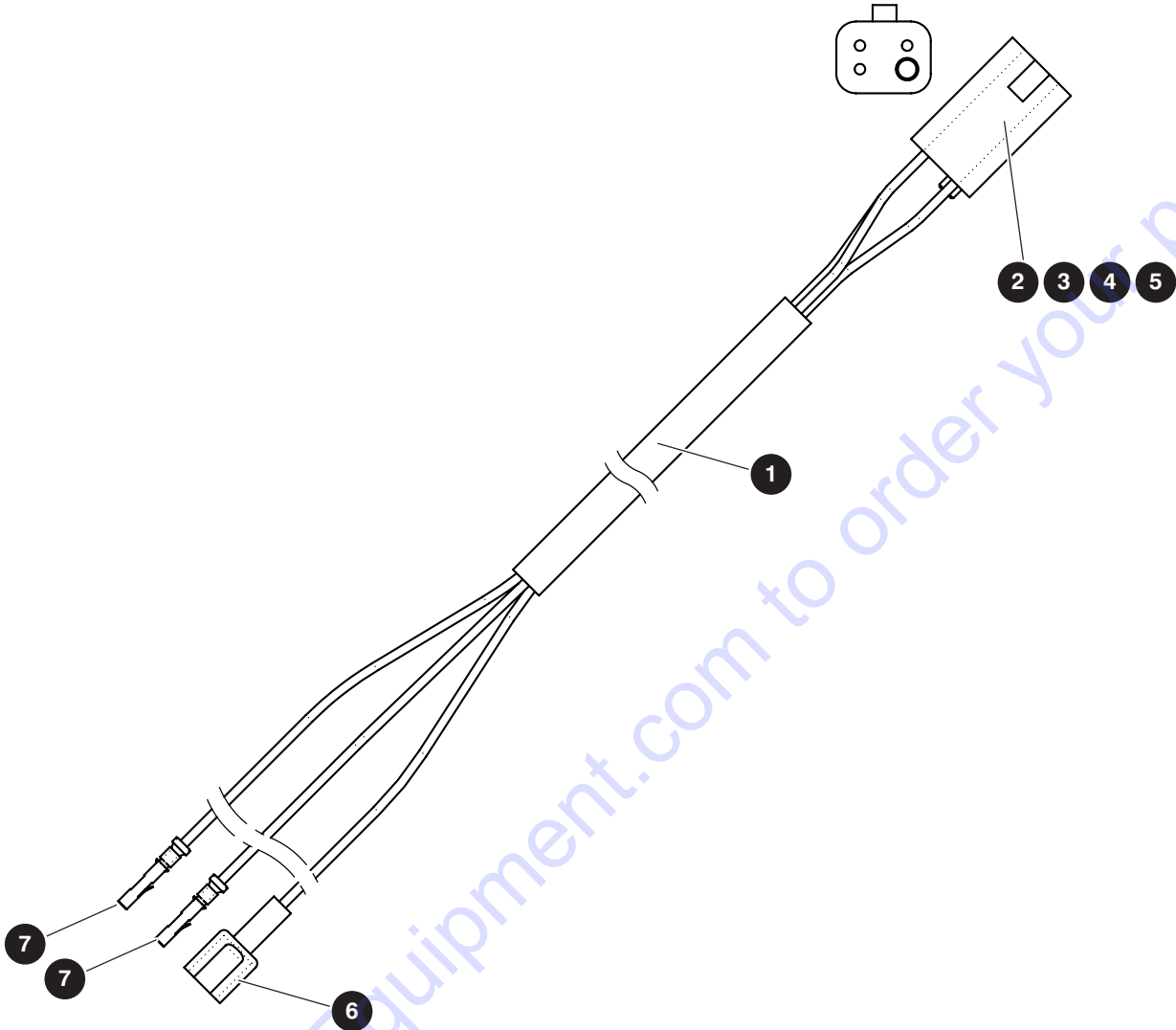
5.13 Holding Valve Harnesses



M238633AA

Index No.	Skyjack Part No.	Qty.	Description
-	238633	1	HOLDING VALVE HARNESS - LOWER
-	238634	1	HOLDING VALVE HARNESS - UPPER
1	105360	2	<ul style="list-style-type: none"> • TERMINAL, Male (14 -16 GA x 1/4")
2	105359	2	<ul style="list-style-type: none"> • TERMINAL, Blade Female (14 -16 GA x 1/4")
3	117597	1	<ul style="list-style-type: none"> • CONNECTOR, Plug (2-pin)
4	117599	1	<ul style="list-style-type: none"> • CONNECTOR, Plug wedge (2-pin)
5	117591	2	<ul style="list-style-type: none"> • CONNECTOR, Contact socket (16-18)

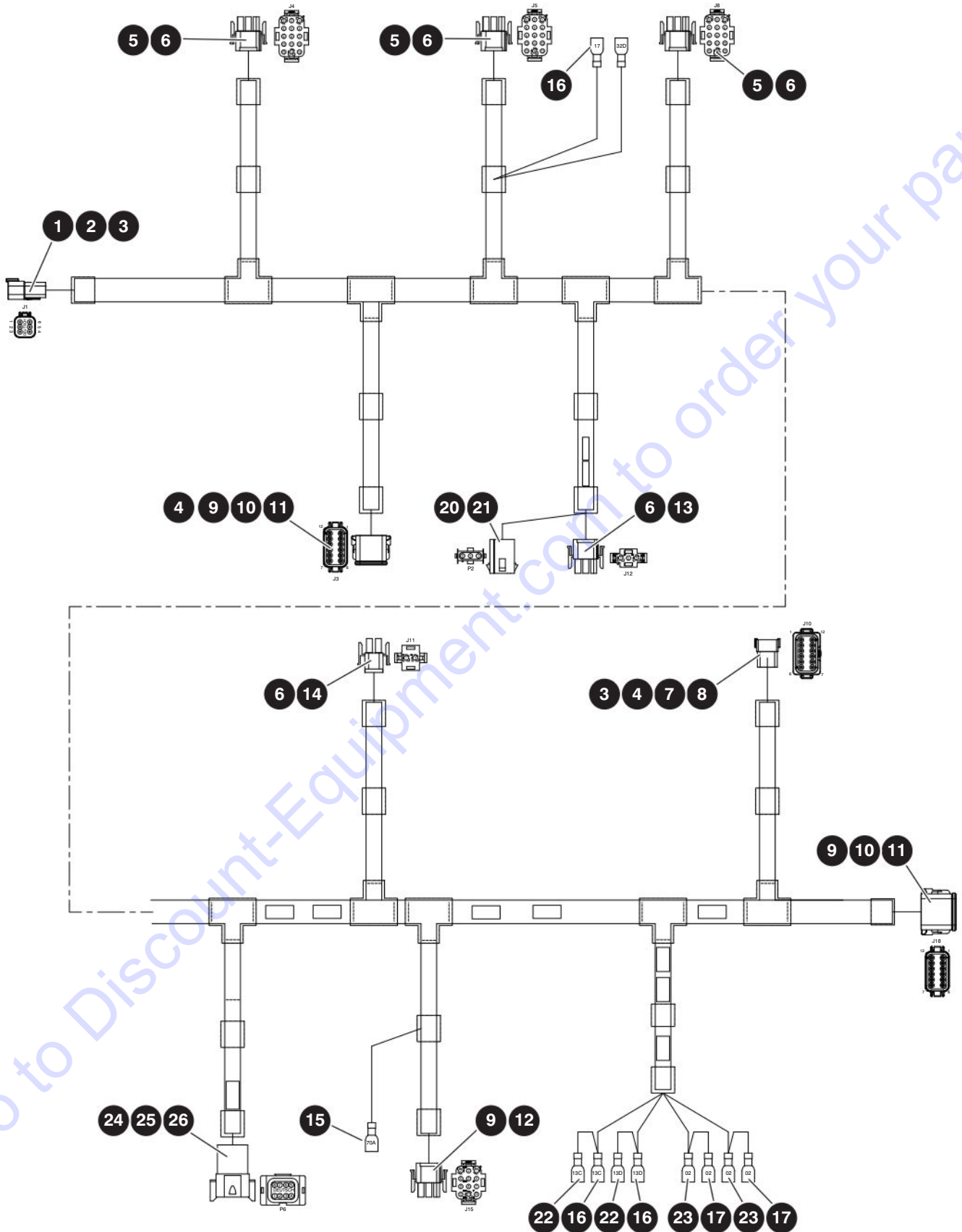
5.14 Scissor Harness



M222210AA

Index No.	Skyjack Part No.	Qty.	Description
-	222210	1	SCISSOR HARNESS
1	103257	1250	• CABTIRE 18/3
2	117579	1	• CONNECTOR, Plug 4-pin
3	117581	1	• CONNECTOR, Plug 4-pin wedge
4	117591	3	• CONNECTOR, Contact socket 16-18
5	117594	1	• CONNECTOR, Sealing plug
6	114594	1	• TERMINAL, Male 18-22 AWG
7	116990	2	• WIRE PIN, Female

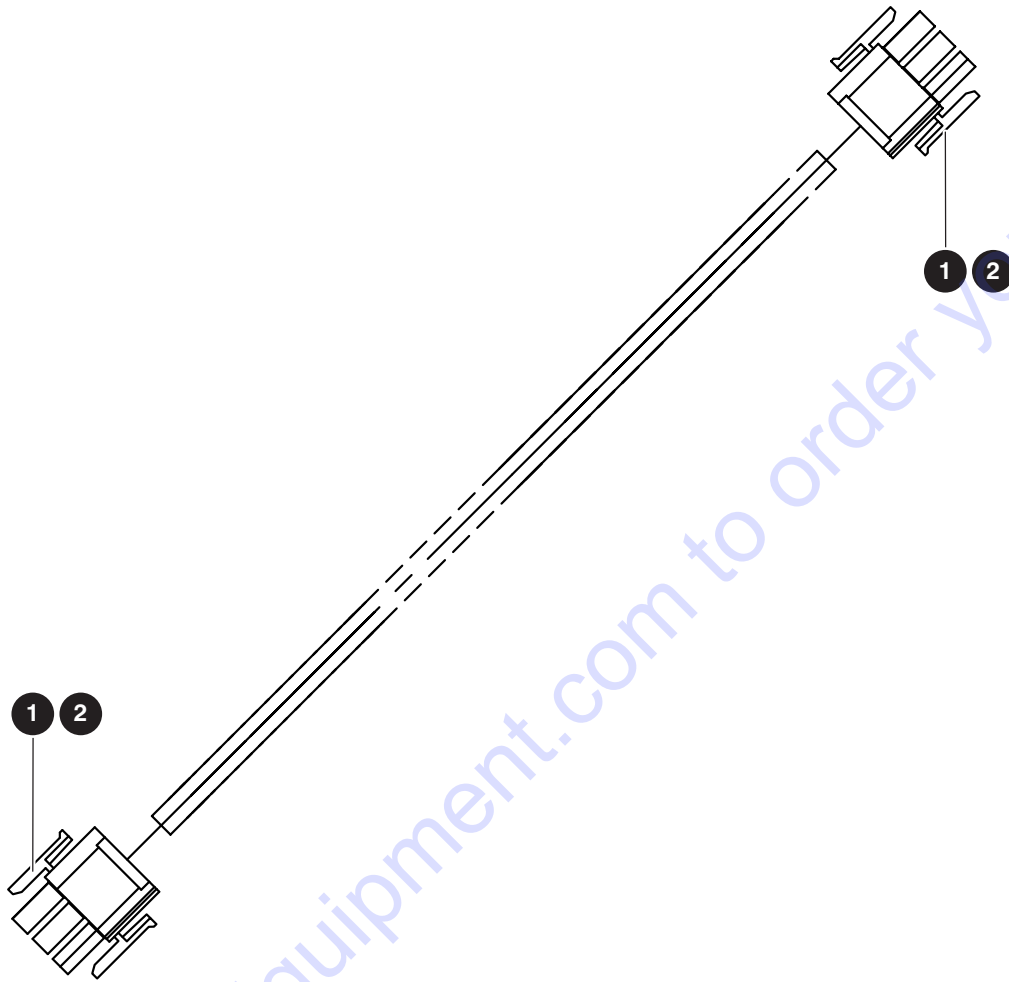
5.15 Machine Controller Harness



5.15 Machine Controller Harness

Index No.	Skyjack Part No.	Qty.	Description
-	238631	1	MACHINE CONTROLLER HARNESS
1	204108	1	• CONNECTOR, Receptacle (6 PIN)
2	204107	1	• CONNECTOR, Receptacle - wedge (6 PIN)
3	117590	17	• CONNECTOR, Contact (PIN 16 - 18)
4	117594	3	• CONNECTOR, Sealing plug
5	116994	3	• HOUSING, Plug - 15 pole male
6	116990	41	• PIN, Wire - Female
7	117586	1	• CONNECTOR, Receptacle (12 PIN)
8	117588	1	• CONNECTOR, Receptacle - wedge (12 PIN)
9	117587	2	• CONNECTOR, Plug (12 PIN)
10	117589	2	• CONNECTOR, Plug - wedge (12 PIN)
11	117591	22	• CONNECTOR, Contact socket (16 - 18)
12	130449	1	• HOUSING, Plug - 12 pole male
13	130446	1	• HOUSING, Plug - 3 pole
14	116992	1	• HOUSING, Plug - 2 pole
15	105568	2	• TERMINAL, Female (10 - 12 GA)
16	114594	5	• TERMINAL, Male (18 - 22 AWG)
17	111354	14"	• PROTECTOR, Wire (3/8" ID)
18	120748	50"	• PROTECTOR, Wire (1/2" ID)
19	103090	16"	• PROTECTOR, Wire (3/4" ID)
20	211949	1	• HOUSING, Receptacle - 3 pole (Molex)
21	116989	2	• PIN, Wire - male (Mate-N-Lock)
22	114595	2	• TERMINAL, Female (18-22 AWG, red)
23	102394	2	• TERMINAL, Male (10-12 AWG)
24	117582	1	• CONNECTOR, Receptacle (8 pin)
25	117584	1	• CONNECTOR, Receptacle - wedge (8 pin)
26	117590	8	• CONNECTOR, Contact (pin 16 - 18)

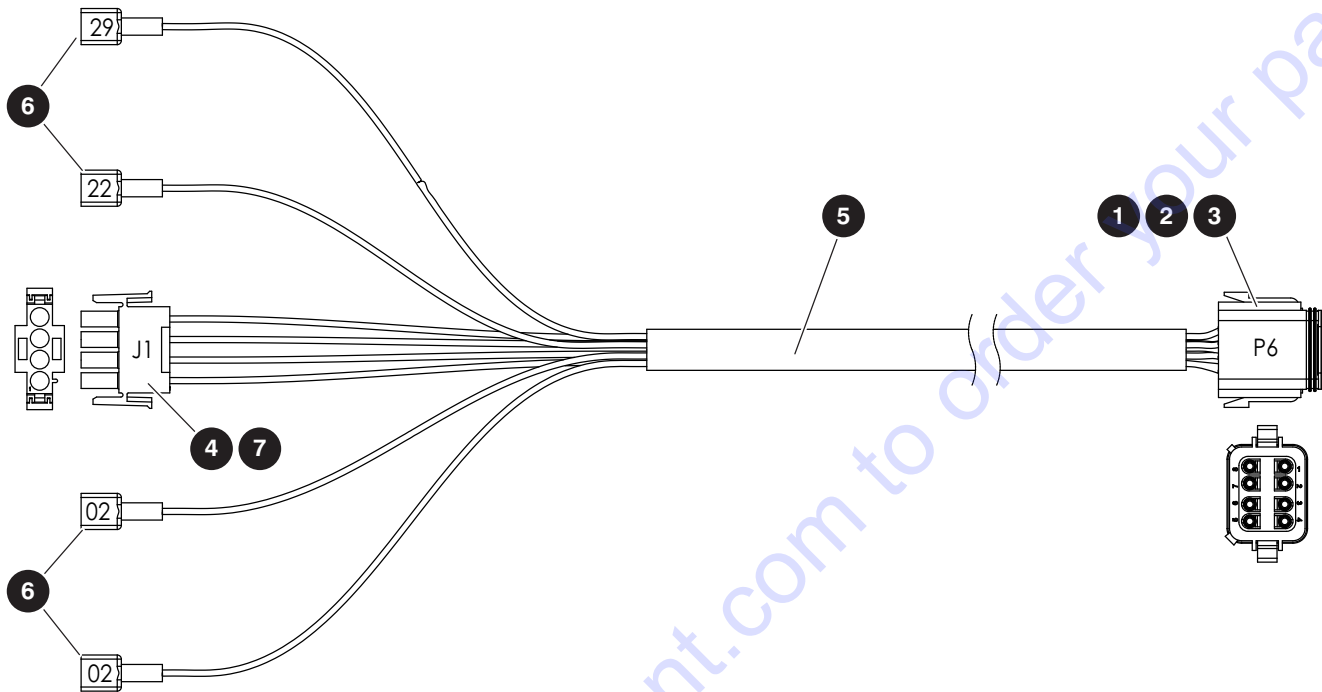
5.16 CANBUS Harness



M232965AA

Index No.	Skyjack Part No.	Qty.	Description
-	232965	1	CANBUS HARNESS
1	130446	2	• HOUSING, 3 pole plug
2	116990	4	• WIRE PIN, Female

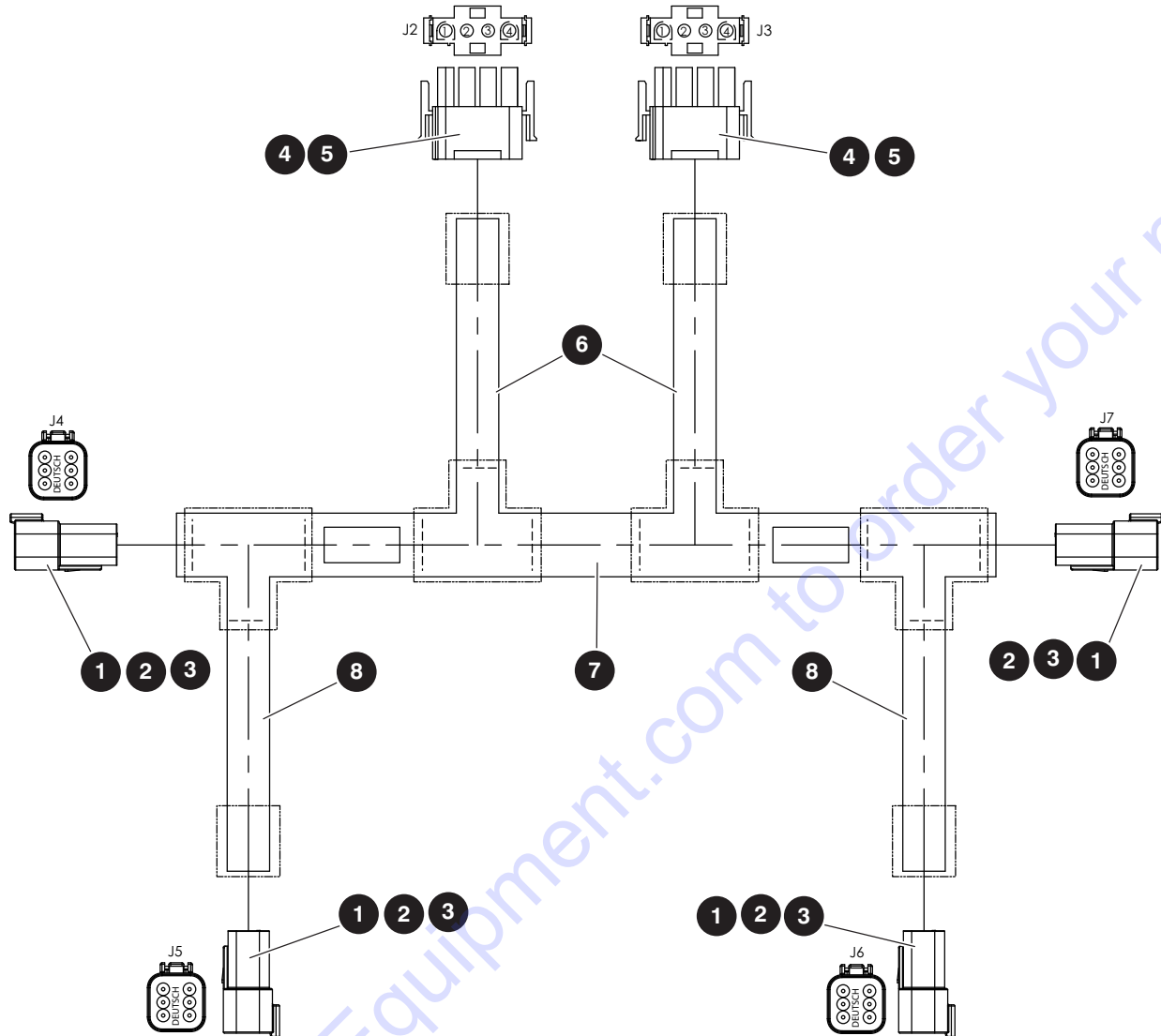
5.17 Angle Transducer/Beeper/Flashing Light Harness



M238182AA-2

Index No.	Skyjack Part No.	Qty.	Description
-	238182	1	ANGLE TRANSDUCER/BEEPER/FLASHING LIGHT HARNESS
1	117583	1	• CONNECTOR, Sealed - 8F DT
2	117585	1	• CONNECTOR, TPA 8F DT
3	117591	8	• TERMINAL, Female (16-18 AWG)
4	130448	1	• CONNECTOR, Male plug 4 pole (Mate-N-Lock)
5	120748	236"	• PROTECTOR, WIRE (1/2")
6	115495	4	• TERMINAL, Male (18-22 AWG)
7	116990	4	• CONNECTOR, Female wire pin (Mate-N-Lock)

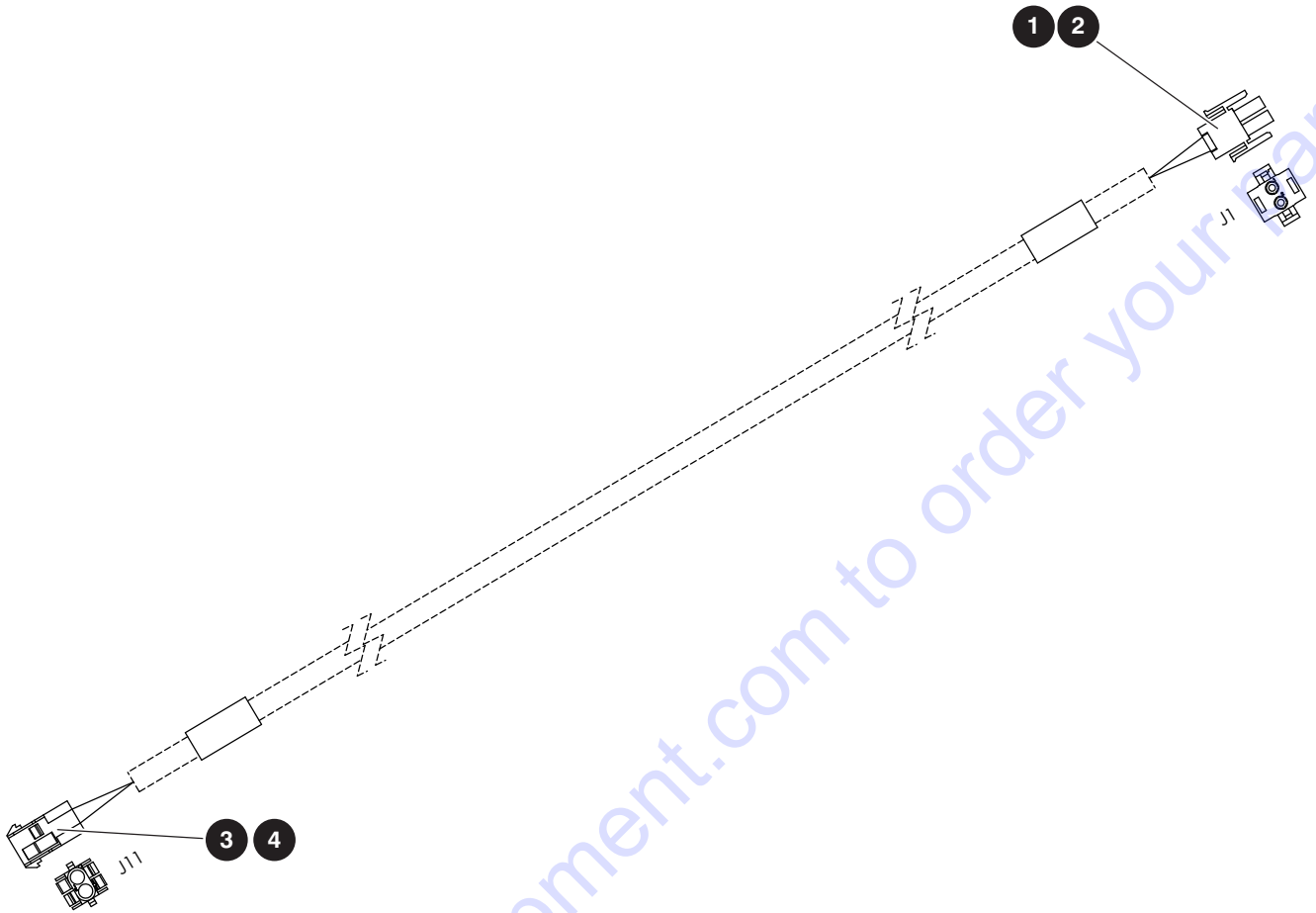
5.18 Load Cell Module Harness



M238780AB-2

Index No.	Skyjack Part No.	Qty.	Description
-	238780	1	LOAD CELL MODULE HARNESS
1	204108	4	• CONNECTOR, Receptacle - 6 pin
2	204107	4	• CONNECTOR, Receptacle wedge - 6 pin
3	117590	24	• CONNECTOR, Contact - pin 16-18
4	130448	2	• HOUSING, 4 pole plug (Molex)
5	116990	6	• PIN, Wire - female (Molex)
6	111354	12"	• PROTECTOR, Wire (3/8")
7	120748	6"	• PROTECTOR, Wire (1/2")
8	103090	10"	• PROTECTOR, Wire (3/4")

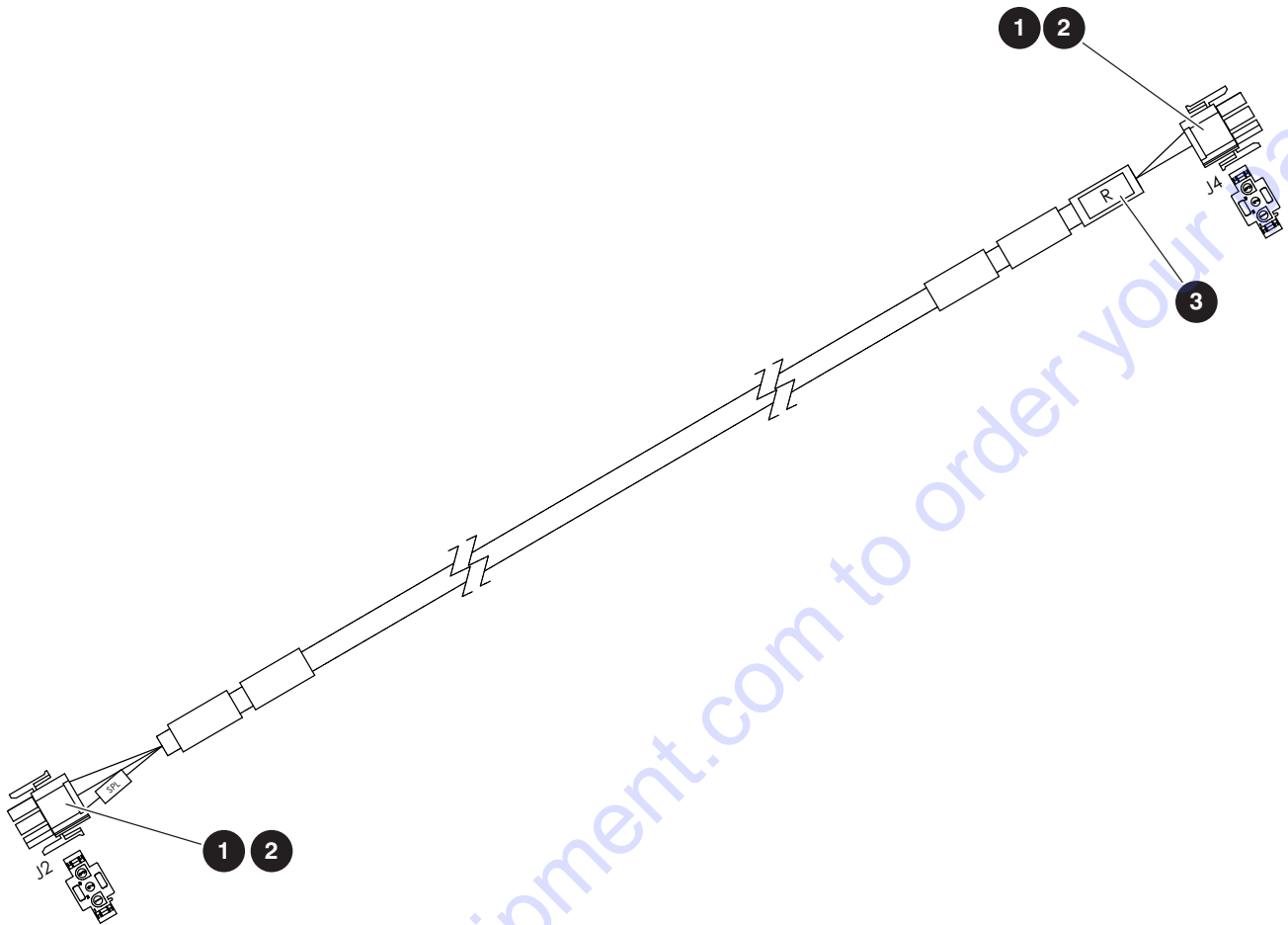
5.19 Load Cell Module Power Harness



M238781AA-2

Index No.	Skyjack Part No.	Qty.	Description
-	238781	1	LOAD CELL MODULE POWER HARNESS
1	116992	1	• HOUSING, Male 2 pole plug (Mate-N-Lock)
2	116990	2	• WIRE PIN, Female (Mate-N-Lock)
3	117351	1	• HOUSING, Female 2 pole cap (Mate-N-Lock)
4	116989	2	• WIRE PIN, Male (Mate-N-Lock)

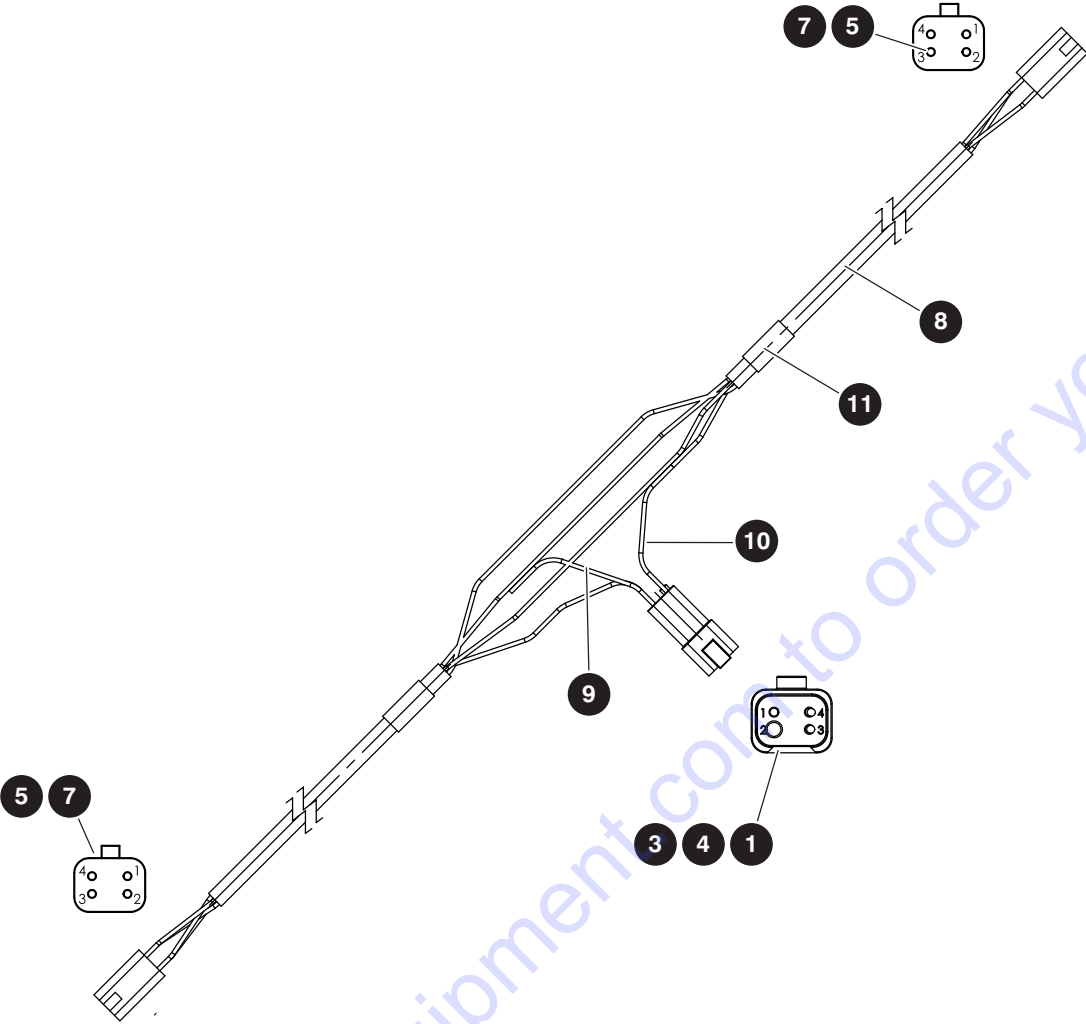
5.20 Load Cell Module CAN Harness



M238782AB-2

Index No.	Skyjack Part No.	Qty.	Description
-	238782	1	LOAD CELL MODULE CAN HARNESS
1	130446	2	• PLUG, Male 3 pole (Mate-N-Lock)
2	116990	4	• WIRE PIN, Female (Mate-N-Lock)
3	116990	1	• RESISTOR, 120 ohm, 2 W axial lead

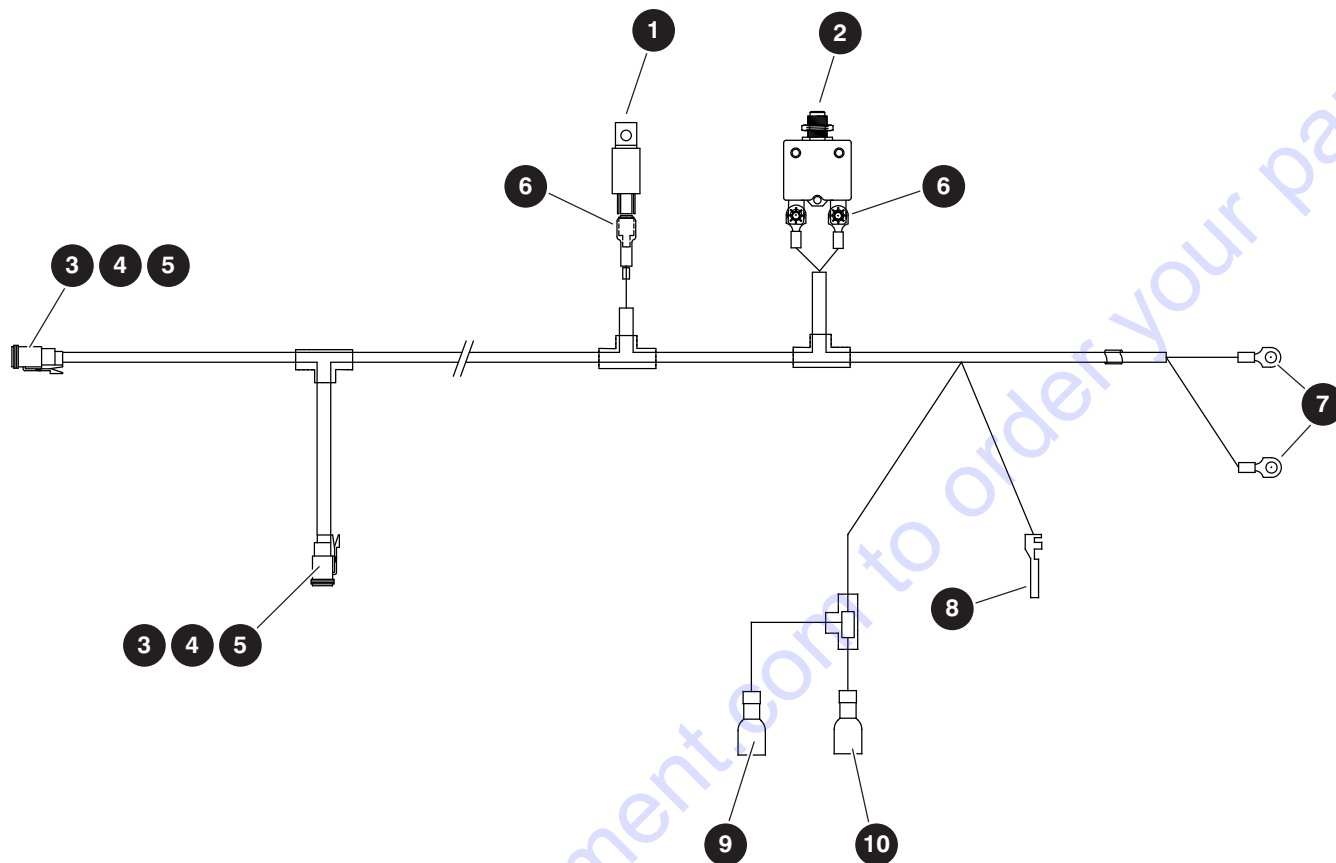
5.21 Platform Harness



M222207AB

Index No.	Skyjack Part No.	Qty.	Description
-	222207	1	PLATFORM HARNESS
1	117578	1	• CONNECTOR, Receptacle 4-pin
2	117580	1	• CONNECTOR, Receptacle 4-pin Wedge
3	117590	3	• CONNECTOR, Contact pin 16-18
4	117594	1	• CONNECTOR, Sealing plug
5	117579	2	• CONNECTOR, Plug - 4-pin
6	117581	2	• CONNECTOR, Plug - 4-pin wedge
7	117591	8	• CONNECTOR, Contact socket 16-18
8	103255	40	• CABTIRE 18/4
9	102735	4	• WIRE, White TEW
10	102725	4	• WIRE, Green TEW
11	111354	11	• WIRE, Protector (3/8")

5.22 Generator and Oil Cooler Harness



M222380AB

Index No.	Skyjack Part No.	Qty.	Description
-	222380	1	GENERATOR AND OIL COOLER HARNESS
1	127035	1	• RELAY, 12 V - 40 A
2	117326	1	• CIRCUIT BREAKER, 20 A
3	117597	2	• RECEPTACLE, Connector plug - 2 pin
4	117599	2	• CONNECTOR, Plug - 2 pin wedge
5	117593	4	• CONNECTOR, Contact socket (14 - 16) female
6	105359	8	• TERMINAL, Blade (1/4") - Female
7	156259	2	• TERMINAL, Ring (M10)
8	116990	1	• PIN, Wire - female
9	105360	1	• TERMINAL, Male (14-16GA insulated blue)
10	105359	1	• TERMINAL, Female (14-16GA insulated blue)

5.23 Generator Control Harness



M231752AA

Index No.	Skyjack Part No.	Qty.	Description
-	222380	1	GENERATOR CONTROL HARNESS
1	117596	1	• RECEPTACLE, Connector plug - 2 pin
2	117598	1	• CONNECTOR, Plug - 2 pin wedge
3	117590	2	• CONNECTOR, Contact pin (16 - 18)
4	116990	1	• PIN, Wire - female
5	114594	1	• TERMINAL, Male (18-22 AWG red)
6	105359	1	• TERMINAL, Female (14-16GA insulated blue)

 **Notes**

Lined area for notes.

Go to Discount-Equipment.com to order your parts

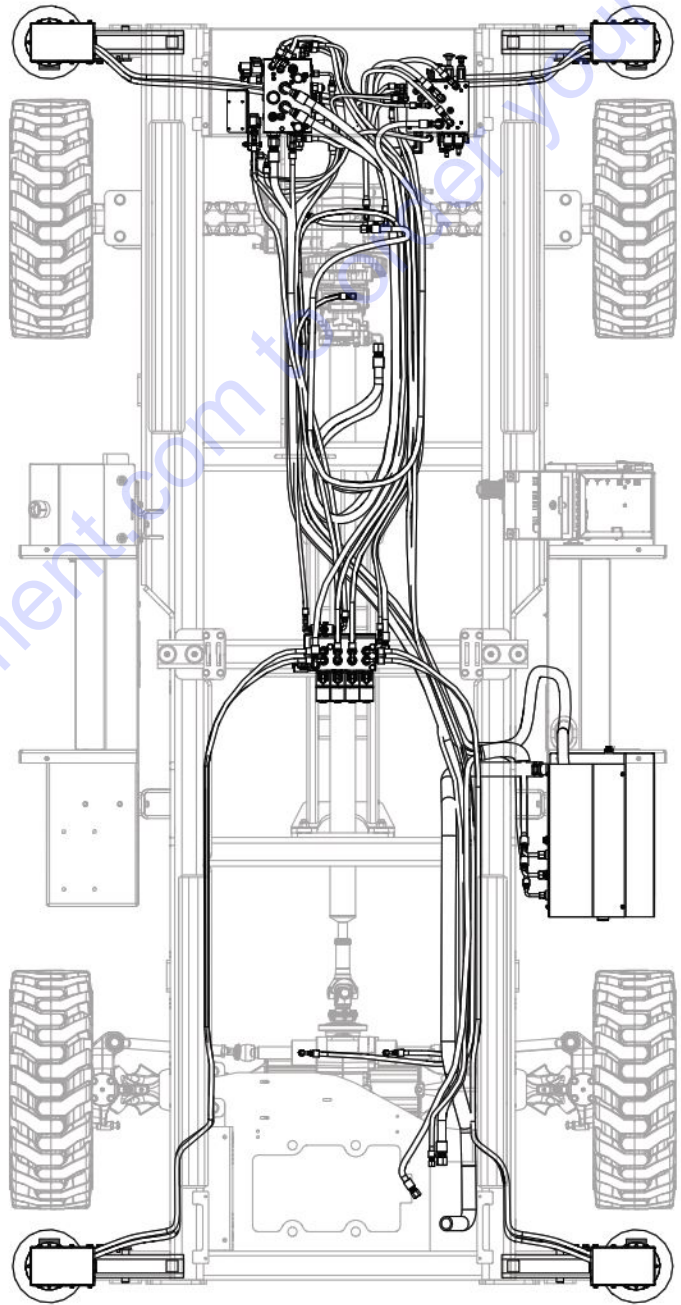
Section 6 – Hose Connections

6.1 *Standard Hose Numbering System*

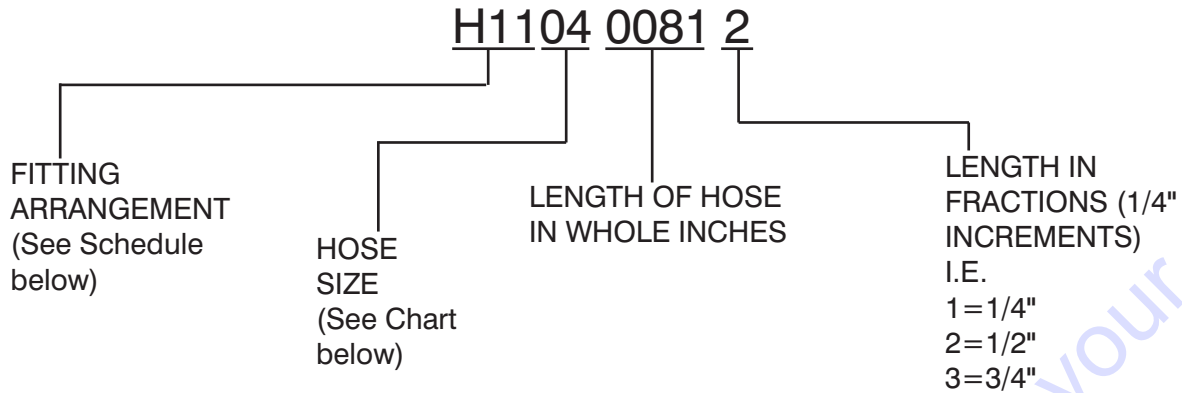
6.2 *Hydraulic Hoses - Base*

6.3 *Hydraulic Hoses - Outriggers*

6.4 *Hydraulic Hoses - Scissors*



6.1 Standard Hose Numbering System



Using the number above as an example, H1104 0081 2, this hose requires a 37° JIC female swivel fitting on one end, and a medium length 90° JIC female swivel fitting for the other end. The hose must meet or exceed the S.A.E. 100R13 hose specification, and be a total of 81-1/2" long.



NOTE

Hose ends and hose must be from same manufacturer per S.A.E. J1273 Nov. '91, Sections 3.10 and 4.2. Hose ends and hose must be of the same size i.e. #4 size fittings must be used with #4 size hose.

Hose Size Chart

Size	03	04	06	08	10	12	16	20	24	32	40	48	56	64
ID	3/16"	1/4"	3/8"	1/2"	5/8"	3/4"	1"	1-1/4"	1-1/2"	2"	2-1/2"	3"	3-1/2"	4"

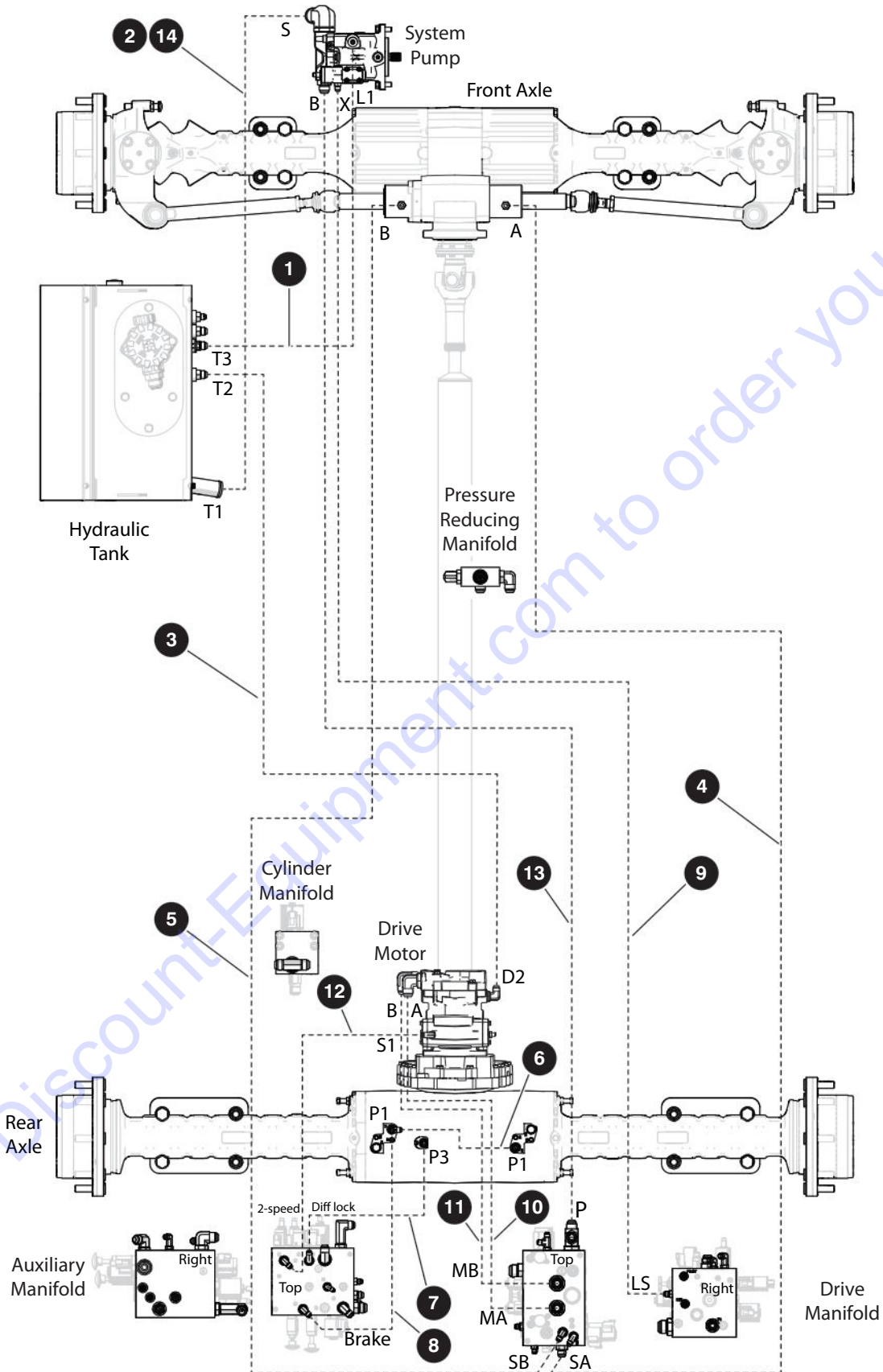
Fitting Arrangement Schedule

Hose Prefix	Hose End Fitting	Hose End Fitting	S.A.E. Hose Specification
H01	FEMALE, 37° JIC, SWIVEL	FEMALE, 37° JIC, SWIVEL	100R17
H02	FEMALE, 37° JIC, SWIVEL	FEMALE, 37° JIC, SWIVEL	100R13
H03	FEMALE, 37° JIC, SWIVEL	45°, FEMALE, 37° JIC, SWIVEL	100R17
H04	FEMALE, 37° JIC, SWIVEL	45°, FEMALE, 37° JIC, SWIVEL	100R13
H05	FEMALE, 37° JIC, SWIVEL	LONG 90°, FEMALE, 37° JIC, SWIVEL	100R17
H06	FEMALE, 37° JIC, SWIVEL	SHORT 90°, FEMALE, 37° JIC, SWIVEL	100R17
H07	LONG 90°, FEMALE, 37° JIC, SWIVEL	LONG 90°, FEMALE, 37° JIC, SWIVEL	100R17
H08	FEMALE, 37° JIC, SWIVEL	FEMALE, 37° JIC, SWIVEL	100R4
H09	FEMALE, 37° JIC, SWIVEL	45°, FEMALE, 37° JIC, SWIVEL	100R4
H10	FEMALE, 37° JIC, SWIVEL	MALE PIPE THREAD FITTING	100R17
H11	FEMALE, 37° JIC, SWIVEL	MEDIUM 90°, FEMALE, 37° JIC, SWIVEL	100R13
H12	SHORT 90°, FEMALE, 37° JIC, SWIVEL	SHORT 90°, FEMALE, 37° JIC, SWIVEL	100R17
H13	FEMALE, 37° JIC, SWIVEL	REUSABLE MALE PIPE THREAD FITTING	300 PSI
H14	REUSABLE MALE PIPE THREAD FITTING	NO FITTING	300 PSI
H15	REUSABLE FEMALE, 37° JIC, SWIVEL	REUSABLE FEMALE, 37° JIC, SWIVEL	300 PSI
H16	NO FITTING	NO FITTING	100R4
H17	NO FITTING	NO FITTING	300 PSI
H18	REUSABLE, FEMALE, 37° JIC, SWIVEL	NO FITTING	300 PSI

6.1 Standard Hose Numbering System

Hose Prefix	Hose End Fitting	Hose End Fitting	S.A.E. Hose Specification
H19	LONG 90°, FEMALE, 37° JIC, SWIVEL	FEMALE, 37° JIC, SWIVEL	100R13
H20	FEMALE, SHORT 37° JIC, SWIVEL	SHORT 90°, FEMALE, 37° JIC, SWIVEL	100R4
H21	FEMALE, SHORT 37° JIC, SWIVEL	SHORT 90°, FEMALE, 37° JIC, SWIVEL	100R2AT
H22	FEMALE, 37° JIC, SWIVEL	FEMALE, 37° JIC, SWIVEL	100R2AT
H23	FEMALE, LONG 37° JIC, SWIVEL	LONG 90°, FEMALE, 37° JIC, SWIVEL	100R2AT
H24	FEMALE, SHORT 37° JIC, SWIVEL	SHORT 90°, FEMALE, 37° JIC, SWIVEL	100R13
H25	FEMALE, 37° JIC, SWIVEL	FEMALE, 37° JIC, SWIVEL	100R4
H30	MEDIUM 90°, FEMALE, 37° JIC, SWIVEL	FEMALE, 37° JIC, SWIVEL	100R17
H31	FEMALE, 37° JIC, SWIVEL	FEMALE, 37° JIC, SWIVEL	100R17
H32	SHORT 45°, FEMALE, 37° JIC, SWIVEL	FEMALE, 37° JIC, SWIVEL	100R17
H33	MEDIUM 45°, FEMALE, 37° JIC, SWIVEL	FEMALE, 37° JIC, SWIVEL	100R17
H34	SHORT 90°, FEMALE, 37° JIC, SWIVEL	FEMALE, 37° JIC, SWIVEL	100R17
H35	MEDIUM 90°, FEMALE, 37° JIC, SWIVEL	FEMALE, 37° JIC, SWIVEL	100R17
H36	LONG 90°, FEMALE, 37° JIC, SWIVEL	FEMALE, 37° JIC, SWIVEL	100R17
H37	SHORT 45°, FEMALE, 37° JIC, SWIVEL	FEMALE, 37° JIC, SWIVEL	100R4
H38	SHORT 90°, FEMALE, 37° JIC, SWIVEL	FEMALE, 37° JIC, SWIVEL	100R4
H39	LONG 90°, FEMALE, 37° JIC, SWIVEL	FEMALE, 37° JIC, SWIVEL	100R4
H40	SHORT 90°, FEMALE, 37° JIC, SWIVEL	FEMALE, 37° JIC, SWIVEL	100R16
H43	FEMALE, 37° JIC, SWIVEL	FEMALE, 37° JIC, SWIVEL	100R16
H51	FEMALE, 37° JIC, SWIVEL	FEMALE, 37° JIC, SWIVEL	100R17
H52	SHORT 45°, FEMALE, 37° JIC, SWIVEL	FEMALE, 37° JIC, SWIVEL	100R17
H53	MEDIUM 45°, FEMALE, 37° JIC, SWIVEL	FEMALE, 37° JIC, SWIVEL	100R17
H54	SHORT 90°, FEMALE, 37° JIC, SWIVEL	FEMALE, 37° JIC, SWIVEL	100R17
H55	MEDIUM 90°, FEMALE, 37° JIC, SWIVEL	FEMALE, 37° JIC, SWIVEL	100R17
H56	LONG 90°, FEMALE, 37° JIC, SWIVEL	FEMALE, 37° JIC, SWIVEL	100R17
H57	SHORT 45°, FEMALE, SAE ORFS, SWIVEL	FEMALE, SAE ORFS, SWIVEL	100R13
H58	FEMALE, SAE ORFS, SWIVEL	FEMALE, SAE ORFS, SWIVEL	100R13
H59	MEDIUM 90°, FEMALE, SAE ORFS, SWIVEL	FEMALE, SAE ORFS, SWIVEL	100R13
H60	FEMALE, 37° JIC, SWIVEL	FEMALE, 37° JIC, SWIVEL	100R17
H61	FEMALE, 37° JIC, SWIVEL	FEMALE, 37° JIC, SWIVEL	100R16
H62	SHORT 90°, FEMALE, 37° JIC, SWIVEL	FEMALE, 37° JIC, SWIVEL	100R16
H63	MEDIUM 90°, FEMALE, 37° JIC, SWIVEL	FEMALE, 37° JIC, SWIVEL	100R16
H64	LONG 90°, FEMALE, 37° JIC, SWIVEL	FEMALE, 37° JIC, SWIVEL	100R16
H65	MEDIUM 67°, FEMALE, 37° JIC, SWIVEL	FEMALE, 37° JIC, SWIVEL	100R12
H66	FEMALE, 37° JIC, SWIVEL	NO FITTING	100R4
H67	FEMALE, 37° JIC, SWIVEL	FEMALE, 37° JIC, SWIVEL	100R19
H68	SHORT 45°, FEMALE, 37° JIC, SWIVEL	FEMALE, 37° JIC, SWIVEL	100R19
H69	MEDIUM 90°, FEMALE, 37° JIC, SWIVEL	FEMALE, 37° JIC, SWIVEL	100R19
H70	LONG 90°, FEMALE, 37° JIC, SWIVEL	FEMALE, 37° JIC, SWIVEL	100R19
H71	LONG 90°, FEMALE, SAE ORFS, SWIVEL	FEMALE, SAE ORFS, SWIVEL	100R15

6.2 Hydraulic Hoses - Base

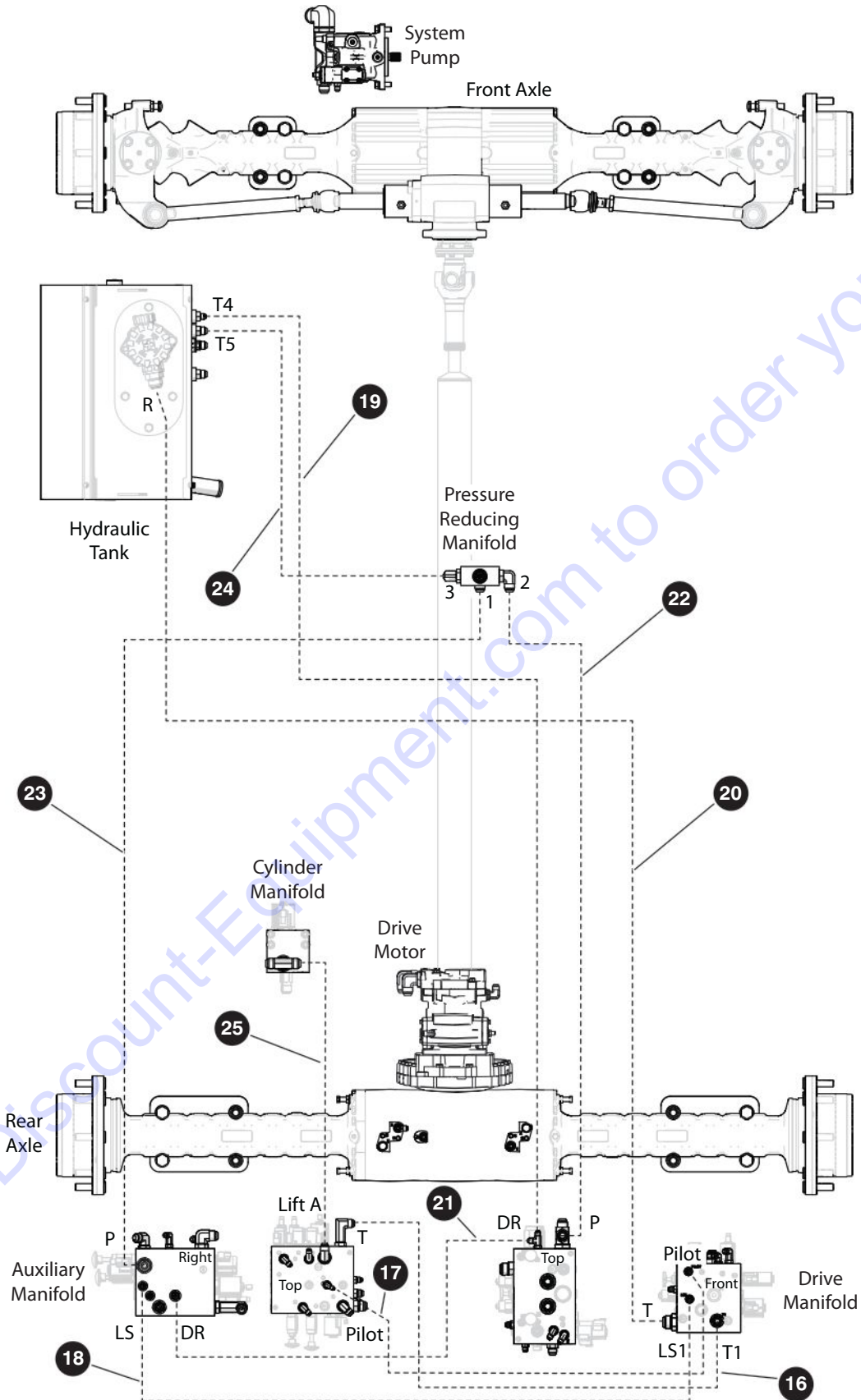


6.2 Hydraulic Hoses - Base

Index No.	Hose P/N	From		To	
		Description	Port	Port	Description
-	238818	HOSE KIT - CHASSIS			
1	H0508 0084 0	SYSTEM PUMP	L1	T3	HYDRAULIC TANK
2	H7824 0080 0	SYSTEM PUMP	S	T1	HYDRAULIC TANK
3	H0508 0089 0	DRIVE MOTOR	D2	T2	HYDRAULIC TANK
4	H0606 0172 0	DRIVE MANIFOLD	SA	A	FRONT AXLE
5	H0606 0165 0	DRIVE MANIFOLD	SB	B	FRONT AXLE
6	H0606 0012 0	REAR AXLE - LEFT BRAKE	P1	P1	REAR AXLE - RIGHT BRAKE
7	H0606 0035 3	AUXILIARY MANIFOLD	DIFF LOCK	P3	REAR AXLE
8	H0606 0033 0	AUXILIARY MANIFOLD	BRAKE	P1	REAR AXLE - LEFT BRAKE
9	H6406 0396 0	DRIVE MANIFOLD	LS	X	SYSTEM PUMP
10	H2412 0051 0	DRIVE MANIFOLD	MA	A	DRIVE MOTOR
11	H2412 0048 2	DRIVE MANIFOLD	MB	B	DRIVE MOTOR
12	H0106 0057 0	DRIVE MANIFOLD	2-speed	S1	DRIVE MOTOR
13	H0212 0154 0	DRIVE MANIFOLD	P	B	SYSTEM PUMP
<i>Continued on the next page.</i>					

Index No.	Skyjack Part No.	Qty.	Description
14	165481	1	CLAMP
15	140914	12	SLEEVE, Protective (not shown)

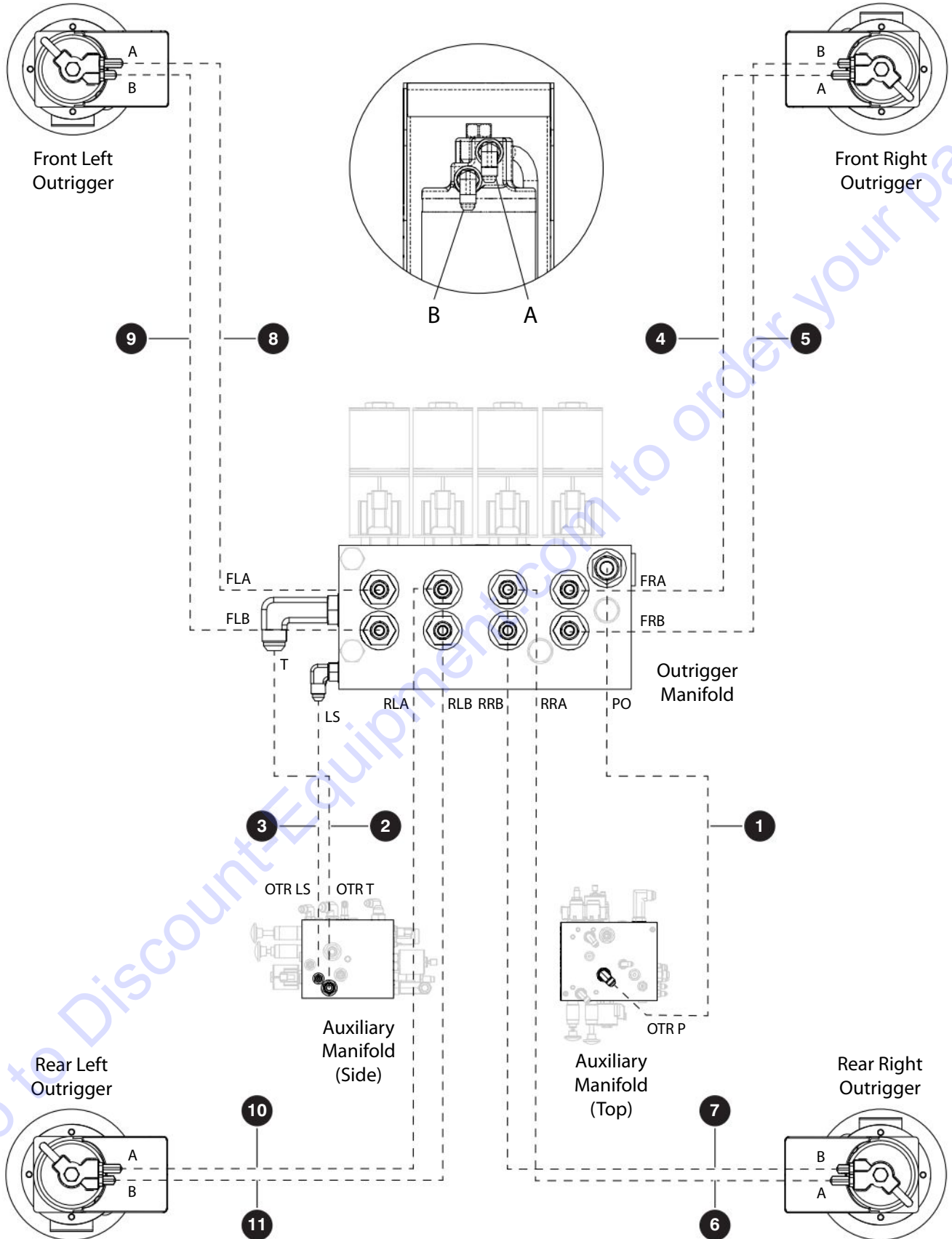
6.2 Hydraulic Hoses - Base



6.2 Hydraulic Hoses - Base

Index No.	Hose P/N	From		To		
		Description	Port	Port	Description	
		<i>Continued from the previous page.</i>				
16	H0610 0027 2	DRIVE MANIFOLD	T1	T	AUXILIARY MANIFOLD	
17	H0604 0020 0	DRIVE MANIFOLD	PILOT	PILOT	AUXILIARY MANIFOLD	
18	H0604 0015 3	DRIVE MANIFOLD	LS1	LS	AUXILIARY MANIFOLD	
19	H0506 0118 2	DRIVE MANIFOLD	DR	T4	HYDRAULIC TANK (DRAIN)	
20	H3816 0156 0	DRIVE MANIFOLD	T	R	HYDRAULIC TANK (RETURN)	
21	H0106 0018 0	DRIVE MANIFOLD	DR	DR	AUXILIARY MANIFOLD	
22	H2412 0070 0	DRIVE MANIFOLD	P	2	PRESSURE REDUCING MANIFOLD	
23	H2412 0080 0	AUXILIARY MANIFOLD	P	1	PRESSURE REDUCING MANIFOLD	
24	H0508 0084 0	HYDRAULIC TANK	T5	3	PRESSURE REDUCING MANIFOLD	
25	H0601 0175 0	AUXILIARY MANIFOLD	LIFT A	P1	LIFT CYLINDER MANIFOLD	

6.3 Hydraulic Hoses - Outriggers



M215779AB

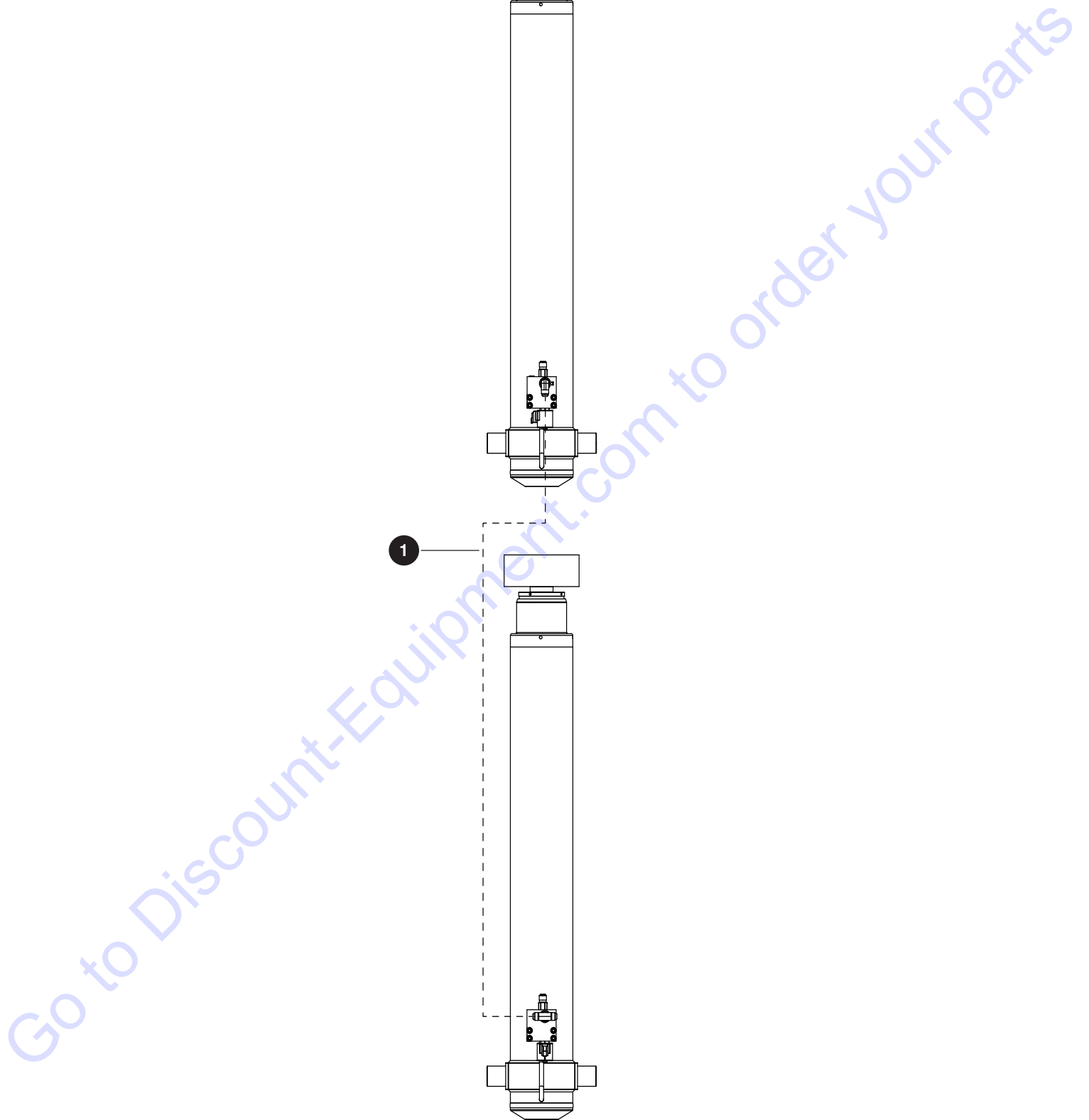
239430AAA

SJ9664 RT

6.3 Hydraulic Hoses - Outriggers

Index No.	Hose P/N	From		To	
		Description	Port	Port	Description
-	238820	HOSE KIT - OUTRIGGERS			
1	H0508 0100 0	Drive Manifold	OTR P	PO	Outrigger Manifold
2	H0608 0078 3	Drive Manifold	OTR T	T	Outrigger Manifold
3	H0504 0080 0	Drive Manifold	OTR LS	LS	Outrigger Manifold
4	H0606 0144 0	Outrigger Manifold	FRB	B	Outrigger Cylinder - Front Right
5	H0506 0146 0	Outrigger Manifold	FRA	A	Outrigger Cylinder - Front Right
6	H0606 0126 0	Outrigger Manifold	RRA	A	Outrigger Cylinder - Rear Right
7	H0606 0126 0	Outrigger Manifold	RRB	B	Outrigger Cylinder - Rear Right
8	H0606 0166 0	Outrigger Manifold	FLB	B	Outrigger Cylinder - Front Left
9	H0506 0166 0	Outrigger Manifold	FLA	A	Outrigger Cylinder - Front Left
10	H0506 0138 0	Outrigger Manifold	RLA	A	Outrigger Cylinder - Rear Left
11	H0606 0136 0	Outrigger Manifold	RLB	B	Outrigger Cylinder - Rear Left

6.4 Hydraulic Hoses - Scissors



M238093AB

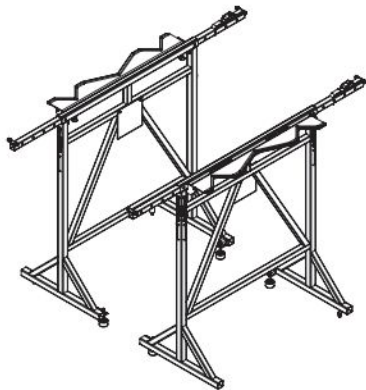
239430AAA

SJ9664 RT

6.4 Hydraulic Hoses - Scissors

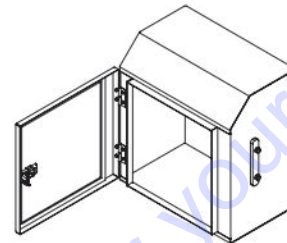
Index No.	Hose P/N	From		To		
		Description	Port	Port	Description	
-	238093	HOSE KIT - SCISSORS				
1	H3410 0438 0	Lower lift cylinder			Upper lift cylinder	

Section 7 – Optional Equipment



7.1 Heavy Duty Pipe Rack

7.2 Tool Caddy Kit



7.3 Material Handling Stand

7.4 Eco Start

7.5 Wire Loop Lock Pin

7.6 RCD Option

7.7 Belt-Driven Generator - 3.5 kW

7.8 Hydraulic Generator - 7.5 kW

7.9 Hydraulic Hoses - 7.5 kW Generator

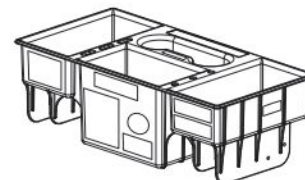
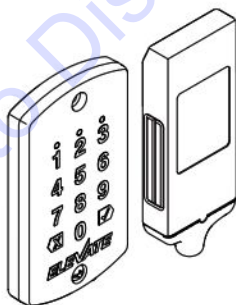
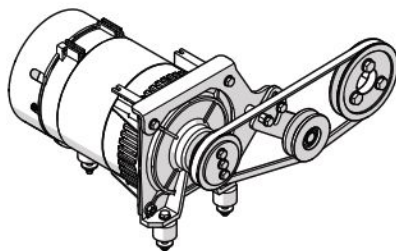
7.10 Cold & Arctic Weather Packages

7.11 Arctic Weather Package

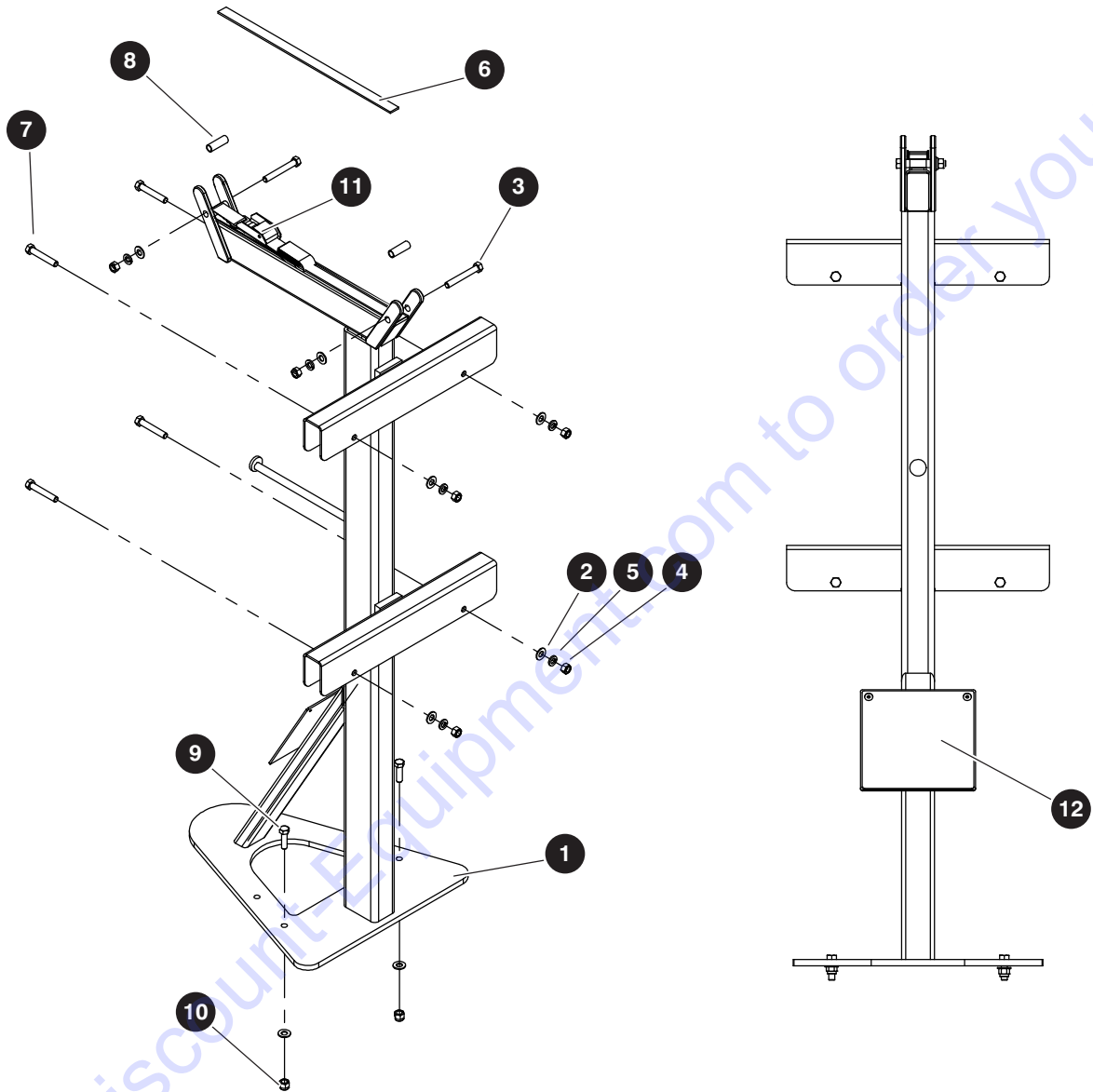
7.12 Elevate Telematics

7.13 Elevate Telematics Subscription

7.14 Storage Box



7.1 Heavy Duty Pipe Rack



M66766AA

239430AAA

190

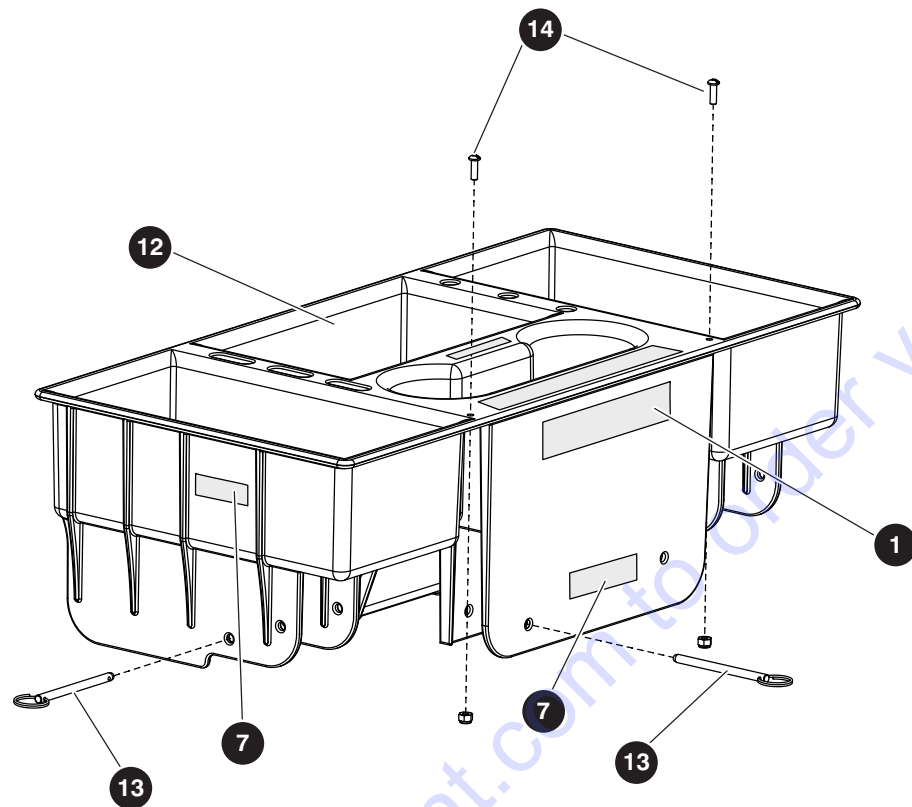
SJ9664 RT

SKYJACK

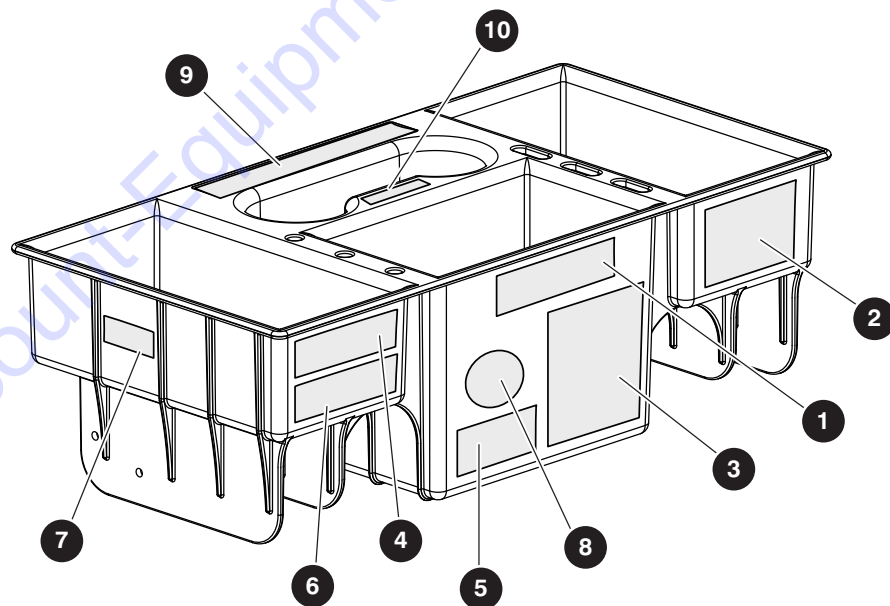
7.1 Heavy Duty Pipe Rack

Index No.	Skyjack Part No.	Qty.	Description
A	196511	1	HEAVY DUTY PIPE RACK ASSEMBLY - ANSI/CSA
B	195830	1	HEAVY DUTY PIPE RACK ASSEMBLY - CE, AS
-	194930	2	• KIT, HD pipe rack
1	194920	2	• • WELDMENT, HD pipe rack
2	103472	16	• • WASHER, Flat (0.375)
3	103874	4	• • BOLT, Hex head (0.375 x 16 x 2.750, gr 5)
4	103978	12	• • NUT, Hex (0.375 x 16, gr 5)
5	103999	12	• • WASHER, Lock (0.375)
6	194921	2	• • PROTECTOR, Strip
7	194922	4	• • SPACER, Rolled (3/8" x 1-1/2")
8	103872	8	• • BOLT, Hex head (0.375 x 16 x 2.250, gr 5)
9	101297	4	• • BOLT, Hex head (0.375 x 16 x 2.250, gr 5)
10	104606	4	• • NUT, Lock (0.375 x 16, gr 5)
11	195376	2	• STRAP, Nylon
12	222093	2	• LABEL & INSTRUCTIONS, A
	172178	2	• • LABEL, HD pipe rack capacity
	193279	1	• • INSTRUCTIONS, HD pipe rack
	222094	2	• LABEL & INSTRUCTIONS, B
	172177	2	• • LABEL, HD pipe rack capacity
	195647	1	• • INSTRUCTIONS, HD pipe rack

7.2 Tool Caddy Kit



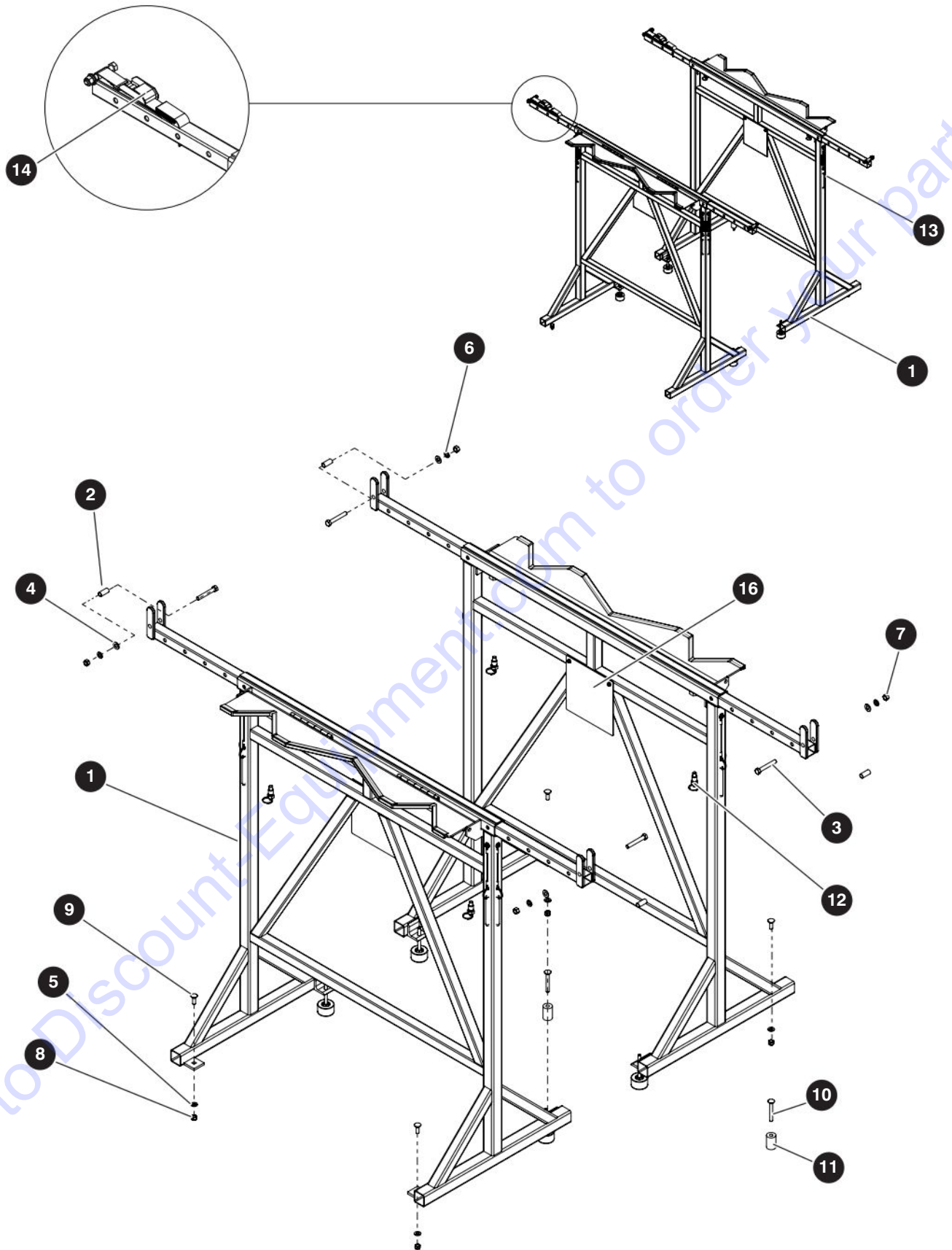
* – Lanyard not shown



7.2 Tool Caddy Kit

Index No.	Skyjack Part No.	Qty.	Description
-	204334	1	TOOL CADDY KIT
1	172293	2	• LABEL, Skyjack logo, 5" white
2	172247	1	• LABEL, Tool caddy location
3	172298	1	• LABEL, Tool caddy models serial numbers
4	172297	1	• LABEL, Drive slowly when tool caddy is installed
5	172246	1	• LABEL, Tool caddy pin location
6	172245	1	• LABEL, Tool caddy weight
7	168421	3	• LABEL, Lock pin in place
8	172299	1	• LABEL, Do not block exit/entrance
9	172292	1	• LABEL, Accessoryzers, 7" white
10	172294	1	• LABEL, Skyjack logo, 3" white
11	172428	1	• LABEL, CE mark
12	198945	1	• TOOL CADDY TRAY, Plastic (Std)
13	198965	2	• PIN, Quick release (1/4" x 3.2") Lg. with 12" Lanyard
14	116161	2	• RIVET, Pop (3/16" x 9/16")
15	204306	1	• INSTRUCTIONS, Tool caddy installation (not shown)

7.3 Material Handling Stand



M66765AA

239430AAA

194

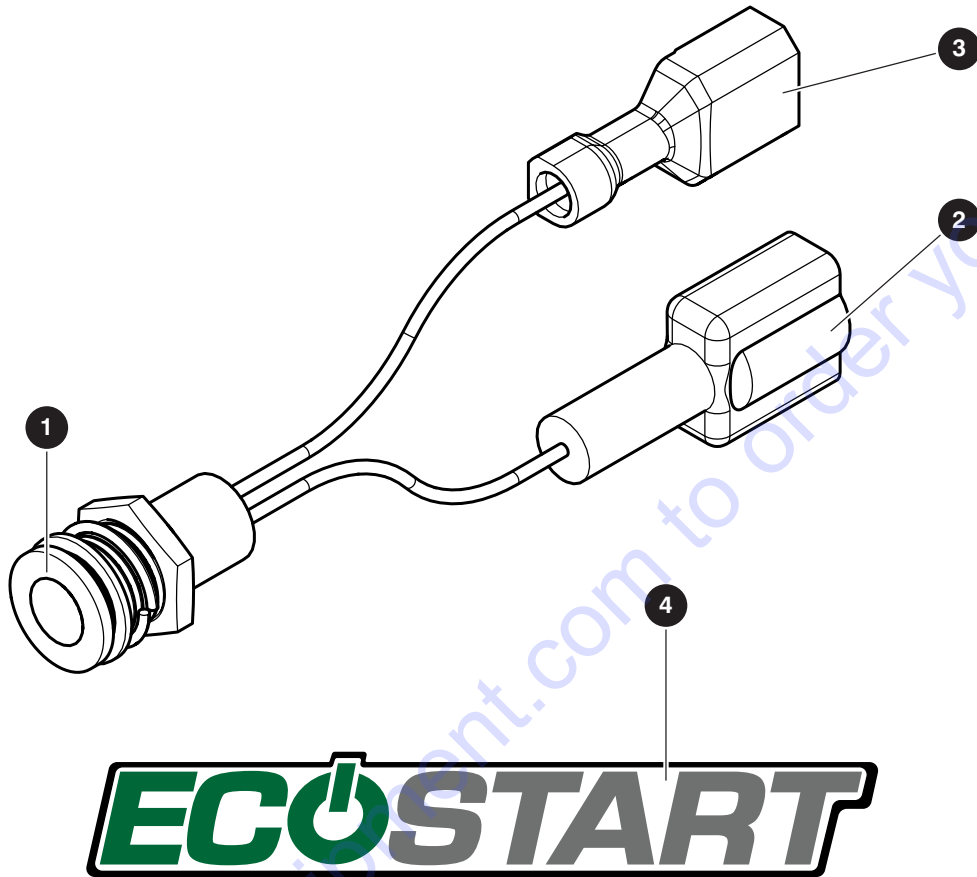
SJ9664 RT

SKYJACK

7.3 Material Handling Stand

Index No.	Skyjack Part No.	Qty.	Description
-	195198	1	MATERIAL HANDLING STAND
-	171737	1	• KIT, Material handling stand
1	171732	2	• • MATERIAL HANDLING STAND
2	133598	4	• • SPACER, Rolled
3	103873	4	• • BOLT, Hex head (0.375 x 16 x 2.5, gr 5)
4	103472	4	• • WASHER, Flat (0.375)
5	103996	4	• • WASHER, Flat (0.312)
6	103999	4	• • WASHER, Lock (0.375)
7	103978	4	• • NUT, Hex (0.375 x 16, gr 5)
8	103984	4	• • NUT, Lock (0.313 x 18, gr 5)
9	133216	4	• • BOLT, Carriage (0.313 x 18 x 1, gr 5)
10	195185	2	• • BOLT, Carriage (0.313 x 18 x 2.5, gr 5)
11	195186	2	• • SPACER
12	112467	4	• • PLUNGER, Stubby pull-ring
13	168421	1	• LABEL, Lock pin in place
14	195221	1	• STRAP, Nylon
15	199173	1	• ASSESSMENT, Risk (not shown)
-	222092	1	• LABEL & INSTRUCTIONS
16	195206	1	• • LABEL, Material handling stand option
17	192021	1	• • INSTRUCTION, Material handling stand (not shown)

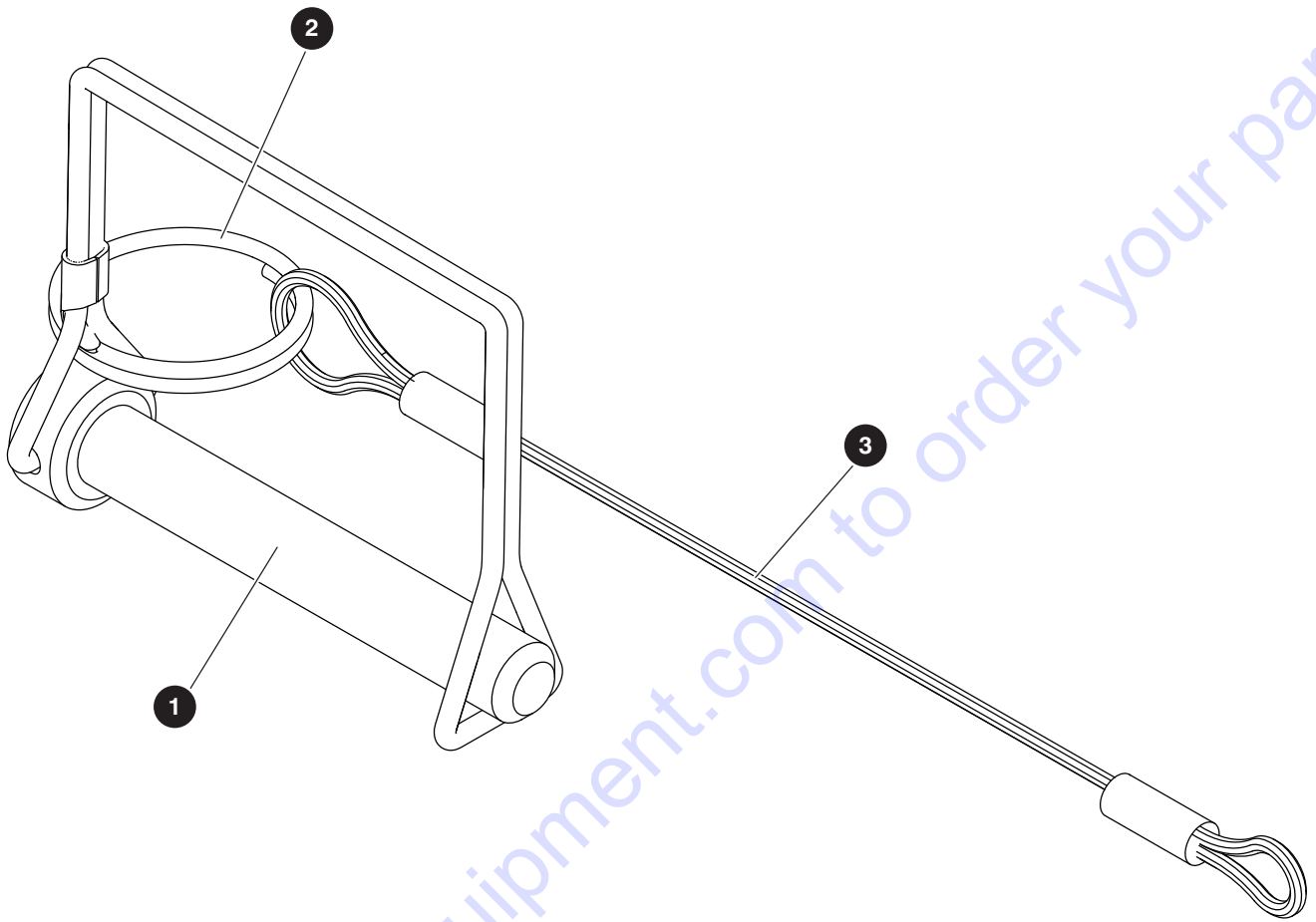
7.4 Eco Start



M226145AA

Index No.	Skyjack Part No.	Qty.	Description
-	232952	1	ECOSTART FIELD OPTION - SJ9XXX RT - CE, AS
-	226145	1	• ECOSTART LIGHT
1	226144	1	• • LIGHT, LED - blue
2	114594	1	• • TERMINAL, Male (18-22 AWG)
3	114595	1	• • TERMINAL, Female (18-22 AWG)
4	223867	2	• LABEL, EcoStart - Large
5	113719	6	• TIEWRAP, Cable (3-7/8") (not shown)
6	236002	1	• INSTRUCTIONS, EcoStart - SJ9XXX RT (not shown)

7.5 Wire Loop Lock Pin



M162074AB

Index No.	Skyjack Part No.	Qty.	Description
-	160274	1	WIRE LOP LOCK PIN
1	160265	1	• PIN, Lock - wire loop
2	160320	1	• RING
3	105807	1	• LANYARD (6")

PARTS FINDER

**Search Website
by Part Number**



**Search Manual
Library For Parts
Manual & Lookup Part
Numbers – Purchase
or Request Quote**

Search Manuals

Enter your information to help us find the right parts manual for your machine.

* Brand:

* Model:

* Serial:

* Part Number:

SEARCH

**Can't Find Part or
Manual? Request Help
by Manufacturer,
Model & Description**

Parts Order Form

Please fill in the following information to help us find the right part for your machine.

Manufacturer:	<input type="text"/>
Model:	<input type="text"/>
Description:	<input type="text"/>
Part Number:	<input type="text"/>
Quantity:	<input type="text"/>
Notes:	<input type="text"/>

Discount-Equipment.com is your online resource for quality parts & equipment.

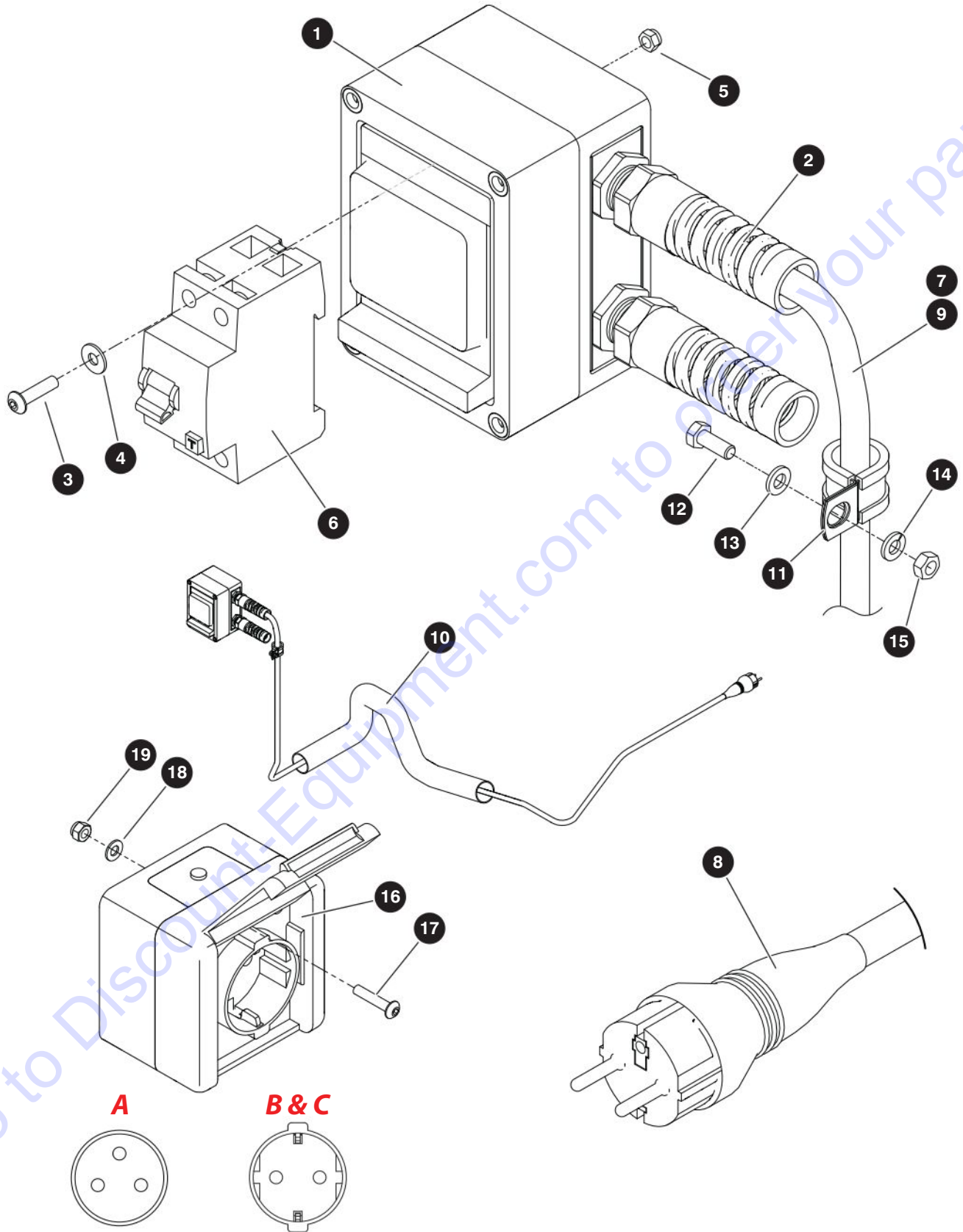
Florida: **561-964-4949** Outside Florida TOLL FREE: **877-690-3101**

Need parts?

Click on this link: <http://www.discount-equipment.com/category/5443-parts/> and choose one of the options to help get the right parts and equipment you are looking for. Please have the machine model and serial number available in order to help us get you the correct parts. If you don't find the part on the website or on one of the online manuals, please fill out the request form and one of our experienced staff members will get back to you with a quote for the right part that your machine needs.

We sell worldwide for the brands: Genie, Terex, JLG, MultiQuip, Mikasa, Essick, Whiteman, Mayco, Toro Stone, Diamond Products, Generac Magnum, Airman, Haulotte, Barreto, Power Blanket, Nifty Lift, Atlas Copco, Chicago Pneumatic, Allmand, Miller Curber, Skyjack, Lull, Skytrak, Tsurumi, Husquvarna Target, Stow, Wacker, Sakai, Mi-T-M, Sullair, Basic, Dynapac, MBW, Weber, Bartell, Bennar Newman, Haulotte, Ditch Runner, Menegotti, Morrison, Contec, Buddy, Crown, Edco, Wyco, Bomag, Laymor, EZ Trench, Bil-Jax, F.S. Curtis, Gehl Pavers, Heli, Honda, ICS/PowerGrit, IHI, Partner, Imer, Clipper, MMD, Koshin, Rice, CH&E, General Equipment, Amida, Coleman, NAC, Gradall, Square Shooter, Kent, Stanley, Tamco, Toku, Hatz, Kohler, Robin, Wisconsin, Northrock, Oztec, Toker TK, Rol-Air, APT, Wylie, Ingersoll Rand / Doosan, Innovatech, Con X, Ammann, Mecalac, Makinex, Smith Surface Prep, Small Line, Wanco, Yanmar

7.6 RCD Option



M222462AA_M222466AA

239430AAA

198

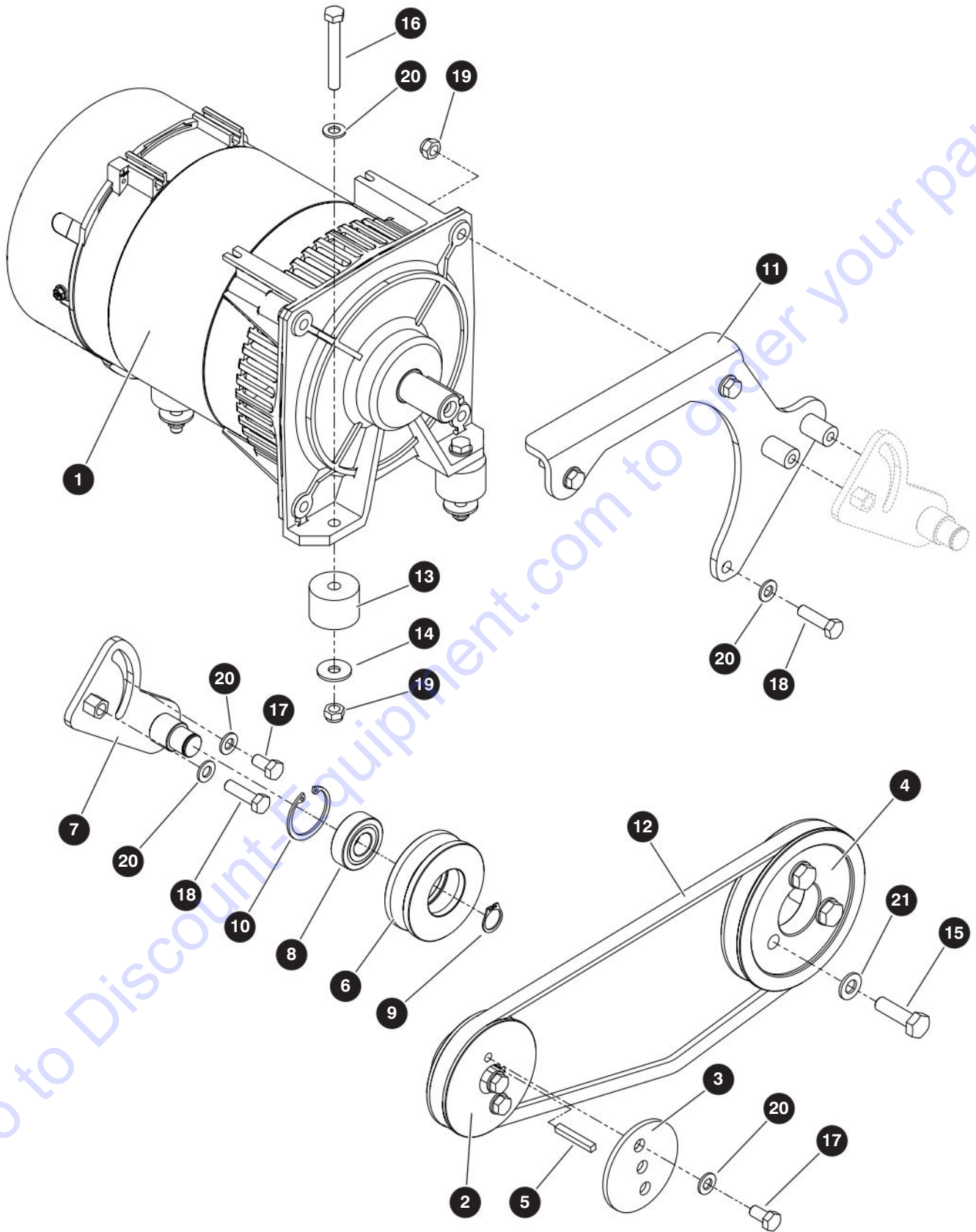
SJ9664 RT

SKYJACK

7.6 RCD Option

Index No.	Skyjack Part No.	Qty.	Description
A	222462	1	RCD, Type E with Europa 16 A RCBO
B	222466	1	RCD, Type F with Europa 16 A RCBO
C	222463	1	RCD, Type F with Doepke 2A RCCB, no plug
-	222461	1	• ENCLOSURE, Base
1	194510	1	• • MODIFICATION, RCD enclosure
2	158212	2	• • RELIEF, Strain
3	228466	2	• • BOLT, Button head cap screw (M5 x 0.8, cl 20)
4	117952	2	• • WASHER, Seal
5	217628	2	• • NUT, Hex lock (M5 x 0.8, cl 8)
-	222459	1	• WIRING, Europa C-16A, A, B
	222464	1	• WIRING, Doepke DFS 2A, C
6	157187	1	• • RCBO, Type C-16A - Europa, A
	168379	1	• • RCBO, Type A - Doepke DFS 2A, C
7	117542	156	• • CABTIRE (14/3)
8	157192	1	• • PLUG, Schuko solid rubber, A, B
9	108171	1	• • TERMINAL (10-12GA) (not shown)
10	140914	40	• • SLEEVE, Nylon hose protection
11	152402	1	• • CLAMP, Tube
12	217392	1	• • BOLT, Hex head (M6 x 1 x 16, cl 8.8)
13	600190	1	• • WASHER, Flat (M6)
14	121758	1	• • WASHER, Lock (M6)
15	800354	1	• • NUT, Hex head (M6)
-	222460	1	• BOX, Outlet - Type E, A
	222465	1	• BOX, Outlet - Type F, B, C
16	228058	1	• • SOCKET, Outlet 16A 250 V, type E, A
	228059	1	• • SOCKET, Outlet 16 A 250 V, type F, B, C
17	232535	2	• • SCREW, Button head cap (M4 x 0.7 x 20, cl 10.9)
18	600579	2	• • WASHER, Flat (M4)
19	121484	2	• • NUT, Hex lock (M4 x 0.7)

7.7 Belt-Driven Generator - 3.5 kW



M220408AE

239430AAA

200

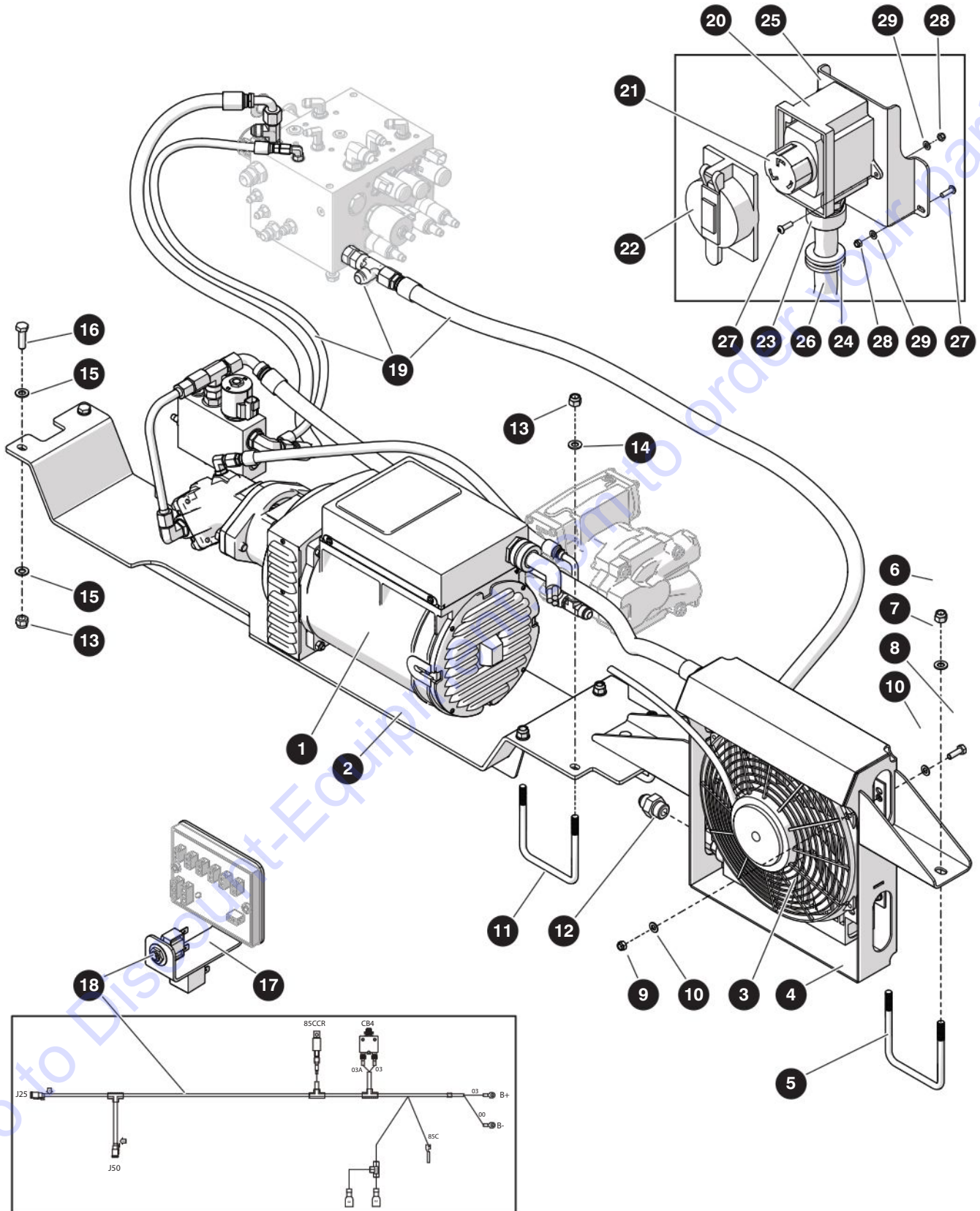
SJ9664 RT

SKYJACK

7.7 Belt-Driven Generator - 3.5 kW

Index No.	Skyjack Part No.	Qty.	Description
A	220408	1	BELT-DRIVEN GENERATOR, 3.5 kW (60 Hz) - Kubota D1305 ANSI/CSA
B	220396	1	BELT-DRIVEN GENERATOR, 3.5 KW (50 Hz) - Kubota D1305 CE
C	220384	1	BELT-DRIVEN GENERATOR, 3.5 kW (60 Hz) - Kubota WG972 ANSI/CSA
1	215834	1	• GENERATOR, 3.5 KW (60Hz), A, C
	230944	1	• • CAPACITOR
	230945	1	• • KIT, 2 Bearing conversion
	230946	1	• • BOOT, Breaker
	230947	1	• • BREAKER (15A)
	230948	1	• • COVER, Drilled
1	215835	1	• GENERATOR, 3.5 KW (50Hz), B
	197775	1	• • CORD, GFI power
	231171	1	• • BOOT, Breaker
	231172	1	• • BREAKER (15A)
2	220407	1	• PULLEY, 3.5 KW Generator (760D)
3	220406	1	• WASHER, Generator pulley
4	222473	1	• PULLEY, D1305 engine, A, B
	237497	1	• PULLEY, WG972 engine, C
5	220391	1	• KEY STOCK
-	237503	1	• PULLEY TENSIONER ASSEMBLY
6	237504	1	• • TENSIONER, Pulley
7	237502	1	• • BRACKET, Tensioner
8	220398	1	• • BEARING, Sealed (40 OD x 17 ID x 12 THK)
9	217691	1	• • RING, Retaining - external (17 mm)
10	217740	1	• • RING, Retaining - internal (40 mm)
11	220433	1	• MOUNT, Tensioner
12	220368	1	• BELT, Generator
13	215210	3	• SPACER, 3.5KW generator
14	217838	3	• WASHER, Fender (M8)
15	237522	3	• BOLT, Hex head (M10 x 1.25 x 35, cl 10.9), A, B
	217879	3	• BOLT, Hex head (M8 x 1.25 x 35, cl 10.9), C
16	217236	3	• BOLT, Hex head (M8 x 1.25 x 60, cl 10)
17	217401	4	• BOLT, Hex head (M8 x 1.25 x 16, cl 10.9)
18	217878	4	• BOLT, Hex head (M8 x 1.25 x 30, cl 10.9)
19	223162	6	• NUT, Hex lock (M8 x 1.25, cl 10)
20	232528	14	• WASHER, Flat (M8), A, B
	232528	11	• WASHER, Flat (M8), C
21	223172	3	• WASHER, Flat (M8), C

7.8 Hydraulic Generator - 7.5 kW



M237541AA

239430AAA

202

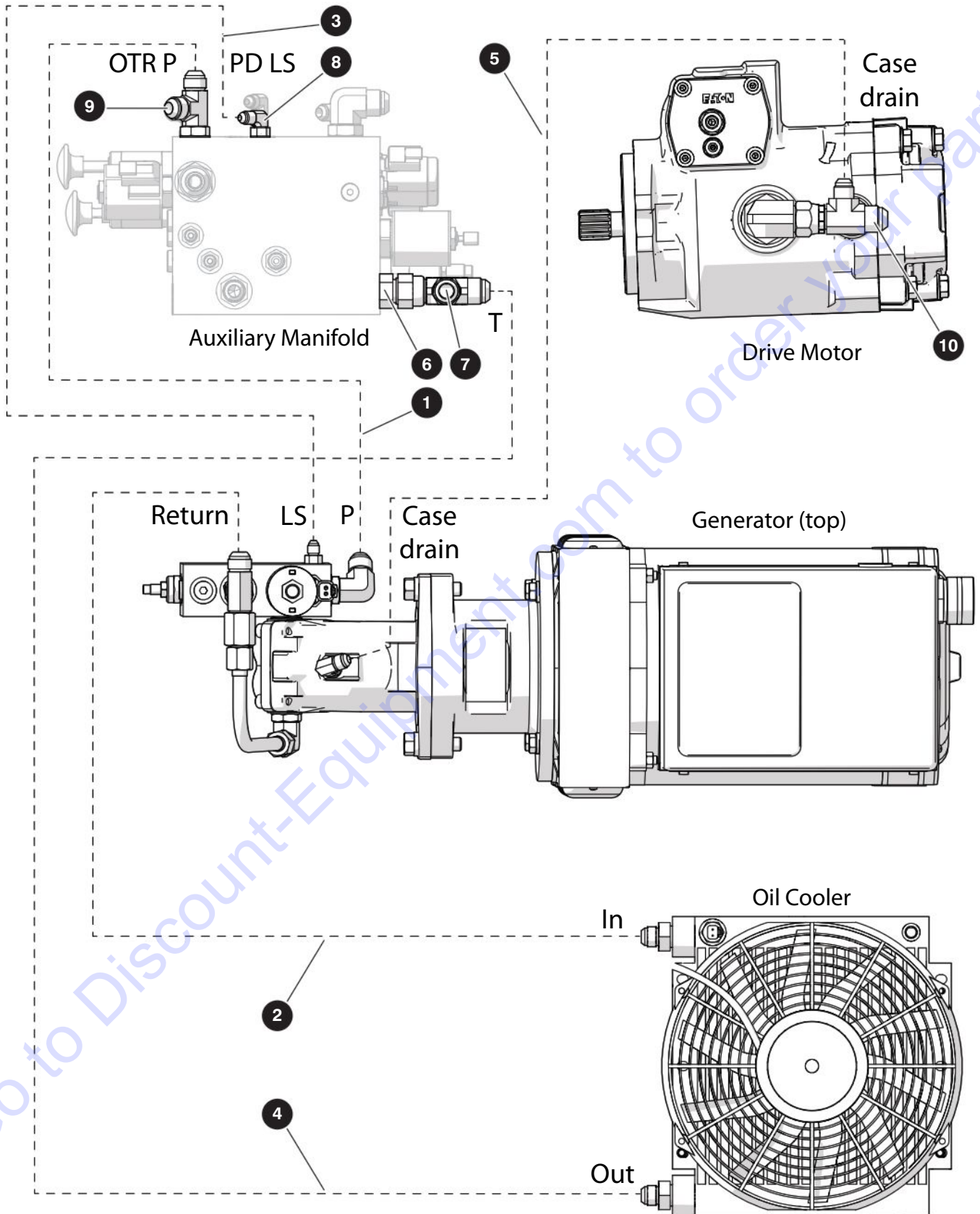
SJ9664 RT

SKYJACK

7.8 Hydraulic Generator - 7.5 kW

Index No.	Skyjack Part No.	Qty.	Description
A	237541	1	HYDRAULIC GENERATOR, 7.5 KW (50 HZ, 1 PHASE) - AS
B	237507	1	HYDRAULIC GENERATOR, 7.5 KW (60 HZ, 3 PHASE) - ANSI/CSA
-	237542	1	• GENERATOR ASSEMBLY, A
	237495	1	• GENERATOR ASSEMBLY, B
1	237494	1	• • SUPPORT, Generator
2	237544	1	• • GENERATOR, Hydraulic - 7.5 KW (50Hz), A
	237540	1	• • GENERATOR, Hydraulic - 7.5 KW (60Hz), B
-	237487	1	• • HYDRAULIC COOLER ASSEMBLY
3	160800	1	• • • COOLER, Hydraulic oil - 12 V DC
4	237486	1	• • • BRACKET, Oil cooler
5	220336	1	• • • U-BOLT (M10)
6	933697	2	• • • NUT, Hex lock (M10 x 1.5)
7	933833	2	• • • WASHER, Flat (M10)
8	933655	4	• • • BOLT, Hex head cap screw (M8-1.25 x 25, cl 8.8)
9	223163	4	• • • NUT, Hex nylon lock (M8 x 1.25, cl 8)
10	133232	8	• • • WASHER, Flat (M8)
11	220336	2	• • U-BOLT (M10)
12	137490	2	• • FITTING, Straight (10JICM-12ORBM)
13	933697	11	• • NUT, Hex lock (M10 x 1.5)
14	933833	4	• • WASHER, Flat (M10)
15	933648	7	• • BOLT, Hex head (M10 x 1.5 x 35, cl 10.9)
16	600315	11	• • WASHER, Flat (M10)
-	220347	1	• GENERATOR ELECTRICAL ASSEMBLY
17	220346	1	• • BRACKET, Circuit breaker
18	(Ref.)	1	• • HARNESS, Generator and oil cooler <i>(For components, refer to Section 5.22 Generator and Oil Cooler Harness)</i>
19	(Ref.)	1	• GENERATOR HOSE KIT <i>(For components, refer to Section 7.9 Hydraulic Hoses - 7.5 kW Generator)</i>
-	232961	1	• CABLE TO PLATFORM, B
20	139835	1	• • BOX, Receptacle - 50 A
21	139832	1	• • RECEPTACLE, Single locking - 50 A
22	139836	1	• • COVER, Weather-resistant
23	144367	1	• • STRAIN RELIEF
24	144294	1	• • GROMMET, Rubber
25	220325	1	• • BRACKET, Outlet mount
26	139838	1150	• • CABLE, 4 conductor 8 guage
27	228459	4	• • BOLT, Button head cap screw (M5 x 0.8 x 16, cl10.9)
28	217628	4	• • NUT, Hex nylon lock (M5)
29	933816	4	• • WASHER, Flat (M5)

7.9 Hydraulic Hoses - 7.5 kW Generator



M220338AC

239430AAA

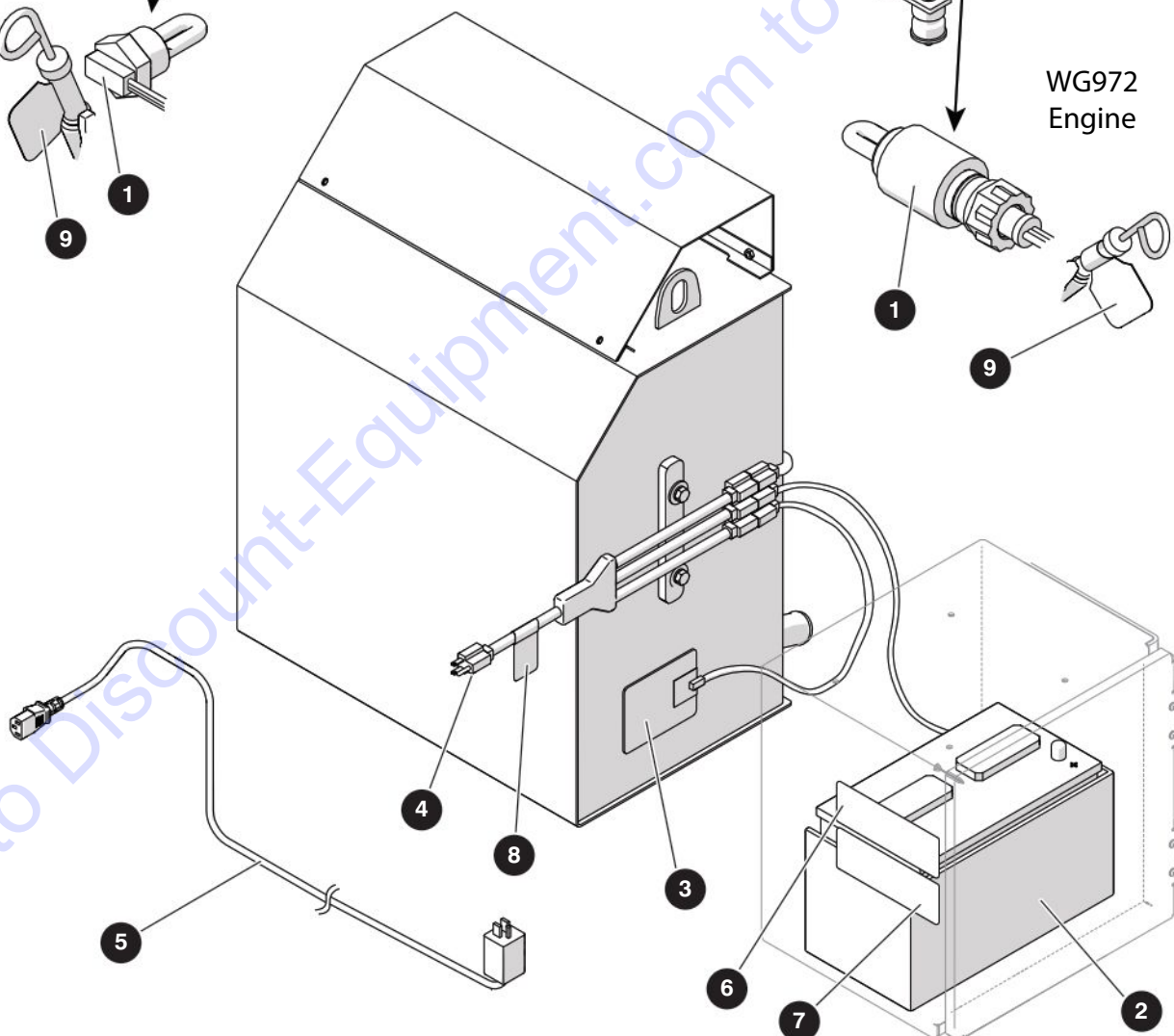
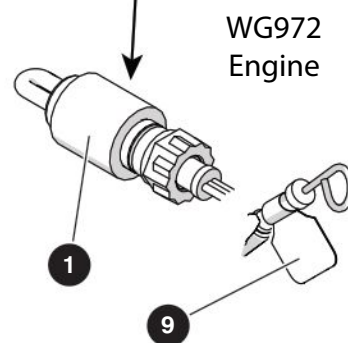
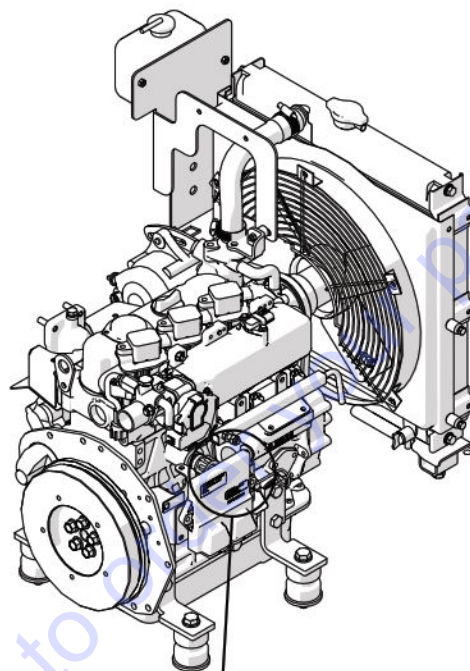
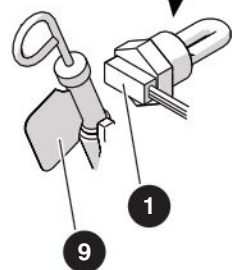
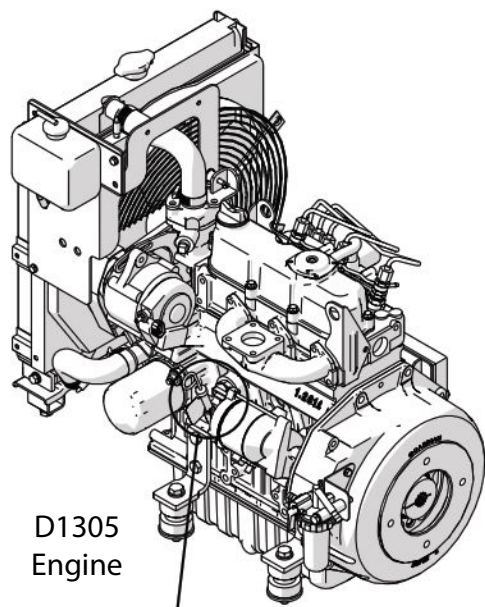
SJ9664 RT

7.9 Hydraulic Hoses - 7.5 kW Generator

Index No.	Hose P/N	From		To		
		Description	Port	Port	Description	
-	220338	HOSE KIT - 7.5 kW GENERATOR				
1	H5408 0038 0	Auxiliary manifold	OTR P	P	Generator manifold	
2	H5410 0049 0	Generator manifold	Return	Inlet	Oil cooler	
3	H3104 0037 0	Auxiliary manifold	PD LS	LS	Generator manifold	
4	H5410 0066 0	Oil cooler	Outlet	T	Auxiliary manifold	
5	H3606 0024 0	Generator manifold	C. drain	C. drain	Drive motor	

Index No.	Skyjack Part No.	Qty.	Description
6	137630	1	• FITTING, Straight (10JICM-10ORBM)
7	131743	1	• FITTING, Swivel run tee (10JICM-10JICM-10JICFS)
8	125883	1	• FITTING, 90° (04JICM-04ORBM)
9	110554	1	• FITTING, Run tee (08JICM-08ORBM-08JICM)
10	237891	1	• FITTING, Run tee (08JICM-08JICF-06JICM)

7.10 Cold & Arctic Weather Packages



M220331AD_M220341AC

239430AAA

206

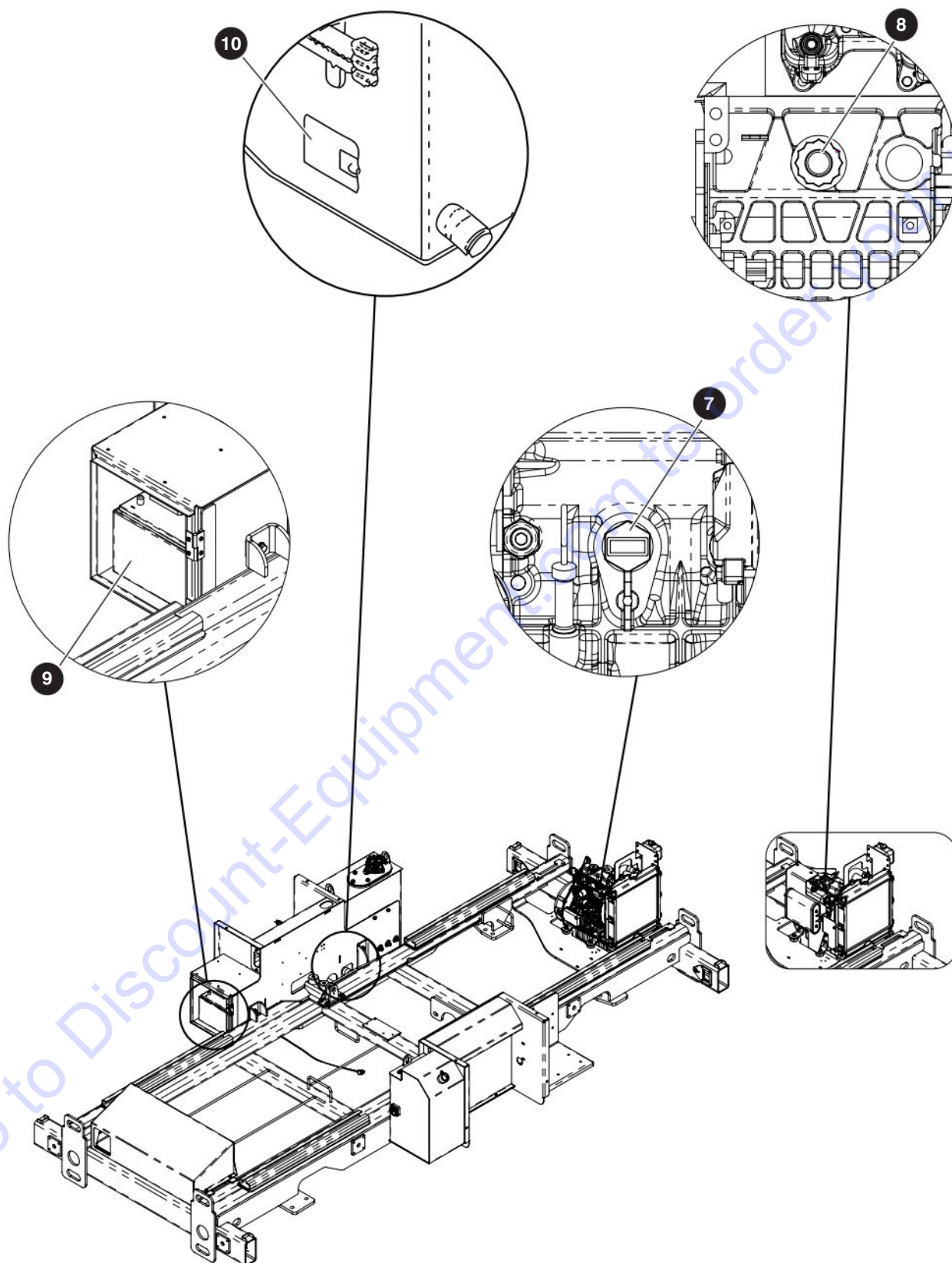
SJ9664 RT

SKYJACK

7.10 Cold & Arctic Weather Packages

Index No.	Skyjack Part No.	Qty.	Description
A	-	1	COLD WEATHER PACKAGE - Kubota D1305
B	-	1	COLD WEATHER PACKAGE - Kubota WG972
C	-	1	ARCTIC WEATHER PACKAGE - Kubota D1305
D	-	1	ARCTIC WEATHER PACKAGE - Kubota WG972
1	149685	1	• HEATER, Immersion (400 W, 100 V), A, C
	146468	1	• HEATER, Block (400 W, 110 V), B, D
2	703290	1	• BLANKET, Battery
3	166260	1	• HEATER, Pad (250 W)
4	159888	1	• CORD, ""W"
5	169396	1	• CORD, Extension
6	147041	2	• LABEL, Do not leave heater plugged in (not shown)
7	147042	2	• LABEL, Do not use heaters (not shown)
8	144632	1	• LABEL, Oil pan/ hydraulic oil heater/ battery warmer
9	144635	1	• LABEL, Arctic engine oil (not shown), C, D

7.11 Arctic Weather Package



M66932AA

239430AAA

208

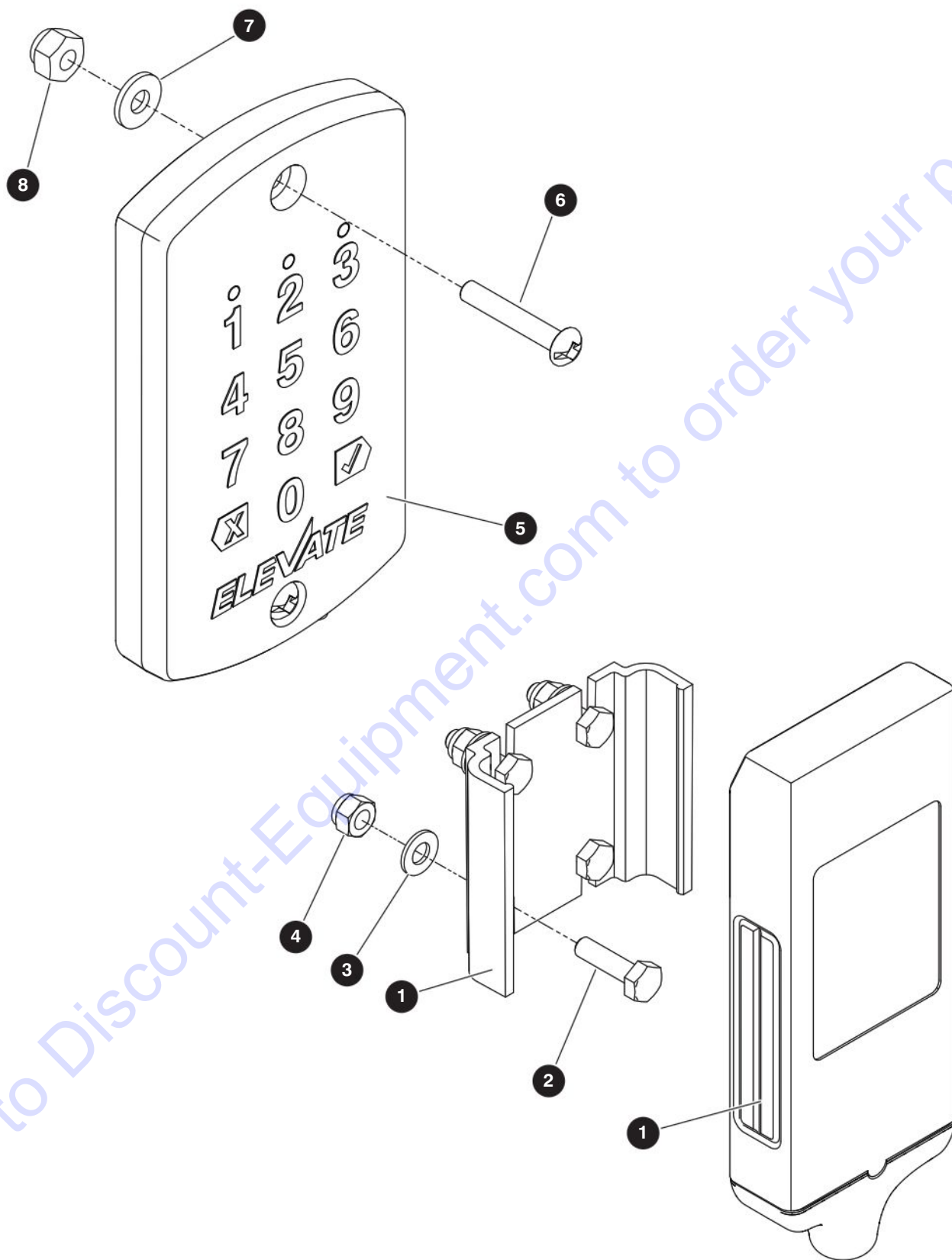
SJ9664 RT

SKYJACK

7.11 Arctic Weather Package

Index No.	Skyjack Part No.	Qty.	Description
A	220331	1	ARCTIC WEATHER PACKAGE - KUBOTA D1305
B	220341	1	ARCTIC WEATHER PACKAGE - KUBOTA WG972
2	144635	1	• LABEL, Arctic engine oil (not shown)
7	149685	1	• HEATER, Immersion (400 W, 100 V), A
8	146468	1	• HEATER, Block (400 W, 110 V), B
9	703290	1	• BLANKET, Battery
10	166260	1	• HEATER, Pad (250 W)
5	147041	2	• LABEL, Do not leave heater plugged in (not shown)
6	147042	2	• LABEL, Do not use heaters (not shown)
12	159888	1	• CORD, "W" (not shown)
13	144632	1	• LABEL, Oil pan/ hydraulic oil heater/ battery warmer (not shown)
14	169396	1	• CORD, Extension - inverter (not shown)

7.12 Elevate Telematics



M222200AA


239430AAA

210

SJ9664 RT

SKYJACK

7.12 Elevate Telematics

Index No.	Skyjack Part No.	Qty.	Description
			 NOTE A subscription is required to use the Elevate Telematics option. Refer to "Elevate Telematics Subscription" on page 212.
A	222200	1	TELEMATICS TRACK UNIT GROUP - with Keypad
B	222203	1	TELEMATICS TRACK UNIT GROUP - no Keypad
-	222201	1	<ul style="list-style-type: none"> • TELEMATICS, Track unit, A, B
1	213098	1	<ul style="list-style-type: none"> • • TELEMATICS, Track unit ME501-4
	199295	1	<ul style="list-style-type: none"> • • • COVER
	199296	1	<ul style="list-style-type: none"> • • • BRACKET
	199297	1	<ul style="list-style-type: none"> • • • BATTERY
	199298	1	<ul style="list-style-type: none"> • • • CABLE, Control
	199299	1	<ul style="list-style-type: none"> • • • FUSE KIT, 1 amp fuse and holder
2	600578	4	<ul style="list-style-type: none"> • • BOLT, Hex head (M4 x 0.7 x 15, gr 8.8)
3	600579	4	<ul style="list-style-type: none"> • • WASHER, Flat (M4)
4	121484	4	<ul style="list-style-type: none"> • • NUT, Lock (M4 x 0.70)
-	222202	1	<ul style="list-style-type: none"> • TELEMATICS, Keypad, A
5	213099	1	<ul style="list-style-type: none"> • • TELEMATICS, Track unit dual ID Keypad
6	112248	2	<ul style="list-style-type: none"> • • SCREW, Round head machine (8-32 x 1)
7	103991	2	<ul style="list-style-type: none"> • • WASHER, Flat (8)
8	138765	2	<ul style="list-style-type: none"> • • NUT, Lock (8-32)

7.13 Elevate Telematics Subscription

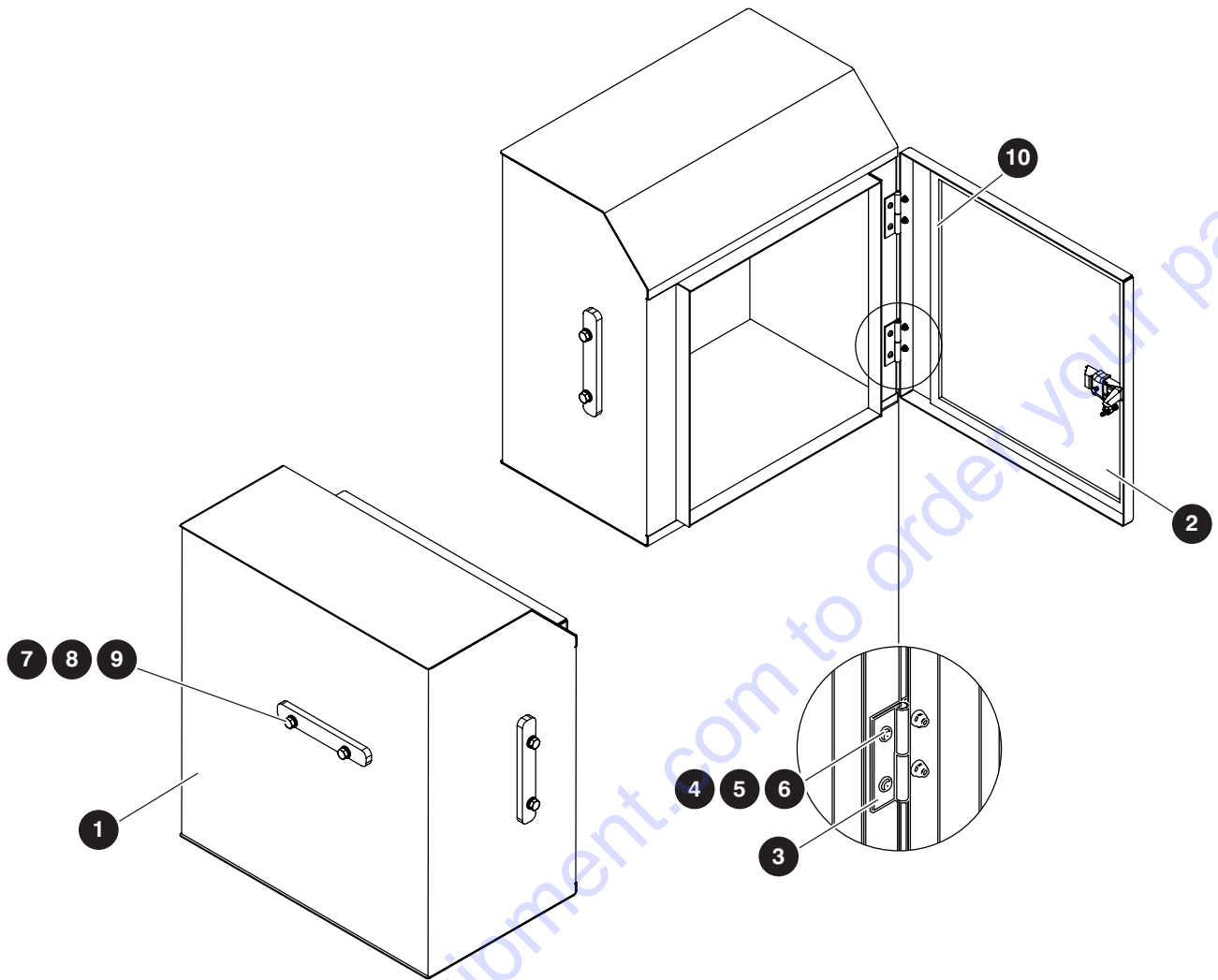
Index No.	Skyjack Part No.	Qty.	Description
<p> NOTE <i>One of the following subscriptions is required to use the Elevate Telematics option.</i></p>			
1	221153	1	SUBSCRIPTION, Elevate telematics - Direct (12 months)
2	221647	1	SUBSCRIPTION, Elevate telematics - Engage (12 months)
3	221648	1	SUBSCRIPTION, Elevate telematics - Engage + Access (12 months)
4	221154	1	SUBSCRIPTION, Elevate telematics - Direct (36 months)
5	221650	1	SUBSCRIPTION, Elevate telematics - Engage (36 months)
6	221649	1	SUBSCRIPTION, Elevate telematics - Engage + Access (36 months)
7	221155	1	SUBSCRIPTION, Elevate telematics - Direct (60 months)
8	221654	1	SUBSCRIPTION, Elevate telematics - Engage (60 months)
9	221653	1	SUBSCRIPTION, Elevate telematics - Engage + Access (60 months)

M222200AA-1

239430AAA

SJ9664 RT

7.14 Storage Box



M66760AA

Index No.	Skyjack Part No.	Qty.	Description
-	222087	1	STORAGE BOX ASSEMBLY
-	222339	1	• BOX, Storage
1	222325	1	• • TOOL BOX
2	222338	1	• • DOOR, Tool box
3	222355	2	• • HINGE, Lift Off
4	228458	8	• • BOLT, Button head cap screw (M5 x 0.8 x 12, cl 10.9)
5	933816	8	• • WASHER, Flat (M5, cl 200)
6	217628	8	• • NUT, Hex lock (M5 x 0.8, cl 8)
7	933833	4	• WASHER, Flat (M10, OD 20.0)
8	132497	4	• WASHER, Lock (M10)
9	933640	4	• BOLT, Hex head cap screw (M10 x 1.5 x 20, cl 8.8)
10	103658	8.9	• RUBBER, Self seal

Section 8 – Labels

8.1 *Label Kits*

8.2 *Labels - Left & Right Sides*

8.3 *Labels - Front & Back*

8.4 *Labels - Engines*

8.5 *Labels - Outriggers*

8.6 *Labels - Railings*

8.7 *Labels - Control Boxes*

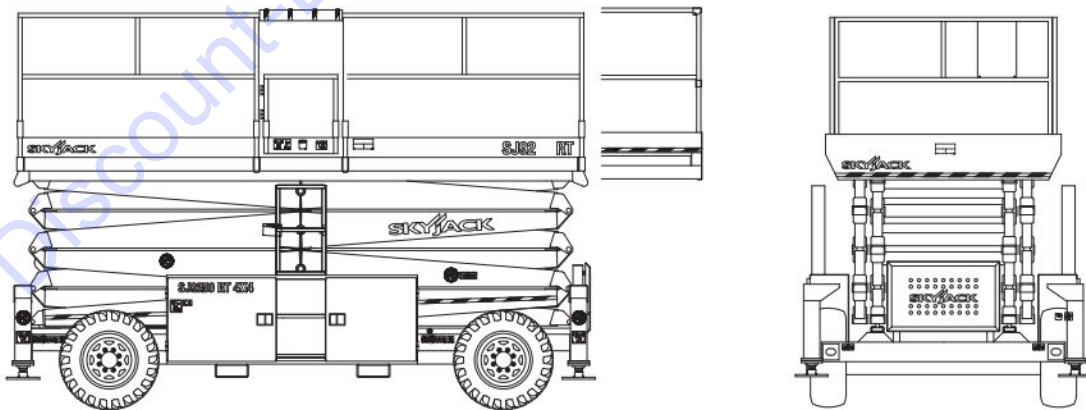
8.1 Label Kits

The following label kits contain all of the labels required for a complete standard machine with outriggers, with the following exceptions:

- Serial number plates
- Caution tape
- Engine- and fuel-specific labels (ANSI/CSA only)
- Powerline clearance label (AS only)
- Special options

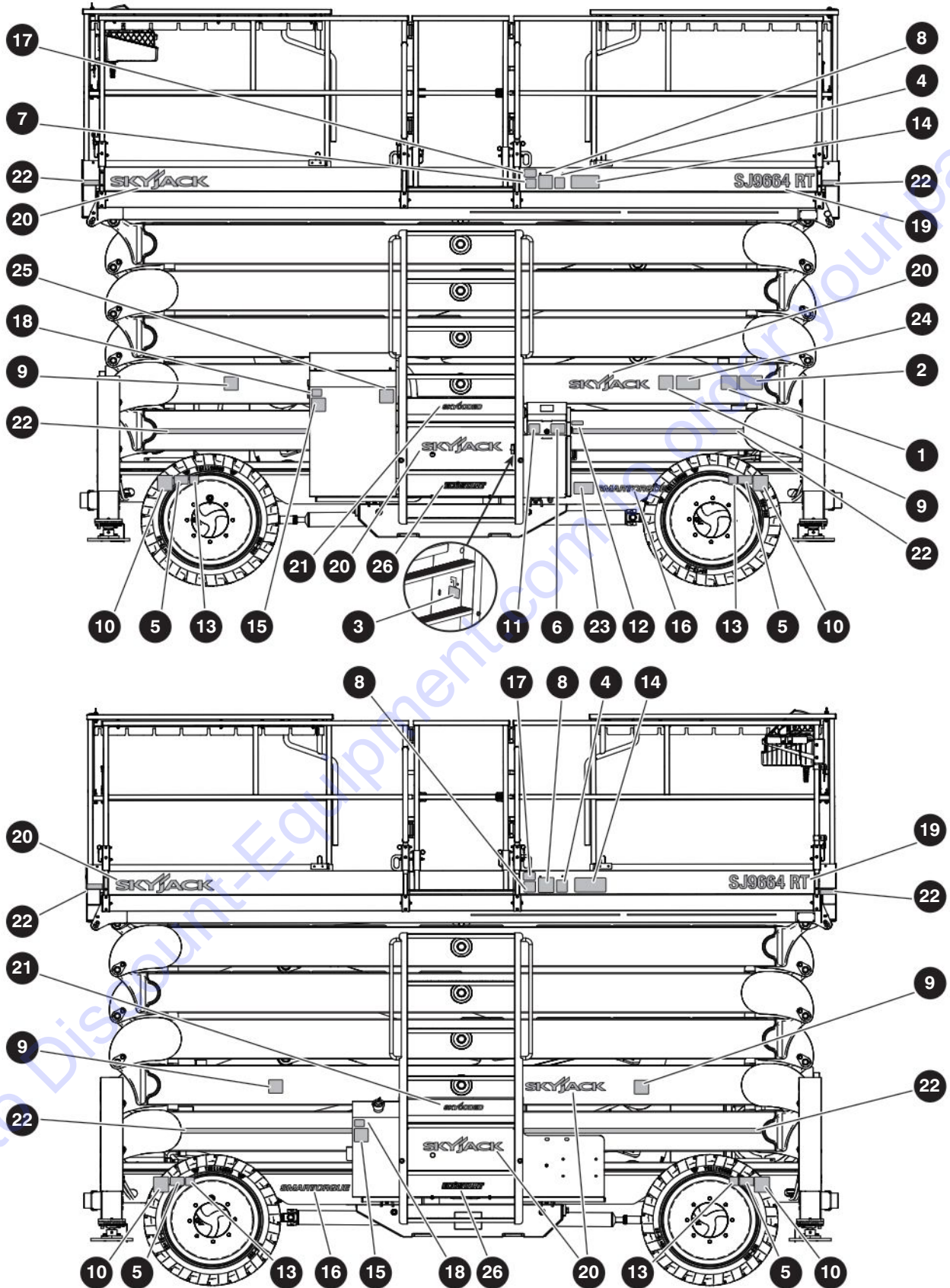
Provide the model number, country and language when ordering complete label kits.

Index No.	Skyjack Part No.	Qty.	Description
-	TBD	1	LABEL KIT - ANSI/CSA
-	TBD	1	LABEL KIT - CE
-	TBD	1	LABEL KIT - AS



SKYJACK

8.2 Labels - Left & Right Sides



M173167AD_Side_1

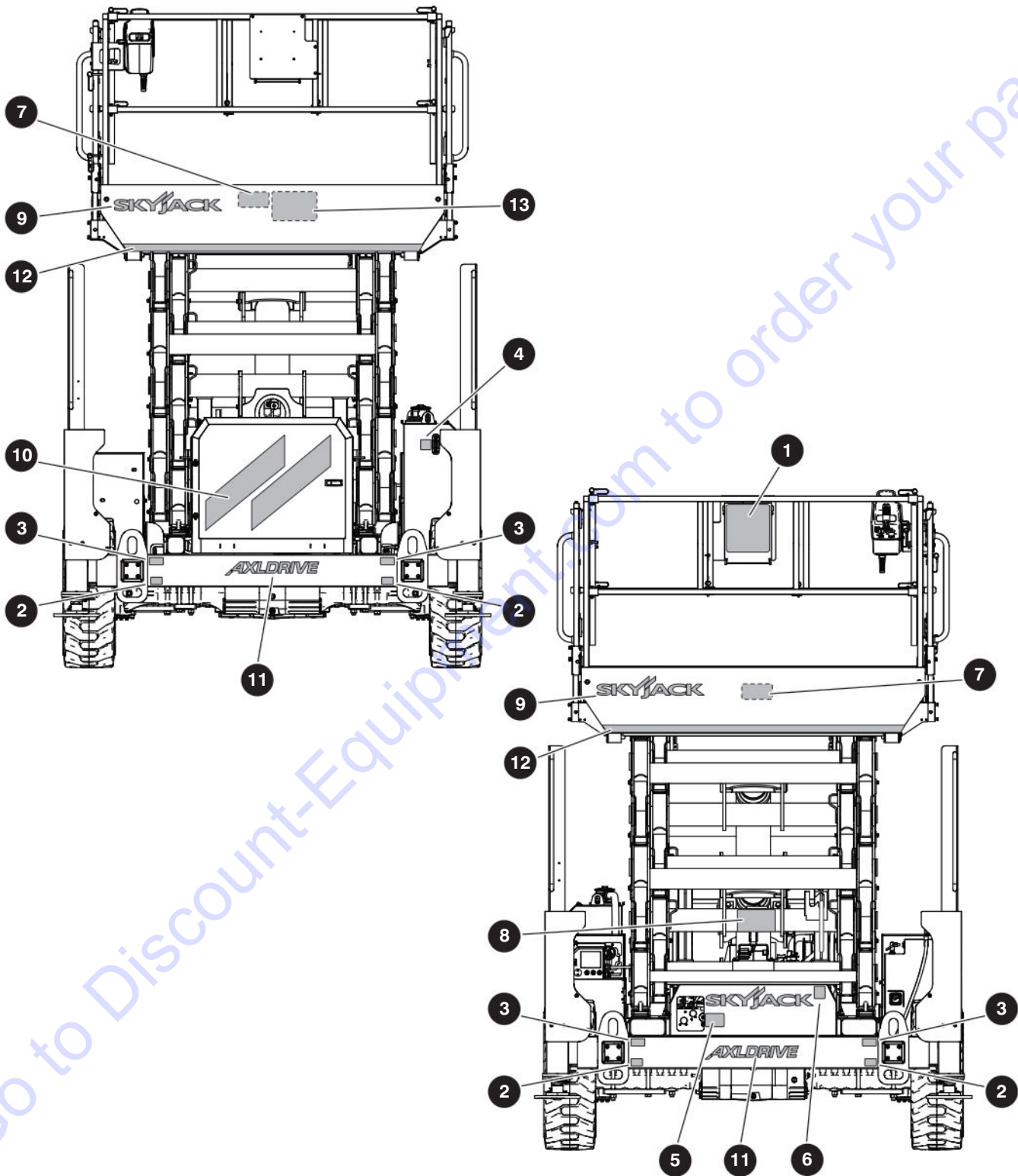
239430AAA

SJ9664 RT

8.2 Labels - Left & Right Sides

Index No.	Skyjack Part No.	Qty.	Description
1	172695	1	LABEL, Warning annual inspection
2	172656	1	LABEL, Annual inspection
3	119674	1	LABEL, Battery disconnect switch pictorial LABEL, Warning
4	124362	2	do not wear jewelery
5	124631	4	LABEL, Wheel info pictorial
6	172939	1	LABEL, E-lowering information
7	172693	2	LABEL, Non insulated
8	158912	2	LABEL, Daily maintenance checklist
9	139855	4	LABEL, Keep clear pictorial
10	173202	4	LABEL, Tip over hazard solid tires
11	173624	1	LABEL, Emergency lowering location
12	138211	1	LABEL, Connect AC supply
13	173742	4	LABEL, Wheel load (3000 kg/6600 lb)
14	173796	2	LABEL, Capacity (512 kg/1130 lb 3/5 P) LABEL, 100 dB
15	173419	2	sound level - CE, AS
16	173738	2	LABEL, Smart Torque - ANSI/CSA, AS
	173303	2	LABEL, Smart Torque stage V - CE
17	173081	2	LABEL, California propostion 65 - ANSI/CSA
18	117023	2	LABEL, CE mark - CE
19	173175	2	LABEL, SJ9664 RT
20	158554	4	LABEL, Skyjack white (20")
21	173160	2	LABEL, Skycoded
22	119803	480"	LABEL, Caution tape
23	(Ref.)	1	LABEL, Serial plate (consult Discount-equipment)
24	(Ref.)	1	LABEL, QR code (consult Discount-equipment)
25	102961	1	LABEL, Hydraulic oil - standard
	161565	1	LABEL, Hydraulic oil - biodegradable
26	223867	2	LABEL, EcoStart - CE (optional), AS (standard)

8.3 Labels - Front & Back



M173167AD_FrontBack

239430AAA

220

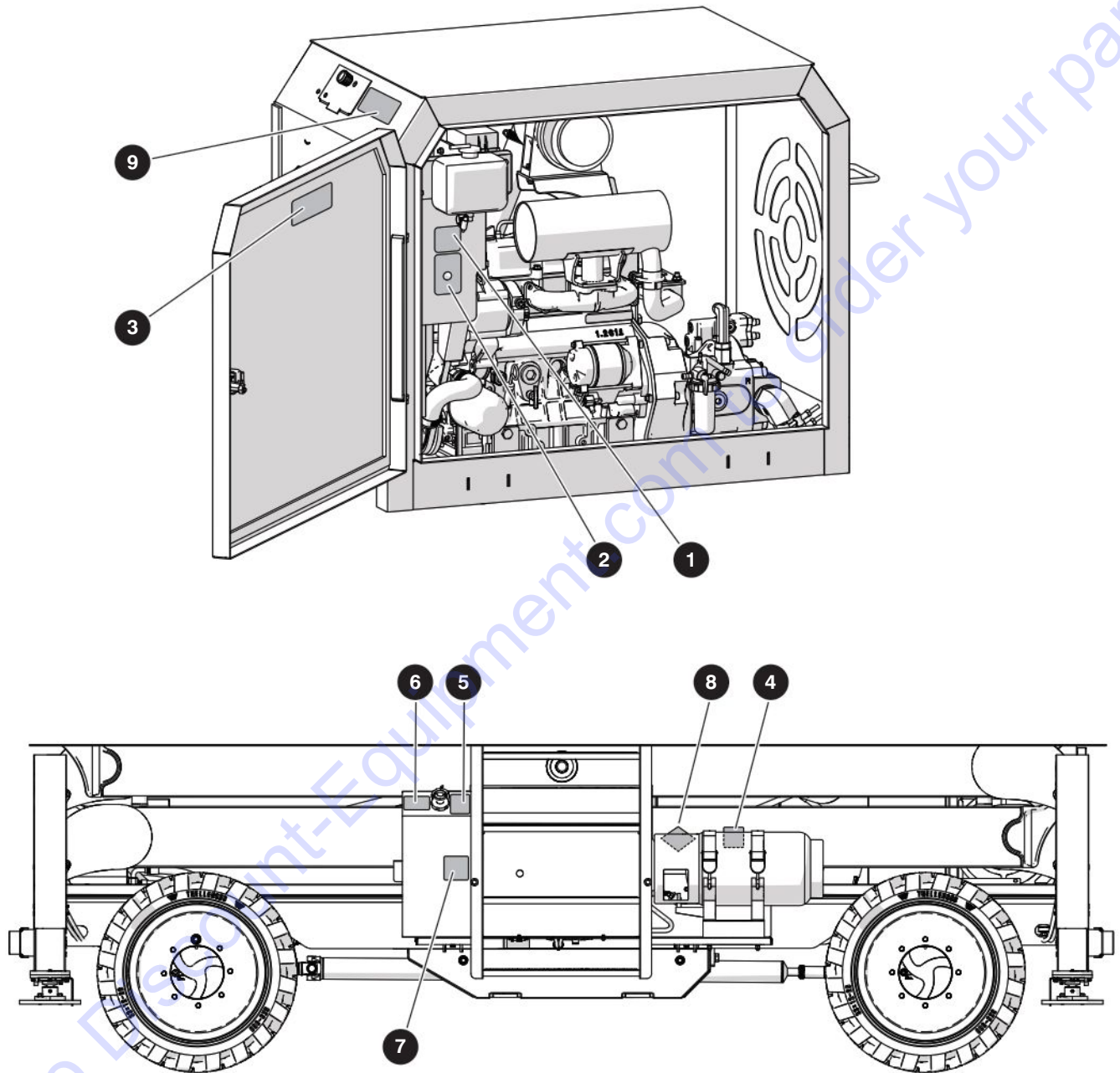
SJ9664 RT

SKYJACK

8.3 Labels - Front & Back

Index No.	Skyjack Part No.	Qty.	Description
1	172677	1	LABEL, Danger hazards pictorial
2	157528	4	LABEL, Tie down
3	143688	4	LABEL, Lift point pictorial
4	146016	1	LABEL, Hydraulic oil level (min/max)
5	173227	1	LABEL, Towing procedure
6	173222	1	LABEL, Control box connection at base
7	173796	2	LABEL, Platform capacity (512 kg/1130 lb 3/5 P)
8	230758	1	LABEL, Maintenance support procedure
9	158554	4	LABEL, Skyjack white (20")
10	173220	1	LABEL, Talon mark
11	173302	2	LABEL, Axle drive
12	119803	132"	LABEL, Caution tape
13	161631	1	LABEL, Clearance - power lines - AS

8.4 Labels - Engines



M173412AB-1

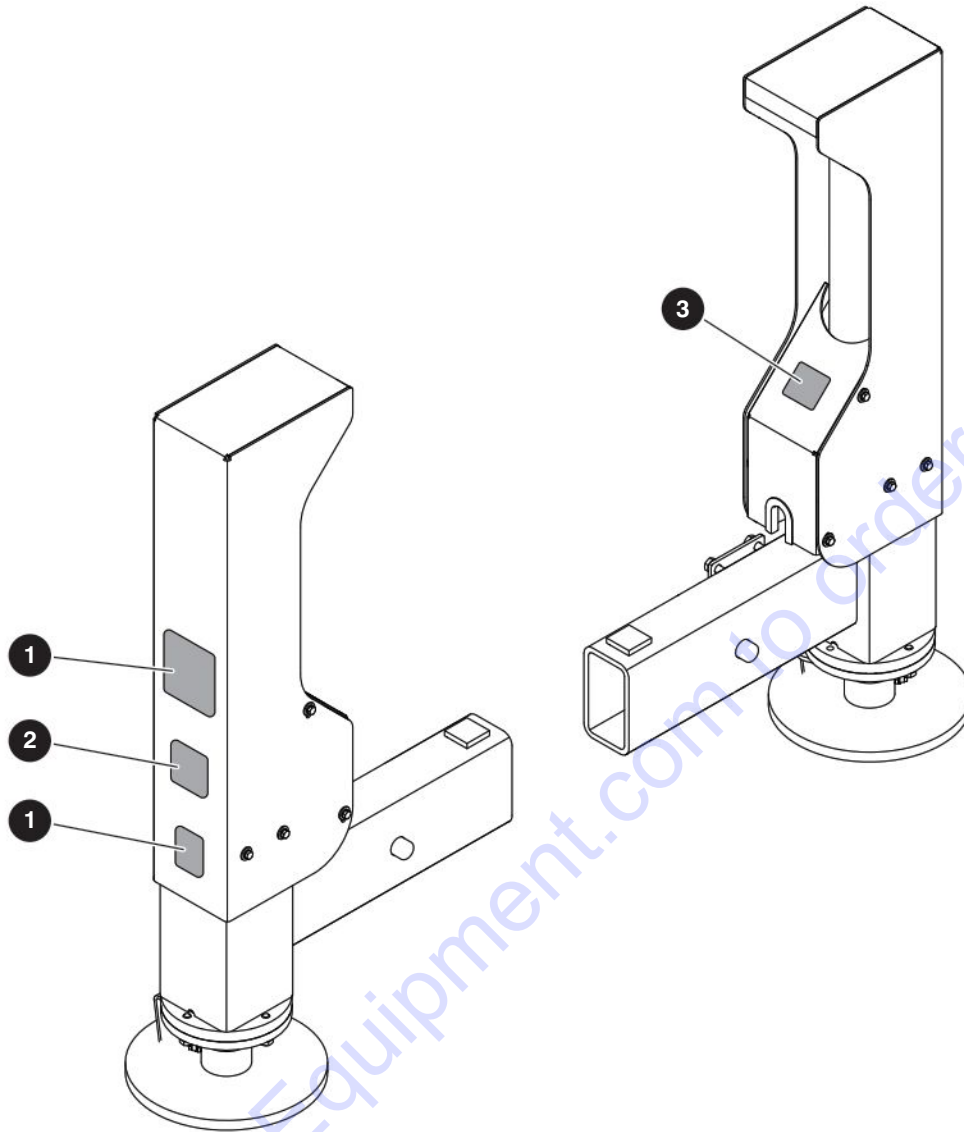
239430AAA

SJ9664 RT

8.4 Labels - Engines

Index No.	Skyjack Part No.	Qty.	Description
A	173412	1	LABEL ASSEMBLY, ENGINE - <i>Dual fuel</i>
B	173413	1	LABEL ASSEMBLY, ENGINE - <i>Diesel</i>
1	139457	1	<ul style="list-style-type: none"> • LABEL, Do not use pressure washers
2	173410	1	<ul style="list-style-type: none"> • LABEL, Engine controls dual fuel, A
	173411	1	<ul style="list-style-type: none"> • LABEL, Engine controls diesel, B
3	172171	1	<ul style="list-style-type: none"> • LABEL, California construction equipment, A
4	103023	1	<ul style="list-style-type: none"> • LABEL, Use liquid propane only, A
5	132400	1	<ul style="list-style-type: none"> • LABEL, Unleaded gasoline only, A
	163852	1	<ul style="list-style-type: none"> • LABEL, Ultra low sulfur only, B
6	168475	1	<ul style="list-style-type: none"> • LABEL, Open slowly fuel cap, A
7	138146	1	<ul style="list-style-type: none"> • LABEL, No smoking
8	120390	1	<ul style="list-style-type: none"> • LABEL, Propane, A
9	163095	1	LABEL, Caution coolant fill

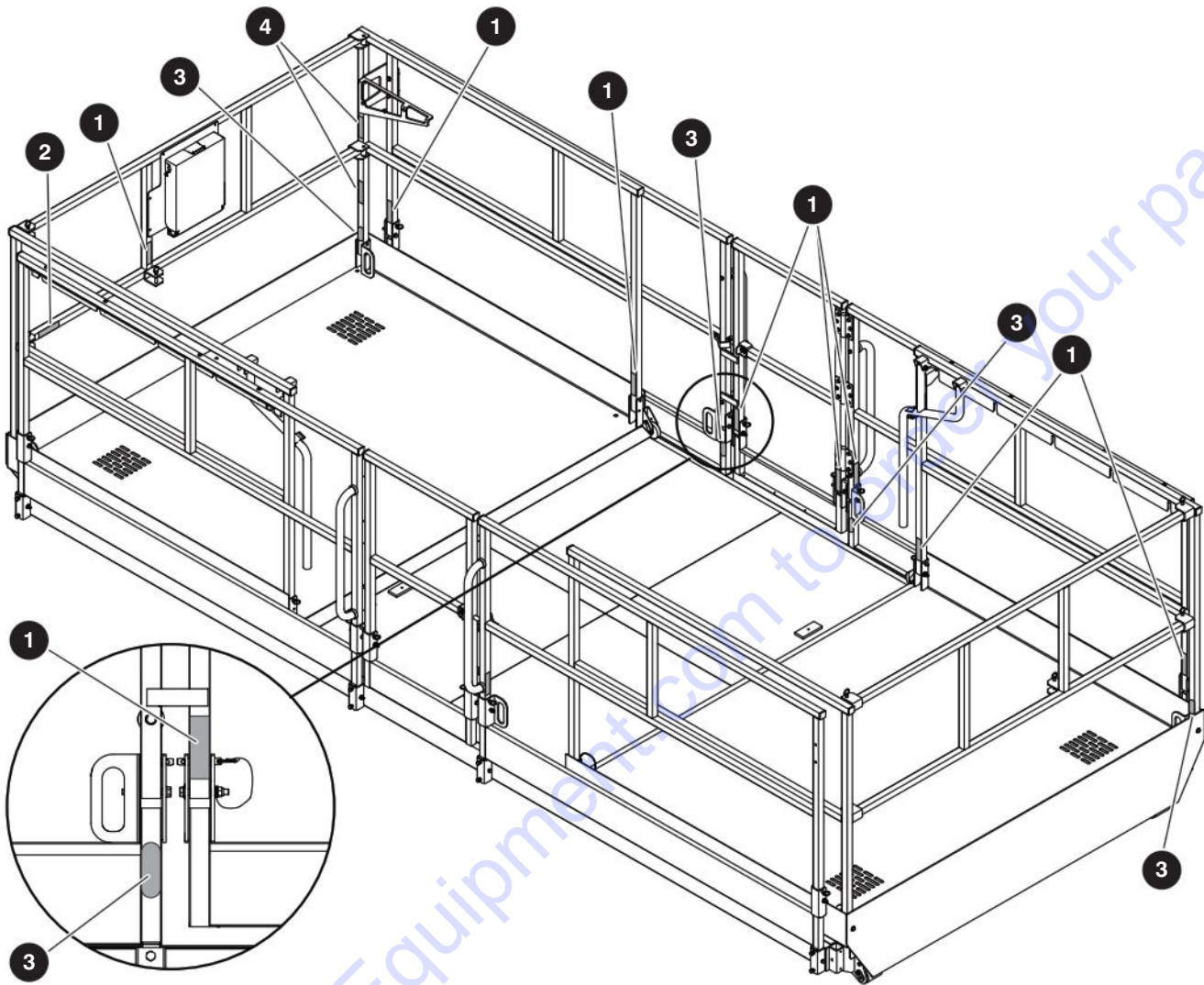
8.5 Labels - Outriggers



M173351AA

Index No.	Skyjack Part No.	Qty.	Description
-	173351	1	LABELS - OUTRIGGERS
1	139855	4	• LABEL, "Keep clear" pictorial
2	173024	4	• LABEL, Warning hand/foot pinch
3	156613	4	• LABEL, Do not alter limit switches
4	173843	4	LABEL, Outrigger load (3000 kg/6600 lb)

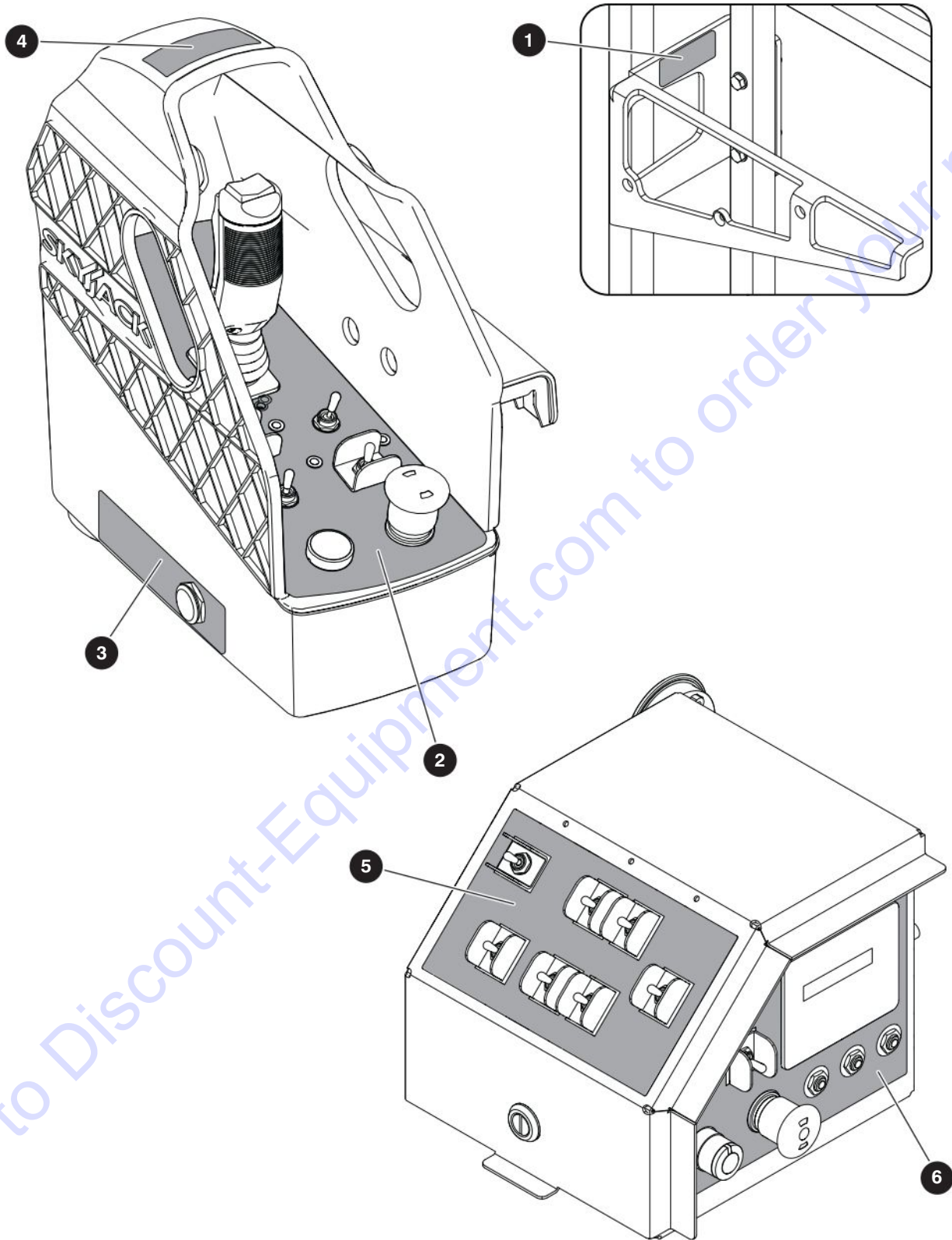
8.6 Labels - Railings



M173349AB

Index No.	Skyjack Part No.	Qty.	Description
A	173348	1	LABELS - RAILINGS - ANSI/CSA, AS
B	173349	1	LABELS - RAILINGS - CE
1	126056	18	<ul style="list-style-type: none"> LABEL, Falling hazard vertical pictorial
2	126057	4	<ul style="list-style-type: none"> LABEL, Falling hazard horizontal pictorial
3	172646	8	<ul style="list-style-type: none"> LABEL, Harness anchorage, A
	172638	8	<ul style="list-style-type: none"> LABEL, Harness anchorage, B
4	173789	2	LABEL, Platform control cable pin

8.7 Labels - Control Boxes



M215897AE_M226136AD

239430AAA

226

SJ9664 RT

SKYJACK

8.7 Labels - Control Boxes

Index No.	Skyjack Part No.	Qty.	Description
1	172632	1	LABEL, Control box location
2	173301	1	LABEL, Platform control box
3	172788	1	LABEL, SGLE enable
4	172926	1	LABEL, SGLE
5	173219	1	LABEL, Base Control Box - front
6	173218	1	LABEL, Base control box - side

PARTS FINDER

**Search Website
by Part Number**



**Search Manual
Library For Parts
Manual & Lookup Part
Numbers – Purchase
or Request Quote**

Search Manuals

Enter your information to help us find the right parts manual for your machine.

* Brand:

* Model:

* Serial:

* Part Number:

SEARCH

**Can't Find Part or
Manual? Request Help
by Manufacturer,
Model & Description**

Parts Order Form

Please fill in the following information to help us find the right part for your machine.

MANUFACTURER:

MODEL:

DESCRIPTION:

DATE:

NAME:

PHONE:

EMAIL:

ADDRESS:

CITY:

STATE:

ZIP:

REQUEST QUOTE

Discount-Equipment.com is your online resource for quality parts & equipment.

Florida: **561-964-4949** Outside Florida TOLL FREE: **877-690-3101**

Need parts?

Click on this link: <http://www.discount-equipment.com/category/5443-parts/> and choose one of the options to help get the right parts and equipment you are looking for. Please have the machine model and serial number available in order to help us get you the correct parts. If you don't find the part on the website or on one of the online manuals, please fill out the request form and one of our experienced staff members will get back to you with a quote for the right part that your machine needs.

We sell worldwide for the brands: Genie, Terex, JLG, MultiQuip, Mikasa, Essick, Whiteman, Mayco, Toro Stone, Diamond Products, Generac Magnum, Airman, Haulotte, Barreto, Power Blanket, Nifty Lift, Atlas Copco, Chicago Pneumatic, Allmand, Miller Curber, Skyjack, Lull, Skytrak, Tsurumi, Husquvarna Target, Stow, Wacker, Sakai, Mi-T-M, Sullair, Basic, Dynapac, MBW, Weber, Bartell, Bennar Newman, Haulotte, Ditch Runner, Menegotti, Morrison, Contec, Buddy, Crown, Edco, Wyco, Bomag, Laymor, EZ Trench, Bil-Jax, F.S. Curtis, Gehl Pavers, Heli, Honda, ICS/PowerGrit, IHI, Partner, Imer, Clipper, MMD, Koshin, Rice, CH&E, General Equipment, Amida, Coleman, NAC, Gradall, Square Shooter, Kent, Stanley, Tamco, Toku, Hatz, Kohler, Robin, Wisconsin, Northrock, Oztec, Toker TK, Rol-Air, APT, Wylie, Ingersoll Rand / Doosan, Innovatech, Con X, Ammann, Mecalac, Makinex, Smith Surface Prep, Small Line, Wanco, Yanmar