

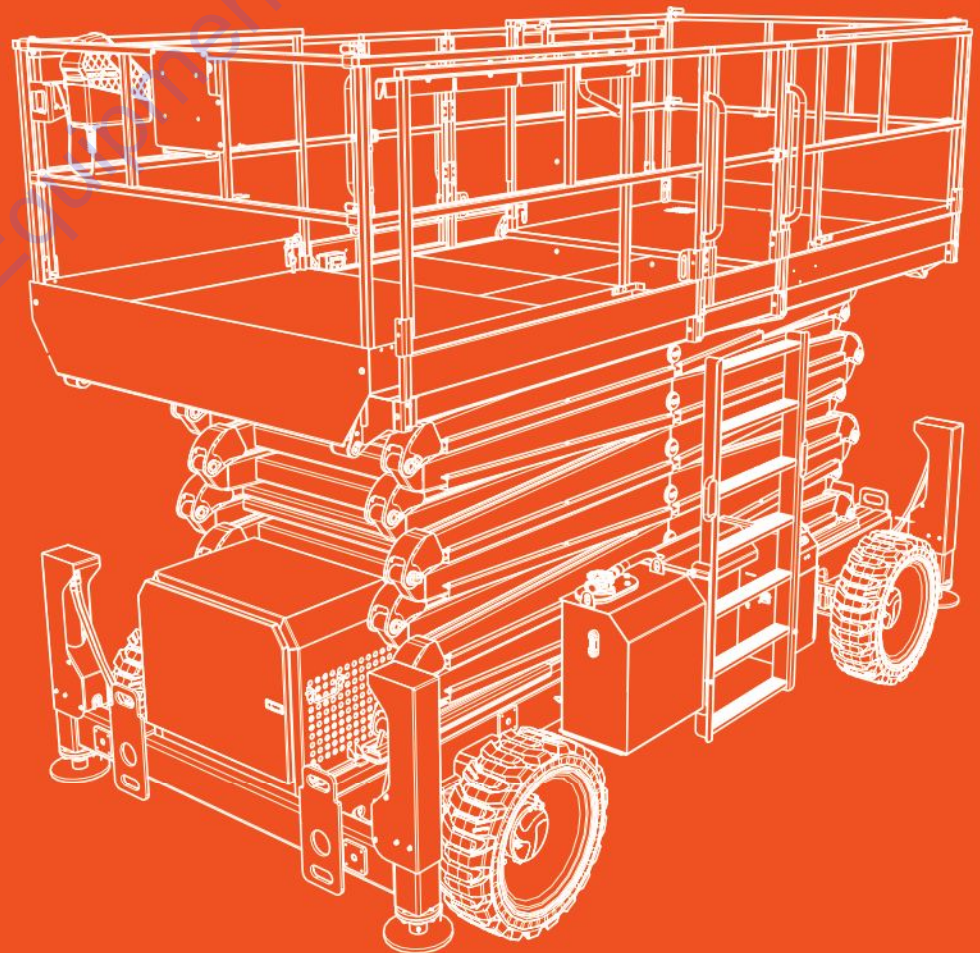


SKYJACK

PARTS MANUAL

SJ9233 RT, SJ9243 RT, SJ9253 RT

ROUGH TERRAIN SCISSOR LIFT



224578ABA

September 2020
ANSI/CSA, CE, AS, KC

PARTS FINDER

**Search Website
by Part Number**



**Search Manual
Library For Parts
Manual & Lookup Part
Numbers – Purchase
or Request Quote**

Search Manuals

Enter your information to help us find the right parts manual for your machine.

* Brand:

* Model:

* Serial:

* Part Number:

SEARCH

**Can't Find Part or
Manual? Request Help
by Manufacturer,
Model & Description**

Parts Order Form

Please fill in the following information to help us find the right part for your machine.

| | |
|---------------|----------------------|
| Manufacturer: | <input type="text"/> |
| Model: | <input type="text"/> |
| Description: | <input type="text"/> |
| Part Number: | <input type="text"/> |
| Quantity: | <input type="text"/> |
| Notes: | <input type="text"/> |

Submit

Discount-Equipment.com is your online resource for quality parts & equipment.

Florida: **561-964-4949** Outside Florida TOLL FREE: **877-690-3101**

Need parts?

Click on this link: <http://www.discount-equipment.com/category/5443-parts/> and choose one of the options to help get the right parts and equipment you are looking for. Please have the machine model and serial number available in order to help us get you the correct parts. If you don't find the part on the website or on one of the online manuals, please fill out the request form and one of our experienced staff members will get back to you with a quote for the right part that your machine needs.

We sell worldwide for the brands: Genie, Terex, JLG, MultiQuip, Mikasa, Essick, Whiteman, Mayco, Toro Stone, Diamond Products, Generac Magnum, Airman, Haulotte, Barreto, Power Blanket, Nifty Lift, Atlas Copco, Chicago Pneumatic, Allmand, Miller Curber, Skyjack, Lull, Skytrak, Tsurumi, Husquvarna Target, Stow, Wacker, Sakai, Mi-T-M, Sullair, Basic, Dynapac, MBW, Weber, Bartell, Bennar Newman, Haulotte, Ditch Runner, Menegotti, Morrison, Contec, Buddy, Crown, Edco, Wyco, Bomag, Laymor, EZ Trench, Bil-Jax, F.S. Curtis, Gehl Pavers, Heli, Honda, ICS/PowerGrit, IHI, Partner, Imer, Clipper, MMD, Koshin, Rice, CH&E, General Equipment, Amida, Coleman, NAC, Gradall, Square Shooter, Kent, Stanley, Tamco, Toku, Hatz, Kohler, Robin, Wisconsin, Northrock, Oztec, Toker TK, Rol-Air, APT, Wylie, Ingersoll Rand / Doosan, Innovatech, Con X, Ammann, Mecalac, Makinex, Smith Surface Prep, Small Line, Wanco, Yanmar

This manual is for MEWPs with serial numbers:

SJ9233 RT: A202 000 001 - A202 999 999

SJ9243 RT: A202 000 001 - A202 999 999

SJ9253 RT: A202 000 001 - A202 999 999

Please refer to the website (www.discount-equipment.com)
for contact information, other serial numbers, the most
recent technical manuals, and USB software.

Go to Discount-Equipment.com to order your parts

Table of Contents

| | |
|---|-----------|
| Foreword | 7 |
| General | 7 |
| Parts Ordering Information | 7 |
| Method of Listing | 7 |
| Quantities | 7 |
| How To Order Repair Parts | 7 |
| Recommended Service Parts | 8 |
| Section 1 – Platform | 11 |
| 1.1 Main Platform Deck | 12 |
| 1.2 Main Platform Railings - Single Extension Deck | 14 |
| 1.3 Main Platform Railings - Dual Extension Decks | 16 |
| 1.4 Full Gate | 18 |
| 1.5 Extension Deck Platform | 20 |
| 1.6 Extension Deck Railings | 22 |
| 1.7 Platform Control Box | 24 |
| 1.8 Power Outlet - ANSI/CSA | 26 |
| 1.9 Power Outlet - CE/AS/KC | 28 |
| Section 2 – Scissors | 31 |
| 2.1 Scissor Assembly - SJ9233 RT | 32 |
| 2.2 Scissor Assembly - SJ9243 RT | 34 |
| 2.3 Scissor Assembly - SJ9253 RT | 36 |
| 2.4 Scissor Level 1 | 38 |
| 2.5 Scissor Level 2/4 | 40 |
| 2.6 Scissor Level 3 | 42 |
| 2.7 Scissor Level Top - SJ9233 RT & SJ9253 RT | 44 |
| 2.8 Scissor Level Top - SJ9243 RT | 46 |
| 2.9 Center Pin | 48 |
| 2.10 Lower Slider | 50 |
| 2.11 Upper Slider | 51 |
| 2.12 Lift Cylinders | 52 |
| 2.13 Splitter Manifold | 54 |
| 2.14 Lift Cylinder Manifold | 56 |
| 2.15 Maintenance Stand - Bottom | 58 |
| 2.16 Maintenance Stand - Top | 59 |
| 2.17 Centering Bar - Top | 60 |
| 2.18 Centering Bar - Bottom | 61 |

| | | |
|---------------------------------|--|------------|
| 2.19 | Scissor Electrical Components | 62 |
| Section 3 – Base | | 65 |
| 3.1 | Chassis | 66 |
| 3.2 | Drive Shaft Guard | 68 |
| 3.3 | Chassis Bumper | 69 |
| 3.4 | Lateral Bracket - Right Side | 70 |
| 3.5 | Lateral Bracket - Left Side | 72 |
| 3.6 | Axles | 74 |
| 3.7 | Differential - Front Axle | 76 |
| 3.8 | Hub Reduction - Front Axle | 78 |
| 3.9 | Central Housing - Front Axle | 82 |
| 3.10 | Steering - Front Axle | 83 |
| 3.11 | Differential - Rear Axle | 84 |
| 3.12 | Hub Reduction - Rear Axle | 86 |
| 3.13 | Brakes - Rear Axle | 88 |
| 3.14 | Gear Box - Rear Axle | 90 |
| 3.15 | Central Housing - Rear Axle | 92 |
| 3.16 | Tires | 94 |
| 3.17 | Ladder | 96 |
| 3.18 | Fuel Tank | 97 |
| 3.19 | Outriggers | 98 |
| 3.20 | Outrigger Cylinder | 100 |
| 3.21 | Outrigger Limit Switches | 102 |
| 3.22 | Machine Controller | 103 |
| 3.23 | Base Control Box Hardware | 104 |
| 3.24 | Base Control Box | 106 |
| 3.25 | Battery | 110 |
| 3.26 | Hydraulic Tank | 112 |
| 3.27 | Drive Manifold | 114 |
| 3.28 | Auxiliary Manifold | 116 |
| 3.29 | Motor Shift Manifold | 118 |
| 3.30 | Outrigger Manifold | 119 |
| Section 4 – Engine | | 121 |
| 4.1 | Engine Cover | 122 |
| 4.2 | Engine - Kubota D1305 | 124 |
| 4.3 | Air Intake - Kubota D1305 | 128 |
| 4.4 | Exhaust - Kubota D1305 | 130 |
| 4.5 | Pump - Kubota D1305 | 132 |
| 4.6 | Bell Housing - Kubota D1305 | 133 |
| 4.7 | Fuel Lines - Kubota D1305 | 134 |
| 4.8 | Electrical Components - Kubota D1305 | 136 |

| | | |
|---|--------------------------------------|------------|
| 4.9 | Engine - Kubota WG972 | 138 |
| 4.10 | Air Intake - Kubota WG972 | 142 |
| 4.11 | Exhaust - Kubota WG972 | 144 |
| 4.12 | Regulator/Vaporizer - Kubota WG972 | 146 |
| 4.13 | Pump - Kubota WG972 | 147 |
| 4.14 | Bell Housing - Kubota WG972 | 148 |
| 4.15 | Electrical Components - Kubota WG972 | 149 |
| 4.16 | Fuel System - Kubota WG972 | 150 |
| 4.17 | Propane Tank - Kubota WG972 | 152 |
| Section 5 – Electrical Harnesses | | 155 |
| 5.1 | Outrigger Manifold Harness | 156 |
| 5.2 | Drive Manifold Harness | 157 |
| 5.3 | Kubota D1305 Engine Harness | 158 |
| 5.4 | Fuse Box - Kubota D1305 | 160 |
| 5.5 | Kubota WG972 Engine Harness | 162 |
| 5.6 | Positive Air Shut Off Harness | 164 |
| 5.7 | Fuel Pump Harness | 166 |
| 5.8 | ECU Power Harness | 167 |
| 5.9 | Pressure Transducer Harness | 168 |
| 5.10 | Dual Holding Valve Harness | 169 |
| 5.11 | Base Control Cable | 170 |
| 5.12 | Control A Harness | 171 |
| 5.13 | Control B Harness | 172 |
| 5.14 | Outrigger Control Harness | 173 |
| 5.15 | Machine Controller Harness | 174 |
| 5.16 | Generator and Oil Cooler Harness | 176 |
| 5.17 | Generator Control Harness | 177 |
| 5.18 | CANBUS Harness | 178 |
| 5.19 | Platform Harness | 179 |
| 5.20 | Scissor Harness | 180 |
| Section 6 – Hose Connections | | 181 |
| 6.1 | Standard Hose Numbering System | 182 |
| 6.2 | Hydraulic Hoses - Base | 184 |
| 6.3 | Hydraulic Hoses - Outriggers | 188 |
| 6.4 | Hydraulic Hoses - Scissors | 190 |
| Section 7 – Optional Equipment | | 193 |
| 7.1 | Heavy Duty Pipe Rack | 194 |
| 7.2 | Tool Caddy Kit | 196 |
| 7.3 | Material Handling Stand | 198 |
| 7.4 | Eco Start | 200 |
| 7.5 | Wire Loop Lock Pin | 201 |

| | | |
|---------------------------------|--|------------|
| 7.6 | RCD Option | 202 |
| 7.7 | Anti-Overriding Poles (2 Poles) | 204 |
| 7.8 | Anti-Overriding Poles (4 Poles) | 206 |
| 7.9 | Belt-Driven Generator - 3.5 kW | 208 |
| 7.10 | Hydraulic Generator - 7.5 kW | 210 |
| 7.11 | Hydraulic Hoses - 7.5 kW Generator | 212 |
| 7.12 | Cold & Arctic Weather Packages | 214 |
| 7.13 | Arctic Weather Package | 216 |
| 7.14 | Elevate Telematics | 218 |
| 7.15 | Elevate Telematics Subscription | 220 |
| 7.16 | Storage Box | 221 |
| Section 8 – Labels | | 223 |
| 8.1 | Label Kits | 225 |
| 8.2 | Labels - Left & Right Sides | 226 |
| 8.3 | Labels - Front & Back | 228 |
| 8.4 | Labels - Engines | 230 |
| 8.5 | Labels - Outriggers | 232 |
| 8.6 | Labels - Railings | 233 |
| 8.7 | Labels - Control Boxes | 234 |

Foreword

General

The information contained in this manual is designed to aid the user in locating and identifying replacement parts. Component parts of various assemblies and subassemblies comprising the work platform are illustrated and accompanied by a descriptive parts list. Exploded drawings are used to show relative location of component parts in disassembly order. If a part cannot be found in this manual, contact Discount-equipment for assistance.

Parts Ordering Information

When ordering replacement parts, the complete part number and description should be used to ensure proper identification and delivery of the desired item. This complete identification should also be used when requesting equipment information.

Method of Listing

Parts are listed in order according to the reference number shown in the illustration, followed by a full description based upon the "NOUN FIRST" method. That is, the noun name of the part is listed first, then the modifying description information which serves to specifically identify the item. For example: PIN, Clevis.

Assemblies at the beginning of a parts list may be identified with a reference letter: A, B, C, etc. These letters are used to identify different configurations of the assembly. Individual parts in these lists have corresponding letters after their description to identify which assembly it is used in. If a part does not have a reference letter, it is used in all of the assemblies.

Bullets (•) are used to show the assembly structure, or parent/child relationship. A part listed at the beginning of the parts list without a bullet before the description is the main assembly, and all of the parts below it with one bullet are the subcomponent parts of that assembly. Two bullets denote a subcomponent of a subcomponent, etc.

Example:

Main Assembly A

- Part 1 (subcomponent of Main Assembly A)
- Part 2 (subcomponent of Main Assembly A)
- • Part 3 (subcomponent of Part 2)

Quantities

The quantities required to complete the assembly are given for each part. If the quantity is (AR), it is understood that the quantity may vary when the machine is equipped with certain options. Order quantity as needed.

How To Order Repair Parts

1. Address all orders to Discount-equipment.
2. Specify model and serial number of the work platform (found on the serial number plate).
3. List the quantity needed.
4. List the length needed (if it is a bulk item).
5. List the part number and description as shown in this manual for each item.
6. Show the billing and shipping address and the name of the individual, if possible.
7. Suggest the best routing.

Customer: _____

Dealer: _____

Model Number: _____

Serial Number: _____

Date Purchased: _____

Recommended Service Parts

| Description | Year 1 Qty | Year 2 Qty | Year 3 Qty | Skyjack Part No. |
|--|------------|------------|------------|------------------|
| Mechanical | | | | |
| Belt, Generator (3.5kW Diesel D1305) | 1 | 1 | 1 | 220368 |
| Belt, Generator (3.5KW Duel Fuel WG972) | 1 | 1 | 1 | 222477 |
| Extension Deck Roller | 4 | 4 | 4 | 222283 |
| Extension Deck, Pad, Bottom Slide | 6 | 12 | 12 | 101956 |
| Extension Deck, UHMW Roller | 4 | 4 | 4 | 222285 |
| Hub, Coupler (engine to pump) | 1 | 1 | 1 | 231193 |
| Knob, Rotary Latch | 1 | 1 | 1 | 111534 |
| Latch Rotary, Maintenance Stand | 1 | 1 | 1 | 112307 |
| Platform Pad, Bottom Slide | 8 | 8 | 8 | 101955 |
| Platform Roller | 4 | 4 | 4 | 222284 |
| Quick Release Pin-large loop | 12 | 12 | 12 | 216212 |
| Scissor Puck PU55D large | 4 | 4 | 4 | 105395 |
| Scissor Puck PU55D small | 4 | 4 | 8 | 111135 |
| Electrical | | | | |
| Angle Transducer | 1 | 1 | 1 | 220597 |
| Circuit Breaker CB1, CB2 (25Amp) | 0 | 0 | 1 | 137919 |
| Circuit Breaker CB3 (20Amp) | 0 | 0 | 1 | 117326 |
| Contact Block NC (Off/Base/Platform) | 0 | 0 | 1 | 166142 |
| Contact Block NO (Horn) | 0 | 1 | 1 | 147054 |
| Contact Block NO (Off/Base/Platform) | 0 | 0 | 1 | 166141 |
| Emergency Stop Head | 1 | 1 | 1 | 147051 |
| E-Stop Contact Block NC | 0 | 1 | 1 | 147053 |
| Flashing Light, Amber LED | 0 | 0 | 1 | 216142 |
| Guard, Toggle switches | 4 | 4 | 4 | 111181 |
| Joystick Controller Assembly | 0 | 0 | 1 | 215811 |
| Keyed Selector Switch, Head (Off/Base/Platform) ANSI | 0 | 1 | 1 | 149605 |
| Keyed Selector Switch, Head (Off/Base/Platform) CE | 0 | 1 | 1 | 165829 |
| Latch, Switch Contact Blocks | 0 | 2 | 2 | 147056 |
| LED Block, Red 12V | 0 | 1 | 1 | 147229 |
| Light, Amber LED | 0 | 1 | 1 | 226130 |
| Light, Green LED | 0 | 1 | 3 | 226129 |
| Outrigger Limit switch | 2 | 2 | 8 | 207021 |
| Pushbutton Head, Black (Horn) | 1 | 1 | 1 | 144648 |
| Relay 12V | 0 | 1 | 1 | 127131 |
| Toggle Switch 1NT1-2 | 1 | 2 | 2 | 115574 |
| Toggle Switch 1NT1-7 | 4 | 8 | 12 | 102853 |
| | | | | |
| | | | | |
| | | | | |

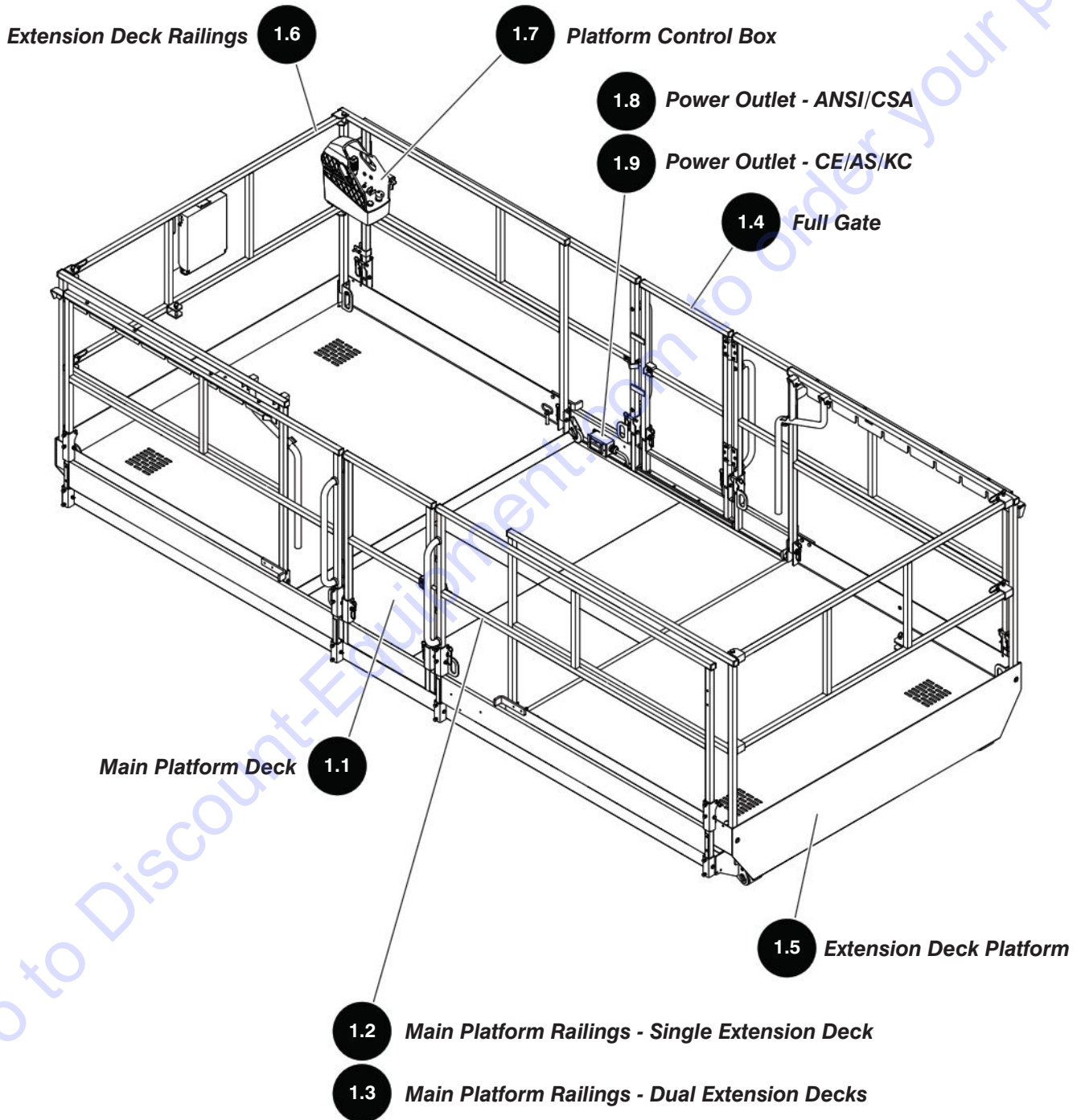
Recommended Service Parts

| Description | Year 1 Qty | Year 2 Qty | Year 3 Qty | Skyjack Part No. |
|---|------------|------------|------------|------------------|
| Hydraulic | | | | |
| Check Valve, LS | 0 | 1 | 2 | 171412 |
| Check Valve, Outrigger Cylinder | 0 | 1 | 4 | 104115 |
| Check Valve, Outrigger Manifold | 0 | 1 | 4 | 229301 |
| Element, Hydraulic Filter Cartridge | 1 | 1 | 1 | 161949 |
| Pressure Reducing Valve (PR3) | 0 | 1 | 1 | 231735 |
| Pressure Reducing Valve, Auxiliary (PR1) | 0 | 1 | 1 | 229298 |
| Pressure Reducing Valve, Pilot (PR2) | 0 | 1 | 1 | 229299 |
| Pressure Transducer | 1 | 1 | 1 | 217934 |
| Relief Valve, Holding Valve Manifold | 2 | 2 | 2 | 195259 |
| Relief Valve, Lift | 0 | 1 | 1 | 229297 |
| Relief Valve, Main Manifold System | 0 | 1 | 1 | 229296 |
| Relief Valve, Steer | 0 | 1 | 1 | 206185 |
| Seal Kit, Lift Cylinder - SJ9243 RT upper cylinder | 0 | 2 | 2 | 222217 |
| Seal Kit, Lift Cylinder - SJ9253 RT upper & middle cylinders, all models lower cylinder | 0 | 2 | 4 | 215887 |
| Seal Kit, Lift Cylinder - SJ9253 RT upper cylinder | 0 | 2 | 2 | 215888 |
| Seal Kit, Outrigger Cylinder | 0 | 1 | 2 | 235945 |
| Seal Kit, Steer Cylinder | 0 | 1 | 1 | 224394 |
| Valve, Counterbalance, Drive (REV, FWD) | 0 | 0 | 2 | 229302 |
| Valve, Directional (Drive) | 0 | 0 | 1 | 206190 |
| Valve, Directional (Steer Priority) | 0 | 0 | 1 | 229295 |
| Valve, Enable, Outrigger Manifold | 0 | 1 | 1 | 229304 |
| Valve, Outrigger (Extend/Retract) | 0 | 0 | 2 | 159804 |
| Valve, Outrigger Manifold | 0 | 1 | 1 | 159804 |
| Valve, Solenoid - Cartridge Spool (Brake) | 0 | 0 | 1 | 159827 |
| Valve, Solenoid - Cartridge Spool (Differential Lock) | 0 | 0 | 1 | 159827 |
| Valve, Solenoid - Cartridge Spool (Dump) | 0 | 0 | 1 | 229291 |
| Valve, Solenoid - Cartridge Spool (Forward/Reverse) | 0 | 0 | 2 | 213997 |
| Valve, Solenoid - Cartridge Spool (Freewheel) | 0 | 0 | 1 | 229292 |
| Valve, Solenoid - Cartridge Spool (Holding) | 0 | 1 | 2 | 103655 |
| Valve, Solenoid - Cartridge Spool (Lift) | 0 | 0 | 1 | 229293 |
| Valve, Solenoid - Cartridge Spool (Lower) | 0 | 0 | 1 | 229303 |
| Valve, Solenoid - Cartridge Spool (Steer) | 0 | 0 | 1 | 229294 |
| | | | | |
| | | | | |
| | | | | |
| | | | | |

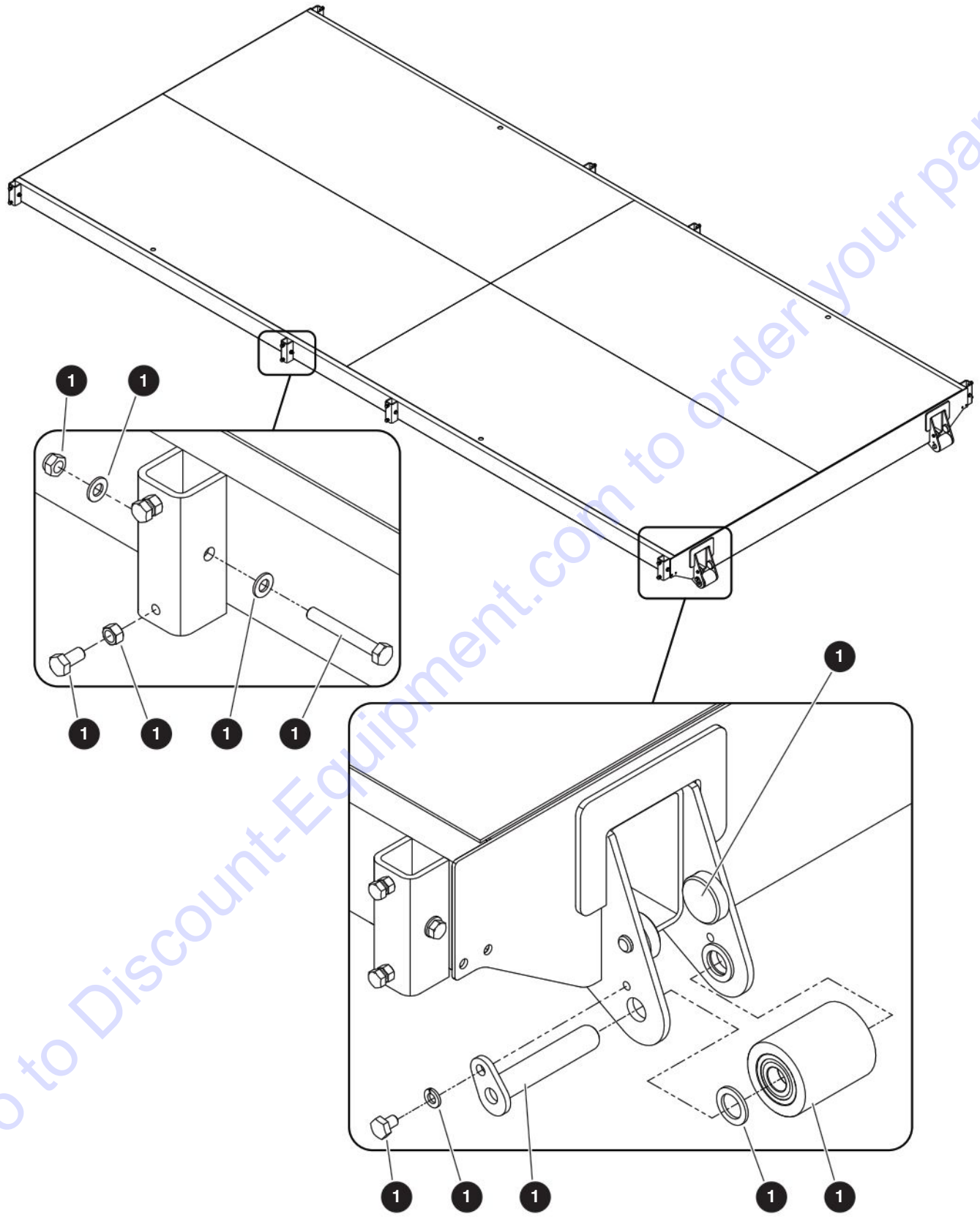
Recommended Service Parts

| Description | Year 1 Qty | Year 2 Qty | Year 3 Qty | Skyjack Part No. |
|--------------------------------------|------------|------------|------------|------------------|
| Engine Kubota Diesel D1305 | | | | |
| Air Filter Element | 1 | 1 | 1 | 132913 |
| Alternator | 0 | 0 | 1 | 236073 |
| Belt, Fan | 0 | 1 | 1 | 236079 |
| Fuel Filter Element | 1 | 1 | 1 | 236089 |
| Fuel pump | 0 | 1 | 1 | 236080 |
| Glow plug | 3 | 3 | 3 | 228540 |
| In-line fuel filter | 1 | 1 | 1 | 139254 |
| Oil filter | 1 | 1 | 1 | 236071 |
| Starter | 0 | 1 | 1 | 236072 |
| Thermostat | 0 | 1 | 1 | 136109 |
| Water Temperature switch | 0 | 1 | 1 | 236082 |
| Engine Kubota Dual Fuel WG972 | | | | |
| Air Filter Element | 1 | 1 | 1 | 132913 |
| Alternator | 0 | 0 | 1 | 237570 |
| Belt, Fan | 0 | 1 | 1 | 136114 |
| Fuel Filter Element | 1 | 1 | 1 | 136118 |
| Fuel pump | 0 | 1 | 1 | 163557 |
| LP Filter | 0 | 1 | 1 | 142300 |
| Oil filter | 1 | 1 | 1 | 237654 |
| Spark Plug | 3 | 3 | 3 | 166642 |
| Starter | 0 | 1 | 1 | 159216 |
| Thermostat | 0 | 1 | 1 | 237573 |
| | | | | |
| | | | | |
| | | | | |
| | | | | |
| | | | | |
| | | | | |
| | | | | |
| | | | | |
| | | | | |
| | | | | |
| | | | | |
| | | | | |
| | | | | |
| | | | | |
| | | | | |
| | | | | |
| | | | | |

Section 1 – Platform



1.1 Main Platform Deck



M222272AD

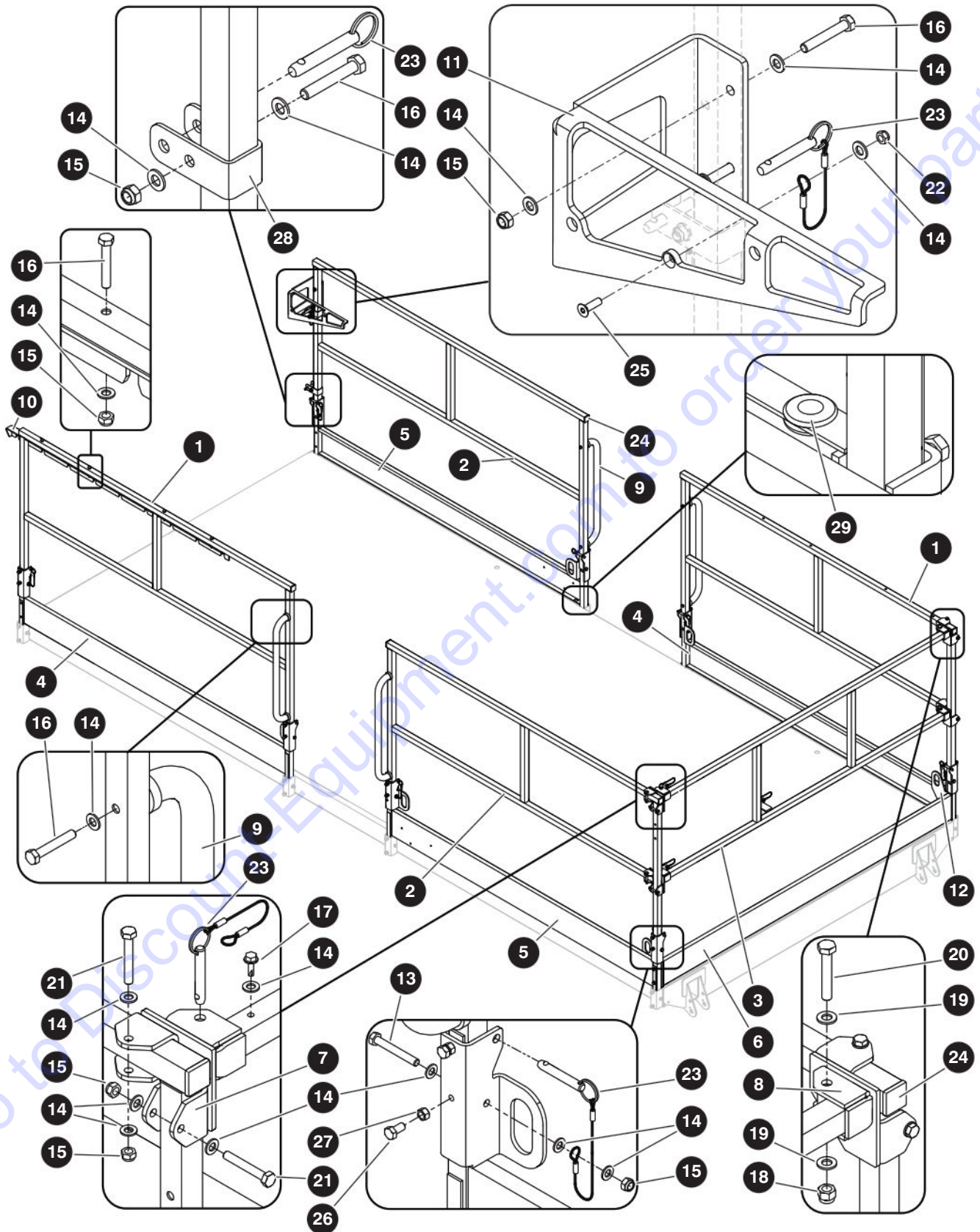
224578ABA

SJ9233 RT, SJ9243 RT, SJ9253 RT

1.1 Main Platform Deck

| Index No. | Skyjack Part No. | Qty. | Description |
|-----------|------------------|------|---|
| A | 222299 | 1 | MAIN PLATFORM DECK - SINGLE EXTENSION |
| B | 2222 | 1 | MAIN PLATFORM DECK - DUAL EXTENSION |
| 1 | 215140 | 1 | • PLATFORM, Main deck |
| 2 | 102226 | 2 | • PIN, Extension deck roller, A |
| | 102226 | 4 | • PIN, Extension deck roller, B |
| 3 | 228462 | 2 | • BOLT, Hex head (M8 x 1.25 x 12, cl 10.9) |
| 4 | 116218 | 2 | • WASHER, Lock (M8), A |
| | 116218 | 4 | • WASHER, Lock (M8), B |
| 5 | 101955 | 4 | • PAD, Bottom slide, A |
| | 101955 | 8 | • PAD, Bottom slide, B |
| 6 | 222284 | 2 | • ROLLER (19.05 ID x 60 OD x 73 mm), A |
| | 222284 | 4 | • ROLLER (19.05 ID x 60 OD x 73 mm), B |
| 7 | 217401 | 16 | • BOLT, Hex head (M8 x 1.25 x 16, cl 10.9) |
| 8 | 217236 | 8 | • BOLT, Hex head (M8 x 1.25 x 60, cl 10.9) |
| 9 | 600184 | 16 | • WASHER, Flat (M8) |
| 10 | 223162 | 8 | • NUT, Hex lock (M8 x 1.25, cl 10) |
| 11 | 217796 | 16 | • NUT, Hex (M8 x 1.25, cl 10) |
| 12 | 220287 | 4 | • SPACER (20 ID x 30 OD x 2.5), A |
| | 220287 | 8 | • SPACER (20 ID x 30 OD x 2.5), B |

1.2 Main Platform Railings - Single Extension Deck



M222266AE

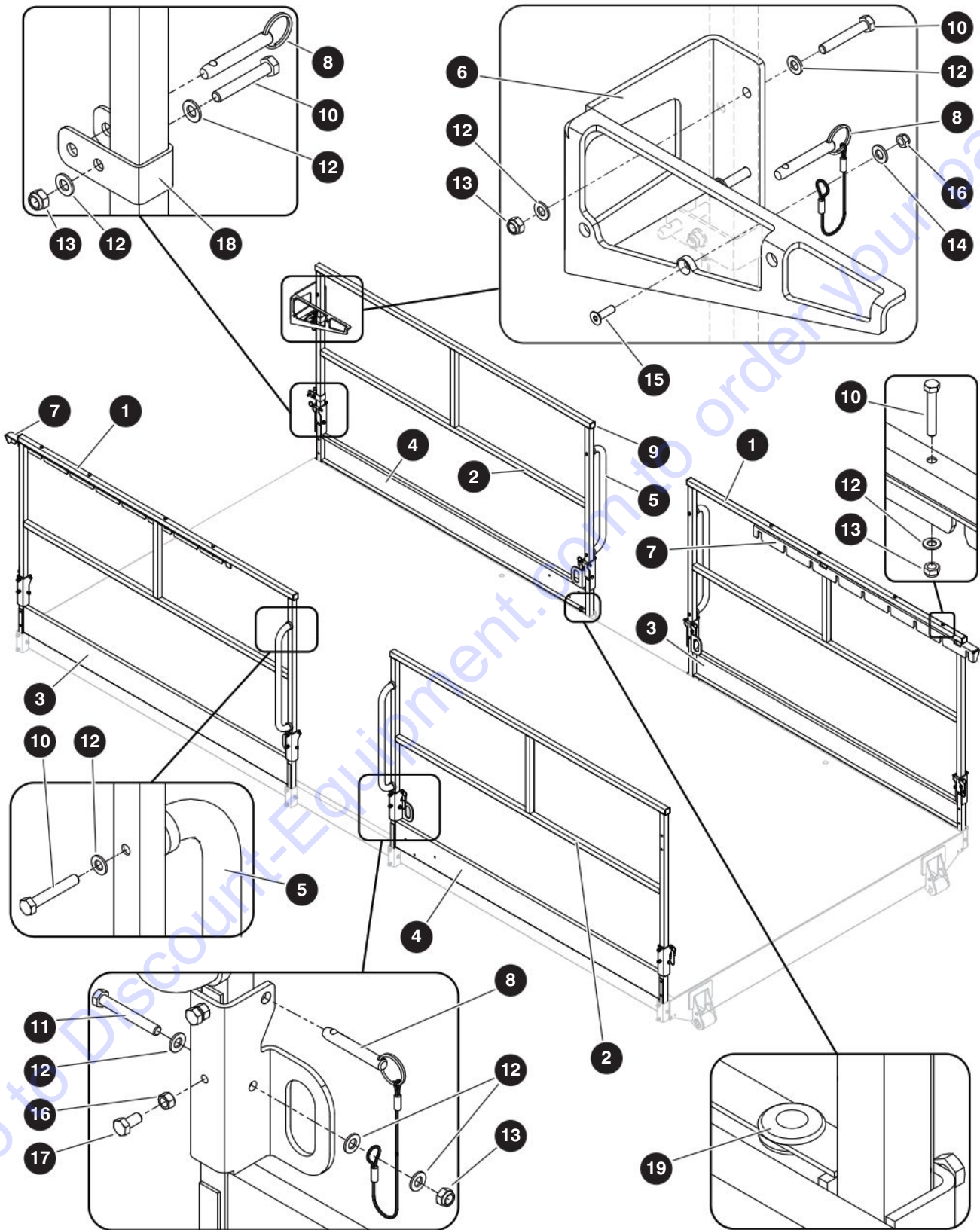
224578ABA

SJ9233 RT, SJ9243 RT, SJ9253 RT

1.2 Main Platform Railings - Single Extension Deck

| Index No. | Skyjack Part No. | Qty. | Description |
|-----------|------------------|------|---|
| - | 222266 | 1 | MAIN PLATFORM RAILINGS - SINGLE EXTENSION DECK |
| 1 | 215186 | 2 | • RAILING, Platform |
| 2 | 215195 | 2 | • RAILING, Platform - lock |
| 3 | 220244 | 1 | • RAILING, End |
| 4 | 215180 | 2 | • KICK PLATE, Lower |
| 5 | 215183 | 2 | • KICK PLATE, Lower with anchor |
| 6 | 220249 | 1 | • KICK PLATE, End - short |
| 7 | 220296 | 2 | • BRACKET, Rail mount - RH |
| 8 | 220297 | 2 | • BRACKET, Rail mount - LH |
| 9 | 215125 | 4 | • HANDLE, Entrance - bolt on |
| 10 | 215227 | 2 | • PLATE, Extension lock |
| 11 | 215184 | 1 | • BRACKET, Control box mounting |
| 12 | 220292 | 2 | • LUG, Harness (5 mm) |
| 13 | 217236 | 8 | • BOLT, Hex head (M8 x 1.25 x 60, cl 10.9) |
| 14 | 600184 | 72 | • WASHER, Flat (M8) |
| 15 | 223162 | 28 | • NUT, Hex lock (M8 x 1.25, cl 10) |
| 16 | 217234 | 16 | • BOLT, Hex head (M8 x 1.25 x 50, cl 10.9) |
| 17 | 103632 | 3 | • BOLT, Self-tapping (1/4"-14 x 3/4") |
| 18 | 933697 | 2 | • NUT, Hex nylon Lock (M10-1.5) |
| 19 | 600315 | 4 | • WASHER, Flat (M10 DIN 125) |
| 20 | 217862 | 2 | • BOLT, Hex head (M10 x 1.5 x 60, cl 10.9) |
| 21 | 933795 | 12 | • BOLT, Hex head (M8 x 1.25 x 55 mm, gr 10.9) |
| 22 | 223164 | 1 | • NUT, Hex nylon lock (M6 x 1, cl 8) |
| 23 | 216212 | 14 | • PIN, Locking (3/8 x 1.8 large loop) |
| 24 | 215094 | 10 | • PLUG, Square tube (30 x 30 x 2) |
| 25 | 217493 | 1 | • SCREW, Flat head cap screw (M6 x 1 x 20, cl 10.9) |
| 26 | 217401 | 16 | • BOLT, Hex head (M8 x 1.25 x 16, cl 10.9)ZP |
| 27 | 217796 | 16 | • NUT, Hex (M8 x 1.25, cl 10) |
| 28 | 231667 | 2 | • CLAMP, Cable |
| 29 | 104059 | 1 | GROMMET, Rubber (1/2 x 13/16 x 1/8) (not shown) |

1.3 Main Platform Railings - Dual Extension Decks



M222274AF

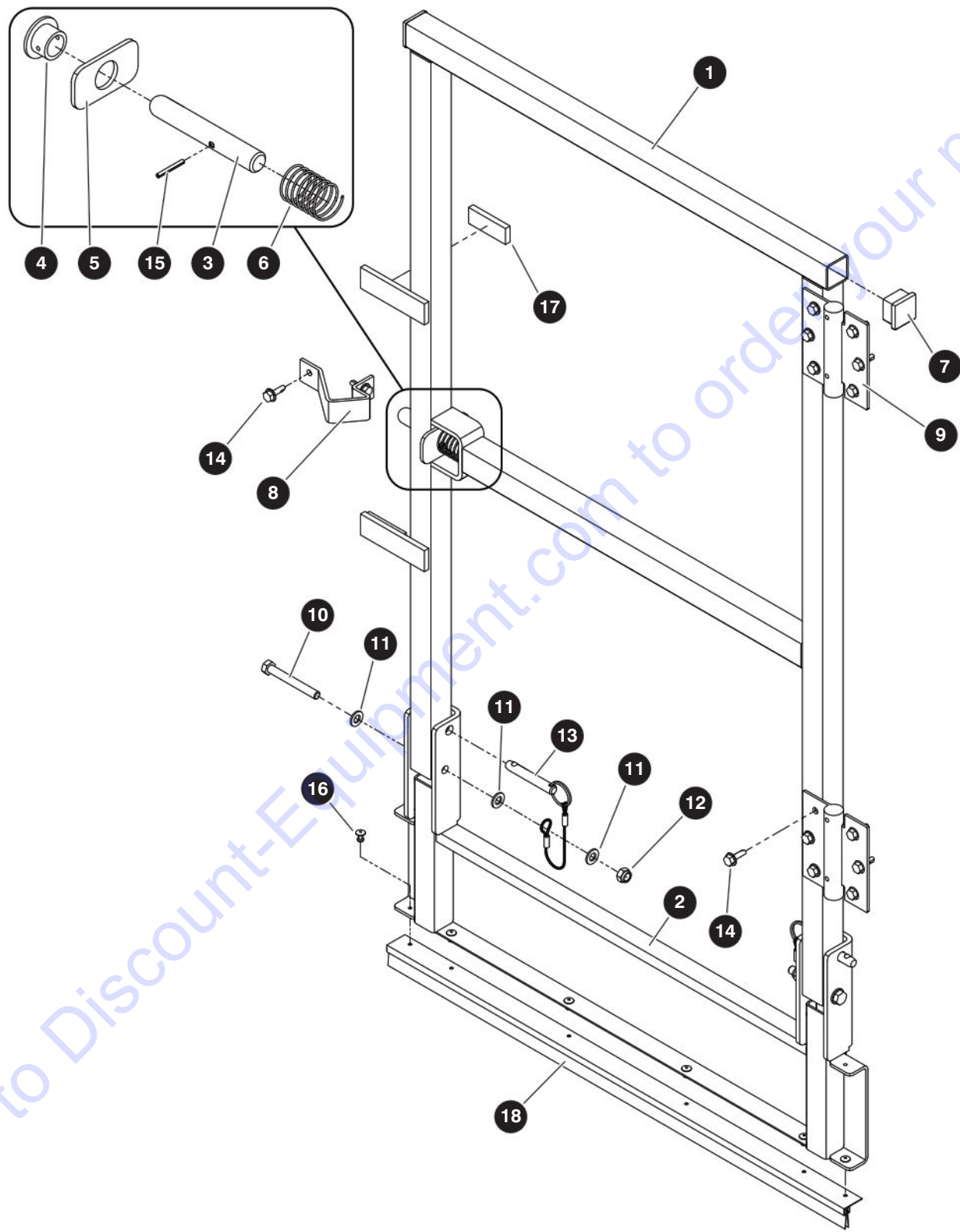
224578ABA

SJ9233 RT, SJ9243 RT, SJ9253 RT

1.3 Main Platform Railings - Dual Extension Decks

| Index No. | Skyjack Part No. | Qty. | Description |
|-----------|------------------|------|--|
| A | 222274 | 1 | MAIN PLATFORM RAILINGS - DUAL DECKS - <i>with detent ball lock pins (standard)</i> |
| B | 232987 | 1 | MAIN PLATFORM RAILINGS - DUAL DECKS - <i>with wire loop lock pins (optional)</i> |
| 1 | 215186 | 2 | • RAILING, Platform |
| 2 | 215195 | 2 | • RAILING, Platform - lock |
| 3 | 215180 | 2 | • KICK PLATE, Lower |
| 4 | 215183 | 2 | • KICK PLATE, Lower with anchor |
| 5 | 215125 | 4 | • HANDLE, Entrance - bolt on |
| 6 | 215184 | 1 | • BRACKET, Control box mounting |
| 7 | 215227 | 2 | • PLATE, Extension lock |
| 8 | 216212 | 11 | • PIN, Lock - detent ball, A |
| | 160274 | 11 | • PIN, Lock - wire loop (not shown), B |
| 9 | 215094 | 8 | • PLUG, Square tube (30 x 30 x 2) |
| 10 | 217234 | 20 | • BOLT, Hex head (M8 x 1.25 x 50, cl 10.9) |
| 11 | 217236 | 8 | • BOLT, Hex head (M8 x 1.25 x 60, cl 10.9) |
| 12 | 600184 | 49 | • WASHER, Flat (M8) |
| 13 | 223162 | 20 | • NUT, Hex lock (M8 x 1.25, cl 10) |
| 14 | 223178 | 1 | • NUT, Hex lock (M6 x 1, cl 10) |
| 15 | 217493 | 1 | • SCREW, Flat head cap screw (M6 x 1 x 20, cl 10.9) |
| 16 | 217796 | 16 | • NUT, Hex (M8 x 1.25, cl 10) |
| 17 | 217401 | 16 | • BOLT, Hex head (M8 x 1.25 x 16, cl 10.9)ZP |
| 18 | 231667 | 2 | • CLAMP, Cable |
| 19 | 104059 | 1 | GROMMET, Rubber (1/2 x 13/16 x 1/8) (not shown) |

1.4 Full Gate



M66787AA

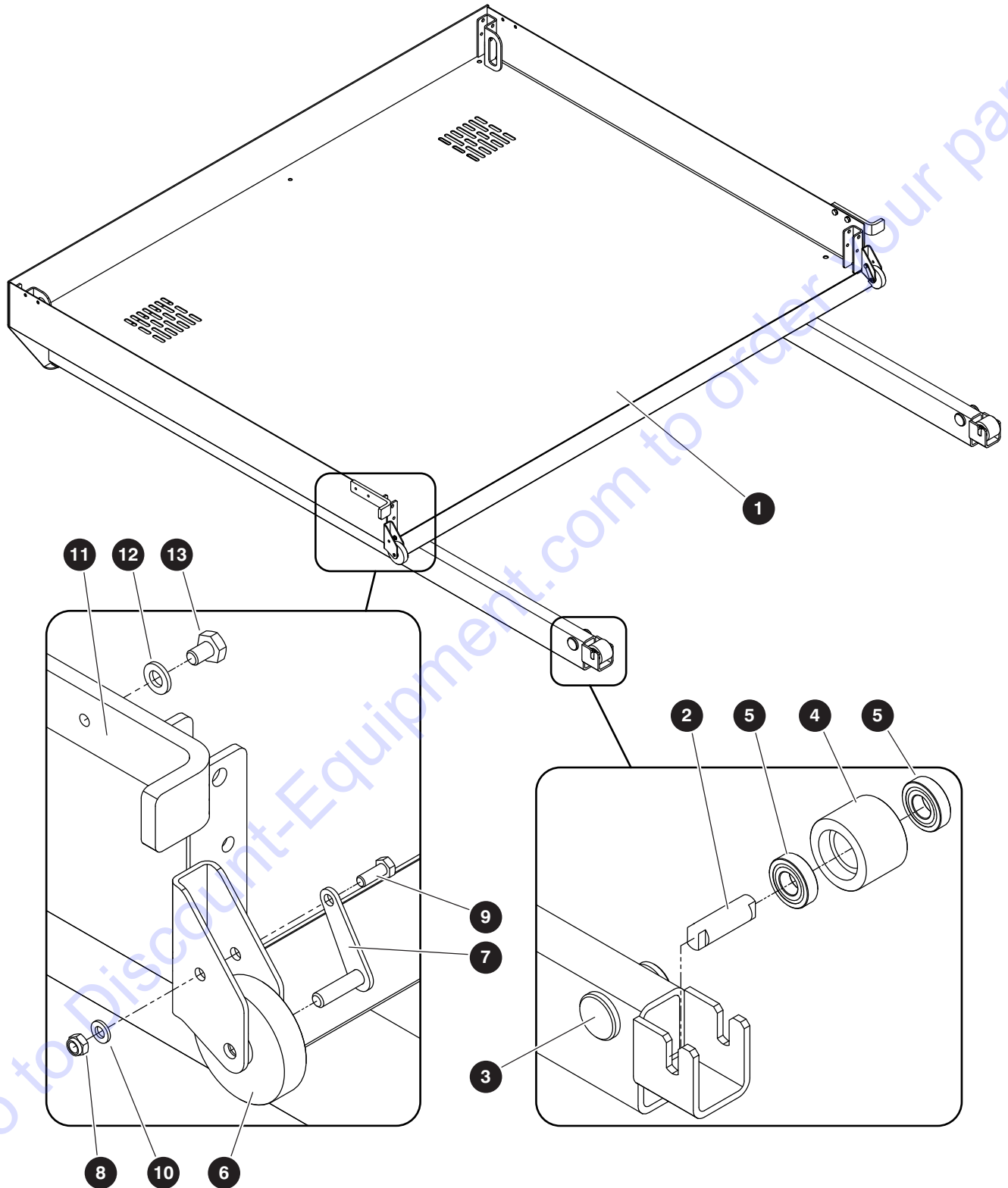
224578ABA

SJ9233 RT, SJ9243 RT, SJ9253 RT

1.4 Full Gate

| Index No. | Skyjack Part No. | Qty. | Description |
|-----------|------------------|------|--|
| A | 215298 | 1 | FULL GATE - with detent ball lock pins (standard) |
| B | 232988 | 1 | FULL GATE - with wire loop lock pins (optional) |
| 1 | 215320 | 1 | • GATE, Full height hinged |
| 2 | 215198 | 1 | • GATE, Bottom hinged |
| 3 | 109377 | 1 | • PIN, Latch |
| 4 | 105312 | 1 | • LATCH, Bed |
| 5 | 105307 | 1 | • HANDLE, Gate latch |
| 6 | 103107 | 1 | • SPRING, Compression |
| 7 | 215094 | 2 | • PLUG, Square tube (30 x 30 x 2) |
| 8 | 110693 | 1 | • PLATE, Stop gate latch |
| 9 | 209527 | 2 | • HINGE, Spring |
| 10 | 223175 | 2 | • BOLT, Hex head (M8 x 1.25 x 65, cl 10.9) |
| 11 | 600184 | 6 | • WASHER, Flat (M8) |
| 12 | 223162 | 2 | • NUT, Hex lock (M8 x 1.25, cl 10) |
| 13 | 216212 | 2 | • PIN, Lock - detent ball, A |
| | 160274 | 2 | • PIN, Lock - wire loop (not shown), B |
| 14 | 103632 | 14 | • BOLT, Self-tapping - Hex head (0.25 x 14 x 0.75) |
| 15 | 100950 | 1 | • PIN, Roll (1/8 x 1.00) |
| 16 | 119945 | 6 | • RIVET (1/8 x 0.390) |
| 17 | 103628 | 2" | • RUBBER, Self seal |
| 18 | 220258 | 1 | • GATE, Angle sweeper |

1.5 Extension Deck Platform



M222279AE

224578ABA

20

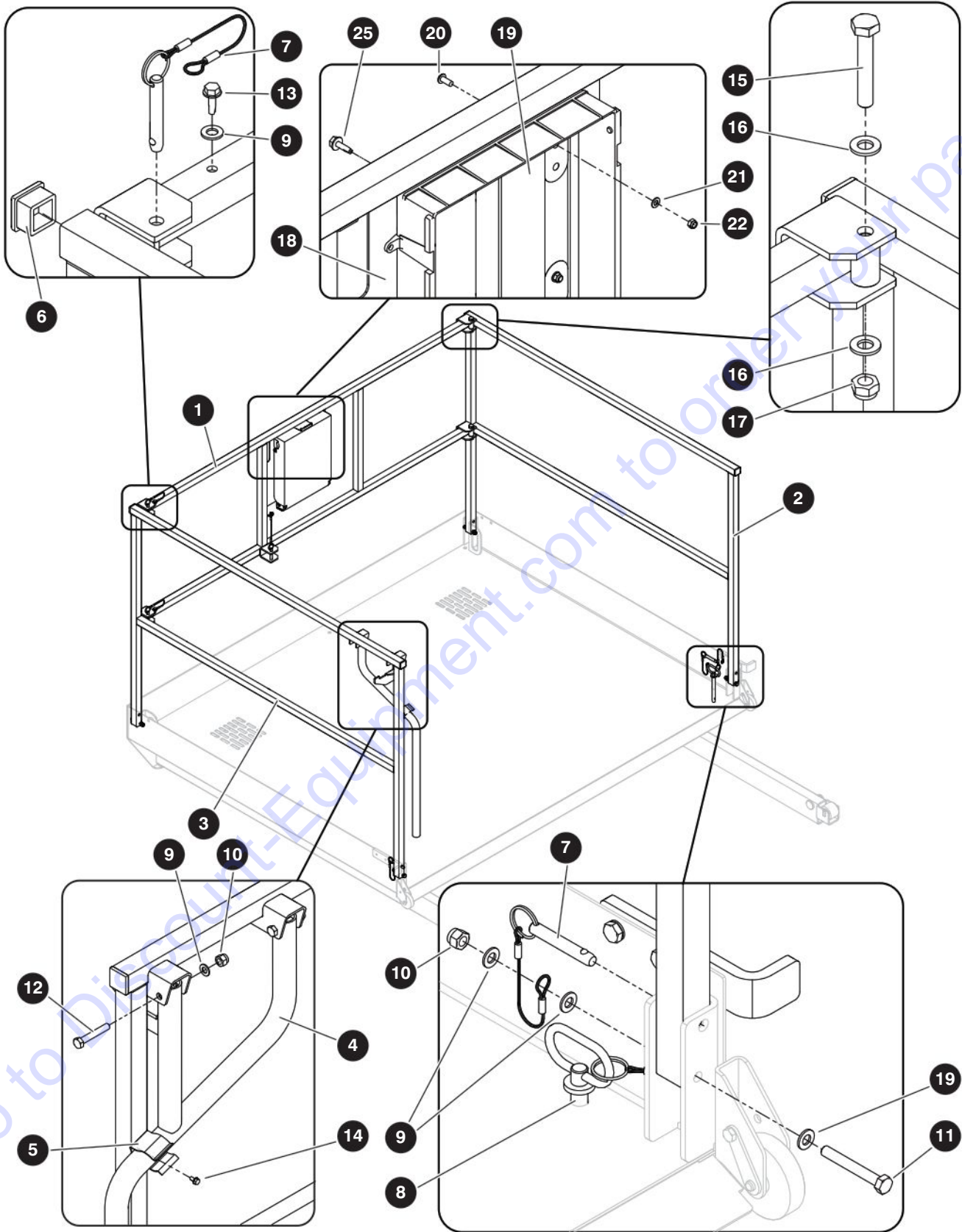
SJ9233 RT, SJ9243 RT, SJ9253 RT

SKYJACK

1.5 Extension Deck Platform

| Index No. | Skyjack Part No. | Qty. | Description |
|-----------|------------------|------|--|
| - | 222279 | 1 | EXTENSION DECK PLATFORM |
| 1 | 215150 | 1 | • PLATFORM, Extension deck |
| 2 | 195411 | 2 | • PIN, Extension deck |
| 3 | 101956 | 6 | • PAD, Bottom slide (1/4") |
| - | 222283 | 2 | • ROLLER (19.05 ID x 60 OD x 44 mm) |
| 4 | 222282 | 1 | • • ROLLER, Bearing (19.05 ID x 60 OD) |
| 5 | 222281 | 2 | • • BEARING, Ball (3/4" x 5/8" x 7/16") |
| 6 | 222285 | 2 | • ROLLER, UHMW (65 OD) |
| 7 | 222288 | 2 | • PIN (8 mm x 35 mm) |
| 8 | 223164 | 2 | • NUT, Hex lock (M6 x 1, cl 8) |
| 9 | 217870 | 2 | • BOLT, Hex head (M6 x 1 x 16, cl 10.9) |
| 10 | 133219 | 2 | • WASHER, Flat (M6) |
| 11 | 220300 | 2 | • BRACKET, Deck stop |
| 12 | 600184 | 4 | • WASHER, Flat (M8) |
| 13 | 228462 | 4 | • BOLT, Hex lock (M8 x 1.25 X 12, cl 10.9) |

1.6 Extension Deck Railings



M222280AD

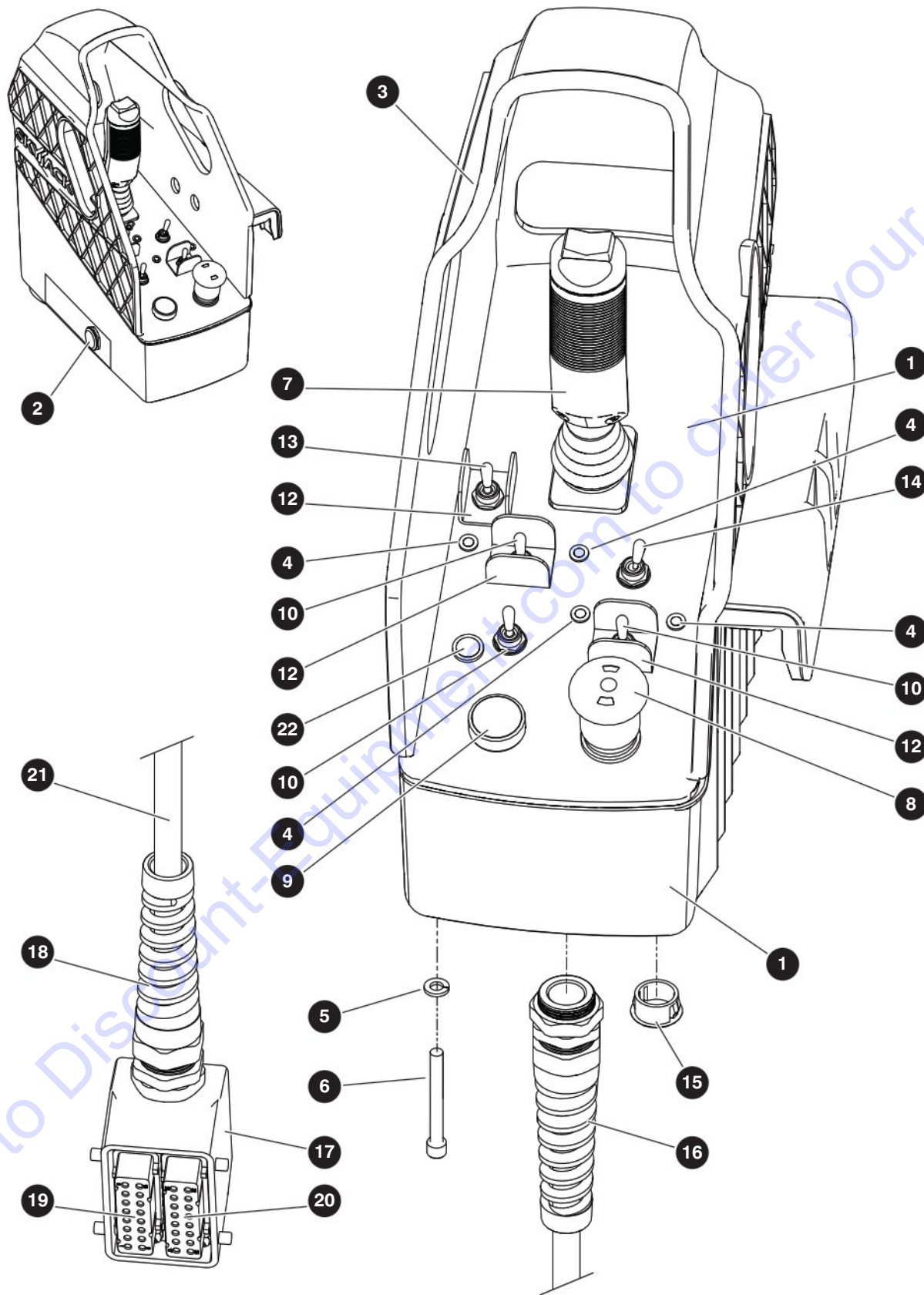
224578ABA

SJ9233 RT, SJ9243 RT, SJ9253 RT

1.6 Extension Deck Railings

| Index No. | Skyjack Part No. | Qty. | Description |
|-----------|------------------|------|---|
| A | 222280 | 1 | EXTENSION DECK RAILING - <i>with detent ball lock pins (standard)</i> |
| B | 232993 | 1 | EXTENSION DECK RAILING - <i>with wire loop lock pins (optional)</i> |
| 1 | 215175 | 1 | • RAILING, Extension deck end |
| 2 | 215169 | 1 | • RAILING, Extension deck side RH |
| 3 | 215177 | 1 | • RAILING, Extension deck side |
| 4 | 222296 | 1 | • HANDLE, Locking |
| 5 | 137235 | 1 | • GRIPPER, Clip |
| 6 | 215094 | 4 | • PLUG, Square tube (30 x 30 x 2) |
| 7 | 216212 | 5 | • PIN, Lock - detent ball, A |
| | 160274 | 5 | • PIN, Lock - wire loop (not shown), B |
| 8 | 231714 | 1 | • PIN ASSEMBLY, Hitch (0.50) |
| | 231657 | 1 | • • PIN, Hitch (1/2") |
| | 218810 | 1 | • • LANYARD, 8" |
| | 160320 | 1 | • • RING, Lanyard |
| 9 | 600184 | 14 | • WASHER, Flat (M8) |
| 10 | 933696 | 6 | • NUT, Hex lock (M8 - 1.25) |
| 11 | 217236 | 4 | • BOLT, Hex head (M8 x 1.25 x 60, cl 10.9) |
| 12 | 217234 | 2 | • BOLT, Hex head (M8 x 1.25 x 50, cl 10.9) |
| 13 | 223176 | 2 | • SCREW, Self-tapping (ST4.2 x 1.4 x 9.5) |
| 14 | 103632 | 3 | • BOLT, Self-tapping (0.25 x 14 x 0.75) |
| 15 | 217862 | 2 | • BOLT, Hex head (M10 x 1.5 x 60, cl 10.9) |
| 16 | 600315 | 4 | • WASHER, Flat (M10) |
| 17 | 223615 | 2 | • NUT, Hex lock (M10 x 1.5, cl 8) |
| - | 231611 | 1 | MANUAL BOX ASSEMBLY |
| 18 | 231612 | 1 | • PLATE, Mounting |
| 19 | 198789 | 1 | • BOX, Manual |
| 20 | 219355 | 4 | • BOLT, Button head cap screw (M5 x 0.8 x 12, cl 10.9) |
| 21 | 933816 | 4 | • WASHER, Flat (M5) |
| 22 | 217628 | 4 | • NUT, Hex nylon lock (M5 x 0.8, cl 8) |
| 23 | 114710 | 1 | • KEYRING, Skyjack (not shown) |
| 24 | 207981 | 1 | • BAG, Resealable (12" x 9") (not shown) |
| 25 | 103632 | 4 | BOLT, Self-tapping (1/4"-14 x 3/4") |
| 26 | 173200 | 1 | MANUAL OF RESPONSIBILITIES (not shown) |

1.7 Platform Control Box



M222181AC

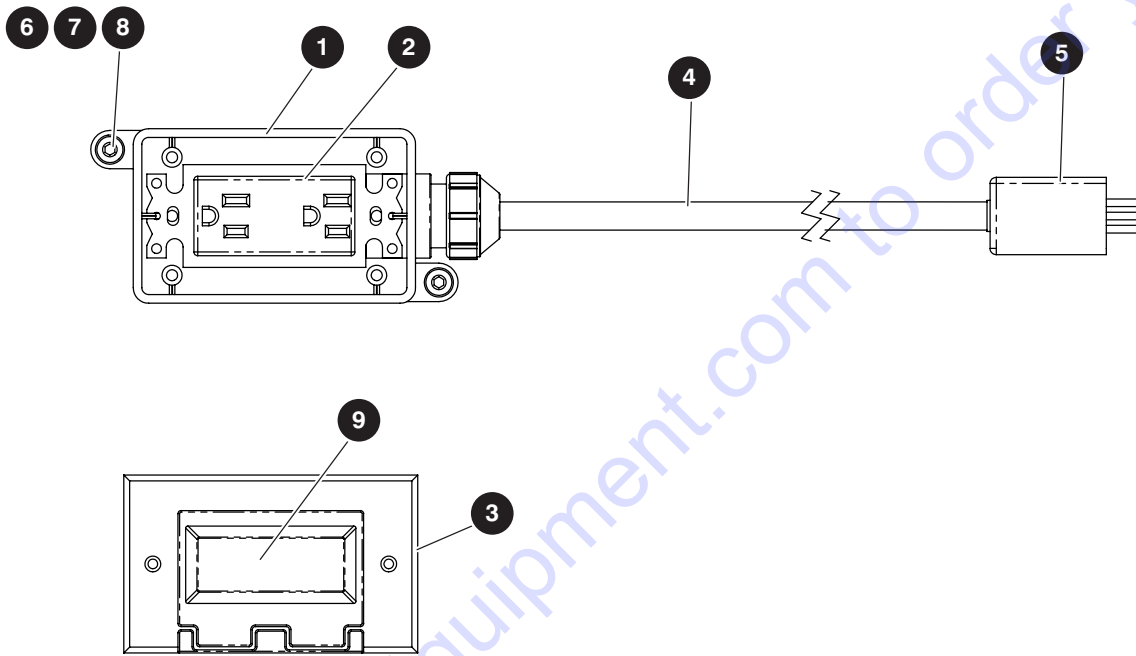
224578ABA

SJ9233 RT, SJ9243 RT, SJ9253 RT

1.7 Platform Control Box

| Index No. | Skyjack Part No. | Qty. | Description |
|-----------|------------------|------|---|
| A | 222181 | 1 | PLATFORM CONTROL BOX - Standard |
| B | 226136 | 1 | PLATFORM CONTROL BOX - SGLE Option |
| - | 226131 | 1 | • BOX, Control, A |
| | 226141 | 1 | • BOX, Control - SGLE, B |
| 1 | 196205 | 1 | • • BASE, Control box, A |
| | 226142 | 1 | • • BASE, Control box - SGLE, B |
| | 220965 | 1 | • • • BASE, Control box with SGLE, B |
| 2 | 226143 | 1 | • • • SWITCH, SGLE, B |
| | (Ref.) | 1 | • • • LABEL, SGLE, B <i>(For components, refer to Section 8.7 Labels - Control Boxes)</i> |
| 3 | 196207 | 1 | • • COVER, Control box |
| 4 | 226129 | 4 | • LIGHT, Green LED |
| 5 | 104000 | 6 | • WASHER, Lock (0.25) |
| 6 | 103943 | 6 | • SCREW, SCH (0.250 x 20 x 2) |
| 7 | 215811 | 1 | • JOYSTICK (0-5V) |
| 8 | 144652 | 1 | • SWITCH, Platform E-Stop |
| | 147056 | 1 | • • LATCH |
| | 147229 | 1 | • • BLOCK, LED (12 V) |
| | 147053 | 2 | • • BLOCK, Contact NC |
| | 147051 | 1 | • • HEAD, Emergency stop |
| 9 | 144648 | 1 | • SWITCH, Horn |
| | 147056 | 1 | • • LATCH |
| | 147054 | 1 | • • BLOCK, Contact NO |
| | 147058 | 1 | • • HEAD, Push button |
| 10 | 102853 | 3 | • SWITCH, Toggle 1NT1-7 |
| 11 | 144016 | 5 | • SEAL, Panel bushing - Toggle switch |
| 12 | 111181 | 5 | • GUARD, Toggle switch |
| 13 | 207741 | 1 | • SWITCH, Toggle - 1 pole 3 position |
| 14 | 115574 | 1 | • SWITCH, Toggle 1NT1-2 |
| 15 | 102956 | 2 | • PLUG, Snap-in |
| 16 | 196141 | 1 | • CORDGRIP |
| - | 222182 | 1 | • CONTROL CABLE, Platform control |
| 17 | 132788 | 1 | • • HOOD |
| 18 | 196141 | 1 | • • CORDGRIP |
| 19 | 114468 | 1 | • • INSERT, Female (17-32) |
| 20 | 114467 | 1 | • • INSERT, Female (1-16) |
| 21 | 115274 | 98 | • • CONTROL CABLE |
| 22 | (Ref.) | 1 | LIGHT, LED - blue - EcoStart Option <i>(For components, refer to Section 7.4 Eco Start)</i> |

1.8 Power Outlet - ANSI/CSA



M66820AA

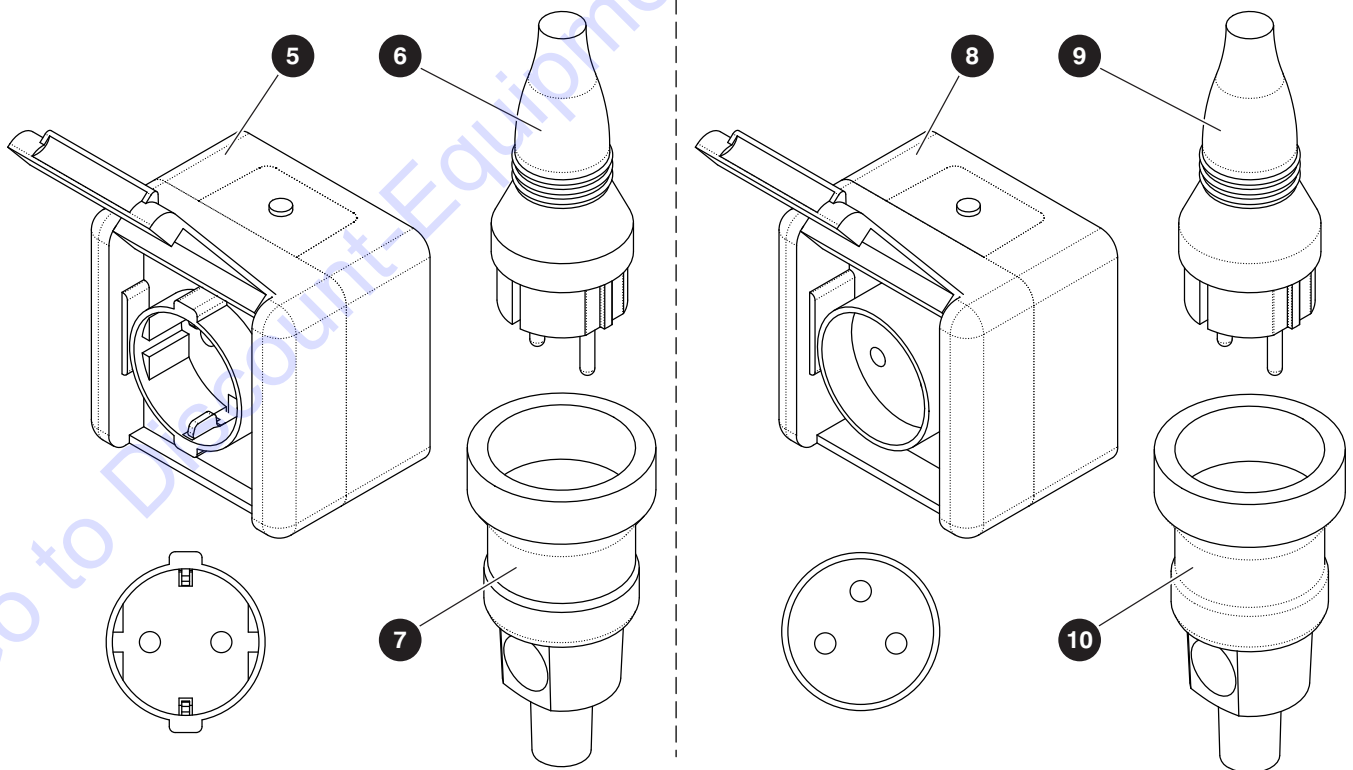
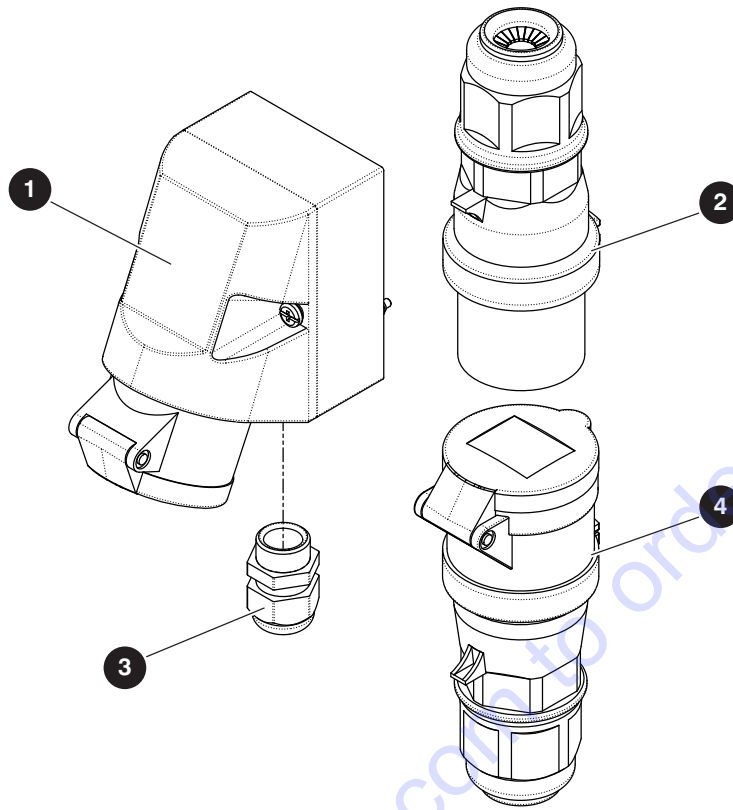
224578ABA

SJ9233 RT, SJ9243 RT, SJ9253 RT

1.8 Power Outlet - ANSI/CSA

| Index No. | Skyjack Part No. | Qty. | Description |
|-----------|------------------|------|--|
| A | 222096 | 1 | POWER OUTLET - SJ9233 RT ANSI/CSA |
| B | 222098 | 1 | POWER OUTLET - SJ9243 RT ANSI/CSA |
| C | 222100 | 1 | POWER OUTLET - SJ9253 RT ANSI/CSA |
| 1 | 136328 | 1 | • BOX, Outlet (110V) |
| 2 | 109698 | 1 | • RECEPTACLE, GFCI |
| 3 | 109699 | 1 | • COVER, GFI |
| 4 | 105269 | 677" | • CABTIRE (14/3), A |
| | 105269 | 817" | • CABTIRE (14/3), B |
| | 105269 | 957" | • CABTIRE (14/3), C |
| 5 | 104208 | 1 | • PLUG, Male (15A - 125V) |
| 6 | 228456 | 2 | • BOLT, Button head cap screw (M6 x 1 x 16, cl 10.9) |
| 7 | 933834 | 4 | • WASHER, Flat (M6) |
| 8 | 223164 | 2 | • NUT, Hex lock (M6 x 1, cl 8) |
| 9 | 138211 | 2 | • LABEL, Connect AC power supply |

1.9 Power Outlet - CE/AS/KC



M232475AA_M232479AA_M232477AA

224578ABA

SJ9233 RT, SJ9243 RT, SJ9253 RT

1.9 Power Outlet - CE/AS/KC

| Index No. | Skyjack Part No. | Qty. | Description |
|-----------|------------------|------|---|
| A | 230225 | 1 | POWER OUTLET - UK no generator |
| B | 232475 | 1 | POWER OUTLET - UK with generator |
| 1 | 226503 | 1 | • RECEPTACLE, 16 amp 110 VAC 2P+E |
| 2 | 226501 | 1 | • PLUG, 16 amp 110 VAC 2P+E |
| 3 | 138373 | 1 | • STRAIN RELIEF, M20 |
| 4 | 226502 | 1 | • RECEPTACLE, 16 amp 110 VAC 2P+E, B |
| C | 230221 | 1 | POWER OUTLET - Type F no generator |
| D | 232479 | 1 | POWER OUTLET - Type F with generator |
| 5 | 226454 | 1 | • OUTLET, Socket - 16 amp 250 V |
| 6 | 157192 | 1 | • PLUG, 250 V |
| 7 | 226504 | 1 | • RECEPTACLE, 250 V 16 amp, D |
| E | 230219 | 1 | POWER OUTLET - Type E no generator |
| F | 232477 | 1 | POWER OUTLET - Type E with generator |
| 8 | 226455 | 1 | • OUTLET, Socket - 16 amp 250 V |
| 9 | 157192 | 1 | • PLUG, 250 V |
| 10 | 226504 | 1 | • RECEPTACLE, 250 V 16 amp, F |
| G | 222104 | 1 | POWER CABLE - SJ9233 RT CE, AS |
| H | 222106 | 1 | POWER CABLE - SJ9243 RT CE, AS |
| I | 222108 | 1 | POWER CABLE - SJ9253 RT CE, AS, KC |
| 11 | 105269 | 677" | • CABTIRE (14/3), G |
| | 105269 | 817" | • CABTIRE (14/3), H |
| | 105269 | 957" | • CABTIRE (14/3), I |
| 12 | 138211 | 2 | • LABEL, Connect AC power supply |

Section 2 – Scissors

2.1 Scissor Assembly - SJ9233 RT

2.2 Scissor Assembly - SJ9243 RT

2.3 Scissor Assembly - SJ9253 RT

2.4 Scissor Level 1

2.5 Scissor Level 2/4

2.6 Scissor Level 3

2.7 Scissor Level Top - SJ9233 RT & SJ9253 RT

2.8 Scissor Level Top - SJ9243 RT

2.9 Center Pin

2.10 Lower Slider

2.11 Upper Slider

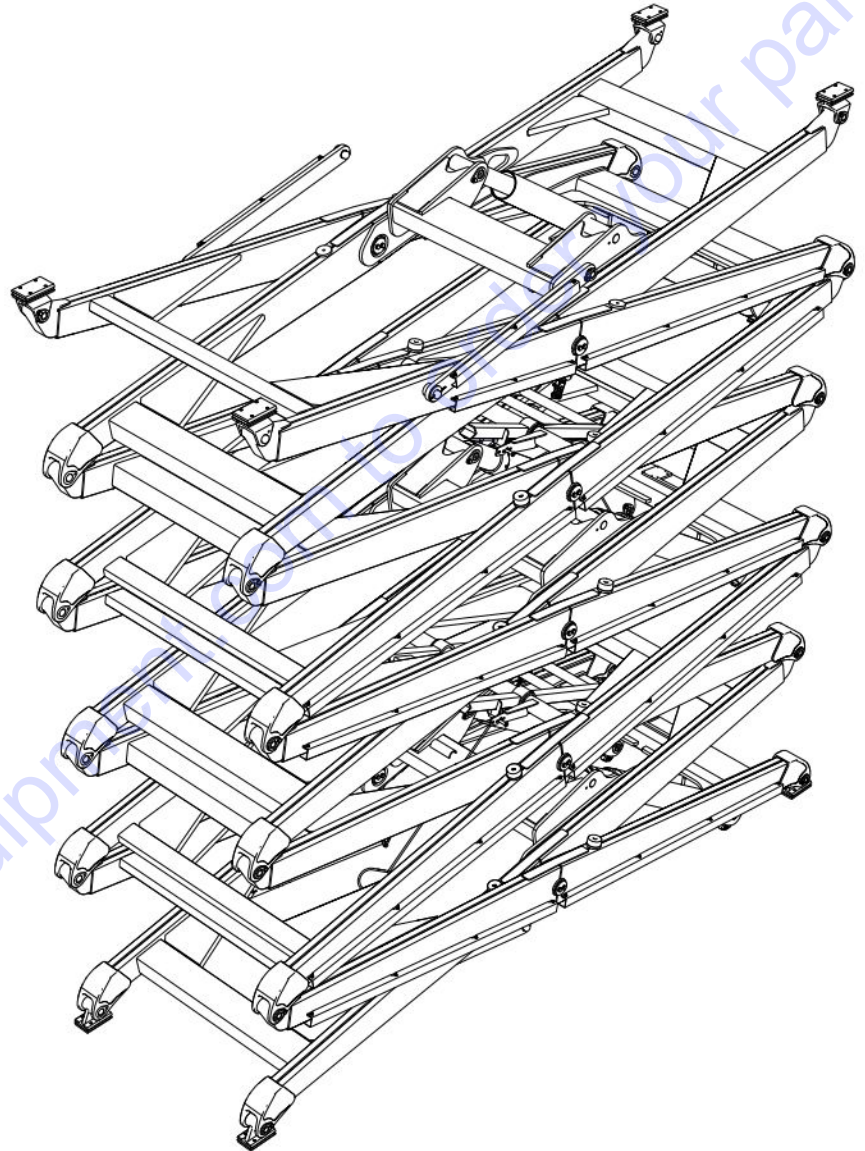
2.12 Lift Cylinders

2.13 Splitter Manifold

2.14 Lift Cylinder Manifold

2.15 Maintenance Stand - Bottom

2.16 Maintenance Stand - Top

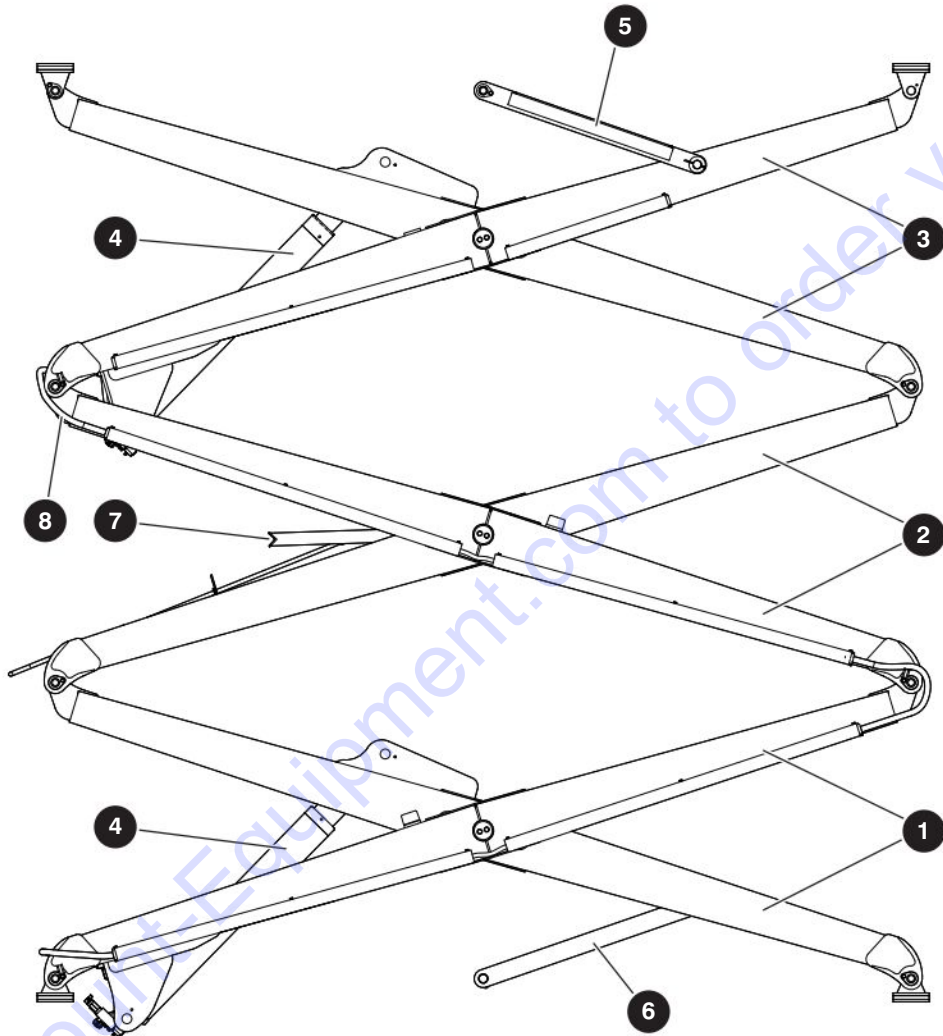


2.17 Centering Bar - Top

2.18 Centering Bar - Bottom

2.19 Scissor Electrical Components

2.1 Scissor Assembly - SJ9233 RT



M215963AC

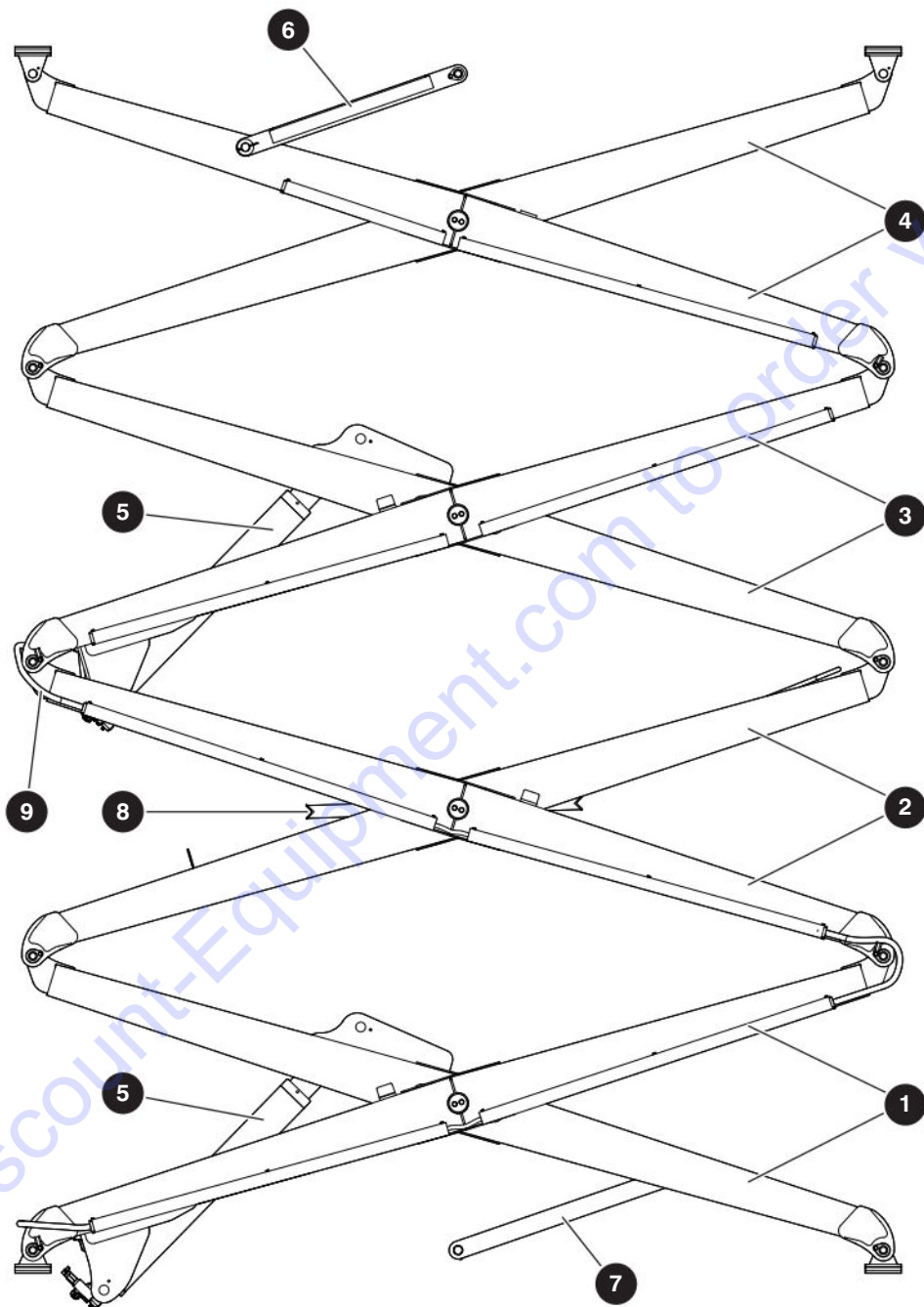
224578ABA

SJ9233 RT, SJ9243 RT, SJ9253 RT

2.1 Scissor Assembly - SJ9233 RT

| Index No. | Skyjack Part No. | Qty. | Description |
|-----------|------------------|------|---|
| - | 215963 | 1 | SCISSOR ASSEMBLY - SJ9233 RT |
| 1 | (Ref.) | 1 | <ul style="list-style-type: none"> • SCISSOR LEVEL 1 <i>(For components, refer to Section 2.4 Scissor Level 1)</i> |
| 2 | (Ref.) | 1 | <ul style="list-style-type: none"> • SCISSOR LEVEL 2 <i>(For components, refer to Section 2.5 Scissor Level 2/4)</i> |
| 3 | (Ref.) | 1 | <ul style="list-style-type: none"> • SCISSOR LEVEL TOP <i>(For components, refer to Section 2.7 Scissor Level Top - SJ9233 RT & SJ9253 RT)</i> |
| 4 | (Ref.) | 1 | <ul style="list-style-type: none"> • LIFT CYLINDER <i>(For components, refer to Section 2.12 Lift Cylinders)</i> |
| 5 | (Ref.) | 1 | <ul style="list-style-type: none"> • BAR, Centering - top <i>(For components, refer to Section 2.17 Centering Bar - Top)</i> |
| 6 | (Ref.) | 1 | <ul style="list-style-type: none"> • BAR, Centering - bottom <i>(For components, refer to Section 2.18 Centering Bar - Bottom)</i> |
| 7 | (Ref.) | 1 | <ul style="list-style-type: none"> • STAND, Maintenance <i>(For components, refer to Section 2.15 Maintenance Stand - Bottom)</i> |
| 8 | (Ref.) | 1 | <ul style="list-style-type: none"> • HOSE KIT, Scissors <i>(For components, refer to Section 6.4 Hydraulic Hoses - Scissors)</i> |

2.2 Scissor Assembly - SJ9243 RT



M215964AB

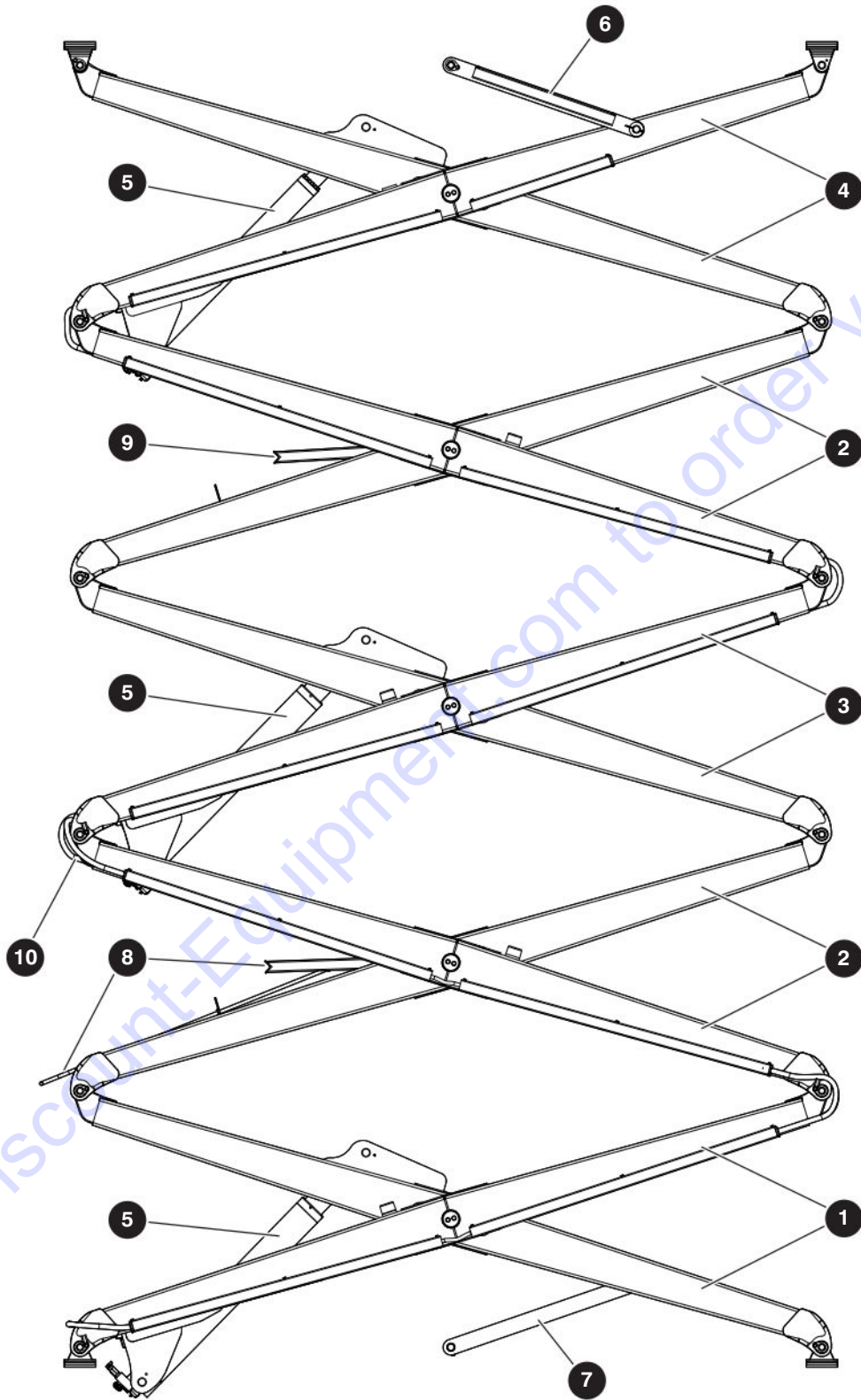
224578ABA

SJ9233 RT, SJ9243 RT, SJ9253 RT

2.2 Scissor Assembly - SJ9243 RT

| Index No. | Skyjack Part No. | Qty. | Description |
|-----------|------------------|------|---|
| - | 215964 | 1 | SCISSOR ASSEMBLY - SJ9243 RT |
| 1 | (Ref.) | 1 | <ul style="list-style-type: none"> SCISSOR LEVEL 1 <i>(For components, refer to Section 2.4 Scissor Level 1)</i> |
| 2 | (Ref.) | 1 | <ul style="list-style-type: none"> SCISSOR LEVEL 2 <i>(For components, refer to Section 2.5 Scissor Level 2/4)</i> |
| 3 | (Ref.) | 1 | <ul style="list-style-type: none"> SCISSOR LEVEL 3 <i>(For components, refer to Section 2.6 Scissor Level 3)</i> |
| 4 | (Ref.) | 1 | <ul style="list-style-type: none"> SCISSOR LEVEL TOP <i>(For components, refer to Section 2.8 Scissor Level Top - SJ9243 RT)</i> |
| 5 | (Ref.) | 4 | <ul style="list-style-type: none"> LIFT CYLINDER <i>(For components, refer to Section 2.12 Lift Cylinders)</i> |
| 6 | (Ref.) | 1 | <ul style="list-style-type: none"> BAR, Centering - top <i>(For components, refer to Section 2.17 Centering Bar - Top)</i> |
| 7 | (Ref.) | 1 | <ul style="list-style-type: none"> BAR, Centering - bottom <i>(For components, refer to Section 2.18 Centering Bar - Bottom)</i> |
| 8 | (Ref.) | 1 | <ul style="list-style-type: none"> STAND, Maintenance <i>(For components, refer to Section 2.15 Maintenance Stand - Bottom)</i> |
| 9 | (Ref.) | 1 | <ul style="list-style-type: none"> HOSE KIT, Scissors <i>(For components, refer to Section 6.4 Hydraulic Hoses - Scissors)</i> |

2.3 Scissor Assembly - SJ9253 RT



M215965AD

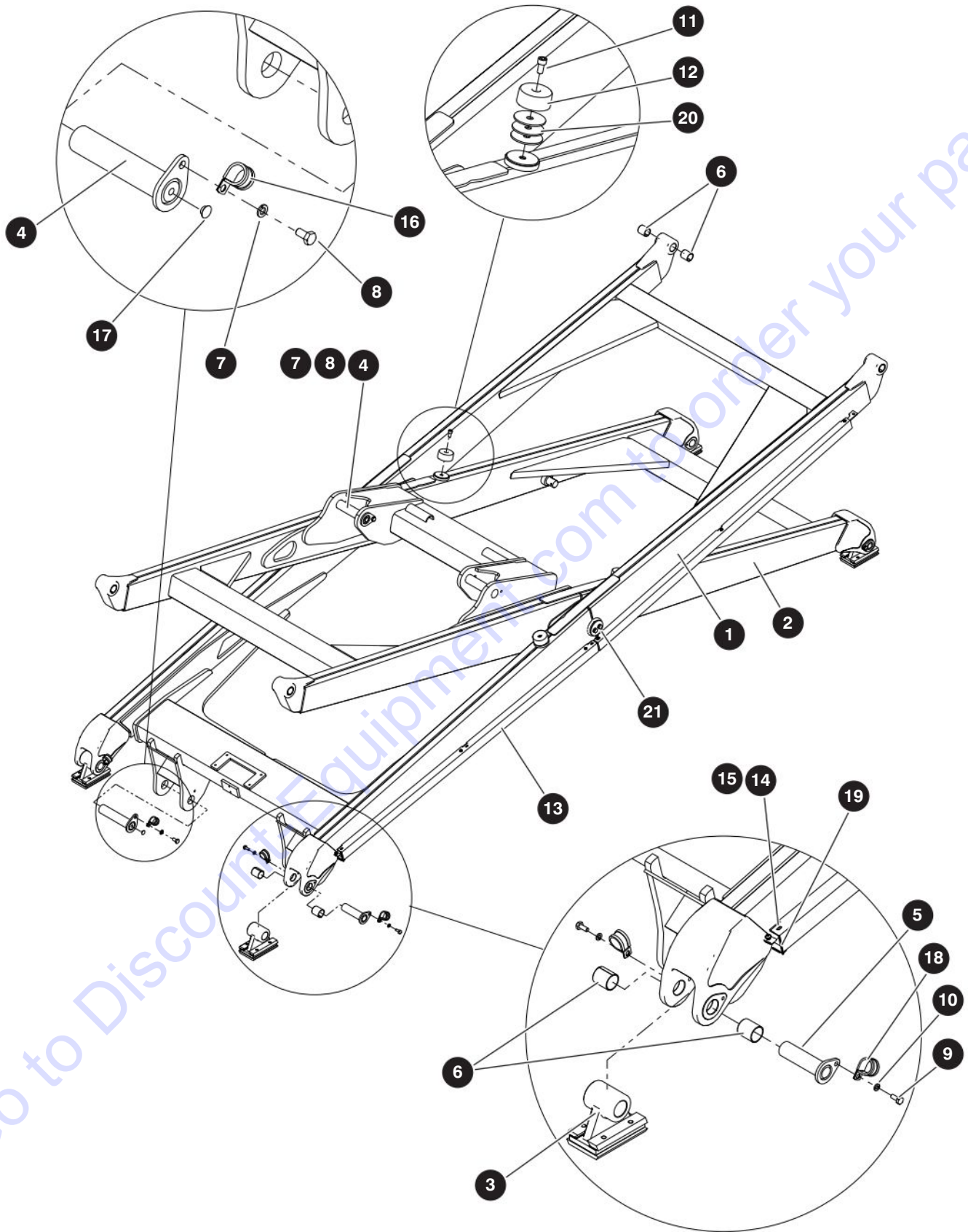
224578ABA

SJ9233 RT, SJ9243 RT, SJ9253 RT

2.3 Scissor Assembly - SJ9253 RT

| Index No. | Skyjack Part No. | Qty. | Description |
|-----------|------------------|------|---|
| - | 215965 | 1 | SCISSOR ASSEMBLY - SJ9253 RT |
| 1 | (Ref.) | 1 | <ul style="list-style-type: none"> • SCISSOR LEVEL 1 <i>(For components, refer to Section 2.4 Scissor Level 1)</i> |
| 2 | (Ref.) | 2 | <ul style="list-style-type: none"> • SCISSOR LEVEL 2 & 4 <i>(For components, refer to Section 2.5 Scissor Level 2/4)</i> |
| 3 | (Ref.) | 1 | <ul style="list-style-type: none"> • SCISSOR LEVEL 3 <i>(For components, refer to Section 2.6 Scissor Level 3)</i> |
| 4 | (Ref.) | 1 | <ul style="list-style-type: none"> • SCISSOR LEVEL TOP <i>(For components, refer to Section 2.7 Scissor Level Top - SJ9233 RT & SJ9253 RT)</i> |
| 5 | (Ref.) | 6 | <ul style="list-style-type: none"> • LIFT CYLINDER <i>(For components, refer to Section 2.12 Lift Cylinders)</i> |
| 6 | (Ref.) | 1 | <ul style="list-style-type: none"> • BAR, Centering - top <i>(For components, refer to Section 2.17 Centering Bar - Top)</i> |
| 7 | (Ref.) | 1 | <ul style="list-style-type: none"> • BAR, Centering - bottom <i>(For components, refer to Section 2.18 Centering Bar - Bottom)</i> |
| 8 | (Ref.) | 1 | <ul style="list-style-type: none"> • STAND, Maintenance - bottom <i>(For components, refer to Section 2.15 Maintenance Stand - Bottom)</i> |
| 9 | (Ref.) | 1 | <ul style="list-style-type: none"> • STAND, Maintenance - top <i>(For components, refer to Section 2.16 Maintenance Stand - Top)</i> |
| 10 | (Ref.) | 1 | <ul style="list-style-type: none"> • HOSE KIT, Scissors <i>(For components, refer to Section 6.4 Hydraulic Hoses - Scissors)</i> |

2.4 Scissor Level 1



M222221A

224578ABA

38

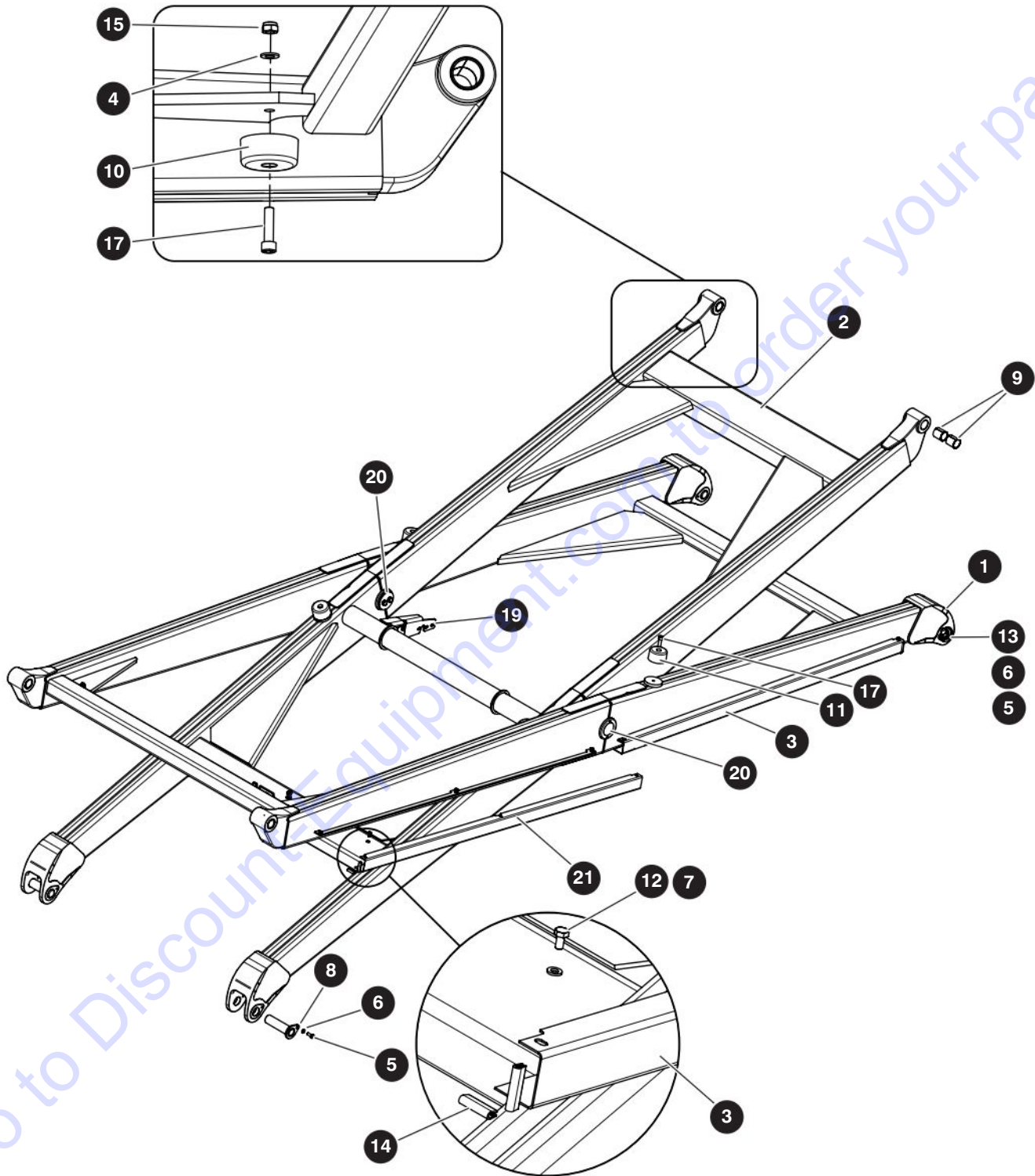
SJ9233 RT, SJ9243 RT, SJ9253 RT

SKYJACK

2.4 Scissor Level 1

| Index No. | Skyjack Part No. | Qty. | Description |
|-----------|------------------|------|--|
| A | 237401 | 1 | SCISSOR LEVEL 1 - SJ9233 RT |
| B | 222221 | 1 | SCISSOR LEVEL 1 - SJ9243 RT, SJ9253 RT |
| 1 | 237397 | 1 | • SCISSOR, Cylinder - Outer, A |
| | 215971 | 1 | • SCISSOR, Cylinder - Outer, B |
| 2 | 237398 | 1 | • SCISSOR, Cylinder - Inner, A |
| | 215972 | 1 | • SCISSOR, Cylinder - Inner, B |
| 3 | (Ref.) | 4 | • SLIDER, Male <i>(For components, refer to Section 2.10 Lower Slider)</i> |
| 4 | 215911 | 4 | • PIN (38.1 mm) |
| 5 | 215977 | 4 | • PIN (31.75 mm) |
| 6 | 125262 | 8 | • BUSHING, Fiberglide (1 ¼" x 1 ½") |
| 7 | 233172 | 4 | • WASHER, Flat (M10) |
| 8 | 933740 | 4 | • BOLT, Hex Head (M10 x 1.5 x 20, cl 10.9) |
| 9 | 217876 | 6 | • BOLT, Hex Head (M8 x 1.25 x 20, cl 10.9) |
| 10 | 232528 | 6 | • WASHER, Flat (M8) |
| 11 | 232530 | 4 | • BOLT, Socket head cap (M10 x 1.5 x 35) |
| 12 | 105395 | 4 | • PUCK, PU55D (2.55 x 1.5) |
| 13 | 215720 | 4 | • COVER, Cable guard (1.5 mm) |
| 14 | 133219 | 12 | • WASHER, Flat (M6) |
| 15 | 933646 | 12 | • BOLT, Hex head (M6 x 1 x 12, cl 8.8) |
| 16 | 168707 | 2 | • CLAMP, Loop - Cushioned (1") |
| 17 | 192765 | 4 | • PLUG, LDPE (0.50) |
| 18 | 154262 | 4 | • CLAMP, Tube |
| 19 | 220305 | 0.92 | • EDGE TRIM, Rubber |
| 20 | 131952 | 12 | • WASHER, Fender |
| 21 | (Ref.) | 2 | • SCISSOR, Center pin assembly <i>(For components, refer to Section 2.9 Center Pin)</i> |

2.5 Scissor Level 2/4



M222222AG

224578ABA

40

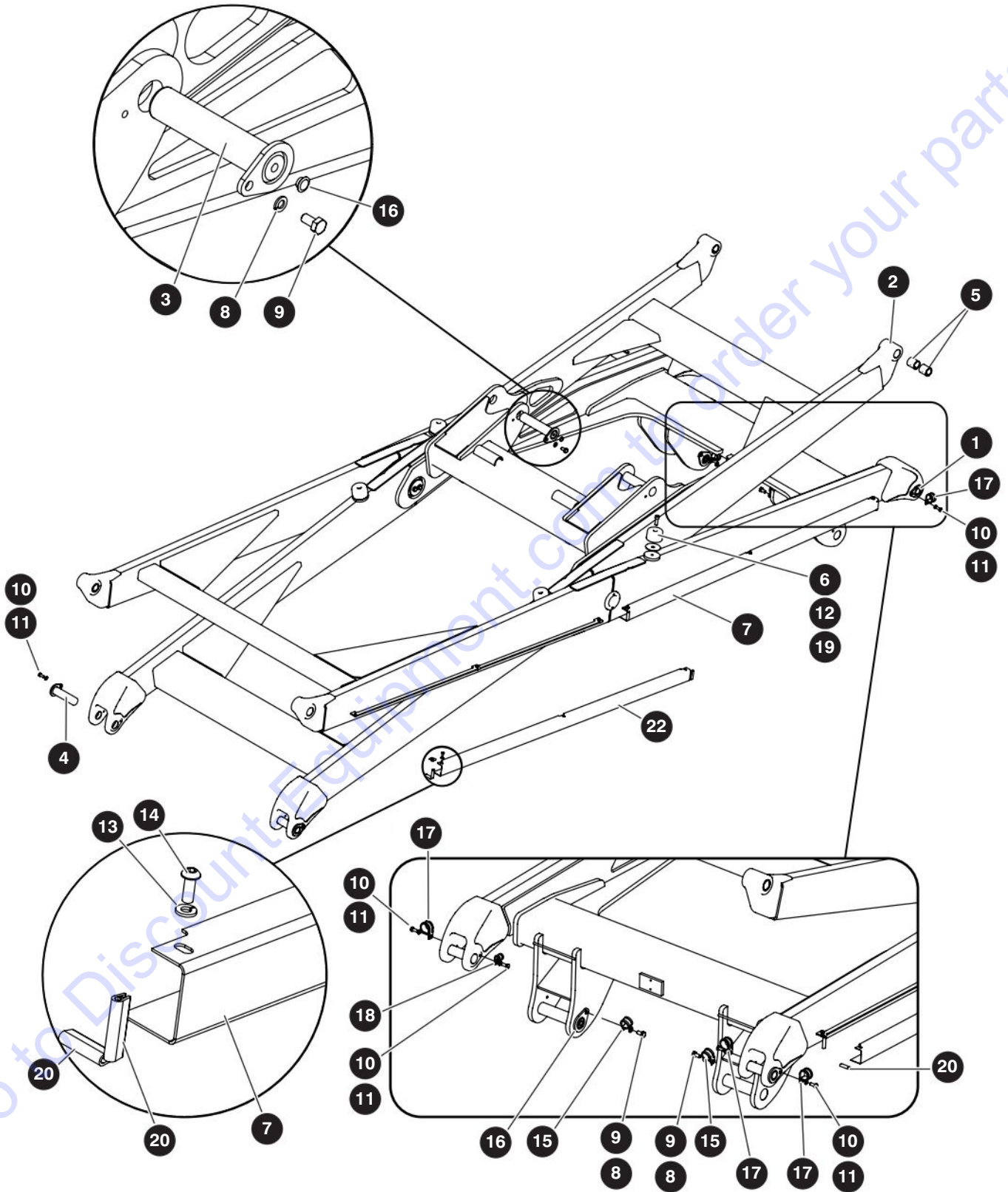
SJ9233 RT, SJ9243 RT, SJ9253 RT

SKYJACK

2.5 Scissor Level 2/4

| Index No. | Skyjack Part No. | Qty. | Description |
|-----------|------------------|------|---|
| A | 222222 | 1 | SCISSOR LEVEL 2 - SJ9233/43/53 RT and 4 - SJ9253 RT |
| 1 | 215974 | 1 | • SCISSOR, Floating - Outer |
| 2 | 215976 | 1 | • SCISSOR, Floating - Inner |
| 3 | 215720 | 2 | • COVER, Cable guard (1.5 mm) |
| 4 | 223172 | 2 | • WASHER, Flat (M10) |
| 5 | 217876 | 9 | • BOLT, Hex Head (M8 x 1.25 x 20, cl 10.9) |
| 6 | 232528 | 12 | • WASHER, Flat (M8) |
| 7 | 133219 | 12 | • WASHER, Flat (M6) |
| 8 | 215977 | 4 | • PIN (31.75 mm) |
| 9 | 125262 | 8 | • BUSHING, Fiberglide (1¼" x 1½") |
| 10 | 111135 | 2 | • PUCK, PU55D (2.55 x 1.5) |
| 11 | 105359 | 4 | • PUCK, PU55D (2.55 x 1.5) |
| 12 | 933646 | 12 | • BOLT, Hex head (M6 x 1 x 12, cl 8.8) |
| 13 | 154262 | 2 | • CLAMP, Tube |
| 14 | 220305 | 0.92 | • EDGE TRIM, Rubber |
| 15 | 223165 | 2 | • NUT, Hex lock (M10 x 1.5, cl 8) |
| 16 | 217796 | 3 | • NUT, Hex (M8 x 1.25, cl 10) |
| 17 | 232530 | 2 | • BOLT, Socket head (M10 x 1.5 x 35, cl 12.9) |
| 19 | 231602 | 1 | • BRACKET, Latch - bolted |
| 20 | (Ref.) | 2 | • SCISSOR, Center pin assembly (For components, refer to Section 2.9 Center Pin) |
| 21 | 237375 | 2 | • COVER, Cable guard (1.5 mm) |

2.6 Scissor Level 3



M222223AE

224578ABA

42

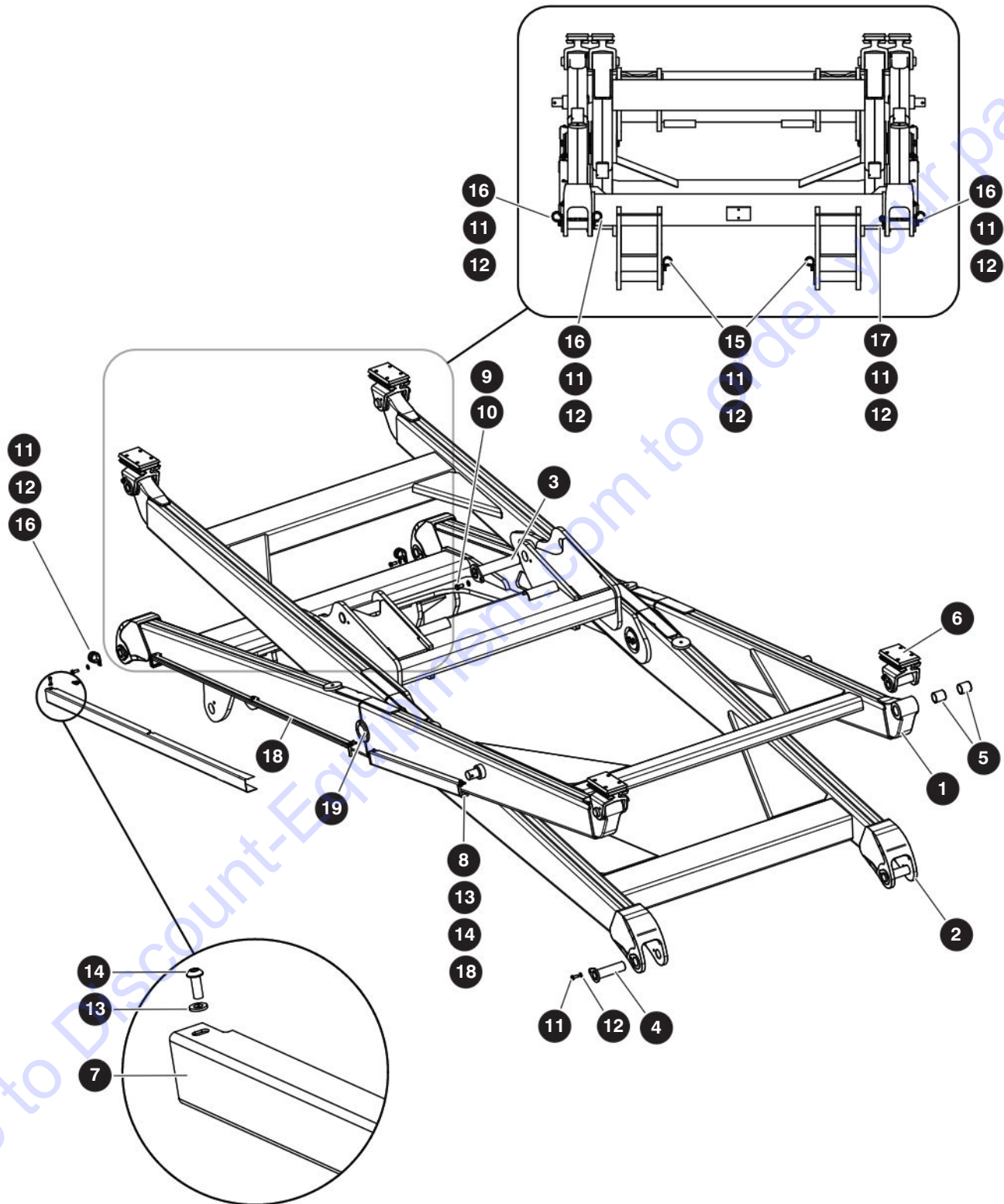
SJ9233 RT, SJ9243 RT, SJ9253 RT

SKYJACK

2.6 Scissor Level 3

| Index No. | Skyjack Part No. | Qty. | Description |
|-----------|------------------|------|---|
| A | 222224 | 1 | SCISSOR LEVEL 3 - SJ9243 RT |
| B | 222223 | 1 | SCISSOR LEVEL 3 - SJ9253 RT |
| 1 | 237378 | 1 | • SCISSOR, Cylinder - Outer, A |
| | 215980 | 1 | • SCISSOR, Cylinder - Outer, B |
| 2 | 231797 | 1 | • SCISSOR, Cylinder - Inner, A |
| | 215973 | 1 | • SCISSOR, Cylinder - Inner, B |
| 3 | 215911 | 4 | • PIN (38.1 mm) |
| 4 | 215977 | 4 | • PIN (31.75 mm) |
| 5 | 125262 | 8 | • BUSHING, Fiberglide (1¼" x 1½") |
| 6 | 105395 | 4 | • PUCK, PU55D (2.55 x 1.5) |
| 7 | 215720 | 2 | • COVER, Cable guard (1.5 mm) |
| 8 | 223172 | 4 | • WASHER, Flat (M10) |
| 9 | 933740 | 4 | • BOLT, Hex Head (M10 x 1.5 x 20, cl 10.9) |
| 10 | 217876 | 4 | • BOLT, Hex Head (M8 x 1.25 x 20, cl 10.9) |
| 11 | 232528 | 4 | • WASHER, Flat (M8) |
| 12 | 232530 | 4 | • BOLT, Socket Head (M10 x 1.5 x 30) |
| 13 | 133219 | 12 | • WASHER, Flat (M6) |
| 14 | 933646 | 12 | • BOLT, Hex head (M6 x 1 x 12, cl 8.8) |
| 15 | 168707 | 4 | • CLAMP, Loop - Cushioned (1") |
| 16 | 192765 | 4 | • PLUG, LDPE (0.50) |
| 17 | 154262 | 3 | • CLAMP, Tube (1-1_8) |
| 18 | 149495 | 1 | • CLAMP, Tube (1_2) |
| 19 | 131952 | 12 | • WASHER, Fender |
| 20 | 220305 | 1.2 | • EDGE TRIM, Rubber |
| 21 | (Ref.) | 2 | • SCISSOR, Center pin assembly (For components, refer to Section 2.9 Center Pin) |
| 22 | 237375 | 2 | • COVER, Cable guard (1.5 mm) |

2.7 Scissor Level Top - SJ9233 RT & SJ9253 RT



M222225AD

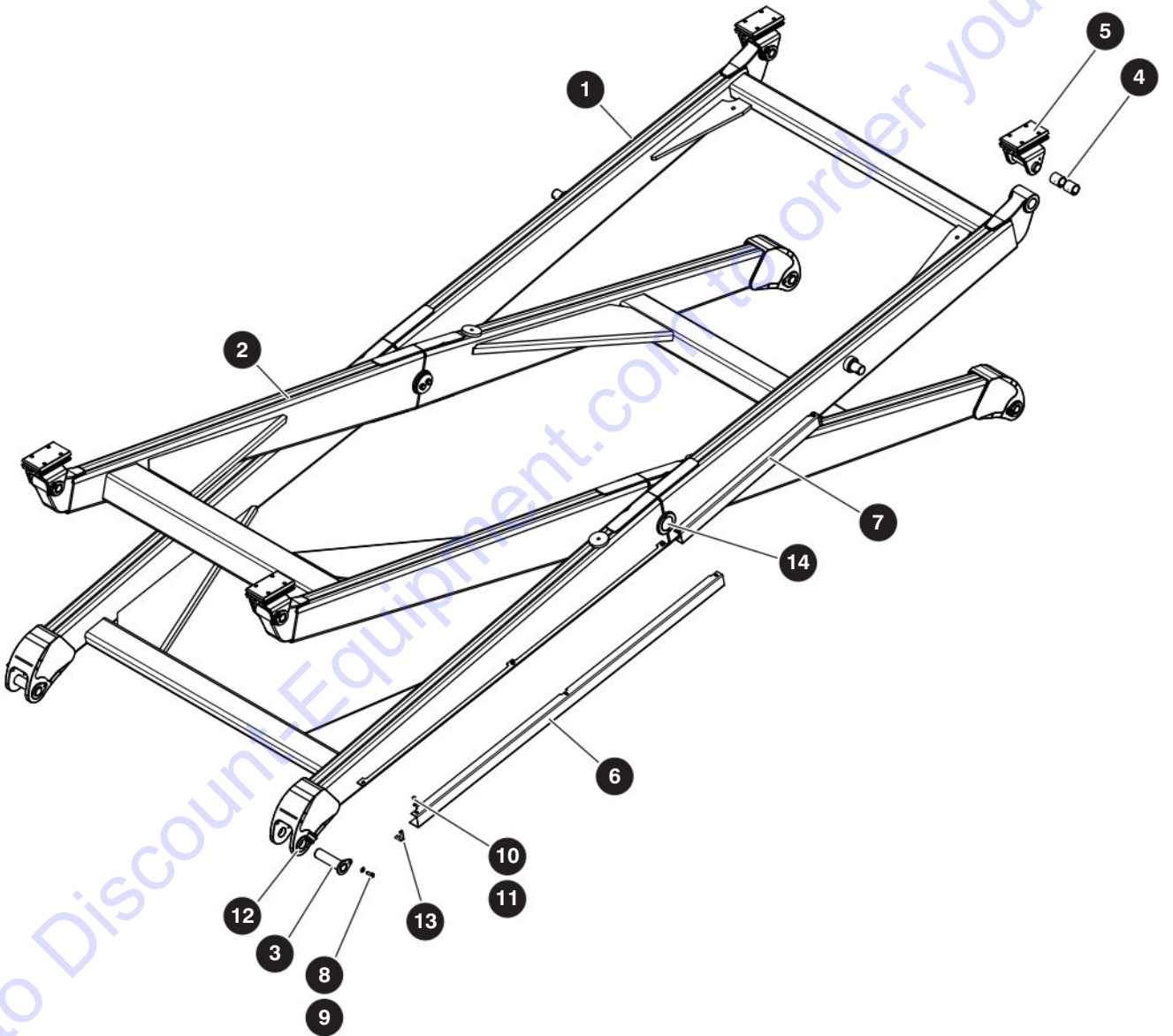
224578ABA

SJ9233 RT, SJ9243 RT, SJ9253 RT

2.7 Scissor Level Top - SJ9233 RT & SJ9253 RT

| Index No. | Skyjack Part No. | Qty. | Description |
|-----------|------------------|------|--|
| - | 222225 | 1 | SCISSOR LEVEL TOP - SJ9233 RT & SJ9253 RT |
| 1 | 215988 | 1 | • SCISSOR, Cylinder - Outer |
| 2 | 215973 | 1 | • SCISSOR, Cylinder - Inner |
| 3 | 215911 | 4 | • PIN (38.1 mm) |
| 4 | 215977 | 4 | • PIN (31.75 mm) |
| 5 | 125262 | 8 | • BUSHING, Fiberglide (1¼" x 1½") |
| 6 | (Ref.) | 4 | • SLIDER, Female <i>(For components, refer to Section 2.11 Upper Slider)</i> |
| 7 | 215720 | 2 | • COVER, Cable guard (1.5 mm) |
| 8 | 215708 | 2 | • COVER, Center bar (1.5 mm) |
| 9 | 223172 | 4 | • WASHER, Flat (M10) |
| 10 | 933740 | 4 | • BOLT, Hex Head (M10 x 1.5 x 20, cl 10.9) |
| 11 | 217876 | 6 | • BOLT, Hex Head (M8 x 1.25 x 20, cl 10.9) |
| 12 | 232528 | 6 | • WASHER, Flat (M8) |
| 13 | 133219 | 10 | • WASHER, Flat (M6) |
| 14 | 933646 | 10 | • BOLT, Hex head (M6 x 1 x 12, cl 8.8) |
| 15 | 168707 | 2 | • CLAMP, Loop - cushioned |
| 16 | 154262 | 2 | • CLAMP, Tube (1-1_8) |
| 17 | 149495 | 2 | • CLAMP, Tube (1_2) |
| 18 | 220305 | 0.88 | • EDGE TRIM, Rubber |
| 19 | (Ref.) | 2 | • SCISSOR, Center pin assembly <i>(For components, refer to Section 2.9 Center Pin)</i> |

2.8 Scissor Level Top - SJ9243 RT



M222226AE

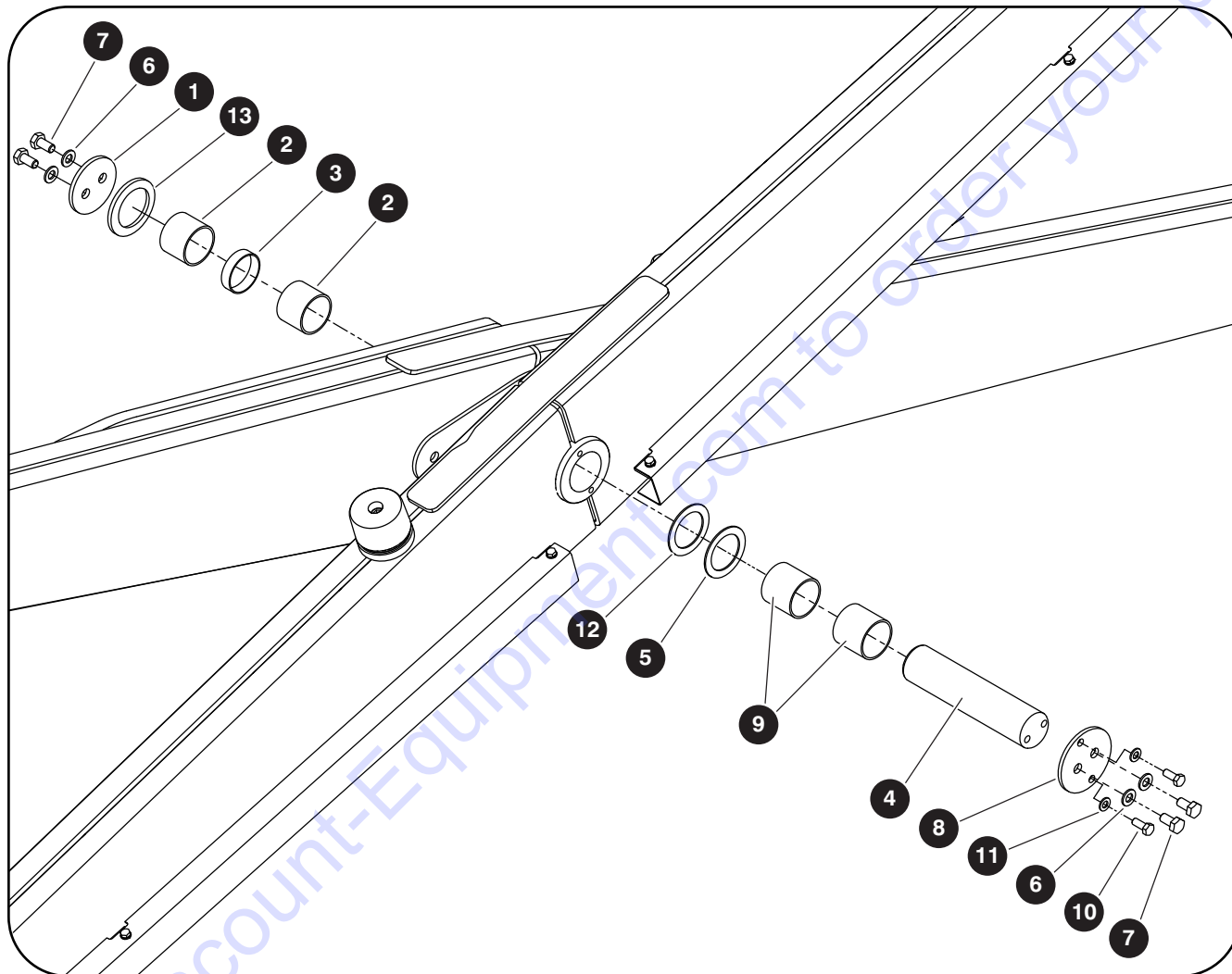
224578ABA

SJ9233 RT, SJ9243 RT, SJ9253 RT

2.8 Scissor Level Top - SJ9243 RT

| Index No. | Skyjack Part No. | Qty. | Description |
|-----------|------------------|------|--|
| - | 222226 | 1 | SCISSOR LEVEL TOP - SJ9243 RT |
| 1 | 222229 | 1 | • SCISSOR, Cylinder - Outer |
| 2 | 215901 | 1 | • SCISSOR, Cylinder - Inner |
| 3 | 215977 | 4 | • PIN (31.75 mm) |
| 4 | 125262 | 8 | • BUSHING, Fiberglide (1¼" x 1½") |
| 5 | (Ref.) | 4 | • SLIDER, Female <i>(For components, refer to Section 2.11 Upper Slider)</i> |
| 6 | 215720 | 2 | • COVER, Cable guard (1.5 mm) |
| 7 | 215708 | 2 | • COVER, Center bar (1.5 mm) |
| 8 | 217876 | 4 | • BOLT, Hex Head (M8 x 1.25 x 20, cl 10.9) |
| 9 | 232528 | 4 | • WASHER, Flat (M8) |
| 10 | 133219 | 10 | • WASHER, Flat (M6) |
| 11 | 933646 | 10 | • BOLT, Hex head (M6 x 1 x 12, cl 8.8) |
| 12 | 168707 | 2 | • CLAMP, Loop - Cushioned (1") |
| 13 | 220305 | 0.8 | • EDGE TRIM, Rubber |
| 14 | (Ref.) | 2 | • SCISSOR, Center pin assembly <i>(For components, refer to Section 2.9 Center Pin)</i> |

2.9 Center Pin



M222221AJ-CP

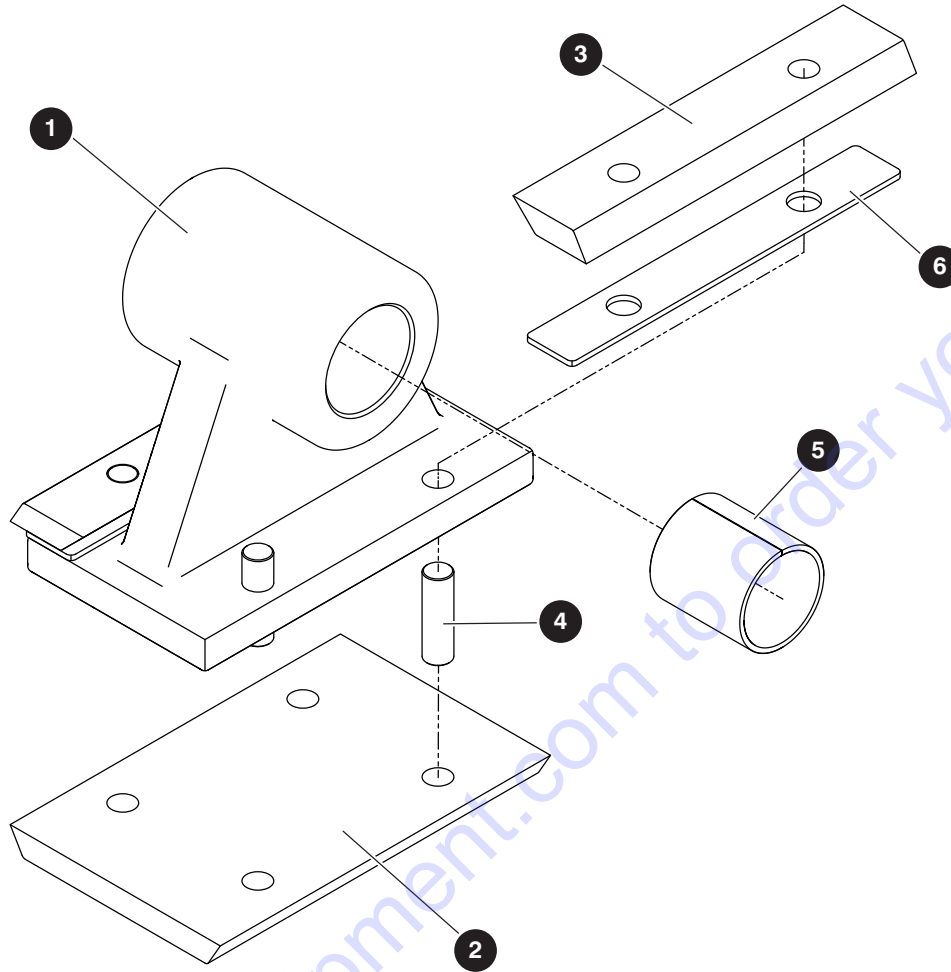
224578ABA

SJ9233 RT, SJ9243 RT, SJ9253 RT

2.9 Center Pin

| Index No. | Skyjack Part No. | Qty. | Description |
|-----------|------------------|------|--|
| - | - | 1 | CENTER PIN ASSEMBLY |
| 1 | 215908 | 1 | • PLATE, Center pin - 2 holes (5 mm) |
| 2 | 101564 | 2 | • BUSHING, Fiberglide (1¼" x 1½") |
| 3 | 101682 | 1 | • SPACER, Bushing |
| 4 | 215907 | 1 | • PIN (44.45 mm) |
| 5 | 215939 | 1 | • BUSHING, Fiberglide (1¼" ID) |
| 6 | 223172 | 4 | • WASHER, Flat (M10) |
| 7 | 933740 | 4 | • BOLT, Hex Head (M10 x 1.5 x 20, cl 10.9) |
| 8 | 231768 | 1 | • PLATE, Center pin - 4 holes (5 mm) |
| 9 | 231785 | 2 | • SLEEVE, Round (1-3/4" ID) |
| 10 | 237379 | 2 | • BOLT, Hex Head (M8 x 1.25 x 20, cl 12.9) |
| 11 | 232528 | 2 | • WASHER, Flat (M8) |
| 12 | 237369 | AR | • SHIM (1-3/4" ID, 14GA) |
| | 237370 | AR | • SHIM (1-3/4" ID, 12GA) |
| | 237371 | AR | • SHIM (1-3/4" ID, 10GA) |
| 13 | 126779 | 1 | • WASHER, Nylon (1-3/4") |

2.10 Lower Slider



M215985AC

| Index No. | Skyjack Part No. | Qty. | Description |
|-----------|------------------|------|---|
| - | 215985 | 4 | LOWER SLIDER ASSEMBLY |
| 1 | 215748 | 1 | • SLIDER, Male - cast |
| 2 | 101950 | 1 | • PAD, Slider - large |
| 3 | 103701 | 2 | • PAD, Slider - small |
| 4 | 101949 | 4 | • PIN (3/8" dia) |
| 5 | 125262 | 2 | • BUSHING, Fiberglide (1/4" dia x 1-1/2") |
| 6 | 220306 | AR | • SHIM, Slider (1 mm) |
| | 220307 | AR | • SHIM, Slider (1.5 mm) |
| | 220308 | AR | • SHIM, Slider (2 mm) |

PARTS FINDER

**Search Website
by Part Number**



**Search Manual
Library For Parts
Manual & Lookup Part
Numbers – Purchase
or Request Quote**

Search Manuals

Enter your information to help us find the right parts manual for your machine.

* Brand:

* Model:

* Serial:

* Part Number:

SEARCH

**Can't Find Part or
Manual? Request Help
by Manufacturer,
Model & Description**

Parts Order Form

Please fill in the following information to help us find the right part for your machine.

| | |
|---------------|----------------------|
| Manufacturer: | <input type="text"/> |
| Model: | <input type="text"/> |
| Description: | <input type="text"/> |
| Part Number: | <input type="text"/> |
| Quantity: | <input type="text"/> |
| Notes: | <input type="text"/> |

Discount-Equipment.com is your online resource for quality parts & equipment.

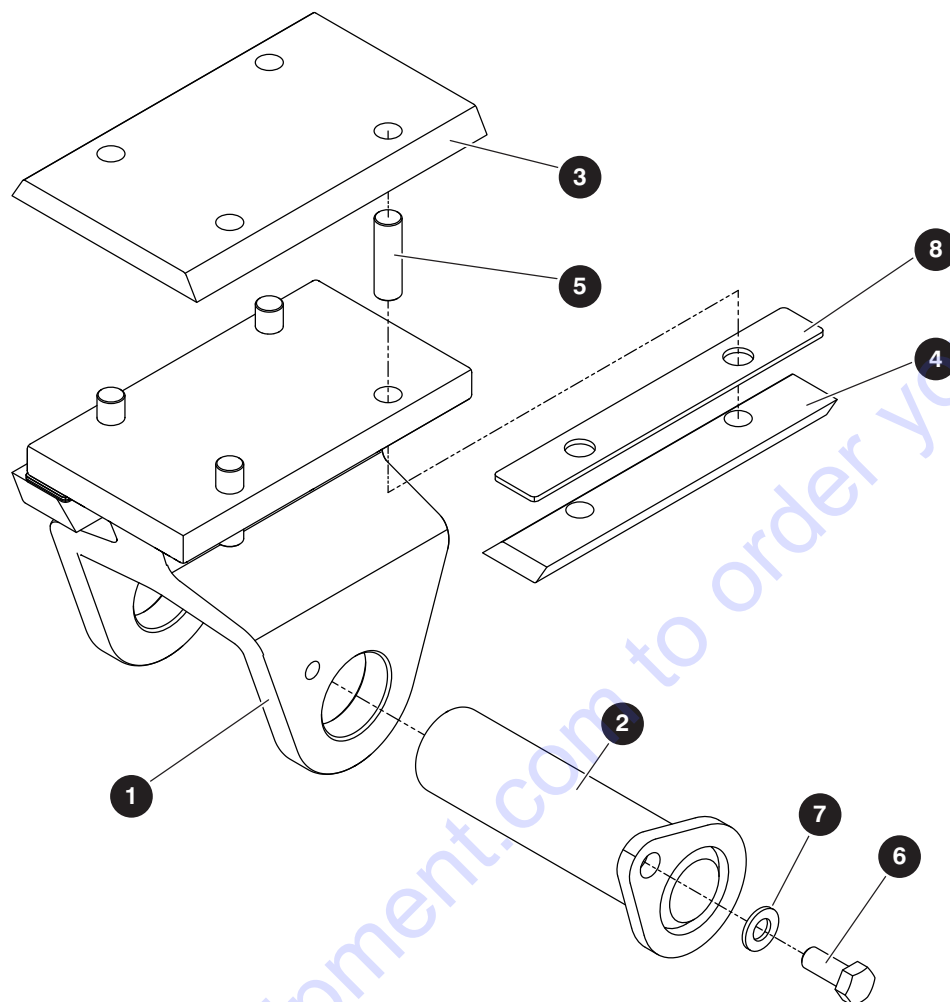
Florida: **561-964-4949** Outside Florida TOLL FREE: **877-690-3101**

Need parts?

Click on this link: <http://www.discount-equipment.com/category/5443-parts/> and choose one of the options to help get the right parts and equipment you are looking for. Please have the machine model and serial number available in order to help us get you the correct parts. If you don't find the part on the website or on one of the online manuals, please fill out the request form and one of our experienced staff members will get back to you with a quote for the right part that your machine needs.

We sell worldwide for the brands: Genie, Terex, JLG, MultiQuip, Mikasa, Essick, Whiteman, Mayco, Toro Stone, Diamond Products, Generac Magnum, Airman, Haulotte, Barreto, Power Blanket, Nifty Lift, Atlas Copco, Chicago Pneumatic, Allmand, Miller Curber, Skyjack, Lull, Skytrak, Tsurumi, Husquvarna Target, Stow, Wacker, Sakai, Mi-T-M, Sullair, Basic, Dynapac, MBW, Weber, Bartell, Bennar Newman, Haulotte, Ditch Runner, Menegotti, Morrison, Contec, Buddy, Crown, Edco, Wyco, Bomag, Laymor, EZ Trench, Bil-Jax, F.S. Curtis, Gehl Pavers, Heli, Honda, ICS/PowerGrit, IHI, Partner, Imer, Clipper, MMD, Koshin, Rice, CH&E, General Equipment, Amida, Coleman, NAC, Gradall, Square Shooter, Kent, Stanley, Tamco, Toku, Hatz, Kohler, Robin, Wisconsin, Northrock, Oztec, Toker TK, Rol-Air, APT, Wylie, Ingersoll Rand / Doosan, Innovatech, Con X, Ammann, Mecalac, Makinex, Smith Surface Prep, Small Line, Wanco, Yanmar

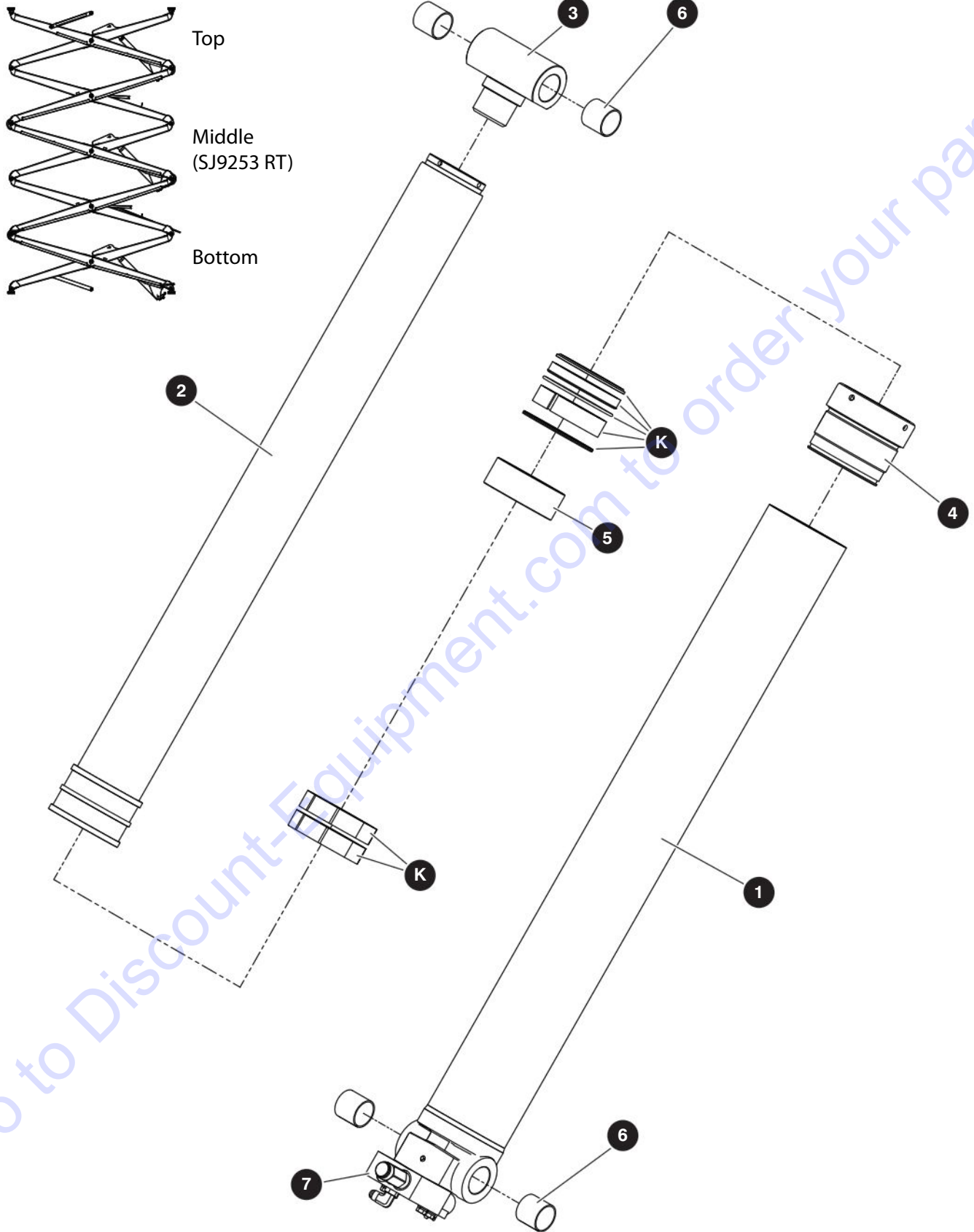
2.11 Upper Slider



M215989AD

| Index No. | Skyjack Part No. | Qty. | Description |
|-----------|------------------|------|--|
| - | 215989 | 4 | UPPER SLIDER ASSEMBLY |
| 1 | 215677 | 1 | • SLIDER, Female - cast |
| 2 | 215977 | 1 | • PIN (31.75 mm dia) |
| 3 | 101950 | 1 | • PAD, Slider - large |
| 4 | 103701 | 2 | • PAD, Slider - small |
| 5 | 101949 | 4 | • PIN (3/8" dia) |
| 6 | 217876 | 1 | • BOLT, Hex head (M8 x 1.25 x 20, cl 10.9) |
| 7 | 232528 | 1 | • WASHER, Flat (M8) |
| 8 | 220306 | AR | • SHIM, Slider (1 mm) |
| | 220307 | AR | • SHIM, Slider (1.5 mm) |
| | 220308 | AR | • SHIM, Slider (2 mm) |

2.12 Lift Cylinders



M215887AD-1

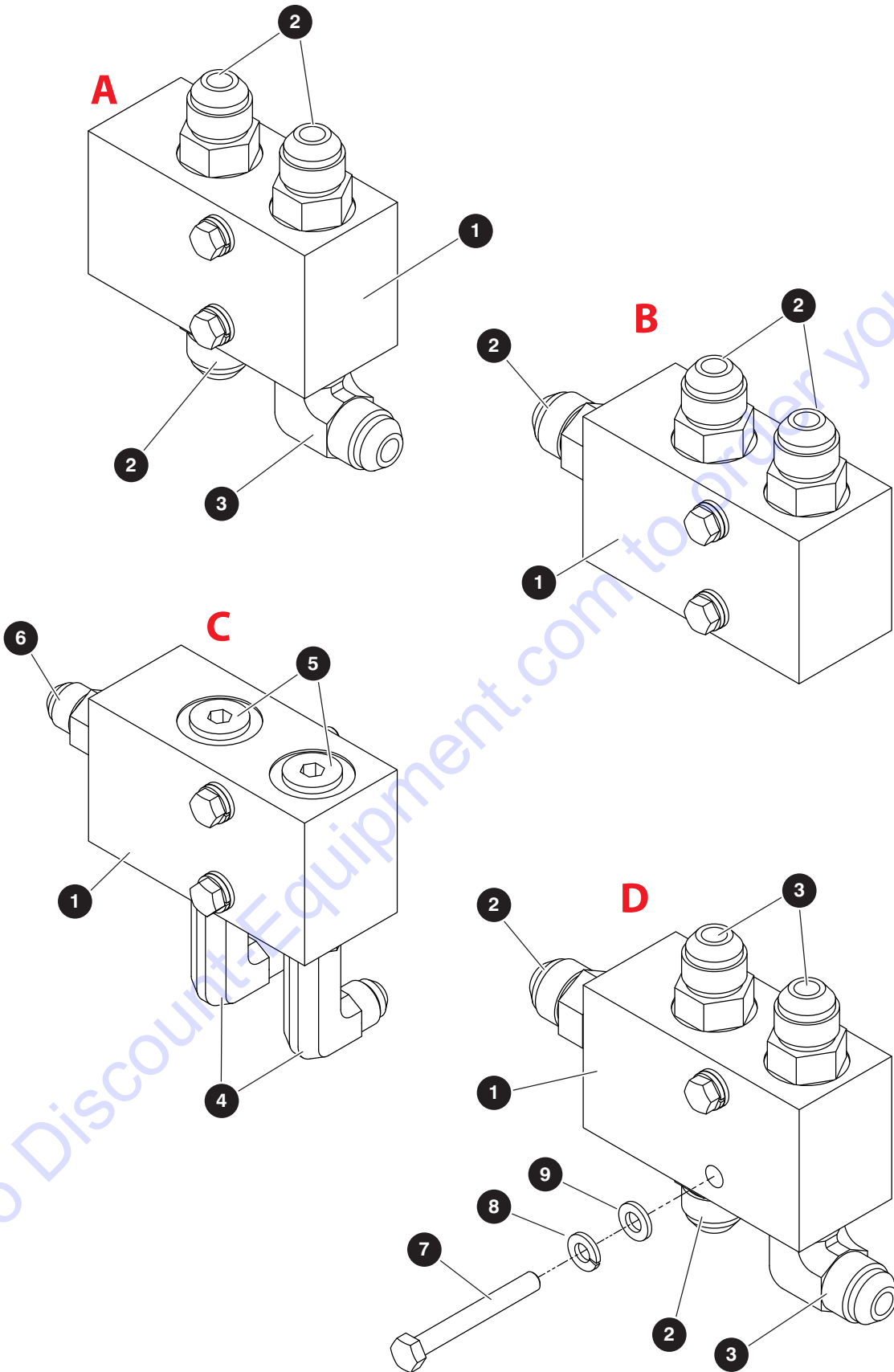
224578ABA

SJ9233 RT, SJ9243 RT, SJ9253 RT

2.12 Lift Cylinders

| Index No. | Skyjack Part No. | Qty. | Description |
|-----------|------------------|------|--|
| A | 215887 | 2 | LIFT CYLINDER, TOP - SJ9233 RT |
| B | 222217 | 2 | LIFT CYLINDER, TOP - SJ9243 RT |
| C | 215888 | 2 | LIFT CYLINDER, TOP - SJ9253 RT |
| D | 215887 | 2 | LIFT CYLINDER, MIDDLE - SJ9253 RT |
| E | 215887 | 2 | LIFT CYLINDER, BOTTOM - SJ9233 RT and SJ9243 RT |
| F | 222215 | 2 | LIFT CYLINDER, BOTTOM - SJ9253 RT |
| 1 | 235946 | 1 | • BARREL, A, D, E |
| | 231960 | 1 | • BARREL, B |
| | 235952 | 1 | • BARREL, C |
| | 235958 | 1 | • BARREL, F |
| 2 | 235947 | 1 | • ROD, A, D, E |
| | 235961 | 1 | • ROD, B |
| | 235953 | 1 | • ROD, C |
| | 235959 | 1 | • ROD, F |
| 3 | 235950 | 1 | • ROD EYE, A, D, E, F |
| | 235956 | 1 | • ROD EYE, B, C |
| 4 | 235948 | 1 | • GLAND, A, D, E, F |
| | 235962 | 1 | • GLAND, B |
| | 235954 | 1 | • GLAND, C |
| 5 | 235949 | 1 | • SPACER, A, D, E, F |
| | 235963 | 1 | • SPACER, B |
| | 235955 | 1 | • SPACER, C |
| 6 | 103216 | 4 | • BEARING, Fiber glide |
| 7 | (Ref.) | 1 | MANIFOLD, Lift cylinder <i>(For components, refer to Section 2.14 Lift Cylinder Manifold)</i> |
| K | 235951 | 1 | SEAL KIT, A, D, E, F |
| | 235964 | 1 | SEAL KIT, B |
| | 235957 | 1 | SEAL KIT, C |

2.13 Splitter Manifold



M232566AC_M230681AC

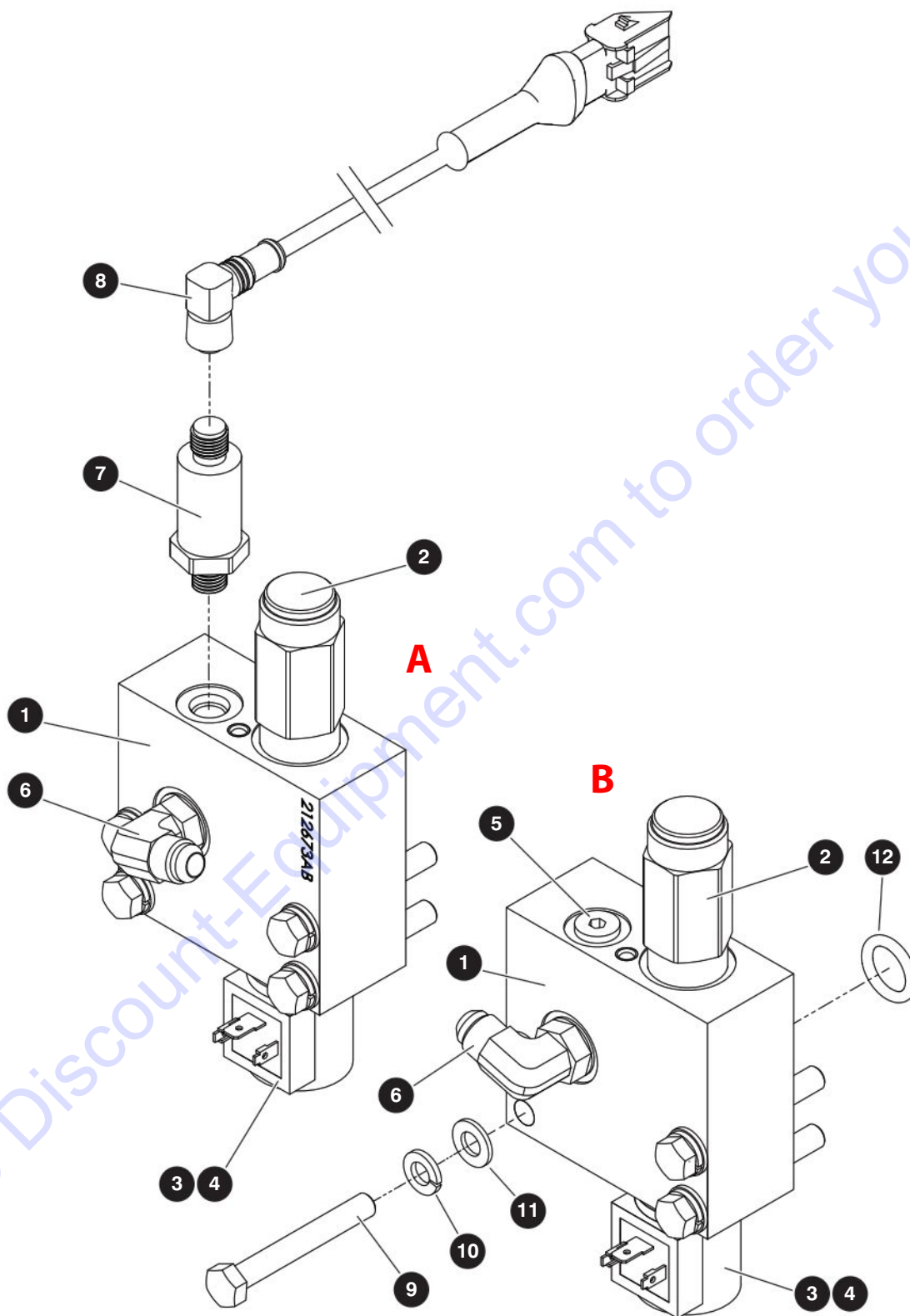
224578ABA

SJ9233 RT, SJ9243 RT, SJ9253 RT

2.13 Splitter Manifold

| Index No. | Skyjack Part No. | Qty. | Description |
|-----------|------------------|------|--|
| A | 232566 | 1 | SPLITTER MANIFOLD - 4 LINE - BOTTOM LEVEL - SJ9233 RT and SJ9243 RT |
| B | 230681 | 1 | SPLITTER MANIFOLD - 3 LINE - MIDDLE & TOP LEVELS - SJ9233/43/53 RT |
| C | 230682 | 1 | SPLITTER MANIFOLD - 3 LINE - TOP LEVEL - SJ9253 RT |
| D | 230679 | 1 | SPLITTER MANIFOLD - 5 LINE - BOTTOM LEVEL - SJ9253 RT |
| 1 | 125430 | 1 | • MANIFOLD, Splitter |
| 2 | 104402 | 3 | • FITTING (06JICM-08ORBM), A, B, C |
| | 104402 | 4 | • FITTING (06JICM-08ORBM), D |
| 3 | 114582 | 1 | • FITTING, 90D (86JICM 06ORBM), A, D |
| 4 | 162071 | 2 | • FITTING, 90D long (06JICM-06ORBM), C |
| 5 | 104437 | 1 | • PLUG, Fitting (06ORB hex socket), A , |
| | 104437 | 2 | • PLUG, Fitting (06ORB hex socket), B, C |
| 6 | 103069 | 1 | • FITTING, Straight (06JICM-06ORBM), B, C |
| 7 | 217851 | 2 | BOLT, Hex head (M6 x 1 x 50, cl 10.9) |
| 8 | 125430 | 2 | WASHER, Lock (M6) |
| 9 | 125430 | 2 | WASHER, Flat (M6) |

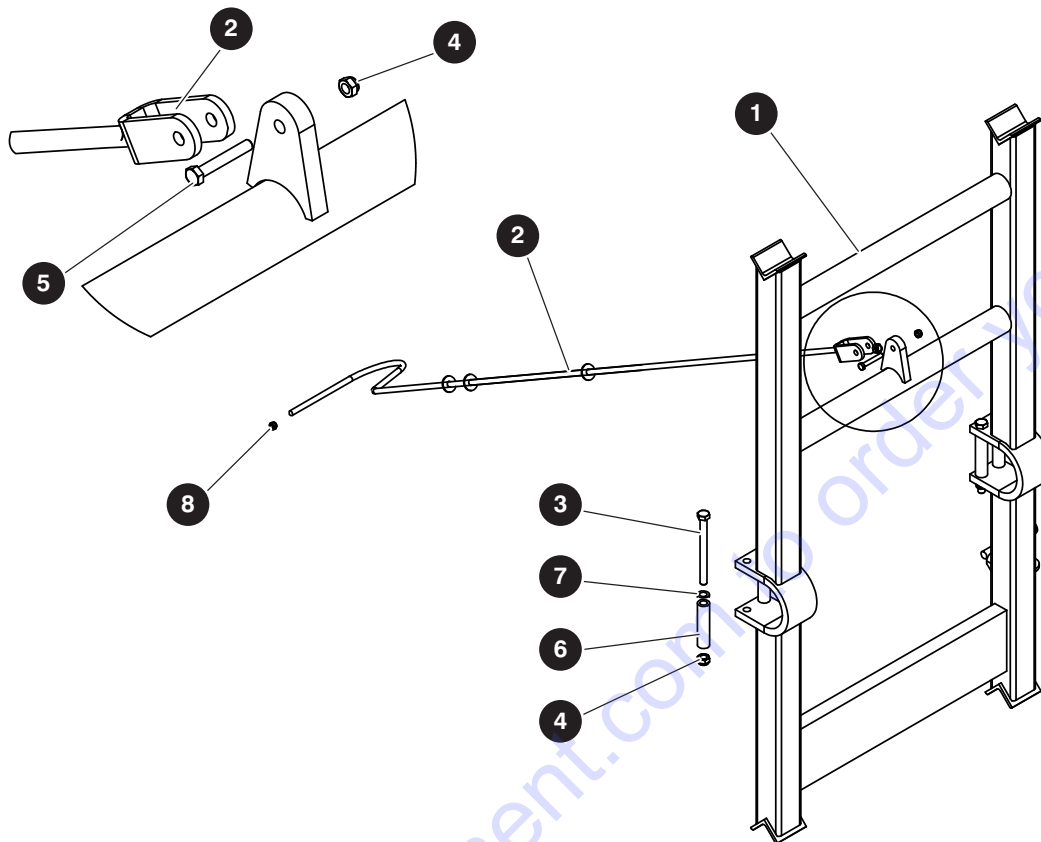
2.14 Lift Cylinder Manifold



2.14 Lift Cylinder Manifold

| Index No. | Skyjack Part No. | Qty. | Description |
|-----------|------------------|------|--|
| A | 230680 | 1 | SCISSOR MANIFOLD - 15° - Left side cylinders |
| B | 230678 | 1 | SCISSOR MANIFOLD - 165° - Right side cylinders |
| 1 | 212692 | 1 | • MANIFOLD, Cylinder |
| 2 | 231759 | 1 | • VALVE, Relief - 3500 psi |
| 3 | 103655 | 1 | • VALVE, Poppet solenoid |
| 4 | 104410 | 1 | • COIL, Valve (12 V) |
| 5 | 121250 | 1 | • FITTING, Plug (04ORBM) |
| 6 | 114582 | 1 | • FITTING, 90° (08JICM-06ORBM) |
| 7 | 217934 | 1 | TRANSDUCER, Pressure (3000 PSI, M12) - Bottom left cylinder only |
| 8 | (Ref.) | 1 | HARNES Pressure transducer - Bottom left cylinder only <i>(For components, refer to Section 5.9 Pressure Transducer Harness)</i> |
| 9 | 127236 | 4 | BOLT, Hex head (M8 x 1.25 x 60, cl 10.9) |
| 10 | 116218 | 4 | WASHER, Lock (M8) |
| 11 | 933832 | 4 | WASHER, Flat (M8) |
| 12 | 103403 | 1 | SEAL, O-ring |

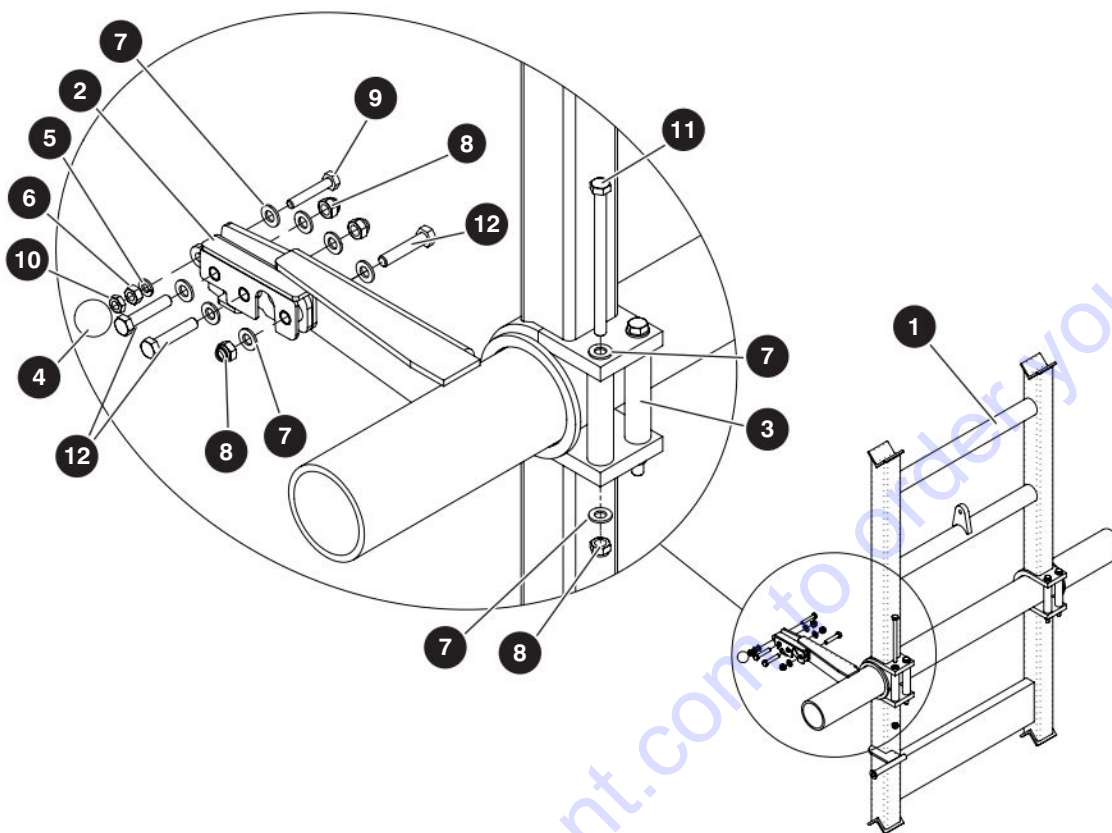
2.15 Maintenance Stand - Bottom



M66775AA

| Index No. | Skyjack Part No. | Qty. | Description |
|-----------|------------------|------|---|
| - | 222252 | 1 | MAINTENANCE STAND, BOTTOM |
| 1 | 231760 | 1 | • STAND, Maintenance |
| 2 | 220268 | 1 | • ROD (8 mm) |
| 3 | 223181 | 4 | • BOLT, Hex head (M8 x 1.25 x 120, cl 10.9) |
| 4 | 223162 | 5 | • NUT, Hex Lock (M8 x 1.25, cl 10) |
| 5 | 217233 | 1 | • BOLT, Hex head (M8 x 1.25 x 40, cl 8.8) |
| 6 | 220271 | 4 | • SPACER, Tube (18 mm x 76 mm) |
| 7 | 600184 | 4 | • WASHER, Flat (M8) |
| 8 | 231608 | 1 | • PLUG, LDPE (0.625) |

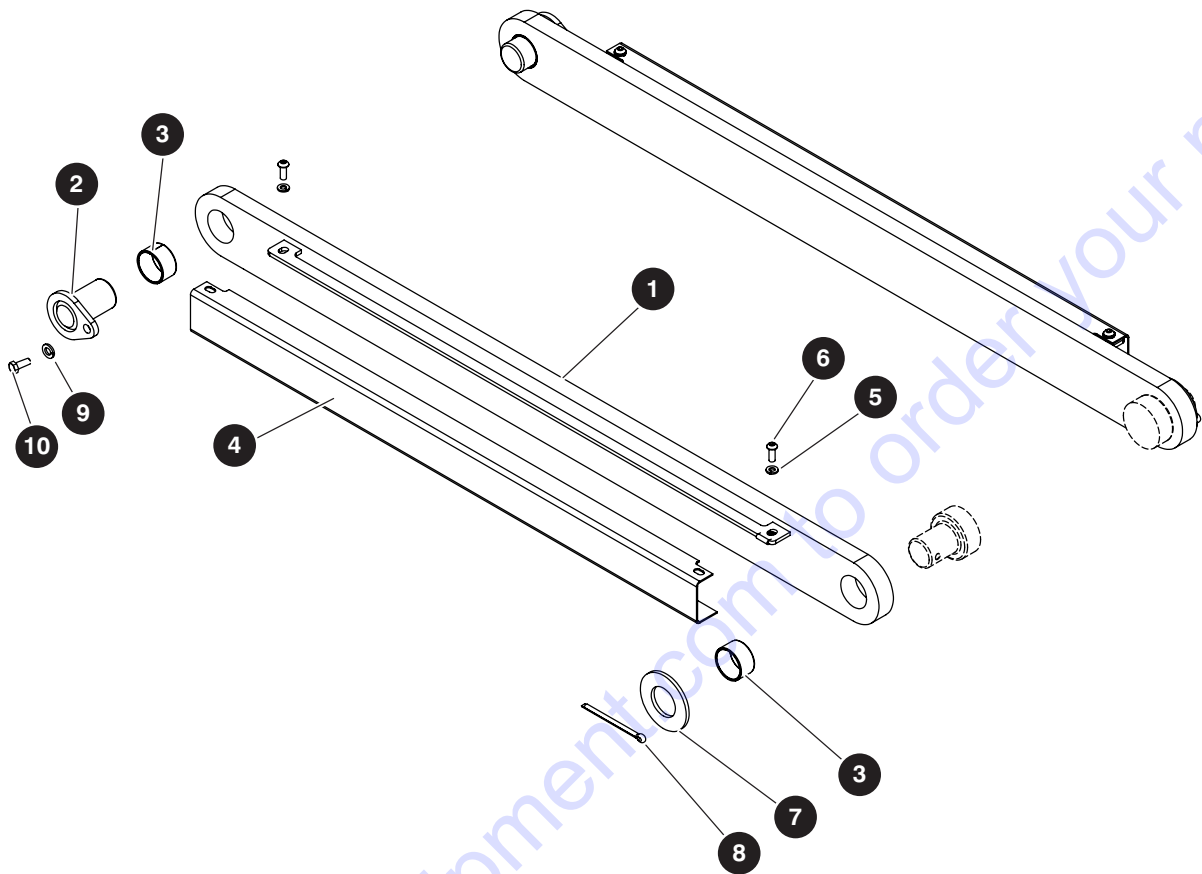
2.16 Maintenance Stand - Top



M222289AD

| Index No. | Skyjack Part No. | Qty. | Description |
|-----------|------------------|------|---|
| - | 222289 | 1 | MAINTENANCE STAND, TOP - SJ9253 RT |
| 1 | 220280 | 1 | • STAND, Maintenance |
| 2 | 112307 | 1 | • LATCH, Rotary (LH) |
| 3 | 220271 | 4 | • SPACER, Tube (18 mm x 76 mm) |
| 4 | 111534 | 1 | • KNOB, Rotary latch |
| 5 | 104000 | 1 | • WASHER, Lock (0.25) |
| 6 | 103980 | 1 | • NUT, Hex head (0.25 x 20, gr 8) |
| 7 | 600184 | 13 | • WASHER, Flat (M8) |
| 8 | 223162 | 7 | • NUT, Hex lock (M8 x 1.25, cl 10) |
| 9 | 103859 | 1 | • BOLT, Hex head (0.25 x 20 x 1.50, gr 5) |
| 10 | 103983 | 1 | • NUT, Hex head (0.25 x 20, gr 5) |
| 11 | 223181 | 4 | • BOLT, Hex head (M8 x 1.25 x 120, cl 10.9) |
| 12 | 217233 | 3 | • BOLT, Hex head (M8 x 1.25 x 40, cl 8.8) |

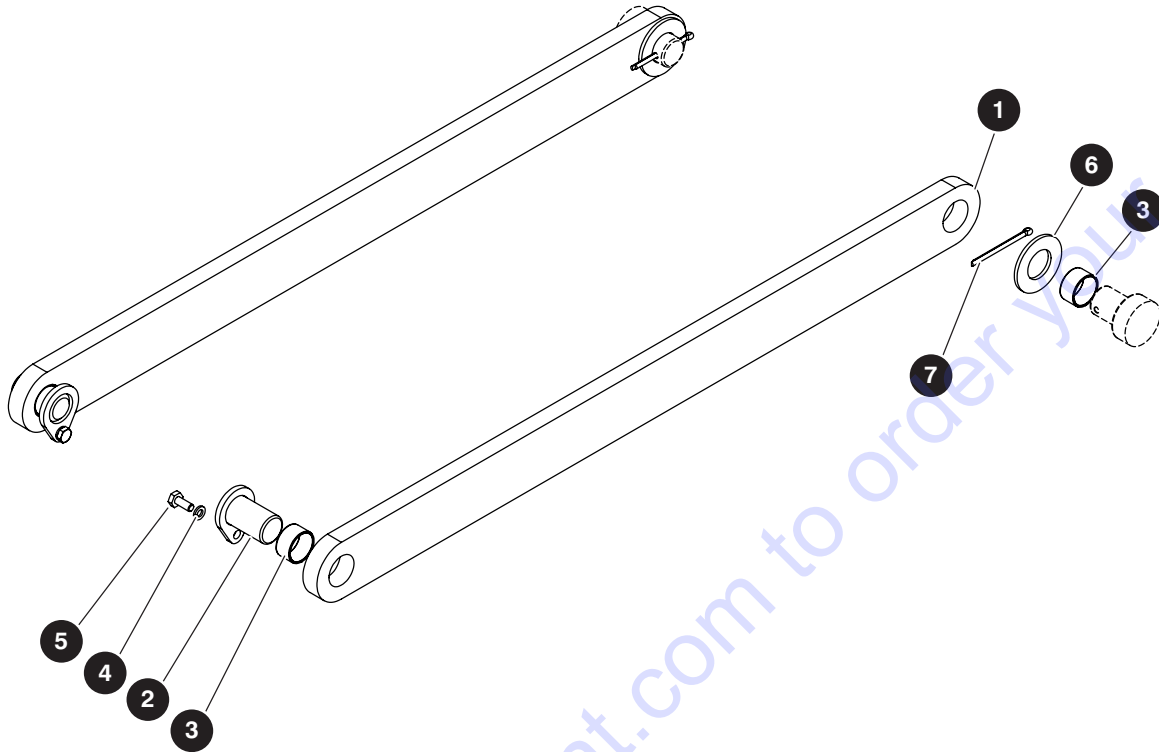
2.17 Centering Bar - Top



M66777AA

| Index No. | Skyjack Part No. | Qty. | Description |
|-----------|------------------|------|--|
| - | 215705 | 1 | BAR, Centering - Top |
| 1 | 222242 | 2 | • BAR, Centering |
| 2 | 215731 | 2 | • PIN, Center bar (31.75 mm) |
| 3 | 101523 | 4 | • BUSHING, Fiberglide (1 1/4" x 3/4") |
| 4 | 215708 | 2 | • COVER, Center bar (1.5 mm) |
| 5 | 121758 | 4 | • WASHER, Lock (M6) |
| 6 | 933646 | 4 | • BOLT, Hex head (M6 x 1 x 12, cl 8.8) |
| 7 | 103997 | 2 | • WASHER, Flat (1.250) |
| 8 | 217846 | 2 | • PIN, Cotter (5 mm x 71 mm) |
| 9 | 116218 | 2 | • WASHER, Lock (M8) |
| 10 | 217401 | 4 | • BOLT, Hex head (M8 x 1.25 x 16, cl 10.9) |

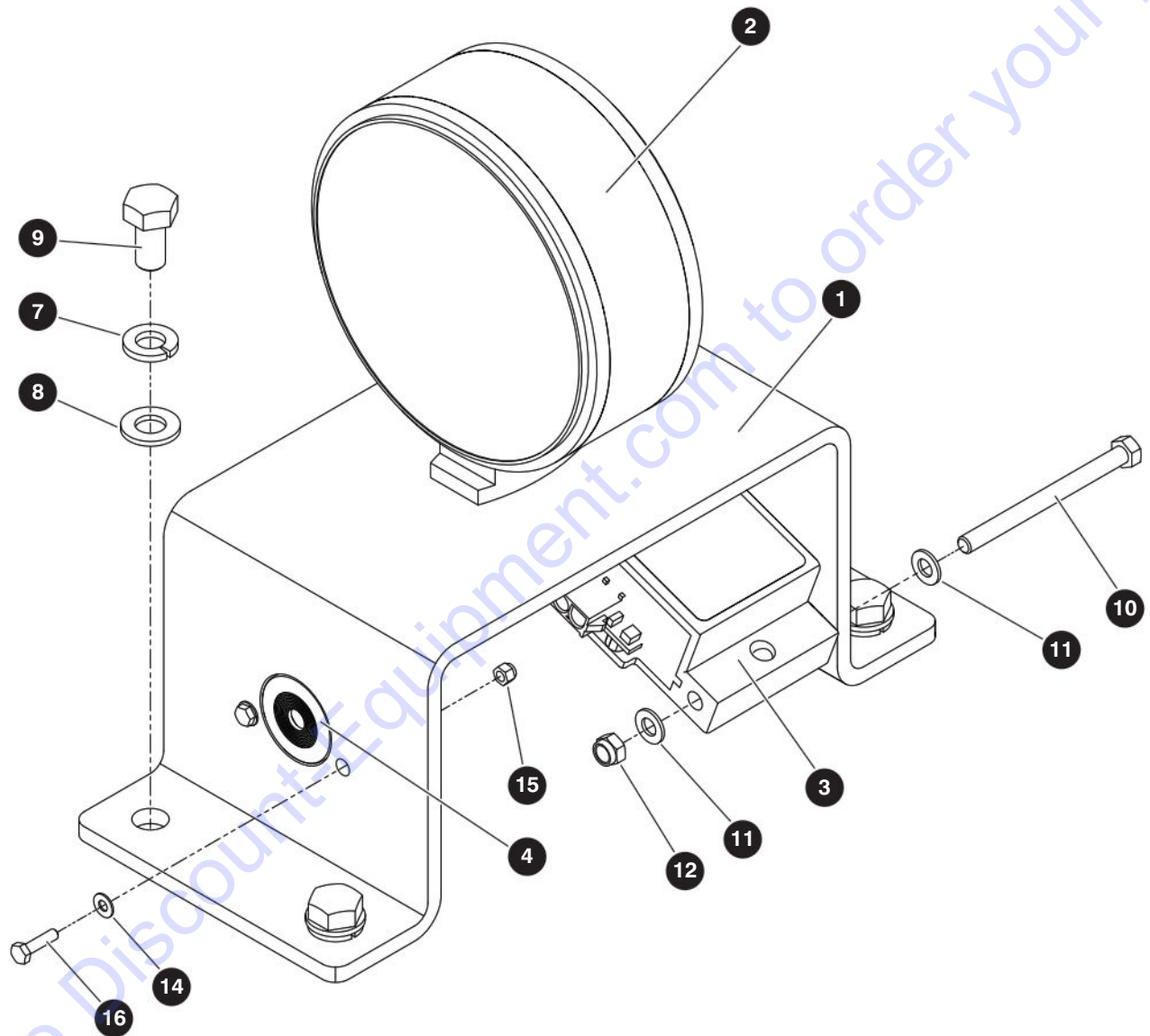
2.18 Centering Bar - Bottom



M66778AA

| Index No. | Skyjack Part No. | Qty. | Description |
|-----------|------------------|------|--|
| - | 215706 | 1 | BAR, Centering - Bottom |
| 1 | 215718 | 2 | • BAR, Centering (20 mm) |
| 2 | 215731 | 2 | • PIN, Center bar (31.75 mm) |
| 3 | 101523 | 4 | • BUSHING, Fiberglide (1¼" x ¾") |
| 4 | 116218 | 2 | • WASHER, Lock (M8) |
| 5 | 217876 | 2 | • BOLT, Hex head (M8 x 1.25 x 20, cl 10.9) |
| 6 | 103997 | 2 | • WASHER, Flat (1.250) |
| 7 | 217846 | 2 | • PIN, Cotter (5 mm x 71 mm) |

2.19 Scissor Electrical Components



M66817AA

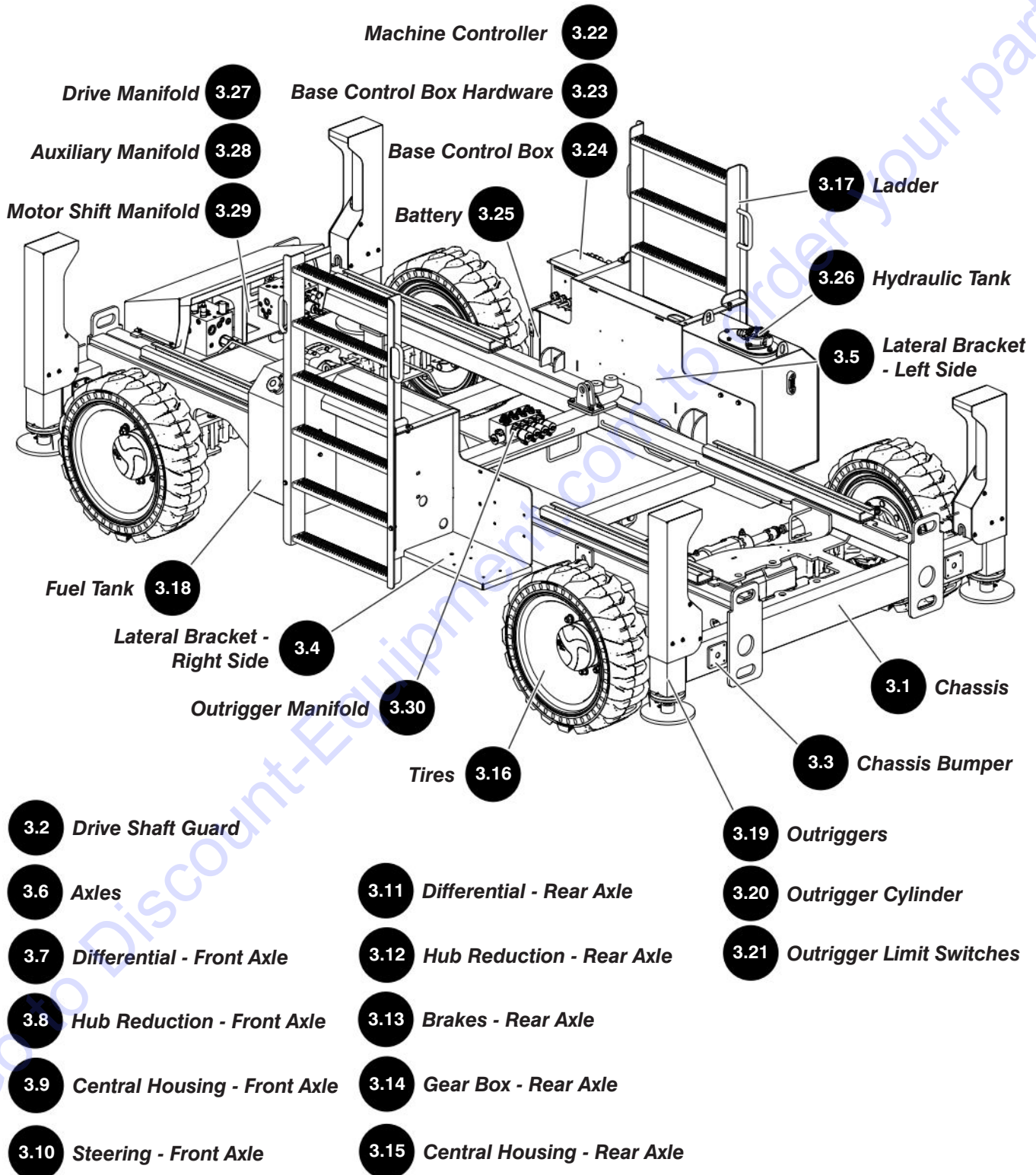
224578ABA

SJ9233 RT, SJ9243 RT, SJ9253 RT

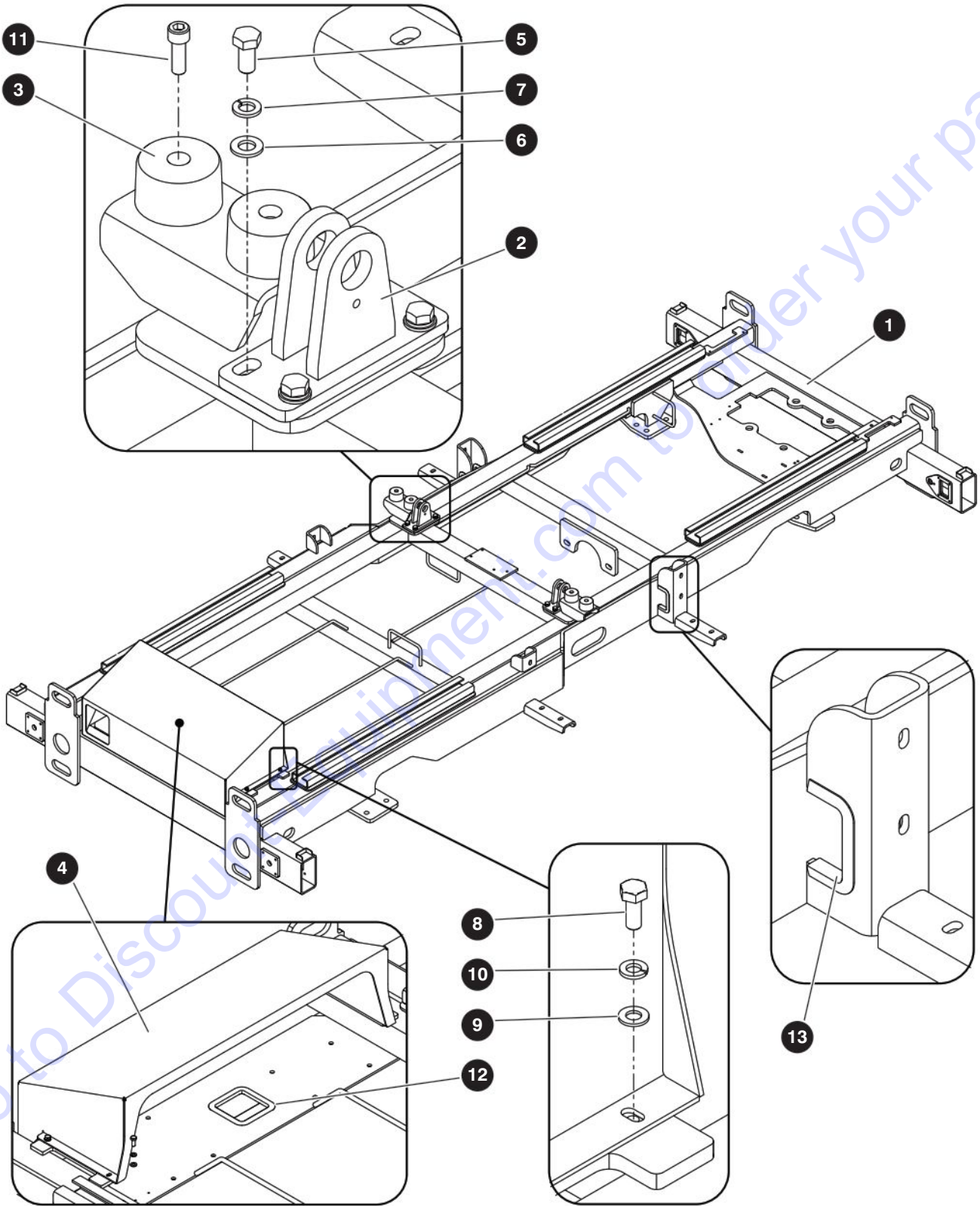
2.19 Scissor Electrical Components

| Index No. | Skyjack Part No. | Qty. | Description |
|-----------|------------------|------|--|
| A | 222185 | 1 | SCISSOR ELECTRICAL COMPONENTS - SJ9233 RT and SJ9243 RT |
| B | 215809 | 1 | SCISSOR ELECTRICAL COMPONENTS - SJ9253 RT |
| 1 | 222263 | 1 | • BRACKET, Angle transducer mount |
| 2 | 216142 | 1 | • FLASHING LIGHT, Amber LED |
| 3 | 220597 | 1 | • TRANSDUCER, Angle - Dual |
| 4 | 215817 | 1 | • BEEPER |
| | 170620 | 1 | • • BEEPER, SP-1048 |
| | 114594 | 2 | • • TERMINAL, Male (18 - 22AWG) |
| 5 | (Ref.) | 1 | • HARNESS, Holding - dual - level 1 (not shown) <i>(For components, refer to Section 5.10 Dual Holding Valve Harness)</i> |
| 6 | (Ref.) | 1 | • HARNESS, Holding - dual - level 2 (not shown) <i>(For components, refer to Section 5.10 Dual Holding Valve Harness)</i> |
| 7 | 116218 | 4 | • WASHER, Lock (M8) |
| 8 | 600184 | 4 | • WASHER, Flat (M8) |
| 9 | 933660 | 4 | • BOLT, Hex head (M8 x 1.25 x 16, gr 8.8) |
| 10 | 217219 | 2 | • BOLT, Hex head (M5 x 0.8 x 60, gr 8.8) |
| 11 | 933816 | 4 | • WASHER, Flat (M5) |
| 12 | 217628 | 2 | • NUT, Hex lock (M5 x 0.8, cl 8) |
| 13 | (Ref.) | 1 | • HARNESS, Holding - dual - level 3 (not shown), B <i>(For components, refer to Section 5.10 Dual Holding Valve Harness)</i> |
| 14 | 228464 | 2 | • WASHER, Flat (M3) |
| 15 | 217626 | 2 | • NUT, Hex lock (M3 x 0.5, cl 8) |
| 16 | 228468 | 2 | • BOLT, Hex head (M3 x 0.5 x 12, gr 8.8) |

Section 3 – Base



3.1 Chassis



M222141AD

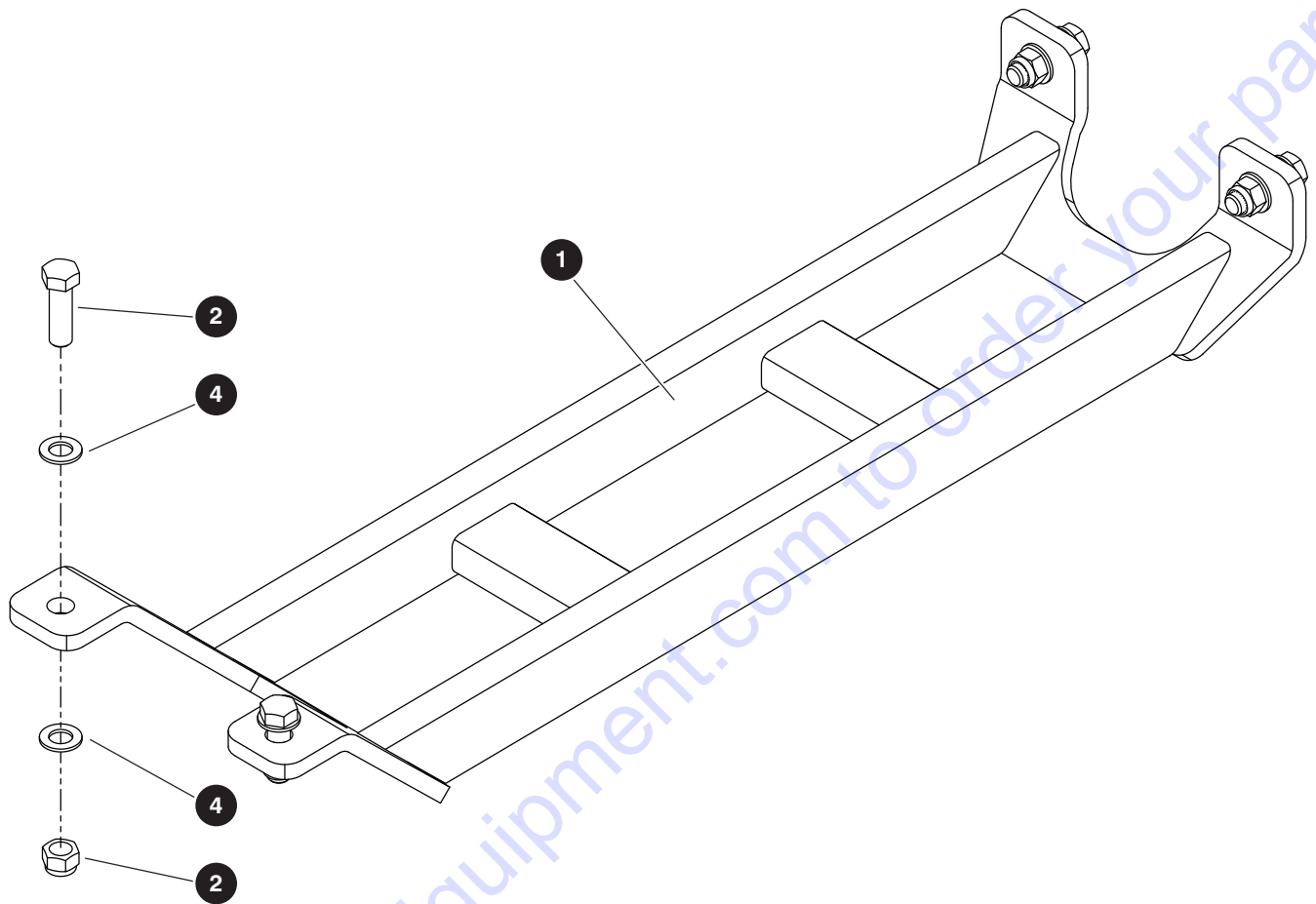
224578ABA

SJ9233 RT, SJ9243 RT, SJ9253 RT

3.1 Chassis

| Index No. | Skyjack Part No. | Qty. | Description |
|-----------|------------------|-------|---|
| - | 222141 | 1 | CHASSIS |
| 1 | 215370 | 1 | • CHASSIS |
| 2 | 215941 | 2 | • HOUSING, Center bar |
| 3 | 105395 | 4 | • PUCK, PU55D (2.55 x 1.5) |
| 4 | 222159 | 1 | • COVER, Manifold |
| 5 | 217843 | 8 | • BOLT, Hex head (M12 x 1.75 x 25, cl 10.9) |
| 6 | 933817 | 8 | • WASHER, Flat (M12) |
| 7 | 600549 | 8 | • WASHER, Lock (M12) |
| 8 | 133174 | 4 | • BOLT, Hex head (M8 x 1.25 x 20, gr 8.8) |
| 9 | 933832 | 4 | • WASHER, Flat (M8) |
| 10 | 116218 | 4 | • WASHER, Lock (M8) |
| 11 | 191757 | 4 | • BOLT, Socket head (M10 x 1.5 x 30) |
| 12 | 110007 | 15.38 | • CHANNEL, Edge (not shown) |
| 13 | 119922 | 31.4 | • TRIM, Protective (1/4"-1/2") |

3.2 Drive Shaft Guard



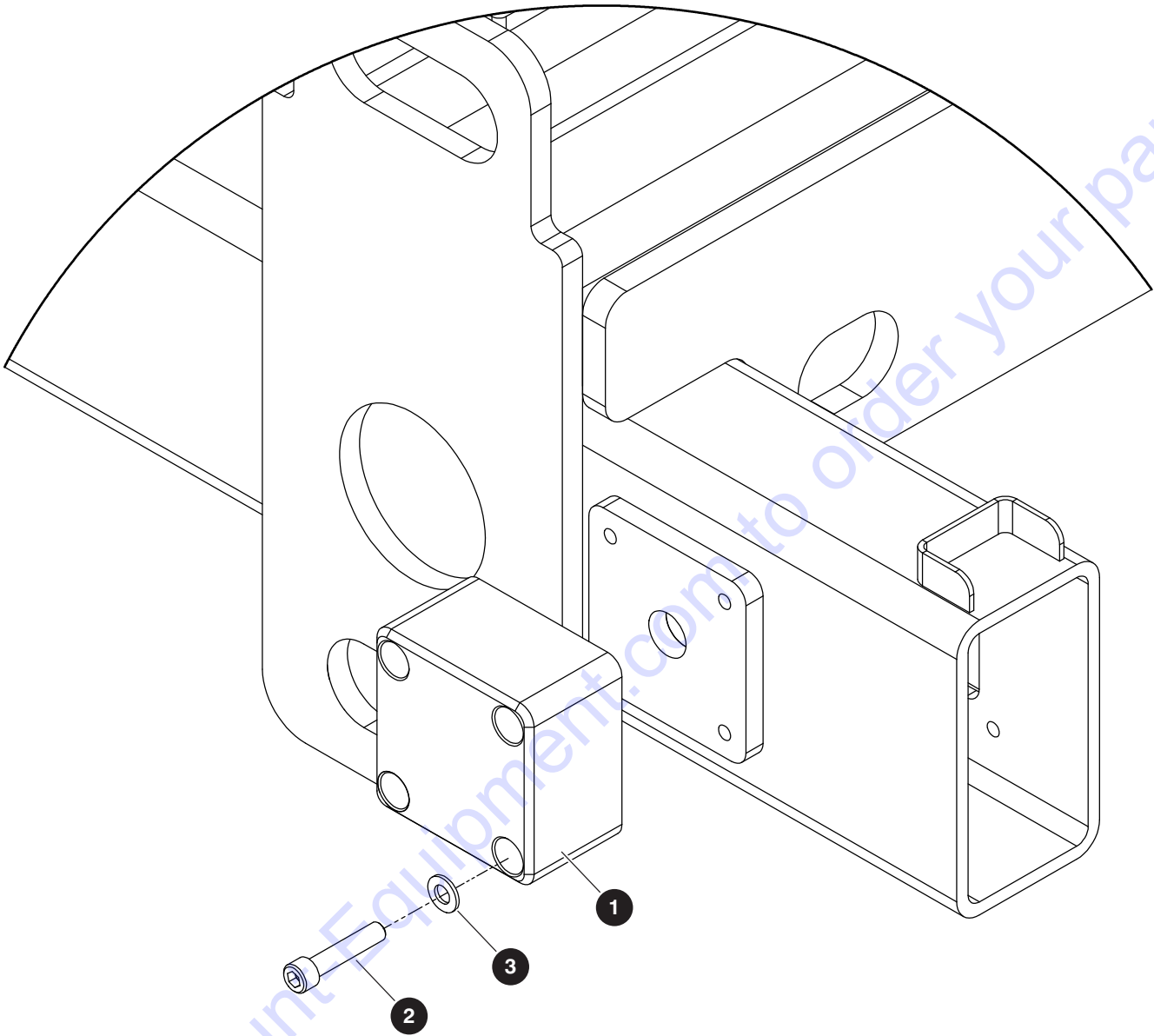
M222305AC

| Index No. | Skyjack Part No. | Qty. | Description |
|-----------|------------------|------|---|
| - | 222305 | 1 | DRIVE SHAFT GUARD |
| 1 | 222160 | 1 | • GUARD, Drive Shaft |
| 2 | 217332 | 4 | • BOLT, Hex head (M20 x 2.5 x 65, cl 8.8) |
| 3 | 217640 | 4 | • NUT, Hex lock (M20 x 2.5, cl 8) |
| 4 | 933820 | 8 | • WASHER, Flat (21 ID x 37 OD x 3) |

224578ABA

SJ9233 RT, SJ9243 RT, SJ9253 RT

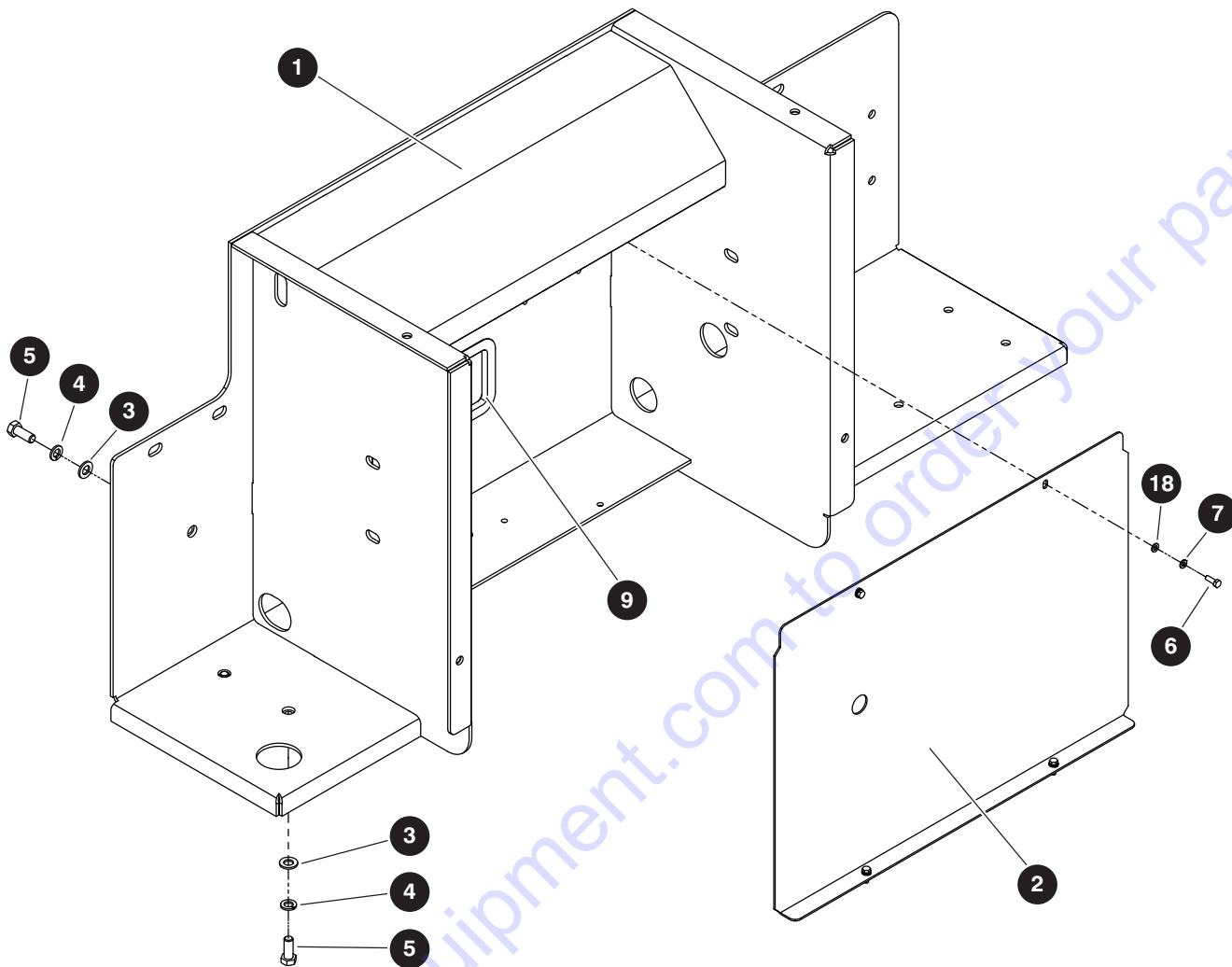
3.3 Chassis Bumper



M231646AA

| Index No. | Skyjack Part No. | Qty. | Description |
|-----------|------------------|------|---|
| - | 231646 | 1 | CHASSIS BUMPER |
| 1 | 231645 | 4 | <ul style="list-style-type: none"> BUMPER, Chassis - UHMW |
| 2 | 232527 | 16 | <ul style="list-style-type: none"> SCREW, Socket Head Cap Screw (M10 x 1.5 x 50, cl 8.8) |
| 3 | 933833 | 16 | <ul style="list-style-type: none"> WASHER, Flat (M10 x 20) |

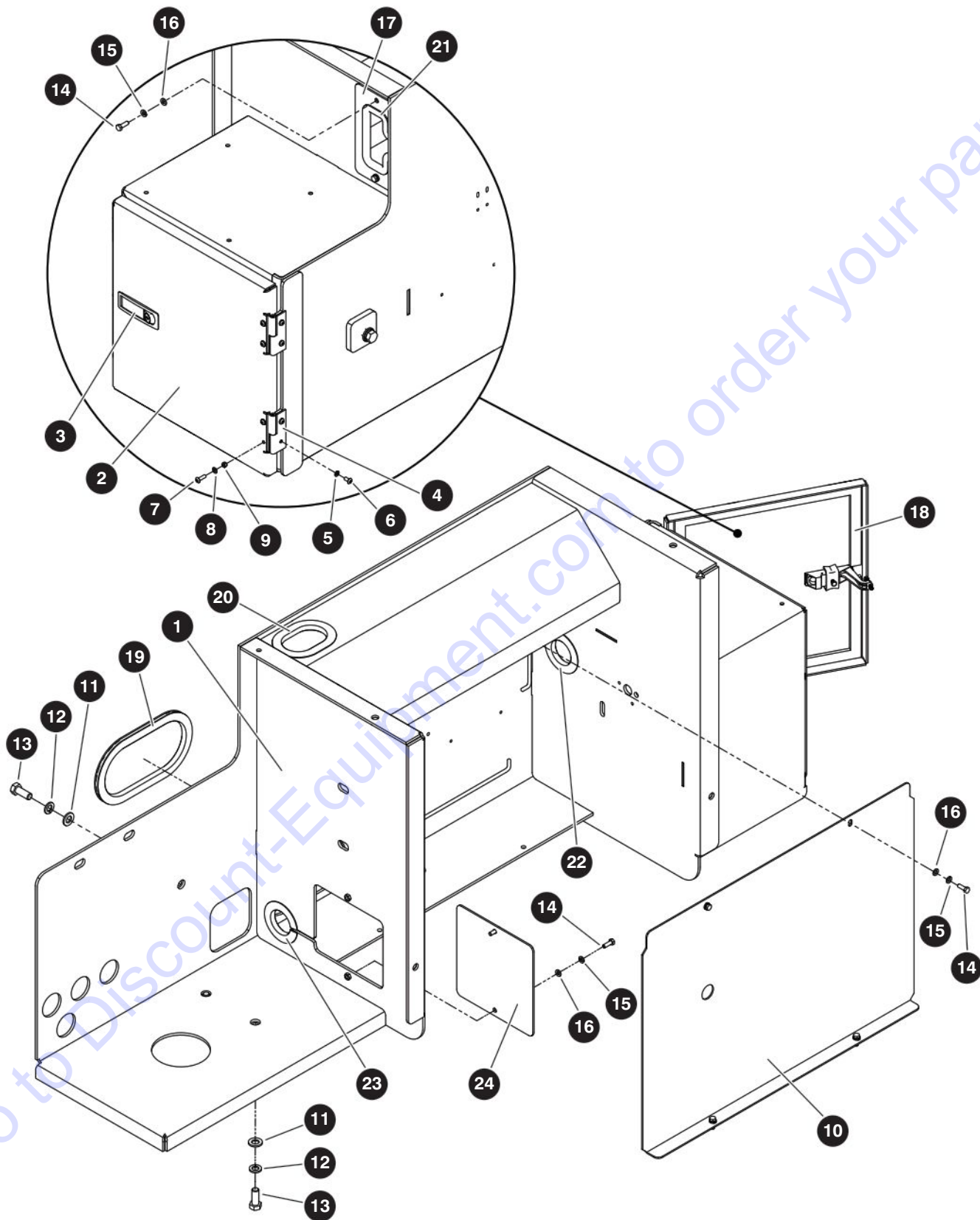
3.4 Lateral Bracket - Right Side



M222145AE-2

| Index No. | Skyjack Part No. | Qty. | Description |
|-----------|------------------|---------|--|
| - | - | 1 | LATERAL BRACKET - RIGHT SIDE |
| 1 | 222350 | 1 | • BRACKET, Lateral RHS |
| 2 | 222315 | 1 | • COVER, Lateral bracket |
| 3 | 933817 | 6 | • WASHER, Flat (M12) |
| 4 | 116995 | 6 | • WASHER, Lock (M12) |
| 5 | 152324 | 6 | • BOLT, Hex head (M12 x 1.75 x 25, gr 8.8) |
| 6 | 217393 | 4 | • BOLT, Hex head (M6 x 1.00 x 18, gr 8.8) |
| 7 | 121758 | 4 | • WASHER, Lock (M6) |
| 8 | 933834 | 4 | • WASHER, Flat (M6) |
| 9 | 110007 | 22-1/8" | • CHANNEL, Black edge |

3.5 Lateral Bracket - Left Side



M222145AE-1

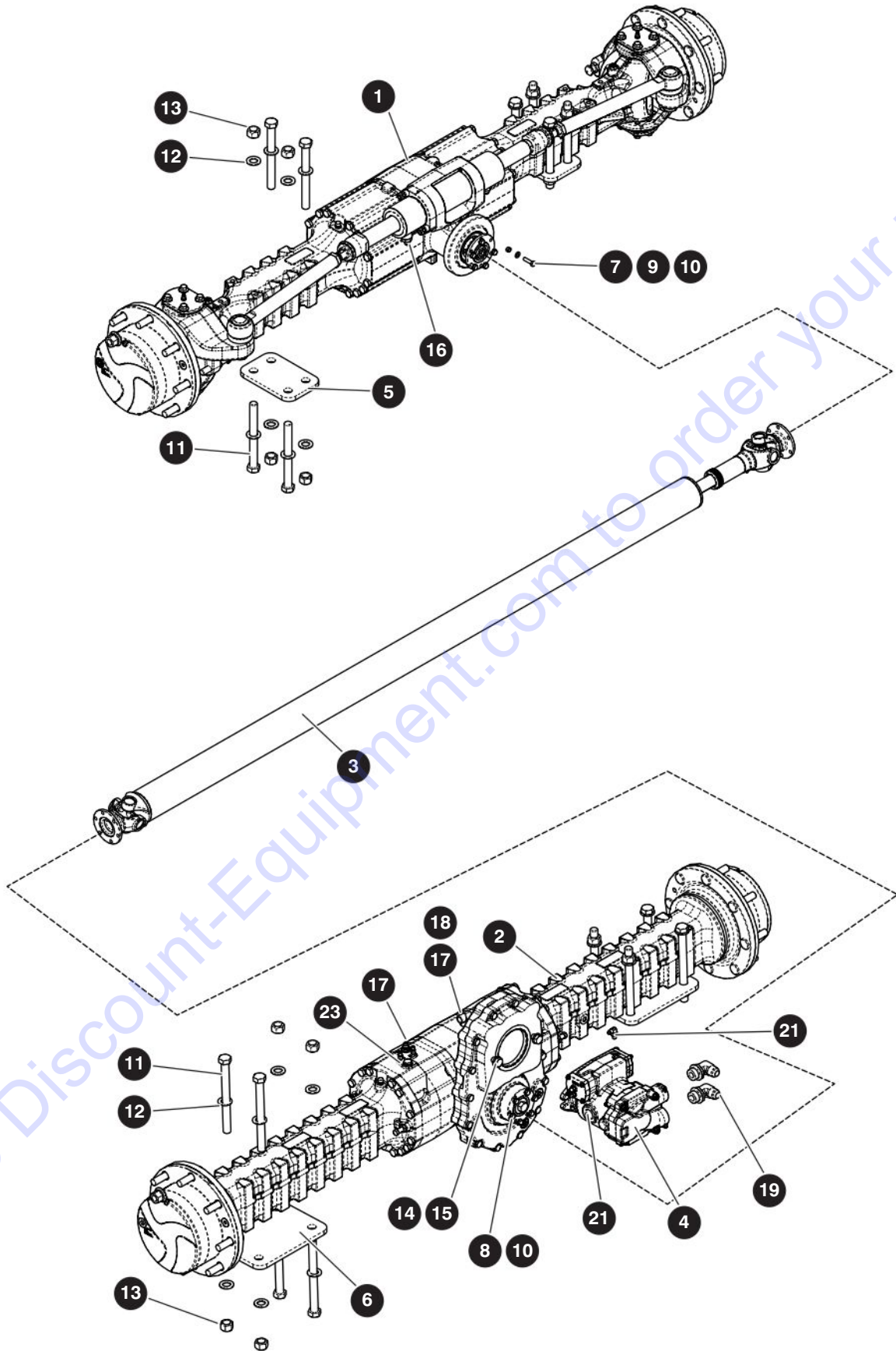
224578ABA

SJ9233 RT, SJ9243 RT, SJ9253 RT

3.5 Lateral Bracket - Left Side

| Index No. | Skyjack Part No. | Qty. | Description |
|-----------|------------------|---------|--|
| - | - | 1 | LATERAL BRACKET - LEFT SIDE |
| - | 222090 | 1 | • LATERAL BRACKET - LHS |
| 1 | 222320 | 1 | • • BRACKER, Lateral |
| - | 222319 | 1 | • • BATTERY DOOR |
| 2 | 222318 | 1 | • • • DOOR |
| 3 | 222351 | 1 | • • • LATCH, Cam lock |
| 4 | 222355 | 2 | • • HINGE, LH |
| 5 | 228640 | 4 | • • WASHER, Lock (M5) |
| 6 | 228457 | 4 | • • BOLT, Button head cap (M5 x 0.8 x 10, cl 10.9) |
| 7 | 228459 | 4 | • • BOLT, Button head cap (M5 x 0.8 x 16, cl 10.9) |
| 8 | 933816 | 8 | • • WASHER, Flat (M5) |
| 9 | 217628 | 4 | • • NUT, Hex head lock (M5 x 0.8, cl 8) |
| 10 | 222315 | 1 | • COVER, Lateral bracket |
| 11 | 933817 | 6 | • WASHER, Flat (M12) |
| 12 | 116995 | 6 | • WASHER, Lock (M12) |
| 13 | 152324 | 6 | • BOLT, Hex head (M12 x 1.75 x 25, gr 8.8) |
| 14 | 217393 | 6 | • BOLT, Hex head (M6 x 1.00 x 18, gr 8.8) |
| 15 | 121758 | 6 | • WASHER, Lock (M6) |
| 16 | 933834 | 6 | • WASHER, Flat (M6) |
| 17 | 222343 | 1 | • COVER, Cable harness |
| 18 | 103628 | 4-3/4" | • RUBBER, Self seal |
| 19 | 110007 | 20-1/4" | • CHANNEL, Edge - black |
| 20 | 110007 | 9-3/4" | • CHANNEL, Edge - black |
| 21 | 117398 | 11" | • TRIM, Protective |
| 22 | 110007 | 6-1/4" | • CHANNEL, Edge - black |
| 23 | 110007 | 6" | • CHANNEL, Edge - black |
| 24 | 222125 | 1 | • COVER, Pad heater |

3.6 Axles



M222142AG

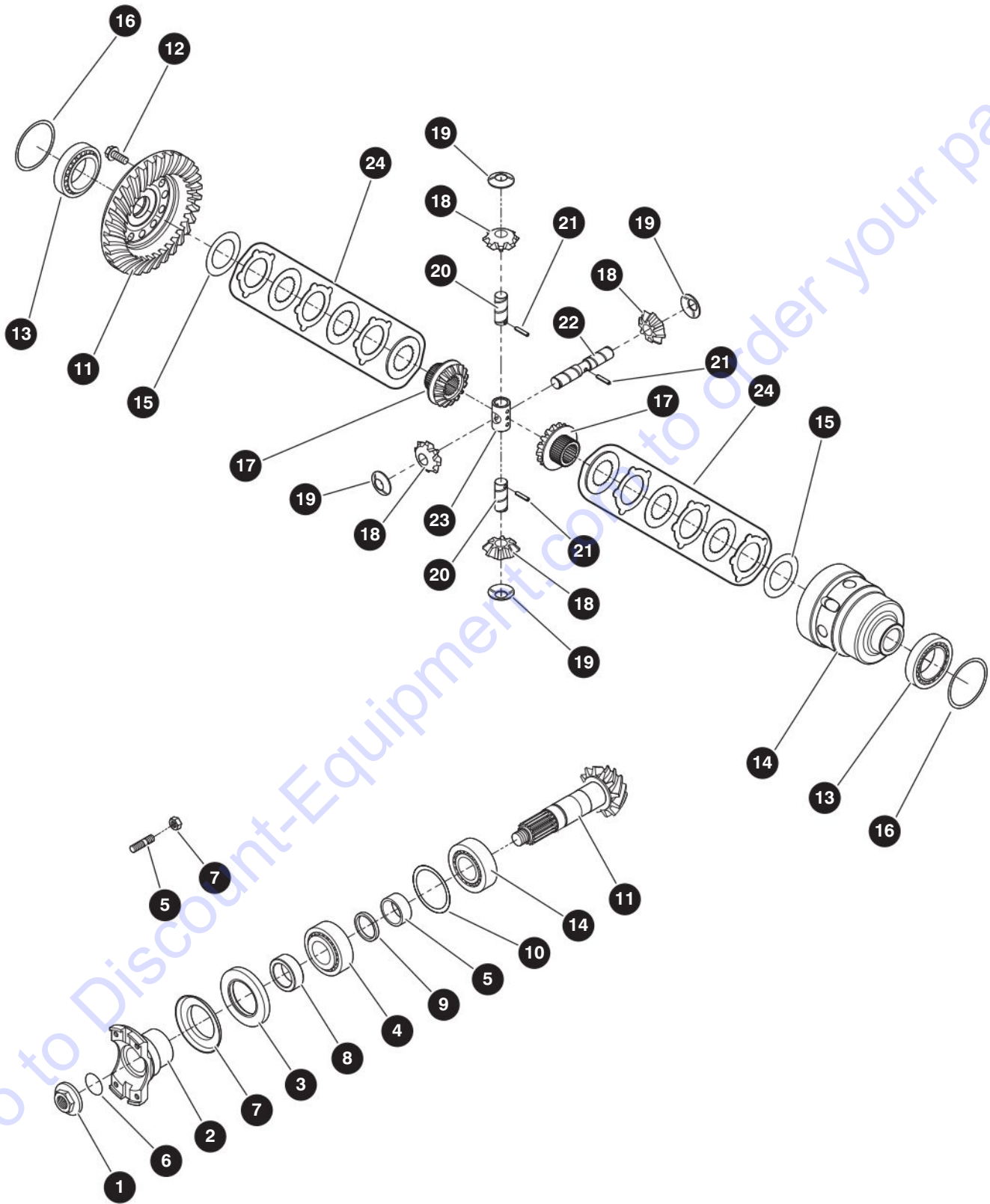
224578ABA

SJ9233 RT, SJ9243 RT, SJ9253 RT

3.6 Axles

| Index No. | Skyjack Part No. | Qty. | Description |
|-----------|------------------|------|--|
| - | 222142 | 1 | AXLES |
| 1 | 215271 | 1 | <ul style="list-style-type: none"> AXLE, Steering (front) <i>(For components, refer to Section 3.7 Differential - Front Axle)</i> <i>(For components, refer to Section 3.8 Hub Reduction - Front Axle)</i> <i>(For components, refer to Section 3.9 Central Housing - Front Axle)</i> <i>(For components, refer to Section 3.10 Steering - Front Axle)</i> |
| 2 | 215272 | 1 | <ul style="list-style-type: none"> AXLE, Rigid (rear) <i>(For components, refer to Section 3.11 Differential - Rear Axle)</i> <i>(For components, refer to Section 3.12 Hub Reduction - Rear Axle)</i> <i>(For components, refer to Section 3.13 Brakes - Rear Axle)</i> <i>(For components, refer to Section 3.14 Gear Box - Rear Axle)</i> <i>(For components, refer to Section 3.15 Central Housing - Rear Axle)</i> |
| 3 | 215281 | 1 | <ul style="list-style-type: none"> DRIVE SHAFT |
| | 231189 | 2 | <ul style="list-style-type: none"> FLANGE, Yoke |
| | 231190 | 2 | <ul style="list-style-type: none"> U-JOINT, Bearing |
| 4 | 233001 | 1 | <ul style="list-style-type: none"> MOTOR, Axle drive - 2 speed |
| 5 | 215431 | 2 | <ul style="list-style-type: none"> PLATE, Axle mount front |
| 6 | 215432 | 2 | <ul style="list-style-type: none"> PLATE, Axle mount rear |
| 7 | 217878 | 6 | <ul style="list-style-type: none"> BOLT, Hex head (M8 x 1.25 x 30, cl 10.9) |
| 8 | 217895 | 6 | <ul style="list-style-type: none"> BOLT, Hex head (M8 x 1.25 x 22, cl 10.9) |
| 9 | 217796 | 6 | <ul style="list-style-type: none"> NUT, Hex (M8 x 1.25, cl 10) |
| 10 | 933832 | 12 | <ul style="list-style-type: none"> WASHER, Flat (M8) |
| 11 | 217355 | 16 | <ul style="list-style-type: none"> BOLT, Hex head (M20 x 2.5 x 220, cl 10.9) |
| 12 | 933820 | 32 | <ul style="list-style-type: none"> WASHER (21 ID x 37 OD x 3) |
| 13 | 217623 | 16 | <ul style="list-style-type: none"> NUT, Torque lock (M20 x 2.5, cl 10) |
| 15 | 138734 | 2 | <ul style="list-style-type: none"> BOLT, Hex head (M14 x 2 x 30, gr 8.8) |
| 16 | 191096 | 2 | <ul style="list-style-type: none"> WASHER, Flat (M14) |
| 17 | 168769 | 2 | <ul style="list-style-type: none"> FITTING, Straight (M18ORBM 06JICM) |
| 18 | 190364 | 3 | <ul style="list-style-type: none"> FITTING, Retaining ring (06MJ - 14 mm) |
| 19 | 103309 | 1 | <ul style="list-style-type: none"> FITTING, Run tee #6 |
| 20 | 710124 | 2 | <ul style="list-style-type: none"> FITTING, 90 deg (12JICM - 16 ORBM) |
| 21 | 113348 | 1 | <ul style="list-style-type: none"> FITTING, 90 deg (06JICM - 04ORBM) |
| 22 | 132565 | 5 | <ul style="list-style-type: none"> CAP, Grease (GC5) (not shown) |
| 23 | 171198 | 2 | <ul style="list-style-type: none"> FILTER, Breather |

3.7 Differential - Front Axle



M222142AG

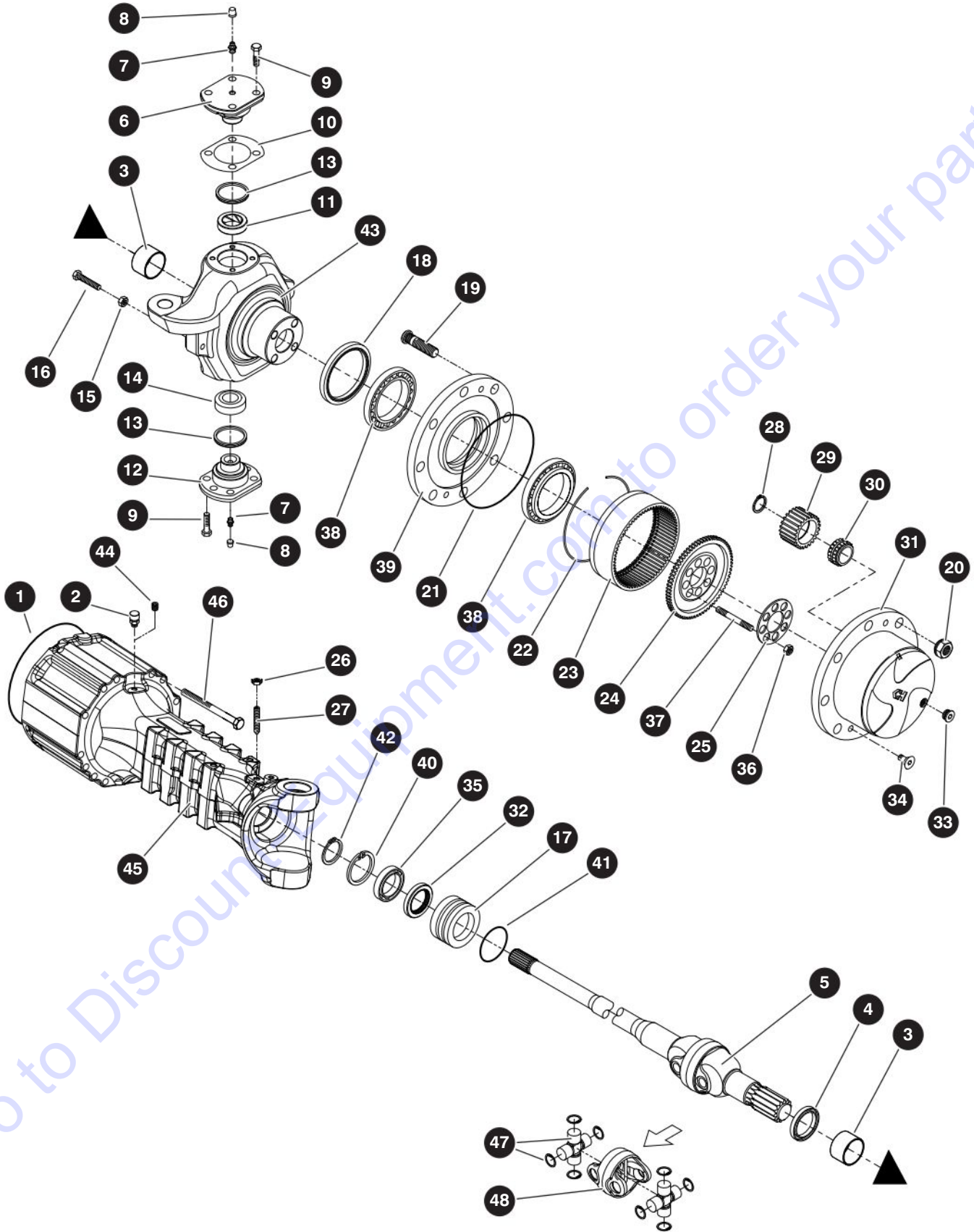
224578ABA

SJ9233 RT, SJ9243 RT, SJ9253 RT

3.7 Differential - Front Axle

| Index No. | Skyjack Part No. | Qty. | Description |
|-----------|------------------|------|---------------------------|
| - | - | 1 | DIFFERENTIAL - Front Axle |
| 1 | 141372 | 1 | • NUT |
| 2 | 237778 | 1 | • FLANGE |
| 3 | 170792 | 1 | • SEAL |
| 4 | 224336 | 2 | • BEARING |
| 5 | 224337 | 1 | • SPACER |
| 6 | 224354 | 1 | • O-RING |
| 7 | 224353 | 1 | • PLATE, Cover |
| 8 | 224340 | 1 | • SPACER |
| 9 | 224339 | 1 | • SHIM KIT |
| 10 | 224338 | 1 | • SHIM KIT |
| 11 | 154611 | 1 | • GEAR SET, Bevel |
| 12 | 224341 | 12 | • BOLT |
| 13 | 224343 | 2 | • BEARING, Taper roller |
| 14 | 154614 | 1 | • CARRIER, Differential |
| 15 | 224345 | 1 | • WASHER, Friction |
| 16 | 224342 | 1 | • SHIM KIT |
| 17 | 224423 | 2 | • SIDE GEAR, Differential |
| 18 | 154618 | 4 | • PINION, Differential |
| 19 | 237779 | 4 | • WASHER, Friction |
| 20 | 224349 | 2 | • PIN |
| 21 | 224350 | 3 | • DOWEL |
| 22 | 224424 | 1 | • PIN |
| 23 | 224352 | 1 | • RETAINER, Shaft |
| 24 | 154616 | 2 | • DISC, Clutch |

3.8 Hub Reduction - Front Axle



M222142AG

224578ABA

78

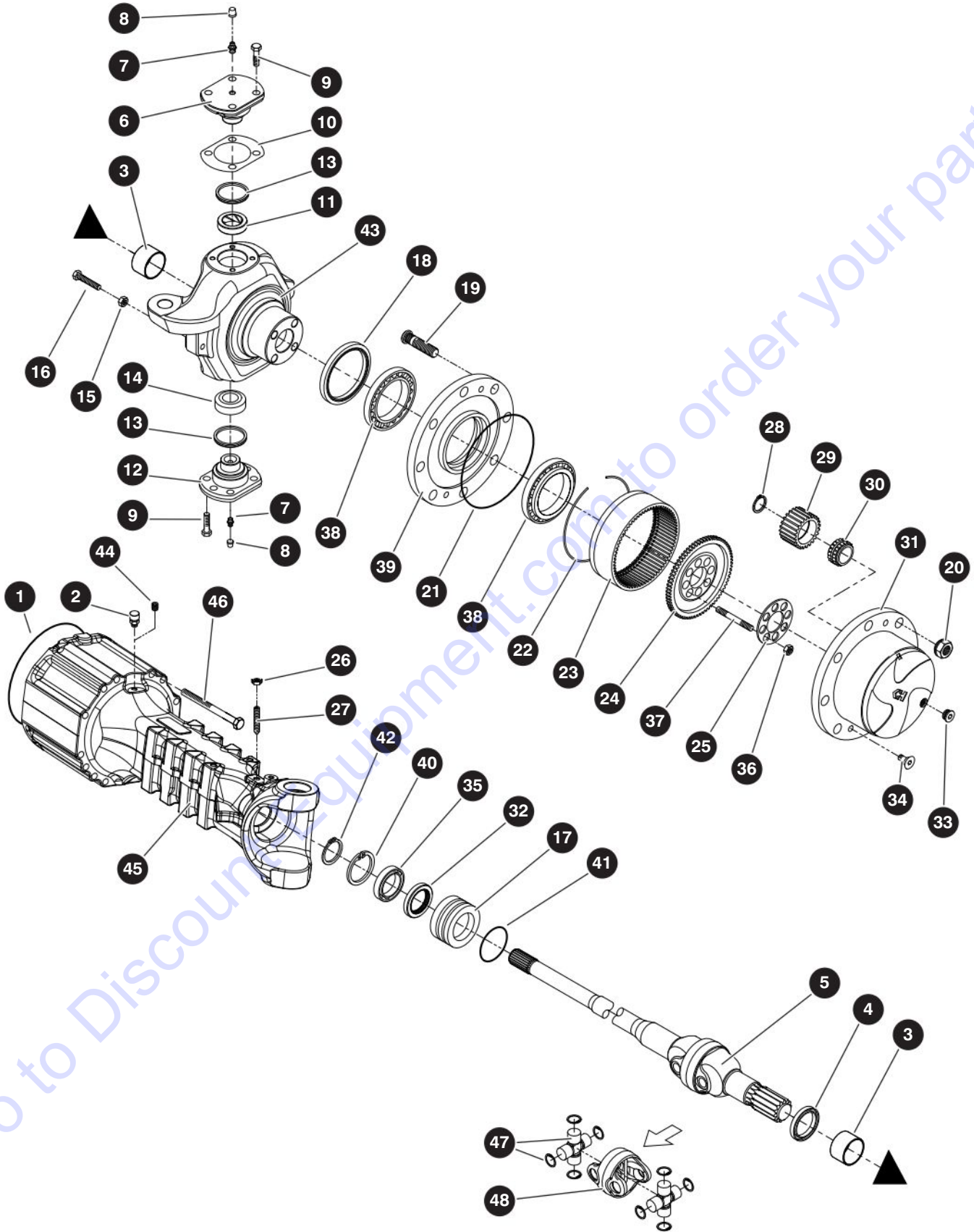
SJ9233 RT, SJ9243 RT, SJ9253 RT

SKYJACK

3.8 Hub Reduction - Front Axle

| Index No. | Skyjack Part No. | Qty. | Description |
|-----------|------------------|------|--------------------------------|
| - | 123456 | 1 | HUB REDUCTION - Front Axle |
| 1 | 224356 | 2 | • O-RING |
| 2 | 224357 | 1 | • PLUG |
| 3 | 224359 | 1 | • BUSHING, Thrust |
| 4 | 224360 | 2 | • SEAL |
| 5 | 237780 | 2 | • JOINT |
| 6 | 237781 | 2 | • PIN, Pivot |
| 7 | 168273 | 4 | • FITTING, Grease |
| 8 | 141006 | 4 | • PLUG |
| 9 | 140993 | 20 | • BOLT |
| 10 | 224363 | 1 | • SHIM KIT |
| 11 | 151765 | 2 | • BUSHING |
| 12 | 224366 | 2 | • PIN, Pivot |
| 13 | 224446 | 2 | • • SEAL |
| 14 | 224365 | 2 | • • ARTICULATION |
| - | 168284 | 4 | • BOLT KIT, Steering adjust |
| 15 | 141015 | 4 | • • NUT |
| 16 | 168275 | 4 | • • BOLT |
| 17 | 224368 | 2 | • BUSHING, Reduction |
| 18 | 224369 | 2 | • SEAL |
| 19 | 237782 | 16 | • STUD, Wheel |
| 20 | 224448 | 16 | • NUT |
| 21 | 140970 | 2 | • O-RING |
| - | 141042 | 2 | • SUPPORT KIT, Ring gear |
| 22 | 141022 | 2 | • • CIRCLIP |
| 23 | 141023 | 2 | • • RING GEAR |
| 24 | 141024 | 2 | • • SUPPORT, Ring gear |
| 25 | 141081 | 2 | • PLATE, Locking |
| 26 | 224372 | 2 | • NUT |
| 27 | 224373 | 2 | • BOLT |
| - | 151767 | 2 | • PLANET GEAR CARRIER ASSEMBLY |
| 28 | 141028 | 3 | • • CIRCLIP |
| - | 216251 | 6 | • • PLANET GEAR KIT |
| 29 | 216252 | 6 | • • • GEAR, Planet |
| 30 | 216253 | 6 | • • • BEARING |
| 31 | 237783 | 1 | • • CARRIER, Planet gear |
| 32 | 224374 | 2 | • SEAL |
| 33 | 237776 | 2 | • PLUG, Magnetic |
| 34 | 141033 | 4 | • BOLT, Countersunk |
| 35 | 224375 | 2 | • BEARING |
| 36 | 196639 | 8 | • NUT |
| 37 | 216255 | 8 | • STUD |
| 38 | 141019 | 4 | • BEARING |
| 39 | 224376 | 2 | • HUB, Wheel |
| 40 | 224377 | 2 | • CIRCLIP |
| 41 | 224378 | 2 | • O-RING |

3.8 Hub Reduction - Front Axle



M222142AG

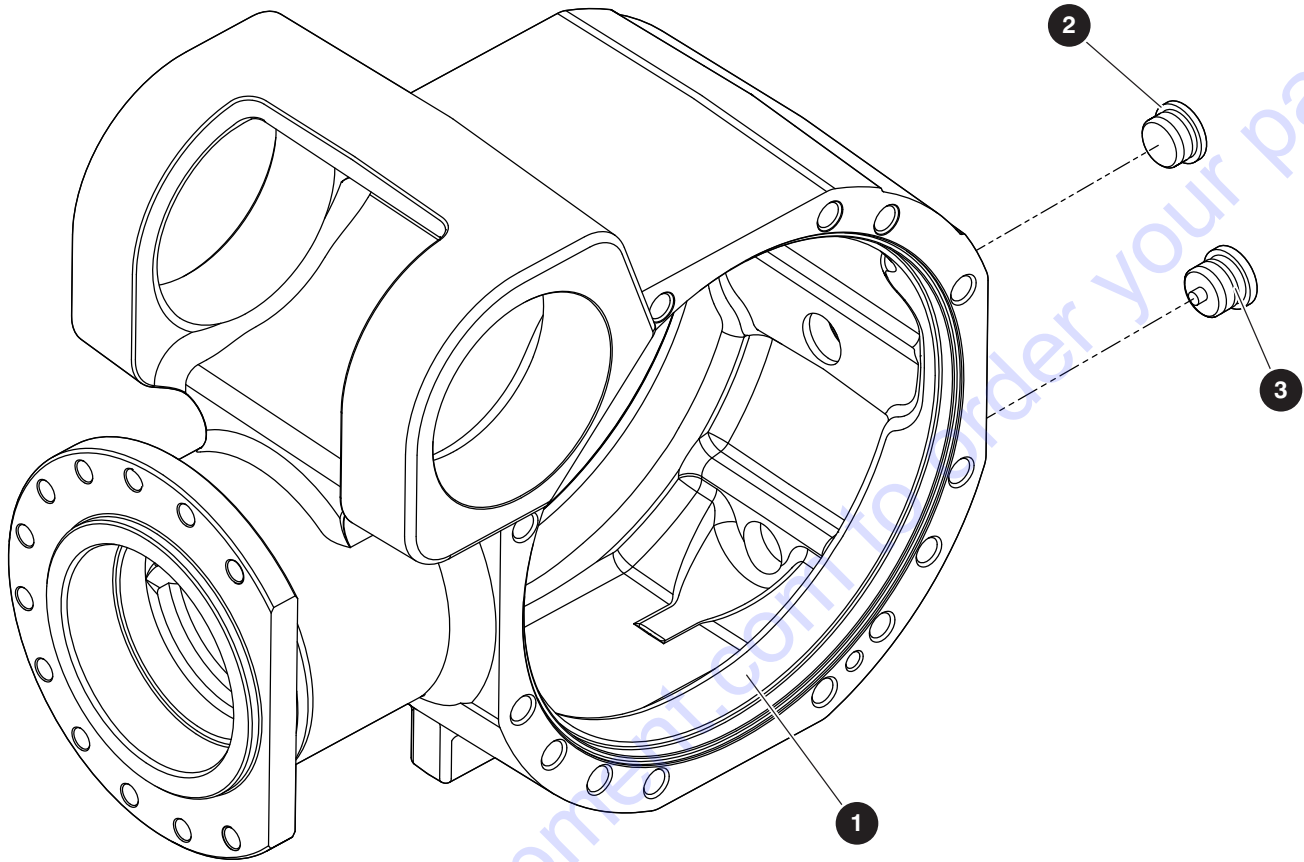
224578ABA

SJ9233 RT, SJ9243 RT, SJ9253 RT

3.8 Hub Reduction - Front Axle

| Index No. | Skyjack Part No. | Qty. | Description |
|-----------|------------------|------|--------------------------------|
| 42 | 224379 | 2 | • CIRCLIP |
| 43 | 237784 | 1 | • STEERING CASE - Right |
| | 237785 | 1 | • STEERING CASE - Left |
| 44 | 224382 | 1 | • PLUG |
| 45 | 237786 | 2 | • CASE, Axle |
| 46 | 224449 | 28 | • BOLT, Hexagon |
| 47 | 224388 | 2 | • U-JOINT CROSS |
| 48 | 224389 | 1 | • U-JOINT CENTER SECTION |

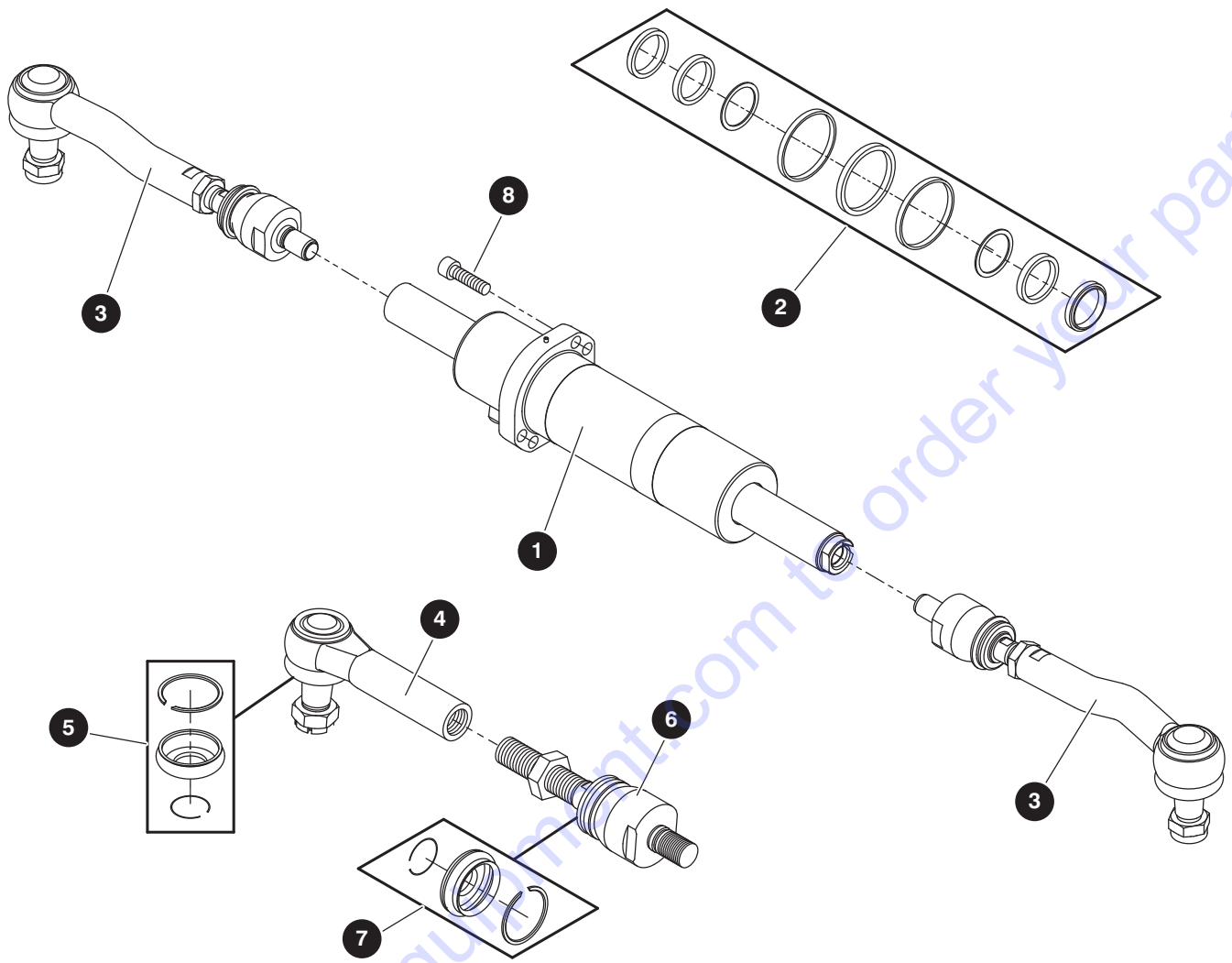
3.9 Central Housing - Front Axle



M215271AE-1

| Index No. | Skyjack Part No. | Qty. | Description |
|-----------|------------------|------|------------------------------|
| - | - | 1 | CENTRAL HOUSING - Front Axle |
| 1 | 237775 | 1 | • HOUSING |
| 2 | 237776 | 1 | • PLUG, Magnetic |
| 3 | 237777 | 1 | • PLUG |

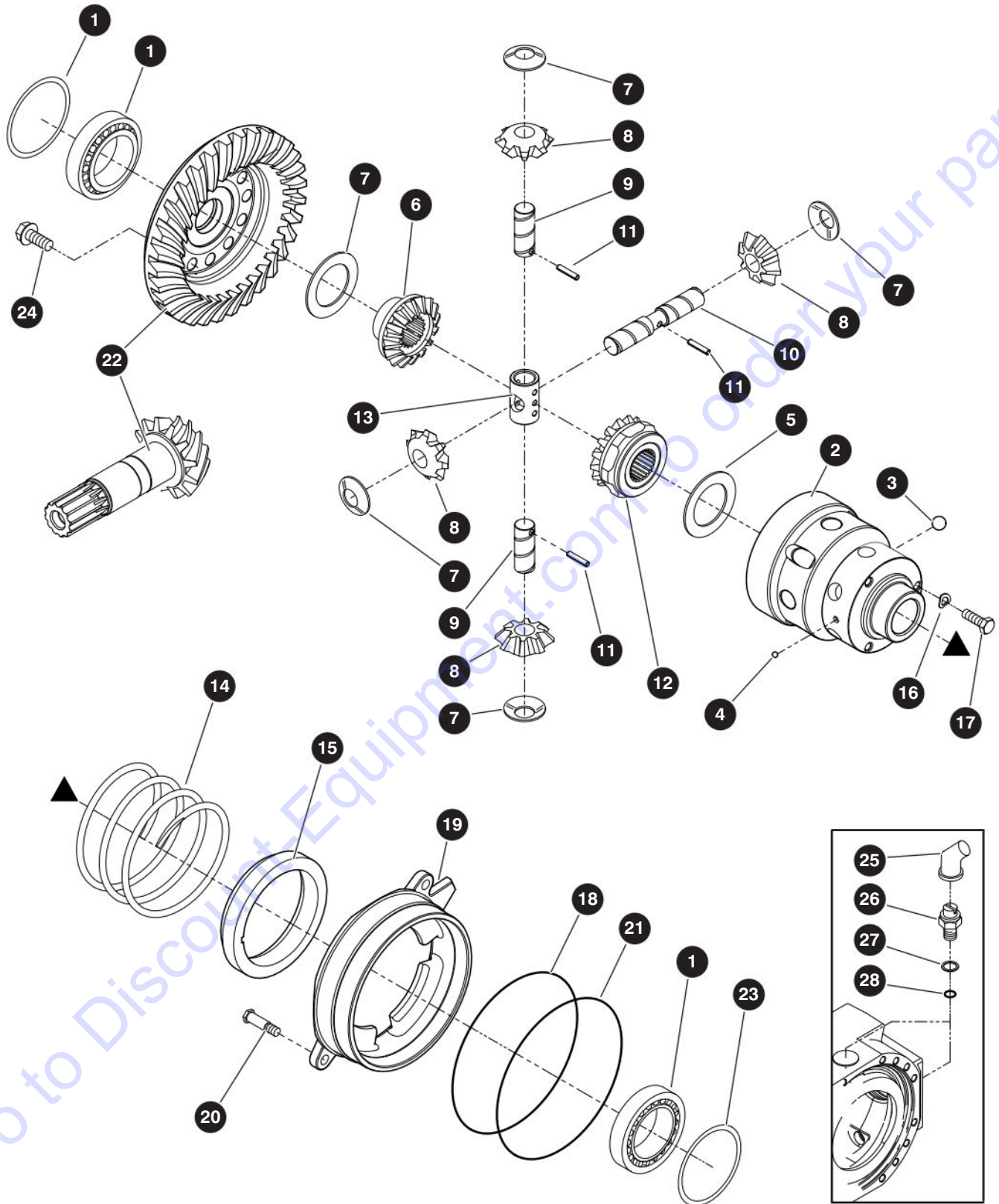
3.10 Steering - Front Axle



M215271AE-4

| Index No. | Skyjack Part No. | Qty. | Description |
|-----------|------------------|------|--------------------------------------|
| - | - | 1 | STEERING ASSEMBLY - Front Axle |
| 1 | 237787 | 1 | • CYLINDER |
| 2 | 224394 | 1 | • • SEAL KIT |
| 3 | 154643 | 2 | • TIE ROD, Articulated |
| 4 | 237788 | 1 | • • JOINT, 90° |
| 5 | 224398 | 1 | • • • RUBBER BOOT & LOCKING RING KIT |
| 6 | 224396 | 1 | • • JOINT, Axial |
| 7 | 224397 | 1 | • • • RUBBER BOOT & LOCKING RING KIT |
| 8 | 224393 | 4 | • BOLT |

3.11 Differential - Rear Axle



M215272AF-2

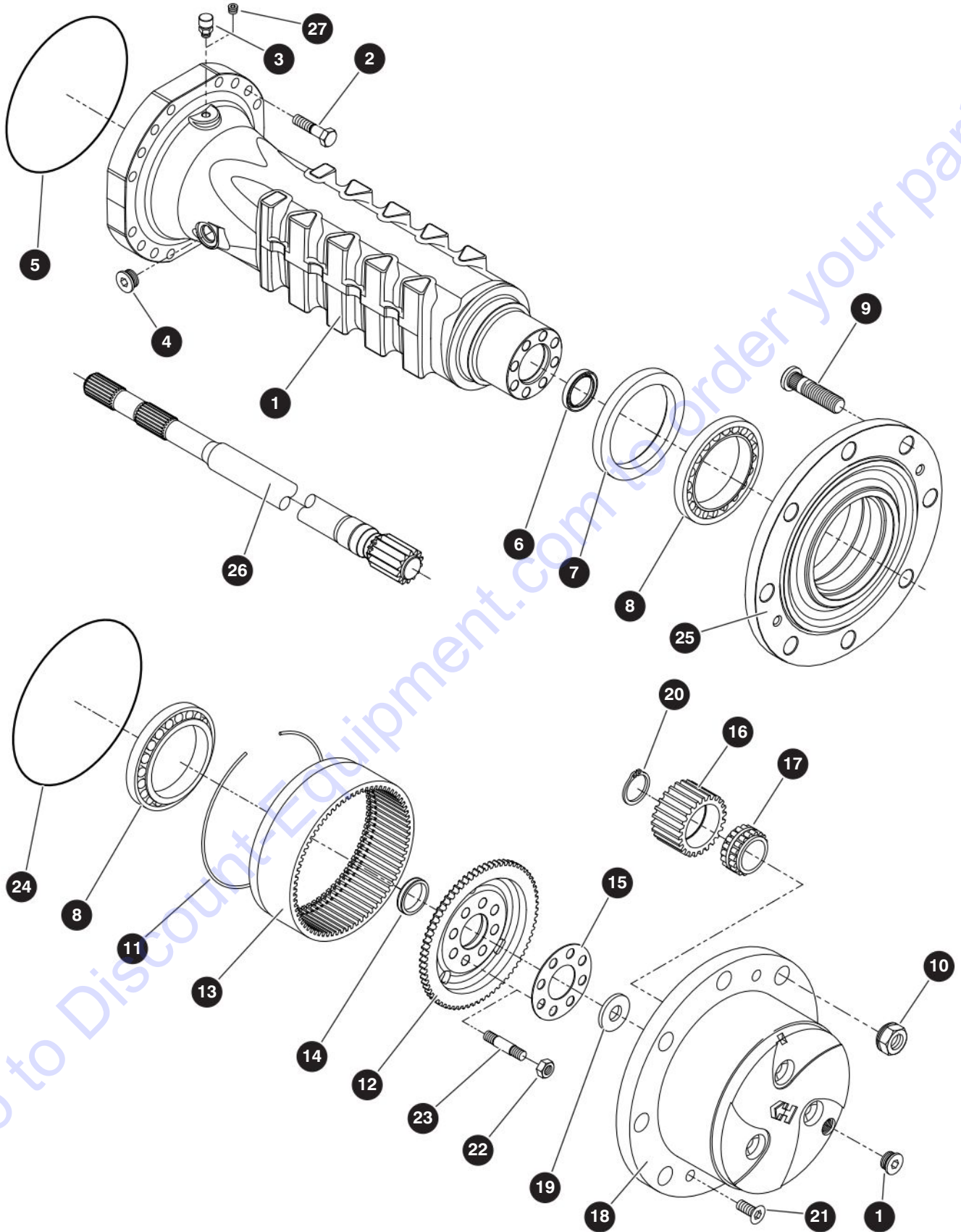
224578ABA

SJ9233 RT, SJ9243 RT, SJ9253 RT

3.11 Differential - Rear Axle

| Index No. | Skyjack Part No. | Qty. | Description |
|-----------|------------------|------|-------------------------------|
| - | - | 1 | DIFFERENTIAL - Rear axle |
| 1 | 224343 | 2 | • BEARING, Taper roller |
| - | 237801 | 1 | • DIFFERENTIAL KIT |
| 2 | 237793 | 1 | • • CARRIER, Differential |
| 3 | 154574 | 6 | • • BALL, Detent |
| 4 | 141118 | 1 | • • BALL, Detent |
| 5 | 224345 | 2 | • • WASHER, Friction |
| 6 | 224346 | 1 | • • GEAR, Side - differential |
| 7 | 237779 | 4 | • • WASHER, Friction |
| 8 | 154618 | 4 | • • PINION, Differential |
| 9 | 224349 | 2 | • • PIN |
| 10 | 224424 | 1 | • • PIN |
| 11 | 224350 | 3 | • • DOWEL |
| 12 | 237794 | 1 | • • GEAR, Side - differential |
| 13 | 224352 | 1 | • • RETAINER, Shaft |
| 14 | 237796 | 1 | • • SPRING |
| 15 | 237797 | 1 | • • SELECTOR, Change |
| 16 | 237612 | 3 | • • WASHER |
| 17 | 237613 | 3 | • • BOLT |
| 18 | 237798 | 1 | • • RING |
| 19 | 237799 | 1 | • • PISTON |
| 20 | 237800 | 2 | • • BOLT, Adjusting |
| 21 | 237798 | 1 | • • RING |
| 22 | 237795 | 1 | • GEAR SET, Bevel |
| 23 | 224342 | 1 | • SHIM KIT |
| 24 | 224341 | 12 | • BOLT |
| 25 | 409419 | 1 | • BOOT |
| 26 | 170879 | 1 | • SWITCH, Security |
| 27 | 403095 | 1 | • WASHER, Seal |
| 28 | 403051 | 1 | • O-RING |

3.12 Hub Reduction - Rear Axle



M215272AF-3

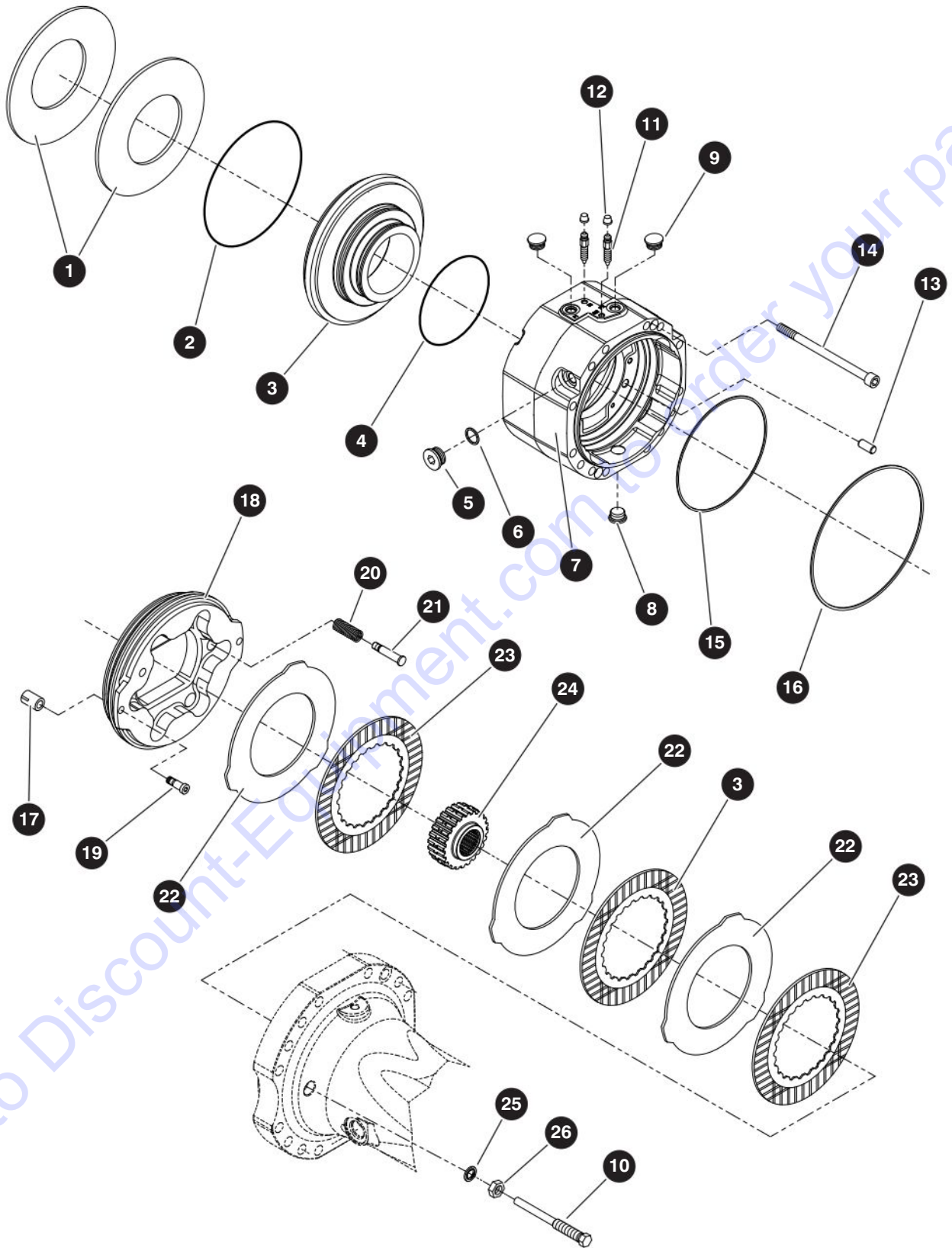
224578ABA

SJ9233 RT, SJ9243 RT, SJ9253 RT

3.12 Hub Reduction - Rear Axle

| Index No. | Skyjack Part No. | Qty. | Description |
|-----------|------------------|------|----------------------------|
| - | - | 1 | HUB REDUCTION - Rear axle |
| 1 | 237802 | 2 | • CASE, Axle |
| 2 | 224449 | 28 | • BOLT, Hexagon |
| 3 | 224357 | 1 | • PLUG |
| 4 | 237777 | 4 | • PLUG |
| 5 | 224356 | 2 | • O-RING |
| 6 | 237803 | 2 | • RING |
| 7 | 224369 | 2 | • SEAL |
| 8 | 141019 | 4 | • BEARING |
| 9 | 237782 | 16 | • STUD, Wheel |
| 10 | 224448 | 16 | • NUT |
| - | 141042 | 2 | • SUPPORT KIT, Ring gear |
| 11 | 141022 | 2 | • • CIRCLIP |
| 12 | 141024 | 2 | • • SUPPORT, Ring gear |
| 13 | 141023 | 2 | • • GEAR, Ring |
| 14 | 237804 | 2 | • RING, Centering |
| 15 | 237805 | 2 | • PLATE, Locking |
| - | 141034 | 2 | • CARRIER KIT, Planet gear |
| | 216251 | 6 | • • PLANET GEAR ASSEMBLY |
| 16 | 216252 | 6 | • • • GEAR, Planet |
| 17 | 216253 | 6 | • • • BEARING |
| 18 | 237783 | 2 | • • CARRIER, Planet gear |
| 19 | 141037 | 2 | • • WASHER, Friction |
| 20 | 141028 | 6 | • • CIRCLIP |
| 21 | 141033 | 4 | • BOLT, Countersunk |
| 22 | 141027 | 8 | • NUT |
| 23 | 216255 | 8 | • STUD |
| 24 | 140970 | 2 | • O-RING |
| 25 | 224376 | 2 | • HUB, Wheel |
| 26 | 237806 | 2 | • SHAFT, Half |
| 27 | 224382 | 1 | • PLUG |

3.13 Brakes - Rear Axle



M215272AF-4

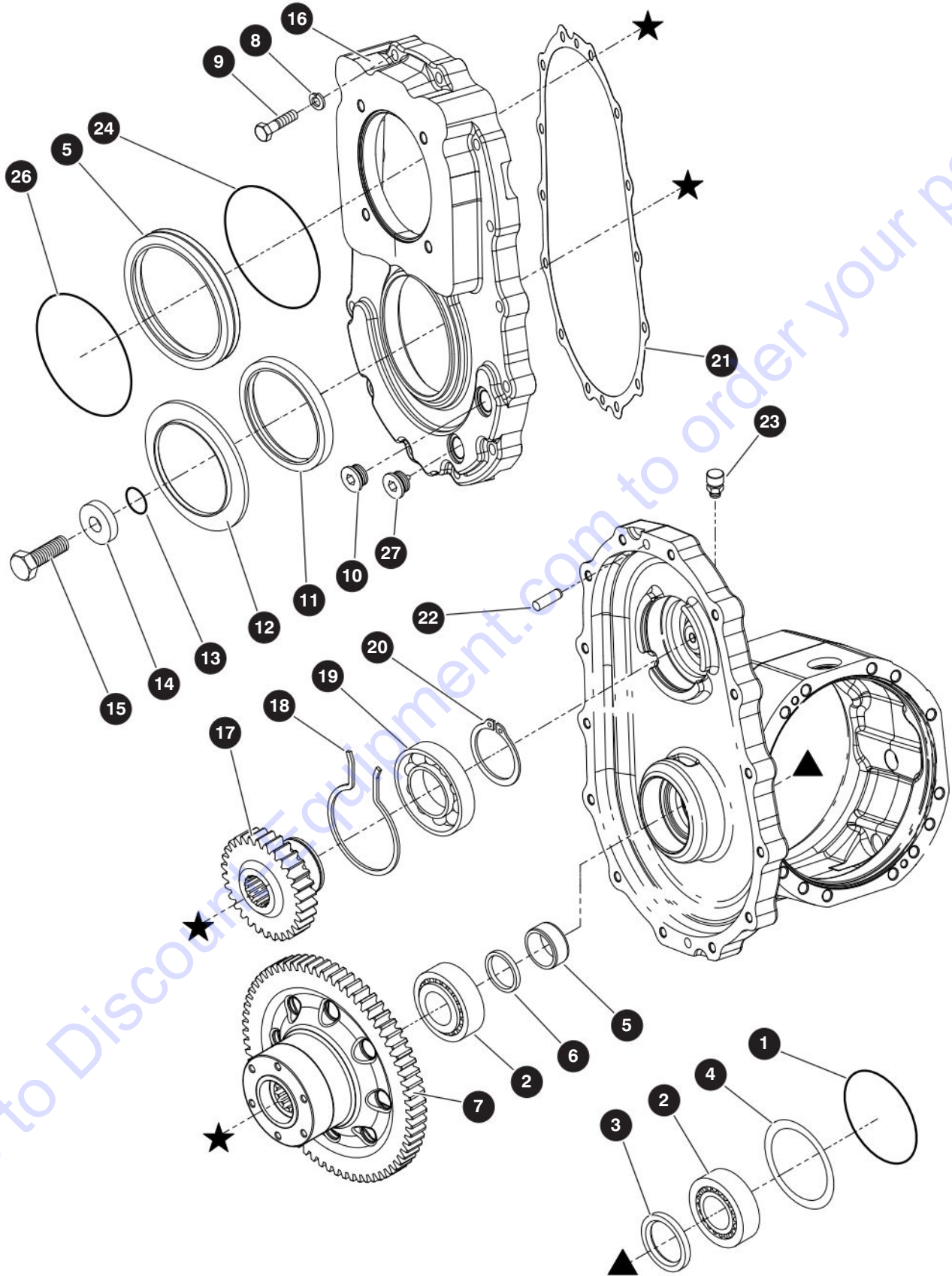
224578ABA

SJ9233 RT, SJ9243 RT, SJ9253 RT

3.13 Brakes - Rear Axle

| Index No. | Skyjack Part No. | Qty. | Description |
|-----------|------------------|------|------------------------------|
| - | - | 1 | BRAKES - Rear axle |
| 1 | 237807 | 4 | • SPRING |
| 2 | 237808 | 2 | • O-RING |
| 3 | 237809 | 2 | • PISTON |
| 4 | 141064 | 2 | • O-RING |
| 5 | 224466 | 2 | • PLUG |
| 6 | 224469 | 2 | • WASHER |
| 7 | 237810 | 2 | • COVER |
| 8 | 237590 | 2 | • PLUG, Magnetic |
| 9 | 216247 | 4 | • PLUG |
| 10 | 237811 | 4 | • BOLT, Adjusting |
| 11 | 224467 | 4 | • BOLT, Bleeding |
| 12 | 141006 | 4 | • PLUG |
| 13 | 403116 | 2 | • DOWEL |
| 15 | 237812 | 4 | • BOLT, Cylinder |
| 15 | 237813 | 2 | • SEAL |
| 16 | 237814 | 2 | • SEAL |
| 17 | 216397 | 6 | • SPRING |
| 18 | 237815 | 2 | • PISTON |
| 19 | 168291 | 6 | • BOLT, Adjusting |
| 20 | 237816 | 6 | • SPRING |
| 21 | 237800 | 6 | • BOLT, Adjusting |
| 22 | 224471 | 8 | • DISC, Brake - intermediate |
| 23 | 237817 | 6 | • DISC, Brake |
| 24 | 237818 | 2 | • BUSHING, Reduction |
| 25 | 403096 | 4 | • WASHER, Lock |
| 26 | 403087 | 4 | • NUT |

3.14 Gear Box - Rear Axle



M215272AF-5

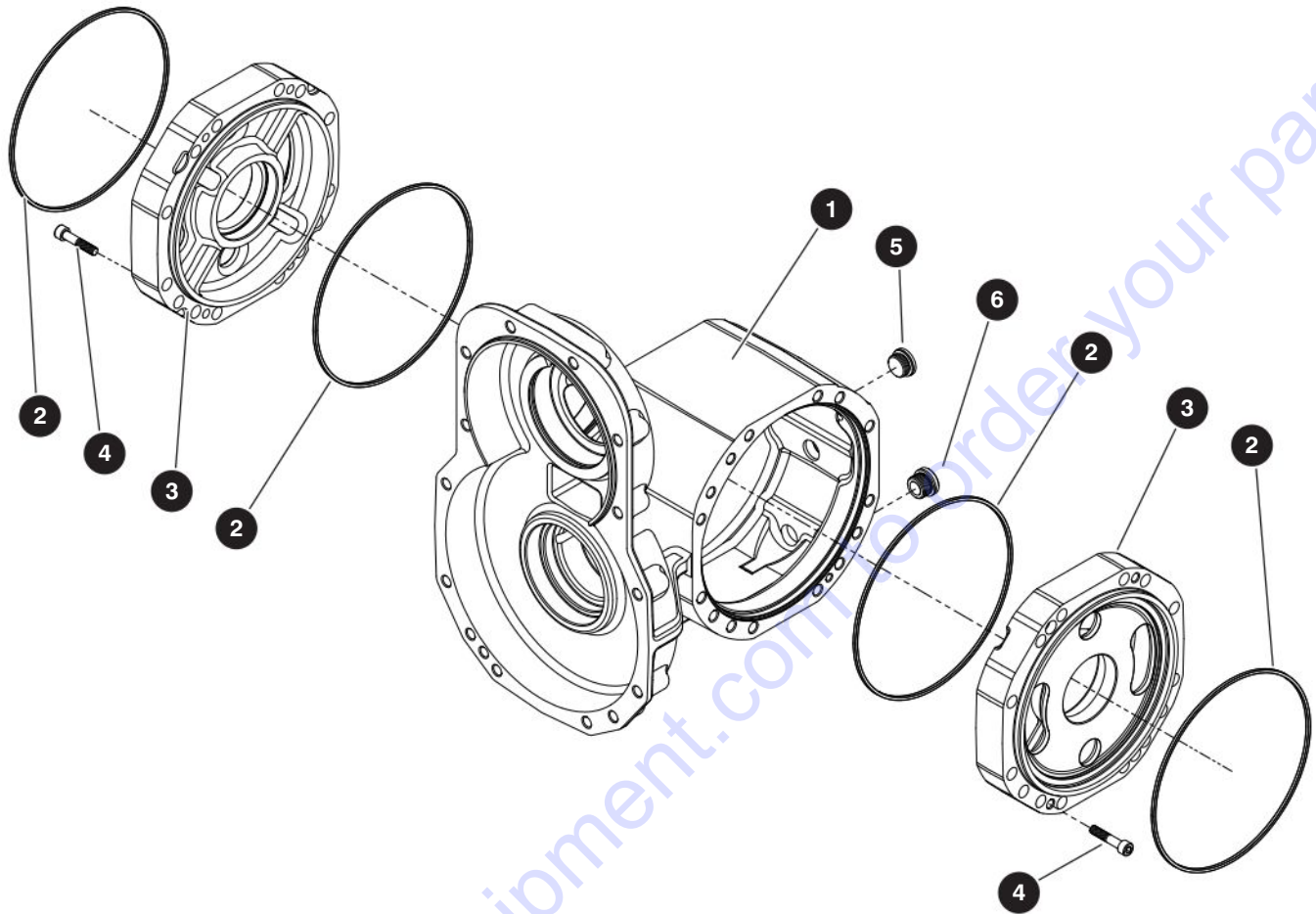
224578ABA

SJ9233 RT, SJ9243 RT, SJ9253 RT

3.14 Gear Box - Rear Axle

| Index No. | Skyjack Part No. | Qty. | Description |
|-----------|------------------|------|----------------------|
| - | - | 1 | GEAR BOX - Rear axle |
| 1 | 237819 | 1 | • O-RING |
| 2 | 224336 | 2 | • BEARING |
| 3 | 170886 | 1 | • SEAL |
| 4 | 224338 | 1 | • SHIM KIT |
| 5 | 224337 | 1 | • SPACER |
| 6 | 224339 | 1 | • SHIM KIT |
| 7 | 237820 | 1 | • GEAR |
| 8 | 141075 | 14 | • WASHER, Spring |
| 9 | 237821 | 14 | • BOLT, Cylinder |
| 10 | 237822 | 1 | • PLUG |
| 11 | 237823 | 1 | • SEAL |
| 12 | 237824 | 1 | • SHEET |
| 13 | 224354 | 1 | • O-RING |
| 14 | 237825 | 1 | • WASHER |
| 15 | 237826 | 1 | • BOLT |
| 16 | 237827 | 1 | • COVER |
| 17 | 237828 | 1 | • GEAR |
| 18 | 237829 | 1 | • CIRCLIP |
| 19 | 237830 | 1 | • BEARING, Ball |
| 20 | 237831 | 1 | • CIRCLIP |
| 21 | 237832 | 1 | • SEAL |
| 22 | 237833 | 2 | • DOWEL |
| 23 | 237834 | 1 | • VENT |
| 24 | 237835 | 1 | • O-RING |
| 25 | 237834 | 1 | • O-RING |
| 26 | 237836 | 1 | • O-RING |
| 27 | 237837 | 1 | • PLUG |

3.15 Central Housing - Rear Axle



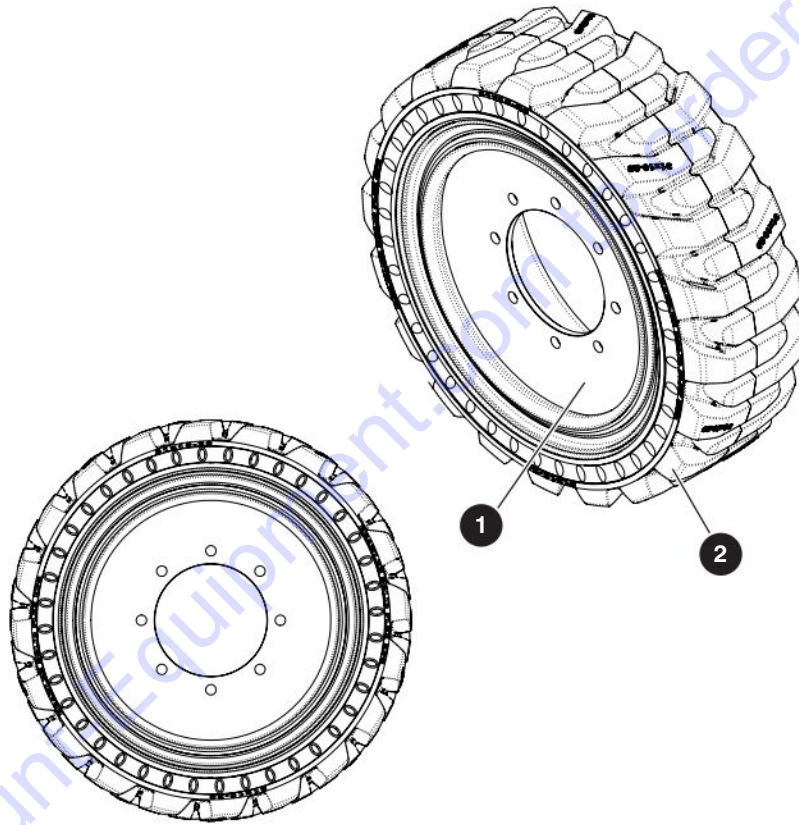
M215272AF-1

| Index No. | Skyjack Part No. | Qty. | Description |
|-----------|------------------|------|------------------|
| - | - | 1 | CENTRAL HOUSING |
| 1 | 237789 | 1 | • HOUSING |
| 2 | 224356 | 4 | • O-RING |
| 3 | 237790 | 1 | • COVER |
| 4 | 237791 | 4 | • BOLT, Cylinder |
| 5 | 237777 | 1 | • PLUG |
| 6 | 237776 | 1 | • PLUG, Magnetic |
| 7 | 237792 | 1 | • COVER |

3.16 Tires

WARNING

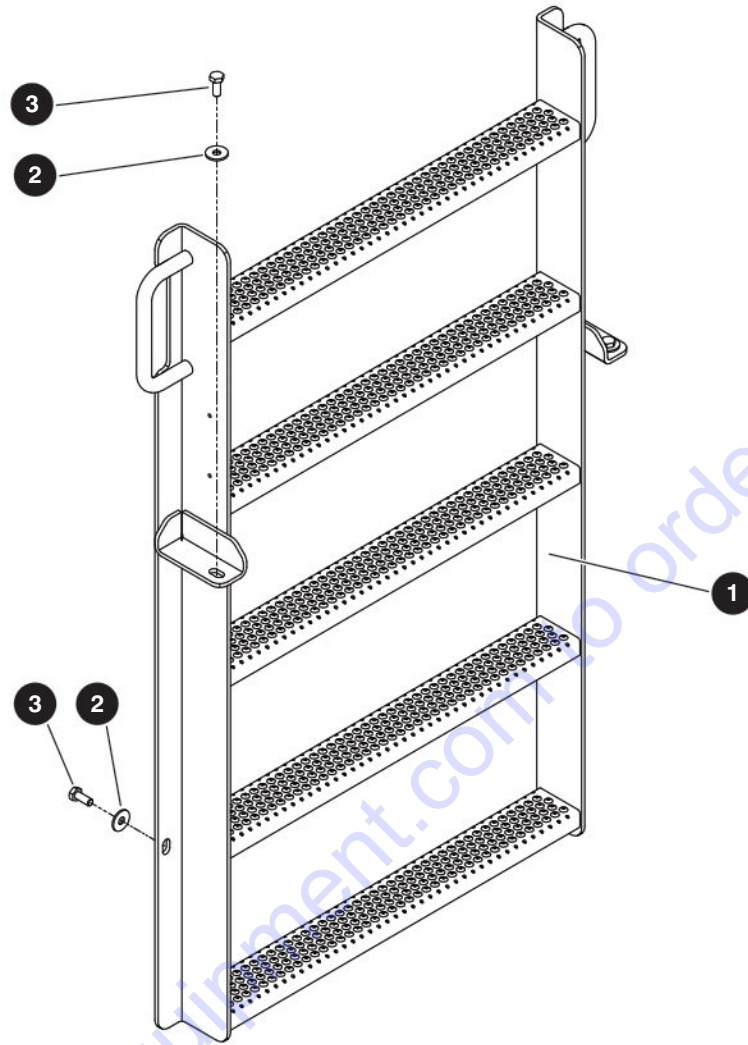
Do not use tires other than the tires that Skyjack specifies for this MEWP. Do not mix different types of tires or use tires that are not in good condition. Only replace the tires with the same types that are approved by Skyjack. The use of other tires can make the MEWP less stable. If you do not obey, there is a risk of death or serious injury.



3.16 Tires

| Index No. | Skyjack Part No. | Qty. | Description |
|-----------|------------------|------|---|
| - | 231643 | 2 | TIRES, SKS900 - RH |
| - | 231644 | 2 | TIRES, SKS900 - LH |
| 1 | 231632 | 2 | • • RIM, 7.5 x 20 Offset (2.16") |
| 2 | 231641 | 2 | • • TIRE, SKS900 - Trelleborg (12 x 33 - 20) |
| - | 231662 | 2 | TIRES, SKS900 non-marking - RH |
| - | 231663 | 2 | TIRES, SKS900 non-marking - LH |
| 1 | 231632 | 2 | • • RIM, 7.5 x 20 Offset (2.16") |
| 2 | 231661 | 2 | • • TIRE, Non-marking - Trelleborg SKS900 (33 x 12 - 20) |
| - | 231205 | 2 | TIRES, SP - RH |
| - | 231204 | 2 | TIRES, SP - LH |
| 1 | 231632 | 2 | • • RIM, 7.5 x 20 Offset (2.16") |
| 2 | 231641 | 2 | • • TIRE, Solid - Brawler (12 x 33 - 20) |
| - | 222306 | 2 | TIRES, Brawler - 10" Marking - LH - SJ9233 RT, SJ9243 RT |
| - | 222307 | 2 | TIRES, Brawler - 10" Marking - RH - SJ9233 RT, SJ9243 RT |
| 1 | 215993 | 2 | • • RIM, 7.5 x 20 Offset (2.5") |
| 2 | 215998 | 2 | • • TIRE, Solid tire marking - Brawler(10 x 31 - 20) |
| - | 222078 | 2 | TIRES, Brawler - 10" Non-Marking - LH - SJ9233 RT, SJ9243 RT |
| - | 222079 | 2 | TIRES, Brawler - 10" Non-Marking - RH - SJ9233 RT, SJ9243 RT |
| 1 | 215993 | 2 | • • RIM, 7.5 x 20 Offset (2.5") |
| 2 | 222080 | 2 | • • TIRE, Solid tire non-marking - Brawler (10 x 31 - 20) |

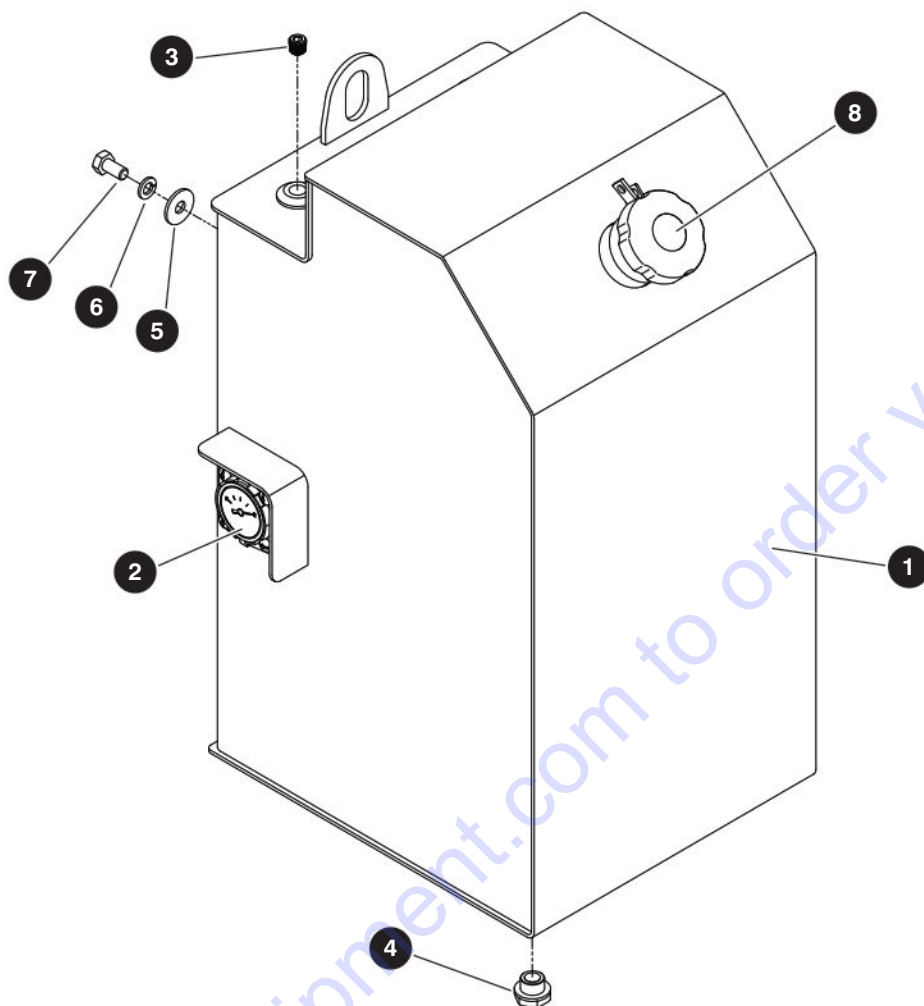
3.17 Ladder



M222149AC

| Index No. | Skyjack Part No. | Qty. | Description |
|-----------|------------------|------|---|
| A | 222150 | 1 | LADDER ASSEMBLY - SJ9233 RT |
| B | 222149 | 1 | LADDER ASSEMBLY - SJ9243 RT |
| C | 222148 | 1 | LADDER ASSEMBLY - SJ9253 RT |
| 1 | 215433 | 2 | • LADDER, A |
| | 215443 | 2 | • LADDER, B |
| | 215453 | 2 | • LADDER, C |
| 2 | 217839 | 8 | • WASHER, Fender (M10) |
| 3 | 223168 | 8 | • BOLT, Hex head (M10 x 1.5 x 25, gr 8.8) |

3.18 Fuel Tank



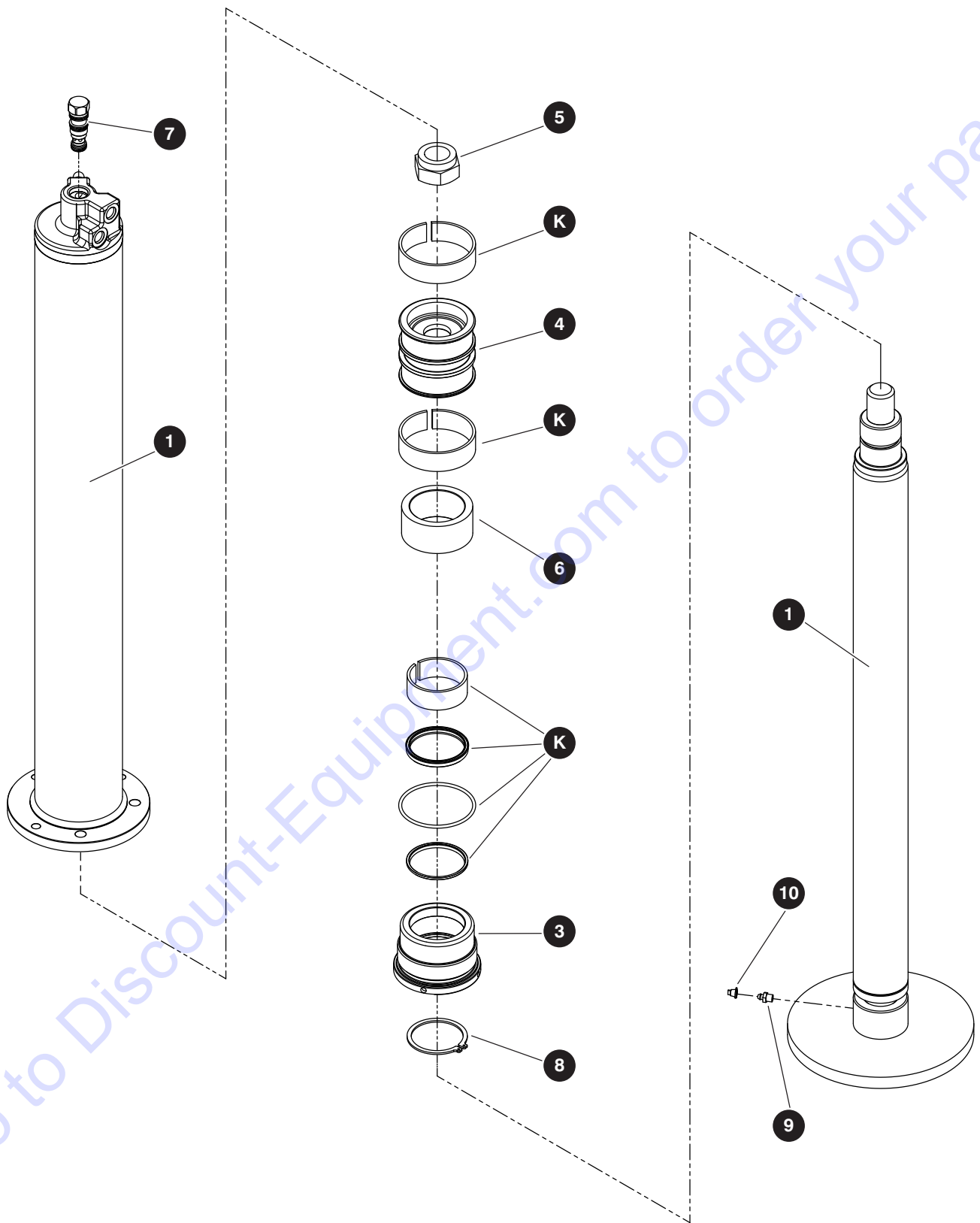
M222354AB

| Index No. | Skyjack Part No. | Qty. | Description |
|-----------|------------------|------|---|
| - | 222354 | 1 | FUEL TANK |
| - | 222331 | 1 | • TANK, Fuel - Universal |
| 1 | 222330 | 1 | • • TANK, Fuel |
| 2 | 215496 | 1 | • • GAUGE, Fuel |
| 3 | 215497 | 3 | • • PLUG, Hex socket solid |
| 4 | 117701 | 1 | • • PLUG, Tank |
| 5 | 217839 | 4 | • WASHER, Fender (M10) |
| 6 | 132497 | 4 | • WASHER, Lock (M10) |
| 7 | 933640 | 4 | • BOLT, Hex head cap screw (M10 x 1.5 x 20, gr 8.8) |
| 8 | 215469 | 1 | CAP, Filler - Vented (Diesel Engines) |
| | 215468 | 1 | CAP, Filler - Non-Vented (Dual Fuel Engines) |

3.19 Outriggers

| Index No. | Skyjack Part No. | Qty. | Description |
|-----------|------------------|------|--|
| - | 215420 | 1 | OUTRIGGERS |
| 1 | 215400 | 4 | • MOUNT, Outrigger weldm |
| 2 | (Ref.) | 4 | • CYLINDER, Outrigger <i>(For components, refer to Section 3.20 Outrigger Cylinder)</i> |
| 3 | 215407 | 4 | • ACTUATOR, Rod |
| 4 | 215413 | 4 | • CAP, Nut (M8 x 1.25) |
| 5 | 215414 | 4 | • BRACKET, Outrigger |
| 6 | 215439 | 4 | • BRACKET, Switch mount |
| 7 | 215406 | 4 | • CLIP, Plastic |
| 8 | 215409 | 4 | • COVER, Outrigger |
| 9 | 215467 | 4 | • COVER, Maintenance weldment |
| 10 | 215408 | 4 | • PLATE, Bumper |
| 11 | 215411 | 4 | • WEAR PAD, Black |
| 12 | 215412 | 4 | • SHIM (0.5 mm) |
| 13 | 215415 | 4 | • SHIM (1.00 mm) |
| 14 | 215355 | 4 | • PIN, Outrigger weldment |
| 15 | 215416 | 4 | • SPRING, Compression |
| 16 | 933657 | 20 | • BOLT, Hex head (M10 x 1.5 x 25, cl 10.9) |
| 17 | 933833 | 40 | • WASHER, Flat (M10) |
| 18 | 130884 | 40 | • WASHER, Lock (M10) |
| 19 | 103847 | 8 | • BOLT, Hex head (M10 x 1.5 x 20, cl 8.8) |
| 20 | 933648 | 8 | • BOLT, Hex head (M10 x 1.5 x 30, cl 10.9) |
| 21 | 933686 | 4 | • BOLT, Hex head (M10 x 1.5 x 40, cl 8.8) |
| 22 | 104608 | 32 | • BOLT, Hex head (M6 x 1 x 16, gr 9.8) |
| 23 | 121758 | 32 | • WASHER, Lock (M6) |
| 24 | 217837 | 32 | • WASHER, Fender (M6) |
| 25 | 217395 | 8 | • BOLT, Hex head (M6 x 1 x 22, cl 8.8) |
| 26 | 933834 | 16 | • WASHER, Flat (M6) |
| 27 | 933695 | 8 | • NUT, Hex lock (M6 x 1.0) |
| 28 | 121059 | 12 | • NUT, Hex head (M8 x 1.25, gr 5) |
| 29 | 933696 | 4 | • NUT, Hex lock (M8 x 1.25) |
| 30 | 119922 | 4 | • TRIM, Protective (1/4" - 1/2") |
| 31 | 114578 | 4 | • FITTING, 90D (06JICM 06ORBM) |
| 32 | 139104 | 4 | • FITTING, 90D large (06JICM 06ORBM) |

3.20 Outrigger Cylinder



M215821AC

224578ABA

100

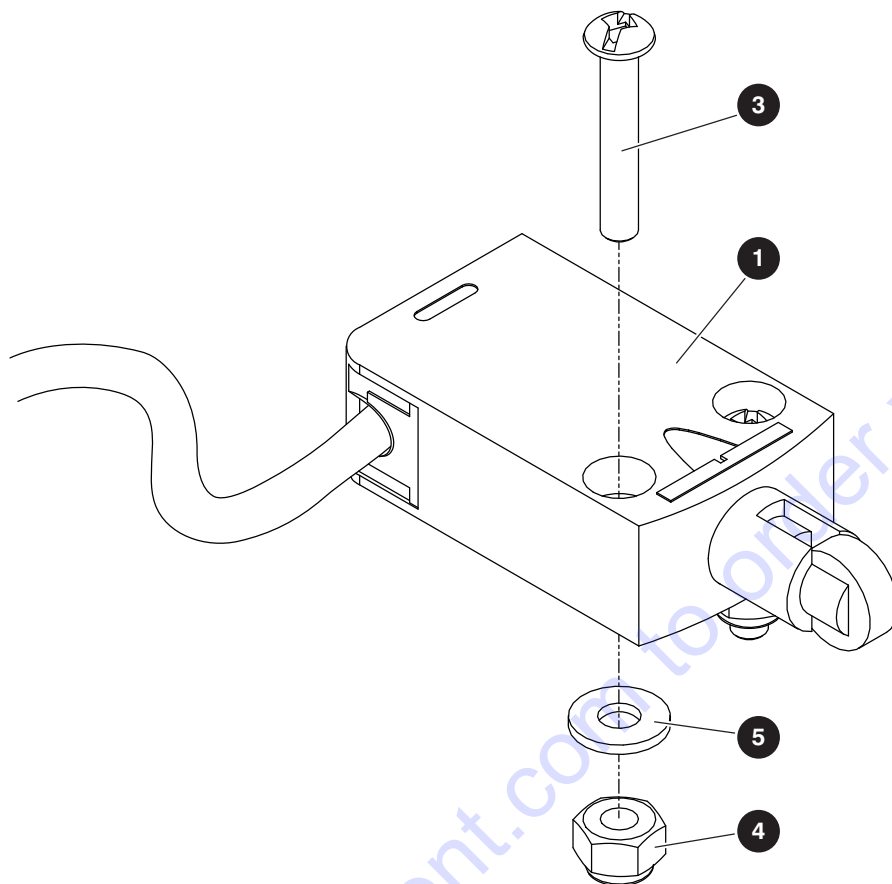
SJ9233 RT, SJ9243 RT, SJ9253 RT

SKYJACK

3.20 Outrigger Cylinder

| Index No. | Skyjack Part No. | Qty. | Description |
|-----------|------------------|------|-------------------------------|
| - | 215821 | 1 | OUTRIGGER CYLINDER |
| 1 | 235940 | 1 | • BARREL |
| 2 | 235941 | 1 | • ROD |
| 3 | 135942 | 1 | • GLAND |
| 4 | 235943 | 1 | • PISTON |
| 5 | 106230 | 1 | • NUT, Lock (1-1/4"-12, gr C) |
| 6 | 235944 | 1 | • SPACER |
| 7 | 232999 | 1 | • VALVE, Check (100 psi) |
| 8 | 126279 | 1 | • RING, Retaining |
| 9 | 102027 | 1 | • FITTING, Grease (1/8" NPT) |
| 10 | 132565 | 1 | • CAP, Rubber |
| K | 235945 | 1 | KIT, Seal |

3.21 Outrigger Limit Switches



M215162AB

| Index No. | Skyjack Part No. | Qty. | Description |
|-----------|------------------|------|---|
| - | 215162 | 1 | LIMIT SWITCH Outrigger Front Left - retract |
| - | 215160 | 1 | LIMIT SWITCH Outrigger Rear Left - retract |
| - | 232968 | 1 | LIMIT SWITCH Outrigger Front Right - retract |
| - | 232970 | 1 | LIMIT SWITCH Outrigger Rear Right - retract |
| - | 232971 | 1 | LIMIT SWITCH, Outrigger Rear Right - extend |
| - | 215172 | 1 | LIMIT SWITCH, Outrigger Front Left - extend |
| - | 215161 | 1 | LIMIT SWITCH, Outrigger Rear Left - extend |
| - | 232969 | 1 | LIMIT SWITCH, Outrigger Front Right - extend |
| 1 | 199486 | 1 | <ul style="list-style-type: none"> • SWITCH, Limit - roller plunger |
| 2 | 105360 | 2 | <ul style="list-style-type: none"> • TERMINAL, Male (14-16 GA) (not shown) |
| 3 | 11224 | 2 | SCREW, Round head machine (8-32 x 1") |
| 4 | 138762 | 2 | NUT, Lock (8-32) |
| 5 | 103991 | 2 | WASHER, flat (8) |

PARTS FINDER

**Search Website
by Part Number**



**Search Manual
Library For Parts
Manual & Lookup Part
Numbers – Purchase
or Request Quote**

Search Manuals

Enter your information to help us find the right parts manual for your machine.

* Brand:

* Model:

* Serial:

* Part Number:

SEARCH

**Can't Find Part or
Manual? Request Help
by Manufacturer,
Model & Description**

Parts Order Form

Please fill in the following information to help us find the right part for your machine.

| | |
|---------------|----------------------|
| Manufacturer: | <input type="text"/> |
| Model: | <input type="text"/> |
| Description: | <input type="text"/> |
| Part Number: | <input type="text"/> |
| Quantity: | <input type="text"/> |
| Notes: | <input type="text"/> |

Submit

Discount-Equipment.com is your online resource for quality parts & equipment.

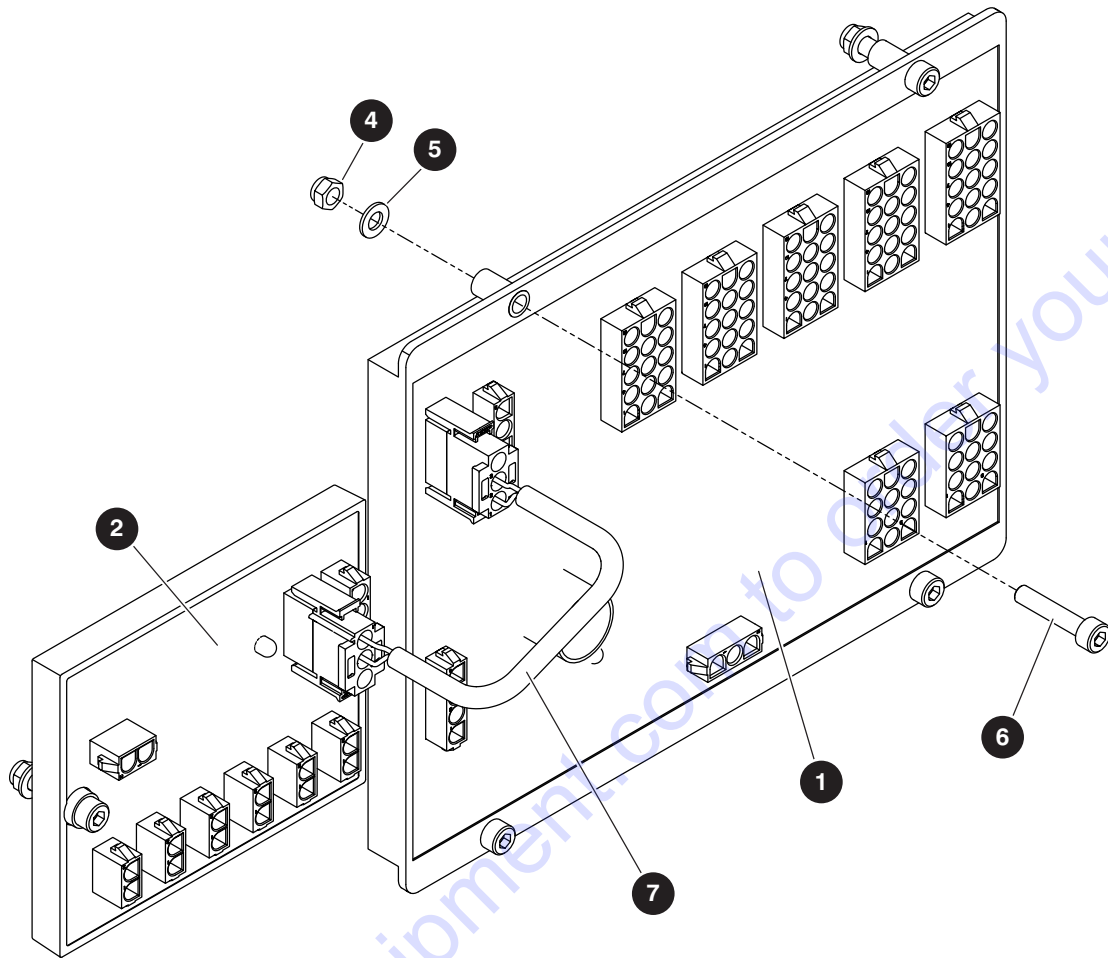
Florida: **561-964-4949** Outside Florida TOLL FREE: **877-690-3101**

Need parts?

Click on this link: <http://www.discount-equipment.com/category/5443-parts/> and choose one of the options to help get the right parts and equipment you are looking for. Please have the machine model and serial number available in order to help us get you the correct parts. If you don't find the part on the website or on one of the online manuals, please fill out the request form and one of our experienced staff members will get back to you with a quote for the right part that your machine needs.

We sell worldwide for the brands: Genie, Terex, JLG, MultiQuip, Mikasa, Essick, Whiteman, Mayco, Toro Stone, Diamond Products, Generac Magnum, Airman, Haulotte, Barreto, Power Blanket, Nifty Lift, Atlas Copco, Chicago Pneumatic, Allmand, Miller Curber, Skyjack, Lull, Skytrak, Tsurumi, Husquvarna Target, Stow, Wacker, Sakai, Mi-T-M, Sullair, Basic, Dynapac, MBW, Weber, Bartell, Bennar Newman, Haulotte, Ditch Runner, Menegotti, Morrison, Contec, Buddy, Crown, Edco, Wyco, Bomag, Laymor, EZ Trench, Bil-Jax, F.S. Curtis, Gehl Pavers, Heli, Honda, ICS/PowerGrit, IHI, Partner, Imer, Clipper, MMD, Koshin, Rice, CH&E, General Equipment, Amida, Coleman, NAC, Gradall, Square Shooter, Kent, Stanley, Tamco, Toku, Hatz, Kohler, Robin, Wisconsin, Northrock, Oztec, Toker TK, Rol-Air, APT, Wylie, Ingersoll Rand / Doosan, Innovatech, Con X, Ammann, Mecalac, Makinex, Smith Surface Prep, Small Line, Wanco, Yanmar

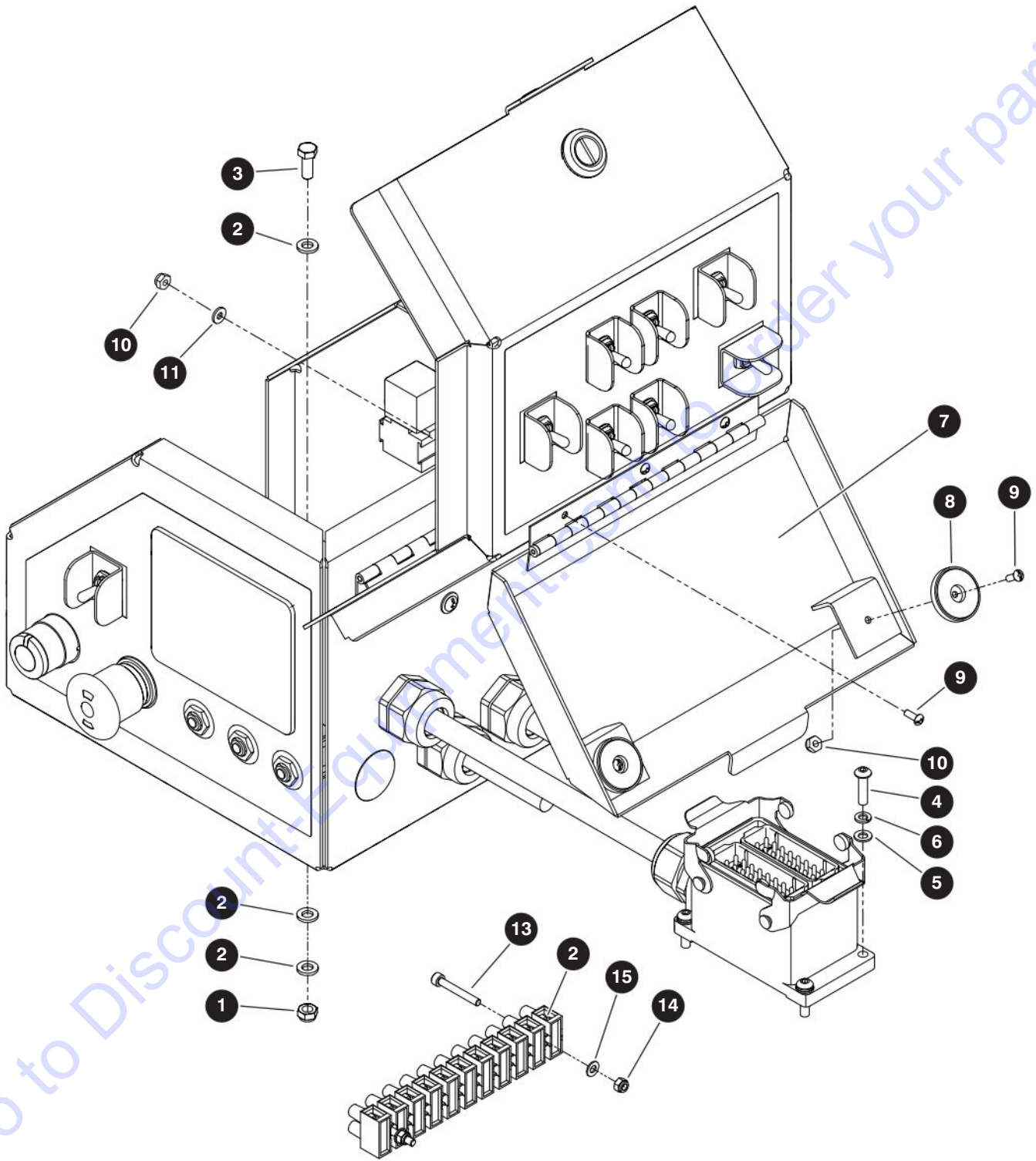
3.22 Machine Controller



M215876AD

| Index No. | Skyjack Part No. | Qty. | Description |
|-----------|------------------|------|---|
| - | 215876 | 1 | MACHINE CONTROLLER |
| 1 | 215780 | 1 | • CONTROLLER, Skycoded |
| 2 | 222184 | 1 | • CONTROLLER, Valve driver |
| 3 | (Ref.) | 1 | • HARNESS, Machine Controller (not shown) (For components, refer to Section 5.15 Machine Controller Harness) |
| 4 | 217628 | 6 | • NUT, Hex lock (M5 x 0.8, cl 8) |
| 5 | 933816 | 6 | • WASHER, Flat (M5) |
| 6 | 217060 | 6 | • SCREW, Socket head cap screw (M5 x 0.8 x 25, cl 12.9) |
| 7 | 232965 | 1 | • HARNESS, CANBUS |

3.23 Base Control Box Hardware



M222052AE

224578ABA

104

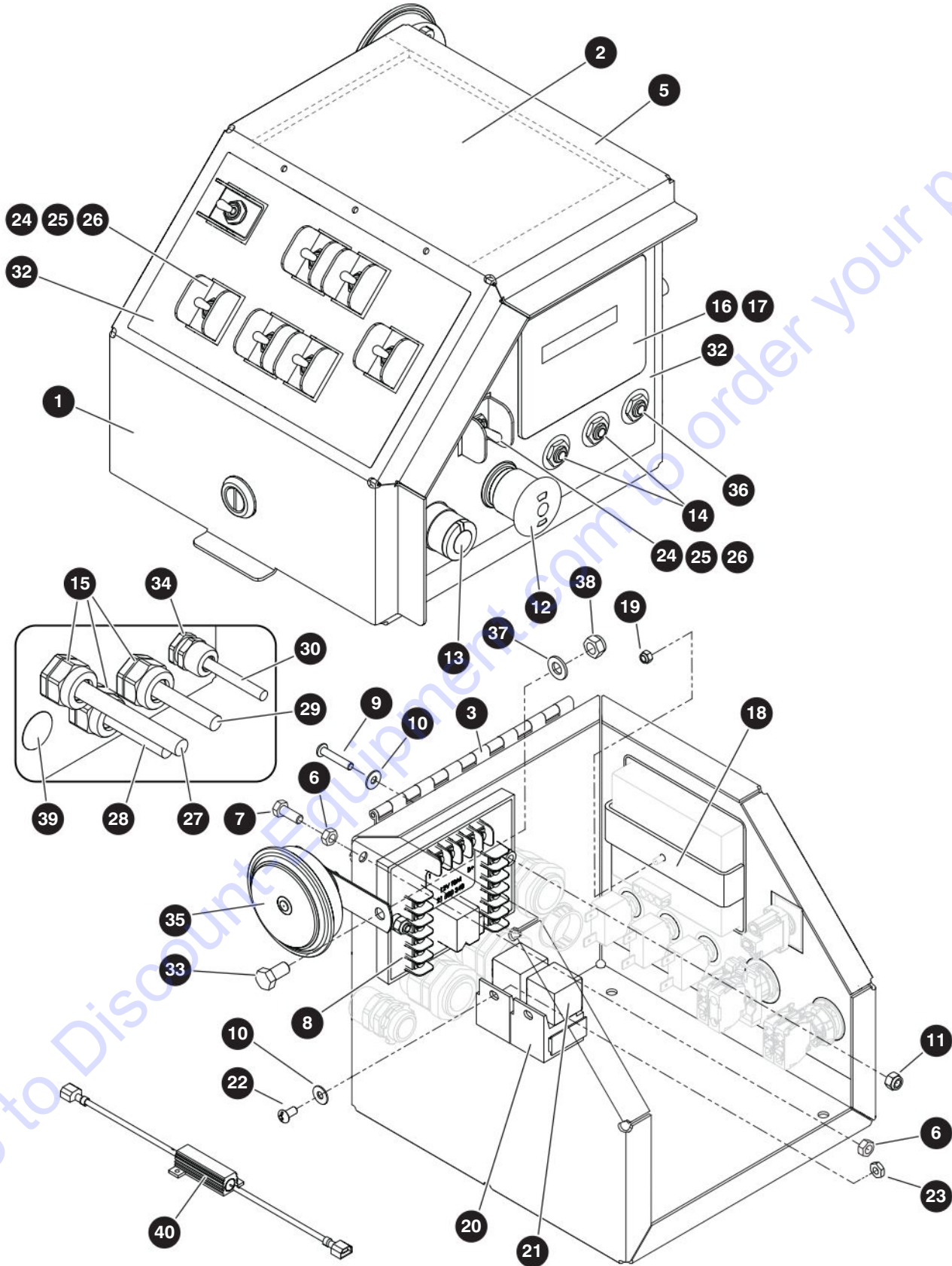
SJ9233 RT, SJ9243 RT, SJ9253 RT

SKYJACK

3.23 Base Control Box Hardware

| Index No. | Skyjack Part No. | Qty. | Description |
|-----------|------------------|------|---|
| - | - | 1 | BASE CONTROL BOX HARDWARE |
| 1 | 223164 | 4 | • NUT, Hex lock (M6 x 1.0, cl 8) |
| 2 | 133219 | 12 | • WASHER, Flat (M6) |
| 3 | 217392 | 4 | • BOLT, Hex head (M6 x 1.0 x 16, cl 8.8) |
| 4 | 217543 | 4 | • BOLT, Button head cap (M5 x 0.8 x 20, cl 10.9) |
| 5 | 933816 | 4 | • WASHER, Flat (M5) |
| 6 | 228460 | 4 | • WASHER, Lock (M5) |
| 7 | 220349 | 1 | • COVER, CB |
| 8 | 220357 | 2 | • MAGNET, CB |
| 9 | 121461 | 5 | • SCREW, Round head machined (6 - 32 x 0.375) |
| 10 | 196306 | 5 | • NUT, Lock (6 - 32, gr 5) |
| 11 | 117951 | 3 | • WASHER, Seal (#6) |
| 12 | 222193 | 1 | • TERMINAL STRIP, Outrigger limit switches |
| 13 | 217052 | 2 | • SCREW, Socket head cap screw (M4 x 0.7 x 30, cl 12.9) |
| 14 | 121484 | 2 | • NUT, Lock (M4 x 0.7) |
| 15 | 600579 | 2 | • WASHER, Flat (M4) |

3.24 Base Control Box



M215897AF_M237933

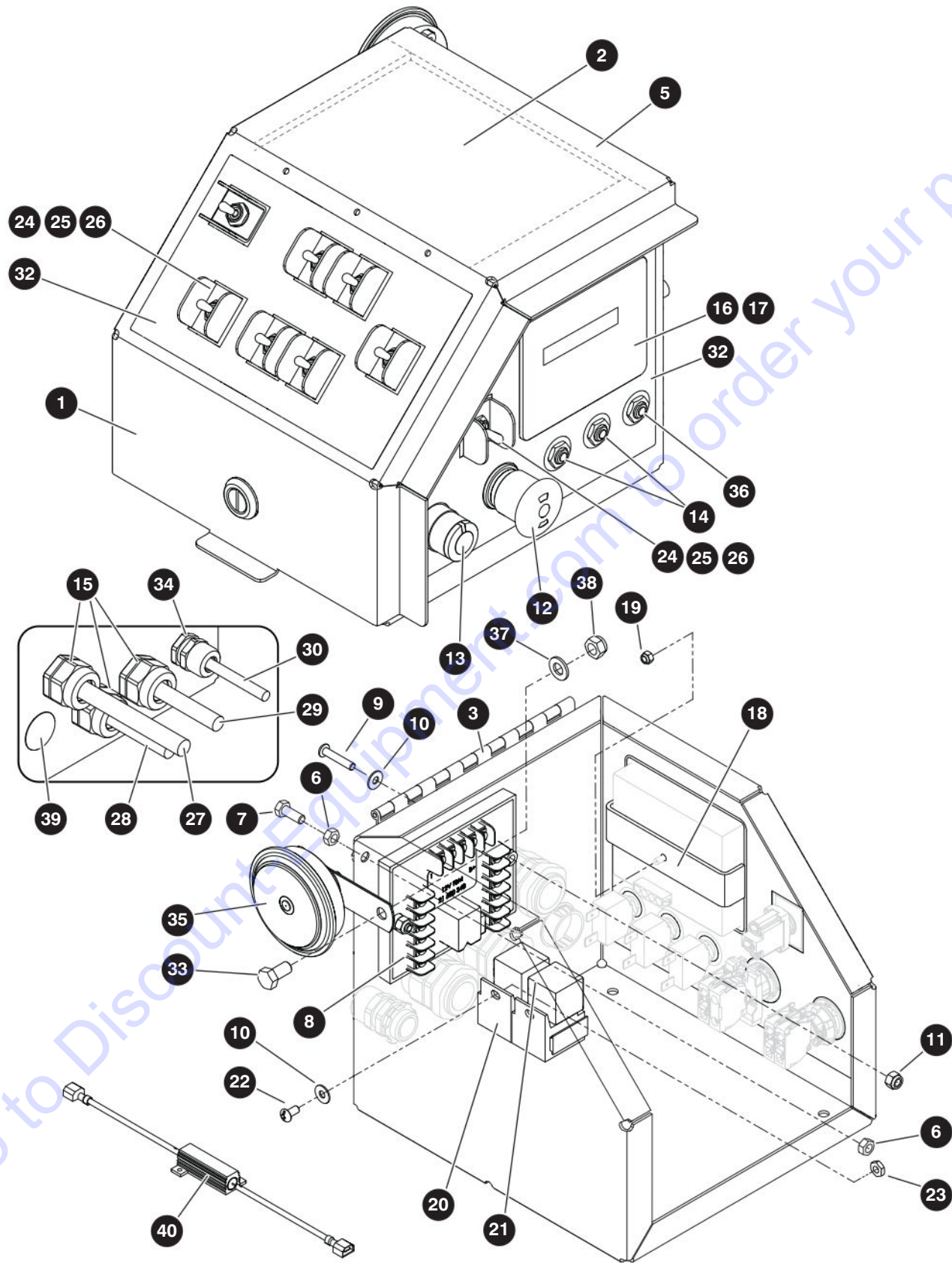
224578ABA

SJ9233 RT, SJ9243 RT, SJ9253 RT

3.24 Base Control Box

| Index No. | Skyjack Part No. | Qty. | Description |
|-----------|------------------|------|---|
| A | 215897 | 1 | BASE CONTROL BOX - with Outriggers - ANSI/CSA & AS |
| B | 215899 | 1 | BASE CONTROL BOX - with Outriggers - CE & KC |
| C | 222192 | 1 | BASE CONTROL BOX - no Outriggers - ANSI/CSA |
| - | (Ref.) | 1 | • ENCLOSURE, Base control box |
| 1 | 220416 | 1 | • • BASE PLATE, Base control box |
| 2 | 220417 | 1 | • • FRONT PLATE, Base control box |
| 3 | 215863 | 1 | • • HINGE, Base control box |
| 4 | 220414 | 1 | • • LATCH, Slotted door |
| 5 | 103628 | 1 | • • RUBBER, Self seal |
| 6 | 800354 | 2 | • • NUT, Hex head (M6 x 1.00) |
| 7 | 217392 | 1 | • • BOLT, Hex head (M6 x 1 x 16, 8.8) |
| 8 | 215783 | 1 | • CONTROLLER, Power - current sensing |
| 9 | 105621 | 2 | • SCREW, Round head (10 - 32 x 1.0) |
| 10 | 117952 | 3 | • WASHER, Seal (0.203 ID x 0.5 OD x 0.40) |
| 11 | 300450 | 2 | • NUT, Lock (10 - 32, gr 5) |
| 12 | 144652 | 1 | • SWITCH, E-Stop |
| 13 | 164949 | 1 | • SWITCH, Key - ANSI, A, C |
| | 165828 | 1 | • SWITCH, Key - CE, B |
| 14 | 137919 | 2 | • BREAKER, Circuit (25 A) |
| 15 | 116266 | 2 | • CONNECTOR, Heyco liquid tight |
| 16 | 217921 | 1 | • MODULE, Display |
| 17 | 221682 | 1 | • GASKET, Display module |
| 18 | 211905 | 1 | • STRAP, Display module |
| 19 | 121484 | 1 | • NUT, Lock (M4 x 0.70) |
| 20 | 138749 | 2 | • SOCKET, Automotive relay |
| 21 | 127131 | 2 | • RELAY (12 V - 40 A) |
| 22 | 115545 | 1 | • SCREW, Round head machine (10 - 32 x 0.375) |
| 23 | 104003 | 1 | • NUT, Hex (10 - 32) |
| 24 | 102853 | 8 | • SWITCH, Toggle (1NT1-7), A, B |
| | 102853 | 4 | • SWITCH, Toggle (1NT1-7), C |
| 25 | 144016 | 8 | • SEAL, Panel bushing - toggle switch, A, B |
| | 144016 | 4 | • SEAL, Panel bushing - toggle switch, C |
| 26 | 111181 | 8 | • GUARD, Toggle switch, A, B |
| | 111181 | 4 | • GUARD, Toggle switch, C |
| 27 | (Ref.) | 1 | • HARNESS, Control cable - base <i>(For components, refer to Section 5.11 Base Control Cable)</i> |
| 28 | (Ref.) | 1 | • HARNESS, Control - A <i>(For components, refer to Section 5.12 Control A Harness)</i> |
| 29 | (Ref.) | 1 | • HARNESS, Control - B <i>(For components, refer to Section 5.13 Control B Harness)</i> |
| 30 | (Ref.) | 1 | • HARNESS, Control - Outrigger, A, B <i>(For components, refer to Section 5.14 Outrigger Control Harness)</i> |

3.24 Base Control Box



M215897AF_M237933AA

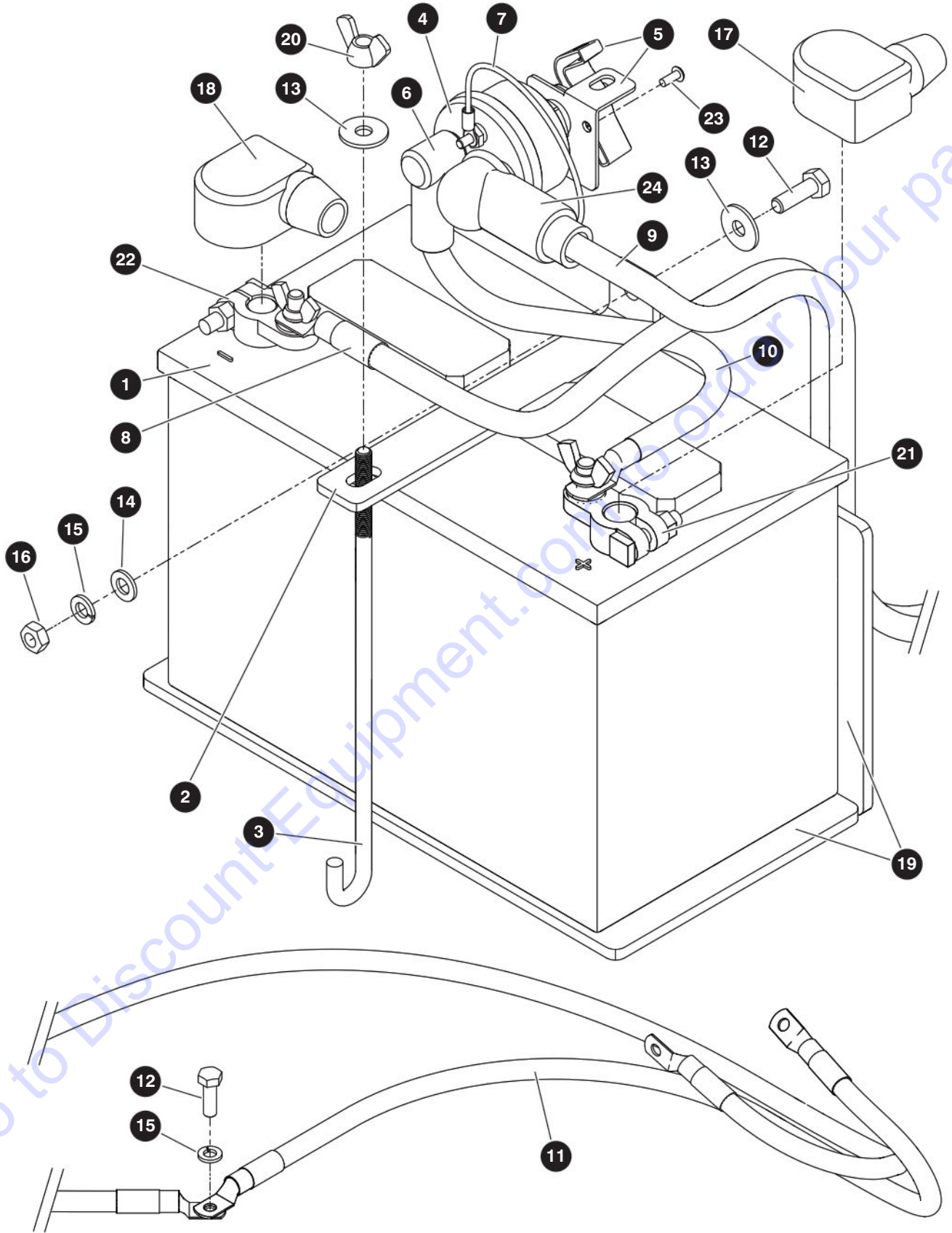
224578ABA

SJ9233 RT, SJ9243 RT, SJ9253 RT

3.24 Base Control Box

| Index No. | Skyjack Part No. | Qty. | Description |
|-----------|------------------|------|--|
| 31 | 215898 | 1 | • WIRING, Control box - outrigger (not shown) A, B |
| | 222194 | 1 | • WIRING, Control box (not shown), C |
| 32 | (Ref.) | 1 | • LABELS <i>(For components, refer to Section 8.7 Labels - Control Boxes)</i> |
| 33 | 217401 | 1 | • BOLT, Hex head (M8 x 1.25 x 16, cl 10.9) |
| 34 | 103036 | 1 | • CONNECTOR, Strain relief (1/2"), A, B |
| | 116266 | 1 | • CONNECTOR, Heyco liquid tight, C |
| 35 | 146652 | 1 | • HORN, 12 V low tone |
| 36 | 222211 | 1 | • BREAKER, Circuit (3A) |
| 37 | 933832 | 1 | • WASHER, Flat (M8) |
| 38 | 223163 | 1 | • NUT, Hex lock (M8 x 1.25. cl 8) |
| 39 | 116266 | 2 | • CONNECTOR, Heyco liquid tight, A, B |
| | 131938 | 1 | • PLUG, 1.125 DIA, C |
| 40 | 231738 | 1 | RESISTOR ASSEMBLY (with wires) - 3 ohm - SJ9233 RT & SJ9243 RT |
| | 210142 | 1 | • RESISTOR - 3 ohm 50 W |
| | 231740 | 1 | RESISTOR ASSEMBLY (with wires) - 2 ohm - SJ9253 RT |
| | 171988 | 1 | • RESISTOR - 2 ohm 25 W |

3.25 Battery



M215845AH

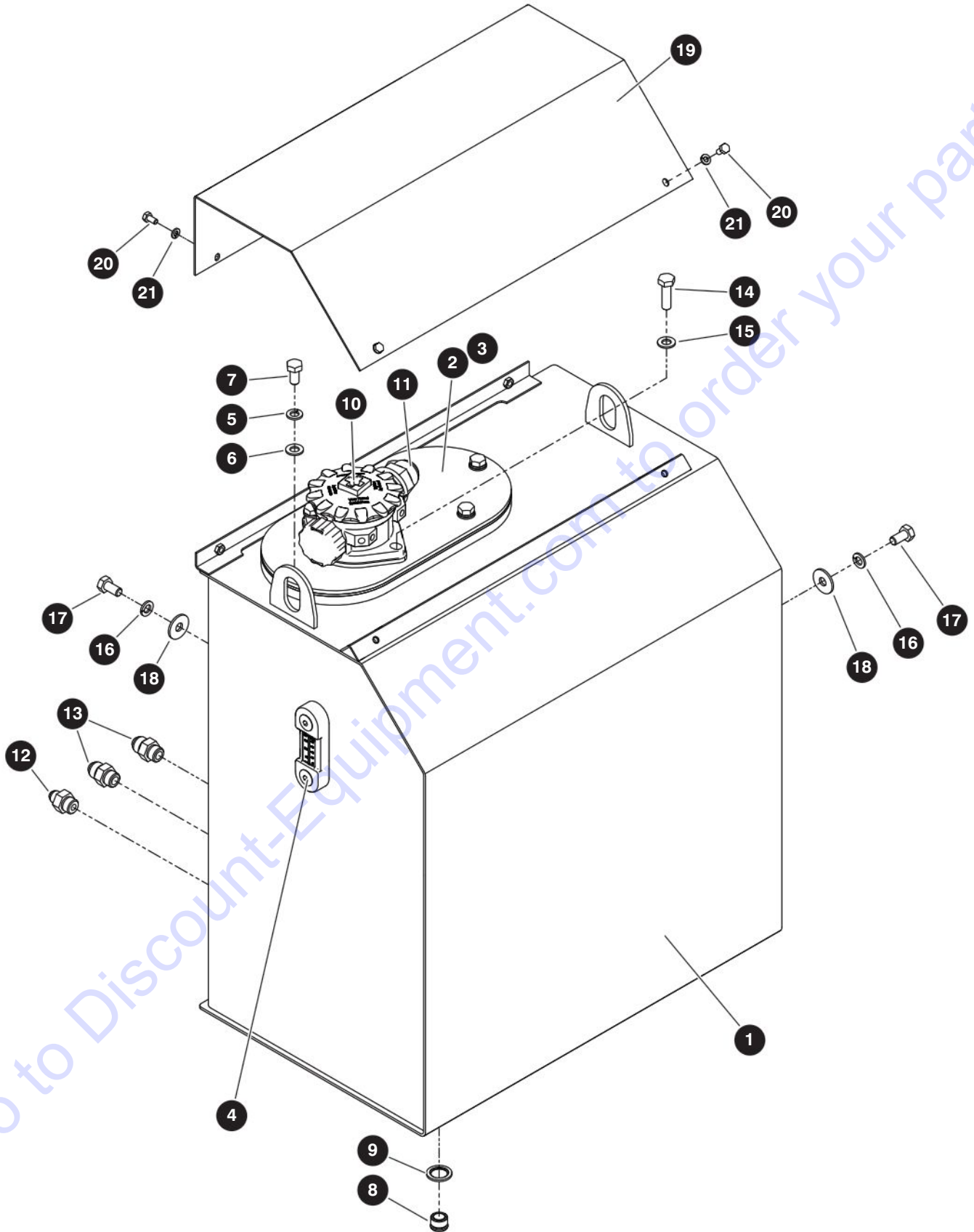
224578ABA

SJ9233 RT, SJ9243 RT, SJ9253 RT

3.25 Battery

| Index No. | Skyjack Part No. | Qty. | Description |
|-----------|------------------|------|--|
| - | 215845 | 1 | BATTERY |
| 1 | 103295 | 1 | • BATTERY (12V) |
| 2 | 215354 | 1 | • PLATE, Battery restraint |
| 3 | 215353 | 1 | • J-BOLT, Battery restraint |
| 4 | 210051 | 1 | • SWITCH, Main disconnect |
| 5 | 108714 | 1 | • KIT, Locking lever |
| 6 | 117408 | 1 | • BOOT, Battery - red |
| 7 | 126438 | 1 | • WIRE, Main disconnect |
| 8 | 230551 | 1 | • CABLE, Welding (#1GA, 3/8 x 114 x 5/16) |
| 9 | 230552 | 1 | • CABLE, Welding (#1GA, 3/8 x 140 x 5/16) |
| 10 | 230671 | 1 | • CABLE, Welding (#2GA, 3/8 x 15 x 3/8) |
| 11 | 230553 | 1 | • CABLE, Welding (#1GA, 3/8 x 28 x 3/8) |
| 12 | 133869 | 2 | • BOLT, Hex head (M8 x 1.25 x 25, gr 8.8) |
| 13 | 217838 | 2 | • WASHER, Fender (M8) |
| 14 | 933832 | 1 | • WASHER, Flat (M8) |
| 15 | 116218 | 2 | • WASHER, Lock (M8) |
| 16 | 121059 | 1 | • NUT, Hex head (M8 x 1.25, gr 5) |
| 17 | 123776 | 1 | • INSULATOR, Battery boot (red) XL |
| 18 | 155795 | 1 | • INSULATOR, Battery boot (black) XL |
| 19 | 157464 | 2 | • PAD, Battery (950) |
| 20 | 217563 | 1 | • NUT, Wing (M8 x 1.25) |
| 21 | 128619 | 1 | • TERMINAL, Marine Top to 3/8 Stud Positive |
| 22 | 128620 | 1 | • TERMINAL, Marine Top to 5/16 Stud Negative |
| 23 | 162754 | 2 | • RIVET (0.1536 x 0.312) |
| 24 | 139105 | 1 | • BOOT, Battery - red (#2/0) |

3.26 Hydraulic Tank



M215788AE_M222340AF

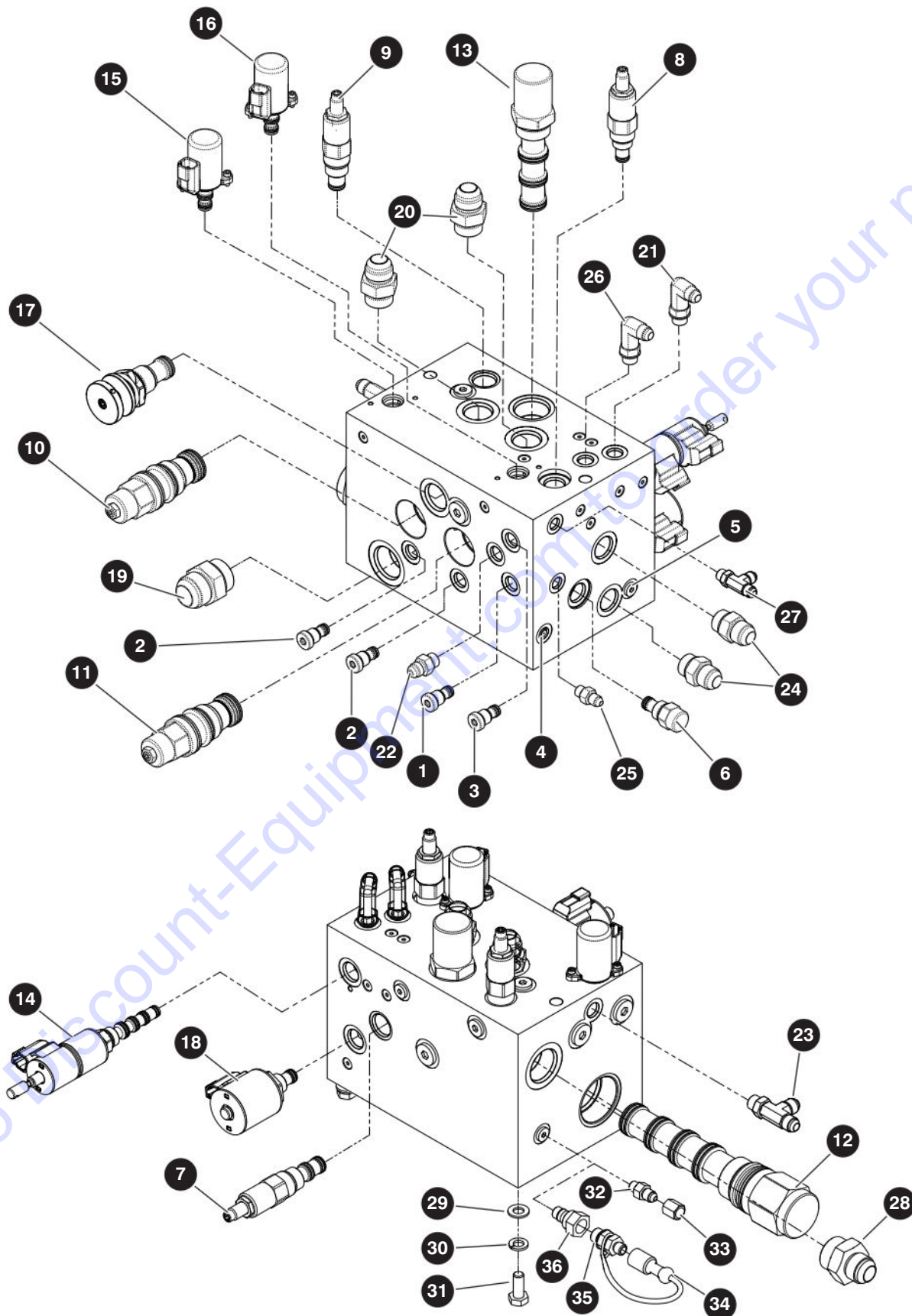
224578ABA

SJ9233 RT, SJ9243 RT, SJ9253 RT

3.26 Hydraulic Tank

| Index No. | Skyjack Part No. | Qty. | Description |
|-----------|------------------|------|---|
| - | - | 1 | HYDRAULIC TANK |
| - | 222340 | 1 | • HYDRAULIC TANK |
| 1 | 222335 | 1 | • • TANK, Hydraulic |
| 2 | 215479 | 1 | • • GASKET, Hydraulic tank |
| 3 | 215480 | 1 | • • COVER, Hydraulic tank |
| 4 | 103236 | 1 | • • INDICATOR, level 3" |
| 5 | 132497 | 4 | • • WASHER, Lock (M10) |
| 6 | 933833 | 4 | • • WASHER, Flat (M10) |
| 7 | 103847 | 4 | • • BOLT, Hex head (M10 x 1.5 x 20, gr 8.8) |
| 8 | 143980 | 1 | • • FITTING, Magnetic plug (08ORBM) |
| 9 | 120190 | 1 | • • WASHER, Sealing |
| 10 | 161934 | 1 | • FILTER, In-tank return |
| | 161949 | 1 | • • CARTRIDGE, Filter element |
| 11 | 138667 | 1 | • FITTING, Straight (16JICM-16ORBM) |
| 12 | 103070 | 1 | • FITTING, Straight (06JICM-08ORBM) |
| 13 | 102659 | 2 | • FITTING, Straight (08JICM-08ORBM) |
| 14 | 217413 | 2 | • BOLT, Hex head (M10 x 1.5 x 35, cl 8.8) |
| 15 | 933833 | 2 | • WASHER, Flat (M10) |
| 16 | 132497 | 4 | • WASHER, Lock (M10) |
| 17 | 933640 | 4 | • BOLT, Hex head cap screw (M10 x 1.5 x 20, cl 8.8) |
| 18 | 217839 | 4 | • WASHER, Fender (M10) |
| 19 | 220359 | 1 | • PLATE, Tank top cover |
| 20 | 933646 | 4 | • BOLT, Hex head (M6 x 1 x 12mm, cl 8.8) |
| 21 | 121758 | 4 | • WASHER, Lock (M6) |

3.27 Drive Manifold



M215851AC_M231757AA

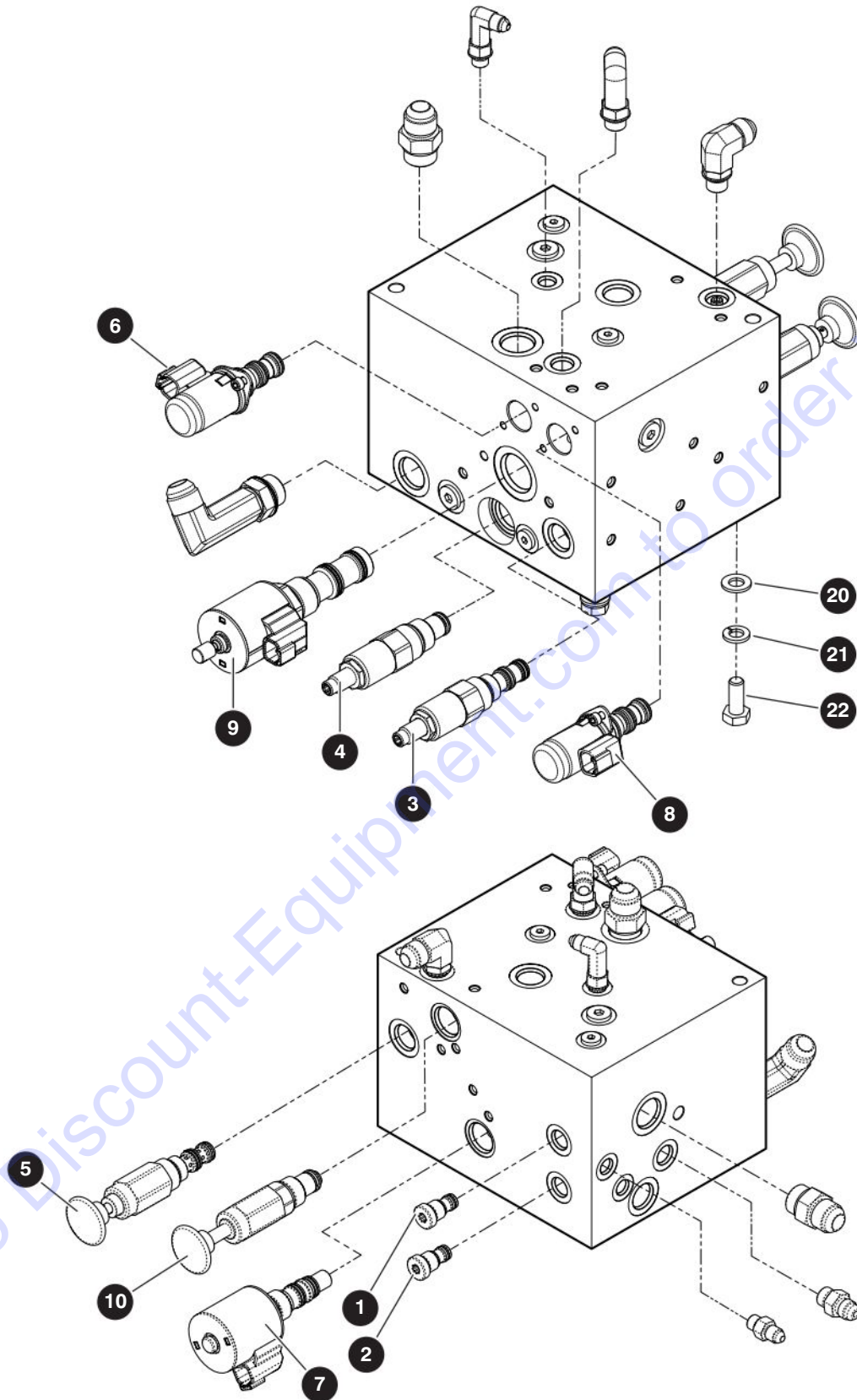
224578ABA

SJ9233 RT, SJ9243 RT, SJ9253 RT

3.27 Drive Manifold

| Index No. | Skyjack Part No. | Qty. | Description |
|-----------|------------------|------|---|
| - | 215851 | 1 | DRIVE MANIFOLD |
| 1 | 171412 | 1 | • ORIFICE, Auxiliary LS |
| 2 | 171412 | 2 | • CHECK VALVE, Drive LS |
| 3 | 171412 | 1 | • CHECK VALVE, Steer LS |
| 4 | 229300 | 1 | • ORIFICE, Drive (0.025") |
| 5 | 171416 | 1 | • ORIFICE, Steer (0.020") |
| 6 | 166058 | 1 | • FLOW CONTROL (0.1 GPM) |
| 7 | 229298 | 1 | • VALVE, Pressure reducing - auxiliary |
| 8 | 206185 | 1 | • RELIEF, Steer |
| 9 | 229296 | 1 | • RELIEF, System |
| 10 | 229302 | 1 | • COUNTERBALANCE, Drive reverse |
| 11 | 229302 | 1 | • COUNTERBALANCE, Drive forward |
| 12 | 206190 | 1 | • VALVE, Directional drive |
| 13 | 229295 | 1 | • VALVE, Priority steer |
| 14 | 229294 | 1 | • VALVE, Steering |
| 15 | 213997 | 1 | • VALVE, Drive forward |
| 16 | 213997 | 1 | • VALVE, Drive reverse |
| 17 | 229292 | 1 | • VALVE, Freewheel |
| 18 | 229291 | 1 | • VALVE, Pressure dump |
| 19 | 138667 | 1 | • FITTING, Straight (16JICM-16ORBM) |
| 20 | 702118 | 2 | • FITTING, Straight (12JICM-12ORBM) |
| 21 | 139104 | 1 | • FITTING, 90° long (06JICM-06ORBM) |
| 22 | 103069 | 1 | • FITTING, Straight (06JICM-06ORBM) |
| 23 | 114581 | 1 | • FITTING, Tee - swivel run (06JICM-06ORBMS-06JICM) |
| 24 | 137630 | 2 | • FITTING, Straight (10JICM-10ORBM) |
| 25 | 126128 | 1 | • FITTING, Straight (04JICM-04ORBM) |
| 26 | 114578 | 1 | • FITTING, 90° (06JICM-06ORBM) |
| 27 | 211844 | 1 | • FITTING, Tee - swivel run (04JICM-04ORBMS-04JICM) |
| 28 | 702122 | 1 | • FITTING, Straight (12JICM-16ORBM) |
| 29 | 933833 | 4 | WASHER, Flat (M10) |
| 30 | 132497 | 4 | WASHER, Lock (M10) |
| 31 | 223168 | 4 | BOLT, Hex head (M10 x 1.5 x 25, cl 8.8) |
| - | 231757 | 1 | TEST GAUGE PORT - ANSI/CSA |
| 32 | 126128 | 1 | • FITTING, Straight (04JICM-04ORBM) |
| 33 | 131286 | 1 | • FITTING, Cap (04JICF) |
| - | 231758 | 1 | TEST GAUGE PORT - CE & AS |
| 34 | 114521 | 1 | • CAP, Dust (06 QD) |
| 35 | 122385 | 1 | • FITTING, Quick disconnect (06 ORBF) |
| 36 | 231751 | 1 | • FITTING, Straight (06JICM-04ORBM) |

3.28 Auxiliary Manifold



M215838AC

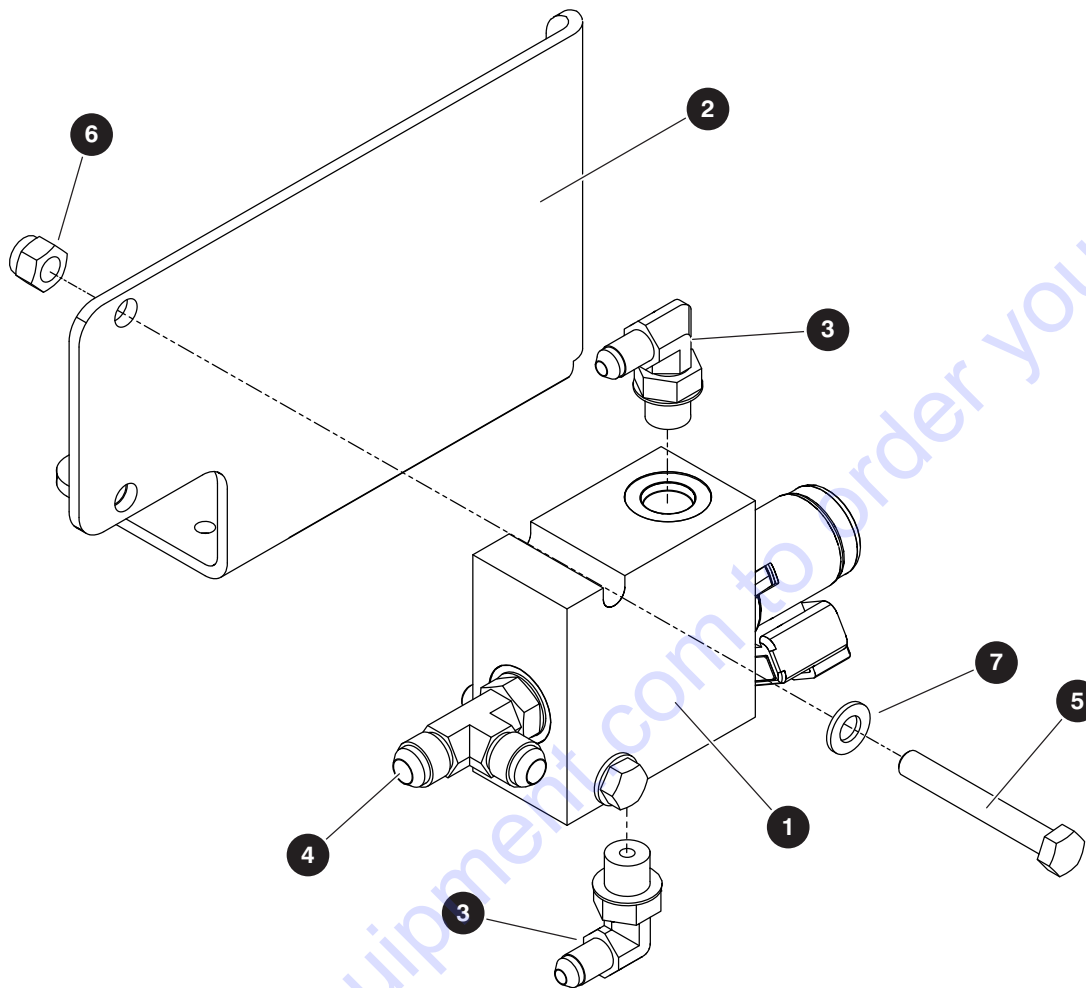
224578ABA

SJ9233 RT, SJ9243 RT, SJ9253 RT

3.28 Auxiliary Manifold

| Index No. | Skyjack Part No. | Qty. | Description |
|-----------|------------------|------|---|
| - | 215838 | 1 | AUXILIARY MANIFOLD |
| 1 | 171412 | 1 | • CHECK VALVE, Pressure dump LS |
| 2 | 171412 | 1 | • CHECK VALVE, Outtrigger LS |
| 3 | 229299 | 1 | • VALVE, Pressure reducing - pilot |
| 4 | 229297 | 1 | • RELIEF, Lift |
| 5 | 141436 | 1 | • VALVE, Brake release |
| 6 | 159827 | 1 | • VALVE, Differential lock |
| 7 | 229293 | 1 | • VALVE, Lift |
| 8 | 159827 | 1 | • VALVE, Brake |
| 9 | 229303 | 1 | • VALVE, Lower |
| 10 | 159831 | 1 | • BRAKE, Hand pump |
| 11 | 126128 | 2 | • FITTING, Straight (04JICM-04ORBM) |
| 12 | 103069 | 1 | • FITTING, Straight (06JICM-06ORBM) |
| 13 | 103071 | 2 | • FITTING, Straight (08JICM-10ORBM) |
| 14 | 139104 | 1 | • FITTING, 90° long (06JICM-06ORBM) |
| 15 | 125883 | 1 | • FITTING, 90° long (04JICM-04ORBM) |
| 16 | 114578 | 1 | • FITTING, 90° (06JICM-06ORBM) |
| 17 | 191857 | 1 | • FITTING, 90° extra long (10JICM-10ORBM) |
| 18 | 114583 | 1 | • FITTING, Straight (08JICM-08ORBM) |
| 19 | 102659 | 1 | • FITTING, Straight (08JICM-10ORBM) |
| 20 | 933833 | 4 | WASHER, Flat (M10) |
| 21 | 132497 | 4 | WASHER, Lock (M10) |
| 22 | 223168 | 4 | BOLT, Hex head (M10 x 1.5 x 25, cl 8.8) |

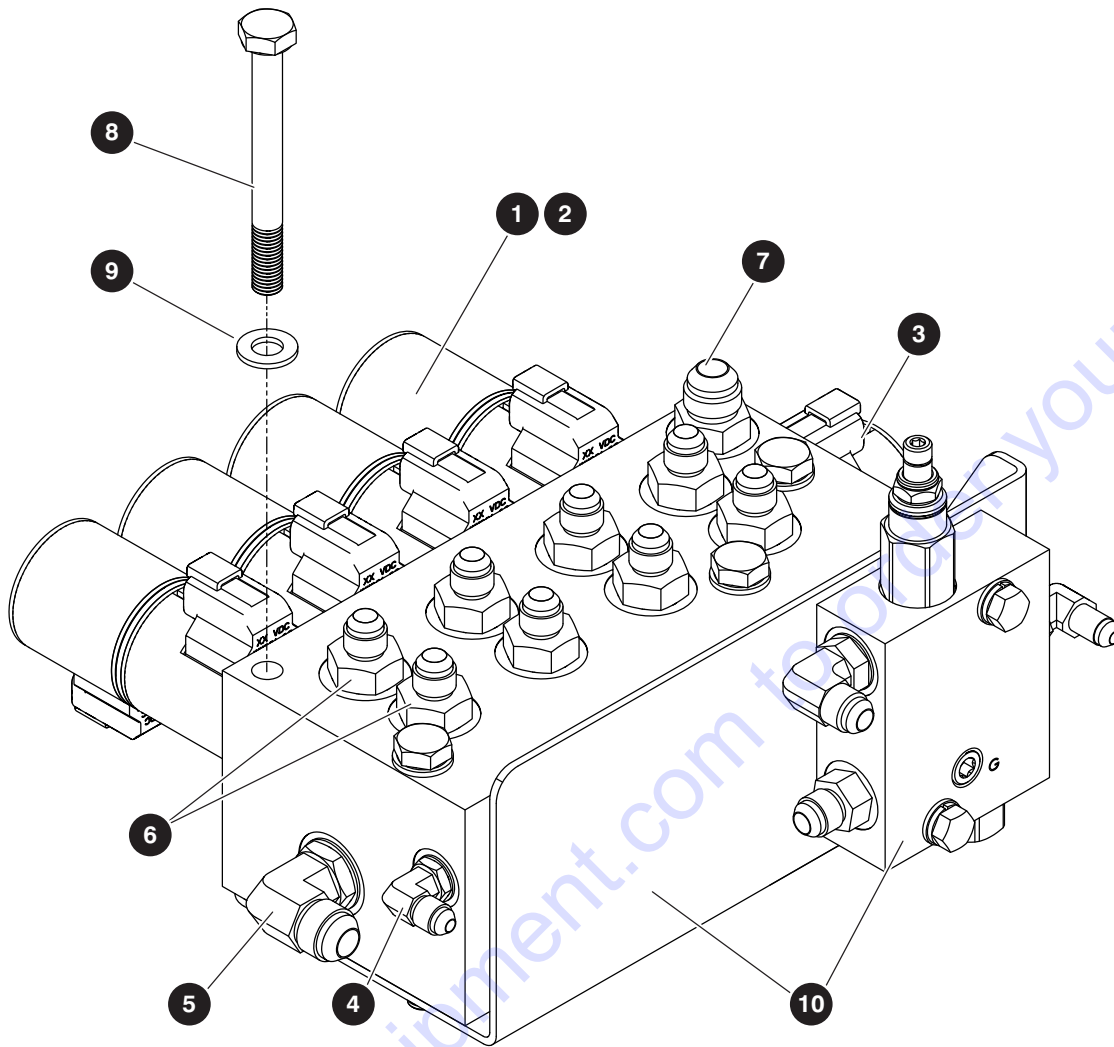
3.29 Motor Shift Manifold



M215788AE_M233003AA

| Index No. | Skyjack Part No. | Qty. | Description |
|-----------|------------------|------|--|
| 1 | 233003 | 1 | MANIFOLD, 2 Position 3 way |
| - | 159827 | 1 | • VALVE, Solenoid cartridge |
| 2 | 232940 | 1 | BRACKET, Inline manifold |
| 3 | 129127 | 2 | FITTING, Elbow - (4-6 O-ring) |
| 4 | 114581 | 1 | FITTING, Run Tee (6JICM - 6ORBM - 6JICM) |
| 5 | 217236 | 2 | BOLT, Hex head (M8 x 1.25 x 60, cl 10.9) |
| 6 | 933696 | 2 | NUT, Hex lock (M8 x 1.25) |
| 7 | 600184 | 2 | WASHER, Flat (M8) |

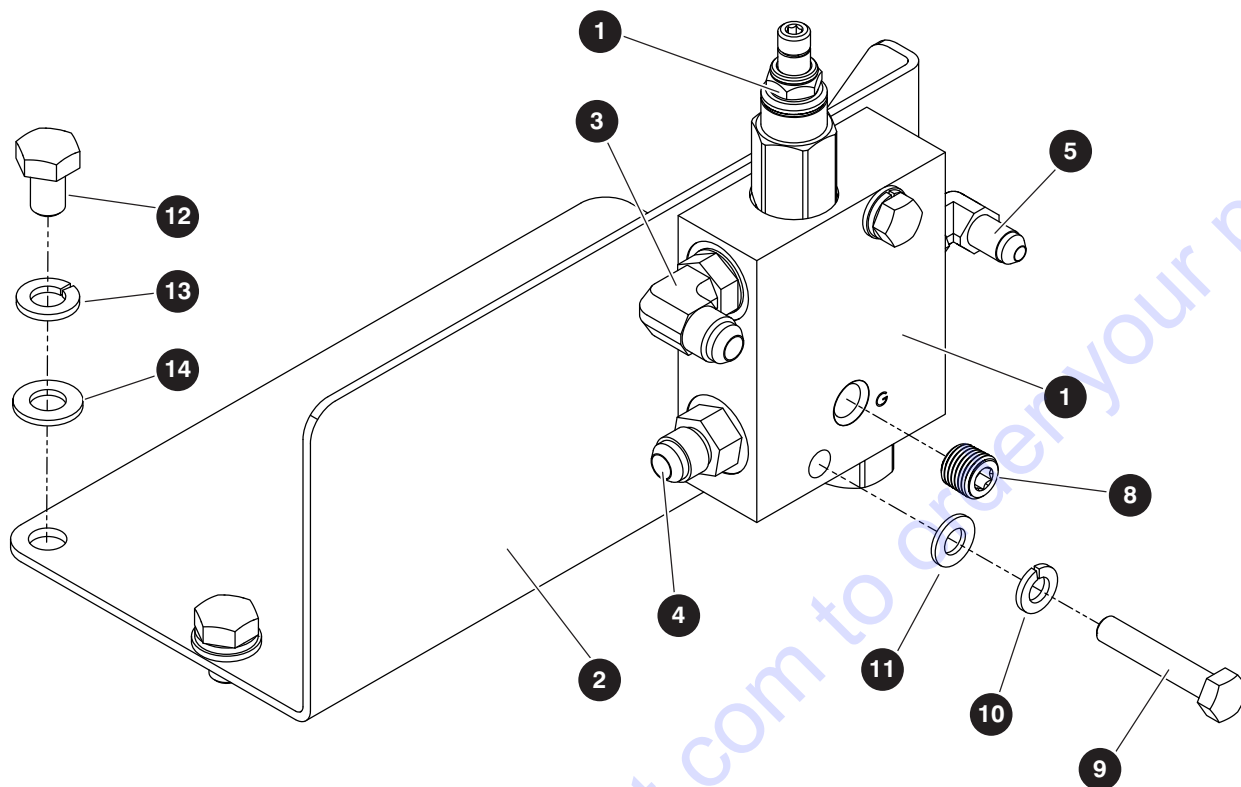
3.30 Outrigger Manifold



M215778AC

| 1 Index 7 No. | Skyjack Part No. | Qty. | Description |
|------------------|---------------------|------|---|
| - | 215778 | 1 | OUTRIGGER MANIFOLD |
| - | 215797 | 1 | • MANIFOLD, Outrigger |
| 1 | 229301 | 4 | • • CHECK VALVE, Outrigger LS |
| 2 | 159804 | 4 | • • VALVE, Outrigger |
| 3 | 229304 | 1 | • • VALVE, Outrigger enable |
| 4 | 125883 | 1 | • • FITTING, 90° (04JICM-04ORBM) |
| 5 | 114583 | 1 | • • FITTING, 90° (08JICM-08ORBM) |
| 6 | 103070 | 8 | • • FITTING, Straight (06JICM-08ORBM) |
| 7 | 102659 | 1 | • • FITTING, Straight (08JICM-08ORBM) |
| 8 | 217883 | 4 | • BOLT, Hex (M10 x 1.5 x 16, cl 10.9) |
| 9 | 933833 | 4 | • WASHER, Flat (M10) |
| 10 | (Ref.) | 1 | • PRESSURE REDUCING MANIFOLD <i>((For components, refer to Section 3.30 Pressure Reducing Manifold))</i> |

3.30 Pressure Reducing Manifold



M222199AC

| Index No. | Skyjack Part No. | Qty. | Description |
|-----------|------------------|------|---|
| - | 222199 | 1 | PRESSURE REDUCING MANIFOLD |
| 1 | 231735 | 1 | • MANIFOLD, Pressure reducing |
| 2 | 231737 | 1 | • BRACKET, Inline manifold |
| 3 | 114578 | 1 | • FITTING, 90 deg (06JICM-06ORBM) |
| 4 | 151691 | 1 | • FITTING, with orifice |
| 5 | 129127 | 1 | • FITTING, 90 deg (04JICM-06ORBM) |
| 6 | 702796 | 2 | • PLUG, Fitting (Hex-socket 08 ORB) (not shown) |
| 7 | 121250 | 1 | • PLUG, Fitting (04 ORBM) (not shown) |
| 8 | 215497 | 1 | • PLUG, Hex-socket (1/4") |
| 9 | 139769 | 2 | • BOLT, Hex head (M8 x 1.25 x 45, gr 8.8) |
| 10 | 116218 | 2 | • WASHER, Lock (M8) |
| 11 | 933832 | 2 | • WASHER, Flat (M8) |
| 12 | 217883 | 4 | • BOLT, Hex head (M10 x 1.5 x 16, cl 10.9) |
| 13 | 132497 | 4 | • WASHER, Lock (M10) |
| 14 | 933833 | 4 | • WASHER, Flat (M10) |

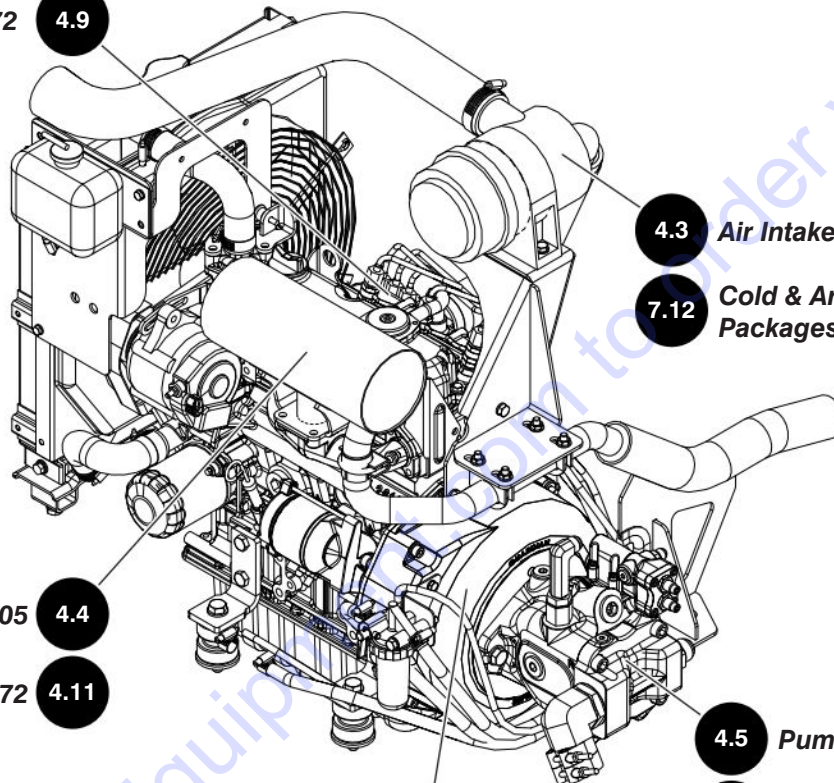
Section 4 – Engine

Engine - Kubota D1305

4.2

Engine - Kubota WG972

4.9



4.3 Air Intake - Kubota D1305

7.12 Cold & Arctic Weather Packages

Exhaust - Kubota D1305

4.4

Exhaust - Kubota WG972

4.11

4.5 Pump - Kubota D1305

4.13 Pump - Kubota WG972

Bell Housing - Kubota D1305

4.6

Bell Housing - Kubota WG972

4.14

4.1 Engine Cover

4.15 Electrical Components - Kubota WG972

4.7 Fuel Lines - Kubota D1305

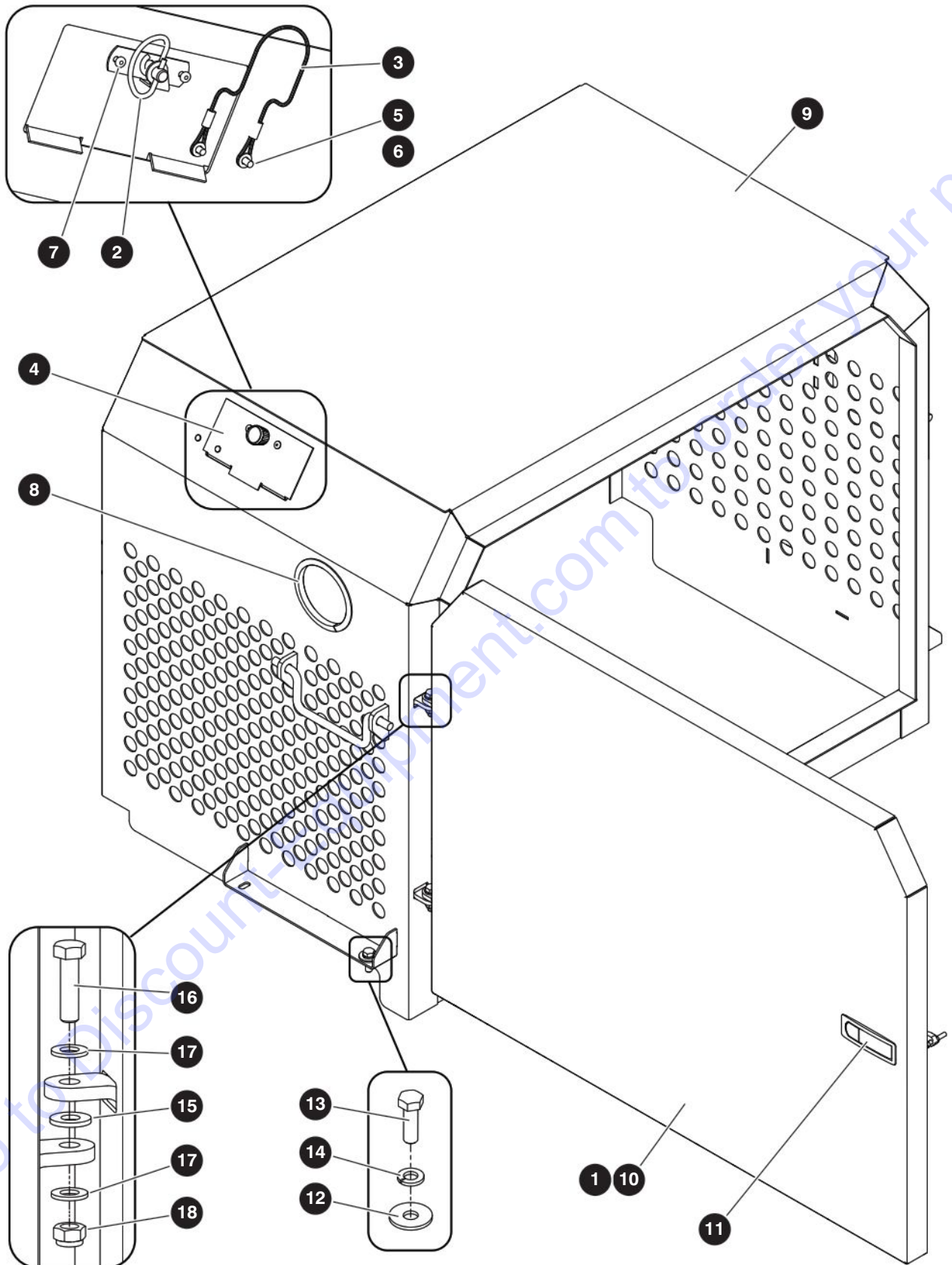
4.16 Fuel System - Kubota WG972

4.8 Electrical Components - Kubota D1305

4.17 Propane Tank - Kubota WG972

4.12 Regulator/Vaporizer - Kubota WG972

4.1 Engine Cover



M215237AG

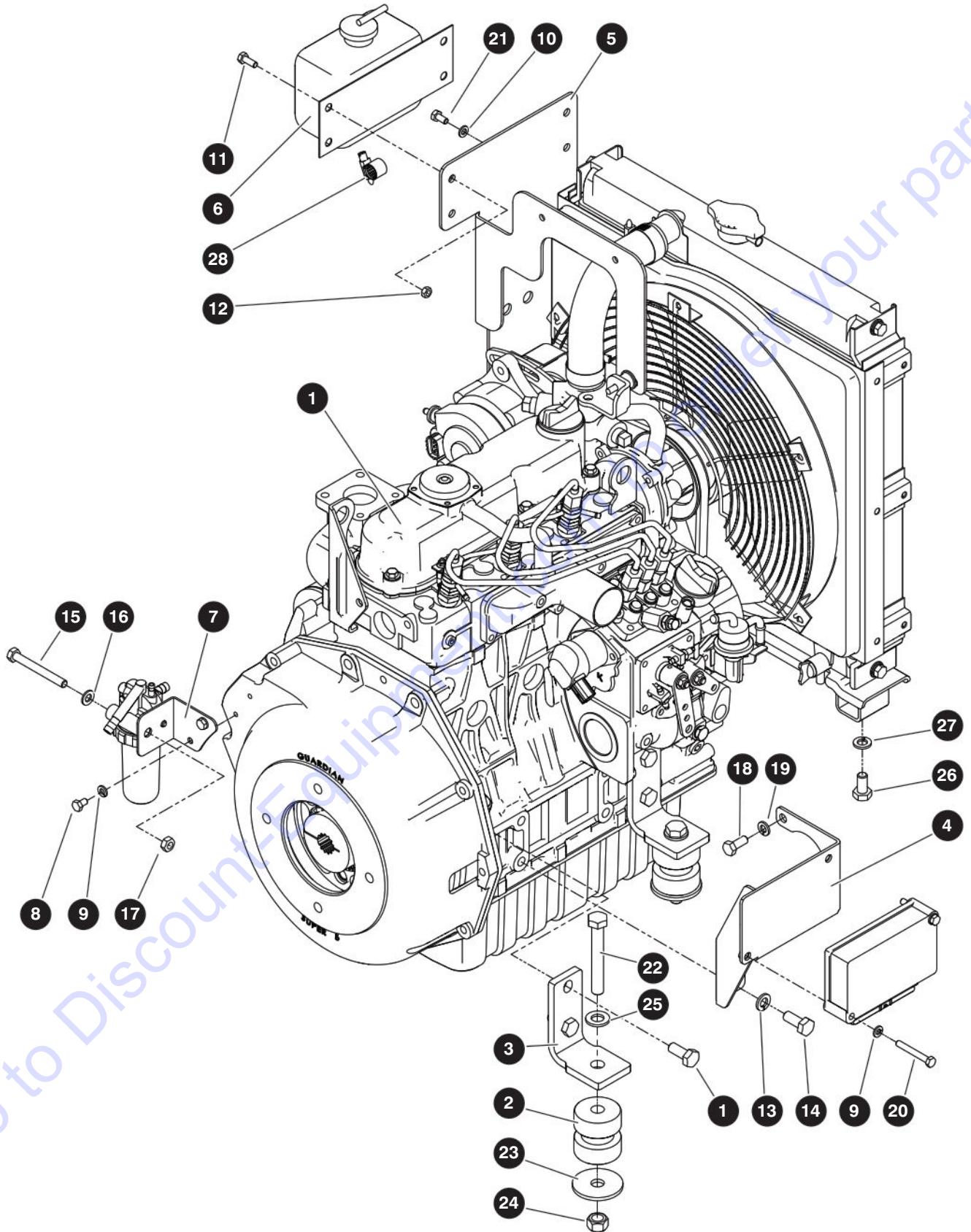
224578ABA

SJ9233 RT, SJ9243 RT, SJ9253 RT

4.1 Engine Cover

| Index No. | Skyjack Part No. | Qty. | Description |
|-----------|------------------|------|--|
| - | 215237 | 1 | ENGINE COVER |
| 1 | 103628 | 9.5" | • RUBBER, Self seal |
| 2 | 168066 | 1 | • LATCH, Spring |
| 3 | 105807 | 1 | • LANYARD (6") |
| 4 | 215246 | 1 | • PLATE, Radiator access door |
| 5 | 162754 | 2 | • RIVET (0.1563 - 0.312 DIA) |
| 6 | 600579 | 2 | • WASHER, Flat (M4) |
| 7 | 119945 | 2 | • RIVET, Pop (1/8" x 0.390) |
| 8 | 110007 | 11 | • CHANNEL, Black edge |
| 9 | 215236 | 1 | • CAGE, Engine cover |
| 10 | 222497 | 1 | • DOOR, Engine cover |
| 11 | 191416 | 1 | • LATCH, Door |
| 12 | 217838 | 4 | • WASHER, Fender (M8) |
| 13 | 217877 | 4 | • BOLT, Hex head (M8 x 1.25 x 25, cl 10.9) |
| 14 | 116218 | 4 | • WASHER, Lock (M8) |
| 15 | 222500 | 2 | • WASHER, Nylon (M8) |
| 16 | 217878 | 2 | • BOLT, Hex head (M8 x 1.25 x 30, cl 10.9) |
| 17 | 600184 | 4 | • WASHER, Flat (M8) |
| 18 | 223162 | 2 | • NUT, Hex lock (M8 x 1.25, cl 10) |

4.2 Engine - Kubota D1305



M215245AF

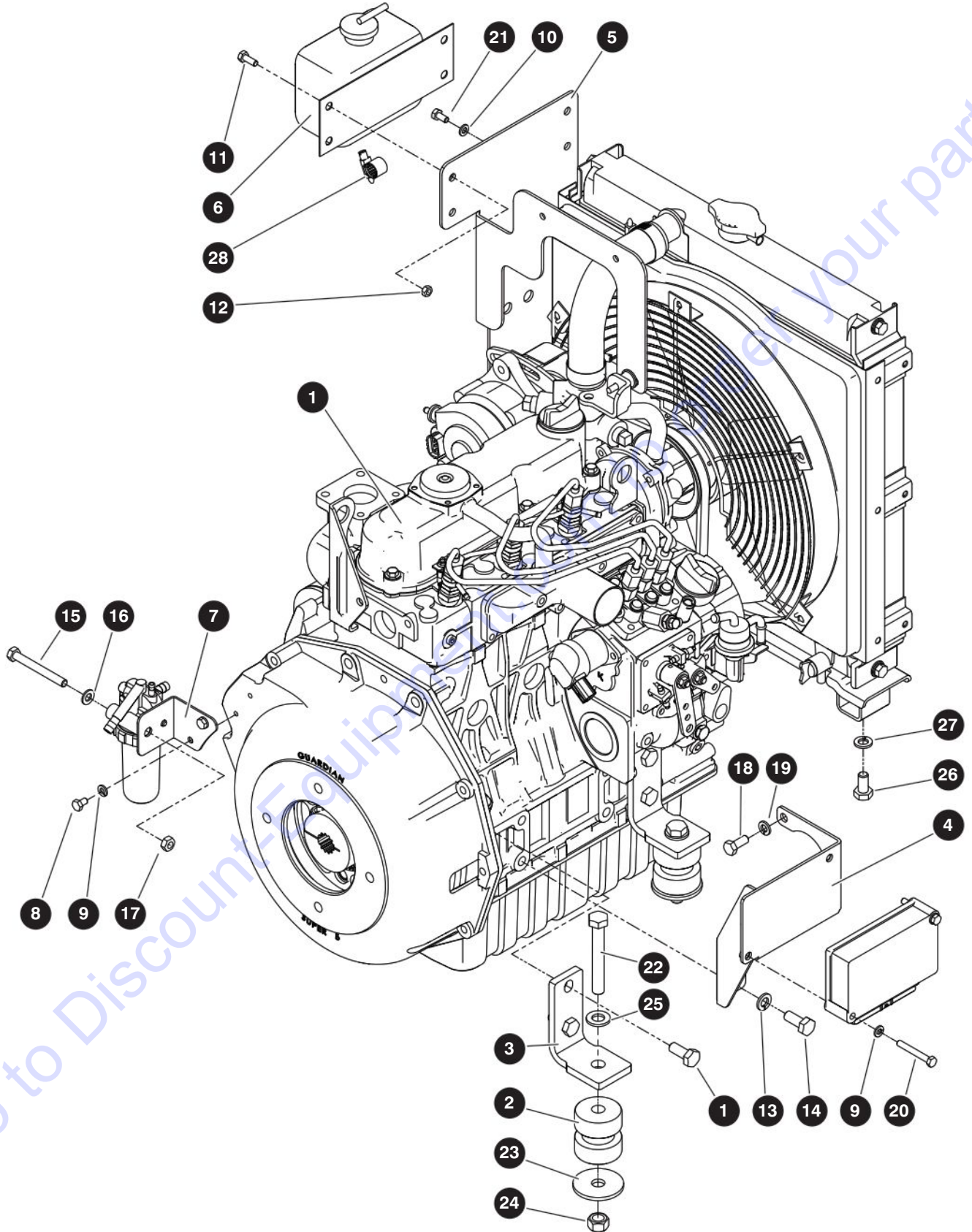
224578ABA

SJ9233 RT, SJ9243 RT, SJ9253 RT

4.2 Engine - Kubota D1305

| Index No. | Skyjack Part No. | Qty. | Description |
|-----------|------------------|------|--|
| - | 215245 | 1 | KUBOTA ENGINE D1305 |
| 1 | 215012 | 1 | • ENGINE, Kubota D1305 E4B |
| | 236071 | 1 | • • FILTER, Oil - inner |
| | 147129 | 1 | • • CARTRIDGE, Oil filter |
| | 236072 | 1 | • • STARTER |
| | 236073 | 1 | • • ALTERNATOR |
| | 236074 | 1 | • • STAY, Dynamo |
| | 236075 | 1 | • • GUARD, Alternator |
| | 228540 | 1 | • • GLOW PLUG |
| | 236076 | 1 | • • SOLENOID, Stop |
| | 236077 | 1 | • • PUMP, Water |
| | 136109 | 1 | • • THERMOSTAT |
| | 210118 | 1 | • • PIPE, Water return |
| | 236078 | 1 | • • FAN, Cooling |
| | 236079 | 1 | • • BELT, Fan |
| | 236080 | 1 | • • PUMP, Fuel transfer |
| | 236081 | 1 | • • DIPSTICK |
| | 236082 | 1 | • • SENSOR, Water temp |
| | 236083 | 1 | • • MANUAL, Operator's - Kubota D1305 |
| | 236084 | 1 | • • GASKET, Exhaust |
| | 236090 | 1 | • • ECU |
| | 236088 | 1 | • • FUEL FILTER ASSEMBLY |
| | 236089 | 1 | • • • FILTER, Fuel |
| | 236091 | 1 | • • RADIATOR KIT |
| 2 | 147634 | 4 | • MOUNT, Engine vibrational control |
| 3 | 215021 | 4 | • BRACKET, Engine mount |
| 4 | 215249 | 1 | • BRACKET, ECU |
| 5 | 215171 | 1 | • BRACKET, Overflow tank |
| 6 | 147142 | 1 | • RESERVOIR, Coolant |
| 7 | 215108 | 1 | • BRACKET, Fuel filter |
| 8 | 600723 | 2 | • BOLT, Hex head (M6 x 1 x 10, gr 8.8) |
| 9 | 121758 | 4 | • WASHER, Lock (M6) |
| 10 | 600190 | 4 | • WASHER, Flat (M6) |
| 11 | 104608 | 2 | • BOLT, Hex head (M6 x 1 x 16, gr 9.8) |
| 12 | 800354 | 2 | • NUT, Hex head (M6) |
| 13 | 132497 | 1 | • WASHER, Lock (M10) |
| 14 | 228454 | 9 | • BOLT, Hex head (M10 x 1.25 x 25, cl 8.8) |
| 15 | 217410 | 1 | • BOLT, Hex head (M8 x 1.25 x 70, cl 8.8) |
| 16 | 600184 | 1 | • WASHER, Flat (M8) |
| 17 | 121059 | 1 | • NUT, Hex head (M8 x 1.25, gr 5) |

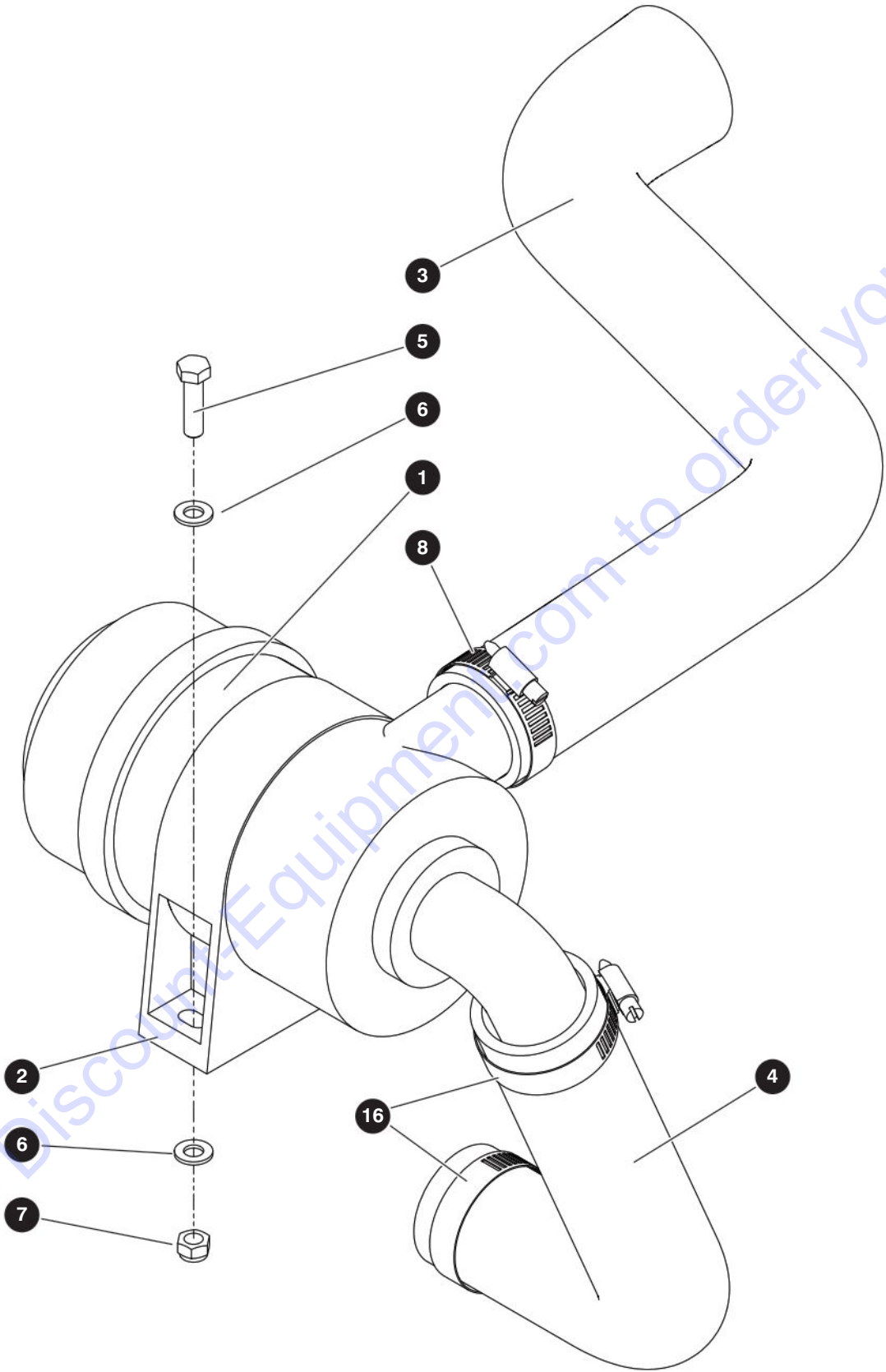
4.2 Engine - Kubota D1305



4.2 Engine - Kubota D1305

| Index No. | Skyjack Part No. | Qty. | Description |
|-----------|------------------|------|--|
| 18 | 133174 | 1 | • BOLT, Hex head (M8 x 1.25 x 20, cl 8.8) |
| 19 | 116218 | 1 | • WASHER, Lock (M8) |
| 20 | 217225 | 2 | • BOLT, Hex head (M6 x 1 x 45, cl 8.8) |
| 21 | 933646 | 2 | • BOLT, Hex head (M6 x 1 x 12, cl 8.8) |
| 22 | 217278 | 4 | • BOLT, Hex head (M12 x 1.75 x 85, cl 8.8) |
| 23 | 212939 | 4 | • WASHER, Flat (0.500) |
| 24 | 217619 | 4 | • NUT, Torque lock (M12 x 1.75, cl 10) |
| 25 | 933817 | 4 | • WASHER, Flat (M12) |
| 26 | 933740 | 2 | • BOLT, Hex head (M10 x 1.5 x 20, cl 10.9) |
| 27 | 130884 | 2 | • WASHER, Lock (M10) |
| 28 | 103321 | 1 | • CLAMP, Gear |

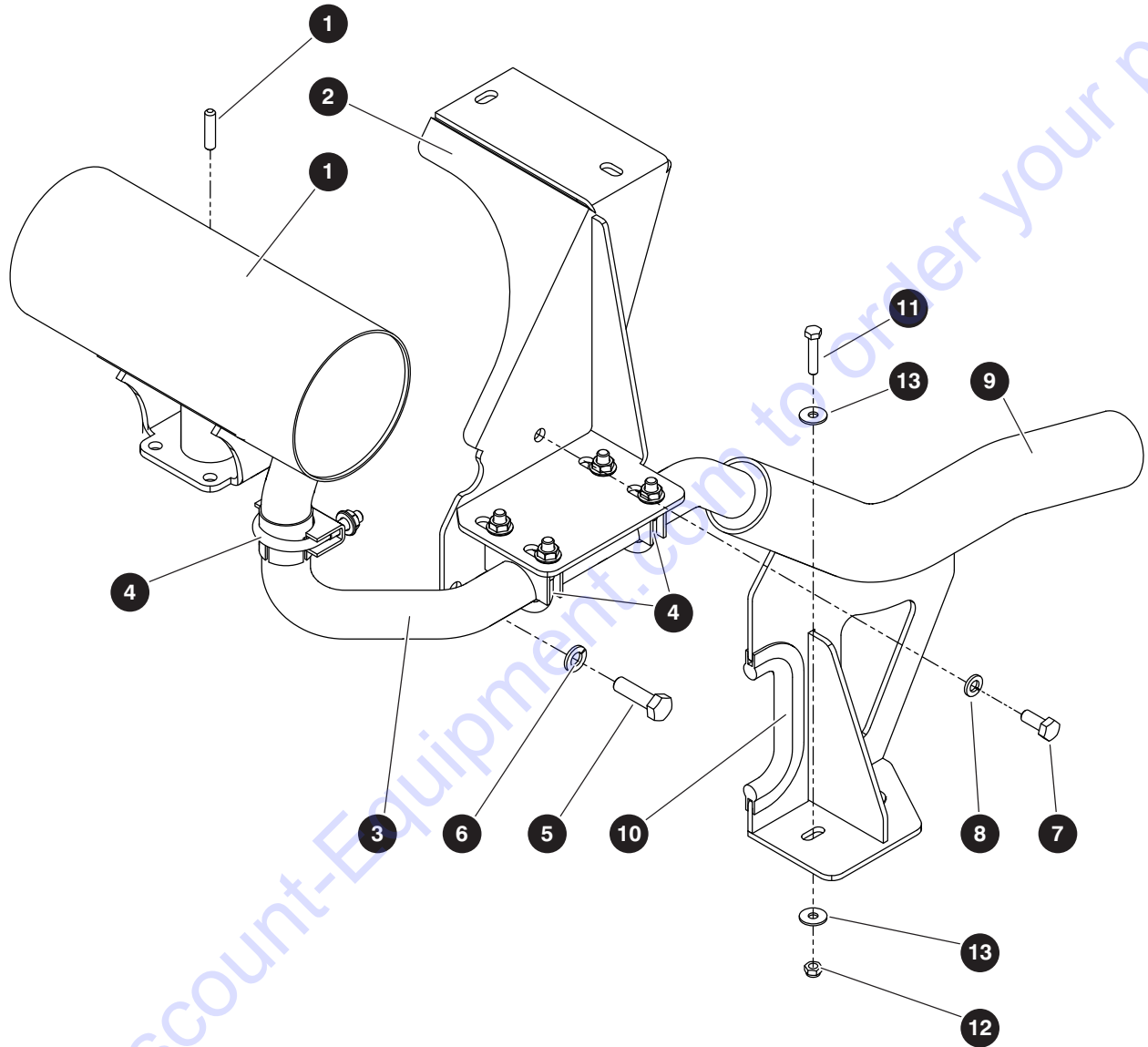
4.3 Air Intake - Kubota D1305



4.3 Air Intake - Kubota D1305

| Index No. | Skyjack Part No. | Qty. | Description |
|-----------|------------------|------|--|
| - | - | 1 | AIR INTAKE ASSEMBLY - Deutz D1305 |
| 1 | 128601 | 1 | • AIR CLEANER |
| | 132913 | 1 | • • ELEMENT, Filter - air cleaner |
| 2 | 128602 | 1 | • BAND, Mounting - air cleaner |
| 3 | 215170 | 1 | • TUBE, Air intake |
| 4 | 215216 | 1 | • HOSE, Air intake |
| 5 | 217878 | 2 | • BOLT, Hex head (M8 x 1.25 x 30, cl 10.9) |
| 6 | 933832 | 4 | • WASHER, Flat (M8) |
| 7 | 223162 | 2 | • NUT, Hex lock (M8 x 1.25, cl 10) |
| 8 | 133222 | 3 | • CLAMP, Gear |

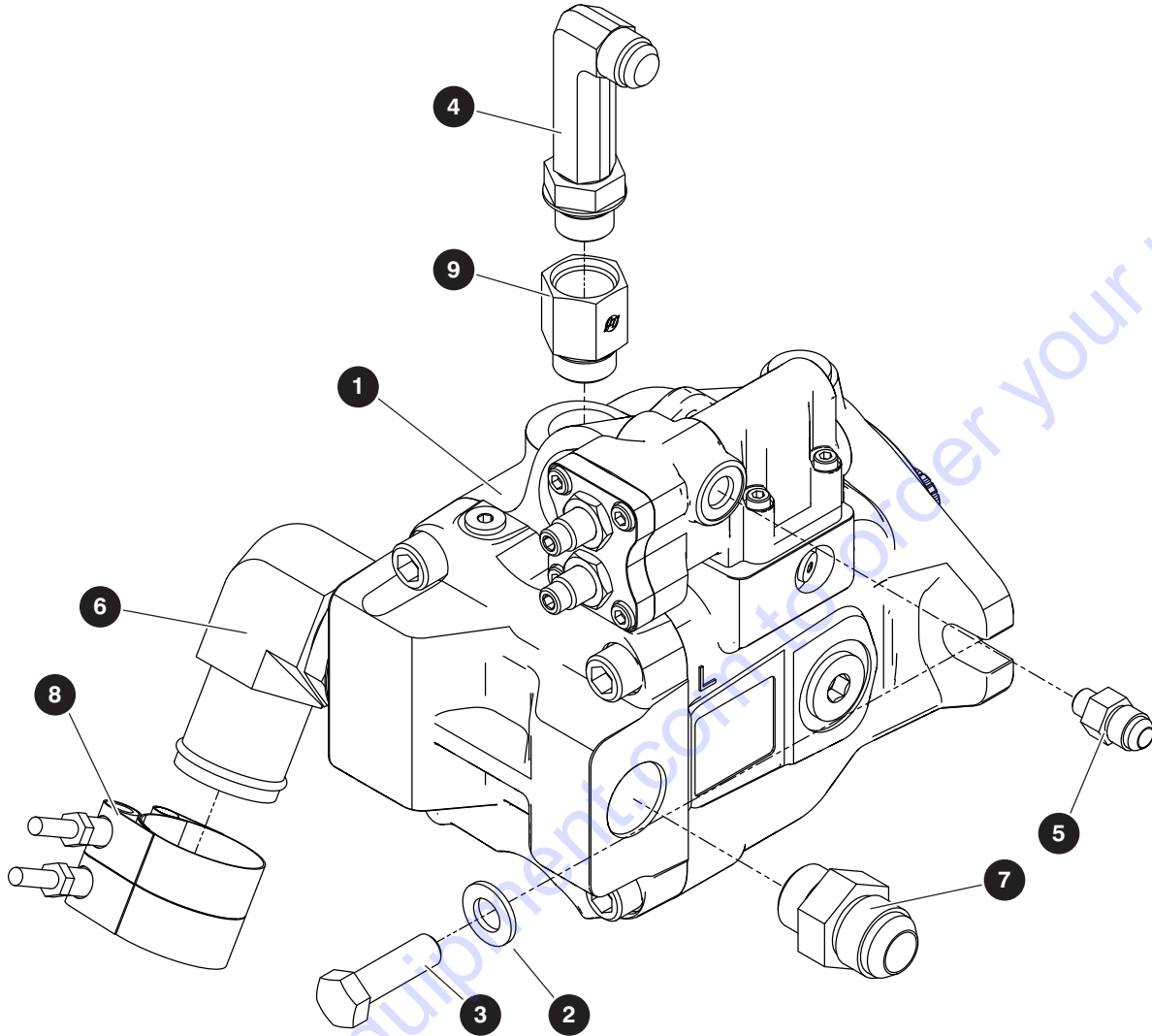
4.4 Exhaust - Kubota D1305



4.4 Exhaust - Kubota D1305

| Index No. | Skyjack Part No. | Qty. | Description |
|-----------|------------------|------|---|
| - | - | 1 | EXHAUST - Kubota D1305 |
| 1 | 215106 | 1 | • MUFFLER, Kubota D1305 - Standard |
| | 220424 | 1 | • SCRUBBER, Kubota D1305 - Scrubber option |
| 2 | 215024 | 1 | • MOUNT, Air cleaner |
| 3 | 220376 | 1 | • TUBE, Exhaust D1305 |
| 4 | 136969 | 3 | • CLAMP, Exhaust U-bolt |
| 5 | 136665 | 2 | • BOLT, Hex head (M10 x 1.25 x 35, gr 8.8) |
| 6 | 132497 | 2 | • WASHER, Lock (M10) |
| 7 | 133174 | 1 | • BOLT, Hex head (M8 x 1.25 x 20, gr 8.8) |
| 8 | 116218 | 1 | • WASHER, Lock (M8) |
| 9 | 220375 | 1 | • PIPE, Exhaust extension |
| 10 | 110007 | 6 | • CHANNEL, Black edge |
| 11 | 217873 | 2 | • BOLT, Hex head (M6 x 1 x 30, cl 10.9) |
| 12 | 223178 | 2 | • NUT, Hex lock (M6 x 1, cl 10) |
| 13 | 217837 | 4 | • WASHER, Fender (M6) |

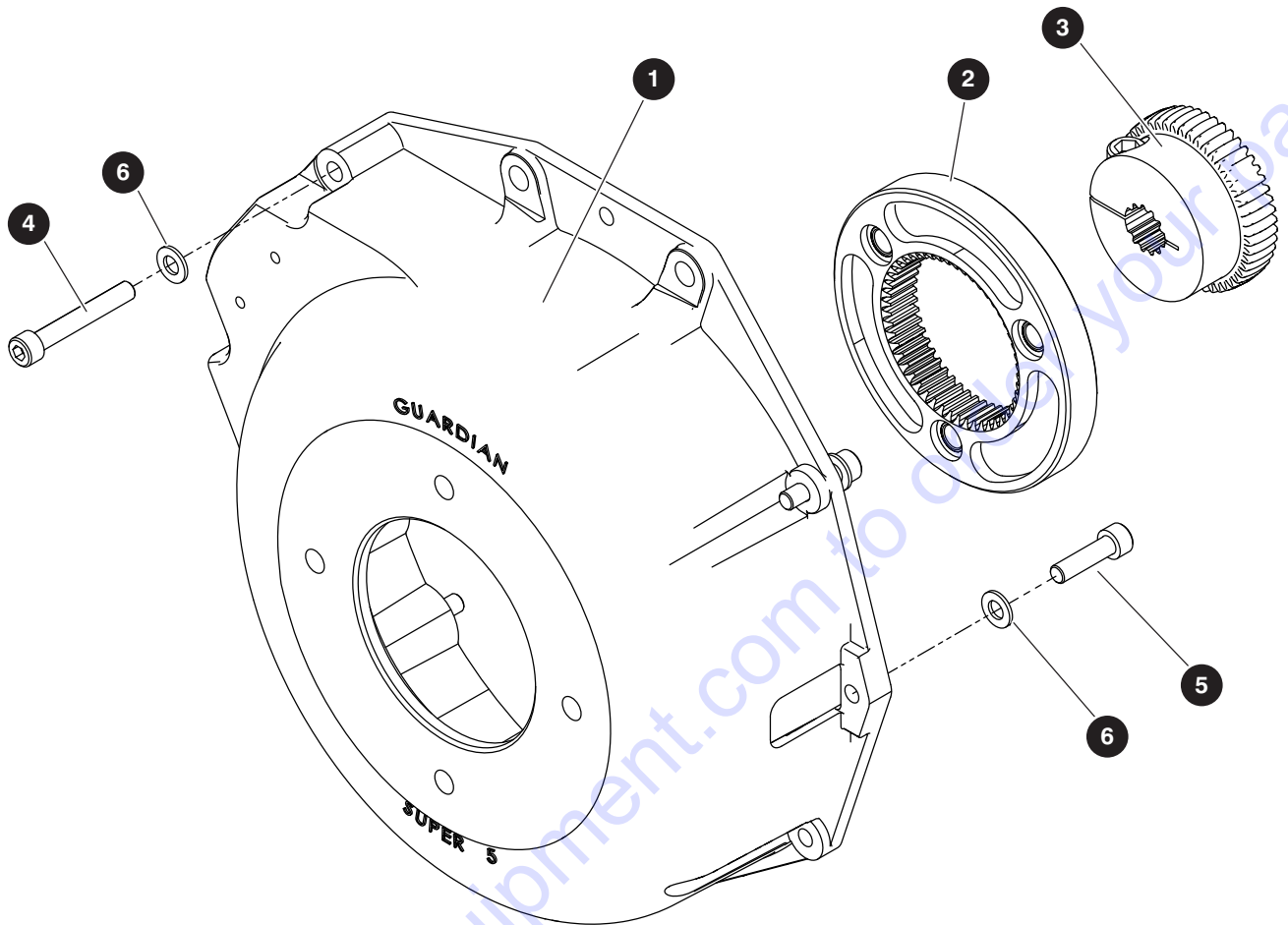
4.5 Pump - Kubota D1305



M215233AG

| Index No. | Skyjack Part No. | Qty. | Description |
|-----------|------------------|------|---|
| - | - | 1 | PISTON PUMP, Kubota D1305 |
| 1 | 233000 | 1 | <ul style="list-style-type: none"> • PUMP, Piston (28CC 4200 PSI) |
| 2 | 600426 | 2 | <ul style="list-style-type: none"> • WASHER, Flat (M12) |
| 3 | 217892 | 2 | <ul style="list-style-type: none"> • BOLT, Hex head (M12 x 1.75 x 40, cl 10.9) |
| 4 | 232942 | 1 | <ul style="list-style-type: none"> • FITTING, 90 deg LL (08JICM - 10ORBM) |
| 5 | 128869 | 1 | <ul style="list-style-type: none"> • FITTING, Straight (06JIC-04ORBM) |
| 6 | 232938 | 1 | <ul style="list-style-type: none"> • FITTING, 90 Deg (24BEAD - 20ORBM) |
| 7 | 702118 | 1 | <ul style="list-style-type: none"> • FITTING, Straight (12ORBM - 12JICM) |
| 8 | 190697 | 2 | <ul style="list-style-type: none"> • CLAMP, T-Bolt (1.75 DIA - 2.00 DIA) |
| 9 | 224191 | 1 | <ul style="list-style-type: none"> • FITTING, Straight (10ORBM-10ORBF) |

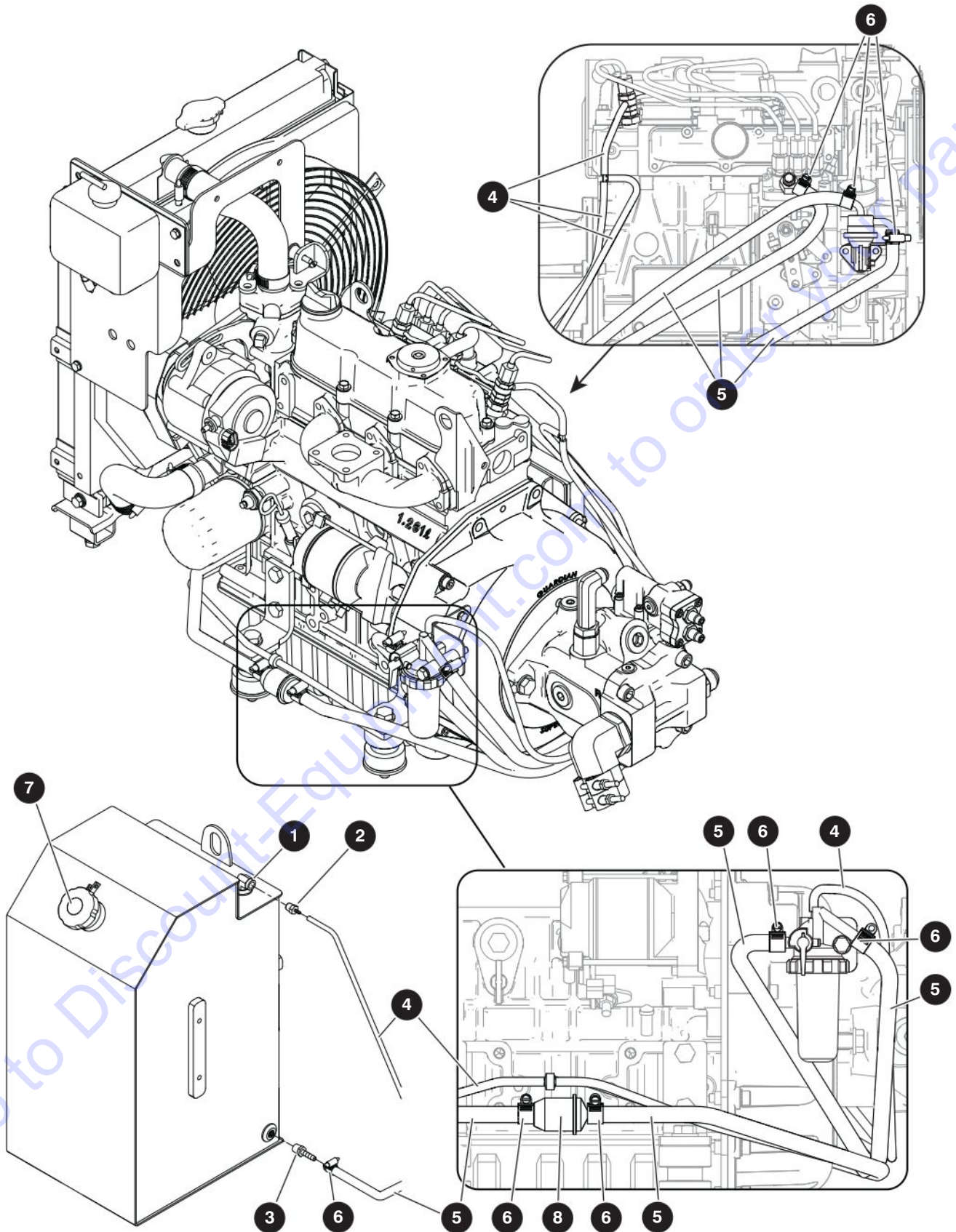
4.6 Bell Housing - Kubota D1305



M215015AG

| Index No. | Skyjack Part No. | Qty. | Description |
|-----------|------------------|------|--|
| - | 215015 | 1 | BELL HOUSING - Kubota D1305 |
| 1 | 231191 | 1 | • COVER |
| 2 | 231192 | 1 | • FLYWHEEL |
| 3 | 231193 | 1 | • HUB |
| 4 | TBD | 6 | SCREW, Socket head cap (M8-1.25 x 55 mm) |
| 5 | TBD | 2 | SCREW, Socket head cap (M8-1.25 x 30 mm) |
| 6 | TBD | 8 | WASHER, Flat (M8) |

4.7 Fuel Lines - Kubota D1305



M220422AE

224578ABA

134

SJ9233 RT, SJ9243 RT, SJ9253 RT

SKYJACK

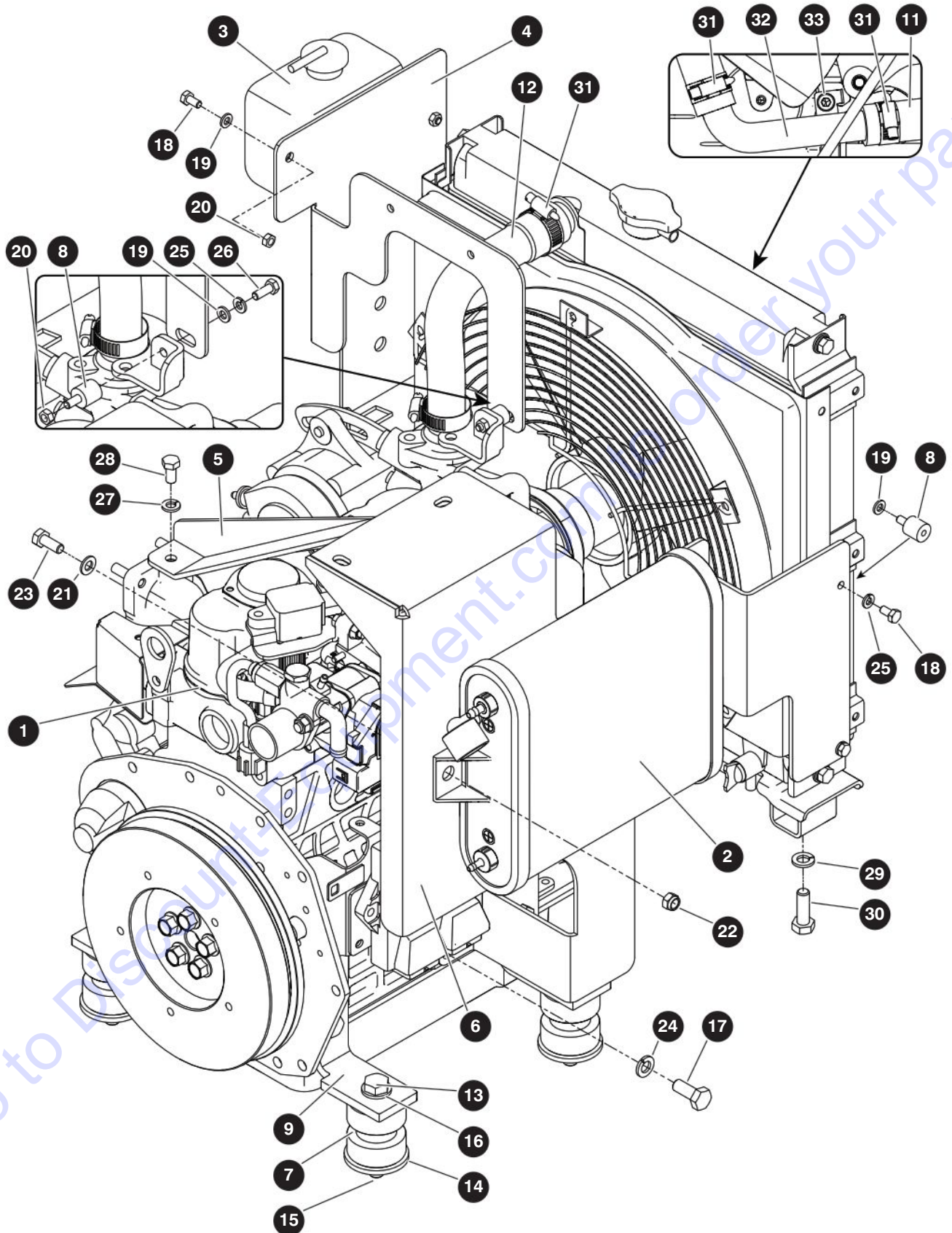
4.7 Fuel Lines - Kubota D1305

| Index No. | Skyjack Part No. | Qty. | Description |
|-----------|------------------|------|--------------------------------------|
| - | 220422 | 1 | FUEL LINE, KUBOTA D1305 |
| 1 | 103164 | 1 | • FITTING, 90 Degree (04NPTF 04NPTM) |
| 2 | 103176 | 1 | • FITTING (1/8" BAR x 1/4" NPT) |
| 3 | 166176 | 1 | • HOSE, Barb (5/16" x 1/4" NPT) |
| 4 | 102660 | 18" | • HOSE, Fuel line (1/8) |
| 5 | 102984 | 200" | • FUEL LINE (5/16 #47PB - B194) |
| 6 | 103321 | 8 | • CLAMP, Gear |
| 7 | 215469 | 1 | • CAP, Filler - Vented |
| 8 | 139254 | 1 | • FILTER, Fuel In-line |

4.8 Electrical Components - Kubota D1305

| Index No. | Skyjack Part No. | Qty. | Description |
|-----------|------------------|------|---|
| A | 222032 | 1 | ELECTRICAL COMPONENTS - Kubota D1305 Standard |
| B | 220378 | 1 | ELECTRICAL COMPONENTS - Kubota D1305 with Positive Air Shut-off Option |
| 1 | 102853 | 1 | • SWITCH, Toggle 1NT1-7 |
| 2 | (Ref.) | 1 | • FUSE BOX <i>(For components, refer to Section 5.4 Fuse Box - Kubota D1305)</i> |
| 3 | 217392 | 2 | • BOLT, Hex head (M6 x 1 x 16, cl 8.8) |
| 4 | 600190 | 2 | • WASHER, Flat (M6) |
| 5 | 800354 | 2 | • NUT, Hex head (M6 x 1) |
| 6 | 164832 | 1 | • LIGHT, Indicator (12V - red), B |
| 7 | 222023 | 1 | • PLATE, Mount - rev limiter, B |
| 8 | 118369 | 3 | • WASHER, Lock (M4) , B |
| 9 | 223180 | 2 | • WASHER, Flat (M4) , B |
| 10 | 217384 | 2 | • BOLT, Hex head (M6 x 1 x 20, cl 8.8), B |
| 11 | 127035 | 1 | • RELAY, 12V - 40A , B |
| 12 | 232526 | 5 | • BOLT, Button head cap screw (M4 x 0.7 x 6, cl 10.9), B |
| 13 | (Ref.) | 1 | • HARNESS, Positive Air Shut-Off (not shown), B <i>(For components, refer to Section 5.6 Positive Air Shut Off Harness)</i> |
| - | 171908 | 1 | SHOCKER PASS, 11750-D1305/D902, B |
| 14 | 171821 | 1 | • LIMITER, Automatic rev (R5) |
| 15 | 171899 | 1 | • BREAKER, Auto reset (20 A) |
| 16 | 171823 | 1 | • VALVE, Auto shut off (1.75") (located on the engine) |
| 17 | 171826 | 1 | • COVER, Red toggle safety |
| 18 | 115574 | 1 | • SWITCH, Toggle |
| 19 | 196529 | 1 | • INSULATOR, Stud mount circuit breaker |

4.9 Engine - Kubota WG972



M215241AF

224578ABA

138

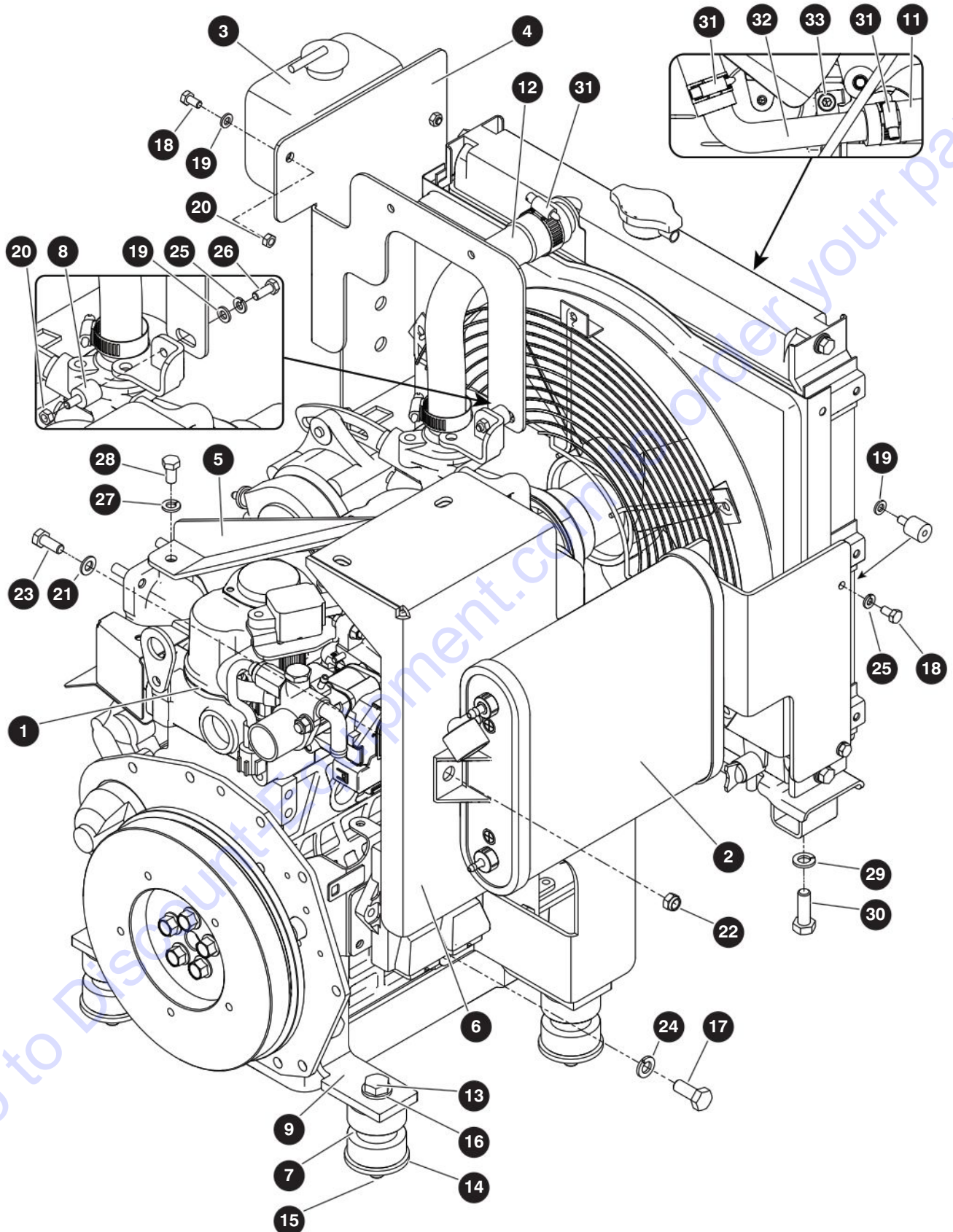
SJ9233 RT, SJ9243 RT, SJ9253 RT

SKYJACK

4.9 Engine - Kubota WG972

| Index No. | Skyjack Part No. | Qty. | Description |
|-----------|------------------|------|--------------------------------|
| - | 215241 | 1 | ENGINE, KUBOTA - WG972 |
| 1 | 220411 | 1 | • ENGINE, Kubota WG972 E3F |
| | 236102 | 1 | • • CRANKCASE |
| | 136094 | 1 | • • GUIDE, Oil gauge |
| | 159207 | 1 | • • PAN |
| | 236103 | 1 | • • GEAR CASE |
| | 236104 | 1 | • • PUMP, Water |
| | 236105 | 1 | • • INLET MANIFOLD |
| | 166634 | 1 | • • THROTTLE BODY |
| | 236106 | 1 | • • MIXER |
| | 166636 | 1 | • • EXHAUST MANIFOLD |
| | 236107 | 1 | • • COVER, Cylinder head |
| | 237841 | 1 | • • FILTER, Oil - inner |
| | 237842 | 1 | • • CARTRIDGE, Oil filter |
| | 159213 | 1 | • • DIPSTICK |
| | 194646 | 1 | • • PLUG, Oil gauge |
| | 237843 | 1 | • • ECU |
| | 237844 | 1 | • • STAY 1, ECU |
| | 237845 | 1 | • • STAY 2, ECU |
| | 237846 | 1 | • • WIRE HARNESS, ECU |
| | 159216 | 1 | • • STARTER |
| | 237847 | 1 | • • ALTERNATOR |
| | 237760 | 1 | • • STAY, Alternator |
| | 136103 | 1 | • • GUARD , Alternator |
| | 166642 | 3 | • • SPARK PLUG |
| | 237761 | 1 | • • FLANGE, Water |
| | 237762 | 1 | • • THERMOSTAT |
| | 136110 | 1 | • • COVER, Thermostat |
| | 236078 | 1 | • • FAN, Cooling |
| | 237764 | 1 | • • COLLAR, Fan |
| | 136112 | 1 | • • PULLEY, Fan |
| | 220382 | 1 | • • PULLEY, Fan drive |
| | 136114 | 1 | • • BELT, Fan |
| | 237765 | 1 | • • SWITCH, Oil |
| | 237766 | 1 | • • MANUAL, Operator's - WG972 |
| | 166645 | 1 | • • SENSOR, O2 |
| | 136118 | 1 | • • FILTER, Fuel |
| | 158923 | 1 | • • VAPORIZER |
| | 237766 | 1 | • • VALVE, 2 way |
| | 166647 | 1 | • • MUFFLER, Cat |

4.9 Engine - Kubota WG972



M215241AF

224578ABA

140

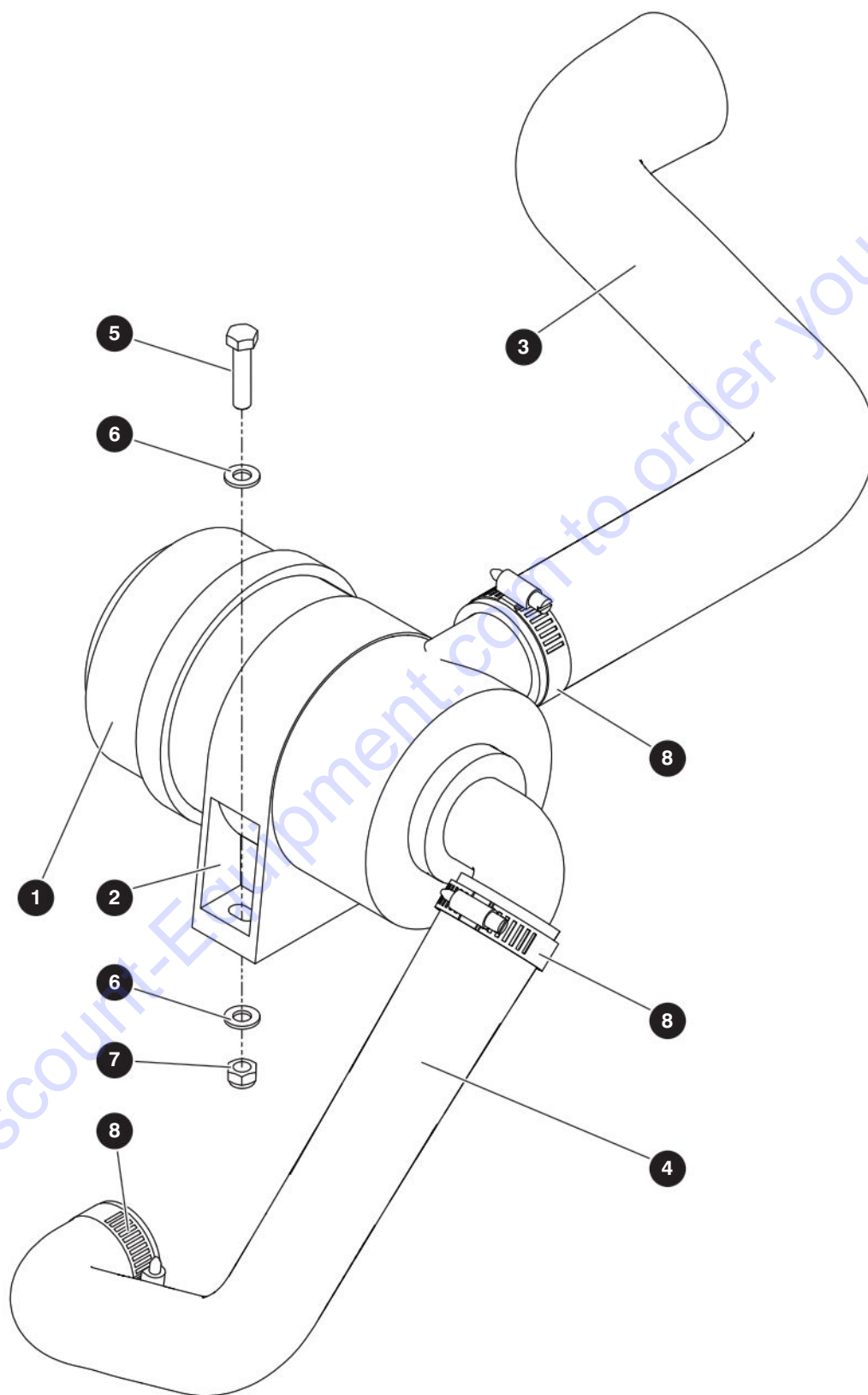
SJ9233 RT, SJ9243 RT, SJ9253 RT

SKYJACK

4.9 Engine - Kubota WG972

| Index No. | Skyjack Part No. | Qty. | Description |
|-----------|------------------|------|--|
| | 166648 | 2 | • • GASKET, Exhaust |
| | 237768 | 1 | • • COVER, Muffler |
| | 237769 | 1 | • • COVER, Muffler flange |
| | 237770 | 1 | • • HOSE, Water |
| | 237771 | 2 | • • CLAMP, Hose |
| | 237772 | 1 | • • RADIATOR |
| 2 | 158920 | 1 | • CANISTER, Evaporative |
| 3 | 147142 | 1 | • RESERVOIR, Coolant |
| 4 | 222072 | 1 | • BRACKET, Overflow tank |
| 5 | 222043 | 1 | • SUPPORT, Evaporative |
| 6 | 222070 | 1 | • BRACKET, Evaporative canister |
| 7 | 147634 | 4 | • MOUNT, Engine vibration control |
| 8 | 165927 | 3 | • MOUNT, Vibration damping |
| 9 | 215173 | 2 | • BRACKET, Engine mount (FR RL) (shown) |
| 10 | 215174 | 2 | • BRACKET, Engine mount (FL RR) (not shown) |
| 11 | 222074 | 1 | • HOSE, Radiator outlet |
| 12 | 222073 | 1 | • HOSE, Radiator inlet |
| 13 | 217278 | 4 | • BOLT, Hex head (M12 x 1.5 x 85, cl 8.8) |
| 14 | 212939 | 4 | • WASHER (0.536 ID x 2.004 OD x 0.172) |
| 15 | 217619 | 4 | • NUT, Torque lock (M12 x 1.75, cl 10) |
| 16 | 933817 | 4 | • WASHER, Flat (M12) |
| 17 | 228454 | 10 | • BOLT, Hex head (M10 x 1.25 x 25, cl 8.8) |
| 18 | 933646 | 6 | • BOLT, Hex head (M6 x 1 x 12, cl 8.8) |
| 19 | 600190 | 7 | • WASHER, Flat (M6) |
| 20 | 800354 | 3 | • NUT, Hex (M6 x 1.0) |
| 21 | 600426 | 2 | • WASHER, Flat (M12) |
| 22 | 217586 | 2 | • NUT, Hex (M12 x 1.75 x 25, gr 8.8) |
| 23 | 152324 | 2 | • BOLT, Hex head (M12 x 1.75 x 25, cl 8.8) |
| 24 | 132497 | 2 | • WASHER, Lock (M10) |
| 25 | 121758 | 3 | • WASHER, Lock (M6) |
| 26 | 217392 | 1 | • BOLT, Hex head (M6 x 1 x 16, cl 8.8) |
| 27 | 116218 | 1 | • WASHER, Lock (M8) |
| 28 | 217401 | 1 | • BOLT, Hex head (M8 x 1.25 x 16, cl 10.9) |
| 29 | 130884 | 2 | • WASHER, Lock (M10) |
| 30 | 933658 | 2 | • BOLT, Hex head (M10 x 1.5 x 30, gr 10.9) |
| 31 | 133696 | 5 | • CLAMP, Hose |
| 32 | 220367 | 1 | • TUBE, Beaded |
| 33 | 217083 | 1 | • SCREW, Socket head cap screw (M8 x 1.25 x 20, cl 12.9) |

4.10 Air Intake - Kubota WG972



M222034AE-1

224578ABA

142

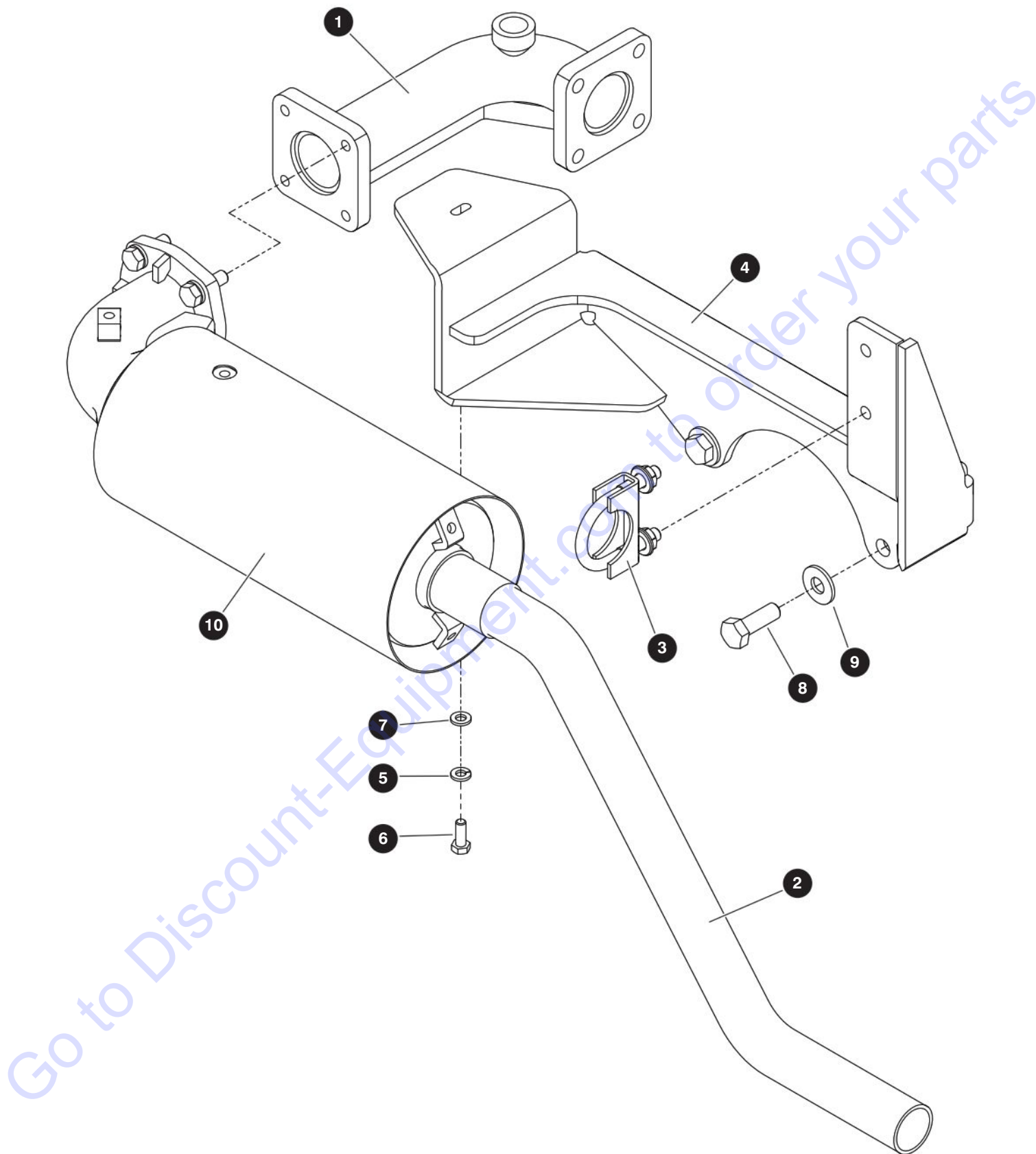
SJ9233 RT, SJ9243 RT, SJ9253 RT

SKYJACK

4.10 Air Intake - Kubota WG972

| Index No. | Skyjack Part No. | Qty. | Description |
|-----------|------------------|------|--|
| - | - | 1 | AIR INTAKE - Kubota WG972 |
| 1 | 128601 | 1 | • AIR CLEANER |
| | 133289 | 1 | • • HOUSING, Filter |
| | 132913 | 1 | • • ELEMENT, Filter - air cleaner |
| 2 | 128602 | 1 | • BAND, Mounting - Air cleaner |
| 3 | 215170 | 1 | • TUBE, Air intake |
| 4 | 220383 | 1 | • HOSE, Air intake |
| 5 | 217879 | 2 | • BOLT, Hex head (M8 x 1.25 x 35, cl 10.9) |
| 6 | 933832 | 4 | • WASHER, Flat (M8) |
| 7 | 223162 | 2 | • NUT, Hex lock (M8 x 1.25, cl 10) |
| 8 | 104528 | 3 | • CLAMP, Hose (1-3/4") |

4.11 Exhaust - Kubota WG972



M222034AE-2

224578ABA

144

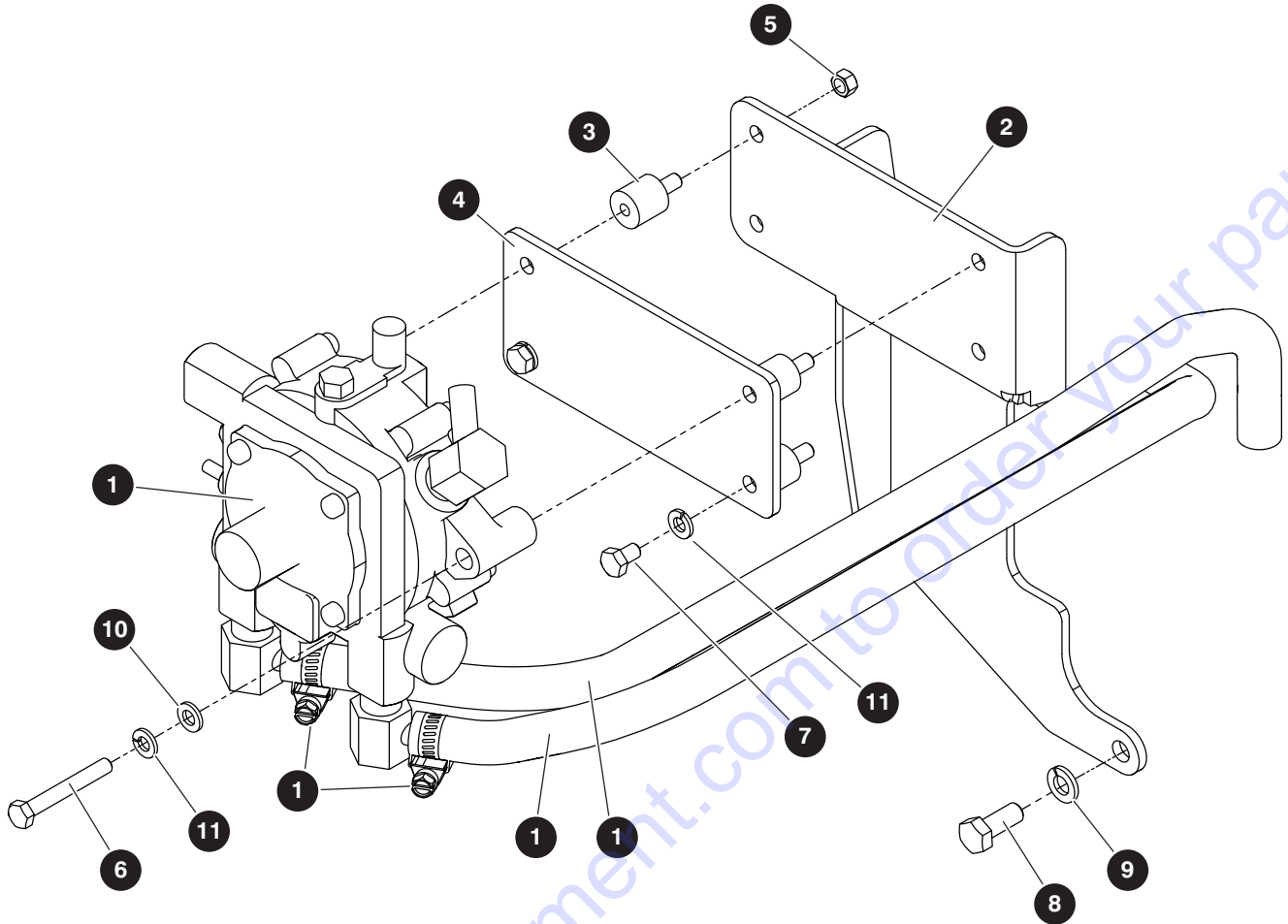
SJ9233 RT, SJ9243 RT, SJ9253 RT

SKYJACK

4.11 Exhaust - Kubota WG972

| Index No. | Skyjack Part No. | Qty. | Description |
|-----------|------------------|------|--|
| - | - | 1 | EXHAUST - Kubota WG972 |
| 1 | 222057 | 1 | • ADAPTER, Exhaust |
| 2 | 215217 | 1 | • TUBE, Exhaust |
| 3 | 136969 | 1 | • CLAMP, Exhaust - U Bolt (1¼") |
| 4 | 232946 | 1 | • BRACKET, Exhaust |
| 5 | 121758 | 1 | • WASHER, Lock (M6) |
| 6 | 217870 | 1 | • BOLT, Hex head (M6 x 1 x 16, cl 10.9) |
| 7 | 600190 | 3 | • WASHER, Flat (M6) |
| 8 | 933658 | 2 | • BOLT, Hex head (M10 x 1.5 x 30, cl 10.9) |
| 9 | 600572 | 2 | • WASHER, Flat (M10) |
| 10 | 166647 | 1 | • MUFFLER, Cat |

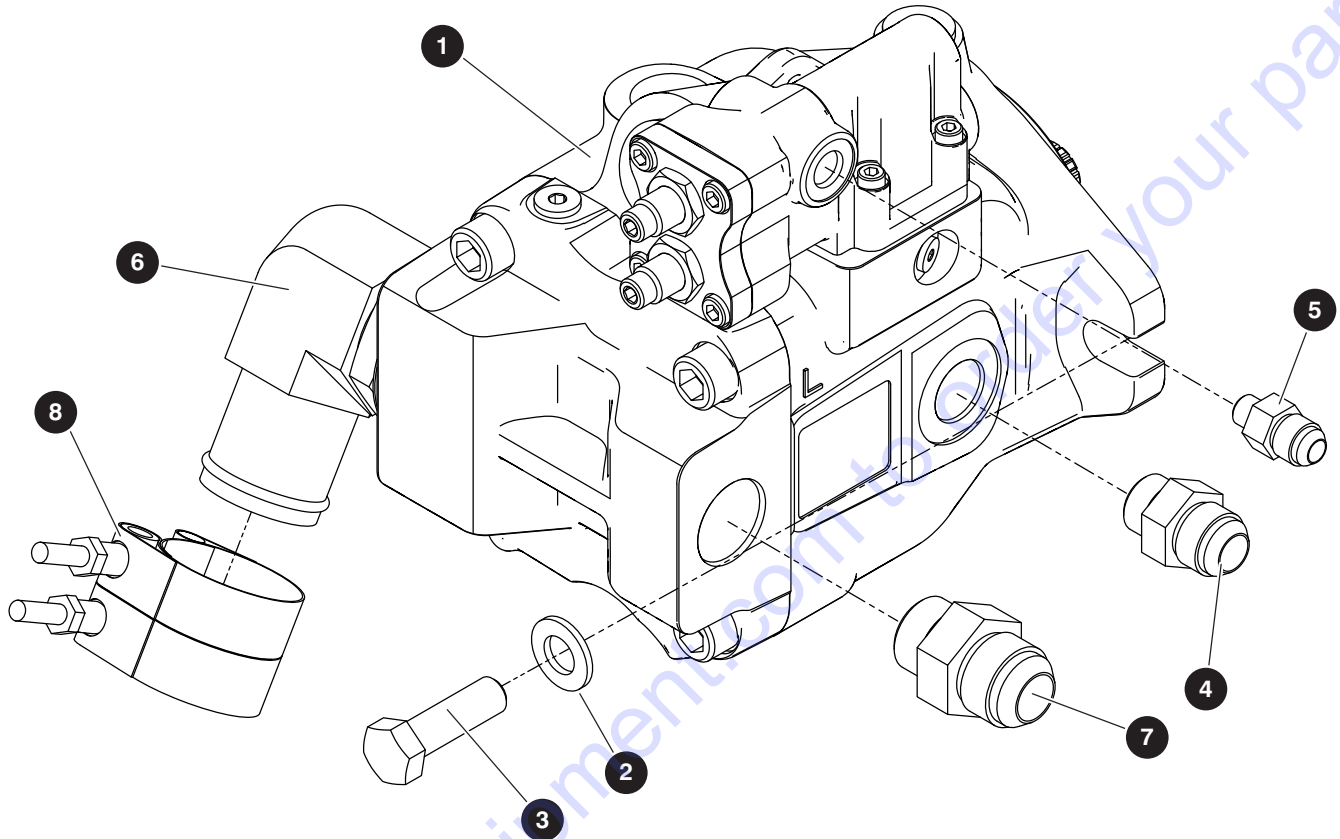
4.12 Regulator/Vaporizer - Kubota WG972



M222033AF

| Index No. | Skyjack Part No. | Qty. | Description |
|-----------|------------------|------|--|
| 1 | 158923 | 1 | • REGULATOR/VAPORIZER |
| 2 | 220439 | 1 | • BRACKET, Vaporizer |
| 3 | 165927 | 4 | • MOUNT, Vibration damping |
| 4 | 220412 | 1 | • PLATE, Vaporizer mounting |
| 5 | 217587 | 4 | • NUT, Hex (M6 x 0.75, cl 8) |
| 6 | 217398 | 2 | • BOLT, Hex head (M6 x 1 x 45, cl 8.8) |
| 7 | 600723 | 2 | • BOLT, Hex head (M6 x 1 x 10, gr 8.8) |
| 8 | 217876 | 2 | • BOLT, Hex head (M8 x 1.25 x 20, gr 10.9) |
| 9 | 116218 | 2 | • WASHER, Lock (M8) |
| 10 | 600190 | 3 | • WASHER, Flat (M6) |
| 11 | 121758 | 4 | • WASHER, Lock (M6) |
| 12 | 121758 | 1.44 | • HOSE (3/8") |
| 13 | 121758 | 1.7 | • HOSE (3/8") |
| 14 | 121758 | 2 | • CLAMP, Gear |

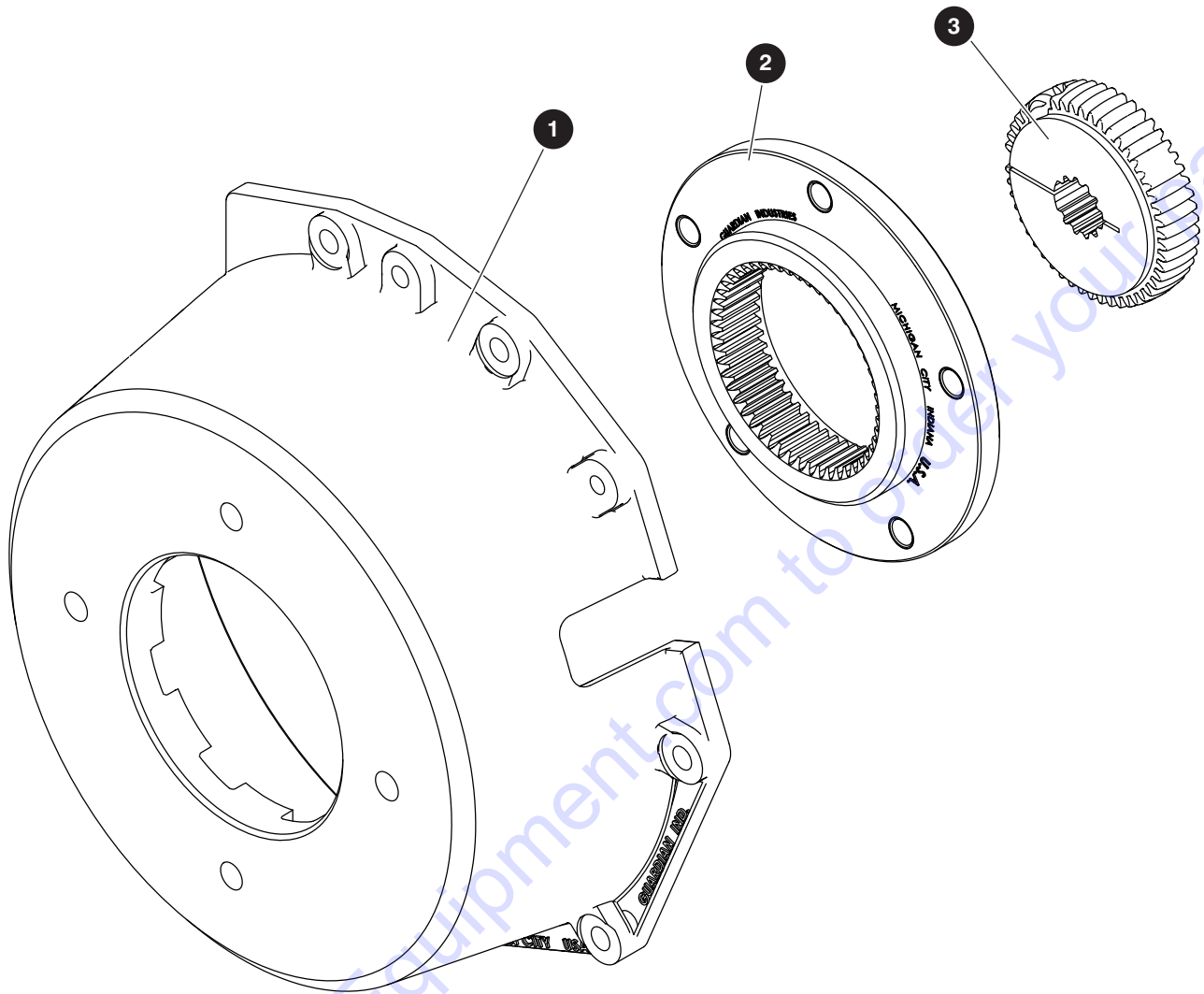
4.13 Pump - Kubota WG972



M222033AF

| Index No. | Skyjack Part No. | Qty. | Description |
|-----------|------------------|------|---|
| - | - | 1 | PISTON PUMP, Kubota WG972 |
| 1 | 233000 | 1 | • PUMP, Piston (28CC 4200 PSI) |
| 2 | 933666 | 2 | • BOLT, Hex head (M12 x 1.75 x 35, cl 10.9) |
| 3 | 600426 | 2 | • WASHER, Flat (M12) |
| 4 | 128869 | 1 | • FITTING, Straight (06JIC-04ORBM) |
| 5 | 702118 | 1 | • FITTING, Straight (12ORBM-12ORBM) |
| 6 | 232938 | 1 | • FITTING, 90° (24BEAD-20ORBM) |
| 4 | 103071 | 1 | • FITTING, Straight (08JIC-10ORBM) |
| 8 | 190697 | 2 | • CLAMP, T-Bolt (1.75 DIA - 2.00 DIA) |

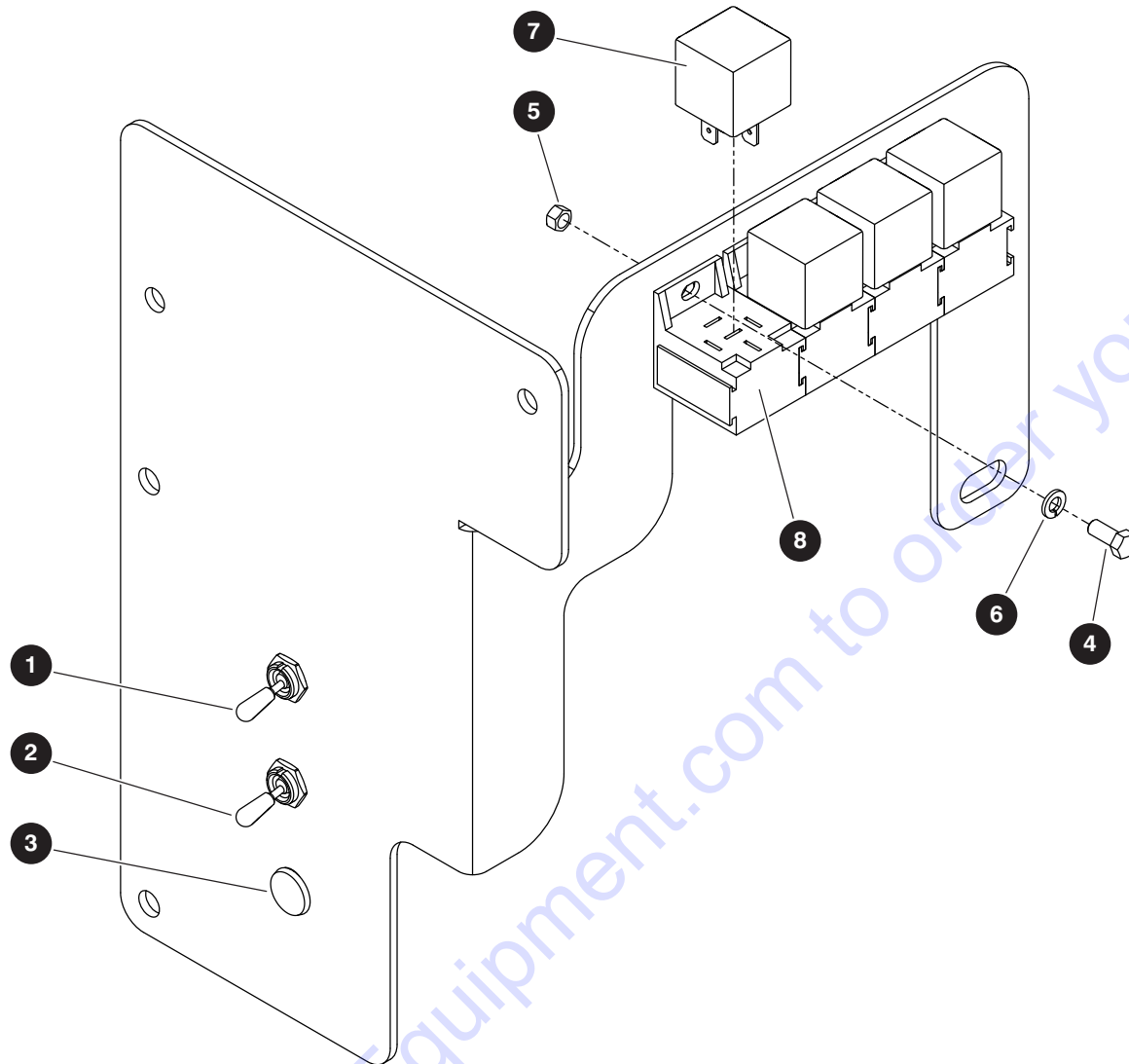
4.14 Bell Housing - Kubota WG972



M215016AF

| Index No. | Skyjack Part No. | Qty. | Description |
|-----------|------------------|------|-----------------------------|
| - | 215016 | 1 | BELL HOUSING - Kubota WG972 |
| 1 | 237355 | 1 | • COVER |
| 2 | 237356 | 1 | • FLYWHEEL |
| 3 | 237357 | 1 | • HUB |

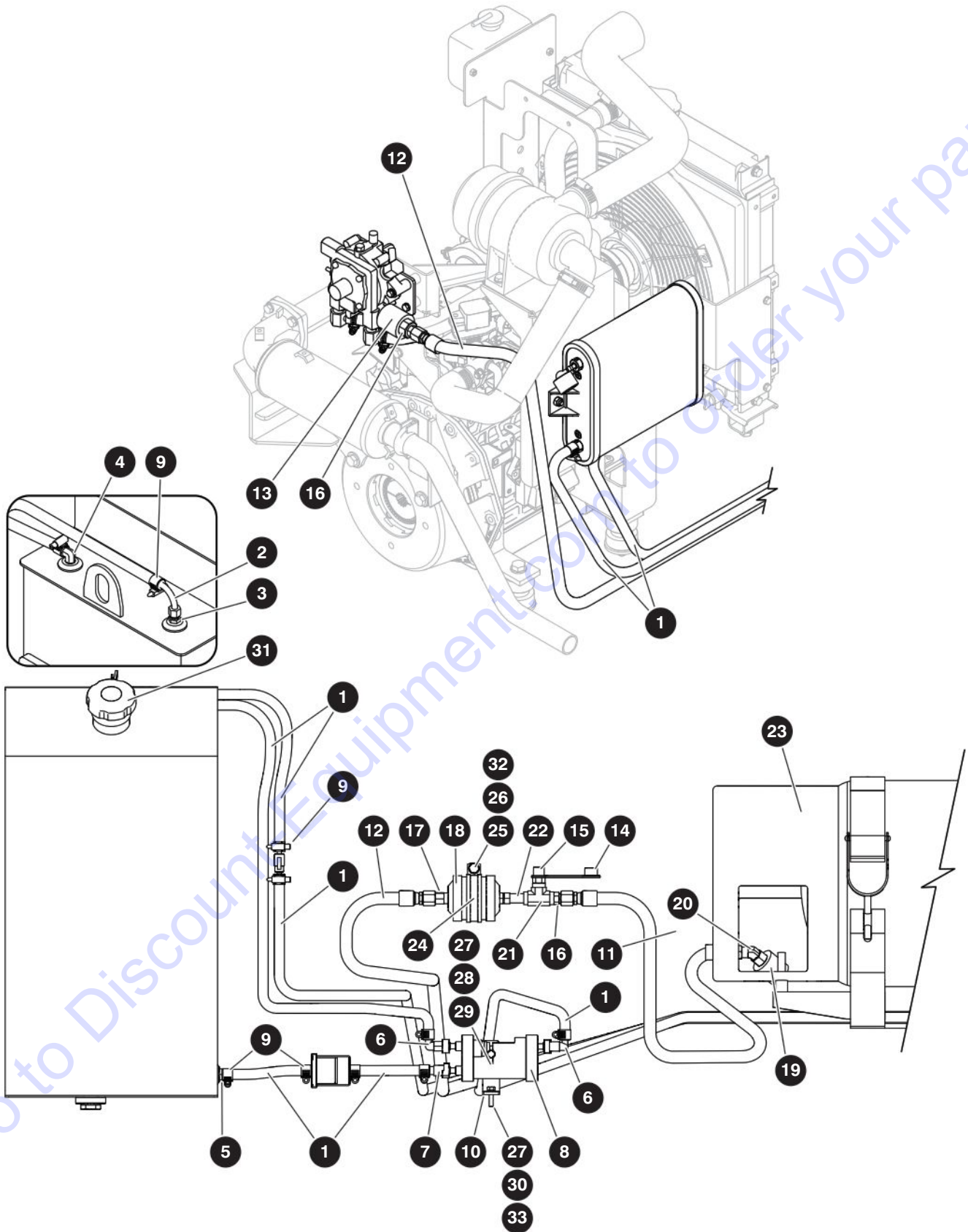
4.15 Electrical Components - Kubota WG972



M66811AA

| Index No. | Skyjack Part No. | Qty. | Description |
|-----------|------------------|------|---|
| - | 222035 | 1 | ELECTRICAL COMPONENTS - Kubota WG972 |
| 1 | 115573 | 1 | • SWITCH, Toggle 1TL1-8 |
| 2 | 115574 | 1 | • SWITCH, Toggle 1NT1-2 |
| 3 | 133133 | 1 | • INDICATOR, Light (12V) |
| 4 | 228453 | 2 | • BOLT, Hex head (M5 x 0.8 x 12, cl 8.8) |
| 5 | 217576 | 2 | • NUT, Hex (M5 x 0.8, cl 8) |
| 6 | 228460 | 2 | • WASHER, Lock (M5) |
| 7 | 127131 | 4 | • RELAY (12 V - 40 A) |
| 8 | 138749 | 4 | • SOCKET, Relay |

4.16 Fuel System - Kubota WG972



4.16 Fuel System - Kubota WG972

| Index No. | Skyjack Part No. | Qty. | Description |
|-----------|------------------|------|---|
| - | 215493 | 1 | FUEL SYSTEM - Kubota WG972 |
| - | 220409 | 1 | • FUEL LINES |
| 1 | 142405 | 290" | • • LINE, Fuel |
| 2 | 103155 | 1 | • • FITTING, Tank |
| 3 | 215499 | 1 | • • TUBE, Gas - Send/Return |
| 4 | 102907 | 1 | • • FITTING, 90 Deg (5/16 - 1/4NPT) |
| 5 | 166176 | 1 | • • BARB, Hose (5/16 - 1/4NPT) |
| 6 | 142398 | 2 | • • QUICK CONNECT, Fuel - 90 Deg |
| 7 | 142397 | 1 | • • QUICK CONNECT, Fuel - Straight |
| 8 | 163557 | 1 | • • PUMP, Fuel |
| 9 | 103321 | 12 | • • CLAMP, Gear |
| 10 | 222051 | 1 | • BRACKET, Fuel pump |
| - | 220410 | 1 | • FUEL HOSES |
| 11 | 103098 | 1 | • • HOSE, Propane |
| 12 | 133648 | 1 | • • HOSE, Propane Fuel |
| 13 | 125793 | 1 | • • VALVE, Shut-Off - Propane |
| 14 | 111622 | 1 | • • CAP, Cap-Rain |
| 15 | 300799 | 1 | • • VALVE, Relief |
| 16 | 103156 | 2 | • • FITTING, Straight (06SAE45M - 04NPTM) |
| 17 | 143477 | 1 | • • FITTING, 45 Deg |
| 18 | 142300 | 1 | • • FILTER, LP |
| 19 | 103006 | 1 | • • COUPLING, Quick - tank (Female) |
| 20 | 103159 | 1 | • • FITTING, 45 Deg (06SAE45M - 04NPTM) |
| 21 | 132919 | 1 | • • FITTING, Fitting-Tee (04NPTF) |
| 22 | 143478 | 1 | • • FITTING,ipple (04NPTM-2 lg brass) |
| 23 | (Ref.) | 1 | • PROPANE TANK ASSEMBLY <i>(For components, refer to Section 4.17 Propane Tank - Kubota WG972)</i> |
| 24 | 143987 | 1 | • CLAMP, Loop (#40) |
| 25 | 133869 | 1 | • BOLT, Hex head (M8 x 1.25 x 25, cl 8.8) |
| 26 | 600184 | 1 | • WASHER, Flat (M8) |
| 27 | 933834 | 2 | • WASHER, Flat (M6) |
| 28 | 223178 | 1 | • NUT, Hex lock (M6 x 1, cl 10) |
| 29 | 217226 | 1 | • BOLT, Hex head (M6 x 1 x 50, cl 8.8) |
| 30 | 933627 | 1 | • BOLT, Hex head (M6 x 1 x 25, cl 8.8) |
| 31 | 215468 | 1 | • CAP, Filler - Non-Vented |
| 32 | 116218 | 1 | • WASHER, Lock (M8) |
| 33 | 121758 | 1 | • WASHER, Lock (M6) |

PARTS FINDER

**Search Website
by Part Number**



**Search Manual
Library For Parts
Manual & Lookup Part
Numbers – Purchase
or Request Quote**

Search Manuals

Enter your information to help us find the right parts manual for your machine.

* Brand:

* Model:

* Serial:

* Part Number:

SEARCH

**Can't Find Part or
Manual? Request Help
by Manufacturer,
Model & Description**

Parts Order Form

Please fill in the following information to help us find the right part for your machine.

| | |
|---------------|----------------------|
| Manufacturer: | <input type="text"/> |
| Model: | <input type="text"/> |
| Description: | <input type="text"/> |
| Part Number: | <input type="text"/> |
| Quantity: | <input type="text"/> |
| Notes: | <input type="text"/> |

Submit

Discount-Equipment.com is your online resource for quality parts & equipment.

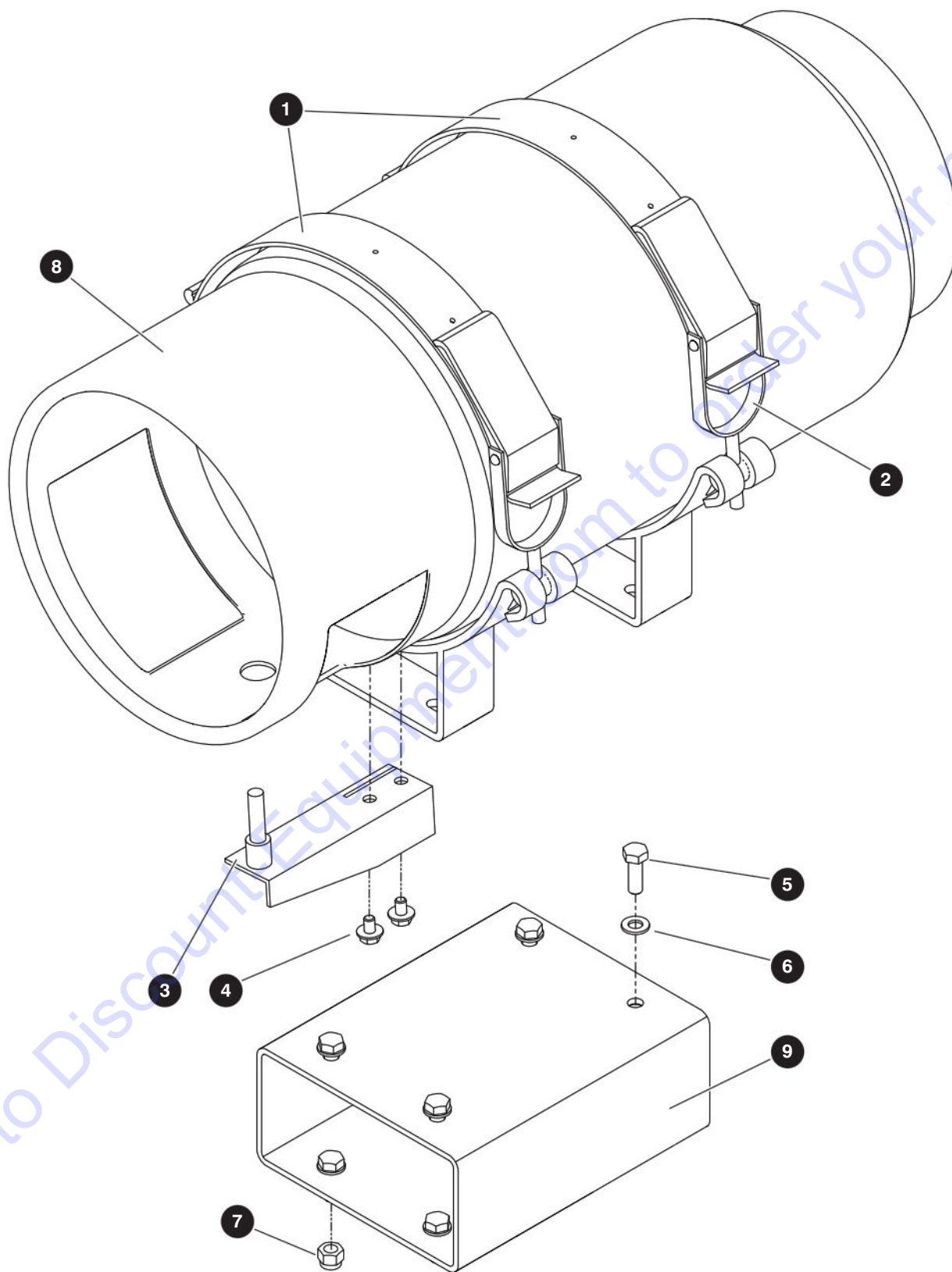
Florida: **561-964-4949** Outside Florida TOLL FREE: **877-690-3101**

Need parts?

Click on this link: <http://www.discount-equipment.com/category/5443-parts/> and choose one of the options to help get the right parts and equipment you are looking for. Please have the machine model and serial number available in order to help us get you the correct parts. If you don't find the part on the website or on one of the online manuals, please fill out the request form and one of our experienced staff members will get back to you with a quote for the right part that your machine needs.

We sell worldwide for the brands: Genie, Terex, JLG, MultiQuip, Mikasa, Essick, Whiteman, Mayco, Toro Stone, Diamond Products, Generac Magnum, Airman, Haulotte, Barreto, Power Blanket, Nifty Lift, Atlas Copco, Chicago Pneumatic, Allmand, Miller Curber, Skyjack, Lull, Skytrak, Tsurumi, Husquvarna Target, Stow, Wacker, Sakai, Mi-T-M, Sullair, Basic, Dynapac, MBW, Weber, Bartell, Bennar Newman, Haulotte, Ditch Runner, Menegotti, Morrison, Contec, Buddy, Crown, Edco, Wyco, Bomag, Laymor, EZ Trench, Bil-Jax, F.S. Curtis, Gehl Pavers, Heli, Honda, ICS/PowerGrit, IHI, Partner, Imer, Clipper, MMD, Koshin, Rice, CH&E, General Equipment, Amida, Coleman, NAC, Gradall, Square Shooter, Kent, Stanley, Tamco, Toku, Hatz, Kohler, Robin, Wisconsin, Northrock, Oztec, Toker TK, Rol-Air, APT, Wylie, Ingersoll Rand / Doosan, Innovatech, Con X, Ammann, Mecalac, Makinex, Smith Surface Prep, Small Line, Wanco, Yanmar

4.17 Propane Tank - Kubota WG972



4.17 Propane Tank - Kubota WG972

| Index No. | Skyjack Part No. | Qty. | Description |
|-----------|------------------|------|--|
| - | - | 1 | PROPANE TANK - Kubota WG972 |
| - | 144295 | 1 | • MOUNTING KIT, Propane tank |
| 1 | 221768 | 2 | • • BRACKET, Tank |
| 2 | 221769 | 2 | • • LATCH |
| 3 | 221770 | 1 | • • PIN, Locating |
| 4 | 221771 | 2 | • • SCREW, Sem |
| 5 | 933658 | 8 | • BOLT, Hex head (M10 x 1.5 x 30, cl 10.9) |
| 6 | 933833 | 8 | • WASHER, Flat (M10) |
| 7 | 933697 | 8 | • NUT, Hex lock (M10 x 1.5) |
| 8 | 145976 | 1 | • TANK Propane |
| 9 | 231684 | 1 | • SPACER, Propane tank |

Section 5 – Electrical Harnesses

5.1 *Outrigger Manifold Harness*

5.2 *Drive Manifold Harness*

5.3 *Kubota D1305 Engine Harness*

5.4 *Fuse Box - Kubota D1305*

5.5 *Kubota WG972 Engine Harness*

5.6 *Positive Air Shut Off Harness*

5.7 *Fuel Pump Harness*

5.8 *ECU Power Harness*

5.9 *Pressure Transducer Harness*

5.10 *Dual Holding Valve Harness*

5.11 *Base Control Cable*

5.12 *Control A Harness*

5.13 *Control B Harness*

5.14 *Outrigger Control Harness*

5.15 *Machine Controller Harness*

5.16 *Generator and Oil Cooler Harness*

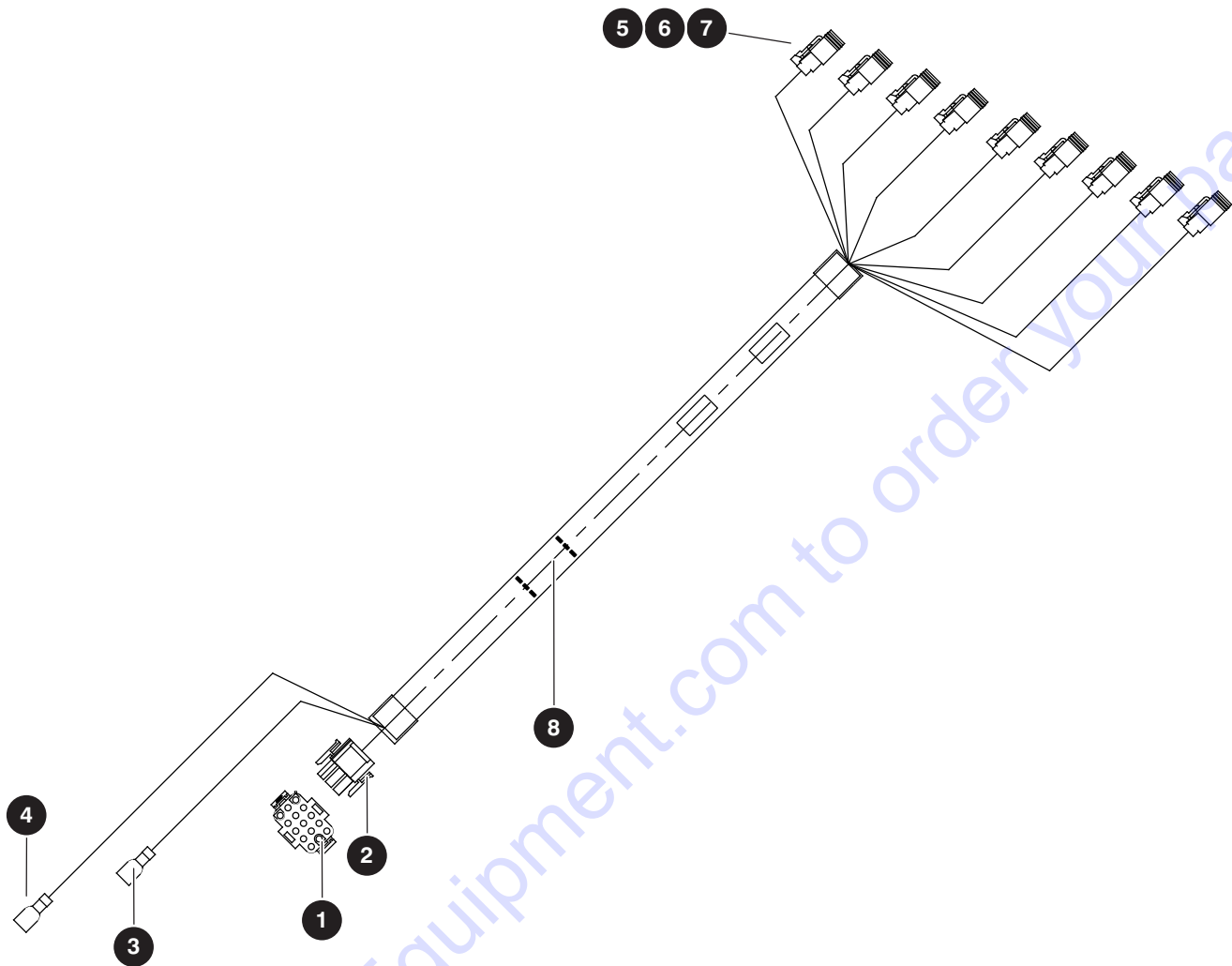
5.17 *Generator Control Harness*

5.18 *CANBUS Harness*

5.19 *Platform Harness*

5.20 *Scissor Harness*

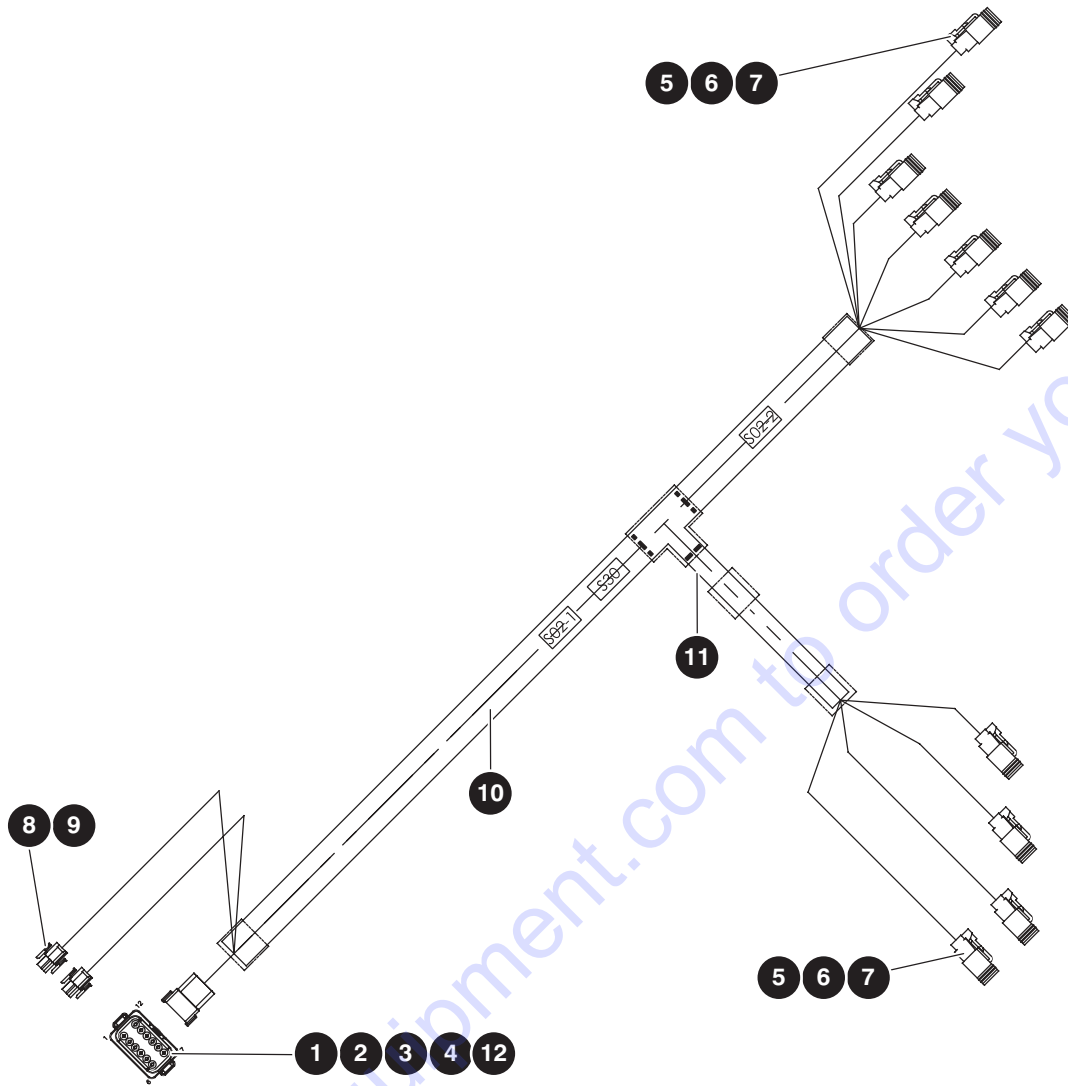
5.1 Outrigger Manifold Harness



M222195AA-1

| Index No. | Skyjack Part No. | Qty. | Description |
|-----------|------------------|--------|-----------------------------------|
| - | 222195 | 1 | OUTRIGGER MANIFOLD HARNESS |
| 1 | 116994 | 1 | • HOUSING, 15 pole plug male |
| 2 | 116990 | 8 | • PIN, Female wire |
| 3 | 105359 | 1 | • TERMINAL, Female (14 -16 GA) |
| 4 | 105360 | 1 | • TERMINAL, Male (14-16 GA x 1/4) |
| 5 | 117597 | 9 | • PLUG, Connector (2 pin) |
| 6 | 117599 | 9 | • PLUG, Connector - wedge (2 pin) |
| 7 | 117591 | 18 | • SOCKET, Connector - contact |
| 8 | 120748 | 210 cm | • PROTECTOR, Wire |

5.2 Drive Manifold Harness



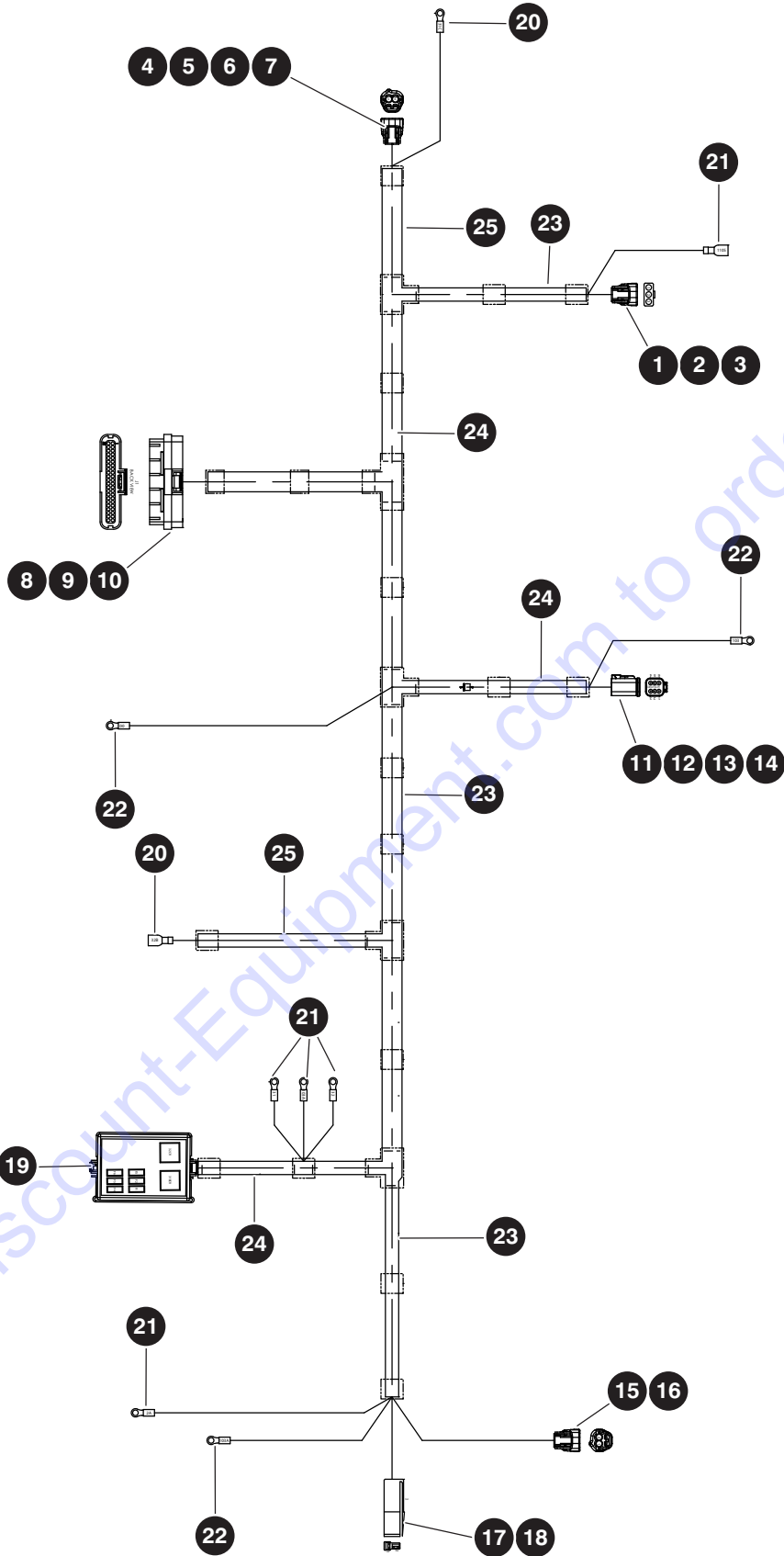
M215820AE-1

| Index No. | Skyjack Part No. | Qty. | Description |
|-----------|------------------|--------|--|
| - | 215820 | 1 | DRIVE MANIFOLD HARNESS |
| 1 | 117586 | 1 | • CONNECTOR, Receptacle (12 PIN) |
| 2 | 117588 | 1 | • CONNECTOR, Receptacle - wedge (12 PIN) |
| 3 | 117590 | 8 | • CONNECTOR, Contact (PIN 16 - 18) |
| 4 | 117594 | 2 | • CONNECTOR, Sealing plug |
| 5 | 117597 | 11 | • CONNECTOR, Plug (2 PIN) |
| 6 | 117599 | 11 | • CONNECTOR, Plug - wedge (2 PIN) |
| 7 | 117591 | 22 | • CONNECTOR, Contact socket (16 - 18) |
| 8 | 116992 | 2 | • HOUSING, 2 Pole plug male |
| 9 | 116990 | 4 | • PIN, Female wire |
| 10 | 103090 | 330 cm | • PROTECTOR, Wire (3/4" ID) |
| 11 | 120748 | 35 cm | • PROTECTOR, Wire (1/2" ID) |
| 12 | 117592 | 2 | • CONNECTOR, Contact pin (14-16) |

SJ9233 RT, SJ9243 RT, SJ9253 RT

224578ABA

5.3 Kubota D1305 Engine Harness



M215856AE

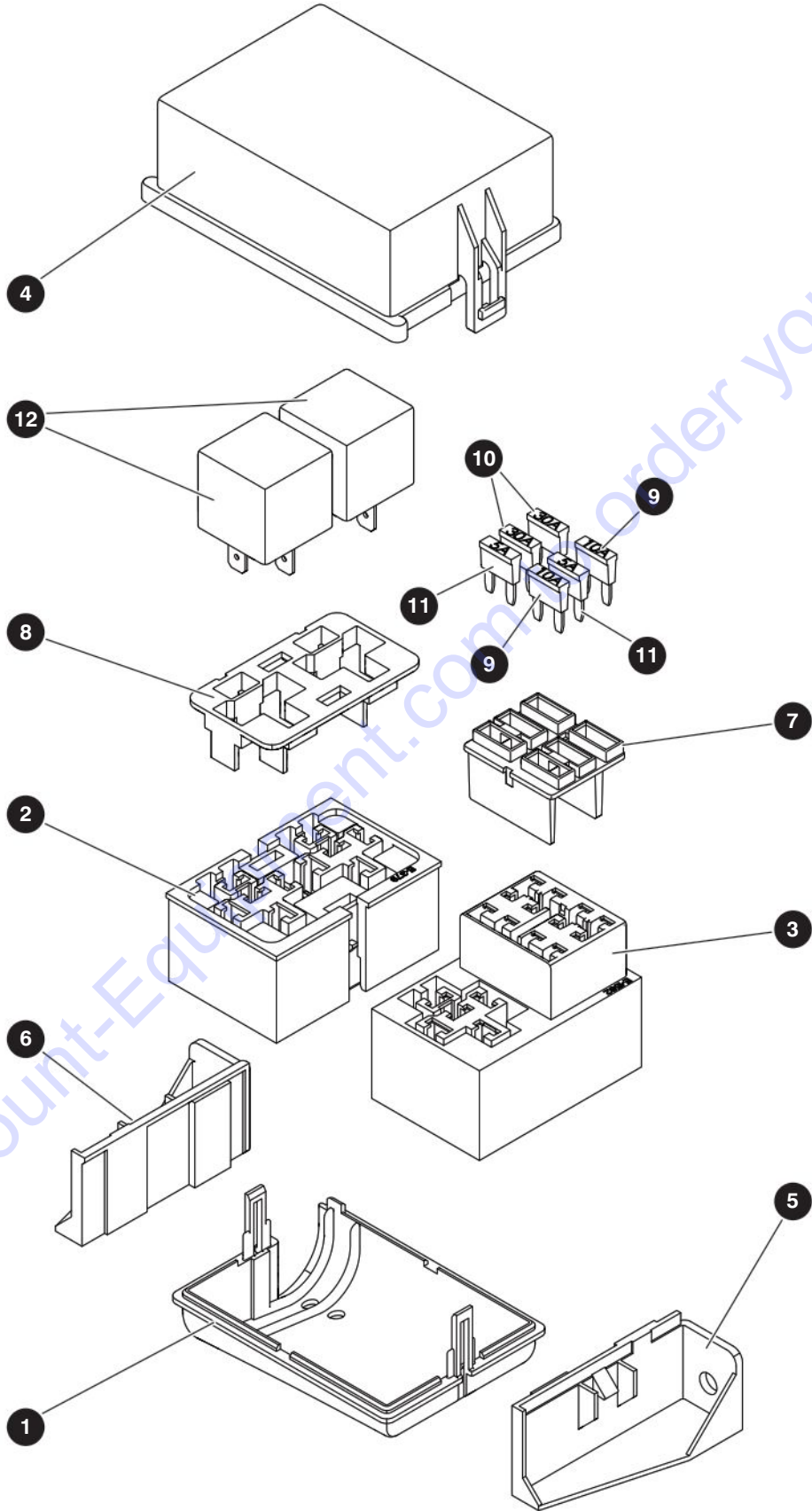
224578ABA

SJ9233 RT, SJ9243 RT, SJ9253 RT

5.3 Kubota D1305 Engine Harness

| Index No. | Skyjack Part No. | Qty. | Description |
|-----------|------------------|------|---|
| - | 215856 | 1 | KUBOTA D1305 ENGINE HARNESS |
| 1 | 215850 | 1 | • CONNECTOR, 2 Pole - automotive |
| 2 | 215852 | 2 | • CONTACT, Female - automotive |
| 3 | 215853 | 2 | • SEAL, Wire - automotive |
| 4 | 215864 | 1 | • CONNECTOR, 3 Pole - automotive |
| 5 | 215866 | 3 | • CONTACT, Female - automotive |
| 6 | 215867 | 3 | • SEAL, Wire - automotive |
| 7 | 215865 | 1 | • CONNECTOR, Rear holder |
| 8 | 215868 | 1 | • CONNECTOR, 44 position - ECU |
| 9 | 215869 | 21 | • CONTACT, Female - ECU |
| 10 | 215870 | 23 | • PLUG, Wire - ECU |
| 11 | 204108 | 1 | • CONNECTOR, Receptacle (6 PIN) |
| 12 | 204107 | 1 | • CONNECTOR, Receptacle - wedge (6 PIN) |
| 13 | 117592 | 5 | • CONNECTOR, Contact (PIN 14 - 16) |
| 14 | 117594 | 1 | • CONNECTOR, Sealing plug |
| 15 | 215871 | 1 | • CONNECTOR, 2 Pole - automotive |
| 16 | 215872 | 2 | • CONTACT, Female - automotive |
| 17 | 215874 | 1 | • CONNECTOR, 2 Pole - alternator |
| 18 | 215875 | 2 | • CONTACT, Female - alternator |
| 19 | 215849 | 1 | • FUSEBOX |
| 20 | 105359 | 2 | • TERMINAL, Female (14 - 16 GA) |
| 21 | 216788 | 5 | • TERMINAL, Ring (18 - 22 GA) |
| 22 | 102940 | 3 | • TERMINAL, Ring (10 - 12 GA) |
| 23 | 103090 | 56" | • PROTECTOR, Wire (3/4" ID) |
| 24 | 120748 | 92" | • PROTECTOR, Wire (1/2" ID) |
| 25 | 111354 | 78" | • PROTECTOR, Wire (3/8" ID) |

5.4 Fuse Box - Kubota D1305



M215849AB

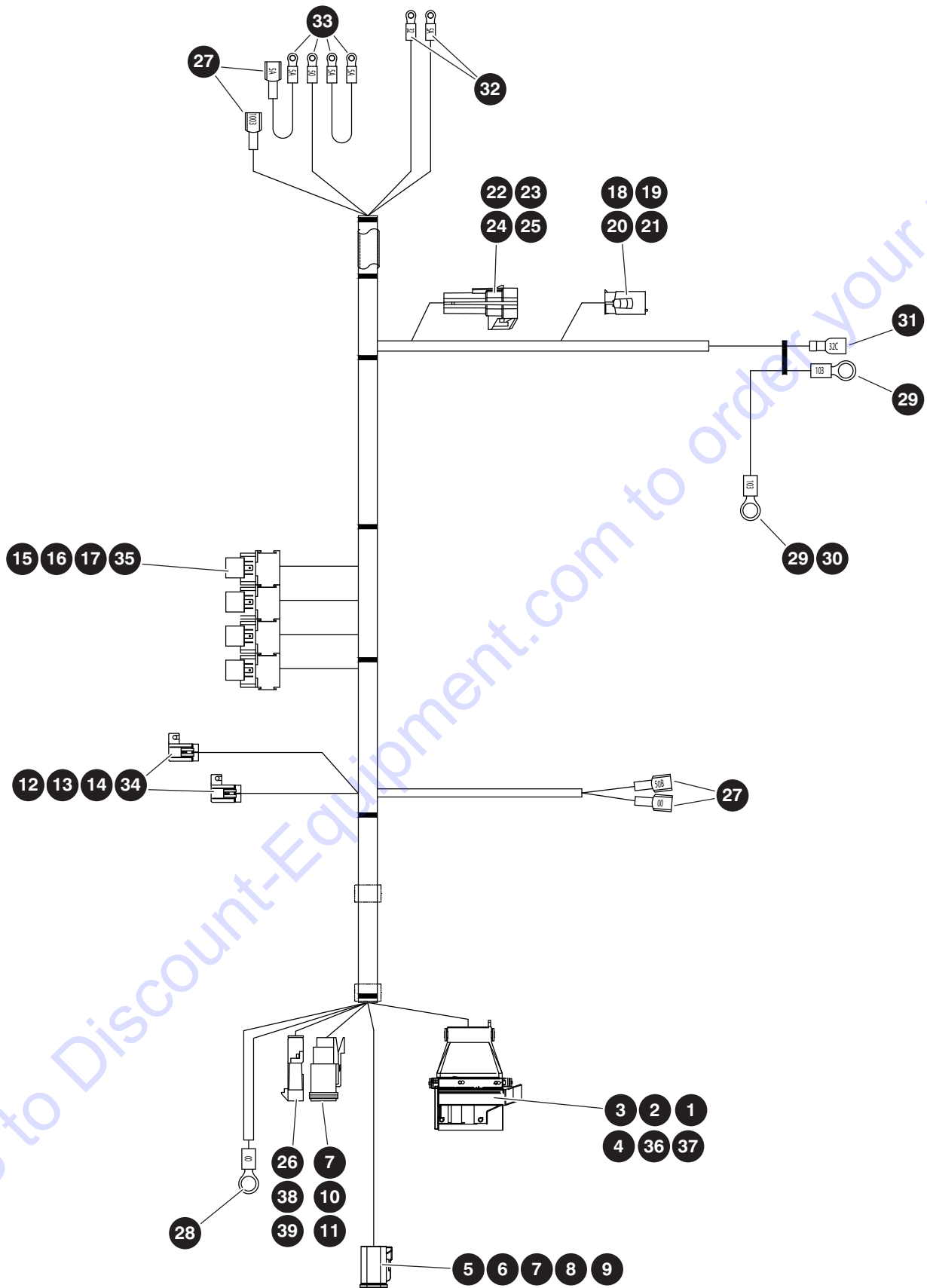
224578ABA

SJ9233 RT, SJ9243 RT, SJ9253 RT

5.4 Fuse Box - Kubota D1305

| Index No. | Skyjack Part No. | Qty. | Description |
|-----------|------------------|------|--|
| - | 215849 | 1 | FUSE BOX - Kubota D1305 |
| 1 | 198654 | 1 | • COVER, Fuse box - bottom |
| 2 | 198646 | 1 | • BLOCK, Fuse box - dual ISO relay |
| 3 | 198647 | 1 | • BLOCK, Fuse box - ISO relay, 6 fuses |
| 4 | 198651 | 1 | • COVER, Fuse box - top |
| 5 | 198652 | 1 | • BRACKET, Fuse box - RH |
| 6 | 198653 | 1 | • BRACKET, Fuse box - LH |
| 7 | 198649 | 1 | • SPACER, Half module - mini fuse |
| 8 | 198650 | 1 | • SPACER, ISO relay |
| 9 | 170626 | 2 | • FUSE, ATM - 10A |
| 10 | 198727 | 2 | • FUSE, ATM - 30A |
| 11 | 198725 | 2 | • FUSE, ATM - 5A |
| 12 | 127131 | 2 | • RELAY, 12V 40 AMP |
| 13 | 198655 | 1 | • TERMINAL, Female - ISO relay (10/12 AWG) (not shown) |
| 14 | 198657 | 4 | • TERMINAL, Female - ISO relay (14/16 AWG) (not shown) |
| 15 | 198658 | 3 | • TERMINAL, Female - ISO relay (18/20 AWG) (not shown) |
| 16 | 198662 | 4 | • TERMINAL, Female - mini fuse (18/20 AWG) (not shown) |
| 17 | 198661 | 8 | • TERMINAL, Female - mini fuse (14/16 AWG) (not shown) |

5.5 Kubota WG972 Engine Harness



M222185AA

224578ABA

162

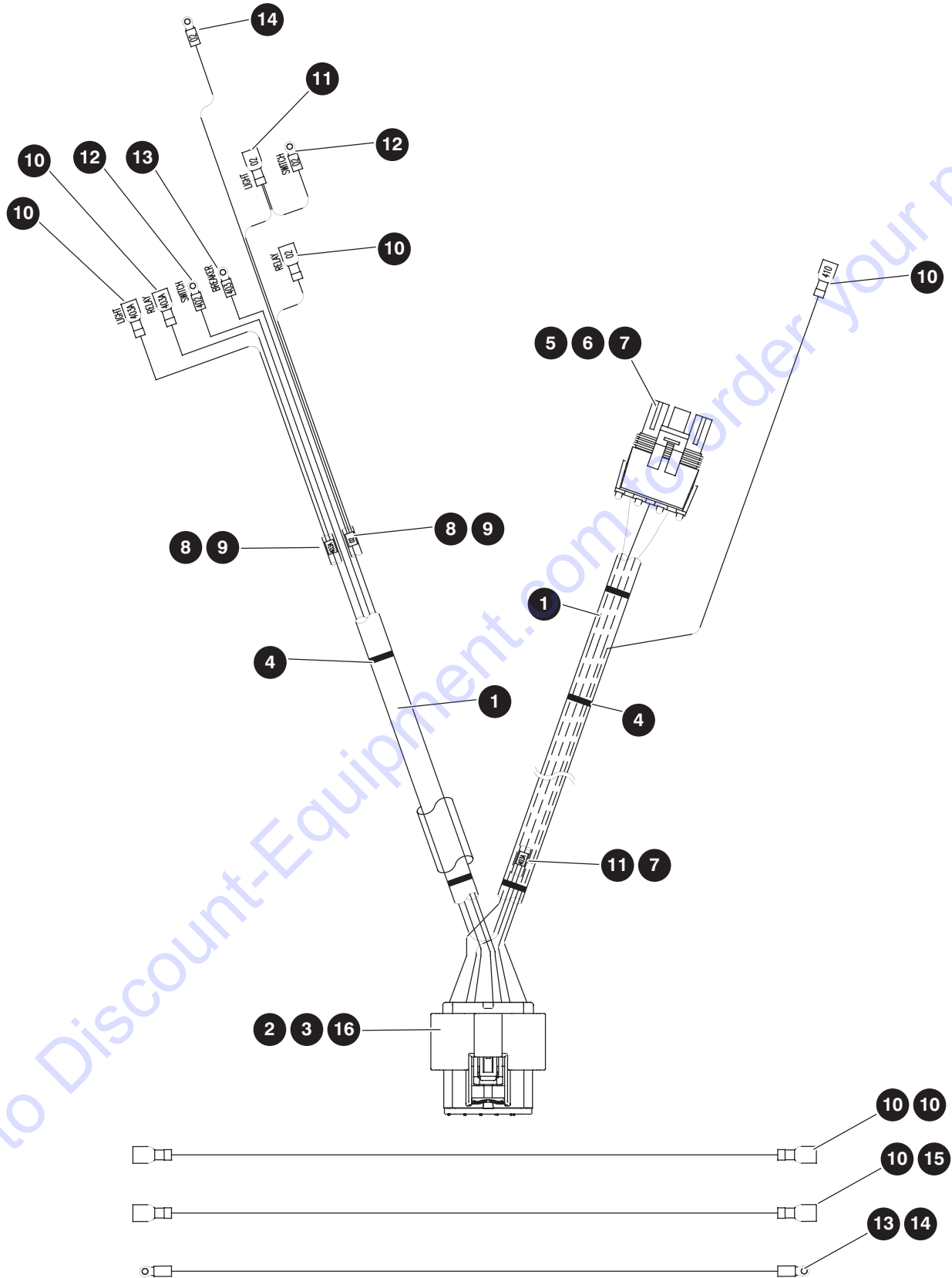
SJ9233 RT, SJ9243 RT, SJ9253 RT

SKYJACK

5.5 Kubota WG972 Engine Harness

| Index No. | Skyjack Part No. | Qty. | Description |
|-----------|------------------|------|---------------------------------------|
| - | 222189 | 1 | KUBOTA WG972 ENGINE HARNESS |
| 1 | 163675 | 1 | • CONNECTOR (42M) |
| 2 | 163676 | 8 | • TERMINAL, Female (18 - 20 GA) |
| 3 | 156173 | 2 | • TERMINAL, Female (2.5 - 1.5 mm2) |
| 4 | 156174 | 11 | • TERMINAL, Female (1.0 - 0.5 mm2) |
| 5 | 158476 | 1 | • CONNECTOR, Plug (6 PIN) |
| 6 | 158477 | 1 | • CONNECTOR, Plug - wedge (6 PIN) |
| 7 | 117591 | 6 | • CONNECTOR, Contact socket (16 - 18) |
| 8 | 117593 | 1 | • CONNECTOR, Contact socket (14 - 16) |
| 9 | 117594 | 1 | • CONNECTOR, Sealing plug |
| 10 | 117597 | 1 | • CONNECTOR, Plug (2 PIN) |
| 11 | 117599 | 1 | • CONNECTOR, Plug - wedge (2 PIN) |
| 12 | 157850 | 2 | • CONNECTOR, 2F Fuse holder |
| 13 | 157851 | 4 | • TERMINAL, Female (2.5 - 1.5 mm2) |
| 14 | 156117 | 2 | • COVER, Inline autofuse |
| 15 | 138749 | 4 | • SOCKET, Relay - automotive |
| 16 | 126808 | 12 | • TERMINAL, Female (14 - 18 GA) |
| 17 | 163677 | 4 | • TERMINAL, Female (12 - 16 GA) |
| 18 | 141581 | 1 | • CONNECTOR, 3 way socket |
| 19 | 141582 | 1 | • TERMINAL, Female (1.25 - 0.5 mm2) |
| 20 | 142183 | 1 | • SEAL, Wire (2.7 - 1.8 mm) |
| 21 | 156167 | 2 | • PLUG, Cavity |
| 22 | 166481 | 1 | • CONNECTOR (4M) |
| 23 | 163679 | 1 | • TPA (4W) |
| 24 | 163680 | 4 | • TERMINAL, Male (0.8 - 0.5 mm2) |
| 25 | 156146 | 4 | • SEAL, Wire (2.9 - 2.0 mm) |
| 26 | 156106 | 1 | • CONNECTOR (1M) |
| 27 | 114595 | 3 | • TERMINAL, Female (18 - 22 AWG) |
| 28 | 108172 | 1 | • TERMINAL, Ring (10 - 12 GA x 3/8") |
| 29 | 102940 | 2 | • TERMINAL, Ring (10 - 12 GA x 5/16") |
| 30 | 117696 | 1 | • TERMINAL, Boot |
| 31 | 105359 | 1 | • TERMINAL, Female (14 - 16 GA) |
| 32 | 102955 | 2 | • TERMINAL, Ring (14 - 16 GA) |
| 33 | 119749 | 4 | • TERMINAL, Ring (22 - 18 AWG) |
| 34 | 156202 | 2 | • FUSE (5A) |
| 35 | 127131 | 4 | • RELAY (12 V, 40 A) |
| 36 | 166583 | 1 | • BACKSHELL |
| 37 | 166584 | 1 | • SEAL, Inner |
| 38 | 156116 | 1 | • TERMINAL, Male (3.0 - 2.0 mm2) |
| 39 | 157868 | 1 | • SEAL, Wire (4.3 - 3.5 mm) |

5.6 Positive Air Shut Off Harness



M220366AA

224578ABA

164

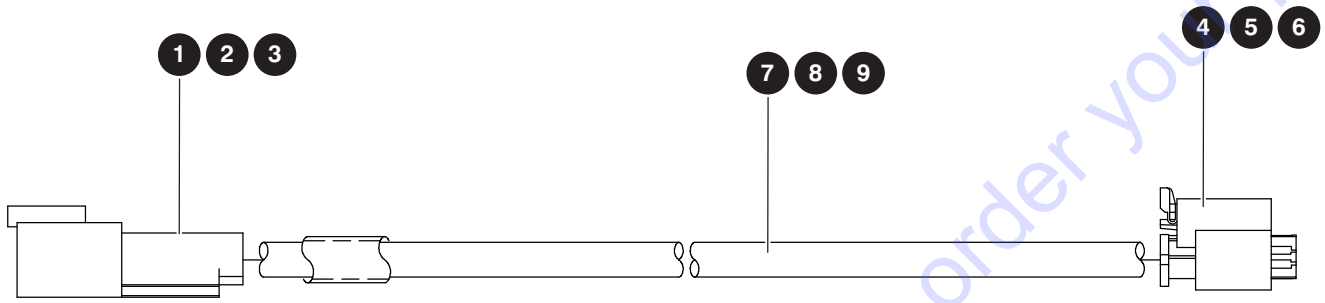
SJ9233 RT, SJ9243 RT, SJ9253 RT

SKYJACK

5.6 Positive Air Shut Off Harness

| Index No. | Skyjack Part No. | Qty. | Description |
|-----------|------------------|------|----------------------------------|
| - | 220366 | 1 | POSITIVE AIR SHUT OFF HARNESS |
| 1 | 111354 | 27 | • PROTECTOR, Wire (3/8") |
| 2 | 171900 | 1 | • PLUG, Connector (10 way) |
| 3 | 171901 | 7 | • CONTACT, Connector - female |
| 4 | 113719 | 6 | • TIEWRAP, Long (3.9) |
| 5 | 156114 | 1 | • CONNECTOR, 3F |
| 6 | 156138 | 3 | • TERMINAL, Female |
| 7 | 124369 | 3 | • SEAL, Wire |
| 8 | 119431 | 3 | • SPLICE, non insulated |
| 9 | 120356 | 4.5 | • HEATSHRINK, (3/16) |
| 10 | 105359 | 8 | • TERMINAL, Female (14-16 GA) |
| 11 | 105568 | 1 | • TERMINAL, (12-10 GA) |
| 12 | 102955 | 2 | • TERMINAL, Ring (14 -16 GA) #6 |
| 13 | 102936 | 1 | • TERMINAL, Ring (14 -16 GA) #10 |
| 14 | 102941 | 2 | • TERMINAL, Ring (0.38) |
| 15 | 105360 | 1 | • TERMINAL, Male (14 -16 GA) |
| 16 | 167722 | 3 | • PLUG, Cavity |

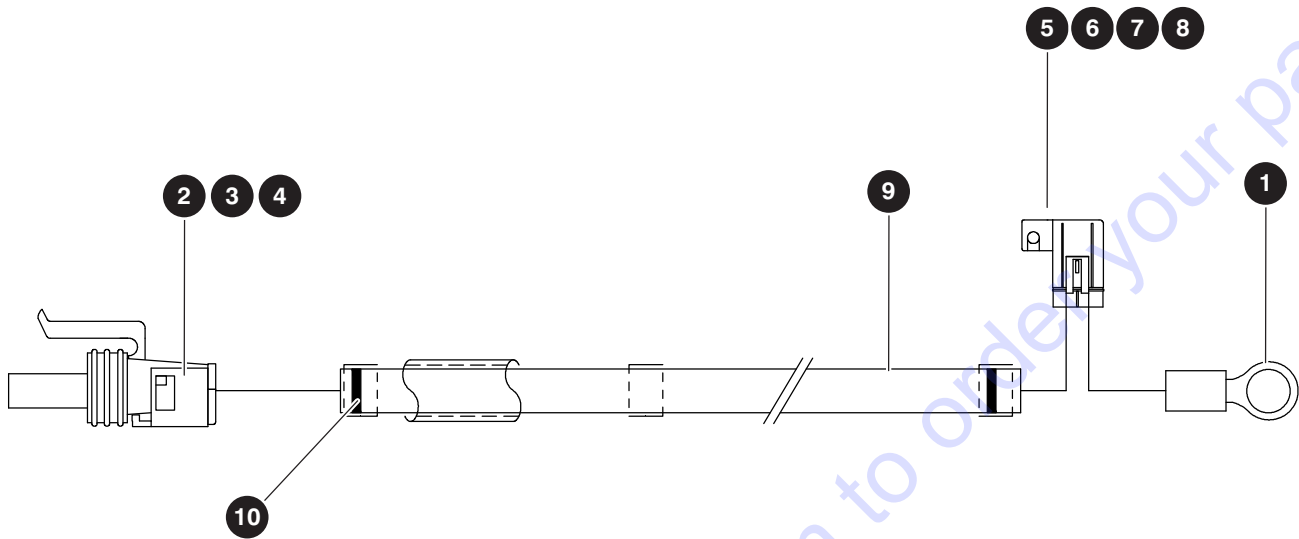
5.7 Fuel Pump Harness



M166628AC

| Index No. | Skyjack Part No. | Qty. | Description |
|-----------|------------------|------|---|
| - | 166628 | 1 | FUEL PUMP HARNESS |
| 1 | 117596 | 1 | • CONNECTOR, Receptacle (2 PIN) |
| 2 | 117590 | 2 | • CONNECTOR, Contact pin (16 - 18 GA) |
| 3 | 117598 | 1 | • CONNECTOR, Receptacle - wedge (2 PIN) |
| 4 | 166625 | 1 | • CONNECTOR, Female |
| 5 | 166626 | 2 | • SEAL, Wire |
| 6 | 166627 | 2 | • TERMINAL, Female |
| 7 | 164615 | 169" | • WIRE, Black (18 AWG, 16 - 30) |
| 8 | 164617 | 169" | • WIRE, White (18 AWG, 16 - 30) |
| 9 | 124399 | 169" | • PROTECTOR, Wire (1/4") |

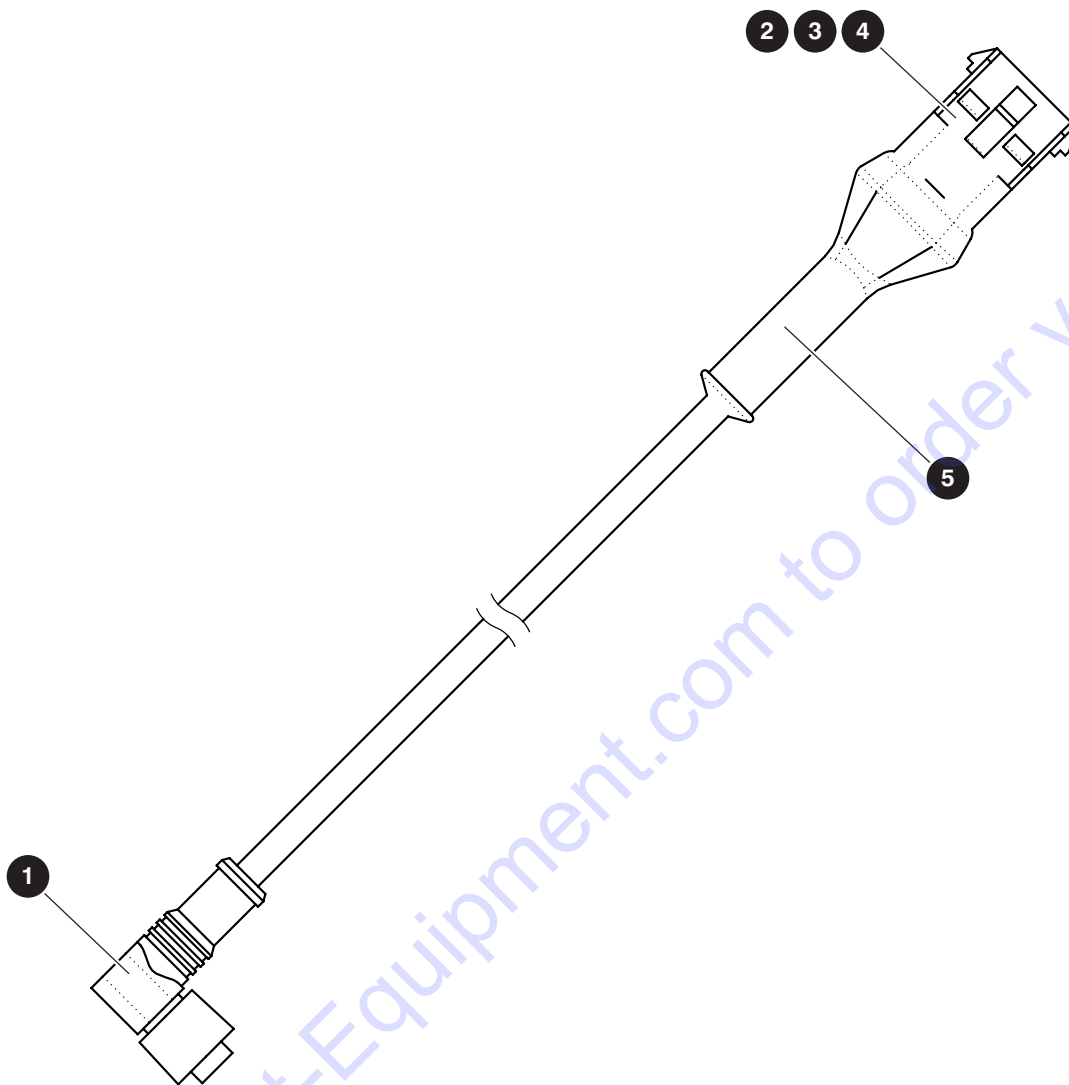
5.8 ECU Power Harness



M166776AA

| Index No. | Skyjack Part No. | Qty. | Description |
|-----------|------------------|------|-------------------------------------|
| - | 166776 | 1 | ECU POWER HARNESS |
| 1 | 108172 | 1 | • TERMINAL, Ring (10 - 12 GA, 3/8") |
| 2 | 156108 | 1 | • CONNECTOR, Female |
| 3 | 156138 | 1 | • TERMINAL, Female |
| 4 | 157868 | 1 | • SEAL, Wire |
| 5 | 156127 | 1 | • CONNECTOR, Female - Fuse holder |
| 6 | 156118 | 2 | • TERMINAL, Female |
| 7 | 156117 | 1 | • COVER, Inline autofuse |
| 8 | 156164 | 1 | • FUSE (30 A) |
| 9 | 124399 | 183" | • PROTECTOR, Wire (1/4") |
| 10 | 113719 | 2 | • TIEWRAP (3 - 5/8") |

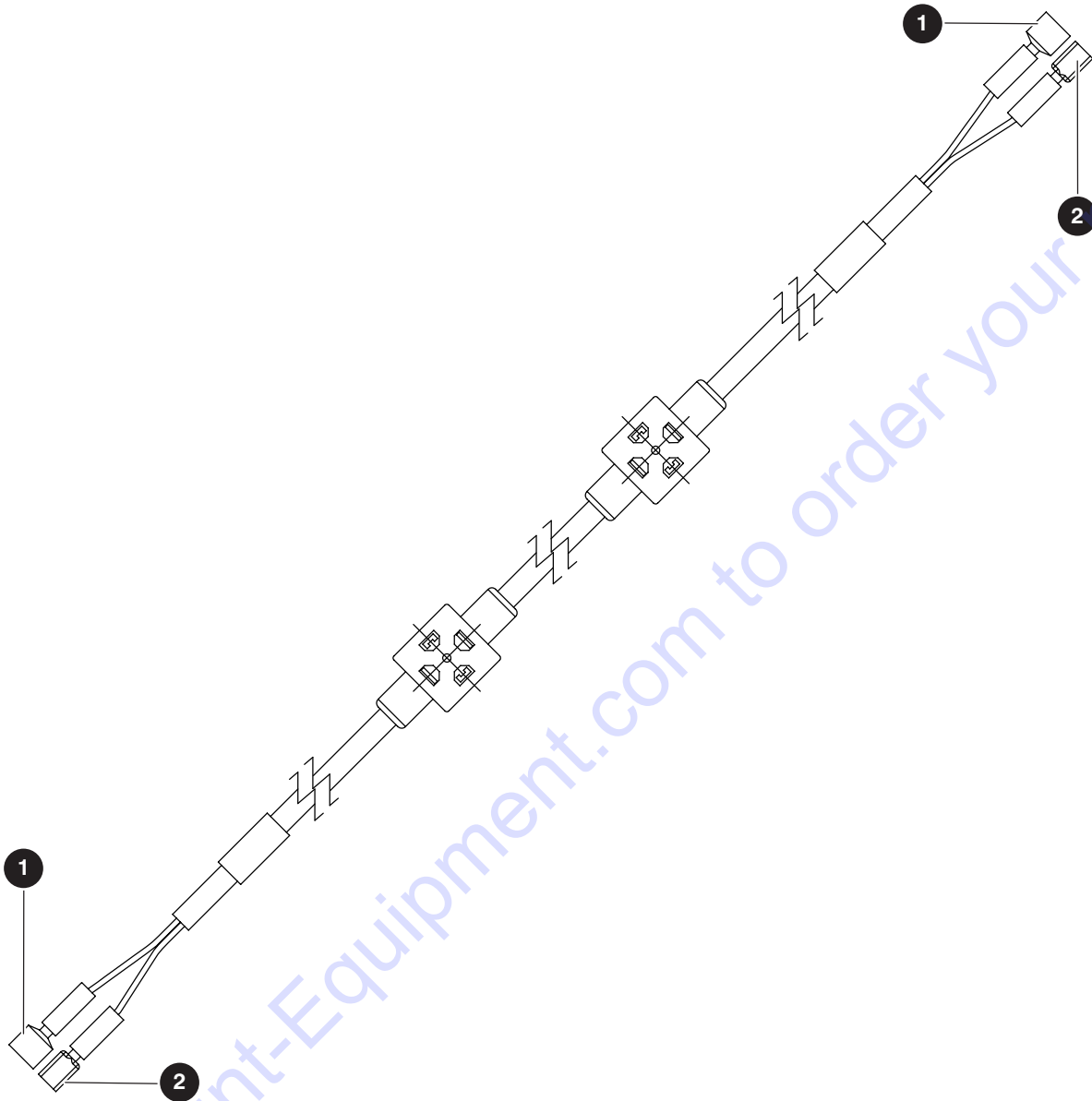
5.9 Pressure Transducer Harness



M211948AC-1

| Index No. | Skyjack Part No. | Qty. | Description |
|-----------|------------------|------|---------------------------------|
| - | 211948 | 1 | PRESSURE TRANSDUCER HARNESS |
| 1 | 211932 | 1 | • CABLE, Connector (M12) |
| 2 | 211949 | 1 | • CONNECTOR, 3 Pole cap housing |
| 3 | 134068 | 1 | • SEAL, Wire |
| 4 | 116989 | 3 | • PIN, Male wire |
| 5 | 220098 | 1 | • INSULATOR, Cable end |

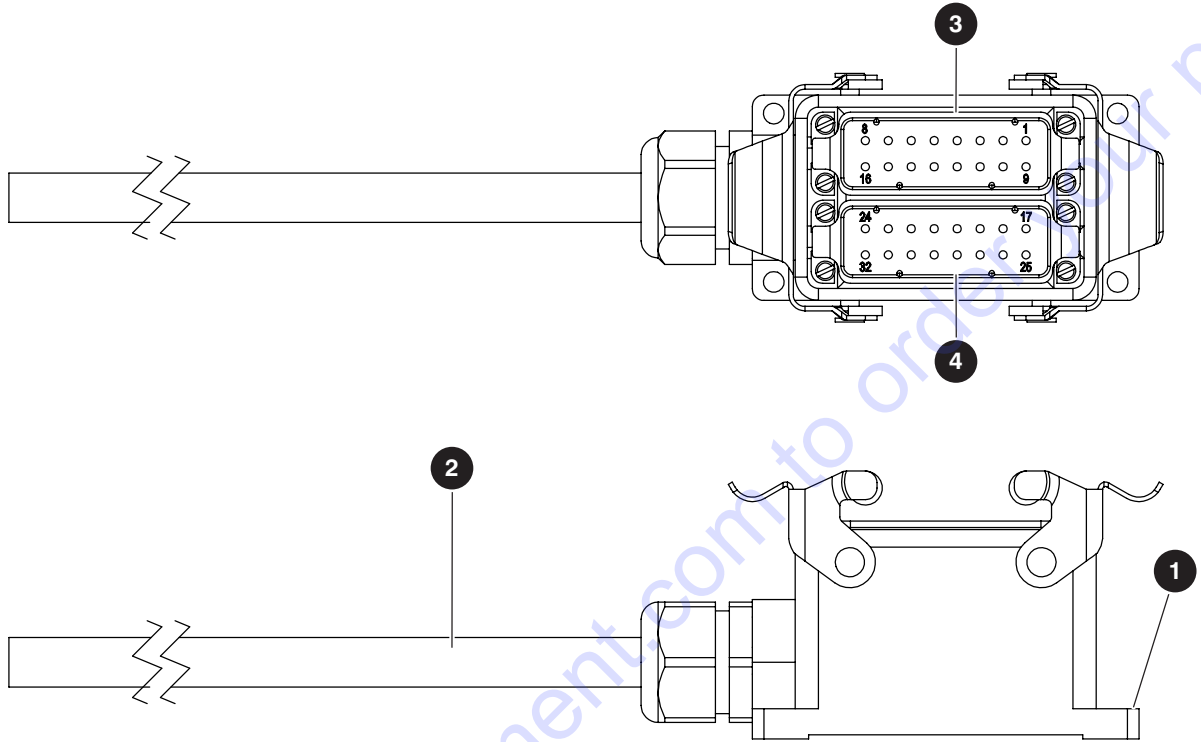
5.10 Dual Holding Valve Harness



M215813AF

| Index No. | Skyjack Part No. | Qty. | Description |
|-----------|------------------|------|---|
| - | 215813 | 1 | DUAL HOLDING VALVE LEVEL 1 HARNESS |
| - | 215814 | 1 | DUAL HOLDING VALVE LEVEL 2 HARNESS |
| - | 215815 | 1 | DUAL HOLDING VALVE LEVEL 3 HARNESS |
| 1 | 105360 | 2 | <ul style="list-style-type: none"> • TERMINAL, Male (14 -16 GA x 1/4") |
| 2 | 105359 | 2 | <ul style="list-style-type: none"> • TERMINAL, Blade Female (14 -16 GA x 1/4") |

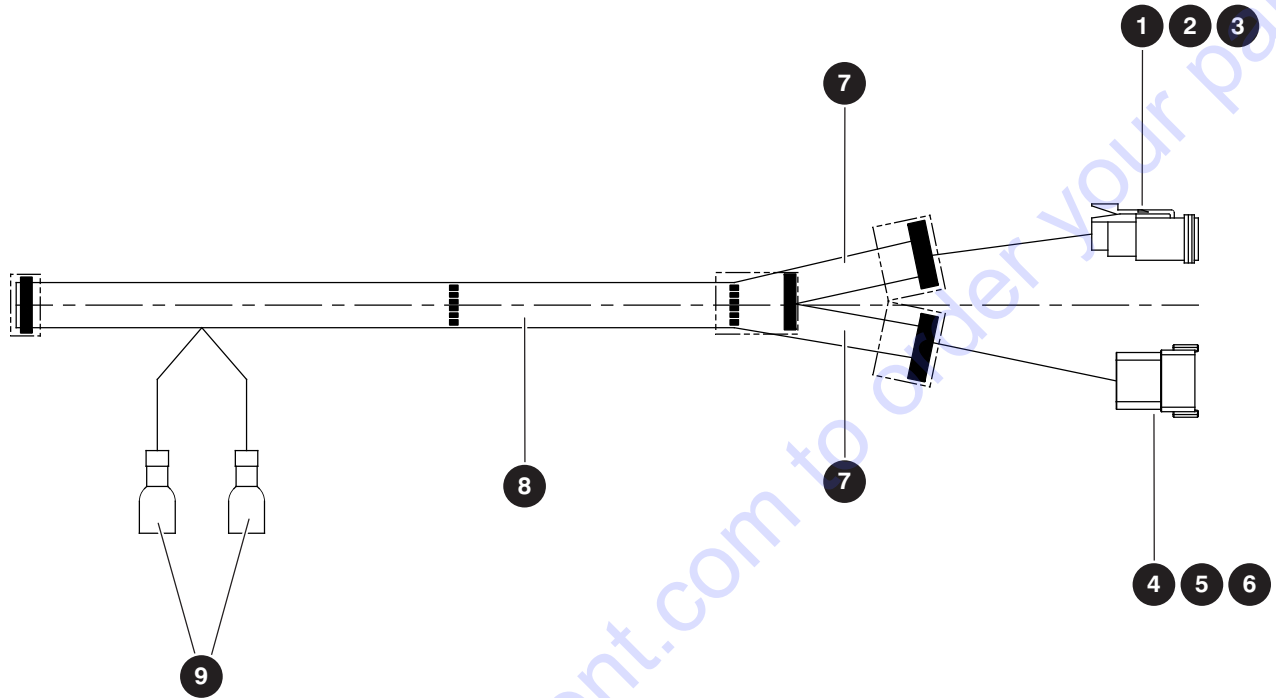
5.11 Base Control Cable



M215889AC

| Index No. | Skyjack Part No. | Qty. | Description |
|-----------|------------------|-------|--------------------------|
| - | 215889 | 1 | BASE CONTROL CABLE |
| 1 | 114465 | 1 | • HOUSING (32 PIN) |
| 2 | 157878 | 4365" | • BRAID (1/4" - 3/4") |
| 3 | 114469 | 1 | • INSERT, Male (1 - 16) |
| 4 | 114470 | 1 | • INSERT, Male (17 - 32) |

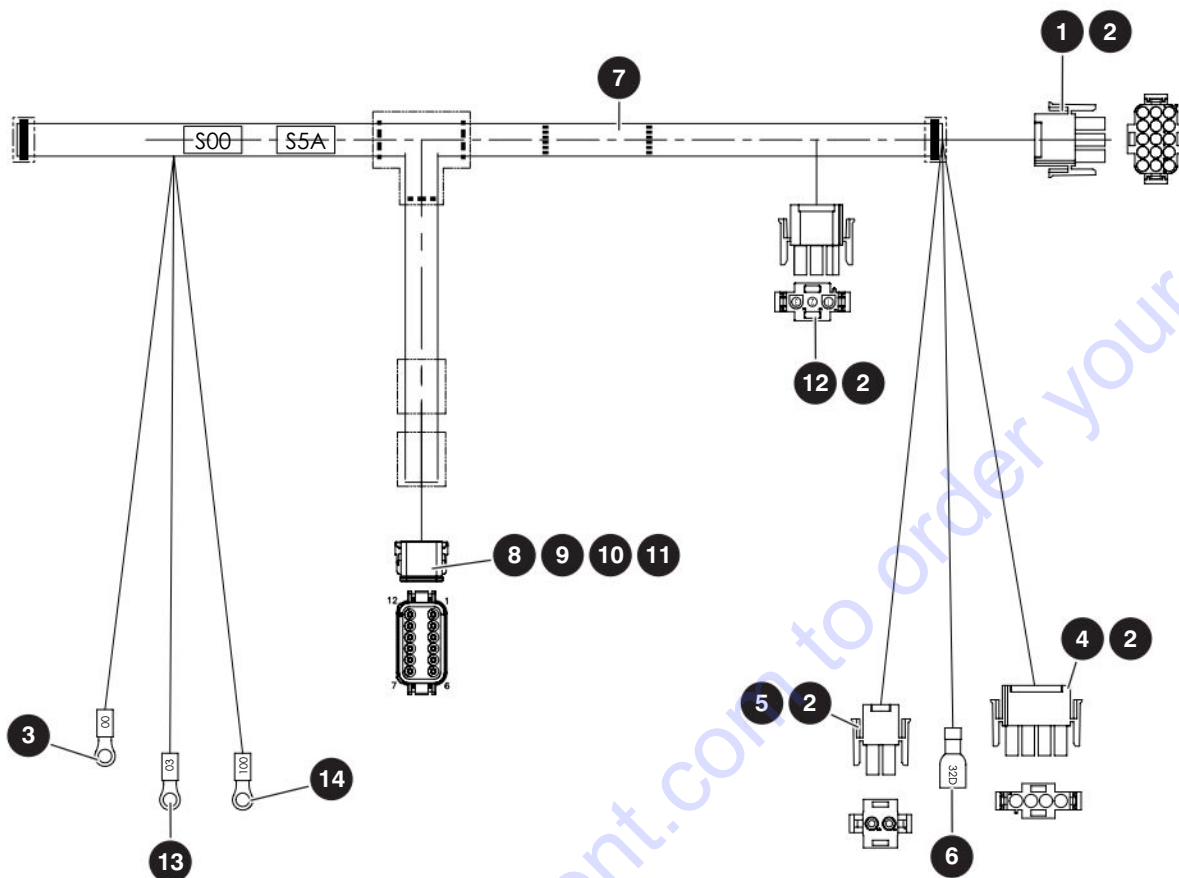
5.12 Control A Harness



M215830AE-1

| Index No. | Skyjack Part No. | Qty. | Description |
|-----------|------------------|------|--|
| - | 215830 | 1 | CONTROL A HARNESS |
| 1 | 117587 | 1 | • CONNECTOR, Plug (12 PIN) |
| 2 | 117589 | 1 | • CONNECTOR, Plug - Wedge (12 PIN) |
| 3 | 117593 | 12 | • CONNECTOR, Contact socket female (14 - 16) |
| 4 | 117586 | 1 | • CONNECTOR, Receptacle (12 PIN) |
| 5 | 117588 | 1 | • CONNECTOR, Receptacle - Wedge (12 PIN) |
| 6 | 117592 | 12 | • CONNECTOR, Contact pin male (14 - 16) |
| 7 | 120748 | 100" | • PROTECTOR, Wire (1/2" ID) |
| 8 | 103090 | 890" | • PROTECTOR, Wire (3/4" ID) |
| 9 | 105359 | 2 | • TERMINAL, Female (14 - 16 GA) |

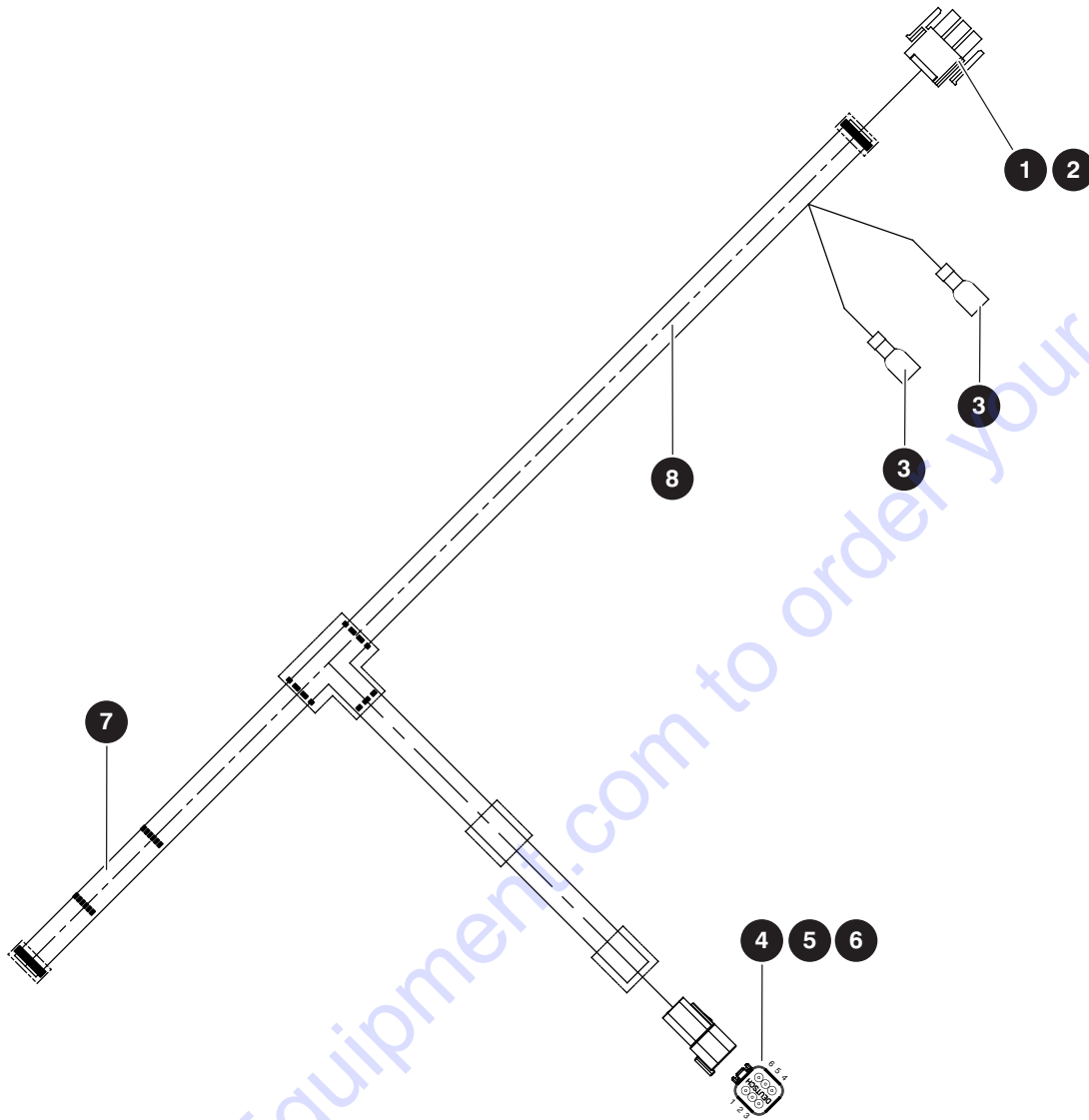
5.13 Control B Harness



M215831AC_1

| Index No. | Skyjack Part No. | Qty. | Description |
|-----------|------------------|------|--------------------------------------|
| - | 215831 | 1 | CONTROL B HARNESS |
| 1 | 116994 | 1 | • HOUSING, 15 Pole plug male |
| 2 | 116990 | 23 | • PIN, Female wire |
| 3 | 102940 | 2 | • TERMINAL, Ring female (10 - 12 GA) |
| 4 | 130448 | 1 | • HOUSING, 4 Pole plug male |
| 5 | 116992 | 1 | • HOUSING, 2 Pole plug male |
| 6 | 105359 | 1 | • TERMINAL, Female (14-16 GA) |
| 7 | 103090 | 37.5 | • PROTECTOR, Wire (3/4" ID) |
| 8 | 220611 | 1 | • CONNECTOR, DTM06 12S |
| 9 | 220612 | 1 | • CONNECTOR, DTM06 Wedge |
| 10 | 220613 | 6 | • CONNECTOR, Contact socket |
| 11 | 156152 | 6 | • PLUG, Sealing |
| 12 | 130446 | 1 | • HOUSING, 3 Pole plug |
| 13 | 108171 | 1 | • TERMINAL, Ring (10-12 GA) |
| 14 | 108172 | 1 | • TERMINAL, Ring (10-12 GA) - 3/8" |

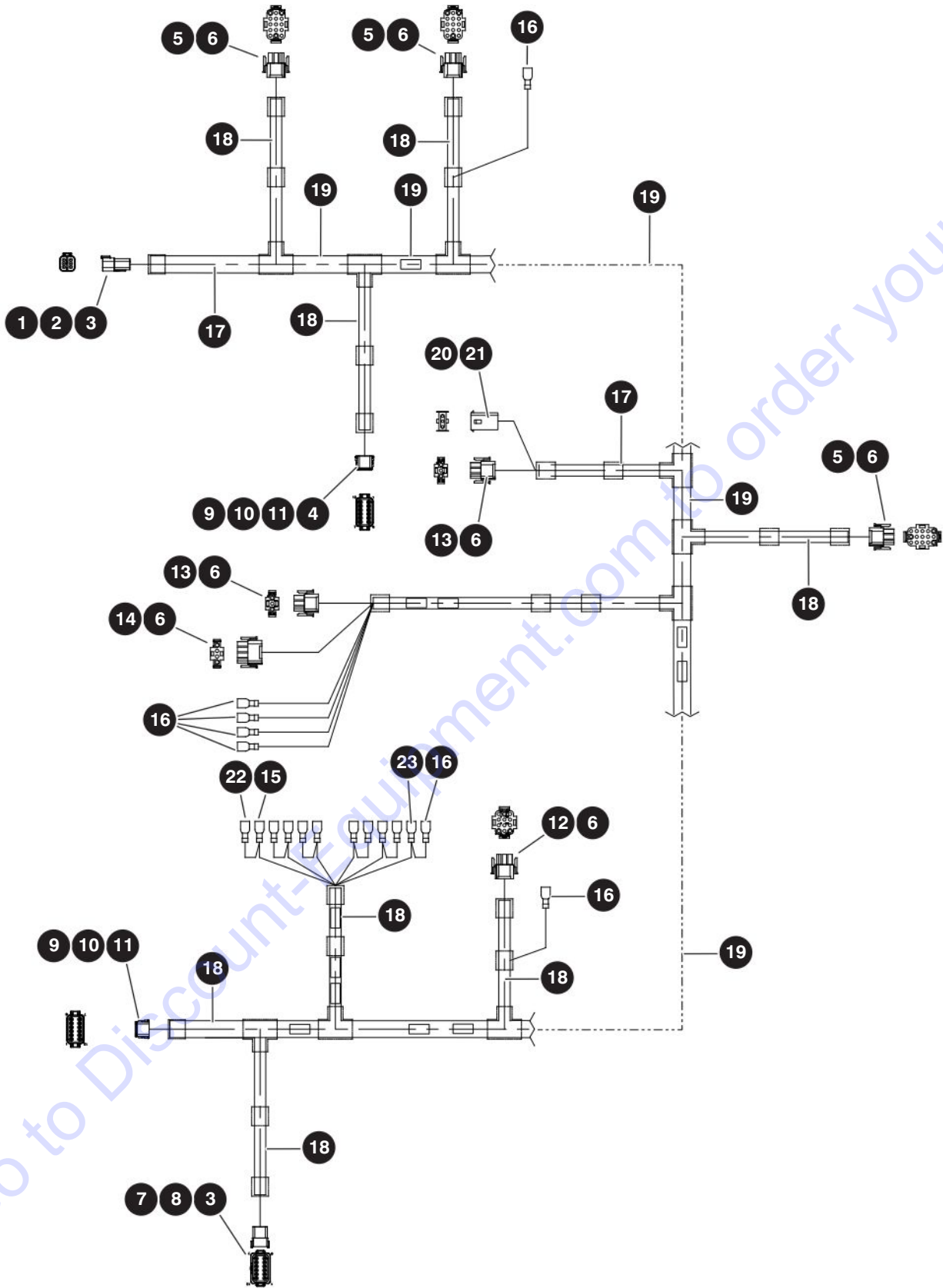
5.14 Outrigger Control Harness



M215890AB-1

| Index No. | Skyjack Part No. | Qty. | Description |
|-----------|------------------|------|---|
| - | 215890 | 1 | OUTRIGGER CONTROL HARNESS |
| 1 | 130449 | 1 | • HOUSING, 12 Pole plug male |
| 2 | 116990 | 9 | • PIN, Female wire |
| 3 | 105359 | 1 | • TERMINAL, Ring female (14 - 16 GA) |
| 4 | 204108 | 1 | • CONNECTOR, Receptacle (6 PIN) |
| 5 | 204107 | 1 | • CONNECTOR, Receptacle - Wedge (6 PIN) |
| 6 | 117590 | 6 | • CONNECTOR, Contact pin (16 - 18) |
| 7 | 103090 | 950" | • PROTECTOR, Wire (3/4" ID) |
| 8 | 120748 | 250" | • PROTECTOR, Wire (3/4" ID) |

5.15 Machine Controller Harness



M215843AD

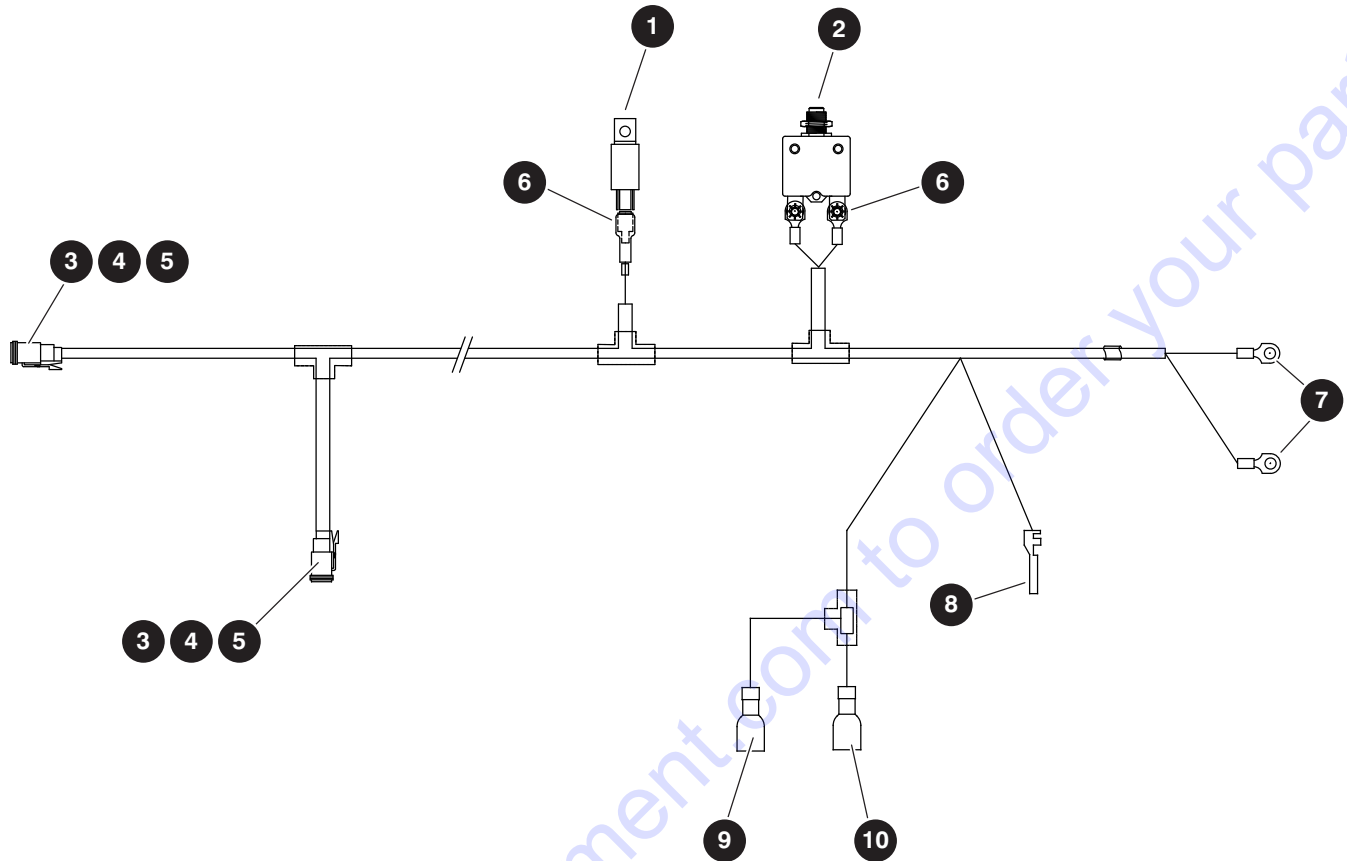
224578ABA

SJ9233 RT, SJ9243 RT, SJ9253 RT

5.15 Machine Controller Harness

| Index No. | Skyjack Part No. | Qty. | Description |
|-----------|------------------|------|--|
| - | 215843 | 1 | MACHINE CONTROLLER HARNESS |
| 1 | 204108 | 1 | • CONNECTOR, Receptacle (6 PIN) |
| 2 | 204107 | 1 | • CONNECTOR, Receptacle - wedge (6 PIN) |
| 3 | 117590 | 17 | • CONNECTOR, Contact (PIN 16 - 18) |
| 4 | 117594 | 4 | • CONNECTOR, Sealing plug |
| 5 | 130449 | 3 | • HOUSING, Plug - 15 pole male |
| 6 | 116990 | 43 | • PIN, Wire - Female |
| 7 | 117586 | 1 | • CONNECTOR, Receptacle (12 PIN) |
| 8 | 117588 | 1 | • CONNECTOR, Receptacle - wedge (12 PIN) |
| 9 | 117587 | 2 | • CONNECTOR, Plug (12 PIN) |
| 10 | 117589 | 2 | • CONNECTOR, Plug - wedge (12 PIN) |
| 11 | 117591 | 20 | • CONNECTOR, Contact socket (16 - 18) |
| 12 | 130449 | 1 | • HOUSING, Plug - 12 pole male |
| 13 | 130446 | 2 | • HOUSING, Plug - 3 pole |
| 14 | 130448 | 1 | • HOUSING, Plug - 4 pole |
| 15 | 105568 | 3 | • TERMINAL, Female (10 - 12 GA) |
| 16 | 114594 | 9 | • TERMINAL, Male (18 - 22 AWG) |
| 17 | 111354 | 144" | • PROTECTOR, Wire (3/8" ID) |
| 18 | 120748 | 50" | • PROTECTOR, Wire (1/2" ID) |
| 19 | 103090 | 56" | • PROTECTOR, Wire (3/4" ID) |
| 20 | 211949 | 1 | • HOUSING, Receptacle - 3 pole (Molex) |
| 21 | 116989 | 2 | • PIN, Wire - male (Mate-N-Lock) |
| 22 | 114595 | 3 | • TERMINAL, Female (18-22 AWG, red) |
| 23 | 102394 | 3 | • TERMINAL, Male (10-12 AWG) |

5.16 Generator and Oil Cooler Harness



M222380AB

| Index No. | Skyjack Part No. | Qty. | Description |
|-----------|------------------|------|--|
| - | 222380 | 1 | GENERATOR AND OIL COOLER HARNESS |
| 1 | 127035 | 1 | • RELAY, 12 V - 40 A |
| 2 | 117326 | 1 | • CIRCUIT BREAKER, 20 A |
| 3 | 117597 | 2 | • RECEPTACLE, Connector plug - 2 pin |
| 4 | 117599 | 2 | • CONNECTOR, Plug - 2 pin wedge |
| 5 | 117593 | 4 | • CONNECTOR, Contact socket (14 - 16) female |
| 6 | 105359 | 8 | • TERMINAL, Blade (1/4") - Female |
| 7 | 156259 | 2 | • TERMINAL, Ring (M10) |
| 8 | 116990 | 1 | • PIN, Wire - female |
| 9 | 105360 | 1 | • TERMINAL, Male (14-16GA insulated blue) |
| 10 | 105359 | 1 | • TERMINAL, Female (14-16GA insulated blue) |

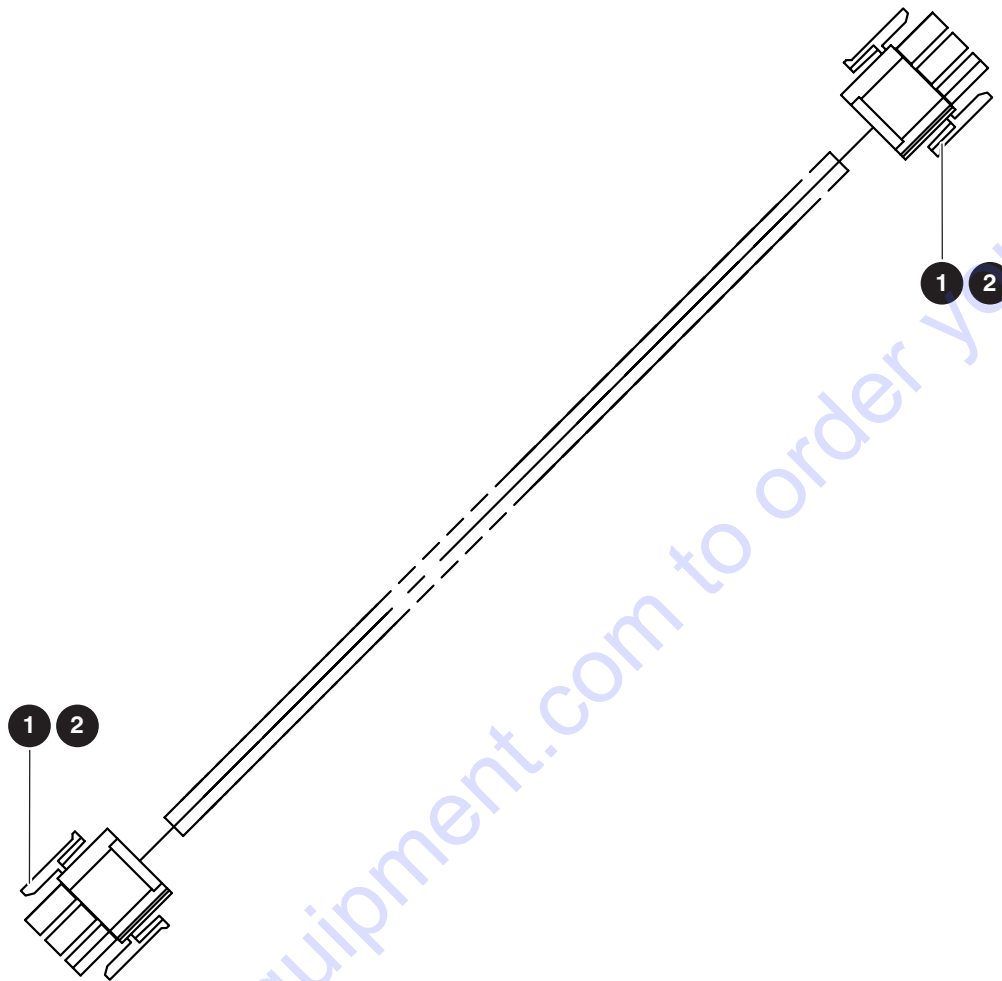
5.17 Generator Control Harness



M231752AA

| Index No. | Skyjack Part No. | Qty. | Description |
|-----------|------------------|------|---|
| - | 222380 | 1 | GENERATOR CONTROL HARNESS |
| 1 | 117596 | 1 | • RECEPTACLE, Connector plug - 2 pin |
| 2 | 117598 | 1 | • CONNECTOR, Plug - 2 pin wedge |
| 3 | 117590 | 2 | • CONNECTOR, Contact pin (16 - 18) |
| 4 | 116990 | 1 | • PIN, Wire - female |
| 5 | 114594 | 1 | • TERMINAL, Male (18-22 AWG red) |
| 6 | 105359 | 1 | • TERMINAL, Female (14-16GA insulated blue) |

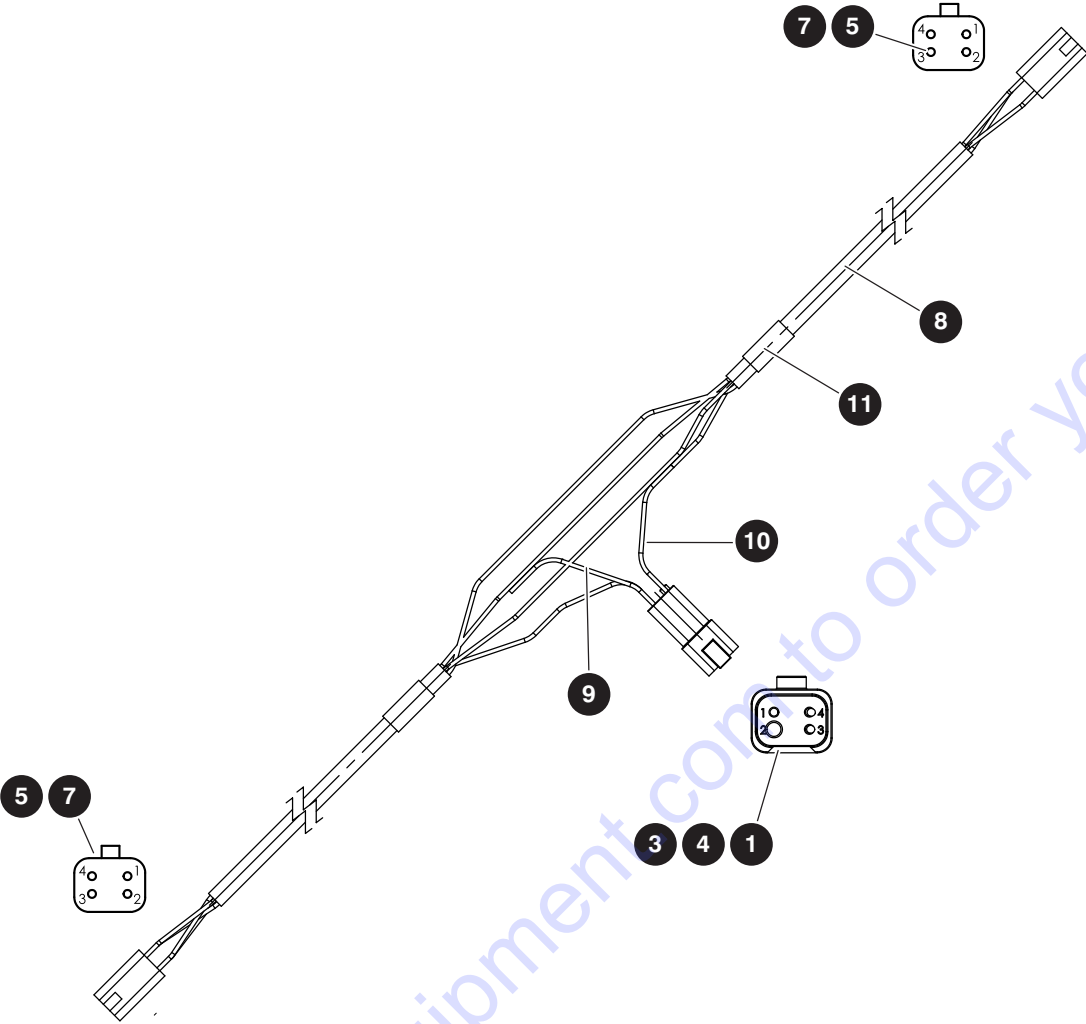
5.18 CANBUS Harness



M232965AA

| Index No. | Skyjack Part No. | Qty. | Description |
|-----------|------------------|------|------------------------|
| - | 232965 | 1 | CANBUS HARNESS |
| 1 | 130446 | 2 | • HOUSING, 3 pole plug |
| 2 | 116990 | 4 | • WIRE PIN, Female |

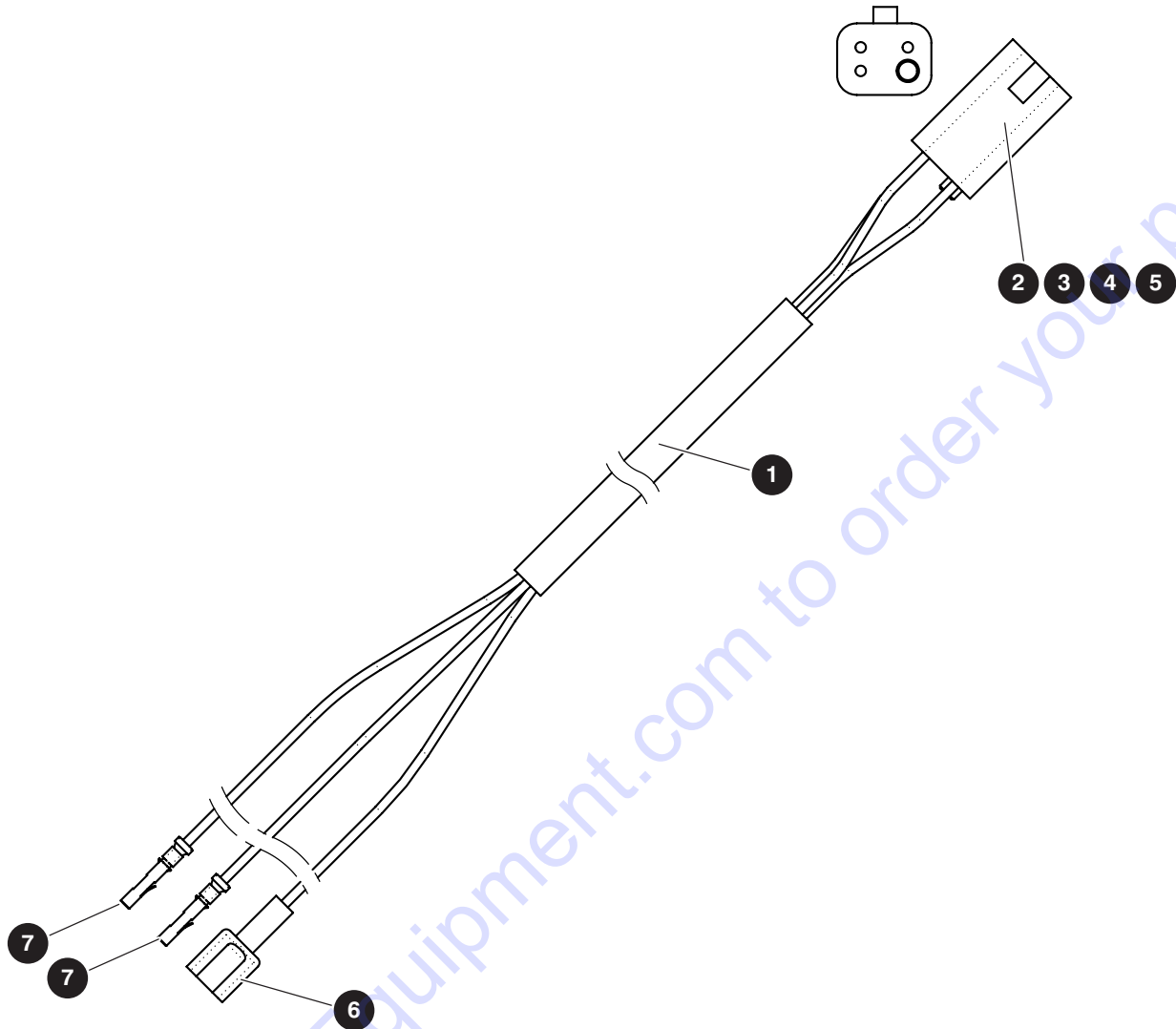
5.19 Platform Harness



M222207AB

| Index No. | Skyjack Part No. | Qty. | Description |
|-----------|------------------|------|-------------------------------------|
| - | 222207 | 1 | PLATFORM HARNESS |
| 1 | 117578 | 1 | • CONNECTOR, Receptacle 4-pin |
| 2 | 117580 | 1 | • CONNECTOR, Receptacle 4-pin Wedge |
| 3 | 117590 | 3 | • CONNECTOR, Contact pin 16-18 |
| 4 | 117594 | 1 | • CONNECTOR, Sealing plug |
| 5 | 117579 | 2 | • CONNECTOR, Plug - 4-pin |
| 6 | 117581 | 2 | • CONNECTOR, Plug - 4-pin wedge |
| 7 | 117591 | 8 | • CONNECTOR, Contact socket 16-18 |
| 8 | 103255 | 40 | • CABTIRE 18/4 |
| 9 | 102735 | 4 | • WIRE, White TEW |
| 10 | 102725 | 4 | • WIRE, Green TEW |
| 11 | 111354 | 11 | • WIRE, Protector (3/8") |

5.20 Scissor Harness



M222210AA

| Index No. | Skyjack Part No. | Qty. | Description |
|-----------|------------------|------|-----------------------------------|
| - | 222210 | 1 | SCISSOR HARNESS |
| 1 | 103257 | 1250 | • CABTIRE 18/3 |
| 2 | 117579 | 1 | • CONNECTOR, Plug 4-pin |
| 3 | 117581 | 1 | • CONNECTOR, Plug 4-pin wedge |
| 4 | 117591 | 3 | • CONNECTOR, Contact socket 16-18 |
| 5 | 117594 | 1 | • CONNECTOR, Sealing plug |
| 6 | 114594 | 1 | • TERMINAL, Male 18-22 AWG |
| 7 | 116990 | 2 | • WIRE PIN, Female |

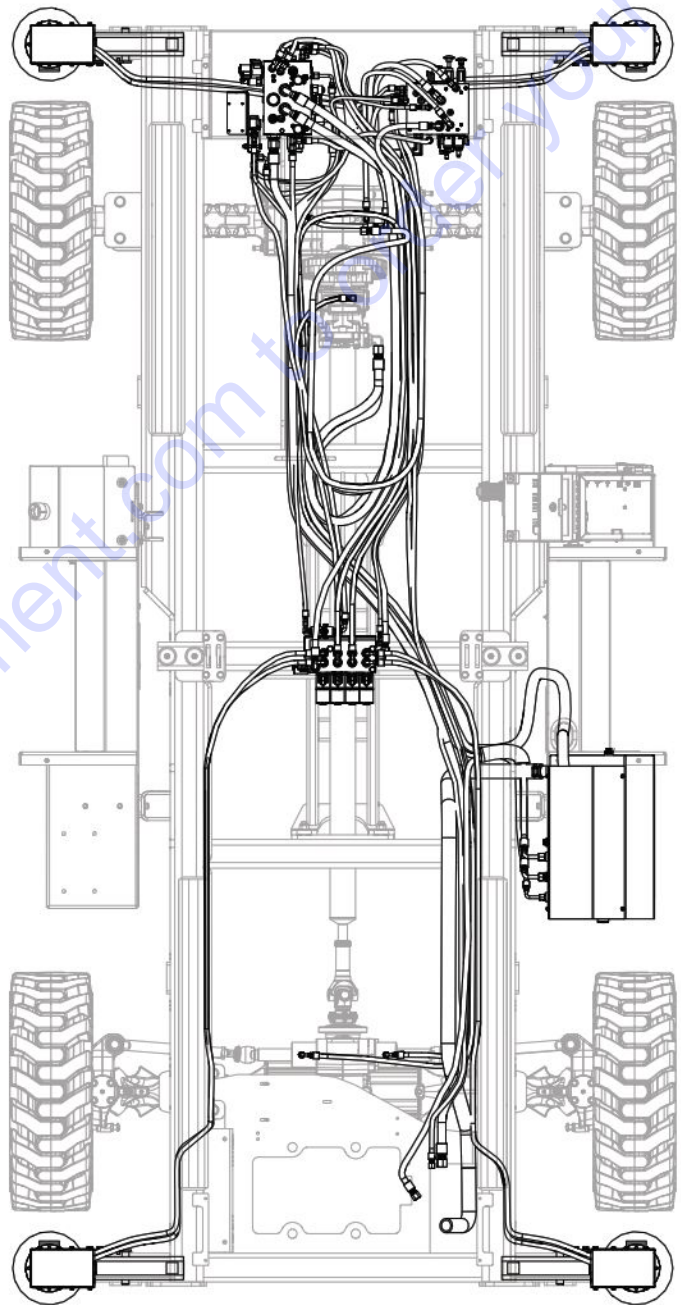
Section 6 – Hose Connections

6.1 *Standard Hose Numbering System*

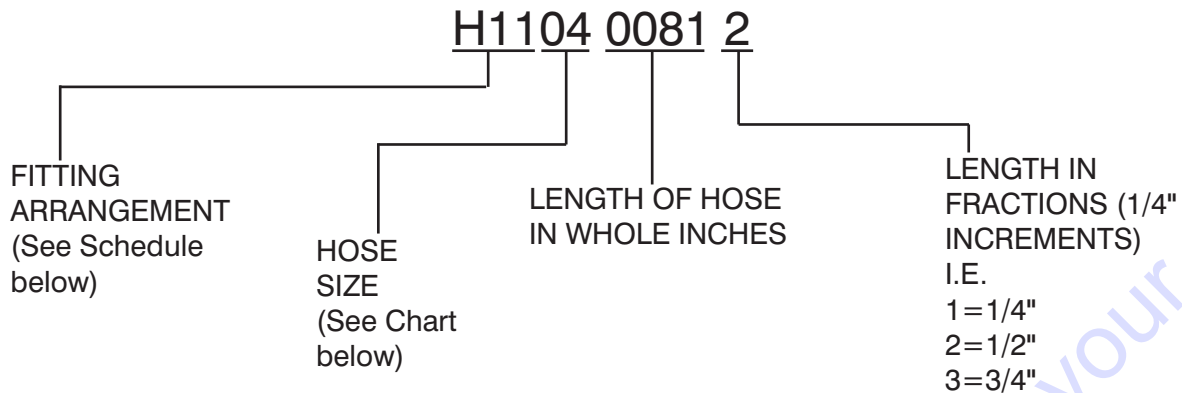
6.2 *Hydraulic Hoses - Base*

6.3 *Hydraulic Hoses - Outriggers*

6.4 *Hydraulic Hoses - Scissors*



6.1 Standard Hose Numbering System



Using the number above as an example, H1104 0081 2, this hose requires a 37° JIC female swivel fitting on one end, and a medium length 90° JIC female swivel fitting for the other end. The hose must meet or exceed the S.A.E. 100R13 hose specification, and be a total of 81-1/2" long.



NOTE

Hose ends and hose must be from same manufacturer per S.A.E. J1273 Nov. '91, Sections 3.10 and 4.2. Hose ends and hose must be of the same size i.e. #4 size fittings must be used with #4 size hose.

Hose Size Chart

| Size | 03 | 04 | 06 | 08 | 10 | 12 | 16 | 20 | 24 | 32 | 40 | 48 | 56 | 64 |
|------|-------|------|------|------|------|------|----|--------|--------|----|--------|----|--------|----|
| ID | 3/16" | 1/4" | 3/8" | 1/2" | 5/8" | 3/4" | 1" | 1-1/4" | 1-1/2" | 2" | 2-1/2" | 3" | 3-1/2" | 4" |

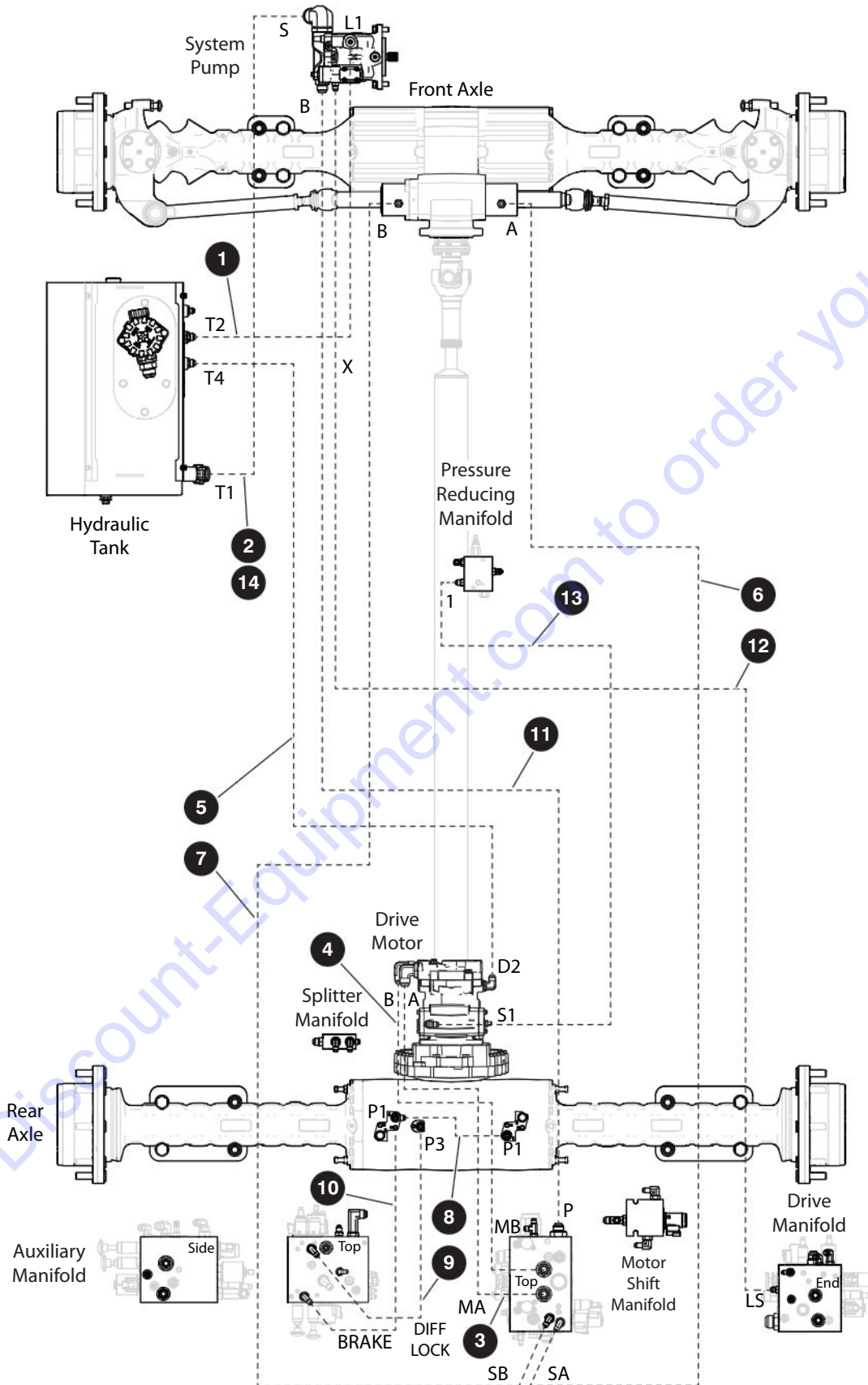
Fitting Arrangement Schedule

| Hose Prefix | Hose End Fitting | Hose End Fitting | S.A.E. Hose Specification |
|-------------|------------------------------------|-------------------------------------|---------------------------|
| H01 | FEMALE, 37° JIC, SWIVEL | FEMALE, 37° JIC, SWIVEL | 100R17 |
| H02 | FEMALE, 37° JIC, SWIVEL | FEMALE, 37° JIC, SWIVEL | 100R13 |
| H03 | FEMALE, 37° JIC, SWIVEL | 45°, FEMALE, 37° JIC, SWIVEL | 100R17 |
| H04 | FEMALE, 37° JIC, SWIVEL | 45°, FEMALE, 37° JIC, SWIVEL | 100R13 |
| H05 | FEMALE, 37° JIC, SWIVEL | LONG 90°, FEMALE, 37° JIC, SWIVEL | 100R17 |
| H06 | FEMALE, 37° JIC, SWIVEL | SHORT 90°, FEMALE, 37° JIC, SWIVEL | 100R17 |
| H07 | LONG 90°, FEMALE, 37° JIC, SWIVEL | LONG 90°, FEMALE, 37° JIC, SWIVEL | 100R17 |
| H08 | FEMALE, 37° JIC, SWIVEL | FEMALE, 37° JIC, SWIVEL | 100R4 |
| H09 | FEMALE, 37° JIC, SWIVEL | 45°, FEMALE, 37° JIC, SWIVEL | 100R4 |
| H10 | FEMALE, 37° JIC, SWIVEL | MALE PIPE THREAD FITTING | 100R17 |
| H11 | FEMALE, 37° JIC, SWIVEL | MEDIUM 90°, FEMALE, 37° JIC, SWIVEL | 100R13 |
| H12 | SHORT 90°, FEMALE, 37° JIC, SWIVEL | SHORT 90°, FEMALE, 37° JIC, SWIVEL | 100R17 |
| H13 | FEMALE, 37° JIC, SWIVEL | REUSABLE MALE PIPE THREAD FITTING | 300 PSI |
| H14 | REUSABLE MALE PIPE THREAD FITTING | NO FITTING | 300 PSI |
| H15 | REUSABLE FEMALE, 37° JIC, SWIVEL | REUSABLE FEMALE, 37° JIC, SWIVEL | 300 PSI |
| H16 | NO FITTING | NO FITTING | 100R4 |
| H17 | NO FITTING | NO FITTING | 300 PSI |
| H18 | REUSABLE, FEMALE, 37° JIC, SWIVEL | NO FITTING | 300 PSI |

6.1 Standard Hose Numbering System

| Hose Prefix | Hose End Fitting | Hose End Fitting | S.A.E. Hose Specification |
|-------------|--------------------------------------|------------------------------------|---------------------------|
| H19 | LONG 90°, FEMALE, 37° JIC, SWIVEL | FEMALE, 37° JIC, SWIVEL | 100R13 |
| H20 | FEMALE, SHORT 37° JIC, SWIVEL | SHORT 90°, FEMALE, 37° JIC, SWIVEL | 100R4 |
| H21 | FEMALE, SHORT 37° JIC, SWIVEL | SHORT 90°, FEMALE, 37° JIC, SWIVEL | 100R2AT |
| H22 | FEMALE, 37° JIC, SWIVEL | FEMALE, 37° JIC, SWIVEL | 100R2AT |
| H23 | FEMALE, LONG 37° JIC, SWIVEL | LONG 90°, FEMALE, 37° JIC, SWIVEL | 100R2AT |
| H24 | FEMALE, SHORT 37° JIC, SWIVEL | SHORT 90°, FEMALE, 37° JIC, SWIVEL | 100R13 |
| H25 | FEMALE, 37° JIC, SWIVEL | FEMALE, 37° JIC, SWIVEL | 100R4 |
| H30 | MEDIUM 90°, FEMALE, 37° JIC, SWIVEL | FEMALE, 37° JIC, SWIVEL | 100R17 |
| H31 | FEMALE, 37° JIC, SWIVEL | FEMALE, 37° JIC, SWIVEL | 100R17 |
| H32 | SHORT 45°, FEMALE, 37° JIC, SWIVEL | FEMALE, 37° JIC, SWIVEL | 100R17 |
| H33 | MEDIUM 45°, FEMALE, 37° JIC, SWIVEL | FEMALE, 37° JIC, SWIVEL | 100R17 |
| H34 | SHORT 90°, FEMALE, 37° JIC, SWIVEL | FEMALE, 37° JIC, SWIVEL | 100R17 |
| H35 | MEDIUM 90°, FEMALE, 37° JIC, SWIVEL | FEMALE, 37° JIC, SWIVEL | 100R17 |
| H36 | LONG 90°, FEMALE, 37° JIC, SWIVEL | FEMALE, 37° JIC, SWIVEL | 100R17 |
| H37 | SHORT 45°, FEMALE, 37° JIC, SWIVEL | FEMALE, 37° JIC, SWIVEL | 100R4 |
| H38 | SHORT 90°, FEMALE, 37° JIC, SWIVEL | FEMALE, 37° JIC, SWIVEL | 100R4 |
| H39 | LONG 90°, FEMALE, 37° JIC, SWIVEL | FEMALE, 37° JIC, SWIVEL | 100R4 |
| H40 | SHORT 90°, FEMALE, 37° JIC, SWIVEL | FEMALE, 37° JIC, SWIVEL | 100R16 |
| H43 | FEMALE, 37° JIC, SWIVEL | FEMALE, 37° JIC, SWIVEL | 100R16 |
| H51 | FEMALE, 37° JIC, SWIVEL | FEMALE, 37° JIC, SWIVEL | 100R17 |
| H52 | SHORT 45°, FEMALE, 37° JIC, SWIVEL | FEMALE, 37° JIC, SWIVEL | 100R17 |
| H53 | MEDIUM 45°, FEMALE, 37° JIC, SWIVEL | FEMALE, 37° JIC, SWIVEL | 100R17 |
| H54 | SHORT 90°, FEMALE, 37° JIC, SWIVEL | FEMALE, 37° JIC, SWIVEL | 100R17 |
| H55 | MEDIUM 90°, FEMALE, 37° JIC, SWIVEL | FEMALE, 37° JIC, SWIVEL | 100R17 |
| H56 | LONG 90°, FEMALE, 37° JIC, SWIVEL | FEMALE, 37° JIC, SWIVEL | 100R17 |
| H57 | SHORT 45°, FEMALE, SAE ORFS, SWIVEL | FEMALE, SAE ORFS, SWIVEL | 100R13 |
| H58 | FEMALE, SAE ORFS, SWIVEL | FEMALE, SAE ORFS, SWIVEL | 100R13 |
| H59 | MEDIUM 90°, FEMALE, SAE ORFS, SWIVEL | FEMALE, SAE ORFS, SWIVEL | 100R13 |
| H60 | FEMALE, 37° JIC, SWIVEL | FEMALE, 37° JIC, SWIVEL | 100R17 |
| H61 | FEMALE, 37° JIC, SWIVEL | FEMALE, 37° JIC, SWIVEL | 100R16 |
| H62 | SHORT 90°, FEMALE, 37° JIC, SWIVEL | FEMALE, 37° JIC, SWIVEL | 100R16 |
| H63 | MEDIUM 90°, FEMALE, 37° JIC, SWIVEL | FEMALE, 37° JIC, SWIVEL | 100R16 |
| H64 | LONG 90°, FEMALE, 37° JIC, SWIVEL | FEMALE, 37° JIC, SWIVEL | 100R16 |
| H65 | MEDIUM 67°, FEMALE, 37° JIC, SWIVEL | FEMALE, 37° JIC, SWIVEL | 100R12 |
| H66 | FEMALE, 37° JIC, SWIVEL | NO FITTING | 100R4 |
| H67 | FEMALE, 37° JIC, SWIVEL | FEMALE, 37° JIC, SWIVEL | 100R19 |
| H68 | SHORT 45°, FEMALE, 37° JIC, SWIVEL | FEMALE, 37° JIC, SWIVEL | 100R19 |
| H69 | MEDIUM 90°, FEMALE, 37° JIC, SWIVEL | FEMALE, 37° JIC, SWIVEL | 100R19 |
| H70 | LONG 90°, FEMALE, 37° JIC, SWIVEL | FEMALE, 37° JIC, SWIVEL | 100R19 |
| H71 | LONG 90°, FEMALE, SAE ORFS, SWIVEL | FEMALE, SAE ORFS, SWIVEL | 100R15 |
| | | | |
| | | | |
| | | | |

6.2 Hydraulic Hoses - Base



M215777AF-1

224578ABA

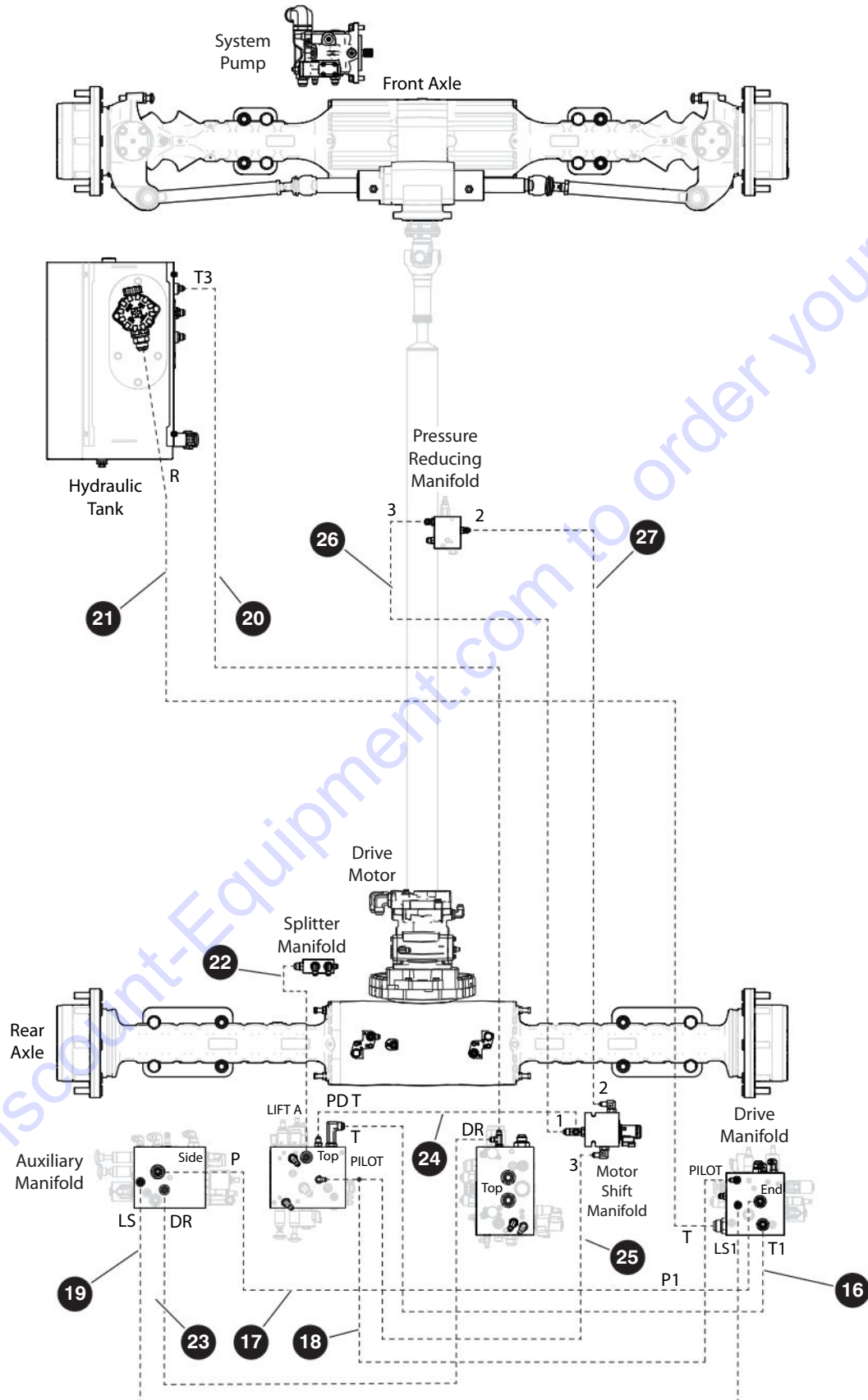
SJ9233 RT, SJ9243 RT, SJ9253 RT

6.2 Hydraulic Hoses - Base

| Index No. | Hose P/N | From | | To | | |
|------------------------------------|--------------|----------------------------|-----------|------|-------------------------|--|
| | | Description | Port | Port | Description | |
| - | 215777 | HOSE KIT - CHASSIS | | | | |
| 1 | H0508 0084 0 | SYSTEM PUMP | L1 | T2 | HYDRAULIC TANK | |
| 2 | H7824 0080 0 | SYSTEM PUMP | S | T1 | HYDRAULIC TANK | |
| 3 | H2412 0052 0 | DRIVE MANIFOLD | MA | A | DRIVE MOTOR | |
| 4 | H2412 0048 0 | DRIVE MANIFOLD | MB | B | DRIVE MOTOR | |
| 5 | H0508 0089 0 | DRIVE MOTOR | D2 | T4 | HYDRAULIC TANK | |
| 6 | H0606 0172 0 | DRIVE MANIFOLD | SA | A | FRONT AXLE | |
| 7 | H0606 0165 0 | DRIVE MANIFOLD | SB | B | FRONT AXLE | |
| 8 | H0606 0012 0 | REAR AXLE - LEFT BRAKE | P1 | P1 | REAR AXLE - RIGHT BRAKE | |
| 9 | H0606 0035 3 | AUXILIARY MANIFOLD | DIFF LOCK | P3 | REAR AXLE | |
| 10 | H0606 0033 0 | AUXILIARY MANIFOLD | BRAKE | P1 | REAR AXLE - LEFT BRAKE | |
| 11 | H0212 0154 0 | DRIVE MANIFOLD | P | B | SYSTEM PUMP | |
| 12 | H0506 0396 0 | DRIVE MANIFOLD | LS | X | SYSTEM PUMP | |
| 13 | H0606 0055 0 | PRESSURE REDUCING MANIFOLD | 1 | S1 | MOTOR SHIFT MANIFOLD | |
| <i>Continued on the next page.</i> | | | | | | |

| Index No. | Skyjack Part No. | Qty. | Description |
|-----------|------------------|------|--------------------------------|
| 14 | 165481 | 1 | CLAMP |
| 15 | 140914 | 12 | SLEEVE, Protective (not shown) |

6.2 Hydraulic Hoses - Base



M215777AF-2

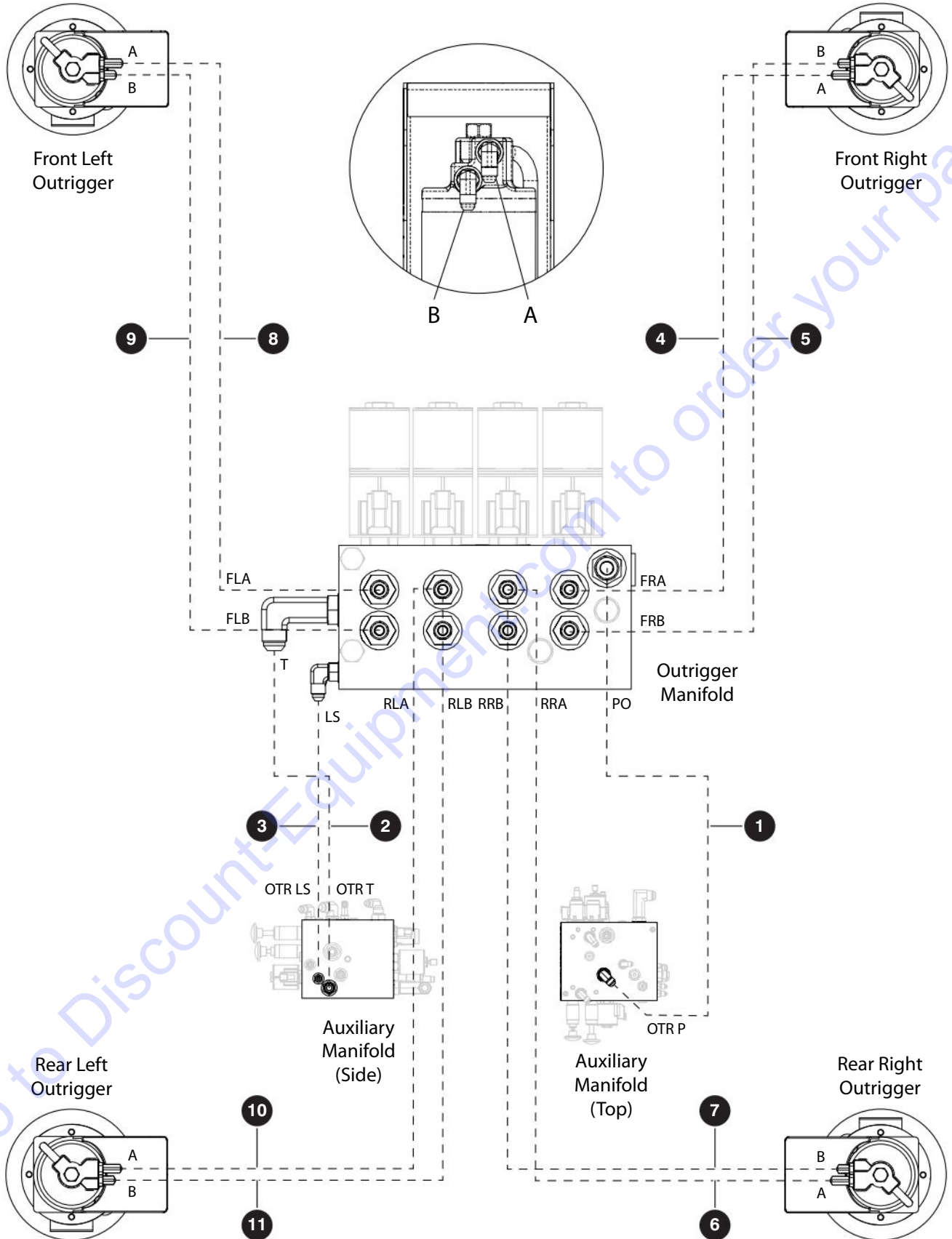
224578ABA

SJ9233 RT, SJ9243 RT, SJ9253 RT

6.2 Hydraulic Hoses - Base

| Index No. | Hose P/N | From | | To | |
|-----------|--------------|--|--------|-------|----------------------------|
| | | Description | Port | Port | Description |
| | | <i>Continued from the previous page.</i> | | | |
| - | 215777 | HOSE KIT - CHASSIS | | | |
| 16 | H0610 0027 2 | DRIVE MANIFOLD | T1 | T | AUXILIARY MANIFOLD |
| 17 | H0610 0020 0 | DRIVE MANIFOLD | P1 | P | AUXILIARY MANIFOLD |
| 18 | H0604 0020 0 | DRIVE MANIFOLD | LS1 | LS | AUXILIARY MANIFOLD |
| 19 | H0604 0015 3 | DRIVE MANIFOLD | PILOT | PILOT | AUXILIARY MANIFOLD |
| 20 | H0506 0118 2 | DRIVE MANIFOLD | DR | T3 | HYDRAULIC TANK (DRAIN) |
| 21 | H3816 0147 0 | DRIVE MANIFOLD | T | R | HYDRAULIC TANK (RETURN) |
| 22 | H0608 0116 0 | AUXILIARY MANIFOLD | LIFT A | - | LOWER SPLITTER MANIFOLD |
| 23 | H0106 0018 0 | DRIVE MANIFOLD | DR | DR | AUXILIARY MANIFOLD |
| 24 | H0606 0033 0 | MOTOR SHIFT MANIFOLD | 1 | PD T | AUXILIARY MANIFOLD |
| 25 | H3404 0034 0 | MOTOR SHIFT MANIFOLD | 3 | PILOT | AUXILIARY MANIFOLD |
| 26 | H3106 0072 0 | MOTOR SHIFT MANIFOLD | 1 | 3 | PRESSURE REDUCING MANIFOLD |
| 27 | H3104 0072 0 | MOTOR SHIFT MANIFOLD | 2 | 2 | PRESSURE REDUCING MANIFOLD |

6.3 Hydraulic Hoses - Outriggers



M215779AB

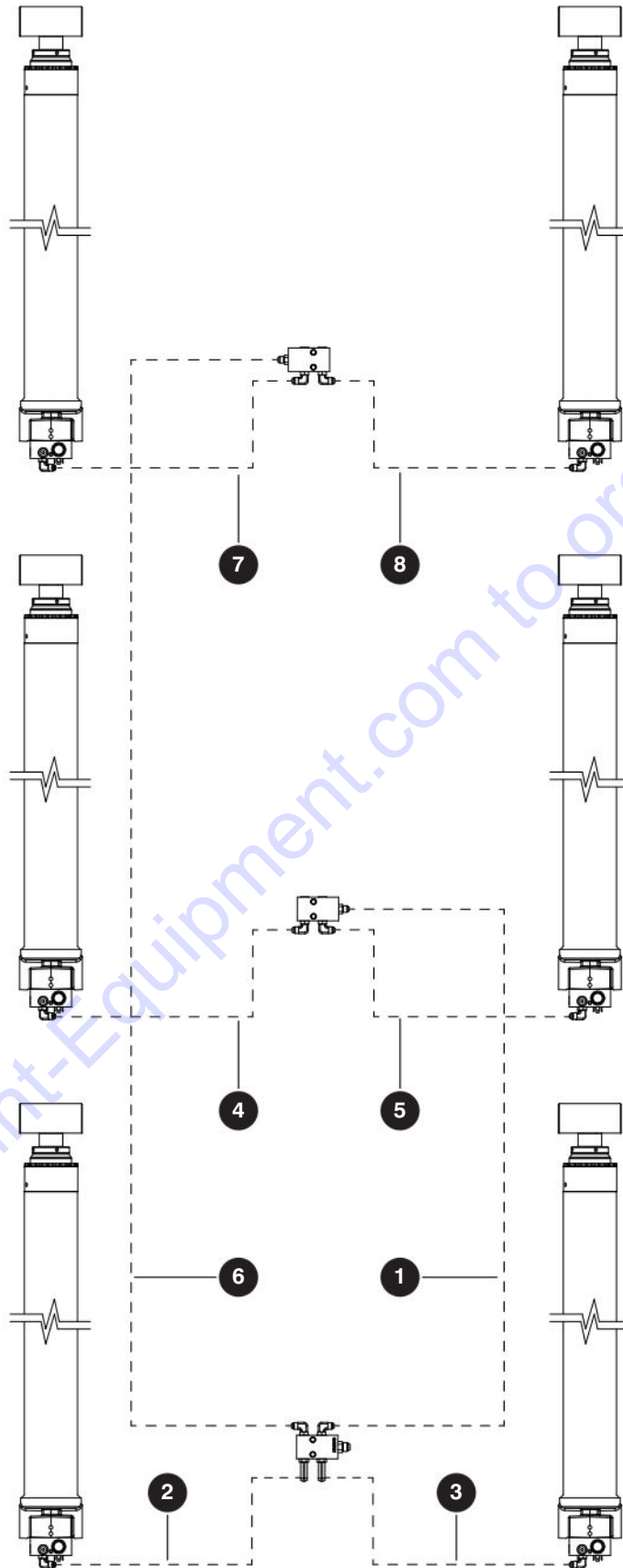
224578ABA

SJ9233 RT, SJ9243 RT, SJ9253 RT

6.3 Hydraulic Hoses - Outriggers

| Index No. | Hose P/N | From | | To | |
|-----------|--------------|-----------------------|--------|------|----------------------------------|
| | | Description | Port | Port | Description |
| - | 215779 | HOSE KIT - OUTRIGGERS | | | |
| 1 | H0508 0100 0 | Drive Manifold | OTR P | PO | Outrigger Manifold |
| 2 | H0608 0078 3 | Drive Manifold | OTR T | T | Outrigger Manifold |
| 3 | H0504 0080 0 | Drive Manifold | OTR LS | LS | Outrigger Manifold |
| 4 | H0606 0144 0 | Outrigger Manifold | FRB | B | Outrigger Cylinder - Front Right |
| 5 | H0506 0146 0 | Outrigger Manifold | FRA | A | Outrigger Cylinder - Front Right |
| 6 | H0606 0126 0 | Outrigger Manifold | RRA | A | Outrigger Cylinder - Rear Right |
| 7 | H0606 0126 0 | Outrigger Manifold | RRB | B | Outrigger Cylinder - Rear Right |
| 8 | H0606 0136 0 | Outrigger Manifold | FLB | B | Outrigger Cylinder - Front Left |
| 9 | H0506 0138 0 | Outrigger Manifold | FLA | A | Outrigger Cylinder - Front Left |
| 10 | H0606 0130 0 | Outrigger Manifold | RLA | A | Outrigger Cylinder - Rear Left |
| 11 | H0606 0130 0 | Outrigger Manifold | RLB | B | Outrigger Cylinder - Rear Left |

6.4 Hydraulic Hoses - Scissors



M215967AB

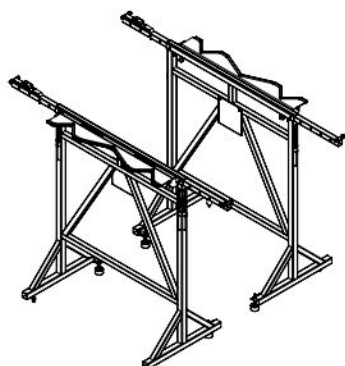
224578ABA

SJ9233 RT, SJ9243 RT, SJ9253 RT

6.4 Hydraulic Hoses - Scissors

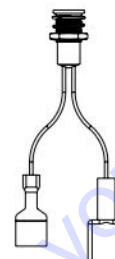
| Index No. | Hose P/N | From | | To | |
|-----------|------------------|---|--|------|-----------------|
| | | Description | Port | Port | Description |
| - | 215894 | HOSE KIT - SCISSORS <i>SJ9233 RT and SJ9243 RT</i> | | | |
| 1 | H0108 0355 0 | Bottom Splitter | | | Middle Splitter |
| 2 | H5408 0026 0 | Bottom Splitter | | | Cylinder 1 |
| 3 | H5408 0026 0 | Bottom Splitter | | | Cylinder 4 |
| 4 | H5408 0026 0 | Top Splitter | | | Cylinder 2 |
| 5 | H5408 0026 0 | Top Splitter | | | Cylinder 5 |
| - | 215967 | HOSE KIT - SCISSORS <i>SJ9253 RT</i> | | | |
| 1 | H0108 0355 0 | Bottom Splitter | | | Middle Splitter |
| 2 | H5408 0026 0 | Bottom Splitter | | | Cylinder 1 |
| 3 | H5408 0026 0 | Bottom Splitter | | | Cylinder 4 |
| 4 | H5408 0026 0 | Middle Splitter | | | Cylinder 2 |
| 5 | H5408 0026 0 | Middle Splitter | | | Cylinder 5 |
| 6 | H0608 0652 0 | Bottom Splitter | | | Top Splitter |
| 7 | H5408 0026 0 | Top Splitter | | | Cylinder 3 |
| 8 | H5408 0026 0 | Top Splitter | | | Cylinder 6 |
| Index No. | Skyjack Part No. | Qty. | Description | | |
| 9 | 924699 | 32" | WRAP, Spiral (each middle scissor end joint) | | |
| | 924699 | 38" | WRAP, Spiral (each top and bottom scissor end) | | |

Section 7 – Optional Equipment



7.1 Heavy Duty Pipe Rack

7.2 Tool Caddy Kit

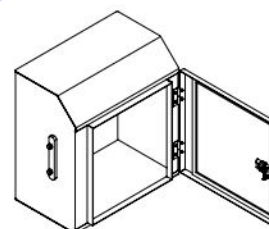


7.3 Material Handling Stand

7.4 Eco Start

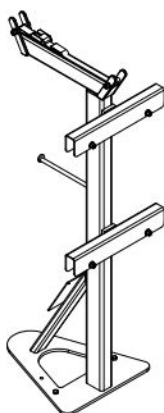
7.5 Wire Loop Lock Pin

7.6 RCD Option



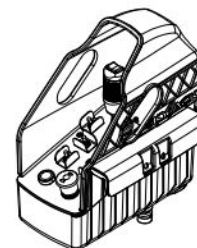
7.7 Anti-Overrising Poles (2 Poles)

7.8 Anti-Overrising Poles (4 Poles)



7.9 Belt-Driven Generator - 3.5 kW

7.10 Hydraulic Generator - 7.5 kW



7.11 Hydraulic Hoses - 7.5 kW Generator

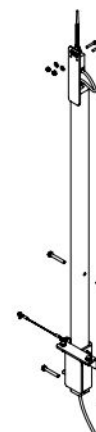
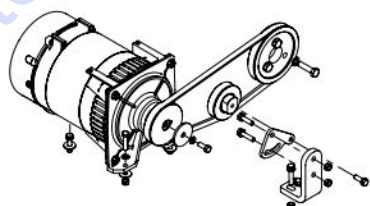
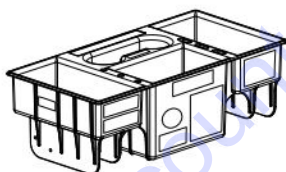
7.12 Cold & Arctic Weather Packages

7.13 Arctic Weather Package

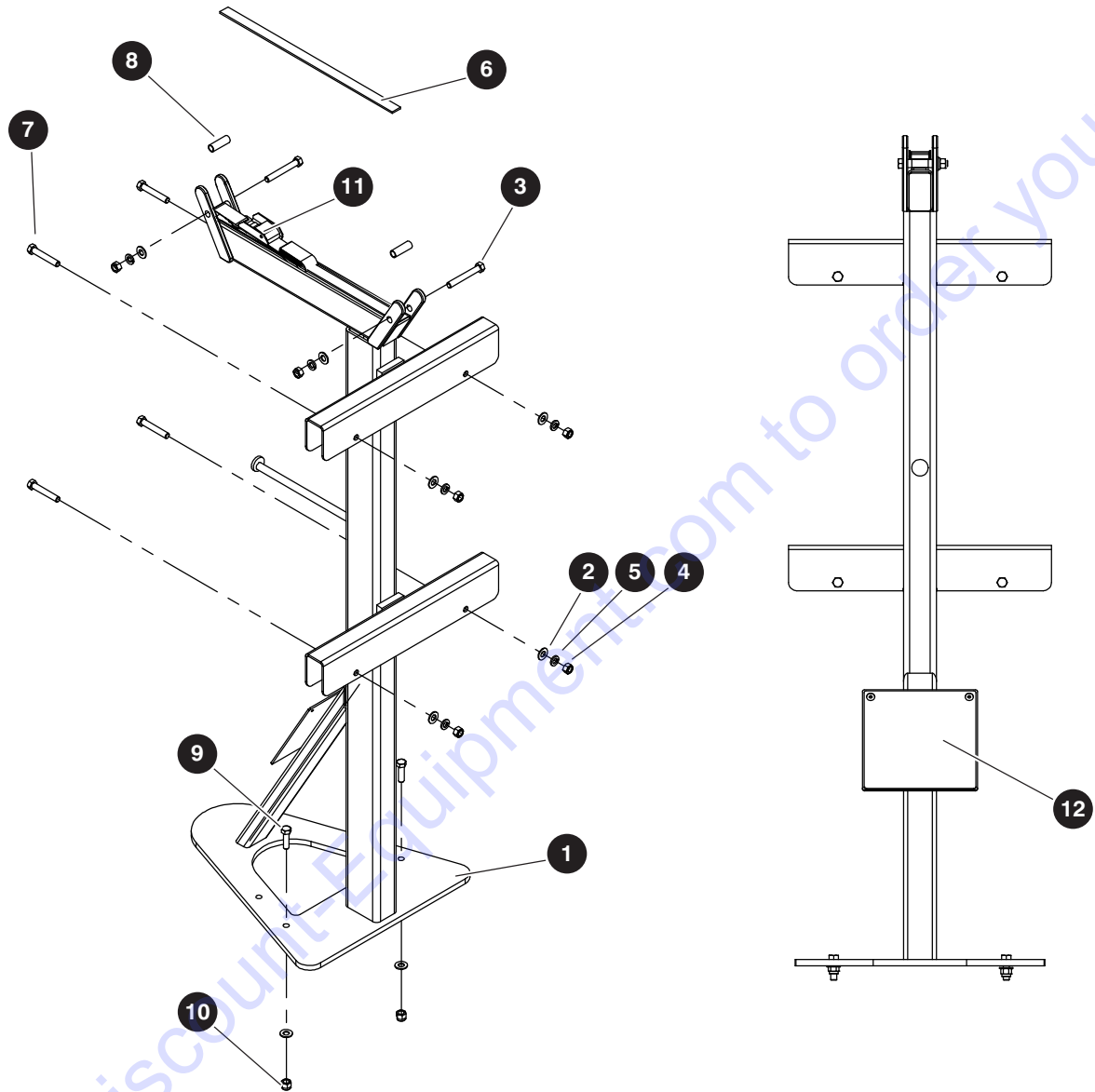
7.14 Elevate Telematics

7.15 Elevate Telematics Subscription

7.16 Storage Box



7.1 Heavy Duty Pipe Rack



M66766AA

224578ABA

194

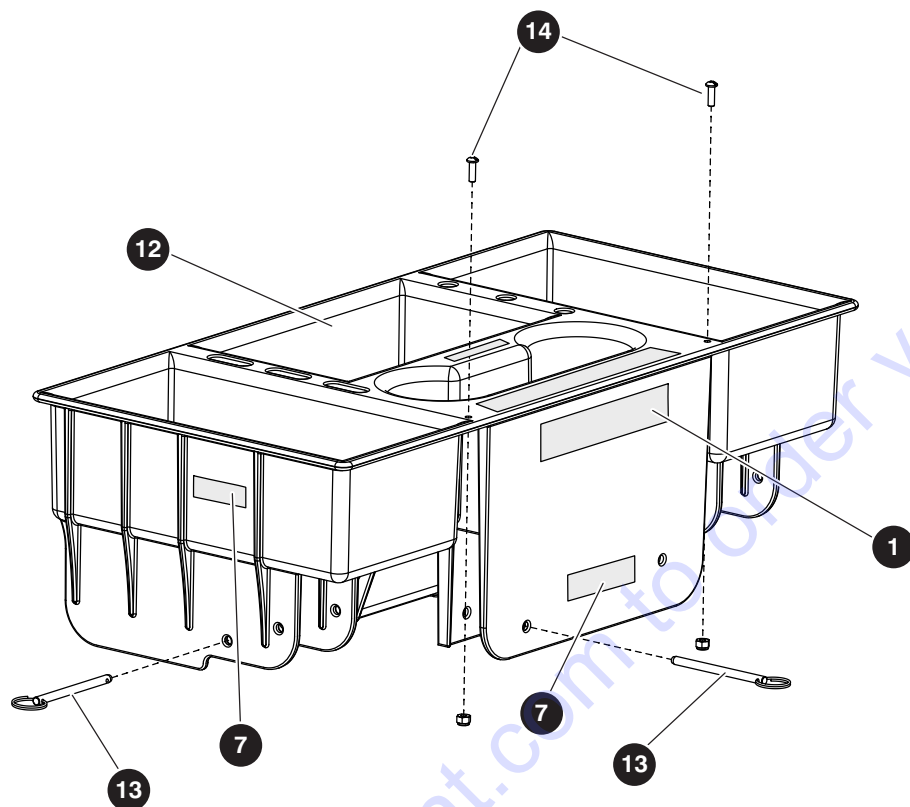
SJ9233 RT, SJ9243 RT, SJ9253 RT

SKYJACK

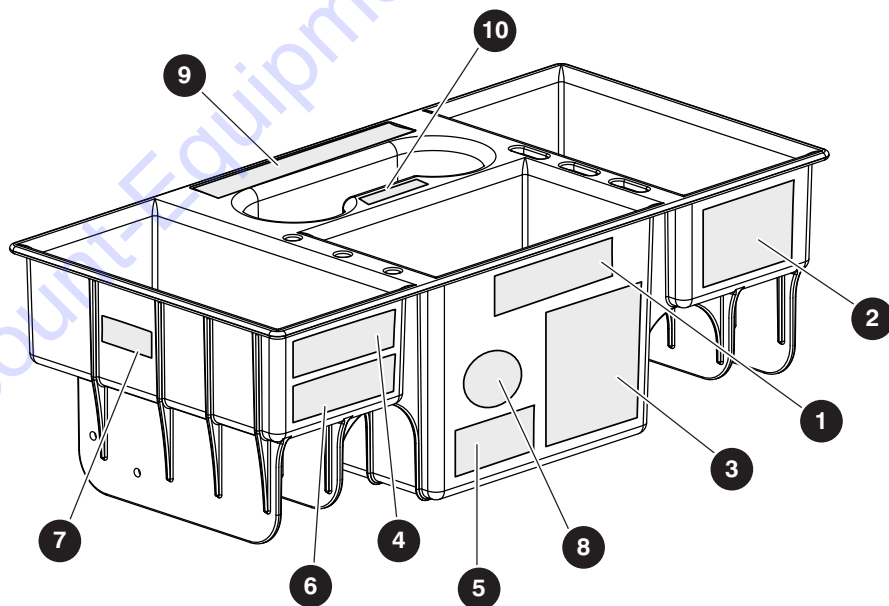
7.1 Heavy Duty Pipe Rack

| Index No. | Skyjack Part No. | Qty. | Description |
|-----------|------------------|------|---|
| A | 196511 | 1 | HEAVY DUTY PIPE RACK ASSEMBLY - ANSI/CSA |
| B | 195830 | 1 | HEAVY DUTY PIPE RACK ASSEMBLY - CE, AS |
| - | 194930 | 2 | • KIT, HD pipe rack |
| 1 | 194920 | 2 | • • WELDMENT, HD pipe rack |
| 2 | 103472 | 16 | • • WASHER, Flat (0.375) |
| 3 | 103874 | 4 | • • BOLT, Hex head (0.375 x 16 x 2.750, gr 5) |
| 4 | 103978 | 12 | • • NUT, Hex (0.375 x 16, gr 5) |
| 5 | 103999 | 12 | • • WASHER, Lock (0.375) |
| 6 | 194921 | 2 | • • PROTECTOR, Strip |
| 7 | 194922 | 4 | • • SPACER, Rolled (3/8" x 1-1/2") |
| 8 | 103872 | 8 | • • BOLT, Hex head (0.375 x 16 x 2.250, gr 5) |
| 9 | 101297 | 4 | • • BOLT, Hex head (0.375 x 16 x 2.250, gr 5) |
| 10 | 104606 | 4 | • • NUT, Lock (0.375 x 16, gr 5) |
| 11 | 195376 | 2 | • STRAP, Nylon |
| 12 | 222093 | 2 | • LABEL & INSTRUCTIONS, A |
| | 172178 | 2 | • • LABEL, HD pipe rack capacity |
| | 193279 | 1 | • • INSTRUCTIONS, HD pipe rack |
| | 222094 | 2 | • LABEL & INSTRUCTIONS, B |
| | 172177 | 2 | • • LABEL, HD pipe rack capacity |
| | 195647 | 1 | • • INSTRUCTIONS, HD pipe rack |

7.2 Tool Caddy Kit



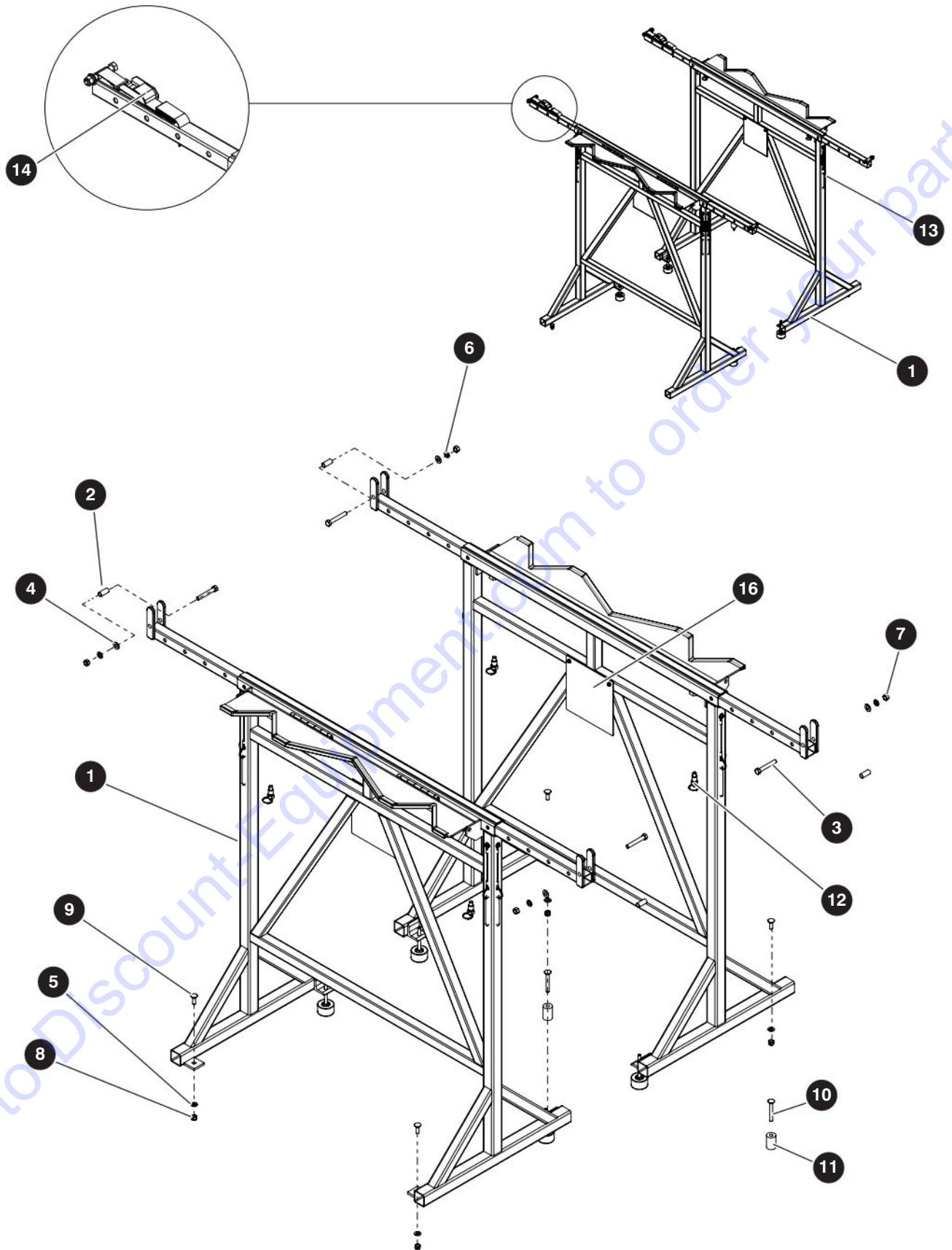
* – Lanyard not shown



7.2 Tool Caddy Kit

| Index No. | Skyjack Part No. | Qty. | Description |
|-----------|------------------|------|---|
| - | 204334 | 1 | TOOL CADDY KIT |
| 1 | 172293 | 2 | • LABEL, Skyjack logo, 5" white |
| 2 | 172247 | 1 | • LABEL, Tool caddy location |
| 3 | 172298 | 1 | • LABEL, Tool caddy models serial numbers |
| 4 | 172297 | 1 | • LABEL, Drive slowly when tool caddy is installed |
| 5 | 172246 | 1 | • LABEL, Tool caddy pin location |
| 6 | 172245 | 1 | • LABEL, Tool caddy weight |
| 7 | 168421 | 3 | • LABEL, Lock pin in place |
| 8 | 172299 | 1 | • LABEL, Do not block exit/entrance |
| 9 | 172292 | 1 | • LABEL, Accessoryzers, 7" white |
| 10 | 172294 | 1 | • LABEL, Skyjack logo, 3" white |
| 11 | 172428 | 1 | • LABEL, CE mark |
| 12 | 198945 | 1 | • TOOL CADDY TRAY, Plastic (Std) |
| 13 | 198965 | 2 | • PIN, Quick release (1/4" x 3.2") Lg. with 12" Lanyard |
| 14 | 116161 | 2 | • RIVET, Pop (3/16" x 9/16") |
| 15 | 204306 | 1 | • INSTRUCTIONS, Tool caddy installation (not shown) |

7.3 Material Handling Stand



M66765AA

224578ABA

198

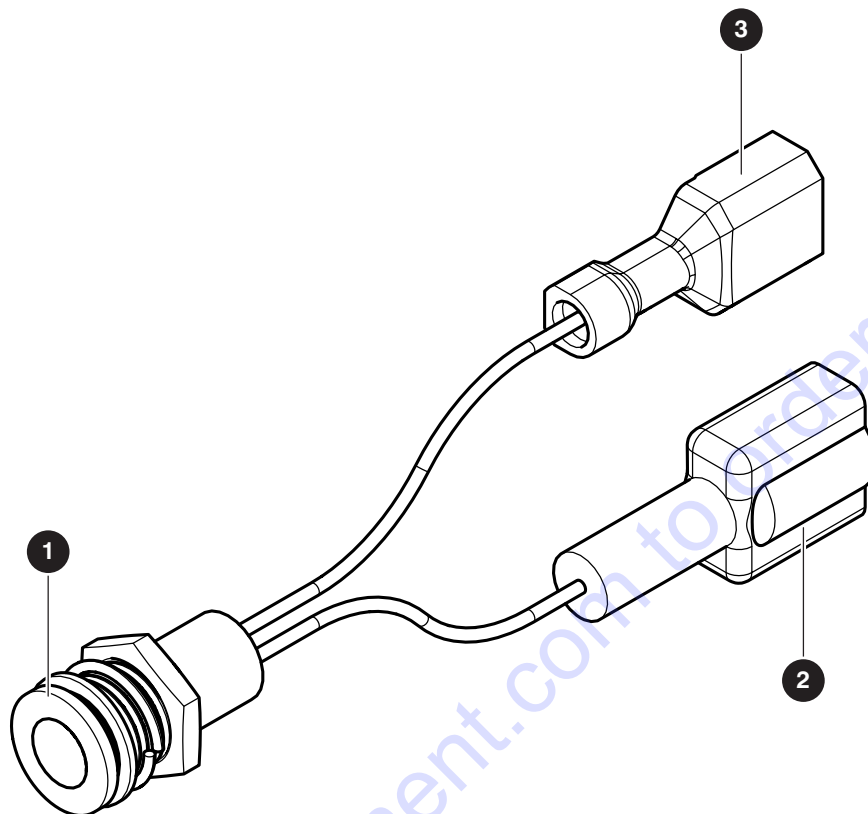
SJ9233 RT, SJ9243 RT, SJ9253 RT

SKYJACK

7.3 Material Handling Stand

| Index No. | Skyjack Part No. | Qty. | Description |
|-----------|------------------|------|--|
| - | 195198 | 1 | MATERIAL HANDLING STAND |
| - | 171737 | 1 | • KIT, Material handling stand |
| 1 | 171732 | 2 | • • MATERIAL HANDLING STAND |
| 2 | 133598 | 4 | • • SPACER, Rolled |
| 3 | 103873 | 4 | • • BOLT, Hex head (0.375 x 16 x 2.5, gr 5) |
| 4 | 103472 | 4 | • • WASHER, Flat (0.375) |
| 5 | 103996 | 4 | • • WASHER, Flat (0.312) |
| 6 | 103999 | 4 | • • WASHER, Lock (0.375) |
| 7 | 103978 | 4 | • • NUT, Hex (0.375 x 16, gr 5) |
| 8 | 103984 | 4 | • • NUT, Lock (0.313 x 18, gr 5) |
| 9 | 133216 | 4 | • • BOLT, Carriage (0.313 x 18 x 1, gr 5) |
| 10 | 195185 | 2 | • • BOLT, Carriage (0.313 x 18 x 2.5, gr 5) |
| 11 | 195186 | 2 | • • SPACER |
| 12 | 112467 | 4 | • • PLUNGER, Stubby pull-ring |
| 13 | 168421 | 1 | • LABEL, Lock pin in place |
| 14 | 195221 | 1 | • STRAP, Nylon |
| 15 | 199173 | 1 | • ASSESSMENT, Risk (not shown) |
| - | 222092 | 1 | • LABEL & INSTRUCTIONS |
| 16 | 195206 | 1 | • • LABEL, Material handling stand option |
| 17 | 192021 | 1 | • • INSTRUCTION, Material handling stand (not shown) |

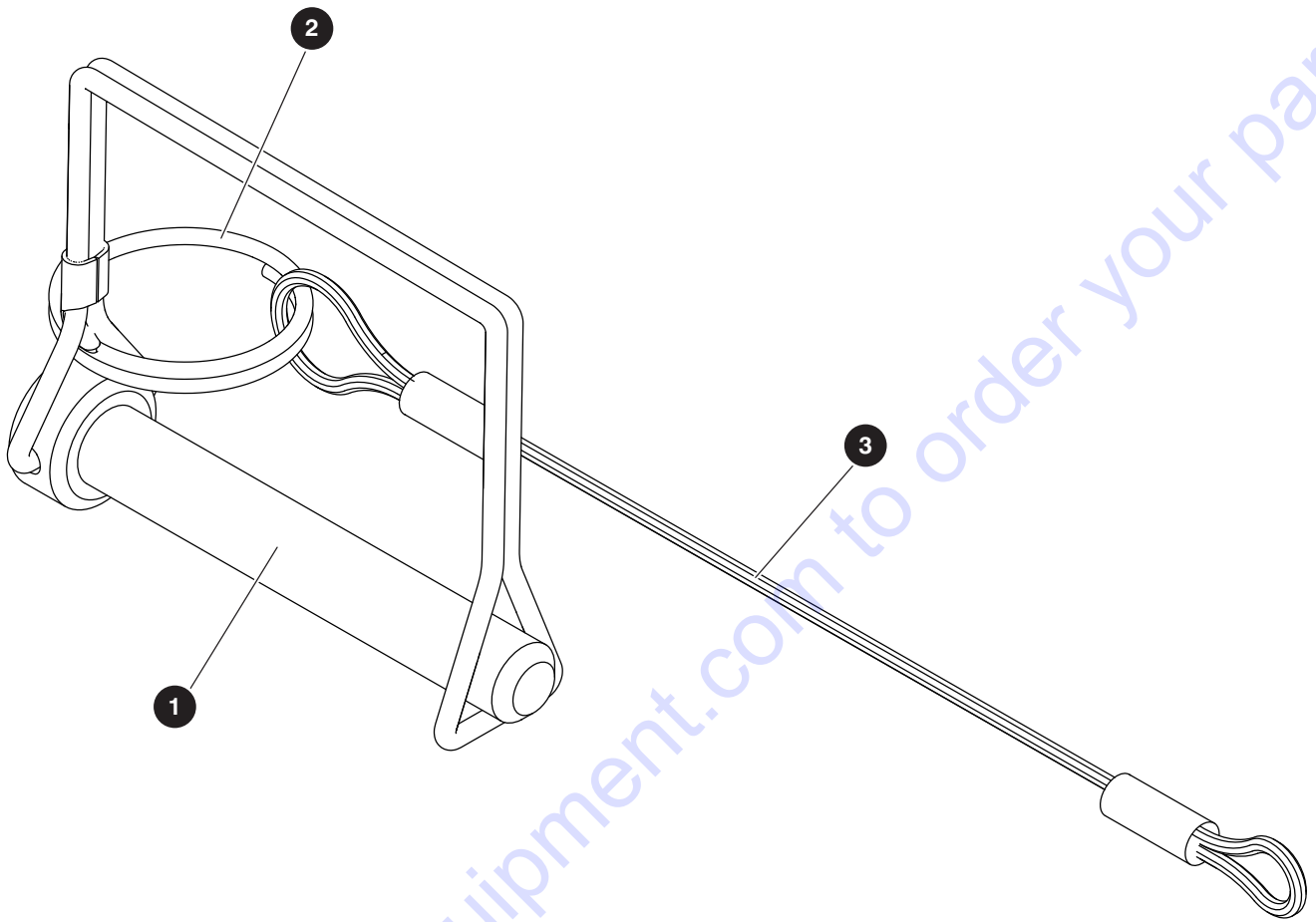
7.4 Eco Start



M226145AA

| Index No. | Skyjack Part No. | Qty. | Description |
|-----------|------------------|------|--------------------------------|
| - | 226145 | 1 | ECO START - CE, AS |
| 1 | 226144 | 1 | • LIGHT, LED - Blue |
| 2 | 114594 | 1 | • TERMINAL, Male (18-22 AWG) |
| 3 | 114595 | 1 | • TERMINAL, Female (18-22 AWG) |

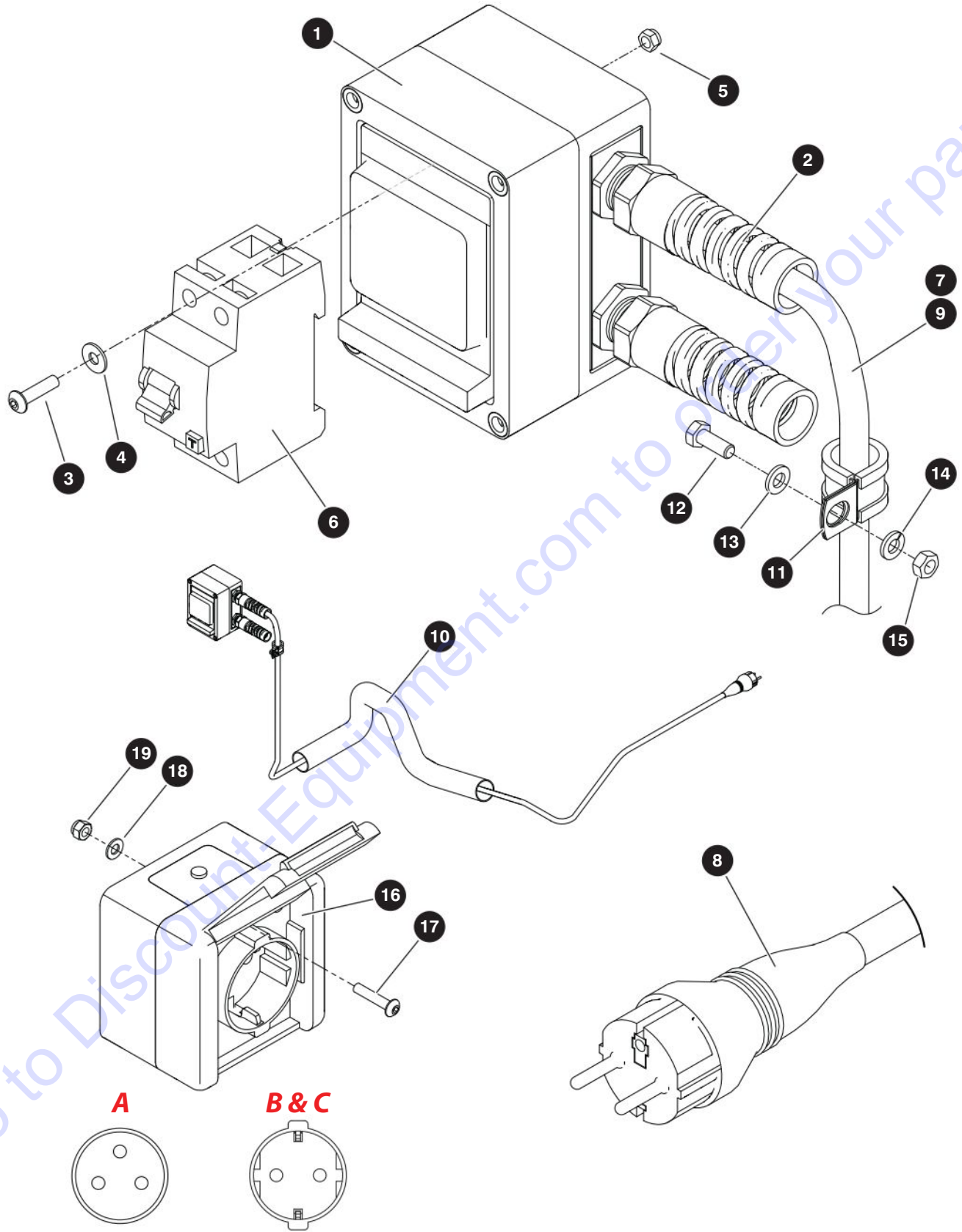
7.5 Wire Loop Lock Pin



M162074AB

| Index No. | Skyjack Part No. | Qty. | Description |
|-----------|------------------|------|-------------------------|
| - | 160274 | 1 | WIRE LOP LOCK PIN |
| 1 | 160265 | 1 | • PIN, Lock - wire loop |
| 2 | 160320 | 1 | • RING |
| 3 | 105807 | 1 | • LANYARD (6") |

7.6 RCD Option



M222462AA_M222466AA

224578ABA

202

SJ9233 RT, SJ9243 RT, SJ9253 RT

SKYJACK

PARTS FINDER

**Search Website
by Part Number**



**Search Manual
Library For Parts
Manual & Lookup Part
Numbers – Purchase
or Request Quote**

Search Manuals

Enter your information to help us find the right parts manual for your machine.

* Brand:

* Model:

* Serial:

* Part Number:

SEARCH

**Can't Find Part or
Manual? Request Help
by Manufacturer,
Model & Description**

Parts Order Form

Please fill in the following information to help us find the right part for your machine.

| | |
|---------------|----------------------|
| Manufacturer: | <input type="text"/> |
| Model: | <input type="text"/> |
| Description: | <input type="text"/> |
| Part Number: | <input type="text"/> |
| Quantity: | <input type="text"/> |
| Notes: | <input type="text"/> |

Submit

Discount-Equipment.com is your online resource for quality parts & equipment.

Florida: **561-964-4949** Outside Florida TOLL FREE: **877-690-3101**

Need parts?

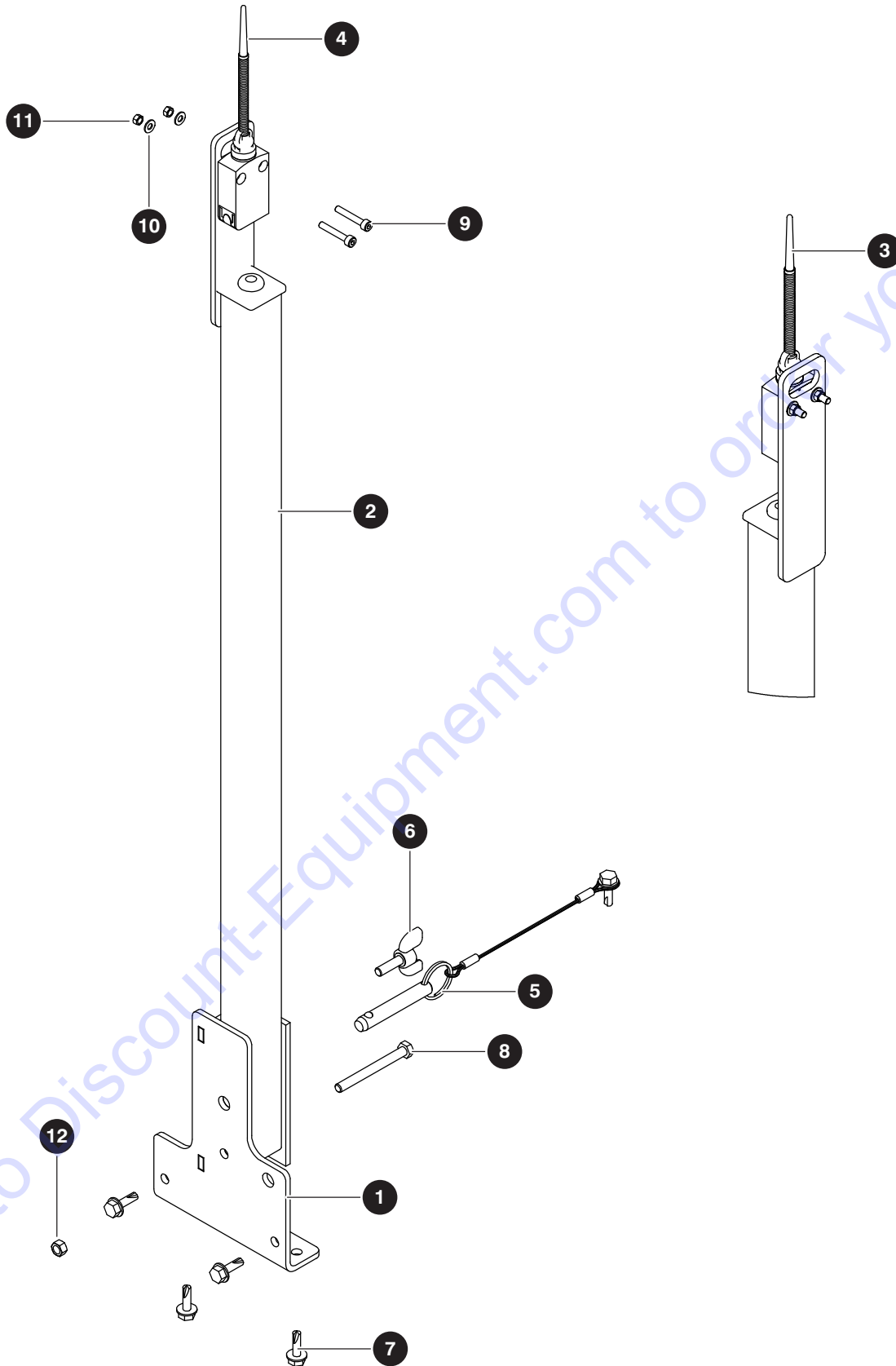
Click on this link: <http://www.discount-equipment.com/category/5443-parts/> and choose one of the options to help get the right parts and equipment you are looking for. Please have the machine model and serial number available in order to help us get you the correct parts. If you don't find the part on the website or on one of the online manuals, please fill out the request form and one of our experienced staff members will get back to you with a quote for the right part that your machine needs.

We sell worldwide for the brands: Genie, Terex, JLG, MultiQuip, Mikasa, Essick, Whiteman, Mayco, Toro Stone, Diamond Products, Generac Magnum, Airman, Haulotte, Barreto, Power Blanket, Nifty Lift, Atlas Copco, Chicago Pneumatic, Allmand, Miller Curber, Skyjack, Lull, Skytrak, Tsurumi, Husquvarna Target, Stow, Wacker, Sakai, Mi-T-M, Sullair, Basic, Dynapac, MBW, Weber, Bartell, Bennar Newman, Haulotte, Ditch Runner, Menegotti, Morrison, Contec, Buddy, Crown, Edco, Wyco, Bomag, Laymor, EZ Trench, Bil-Jax, F.S. Curtis, Gehl Pavers, Heli, Honda, ICS/PowerGrit, IHI, Partner, Imer, Clipper, MMD, Koshin, Rice, CH&E, General Equipment, Amida, Coleman, NAC, Gradall, Square Shooter, Kent, Stanley, Tamco, Toku, Hatz, Kohler, Robin, Wisconsin, Northrock, Oztec, Toker TK, Rol-Air, APT, Wylie, Ingersoll Rand / Doosan, Innovatech, Con X, Ammann, Mecalac, Makinex, Smith Surface Prep, Small Line, Wanco, Yanmar

7.6 RCD Option

| Index No. | Skyjack Part No. | Qty. | Description |
|-----------|------------------|------|---|
| A | 222462 | 1 | RCD, Type E with Europa 16 A RCBO |
| B | 222466 | 1 | RCD, Type F with Europa 16 A RCBO |
| C | 222463 | 1 | RCD, Type F with Doepke 2A RCCB, no plug |
| - | 222461 | 1 | • ENCLOSURE, Base |
| 1 | 194510 | 1 | • • MODIFICATION, RCD enclosure |
| 2 | 158212 | 2 | • • RELIEF, Strain |
| 3 | 228466 | 2 | • • BOLT, Button head cap screw (M5 x 0.8, cl 20) |
| 4 | 117952 | 2 | • • WASHER, Seal |
| 5 | 217628 | 2 | • • NUT, Hex lock (M5 x 0.8, cl 8) |
| - | 222459 | 1 | • WIRING, Europa C-16A, A, B |
| | 222464 | 1 | • WIRING, Doepke DFS 2A, C |
| 6 | 157187 | 1 | • • RCBO, Type C-16A - Europa, A |
| | 168379 | 1 | • • RCBO, Type A - Doepke DFS 2A, C |
| 7 | 117542 | 156 | • • CABTIRE (14/3) |
| 8 | 157192 | 1 | • • PLUG, Schuko solid rubber, A, B |
| 9 | 108171 | 1 | • • TERMINAL (10-12GA) (not shown) |
| 10 | 140914 | 40 | • • SLEEVE, Nylon hose protection |
| 11 | 152402 | 1 | • • CLAMP, Tube |
| 12 | 217392 | 1 | • • BOLT, Hex head (M6 x 1 x 16, cl 8.8) |
| 13 | 600190 | 1 | • • WASHER, Flat (M6) |
| 14 | 121758 | 1 | • • WASHER, Lock (M6) |
| 15 | 800354 | 1 | • • NUT, Hex head (M6) |
| - | 222460 | 1 | • BOX, Outlet - Type E, A |
| | 222465 | 1 | • BOX, Outlet - Type F, B, C |
| 16 | 228058 | 1 | • • SOCKET, Outlet 16A 250 V, type E, A |
| | 228059 | 1 | • • SOCKET, Outlet 16 A 250 V, type F, B, C |
| 17 | 232535 | 2 | • • SCREW, Button head cap (M4 x 0.7 x 20, cl 10.9) |
| 18 | 600579 | 2 | • • WASHER, Flat (M4) |
| 19 | 121484 | 2 | • • NUT, Hex lock (M4 x 0.7) |

7.7 Anti-Overriding Poles (2 Poles)



M231932AB

224578ABA

204

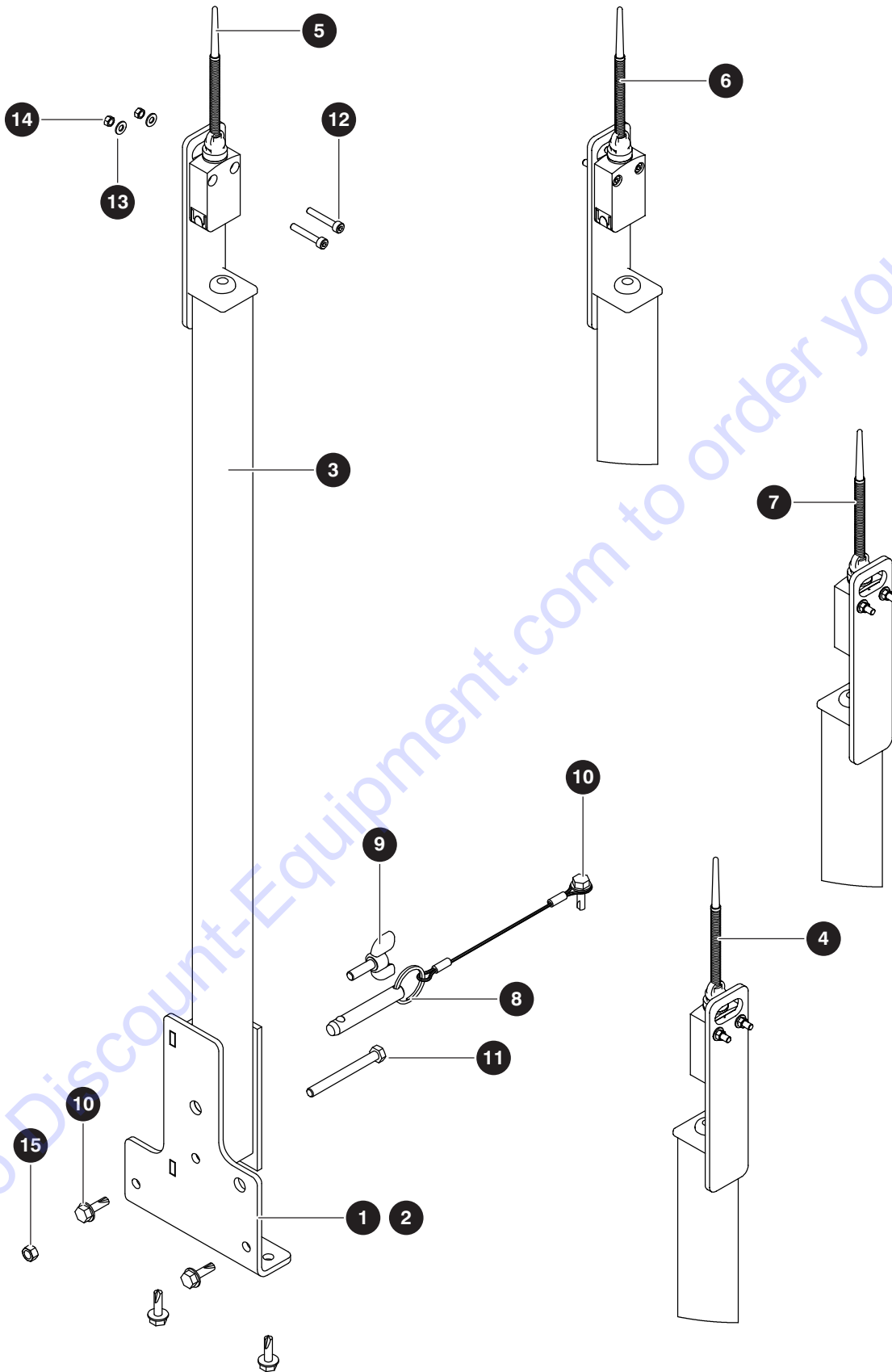
SJ9233 RT, SJ9243 RT, SJ9253 RT

SKYJACK

7.7 Anti-Overriding Poles (2 Poles)

| Index No. | Skyjack Part No. | Qty. | Description |
|-----------|------------------|------|--|
| - | 222481 | 1 | ANTI OVERRISING POLES (2 POLES) - SJ9253 RT KC |
| - | 231932 | 1 | • POLES, Anti-over rising |
| 1 | 232002 | 2 | • • BRACKET, RH Weldment |
| 2 | 232005 | 2 | • • ROD, Platform limit switch |
| 3 | 222209 | 1 | • • LIMIT SWITCH, RL |
| 4 | 222208 | 1 | • • LIMIT SWITCH, FR |
| 5 | 216212 | 2 | • • PIN, Large loop (O3/8 x 1.800) |
| 6 | 217002 | 2 | • • SCREW, Wing (M6 x 1 x 20) |
| 7 | 103632 | 10 | • • BOLT, Self tapping hex head (0.25 - 14 x 0.75) |
| 8 | 217228 | 2 | • • BOLT, Hex head (M6 x 1 x 60, cl 8.8) |
| 9 | 217051 | 4 | • • SCREW, Socket head cap screw (M4 x 0.7 x 25, cl 12.9) |
| 10 | 223180 | 4 | • • WASHER, Flat (M4) |
| 11 | 217575 | 4 | • • NUT, Hex (M4 x 0.7, cl 8) |
| 12 | 217580 | 2 | • • NUT, Hex (M6 x 1.0, cl 8) |
| 13 | 121758 | 2 | • • WASHER, Lock (M6) |
| 14 | 931964 | 12 | • • CLAMP, Tube (3/8) (not shown) |
| 15 | 122501 | 12 | • • SCREW, Hex head (3/8 x 16 x 5/8) (not shown) |
| - | 222470 | 1 | • ELECTRICAL COMPONENTS |
| - | 222207 | 1 | • • HARNESS, Platform <i>(For components, refer to Section 5.19 Platform Harness)</i> |
| - | 222210 | 1 | • • HARNESS, Scissor <i>(For components, refer to Section 5.20 Scissor Harness)</i> |

7.8 Anti-Overrising Poles (4 Poles)



M231931AB

224578ABA

206

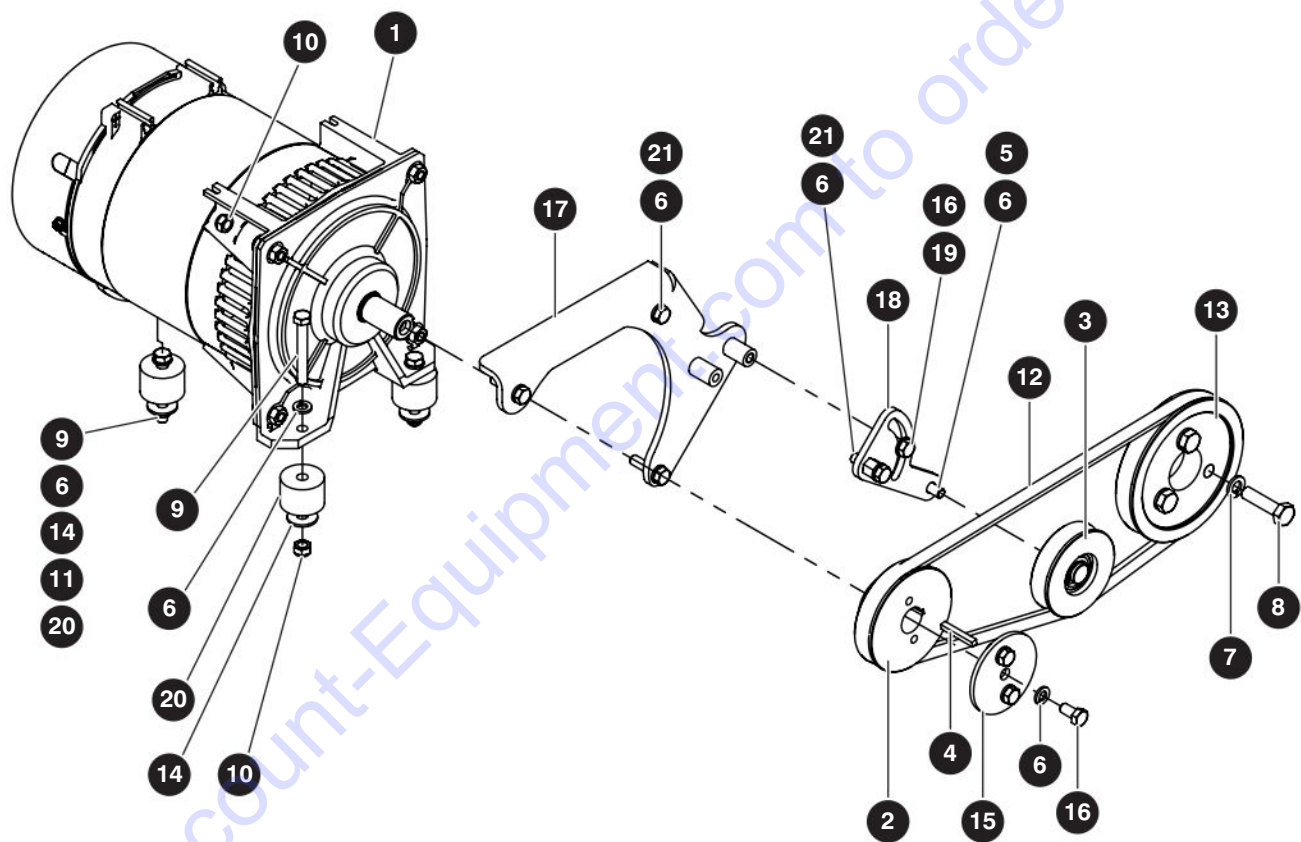
SJ9233 RT, SJ9243 RT, SJ9253 RT

SKYJACK

7.8 Anti-Overriding Poles (4 Poles)

| Index No. | Skyjack Part No. | Qty. | Description |
|-----------|------------------|------|--|
| - | 220426 | 1 | ANTI OVERRISING POLES (4 POLES) - SJ9253 RT KC |
| | 231932 | 1 | • POLES, Anti-over rising |
| 1 | 232002 | 2 | • • BRACKET, RH Weldment |
| 2 | 231929 | 2 | • • BRACKET, LH Weldment |
| 3 | 232005 | 4 | • • ROD, Platform limit switch |
| 4 | 222209 | 1 | • • LIMIT SWITCH, RL |
| 5 | 222208 | 1 | • • LIMIT SWITCH, FR |
| 6 | 222495 | 1 | • • LIMIT SWITCH, FL |
| 7 | 222206 | 1 | • • LIMIT SWITCH, RR |
| 8 | 216212 | 4 | • • PIN, Large loop (O3/8 x 1.800) |
| 9 | 217002 | 4 | • • SCREW, Wing (M6 x 1 x 20) |
| 10 | 103632 | 20 | • • BOLT, Self tapping hex head (0.25 - 14 x 0.75) |
| 11 | 217228 | 4 | • • BOLT, Hex head (M6 x 1 x 60, cl 8.8) |
| 12 | 217051 | 8 | • • SCREW, Socket head cap screw (M4 x 0.7 x 25, cl 12.9) |
| 13 | 223180 | 8 | • • WASHER, Flat (M4) |
| 14 | 217575 | 8 | • • NUT, Hex (M4 x 0.7, cl 8) |
| 15 | 217580 | 4 | • • NUT, Hex (M6 x 1.0, cl 8) |
| 16 | 121758 | 4 | • • WASHER, Lock (M6) |
| 17 | 931964 | 18 | • • CLAMP, Tube (3/8) |
| 18 | 122501 | 18 | • • SCREW, Hex head (3/8 x 16 x 5/8) |
| | 222470 | 1 | • ELECTRICAL COMPONENTS |
| - | (Ref.) | 1 | • • HARNESS, Platform <i>(For components, refer to Section 5.19 Platform Harness)</i> |
| - | (Ref.) | 1 | • • HARNESS, Scissor <i>(For components, refer to Section 5.20 Scissor Harness)</i> |

7.9 Belt-Driven Generator - 3.5 kW



M220408AD

224578ABA

208

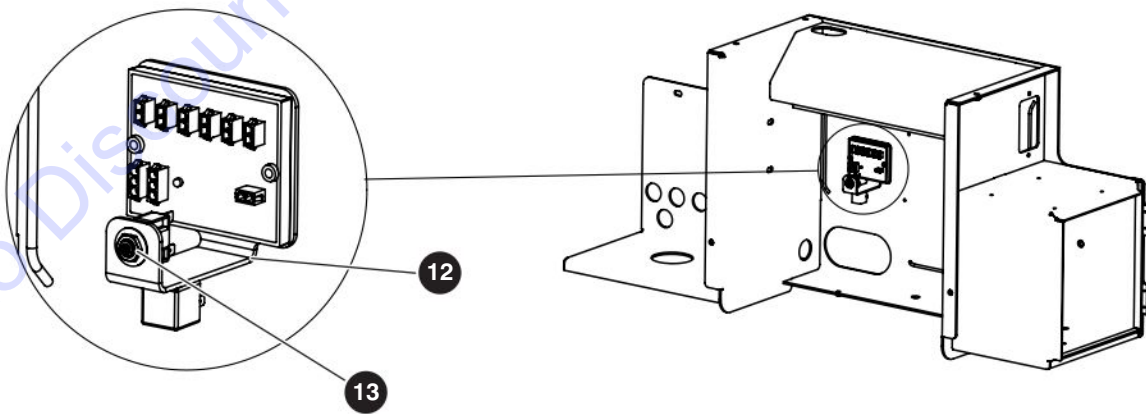
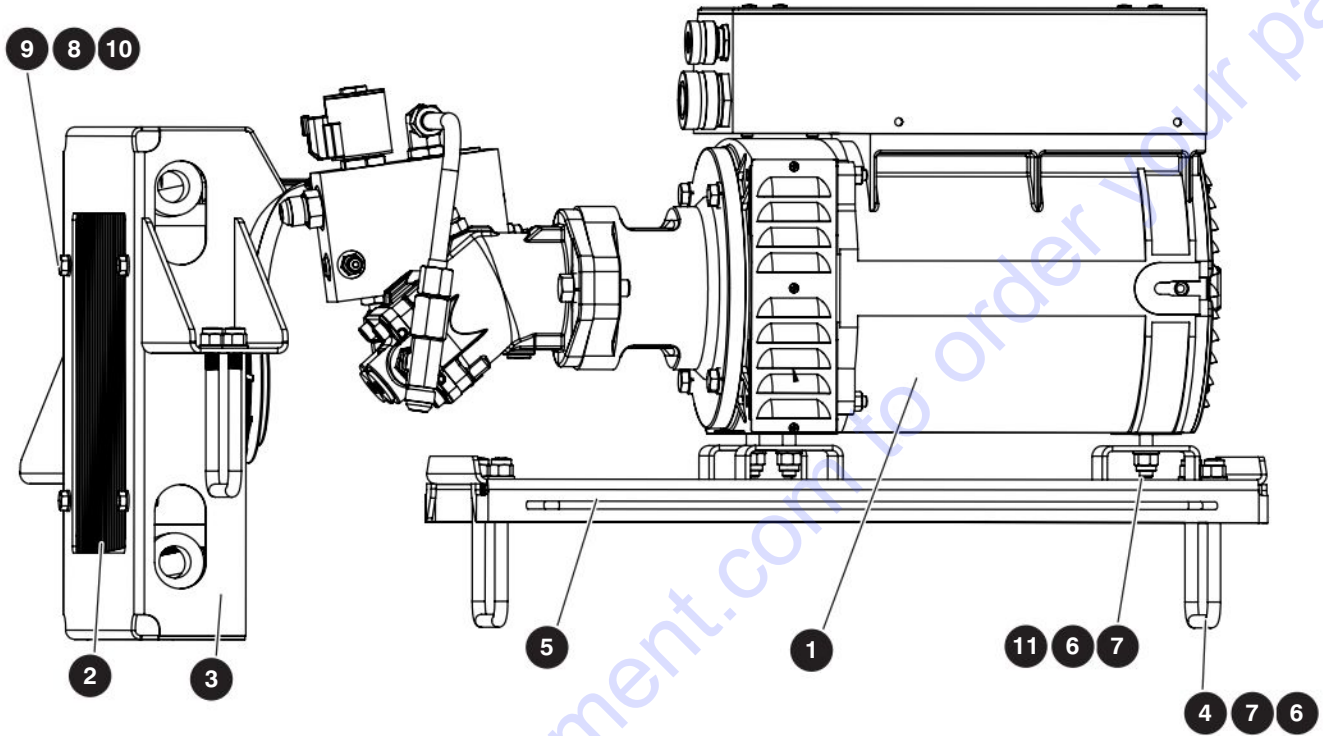
SJ9233 RT, SJ9243 RT, SJ9253 RT

SKYJACK

7.9 Belt-Driven Generator - 3.5 kW

| Index No. | Skyjack Part No. | Qty. | Description |
|-----------|------------------|------|--|
| A | 220408 | 1 | BELT-DRIVEN GENERATOR, 3.5 kW (60 Hz) - Kubota D1305 ANSI/CSA, KC |
| B | 220396 | 1 | BELT-DRIVEN GENERATOR, 3.5 kW (50 Hz) - Kubota D1305 CE |
| C | 220384 | 1 | BELT-DRIVEN GENERATOR, 3.5 kW (60 Hz) - Kubota WG972 ANSI/CSA, KC |
| 1 | 215834 | 1 | • GENERATOR, 3.5 KW (60Hz), A, C |
| | 230944 | 1 | • • CAPACITOR |
| | 230945 | 1 | • • KIT, 2 Bearing conversion |
| | 230946 | 1 | • • BOOT, Breaker |
| | 230947 | 1 | • • BREAKER (15A) |
| | 230948 | 1 | • • COVER, Drilled |
| 1 | 215835 | 1 | • GENERATOR, 3.5 KW (50Hz), B |
| | 197775 | 1 | • • CORD, GFI power |
| | 231171 | 1 | • • BOOT, Breaker |
| | 231172 | 1 | • • BREAKER (15A) |
| 2 | 220407 | 1 | • PULLEY, 3.5 KW Generator (760D) |
| 3 | 220397 | 1 | • TENSIONER, Pulley |
| 4 | 220391 | 1 | • KEY STOCK |
| 5 | 228469 | 1 | • BOLT, Hex head (M8 x 1 x 20, cl 8.8) |
| 6 | 116218 | 11 | • WASHER, Lock (M8) |
| 7 | 132497 | 3 | • WASHER, Lock (M10), A, B |
| | 116218 | 3 | • WASHER, Lock (M8), C |
| 8 | 228452 | 3 | • BOLT, Hex head (M10 x 1.25 x 40, cl 10.9), A, B |
| | 217879 | 3 | • BOLT, Hex head (M8 x 1.25 x 35, cl 10.9), C |
| 9 | 217236 | 3 | • BOLT, Hex head (M8 x 1.25 x 60, cl 10) |
| 10 | 223162 | 5 | • NUT, Hex lock (M8 x 1.25, cl 10) |
| 11 | 217796 | 1 | • NUT, Hex (M8 x 1.25, cl 10) |
| 12 | 220368 | 1 | • BELT, Generator |
| 13 | 222473 | 1 | • PULLEY, D1305 engine, A, B |
| | 237497 | 1 | • PULLEY, WG972 engine, C |
| 14 | 217838 | 3 | • WASHER, Fender (M8) |
| 15 | 220406 | 1 | • WASHER, Generator pulley |
| 16 | 217401 | 4 | • BOLT, Hex head (M8 x 1.25 x 16, cl 10.9) |
| 17 | 220433 | 1 | • MOUNT, Tensioner |
| 18 | 220390 | 1 | • PLATE, Tensioner |
| 19 | 600184 | 1 | • WASHER, Flat (M8) |
| 20 | 215210 | 3 | • SPACE, 3.5KW generator |
| 21 | 217878 | 4 | • BOLT, Hex head (M8 x 1.25 x 30, cl 10.9) |

7.10 Hydraulic Generator - 7.5 kW



7.10 Hydraulic Generator - 7.5 kW

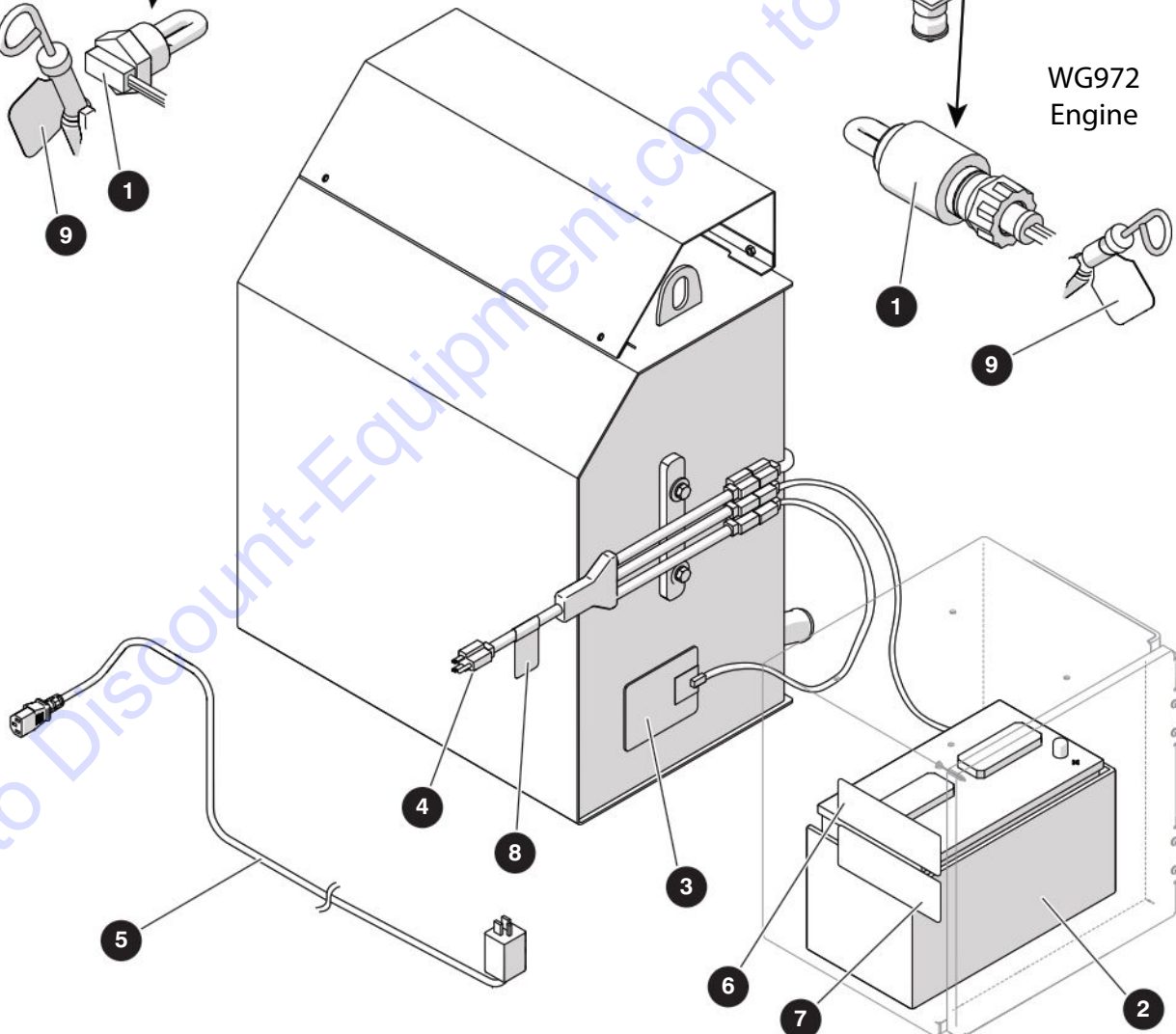
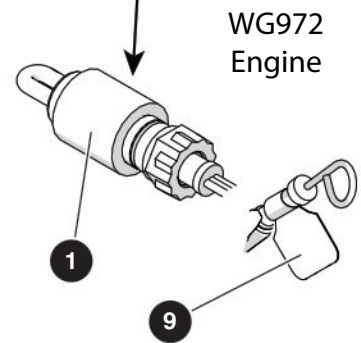
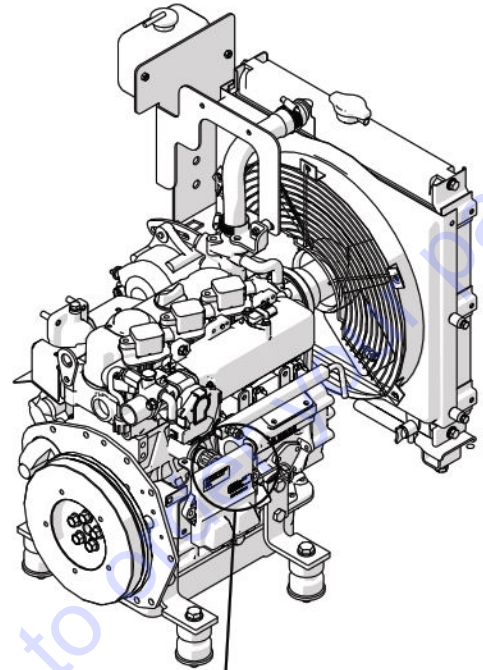
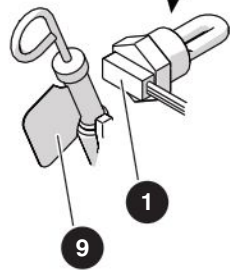
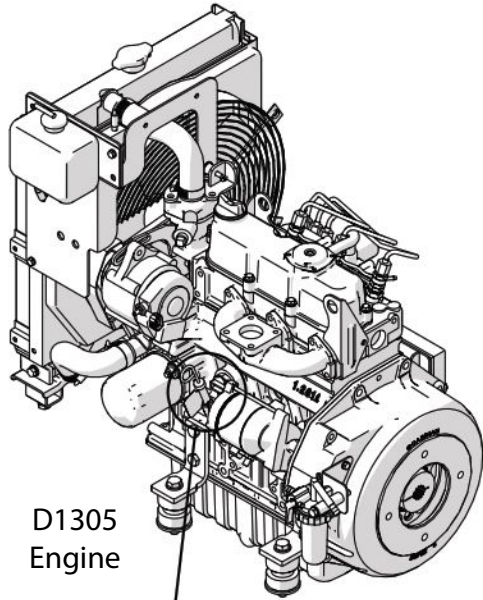
| Index No. | Skyjack Part No. | Qty. | Description |
|-----------|------------------|------|--|
| A | 220328 | 1 | HYDRAULIC GENERATOR,7.5 KW (50 HZ, 1 PHASE) - AS |
| B | 220327 | 1 | HYDRAULIC GENERATOR, 7.5 KW (60 HZ, 3 PHASE) |
| 1 | 209157 | 1 | • GENERATOR, Hydraulic - 7.5 KW (50Hz), A |
| | 220314 | 1 | • GENERATOR, Hydraulic - 7.5 KW (60Hz), B |
| 2 | 160800 | 1 | • COOLER, Hydraulic oil (12 V) |
| 3 | 220337 | 1 | • BRACKET, Generator cooler |
| 4 | 220336 | 4 | • U-BOLT (M10) |
| 5 | 220317 | 1 | • TRAY, Generator |
| 6 | 933697 | 11 | • NUT, Hex lock (M10 x 1.5) |
| 7 | 933833 | 14 | • WASHER, Flat (M10) |
| 8 | 133232 | 8 | • WASHER, Flat (M8) |
| 9 | 223163 | 4 | • NUT, Hex lock (M8 x 1.25, cl 8) |
| 10 | 933655 | 4 | • BOLT, Hex head cap screw (M8 x 1.25 x 25, cl 8.8) |
| 11 | 217413 | 3 | • BOLT, Hex head (M10 x 1.5 x 35, cl 8.8) |
| - | 220347 | 1 | GENERATOR ELECTRICAL GROUP |
| 12 | 220346 | 1 | • BRACKET, Circuit breaker |
| 13 | (Ref.) | 1 | • HARNESS, Generator and oil cooler <i>(For components, refer to Section 5.16 Generator and Oil Cooler Harness)</i> |

7.11 Hydraulic Hoses - 7.5 kW Generator

| Index No. | Hose P/N | From | | To | | |
|-----------|--------------|-----------------------------|------|------|----------------|--|
| | | Description | Port | Port | Description | |
| - | 220338 | HOSE KIT - 7.5 kW GENERATOR | | | | |
| 1 | H3410 0041 0 | GENERATOR MANIFOLD | R | OUT | OIL COOLER | |
| 2 | H3210 0126 0 | AUXILIARY MANIFOLD | T | IN | OIL COOLER | |
| 3 | H0108 0132 0 | GENERATOR MANIFOLD | M1 | D2 | DRIVE MOTOR | |
| 4 | H2412 0013 2 | GENERATOR MANIFOLD | P | P | DRIVE MANIFOLD | |
| 5 | H0106 0070 0 | GENERATOR MANIFOLD | LS | X | SYSTEM PUMP | |

| Index No. | Skyjack Part No. | Qty. | Description |
|-----------|------------------|------|-------------------------------------|
| 6 | 137490 | 2 | FITTING, Straight (10JICM-12ORBM) |
| 7 | 220339 | 1 | FITTING, Tee (10JICM-10ORBM-10JICM) |
| 8 | 104402 | 1 | FITTING, Straight (08JICM-06ORBM) |
| 9 | 144162 | 1 | FITTING, Tee (8JICM-12ORBM-8JICM) |
| 10 | 165482 | 1 | FITTING, Tee (16JICM-16ORBM-12JICM) |
| 11 | 128869 | 1 | FITTING, Straight (06JICM-04ORBM) |
| 12 | 103309 | 1 | FITTING, Tee (06JICM-06JICM-06JICF) |
| 13 | 165601 | 1 | FITTING, 45° (12JICM-10ORBM) |

7.12 Cold & Arctic Weather Packages



M220331AD_M220341AC

224578ABA

214

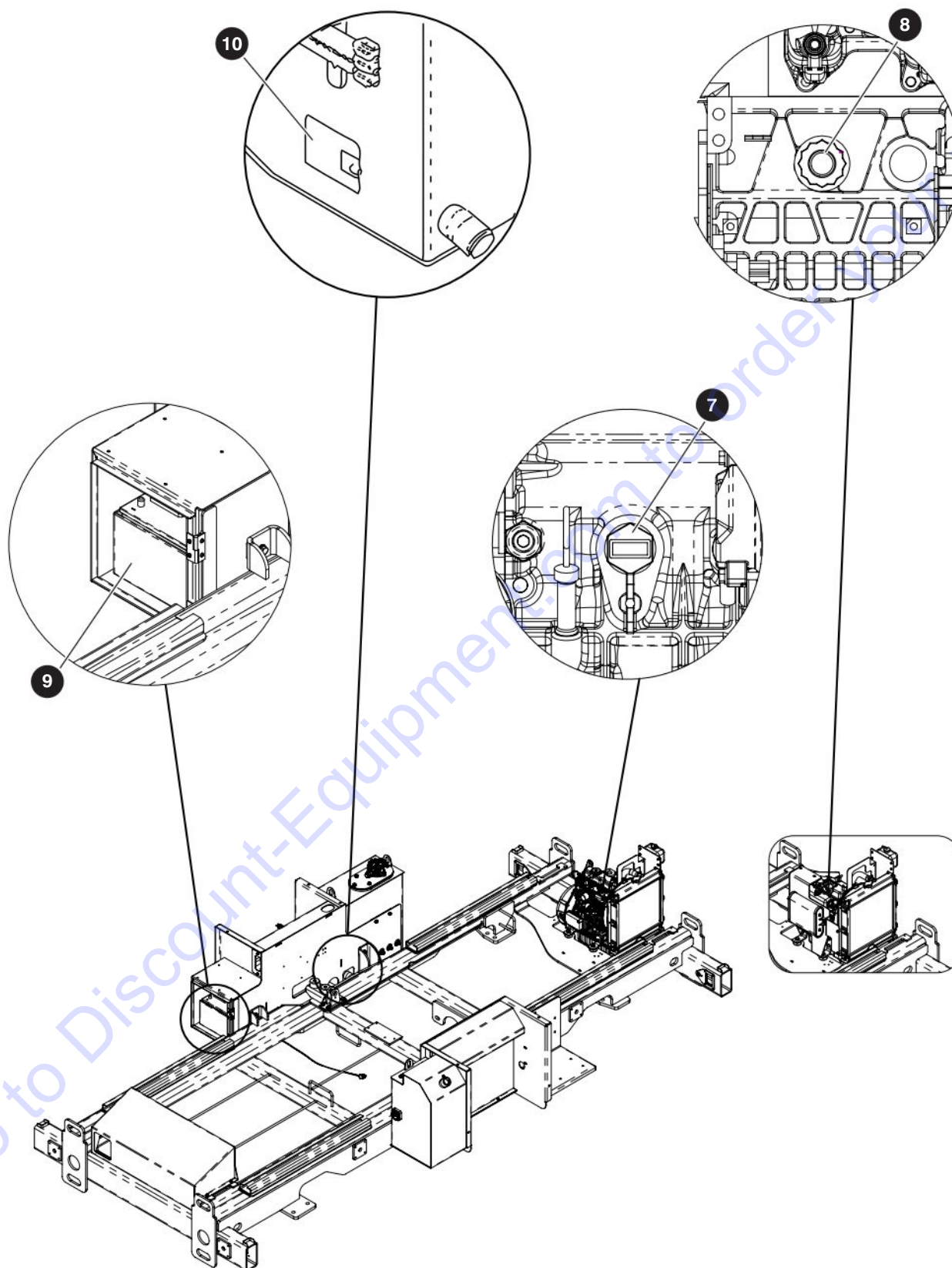
SJ9233 RT, SJ9243 RT, SJ9253 RT

SKYJACK

7.12 Cold & Arctic Weather Packages

| Index No. | Skyjack Part No. | Qty. | Description |
|-----------|------------------|------|--|
| A | - | 1 | COLD WEATHER PACKAGE - Kubota D1305 |
| B | - | 1 | COLD WEATHER PACKAGE - Kubota WG972 |
| C | - | 1 | ARCTIC WEATHER PACKAGE - Kubota D1305 |
| D | - | 1 | ARCTIC WEATHER PACKAGE - Kubota WG972 |
| 1 | 149685 | 1 | • HEATER, Immersion (400 W, 100 V), A, C |
| | 146468 | 1 | • HEATER, Block (400 W, 110 V), B, D |
| 2 | 703290 | 1 | • BLANKET, Battery |
| 3 | 166260 | 1 | • HEATER, Pad (250 W) |
| 4 | 159888 | 1 | • CORD, ""W" |
| 5 | 169396 | 1 | • CORD, Extension |
| 6 | 147041 | 2 | • LABEL, Do not leave heater plugged in (not shown) |
| 7 | 147042 | 2 | • LABEL, Do not use heaters (not shown) |
| 8 | 144632 | 1 | • LABEL, Oil pan/ hydraulic oil heater/ battery warmer |
| 9 | 144635 | 1 | • LABEL, Arctic engine oil (not shown), C, D |

7.13 Arctic Weather Package



M66932AA

224578ABA

216

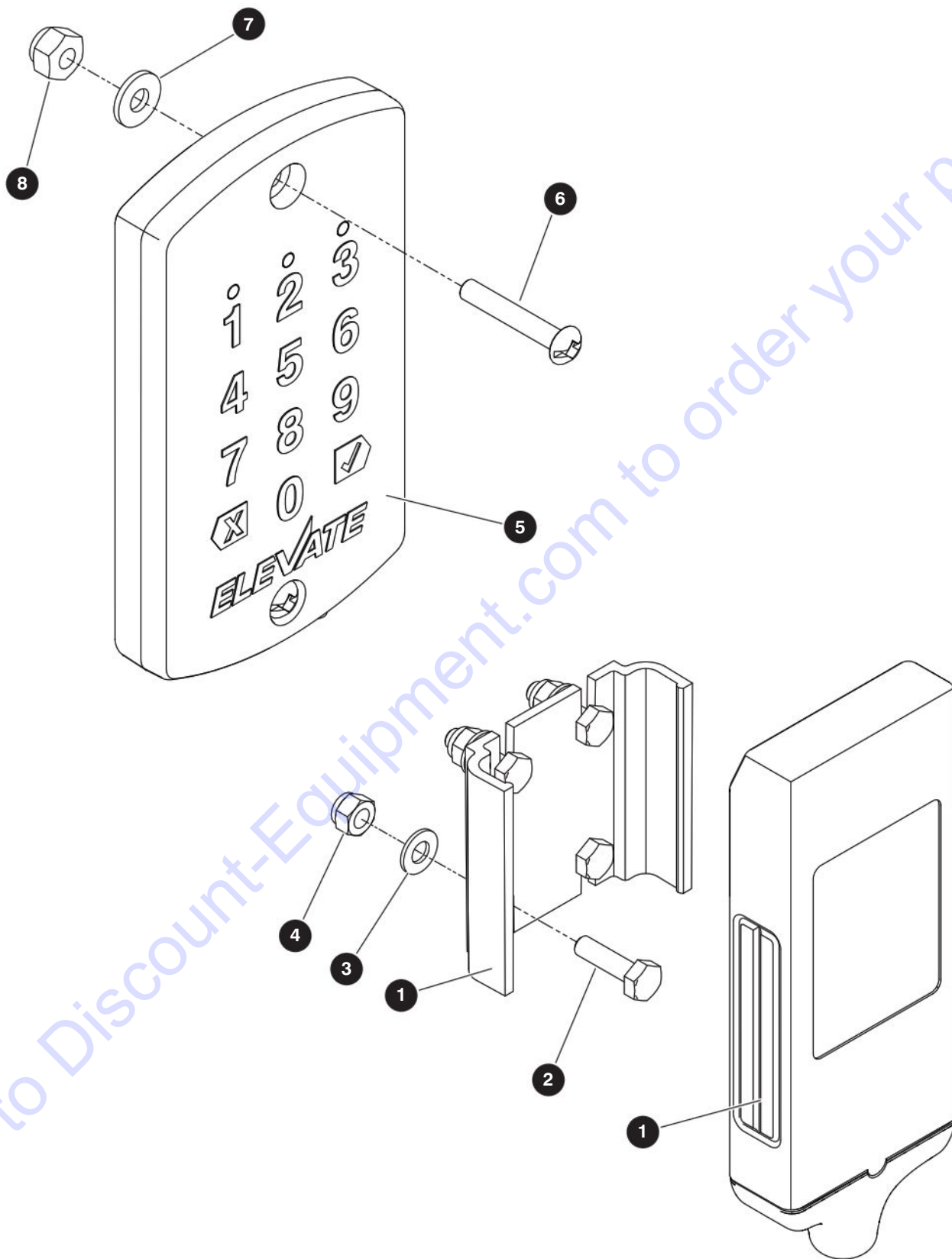
SJ9233 RT, SJ9243 RT, SJ9253 RT

SKYJACK

7.13 Arctic Weather Package

| Index No. | Skyjack Part No. | Qty. | Description |
|-----------|------------------|------|--|
| A | 220331 | 1 | ARCTIC WEATHER PACKAGE - KUBOTA D1305 |
| B | 220341 | 1 | ARCTIC WEATHER PACKAGE - KUBOTA WG972 |
| 2 | 144635 | 1 | • LABEL, Arctic engine oil (not shown) |
| 7 | 149685 | 1 | • HEATER, Immersion (400 W, 100 V), A |
| 8 | 146468 | 1 | • HEATER, Block (400 W, 110 V), B |
| 9 | 703290 | 1 | • BLANKET, Battery |
| 10 | 166260 | 1 | • HEATER, Pad (250 W) |
| 5 | 147041 | 2 | • LABEL, Do not leave heater plugged in (not shown) |
| 6 | 147042 | 2 | • LABEL, Do not use heaters (not shown) |
| 12 | 159888 | 1 | • CORD, "W" (not shown) |
| 13 | 144632 | 1 | • LABEL, Oil pan/ hydraulic oil heater/ battery warmer (not shown) |
| 14 | 169396 | 1 | • CORD, Extension - inverter (not shown) |

7.14 Elevate Telematics



M222200AA


224578ABA

218


SJ9233 RT, SJ9243 RT, SJ9253 RT

SKYJACK

7.14 Elevate Telematics

| Index No. | Skyjack Part No. | Qty. | Description |
|-----------|------------------|------|---|
| | | |  NOTE A subscription is required to use the Elevate Telematics option. Refer to "Elevate Telematics Subscription" on page 220. |
| A | 222200 | 1 | TELEMATICS TRACK UNIT GROUP - with Keypad |
| B | 222203 | 1 | TELEMATICS TRACK UNIT GROUP - no Keypad |
| - | 222201 | 1 | <ul style="list-style-type: none"> • TELEMATICS, Track unit, A, B |
| 1 | 213098 | 1 | <ul style="list-style-type: none"> • • TELEMATICS, Track unit ME501-4 |
| | 199295 | 1 | <ul style="list-style-type: none"> • • • COVER |
| | 199296 | 1 | <ul style="list-style-type: none"> • • • BRACKET |
| | 199297 | 1 | <ul style="list-style-type: none"> • • • BATTERY |
| | 199298 | 1 | <ul style="list-style-type: none"> • • • CABLE, Control |
| | 199299 | 1 | <ul style="list-style-type: none"> • • • FUSE KIT, 1 amp fuse and holder |
| 2 | 600578 | 4 | <ul style="list-style-type: none"> • • BOLT, Hex head (M4 x 0.7 x 15, gr 8.8) |
| 3 | 600579 | 4 | <ul style="list-style-type: none"> • • WASHER, Flat (M4) |
| 4 | 121484 | 4 | <ul style="list-style-type: none"> • • NUT, Lock (M4 x 0.70) |
| - | 222202 | 1 | <ul style="list-style-type: none"> • TELEMATICS, Keypad, A |
| 5 | 213099 | 1 | <ul style="list-style-type: none"> • • TELEMATICS, Track unit dual ID Keypad |
| 6 | 112248 | 2 | <ul style="list-style-type: none"> • • SCREW, Round head machine (8-32 x 1) |
| 7 | 103991 | 2 | <ul style="list-style-type: none"> • • WASHER, Flat (8) |
| 8 | 138765 | 2 | <ul style="list-style-type: none"> • • NUT, Lock (8-32) |

7.15 Elevate Telematics Subscription

| Index No. | Skyjack Part No. | Qty. | Description |
|---|------------------|------|--|
| <p> NOTE <i>One of the following subscriptions is required to use the Elevate Telematics option.</i></p> | | | |
| 1 | 221153 | 1 | SUBSCRIPTION, Elevate telematics - Direct (12 months) |
| 2 | 221647 | 1 | SUBSCRIPTION, Elevate telematics - Engage (12 months) |
| 3 | 221648 | 1 | SUBSCRIPTION, Elevate telematics - Engage + Access (12 months) |
| 4 | 221154 | 1 | SUBSCRIPTION, Elevate telematics - Direct (36 months) |
| 5 | 221650 | 1 | SUBSCRIPTION, Elevate telematics - Engage (36 months) |
| 6 | 221649 | 1 | SUBSCRIPTION, Elevate telematics - Engage + Access (36 months) |
| 7 | 221155 | 1 | SUBSCRIPTION, Elevate telematics - Direct (60 months) |
| 8 | 221654 | 1 | SUBSCRIPTION, Elevate telematics - Engage (60 months) |
| 9 | 221653 | 1 | SUBSCRIPTION, Elevate telematics - Engage + Access (60 months) |

M222200AA-1

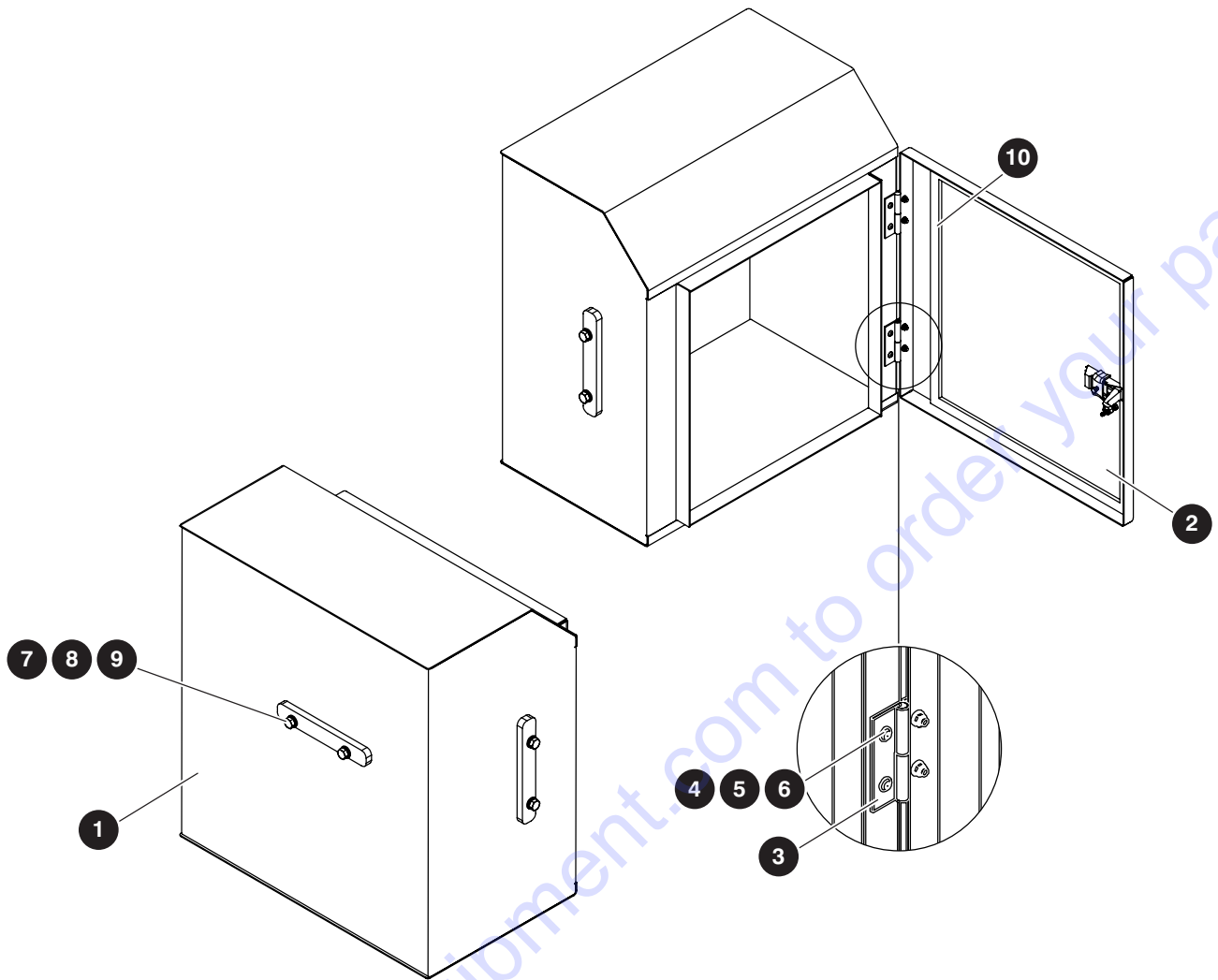
224578ABA

220

SJ9233 RT, SJ9243 RT, SJ9253 RT

SKYJACK

7.16 Storage Box



M66760AA

| Index No. | Skyjack Part No. | Qty. | Description |
|-----------|------------------|------|--|
| - | 222087 | 1 | STORAGE BOX ASSEMBLY |
| - | 222339 | 1 | • BOX, Storage |
| 1 | 222325 | 1 | • • TOOL BOX |
| 2 | 222338 | 1 | • • DOOR, Tool box |
| 3 | 222355 | 2 | • • HINGE, Lift Off |
| 4 | 228458 | 8 | • • BOLT, Button head cap screw (M5 x 0.8 x 12, cl 10.9) |
| 5 | 933816 | 8 | • • WASHER, Flat (M5, cl 200) |
| 6 | 217628 | 8 | • • NUT, Hex lock (M5 x 0.8, cl 8) |
| 7 | 933833 | 4 | • WASHER, Flat (M10, OD 20.0) |
| 8 | 132497 | 4 | • WASHER, Lock (M10) |
| 9 | 933640 | 4 | • BOLT, Hex head cap screw (M10 x 1.5 x 20, cl 8.8) |
| 10 | 103658 | 8.9 | • RUBBER, Self seal |

Section 8 – Labels

8.1 *Label Kits*

8.2 *Labels - Left & Right Sides*

8.3 *Labels - Front & Back*

8.4 *Labels - Engines*

8.5 *Labels - Outriggers*

8.6 *Labels - Railings*

8.7 *Labels - Control Boxes*

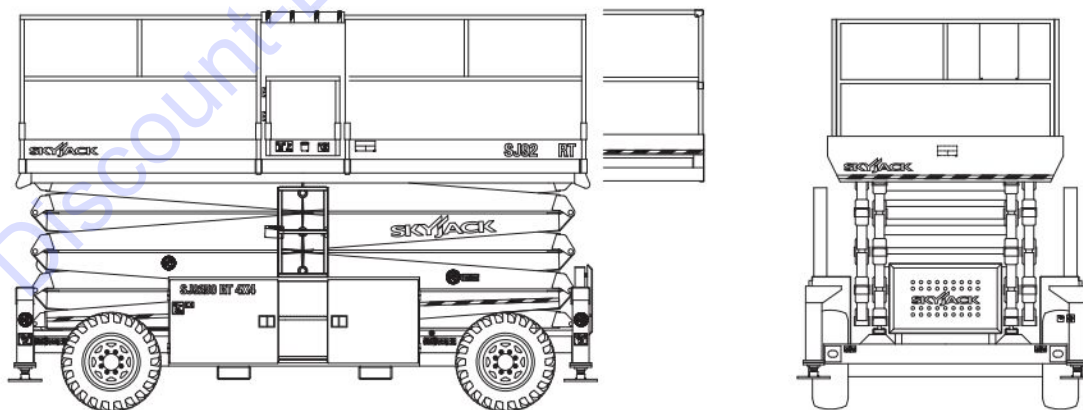
8.1 Label Kits

The following label kits contain all of the labels required for a complete standard machine with outriggers, with the following exceptions:

- Serial number plates
- Caution tape
- Engine- and fuel-specific labels (ANSI/CSA only)
- Powerline clearance label (AS only)
- Special options

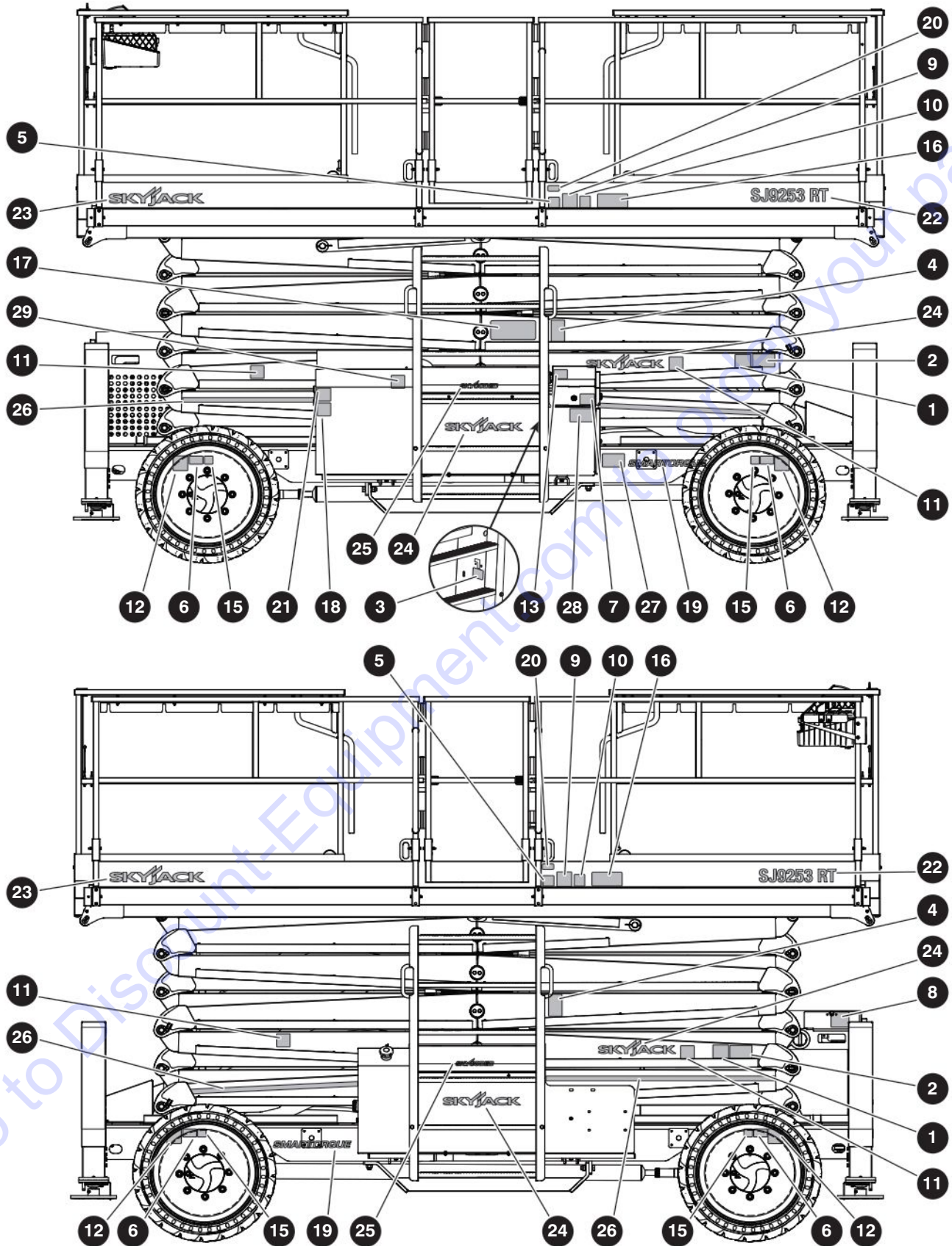
Provide the model number, country and language when ordering complete label kits.

| Index No. | Skyjack Part No. | Qty. | Description |
|-----------|------------------|------|-----------------------------------|
| - | 236170 | 1 | LABEL KIT - SJ9233 RT ANSI |
| - | 236171 | 1 | LABEL KIT - SJ9233 RT CE |
| - | 236172 | 1 | LABEL KIT - SJ9233 RT AS |
| - | 236173 | 1 | LABEL KIT - SJ9243 RT ANSI |
| - | 236174 | 1 | LABEL KIT - SJ9243 RT CE |
| - | 236175 | 1 | LABEL KIT - SJ9243 RT AS |
| - | 236176 | 1 | LABEL KIT - SJ9253 RT ANSI |
| - | 236177 | 1 | LABEL KIT - SJ9253 RT CE |
| - | 236178 | 1 | LABEL KIT - SJ9253 RT AS |
| - | 236179 | 1 | LABEL KIT - SJ9253 RT KC |



SKYJACK

8.2 Labels - Left & Right Sides



M173167AD_Side_1

224578ABA

226

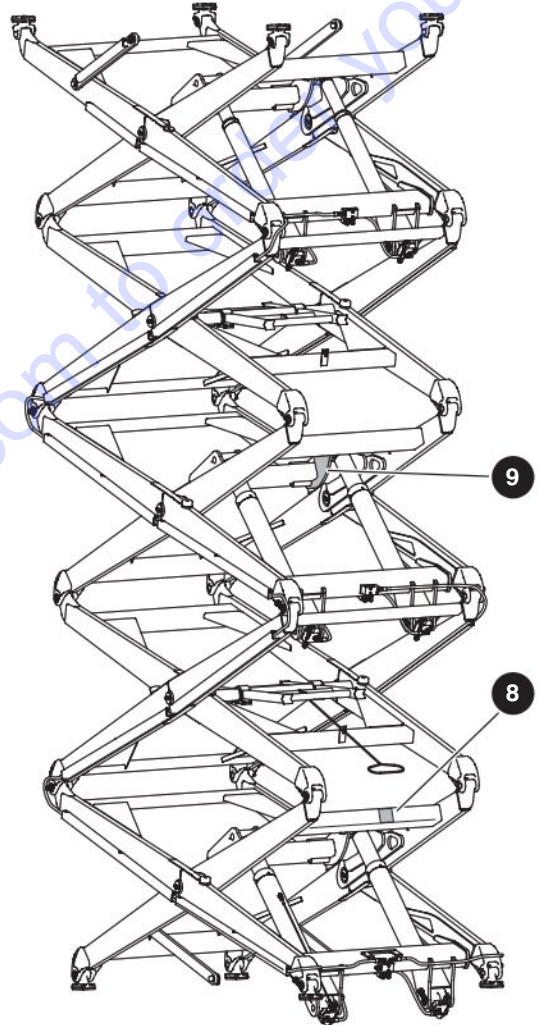
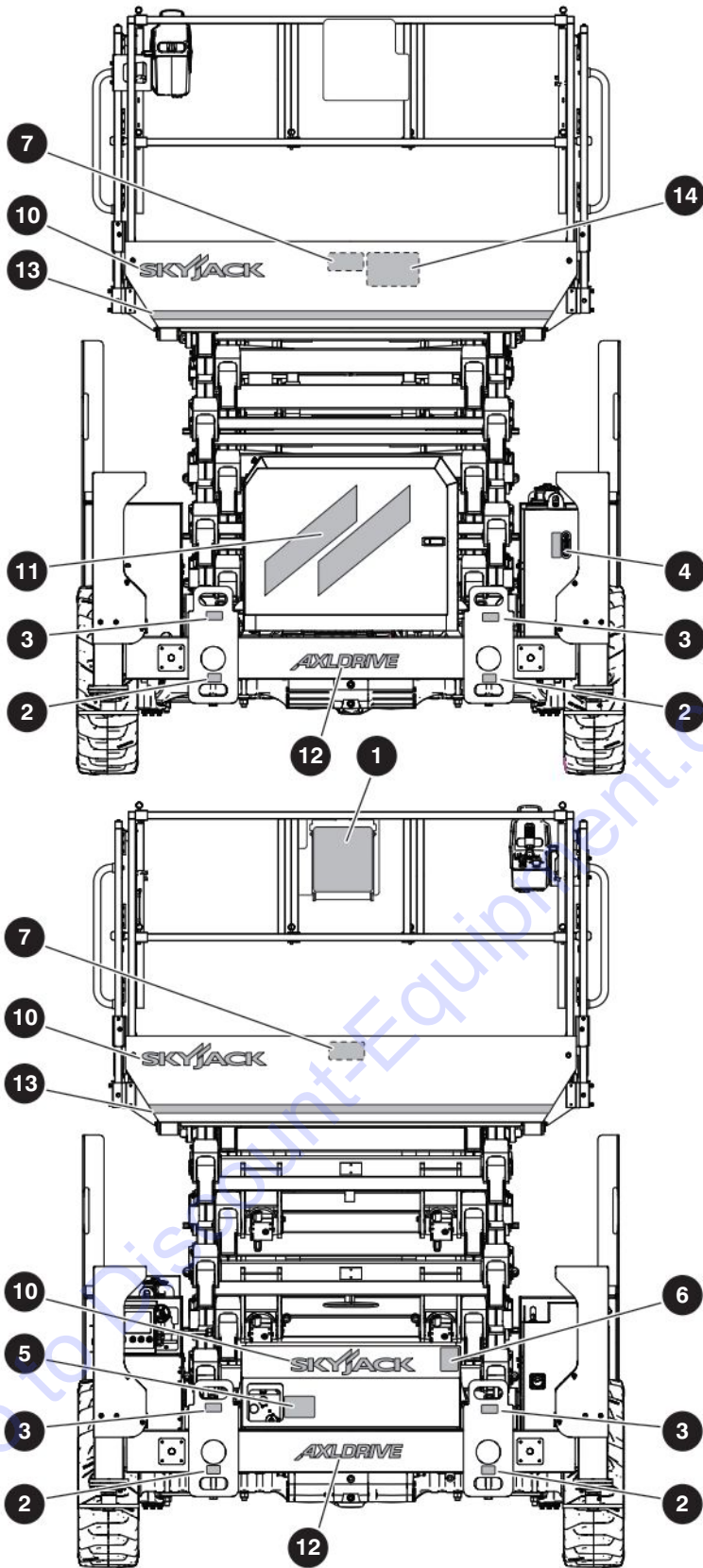
SJ9233 RT, SJ9243 RT, SJ9253 RT

SKYJACK

8.2 Labels - Left & Right Sides

| Index No. | Skyjack Part No. | Qty. | Description |
|-----------|------------------|------|--|
| 1 | 172695 | 1 | LABEL, Warning annual inspection |
| 2 | 172656 | 1 | LABEL, Annual inspection |
| 3 | 119674 | 1 | LABEL, Battery disconnect switch pictorial |
| 4 | 172928 | 2 | LABEL, Deploy maintenance bars |
| 5 | 124362 | 2 | LABEL, Warning do not wear jewelry |
| 6 | 124631 | 4 | LABEL, Wheel info pictorial |
| 7 | 172939 | 1 | LABEL, E-lowering information |
| 8 | 163095 | 1 | LABEL, Caution coolant fill |
| 9 | 172693 | 2 | LABEL, Non insulated |
| 10 | 158912 | 2 | LABEL, Daily maintenance checklist |
| 11 | 139855 | 4 | LABEL, Keep clear pictorial |
| 12 | 173202 | 4 | LABEL, Tip over hazard solid tires |
| 13 | 173624 | 1 | LABEL, Emergency lowering location |
| 14 | 138211 | 2 | LABEL, Connect AC supply pictorial |
| 15 | 173414 | 4 | LABEL, Wheel load (2630 kg/5800 lb) - ANSI/CSA, CE & AS |
| | 173415 | 4 | LABEL, Wheel load (2790 kg/6150 lb) - KC |
| 16 | 173281 | 2 | LABEL, Capacity (1247 kg/2750 lb 7P) - SJ9233 RT |
| | 173304 | 2 | LABEL, Capacity (907 kg/2000 lb 6P) - SJ9243 RT |
| | 173305 | 2 | LABEL, Capacity (681 kg/1500 lb 5P) - SJ9253 RT |
| 17 | 173297 | 1 | LABEL, Maintenance support procedure - SJ9233 RT, SJ9243 RT |
| | 173298 | 1 | LABEL, Maintenance support procedure - SJ9253 RT |
| 18 | 173419 | 2 | LABEL, 100 dB sound level - CE, AS & KC |
| 19 | 173738 | 2 | LABEL, Smart Torque - ANSI/CSA, AS & KC |
| | 173303 | 2 | LABEL, Smart Torque stage V - CE |
| 20 | 173081 | 2 | LABEL, California proposition 65 - ANSI/CSA |
| 21 | 117023 | 2 | LABEL, CE mark - CE |
| 22 | 173172 | 2 | LABEL, SJ9233 RT |
| | 173173 | 2 | LABEL, SJ9243 RT |
| | 173174 | 2 | LABEL, SJ9253 RT |
| | 173175 | 2 | LABEL, SJ9263 RT |
| 23 | 158554 | 4 | LABEL, Skyjack white (20") |
| 24 | 158536 | 2 | LABEL, Skyjack white (17") |
| 25 | 173160 | 2 | LABEL, Skycoded |
| 26 | 119803 | 480" | LABEL, Caution tape |
| 27 | (Ref.) | 1 | LABEL, Serial plate (consult Discount-equipment) |
| 28 | (Ref.) | 1 | LABEL, QR code (consult Discount-equipment) |
| 29 | 102961 | 1 | LABEL, Hydraulic oil - standard |
| | 161565 | 1 | LABEL, Hydraulic oil - biodegradable |

8.3 Labels - Front & Back



M173167AD_FrontBack

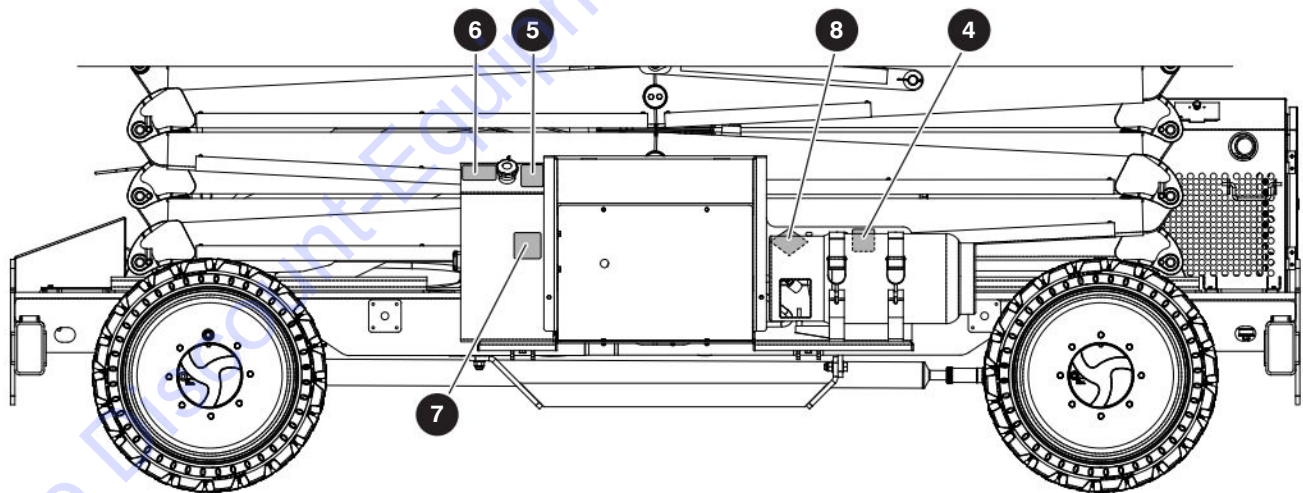
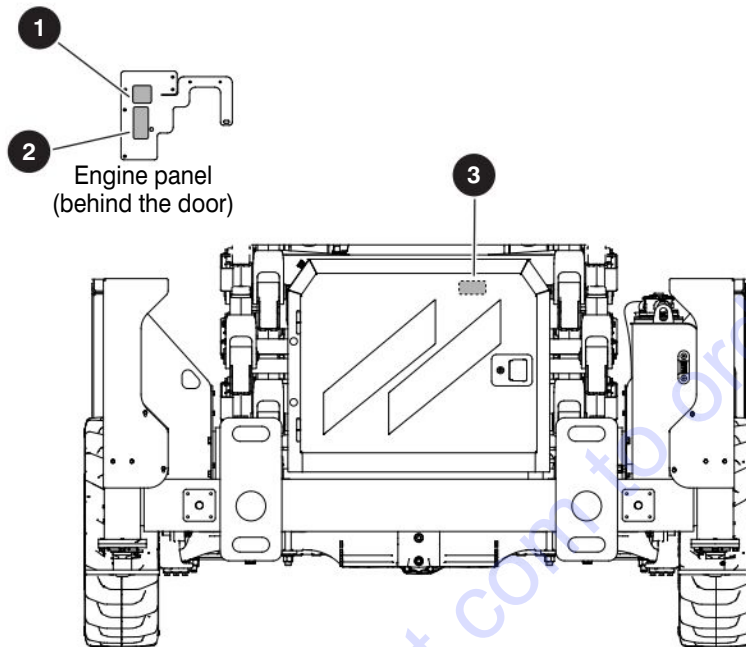
224578ABA

SJ9233 RT, SJ9243 RT, SJ9253 RT

8.3 Labels - Front & Back

| Index No. | Skyjack Part No. | Qty. | Description |
|-----------|------------------|------|---|
| 1 | 172677 | 1 | LABEL, Danger hazards pictorial |
| 2 | 157528 | 4 | LABEL, Tie down |
| 3 | 143688 | 4 | LABEL, Lift point pictorial |
| 4 | 146016 | 1 | LABEL, Hydraulic oil level (min/max) |
| 5 | 173227 | 1 | LABEL, Towing procedure |
| 6 | 173222 | 1 | LABEL, Control box connection at base |
| 7 | 173281 | 2 | LABEL, Capacity (1247 kg/2750 lb 7P) - ANSI/CSA, CE & AS |
| | 173305 | 2 | LABEL, Capacity (681 kg/1500 lb 5P) - KC |
| 8 | 173299 | 1 | LABEL, Maintenance support rod |
| 9 | 173386 | 1 | LABEL, Distance mark for maintenance support bar |
| 10 | 158554 | 4 | LABEL, Skyjack white (20") |
| 11 | 173220 | 1 | LABEL, Talon mark |
| 12 | 173302 | 2 | LABEL, Axle drive |
| 13 | 119803 | 132" | LABEL, Caution tape |
| 14 | 161631 | 1 | LABEL, Clearance - power lines - AS |

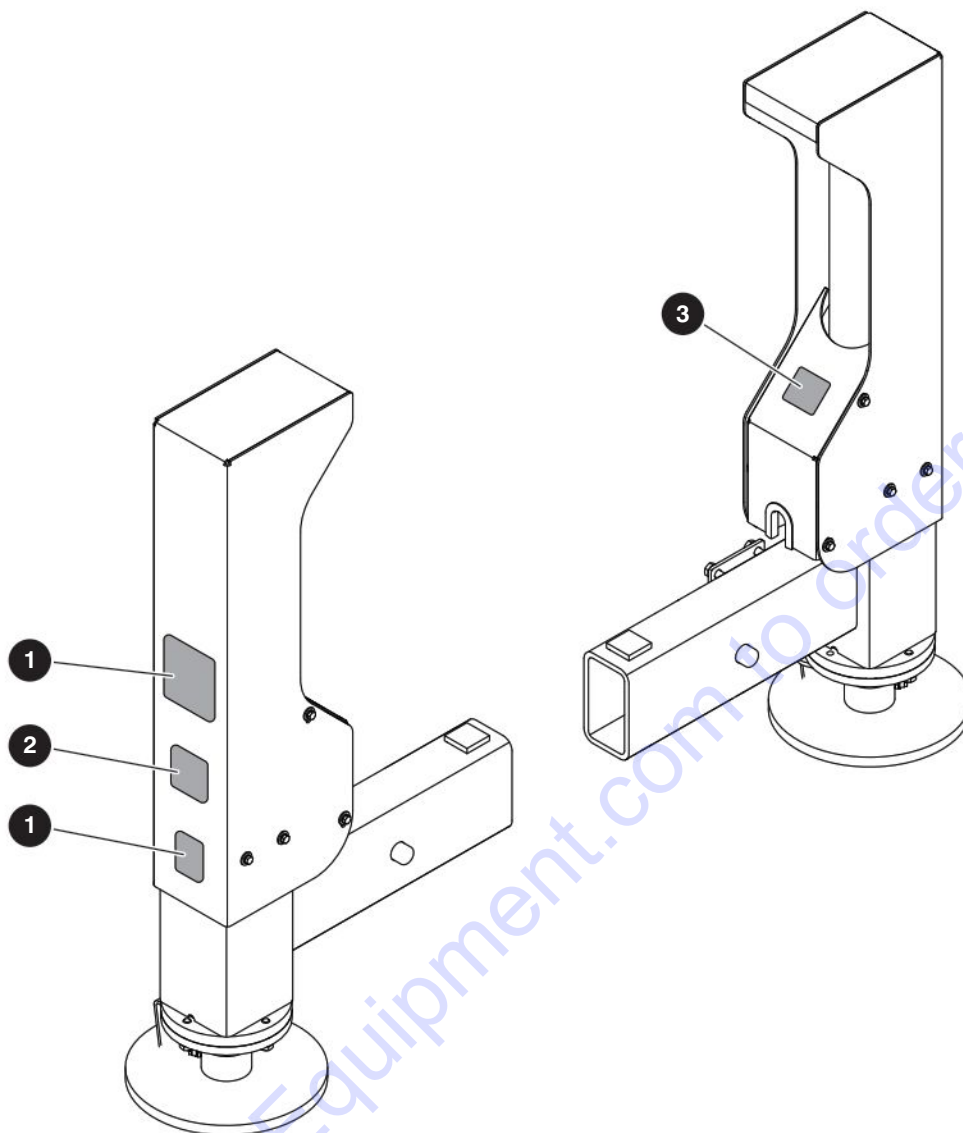
8.4 Labels - Engines



8.4 Labels - Engines

| Index No. | Skyjack Part No. | Qty. | Description |
|-----------|------------------|------|--|
| A | 173412 | 1 | LABEL ASSEMBLY, ENGINE - <i>Dual fuel</i> |
| B | 173413 | 1 | LABEL ASSEMBLY, ENGINE - <i>Diesel</i> |
| 1 | 139457 | 1 | <ul style="list-style-type: none"> • LABEL, Do not use pressure washers |
| 2 | 173411 | 1 | <ul style="list-style-type: none"> • LABEL, Engine controls dual fuel, A |
| | 173411 | 1 | <ul style="list-style-type: none"> • LABEL, Engine controls diesel, B |
| 3 | 172171 | 1 | <ul style="list-style-type: none"> • LABEL, California construction equipment, A |
| 4 | 103023 | 1 | <ul style="list-style-type: none"> • LABEL, Use liquid propane only, A |
| 5 | 132400 | 1 | <ul style="list-style-type: none"> • LABEL, Unleaded gasoline only, A |
| | 163852 | 1 | <ul style="list-style-type: none"> • LABEL, Ultra low sulfur only, B |
| 6 | 168475 | 1 | <ul style="list-style-type: none"> • LABEL, Open slowly fuel cap, A |
| 7 | 138146 | 1 | <ul style="list-style-type: none"> • LABEL, No smoking |
| 8 | 120390 | 1 | <ul style="list-style-type: none"> • LABEL, Propane, A |

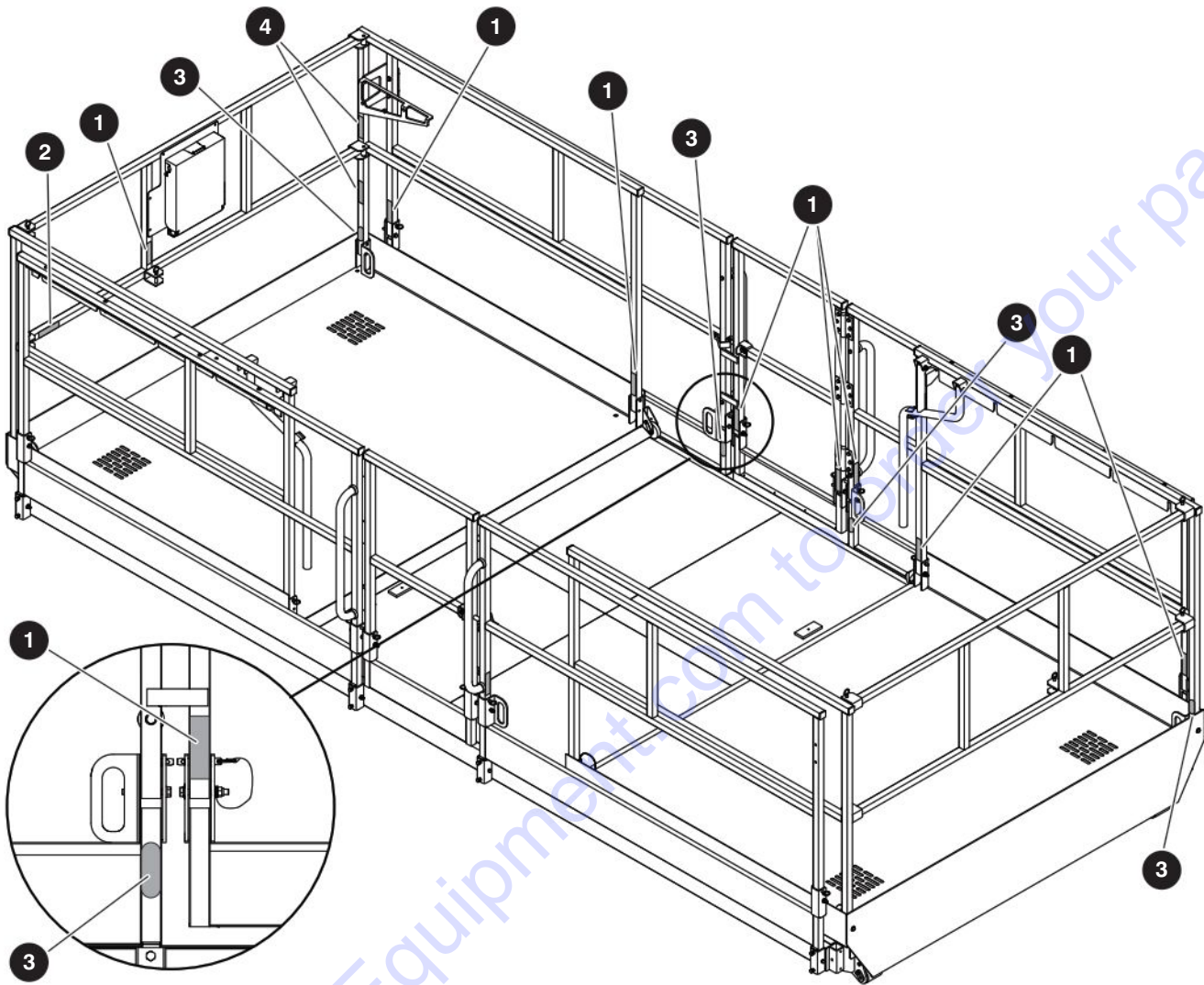
8.5 Labels - Outriggers



M173351AA

| Index No. | Skyjack Part No. | Qty. | Description |
|-----------|------------------|------|--|
| - | 173351 | 1 | LABELS - OUTRIGGERS |
| 1 | 139855 | 4 | • LABEL, "Keep clear" pictorial |
| 2 | 173024 | 4 | • LABEL, Warning hand/foot pinch |
| 3 | 156613 | 4 | • LABEL, Do not alter limit switches |
| 4 | 173402 | 4 | LABEL, Outrigger load (2630 kg/5800 lb) - SJ9233 RT |
| | 173401 | 4 | LABEL, Outrigger load (2585 kg/5700 lb) - SJ9243 RT |
| | 173400 | 4 | LABEL, Outrigger load (2790 kg/6150 lb) - SJ9253 RT |

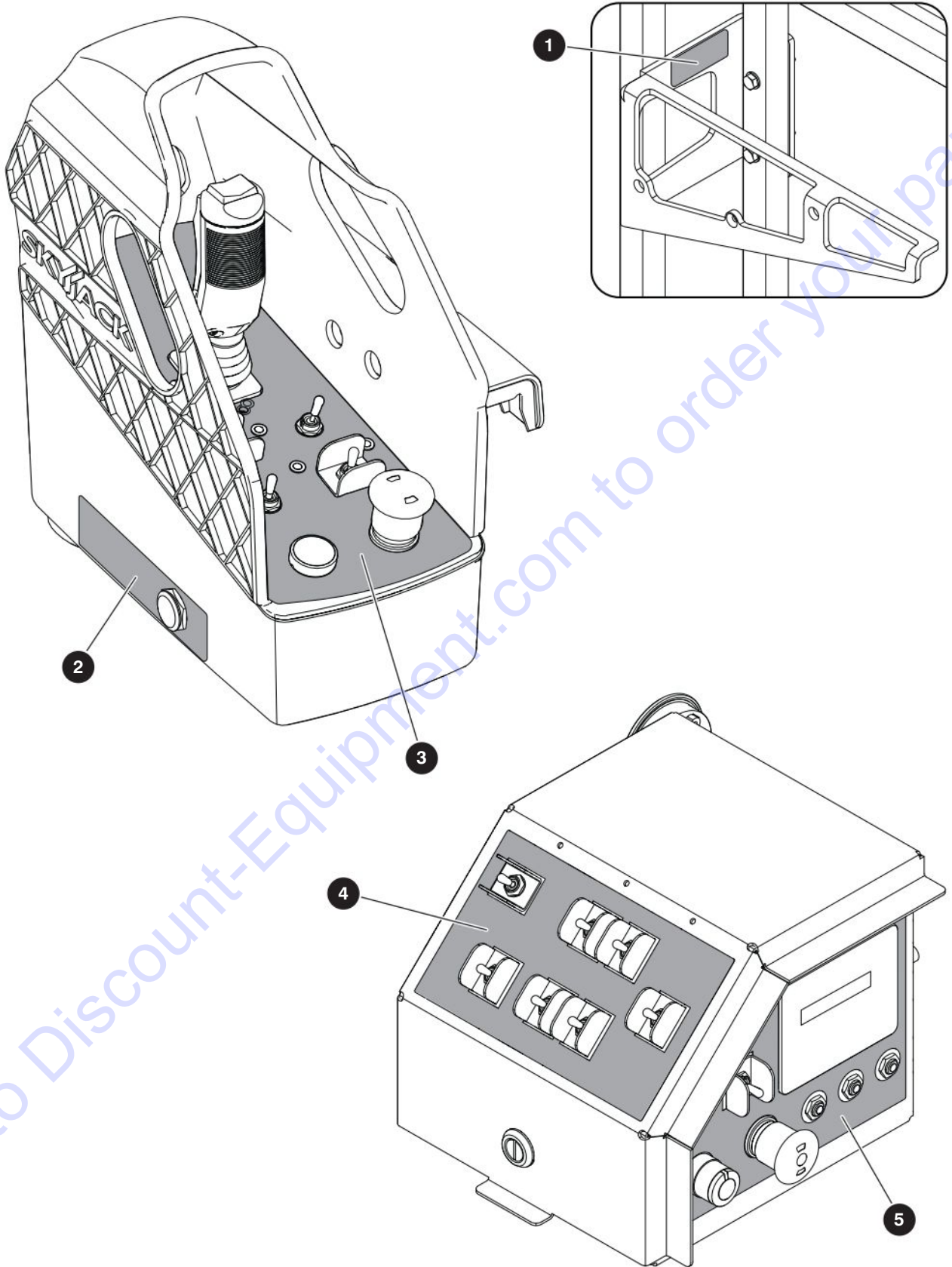
8.6 Labels - Railings



M173349AB

| Index No. | Skyjack Part No. | Qty. | Description |
|-----------|------------------|------|--|
| A | 173348 | 1 | LABELS - RAILINGS - ANSI/CSA, AS, KC |
| B | 173349 | 1 | LABELS - RAILINGS - CE |
| 1 | 126056 | 18 | <ul style="list-style-type: none"> • LABEL, Falling hazard vertical pictorial |
| 2 | 126057 | 4 | <ul style="list-style-type: none"> • LABEL, Falling hazard horizontal pictorial |
| 3 | 172646 | 8 | <ul style="list-style-type: none"> • LABEL, Harness anchorage, A |
| | 172638 | 8 | <ul style="list-style-type: none"> • LABEL, Harness anchorage, B |
| 4 | 173789 | 2 | LABEL, Platform control cable pin |

8.7 Labels - Control Boxes



M215897AE_M226136AC

224578ABA

234

SJ9233 RT, SJ9243 RT, SJ9253 RT

SKYJACK

8.7 Labels - Control Boxes

| Index No. | Skyjack Part No. | Qty. | Description |
|-----------|------------------|------|---------------------------------|
| 1 | 172632 | 1 | LABEL, Control box location |
| 2 | 173301 | 1 | LABEL, Platform control box |
| 3 | 172788 | 1 | LABEL, SGLE enable |
| 4 | 173219 | 1 | LABEL, Base Control Box - front |
| 5 | 173218 | 1 | LABEL, Base control box - side |

PARTS FINDER

**Search Website
by Part Number**



**Search Manual
Library For Parts
Manual & Lookup Part
Numbers – Purchase
or Request Quote**

Search Manuals

Enter your information to help us find the right parts manual for your machine.

* Brand:

* Model:

* Serial:

* Part Number:

SEARCH

**Can't Find Part or
Manual? Request Help
by Manufacturer,
Model & Description**

Parts Order Form

Please fill in the following information to help us find the right part for your machine.

MANUFACTURER:

MODEL:

DESCRIPTION:

DATE:

TIME:

PHONE:

EMAIL:

ADDRESS:

CITY:

STATE:

ZIP:

COUNTRY:

SEARCH

Discount-Equipment.com is your online resource for quality parts & equipment.

Florida: **561-964-4949** Outside Florida TOLL FREE: **877-690-3101**

Need parts?

Click on this link: <http://www.discount-equipment.com/category/5443-parts/> and choose one of the options to help get the right parts and equipment you are looking for. Please have the machine model and serial number available in order to help us get you the correct parts. If you don't find the part on the website or on one of the online manuals, please fill out the request form and one of our experienced staff members will get back to you with a quote for the right part that your machine needs.

We sell worldwide for the brands: Genie, Terex, JLG, MultiQuip, Mikasa, Essick, Whiteman, Mayco, Toro Stone, Diamond Products, Generac Magnum, Airman, Haulotte, Barreto, Power Blanket, Nifty Lift, Atlas Copco, Chicago Pneumatic, Allmand, Miller Curber, Skyjack, Lull, Skytrak, Tsurumi, Husquvarna Target, Stow, Wacker, Sakai, Mi-T-M, Sullair, Basic, Dynapac, MBW, Weber, Bartell, Bennar Newman, Haulotte, Ditch Runner, Menegotti, Morrison, Contec, Buddy, Crown, Edco, Wyco, Bomag, Laymor, EZ Trench, Bil-Jax, F.S. Curtis, Gehl Pavers, Heli, Honda, ICS/PowerGrit, IHI, Partner, Imer, Clipper, MMD, Koshin, Rice, CH&E, General Equipment, Amida, Coleman, NAC, Gradall, Square Shooter, Kent, Stanley, Tamco, Toku, Hatz, Kohler, Robin, Wisconsin, Northrock, Oztec, Toker TK, Rol-Air, APT, Wylie, Ingersoll Rand / Doosan, Innovatech, Con X, Ammann, Mecalac, Makinex, Smith Surface Prep, Small Line, Wanco, Yanmar