

Parts Manual

Compact Rough Terrain Series



Part No. 143898AD February 2014

PARTS FINDER

**Search Website
by Part Number**



**Search Manual
Library For Parts
Manual & Lookup Part
Numbers – Purchase
or Request Quote**

Search Manuals

Enter your information to help us find the right parts manual for your machine.

* Brand:

* Model:

* Serial:

* Part Number:

SEARCH

**Can't Find Part or
Manual? Request Help
by Manufacturer,
Model & Description**

Parts Order Form

Please fill in the following information to help us find the right part for your machine.

Manufacturer:	<input type="text"/>
Model:	<input type="text"/>
Description:	<input type="text"/>
Part Number:	<input type="text"/>
Quantity:	<input type="text"/>
Notes:	<input type="text"/>

Submit

Discount-Equipment.com is your online resource for quality parts & equipment.

Florida: **561-964-4949** Outside Florida TOLL FREE: **877-690-3101**

Need parts?

Click on this link: <http://www.discount-equipment.com/category/5443-parts/> and choose one of the options to help get the right parts and equipment you are looking for. Please have the machine model and serial number available in order to help us get you the correct parts. If you don't find the part on the website or on one of the online manuals, please fill out the request form and one of our experienced staff members will get back to you with a quote for the right part that your machine needs.

We sell worldwide for the brands: Genie, Terex, JLG, MultiQuip, Mikasa, Essick, Whiteman, Mayco, Toro Stone, Diamond Products, Generac Magnum, Airman, Haulotte, Barreto, Power Blanket, Nifty Lift, Atlas Copco, Chicago Pneumatic, Allmand, Miller Curber, Skyjack, Lull, Skytrak, Tsurumi, Husquvarna Target, Stow, Wacker, Sakai, Mi-T-M, Sullair, Basic, Dynapac, MBW, Weber, Bartell, Bennar Newman, Haulotte, Ditch Runner, Menegotti, Morrison, Contec, Buddy, Crown, Edco, Wyco, Bomag, Laymor, EZ Trench, Bil-Jax, F.S. Curtis, Gehl Pavers, Heli, Honda, ICS/PowerGrit, IHI, Partner, Imer, Clipper, MMD, Koshin, Rice, CH&E, General Equipment, Amida, Coleman, NAC, Gradall, Square Shooter, Kent, Stanley, Tamco, Toku, Hatz, Kohler, Robin, Wisconsin, Northrock, Oztec, Toker TK, Rol-Air, APT, Wylie, Ingersoll Rand / Doosan, Innovatech, Con X, Ammann, Mecalac, Makinex, Smith Surface Prep, Small Line, Wanco, Yanmar

This manual is based on Serial Number(s):

SJ 68XXRT 37,002,164 to 37,002,787

Please refer to the website (www.discount-equipment.com) for older Serial Numbers.

Go to Discount-Equipment.com to order your parts

Compact Size Rough Terrain Series Parts Manual

General

The information contained in this section is designed to aid the user in locating and identifying replacement parts. Component parts of various assemblies and sub-assemblies comprising the work platform are illustrated and accompanied by a descriptive parts list. Exploded drawings are used to show relative location of component parts in disassembly order. If a part cannot be found in this section, order by work platform model number and serial number, giving a complete description of the part.

Parts Ordering Information

When ordering replacement parts, the complete part number and description should be used to ensure proper identification and delivery of the desired item. This complete identification should also be used when requesting equipment information.

Method Of Listing

Parts are listed in order according to the reference number shown in the illustration, followed by a full description based upon the "NOUN FIRST" method. That is, the noun name of the part is listed first, then the modifying description information which serves to specifically identify the item. For example: PIN, Clevis. Assemblies or groups are shown at the beginning of a parts list and are identified with the letter references A, B, C, etc. Individual parts in these lists have corresponding letters after their description to identify which assembly or group it is used in. Individual parts without identifying letters are used in all the assemblies or group shown at the beginning of the parts list. Descriptions preceded with an (•) indicates a serviceable component or attaching hardware for the higher level assembly. If

an index number initially starts with the letter "K", for example "K1", means it's a kit. Any item(s) included in a kit will not have an index number.

Quantities (Units Per Assy.)

The quantities of each part that are required to complete the assembly. If quantity is (AR), it is understood that the quantity may vary when machine is equipped with certain options. Order quantity as needed.

Hardware

Standard screws, washers, nuts, etc. are not identified by a reference number. These parts are known as COMMON HARDWARE items and appear indented under the major items with which they are used. They should be ordered separately as listed, since they are not component parts of the pieces they attach to.

How To Order Repair Parts

1. Address all orders to Discount-equipment.
2. Specify model and serial number of the work platform (found on the serial number plate).
3. List the quantity needed.
4. List the length needed (if bulk item).
5. List the part number and description as shown in this manual for each item.
6. Show billing and shipping address and name of individual if possible.
7. Suggest best routing.

CUSTOMER _____

DEALER _____

MODEL NUMBER _____

SERIAL NUMBER _____

DATE PURCHASED _____

Table Of Contents

Platform And Related Parts

Figure 1.1. Gate Assembly	6
Figure 1.2. Platform Railings.....	8
Figure 1.3. Extension Platform Railings.....	10
Figure 1.4. Main and Extension Platform Assembly.....	12
Figure 1.5. Gate Latch Assembly	14
Figure 1.6. Quick Release Pins	15
Figure 1.7. Air Hose to Platform Assembly.....	16
Figure 1.8. Outlet Box Assembly	17
Figure 1.9. Control Box Assembly - Hardware.....	18
Figure 1.10. Drive/Steer Controller Assembly	22
Figure 1.11. Scissor Arm Control Cable Assemblies	24

Scissors And Related Parts

Figure 2.1. Scissor Stack Assembly - Model 6826.....	26
Figure 2.2. Scissor Stack Assembly - Model 6832.....	28
Figure 2.3. Scissor Stack Assembly Mounting.....	30
Figure 2.4. Scissor Arm Assembly Connecting Hardware.....	32
Figure 2.5. Limit Switch Assemblies	34
Figure 2.6. Lift Cylinder Assembly And Mounting Hardware.....	36
Figure 2.7. Lift Cylinder Holding Valve Assemblies without Transducer.....	38
Figure 2.8. Lift Cylinder Holding Valve Assembly with Transducer.....	39
Figure 2.9. Light & Beeper Assemblies	40

Base And Related Parts

Figure 3.1. Base, Axles and Wheels	42
Figure 3.2. Propane Tray Assembly	46
Figure 3.3. Steer Cylinder Assembly with Hardware.....	48
Figure 3.4. Tie Rod Assembly with Hardware	50
Figure 3.5. Splitter Manifold.....	51
Figure 3.6. Splitter Manifold Plumbing	52
Figure 3.7. Front Wheel Motor	54
Figure 3.8. Rear Wheel Motor	56
Figure 3.9. Main Manifold Plumbing.....	58
Figure 3.10. Hydraulic Cabinet Assembly	60
Figure 3.11. Oil Tank Assembly	62
Figure 3.12. Gas Tank Assembly	63
Figure 3.13. Main Manifold	64
Figure 3.14. Hydraulic Door Assembly.....	68
Figure 3.15. Engine Cabinet Assembly	70
Figure 3.16. Electrical Panel Assembly	72
Figure 3.17. Engine Installation (Kubota DF972)	74
Figure 3.18. Engine Installation (Kubota D902)	76
Figure 3.19. Tray Engine Assembly	78
Figure 3.20. Engine Door Assembly.....	79
Figure 3.21. Engine and Main Manifold Harness Diagrams	80
Figure 3.22. Electrical Panel Harness Diagram.....	82
Figure 3.23. Load Sensing Components	84

Table Of Contents

Engines And Related Parts

Figure 4.1. Engine Assembly (Kubota Engine DF972)	86
Figure 4.2. Air Cleaner Assembly - Kubota Dual Fuel Engine DF972.....	92
Figure 4.3. Exhaust System Assembly - Kubota Engines DF972 / D902.....	93
Figure 4.4. Radiator Kit - Kubota DF972 / D902	94
Figure 4.5. Hydraulic Pump Assembly (Kubota Engine DF972 / D902)	96
Figure 4.6. Propane Fuel System - Kubota Dual Fuel Engine DF972.....	98
Figure 4.7. Propane Fuel System - Dual Tank (Kubota Engine DF972)	100
Figure 4.8. Engine Assembly (Kubota Engine D902).....	102
Figure 4.9. Air Cleaner Assembly (Kubota Engine D902)	106
Figure 4.10. Hose Assembly, Fuel (Kubota D902)	107

Optional Equipment

Figure 5.1. Outrigger Control Box Assembly	108
Figure 5.2. Outrigger Electrical Connections	110
Figure 5.3. Front And Rear Outrigger Assembly	114
Figure 5.4. Outrigger Assembly.....	116
Figure 5.5. Outrigger Cylinder Assembly	118
Figure 5.6. Outrigger Hydraulic Connections.....	119
Figure 5.7. Outrigger Manifold Assembly.....	120
Figure 5.8. 800W Inverter Option.....	122
Figure 5.9. 110/220 Clamp Assembly Option	124
Figure 5.10. Hydraulic Generator Option	126
Figure 5.11. Hydraulic Hose Connection - Hydraulic Generator Option	128
Figure 5.12. Hydraulic Generator Relay Assembly	130
Figure 5.13. Scissor Guard Option With Diesel Fuel.....	132
Figure 5.14. Scissor Guard With Dual Fuel	134
Figure 5.15. Work Light Option.....	136

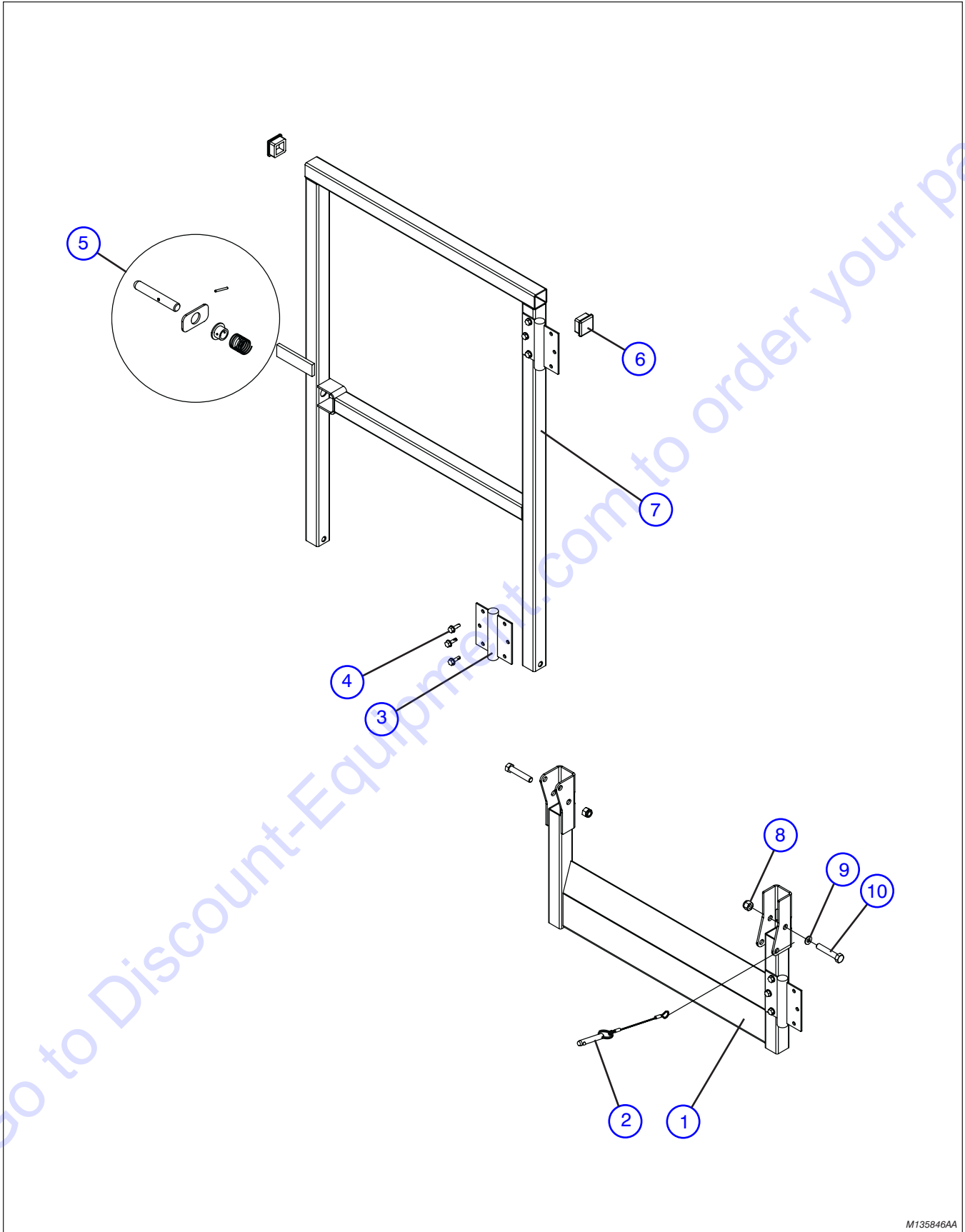
Labels And Nameplate

Figure 6.1. Label Kit	137
Figure 6.2. Labels - Chassis (Left and Back).....	138
Figure 6.3. Labels - Chassis (Front and Right).....	140
Figure 6.4. Labels - Chassis (Top)	141
Figure 6.5. Labels - Misc.....	142
Figure 6.6. Labels - Misc.....	144

Tables

Table 1.1. SJRT Scissor Fluids	146
--------------------------------------	-----

Figure 1.1. Gate Assembly



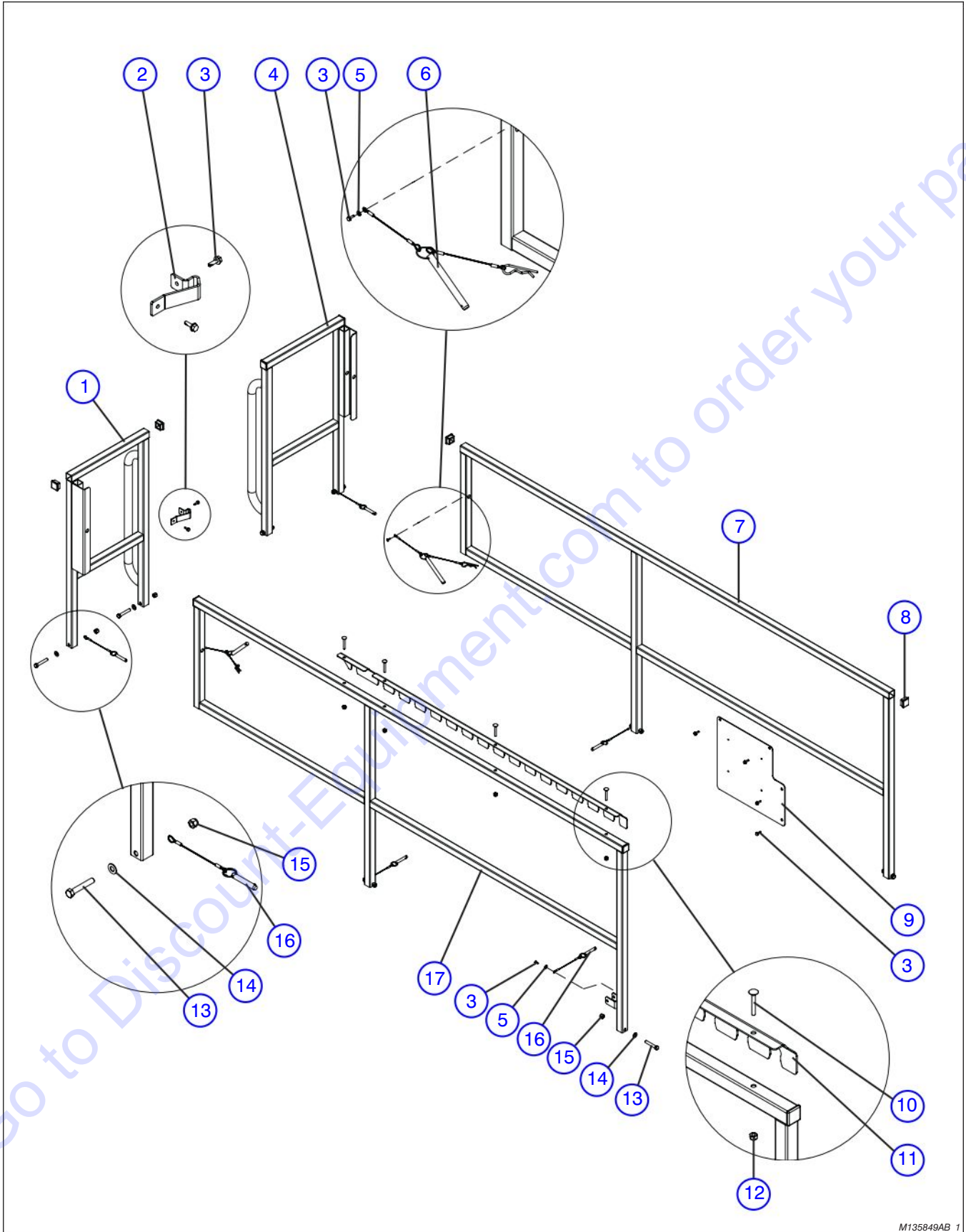
M135846AA

Figure 1.1. Gate Assembly

Index No.	Skyjack Part No.	Qty.	Description
-	135846	-	GATE ASSEMBLY
1	135878	1	• WELDMENT, Lower Gate
2	(Ref.)	-	• PIN ASSEMBLY, Quick release large loop (For components, refer to Figure 1.6)
3	117277	3	• HINGE, Spring
4	103632	AR	• SCREW, Hex head self tapping (1/4"-14 x 3/4")
5	(Ref.)	-	• LATCH ASSEMBLY (For components, refer to Figure 1.5)
6	100702	AR	• END CAP, Plastic
7	135877	1	• WELDMENT, Upper Gate
8	104606	AR	• NUT, Hex nylon lock (3/8"-16 Grade 5)
9	103995	AR	• WASHER, Flat 1/4"
10	103872	AR	• BOLT, Hex head (3/8"-16 x 2.25" Grade 5)

Go to Discount-Equipment.com to order your parts

Figure 1.2. Platform Railings

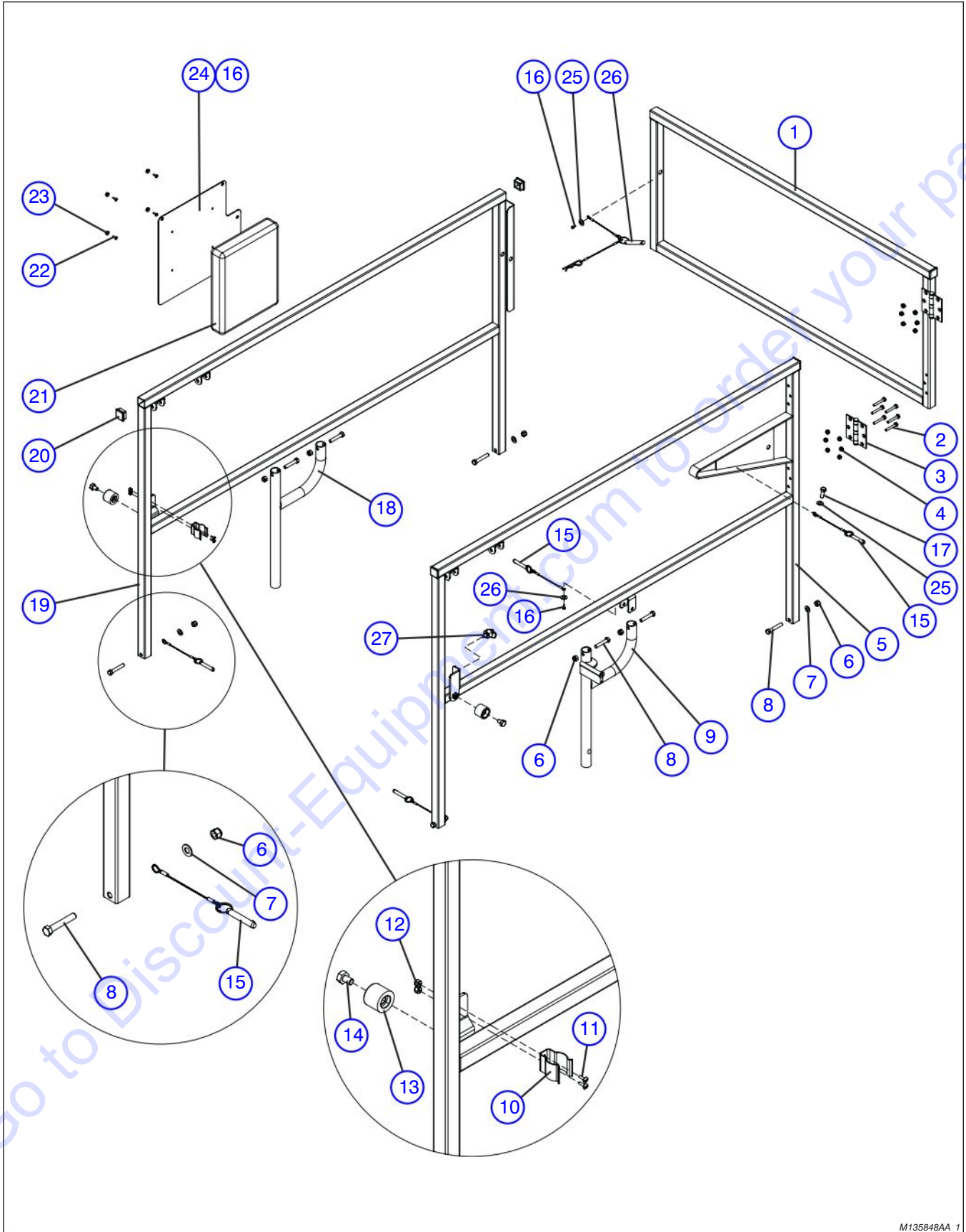


M135849AB_1

Figure 1.2. Platform Railings

Index No.	Skyjack Part No.	Qty.	Description
-	135849	-	RAILING ASSEMBLY
1	135875	1	• RAILING, Rear RH
2	136302	1	• PLATE, Stop gate latch
3	103632	AR	• SCREW, Hex head self tapping (1/4"-14 x 3/4")
4	135876	1	• RAILING, Rear LH
5	103995	AR	• WASHER, Flat 1/4"
6	(Ref.)	-	• PIN ASSEMBLY, Long (For components, refer to Figure 1.6)
7	135874	1	• RAILING, Weldment LH
8	100702	AR	• END CAP, Plastic
9	130229	1	• PLATE, Warning label
10	127437	AR	• BOLT, Carriage (5/16"-18 x 2" Grade 5)
11	136303	1	• PLATE, Extension interval
12	103984	AR	• NUT, Hex nylon lock (5/16"-18 Grade 5)
13	103872	AR	• BOLT, Hex head (3/8"-16 x 2.25" Grade 5)
14	103472	AR	• WASHER, Flat (3/8")
15	104606	AR	• NUT, Hex nylon lock (3/8"-16 Grade 5)
16	(Ref.)	-	• PIN ASSEMBLY, Quick release large loop (For components, refer to Figure 1.6)
17	137452	1	• RAILING, Weldment RH

Figure 1.3. Extension Platform Railings

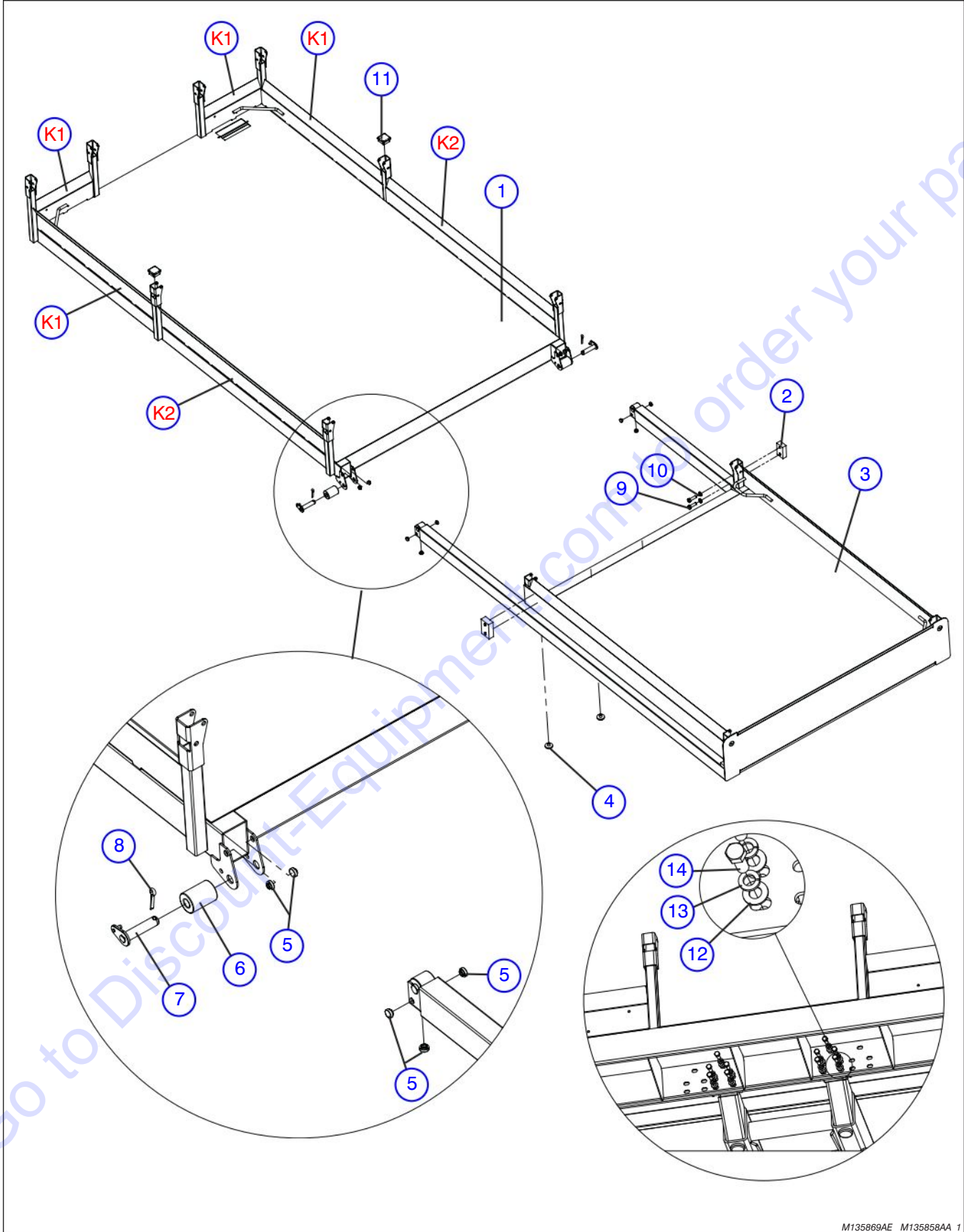


M135848AA_1

Figure 1.3. Extension Platform Railings

Index No.	Skyjack Part No.	Qty.	Description
-	135848	-	RAILING ASSEMBLY, Extension platform
1	135881	1	• RAILING, Extension platform front
2	103860	AR	• BOLT, Hex head (1/4"-20 x 1.75" Grade 5)
3	136176	2	• HINGE, Steel
4	115649	AR	• NUT, Hex nylon lock (1/4"-20 Grade 5)
5	135879	1	• RAILING, Extension platform RH
6	104606	AR	• NUT, Hex nylon lock (3/8"-16 Grade 5)
7	103472	AR	• WASHER, Flat (3/8")
8	103872	AR	• BOLT, Hex head (3/8"-16 x 2.25" Grade 5)
9	135889	1	• WELDMENT, Push bar with lock
10	137235	1	• CLIP, Gripper (1.5" - 2.5" DIA)
11	103960	AR	• SCREW, Round head machine (#10-24 x 1/2")
12	126642	AR	• NUT, Hex nylon lock (#10-24 Grade 5)
13	130840	2	• BUMPER
14	123713	AR	• BOLT, Hex head (M12-1.25 x 16mm Grade 9.8)
15	(Ref.)	-	• PIN ASSEMBLY, Quick release large loop (For components, refer to Figure 1.6)
16	103632	AR	• SCREW, Hex head self tapping (1/4"-14 x 3/4")
17	103855	1	• BOLT, Hex head (1/4"-20 x 1/2", Grade 5)
18	135873	1	• WELDMENT, Push bar
19	135880	1	• RAILING, Extension platform LH
20	100702	AR	• END CAP, Plastic
21	117293	1	• BOX, Manual
22	103962	AR	• SCREW, Round head machine (#10-32 x 1/2")
23	125968	AR	• NUT, Hex flange lock (#10-32)
24	130229	1	• PLATE, Warning label
25	103995	AR	• WASHER, Flat (1/4")
26	(Ref.)	-	• PIN ASSEMBLY, Short (For components, refer to Figure 1.6)
27	112467	1	• PIN PLUNGER, Pull-ring

Figure 1.4. Main and Extension Platform Assembly



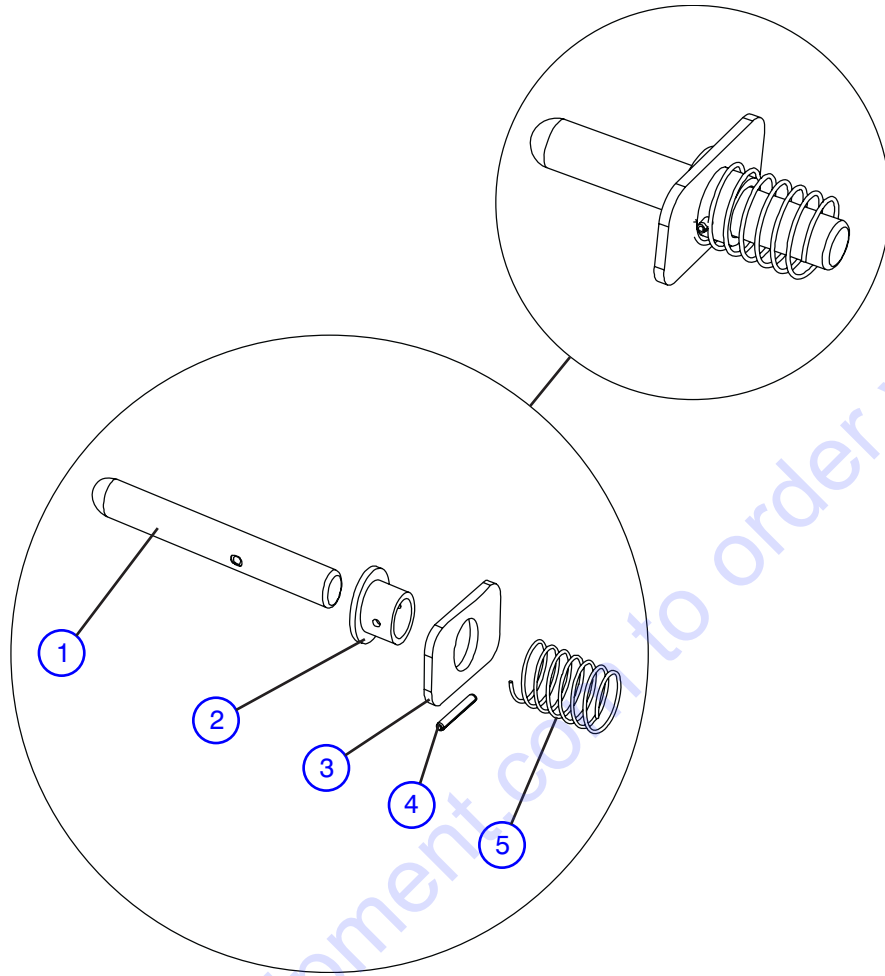
M135869AE M135858AA_1

Figure 1.4. Main and Extension Platform Assembly

Index No.	Skyjack Part No.	Qty.	Description
-	135869	-	PLATFORM ASSEMBLY, Main and Extension
1	135870	1	• WELDMENT, Main
2	140915	2	• BAR, Platform extension stop
3	135871	1	• WELDMENT, Extension platform
4	101954	5	• PAD, Bottom slide
5	125433	AR	• BUSHING, Slider
6	125455	2	• ROLLER, Wide
7	125422	2	• PIN, Rollout roller
8	121874	2	• PIN, Cotter (1/4" DIA x 1.5")
9	117430	AR	• BOLT, Hex head (3/8"-16 x 1.25", Grade 8)
10	103999	AR	• WASHER, Lock (3/8")
11	100702	2	• END CAP, Plastic
12	103472	AR	WASHER, Flat (3/8")
13	103999	AR	WASHER, Lock (3/8")
14	103473	AR	BOLT, Hex head (3/8"-16 x 1", Grade 5)
K1	133579	AR	KIT, Short and rear side kickplates replacement
K2	133580	AR	KIT, Long side kickplate replacement

Figure 1.5. Gate Latch Assembly

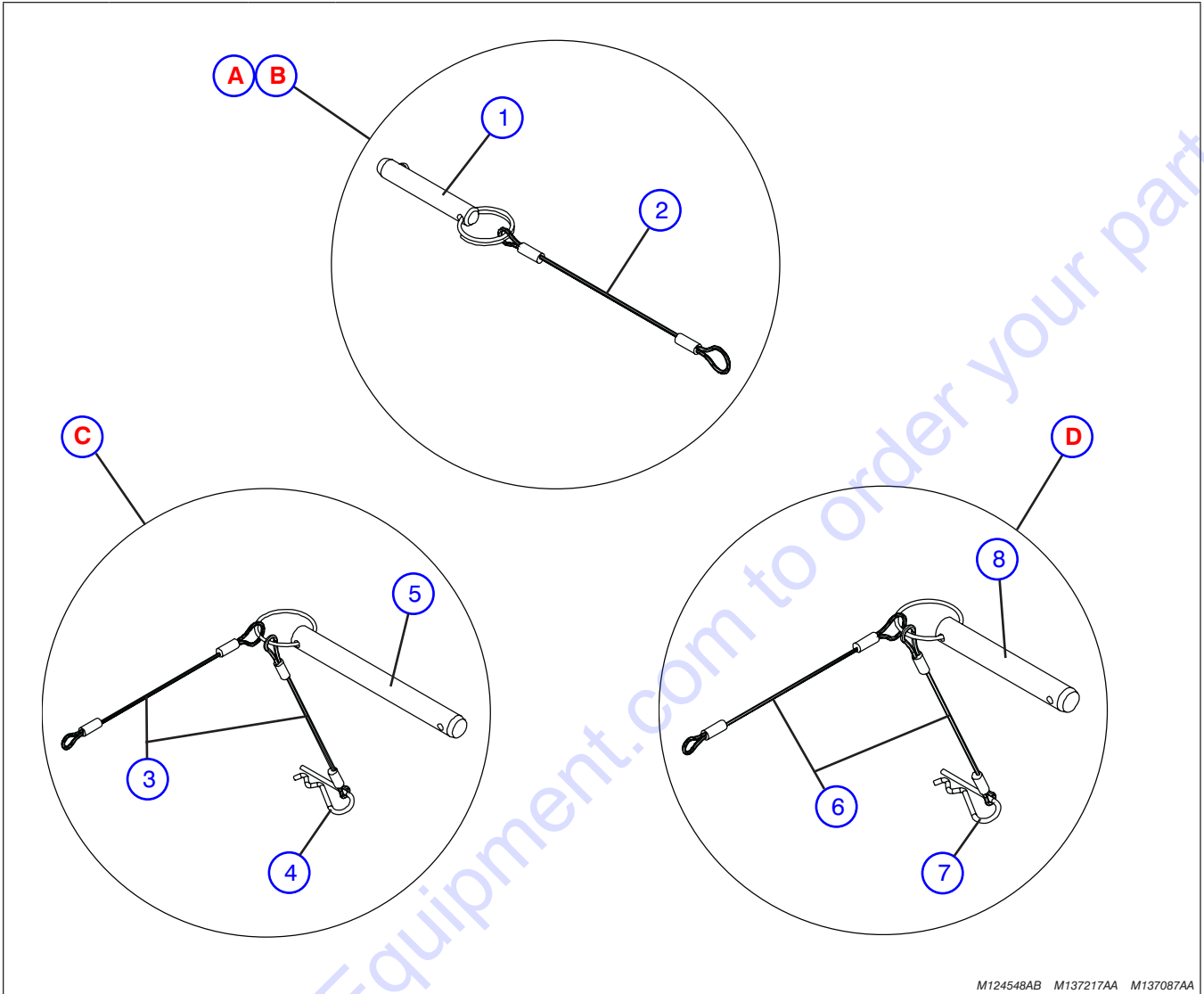
AC



M110824AA

Index No.	Skyjack Part No.	Qty.	Description
-	110824	-	ASSEMBLY, Latch pin spring
1	109377	1	• PIN, Latch
2	105312	1	• GUIDE, Nylon spring
3	105307	1	• PLATE, Gate latch release
4	100950	1	• PIN, Roll (1/8" x 1")
5	103107	1	• SPRING, Compression

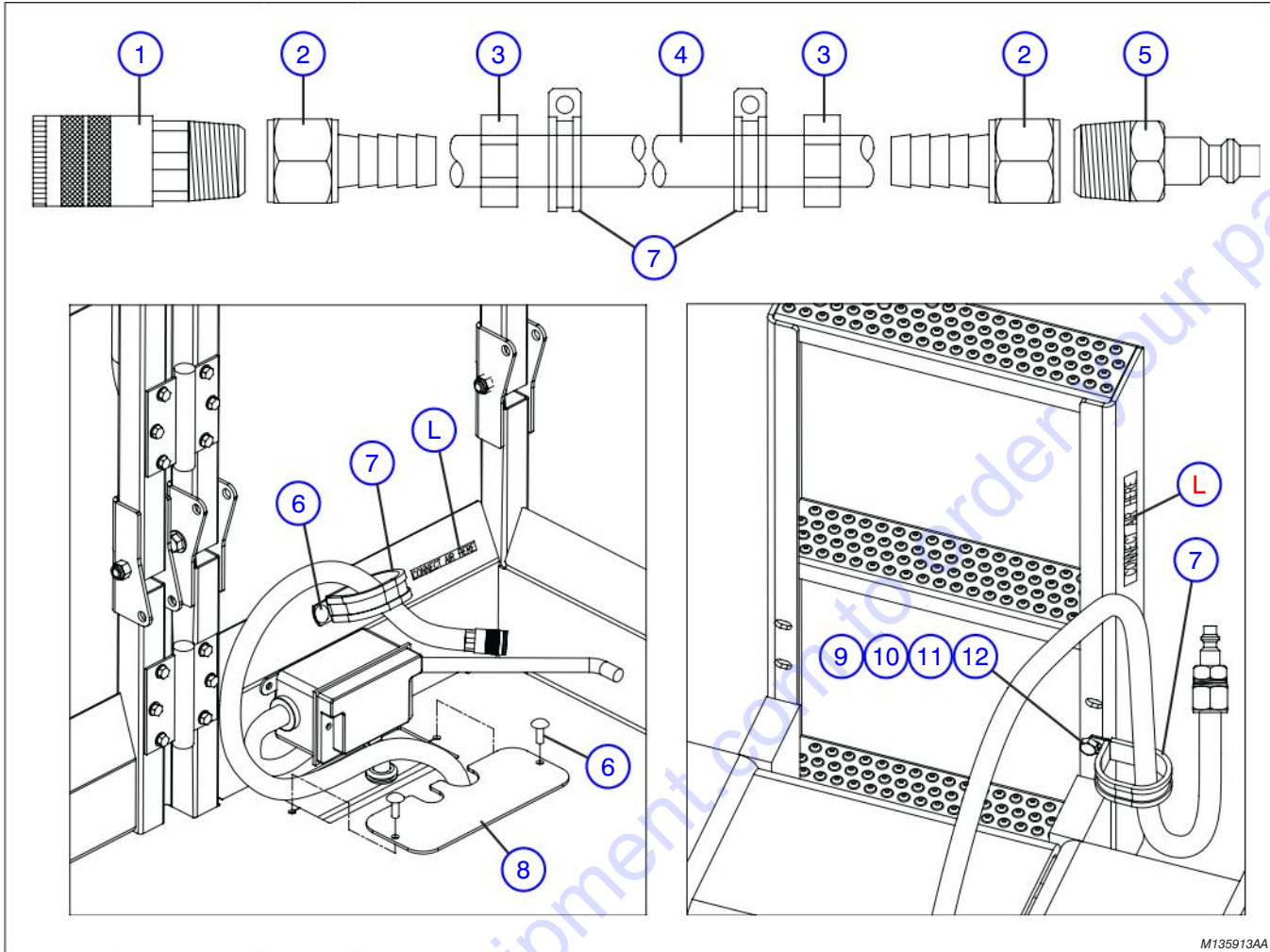
Figure 1.6. Quick Release Pins



M124548AB M137217AA M137087AA

Index No.	Skyjack Part No.	Qty.	Description
A	124548	-	PIN ASSEMBLY, Quick release large loop
B	124547	-	PIN ASSEMBLY, Quick release small loop
1	100509	1	• PIN, Quick release (3/8" DIA x 1.688")
2	105807	1	• LANYARD, Plastic coated (6")
C	137217	-	PIN ASSEMBLY, Long
3	105807	2	• LANYARD, Plastic coated (6")
4	103055	1	• PIN, Cotter Hair
5	137086	1	• PIN, Ring (1/2" DIA x 4.125")
D	137087	-	PIN ASSEMBLY, Short
6	105807	2	• LANYARD, Plastic coated (6")
7	103055	1	• PIN, Cotter Hair
8	137084	1	• PIN, Ring (1/2" DIA x 2.75")

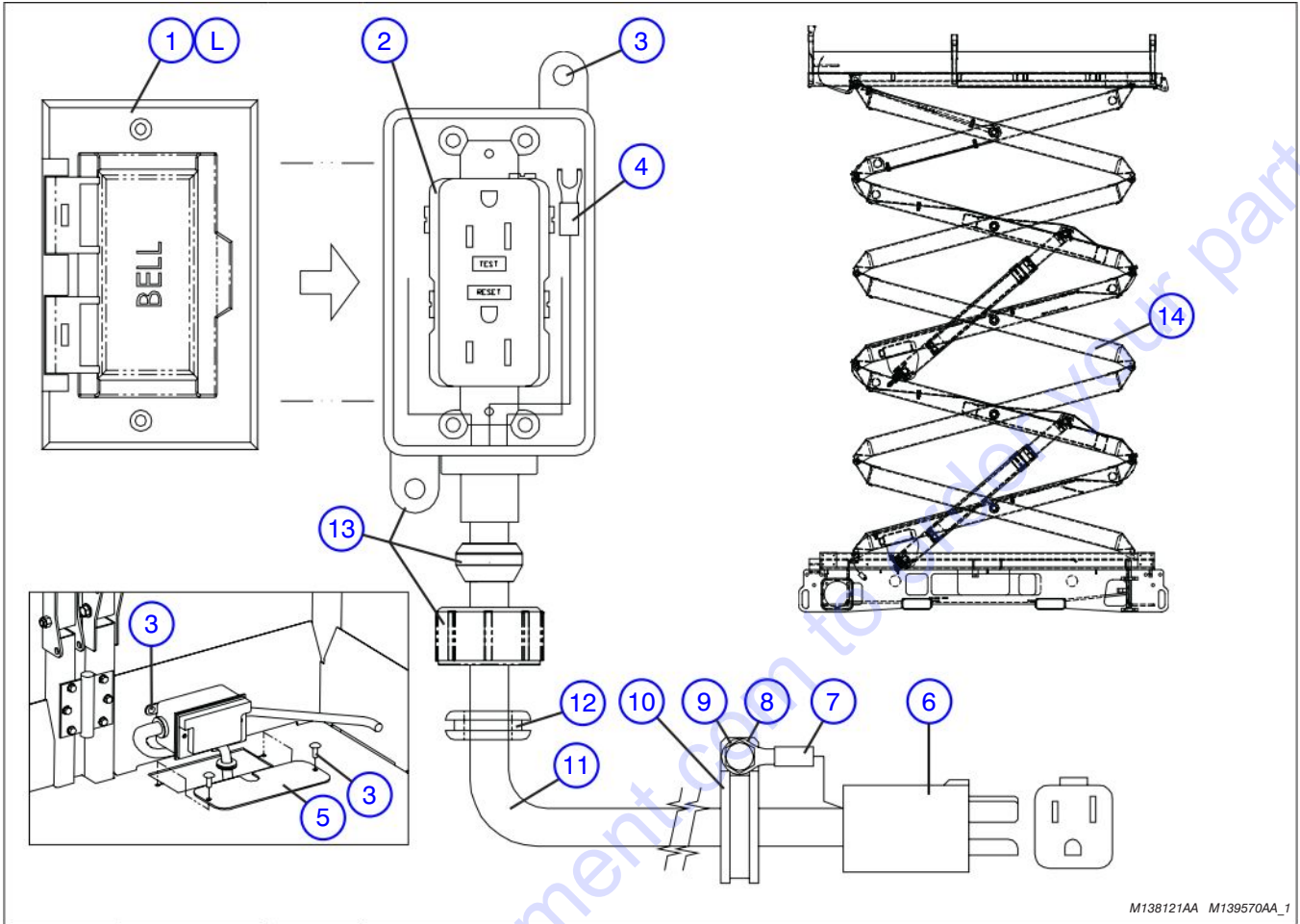
Figure 1.7. Air Hose to Platform Assembly



M135913AA

Index No.	Skyjack Part No.	Qty.	Description
1	107882	1	FITTING, Female disconnect
2	109050	2	FITTING, Hose barb
3	107886	2	CLAMP, Hose
4	107884	37'	HOSE, Air (Models 6826)
	107884	45'	HOSE, Air (Models 6832)
5	107883	1	FITTING, Male disconnect
6	134140	3	RIVET, Open end dome (1/4" DIA)
7	103078	2	CLAMP, Double G10
8	137567	1	PLATE, Air control/110 cover
9	103978	1	NUT, Hex head (3/8"-16 Grade 5)
10	103999	1	WASHER, Lock (3/8")
11	103472	1	WASHER, Flat (3/8")
12	101632	1	BOLT, Hex head (3/8"-16 x 3/4" Grade 5)
L	(Ref.)	-	LABEL, Connect Air Here (For components, refer to Figure 6.6)

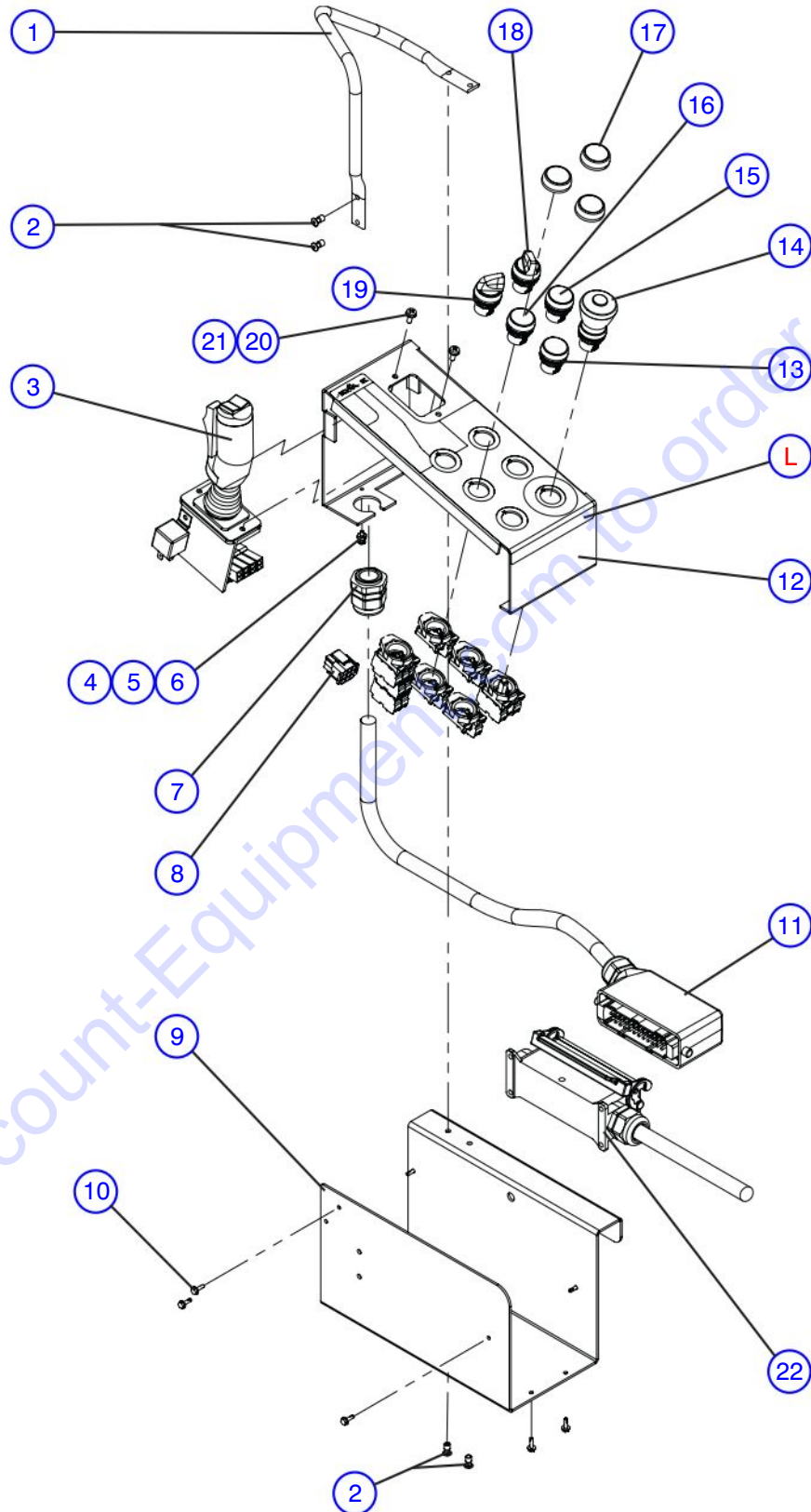
Figure 1.8. Outlet Box Assembly



M138121AA M139570AA_1

Index No.	Skyjack Part No.	Qty.	Description
1	109699	1	PLATE, Weatherproof cover
2	109698	1	RECEPTACLE, GFI (125V)
3	134140	4	RIVET, Open end dome (1/4" DIA)
4	109892	1	TERMINAL, Fork (16-14GA)
5	137083	1	PLATE, Outlet access cover
6	104208	1	PLUG, Male (3-prong)
7	130730	1	ASSEMBLY, Ground wire
8	103856	1	BOLT, Hex head (1/4"-20 - 3/4")
9	115649	AR	NUT, Hex nylon lock (1/4"-20 Grade 5)
10	103024	1	SINGLE CLIP, G8
11	105269	420"	CABTIRE, 14/3 (Models 6826)
	105269	516"	CABTIRE, 14/3 (Models 6832)
	117542	492"	CABTIRE, 14/3 (Models 6826) (CE)
	117542	588"	CABTIRE, 14/3 (Models 6832) (CE)
12	103014	1	GROMMET, Rubber (7/8")
13	136328	1	BOX, Outlet with fitting
14	(Ref.)	-	110/220 CLAMP ASSEMBLY OPTION (For components, refer to Figure 5.9)
L	(Ref.)	-	LABEL, Connect Platform AC Supply Here (For components, refer to Figure 6.6)

Figure 1.9. Control Box Assembly - Hardware



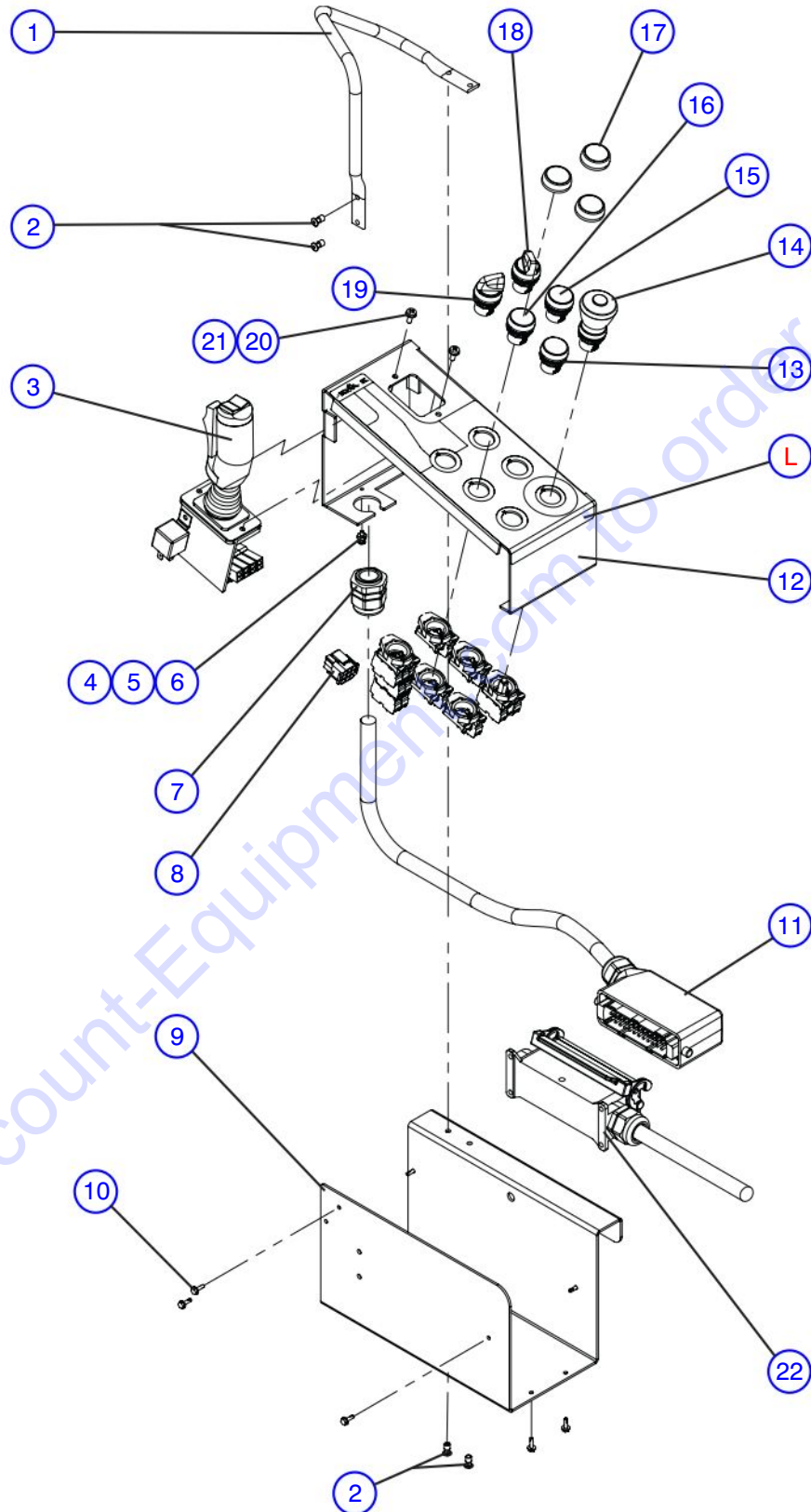
M137798AA

Figure 1.9. Control Box Assembly - Hardware

Index No.	Skyjack Part No.	Qty.	Description
-	137798	-	ASSEMBLY, Control Box
1	138004	1	• GUARD, Control box
2	120948	AR	• RIVET, Pop (3/16" DIA x 0.440")
3	(Ref.)	-	• CONTROLLER ASSEMBLY, Enable Joystick (For components, refer to Figure 1.10)
4	106099	1	• WASHER, Lock (#6)
5	103985	1	• NUT, Hex Head (#6-32)
6	114678	3	• SCREW, Round head machine (#6-32 x 1/2")
7	300788	1	• STRAIN RELIEF, LTF 21
8	116993	1	• CONNECTOR, Joystick
9	137594	1	• PLATE, Control Box (Outside)
10	112327	AR	• SCREW, Hex head self tapping (#8-8 x 1/2")
11	137355	1	• CABLE ASSEMBLY, Control box (24 PIN)
	137201	120"	• • CABLE 16/25
	137329	1	• • HOUSING, Side entry with strain relief
	137224	1	• • INSERT, Male (24 PIN)
	121050	25	• • FERULE, 16GA (Black)
12	137593	1	• PLATE, Control Box (Top)
L	(Ref.)	-	• LABEL, Control box (Refer to Figure 6.5)
13	-	1	• SWITCH ASSEMBLY, Horn
	137792	1	• • HEAD, Switch Push Button (Black)
	137786	1	• • SWITCH, Base Assembly
	137782	1	• • • BLOCK, NO Spring Contact
	137781	1	• • • LATCH, Mounting
14	-	1	• SWITCH ASSEMBLY, Emergency stop
	137795	1	• • HEAD, Switch Illuminated E-Stop (Red)
	137791	1	• • SWITCH, Base Assembly
	137785	1	• • • SWITCH, LED Block (Red)
	137783	2	• • • BLOCK, NC Contact
	137781	1	• • • LATCH, Mounting
15	-	1	• SWITCH ASSEMBLY, Glow Plug/Choke
	137792	1	• • HEAD, Switch Push Button (Black)
	137786	1	• • SWITCH, Base Assembly
	137782	1	• • • BLOCK, NO Spring Contact
	137781	1	• • • LATCH, Mounting
16	-	1	• SWITCH ASSEMBLY, Start
	137792	1	• • HEAD, Switch Push Button (Black)
	137786	1	• • SWITCH, Base Assembly
	137782	1	• • • BLOCK, NO Spring Contact
	137781	1	• • • LATCH, Mounting
17	137796	3	• BOOT, Push Button (Round)

Part list continued on the following page.

Figure 1.9. Control Box Assembly - Hardware (Continued)

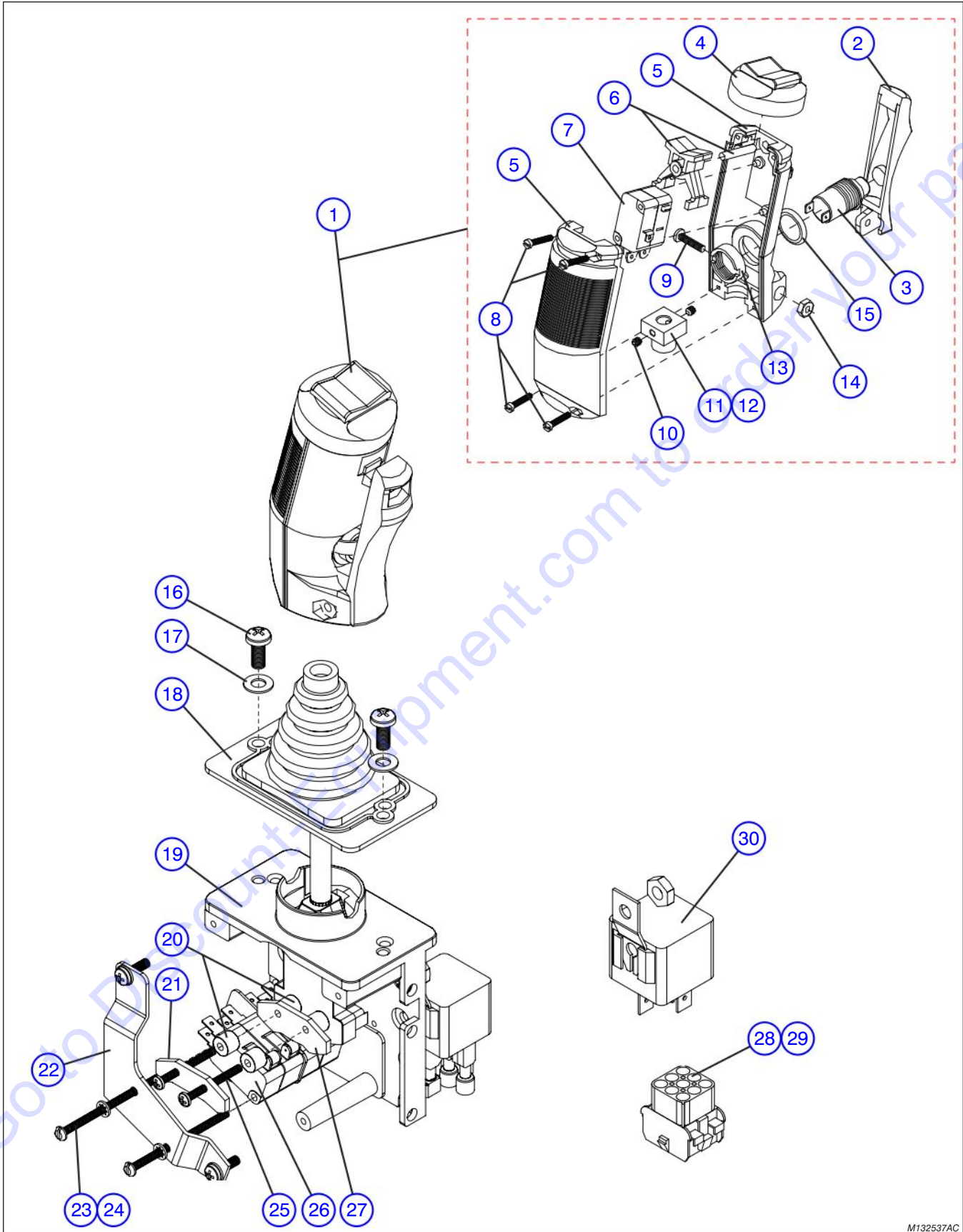


M137798AA

Figure 1.9. Control Box Assembly - Hardware (Continued)

Index No.	Skyjack Part No.	Qty.	Description
Part list continued from the previous page.			
18	-	1	• SWITCH ASSEMBLY, Low/High Throttle Select
	137794	1	• • HEAD, Switch Selector (2-Way)
	137786	1	• • SWITCH, Base Assembly
	137782	1	• • • BLOCK, NO Spring Contact
	137781	1	• • • LATCH, Mounting
19	-	1	• SWITCH ASSEMBLY, Lift Drive
	137793	1	• • HEAD, Switch Selector (3-Way)
	137788	1	• • SWITCH, Base Assembly
	137783	3	• • • BLOCK, NC Contact
	137782	4	• • • BLOCK, NO Contact
20	(Ref.)	-	• • • LATCH, Mounting
21	(Ref.)	-	SCREW (Refer to Figure 1.10)
22	(Ref.)	-	WASHER (Refer to Figure 1.10)
22	(Ref.)	-	ASSEMBLY, Scissor arm control cable (For components, refer to Figure 1.11)

Figure 1.10. Drive/Steer Controller Assembly

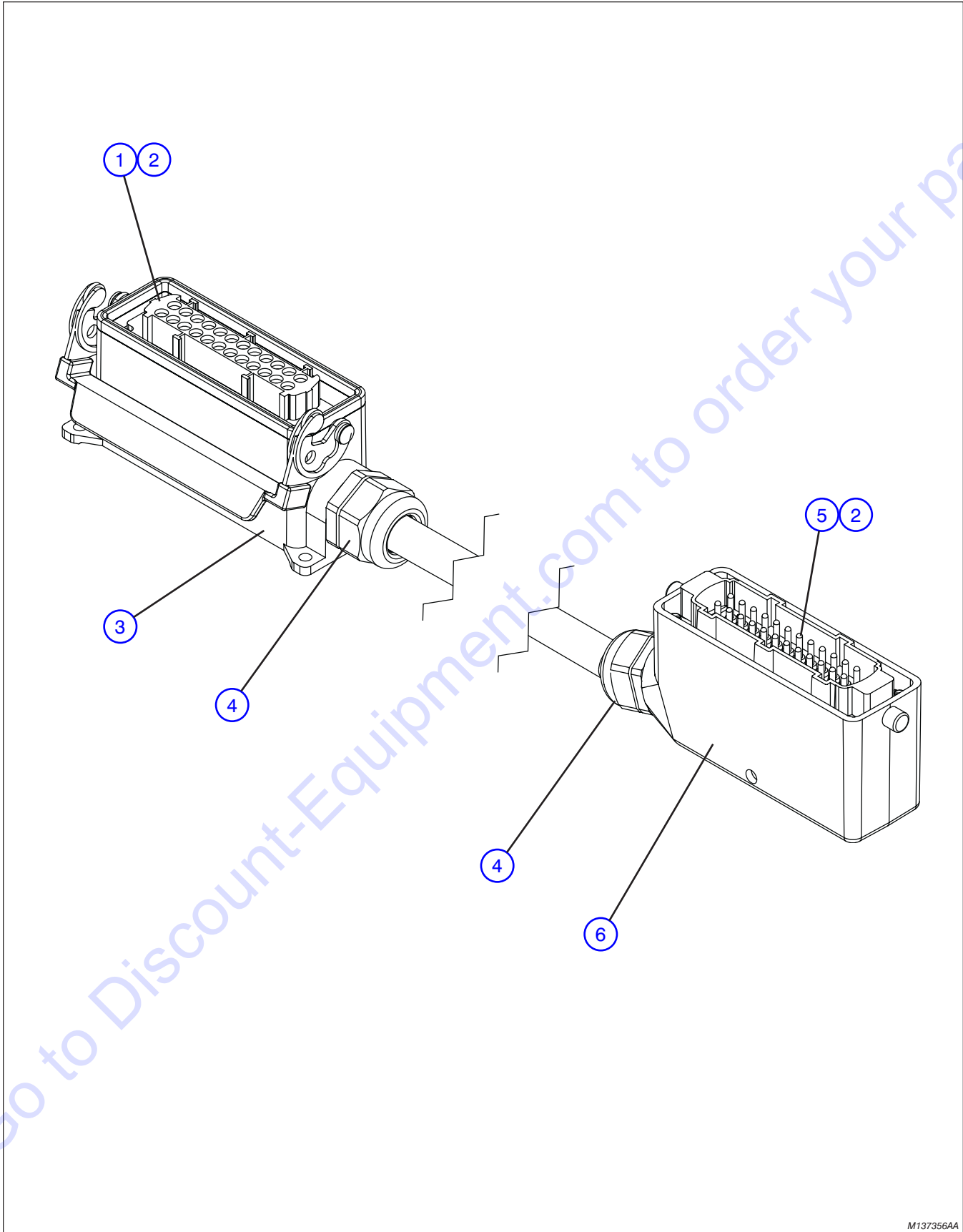


M132537AC

Figure 1.10. Drive/Steer Controller Assembly

Index No.	Skyjack Part No.	Qty.	Description
-	132537	1	DRIVE/STEER CONTROLLER ASSEMBLY
1	122849	1	• HANDLE ASSEMBLY
2	122873	1	• • LEVER, Trigger
3	122872	1	• • SWITCH, Pushbutton
4	122874	1	• • CAP, Rubber
5	134112	1	• • KIT, Handle
6	122876	1	• • ROCKER ASSEMBLY
7	122877	2	• • SWITCH ASSEMBLY, Micro
8	122879	4	• • SCREW, Controller handle
9	122959	1	• • SCREW, Controller lever
10	122960	2	• • SCREW, set
11	122961	1	• • COUPLING, 8mm
12	122962	1	• • COUPLING, 10mm
13	122963	1	• • NUT, Push button
14	122964	1	• • NUT, Controller lever
15	122965	1	• • FITTING, O-ring
16	122846	2	• SCREW
17	122847	2	• WASHER
18	127179	1	• BOOT & GASKET
19	122861	1	• BASE
20	122865	4	• SPACER
21	122864	1	• CAM
22	139543	4	• BRACKET
23	122870	2	• WASHER
24	122863	2	• SCREW
25	122866	2	• SCREW
26	122869	4	• MICROSWITCH
27	122862	1	• CAM
28	122840	1	• CONNECTOR ASSEMBLY, Male 9 pin
	116993	1	• • HOUSING, Connector male 9 pin
	116990	9	• • PIN, Female wire
29	122841	1	• CONNECTOR ASSEMBLY, Female 9 pin
	122839	1	• • HOUSING, Connector female 9 pin
	116989	9	• • PIN, Male wire
30	127035	1	• RELAY, 12 V - 40 amp

Figure 1.11. Scissor Arm Control Cable Assemblies



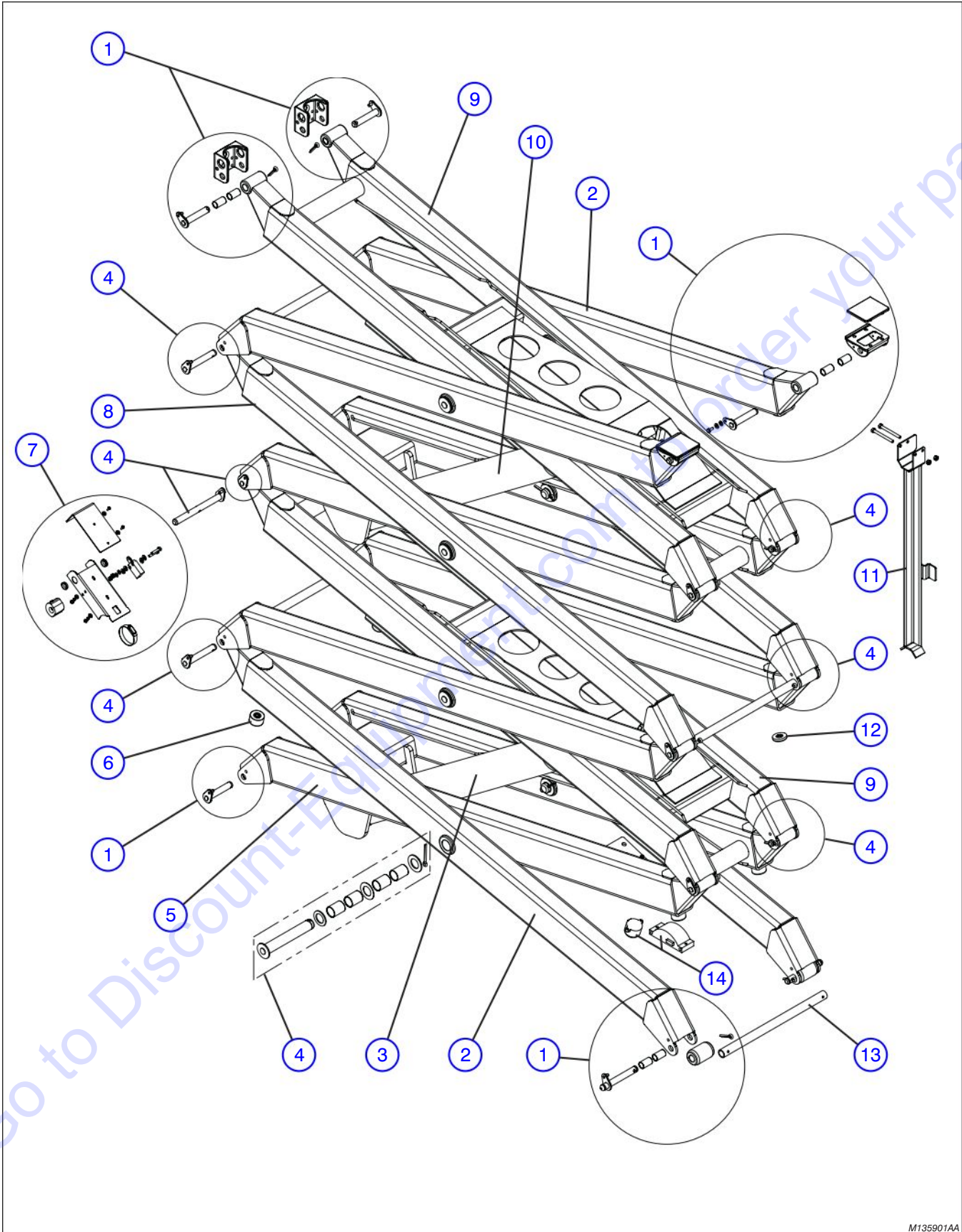
M137356AA

Figure 1.11. Scissor Arm Control Cable Assemblies

Index No.	Skyjack Part No.	Qty.	Description
-	137356	-	ASSEMBLY, Control Cable (Model 6826)
-	137363	-	ASSEMBLY, Control Cable (Model 6832)
1	137223	1	INSERT, Female (24 Pin)
2	121050	AR	FERULE, 16GA (Black)
3	138038	1	HOUSING, Surface mount (24 Pin)
4	132109	2	STRAIN RELIEF
5	137224	1	INSERT, Male (24 Pin)
6	138037	1	HOUSING, Side entry (24 Pin)

Go to Discount-Equipment.com to order your parts

Figure 2.1. Scissor Stack Assembly - Model 6826

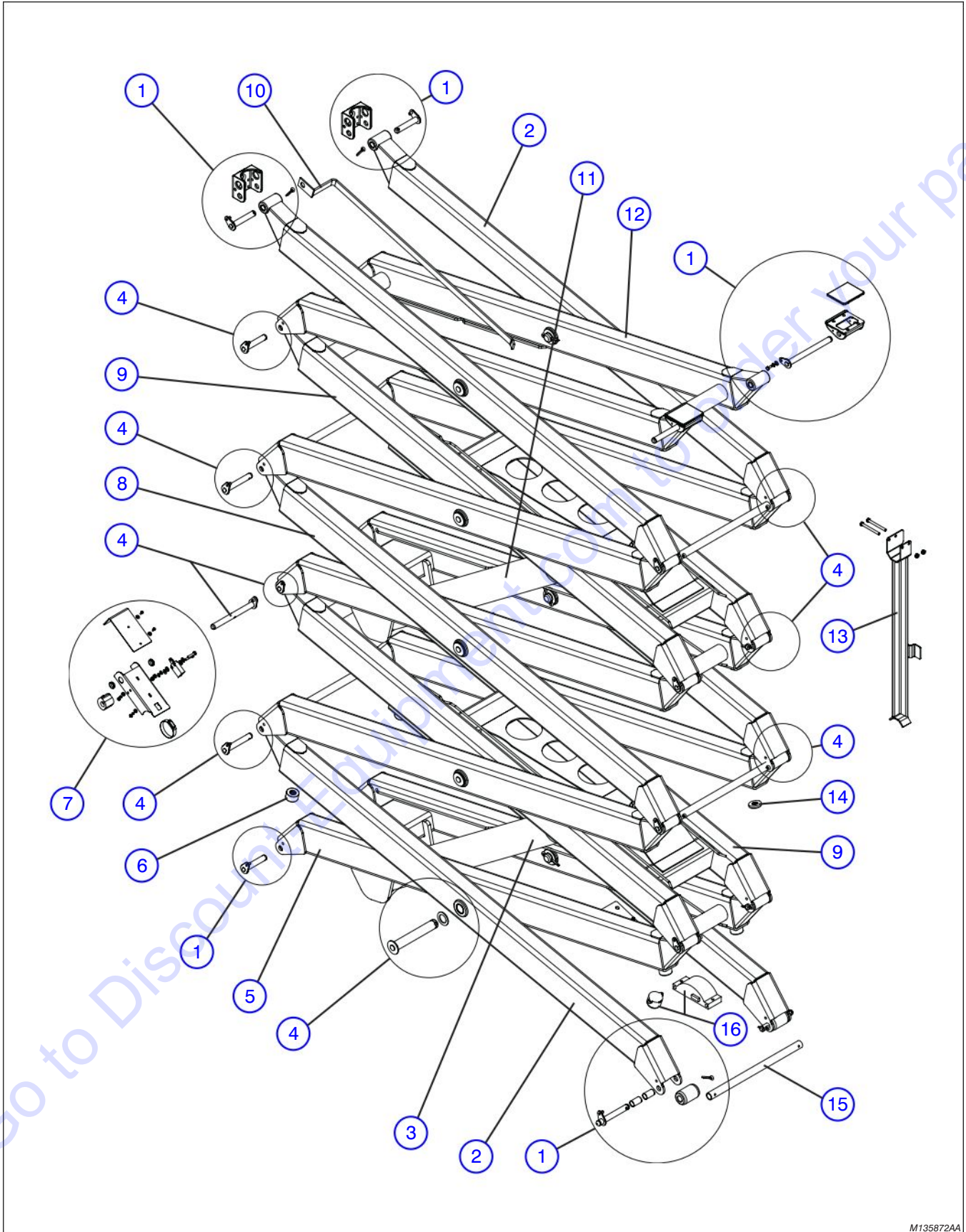


M135901AA

Figure 2.1. Scissor Stack Assembly - Model 6826

Index No.	Skyjack Part No.	Qty.	Description
-	135901	-	SCISSOR ASSEMBLY (ANSI/CSA)
-	135906	-	SCISSOR ASSEMBLY (CE)
1	(Ref.)	-	<ul style="list-style-type: none"> MOUNTING, Scissor Stack Assembly (For components, refer to Figure 2.3)
2	136211	8	<ul style="list-style-type: none"> SCISSOR ARMS, Outside
3	(Ref.)	-	<ul style="list-style-type: none"> CYLINDER, Lower lift (For components, refer to Figure 2.6)
4	(Ref.)	-	<ul style="list-style-type: none"> HARDWARE, Scissor Arm Assembly Connecting (For components, refer to Figure 2.4)
5	136222	1	<ul style="list-style-type: none"> SCISSOR LEVEL, Inside (1st Level)
6	130840	4	<ul style="list-style-type: none"> BUMPER, Scissor bottom (1st Level)
	123713	AR	<ul style="list-style-type: none"> • BOLT, Hex Head (M12-1.25 x 16mm, Grade 9.8)
	600426	AR	<ul style="list-style-type: none"> • WASHER, Flat (M12, plated DIN 125)
7	(Ref.)	-	<ul style="list-style-type: none"> LIMIT SWITCH ASSEMBLIES, (For components, refer to Figure 2.5)
8	137562	1	<ul style="list-style-type: none"> SCISSOR LEVEL, Inside (3rd Level)
9	136230	2	<ul style="list-style-type: none"> SCISSOR LEVEL, Inside (2nd & 4th Level)
10	(Ref.)	-	<ul style="list-style-type: none"> CYLINDER, Upper lift (For components, refer to Figure 2.6)
11	123344	1	<ul style="list-style-type: none"> MAINTENANCE SUPPORT
	122006	AR	<ul style="list-style-type: none"> • BOLT, Hex Head (0.312"-18 x 3.25", Grade 5)
	103984	AR	<ul style="list-style-type: none"> • NUT, Hex (0.312"-18, Grade 5)
12	121860	12	<ul style="list-style-type: none"> BUMPER, Scissor arm
13	(Ref.)	-	<ul style="list-style-type: none"> TUBE, Outside scissor spacer (Refer to Figure 2.4)
14	(Ref.)	-	<ul style="list-style-type: none"> BEEPER/TRANSDUCER ASSEMBLY (For components, refer to Figure 2.9)

Figure 2.2. Scissor Stack Assembly - Model 6832



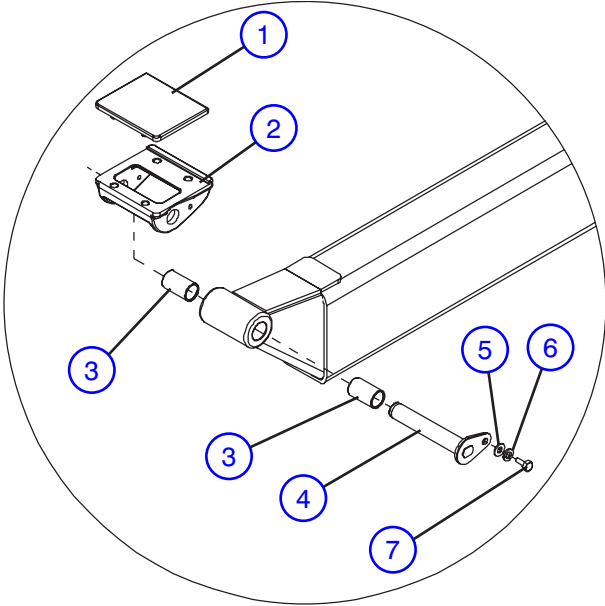
M135872AA

Figure 2.2. Scissor Stack Assembly - Model 6832

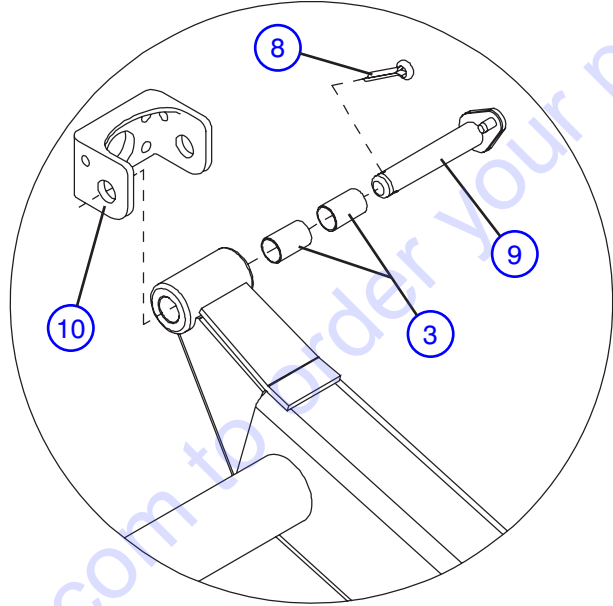
Index No.	Skyjack Part No.	Qty.	Description
-	135872	-	SCISSOR ASSEMBLY (ANSI/CSA)
-	135907	-	SCISSOR ASSEMBLY (CE)
1	(Ref.)	-	<ul style="list-style-type: none"> MOUNTING, Scissor stack assembly (For components, refer to Figure 2.3)
2	136211	10	<ul style="list-style-type: none"> SCISSOR ARMS, Outside
3	(Ref.)	-	<ul style="list-style-type: none"> CYLINDER, Lower lift (For components, refer to Figure 2.6)
4	(Ref.)	-	<ul style="list-style-type: none"> HARDWARE, Scissor arm assembly connecting (For components, refer to Figure 2.4)
5	136222	1	<ul style="list-style-type: none"> SCISSOR LEVEL, Inside (1st Level)
6	130840	4	<ul style="list-style-type: none"> BUMPER, Scissor first level
	123713	AR	<ul style="list-style-type: none"> • BOLT, Hex head (M12-1.25 x 16mm, Grade 9.8)
	600426	AR	<ul style="list-style-type: none"> • WASHER, Flat (M12, plated DIN 125)
7	(Ref.)	-	<ul style="list-style-type: none"> LIMIT SWITCH ASSEMBLIES (For components, refer to Figure 2.5)
8	137562	1	<ul style="list-style-type: none"> SCISSOR LEVEL, Inside (3rd Level)
9	136230	2	<ul style="list-style-type: none"> SCISSOR LEVEL, Inside (2nd & 4th Level)
10	121907	2	<ul style="list-style-type: none"> WELDMENT, Cable carrier
11	(Ref.)	-	<ul style="list-style-type: none"> CYLINDER, Upper lift (For components, refer to Figure 2.6)
12	136231	1	<ul style="list-style-type: none"> SCISSOR LEVEL, Inside (5th Level)
13	123344	1	<ul style="list-style-type: none"> MAINTENANCE SUPPORT
	122006	AR	<ul style="list-style-type: none"> • BOLT, Hex head (0.312"-18 x 3.25", Grade 5)
	103984	AR	<ul style="list-style-type: none"> • NUT, Hex (0.312"-18)
14	121860	16	<ul style="list-style-type: none"> BUMPER, Scissor arm
15	(Ref.)	-	<ul style="list-style-type: none"> TUBE, Outside scissor spacer (Refer to Figure 2.4)
16	(Ref.)	-	<ul style="list-style-type: none"> BEEPER/TRANSDUCER ASSEMBLY (For components, refer to Figure 2.9)

Figure 2.3. Scissor Stack Assembly Mounting

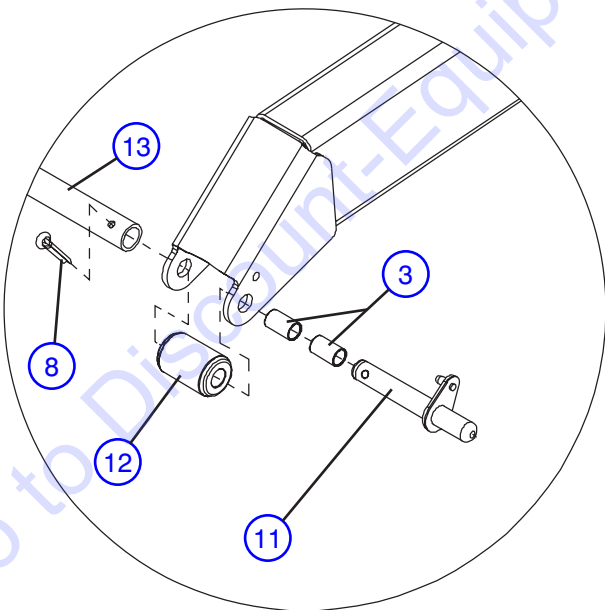
Top Slider Assembly



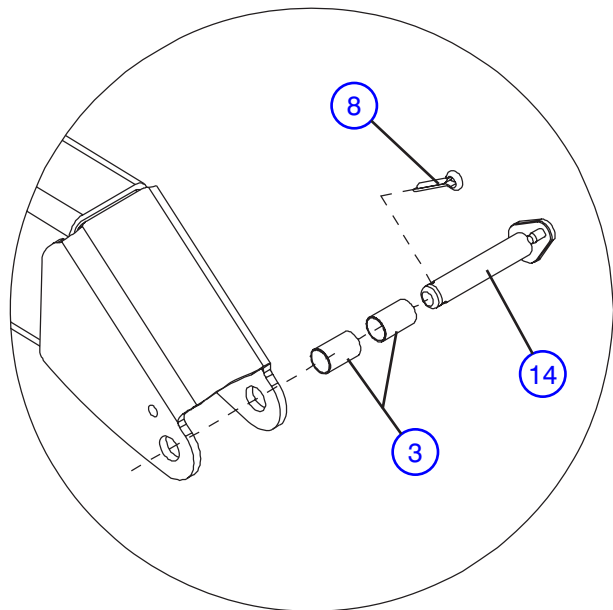
Main Platform Bracket Mounting Assembly



Bottom Slider Assembly



End Pin Assembly at Base



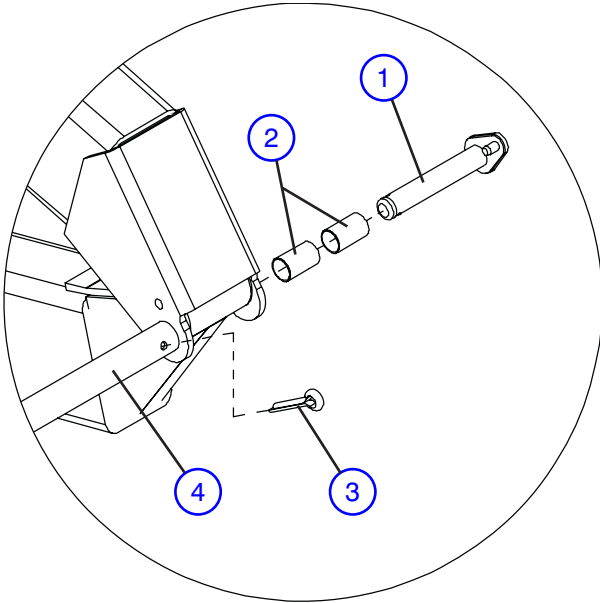
M135901AA_M135872AA_1

Figure 2.3. Scissor Stack Assembly Mounting

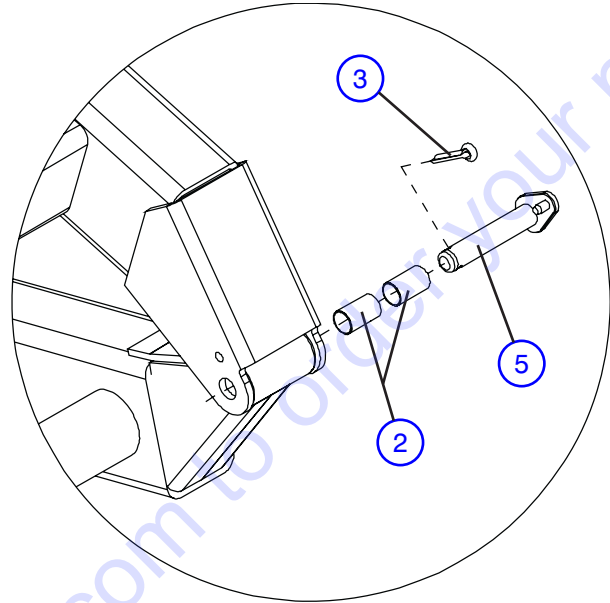
Index No.	Skyjack Part No.	Qty.	Description
1	120772	AR	PAD, Slider
2	120771	AR	BRACKET, Main platform slider
3	123430	AR	BUSHING, Fiberglide (3/4" Inside DIA x 1-1/2")
4	134494	AR	PIN, Upper slider (Scissor level without cable carrier weldment)
	137207	AR	PIN, Upper slider 6832RT (Scissor level with cable carrier weldment)
5	103995	AR	WASHER, Flat (1/4")
6	104000	AR	WASHER, Lock (1/4")
7	103892	AR	BOLT, Hex head (1/4"-20 x 5/8")
8	121874	AR	COTTER PIN (1/4" x 1.25")
9	120958	AR	PIN, (3/4" DIA x 4") (Scissor level without cable carrier weldment)
	121676	AR	PIN, (3/4" DIA x 4-1/4") (Scissor level with cable carrier weldment)
10	134065	AR	CASTING, Platform mounting bracket
11	136551	AR	PIN, Bottom roller
12	120697	AR	ROLLER, Scissor
13	(Ref.)	-	TUBE, Outside scissor spacer (Refer to Figure 2.4)
14	126027	AR	PIN, Scissor to base

Figure 2.4. Scissor Arm Assembly Connecting Hardware

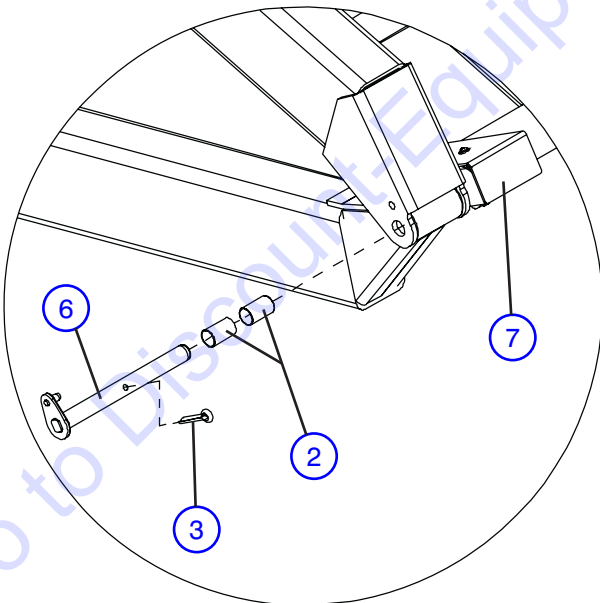
Outside End Pin Assembly
(With Cross Member Tube)



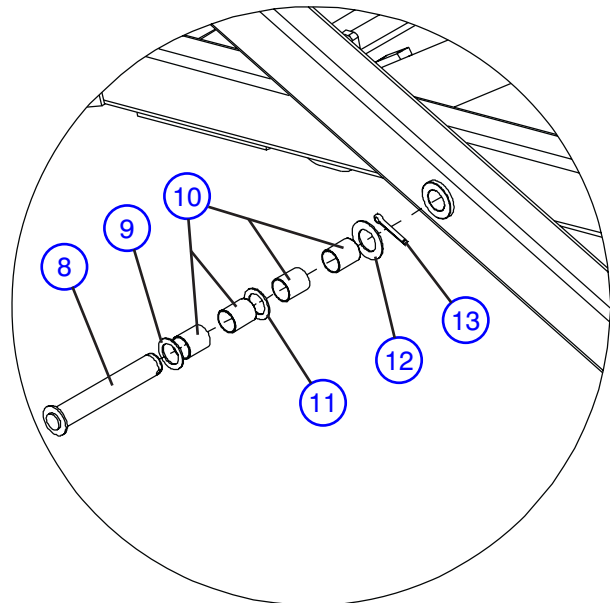
Inside End Pin Assembly
(Without Cross Member Tube)



Limit Switch Pin Assembly



Center Pin Assembly

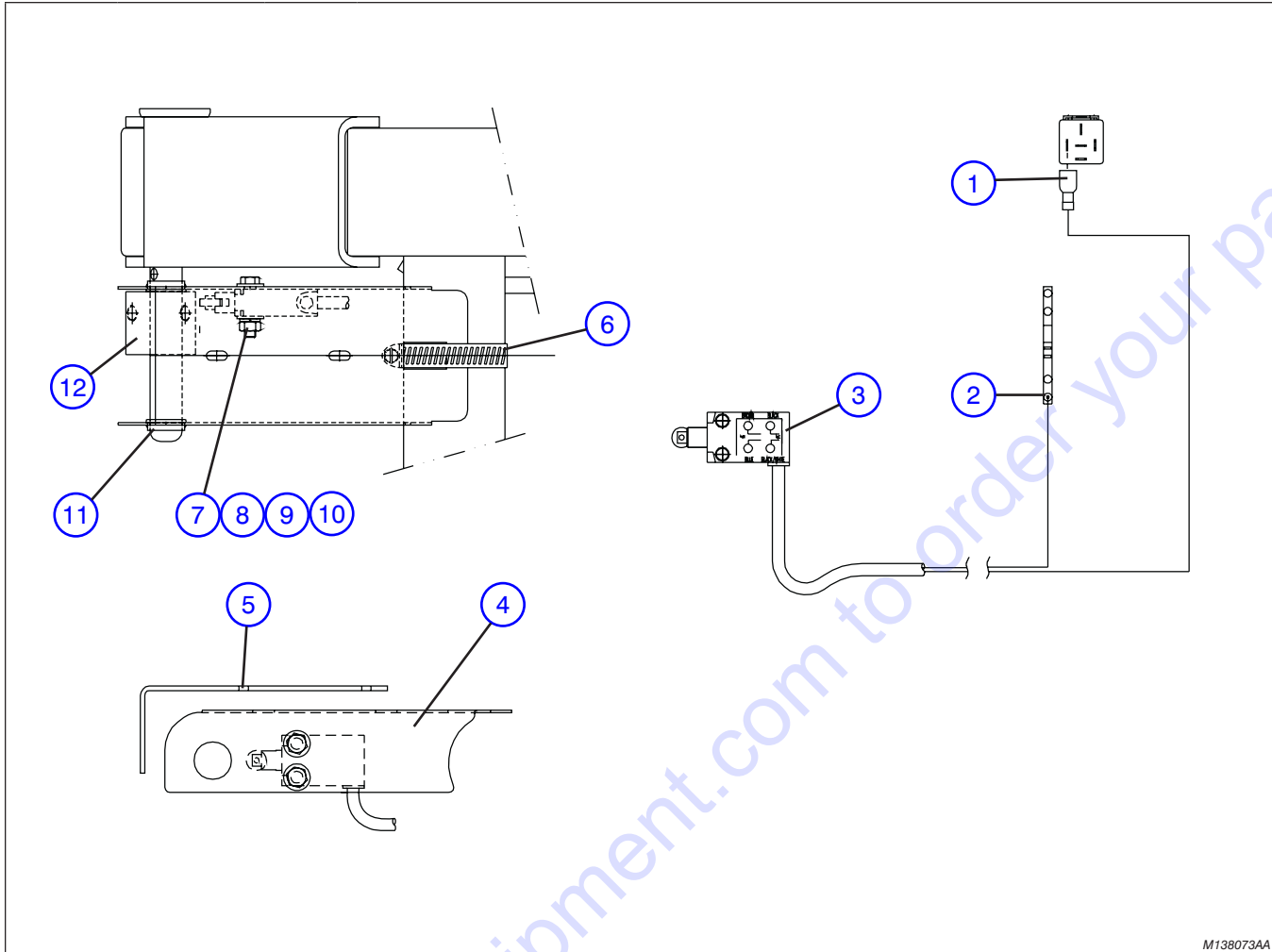


M135901AA_M135872AA_2

Figure 2.4. Scissor Arm Assembly Connecting Hardware

Index No.	Skyjack Part No.	Qty.	Description
1	121674	AR	PIN, Outside scissor
2	123430	AR	BUSHING, Fiberglide (3/4" Inner diameter x 1-1/2")
3	121874	AR	COTTER PIN (1/4" x 1.25")
4	121605	AR	TUBE, Outside scissor spacer
5	120958	AR	PIN, Inside scissor
6	121677	AR	PIN, Limit switch
7	(Ref.)	-	ASSEMBLY, Limit switch (For components, refer to Figure 2.5)
8	120673	AR	PIN, Center
9	101520	AR	WASHER, Nylon (2" Outer diameter x 1.28" Inner diameter x 0.12")
10	123431	AR	BUSHING, Fiberglide (1-1/4" x 1-13/16")
11	121703	AR	SPACER, Bearing thrust fiberglide (1-1/4" Inner diameter)
12	122502	AR	WASHER, Flat (1-1/4" Inner DIA x 2-1/4" Outer diameter)
13	121875	AR	COTTER PIN (5/16" x 2.0")

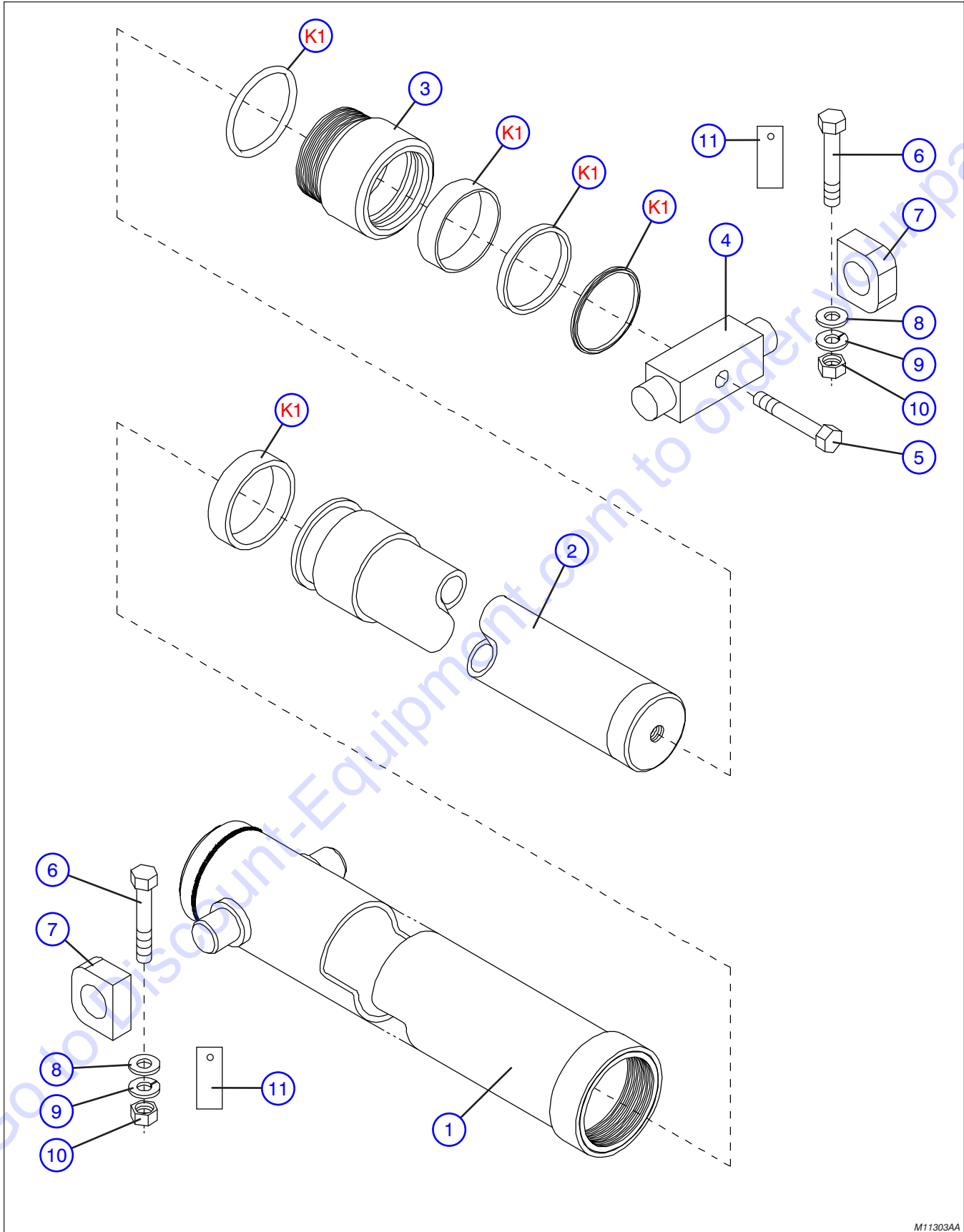
Figure 2.5. Limit Switch Assemblies



M138073AA

Index No.	Skyjack Part No.	Qty.	Description
1	105359	1	TERMINAL, Female (14-16GA x 1/4")
2	115401	1	FERULE, 18GA Red
3	122010	1	SWITCH, Drilled Sealed Limit
4	121867	1	BRACKET, Limit Switch
5	121868	1	GUARD, Limit Switch
6	121869	1	CLAMP, Worm Gear (2.5")
7	104000	AR	WASHER, Lock (1/4")
8	103858	AR	BOLT, Hex Head (1/4"-20 x 1.25", Grade 5)
9	103995	AR	WASHER, Flat (1/4")
10	103980	AR	NUT, Hex (1/4"-20, Grade B)
11	121908	2	BUSHING, Snap-in (3/4")
12	100967	1	CAM, Limit Switch

Figure 2.6. Lift Cylinder Assembly And Mounting Hardware

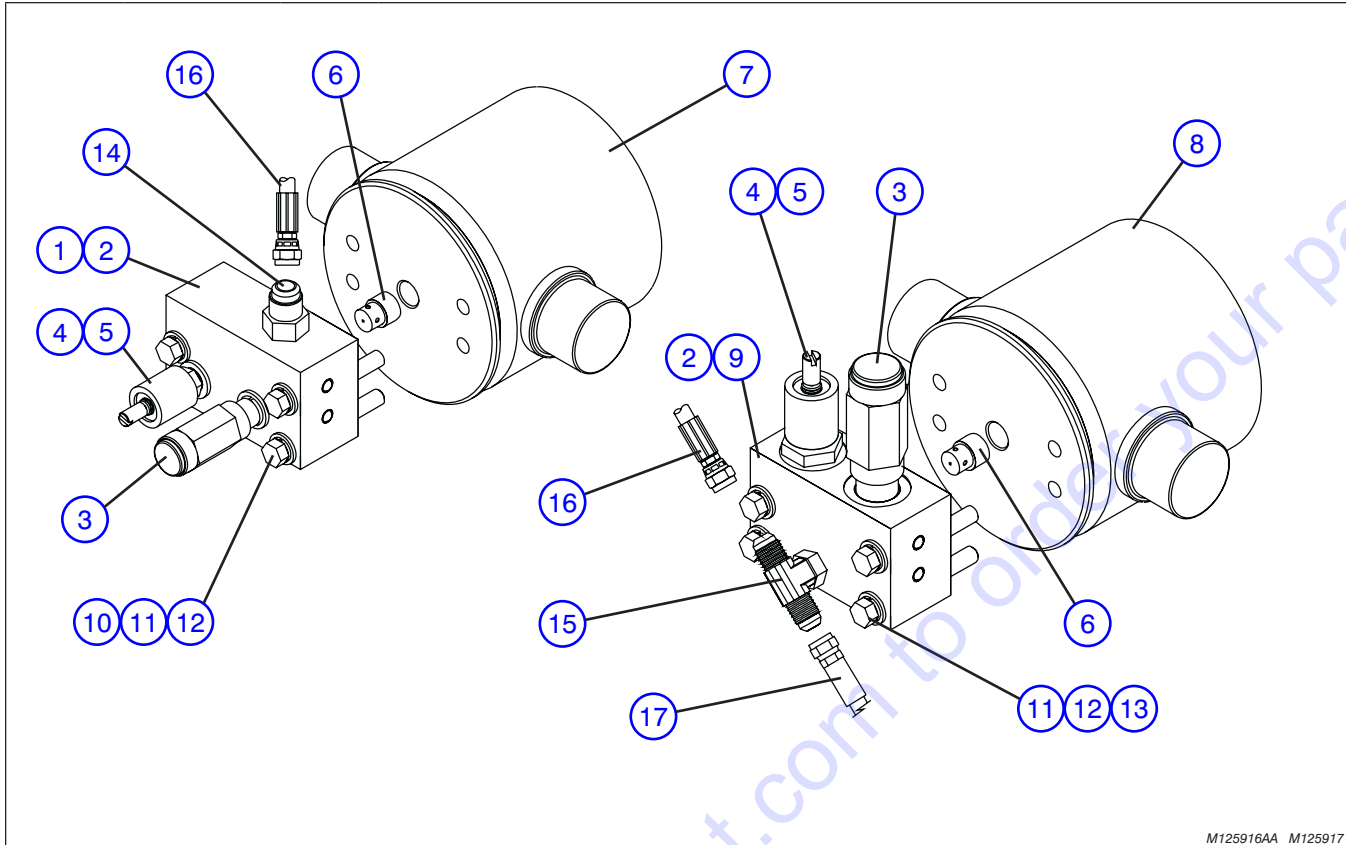


M11303AA

Figure 2.6. Lift Cylinder Assembly And Mounting Hardware

Index No.	Skyjack Part No.	Qty.	Description
-	120989	-	LIFT CYLINDER ASSEMBLY
1	120993	1	• WELDMENT, Barrel
2	120991	1	• ROD, Piston
3	121096	1	• GLAND, Front head
4	121668	1	• TRUNNION
5	105686	1	• BOLT (3/4-16 x 3, Grade 5)
6	103869	4	BOLT, Hex head (5/16-18 x 4.5, Grade 5)
7	123808	4	BEARING BLOCK ASSEMBLY
	101076		• BLOCK
	100904		• BUSHING
8	103996	4	WASHER, Flat (5/16 SAE)
9	103404	4	WASHER, Lock (5/16 NOM x 0.07)
10	100397	4	NUT, Hex head (5/16-18, Grade B)
11	130337	AR	SHIM, Bearing block (16 GA) (If equipped)
	130387	AR	SHIM, Bearing block (18 GA) (If equipped)
	130388	AR	SHIM, Bearing block (22 GA) (If equipped)
K1	121097	1	KIT, Seal repair

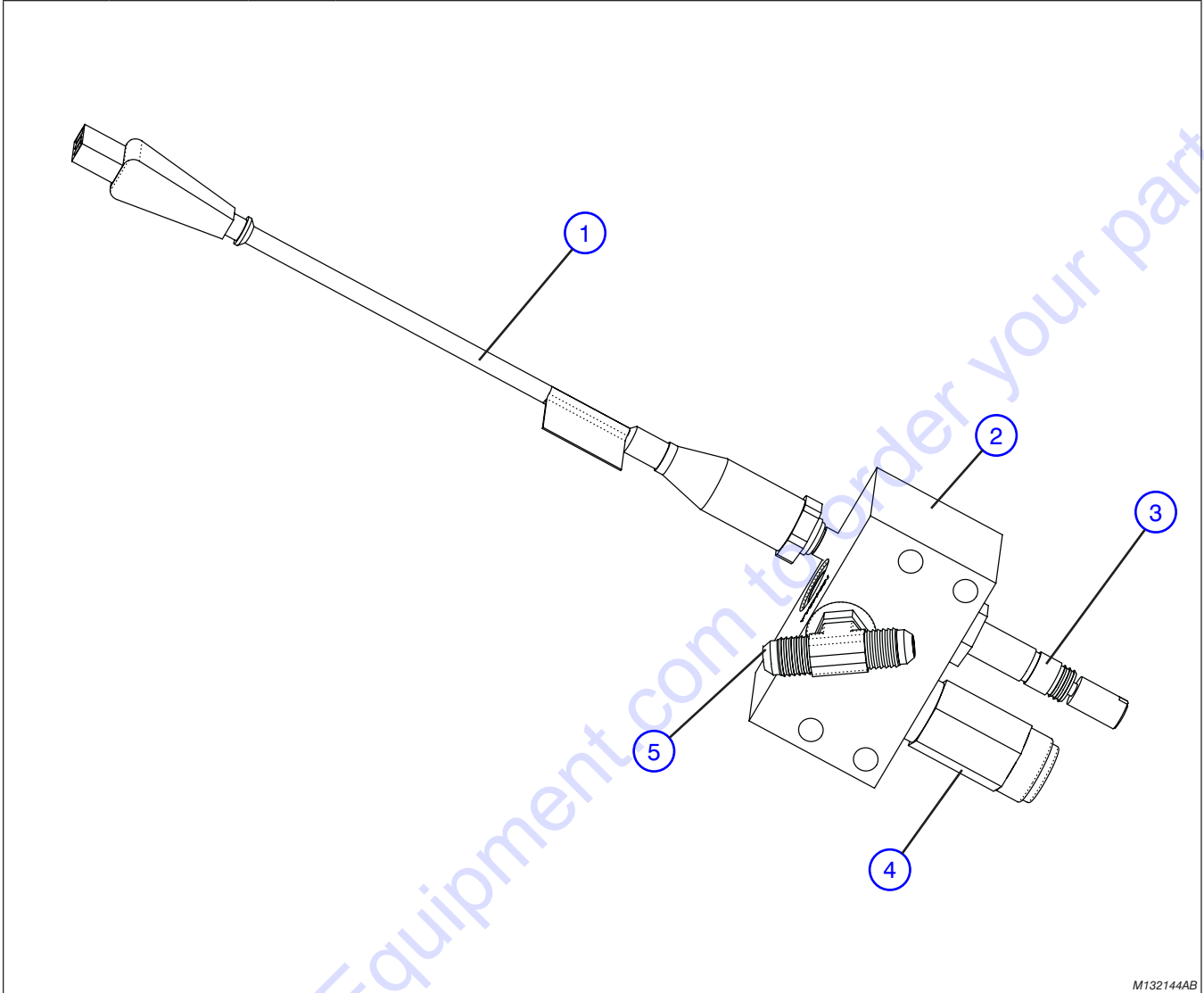
Figure 2.7. Lift Cylinder Holding Valve Assemblies without Transducer



M125916AA M125917

Index No.	Skyjack Part No.	Qty.	Description
1	108778	1	BLOCK, Upper holding valve
	111320	1	• BLOCK, Manifold
	108052	3	• PLUG, Expander
2	103403	2	SEAL, O-Ring
3	106557	2	VALVE, Relief
4	107269	2	VALVE, N.C. Holding
5	104410	2	COIL, 12 Volt
6	105281	2	ORIFICE, One way
7	(Ref.)	-	ASSEMBLY, Lift cylinder (Upper Cylinder) (For components, refer to Figure 2.6)
8	(Ref.)	-	ASSEMBLY, Lift cylinder (Lower Cylinder) (For components, refer to Figure 2.6)
9	106688	1	BLOCK, Lower holding valve
	111316	1	• BLOCK, Manifold
	108052	2	• PLUG, Expander
10	108429	4	BOLT, Hex head 5/16" - 18 x 2.50"
11	103996	8	WASHER, Flat 5/16" S.A.E.
12	104637	8	WASHER, Lock (5/16" high collar 0.09)
13	103931	4	BOLT, Socket (5/16" - 18 x 2" Grade 5)
14	103069	1	FITTING, Straight (upper lift Cylinder)
15	114579	1	FITTING, Tee (lower lift cylinder)
16	102635	1	HOSE ASSEMBLY, Upper Lift cylinder to lower lift cylinder
17	134684	1	HOSE ASSEMBLY, Lower lift cylinder to main manifold (3/8" DIA x 84")

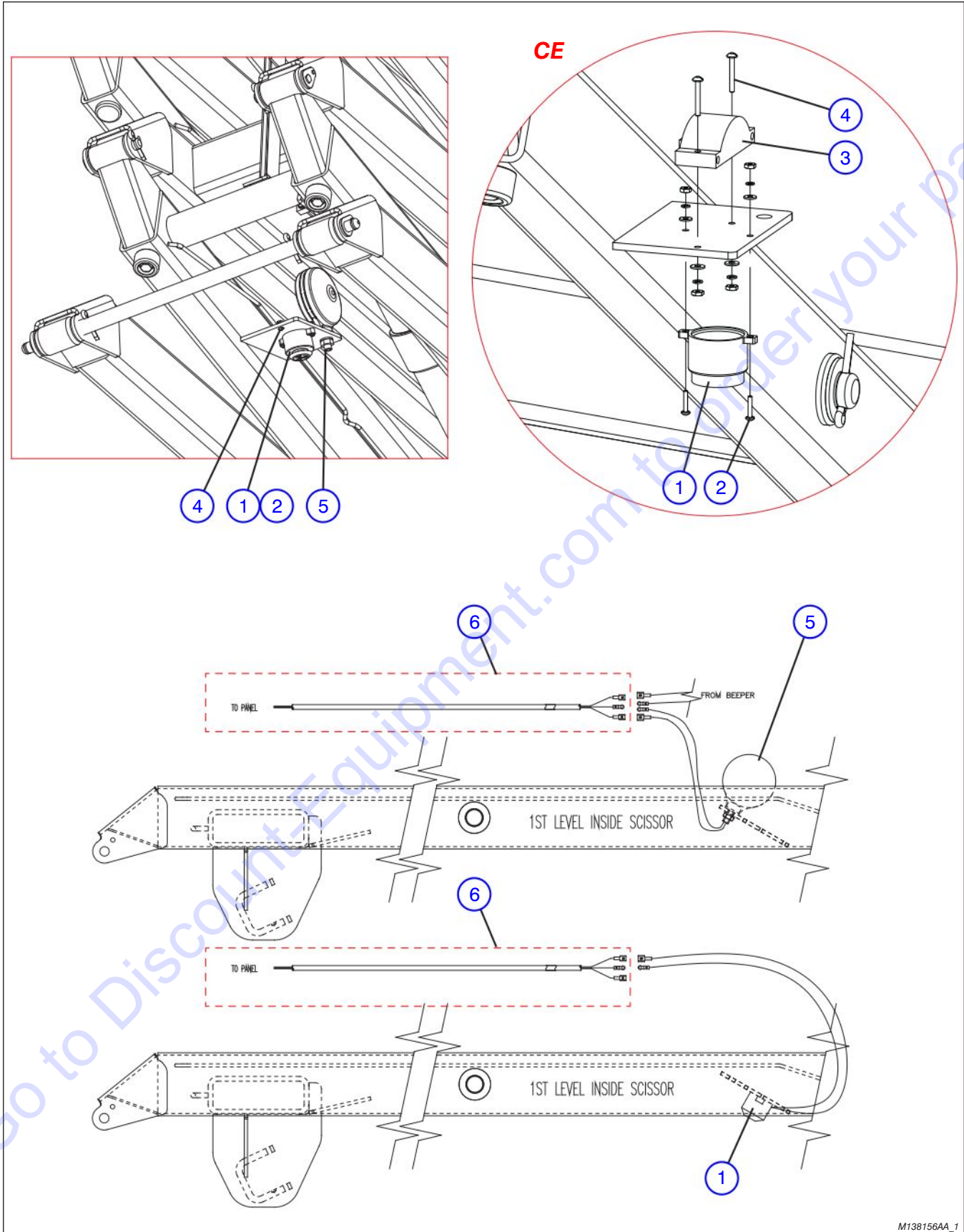
Figure 2.8. Lift Cylinder Holding Valve Assembly with Transducer



M132144AB

Index No.	Skyjack Part No.	Qty.	Description
-	132144	1	ASSEMBLY, Lift cylinder holding valve manifold
1	134432	1	• TRANSDUCER, Pressure 3000 psi
2	130443	1	• BLOCK, Manifold with Plugs
	130442	1	• • BLOCK, Manifold
	108052	2	• • PLUG, Expander
3	107269	1	• VALVE, N.C. Holding
4	106557	1	• VALVE, Relief
5	114579	1	• FITTING, Tee

Figure 2.9. Light & Beeper Assemblies

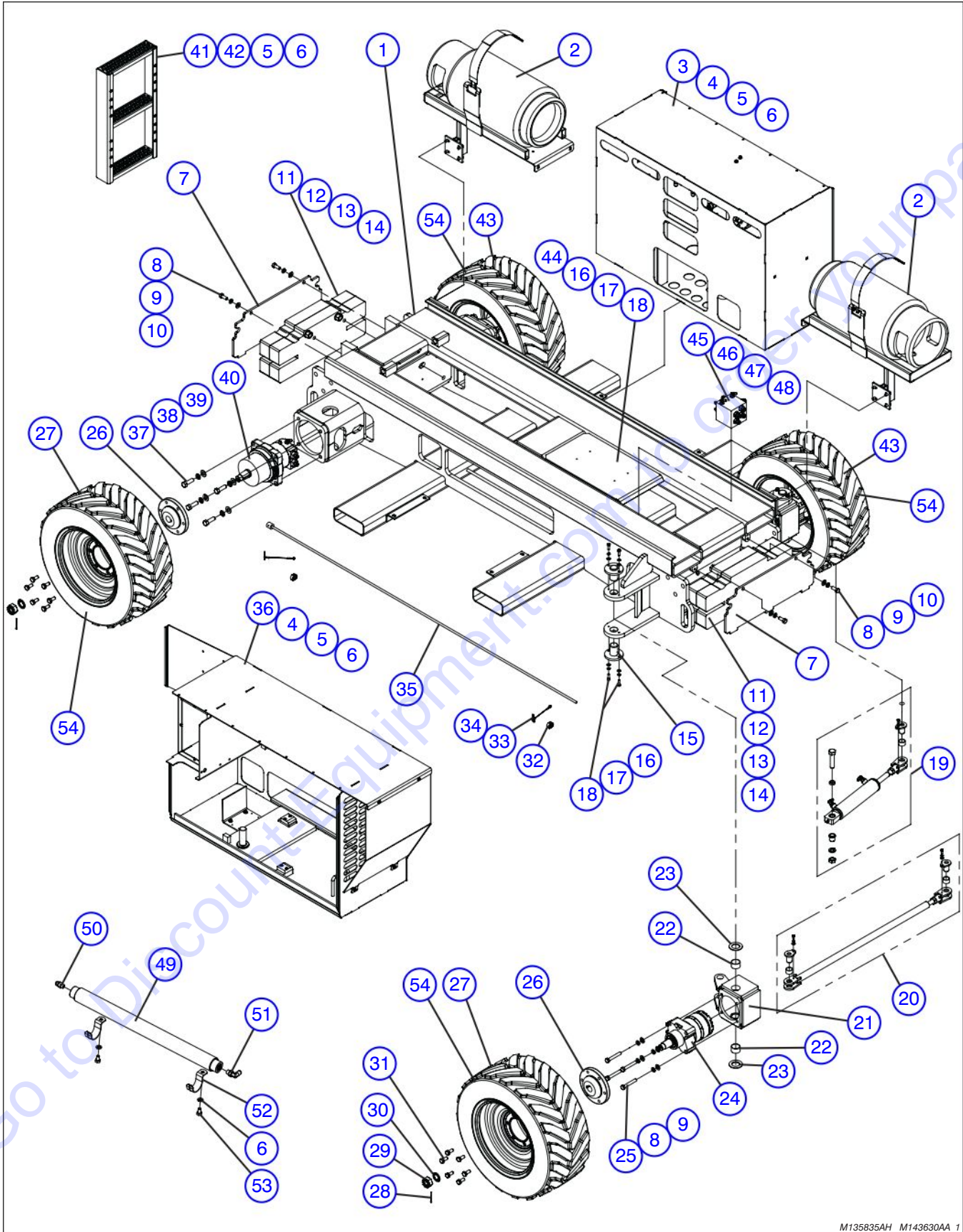


M138156AA_1

Figure 2.9. Light & Beeper Assemblies

Index No.	Skyjack Part No.	Qty.	Description
1	103056	1	BEEPER, 7.5 - 16 VDC (ANSI/CSA)
	117967	1	BEEPER, XL - 600 9 - 28 VDC (CE)
2	-	-	HARDWARE, Beeper
	112248	2	• SCREW, Round head machine (#8 - 32 x 1") (ANSI/CSA)
	103958	2	• SCREW, Round head machine (#8 - 32 x 3/4") (CE)
	103986	2	• NUT, Hex Head (#8-32)
	112249	2	• WASHER, Lock (#8)
	103991	2	• WASHER, Flat (#8)
3	130440	1	TRANSDUCER, Angle
4	-	-	HARDWARE, Angle transducer (CE) or wire mounting (ANSI/CSA)
	104698	AR	• SCREW, Machine (#10 - 32 x 3/4") (ANSI/CSA)
	122498	AR	• SCREW, Machine (#10 - 32 x 1.25") (CE)
	104003	AR	• NUT, Machine (#10-32, Grade B)
	104185	AR	• WASHER, Lock (#10)
	104694	AR	• WASHER, Flat (#10)
5	126677	1	LIGHT, Beacon 12 V with terminals (If equipped)
	121476	1	• LIGHT, Beacon 12 V
	146152	1	• BULB, Dual contact (12 V)
6	138007	1	ASSEMBLY, Cabtire beeper 18/3 (ANSI/CSA)
	103257	156"	• CABTIRE 18/3

Figure 3.1. Base, Axles and Wheels



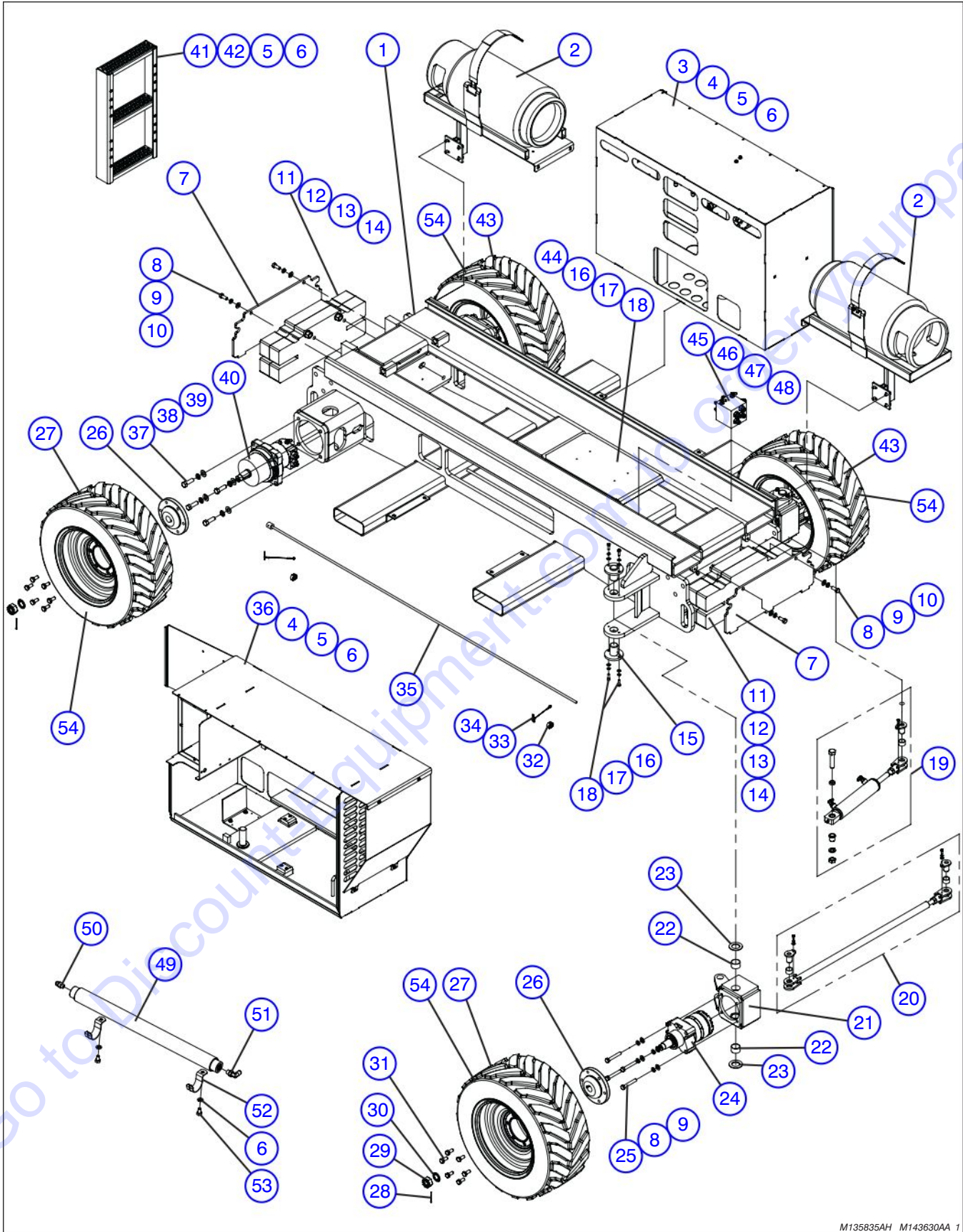
M135835AH M143630AA_1

Figure 3.1. Base, Axles and Wheels

Index No.	Skyjack Part No.	Qty.	Description
1	135891	1	WELDMENT, Base
2	(Ref.)	-	PROPANE TRAY (For components, refer to Figure 3.2)
3	(Ref.)	-	HYDRAULIC CABINET ASSEMBLY (For components, refer to Figure 3.10)
4	300437	AR	BOLT, Hex head (3/8"-16 x 2.25", Grade 5)
5	103472	AR	WASHER Flat (3/8")
6	103999	AR	WASHER, Lock (3/8")
7	137123	2	PLATE, Base front cover
8	103909	4	BOLT, Hex-head (1/2"-13 x 1.25", Grade 5)
9	103468	12	WASHER, Flat (1/2")
10	103470	12	WASHER, Lock (1/2", Grade 5)
11	137396	2	WELDMENT, Base weight (If equipped)
12	112008	4	BOLT, Hex-head (3/4"-10 x 1.5" Grade 8)
13	104002	4	WASHER, Lock (3/4")
14	103990	4	WASHER, Flat (3/4")
15	136521	4	PIN, Wheel pivot
16	103864	AR	BOLT, Hex head (5/16"-18 x 1", Grade 5)
17	103404	AR	WASHER, Lock (5/16")
18	103996	AR	WASHER, Flat (5/16")
19	(Ref.)	-	CYLINDER ASSEMBLY, Steer (For components, refer to Figure 3.3)
20	(Ref.)	-	ASSEMBLY, Tie rod (For components, refer to Figure 3.4)
21	135892	2	WELDMENT, Front wheel motor housing
22	138063	4	BUSHING, DU (1.5" x 1")
23	136567	4	BUSHING, (1.505" ID x 2.505" OD x 0.125")
24	(Ref.)	-	MOTOR, Front wheel (For components, refer to Figure 3.7)
25	103469	AR	BOLT, Hex head (1/2"-13 x 3.25", Grade 5)
26	134716	4	HUB, 6 ON 6 (1-1/2" shaft)
27	135905	AR	WHEEL ASSEMBLY, RH (26x12D) (foam filled, Models 6826 & 6832)
	141736	AR	WHEEL ASSEMBLY, RH (26x12D) (air filled, ANSI/CSA Model 6826 equipped with weights or outriggers)
	142222	AR	WHEEL ASSEMBLY, RH (air filled with sealant, only ANSI/CSA Model 6826 equipped with weights or outriggers)
	141848	2	• LABEL, Tire sealant
	149666	2	WHEEL ASSEMBLY, RH (foam filled non-marking, Models 6826)
28	140920	4	PIN, Cotter 5/32 x 2.5"
29	(Ref.)	-	NUT, Castle (Refer to Figure 3.7)

Part list continued on the following page.

Figure 3.1. Base, Axles and Wheels (Continued)

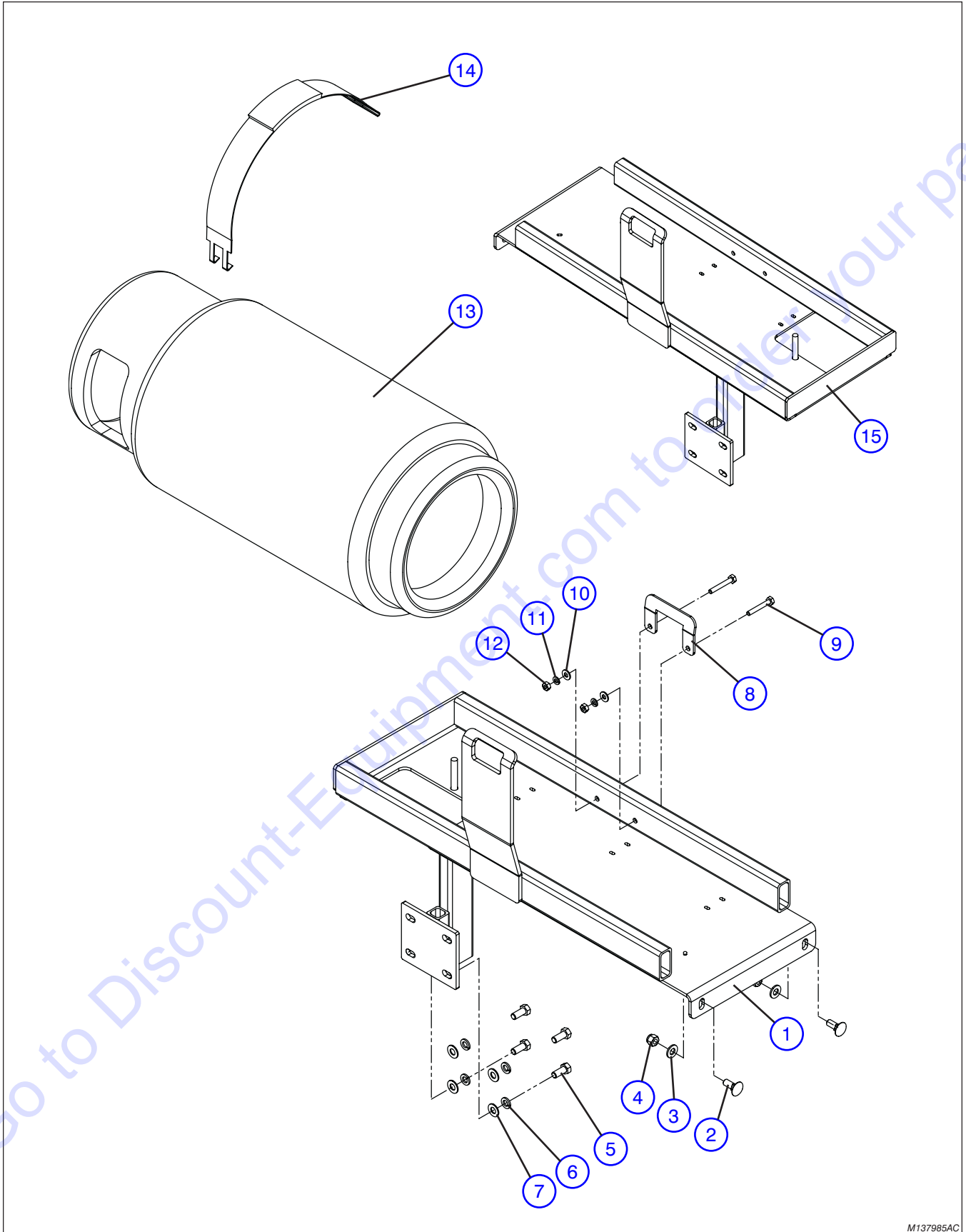


M135835AH M143630AA_1

Figure 3.1. Base, Axles and Wheels (Continued)

Index No.	Skyjack Part No.	Qty.	Description
Part list continued from the previous page.			
30	103969	4	WASHER, Internal tooth (1.125", zinc)
31	103199	AR	BOLT, Wheel (1/2"-20 unf x 1.5")
32	119920	2	CLIP, Vinyl coated
33	124160	2	PIN ASSEMBLY, Locking
34	103964	2	SCREW, Round head machine (10"-32 x 1/4")
35	132477	1	ROD, Emergency lowering access
36	(Ref.)	-	ENGINE CABINET ASSEMBLY (For components, refer to Figure 3.15)
37	106795	AR	BOLT, Hex head (5/8"-11 x 2.25", Grade 5)
38	100352	AR	WASHER, Flat (5/8")
39	103998	AR	WASHER, Lock (5/8")
40	(Ref.)	-	MOTOR, Rear wheel (For components, refer to Figure 3.8)
41	151965	1	WELDMENT, Ladder (Model 6826)
	151967	1	WELDMENT, Ladder (Model 6832)
42	101632	AR	BOLT, Hex-head (3/8"-16x 3/4", Grade 5)
43	135904	AR	WHEEL ASSEMBLY, LH (26x12D) (foam filled, Model 6826 & 6832)
	141735	AR	WHEEL ASSEMBLY, LH (26x12D) (air filled, ANSI/CSA Model 6826 equipped with weights or outriggers)
	142221	AR	WHEEL ASSEMBLY, LH (air filled with sealant, only ANSI/CSA Model 6826 equipped with weights or outriggers)
	141848	2	• LABEL, Tire sealant
	149665	2	WHEEL ASSEMBLY, LH (foam filled non-marking, Models 6826)
44	137960	1	PLATE, Inverter mounting
45	(Ref.)	-	ASSEMBLY, Splitter manifold with fittings (For components, refer to Figure 3.5)
46	103856	AR	BOLT, Hex-head (1/4"-20 x 0.75", Grade 5)
47	104000	AR	WASHER, Lock (1/4")
48	103995	AR	WASHER, Flat (1/4")
49	107752	1	CUSHION CYLINDER
50	103069	1	FITTING, Straight connector (6 SAE 37 - 6 ORB)
51	114578	1	FITTING, Elbow (6-6)
52	102971	2	BRACKET, Conduit
53	138464	2	BOLT, Hex head (0.375-16 x 0.625 grade 5)
54	147293	4	WHEEL ASSEMBLY (solid non-marking)

Figure 3.2. Propane Tray Assembly



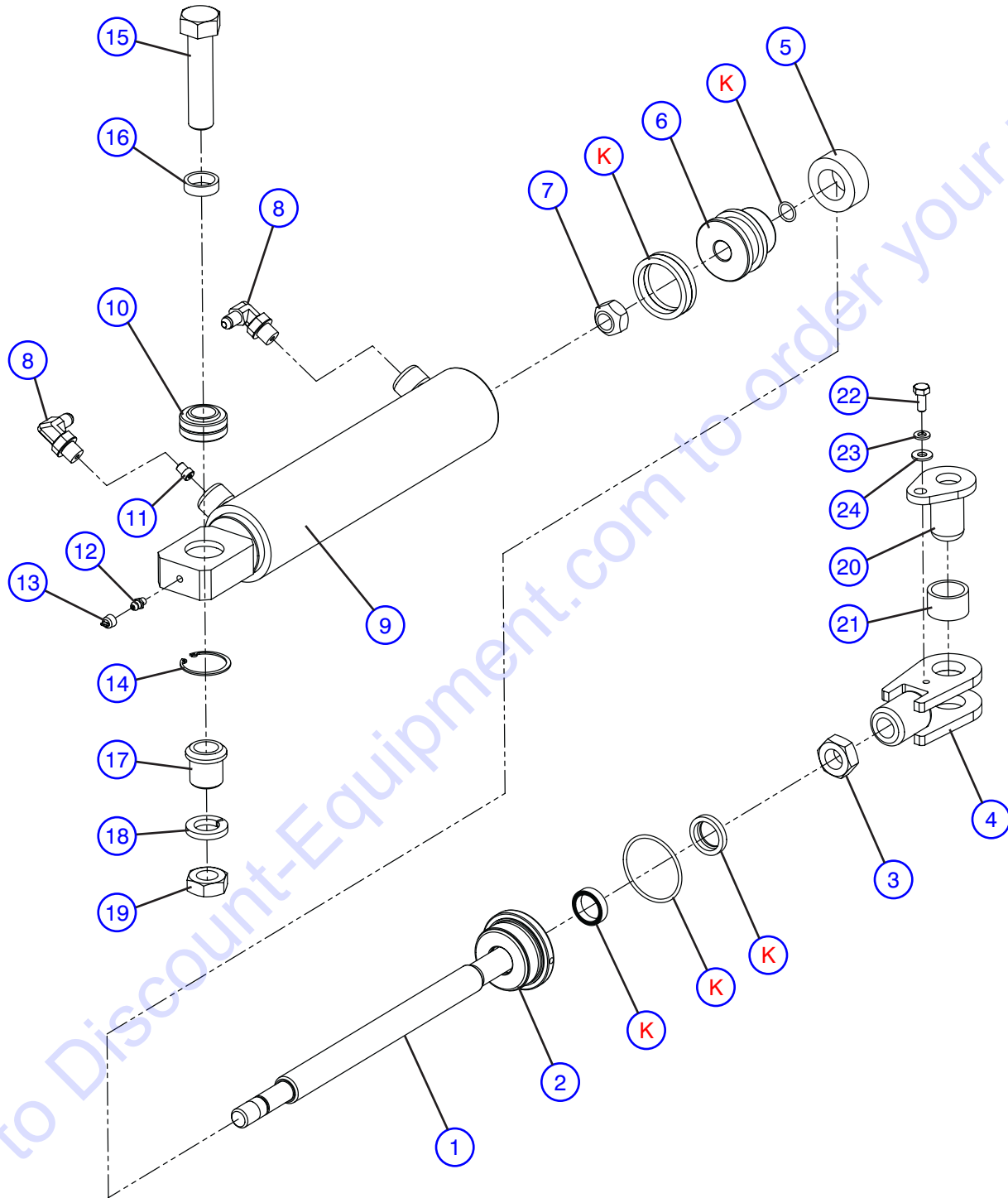
M137985AC

Figure 3.2. Propane Tray Assembly

Index No.	Skyjack Part No.	Qty.	Description
A	137985	-	PROPANE BOTTLE MOUNT ASSEMBLY, Rear
B	137265	-	PROPANE BOTTLE MOUNT ASSEMBLY, Front
1	137968	1	• WELDMENT, Propane bottle mount, A
2	125800	AR	• BOLT, Carriage (3/8" x 1")
3	125959	AR	• WASHER, Flat hard (3/8")
4	104606	AR	• NUT, Hex nylon lock (3/8"-16, Grade 5)
5	300437	AR	• BOLT, Hex head (3/8"-16 x 7/8", Grade 5)
6	103999	AR	• WASHER, Lock (3/8")
7	103472	AR	• WASHER, Flat (3/8")
8	137814	1	• PLATE BRACKET, Propane tank strap
9	103860	AR	• BOLT, Hex head (1/4"-20 x 1.75", Grade 5)
10	103995	AR	• WASHER, Flat (1/4")
11	104000	AR	• WASHER, Lock (1/4")
12	103980	AR	• NUT, Hex head (1/4"-20, Grade 5)
13	145976	1	• TANK, Propane
14	103020	1	• STRAP, Propane tank (2 Sets)
15	137256	1	• WELDMENT, Propane bottle mount, B

Go to Discount-Equipment.com to order your parts

Figure 3.3. Steer Cylinder Assembly with Hardware

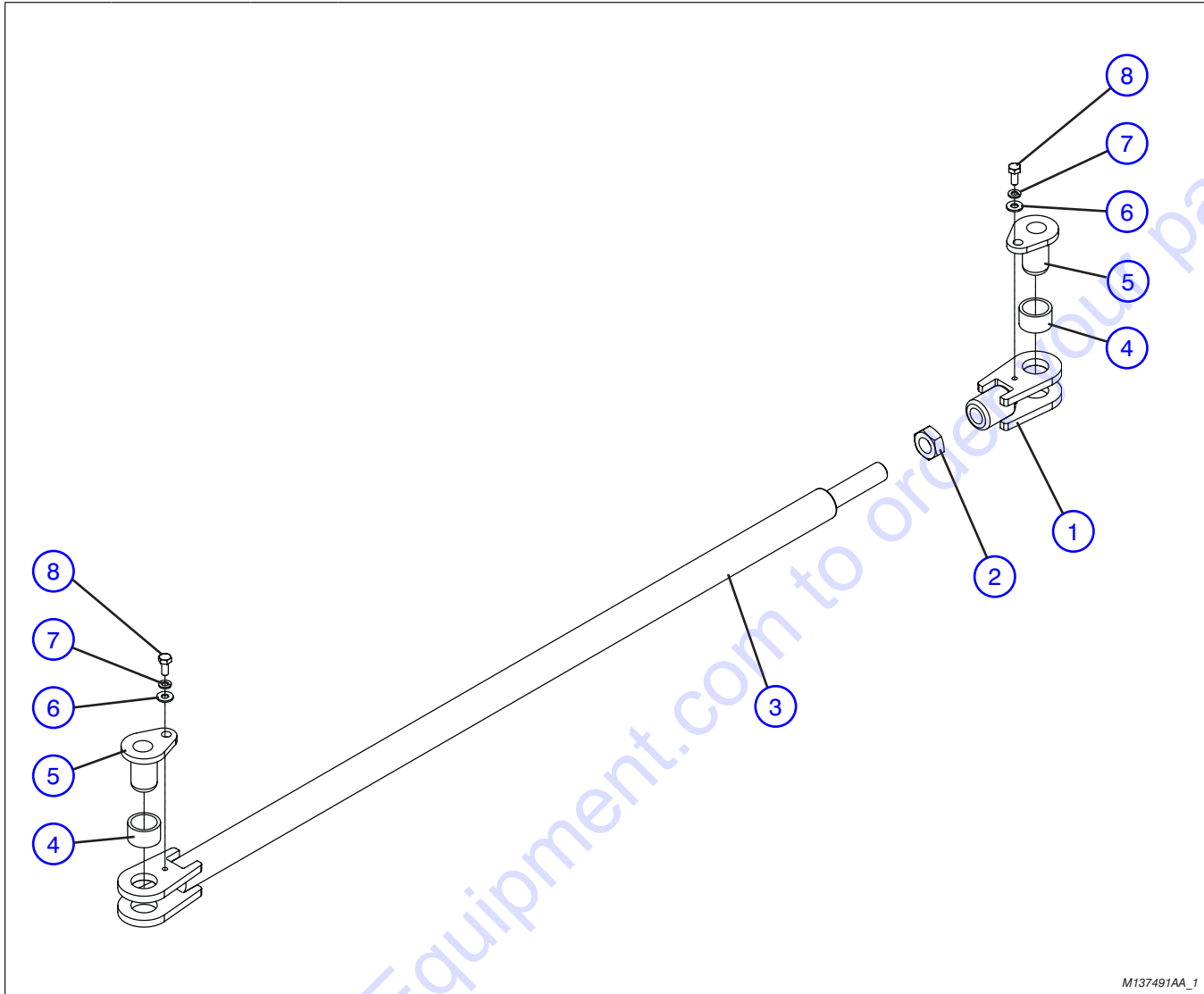


M137491AA

Figure 3.3. Steer Cylinder Assembly with Hardware

Index No.	Skyjack Part No.	Qty.	Description
-	135896	-	CYLINDER ASSEMBLY, Steer
1	136477	1	• ROD, Piston
2	120401	1	• GLAND, Steer cylinder (Universal)
3	100252	1	• NUT, Hex head jam (3/4"-10, Grade 5)
4	135895	1	• END, Cylinder rod (Female)
5	136479	1	• SPACER
6	120633	1	• PISTON, Steer cylinder (Universal)
7	103830	1	• NUT, Crownlock (5/8"-11, Grade C)
8	129127	2	• FITTING, Hydraulic elbow
9	120404	1	• WELDMENT, Cylinder barrel
10	102025	1	• BEARING, Spherical
11	139679	1	• ORIFICE, 0.375 OD X 0.55"
12	103513	1	• FITTING, Grease
13	132565	1	• CAP, Grease fitting
14	104114	1	• RING, Retaining
15	103893	1	BOLT, Hex head (3/4"-10 x 3-1/4", Grade 8)
16	102028	1	SPACER, Steering clevis
17	113432	1	PIN, Steer cylinder
18	104002	1	WASHER, Lock (3/4")
19	100252	1	NUT, Hex head jam (3/4"-10, Grade 5)
20	136519	1	PIN, Tie rod/steer cylinder
21	137811	1	BUSHING, Housing (1" x Ø 3/4")
22	103892	1	BOLT, Hex head (1/4"-20 x 5/8", Grade 5)
23	104000	1	WASHER, Lock (1/4")
24	103995	1	WASHER, Flat (1/4")
K	113443	1	KIT, Seal Repair

Figure 3.4. Tie Rod Assembly with Hardware



M137491AA_1

Index No.	Skyjack Part No.	Qty.	Description
1	142173	1	WELDMENT, Tie rod (Female end)
2	107947	1	NUT, Hex head jam (1-14, Grade 5)
3	135894	1	WELDMENT, Tie rod
4	137811	AR	BUSHING, Housing (1" Ø x 0.75")
5	136519	AR	PIN, Tie rod/steer cylinder
6	103995	AR	WASHER, Flat (1/4")
7	104000	AR	WASHER, Lock (1/4")
8	103892	AR	BOLT, Hex-head (1/4"-20 x 0.625", Grade 5)

PARTS FINDER

**Search Website
by Part Number**



**Search Manual
Library For Parts
Manual & Lookup Part
Numbers – Purchase
or Request Quote**

Search Manuals

Enter your information to help us find the right parts manual for your machine.

* Brand:

* Model:

* Serial:

* Part Number:

SEARCH

**Can't Find Part or
Manual? Request Help
by Manufacturer,
Model & Description**

Parts Order Form

Please fill in the following information to help us find the right part for your machine.

Manufacturer:	<input type="text"/>
Model:	<input type="text"/>
Description:	<input type="text"/>
Part Number:	<input type="text"/>
Quantity:	<input type="text"/>
Notes:	<input type="text"/>

Submit

Discount-Equipment.com is your online resource for quality parts & equipment.

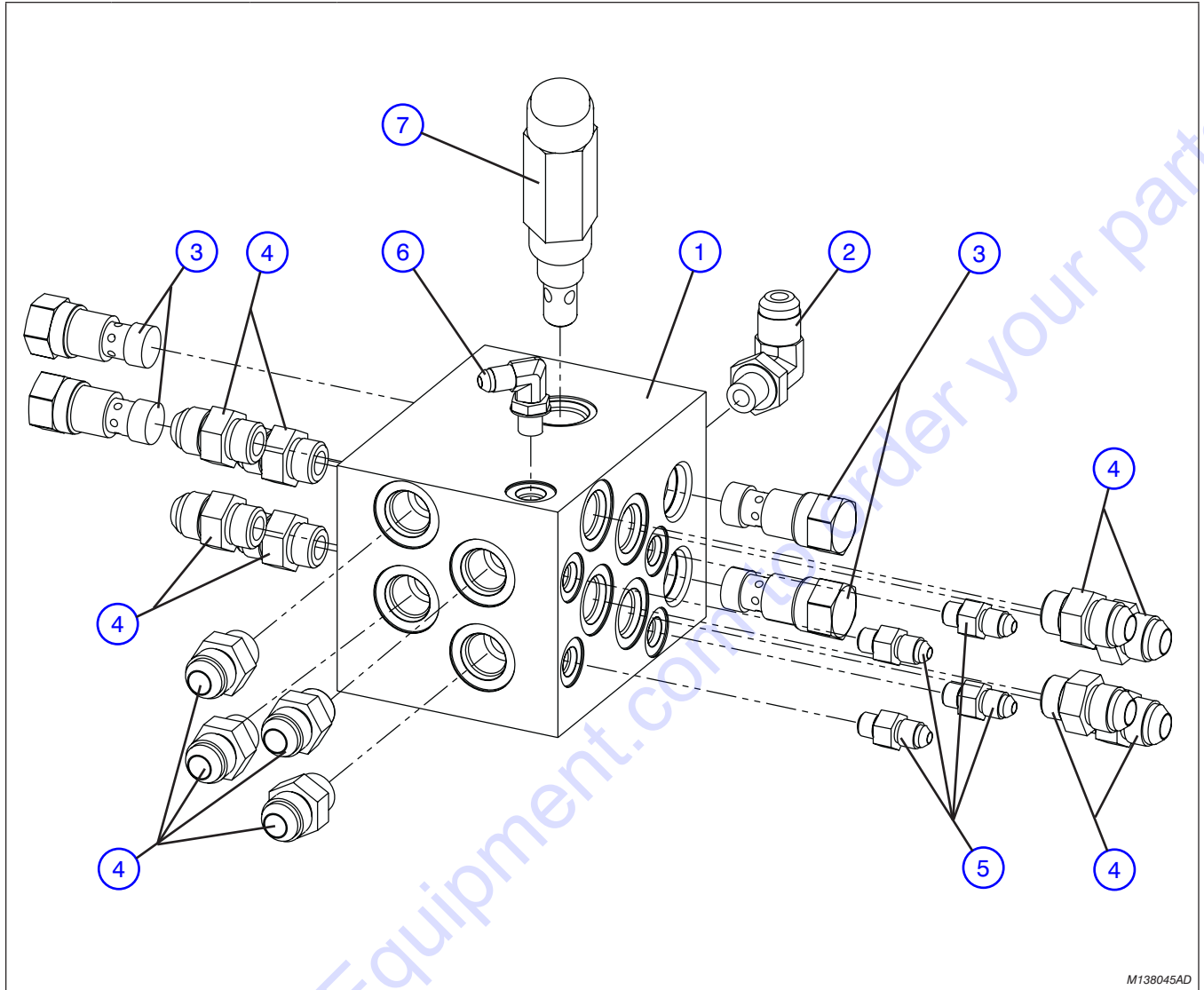
Florida: **561-964-4949** Outside Florida TOLL FREE: **877-690-3101**

Need parts?

Click on this link: <http://www.discount-equipment.com/category/5443-parts/> and choose one of the options to help get the right parts and equipment you are looking for. Please have the machine model and serial number available in order to help us get you the correct parts. If you don't find the part on the website or on one of the online manuals, please fill out the request form and one of our experienced staff members will get back to you with a quote for the right part that your machine needs.

We sell worldwide for the brands: Genie, Terex, JLG, MultiQuip, Mikasa, Essick, Whiteman, Mayco, Toro Stone, Diamond Products, Generac Magnum, Airman, Haulotte, Barreto, Power Blanket, Nifty Lift, Atlas Copco, Chicago Pneumatic, Allmand, Miller Curber, Skyjack, Lull, Skytrak, Tsurumi, Husquvarna Target, Stow, Wacker, Sakai, Mi-T-M, Sullair, Basic, Dynapac, MBW, Weber, Bartell, Bennar Newman, Haulotte, Ditch Runner, Menegotti, Morrison, Contec, Buddy, Crown, Edco, Wyco, Bomag, Laymor, EZ Trench, Bil-Jax, F.S. Curtis, Gehl Pavers, Heli, Honda, ICS/PowerGrit, IHI, Partner, Imer, Clipper, MMD, Koshin, Rice, CH&E, General Equipment, Amida, Coleman, NAC, Gradall, Square Shooter, Kent, Stanley, Tamco, Toku, Hatz, Kohler, Robin, Wisconsin, Northrock, Oztec, Toker TK, Rol-Air, APT, Wylie, Ingersoll Rand / Doosan, Innovatech, Con X, Ammann, Mecalac, Makinex, Smith Surface Prep, Small Line, Wanco, Yanmar

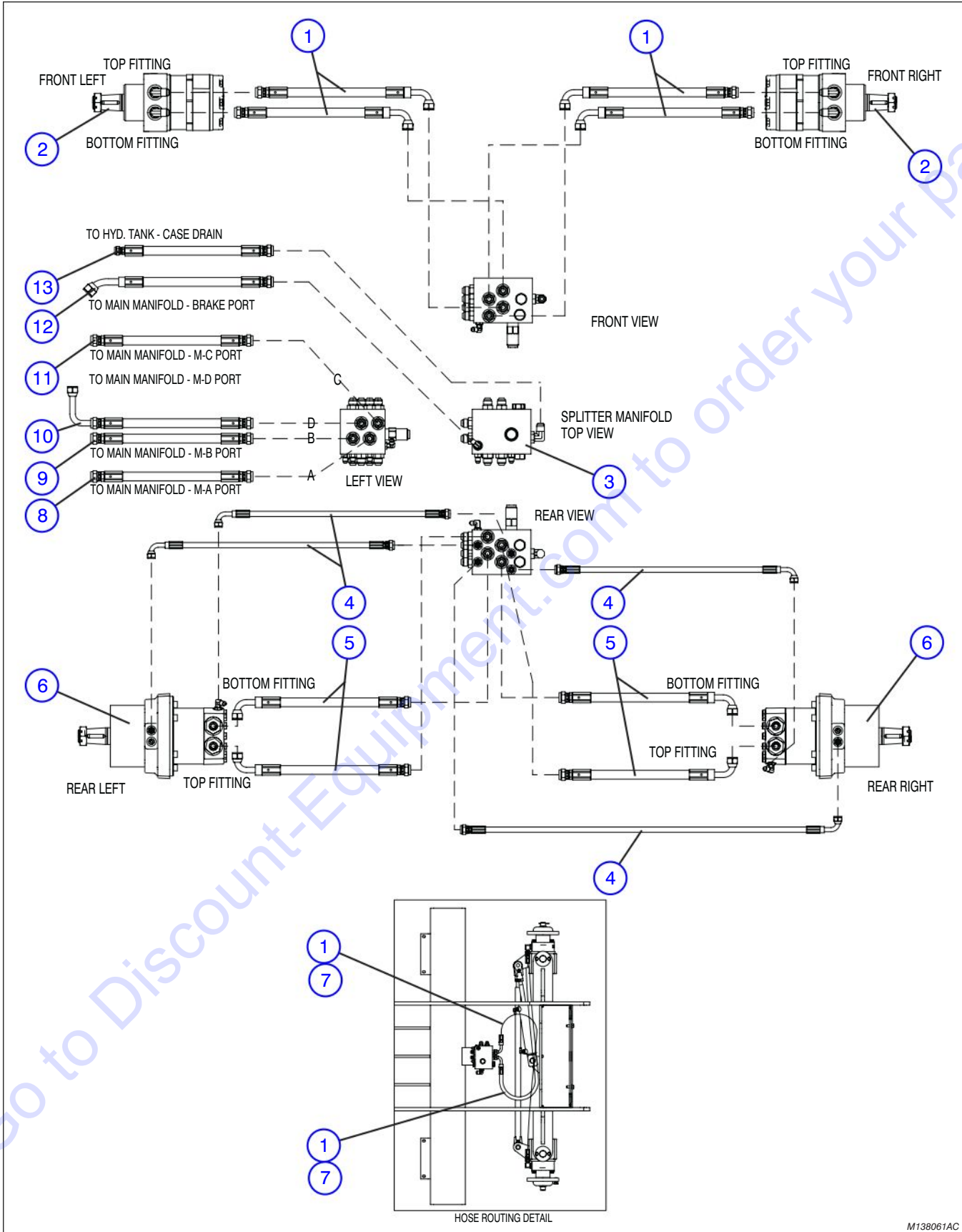
Figure 3.5. Splitter Manifold



M138045AD

Index No.	Skyjack Part No.	Qty.	Description
-	138045	1	SPLITTER MANIFOLD ASSEMBLY
1	139450	1	• MANIFOLD, Splitter with plugs
2	114582	1	• FITTING, 6-8 O-ring elbow
3	104624	4	• VALVE, Pilot Check
4	102659	12	• FITTING, Connector (8 SAE - 8 JIC)
5	126128	4	• FITTING, Connector (4 SAE - 4 JIC)
6	125883	1	• FITTING, Hydraulic 90° (04MJ04MB)
7	139683	1	• VALVE, Relief

Figure 3.6. Splitter Manifold Plumbing



M138061AC

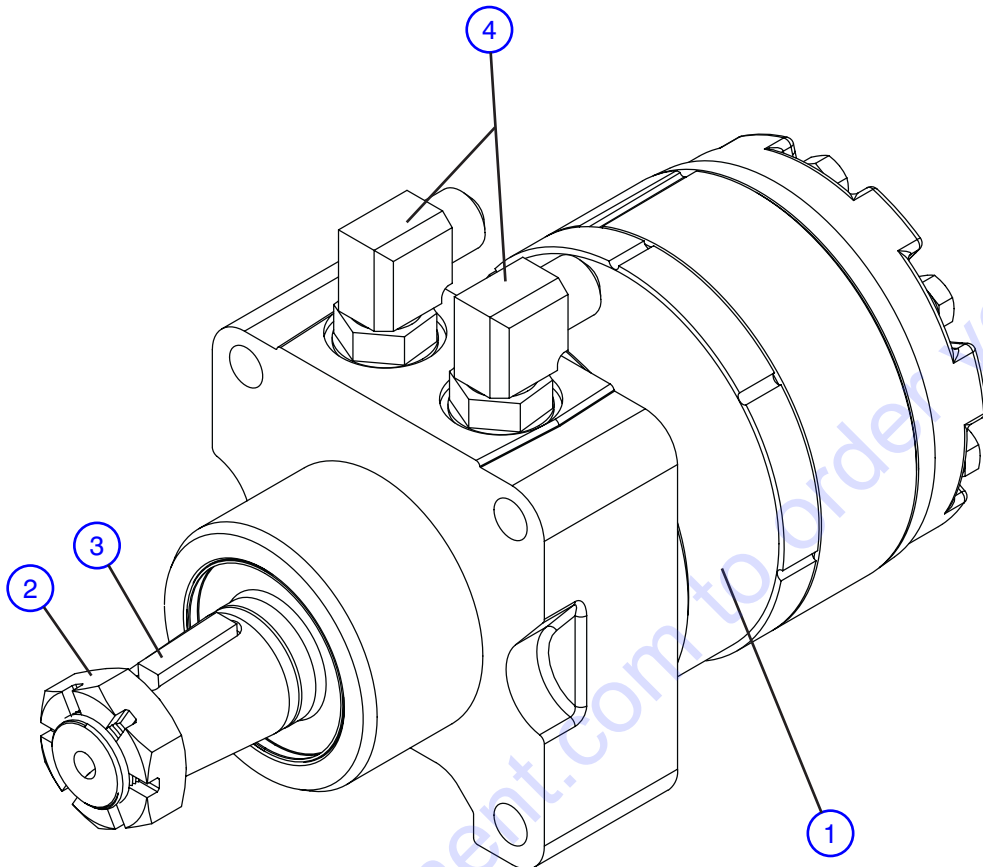
Figure 3.6. Splitter Manifold Plumbing

Index No.	Skyjack Part No.	Qty.	Description
1	140902	AR	HOSE, Hydraulic line (1/2" DIA x 41")
2	(Ref.)	-	MOTOR, Wheel front (For components, refer to Figure 3.7)
3	(Ref.)	-	ASSEMBLY, Splitter manifold (For components, refer to Figure 3.5)
4	140901	AR	HOSE, Hydraulic line (1/4" DIA x 81")
5	140900	AR	HOSE, Hydraulic line (1/2" DIA x 75")
6	(Ref.)	-	MOTOR, Wheel rear (For components, refer to Figure 3.8)
7	140914	AR	SLEEVE, Nylon hose protector
8	140904	1	HOSE, Hydraulic line (1/2" DIA x 64")
9	140905	1	HOSE, Hydraulic line (1/2" DIA x 62")
10	140906	1	HOSE, Hydraulic line (1/2" DIA x 65")
11	110473	1	HOSE, Hydraulic line (1/2" DIA x 60")
12	140903	1	HOSE, Hydraulic line (1/4" DIA x 50")
13	137826	1	HOSE, Hydraulic line (1/4" DIA x 50")

Go to Discount-Equipment.com to order your parts

Figure 3.7. Front Wheel Motor

AC

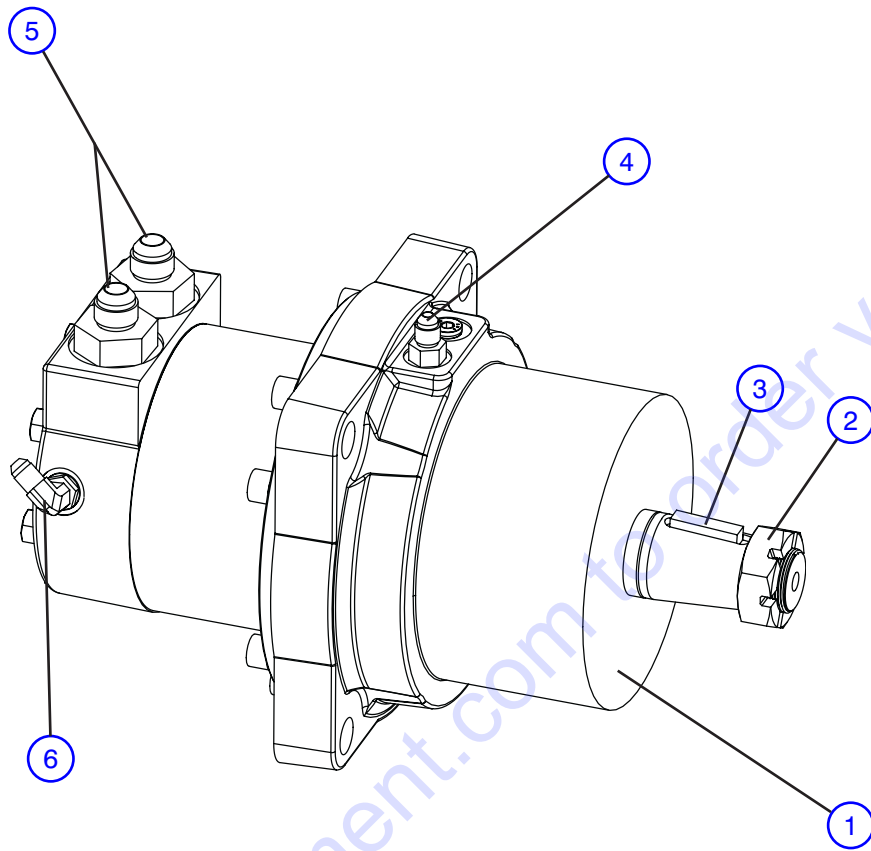


M138039AC

Index No.	Skyjack Part No.	Qty.	Description
1	141656	-	MOTOR, Front wheel
2	139342	1	• NUT, Castle
3	139508	1	• KEY, Shaft
	139520	AR	• KIT, Seal repair
4	132256	2	FITTING, Elbow 90° (08 JICM - 10 ORBM)

Figure 3.8. Rear Wheel Motor

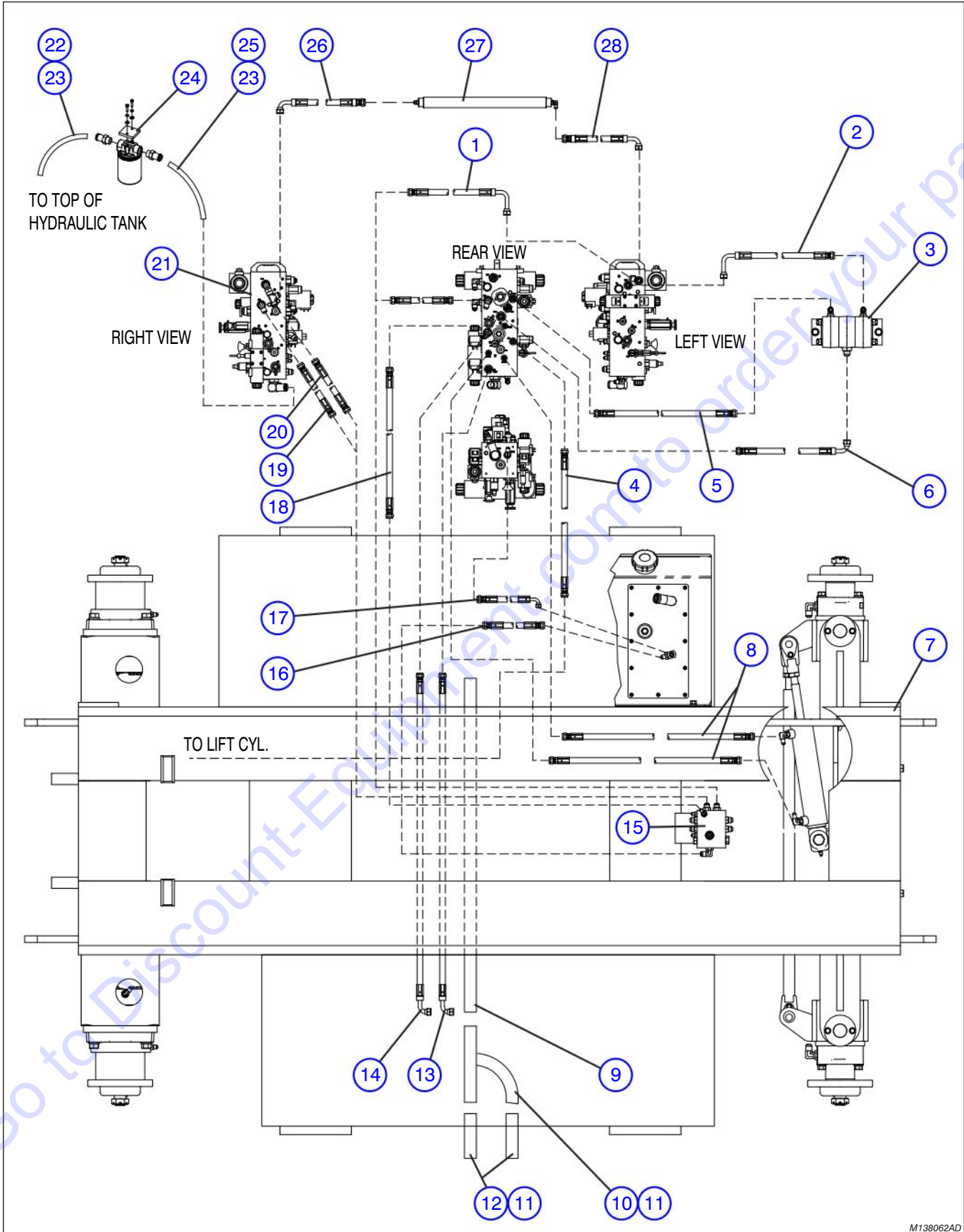
AC



M138043AA

Index No.	Skyjack Part No.	Qty.	Description
1	141657	-	MOTOR, Rear wheel
2	139342	1	• NUT, Castle
3	139508	1	• KEY, Shaft
	139542	AR	• KIT, Seal repair
4	126128	1	FITTING, Straight (04 JICM - 04 ORBM)
5	105446	2	FITTING, Straight (08 JICM - 12 ORBM)
6	125883	1	FITTING, Elbow 90° (04 JICM - 04 ORBM)

Figure 3.9. Main Manifold Plumbing

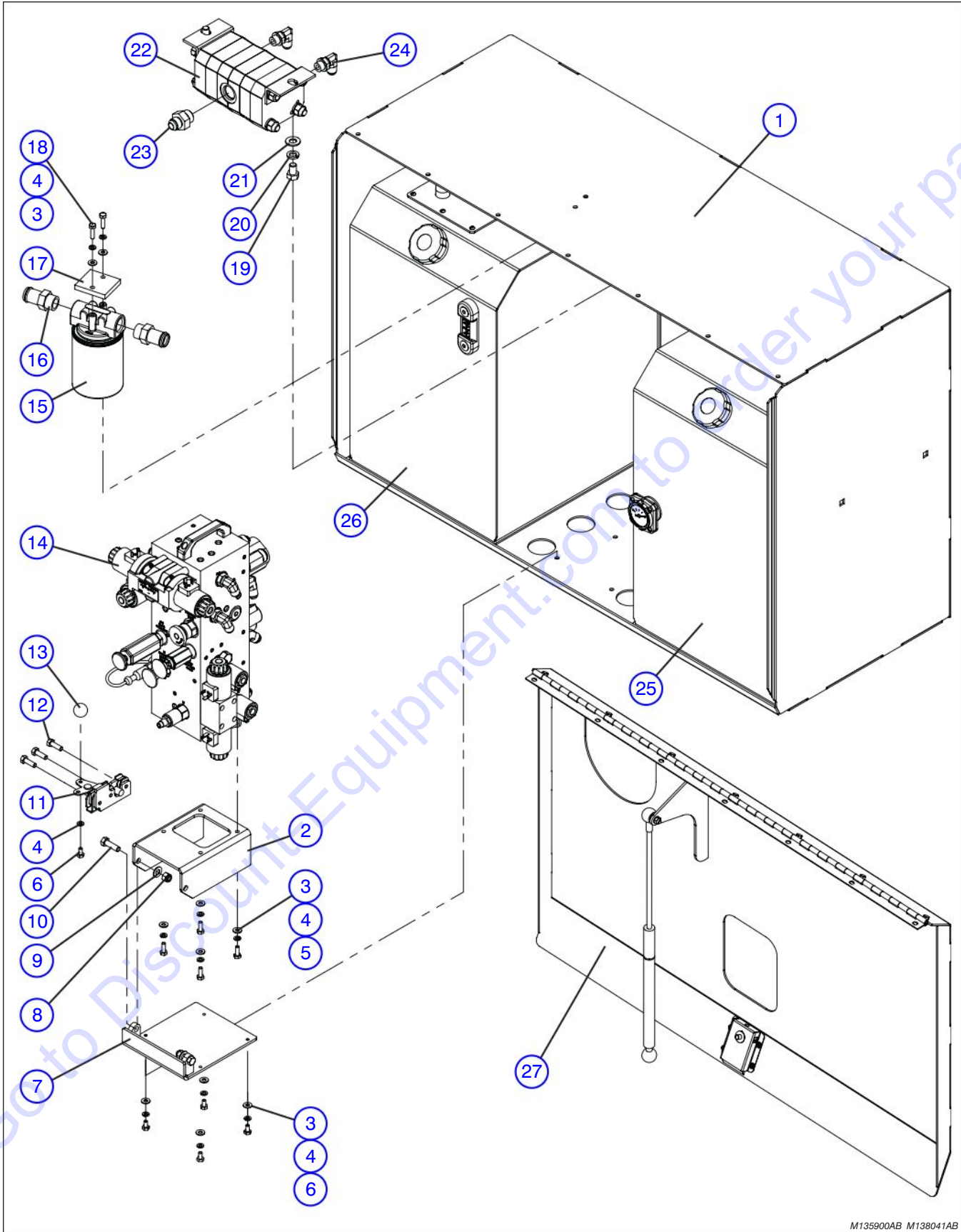


M138062AD

Figure 3.9. Main Manifold Plumbing

Index No.	Skyjack Part No.	Qty.	Description
1	143653	1	HOSE, Hydraulic line (1/2" DIA x 67")
2	137818	1	HOSE, Hydraulic line (1/2" DIA x 29")
3	(Ref.)	-	FLOW DIVIDER, Gear type (For components, refer to Figure 3.10)
4	(Ref.)	-	HOSE, Hydraulic line (3/8" DIA x 84") (Refer to Figure 2.7)
5	137819	1	HOSE, Hydraulic line (1/2" DIA x 24")
6	137831	1	HOSE, Hydraulic line (5/8" DIA x 20")
7	(Ref.)	1	ASSEMBLY, Base (For components, refer to Figure 3.1)
8	137820	2	HOSE, Hydraulic line (1/4" DIA x 68")
9	137821	1	HOSE, Suction (1-1/4" DIA x 44")
10	137204	1	TUBE, Suction
11	114326	AR	CLAMP, Hose (1.58")
12	133654	2	HOSE, Tank truck (1-1/4" DIA x 3.5")
13	137816	1	HOSE, Hydraulic line (1/2" DIA x 77")
14	102463	1	HOSE, Hydraulic line (1/2" DIA x 84")
15	(Ref.)	1	ASSEMBLY, Splitter manifold (For components, refer to Figure 3.5)
16	140907	1	HOSE, Hydraulic line (1/2" DIA x 62")
17	137832	1	HOSE, Hydraulic line (3/8" DIA x 35")
18	140903	1	HOSE, Hydraulic line (1/4" DIA x 50")
19	140905	1	HOSE, Hydraulic line (1/2" DIA x 62")
20	140904	1	HOSE, Hydraulic line (1/2" DIA x 64")
21	(Ref.)	1	ASSEMBLY, Main manifold (For components, refer to Figure 3.13)
22	136454	1	HOSE, (1" DIA x 11")
23	103320	AR	CLAMP, Gear (#16)
24	(Ref.)	1	ASSEMBLY, Filter (For components, refer to Figure 3.10)
25	137485	1	HOSE, (1" DIA x 41.5")
26	143615	1	HOSE, Hydraulic line (3/8" DIA x 51")
27	(Ref.)	1	CYLINDER, Cushion (For components, refer to Figure 3.1)
28	143616	1	HOSE, Hydraulic line (3/8" DIA x 72")

Figure 3.10. Hydraulic Cabinet Assembly

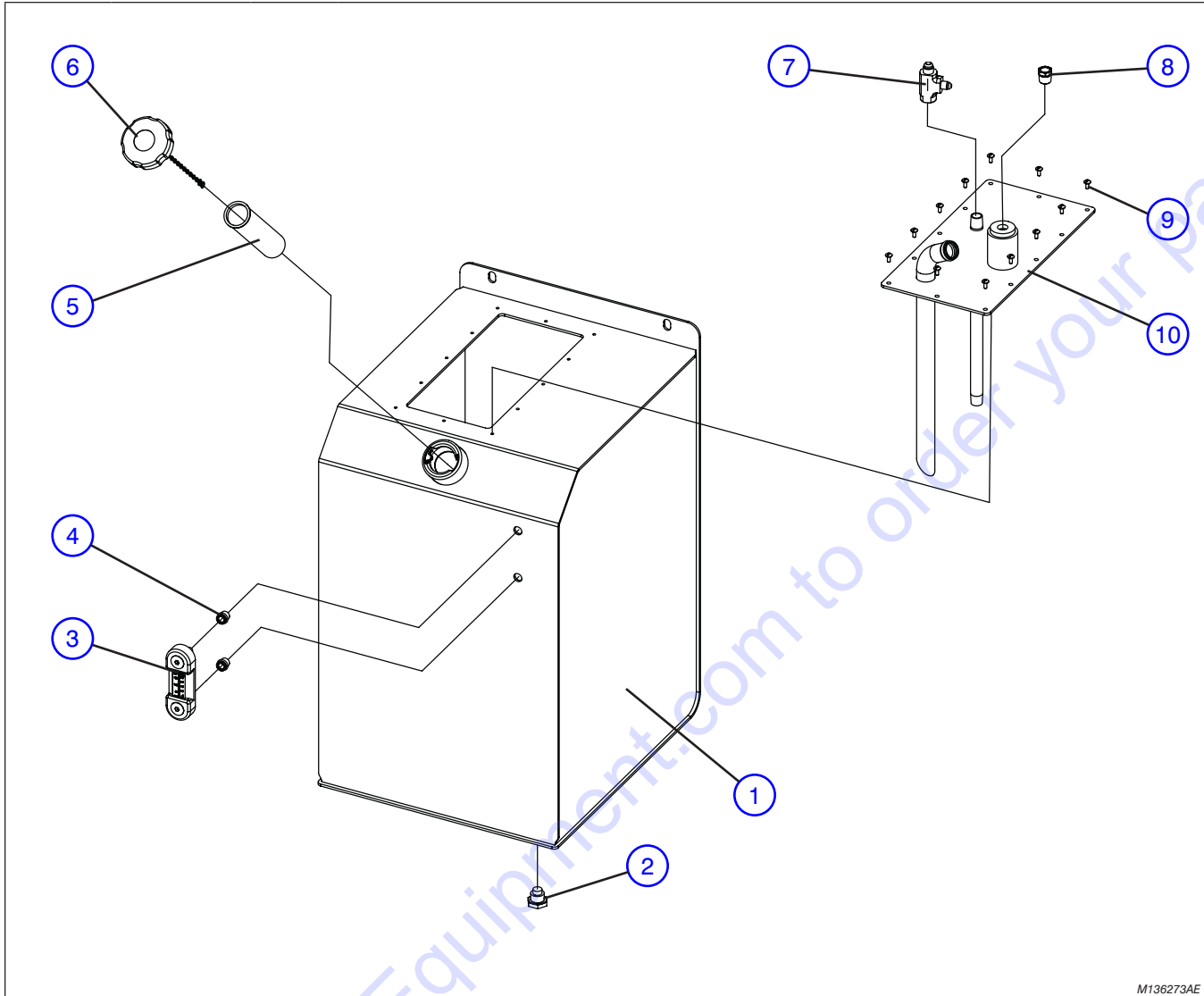


M135900AB M138041AB

Figure 3.10. Hydraulic Cabinet Assembly

Index No.	Skyjack Part No.	Qty.	Description
-	135900	-	HYDRAULIC CABINET ASSEMBLY
1	136352	1	• WELDMENT, Hydraulic cabinet
2	137252	1	• WELDMENT, Manifold baseplate
3	103995	AR	• WASHER, Flat (1/4")
4	104000	AR	• WASHER, Lock (1/4")
5	103856	AR	• BOLT, Hex head (1/4"-20 x 3/4", Grade 5)
6	103855	AR	• BOLT, Hex head (1/4"-20 x 1/2", Grade 5)
7	137250	1	• WELDMENT, Mounting plate
8	104606	2	• NUT, Hex nylon lock (3/8"-16, Grade 5)
9	103472	AR	• WASHER, Flat (3/8")
10	101297	AR	• BOLT, Hex head (3/8" - 16 x 1-1/4", Grade 5)
11	102781	1	• LATCH, Rotary LH
12	103864	AR	• BOLT, Hex head (5/16"-18 x 1", Grade 5)
13	111534	1	• KNOB, Latch
14	(Ref.)	-	• ASSEMBLY, Main manifold (For components, refer to Figure 3.13)
15	136405	1	• ASSEMBLY, Filter
	136403	1	• • HEAD, Oil filter
	108628	1	• • FILTER, Oil
16	112187	2	• FITTING, Hose barb
17	137450	1	• PLATE, Return filter mount
18	103857	AR	• BOLT , Hex head (1/4"-20 x 1", Grade 5)
19	116997	AR	• BOLT , Hex head (1/2"-13 x 3/4", Grade 5)
20	103470	AR	• WASHER, Lock (1/2")
21	103468	AR	• WASHER, Flat (1/2")
22	137185	1	• FLOW DIVIDER, Gear type
23	137490	1	• FITTING, Straight connector (12 SAE -10 JIC)
24	114583	2	• FITTING, Adjustable o-ring (37° flared elbow)
25	(Ref.)	-	TANK ASSEMBLY, Fuel (For components, refer to Figure 3.12)
26	(Ref.)	-	TANK ASSEMBLY, Oil (For components, refer to Figure 3.11)
27	(Ref.)	-	DOOR, Hydraulic cabinet (For components, refer to Figure 3.14)

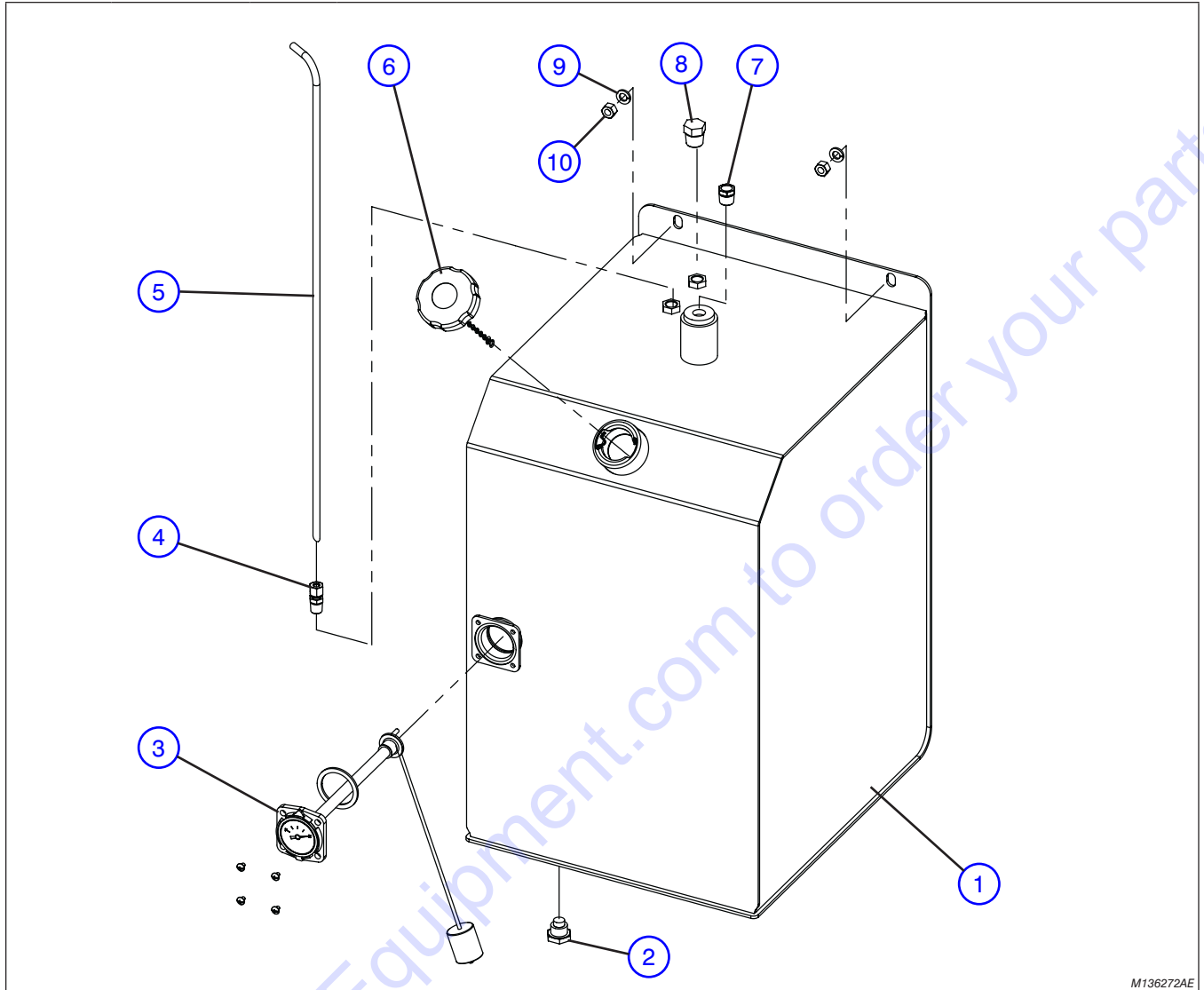
Figure 3.11. Oil Tank Assembly



M136273AE

Index No.	Skyjack Part No.	Qty.	Description
-	136273	1	TANK ASSEMBLY, Oil
1	136259	1	• TANK, Oil
2	117701	1	• FITTING, Magnetic drain plug
3	103236	1	• GAUGE, Oil level/temp
4	124311	2	• • INSERT, Threaded
5	132128	1	• SCREEN
6	136369	1	• CAP, Filler non-vented assembly
7	139468	1	• FITTING, Tee hydraulic
8	137540	1	• VENT, Breather
9	103962	AR	• BOLT, Machine head (#10-32 x 1/2")
10	136262	1	• LID, Oil tank

Figure 3.12. Gas Tank Assembly

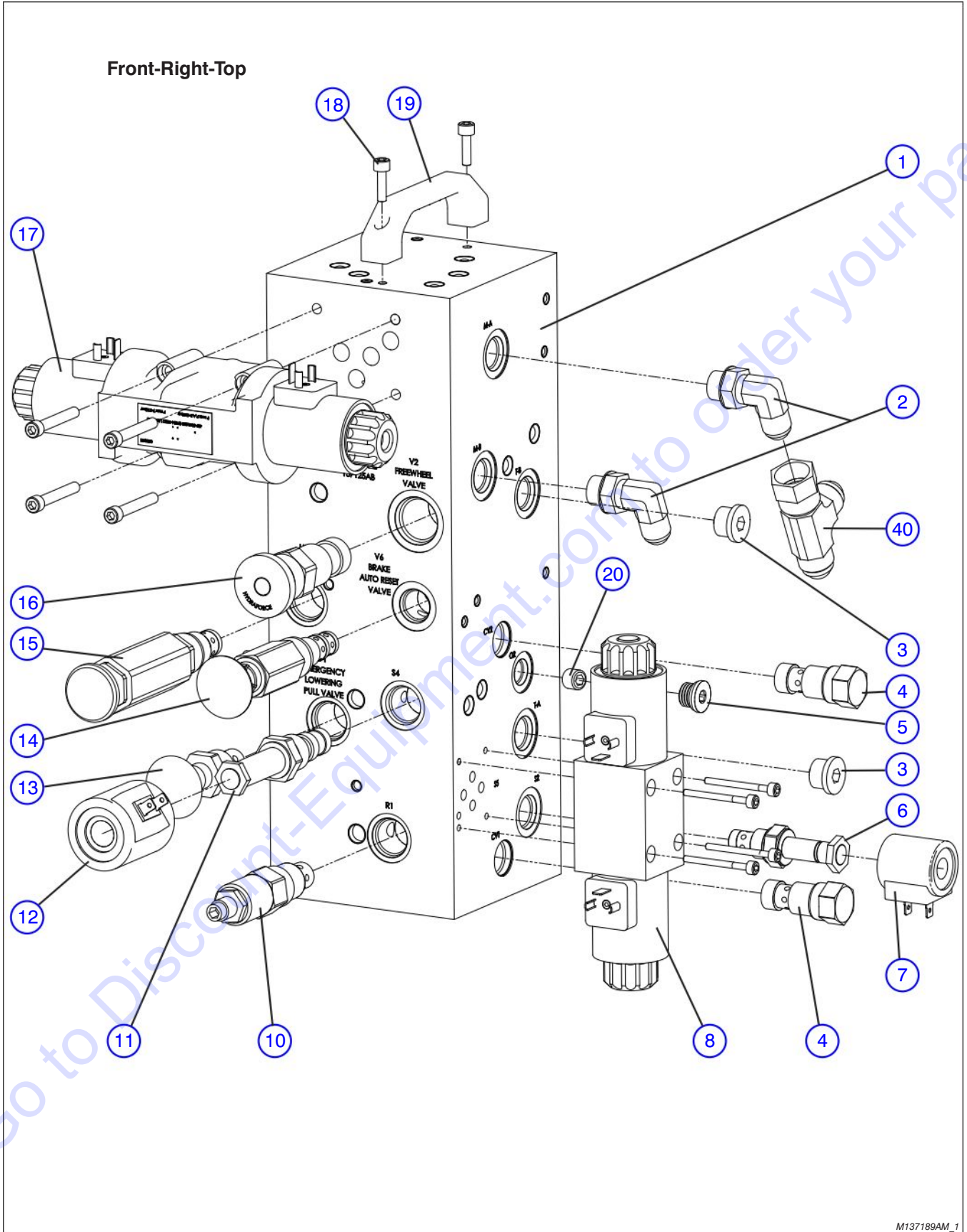


M136272AE

Index No.	Skyjack Part No.	Qty.	Description
-	136272	1	TANK ASSEMBLY, Fuel
1	136258	1	• TANK, Fuel
2	117701	1	• THREAD STRAIGHT MAGNETIC PLUG ASSEMBLY
	149606	1	• • PLUG, Thread straight magnetic
	120190	1	• • SEAL, Thread straight magnetic plug
3	136427	1	• GAUGE, Level
4	103155	1	• FITTING, Brass tank (#T68-5B)
5	136289	1	• TUBE, Suction
6	136369	1	• CAP, Filler non-vented assembly
7	137540	1	• VENT, Breather
8	102932	1	• PLUG, Pressure
9	125959	AR	WASHER, Flat hardened (3/8")
10	104606	AR	NUT, Hex lock nylon insert (3/8"-16, Grade 5)

Figure 3.13. Main Manifold

AB



M137189AM_1

Figure 3.13. Main Manifold

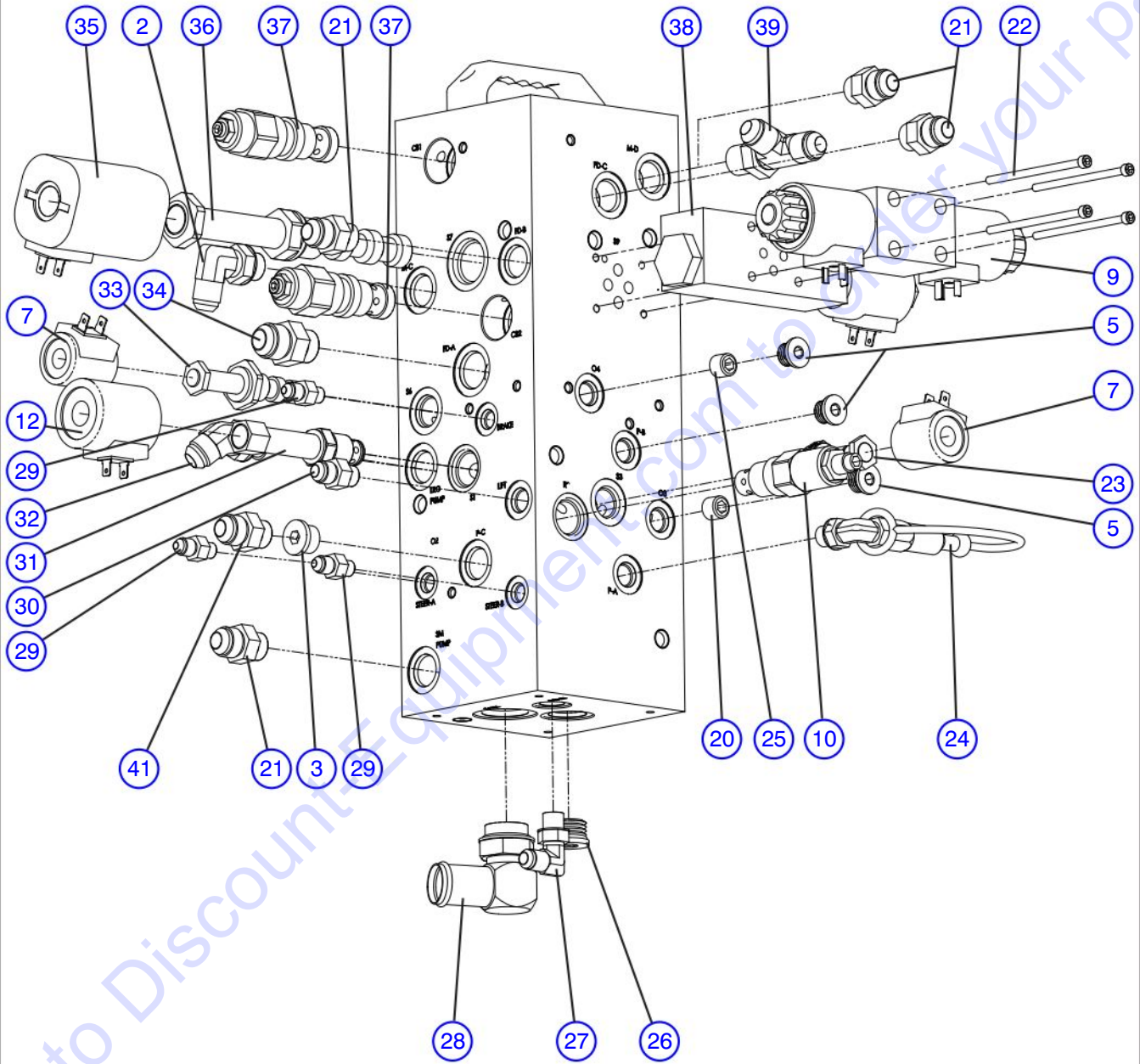
AC

Index No.	Skyjack Part No.	Qty.	Description
-	137189	1	MAIN MANIFOLD ASSEMBLY
1	137125	1	• MANIFOLD, Main with plugs
2	114583	3	• FITTING, Adjustable o-ring - 37° flared elbow
3	115320	3	• FITTING, Hydraulic plug (08MB) (No outriggers)
4	104624	2	• VALVE, Pilot check
5	104437	4	• FITTING, Plug (6 SAE - 6 JIC) (Port)
6	103656	1	• VALVE, Small pump dump
7	103613	3	• COIL, 12 Volt
8	-	-	• VALVE ASSEMBLY, Directional spool w/ mounts
	153336	1	• • VALVE ASSEMBLY, Directional spool
	153337	2	• • • COIL, 12 Volt
	103919	4	• • BOLT, Socket head (#10-24 x 1-3/4", Grade 5)
9	128318	1	• VALVE ASSEMBLY, Directional spool
	128321	2	• • COIL, 12 Volt
10	104534	2	• VALVE, Relief
11	106273	1	• VALVE, Lift
12	106272	2	• COIL, #10, 12 Volt
13	107271	1	• VALVE, Manual directional
14	113752	1	• VALVE, Auto reset
15	110652	1	• PUMP, Cavity hand
16	137182	1	• VALVE, Needle cartridge NV12-20
17	139257	1	• VALVE ASSEMBLY, Directional spool w/ mounts
	139256	1	• • VALVE ASSEMBLY, Directional spool
	128321	2	• • • COIL, 12 Volt
	103942	4	• • BOLT, Socket head (1/4"-20 x 1-3/4", Grade 5)
18	103941	2	• BOLT, Socket (1/4"-20 x 3/4", Grade 5)
19	137653	1	• HANDLE, Pull
20	137510	2	• ORIFICE, Lowering (Ø 0.106) (Model 6826)
	137509	2	• ORIFICE, Lowering (Ø 0.089) (Model 6832)
21	102659	AR	• FITTING, Connector (8 SAE - 8 JIC)
22	103923	4	• BOLT, Socket head (#10-24 x 3-1/2", Grade 5)
23	103655	1	• VALVE, Lowering (N.C.)

Part list continued on the following page.

Figure 3.13. Main Manifold (Continued)

Back-Left-Bottom



M137189AM_2

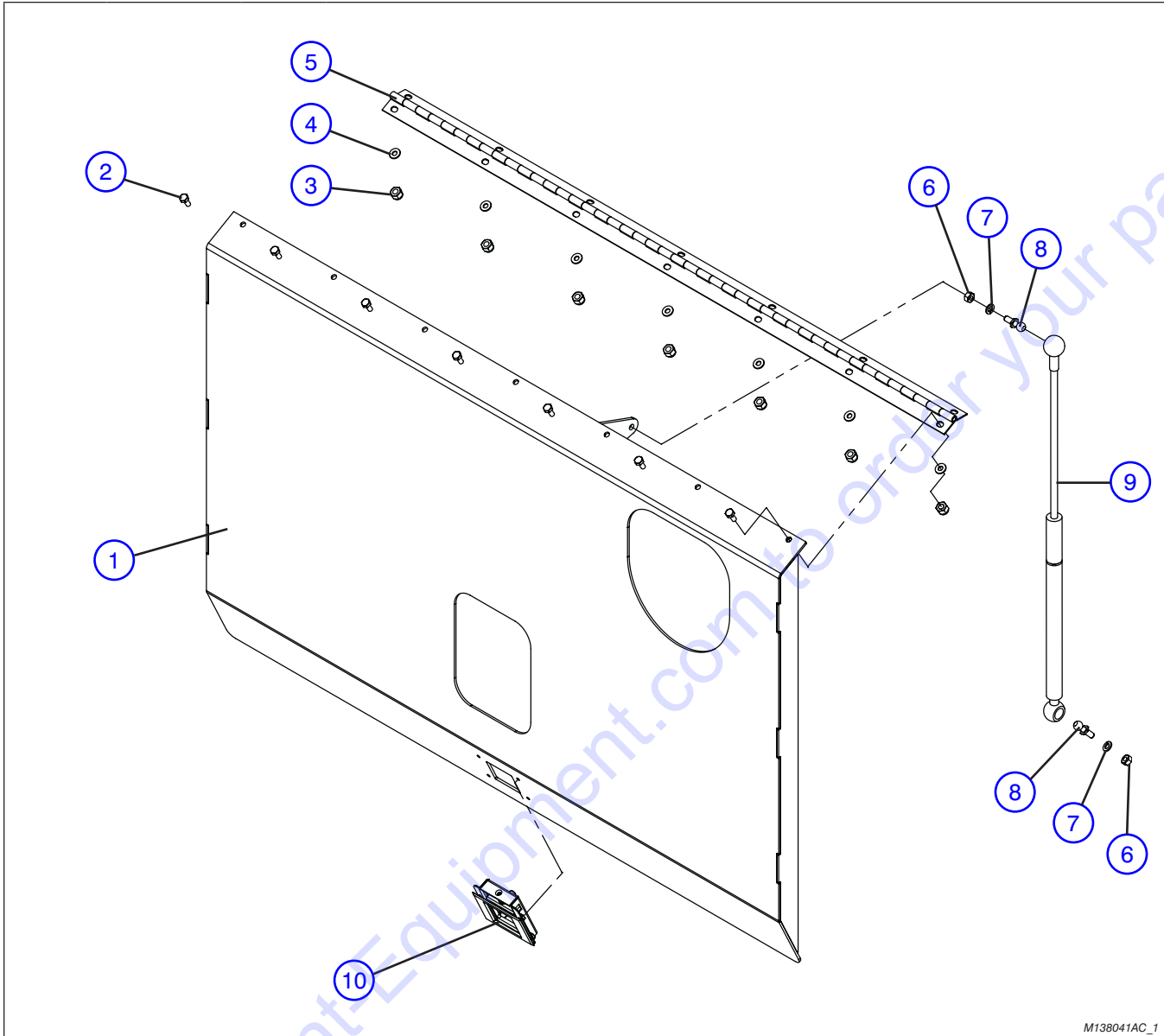
Figure 3.13. Main Manifold (Continued)

AB

Index No.	Skyjack Part No.	Qty.	Description
Part list continued from the previous page.			
24	122419	1	• ASSEMBLY, Quick disconnect (system pressure)
	122365	1	• • FITTING, Connector (6 SAE - 6 JIC)
	122385	1	• • COUPLER, Quick
	114521	1	• • DUST CAP, 600 Series
25	137508	1	• ORIFICE, Brake (Ø 0.028)
26	137629	1	• FITTING, Plug cavity #12
27	114578	1	• FITTING, Elbow 90° (6 SAE - 6 JIC)
28	137626	1	• FITTING, Hydraulic 90° (SAE-12 to Barb-16)
29	126128	3	• FITTING, Connector (4 SAE - 4 JIC)
30	103069	1	• FITTING, Connector (6 SAE - 6 JIC)
31	114365	1	• VALVE, Large pump dump (N.O.)
32	139739	1	• FITTING, Elbow 45° (8 SAE - 8 JIC)
33	103623	1	• VALVE, Brake feed
34	137630	1	• FITTING, Connector (10 SAE - 10 JIC)
35	137513	1	• COIL, #12, 12 Volt
36	139351	1	• VALVE, Series/Parallel
37	137181	2	• VALVE, Cartridge counterbalance
38	139830	1	• ASSEMBLY, Sandwich valve
	140898	1	• • BLOCK, Sandwich manifold
	140897	1	• • PLUG, Cavity
	139834	4	• • O-RING
	106272	1	• • COIL, 12V
	111937	1	• • VALVE, Solenoid
39	106170	1	• FITTING, Tee swivel (8 JIC)
40	110554	1	• FITTING, Tee (08JICM - 08 JICM - 08 ORBM)
41	103070	1	• FITTING, Connector (8 SAE - 6 JIC) (Outtrigger option)

Figure 3.14. Hydraulic Door Assembly

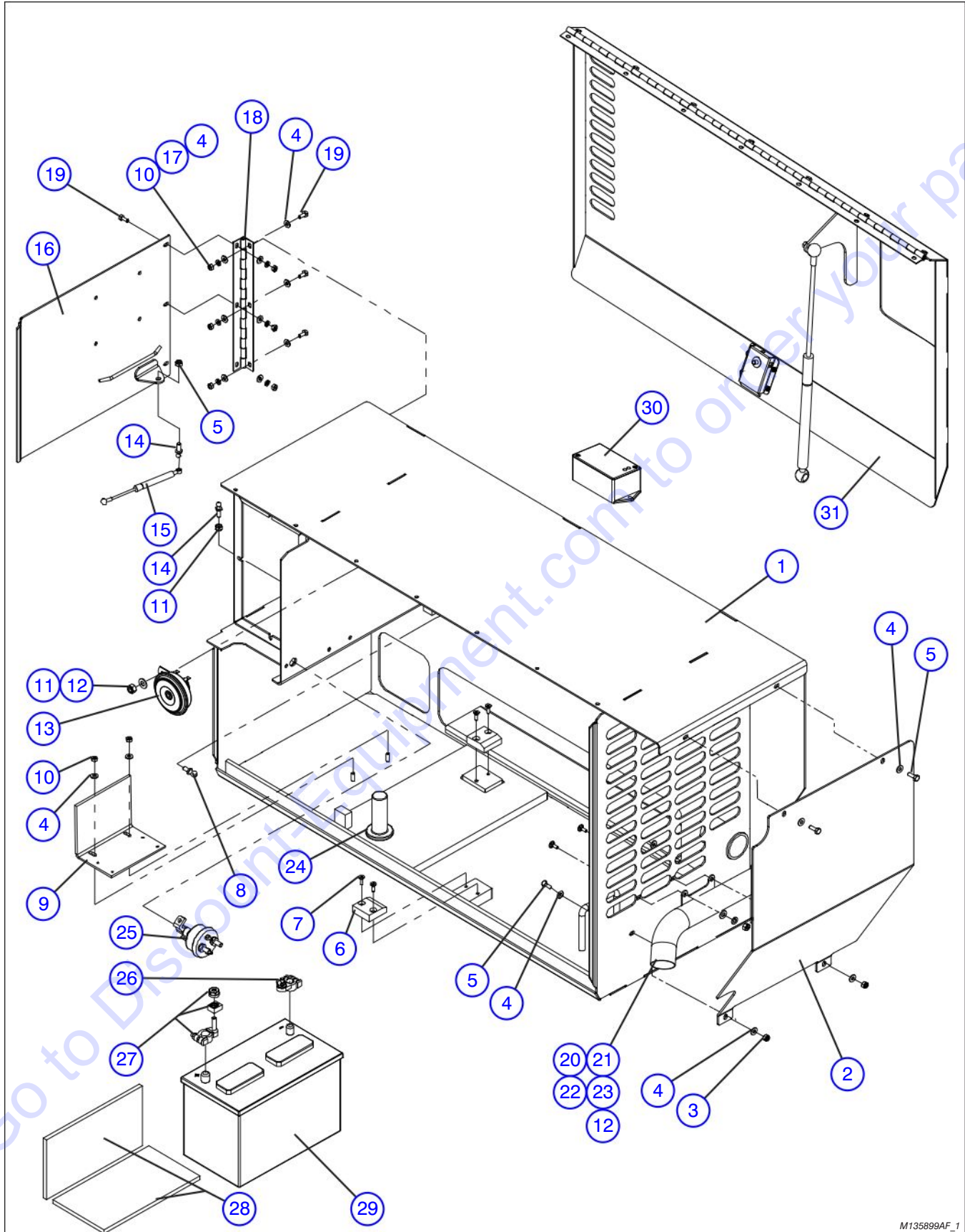
AC



M138041AC_1

Index No.	Skyjack Part No.	Qty.	Description
-	138041	1	HYDRAULIC DOOR ASSEMBLY
1	136355	1	• DOOR, Hydraulic cabinet
2	103892	7	• BOLT, Hex head (1/4"-20 x 5/8", Grade 5)
3	115649	7	• NUT, Hex nylon lock (1/4"-20, Grade 5)
4	103995	7	• WASHER, Flat (1/4")
5	136996	1	• HINGE, Cabinet door
6	103984	1	• NUT, Hex head (5/16"-18, Grade 5)
7	103996	1	• WASHER, Flat (5/16")
8	138026	1	• STUD, Ball (13mm)
9	137183	1	• GAS SPRING (10" stroke)
10	137005	1	• LATCH, Sliding with trimplate

Figure 3.15. Engine Cabinet Assembly

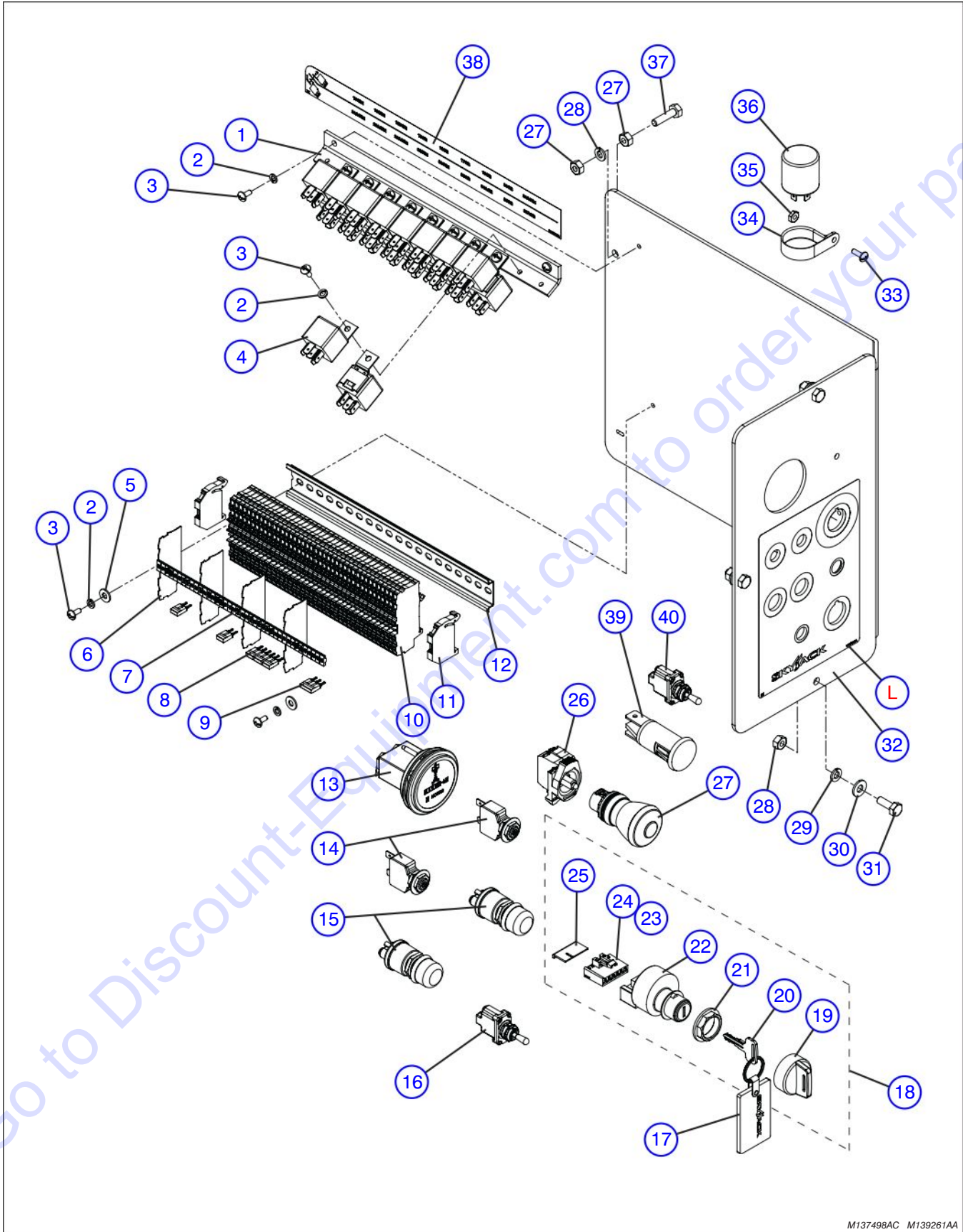


M135899AF_1

Figure 3.15. Engine Cabinet Assembly

Index No.	Skyjack Part No.	Qty.	Description
-	135899	-	ENGINE CABINET ASSEMBLY
1	147812	1	• WELDMENT, Engine cabinet
2	147824	1	• WELDMENT, Mud guard
3	115649	4	• NUT, Hex nylon lock (1/4"-20, Grade 5)
4	103995	19	• WASHER, Flat (1/4")
5	103856	4	• BOLT, Hex head (1/4"-20 x 3/4", Grade 5)
6	136395	2	• UHMW BLOCK, Engine cabinet
7	139688	4	• SCREW, Flat head machine (1/4"-20 x 1")
8	138026	1	• STUD, Ball (13mm)
9	137246	1	• BRACKET, Battery
10	103980	8	• NUT, Hex head (1/4"-20, Grade 5)
11	103984	AR	• NUT, Hex nylon lock (5/16"-18, Grade 5)
12	103996	AR	• WASHER, Flat (5/16")
13	146652	1	• HORN, 12 Volt
14	138025	2	• STUD, Ball (10mm)
15	137184	1	• GAS SPRING (2.5" stroke)
16	137135	1	• DOOR, Instrumentation panel
17	104000	4	• WASHER, Lock (1/4")
18	137016	1	• HINGE, Instrumentation panel
19	103892	6	• BOLT, Hex head (1/4"-20 x 0.62", Grade 5)
20	147590	1	• WELDMENT, Exhaust tube
21	110814	2	• CARRIAGE BOLT, (0.313-18 x 0.75, Grade 5)
22	103404	2	• WASHER, Lock (0.312)
23	100397	2	• NUT, Hex head (0.312-18, Grade 5)
24	107952	1	WASHER, Bronze (1-1/4" ID x 2-3/8" OD x 1/8")
25	119726	1	SWITCH, 12V Main disconnect
26	128620	1	ADAPTER, Negative battery post to 5/16" stud
27	128632	1	ADAPTER ASSEMBLY, 300A fuse positive battery post
	128596	1	• CLAMP, Battery post single
	128595	1	• FUSE, 300A
	128597	1	• NUT, Battery post insulated
28	112125	2	PLYWOOD, (3/8 x 6 x 11)
29	103295	1	BATTERY, 12V (WET)
30	147952	1	TILT ALARM SWITCH ASSEMBLY (ANSI/CSA, No outriggers)
	146661	1	• SWITCH, Tilt alarm (9-30V)
	120094	2	• Bolt, Hex head (10-32 x 5/8)
	104003	2	• NUT, Hex head (10-32)
	104185	2	• WASHER, Lock (10)
	104694	2	• WASHER, Flat (10)
31	(Ref.)	-	ASSEMBLY, Engine door (For components, refer to Figure 3.20)

Figure 3.16. Electrical Panel Assembly

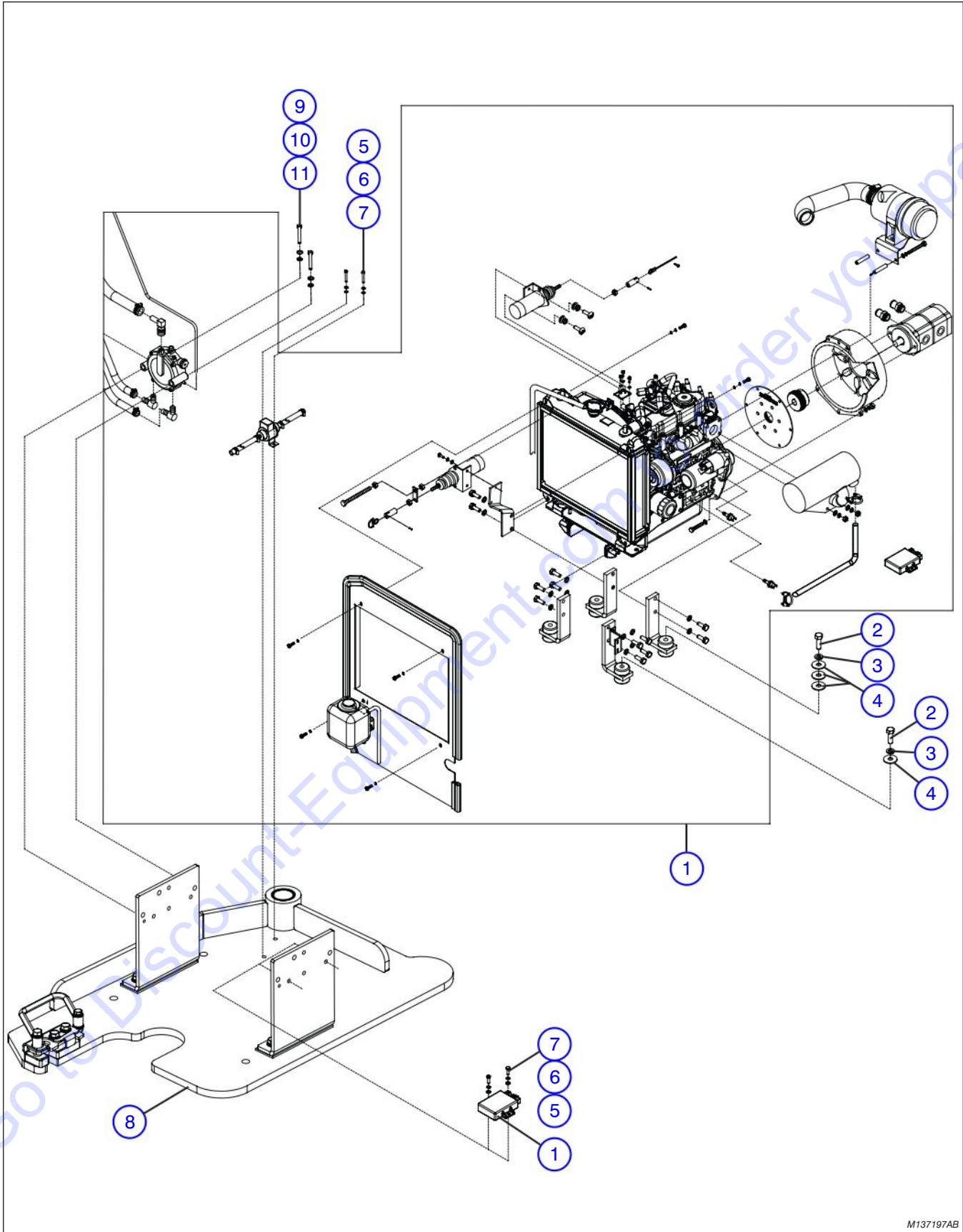


M137498AC M139261AA

Figure 3.16. Electrical Panel Assembly

Index No.	Skyjack Part No.	Qty.	Description
A	137498	-	ASSEMBLY, Electrical panel (ANSI/CSA)
B	139261	-	ASSEMBLY, Electrical panel (CE)
1	137507	1	• MOUNT, Bracket relay
2	104185	AR	• WASHER, Lock (#10)
3	115545	AR	• SCREW, Round head machine (#10-32 x 3/8")
4	127035	AR	• RELAY, 12 Volt, 40A
5	104694	AR	• WASHER, Flat (#10)
6	137941	4	• END PLATE, A
7	137443	1	• LABEL, Terminal Strip ANSI/CSA, A
	138071	1	• LABEL, Terminal Strip CE, B
8	137942	5	• JUMPER, 2 Pin, A
9	137943	1	• JUMPER 3 Pin, A
10	137940	AR	• TERMINAL BLOCK, 4 Conductor through, A, B
11	707147	2	• END STOP, A
12	137958	1	• TRACK, Relay (10"), A
13	103336	1	• HOUR METER
14	137919	2	• BREAKER, 25 Amp circuit
15	102692	2	• SWITCH, Push-button
16	102853	1	• SWITCH, Toggle
17	114710	1	• RING KEY, SKYJACK
18	133762	1	• SWITCH KEY, 3 Way
19	138138	1	• • BOOT, Key switch, A
20	138137	1	• • KEY, #455, A
21	138136	AR	• • NUT, Key switch, A
22	137440	1	• • HEAD, Switch key 3 way, A
23	137442	6	• • WIRE TERMINAL, 280 Female unsealed, A
24	137441	1	• • CONNECTOR, Housing 6 Way, A
25	137443	1	• • TERMINAL POSITION ASSURANCE, A
26	137790	1	• SWITCH BASE ASSEMBLY, NC/LED (Red)
27	137795	1	• SWITCH ASSEMBLY, Emergency stop
28	103980	AR	• NUT, Hex head (0.25" - 20, Grade 5)
29	104000	AR	• WASHER, Lock (1/4")
30	103995	AR	• WASHER, Flat (1/4")
31	103856	AR	• BOLT, Hex Head (1/4" - 20 x 3/4", Grade 5)
32	137199	1	• SHEET, Electrical panel
33	103962	AR	• SCREW, Round head machine (#10 - 32 x 1/2"), A
34	132793	1	• CLAMP, Plastic (1-1/4"), A
35	104003	AR	• NUT, Hex head (#10-32), A
36	103743	1	• FLASHER, 12/24 Volt, A
37	103857	AR	• BOLT, Hex head (1/4" - 20 x 1", Grade 5)
38	138111	1	• LABEL, Relay Names, A
	138112	1	• LABEL, Relay Names, B
39	(Ref.)	-	• LIGHT, Indicator 12 Amber (For components, refer to Figure 3.21)
40	(Ref.)	-	• SWITCH, Toggle (For components, refer to Figure 3.21)
L	(Ref.)	-	• LABEL, Panel 68XXRT (For components, refer to Figure 6.5)

Figure 3.17. Engine Installation (Kubota DF972)



M137197AB

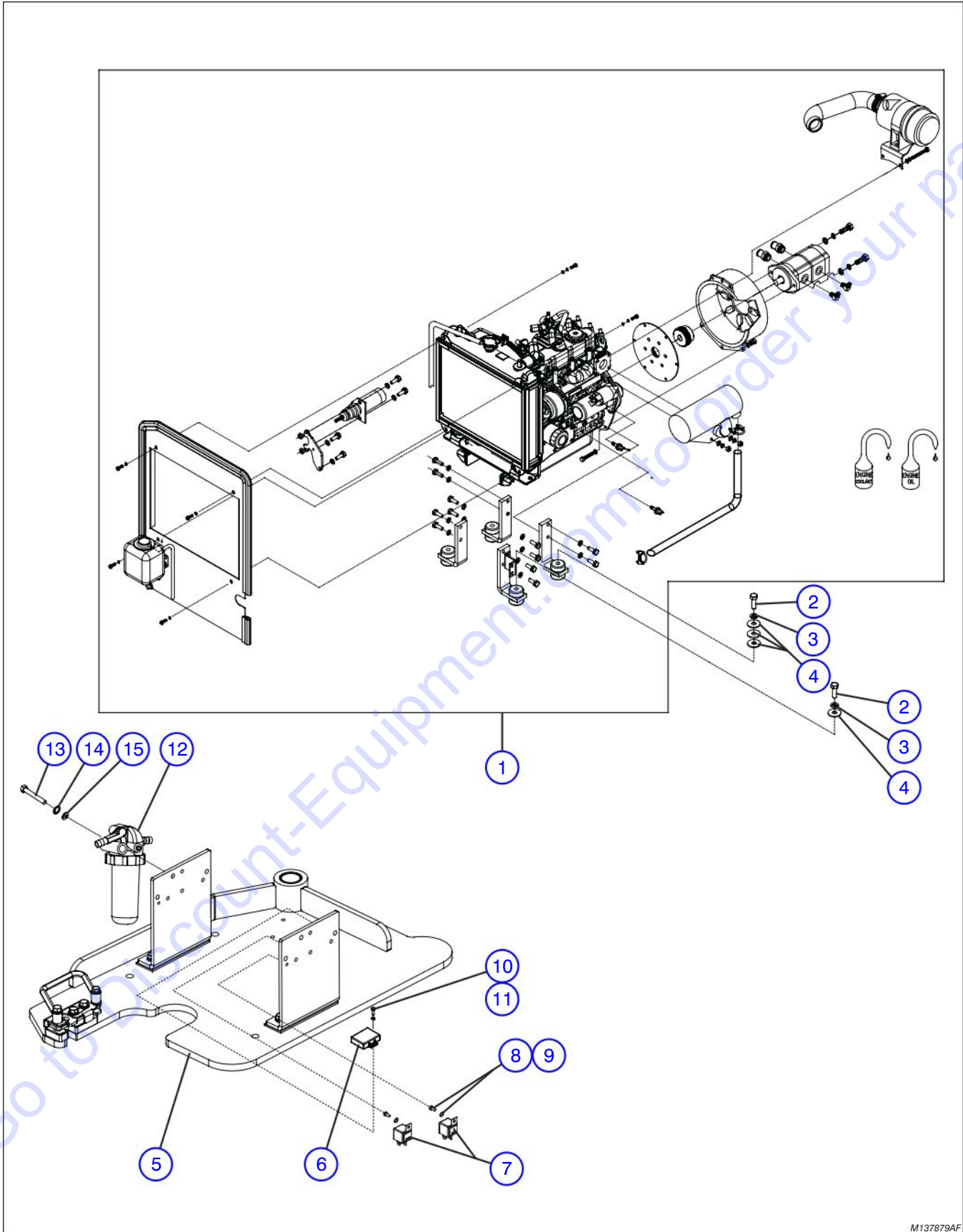
Figure 3.17. Engine Installation (Kubota DF972)

Index No.	Skyjack Part No.	Qty.	Description
1	(Ref.)	-	ASSEMBLY, Engine (For components, refer to Figure 4.1)
2	108818	AR	BOLT, Hex head (1/2"-13 x 2.75", Grade 5)
3	103470	AR	WASHER, Lock (1/2", Nom. 0.12)
4	137241	AR	WASHER, Fender (1/2" Inner DIA)
5	103892	AR	BOLT, Hex head (1/4"-20 x 5/8", Grade 5)
6	104000	AR	WASHER, Lock (1/4", Nom. 0.06)
7	103995	AR	WASHER, Flat (1/4" SAE)
8	(Ref.)	-	ASSEMBLY, Tray engine (For components, refer to Figure 3.19)
9	103885	AR	BOLT, Hex head (5/16"-18 x 1.75", Grade 5)
10	103996	AR	WASHER, Flat (5/16")
11	103404	AR	WASHER Lock (5/16", Nom. 0.07)

Go to Discount-Equipment.com to order your parts

Figure 3.18. Engine Installation (Kubota D902)

AB



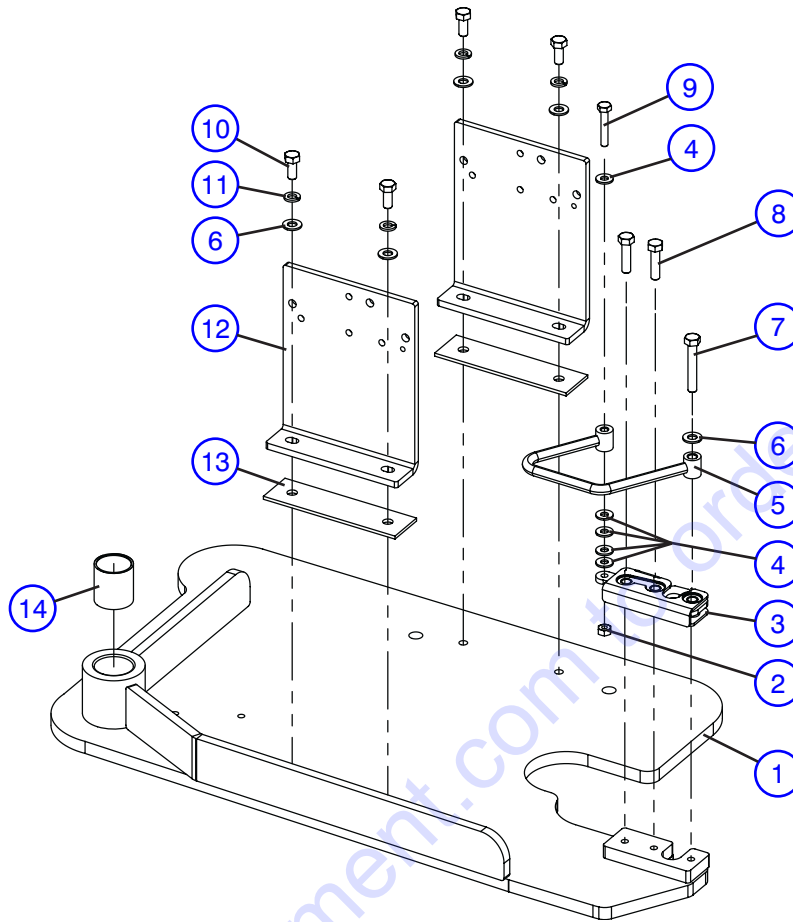
M137879AF

Figure 3.18. Engine Installation (Kubota D902)

AB

Index No.	Skyjack Part No.	Qty.	Description
1	(Ref.)	-	ASSEMBLY, Engine (For components, refer to Figure 4.8)
2	108818	AR	BOLT, Hex head (1/2"-13 x 2.75", Grade 5)
3	103470	AR	WASHER, Lock (1/2", Nom. 0.12)
4	137241	AR	WASHER, Fender (1/2" Inner DIA)
5	(Ref.)	-	ASSEMBLY, Tray engine (For components, refer to Figure 3.19)
6	(Ref.)	-	TIMER, Glow lamp (For components, refer to Figure 4.8)
7	127035	1	RELAY, 12 Volt (40A)
		2	RELAY, 12 Volt (40A) (If equipped with fuel solenoid relay)
8	103964	AR	BOLT, Round head machine (#10-32 x 0.25")
9	104185	AR	WASHER, Lock (#10)
10	103855	1	BOLT, Hex head (1/4"-20 x 0.5", Grade 5)
11	104000	1	WASHER, Lock (1/4")
12	137885	1	ASSEMBLY, Fuel filter
	137904	1	• REPLACEMENT, Filter element
13	116218	AR	BOLT, Hex head (M8-1.25 x 65mm, Grade 8.8, ZP)
14	137886	AR	WASHER, Lock (M8)
15	133232	AR	WASHER, Flat (M8)

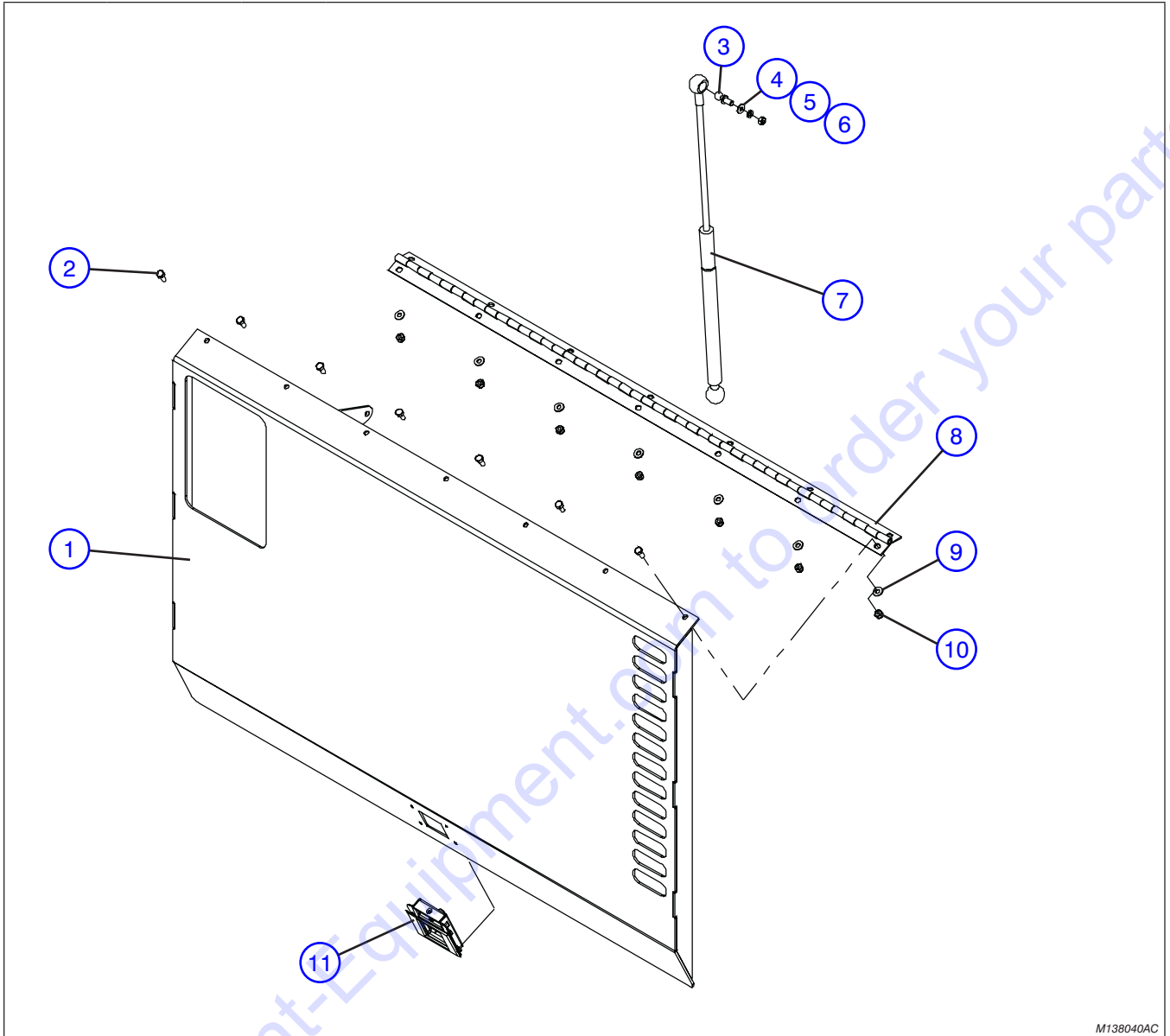
Figure 3.19. Tray Engine Assembly



M136394AC

Index No.	Skyjack Part No.	Qty.	Description
-	136394	-	ASSEMBLY, Tray engine DF972/D902
1	136387	1	• WELDMENT, Tray engine
2	115649	1	• NUT, Hex nylon lock (1/4"- 20 Grade 5)
3	112307	1	• LATCH, Rotary LH
4	103995	AR	• WASHER, Flat (1/4")
5	126634	1	• HANDLE WELDMENT, Tray Lock
6	103996	AR	• WASHER, Flat (5/16")
7	103865	1	• BOLT, Hex head (5/16"-18 x 2", Grade 5)
8	103864	AR	• BOLT, Hex head (5/16"-18 x 1", Grade 5)
9	103860	1	• BOLT, Hex head (1/4"- 20 x 1.75", Grade 5)
10	103887	AR	• BOLT, Hex head (5/16"-18 x 3/4", Grade 5)
11	103404	AR	• WASHER, Lock (5/16")
12	136077	2	• BRACKET
13	136976	2	• PAD, Rubber
14	125262	2	• BUSHING, Fiberglide (1-1/4" DIA x 1-1/2")

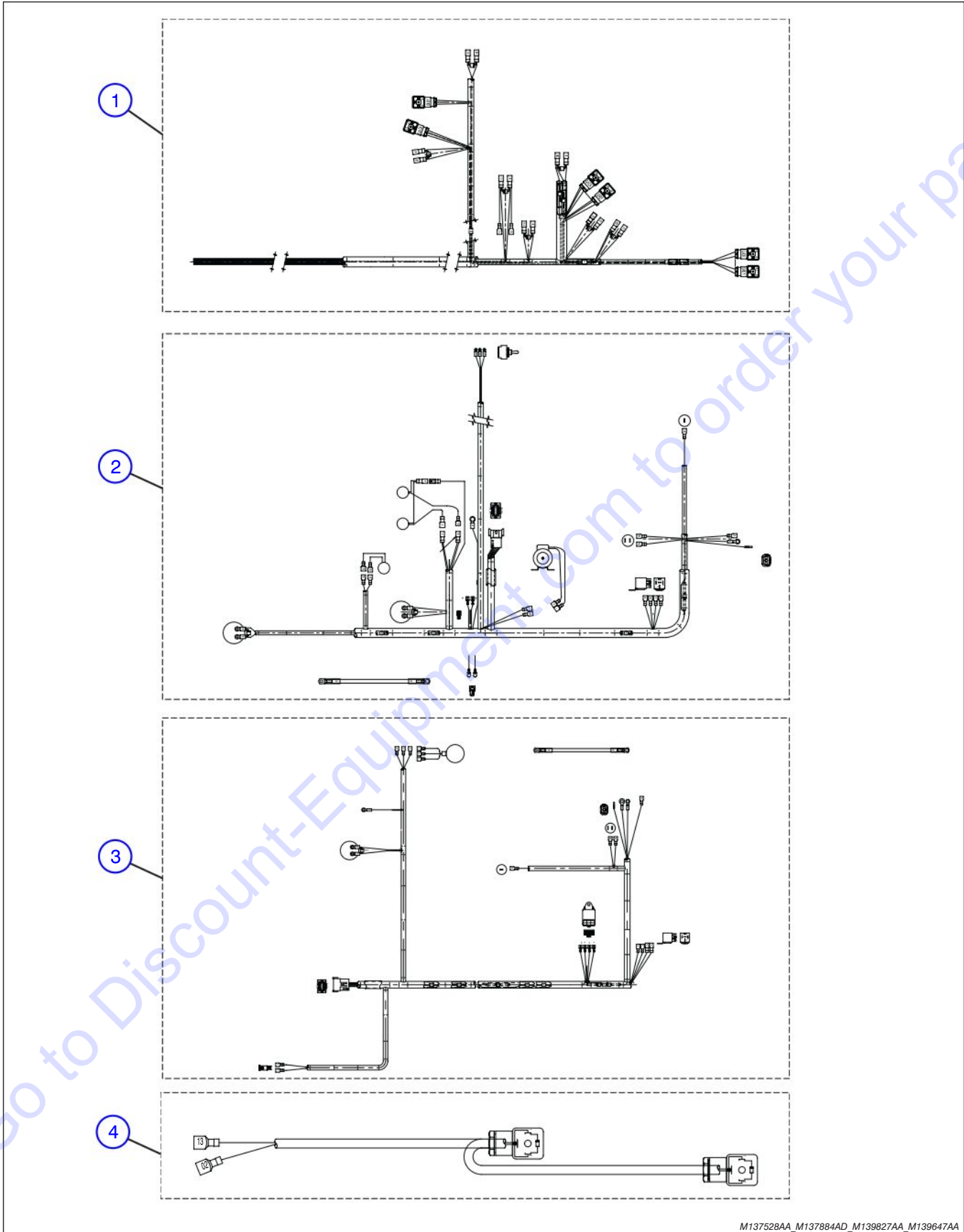
Figure 3.20. Engine Door Assembly



M138040AC

Index No.	Skyjack Part No.	Qty.	Description
-	138040	-	ENGINE DOOR ASSEMBLY
1	137017	1	• DOOR, Engine cabinet
2	103892	AR	• BOLT, Hex head (1/4"-20 x 5/8", Grade 5)
3	138026	AR	• STUD, Ball (13mm)
4	103996	1	• WASHER, Flat (5/16")
5	103404	1	• WASHER, Lock (5/16")
6	103984	AR	• NUT, Hex nylon lock (5/16"-18, Grade 5)
7	137183	1	• GAS SPRING, (10" stroke)
8	136996	1	• HINGE, Cabinet door
9	103995	AR	• WASHER, Flat (1/4")
10	115649	AR	• NUT, Hex nylon lock (1/4"-20, Grade 5)
11	137005	1	• LATCH, Sliding with trimplate

Figure 3.21. Engine and Main Manifold Harness Diagrams



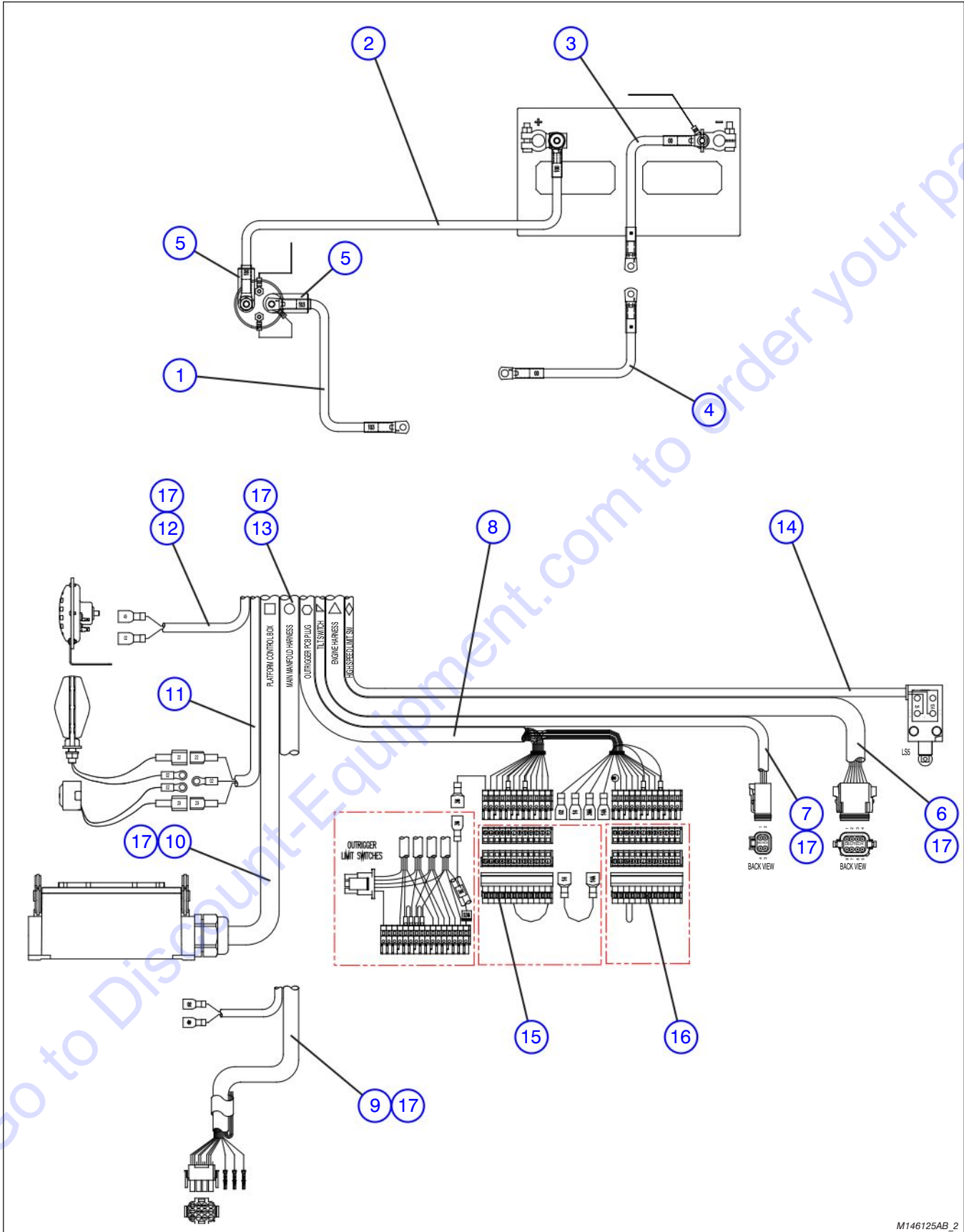
M137528AA_M137884AD_M139827AA_M139647AA

Figure 3.21. Engine and Main Manifold Harness Diagrams

Index No.	Skyjack Part No.	Qty.	Description
1	139827	-	HARNESS WIRING DIAGRAM, Main manifold (ANSI/CSA)
	139828	-	HARNESS WIRING DIAGRAM, Main manifold (CE)
2	137382	-	WIRING DIAGRAM, Engine - dual fuel system (Kubota engine)
	136178	1	• ASSEMBLY, Coupler
	136179	1	• ASSEMBLY, Coupler alternator
3	137527	-	WIRING DIAGRAM, Engine - diesel fuel system (Kubota engine)
	137869	1	• COUPLER ASSEMBLY, Glow lamp timer
	136179	1	• ASSEMBLY, Coupler alternator
4	139647	-	HARNESS, Cylinder - Manifold

Go to Discount-Equipment.com to order your parts

Figure 3.22. Electrical Panel Harness Diagram

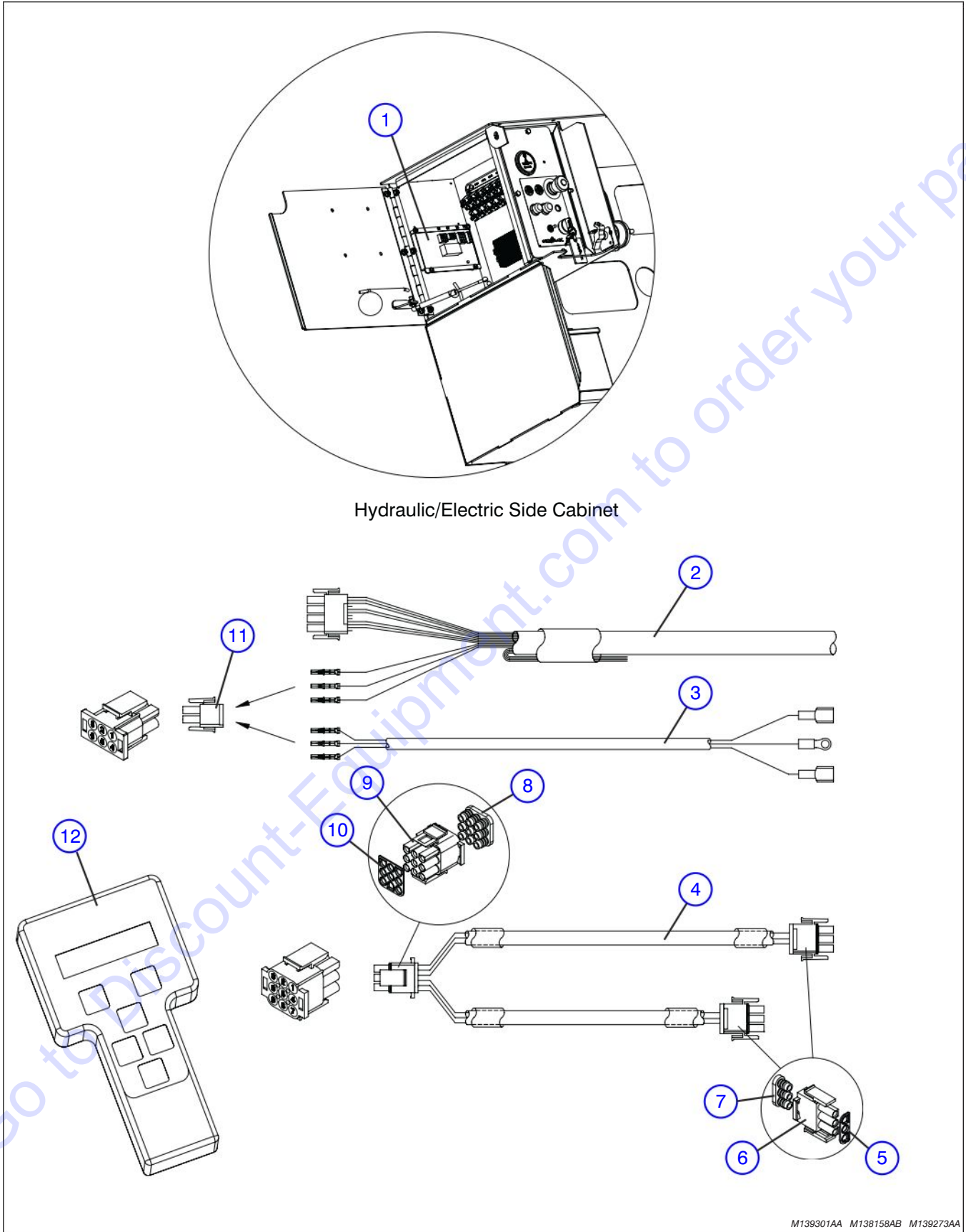


M146125AB_2

Figure 3.22. Electrical Panel Harness Diagram

Index No.	Skyjack Part No.	Qty.	Description
1	138068	1	CABLE, Welding #2GA (3/8"x42"x5/16")
2	139251	1	CABLE, Welding #2GA (7/16"x16"x3/8")
3	139233	1	CABLE, Welding #2GA (5/16"x12"x5/16")
4	138069	1	CABLE, Welding #2GA (3/8"x45"x5/16")
5	105600	2	BOOT, Red battery
6	137955	1	ENGINE HARNESS
	117583	1	• PLUG, Connector Pin 8-PIN
	117593	7	• SOCKET, Connector Contact 14-16
	117594	1	• PLUG, Connector Sealing
	117585	1	• PLUG, Connector Pin 8-PIN Wedge
7	138005	1	HARNESS, Tilt switch (ANSI/CSA)
	139271	1	HARNESS, Outrigger control module (CE)
	103255	23"	• CABTIRE, 18/4 SJ (ANSI/CSA)
	103257	48"	• CABTIRE, 18/3 SJ (CE)
	117579	1	• PLUG, Connector 4-PIN
	117581	1	• PLUG, Connector 4-PIN WEDGE
	117591	4	• SOCKET, Connector Contact 16-18
8	(Ref.)	-	HARNESS, Outrigger panel (For components, refer to Figure 5.2)
9	139262	1	HARNESS, Electrical panel load sensing (CE)
	102887	55"	• CABLE, Control 16/15
	116990	11	• PIN, Female wire
	130449	1	• HOUSING, Male plug (12-pin)
10	137354	1	CONTROL CABLE, Electrical panel
	137201	67"	• CONTROL CABLE 16/25
	137330	1	• HOUSING, Surface mount 24 PIN with strain relief
	137223	1	• INSERT, Female (24 PIN)
	121050	25	• FERRULE, 16GA (Black)
11	(Ref.)	-	ASSEMBLY, Cabtire beeper 18/3 (For components, refer to Figure 2.9)
12	137952	1	HARNESS, Horn
13	(Ref.)	-	HARNESS, Main manifold (Refer to Figure 3.21)
14	138074	1	LIMIT SWITCH, High speed
15	146118	1	PLUG, Connector 12-PIN (Machines without outriggers)
15	146118	1	PLUG, Connector 12-PIN (Machines without outriggers)
17	121050	AR	FERRULE (16 GA)
	115401	AR	FERRULE (18 GA)
	138044	AR	FERRULE (14 GA)

Figure 3.23. Load Sensing Components



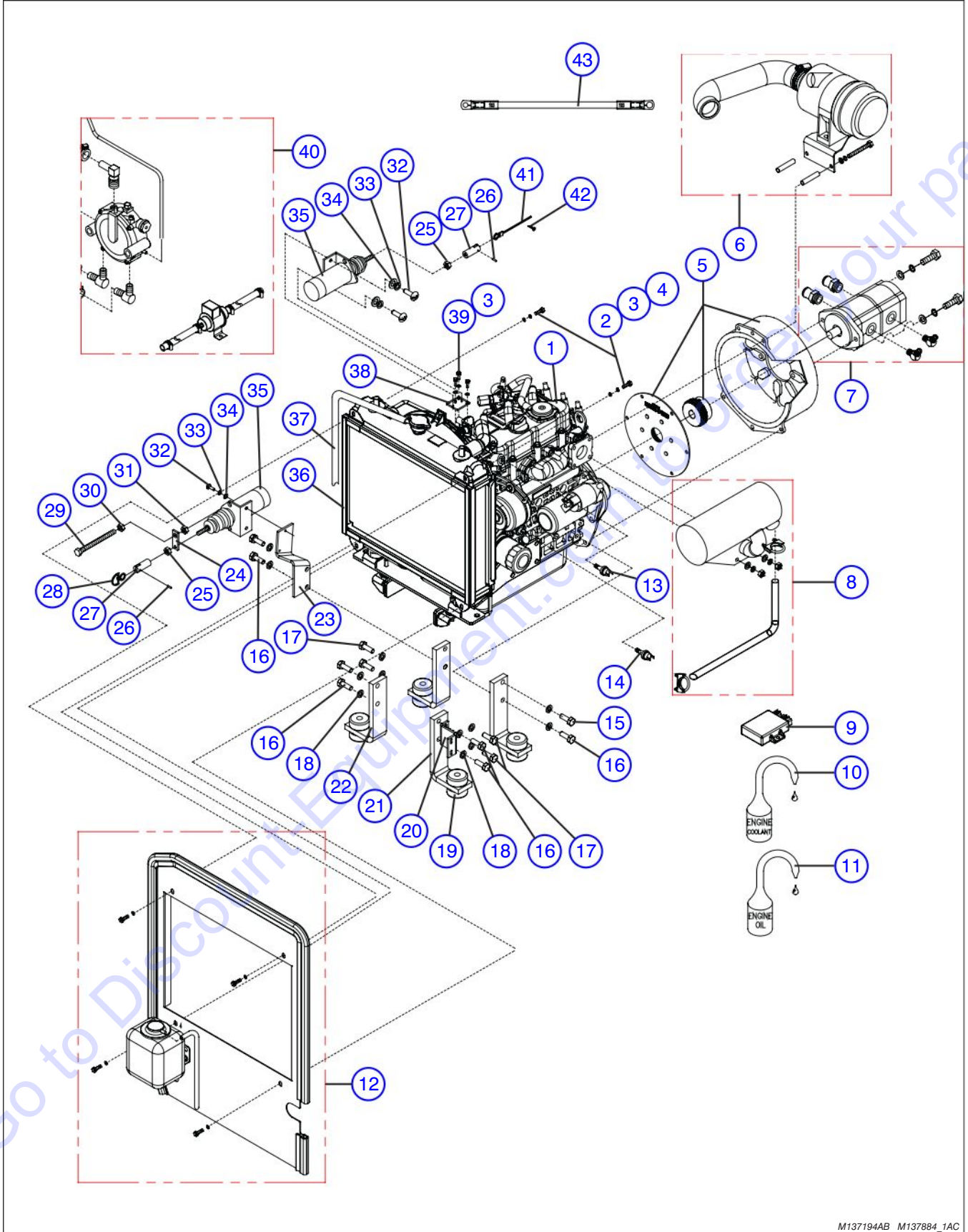
M139301AA M138158AB M139273AA

Figure 3.23. Load Sensing Components

Index No.	Skyjack Part No.	Qty.	Description
1	130439	1	CONTROLLER, Overload sensing
	105621	4	• SCREW, Machine (#10 - 32 x 1")
	104185	4	• WASHER, Lock (#10)
	104694	4	• WASHER, Flat (#10)
	104003	4	• NUT, Hex Head (#10-32)
2	139262	1	HARNES, Electric panel
3	139264	1	HARNES, Light/beeper to control module
	103257	156"	• CABTIRE, 18/3
	116990	3	• PIN, Female wire
4	139273	1	HARNES, Transducer to control module
	103257	192"	• CABTIRE, 18/3
	116990	12	• PIN, Female wire
5	134067	2	• SEAL, 3 position interface
6	130446	2	• HOUSING, 3 pole plug
7	134068	2	• SEAL, 3 position wire
8	134070	1	• SEAL, 9 position wire
9	116993	1	• HOUSING, 9 pole plug
10	134069	1	• SEAL, 9 position interface
11	130445	1	HOUSING, 6 pole plug
12	130477	1	KIT, Hand held calibration/diagnostic tool
	130441	1	• TOOL, Hand held calibration/diagnostic
	130457	1	• CABLE, Computer cable 24 gauge
	130448	1	• PLUG, Male 4 pole
	130451	1	• PLUG, Male 4 pole (Enclosed version)

Figure 4.1. Engine Assembly (Kubota Engine DF972)

AB



M137194AB M137884_IAC

Figure 4.1. Engine Assembly (Kubota Engine DF972)

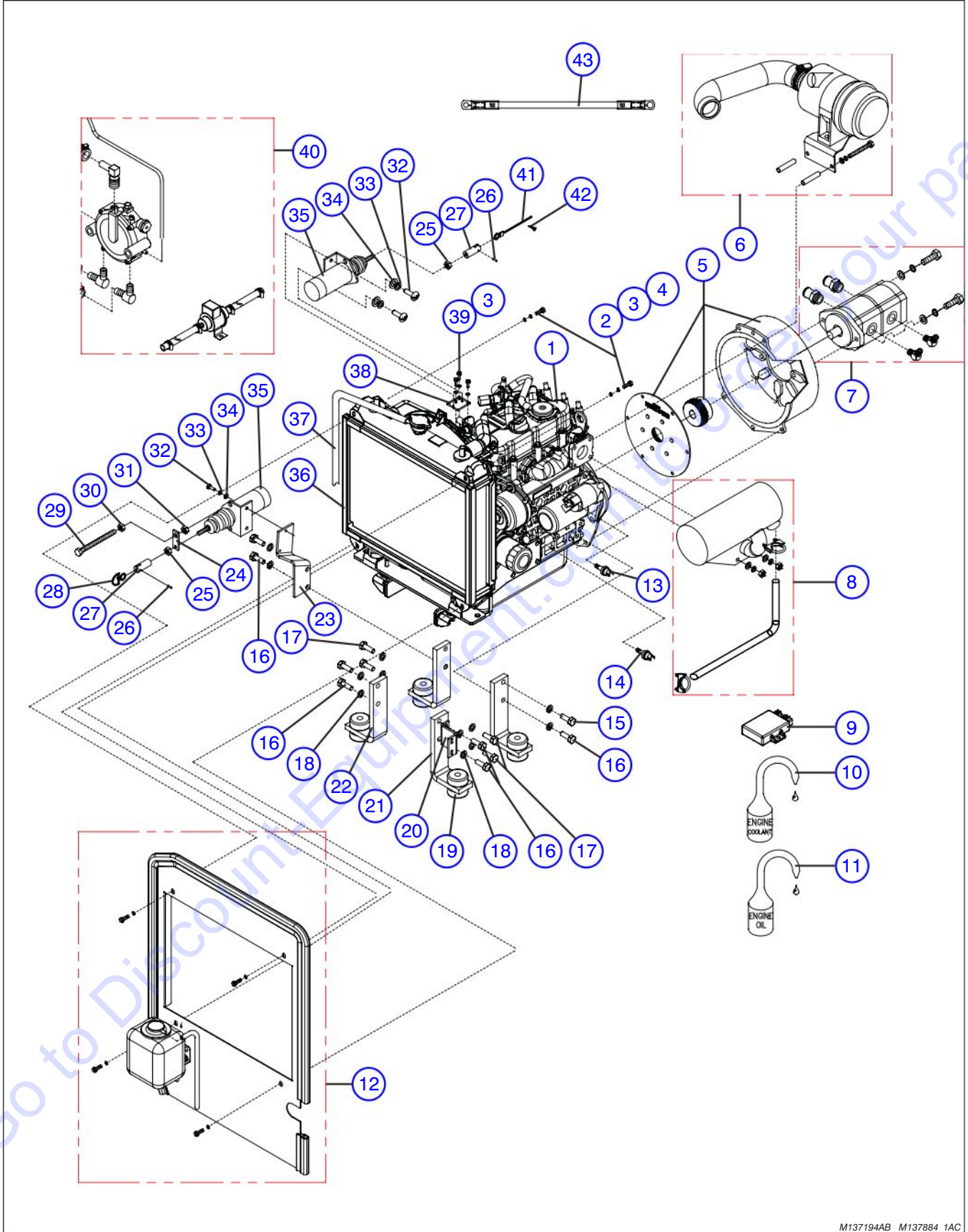
AE

Index No.	Skyjack Part No.	Qty.	Description
1	136036	1	ENGINE, Kubota DF972
	136095	1	• ASSEMBLY, Carburetor
	136083	1	• MANIFOLD, Inlet
	136085	1	• MANIFOLD, Exhaust
	136086	1	• SHIELD, Exhaust manifold heat
	136088	1	• ASSEMBLY, Idler gear
	136089	1	• SHAFT, Idler gear
	136091	1	• PLATE, Rear end
	136092	1	• OIL FILTER, Cartridge
	136093	1	• GAUGE, Oil (Dipstick)
	136097	1	• SPRING, Governor
	136098	1	• LEVER, Speed control
	136100	1	• STARTER, Engine
	136101	1	• ALTERNATOR
	136102	1	• • BRACKET, Alternator
	136103	1	• • GUARD, Alternator
	136104	1	• PLUG, Spark
	136105	1	• • CAP, Spark plug
	136106	1	• COIL, Ignition
	136172	1	• SENSOR, Crankshaft position
	136109	1	• THERMOSTAT, Engine
	136110	1	• COVER, Thermostat
	137649	1	• FAN, Pusher
	136112	1	• PULLEY, Fan
	136113	1	• PULLEY, Fan drive
	136114	1	• BELT, Fan
	136115	1	• MANUAL, Operators
	136117	1	• LABEL, CSA
	136099	1	• HARNESS, Wiring
	136118	1	• FILTER, Fuel
	136119	1	• KIT, Electric fuel pump
	136122	1	• VAPORIZER
	136090	1	• FLYWHEEL, Complete
131027	1	• GASKET, Head cover	
198781	1	• GASKET, Air cleaner	
198782	1	• FLANGE, Carburetor	
2	133219	2	WASHER, Flat (M6)
3	121758	5	WASHER, Lock (6mm)
4	136185	2	BOLT, Hex head (M6 - 1 x 30mm)
5	149834	1	BELL HOUSING ASSEMBLY, Kubota DF972, Universal (AWP with S/N 37002305 and Above)
	149830	1	• BELL HOUSING
	149833	1	• HUB, Coupling
	149832	1	• FLANGE, Nylon (150mm)
	149831	1	• KIT, Hardware
	136441	1	BELL HOUSING ASSEMBLY, Kubota DF972 (AWP with S/N 37002304 and Below)
	136440	1	• HUB, Coupling
	136437	1	• BELL HOUSING
	136439	1	• FLANGE
	136438	1	• KIT, Hardware

Part list continued on the following page.

Figure 4.1. Engine Assembly (Kubota Engine DF972) (Continued)

AB



M137194AB M137884_1AC

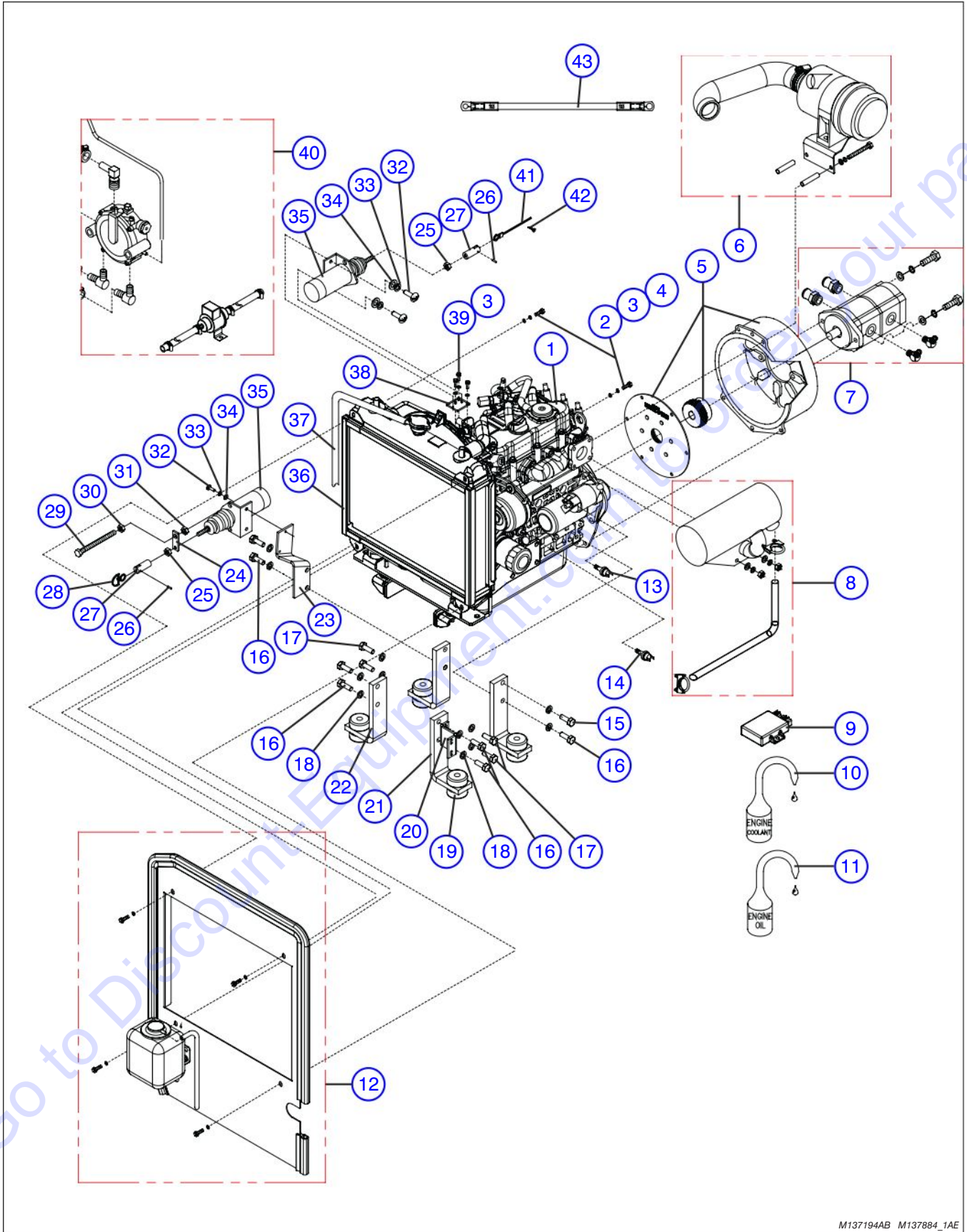
Figure 4.1. Engine Assembly (Kubota Engine DF972) (Continued)

AB

Index No.	Skyjack Part No.	Qty.	Description
Part list continued from the previous page.			
6	(Ref.)	-	ASSEMBLY, Air cleaner (For components, refer to Figure 4.2)
7	(Ref.)	-	ASSEMBLY, Hydraulic Pump (For components, refer to Figure 4.5)
8	(Ref.)	-	ASSEMBLY, Exhaust System (For components refer to Figure 4.3)
9	136121	1	MODULE, Igniter control
10	(Ref.)	-	SOLUTION, Engine coolant (Antifreeze) (Refer to Table 1.1.)
11	(Ref.)	-	OIL, Engine (Refer to Table 1.1.)
12	137648	1	ASSEMBLY, Radiator plate
	137481	1	• PLATE, Radiator SJ68XX
	137643	1	• TRIM, Rubber long
	137647	1	• TRIM, Rubber short
	147142	1	• RESERVOIR, Coolant
	-	-	• HARDWARE, Coolant reservoir
	103887	2	• • BOLT, Hex head (5/16-18 x 0.75, Grade 5)
	103996	2	• • WASHER, Flat (5/16)
	100397	2	• • NUT, Hex head (5/16-18 Grade 5)
	103404	2	• • WASHER, Lock (5/16)
13	113400	1	SWITCH, Temperature
14	102838	1	SWITCH, Oil pressure
15	103850	1	BOLT, Hex head (M10 x 1.25 x 30mm, Grade 8.8)
16	136665	7	BOLT, Hex head (M10 x 1.25 x 35mm, Grade 8.8)
17	103848	4	BOLT, Hex head (M10 x 1.25 x 20mm, Grade 8.8)
18	130884	12	WASHER, Lock (M10)
19	147634	4	MOUNT, Engine vibration control
20	137657	1	BRACKET, Exhaust
21	136033	2	BRACKET, Engine mount FR/RL
22	136032	2	BRACKET, Engine mount FL/RR
23	136264	1	MOUNT, Lower solenoid
24	113582	1	LIMITER, Solenoid
25	114709	2	NUT, FHN (1/4" - 28)
26	114684	2	PIN, Roll (1/8" DIA x 7/16")
Part list continued on the following page.			

Figure 4.1. Engine Assembly (Kubota Engine DF972) (Continued)

AB



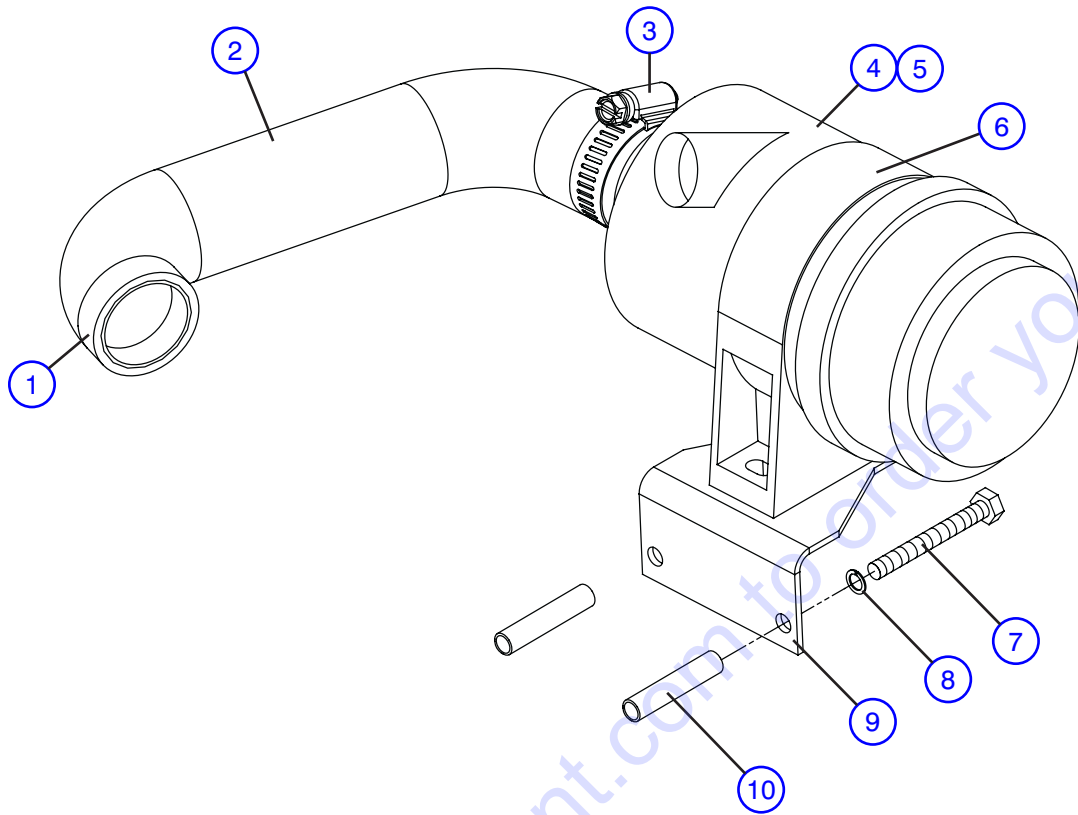
M137194AB M137884_TAE

Figure 4.1. Engine Assembly (Kubota Engine DF972) (Continued)

AB

Index No.	Skyjack Part No.	Qty.	Description
Part list continued from the previous page.			
27	101860	2	ATTACHMENT, Throttle linkage
28	116031	1	SWIVEL, Solenoid contactor
29	120738	1	BOLT, Hex head cap screw (1/4"-20 x 4")
30	103980	1	NUT, Hex head (1/4"- 20, Grade B)
31	115649	1	NUT, Nylon lock (1/4"-20)
32	103962	4	SCREW, Round head machine (#10 - 32 x 1/2")
33	104185	4	WASHER, Lock (#10)
34	104694	4	WASHER, Flat (#10)
35	103007	2	SOLENOID, DC 12V
36	(Ref.)	-	RADIATOR KIT, Kubota DF972/D902 (For components, refer to Figure 4.4)
37	102984	46"	LINE, 5/16" Fuel
38	136974	1	BRACKET, Choke solenoid
39	104608	3	BOLT, Hex head (M6-1 x 16mm, Grade 5)
40	(Ref.)	-	ASSEMBLY, Fuel line (For components, refer to Figure 4.6 and Figure 4.7)
41	116467	1	CABLE, Choke
42	137525	1	SCREW, Pan head (M4 x 6, DIN 85, ZP)
43	139252	1	CABLE, Welding #6GA

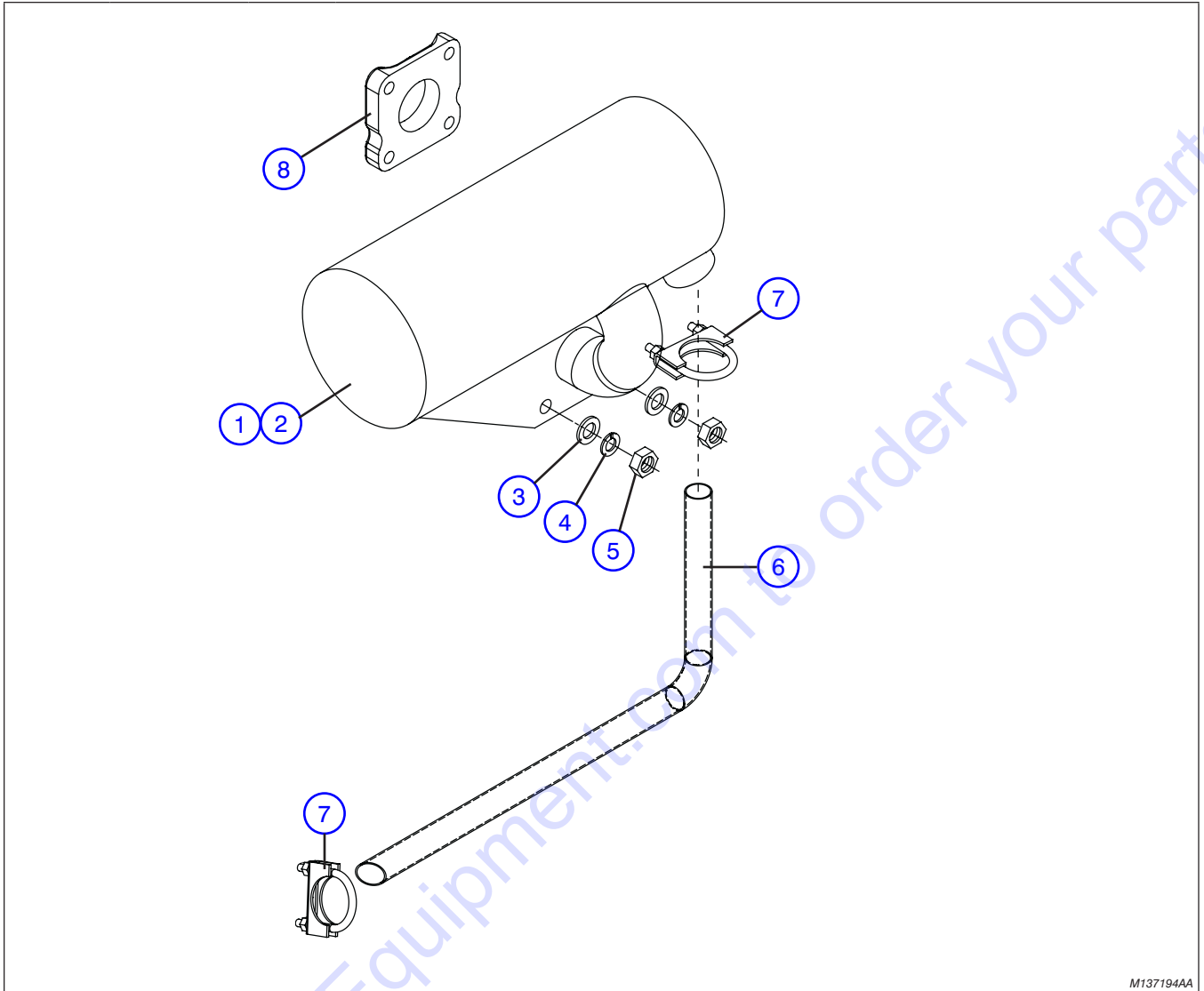
Figure 4.2. Air Cleaner Assembly - Kubota Dual Fuel Engine DF972



M137194AA

Index No.	Skyjack Part No.	Qty.	Description
-	136038	AR	ENGINE KIT, Kubota DF972, Air Cleaner Kit
1	104528	1	• CLAMP, Gear (#28)
2	136145	1	• HOSE, Inlet
3	133222	1	• CLAMP, Gear (#32)
4	136144	1	• ASSEMBLY, Air cleaner (Kubota)
5	137924	1	• FILTER ELEMENT, (Kubota)
6	137924	1	• FILTER, Air
7	136148	1	• BRACKET, Air cleaner band
8	136667	AR	• BOLT, Hex head (M8-1.25 x 30mm)
9	127940	AR	• WASHER, Flat (M8 - ZN)
10	121059	AR	• NUT, Hex (M8-1.25)
7	136154	AR	• BOLT, Hex head (M8-1.5 x 75mm, Grade 8.8, ZP)
8	116218	AR	• WASHER, Lock (M8)
9	136153	1	• BRACKET, Air cleaner
10	136155	2	• SLEEVE, (8.38mm Inner DIA x 10.65mm Outer DIA x 40mm)

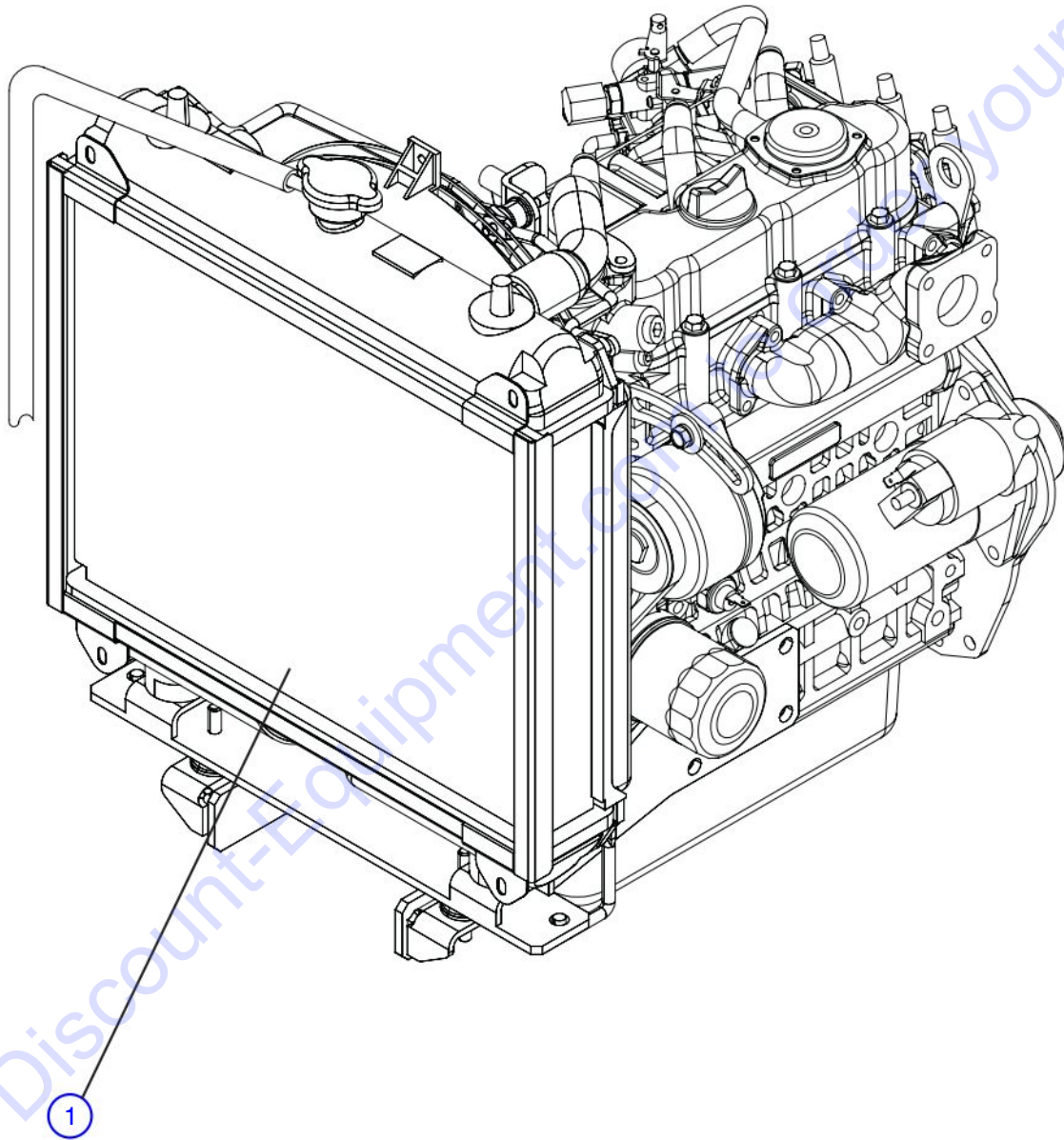
Figure 4.3. Exhaust System Assembly - Kubota Engines DF972 / D902



M137194AA

Index No.	Skyjack Part No.	Qty.	Description
1	136039	AR	MUFFLER, Horizontal
2	139447	AR	MUFFLER, Diesel purifier (Kubota D902)
3	127940	AR	WASHER, Flat (8mm)
4	116218	AR	WASHER, Lock (M8)
5	121059	AR	NUT, Hex Head (M8-1.25)
6	136951	1	TUBE, Exhaust (Engine Kubota 972DF)
	137642	1	TUBE, Exhaust (Engine Kubota 902DF)
7	136969	2	CLAMP, Exhaust (1-1/4")
8	136084	1	GASKET, Muffler (Engine Kubota 972DF)
	137844	1	GASKET, Exhaust (Engine Kubota 902DF)

Figure 4.4. Radiator Kit - Kubota DF972 / D902

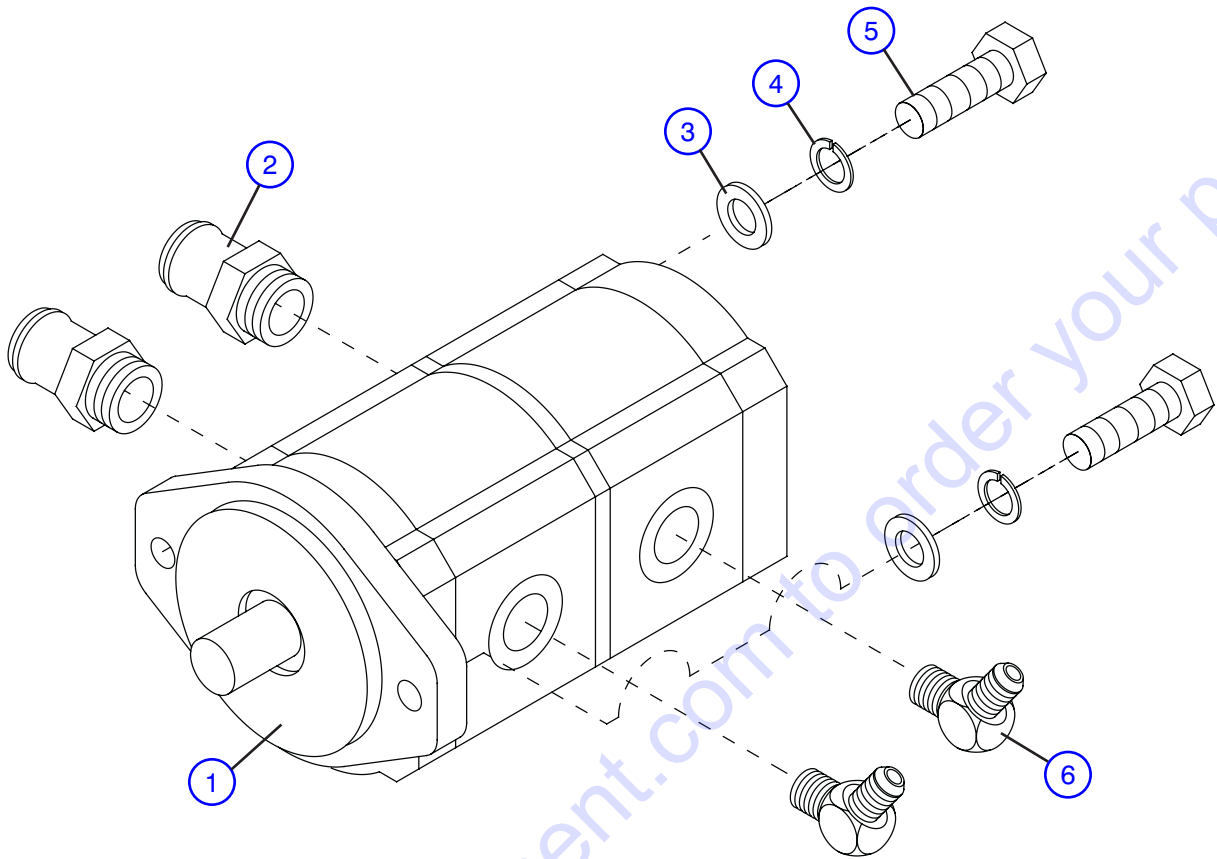


M137891AA_1

Figure 4.4. Radiator Kit - Kubota DF972 / D902

Index No.	Skyjack Part No.	Qty.	Description
1	136037	1	RADIATOR KIT, Kubota DF972/D902
	136123	1	• ASSEMBLY, Radiator
	136124	1	• LABEL, Caution
	136125	1	• LABEL, Caution
	136126	1	• HOSE, Water
	136127	1	• HOSE, Water
	103320	4	• CLAMP, Gear (#16)
	133223	AR	• BOLT, Hex head (M16 x 1 x 20mm)
	136130	2	• CUSHION
	136131	1	• SUPPORT 1, Radiator
	136132	1	• SUPPORT 2, Radiator
	136133	1	• BRACKET, Radiator
	136134	2	• BRACKET 1, Radiator
	136135	AR	• BOLT, Hex head (M8-1.25 x 18mm, Grade 8.8, ZP)
	136136	2	• CUSHION
	121059	AR	• NUT, Hex (M8-1.25)
	116218	AR	• WASHER, Lock (M8)
	136139	1	• BRACKET 2, Radiator
	136667	AR	• BOLT, Hex head (M8-1.25 x 30mm, Grade 8.8, ZP)
	136141	1	• CUSHION
	800354	AR	• NUT, Hex (M6)
	121758	AR	• WASHER, Lock (M6)
	136183	1	• SUPPORT IN, Radiator
	136184	4	• COLLAR
	136185	AR	• BOLT, Hex head (M6-1 x 30mm, Grade 8.8, ZP)
	136186	1	• SUPPORT EX, Radiator
	104608	AR	• BOLT, Hex head (M6 - 1 x 16mm, Grade 5)
	136188	1	• COVER, Fan
	133219	AR	• WASHER, Flat (M6)
	136190	2	• STOPPER, Radiator
	139777	AR	• SPACER, (6mm length x 6.2mm ID)

Figure 4.5. Hydraulic Pump Assembly (Kubota Engine DF972 / D902)

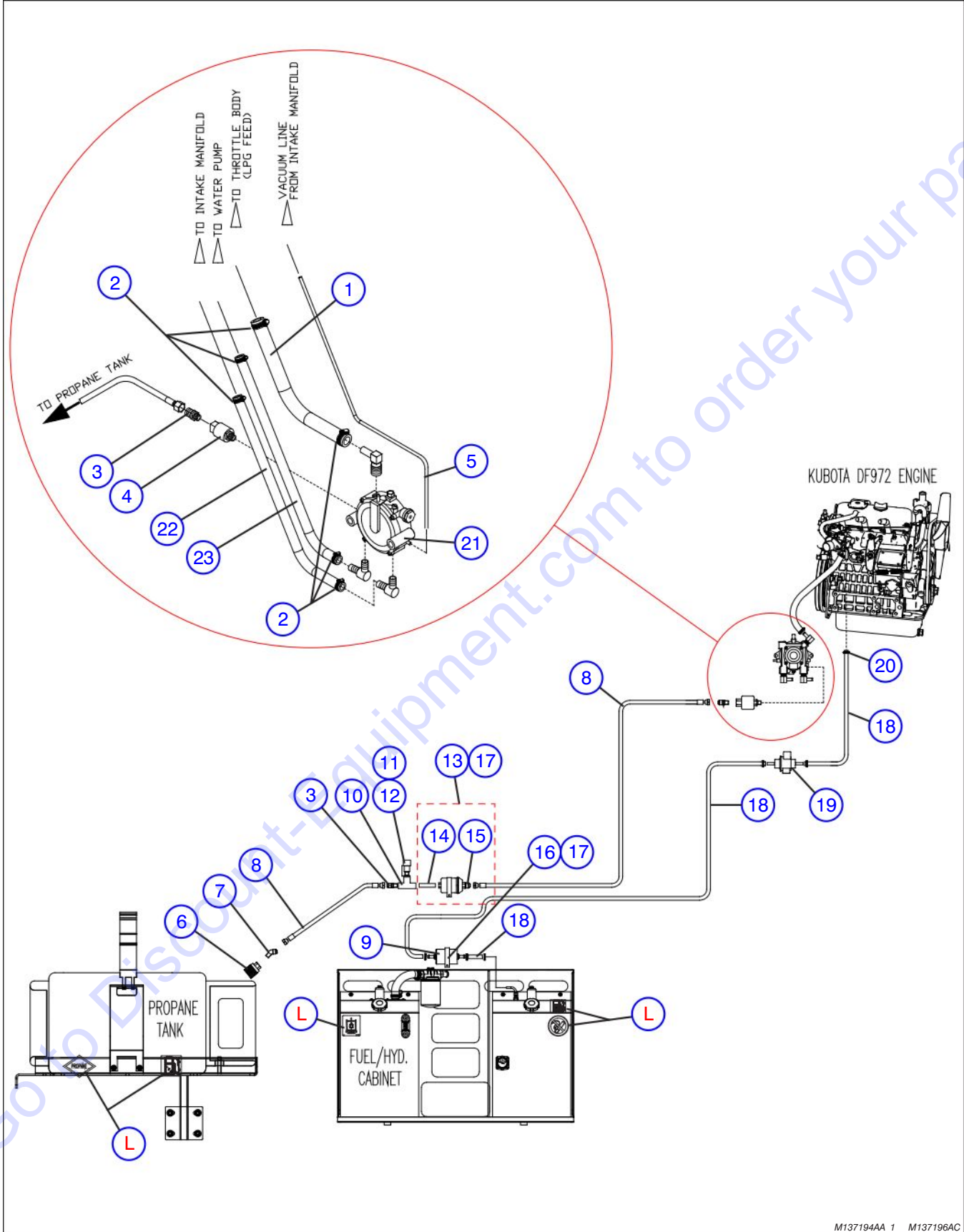


M137194AA

Index No.	Skyjack Part No.	Qty.	Description
1	114201	1	PUMP, Dual hydraulic (0.671/ 0.366)
2	114325	2	FITTING, Suction pump
3	103472	2	WASHER, Flat (3/8")
4	103999	2	WASHER, Lock (3/8")
5	101297	2	BOLT, Hex head (3/8"-16 x 1.25", Grade 5)
6	120054	2	FITTING, (SAE O-ring 37°, 45° 10-8)

Figure 4.6. Propane Fuel System - Kubota Dual Fuel Engine DF972

AB



M137194AA_1 M137196AC

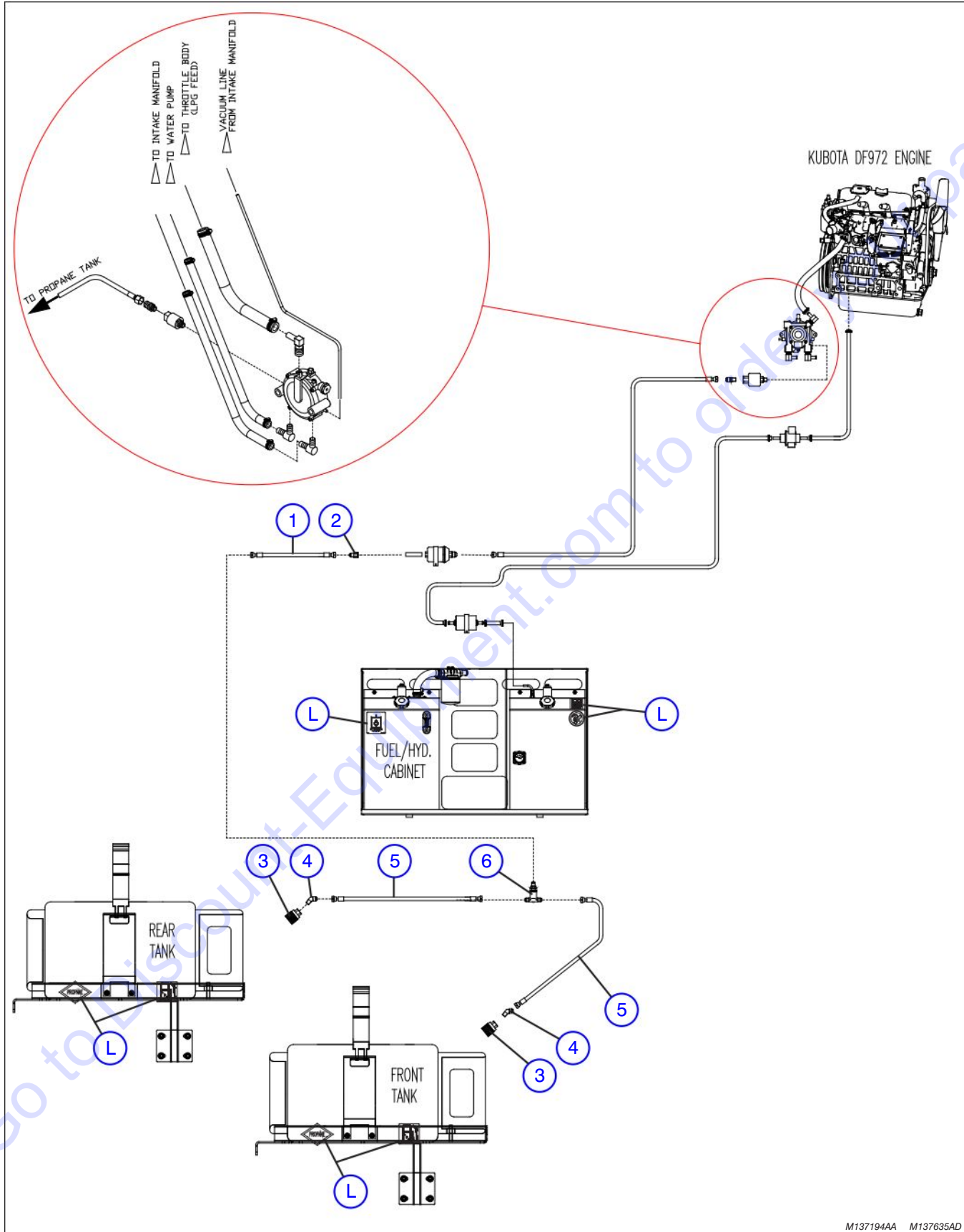
Figure 4.6. Propane Fuel System - Kubota Dual Fuel Engine DF972

AB

Index No.	Skyjack Part No.	Qty.	Description
1	128917	11"	HOSE, (1/2" Inner DIA)
2	102519	AR	CLAMP, Gear (#6)
3	103156	2	FITTING, Brass (48-6B)
4	125793	1	VALVE, Shut-off (Propane)
5	102660	27"	HOSE, Fuel Line (1/8")
6	103006	1	COUPLER, Quick female
7	103159	1	FITTING, Pipe (45°, 1/4")
8	137633	80"	HOSE, Propane
9	136118	1	FILTER, Fuel
10	132919	1	TEE, Female pipe
11	111622	1	CAP, Rain
12	300799	1	VALVE, Propane relief
13	151772	1	KIT, Filter A
	142300	1	• FILTER, Liquid propane A
	143513	1	• CLAMP
14	143477	1	• FITTING, (3/8 SAE 45°-M, 1/4 NPT-F)
15	143478	1	• NIPPLE, Long (1/4"-2)
16	124433	1	CLAMP, Single
17	-	-	HARDWARE, Clamp
	103983	2	• NUT, (1/4"-20)
	103995	AR	• WASHER, (1/4")
	104000	AR	• WASHER, Lock (1/4")
18	102984	109"	LINE, Fuel (5/16")
19	136119	1	PUMP, Electric fuel
20	103321	AR	CLAMP, Gear (#4)
21	136122	1	VAPORIZER, LPG
22	300797	25"	HOSE, (3/8", 200psi)
23	300797	22"	HOSE, (3/8", 200psi)
L	(Ref.)	-	LABELS (Refer to Figure 6.5)

Figure 4.7. Propane Fuel System - Dual Tank (Kubota Engine DF972)

AB



M137194AA M137635AD

Figure 4.7. Propane Fuel System - Dual Tank (Kubota Engine DF972)

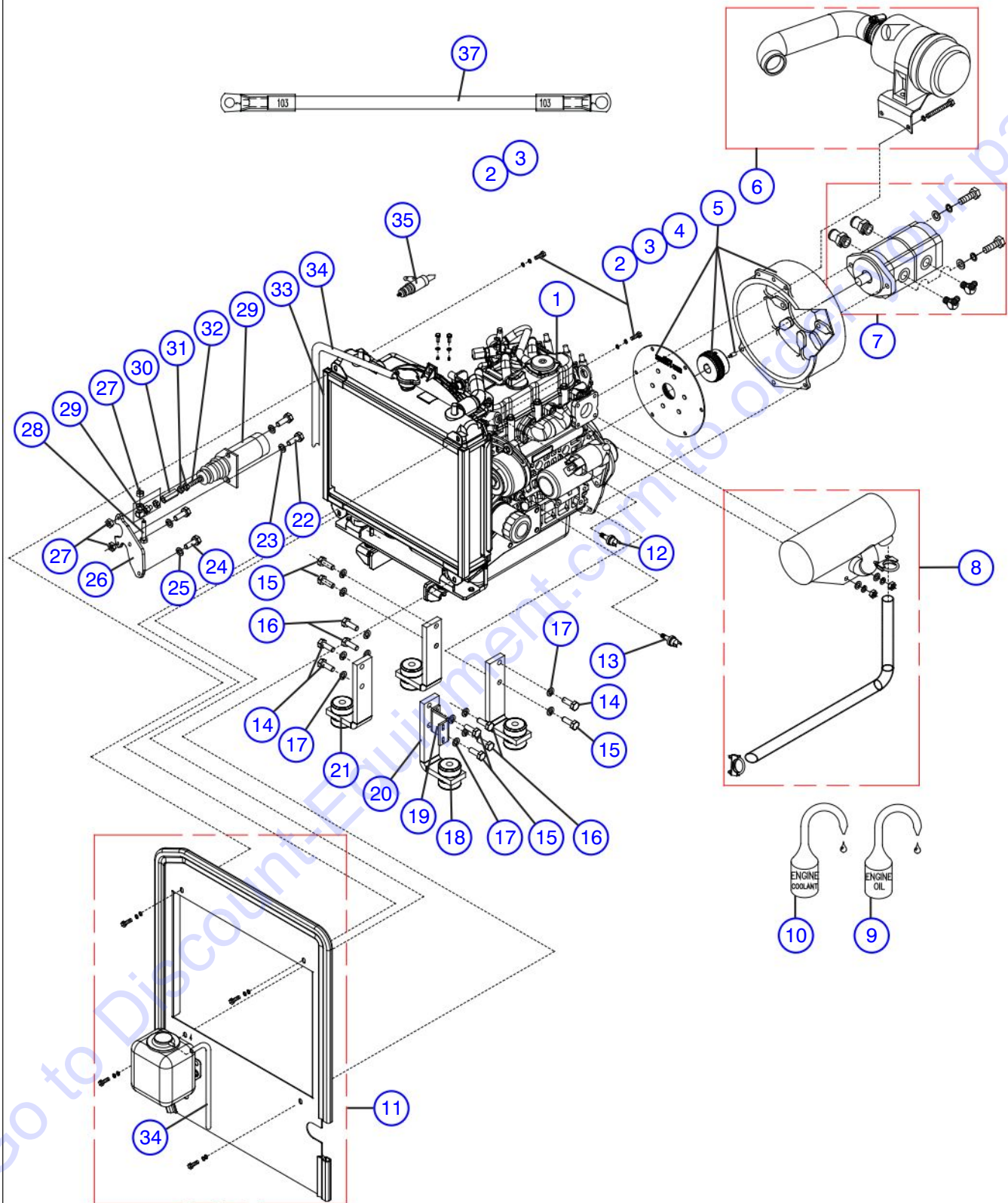
AB

Index No.	Skyjack Part No.	Qty.	Description
-	(Ref.)	-	(For other propane fuel components, refer to Figure 4.6)
1	137806	8"	HOSE, Propane
2	124656	1	FITTING, (1/4" FPT - 3/8" Male, 45° Flare)
3	103006	2	COUPLER, Quick female
4	103159	2	FITTING, Pipe (45°, 1/4")
5	137634	2	HOSE, Propane (70")
6	123062	1	TEE, Valve shuttle
L	(Ref.)	-	LABELS (Refer to Figure 6.5)

Go to Discount-Equipment.com to order your parts

Figure 4.8. Engine Assembly (Kubota Engine D902)

AB



M137891AM M137884_1AC

Figure 4.8. Engine Assembly (Kubota Engine D902)

AB

Index No.	Skyjack Part No.	Qty.	Description
1	137651	1	ENGINE, Kubota D902
	137839	1	• CRANKCASE
	137840	1	• PAN, Oil
	137841	1	• CYLINDER HEAD
	137842	1	• PUMP, Water
	137843	1	• INLET-MANIFOLD
	137845	1	• MANIFOLD, Exhaust
	137846	1	• COVER, Cylinder head
	137847	1	• FLYWHEEL
	137848	1	• HOUSING, Flywheel
	137849	1	• FILTER, Oil (Inner)
	137850	1	• CARTRIDGE, Oil filter
	137851	1	• DIPSTICK
	137852	1	• PUMP ASSEMBLY, Injection
	137853	1	• PUMP, Fuel transfer
	137854	1	• NOZZLE HOLDER ASSEMBLY
	137855	1	• PLATE, Speed control
	137856	1	• STARTER
	137857	1	• ALTERNATOR
	137858	1	• BRACKET, Alternator
	137859	1	• GUARD, Alternator
	137860	1	• GLOW PLUG
	137861	1	• THERMOSTAT
	137862	1	• COVER, Thermostat
	137863	1	• PULLEY, Fan
	137864	1	• PULLEY, Fan Drive
	137865	1	• BELT, Fan
	137866	1	• MANUAL, Operators
	137867	1	• WARRANTY STATEMENT
	119185	1	• TIMER, Glow lamp
	137873	1	• COUPLER, Alternator assembly
	137649	1	• FAN, Pusher
2	133219	4	WASHER, Flat (M6)
3	121758	4	WASHER, Lock (6mm)
4	136185	2	BOLT, Hex head (M6 -1 x 30mm)
5	(Ref.)	1	BELL HOUSING, Kubota DF972 (For components, refer to Figure 4.1)
6	(Ref.)	-	ASSEMBLY, Air cleaner (For components, refer to Figure 4.9)
7	(Ref.)	-	ASSEMBLY, Hydraulic Pump (For components, refer to Figure 4.5)
			Part list continued on the following page.

PARTS FINDER

**Search Website
by Part Number**



**Search Manual
Library For Parts
Manual & Lookup Part
Numbers – Purchase
or Request Quote**

Search Manuals

Enter your information to help us find the right parts manual for your machine.

* Brand:

* Model:

* Serial:

* Part Number:

SEARCH

**Can't Find Part or
Manual? Request Help
by Manufacturer,
Model & Description**

Parts Order Form

Please fill in the following information to help us find the right part for your machine.

Manufacturer:	<input type="text"/>
Model:	<input type="text"/>
Description:	<input type="text"/>
Part Number:	<input type="text"/>
Quantity:	<input type="text"/>
Notes:	<input type="text"/>

Submit

Discount-Equipment.com is your online resource for quality parts & equipment.

Florida: **561-964-4949** Outside Florida TOLL FREE: **877-690-3101**

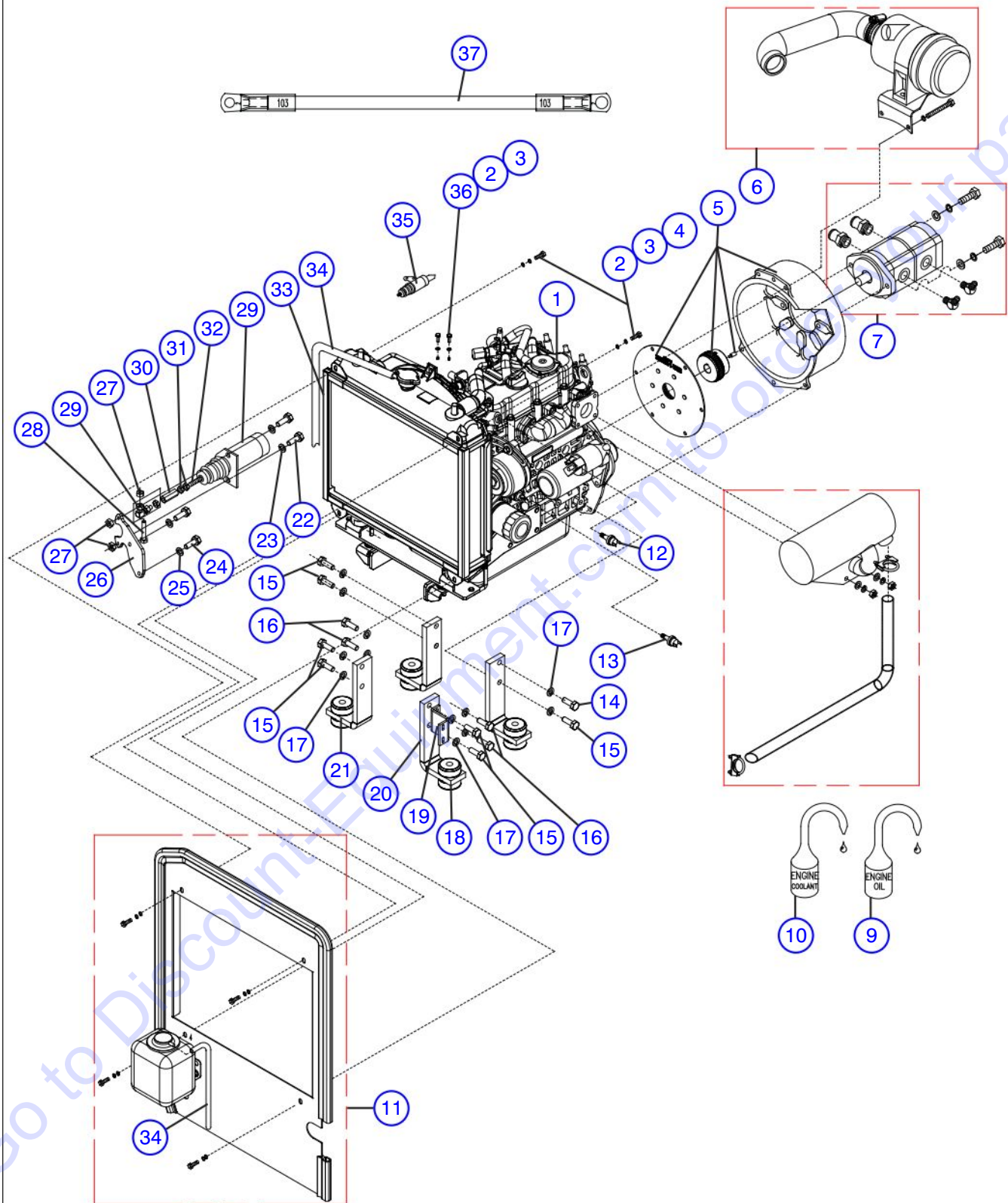
Need parts?

Click on this link: <http://www.discount-equipment.com/category/5443-parts/> and choose one of the options to help get the right parts and equipment you are looking for. Please have the machine model and serial number available in order to help us get you the correct parts. If you don't find the part on the website or on one of the online manuals, please fill out the request form and one of our experienced staff members will get back to you with a quote for the right part that your machine needs.

We sell worldwide for the brands: Genie, Terex, JLG, MultiQuip, Mikasa, Essick, Whiteman, Mayco, Toro Stone, Diamond Products, Generac Magnum, Airman, Haulotte, Barreto, Power Blanket, Nifty Lift, Atlas Copco, Chicago Pneumatic, Allmand, Miller Curber, Skyjack, Lull, Skytrak, Tsurumi, Husquvarna Target, Stow, Wacker, Sakai, Mi-T-M, Sullair, Basic, Dynapac, MBW, Weber, Bartell, Bennar Newman, Haulotte, Ditch Runner, Menegotti, Morrison, Contec, Buddy, Crown, Edco, Wyco, Bomag, Laymor, EZ Trench, Bil-Jax, F.S. Curtis, Gehl Pavers, Heli, Honda, ICS/PowerGrit, IHI, Partner, Imer, Clipper, MMD, Koshin, Rice, CH&E, General Equipment, Amida, Coleman, NAC, Gradall, Square Shooter, Kent, Stanley, Tamco, Toku, Hatz, Kohler, Robin, Wisconsin, Northrock, Oztec, Toker TK, Rol-Air, APT, Wylie, Ingersoll Rand / Doosan, Innovatech, Con X, Ammann, Mecalac, Makinex, Smith Surface Prep, Small Line, Wanco, Yanmar

Figure 4.8. Engine Assembly (Kubota Engine D902) (Continued)

AB



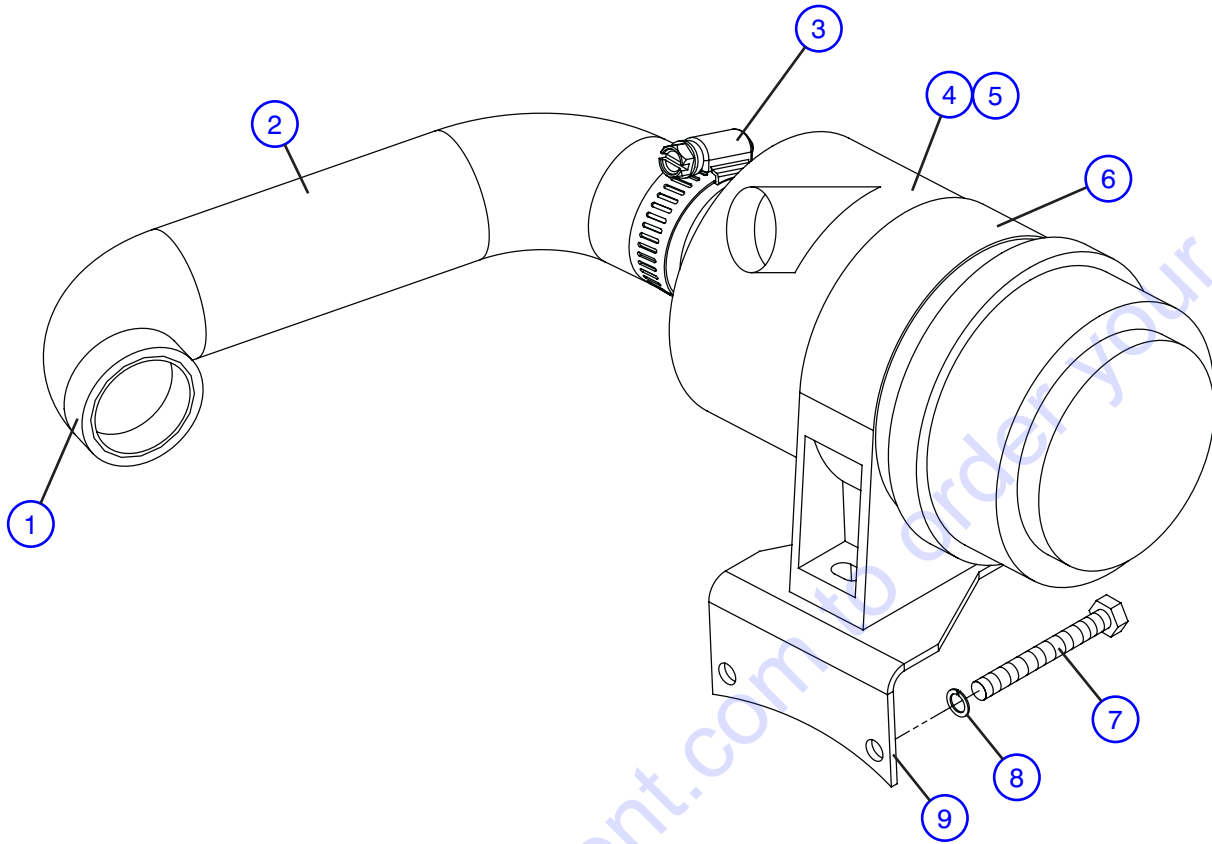
M137891AM M137884_1AC

Figure 4.8. Engine Assembly (Kubota Engine D902) (Continued)

AB

Index No.	Skyjack Part No.	Qty.	Description
Part list continued from the previous page.			
8	(Ref.)	-	ASSEMBLY, Exhaust System (For components, refer to Figure 4.3)
9	(Ref.)	-	OIL, Engine (Refer to Table 1.1.)
10	(Ref.)	-	SOLUTION, Engine coolant (Antifreeze) (Refer to Table 1.1.)
11	(Ref.)	-	ASSEMBLY, Radiator plate (For components, refer to Figure 4.1)
12	113400	1	SWITCH, Temperature
13	102838	1	SWITCH, Oil pressure
14	103850	1	BOLT, Hex head (M10 x 1.25 x 30mm, Grade 8.8)
15	136665	7	BOLT, Hex head (M10 x 1.25 x 35mm, Grade 8.8)
16	103848	2	BOLT, Hex Head (M10 x 1.25 x 20mm, Grade 8.8)
17	130884	12	WASHER, Lock (M10)
18	147634	4	MOUNT, Engine vibration control
19	137657	1	BRACKET, Exhaust
20	136033	2	BRACKET, Engine mount FR/RL
21	136032	2	BRACKET, Engine mount FL/RR
22	103856	2	BOLT, Hex head (1/4"-20 x 3/4")
23	104000	2	WASHER, Lock (1/4" NOM. 0.06)
24	137902	2	BOLT, Hex head (M8-1.25 x 25MM, Grade 8.8, ZP, DIN933)
25	116218	2	WASHER, Lock (M8)
26	137200	1	BRACKET, Solenoid
27	103980	3	NUT, Hex head (1/4"- 20, Grade B)
28	103859	1	BOLT, Hex head (0.25"-20 x 1.5", Grade 5)
29	106370	1	SOLENOID
30	137915	1	NUT, Coupling (1/4"-28 x 1.25")
31	106368	2	NUT, Hex head jam (1/4"-28, Grade B)
32	137918	1	ROD, Threaded (1/4"-28 x 2.25")
33	(Ref.)	-	RADIATOR KIT, Kubota DF972/D902 (For components, refer to Figure 4.4)
34	102984	46"	LINE, Fuel (5/16")
35	139321	1	SOLENOID, Fuel shutdown
36	104608	2	BOLT, Hex head (M6 - 1 x 16mm, Grade 5)
37	139252	1	CABLE, Welding #6GA

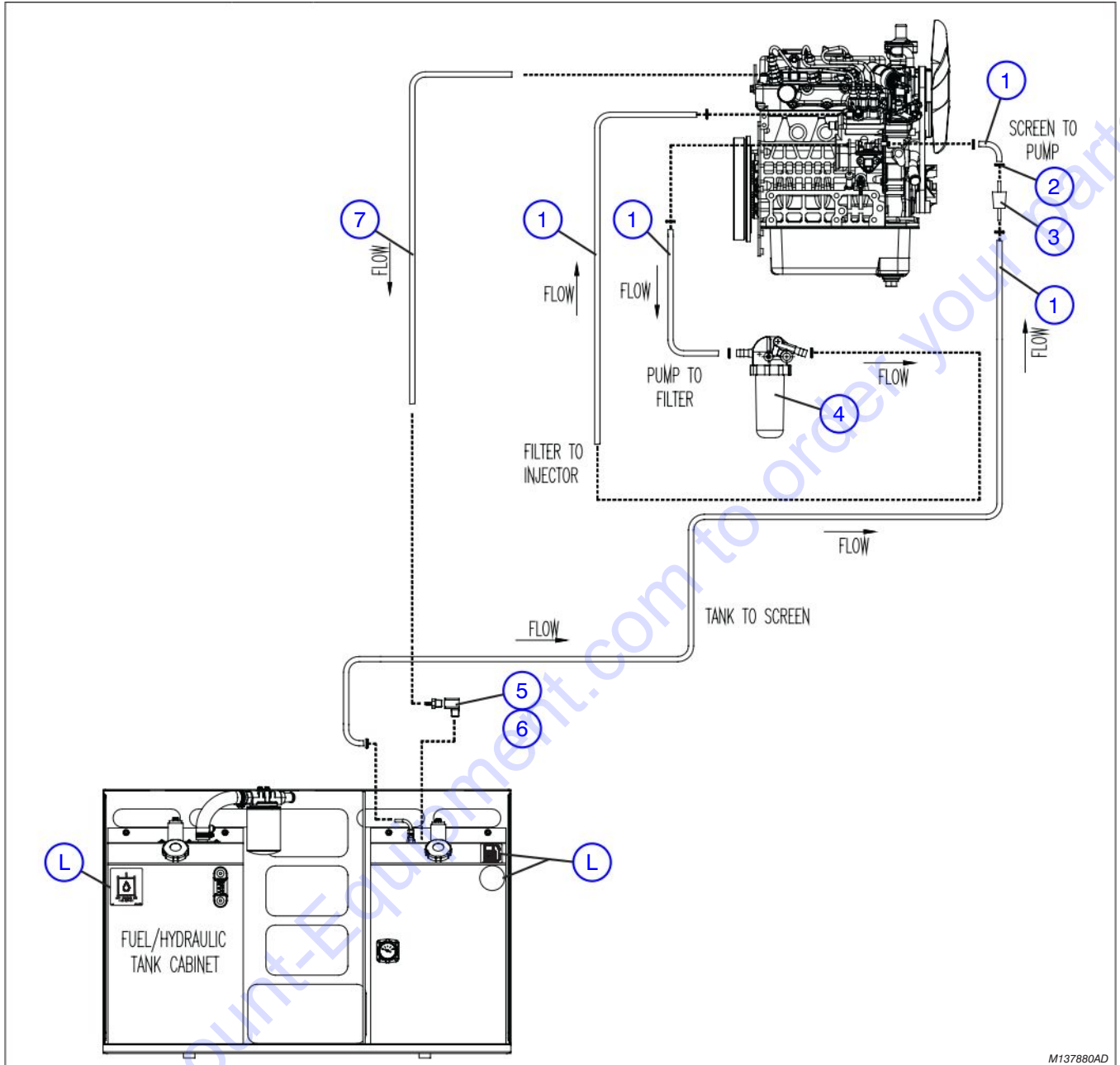
Figure 4.9. Air Cleaner Assembly (Kubota Engine D902)



M137891AA

Index No.	Skyjack Part No.	Qty.	Description
-	137654	AR	ENGINE KIT, Kubota D902, Air Cleaner Kit
1	104528	1	• CLAMP, Gear (#28)
2	137893	1	• HOSE, Inlet
3	133222	1	• CLAMP, Gear (#32)
4	136144	1	• ASSEMBLY, Air cleaner (Kubota)
5	137924	1	• • FILTER ELEMENT (Kubota)
6	136148	1	• BRACKET, Air cleaner band
	136667	AR	• • BOLT, Hex head (M8-1.25 x 30mm)
	127940	AR	• • WASHER, Flat (M8 - ZN)
	121059	AR	• • NUT, Hex (M8-1.25)
7	137895	AR	• BOLT, Hex head (M8-1.25 x 35mm, Grade 8.8, ZP)
8	116218	AR	• WASHER, Lock (M8)
9	137120	1	• BRACKET, Air cleaner

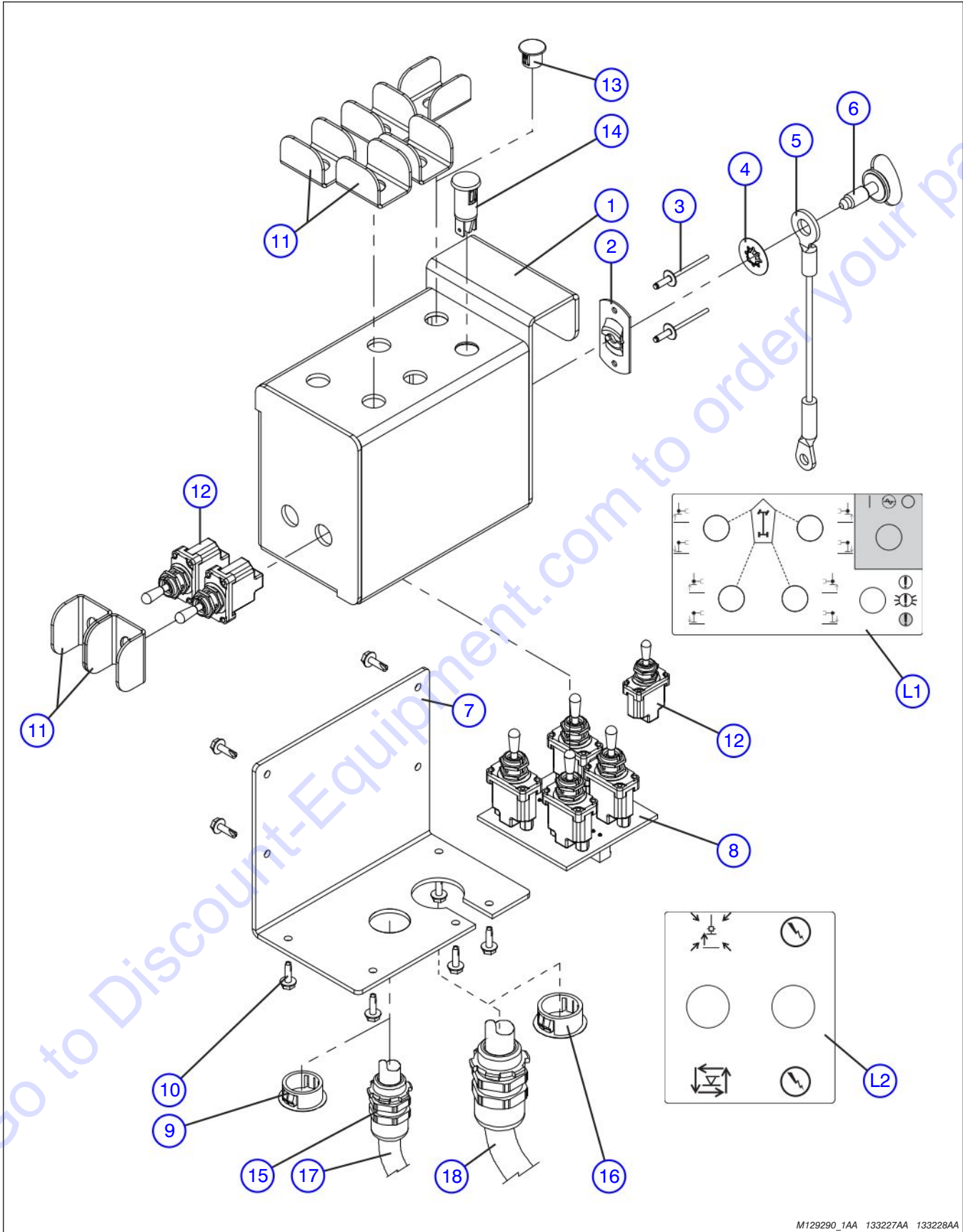
Figure 4.10. Hose Assembly, Fuel (Kubota D902)



M137880AD

Index No.	Skyjack Part No.	Qty.	Description
1	102984	174"	LINE, Fuel (5/16")
2	103321	AR	CLAMP, Gear (#4)
3	139254	1	FILTER, Pre-fuel
4	(Ref.)	-	ASSEMBLY, Fuel filter (For components, refer to Figure 3.18)
5	103164	1	FITTING, Brass
6	103176	1	FITTING, (1/8" BAR-1/4" NPT, #125-2B)
7	102660	130"	LINE, Fuel (1/8")
L	(Ref.)	-	LABELS (Refer to Figure 6.5)

Figure 5.1. Outrigger Control Box Assembly

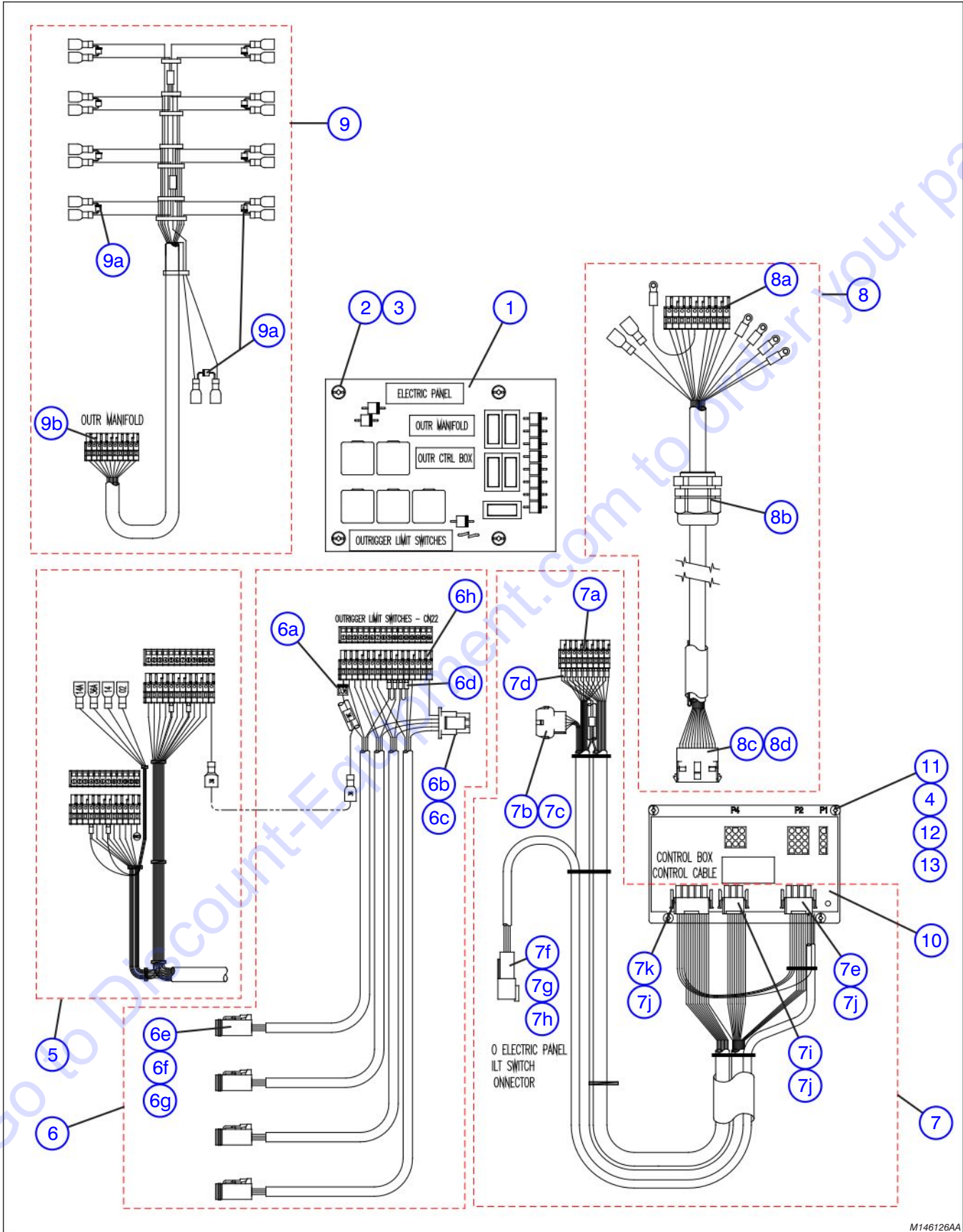


M129290_1AA 133227AA 133226AA

Figure 5.1. Outrigger Control Box Assembly

Index No.	Skyjack Part No.	Qty.	Description
A	129290	-	ASSEMBLY, Control Box (Outrigger Option)
B	132812	-	ASSEMBLY, Control Box (Hydraulic Generator Option)
C	129291	-	ASSEMBLY, Control Box (Outrigger & Hydraulic Option)
1	132811	1	• WELDMENT, Control box
2	120269	1	• RECEPTACLE, Screw captive
3	119945	2	• RIVET, Large aluminum pop
4	120270	1	• RETAINER, Screw captive
5	120277	1	• LANYARD, Nylon coated (6")
6	120268	1	• SCREW, Captive wing head
7	129289	1	• WELDMENT, Bottom Cover
8	121664	1	• BOARD, Outrigger control, A, C
	102853	4	• SWITCH, Toggle
9	102956	1	• PLUG, Snap-in hole (7/8"), A
10	112327	9	• SCREW, Hex head, self tapping (#8-18 x 1/2")
11	111181	AR	• GUARD, Toggle Switch
12	102853	AR	• SWITCH, Toggle
13	114377	AR	• PLUG, Snap-in hole (1/2"), A, B
14	133133	1	• LIGHT, Indicator 12V amber, A, C
15	103036	1	• CONNECTOR, Strain Relief (1/2"), B, C
16	131938	1	• PLUG, 1-1/8" Snapin Hole, B
17	143533	1	CABLE ASSEMBLY, Hydraulic Generator (Model 6832), B, C
	103257	768"	• CABTIRE, 18/3
	143536	1	CABLE ASSEMBLY, Hydraulic Generator (Model 6826), B, C
	103257	660"	• CABTIRE, 18/3
18	(Ref.)	-	CABLE ASSEMBLY, Outrigger control, A, C (For components, refer to Figure 5.2)
L1	133227	-	LABEL, Outrigger and hydraulic generator
L2	133228	-	LABEL, Auto level outrigger

Figure 5.2. Outrigger Electrical Connections



M146126AA

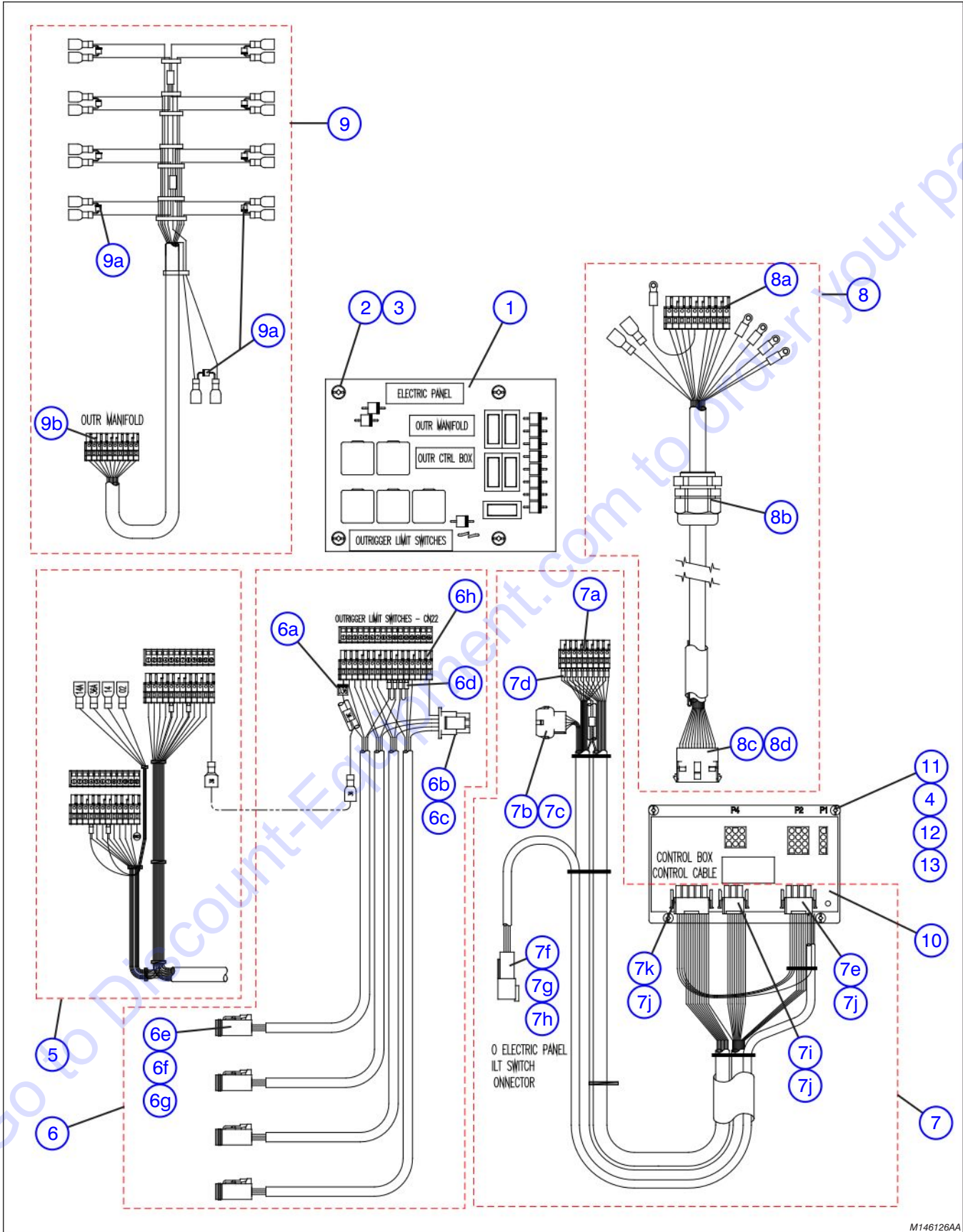
Figure 5.2. Outrigger Electrical Connections

AB

Index No.	Skyjack Part No.	Qty.	Description
1	152137	1	PC BOARD, Outrigger Option 12 V
	127131	5	• RELAY, 12V (40 Amp)
	127132	5	• SWITCH (3 position)
	120658	1	• FUSE (10
	102921	11	• DIODE, 6 Amp
2	103856	AR	BOLT, Machine (1/4-20 x 3/4")
3	104000	AR	WASHER, Lock (1/4)
4	104185	AR	WASHER, Lock (#10)
5	146112	1	HARNESS, Outrigger & hydraulic generator (ANSI/CSA)
	146113	1	HARNESS, Outrigger & hydraulic generator (CE)
	119904	2	• PLUG, PC board 12-Pin connector
	139462	5	• FERRULE (16 GA)
6	146114	1	HARNESS, Outrigger auto-level limit switch
6a	102921	1	• DIODE, 6 Amp
6b	130445	1	• HOUSING, Male plug (6-pin)
6c	116990	5	• PIN, Female wire
6d	139462	4	• FERRULE (16 GA)
6e	117579	4	• PLUG, Connector 4-PIN
6f	117581	4	• PLUG, Connector 4-pin wedge
6g	117591	16	• SOCKET, Connector contact (16-18)
6h	119908	1	• PLUG, PC board 16-pin connector
7	137990	1	HARNESS, Outrigger Auto-Level Control Module
7a	119901	1	• PLUG, PC Board 9-pin connector
7b	132799	1	• HOUSING, Female plug (6-pin)
7c	116989	5	• PIN, Male wire
7d	139462	9	• FERRULE (16 GA)
7e	130449	1	• HOUSING, Male plug (12-pin)
7f	117578	1	• RECEPTACLE, Connector 4-pin
7g	117580	1	• RECEPTACLE, Connector 4-pin wedge
7h	117590	4	• CONTACT, Connector pin (16-18)
7i	116993	1	• HOUSING, Male plug (9-pin)
7j	116990	36	• PIN, Female wire
7k	116994	1	• HOUSING, Male plug (15-pin)
8	137552	1	HARNESS, Outrigger Control Cable (Model 6826)
	134032	1	HARNESS, Outrigger Control Cable (Model 6832)
8a	119902	1	• PLUG, PC Board 10-pin Connector
8b	300788	1	• CONNECTOR, Strain Relief
8c	132800	1	• HOUSING, 15-pin male plug
8d	116989	AR	• PIN, Male Wire

Part list continued on the following page.

Figure 5.2. Outrigger Electrical Connections (Continued)



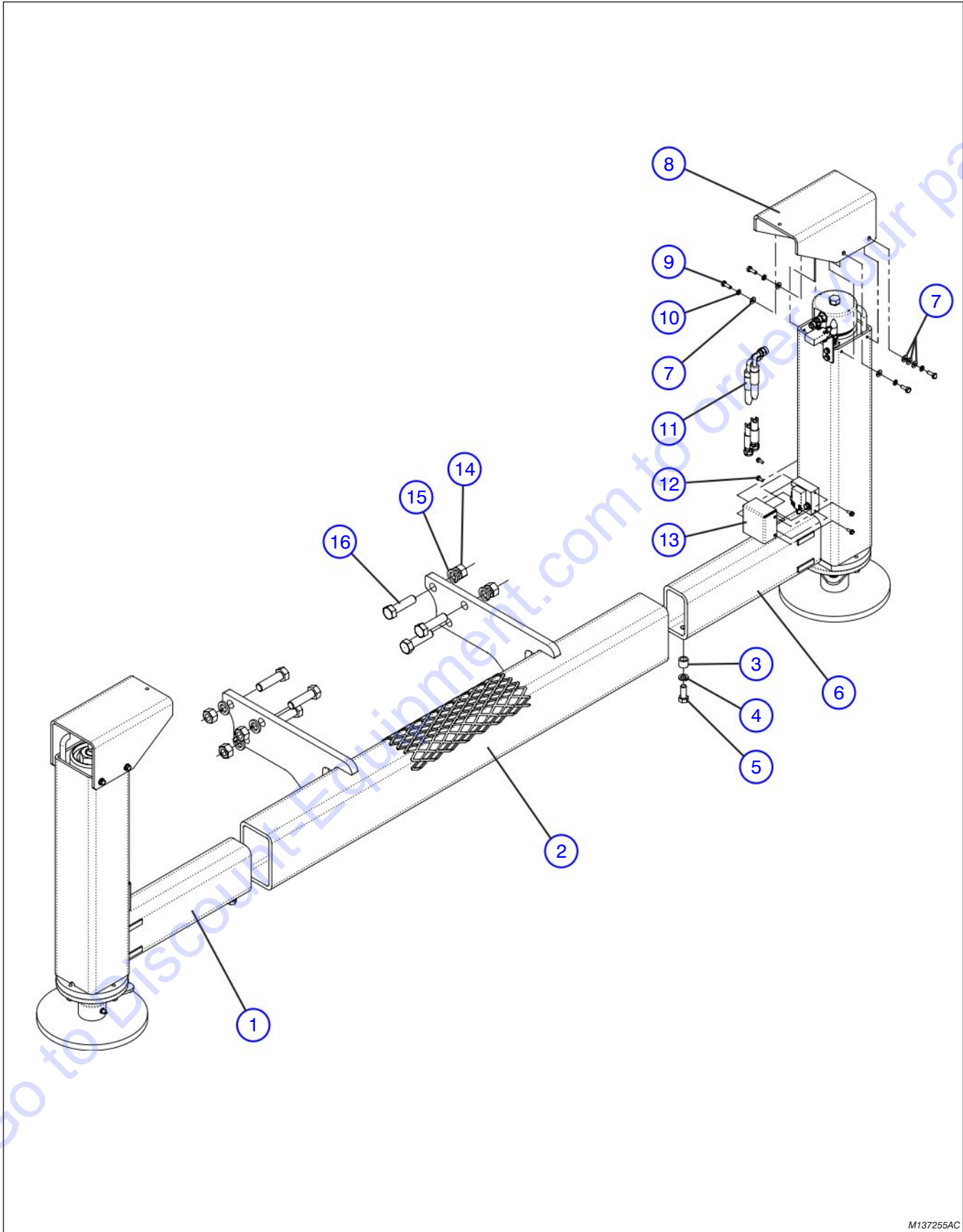
M146126AA

Figure 5.2. Outrigger Electrical Connections (Continued)

Index No.	Skyjack Part No.	Qty.	Description
Part list continued from the previous page.			
9	137991	1	HARNES, Outrigger Manifold
9a	102921	9	• DIODE, 6 Amp
9b	119902	1	• PLUG, PC Board 10-pin Connector
10	132804	1	MODULE, Outrigger Auto-Levelling Controller
11	105621	AR	BOLT, Machine (#10-32 x 1")
12	104694	AR	WASHER, Flat (#10)
13	104003	AR	NUT, Hex (#10-32)

Go to Discount-Equipment.com to order your parts

Figure 5.3. Front And Rear Outrigger Assembly



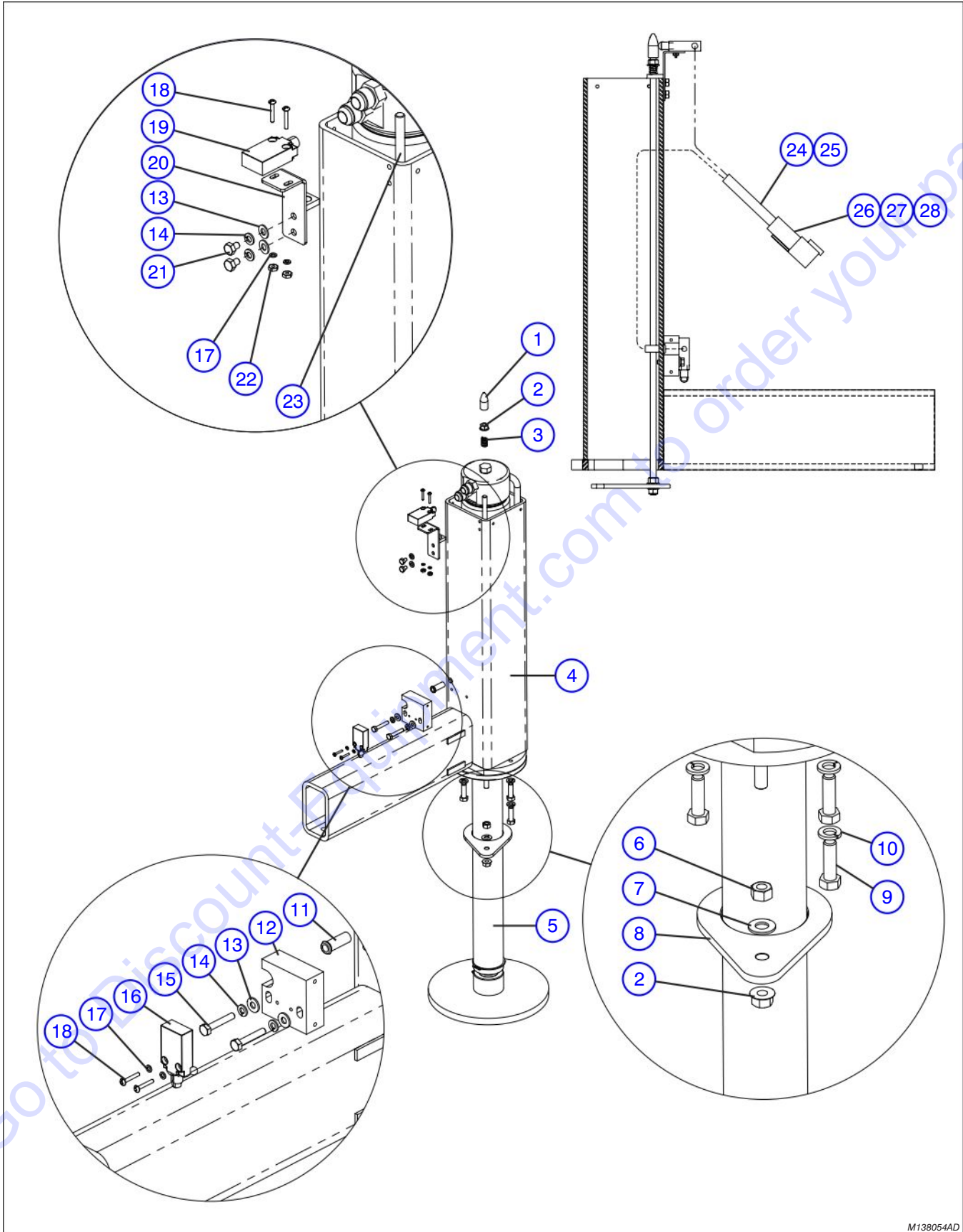
M137255AC

Figure 5.3. Front And Rear Outrigger Assembly

Index No.	Skyjack Part No.	Qty.	Description
1	(Ref.)	-	OUTRIGGER ASSEMBLY, RH (For components, refer to Figure 5.4)
2	137210	1	OUTRIGGER WELDMENT, Rear
	137966	1	OUTRIGGER WELDMENT, Front
3	118387	2	SPACER, Outrigger
4	103470	2	WASHER, Lock (1/2", Grade 5)
5	103909	2	BOLT, Hex head (1/2" - 13 x 1.25", Grade 5)
6	(Ref.)	-	ASSEMBLY, Outrigger (LH) (For components, refer to Figure 5.4)
7	103995	12	WASHER, Flat (1/4")
8	102355	2	PLATE, Outrigger hose cover
9	103856	8	BOLT, Hex head (1/4" - 20 x 3/4", Grade 5)
10	104000	8	WASHER, Lock (1/4")
11	127422	4	HOSE, Hydraulic line
12	116193	8	SCREW, Hex washer head (#10-32 x 1/2")
13	116826	2	COVER, Limit switch
14	139672	6	NUT, Hex head (3/4" - 10 Grade 5)
15	103990	6	WASHER, Flat (3/4")
16	139671	6	BOLT, Hex head (3/4" - 10 x 2.75", Grade 8)

Note: Quantities are as per complete machine assembly

Figure 5.4. Outrigger Assembly



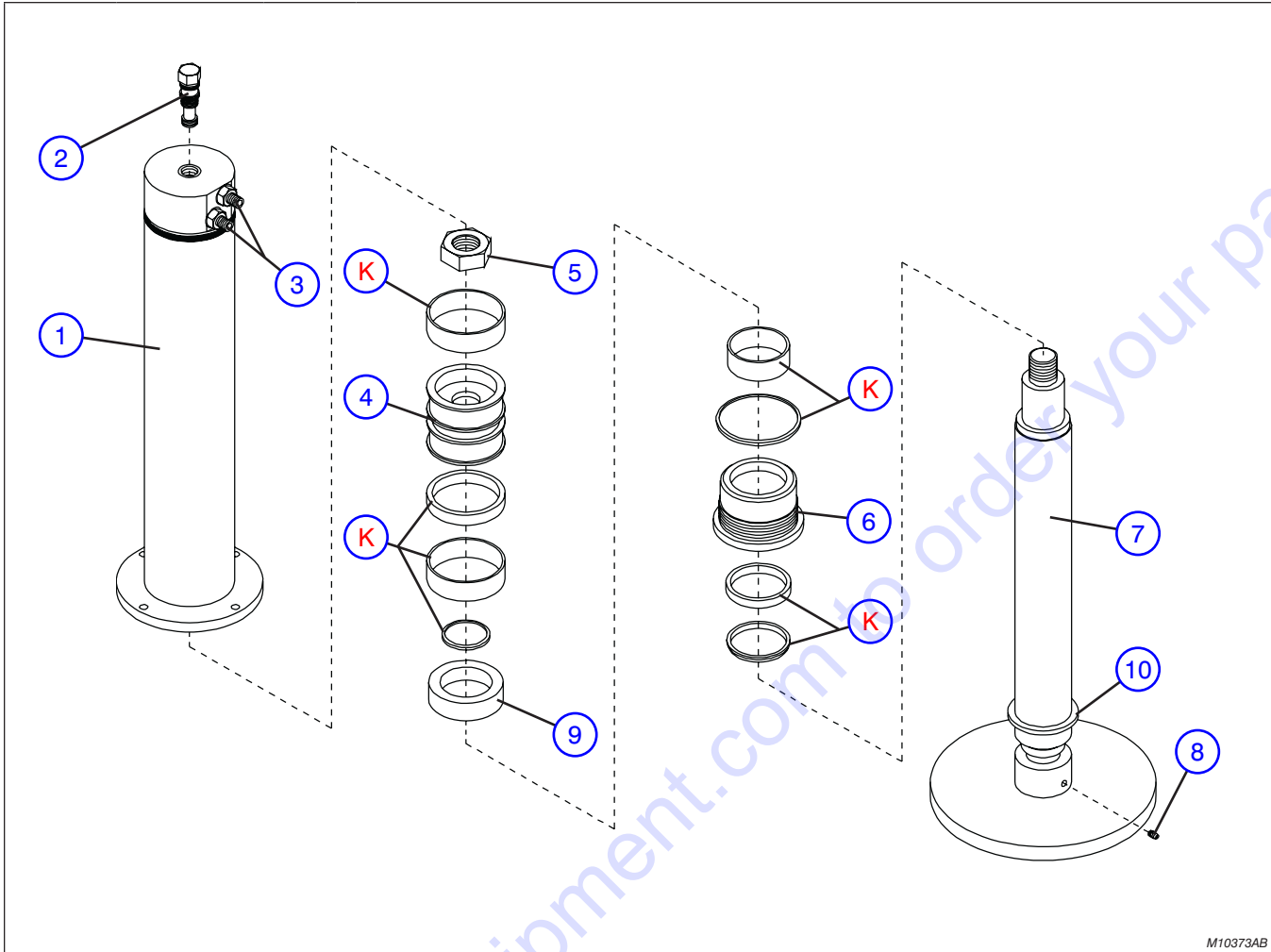
M138054AD

Figure 5.4. Outrigger Assembly

Index No.	Skyjack Part No.	Qty.	Description
A	138054	-	OUTRIGGER ASSEMBLY, Left hand side
B	138055	-	OUTRIGGER ASSEMBLY, Right hand side
1	124972	1	• NUT CAP, (3/8" - 16 UNC)
2	112601	1	• NUT, Hex flange lock (3/8" - 16)
3	124356	1	• SPRING, Compression (1/2" OD x 1-3/4")
4	124196	1	• ENCLOSURE, Outrigger weldment (LH), A
	124200	1	• ENCLOSURE, Outrigger Weldment (RH), B
5	(Ref.)	1	• ASSEMBLY, Outrigger cylinder (For components, refer to Figure 5.5)
6	103978	2	• NUT, Hex head (3/8" - 16, Grade 5)
7	103472	1	• WASHER, Flat (3/8")
8	124338	1	• CLIP, Plastic
9	101297	3	• BOLT, Hex head (3/8" - 16 x 1-1/4", Grade 5)
10	103999	3	• WASHER, Lock (3/8")
11	118478	1	• BUSHING, PVC (5/16" ID x 1-1/4")
12	116827	1	• MOUNT, Bar flat limit switch
13	103995	4	• WASHER, Flat (1/4")
14	104000	4	• WASHER, Lock (1/4")
15	103859	2	• BOLT, Hex head (1/4" - 20 x 1-1/2", Grade 5)
16	138059	1	• SWITCH, Sealed limit cable (75")
17	112249	4	• WASHER, Lock (#8)
18	126499	4	• SCREW, Round head machine (8-32 x 7/8")
19	138060	1	• SWITCH, Sealed limit cable (55")
20	124335	1	• WELDMENT, Upper switch bracket outrigger
21	103855	2	• BOLT, Hex head (1/4" - 20 x 1/2")
22	103986	2	• NUT, Hex head (8-32)
23	127003	1	• WELDMENT, Outrigger actuator rod
24	103091	58"	• PROTECTOR, Wire (5/8" DIA)
25	113584	4"	• HEATSHRINK, 1/2" (Black)
26	117580	1	• CONNECTOR, Receptacle 4-pin wedge
27	117590	4	• CONNECTOR, Pin contact 16-18
28	117578	1	• CONNECTOR, Receptacle 4-pin

Figure 5.5. Outrigger Cylinder Assembly

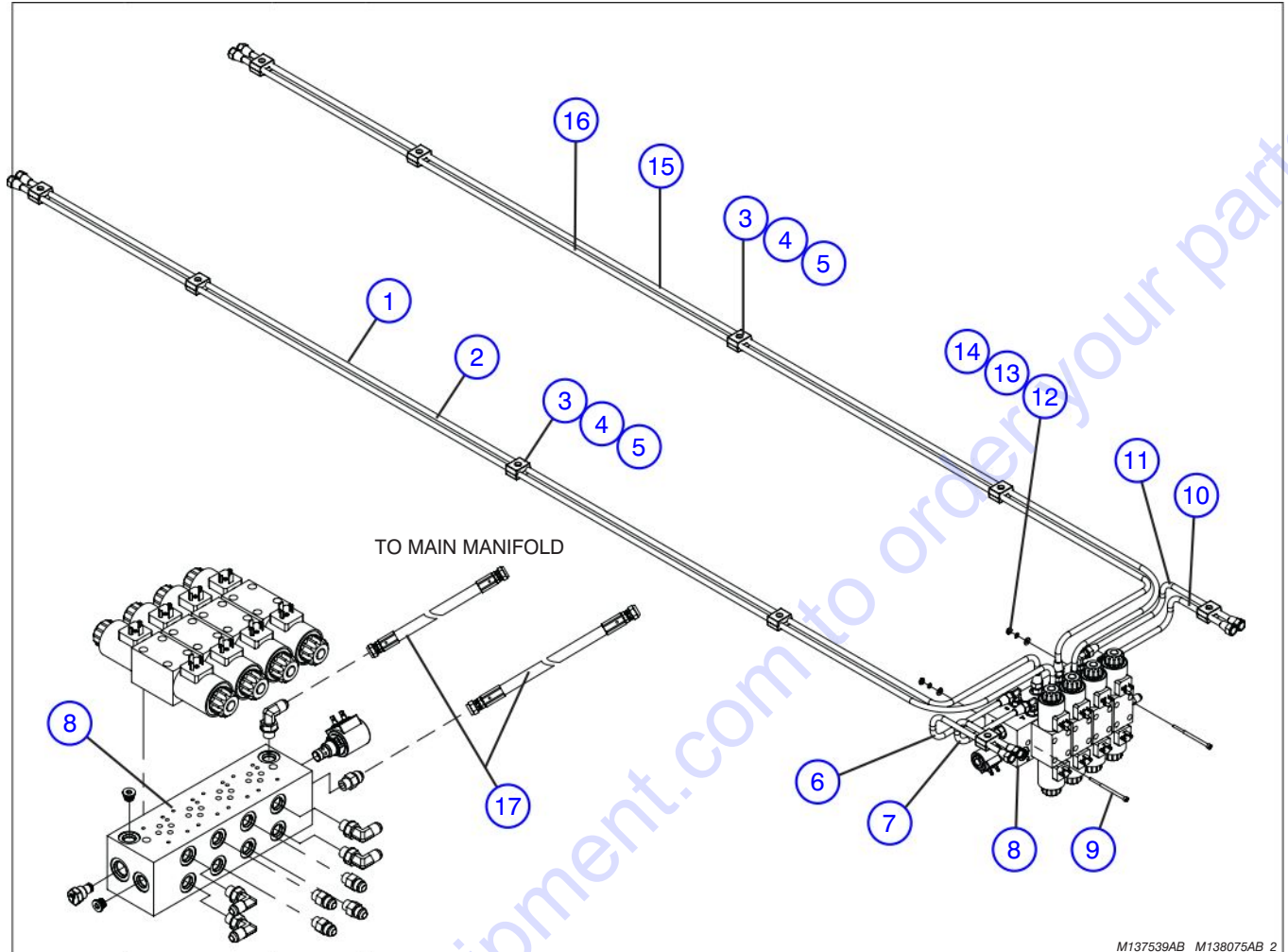
AB



M10373AB

Index No.	Skyjack Part No.	Qty.	Description
-	132694	-	OUTRIGGER CYLINDER ASSEMBLY
1	152132	1	• WELDMENT, Outrigger Cylinder Barrel
2	104115	1	• VALVE, Pilot Check (Not part of cylinder)
3	103069	2	• FITTING, O-ring
4	120640	1	• PISTON
5	106230	1	• NUT, Lock (1.25"-12, Grade 8)
6	120387	1	• GLAND, Front head
7	126999	1	• OUTRIGGER CYLINDER ROD ASSEMBLY
8	102027	1	• FITTING, Grease (1/8P)
9	132565	1	• CAP, Rubber grease
10	132690	1	• SPACER, Cylinder tube
	126279	1	• RING, Retaining (2.5")
K	104355	1	KIT, Seal repair

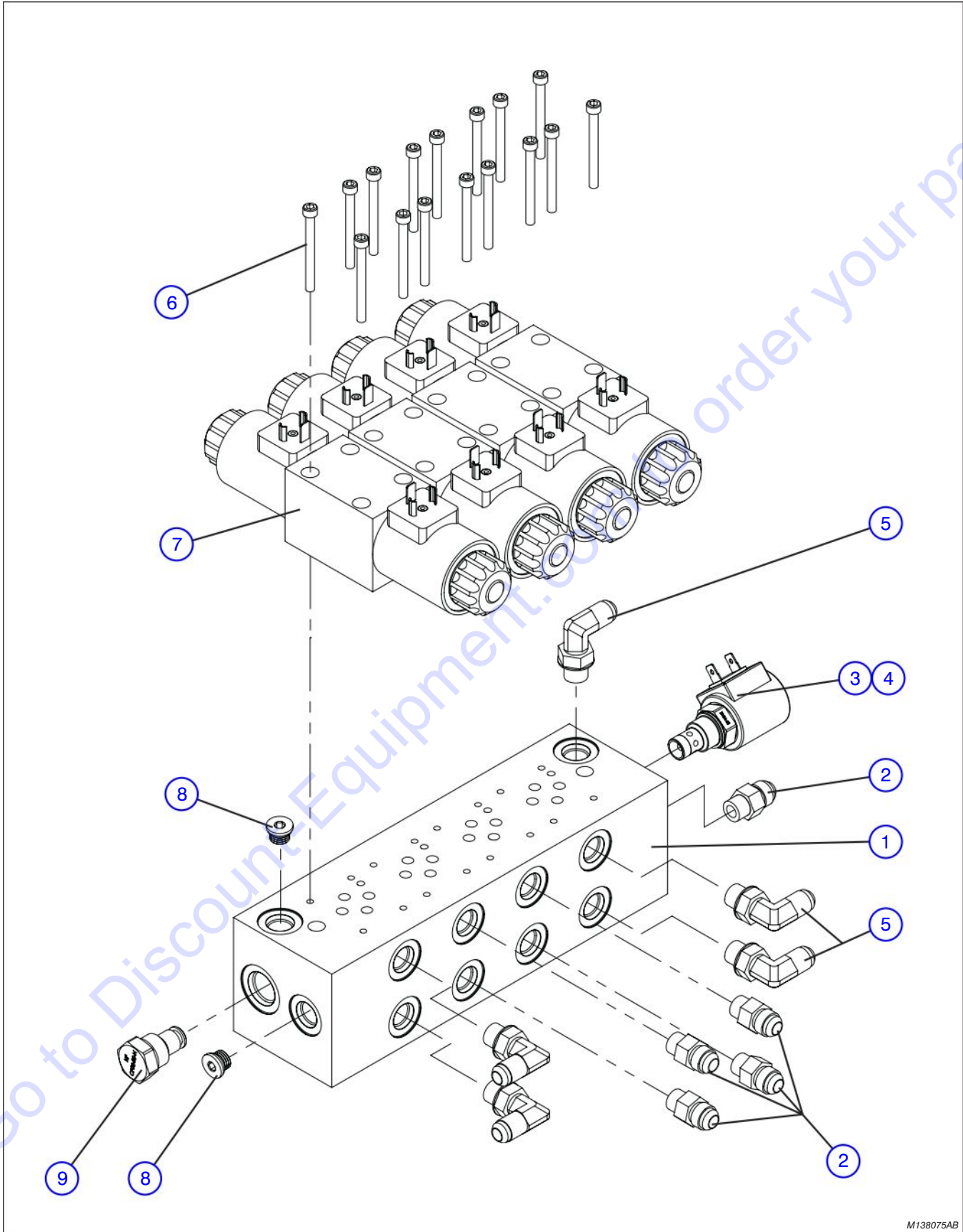
Figure 5.6. Outrigger Hydraulic Connections



M137539AB M138075AB_2

Index No.	Skyjack Part No.	Qty.	Description
1	137536	1	TUBE ASSEMBLY, Hydraulic outrigger (front left inner)
2	137538	1	TUBE ASSEMBLY, Hydraulic outrigger (front left outer)
3	109127	20	MOUNT, Tube twin insert
4	103995	AR	WASHER, Flat (1/4")
5	103980	AR	NUT, Hex head (1/4"- 20, Grade 5)
6	137550	1	TUBE ASSEMBLY, Hydraulic outrigger (rear left outer)
7	137548	1	TUBE ASSEMBLY, Hydraulic outrigger (rear left inner)
8	(Ref.)	-	MANIFOLD ASSEMBLY, Outrigger (For components, refer to Figure 5.7)
9	137556	AR	SCREW, Socket head cap
10	137544	1	TUBE ASSEMBLY, Hydraulic outrigger (rear right inner)
11	137546	1	TUBE ASSEMBLY, Hydraulic outrigger (rear right outer)
12	104694	AR	WASHER, Flat (#10)
13	104185	AR	WASHER, Lock (#10)
14	103987	AR	NUT, Hex head (#10-24)
15	137534	1	TUBE ASSEMBLY, Hydraulic outrigger (front right outer)
16	137532	1	TUBE ASSEMBLY, Hydraulic outrigger (front right inner)
17	107275	2	HOSE ASSEMBLY, Hydraulic line

Figure 5.7. Outrigger Manifold Assembly



M138075AB

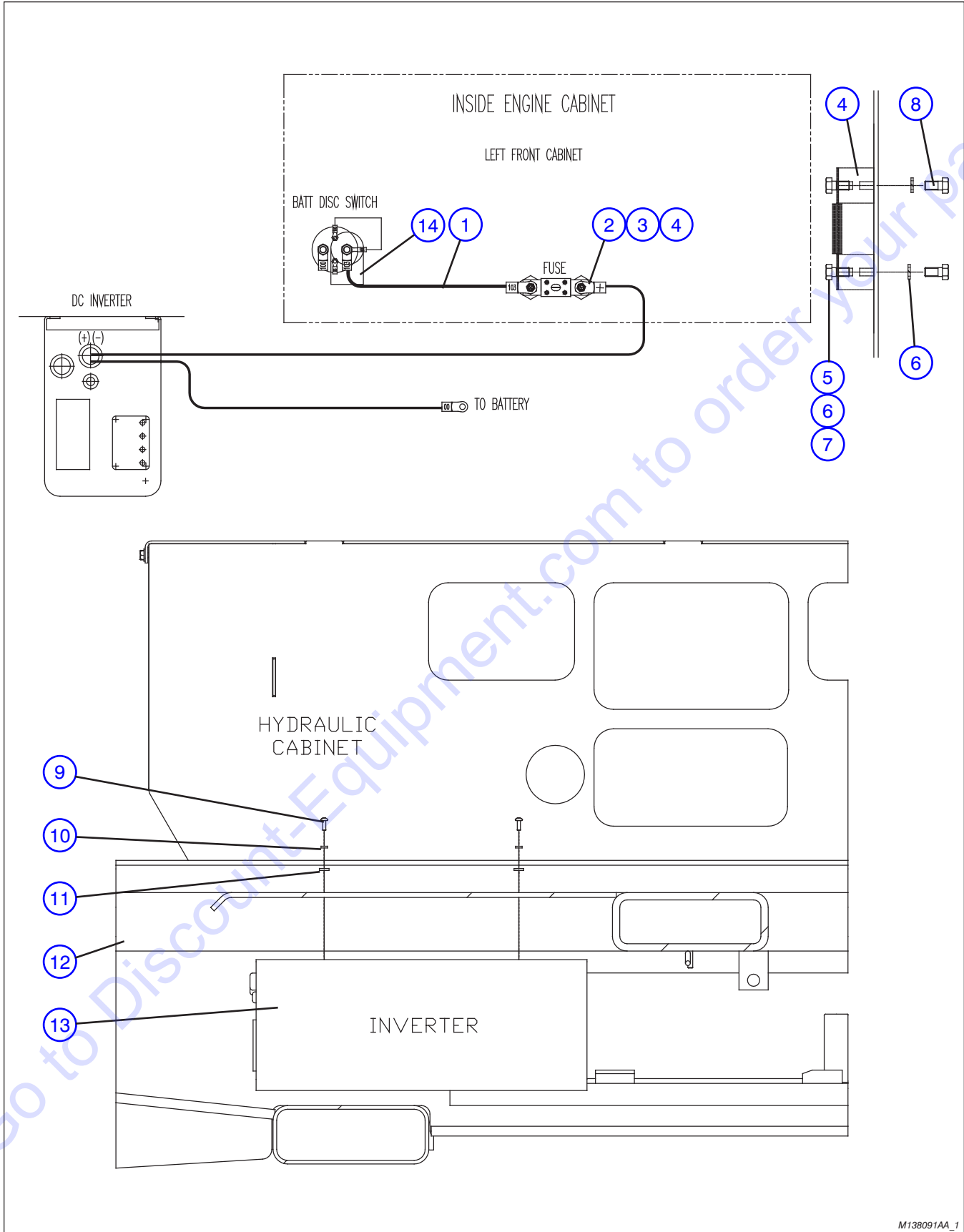
Figure 5.7. Outrigger Manifold Assembly

AC

Index No.	Skyjack Part No.	Qty.	Description
-	133122	1	MANIFOLD OUTRIGGER ASSEMBLY
1	111970	1	• MANIFOLD, Outrigger
2	103069	AR	• FITTING, Straight
3	103613	1	• COIL, 12V solenoid 2 prong
4	103655	1	• VALVE, Poppet valve
5	114578	AR	• FITTING, Elbow
6	103920	AR	• BOLT, Socket Head Cap Screw #10-24 x 2"
7	153336	4	• VALVE ASSEMBLY, Directional spool valve 12V (Hytos)
	153337	2	• • COIL, 12 Volt Spool Valve
8	104437	AR	• PLUG
9	113801	1	• PLUG, Cavity

Go to Discount-Equipment.com to order your parts

Figure 5.8. 800W Inverter Option

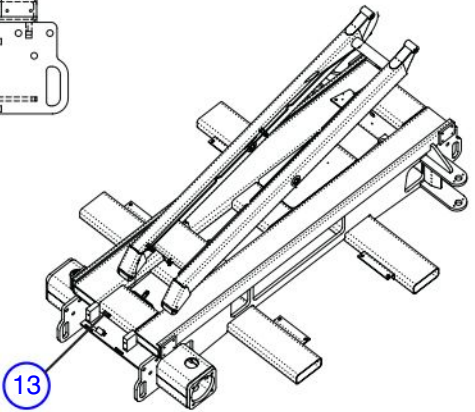
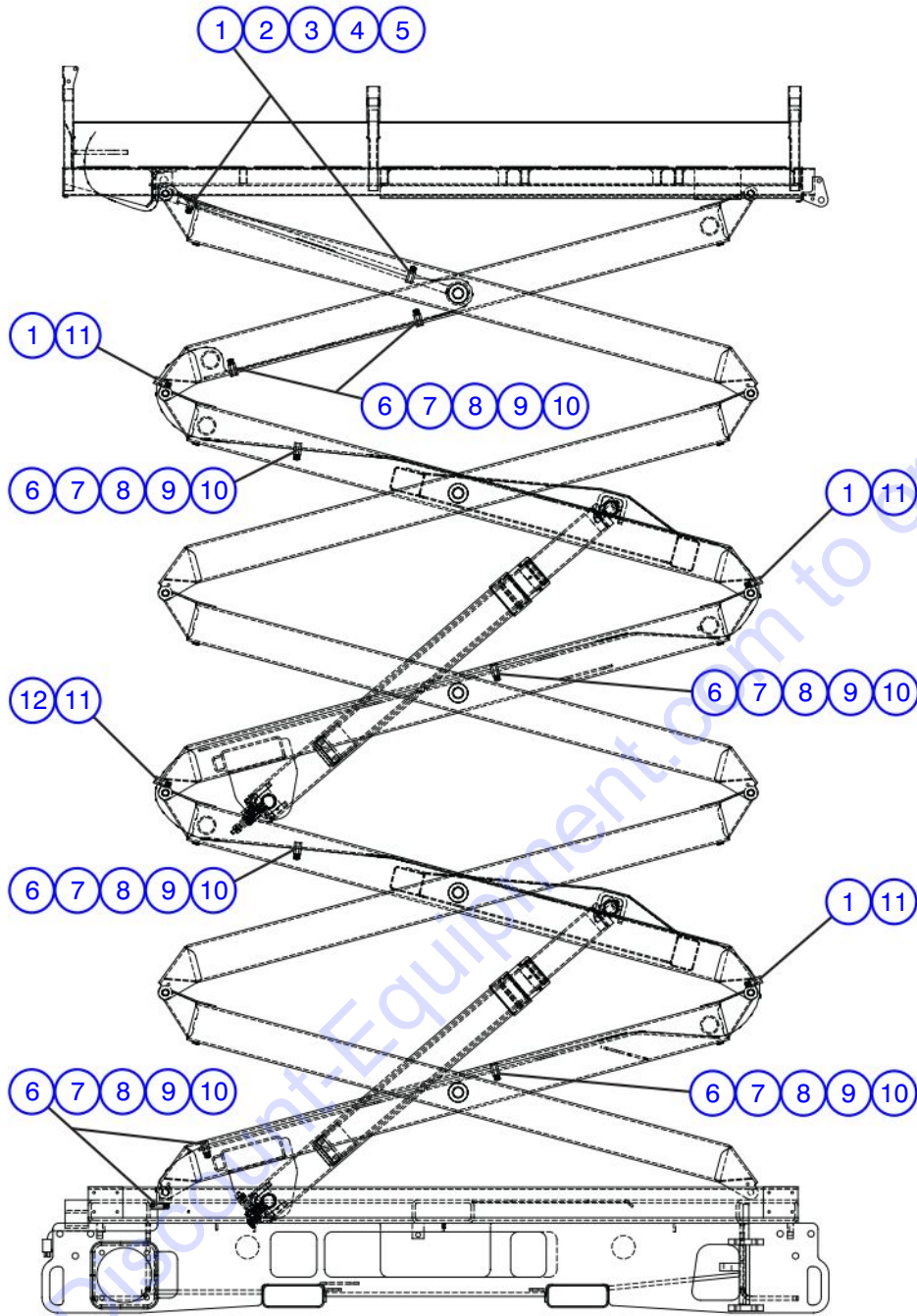


M138091AA_1

Figure 5.8. 800W Inverter Option

Index No.	Skyjack Part No.	Qty.	Description
1	138093	1	CABLE, Welding #6GA, 1/4" x 8" x 3/8", (103, 103)
2	138094	1	FUSE, 125 Amp
3	(Ref.)	-	LABEL, Fuse (For components, refer to Figure 6.5)
4	103068	2	INSULATOR, Fuse
5	103855	AR	BOLT, Hex head (1/4"-20 x 1/2", Grade 5)
6	104000	AR	WASHER, Lock (1/4")
7	103995	AR	WASHER, Flat (1/4")
8	103892	AR	BOLT, Hex head (1/4"-20 x 0.62", Grade 5)
9	103856	4	BOLT, Hex head cap screw (1/4"-20 x 3/4")
10	100400	4	WASHER, Lock (1/4")
11	103995	4	WASHER, Flat (1/4")
12	(Ref.)	-	WELDMENT, Base (For components, refer to Figure 3.1)
13	137269	1	INVERTER, 12VDC, 110VAC @ 60HZ (ANSI/CSA)
	137403	1	INVERTER, 12VDC, 110/220VAC @ 50HZ (CE)
14	120395	1	BOOT, Red battery

Figure 5.9. 110/220 Clamp Assembly Option



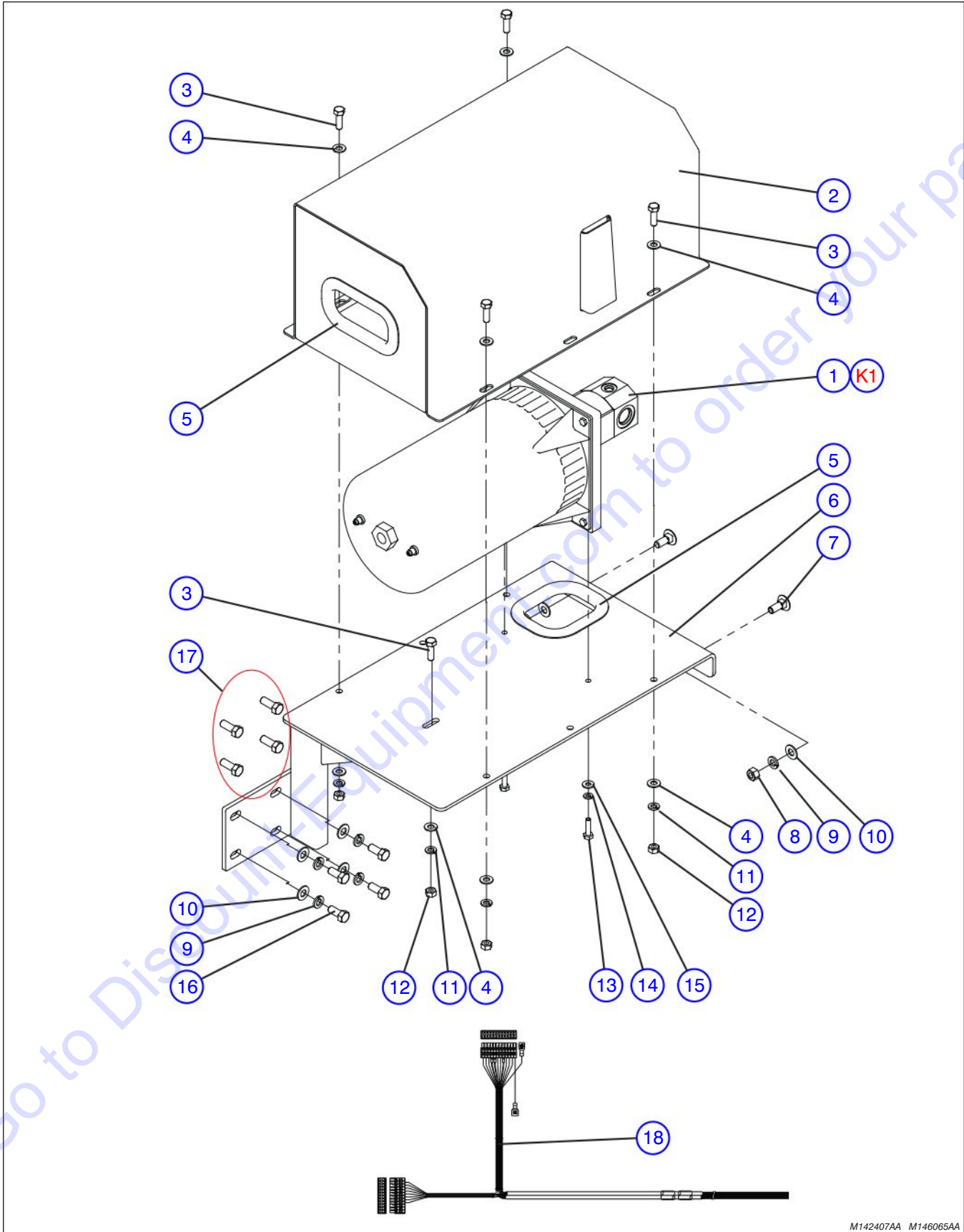
M139570AC

Figure 5.9. 110/220 Clamp Assembly Option

Index No.	Skyjack Part No.	Qty.	Description
1	103078	AR	CLAMP, Double G10
2	101632	AR	BOLT, Hex head (3/8"-16 x 3/4" Grade 5)
3	103999	AR	WASHER, Lock (3/8")
4	103472	AR	WASHER, Flat (3/8")
5	103978	AR	NUT, Hex head (3/8"-16 Grade 5)
6	125810	AR	CLAMP, Double S470G5-1
7	103962	AR	SCREW, Round head machine (#10 - 32 x 1/2")
8	104694	AR	WASHER, Flat (#10)
9	104185	AR	WASHER, Lock (#10)
10	104003	AR	NUT, Hex head (#10-32)
11	122501	AR	SCREW, Machine hex washer head (3/8"-16 x 5/8")
12	123764	1	CLAMP, Single G6
13	124763	1	LABEL, Ontario hydro

Go to Discount-Equipment.com to order your parts

Figure 5.10. Hydraulic Generator Option



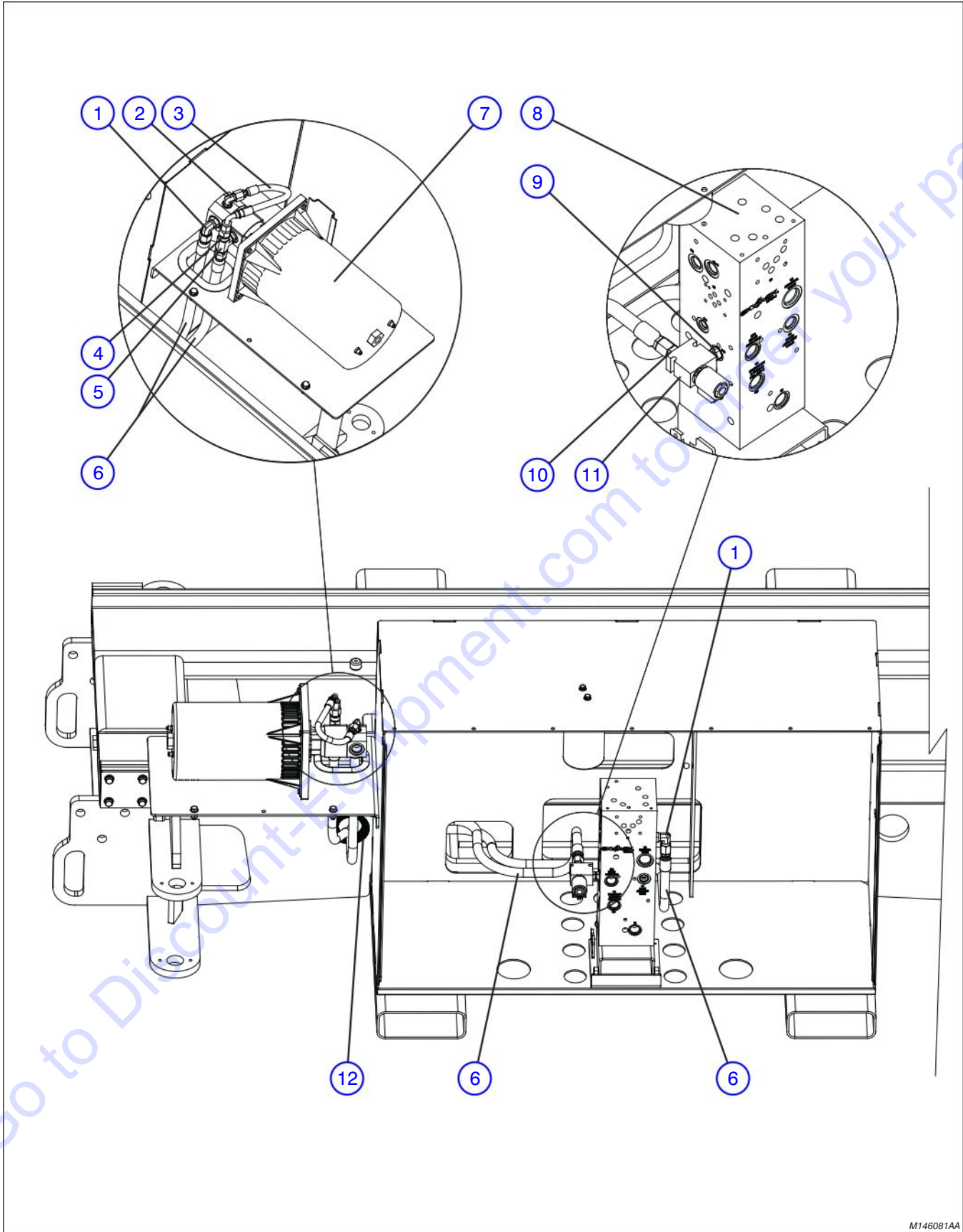
M142407AA M146065AA

Figure 5.10. Hydraulic Generator Option

AC

Index No.	Skyjack Part No.	Qty.	Description	
1	141829	1	GENERATOR, 2kW Hydraulic (115V) (ANSI/CSA)	
	145952	1	GENERATOR, 2kW Hydraulic (115V/220V) (CE)	
	143943	1	• MOTOR, Hydraulic (ANSI/CSA)	
	157594	1	• MOTOR, Hydraulic (CE)	
	157646	1	• COMPLETE GENERATOR (ANSI/CSA)	
	157595	1	• COMPLETE GENERATOR (CE)	
	157641	1	• • COVER, Rear end	
	157642	1	• • CARTRIDGE, Flow control (ANSI/CSA)	
	157593	1	• • CARTRIDGE, Flow control (CE)	
	157643	1	• • CIRCUIT BREAKER (16 Amp)	
	157644	1	• • CIRCUIT BREAKER (8 Amp)	
	2	142417	1	WELDMENT, Generator cover
	3	103864	5	BOLT, Hex head (0.312-18 x 1 grade 5)
	4	103996	9	WASHER, Flat 0.312
5	143693	2	GUARD, Tray edge	
6	142395	1	WELDMENT, Generator mount	
7	125800	2	BOLT, Carriage (3/8 x 1 lg.)	
8	103978	2	Nut, Hex head (0.375-16 grade 5)	
9	103999	6	WASHER, Lock (0.375)	
10	103472	6	WASHER, Flat (0.375)	
11	103404	5	WASHER, Lock 0.312	
12	100397	5	Nut, Hex head (0.312-18 grade 5)	
13	103856	AR	BOLT, Hex head (0.25-20 x 0.75 grade 5)	
14	104000	2	WASHER, Lock (0.25)	
15	103995	AR	WASHER, Flat (0.25)	
16	300437	4	BOLT, Hex head (0.375-16 x 0.875 grade 5)	
17	103473	4	BOLT, Hex head (0.375-16 x 1 grade 5) (for Machines with Scissor Guards)	
18	(Ref.)	1	HARNESS, Outtrigger & hydraulic generator (For components, refer to Figure 5.2)	
K1	157645	1	SEAL KIT, Hydraulic generator	

Figure 5.11. Hydraulic Hose Connection - Hydraulic Generator Option

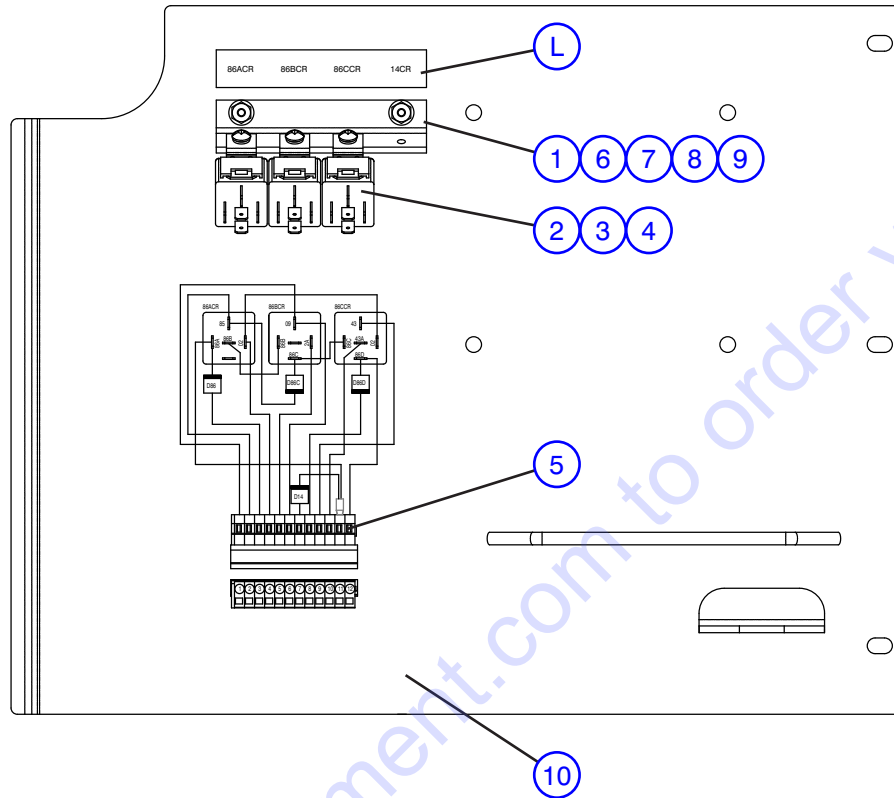


M146081AA

Figure 5.11. Hydraulic Hose Connection - Hydraulic Generator Option

Index No.	Skyjack Part No.	Qty.	Description
1	114583	2	FITTING, Hydraulic (08MJ08MB 90 DEG)
2	113348	1	FITTING, Hydraulic (6-4 O-RING 90 elbow)
3	106551	1	HOSE, Hydraulic line (1/4 DIA*10)
4	110498	1	FITTING, Hydraulic (08FJ06MJ reducer)
5	146107	1	FITTING, Tee (10MORB - 08MJ - 08MJ)
6	143653	2	HOSE, Hydraulic (1/2 08JICF - 08JICF X 71")
7	(Ref.)	-	GENERATOR, 2kW Hydraulic (115V/220V) (For components, refer to Figure 5.10)
8	(Ref.)	-	ASSEMBLY, Main manifold (For components, refer to Figure 3.13)
9	122428	1	FITTING, (6-6 MALE O-ring TO MALE O-ring)
10	104402	1	FITTING, Straight connector (6 SAE - 8 JIC)
11	146109	1	VALVE ASSEMBLY, 12V
	146082	1	• VALVE BODY
	103613	1	• COIL, 12V
	103655	1	• VALVE, Brake feed (N.C.)
12	146110	1	WIRE PROTECTOR, (3/4" ID x 9.5")

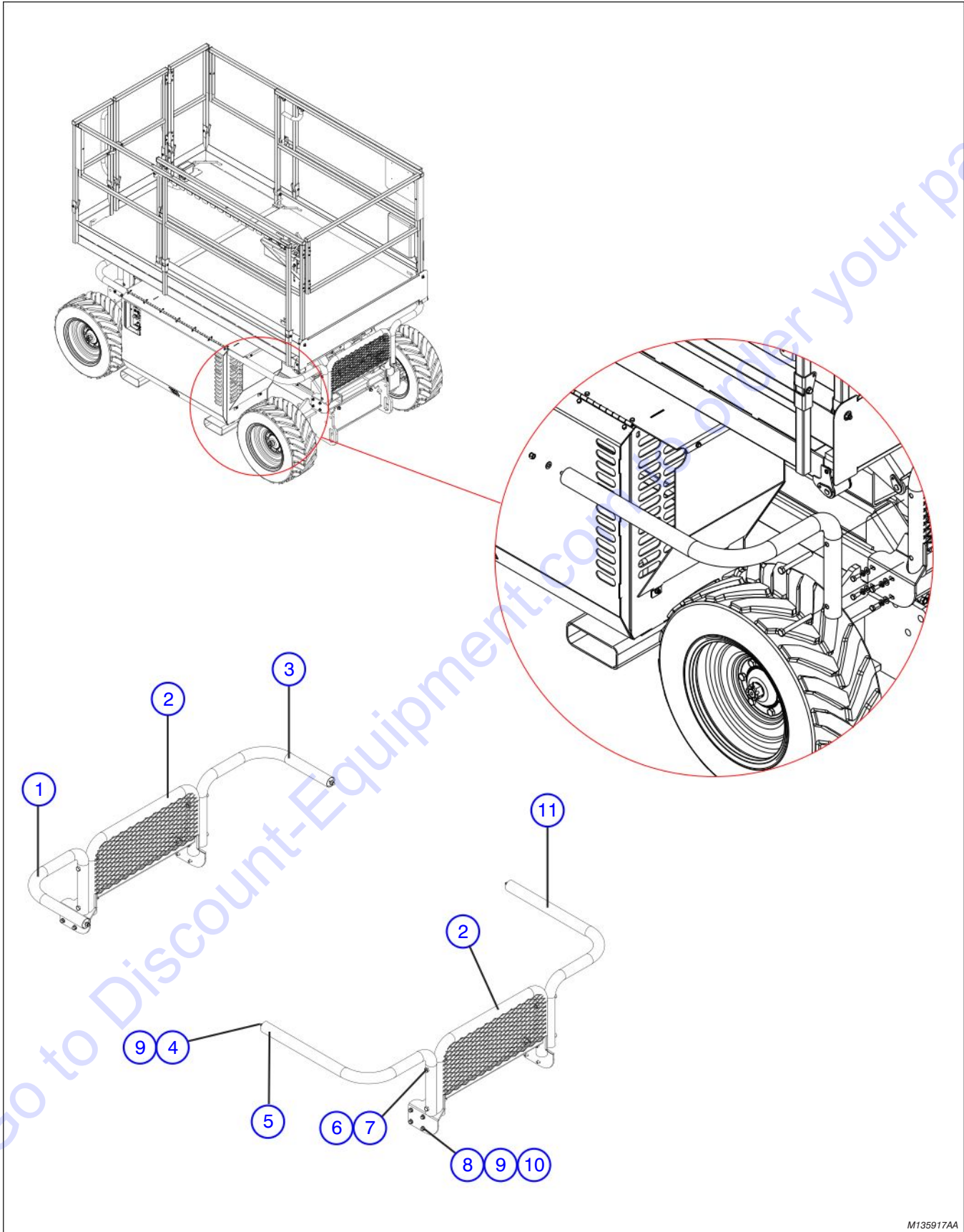
Figure 5.12. Hydraulic Generator Relay Assembly



M146098AA

Index No.	Skyjack Part No.	Qty.	Description
-	146098	-	ASSEMBLY, Hydraulic generator relay
1	146055	1	• BRACKET, Relay mount
2	127035	3	• RELAY, 12V 40 AMP
3	115545	3	• BOLT, Machine (#10-32*0.375)
4	104185	3	• WASHER, Lock (#10 NOM)
5	138053	1	• CONNECTOR, Male 12 pin
6	120094	2	BOLT, Machine (#10-32*5/8)
7	104694	2	WASHER, Flat (#10 S.A.E)
8	104185	2	WASHER, Lock (#10 NOM)
9	104003	2	NUT, Machine (#10-32 grade B)
10	(Ref.)	2	DOOR, Instrumentation panel (Refer to Figure 3.15)
L	146083	1	LABEL, Relay names outrigger & hydraulic generator

Figure 5.13. Scissor Guard Option With Diesel Fuel



M135917AA

Figure 5.13. Scissor Guard Option With Diesel Fuel

AB

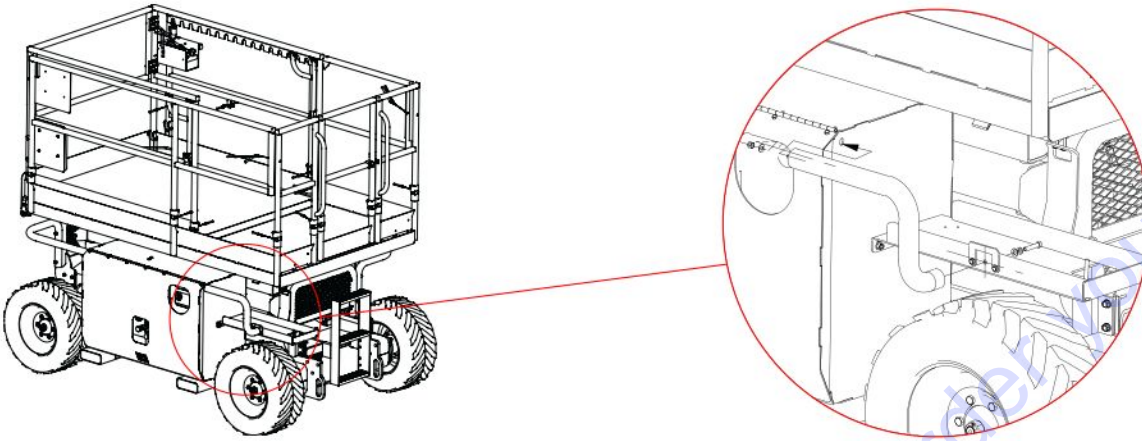
Index No.	Skyjack Part No.	Qty.	Description
-	135917	1	SCISSOR GUARD ASSEMBLY
1	139408	1	• WELDMENT, Scissor guard (right rear)
2	139400	2	• WELDMENT, Scissor guard (front/rear)
3	139407	1	• WELDMENT, Scissor guard (left rear)
4	104606	4	• NUT, Hex lock (0.375-16)
5	139403	1	• WELDMENT, Scissor guard (right front)
6	111420	8	• BOLT, Hex head (1.5-13 x 4.500)
7	702507	8	• NUT, Hex lock (0.500-13)
8	300437	16	• BOLT, Hex head (0.375-16 x 0.875)
9	103472	20	• WASHER, Flat (0.375)
10	103999	16	• WASHER, Lock (0.375)
11	139404	1	• WELDMENT, Scissor guard (left front)

Go to Discount-Equipment.com to order your parts

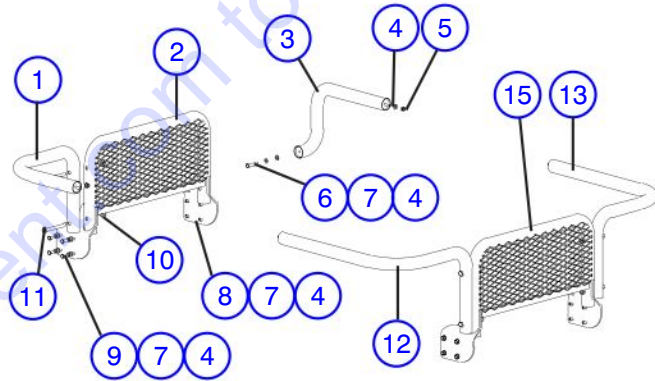
Figure 5.14. Scissor Guard With Dual Fuel

AB

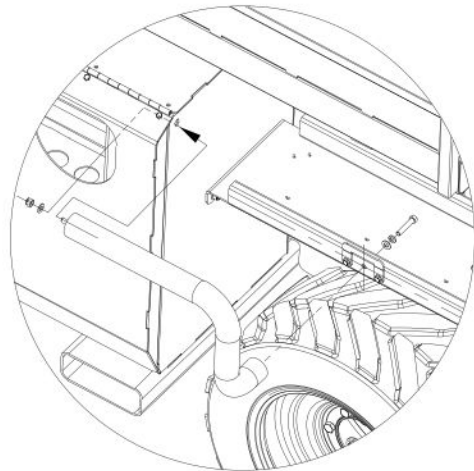
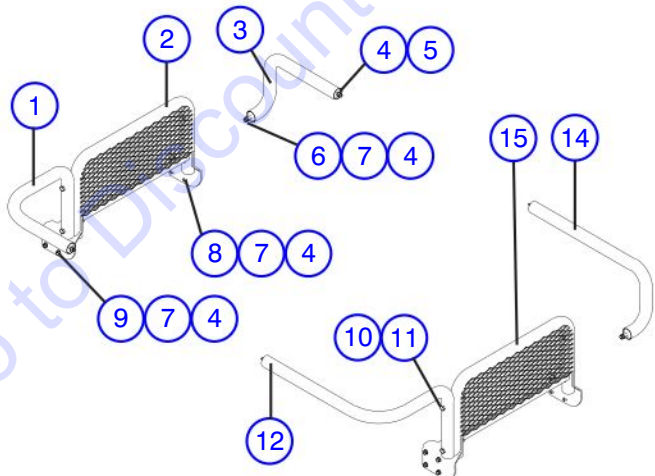
A - Single Propane



B - Dual Propane



M135918AA



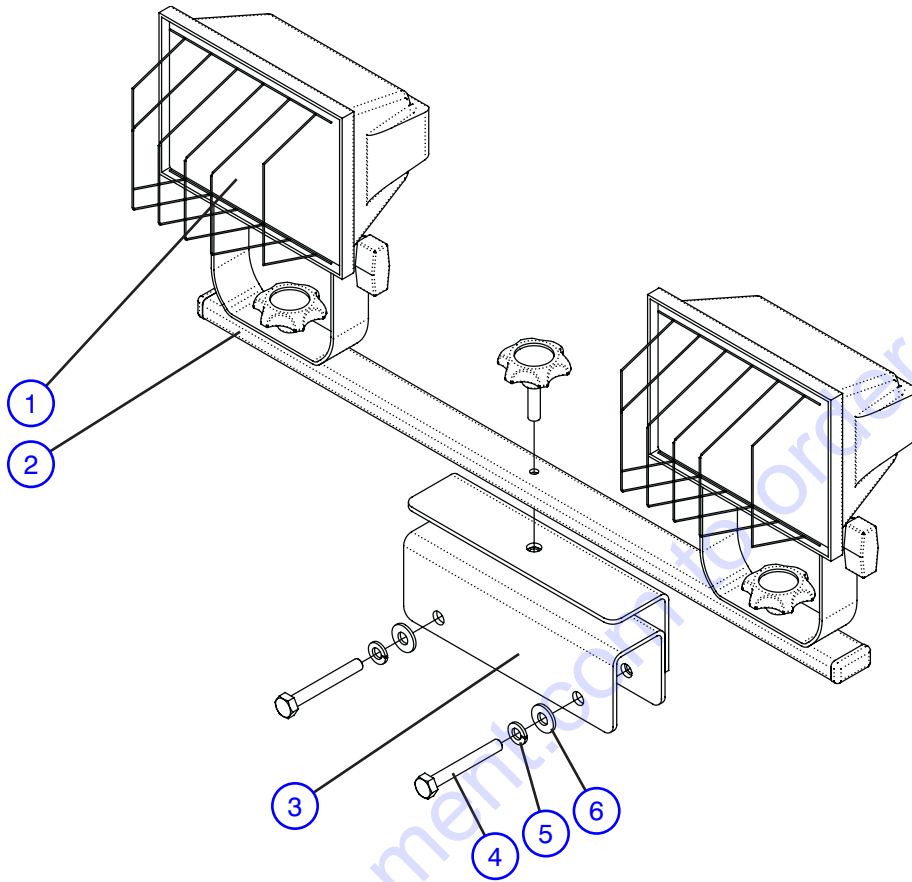
M135919AA

Figure 5.14. Scissor Guard With Dual Fuel

AB

Index No.	Skyjack Part No.	Qty.	Description
A	135918	1	SCISSOR GUARD ASSEMBLY, Single propane bottle
B	135919	1	SCISSOR GUARD ASSEMBLY, Dual propane bottle
1	139408	1	• WELDMENT, Scissor guard (right rear)
2	139400	1	• WELDMENT, Scissor guard (rear)
3	139406	1	• WELDMENT, Scissor guard (left rear)
4	103472	21	• WASHER, Flat (0.375), A
		22	• WASHER, Flat (0.375), B
5	104606	4	• NUT, Hex lock (0.375-16)
6	103596	1	• BOLT, Hex head (0.375-16 x 2.000), A
		2	• BOLT, Hex head (0.375-16 x 2.000), B
7	103999	17	• WASHER, Lock (0.375), A
		18	• WASHER, Lock (0.375), B
8	103473	8	• BOLT, Hex head (0.375-16 x 1.000), B
9	300437	16	• BOLT, Hex head (0.375-16 x 0.875), A
		8	• BOLT, Hex head (0.375-16 x 0.875), B
10	702507	6	• NUT, Hex lock (0.500-13), A
		4	• NUT, Hex lock (0.500-13), B
11	111420	6	• BOLT, Hex head (0.500-13 x 4.500), A
		4	• BOLT, Hex head (0.500-13 x 4.500), B
12	139403	1	• WELDMENT, Scissor guard (right front)
13	139404	1	• WELDMENT, Scissor guard (left front), A
14	139405	1	• WELDMENT, Scissor guard (left front), B
15	139401	1	• WELDMENT, Scissor guard (front)

Figure 5.15. Work Light Option



M137979AB

Index No.	Skyjack Part No.	Qty.	Description
-	137979	-	ASSEMBLY, Work light
1	141732	1	• BULB, 150 Watt halogen, 78 mm
2	141701	1	• WORK LIGHT, Dual 250 Watt halogen
3	138050	1	• BRACKET, Work light
4	103861	2	• BOLT, Hex head (0.25-20 x 2 grade 5)
5	104000	2	• WASHER, Lock (0.25)
6	103995	2	• WASHER, Flat (0.25)

Figure 6.1. Label Kit

Label Kits

The following label kit is for models SJ 6826 and 6832. It contains labels that are common to both machines including outrigger option.

It excludes:

- serial numbers
- stripes
- tapes
- platform capacities
- model designations

Supply model number, country and language when ordering complete machine labels. Items with * are part of the label kit.

Label Kit	
MODELS	ANSI/CSA & CE
	Part # 139544
SJ 6826	All Serial Numbers
SJ 6832	All Serial Numbers

M60445AA

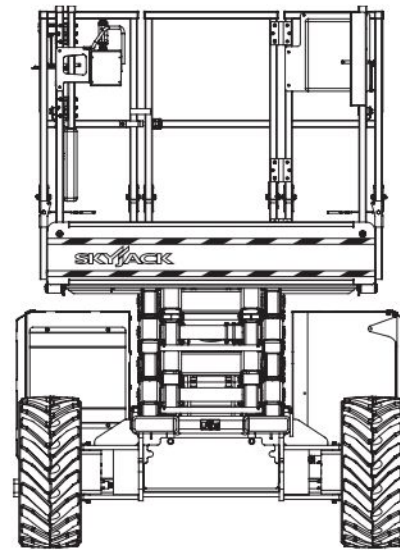
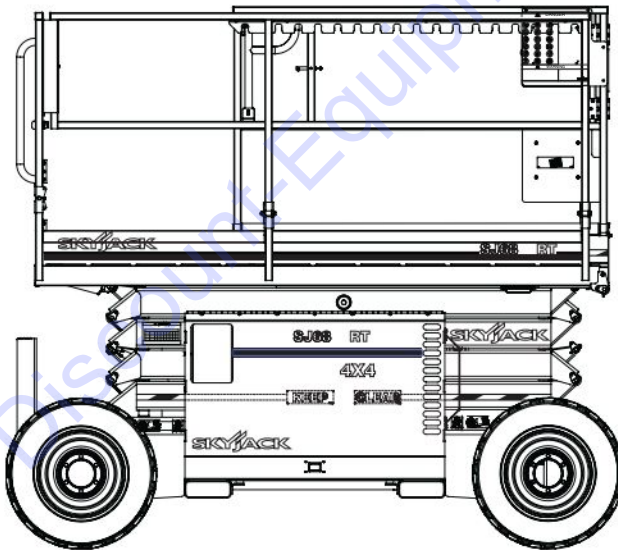
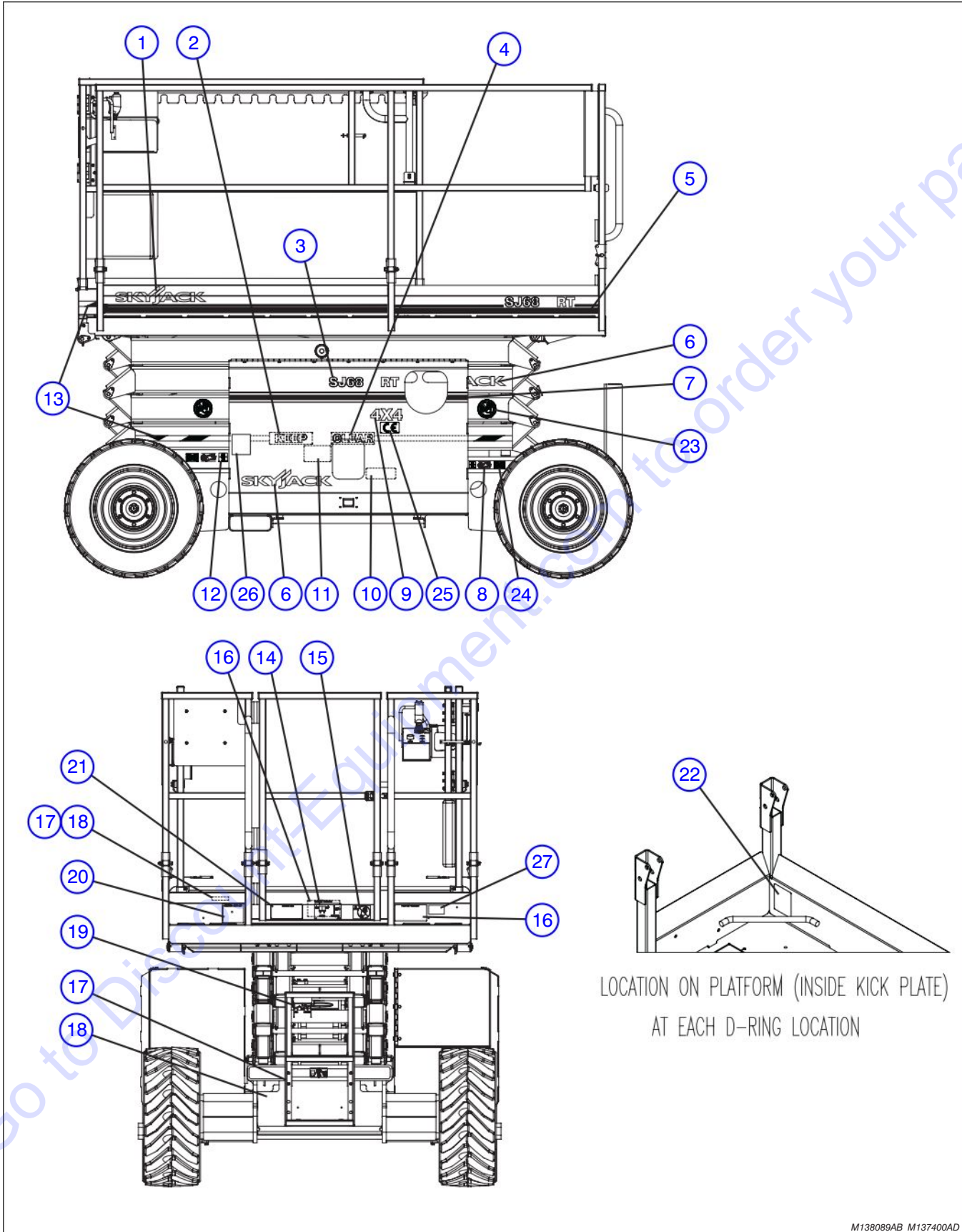


Figure 6.2. Labels - Chassis (Left and Back)



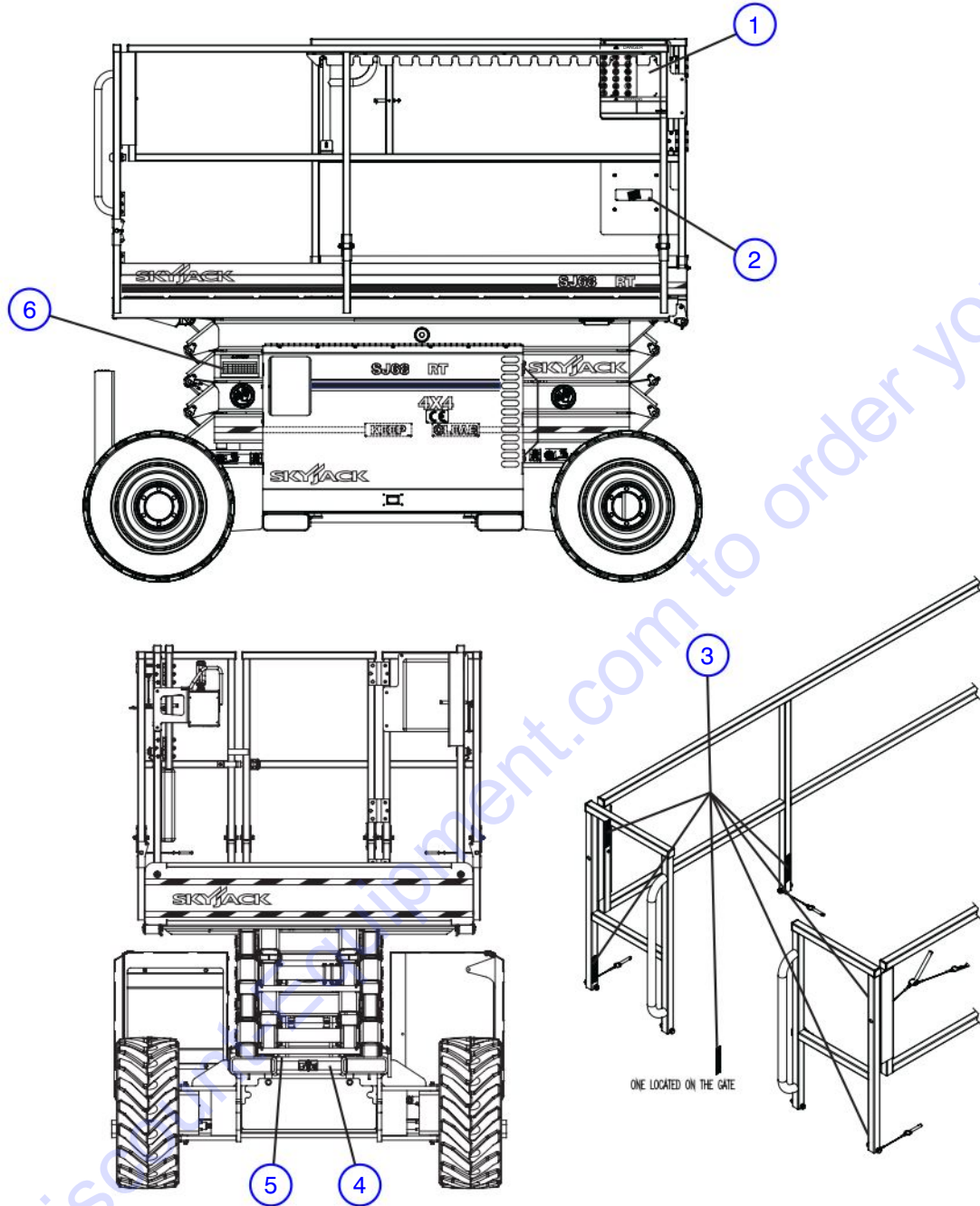
M138089AB_M137400AD

Figure 6.2. Labels - Chassis (Left and Back)

Index No.	Skyjack Part No.	Qty.	Description
*1	129758	3	LABEL, Skyjack logo, small blue
*2	129838	2	LABEL, Keep
3	138086	2	LABEL, "SJ6832RT" (Model 6832)
	138087	2	LABEL, "SJ6826RT" (Model 6826)
*4	129839	2	LABEL, Clear
5	103125	AR	STRIPE, White/blue
*6	129759	4	LABEL, Skyjack logo, small
7	103110	AR	STRIPE, Red/blue/red
*8	124631	4	LABEL, Wheel offset/pressure
*9	129810	2	LABEL, "4X4"
*10	109442	1	LABEL, Emergency lowering
*11	139618	1	LABEL, Manual brake release
*12	138123	2	LABEL, Wheel load
*13	119803	AR	TAPE, Safety caution
*14	124465	1	LABEL, Side force/outdoor
*15	124362	1	LABEL, Warning! Do not wear jewelry
16	138082	2	LABEL, Platform capacities 1000 (700/300) (Model 6832 CE)
	142168	2	LABEL, Platform capacities 1000 (700/300) 4P (Model 6832 ANSI/CSA)
	138083	1	LABEL, Platform capacities 1250 (950/300) (Model 6826)
*17	138212	1	LABEL, Connect air supply (Air supply option)
*18	138211	1	LABEL, Connect AC supply (AC supply option)
*19	106705	2	LABEL, Do not alter
*20	106691	1	LABEL, Check list
*21	147781	1	LABEL, On/Off Slab (ANSI/CSA)
	129772	1	LABEL, On/off slab (CE)
*22	130018	6	LABEL, Harness anchorage
*23	139855	4	LABEL, Keep Clear (CE)
*24	142384	4	LABEL, Foam-Filled Tires
	142136	4	LABEL, Tire presseure 40 PSI - Air Tires (if equipped)
*25	117023	2	LABEL, "CE" (CE)
26	128226	2	LABEL, 103 decibel (CE)
27	114252	1	LABEL, California proposition 65 (ANSI/CSA)

* Part of Label Kit

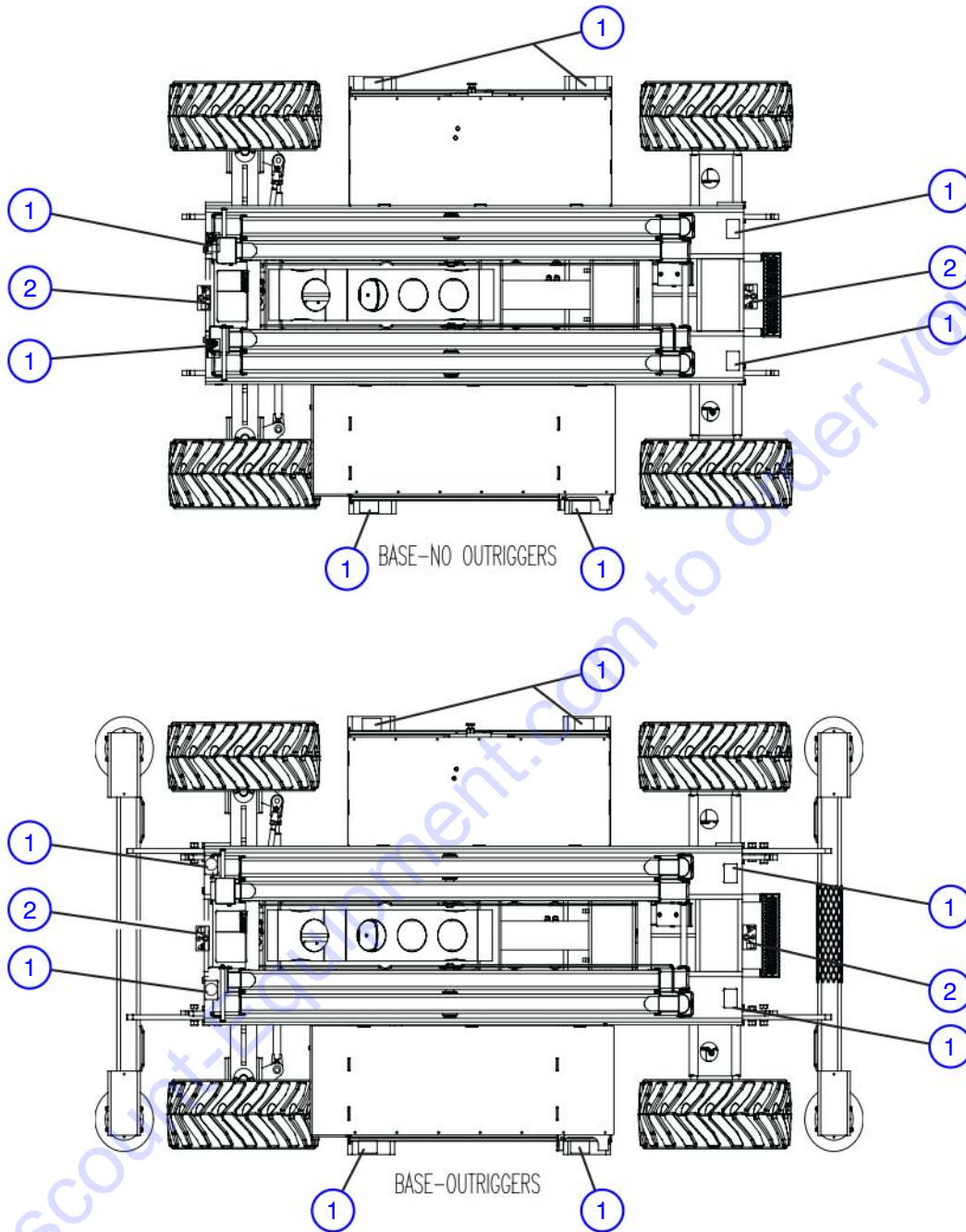
Figure 6.3. Labels - Chassis (Front and Right)



M138089AB_M137400AB_1

Index No.	Skyjack Part No.	Qty.	Description
*1	146526	1	LABEL, Danger/Warning Info
*2	123628	1	LABEL, Manual box
*3	126056	10	LABEL, Falling hazard
*4	106406	1	LABEL, Maintenance support
*5	127711	1	LABEL, Maintenance support
*6	109985	1	LABEL, Annual inspection * Part of Label Kit

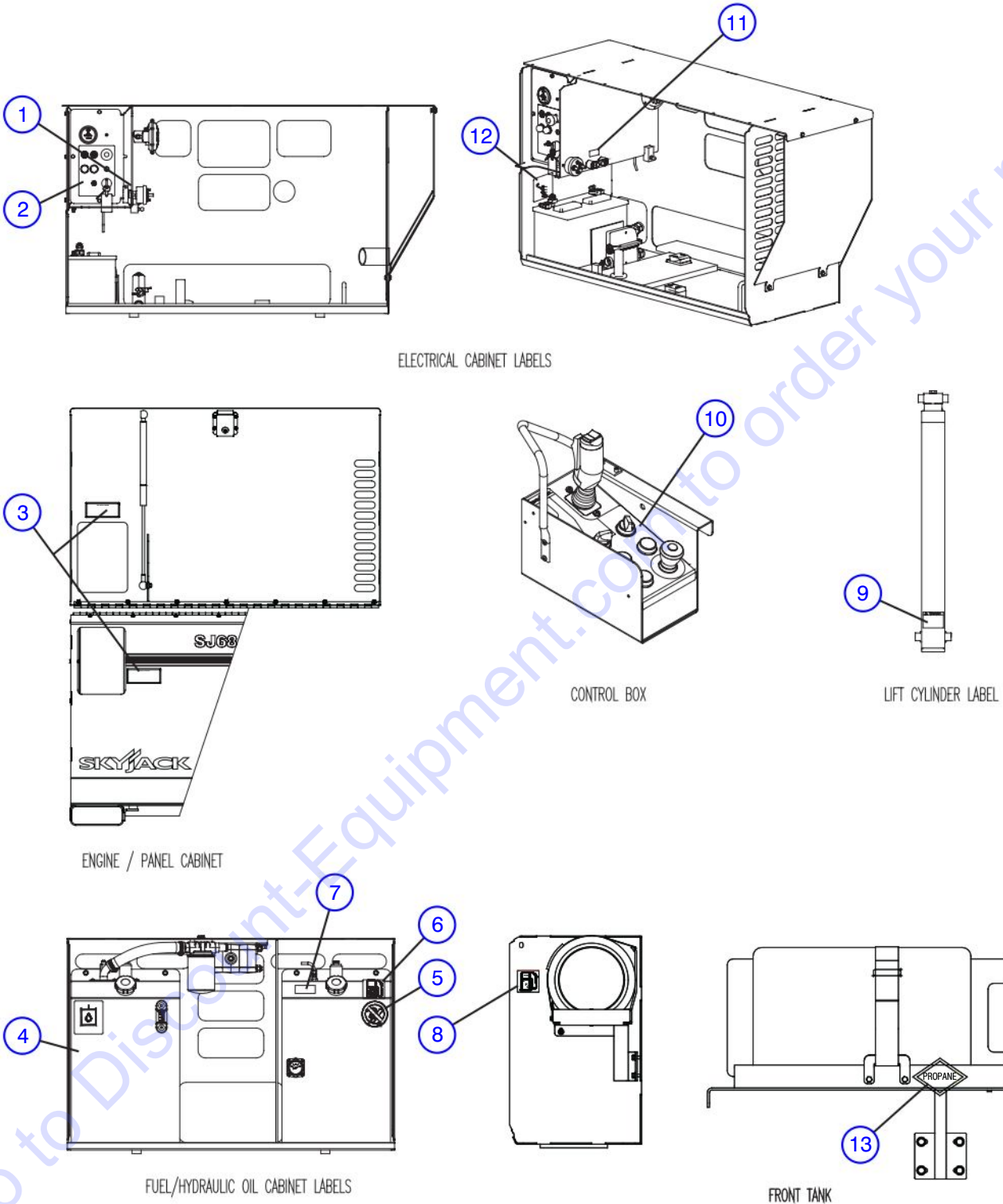
Figure 6.4. Labels - Chassis (Top)



M138089AB_5

Index No.	Skyjack Part No.	Qty.	Description
*1	102896	AR	LABEL, Forklift boot
*2	124767	2	LABEL, Tie down/lift lugs
			* Part of Label Kit

Figure 6.5. Labels - Misc



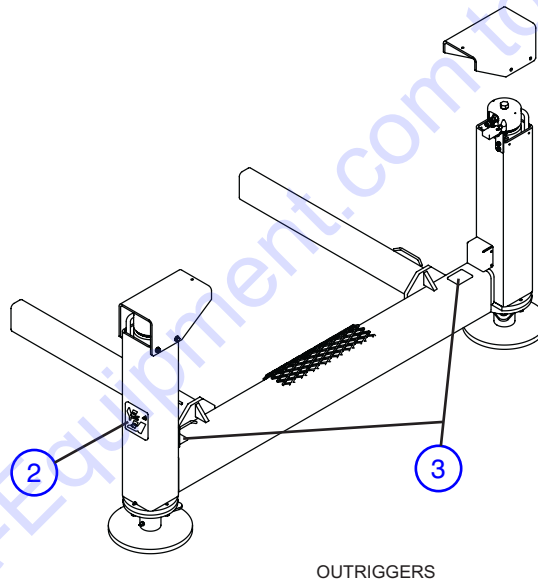
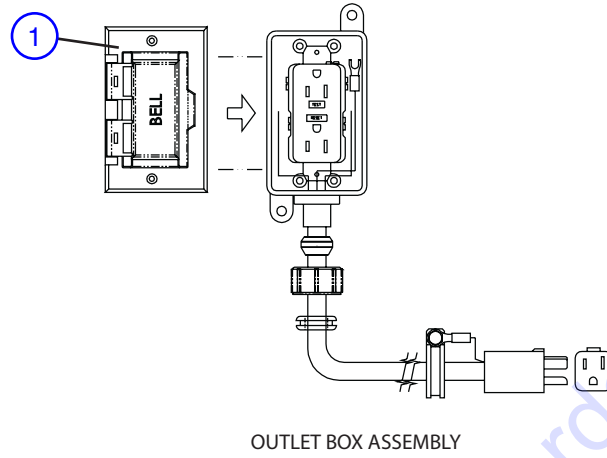
M138089AB_M138145AB_1

Figure 6.5. Labels - Misc

Index No.	Skyjack Part No.	Qty.	Description
*1	119674	1	LABEL, Battery disconnect switch
*2	137681	1	LABEL, Panel 68XXRT
*3	124883	2	LABEL, Fuel switch sequence
*4	102961	1	LABEL, ATF Dexron III
*5	138146	1	LABEL, No smoking
*6	132400	1	LABEL, Unleaded fuel only (Kubota DF engine)
*7	102962	1	LABEL, Diesel fuel (Diesel engine)
*8	149502	1	LABEL, "Use low sulfur fuel" (Diesel fuel engines (ANSI/CSA))
*9	103023	1	LABEL, Use liquid propane only
*10	106703	2	LABEL, Orifice decal
*11	127343	1	LABEL, Control box
*12	119915	1	LABEL, Fuse (Inverter option)
*13	128827	1	LABEL, Warning fuse
	120390	1	LABEL, "Propane"
			<p>* Part of Label Kit</p>

Go to Discount-Equipment.com to order your parts

Figure 6.6. Labels - Misc



M135913AA_2 M133949AB

Figure 6.6. Labels - Misc

Index No.	Skyjack Part No.	Qty.	Description
*1	110333	1	LABEL, Connect platform AC supply here
*2	119866	1	LABEL, Danger, hand/foot pinch
*3	106705	2	LABEL, Do not alter
			* Part of Label Kit

Go to Discount-Equipment.com to order your parts

Table 1.1. SJRT Scissor Fluids

AXLE OIL						
Axle Type		*Qty. (Liters)	*Qty. (Gallons)	Oil Type	Skyjack Part No.	Recommended Equivalent Oil
Cushman	Front	2.4	0.634	Gear Oil, 80W-90 GL5	134612	-
Dana	Front / Rear					
Cushman	Rear	1	0.264	Gear Oil, ESI 80W-90	133461	Chevron Gear Lubricant Delo ESI 80W-90, Caltex Gear Lubricant ESI 80W-90, Caltex RPM Borate EP 80W-90, Texaco Star Gear Lubricant 80W-90

*All fuel capacity quantities are in standard liter or US gallons (liquid).

**Use distilled water and 50/50 mix of anti-freeze/water.

CENTER DRIVE OIL					
Center Drive Type	*Qty. (Liters)	*Qty. (Gallons)	Oil Type	Skyjack Part No.	Recommended Equivalent Oil
Center Drive	1	0.26	Gear Oil, 80W-90 GL5	134612	-

*All fuel capacity quantities are in standard liter or US gallons (liquid).

**Use distilled water and 50/50 mix of anti-freeze/water.

HYDRAULIC OIL				
Model	*Qty. (Liters)	*Qty. (Gallons)	Oil Type	Skyjack Part No.
SJRT-68XX	86.88	22.95	ATF Dexron III	119309
SJRT-7127	80.48	21.26		
SJRT-7135				
SJRT-8243				
SJRT-8850				
SJRT-8831	75.71	20		
SJRT-8841				
SJRT-8831E				
SJRT-8841E				
SJRT-9250	67.38	17.8		

*All fuel capacity quantities are in standard liter or US gallons (liquid).

**Use distilled water and 50/50 mix of anti-freeze/water.

Table continued on the following page.

Table 1.1. SJRT Scissor Fluids

Table continued from the previous page.

ENGINE OIL					
Engine Type	*Qty. (Liters)	*Qty. (Gallons)	Oil Type, Viscosity	Skyjack Part No.	Recommended Equivalent Oil (Viscosity - API Service Designation)
Kubota D902	3.9	1.03	Engine Oil, SAE 10W-30	105287	10W30 - API Service Designation CG-4, CF-4, CF, CD, SH.
Kubota D1105	5.1	1.35			
Kubota DF972	3.4	0.9			
Nissan A15	3.5	0.98		142454	10W30 - API Service Designation SF/CC.
GM 1.6					

*All fuel capacity quantities are in standard liter or US gallons (liquid).

**Use distilled water and 50/50 mix of anti-freeze/water.

ENGINE COOLANT				
Component Type	*Qty. (Liters)	*Qty. (Gallons)	**Coolant Type	Skyjack Part No.
Kubota D902	3.1	0.82	Anti-freeze / Water	125985
Kubota D1105				
Kubota DF972				
Nissan A15	11.4	3.01	Extended life anti-freeze / Water	142208
GM 1.6				

*All fuel capacity quantities are in standard liter or US gallons (liquid).

**Use distilled water and 50/50 mix of anti-freeze/water.

ENGINE FUEL							
Model	Tank		Diesel		Gasoline / Liquid Propane		
	*Qty. (Liters)	*Qty. (Gallons)	Kubota D902	Kubota D1105	Kubota DF972	GM 1.6	Nissan A15
SJRT-68xx	86.88	22.95	✓	N/A	✓		N/A
SJRT-7127	80.48	21.26	N/A	✓			
SJRT-7135							
SJRT-8243							
SJRT-8850							
SJRT-8831	49.21	13	N/A	✓	N/A		✓
SJRT-8841							
SJRT-9250	64.35	17					

*All fuel capacity quantities are in standard liter or US gallons (liquid).

**Use distilled water and 50/50 mix of anti-freeze/water.

PARTS FINDER

**Search Website
by Part Number**



**Search Manual
Library For Parts
Manual & Lookup Part
Numbers – Purchase
or Request Quote**

Search Manuals

Enter your information to help us find the right parts manual for your machine.

* Brand:

* Model:

* Serial:

* Part Number:

SEARCH

**Can't Find Part or
Manual? Request Help
by Manufacturer,
Model & Description**

Parts Order Form

Please fill in the following information to help us find the right part for your machine.

Manufacturer:	<input type="text"/>
Model:	<input type="text"/>
Description:	<input type="text"/>
Part Number:	<input type="text"/>
Quantity:	<input type="text"/>
Notes:	<input type="text"/>

Submit

Discount-Equipment.com is your online resource for quality parts & equipment.

Florida: **561-964-4949** Outside Florida TOLL FREE: **877-690-3101**

Need parts?

Click on this link: <http://www.discount-equipment.com/category/5443-parts/> and choose one of the options to help get the right parts and equipment you are looking for. Please have the machine model and serial number available in order to help us get you the correct parts. If you don't find the part on the website or on one of the online manuals, please fill out the request form and one of our experienced staff members will get back to you with a quote for the right part that your machine needs.

We sell worldwide for the brands: Genie, Terex, JLG, MultiQuip, Mikasa, Essick, Whiteman, Mayco, Toro Stone, Diamond Products, Generac Magnum, Airman, Haulotte, Barreto, Power Blanket, Nifty Lift, Atlas Copco, Chicago Pneumatic, Allmand, Miller Curber, Skyjack, Lull, Skytrak, Tsurumi, Husquvarna Target, Stow, Wacker, Sakai, Mi-T-M, Sullair, Basic, Dynapac, MBW, Weber, Bartell, Bennar Newman, Haulotte, Ditch Runner, Menegotti, Morrison, Contec, Buddy, Crown, Edco, Wyco, Bomag, Laymor, EZ Trench, Bil-Jax, F.S. Curtis, Gehl Pavers, Heli, Honda, ICS/PowerGrit, IHI, Partner, Imer, Clipper, MMD, Koshin, Rice, CH&E, General Equipment, Amida, Coleman, NAC, Gradall, Square Shooter, Kent, Stanley, Tamco, Toku, Hatz, Kohler, Robin, Wisconsin, Northrock, Oztec, Toker TK, Rol-Air, APT, Wylie, Ingersoll Rand / Doosan, Innovatech, Con X, Ammann, Mecalac, Makinex, Smith Surface Prep, Small Line, Wanco, Yanmar