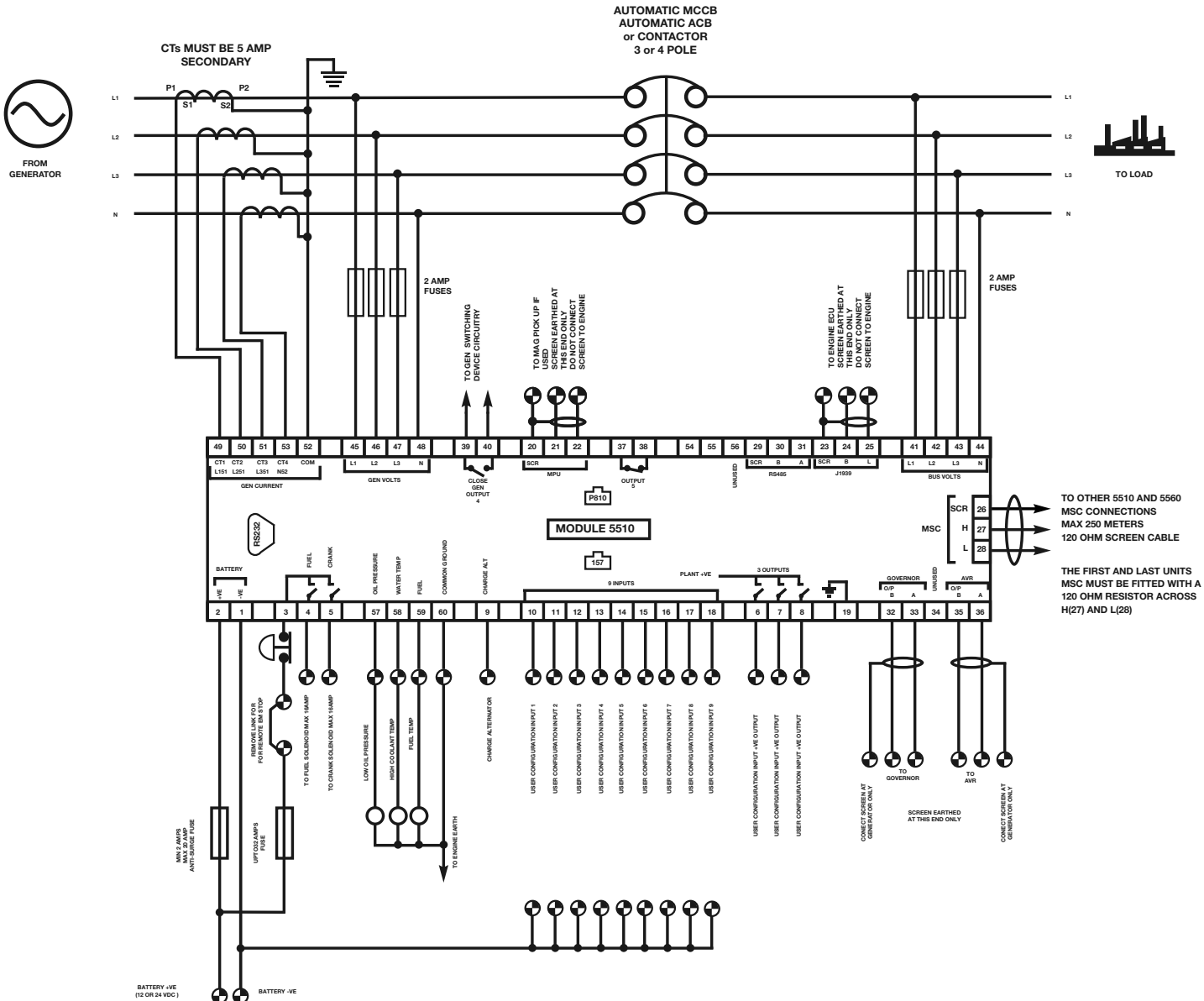


DSE5510 DIAGRAM.



ALL BATTERY NEGATIVES MUST BE CONNECTED TOGETHER