



PARTS MANUAL (ANSI/CSA & KC)

ROUGH TERRAIN SCISSORS

MODELS **SJ6826 RT** **SJ6832 RT**

PARTS FINDER

**Search Website
by Part Number**



**Search Manual
Library For Parts
Manual & Lookup Part
Numbers – Purchase
or Request Quote**

Search Manuals

Enter your information to help us find the right parts manual for your machine.

* Brand:

* Model:

* Serial:

* Part Number:

SEARCH

**Can't Find Part or
Manual? Request Help
by Manufacturer,
Model & Description**

Parts Order Form

Please fill in the following information to help us find the right part for your machine.

Manufacturer:	<input type="text"/>
Model:	<input type="text"/>
Description:	<input type="text"/>
Part Number:	<input type="text"/>
Quantity:	<input type="text"/>
Notes:	<input type="text"/>

Submit

Discount-Equipment.com is your online resource for quality parts & equipment.

Florida: **561-964-4949** Outside Florida TOLL FREE: **877-690-3101**

Need parts?

Click on this link: <http://www.discount-equipment.com/category/5443-parts/> and choose one of the options to help get the right parts and equipment you are looking for. Please have the machine model and serial number available in order to help us get you the correct parts. If you don't find the part on the website or on one of the online manuals, please fill out the request form and one of our experienced staff members will get back to you with a quote for the right part that your machine needs.

We sell worldwide for the brands: Genie, Terex, JLG, MultiQuip, Mikasa, Essick, Whiteman, Mayco, Toro Stone, Diamond Products, Generac Magnum, Airman, Haulotte, Barreto, Power Blanket, Nifty Lift, Atlas Copco, Chicago Pneumatic, Allmand, Miller Curber, Skyjack, Lull, Skytrak, Tsurumi, Husquvarna Target, Stow, Wacker, Sakai, Mi-T-M, Sullair, Basic, Dynapac, MBW, Weber, Bartell, Bennar Newman, Haulotte, Ditch Runner, Menegotti, Morrison, Contec, Buddy, Crown, Edco, Wyco, Bomag, Laymor, EZ Trench, Bil-Jax, F.S. Curtis, Gehl Pavers, Heli, Honda, ICS/PowerGrit, IHI, Partner, Imer, Clipper, MMD, Koshin, Rice, CH&E, General Equipment, Amida, Coleman, NAC, Gradall, Square Shooter, Kent, Stanley, Tamco, Toku, Hatz, Kohler, Robin, Wisconsin, Northrock, Oztec, Toker TK, Rol-Air, APT, Wylie, Ingersoll Rand / Doosan, Innovatech, Con X, Ammann, Mecalac, Makinex, Smith Surface Prep, Small Line, Wanco, Yanmar

This manual is based on Serial Number(s):

SJ 68XXRT 37 004 635 & 37 006 156

Please refer to the website (www.discount-equipment.com) for older Serial Numbers.

Go to Discount-Equipment.com to order your parts

Rough Terrain Compact Series Parts Manual

General

The information contained in this section is designed to aid the user in locating and identifying replacement parts. Component parts of various assemblies and sub-assemblies comprising the work platform are illustrated and accompanied by a descriptive parts list. Exploded drawings are used to show relative location of component parts in disassembly order. If a part cannot be found in this section, order by work platform model number and serial number, giving a complete description of the part.

Parts Ordering Information

When ordering replacement parts, the complete part number and description should be used to ensure proper identification and delivery of the desired item. This complete identification should also be used when requesting equipment information.

Method of Listing

Parts are listed in order according to the reference number shown in the illustration, followed by a full description based upon the "NOUN FIRST" method. That is, the noun name of the part is listed first, then the modifying description information which serves to specifically identify the item. For example: PIN, Clevis. Assemblies or groups are shown at the beginning of a parts list and are identified with the letter references A, B, C, etc. Individual parts in these lists have corresponding letters after their description to identify which assembly or group it is used in. Individual parts without identifying letters are used in all the assemblies or group shown at the beginning of the parts list. Descriptions preceded with an (•) indicates a serviceable component or attaching hardware for the higher level assembly. If

an index number initially starts with the letter "K", for example "K1", means it's a kit. Any item(s) included in a kit will not have an index number.

Quantities (Units Per Assembly)

The quantities of each part that are required to complete the assembly. If quantity is (AR), it is understood that the quantity may vary when machine is equipped with certain options. Order quantity as needed.

Hardware

Standard screws, washers, nuts, etc. are not identified by a reference number. These parts are known as COMMON HARDWARE items and appear indented under the major items with which they are used. They should be ordered separately as listed, since they are not component parts of the pieces they attach to.

How to Order Repair Parts

1. Address all orders to Discount-equipment.
2. Specify model and serial number of the work platform (found on the serial number plate).
3. List the quantity needed.
4. List the length needed (if bulk item).
5. List the part number and description as shown in this manual for each item.
6. Show billing and shipping address and name of individual if possible.
7. Suggest best routing.

CUSTOMER _____

DEALER _____

MODEL NUMBER _____

SERIAL NUMBER _____

DATE PURCHASED _____

Table of Contents

1.0 Platform Related Parts

1.1 Gate Assembly	8
1.2 Platform Railing Assembly	10
1.3 Extension Deck Railing Assembly.....	12
1.4 Main and Extension Platform Assembly	14
1.5 Gate Latch Assembly	16
1.6 Quick Release Pins	17
1.7 Platform AC Outlet Assembly.....	18
1.8 Control Box Assembly with Rotary Switches.....	20
1.9 Control Box Assembly with Toggle Switches.....	22
1.10 Drive/Steer Controller Assembly.....	24

2.0 Scissor Related Parts

2.1 Scissor Assembly (Model 6826RT)	28
2.2 Scissor Assembly (Model 6832RT)	30
2.3 Scissor Assembly - Mounting Hardware.....	32
2.4 Scissor Assembly - Connecting Hardware	34
2.5 Scissor Arm Control Cable Assembly.....	36
2.6 Limit Switch Assembly	37
2.7 Lift Cylinder Assembly and Mounting Hardware	38
2.8 Holding Valve Assembly.....	40
2.9 Light and Beeper Assembly	42

3.0 Base Related Parts

3.1 Base Assembly	46
3.2 Tire Assemblies	50
3.3 Propane Tray Assembly (ANSI/CSA)	52
3.4 Steer Cylinder Assembly	54
3.5 Tie Rod Assembly	56
3.6 Splitter Manifold Assembly.....	57
3.7 Hydraulic Hose Connections - Splitter Manifold.....	58
3.8 Wheel Motor Assembly (Front)	60
3.9 Wheel Motor Assembly (Rear)	61
3.10 Hydraulic Hose Connections - Main Manifold	62
3.11 Hydraulic Cabinet Assembly	64
3.12 Oil Tank Assembly	68
3.13 Fuel Tank Assembly	69
3.14 Main Manifold Assembly	70
3.15 Hydraulic Cabinet Door Assembly.....	75
3.16 Engine Cabinet Assembly	76
3.17 Electrical Panel Assembly	78
3.18 Engine to Tray Assembly (Kubota DF972).....	80
3.19 Engine to Tray Assembly (Kubota D902).....	82
3.20 Engine Tray Assembly.....	84
3.21 Engine Cabinet Door Assembly	85
3.22 Engine and Main Manifold Harnesses	86
3.23 Electrical Panel Harnesses.....	88

Table of Contents

4.0 Engine Related Parts

4.1 Engine Assembly (Kubota DF972).....	92
4.2 Air Cleaner Assembly (Kubota DF972)	96
4.3 Exhaust Assembly (Kubota DF972)	97
4.4 Fuel Line Connections - Single Propane Tank (Kubota DF972).....	98
4.5 Engine Assembly (Kubota D902).....	100
4.6 Air Cleaner Assembly Kit (Kubota D902)	104
4.7 Exhaust Assembly (Kubota D902)	105
4.8 Fuel Line Connections (Kubota D902).....	106
4.9 Hydraulic Pump Assembly.....	108
4.10 Radiator Kit (Kubota DF972 / D902).....	110

5.0 Optional Equipment

5.1 Outrigger/Generator Control Box Assembly.....	114
5.2 Electrical Harness Connections - Outriggers	116
5.3 Front and Rear Outrigger Assembly	120
5.4 Outrigger Assembly.....	122
5.5 Outrigger Cylinder Assembly	124
5.6 Hydraulic Hose Connections - Outriggers.....	125
5.7 Outrigger Manifold Assembly.....	126
5.8 800W Inverter Option	128
5.9 Hydraulic Generator Option	130
5.10 Hydraulic Hose Connections - Hydraulic Generator	132
5.11 Hydraulic Generator Relay Assembly	134
5.12 Air Hose to Platform Assembly	135
5.14 Telematics Option Connection.....	137

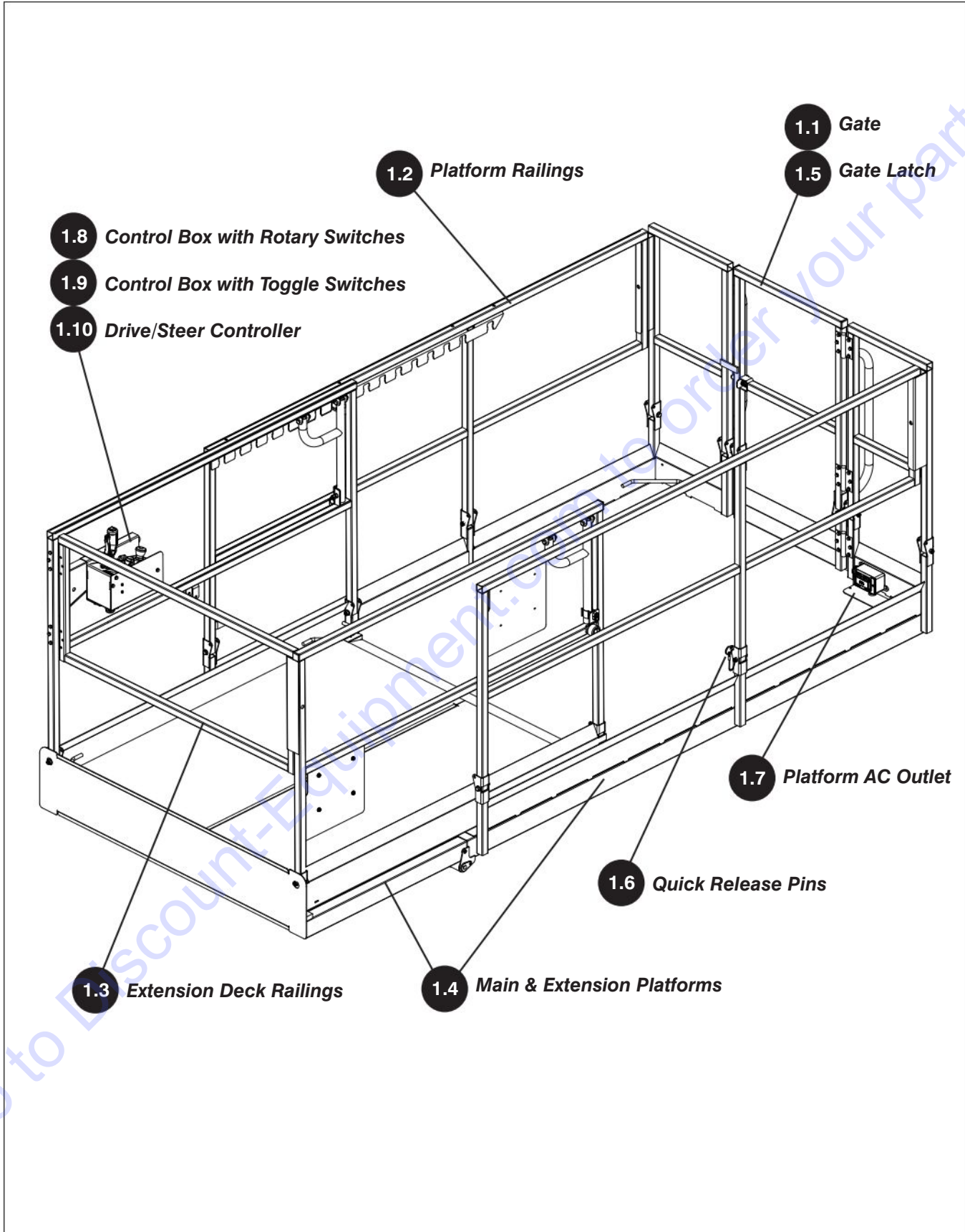
6.0 Labels

6.1 Label Kit.....	141
6.2 Labels - Left and Rear	142
6.3 Labels - Right and Front.....	144
6.4 Labels - Top	146
6.5 Labels - Miscellaneous.....	147

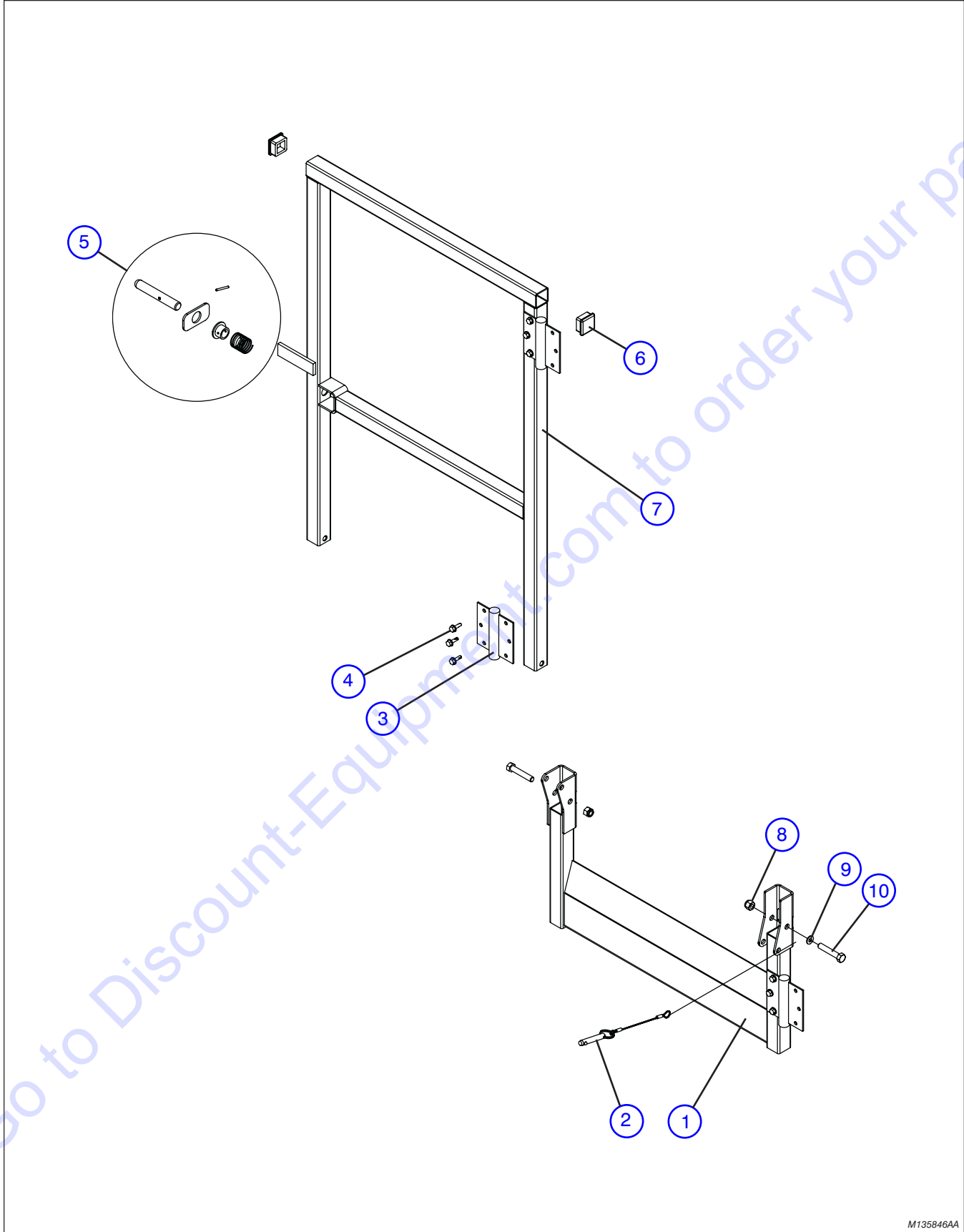
7.0 Tables

7.1 Fluid Tables	150
------------------------	-----

1.0 Platform Related Parts



1.1 Gate Assembly

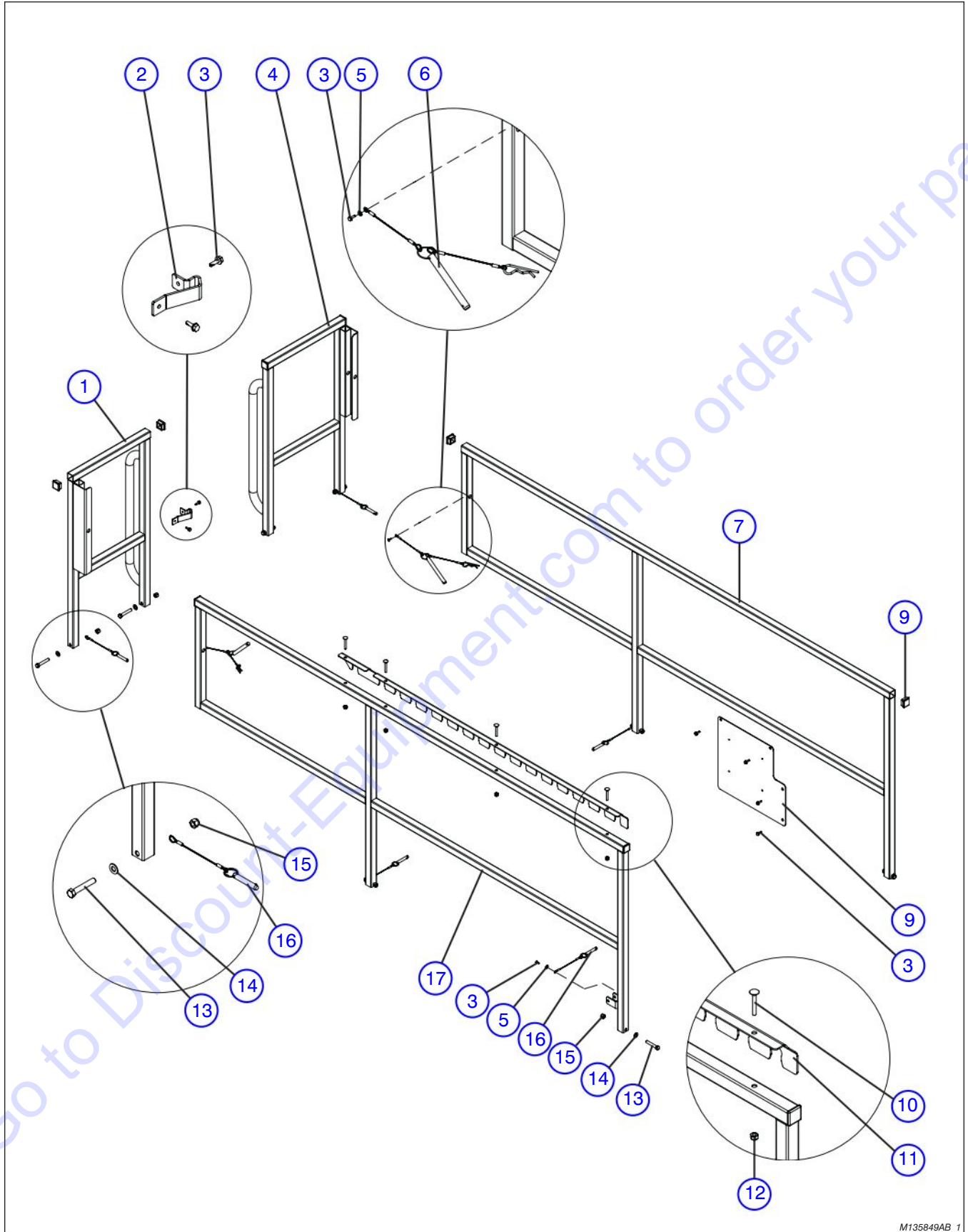


M135846AA

1.1 Gate Assembly

Index No.	Skyjack Part No.	Qty.	Description
-	135846	-	GATE ASSEMBLY
1	135878	1	• WELDMENT, Gate (Lower)
2	(Ref.)	-	• QUICK RELEASE LARGE LOOP PIN ASSEMBLY (For components, refer to Section 1.6)
3	117277	3	• HINGE, Spring
4	103632	18	• SCREW, Hex head self tapping (1/4"-14 x 3/4")
5	(Ref.)	-	• LATCH ASSEMBLY (For components, refer to Section 1.5)
6	100702	2	• END CAP, Plastic
7	135877	1	• WELDMENT, Gate (Upper)
8	104606	2	• NUT, Hex nylon lock (3/8"-16, Grade 5)
9	103995	2	• WASHER, Flat (1/4")
10	103872	2	• BOLT, Hex head (3/8"-16 x 2.25", Grade 5)

1.2 Platform Railing Assembly

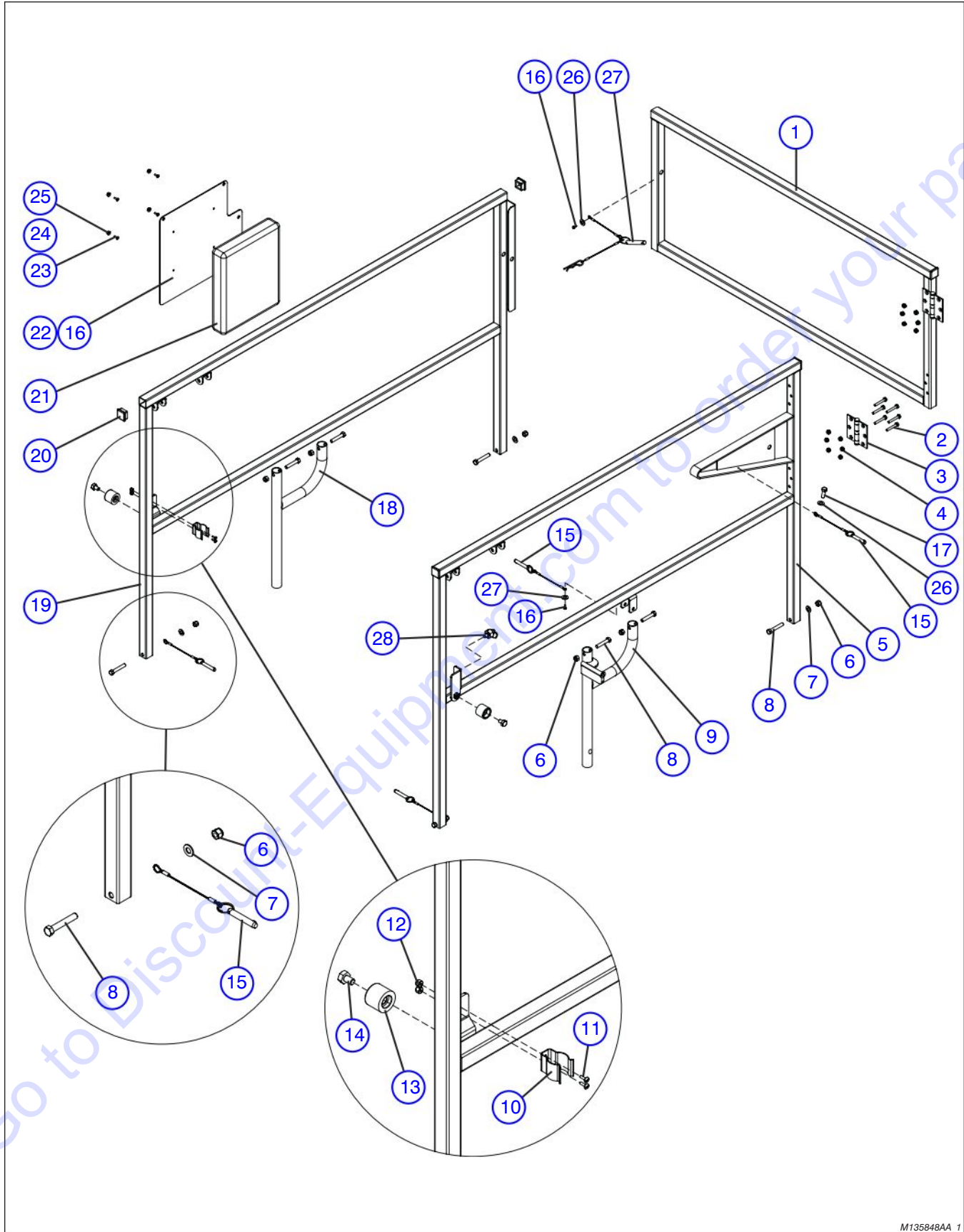


M135849AB_1

1.2 Platform Railing Assembly

Index No.	Skyjack Part No.	Qty.	Description
			NOTE: Part Numbers followed by a "DG" indicate dark grey painted parts.
-	135849	-	PLATFORM RAILING ASSEMBLY
1	135875	1	• RAILING, Rear (Right hand)
2	136302	1	• PLATE, Stop gate latch
3	103632	AR	• SCREW, Hex head self tapping (1/4"-14 x 3/4")
4	135876	1	• RAILING, Rear (Left hand)
5	103995	AR	• WASHER, Flat (1/4")
6	(Ref.)	-	• LONG PIN ASSEMBLY (For components, refer to Section 1.6)
7	135874	1	• WELDMENT, Railing (Left hand)
8	100702	AR	• END CAP, Plastic
9	160075DG	1	• PLATE, Warning label
10	127437	AR	• BOLT, Carriage (5/16"-18 x 2", Grade 5)
11	136303	1	• PLATE, Extension interval
12	103984	AR	• NUT, Hex nylon lock (5/16"-18, Grade 5)
13	103872	AR	• BOLT, Hex head (3/8"-16 x 2.25", Grade 5)
14	103472	AR	• WASHER, Flat (3/8")
15	104606	AR	• NUT, Hex nylon lock (3/8"-16, Grade 5)
16	(Ref.)	-	• QUICK RELEASE LARGE LOOP PIN ASSEMBLY (For components, refer to Section 1.6)
17	137452	1	• WELDMENT, Railing (Right hand)

1.3 Extension Deck Railing Assembly

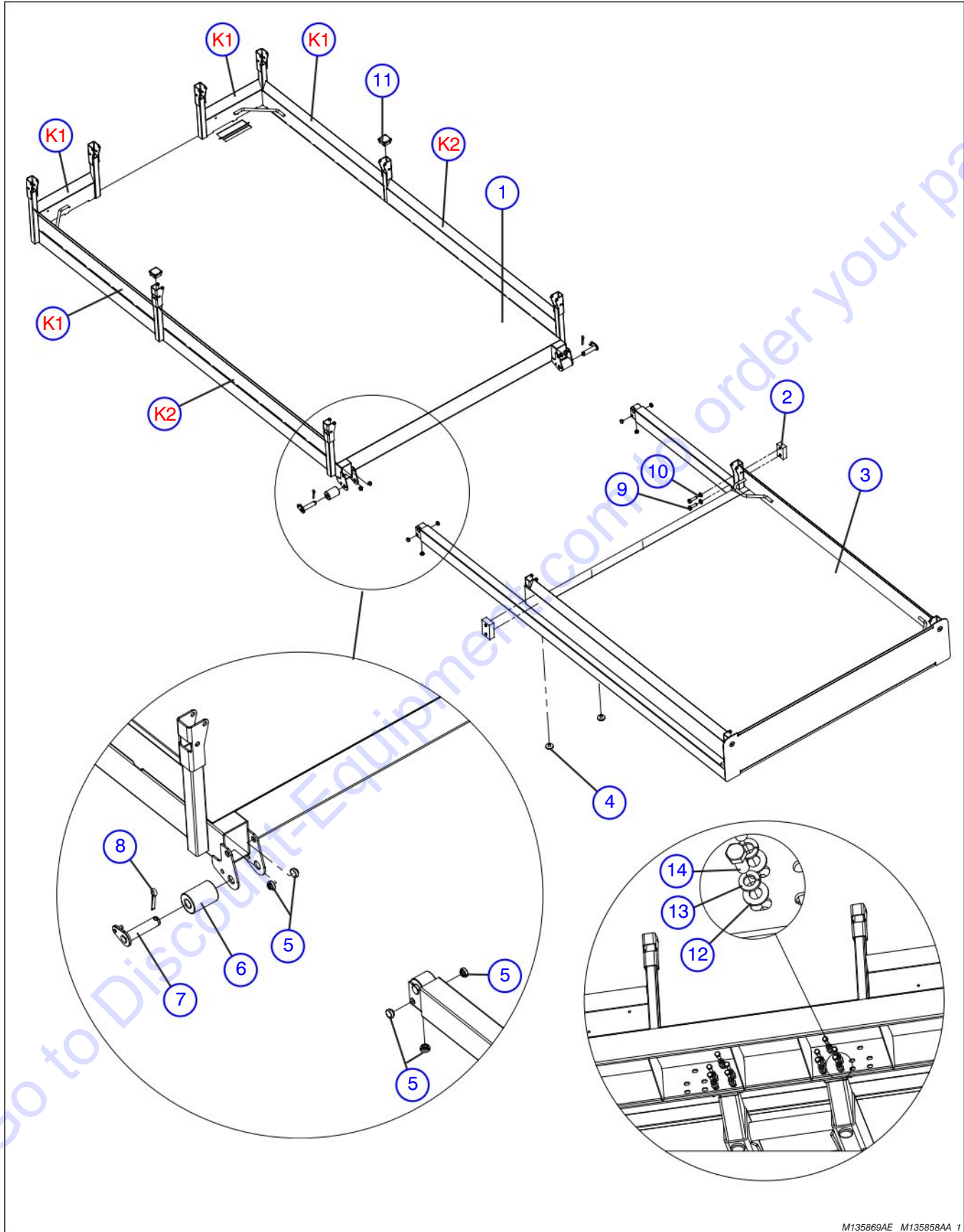


M135848AA_1

1.3 Extension Platform Railing Assembly

Index No.	Skyjack Part No.	Qty.	Description
			NOTE: Part Numbers followed by a "DG" indicate dark grey painted parts.
-	135848	-	EXTENSION PLATFORM RAILING ASSEMBLY
1	135881	1	• RAILING, Extension platform front
2	103860	12	• BOLT, Hex head (1/4"-20 x 1.75", Grade 5)
3	136176	2	• HINGE, Steel
4	115649	12	• NUT, Hex nylon lock (1/4"-20, Grade 5)
5	135879	1	• RAILING, Extension platform (Right hand)
6	104606	2	• NUT, Hex nylon lock (3/8"-16, Grade 5)
7	103472	4	• WASHER, Flat (3/8")
8	103872	2	• BOLT, Hex head (3/8"-16 x 2.25", Grade 5)
9	135889	1	• WELDMENT, Push bar with lock
10	137235	1	• CLIP, Gripper (1.5" - 2.5" diameter)
11	103960	2	• SCREW, Round head machine (#10-24 x 1/2")
12	126642	2	• NUT, Hex nylon lock (#10-24 Grade 5)
13	130840	2	• BUMPER
14	123713	2	• BOLT, Hex head (M12-1.25 x 16mm, Grade 9.8)
15	(Ref.)	-	• QUICK RELEASE LARGE LOOP PIN ASSEMBLY (For components, refer to Section 1.6)
16	103632	6	• SCREW, Hex head self tapping (1/4"-14 x 3/4")
17	103855	1	• BOLT, Hex head (1/4"-20 x 1/2", Grade 5)
18	135873	1	• WELDMENT, Push bar
19	135880	1	• RAILING, Extension platform (Left hand)
20	100702	5	• END CAP, Plastic
-	130231DG	1	• MANUAL BOX ASSEMBLY
21	117293	1	• • BOX, Manual
22	160075DG	1	• • PLATE, Warning label
23	103962	4	• • SCREW, Round head machine (#10-32 x 1/2")
24	104694	4	• • WASHER, Flat (#10)
25	112601	4	• • NUT, K-Lock (#10-32)
26	103995	3	• WASHER, Flat (1/4")
27	(Ref.)	-	• SHORT PIN ASSEMBLY (For components, refer to Section 1.6)
28	112467	1	• PIN PLUNGER, Pull-ring

1.4 Main and Extension Platform Assembly

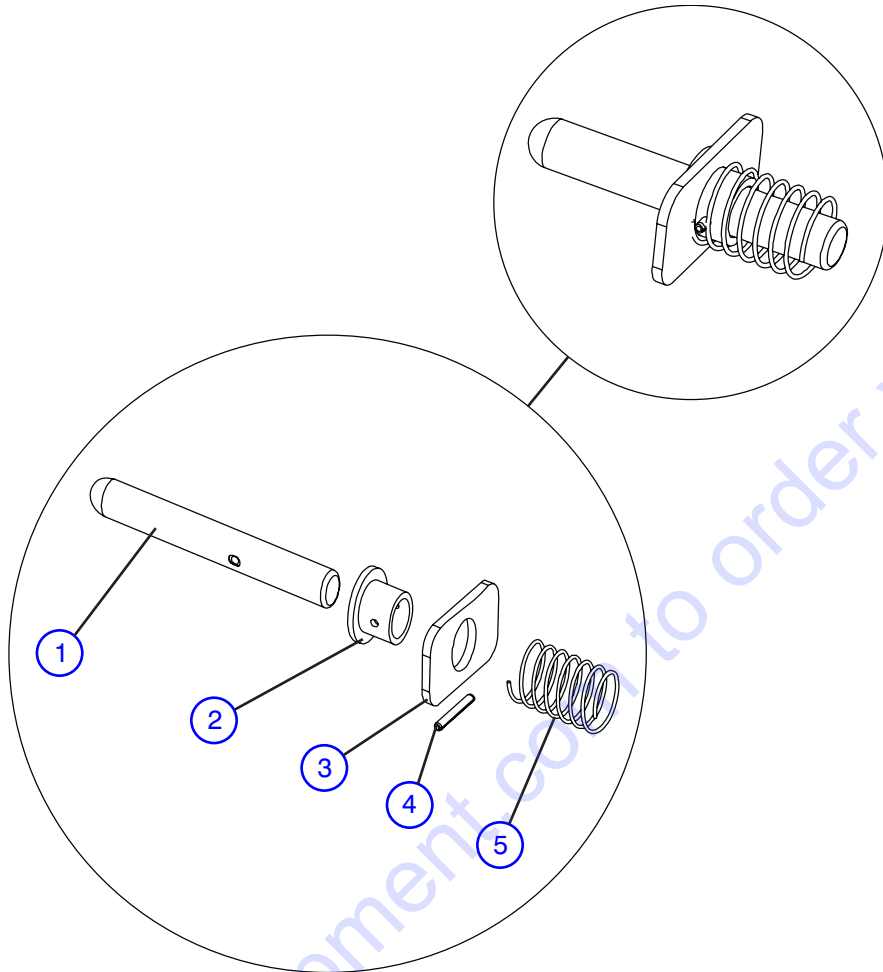


M135869AE M135858AA_1

1.4 Main and Extension Platform Assembly

Index No.	Skyjack Part No.	Qty.	Description
-	135869	-	MAIN AND EXTENSION PLATFORM ASSEMBLY
1	135870	1	• WELDMENT, Main
2	140915	2	• BAR, Platform extension stop
3	135871	1	• WELDMENT, Extension platform
4	101954	5	• PAD, Bottom slide
5	125433	10	• BUSHING, Slider
6	125455	2	• ROLLER, Wide
7	125422	2	• PIN, Rollout roller
8	121874	2	• PIN, Cotter (1/4" diameter x 1.5")
9	117430	4	• BOLT, Hex head (3/8"-16 x 1.25", Grade 8)
10	103999	4	• WASHER, Lock (3/8")
11	100702	2	• END CAP, Plastic
12	103472	10	WASHER, Flat (3/8")
13	103999	10	WASHER, Lock (3/8")
14	103473	10	BOLT, Hex head (3/8"-16 x 1", Grade 5)
K1	133579	AR	KIT, Short and rear side kickplates replacement
K2	133580	AR	KIT, Long side kickplate replacement

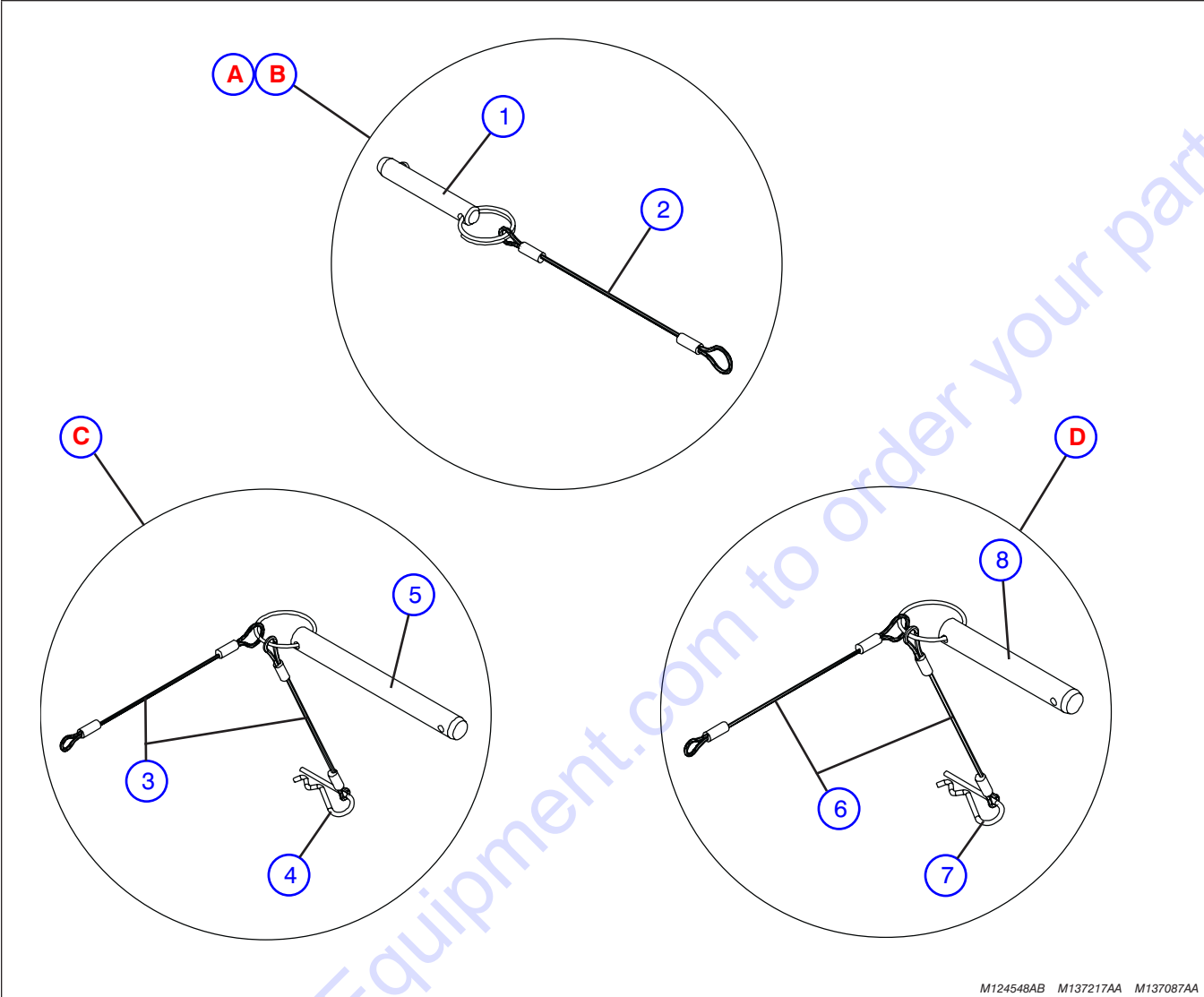
1.5 Gate Latch Assembly



M110824AA

Index No.	Skyjack Part No.	Qty.	Description
-	110824	1	ASSEMBLY, Latch pin spring
1	109377	1	• PIN, Latch
2	105312	1	• GUIDE, Nylon spring
3	105307	1	• PLATE, Gate latch release
4	100950	1	• PIN, Roll (1/8" x 1")
5	103107	1	• SPRING, Compression

1.6 Quick Release Pins

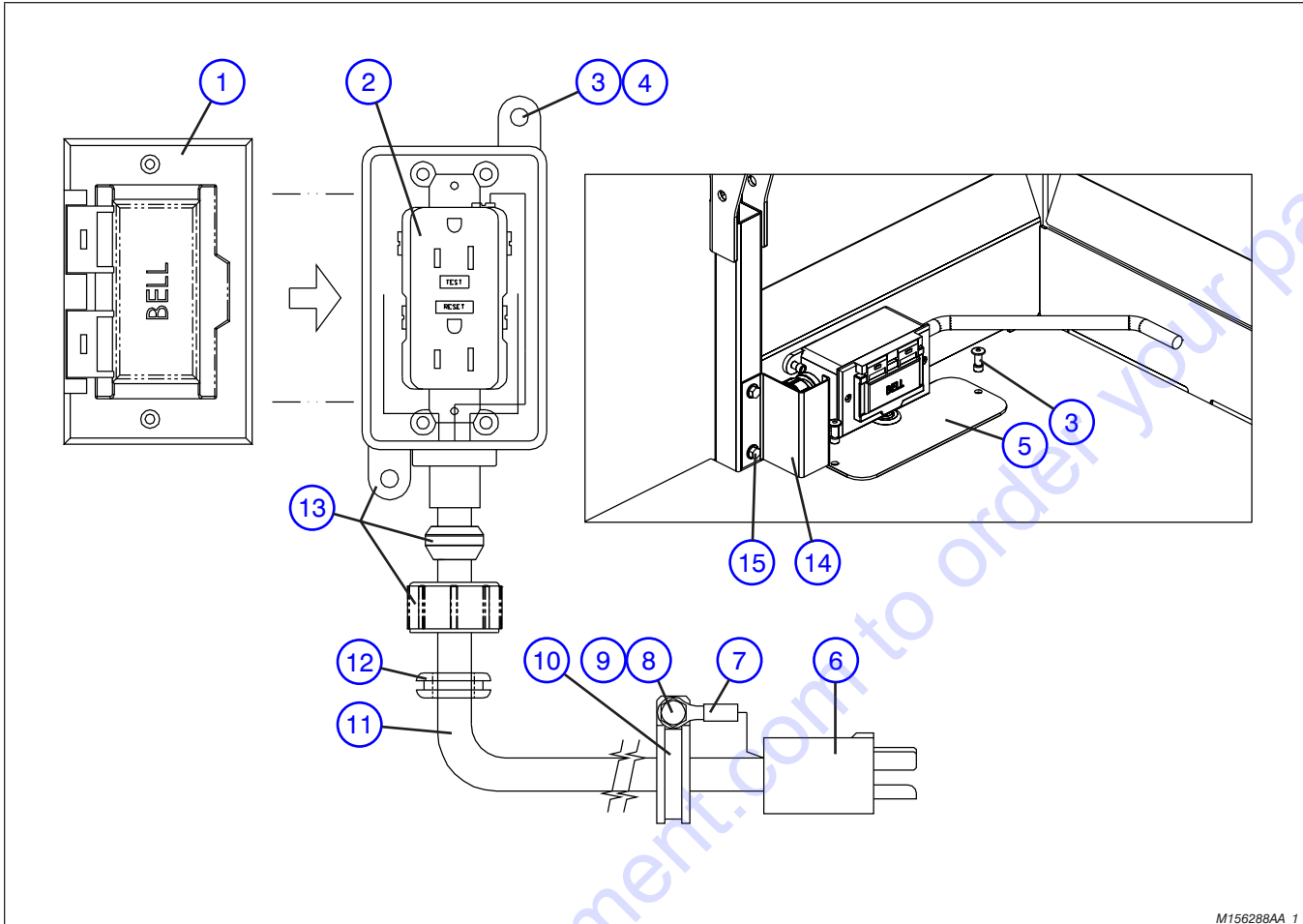


M124548AB M137217AA M137087AA

Index No.	Skyjack Part No.	Qty.	Description
A	124548	-	QUICK RELEASE LARGE LOOP PIN ASSEMBLY
B	124547	-	QUICK RELEASE SMALL LOOP PIN ASSEMBLY
1	100509	1	• PIN, Quick release (3/8" diameter x 1.688")
2	105807	1	• LANYARD, Plastic coated (6")
C	137217	-	LONG PIN ASSEMBLY
3	105807	2	• LANYARD, Plastic coated (6")
4	103055	1	• PIN, Cotter Hair
5	137086	1	• PIN, Ring (1/2" diameter x 4.125")
D	137087	-	SHORT PIN ASSEMBLY
6	105807	2	• LANYARD, Plastic coated (6")
7	103055	1	• PIN, Cotter Hair
8	137084	1	• PIN, Ring (1/2" diameter x 2.75")

1.7 Platform AC Outlet Assembly

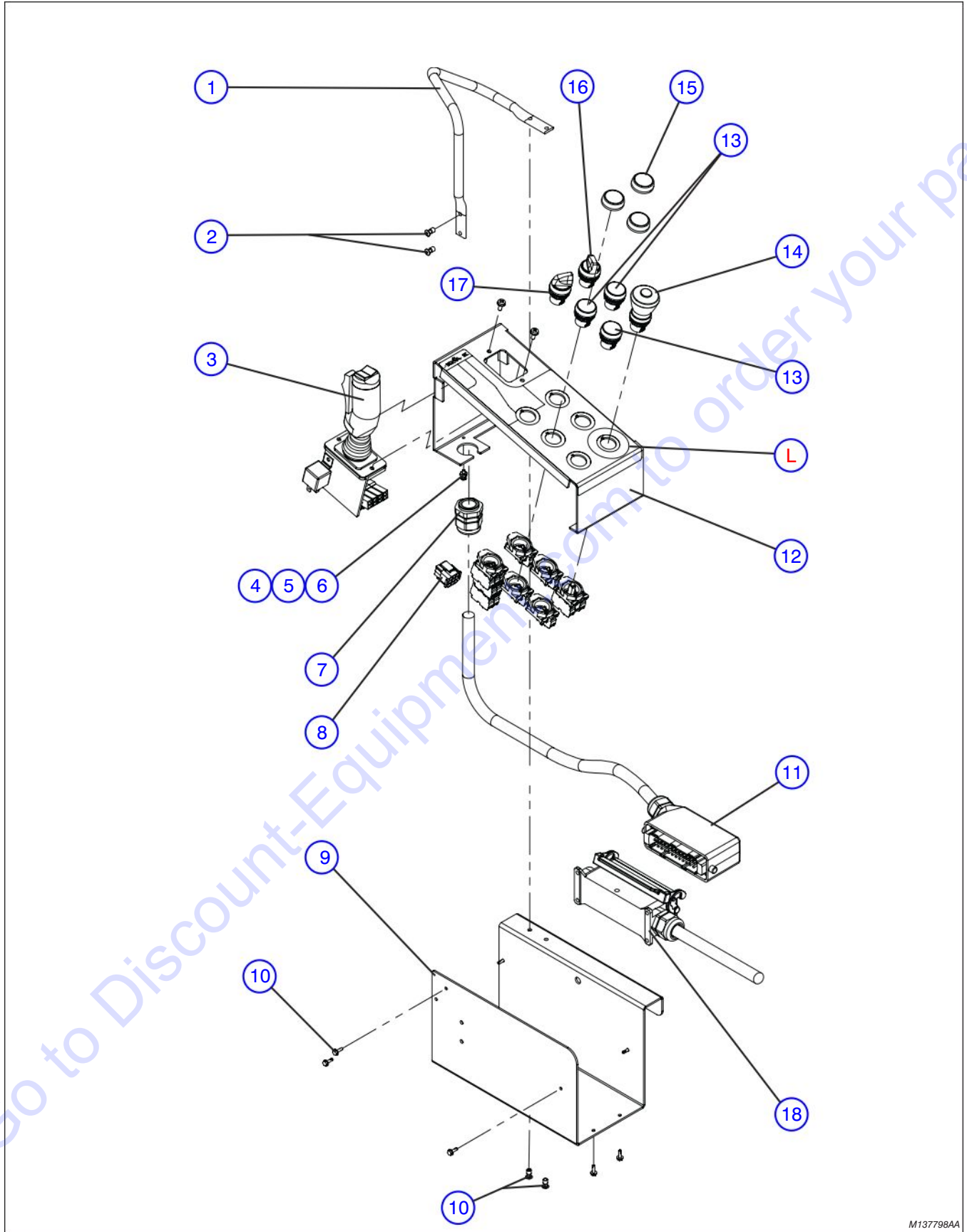
AC



M156288AA 1

Index No.	Skyjack Part No.	Qty.	Description
-	138121	1	OUTLET BOX 110V ASSEMBLY (6826RT)
-	138129	1	OUTLET BOX 110V ASSEMBLY (6832RT)
1	109699	1	• PLATE, Weatherproof cover
2	109698	1	• RECEPTACLE, GFI (125V)
3	134140	4	• RIVET, Open end dome (1/4" diameter)
4	103995	2	• WASHER, Flat (1/4")
5	137083	1	• PLATE, Outlet access cover
6	104208	1	• PLUG, Male (3-prong)
7	130730	1	• GROUND WIRE ASSEMBLY
8	103856	1	• BOLT, Hex head (1/4"-20 x 3/4")
9	115649	1	• NUT, Hex nylon lock (1/4"-20, Grade 5)
10	103024	1	• SINGLE CLIP (G8)
11	167555	504"	• CABTIRE, 14/3 (Model 6826RT ANSI/CSA)
	167556	600"	• CABTIRE, 14/3 (Model 6832RT ANSI/CSA)
12	103014	1	• GROMMET, Rubber (7/8")
13	136328	1	• BOX, Outlet with fitting
L	138211	1	• LABEL, Connect AC Supply
-	156288	1	ONTARIO HYDRO COVER ASSEMBLY (Ontario Hydro Option ANSI/CSA)
14	156689	1	• COVER, Ontario Hydro 110 (ANSI/CSA)
15	103632	2	• SCREW, Hex head self tapping (1/4"-14 x 3/4") (ANSI/CSA)

1.8 Control Box Assembly with Rotary Switches

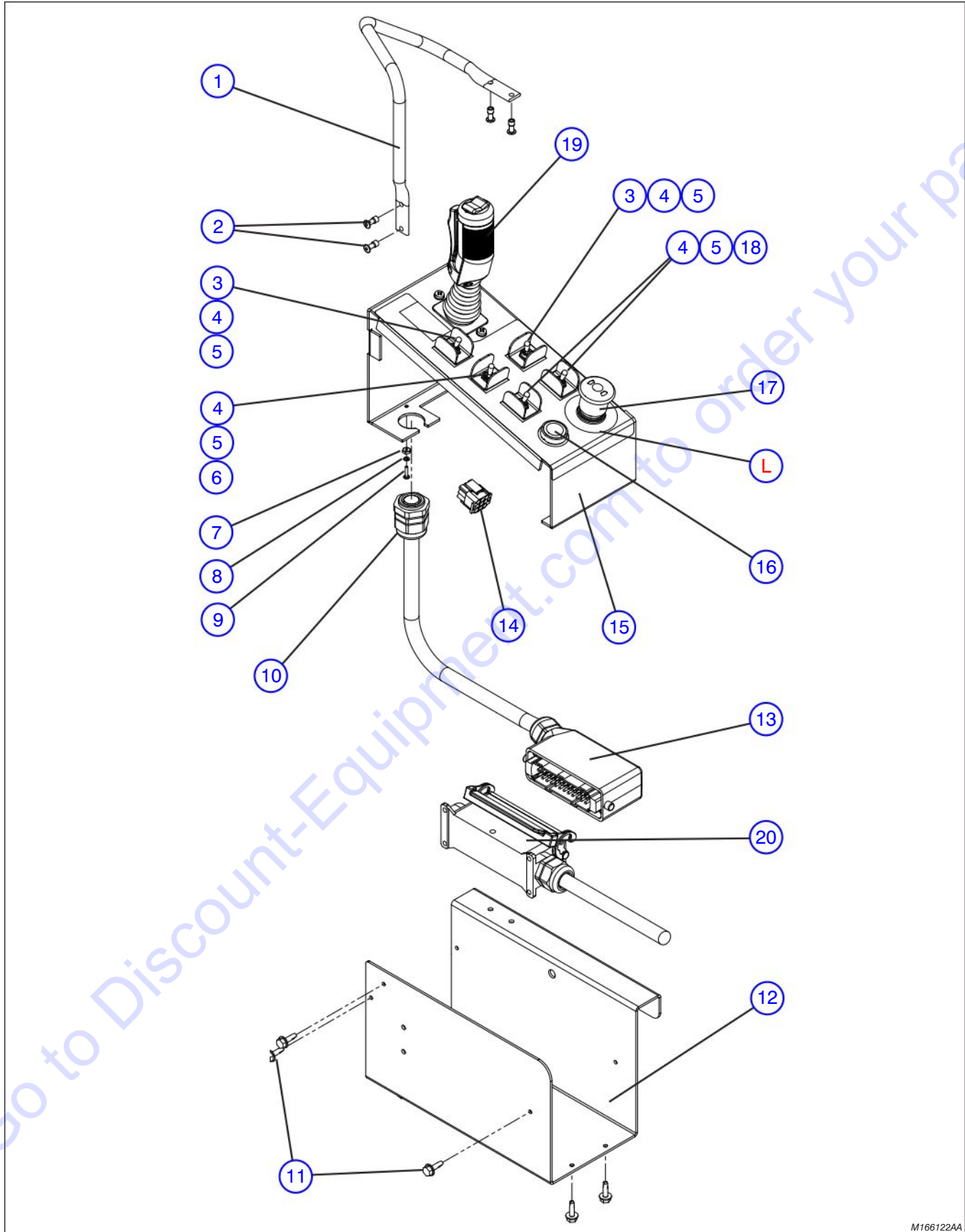


M137798AA

1.8 Control Box Assembly with Rotary Switches

Index No.	Skyjack Part No.	Qty.	Description
-	137798	-	CONTROL BOX ASSEMBLY (with rotary switches)
1	138004	1	• GUARD, Control box
2	120948	4	• RIVET, Pop (3/16" diameter x 0.440")
3	159230	1	• JOYSTICK, 3 speed with relay (For components, refer to Section 1.10)
4	106099	1	• WASHER, Lock (#6)
5	103985	1	• NUT, Hex Head (#6-32)
6	114678	1	• SCREW, Round head machine (#6-32 x 1/2")
7	300788	1	• STRAIN RELIEF (LTF 21)
8	116993	1	• CONNECTOR, Controller
9	137594	1	• PLATE, Control box (Outside)
10	103632	9	• BOLT, Hex head self tapping (1/4"-14 x 3/4")
11	137355	1	• CONTROL BOX CABLE ASSEMBLY (24 PIN)
	137201	120"	• • CABLE (16/25)
	137329	1	• • HOUSING, Side entry with strain relief
	137224	1	• • INSERT, Male (24 PIN)
	121050	25	• • FERULE, 16GA (Black)
12	137593	1	• PLATE, Control box (Top)
13	-	3	• SWITCH ASSEMBLY
	137792	1	• • HEAD, Switch Push Button (Black)
	137786	1	• • SWITCH, Base Assembly
	137782	1	• • • BLOCK, N.O. Spring contact
	137781	1	• • • LATCH
14	-	1	• SWITCH ASSEMBLY, Emergency stop
	137795	1	• • SWITCH HEAD, Emergency stop
	137791	1	• • SWITCH ASSEMBLY (Base)
	137785	1	• • • SWITCH, LED block (Red)
	137783	2	• • • BLOCK, N.C. Contact
	137781	1	• • • LATCH
15	137796	3	• BOOT, Pushbutton (Round)
16	-	1	• SELECTOR SWITCH ASSEMBLY (Low/High throttle)
	137794	1	• • SWITCH HEAD, Selector (2-Way)
	137786	1	• • SWITCH ASSEMBLY (Base)
	137782	1	• • • BLOCK, N.O. Spring contact
	137781	1	• • • LATCH
17	-	1	• SWITCH ASSEMBLY (Lift Drive)
	137793	1	• • SWITCH HEAD, Selector (3-Way)
	137788	1	• • SWITCH ASSEMBLY (Base)
	137783	3	• • • BLOCK, N.C. Contact
	137782	4	• • • BLOCK, N.O. Contact
	137781	1	• • • LATCH
L	(Ref.)	-	• LABEL, Control console (Refer to Section 6)
18	137356	1	CONTROL CABLE ASSEMBLY (Model 6826RT)

1.9 Control Box Assembly with Toggle Switches

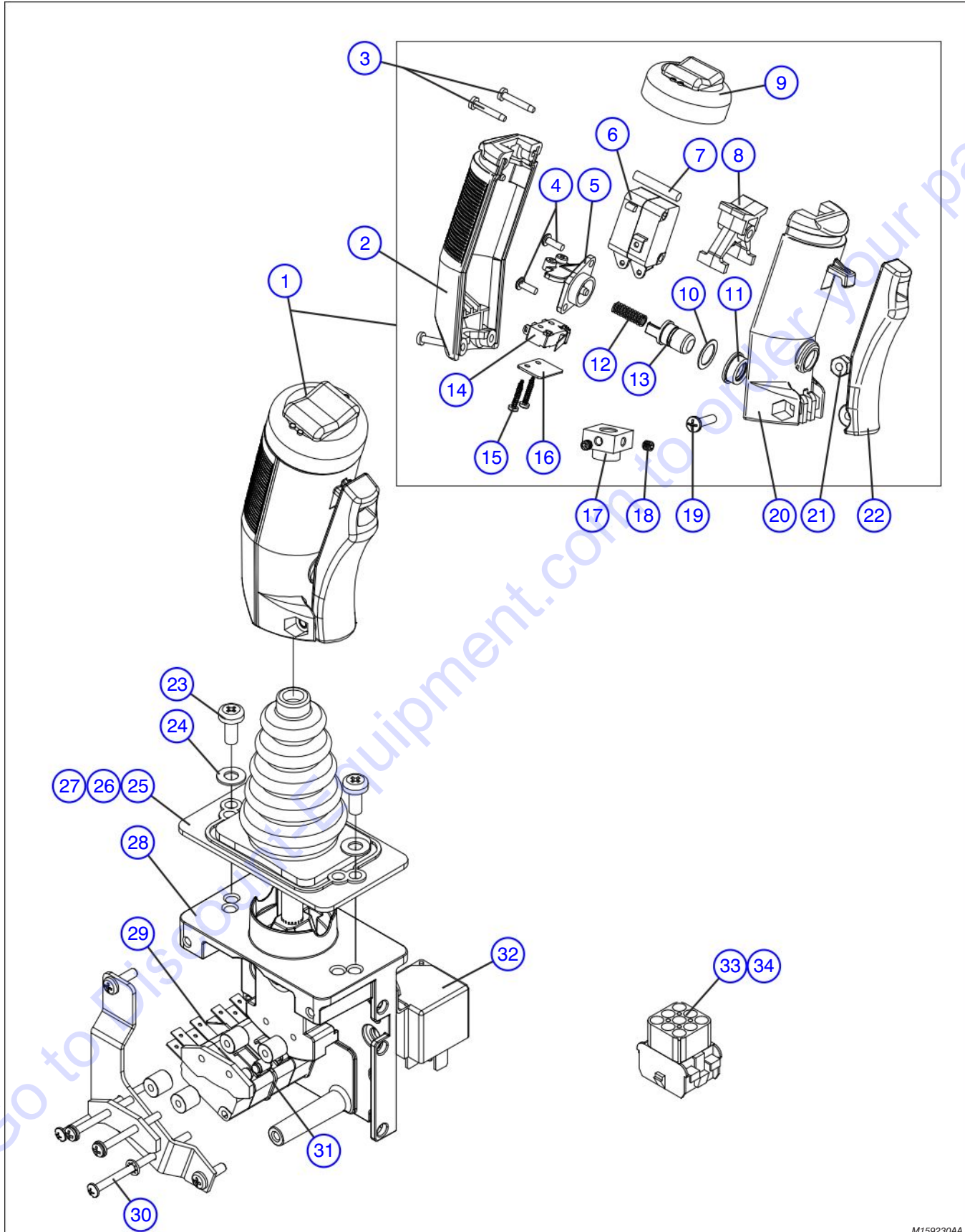


M166122AA

1.9 Control Box Assembly with Toggle Switches

Index No.	Skyjack Part No.	Qty.	Description
-	166122	-	CONTROL BOX ASSEMBLY (with toggle switches)
1	138004	1	<ul style="list-style-type: none"> • GUARD, Control box
2	120948	4	<ul style="list-style-type: none"> • RIVET, Pop (3/16" diameter x 0.440")
3	115574	2	<ul style="list-style-type: none"> • SWITCH, Toggle 1NT1-2
4	144016	5	<ul style="list-style-type: none"> • SEAL, Toggle switch panel bushing
5	111181	5	<ul style="list-style-type: none"> • GUARD, Toggle switch
6	116382	1	<ul style="list-style-type: none"> • SWITCH, Toggle 4NT1-1
7	103985	1	<ul style="list-style-type: none"> • NUT, Hex Head (#6-32)
8	106099	1	<ul style="list-style-type: none"> • WASHER, Lock (#6)
9	114678	1	<ul style="list-style-type: none"> • SCREW, Round head machine (#6-32 x 1/2")
10	300788	1	<ul style="list-style-type: none"> • STRAIN RELIEF (LTF 21)
11	103632	9	<ul style="list-style-type: none"> • BOLT, Hex head self tapping (1/4"-14 x 3/4")
12	137594	1	<ul style="list-style-type: none"> • PLATE, Control box (Outside)
13	137355	1	<ul style="list-style-type: none"> • CONTROL BOX CABLE ASSEMBLY (24 PIN)
	137201	120"	<ul style="list-style-type: none"> • • CABLE (16/25)
	137329	1	<ul style="list-style-type: none"> • • HOUSING, Side entry with strain relief
	137224	1	<ul style="list-style-type: none"> • • INSERT, Male (24 PIN)
	121050	25	<ul style="list-style-type: none"> • • FERULE, 16GA (Black)
14	116993	1	<ul style="list-style-type: none"> • CONNECTOR, Controller
15	166111	1	<ul style="list-style-type: none"> • PLATE, Control box (Top)
16	-	3	<ul style="list-style-type: none"> • PUSH BUTTON ASSEMBLY, Horn
	147058	1	<ul style="list-style-type: none"> • • HEAD, Switch Push Button (Black)
	147054	2	<ul style="list-style-type: none"> • • BLOCK, NO Contact
	147056	1	<ul style="list-style-type: none"> • • LATCH
17	-	1	<ul style="list-style-type: none"> • SWITCH ASSEMBLY, Emergency stop
	147051	1	<ul style="list-style-type: none"> • • SWITCH HEAD, Emergency stop
	147051	1	<ul style="list-style-type: none"> • • BLOCK, LED, Red, 24V
	147053	2	<ul style="list-style-type: none"> • • BLOCK, NC Contact
	147056	1	<ul style="list-style-type: none"> • • LATCH
18	115573	2	<ul style="list-style-type: none"> • SWITCH, Toggle 1TL1-8
19	159230	1	<ul style="list-style-type: none"> • JOYSTICK, 3 speed with relay <p style="margin-left: 20px;">(For components, refer to Section 1.10)</p>
L	166089	-	<ul style="list-style-type: none"> • LABEL, Control console <p style="margin-left: 20px;">(Refer to Section 6)</p>
20	137356	1	CONTROL CABLE ASSEMBLY (Model 6826RT)
	137363	1	CONTROL CABLE ASSEMBLY (Model 6832RT) (For components, refer to Section 2.5)

1.10 Drive/Steer Controller Assembly

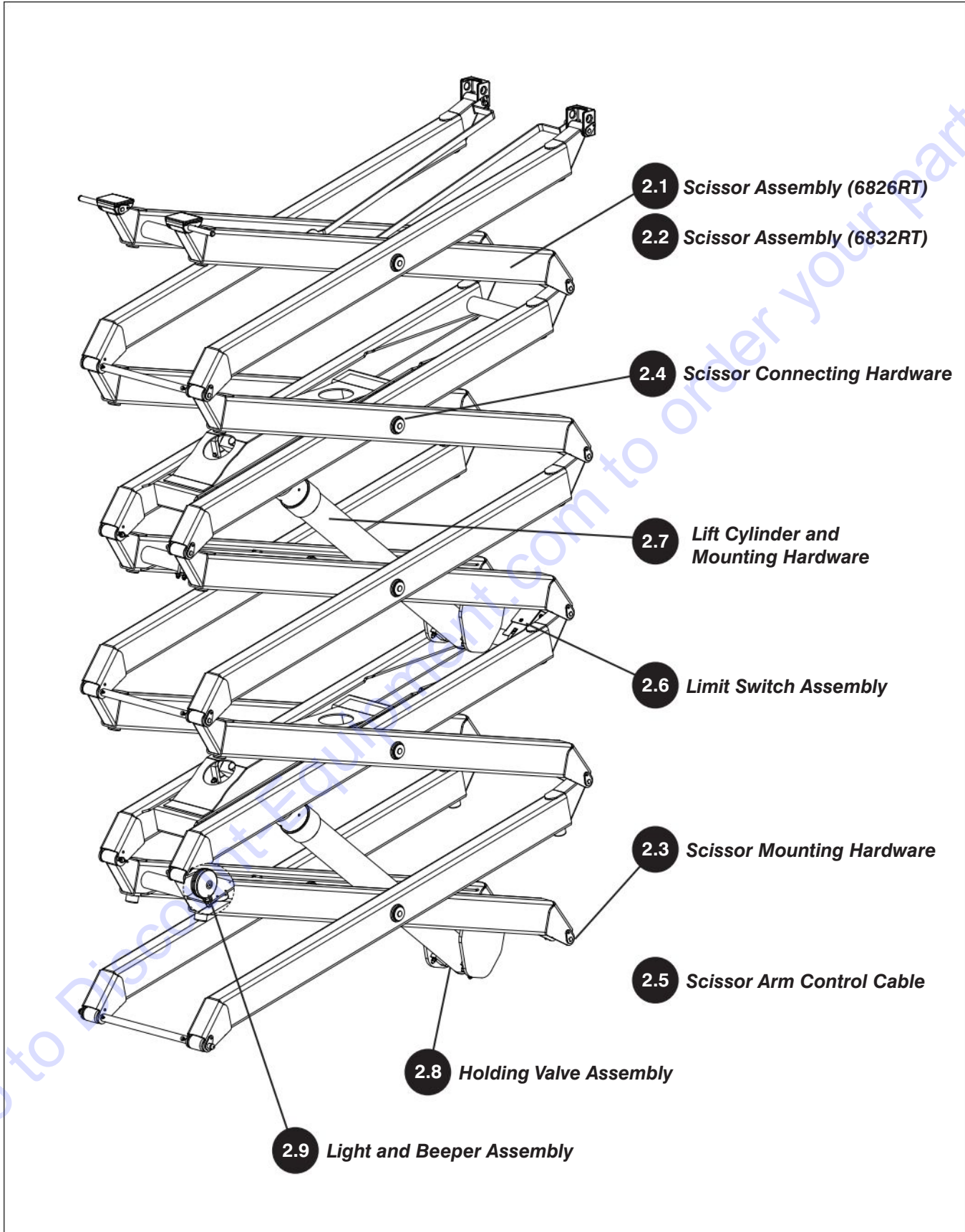


M159230AA

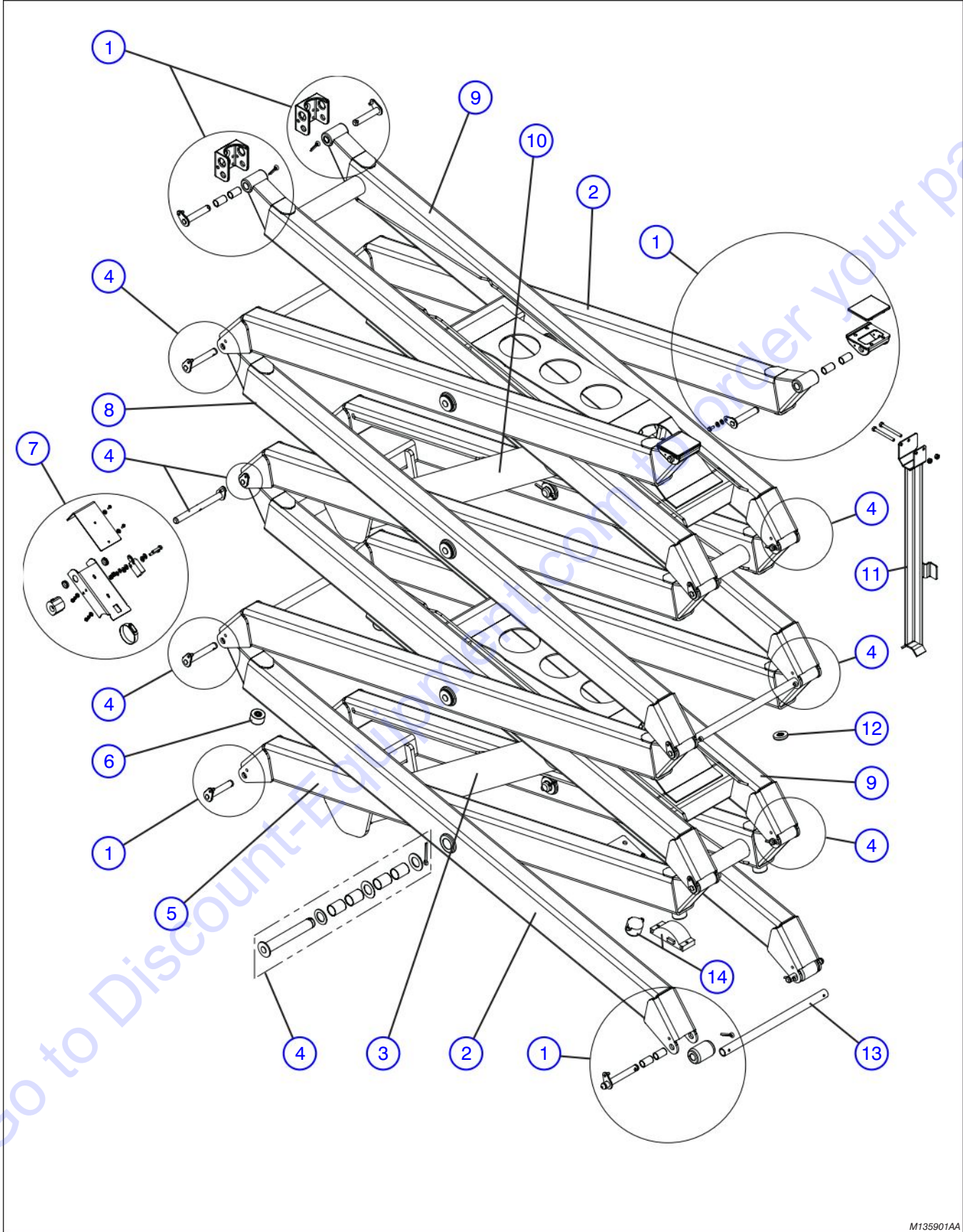
1.10 Drive/Steer Controller Assembly

Index No.	Skyjack Part No.	Qty.	Description
-	159109	1	DRIVE/STEER CONTROLLER ASSEMBLY
1	159055	1	• HANDLE ASSEMBLY
2	159057	1	• • HANDLE, Front half
3	122879	4	• • SCREW, Controller handle
4	159065	2	• • SCREW, Plastite (#4-20 x 5/16")
5	159060	1	• • HOLDER, Micro switch
6	159613	1	• • ROCKER MICRO ASSEMBLY
7	141341	1	• • AXLE, Rocker
8	154717	1	• • ROCKER
9	122874	1	• • CAP, Rubber
10	159063	1	• • WASHER
11	159062	1	• • BOOT, Plunger switch
12	159064	1	• • SPRING
13	159061	1	• • SWITCH, Plunger
14	159067	1	• • SWITCH, Lever micro
15	159066	2	• • SCREW, Plastite (#2-28 x 1/2")
16	159068	1	• • INSULATOR, Micro
17	122961	1	• • COUPLING (8mm)
18	122960	2	• • SCREW, Set
19	154718	1	• • SCREW (#6-32 x 5/8")
20	159058	1	• • HANDLE, Back half
21	122964	1	• • NUT, Controller lever
22	159059	1	• • LEVER, Trigger
23	122846	2	• SCREW
24	122847	2	• WASHER
25	127179	1	• BOOT & GASKET
26	162552	1	• WASHER
27	162553	1	• E-CLIP
28	122861	1	• BASE
29	122869	4	• MICROSWITCH
30	162556	2	• SCREW
31	162555	1	• INSULATOR
32	127035	1	• RELAY, 12 V (40 amp)
33	122840	1	• MALE CONNECTOR ASSEMBLY (9 pin)
	116993	1	• • HOUSING, Male
	116990	9	• • PIN, Wire (Female)
34	122841	1	• FEMALE CONNECTOR ASSEMBLY (9 pin)
	122839	1	• • HOUSING, Female
	116989	9	• • PIN, Wire (Male)

2.0 Scissor Related Parts



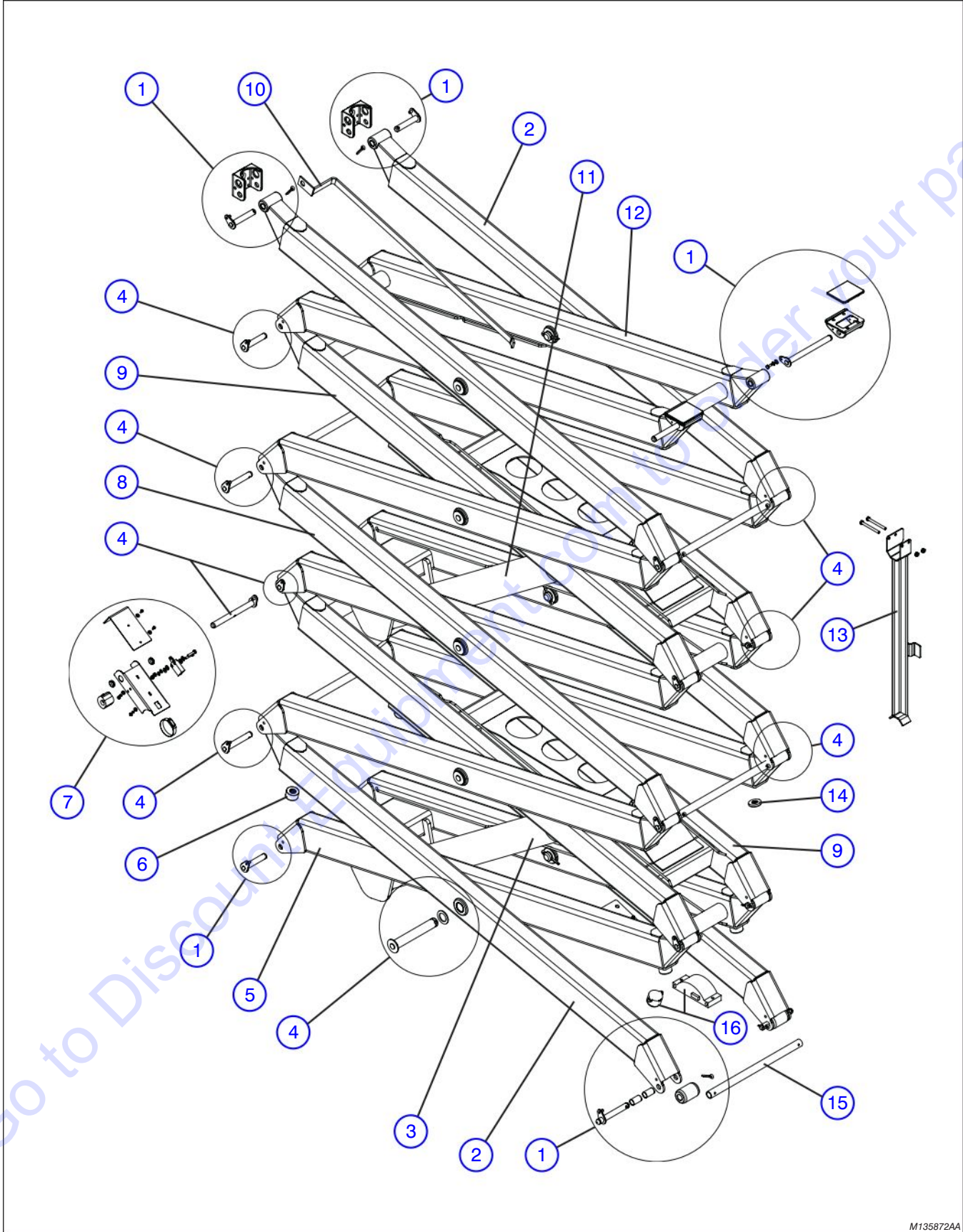
2.1 Scissor Assembly (Model 6826RT)



M135901AA

Index No.	Skyjack Part No.	Qty.	Description
			NOTE: Part Numbers followed by a "DG" indicate dark grey painted parts.
A	170587DG	-	SCISSOR ASSEMBLY (ANSI/CSA) (For Model 68xx with serial number 37 005 715 and above)
B	135901DG	-	SCISSOR ASSEMBLY (ANSI/CSA) (For Model 68xx with serial number 37 005 714 and below)
1	(Ref.)	-	<ul style="list-style-type: none"> SCISSOR ASSEMBLY - MOUNTING HARDWARE (For components, refer to Section 2.3)
2	169778DG	8	<ul style="list-style-type: none"> SCISSOR ARMS, Outside, A
	136211DG	8	<ul style="list-style-type: none"> SCISSOR ARMS, Outside, B
3	(Ref.)	-	<ul style="list-style-type: none"> CYLINDER, Lower lift (For components, refer to Section 2.7)
4	(Ref.)	-	<ul style="list-style-type: none"> SCISSOR ASSEMBLY - CONNECTING HARDWARE (For components, refer to Section 2.4)
5	169784DG	1	<ul style="list-style-type: none"> SCISSOR LEVEL, Inside (1st Level), A
	136222DG	1	<ul style="list-style-type: none"> SCISSOR LEVEL, Inside (1st Level), B
6	130841	4	<ul style="list-style-type: none"> BUMPER ASSEMBLY, 1st Level
	130840	1	<ul style="list-style-type: none"> • BUMPER, Scissor bottom (1st Level)
	123713	1	<ul style="list-style-type: none"> • BOLT, Hex head (M12-1.25 x 16mm, Grade 9.8)
	600426	1	<ul style="list-style-type: none"> • WASHER, Flat (M12, plated DIN 125)
7	(Ref.)	-	<ul style="list-style-type: none"> LIMIT SWITCH ASSEMBLIES, (For components, refer to Section 2.6)
8	169781DG	1	<ul style="list-style-type: none"> SCISSOR LEVEL, Inside (3rd Level), A
	137562DG	1	<ul style="list-style-type: none"> SCISSOR LEVEL, Inside (3rd Level), B
9	169782DG	2	<ul style="list-style-type: none"> SCISSOR LEVEL, Inside (2nd & 4th Level), A
	136230DG	2	<ul style="list-style-type: none"> SCISSOR LEVEL, Inside (2nd & 4th Level), B
10	(Ref.)	-	<ul style="list-style-type: none"> CYLINDER, Upper lift (For components, refer to Section 2.7)
11	132539DG	1	<ul style="list-style-type: none"> MAINTENANCE SUPPORT ASSEMBLY
	123344DG	1	<ul style="list-style-type: none"> • MAINTENANCE SUPPORT
	122006	2	<ul style="list-style-type: none"> • BOLT, Hex head (5/16"-18 x 3.25", Grade 5)
	103984	2	<ul style="list-style-type: none"> • NUT, Hex (5/16"-18, Grade 5)
12	121860	12	<ul style="list-style-type: none"> BUMPER, Scissor arm
13	(Ref.)	-	<ul style="list-style-type: none"> TUBE, Outside scissor spacer (For components, refer to Section 2.4)
14	(Ref.)	-	<ul style="list-style-type: none"> LIGHT AND BEEPER ASSEMBLY (For components, refer to Section 2.9)

2.2 Scissor Assembly (Model 6832RT)

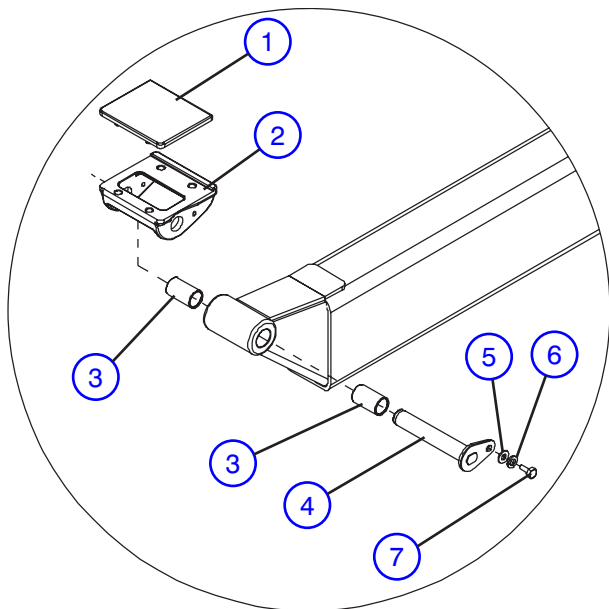


M135872AA

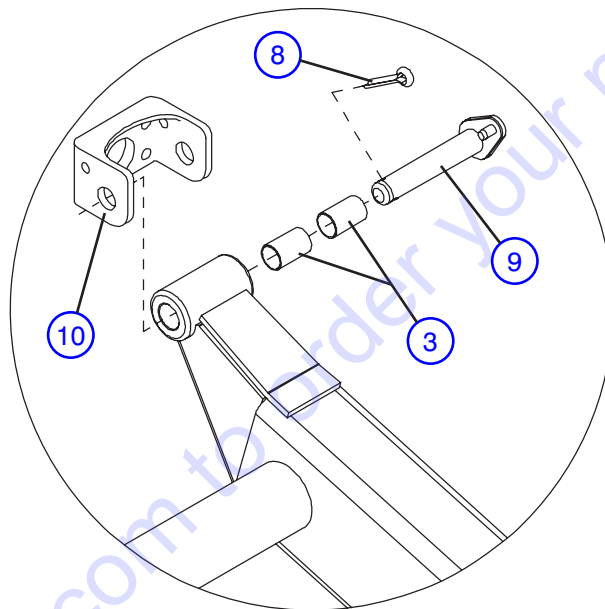
Index No.	Skyjack Part No.	Qty.	Description
			NOTE: Part Numbers followed by a "DG" indicate dark grey painted parts.
A	170576DG	-	SCISSOR ASSEMBLY (ANSI/CSA) (For Model 68xx with serial number 37 005 715 and above)
B	135872DG	-	SCISSOR ASSEMBLY (ANSI/CSA) (For Model 68xx with serial number 37 005 714 and below)
C	170583DG	-	SCISSOR ASSEMBLY (KC) (For Model 68xx with serial number 37 005 715 and above)
D	157922DG	-	SCISSOR ASSEMBLY (KC) (For Model 68xx with serial number 37 005 714 and below)
1	(Ref.)	-	• SCISSOR ASSEMBLY - MOUNTING HARDWARE (For components, refer to Section 2.3)
2	169778DG	10	• SCISSOR ARMS, Outside, A, C
	136211DG	10	• SCISSOR ARMS, Outside, B, D
3	(Ref.)	-	• CYLINDER, Lower lift (For components, refer to Section 2.7)
4	(Ref.)	-	• SCISSOR ASSEMBLY - CONNECTING HARDWARE (For components, refer to Section 2.4)
5	169784DG	1	• SCISSOR LEVEL, Inside (1st Level), A, C
	136222DG	1	• SCISSOR LEVEL, Inside (1st Level), B, D
6	130841	4	• BUMPER ASSEMBLY, 1st Level
	130840	1	• • BUMPER, Scissor (1st level)
	123713	1	• • BOLT, Hex head (M12-1.25 x 16mm, Grade 9.8)
	600426	1	• • WASHER, Flat (M12, plated DIN 125)
7	(Ref.)	-	• LIMIT SWITCH ASSEMBLIES (For components, refer to Section 2.6)
8	169781DG	1	• SCISSOR LEVEL, Inside (3rd Level), A, C
	137562DG	1	• SCISSOR LEVEL, Inside (3rd Level), B, D
9	169782DG	2	• SCISSOR LEVEL, Inside (2nd & 4th Level), A, C
	136230DG	2	• SCISSOR LEVEL, Inside (2nd & 4th Level), B, D
10	121907G	2	• WELDMENT, Cable carrier
11	(Ref.)	-	• CYLINDER, Upper lift (For components, refer to Section 2.7)
12	169780DG	1	• SCISSOR LEVEL, Inside (5th Level), A, C
	136231DG	1	• SCISSOR LEVEL, Inside (5th Level), B, D
13	132539DG	1	• MAINTENANCE SUPPORT ASSEMBLY
	123344DG	1	• • MAINTENANCE SUPPORT
	122006	AR	• • BOLT, Hex head (5/16"-18 x 3.25", Grade 5)
	103984	AR	• • NUT, Hex (5/16"-18)
14	121860	16	• BUMPER, Scissor arm
15	(Ref.)	-	• TUBE, Outside scissor spacer (For components, refer to Section 2.4)
16	(Ref.)	-	• LIGHT AND BEEPER ASSEMBLY (For components, refer to Section 2.9)

2.3 Scissor Assembly - Mounting Hardware

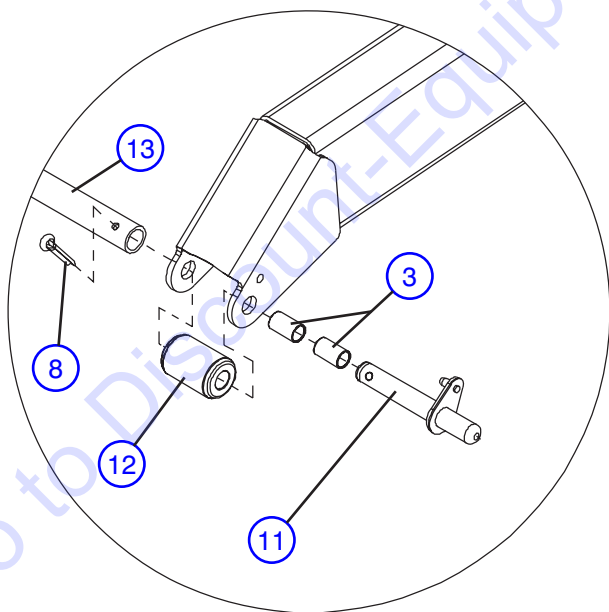
Top Slider Assembly



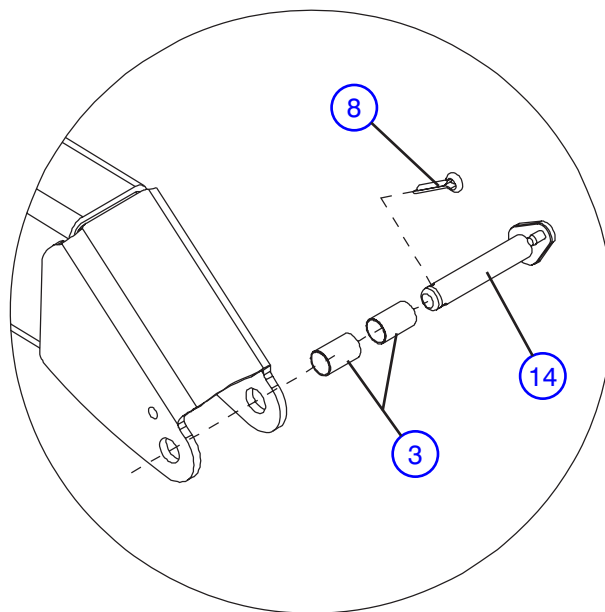
Main Platform Bracket Mounting Assembly



Bottom Slider Assembly



End Pin Assembly at Base



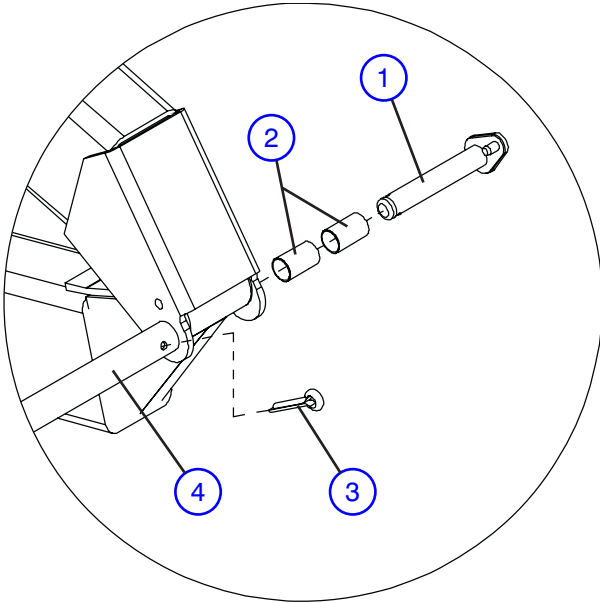
M135901AA_M135872AA_1

2.3 Scissor Assembly - Mounting Hardware

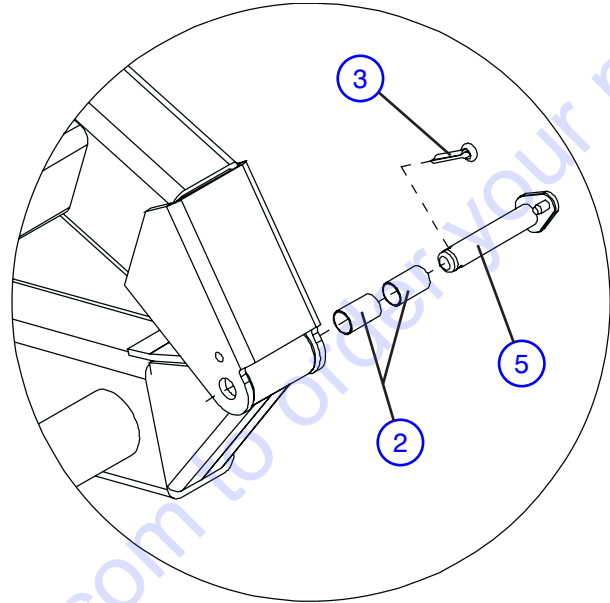
Index No.	Skyjack Part No.	Qty.	Description
			NOTE: Part Numbers followed by a "DG" indicate dark grey painted parts.
1	120772	2	PAD, Slider
2	120771DG	2	BRACKET, Main platform slider
3	123430	AR	BUSHING, Fiberglide (3/4" Inner diameter x 1.5")
4	134494	2	PIN, Upper slider (without cable carrier weldment)
	137207	AR	PIN, Upper slider (with cable carrier weldment) (Model 6832RT)
5	103995	AR	WASHER, Flat (1/4")
6	104000	AR	WASHER, Lock (1/4")
7	103892	AR	BOLT, Hex head (1/4"-20 x 5/8")
8	121874	AR	COTTER PIN (1/4" x 1.25")
9	120958	AR	PIN (3/4" diameter x 4") (without cable carrier weldment)
	121676	AR	PIN (3/4" diameter x 4.25") (with cable carrier weldment)
10	134065DG	2	CASTING, Platform mounting bracket
11	136551	2	PIN, Bottom roller
12	120697	2	ROLLER, Scissor
13	(Ref.)	-	TUBE, Outside scissor spacer (For components, refer to Section 2.4)
14	126027	2	PIN, Scissor to base

2.4 Scissor Assembly - Connecting Hardware

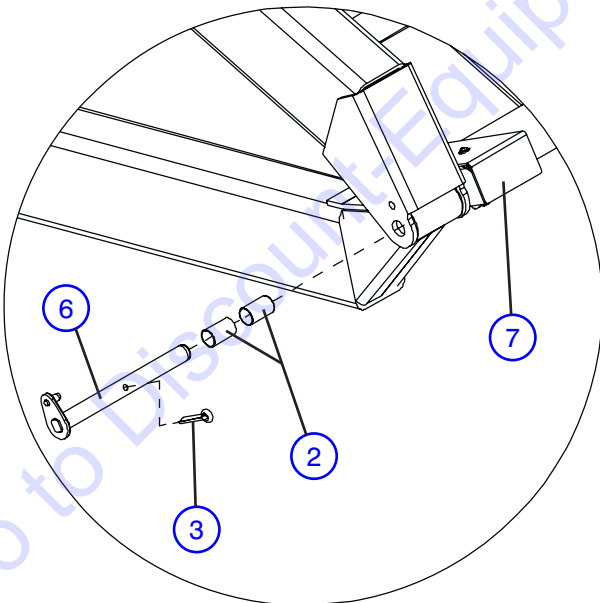
Outside End Pin Assembly
(With Cross Member Tube)



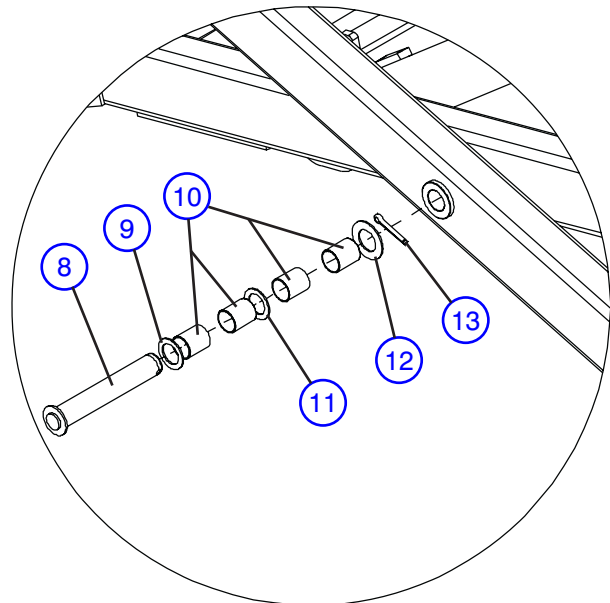
Inside End Pin Assembly
(Without Cross Member Tube)



Limit Switch Pin Assembly



Center Pin Assembly

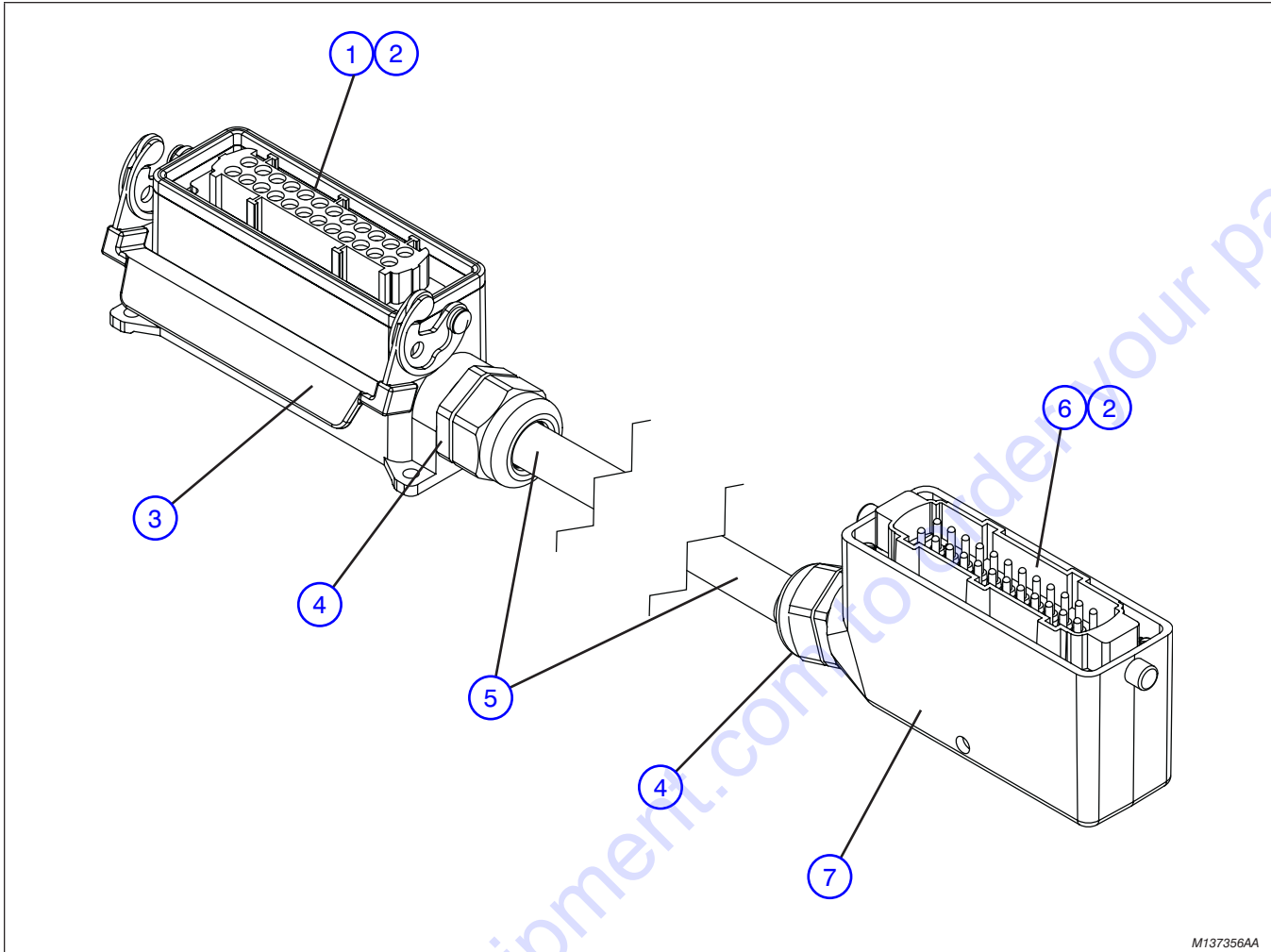


M135901AA_M135872AA_2

2.4 Scissor Assembly - Connecting Hardware

Index No.	Skyjack Part No.	Qty.	Description
			NOTE: Part Numbers followed by a "DG" indicate dark grey painted parts.
1	121674	6	PIN, Outside scissor
2	123430	AR	BUSHING, Fiberglide (3/4" Inner diameter x 1.5")
3	121874	AR	COTTER PIN (1/4" x 1.25")
4	121605DG	3	TUBE, Outside scissor spacer
5	120958	AR	PIN, Inside scissor
6	121677	1	PIN, Limit switch
7	(Ref.)	-	ASSEMBLY, Limit switch (For components, refer to Section 2.6)
8	120673	8	PIN, Center
9	101520	8	WASHER, Nylon (2" OD x 1.28" ID x 0.12")
10	123431	16	BUSHING, Fiberglide (1.25" x 1.8125")
11	121703	8	SPACER, Bearing thrust fiberglide (1.25" Inner diameter)
12	122502	8	WASHER, Flat (1.25" ID x 2.25" OD)
13	121875	8	COTTER PIN (5/16" x 2.0")

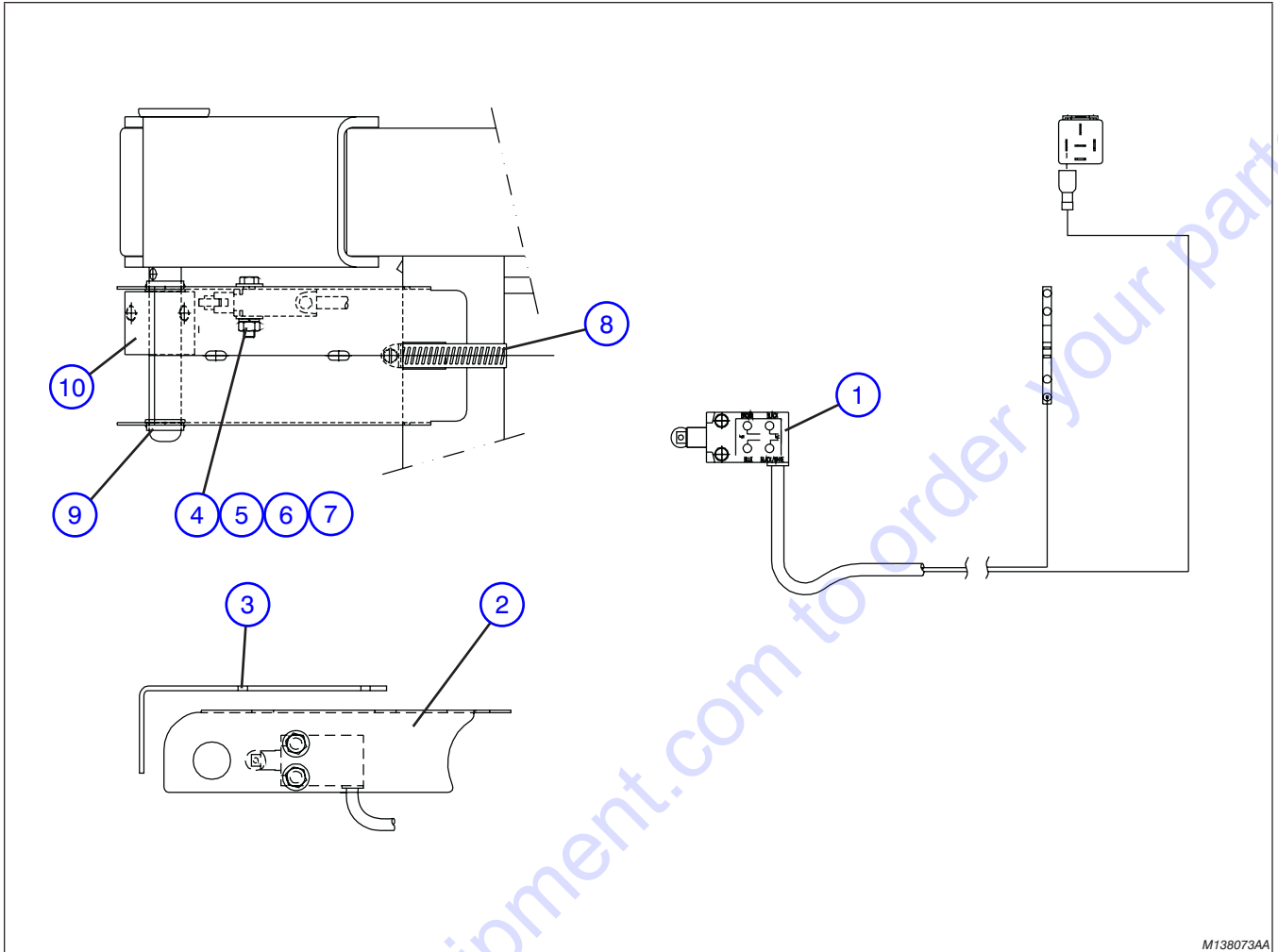
2.5 Scissor Arm Control Cable Assembly



M137356AA

Index No.	Skyjack Part No.	Qty.	Description
-	137356	-	CONTROL CABLE ASSEMBLY (Model 6826RT)
-	137363	-	CONTROL CABLE ASSEMBLY (Model 6832RT)
1	137223	1	INSERT, Female (24 Pin)
2	121050	50	FERULE, 16GA (Black)
3	137227	1	HOUSING, Surface mount (24 Pin)
4	132109	2	CONNECTOR, Strain relief
5	137201	504"	CABLE, Control (16/25)
6	137224	1	INSERT, Male (24 Pin)
7	137225	1	HOUSING, Side entry (24 Pin)

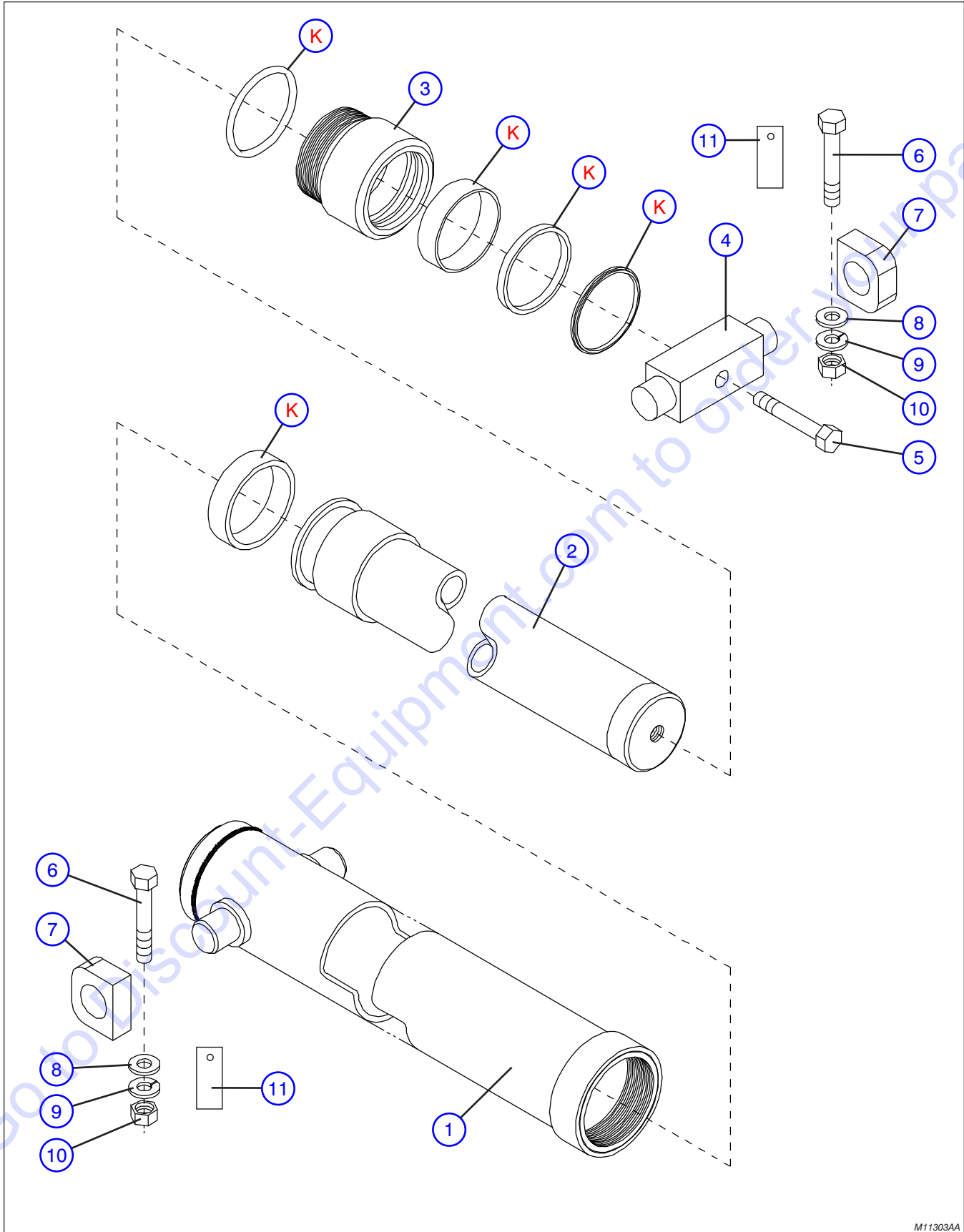
2.6 Limit Switch Assembly



M138073AA

Index No.	Skyjack Part No.	Qty.	Description
-	138072DG	1	NOTE: Part Numbers followed by a "DG" indicate dark grey painted parts. LIMIT SWITCH ASSEMBLY
1	122010	1	• SWITCH, Limit
2	121867DG	1	• BRACKET, Limit switch
3	121868DG	1	• GUARD, Limit switch
4	104000	2	• WASHER, Lock (1/4")
5	103858	3	• BOLT, Hex head (1/4"-20 x 1.25", Grade 5)
6	103995	4	• WASHER, Flat (1/4")
7	103980	2	• NUT, Hex (1/4"-20, Grade B)
-	138073	1	LIMIT SWITCH INSTALLATION ASSEMBLY
8	121869	1	• CLAMP, Worm gear (2.5")
9	121908	2	• BUSHING, Snap-in (3/4")
10	100967	1	• CAM, Limit switch

2.7 Lift Cylinder Assembly and Mounting Hardware

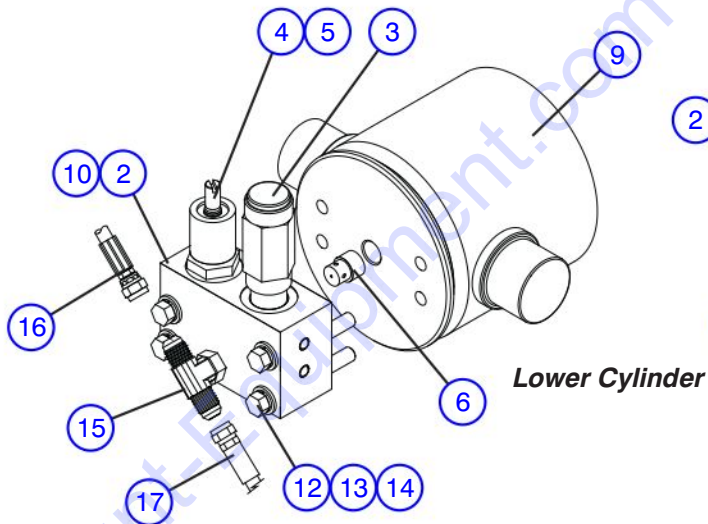
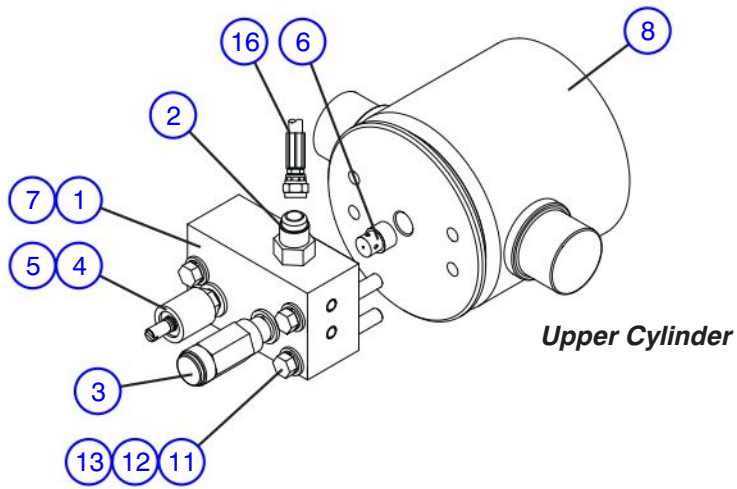


M11303AA

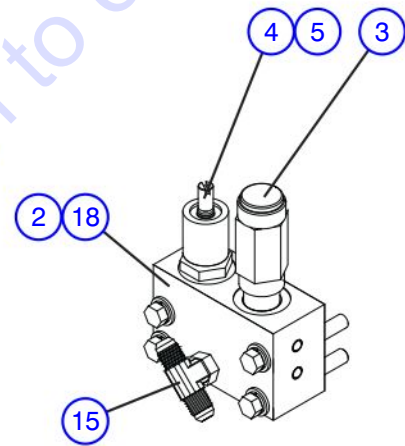
2.7 Lift Cylinder Assembly and Mounting Hardware

Index No.	Skyjack Part No.	Qty.	Description
			NOTE: Part Numbers followed by a "DG" indicate dark grey painted parts.
-	162795DG	2	LIFT CYLINDER ASSEMBLY
1	162800DG	1	• WELDMENT, Barrel
2	160720	1	• ROD, Piston
3	162803	1	• GLAND, Front head
4	121668	1	• TRUNNION
5	105686	1	• BOLT (3/4"-16 x 3", Grade 5)
6	103869	4	BOLT, Hex head (5/16"-18 x 4.5", Grade 5)
7	123808	4	BEARING BLOCK ASSEMBLY
	101076		• BLOCK
	100904		• BUSHING
8	103996	4	WASHER, Flat (5/16" SAE)
9	103404	4	WASHER, Lock (5/16" NOM x 0.07)
10	100397	4	NUT, Hex head (5/16"-18, Grade B)
11	130337	AR	SHIM, Bearing block (16 GA) (If equipped)
	130387	AR	SHIM, Bearing block (18 GA) (If equipped)
	130388	AR	SHIM, Bearing block (22 GA) (If equipped)
K	121097	1	KIT, Seal repair

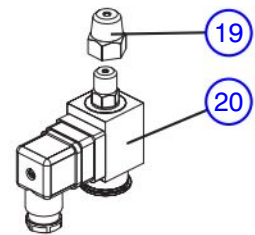
2.8 Holding Valve Assembly



Holding Valve without Pressure Switch



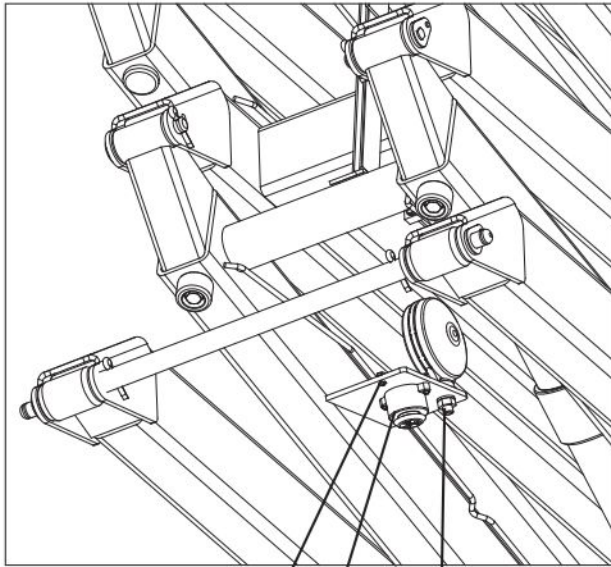
Holding Valve with Pressure Switch



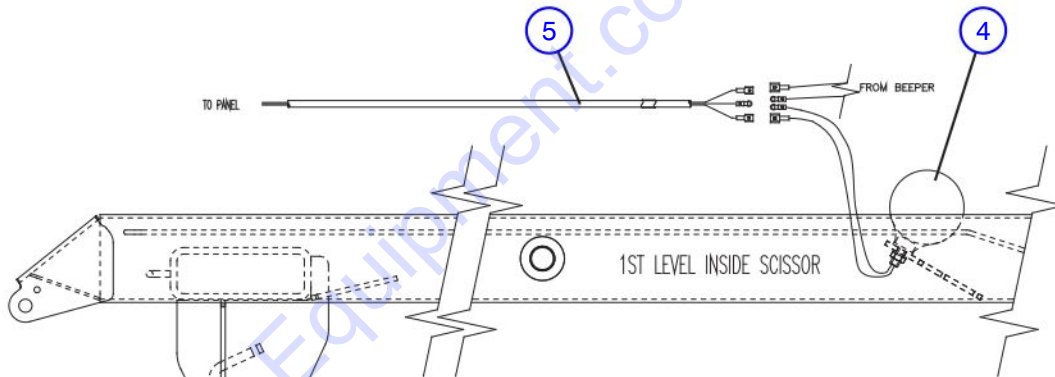
2.8 Holding Valve Assembly

Index No.	Skyjack Part No.	Qty.	Description
-	125915	1	HOLDING VALVE BLOCK ASSEMBLY
1	108778	1	• BLOCK, Holding valve (Upper)
	212915	1	• • BLOCK, Manifold
	111320	1	• • • BLOCK, Cylinder block
	108052	2	• • • PLUG, Expander
	108052	1	• • PLUG, Expander
2	103069	1	• FITTING, Straight (06 JICM - 06 ORBM)
3	106557	1	• VALVE, Relief
4	107269	1	• VALVE, Holding (N.C.)
5	104410	2	COIL, 12 Volt
6	105281	2	ORIFICE, One way
7	103403	2	SEAL, O-ring
8	(Ref.)	-	LIFT CYLINDER ASSEMBLY (Upper cylinder) (For components, refer to Section 2.7)
9	(Ref.)	-	LIFT CYLINDER ASSEMBLY (Lower cylinder) (For components, refer to Section 2.7)
10	106688	1	BLOCK, Holding valve (Lower) (ANSI/CSA)
	111316	1	• BLOCK, Manifold
	108052	2	• PLUG, Expander
11	108429	4	BOLT, Hex head (5/16"-18 x 2.5")
12	103996	8	WASHER, Flat (5/16" SAE)
13	104637	8	WASHER, Lock (5/16" x 0.09)
14	103931	4	BOLT, Socket (5/16"-18 x 2", Grade 5) (ANSI/CSA)
	108429	4	BOLT, Socket (5/16"-18 x 2.5", Grade 5) (Model 6832RT KC)
15	114579	1	FITTING, Tee (06 JICM - 06 JICM - 06 ORBM)
16	102635	1	HOSE ASSEMBLY (Upper lift cylinder to lower lift cylinder)
17	134684	1	HOSE ASSEMBLY (Lower lift cylinder to main manifold)
18	130443	1	BLOCK, Holding valve (Lower) (Model 6832RT KC)
	130442	1	• BLOCK, Manifold
	108052	2	• PLUG, Expander
19	137335	1	FITTING, Straight (04 NPTF - 04 ORBM) (Model 6832RT KC)
20	102863	1	SWITCH, Pressure (Model 6832RT KC)

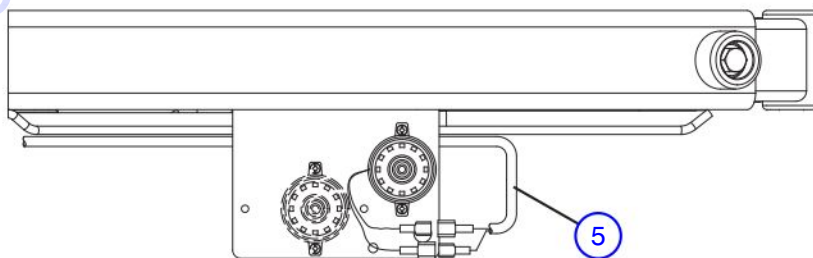
2.9 Light and Beeper Assembly



- 3
- 1
- 2
- 4



ANSI/CSA Light and Beeper Harness

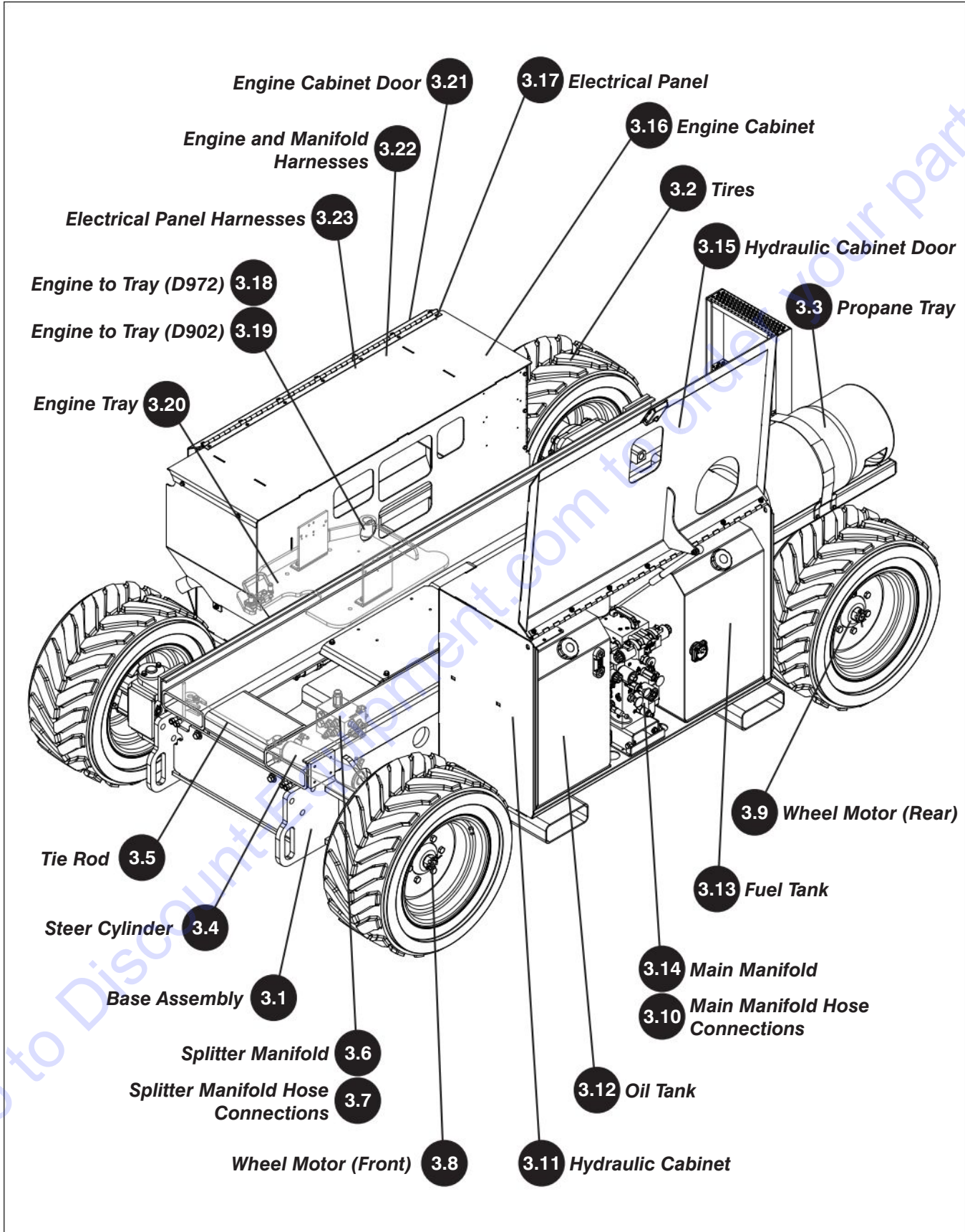


KC Beeper Harness

M138156AA_1

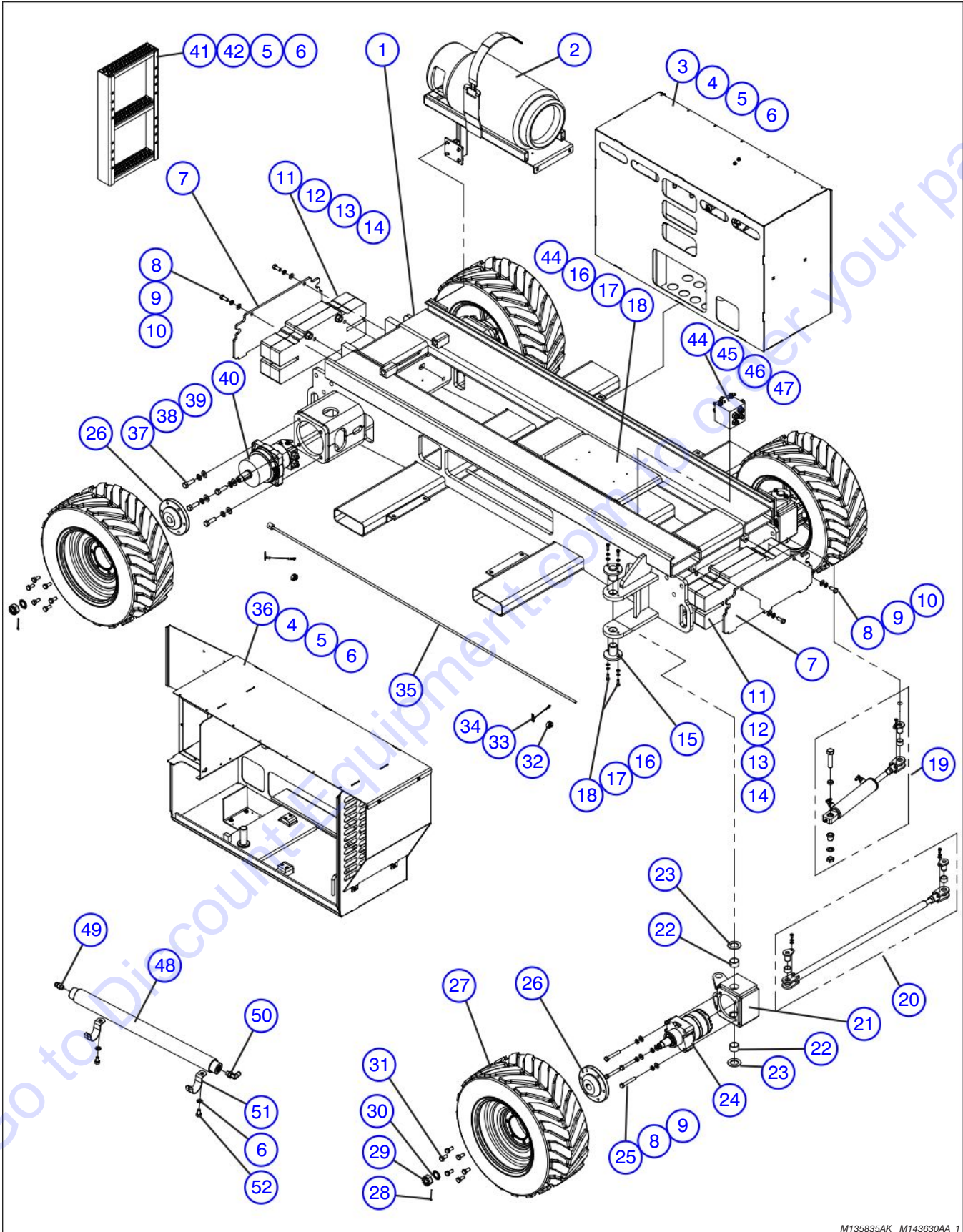
2.9 Light and Beeper Assembly

Index No.	Skyjack Part No.	Qty.	Description
1	103056	1	BEEPER (7.5 - 16 VDC) (ANSI/CSA)
	117967	1	BEEPER, XL-600 (9 - 28 VDC) (KC)
2	-	-	HARDWARE, Beeper
	112248	2	• SCREW, Round head machine (#8-32 x 1") (ANSI/CSA)
	103958	2	• SCREW, Round head machine (#8-32 x 3/4") (KC)
	103986	2	• NUT, Hex Head (#8-32)
	112249	2	• WASHER, Lock (#8)
	103991	2	• WASHER, Flat (#8)
3	-	-	HARDWARE, Wire mounting (ANSI/CSA)
	104698	1	• SCREW, Machine (#10-32 x 3/4") (ANSI/CSA)
	104003	1	• NUT, Machine (#10-32, Grade B)
	104185	1	• WASHER, Lock (#10)
	104694	1	• WASHER, Flat (#10)
4	138156	1	FLASHING LIGHT ASSEMBLY (if equipped)
	126677	1	• BEACON LIGHT ASSEMBLY
	121476	1	• • LIGHT, Beacon (12 V)
	146152	1	• • • BULB, Dual contact (12 V)
5	(Ref.)	-	HARNES, Beeper (For components, refer to Section 3.23)



3.1 Base Assembly

AC



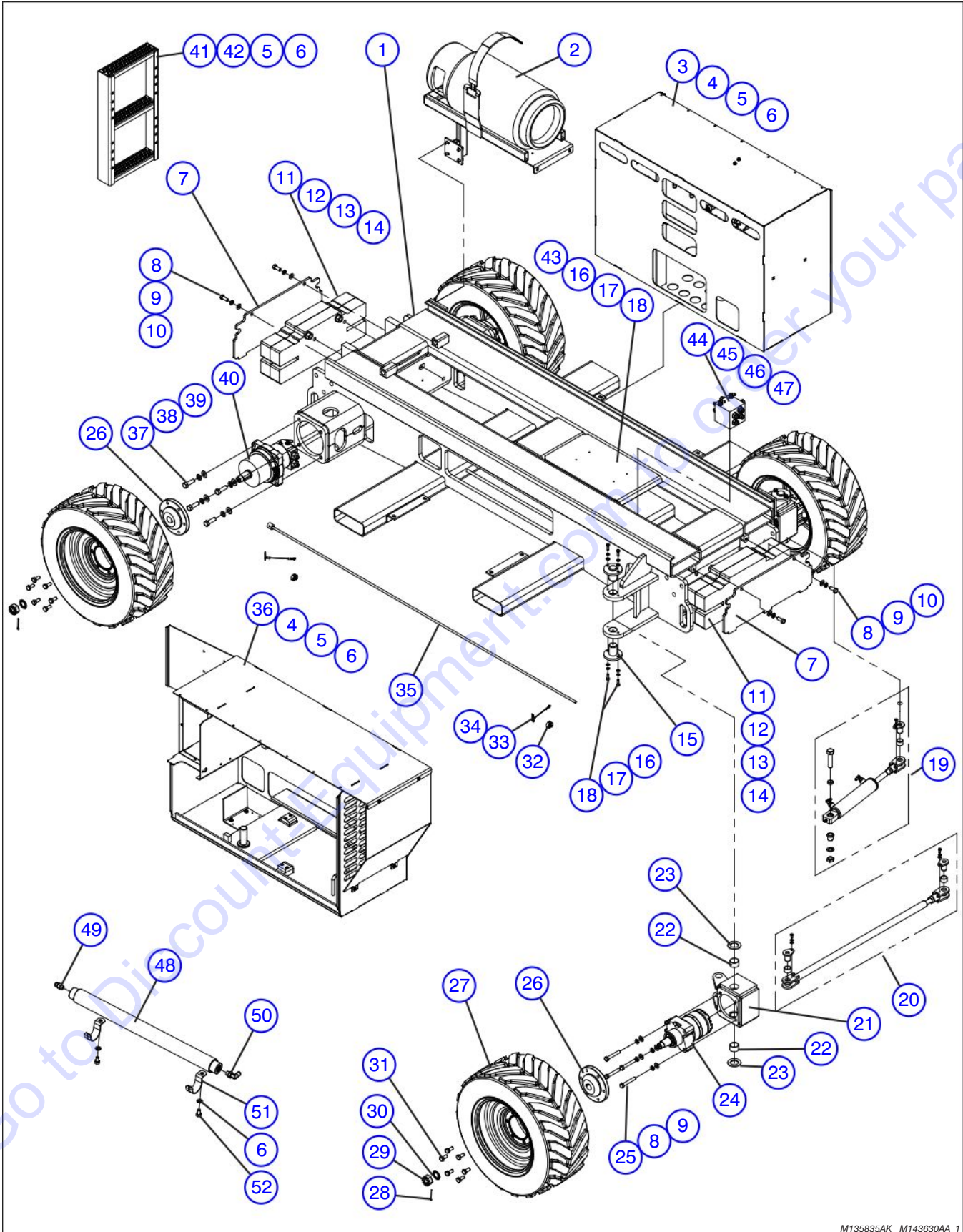
M135835AK M143630AA_1

3.1 Base Assembly

Index No.	Skyjack Part No.	Qty.	Description
			NOTE: Part Numbers followed by a "DG" indicate dark grey painted parts.
1	135891DG	1	WELDMENT, Base
	162011	AR	• PLUG, Hole, locking plastic (5/16")
2	(Ref.)	-	PROPANE TRAY (For components, refer to Section 3.3)
3	(Ref.)	-	HYDRAULIC CABINET ASSEMBLY (For components, refer to Section 3.11)
4	300437	8	BOLT, Hex head (3/8"-16 x 2.25", Grade 5)
5	103472	12	WASHER Flat (3/8")
6	103999	14	WASHER, Lock (3/8")
7	137123DG	2	PLATE, Base front cover
8	103906	4	BOLT, Hex head (1/2"-13 x 1.75", Grade 5)
9	104379	12	WASHER, Flat (1/2") - Hard
10	103470	12	WASHER, Lock (1/2", Grade 5)
11	137396DG	2	WELDMENT, Base weight (If equipped) (ANSI/CSA)
	157633DG	2	WELDMENT, Base weight (If equipped) (KC)
12	112008	4	BOLT, Hex-head (3/4"-10 x 1.5" Grade 8) (ANSI/CSA)
	103872	4	BOLT, Hex-head (3/8"-16 x 2.25" Grade 8) (KC)
13	104002	4	WASHER, Lock (3/4") (ANSI/CSA)
	103975	4	NUT, Hex head (3/8"-16, Grade 5) (KC)
14	702194	4	WASHER, Flat (3/4") - Hard (ANSI/CSA)
	103472	4	WASHER, Flat (3/8") (KC)
15	136521	4	PIN, Wheel pivot
16	103864	11	BOLT, Hex head (5/16"-18 x 1", Grade 5)
17	103404	11	WASHER, Lock (5/16")
18	103996	11	WASHER, Flat (5/16")
19	(Ref.)	-	STEER CYLINDER ASSEMBLY (For components, refer to Section 3.4)
20	(Ref.)	-	TIE ROD ASSEMBLY (For components, refer to Section 3.5)
21	135892DG	2	WELDMENT, Front wheel motor housing
22	138063	4	BUSHING, DU (1.5" x 1")
23	136567	4	BUSHING, (1.505" ID x 2.505" OD x 0.125")
24	(Ref.)	-	MOTOR, Front wheel (For components, refer to Section 3.8)
25	103469	8	BOLT, Hex head (1/2"-13 x 3.25", Grade 5)
26	134716	4	HUB, 6 ON 6 (1-1/2" shaft)
27	135905	2	WHEEL ASSEMBLY (For components, refer to Section 3.2)
28	140920	4	PIN, Cotter 5/32 x 2.5"
29	(Ref.)	-	NUT, Castle (For components, refer to Section 3.8)
			Part list continued on the following page.

3.1 Base Assembly (Continued)

AC



M135835AK M143630AA_1

3.1 Base Assembly (Continued)

Index No.	Skyjack Part No.	Qty.	Description
			NOTE: Part Numbers followed by a "DG" indicate dark grey painted parts.
			Part list continued from the previous page.
30	103969	4	WASHER, Internal tooth (1.125", zinc)
31	103199	24	BOLT, Wheel (1/2"-20 UNF x 1.5")
-	137491	1	EMERGENCY LOWERING ROD ASSEMBLY
32	119920	2	• CLIP, Vinyl coated
33	124160	2	• PIN ASSEMBLY, Locking
34	103964	2	• SCREW, Round head machine (#10-32 x 1/4")
35	132477	1	• ROD, Emergency lowering access
36	(Ref.)	-	ENGINE CABINET ASSEMBLY (For components, refer to Section 3.16)
37	103896	8	BOLT, Hex head (5/8"-11 x 2.25", Grade 5)
38	700782	8	WASHER, Flat (5/8") - Hard
39	103998	8	WASHER, Lock (5/8")
40	(Ref.)	-	MOTOR, Rear wheel (For components, refer to Section 3.9)
41	141798	1	WELDMENT, Ladder (Model 6826RT)
	141801	1	WELDMENT, Ladder (Model 6832RT)
42	101632	4	BOLT, Hex-head (3/8"-16x 3/4", Grade 5)
43	137960DG	1	PLATE, Inverter mounting
44	(Ref.)	-	SPLITTER MANIFOLD ASSEMBLY (For components, refer to Section 3.6)
45	103856	AR	BOLT, Hex-head (1/4"-20 x 3/4", Grade 5)
46	104000	AR	WASHER, Lock (1/4")
47	103995	AR	WASHER, Flat (1/4")
48	107752DG	1	CUSHION CYLINDER
49	103069	1	FITTING, Straight (06 JICM - 06 ORBM)
50	114578	1	FITTING, Elbow 90° (06 JICM - 06 ORBM)
51	102971	2	BRACKET, Conduit
52	111921	2	BOLT, Hex head (3/8"-16 x 1/2", Grade 5)

PARTS FINDER

**Search Website
by Part Number**



**Search Manual
Library For Parts
Manual & Lookup Part
Numbers – Purchase
or Request Quote**

Search Manuals

Enter your information to help us find the right parts manual for your machine.

* Brand:

* Model:

* Serial:

* Part Number:

SEARCH

**Can't Find Part or
Manual? Request Help
by Manufacturer,
Model & Description**

Parts Order Form

Please fill in the following information to help us find the right part for your machine.

Manufacturer:	<input type="text"/>
Model:	<input type="text"/>
Description:	<input type="text"/>
Part Number:	<input type="text"/>
Quantity:	<input type="text"/>
Notes:	<input type="text"/>

Submit

Discount-Equipment.com is your online resource for quality parts & equipment.

Florida: **561-964-4949** Outside Florida TOLL FREE: **877-690-3101**

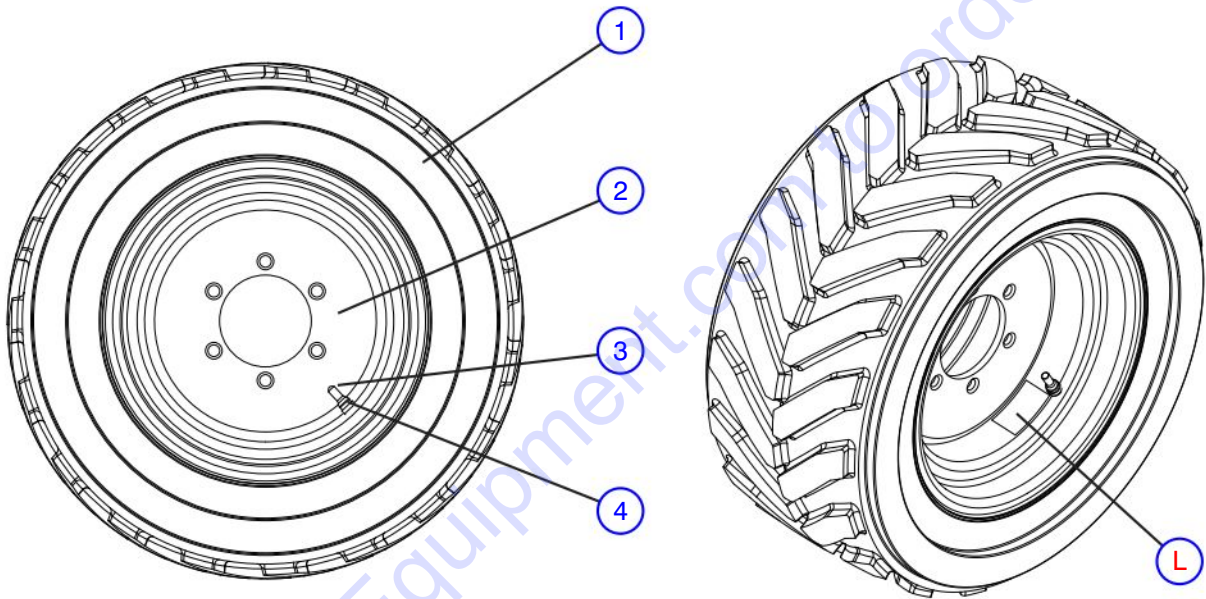
Need parts?

Click on this link: <http://www.discount-equipment.com/category/5443-parts/> and choose one of the options to help get the right parts and equipment you are looking for. Please have the machine model and serial number available in order to help us get you the correct parts. If you don't find the part on the website or on one of the online manuals, please fill out the request form and one of our experienced staff members will get back to you with a quote for the right part that your machine needs.

We sell worldwide for the brands: Genie, Terex, JLG, MultiQuip, Mikasa, Essick, Whiteman, Mayco, Toro Stone, Diamond Products, Generac Magnum, Airman, Haulotte, Barreto, Power Blanket, Nifty Lift, Atlas Copco, Chicago Pneumatic, Allmand, Miller Curber, Skyjack, Lull, Skytrak, Tsurumi, Husquvarna Target, Stow, Wacker, Sakai, Mi-T-M, Sullair, Basic, Dynapac, MBW, Weber, Bartell, Bennar Newman, Haulotte, Ditch Runner, Menegotti, Morrison, Contec, Buddy, Crown, Edco, Wyco, Bomag, Laymor, EZ Trench, Bil-Jax, F.S. Curtis, Gehl Pavers, Heli, Honda, ICS/PowerGrit, IHI, Partner, Imer, Clipper, MMD, Koshin, Rice, CH&E, General Equipment, Amida, Coleman, NAC, Gradall, Square Shooter, Kent, Stanley, Tamco, Toku, Hatz, Kohler, Robin, Wisconsin, Northrock, Oztec, Toker TK, Rol-Air, APT, Wylie, Ingersoll Rand / Doosan, Innovatech, Con X, Ammann, Mecalac, Makinex, Smith Surface Prep, Small Line, Wanco, Yanmar

3.2 Tire Assemblies

DO NOT Intermix tires of different types on one aerial platform. Use same type of tires supplied originally.

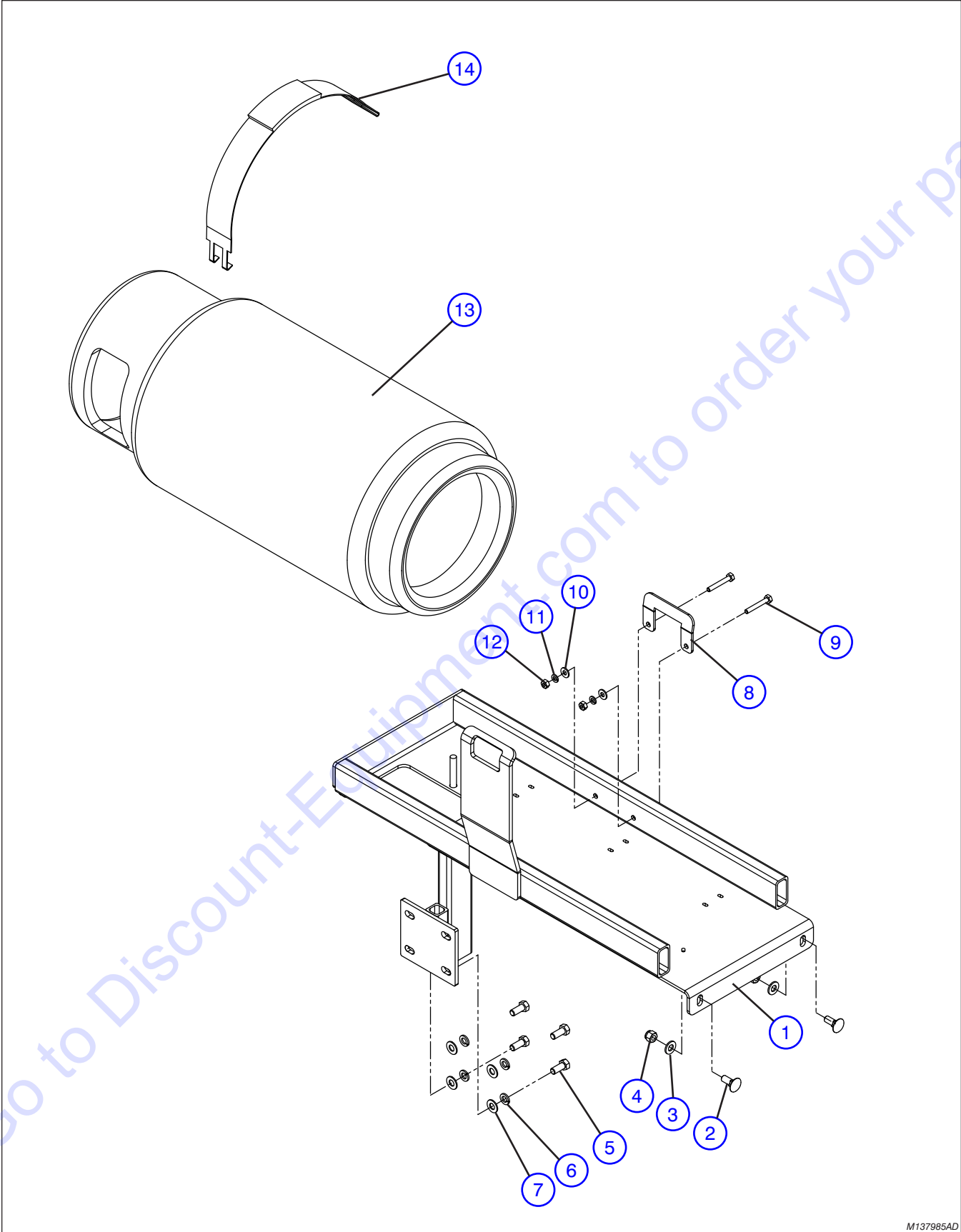


M141735AA

Index No.	Skyjack Part No.	Qty.	Description
A	141734	1	WHEEL ASSEMBLY ("OTR" V-tread, 8 ply - air filled) (6826RT ANSI/CSA)
	141735	2	• WHEEL, Air (left hand)
	141736	2	• WHEEL, Air (right hand)
B	167311	1	WHEEL ASSEMBLY ("OTR" V-tread, 8 ply - foam filled)
	167312	2	• WHEEL, Foam (left hand)
	167313	2	• WHEEL, Foam (right hand)
C	166010	1	WHEEL ASSEMBLY ("OTR" V-tread, 8 ply - foam filled non-marking)
	166011	2	• WHEEL, Foam non-marking (left hand)
	166012	2	• WHEEL, Foam non-marking (right hand)
D	147294	1	WHEEL ASSEMBLY ("ITL" - solid non-marking) (ANSI/CSA)
	161918	4	• WHEEL ASSEMBLY, Solid non-marking
1	137212	1	TIRE, 8 ply, (26 x 12), A, B
	149663	1	TIRE, 8 ply, (22 x 16) non-marking, C
2	137214	1	RIM, 0.875 inset, A, B, C
3	141851	1	CAP, Valvestem, A, B, C
	141850	4	CAP, Valvestem, green (if equipped with tire sealant option), A
4	104088	1	VALVE, Wheel, A, B, C
-	139635	2.5 gal	TIRE SEALANT, Pneumatic (if equipped with tire sealant option), A
L	141848	4	LABEL, Tire sealant (if equipped with tire sealant option), A

3.3 Propane Tray Assembly (ANSI/CSA)

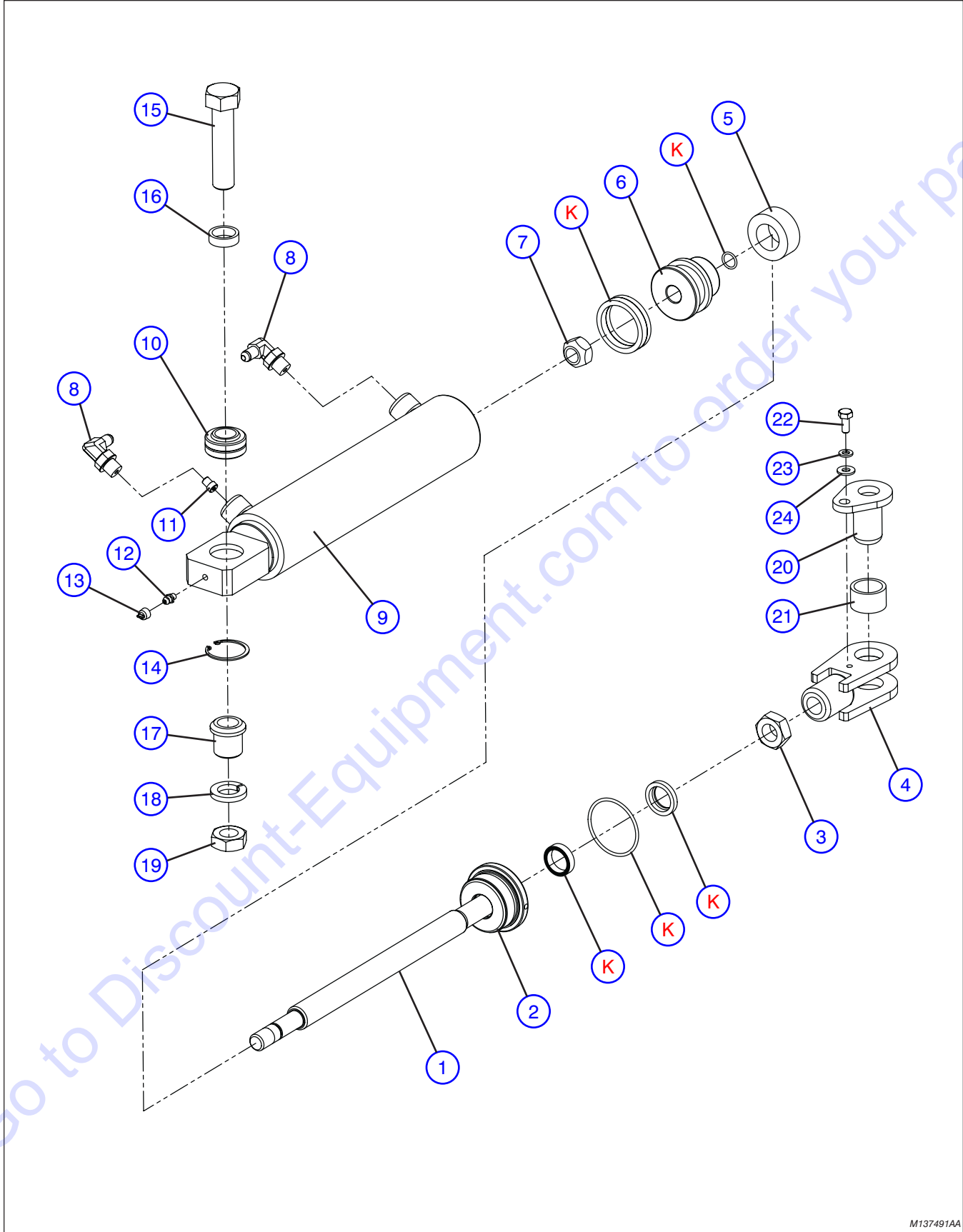
AC



M137985AD

Index No.	Skyjack Part No.	Qty.	Description
-	137985DG	1	NOTE: Part Numbers followed by a "DG" indicate dark grey painted parts. PROPANE BOTTLE MOUNT ASSEMBLY (ANSI/CSA)
1	137968DG	1	• WELDMENT, Propane bottle mount
2	125800	2	• BOLT, Carriage (3/8" x 1")
3	125959	2	• WASHER, Flat hard (3/8")
4	104606	2	• NUT, Hex nylon lock (3/8"-16, Grade 5)
5	300437	4	• BOLT, Hex head (3/8"-16 x 7/8", Grade 5)
6	103999	4	• WASHER, Lock (3/8")
7	103472	4	• WASHER, Flat (3/8")
8	137814DG	1	• PLATE BRACKET, Propane tank strap
9	103860	2	• BOLT, Hex head (1/4"-20 x 1.75", Grade 5)
10	103995	4	• WASHER, Flat (1/4")
11	104000	2	• WASHER, Lock (1/4")
12	103980	2	• NUT, Hex head (1/4"-20, Grade 5)
13	145976	1	• TANK, Propane
14	103020	1	• STRAP, Propane tank (2 Sets)

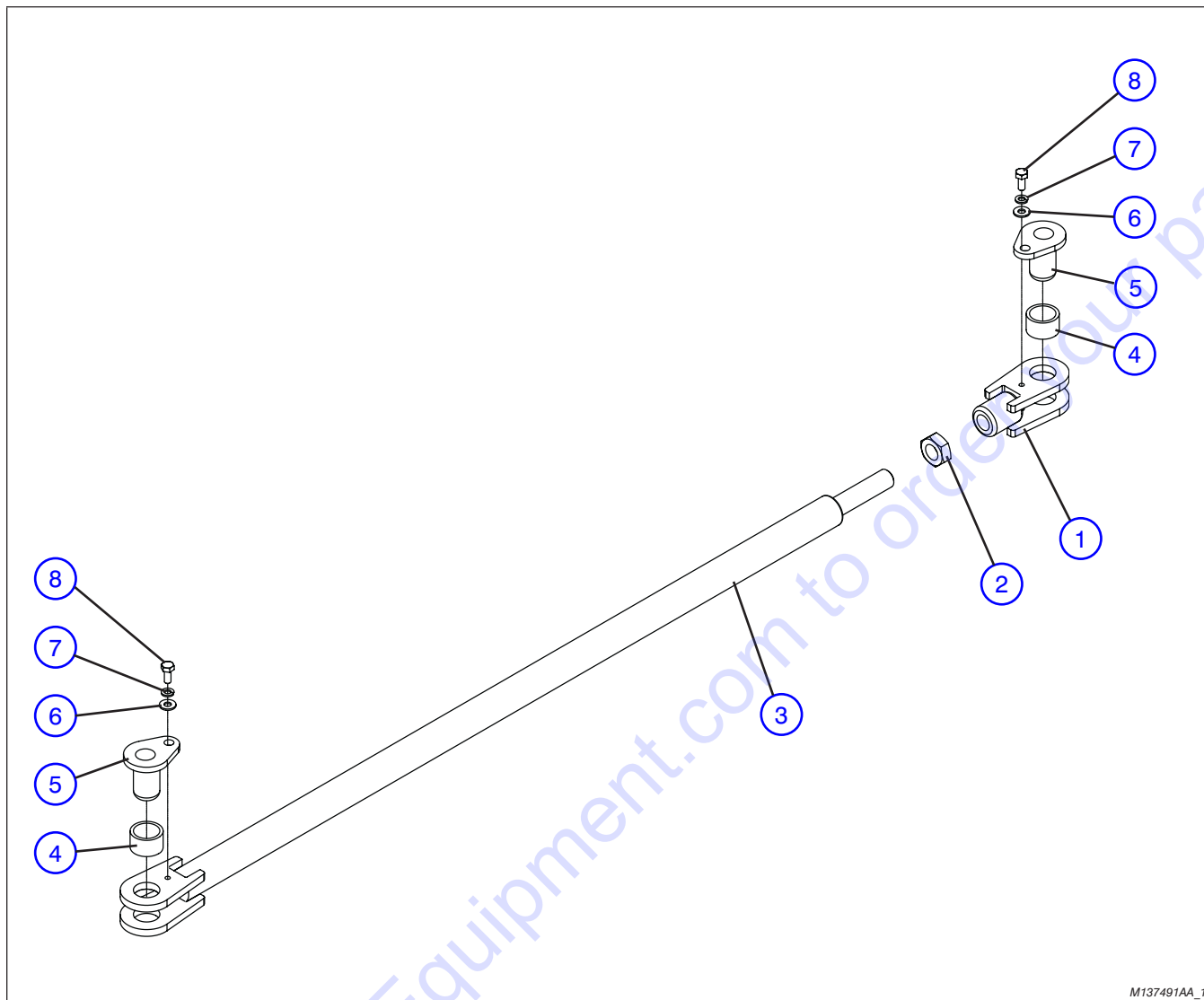
3.4 Steer Cylinder Assembly



M137491AA

Index No.	Skyjack Part No.	Qty.	Description
-	135896DG	-	NOTE: Part Numbers followed by a "DG" indicate dark grey painted parts. CYLINDER ASSEMBLY, Steer
1	136477	1	• ROD, Piston
2	120401	1	• GLAND, Steer cylinder (Universal)
3	100252	1	• NUT, Hex head jam (3/4"-10, Grade 5)
4	135895	1	• END, Cylinder rod (Female)
5	136479	1	• SPACER
6	120633	1	• PISTON, Steer cylinder (Universal)
7	103830	1	• NUT, Crownlock (5/8"-11, Grade C)
8	129127	2	• FITTING, Hydraulic elbow
9	120404DG	1	• WELDMENT, Cylinder barrel
10	102025	1	• BEARING, Spherical
11	139679	1	• Orifice (0.375 OD X 0.55")
12	103513	1	• FITTING, Grease
13	132565	1	• CAP, Grease fitting
14	104114	1	• RING, Retaining
15	113489	1	BOLT, Hex head (3/4"-10 x 3.25", Grade 8)
16	102028	1	SPACER, Steering clevis
17	113432	1	PIN, Steer cylinder
18	104002	1	WASHER, Lock (3/4")
19	100252	1	NUT, Hex head jam (3/4"-10, Grade 5)
20	136519	1	PIN, Tie rod/steer cylinder
21	137811	1	BUSHING, Housing (1" diameter x 3/4")
22	103892	1	BOLT, Hex head (1/4"-20 x 5/8", Grade 5)
23	104000	1	WASHER, Lock (1/4")
24	103995	1	WASHER, Flat (1/4")
K	113443	1	KIT, Seal Repair

3.5 Tie Rod Assembly

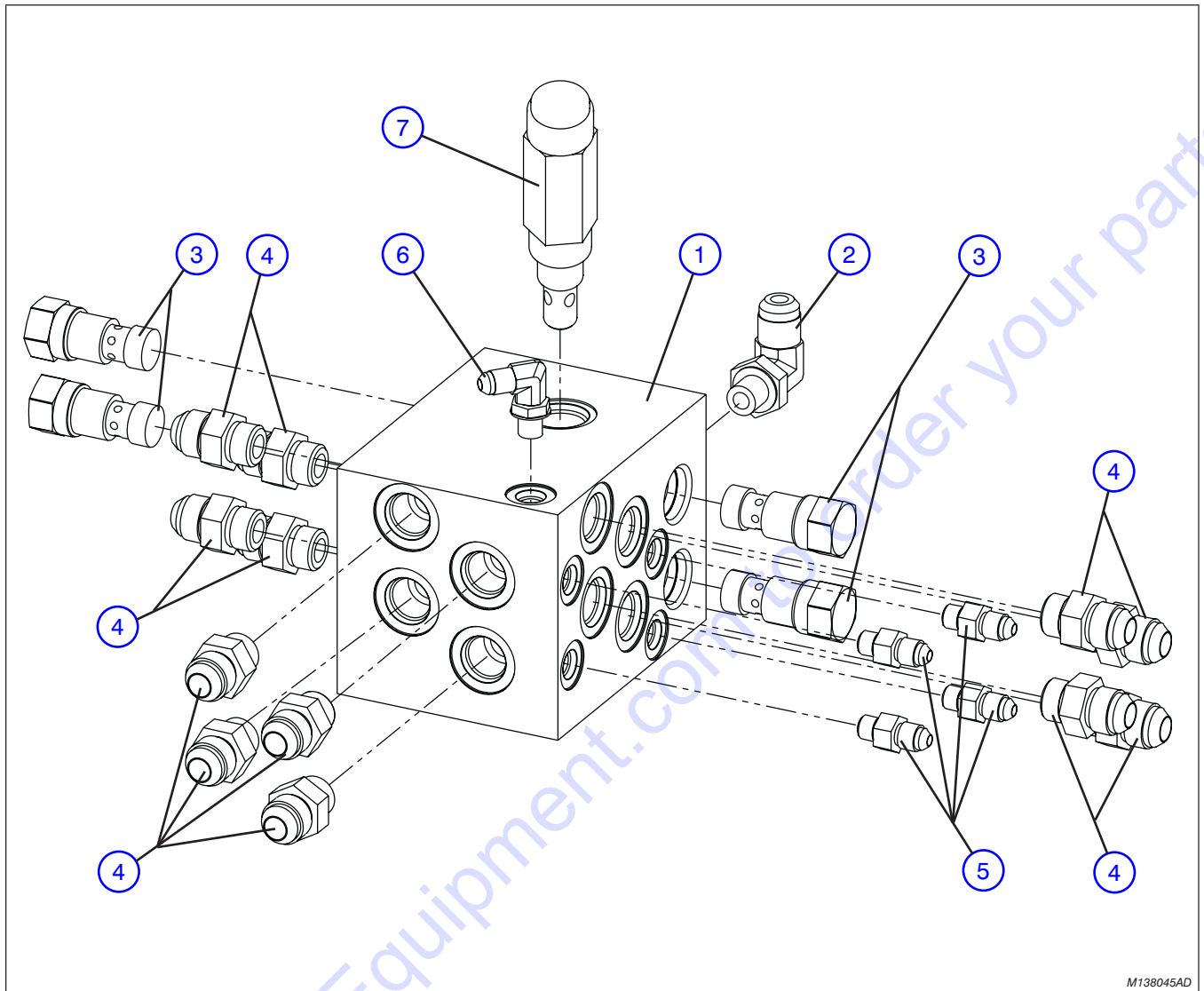


M137491AA_1

Index No.	Skyjack Part No.	Qty.	Description
-	135894DG	1	TIE ROD WELDMENT
1	142173DG	1	• WELDMENT, Tie rod (Female end)
2	107947DG	1	• NUT, Hex head jam (1-14, Grade 5)
3	135894DG	1	• WELDMENT, Tie rod
4	137811	3	BUSHING, Housing (1" diameter x 3/4")
5	136519	2	PIN, Tie rod/steer cylinder
6	103995	2	WASHER, Flat (1/4")
7	104000	2	WASHER, Lock (1/4")
8	103892	2	BOLT, Hex-head (1/4"-20 x 5/8", Grade 5)

NOTE : Part Numbers followed by a "DG" indicate dark grey painted parts.

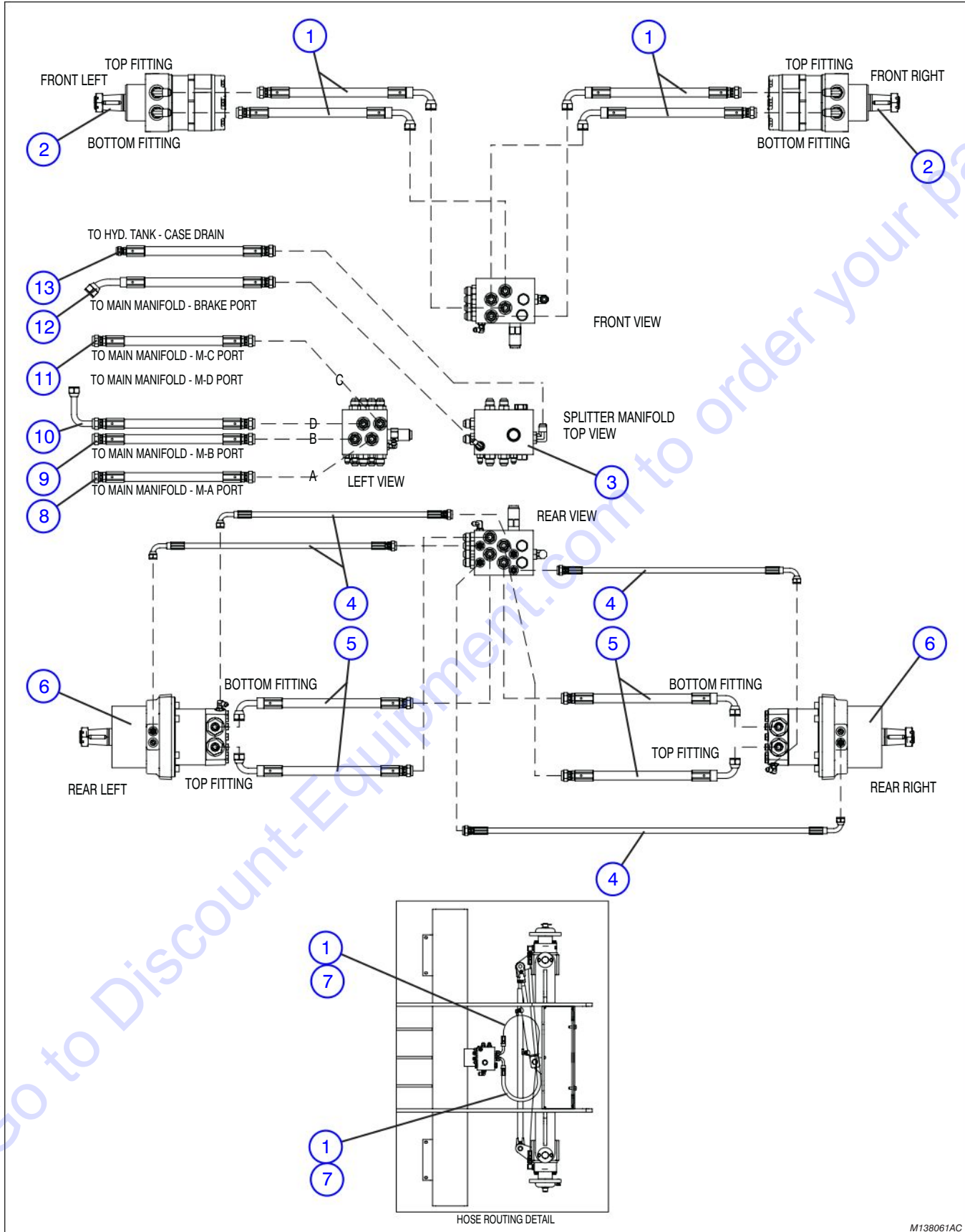
3.6 Splitter Manifold Assembly



M138045AD

Index No.	Skyjack Part No.	Qty.	Description
-	138045	1	SPLITTER MANIFOLD ASSEMBLY
1	139450	1	• MANIFOLD, Splitter (with plugs)
2	114582	1	• FITTING, Elbow (6-8 O-ring)
3	104624	4	• VALVE, Pilot Check
4	102659	12	• FITTING, Straight (08 JICM - 08 ORBM)
5	126128	4	• FITTING, Straight (04 JICM - 04 ORBM)
6	125883	1	• FITTING, Elbow 90° (04 JICM - 04 ORBM)
7	139683	1	• VALVE, Relief

3.7 Hydraulic Hose Connections - Splitter Manifold



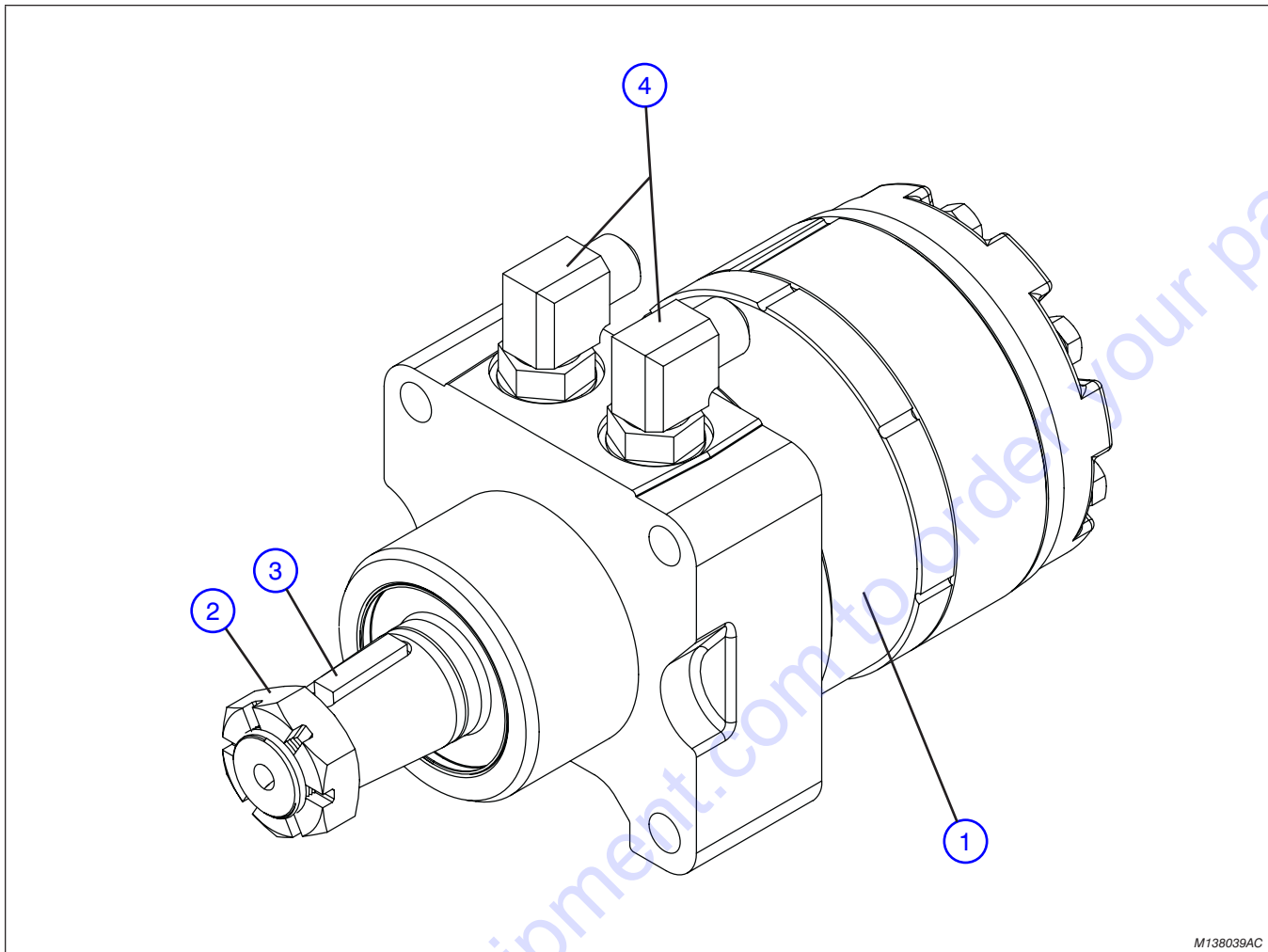
M138061AC

3.7 Hose Connections - Splitter Manifold

Index No.	Skyjack Part No.	Qty.	Description
1	140902	4	HOSE ASSEMBLY (1/2" diameter x 41")
2	(Ref.)	-	MOTOR, Wheel front (For components, refer to Section 3.8)
3	(Ref.)	-	SPLITTER MANIFOLD ASSEMBLY (For components, refer to Section 3.6)
4	140901	4	HOSE ASSEMBLY (1/4" diameter x 81")
5	140900	4	HOSE ASSEMBLY (1/2" diameter x 75")
6	(Ref.)	-	MOTOR, Wheel rear (For components, refer to Section 3.9)
7	140914	72"	SLEEVE, Nylon hose protector
8	140904	1	HOSE ASSEMBLY (1/2" diameter x 64")
9	140905	1	HOSE ASSEMBLY (1/2" diameter x 62")
10	143653	1	HOSE ASSEMBLY (1/2" diameter x 65")
11	110473	1	HOSE ASSEMBLY (1/2" diameter x 60")
12	140903	1	HOSE ASSEMBLY (1/4" diameter x 50")
13	137826	1	HOSE ASSEMBLY (1/4" diameter x 50")

Go to Discount-Equipment.com to order your parts

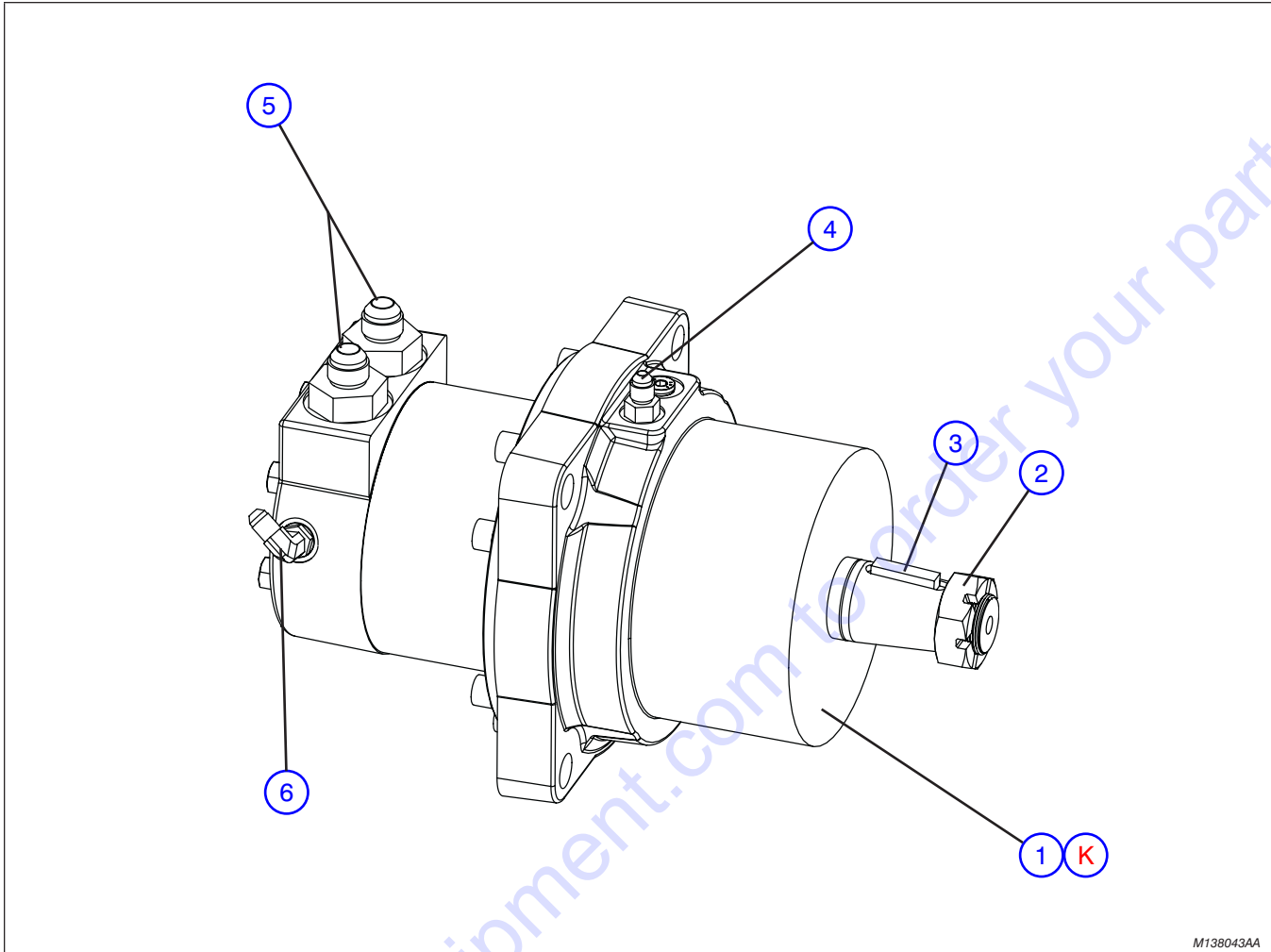
3.8 Wheel Motor Assembly (Front)



M138039AC

Index No.	Skyjack Part No.	Qty.	Description
-	138039	2	FRONT WHEEL MOTOR ASSEMBLY
1	141656	1	MOTOR, Front wheel
2	139342	1	• NUT, Castle
3	139508	1	• KEY, Shaft
	139520	AR	• KIT, Seal repair
4	132256	2	FITTING, Elbow 90° (08 JICM - 10 ORBM)

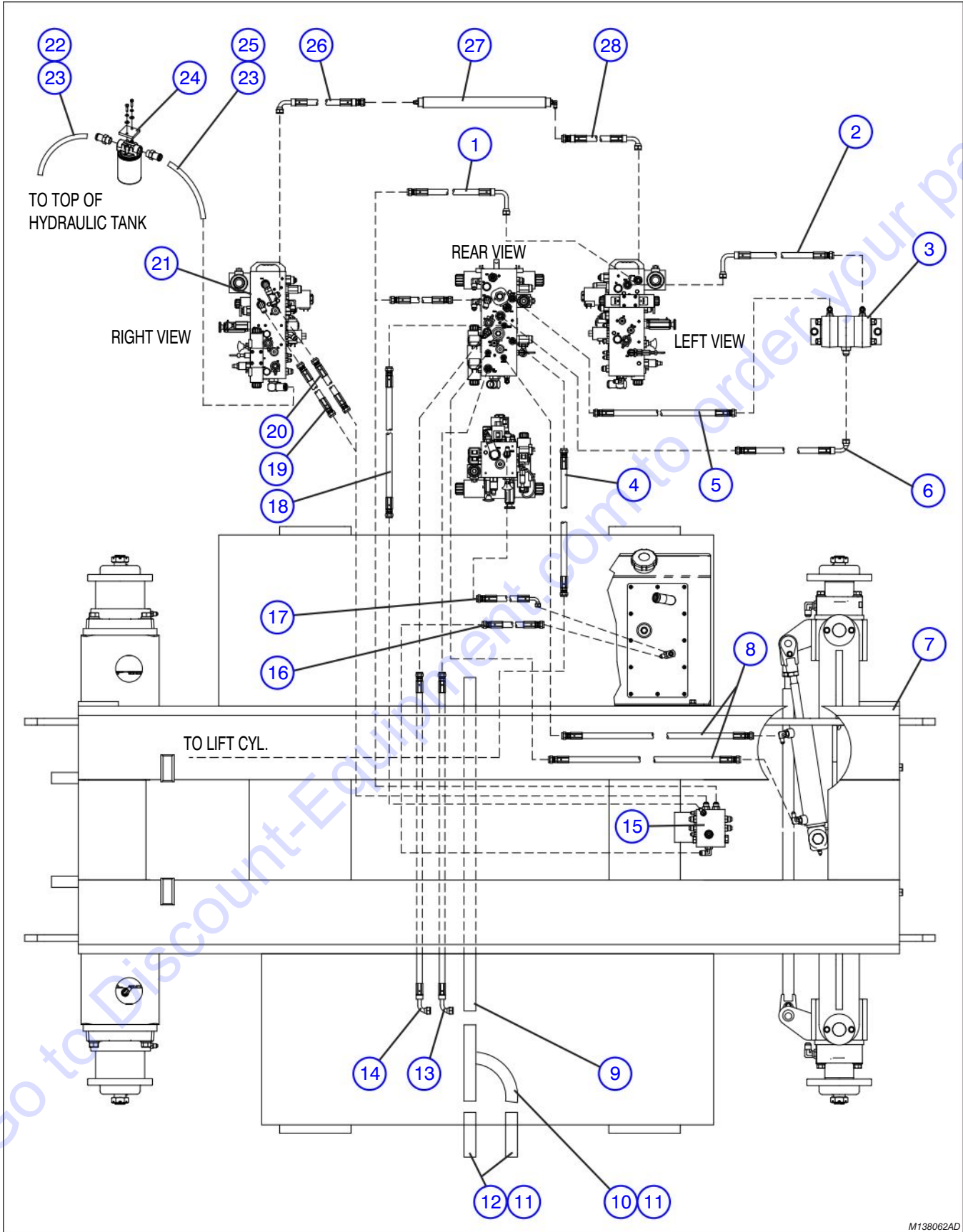
3.9 Wheel Motor Assembly (Rear)



M138043AA

Index No.	Skyjack Part No.	Qty.	Description
-	138043	2	REAR WHEEL MOTOR ASSEMBLY
1	141657	-	MOTOR, Rear wheel
2	139342	1	• NUT, Castle
3	139508	1	• KEY, Shaft
4	126128	1	FITTING, Straight (04 JICM - 04 ORBM)
5	105446	2	FITTING, Straight (08 JICM - 12 ORBM)
6	125883	1	FITTING, Elbow 90° (04 JICM - 04 ORBM)
K	139542	1	KIT, Seal repair

3.10 Hydraulic Hose Connections - Main Manifold



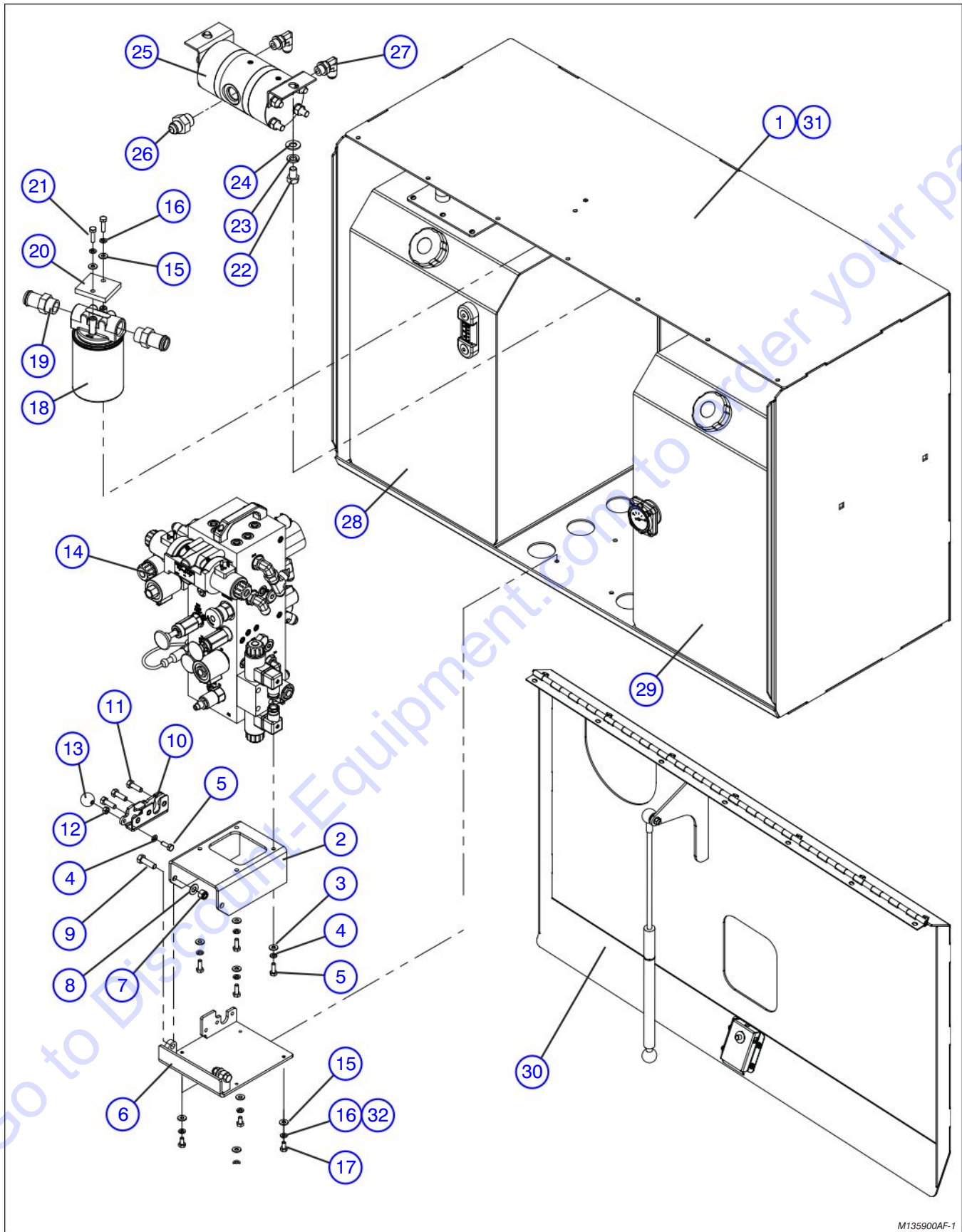
M138062AD

3.10 Hose Connection - Main Manifold

Index No.	Skyjack Part No.	Qty.	Description
1	114368	1	HOSE ASSEMBLY (1/2" diameter x 70")
2	137818	1	HOSE ASSEMBLY (1/2" diameter x 29")
3	(Ref.)	-	FLOW DIVIDER, Gear type (For components, refer to Section 3.11)
4	(Ref.)	-	HOSE ASSEMBLY (3/8" diameter x 84") (For components, refer to Section 2.8)
5	137819	1	HOSE ASSEMBLY (1/2" diameter x 24")
6	137831	1	HOSE ASSEMBLY (5/8" diameter x 20")
7	(Ref.)	1	BASE ASSEMBLY (For components, refer to Section 3.1)
8	137820	2	HOSE ASSEMBLY (1/4" diameter x 68")
9	137821	1	HOSE, Suction (1-1/4" diameter x 44")
10	137204	1	TUBE, Suction
11	114326	6	CLAMP, Hose (1.58")
12	133654	2	HOSE, Tank truck (1.25" diameter x 3.5")
13	137816	1	HOSE ASSEMBLY (1/2" diameter x 77")
14	102463	1	HOSE ASSEMBLY (1/2" diameter x 84")
15	(Ref.)	1	SPLITTER MANIFOLD ASSEMBLY (For components, refer to Section 3.6)
16	140907	1	HOSE ASSEMBLY (1/2" diameter x 65")
17	137832	1	HOSE ASSEMBLY (3/8" diameter x 35")
18	140903	1	HOSE ASSEMBLY (1/4" diameter x 50")
19	140905	1	HOSE ASSEMBLY (1/2" diameter x 62")
20	140904	1	HOSE ASSEMBLY (1/2" diameter x 64")
21	(Ref.)	1	MAIN MANIFOLD ASSEMBLY (For components, refer to Section 3.14)
22	136454	1	HOSE ASSEMBLY (1" diameter x 11")
23	103320	AR	CLAMP, Gear (#16)
24	(Ref.)	1	FILTER ASSEMBLY (For components, refer to Section 3.11)
25	137485	1	HOSE ASSEMBLY (1" diameter x 41.5")
26	143615	1	HOSE ASSEMBLY (3/8" diameter x 51")
27	(Ref.)	1	CYLINDER, Cushion (For components, refer to Section 3.1)
28	143616	1	HOSE ASSEMBLY (3/8" diameter x 72")

3.11a Hydraulic Cabinet Assembly

AC

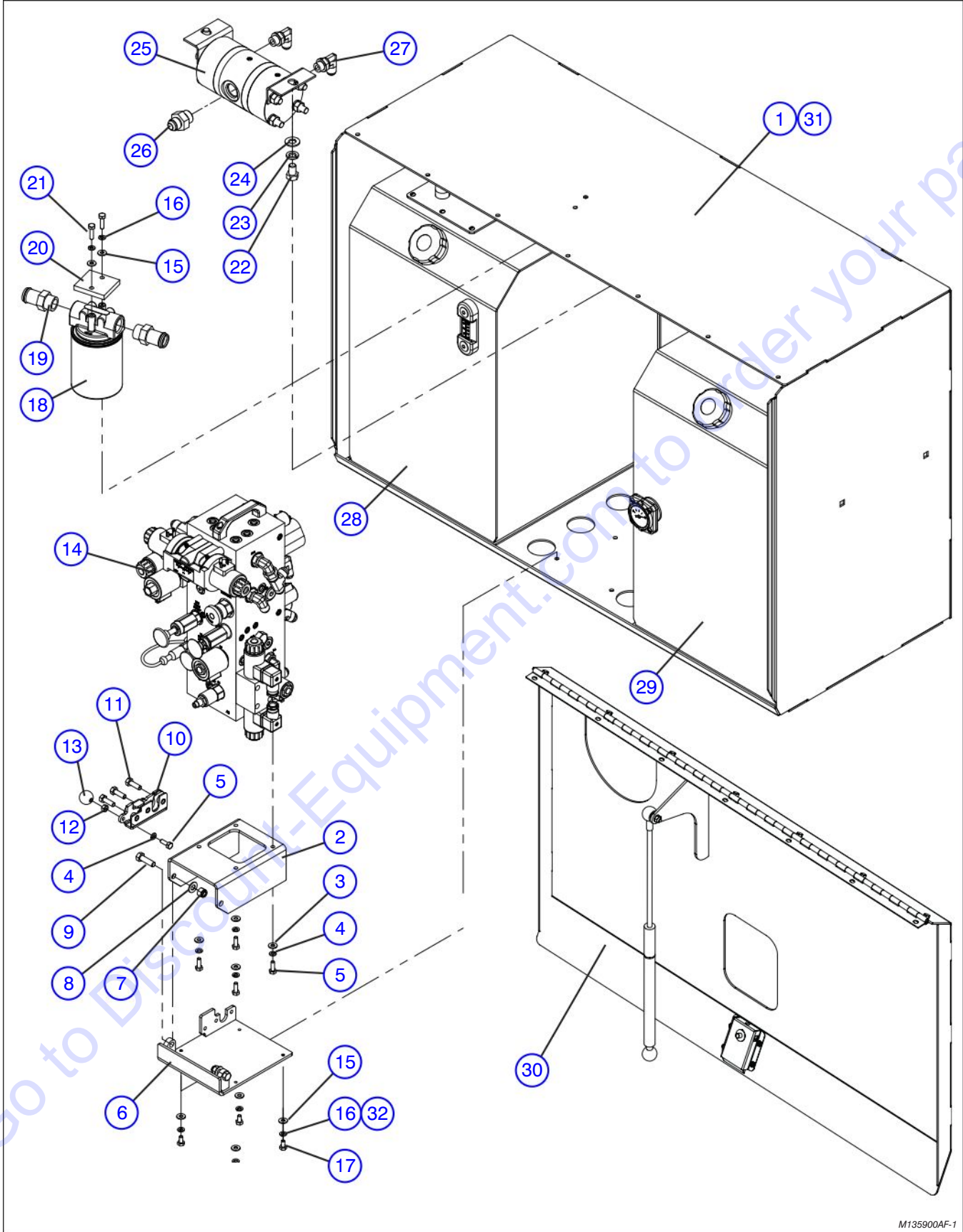


M135900AF-1

Index No.	Skyjack Part No.	Qty.	Description
			NOTE: Part Numbers followed by a "DG" indicate dark grey painted parts.
			(For Model 68xx with serial number 37 300 110 and above)
A	169283DG	-	HYDRAULIC CABINET ASSEMBLY (no outriggers)
B	169287DG	1	HYDRAULIC CABINET ASSEMBLY (with outriggers)
1	136352DG	1	• WELDMENT, Hydraulic cabinet
-	138031DG	1	• MAIN MANIFOLD ASSEMBLY, Mounted (no outriggers), A
	163490DG	1	• MAIN MANIFOLD ASSEMBLY, Mounted (with outriggers), B
2	137252DG	1	• • WELDMENT, Manifold baseplate
3	103995	4	• • WASHER, Flat (1/4")
4	104000	5	• • WASHER, Lock (1/4")
5	103856	5	• • BOLT, Hex head (1/4"-20 x 0.75", Grade 5)
6	137250	1	• • WELDMENT, Mounting plate
7	104606	2	• • NUT, Hex nylon lock (3/8"-16, Grade 5)
8	103472	2	• • WASHER, Flat (3/8")
9	101297	2	• • BOLT, Hex head (3/8"-16 x 1.25", Grade 5)
10	112308	1	• • LATCH, Rotary (Left hand)
11	103864	3	• • BOLT, Hex head (5/16"-18 x 1.00", Grade 5)
12	103980	1	• • NUT, Hex head (1/4"-20, Grade 5)
13	111534	1	• • KNOB, Latch
14	(Ref.)	-	• • MAIN MANIFOLD ASSEMBLY (For components, refer to Section 3.14)
15	103995	6	• WASHER, Flat (1/4")
16	104000	2	• WASHER, Lock (1/4"), A
	104000	6	• WASHER, Lock (1/4"), B
17	103855	4	• BOLT, Hex head (1/4"-20 x 1/2", Grade 5)
18	136405	1	• FILTER ASSEMBLY
	136403	1	• • HEAD, Filter
	108628	1	• • FILTER, Oil
19	112187	2	• FITTING, Hose barb
20	137450DG	1	• PLATE, Return filter mount
21	103857	2	• BOLT, Hex head (1/4"-20 x 1", Grade 5)
22	116997	2	• BOLT, Hex head (1/2"-13 x 3/4", Grade 5)
23	103470	2	• WASHER, Lock (1/2")
24	104379	2	• WASHER, Flat (1/2") - Hard
25	161944	1	• FLOW DIVIDER, Gear type
	221386	1	• • O-RING
26	137490	1	• FITTING, Straight (10 JICM - 12 ORBM)
			Parts list continued on the following page

3.11a Hydraulic Cabinet Assembly

AC

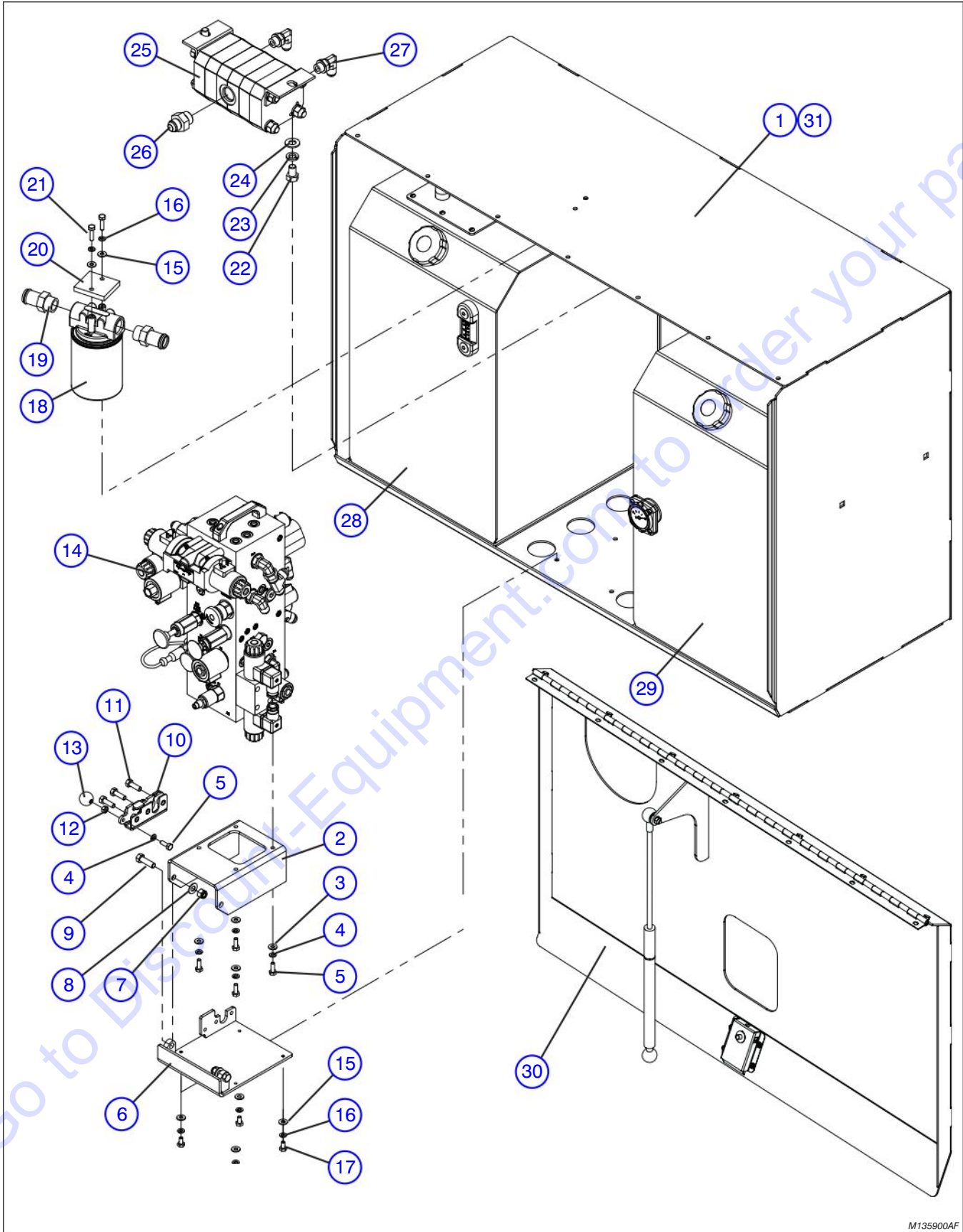


M135900AF-1

Index No.	Skyjack Part No.	Qty.	Description
			NOTE: Part Numbers followed by a "DG" indicate dark grey painted parts.
			Parts list continued from previous page
27	114583	2	• FITTING, Elbow 90° (08 JICM - 08 ORBM)
28	(Ref.)	-	OIL TANK ASSEMBLY (For components, refer to Section 3.12)
29	(Ref.)	-	FUEL TANK ASSEMBLY (For components, refer to Section 3.13)
30	(Ref.)	-	DOOR, Hydraulic cabinet (For components, refer to Section 3.15)
31	-	1	GAS SPRING HARDWARE
	138026	1	BALL STUD, 13mm dia (5/16"-18 x 0.625)
	103984	1	NUT, Hex head nylon lock (5/16"-18, Grade 5)
	103996	4	WASHER, Flat (5/16")
32	103998	4	• WASHER, Lock (5/8"), A

3.11b Hydraulic Cabinet Assembly

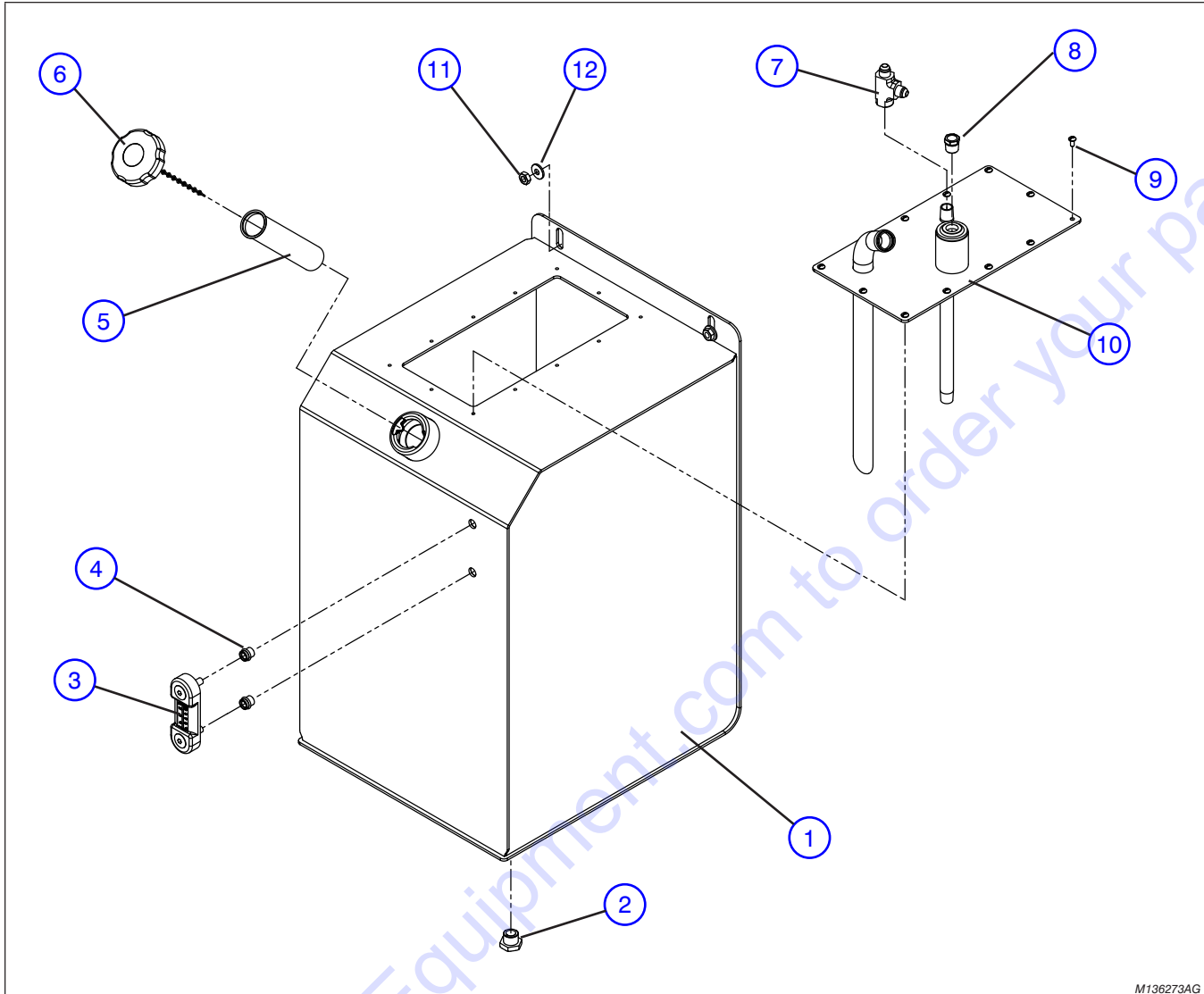
AC



M135900AF

Index No.	Skyjack Part No.	Qty.	Description
			NOTE: Part Numbers followed by a "DG" indicate dark grey painted parts.
			(For Model 68xx with serial number 37 300 109 and below)
A	135900DG	-	HYDRAULIC CABINET ASSEMBLY (no outriggers)
B	163491DG	1	HYDRAULIC CABINET ASSEMBLY (with outriggers)
1	136352DG	1	• WELDMENT, Hydraulic cabinet
-	138031DG	1	• MAIN MANIFOLD ASSEMBLY, Mounted (no outriggers), A
	163490DG	1	• MAIN MANIFOLD ASSEMBLY, Mounted (with outriggers), B
2	137252DG	1	• • WELDMENT, Manifold baseplate
3	103995	4	• • WASHER, Flat (1/4")
4	104000	5	• • WASHER, Lock (1/4")
5	103856	5	• • BOLT, Hex head (1/4"-20 x 0.75", Grade 5)
6	137250	1	• • WELDMENT, Mounting plate
7	104606	2	• • NUT, Hex nylon lock (3/8"-16, Grade 5)
8	103472	2	• • WASHER, Flat (3/8")
9	101297	2	• • BOLT, Hex head (3/8"-16 x 1.25", Grade 5)
10	112308	1	• • LATCH, Rotary (Left hand)
11	103864	3	• • BOLT, Hex head (5/16"-18 x 1.00", Grade 5)
12	103980	1	• • NUT, Hex head (1/4"-20, Grade 5)
13	111534	1	• • KNOB, Latch
14	(Ref.)	-	• • MAIN MANIFOLD ASSEMBLY (For components, refer to Section 3.14)
15	103995	6	• WASHER, Flat (1/4")
16	104000	6	• WASHER, Lock (1/4")
17	103855	4	• BOLT, Hex head (1/4"-20 x 1/2", Grade 5)
18	136405	1	• FILTER ASSEMBLY
	136403	1	• • HEAD, Filter
	108628	1	• • FILTER, Oil
19	112187	2	• FITTING, Hose barb
20	137450DG	1	• PLATE, Return filter mount
21	103857	2	• BOLT, Hex head (1/4"-20 x 1", Grade 5)
22	116997	2	• BOLT, Hex head (1/2"-13 x 3/4", Grade 5)
23	103470	2	• WASHER, Lock (1/2")
24	104379	2	• WASHER, Flat (1/2") - Hard
25	137185	1	• FLOW DIVIDER, Gear type
26	137490	1	• FITTING, Straight (10 JICM - 12 ORBM)
27	114583	2	• FITTING, Elbow 90° (08 JICM - 08 ORBM)
28	(Ref.)	-	OIL TANK ASSEMBLY (For components, refer to Section 3.12)
29	(Ref.)	-	FUEL TANK ASSEMBLY (For components, refer to Section 3.13)
30	(Ref.)	-	DOOR, Hydraulic cabinet (For components, refer to Section 3.15)
31	-	1	GAS SPRING HARDWARE
	138026	1	BALL STUD, 13mm dia (5/16"-18 x 0.625)
	103984	1	NUT, Hex head nylon lock (5/16"-18, Grade 5)
	103996	4	WASHER, Flat (5/16")

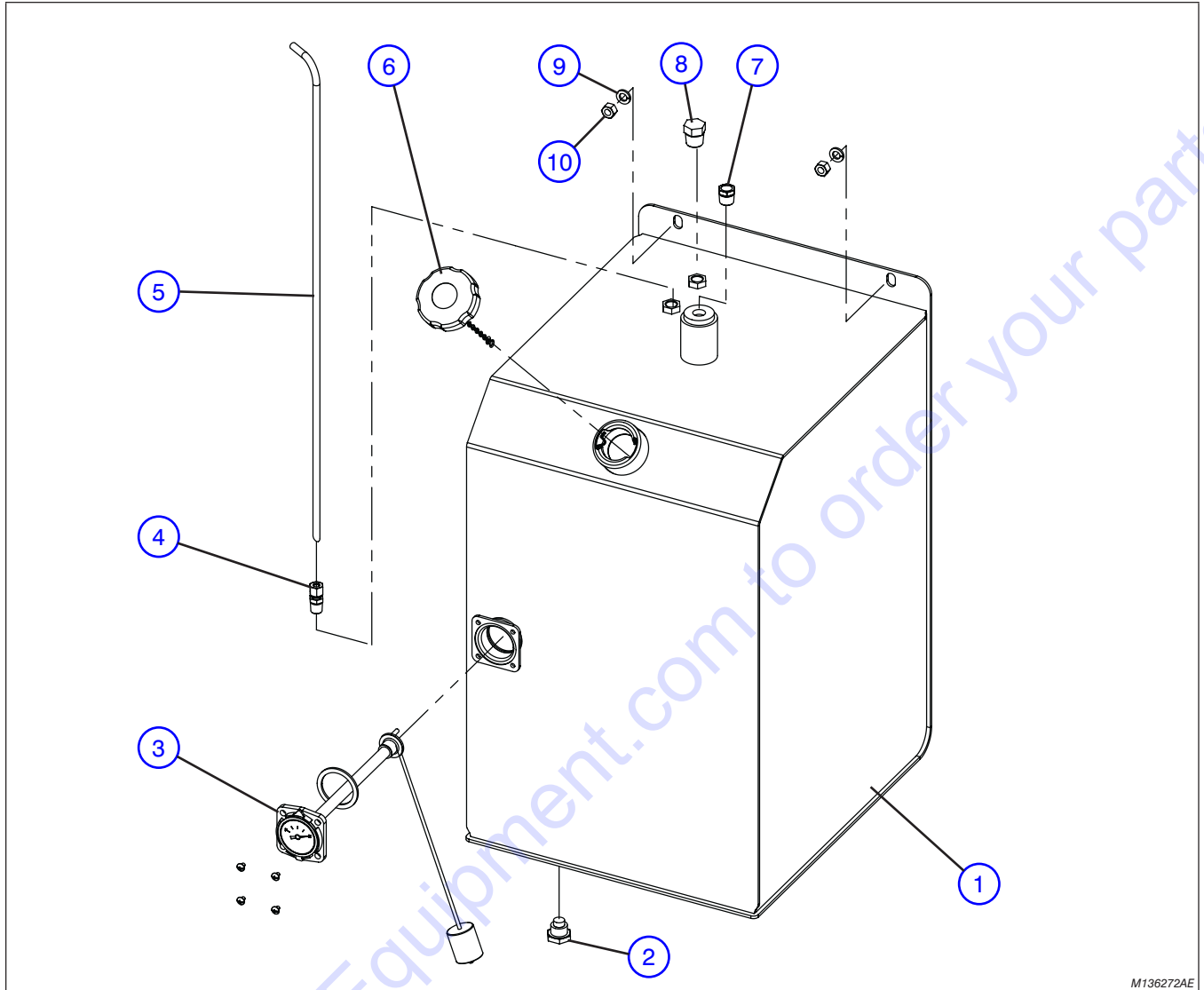
3.12 Oil Tank Assembly



M136273AG

Index No.	Skyjack Part No.	Qty.	Description
-	136273DG	1	NOTE : Part Numbers followed by a "DG" indicate dark grey painted parts. OIL TANK ASSEMBLY
1	136259DG	1	• TANK, Oil
2	117701	1	• FITTING, Magnetic drain plug
3	103236	1	• GAUGE, Oil level/temp
4	124311	2	• • INSERT, Threaded
5	132128	1	• SCREEN
6	136369	1	• CAP, Filler non-vented assembly
7	139468	1	• FITTING, Tee (06MJ - 06PF - 06MJ)
8	137540	1	• VENT, Breather
9	103962	12	• BOLT, Machine head (#10-32 x 1/2")
10	136262DG	1	• LID, Oil tank
11	104606	2	NUT, Hex lock nylon insert (3/8"-16, Grade 5)
12	125959	2	WASHER, Flat hardened (3/8")

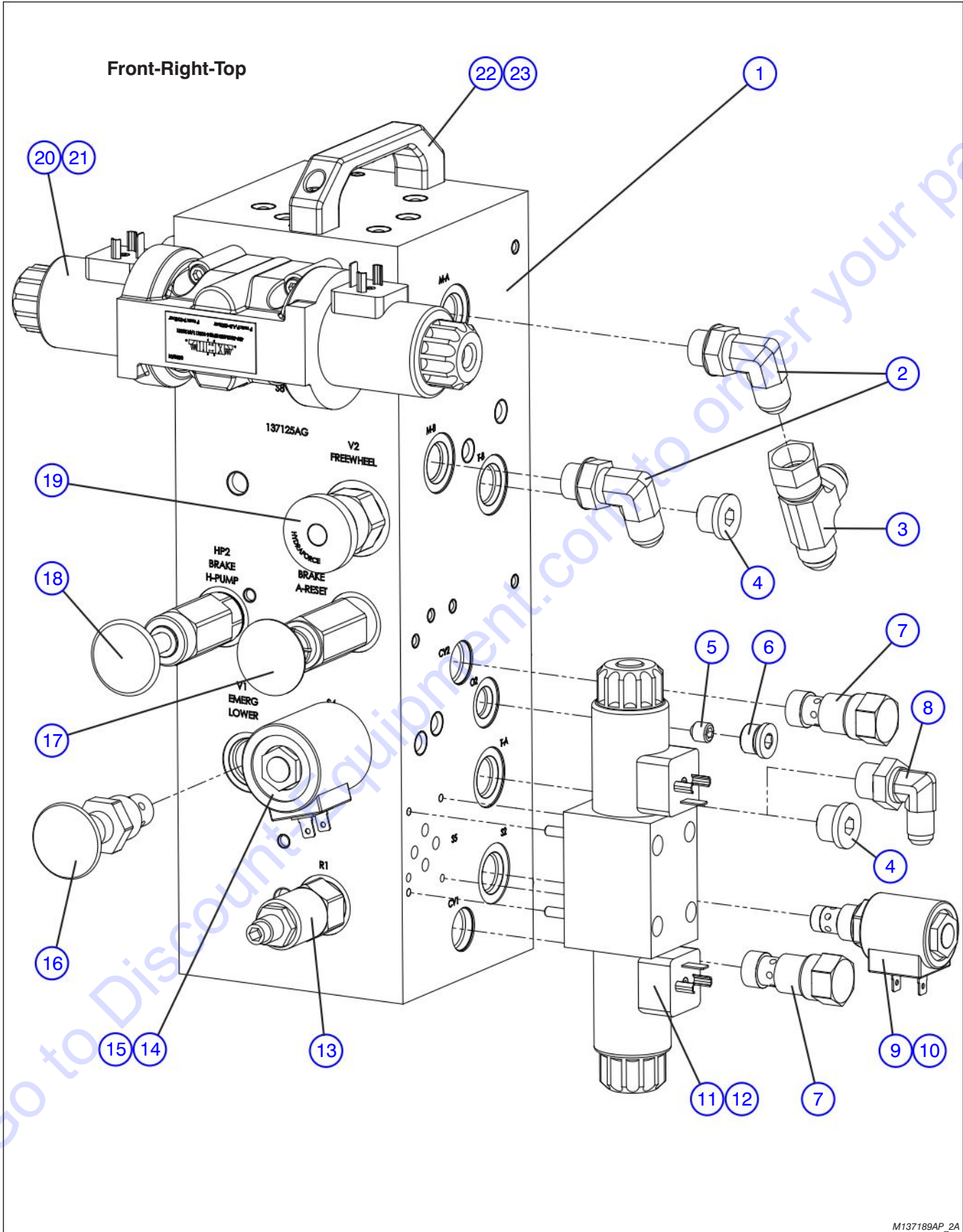
3.13 Fuel Tank Assembly



M136272AE

Index No.	Skyjack Part No.	Qty.	Description
-	136272DG	1	NOTE : Part Numbers followed by a "DG" indicate dark grey painted parts. FUEL TANK ASSEMBLY
1	136258DG	1	• TANK, Fuel
2	117701	1	• THREAD STRAIGHT MAGNETIC PLUG ASSEMBLY
	149606	1	• • PLUG, Thread straight magnetic
	120190	1	• • SEAL, Thread straight magnetic plug
3	136427	1	• GAUGE, Level
4	103155	1	• FITTING, Brass tank (#T68-5B)
5	136289	1	• TUBE, Suction
6	136369	1	• CAP, Filler non-vented assembly
7	137540	1	• VENT, Breather (Kubota DF972)
	139171	1	• PLUG, Hollow Hex (06NPT) (Kubota D902)
8	102932	1	• PLUG, Pressure
9	125959	2	WASHER, Flat hardened (3/8")
10	104606	2	NUT, Hex lock nylon insert (3/8"-16, Grade 5)

3.14 Main Manifold Assembly



M137189AP_2A

3.14 Main Manifold Assembly

Index No.	Skyjack Part No.	Qty.	Description
A	137189	1	MAIN MANIFOLD ASSEMBLY (no outriggers)
B	160833	1	MAIN MANIFOLD ASSEMBLY (with Outriggers)
1	137125	1	• MANIFOLD, Main with plugs
2	114583	3	• FITTING, Elbow 90° (08 JICM - 08 ORBM)
3	106170	1	• FITTING, Tee swivel (8 JIC)
4	115320	3	• FITTING, Hydraulic plug (08MB), A
	115320	2	• FITTING, Hydraulic plug (08MB), B
5	137510	2	• ORIFICE, Lowering (0.106" diameter) (Model 6826RT)
	137509	2	• ORIFICE, Lowering (0.089" diameter) (Model 6832RT)
6	104437	4	• FITTING, Plug (06 ORBM)
7	104624	2	• VALVE, Pilot check
8	102665	1	• FITTING, Elbow 90° (06 JICM - 08 ORBM), B
9	103656	1	• VALVE, Small pump dump
10	103613	3	• COIL, 12 Volt
11	153336	1	• VALVE ASSEMBLY, Directional spool
	153337	2	• • COIL, 12 Volt
12	103919	4	• • BOLT, Socket head (#10-24 x 1.75", Grade 5)
13	104534	2	• VALVE, Relief
14	106273	1	• VALVE, Lift
15	106272	2	• COIL, 12 Volt
16	107271	1	• VALVE, Manual directional
17	113752	1	• VALVE, Auto reset
18	110652	1	• PUMP, Cavity hand
19	137182	1	• VALVE, Needle cartridge (NV12-20)
-	139257	1	• VALVE ASSEMBLY, Directional spool w/ mounts
20	139256	1	• • VALVE ASSEMBLY, Directional spool
	128321	2	• • • COIL, 12 Volt
21	103942	4	• • BOLT, Socket head (1/4"-20 x 1.75", Grade 5)
22	103941	2	• BOLT, Socket (1/4"-20 x 3/4", Grade 5)
23	137653	1	• HANDLE, Pull
24	102659	3	• FITTING, Straight (08 JICM - 08 ORBM)
25	110554	1	• FITTING, Tee (08JICM - 08 JICM - 08 ORBM)
26	103923	4	• BOLT, Socket head(#10-24 x 3.5", Grade 5)
27	139830	1	• SANDWICH VALVE ASSEMBLY
	140898	1	• • BLOCK, Sandwich manifold
	140897	1	• • PLUG, Cavity
	139834	4	• • O-RING
	106272	1	• • COIL, 12V
	111937	1	• • VALVE, Solenoid
28	137508	1	• ORIFICE, Brake (0.028" diameter)
29	103655	1	• VALVE, Lowering (N.C.)
30	122419	1	• ASSEMBLY, Quick disconnect (system pressure)
	122365	1	• • FITTING, Connector (6 SAE - 6 JIC)
	122385	1	• • COUPLER, Quick
	114521	1	• • DUST CAP, 600 Series

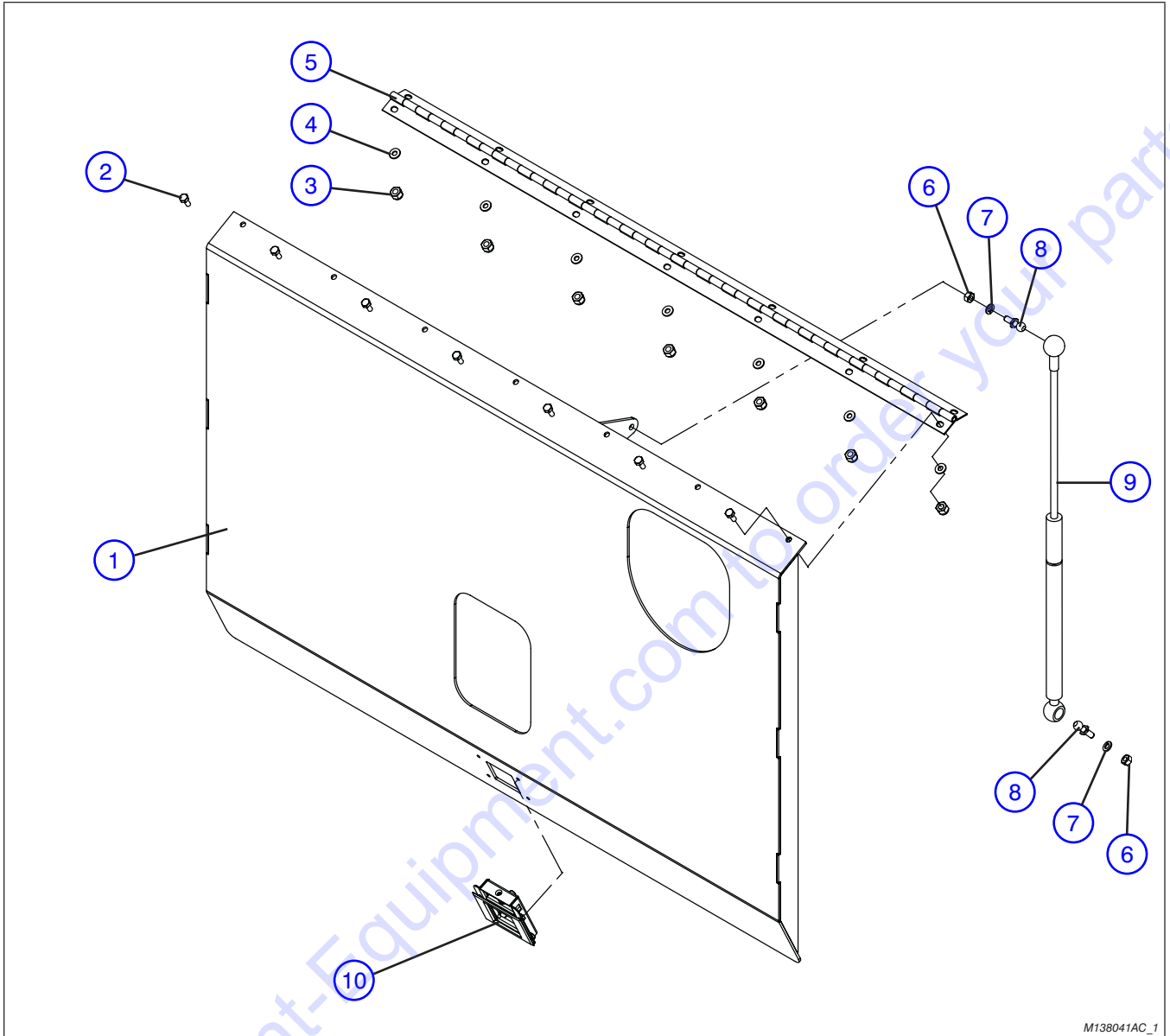
Part list continued on the following page.

3.14 Main Manifold Assembly (Continued)

Index No.	Skyjack Part No.	Qty.	Description
Part list continued from the previous page.			
31	114578	1	• FITTING, Elbow 90° (06 JICM - 06 ORBM)
32	137629	1	• FITTING, Plug cavity (#12)
33	137626	1	• FITTING, Elbow 90° (SAE-12 to Barb-16)
34	126128	3	• FITTING, Straight (04 JICM - 04 ORBM)
35	103069	1	• FITTING, Straight (06 JICM - 06 ORBM)
36	139739	1	• FITTING, Elbow 45° (08 JICM - 08 ORBM)
37	114365	1	• VALVE, Large pump dump (N.O.)
38	103623	1	• VALVE, Brake feed
39	137181	2	• VALVE, Cartridge counterbalance
40	137630	1	• FITTING, Straight (10 JICM - 10 ORBM)
41	137513	1	• COIL, 12 Volt
42	139351	1	• VALVE, Series/Parallel

Go to Discount-Equipment.com to order your parts

3.15 Hydraulic Cabinet Door Assembly

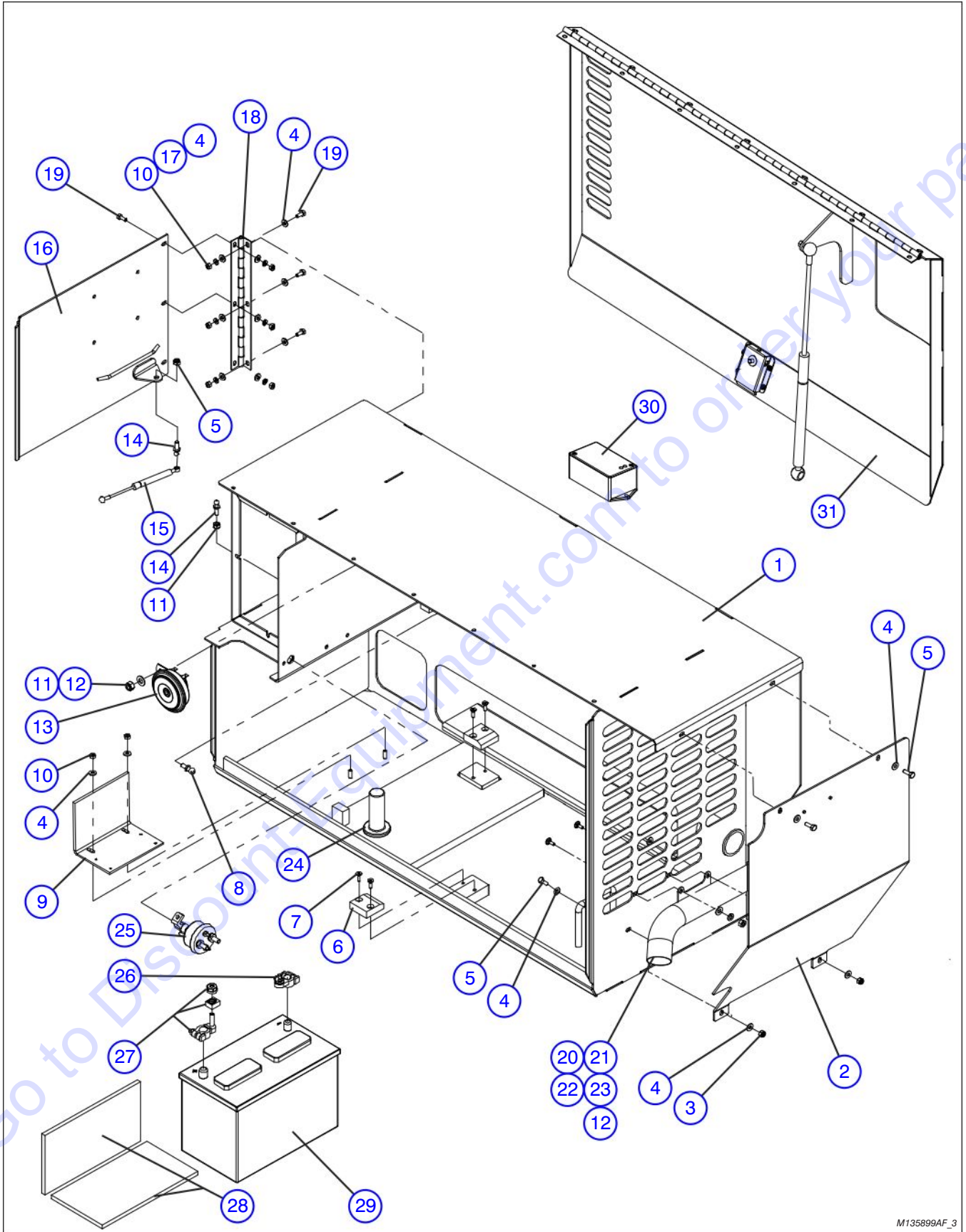


M138041AC_1

Index No.	Skyjack Part No.	Qty.	Description
-	138041DG	1	NOTE: Part numbers followed by "DG" indicate dark grey painted parts. HYDRAULIC DOOR ASSEMBLY
1	136355DG	1	• DOOR, Hydraulic cabinet
2	103892	7	• BOLT, Hex head (1/4"-20 x 5/8", Grade 5)
3	115649	7	• NUT, Hex nylon lock (1/4"-20, Grade 5)
4	103995	7	• WASHER, Flat (1/4")
5	136996	1	• HINGE, Cabinet door
6	103984	1	• NUT, Hex head nylon lock (5/16"-18, Grade 5)
7	103996	1	• WASHER, Flat (5/16")
8	138026	1	• STUD, Ball (13mm)
9	137183	1	• GAS SPRING (10" stroke)
10	137005	1	• LATCH, Sliding with trimplate

3.16 Engine Cabinet Assembly

AE

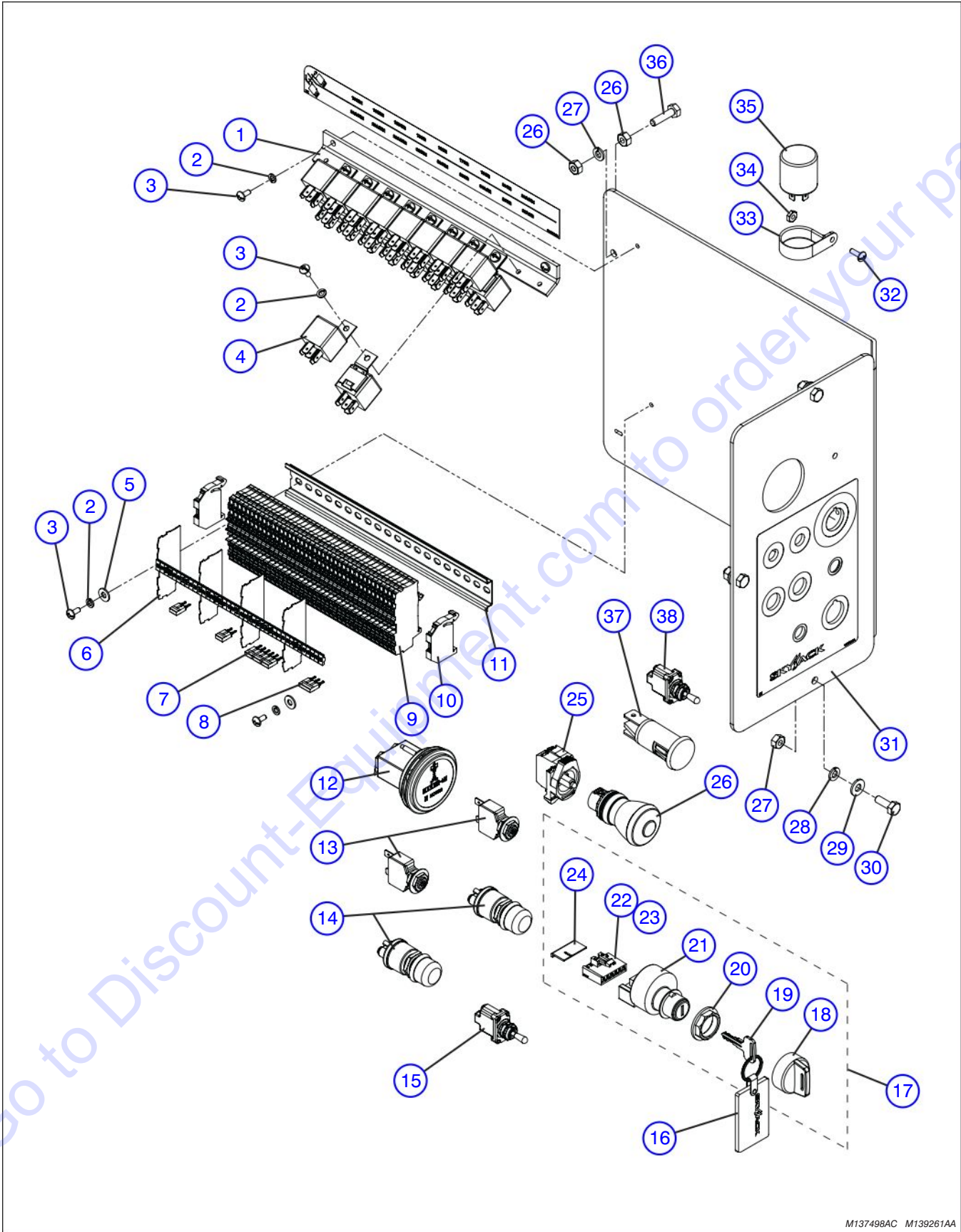


M135899AF_3

3.16 Engine Cabinet Assembly

Index No.	Skyjack Part No.	Qty.	Description
			NOTE: Part Numbers followed by a "DG" indicate dark grey painted parts.
-	135899DG	-	ENGINE CABINET ASSEMBLY
1	147812DG	1	• WELDMENT, Engine cabinet
2	147824DG	1	• WELDMENT, Mud guard
3	115649	4	• NUT, Hex nylon lock (1/4"-20, Grade 5)
4	103995	19	• WASHER, Flat (1/4")
5	103856	4	• BOLT, Hex head (1/4"-20 x 3/4", Grade 5)
6	136395	2	• UHMW BLOCK, Engine cabinet
7	139688	4	• SCREW, Flat head machine (1/4"-20 x 1")
8	138026	1	• STUD, Ball (13mm)
9	137246DG	1	• BRACKET, Battery
10	103980	8	• NUT, Hex head (1/4"-20, Grade 5)
11	103984	3	• NUT, Hex nylon lock (5/16"-18, Grade 5)
12	103996	3	• WASHER, Flat (5/16")
13	146652	1	• HORN, 12 Volt
14	138025	2	• STUD, Ball (10mm)
15	137184	1	• GAS SPRING (2.5" stroke)
16	137135DG	1	• DOOR, Instrumentation panel
17	104000	6	• WASHER, Lock (1/4")
18	137016	1	• HINGE, Instrumentation panel
19	103892	6	• BOLT, Hex head (1/4"-20 x 0.62", Grade 5)
20	147590	1	• WELDMENT, Exhaust tube
21	110814	2	• CARRIAGE BOLT, (0.313-18 x 0.75, Grade 5)
22	103404	2	• WASHER, Lock (5/16")
23	100397	2	• NUT, Hex head (5/16"-18, Grade 5)
24	107952	1	WASHER, Bronze (1.25" ID x 2.375" OD x 1/8")
25	119726	1	SWITCH, Main disconnect
26	128620	1	ADAPTER (Negative battery post to 5/16" stud)
27	128632	1	ADAPTER ASSEMBLY (300A fuse positive battery post)
	128596	1	• CLAMP, Battery post single
	128595	1	• FUSE, 300A
	128597	1	• NUT, Battery post insulated
28	112125	2	PLYWOOD, (3/8" x 6" x 11")
29	103295	1	BATTERY, 12V (WET)
30	147954	1	TILT ALARM SWITCH ASSEMBLY (ANSI/CSA, No outriggers)
	146661	1	• SWITCH, Tilt alarm (9-30V)
	120094	2	• Bolt, Hex head (#10-32 x 5/8")
	104003	2	• NUT, Hex head (#10-32)
	104185	2	• WASHER, Lock (#10)
	104694	2	• WASHER, Flat (#10)
31	(Ref.)	-	ENGINE DOOR ASSEMBLY (For components, refer to Section 3.21)

3.17 Electrical Panel Assembly

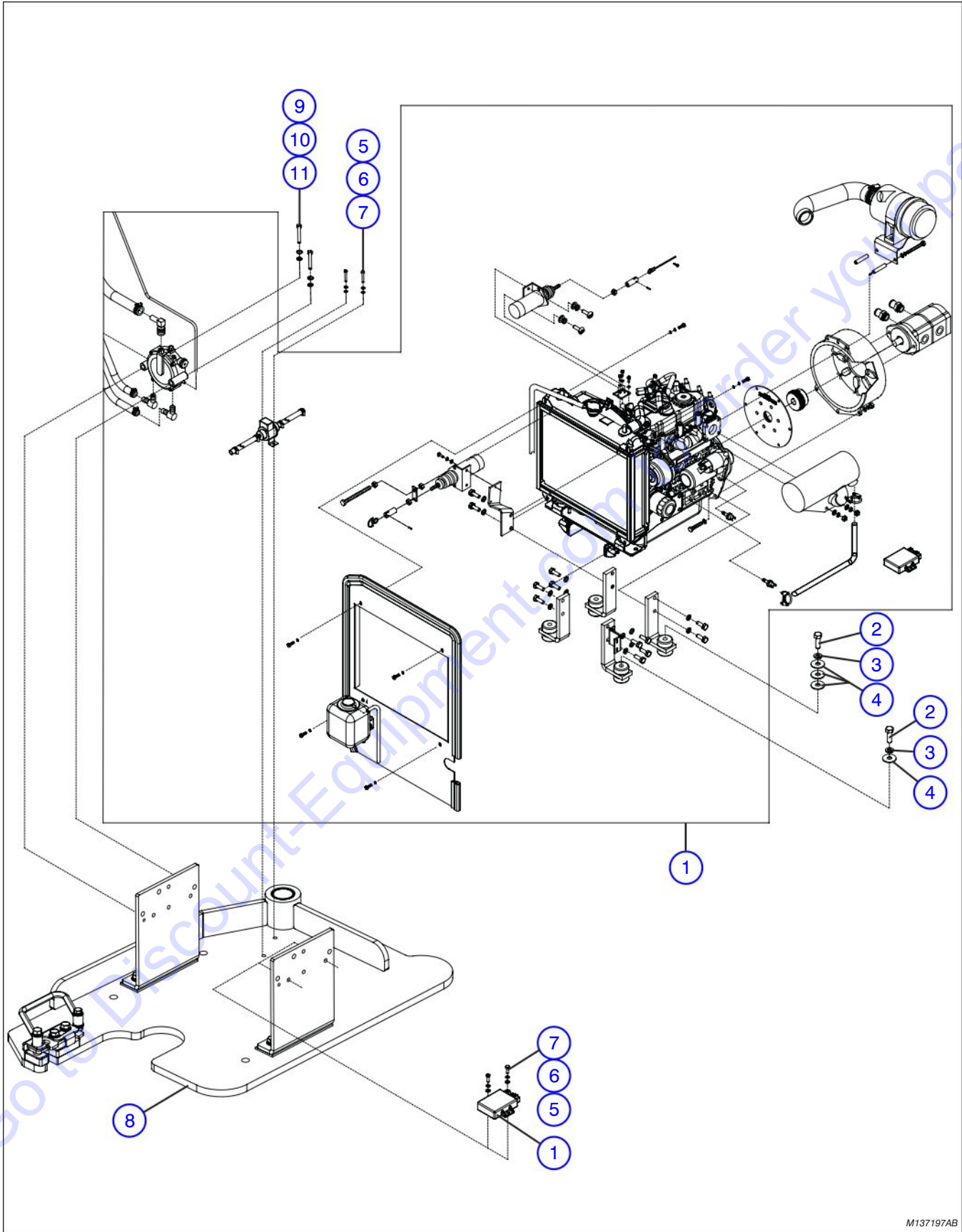


M137498AC M139261AA

3.17 Electrical Panel Assembly

Index No.	Skyjack Part No.	Qty.	Description
			NOTE: Part Numbers followed by a "DG" indicate dark grey painted parts.
A	137498DG	-	ELECTRICAL PANEL ASSEMBLY (ANSI/CSA)
B	156699DG	-	ELECTRICAL PANEL ASSEMBLY (KC)
1	137507	1	• MOUNT, Bracket relay
2	104185	13	• WASHER, Lock (#10), A
		14	• WASHER, Lock (#10), B
3	115545	13	• SCREW, Round head machine (#10-32 x 3/8"), A
		14	• SCREW, Round head machine (#10-32 x 3/8"), B
4	127035	18	• RELAY, 12 Volt (40A), A
		19	• RELAY, 12 Volt (40A), B
5	104694	2	• WASHER, Flat (#10)
6	137941	4	• END PLATE
7	137942	5	• JUMPER (2 pin)
8	137943	1	• JUMPER (3 pin)
9	137940	40	• TERMINAL BLOCK, Conductor through
10	707147	2	• END STOP
11	137958	1	• RAIL, Din (10")
12	103336	1	• HOUR METER
13	137919	2	• BREAKER, Circuit (25 Amp)
14	102692	2	• SWITCH, Pushbutton
15	102853	1	• SWITCH, Toggle
16	114710	1	• RING KEY, SKYJACK
17	133762	1	• SWITCH KEY, 3 Way
18	138138	1	• • BOOT, Key switch
19	138137	2	• • KEY, #455
20	138136	1	• • NUT, Key switch
21	137440	1	• • HEAD, Switch key 3 way
22	137442	6	• • WIRE TERMINAL, 280 Female unsealed
23	137441	1	• • CONNECTOR, Housing 6 Way
24	137443	1	• • TERMINAL POSITION ASSURANCE
25	137790	1	• SWITCH BASE ASSEMBLY, NC/LED (Red)
26	137795	1	• SWITCH ASSEMBLY, Emergency stop
27	103980	5	• NUT, Hex head (1/4"- 20, Grade 5)
28	104000	4	• WASHER, Lock (1/4")
29	103995	3	• WASHER, Flat (1/4")
30	103856	3	• BOLT, Hex Head (1/4" - 20 x 3/4", Grade 5)
31	137199	1	• SHEET, Electrical panel
32	103962	1	• SCREW, Round head machine (#10 - 32 x 1/2")
33	132793	1	• CLAMP, Plastic (1.25")
34	104003	1	• NUT, Hex head (#10-32)
35	103743	1	• FLASHER (12/24 Volt)
36	103857	1	• BOLT, Hex head (1/4"- 20 x 1", Grade 5)
37	(Ref.)	-	LIGHT, Indicator 12 Amber (For components, refer to Section 3.22)
38	(Ref.)	-	SWITCH, Toggle (For components, refer to Section 3.22)

3.18 Engine to Tray Assembly (Kubota DF972)

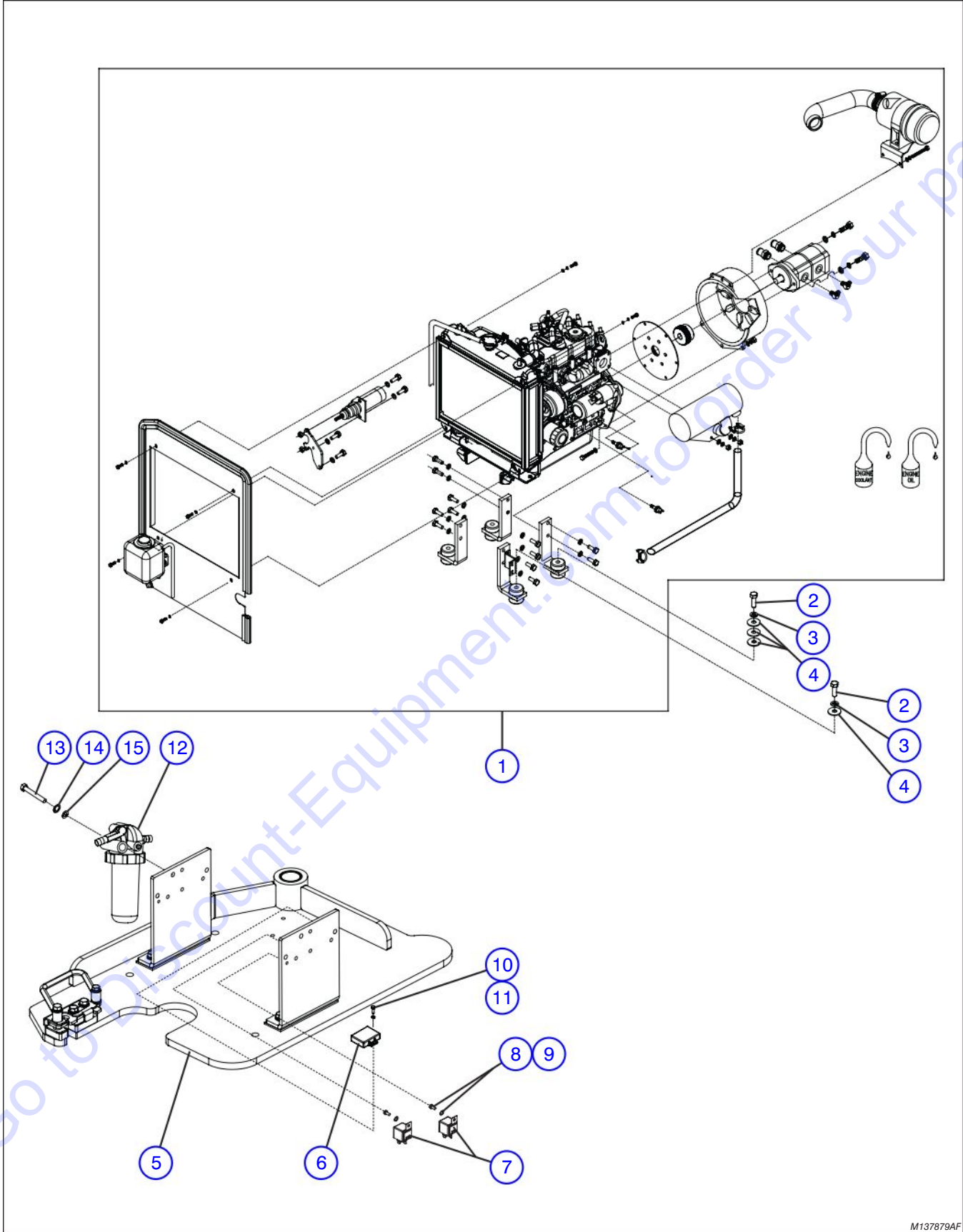


M137197AB

3.18 Engine to Tray Assembly (Kubota DF972)

Index No.	Skyjack Part No.	Qty.	Description
1	(Ref.)	-	ENGINE ASSEMBLY (For components, refer to Section 4.1)
2	108818	4	BOLT, Hex head (1/2"-13 x 2.75", Grade 5)
3	103470	4	WASHER, Lock (1/2", Nom. 0.12)
4	137241	6	WASHER, Fender (1/2" inner diameter)
5	103892	4	BOLT, Hex head (1/4"-20 x 5/8", Grade 5)
6	104000	4	WASHER, Lock (1/4", Nom. 0.06)
7	103995	4	WASHER, Flat (1/4" SAE)
8	(Ref.)	-	ENGINE TRAY ASSEMBLY (For components, refer to Section 3.20)
9	103885	2	BOLT, Hex head (5/16"-18 x 1.75", Grade 5)
10	103996	2	WASHER, Flat (5/16")
11	103404	2	WASHER Lock (5/16", Nom. 0.07)

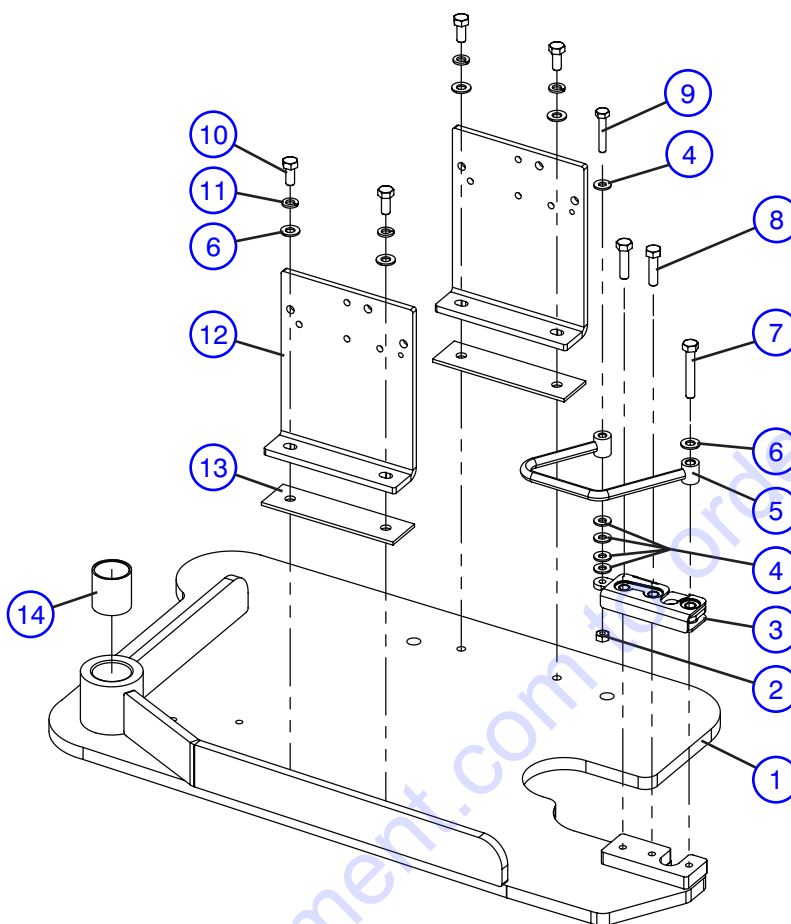
3.19 Engine to Tray Assembly (Kubota D902)



3.19 Engine to Tray Assembly (Kubota D902)

Index No.	Skyjack Part No.	Qty.	Description
1	(Ref.)	-	ENGINE ASSEMBLY (For components, refer to Section 4.6)
2	108818	4	BOLT, Hex head (1/2"-13 x 2.75", Grade 5)
3	103470	4	WASHER, Lock (1/2", Nom. 0.12)
4	137241	5	WASHER, Fender (1/2" Inner diameter)
5	(Ref.)	-	ENGINE TRAY ASSEMBLY (For components, refer to Section 3.20)
6	(Ref.)	-	TIMER, Glow lamp (For components, refer to Section 4.6)
7	127035	1	RELAY, 12 Volt (40A)
		2	RELAY, 12 Volt (40A) (If equipped with fuel solenoid relay)
8	103964	2	BOLT, Round head machine (#10-32 x 1/4")
9	104185	2	WASHER, Lock (#10)
10	103855	1	BOLT, Hex head (1/4"-20 x 1/2", Grade 5)
11	104000	1	WASHER, Lock (1/4")
12	137885	1	FUEL FILTER ASSEMBLY
	137904	1	• ELEMENT, Filter
13	116218	4	BOLT, Hex head (M8-1.25 x 65mm, Grade 8.8, ZP)
14	137886	1	WASHER, Lock (M8)
15	133232	1	WASHER, Flat (M8)

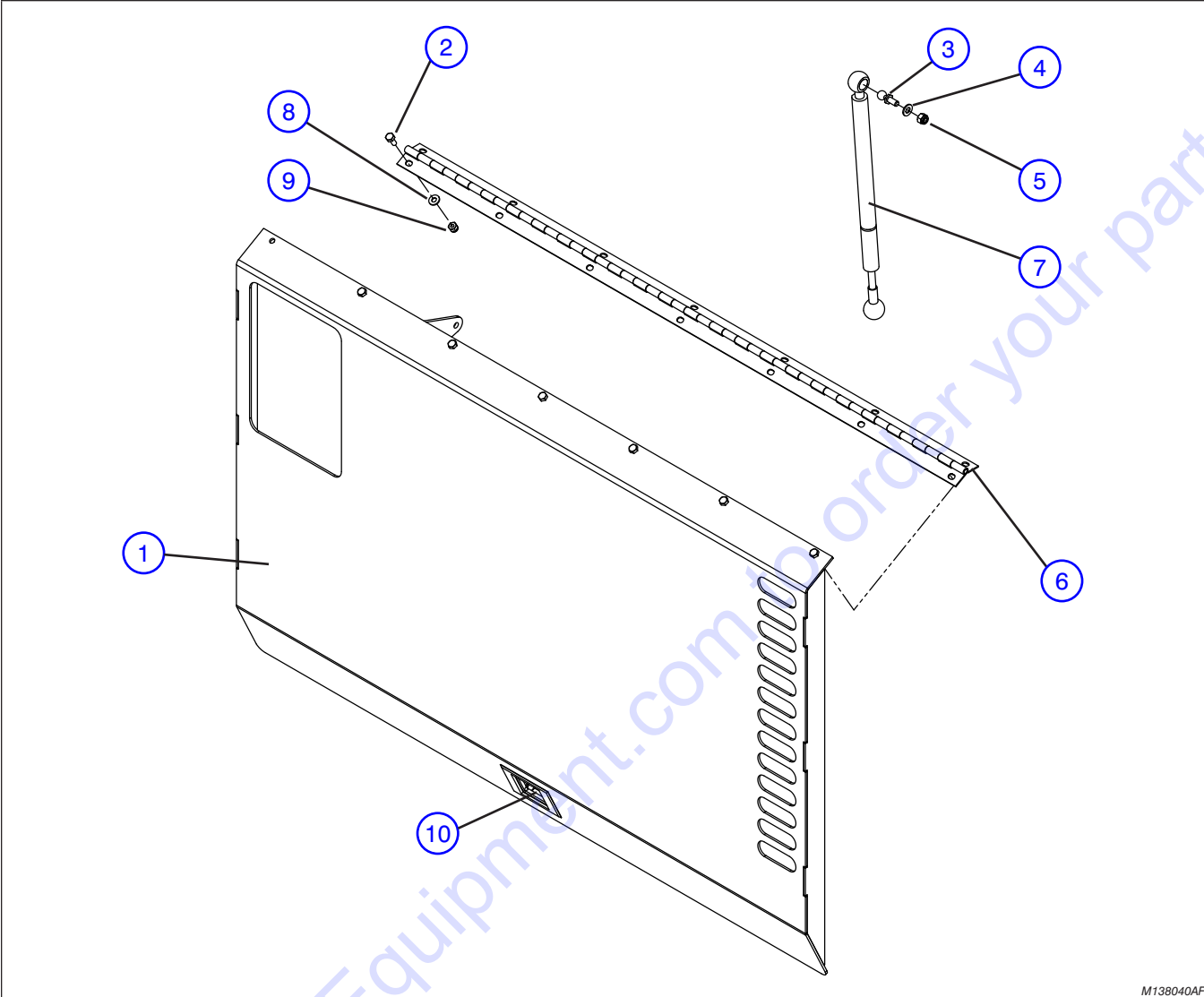
3.20 Engine Tray Assembly



M136394AC

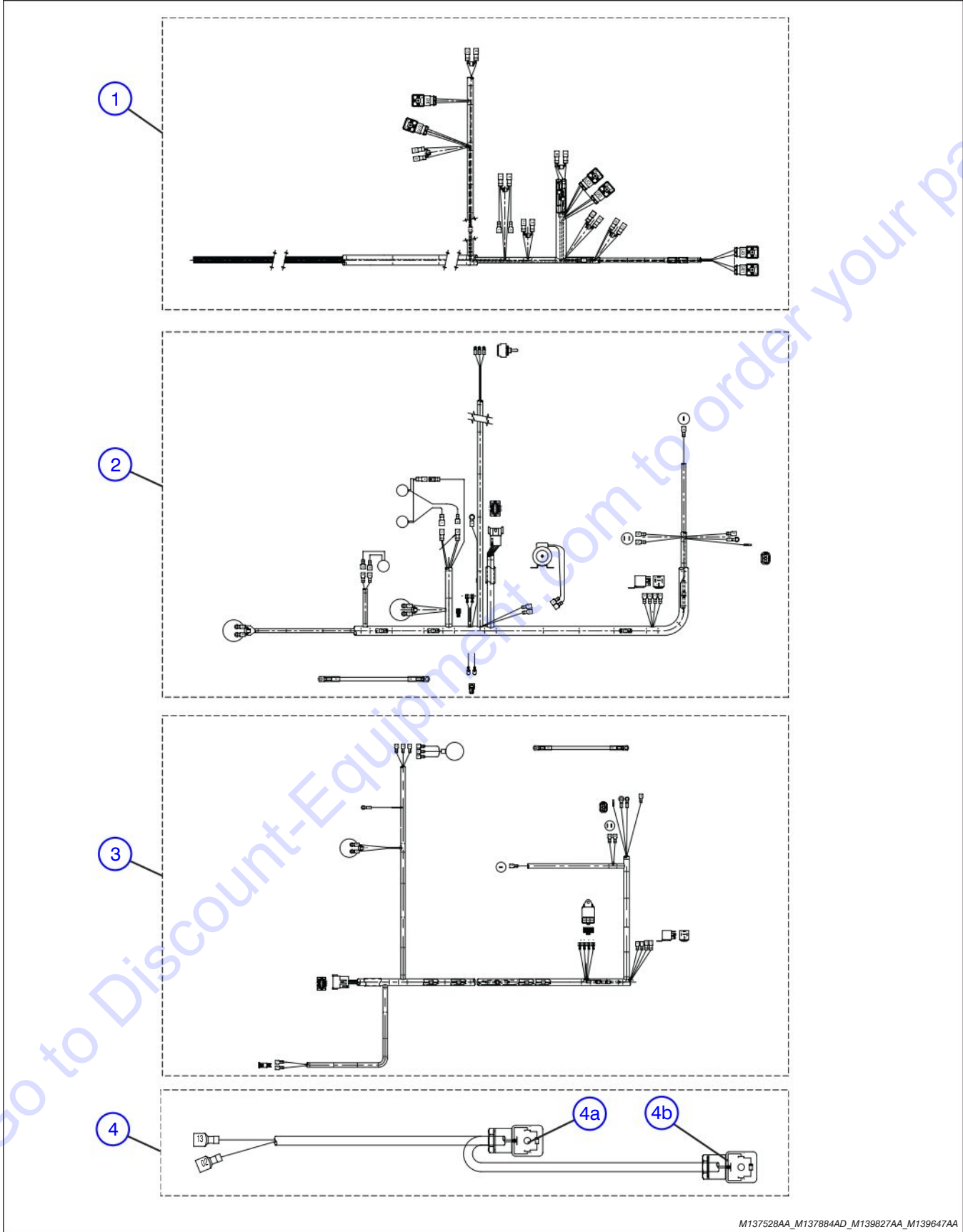
Index No.	Skyjack Part No.	Qty.	Description
-	136394DG	-	NOTE: Part numbers followed by "DG" indicate dark grey painted parts. ENGINE TRAY ASSEMBLY (Kubota DF972/D902)
1	136387DG	1	• WELDMENT, Tray engine
2	103980	1	• NUT, Hex nylon lock (1/4"- 20 Grade 8)
3	112307	1	• LATCH, Rotary (Left hand)
4	103995	5	• WASHER, Flat (1/4")
5	126634	1	• HANDLE WELDMENT, Tray Lock
6	103996	7	• WASHER, Flat (5/16")
7	103865	1	• BOLT, Hex head (5/16"-18 x 2", Grade 5)
8	103864	2	• BOLT, Hex head (5/16"-18 x 1", Grade 5)
9	103860	1	• BOLT, Hex head (1/4"- 20 x 1.75", Grade 5)
10	103887	4	• BOLT, Hex head (5/16"-18 x 3/4", Grade 5)
11	103404	7	• WASHER, Lock (5/16")
12	136077DG	2	• BRACKET
13	136976	2	• PAD, Rubber
14	125262	2	• BUSHING, Fiberglide (1.25" diameter x 1.5")

3.21 Engine Cabinet Door Assembly



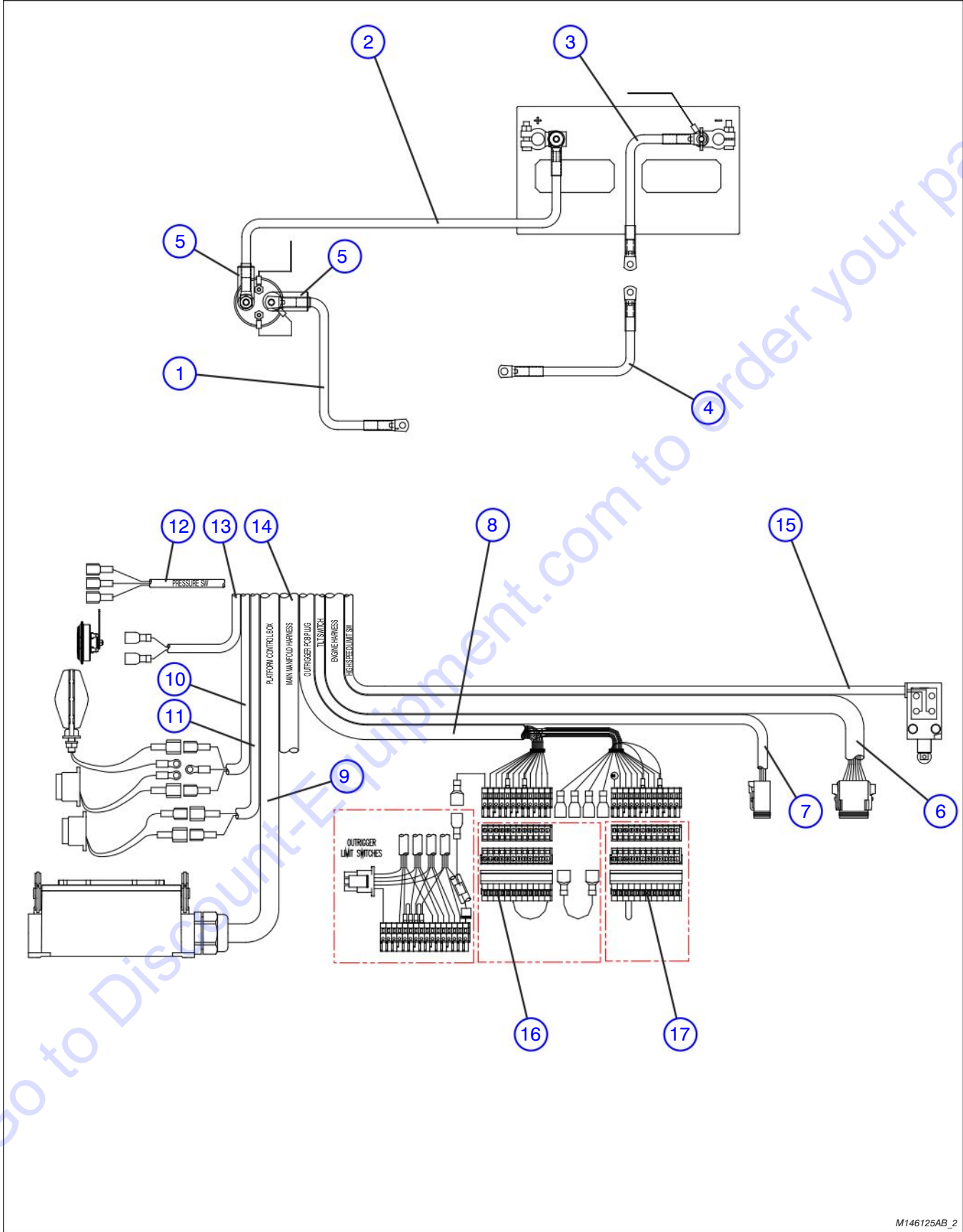
M138040AF

Index No.	Skyjack Part No.	Qty.	Description
-	138040DG	-	NOTE: Part numbers followed by "DG" indicate dark grey painted parts. ENGINE DOOR ASSEMBLY
1	137017DG	1	• DOOR, Engine cabinet
2	103892	7	• BOLT, Hex head (1/4"-20 x 5/8", Grade 5)
3	138026	1	• STUD, Ball (13mm)
4	103996	1	• WASHER, Flat (5/16")
5	103984	1	• NUT, Hex nylon lock (5/16"-18, Grade 5)
6	137183	1	• GAS SPRING, (10" stroke)
7	136996	1	• HINGE, Cabinet door
8	103995	14	• WASHER, Flat (1/4")
9	115649	14	• NUT, Hex nylon lock (1/4"-20, Grade 5)
10	137005	1	• LATCH, Sliding with trimplate



Index No.	Skyjack Part No.	Qty.	Description
1	139827	-	HARNESS, Main manifold
2	137382	-	HARNESS, Engine (Kubota dual fuel)
	136178	1	• COUPLER ASSEMBLY
	136179	1	• COUPLER ALTERNATOR ASSEMBLY
3	137527	-	HARNESS, Engine (Kubota diesel fuel)
	137869	1	• COUPLER ASSEMBLY (Glow lamp timer)
	136179	1	• COUPLER ALTERNATOR ASSEMBLY
4	139647	-	HARNESS, Cylinder manifold
4a	127315	1	• CONNECTOR, Solenoid (with diode)
4b	170593	1	• CONNECTOR, Solenoid (with diode)

3.23 Electrical Panel Harnesses

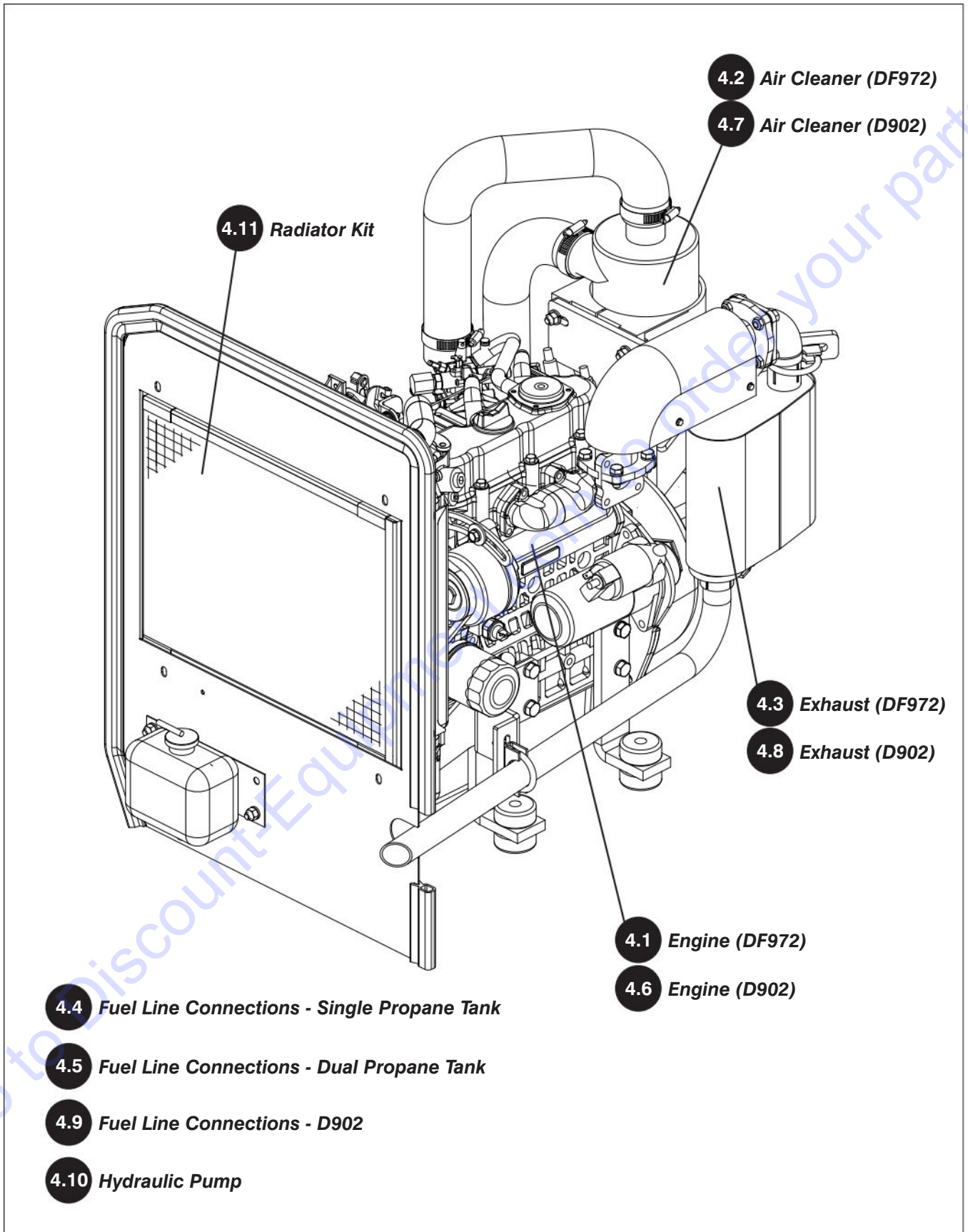


M146125AB_2

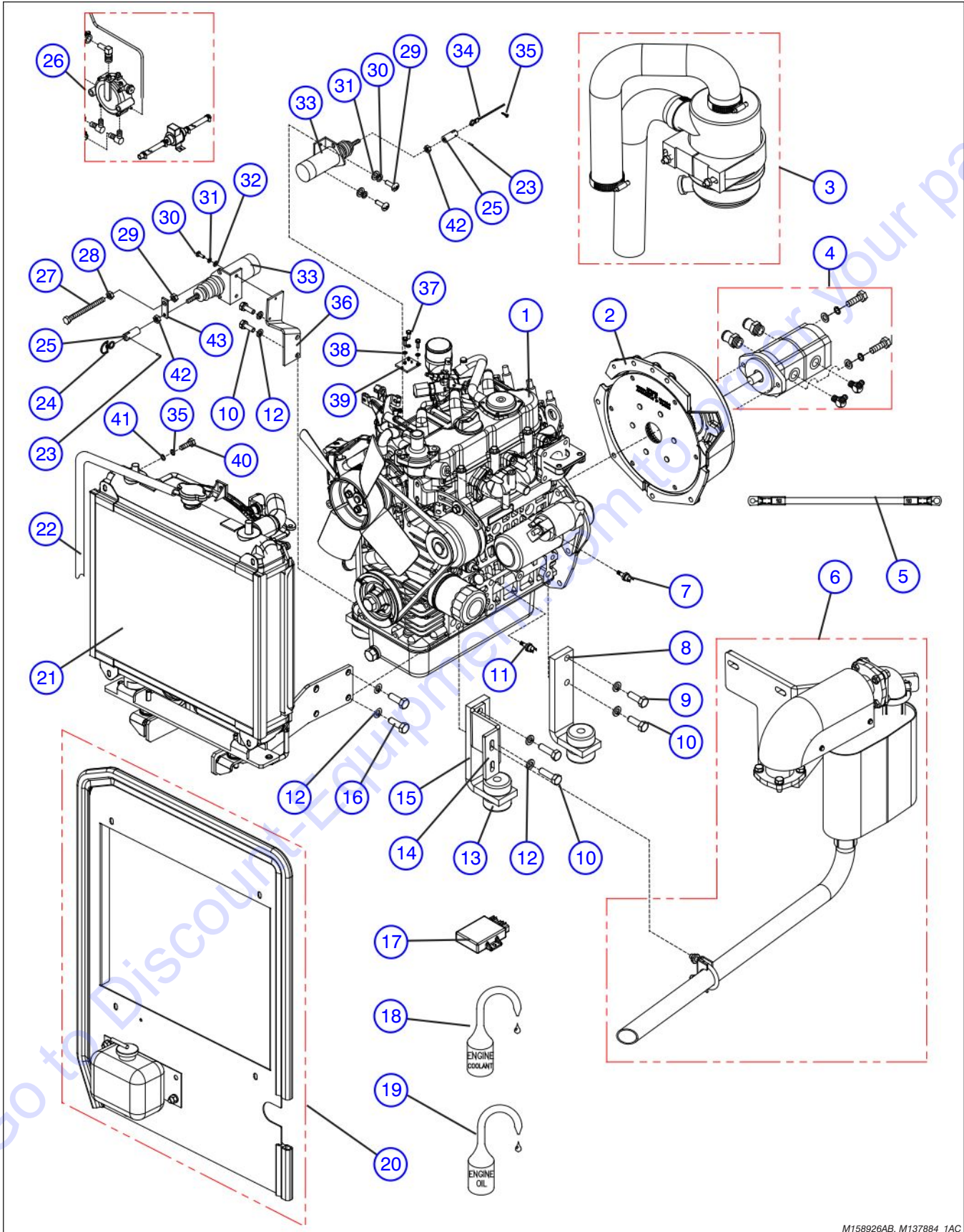
3.23 Electrical Panel Harnesses

Index No.	Skyjack Part No.	Qty.	Description
1	138068	1	CABLE, Welding #2GA (3/8" x 42" x 5/16")
2	139251	1	CABLE, Welding #2GA (7/16" x 16" x 3/8")
3	139233	1	CABLE, Welding #2GA (5/16" x 12" x 5/16")
4	138069	1	CABLE, Welding #2GA (3/8" x 45" x 5/16")
5	117408	2	BOOT, Red battery
6	137955	1	ENGINE HARNESS
	117583	1	• PLUG, Connector (8 pin)
	117593	7	• SOCKET, Connector Contact (14-16)
	117594	1	• PLUG, Connector sealing
	117585	1	• PLUG, Connector wedge (8 pin)
7	138005	1	HARNESS, Tilt switch
	117579	1	• PLUG, Connector (4 pin)
	117581	1	• PLUG, Connector wedge (4 pin)
	117591	4	• SOCKET, Connector Contact (16-18)
8	(Ref.)	-	HARNESS, Outrigger panel (For components, refer to Section 5.2)
9	137354	1	CONTROL CABLE, Electrical panel
	137330	1	• HOUSING, Surface mount 24 pin with strain relief
	137223	1	• INSERT, Female (24 pin)
10	138007	1	HARNESS, Beeper
11	156704	1	HARNESS, Beeper (KC)
12	156703	1	HARNESS, Pressure switch (KC)
13	137952	1	HARNESS, Horn
14	(Ref.)	-	HARNESS, Main manifold (For components, refer to Section 3.22)
15	138074	1	LIMIT SWITCH, High speed
16	146118	1	PLUG, Connector (12 pin) (Machines without outriggers)
17	146118	1	PLUG, Connector (12 pin) (Machines without outriggers)

4.0 Engine Related Parts



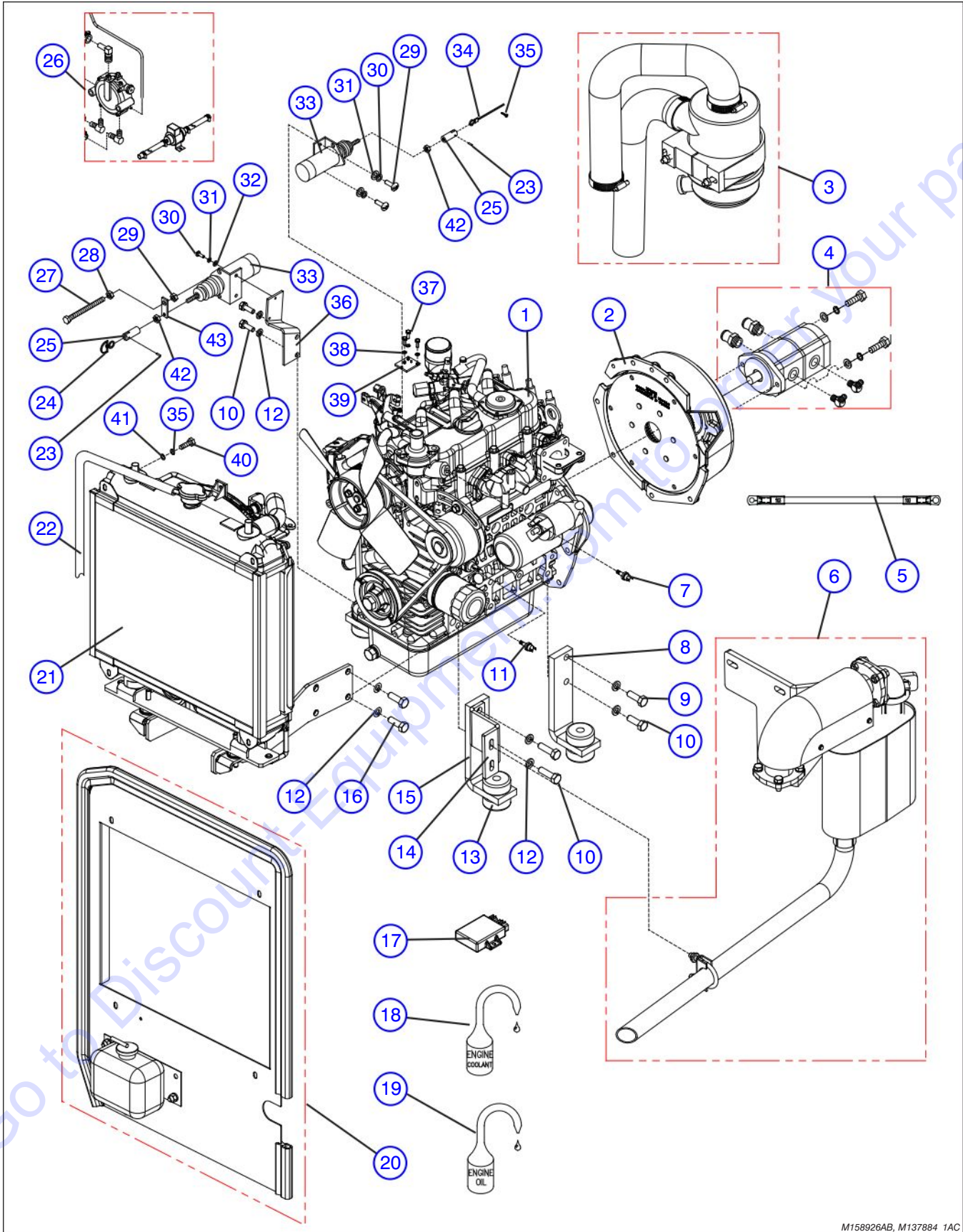
4.1 Engine Assembly (Kubota DF972)



M158926AB, M137884_1AC

Index No.	Skyjack Part No.	Qty.	Description
			NOTE: Part Numbers followed by a "DG" indicate dark grey painted parts.
1	158926	1	ENGINE, Kubota (DF972)
	159214	1	• CARBURETOR ASSEMBLY
	209301	1	• TERMINAL ASSEMBLY
	159210	1	• MANIFOLD, Inlet
	158922	1	• MANIFOLD, Exhaust
	136086	1	• SHIELD, Exhaust manifold heat
	136088	1	• ASSEMBLY, Idler gear
	136089	1	• SHAFT, Idler gear
	136091	1	• PLATE, Rear end
	159212	1	• OIL FILTER, Cartridge
	159213	1	• GAUGE, Oil (Dipstick)
	136098	1	• LEVER, Speed control
	159216	1	• STARTER, Engine
	136101	1	• ALTERNATOR
	136102	1	• • BRACKET, Alternator
	136103	1	• • GUARD, Alternator
	136104	3	• PLUG, Spark
	136105	3	• • CAP, Spark plug
	136106	3	• COIL, Ignition
	136109	1	• THERMOSTAT, Engine
	136110	1	• COVER, Thermostat
	137649	1	• FAN, Pusher
	136112	1	• PULLEY, Fan
	136113	1	• PULLEY, Fan drive
	136114	1	• BELT, Fan
	159219	1	• MANUAL, Operators
	136117	1	• LABEL, CSA
	136099	1	• HARNESS, Wiring
	136118	1	• FILTER, Fuel
	159220	1	• KIT, Electric fuel pump
	158923	1	• VAPORIZER
2	149834	1	BELL HOUSING ASSEMBLY (Kubota DF972 - Universal)
	149830	1	• BELL HOUSING
	149833	1	• HUB, Coupling
	149832	1	• FLANGE, Nylon (150mm)
	149831	1	• KIT, Hardware
3	(Ref.)	-	AIR CLEANER ASSEMBLY (For components, refer to Section 4.2)
4	(Ref.)	-	HYDRAULIC PUMP ASSEMBLY (For components, refer to Section 4.10)
5	139252	1	CABLE, Welding (#6GA)
6	(Ref.)	-	EXHAUST ASSEMBLY (For components, refer to Section 4.8)
			Part list continued on the following page.

4.1 Engine Assembly (Kubota DF972) (Continued)

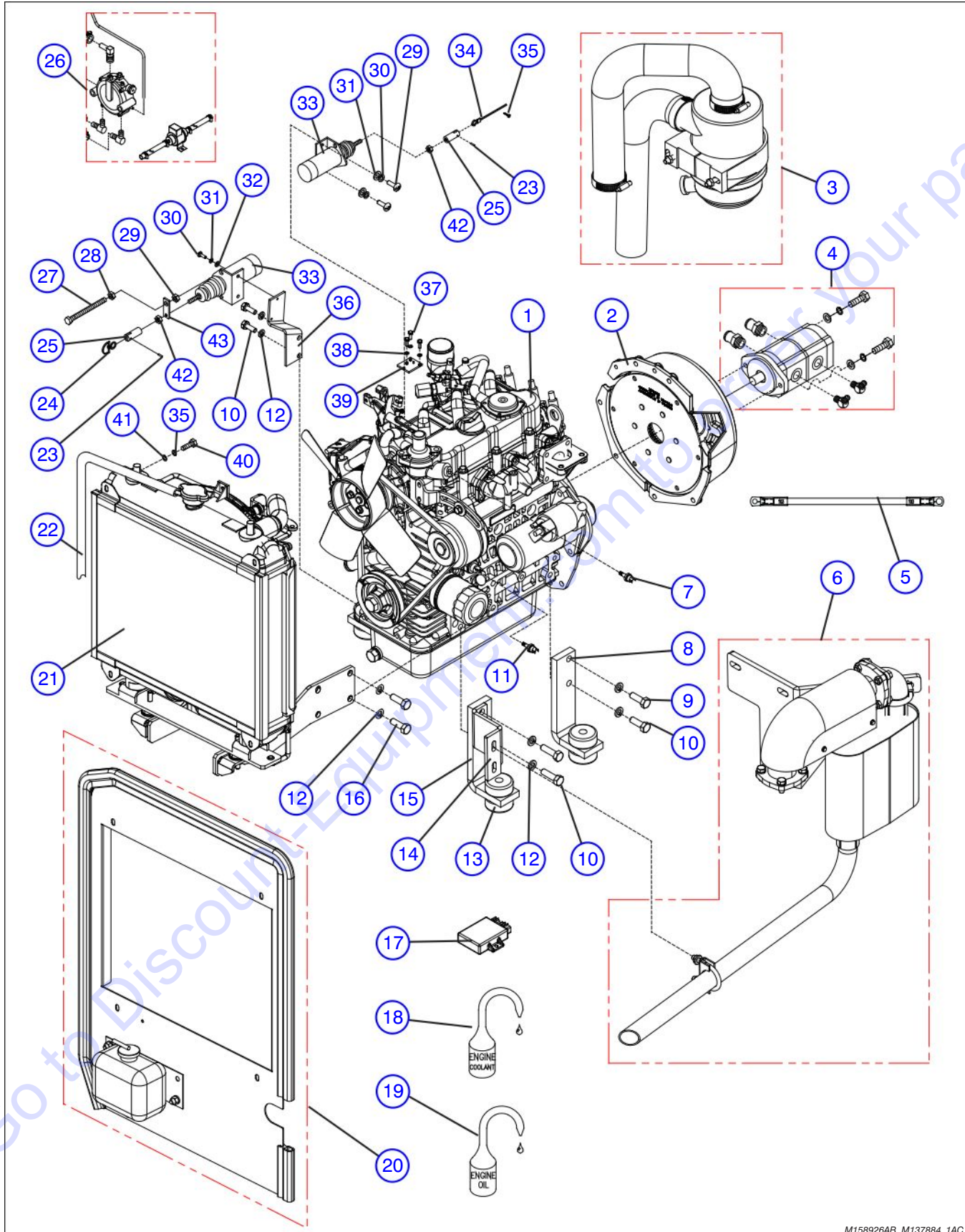


M158926AB, M137884_1AC

4.1 Engine Assembly (Kubota DF972) (Continued)

Index No.	Skyjack Part No.	Qty.	Description
			NOTE: Part Numbers followed by a "DG" indicate dark grey painted parts.
			Part list continued from the previous page.
7	113400	1	SWITCH, Temperature (For components, refer to Section 4.8)
8	136032DG	2	BRACKET, Engine mount (Front left/Rear right)
9	103850	1	BOLT, Hex head (M10 x 1.25 x 30 mm, Grade 8.8)
10	136665	7	BOLT, Hex head (M10 x 1.25 x 35 mm, Grade 8.8)
11	102838	1	SWITCH, Oil pressure
12	130884	12	WASHER, Lock (M10)
13	147634	4	MOUNT, Engine vibration control
14	137657DG	1	BRACKET, Exhaust
15	136033DG	2	BRACKET, Engine mount (Front right/Rear left)
16	103848	4	BOLT, Hex head (M10 x 1.25 x 20mm, Grade 8.8)
17	159221	1	MODULE, Igniter control
18	(Ref.)	-	SOLUTION, Engine coolant (Antifreeze) (Refer to Table in Section 7)
19	(Ref.)	-	OIL, Engine (Refer to Table in Section 7)
20	137648	1	ASSEMBLY, Radiator plate
	137481DG	1	• PLATE, Radiator
	137643	1	• TRIM, Rubber long
	137647	1	• TRIM, Rubber short
	147142	1	• RESERVOIR, Coolant
	-	-	• HARDWARE, Coolant reservoir
	103887	2	• • BOLT, Hex head (5/16"-18 x 3/4", Grade 5)
	103996	2	• • WASHER, Flat (5/16")
	100397	2	• • NUT, Hex head (5/16"-18, Grade 5)
	103404	2	• • WASHER, Lock (5/16")
21	(Ref.)	-	RADIATOR KIT (Kubota DF972/D902) (For components, refer to Section 4.11)
22	102984	46"	LINE, Fuel (5/16")
23	114684	2	PIN, Roll (1/8" diameter x 7/16")
24	116031	1	SWIVEL, Solenoid contactor
25	101860	2	ATTACHMENT, Throttle linkage
26	(Ref.)	-	ASSEMBLY, Fuel line (For components, refer to Section 4.4)
27	120738	1	BOLT, Hex head cap screw (1/4"-20 x 4")
28	103980	1	NUT, Hex head (1/4"- 20, Grade B)
29	115649	1	NUT, Nylon lock (1/4"-20)
30	103962	4	SCREW, Round head machine (#10-32 x 1/2")
31	104185	4	WASHER, Lock (#10)
32	104694	4	WASHER, Flat (#10)
			Part list continued on the following page

4.1 Engine Assembly (Kubota DF972) (Continued)



M158926AB, M137884_1AC

PARTS FINDER

**Search Website
by Part Number**



**Search Manual
Library For Parts
Manual & Lookup Part
Numbers – Purchase
or Request Quote**

Search Manuals

Enter your information to help us find the right parts manual for your machine.

* Brand:

* Model:

* Serial:

* Part Number:

SEARCH

**Can't Find Part or
Manual? Request Help
by Manufacturer,
Model & Description**

Parts Order Form

Please fill in the following information to help us find the right part for your machine.

Manufacturer:	<input type="text"/>
Model:	<input type="text"/>
Description:	<input type="text"/>
Part Number:	<input type="text"/>
Quantity:	<input type="text"/>
Notes:	<input type="text"/>

Discount-Equipment.com is your online resource for quality parts & equipment.

Florida: **561-964-4949** Outside Florida TOLL FREE: **877-690-3101**

Need parts?

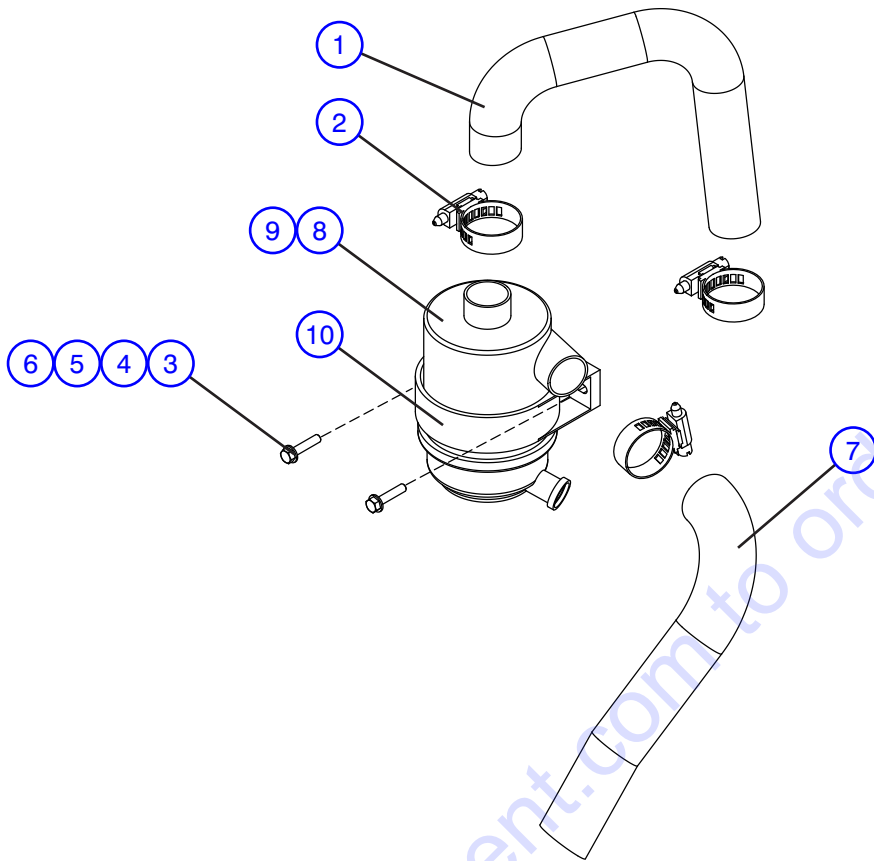
Click on this link: <http://www.discount-equipment.com/category/5443-parts/> and choose one of the options to help get the right parts and equipment you are looking for. Please have the machine model and serial number available in order to help us get you the correct parts. If you don't find the part on the website or on one of the online manuals, please fill out the request form and one of our experienced staff members will get back to you with a quote for the right part that your machine needs.

We sell worldwide for the brands: Genie, Terex, JLG, MultiQuip, Mikasa, Essick, Whiteman, Mayco, Toro Stone, Diamond Products, Generac Magnum, Airman, Haulotte, Barreto, Power Blanket, Nifty Lift, Atlas Copco, Chicago Pneumatic, Allmand, Miller Curber, Skyjack, Lull, Skytrak, Tsurumi, Husquvarna Target, Stow, Wacker, Sakai, Mi-T-M, Sullair, Basic, Dynapac, MBW, Weber, Bartell, Bennar Newman, Haulotte, Ditch Runner, Menegotti, Morrison, Contec, Buddy, Crown, Edco, Wyco, Bomag, Laymor, EZ Trench, Bil-Jax, F.S. Curtis, Gehl Pavers, Heli, Honda, ICS/PowerGrit, IHI, Partner, Imer, Clipper, MMD, Koshin, Rice, CH&E, General Equipment, Amida, Coleman, NAC, Gradall, Square Shooter, Kent, Stanley, Tamco, Toku, Hatz, Kohler, Robin, Wisconsin, Northrock, Oztec, Toker TK, Rol-Air, APT, Wylie, Ingersoll Rand / Doosan, Innovatech, Con X, Ammann, Mecalac, Makinex, Smith Surface Prep, Small Line, Wanco, Yanmar

4.1 Engine Assembly (Kubota DF972) (Continued)

Index No.	Skyjack Part No.	Qty.	Description
			NOTE: Part Numbers followed by a "DG" indicate dark grey painted parts.
			Part list continued from the previous page.
33	103007	2	SOLENOID, DC (12V)
34	116467	1	CABLE, Choke
35	137525	1	SCREW, Pan head (M4 x 6, DIN 85, ZP)
36	136264DG	1	MOUNT, Lower solenoid
37	104608	4	BOLT, Hex head (M6-1 x 16mm, Grade 5)
38	121758	14	WASHER, Lock (6mm)
39	136974	1	BRACKET, Choke solenoid
40	136185	2	BOLT, Hex head (M6 - 1 x 30mm)
41	133219	2	WASHER, Flat (M6)
42	114709	2	NUT, FHN (1/4"-28)
43	113582	1	LIMITER, Solenoid

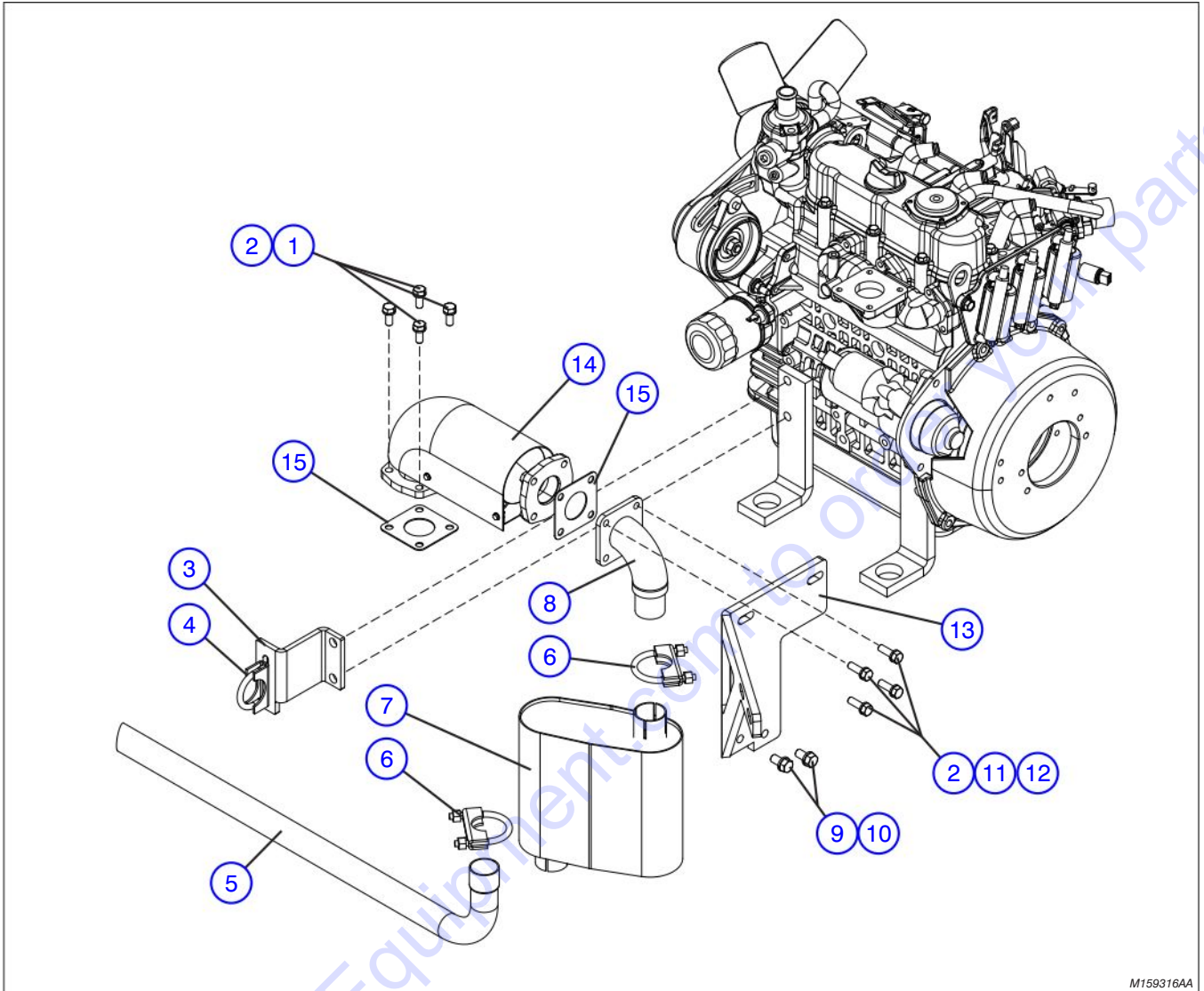
4.2 Air Cleaner Assembly (Kubota DF972)



M159319AA

Index No.	Skyjack Part No.	Qty.	Description
-	159319	1	AIR INTAKE ASSEMBLY (Kubota DF972)
1	159298	1	• TUBE, Air
2	133222	3	• CLAMP, Gear (#32)
3	103886	2	• BOLT, Hex head (5/16"-18 x 1.5", Grade 5)
4	103999	2	• WASHER, Lock (3/8")
5	103996	2	• WASHER, Flat (5/16")
6	100397	2	• NUT, Hex head (5/16"-
7	159297	1	• INTAKE, Air
8	136144	1	AIR CLEANER ASSEMBLY
9	137924	1	• ELEMENT, Air filter
10	136148	1	BRACKET, Air cleaner band
	136667	2	• BOLT, Hex head (M8-1.25 x 30mm)
	127940	2	• WASHER, Flat (M8 - ZN)
	121059	2	• NUT, Hex (M8-1.25)

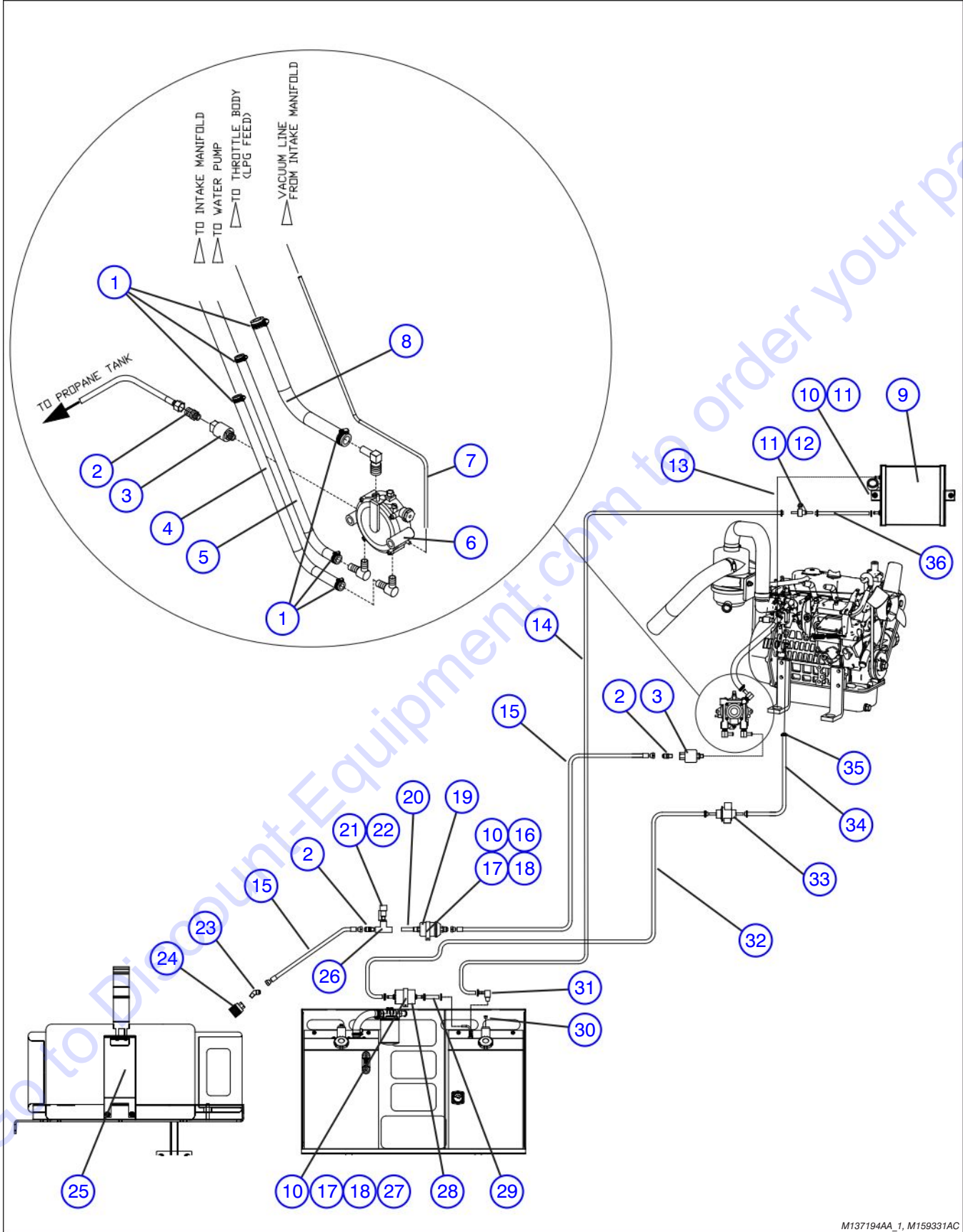
4.3 Exhaust Assembly (Kubota DF972)



M159316AA

Index No.	Skyjack Part No.	Qty.	Description
			NOTE: Part numbers followed by "DG" indicate dark grey painted parts.
1	133174	4	BOLT, Hex head (M8 x 1.25 x 20mm, Grade 5)
2	103404	8	WASHER, Lock (5/16")
3	137657	1	BRACKET, Exhaust
4	136969	1	CLAMP, U-bolt (1.25")
5	159312	1	PIPE, Exhaust
6	142378	2	CLAMP, U-bolt (1.5")
7	158622	1	MUFFLER (Kubota DF972)
8	159317	1	ADAPTER, Exhaust 90°
9	101632	2	BOLT, Hex head (3/8"-16 x 3/4", Grade 8)
10	103999	2	WASHER, Lock (3/8")
11	103864	4	BOLT, Hex head (5/16"-18 x 1", Grade 5)
12	100397	4	NUT, Hex head (5/16"-18, Grade 5)
13	159318DG	1	BRACKET, Exhaust breather
14	158925	1	CATALYST (Kubota DF972)
15	136084	1	GASKET, Muffler (Kubota DF972)

4.4 Fuel Line Connections - Single Propane Tank (Kubota DF972)

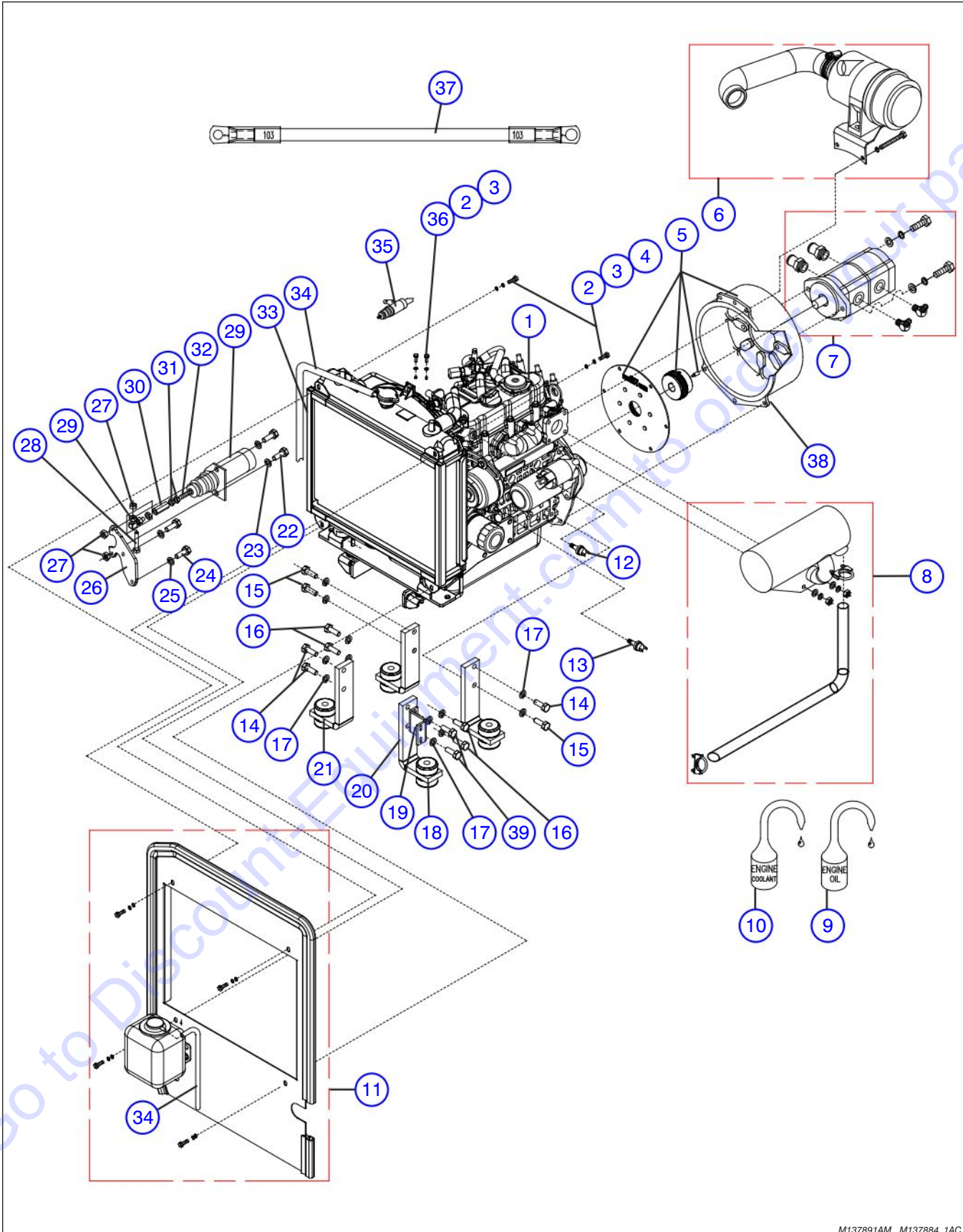


M137194AA_1, M159331AC

4.4 Fuel Line Connections - Single Propane Tank (Kubota DF972)

Index No.	Skyjack Part No.	Qty.	Description
1	102519	2	CLAMP, Gear (#6)
2	103156	2	FITTING, Brass (48-6B)
3	125793	1	VALVE, Shut-off (Propane)
4	300797	25"	HOSE (3/8", 200psi)
5	300797	22"	HOSE (3/8", 200psi)
6	158923	1	VAPORIZER, LPG
7	102660	24"	HOSE, Fuel Line (1/8")
8	158859	1	HOSE, LPG & NG (1/2" ID)
9	158920	1	EVAPORATOR CANISTER
10	103995	4	WASHER, (1/4")
11	115649	3	NUT, Lock, Nylon/zinc 0.25-20 grade 5
12	158924	1	VALVE, 2 way
13	923786	72"	HOSE, Fuel
14	142405	120"	LINE, Fuel (5/16")
15	137633	2	HOSE, Propane
16	143513	1	CLAMP
17	103983	2	NUT, (1/4"-20)
18	104000	2	WASHER, Lock (1/4")
19	142300	1	FILTER, Liquid propane
20	143478	1	FITTING, Brass nipple (04NPTM x 2" long)
21	111622	1	CAP, Rain
22	300799	1	VALVE, Propane relief
23	103159	1	FITTING, Elbow 45° (brass, 06SAE45M - 04 NPTM)
24	103006	1	COUPLER, Quick female
25	(Ref.)	-	PROPANE TRAY ASSEMBLY (For components, refer to Section 3.3)
26	132919	1	FITTING, Tee (brass, 04 NPTM)
27	124433	1	CLAMP, Single
28	136118	1	FILTER, Fuel
29	142405	3"	LINE, Fuel (5/16")
30	139171	1	PLUG, Hollow hex (06NPT)
31	102907	1	FITTING, Brass 90°, 5/16 barb x 1/4 NPT
32	142405	100"	LINE, Fuel (5/16")
33	159220	1	PUMP, Electric fuel
34	142405	16"	LINE, Fuel (5/16")
35	103321	10	CLAMP, Gear (#4)
36	142405	4"	LINE, Fuel (5/16")

4.5 Engine Assembly (Kubota D902)

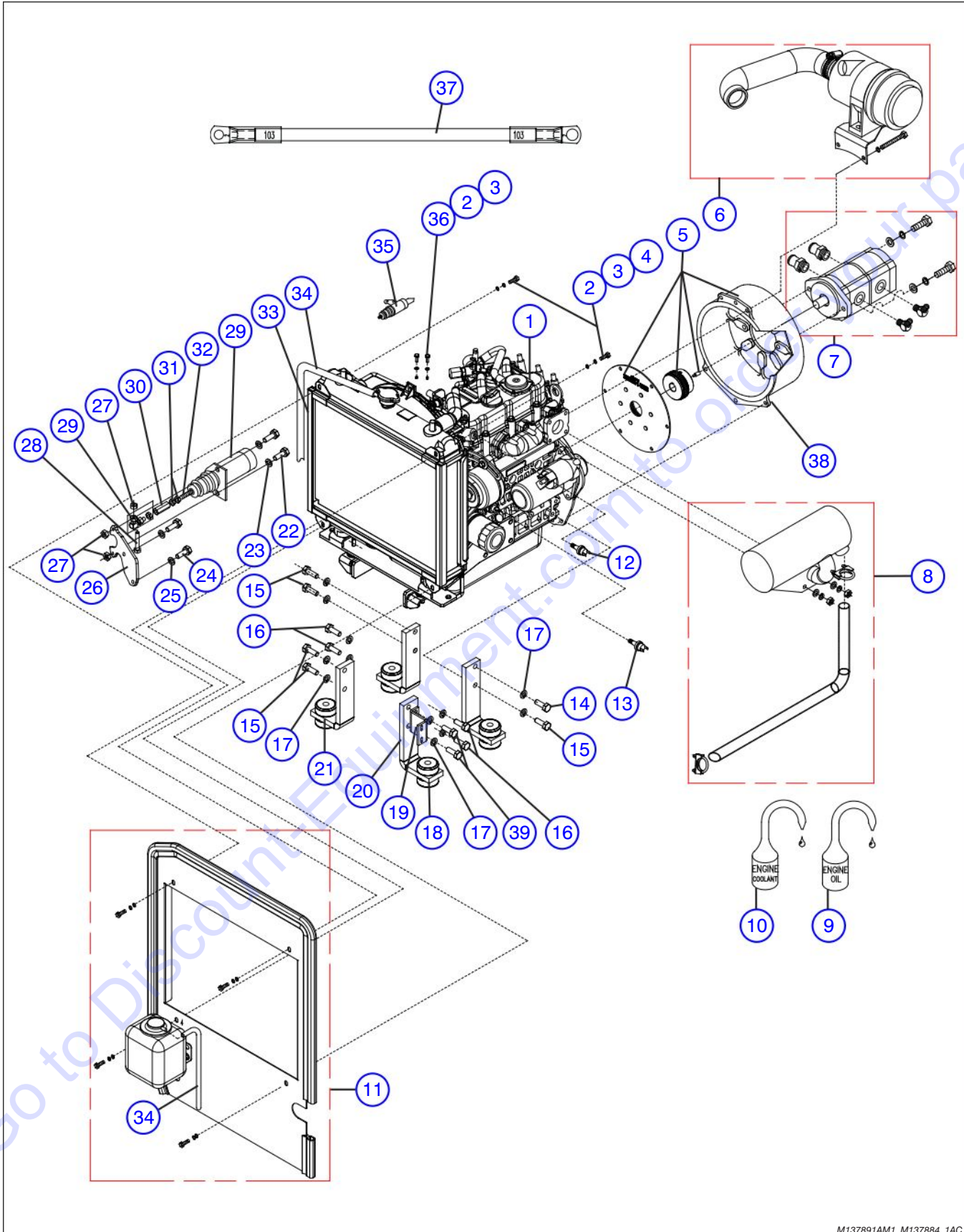


M137891AM M137884_1AC

4.5 Engine Assembly (Kubota D902)

Index No.	Skyjack Part No.	Qty.	Description
1	137651	1	ENGINE, Kubota (D902)
	137839	1	• CRANKCASE
	137840	1	• PAN, Oil
	137841	1	• CYLINDER HEAD
	137842	1	• PUMP, Water
	137843	1	• INLET-MANIFOLD
	137845	1	• MANIFOLD, Exhaust
	137846	1	• COVER, Cylinder head
	137847	1	• FLYWHEEL
	137848	1	• HOUSING, Flywheel
	137849	1	• FILTER, Oil (Inner)
	137850	1	• CARTRIDGE, Oil filter
	137851	1	• DIPSTICK
	137852	1	• PUMP ASSEMBLY, Injection
	137853	1	• PUMP, Fuel transfer
	137854	1	• NOZZLE HOLDER ASSEMBLY
	137855	1	• PLATE, Speed control
	137856	1	• STARTER
	137857	1	• ALTERNATOR
	137858	1	• BRACKET, Alternator
	137859	1	• GUARD, Alternator
	137860	1	• GLOW PLUG
	137861	1	• THERMOSTAT
	137862	1	• COVER, Thermostat
	137863	1	• PULLEY, Fan
	137864	1	• PULLEY, Fan Drive
	137865	1	• BELT, Fan
	137866	1	• MANUAL, Operators
	137867	1	• WARRANTY STATEMENT
	119185	1	• TIMER, Glow lamp
	137873	1	• COUPLER, Alternator assembly
	137649	1	• FAN, Pusher
2	133219	6	WASHER, Flat (M6)
3	121758	6	WASHER, Lock (6mm)
4	167051	2	BOLT, Hex Head (M6 x 1 x 30MM Gr. 8.8 ZN)
5	(Ref.)	1	BELL HOUSING (Kubota DF972) (For components, refer to Section 4.1)
6	(Ref.)	-	AIR CLEANER ASSEMBLY (For components, refer to Section 4.2)
7	(Ref.)	-	HYDRAULIC PUMP ASSEMBLY (For components, refer to Section 4.10)
8	(Ref.)	-	EXHAUST SYSTEM ASSEMBLY (For components, refer to Section 4.8)
			Part list continued on the following page.

4.5 Engine Assembly (Kubota D902) (Continued)

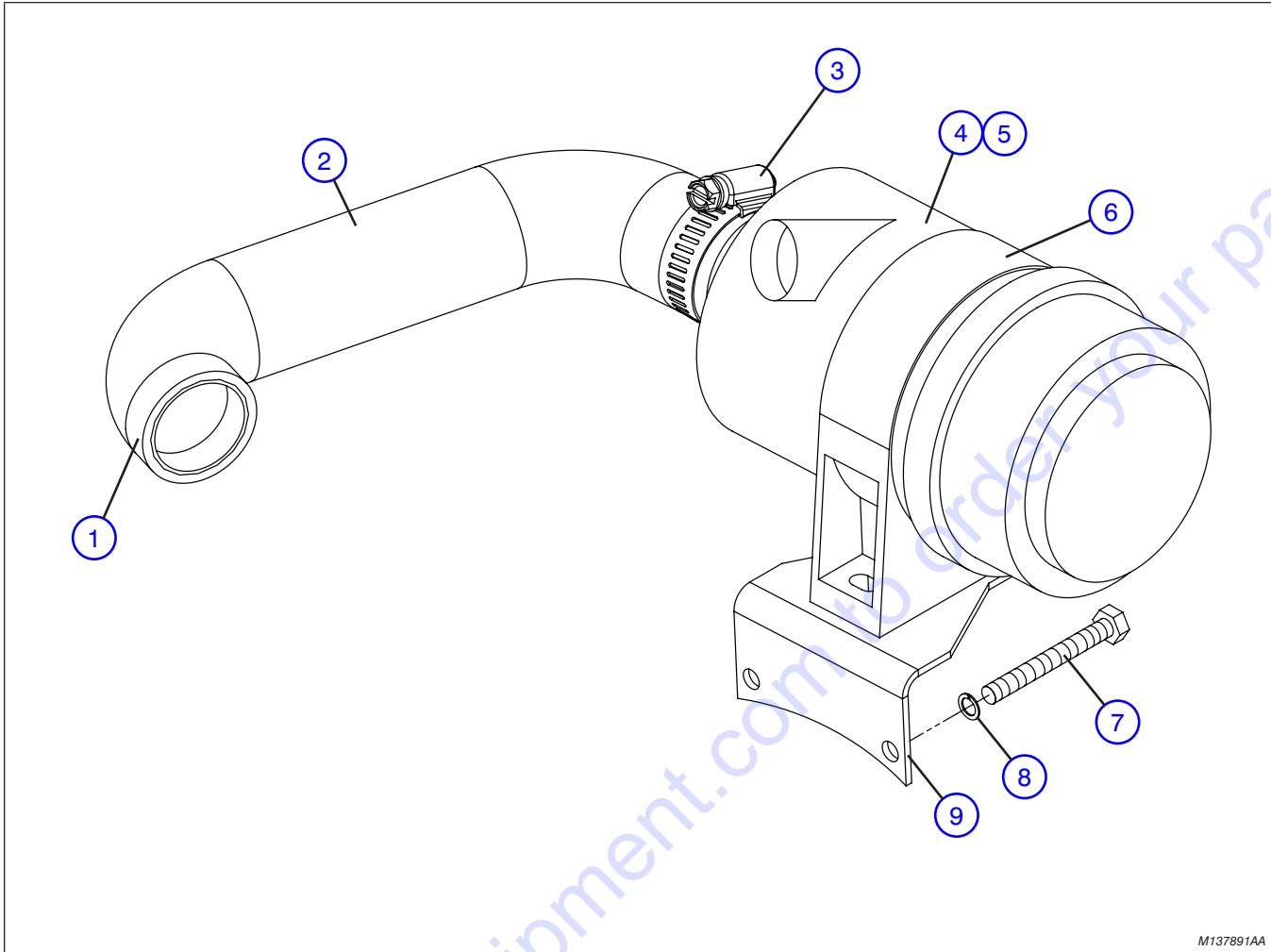


M137891AM1_M137884_1AC

4.5 Engine Assembly (Kubota D902) (Continued)

Index No.	Skyjack Part No.	Qty.	Description
			NOTE: Part Numbers followed by a "DG" indicate dark grey painted parts.
			Part list continued from the previous page.
9	(Ref.)	-	OIL, Engine (Refer to Table in Section 7)
10	(Ref.)	-	SOLUTION, Engine coolant (Antifreeze) (Refer to Table in Section 7)
11	(Ref.)	-	ASSEMBLY, Radiator plate (For components, refer to Section 4.11)
12	113400	1	SWITCH, Temperature
13	102838	1	SWITCH, Oil pressure
14	103850	5	BOLT, Hex head (M10 x 1.25 x 30mm, Grade 8.8)
15	136665	1	BOLT, Hex head (M10 x 1.25 x 35mm, Grade 8.8)
16	103848	4	BOLT, Hex Head (M10 x 1.25 x 20mm, Grade 8.8)
17	130884	12	WASHER, Lock (M10)
18	147634	4	MOUNT, Engine vibration control
19	137657DG	1	BRACKET, Exhaust
20	136033DG	2	BRACKET, Engine mount (Front right/Rear left)
21	136032DG	2	BRACKET, Engine mount (Front left/Rear right)
22	103856	2	BOLT, Hex head (1/4"-20 x 3/4")
23	104000	2	WASHER, Lock (1/4" NOM. 0.06)
24	133869	2	BOLT, Hex Head (M8-1.25 x 25MM, Gr. 8.8 ZN)
25	116218	2	WASHER, Lock (M8)
26	137200DG	1	BRACKET, Solenoid
27	103980	3	NUT, Hex head (1/4"- 20, Grade B)
28	103859	1	BOLT, Hex head (1/4"-20 x 1.5", Grade 5)
29	106370	1	SOLENOID
30	137915	1	NUT, Coupling (1/4"-28 x 1.25")
31	106368	2	NUT, Hex head jam (1/4"-28, Grade B)
32	137918	1	ROD, Threaded (1/4"-28 x 2.25")
33	(Ref.)	-	RADIATOR KIT (Kubota DF972/D902) (For components, refer to Section 4.11)
34	102984	46"	LINE, Fuel (5/16")
35	139321	1	SOLENOID, Fuel shutdown
36	104608	2	BOLT, Hex head (M6 - 1 x 16mm, Grade 5)
37	139252	1	CABLE, Welding (#6GA)
38	933832	1	WASHER, Flat - M8 x 16 O.D.
39	216001	2	BOLT, Hex Head - M10 x 1.25 x 30MM Gr. 8.8

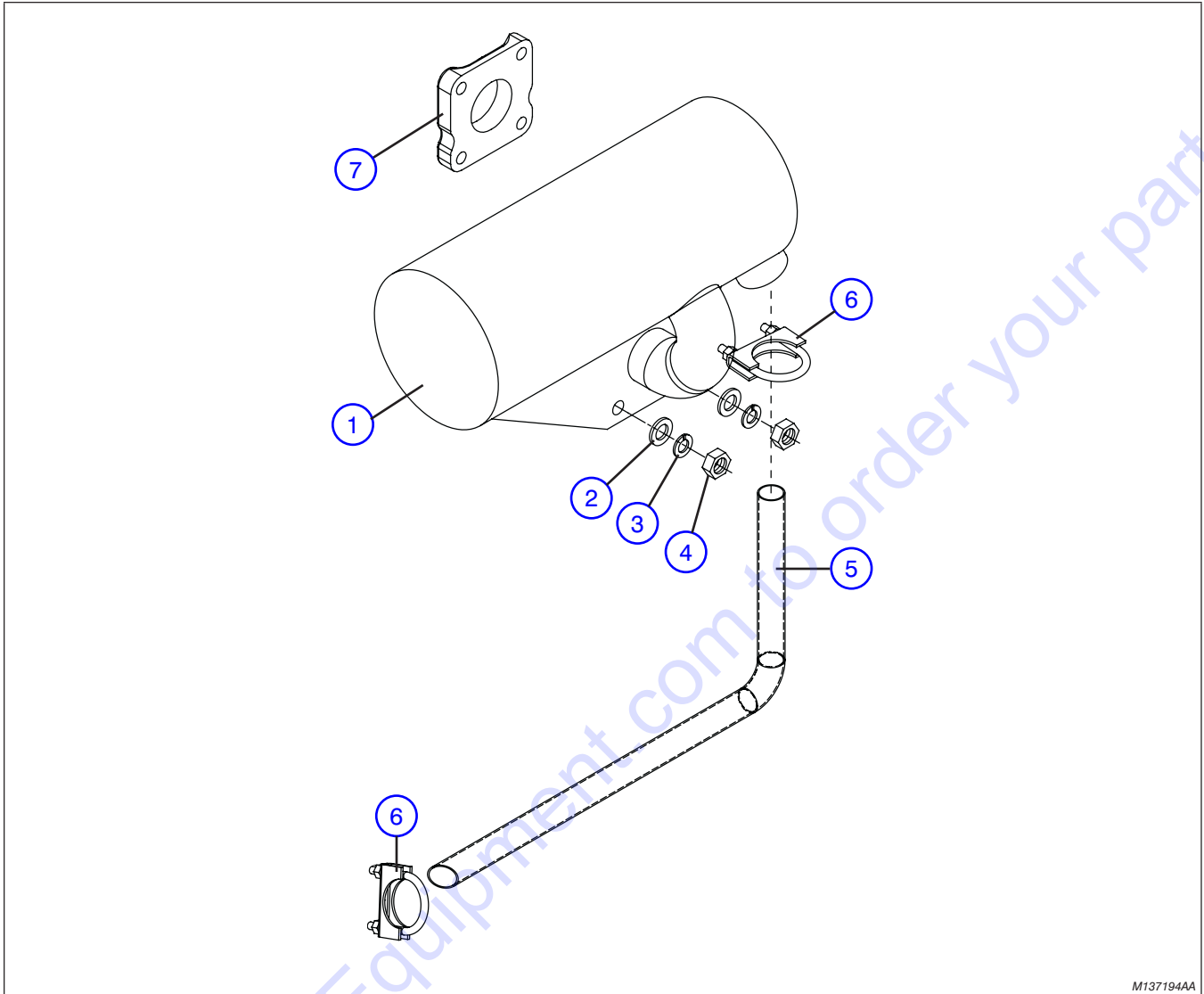
4.6 Air Cleaner Assembly Kit (Kubota D902)



M137891AA

Index No.	Skyjack Part No.	Qty.	Description
			NOTE: Part numbers followed by "DG" indicate dark grey painted parts.
-	137654	1	AIR CLEANER ASSEMBLY KIT (Kubota D902)
1	104528	1	• CLAMP, Gear (#28)
2	137893	1	• HOSE, Inlet
3	133222	1	• CLAMP, Gear (#32)
4	136144	1	• AIR CLEANER ASSEMBLY
5	137924	1	• • FILTER ELEMENT
6	136148	1	• BRACKET, Air cleaner band
	136667	2	• • BOLT, Hex head (M8-1.25 x 30mm)
	127940	2	• • WASHER, Flat (M8 - ZN)
	121059	2	• • NUT, Hex (M8-1.25)
7	137895	2	• BOLT, Hex head (M8-1.25 x 35mm, Grade 8.8, ZP)
8	116218	2	• WASHER, Lock (M8)
9	137120DG	1	• BRACKET, Air cleaner

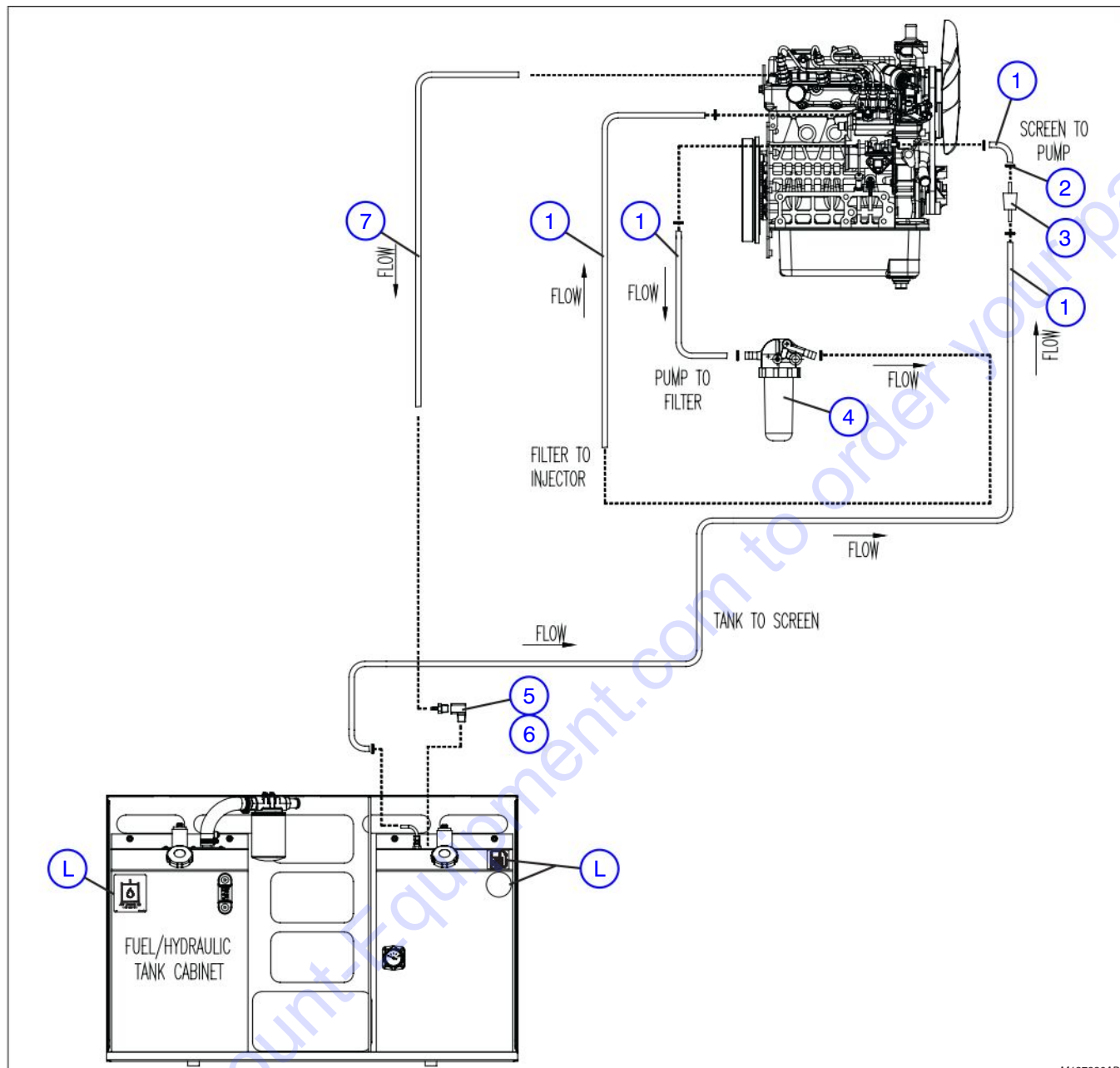
4.7 Exhaust Assembly (Kubota D902)



M137194AA

Index No.	Skyjack Part No.	Qty.	Description
1	136039	1	MUFFLER, Horizontal
	139447	1	MUFFLER, Diesel purifier (Kubota D902) (Diesel scrubber option)
2	127940	2	WASHER, Flat (8mm)
3	116218	4	WASHER, Lock (M8)
4	121059	2	NUT, Hex Head (M8-1.25)
5	137642	1	TUBE, Exhaust (Kubota D902)
6	136969	2	CLAMP, Exhaust (1-1/4")
7	137844	1	GASKET, Exhaust (Kubota D902)

4.8 Fuel Line Connections (Kubota D902)

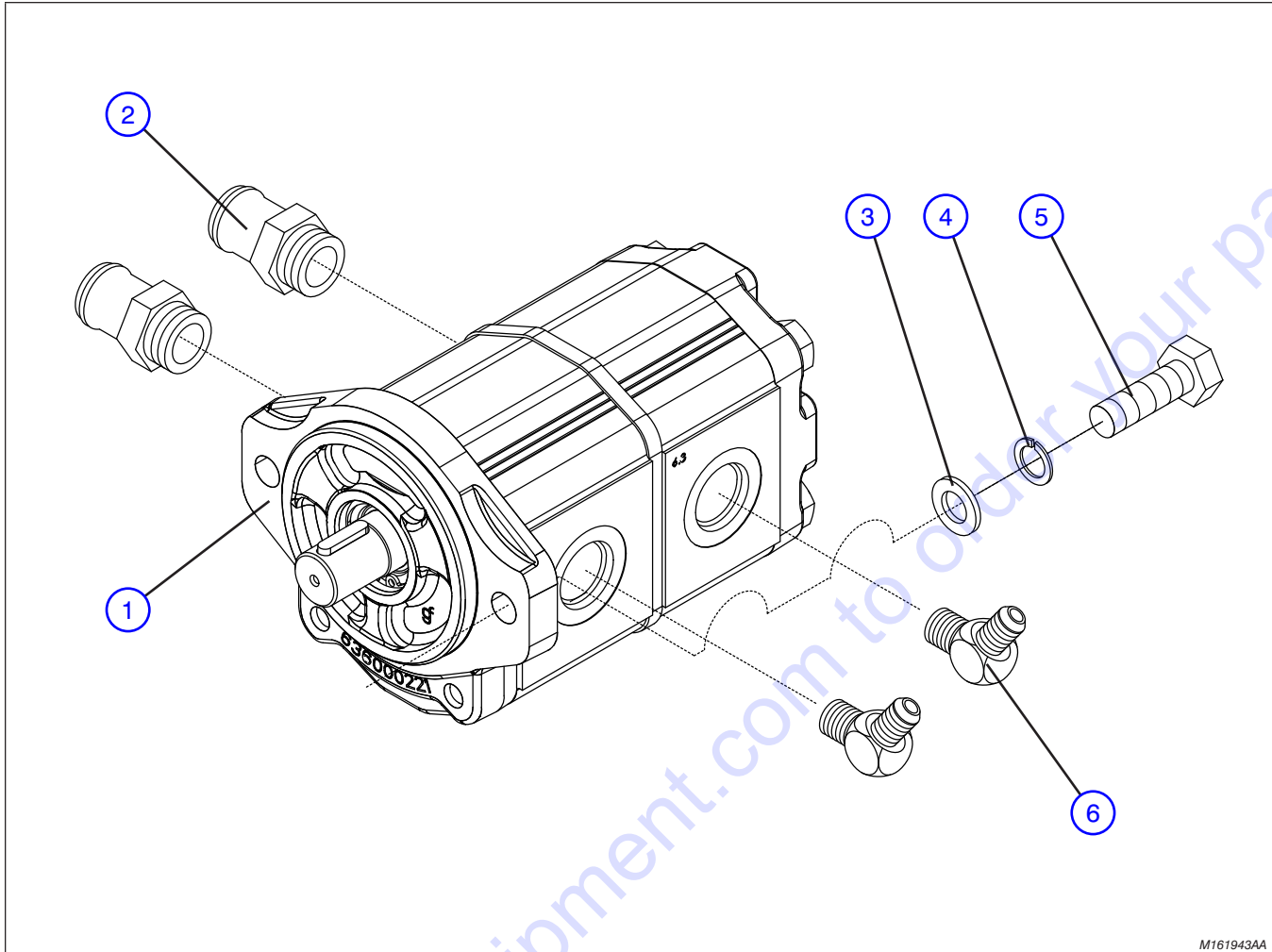


M137880AD

Index No.	Skyjack Part No.	Qty.	Description
1	142405	144"	LINE, Fuel (5/16")
2	103321	8	CLAMP, Gear (#4)
3	139254	1	FILTER, Pre-fuel
4	(Ref.)	-	FUEL FILTER ASSEMBLY (For components, refer to Section 3.19)
5	103164	1	FITTING, Elbow (Brass, 04 NPTF - 04 NPTM)
6	103176	1	FITTING, (1/8" BAR-1/4" NPT, #125-2B)
7	102660	100"	LINE, Fuel (1/8")
L	(Ref.)	-	LABELS (Refer to Section 6)

4.9a Hydraulic Pump Assembly (Kubota DF972 / D902)

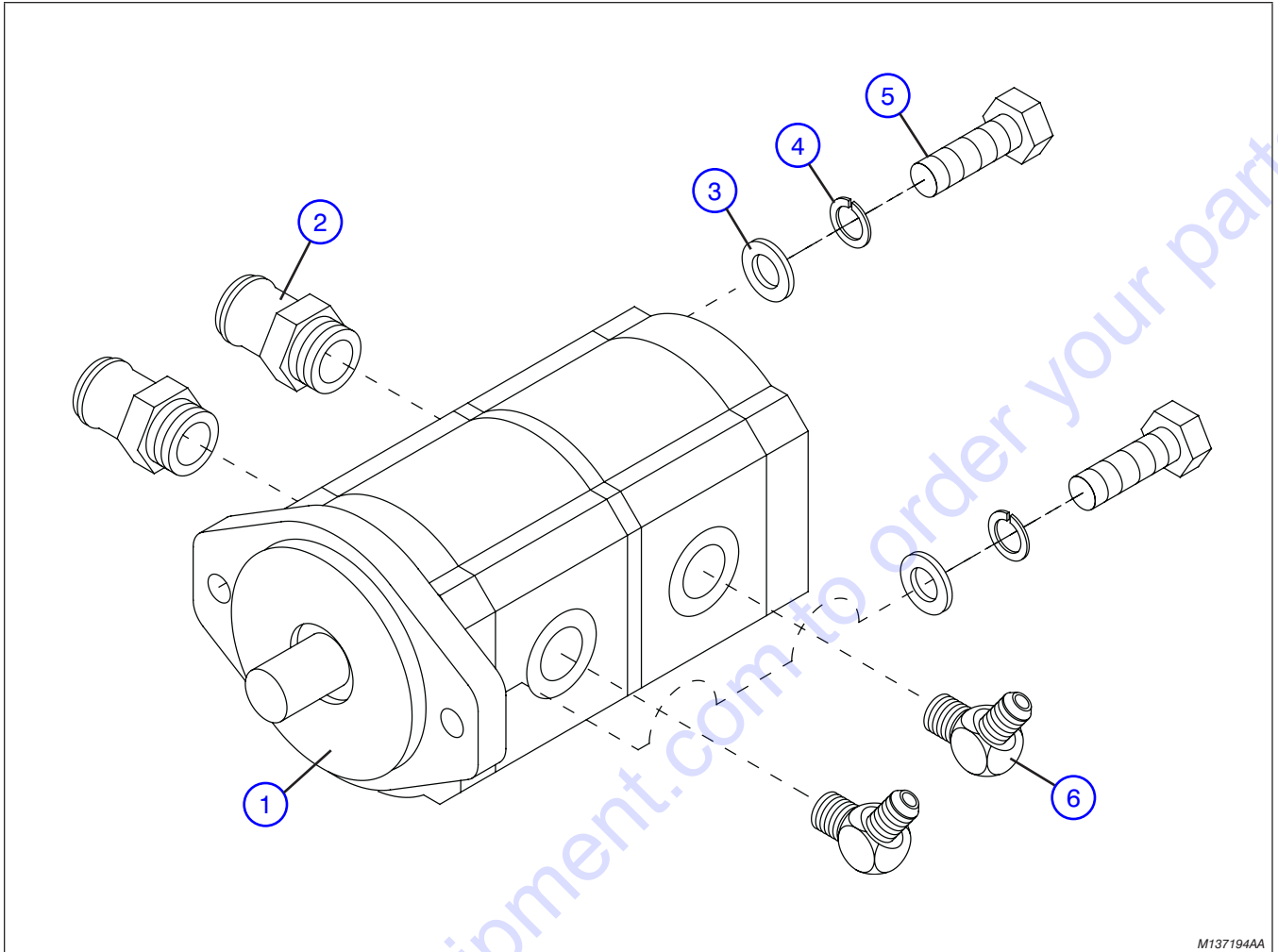
AC



M161943AA

Index No.	Skyjack Part No.	Qty.	Description
(For Model SJ68xx RT with serial number 37 005 576 and above)			
1	161943	1	PUMP, Hydraulic dual (11/6.4cc)
2	114325	2	FITTING, Suction pump
3	103472	2	WASHER, Flat (3/8")
4	103999	2	WASHER, Lock (3/8")
5	101297	2	BOLT, Hex head (3/8"-16 x 1.25", Grade 5)
6	120054	2	FITTING, O-ring (37 45 10-8 SAE)

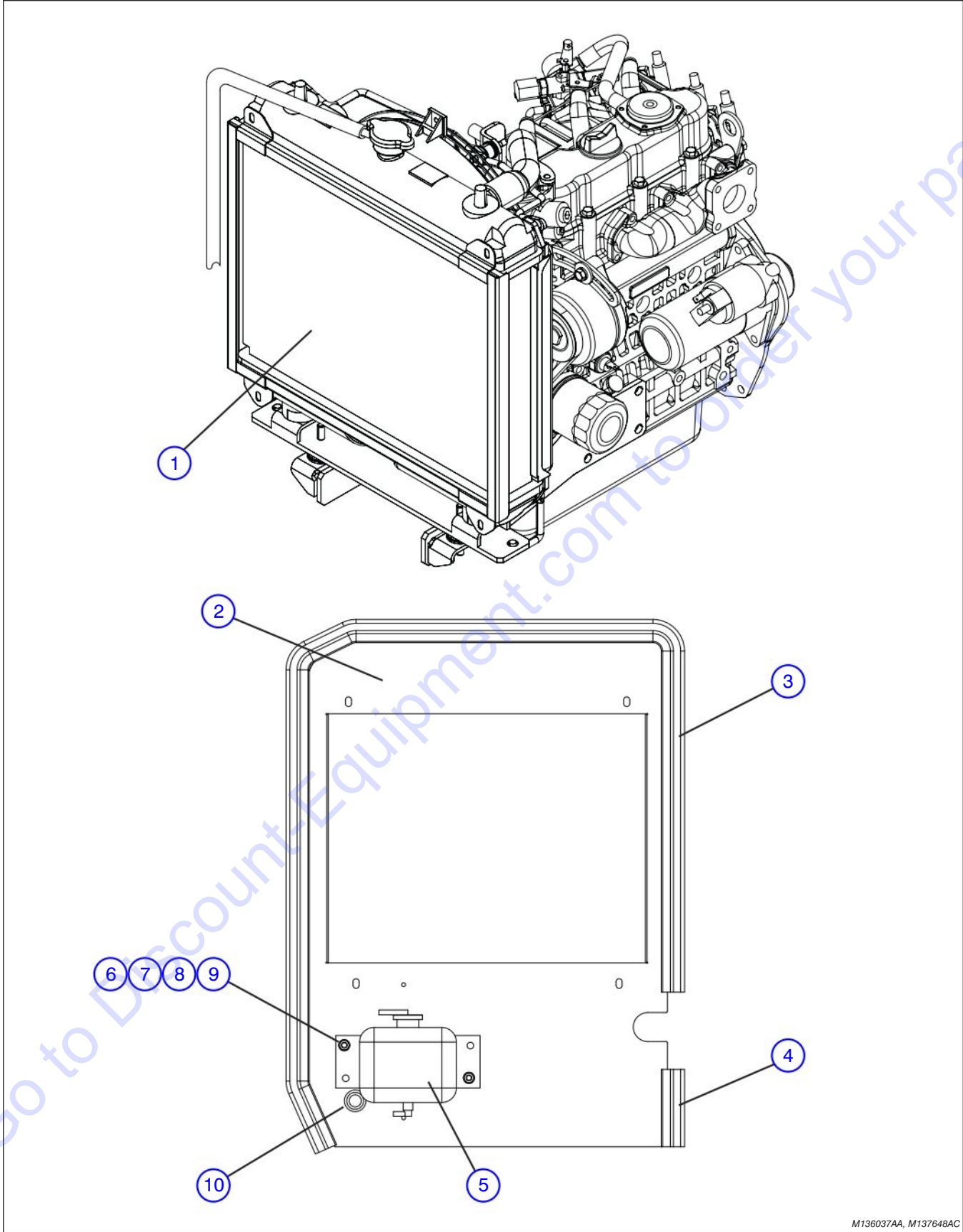
4.9b Hydraulic Pump Assembly (Kubota DF972 / D902)



M137194AA

Index No.	Skyjack Part No.	Qty.	Description
(For Model SJ68xx RT with serial number 37 005 575 and below)			
1	114201	1	PUMP, Dual hydraulic (0.671/ 0.366)
2	114325	2	FITTING, Suction pump
3	103472	2	WASHER, Flat (3/8")
4	103999	2	WASHER, Lock (3/8")
5	101297	2	BOLT, Hex head (3/8"-16 x 1.25", Grade 5)
6	120054	2	FITTING, (SAE O-ring 37°, 45° 10-8)

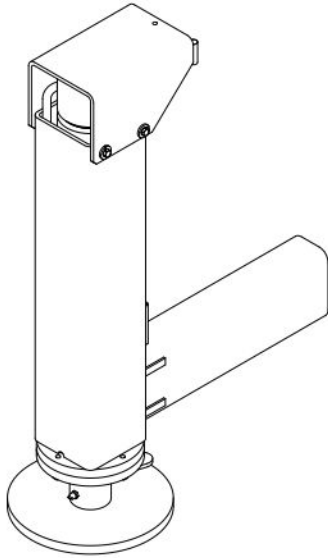
4.10 Radiator Kit (Kubota DF972 / D902)



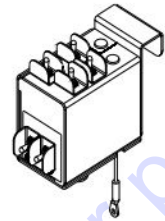
M136037AA, M137648AC

4.10 Radiator Kit (Kubota DF972 / D902)

Index No.	Skyjack Part No.	Qty.	Description
			NOTE: Part Numbers followed by a "DG" indicate dark grey painted parts.
1	136037	1	RADIATOR, Kubota DF972/D902
	136123	1	• ASSEMBLY, Radiator
	136124	1	• LABEL, Caution
	136125	1	• LABEL, Caution
	136126	1	• HOSE, Lower water
	136127	1	• HOSE, Upper water
	103320	4	• CLAMP, Gear (#16)
	133223	4	• BOLT, Hex head (M16 x 1 x 20mm)
	136130	2	• CUSHION
	136131	1	• SUPPORT 1, Radiator
	136132	1	• SUPPORT 2, Radiator
	136133	1	• BRACKET, Radiator stay
	136134	2	• BRACKET, Radiator stay sub
	136135	4	• BOLT, Hex head (M8-1.25 x 18mm, Grade 8.8, ZP)
	136136	2	• CUSHION
	121059	4	• NUT, Hex (M8-1.25)
	116218	10	• WASHER, Lock (M8)
	136139	1	• BRACKET 2, Radiator
	136667	2	• BOLT, Hex head (M8-1.25 x 30mm, Grade 8.8, ZP)
	136141	1	• CUSHION
	800354	2	• NUT, Hex (M6)
	121758	AR	• WASHER, Lock (M6)
	136183	1	• SUPPORT IN, Radiator
	136184	4	• COLLAR
	136185	2	• BOLT, Hex head (M6-1 x 30mm, Grade 8.8, ZP)
	136186	1	• SUPPORT EX, Radiator
	104608	2	• BOLT, Hex head (M6 - 1 x 16mm, Grade 5)
	136188	1	• COVER, Fan
	133219	2	• WASHER, Flat (M6)
	136190	2	• STOPPER, Radiator
	139777	4	• SPACER, (6mm length x 6.2mm ID)
-	137648DG	1	ASSEMBLY, Radiator plate
2	137481DG	1	• PLATE, Radiator
3	137643	1	• TRIM, Rubber long
4	137647	1	• TRIM, Rubber short
5	147142	1	• RESERVOIR, Coolant
6	103887	2	• BOLT, Hex head (5/16"-18 x 3/4", Grade 5)
7	103996	2	• WASHER, Flat (5/16")
8	100397	2	• NUT, Hex head (5/16"-18, Grade 5)
9	103404	2	• WASHER, Lock (5/16")
10	103014	1	• GROMMET



5.1 Outrigger/Generator Control Box



5.2 Outrigger Electrical Harness

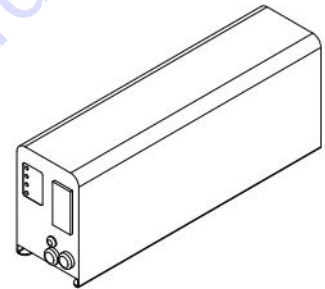
5.3 Front and Rear Outrigger Assemblies

5.4 Outrigger Assembly

5.5 Outrigger Cylinder

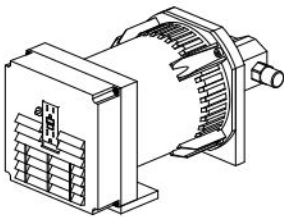
5.6 Outrigger Hydraulic Hose Connections

5.7 Outrigger Manifold



5.8 800W Inverter

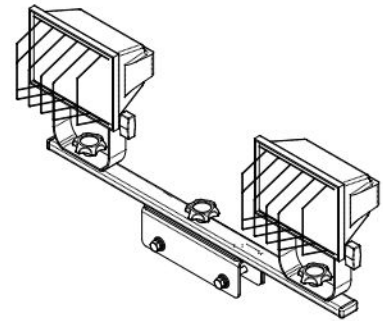
5.9 Hydraulic Generator



5.10 Generator Hydraulic Hose Connections

5.11 Generator Relay

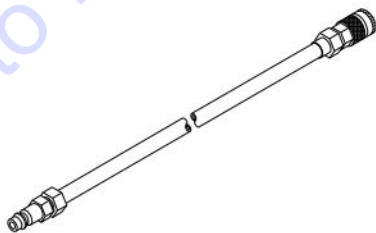
5.12 Air Hose to Platform



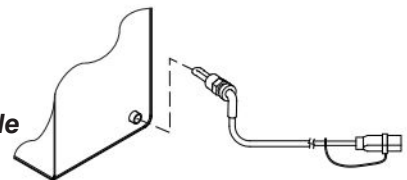
5.13 Work Light

5.14 Cold Weather Start

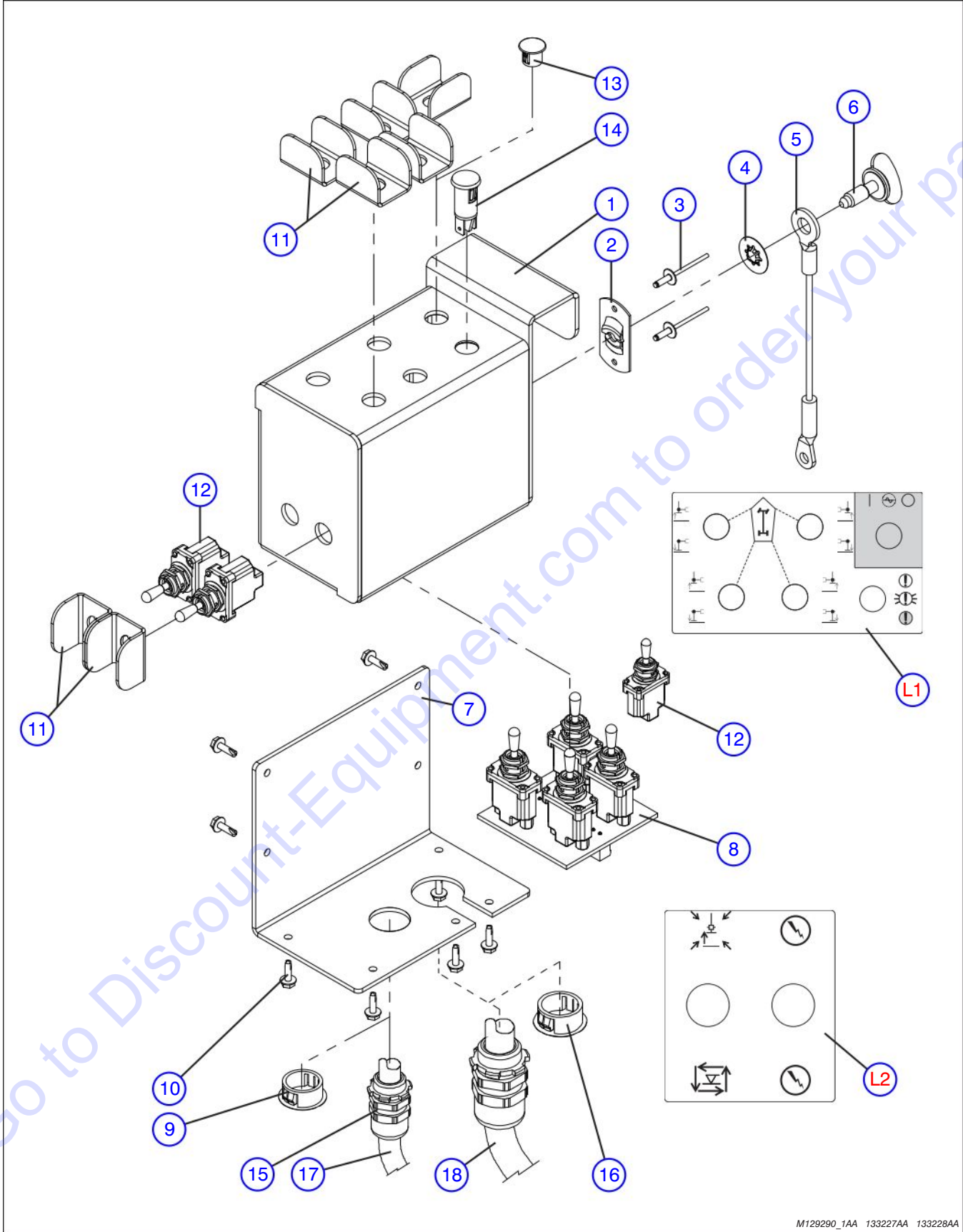
5.15 Elevate Telematics



5.16 Secondary Guarding Lift Enable



5.1 Outrigger/Generator Control Box Assembly

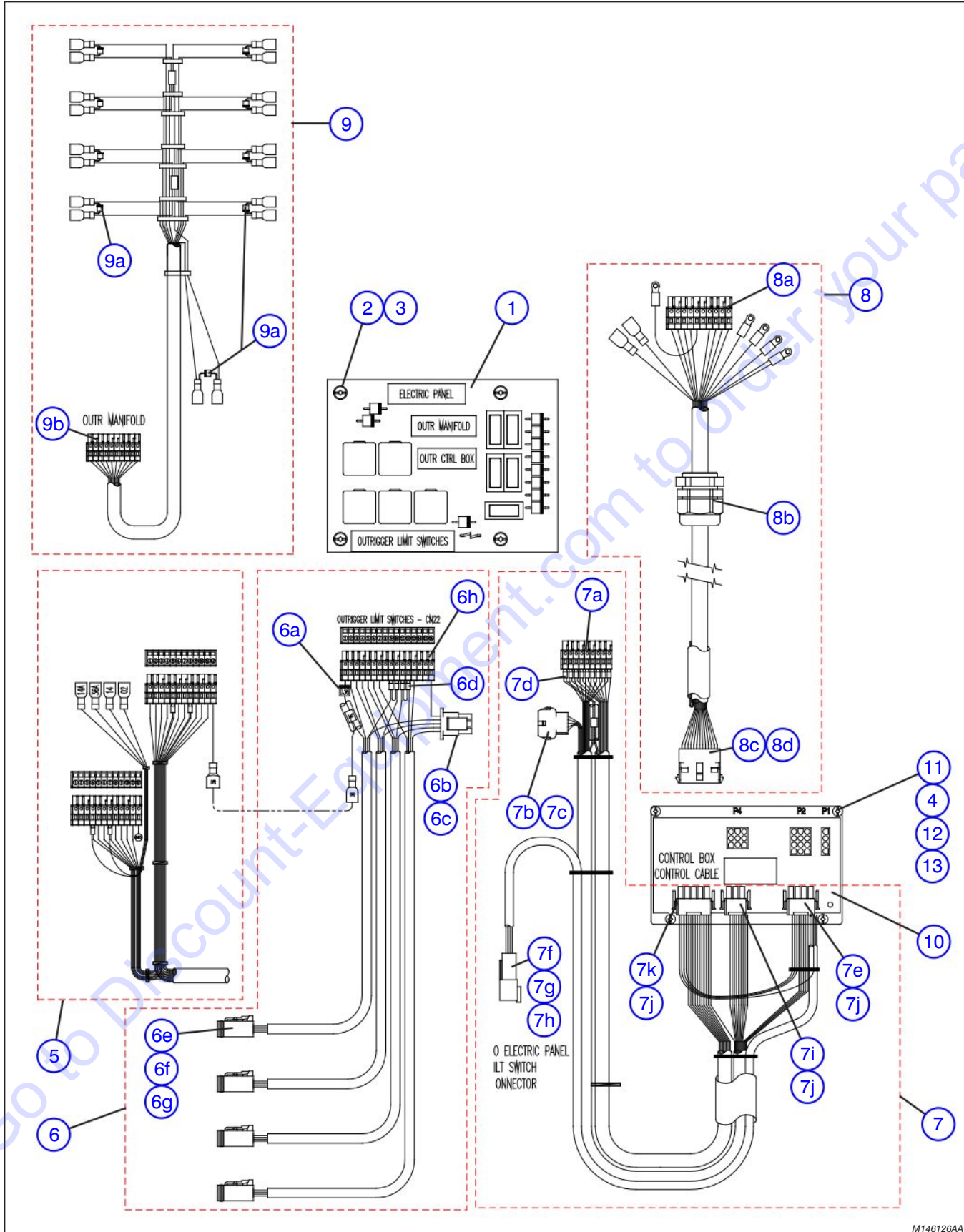


M129290_1AA 133227AA 133228AA

5.1 Outrigger/Generator Control Box Assembly

Index No.	Skyjack Part No.	Qty.	Description
A	129300	1	CONTROL BOX ASSEMBLY, OUTRIGGERS
B	132802	1	CONTROL BOX ASSEMBLY, GENERATOR
C	129301	1	CONTROL BOX ASSEMBLY, OUTRIGGERS & GENERATOR
1	132811	1	• WELDMENT, Control box
2	120269	1	• RECEPTACLE, Screw captive
3	119945	2	• RIVET, Large aluminum pop
4	120270	1	• RETAINER, Screw captive
5	120277	1	• LANYARD, Nylon coated (6")
6	120268	1	• SCREW, Captive wing head
7	129289	1	• WELDMENT, Bottom Cover
8	121664	1	• BOARD, Outrigger control, A, C
	102853	4	• • SWITCH, Toggle
9	102956	1	• PLUG, Snap-in hole (7/8"), A
10	112327	9	• SCREW, Hex head, self tapping (#8-18 x 1/2")
11	111181	6	• GUARD, Toggle Switch
12	102853	2	• SWITCH, Toggle, A
		1	• SWITCH, Toggle, B
		3	• SWITCH, Toggle, C
13	114377	1	• PLUG, Snap-in hole (1/2"), A
		7	• PLUG, Snap-in hole (1/2"), B
14	133133	1	• LIGHT, Indicator 12V amber, A, C
15	103036	1	• CONNECTOR, Strain Relief (1/2"), B, C
16	131938	1	• PLUG, Snapin Hole (1.125"), B
L1	133227	-	• LABEL, Outrigger and hydraulic generator
L2	133228	-	• LABEL, Auto level outrigger
17	143536	1	CABLE ASSEMBLY (Hydraulic Generator) (Model 6826RT), B, C
	143533	1	CABLE ASSEMBLY (Hydraulic Generator) (Model 6832RT), B, C
18	(Ref.)	-	CABLE ASSEMBLY (Outrigger control), A, C (For components, refer to Section 5.2)

5.2 Electrical Harness Connections - Outriggers



M146126AA

5.2 Electrical Harness Connections - Outriggers

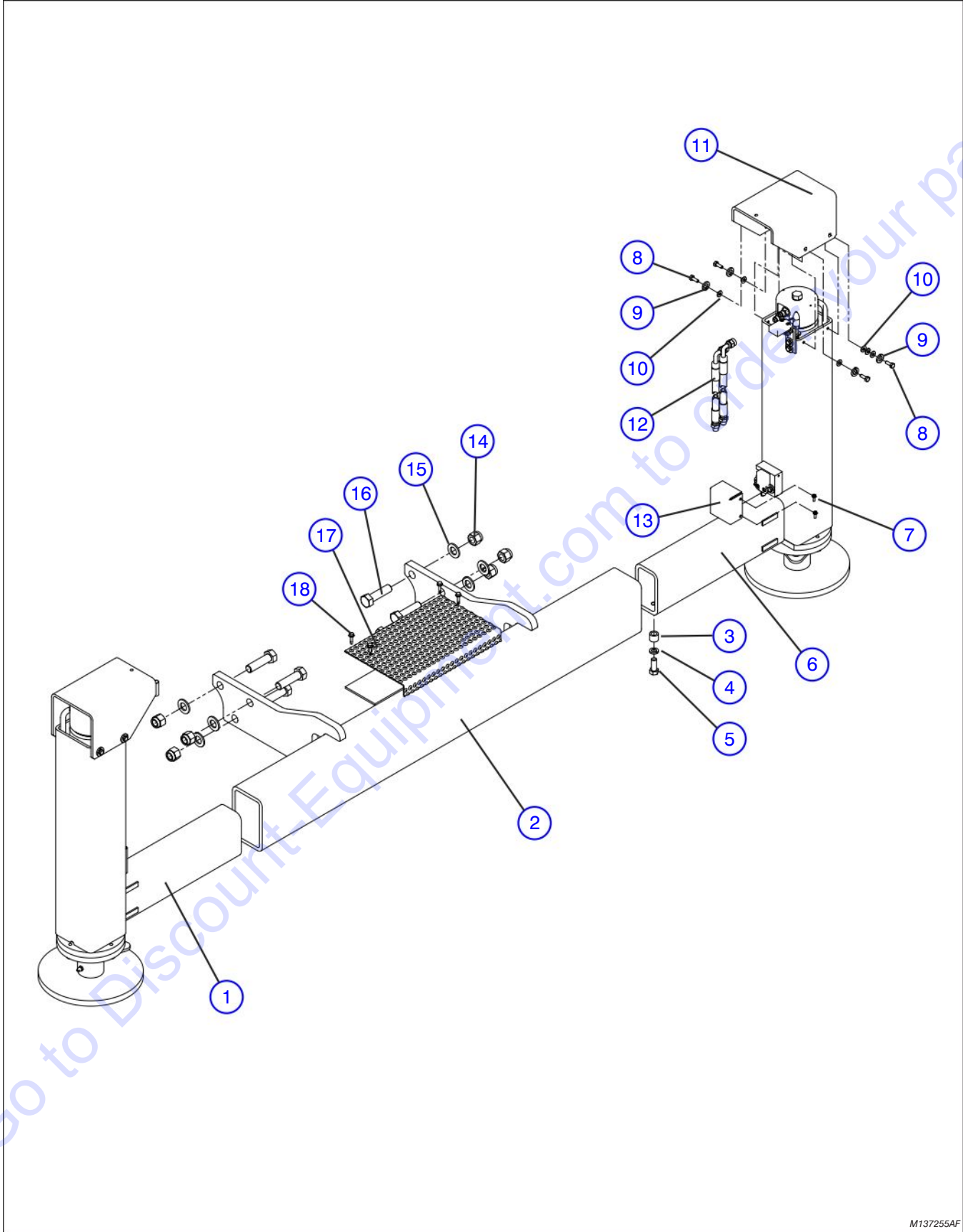
Index No.	Skyjack Part No.	Qty.	Description
1	152137	1	PC BOARD, Outrigger Option 12 V
	127131	5	• RELAY, 12V (40 Amp)
	127132	5	• SWITCH (3 position)
	120658	1	• FUSE (10 Amp)
	102921	11	• DIODE
2	103856	4	BOLT, Machine (1/4"-20 x 3/4")
3	104000	4	WASHER, Lock (1/4")
4	104185	5	WASHER, Lock (#10)
5	146112	1	HARNESS, Outrigger & hydraulic generator (ANSI/CSA)
	119904	2	• PLUG, PC board connector (2 pin)
	139462	5	• FERRULE (16 GA)
6	146114	1	HARNESS, Outrigger auto-level limit switch
6a	102921	1	• DIODE
6b	130445	1	• HOUSING, Male plug (6 pin)
6c	116990	5	• PIN, Female wire
6d	139462	4	• FERRULE (16 GA)
6e	117579	4	• PLUG, Connector (4 pin)
6f	117581	4	• PLUG, Connector wedge (4 pin)
6g	117591	16	• SOCKET, Connector contact (16-18)
6h	119908	1	• PLUG, PC board connector (16 pin)
7	137990	1	HARNESS, Outrigger Auto-Level Control Module
7a	119901	1	• PLUG, PC Board connector (9 pin)
7b	132799	1	• HOUSING, Female plug (6 pin)
7c	116989	5	• PIN, Male wire
7d	139462	9	• FERRULE (16 GA)
7e	130449	1	• HOUSING, Male plug (12 pin)
7f	117578	1	• RECEPTACLE, Connector (4 pin)
7g	117580	1	• RECEPTACLE, Connector wedge (4 pin)
7h	117590	4	• CONTACT, Connector pin (16-18)
7i	116993	1	• HOUSING, Male plug (9 pin)
7j	116990	36	• PIN, Female wire
7k	116994	1	• HOUSING, Male plug (15 pin)
8	137552	1	HARNESS, Outrigger Control Cable (Model 6826RT)
	134032	1	HARNESS, Outrigger Control Cable (Model 6832RT)
8a	119902	1	• PLUG, PC Board connector (10 pin)
8b	300788	1	• CONNECTOR, Strain relief
8c	132800	1	• HOUSING, Male plug (15 pin)
8d	116989	15	• PIN, Male wire
Part list continued on the following page.			

5.2 Electrical Harness Connections - Outriggers (Continued)

Index No.	Skyjack Part No.	Qty.	Description
Part list continued from the previous page.			
9	137991	1	HARNES, Outrigger Manifold
9a	102921	9	• DIODE
9b	119902	1	• PLUG, PC Board connector (10 pin)
10	132804	1	MODULE, Outrigger auto-levelling controller
11	105621	4	BOLT, Machine (#10-32 x 1")
12	104694	5	WASHER, Flat (#10)
13	104003	5	NUT, Hex (#10-32)

Go to Discount-Equipment.com to order your parts

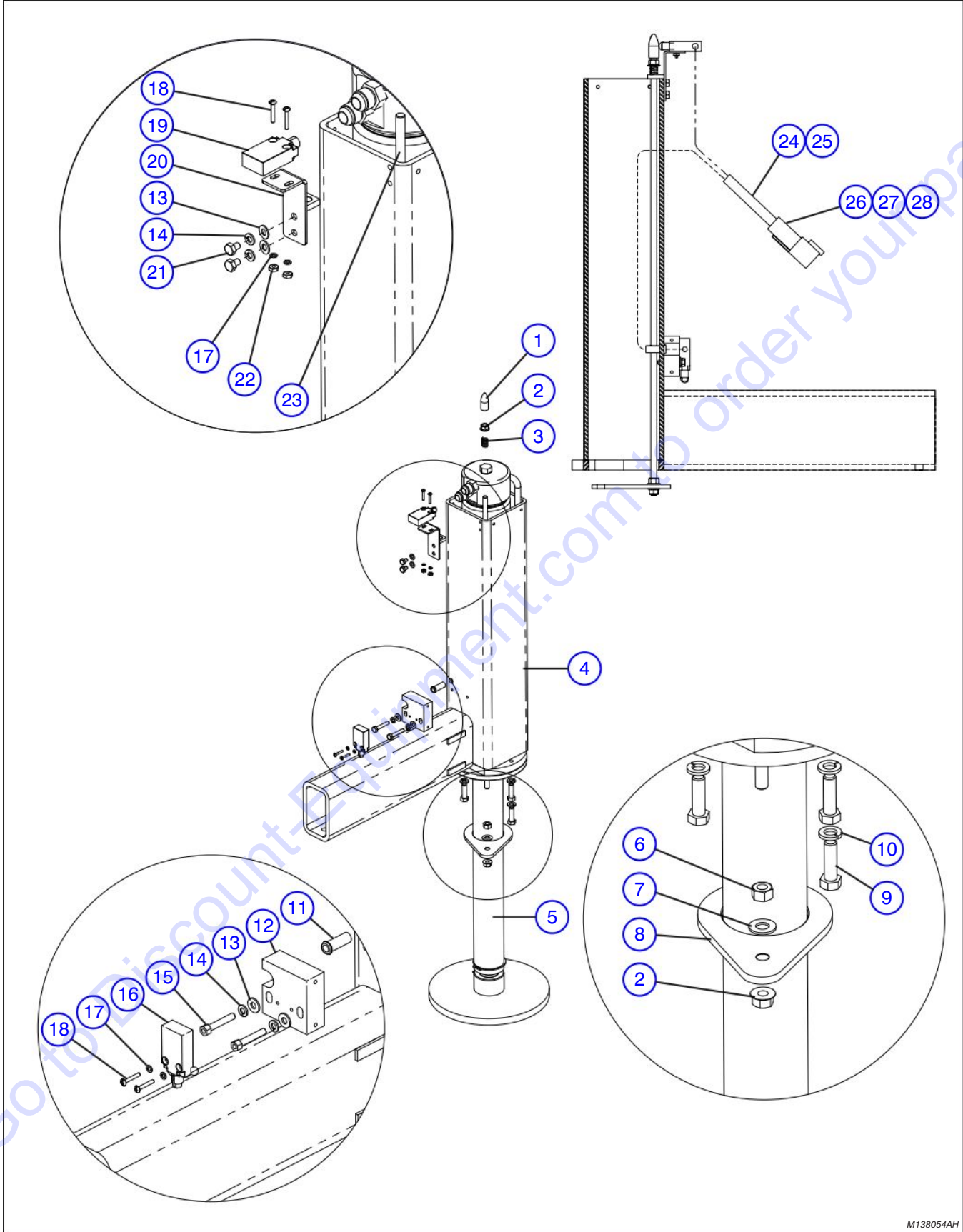
5.3 Front and Rear Outrigger Assembly



M137255AF

Index No.	Skyjack Part No.	Qty.	Description
			NOTE: Part Numbers followed by a "DG" indicate dark grey painted parts.
1	(Ref.)	-	OUTRIGGER ASSEMBLY (Right hand) (For components, refer to Section 5.4)
2	154940DG	1	OUTRIGGER WELDMENT, Rear
	137966DG	1	OUTRIGGER WELDMENT, Front
3	118387	2	SPACER, Outrigger
4	103470	2	WASHER, Lock (1/2", Grade 5)
5	103906	2	BOLT, Hex head (1/2"- 13 x 1.75", Grade 5)
6	(Ref.)	-	ASSEMBLY, Outrigger (Left hand) (For components, refer to Section 5.4)
7	116193	4	SCREW, Hex washer head (#10-32 x 1/2")
8	103856	8	BOLT, Hex head (1/4"-20 x 3/4", Grade 5)
9	104000	8	WASHER, Lock (1/4")
10	103995	12	WASHER, Flat (1/4")
11	102355	2	PLATE, Outrigger hose cover
12	127422	4	HOSE, Hydraulic line
13	116826	2	COVER, Limit switch
14	700575	6	NUT, Lock, top loc (3/4"-10, Grade C)
15	702194	6	WASHER, Flat (3/4") - Hard
16	170295	6	BOLT, Hex head (3/4"-10 x 2.75", Grade 8)
17	154934	1	STEP, Formed (Rear outriggers)
18	112329	4	SCREW, Hex head self-tapping (1/4"-14 x 1") (Rear outriggers)
			Note: Quantities are as per front or rear outrigger assembly

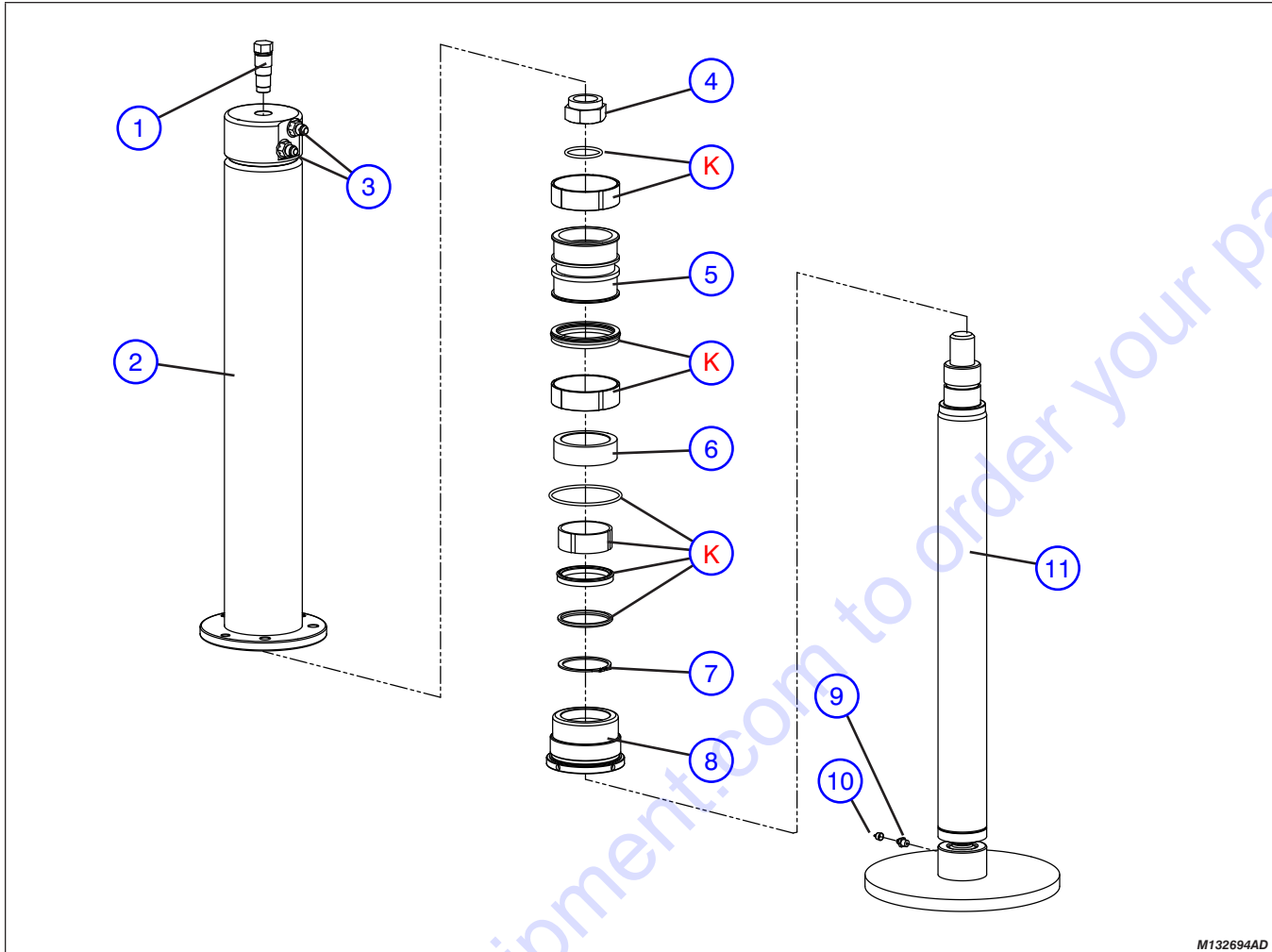
5.4 Outrigger Assembly



M138054AH

Index No.	Skyjack Part No.	Qty.	Description
A	138054	2	OUTRIGGER ASSEMBLY (FL/RR)
B	138055	2	OUTRIGGER ASSEMBLY (FR/RL)
1	124972	1	• NUT CAP, (3/8"- 16 UNC)
2	112601	1	• NUT, Hex flange lock (3/8"- 16)
3	124356	1	• SPRING, Compression (1/2" outer diameter x 1.75")
4	124196	1	• ENCLOSURE, Outrigger (FL/RR), A
	124200	1	• ENCLOSURE, Outrigger (FR/RL), B
5	(Ref.)	1	• ASSEMBLY, Outrigger cylinder (For components, refer to 5.5 Outrigger Cylinder Assembly)
6	103978	2	• NUT, Hex head (3/8"-16, Gr. 5)
7	103472	1	• WASHER, Flat (3/8")
8	124338	1	• CLIP, Plastic
9	101297	3	• BOLT, Hex head (3/8"-16 x 1.25", Gr. 5)
10	103999	3	• WASHER, Lock (3/8")
11	118478	1	• BUSHING, PVC (5/16" inner diameter x 1.25")
12	116827	1	• MOUNT, Bar flat limit switch
13	103995	4	• WASHER, Flat (1/4")
14	104000	4	• WASHER, Lock (1/4")
15	213350	2	• SCREW, Socket Head (1/4"-20 x 1.5", Gr. 5)
16	207008	1	• SWITCH, Limit, assembly with cable (80")
17	112249	4	• WASHER, Lock (#8)
18	126499	4	• SCREW, Round head machine (#8-32 x 7/8")
19	207009	1	• SWITCH, Limit, assembly with cable (60")
20	124335	1	• BRACKET, Outrigger Upper switch
21	103855	2	• BOLT, Hex head (1/4"-20 x 1/2")
22	103986	2	• NUT, Hex head (#8-32)
23	127003	1	• ROD, Outrigger actuator
24	103091	58"	• PROTECTOR, Wire (5/8" diameter)
25	113584	4"	• HEATSHRINK, 1/2" (Black)
26	117580	1	• CONNECTOR, Receptacle wedge (4 pin)
27	117590	4	• CONNECTOR, Pin contact (16-18)
28	117578	1	• CONNECTOR, Receptacle (4 pin)

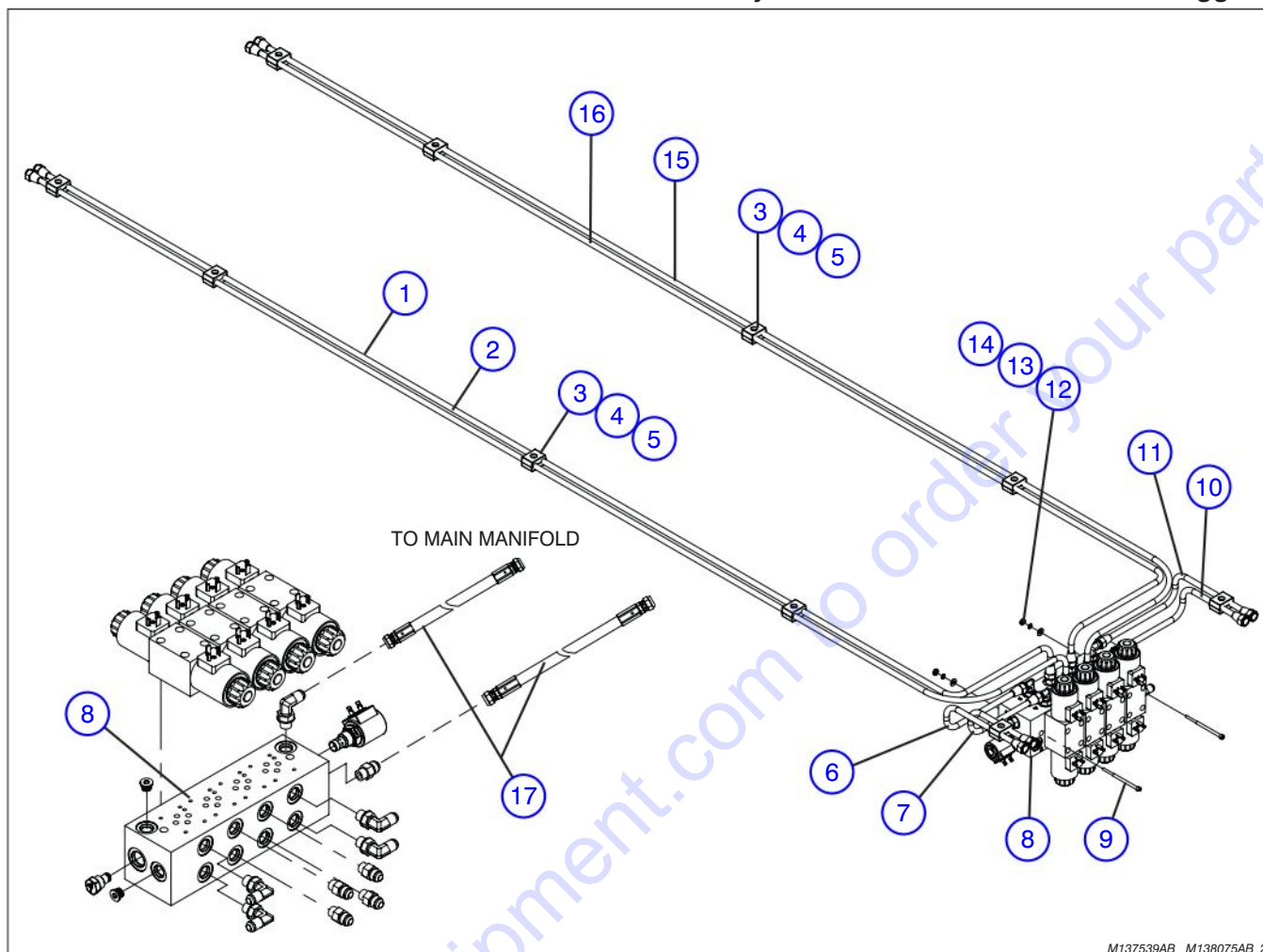
5.5 Outrigger Cylinder Assembly



M132694AD

Index No.	Skyjack Part No.	Qty.	Description
-	132694	-	OUTRIGGER CYLINDER ASSEMBLY
1	104115	1	• VALVE, Pilot check (not part of cylinder)
2	152132	1	• WELDMENT, Cylinder barrel
3	103069	2	• FITTING, O-ring
4	106230	1	• NUT, Lock (1.25"-12, Grade 8)
5	120640	1	• PISTON
6	132690	1	• SPACER, Cylinder tube
7	126279	1	• RING, Retaining (2.5")
8	120387	1	• GLAND, Front head
9	102027	1	• FITTING, Grease (1/8P)
10	132565	1	• CAP, Rubber grease
11	126999	1	• OUTRIGGER CYLINDER ROD ASSEMBLY
K	160636	1	KIT, Seal repair

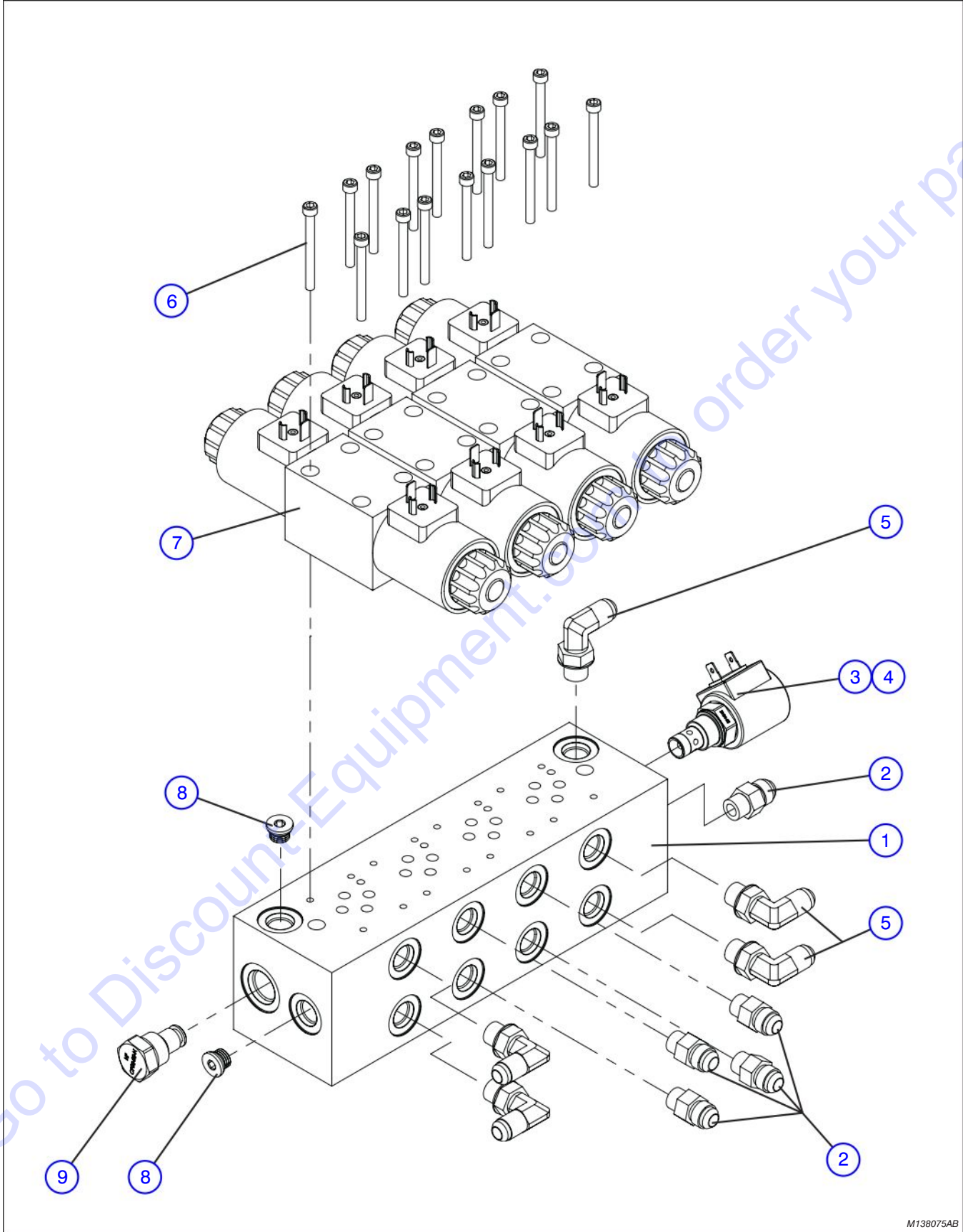
5.6 Hydraulic Hose Connections - Outriggers



M137539AB M138075AB_2

Index No.	Skyjack Part No.	Qty.	Description
1	137536	1	TUBE ASSEMBLY, Hydraulic outrigger (Front left inner)
2	137538	1	TUBE ASSEMBLY, Hydraulic outrigger (Front left outer)
3	109127	20	MOUNT, Tube twin insert
4	103995	10	WASHER, Flat (1/4")
5	103980	10	NUT, Hex head (1/4"- 20, Grade 5)
6	137550	1	TUBE ASSEMBLY, Hydraulic outrigger (Rear left outer)
7	137548	1	TUBE ASSEMBLY, Hydraulic outrigger (Rear left inner)
8	(Ref.)	-	OUTRIGGER MANIFOLD ASSEMBLY (For components, refer to Section 5.7)
9	137556	2	SCREW, Socket head cap
10	137544	1	TUBE ASSEMBLY, Hydraulic outrigger (Rear right inner)
11	137546	1	TUBE ASSEMBLY, Hydraulic outrigger (Rear right outer)
12	104694	2	WASHER, Flat (#10)
13	104185	2	WASHER, Lock (#10)
14	103987	2	NUT, Hex head (#10-24)
15	137534	1	TUBE ASSEMBLY, Hydraulic outrigger (Front right outer)
16	137532	1	TUBE ASSEMBLY, Hydraulic outrigger (Front right inner)
17	107275	2	HOSE ASSEMBLY

5.7 Outrigger Manifold Assembly



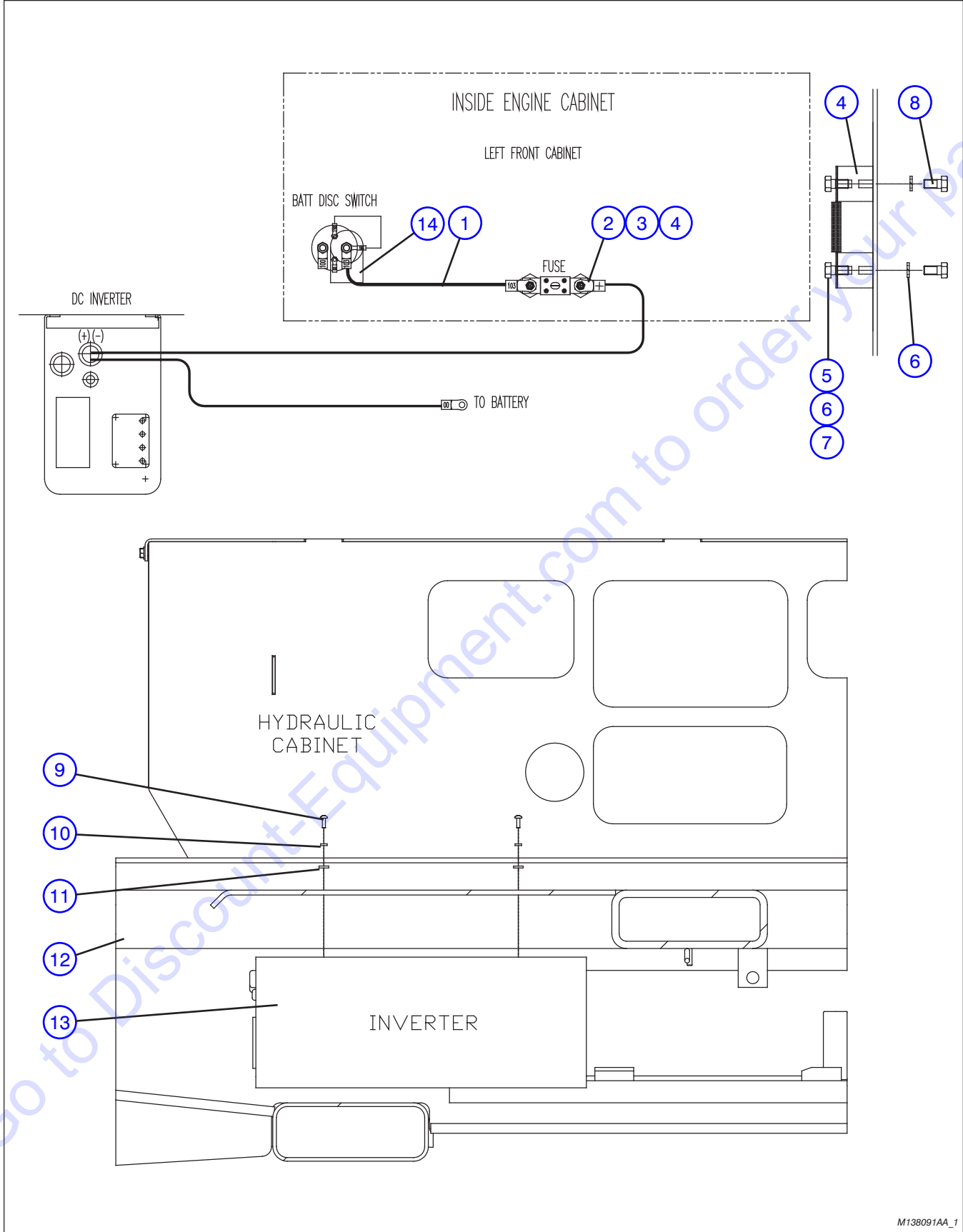
M138075AB

5.7 Outrigger Manifold Assembly

Index No.	Skyjack Part No.	Qty.	Description
-	138075	1	MANIFOLD OUTRIGGER ASSEMBLY
1	111970	1	• MANIFOLD, Outrigger
2	103069	5	• FITTING, Straight (06 JICM - 06 ORBM)
3	103613	1	• COIL, 12V (2 prong)
4	103655	1	• VALVE, Poppet valve
5	114578	5	• FITTING, Elbow 90° (06 JICM - 06 ORBM)
6	103920	16	• BOLT, Socket head cap screw (#10-24 x 2")
7	153336	4	• VALVE ASSEMBLY, Directional spool valve 12V (Hytos)
	153337	2	• • COIL, 12 Volt spool valve
8	104437	2	• PLUG
9	113801	1	• PLUG, Cavity

Go to Discount-Equipment.com to order your parts

5.8 800W Inverter Option

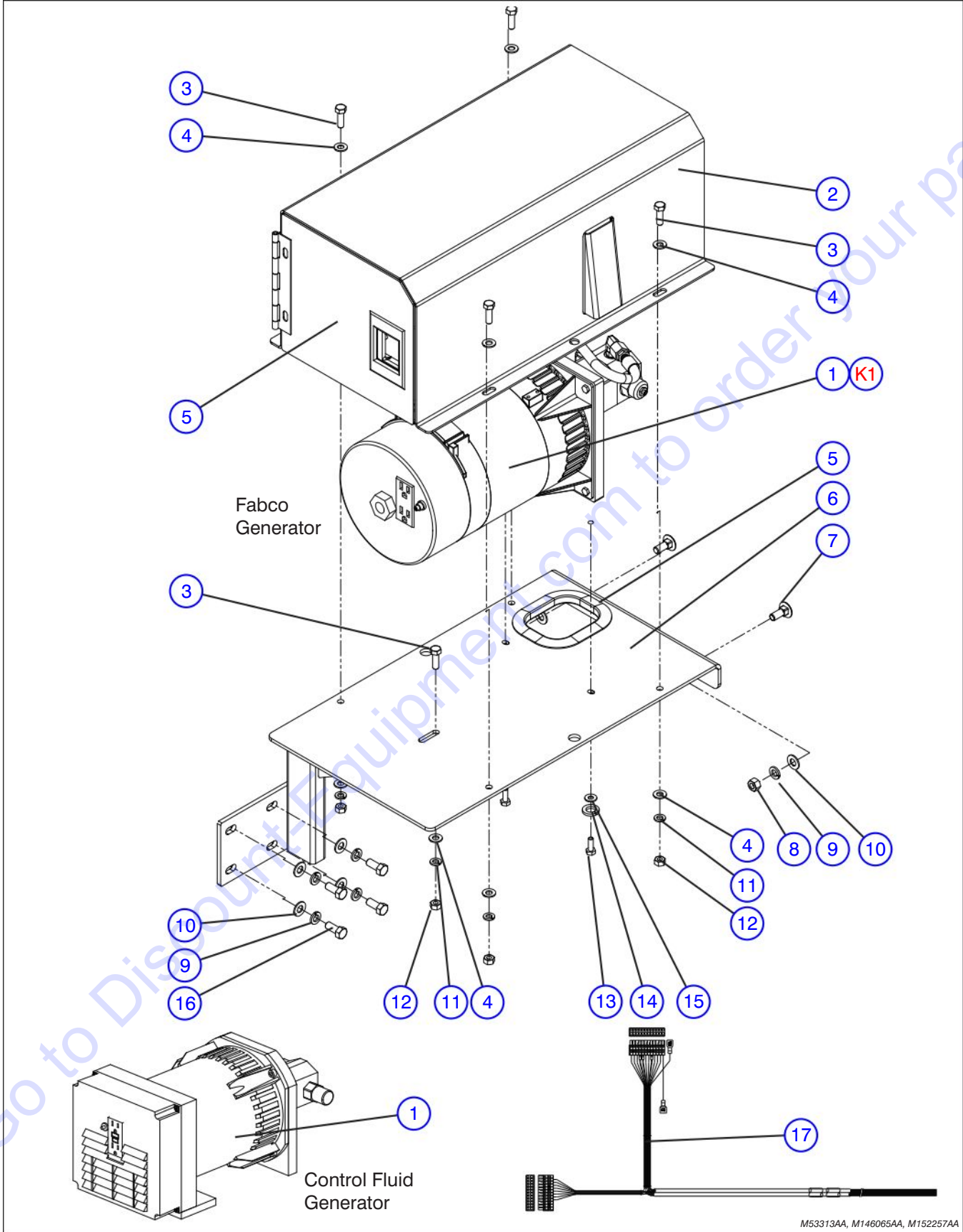


M138091AA_1

5.8 800W Inverter Option

Index No.	Skyjack Part No.	Qty.	Description
-	138085	-	INVERTER ASSEMBLY (12VDC)
1	138093	1	CABLE
2	138094	1	FUSE (125 Amp)
3	119915	1	LABEL, Fuse (Refer to Section 6)
4	103068	2	INSULATOR, Fuse
5	103855	2	BOLT, Hex head (1/4"-20 x 1/2", Grade 5)
6	104000	8	WASHER, Lock (1/4")
7	103995	6	WASHER, Flat (1/4")
8	103892	4	BOLT, Hex head (1/4"-20 x 0.62", Grade 5)
9	103856	4	BOLT, Hex head cap screw (1/4"-20 x 3/4")
10	100400	4	WASHER, Lock (1/4")
11	103995	4	WASHER, Flat (1/4")
12	(Ref.)	-	WELDMENT, Base (For components, refer to Section 3.1)
13	137269	1	INVERTER, 12VDC (110VAC @ 60HZ) (ANSI/CSA)
14	120395	1	BOOT, Battery (Red)

5.9 Hydraulic Generator Option

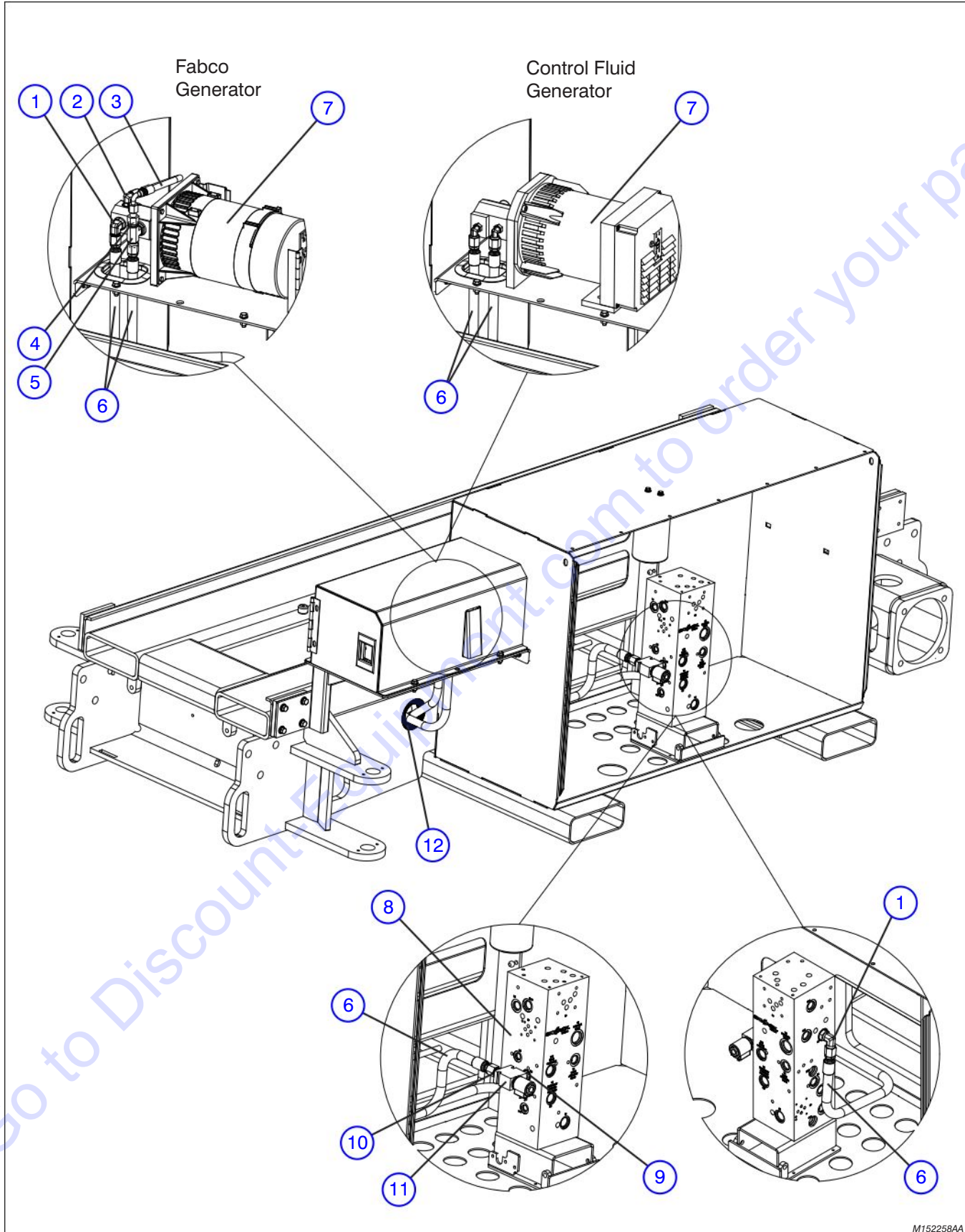


M53313AA, M146065AA, M152257AA

5.9 Hydraulic Generator Option

Index No.	Skyjack Part No.	Qty.	Description
			NOTE: Part Numbers followed by a "DG" indicate dark grey painted parts.
A	-	-	GENERATOR, Hydraulic (2kW/60HZ/115V) Fabco (ANSI/CSA)
B	-	-	GENERATOR, Hydraulic (2kW/60HZ/120V) Control Fluid (ANSI/CSA)
1	141829	1	GENERATOR, 2kW Hydraulic (115V) Fabco, A
	143943	1	• MOTOR, Hydraulic, A
	157646	1	• COMPLETE GENERATOR, A
	157641	1	• • COVER, Rear end, A
	157642	1	• • CARTRIDGE, Flow control, A
	157643	1	• • CIRCUIT BREAKER (16 Amp), A
	157644	1	• • CIRCUIT BREAKER (8 Amp), A
	152257	1	GENERATOR, 2kW Hydraulic (120V) Control Fluid, B
2	142417DG	1	WELDMENT, Generator cover
3	103864	5	BOLT, Hex head (5/16"-18 x 1", Grade 5)
4	103996	9	WASHER, Flat (5/16")
5	143693	2	GUARD, Tray edge
6	142395DG	1	WELDMENT, Generator mount
7	125800	2	BOLT, Carriage (3/8" x 1")
8	103978	2	Nut, Hex head (3/8"-16, Grade 5)
9	103999	6	WASHER, Lock (3/8")
10	103472	6	WASHER, Flat (3/8")
11	103404	5	WASHER, Lock (5/16")
12	100397	5	Nut, Hex head (5/16"-18, Grade 5)
13	103856	2	BOLT, Hex head (1/4"-20 x 3/4", Grade 5)
14	104000	2	WASHER, Lock (1/4")
15	103995	2	WASHER, Flat (1/4")
16	300437	4	BOLT, Hex head (3/8"-16 x 7/8", Grade 5)
17	146112	1	HARNESS, Outrigger & hydraulic generator (For components, refer to Section 5.2)
K1	157645	1	• SEAL KIT, Fabco, A

5.10 Hydraulic Hose Connections - Hydraulic Generator

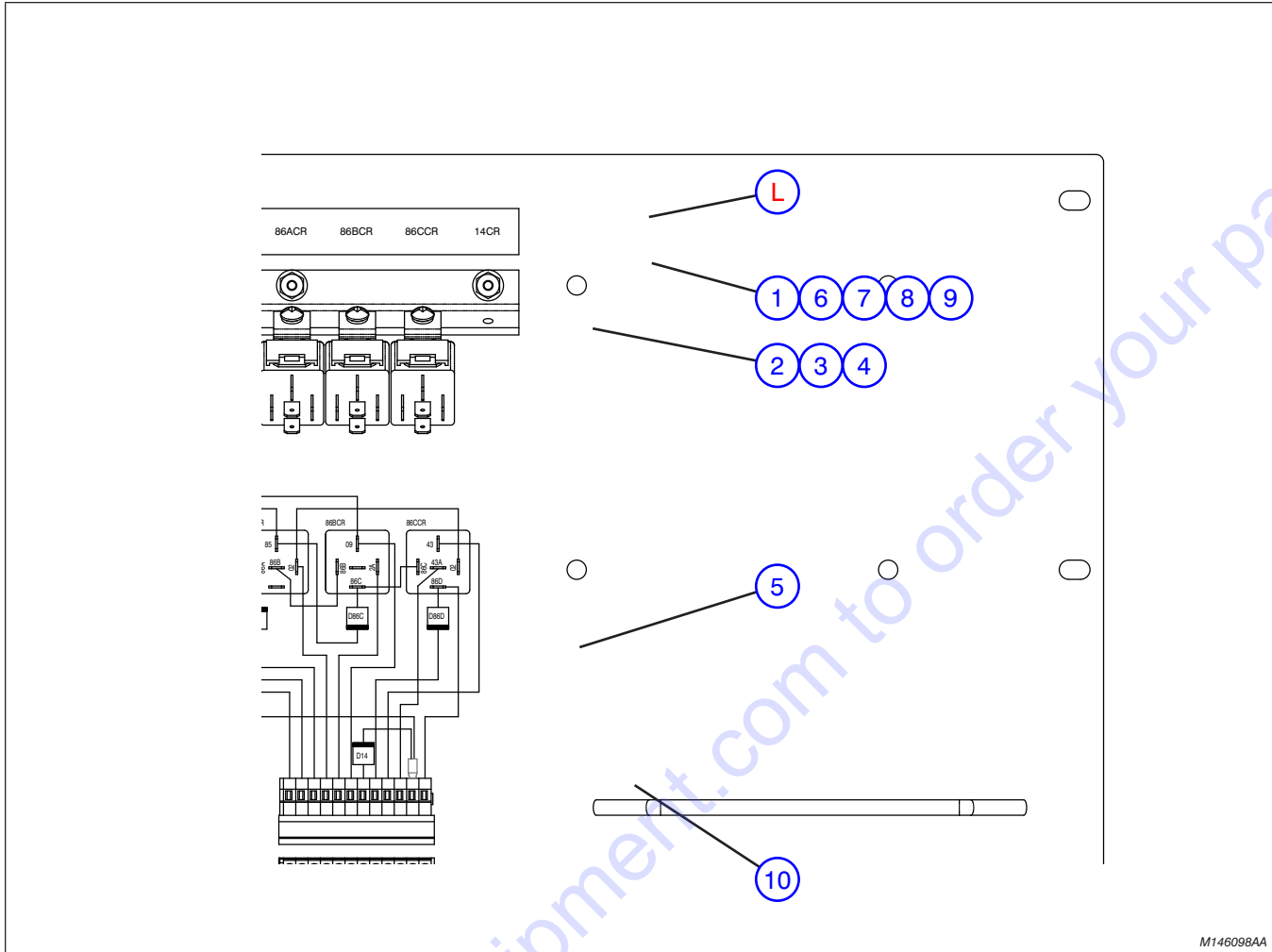


M152258AA

5.10 Hydraulic Hose Connections - Hydraulic Generator

Index No.	Skyjack Part No.	Qty.	Description
A	-	-	GENERATOR, Hydraulic (2kW/60HZ/115V) Fabco (ANSI/CSA)
B	-	-	GENERATOR, Hydraulic (2kW/60HZ/120V) Control Fluid (ANSI/CSA)
1	114583	2	FITTING, Elbow 90° (08 JICM - 08 ORBM), A
		1	FITTING, Elbow 90° (08 JICM - 08 ORBM), B
2	113348	1	FITTING, Elbow 90° (6-4 O-RING), A
3	106551	1	HOSE ASSEMBLY (1/4" diameter x 10), A
4	110498	1	FITTING, Hydraulic (08FJ06MJ reducer), A
5	146107	1	FITTING, Tee (10MORB - 08MJ - 08MJ), A
6	143653	2	HOSE ASSEMBLY
7	(Ref.)	-	GENERATOR, 2kW Hydraulic (115V/120V) (For components, refer to Section 5.9)
8	(Ref.)	-	MAIN MANIFOLD ASSEMBLY (For components, refer to Section 3.14)
9	122428	1	FITTING, Straight (06 ORBM - 06 ORBM)
10	104402	1	FITTING, Straight (08 JICM - 06 ORBM)
11	146109	1	VALVE ASSEMBLY
	146082	1	• BODY, valve
	103613	1	• COIL, 12V
	103655	1	• VALVE, Brake feed (N.C.)
12	146110	1	WIRE PROTECTOR, (3/4" inner diameter x 9.5")

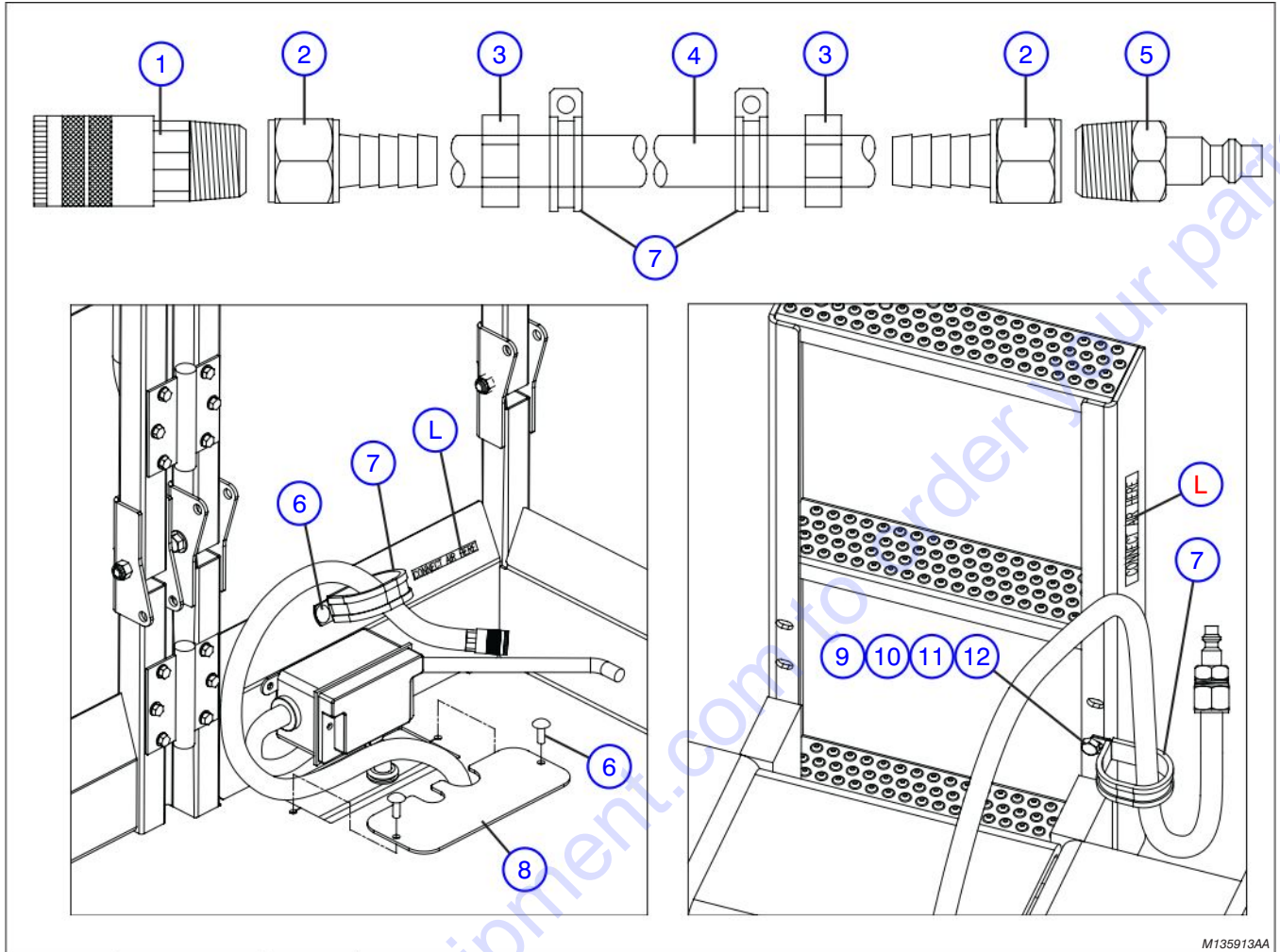
5.11 Hydraulic Generator Relay Assembly



M146098AA

Index No.	Skyjack Part No.	Qty.	Description
-	146098	-	HYDRAULIC GENERATOR RELAY ASSEMBLY
1	146055	1	• BRACKET, Relay mount
2	127035	3	• RELAY, 12V (40 AMP)
3	115545	3	• BOLT, Machine (#10-32 x 3/8")
4	104185	3	• WASHER, Lock (#10 NOM)
5	138053	1	• CONNECTOR, Male (12 pin)
6	120094	2	BOLT, Machine (#10-32 x 5/8")
7	104694	2	WASHER, Flat (#10 S.A.E)
8	104185	2	WASHER, Lock (#10 NOM)
9	104003	2	NUT, Machine (#10-32, Grade B)
10	(Ref.)	2	DOOR, Instrumentation panel (For components, refer to Section 3.16)
L	146083	1	LABEL, Relay names outrigger & hydraulic generator

5.12 Air Hose to Platform Assembly

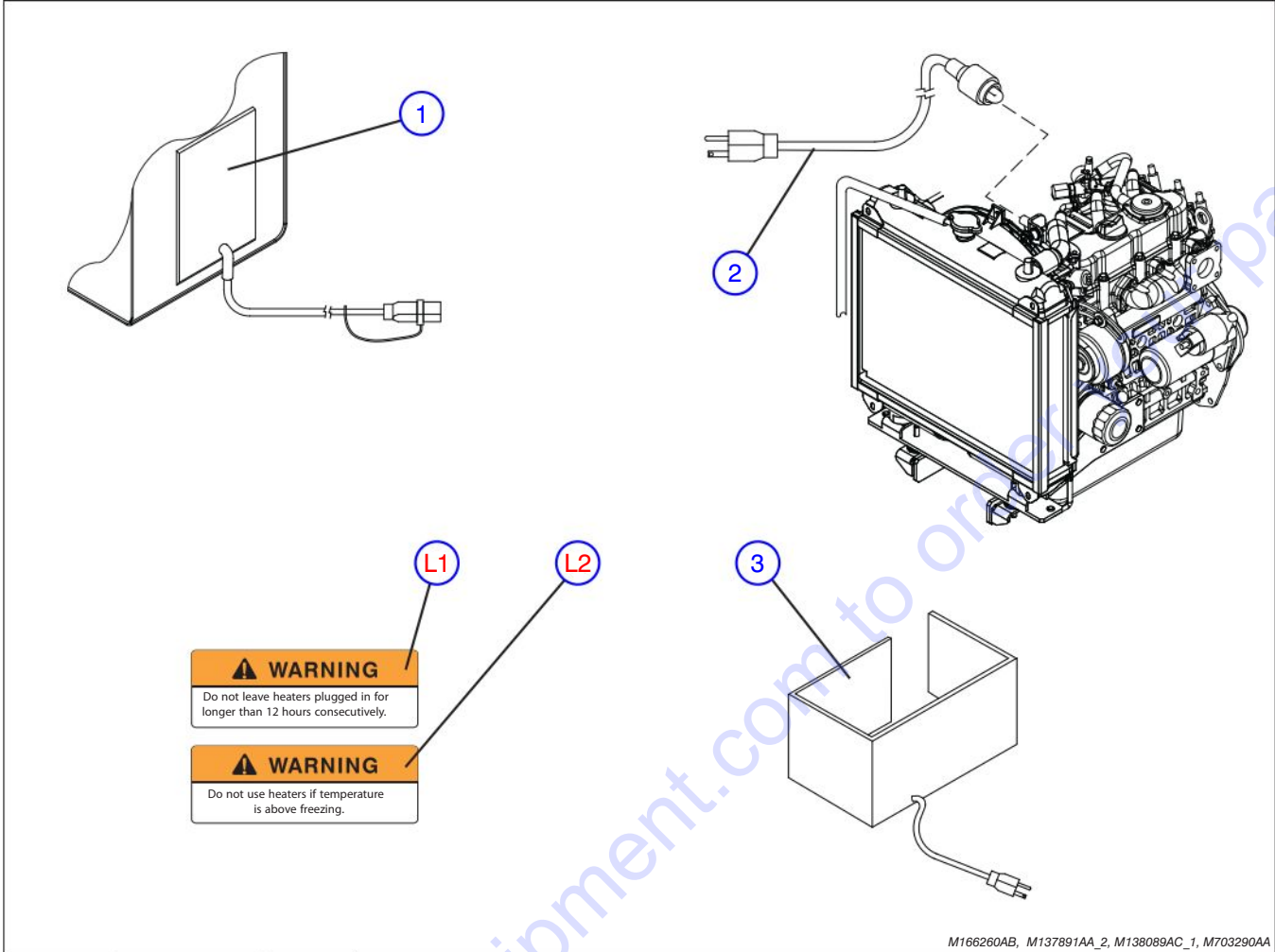


M135913AA

Index No.	Skyjack Part No.	Qty.	Description
-	135913	-	AIR HOSE TO PLATFORM ASSEMBLY (Model 6826RT)
-	135914	-	AIR HOSE TO PLATFORM ASSEMBLY (Model 6832RT)
1	107882	1	FITTING, Female disconnect
2	109050	2	FITTING, Hose barb
3	107886	2	CLAMP, Hose
4	107884	37'	HOSE, Air (Model 6826RT)
	107884	45'	HOSE, Air (Model 6832RT)
5	107883	1	FITTING, Male disconnect
6	134140	3	RIVET, Open end dome (1/4" diameter)
7	103078	2	CLAMP, Double (G10)
8	137567	1	PLATE, Air control/110 cover
9	103978	1	NUT, Hex head (3/8"-16, Grade 5)
10	103999	1	WASHER, Lock (3/8")
11	103472	1	WASHER, Flat (3/8")
12	101632	1	BOLT, Hex head (3/8"-16 x 3/4", Grade 5)
L	138212	2	LABEL, Connect Air Here (Refer to Section 6)

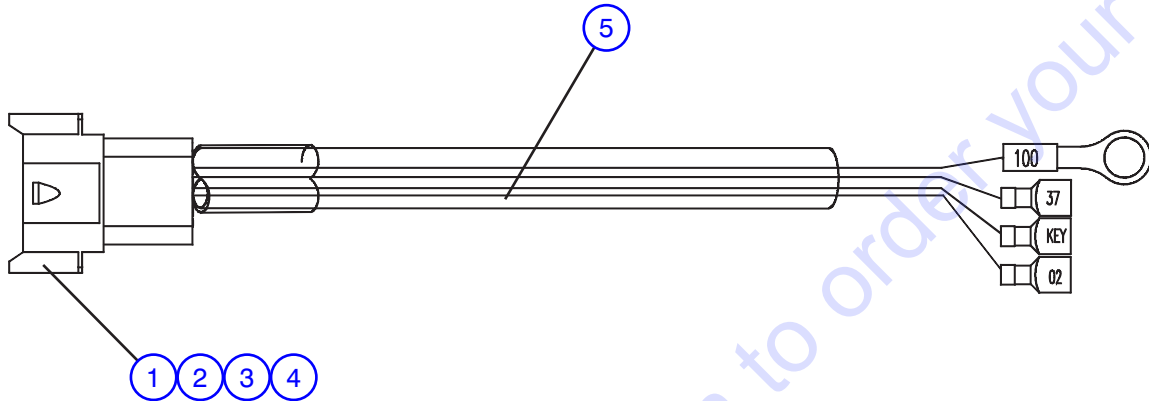
5.13 Cold Weather Start Option

AB



M166260AB, M137891AA_2, M138089AC_1, M703290AA

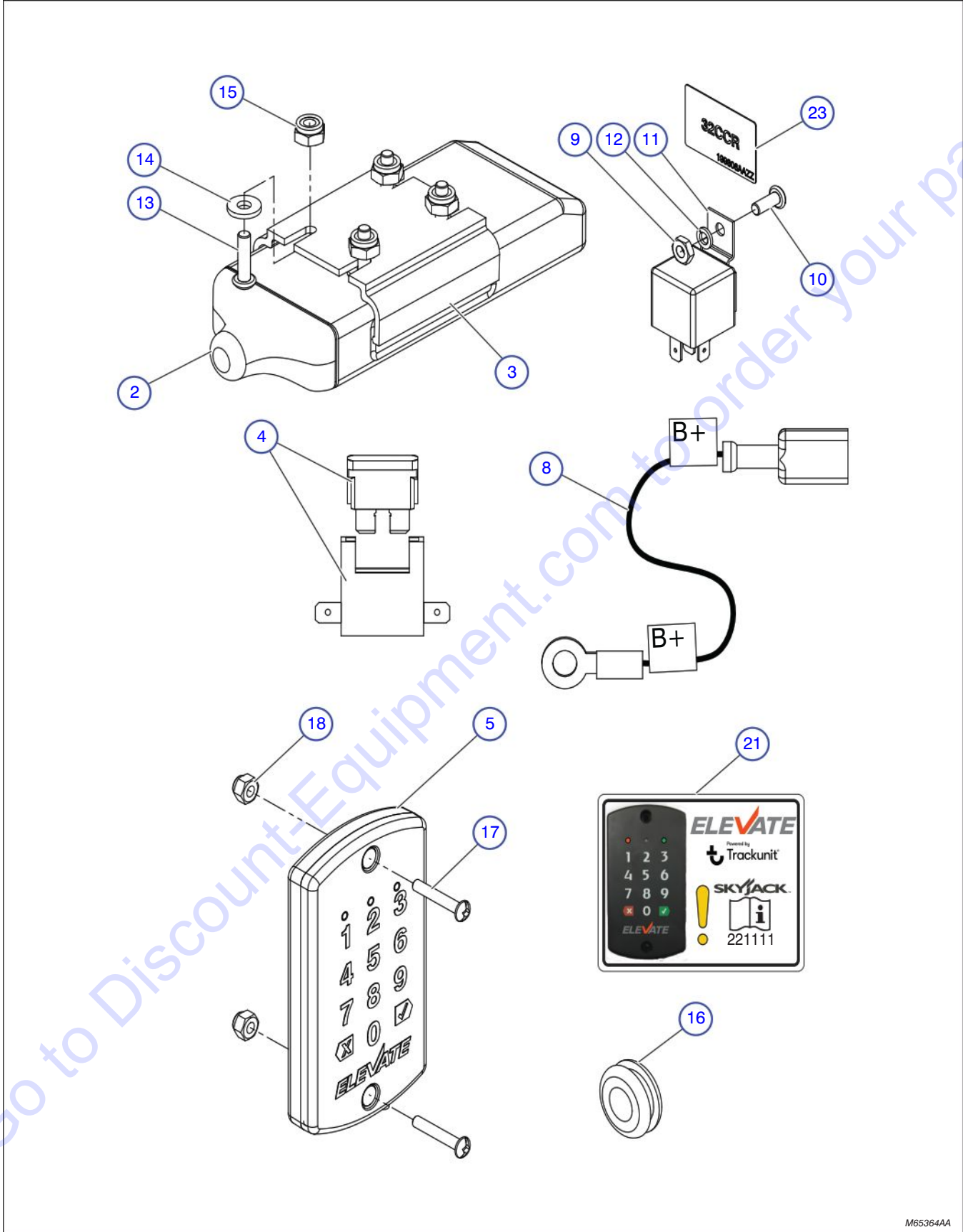
Index No.	Skyjack Part No.	Qty.	Description
-	146520	-	COLD WEATHER START OPTION (ANSI/CSA)
1	166260	1	HEATER, Pad, 250W
2	146468	1	HEATER, Block, 400W, 110V, 25mm
3	703290	1	BLANKET, Battery (36")
4	149789	1	MANUAL, Cold start special option (not shown)
L1	147041	2	LABEL, Do not leave heaters plugged in
L2	147042	2	LABEL, Do not use heaters above freezing



M171109AA

Index No.	Skyjack Part No.	Qty.	Description
-	171109	-	TELEMATICS HARNESS
1	117582	1	• CONNECTOR, Receptacle (8-pin)
2	117584	1	• CONNECTOR, Receptacle (8-pin wedge)
3	117590	4	• CONNECTOR, Contact pin (16-18)
4	117594	4	• CONNECTOR, Sealing plug
5	103255	67"	• CABTIRE, 18/4

5.15 Elevate Telematics

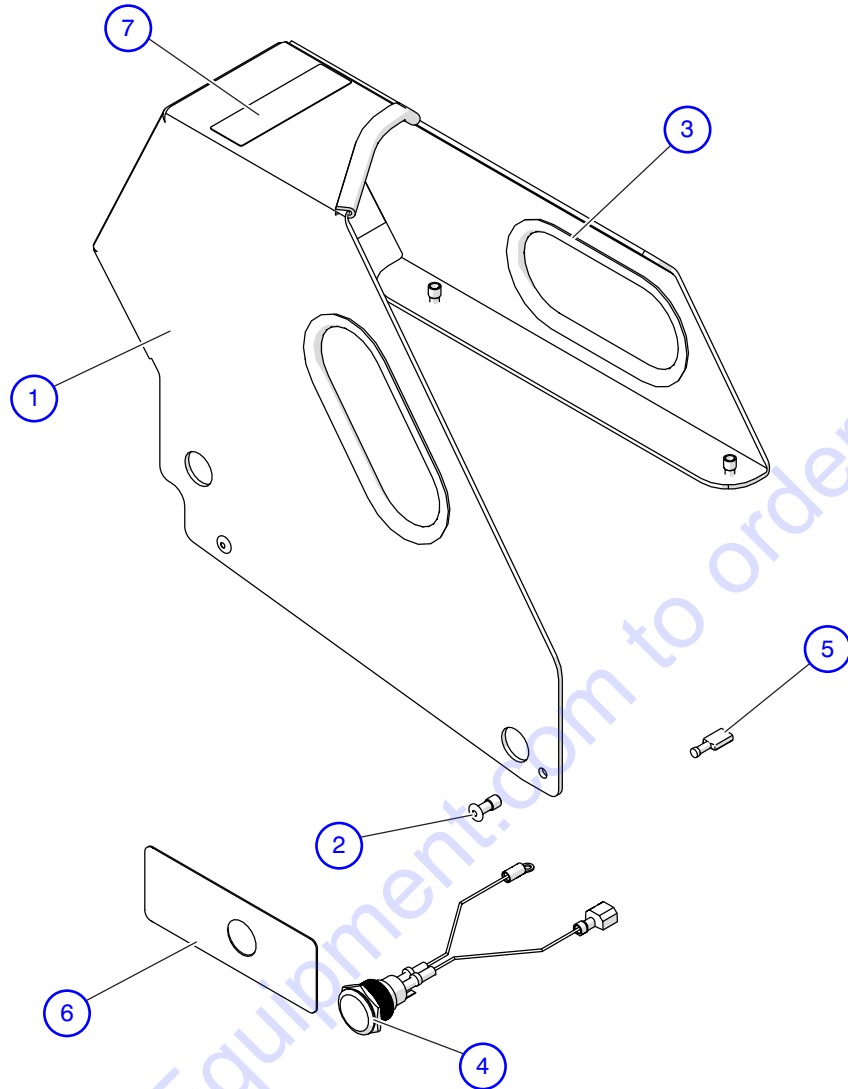


M65364AA

5.15 Elevate Telematics

Index No.	Skyjack Part No.	Qty.	Description
A	221304	1	FIELD KIT, ELEVATE TELEMATICS - SJ68XXRT (ANSI/CSA & KC)
B	221300	1	FIELD KIT, ELEVATE TELEMATICS - SJ68XXRT (ANSI/CSA & KC) (WITH KEYPAD)
-	220198	1	• TELEMATICS GROUP, Elevate - 68XXRT
1	213098	1	• • CONTROL UNIT GROUP, Track Unit
2	199295	1	• • • COVER, Track Unit
3	199296	1	• • • BRACKET, Track Unit
-	199297	1	• • • BATTERY, Track Unit (Not Shown)
-	199298	1	• • • CONTROL CABLE, Track Unit (Not Shown)
4	199298	1	• • • FUSE KIT, 1 Amp Fuse and Holder
5	213099	1	• • KEYPAD, Track Unit, B
6	220175	1	• • HARNESS ASM, Track Unit 68XXRT (Not Shown)
7	220176	1	• • • HARNESS, Track Unit 68XXRT
8	220577	1	• • • WIRE ASSEMBLY, B+
9	220177	1	• • • RELAY ASSEMBLY, Engine Starter Cut Off
	127035	1	• • • • RELAY, 12V - 40 AMP
	220616	1	• • • • WIRE ASM, 19A
	220617	1	• • • • WIRE ASM, 19E
	220618	1	• • • • WIRE ASM, 07
10	103962	1	• • • BOLT, Machined Head/Zinc - #10-32 x 1/2"
11	104185	1	• • • WASHER, Lock/Zinc - #10
12	104003	1	• • • NUT, Machined - #10-32 Gr. B
13	114678	4	• • SCREW, Round Head Machined - #6-32 x 1/2"
14	191833	4	• • WASHER, Flat - #6
15	196306	4	• • NUT, Nylon Lock - #6-32 Gr. 5
16	216141	1	• • GROMMET, 1/2 I.D. x 3/16", B
17	112248	2	• • SCREW, Round Head Machine - #8-32 x 1", B
18	138765	2	• • NUT, Nylon Lock - #8-32 Gr. 5 Zinc, B
19	102892	10	• TIE WRAP CABLE, 5-3/8" (Not Shown)
20	199279	1	• INSTRUCTION, Elevate Telematics - SJRT (Not Shown)
21	173002	1	• LABEL, Telematics Track Unit, B
22	221111	1	• INSTRUCTIONS, OP-Telematics Track Unit (English) (Not Shown) , B
23	199306	1	• LABEL, 32CCR

5.16 Secondary Guarding Lift Enable Kit



M220497AA

Index No.	Skyjack Part No.	Qty.	Description
			(For Model SJ68xx RT with serial number 37 004 668 and above)
A	220787	1	SECONDARY GUARDING SERVICE KIT
B	220786	1	SECONDARY GUARDING WITH SHROUD SERVICE KIT
1	161240	1	• GUARD, Control box, B
2	157759	6	• RIVET, Pop (0.188" x 0.565")
3	194731	30"	• GUARD, Edge, B
4	220498	1	• BUTTON, Push
5	105359	1	• TERMINAL, F blade (0.25" 14-16G)
6	172788	1	• LABEL, SGLE Enable switch
7	172926	1	• LABEL, SGLE
8	220559	1	• INSTRUCTION, SGLE Installation (not shown), A
	220556	1	• INSTRUCTION, SGLE Installation - Incl Shroud (not shown), B

6.1 Label Kit

6.2 Labels - Left and Rear

6.3 Labels - Right and Front

6.4 Labels - Top

6.5 Labels - Miscellaneous

Go to Discount-Equipment.com to order your parts

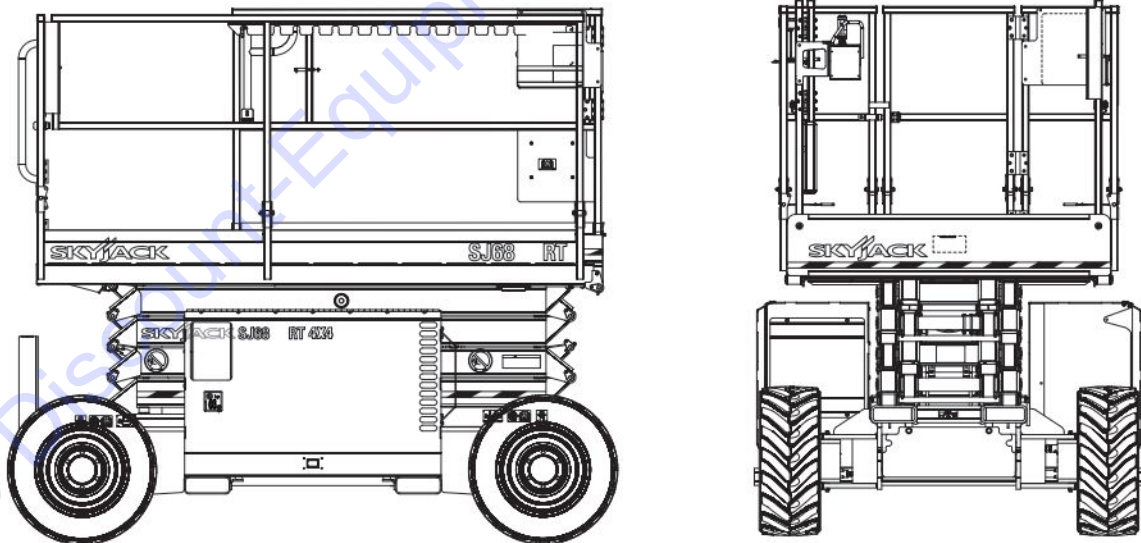
Label Kit

The label kits, part numbers 166335 (ANSI/CSA) and 166336 (KC), are for models SJ 6826RT and SJ 6832RT. They contain labels that are common to both machines, including the outrigger option.

They exclude:

- serial numbers
- caution tape
- platform capacities
- tire pressures
- model designations
- special options

Supply the model number, country and language when ordering complete machine labels.



SKYJACK

PARTS FINDER

**Search Website
by Part Number**



**Search Manual
Library For Parts
Manual & Lookup Part
Numbers – Purchase
or Request Quote**

Search Manuals

Enter your information to help us find the right parts manual for your machine.

* Brand:

* Model:

* Serial:

* Part Number:

SEARCH

**Can't Find Part or
Manual? Request Help
by Manufacturer,
Model & Description**

Parts Order Form

Please fill in the following information to help us find the right part for your machine.

Manufacturer:	<input type="text"/>
Model:	<input type="text"/>
Description:	<input type="text"/>
Part Number:	<input type="text"/>
Quantity:	<input type="text"/>
Notes:	<input type="text"/>

Submit

Discount-Equipment.com is your online resource for quality parts & equipment.

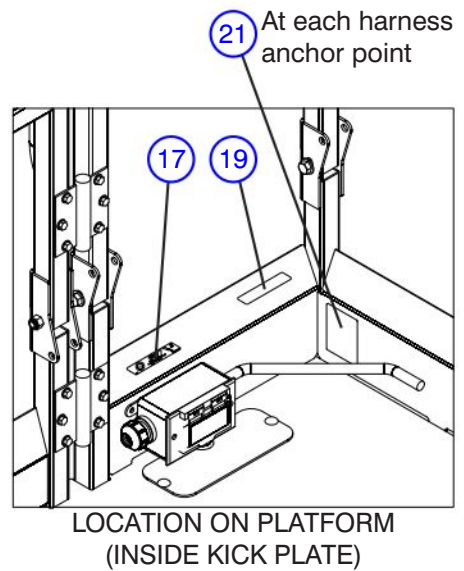
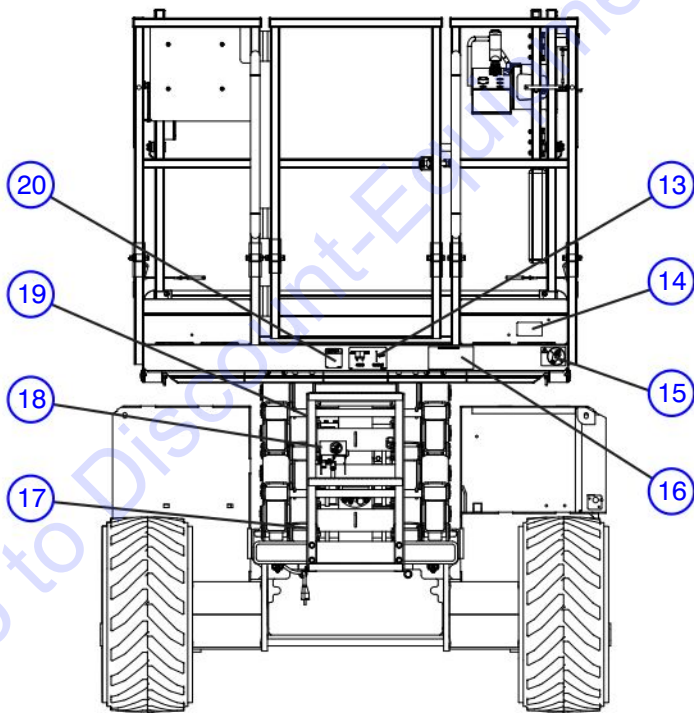
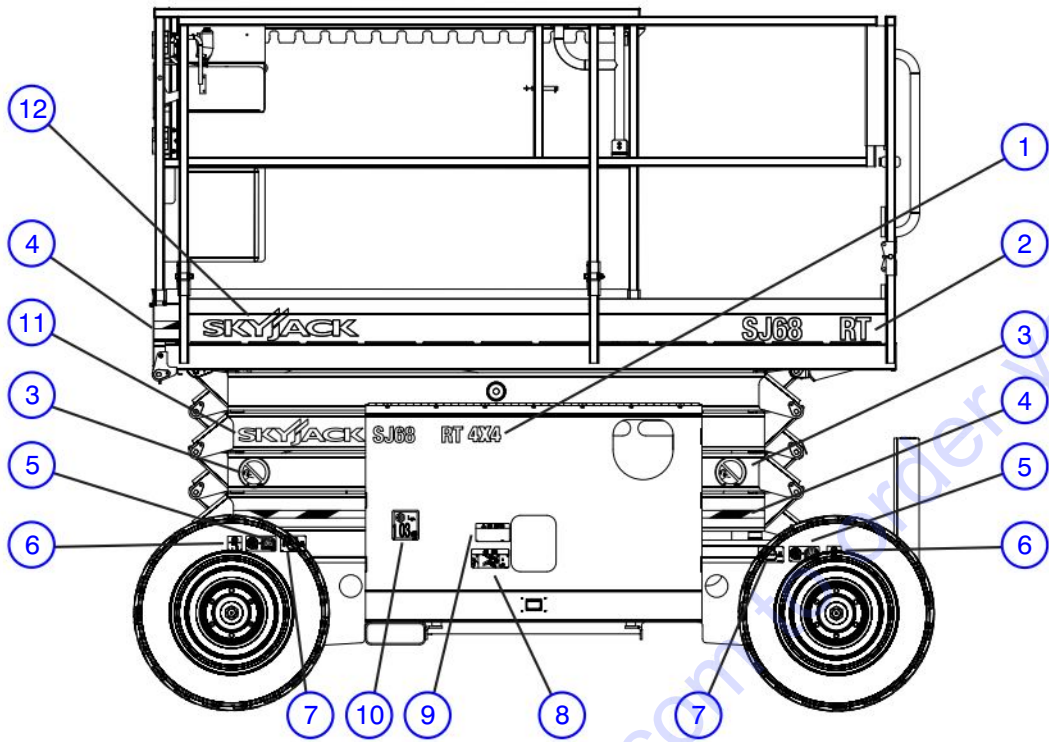
Florida: **561-964-4949** Outside Florida TOLL FREE: **877-690-3101**

Need parts?

Click on this link: <http://www.discount-equipment.com/category/5443-parts/> and choose one of the options to help get the right parts and equipment you are looking for. Please have the machine model and serial number available in order to help us get you the correct parts. If you don't find the part on the website or on one of the online manuals, please fill out the request form and one of our experienced staff members will get back to you with a quote for the right part that your machine needs.

We sell worldwide for the brands: Genie, Terex, JLG, MultiQuip, Mikasa, Essick, Whiteman, Mayco, Toro Stone, Diamond Products, Generac Magnum, Airman, Haulotte, Barreto, Power Blanket, Nifty Lift, Atlas Copco, Chicago Pneumatic, Allmand, Miller Curber, Skyjack, Lull, Skytrak, Tsurumi, Husquvarna Target, Stow, Wacker, Sakai, Mi-T-M, Sullair, Basic, Dynapac, MBW, Weber, Bartell, Bennar Newman, Haulotte, Ditch Runner, Menegotti, Morrison, Contec, Buddy, Crown, Edco, Wyco, Bomag, Laymor, EZ Trench, Bil-Jax, F.S. Curtis, Gehl Pavers, Heli, Honda, ICS/PowerGrit, IHI, Partner, Imer, Clipper, MMD, Koshin, Rice, CH&E, General Equipment, Amida, Coleman, NAC, Gradall, Square Shooter, Kent, Stanley, Tamco, Toku, Hatz, Kohler, Robin, Wisconsin, Northrock, Oztec, Toker TK, Rol-Air, APT, Wylie, Ingersoll Rand / Doosan, Innovatech, Con X, Ammann, Mecalac, Makinex, Smith Surface Prep, Small Line, Wanco, Yanmar

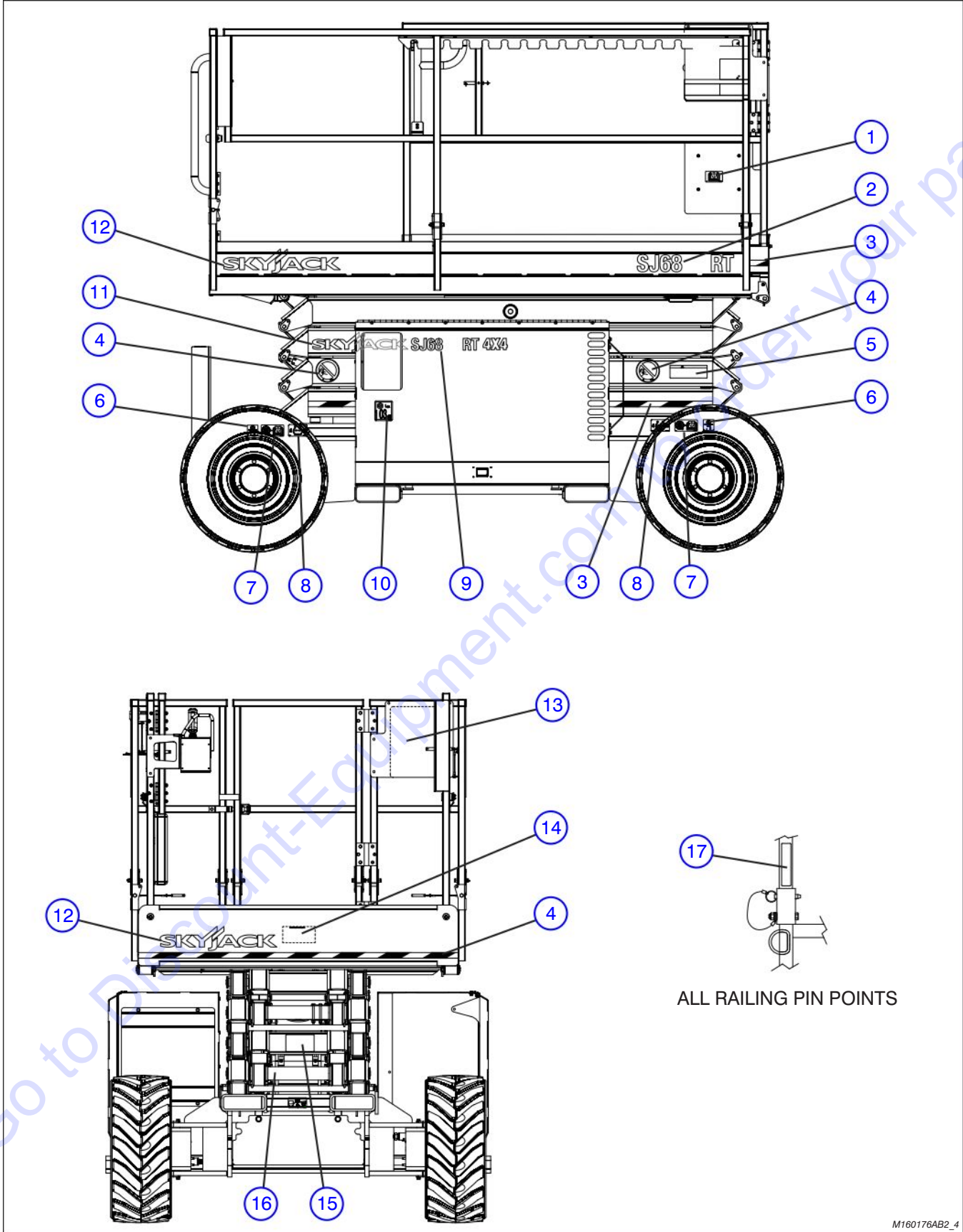
6.2 Labels - Left and Rear



M160176AB_1, M160176AB2_2, 160176AB1_3

Index No.	Skyjack Part No.	Qty.	Description
1	164700	1	LABEL, Skyjack SJ6826 RT 4X4 (not included in kit)
	163861	1	LABEL, Skyjack SJ6832 RT 4X4 (not included in kit)
2	159520	1	LABEL, SJ6826 RT (not included in kit)
	159523	1	LABEL, SJ6832 RT (not included in kit)
3	139855	2	LABEL, Stay away
4	119803	1	TAPE, Caution 1" wide
5	124631	2	LABEL, Wheel/offset pressure
6	138123	2	LABEL, Wheel load 1635 kg/3600 lb
7	142136	2	LABEL, Tire pressure 40 psi (air tires) (not included in kit)
	142384	2	LABEL, Tires foam fill only (foam tires) (not included in kit)
8	160059	1	LABEL, Emergency lowering
9	159595	1	LABEL, Towing/winch procedure
10	128226	1	LABEL, 103 Decibel (KC)
11	158536	1	LABEL, Skyjack (17")
12	158554	1	LABEL, Skyjack (20")
13	124465	1	LABEL, Side force/outdoor
14	114252	1	LABEL, California prop 65 warning (ANSI)
15	124362	1	LABEL, Warning! Do not wear jewelry
16	138083	1	LABEL, Platform capacity 1250 (950/300) 4P (6826RT ANSI/CSA)
	142168	1	LABEL, Platform capacity 1000 (700/300) 4P (6832RT ANSI/CSA)
	138082	1	LABEL, Platform capacity 1000 (700/300) 2P (6832RT KC) (Platform capacity labels are not included in the kit)
17	138211	2	LABEL, Connect AC supply
18	156613	1	LABEL, Do not alter
19	138212	2	LABEL, Connect air supply (air supply option) (not included in kit)
20	158912	1	LABEL, Daily maintenance check
21	130018	6	LABEL, Harness anchorage

6.3 Labels - Right and Front

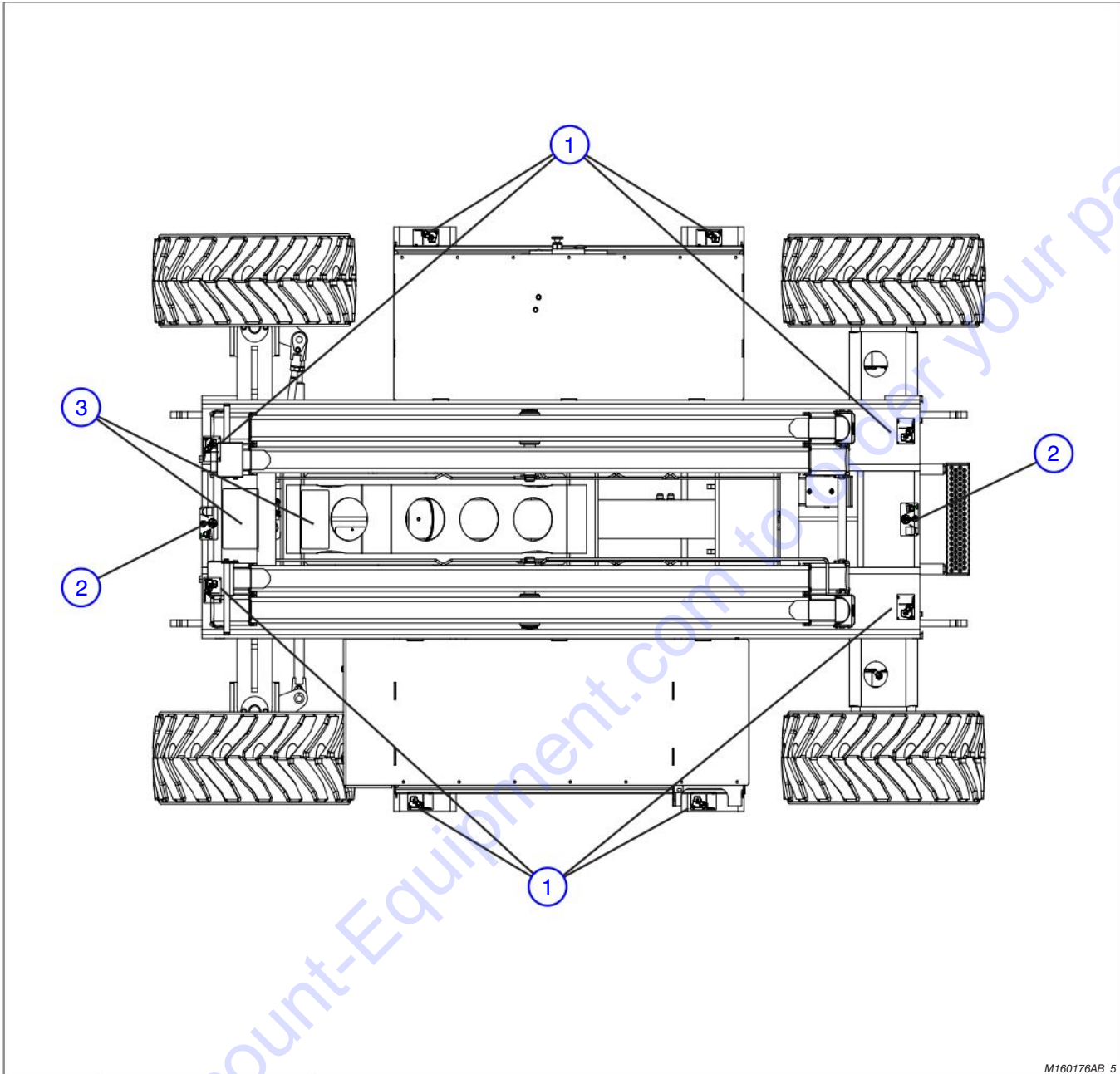


ALL RAILING PIN POINTS

M160176AB2_4

Index No.	Skyjack Part No.	Qty.	Description
1	123628	1	LABEL, Manual box
2	159520	1	LABEL, SJ6826 RT
	159523	1	LABEL, SJ6832 RT
3	119803	1	TAPE, Caution 1" wide
4	139855	2	LABEL, Stay away
5	156441	1	LABEL, Annual inspection
6	138123	2	LABEL, Wheel load 1635 kg/3600 lb
7	124631	2	LABEL, Wheel/offset pressure
8	142136	2	LABEL, Tire pressure 40 psi (air tires) (not included in label kit)
	142384	2	LABEL, Tires foam fill only (foam tires) (not included in label kit)
9	164700	1	LABEL, Skyjack SJ6826 RT 4X4 (not included in kit)
	163861	1	LABEL, Skyjack SJ6832 RT 4X4 (not included in kit)
10	128226	1	LABEL, 103 Decibel (KC)
11	158536	1	LABEL, Skyjack (17")
12	158544	1	LABEL, Skyjack (20")
13	158913	1	LABEL, Warning hazards
14	138083	1	LABEL, Platform capacity 1250 (950/300) 4P (6826RT ANSI/CSA)
	142168	1	LABEL, Platform capacity 1000 (700/300) 4P (6832RT ANSI/CSA)
	138082	1	LABEL, Platform capacity 1000 (700/300) 2P (6832RT KC)
			(Platform capacity labels are not included in label kit) NAMEPLATE,
15	(Ref.)	1	Serial plate (consult Discount-equipment) (not included in label kit)
16	127711	1	LABEL, Safety bar
17	126056	10	LABEL, Falling hazard

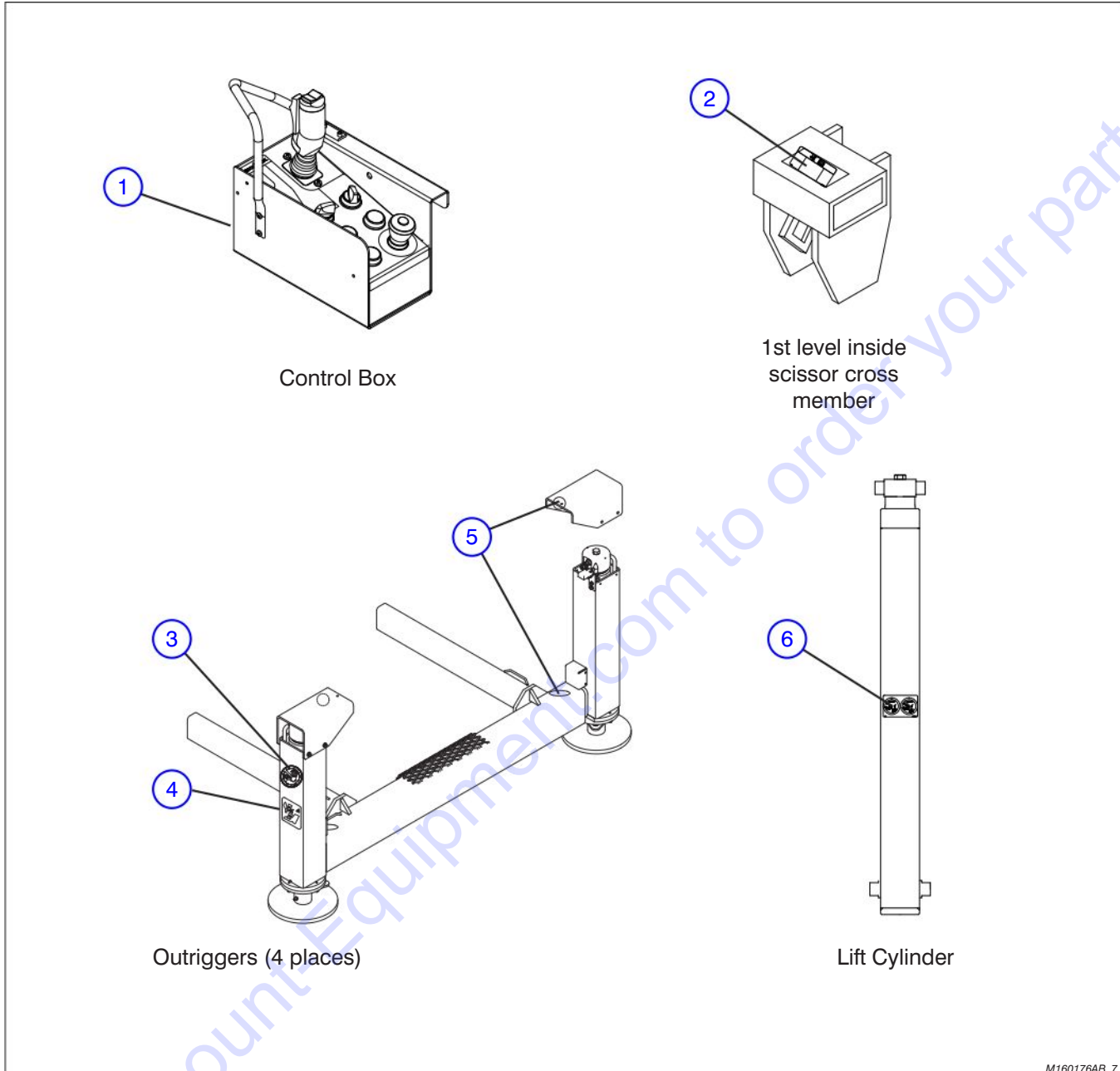
6.4 Labels - Top



M160176AB 5

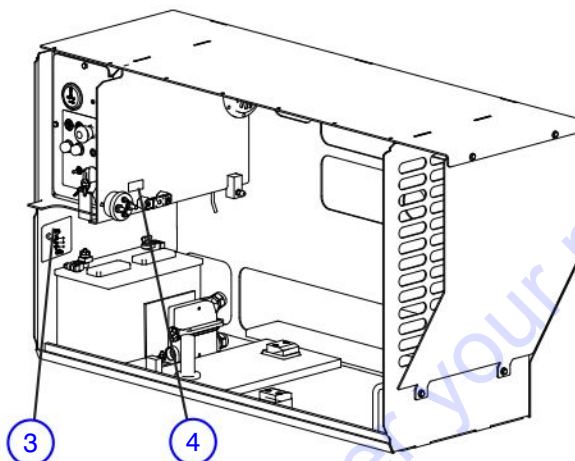
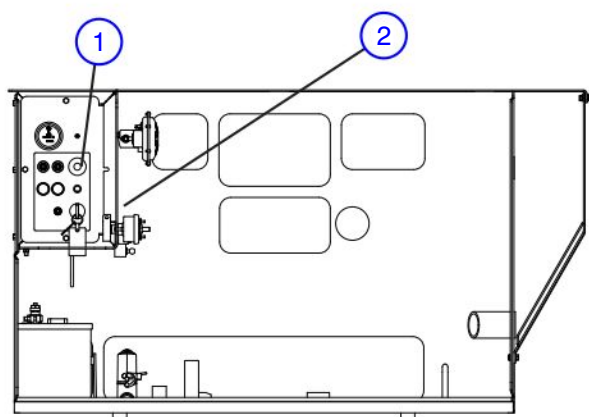
Index No.	Skyjack Part No.	Qty.	Description
1	102896	8	LABEL, Forklift boot
2	124767	2	LABEL, Tie down/lift lugs
3	158908	2	LABEL, Maintenance procedure

6.5 Labels - Miscellaneous

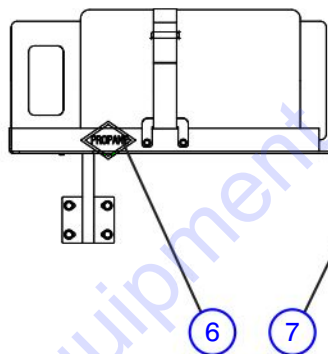
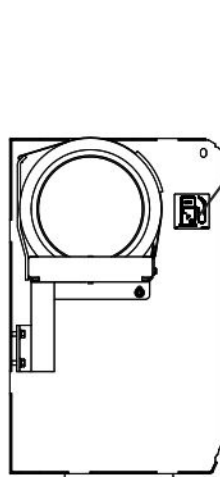


M160176AB 7

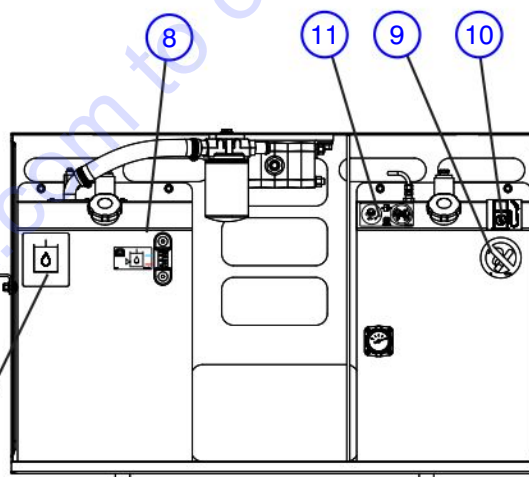
Index No.	Skyjack Part No.	Qty.	Description
1	127343	1	LABEL, Control box (with rotary switches)
	166089	1	LABEL, Control box (with toggle switches)
2	160059	1	LABEL, Emergency lowering
3	139855	4	LABEL, Keep clear
4	119866	4	LABEL, Danger hand/foot pinch
5	156613	8	LABEL, Do not alter
6	157792	1	LABEL, Equipped with orifice



Electrical/Engine Cabinet



Propane Tank



Fuel/Hydraulic Oil Cabinet

M160176AB_6, M138153AD2

Index No.	Skyjack Part No.	Qty.	Description
1	137681	1	LABEL, Panel
2	119674	1	LABEL, Battery disconnect switch
3	128827	1	LABEL, Warning fuse
4	119915	1	LABEL, Fuse (inverter option) (not included in label kit)
5	103023	1	LABEL, Use liquid propane only (dual fuel)
6	120390	1	LABEL, Propane (dual fuel)
7	102961	1	LABEL, ATF Dexron III
8	146016	1	LABEL, Hydraulic oil min/max
9	138146	1	LABEL, No smoking
10	162852	1	LABEL, Diesel fuel (diesel)
10	132400	1	LABEL, Unleaded gasoline only (dual fuel)
11	168457	1	LABEL, Open slowly fuel cap (dual fuel)

7.1 Fluid Tables

Go to Discount-Equipment.com to order your parts

7.1 Fluid Tables

AXLE OIL						
Axle Type		*Qty. (Liters)	*Qty. (Gallons)	Oil Type	Skyjack Part No.	Recommended Equivalent Oil
Cushman	Front	2.4	0.634	Gear Oil, 80W-90 GL5	134612	-
Dana	Front / Rear					
Cushman	Rear	1	0.264	Gear Oil, ESI 80W-90	133461	Chevron Gear Lubricant Delo ESI 80W-90, Caltex Gear Lubricant ESI 80W-90, Caltex RPM Borate EP 80W-90, Texaco Star Gear Lubricant 80W-90

*All fuel capacity quantities are in standard liter or US gallons (liquid).

**Use distilled water and 50/50 mix of anti-freeze/water.

CENTER DRIVE OIL					
Center Drive Type	*Qty. (Liters)	*Qty. (Gallons)	Oil Type	Skyjack Part No.	Recommended Equivalent Oil
Center Drive	1	0.26	Gear Oil, 80W-90 GL5	134612	-

*All fuel capacity quantities are in standard liter or US gallons (liquid).

**Use distilled water and 50/50 mix of anti-freeze/water.

HYDRAULIC OIL				
Model	*Qty. (Liters)	*Qty. (Gallons)	Oil Type	Skyjack Part No.
SJRT-68XX	86.88	22.95	ATF Dexron III	119309
SJRT-7127	80.48	21.26		
SJRT-7135				
SJRT-8243				
SJRT-8850				
SJRT-8831	75.71	20		
SJRT-8841				
SJRT-8831E				
SJRT-8841E				
SJRT-9250	67.38	17.8		

*All fuel capacity quantities are in standard liter or US gallons (liquid).

**Use distilled water and 50/50 mix of anti-freeze/water.

ENGINE OIL					
Engine Type	*Qty. (Liters)	*Qty. (Gallons)	Oil Type, Viscosity	Skyjack Part No.	Recommended Equivalent Oil (Viscosity - API Service Designation)
Kubota D902	3.9	1.03	Engine Oil, SAE 10W-30	105287	10W30 - API Service Designation CG-4, CF-4, CF, CD, SH.
Kubota D1105	5.1	1.35			
Kubota DF972	3.4	0.9			
Nissan A15	3.5	0.98		142454	10W30 - API Service Designation SF/CC.
GM 1.6					

*All fuel capacity quantities are in standard liter or US gallons (liquid).

**Use distilled water and 50/50 mix of anti-freeze/water.

ENGINE COOLANT				
Component Type	*Qty. (Liters)	*Qty. (Gallons)	Coolant Type	Skyjack Part No.
Kubota D902	3.1	0.82	Anti-freeze 50/50 Premix	169072
Kubota D1105				
Kubota DF972				
Nissan A15	11.4	3.01	Extended life anti-freeze / Water	142208
GM 1.6				

*All fuel capacity quantities are in standard liter or US gallons (liquid).

**Use distilled water and 50/50 mix of anti-freeze/water.

ENGINE FUEL							
Model	Tank		Diesel		Gasoline / Liquid Propane		
	*Qty. (Liters)	*Qty. (Gallons)	Kubota D902	Kubota D1105	Kubota DF972	GM 1.6	Nissan A15
SJRT-68xx	86.88	22.95	✓	N/A	✓		N/A
SJRT-7127	80.48	21.26	N/A	✓			
SJRT-7135							
SJRT-8243							
SJRT-8850							
SJRT-8831	49.21	13	N/A	✓	N/A	✓	
SJRT-8841							
SJRT-9250	64.35	17					

*All fuel capacity quantities are in standard liter or US gallons (liquid).

**Use distilled water and 50/50 mix of anti-freeze/water.

PARTS FINDER

**Search Website
by Part Number**



**Search Manual
Library For Parts
Manual & Lookup Part
Numbers – Purchase
or Request Quote**

Search Manuals

Enter your information to help us find the right parts manual for your machine.

* Brand:

* Model:

* Serial:

* Part Number:

SEARCH

**Can't Find Part or
Manual? Request Help
by Manufacturer,
Model & Description**

Parts Order Form

Please fill in the following information to help us find the right part for your machine.

MANUFACTURER:

MODEL:

DESCRIPTION:

DATE:

NAME:

PHONE:

EMAIL:

ADDRESS:

CITY:

STATE:

ZIP:

SEARCH

Discount-Equipment.com is your online resource for quality parts & equipment.

Florida: **561-964-4949** Outside Florida TOLL FREE: **877-690-3101**

Need parts?

Click on this link: <http://www.discount-equipment.com/category/5443-parts/> and choose one of the options to help get the right parts and equipment you are looking for. Please have the machine model and serial number available in order to help us get you the correct parts. If you don't find the part on the website or on one of the online manuals, please fill out the request form and one of our experienced staff members will get back to you with a quote for the right part that your machine needs.

We sell worldwide for the brands: Genie, Terex, JLG, MultiQuip, Mikasa, Essick, Whiteman, Mayco, Toro Stone, Diamond Products, Generac Magnum, Airman, Haulotte, Barreto, Power Blanket, Nifty Lift, Atlas Copco, Chicago Pneumatic, Allmand, Miller Curber, Skyjack, Lull, Skytrak, Tsurumi, Husquvarna Target, Stow, Wacker, Sakai, Mi-T-M, Sullair, Basic, Dynapac, MBW, Weber, Bartell, Bennar Newman, Haulotte, Ditch Runner, Menegotti, Morrison, Contec, Buddy, Crown, Edco, Wyco, Bomag, Laymor, EZ Trench, Bil-Jax, F.S. Curtis, Gehl Pavers, Heli, Honda, ICS/PowerGrit, IHI, Partner, Imer, Clipper, MMD, Koshin, Rice, CH&E, General Equipment, Amida, Coleman, NAC, Gradall, Square Shooter, Kent, Stanley, Tamco, Toku, Hatz, Kohler, Robin, Wisconsin, Northrock, Oztec, Toker TK, Rol-Air, APT, Wylie, Ingersoll Rand / Doosan, Innovatech, Con X, Ammann, Mecalac, Makinex, Smith Surface Prep, Small Line, Wanco, Yanmar