

# Parts Manual

Compact Rough Terrain Series (ANSI/CSA & KC)



Part No. 157950AC February 2014

# PARTS FINDER

**Search Website  
by Part Number**



**Search Manual  
Library For Parts  
Manual & Lookup Part  
Numbers – Purchase  
or Request Quote**

**Search Manuals**

Enter your information to help us find the right parts manual for your machine.

\* Brand:

\* Model:

\* Serial:

\* Part Number:

SEARCH

**Can't Find Part or  
Manual? Request Help  
by Manufacturer,  
Model & Description**

**Parts Order Form**

Please fill in the following information to help us find the right part for your machine.

Manufacturer:	<input type="text"/>
Model:	<input type="text"/>
Description:	<input type="text"/>
Part Number:	<input type="text"/>
Quantity:	<input type="text"/>
Notes:	<input type="text"/>

Submit

Discount-Equipment.com is your online resource for quality parts & equipment.

Florida: **561-964-4949** Outside Florida TOLL FREE: **877-690-3101**

**Need parts?**

Click on this link: <http://www.discount-equipment.com/category/5443-parts/> and choose one of the options to help get the right parts and equipment you are looking for. Please have the machine model and serial number available in order to help us get you the correct parts. If you don't find the part on the website or on one of the online manuals, please fill out the request form and one of our experienced staff members will get back to you with a quote for the right part that your machine needs.

We sell worldwide for the brands: Genie, Terex, JLG, MultiQuip, Mikasa, Essick, Whiteman, Mayco, Toro Stone, Diamond Products, Generac Magnum, Airman, Haulotte, Barreto, Power Blanket, Nifty Lift, Atlas Copco, Chicago Pneumatic, Allmand, Miller Curber, Skyjack, Lull, Skytrak, Tsurumi, Husquvarna Target, Stow, Wacker, Sakai, Mi-T-M, Sullair, Basic, Dynapac, MBW, Weber, Bartell, Bennar Newman, Haulotte, Ditch Runner, Menegotti, Morrison, Contec, Buddy, Crown, Edco, Wyco, Bomag, Laymor, EZ Trench, Bil-Jax, F.S. Curtis, Gehl Pavers, Heli, Honda, ICS/PowerGrit, IHI, Partner, Imer, Clipper, MMD, Koshin, Rice, CH&E, General Equipment, Amida, Coleman, NAC, Gradall, Square Shooter, Kent, Stanley, Tamco, Toku, Hatz, Kohler, Robin, Wisconsin, Northrock, Oztec, Toker TK, Rol-Air, APT, Wylie, Ingersoll Rand / Doosan, Innovatech, Con X, Ammann, Mecalac, Makinex, Smith Surface Prep, Small Line, Wanco, Yanmar

**This manual is based on Serial Numbers:**

SJ 68XXRT 37,002,788 through 37,003,468

Please refer to the website ([www.discount-equipment.com](http://www.discount-equipment.com)) for older Serial Numbers.

Go to Discount-Equipment.com to order your parts

# Rough Terrain Compact Series Parts Manual

## General

The information contained in this section is designed to aid the user in locating and identifying replacement parts. Component parts of various assemblies and sub-assemblies comprising the work platform are illustrated and accompanied by a descriptive parts list. Exploded drawings are used to show relative location of component parts in disassembly order. If a part cannot be found in this section, order by work platform model number and serial number, giving a complete description of the part.

## Parts Ordering Information

When ordering replacement parts, the complete part number and description should be used to ensure proper identification and delivery of the desired item. This complete identification should also be used when requesting equipment information.

## Method Of Listing

Parts are listed in order according to the reference number shown in the illustration, followed by a full description based upon the "NOUN FIRST" method. That is, the noun name of the part is listed first, then the modifying description information which serves to specifically identify the item. For example: PIN, Clevis. Assemblies or groups are shown at the beginning of a parts list and are identified with the letter references A, B, C, etc. Individual parts in these lists have corresponding letters after their description to identify which assembly or group it is used in. Individual parts without identifying letters are used in all the assemblies or group shown at the beginning of the parts list. Descriptions preceded with an (•) indicates a serviceable component or attaching hardware for the higher level assembly. If

an index number initially starts with the letter "K", for example "K1", means it's a kit. Any item(s) included in a kit will not have an index number.

## Quantities (Units Per Assy.)

The quantities of each part that are required to complete the assembly. If quantity is (AR), it is understood that the quantity may vary when machine is equipped with certain options. Order quantity as needed.

## Hardware

Standard screws, washers, nuts, etc. are not identified by a reference number. These parts are known as COMMON HARDWARE items and appear indented under the major items with which they are used. They should be ordered separately as listed, since they are not component parts of the pieces they attach to.

## How To Order Repair Parts

1. Address all orders to Discount-equipment.
2. Specify model and serial number of the work platform (found on the serial number plate).
3. List the quantity needed.
4. List the length needed (if bulk item).
5. List the part number and description as shown in this manual for each item.
6. Show billing and shipping address and name of individual if possible.
7. Suggest best routing.

CUSTOMER \_\_\_\_\_

DEALER \_\_\_\_\_

MODEL NUMBER \_\_\_\_\_

SERIAL NUMBER \_\_\_\_\_

DATE PURCHASED \_\_\_\_\_

## Table Of Contents

### 1.0 Platform Related Parts

1.1 Gate Assembly .....	6
1.2 Platform Railing Assembly .....	8
1.3 Extension Platform Railing Assembly .....	10
1.4 Main and Extension Platform Assembly .....	12
1.5 Gate Latch Assembly .....	14
1.6 Quick Release Pins .....	15
1.7 Air Hose to Platform Assembly .....	16
1.8 Platform AC Outlet Assembly.....	17
1.9 Control Console Assembly .....	18
1.10a Drive/Steer Controller Assembly .....	22
1.10b Drive/Steer Controller Assembly.....	24
1.11 Scissor Arm Control Cable Assembly.....	26

### 2.0 Scissor Related Parts

2.1 Scissor Assembly (Model 6826RT) .....	28
2.2 Scissor Assembly (Model 6832RT) .....	30
2.3 Scissor Assembly - Mounting Hardware.....	32
2.4 Scissor Assembly - Connecting Hardware .....	34
2.5 Limit Switch Assembly .....	37
2.6 Lift Cylinder Assembly and Mounting Hardware .....	38
2.7 Holding Valve Assembly.....	40
2.8 Light and Beeper Assembly .....	42

### 3.0 Base Related Parts

3.1 Base Assembly.....	44
3.2 Propane Tray Assembly (ANSI/CSA) .....	48
3.3 Steer Cylinder Assembly (with Hardware) .....	50
3.4 Tie Rod Assembly (with Hardware).....	52
3.5 Splitter Manifold Assembly.....	53
3.6 Hydraulic Hose Connections - Splitter Manifold.....	54
3.7 Wheel Motor Assembly (Front) .....	56
3.8 Wheel Motor Assembly (Rear) .....	57
3.9 Hydraulic Hose Connections - Main Manifold .....	58
3.10 Hydraulic Cabinet Assembly.....	60
3.11 Oil Tank Assembly .....	62
3.12 Fuel Tank Assembly .....	63
3.13 Main Manifold Assembly .....	64
3.14 Hydraulic Cabinet Door Assembly.....	69
3.15 Engine Cabinet Assembly .....	70
3.16 Electrical Panel Assembly .....	72
3.17 Engine to Tray Assembly (Kubota DF972).....	74
3.18 Engine to Tray Assembly (Kubota D902).....	76
3.19 Engine Tray Assembly.....	78
3.20 Engine Cabinet Door Assembly.....	79
3.21 Engine and Main Manifold Harnesses .....	80
3.22 Electrical Panel Harnesses.....	82

## Table Of Contents

### 4.0 Engine Related Parts

4.1 Engine Assembly (Kubota DF972).....	84
4.2a Air Cleaner Assembly (Kubota DF972).....	90
4.2b Air Cleaner Assembly (Kubota DF972).....	91
4.3a Exhaust Assembly (Kubota DF972 / D902).....	92
4.3b Exhaust Assembly (Kubota DF972).....	93
4.4 Radiator Kit (Kubota DF972 / D902).....	94
4.5 Hydraulic Pump Assembly (Kubota DF972 / D902).....	97
4.6 Single Propane Tank Assembly (Kubota DF972).....	98
4.7 Dual Propane Tank Assembly (Kubota DF972).....	100
4.8 Evaporator Canister Assembly (Kubota DF972).....	103
4.9 Engine Assembly (Kubota D902).....	104
4.10 Air Cleaner Assembly Kit (Kubota D902).....	108
4.11 Fuel Line Connections (Kubota D902).....	109

### 5.0 Optional Equipment

5.1 Outrigger Control Box Assembly.....	110
5.2 Electrical Harness Connections - Outriggers.....	112
5.3 Front and Rear Outrigger Assembly.....	116
5.4 Outrigger Assembly.....	118
5.5 Outrigger Cylinder Assembly.....	120
5.6 Hydraulic Hose Connections - Outriggers.....	121
5.7 Outrigger Manifold Assembly.....	122
5.8 800W Inverter Option.....	124
5.9 Hydraulic Generator Option.....	126
5.10 Hydraulic Hose Connections - Hydraulic Generator.....	128
5.11 Hydraulic Generator Relay Assembly.....	131
5.12 Scissor Guard Option (with Diesel Fuel).....	132
5.13 Scissor Guard Option (ANSI/CSA with Dual Fuel).....	134
5.14 Work Light Option.....	136

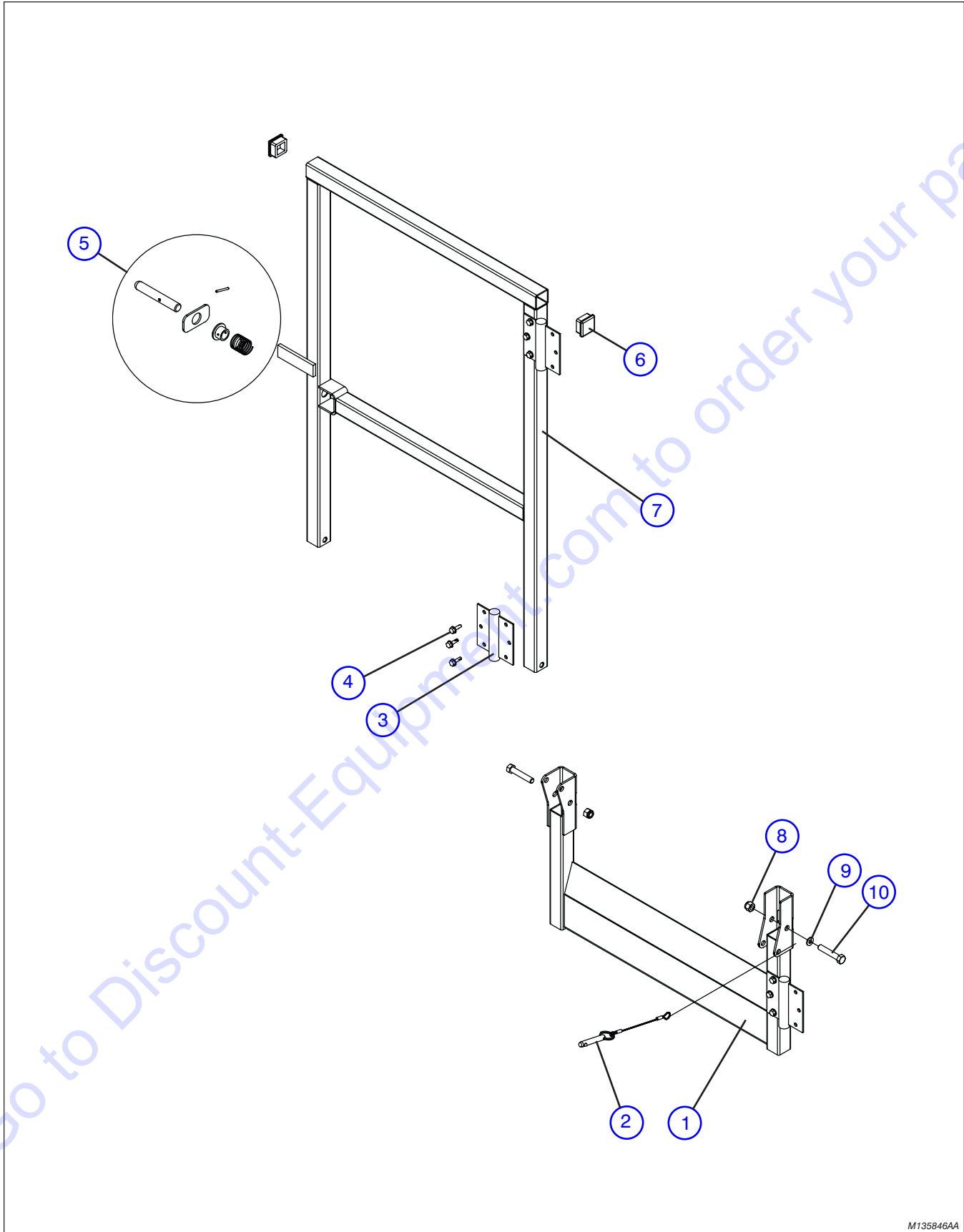
### 6.0 Labels

6.1 Label Kit.....	137
6.2 Labels - Chassis (Left and Rear).....	138
6.3 Labels - Chassis (Front and Right).....	140
6.4 Labels - Chassis (Top).....	141
6.5 Labels - Miscellaneous.....	142

### 7.0 Tables

7.1 Fluid Tables.....	147
-----------------------	-----

1.1 Gate Assembly



M135846AA

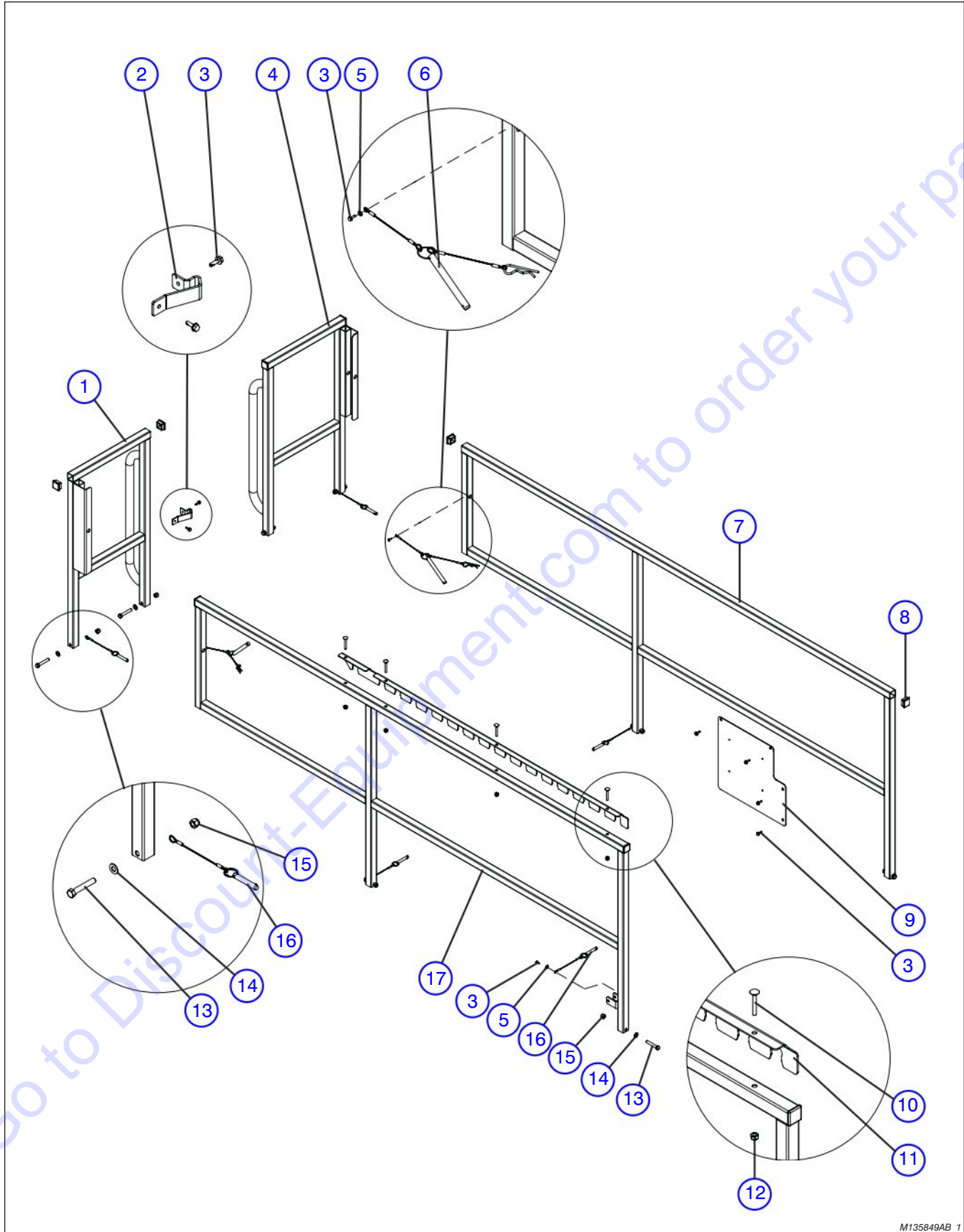
## 1.1 Gate Assembly

# 1

Index No.	Skyjack Part No.	Qty.	Description
-	135846	-	GATE ASSEMBLY
1	135878	1	• WELDMENT, Gate (Lower)
2	(Ref.)	-	• QUICK RELEASE LARGE LOOP PIN ASSEMBLY (For components, refer to Section 1.6)
3	117277	3	• HINGE, Spring
4	103632	AR	• SCREW, Hex head self tapping (1/4"-14 x 3/4")
5	(Ref.)	-	• LATCH ASSEMBLY (For components, refer to Section 1.5)
6	100702	AR	• END CAP, Plastic
7	135877	1	• WELDMENT, Gate (Upper)
8	104606	AR	• NUT, Hex nylon lock (3/8"-16, Grade 5)
9	103995	AR	• WASHER, Flat (1/4")
10	103872	AR	• BOLT, Hex head (3/8"-16 x 2.25", Grade 5)



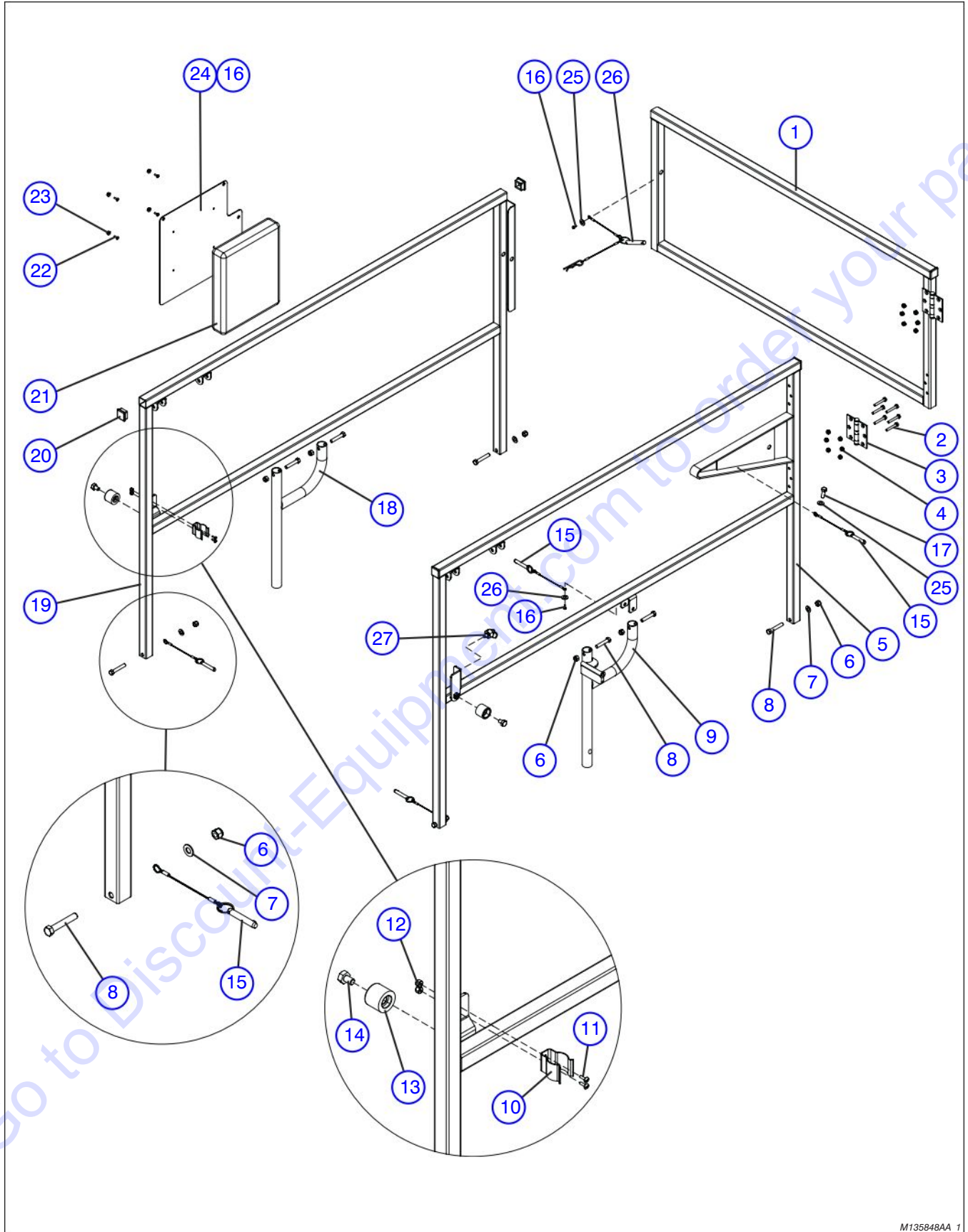
## 1.2 Platform Railing Assembly



M135849AB\_1

Index No.	Skyjack Part No.	Qty.	Description
-	135849	-	RAILING ASSEMBLY
1	135875	1	• RAILING, Rear (Right hand)
2	136302	1	• PLATE, Stop gate latch
3	103632	AR	• SCREW, Hex head self tapping (1/4"-14 x 3/4")
4	135876	1	• RAILING, Rear (Left hand)
5	103995	AR	• WASHER, Flat (1/4")
6	(Ref.)	-	• LONG PIN ASSEMBLY (For components, refer to Section 1.6)
7	135874	1	• WELDMENT, Railing (Left hand)
8	100702	AR	• END CAP, Plastic
9	130229	1	• PLATE, Warning label
10	127437	AR	• BOLT, Carriage (5/16"-18 x 2", Grade 5)
11	136303	1	• PLATE, Extension interval
12	103984	AR	• NUT, Hex nylon lock (5/16"-18, Grade 5)
13	103872	AR	• BOLT, Hex head (3/8"-16 x 2.25", Grade 5)
14	103472	AR	• WASHER, Flat (3/8")
15	104606	AR	• NUT, Hex nylon lock (3/8"-16, Grade 5)
16	(Ref.)	-	• QUICK RELEASE LARGE LOOP PIN ASSEMBLY (For components, refer to Section 1.6)
17	137452	1	• WELDMENT, Railing (Right hand)

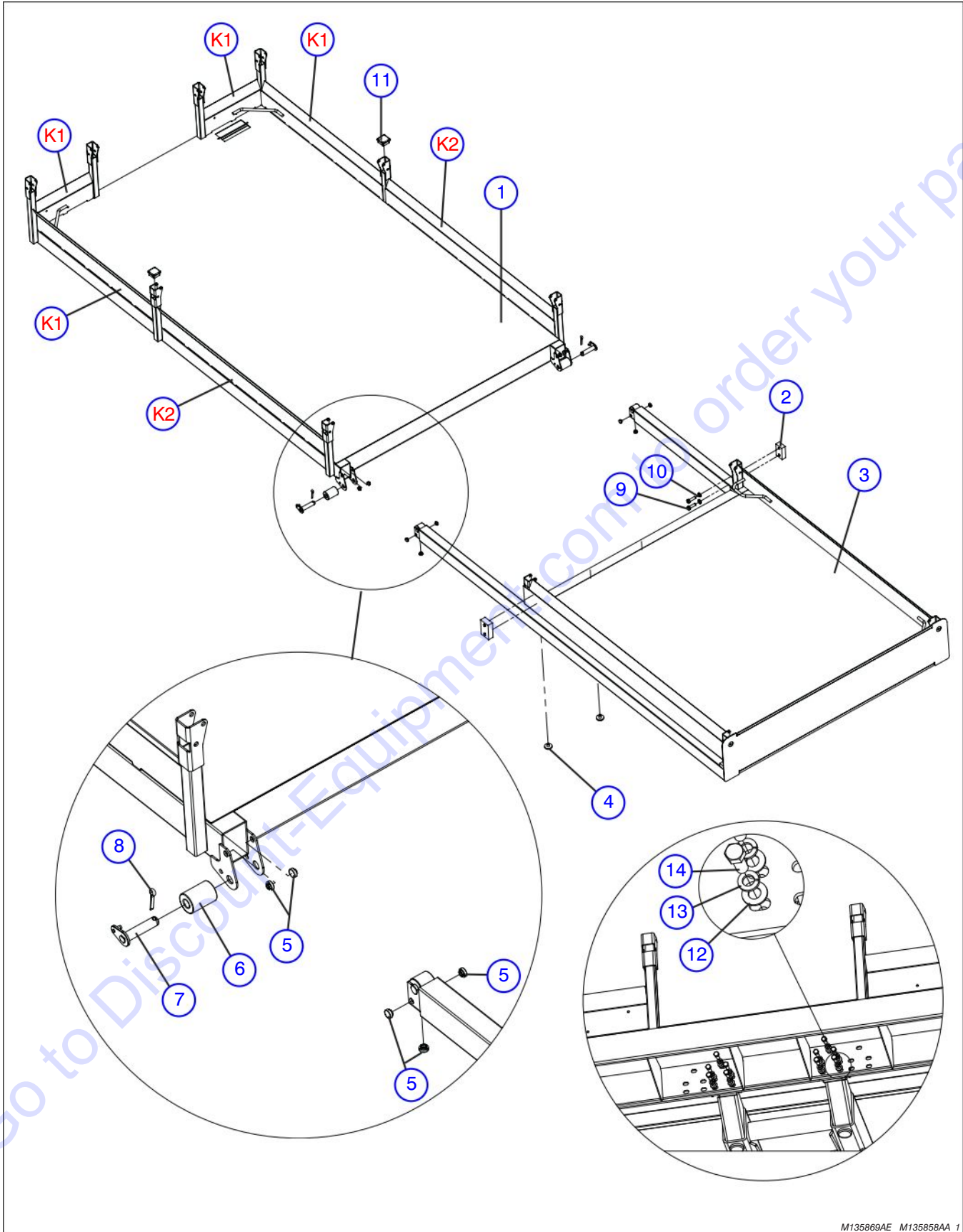
### 1.3 Extension Platform Railing Assembly



M135848AA\_1

Index No.	Skyjack Part No.	Qty.	Description
-	135848	-	EXTENSION PLATFORM RAILING ASSEMBLY
1	135881	1	• RAILING, Extension platform front
2	103860	AR	• BOLT, Hex head (1/4"-20 x 1.75", Grade 5)
3	136176	2	• HINGE, Steel
4	115649	AR	• NUT, Hex nylon lock (1/4"-20, Grade 5)
5	135879	1	• RAILING, Extension platform (Right hand)
6	104606	AR	• NUT, Hex nylon lock (3/8"-16, Grade 5)
7	103472	AR	• WASHER, Flat (3/8")
8	103872	AR	• BOLT, Hex head (3/8"-16 x 2.25", Grade 5)
9	135889	1	• WELDMENT, Push bar with lock
10	137235	1	• CLIP, Gripper (1.5" - 2.5" diameter)
11	103960	AR	• SCREW, Round head machine (#10-24 x 1/2")
12	126642	AR	• NUT, Hex nylon lock (#10-24 Grade 5)
13	130840	2	• BUMPER
14	123713	AR	• BOLT, Hex head (M12-1.25 x 16mm, Grade 9.8)
15	(Ref.)	-	• QUICK RELEASE LARGE LOOP PIN ASSEMBLY (For components, refer to Section 1.6)
16	103632	AR	• SCREW, Hex head self tapping (1/4"-14 x 3/4")
17	103855	1	• BOLT, Hex head (1/4"-20 x 1/2", Grade 5)
18	135873	1	• WELDMENT, Push bar
19	135880	1	• RAILING, Extension platform (Left hand)
20	100702	AR	• END CAP, Plastic
21	117293	1	• BOX, Manual
22	103962	AR	• SCREW, Round head machine (#10-32 x 1/2")
23	125968	AR	• NUT, Hex flange lock (#10-32)
24	130229	1	• PLATE, Warning label
25	103995	AR	• WASHER, Flat (1/4")
26	(Ref.)	-	• SHORT PIN ASSEMBLY (For components, refer to Section 1.6)
27	112467	1	• PIN PLUNGER, Pull-ring

1.4 Main and Extension Platform Assembly

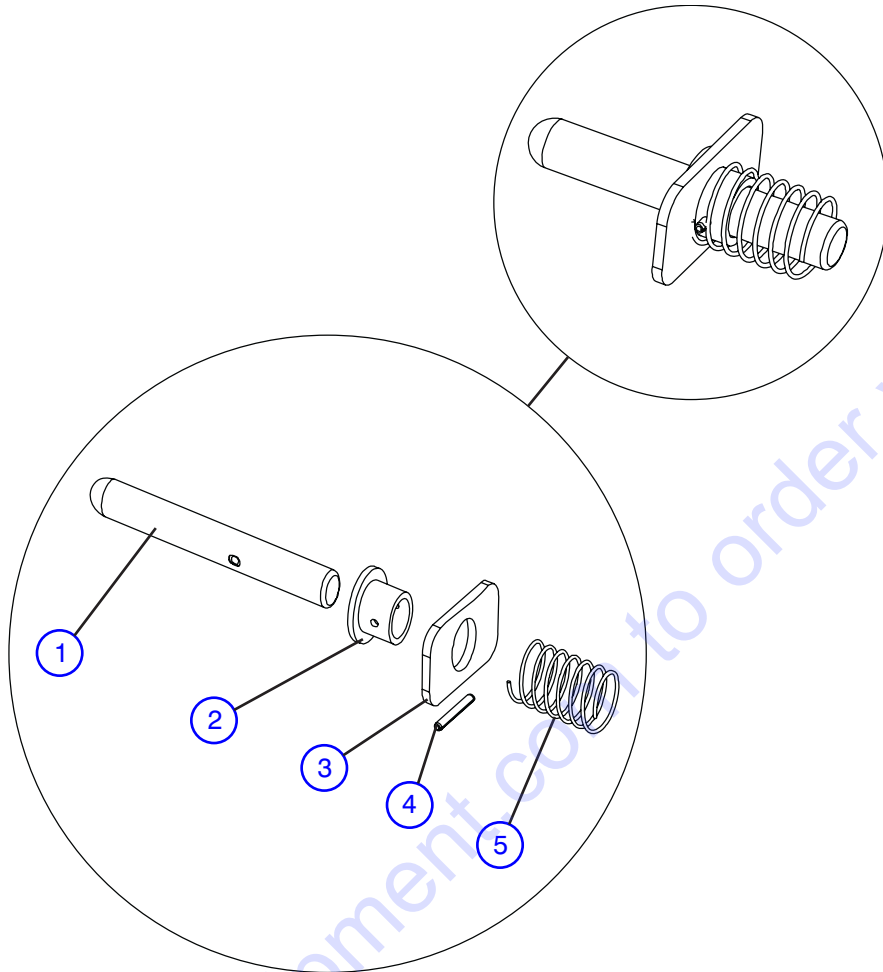


M135869AE M135858AA\_1

### 1.4 Main and Extension Platform Assembly

Index No.	Skyjack Part No.	Qty.	Description
-	135869	-	MAIN AND EXTENSION PLATFORM ASSEMBLY
1	135870	1	• WELDMENT, Main
2	140915	2	• BAR, Platform extension stop
3	135871	1	• WELDMENT, Extension platform
4	101954	5	• PAD, Bottom slide
5	125433	AR	• BUSHING, Slider
6	125455	2	• ROLLER, Wide
7	125422	2	• PIN, Rollout roller
8	121874	2	• PIN, Cotter (1/4" diameter x 1.5")
9	117430	AR	• BOLT, Hex head (3/8"-16 x 1.25", Grade 8)
10	103999	AR	• WASHER, Lock (3/8")
11	100702	2	• END CAP, Plastic
12	103472	AR	WASHER, Flat (3/8")
13	103999	AR	WASHER, Lock (3/8")
14	103473	AR	BOLT, Hex head (3/8"-16 x 1", Grade 5)
K1	133579	AR	KIT, Short and rear side kickplates replacement
K2	133580	AR	KIT, Long side kickplate replacement

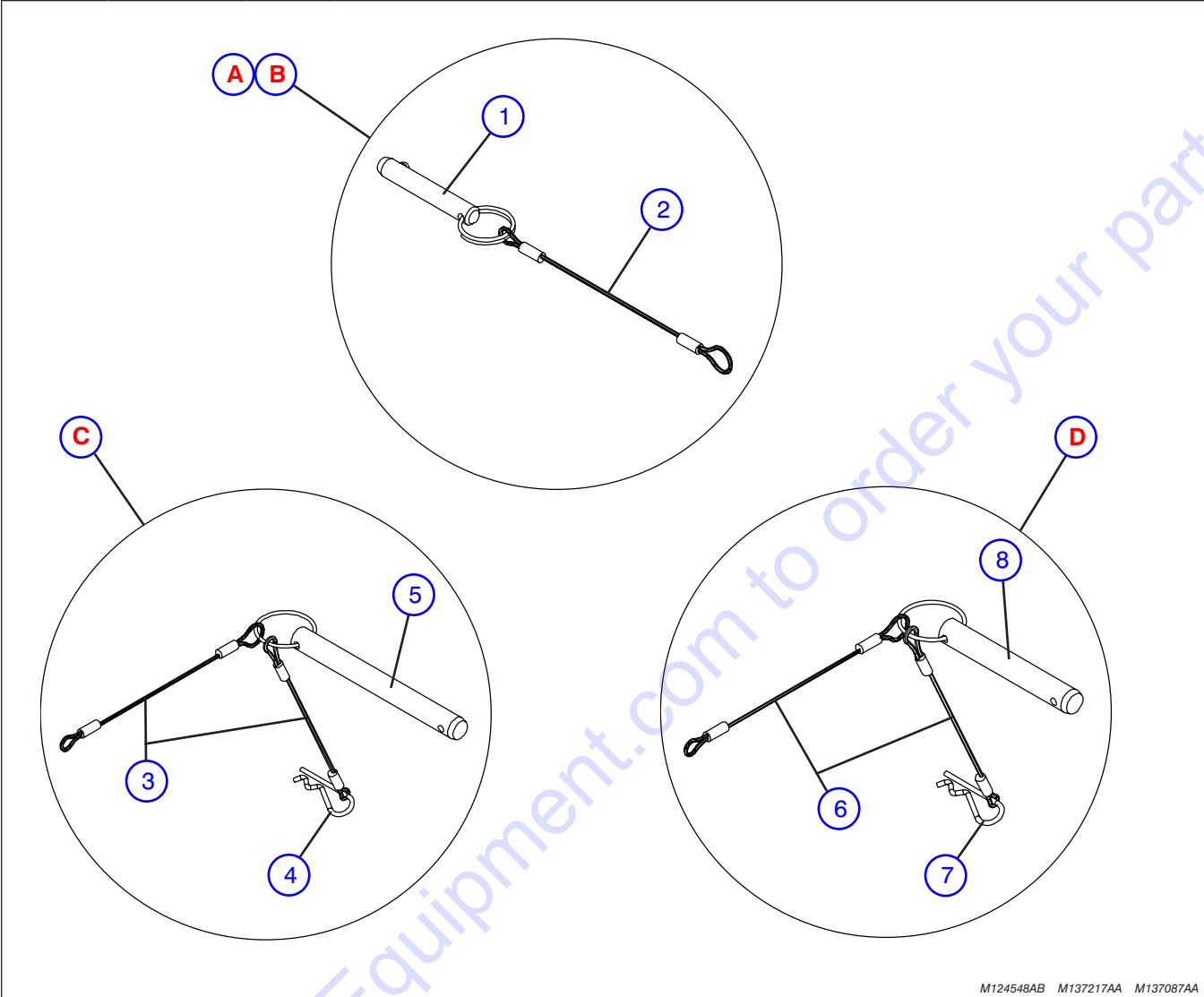
### 1.5 Gate Latch Assembly



M110824AA

Index No.	Skyjack Part No.	Qty.	Description
-	110824	-	ASSEMBLY, Latch pin spring
1	109377	1	• PIN, Latch
2	105312	1	• GUIDE, Nylon spring
3	105307	1	• PLATE, Gate latch release
4	100950	1	• PIN, Roll (1/8" x 1")
5	103107	1	• SPRING, Compression

1.6 Quick Release Pins

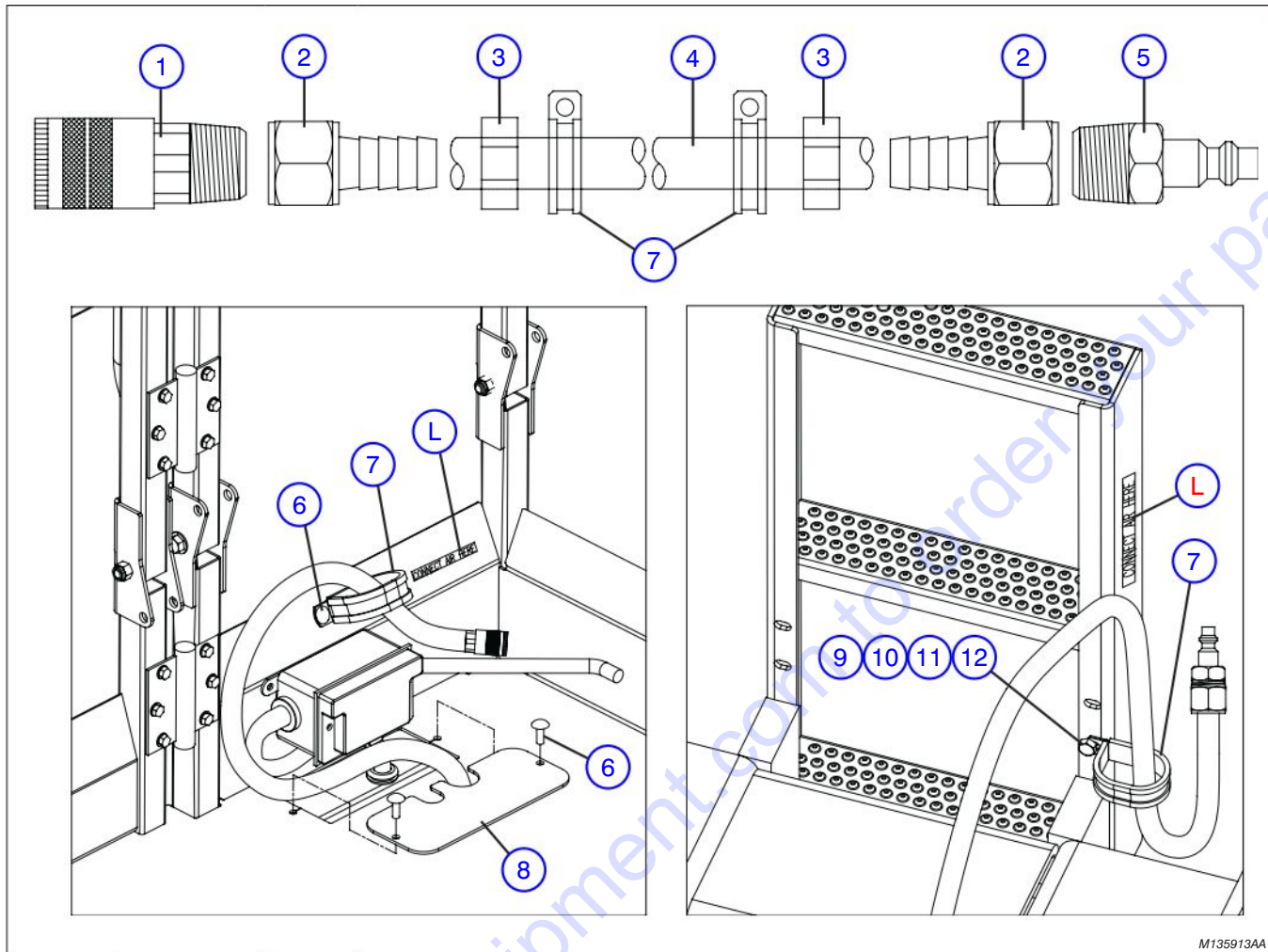


M124548AB M137217AA M137087AA

Index No.	Skyjack Part No.	Qty.	Description
A	124548	-	QUICK RELEASE LARGE LOOP PIN ASSEMBLY
B	124547	-	QUICK RELEASE SMALL LOOP PIN ASSEMBLY
1	100509	1	• PIN, Quick release (3/8" diameter x 1.688")
2	105807	1	• LANYARD, Plastic coated (6")
C	137217	-	LONG PIN ASSEMBLY
3	105807	2	• LANYARD, Plastic coated (6")
4	103055	1	• PIN, Cotter Hair
5	137086	1	• PIN, Ring (1/2" diameter x 4.125")
D	137087	-	SHORT PIN ASSEMBLY
6	105807	2	• LANYARD, Plastic coated (6")
7	103055	1	• PIN, Cotter Hair
8	137084	1	• PIN, Ring (1/2" diameter x 2.75")

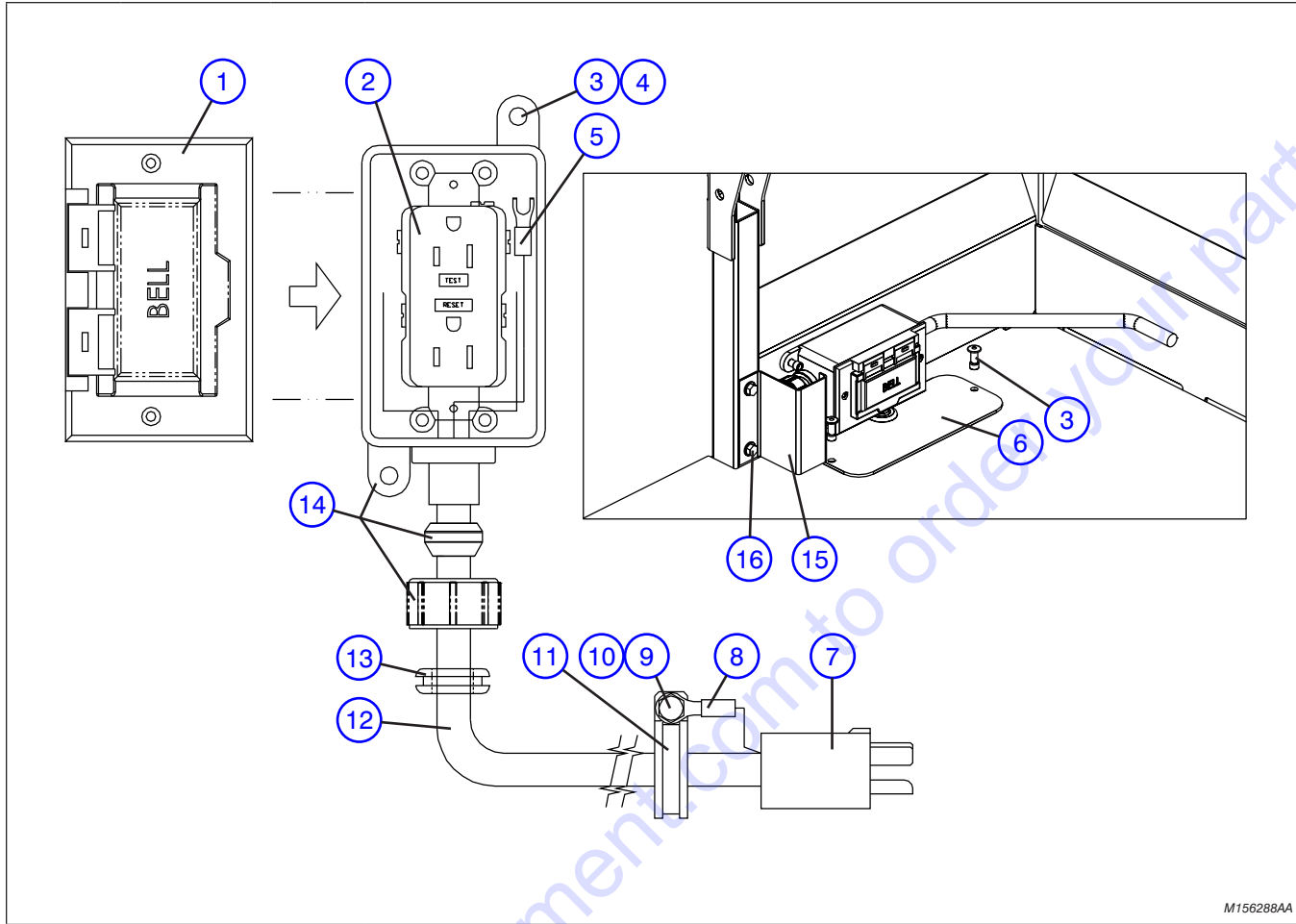


### 1.7 Air Hose to Platform Assembly



M135913AA

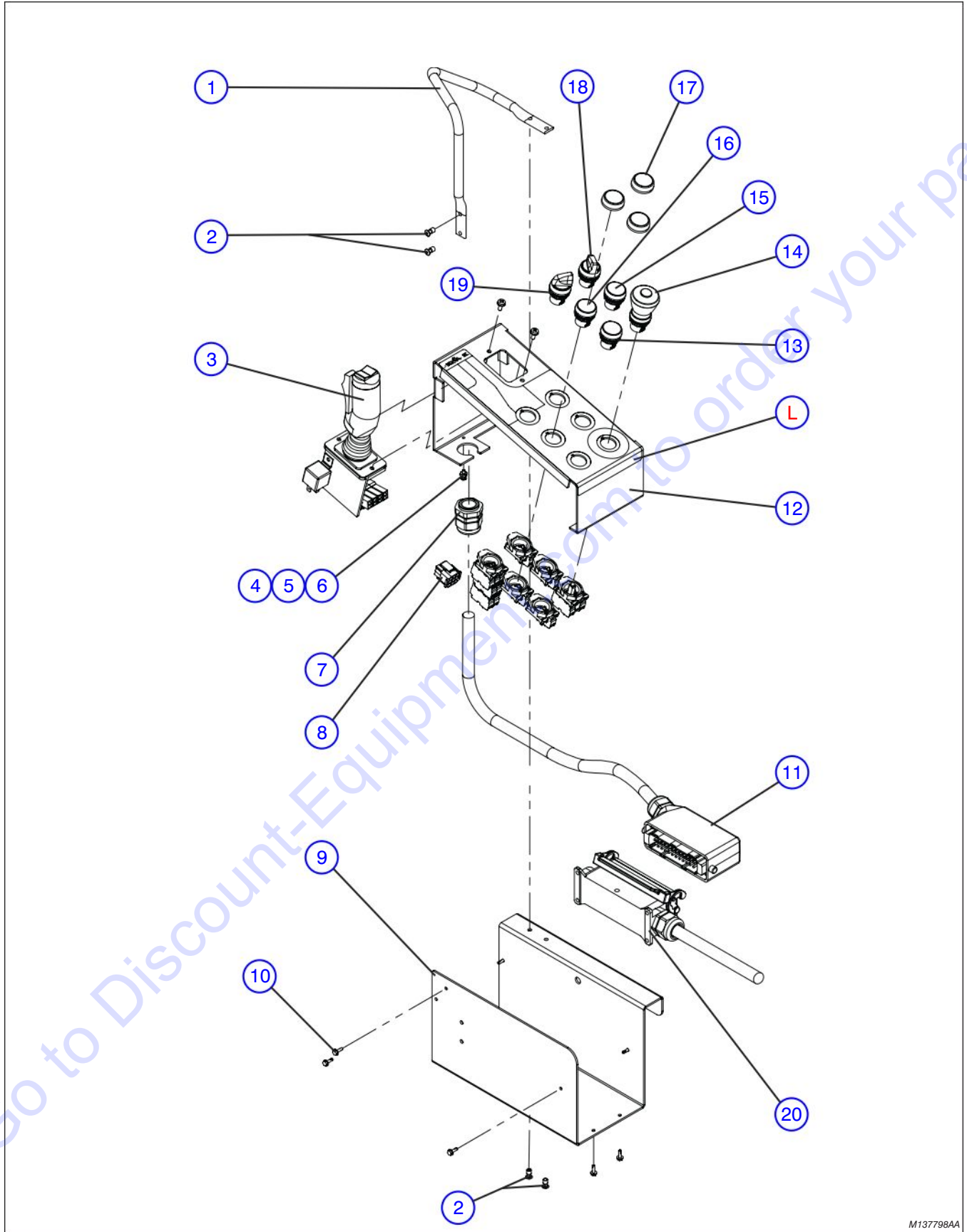
Index No.	Skyjack Part No.	Qty.	Description
1	107882	1	FITTING, Female disconnect
2	109050	2	FITTING, Hose barb
3	107886	2	CLAMP, Hose
4	107884	37'	HOSE, Air (Model 6826RT)
	107884	45'	HOSE, Air (Model 6832RT)
5	107883	1	FITTING, Male disconnect
6	134140	3	RIVET, Open end dome (1/4" diameter)
7	103078	2	CLAMP, Double (G10)
8	137567	1	PLATE, Air control/110 cover
9	103978	1	NUT, Hex head (3/8"-16, Grade 5)
10	103999	1	WASHER, Lock (3/8")
11	103472	1	WASHER, Flat (3/8")
12	101632	1	BOLT, Hex head (3/8"-16 x 3/4", Grade 5)
L	(Ref.)	-	LABEL, Connect Air Here (Refer to Section 6)



M156288AA

Index No.	Skyjack Part No.	Qty.	Description
1	109699	1	PLATE, Weatherproof cover
2	109698	1	RECEPTACLE, GFI (125V)
3	134140	4	RIVET, Open end dome (1/4" diameter)
4	103995	2	WASHER, Flat (1/4")
5	109892	1	TERMINAL, Fork (16-14GA)
6	137083	1	PLATE, Outlet access cover
7	104208	1	PLUG, Male (3-prong)
8	130730	1	GROUND WIRE ASSEMBLY
9	103856	1	BOLT, Hex head (1/4"-20 x 3/4")
10	115649	AR	NUT, Hex nylon lock (1/4"-20, Grade 5)
11	103024	1	SINGLE CLIP (G8)
12	105269	420"	CABTIRE, 14/3 (Model 6826RT ANSI/CSA)
		516"	CABTIRE, 14/3 (Model 6832RT ANSI/CSA)
13	103014	1	GROMMET, Rubber (7/8")
14	136328	1	BOX, Outlet with fitting
15	156689	1	COVER, Ontario Hydro 110 (ANSI/CSA)
16	103632	2	SCREW, Hex head self tapping (1/4"-14 x 3/4") (ANSI/CSA)

### 1.9 Control Console Assembly

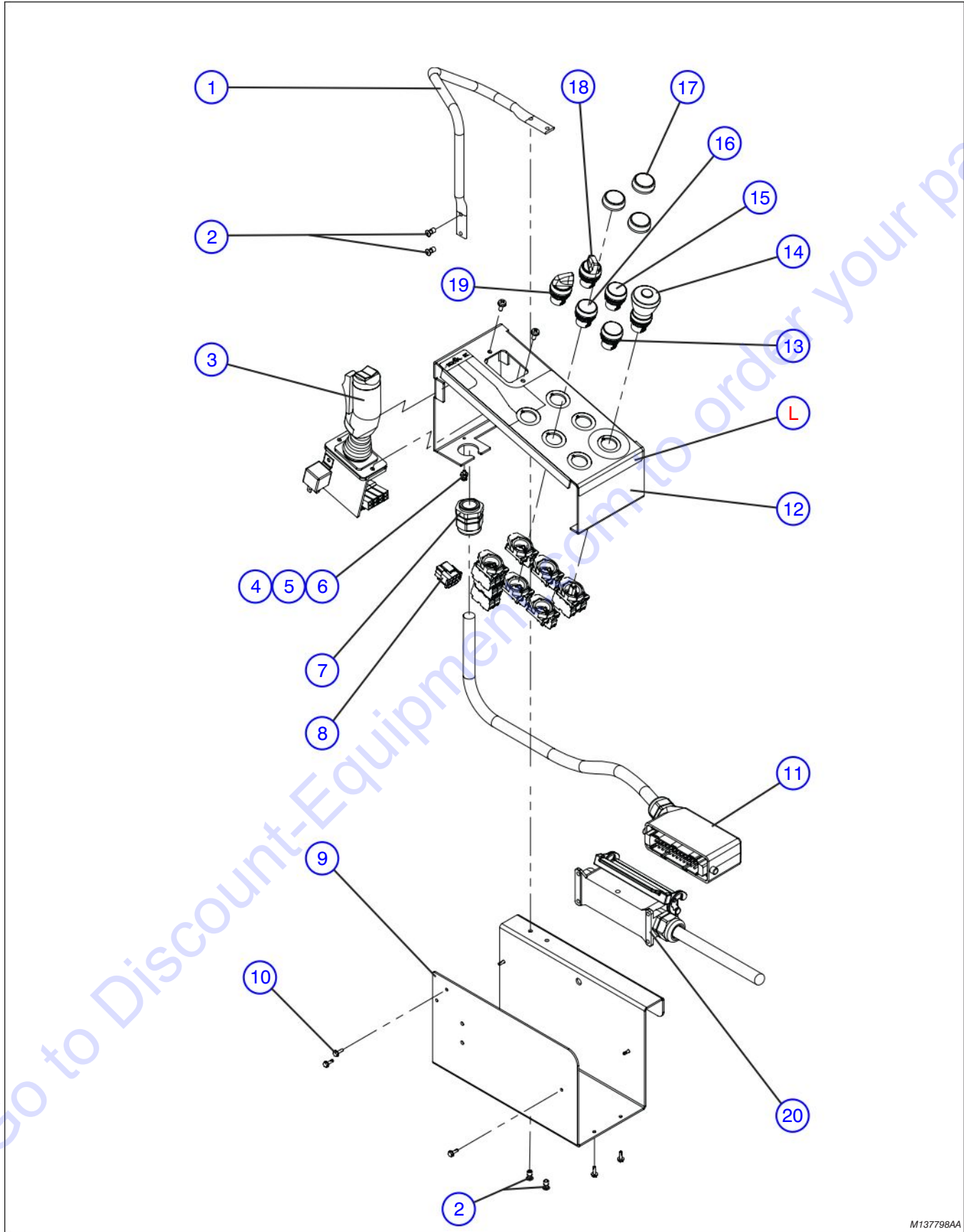


M137798AA

Index No.	Skyjack Part No.	Qty.	Description
-	137798	-	CONTROL CONSOLE ASSEMBLY
1	138004	1	• GUARD, Control box
2	120948	AR	• RIVET, Pop (3/16" diameter x 0.440")
3	(Ref.)	-	• CONTROLLER, Enable (For components, refer to Section 1.10a)
4	106099	1	• WASHER, Lock (#6)
5	103985	1	• NUT, Hex Head (#6-32)
6	114678	3	• SCREW, Round head machine (#6-32 x 1/2")
7	300788	1	• STRAIN RELIEF (LTF 21)
8	116993	1	• CONNECTOR, Controller
9	137594	1	• PLATE, Control console (Outside)
10	112327	AR	• SCREW, Hex head self tapping (#8-8 x 1/2")
11	137355	1	• CONTROL CONSOLE CABLE ASSEMBLY (24 PIN)
	137201	120"	• • CABLE (16/25)
	137329	1	• • HOUSING, Side entry with strain relief
	137224	1	• • INSERT, Male (24 PIN)
	121050	25	• • FERULE, 16GA (Black)
12	137593	1	• PLATE, Control console (Top)
13	-	1	• SWITCH ASSEMBLY (Horn)
	137792	1	• • HEAD, Switch Push Button (Black)
	137786	1	• • SWITCH, Base Assembly
	137782	1	• • • BLOCK, N.O. Spring contact
	137781	1	• • • LATCH
14	-	1	• SWITCH ASSEMBLY, Emergency stop
	137795	1	• • SWITCH HEAD, Emergency stop
	137791	1	• • SWITCH ASSEMBLY (Base)
	137785	1	• • • SWITCH, LED block (Red)
	137783	2	• • • BLOCK, N.C. Contact
	137781	1	• • • LATCH
15	-	1	• SWITCH ASSEMBLY (Glow plug/Choke)
	137792	1	• • SWITCH HEAD, Pushbutton (Black)
	137786	1	• • SWITCH ASSEMBLY (Base)
	137782	1	• • • BLOCK, NO Spring Contact
	137781	1	• • • LATCH, Mounting
16	-	1	• SWITCH ASSEMBLY, Start
	137792	1	• • SWITCH HEAD, Pushbutton (Black)
	137786	1	• • SWITCH ASSEMBLY (Base)
	137782	1	• • • BLOCK, N.O. Spring contact
	137781	1	• • • LATCH
17	137796	3	• BOOT, Pushbutton (Round)

Part list continued on the following page.

1.9 Control Console Assembly (Continued)



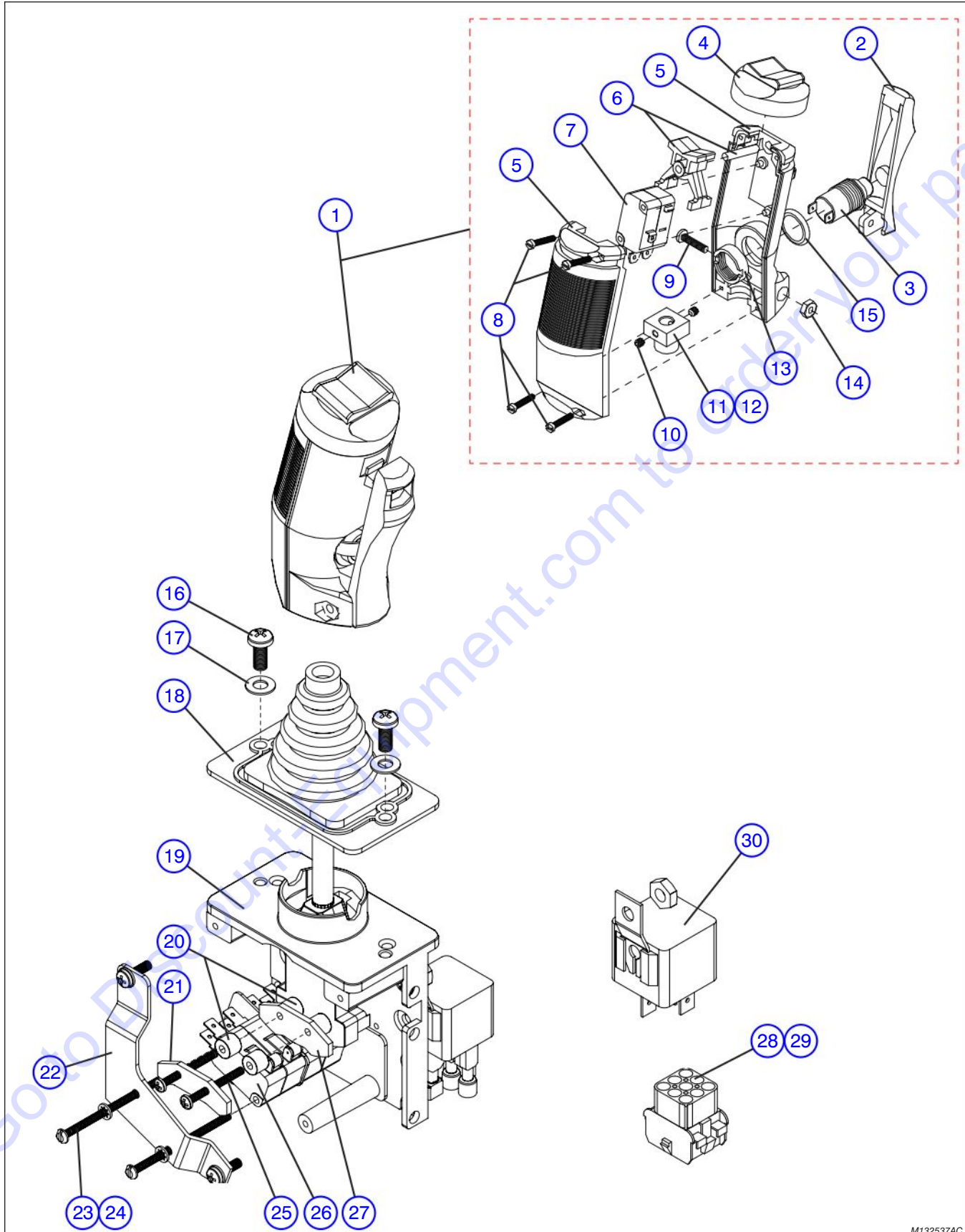
M137798AA

1.9 Control Console Assembly (Continued)

Index No.	Skyjack Part No.	Qty.	Description
<b>Part list continued from the previous page.</b>			
18	-	1	<ul style="list-style-type: none"> <li>• SELECTOR SWITCH ASSEMBLY (Low/High throttle)</li> </ul>
	137794	1	<ul style="list-style-type: none"> <li>• • SWITCH HEAD, Selector (2-Way)</li> </ul>
	137786	1	<ul style="list-style-type: none"> <li>• • SWITCH ASSEMBLY (Base)</li> </ul>
	137782	1	<ul style="list-style-type: none"> <li>• • • BLOCK, N.O. Spring contact</li> </ul>
	137781	1	<ul style="list-style-type: none"> <li>• • • LATCH</li> </ul>
19	-	1	<ul style="list-style-type: none"> <li>• SWITCH ASSEMBLY (Lift Drive)</li> </ul>
	137793	1	<ul style="list-style-type: none"> <li>• • SWITCH HEAD, Selector (3-Way)</li> </ul>
	137788	1	<ul style="list-style-type: none"> <li>• • SWITCH ASSEMBLY (Base)</li> </ul>
	137783	3	<ul style="list-style-type: none"> <li>• • • BLOCK, N.C. Contact</li> </ul>
	137782	4	<ul style="list-style-type: none"> <li>• • • BLOCK, N.O. Contact</li> </ul>
	137781	1	<ul style="list-style-type: none"> <li>• • • LATCH</li> </ul>
20	(Ref.)	-	SCISSOR CONTROL CABLE ASSEMBLY (For components, refer to Section 1.11)
L	(Ref.)	-	<ul style="list-style-type: none"> <li>• LABEL, Control console (Refer to Section 6)</li> </ul>

Go to Discount-Equipment.com to order your parts

1.10a Drive/Steer Controller Assembly

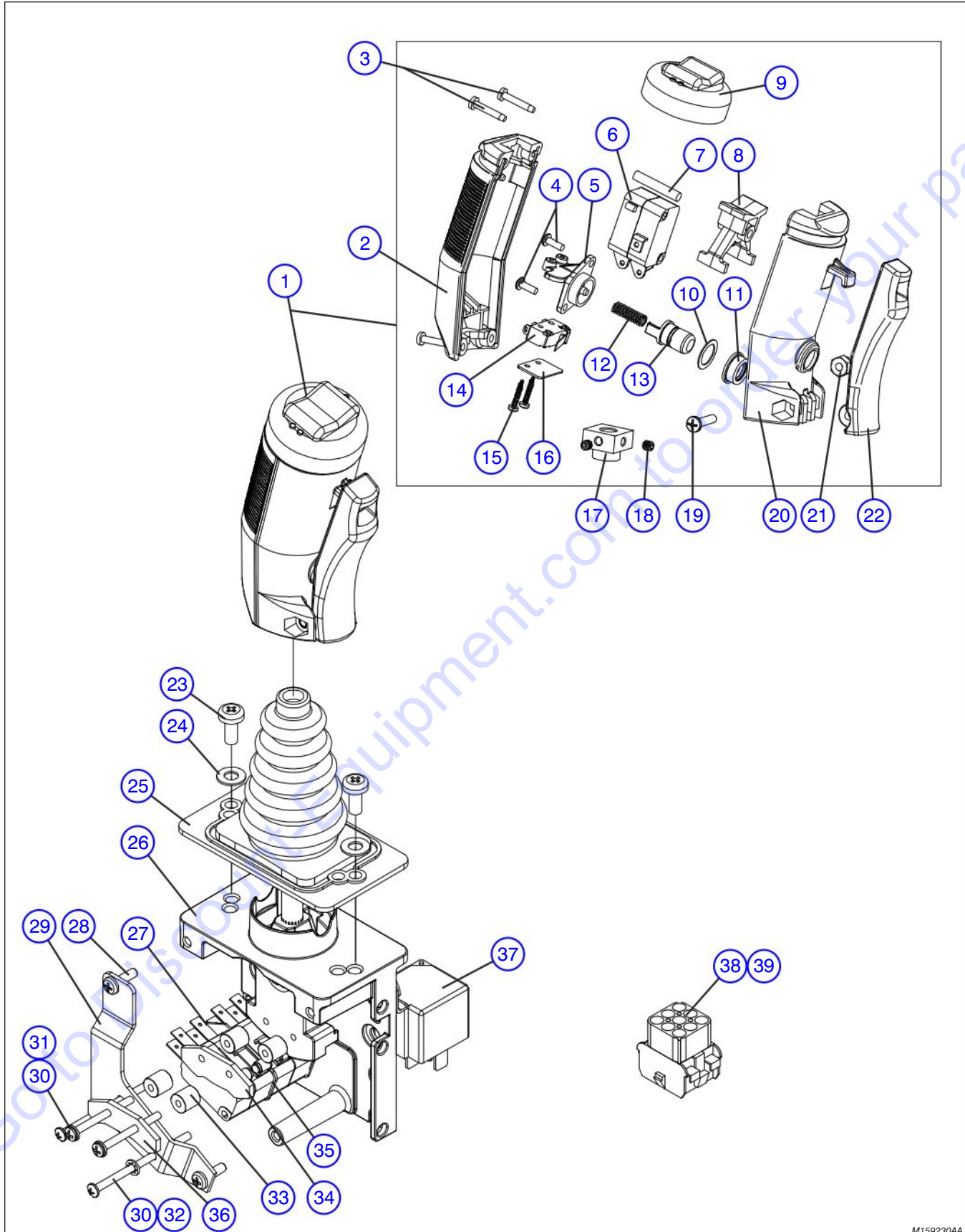


M132537AC

**1.10a Drive/Steer Controller Assembly**

Index No.	Skyjack Part No.	Qty.	Description
-	132537	1	DRIVE/STEER CONTROLLER ASSEMBLY (For machines with serial number of 37003392 & below)
1	122849	1	• HANDLE ASSEMBLY
2	122873	1	• • LEVER, Trigger
3	122872	1	• • SWITCH, Pushbutton
4	122874	1	• • CAP, Rubber
5	134112	1	• • KIT, Handle
6	122876	1	• • ROCKER ASSEMBLY
7	122877	2	• • MICRO SWITCH ASSEMBLY
8	122879	4	• • SCREW, Controller handle
9	122959	1	• • SCREW, Controller lever
10	122960	2	• • SCREW, set
11	122961	1	• • COUPLING (8mm)
12	122962	1	• • COUPLING (10mm)
13	122963	1	• • NUT, Pushbutton
14	122964	1	• • NUT, Controller lever
15	122965	1	• • FITTING, O-ring
16	122846	2	• SCREW
17	122847	2	• WASHER
18	127179	1	• BOOT & GASKET
19	122861	1	• BASE
20	122865	4	• SPACER
21	122864	1	• CAM
22	139543	4	• BRACKET
23	122870	2	• WASHER
24	122863	2	• SCREW
25	122866	2	• SCREW
26	122869	4	• MICROSWITCH
27	122862	1	• CAM
28	122840	1	• MALE CONNECTOR ASSEMBLY (9 pin)
	116993	1	• • HOUSING, Male connector (9 pin)
	116990	9	• • PIN, Female wire
29	122841	1	• FEMALE CONNECTOR ASSEMBLY (9 pin)
	122839	1	• • HOUSING, Female connector (9 pin)
	116989	9	• • PIN, Male wire
30	127035	1	• RELAY, 12 V (40 amp)

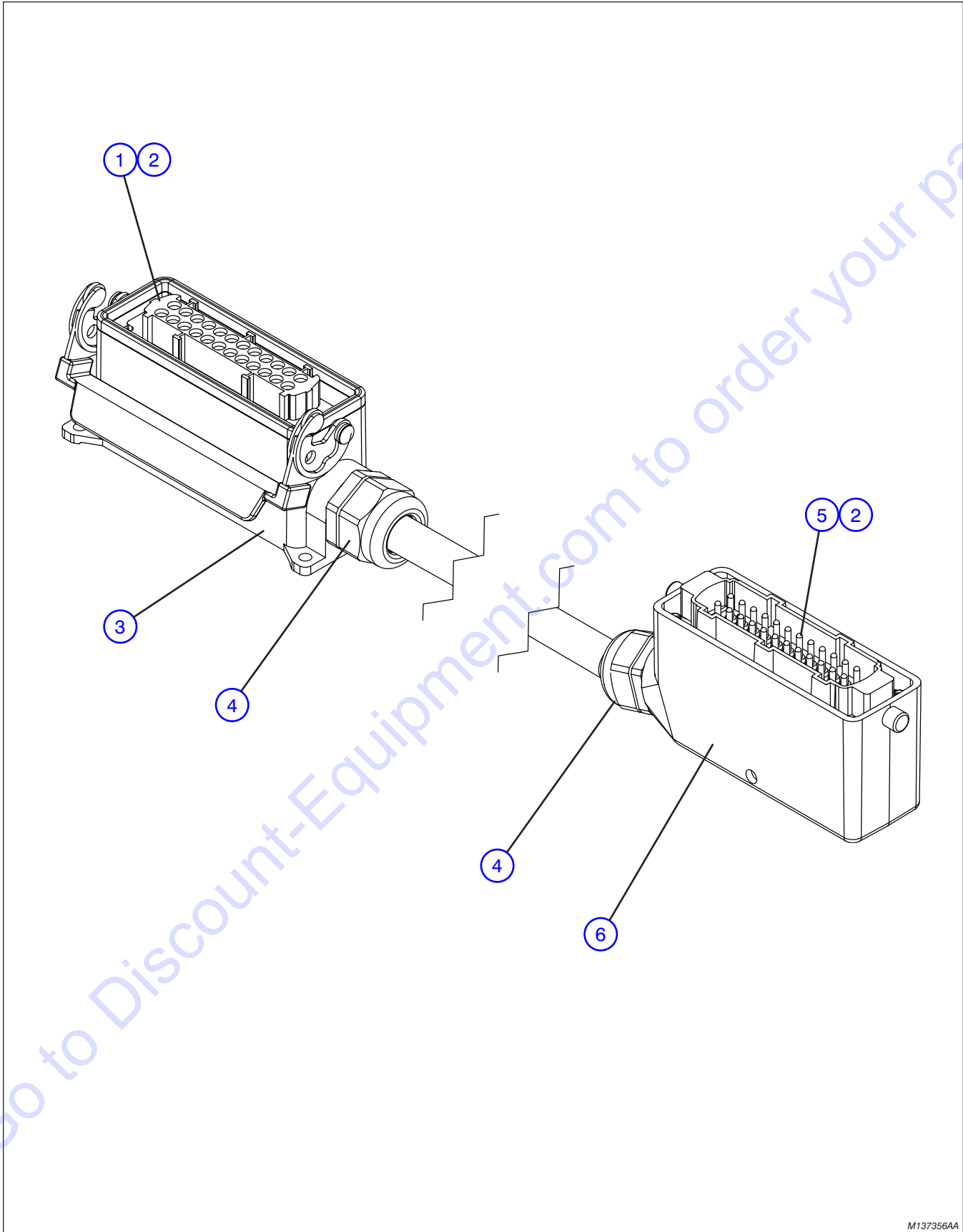




M159230AA

Index No.	Skyjack Part No.	Qty.	Description
-	159230	1	DRIVE/STEER CONTROLLER ASSEMBLY (For machines with serial number of 37003393 & above)
1	159055	1	• HANDLE ASSEMBLY
2	159057	1	• • HANDLE, Front half
3	122879	4	• • SCREW, Controller handle
4	159065	2	• • SCREW, Plastite (#4-20 x 5/16")
5	159060	1	• • HOLDER, Micro switch
6	159613	1	• • ROCKER MICRO ASSEMBLY
7	141341	1	• • AXLE, Rocker
8	154717	1	• • ROCKER
9	122874	1	• • CAP, Rubber
10	159063	1	• • WASHER
11	159062	1	• • BOOT, Plunger switch
12	159064	1	• • SPRING
13	159061	1	• • SWITCH, Plunger
14	159067	1	• • SWITCH, Lever micro
15	159066	2	• • SCREW, Plastite (#2-28 x 1/2")
16	159068	1	• • INSULATOR, Micro
17	122961	1	• • COUPLING (8mm)
18	122960	2	• • SCREW, Set
19	154718	1	• • SCREW (#6-32 x 5/8")
20	159058	1	• • HANDLE, Back half
21	122964	1	• • NUT, Controller lever
22	159059	1	• • LEVER, Trigger
23	122846	2	• SCREW
24	122847	2	• WASHER
25	127179	1	• BOOT & GASKET
26	122861	1	• BASE
27	122869	4	• MICROSWITCH
28	122867	2	• SCREW
29	139543	4	• BRACKET
30	122870	2	• WASHER
31	122866	2	• SCREW
32	122863	2	• SCREW
33	122865	4	• SPACER
34	122862	1	• CAM
35	159618	1	• INSULATOR
36	122864	1	• CAM
37	127035	1	• RELAY, 12 V (40 amp)
38	122840	1	• MALE CONNECTOR ASSEMBLY (9 pin)
	116993	1	• • HOUSING, Male
	116990	9	• • PIN, Wire (Female)
39	122841	1	• FEMALE CONNECTOR ASSEMBLY (9 pin)
	122839	1	• • HOUSING, Female
	116989	9	• • PIN, Wire (Male)

### 1.11 Scissor Arm Control Cable Assembly

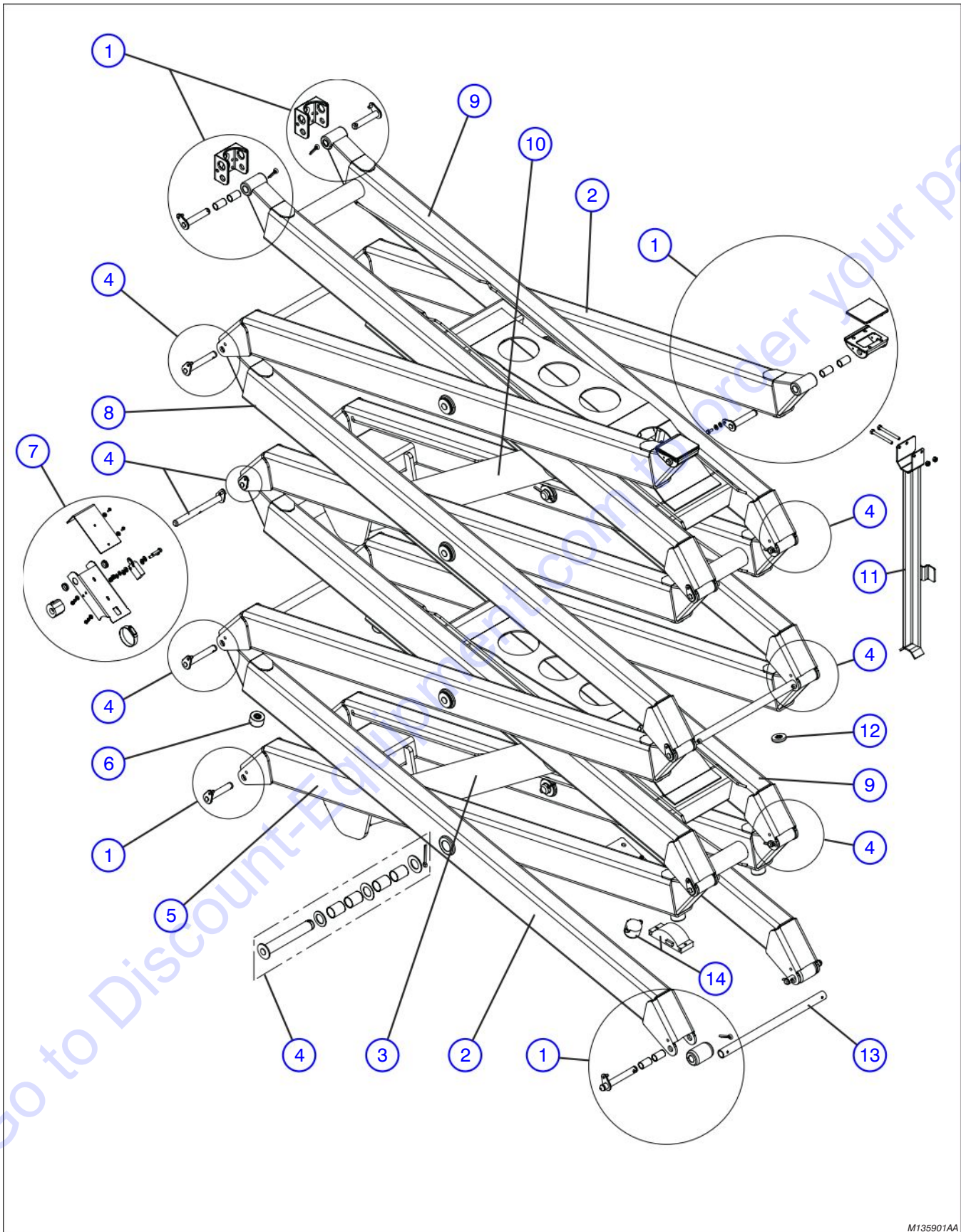


M137356AA

### 1.11 Scissor Arm Control Cable Assembly

Index No.	Skyjack Part No.	Qty.	Description
-	137356	-	CONTROL CABLE ASSEMBLY (Model 6826RT)
-	137363	-	CONTROL CABLE ASSEMBLY (Model 6832RT)
1	137223	1	INSERT, Female (24 Pin)
2	121050	AR	FERULE, 16GA (Black)
3	138038	1	HOUSING, Surface mount (24 Pin)
4	132109	2	CONNECTOR, Strain relief
5	137224	1	INSERT, Male (24 Pin)
6	138037	1	HOUSING, Side entry (24 Pin)

## 2.1 Scissor Assembly (Model 6826RT)



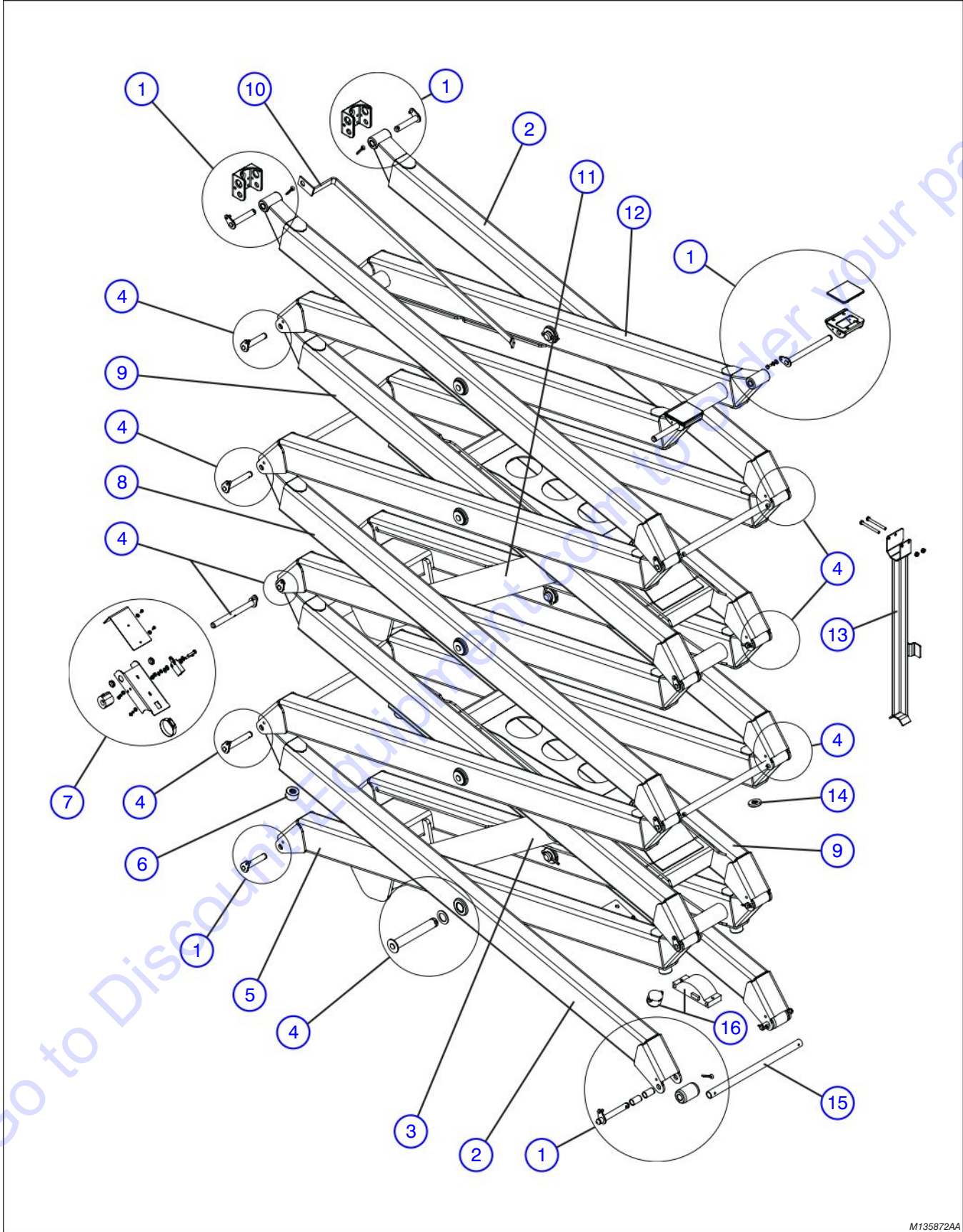
M135901AA

## 2.1 Scissor Assembly (Model 6826RT)

Index No.	Skyjack Part No.	Qty.	Description
-	135901	-	SCISSOR ASSEMBLY (ANSI/CSA)
1	(Ref.)	-	<ul style="list-style-type: none"> <li>SCISSOR ASSEMBLY - MOUNTING HARDWARE (For components, refer to Section 2.3)</li> </ul>
2	136211	8	<ul style="list-style-type: none"> <li>SCISSOR ARMS, Outside</li> </ul>
3	(Ref.)	-	<ul style="list-style-type: none"> <li>CYLINDER, Lower lift (For components, refer to Section 2.6)</li> </ul>
4	(Ref.)	-	<ul style="list-style-type: none"> <li>SCISSOR ASSEMBLY - CONNECTING HARDWARE (For components, refer to Section 2.4)</li> </ul>
5	136222	1	<ul style="list-style-type: none"> <li>SCISSOR LEVEL, Inside (1st Level)</li> </ul>
6	130840	4	<ul style="list-style-type: none"> <li>BUMPER, Scissor bottom (1st Level)</li> </ul>
	123713	AR	<ul style="list-style-type: none"> <li>• BOLT, Hex head (M12-1.25 x 16mm, Grade 9.8)</li> </ul>
	600426	AR	<ul style="list-style-type: none"> <li>• WASHER, Flat (M12, plated DIN 125)</li> </ul>
7	(Ref.)	-	<ul style="list-style-type: none"> <li>LIMIT SWITCH ASSEMBLIES, (For components, refer to Section 2.5)</li> </ul>
8	137562	1	<ul style="list-style-type: none"> <li>SCISSOR LEVEL, Inside (3rd Level)</li> </ul>
9	136230	2	<ul style="list-style-type: none"> <li>SCISSOR LEVEL, Inside (2nd &amp; 4th Level)</li> </ul>
10	(Ref.)	-	<ul style="list-style-type: none"> <li>CYLINDER, Upper lift (For components, refer to Section 2.6)</li> </ul>
11	123344	1	<ul style="list-style-type: none"> <li>MAINTENANCE SUPPORT</li> </ul>
	122006	AR	<ul style="list-style-type: none"> <li>• BOLT, Hex head (5/16"-18 x 3.25", Grade 5)</li> </ul>
	103984	AR	<ul style="list-style-type: none"> <li>• NUT, Hex (5/16"-18, Grade 5)</li> </ul>
12	121860	12	<ul style="list-style-type: none"> <li>BUMPER, Scissor arm</li> </ul>
13	(Ref.)	-	<ul style="list-style-type: none"> <li>TUBE, Outside scissor spacer (For components, refer to Section 2.4)</li> </ul>
14	(Ref.)	-	<ul style="list-style-type: none"> <li>BEEPER/TRANSDUCER ASSEMBLY (For components, refer to Section 2.8)</li> </ul>

2

2.2 Scissor Assembly (Model 6832RT)



M135872AA

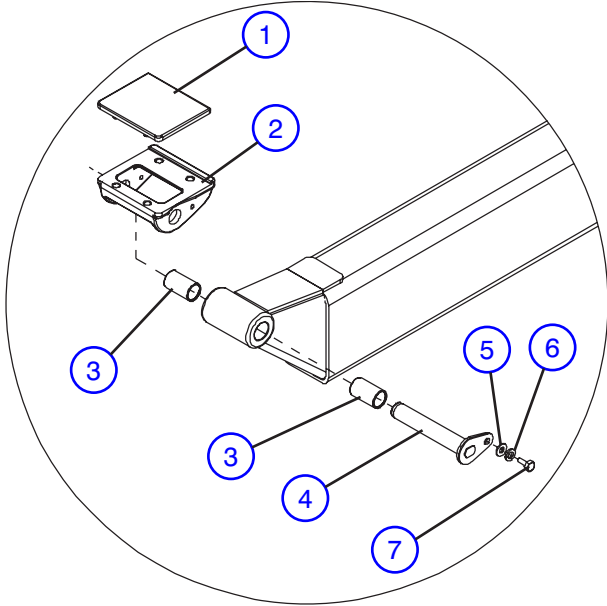
## 2.2 Scissor Assembly (Model 6832RT)

Index No.	Skyjack Part No.	Qty.	Description
-	135872	-	SCISSOR ASSEMBLY (ANSI/CSA)
-	157922	-	SCISSOR ASSEMBLY (KC)
1	(Ref.)	-	<ul style="list-style-type: none"> <li>• SCISSOR ASSEMBLY - MOUNTING HARDWARE (For components, refer to Section 2.3)</li> </ul>
2	136211	10	<ul style="list-style-type: none"> <li>• SCISSOR ARMS, Outside</li> </ul>
3	(Ref.)	-	<ul style="list-style-type: none"> <li>• CYLINDER, Lower lift (For components, refer to Section 2.6)</li> </ul>
4	(Ref.)	-	<ul style="list-style-type: none"> <li>• SCISSOR ASSEMBLY - CONNECTING HARDWARE (For components, refer to Section 2.4)</li> </ul>
5	136222	1	<ul style="list-style-type: none"> <li>• SCISSOR LEVEL, Inside (1st Level)</li> </ul>
6	130840	4	<ul style="list-style-type: none"> <li>• BUMPER, Scissor (1st level)</li> </ul>
	123713	AR	<ul style="list-style-type: none"> <li>• • BOLT, Hex head (M12-1.25 x 16mm, Grade 9.8)</li> </ul>
	600426	AR	<ul style="list-style-type: none"> <li>• • WASHER, Flat (M12, plated DIN 125)</li> </ul>
7	(Ref.)	-	<ul style="list-style-type: none"> <li>• LIMIT SWITCH ASSEMBLIES (For components, refer to Section 2.5)</li> </ul>
8	137562	1	<ul style="list-style-type: none"> <li>• SCISSOR LEVEL, Inside (3rd Level)</li> </ul>
9	136230	2	<ul style="list-style-type: none"> <li>• SCISSOR LEVEL, Inside (2nd &amp; 4th Level)</li> </ul>
10	121907	2	<ul style="list-style-type: none"> <li>• WELDMENT, Cable carrier</li> </ul>
11	(Ref.)	-	<ul style="list-style-type: none"> <li>• CYLINDER, Upper lift (For components, refer to Section 2.6)</li> </ul>
12	136231	1	<ul style="list-style-type: none"> <li>• SCISSOR LEVEL, Inside (5th Level)</li> </ul>
13	123344	1	<ul style="list-style-type: none"> <li>• MAINTENANCE SUPPORT</li> </ul>
	122006	AR	<ul style="list-style-type: none"> <li>• • BOLT, Hex head (5/16"-18 x 3.25", Grade 5)</li> </ul>
	103984	AR	<ul style="list-style-type: none"> <li>• • NUT, Hex (5/16"-18)</li> </ul>
14	121860	16	<ul style="list-style-type: none"> <li>• BUMPER, Scissor arm</li> </ul>
15	(Ref.)	-	<ul style="list-style-type: none"> <li>• TUBE, Outside scissor spacer (For components, refer to Section 2.4)</li> </ul>
16	(Ref.)	-	<ul style="list-style-type: none"> <li>• Light and BEEPER ASSEMBLY (For components, refer to Section 2.8)</li> </ul>

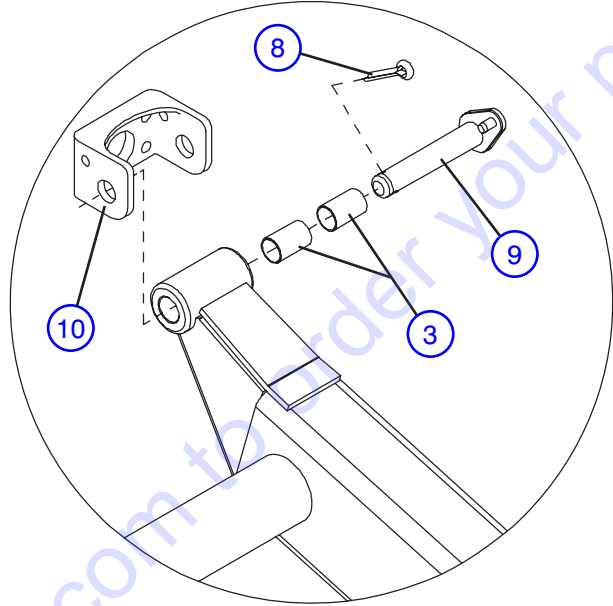


### 2.3 Scissor Assembly - Mounting Hardware

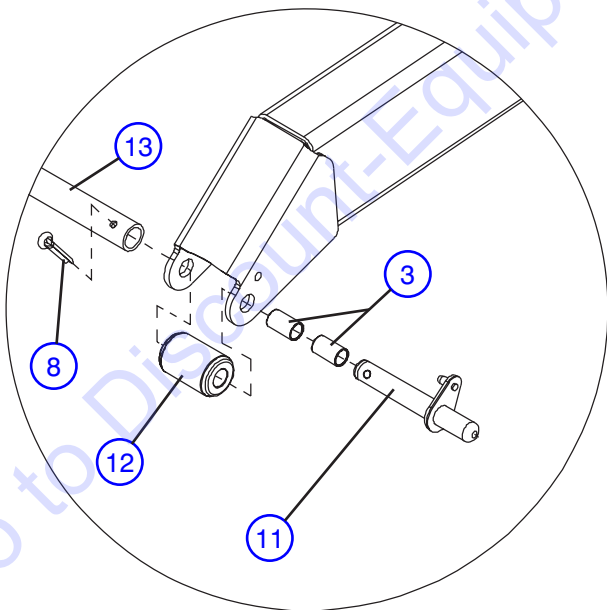
Top Slider Assembly



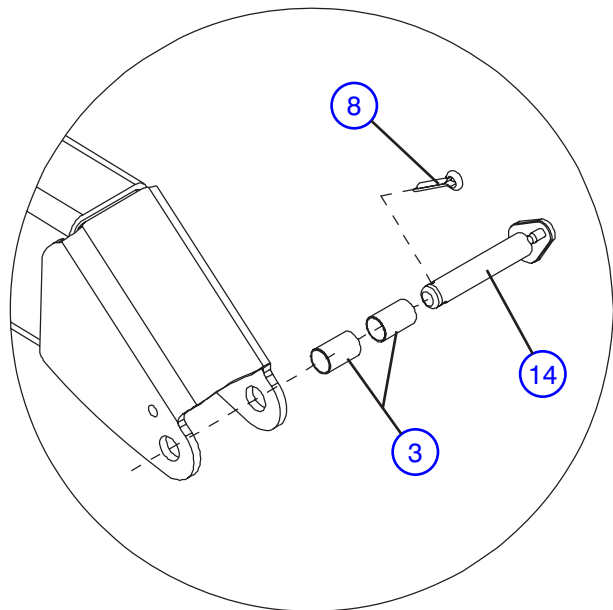
Main Platform Bracket Mounting Assembly



Bottom Slider Assembly



End Pin Assembly at Base



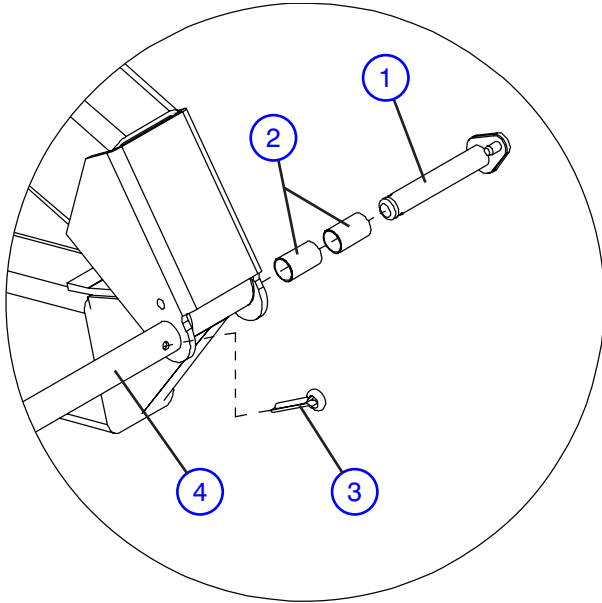
M135901AA\_M135872AA\_1

### 2.3 Scissor Assembly - Mounting Hardware

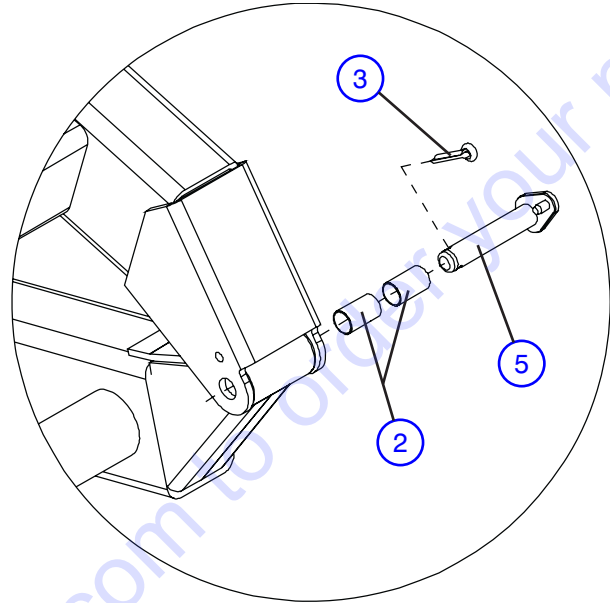
Index No.	Skyjack Part No.	Qty.	Description
1	120772	AR	PAD, Slider
2	120771	AR	BRACKET, Main platform slider
3	123430	AR	BUSHING, Fiberglide (3/4" Inner diameter x 1.5")
4	134494	AR	PIN, Upper slider (without cable carrier weldment)
	137207	AR	PIN, Upper slider (with cable carrier weldment) (Model 6832RT)
5	103995	AR	WASHER, Flat (1/4")
6	104000	AR	WASHER, Lock (1/4")
7	103892	AR	BOLT, Hex head (1/4"-20 x 5/8")
8	121874	AR	COTTER PIN (1/4" x 1.25")
9	120958	AR	PIN (3/4" diameter x 4") (without cable carrier weldment)
	121676	AR	PIN (3/4" diameter x 4.25") (with cable carrier weldment)
10	134065	AR	CASTING, Platform mounting bracket
11	136551	AR	PIN, Bottom roller
12	120697	AR	ROLLER, Scissor
13	(Ref.)	-	TUBE, Outside scissor spacer (For components, refer to Section 2.4)
14	126027	AR	PIN, Scissor to base

## 2.4 Scissor Assembly - Connecting Hardware

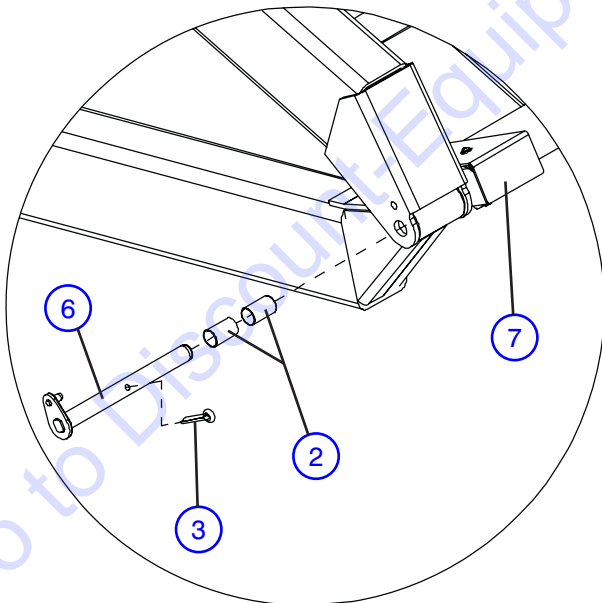
Outside End Pin Assembly  
(With Cross Member Tube)



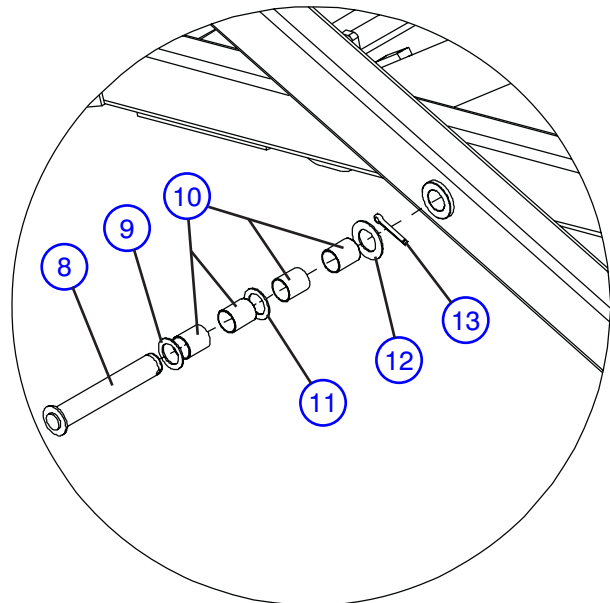
Inside End Pin Assembly  
(Without Cross Member Tube)



Limit Switch Pin Assembly



Center Pin Assembly

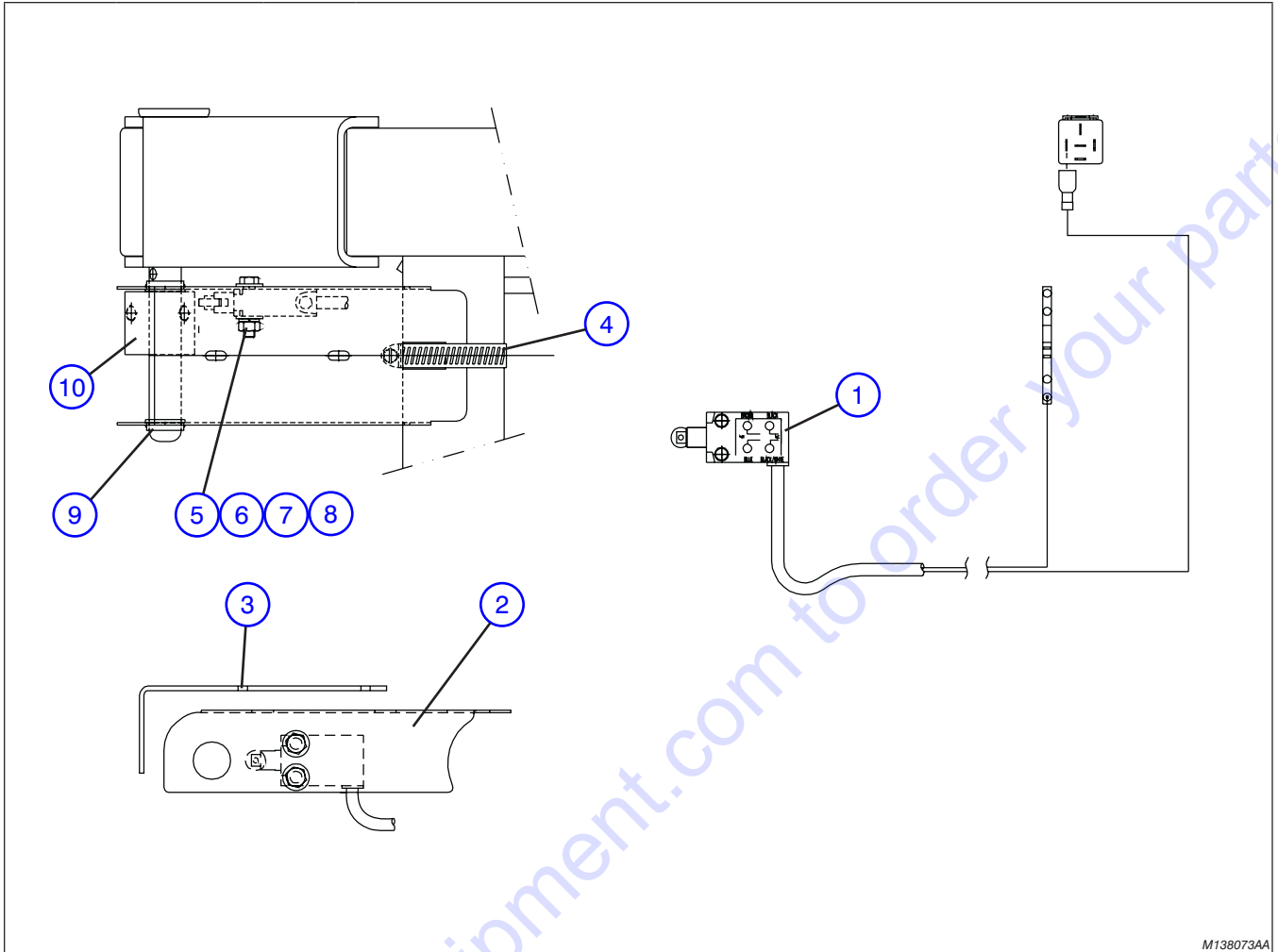


M135901AA\_M135872AA\_2

## 2.4 Scissor Assembly - Connecting Hardware

Index No.	Skyjack Part No.	Qty.	Description
1	121674	AR	PIN, Outside scissor
2	123430	AR	BUSHING, Fiberglide (3/4" Inner diameter x 1.5")
3	121874	AR	COTTER PIN (1/4" x 1.25")
4	121605	AR	TUBE, Outside scissor spacer
5	120958	AR	PIN, Inside scissor
6	121677	AR	PIN, Limit switch
7	(Ref.)	-	ASSEMBLY, Limit switch (For components, refer to Section 2.5)
8	120673	AR	PIN, Center
9	101520	AR	WASHER, Nylon (2" OD x 1.28" ID x 0.12")
10	123431	AR	BUSHING, Fiberglide (1.25" x 1.8125")
11	121703	AR	SPACER, Bearing thrust fiberglide (1.25" Inner diameter)
12	122502	AR	WASHER, Flat (1.25" ID x 2.25" OD)
13	121875	AR	COTTER PIN (5/16" x 2.0")

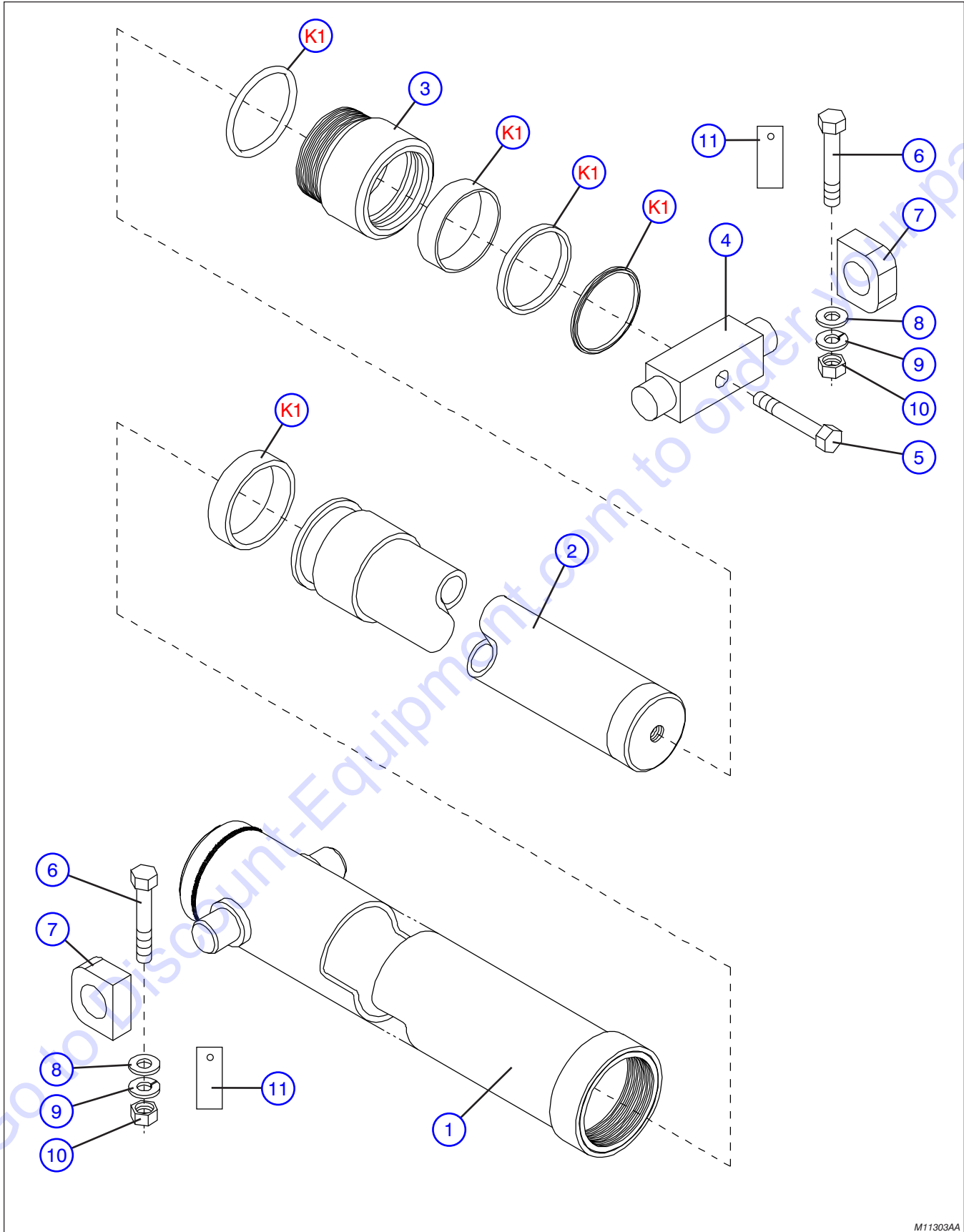
## 2.5 Limit Switch Assembly



M138073AA

Index No.	Skyjack Part No.	Qty.	Description
1	122010	1	SWITCH, Limit
2	121867	1	BRACKET, Limit switch
3	121868	1	GUARD, Limit switch
4	121869	1	CLAMP, Worm gear (2.5")
5	104000	AR	WASHER, Lock (1/4")
6	103858	AR	BOLT, Hex head (1/4"-20 x 1.25", Grade 5)
7	103995	AR	WASHER, Flat (1/4")
8	103980	AR	NUT, Hex (1/4"-20, Grade B)
9	121908	2	BUSHING, Snap-in (3/4")
10	100967	1	CAM, Limit switch

## 2.6 Lift Cylinder Assembly and Mounting Hardware

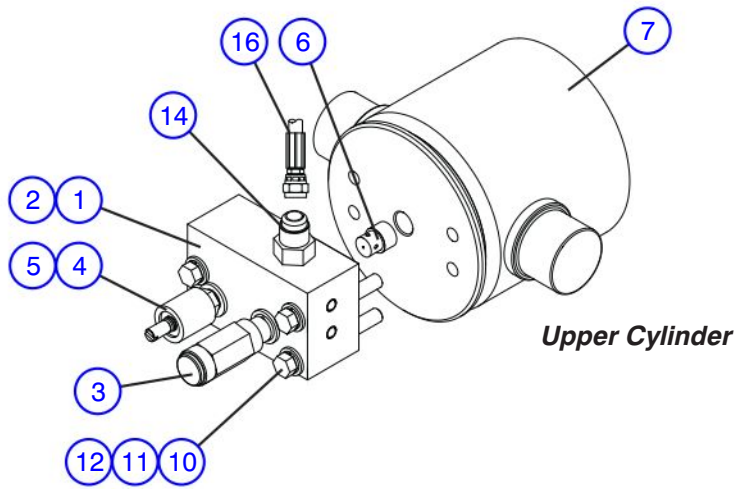


M11303AA

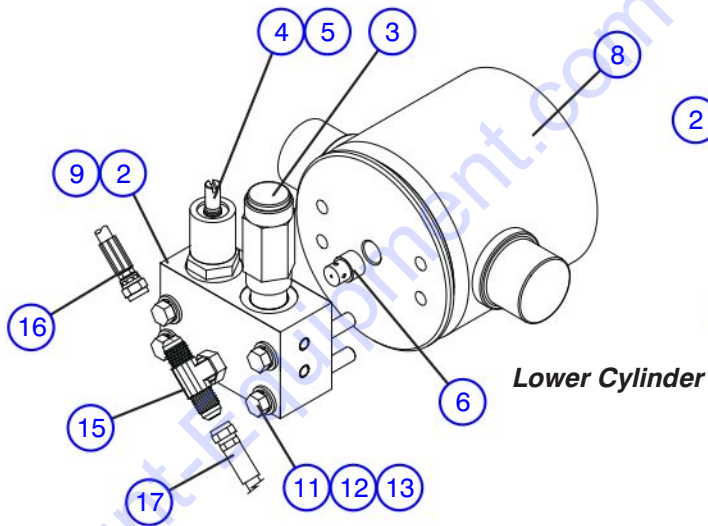
## 2.6 Lift Cylinder Assembly and Mounting Hardware

Index No.	Skyjack Part No.	Qty.	Description
-	120989	-	LIFT CYLINDER ASSEMBLY
1	120993	1	• WELDMENT, Barrel
2	120991	1	• ROD, Piston
3	121096	1	• GLAND, Front head
4	121668	1	• TRUNNION
5	105686	1	• BOLT (3/4"-16 x 3", Grade 5)
6	103869	4	BOLT, Hex head (5/16"-18 x 4.5", Grade 5)
7	123808	4	BEARING BLOCK ASSEMBLY
	101076		• BLOCK
	100904		• BUSHING
8	103996	4	WASHER, Flat (5/16" SAE)
9	103404	4	WASHER, Lock (5/16" NOM x 0.07)
10	100397	4	NUT, Hex head (5/16"-18, Grade B)
11	130337	AR	SHIM, Bearing block (16 GA) (If equipped)
	130387	AR	SHIM, Bearing block (18 GA) (If equipped)
	130388	AR	SHIM, Bearing block (22 GA) (If equipped)
K1	121097	1	KIT, Seal repair

**2.7 Holding Valve Assembly**

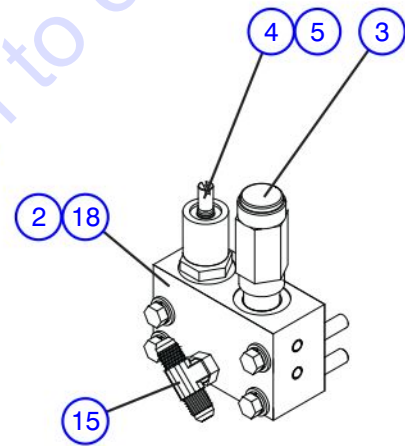


**Upper Cylinder**

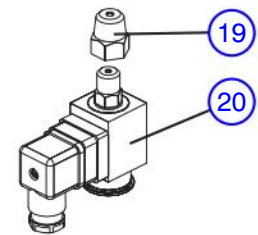


**Lower Cylinder**

**Holding Valve without Pressure Switch**



**Holding Valve with Pressure Switch**

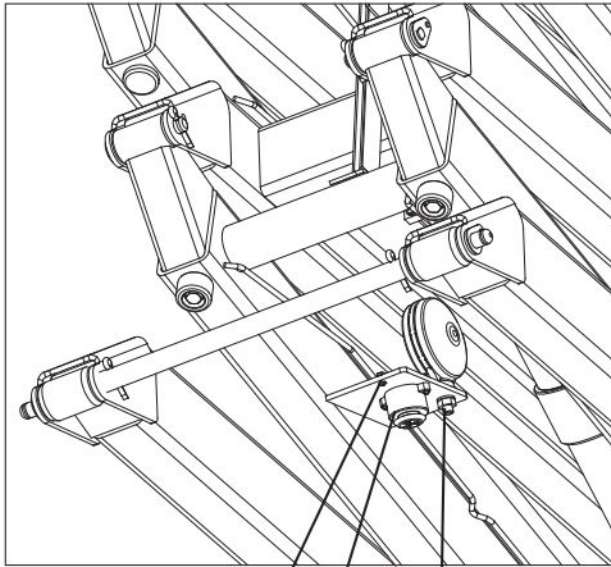




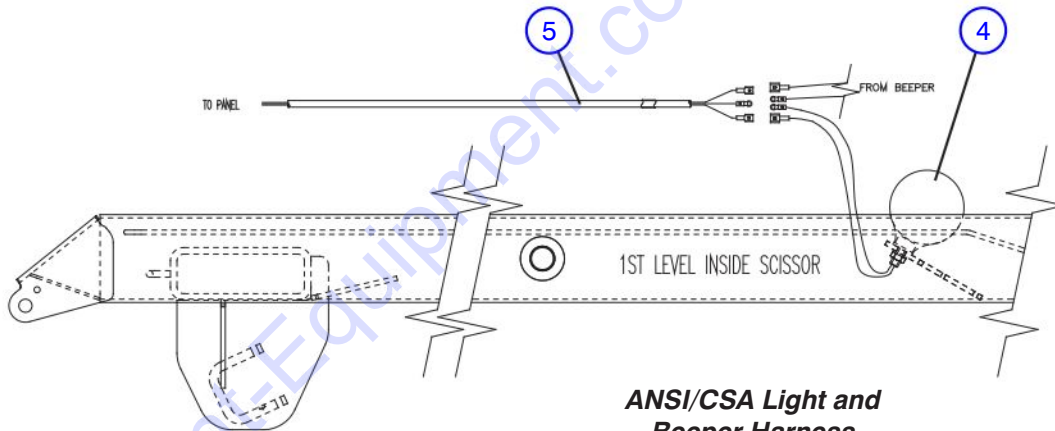
## 2.7 Holding Valve Assembly

Index No.	Skyjack Part No.	Qty.	Description
1	108778	1	BLOCK, Holding valve (Upper)
	111320	1	• BLOCK, Manifold
	108052	3	• PLUG, Expander
2	103403	2	SEAL, O-ring
3	106557	2	VALVE, Relief
4	107269	2	VALVE, Holding (N.C.)
5	104410	2	COIL, 12 Volt
6	105281	2	ORIFICE, One way
7	(Ref.)	-	LIFT CYLINDER ASSEMBLY (Upper cylinder) (For components, refer to Section 2.6)
8	(Ref.)	-	LIFT CYLINDER ASSEMBLY (Lower cylinder) (For components, refer to Section 2.6)
9	106688	1	BLOCK, Holding valve (Lower) (ANSI/CSA)
	111316	1	• BLOCK, Manifold
	108052	2	• PLUG, Expander
10	108429	4	BOLT, Hex head (5/16"-18 x 2.5")
11	103996	8	WASHER, Flat (5/16" SAE)
12	104637	8	WASHER, Lock (5/16" x 0.09)
13	103931	4	BOLT, Socket (5/16"-18 x 2", Grade 5) (ANSI/CSA)
	108429	4	BOLT, Socket (5/16"-18 x 2.5", Grade 5) (Model 6832RT KC)
14	103069	1	FITTING, Straight (06 JICM - 06 ORBM)
15	114579	1	FITTING, Tee (06 JICM - 06 JICM - 06 ORBM)
16	102635	1	HOSE ASSEMBLY (Upper lift cylinder to lower lift cylinder)
17	134684	1	HOSE ASSEMBLY (Lower lift cylinder to main manifold)
18	130443	1	BLOCK, Holding valve (Lower) (Model 6832RT KC)
	130442	1	• BLOCK, Manifold
	108052	2	• PLUG, Expander
19	137335	1	FITTING, Straight (04 NPTF - 04 ORBM)
20	102863	1	SWITCH, Pressure

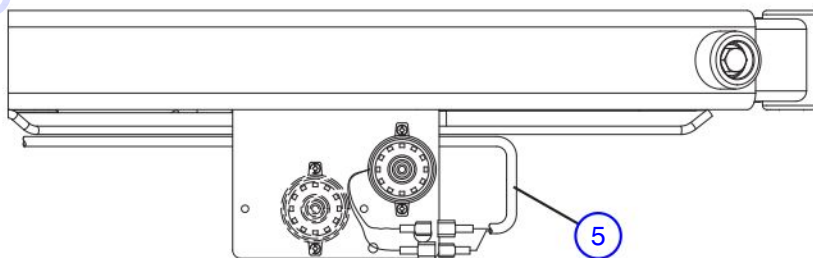
## 2.8 Light and Beeper Assembly



3 1 2 4



**ANSI/CSA Light and  
Beeper Harness**



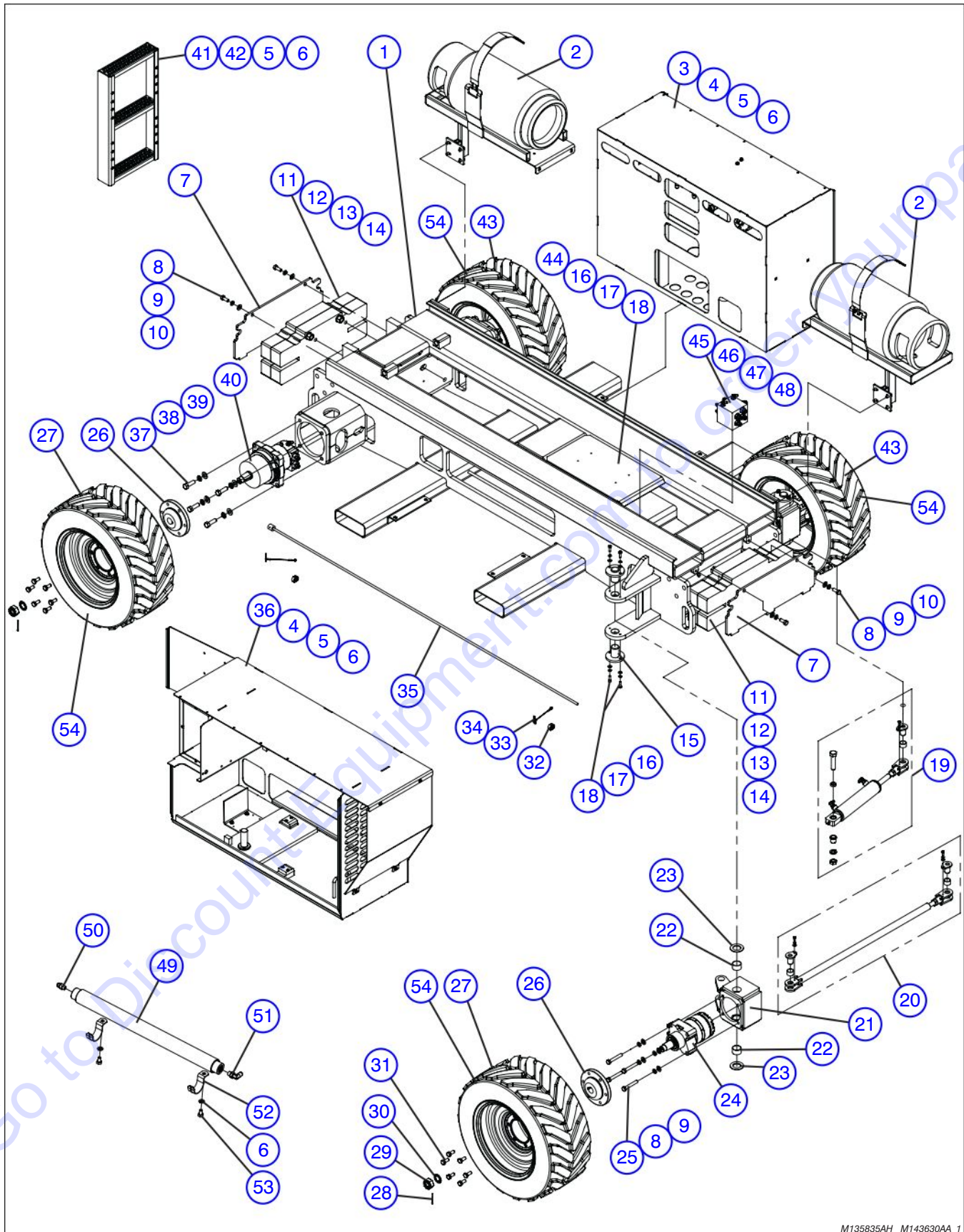
**KC Beeper Harness**

M138156AA\_1

## 2.8 Light and Beeper Assembly

Index No.	Skyjack Part No.	Qty.	Description
1	103056	1	BEEPER (7.5 - 16 VDC)
	117967	1	BEEPER, XL-600 (9 - 28 VDC) (KC)
2	-	-	HARDWARE, Beeper
	112248	2	• SCREW, Round head machine (#8-32 x 1") (ANSI/CSA)
	103958	2	• SCREW, Round head machine (#8-32 x 3/4") (KC)
	103986	2	• NUT, Hex Head (#8-32)
	112249	2	• WASHER, Lock (#8)
	103991	2	• WASHER, Flat (#8)
3	-	-	HARDWARE, Wire mounting (ANSI/CSA)
	104698	AR	• SCREW, Machine (#10-32 x 3/4") (ANSI/CSA)
	104003	AR	• NUT, Machine (#10-32, Grade B)
	104185	AR	• WASHER, Lock (#10)
	104694	AR	• WASHER, Flat (#10)
4	126677	1	BEACON LIGHT ASSEMBLY (If equipped)
	121476	1	• LIGHT, Beacon (12 V)
	146152	1	• BULB, Dual contact (12 V)
5	(Ref.)	-	HARNES, Beeper (For components, refer to Section 3.22)

### 3.1 Base Assembly

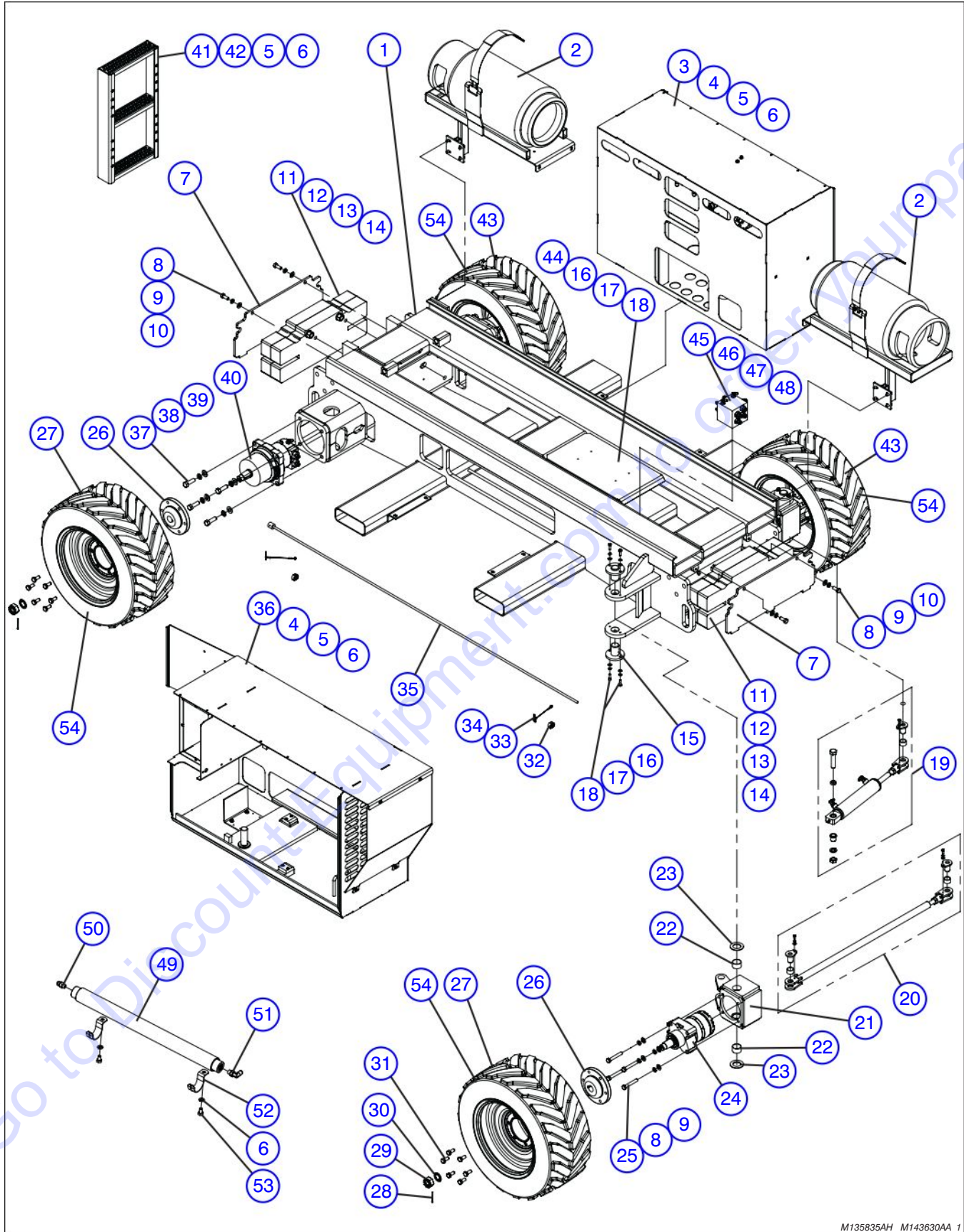


Index No.	Skyjack Part No.	Qty.	Description
1	135891	1	WELDMENT, Base
2	(Ref.)	-	PROPANE TRAY (For components, refer to Section 3.2)
3	(Ref.)	-	HYDRAULIC CABINET ASSEMBLY (For components, refer to Section 3.10)
4	300437	AR	BOLT, Hex head (3/8"-16 x 2.25", Grade 5)
5	103472	AR	WASHER Flat (3/8")
6	103999	AR	WASHER, Lock (3/8")
7	137123	2	PLATE, Base front cover
8	103909	4	BOLT, Hex head (1/2"-13 x 1.25", Grade 5)
9	103468	12	WASHER, Flat (1/2")
10	103470	12	WASHER, Lock (1/2", Grade 5)
11	137396	2	WELDMENT, Base weight (If equipped)
12	112008	4	BOLT, Hex-head (3/4"-10 x 1.5" Grade 8)
13	104002	4	WASHER, Lock (3/4")
14	103990	4	WASHER, Flat (3/4")
15	136521	4	PIN, Wheel pivot
16	103864	AR	BOLT, Hex head (5/16"-18 x 1", Grade 5)
17	103404	AR	WASHER, Lock (5/16")
18	103996	AR	WASHER, Flat (5/16")
19	(Ref.)	-	STEER CYLINDER ASSEMBLY (For components, refer to Section 3.3)
20	(Ref.)	-	TIE ROD ASSEMBLY (For components, refer to Section 3.4)
21	135892	2	WELDMENT, Front wheel motor housing
22	138063	4	BUSHING, DU (1.5" x 1")
23	136567	4	BUSHING, (1.505" ID x 2.505" OD x 0.125")
24	(Ref.)	-	MOTOR, Front wheel (For components, refer to Section 3.7)
25	103469	AR	BOLT, Hex head (1/2"-13 x 3.25", Grade 5)
26	134716	4	HUB, 6 ON 6 (1-1/2" shaft)
27	135905	2	WHEEL ASSEMBLY (Right hand) (26x12D) (Foam filled)
	147293	2	WHEEL ASSEMBLY (Solid non-marking, Model 6832RT)
	141736	2	WHEEL ASSEMBLY (Right hand) (26x12D) (Air filled, ANSI/CSA Model 6826RT)
	149666	2	WHEEL ASSEMBLY (Right hand) (Foam filled non-marking, Model 6826RT)
28	140920	4	PIN, Cotter 5/32 x 2.5"
29	(Ref.)	-	NUT, Castle (For components, refer to Section 3.7)

Part list continued on the following page.



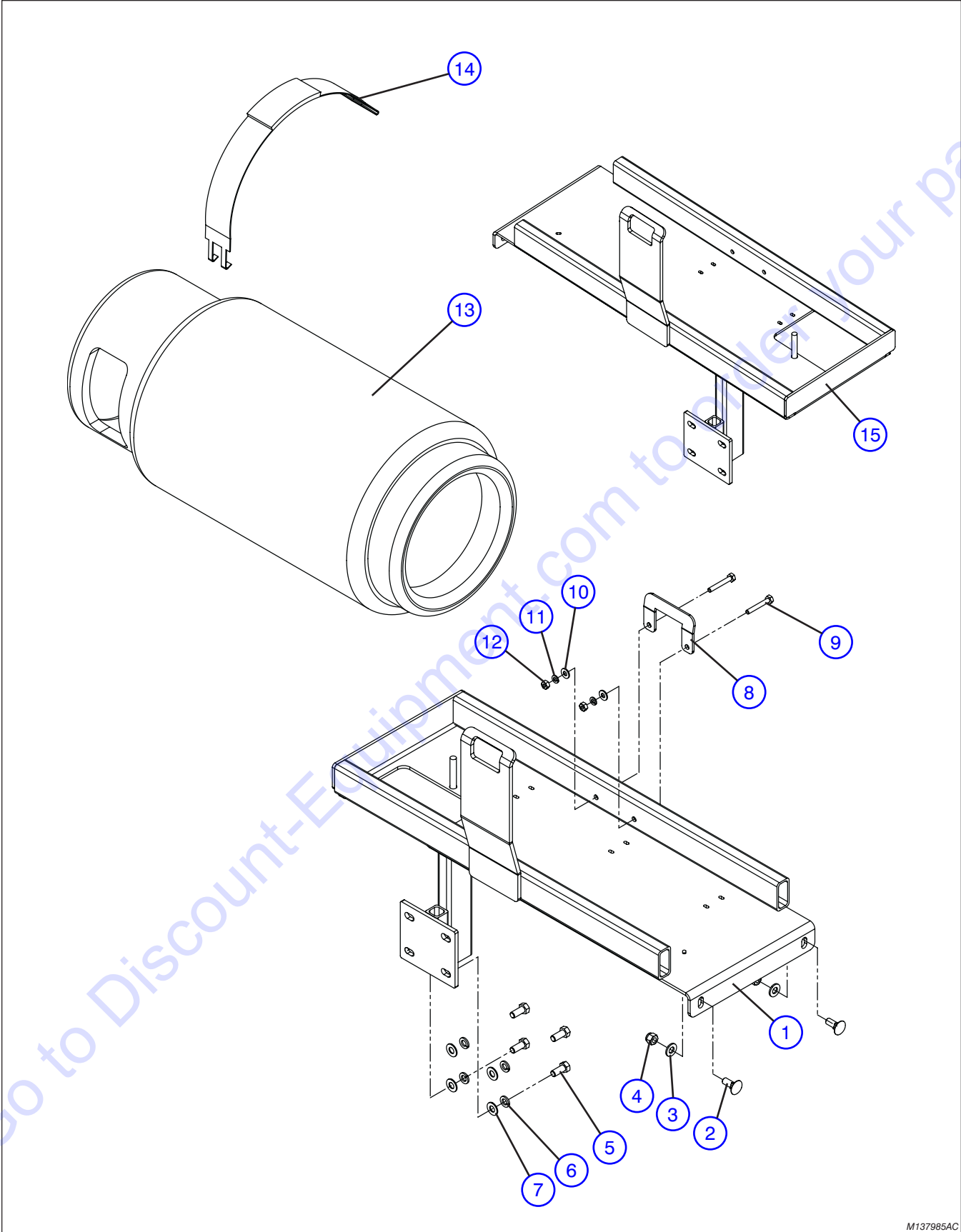
3.1 Base Assembly (Continued)



M135835AH M143630AA\_1

Index No.	Skyjack Part No.	Qty.	Description
<b>Part list continued from the previous page.</b>			
30	103969	4	WASHER, Internal tooth (1.125", zinc)
31	103199	AR	BOLT, Wheel (1/2"-20 UNF x 1.5")
32	119920	2	CLIP, Vinyl coated
33	124160	2	PIN ASSEMBLY, Locking
34	103964	2	SCREW, Round head machine (#10-32 x 1/4")
35	132477	1	ROD, Emergency lowering access
36	(Ref.)	-	ENGINE CABINET ASSEMBLY (For components, refer to Section 3.15)
37	103896	8	BOLT, Hex head (5/8"-11 x 2.25", Grade 5)
38	100352	8	WASHER, Flat (5/8")
39	103998	8	WASHER, Lock (5/8")
40	(Ref.)	-	MOTOR, Rear wheel (For components, refer to Section 3.8)
41	151695	1	WELDMENT, Ladder (Model 6826RT)
	151967	1	WELDMENT, Ladder (Model 6832RT)
42	101632	AR	BOLT, Hex-head (3/8"-16 x 3/4", Grade 5)
43	135904	2	WHEEL ASSEMBLY (Left hand) (26x12D) (Foam filled)
	147293	2	WHEEL ASSEMBLY (Solid non-marking, Model 6832RT)
	141735	2	WHEEL ASSEMBLY (Left hand) (26x12D) (Air filled, ANSI/CSA Model 6826RT)
	149665	2	WHEEL ASSEMBLY (Left hand) (Foam filled non-marking, Model 6826RT)
44	137960	1	PLATE, Inverter mounting
45	(Ref.)	-	SPLITTER MANIFOLD ASSEMBLY (For components, refer to Section 3.5)
46	103856	AR	BOLT, Hex-head (1/4"-20 x 3/4", Grade 5)
47	104000	AR	WASHER, Lock (1/4")
48	103995	AR	WASHER, Flat (1/4")
49	107752	1	CUSHION CYLINDER
50	103069	1	FITTING, Straight (06 JICM - 06 ORBM)
51	114578	1	FITTING, Elbow 90° (06 JICM - 06 ORBM)
52	102971	2	BRACKET, Conduit
53	138464	2	BOLT, Hex head (3/8"-16 x 5/8", Grade 5)
54	147293	4	WHEEL ASSEMBLY (solid non-marking)

3.2 Propane Tray Assembly (ANSI/CSA)



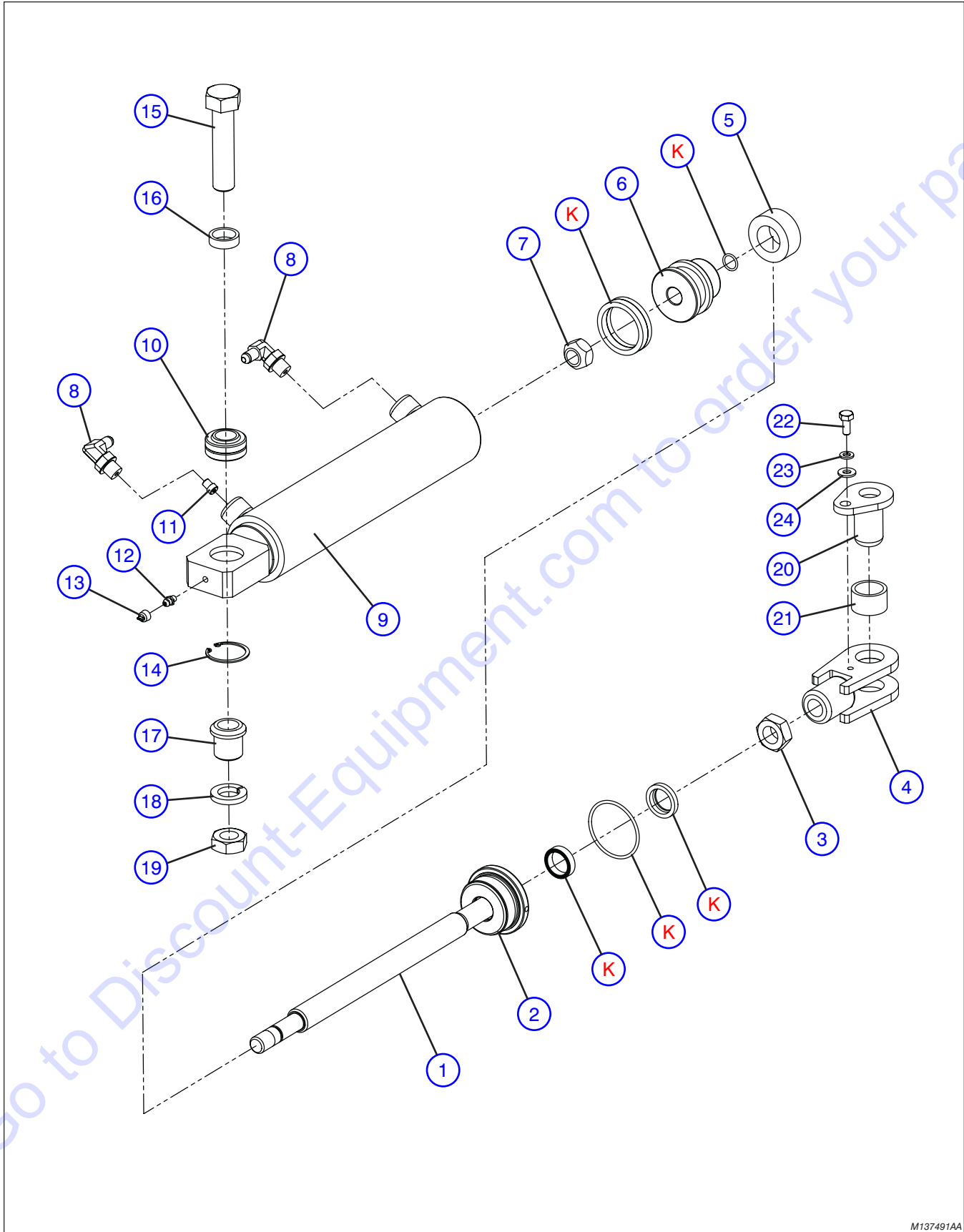
M137985AC



Index No.	Skyjack Part No.	Qty.	Description
A	137985	1	PROPANE BOTTLE MOUNT ASSEMBLY (Rear) (ANSI/CSA)
B	137265	1	PROPANE BOTTLE MOUNT ASSEMBLY (Front) (ANSI/CSA)
1	137968	1	• WELDMENT, Propane bottle mount, A
2	125800	2	• BOLT, Carriage (3/8" x 1")
3	125959	2	• WASHER, Flat hard (3/8")
4	104606	2	• NUT, Hex nylon lock (3/8"-16, Grade 5)
5	300437	4	• BOLT, Hex head (3/8"-16 x 7/8", Grade 5)
6	103999	4	• WASHER, Lock (3/8")
7	103472	4	• WASHER, Flat (3/8")
8	137814	1	• PLATE BRACKET, Propane tank strap
9	103860	2	• BOLT, Hex head (1/4"-20 x 1.75", Grade 5)
10	103995	2	• WASHER, Flat (1/4")
11	104000	2	• WASHER, Lock (1/4")
12	103980	2	• NUT, Hex head (1/4"-20, Grade 5)
13	145976	1	• TANK, Propane
14	103020	1	• STRAP, Propane tank (2 Sets)
15	137256	1	• WELDMENT, Propane bottle mount, B

Go to Discount-Equipment.com to order your parts

3.3 Steer Cylinder Assembly (with Hardware)



M137491AA

# PARTS FINDER

**Search Website  
by Part Number**



**Search Manual  
Library For Parts  
Manual & Lookup Part  
Numbers – Purchase  
or Request Quote**

**Search Manuals**

Enter your information to help us find the right parts manual for your machine.

\* Brand:

\* Model:

\* Serial:

\* Part Number:

SEARCH

**Can't Find Part or  
Manual? Request Help  
by Manufacturer,  
Model & Description**

**Parts Order Form**

Please fill in the following information to help us find the right part for your machine.

Manufacturer:	<input type="text"/>
Model:	<input type="text"/>
Description:	<input type="text"/>
Part Number:	<input type="text"/>
Quantity:	<input type="text"/>
Notes:	<input type="text"/>

REQUEST HELP

Discount-Equipment.com is your online resource for quality parts & equipment.

Florida: **561-964-4949** Outside Florida TOLL FREE: **877-690-3101**

**Need parts?**

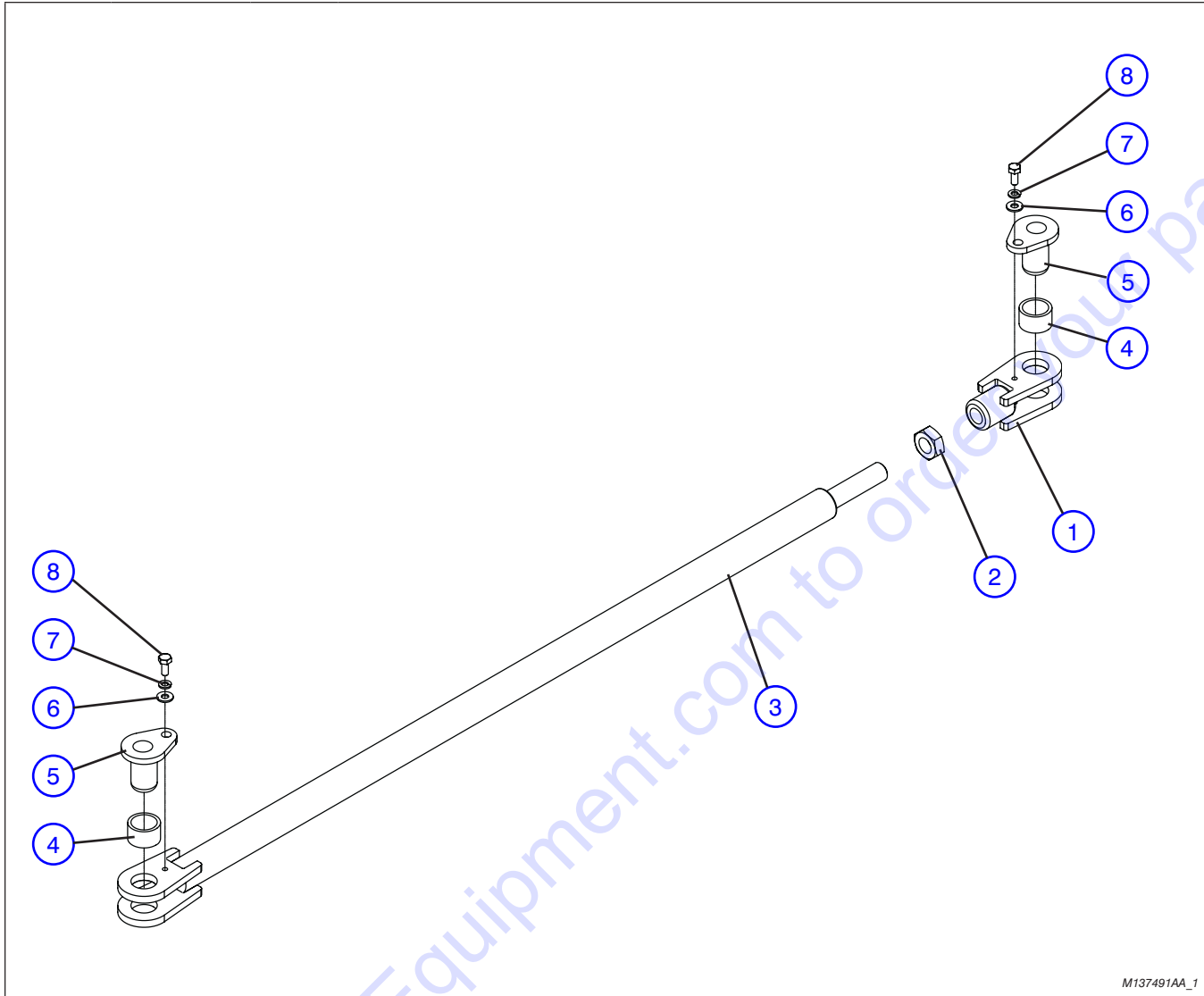
Click on this link: <http://www.discount-equipment.com/category/5443-parts/> and choose one of the options to help get the right parts and equipment you are looking for. Please have the machine model and serial number available in order to help us get you the correct parts. If you don't find the part on the website or on one of the online manuals, please fill out the request form and one of our experienced staff members will get back to you with a quote for the right part that your machine needs.

We sell worldwide for the brands: Genie, Terex, JLG, MultiQuip, Mikasa, Essick, Whiteman, Mayco, Toro Stone, Diamond Products, Generac Magnum, Airman, Haulotte, Barreto, Power Blanket, Nifty Lift, Atlas Copco, Chicago Pneumatic, Allmand, Miller Curber, Skyjack, Lull, Skytrak, Tsurumi, Husquvarna Target, Stow, Wacker, Sakai, Mi-T-M, Sullair, Basic, Dynapac, MBW, Weber, Bartell, Bennar Newman, Haulotte, Ditch Runner, Menegotti, Morrison, Contec, Buddy, Crown, Edco, Wyco, Bomag, Laymor, EZ Trench, Bil-Jax, F.S. Curtis, Gehl Pavers, Heli, Honda, ICS/PowerGrit, IHI, Partner, Imer, Clipper, MMD, Koshin, Rice, CH&E, General Equipment, Amida, Coleman, NAC, Gradall, Square Shooter, Kent, Stanley, Tamco, Toku, Hatz, Kohler, Robin, Wisconsin, Northrock, Oztec, Toker TK, Rol-Air, APT, Wylie, Ingersoll Rand / Doosan, Innovatech, Con X, Ammann, Mecalac, Makinex, Smith Surface Prep, Small Line, Wanco, Yanmar

### 3.3 Steer Cylinder Assembly (with Hardware)

Index No.	Skyjack Part No.	Qty.	Description
-	135896	-	CYLINDER ASSEMBLY, Steer
1	136477	1	• ROD, Piston
2	120401	1	• GLAND, Steer cylinder (Universal)
3	100252	1	• NUT, Hex head jam (3/4"-10, Grade 5)
4	135895	1	• END, Cylinder rod (Female)
5	136479	1	• SPACER
6	120633	1	• PISTON, Steer cylinder (Universal)
7	103830	1	• NUT, Crownlock (5/8"-11, Grade C)
8	129127	2	• FITTING, Hydraulic elbow
9	120404	1	• WELDMENT, Cylinder barrel
10	102025	1	• BEARING, Spherical
11	139679	1	• Orifice (0.375 OD X 0.55")
12	103513	1	• FITTING, Grease
13	132565	1	• CAP, Grease fitting
14	104114	1	• RING, Retaining
15	103893	1	BOLT, Hex head (3/4"-10 x 3.25", Grade 8)
16	102028	1	SPACER, Steering clevis
17	113432	1	PIN, Steer cylinder
18	104002	1	WASHER, Lock (3/4")
19	100252	1	NUT, Hex head jam (3/4"-10, Grade 5)
20	136519	1	PIN, Tie rod/steer cylinder
21	137811	1	BUSHING, Housing (1" diameter x 3/4")
22	103892	1	BOLT, Hex head (1/4"-20 x 5/8", Grade 5)
23	104000	1	WASHER, Lock (1/4")
24	103995	1	WASHER, Flat (1/4")
K	113443	1	KIT, Seal Repair

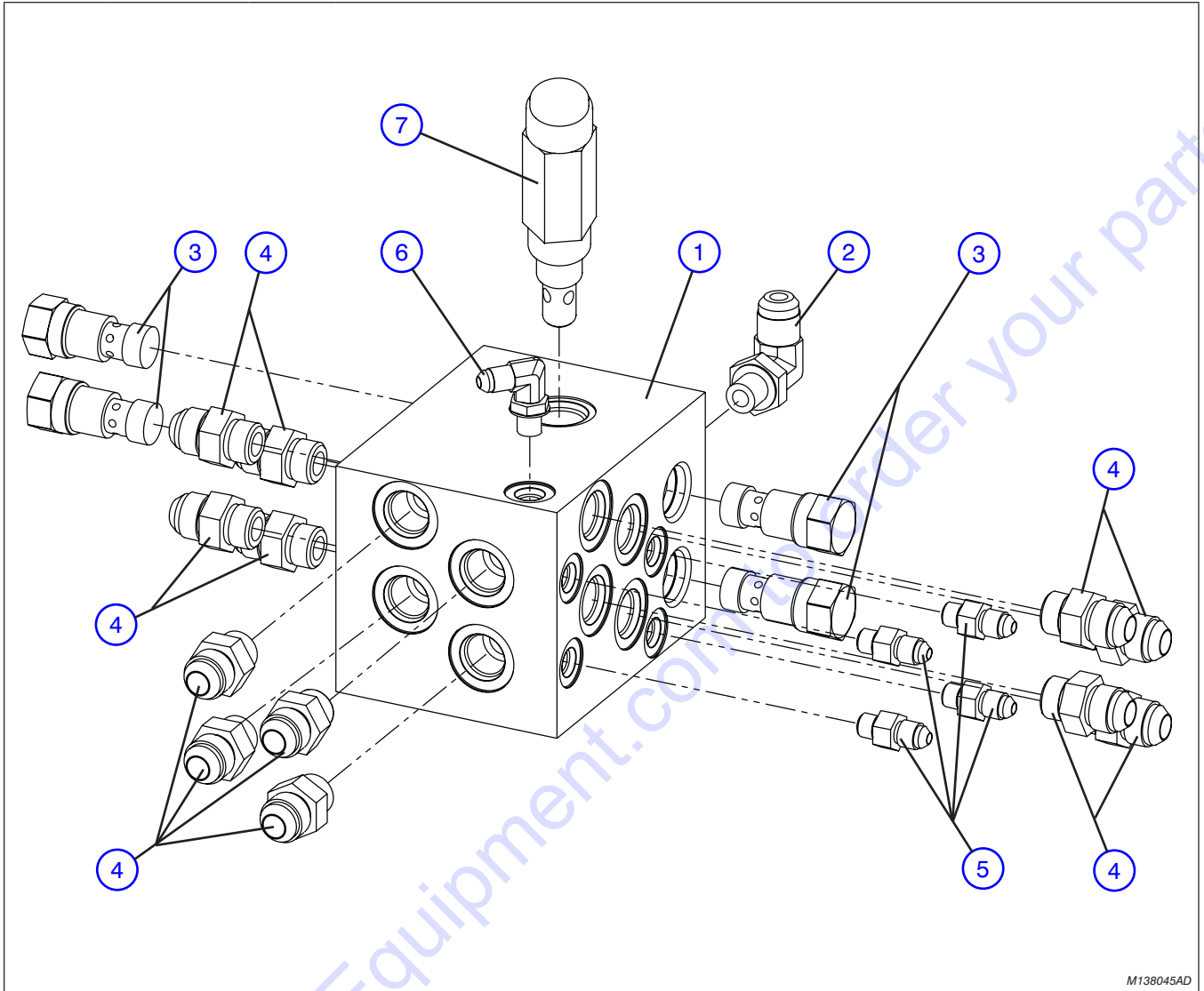
### 3.4 Tie Rod Assembly (with Hardware)



M137491AA\_1

Index No.	Skyjack Part No.	Qty.	Description
1	142173	1	WELDMENT, Tie rod (Female end)
2	107947	1	NUT, Hex head jam (1-14, Grade 5)
3	135894	1	WELDMENT, Tie rod
4	137811	AR	BUSHING, Housing (1" diameter x 3/4")
5	136519	AR	PIN, Tie rod/steer cylinder
6	103995	AR	WASHER, Flat (1/4")
7	104000	AR	WASHER, Lock (1/4")
8	103892	AR	BOLT, Hex-head (1/4"-20 x 5/8", Grade 5)

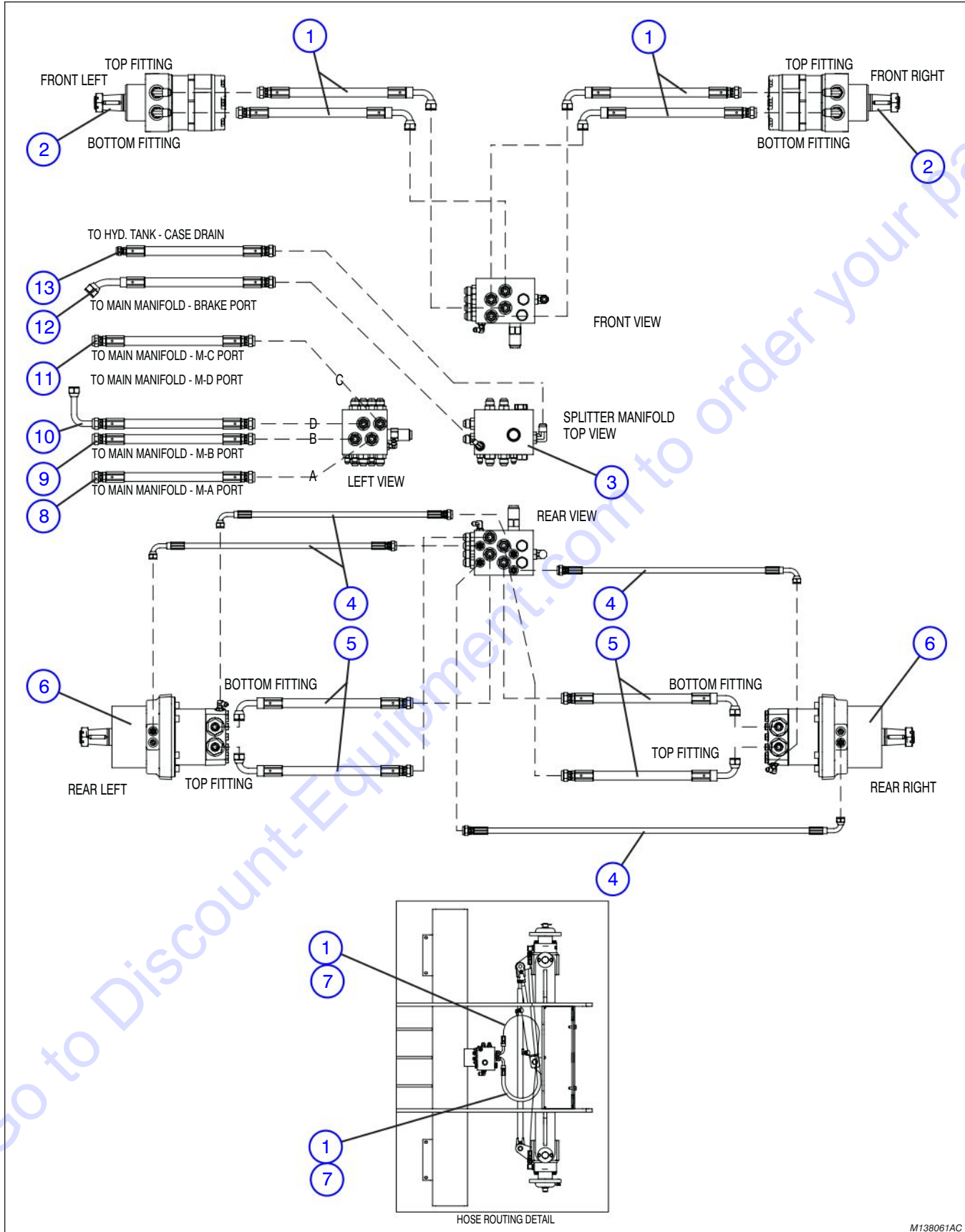
### 3.5 Splitter Manifold Assembly



M138045AD

Index No.	Skyjack Part No.	Qty.	Description
-	138045	1	SPLITTER MANIFOLD ASSEMBLY
1	139450	1	• MANIFOLD, Splitter (with plugs)
2	114582	1	• FITTING, Elbow (6-8 O-ring)
3	104624	4	• VALVE, Pilot Check
4	102659	12	• FITTING, Straight (08 JICM - 08 ORBM)
5	126128	4	• FITTING, Straight (04 JICM - 04 ORBM)
6	125883	1	• FITTING, Elbow 90° (04 JICM - 04 ORBM)
7	139683	1	• VALVE, Relief

### 3.6 Hydraulic Hose Connections - Splitter Manifold



M138061AC

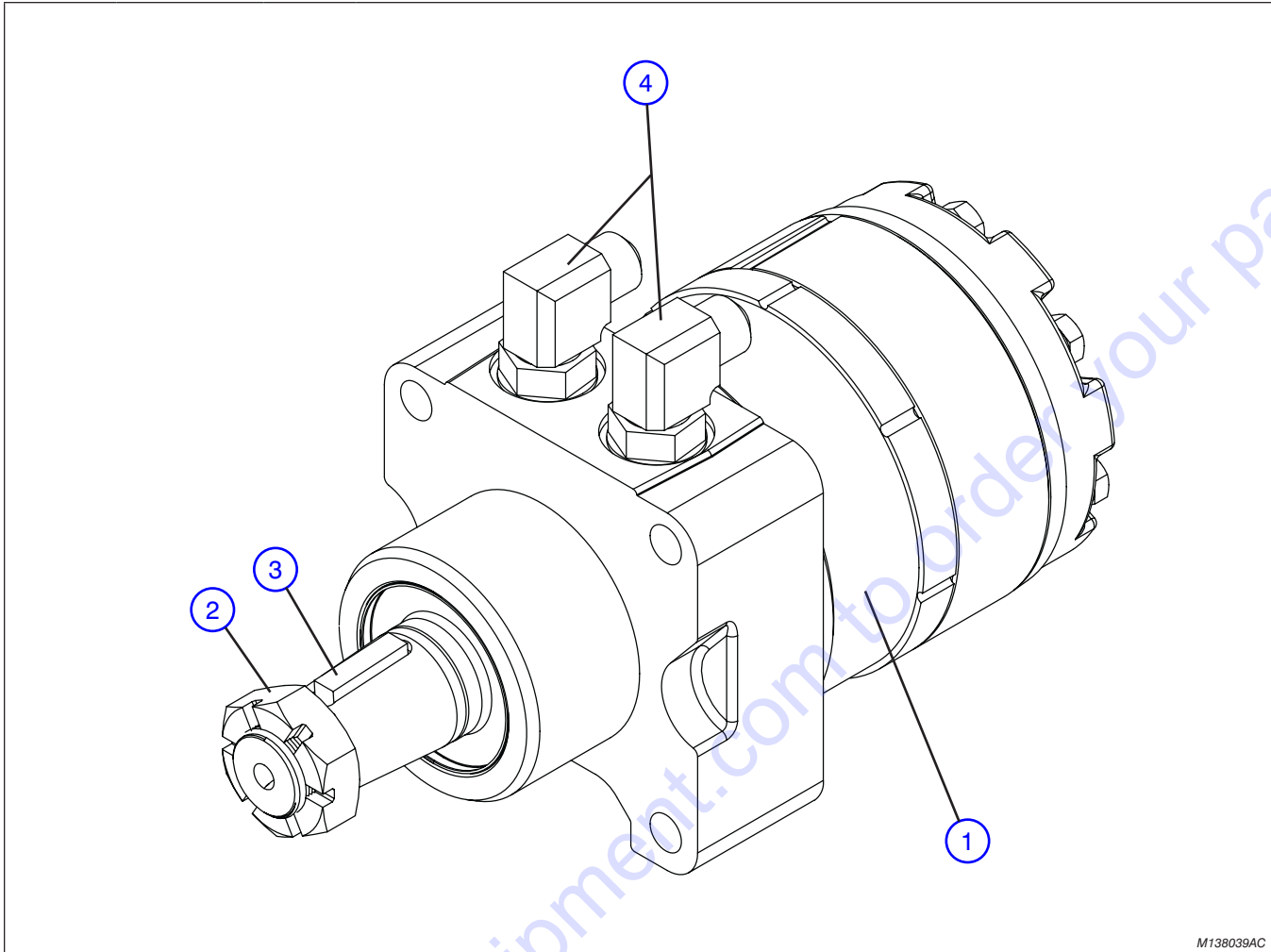
### 3.6 Hose Connections - Splitter Manifold

Index No.	Skyjack Part No.	Qty.	Description
1	140902	AR	HOSE ASSEMBLY (1/2" diameter x 41")
2	(Ref.)	-	MOTOR, Wheel front (For components, refer to Section 3.7)
3	(Ref.)	-	SPLITTER MANIFOLD ASSEMBLY (For components, refer to Section 3.5)
4	140901	AR	HOSE ASSEMBLY (1/4" diameter x 81")
5	140900	AR	HOSE ASSEMBLY (1/2" diameter x 75")
6	(Ref.)	-	MOTOR, Wheel rear (For components, refer to Section 3.8)
7	140914	AR	SLEEVE, Nylon hose protector
8	140904	1	HOSE ASSEMBLY (1/2" diameter x 64")
9	140905	1	HOSE ASSEMBLY (1/2" diameter x 62")
10	140906	1	HOSE ASSEMBLY (1/2" diameter x 65")
11	110473	1	HOSE ASSEMBLY (1/2" diameter x 60")
12	140903	1	HOSE ASSEMBLY (1/4" diameter x 50")
13	137826	1	HOSE ASSEMBLY (1/4" diameter x 50")

Go to Discount-Equipment.com to order your parts



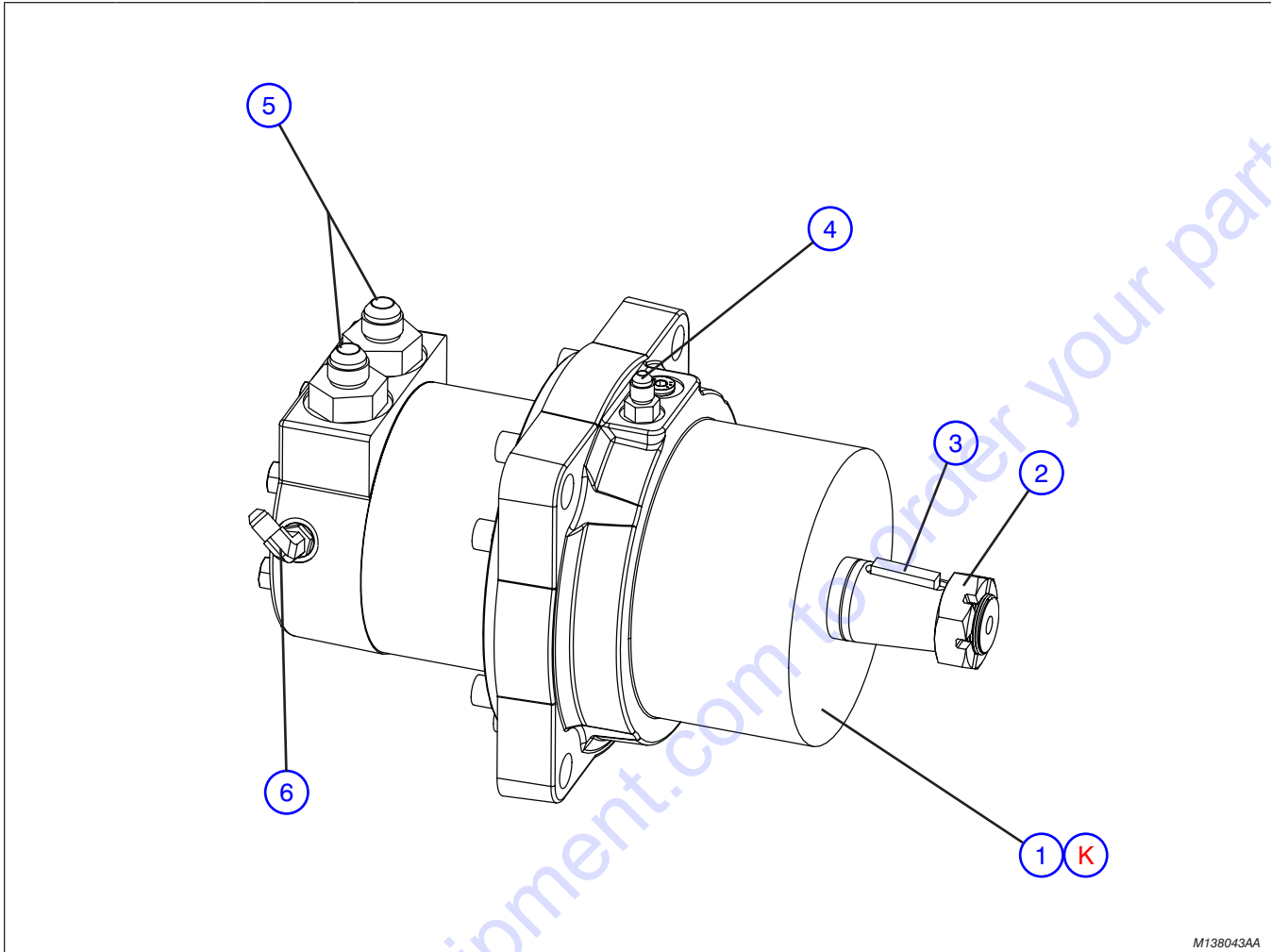
**3.7 Wheel Motor Assembly (Front)**



M138039AC

Index No.	Skyjack Part No.	Qty.	Description
1	141656	-	MOTOR, Front wheel
2	139342	1	• NUT, Castle
3	139508	1	• KEY, Shaft
	139520	AR	• KIT, Seal repair
4	132256	2	FITTING, Elbow 90° (08 JICM - 10 ORBM)

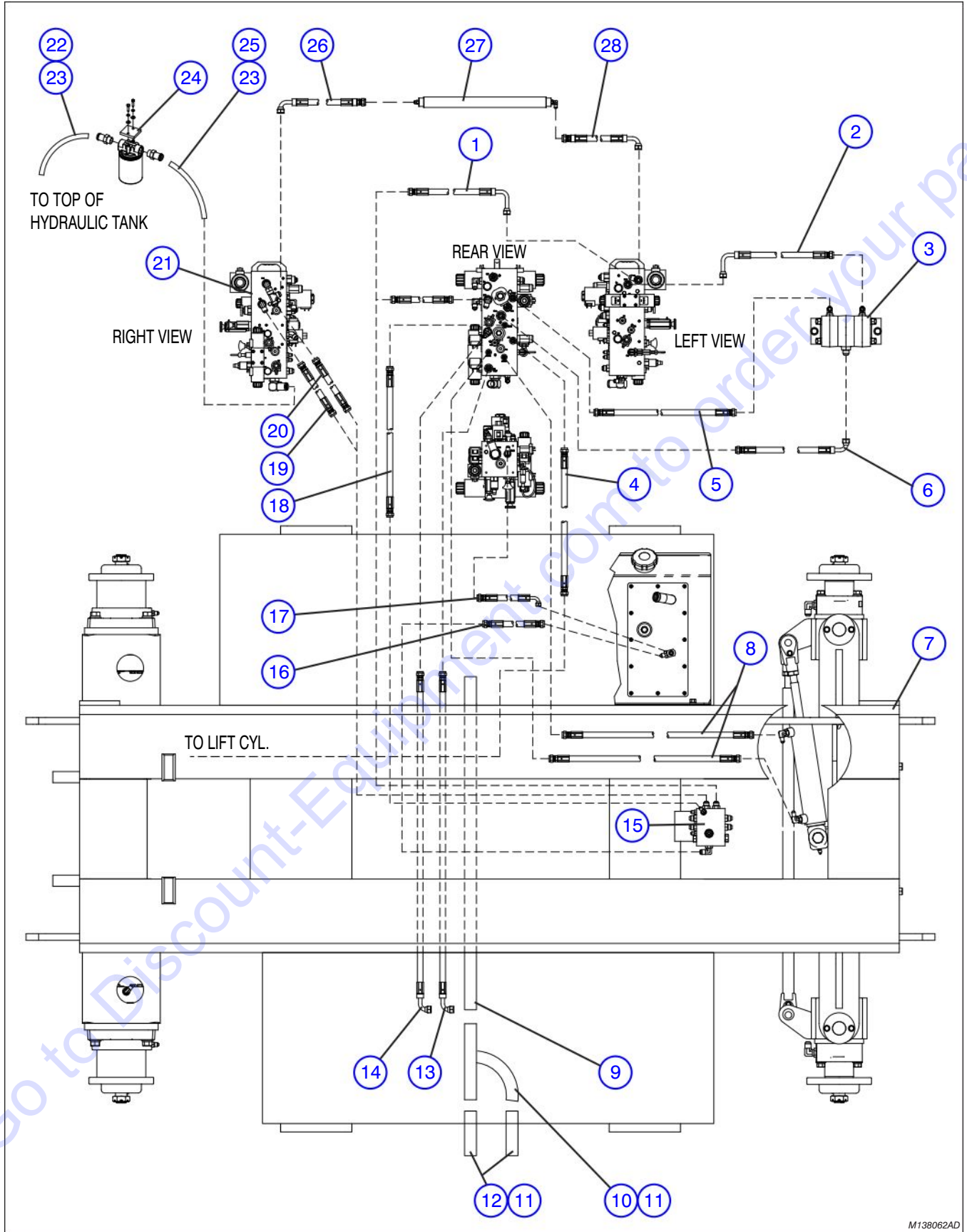
### 3.8 Wheel Motor Assembly (Rear)



M138043AA

Index No.	Skyjack Part No.	Qty.	Description
1	141657	-	MOTOR, Rear wheel
2	139342	1	• NUT, Castle
3	139508	1	• KEY, Shaft
4	126128	1	FITTING, Straight (04 JICM - 04 ORBM)
5	105446	2	FITTING, Straight (08 JICM - 12 ORBM)
6	125883	1	FITTING, Elbow 90° (04 JICM - 04 ORBM)
K	139542	1	KIT, Seal repair

### 3.9 Hydraulic Hose Connections - Main Manifold

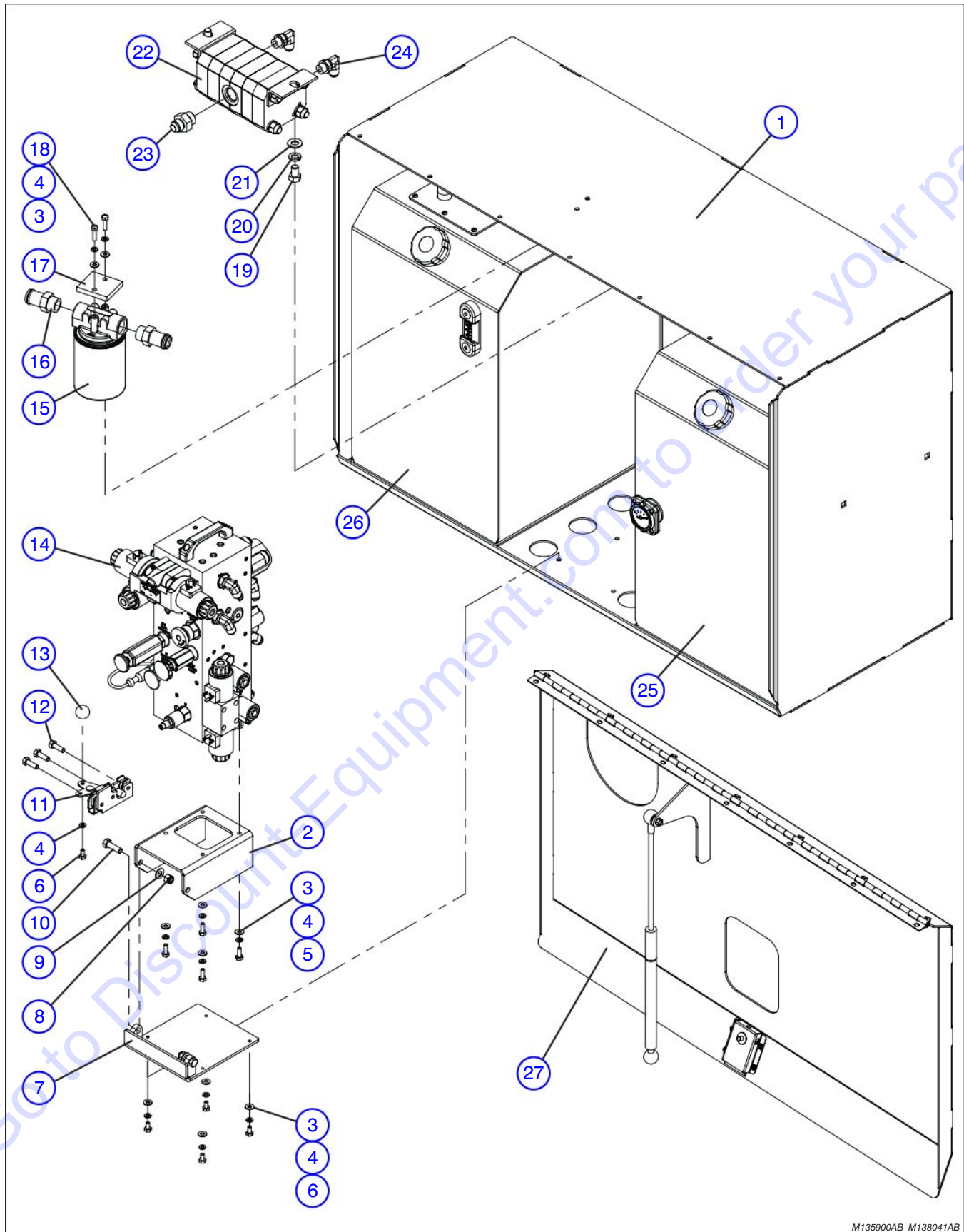


M138062AD

### 3.9 Hose Connection - Main Manifold

Index No.	Skyjack Part No.	Qty.	Description
1	143653	1	HOSE ASSEMBLY (1/2" diameter x 67")
2	137818	1	HOSE ASSEMBLY (1/2" diameter x 29")
3	(Ref.)	-	FLOW DIVIDER, Gear type (For components, refer to Section 3.10)
4	(Ref.)	-	HOSE ASSEMBLY (3/8" diameter x 84") (For components, refer to Section 2.7)
5	137819	1	HOSE ASSEMBLY (1/2" diameter x 24")
6	137831	1	HOSE ASSEMBLY (5/8" diameter x 20")
7	(Ref.)	1	BASE ASSEMBLY (For components, refer to Section 3.1)
8	137820	2	HOSE ASSEMBLY (1/4" diameter x 68")
9	137821	1	HOSE, Suction (1-1/4" diameter x 44")
10	137204	1	TUBE, Suction
11	114326	AR	CLAMP, Hose (1.58")
12	133654	2	HOSE, Tank truck (1.25" diameter x 3.5")
13	137816	1	HOSE ASSEMBLY (1/2" diameter x 77")
14	102463	1	HOSE ASSEMBLY (1/2" diameter x 84")
15	(Ref.)	1	SPLITTER MANIFOLD ASSEMBLY (For components, refer to Section 3.5)
16	140907	1	HOSE ASSEMBLY (1/2" diameter x 62")
17	137832	1	HOSE ASSEMBLY (3/8" diameter x 35")
18	140903	1	HOSE ASSEMBLY (1/4" diameter x 50")
19	140905	1	HOSE ASSEMBLY (1/2" diameter x 62")
20	140904	1	HOSE ASSEMBLY (1/2" diameter x 64")
21	(Ref.)	1	MAIN MANIFOLD ASSEMBLY (For components, refer to Section 3.13)
22	136454	1	HOSE ASSEMBLY (1" diameter x 11")
23	103320	AR	CLAMP, Gear (#16)
24	(Ref.)	1	FILTER ASSEMBLY (For components, refer to Section 3.10)
25	137485	1	HOSE ASSEMBLY (1" diameter x 41.5")
26	143615	1	HOSE ASSEMBLY (3/8" diameter x 51")
27	(Ref.)	1	CYLINDER, Cushion (For components, refer to Section 3.1)
28	143616	1	HOSE ASSEMBLY (3/8" diameter x 72")

### 3.10 Hydraulic Cabinet Assembly

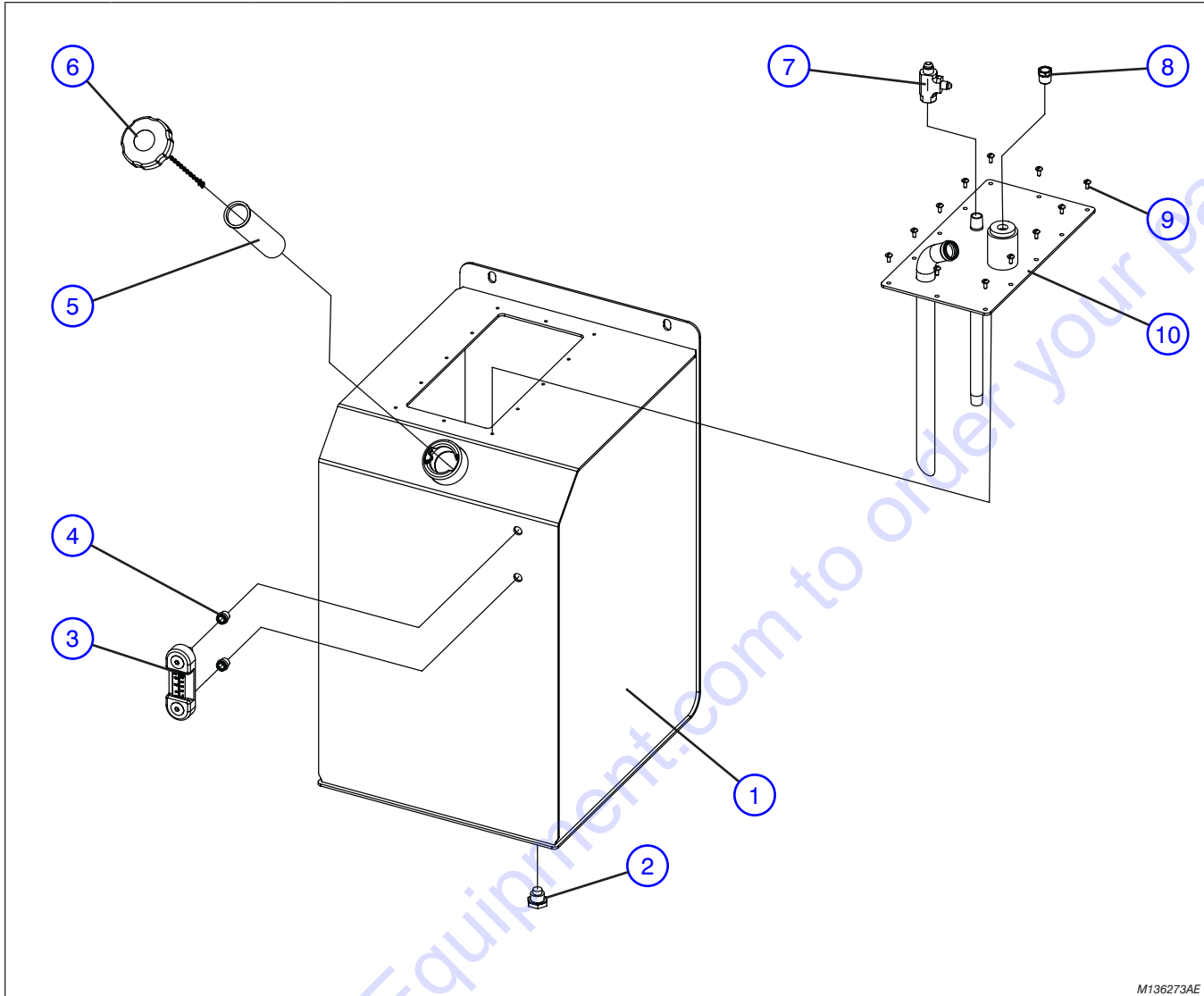


M135900AB M138041AB

### 3.10 Hydraulic Cabinet Assembly

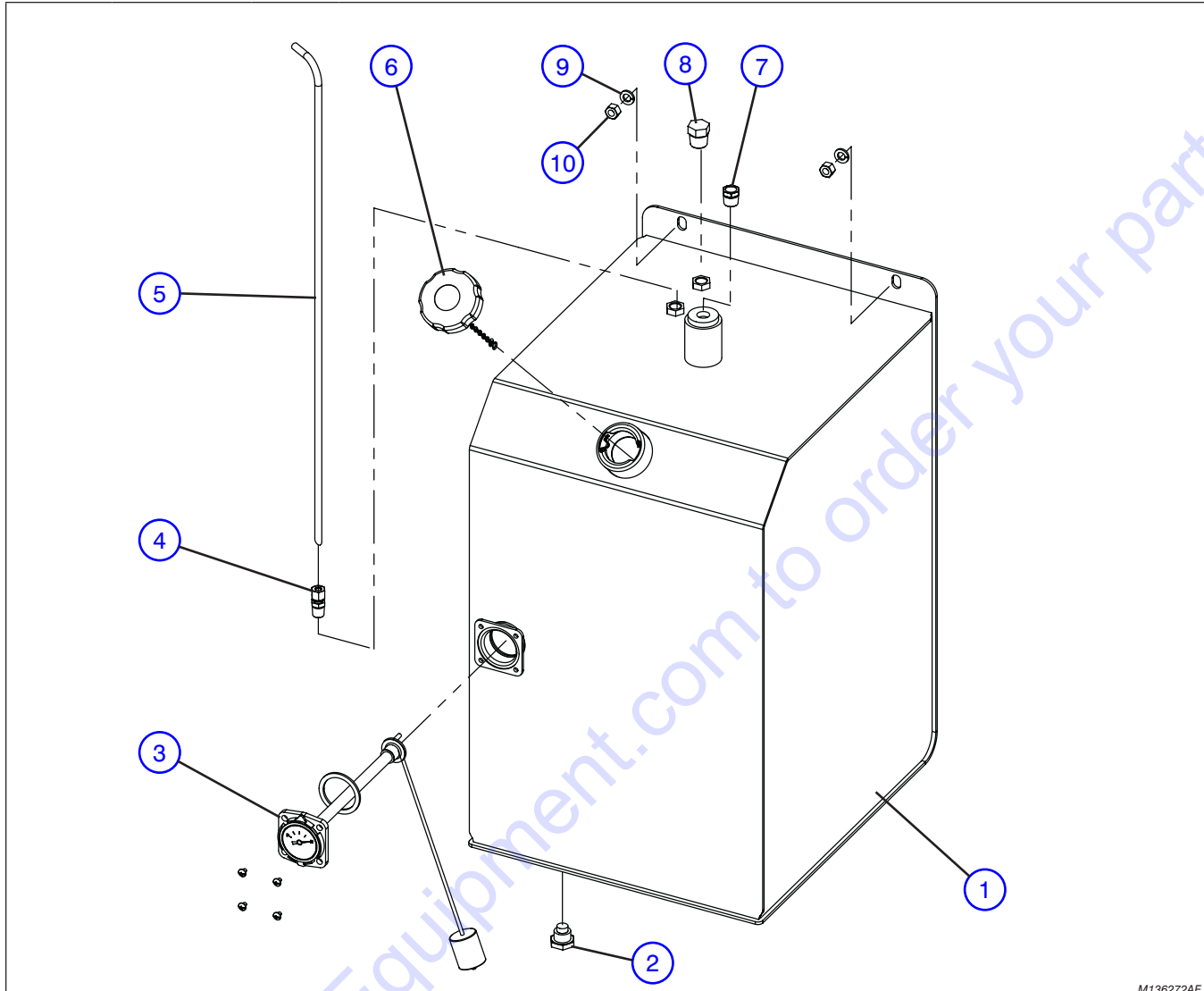
Index No.	Skyjack Part No.	Qty.	Description
-	135900	-	HYDRAULIC CABINET ASSEMBLY
1	136352	1	• WELDMENT, Hydraulic cabinet
2	137252	1	• WELDMENT, Manifold baseplate
3	103995	AR	• WASHER, Flat (1/4")
4	104000	AR	• WASHER, Lock (1/4")
5	103856	AR	• BOLT, Hex head (1/4"-20 x 3/4", Grade 5)
6	103855	AR	• BOLT, Hex head (1/4"-20 x 1/2", Grade 5)
7	137250	1	• WELDMENT, Mounting plate
8	104606	2	• NUT, Hex nylon lock (3/8"-16, Grade 5)
9	103472	AR	• WASHER, Flat (3/8")
10	101297	AR	• BOLT, Hex head (3/8"- 16 x 1-1/4", Grade 5)
11	102781	1	• LATCH, Rotary (Left hand)
12	103864	AR	• BOLT, Hex head (5/16"-18 x 1", Grade 5)
13	111534	1	• KNOB, Latch
14	(Ref.)	-	• MAIN MANIFOLD ASSEMBLY (For components, refer to Section 3.13)
15	136405	1	• FILTER ASSEMBLY
	136403	1	• • HEAD, Filter
	108628	1	• • FILTER, Oil
16	112187	2	• FITTING, Hose barb
17	137450	1	• PLATE, Return filter mount
18	103857	AR	• BOLT , Hex head (1/4"-20 x 1", Grade 5)
19	116997	AR	• BOLT , Hex head (1/2"-13 x 3/4", Grade 5)
20	103470	AR	• WASHER, Lock (1/2")
21	103468	AR	• WASHER, Flat (1/2")
22	137185	1	• FLOW DIVIDER, Gear type
23	137490	1	• FITTING, Straight (10 JICM - 12 ORBM)
24	114583	2	• FITTING, Elbow 90° (08 JICM - 08 ORBM)
25	(Ref.)	-	FUEL TANK ASSEMBLY (For components, refer to Section 3.12)
26	(Ref.)	-	OIL TANK ASSEMBLY (For components, refer to Section 3.11)
27	(Ref.)	-	DOOR, Hydraulic cabinet (For components, refer to Section 3.14)

### 3.11 Oil Tank Assembly



M136273AE

Index No.	Skyjack Part No.	Qty.	Description
-	136273	1	OIL TANK ASSEMBLY
1	136259	1	• TANK, Oil
2	117701	1	• FITTING, Magnetic drain plug
3	103236	1	• GAUGE, Oil level/temp
4	124311	2	• • INSERT, Threaded
5	132128	1	• SCREEN
6	136369	1	• CAP, Filler non-vented assembly
7	139468	1	• FITTING, Tee (06MJ - 06PF - 06MJ)
8	137540	1	• VENT, Breather
9	103962	AR	• BOLT, Machine head (#10-32 x 1/2")
10	136262	1	• LID, Oil tank

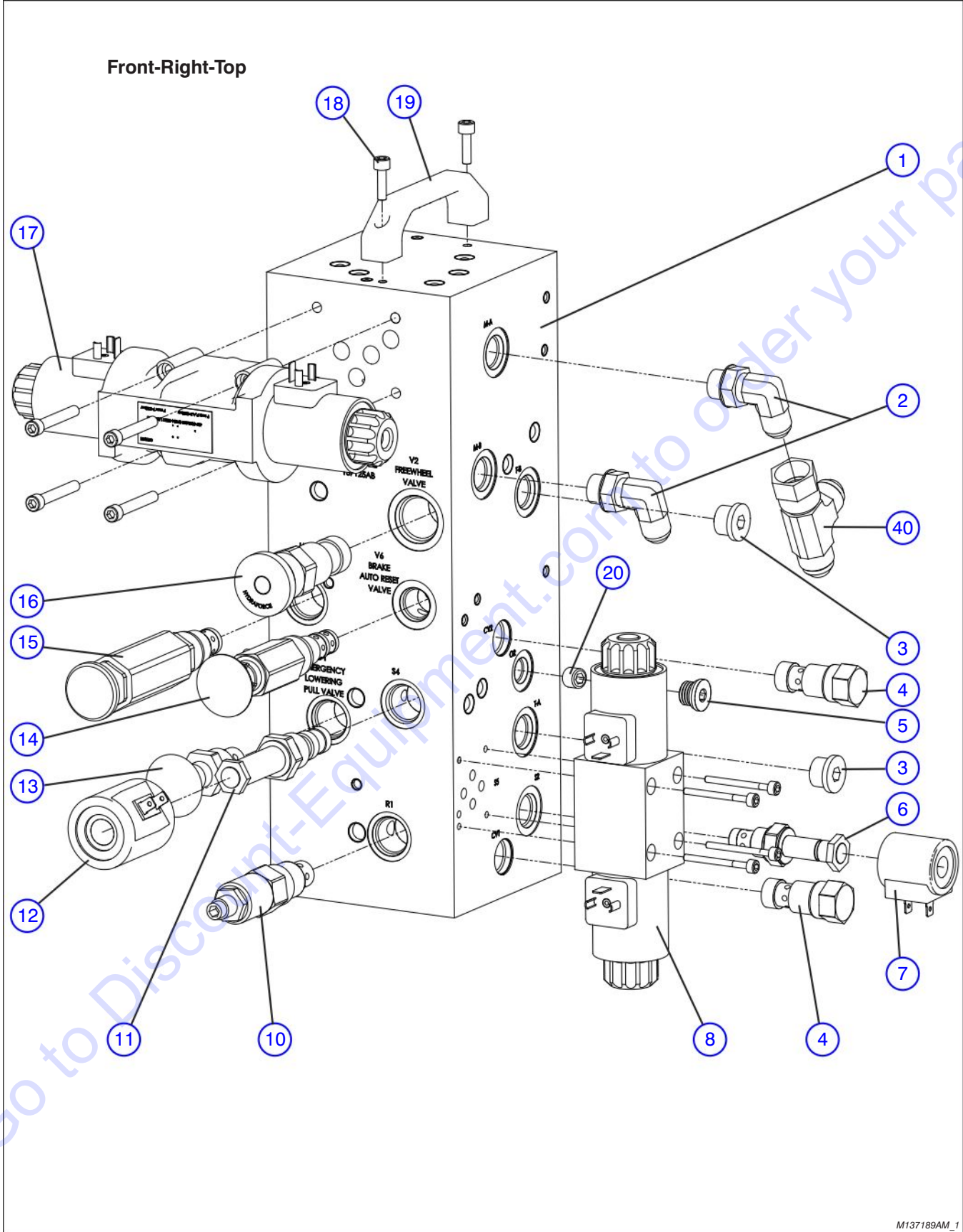


M136272AE

Index No.	Skyjack Part No.	Qty.	Description
-	136272	1	FUEL TANK ASSEMBLY
1	136258	1	• TANK, Fuel
2	117701	1	• THREAD STRAIGHT MAGNETIC PLUG ASSEMBLY
	149606	1	• • PLUG, Thread straight magnetic
	120190	1	• • SEAL, Thread straight magnetic plug
3	136427	1	• GAUGE, Level
4	103155	1	• FITTING, Brass tank (#T68-5B)
5	136289	1	• TUBE, Suction
6	136369	1	• CAP, Filler non-vented assembly
7	137540	1	• VENT, Breather (Kubota D902)
	139171	1	• PLUG, Hollow Hex (06NPT) (Kubota DF972, WG752)
8	102932	1	• PLUG, Pressure
9	125959	AR	WASHER, Flat hardened (3/8")
10	104606	AR	NUT, Hex lock nylon insert (3/8"-16, Grade 5)



3.13 Main Manifold Assembly



M137189AM\_1

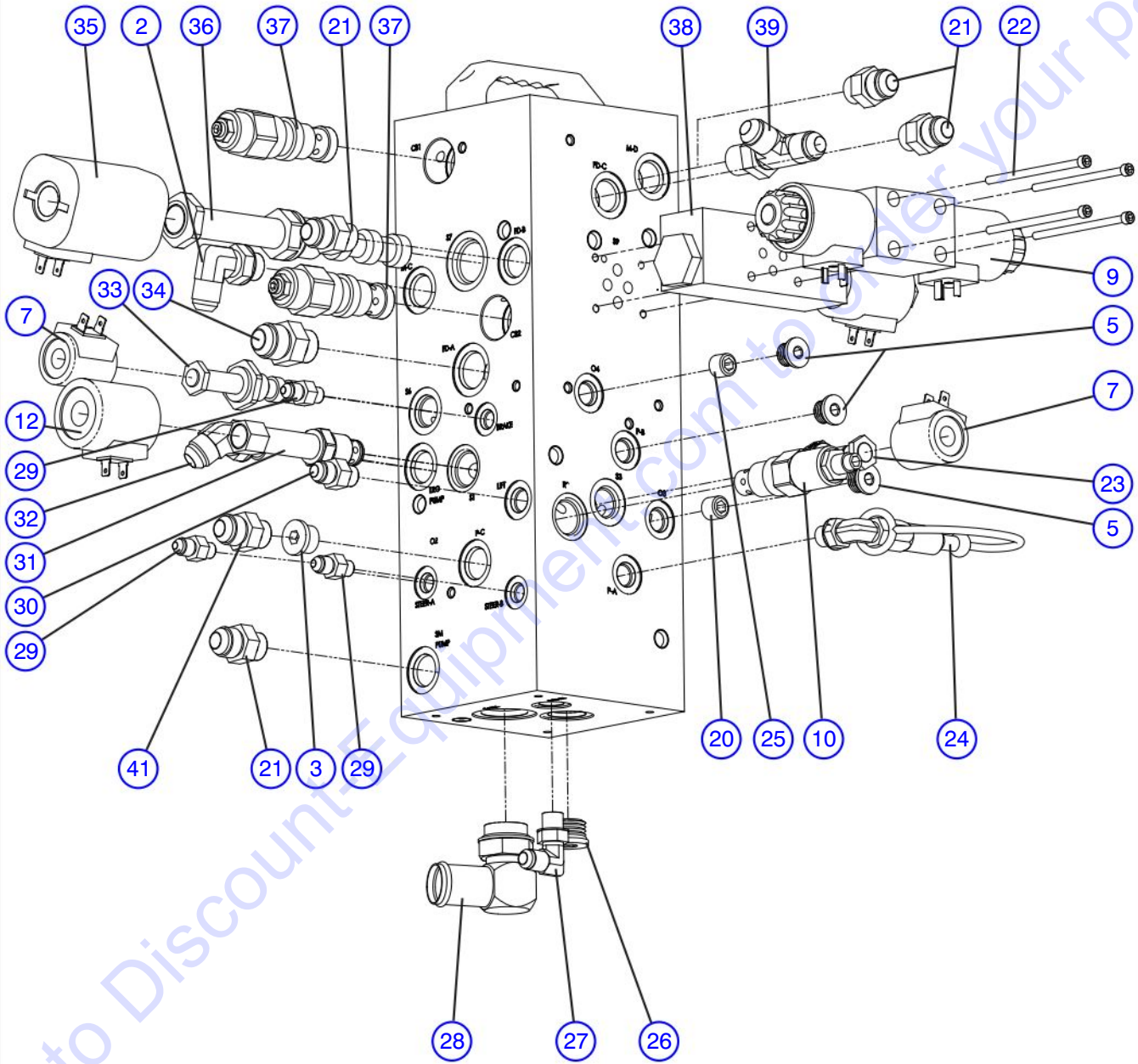
### 3.13 Main Manifold Assembly

Index No.	Skyjack Part No.	Qty.	Description
-	137189	1	MAIN MANIFOLD ASSEMBLY
1	137125	1	• MANIFOLD, Main with plugs
2	114583	3	• FITTING, Elbow 90° (08 JICM - 08 ORBM)
3	115320	3	• FITTING, Hydraulic plug (08MB) (No outriggers)
4	104624	2	• VALVE, Pilot check
5	104437	4	• FITTING, Plug (06 ORBM)
6	103656	1	• VALVE, Small pump dump
7	103613	3	• COIL, 12 Volt
8	-	-	• VALVE ASSEMBLY, Directional spool w/ mounts
	153336	1	• • VALVE ASSEMBLY, Directional spool
	153337	2	• • • COIL, 12 Volt
	103919	4	• • BOLT, Socket head (#10-24 x 1.75", Grade 5)
9	128318	1	• VALVE ASSEMBLY, Directional spool
	128321	2	• • COIL, 12 Volt
10	104534	2	• VALVE, Relief
11	106273	1	• VALVE, Lift
12	106272	2	• COIL, 12 Volt
13	107271	1	• VALVE, Manual directional
14	113752	1	• VALVE, Auto reset
15	110652	1	• PUMP, Cavity hand
16	137182	1	• VALVE, Needle cartridge (NV12-20)
17	139257	1	• VALVE ASSEMBLY, Directional spool w/ mounts
	139256	1	• • VALVE ASSEMBLY, Directional spool
	128321	2	• • • COIL, 12 Volt
	103942	4	• • BOLT, Socket head (1/4"-20 x 1.75", Grade 5)
18	103941	2	• BOLT, Socket (1/4"-20 x 3/4", Grade 5)
19	137653	1	• HANDLE, Pull
20	137510	2	• ORIFICE, Lowering (0.106" diameter) (Model 6826RT)
	137509	2	• ORIFICE, Lowering (0.089" diameter) (Model 6832RT)
21	102659	AR	• FITTING, Straight (08 JICM - 08 ORBM)
22	103923	4	• BOLT, Socket head (#10-24 x 3.5", Grade 5)
23	103655	1	• VALVE, Lowering (N.C.)

**Part list continued on the following page.**

3.13 Main Manifold Assembly (Continued)

Back-Left-Bottom

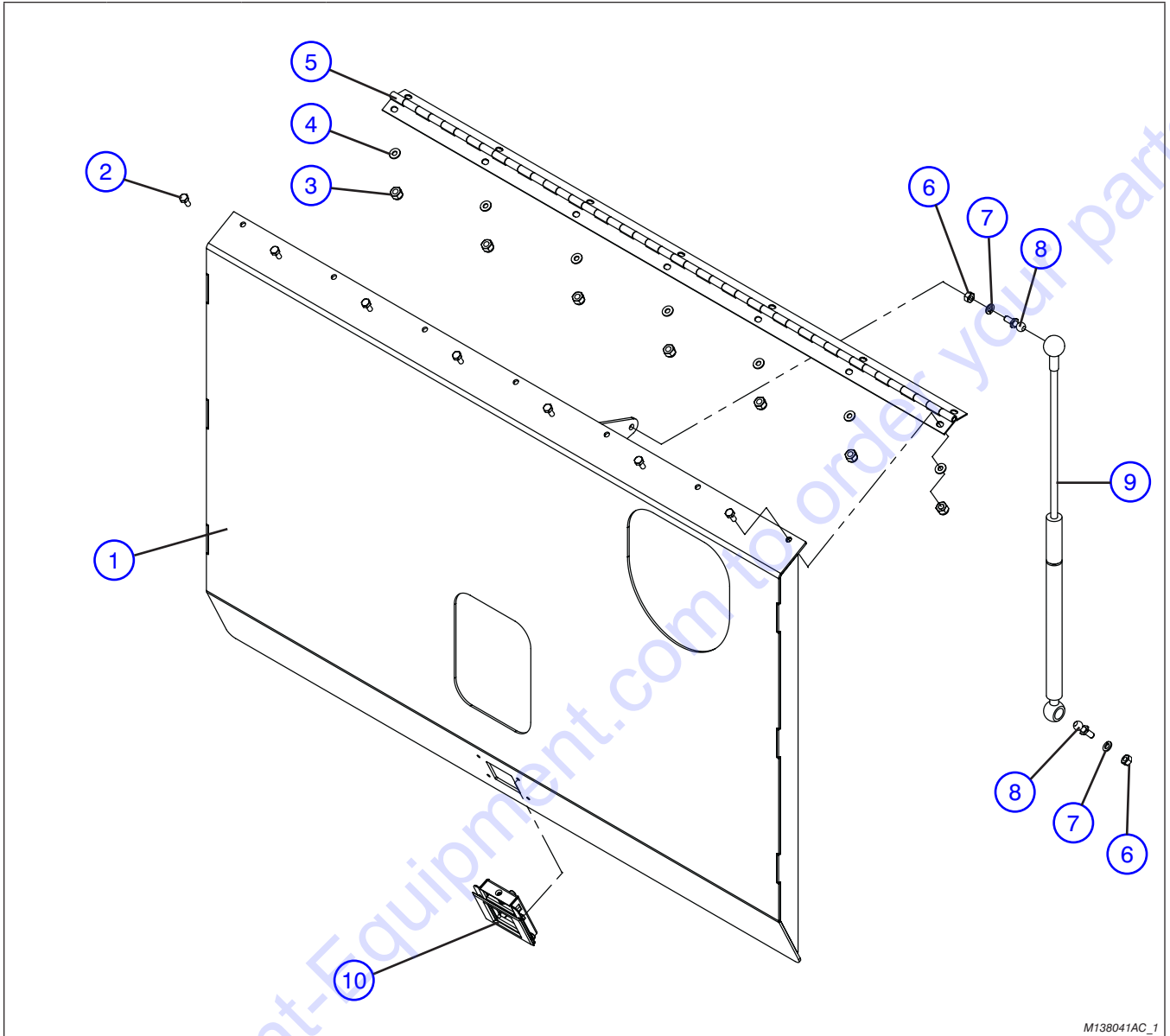


M137189AM\_2

### 3.13 Main Manifold Assembly (Continued)

Index No.	Skyjack Part No.	Qty.	Description
			<b>Part list continued from the previous page.</b>
24	122419	1	• ASSEMBLY, Quick disconnect (system pressure)
	122365	1	• • FITTING, Connector (6 SAE - 6 JIC)
	122385	1	• • COUPLER, Quick
	114521	1	• • DUST CAP, 600 Series
25	137508	1	• ORIFICE, Brake (0.028" diameter)
26	137629	1	• FITTING, Plug cavity (#12)
27	114578	1	• FITTING, Elbow 90° (06 JICM - 06 ORBM)
28	137626	1	• FITTING, Elbow 90° (SAE-12 to Barb-16)
29	126128	3	• FITTING, Straight (04 JICM - 04 ORBM)
30	103069	1	• FITTING, Straight (06 JICM - 06 ORBM)
31	114365	1	• VALVE, Large pump dump (N.O.)
32	139739	1	• FITTING, Elbow 45° (08 JICM - 08 ORBM)
33	103623	1	• VALVE, Brake feed
34	137630	1	• FITTING, Straight (10 JICM - 10 ORBM)
35	137513	1	• COIL, 12 Volt
36	139351	1	• VALVE, Series/Parallel
37	137181	2	• VALVE, Cartridge counterbalance
38	139830	1	• SANDWICH VALVE ASSEMBLY
	140898	1	• • BLOCK, Sandwich manifold
	140897	1	• • PLUG, Cavity
	139834	4	• • O-RING
	106272	1	• • COIL, 12V
	111937	1	• • VALVE, Solenoid
39	106170	1	• FITTING, Tee swivel (8 JIC)
40	110554	1	• FITTING, Tee (08JICM - 08 JICM - 08 ORBM)
41	103070	1	• FITTING, Straight (06 JICM - 08 ORBM) (Outrigger option)

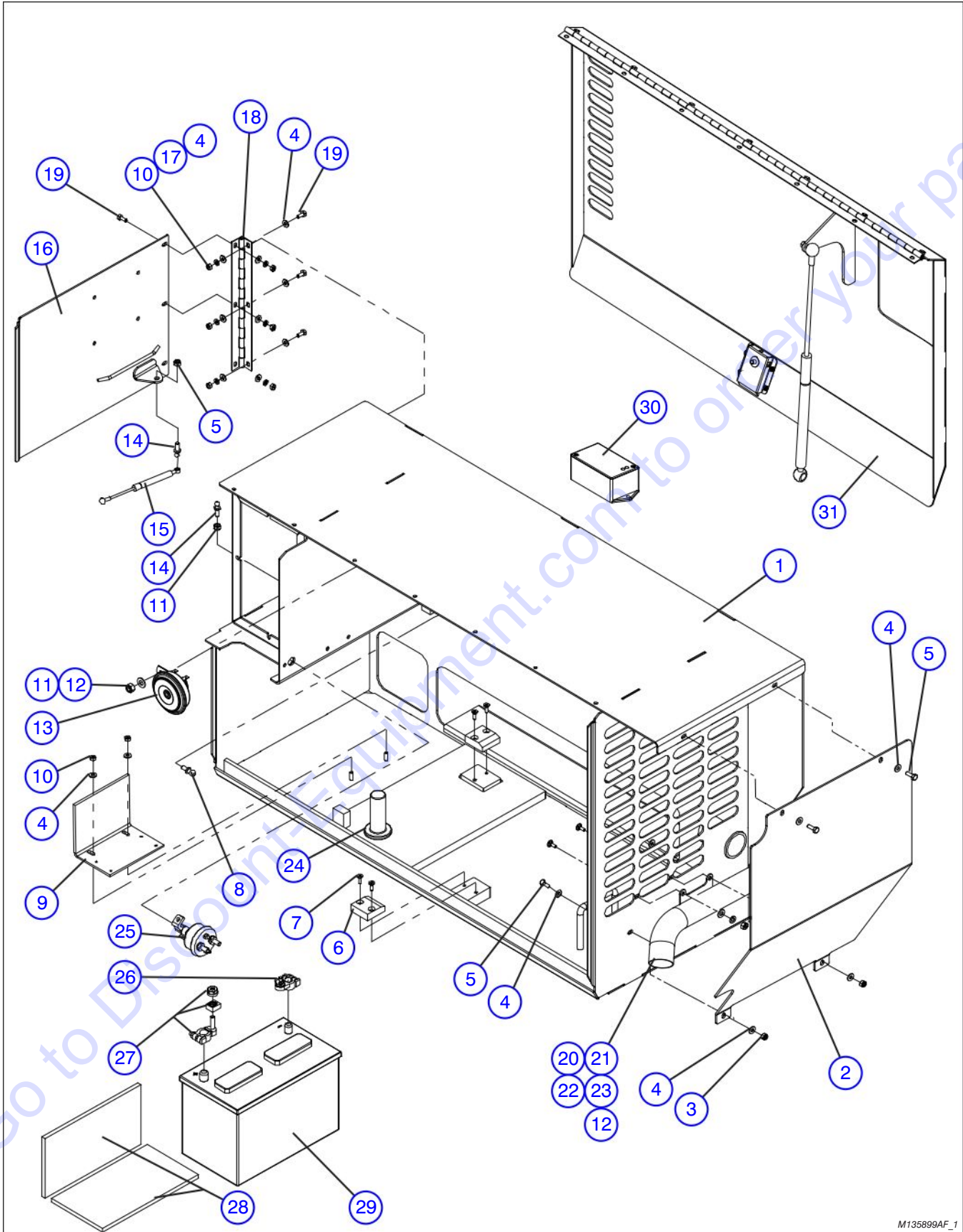
### 3.14 Hydraulic Cabinet Door Assembly



M138041AC\_1

Index No.	Skyjack Part No.	Qty.	Description
-	138041	1	HYDRAULIC DOOR ASSEMBLY
1	136355	1	• DOOR, Hydraulic cabinet
2	103892	7	• BOLT, Hex head (1/4"-20 x 5/8", Grade 5)
3	115649	7	• NUT, Hex nylon lock (1/4"-20, Grade 5)
4	103995	7	• WASHER, Flat (1/4")
5	136996	1	• HINGE, Cabinet door
6	103984	1	• NUT, Hex head (5/16"-18, Grade 5)
7	103996	1	• WASHER, Flat (5/16")
8	138026	1	• STUD, Ball (13mm)
9	137183	1	• GAS SPRING (10" stroke)
10	137005	1	• LATCH, Sliding with trimplate

### 3.15 Engine Cabinet Assembly

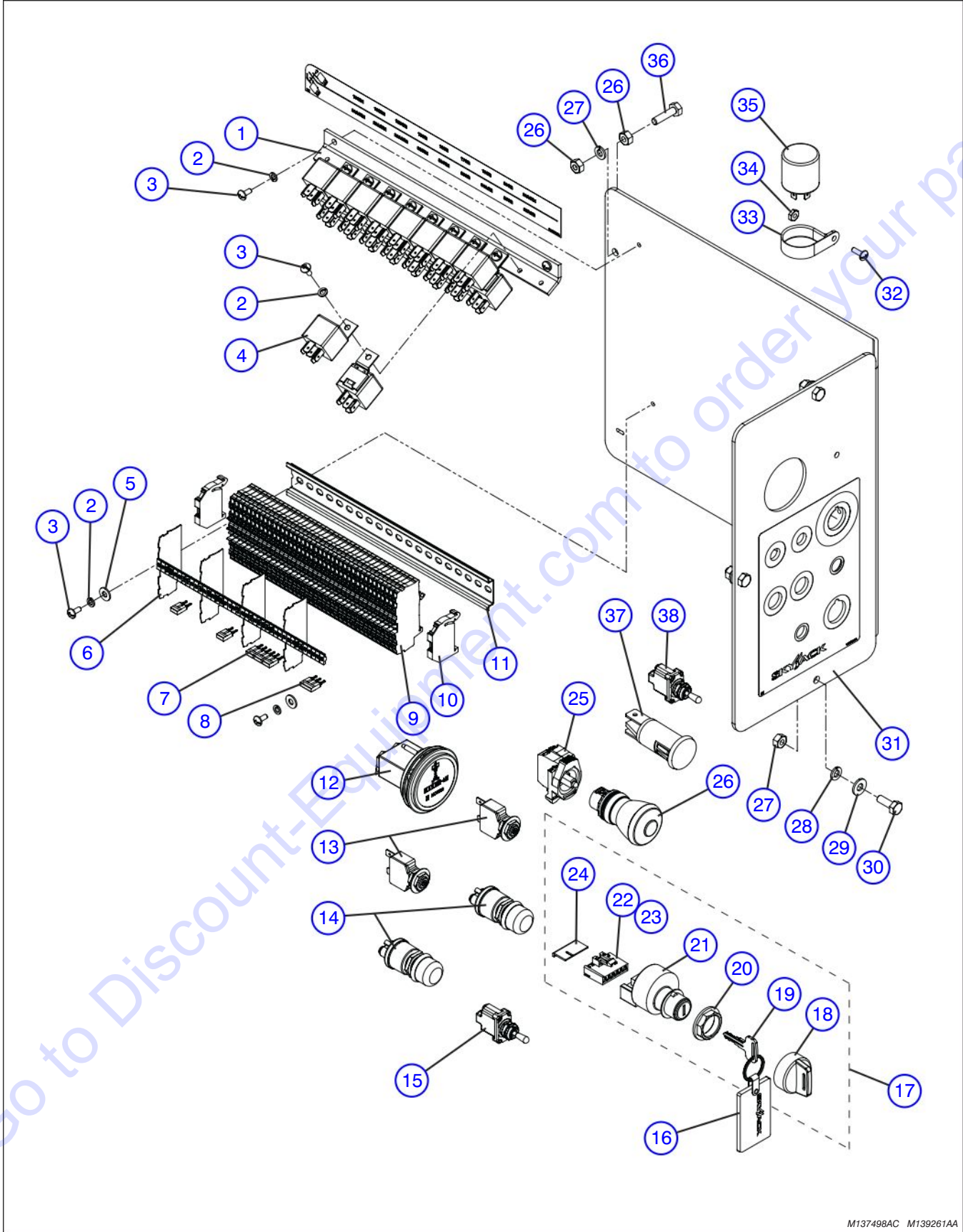


M135899AF\_1

### 3.15 Engine Cabinet Assembly

Index No.	Skyjack Part No.	Qty.	Description
-	135899	-	ENGINE CABINET ASSEMBLY
1	147812	1	• WELDMENT, Engine cabinet
2	147824	1	• WELDMENT, Mud guard
3	115649	4	• NUT, Hex nylon lock (1/4"-20, Grade 5)
4	103995	19	• WASHER, Flat (1/4")
5	103856	4	• BOLT, Hex head (1/4"-20 x 3/4", Grade 5)
6	136395	2	• UHMW BLOCK, Engine cabinet
7	139688	4	• SCREW, Flat head machine (1/4"-20 x 1")
8	138026	1	• STUD, Ball (13mm)
9	137246	1	• BRACKET, Battery
10	103980	8	• NUT, Hex head (1/4"-20, Grade 5)
11	103984	AR	• NUT, Hex nylon lock (5/16"-18, Grade 5)
12	103996	AR	• WASHER, Flat (5/16")
13	146652	1	• HORN, 12 Volt
14	138025	2	• STUD, Ball (10mm)
15	137184	1	• GAS SPRING (2.5" stroke)
16	137135	1	• DOOR, Instrumentation panel
17	104000	4	• WASHER, Lock (1/4")
18	137016	1	• HINGE, Instrumentation panel
19	103892	6	• BOLT, Hex head (1/4"-20 x 0.62", Grade 5)
20	147590	1	• WELDMENT, Exhaust tube
21	110814	2	• CARRIAGE BOLT, (0.313-18 x 0.75, Grade 5)
22	103404	2	• WASHER, Lock (5/16")
23	100397	2	• NUT, Hex head (5/16"-18, Grade 5)
24	107952	1	WASHER, Bronze (1.25" ID x 2.375" OD x 1/8")
25	119726	1	SWITCH, Main disconnect
26	128620	1	ADAPTER (Negative battery post to 5/16" stud)
27	128632	1	ADAPTER ASSEMBLY (300A fuse positive battery post)
	128596	1	• CLAMP, Battery post single
	128595	1	• FUSE, 300A
	128597	1	• NUT, Battery post insulated
28	112125	2	PLYWOOD, (3/8" x 6" x 11")
29	103295	1	BATTERY, 12V (WET)
30	147952	1	TILT ALARM SWITCH ASSEMBLY (ANSI/CSA, No outriggers)
	146661	1	• SWITCH, Tilt alarm (9-30V)
	120094	2	• Bolt, Hex head (#10-32 x 5/8")
	104003	2	• NUT, Hex head (#10-32)
	104185	2	• WASHER, Lock (#10)
	104694	2	• WASHER, Flat (#10)
31	(Ref.)	-	ENGINE DOOR ASSEMBLY (For components, refer to Section 3.20)

3.16 Electrical Panel Assembly



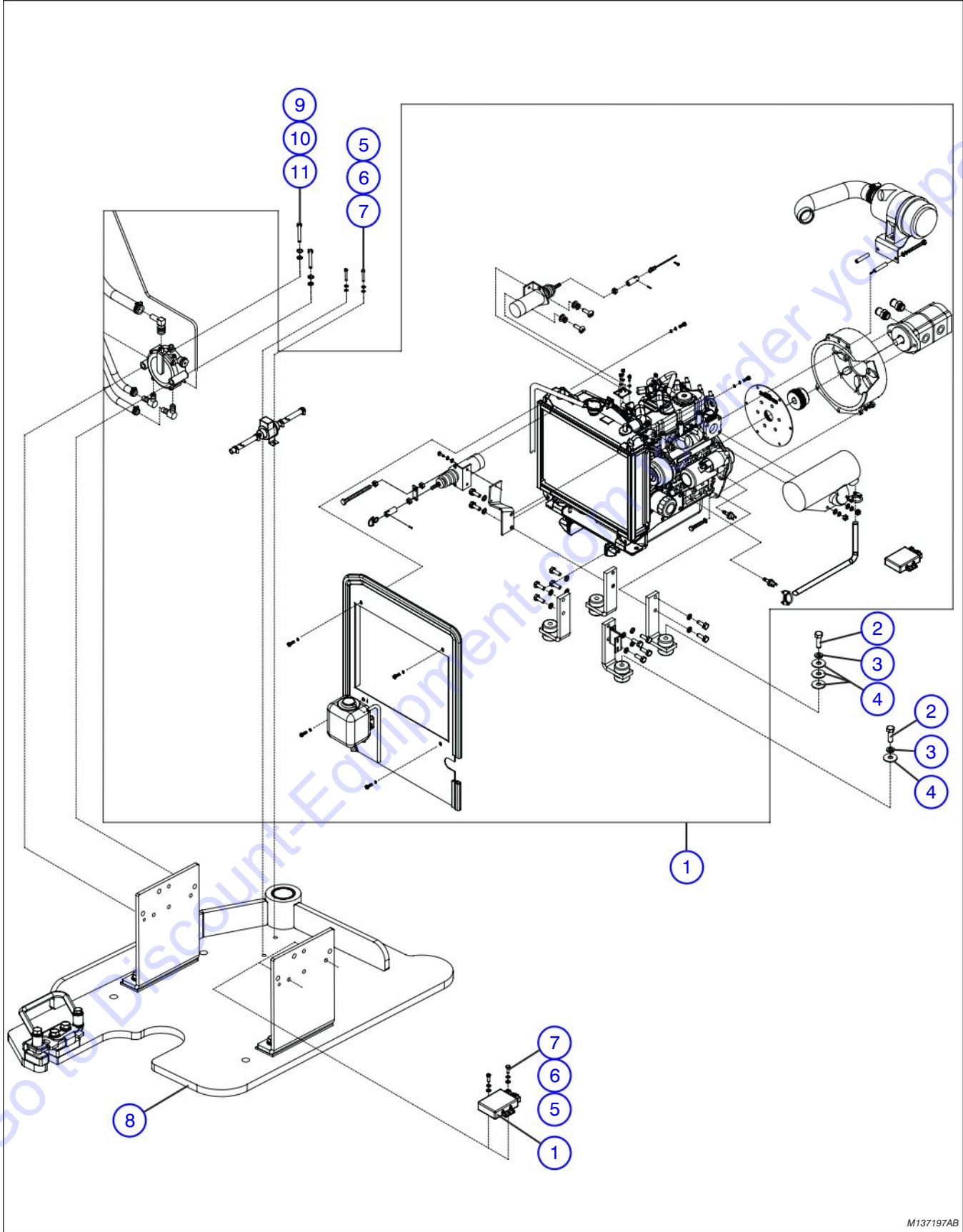
M137498AC M139261AA



### 3.16 Electrical Panel Assembly

Index No.	Skyjack Part No.	Qty.	Description
A	137498	-	ELECTRICAL PANEL ASSEMBLY (ANSI/CSA)
B	156699	-	ELECTRICAL PANEL ASSEMBLY (KC)
1	137507	1	• MOUNT, Bracket relay
2	104185	13	• WASHER, Lock (#10), A
		14	• WASHER, Lock (#10), B
3	115545	13	• SCREW, Round head machine (#10-32 x 3/8"), A
		14	• SCREW, Round head machine (#10-32 x 3/8"), B
4	127035	18	• RELAY, 12 Volt (40A), A
		19	• RELAY, 12 Volt (40A), B
5	104694	2	• WASHER, Flat (#10)
6	137941	4	• END PLATE
7	137942	5	• JUMPER (2 pin)
8	137943	1	• JUMPER (3 pin)
9	137940	40	• TERMINAL BLOCK, Conductor through
10	707147	2	• END STOP
11	137958	1	• RAIL, Din (10")
12	103336	1	• HOUR METER
13	137919	2	• BREAKER, Circuit (25 Amp)
14	102692	2	• SWITCH, Pushbutton
15	102853	1	• SWITCH, Toggle
16	114710	1	• RING KEY, SKYJACK
17	133762	1	• SWITCH KEY, 3 Way
18	138138	1	• • BOOT, Key switch
19	138137	1	• • KEY, #455
20	138136	AR	• • NUT, Key switch
21	137440	1	• • HEAD, Switch key 3 way
22	137442	6	• • WIRE TERMINAL, 280 Female unsealed
23	137441	1	• • CONNECTOR, Housing 6 Way
24	137443	1	• • TERMINAL POSITION ASSURANCE
25	137790	1	• SWITCH BASE ASSEMBLY, NC/LED (Red)
26	137795	1	• SWITCH ASSEMBLY, Emergency stop
27	103980	5	• NUT, Hex head (1/4" - 20, Grade 5)
28	104000	4	• WASHER, Lock (1/4")
29	103995	3	• WASHER, Flat (1/4")
30	103856	3	• BOLT, Hex Head (1/4" - 20 x 3/4", Grade 5)
31	137199	1	• SHEET, Electrical panel
32	103962	1	• SCREW, Round head machine (#10 - 32 x 1/2")
33	132793	1	• CLAMP, Plastic (1.25")
34	104003	1	• NUT, Hex head (#10-32)
35	103743	1	• FLASHER (12/24 Volt)
36	103857	1	• BOLT, Hex head (1/4" - 20 x 1", Grade 5)
37	(Ref.)	-	LIGHT, Indicator 12 Amber (For components, refer to Section 3.21)
38	(Ref.)	-	SWITCH, Toggle (For components, refer to Section 3.21)

3.17 Engine to Tray Assembly (Kubota DF972)

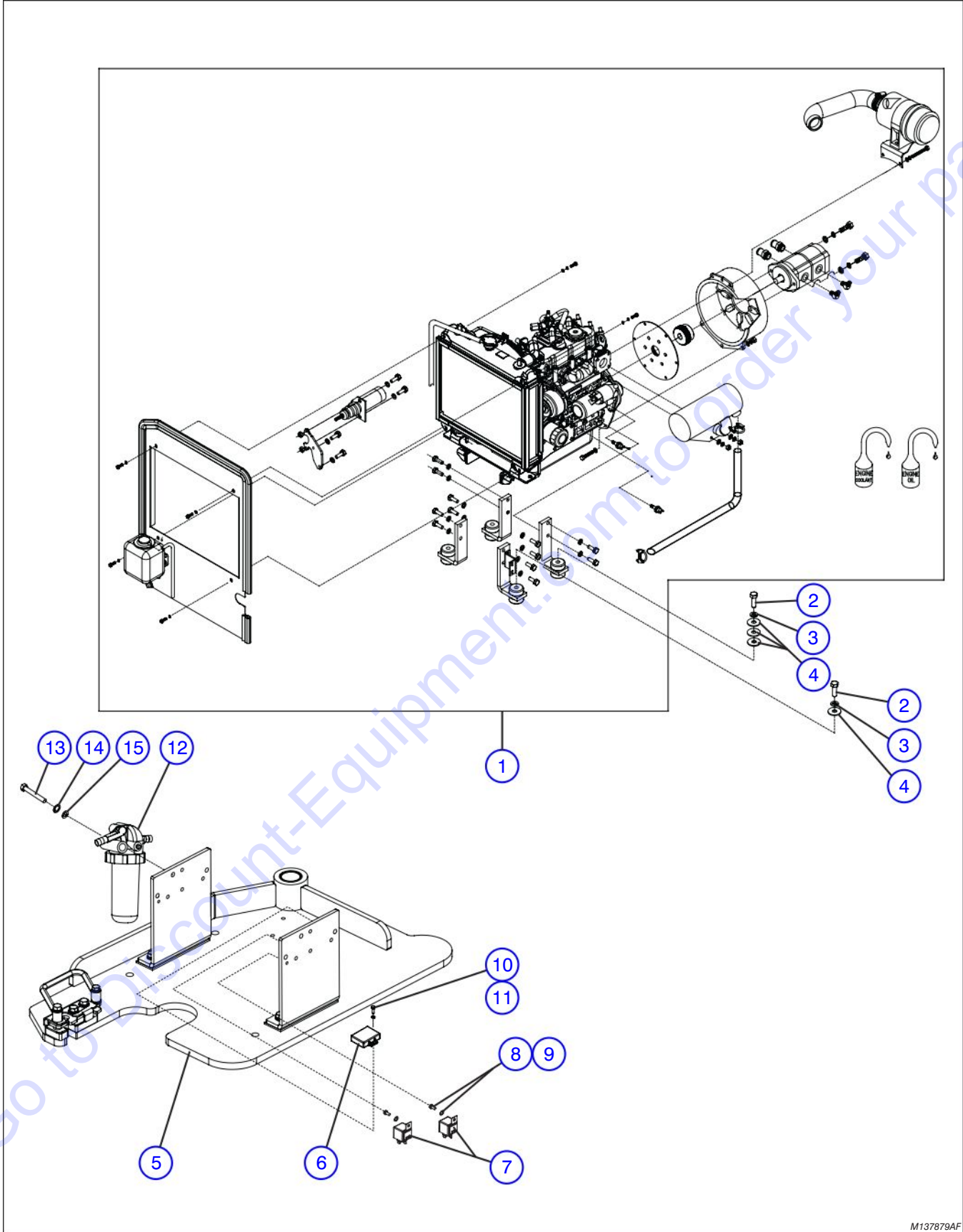


M137197AB

Index No.	Skyjack Part No.	Qty.	Description
1	(Ref.)	-	ENGINE ASSEMBLY (For components, refer to Section 4.1)
2	108818	4	BOLT, Hex head (1/2"-13 x 2.75", Grade 5)
3	103470	4	WASHER, Lock (1/2", Nom. 0.12)
4	137241	6	WASHER, Fender (1/2" inner diameter)
5	103892	4	BOLT, Hex head (1/4"-20 x 5/8", Grade 5)
6	104000	4	WASHER, Lock (1/4", Nom. 0.06)
7	103995	4	WASHER, Flat (1/4" SAE)
8	(Ref.)	-	ENGINE TRAY ASSEMBLY (For components, refer to Section 3.19)
9	103885	2	BOLT, Hex head (5/16"-18 x 1.75", Grade 5)
10	103996	2	WASHER, Flat (5/16")
11	103404	2	WASHER Lock (5/16", Nom. 0.07)

Go to Discount-Equipment.com to order your parts

3.18 Engine to Tray Assembly (Kubota D902)



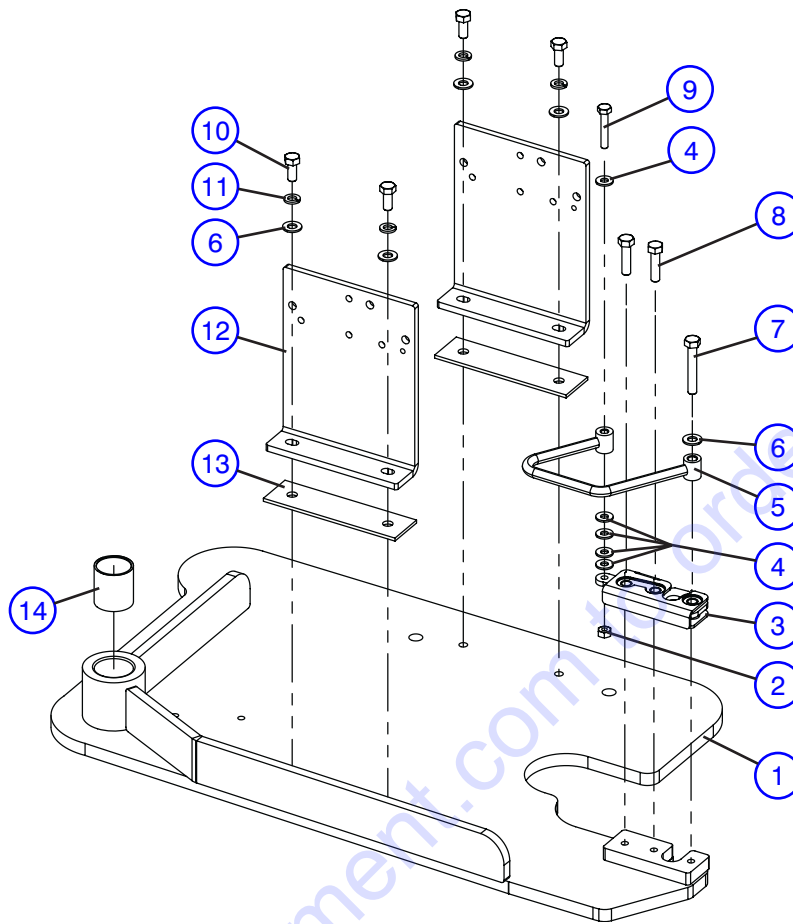
M137879AF

### 3.18 Engine to Tray Assembly (Kubota D902)

Index No.	Skyjack Part No.	Qty.	Description
1	(Ref.)	-	ENGINE ASSEMBLY (For components, refer to Section 4.9)
2	108818	AR	BOLT, Hex head (1/2"-13 x 2.75", Grade 5)
3	103470	AR	WASHER, Lock (1/2", Nom. 0.12)
4	137241	AR	WASHER, Fender (1/2" Inner diameter)
5	(Ref.)	-	ENGINE TRAY ASSEMBLY (For components, refer to Section 3.19)
6	(Ref.)	-	TIMER, Glow lamp (For components, refer to Section 4.9)
7	127035	1	RELAY, 12 Volt (40A)
		2	RELAY, 12 Volt (40A) (If equipped with fuel solenoid relay)
8	103964	AR	BOLT, Round head machine (#10-32 x 1/4")
9	104185	AR	WASHER, Lock (#10)
10	103855	1	BOLT, Hex head (1/4"-20 x 1/2", Grade 5)
11	104000	1	WASHER, Lock (1/4")
12	137885	1	FUEL FILTER ASSEMBLY
	137904	1	• ELEMENT, Filter
13	116218	AR	BOLT, Hex head (M8-1.25 x 65mm, Grade 8.8, ZP)
14	137886	AR	WASHER, Lock (M8)
15	133232	AR	WASHER, Flat (M8)

### 3.19 Engine Tray Assembly

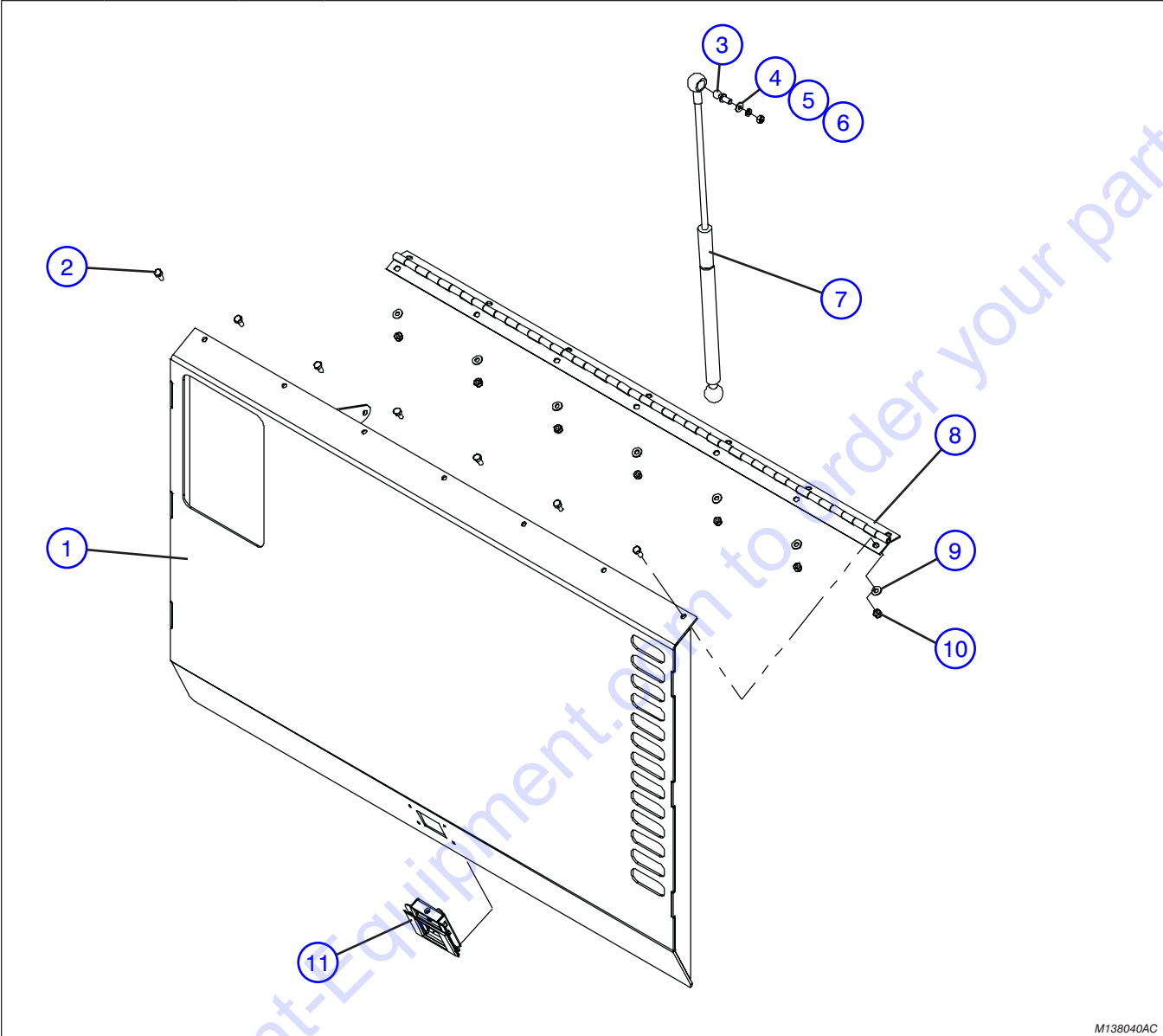
AB



M136394AC

Index No.	Skyjack Part No.	Qty.	Description
-	136394	-	ENGINE TRAY ASSEMBLY (Kubota DF972/D902)
1	136387	1	• WELDMENT, Tray engine
2	115649	1	• NUT, Hex nylon lock (1/4"- 20 Grade 5)
3	112307	1	• LATCH, Rotary (Left hand)
4	103995	5	• WASHER, Flat (1/4")
5	126634	1	• HANDLE WELDMENT, Tray Lock
6	103996	6	• WASHER, Flat (5/16")
7	103865	1	• BOLT, Hex head (5/16"-18 x 2", Grade 5)
8	103864	2	• BOLT, Hex head (5/16"-18 x 1", Grade 5)
9	103860	1	• BOLT, Hex head (1/4"- 20 x 1.75", Grade 5)
10	103887	4	• BOLT, Hex head (5/16"-18 x 3/4", Grade 5)
11	103404	4	• WASHER, Lock (5/16")
12	136077	2	• BRACKET
13	136976	2	• PAD, Rubber
14	125262	2	• BUSHING, Fiberglide (1.25" diameter x 1.5")

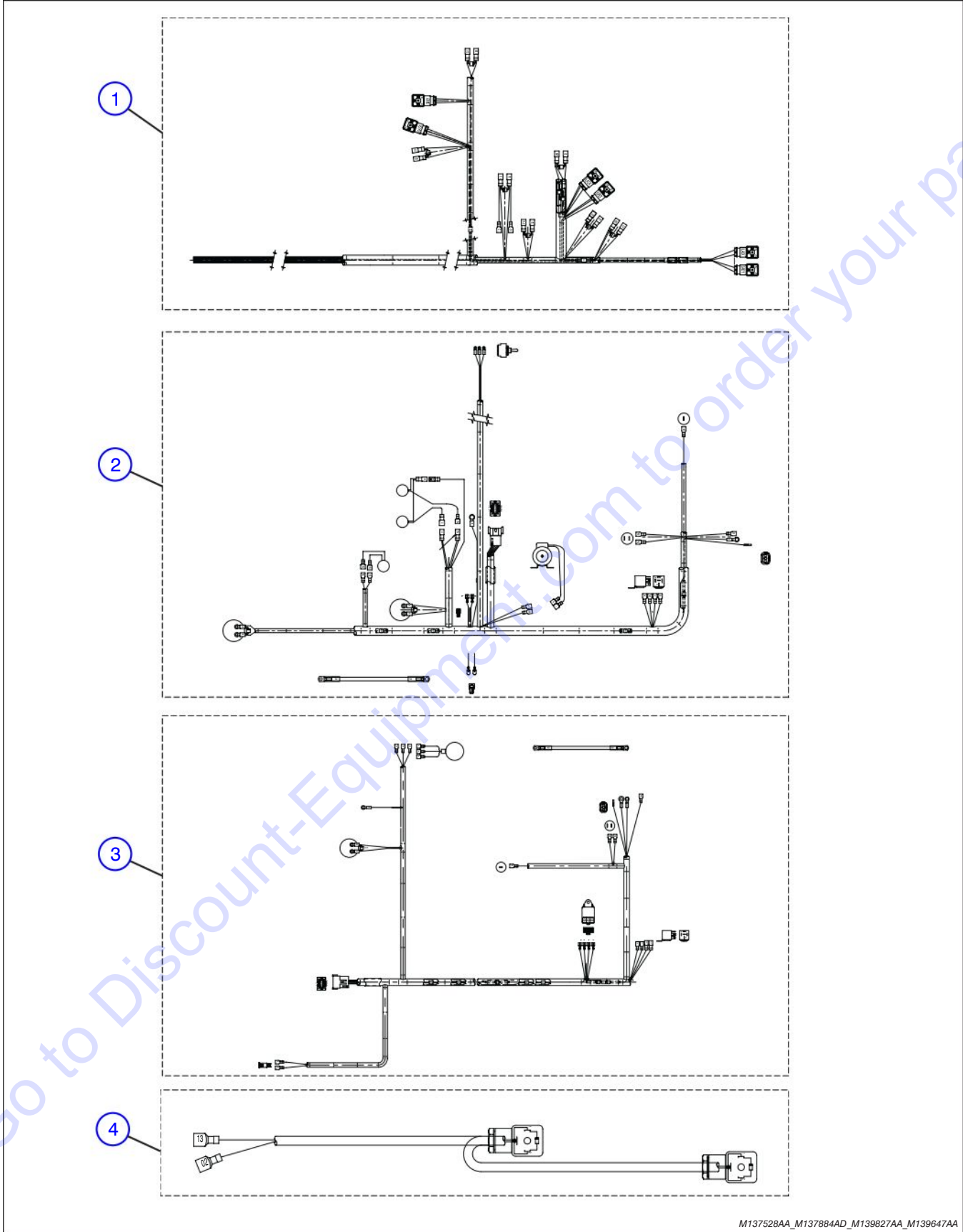
3.20 Engine Cabinet Door Assembly



M138040AC

Index No.	Skyjack Part No.	Qty.	Description
-	138040	-	ENGINE DOOR ASSEMBLY
1	137017	1	• DOOR, Engine cabinet
2	103892	AR	• BOLT, Hex head (1/4"-20 x 5/8", Grade 5)
3	138026	AR	• STUD, Ball (13mm)
4	103996	1	• WASHER, Flat (5/16")
5	103404	1	• WASHER, Lock (5/16")
6	103984	AR	• NUT, Hex nylon lock (5/16"-18, Grade 5)
7	137183	1	• GAS SPRING, (10" stroke)
8	136996	1	• HINGE, Cabinet door
9	103995	AR	• WASHER, Flat (1/4")
10	115649	AR	• NUT, Hex nylon lock (1/4"-20, Grade 5)
11	137005	1	• LATCH, Sliding with trimplate

3.21 Engine and Main Manifold Harnesses



M137528AA\_M137884AD\_M139827AA\_M139647AA

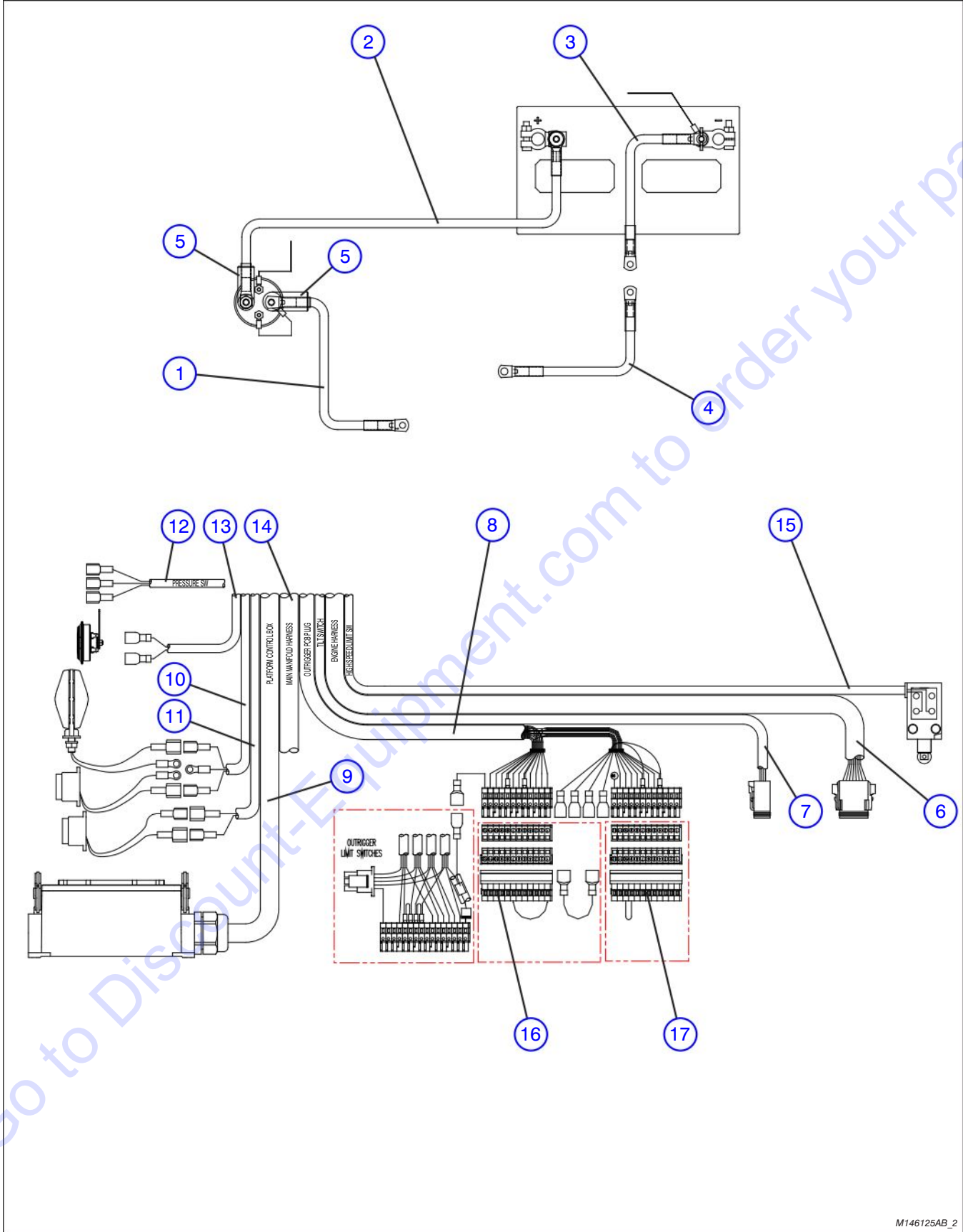


### 3.21 Engine and Main Manifold Harnesses

Index No.	Skyjack Part No.	Qty.	Description
1	139827	-	Harness, Main manifold
2	137382	-	Harness, Engine (Kubota dual fuel)
	136178	1	• COUPLER ASSEMBLY
	136179	1	• COUPLER ALTERNATOR ASSEMBLY
3	137527	-	Harness, Engine (Kubota diesel fuel)
	137869	1	• COUPLER ASSEMBLY (Glow lamp timer)
	136179	1	• COUPLER ALTERNATOR ASSEMBLY
4	139647	-	Harness, Cylinder manifold

Go to Discount-Equipment.com to order your parts

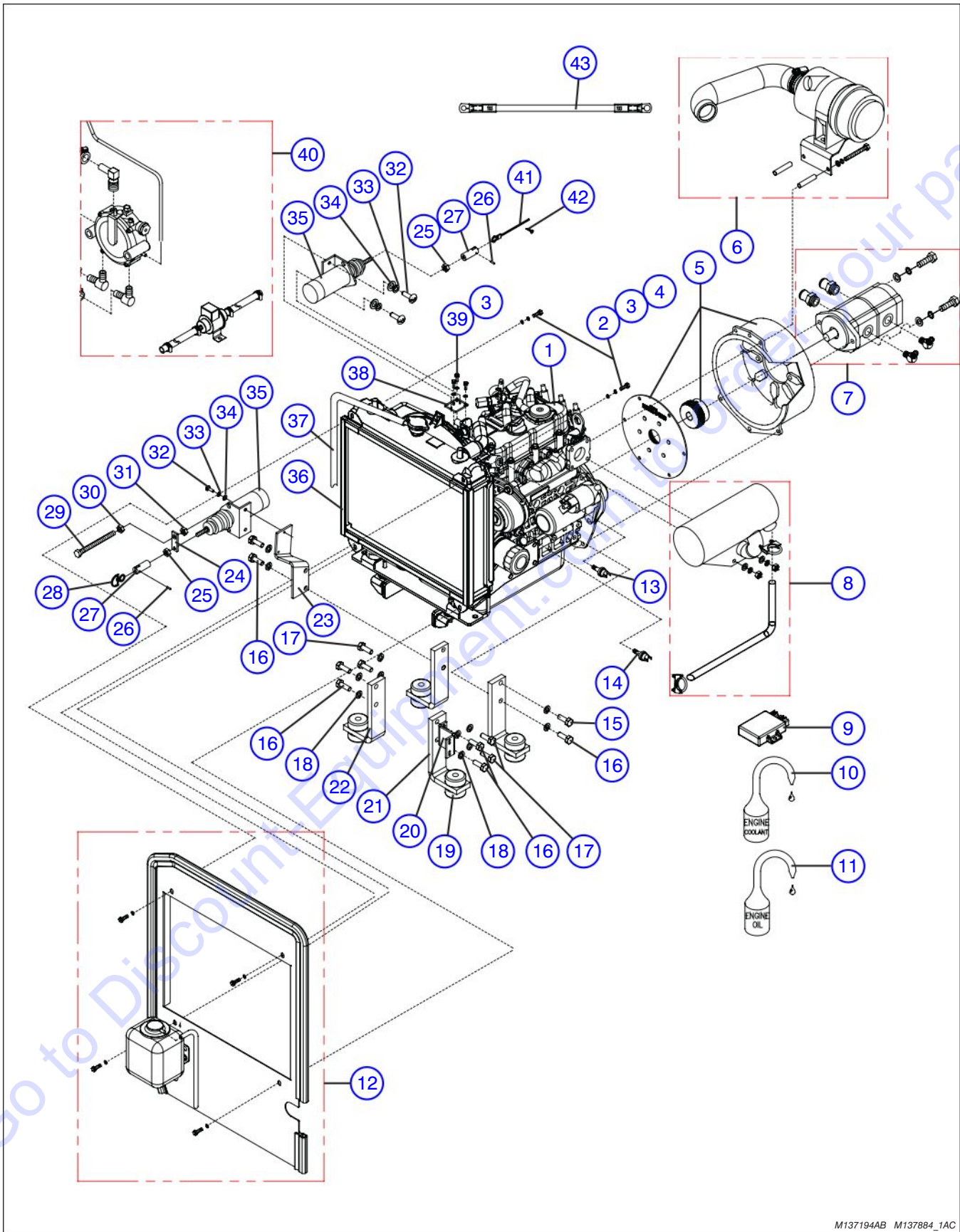
3.22 Electrical Panel Harnesses



M146125AB\_2

Index No.	Skyjack Part No.	Qty.	Description
1	138068	1	CABLE, Welding #2GA (3/8" x 42" x 5/16")
2	139251	1	CABLE, Welding #2GA (7/16" x 16" x 3/8")
3	139233	1	CABLE, Welding #2GA (5/16" x 12" x 5/16")
4	138069	1	CABLE, Welding #2GA (3/8" x 45" x 5/16")
5	117408	2	BOOT, Red battery
6	137955	1	ENGINE HARNESS
	117583	1	• PLUG, Connector (8 pin)
	117593	7	• SOCKET, Connector Contact (14-16)
	117594	1	• PLUG, Connector sealing
	117585	1	• PLUG, Connector wedge (8 pin)
7	138005	1	HARNESS, Tilt switch
	117579	1	• PLUG, Connector (4 pin)
	117581	1	• PLUG, Connector wedge (4 pin)
	117591	4	• SOCKET, Connector Contact (16-18)
8	(Ref.)	-	HARNESS, Outrigger panel (For components, refer to Section 5.2)
9	137354	1	CONTROL CABLE, Electrical panel
	137330	1	• HOUSING, Surface mount 24 pin with strain relief
	137223	1	• INSERT, Female (24 pin)
10	138007	1	HARNESS, Beeper
11	156704	1	HARNESS, Beeper (KC)
12	156703	1	HARNESS, Pressure switch (KC)
13	137952	1	HARNESS, Horn
14	(Ref.)	-	HARNESS, Main manifold (For components, refer to Section 3.21)
15	138074	1	LIMIT SWITCH, High speed
16	146118	1	PLUG, Connector (12 pin) (Machines without outriggers)
17	146118	1	PLUG, Connector (12 pin) (Machines without outriggers)

### 4.1 Engine Assembly (Kubota DF972)

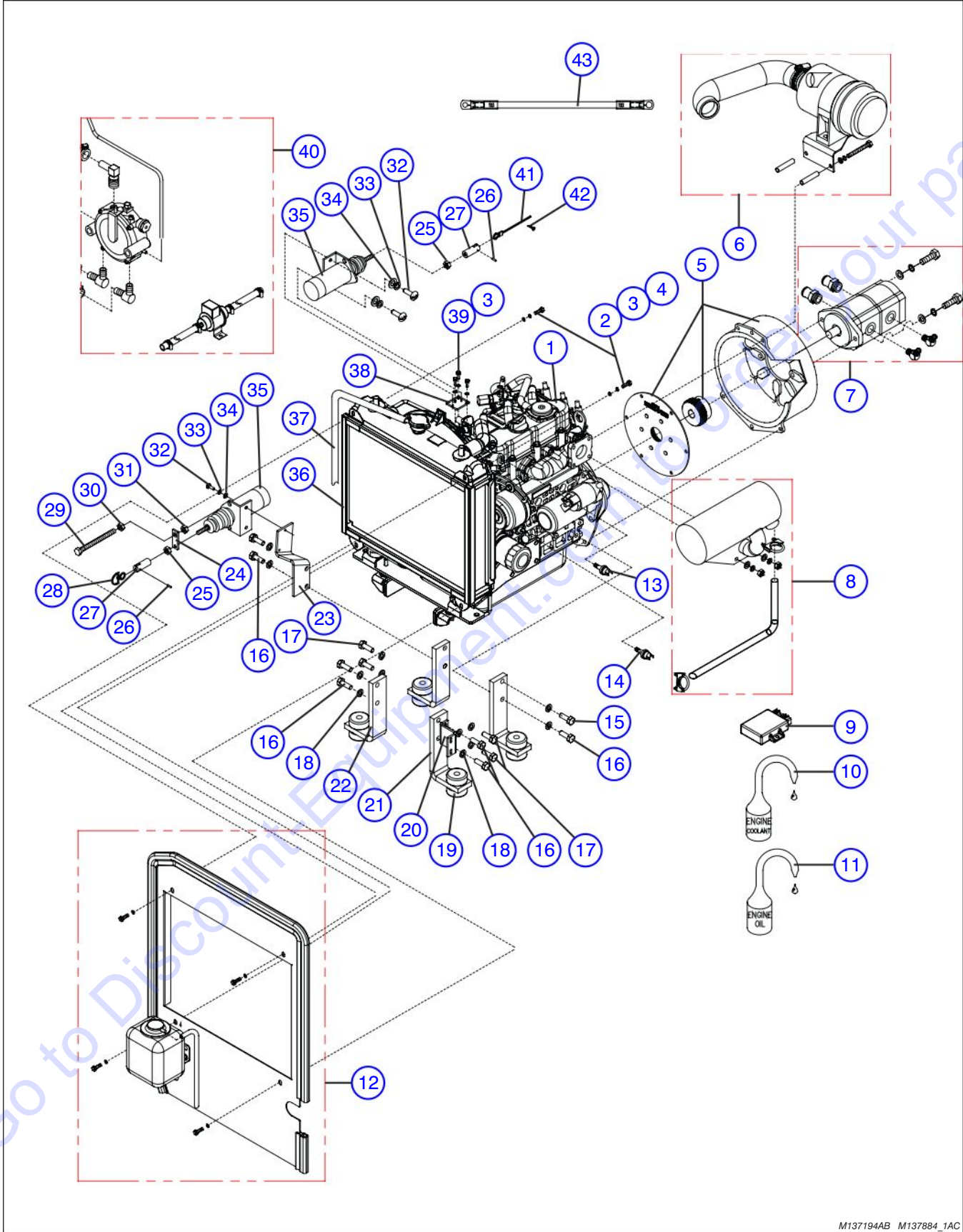


M137194AB M137884\_IAC

Index No.	Skyjack Part No.	Qty.	Description
A	-	1	ENGINE ASSEMBLY (For machines with serial number 37003444 & above)
B	-	1	ENGINE ASSEMBLY (For machines with serial number 37003443 & below)
1	158926	1	ENGINE, Kubota (DF972), A
	136036	1	ENGINE, Kubota (DF972), B
	159214	1	• CARBURETOR ASSEMBLY, A
	136095	1	• CARBURETOR ASSEMBLY, B
	159210	1	• MANIFOLD, Inlet, A
	136083	1	• MANIFOLD, Inlet, B
	158922	1	• MANIFOLD, Exhaust, A
	136085	1	• MANIFOLD, Exhaust, B
	136086	1	• SHIELD, Exhaust manifold heat
	136088	1	• ASSEMBLY, Idler gear
	136089	1	• SHAFT, Idler gear
	136091	1	• PLATE, Rear end
	159212	1	• Oil filter, Cartridge, A
	136092	1	• Oil filter, Cartridge, B
	159213	1	• GAUGE, Oil (Dipstick), A
	136093	1	• GAUGE, Oil (Dipstick), B
	136097	1	• SPRING, Governor
	136098	1	• LEVER, Speed control
	159216	1	• STARTER, Engine, A
	136100	1	• STARTER, Engine, B
	136101	1	• ALTERNATOR
	136102	1	• • BRACKET, Alternator
	136103	1	• • GUARD, Alternator
	136104	1	• PLUG, Spark
	136105	1	• • CAP, Spark plug
	136106	1	• COIL, Ignition
	136172	1	• SENSOR, Crankshaft position
	136109	1	• THERMOSTAT, Engine
	136110	1	• COVER, Thermostat
	137649	1	• FAN, Pusher
	136112	1	• PULLEY, Fan
	136113	1	• PULLEY, Fan drive
	136114	1	• BELT, Fan
	159219	1	• MANUAL, Operators, A
	136115	1	• MANUAL, Operators, B
	136117	1	• LABEL, CSA
	136099	1	• HARNESS, Wiring
	136118	1	• FILTER, Fuel
	159220	1	• KIT, Electric fuel pump, A
	136119	1	• KIT, Electric fuel pump, B
	158923	1	• VAPORIZER, A
	136122	1	• VAPORIZER, B
	136090	1	• FLYWHEEL, Complete
	131027	1	• GASKET, Head cover, B
	198781	1	• GASKET, Air cleaner, B
	198782	1	• FLANGE, Carburetor, B
2	133219	2	WASHER, Flat (M6)

Part list continued on the following page.

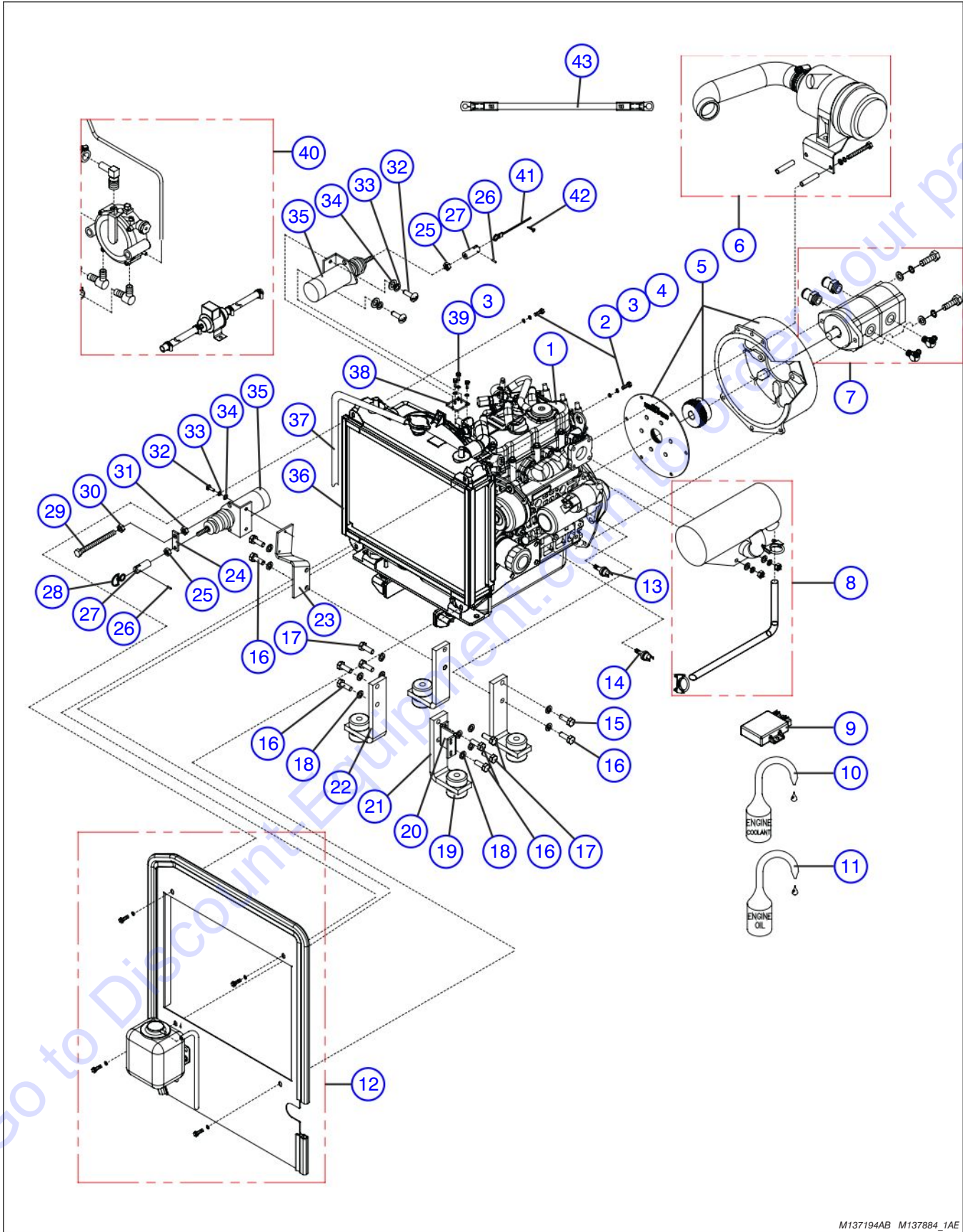
4.1 Engine Assembly (Kubota DF972) (Continued)



M137194AB M137884\_1AC

Index No.	Skyjack Part No.	Qty.	Description
			Part list continued from the previous page.
3	121758	5	WASHER, Lock (6mm)
4	136185	2	BOLT, Hex head (M6 - 1 x 30mm)
5	149834	1	BELL HOUSING ASSEMBLY (Kubota DF972 - Universal)
	149830	1	• BELL HOUSING
	149833	1	• HUB, Coupling
	149832	1	• FLANGE, Nylon (150mm)
	149831	1	• KIT, Hardware
6	(Ref.)	-	AIR CLEANER ASSEMBLY (For components, refer to Section 4.2a)
7	(Ref.)	-	HYDRAULIC PUMP ASSEMBLY (For components, refer to Section 4.5)
8	(Ref.)	-	EXHAUST ASSEMBLY (For components, refer to Section 4.3a)
9	159221	1	MODULE, Igniter control, A
	136121	1	MODULE, Igniter control, B
10	(Ref.)	-	SOLUTION, Engine coolant (Antifreeze) (Refer to Table in Section 7)
11	(Ref.)	-	OIL, Engine (Refer to Table in Section 7)
12	137648	1	ASSEMBLY, Radiator plate
	137481	1	• PLATE, Radiator
	137643	1	• TRIM, Rubber long
	137647	1	• TRIM, Rubber short
	147142	1	• RESERVOIR, Coolant
	-	-	• HARDWARE, Coolant reservoir
	103887	2	• • BOLT, Hex head (5/16"-18 x 3/4", Grade 5)
	103996	2	• • WASHER, Flat (5/16")
	100397	2	• • NUT, Hex head (5/16"-18, Grade 5)
	103404	2	• • WASHER, Lock (5/16")
13	113400	1	SWITCH, Temperature
14	102838	1	SWITCH, Oil pressure
15	103850	1	BOLT, Hex head (M10 x 1.25 x 30mm, Grade 8.8)
16	136665	7	BOLT, Hex head (M10 x 1.25 x 35mm, Grade 8.8)
17	103848	4	BOLT, Hex head (M10 x 1.25 x 20mm, Grade 8.8)
18	130884	12	WASHER, Lock (M10)
19	147634	4	MOUNT, Engine vibration control
20	137657	1	BRACKET, Exhaust
21	136033	2	BRACKET, Engine mount (Front right/Rear left)
22	136032	2	BRACKET, Engine mount (Front left/Rear right)
23	136264	1	MOUNT, Lower solenoid
24	113582	1	LIMITER, Solenoid
25	114709	2	NUT, FHN (1/4"-28)
26	114684	2	PIN, Roll (1/8" diameter x 7/16")
			<b>Part list continued on the following page.</b>

4.1 Engine Assembly (Kubota DF972) (Continued)



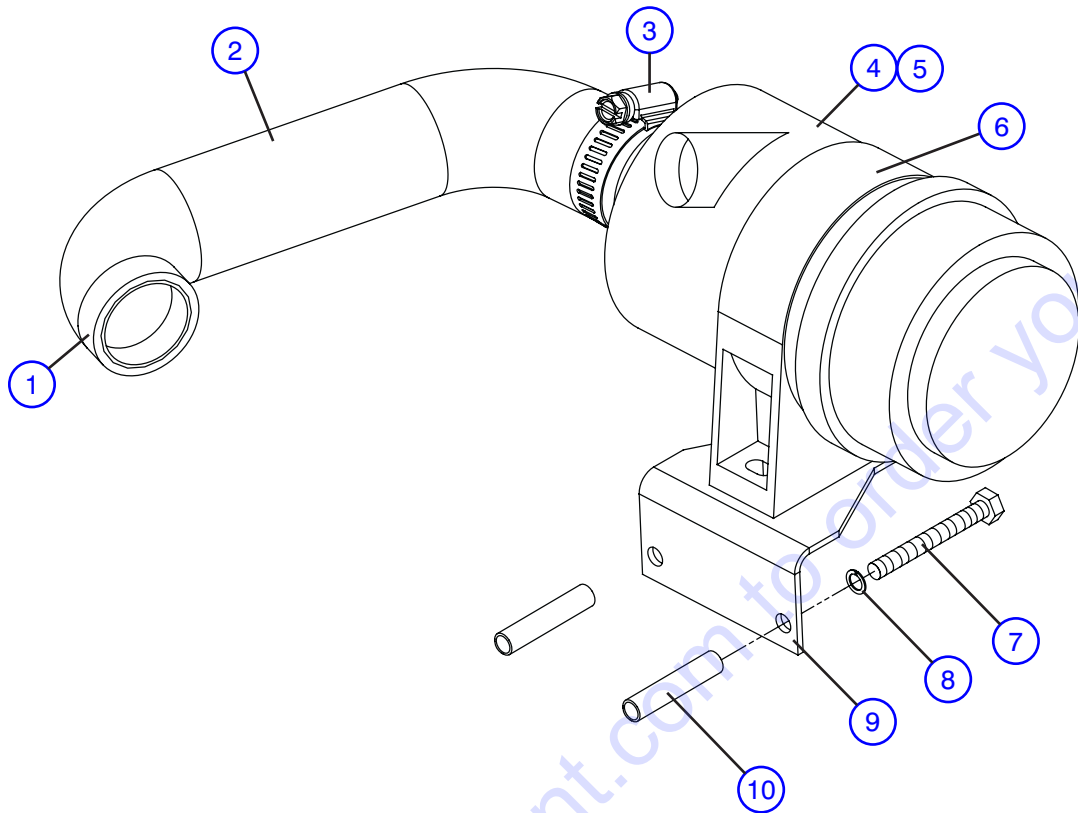
M137194AB M137884\_TAE



Index No.	Skyjack Part No.	Qty.	Description
<b>Part list continued from the previous page.</b>			
27	101860	2	ATTACHMENT, Throttle linkage
28	116031	1	SWIVEL, Solenoid contactor
29	120738	1	BOLT, Hex head cap screw (1/4"-20 x 4")
30	103980	1	NUT, Hex head (1/4"- 20, Grade B)
31	115649	1	NUT, Nylon lock (1/4"-20)
32	103962	4	SCREW, Round head machine (#10-32 x 1/2")
33	104185	4	WASHER, Lock (#10)
34	104694	4	WASHER, Flat (#10)
35	103007	2	SOLENOID, DC (12V)
36	(Ref.)	-	RADIATOR KIT (Kubota DF972/D902) (For components, refer to Section 4.4)
37	102984	46"	LINE, Fuel (5/16")
38	136974	1	BRACKET, Choke solenoid
39	104608	3	BOLT, Hex head (M6-1 x 16mm, Grade 5)
40	(Ref.)	-	ASSEMBLY, Fuel line (For components, refer to Section 4.6)
41	116467	1	CABLE, Choke
42	137525	1	SCREW, Pan head (M4 x 6, DIN 85, ZP)
43	139252	1	CABLE, Welding (#6GA)

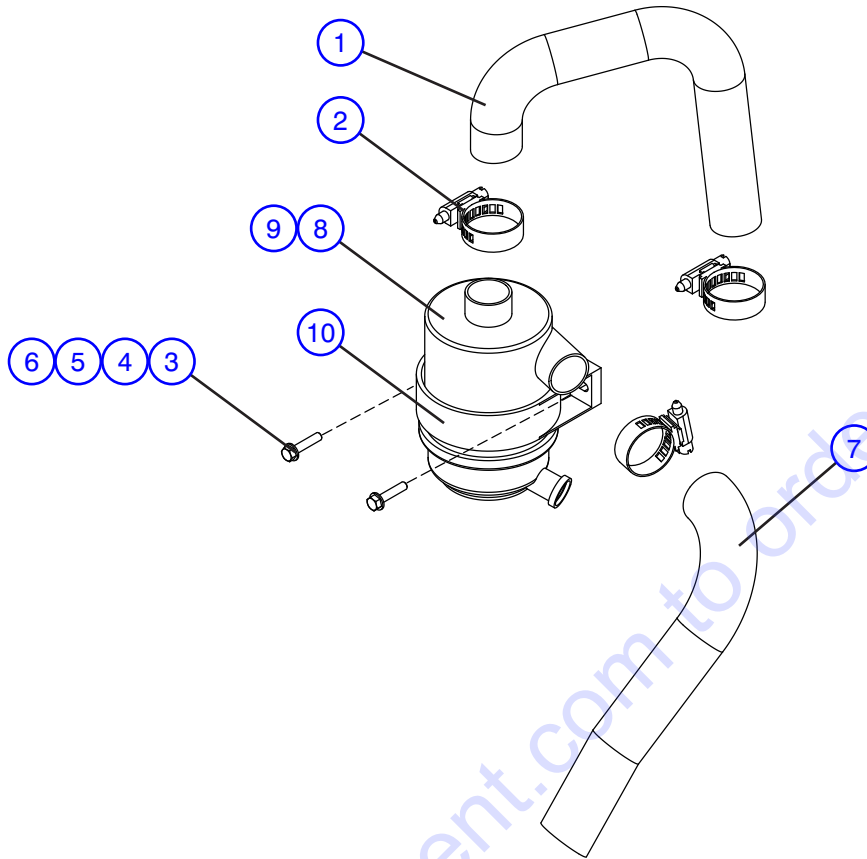
4.2a Air Cleaner Assembly (Kubota DF972)

AB



M137194AA

Index No.	Skyjack Part No.	Qty.	Description
-	136038	AR	AIR CLEANER ASSEMBLY (Kubota DF972) (For models with serial number 37003443 & below)
1	104528	1	• CLAMP, Gear (#28)
2	136145	1	• HOSE, Inlet
3	133222	1	• CLAMP, Gear (#32)
4	136144	1	• AIR CLEANER ASSEMBLY (Kubota)
5	137924	1	• FILTER ELEMENT, (Kubota)
6	136148	1	• BRACKET, Air cleaner band
	136667	AR	• • BOLT, Hex head (M8-1.25 x 30mm)
	127940	AR	• • WASHER, Flat (M8 - ZN)
	121059	AR	• • NUT, Hex (M8-1.25)
7	136154	AR	• BOLT, Hex head (M8-1.5 x 75mm, Grade 8.8, ZP)
8	116218	AR	• WASHER, Lock (M8)
9	136153	1	• BRACKET, Air cleaner
10	136155	2	• SLEEVE (8.38mm ID x 10.65mm OD x 40mm)

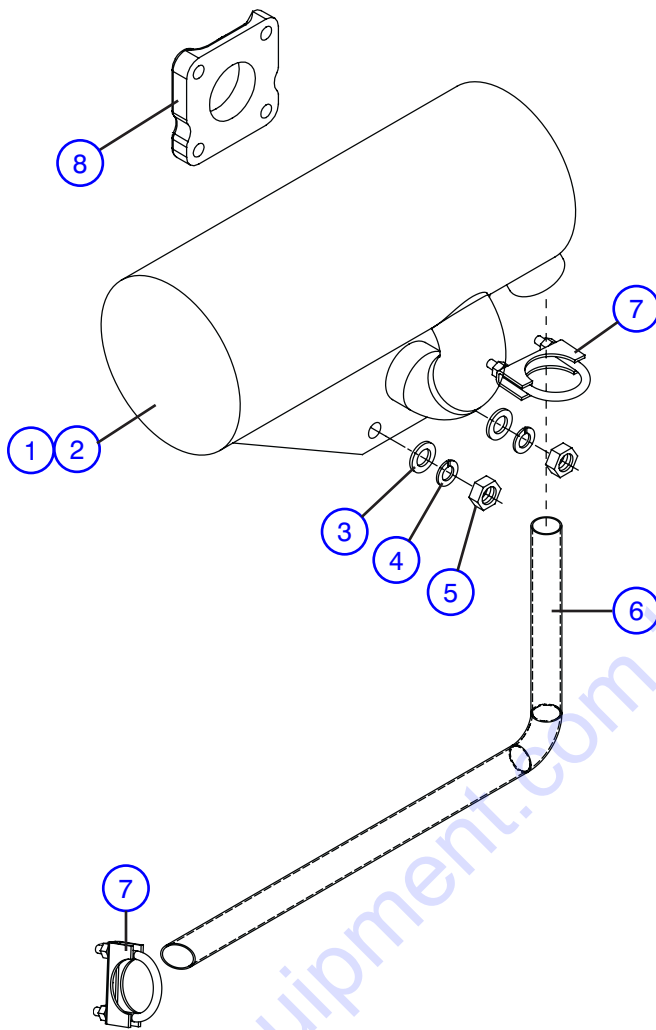


M159319AA

Index No.	Skyjack Part No.	Qty.	Description
-	159319	1	AIR CLEANER ASSEMBLY (Kubota DF972) (For models with serial number 37003444 & above)
1	159298	1	• TUBE, Air
2	133222	3	• CLAMP, Gear (#32)
3	103886	2	• BOLT, Hex head (5/16"-18 x 1.5", Grade 5)
4	103999	2	• WASHER, Lock (3/8")
5	103996	2	• WASHER, Flat (5/16")
6	100397	2	• NUT, Hex head (5/16"-
7	159297	1	• INTAKE, Air
8	(Ref.)	1	AIR CLEANER AND BRACKET (For components, refer to Section 4.2a)

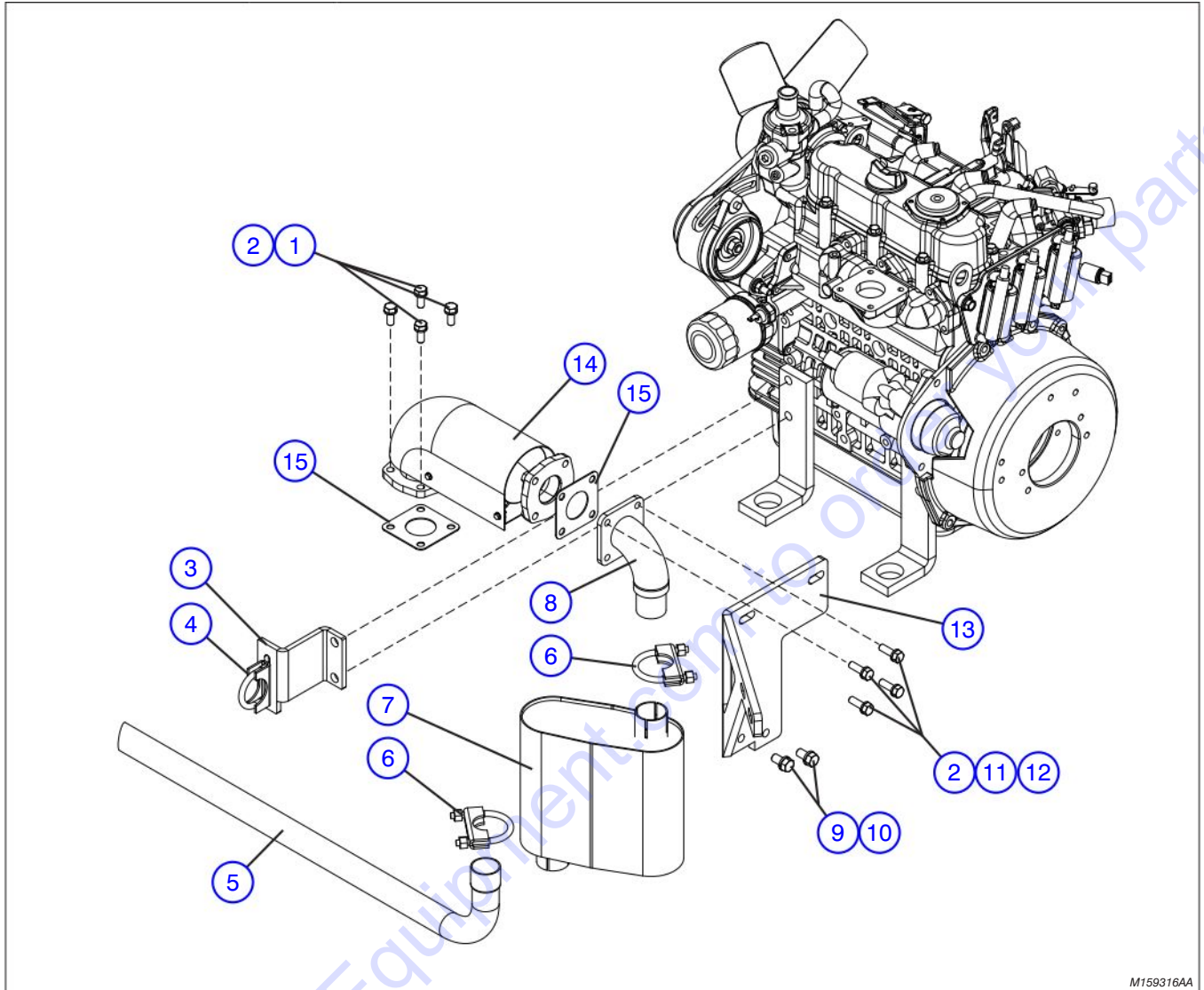
4.3a Exhaust Assembly (Kubota DF972 / D902)

AB



M137194AA

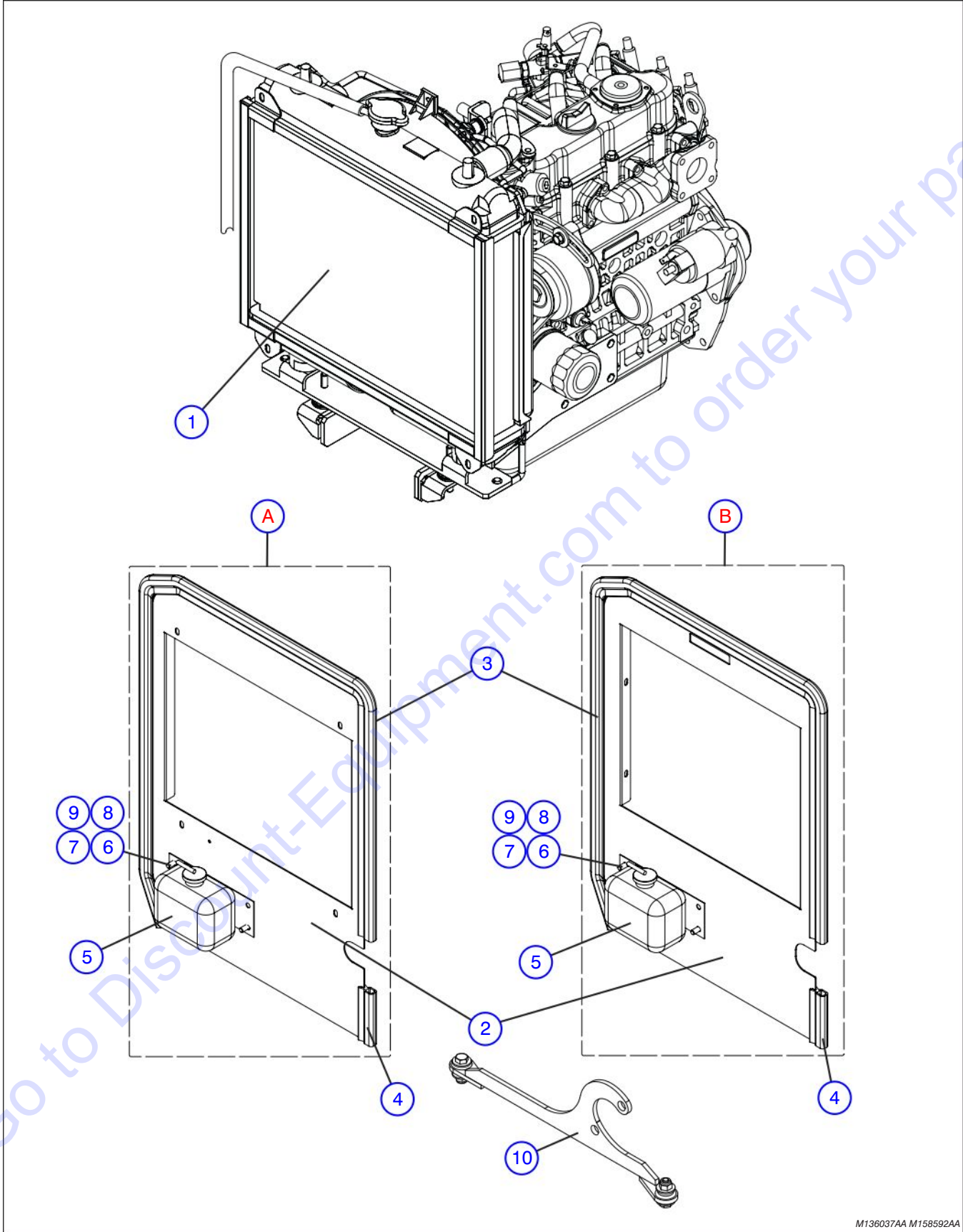
Index No.	Skyjack Part No.	Qty.	Description
			(For models with serial number 37003443 & below)
1	136039	AR	MUFFLER, Horizontal
2	139447	AR	MUFFLER, Diesel purifier (Kubota D902)
3	127940	AR	WASHER, Flat (8mm)
4	116218	AR	WASHER, Lock (M8)
5	121059	AR	NUT, Hex Head (M8-1.25)
6	136951	1	TUBE, Exhaust (Kubota DF972)
	137642	1	TUBE, Exhaust (Kubota D902)
7	136969	2	CLAMP, Exhaust (1-1/4")
8	136084	1	GASKET, Muffler (Kubota DF972)
	137844	1	GASKET, Exhaust (Kubota D902)



M159316AA

Index No.	Skyjack Part No.	Qty.	Description
1	133174	4	(For models with serial number 37003444 & above) BOLT, Hex head (M8 x 1.25 x 20mm, Grade 5)
2	103404	8	WASHER, Lock (5/16")
3	137657	1	BRACKET, Exhaust (68RT)
4	136969	1	CLAMP, U-bolt (1.25")
5	159312	1	PIPE, Exhaust (68RT - DF972)
6	142378	2	CLAMP, U-bolt (1.5")
7	158622	1	MUFFLER (Kubota DF972)
8	159317	1	ADAPTER, Exhaust 90° (68RT - DF972)
9	101632	2	BOLT, Hex head (3/8"-16 x 3/4", Grade 8)
10	103999	2	WASHER, Lock (3/8")
11	103864	4	BOLT, Hex head (5/16"-18 x 1", Grade 5)
12	100397	4	NUT, Hex head (5/16"-18, Grade 5)
13	159318	1	BRACKET, Exhaust breather (68RT - DF972)
14	158925	1	CATALYST (Kubota DF972)
15	136084	1	GASKET, Muffler (Kubota DF972)

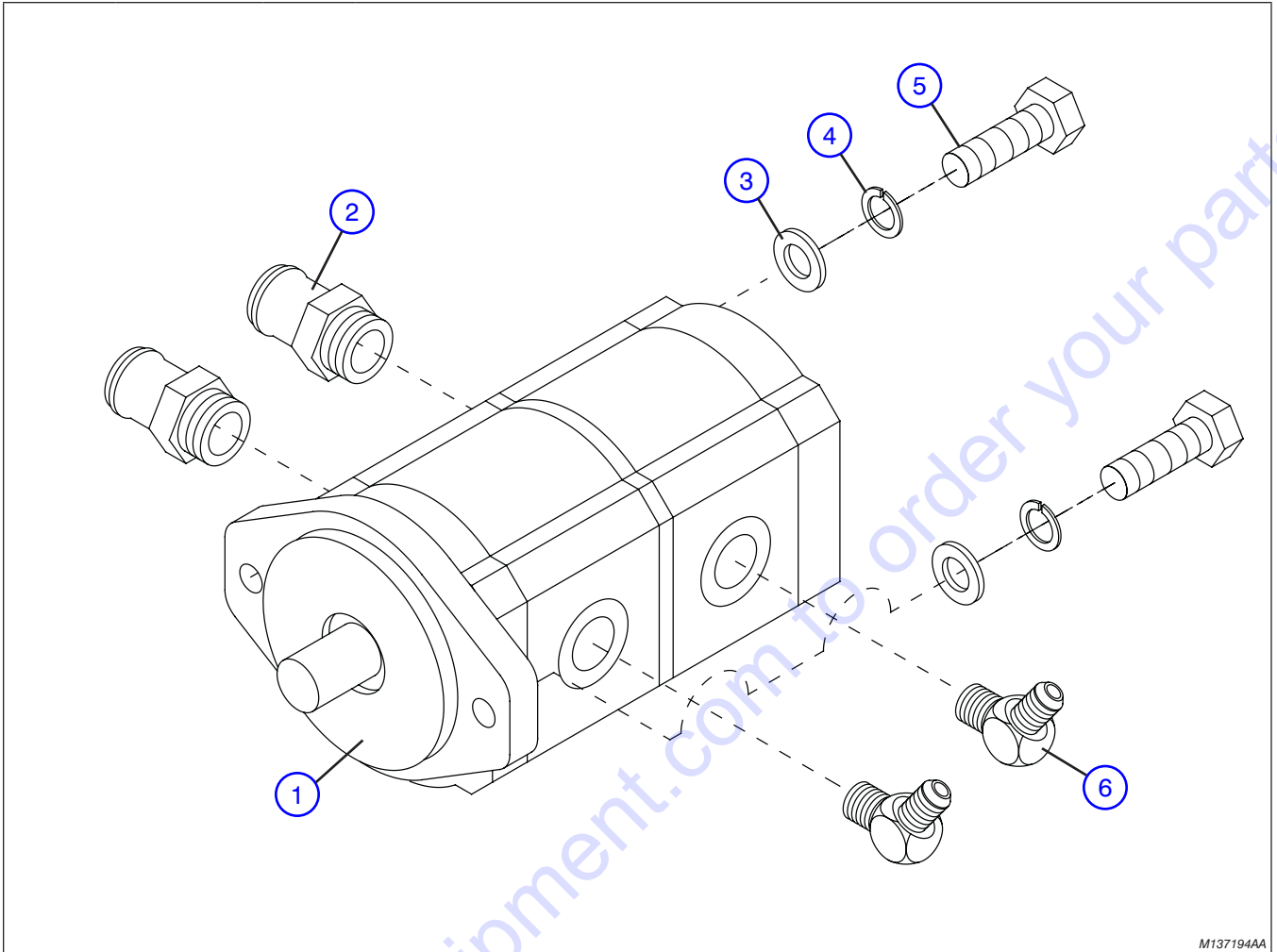
4.4 Radiator Kit (Kubota DF972 / D902)



M136037AA M158592AA

Index No.	Skyjack Part No.	Qty.	Description
A	-	-	Machines with radiator plate assembly A.
B	-	-	Machines with radiator plate assembly B.
1	136037	1	RADIATOR, Kubota DF972/D902 ( Requires radiator plate assembly A, Item 2 - 10)
	136123	1	• ASSEMBLY, Radiator
	136124	1	• LABEL, Caution
	136125	1	• LABEL, Caution
	136126	1	• HOSE, Lower water
	136127	1	• HOSE, Upper water
	103320	4	• CLAMP, Gear (#16)
	133223	AR	• BOLT, Hex head (M16 x 1 x 20mm)
	136130	2	• CUSHION
	136131	1	• SUPPORT 1, Radiator
	136132	1	• SUPPORT 2, Radiator
	136133	1	• BRACKET, Radiator stay
	136134	2	• BRACKET, Radiator stay sub
	136135	AR	• BOLT, Hex head (M8-1.25 x 18mm, Grade 8.8, ZP)
	136136	2	• CUSHION
	121059	AR	• NUT, Hex (M8-1.25)
	116218	AR	• WASHER, Lock (M8)
	136139	1	• BRACKET 2, Radiator
	136667	AR	• BOLT, Hex head (M8-1.25 x 30mm, Grade 8.8, ZP)
	136141	1	• CUSHION
	800354	AR	• NUT, Hex (M6)
	121758	AR	• WASHER, Lock (M6)
	136183	1	• SUPPORT IN, Radiator
	136184	4	• COLLAR
	136185	AR	• BOLT, Hex head (M6-1 x 30mm, Grade 8.8, ZP)
	136186	1	• SUPPORT EX, Radiator
	104608	AR	• BOLT, Hex head (M6 - 1 x 16mm, Grade 5)
	136188	1	• COVER, Fan
	133219	AR	• WASHER, Flat (M6)
	136190	2	• STOPPER, Radiator
	139777	AR	• SPACER, (6mm length x 6.2mm ID)
	139777	AR	• SPACER, (6mm length x 6.2mm ID)
2	137648	1	ASSEMBLY, Radiator plate, A
	158596	1	ASSEMBLY, Radiator plate, B
	137481	1	• PLATE, Radiator, A
	158596	1	• PLATE, Radiator, B
3	137643	1	• TRIM, Rubber long
4	137647	1	• TRIM, Rubber short
5	147142	1	• RESERVOIR, Coolant
6	103887	2	• BOLT, Hex head (5/16"-18 x 3/4", Grade 5)
7	103996	2	• WASHER, Flat (5/16")
8	100397	2	• NUT, Hex head (5/16"-18, Grade 5)
9	103404	2	• WASHER, Lock (5/16")
10	158600	1	UPPER RADIATOR BRACKET ASSEMBLY, A

#### 4.5 Hydraulic Pump Assembly (Kubota DF972 / D902)



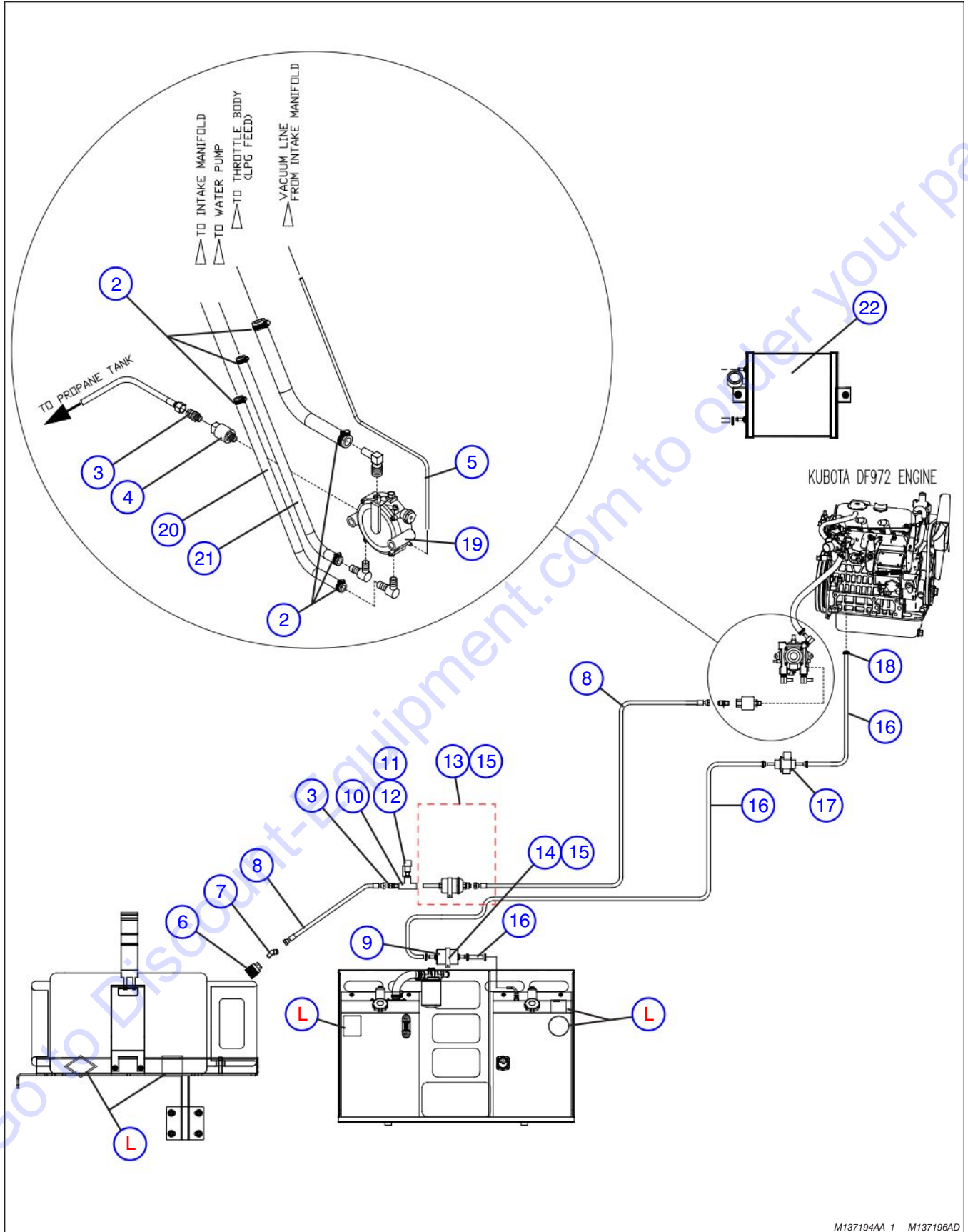
M137194AA

Index No.	Skyjack Part No.	Qty.	Description
1	114201	1	PUMP, Dual hydraulic (0.671/ 0.366)
2	114325	2	FITTING, Suction pump
3	103472	2	WASHER, Flat (3/8")
4	103999	2	WASHER, Lock (3/8")
5	101297	2	BOLT, Hex head (3/8"-16 x 1.25", Grade 5)
6	120054	2	FITTING, (SAE O-ring 37°, 45° 10-8)



4.6 Single Propane Tank Assembly (Kubota DF972)

AB

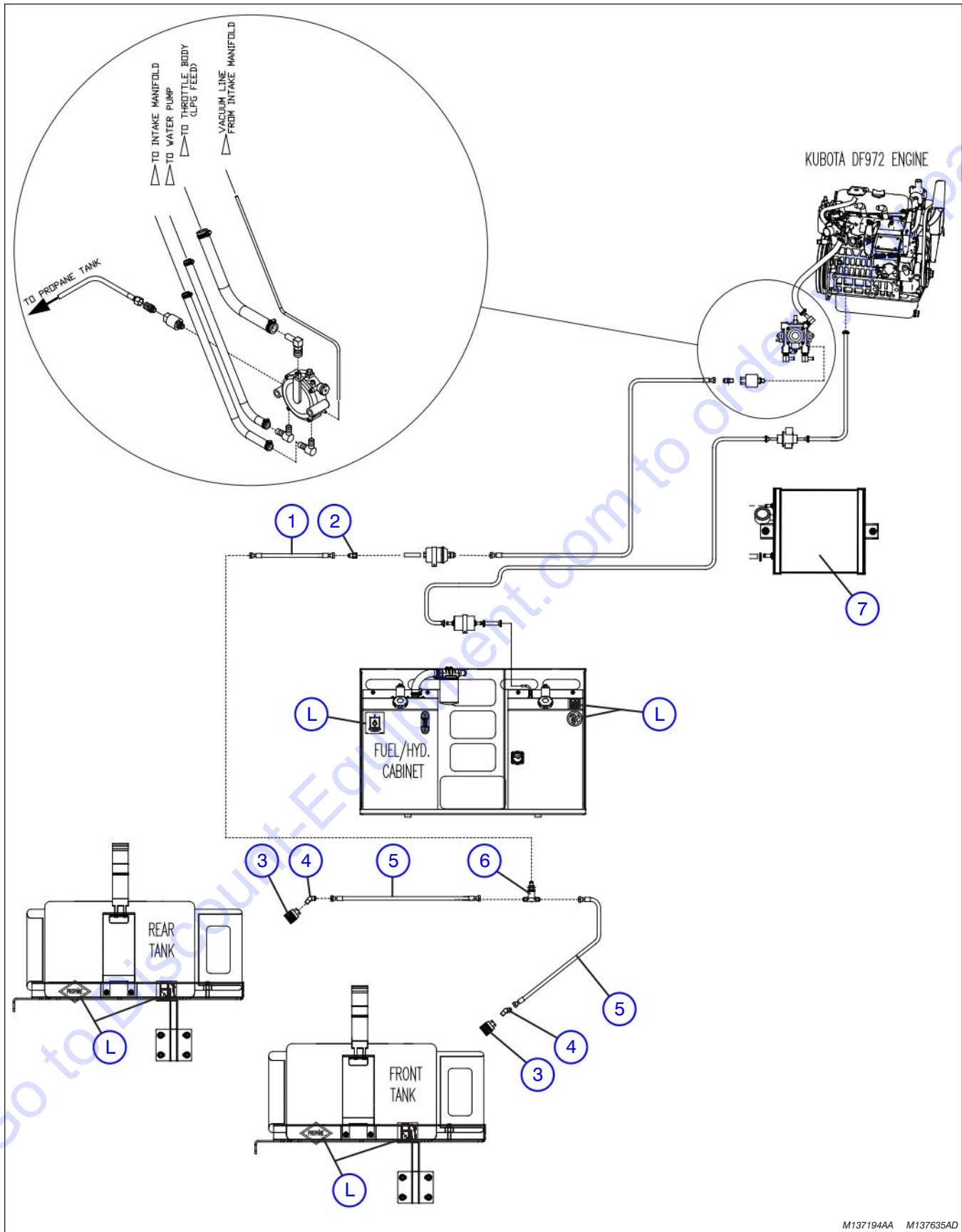


M137194AA\_1 M137196AD

Index No.	Skyjack Part No.	Qty.	Description
A	-	1	PROPANE TANK ASSEMBLY (For models with serial number 37003444 & above)
B	-	1	PROPANE TANK ASSEMBLY (For models with serial number 37003443 & below)
1	158859	1	HOSE, (1/2" Inner diameter), A
	128917	11"	HOSE, (1/2" Inner diameter), B
2	102519	AR	CLAMP, Gear (#6)
3	103156	2	FITTING, Brass (48-6B)
4	125793	1	VALVE, Shut-off (Propane)
5	102660	27"	HOSE, Fuel Line (1/8")
6	103006	1	COUPLER, Quick female
7	103159	1	FITTING, Elbow 45° (brass, 06SAE45M - 04 NPTM)
8	137633	80"	HOSE, Propane
9	136118	1	FILTER, Fuel
10	132919	1	FITTING, Tee (brass, 04 NPTM)
11	111622	1	CAP, Rain
12	300799	1	VALVE, Propane relief
13	137566	1	FILTER, Liquid propane
	143513	1	CLAMP
14	124433	1	CLAMP, Single
15	-	-	HARDWARE, Clamp
	103983	2	• NUT, (1/4"-20)
	103995	AR	• WASHER, (1/4")
	104000	AR	• WASHER, Lock (1/4")
16	142405	109"	LINE, Fuel (5/16"), A
	102984	109"	LINE, Fuel (5/16"), B
17	136119	1	PUMP, Electric fuel
18	103321	AR	CLAMP, Gear (#4)
19	136122	1	VAPORIZER, LPG
20	300797	25"	HOSE (3/8", 200psi)
21	300797	22"	HOSE (3/8", 200psi)
22	(Ref.)	-	EVAPORATOR CANISTER ASSEMBLY, A (For components, refer to Section 4.8)
L	(Ref.)	-	LABELS (Refer to Section 6)

### 4.7 Dual Propane Tank Assembly (Kubota DF972)

AB



M137194AA M137635AD

Index No.	Skyjack Part No.	Qty.	Description
-	(Ref.)	-	(For other propane components, refer to Page 4.6)
A	-	1	PROPANE TANK ASSEMBLY (For models with serial number 37003444 & above)
B	-	1	PROPANE TANK ASSEMBLY (For models with serial number 37003443 & below)
1	137806	8"	HOSE, Propane
2	124656	1	FITTING, (1/4" FPT - 3/8" Male, 45° Flare)
3	103006	2	COUPLER, Quick female
4	103159	1	FITTING, Elbow 45° (brass, 06SAE45M - 04 NPTM)
5	137634	2	HOSE, Propane (70")
6	123062	1	VALVE, Shuttle tee
7	(Ref.)	-	EVAPORATOR CANISTER ASSEMBLY, A (For components, refer to Section 4.8)
L	(Ref.)	-	LABELS (Refer to Section 6)

Go to Discount-Equipment.com to order your parts

# PARTS FINDER

**Search Website  
by Part Number**



**Search Manual  
Library For Parts  
Manual & Lookup Part  
Numbers – Purchase  
or Request Quote**

**Search Manuals**

Enter your information to help us find the right parts manual for your machine.

\* Brand:

\* Model:

\* Serial:

\* Part Number:

SEARCH

**Can't Find Part or  
Manual? Request Help  
by Manufacturer,  
Model & Description**

**Parts Order Form**

Please fill in the following information to help us find the right part for your machine.

Manufacturer:	<input type="text"/>
Model:	<input type="text"/>
Description:	<input type="text"/>
Part Number:	<input type="text"/>
Quantity:	<input type="text"/>
Notes:	<input type="text"/>

Submit

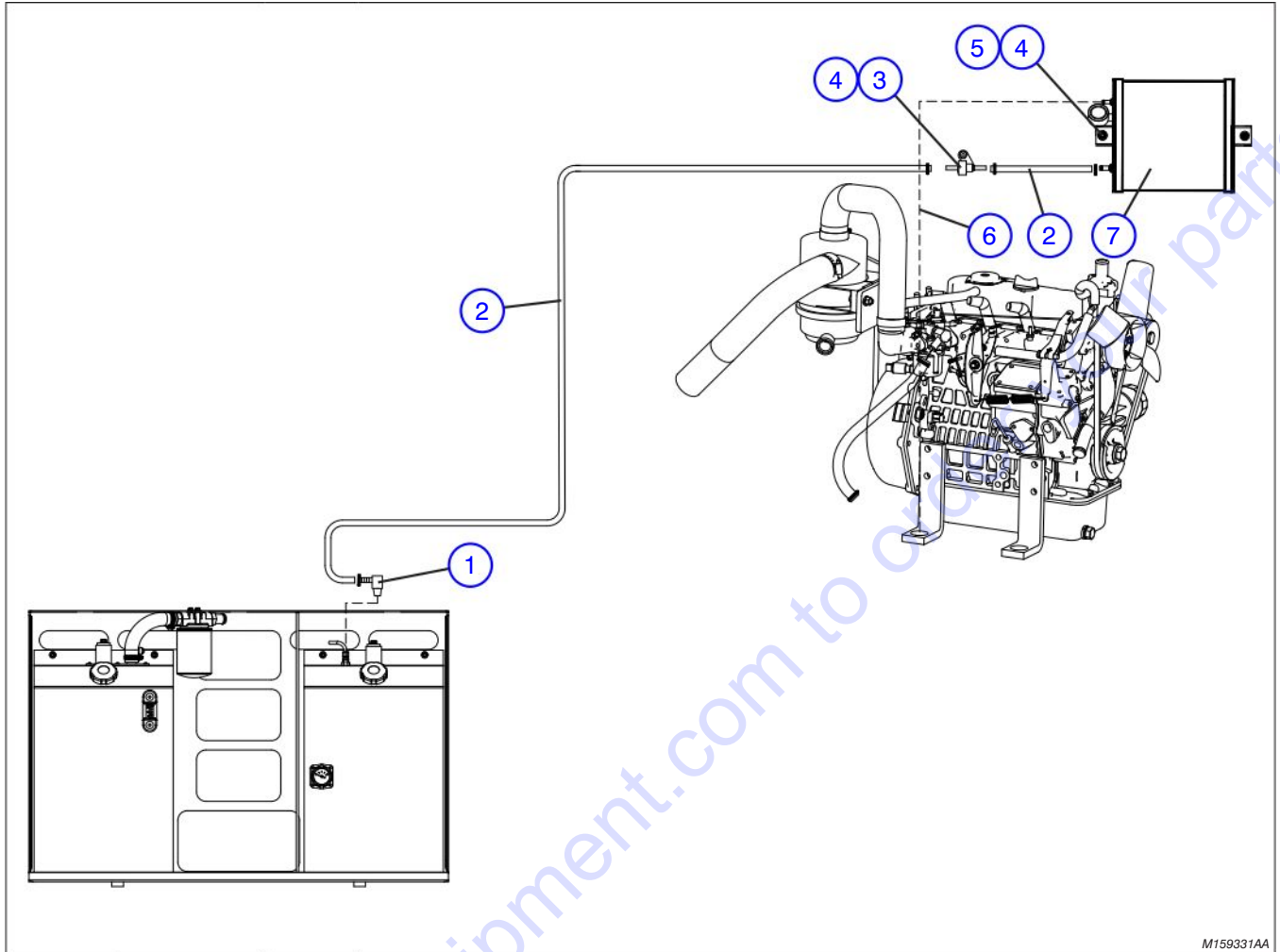
Discount-Equipment.com is your online resource for quality parts & equipment.

Florida: **561-964-4949** Outside Florida TOLL FREE: **877-690-3101**

**Need parts?**

Click on this link: <http://www.discount-equipment.com/category/5443-parts/> and choose one of the options to help get the right parts and equipment you are looking for. Please have the machine model and serial number available in order to help us get you the correct parts. If you don't find the part on the website or on one of the online manuals, please fill out the request form and one of our experienced staff members will get back to you with a quote for the right part that your machine needs.

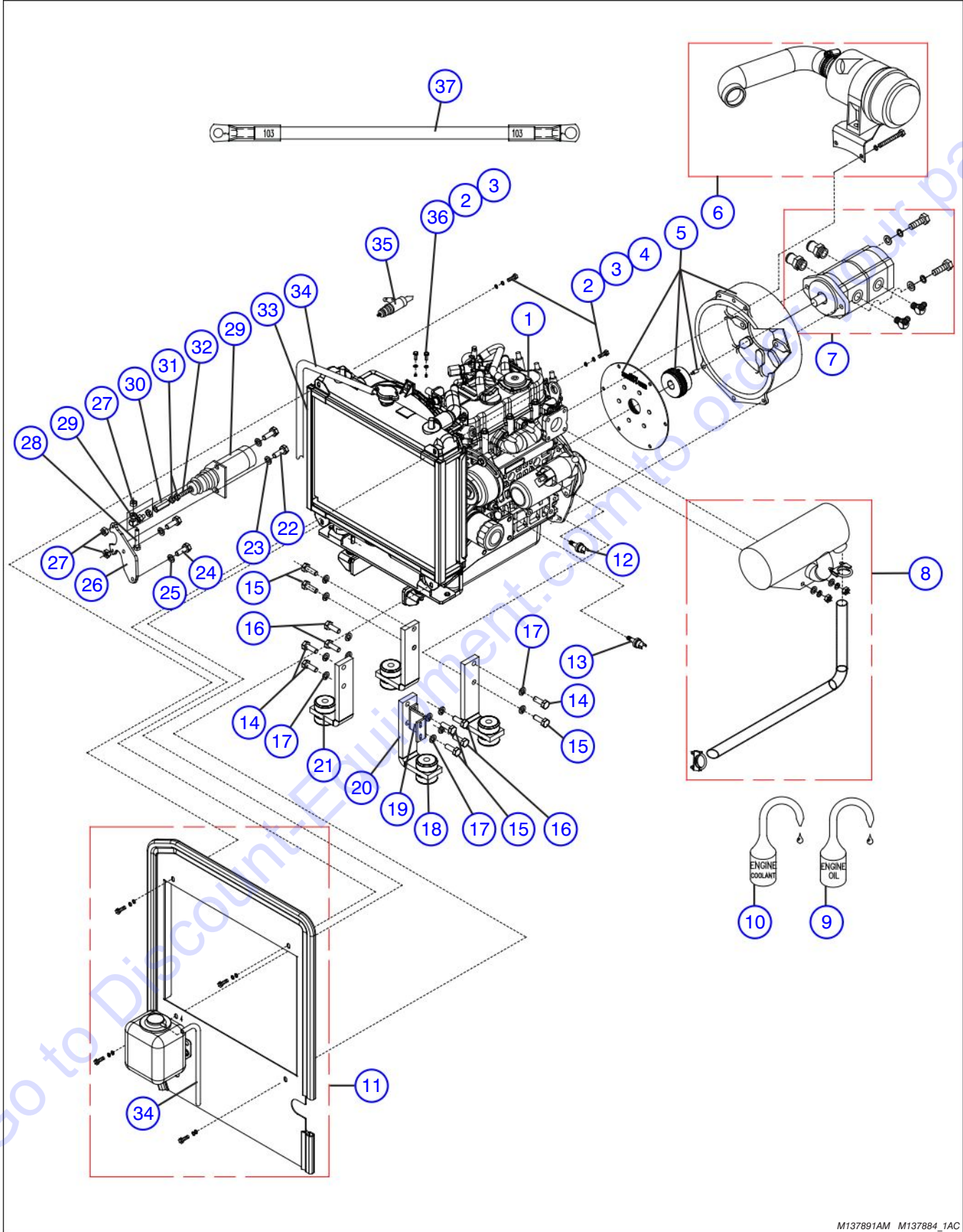
We sell worldwide for the brands: Genie, Terex, JLG, MultiQuip, Mikasa, Essick, Whiteman, Mayco, Toro Stone, Diamond Products, Generac Magnum, Airman, Haulotte, Barreto, Power Blanket, Nifty Lift, Atlas Copco, Chicago Pneumatic, Allmand, Miller Curber, Skyjack, Lull, Skytrak, Tsurumi, Husquvarna Target, Stow, Wacker, Sakai, Mi-T-M, Sullair, Basic, Dynapac, MBW, Weber, Bartell, Bennar Newman, Haulotte, Ditch Runner, Menegotti, Morrison, Contec, Buddy, Crown, Edco, Wyco, Bomag, Laymor, EZ Trench, Bil-Jax, F.S. Curtis, Gehl Pavers, Heli, Honda, ICS/PowerGrit, IHI, Partner, Imer, Clipper, MMD, Koshin, Rice, CH&E, General Equipment, Amida, Coleman, NAC, Gradall, Square Shooter, Kent, Stanley, Tamco, Toku, Hatz, Kohler, Robin, Wisconsin, Northrock, Oztec, Toker TK, Rol-Air, APT, Wylie, Ingersoll Rand / Doosan, Innovatech, Con X, Ammann, Mecalac, Makinex, Smith Surface Prep, Small Line, Wanco, Yanmar



M159331AA

Index No.	Skyjack Part No.	Qty.	Description
(For models with serial number 37003444 & above)			
1	159332	1	FITTING, Elbow 90° (brass, 5/16" barb x 1/4" NPT)
2	142405	140"	LINE, Fuel (5/16")
3	158924	1	VALVE, 2 way
4	151649	3	NUT, Lock (Nylon zinc, 1/4"-20, Grade 5)
5	103995	2	WASHER, Flat (1/4")
6	923786	90"	LINE, Fuel (1/8")
7	158920	1	EVAPORATOR CANISTER

4.9 Engine Assembly (Kubota D902)



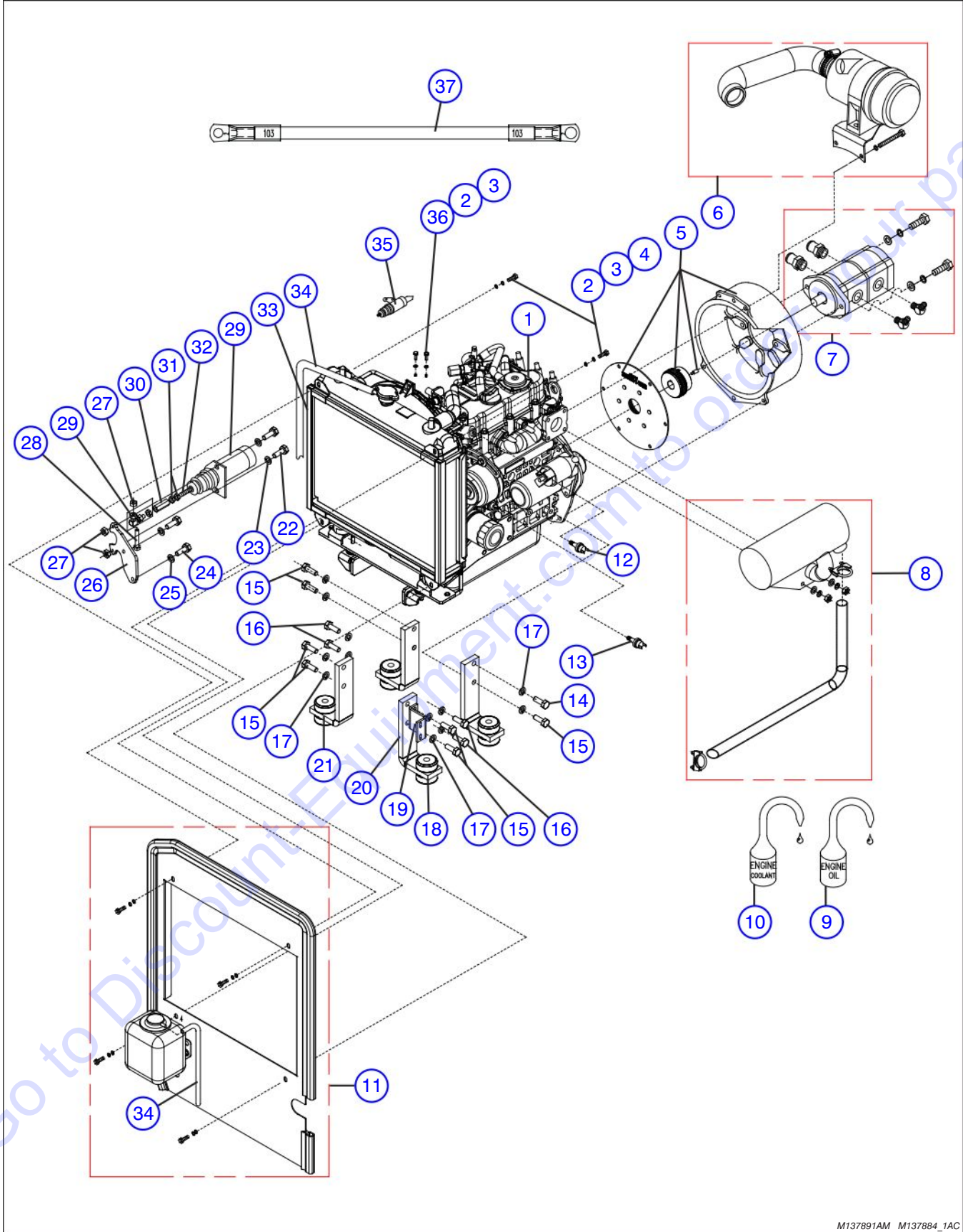
M137891AM M137884\_1AC

#### 4.9 Engine Assembly (Kubota D902)

Index No.	Skyjack Part No.	Qty.	Description
1	137651	1	ENGINE, Kubota (D902)
	137839	1	• CRANKCASE
	137840	1	• PAN, Oil
	137841	1	• CYLINDER HEAD
	137842	1	• PUMP, Water
	137843	1	• INLET-MANIFOLD
	137845	1	• MANIFOLD, Exhaust
	137846	1	• COVER, Cylinder head
	137847	1	• FLYWHEEL
	137848	1	• HOUSING, Flywheel
	137849	1	• FILTER, Oil (Inner)
	137850	1	• CARTRIDGE, Oil filter
	137851	1	• DIPSTICK
	137852	1	• PUMP ASSEMBLY, Injection
	137853	1	• PUMP, Fuel transfer
	137854	1	• NOZZLE HOLDER ASSEMBLY
	137855	1	• PLATE, Speed control
	137856	1	• STARTER
	137857	1	• ALTERNATOR
	137858	1	• BRACKET, Alternator
	137859	1	• GUARD, Alternator
	137860	1	• GLOW PLUG
	137861	1	• THERMOSTAT
	137862	1	• COVER, Thermostat
	137863	1	• PULLEY, Fan
	137864	1	• PULLEY, Fan Drive
	137865	1	• BELT, Fan
	137866	1	• MANUAL, Operators
	137867	1	• WARRANTY STATEMENT
	119185	1	• TIMER, Glow lamp
	137873	1	• COUPLER, Alternator assembly
	137649	1	• FAN, Pusher
2	133219	4	WASHER, Flat (M6)
3	121758	4	WASHER, Lock (6mm)
4	136185	2	BOLT, Hex head (M6 -1 x 30mm)
5	(Ref.)	1	BELL HOUSING (Kubota DF972) (For components, refer to Section 4.1)
6	(Ref.)	-	AIR CLEANER ASSEMBLY (For components, refer to Section 4.2a)
7	(Ref.)	-	HYDRAULIC PUMP ASSEMBLY (For components, refer to Section 4.5) <b>Part list continued on the following page.</b>



4.9 Engine Assembly (Kubota D902) (Continued)

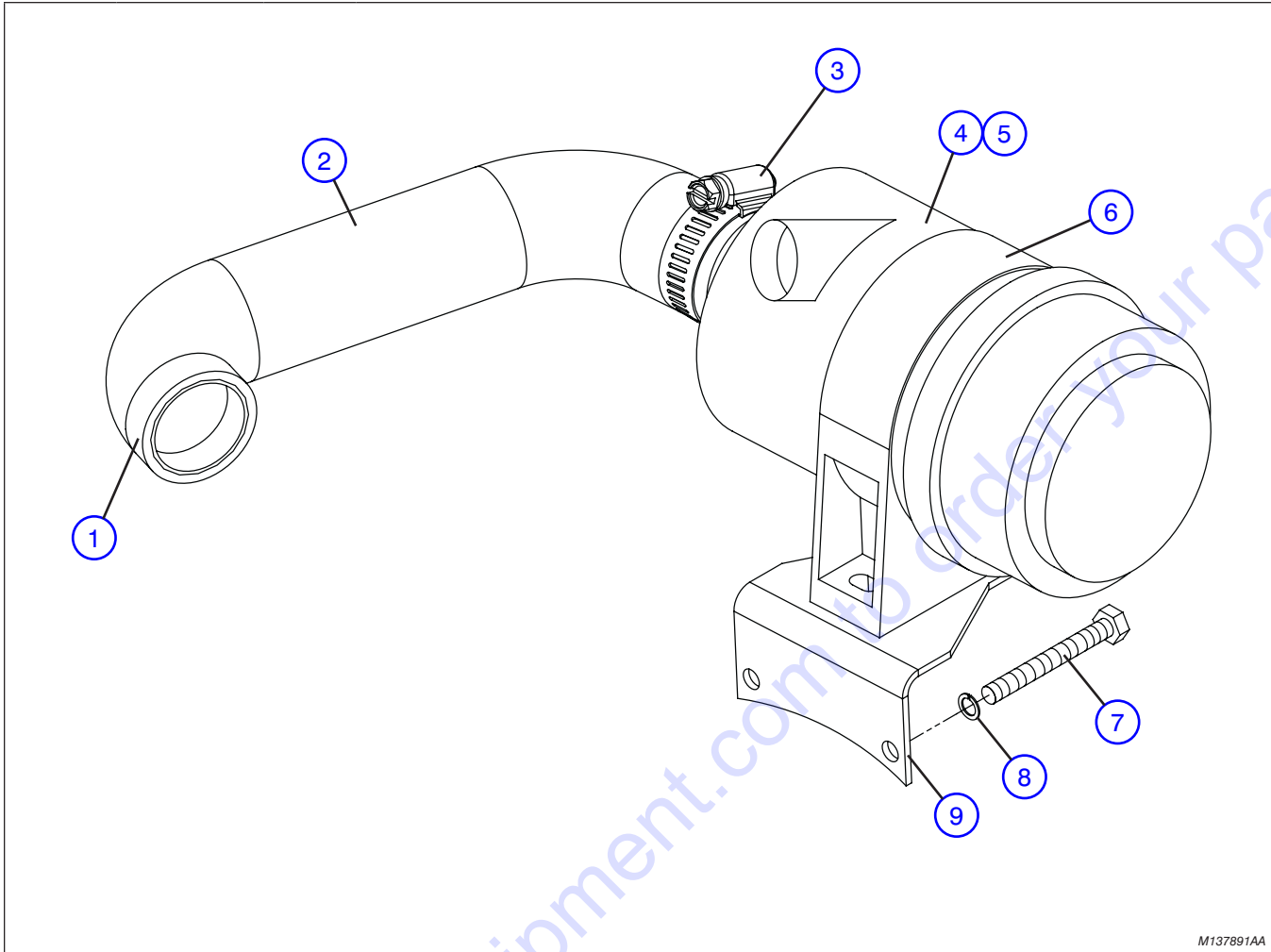


M137891AM M137884\_1AC

#### 4.9 Engine Assembly (Kubota D902) (Continued)

Index No.	Skyjack Part No.	Qty.	Description
			<b>Part list continued from the previous page.</b>
8	(Ref.)	-	EXHAUST SYSTEM ASSEMBLY (For components, refer to Section 4.3a)
9	(Ref.)	-	OIL, Engine (Refer to Table in Section 7)
10	(Ref.)	-	SOLUTION, Engine coolant (Antifreeze) (Refer to Table in Section 7)
11	(Ref.)	-	ASSEMBLY, Radiator plate (For components, refer to Section 4.4)
12	113400	1	SWITCH, Temperature
13	102838	1	SWITCH, Oil pressure
14	103850	1	BOLT, Hex head (M10 x 1.25 x 30mm, Grade 8.8)
15	136665	7	BOLT, Hex head (M10 x 1.25 x 35mm, Grade 8.8)
16	103848	2	BOLT, Hex Head (M10 x 1.25 x 20mm, Grade 8.8)
17	130884	12	WASHER, Lock (M10)
18	147634	4	MOUNT, Engine vibration control
19	137657	1	BRACKET, Exhaust
20	136033	2	BRACKET, Engine mount (Front right/Rear left)
21	136032	2	BRACKET, Engine mount (Front left/Rear right)
22	103856	2	BOLT, Hex head (1/4"-20 x 3/4")
23	104000	2	WASHER, Lock (1/4" NOM. 0.06)
24	137902	2	BOLT, Hex head (M8-1.25 x 25MM, Grade 8.8, ZP, DIN933)
25	116218	2	WASHER, Lock (M8)
26	137200	1	BRACKET, Solenoid
27	103980	3	NUT, Hex head (1/4"- 20, Grade B)
28	103859	1	BOLT, Hex head (1/4"-20 x 1.5", Grade 5)
29	106370	1	SOLENOID
30	137915	1	NUT, Coupling (1/4"-28 x 1.25")
31	106368	2	NUT, Hex head jam (1/4"-28, Grade B)
32	137918	1	ROD, Threaded (1/4"-28 x 2.25")
33	(Ref.)	-	RADIATOR KIT (Kubota DF972/D902) (For components, refer to Section 4.4)
34	102984	46"	LINE, Fuel (5/16")
35	139321	1	SOLENOID, Fuel shutdown
36	104608	2	BOLT, Hex head (M6 - 1 x 16mm, Grade 5)
37	139252	1	CABLE, Welding (#6GA)

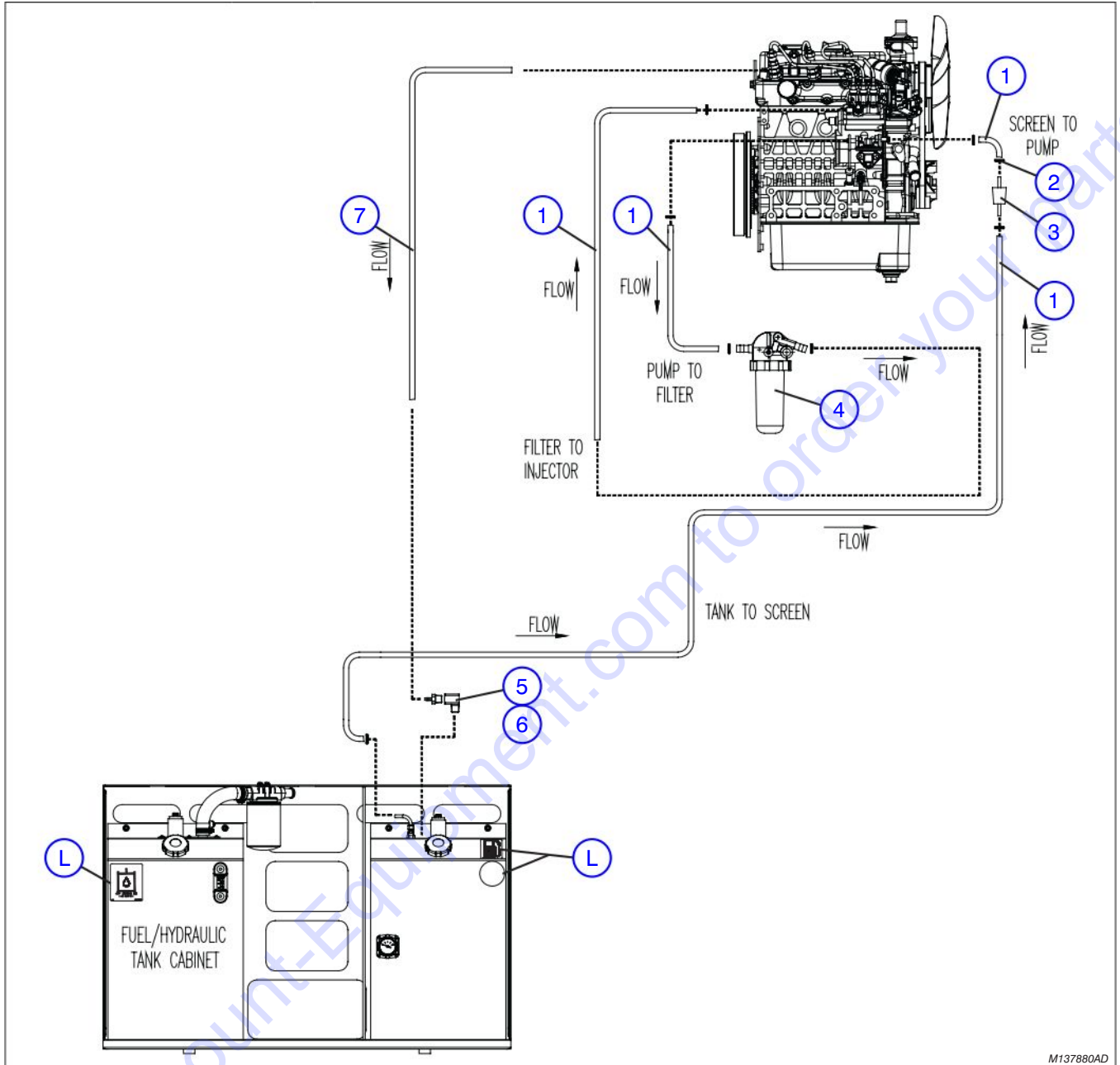
#### 4.10 Air Cleaner Assembly Kit (Kubota D902)



M137891AA

Index No.	Skyjack Part No.	Qty.	Description
-	137654	AR	AIR CLEANER ASSEMBLY KIT (Kubota D902)
1	104528	1	• CLAMP, Gear (#28)
2	137893	1	• HOSE, Inlet
3	133222	1	• CLAMP, Gear (#32)
4	136144	1	• AIR CLEANER ASSEMBLY
5	137924	1	• • FILTER ELEMENT
6	136148	1	• BRACKET, Air cleaner band
	136667	AR	• • BOLT, Hex head (M8-1.25 x 30mm)
	127940	AR	• • WASHER, Flat (M8 - ZN)
	121059	AR	• • NUT, Hex (M8-1.25)
7	137895	AR	• BOLT, Hex head (M8-1.25 x 35mm, Grade 8.8, ZP)
8	116218	AR	• WASHER, Lock (M8)
9	137120	1	• BRACKET, Air cleaner

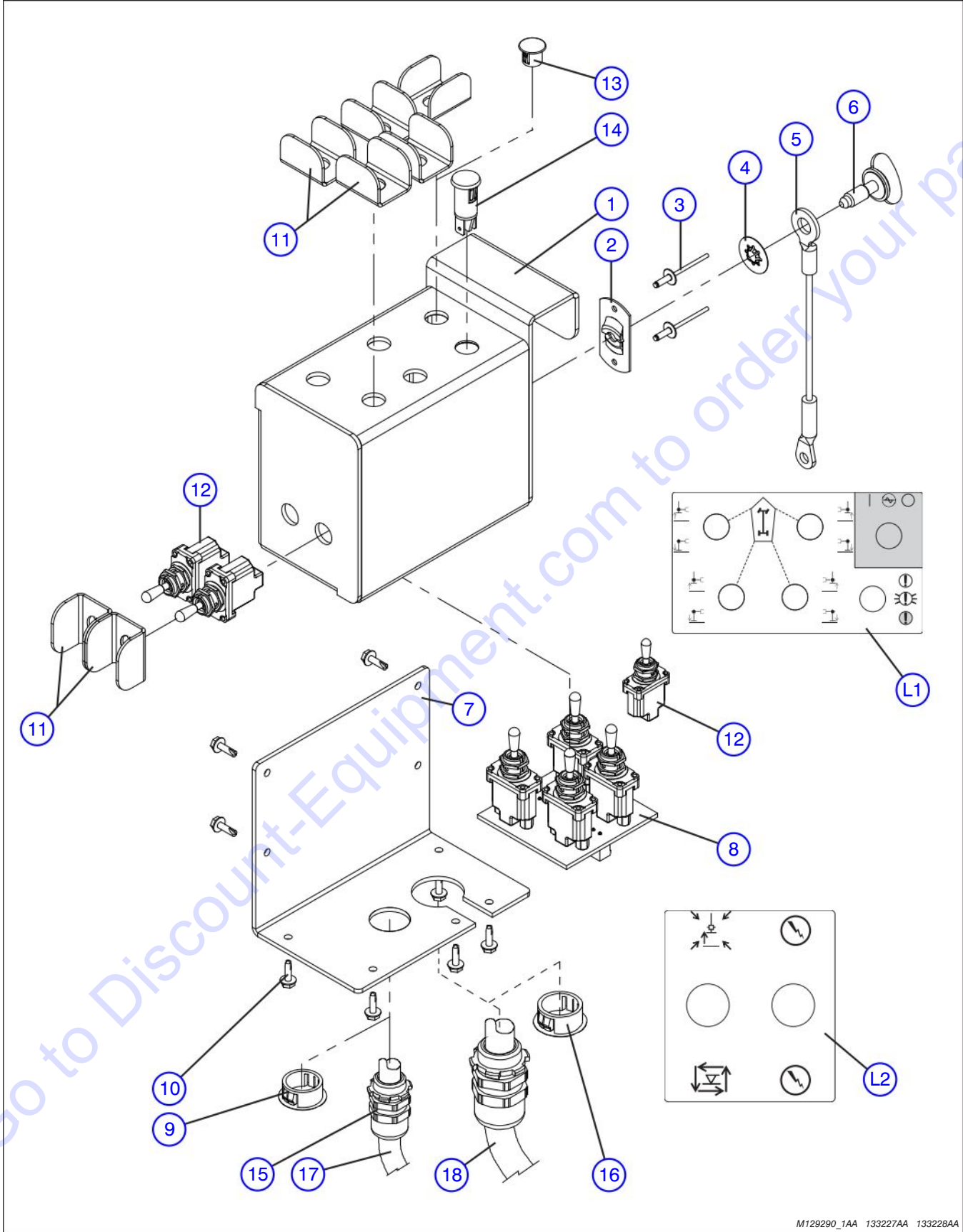
#### 4.11 Fuel Line Connections (Kubota D902)



M137880AD

Index No.	Skyjack Part No.	Qty.	Description
1	102984	174"	LINE, Fuel (5/16")
2	103321	AR	CLAMP, Gear (#4)
3	139254	1	FILTER, Pre-fuel
4	(Ref.)	-	FUEL FILTER ASSEMBLY (For components, refer to Section 3.18)
5	103164	1	FITTING, Elbow (Brass, 04 NPTF - 04 NPTM)
6	103176	1	FITTING, (1/8" BAR-1/4" NPT, #125-2B)
7	102660	130"	LINE, Fuel (1/8")
L	(Ref.)	-	LABELS (Refer to Section 6)

5.1 Outrigger Control Box Assembly



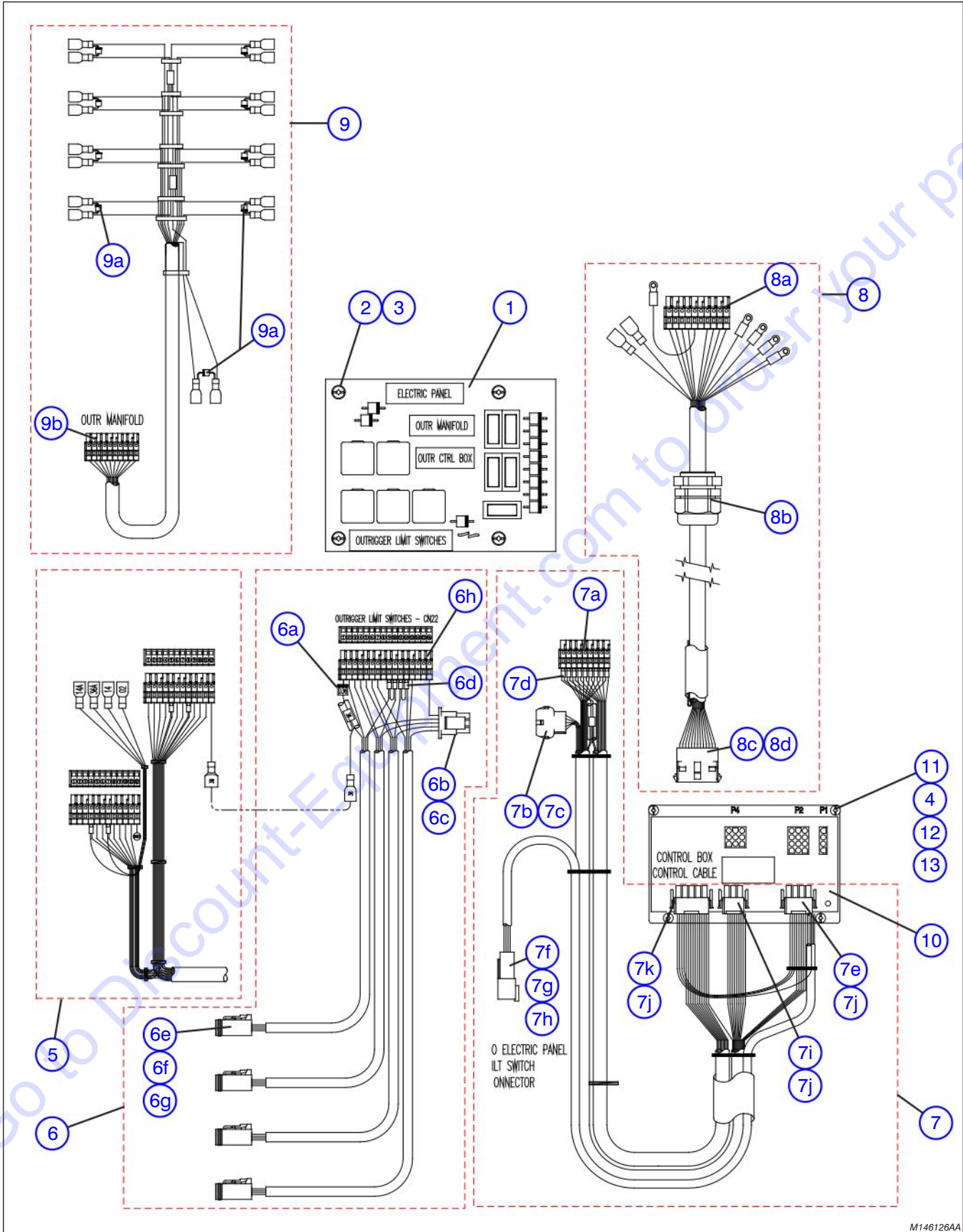
M129290\_1AA 133227AA 133228AA

5.1 Outrigger Control Box Assembly

Index No.	Skyjack Part No.	Qty.	Description
A	129290	-	ASSEMBLY, Control Box (Outrigger Option)
B	132812	-	ASSEMBLY, Control Box (Hydraulic Generator Option)
C	129291	-	ASSEMBLY, Control Box (Outrigger & Hydraulic Option)
1	132811	1	• WELDMENT, Control box
2	120269	1	• RECEPTACLE, Screw captive
3	119945	2	• RIVET, Large aluminum pop
4	120270	1	• RETAINER, Screw captive
5	120277	1	• LANYARD, Nylon coated (6")
6	120268	1	• SCREW, Captive wing head
7	129289	1	• WELDMENT, Bottom Cover
8	121664	1	• BOARD, Outrigger control, A, C
	102853	4	• SWITCH, Toggle
9	102956	1	• PLUG, Snap-in hole (7/8"), A
10	112327	9	• SCREW, Hex head, self tapping (#8-18 x 1/2")
11	111181	AR	• GUARD, Toggle Switch
12	102853	AR	• SWITCH, Toggle
13	114377	AR	• PLUG, Snap-in hole (1/2"), A, B
14	133133	1	• LIGHT, Indicator 12V amber, A, C
15	103036	1	• CONNECTOR, Strain Relief (1/2"), B, C
16	131938	1	• PLUG, Snapin Hole (1.125"), B
17	143533	1	CABLE ASSEMBLY (Hydraulic Generator) (Model 6832RT), B, C
	143536	1	CABLE ASSEMBLY (Hydraulic Generator) (Model 6826RT), B, C
18	(Ref.)	-	CABLE ASSEMBLY (Outrigger control), A, C (For components, refer to Section 5.2)
L1	133227	-	LABEL, Outrigger and hydraulic generator
L2	133228	-	LABEL, Auto level outrigger



## 5.2 Electrical Harness Connections - Outriggers



M146126AA

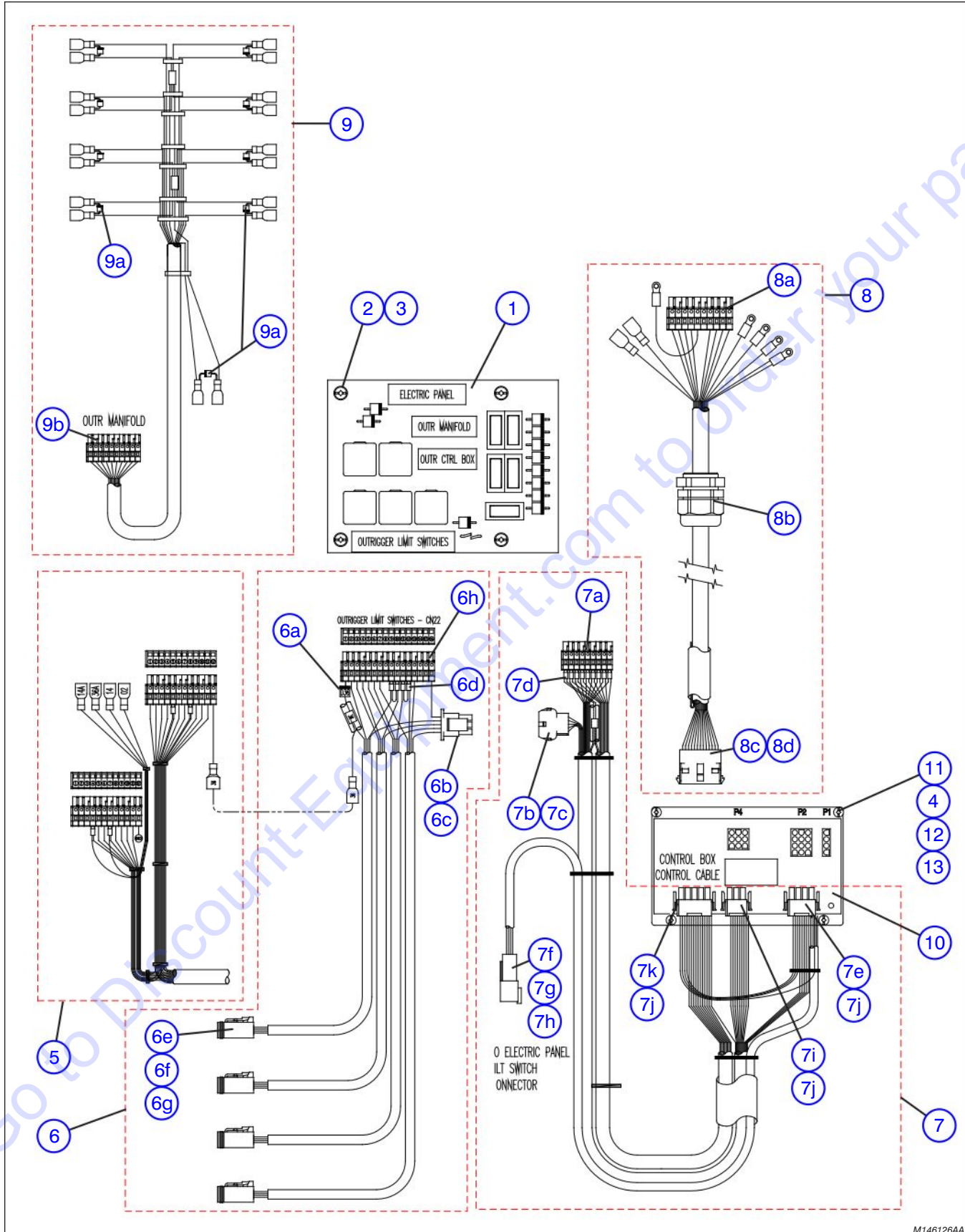
## 5.2 Electrical Harness Connections - Outriggers

Index No.	Skyjack Part No.	Qty.	Description
1	152137	1	PC BOARD, Outrigger Option 12 V
	127131	5	• RELAY, 12V (40 Amp)
	127132	5	• SWITCH (3 position)
	120658	1	• FUSE (10 Amp)
	102921	11	• DIODE
2	103856	AR	BOLT, Machine (1/4"-20 x 3/4")
3	104000	AR	WASHER, Lock (1/4")
4	104185	AR	WASHER, Lock (#10)
5	146112	1	HARNESS, Outrigger & hydraulic generator (ANSI/CSA)
	119904	2	• PLUG, PC board connector (2 pin)
	139462	5	• FERRULE (16 GA)
6	146114	1	HARNESS, Outrigger auto-level limit switch
6a	102921	1	• DIODE
6b	130445	1	• HOUSING, Male plug (6 pin)
6c	116990	5	• PIN, Female wire
6d	139462	4	• FERRULE (16 GA)
6e	117579	4	• PLUG, Connector (4 pin)
6f	117581	4	• PLUG, Connector wedge (4 pin)
6g	117591	16	• SOCKET, Connector contact (16-18)
6h	119908	1	• PLUG, PC board connector (16 pin)
7	137990	1	HARNESS, Outrigger Auto-Level Control Module
7a	119901	1	• PLUG, PC Board connector (9 pin)
7b	132799	1	• HOUSING, Female plug (6 pin)
7c	116989	5	• PIN, Male wire
7d	139462	9	• FERRULE (16 GA)
7e	130449	1	• HOUSING, Male plug (12 pin)
7f	117578	1	• RECEPTACLE, Connector (4 pin)
7g	117580	1	• RECEPTACLE, Connector wedge (4 pin)
7h	117590	4	• CONTACT, Connector pin (16-18)
7i	116993	1	• HOUSING, Male plug (9 pin)
7j	116990	36	• PIN, Female wire
7k	116994	1	• HOUSING, Male plug (15 pin)
8	137552	1	HARNESS, Outrigger Control Cable (Model 6826RT)
	134032	1	HARNESS, Outrigger Control Cable (Model 6832RT)
8a	119902	1	• PLUG, PC Board connector (10 pin)
8b	300788	1	• CONNECTOR, Strain relief
8c	132800	1	• HOUSING, Male plug (15 pin)
8d	116989	15	• PIN, Male wire

**Part list continued on the following page.**



5.2 Electrical Harness Connections - Outriggers (Continued)

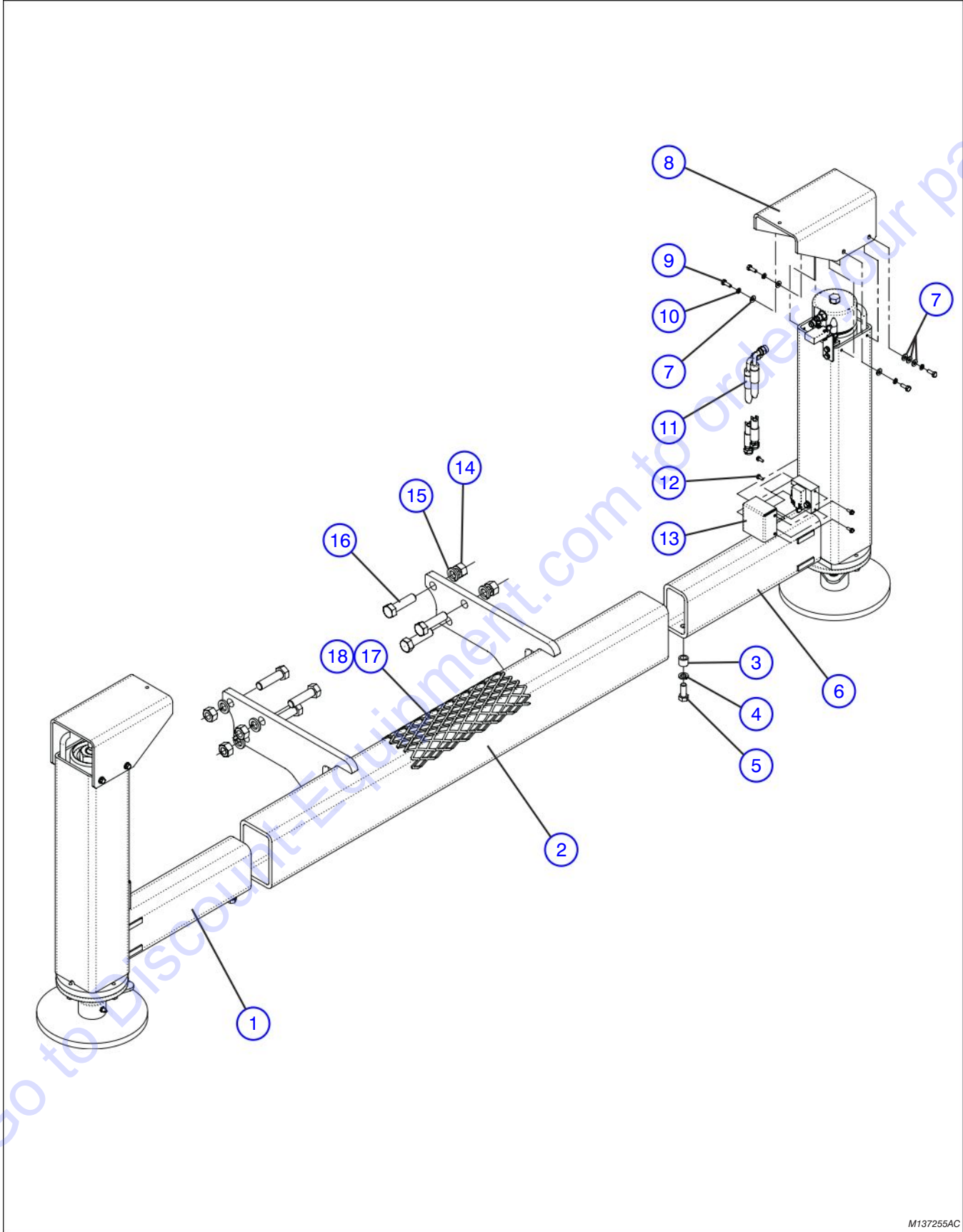


M146126AA

## 5.2 Electrical Harness Connections - Outriggers (Continued)

Index No.	Skyjack Part No.	Qty.	Description
<b>Part list continued from the previous page.</b>			
9	137991	1	HARNESS, Outrigger Manifold
9a	102921	9	• DIODE
9b	119902	1	• PLUG, PC Board connector (10 pin)
10	132804	1	MODULE, Outrigger auto-levelling controller
11	105621	AR	BOLT, Machine (#10-32 x 1")
12	104694	AR	WASHER, Flat (#10)
13	104003	AR	NUT, Hex (#10-32)

5.3 Front and Rear Outrigger Assembly



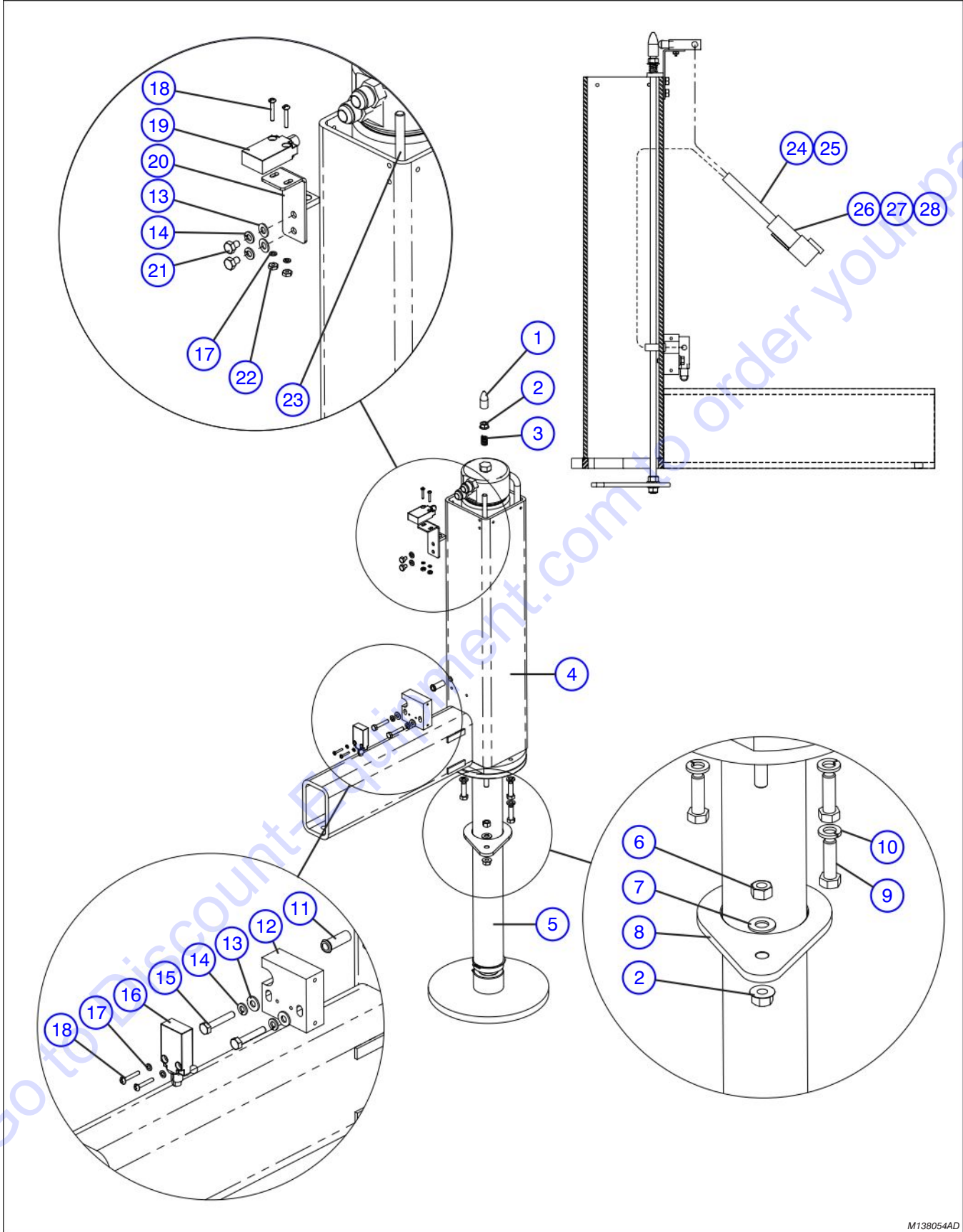
M137255AC

### 5.3 Front and Rear Outrigger Assembly

Index No.	Skyjack Part No.	Qty.	Description
1	(Ref.)	-	OUTRIGGER ASSEMBLY (Right hand) (For components, refer to Section 5.4)
2	154940	1	OUTRIGGER WELDMENT, Rear
	137966	1	OUTRIGGER WELDMENT, Front
3	118387	2	SPACER, Outrigger
4	103470	2	WASHER, Lock (1/2", Grade 5)
5	103909	2	BOLT, Hex head (1/2" - 13 x 1.25", Grade 5)
6	(Ref.)	-	ASSEMBLY, Outrigger (Left hand) (For components, refer to Section 5.4)
7	103995	12	WASHER, Flat (1/4")
8	102355	2	PLATE, Outrigger hose cover
9	103856	8	BOLT, Hex head (1/4"-20 x 3/4", Grade 5)
10	104000	8	WASHER, Lock (1/4")
11	127422	4	HOSE, Hydraulic line
12	116193	8	SCREW, Hex washer head (#10-32 x 1/2")
13	116826	2	COVER, Limit switch
14	139672	6	NUT, Hex head (3/4"-10, Grade 5)
15	103990	6	WASHER, Flat (3/4")
16	139671	6	BOLT, Hex head (3/4"-10 x 2.75", Grade 8)
17	154934	1	STEP, Formed (Rear outriggers)
18	112329	4	SCREW, Hex head self-tapping (1/4"-14 x 1") (Rear outriggers)

Note: Quantities are as per front or rear outrigger assembly

5.4 Outrigger Assembly

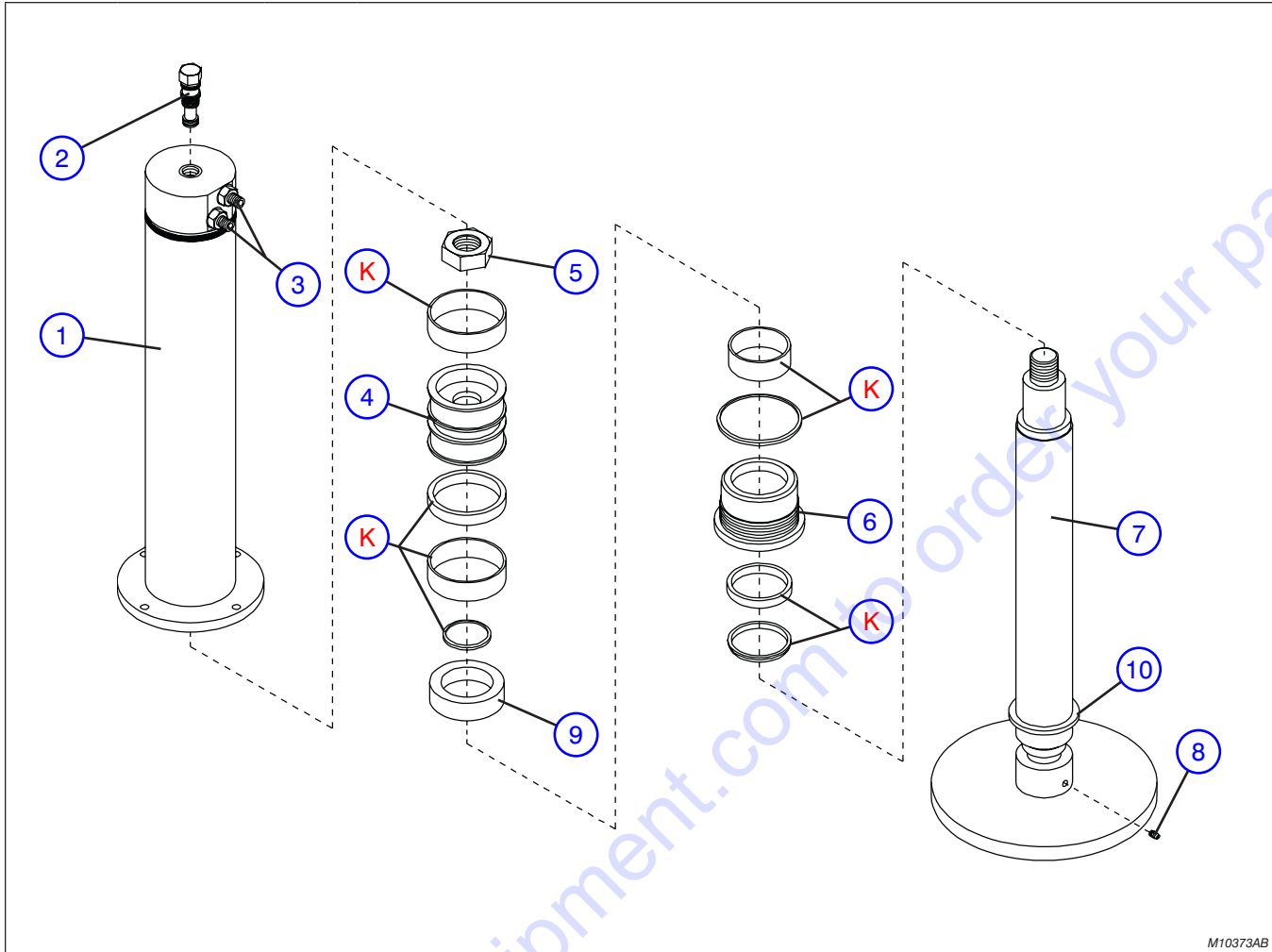


M138054AD

## 5.4 Outrigger Assembly

Index No.	Skyjack Part No.	Qty.	Description
A	138054	-	OUTRIGGER ASSEMBLY (Left hand)
B	138055	-	OUTRIGGER ASSEMBLY (Right hand)
1	124972	1	• NUT CAP, (3/8"- 16 UNC)
2	112601	1	• NUT, Hex flange lock (3/8"- 16)
3	124356	1	• SPRING, Compression (1/2" outer diameter x 1.75")
4	124196	1	• ENCLOSURE, Outrigger weldment (Left hand), A
	124200	1	• ENCLOSURE, Outrigger Weldment (Right hand), B
5	(Ref.)	1	• ASSEMBLY, Outrigger cylinder (For components, refer to Section 5.5)
6	103978	2	• NUT, Hex head (3/8"-16, Grade 5)
7	103472	1	• WASHER, Flat (3/8")
8	124338	1	• CLIP, Plastic
9	101297	3	• BOLT, Hex head (3/8"-16 x 1.25", Grade 5)
10	103999	3	• WASHER, Lock (3/8")
11	118478	1	• BUSHING, PVC (5/16" inner diameter x 1.25")
12	116827	1	• MOUNT, Bar flat limit switch
13	103995	2	• WASHER, Flat (1/4")
14	104000	4	• WASHER, Lock (1/4")
15	103859	2	• BOLT, Hex head (1/4"-20 x 1.5", Grade 5)
16	138059	1	• SWITCH, Sealed limit cable (75")
17	112249	4	• WASHER, Lock (#8)
18	126499	4	• SCREW, Round head machine (#8-32 x 7/8")
19	138060	1	• SWITCH, Sealed limit cable (55")
20	124335	1	• WELDMENT, Upper switch bracket outrigger
21	103855	2	• BOLT, Hex head (1/4"-20 x 1/2")
22	103986	2	• NUT, Hex head (#8-32)
23	127003	1	• WELDMENT, Outrigger actuator rod
24	103091	58"	• PROTECTOR, Wire (5/8" diameter)
25	113584	4"	• HEATSHRINK, 1/2" (Black)
26	117580	1	• CONNECTOR, Receptacle wedge (4 pin)
27	117590	4	• CONNECTOR, Pin contact (16-18)
28	117578	1	• CONNECTOR, Receptacle (4 pin)

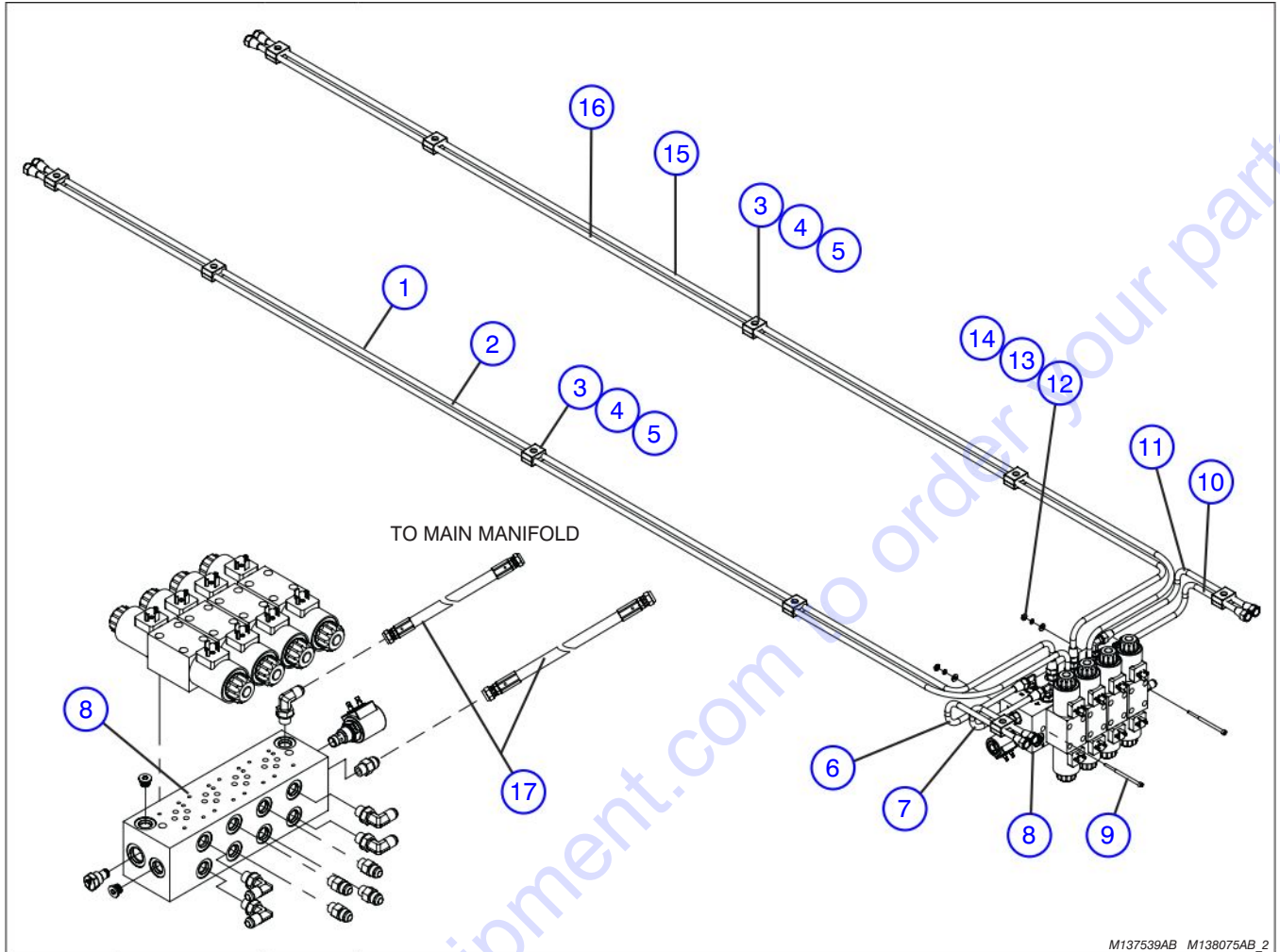
### 5.5 Outrigger Cylinder Assembly



M10373AB

Index No.	Skyjack Part No.	Qty.	Description
-	132694	-	OUTRIGGER CYLINDER ASSEMBLY
1	152132	1	• WELDMENT, Cylinder barrel
2	104115	1	• VALVE, Pilot check (Not part of cylinder)
3	103069	2	• FITTING, O-ring
4	120640	1	• PISTON
5	106230	1	• NUT, Lock (1.25"-12, Grade 8)
6	120387	1	• GLAND, Front head
7	126999	1	• OUTRIGGER CYLINDER ROD ASSEMBLY
8	102027	1	• FITTING, Grease (1/8P)
9	132565	1	• CAP, Rubber grease
10	132690	1	• SPACER, Cylinder tube
	126279	1	• RING, Retaining (2.5")
K	104355	1	KIT, Seal repair

## 5.6 Hydraulic Hose Connections - Outriggers

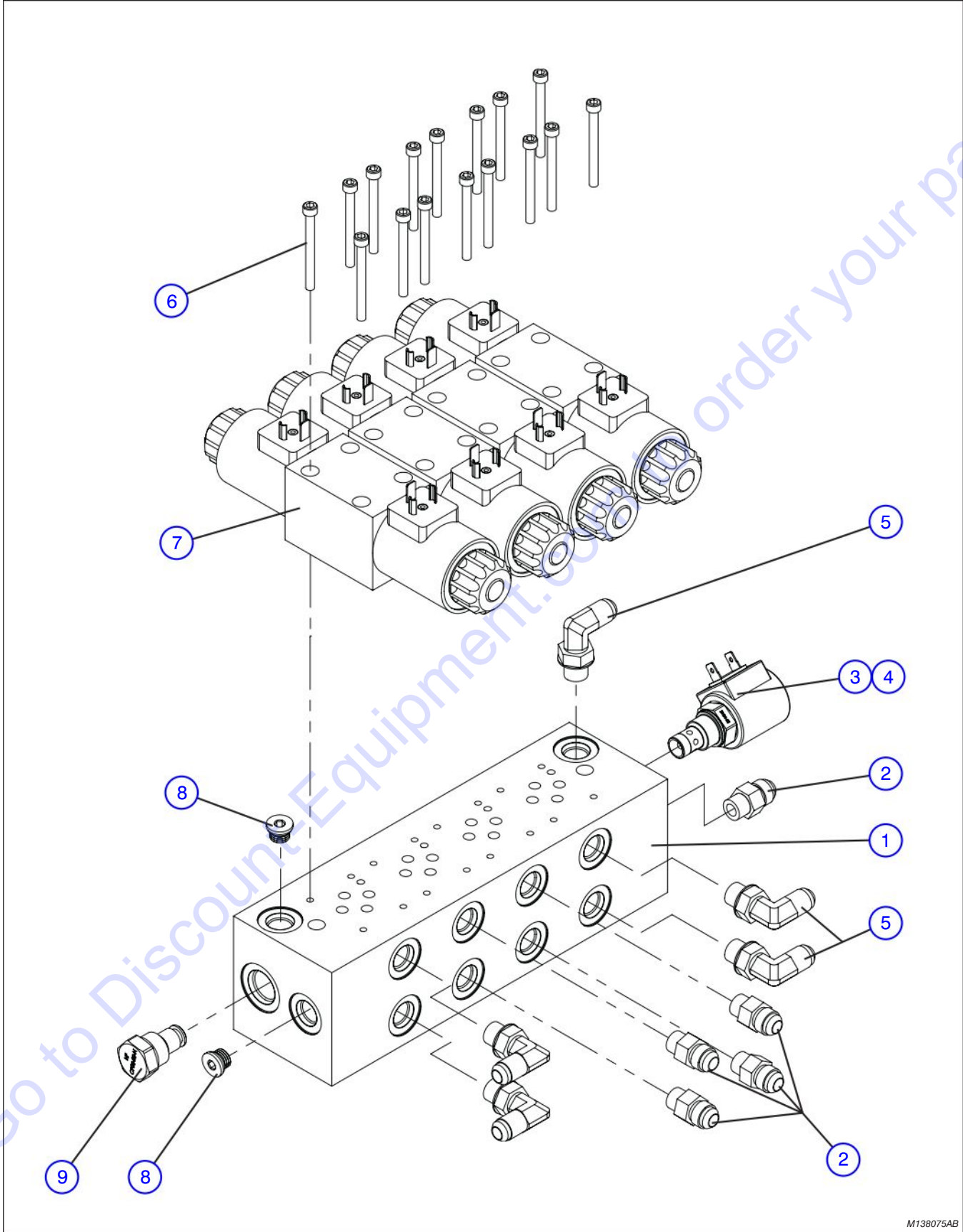


M137539AB M138075AB\_2

Index No.	Skyjack Part No.	Qty.	Description
1	137536	1	TUBE ASSEMBLY, Hydraulic outrigger (Front left inner)
2	137538	1	TUBE ASSEMBLY, Hydraulic outrigger (Front left outer)
3	109127	20	MOUNT, Tube twin insert
4	103995	AR	WASHER, Flat (1/4")
5	103980	AR	NUT, Hex head (1/4"- 20, Grade 5)
6	137550	1	TUBE ASSEMBLY, Hydraulic outrigger (Rear left outer)
7	137548	1	TUBE ASSEMBLY, Hydraulic outrigger (Rear left inner)
8	(Ref.)	-	OUTRIGGER MANIFOLD ASSEMBLY (For components, refer to Section 5.7)
9	137556	AR	SCREW, Socket head cap
10	137544	1	TUBE ASSEMBLY, Hydraulic outrigger (Rear right inner)
11	137546	1	TUBE ASSEMBLY, Hydraulic outrigger (Rear right outer)
12	104694	AR	WASHER, Flat (#10)
13	104185	AR	WASHER, Lock (#10)
14	103987	AR	NUT, Hex head (#10-24)
15	137534	1	TUBE ASSEMBLY, Hydraulic outrigger (Front right outer)
16	137532	1	TUBE ASSEMBLY, Hydraulic outrigger (Front right inner)
17	107275	2	HOSE ASSEMBLY



5.7 Outrigger Manifold Assembly



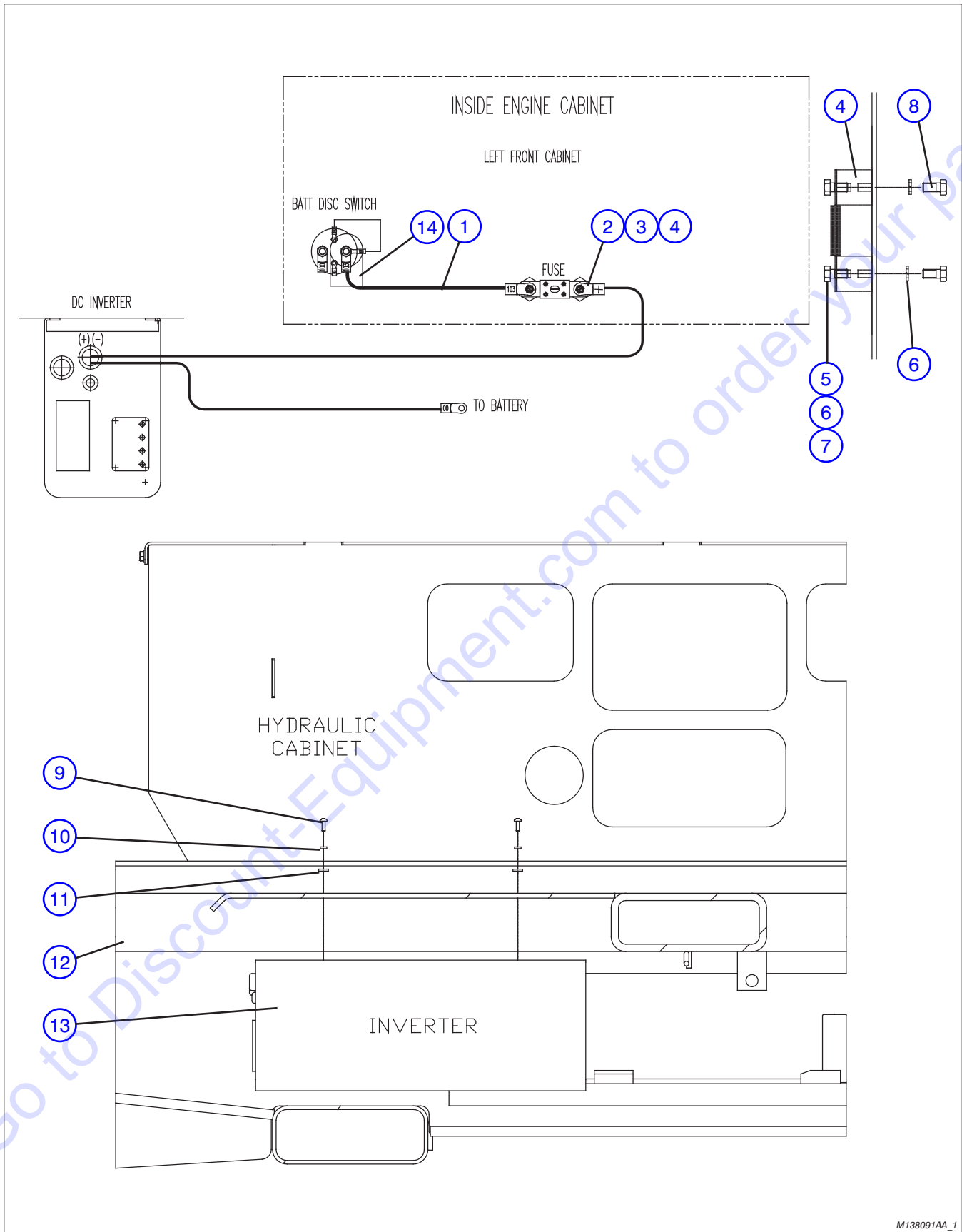
M138075AB

5.7 Outrigger Manifold Assembly

Index No.	Skyjack Part No.	Qty.	Description
-	133122	1	MANIFOLD OUTRIGGER ASSEMBLY
1	111970	1	<ul style="list-style-type: none"> <li>• MANIFOLD, Outrigger</li> </ul>
2	103069	AR	<ul style="list-style-type: none"> <li>• FITTING, Straight (06 JICM - 06 ORBM)</li> </ul>
3	103613	1	<ul style="list-style-type: none"> <li>• COIL, 12V (2 prong)</li> </ul>
4	103655	1	<ul style="list-style-type: none"> <li>• VALVE, Poppet valve</li> </ul>
5	114578	AR	<ul style="list-style-type: none"> <li>• FITTING, Elbow 90° (06 JICM - 06 ORBM)</li> </ul>
6	103920	AR	<ul style="list-style-type: none"> <li>• BOLT, Socket head cap screw (#10-24 x 2")</li> </ul>
7	153336	4	<ul style="list-style-type: none"> <li>• VALVE ASSEMBLY, Directional spool valve 12V (Hytos)</li> </ul>
8	153337	2	<ul style="list-style-type: none"> <li>• • COIL, 12 Volt spool valve</li> </ul>
9	104437	AR	<ul style="list-style-type: none"> <li>• PLUG</li> </ul>
9	113801	1	<ul style="list-style-type: none"> <li>• PLUG, Cavity</li> </ul>

Go to Discount-Equipment.com to order your parts

5.8 800W Inverter Option

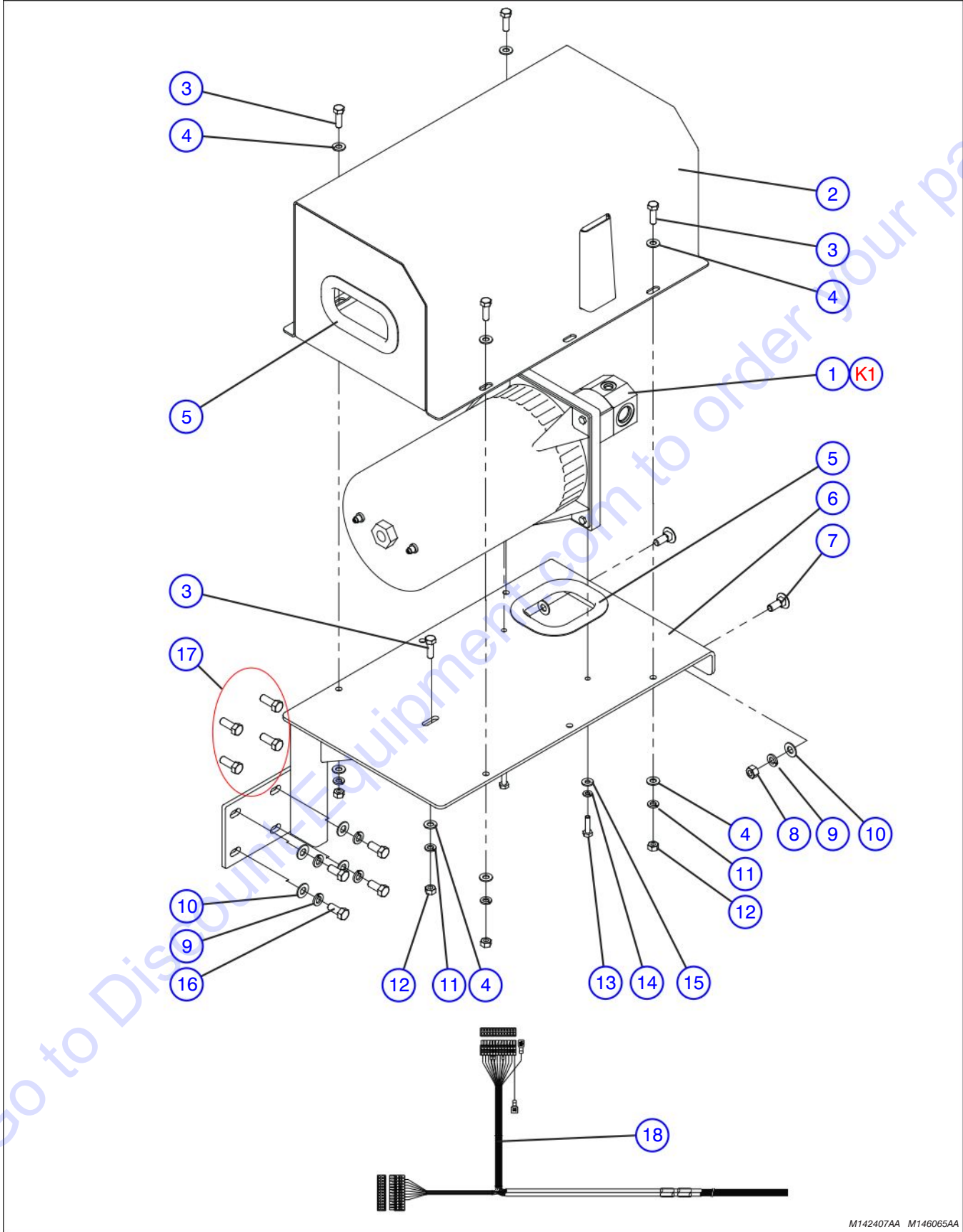


M138091AA\_1

5.8 800W Inverter Option

Index No.	Skyjack Part No.	Qty.	Description
1	138093	1	CABLE
2	138094	1	FUSE (125 Amp)
3	(Ref.)	-	LABEL, Fuse (Refer to Section 6)
4	103068	2	INSULATOR, Fuse
5	103855	AR	BOLT, Hex head (1/4"-20 x 1/2", Grade 5)
6	104000	AR	WASHER, Lock (1/4")
7	103995	AR	WASHER, Flat (1/4")
8	103892	AR	BOLT, Hex head (1/4"-20 x 0.62", Grade 5)
9	103856	4	BOLT, Hex head cap screw (1/4"-20 x 3/4")
10	100400	4	WASHER, Lock (1/4")
11	103995	4	WASHER, Flat (1/4")
12	(Ref.)	-	WELDMENT, Base (For components, refer to Section 3.1)
13	137269	1	INVERTER, 12VDC (110VAC @ 60HZ) (ANSI/CSA)
14	120395	1	BOOT, Battery (Red)

5.9 Hydraulic Generator Option

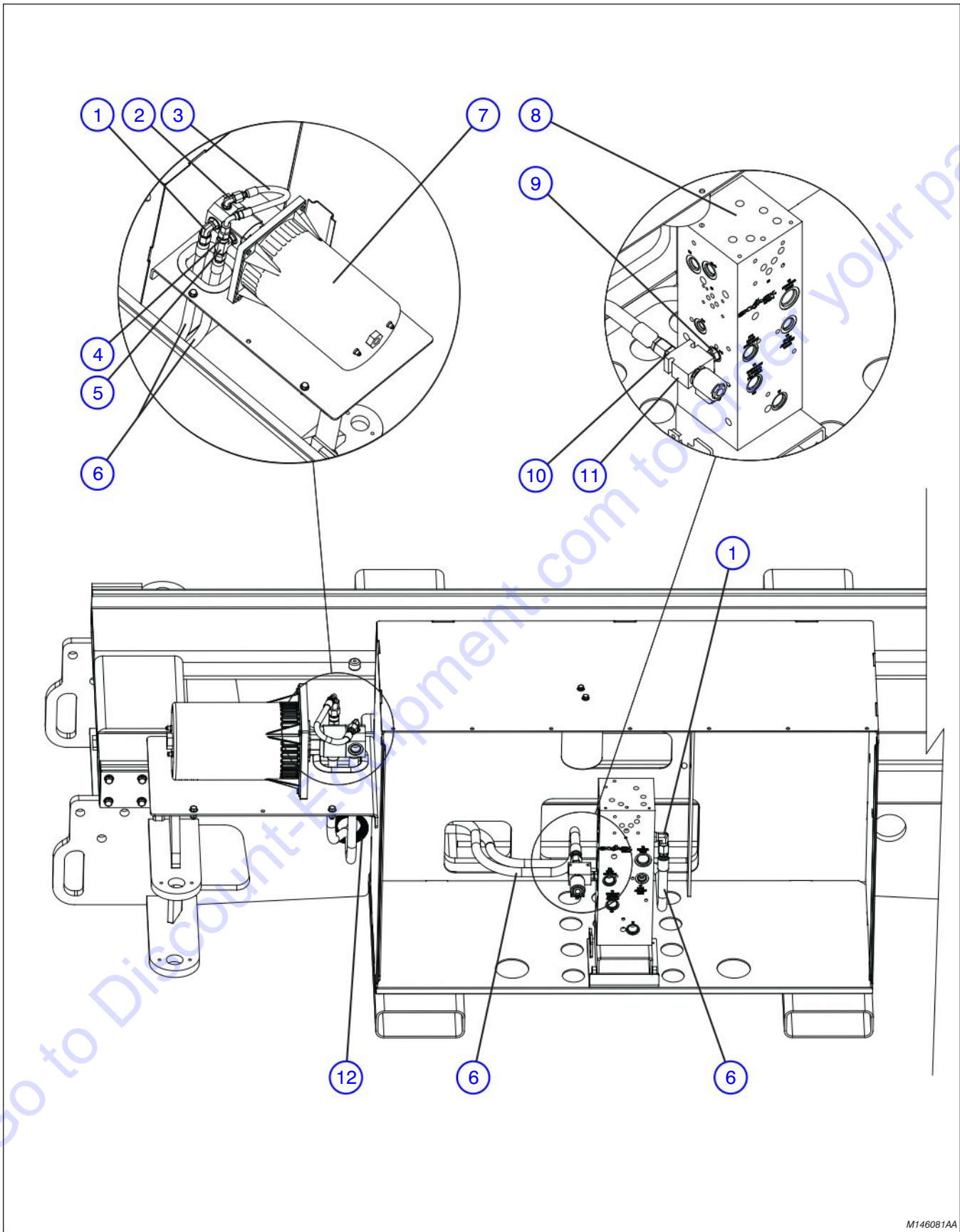


M142407AA M146065AA

## 5.9 Hydraulic Generator Option

Index No.	Skyjack Part No.	Qty.	Description
1	141829	1	GENERATOR, 2kW Hydraulic (115V)
	143943	1	• MOTOR,Hydraulic
	157646	1	• COMPLETE GENERATOR
	157641	1	• • COVER, Rear end
	157642	1	• • CARTRIDGE, Flow control
	157643	1	• • CIRCUIT BREAKER (16 Amp)
	157644	1	• • CIRCUIT BREAKER (8 Amp)
2	142417	1	WELDMENT, Generator cover
3	103864	5	BOLT, Hex head (5/16"-18 x 1", Grade 5)
4	103996	9	WASHER, Flat (5/16")
5	143693	2	GUARD, Tray edge
6	142395	1	WELDMENT, Generator mount
7	125800	2	BOLT, Carriage (3/8" x 1")
8	103978	2	Nut, Hex head (3/8"-16, Grade 5)
9	103999	6	WASHER, Lock (3/8")
10	103472	6	WASHER, Flat (3/8")
11	103404	5	WASHER, Lock (5/16")
12	100397	5	Nut, Hex head (5/16"-18, Grade 5)
13	103856	AR	BOLT, Hex head (1/4"-20 x 3/4", Grade 5)
14	104000	2	WASHER, Lock (1/4")
15	103995	AR	WASHER, Flat (1/4")
16	300437	4	BOLT, Hex head (3/8"-16 x 7/8", Grade 5)
17	103473	4	BOLT, Hex head (3/8"-16 x 1", Grade 5) (for machines with scissor guards)
18	(Ref.)	1	HARNESS, Outrigger & hydraulic generator (For components, refer to Section 5.2)
K1	157645	1	• SEAL KIT

5.10 Hydraulic Hose Connections - Hydraulic Generator



M146081AA

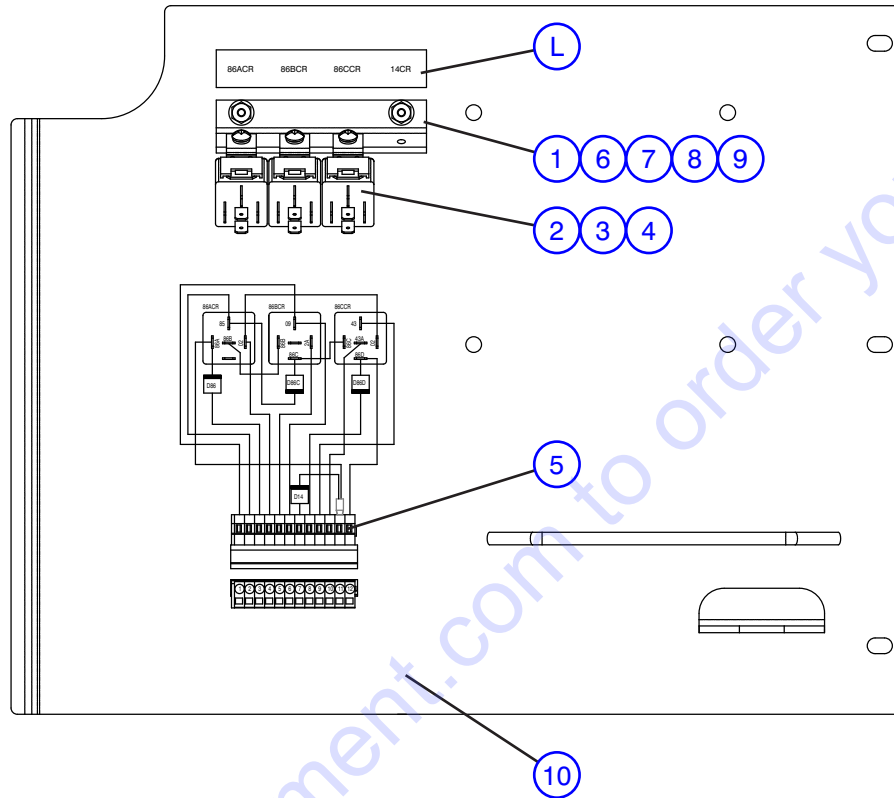
5.10 Hose Connections - Hydraulic Generator

Index No.	Skyjack Part No.	Qty.	Description
1	114583	2	FITTING, Elbow 90° (08 JICM - 08 ORBM)
2	113348	1	FITTING, Elbow 90° (6-4 O-RING)
3	106551	1	HOSE ASSEMBLY (1/4" diameter x 10)
4	110498	1	FITTING, Hydraulic (08FJ06MJ reducer)
5	146107	1	FITTING, Tee (10MORB - 08MJ - 08MJ)
6	143653	2	HOSE ASSEMBLY
7	(Ref.)	-	GENERATOR, 2kW Hydraulic (115V/220V) (For components, refer to Section 5.9)
8	(Ref.)	-	MAIN MANIFOLD ASSEMBLY (For components, refer to Section 3.13)
9	122428	1	FITTING, Straight (06 ORBM - 06 ORBM)
10	104402	1	FITTING, Straight (08 JICM - 06 ORBM)
11	146109	1	VALVE ASSEMBLY
	146082	1	• BODY, valve
	103613	1	• COIL, 12V
	103655	1	• VALVE, Brake feed (N.C.)
12	146110	1	WIRE PROTECTOR, (3/4" inner diameter x 9.5")

Go to Discount-Equipment.com to order your parts



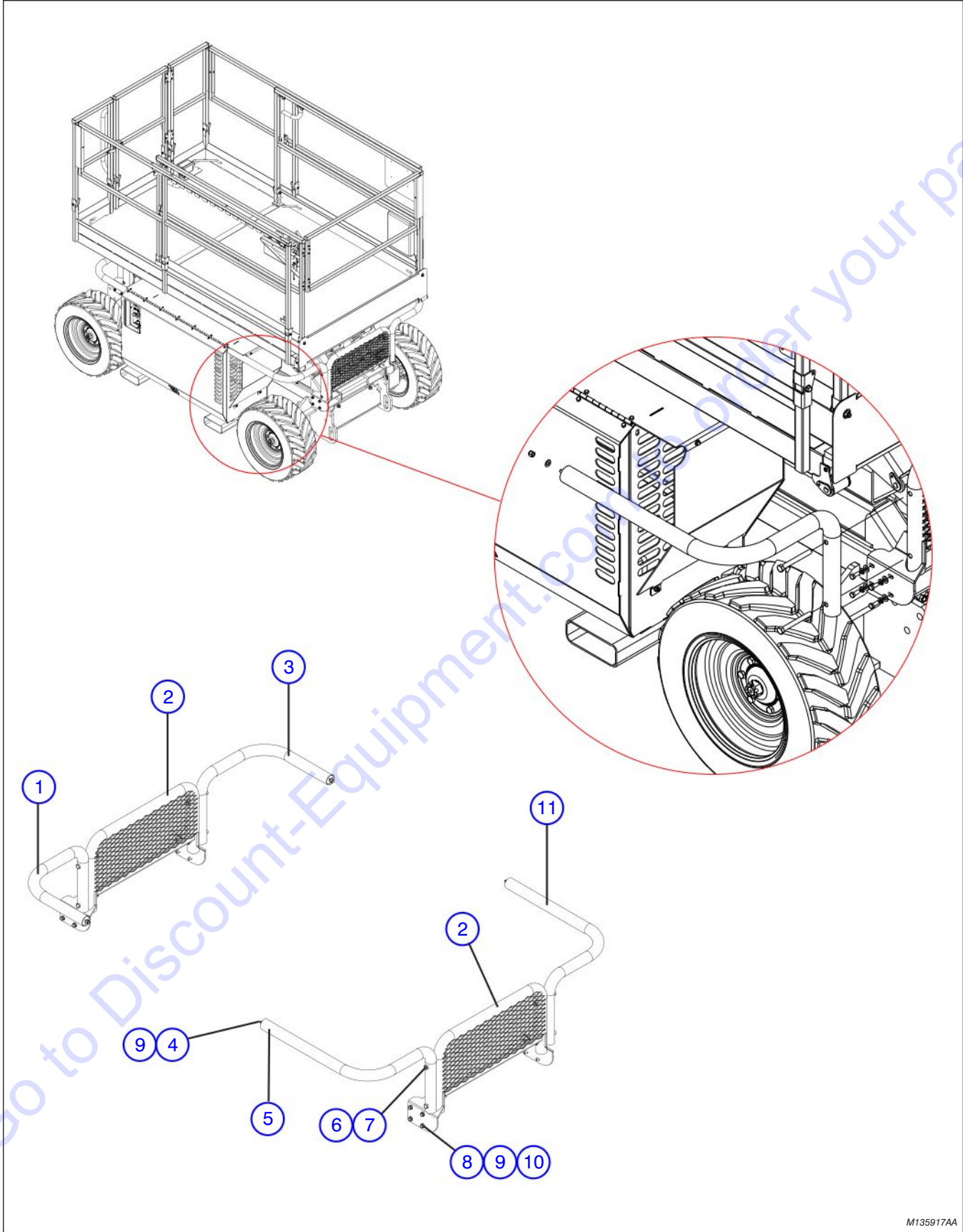
## 5.11 Hydraulic Generator Relay Assembly



M146098AA

Index No.	Skyjack Part No.	Qty.	Description
-	146098	-	HYDRAULIC GENERATOR RELAY ASSEMBLY
1	146055	1	• BRACKET, Relay mount
2	127035	3	• RELAY, 12V (40 AMP)
3	115545	3	• BOLT, Machine (#10-32 x 3/8")
4	104185	3	• WASHER, Lock (#10 NOM)
5	138053	1	• CONNECTOR, Male (12 pin)
6	120094	2	BOLT, Machine (#10-32 x 5/8")
7	104694	2	WASHER, Flat (#10 S.A.E)
8	104185	2	WASHER, Lock (#10 NOM)
9	104003	2	NUT, Machine (#10-32, Grade B)
10	(Ref.)	2	DOOR, Instrumentation panel (For components, refer to Section 3.15)
L	146083	1	LABEL, Relay names outrigger & hydraulic generator

5.12 Scissor Guard Option (with Diesel Fuel)



M135917AA

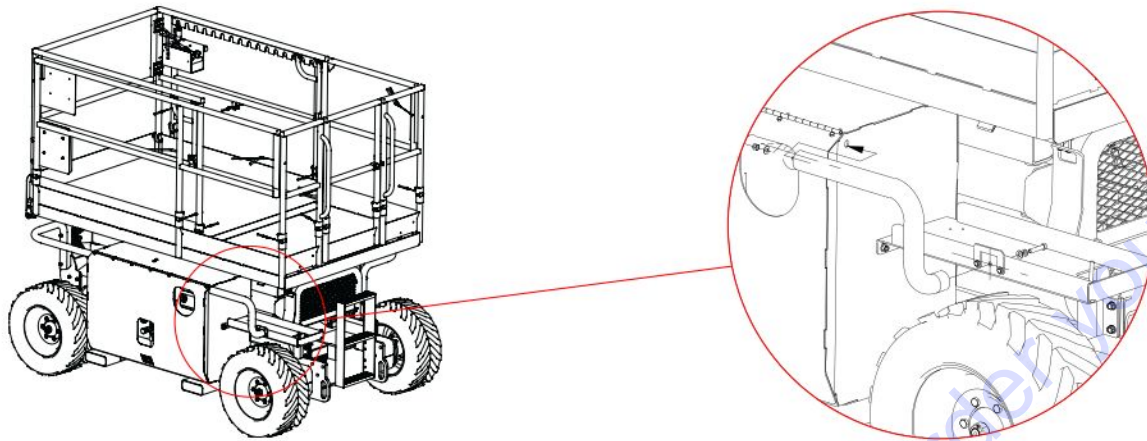
5.12 Scissor Guard Option (with Diesel Fuel)

Index No.	Skyjack Part No.	Qty.	Description
-	135917	1	SCISSOR GUARD ASSEMBLY
1	139408	1	• WELDMENT, Scissor guard (Right rear)
2	139400	2	• WELDMENT, Scissor guard (Front/Rear)
3	139407	1	• WELDMENT, Scissor guard (Rear left)
4	104606	4	• NUT, Hex lock (3/8"-16)
5	139403	1	• WELDMENT, Scissor guard (Front right)
6	111420	8	• BOLT, Hex head (1.5"-13 x 4.5")
7	702507	8	• NUT, Hex lock (1/2"-13)
8	300437	16	• BOLT, Hex head (3/8"-16 x 7/8")
9	103472	20	• WASHER, Flat (3/8")
10	103999	16	• WASHER, Lock (3/8")
11	139404	1	• WELDMENT, Scissor guard (Front left)

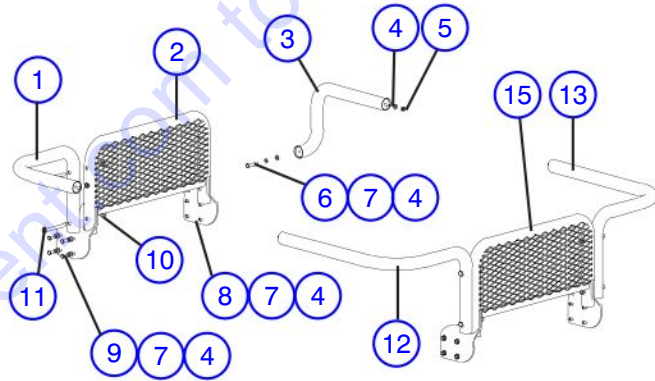
Go to Discount-Equipment.com to order your parts

**5.13 Scissor Guard Option (ANSI/CSA with Dual Fuel)**

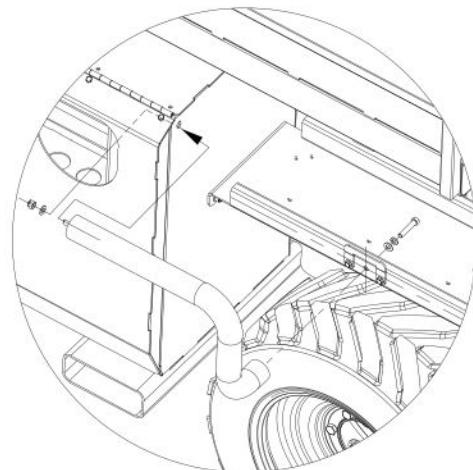
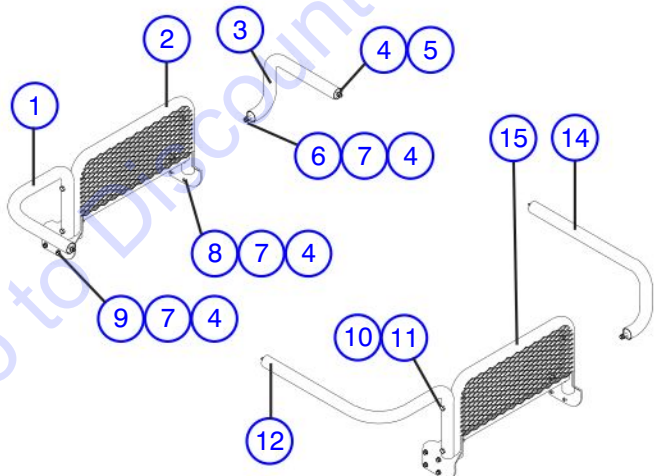
**A - Single Propane**



**B - Dual Propane**



M135918AA

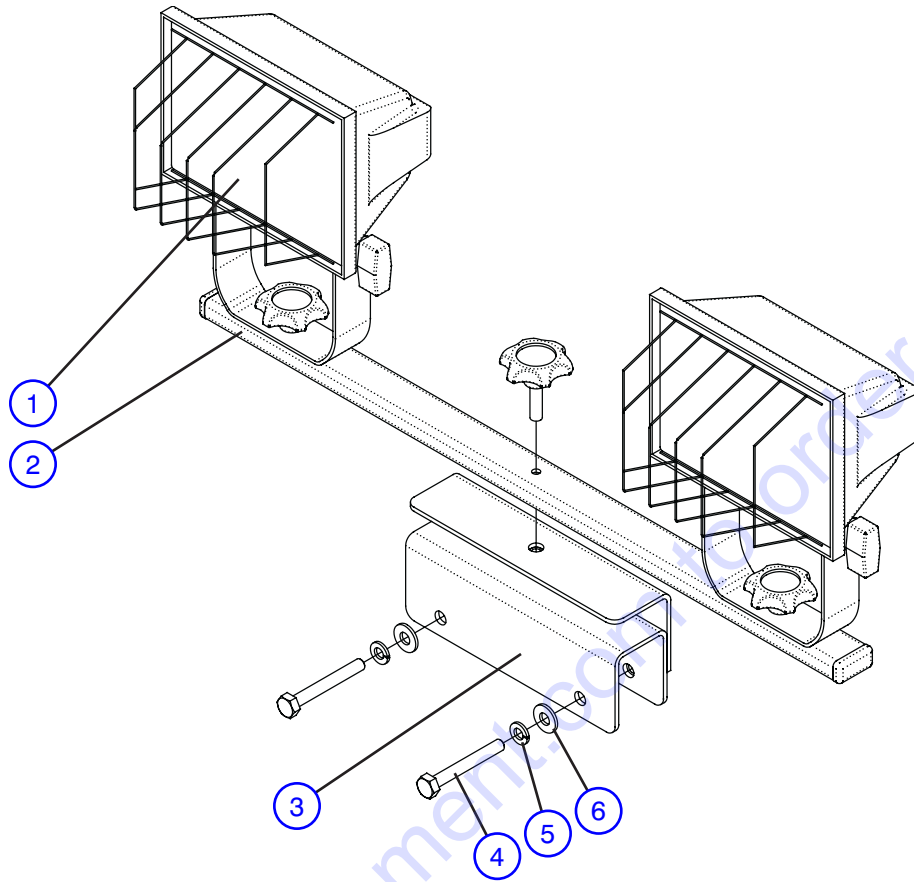


M135919AA

### 5.13 Scissor Guard Option (ANSI/CSA with Dual Fuel)

Index No.	Skyjack Part No.	Qty.	Description
A	135918	1	SCISSOR GUARD ASSEMBLY (Single propane tank)
B	135919	1	SCISSOR GUARD ASSEMBLY (Dual propane tank)
1	139408	1	• WELDMENT, Scissor guard (Rear right)
2	139400	1	• WELDMENT, Scissor guard (Rear)
3	139406	1	• WELDMENT, Scissor guard (Rear left)
4	103472	21	• WASHER, Flat (3/8"), A
		22	• WASHER, Flat (3/8"), B
5	104606	4	• NUT, Hex lock (3/8"-16)
6	103596	1	• BOLT, Hex head (3/8"-16 x 2"), A
		2	• BOLT, Hex head (3/8"-16 x 2"), B
7	103999	17	• WASHER, Lock (3/8"), A
		18	• WASHER, Lock (3/8"), B
8	103473	8	• BOLT, Hex head (3/8"-16 x 1"), B
9	300437	16	• BOLT, Hex head (3/8"-16 x 7/8"), A
		8	• BOLT, Hex head (3/8"-16 x 7/8"), B
10	702507	6	• NUT, Hex lock (1/2"-13), A
		4	• NUT, Hex lock (1/2"-13), B
11	111420	6	• BOLT, Hex head (1/2"-13 x 4.5"), A
		4	• BOLT, Hex head (1/2"-13 x 4.5"), B
12	139403	1	• WELDMENT, Scissor guard (Front right)
13	139404	1	• WELDMENT, Scissor guard (Front left), A
14	139405	1	• WELDMENT, Scissor guard (Front left), B
15	139401	1	• WELDMENT, Scissor guard (Front)

### 5.14 Work Light Option



M137979AB

Index No.	Skyjack Part No.	Qty.	Description
-	137979	-	WORK LIGHT ASSEMBLY
1	141732	1	• BULB, 150 Watt halogen, 78 mm
2	141701	1	• WORK LIGHT, Dual 250 Watt halogen
3	138050	1	• BRACKET, Work light
4	103861	2	• BOLT, Hex head (1/4"-20 x 2", Grade 5)
5	104000	2	• WASHER, Lock (1/4")
6	103995	2	• WASHER, Flat (1/4")

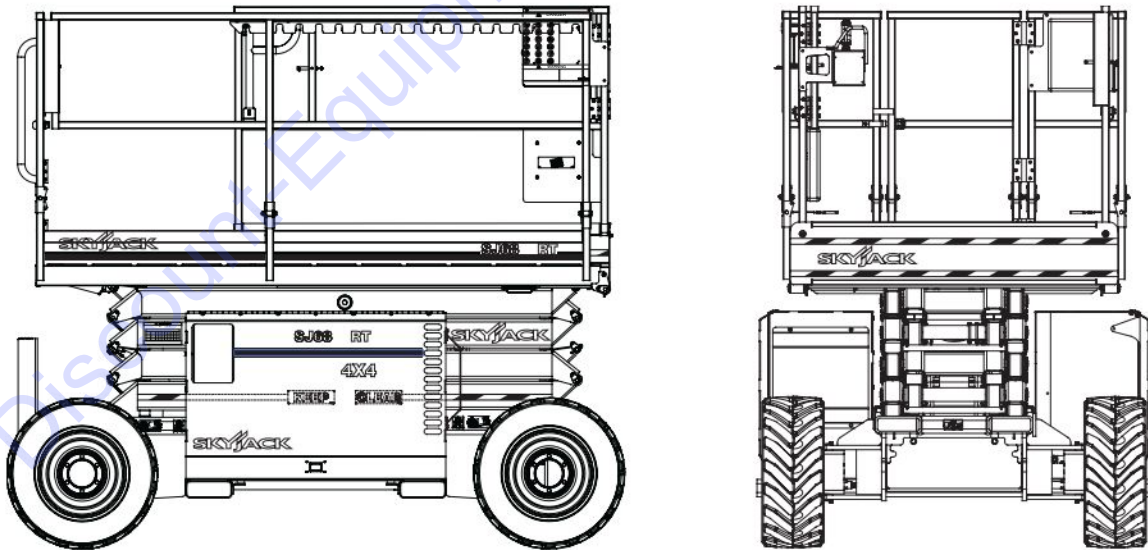
## Label Kit

The label kit, Part Number 159760, is for models SJ 6826RT and SJ 6832RT. It contains labels that are common to both machines including outrigger option.

It excludes:

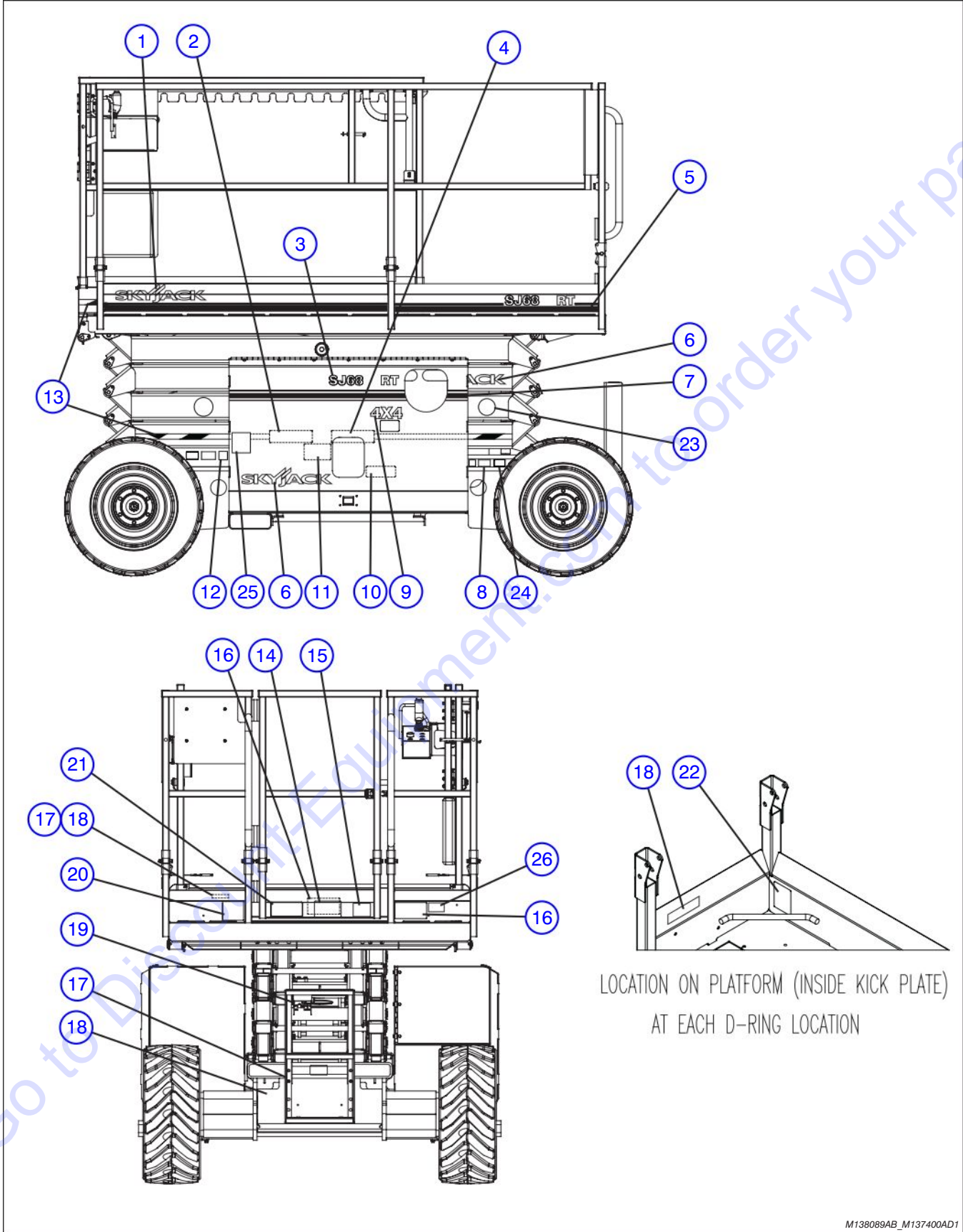
- serial numbers
- stripes
- tapes
- platform capacities
- model designations

Supply model number, country and language when ordering complete machine labels.



The Skyjack logo, featuring the word 'SKYJACK' in a bold, blue, sans-serif font. The letter 'Y' is stylized with a red diagonal stroke.

6.2 Labels - Chassis (Left and Rear)



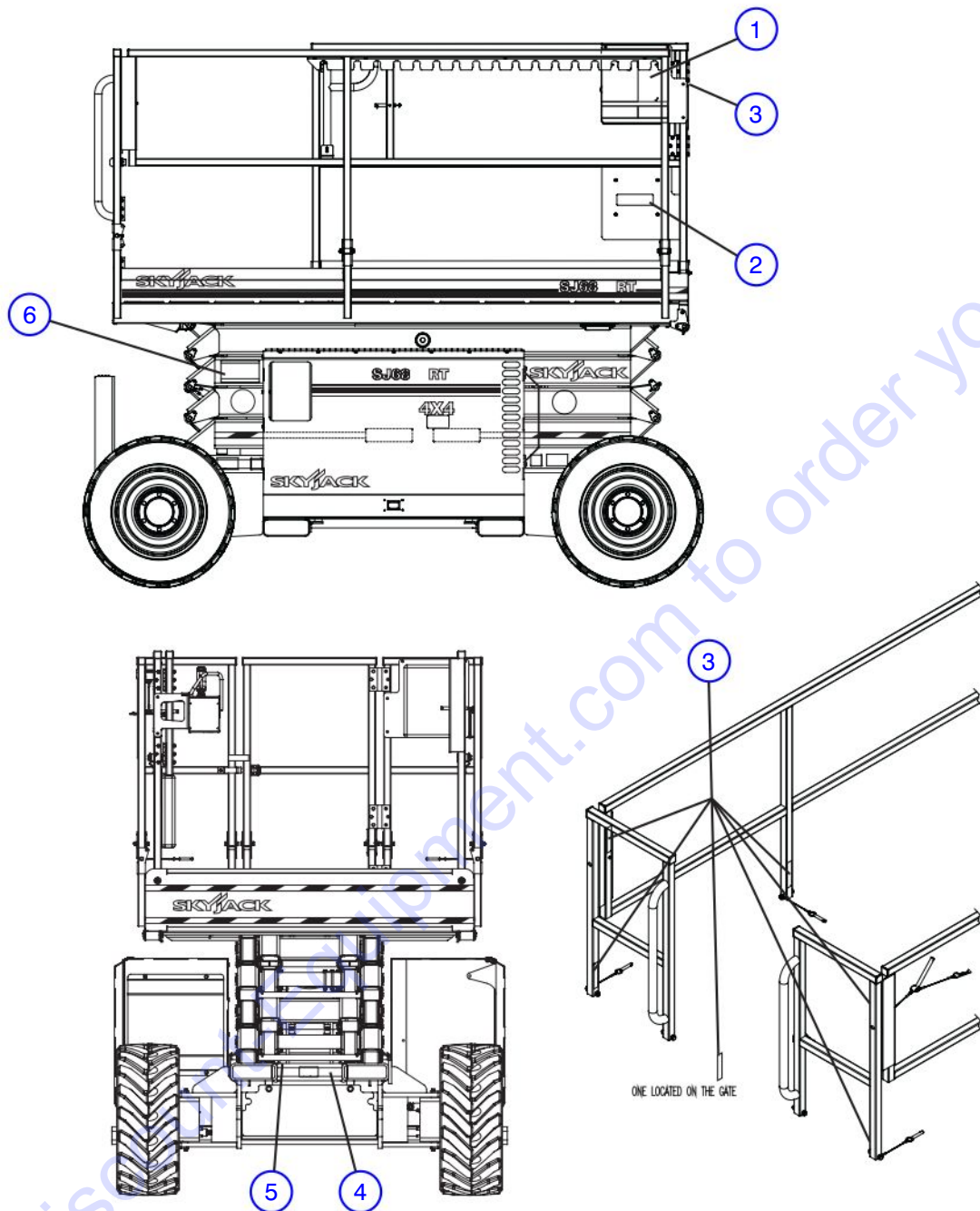
LOCATION ON PLATFORM (INSIDE KICK PLATE)  
AT EACH D-RING LOCATION

M138089AB\_M137400AD1



Index No.	Skyjack Part No.	Qty.	Description
1	129758	3	LABEL, Skyjack logo, small blue
2	129838	2	LABEL, Keep
3	138086	2	LABEL, "SJ6832RT" (Model 6832RT) (not included in kit)
	138087	2	LABEL, "SJ6826RT" (Model 6826RT) (not included in kit)
4	129839	2	LABEL, Clear
5	103125	AR	STRIPE, White/blue (not included in kit)
6	129759	4	LABEL, Skyjack logo, small
7	103110	AR	STRIPE, Red/blue/red (not included in kit)
8	124631	4	LABEL, Wheel offset/pressure
9	129810	2	LABEL, "4X4"
10	109442	1	LABEL, Emergency lowering
11	139618	1	LABEL, Manual brake release
12	138123	2	LABEL, Wheel load
13	119803	AR	TAPE, Safety caution (not included in kit)
14	124465	1	LABEL, Side force/outdoor
15	124362	1	LABEL, Warning! Do not wear jewelry
16	138082	2	LABEL, Platform capacities 1000 (700/300, 2P) (KC Model 6832RT)
	142168	2	LABEL, Platform capacities 1000 (700/300, 4P) (Model 6832RT)
	138083	1	LABEL, Platform capacities 1250 (950/300) (Model 6826RT) (All platform capacity labels are not included in kit)
17	138212	1	LABEL, Connect air supply (Air supply option)
18	138211	2	LABEL, Connect AC supply (AC supply option)
19	156613	2	LABEL, Do not alter
20	106691	1	LABEL, Check list
21	156310	1	LABEL, On/Off slab (ANSI/CSA)
22	130018	6	LABEL, Harness anchorage
23	139855	4	LABEL, Keep clear (KC)
24	142384	4	LABEL, Foam-filled tires
	142136	4	LABEL, Tire presseure 40 PSI - Air Tires (if equipped)
25	128226	2	LABEL, 103 decibel (KC) (not included in kit)
26	114252	1	LABEL, California proposition 65 (ANSI/CSA) (not included in kit)

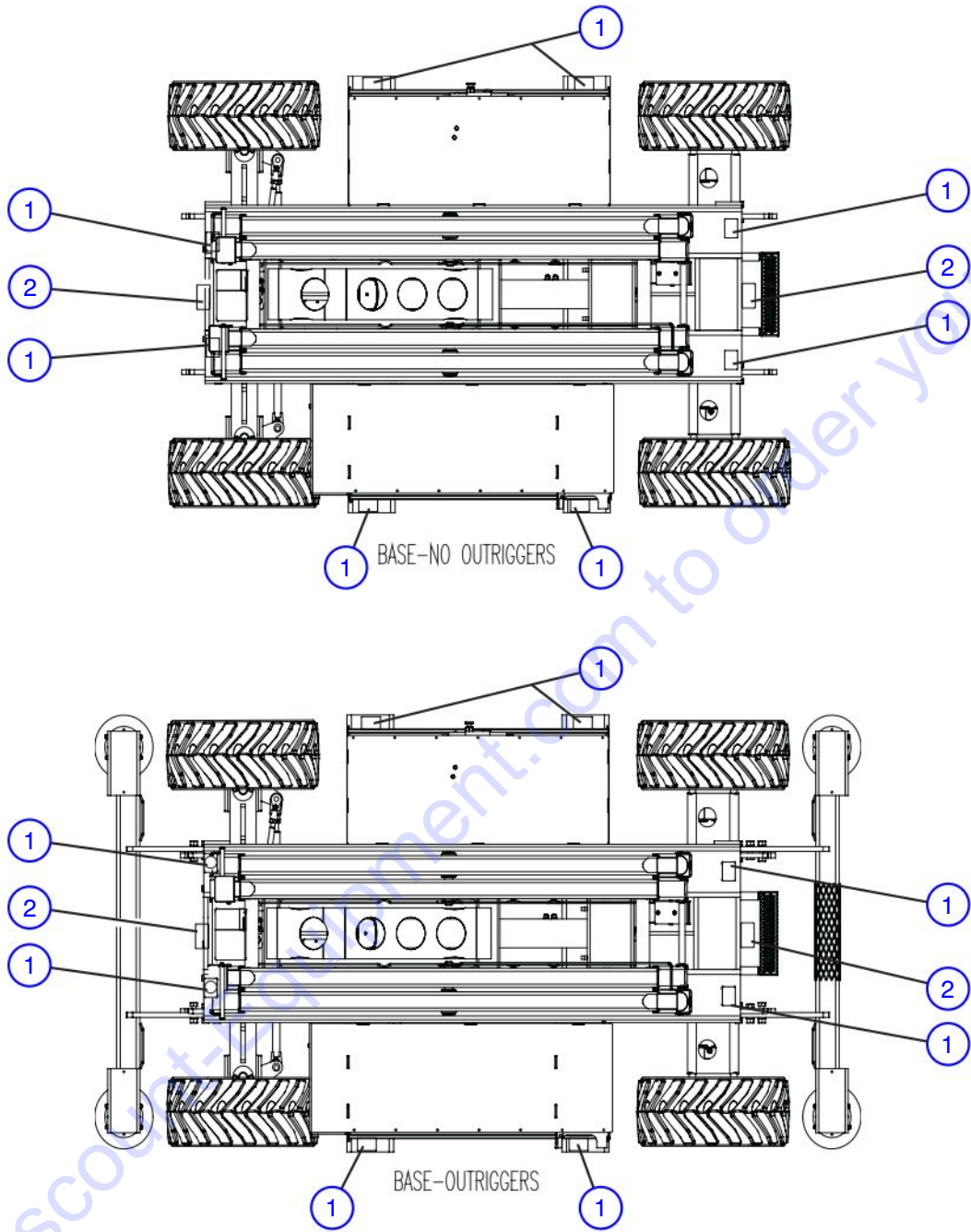
### 6.3 Labels - Chassis (Front and Right)



M138089AB\_M137400AB\_2

Index No.	Skyjack Part No.	Qty.	Description
1	146526	1	LABEL, Danger/Warning Info
2	123628	1	LABEL, Manual box
3	126056	10	LABEL, Falling hazard
4	106406	1	LABEL, Maintenance support
5	127711	1	LABEL, Maintenance support
6	156441	1	LABEL, Annual inspection

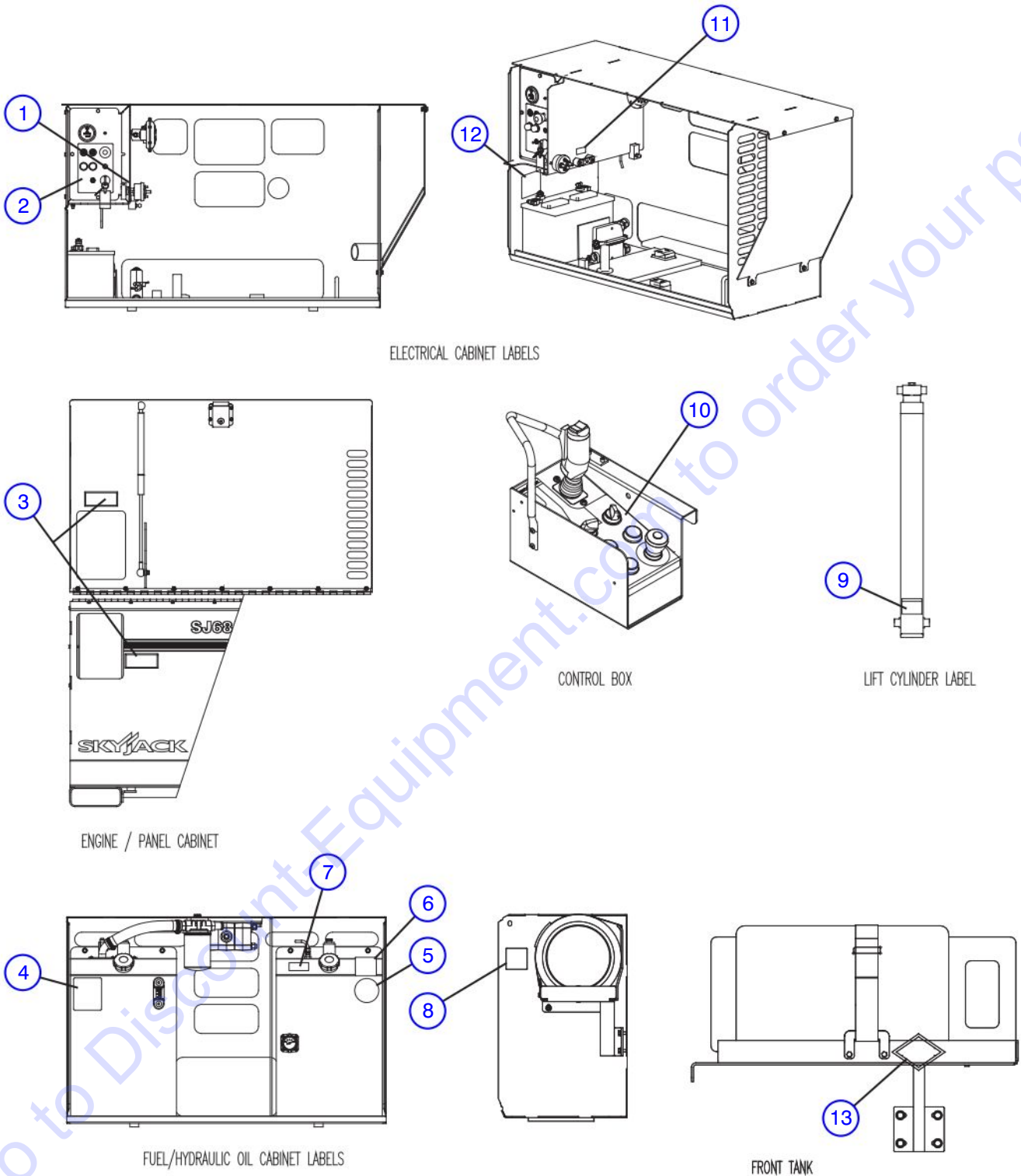
6.4 Labels - Chassis (Top)



M138089AC

Index No.	Skyjack Part No.	Qty.	Description
1	102896	8	LABEL, Forklift boot
2	124767	2	LABEL, Tie down/lift lugs

6.5 Labels - Miscellaneous



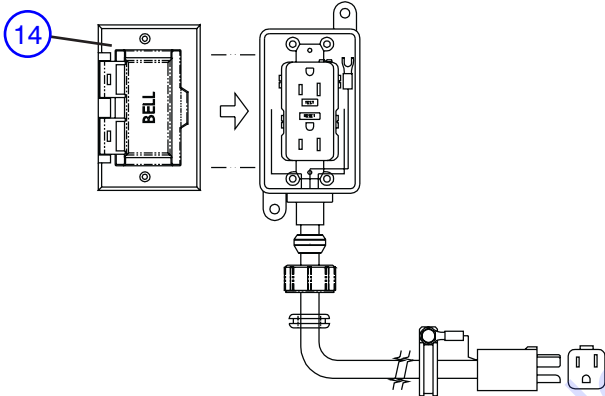
M138089AB\_M138145AB\_3

**6.5 Labels - Miscellaneous**

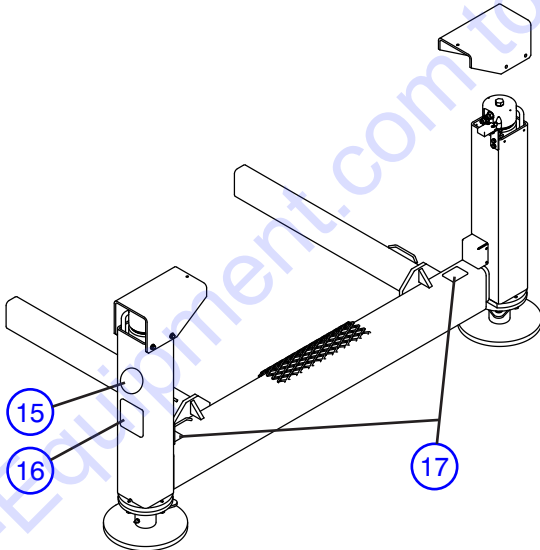
Index No.	Skyjack Part No.	Qty.	Description
1	119674	1	LABEL, Battery disconnect switch
2	137681	1	LABEL, Panel 68XXRT
3	124883	2	LABEL, Fuel switch sequence
4	102961	1	LABEL, ATF Dexron III
5	138146	1	LABEL, No smoking
6	132400	1	LABEL, Unleaded fuel only (Kubota DF engine)
7	102962	1	LABEL, Diesel fuel (Diesel engine)
8	149502	1	LABEL, "Use low sulfur fuel" (Diesel fuel engines) (ANSI/CSA)
9	103023	1	LABEL, Use liquid propane only
10	157792	2	LABEL, Orifice decal
11	127343	1	LABEL, Control box
12	119915	1	LABEL, Fuse (Inverter option)
13	128827	1	LABEL, Warning fuse
	120390	1	LABEL, "Propane"
<p><b>Part list continued on the following page.</b></p>			

Go to Discount-Equipment.com to order your parts

6.5 Labels - Miscellaneous (Continued)



OUTLET BOX ASSEMBLY



OUTRIGGERS

M135913AA\_2 M133949AB

Index No.	Skyjack Part No.	Qty.	Description
<b>Part list continued from the previous page.</b>			
14	110333	1	LABEL, Connect platform AC supply here
15	139855	4	LABEL, Keep clear
16	119866	4	LABEL, Danger, hand/foot pinch
17	156613	4	LABEL, Do not alter

Go to Discount-Equipment.com to order your parts

AXLE OIL						
Axle Type		*Qty. (Liters)	*Qty. (Gallons)	Oil Type	Skyjack Part No.	Recommended Equivalent Oil
Cushman	Front	2.4	0.634	Gear Oil, 80W-90 GL5	134612	-
Dana	Front / Rear					
Cushman	Rear	1	0.264	Gear Oil, ESI 80W-90	133461	Chevron Gear Lubricant Delo ESI 80W-90, Caltex Gear Lubricant ESI 80W-90, Caltex RPM Borate EP 80W-90, Texaco Star Gear Lubricant 80W-90

\*All fuel capacity quantities are in standard liter or US gallons (liquid).

\*\*Use distilled water and 50/50 mix of anti-freeze/water.

CENTER DRIVE OIL					
Center Drive Type	*Qty. (Liters)	*Qty. (Gallons)	Oil Type	Skyjack Part No.	Recommended Equivalent Oil
Center Drive	1	0.26	Gear Oil, 80W-90 GL5	134612	-

\*All fuel capacity quantities are in standard liter or US gallons (liquid).

\*\*Use distilled water and 50/50 mix of anti-freeze/water.

HYDRAULIC OIL				
Model	*Qty. (Liters)	*Qty. (Gallons)	Oil Type	Skyjack Part No.
SJRT-68XX	86.88	22.95	ATF Dexron III	119309
SJRT-7127	80.48	21.26		
SJRT-7135				
SJRT-8243				
SJRT-8850				
SJRT-8831	75.71	20		
SJRT-8841				
SJRT-8831E				
SJRT-8841E				
SJRT-9250	67.38	17.8		

\*All fuel capacity quantities are in standard liter or US gallons (liquid).

\*\*Use distilled water and 50/50 mix of anti-freeze/water.

Table continued on the following page.





**7.1 Fluid Tables**

Table continued from the previous page.

ENGINE OIL					
Engine Type	*Qty. (Liters)	*Qty. (Gallons)	Oil Type, Viscosity	Skyjack Part No.	Recommended Equivalent Oil (Viscosity - API Service Designation)
Kubota D902	3.9	1.03	Engine Oil, SAE 10W-30	105287	10W30 - API Service Designation CG-4, CF-4, CF, CD, SH.
Kubota D1105	5.1	1.35			
Kubota DF972	3.4	0.9			
Nissan A15	3.5	0.98		142454	10W30 - API Service Designation SF/CC.
GM 1.6					

\*All fuel capacity quantities are in standard liter or US gallons (liquid).

\*\*Use distilled water and 50/50 mix of anti-freeze/water.

ENGINE COOLANT				
Component Type	*Qty. (Liters)	*Qty. (Gallons)	**Coolant Type	Skyjack Part No.
Kubota D902	3.1	0.82	Anti-freeze / Water	125985
Kubota D1105				
Kubota DF972				
Nissan A15	11.4	3.01	Extended life anti-freeze / Water	142208
GM 1.6				

\*All fuel capacity quantities are in standard liter or US gallons (liquid).

\*\*Use distilled water and 50/50 mix of anti-freeze/water.

ENGINE FUEL							
Model	Tank		Diesel		Gasoline / Liquid Propane		
	*Qty. (Liters)	*Qty. (Gallons)	Kubota D902	Kubota D1105	Kubota DF972	GM 1.6	Nissan A15
SJRT-68xx	86.88	22.95	✓	N/A	✓		N/A
SJRT-7127	80.48	21.26	N/A	✓			
SJRT-7135							
SJRT-8243							
SJRT-8850	49.21	13	N/A	✓	N/A		✓
SJRT-8831							
SJRT-8841							
SJRT-9250	64.35	17					

\*All fuel capacity quantities are in standard liter or US gallons (liquid).

\*\*Use distilled water and 50/50 mix of anti-freeze/water.

# PARTS FINDER

**Search Website  
by Part Number**



**Search Manual  
Library For Parts  
Manual & Lookup Part  
Numbers – Purchase  
or Request Quote**

**Search Manuals**

Enter your information to help us find the right parts manual for your machine.

\* Brand:

\* Model:

\* Serial:

\* Part Number:

SEARCH

**Can't Find Part or  
Manual? Request Help  
by Manufacturer,  
Model & Description**

**Parts Order Form**

Please fill in the following information to help us find the right part for your machine.

Manufacturer:	<input type="text"/>
Model:	<input type="text"/>
Description:	<input type="text"/>
Part Number:	<input type="text"/>
Quantity:	<input type="text"/>
Notes:	<input type="text"/>

Submit

Discount-Equipment.com is your online resource for quality parts & equipment.

Florida: **561-964-4949** Outside Florida TOLL FREE: **877-690-3101**

**Need parts?**

Click on this link: <http://www.discount-equipment.com/category/5443-parts/> and choose one of the options to help get the right parts and equipment you are looking for. Please have the machine model and serial number available in order to help us get you the correct parts. If you don't find the part on the website or on one of the online manuals, please fill out the request form and one of our experienced staff members will get back to you with a quote for the right part that your machine needs.

We sell worldwide for the brands: Genie, Terex, JLG, MultiQuip, Mikasa, Essick, Whiteman, Mayco, Toro Stone, Diamond Products, Generac Magnum, Airman, Haulotte, Barreto, Power Blanket, Nifty Lift, Atlas Copco, Chicago Pneumatic, Allmand, Miller Curber, Skyjack, Lull, Skytrak, Tsurumi, Husquvarna Target, Stow, Wacker, Sakai, Mi-T-M, Sullair, Basic, Dynapac, MBW, Weber, Bartell, Bennar Newman, Haulotte, Ditch Runner, Menegotti, Morrison, Contec, Buddy, Crown, Edco, Wyco, Bomag, Laymor, EZ Trench, Bil-Jax, F.S. Curtis, Gehl Pavers, Heli, Honda, ICS/PowerGrit, IHI, Partner, Imer, Clipper, MMD, Koshin, Rice, CH&E, General Equipment, Amida, Coleman, NAC, Gradall, Square Shooter, Kent, Stanley, Tamco, Toku, Hatz, Kohler, Robin, Wisconsin, Northrock, Oztec, Toker TK, Rol-Air, APT, Wylie, Ingersoll Rand / Doosan, Innovatech, Con X, Ammann, Mecalac, Makinex, Smith Surface Prep, Small Line, Wanco, Yanmar