



PARTS MANUAL (ANSI, CE & KC)

VERTICAL MAST

MODELS **SJ12** **SJ16**

PARTS FINDER

**Search Website
by Part Number**



**Search Manual
Library For Parts
Manual & Lookup Part
Numbers – Purchase
or Request Quote**

Search Manuals

Enter your information to help us find the right parts manual for your machine.

* Brand:

* Model:

* Serial:

* Part Number:

SEARCH

**Can't Find Part or
Manual? Request Help
by Manufacturer,
Model & Description**

Parts Order Form

Please fill in the following information to help us find the right part for your machine.

| | |
|---------------|----------------------|
| Manufacturer: | <input type="text"/> |
| Model: | <input type="text"/> |
| Description: | <input type="text"/> |
| Part Number: | <input type="text"/> |
| Quantity: | <input type="text"/> |
| Notes: | <input type="text"/> |

Submit

Discount-Equipment.com is your online resource for quality parts & equipment.

Florida: **561-964-4949** Outside Florida TOLL FREE: **877-690-3101**

Need parts?

Click on this link: <http://www.discount-equipment.com/category/5443-parts/> and choose one of the options to help get the right parts and equipment you are looking for. Please have the machine model and serial number available in order to help us get you the correct parts. If you don't find the part on the website or on one of the online manuals, please fill out the request form and one of our experienced staff members will get back to you with a quote for the right part that your machine needs.

We sell worldwide for the brands: Genie, Terex, JLG, MultiQuip, Mikasa, Essick, Whiteman, Mayco, Toro Stone, Diamond Products, Generac Magnum, Airman, Haulotte, Barreto, Power Blanket, Nifty Lift, Atlas Copco, Chicago Pneumatic, Allmand, Miller Curber, Skyjack, Lull, Skytrak, Tsurumi, Husquvarna Target, Stow, Wacker, Sakai, Mi-T-M, Sullair, Basic, Dynapac, MBW, Weber, Bartell, Bennar Newman, Haulotte, Ditch Runner, Menegotti, Morrison, Contec, Buddy, Crown, Edco, Wyco, Bomag, Laymor, EZ Trench, Bil-Jax, F.S. Curtis, Gehl Pavers, Heli, Honda, ICS/PowerGrit, IHI, Partner, Imer, Clipper, MMD, Koshin, Rice, CH&E, General Equipment, Amida, Coleman, NAC, Gradall, Square Shooter, Kent, Stanley, Tamco, Toku, Hatz, Kohler, Robin, Wisconsin, Northrock, Oztec, Toker TK, Rol-Air, APT, Wylie, Ingersoll Rand / Doosan, Innovatech, Con X, Ammann, Mecalac, Makinex, Smith Surface Prep, Small Line, Wanco, Yanmar

This manual is based on Serial Numbers:

SJ 12 & SJ 16 14 002 154 to 14 005 752

Please refer to the website - www.discount-equipment.com for older Serial Numbers.

Go to Discount-Equipment.com to order your parts

Vertical Mast Series Parts Manual

General

The information contained in this section is designed to aid the user in locating and identifying replacement parts. Component parts of various assemblies and sub-assemblies comprising the work platform are illustrated and accompanied by a descriptive parts list. Exploded drawings are used to show relative location of component parts in disassembly order. If a part cannot be found in this section, order by work platform model number and serial number, giving a complete description of the part.

Parts Ordering Information

When ordering replacement parts, the complete part number and description should be used to ensure proper identification and delivery of the desired item. This complete identification should also be used when requesting equipment information.

Method of Listing

Parts are listed in order according to the reference number shown in the illustration, followed by a full description based upon the "NOUN FIRST" method. That is, the noun name of the part is listed first, then the modifying description information which serves to specifically identify the item. For example: PIN, Clevis. Assemblies or groups are shown at the beginning of a parts list and are identified with the letter references A, B, C, etc. Individual parts in these lists have corresponding letters after their description to identify which assembly or group it is used in. Individual parts without identifying letters are used in all the assemblies or group shown at the beginning of the parts list. Descriptions preceded with an (•) indicates a serviceable component or attaching hardware for the higher level assembly. If an index number initially starts with the letter "K", for

example "K1", means it's a kit. Any item(s) included in a kit will not have an index number.

Quantities (Units Per Assy.)

The quantities of each part that are required to complete the assembly. If quantity is (AR), it is understood that the quantity may vary when machine is equipped with certain options. Order quantity as needed.

Hardware

Standard screws, washers, nuts, etc. are not identified by a reference number. These parts are known as COMMON HARDWARE items and appear indented under the major items with which they are used. They should be ordered separately as listed, since they are not component parts of the pieces they attach to.

How to Order Repair Parts

1. Address all orders to Discount-equipment.
2. Specify model and serial number of the work platform (found on the serial number plate).
3. List the quantity needed.
4. List the length needed (if bulk item).
5. List the part number and description as shown in this manual for each item.
6. Show billing and shipping address and name of individual if possible.
7. Suggest best routing.

CUSTOMER _____

DEALER _____

MODEL NUMBER _____

SERIAL NUMBER _____

DATE PURCHASED _____

Table of Contents

1.0 PLATFORM RELATED PARTS

| | |
|---|----|
| 1.1 Chain Entrance Assembly | 8 |
| 1.2 Lower Platform Assembly..... | 9 |
| 1.3 Upper Platform Assembly | 10 |
| 1.4 Railing Assembly | 12 |
| 1.5 Gate Assembly | 13 |
| 1.6 Saloon Gate Attachment | 15 |
| 1.7 Platform Control Console Assembly | 16 |
| 1.8 Controller Assembly | 18 |
| 1.9 Platform Limit Switch Assembly | 20 |
| 1.10 Platform Control Cable Assembly | 22 |

2.0 MAST RELATED PARTS (SJ12)

| | |
|--|----|
| 2.1 Mast 1 Assembly (SJ12)..... | 24 |
| 2.2 Mast 2 Assembly (SJ12)..... | 26 |
| 2.3 Mast 3 Assembly (SJ12)..... | 28 |
| 2.4 Mast 4 Assembly (SJ12)..... | 30 |
| 2.5 Chain Assembly (SJ12)..... | 32 |
| 2.6 Mast Lift Cylinder Assembly (SJ12) | 33 |
| 2.7 Lift Cylinder (SJ12) | 34 |
| 2.8 Mast Electrical Assembly (SJ12)..... | 36 |

3.0 MAST RELATED PARTS (SJ16)

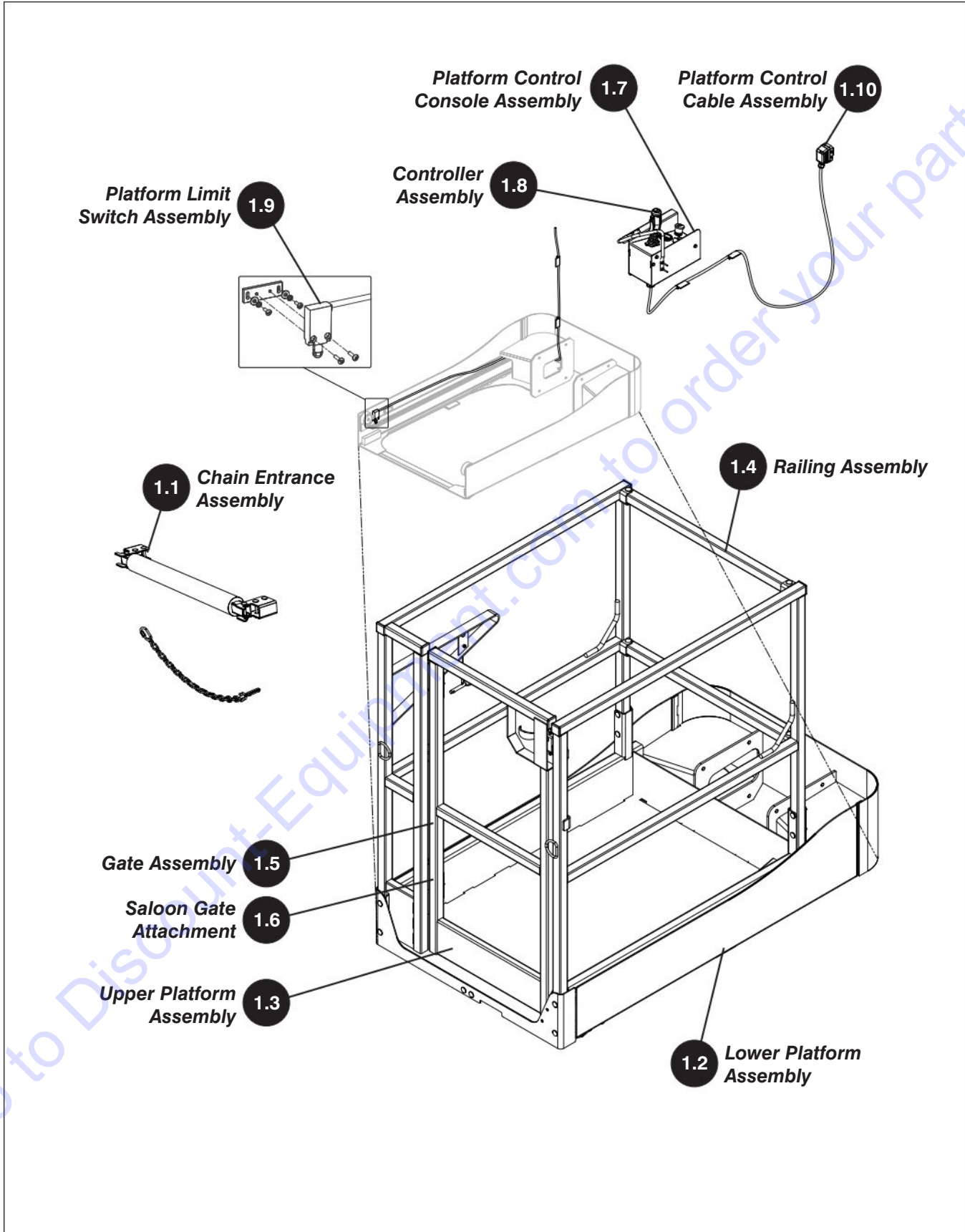
| | |
|--|----|
| 3.1 Mast 1 Assembly (SJ16)..... | 40 |
| 3.2 Mast 2 Assembly (SJ16)..... | 42 |
| 3.3 Mast 3 Assembly (SJ16)..... | 44 |
| 3.4 Mast 4 Assembly (SJ16)..... | 46 |
| 3.5 Mast 5 Assembly (SJ16)..... | 48 |
| 3.6 Chain Assembly (SJ16)..... | 50 |
| 3.7 Mast Lift Cylinder Assembly (SJ16) | 51 |
| 3.8 Lift Cylinder (SJ16) | 52 |
| 3.9 Mast Electrical Assembly (SJ16)..... | 54 |

4.0 BASE RELATED PARTS

| | |
|--|----|
| 4.1 Base Cover Assembly | 58 |
| 4.2 Base Assembly | 60 |
| 4.3 Pothole Protection Assembly | 62 |
| 4.4 Pothole Cylinder Assembly | 64 |
| 4.5 Clevis Assembly | 65 |
| 4.6 Brake Manifold Assembly..... | 67 |
| 4.7 Main Manifold Assembly | 68 |
| 4.8 Drive and Steer Assembly | 70 |
| 4.9 Steer Cylinder Assembly | 72 |
| 4.10 Wheel Motor and Brake Assembly..... | 73 |
| 4.11 Powerpack Assembly | 74 |
| 4.12 Battery Charger Assembly | 75 |
| 4.13 Base Electrical Components..... | 76 |
| 4.14 Hydraulic Hose Connections | 78 |
| 4.15 Base Control Centre Assembly | 80 |

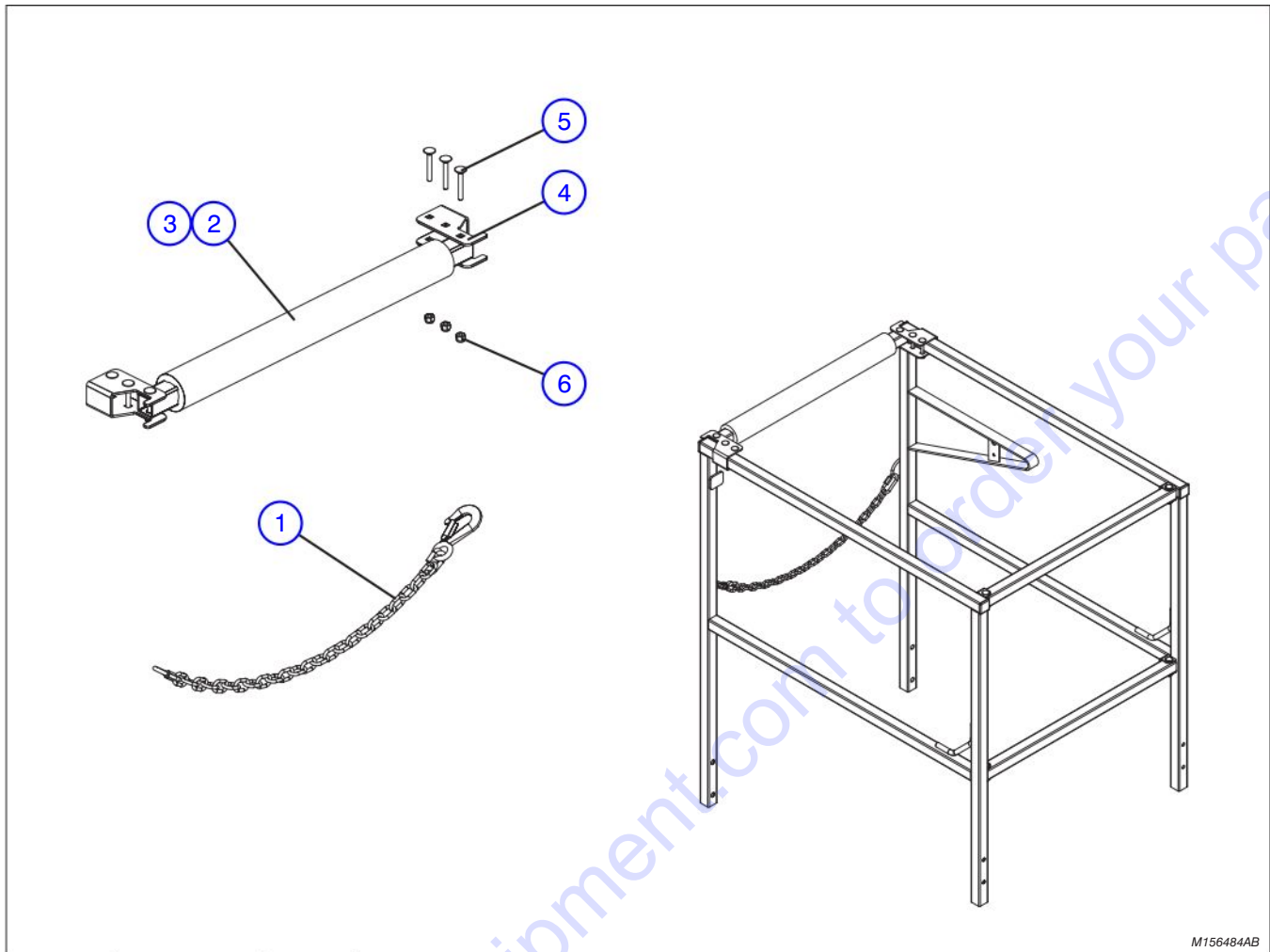
Table of Contents

| | |
|--|-----|
| 4.16 Terminal Strip Assembly..... | 82 |
| 4.17 Circuit Breaker and Horn Assembly..... | 83 |
| 4.18 Main Harness Assembly..... | 84 |
| 4.19 Battery Assembly..... | 86 |
| 4.19 Battery Assembly..... | 87 |
| 4.20 Wheel Assembly..... | 88 |
| 5.0 ATTACHMENTS & OPTIONS | |
| 5.1 Pipe Rack Attachment..... | 90 |
| 5.1 Pipe Rack Attachment..... | 91 |
| 5.3 Tube Caddy Attachment..... | 93 |
| 5.4 Flashing Light Option..... | 94 |
| 5.5 Biodegradable Hydraulic Oil Option..... | 95 |
| 5.6 Charger/Inverter Option..... | 96 |
| 5.7 Aluminum Control Box Guard Option..... | 97 |
| 6.0 LABELS | |
| 6.1 Label Kit..... | 99 |
| 6.2 Labels - Vertical Mast (Rear View)..... | 100 |
| 6.3 Labels - Vertical Mast (Left View)..... | 101 |
| 6.4 Labels - Vertical Mast (Front View)..... | 102 |
| 6.5 Labels - Vertical Mast (Right View)..... | 103 |
| 6.6 Labels - Platform Control Console..... | 104 |
| 6.7 Labels - Vertical Mast (Base View)..... | 105 |
| 7.0 TABLES | |
| 7.1 Standard Hose Numbering System..... | 108 |
| 7.2 Vertical Mast Fluids Table..... | 110 |



1.1 Chain Entrance Assembly

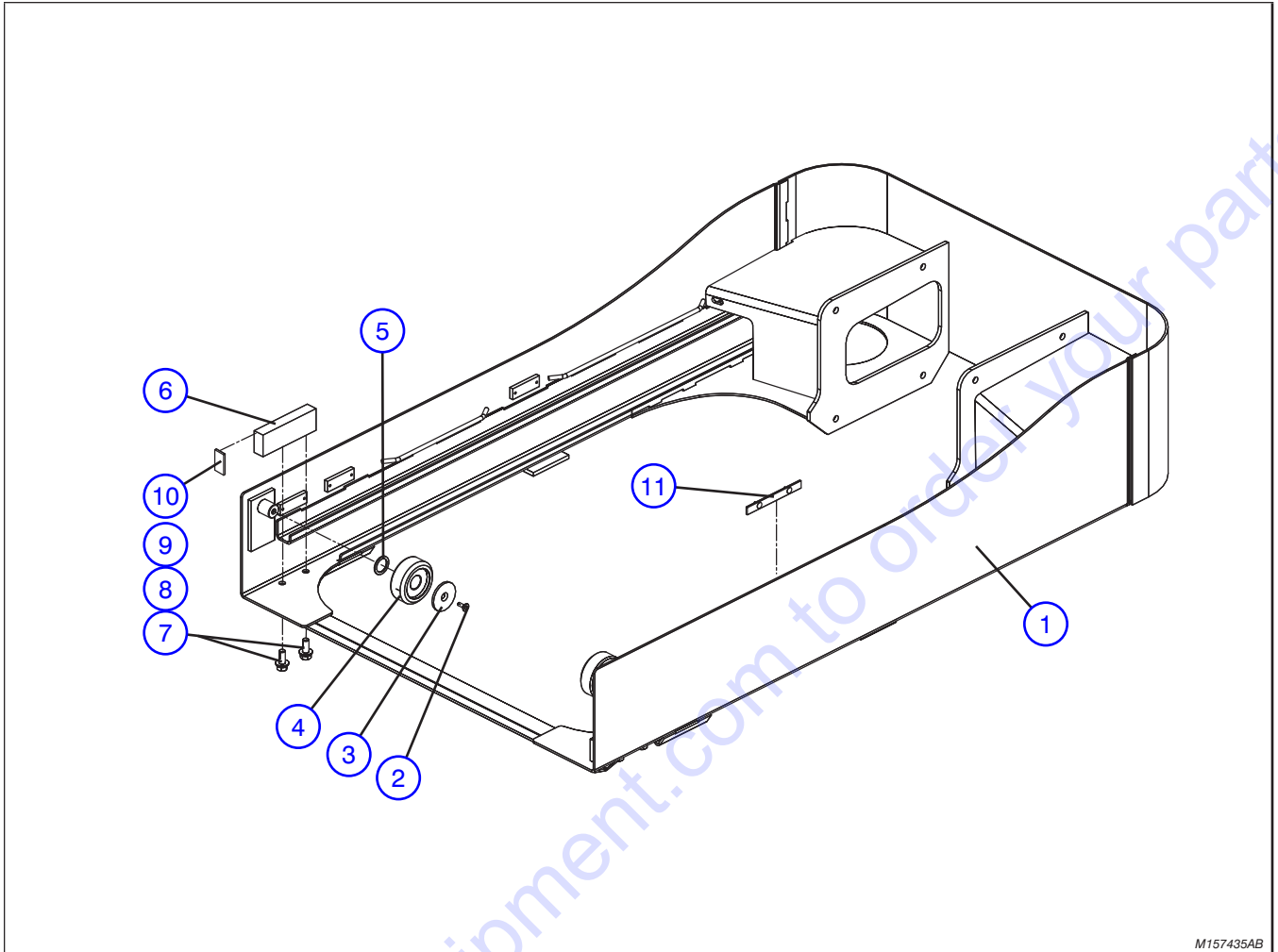
AB



M156484AB

| Index No. | Skyjack Part No. | Qty. | Description |
|-----------|------------------|------|--|
| - | 156484 | - | NOTE: Part Numbers followed by a "DG" indicate dark grey painted parts. CHAIN ENTRANCE ASSEMBLY (ANSI/CSA) |
| 1 | 167219 | 1 | • ASSEMBLY, Chain entrance with mesh cover |
| - | 106893 | 1 | • • ASSEMBLY, Entry chain |
| - | 166761 | 1 | • • COVR, Entrance chain mesh |
| 2 | 151478 | 1 | • TUBE, Railing (Center) |
| 3 | 125691 | 1 | • PADDING, Tube |
| 4 | 156486 | 2 | • MOUNT, Top rail |
| 5 | 127437 | 6 | • BOLT, Carriage (5/16"-18 x 2", Grade 5) |
| 6 | 103984 | 6 | • NUT, Hex nylon lock (5/16"-18, Grade 5) |

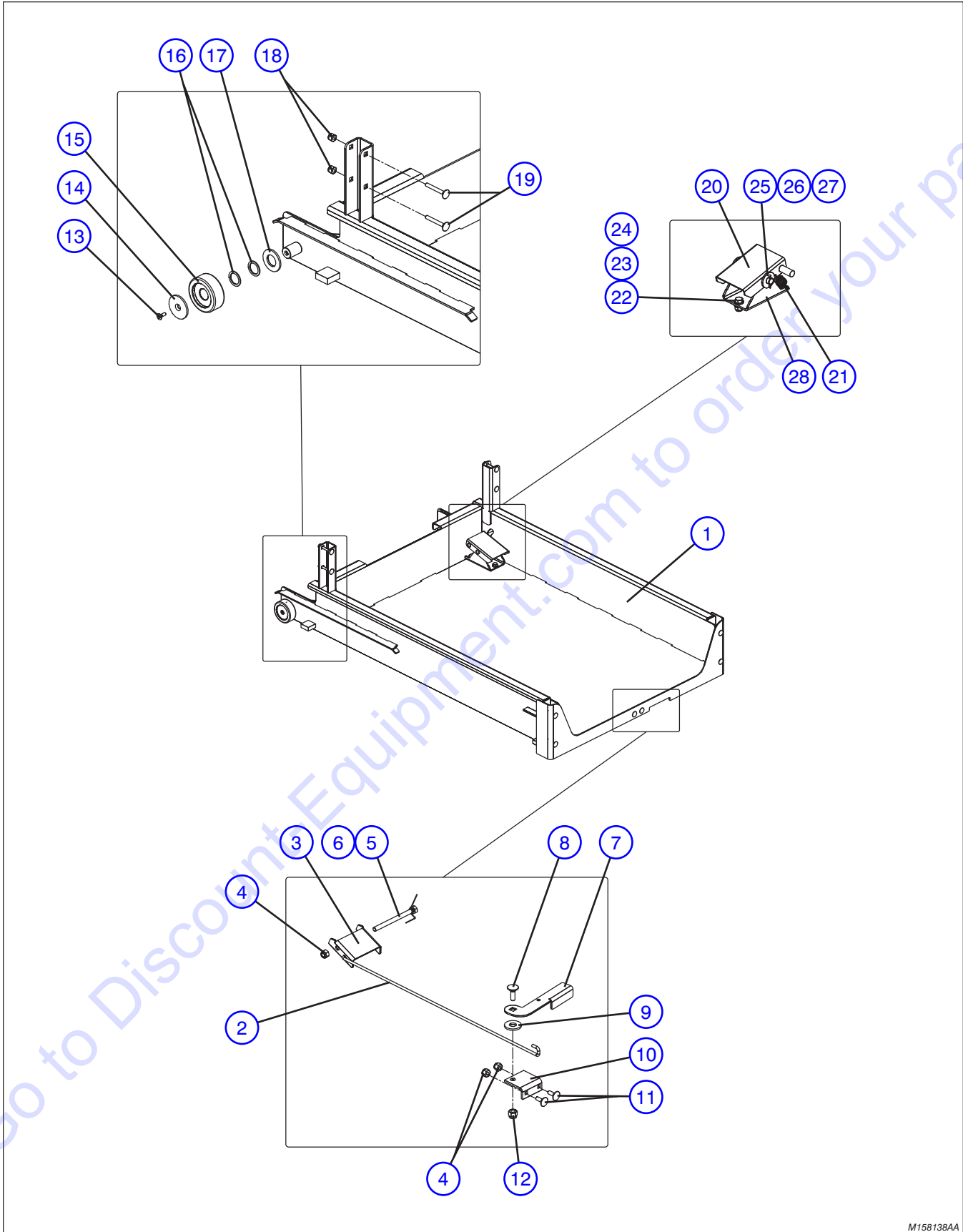
1.2 Lower Platform Assembly



M157435AB

| Index No. | Skyjack Part No. | Qty. | Description |
|-----------|------------------|------|---|
| - | 157435 | 1 | NOTE: Part Numbers followed by a "DG" indicate dark grey painted parts. LOWER PLATFORM ASSEMBLY |
| 1 | 157434 | 1 | • WELDMENT, Lower platform |
| 2 | 110853 | 2 | • SCREW, Flat head cap (1/4"-20 x 5/8", Grade 5) |
| 3 | 151650 | 2 | • RETAINER, Washer |
| 4 | 151677 | 2 | • ROLLER (2.75" OD x 7/8" ID x 1.051") |
| 5 | 116621 | 2 | • SHIM (0.063") |
| 6 | 156847 | 2 | • BAR, Platform stop |
| 7 | 103473 | 4 | • BOLT, Hex head (3/8"-16 x 1", Grade 5) |
| 8 | 103999 | 4 | • WASHER, Lock (3/8") |
| 9 | 103472 | 4 | • WASHER, Flat (3/8") |
| 10 | 158841 | 2 | • POLYURETHANE, Adhesive (1.5" x 3/4" x 1/8) |
| 11 | 151671 | 1 | BLOCKER PLATE ASSEMBLY (16 in. extension platform) |
| - | 151670 | 1 | • PLATE |
| - | 119945 | 2 | • RIVET, Pop |

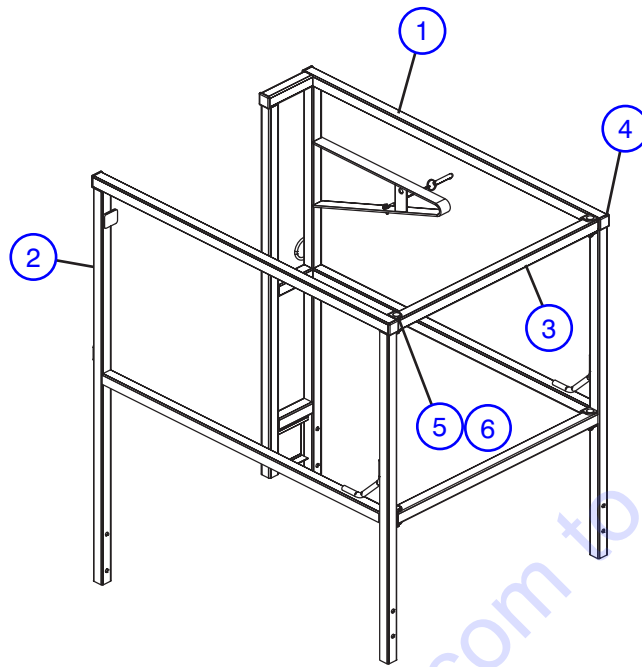
1.3 Upper Platform Assembly



M158138AA

1.3 Upper Platform Assembly

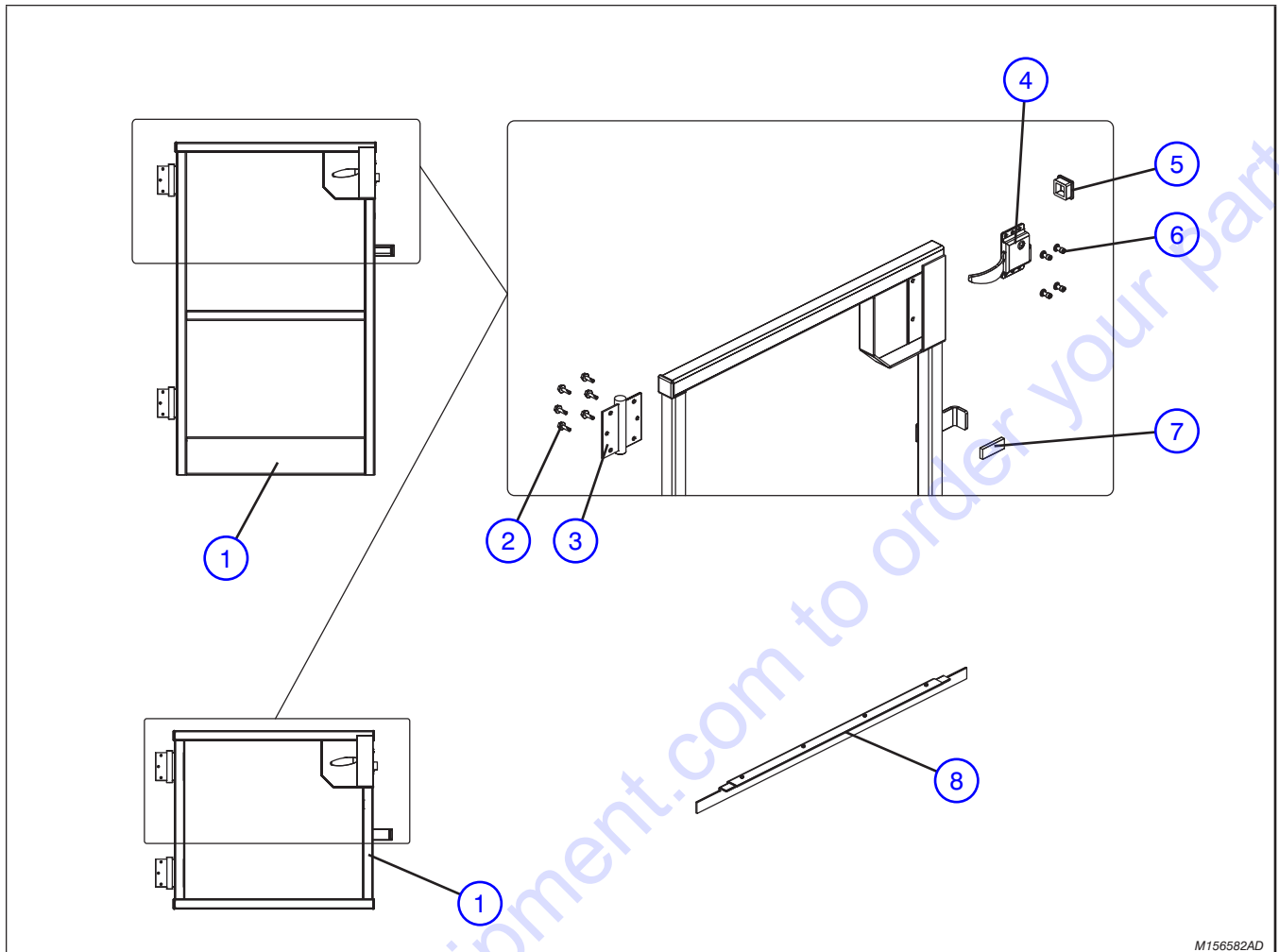
| Index No. | Skyjack Part No. | Qty. | Description |
|-----------|------------------|------|--|
| | | | NOTE: Part Numbers followed by a "DG" indicate dark grey painted parts. |
| A | 158110 | 1 | UPPER PLATFORM ASSEMBLY (16 in. extension) (CE & KC) |
| B | 158138 | 1 | UPPER PLATFORM ASSEMBLY (20 in. extension) (ANSI/CSA) |
| 1 | 157341 | 1 | • WELDMENT, Platform |
| - | 151668 | 1 | • SERVICE LOCK ASSEMBLY, A |
| - | 151672 | 1 | • SERVICE LOCK ASSEMBLY, B |
| 2 | 151623 | 1 | • • ROD, A |
| | 151621 | 1 | • • ROD, B |
| 3 | 151620 | 1 | • • STRIKER |
| 4 | 103984 | 3 | • • NUT, Hex nylon lock (5/16"-18, Grade 5) |
| 5 | 103882 | 1 | • • BOLT, Hex head (5/16"-18 x 4", Grade 5) |
| 6 | 156551 | 1 | • • SPRING |
| 7 | 151619 | 1 | • • HANDLE |
| 8 | 111804 | 1 | • • BOLT, Carriage (3/8"-16 x 1", Grade 5) |
| 9 | 103468 | 1 | • • WASHER, Flat (1/2" SAE AA) |
| 10 | 151618 | 1 | • • MOUNT |
| 11 | 110814 | 2 | • • BOLT, Carriage (5/16"-18 x 3/4", Grade 5) |
| 12 | 104606 | 1 | • • NUT, Hex nylon lock (3/8"-16, Grade 5) |
| 13 | 110853 | 2 | • SCREW, Flat head cap (1/4"-20 x 5/8", Grade 5) |
| 14 | 151650 | 2 | • RETAINER, Washer |
| 15 | 151677 | 2 | • ROLLER (2.75" OD x 7/8" ID x 1.051") |
| 16 | 116621 | 4 | • SHIM (0.063") |
| 17 | 131953 | 2 | • WASHER, Flat (7/8") |
| 18 | 103984 | 8 | • NUT, Hex nylon lock (5/16"-18, Grade 5) |
| 19 | 127437 | 8 | • BOLT, Carriage (5/16"-18 x 2", Grade 5) |
| - | 151563 | 1 | • FOOT PEDAL ASSEMBLY |
| 20 | 158370 | 1 | • • WELDMENT, Foot pedal |
| 21 | 158100 | 1 | • • SPRING |
| 22 | 103887 | 1 | • • BOLT, Hex head (5/16"-18 x 3/4", Grade 5) |
| 23 | 103996 | 2 | • • WASHER, Flat (5/16") |
| 24 | 103984 | 1 | • • NUT, Hex head lock (5/16"-18, Grade 5) |
| 25 | 157441 | 1 | • • PIN, Clevis (1/2" x 3.5") |
| 26 | 157467 | 1 | • • PIN, Cotter |
| 27 | 103468 | 2 | • • WASHER, Flat (1/2") |
| 28 | 151525 | 1 | • • BASE, Foot pedal |



M156578AC

| Index No. | Skyjack Part No. | Qty. | Description |
|-----------|------------------|------|---|
| - | 156578 | - | <p>NOTE: Part Numbers followed by a "DG" indicate dark grey painted parts.</p> <p>RAILING ASSEMBLY</p> |
| 1 | 158831 | 1 | <ul style="list-style-type: none"> • ASSEMBLY, Narrow entrance rails |
| 2 | 151540 | 1 | <ul style="list-style-type: none"> • WELDMENT, Railing (Left hand) |
| 3 | 151478 | 2 | <ul style="list-style-type: none"> • TUBE, Railing (Center) |
| 4 | 100702 | 5 | <ul style="list-style-type: none"> • END CAP, Plastic |
| 5 | 127437 | 4 | <ul style="list-style-type: none"> • BOLT, Carriage (5/16"-18 x 2", Grade 5) |
| 6 | 103984 | 4 | <ul style="list-style-type: none"> • NUT, Hex nylon lock (5/16"-18, Grade 5) |

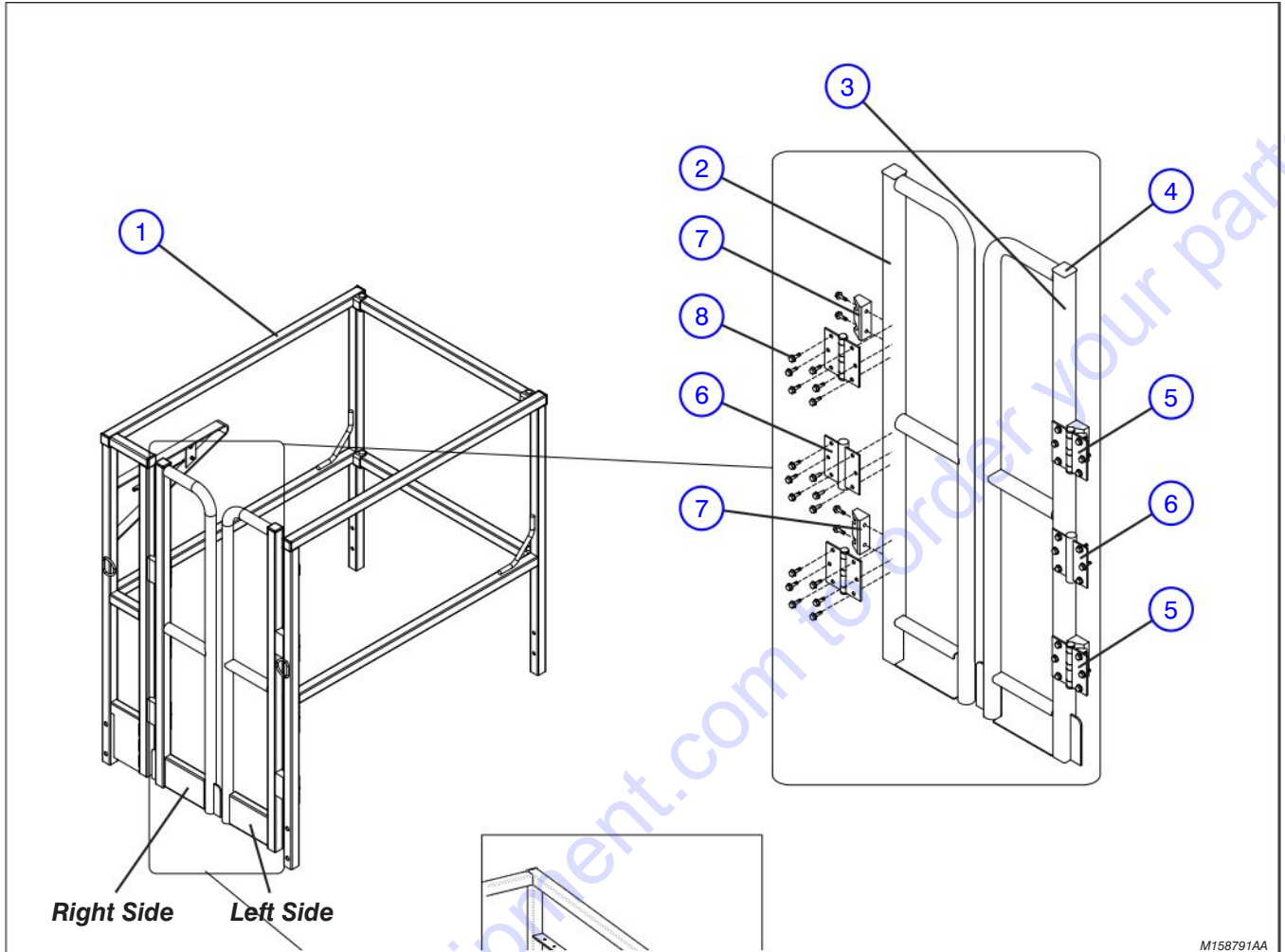
1.5 Gate Assembly



M156582AD

| Index No. | Skyjack Part No. | Qty. | Description |
|-----------|------------------|------|--|
| A | 156582 | 1 | NOTE: Part Numbers followed by a "DG" indicate dark grey painted parts. GATE ASSEMBLY (Full gate) (CE & KC) |
| B | 156814 | 1 | GATE ASSEMBLY (Half gate) (ANSI/CSA) |
| 1 | 156583 | 1 | • WELDMENT, Gate, A |
| | 156815 | 1 | • WELDMENT, Gate, B |
| 2 | 103632 | 12 | • SCREW, Hex head self tapping (1/4"-14 x 3/4") |
| 3 | 117277 | 2 | • HINGE, Spring |
| 4 | 138695 | 1 | • LOCK, Gate |
| 5 | 100702 | 2 | • CAP, Plastic end |
| 6 | 139641 | 4 | • RIVET, Pop (1/4") |
| 7 | 125577 | 1 | • BUMPER |
| 8 | 156487 | 1 | GATE SWEEP ASSEMBLY, A (CE) |
| | 158829 | 1 | FIELD KIT, FULL GATE INSTALLATION (ANSI/CSA) |
| | 159384 | 1 | FIELD KIT, FULL GATE INSTALLATION (CE & KC) |
| | 158830 | 1 | FIELD KIT, HALF GATE INSTALLATION (ANSI/CSA) |

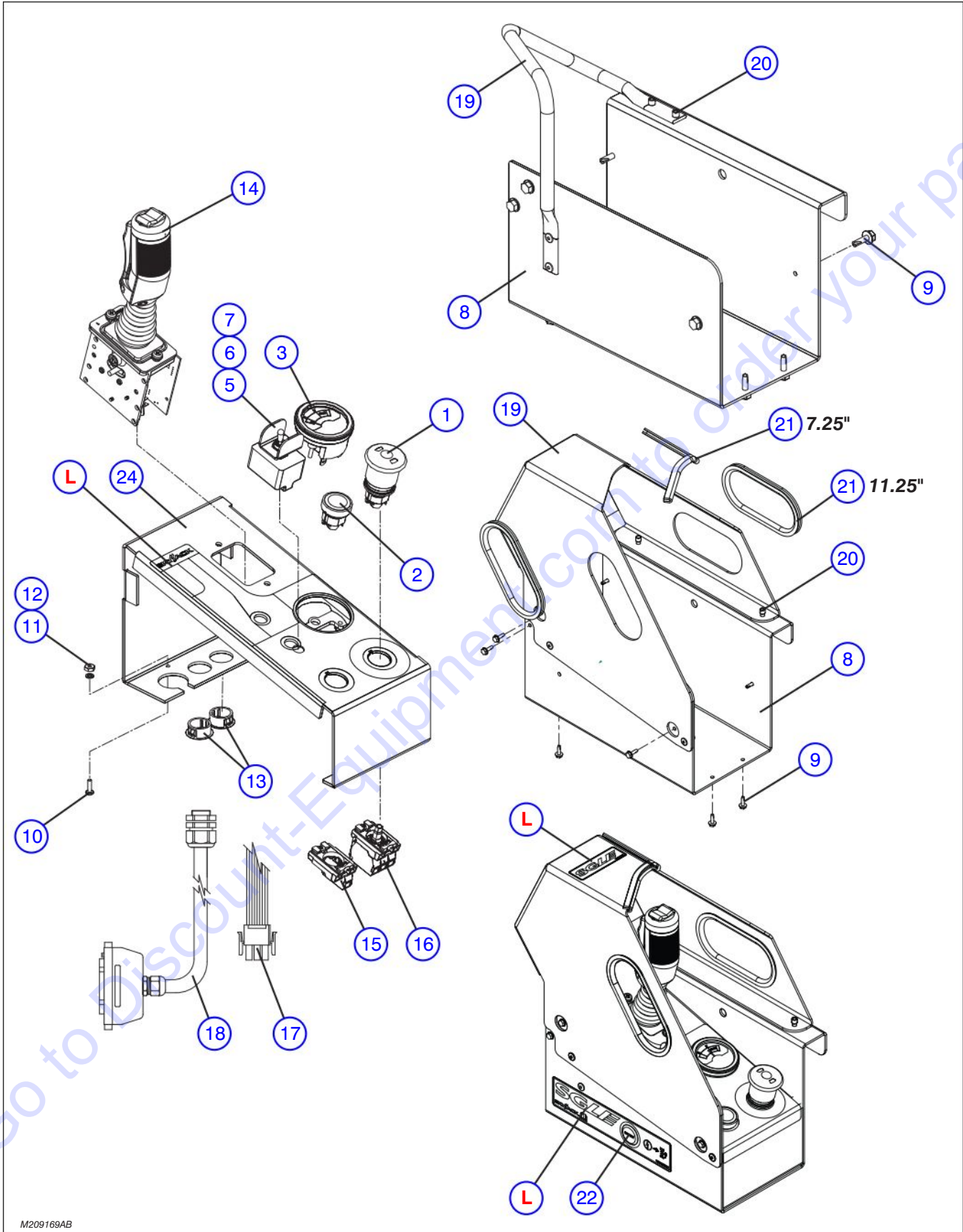
1.6 Saloon Gate Attachment



M158791AA

| Index No. | Skyjack Part No. | Qty. | Description |
|-----------|------------------|--------|--|
| | | | NOTE: Part Numbers followed by a "DG" indicate dark grey painted parts. |
| - | 158791 | - | SALOON GATE ASSEMBLY |
| 1 | 156578 | (Ref.) | • RAILING ASSEMBLY (Narrow Entrance) (For components, refer to Section 1.4) |
| - | 158790 | 1 | • SALOON GATE ASSEMBLY |
| 2 | 158793 | 1 | • • WELDMENT, Saloon gate (Left side) |
| 3 | 158792 | 1 | • • WELDMENT, Saloon gate (Right side - Control box side) |
| 4 | 100702 | 2 | • • CAP, Plastic end |
| 5 | 158823 | 4 | • • HINGE, 5 Knuckle CB |
| 6 | 117277 | 2 | • • HINGE, Spring |
| 7 | 158811 | 4 | • • STOP, Saloon gate |
| 8 | 103632 | 44 | • • SCREW, Hex head self tapping (1/4"-14 x 3/4") |
| | 158828 | 1 | FIELD KIT, SALOON GATE INSTALLATION |

1.7 Platform Control Console Assembly

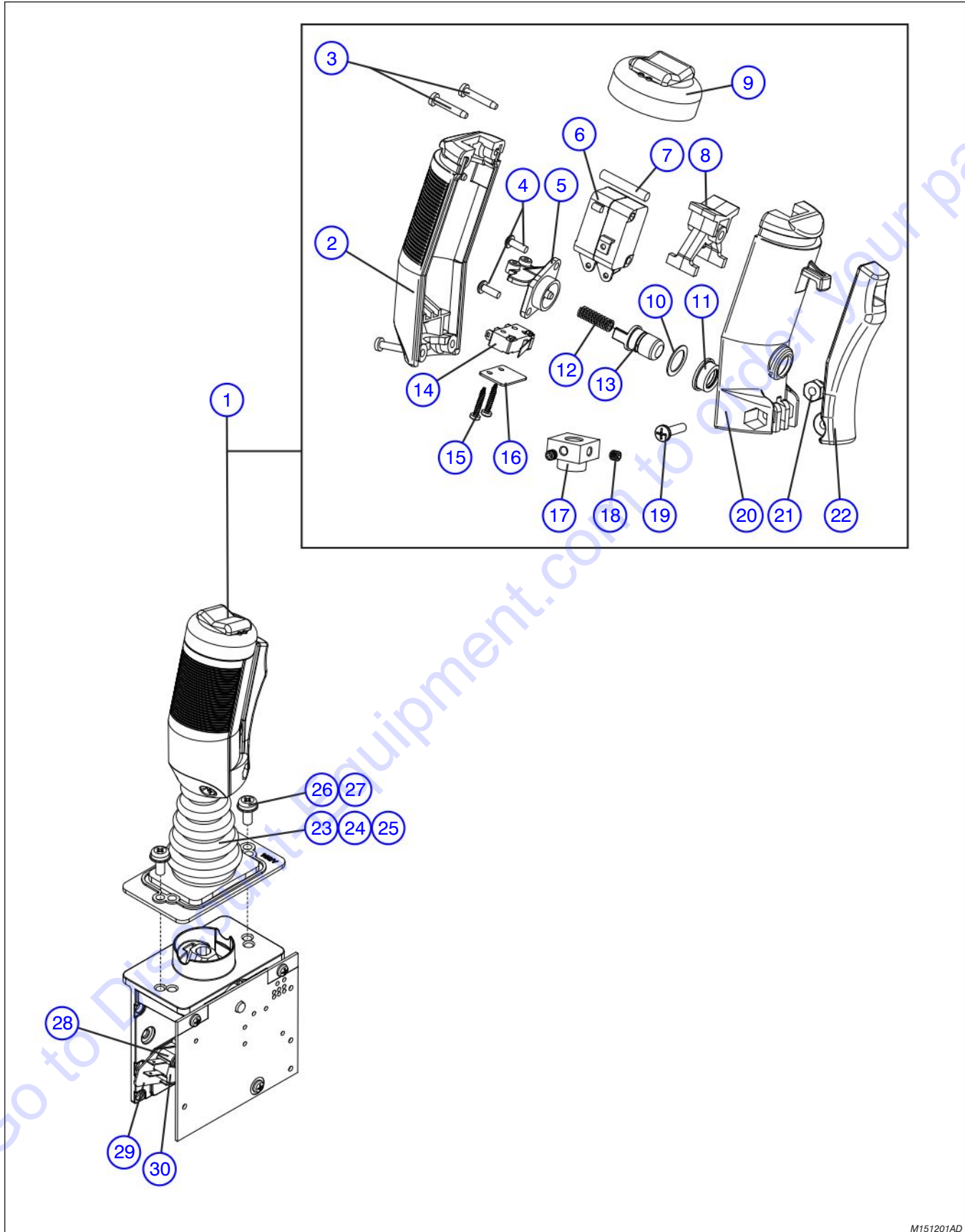


M209169AB

1.7 Platform Control Console Assembly

| Index No. | Skyjack Part No. | Qty. | Description |
|-----------|------------------|------|--|
| | | | NOTE: Part Numbers followed by a "DG" indicate dark grey painted parts. |
| A | 209169 | - | CONTROL CONSOLE |
| B | 161747 | - | CONTROL CONSOLE, ALUMINUM GUARD |
| C | 232755 | - | CONTROL CONSOLE, ALUMINUM GUARD - SGLE |
| - | 151469 | 1 | • CONTROL BOX |
| 1 | 147051 | 1 | • • HEAD, Emergency stop |
| 2 | 147058 | 1 | • • HEAD, Pushbutton (Horn) |
| 3 | 122093 | 1 | • • INDICATOR, Battery charge |
| 4 | 156884 | 1 | • • PLATE, Control Box (Top) |
| 5 | 111181 | 1 | • • GUARD, Switch |
| 6 | 144016 | 1 | • • SEAL, Bushing |
| 7 | 116382 | 1 | • • SWITCH, Toggle, 4NT1-1 |
| 8 | 160355 | 1 | • PLATE, Control Box, A |
| | 147372 | 1 | • PLATE, Control Box, B, C |
| 9 | 103632 | 9 | • SCREW, Hex head self tapping (1/4"-14 x 3/4") |
| 10 | 103957 | 1 | • SCREW, Round head machine (#8-32 x 1/2") |
| 11 | 112249 | 1 | • WASHER, Lock (#8) |
| 12 | 103986 | 1 | • NUT, Hex head (#8-32) |
| 13 | 102956 | 2 | • PLUG (7/8") |
| 14 | (Ref.) | - | • CONTROLLER ASSEMBLY (For components, refer to Section 1.8) |
| | 151467 | 1 | • WIRING, Control box |
| | 156553 | 1 | • • WIRING, Sub-Assy Control box |
| 15 | - | - | • • • SWITCH, Horn |
| | 147056 | 1 | • • • • LATCH |
| | 147054 | 1 | • • • • BLOCK, Contact (N.O.) |
| 16 | - | - | • • • • SWITCH, Emergency stop |
| | 147056 | 1 | • • • • • LATCH |
| | 147053 | 2 | • • • • • BLOCK, Contact (N.C.) |
| | 147061 | 1 | • • • • • LED BLOCK, 24V (Red) |
| 17 | 116993 | - | • • • • HOUSING, Male connector (9 pin) |
| 18 | (Ref.) | 1 | • • CONTROL CABLE ASSEMBLY (16 pin) (For components, refer to Section 1.10) |
| 19 | 160262 | 1 | • TUBE, Control Box, A |
| | 161240 | 1 | • PLATE, Guard - Control Box, B, C |
| 20 | 157759 | AR | • RIVET, Pop - 0.188" x 0.565" STL SM FLG DM HD O-END |
| 21 | 194731 | 30" | • EDGE MOLDING, Control Box, B, C |
| 22 | 220498 | 1 | • PUSHBUTTON, SGLE, B, C |
| 23 | 220559 | 1 | • INSTRUCTIONS, SGLE Install (Not shown), B, C |
| 24 | 156923 | 1 | • PLATE, Control Box - Top |
| L | (Ref.) | 1 | • LABELS (For components, refer to Section 6.6) |

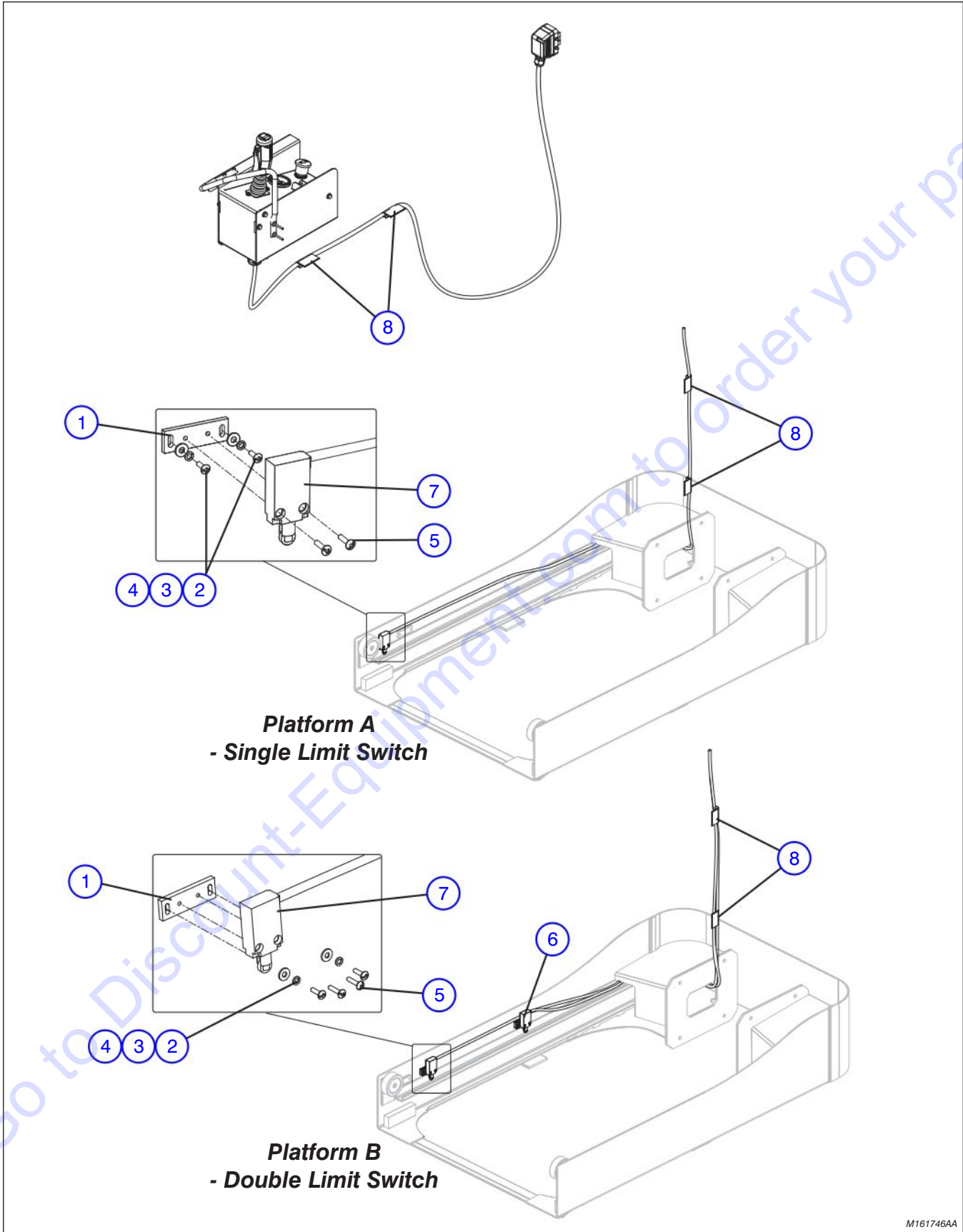
1.8 Controller Assembly



M151201AD

| Index No. | Skyjack Part No. | Qty. | Description |
|-----------|------------------|------|--|
| | | | NOTE: Part Numbers followed by a "DG" indicate dark grey painted parts. |
| - | 159111 | 1 | CONTROLLER ASSEMBLY |
| 1 | 159055 | 1 | • HANDLE ASSEMBLY |
| 2 | 159057 | 1 | • • HANDLE, Front half |
| 3 | 122879 | 4 | • • SCREW, Controller handle |
| 4 | 159065 | 2 | • • SCREW, Plastite (#4-20 x 5/16") |
| 5 | 159060 | 1 | • • HOLDER, Micro switch |
| 6 | 159613 | 1 | • • ROCKER MICRO ASSEMBLY |
| 7 | 141341 | 1 | • • AXLE, Rocker |
| 8 | 154717 | 1 | • • ROCKER |
| 9 | 122874 | 1 | • • CAP, Rubber |
| 10 | 159063 | 1 | • • WASHER |
| 11 | 159062 | 1 | • • BOOT, Plunger switch |
| 12 | 159064 | 1 | • • SPRING |
| 13 | 159061 | 1 | • • SWITCH, Plunger |
| 14 | 159067 | 1 | • • SWITCH, Lever micro |
| 15 | 159066 | 2 | • • SCREW, Plastite (#2-28 x 1/2") |
| 16 | 159068 | 1 | • • INSULATOR, Micro |
| 17 | 122961 | 1 | • • COUPLING (8mm) |
| 18 | 122960 | 2 | • • SCREW, Set |
| 19 | 154718 | 1 | • • SCREW (#6-32 x 5/8") |
| 20 | 159058 | 1 | • • HANDLE, Back half |
| 21 | 122964 | 1 | • • NUT, Controller lever |
| 22 | 159059 | 1 | • • LEVER, Trigger |
| 23 | 127179 | 1 | • BOOT & GASKET |
| 24 | 159615 | 1 | • WASHER |
| 25 | 159616 | 1 | • E-CLIP |
| 26 | 122846 | 1 | • SCREW |
| 27 | 122847 | 1 | • WASHER |
| 28 | 147313 | 1 | • SCREW |
| 29 | 159618 | 1 | • MICROINSULATOR |
| 30 | 122869 | 1 | • SWITCH, Micro |

1.9 Platform Limit Switch Assembly



M161746AA

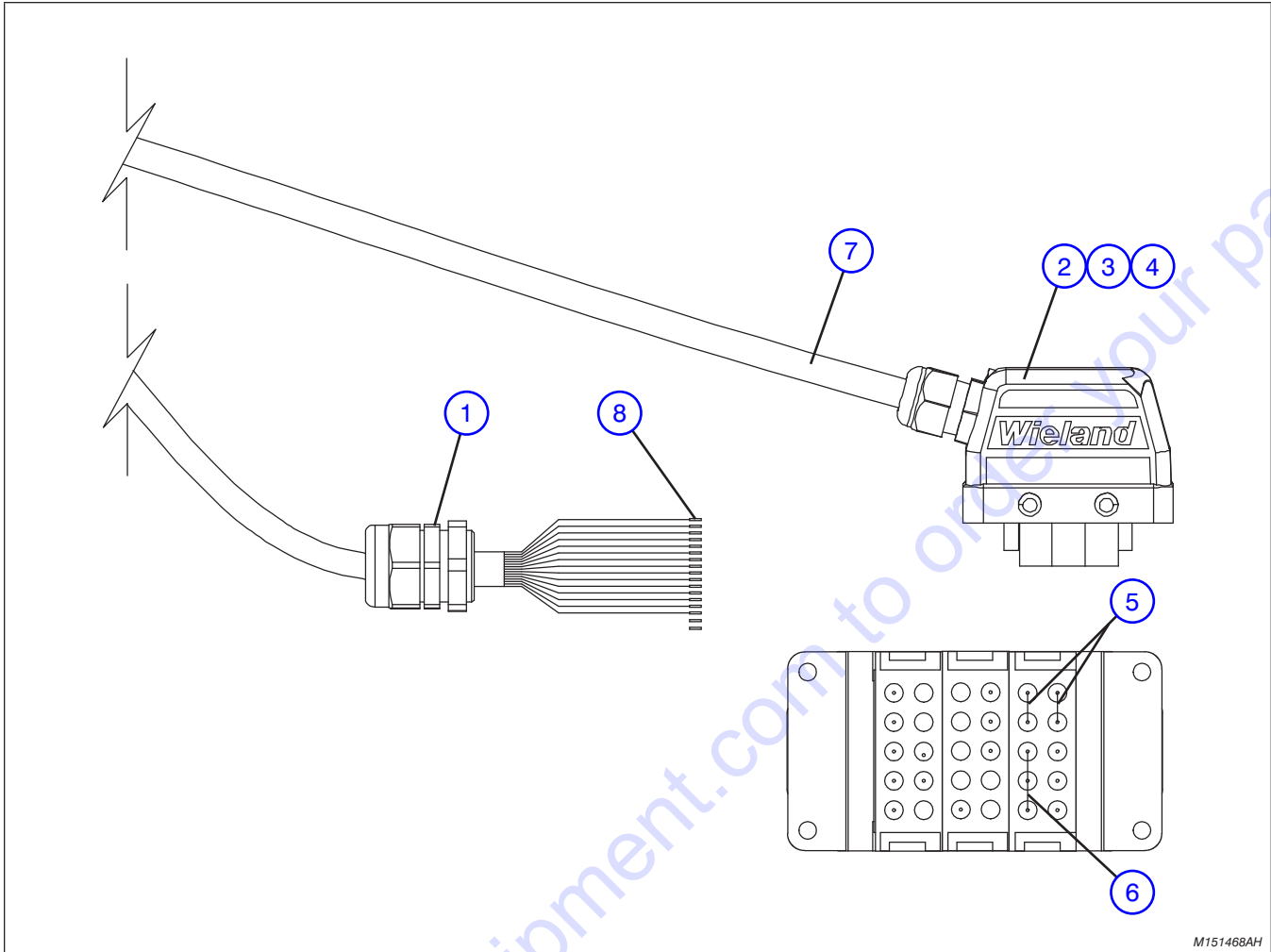
1.9 Platform Limit Switch Assembly

| Index No. | Skyjack Part No. | Qty. | Description |
|-----------|------------------|------|---|
| | | | NOTE: Part Numbers followed by a "DG" indicate dark grey painted parts. |
| A | - | - | PLATFORM LIMIT SWITCH ASSEMBLY (ANSI/CSA, 20" traversing platform) |
| B | - | - | PLATFORM LIMIT SWITCH ASSEMBLY (CE & KC, 16" traversing platform) |
| 1 | 156497 | 1 | • BLOCK, Mounting, A |
| | 156497 | 2 | • BLOCK, Mounting, B |
| 2 | 103957 | 2 | • SCREW, Round head machine (#8-32 x 1/2"), A |
| | | 4 | • SCREW, Round head machine (#8-32 x 1/2"), B |
| 3 | 112249 | 2 | • WASHER, Lock (#8), A |
| | | 4 | • WASHER, Lock (#8), B |
| 4 | 103991 | 2 | • WASHER, Flat (#8), A |
| | | 4 | • WASHER, Flat (#8), B |
| 5 | 116192 | 2 | • SCREW, Round head machine (#8-32 x 5/8"), A |
| | | 4 | • SCREW, Round head machine (#8-32 x 5/8"), B |
| 6 | 156522 | 1 | • LIMIT SWITCH ASSEMBLY, B |
| | 156523 | 1 | • LIMIT SWITCH ASSEMBLY |
| 8 | 108791 | 4 | • CORD CLIP, Adhesive back |

Go to Discount-Equipment.com to order your parts

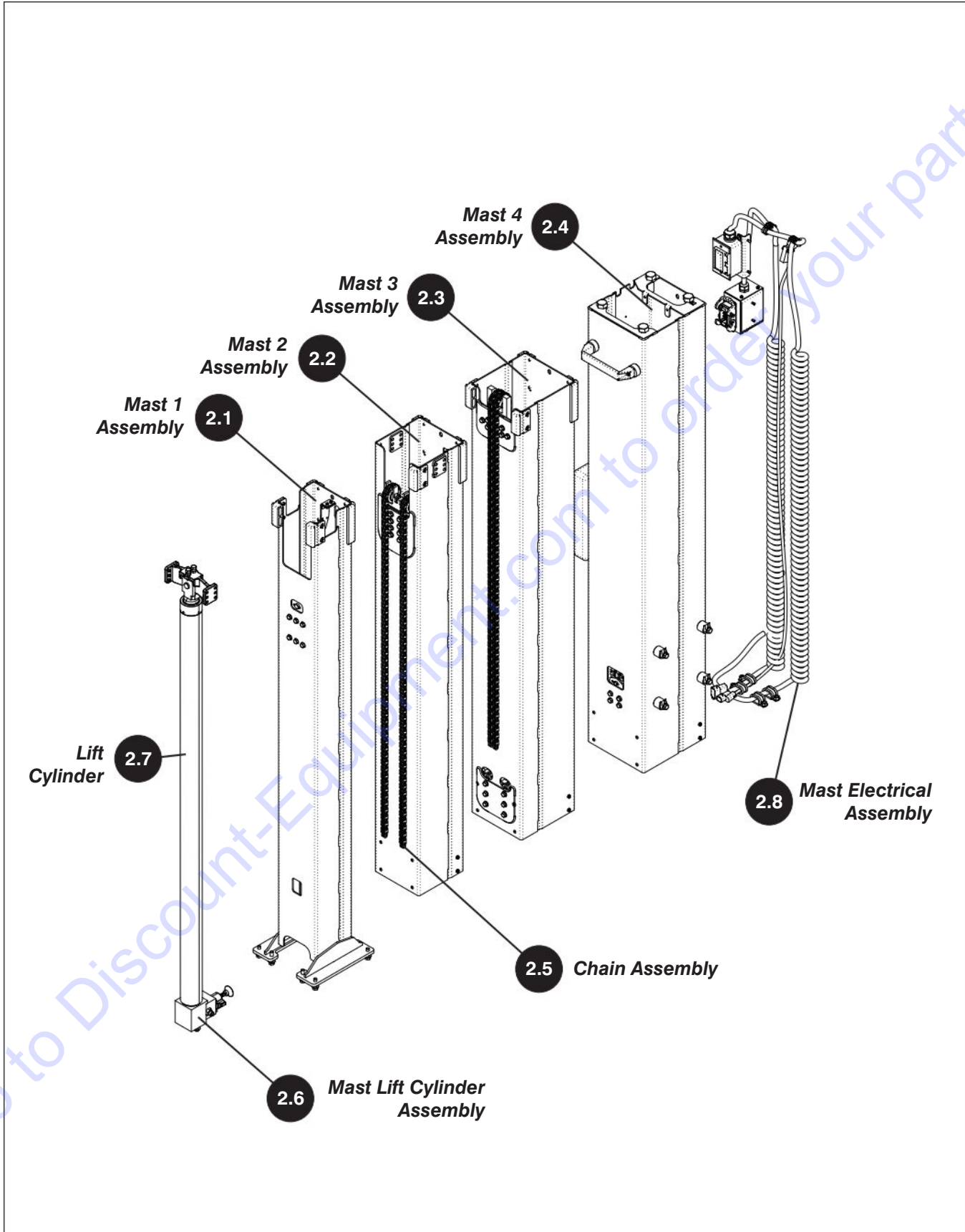
1.10 Platform Control Cable Assembly

AE

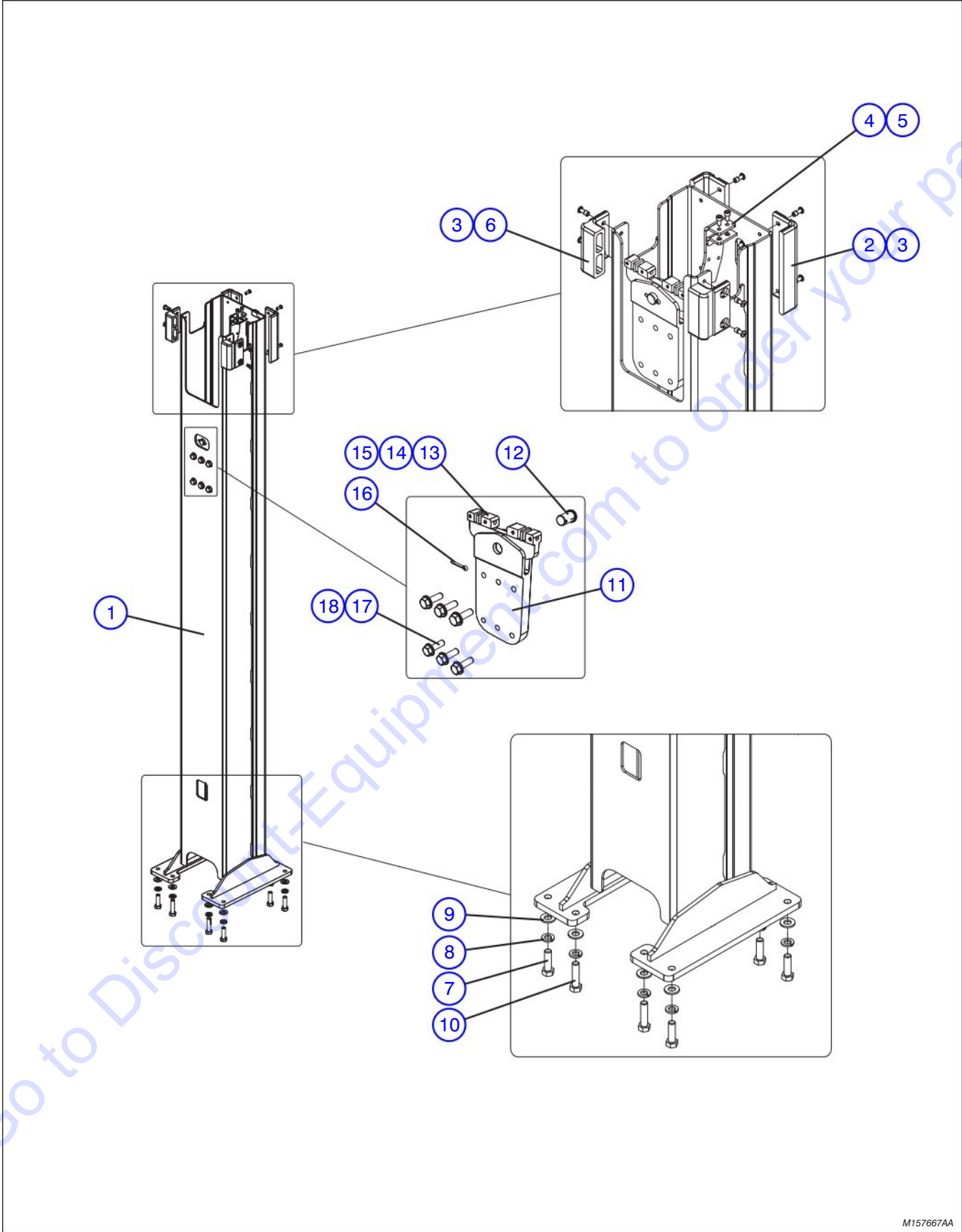


M151468AH

| Index No. | Skyjack Part No. | Qty. | Description |
|-----------|------------------|------|--|
| | | | NOTE: Part Numbers followed by a "DG" indicate dark grey painted parts. |
| - | 151468 | 1 | PLATFORM CONTROL CABLE ASSEMBLY |
| 1 | 300788 | 1 | • STRAIN RELIEF (LTF 21) |
| 2 | 156549 | 3 | • BLOCK, Connector |
| 3 | 156546 | 1 | • FRAME, Connector |
| 4 | 156545 | 1 | • HOUSING, Connector |
| 5 | 156555 | 2 | • JUMPER (2 position) |
| 6 | 156560 | 1 | • JUMPER (3 position) |
| 7 | 102887 | 1 | • CABLE, Control (16/15) |
| 8 | 156543 | 17 | • CONTACT, Female |



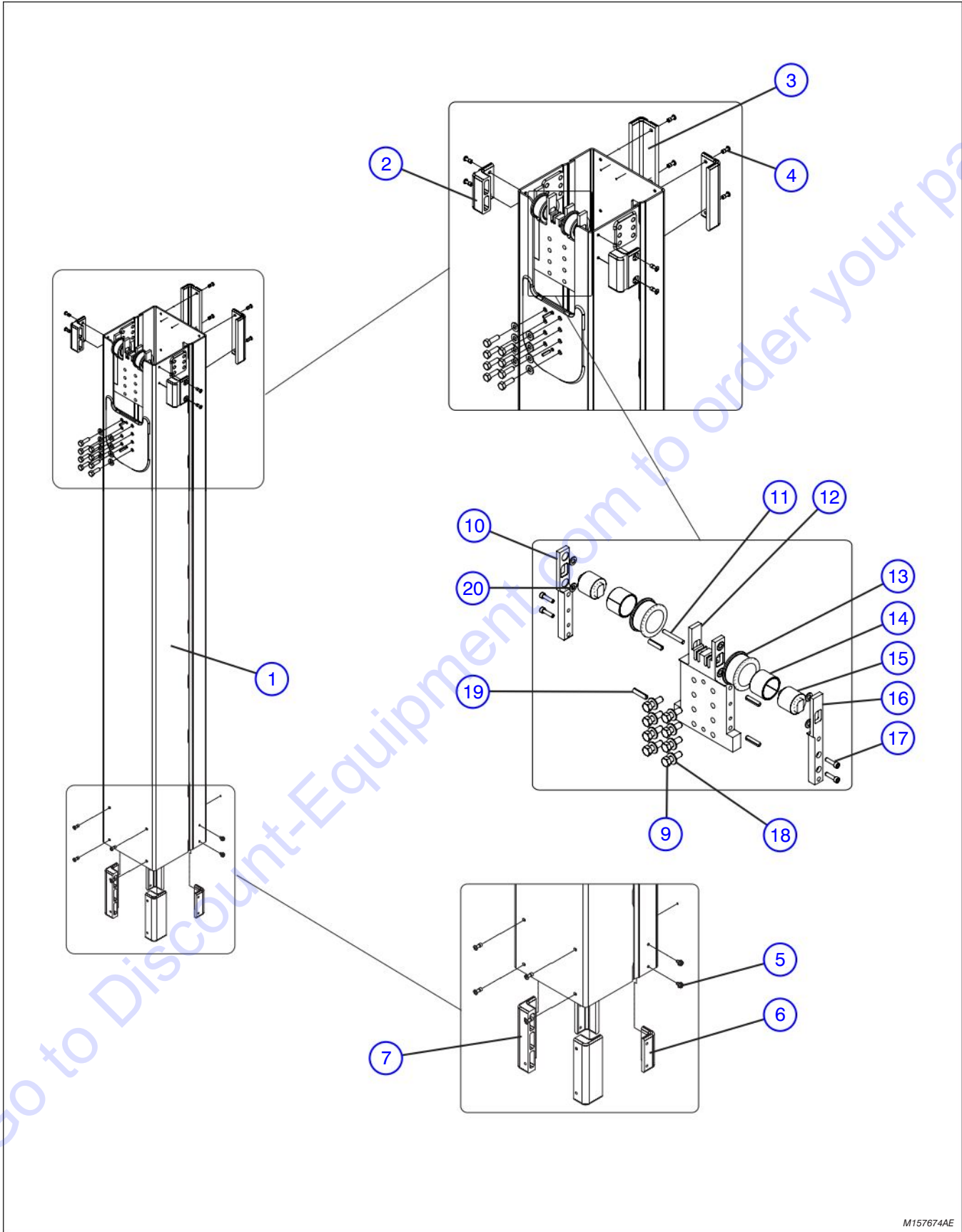
2.1 Mast 1 Assembly (SJ12)



M157667AA

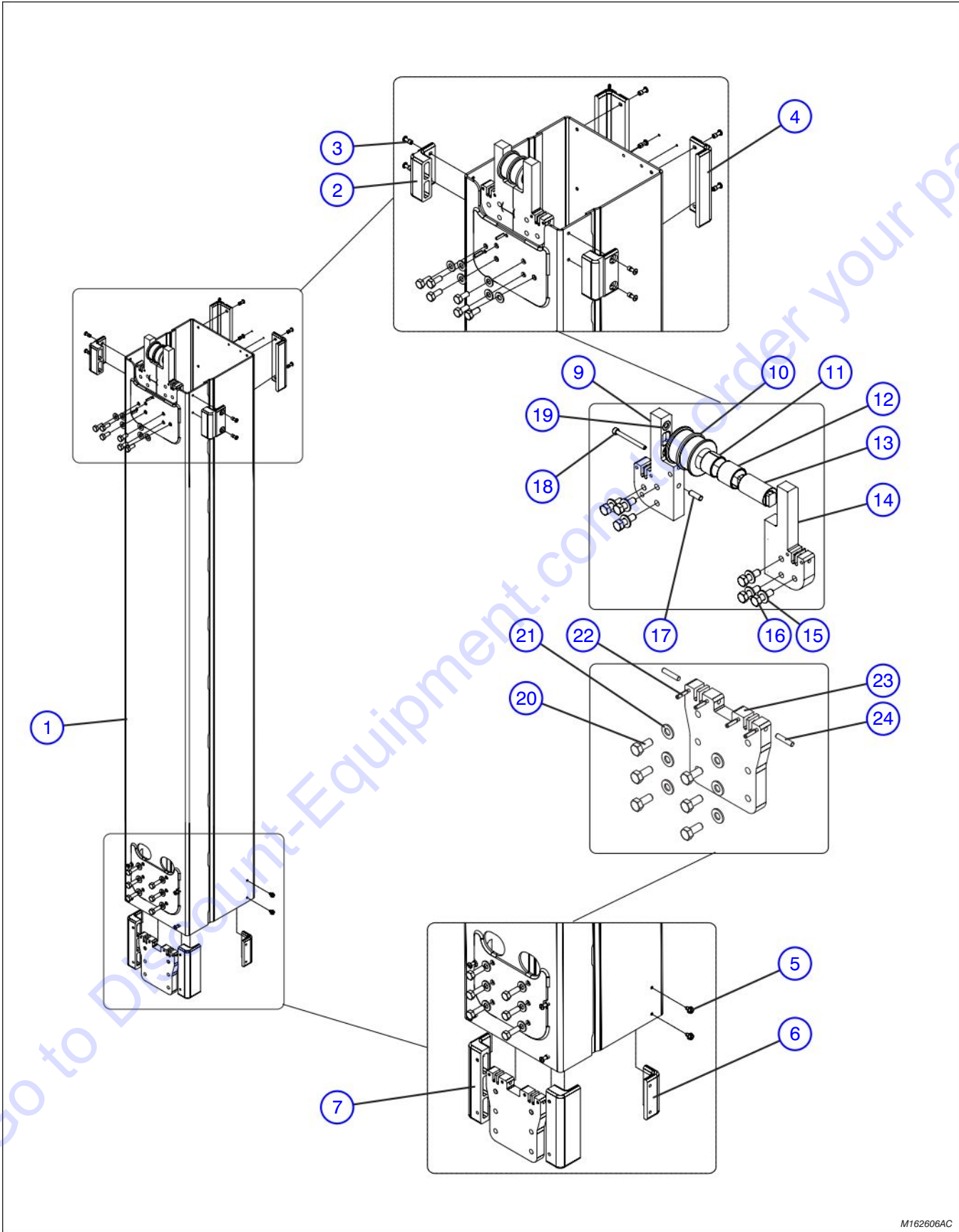
2.1 Mast 1 Assembly (SJ12)

| Index No. | Skyjack Part No. | Qty. | Description |
|-----------|------------------|------|--|
| | | | NOTE: Part Numbers followed by a "DG" indicate dark grey painted parts. |
| - | 157667DG | - | MAST 1 ASSEMBLY |
| 1 | 157668DG | 1 | • WELDMENT, Mast 1 |
| 2 | 159398 | 2 | • WEAR PAD (Thin & long) |
| 3 | 157759 | 8 | • RIVET, Pop (3/16" x 0.25-.375 GR) |
| 4 | 157797DG | 1 | • SUPPORT, Limit switch |
| 5 | 157829 | 2 | • SCREW, Socket head cap (#10-32 x 3/8") |
| 6 | 158087 | 2 | • WEAR PAD (Thick & short) |
| 7 | 101297 | 6 | • BOLT, Hex head (3/8"-16 x 1.25", Grade 5) |
| 8 | 103999 | 8 | • WASHER, Lock (3/8") |
| 9 | 125959 | 8 | • WASHER, Flat hardened (3/8") |
| 10 | 103870 | 2 | • BOLT, Hex head (3/8"-16 x 1.5", Grade 5) |
| - | 157670 | 1 | • CHAIN TENSIONER ASSEMBLY |
| 11 | 157671 | 1 | • • BLOCK, Tensioner mount (Mast 1) |
| 12 | 157265 | 1 | • • PIN, Clevis |
| 13 | 157672 | 1 | • • BLOCK, Tensioner (Mast 1) |
| 14 | 157673 | 2 | • • PIN, Chain (BL 444) |
| 15 | 157033 | 4 | • • PIN, Spring (0.156 x 5/8") |
| 16 | 157467 | 1 | • • PIN, Cotter |
| 17 | 158319 | 6 | • • BOLT, Hex head (5/16"-18 x 1.0", Grade 8) |
| 18 | 103996 | 6 | • • WASHER, Flat (5/16") |



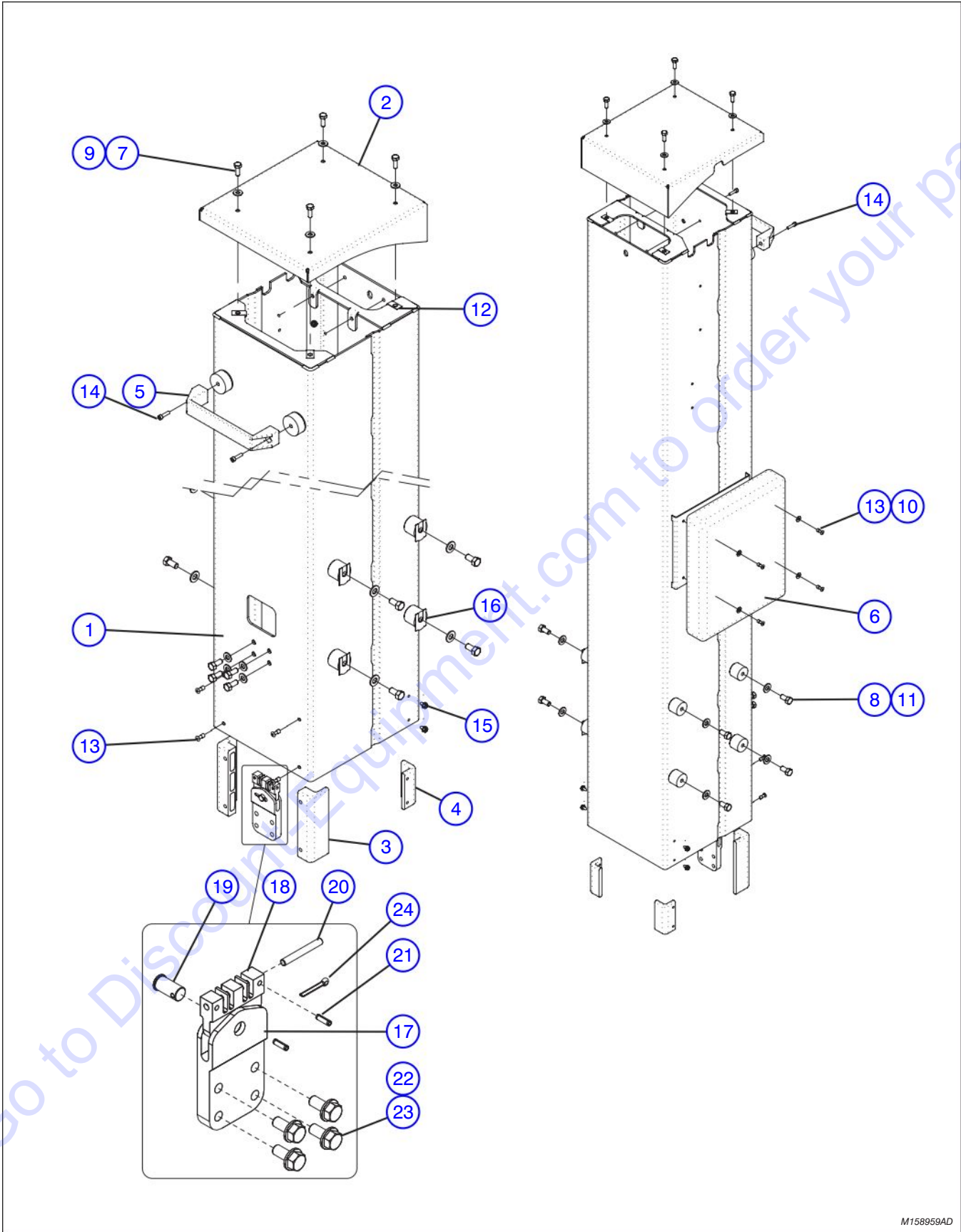
M157674AE

| Index No. | Skyjack Part No. | Qty. | Description |
|-----------|------------------|------|--|
| | | | NOTE: Part Numbers followed by a "DG" indicate dark grey painted parts. |
| - | 157674DG | - | MAST 2 ASSEMBLY |
| 1 | 157675DG | 1 | • WELDMENT, Mast 2 |
| 2 | 158087 | 2 | • WEAR PAD (Thick & short) |
| 3 | 159398 | 2 | • WEAR PAD (Thin & long) |
| 4 | 157759 | 12 | • RIVET, Pop (3/16" x 0.25-0.375 GR) |
| 5 | 158317 | 4 | • SCREW, Thread rolling (10-32 x 3/8") |
| 6 | 157763 | 2 | • WEAR PAD (Thin & short) |
| 7 | 159399 | 2 | • WEAR PAD (Thick & long) |
| - | 157679 | 1 | • ROLLER SUPPORT ASSEMBLY, Mast 2 |
| 9 | 158319 | 8 | • • BOLT, Hex head (5/16"-18 x 1.00", Grade 8) |
| 10 | 157683 | 1 | • • SUPPORT, Roller (Left hand) |
| 11 | 157680 | 1 | • • SUPPORT, Roller |
| 12 | 157688 | 1 | • • PIN, Chain (BL 434) |
| 13 | 157686 | 2 | • • ROLLER, Chain (BL 444) |
| 14 | 148847 | 2 | • • BUSHING, CJS-2016 (1 1/4" x 1" LG) |
| 15 | 157684 | 2 | • • PIN, Roller (BL 444) |
| 16 | 157681 | 1 | • • SUPPORT, Roller (Right hand - Control box side) |
| 17 | 157426 | 4 | • • SCREW, Socket head cap (#10-24 x 3/4") |
| 18 | 103996 | 8 | • • WASHER, Flat (5/16") |
| 19 | 163177 | 4 | • • PIN, Roll 1/4" Dia. x 1" |
| | | | (For Machines with S/N's 14 003 853 and Above) |
| 20 | 163166 | 4 | • • WASHER, Thrust (Fiberglide FTS0408) |
| | | | (For Machines with S/N's 14 003 853 and Above) |



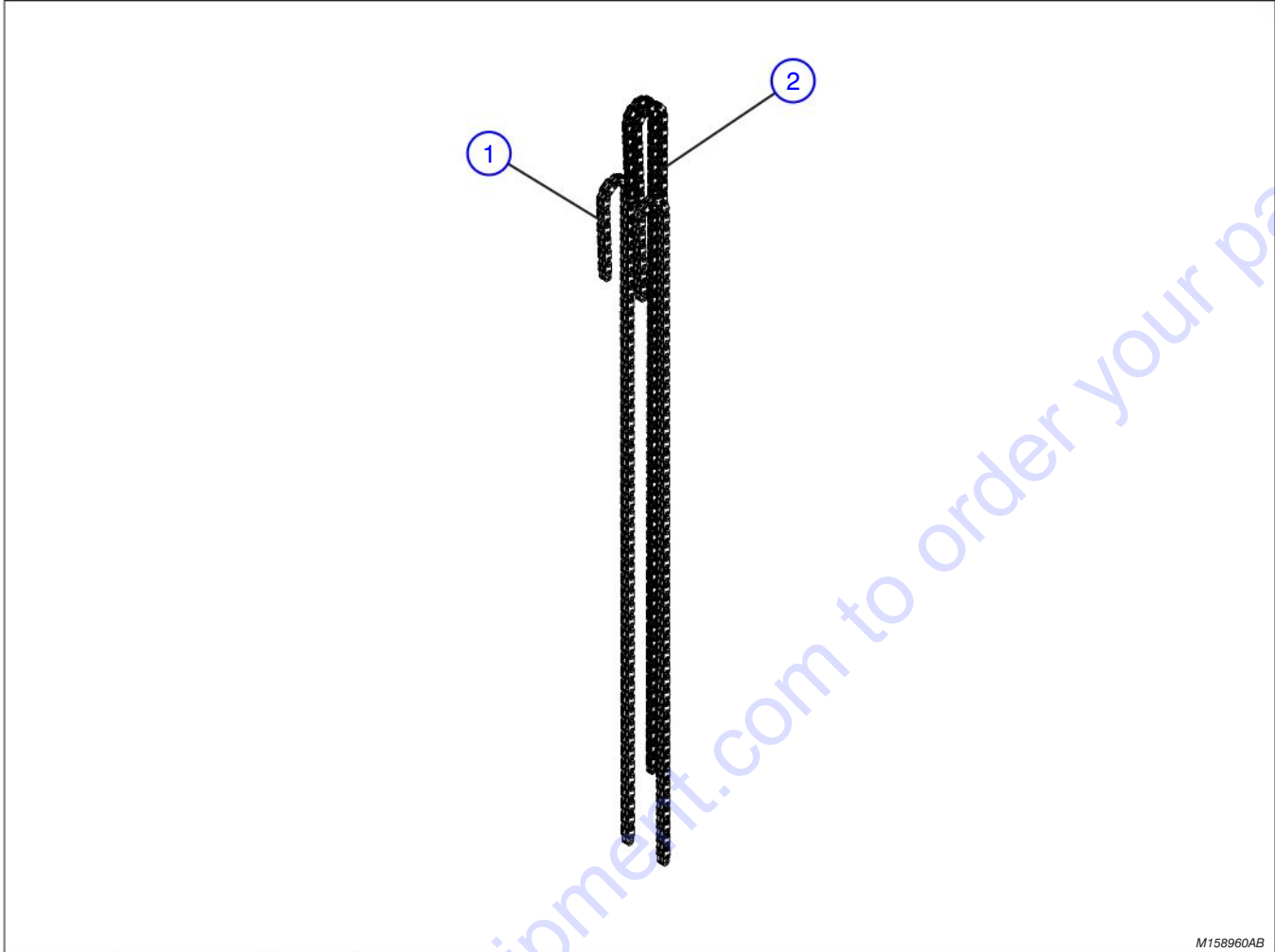
M162606AC

| Index No. | Skyjack Part No. | Qty. | Description |
|-----------|------------------|------|--|
| | | | NOTE: Part Numbers followed by a "DG" indicate dark grey painted parts. |
| - | 160786DG | - | MAST 3 ASSEMBLY |
| 1 | 157690DG | 1 | • WELDMENT, Mast 3 |
| 2 | 158087 | 2 | • WEAR PAD (Thick & short) |
| 3 | 157759 | 12 | • RIVET, Pop (3/16" x 0.25-0.375 GR) |
| 4 | 157733 | 2 | • WEAR PAD (Thin & long) |
| 5 | 158317 | 4 | • SCREW, Thread rolling (10-32 x 3/8") |
| 6 | 157763 | 2 | • WEAR PAD (Thin & short) |
| 7 | 159399 | 2 | • WEAR PAD (Thick & long) |
| - | 162606 | 1 | • ROLLER SUPPORT ASSEMBLY, Mast 3 |
| 9 | 157695 | 1 | • • MOUNT - Roller (Left hand) |
| 10 | 157698 | 1 | • • ROLLER (Double) |
| 11 | 100249 | 1 | • • BUSHING, Fiberglide (CJS-A538) |
| 12 | 100309 | 1 | • • BUSHING, Fiberglide |
| 13 | 157697 | 1 | • • PIN, Roller (Double) |
| 14 | 157696 | 1 | • • MOUNT - Roller (Right hand - Control box side) |
| 15 | 103996 | 6 | • • WASHER, Flat (5/16") |
| 16 | 158319 | 6 | • • BOLT, Hex head (5/16"-18 x 1.00", Grade 8) |
| 17 | 157360 | 1 | • • PIN, Dowel (1/4" diameter X 3/4") |
| 18 | 103919 | 1 | • • SHCS, #10-24 x 1.750" (For Machines with S/N's 14 003 853 and Above) |
| 19 | 163166 | 4 | • • WASHER, Thrust (Fiberglide FTS0408) (For Machines with S/N's 14 003 853 and Above) |
| - | 157701 | 1 | • CHAIN MOUNT ASSEMBLY (BL 444) |
| 20 | 158320 | 6 | • • BOLT, Hex head (5/16"-18 x 3/4", Grade 8) |
| 21 | 103996 | 6 | • • WASHER, Flat (5/16") |
| 22 | 157033 | 4 | • • PIN, Spring (0.156 x 5/8") |
| 23 | 157702 | 1 | • • MOUNT, Chain (BL 444) |
| 24 | 157673 | 2 | • • PIN, Chain (BL 444) |



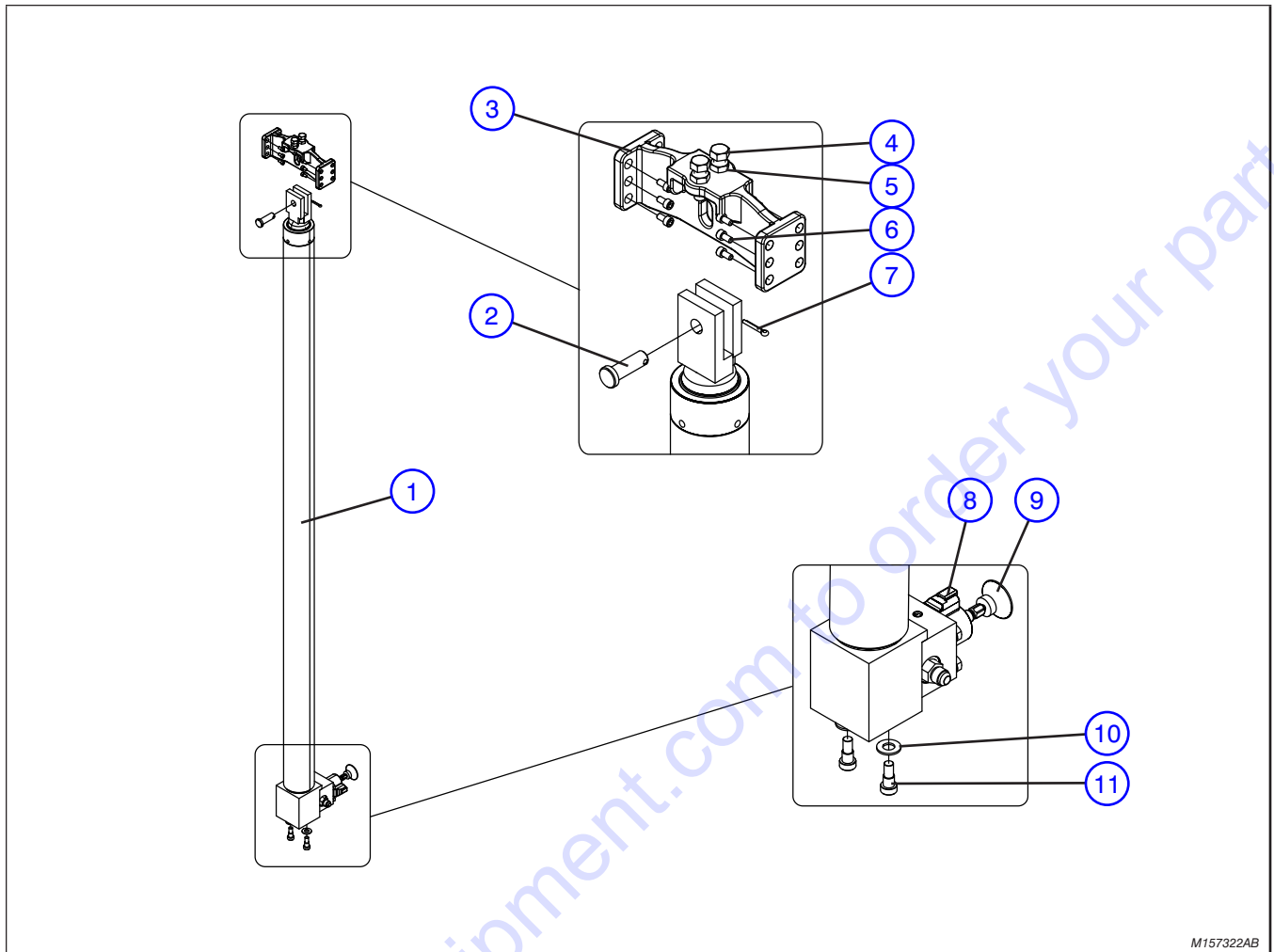
M158959AD

| Index No. | Skyjack Part No. | Qty. | Description |
|-----------|------------------|------|--|
| | | | NOTE: Part Numbers followed by a "DG" indicate dark grey painted parts. |
| - | 158959DG | - | MAST 4 ASSEMBLY |
| 1 | 157909DG | 1 | • WELDMENT, Mast 4 |
| 2 | 157915DG | 1 | • |
| 3 | 158086 | 2 | • WEAR PAD (Thick & long) |
| 4 | 157763 | 2 | • WEAR PAD (Thin & short) |
| 5 | 928533 | 1 | • HANDLE |
| 6 | 117293 | 1 | • BOX, Manual |
| 7 | 103856 | 4 | • BOLT, Hex head (1/4"-20 x 1/2", Grade 5) |
| 8 | 158488 | 8 | • BOLT, Hex head (3/8"-16 x 3/4", Grade 8) |
| 9 | 103995 | 4 | • WASHER, Flat (1/4") |
| 10 | 104694 | 4 | • WASHER, Flat (#10) |
| 11 | 125959 | 8 | • WASHER, Flat hardened (3/8") |
| 12 | 149496 | 4 | • NUT, Speed clip (1/4-20 x 1/2") |
| 13 | 157759 | 8 | • RIVET, Pop (3/16" x 0.25-0.375 GR) |
| 14 | 157829 | 2 | • SCREW, Socket head cap (zinc, 5/16"-18 x 7/8") |
| 15 | 158317 | 4 | • SCREW, Thread rolling (10-32 x 3/8") |
| 16 | 156837 | 4 | • SHIM, Platform MT 22GA (0.0299) |
| - | 157708 | 1 | • CHAIN TENSIONER ASSEMBLY, Mast 4 |
| 17 | 157709 | 1 | • • MOUNT - Tensioner |
| 18 | 157710 | 1 | • • BLOCK, Tensioner |
| 19 | 157711 | 1 | • • PIN, Clevis |
| 20 | 157688 | 1 | • • PIN, Chain (BL 434) |
| 21 | 157825 | 2 | • • PIN, Spring (0.156 x 1/2") |
| 22 | 158320 | 4 | • • BOLT, Hex head (5/16"-18 x 3/4", Grade 8) |
| 23 | 103996 | 4 | • • WASHER, Flat (5/16") |
| 24 | 157467 | 1 | • • PIN, Cotter |



M158960AB

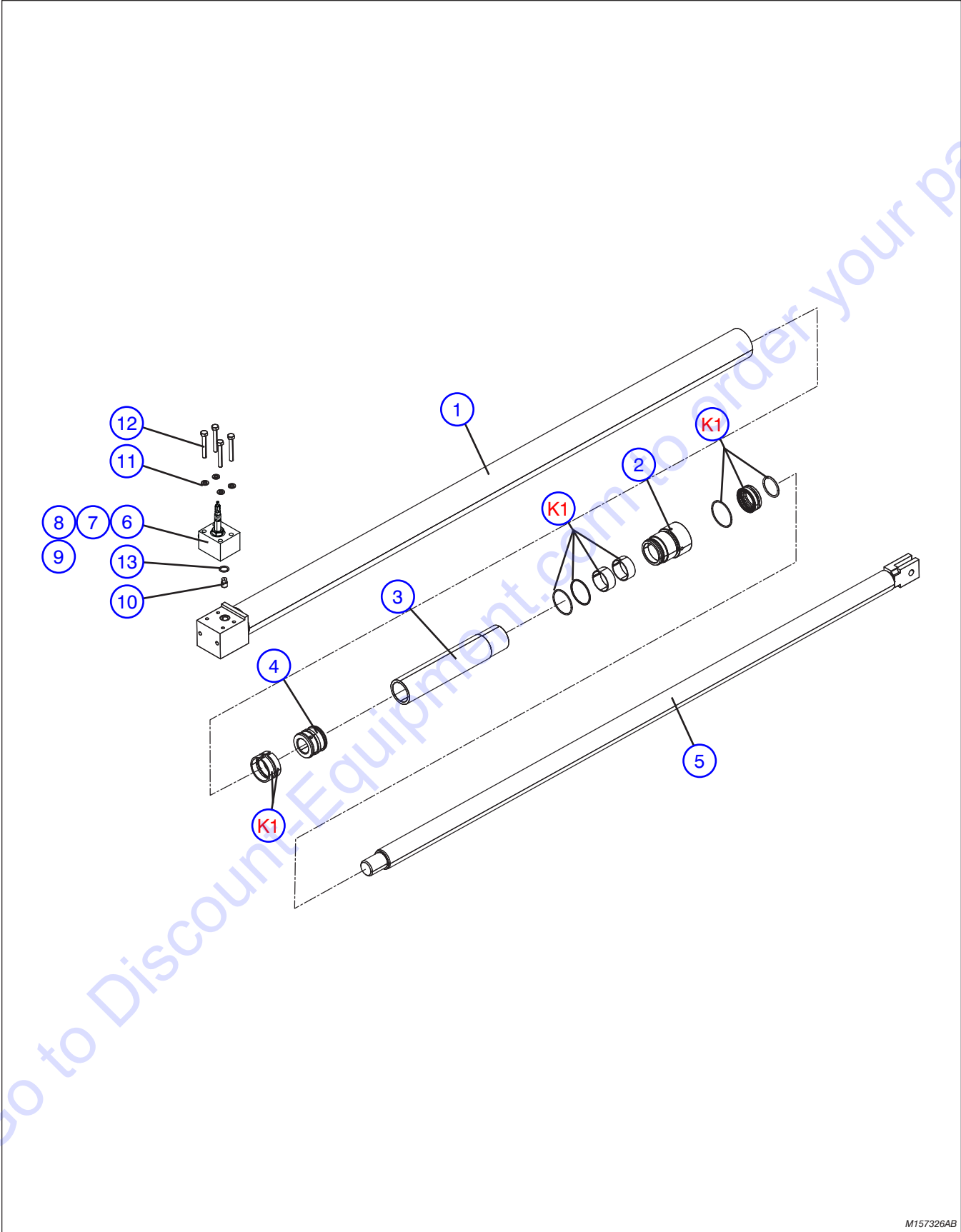
| Index No. | Skyjack Part No. | Qty. | Description |
|-----------|------------------|------|---|
| - | 158960 | 1 | <p>NOTE: Part Numbers followed by a "DG" indicate dark grey painted parts.</p> <p>CHAIN ASSEMBLY</p> |
| 1 | 158462 | 2 | <ul style="list-style-type: none"> • CHAIN, Mast lift (Large) - BL 444 |
| 2 | 157721 | 2 | <ul style="list-style-type: none"> • CHAIN, Mast lift (Small) - BL 434 |



M157322AB

| Index No. | Skyjack Part No. | Qty. | Description |
|-----------|------------------|------|---|
| - | 157322DG | - | NOTE: Part Numbers followed by a "DG" indicate dark grey painted parts. |
| 1 | (Ref.) | 1 | MAST LIFT CYLINDER ASSEMBLY (16 Feet) |
| 2 | 157833 | 1 | • PIN, Clevis |
| 3 | 160195DG | 1 | • BRACKET, Cylinder mount (Order P/N 157323 for Machines with S/N's 14 003 062 and Below) |
| 4 | 163555 | 2 | • BOLT, Hex Head (3/8"-24 x 1.25, Grade 8) (For Machines with S/N's 14 003 063 and Above) |
| 5 | 160810 | 2 | • NUT, Hex Head Jamming (3/8"-24, Grade 5) (For Machines with S/N's 14 003 063 and Above) |
| 6 | 157822 | 12 | • SCREW, Socket head cap (zinc, 5/16"-18 x 7/8") |
| 7 | 163546 | 1 | • PIN, Cotter 1/2" dia. Rue Ring™ |
| 8 | 151683 | 1 | • COIL, 24V |
| 9 | 300322 | 1 | • KNOB, Pull |
| 10 | 103472 | 2 | • WASHER, Flat (3/8") |
| 11 | 156833 | 2 | • SCREW, Hex socket shoulder (3/8" - x 3/8") |

2.7 Lift Cylinder (SJ12)

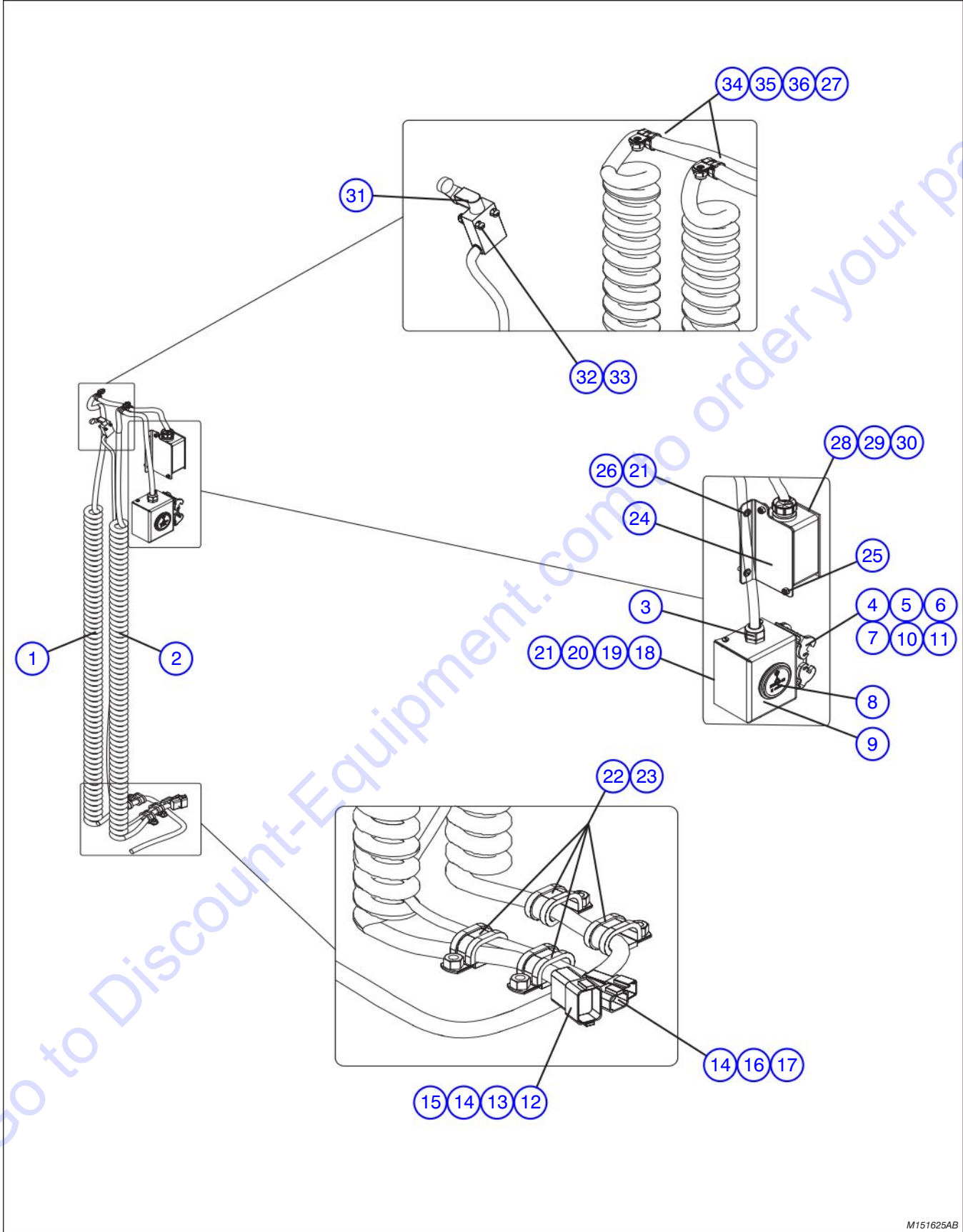


M157326AB

2.7 Lift Cylinder (SJ12)

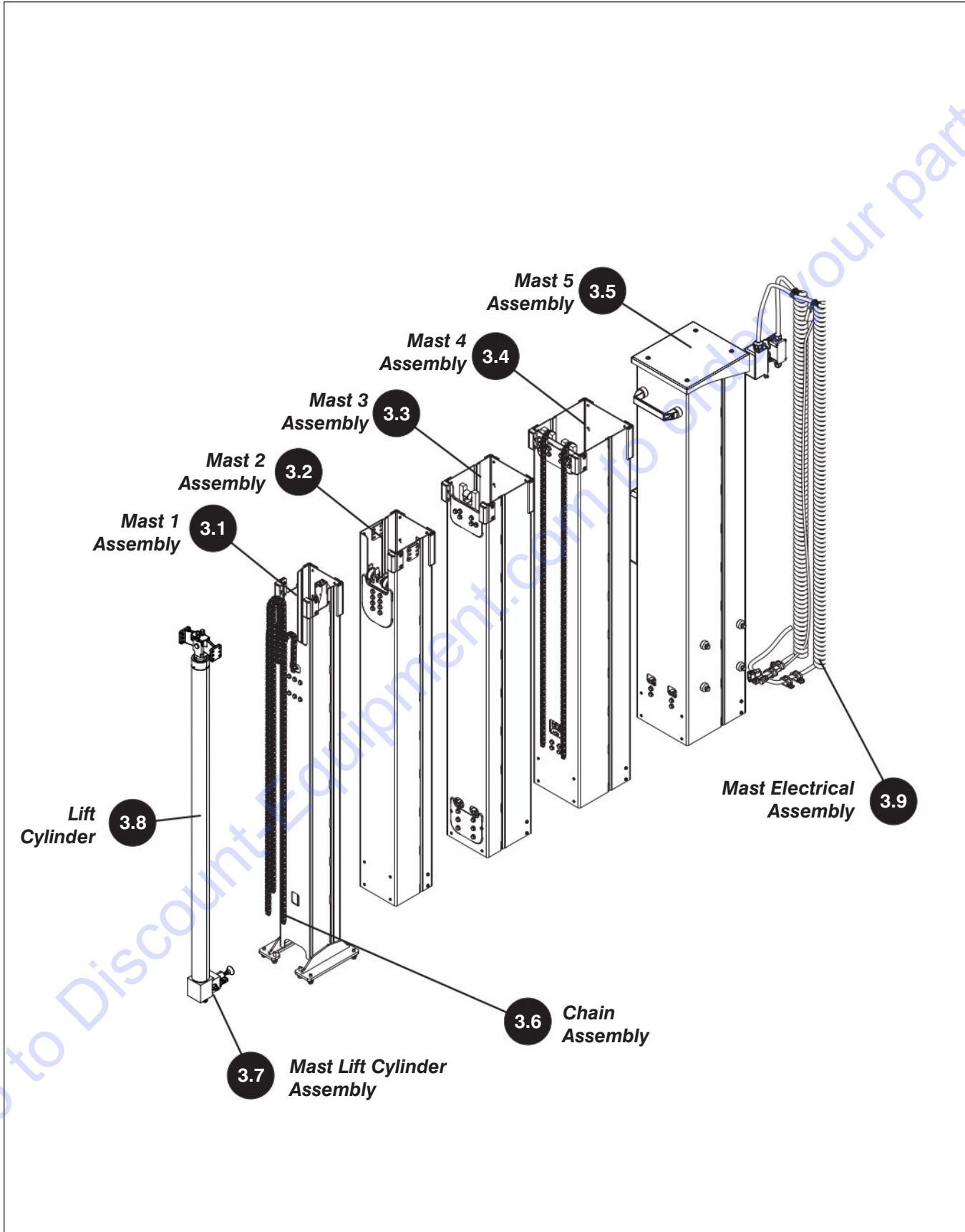
| Index No. | Skyjack Part No. | Qty. | Description |
|-----------|------------------|------|---|
| | | | NOTE: Part Numbers followed by a "DG" indicate dark grey painted parts. |
| - | 157326DG | - | LIFT CYLINDER ASSEMBLY |
| | 159471DG | 1 | • LIFT CYLINDER ASSEMBLY |
| 1 | 157648DG | 1 | • • WELDMENT, Tube |
| 2 | 156865 | 1 | • • GLAND |
| 3 | 157650 | 1 | • • SLEEVE STOP |
| 4 | 157651 | 1 | • • PISTON |
| 5 | 157649 | 1 | • • ROD |
| 6 | 159802 | 1 | • MANIFOLD ASSEMBLY <i>(Order P/N 156866 for Machines with S/N's 14 002 236 and Below)</i> |
| 7 | 151696 | 1 | • • VALVE, Emergency lowering <i>(For Machines with S/N's 14 002 237 and Above)</i> |
| 8 | 103069 | 1 | • • FITTING, Straight (06 JICM - 06 ORBM) <i>(For Machines with S/N's 14 002 237 and Above)</i> |
| 9 | 158844 | 1 | • • BLOCK MANIFOLD <i>(For Machines with S/N's 14 002 237 and Above)</i> |
| 10 | 108721 | 1 | • ORIFICE, One way (0.055" diameter) |
| 11 | 103866 | 4 | • BOLT, Hex head (5/16"-18 x 2.25", Grade 5) |
| 12 | 103404 | 4 | • WASHER, Lock (5/16") |
| 13 | 159475 | 1 | • O-RING |
| K1 | 157652 | 1 | KIT, Seal |

2.8 Mast Electrical Assembly (SJ12)

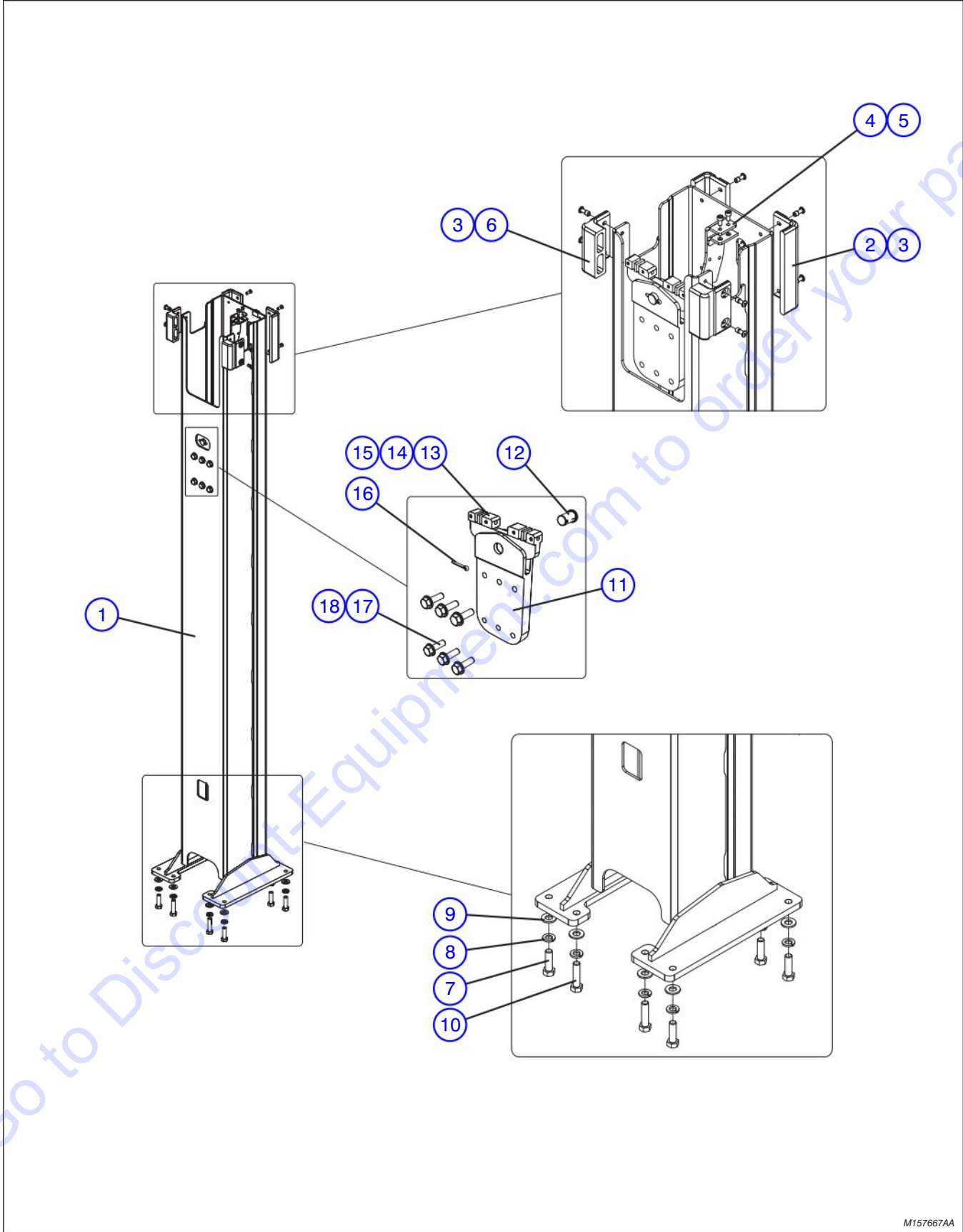


M151625AB

| Index No. | Skyjack Part No. | Qty. | Description |
|-----------|------------------|------|--|
| | | | NOTE: Part Numbers followed by a "DG" indicate dark grey painted parts. |
| A | 158505DG | - | MAST ELECTRICAL ASSEMBLY (ANSI/CSA) |
| B | 158504DG | - | MAST ELECTRICAL ASSEMBLY (CE & KC) |
| 1 | 158103 | 1 | • CABLE, Retractable (14/3) |
| | 158755 | 1 | • CONTROL CABLE ASSEMBLY |
| 2 | 158102 | 1 | • • CABLE, Retractable (18/15) |
| 3 | 120644 | 2 | • • CONNECTOR, Heyco liquid tight (PG16) |
| | 120646 | 2 | • • NUT, Cable gland lock (PG16) |
| 4 | 156544 | 3 | • • CONNECTOR BLOCK, Footmount |
| 5 | 156547 | 1 | • • CONNECTOR FRAME, Footmount |
| 6 | 156542 | 15 | • • CONTACT (Male) |
| 7 | 158750 | 1 | • • CONNECTOR HOUSING, Box |
| 8 | 103336 | 1 | • • HOURMETER |
| 9 | 158614DG | 1 | • • ENCLOSURE, Mast |
| 10 | 103957 | 4 | • • SCREW, Round head machine (#8-32 x 1/2") |
| 11 | 138765 | 4 | • • NUT, Hex nylon lock (#8-32, Grade 5) |
| 12 | 117586 | 1 | • • CONNECTOR, Receptacle (12 pin) |
| 13 | 117594 | 1 | • • SEAL, Connector |
| 14 | 117590 | 15 | • • CONTACT, Pin (16-18) |
| 15 | 117588 | 1 | • • CONNECTOR, Receptacle wedge (12 pin) |
| 16 | 117578 | 1 | • • CONNECTOR, Receptacle (4 pin) |
| 17 | 117580 | 1 | • • CONNECTOR, Receptacle wedge (4 pin) |
| 18 | 104185 | 4 | • WASHER, Lock (#10) |
| 19 | 115545 | 4 | • SCREW, Round head machine (#10-32 x 3/8") |
| 20 | 158615DG | 1 | • BRACKET, Mast |
| 21 | 157759 | 2 | • RIVET, Pop (3/16" x 0.25-0.375 GR) |
| 22 | 103078 | 4 | • CLIP, double (S344G10) |
| 23 | 103978 | 4 | • NUT, Hex head (3/8"-16, Grade 5) |
| 24 | 158620DG | 1 | • BRACKET, Mast AC |
| 25 | 134140 | 2 | • • RIVET (1/4"x 0.74" ALU), A |
| | 157759 | 2 | • • RIVET, Pop (3/16" x 0.25-0.375 GR), B |
| 26 | 104694 | 2 | • WASHER, Flat (#10) |
| 7 | 151596 | 2 | • SCREW, Button head cap (ZN, 1/4"-20 x 3/4", ASTM F835) |
| 28 | 136328 | 1 | • BOX, Outlet, A |
| 29 | 109698 | 1 | • RECEPTACLE, GFI, A |
| 30 | 166943 | 1 | • COVER, Weatherproof GFI, A |
| 31 | 158322 | 1 | • LIMIT SWITCH ASSEMBLY (Mast) |
| | 117079 | 1 | • • SWITCH, Limit (with roller lever) |
| | 117579 | 1 | • • CONNECTOR, Receptacle (4 pin) |
| | 117581 | 1 | • • CONNECTOR, Receptacle wedge (4 pin) |
| | 117591 | 4 | • • CONTACT, Pin (16-18) |
| 32 | 138765 | 2 | • NUT, Hex nylon lock (#8-32, Grade 5) |
| 33 | 112248 | 2 | • SCREW, Round head machine (#8-32 x 1.00") |
| 34 | 103024 | 3 | • CLIP, Single (G10), A |
| | 102929 | 3 | • CLIP, Single (G10), B |
| 35 | 103995 | 2 | • WASHER, Flat (1/4") |
| 36 | 115649 | 2 | • NUT, Hex nylon lock (1/4"-20, Grade 5) |



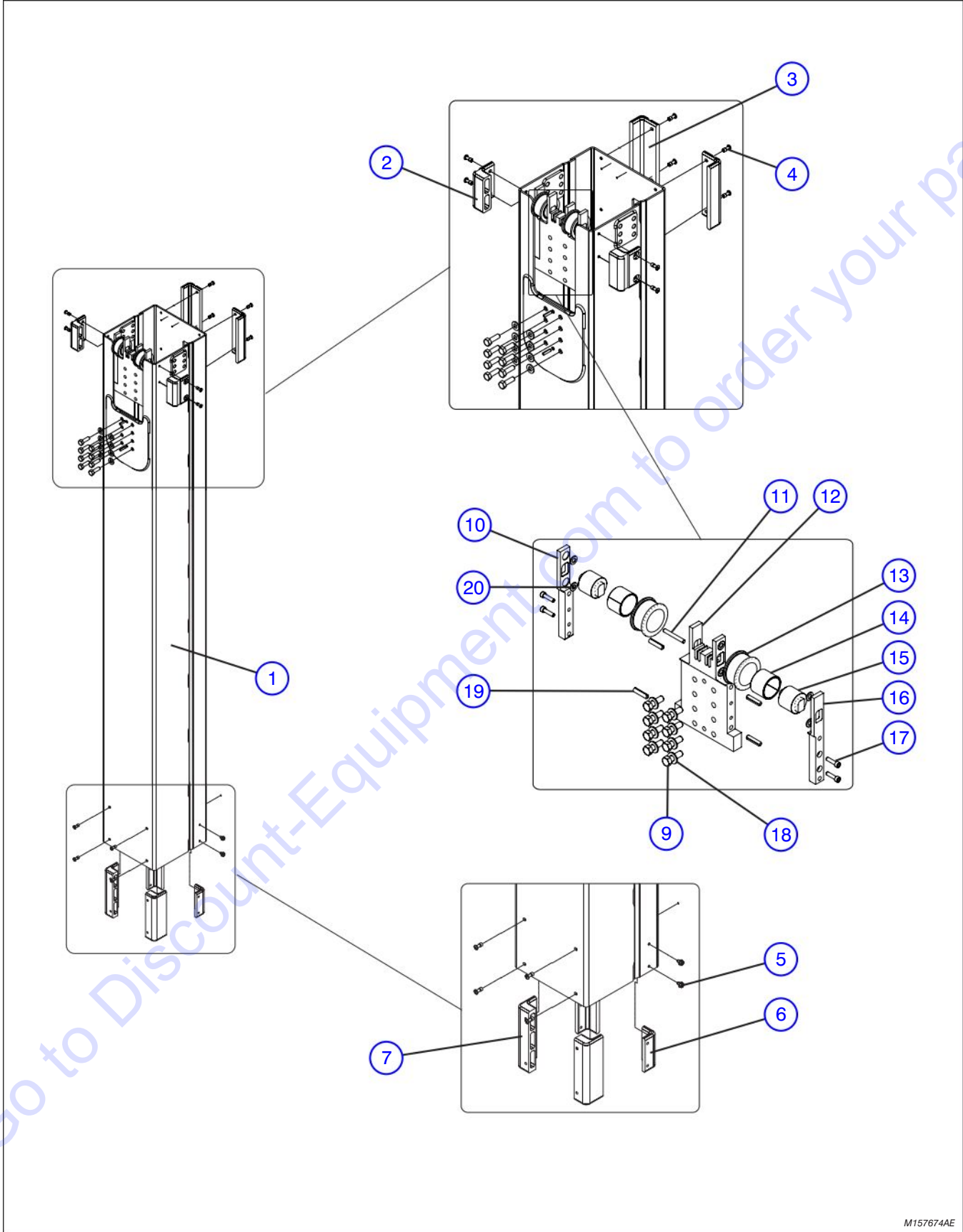
3.1 Mast 1 Assembly (SJ16)



M157667AA

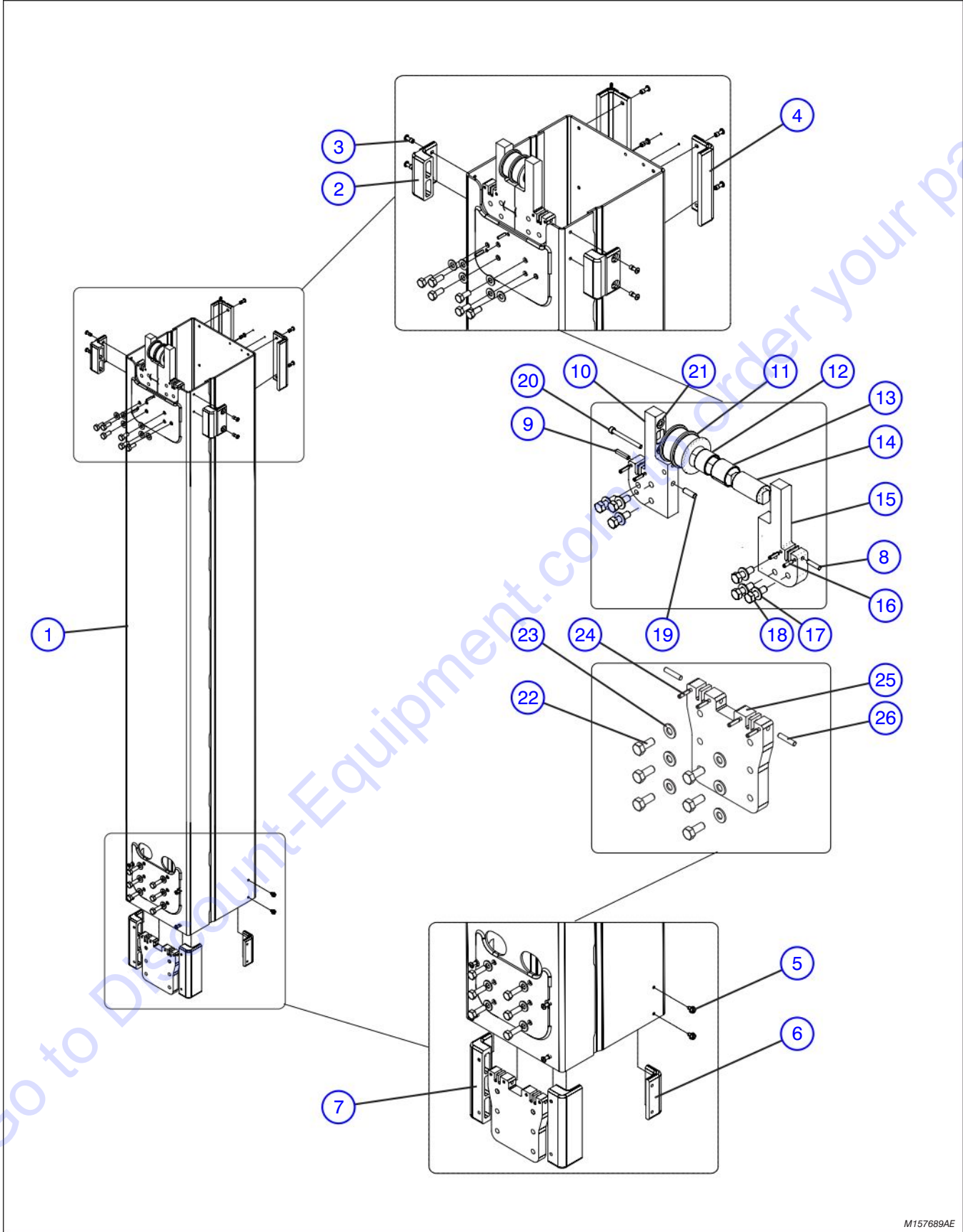
3.1 Mast 1 Assembly (SJ16)

| Index No. | Skyjack Part No. | Qty. | Description |
|-----------|------------------|------|--|
| | | | NOTE: Part Numbers followed by a "DG" indicate dark grey painted parts. |
| - | 157667DG | - | MAST 1 ASSEMBLY |
| 1 | 157668DG | 1 | • WELDMENT, Mast 1 |
| 2 | 159398 | 2 | • WEAR PAD (Thin & long) |
| 3 | 157759 | 8 | • RIVET, Pop (3/16" x 0.25-.375 GR) |
| 4 | 157797DG | 1 | • SUPPORT, Limit switch |
| 5 | 157829 | 2 | • SCREW, Socket head cap (#10-32 x 3/8") |
| 6 | 158087 | 2 | • WEAR PAD (Thick & short) |
| 7 | 101297 | 6 | • BOLT, Hex head (3/8"-16 x 1.25", Grade 5) |
| 8 | 103999 | 8 | • WASHER, Lock (3/8") |
| 9 | 125959 | 8 | • WASHER, Flat hardened (3/8") |
| 10 | 103870 | 2 | • BOLT, Hex head (3/8"-16 x 1.5", Grade 5) |
| - | 157670 | 1 | • CHAIN TENSIONER ASSEMBLY |
| 11 | 157671 | 1 | • • BLOCK, Tensioner mount (Mast 1) |
| 12 | 157265 | 1 | • • PIN, Clevis |
| 13 | 157672 | 1 | • • BLOCK, Tensioner (Mast 1) |
| 14 | 157673 | 2 | • • PIN, Chain (BL 444) |
| 15 | 157033 | 4 | • • PIN, Spring (0.156 x 5/8") |
| 16 | 157467 | 1 | • • PIN, Cotter |
| 17 | 158319 | 6 | • • BOLT, Hex head (5/16"-18 x 1.0", Grade 8) |
| 18 | 103996 | 6 | • • WASHER, Flat (5/16") |



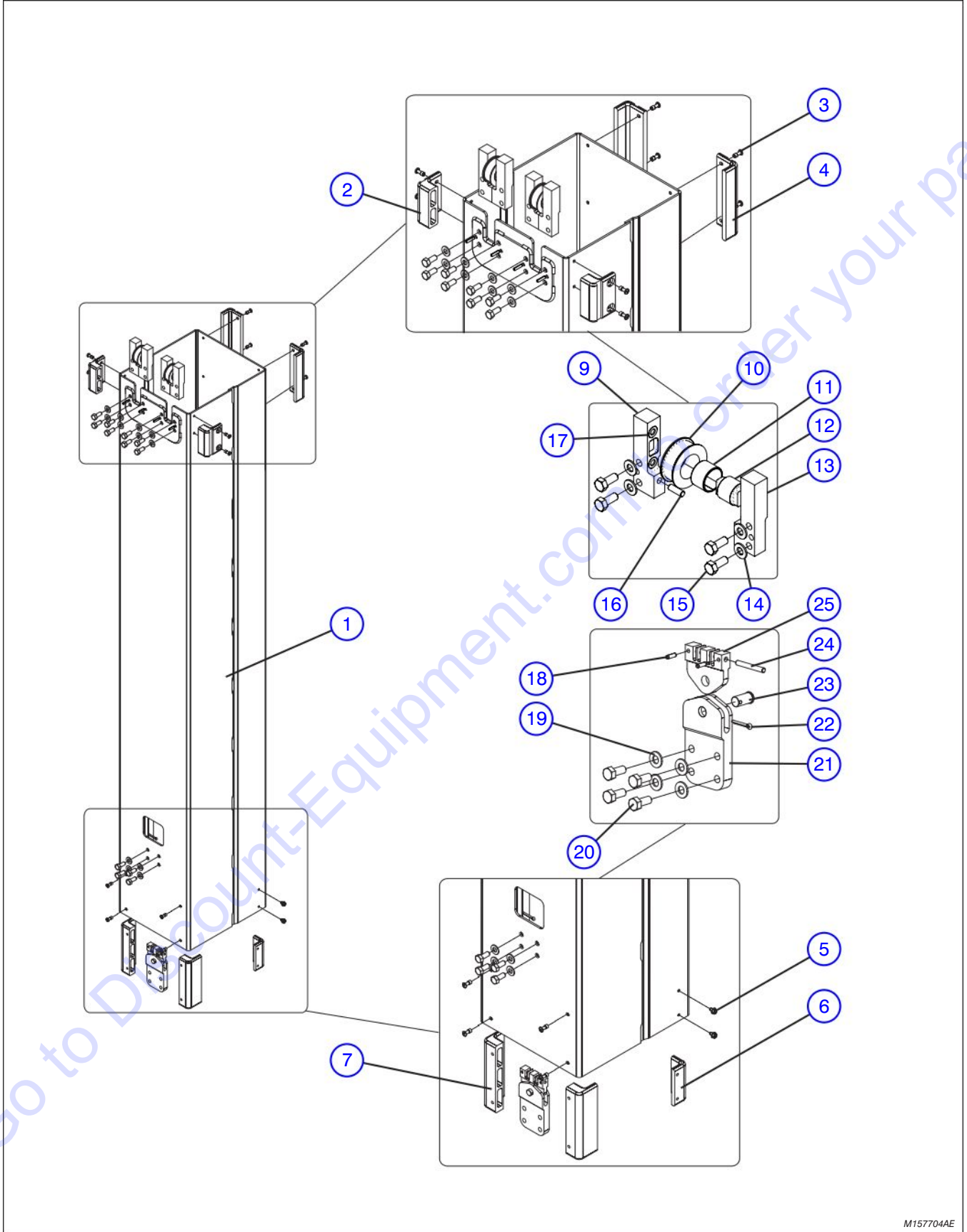
M157674AE

| Index No. | Skyjack Part No. | Qty. | Description |
|-----------|------------------|------|--|
| | | | NOTE: Part Numbers followed by a "DG" indicate dark grey painted parts. |
| - | 157674DG | - | MAST 2 ASSEMBLY |
| 1 | 157675DG | 1 | • WELDMENT, Mast 2 |
| 2 | 158087 | 2 | • WEAR PAD (Thick & short) |
| 3 | 159398 | 2 | • WEAR PAD (Thin & long) |
| 4 | 157759 | 12 | • RIVET, Pop (3/16" x 0.25-0.375 GR) |
| 5 | 158317 | 4 | • SCREW, Thread rolling (10-32 x 3/8") |
| 6 | 157763 | 2 | • WEAR PAD (Thin & short) |
| 7 | 159399 | 2 | • WEAR PAD (Thick & long) |
| - | 157679 | 1 | • ROLLER SUPPORT ASSEMBLY, Mast 2 |
| 9 | 158319 | 8 | • • BOLT, Hex head (5/16"-18 x 1.00", Grade 8) |
| 10 | 157683 | 1 | • • SUPPORT, Roller (Left hand) |
| 11 | 157680 | 1 | • • SUPPORT, Roller |
| 12 | 157688 | 1 | • • PIN, Chain (BL 434) |
| 13 | 157686 | 2 | • • ROLLER, Chain (BL 444) |
| 14 | 148847 | 2 | • • BUSHING, CJS-2016 (1 1/4" x 1" LG) |
| 15 | 157684 | 2 | • • PIN, Roller (BL 444) |
| 16 | 157681 | 1 | • • SUPPORT, Roller (Right hand) |
| 17 | 157426 | 4 | • • SCREW, Socket head cap (#10-24 x 3/4") |
| 18 | 103996 | 8 | • • WASHER, Flat (5/16") |
| 19 | 163177 | 4 | • • PIN, Roll 1/4" Dia. x 1" |
| | | | (For Machines with S/N's 14 003 853 and Above) |
| 20 | 163166 | 4 | • • WASHER, Thrust (Fiberglide FTS0408) |
| | | | (For Machines with S/N's 14 003 853 and Above) |



M157689AE

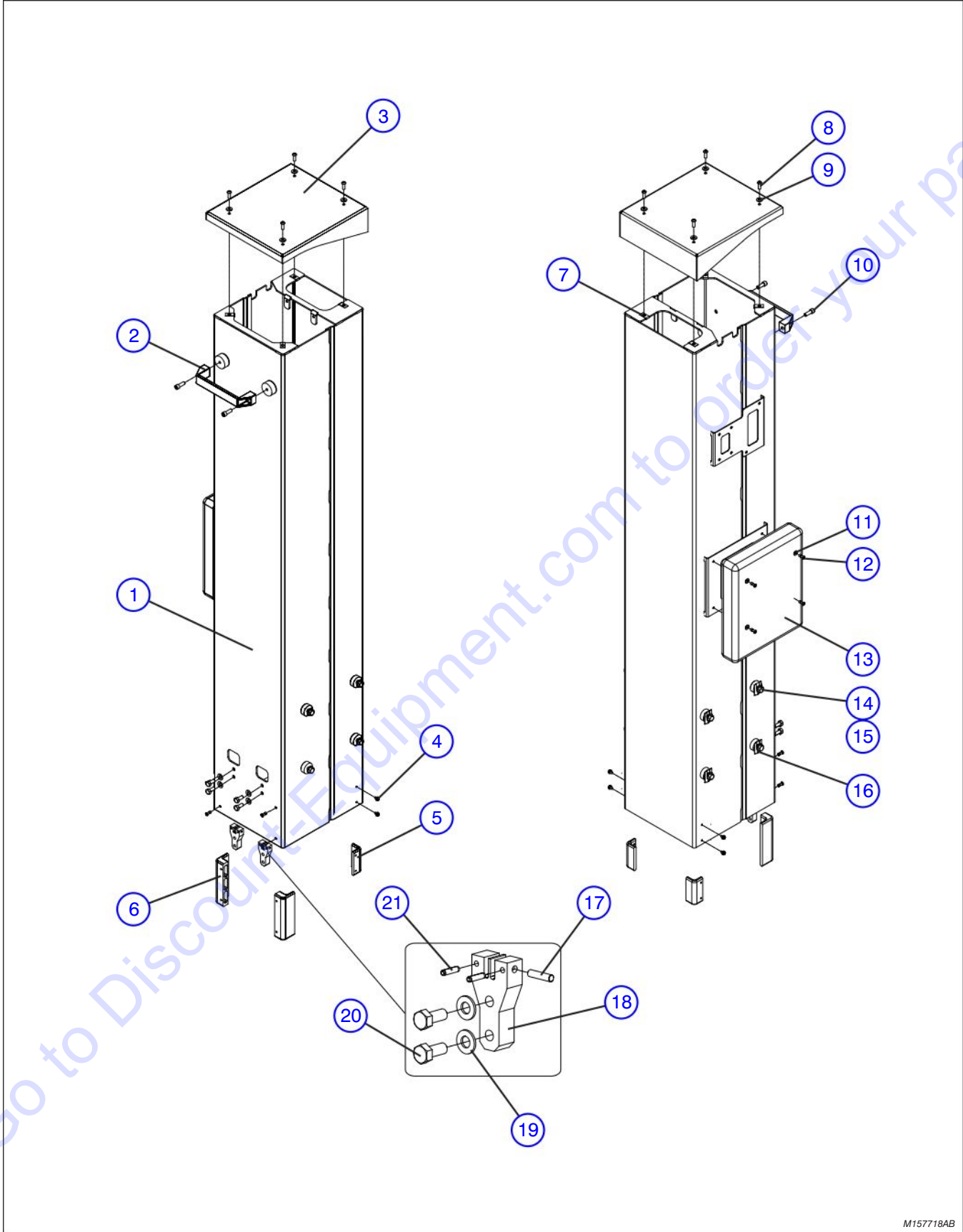
| Index No. | Skyjack Part No. | Qty. | Description |
|-----------|------------------|------|--|
| | | | NOTE: Part Numbers followed by a "DG" indicate dark grey painted parts. |
| - | 157689DG | - | MAST 3 ASSEMBLY |
| 1 | 157690DG | 1 | • WELDMENT, Mast 3 |
| 2 | 158087 | 2 | • WEAR PAD (Thick & short) |
| 3 | 157759 | 12 | • RIVET, Pop (3/16" x 0.25-0.375 GR) |
| 4 | 159398 | 2 | • WEAR PAD (Thin & long) |
| 5 | 158317 | 4 | • SCREW, Thread rolling (10-32 x 3/8") |
| 6 | 157763 | 2 | • WEAR PAD (Thin & short) |
| 7 | 159399 | 2 | • WEAR PAD (Thick & long) |
| - | 157694 | 1 | • ROLLER SUPPORT ASSEMBLY, Mast 3 |
| 9 | 157700 | 2 | • • PIN, Chain (BL 434) |
| 10 | 157695 | 1 | • • MOUNT - Roller (Left hand) |
| 11 | 157698 | 1 | • • ROLLER (Double) |
| 12 | 100249 | 1 | • • BUSHING, Fiberglide (CJS-A538) |
| 13 | 100309 | 1 | • • BUSHING, Fiberglide |
| 14 | 157697 | 1 | • • PIN, Roller (Double) |
| 15 | 157696 | 1 | • • MOUNT - Roller (Right hand - Control box side) |
| 16 | 157033 | 4 | • • PIN, Spring (0.156 x 5/8") |
| 17 | 103996 | 6 | • • WASHER, Flat (5/16") |
| 18 | 158319 | 6 | • • BOLT, Hex head (5/16"-18 x 1.00", Grade 8) |
| 19 | 157360 | 1 | • • PIN, Dowel (1/4" diameter X 3/4") |
| 20 | 103919 | 1 | • • SHCS, #10-24 x 1.750" |
| | | | (For Machines with S/N's 14 003 853 and Above) |
| 21 | 163166 | 4 | • • WASHER, Thrust (Fiberglide FTS0408) |
| | | | (For Machines with S/N's 14 003 853 and Above) |
| - | 157701 | 1 | • CHAIN MOUNT ASSEMBLY (BL 444) |
| 22 | 157033 | 4 | • • PIN, Spring (0.156 x 5/8") |
| 23 | 103996 | 6 | • • WASHER, Flat (5/16") |
| 24 | 158320 | 6 | • • BOLT, Hex head (5/16"-18 x 3/4", Grade 8) |
| 25 | 157702 | 1 | • • MOUNT, Chain (BL 444) |
| 26 | 157673 | 2 | • • PIN, Chain (BL 444) |



M157704AE

| Index No. | Skyjack Part No. | Qty. | Description |
|-----------|------------------|------|--|
| | | | NOTE: Part Numbers followed by a "DG" indicate dark grey painted parts. |
| - | 157704DG | - | MAST 4 ASSEMBLY |
| 1 | 157705DG | 1 | • WELDMENT, Mast 4 |
| 2 | 158087 | 2 | • WEAR PAD (Thick & short) |
| 3 | 157759 | 12 | • RIVET, Pop (3/16" x 0.25-0.375 GR) |
| 4 | 157733 | 2 | • WEAR PAD (Thin & long) |
| 5 | 158317 | 4 | • SCREW, Thread rolling (10-32 x 3/8") |
| 6 | 157763 | 2 | • WEAR PAD (Thin & short) |
| 7 | 159399 | 2 | • WEAR PAD (Thick & long) |
| - | 157713 | 2 | • SINGLE ROLLER ASSEMBLY |
| 9 | 157714 | 1 | • • MOUNT - Roller (Single left hand) |
| 10 | 157490 | 1 | • • ROLLER (Single) |
| 11 | 100249 | 1 | • • BUSHING, Fiberglide (CJS-A538) |
| 12 | 157716 | 1 | • • PIN, Roller (Single) |
| 13 | 157715 | 1 | • • MOUNT - Roller (Single right hand - Control box side) |
| 14 | 103996 | 4 | • • WASHER, Flat (5/16") |
| 15 | 158320 | 4 | • • BOLT, Hex head (5/16"-18 x 3/4", Grade 8) |
| 16 | 157360 | 1 | • • PIN, Dowel (1/4" diameter X 3/4") |
| 17 | 163166 | 4 | • • WASHER, Thrust (Fiberglide FTS0408) |
| | | | (For Machines with S/N's 14 003 853 and Above) |
| - | 157708 | 1 | • CHAIN TENSIONER ASSEMBLY, Mast 4 |
| 18 | 157825 | 2 | • • PIN, Spring (0.156 x 1/2") |
| 19 | 103996 | 4 | • • WASHER, Flat (5/16") |
| 20 | 158320 | 4 | • • BOLT, Hex head (5/16"-18 x 3/4", Grade 8) |
| 21 | 157709 | 1 | • • MOUNT - Tensioner |
| 22 | 157467 | 1 | • • PIN, Cotter |
| 23 | 157711 | 1 | • • PIN, Clevis |
| 24 | 157688 | 1 | • • PIN, Chain (BL 434) |
| 25 | 157710 | 1 | • • BLOCK, Tensioner |

3.5 Mast 5 Assembly (SJ16)

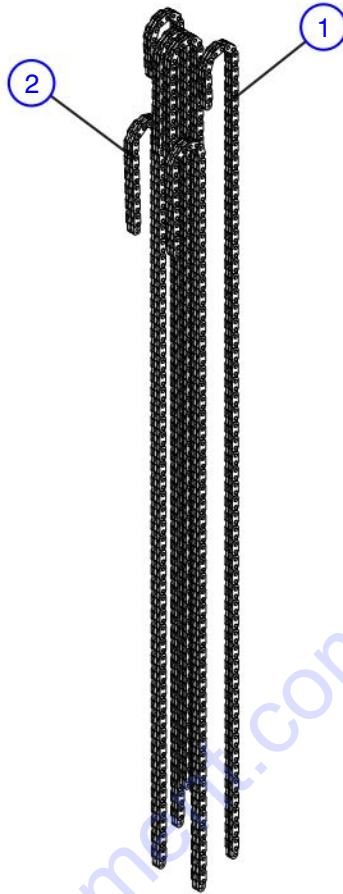


M157718AB

3.5 Mast 5 Assembly (SJ16)

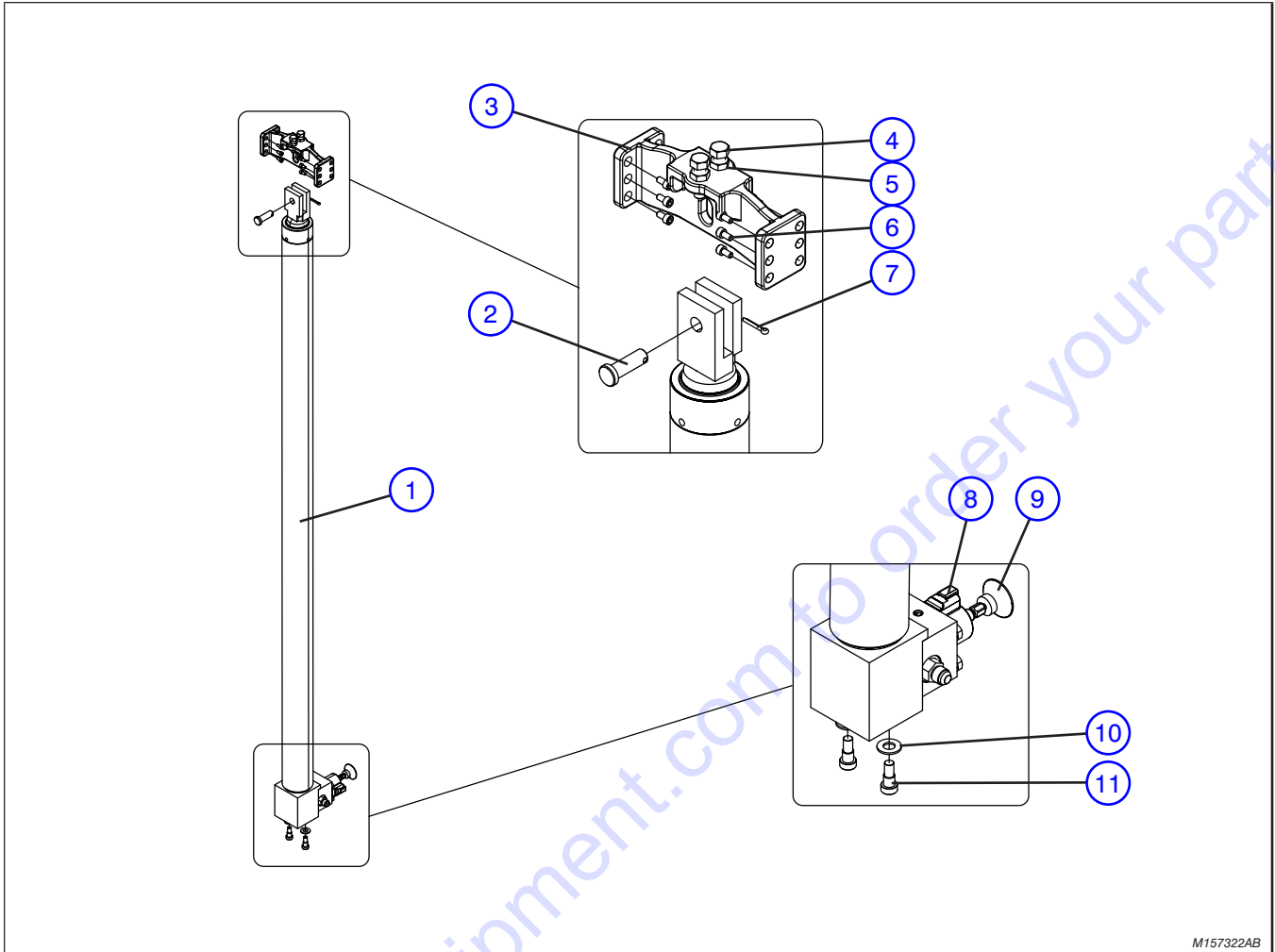
| Index No. | Skyjack Part No. | Qty. | Description |
|-----------|------------------|------|--|
| | | | NOTE: Part Numbers followed by a "DG" indicate dark grey painted parts. |
| - | 157718DG | - | MAST 5 ASSEMBLY |
| 1 | 157719DG | 1 | • WELDMENT, Mast 5 |
| 2 | 928533 | 1 | • HANDLE |
| 3 | 157319DG | 1 | • COVER, Mast |
| 4 | 158317 | 4 | • SCREW, Thread rolling (10-32 x 3/8") |
| 5 | 157763 | 2 | • WEAR PAD (Thin & short) |
| 6 | 158086 | 2 | • WEAR PAD (Thick & long) |
| 7 | 149496 | 4 | • NUT, Speed clip (1/4-20 x 1/2") |
| 8 | 103856 | 4 | • BOLT, Hex head (1/4"-20 x 3/4" Grade 5) |
| 9 | 103995 | 4 | • WASHER, Flat (1/4") |
| 10 | 157822 | 2 | • SCREW, Socket head cap (5/16"-18 x 7/8") |
| 11 | 104694 | 3 | • WASHER, Flat (#10) |
| 12 | 157759 | 8 | • RIVET, Pop (3/16" x 0.25-0.375 GR) |
| 13 | 117293 | 1 | • BOX, Manual |
| 14 | 158488 | 8 | • • BOLT, Hex head (3/8"-16 x 3/4", Grade 8) |
| 15 | 125959 | 8 | • WASHER, Flat hardened (3/8") |
| 16 | 156837 | 4 | • SHIM, Platform MT 22GA |
| - | 157320 | 2 | • CHAIN MOUNT ASSEMBLY (SINGLE) |
| 17 | 157700 | 1 | • • PIN, Chain (BL 434) |
| 18 | 157321 | 1 | • • MOUNT, Chain |
| 19 | 103996 | 2 | • • WASHER, Flat (5/16") |
| 20 | 158320 | 2 | • • BOLT, Hex head (5/16"-18 x 3/4", Grade 8) |
| 21 | 157033 | 2 | • • PIN, Spring (0.156 x 5/8") |

3.6 Chain Assembly (SJ16)



M158107AB

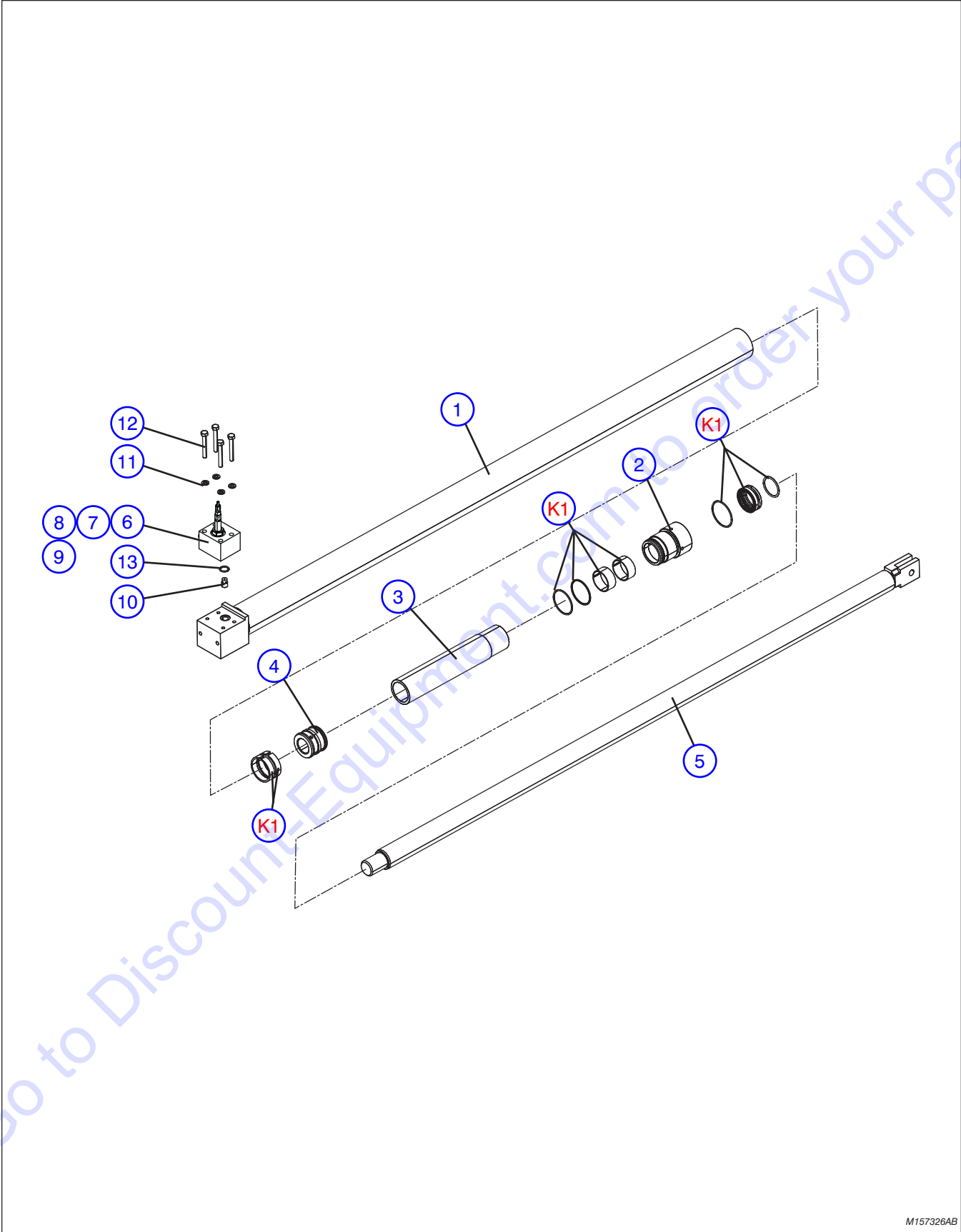
| Index No. | Skyjack Part No. | Qty. | Description |
|-----------|------------------|------|---|
| - | 158107 | 1 | <p>NOTE: Part Numbers followed by a “DG” indicate dark grey painted parts.</p> <p>CHAIN ASSEMBLY</p> |
| 1 | 157721 | 4 | <ul style="list-style-type: none"> • CHAIN - BL 434 |
| 2 | 158462 | 2 | <ul style="list-style-type: none"> • CHAIN - BL 444 |



M157322AB

| Index No. | Skyjack Part No. | Qty. | Description |
|-----------|------------------|------|---|
| - | 159472DG | - | NOTE: Part Numbers followed by a "DG" indicate dark grey painted parts. MAST LIFT CYLINDER ASSEMBLY (16 Feet) |
| 1 | (Ref.) | 1 | • CYLINDER, Lift (For components, refer to Section 3.8) |
| 2 | 157833 | 1 | • PIN, Clevis |
| 3 | 160195DG | 1 | • BRACKET, Cylinder mount (Order P/N 157323 for Machines with S/N's 14 003 062 and Below) |
| 4 | 163555 | 2 | • BOLT, Hex Head (3/8"-24 x 1.25, Grade 8) (For Machines with S/N's 14 003 063 and Above) |
| 5 | 160810 | 2 | • NUT, Hex Head Jamming (3/8"-24, Grade 5) (For Machines with S/N's 14 003 063 and Above) |
| 6 | 157822 | 12 | • SCREW, Socket head cap (zinc, 5/16"-18 x 7/8") |
| 7 | 163546 | 1 | • PIN, Cotter 1/2" dia. Rue Ring™ |
| 8 | 151683 | 1 | • COIL, 24V |
| 9 | 300322 | 1 | • KNOB, Pull |
| 10 | 103472 | 2 | • WASHER, Flat (3/8") |
| 11 | 156833 | 2 | • SCREW, Hex socket shoulder (3/8" - x 3/8") |

3.8 Lift Cylinder (SJ16)



M157326AB

PARTS FINDER

**Search Website
by Part Number**



**Search Manual
Library For Parts
Manual & Lookup Part
Numbers – Purchase
or Request Quote**

Search Manuals

Enter your information to help us find the right parts manual for your machine.

* Brand:

* Model:

* Serial:

* Part Number:

SEARCH

**Can't Find Part or
Manual? Request Help
by Manufacturer,
Model & Description**

Parts Order Form

Please fill in the following information to help us find the right part for your machine.

| | |
|---------------|----------------------|
| Manufacturer: | <input type="text"/> |
| Model: | <input type="text"/> |
| Description: | <input type="text"/> |
| Part Number: | <input type="text"/> |
| Quantity: | <input type="text"/> |
| Notes: | <input type="text"/> |

Discount-Equipment.com is your online resource for quality parts & equipment.

Florida: **561-964-4949** Outside Florida TOLL FREE: **877-690-3101**

Need parts?

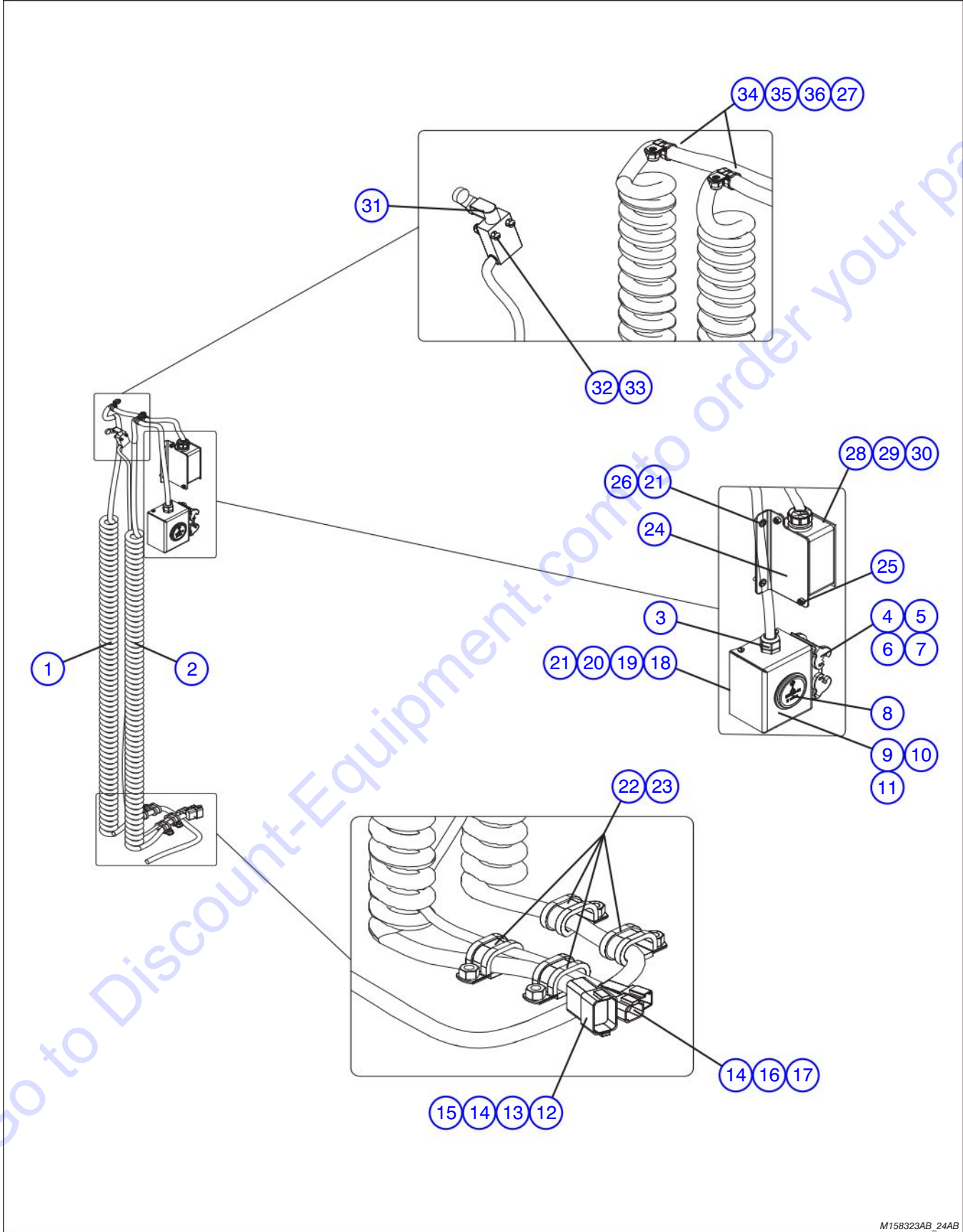
Click on this link: <http://www.discount-equipment.com/category/5443-parts/> and choose one of the options to help get the right parts and equipment you are looking for. Please have the machine model and serial number available in order to help us get you the correct parts. If you don't find the part on the website or on one of the online manuals, please fill out the request form and one of our experienced staff members will get back to you with a quote for the right part that your machine needs.

We sell worldwide for the brands: Genie, Terex, JLG, MultiQuip, Mikasa, Essick, Whiteman, Mayco, Toro Stone, Diamond Products, Generac Magnum, Airman, Haulotte, Barreto, Power Blanket, Nifty Lift, Atlas Copco, Chicago Pneumatic, Allmand, Miller Curber, Skyjack, Lull, Skytrak, Tsurumi, Husquvarna Target, Stow, Wacker, Sakai, Mi-T-M, Sullair, Basic, Dynapac, MBW, Weber, Bartell, Bennar Newman, Haulotte, Ditch Runner, Menegotti, Morrison, Contec, Buddy, Crown, Edco, Wyco, Bomag, Laymor, EZ Trench, Bil-Jax, F.S. Curtis, Gehl Pavers, Heli, Honda, ICS/PowerGrit, IHI, Partner, Imer, Clipper, MMD, Koshin, Rice, CH&E, General Equipment, Amida, Coleman, NAC, Gradall, Square Shooter, Kent, Stanley, Tamco, Toku, Hatz, Kohler, Robin, Wisconsin, Northrock, Oztec, Toker TK, Rol-Air, APT, Wylie, Ingersoll Rand / Doosan, Innovatech, Con X, Ammann, Mecalac, Makinex, Smith Surface Prep, Small Line, Wanco, Yanmar

3.8 Lift Cylinder (SJ16)

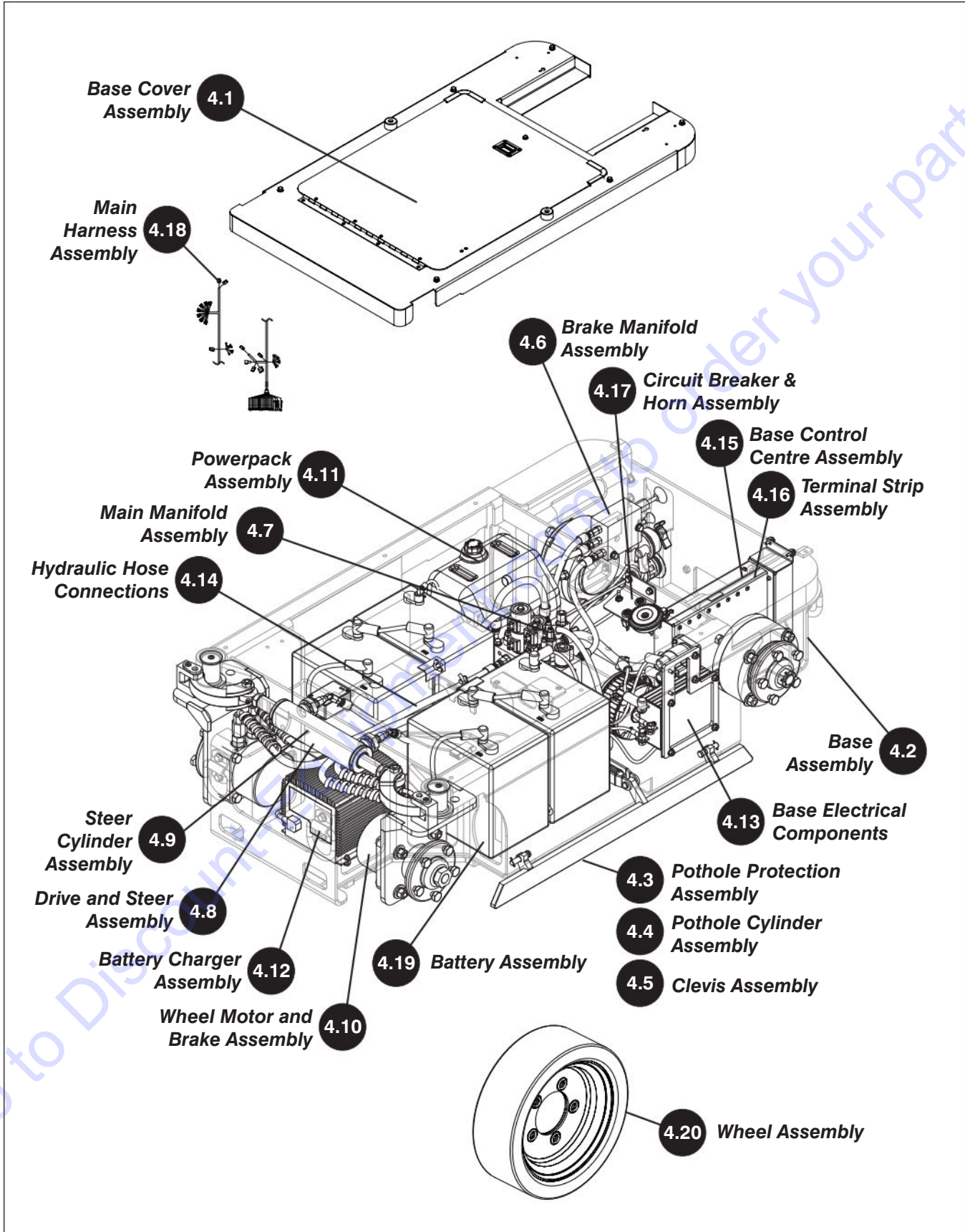
| Index No. | Skyjack Part No. | Qty. | Description |
|-----------|------------------|------|--|
| | | | NOTE: Part Numbers followed by a "DG" indicate dark grey painted parts. |
| - | 159473DG | - | LIFT CYLINDER ASSEMBLY |
| | 159471DG | 1 | • LIFT CYLINDER |
| 1 | 157648DG | 1 | • • WELDMENT, Tube |
| 2 | 156865 | 1 | • • GLAND |
| 3 | 157650 | 1 | • • SLEEVE STOP |
| 4 | 157651 | 1 | • • PISTON |
| 5 | 157649 | 1 | • • ROD |
| 6 | 159802 | 1 | • MANIFOLD ASSEMBLY <i>(Order P/N 156866 for Machines with S/N's 14 001 076 and Below)</i> |
| 7 | 151696 | 1 | • • VALVE, Emergency lowering <i>(For Machines with S/N's 14 001 077 and Above)</i> |
| 8 | 103069 | 1 | • • FITTING, Straight (06 JICM - 06 ORBM) <i>(For Machines with S/N's 14 001 077 and Above)</i> |
| 9 | 158844 | 1 | • • BLOCK MANIFOLD <i>(For Machines with S/N's 14 001 077 and Above)</i> |
| 10 | 159416 | 1 | • ORIFICE, One way (0.043" diameter) |
| 11 | 103866 | 4 | • BOLT, Hex head (5/16"-18 x 2.25", Grade 5) |
| 12 | 103404 | 4 | • WASHER, Lock (5/16") |
| 13 | 159475 | 1 | • O-RING |
| K1 | 157652 | 1 | KIT, Seal |

3.9 Mast Electrical Assembly (SJ16)

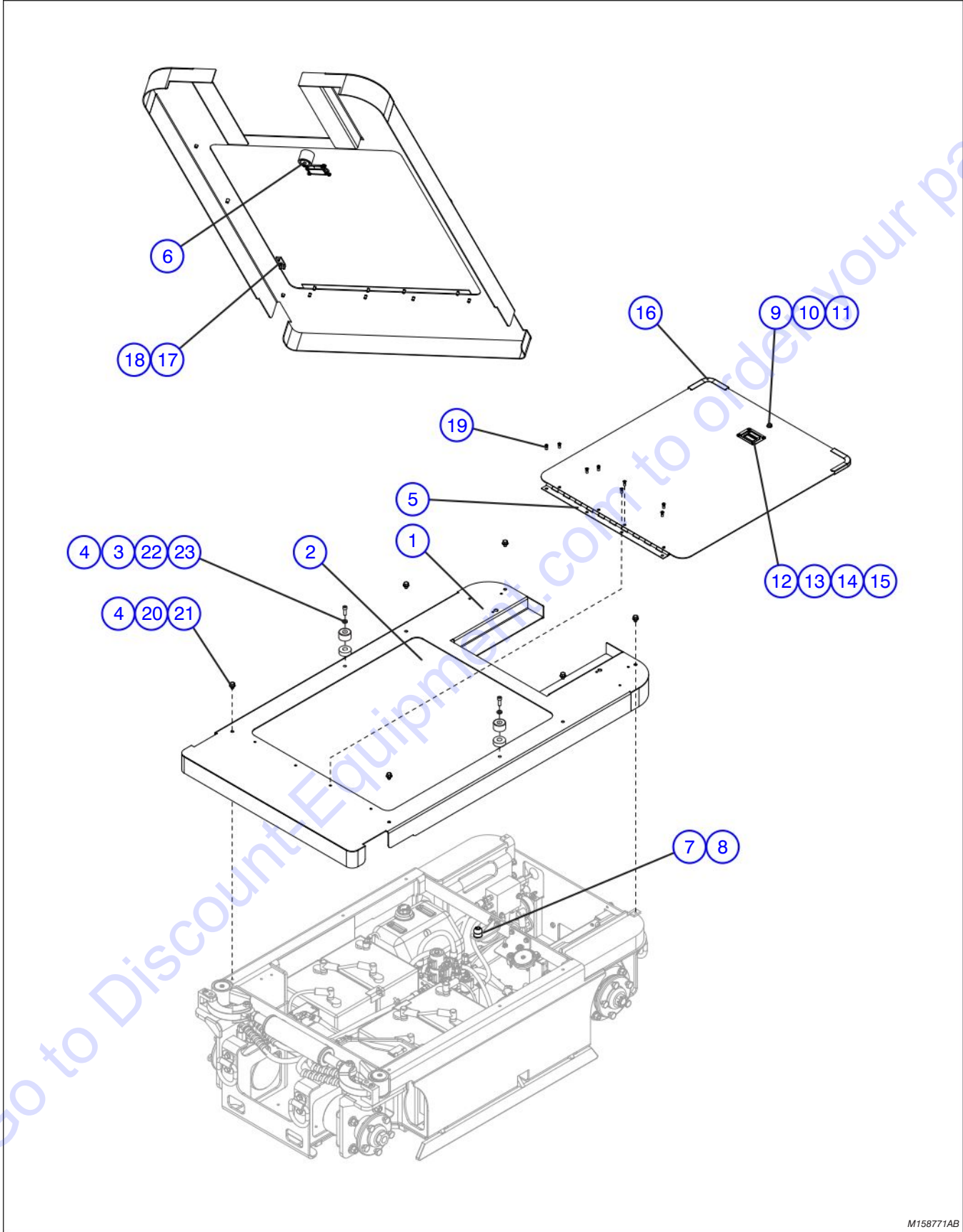


M158323AB_24AB

| Index No. | Skyjack Part No. | Qty. | Description |
|-----------|------------------|------|--|
| | | | NOTE: Part Numbers followed by a "DG" indicate dark grey painted parts. |
| A | 158324DG | - | MAST ELECTRICAL ASSEMBLY (ANSI/CSA) |
| B | 158323DG | - | MAST ELECTRICAL ASSEMBLY (CE & KC) |
| 1 | 151204 | 1 | • CABLE, Retractable (14/3) |
| | 158756 | 1 | • CONTROL CABLE ASSEMBLY |
| 2 | 151203 | 1 | • • CABLE, Retractable (18/15) |
| 3 | 120644 | 2 | • • CONNECTOR, Heyco liquid tight (PG16) |
| | 120646 | 2 | • • NUT, Cable gland lock (PG16) |
| 4 | 156544 | 3 | • • CONNECTOR BLOCK, Footmount |
| 5 | 156547 | 1 | • • CONNECTOR FRAME, Footmount |
| 6 | 156542 | 15 | • • CONTACT (Male) |
| 7 | 158750 | 1 | • • CONNECTOR HOUSING, Box mount |
| 8 | 103336 | 1 | • • HOURMETER |
| 9 | 158614DG | 1 | • • ENCLOSURE, Mast |
| 10 | 103957 | 4 | • • SCREW, Round head machine (#8-32 x 1/2") |
| 11 | 138765 | 4 | • • NUT, Hex nylon lock (#8-32, Grade 5) |
| 12 | 117586 | 2 | • • CONNECTOR, Receptacle (12 pin) |
| 13 | 117594 | 2 | • • SEAL, Connector |
| 14 | 117590 | 15 | • • CONTACT, Pin (16-18) |
| 15 | 117588 | 2 | • • CONNECTOR, Receptacle wedge (12 pin) |
| 16 | 117578 | 2 | • • CONNECTOR, Receptacle (4 pin) |
| 17 | 117580 | 2 | • • CONNECTOR, Receptacle wedge (4 pin) |
| 18 | 104185 | 4 | • WASHER, Lock (#10) |
| 19 | 115545 | 4 | • SCREW, Round head machine (#10-32 x 3/8") |
| 20 | 158615DG | 1 | • BRACKET, Mast |
| 21 | 157759 | 2 | • RIVET, Pop (3/16" x 0.25-0.375 GR) |
| 22 | 103078 | 4 | • CLIP, double (S344G10) |
| 23 | 103978 | 4 | • NUT, Hex head (3/8"-16, Grade 5) |
| 24 | 158620DG | 1 | • BRACKET, Mast AC |
| 25 | 134140 | 2 | • • RIVET (1/4"x 0.74" ALU), A |
| | 157759 | 2 | • • RIVET, Pop (3/16" x 0.25-0.375 GR), B |
| 26 | 104694 | 2 | • WASHER, Flat (#10) |
| 27 | 151596 | 2 | • SCREW, Button head cap (ZN, 1/4"-20 x 3/4", ASTM F835) |
| 28 | 136328 | 1 | • BOX, Outlet, A |
| 29 | 109698 | 1 | • RECEPTACLE, GFI, A |
| 30 | 166943 | 1 | • COVER, Weatherproof GFI, A |
| 31 | 158322 | 1 | • LIMIT SWITCH ASSEMBLY (Mast) |
| | 117079 | 1 | • • SWITCH, Limit (with roller lever) |
| | 117579 | 1 | • • CONNECTOR, Receptacle (4 pin) |
| | 117581 | 1 | • • CONNECTOR, Receptacle wedge (4 pin) |
| | 117591 | 4 | • • CONTACT, Pin (16-18) |
| 32 | 138765 | 2 | • NUT, Hex nylon lock (#8-32, Grade 5) |
| 33 | 112248 | 2 | • SCREW, Round head machine (#8-32 x 1.00") |
| 34 | 103024 | 3 | • CLIP, Single (G10), A |
| | 102929 | 3 | • CLIP, Single (G10), B |
| 35 | 103995 | 2 | • WASHER, Flat (1/4") |
| 36 | 115649 | 2 | • NUT, Hex nylon lock (1/4"-20, Grade 5) |



4.1 Base Cover Assembly

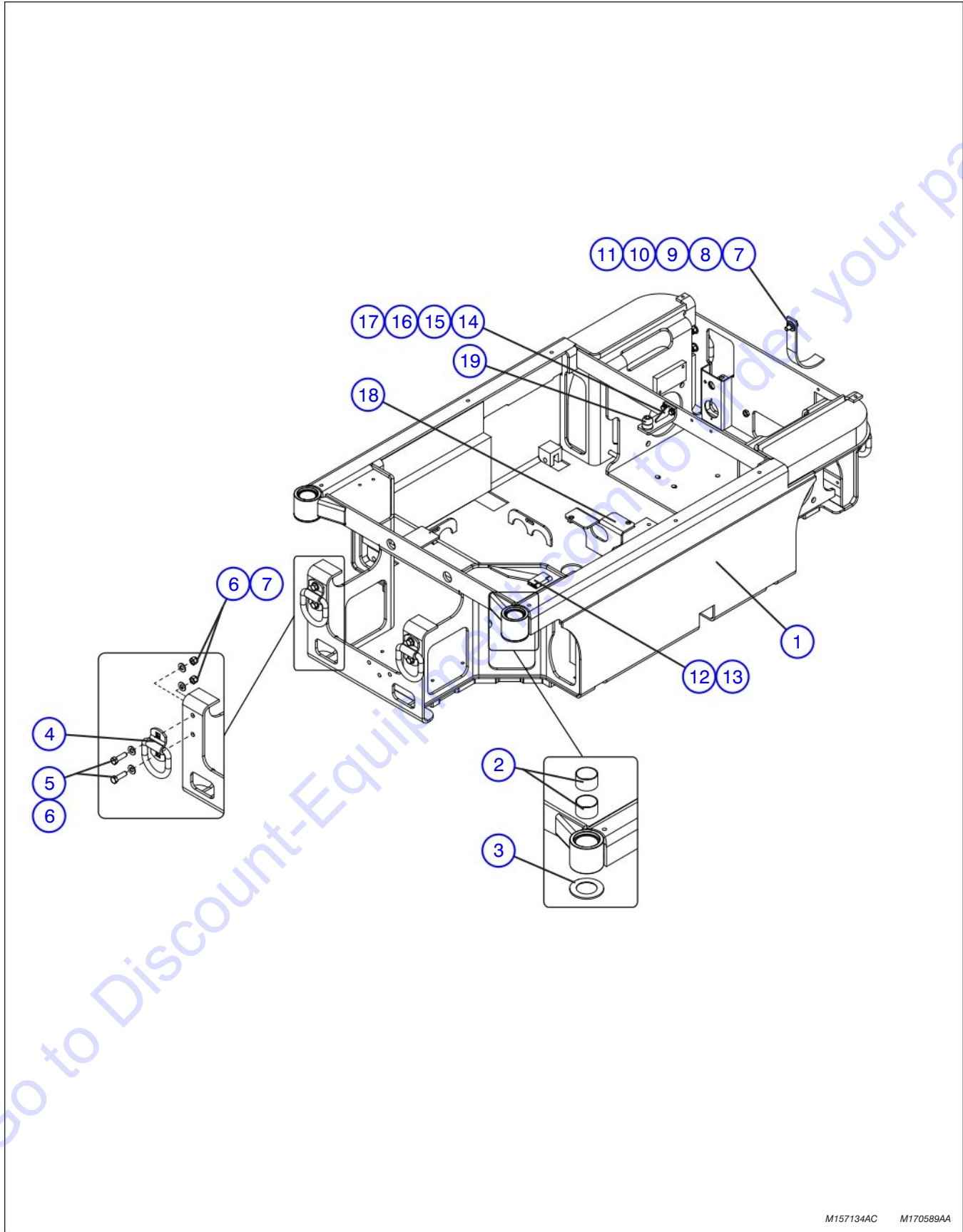


M158771AB

4.1 Base Cover Assembly

| Index No. | Skyjack Part No. | Qty. | Description |
|-----------|------------------|------|--|
| | | | NOTE: Part Numbers followed by a "DG" indicate dark grey painted parts. |
| - | 158771DG | - | BASE COVER ASSEMBLY |
| 1 | 158772DG | 1 | • WELDMENT, Cover top |
| 2 | 157180 | 1 | • COVER, Service |
| 3 | 157822 | 2 | • SCREW, Socket head cap (zinc, 5/16"-18 x 7/8") |
| 4 | 103404 | 8 | • WASHER, Lock (5/16") |
| 5 | 157840DG | 1 | • HINGE, Piano (21") |
| | 112447 | 1 | • HOLDER, Rubber |
| 6 | 125893 | 1 | • • HOLDER, Rubber (female) |
| 7 | 125892 | 1 | • • HOLDER, Rubber (male) |
| 8 | 112449 | 1 | • BOLT, Machine hex head (1/4"-20 x 1") |
| 9 | 103855 | 1 | • BOLT, Hex head (1/4"-20 x 1/2", Grade 5) |
| 10 | 103995 | 1 | • WASHER, Flat (1/4") |
| 11 | 103980 | 1 | • NUT, Hex head (1/4"-20, Grade 8) |
| 12 | 151658 | 1 | • RECESSED HANDLE ASSEMBLY |
| 13 | 156600 | 4 | • SCREW, Flat head (#8-32 x 3/8) |
| 14 | 103986 | 4 | • NUT, Hex head (#8-32) |
| 15 | 103991 | 4 | • WASHER, Flat (#8) |
| 16 | 117398 | 1 | • TRIM, Protective |
| 17 | 157160DG | 1 | • BRACKET, Stop |
| 18 | 161063 | 2 | • RIVET, Pop (Large flange 5/32") |
| 19 | 157173 | 8 | • RIVET, Pop (Large flange 1/4") |
| 20 | 103996 | 6 | • WASHER, Flat (5/16") |
| 21 | 103845 | 6 | • BOLT, Hex head (5/16"-18 x 1/2", Grade 5) |
| 22 | 158864 | 2 | • BUMPER |
| 23 | 158845 | A/R | • SPACER, 0.625" |
| | 158846 | A/R | • SPACER, 0.5" |
| | 158847 | A/R | • SPACER, 0.375" |

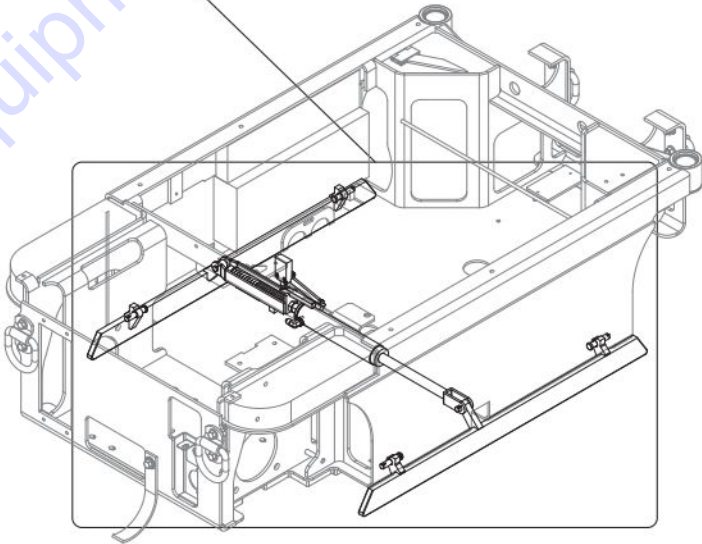
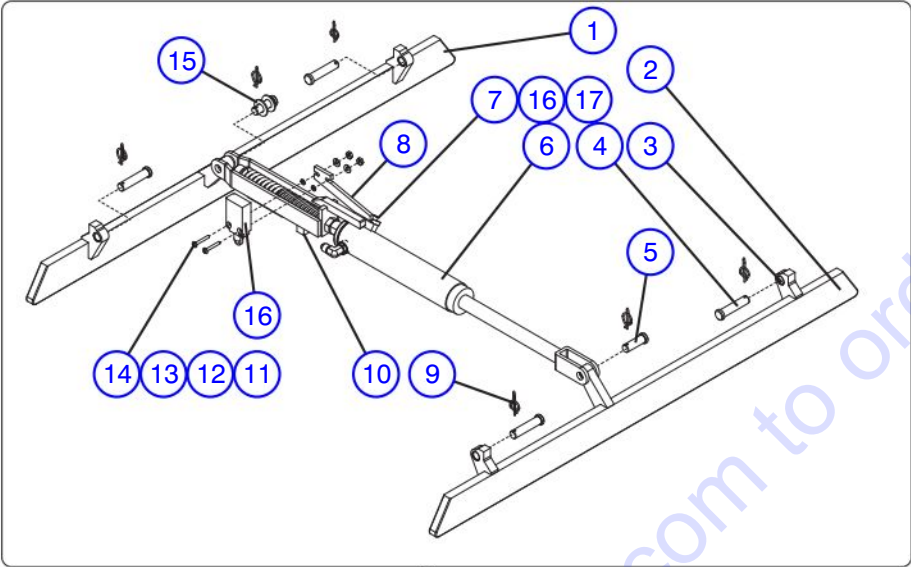
4.2 Base Assembly



M157134AC M170589AA

4.2 Base Assembly

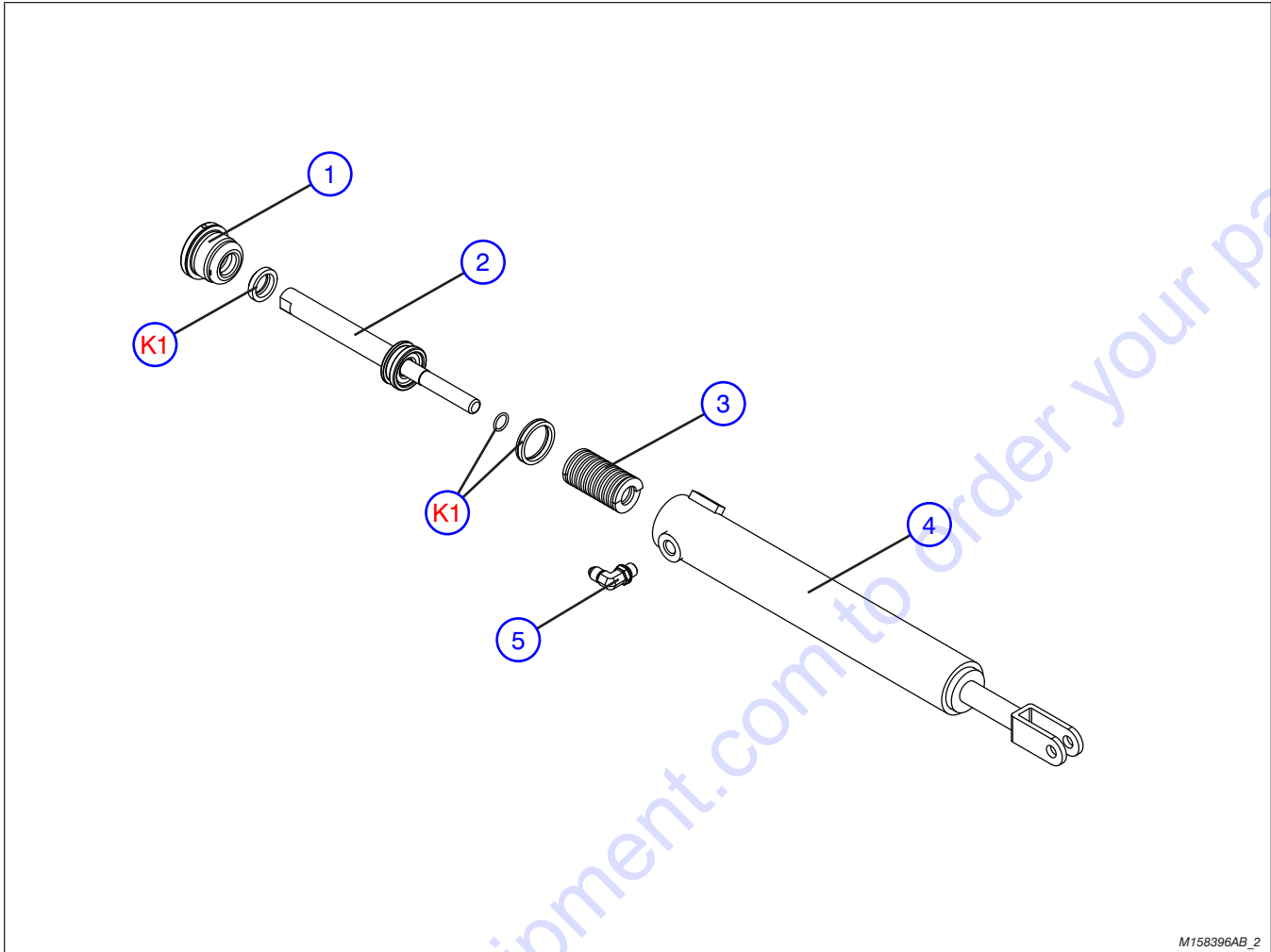
| Index No. | Skyjack Part No. | Qty. | Description |
|-----------|------------------|------|--|
| | | | NOTE: Part Numbers followed by a "DG" indicate dark grey painted parts. |
| A | 158350DG | - | BASE ASSEMBLY (SJ12) |
| B | 157134DG | - | BASE ASSEMBLY (SJ16) |
| 1 | 158351DG | 1 | • WELDMENT, Base, A |
| | 157411DG | 1 | • WELDMENT, Base, B |
| 2 | 100904 | 4 | • BUSHING, Fiberglide (1.5" ID x 1") |
| 3 | 149782 | 2 | • WASHER, Bronze (kingpin) |
| 4 | 156848 | 4 | • D-RING ASSEMBLY |
| 5 | 101297 | 8 | • BOLT, Carriage (3/8"-16 x 1.25", Grade 5), A |
| | 117430 | 8 | • BOLT, Carriage (3/8"-16 x 1.25", Grade 8), B |
| 6 | 104606 | 8 | • NUT, Hex nylon lock (3/8"-16, Grade 5) |
| 7 | 103472 | 18 | • WASHER, Flat (3/8"), A |
| | 103472 | 17 | • WASHER, Flat (3/8"), B |
| 8 | 115420 | 1 | • STRAP, Static |
| 9 | 103473 | 1 | • BOLT, Hex head (3/8"-16 x 1", Grade 5) |
| 10 | 155979 | 1 | • WASHER, Int tooth lock (3/8") |
| 11 | 108575 | 1 | • NUT, Hex head jam (3/8"-16, Grade 5) |
| 12 | 157157DG | 1 | • PLATE, Hinged |
| 13 | 139641 | 2 | • RIVET, Pop (1/4") |
| 14 | 151659DG | 1 | • BRACKET, Latch weld |
| 15 | 103995 | 2 | • WASHER, Flat (1/4") |
| 16 | 104000 | 2 | • WASHER, Lock (1/4") |
| 17 | 103856 | 2 | • BOLT, Hex head (1/4"-20 x 3/4", Grade 5) |
| 18 | 158812DG | 1 | BRACKET WELDMENT, Main Valve |
| | 158813DG | 1 | • BRACKET, Main valve |
| | 138624 | 2 | • WELD NUT, Pilot projection (.31-18) |
| 19 | (Ref.) | 1 | HOLDER, Rubber (For components, refer to Section 4.1) |



M158122AB

| Index No. | Skyjack Part No. | Qty. | Description |
|-----------|------------------|------|--|
| | | | NOTE: Part Numbers followed by a "DG" indicate dark grey painted parts. |
| - | 158122DG | - | POTHOLE PROTECTION ASSEMBLY |
| 1 | 158398DG | 1 | • PLATE, Pothole Assembly (Right-hand - Control box side) |
| 2 | 158397DG | 1 | • PLATE, Pothole Weld (Left-hand) |
| 3 | 119312 | 6 | • BUSHING, Fiberglide |
| 4 | 158144 | 4 | • PIN, Clevis |
| 5 | 158148 | 2 | • PIN, Clevis |
| 6 | (Ref.) | 1 | • CYLINDER, Hydraulic (For components, refer to Section 4.4) |
| 7 | 158889 | 2 | • SCREW, Socket head cap (10-24 x 1/2") |
| 8 | 158395 | 1 | • BRACKET, Limit Switch |
| 9 | 158818 | 6 | • PIN, Cotter (Rue ring) |
| 10 | (Ref.) | 1 | • ASSEMBLY, Clevis (For components, refer to Section 4.5) |
| 11 | 112248 | 2 | • SCREW, Round head machine (#8-32 x 1.0") |
| 12 | 112249 | 2 | • WASHER, Lock (#8) |
| 13 | 103991 | 2 | • WASHER, Flat (#8) |
| 14 | 103986 | 2 | • NUT, Hex head (#8-32) |
| 15 | 119313 | 2 | • WASHER, Flat (.438) |
| 16 | 104694 | 2 | • WASHER, Flat #10 |
| 17 | 104185 | 2 | • WASHER, Lock #10 |
| 18 | (Ref.) | 1 | LIMIT SWITCH ASSEMBLY (For components, refer to Section 4.13) |

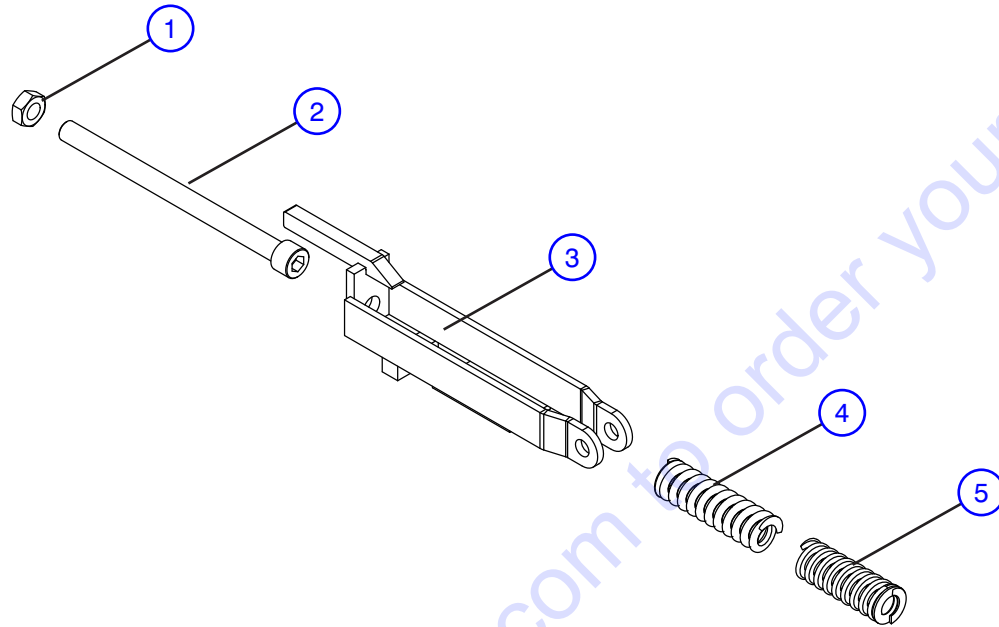
4.4 Pothole Cylinder Assembly



M158396AB_2

| Index No. | Skyjack Part No. | Qty. | Description |
|--|------------------|------|----------------------------------|
| NOTE: Part Numbers followed by a "DG" indicate dark grey painted parts. | | | |
| - | 158396DG | - | POTHOLE CYLINDER ASSEMBLY |
| 1 | 159336 | 1 | • GLAND |
| 2 | 159337 | 1 | • ROD |
| 3 | 159338 | 1 | • SPRING |
| 4 | 159339DG | 1 | • BARREL |
| 5 | 159340 | 1 | • FITTING, 90-degree (04MJ-04MB) |
| K1 | 159341 | 1 | KIT, Seal |

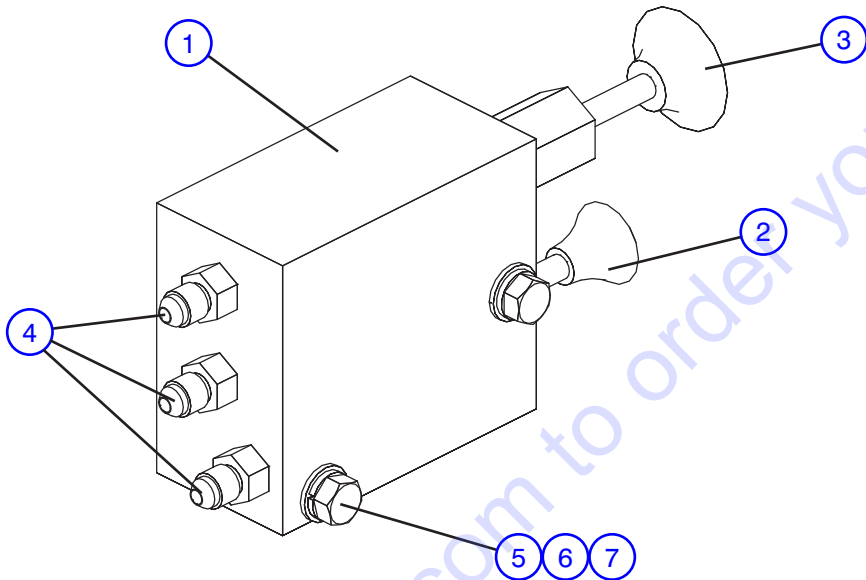
4.5 Clevis Assembly



M158906AB

| Index No. | Skyjack Part No. | Qty. | Description |
|-----------|------------------|------|---|
| - | 158906DG | 1 | NOTE: Part Numbers followed by a "DG" indicate dark grey painted parts. CLEVIS ASSEMBLY |
| 1 | 107949 | 1 | • NUT, Hex head jam (1/2"-13, Grade 5) |
| 2 | 158987 | 1 | • SCREW, Socket head cap (1/2"-13 x 7") |
| 3 | 158390DG | 1 | • WELD, Clevis |
| 4 | 158400 | 1 | • SPRING, Die (3.5" LG) |
| 5 | 158399 | 1 | • SPRING, Die (3" LG) |

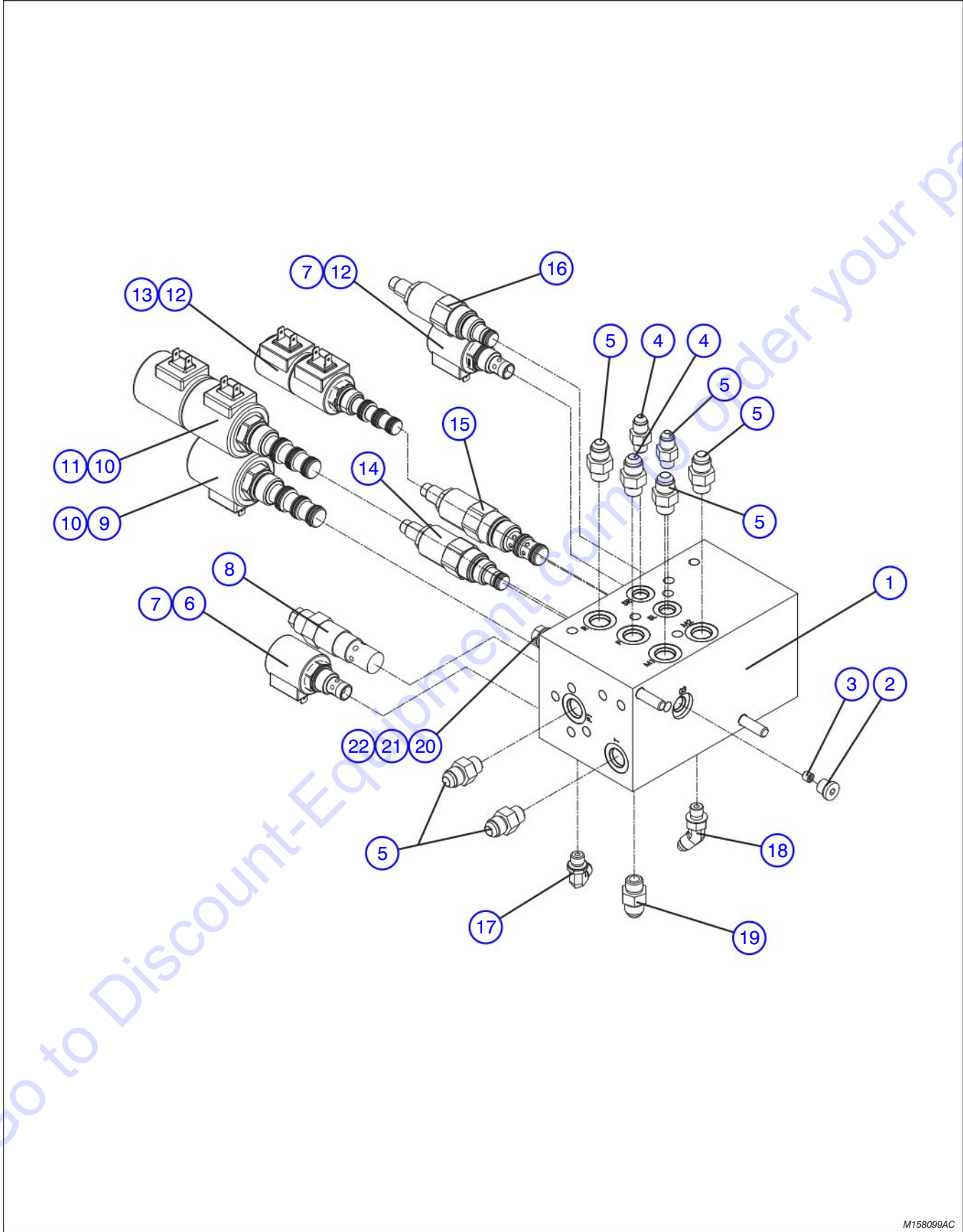
4.6 Brake Manifold Assembly



M151458AA

| Index No. | Skyjack Part No. | Qty. | Description |
|--|------------------|------|---|
| NOTE: Part Numbers followed by a "DG" indicate dark grey painted parts. | | | |
| - | 136540 | 1 | BRAKE MANIFOLD ASSEMBLY |
| 1 | 146563 | 1 | • BLOCK, Brake manifold |
| 2 | 146561 | 1 | • VALVE, Auto reset |
| 3 | 146559 | 1 | • VALVE, Hand pump |
| 4 | 701954 | 3 | • FITTING, Straight (04 JICM - 04 ORBM) |
| 5 | 103884 | 2 | BOLT, Hex head (5/16"-18 x 2.5", Grade 5) |
| 6 | 103996 | 2 | WASHER, Flat (5/16") |
| 7 | 103404 | 2 | WASHER, Lock (5/16") |
| - | 146564 | 1 | KIT, Seal (Not Shown) |

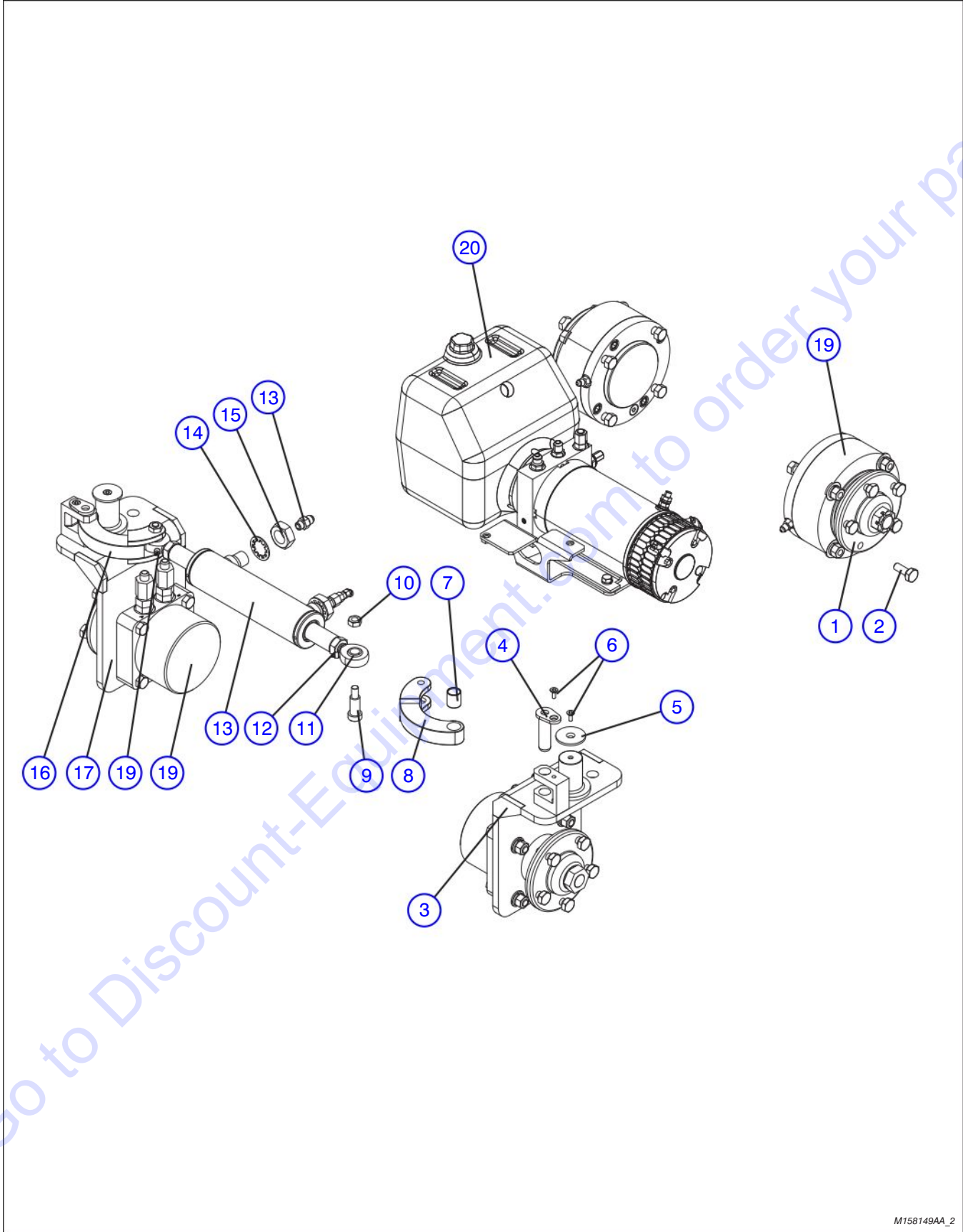
4.7 Main Manifold Assembly



M158099AC

4.7 Main Manifold Assembly

| Index No. | Skyjack Part No. | Qty. | Description |
|-----------|------------------|------|--|
| | | | NOTE: Part Numbers followed by a "DG" indicate dark grey painted parts. |
| - | 158099 | - | MAIN MANIFOLD ASSEMBLY |
| 1 | 158198 | 1 | • MANIFOLD ASSEMBLY |
| 2 | 709963 | 1 | • PLUG, Hollow (Hex 4 SAE ORB) |
| 3 | 141518 | 1 | • PLUG, Pressure (1/16 NPT X 0.031" ID) |
| 4 | 126128 | 2 | • FITTING, Straight (04 JICM - 04 ORBM) |
| 5 | 103069 | 7 | • FITTING, Straight (06 JICM - 06 ORBM) |
| 6 | 103655 | 1 | • VALVE, Poppet Solenoid Cartridge |
| 7 | 103656 | 1 | • VALVE, Poppet Solenoid Cartridge |
| 8 | 147889 | 1 | • VALVE, Counterbalance (4000 psi) |
| 9 | 158185 | 1 | • VALVE, 4 way (2 pos) |
| 10 | 105610 | 3 | • COIL, 24V (2 prong, #10) |
| 11 | 156850 | 1 | • VALVE, Drive (3/4 way Mtr Spool) |
| 12 | 103605 | 4 | • COIL, 24V (2 prong) |
| 13 | 158186 | 1 | • VALVE, 4 way spool (3 pos tandem C) |
| 14 | 151684 | 1 | • VALVE, Relief |
| 15 | 158852 | 1 | • VALVE, Priority flow control |
| 16 | 158853 | 1 | • VALVE, Relief (1500 psi) |
| 17 | 125883 | 1 | • FITTING, 90-degree (04JICM-04ORBM) |
| 18 | 131716 | 1 | • FITTING, 45-degree (04JICM-04ORBM) |
| 19 | 103069 | 1 | FITTING, Straight (06 JICM - 06 ORBM) |
| 20 | 138762 | 2 | BOLT, Hex head (5/16"-18 x 5", Grade 5) |
| 21 | 103996 | 2 | WASHER, Flat (5/16") |
| 22 | 103404 | 2 | WASHER, Lock (5/16") |

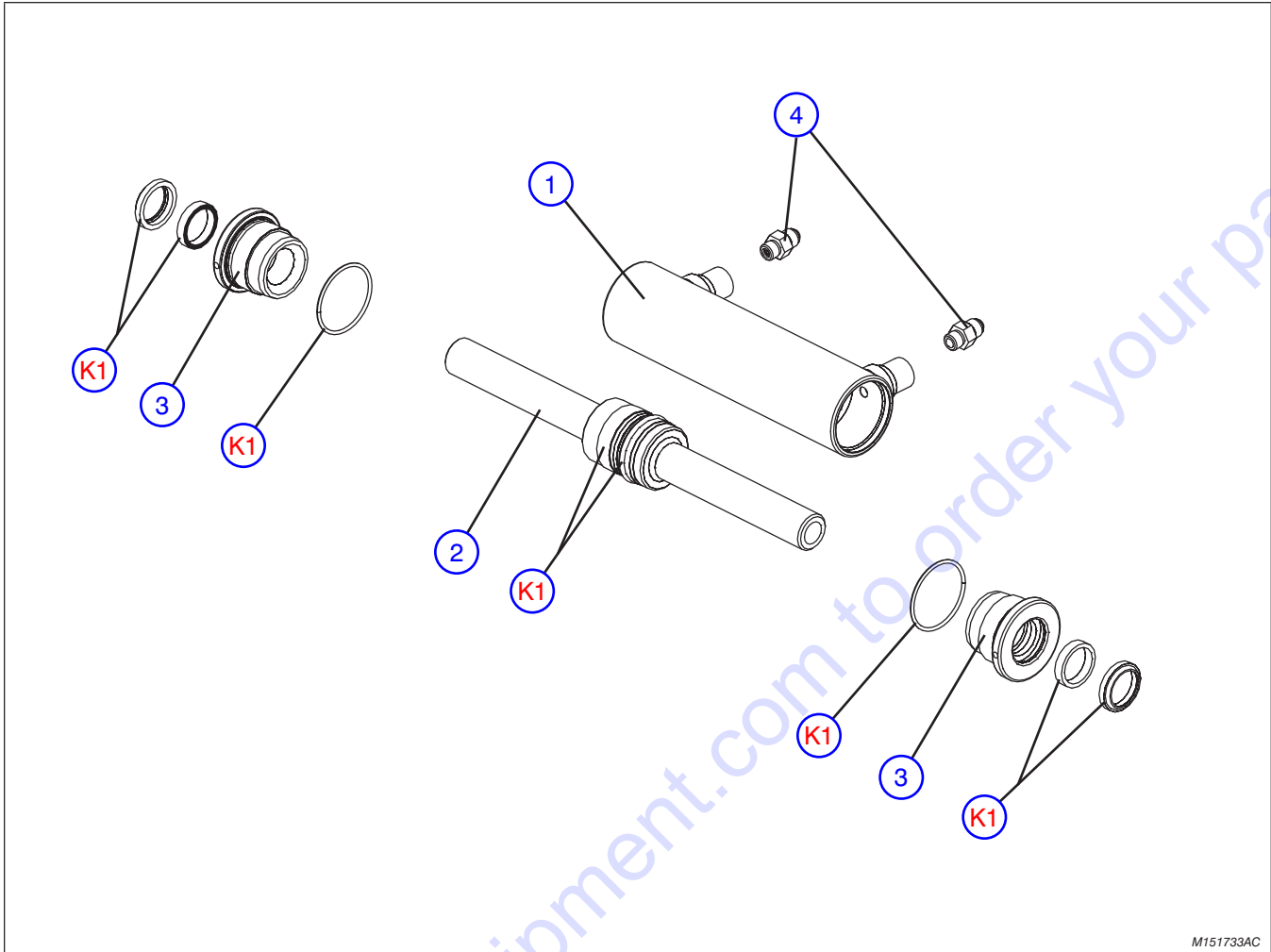


M158149AA_2

| Index No. | Skyjack Part No. | Qty. | Description |
|-----------|------------------|------|---|
| | | | NOTE: Part Numbers followed by a "DG" indicate dark grey painted parts. |
| A | 158149DG | - | DRIVE/STEER ASSEMBLY (ANSI/CSA) |
| B | 158316DG | - | DRIVE/STEER ASSEMBLY (CE & KC) |
| 1 | 107912 | 4 | • HUB, Wheel |
| 2 | 103199 | 20 | • BOLT, Wheel (1/2"-20 x 1.5625") |
| 3 | 151246DG | 1 | • WELDMENT, Motor (Right-hand - Control box side) |
| 4 | 151326 | 2 | • PIN, Steer |
| 5 | 151650 | 2 | • RETAINER, Washer |
| 6 | 110853 | 4 | • SCREW, Flat head cap (1/4"-20 x 5/8", Grade 5) |
| 7 | 100050 | 2 | • BUSHING, Fibreglide |
| 8 | 151260DG | 1 | • WELDMENT, Steer arm (Left-hand) (For Serial number 140003535 & Below) |
| | 151249DG | 1 | • WELDMENT, Steer arm (Left-hand) (For Serial number 140003536 & Above) |
| 9 | 107951 | 2 | • SCREW, Hex socket shoulder (5/8" x 1.25") |
| 10 | 107949 | 2 | • NUT, Hex head jam (1/2"-13, Grade 5) |
| 11 | 107143 | 2 | • END, Rod |
| 12 | 106450 | 2 | • NUT, Hex head jam (3/4"-16, Grade 5) |
| 13 | (Ref.) | 1 | • CYLINDER, Steer (For components, refer to Section 4.9) |
| 14 | 103789 | 2 | • WASHER, Int tooth lock (1") |
| 15 | 107947 | 2 | • NUT, Hex head jam (1"-14, Grade 5) |
| 16 | 151259DG | 1 | • WELDMENT, Steer arm (Right hand - Control box side) (For Serial number 140003535 & Below) |
| | 151249DG | 1 | • WELDMENT, Steer arm (Right-hand - Control box side) (For Serial number 140003536 & Above) |
| 17 | 151247DG | 1 | • WELDMENT, Motor (Left hand) |
| 18 | 132565 | 2 | • CAP, Grease (GC5)\ |
| 19 | (Ref.) | 1 | • WHEEL MOTOR AND BRAKE ASSEMBLY ((For components, refer to Section 4.10) |
| 20 | (Ref.) | 1 | • POWERPACK ASSEMBLY (For components, refer to Section 4.11) |

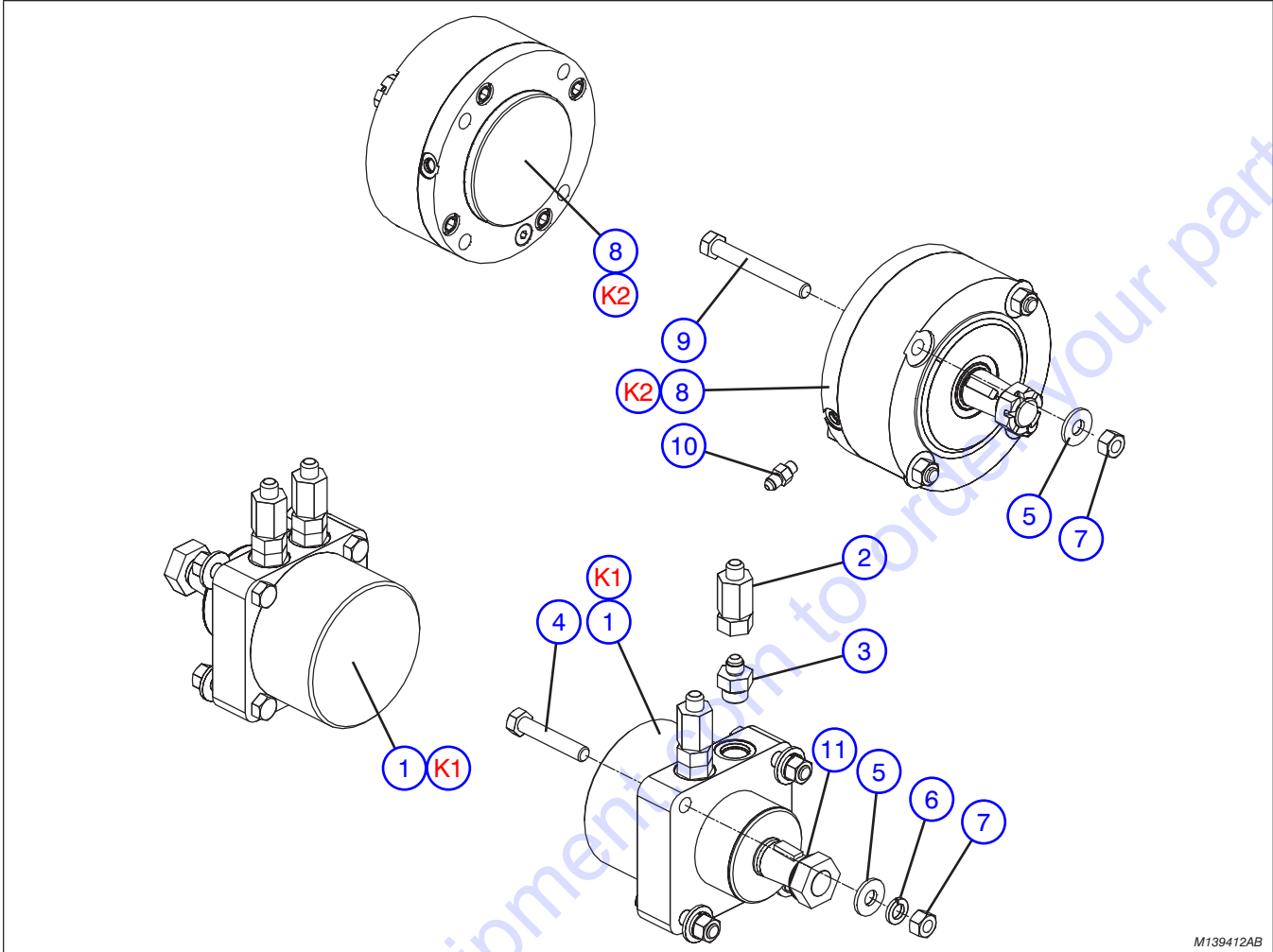
4.9 Steer Cylinder Assembly

AB



M151733AC

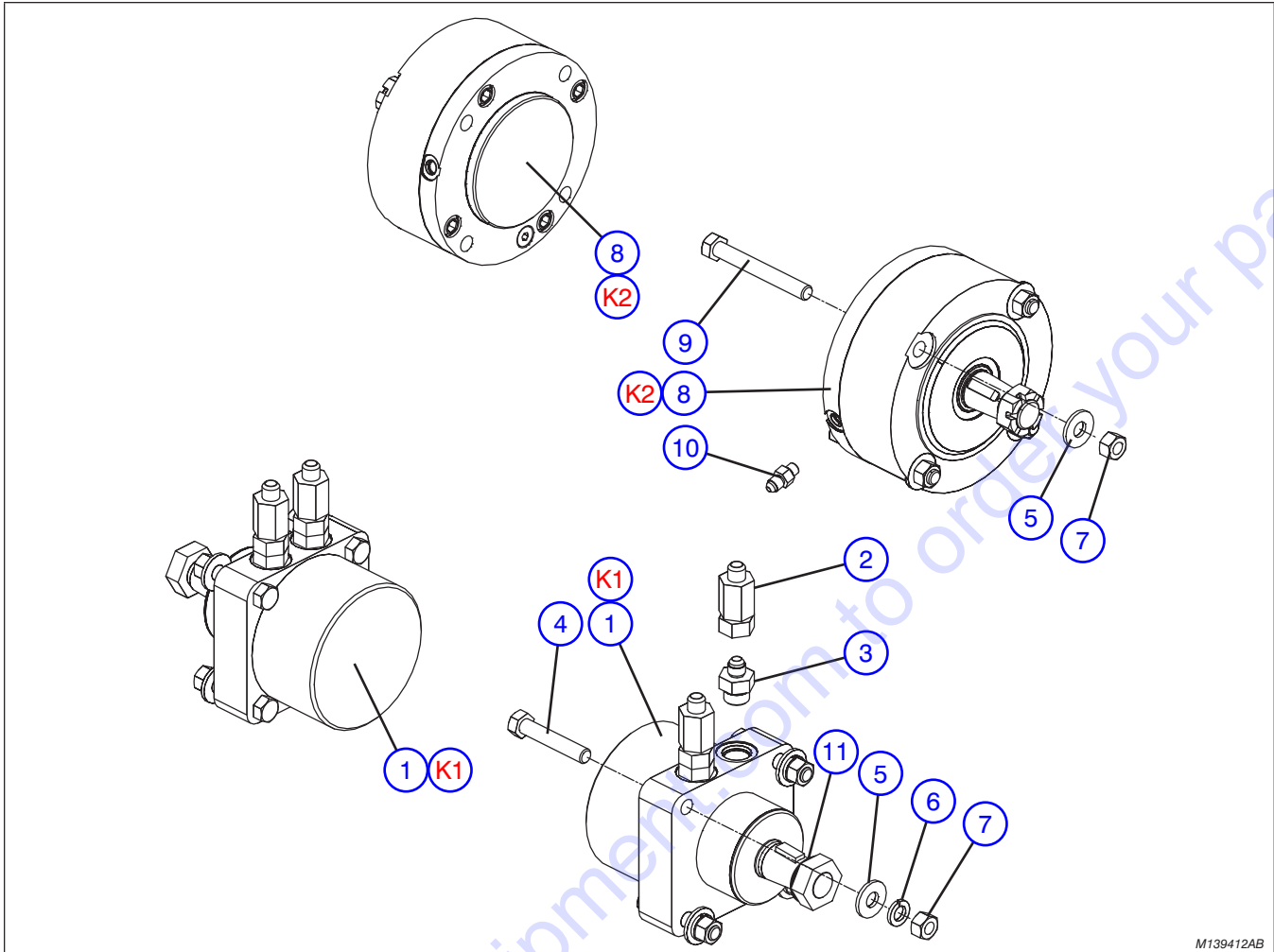
| Index No. | Skyjack Part No. | Qty. | Description |
|-----------|------------------|------|---|
| - | 151690DG | - | NOTE: Part Numbers followed by a "DG" indicate dark grey painted parts. STEER CYLINDER ASSEMBLY |
| 1 | 121089DG | 1 | • WELDMENT, Tube |
| 2 | 107939 | 1 | • ROD |
| 3 | 121088 | 2 | • GLAND |
| 4 | 701956 | 2 | • FITTING, Straight Connector (-6 SAE -4 JIC) (Order P/N 103069 for Machines with S/N's 14 002 896 and Below) |
| K1 | 157562 | 1 | KIT, Seal |



M139412AB

| Index No. | Skyjack Part No. | Qty. | Description |
|-----------|------------------|------|--|
| 1 | 139412 | 2 | MOTOR, Wheel |
| - | 167908 | 1 | • KEY, Shaft (Not Shown) |
| 2 | 151465 | 4 | FITTING, Straight swivel (06 JICM - 06 JICF) |
| 3 | 103307 | 4 | FITTING, Straight (06 JICM - 10 ORBM) |
| 4 | 108818 | 8 | BOLT, Hex head (1/2"-13 x 2.75", Grade 5) |
| 5 | 103468 | 16 | WASHER, Flat (1/2" SAE AA) |
| 6 | 103470 | 16 | WASHER, Lock (1/2", Grade 5) |
| 7 | 103471 | 16 | NUT, Hex head (1/2"-13, Grade 5) |
| 8 | 154839 | 2 | BRAKE, Wheel mount |
| | 159422 | 1 | • KEY, Square |
| | 159423 | 1 | • NUT, Slotted hex |
| | 159424 | 1 | • PIN, Cotter |
| | | | Parts list continued on the following page. |

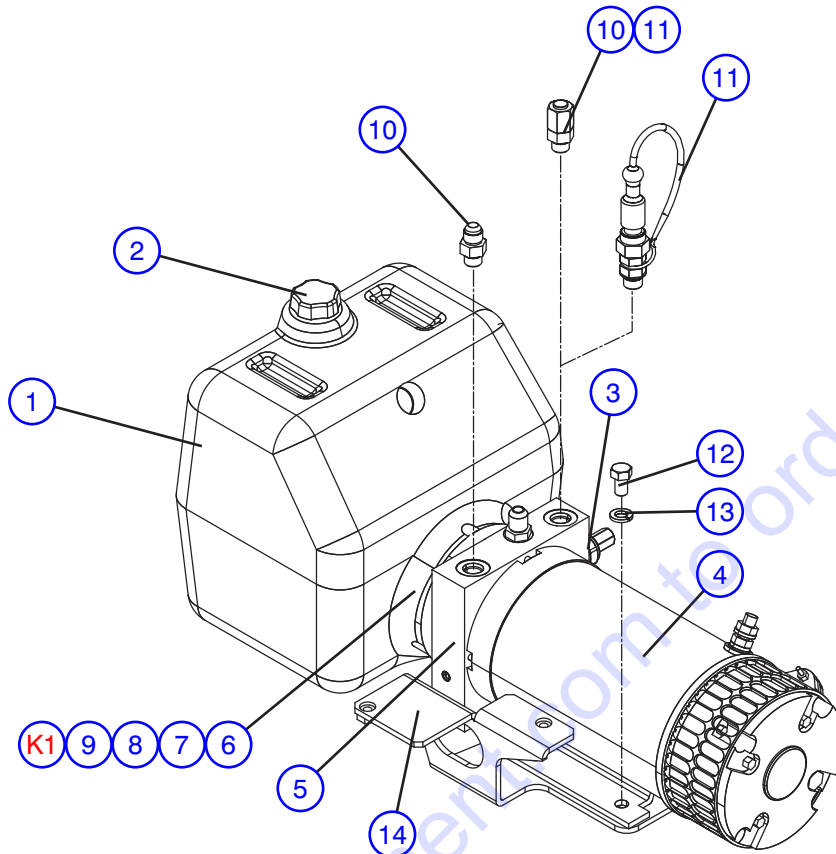
4.10 Wheel Motor and Brake Assembly



M139412AB

| Index No. | Skyjack Part No. | Qty. | Description |
|--|------------------|------|--|
| <p>NOTE: Part Numbers followed by a "DG" indicate dark grey painted parts. Parts list continued from the previous page.</p> | | | |
| 9 | 127060 | 8 | BOLT, Hex head (1/2"-13 x 4", Grade 5) |
| 10 | 126128 | 2 | FITTING, Straight (04 JICM - 04 ORBM) |
| 11 | 103789 | 2 | WASHER, Lock (Int tooth, 1") |
| K1 | 151099 | 2 | KIT, Seal |
| K2 | 156251 | 2 | KIT, Bearing and seal |
| | 156252 | 2 | KIT, Brake stack |
| | 156253 | 2 | KIT, O-ring |

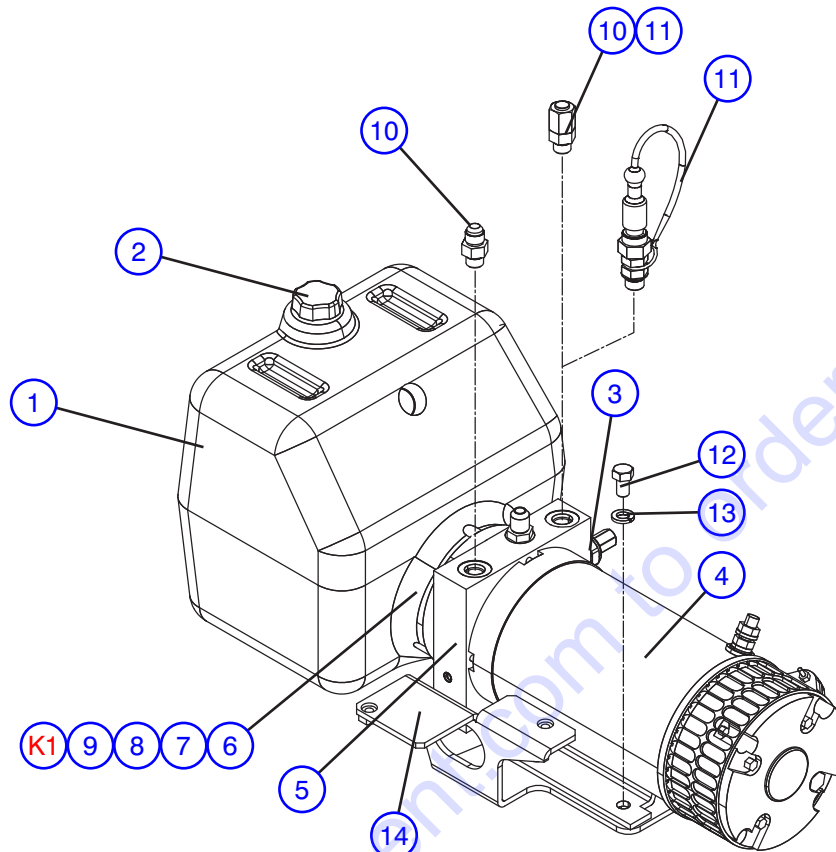
4.11 Powerpack Assembly



M151270AD_2

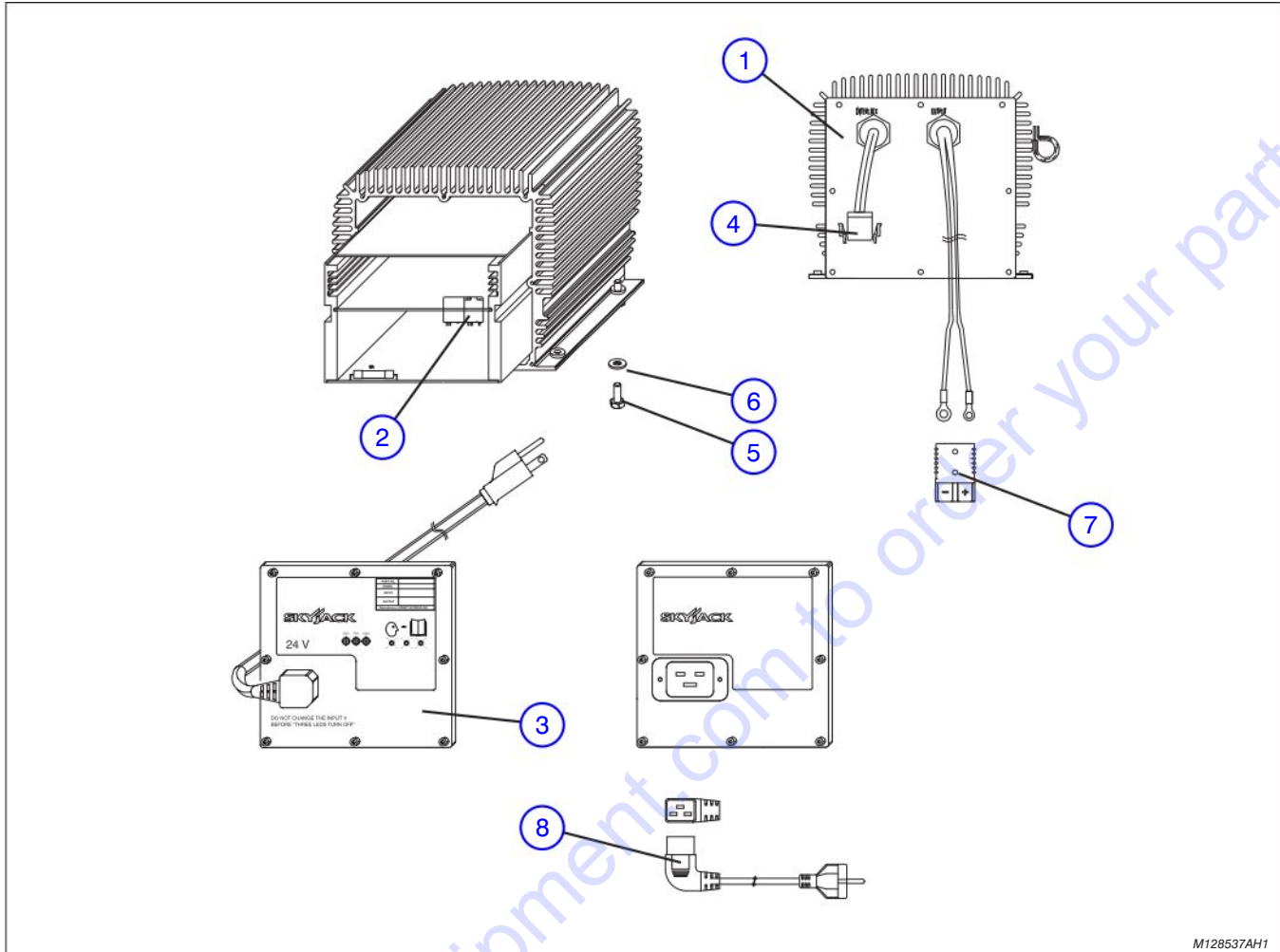
| Index No. | Skyjack Part No. | Qty. | Description |
|-----------|------------------|------|--|
| - | 151270 | 1 | NOTE: Part Numbers followed by a "DG" indicate dark grey painted parts. POWERPACK, 24V |
| 1 | 156874 | 1 | • TANK, Hydraulic |
| 2 | 156958 | 1 | • CAP, Filler/Breather |
| 3 | 156956 | 1 | • VALVE, Relief |
| 4 | 156877 | 1 | • MOTOR, 24VDC |
| 5 | 156959 | 1 | • MANIFOLD, Powerpack |
| 6 | 156875 | 1 | • PUMP |
| 7 | 156876 | 1 | • COUPLER |
| 8 | 156957 | 1 | • STRAINER |
| 9 | 156960 | 1 | • CLAMP |
| 10 | 103069 | 2 | FITTING, Straight (06 JICM - 06 ORBM) (ANSI/CSA) |
| | 103069 | 1 | FITTING, Straight (06 JICM - 06 ORBM) (CE & KC) |
| | | | Parts list continued on the following page. |

4.11 Powerpack Assembly



M151270AD_2

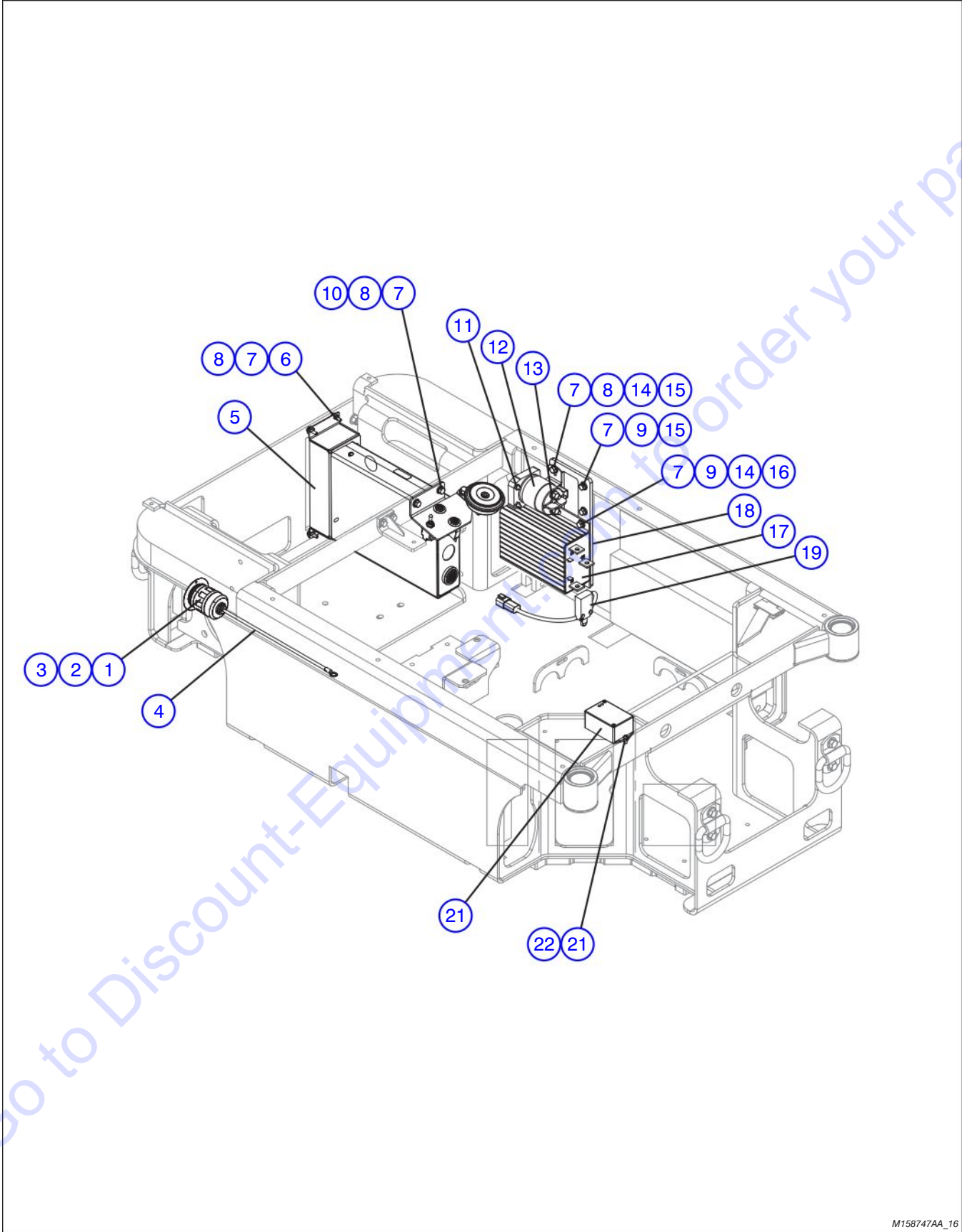
| Index No. | Skyjack Part No. | Qty. | Description |
|-----------|------------------|------|---|
| | | | NOTE: Part Numbers followed by a "DG" indicate dark grey painted parts. Parts list continued from the previous page. |
| 11 | 107666 | 1 | FITTING, Cap (06 JICF) (ANSI/CSA) |
| | 122420 | 1 | QUICK DISCONNECT (CE & KC) |
| 12 | 103887 | 4 | BOLT, Hex head (5/16"-18 x 3/4", Grade 5) |
| 13 | 103404 | 4 | WASHER, Lock (5/16") |
| 14 | (Ref.) | 1 | BRACKET, Main valve (For components, refer to Section 4.2) |
| K1 | 156961 | 1 | KIT, Seal |



M128537AH1

| Index No. | Skyjack Part No. | Qty. | Description |
|---|------------------|------|---|
| <p>NOTE: Part Numbers followed by a “DG” indicate dark grey painted parts.</p> | | | |
| 1 | 160931 | 1 | CHARGER, Battery (24VDC) <i>(Order Part #128537 for ANSI/CSA Machines with S/N's 14002615 and Below)</i> <i>(Order Part #152070 for CE & KC Machines with S/N's 14002615 and Below)</i> |
| 2 | 127154 | 1 | • RELAY, Interlock |
| 3 | 147674 | 1 | FRONTPLATE ASSEMBLY (with hardwired cord), ANSI/CSA |
| 4 | 115391 | 1 | PLUG, Charger cutout |
| 5 | 103856 | 4 | BOLT, Hex head (1/4"-20 x 3/4", Grade 5) |
| 6 | 103995 | 4 | WASHER, Flat (1/4") |
| 7 | 103364 | 1 | CONNECTOR, Battery (50 Amp) |
| 8 | 120790 | 1 | CORD, 220V Charger (with plug), CE & KC |

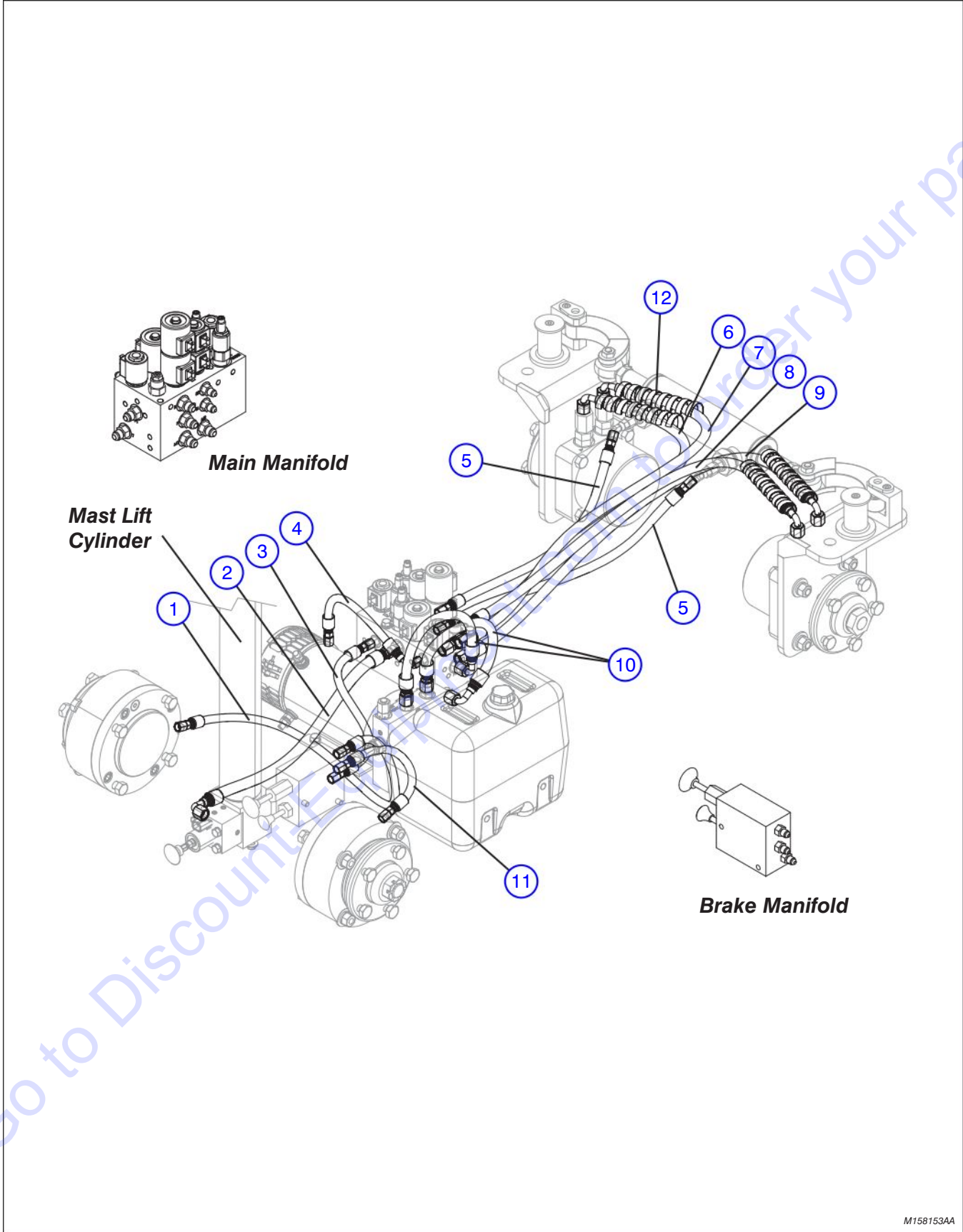
4.13 Base Electrical Components



M15874AA_16

| Index No. | Skyjack Part No. | Qty. | Description |
|-----------|------------------|------|--|
| | | | NOTE: Part Numbers followed by a "DG" indicate dark grey painted parts. |
| A | 158196 | - | BASE ELECTRICAL (ANSI/CSA) - SJ12 & SJ16 |
| B | 158747 | - | BASE ELECTRICAL (CE) - SJ12 |
| | 158749 | - | BASE ELECTRICAL (KC) - SJ12 |
| | 158184 | - | BASE ELECTRICAL (KC) - SJ16 |
| | 158195 | - | BASE ELECTRICAL (CE) - SJ16 |
| 1 | 105271 | 1 | CONNECTOR, Inlet (110V), A |
| 2 | 113227 | 1 | SEAL, Cover, A |
| 3 | 162754 | 2 | RIVET, 5/32-0.312DIA, AL-AL, A |
| 4 | 156845 | 1 | GROUND WIRE ASSEMBLY |
| 5 | (Ref.) | 1 | BASE CONTROL CENTRE ASSEMBLY (For components, refer to Section 4.15) |
| 6 | (Ref.) | 1 | CIRCUIT BREAKER AND HORN ASSEMBLY (For components, refer to Section 4.17) |
| 7 | 103995 | 20 | WASHER, Flat (1/4") |
| 8 | 103965 | 4 | SCREW, Round head machine (1/4"-20 x 3/4") |
| 9 | 104000 | 14 | WASHER, Lock (1/4") |
| 10 | 103892 | 4 | BOLT, Hex head (1/4"-20 x 5/8", Grade 5) |
| 11 | 104003 | 2 | NUT, Hex head (#10-32) |
| 12 | 146475 | 1 | CONTACTOR |
| | 164671 | 1 | • KIT, Diode |
| 13 | 156844 | 2 | NUT, Hex head (5/16"-24, Grade 5) |
| 14 | 103980 | 6 | NUT, Hex head (1/4"-20, Grade 8) |
| 15 | 103856 | 2 | BOLT, Hex head (1/4"-20 x 3/4", Grade 5) |
| 16 | 103891 | 4 | BOLT, Hex head (1/4"-20 x 7/8", Grade 5) |
| 17 | 151207 | 1 | CONTROLLER, Pump motor (24VDC - 360 Amp) |
| 18 | 158113 | 1 | BACKPLATE |
| 19 | 158318 | 1 | LIMIT SWITCH ASSEMBLY |
| | 119348 | 1 | • SWITCH, Limit (Sealed) |
| | 117578 | 1 | • CONNECTOR, Receptacle (4-pin) |
| | 117580 | 1 | • CONNECTOR, Receptacle (4-pin wedge) |
| | 117590 | 4 | • CONNECTOR, Pin (Contact 16-18) |
| 20 | 157375 | 1 | SWITCH, Tilt (Combo) |
| 21 | 104185 | 2 | WASHER, Lock (#10) |
| 22 | 103962 | 2 | SCREW, Round head machine (#10-32 x 1/2") |

4.14 Hydraulic Hose Connections

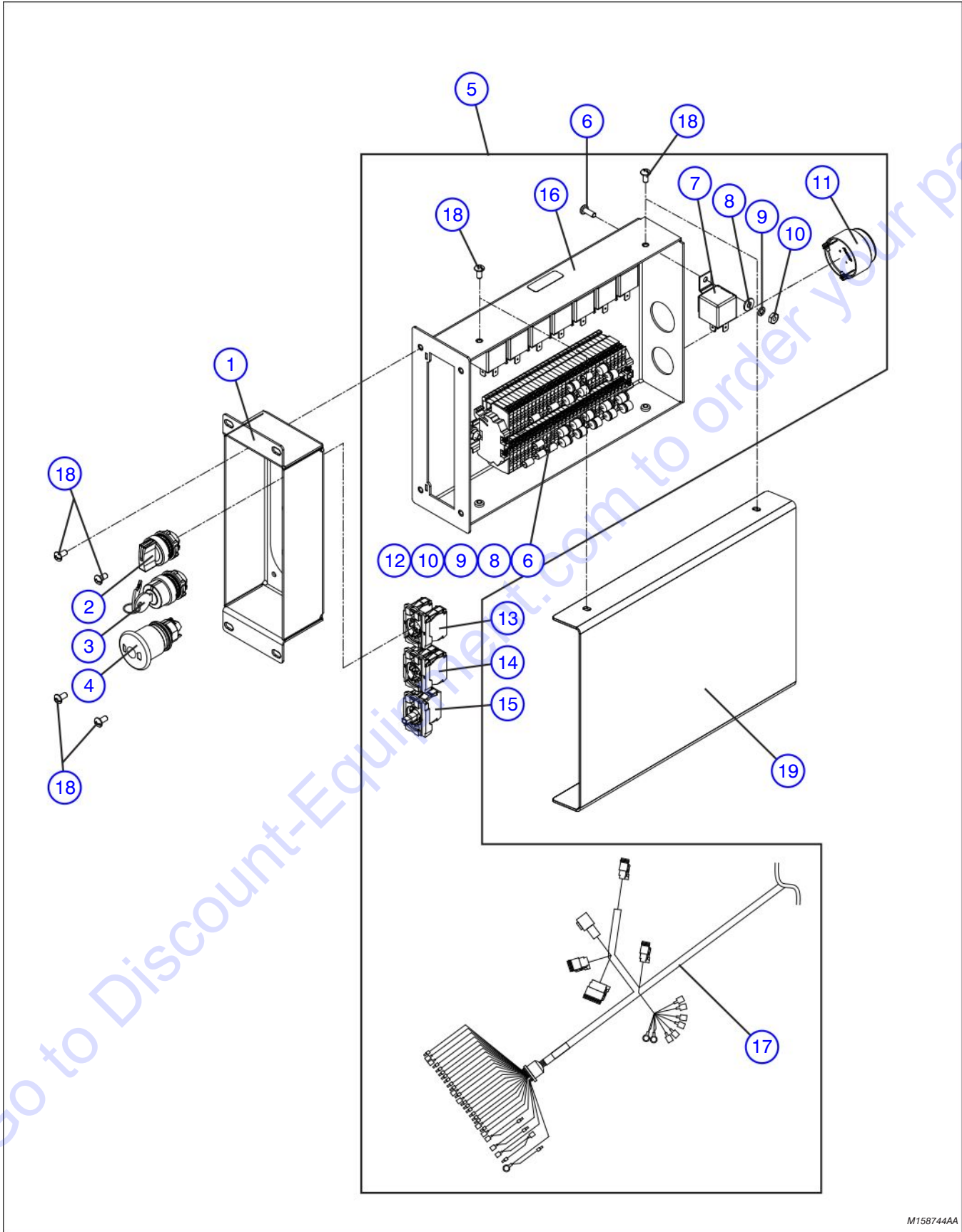


M158153AA

| Index No. | Hose P/N | From | | To | |
|-----------|--------------|----------------|------|------|--------------------------------------|
| | | Description | Port | Port | Description |
| 1 | H 31040028 2 | Brake manifold | B1 | - | Left brake |
| 2 | H 34060019 0 | Main manifold | L | - | Emergency lowering valve |
| 3 | H 31040022 0 | Main manifold | B | B | Brake manifold |
| 4 | H 31040022 0 | Main manifold | PH | - | Pothole cylinder |
| 5 | H 31040022 0 | Main manifold | SR | - | Steering cylinder |
| | H 31040022 0 | Main manifold | SL | - | Steering cylinder |
| 6 | H 34060036 0 | Main manifold | M2 | A | Left drive motor |
| 7 | H 34060035 0 | Main manifold | F | B | Left drive motor |
| 8 | H 34060034 0 | Main manifold | R | B | Right drive motor - Control box side |
| 9 | H 34060037 0 | Main manifold | M1 | A | Right drive motor - Control box side |
| 10 | H 34060014 0 | Main manifold | T | T | Powerpack |
| | H 34060014 0 | Main manifold | P | P | Powerpack |
| 11 | H 31040011 0 | Brake manifold | B2 | - | Right brake - Control box side |

| Index No. | Skyjack Part No. | Qty. | Description |
|-----------|------------------|-------|---|
| 12 | 131285 | 2.67' | <p>NOTE: Part Numbers followed by a "DG" indicate dark grey painted parts.</p> <p>GUARD, Spring (5/8" x 10")</p> |

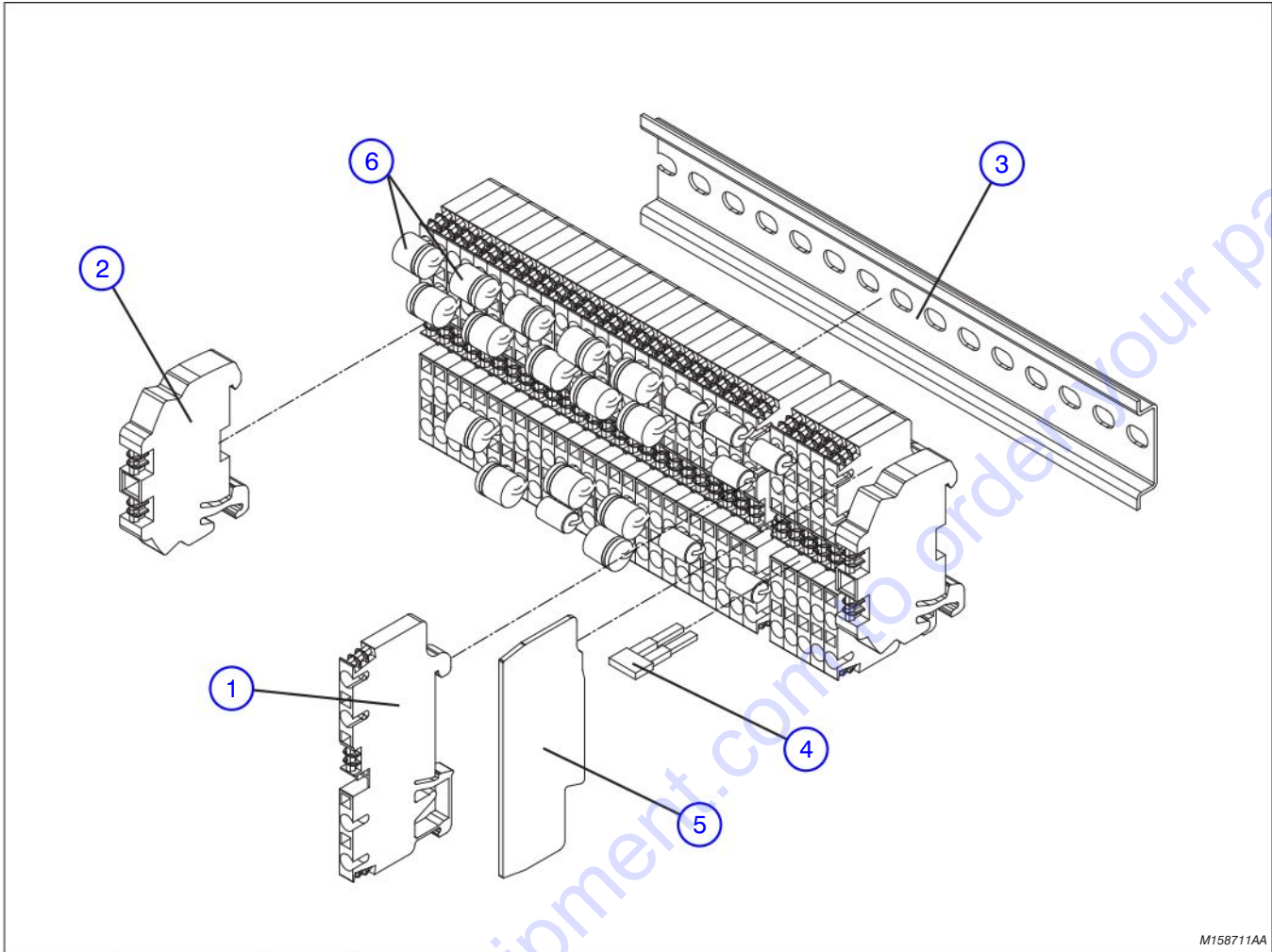
4.15 Base Control Centre Assembly



M158744AA

| Index No. | Skyjack Part No. | Qty. | Description |
|-----------|------------------|------|--|
| | | | NOTE: Part Numbers followed by a "DG" indicate dark grey painted parts. |
| A | 158744DG | - | BASE CONTROL CENTRE ASSEMBLY (ANSI/CSA & KC) |
| B | 158746DG | - | BASE CONTROL CENTRE ASSEMBLY (CE) |
| 1 | 158418DG | 1 | • LOWER CONTROLS, A |
| | 158419DG | 1 | • LOWER CONTROLS, B |
| | 158420DG | 1 | • • WELDMENT, Controls face |
| 2 | 147069 | 1 | • • HEAD, Selector switch (Lower/Raise) |
| 3 | 166015 | 1 | • • SWITCH, Reworked selector, keyed, A |
| | 166016 | 1 | • • SWITCH, Reworked selector, keyed, B |
| 4 | 147051 | 1 | • • HEAD, Emergency stop |
| 5 | 158728 | 1 | • LOWER CONTROL BOX ASSEMBLY |
| | 151551 | 1 | • • WELDMENT, Controls deck |
| 6 | 103962 | 10 | • • SCREW, Round head machine (#10-32 x 1/2") |
| 7 | 108589 | 8 | • • RELAY, Sealed (24V) |
| 8 | 104694 | 10 | • • WASHER, Flat (#10) |
| 9 | 104185 | 10 | • • WASHER, Lock (#10) |
| 10 | 104003 | 10 | • • NUT, Hex head (#10-32) |
| 11 | 103057 | 1 | • • BEEPER, Slow pulsing (24VDC) |
| 12 | (Ref.) | - | • • TERMINAL STRIP ASSEMBLY (For components, refer to Section 4.16) |
| 13 | - | - | • • SWITCH, Selector (Lower/Raise) |
| | 147056 | 1 | • • • LATCH |
| | 147054 | 2 | • • • BLOCK, Contact (N.O.) |
| 14 | - | - | • • SWITCH, Selector key (Off/Platform/Base) |
| | 147056 | 1 | • • • LATCH |
| | 147054 | 1 | • • • BLOCK, Contact (N.O.) |
| | 147053 | 2 | • • • BLOCK, Contact (N.C.) |
| 15 | - | - | • • SWITCH, Emergency stop |
| | 147056 | 1 | • • • LATCH |
| | 147053 | 1 | • • • BLOCK, Contact (N.C.) |
| | 147061 | 1 | • • • LED BLOCK, 24V (Red) |
| 16 | 151551DG | 1 | • • WELDMENT, Controls deck |
| 17 | (Ref.) | 1 | • • HARNESS, Main (For components, refer to Section 4.18) |
| 18 | 103964 | 8 | • SCREW, Round head machine (#10-32 x 1/4") |
| 19 | 151558DG | 1 | • COVER, Lower controls |

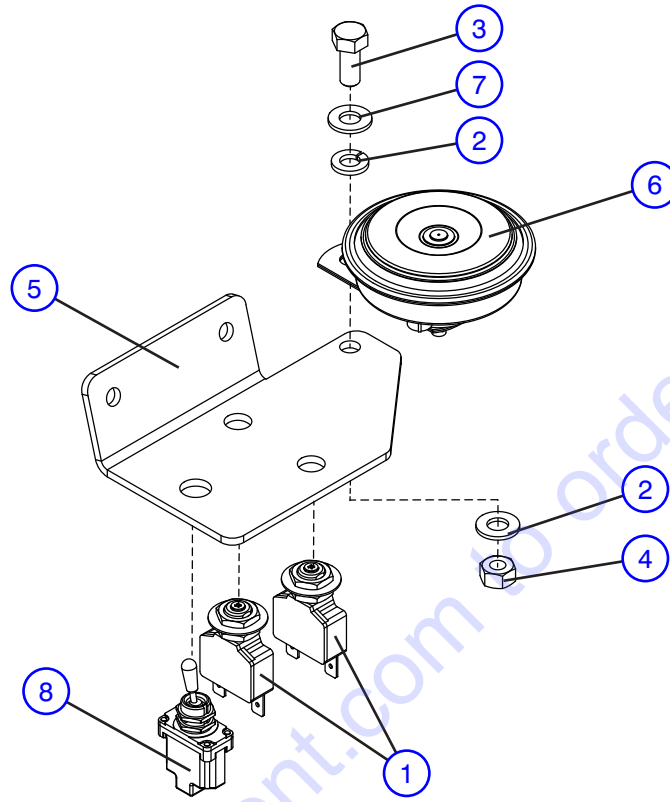
4.16 Terminal Strip Assembly



M15871AA

| Index No. | Skyjack Part No. | Qty. | Description |
|-----------|------------------|------|---|
| - | 158711 | - | NOTE: Part Numbers followed by a "DG" indicate dark grey painted parts. TERMINAL STRIP ASSEMBLY |
| 1 | 158708 | 1 | • SUB-ASSEMBLY, Terminal Strip |
| 1 | 157589 | 31 | • • TERMINAL BLOCK, Through |
| 2 | 157590 | 2 | • • END STOP |
| 3 | 102874 | 1 | • • DINRAIL |
| 4 | 158712 | 1 | • • JUMPER, 2-pos |
| 5 | 157591 | 1 | • • END PLATE |
| 6 | 102921 | 15 | • DIODE (6A) |
| | 156564 | 1 | • RESISTOR (1.5 ohm, 1 watt) |
| | 151643 | 1 | • RESISTOR (250 ohm, 1 watt) |
| | 156515 | 1 | • RESISTOR (220 ohm, 3/4 watt) |
| | 158707 | 1 | • RESISTOR (845 ohm, 1 watt) |
| | 151647 | 1 | • RESISTOR (68 ohm, 1 watt) |
| | 156527 | 1 | • RESISTOR (2k ohm, 2 watt) |
| | 151645 | 1 | • RESISTOR (4.7k ohm, 1 watt) |

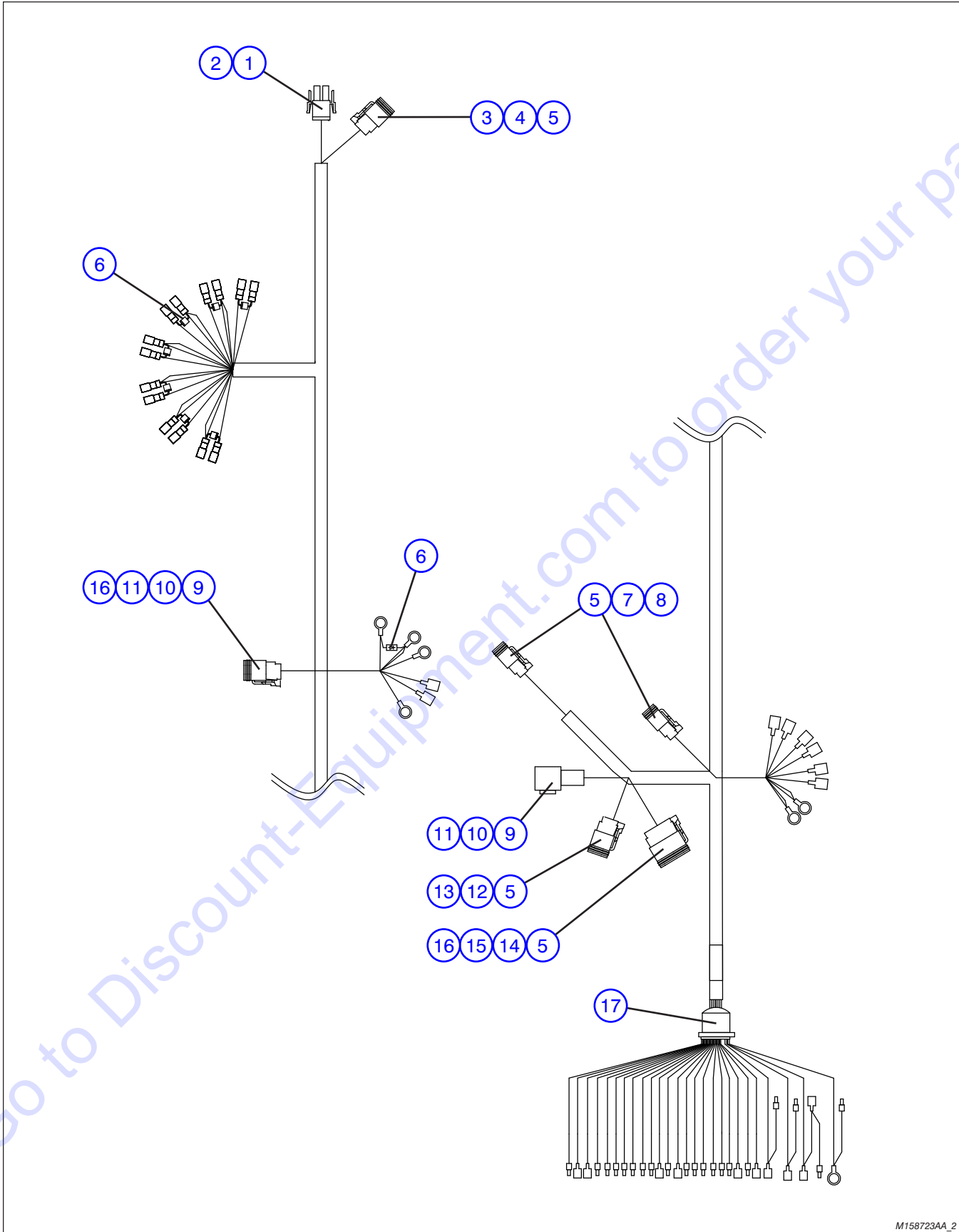
4.17 Circuit Breaker and Horn Assembly



M158740AA

| Index No. | Skyjack Part No. | Qty. | Description |
|-----------|------------------|------|---|
| - | 158740DG | - | NOTE: Part Numbers followed by a "DG" indicate dark grey painted parts. CIRCUIT BREAKER AND HORN ASSEMBLY (SJ12/16) |
| 1 | 117325 | 2 | • BREAKER, Circuit (15 Amp) |
| 2 | 103996 | 2 | • WASHER, Flat (5/16") |
| 3 | 103887 | 1 | • BOLT, Hex head (5/16"-18 x 3/4", Grade 5) |
| 4 | 100397 | 1 | • NUT, Hex head (5/16"-18, Grade 5) |
| 5 | 158741DG | 1 | • BRACKET |
| 6 | 146649 | 1 | • HORN, 24V (Low tone) |
| 7 | 103404 | 1 | • WASHER, Lock (5/16") |
| 8 | 115573 | 1 | • SWITCH, Toogle |

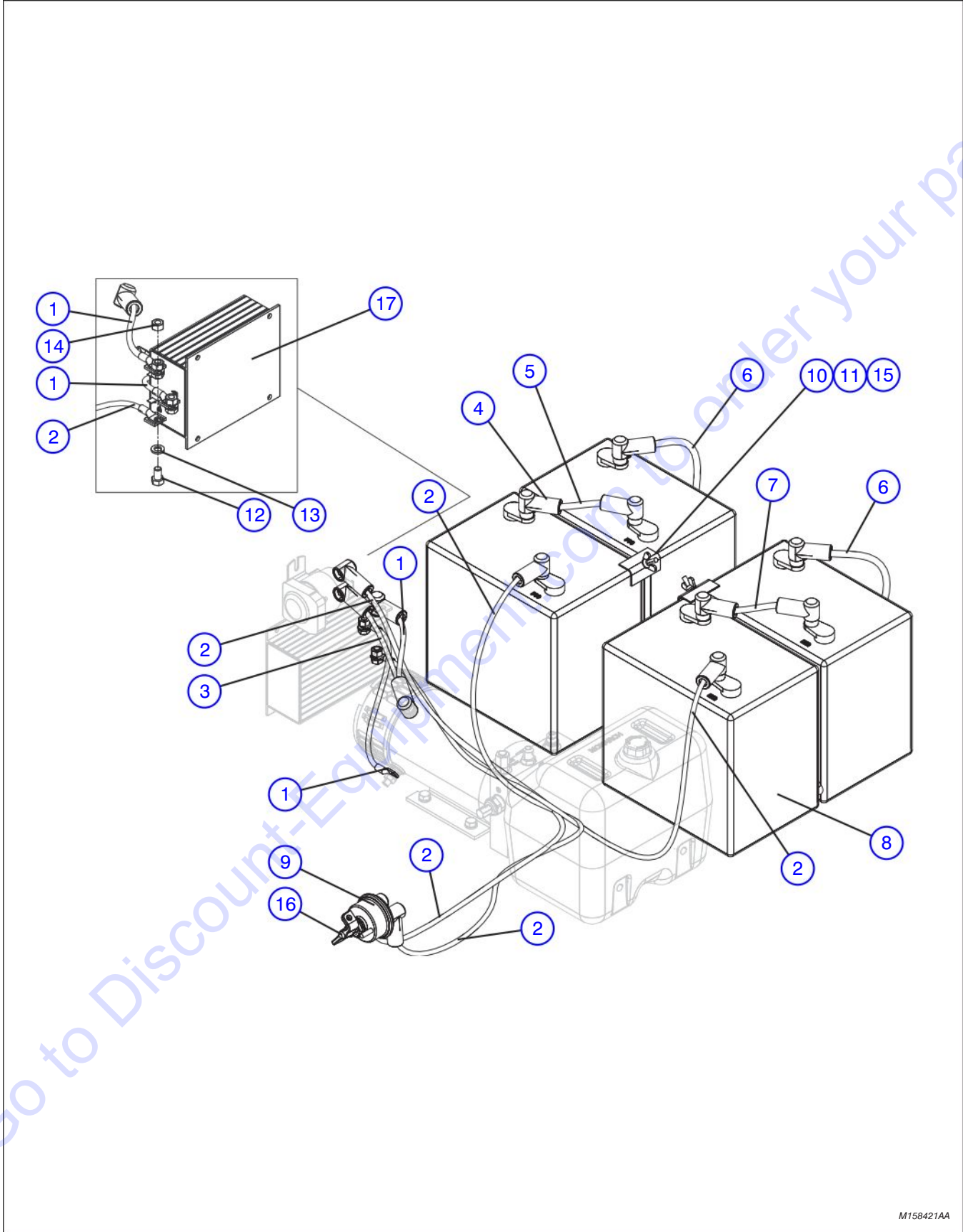
4.18 Main Harness Assembly



M158723AA_2

4.18 Main Harness Assembly

| Index No. | Skyjack Part No. | Qty. | Description |
|-----------|------------------|------|--|
| | | | NOTE: Part Numbers followed by a "DG" indicate dark grey painted parts. |
| - | 158723 | 1 | MAIN HARNESS |
| 1 | 116992 | 1 | • HOUSING, Plug (2 pole) |
| 2 | 116990 | 2 | • PIN, Wire (Female) |
| 3 | 158476 | 1 | • CONNECTOR, Plug (6 pin) |
| 4 | 158477 | 1 | • CONNECTOR, Plug wedge (6 pin) |
| 5 | 117593 | 29 | • CONNECTOR, Contact socket (14-16) |
| 6 | 129258 | 8 | • DIODE |
| 7 | 117597 | 2 | • CONNECTOR, Plug (2 pin) |
| 8 | 117599 | 2 | • CONNECTOR, Plug wedge (2 pin) |
| 9 | 117578 | 1 | • CONNECTOR, Receptacle (4 pin) |
| 10 | 117580 | 1 | • CONNECTOR, Receptacle wedge (4 pin) |
| 11 | 117592 | 4 | • CONNECTOR, Contact pin (14-16) |
| 12 | 117579 | 2 | • CONNECTOR, Plug (4 pin) |
| 13 | 117581 | 2 | • CONNECTOR, Plug wedge (4 pin) |
| 14 | 117587 | 1 | • CONNECTOR, Plug (12 pin) |
| 15 | 117589 | 1 | • CONNECTOR, Plug wedge (12 pin) |
| 16 | 117594 | 3 | • SEALING, Connector |
| 17 | 138754 | 1 | • STRAIN RELIEF |

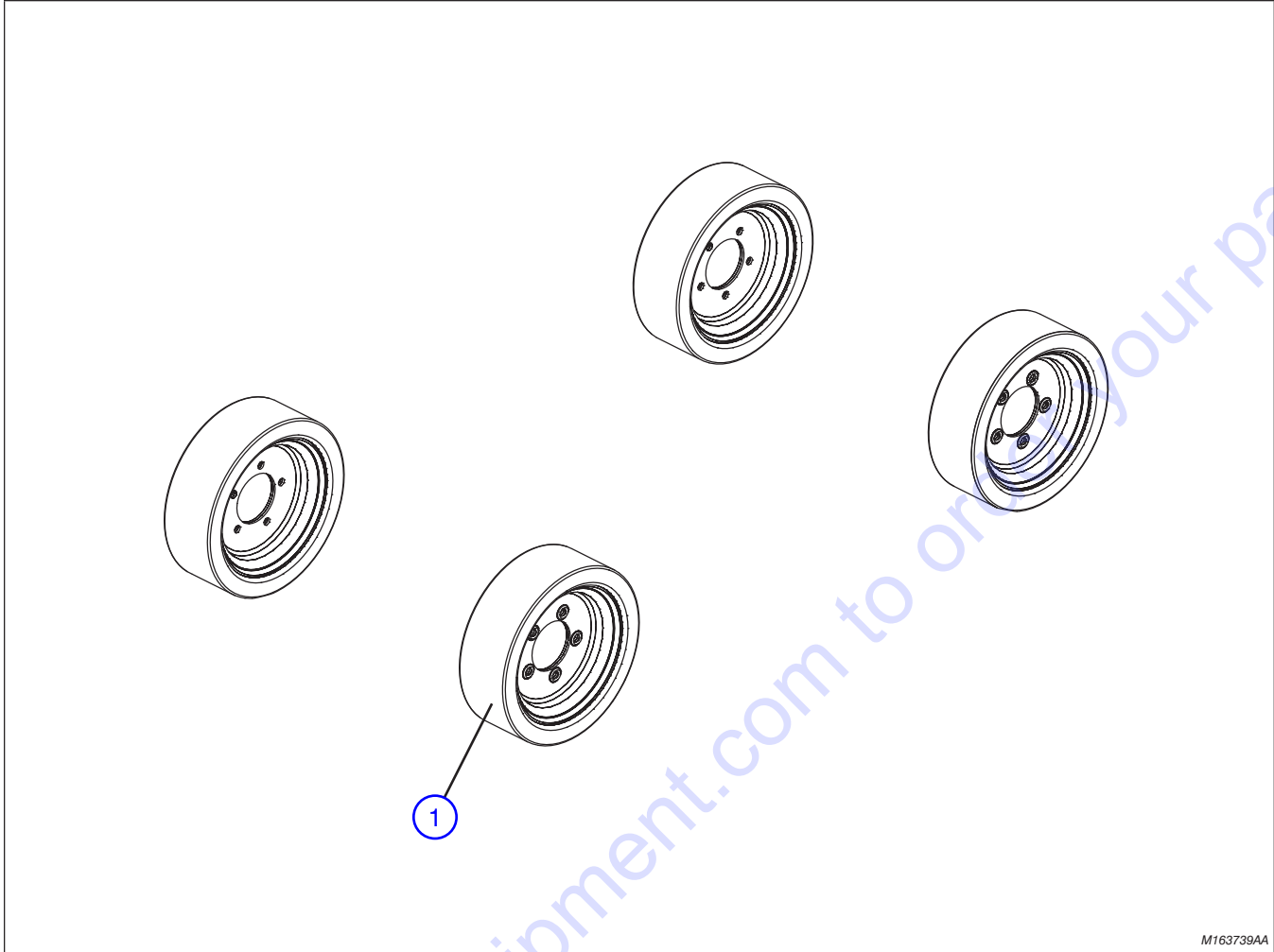


M158421AA

| Index No. | Skyjack Part No. | Qty. | Description |
|-----------|------------------|------|---|
| | | | NOTE: Part Numbers followed by a "DG" indicate dark grey painted parts. |
| - | 160955 | - | BATTERY ASSEMBLY (Order P/N 158421 for Machines with S/N's 14 002 615 and Below) |
| 1 | 151594 | 2 | • CABLE, Battery |
| 2 | 151591 | 3 | • CABLE, Battery |
| 3 | 151593 | 1 | • CABLE, Battery |
| 4 | 117408 | 14 | • BOOT, Battery (Red) |
| 5 | 161953 | 1 | • CABLE, Battery (with inline fuse) (Order P/N 137243 for Machines with S/N's 14 002 615 and Below) |
| | 310517 | 1 | • • FUSE (300 Amp) |
| 6 | 151592 | 1 | • CABLE, Battery |
| 7 | 119615 | 1 | • CABLE, Battery (Order P/N 120425 for Machines with S/N's 14 002 615 and Below) |
| 8 | 160933 | 4 | • BATTERY (6V) (Order P/N 103480 for Machines with S/N's 14 002 615 and Below) |
| 9 | 119725 | 1 | • SWITCH, Main disconnect |
| 10 | 157364 | 2 | • BRACKET, Battery tie down |
| 11 | 157363 | 2 | • HOLD DOWN, Battery |
| 12 | 138464 | 3 | • BOLT, Hex head (3/8"-16 x 5/8", Grade 5) |
| 13 | 103999 | 3 | • WASHER, Lock (3/8") |
| 14 | 103978 | 3 | • NUT, Hex head (3/8"-16, Grade 5) |
| 15 | 120175 | 2 | • WING NUT, Hex head (0.375 -16 Grade 5) |
| 16 | 108714 | 1 | LEVER, Locking |
| 17 | (Ref.) | 1 | CONTROLLER, Pump motor (24VDC - 360 Amp) (For components, refer to Section 4.13) |

4.20 Wheel Assembly

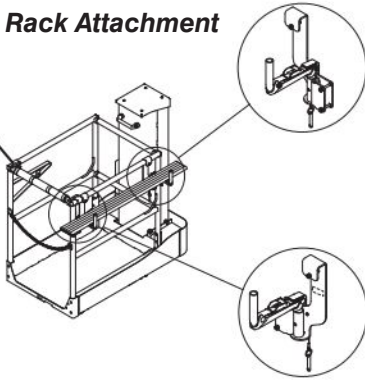
AD



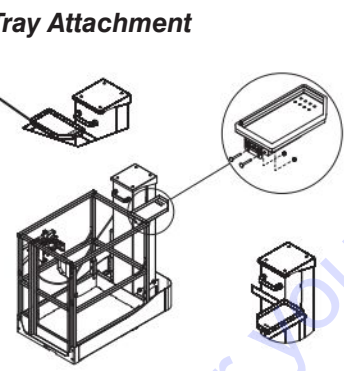
M163739AA

| Index No. | Skyjack Part No. | Qty. | Description |
|-----------|------------------|--------|---|
| 1 | 158436 154835 | 4 4 | <p>NOTE: Part Numbers followed by a "DG" indicate dark grey painted parts.</p> <p>TIRE (Carlisle, Grey) TIRE (White)</p> |

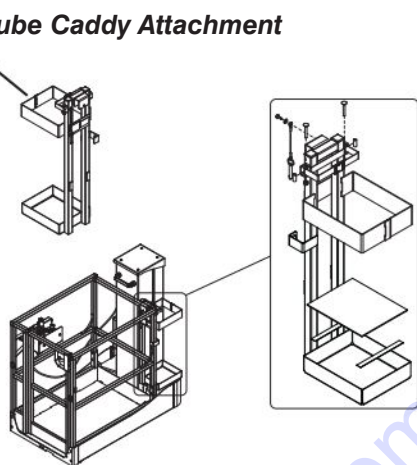
5.1 Pipe Rack Attachment



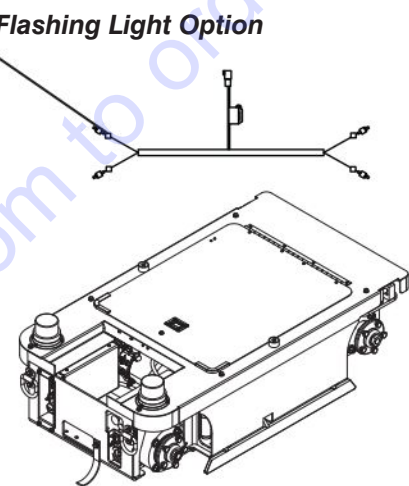
5.2 Tool Tray Attachment



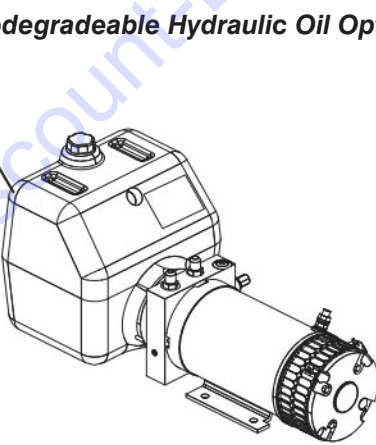
5.3 Tube Caddy Attachment



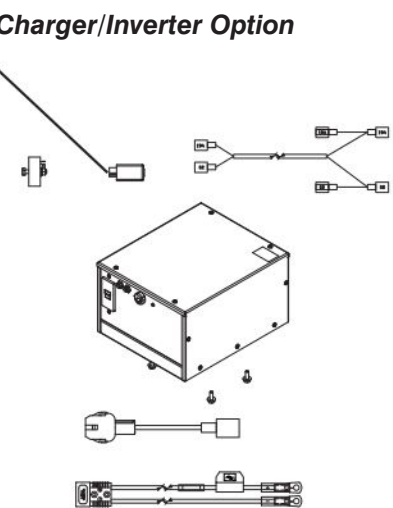
5.4 Flashing Light Option



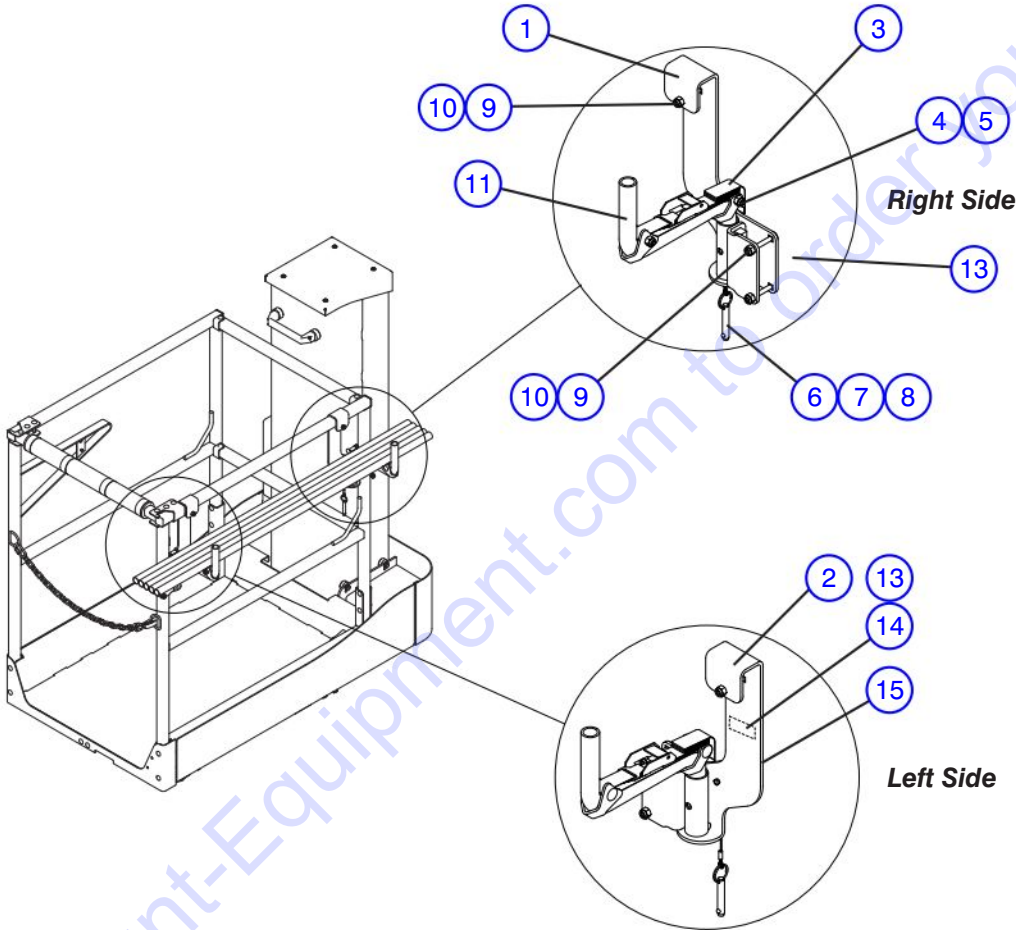
5.5 Biodegradable Hydraulic Oil Option



5.6 Charger/Inverter Option



5.1 Pipe Rack Attachment

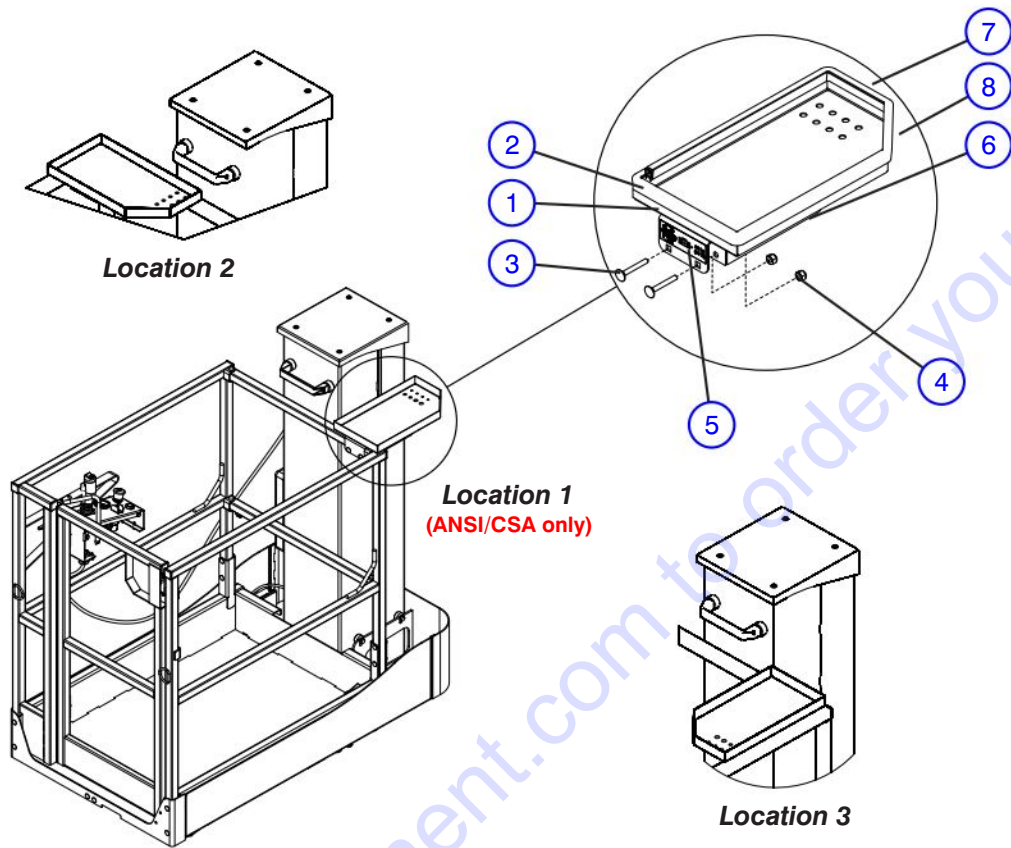


M158342AC

5.1 Pipe Rack Attachment

| Index No. | Skyjack Part No. | Qty. | Description |
|-----------|------------------|------|--|
| | | | NOTE: Part Numbers followed by a "DG" indicate dark grey painted parts. |
| A | 158342 | - | PIPE RACK KIT (ANSI/CSA) |
| B | 158804 | - | PIPE RACK KIT (CE) |
| C | 158848 | - | PIPE RACK KIT (KC) |
| - | 157408 | 1 | • ASSEMBLY, Pipe rack (Right side - Control box side) |
| - | 158343 | 1 | • ASSEMBLY, Pipe rack (Left side) |
| 1 | 157404 | 1 | • • WELDMENT, Pipe rack (Right side - Control box side) |
| 2 | 158344 | 1 | • • WELDMENT, Pipe rack (Left side) |
| 3 | 158357 | 1 | • • STRAP, Nylon tie down flat hook |
| 4 | 158381 | 2 | • • SPACER, Stand off (5/16" ID x 1" LG) |
| 5 | 158380 | 2 | • • BOLT, Carriage (5/16" - 18 x 1.75" grd5) |
| 6 | 124548 | 1 | • • LARGE LOOP PIN QUICK RELEASE ASSEMBLY |
| 7 | 103995 | 1 | • • WASHER, Flat (1/4") |
| 8 | 157173 | 1 | • • RIVET (1/4"x 0.49") |
| 9 | 127437 | 3 | • • BOLT, Carriage (5/16"-18 x 2", Grade 5) |
| 10 | 103984 | 5 | • • NUT, Hex nylon lock (5/16"-18, Grade 5) |
| 11 | 157405 | 1 | • • WELDMENT, Tube pipe rack |
| 12 | 159707 | 1 | • CERTIFICATE, Mini Lift Pipe Rack, (Not shown) B |
| 13 | 159710 | 2 | • LABEL, Attachment combo, vertical, B, C |
| 14 | 158874 | 2 | • LABEL, Pipe rack capacity |
| 15 | 158872 | 2 | • LABEL, Manual force (200N) / No wind (0 m/s), B, C |
| - | 159281 | 1 | • FIELD INSTRUCTION, Pipe Rack Installation, A (Not Shown) |
| - | 159614 | 1 | • FIELD INSTRUCTION, Pipe Rack Installation, B (Not Shown) |
| - | 159617 | 1 | • FIELD INSTRUCTION, Pipe Rack Installation, C (Not Shown) |

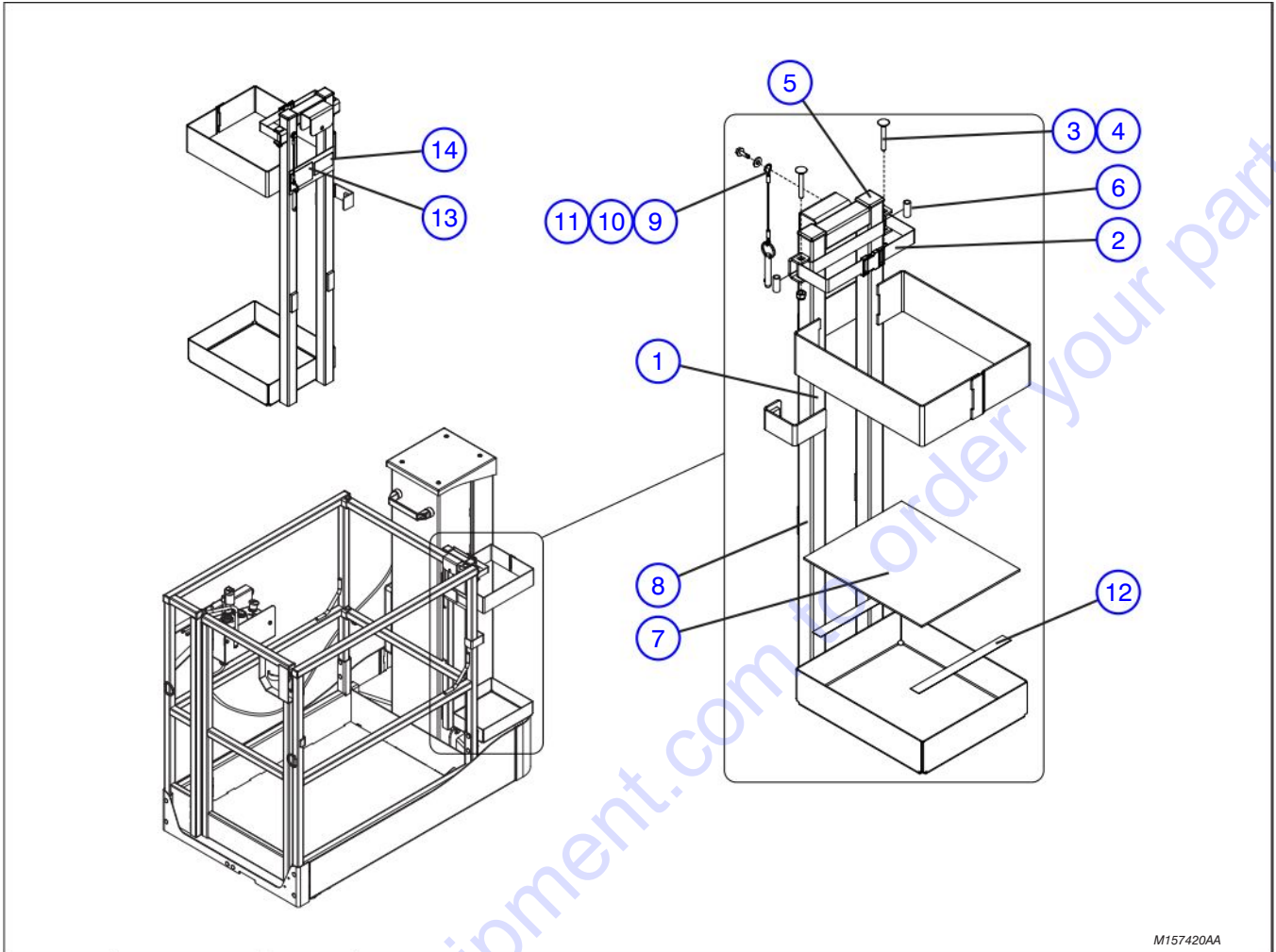
5.2 Tool Tray Attachment



M158365AC

| Index No. | Skyjack Part No. | Qty. | Description |
|-----------|------------------|------|--|
| | | | NOTE: Part Numbers followed by a "DG" indicate dark grey painted parts. |
| A | 158365 | - | TOOL TRAY KIT (ANSI/CSA) |
| B | 158805 | - | TOOL TRAY KIT (CE) |
| C | 158849 | - | TOOL TRAY KIT (KC) |
| 1 | 158371 | 1 | • • WELDMENT, Tool tray |
| 2 | 117398 | 44 | • • PROTECTIVE TRIM (3/16-1/4) |
| 3 | 127437 | 2 | • • BOLT, Carriage (5/16"-18 x 2", Grade 5) |
| 4 | 103984 | 2 | • • NUT, Hex nylon lock (5/16"-18, Grade 5) |
| 5 | 158660 | 1 | • • LABEL, Tool tray location & capacity, A |
| 6 | 159709 | 1 | • • LABEL, Attachment combo, horizontal, B, C |
| 7 | 159080 | 1 | • • LABEL, Tool tray location (1) + capacity |
| 8 | 159102 | 1 | • • LABEL, Tool tray location (2) + capacity |
| 9 | 159708 | 1 | • • CERTIFICATE, Mini Lift Tool Tray (Not shown), B |
| - | 159282 | 1 | • FIELD INSTRUCTION, Tool tray installation, A (Not Shown) |
| - | 159751 | 1 | • FIELD INSTRUCTION, Tool tray installation, B (Not Shown) |
| - | 159752 | 1 | • FIELD INSTRUCTION, Tool tray installation, C (Not Shown) |

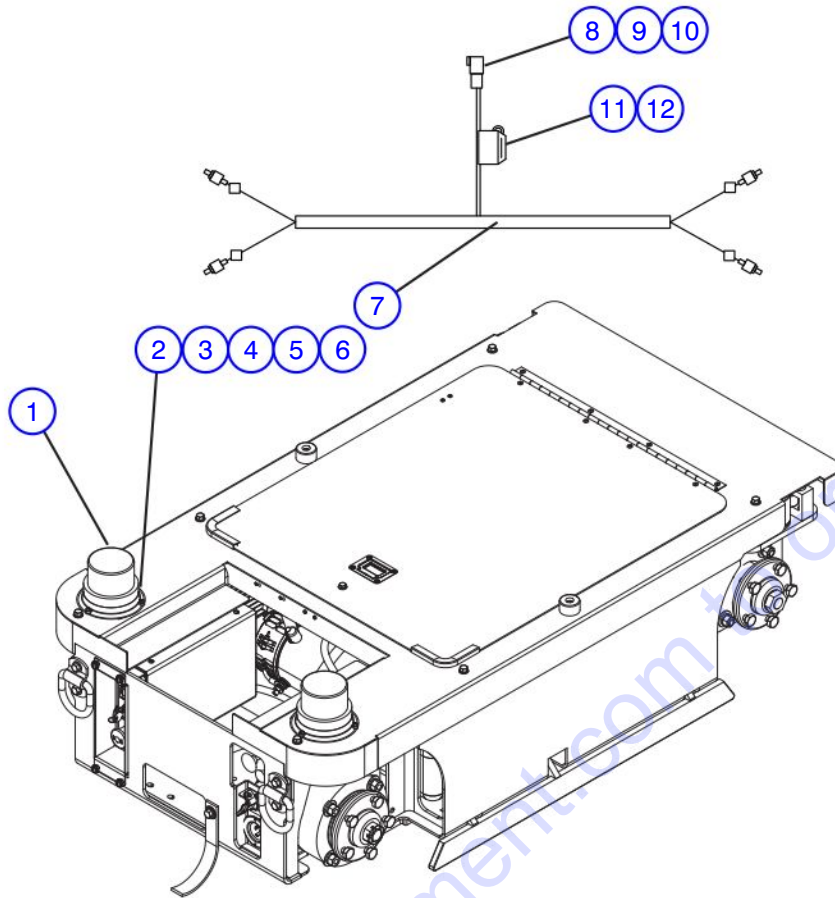
5.3 Tube Caddy Attachment



M157420AA

| Index No. | Skyjack Part No. | Qty. | Description |
|-----------|------------------|------|---|
| - | 159389 | - | NOTE: Part Numbers followed by a "DG" indicate dark grey painted parts. TUBE CADDY INSTALLATION FIELD KIT (ANSI/CSA) |
| - | 157420 | - | • TUBE CADDY KIT |
| | 158363 | 1 | • • ASSEMBLY, Tube Caddy |
| 1 | 158372 | 1 | • • • WELDMENT, Tube Caddy |
| 2 | 158358 | 1 | • • • STRAP, Nylon with buckle |
| 3 | 127437 | 4 | • • • BOLT, Carriage (0.313 -18 x 2 Grade 5) |
| 4 | 103984 | 4 | • • • NUT, Hex nylon lock (0.313 -18 Grade 5) |
| 5 | 100702 | 2 | • • • CAP, Plate end |
| 6 | 158381 | 2 | • • • SPACER, Stand off (5/16 ID x 1" LG) |
| 7 | 158334 | 1 | • • • SHEET, Rubber (0.125" x 8.5" x 9.5") |
| 8 | 125577 | 2 | • • • BUMPER, Door |
| 9 | 124548 | 1 | • • • LARGE LOOP PIN QUICK RELEASE ASSEMBLY |
| 10 | 103995 | 1 | • • • WASHER, Flat (1/4") |
| 11 | 103632 | 1 | • • • SCREW, Hex head self tapping (1/4"-14 x 3/4") |
| 12 | 158843 | 16 | • • • TAPE, Adhesive transfer (3/4") |
| 13 | 158875 | 1 | • • LABEL, Tube caddy capacity |
| 14 | 158919 | 1 | • • LABEL, Manual force 200N |
| - | 159283 | 1 | • FIELD INSTRUCTION, Tube caddy installation (Not Shown) |

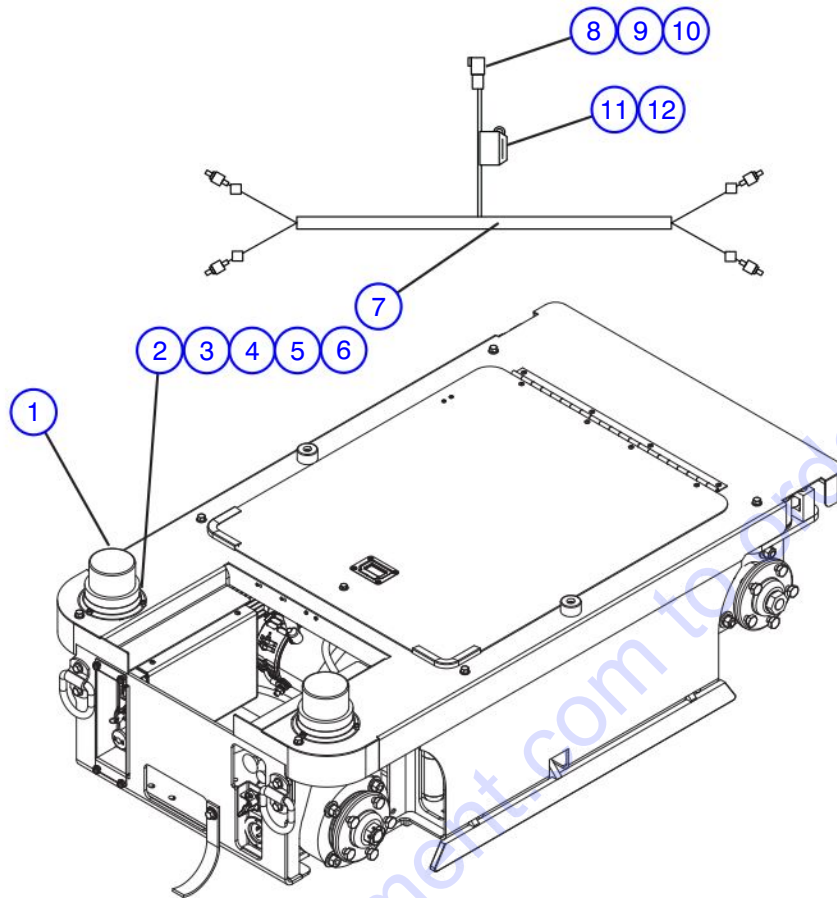
5.4 Flashing Light Option



M151635AC

| Index No. | Skyjack Part No. | Qty. | Description |
|-----------|------------------|------|---|
| - | 159515 | - | NOTE: Part Numbers followed by a "DG" indicate dark grey painted parts. |
| - | 151635 | - | FLASHING LIGHT INSTALLATION FIELD KIT |
| - | 151635 | - | • FLASHING LIGHT KIT |
| 1 | 160227 | 2 | • • LIGHT, LED Strobe <i>(Order P/N 157136 for Machines with S/N's 14 002 017 and Below)</i> |
| | 158779 | 1 | • • • LENS, Amber <i>(For Machines with S/N's 14 002 017 and Below)</i> |
| | 158780 | 1 | • • • BULB (Flash Tube) <i>(For Machines with S/N's 14 002 017 and Below)</i> |
| 2 | 104003 | 6 | • • NUT, Hex head (#10-32) |
| 3 | 104694 | 6 | • • WASHER, Flat (#10) |
| 4 | 104698 | 6 | • • SCREW, Round head machine (#10-32 x 3/4") |
| 5 | 104185 | 6 | • • WASHER, Lock (#10) |
| 6 | 100616 | 2 | • • GROMMET, RB-220 9/16" |
| 7 | 157135 | 1 | • • HARNESS, Strobe |
| 8 | 117596 | 1 | • • • CONNECTOR, Receptacle (2 pin) |
| | | | Parts list continued on the following page. |

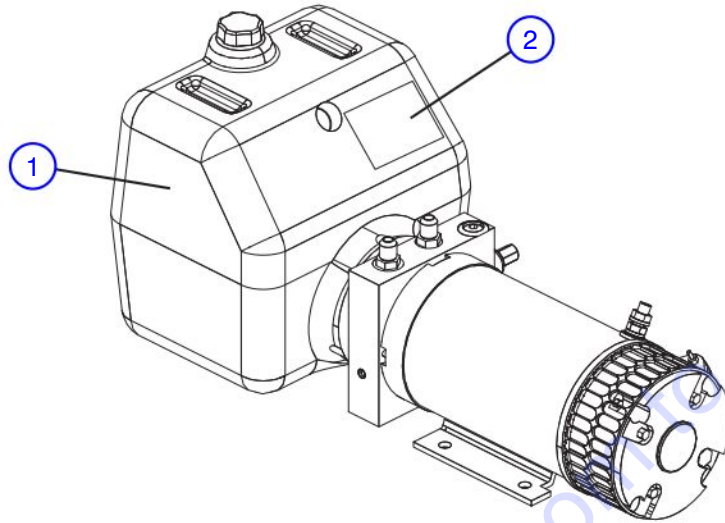
5.4 Flashing Light Option



M151635AC

| Index No. | Skyjack Part No. | Qty. | Description |
|--|------------------|------|--|
| <p>NOTE: Part Numbers followed by a "DG" indicate dark grey painted parts. Parts list continued from the previous page.</p> | | | |
| 9 | 117598 | 1 | • • • CONNECTOR, Receptacle wedge (2 pin) |
| 10 | 117590 | 2 | • • • CONTACT, Pin (16-18) |
| 11 | 119293 | 1 | • • • FUSE HOLDER (With Cover) |
| 12 | 156202 | 1 | • • • FUSE, 5A |
| - | 159284 | 1 | • FIELD INSTRUCTION, Flashing light installation (Not Shown) |

5.5 Biodegradable Hydraulic Oil Option

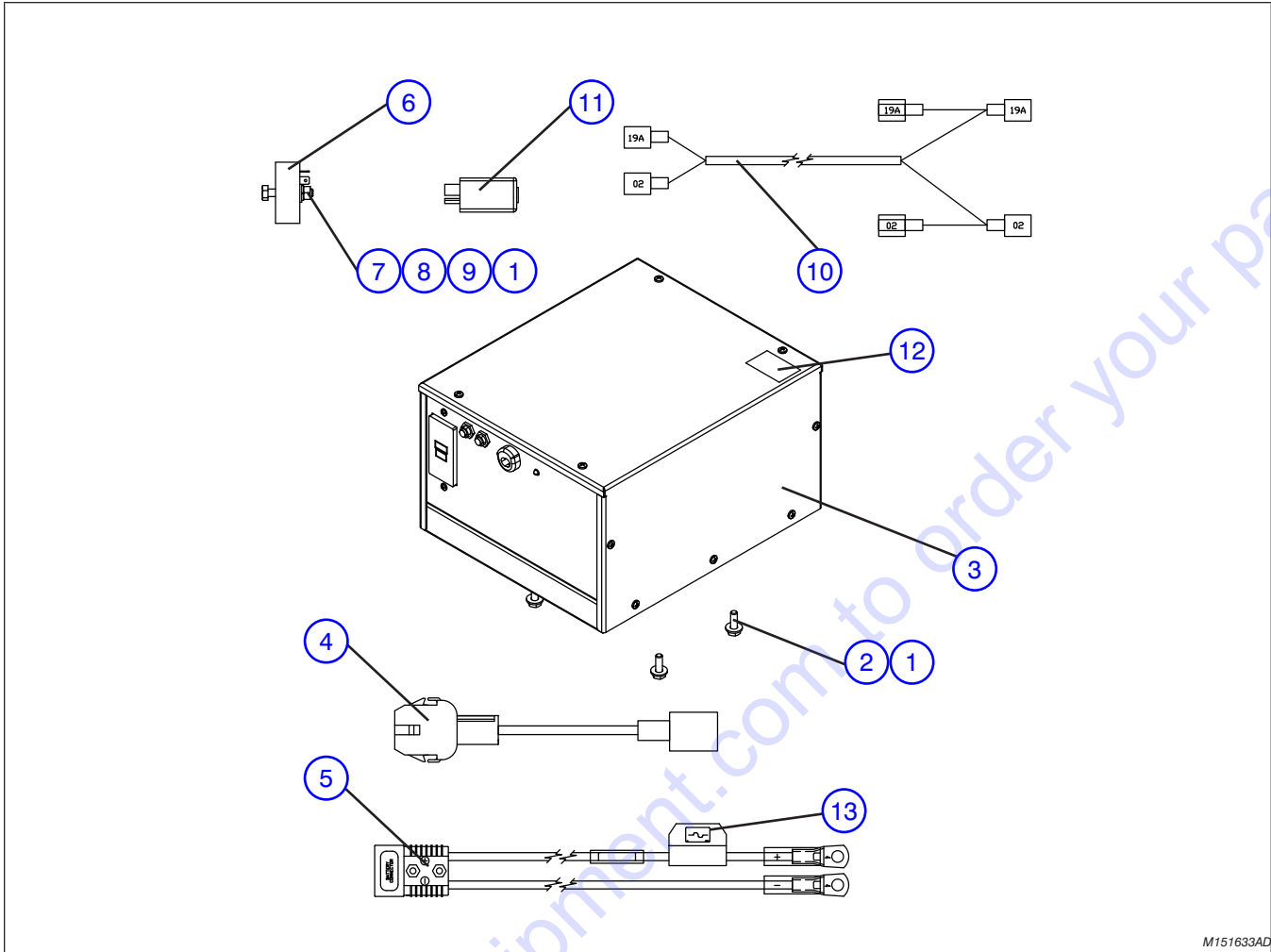


M157132AA

| Index No. | Skyjack Part No. | Qty. | Description |
|-----------|------------------|------|---|
| - | 157142 | - | NOTE: Part Numbers followed by a "DG" indicate dark grey painted parts. |
| 1 | 157138 | 8L | BIODEGRADEABLE HYDRAULIC OIL OPTION |
| 2 | 157143 | 1 | <ul style="list-style-type: none"> • OIL, Biodegradable hydraulic • LABEL, Hydraway Bio SE32-68 |

5.6 Charger/Inverter Option

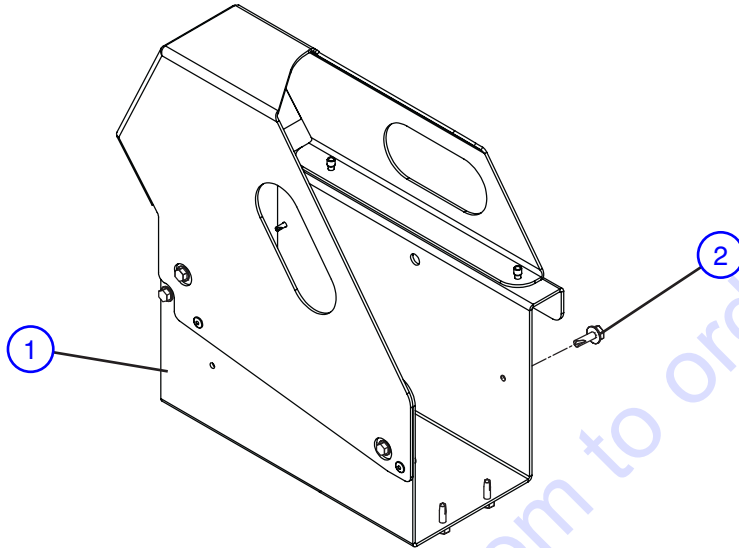
AC



M151633AD

| Index No. | Skyjack Part No. | Qty. | Description |
|-----------|------------------|------|--|
| - | 151633 | - | CHARGER/INVERTER KIT (ANSI/CSA) |
| 1 | 103995 | 5 | • WASHER, Flat (0.25) |
| 2 | 103856 | 4 | • BOLT, Hex head (1/4"-20 x 3/4", Grade 5) |
| 3 | 157365 | 1 | • CHARGER/INVERTER |
| - | 167911 | 1 | • CORD, A/C Input (Not Shown) |
| 4 | 159125 | 1 | • PLUG ASSEMBLY (Charger/Inverter) |
| 5 | 159666 | 1 | • CABLE ASSEMBLY (Charger/Inverter) |
| 6 | 137417 | 1 | • TIMER RELAY DELAY (ON - RELEASE) |
| 7 | 103859 | 1 | • BOLT, Hex head (1/4"-20 x 6/4", Grade 5) |
| 8 | 104000 | 1 | • WASHER, Lock (1/4") |
| 9 | 103980 | 1 | • NUT, Hex head (1/4"-20, Grade 8) |
| 10 | 160379 | 1 | • WIRE ASSEMBLY (Charger/Inverter) |
| 11 | 104208 | 1 | • PLUG, Male 15A |
| 12 | 130115 | 1 | LABEL, Inverter Switch |
| 13 | 119915 | 1 | LABEL, Fuse |
| - | 160490 | 1 | FIELD INSTRUCTION, Charger/Inverter installation (Not Shown) |

5.7 Aluminum Control Box Guard Option



M157132AA

| Index No. | Skyjack Part No. | Qty. | Description |
|-----------|------------------|------|--|
| - | - | - | <p>NOTE: Part Numbers followed by a “DG” indicate dark grey painted parts.</p> <p>ALUMINUM CONTROL BOX GUARD OPTION (CE)</p> |
| 1 | 161737 | 1 | <ul style="list-style-type: none"> CONTROL BOX ASSEMBLY |
| 2 | 103632 | 9 | <ul style="list-style-type: none"> SCREW, Hex head self tapping (1/4”-14 x 3/4”) |

Label Kits

The following label kit is for models SJ12 and SJ16.

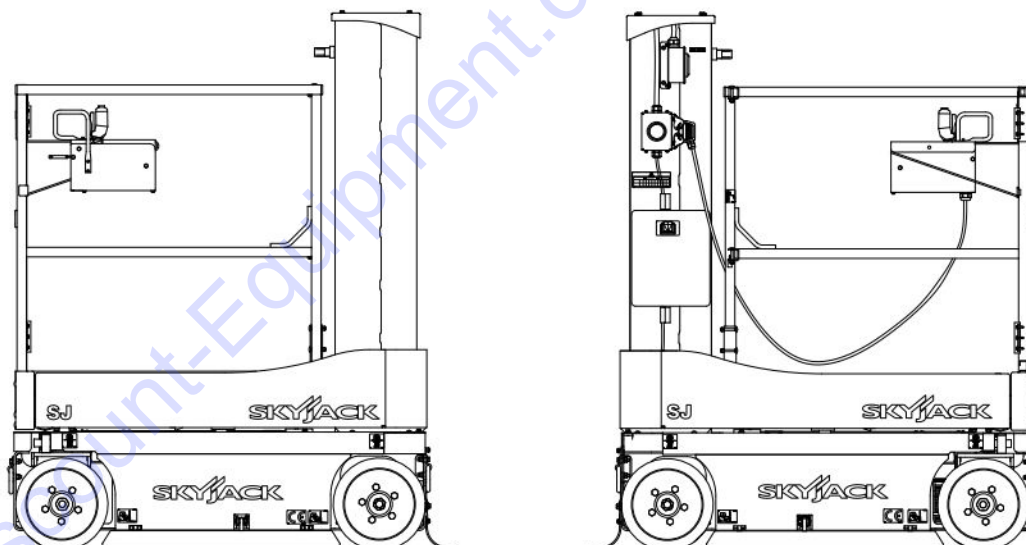
It excludes:

- model designations
- platform capacities
- wheel loads
- serial plates
- base and platform control console labels

Supply model number, country and language when ordering complete machine labels.

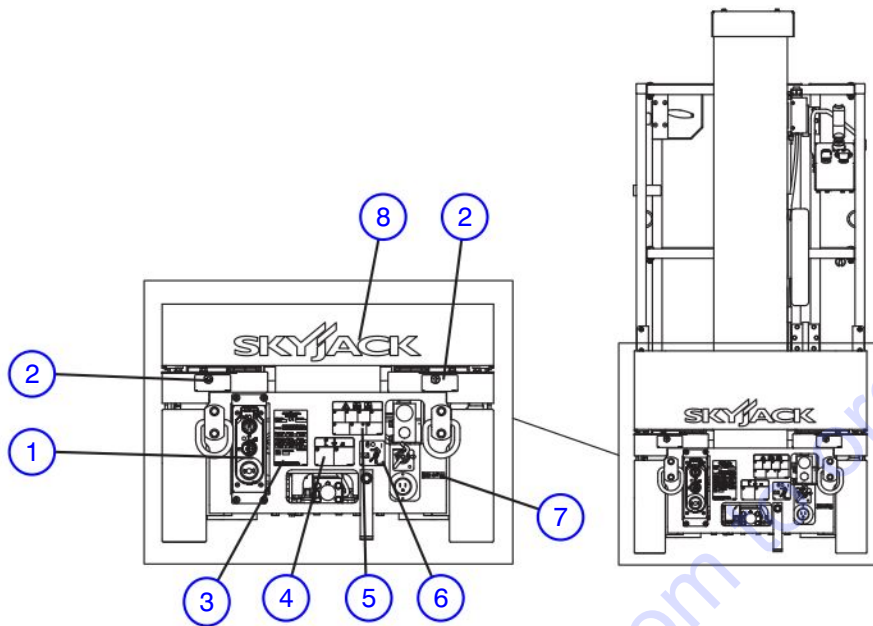
| Label Kit | | |
|-----------|---------------|---------------|
| MODEL | ANSI/CSA & KC | CE |
| SJ12\16 | Part # 160766 | Part # 160767 |

277AC



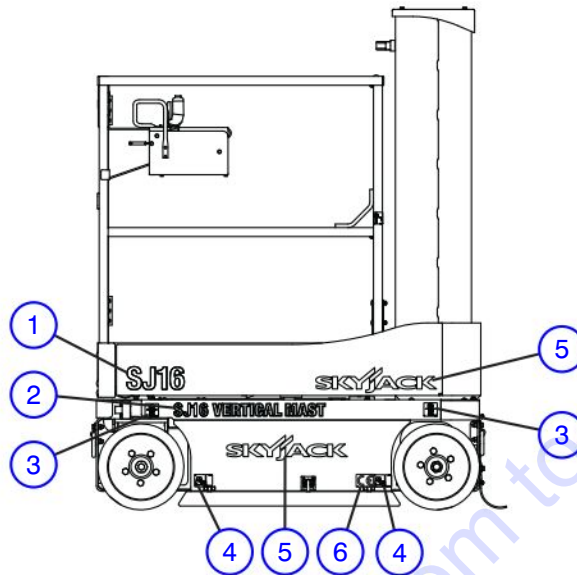
SKYJACKTM

6.2 Labels - Vertical Mast (Rear View)



SJ16 159790AA Rear View

| Index No. | Skyjack Part No. | Qty. | Description |
|---|------------------|------|--|
| <p>NOTE: Part Numbers followed by a "DG" indicate dark grey painted parts.</p> | | | |
| 1 | 156317 | 1 | LABEL, Base Controls (Not included in kit) |
| 2 | 124767 | 2 | LABEL, Lift and Tie Down Points |
| 3 | - | 1 | LABEL, Serial Plate (Contact Discount-equipment) |
| 4 | 159511 | 1 | LABEL, Emergency Lowering Procedure |
| 5 | 156721 | 1 | LABEL, Winching/Towing/Pushing Procedure |
| 6 | 119674 | 1 | LABEL, Main Power Disconnect |
| 7 | 138211 | 1 | LABEL, Connect Platform AC Supply (ANSI/CSA) |
| 8 | 158536 | 1 | LABEL, Skyjack Logo (White) |



SJ16_Left View-2

| Index No. | Skyjack Part No. | Qty. | Description |
|--|------------------|------|--|
| NOTE: Part Numbers followed by a "DG" indicate dark grey painted parts. | | | |
| 1 | 159517 | 1 | LABEL, Model Number (" SJ12 ") (Not included in kit) |
| | 159519 | 1 | LABEL, Model Number (" SJ16 ") (Not included in kit) |
| 2 | 159516 | 1 | LABEL, Model Number (" SJ12 Vertical Mast ") (Not included in kit) <i>(For Machines with S/N's 14 003 499 and Below)</i> |
| | 159518 | 1 | LABEL, Model Number (" SJ16 Vertical Mast ") (Not included in kit) <i>(For Machines with S/N's 14 003 499 and Below)</i> |
| 3 | 157014 | 2 | LABEL, Wheel Load (400 kg/880 lb.) (SJ12) (Not included in kit) |
| | 156602 | 2 | LABEL, Wheel Load (475 kg/1050 lb.) (SJ16) (Not included in kit) |
| | 102896 | 2 | LABEL, Forklift Pocket |
| 5 | 158536 | 2 | LABEL, Skyjack Logo (White) |
| 6 | 117023 | 1 | LABEL, "CE" (CE) |

PARTS FINDER

**Search Website
by Part Number**



**Search Manual
Library For Parts
Manual & Lookup Part
Numbers – Purchase
or Request Quote**

Search Manuals

Enter your information to help us find the right parts manual for your machine.

* Brand:

* Model:

* Serial:

* Part Number:

SEARCH

**Can't Find Part or
Manual? Request Help
by Manufacturer,
Model & Description**

Parts Order Form

Please fill in the following information to help us find the right part for your machine.

| | |
|---------------|----------------------|
| Manufacturer: | <input type="text"/> |
| Model: | <input type="text"/> |
| Description: | <input type="text"/> |
| Part Number: | <input type="text"/> |
| Quantity: | <input type="text"/> |
| Notes: | <input type="text"/> |

Submit

Discount-Equipment.com is your online resource for quality parts & equipment.

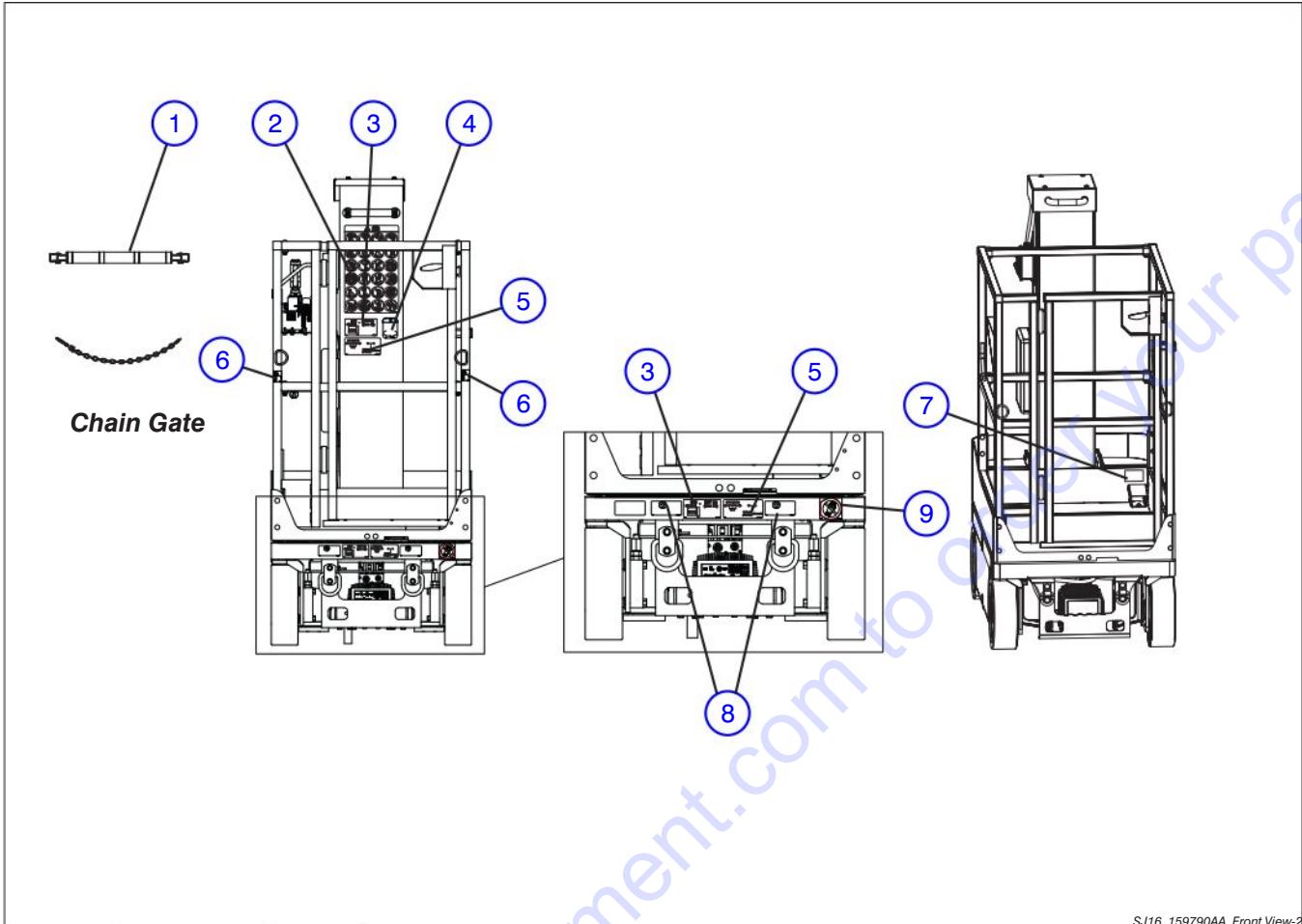
Florida: **561-964-4949** Outside Florida TOLL FREE: **877-690-3101**

Need parts?

Click on this link: <http://www.discount-equipment.com/category/5443-parts/> and choose one of the options to help get the right parts and equipment you are looking for. Please have the machine model and serial number available in order to help us get you the correct parts. If you don't find the part on the website or on one of the online manuals, please fill out the request form and one of our experienced staff members will get back to you with a quote for the right part that your machine needs.

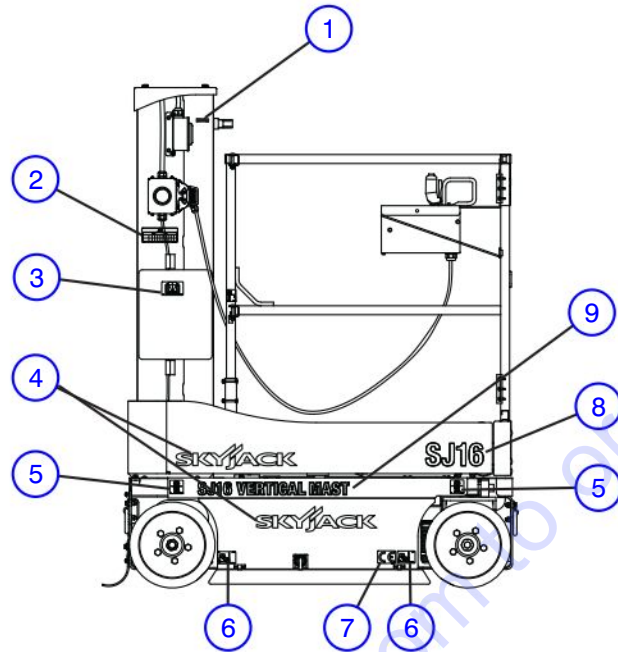
We sell worldwide for the brands: Genie, Terex, JLG, MultiQuip, Mikasa, Essick, Whiteman, Mayco, Toro Stone, Diamond Products, Generac Magnum, Airman, Haulotte, Barreto, Power Blanket, Nifty Lift, Atlas Copco, Chicago Pneumatic, Allmand, Miller Curber, Skyjack, Lull, Skytrak, Tsurumi, Husquvarna Target, Stow, Wacker, Sakai, Mi-T-M, Sullair, Basic, Dynapac, MBW, Weber, Bartell, Bennar Newman, Haulotte, Ditch Runner, Menegotti, Morrison, Contec, Buddy, Crown, Edco, Wyco, Bomag, Laymor, EZ Trench, Bil-Jax, F.S. Curtis, Gehl Pavers, Heli, Honda, ICS/PowerGrit, IHI, Partner, Imer, Clipper, MMD, Koshin, Rice, CH&E, General Equipment, Amida, Coleman, NAC, Gradall, Square Shooter, Kent, Stanley, Tamco, Toku, Hatz, Kohler, Robin, Wisconsin, Northrock, Oztec, Toker TK, Rol-Air, APT, Wylie, Ingersoll Rand / Doosan, Innovatech, Con X, Ammann, Mecalac, Makinex, Smith Surface Prep, Small Line, Wanco, Yanmar

6.4 Labels - Vertical Mast (Front View)



SJ16 159790AA Front View-2

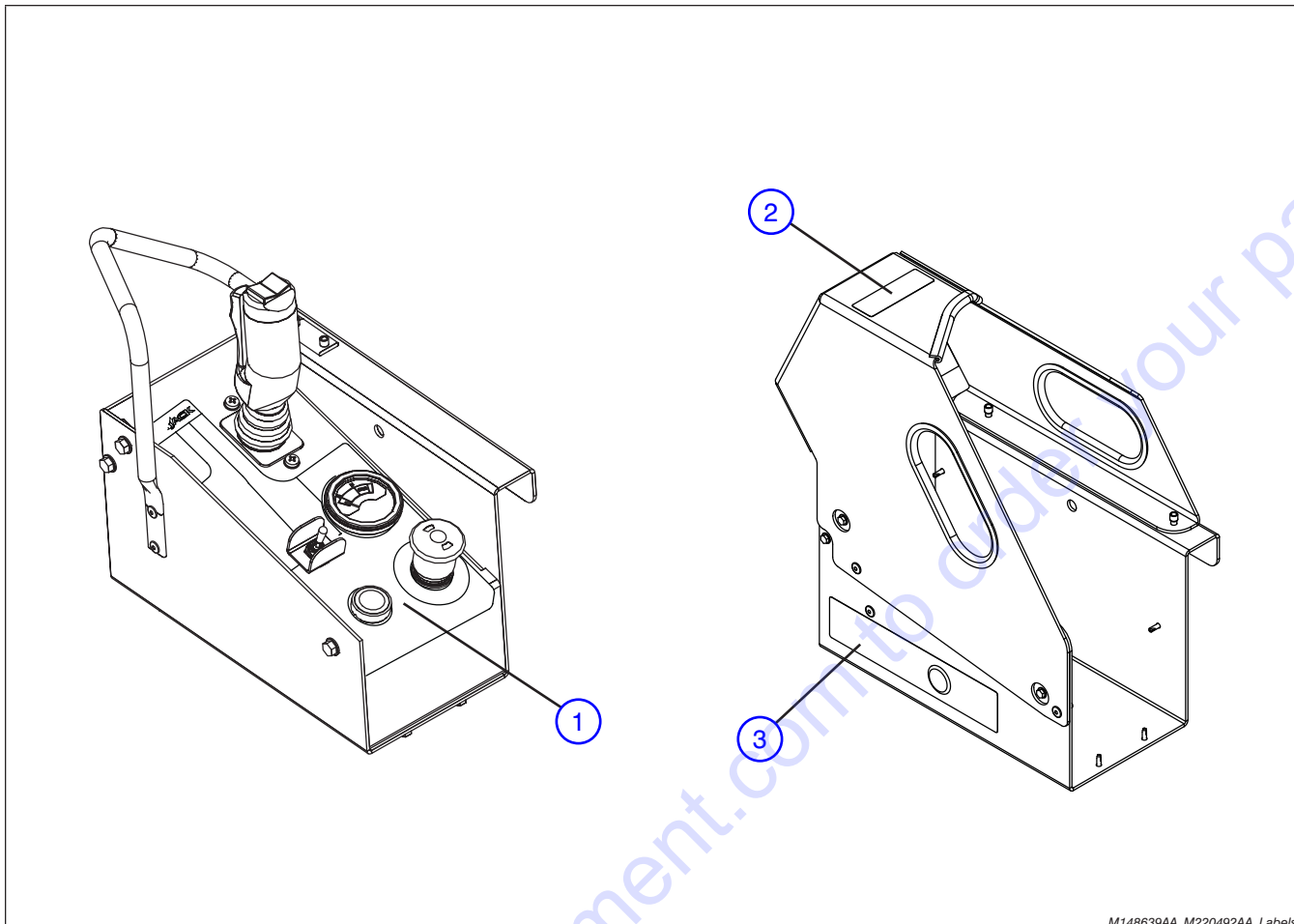
| Index No. | Skyjack Part No. | Qty. | Description |
|--|------------------|------|--|
| NOTE: Part Numbers followed by a "DG" indicate dark grey painted parts. | | | |
| 1 | 119803 | AR | TAPE, Safety (1") (Not included in kit) |
| 2 | 159501 | 1 | LABEL, Hazard Identification |
| 3 | 156417 | 2 | LABEL, Horizontal Load Rating and Platform Capacity (500/2P) (SJ12 CE & KC) (Not included in kit) |
| | 156687 | 2 | LABEL, Horizontal Load Rating and Platform Capacity (500/2P) (SJ16 CE & KC) (Not included in kit) |
| | 156308 | 2 | LABEL, Horizontal Load Rating and Platform Capacity (SJ12/16 ANSI/CSA) (Not included in kit) |
| 4 | 156436 | 1 | LABEL, Operator's Daily Inspection |
| 5 | 124465 | 2 | LABEL, Horizontal Load Rating (SJ12/16 ANSI/CSA) (Not included in kit) |
| 6 | 130018 | 2 | LABEL, Lanyard Anchorage Point |
| 7 | 157012 | 1 | LABEL, Platform Traversing Procedure |
| 8 | 124767 | 2 | LABEL, Lift and Tie Down Points |
| 9 | 124362 | 1 | LABEL, No Jewelry |



SJ16_Right View-2

| Index No. | Skyjack Part No. | Qty. | Description |
|--|------------------|------|--|
| NOTE: Part Numbers followed by a "DG" indicate dark grey painted parts. | | | |
| 1 | 138211 | 1 | LABEL, Connect Platform AC Supply (ANSI/CSA) |
| 2 | 156441 | 1 | LABEL, Annual Inspection |
| 3 | 123628 | 1 | LABEL, Manual Storage Box |
| 4 | 158536 | 2 | LABEL, Skyjack Logo (White) |
| 5 | 157014 | 2 | LABEL, Wheel Load (400 kg/880 lb.) (SJ12) (Not included in kit) |
| | 156602 | 2 | LABEL, Wheel Load (475 kg/1050 lb.) (SJ16) (Not included in kit) |
| 6 | 102896 | 2 | LABEL, Forklift Pocket |
| 7 | 117023 | 1 | LABEL, "CE" (CE) |
| 8 | 159517 | 1 | LABEL, Model Number ("SJ12") (Not included in kit) |
| | 159519 | 1 | LABEL, Model Number ("SJ16") (Not included in kit) |
| 9 | 159516 | 1 | LABEL, Model Number ("SJ12 Vertical Mast") (Not included in kit) (For Machines with S/N's 14 003 499 and Below) |
| | 159518 | 1 | LABEL, Model Number ("SJ16 Vertical Mast") (Not included in kit) (For Machines with S/N's 14 003 499 and Below) |

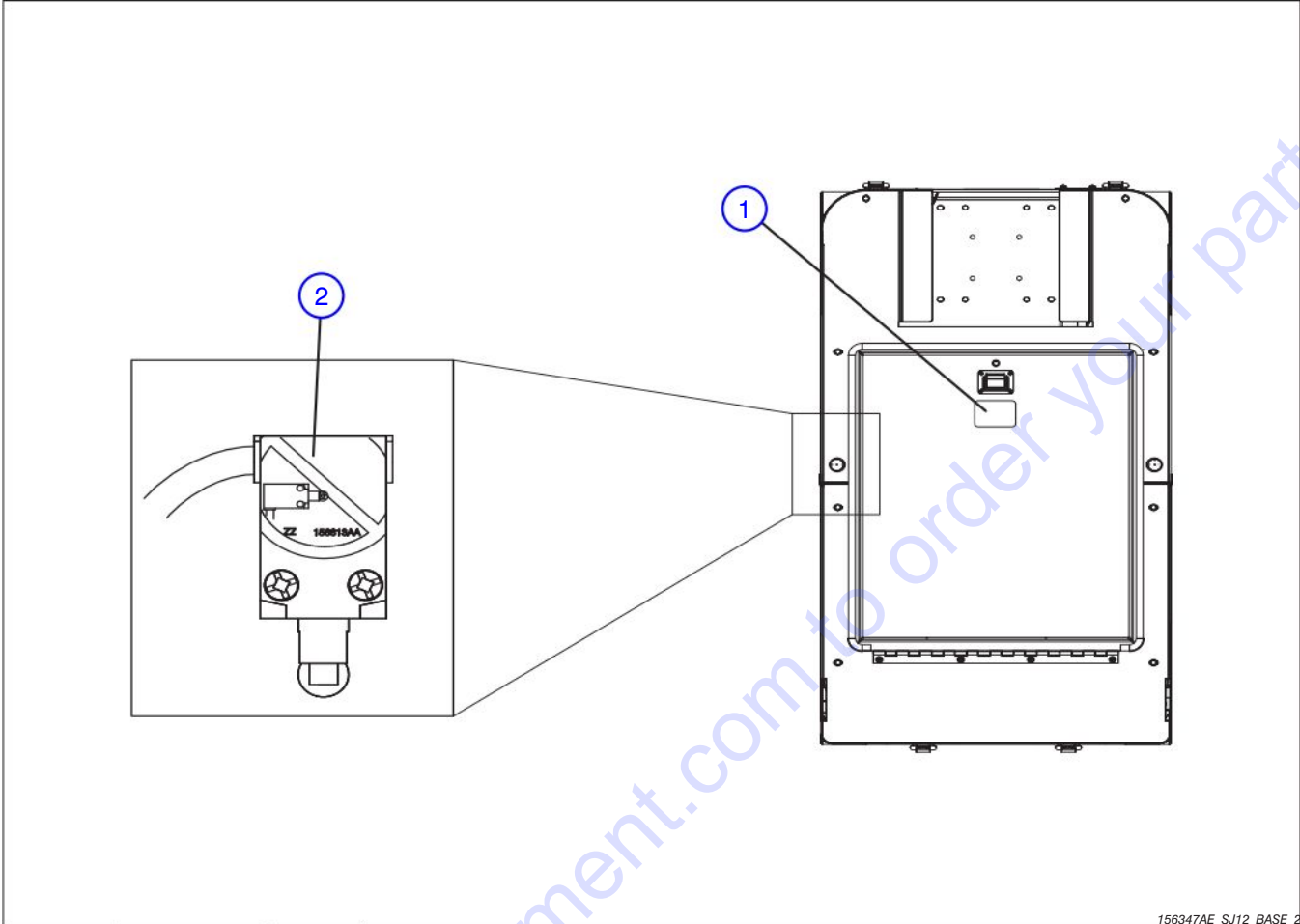
6.6 Labels - Platform Control Console



M148639AA_M220492AA_Labels

| Index No. | Skyjack Part No. | Qty. | Description |
|---|------------------|------|---|
| <p>NOTE: Part Numbers followed by a "DG" indicate dark grey painted parts.</p> | | | |
| 1 | 156318 | 1 | LABEL, Platform Control Console (Not included in kit) |
| 2 | 172926 | 1 | LABEL, SGLE (Not included in kit) |
| 3 | 172788 | 1 | LABEL, SGLE ENABLE (Not included in kit) |

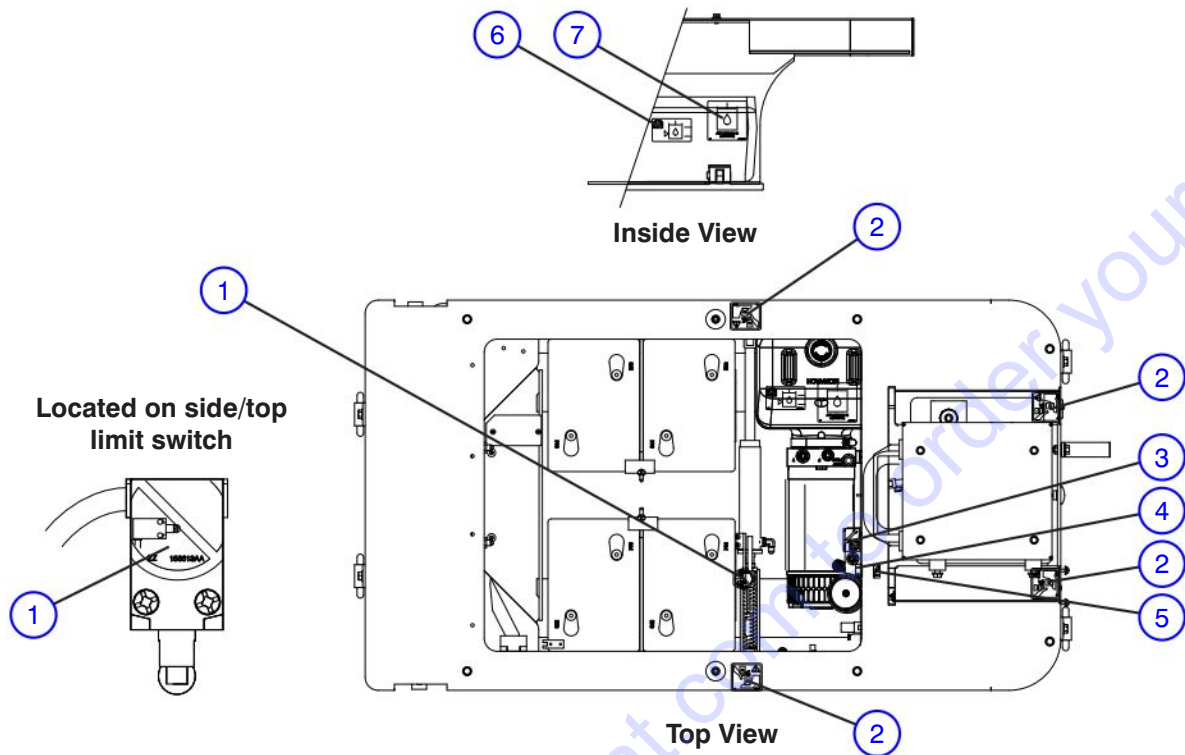
6.7 Labels - Vertical Mast (Base View)



156347AE_SJ12_BASE 2

| Index No. | Skyjack Part No. | Qty. | Description |
|---|------------------|------|---------------------|
| <p>NOTE: Part Numbers followed by a "DG" indicate dark grey painted parts.</p> | | | |
| 1 | 157011 | 1 | LABEL, Do Not Open |
| 2 | 156613 | AR | LABEL, Do Not Alter |

6.7 Labels - Vertical Mast (Base View, Continued)



156347AD_SJ12_BASE

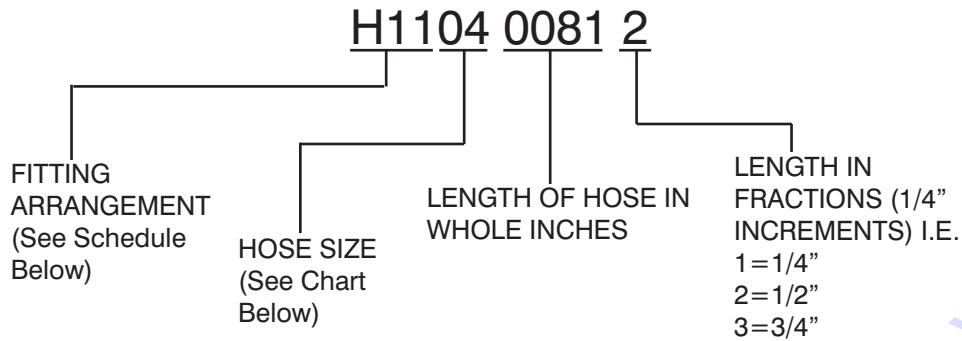
| Index No. | Skyjack Part No. | Qty. | Description |
|--|------------------|------|---|
| NOTE: Part Numbers followed by a "DG" indicate dark grey painted parts. | | | |
| 1 | 156613 | 3 | LABEL, Do Not Alter (CE & KC - 2 on platform + 1 at base) |
| | 156613 | 2 | LABEL, Do Not Alter (ANSI - 1 on platform + 1 at base) |
| 2 | 119866 | 4 | LABEL, Crushing Hazard |
| 3 | 156612 | 1 | LABEL, Diagnostic Switch |
| 4 | 117387 | 1 | LABEL, Power Circuit Breaker |
| 5 | 117389 | 1 | LABEL, Ground Circuit Breaker |
| | 146016 | 1 | LABEL, Hydraulic Oil Level (Min/Max) |
| 7 | 102961 | 1 | LABEL, Hydraulic Oil ATF Dextron III |

7.1 *Standard Hose Numbering System*

7.2 *Vertical Mast Fluids Table*

Go to Discount-Equipment.com to order your parts

7.1 Standard Hose Numbering System



Using the number above as an example (H1104 0081 2). This hose requires a 37° JIC, female swivel fitting on one end. A medium length 90° JIC, female swivel fitting for the other end. The Hose must meet or exceed S.A.E. 100R13 hose specification, and be a total of 81-1/2" long. NOTE: Hose ends and hose must be from same manufacturer per S.A.E. J1273 Nov. '91, Sections 3.10 and 4.2. Hose ends and hose must be of the same size i.e. #4 size fittings must be used with #4 size hose.

Hose Size Chart

| SIZE | 03 | 04 | 06 | 08 | 10 | 12 | 16 | 20 | 24 | 32 | 40 | 48 | 56 | 64 |
|------|-------|------|------|------|------|------|----|--------|--------|----|--------|----|--------|----|
| ID | 3/16" | 1/4" | 3/8" | 1/2" | 5/8" | 3/4" | 1" | 1-1/4" | 1-1/2" | 2" | 2-1/2" | 3" | 3-1/2" | 4" |

| HOSE PREFIX | HOSE END FITTING | HOSE END FITTING | S.A.E. HOSE SPECIFICATION |
|-------------|------------------------------------|-------------------------------------|---------------------------|
| H01 | FEMALE, 37° JIC, SWIVEL | FEMALE, 37° JIC, SWIVEL | 100R17 |
| H02 | FEMALE, 37° JIC, SWIVEL | FEMALE, 37° JIC, SWIVEL | 100R13 |
| H03 | FEMALE, 37° JIC, SWIVEL | 45°, FEMALE, 37° JIC, SWIVEL | 100R17 |
| H04 | FEMALE, 37° JIC, SWIVEL | 45°, FEMALE, 37° JIC, SWIVEL | 100R13 |
| H05 | FEMALE, 37° JIC, SWIVEL | LONG 90°, FEMALE, 37° JIC, SWIVEL | 100R17 |
| H06 | FEMALE, 37° JIC, SWIVEL | SHORT 90°, FEMALE, 37° JIC, SWIVEL | 100R17 |
| H07 | LONG 90°, FEMALE, 37° JIC, SWIVEL | LONG 90°, FEMALE, 37° JIC, SWIVEL | 100R17 |
| H08 | FEMALE, 37° JIC, SWIVEL | FEMALE, 37° JIC, SWIVEL | 100R4 |
| H09 | FEMALE, 37° JIC, SWIVEL | 45°, FEMALE, 37° JIC, SWIVEL | 100R4 |
| H10 | FEMALE, 37° JIC, SWIVEL | MALE PIPE THREAD FITTING | 100R17 |
| H11 | FEMALE, 37° JIC, SWIVEL | MEDIUM 90°, FEMALE, 37° JIC, SWIVEL | 100R13 |
| H12 | SHORT 90°, FEMALE, 37° JIC, SWIVEL | SHORT 90°, FEMALE, 37° JIC, SWIVEL | 100R17 |
| H13 | FEMALE, 37° JIC, SWIVEL | REUSABLE MALE PIPE THREAD FITTING | 300 PSI |
| H14 | REUSABLE MALE PIPE THREAD FITTING | NO FITTING | 300 PSI |
| H15 | REUSABLE, FEMALE, 37° JIC, SWIVEL | REUSABLE, FEMALE, 37° JIC, SWIVEL | 300 PSI |

Fitting Arrangement Schedule (Continued on the following page)

7.1 Standard Hose Numbering System

Fitting Arrangement Schedule (Continued from the previous page)

| HOSE PREFIX | HOSE END FITTING | HOSE END FITTING | S.A.E. HOSE SPECIFICATION |
|-------------|-------------------------------------|------------------------------------|---------------------------|
| H16 | NO FITTING | NO FITTING | 100R4 |
| H17 | NO FITTING | NO FITTING | 300 PSI |
| H18 | REUSABLE, FEMALE, 37° JIC, SWIVEL | NO FITTING | 300 PSI |
| H19 | LONG 90°, FEMALE, 37° JIC, SWIVEL | FEMALE, 37° JIC, SWIVEL | 100R13 |
| H20 | FEMALE, SHORT 37° JIC, SWIVEL | SHORT 90°, FEMALE, 37° JIC, SWIVEL | 100R4 |
| H21 | FEMALE, SHORT 37° JIC, SWIVEL | SHORT 90°, FEMALE, 37° JIC, SWIVEL | 100R2AT |
| H22 | FEMALE, 37° JIC, SWIVEL | FEMALE, 37° JIC, SWIVEL | 100R2AT |
| H23 | FEMALE, LONG 37° JIC, SWIVEL | LONG 90°, FEMALE, 37° JIC, SWIVEL | 100R2AT |
| H24 | FEMALE, SHORT 37° JIC, SWIVEL | SHORT 90°, FEMALE, 37° JIC, SWIVEL | 100R13 |
| H25 | FEMALE, 37° JIC, SWIVEL | FEMALE, 37° JIC, SWIVEL | 100R4 |
| H26 | SHORT 90°, FEMALE, 37° JIC, SWIVEL | FEMALE, 37° JIC, SWIVEL | 100R17 |
| H27 | LONG 90°, FEMALE, 37° JIC, SWIVEL | FEMALE, 37° JIC, SWIVEL | 100R17 |
| H28 | FEMALE, 37° JIC, SWIVEL | FEMALE, 37° JIC, SWIVEL | 100R17 |
| H29 | SHORT 45°, FEMALE, 37° JIC, SWIVEL | FEMALE, 37° JIC, SWIVEL | 100R17 |
| H30 | MEDIUM 90°, FEMALE, 37° JIC, SWIVEL | FEMALE, 37° JIC, SWIVEL | 100R17 |
| H31 | FEMALE, 37° JIC, SWIVEL | FEMALE, 37° JIC, SWIVEL | 100R17 |
| H32 | SHORT 45°, FEMALE, 37° JIC, SWIVEL | FEMALE, 37° JIC, SWIVEL | 100R17 |
| H33 | MEDIUM 45°, FEMALE, 37° JIC, SWIVEL | FEMALE, 37° JIC, SWIVEL | 100R17 |
| H34 | SHORT 90°, FEMALE, 37° JIC, SWIVEL | FEMALE, 37° JIC, SWIVEL | 100R17 |
| H35 | MEDIUM 90°, FEMALE, 37° JIC, SWIVEL | FEMALE, 37° JIC, SWIVEL | 100R17 |
| H36 | LONG 90°, FEMALE, 37° JIC, SWIVEL | FEMALE, 37° JIC, SWIVEL | 100R17 |
| H37 | SHORT 45°, FEMALE, 37° JIC, SWIVEL | FEMALE, 37° JIC, SWIVEL | 100R4 |
| H38 | SHORT 90°, FEMALE, 37° JIC, SWIVEL | FEMALE, 37° JIC, SWIVEL | 100R4 |
| H39 | LONG 90°, FEMALE, 37° JIC, SWIVEL | FEMALE, 37° JIC, SWIVEL | 100R4 |
| H40 | SHORT 90°, FEMALE, 37° JIC, SWIVEL | FEMALE, 37° JIC, SWIVEL | 100R16 |

7.2 Vertical Mast Fluids Table

| HYDRAULIC OIL | | | | |
|----------------------|--------------------------|------------------------------|-------------------|-------------------------|
| Specification | Capacity (Liters) | Capacity (US Gallons) | Oil Type | Skyjack Part No. |
| Standard | 4.92 | 1.3 | ATF Dexron III | 119309 |
| Option | 4.92 | 1.3 | NATURELLE HF E 32 | 157138 |

270AC

Go to Discount-Equipment.com to order your parts

PARTS FINDER

**Search Website
by Part Number**



**Search Manual
Library For Parts
Manual & Lookup Part
Numbers – Purchase
or Request Quote**

Search Manuals

Enter your information to help us find the right parts manual for your machine.

* Brand:

* Model:

* Serial:

* Part Number:

SEARCH

**Can't Find Part or
Manual? Request Help
by Manufacturer,
Model & Description**

Parts Order Form

Please fill in the following information to help us find the right part for your machine.

MANUFACTURER:

MODEL:

DESCRIPTION:

SEARCH

Discount-Equipment.com is your online resource for quality parts & equipment.

Florida: **561-964-4949** Outside Florida TOLL FREE: **877-690-3101**

Need parts?

Click on this link: <http://www.discount-equipment.com/category/5443-parts/> and choose one of the options to help get the right parts and equipment you are looking for. Please have the machine model and serial number available in order to help us get you the correct parts. If you don't find the part on the website or on one of the online manuals, please fill out the request form and one of our experienced staff members will get back to you with a quote for the right part that your machine needs.

We sell worldwide for the brands: Genie, Terex, JLG, MultiQuip, Mikasa, Essick, Whiteman, Mayco, Toro Stone, Diamond Products, Generac Magnum, Airman, Haulotte, Barreto, Power Blanket, Nifty Lift, Atlas Copco, Chicago Pneumatic, Allmand, Miller Curber, Skyjack, Lull, Skytrak, Tsurumi, Husquvarna Target, Stow, Wacker, Sakai, Mi-T-M, Sullair, Basic, Dynapac, MBW, Weber, Bartell, Bennar Newman, Haulotte, Ditch Runner, Menegotti, Morrison, Contec, Buddy, Crown, Edco, Wyco, Bomag, Laymor, EZ Trench, Bil-Jax, F.S. Curtis, Gehl Pavers, Heli, Honda, ICS/PowerGrit, IHI, Partner, Imer, Clipper, MMD, Koshin, Rice, CH&E, General Equipment, Amida, Coleman, NAC, Gradall, Square Shooter, Kent, Stanley, Tamco, Toku, Hatz, Kohler, Robin, Wisconsin, Northrock, Oztec, Toker TK, Rol-Air, APT, Wylie, Ingersoll Rand / Doosan, Innovatech, Con X, Ammann, Mecalac, Makinex, Smith Surface Prep, Small Line, Wanco, Yanmar