



PARTS MANUAL (ALL STANDARDS)

VERTICAL MAST

MODELS **SJ12** **SJ16**

PARTS FINDER

**Search Website
by Part Number**



**Search Manual
Library For Parts
Manual & Lookup Part
Numbers – Purchase
or Request Quote**

Search Manuals

Enter your information to help us find the right parts manual for your machine.

* Brand:

* Model:

* Serial:

* Part Number:

SEARCH

**Can't Find Part or
Manual? Request Help
by Manufacturer,
Model & Description**

Parts Order Form

Please fill in the following information to help us find the right part for your machine.

Manufacturer:	<input type="text"/>
Model:	<input type="text"/>
Description:	<input type="text"/>
Part Number:	<input type="text"/>
Quantity:	<input type="text"/>
Notes:	<input type="text"/>

Submit

Discount-Equipment.com is your online resource for quality parts & equipment.

Florida: **561-964-4949** Outside Florida TOLL FREE: **877-690-3101**

Need parts?

Click on this link: <http://www.discount-equipment.com/category/5443-parts/> and choose one of the options to help get the right parts and equipment you are looking for. Please have the machine model and serial number available in order to help us get you the correct parts. If you don't find the part on the website or on one of the online manuals, please fill out the request form and one of our experienced staff members will get back to you with a quote for the right part that your machine needs.

We sell worldwide for the brands: Genie, Terex, JLG, MultiQuip, Mikasa, Essick, Whiteman, Mayco, Toro Stone, Diamond Products, Generac Magnum, Airman, Haulotte, Barreto, Power Blanket, Nifty Lift, Atlas Copco, Chicago Pneumatic, Allmand, Miller Curber, Skyjack, Lull, Skytrak, Tsurumi, Husquvarna Target, Stow, Wacker, Sakai, Mi-T-M, Sullair, Basic, Dynapac, MBW, Weber, Bartell, Bennar Newman, Haulotte, Ditch Runner, Menegotti, Morrison, Contec, Buddy, Crown, Edco, Wyco, Bomag, Laymor, EZ Trench, Bil-Jax, F.S. Curtis, Gehl Pavers, Heli, Honda, ICS/PowerGrit, IHI, Partner, Imer, Clipper, MMD, Koshin, Rice, CH&E, General Equipment, Amida, Coleman, NAC, Gradall, Square Shooter, Kent, Stanley, Tamco, Toku, Hatz, Kohler, Robin, Wisconsin, Northrock, Oztec, Toker TK, Rol-Air, APT, Wylie, Ingersoll Rand / Doosan, Innovatech, Con X, Ammann, Mecalac, Makinex, Smith Surface Prep, Small Line, Wanco, Yanmar

This manual is based on Serial Numbers:

SJ 12 / SJ 16: 14,001,630 to 14,002,153
Including Serial Numbers: 14,001,417 & 14,001,435

Please refer to the website - www.discount-equipment.com for
older Serial Numbers.

Go to Discount-Equipment.com to order your parts

Vertical Mast Series Parts Manual

General

The information contained in this section is designed to aid the user in locating and identifying replacement parts. Component parts of various assemblies and sub-assemblies comprising the work platform are illustrated and accompanied by a descriptive parts list. Exploded drawings are used to show relative location of component parts in disassembly order. If a part cannot be found in this section, order by work platform model number and serial number, giving a complete description of the part.

Parts Ordering Information

When ordering replacement parts, the complete part number and description should be used to ensure proper identification and delivery of the desired item. This complete identification should also be used when requesting equipment information.

Method of Listing

Parts are listed in order according to the reference number shown in the illustration, followed by a full description based upon the "NOUN FIRST" method. That is, the noun name of the part is listed first, then the modifying description information which serves to specifically identify the item. For example: PIN, Clevis. Assemblies or groups are shown at the beginning of a parts list and are identified with the letter references A, B, C, etc. Individual parts in these lists have corresponding letters after their description to identify which assembly or group it is used in. Individual parts without identifying letters are used in all the assemblies or group shown at the beginning of the parts list. Descriptions preceded with an (*) indicates a serviceable component or attaching hardware for the higher level assembly. If an index number initially starts with the letter "K", for

example "K1", means it's a kit. Any item(s) included in a kit will not have an index number.

Quantities (Units Per Assy.)

The quantities of each part that are required to complete the assembly. If quantity is (AR), it is understood that the quantity may vary when machine is equipped with certain options. Order quantity as needed.

Hardware

Standard screws, washers, nuts, etc. are not identified by a reference number. These parts are known as COMMON HARDWARE items and appear indented under the major items with which they are used. They should be ordered separately as listed, since they are not component parts of the pieces they attach to.

How to Order Repair Parts

1. Address all orders to Discount-equipment.
2. Specify model and serial number of the work platform (found on the serial number plate).
3. List the quantity needed.
4. List the length needed (if bulk item).
5. List the part number and description as shown in this manual for each item.
6. Show billing and shipping address and name of individual if possible.
7. Suggest best routing.

CUSTOMER _____

DEALER _____

MODEL NUMBER _____

SERIAL NUMBER _____

DATE PURCHASED _____

Table of Contents

1.0 PLATFORM RELATED PARTS

1.1 Chain Entrance Assembly	8
1.2 Lower Platform Assembly.....	9
1.3 Upper Platform Assembly	10
1.4 Railing Assembly	12
1.5 Gate Assembly	13
1.6 Saloon Gate Attachment	15
1.7 Platform Control Console Assembly.....	16
1.8 Controller Assembly	18
1.9 Platform Limit Switch Assembly	20
1.10 Platform Control Cable Assembly	22

2.0 MAST RELATED PARTS (SJ12)

2.1 Mast 1 Assembly (SJ12).....	24
2.2 Mast 2 Assembly (SJ12).....	26
2.3 Mast 3 Assembly (SJ12).....	28
2.4 Mast 4 Assembly (SJ12).....	30
2.5 Chain Assembly (SJ12).....	33
2.6 Mast Lift Cylinder Assembly (SJ12)	34
2.7 Lift Cylinder (SJ12)	35
2.8 Mast Electrical Assembly (SJ12).....	36

3.0 MAST RELATED PARTS (SJ16)

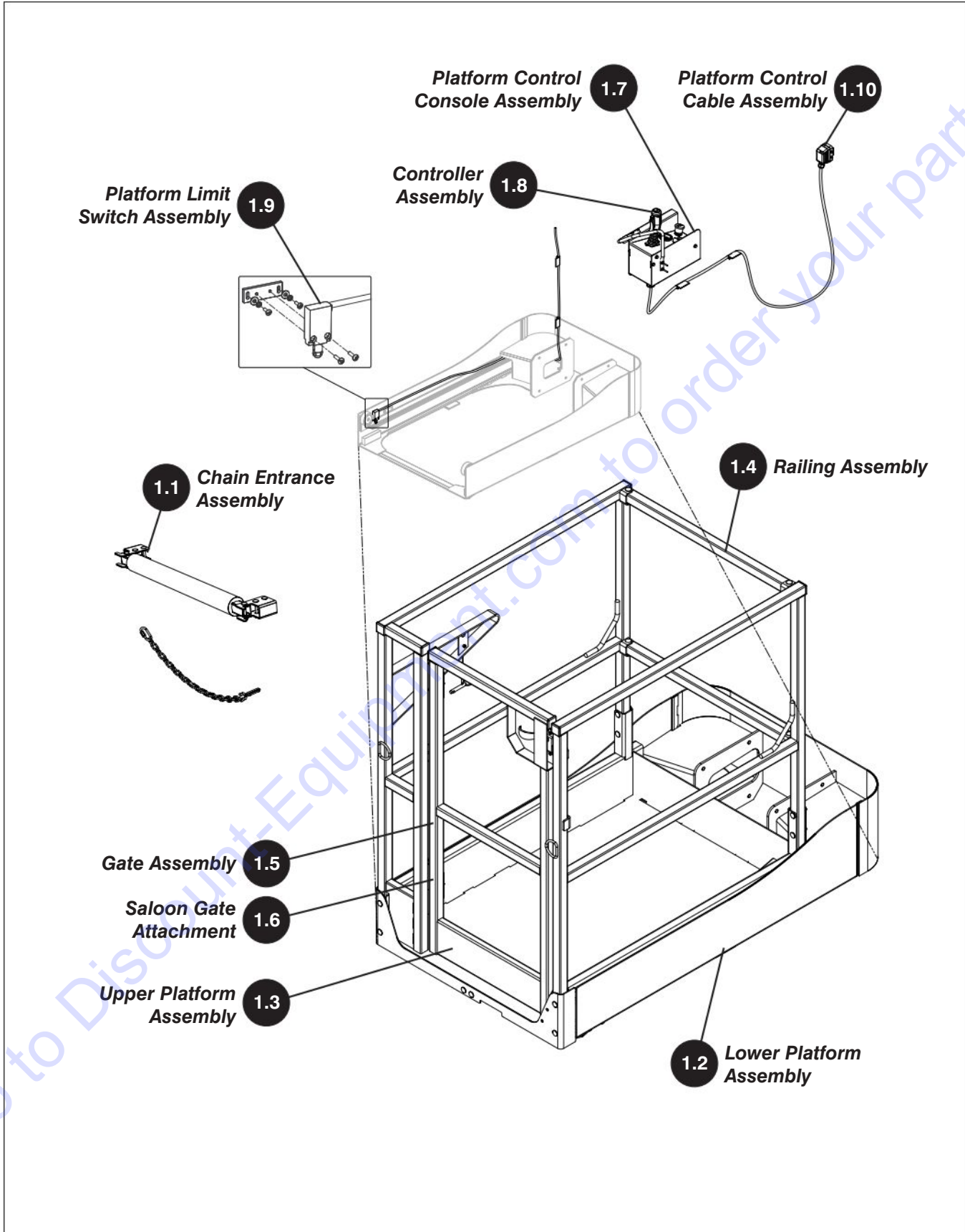
3.1 Mast 1 Assembly (SJ16).....	40
3.2 Mast 2 Assembly (SJ16).....	42
3.3 Mast 3 Assembly (SJ16).....	44
3.4 Mast 4 Assembly (SJ16).....	46
3.5 Mast 5 Assembly (SJ16).....	48
3.6 Chain Assembly (SJ16).....	51
3.7 Mast Lift Cylinder Assembly (SJ16)	52
3.8 Lift Cylinder (SJ16)	53
3.9 Mast Electrical Assembly (SJ16).....	54

4.0 BASE RELATED PARTS

4.1 Base Cover Assembly	58
4.2 Base Assembly	60
4.3 Pothole Protection Assembly	62
4.4 Pothole Cylinder Assembly	64
4.5 Clevis Assembly	65
4.6 Brake Manifold Assembly.....	67
4.7 Main Manifold Assembly	68
4.8 Drive and Steer Assembly	70
4.9 Steer Cylinder Assembly	72
4.10 Wheel Motor and Brake Assembly.....	73
4.11 Powerpack Assembly	74
4.12 Battery Charger Assembly	75
4.13 Base Electrical Components.....	76
4.14 Hydraulic Hose Connections	78

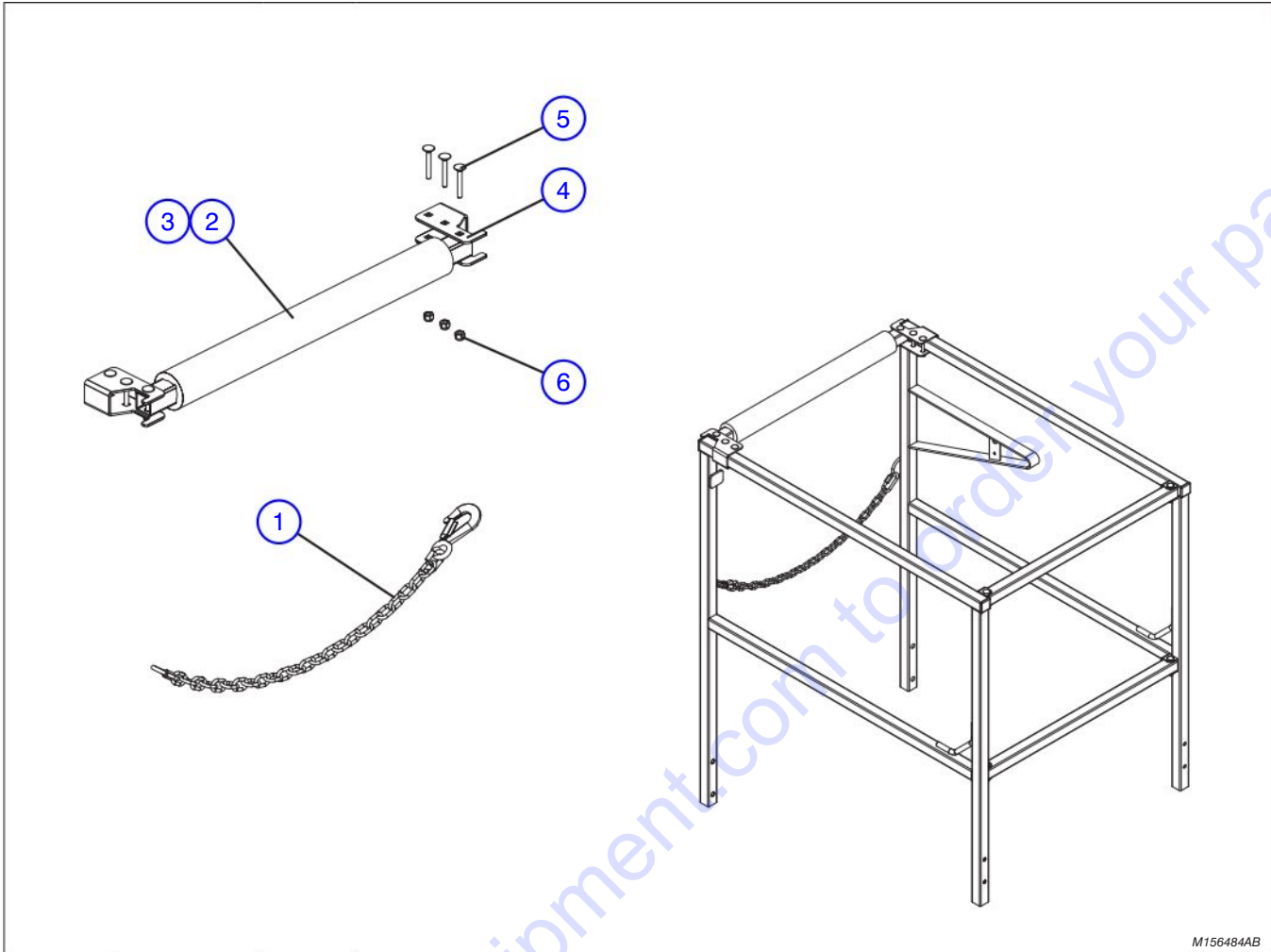
Table of Contents

4.15 Base Control Centre Assembly.....	80
4.16 Terminal Strip Assembly.....	82
4.17 Circuit Breaker and Horn Assembly.....	83
4.18 Main Harness Assembly.....	84
4.19 Battery Assembly.....	86
4.20 Wheel Assembly.....	88
5.0 ATTACHMENTS & OPTIONS	
5.1 Pipe Rack Attachment.....	90
5.1 Pipe Rack Attachment.....	91
5.3 Tube Caddy Attachment.....	93
5.4 Flashing Light Option.....	94
5.5 Biodegradable Hydraulic Oil Option.....	95
5.6 Charger/Inverter Option.....	96
6.0 LABELS	
6.1 Label Kit.....	97
6.2 Labels - Vertical Mast (Rear View).....	98
6.3 Labels - Vertical Mast (Left View).....	99
6.4 Labels - Vertical Mast (Front View).....	100
6.5 Labels - Vertical Mast (Right View).....	101
6.6 Labels - Platform Control Console.....	102
6.7 Labels - Vertical Mast (Base View).....	103
7.0 TABLES	
7.1 Standard Hose Numbering System.....	106
7.2 Vertical Mast Fluids Table.....	108



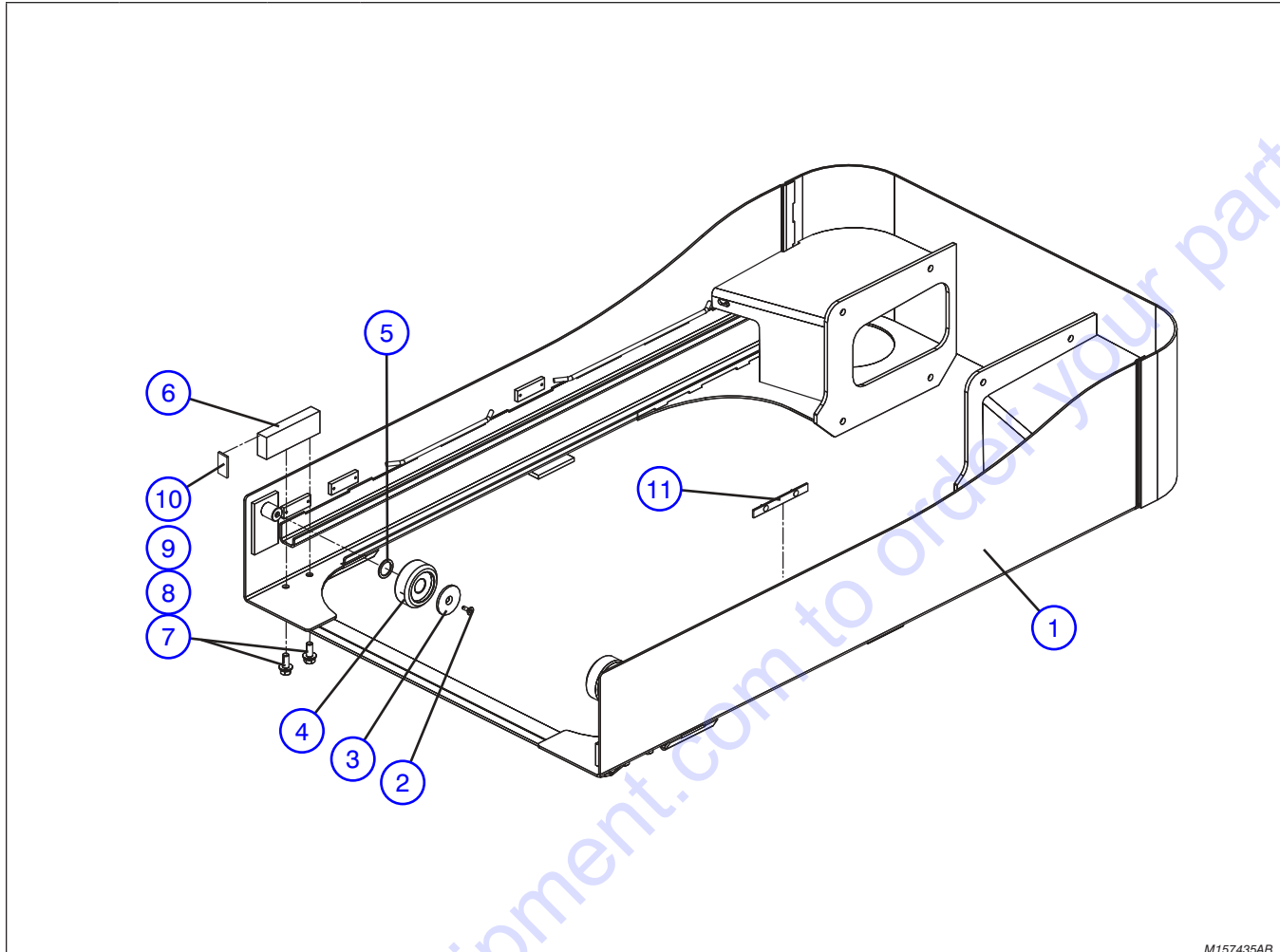
1.1 Chain Entrance Assembly

AE



M156484AB

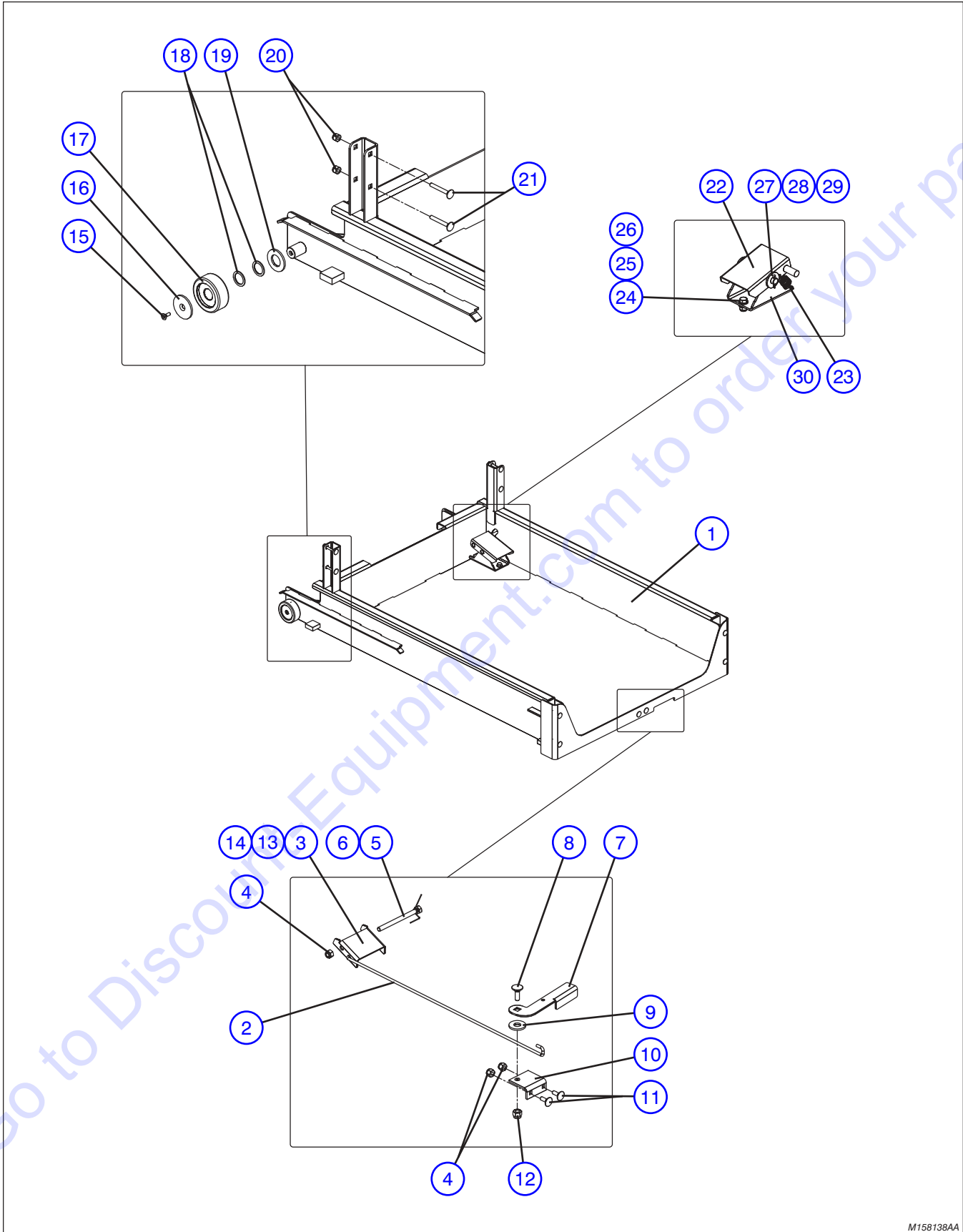
Index No.	Skyjack Part No.	Qty.	Description
-	156484	-	NOTE: Part Numbers followed by a "DG" indicate dark grey painted parts. CHAIN ENTRANCE ASSEMBLY (ANSI/CSA)
1	167219	1	• ASSEMBLY, Chain entrance with mesh cover
-	106893	1	• • ASSEMBLY, Entry chain
-	166761	1	• • COVR, Entrance chain mesh
2	151478	1	• TUBE, Railing (Center)
3	125691	1	• PADDING, Tube
4	156486	2	• MOUNT, Top rail
5	127437	6	• BOLT, Carriage (5/16"-18 x 2", Grade 5)
6	103984	6	• NUT, Hex nylon lock (5/16"-18, Grade 5)



M157435AB

Index No.	Skyjack Part No.	Qty.	Description
-	157435	1	NOTE: Part Numbers followed by a "DG" indicate dark grey painted parts. LOWER PLATFORM ASSEMBLY
1	157434	1	• WELDMENT, Lower platform
2	110853	2	• SCREW, Flat head cap (1/4"-20 x 5/8", Grade 5)
3	151650	2	• RETAINER, Washer
4	151677	2	• ROLLER (2.75" OD x 7/8" ID x 1.051")
5	116621	2	• SHIM (0.063")
6	156847	2	• BAR, Platform stop
7	103473	4	• BOLT, Hex head (3/8"-16 x 1", Grade 5)
8	103999	4	• WASHER, Lock (3/8")
9	103472	4	• WASHER, Flat (3/8")
10	158841	.25	• NEOPRENE, Adhesive back (1/8" x 3/4")
11	151671	1	BLOCKER PLATE ASSEMBLY (16 in. extension platform)
-	151670	1	• PLATE
-	119945	2	• RIVET, Pop

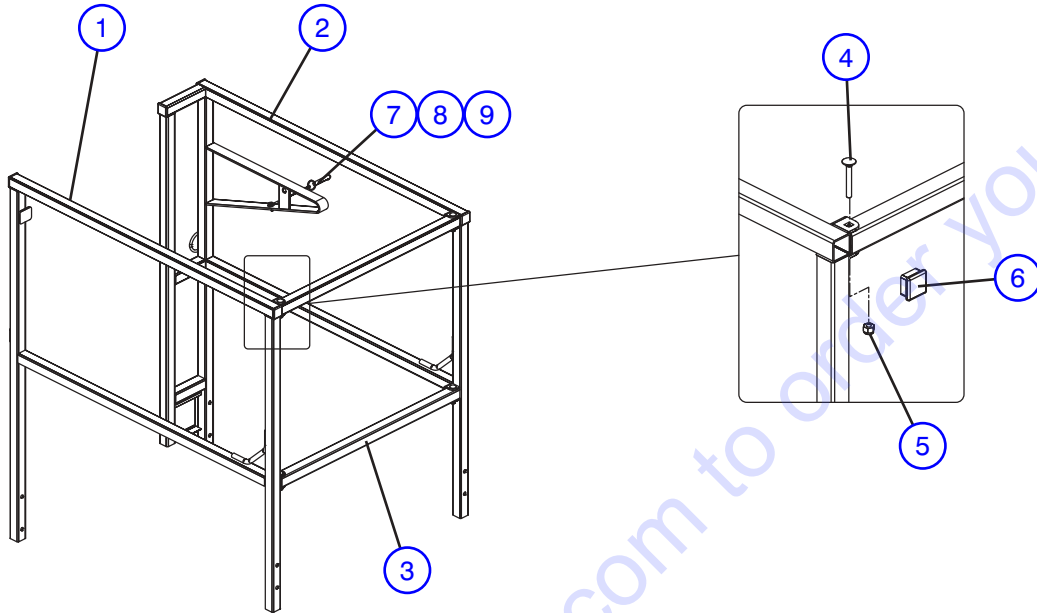
1.3 Upper Platform Assembly



M158138AA

1.3 Upper Platform Assembly

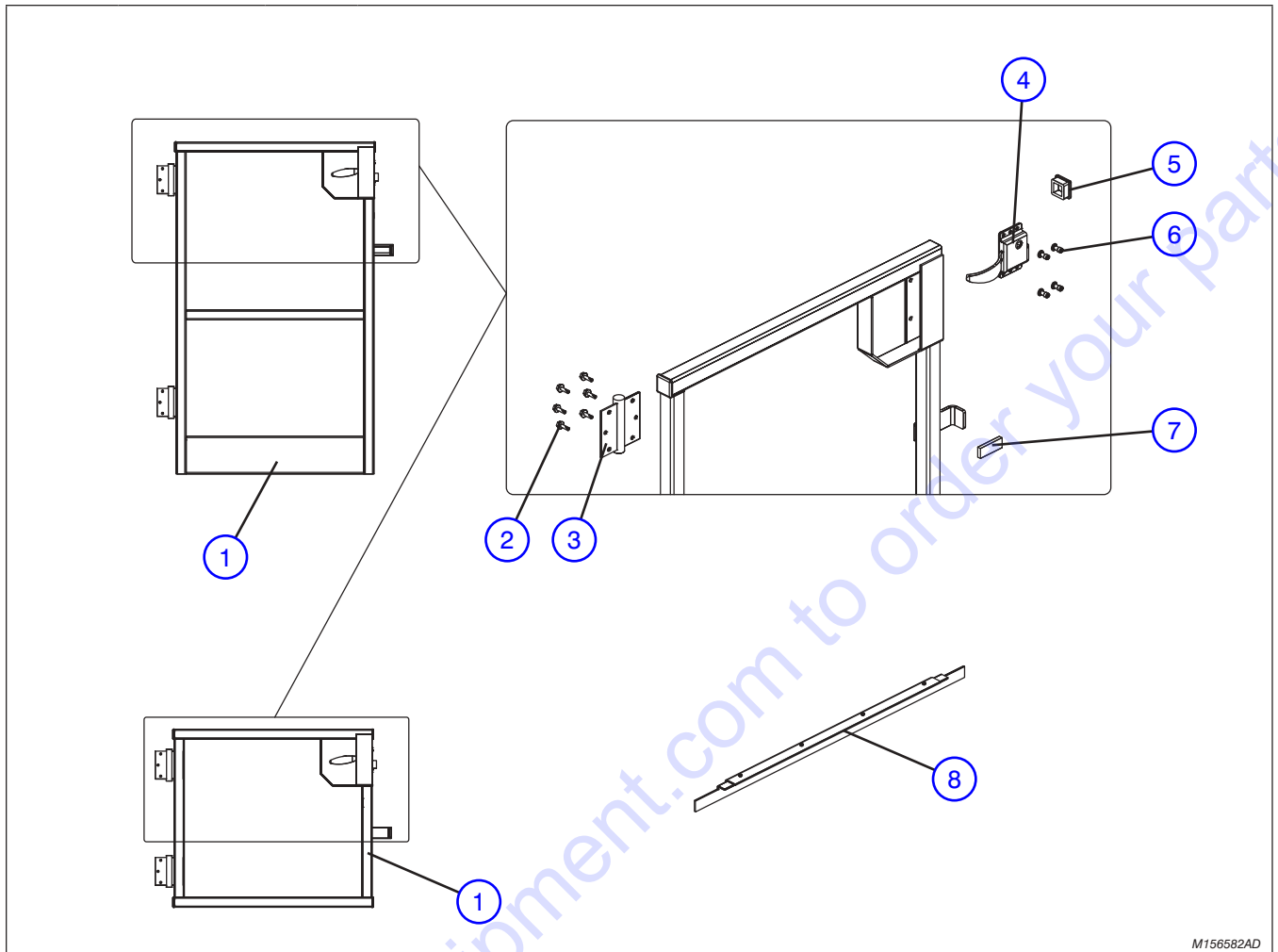
Index No.	Skyjack Part No.	Qty.	Description
			NOTE: Part Numbers followed by a "DG" indicate dark grey painted parts.
A	158110	1	UPPER PLATFORM ASSEMBLY (16 in. extension) (CE, AS & KC)
B	158138	1	UPPER PLATFORM ASSEMBLY (20 in. extension) (ANSI/CSA)
1	157341	1	• WELDMENT, Platform
-	151668	1	• SERVICE LOCK ASSEMBLY, A
-	151672	1	• SERVICE LOCK ASSEMBLY, B
2	151623	1	• • ROD, A
	151621	1	• • ROD, B
3	151620	1	• • STRIKER
4	103984	3	• • NUT, Hex nylon lock (5/16"-18, Grade 5)
5	103882	1	• • BOLT, Hex head (5/16"-18 x 4", Grade 5)
6	156551	1	• • SPRING
7	151619	1	• • HANDLE
8	111804	1	• • BOLT, Carriage (3/8"-16 x 1", Grade 5)
9	103468	1	• • WASHER, Flat (1/2" SAE AA)
10	151618	1	• • MOUNT
11	110814	2	• • BOLT, Carriage (5/16"-18 x 3/4", Grade 5)
12	104606	1	• • NUT, Hex nylon lock (3/8"-16, Grade 5)
13	120094	2	• SCREW, Round head (10-32 x 0.625")
14	104003	2	• NUT, Hex head (10-32)
15	110853	2	• SCREW, Flat head cap (1/4"-20 x 5/8", Grade 5)
16	151650	2	• RETAINER, Washer
17	151677	2	• ROLLER (2.75" OD x 7/8" ID x 1.051")
18	116621	4	• SHIM (0.063")
19	131953	2	• WASHER, Flat (7/8")
20	103984	8	• NUT, Hex nylon lock (5/16"-18, Grade 5)
21	127437	8	• BOLT, Carriage (5/16"-18 x 2", Grade 5)
-	151563	1	• FOOT PEDAL ASSEMBLY
22	158370	1	• • WELDMENT, Foot pedal
23	158100	1	• • SPRING
24	103887	1	• • BOLT, Hex head (5/16"-18 x 3/4", Grade 5)
25	103996	2	• • WASHER, Flat (5/16")
26	103984	1	• • NUT, Hex head lock (5/16"-18, Grade 5)
27	157441	1	• • PIN, Clevis (1/2" x 3.5")
28	157467	1	• • PIN, Cotter
29	103468	2	• • WASHER, Flat (1/2")
30	151525	1	• • BASE, Foot pedal



M156578AA

Index No.	Skyjack Part No.	Qty.	Description
NOTE: Part Numbers followed by a "DG" indicate dark grey painted parts.			
A	156578	-	RAILING ASSEMBLY (Narrow Entrance)
B	151543	-	RAILING ASSEMBLY (Chain gate)
1	151540	1	• WELDMENT, Railing (Left hand)
2	156579	1	• WELDMENT, Railing (Right hand), A
	151539	1	• WELDMENT, Railing (Right hand), B
3	151478	2	• TUBE, Railing (Center)
4	127437	4	• BOLT, Carriage (5/16"-18 x 2", Grade 5)
5	103984	4	• NUT, Hex nylon lock (5/16"-18, Grade 5)
6	100702	5	• END CAP, Plastic
7	124548	1	• LARGE LOOP PIN QUICK RELEASE ASSEMBLY
8	157173	1	• RIVET (1/4"x 0.49")
9	103995	1	• WASHER, Flat (1/4")

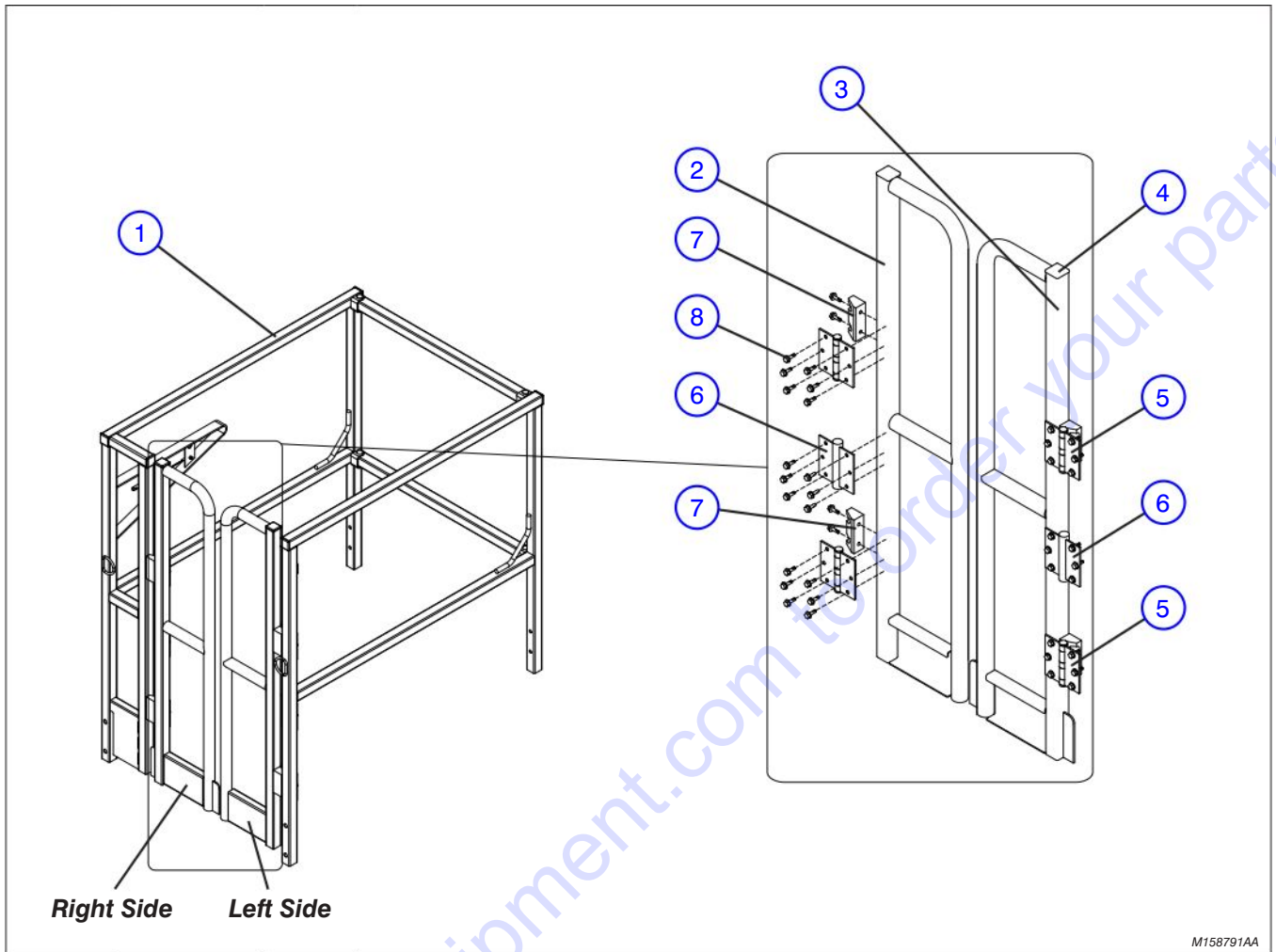
1.5 Gate Assembly



M156582AD

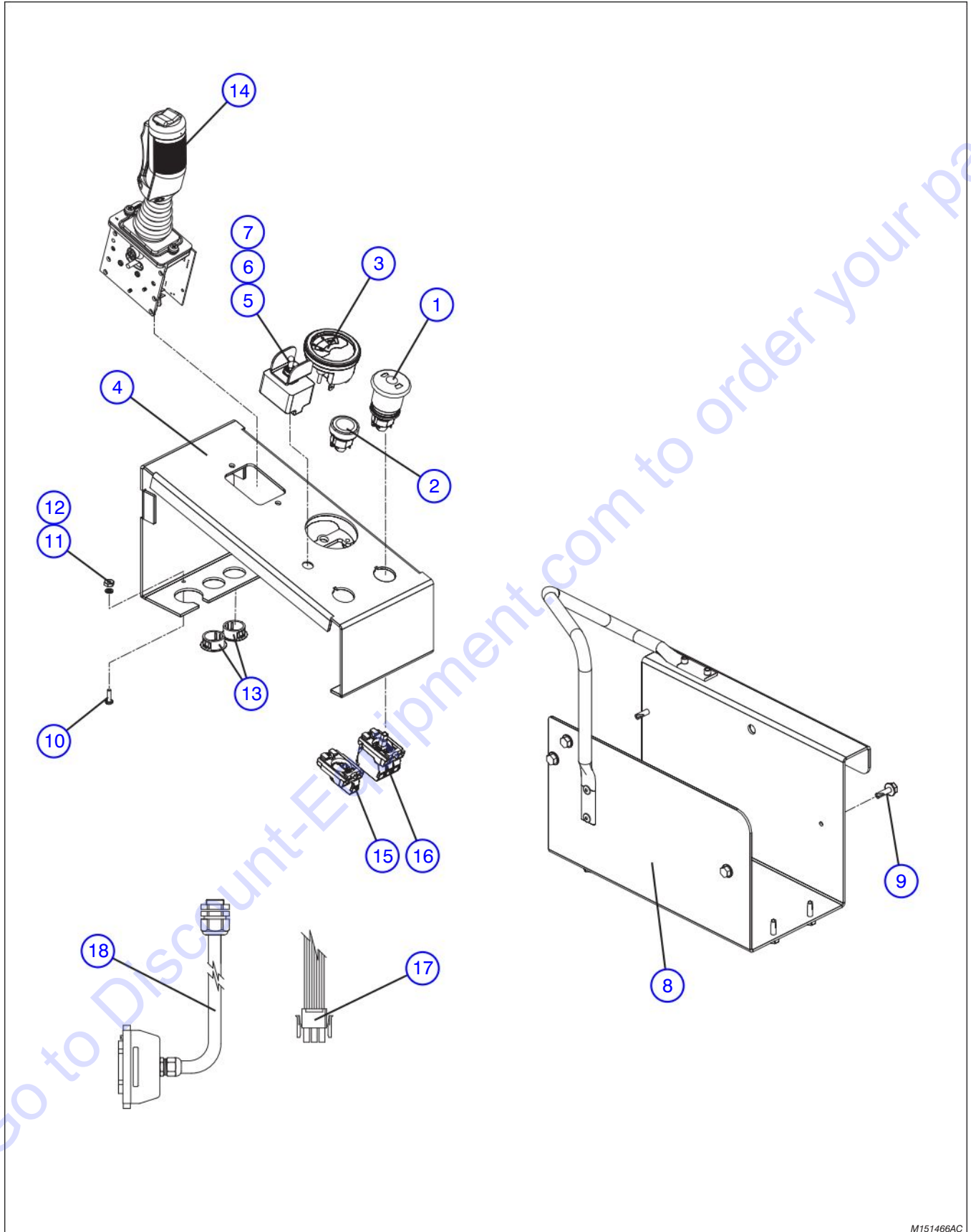
Index No.	Skyjack Part No.	Qty.	Description
			NOTE: Part Numbers followed by a "DG" indicate dark grey painted parts.
A	156582	1	GATE ASSEMBLY (Full gate)
B	156814	1	GATE ASSEMBLY (Half gate) (ANSI/CSA)
1	156583	1	• WELDMENT, Gate, A
	156815	1	• WELDMENT, Gate, B
2	103632	12	• SCREW, Hex head self tapping (1/4"-14 x 3/4")
3	117277	2	• HINGE, Spring
4	138695	1	• LOCK, Gate
5	100702	2	• CAP, Plastic end
6	139641	4	• RIVET, Pop (1/4")
7	125577	1	• BUMPER
8	156487	1	GATE SWEEP ASSEMBLY, A (CE)
	158829	1	FIELD KIT, FULL GATE INSTALLATION (ANSI/CSA)
	159384	1	FIELD KIT, FULL GATE INSTALLATION (CE, AS & KC)
	158830	1	FIELD KIT, HALF GATE INSTALLATION (ANSI/CSA)

1.6 Saloon Gate Attachment



M158791AA

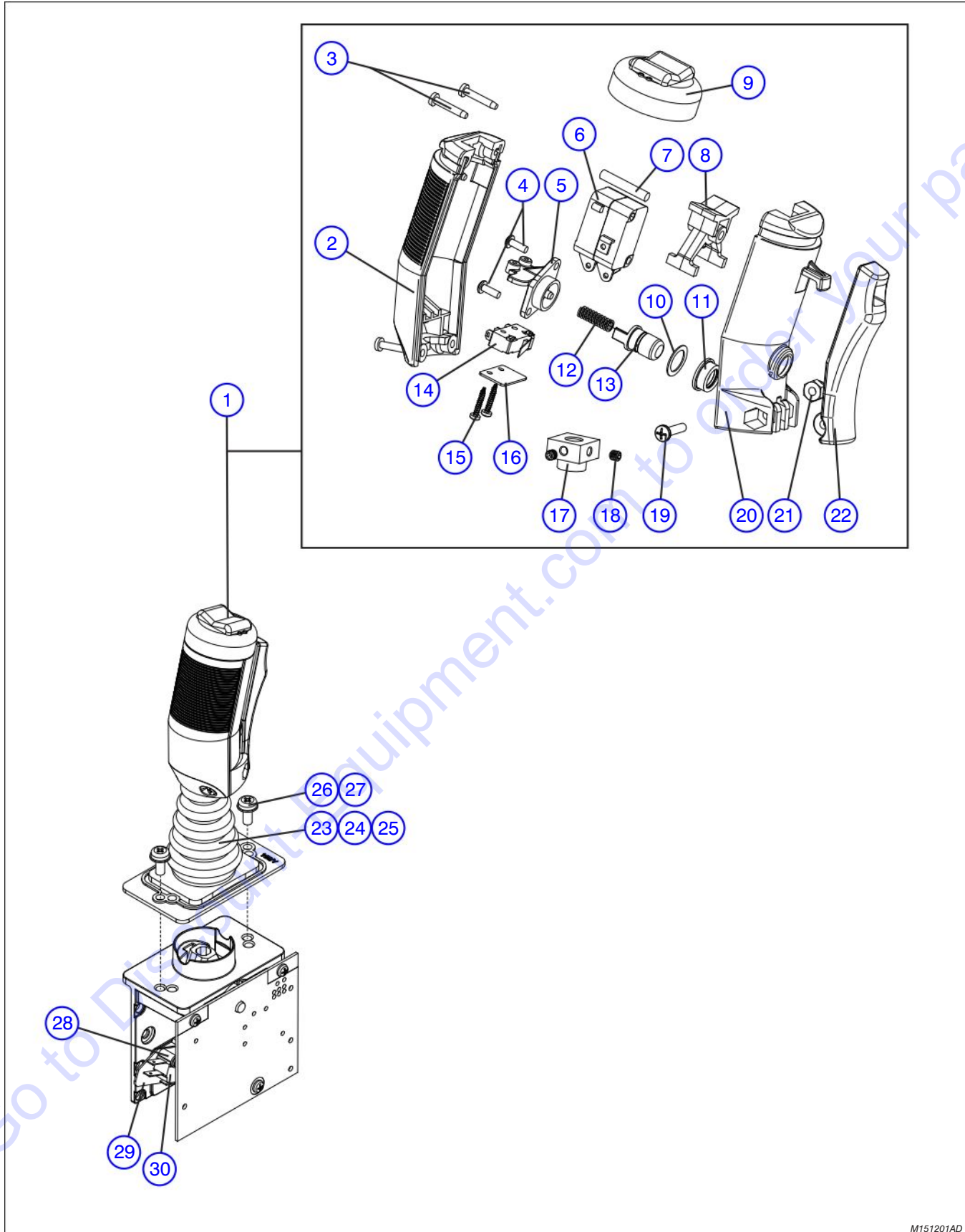
Index No.	Skyjack Part No.	Qty.	Description
-	158791	-	NOTE: Part Numbers followed by a "DG" indicate dark grey painted parts. SALOON GATE ASSEMBLY (ANSI/CSA, CE & KC)
1	156578	(Ref.)	• RAILING ASSEMBLY (Narrow Entrance) (For components, refer to Section 1.4)
-	158790	1	• SALOON GATE ASSEMBLY
2	158793	1	• • WELDMENT, Saloon gate (Left side)
3	158792	1	• • WELDMENT, Saloon gate (Right side)
4	100702	2	• • CAP, Plastic end
5	158823	4	• • HINGE, 5 Knuckle CB
6	117277	2	• • HINGE, Spring
7	158811	4	• • STOP, Saloon gate
8	103632	44	• • SCREW, Hex head self tapping (1/4"-14 x 3/4")
	158828	1	FIELD KIT, SALOON GATE INSTALLATION (ANSI/CSA, CE & KC)



M151466AC

Index No.	Skyjack Part No.	Qty.	Description
			NOTE: Part Numbers followed by a "DG" indicate dark grey painted parts.
-	159421	-	PLATFORM CONTROL CONSOLE ASSEMBLY
-	151469	1	• CONTROL BOX
1	147051	1	• • HEAD, Emergency stop
2	147058	1	• • HEAD, Pushbutton (Horn)
3	122093	1	• • INDICATOR, Battery charge
4	156884	1	• • PLATE, Control Box (Top)
5	111181	1	• • GUARD, Switch
6	144016	1	• • SEAL, Bushing
7	116382	1	• • SWITCH, Toggle, 4NT1-1
8	147373	1	• CONTROL BOX ASSEMBLY
9	103632	9	• SCREW, Hex head self tapping (1/4"-14 x 3/4")
10	103957	1	• SCREW, Round head machine (#8-32 x 1/2")
11	112249	1	• WASHER, Lock (#8)
12	103986	1	• NUT, Hex head (#8-32)
13	102956	2	• PLUG (7/8")
14	(Ref.)	-	• CONTROLLER ASSEMBLY (For components, refer to Section 1.8)
	151467	1	• WIRING, Control box
	156553	1	• • WIRING, Sub-Assy Control box
15	-	-	• • • SWITCH, Horn
	147056	1	• • • • LATCH
	147054	1	• • • • BLOCK, Contact (N.O.)
16	-	-	• • • SWITCH, Emergency stop
	147056	1	• • • • LATCH
	147053	2	• • • • BLOCK, Contact (N.C.)
	147061	1	• • • • LED BLOCK, 24V (Red)
17	116993	-	• • • HOUSING, Male connector (9 pin)
18	(Ref.)	1	• • CONTROL CABLE ASSEMBLY (16 pin) (For components, refer to Section 1.10)

1.8 Controller Assembly

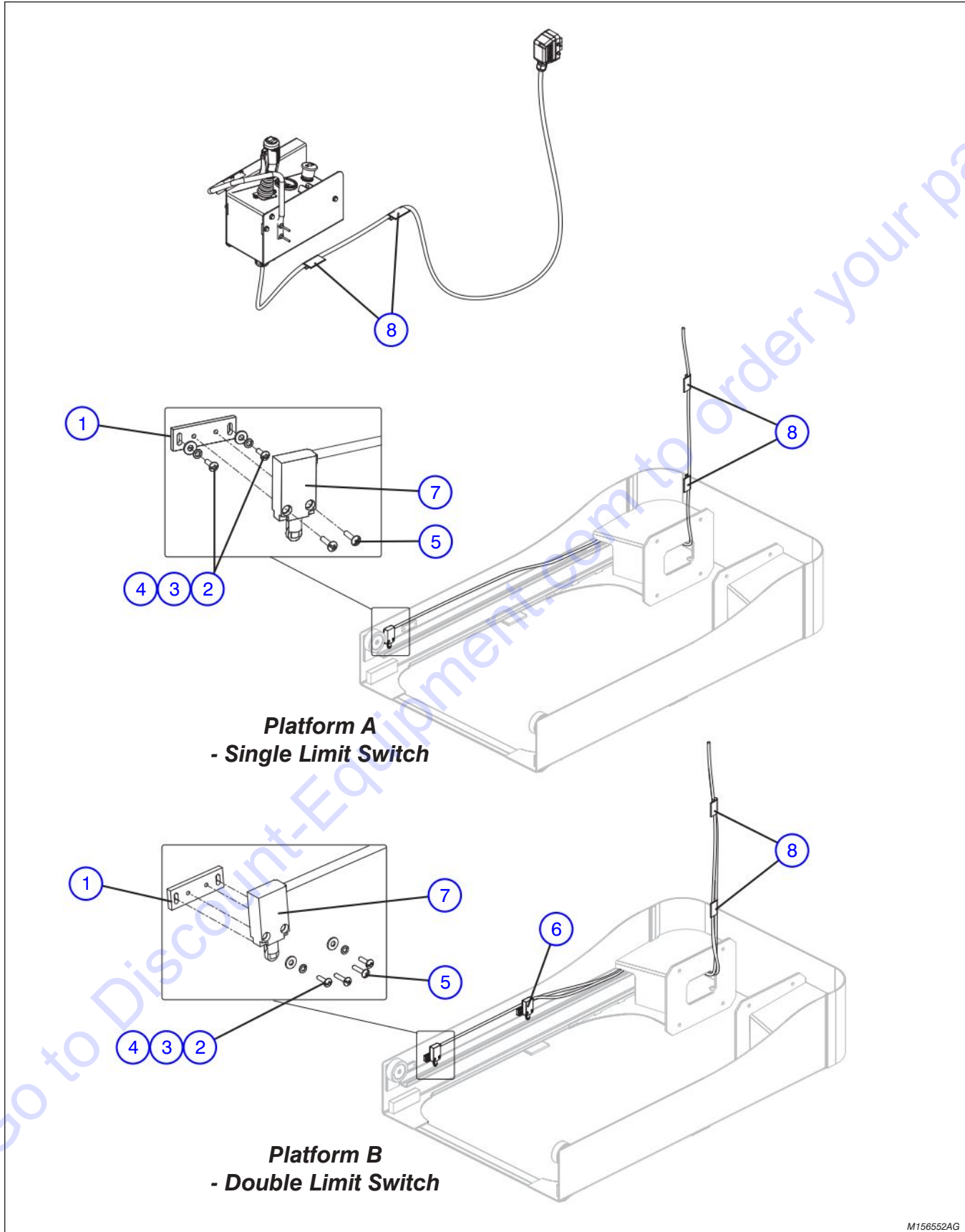


M151201AD

1.8 Controller Assembly

Index No.	Skyjack Part No.	Qty.	Description
-	159111	1	NOTE: Part Numbers followed by a "DG" indicate dark grey painted parts. CONTROLLER ASSEMBLY
1	159055	1	• HANDLE ASSEMBLY
2	159057	1	• • HANDLE, Front half
3	122879	4	• • SCREW, Controller handle
4	159065	2	• • SCREW, Plastite (#4-20 x 5/16")
5	159060	1	• • HOLDER, Micro switch
6	159613	1	• • ROCKER MICRO ASSEMBLY
7	141341	1	• • AXLE, Rocker
8	154717	1	• • ROCKER
9	122874	1	• • CAP, Rubber
10	159063	1	• • WASHER
11	159062	1	• • BOOT, Plunger switch
12	159064	1	• • SPRING
13	159061	1	• • SWITCH, Plunger
14	159067	1	• • SWITCH, Lever micro
15	159066	2	• • SCREW, Plastite (#2-28 x 1/2")
16	159068	1	• • INSULATOR, Micro
17	122961	1	• • COUPLING (8mm)
18	122960	2	• • SCREW, Set
19	154718	1	• • SCREW (#6-32 x 5/8")
20	159058	1	• • HANDLE, Back half
21	122964	1	• • NUT, Controller lever
22	159059	1	• • LEVER, Trigger
23	127179	1	• BOOT & GASKET
24	159615	1	• WASHER
25	159616	1	• E-CLIP
26	122846	1	• SCREW
27	122847	1	• WASHER
28	147313	1	• SCREW
29	159618	1	• MICROINSULATOR
30	122869	1	• SWITCH, Micro

1.9 Platform Limit Switch Assembly



Platform A
- Single Limit Switch

Platform B
- Double Limit Switch

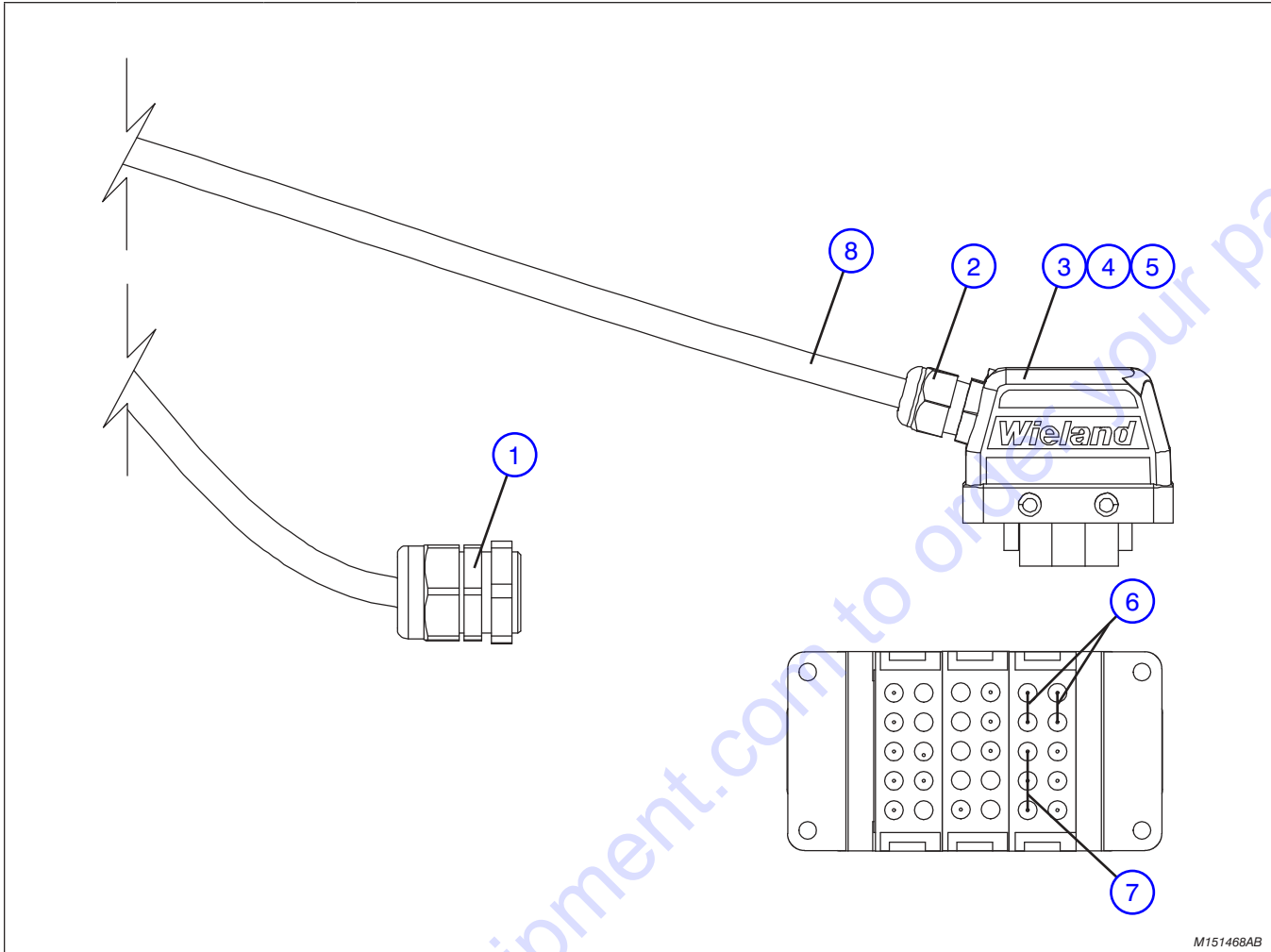
M15652AG

1.9 Platform Limit Switch Assembly

Index No.	Skyjack Part No.	Qty.	Description
A	-	-	<p>NOTE: Part Numbers followed by a “DG” indicate dark grey painted parts.</p> <p>PLATFORM LIMIT SWITCH ASSEMBLY (ANSI/CSA, 20” traversing platform)</p> <p>PLATFORM LIMIT SWITCH ASSEMBLY (CE/AS/KC, 16” traversing platform)</p>
B	-	-	
1	156497	1	• BLOCK, Mounting, A
	156497	2	• BLOCK, Mounting, B
2	103957	2	• SCREW, Round head machine (#8-32 x 1/2”), A
		4	• SCREW, Round head machine (#8-32 x 1/2”), B
3	112249	2	• WASHER, Lock (#8), A
		4	• WASHER, Lock (#8), B
4	103991	2	• WASHER, Flat (#8), A
		4	• WASHER, Flat (#8), B
5	116192	2	• SCREW, Round head machine (#8-32 x 5/8”), A
		4	• SCREW, Round head machine (#8-32 x 5/8”), B
6	156522	1	• LIMIT SWITCH ASSEMBLY, B
7	156523	1	• LIMIT SWITCH ASSEMBLY, A, B
8	108791	4	• CORD CLIP, Adhesive back

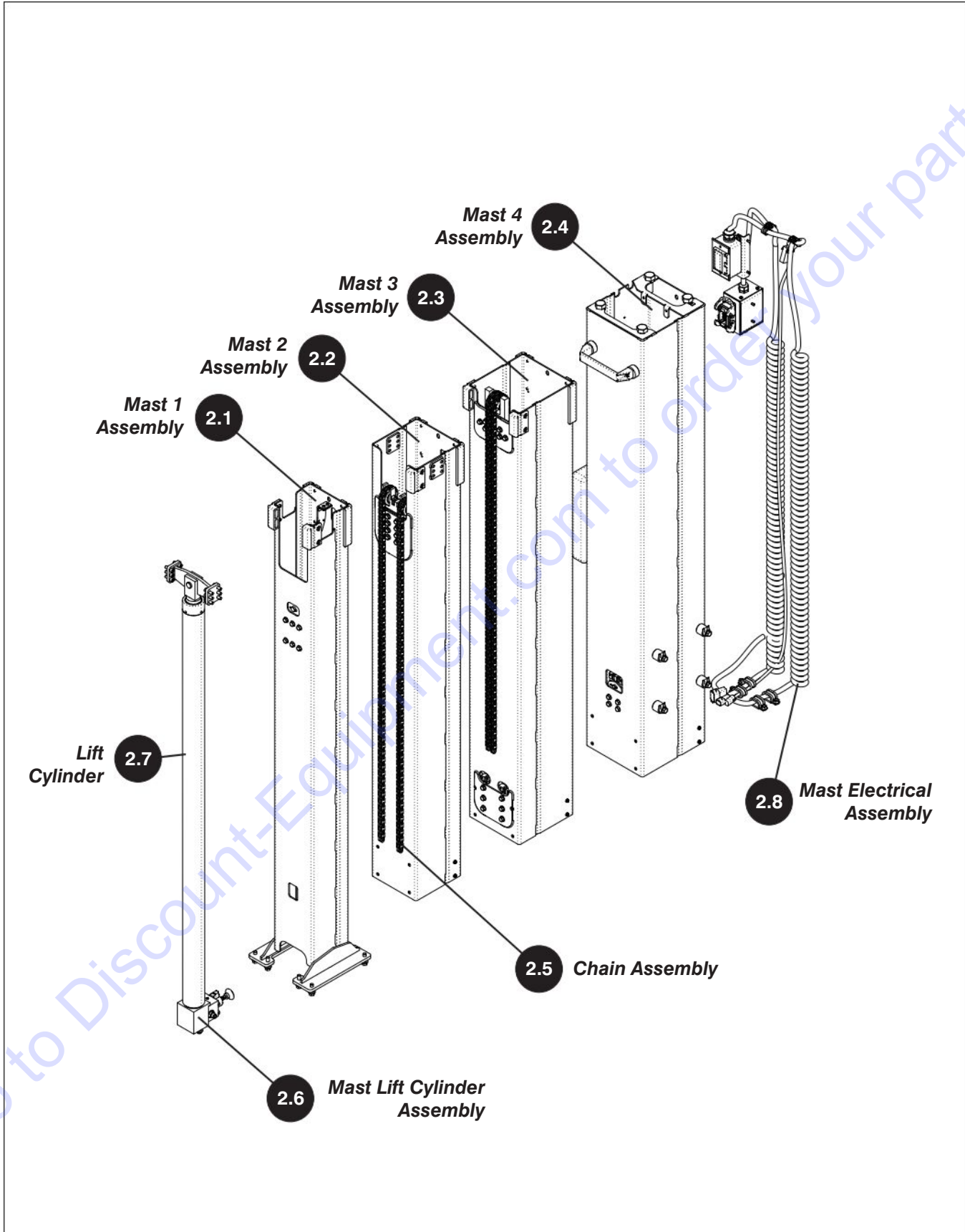
Go to Discount-Equipment.com to order your parts

1.10 Platform Control Cable Assembly

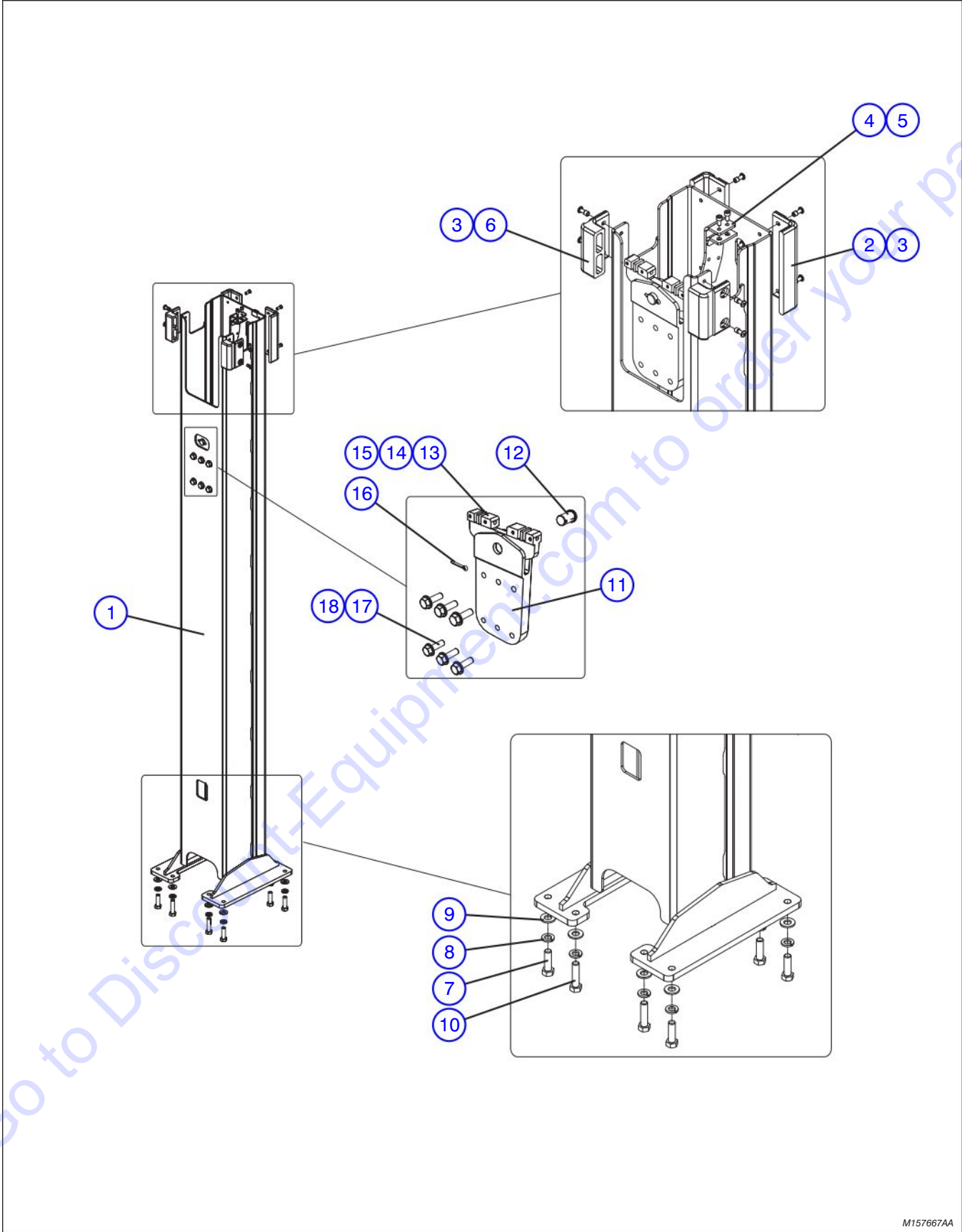


M151468AB

Index No.	Skyjack Part No.	Qty.	Description
-	151468	1	NOTE: Part Numbers followed by a "DG" indicate dark grey painted parts. PLATFORM CONTROL CABLE ASSEMBLY
1	300788	1	• STRAIN RELIEF (LTF 21)
2	138373	1	• STRAIN RELIEF (M20)
3	156549	3	• BLOCK, Connector
4	156546	1	• FRAME, Connector
5	156545	1	• HOUSING, Connector
6	156555	2	• JUMPER (2 position)
7	156560	1	• JUMPER (3 position)
8	102887	1	• CABLE, Control (16/15)

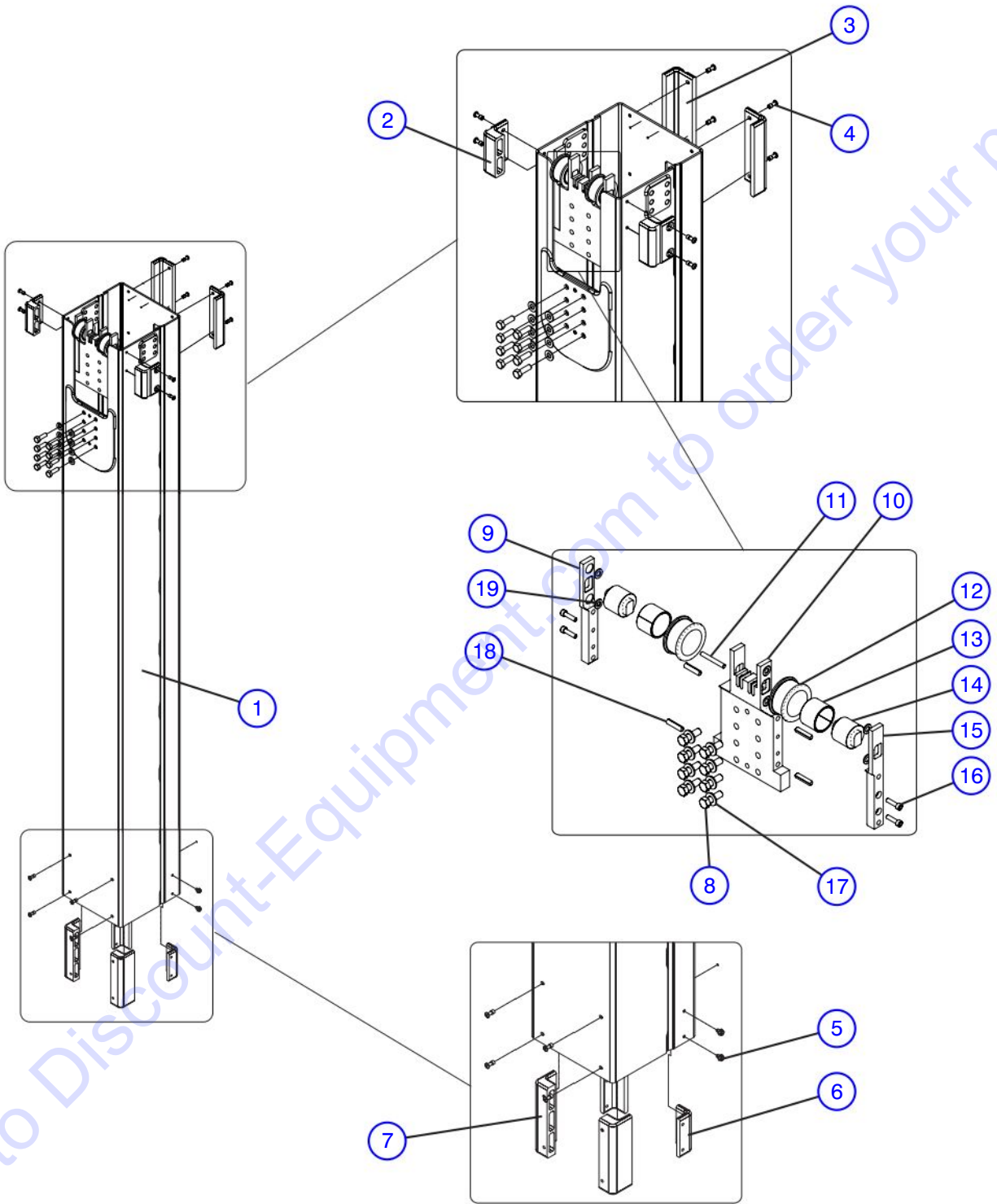


2.1 Mast 1 Assembly (SJ12)



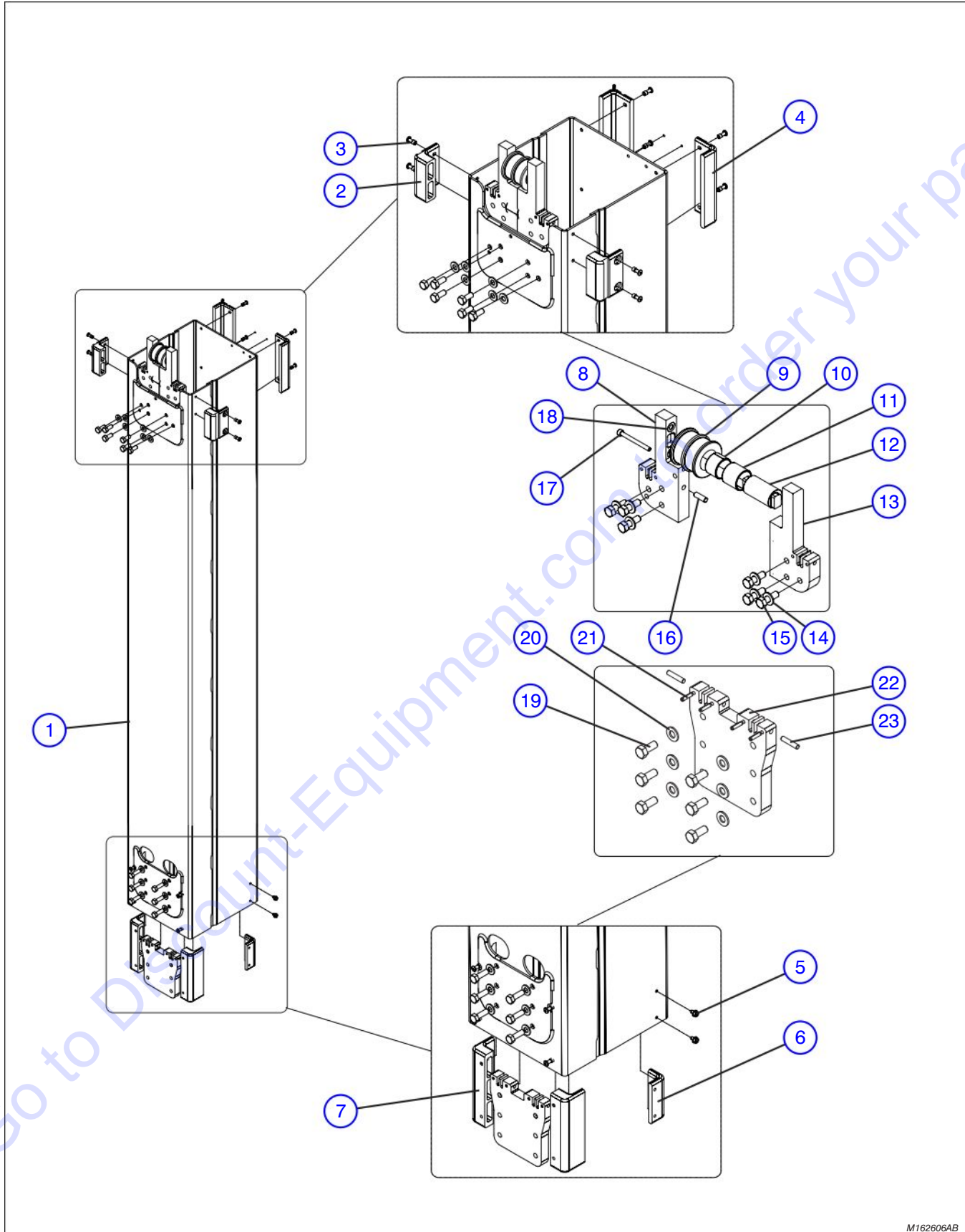
M157667AA

Index No.	Skyjack Part No.	Qty.	Description
-	157667DG	-	<p>NOTE: Part Numbers followed by a "DG" indicate dark grey painted parts.</p> <p>MAST 1 ASSEMBLY</p>
1	157668DG	1	<ul style="list-style-type: none"> • WELDMENT, Mast 1
2	159398	2	<ul style="list-style-type: none"> • WEAR PAD (Thin & long)
3	157759	8	<ul style="list-style-type: none"> • RIVET, Pop (3/16" x 0.25-.375 GR)
4	157797DG	1	<ul style="list-style-type: none"> • SUPPORT, Limit switch
5	157829	2	<ul style="list-style-type: none"> • SCREW, Socket head cap (#10-32 x 3/8")
6	158087	2	<ul style="list-style-type: none"> • WEAR PAD (Thick & short)
7	101297	6	<ul style="list-style-type: none"> • BOLT, Hex head (3/8"-16 x 1.25", Grade 5)
8	103999	8	<ul style="list-style-type: none"> • WASHER, Lock (3/8")
9	125959	8	<ul style="list-style-type: none"> • WASHER, Flat hardened (3/8")
10	103870	2	<ul style="list-style-type: none"> • BOLT, Hex head (3/8"-16 x 1.5", Grade 5)
-	157670	1	<ul style="list-style-type: none"> • CHAIN TENSIONER ASSEMBLY
11	157671	1	<ul style="list-style-type: none"> • • BLOCK, Tensioner mount (Mast 1)
12	157265	1	<ul style="list-style-type: none"> • • PIN, Clevis
13	157672	1	<ul style="list-style-type: none"> • • BLOCK, Tensioner (Mast 1)
14	157673	2	<ul style="list-style-type: none"> • • PIN, Chain (BL 444)
15	157033	4	<ul style="list-style-type: none"> • • PIN, Spring (0.156 x 5/8")
16	157467	1	<ul style="list-style-type: none"> • • PIN, Cotter
17	158319	6	<ul style="list-style-type: none"> • • BOLT, Hex head (5/16"-18 x 1.0", Grade 8)
18	103996	6	<ul style="list-style-type: none"> • • WASHER, Flat (5/16")



M157674AB_2

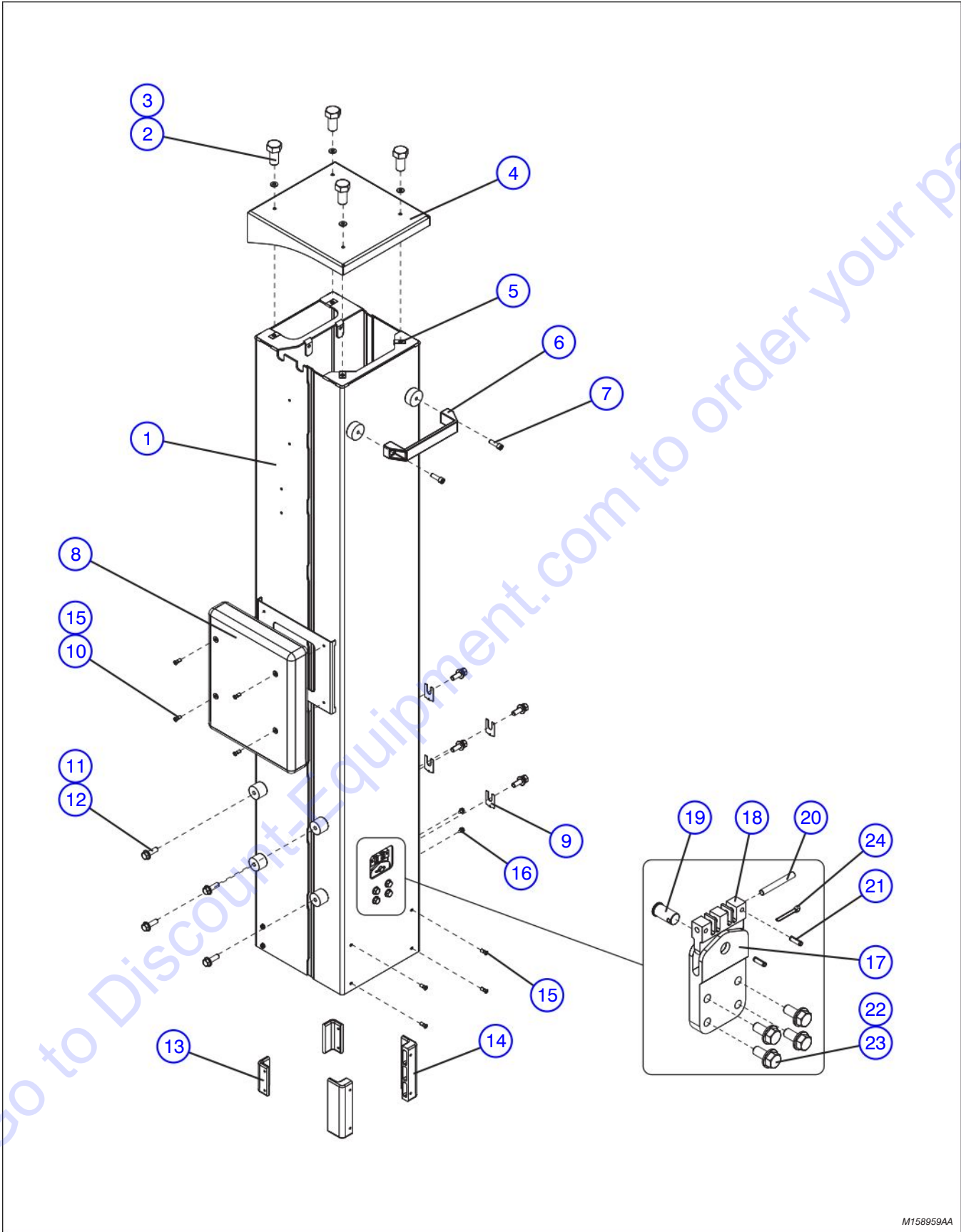
Index No.	Skyjack Part No.	Qty.	Description
-	158958DG	-	NOTE: Part Numbers followed by a "DG" indicate dark grey painted parts. MAST 2 ASSEMBLY
1	157675DG	1	• WELDMENT, Mast 2
2	158087	2	• WEAR PAD (Thick & short)
3	159398	2	• WEAR PAD (Thin & long)
4	157759	12	• RIVET, Pop (3/16" x 0.25-0.375 GR)
5	158317	4	• SCREW, Thread rolling (10-32 x 3/8")
6	157763	2	• WEAR PAD (Thin & short)
7	159399	2	• WEAR PAD (Thick & long)
-	158961	1	• ROLLER SUPPORT ASSEMBLY, Mast 2
8	158319	8	• • BOLT, Hex head (5/16"-18 x 1.00", Grade 8)
9	157683	1	• • SUPPORT, Roller (Left hand)
10	158962	1	• • SUPPORT, Roller
11	158963	1	• • PIN, Chain (BL 444)
12	157686	2	• • ROLLER, Chain (BL 444)
13	148847	2	• • BUSHING, CJS-2016 (1 1/4" x 1" LG)
14	157684	2	• • PIN, Roller (BL 444)
15	157681	1	• • SUPPORT, Roller (Right hand)
16	157426	4	• • SCREW, Socket head cap (#10-24 x 3/4")
17	103996	8	• • WASHER, Flat (5/16")
18	163177	4	• • PIN, Roll 1/4" Dia. x 1"
			(For Machines with S/N's ??????? and Above)
19	163166	4	• • WASHER, Thrust (Fiberglide FTS0408)
			(For Machines with S/N's ??????? and Above)



M162606AB

Index No.	Skyjack Part No.	Qty.	Description
-	160786DG	-	NOTE: Part Numbers followed by a "DG" indicate dark grey painted parts. MAST 3 ASSEMBLY
1	157690DG	1	• WELDMENT, Mast 3
2	158087	2	• WEAR PAD (Thick & short)
3	157759	12	• RIVET, Pop (3/16" x 0.25-0.375 GR)
4	157733	2	• WEAR PAD (Thin & long)
5	158317	4	• SCREW, Thread rolling (10-32 x 3/8")
6	157763	2	• WEAR PAD (Thin & short)
7	159399	2	• WEAR PAD (Thick & long)
-	162606	1	• ROLLER SUPPORT ASSEMBLY, Mast 3
8	157695	1	• • MOUNT - Roller (Left hand)
9	157698	1	• • ROLLER (Double)
10	100249	1	• • BUSHING, Fiberglide (CJS-A538)
11	100309	1	• • BUSHING, Fiberglide
12	157697	1	• • PIN, Roller (Double)
13	157696	1	• • MOUNT - Roller (Right hand)
14	103996	6	• • WASHER, Flat (5/16")
15	158319	6	• • BOLT, Hex head (5/16"-18 x 1.00", Grade 8)
16	157360	1	• • PIN, Dowel (1/4" diameter X 3/4")
17	103919	1	• • SHCS, #10-24 x 1.750"
			(For Machines with S/N's ??????? and Above)
18	163166	4	• • WASHER, Thrust (Fiberglide FTS0408)
			(For Machines with S/N's ??????? and Above)
-	157701	1	• CHAIN MOUNT ASSEMBLY (BL 444)
19	158320	6	• • BOLT, Hex head (5/16"-18 x 3/4", Grade 8)
20	103996	6	• • WASHER, Flat (5/16")
21	157033	4	• • PIN, Spring (0.156 x 5/8")
22	157702	1	• • MOUNT, Chain (BL 444)
23	157673	2	• • PIN, Chain (BL 444)

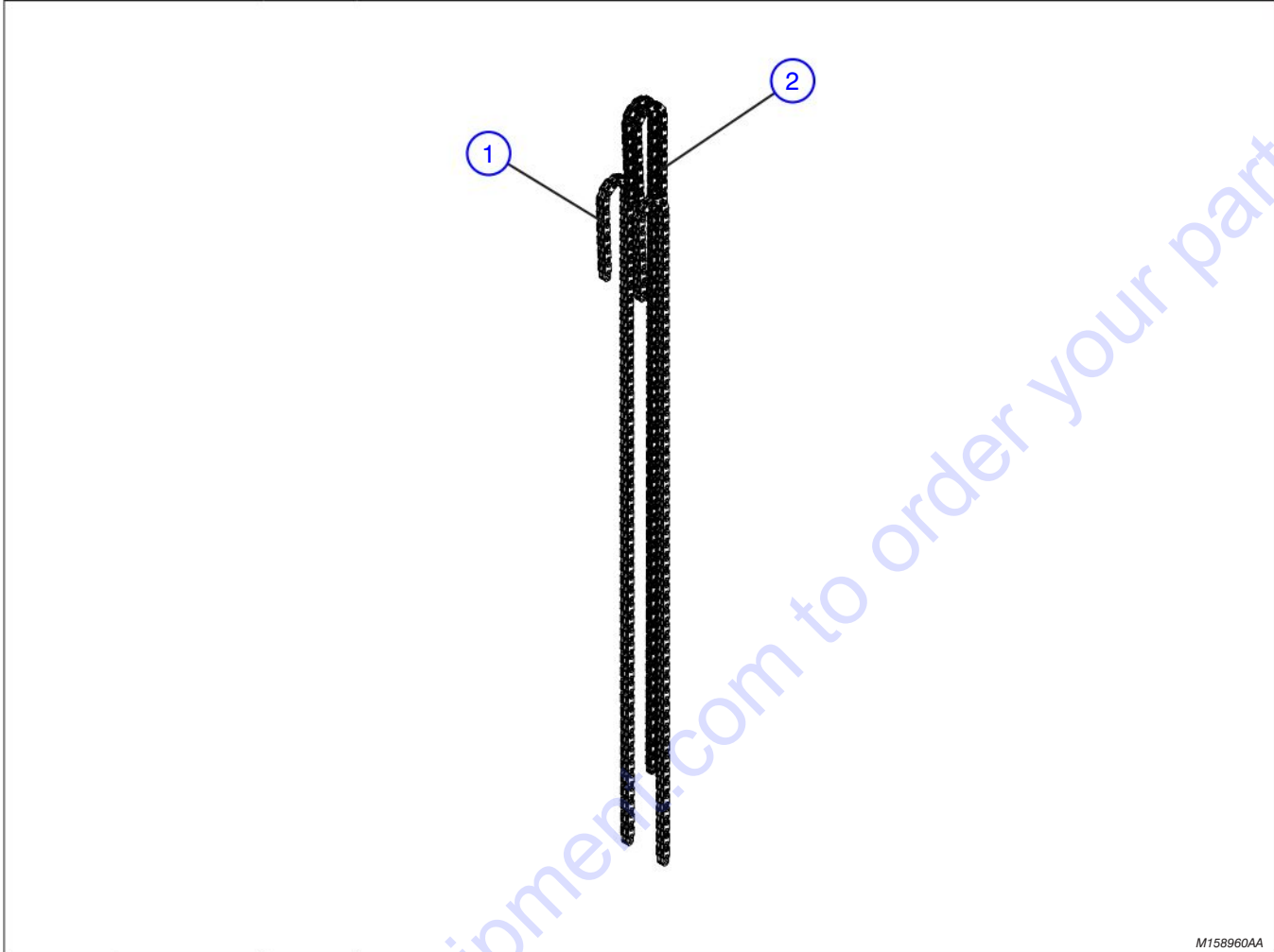
2.4 Mast 4 Assembly (SJ12)



M158959AA

Index No.	Skyjack Part No.	Qty.	Description
-	158959DG	-	NOTE: Part Numbers followed by a "DG" indicate dark grey painted parts. MAST 4 ASSEMBLY
1	157909DG	1	• WELDMENT, Mast 4
2	103855	4	• BOLT, Hex head (1/4"-20 x 1/2", Grade 5)
3	103995	4	• WASHER, Flat (1/4")
4	157915DG	1	• COVER, Mast
5	149496	4	• NUT, Speed clip (1/4-20 x 1/2")
6	928533	1	• HANDLE
7	157822	2	• SCREW, Socket head cap (zinc, 5/16"-18 x 7/8")
8	117293	1	• BOX, Manual
9	156837	4	• SHIM, Platform MT 22GA (0.0299)
10	104694	4	• WASHER, Flat (#10)
11	158488	8	• BOLT, Hex head (3/8"-16 x 3/4", Grade 8)
12	125959	8	• WASHER, Flat hardened (3/8")
13	157763	2	• WEAR PAD (Thin & short)
14	158086	2	• WEAR PAD (Thick & long)
15	157759	8	• RIVET, Pop (3/16" x 0.25-0.375 GR)
16	158317	4	• SCREW, Thread rolling (10-32 x 3/8")
-	158964	1	• CHAIN TENSIONER ASSEMBLY, Mast 4
17	157709	1	• • MOUNT - Tensioner
18	158965	1	• • BLOCK, Tensioner
19	157711	1	• • PIN, Clevis
20	158963	1	• • PIN, Chain (BL 434)
21	157825	2	• • PIN, Spring (0.156 x 1/2")
22	158320	4	• • BOLT, Hex head (5/16"-18 x 3/4", Grade 8)
23	103996	4	• • WASHER, Flat (5/16")
24	157467	1	• • PIN, Cotter

2.5 Chain Assembly (SJ12)

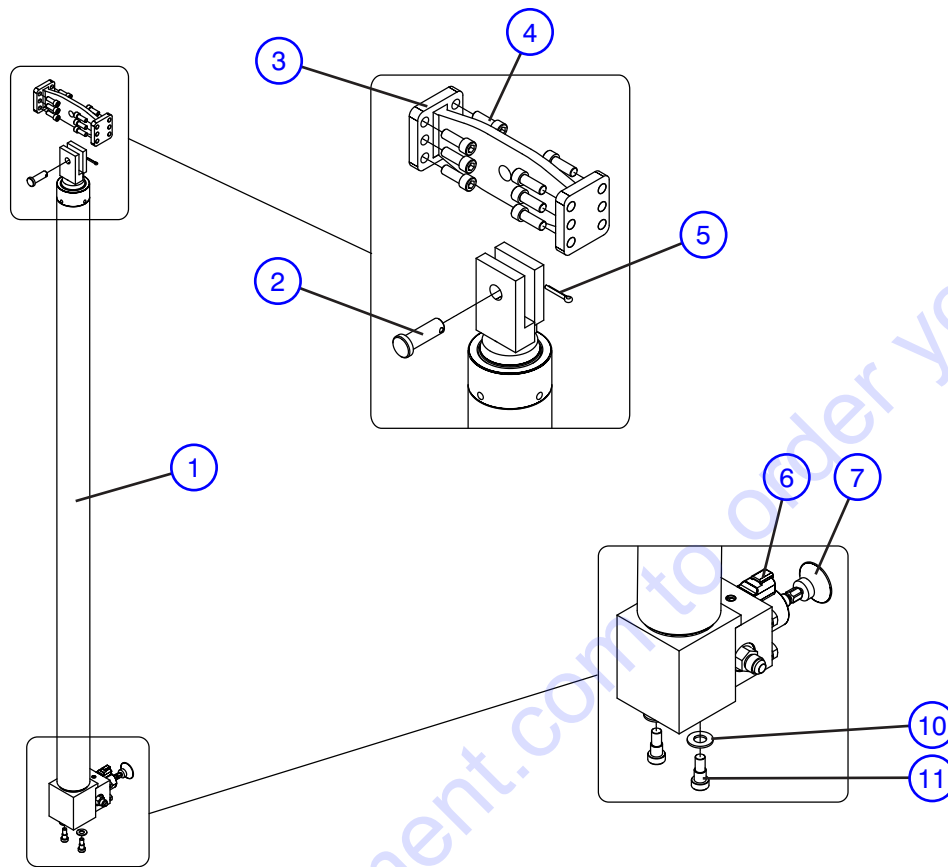


M158960AA

Index No.	Skyjack Part No.	Qty.	Description
-	158960	1	NOTE: Part Numbers followed by a "DG" indicate dark grey painted parts. CHAIN ASSEMBLY
1	158462	2	• CHAIN, Mast lift (Large) - BL 444
2	158966	2	• CHAIN, Mast lift (Small) - AL 444

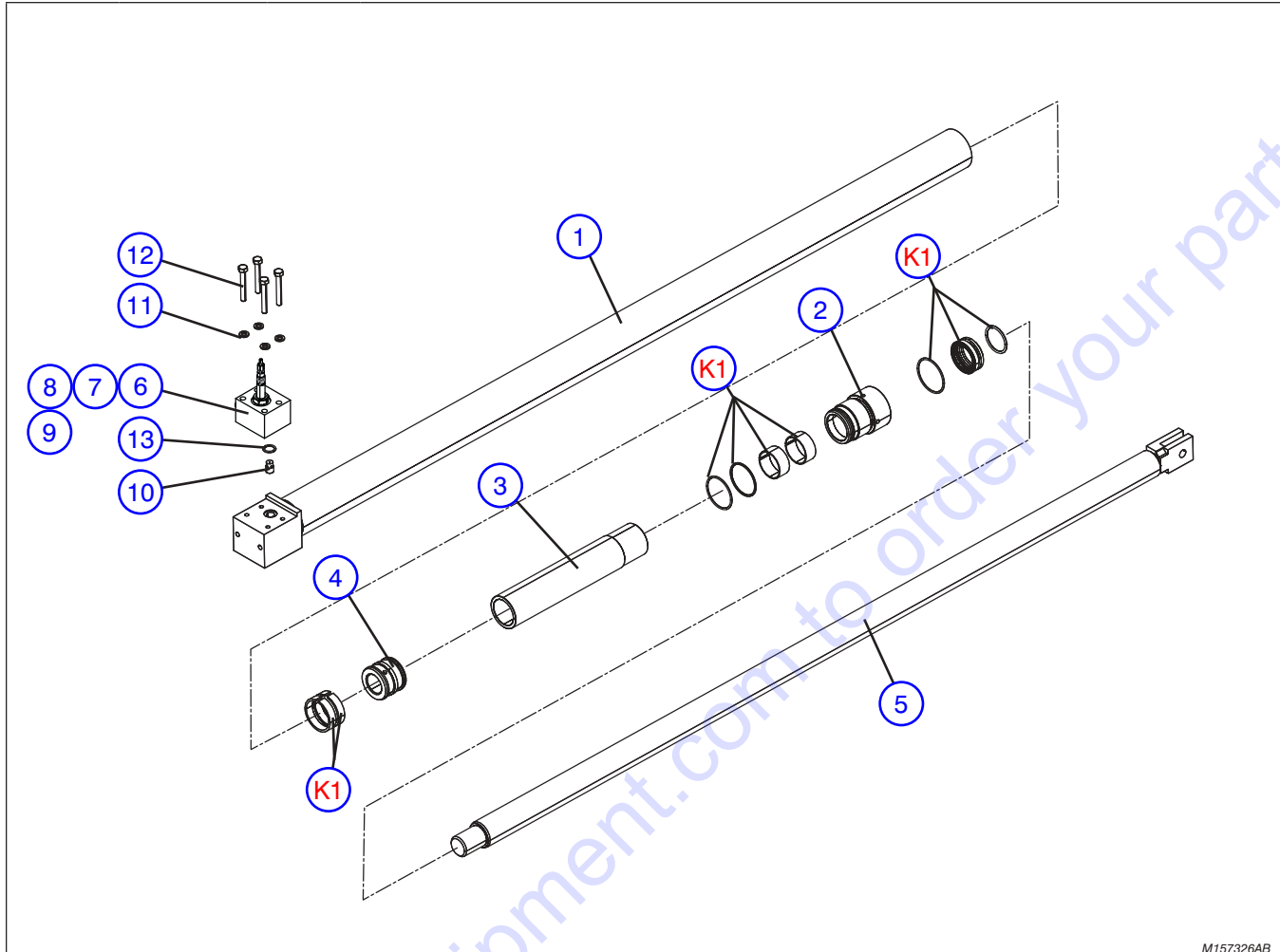
Go to Discount-Equipment.com to order your parts

2.6 Mast Lift Cylinder Assembly (SJ12)



M157322AA

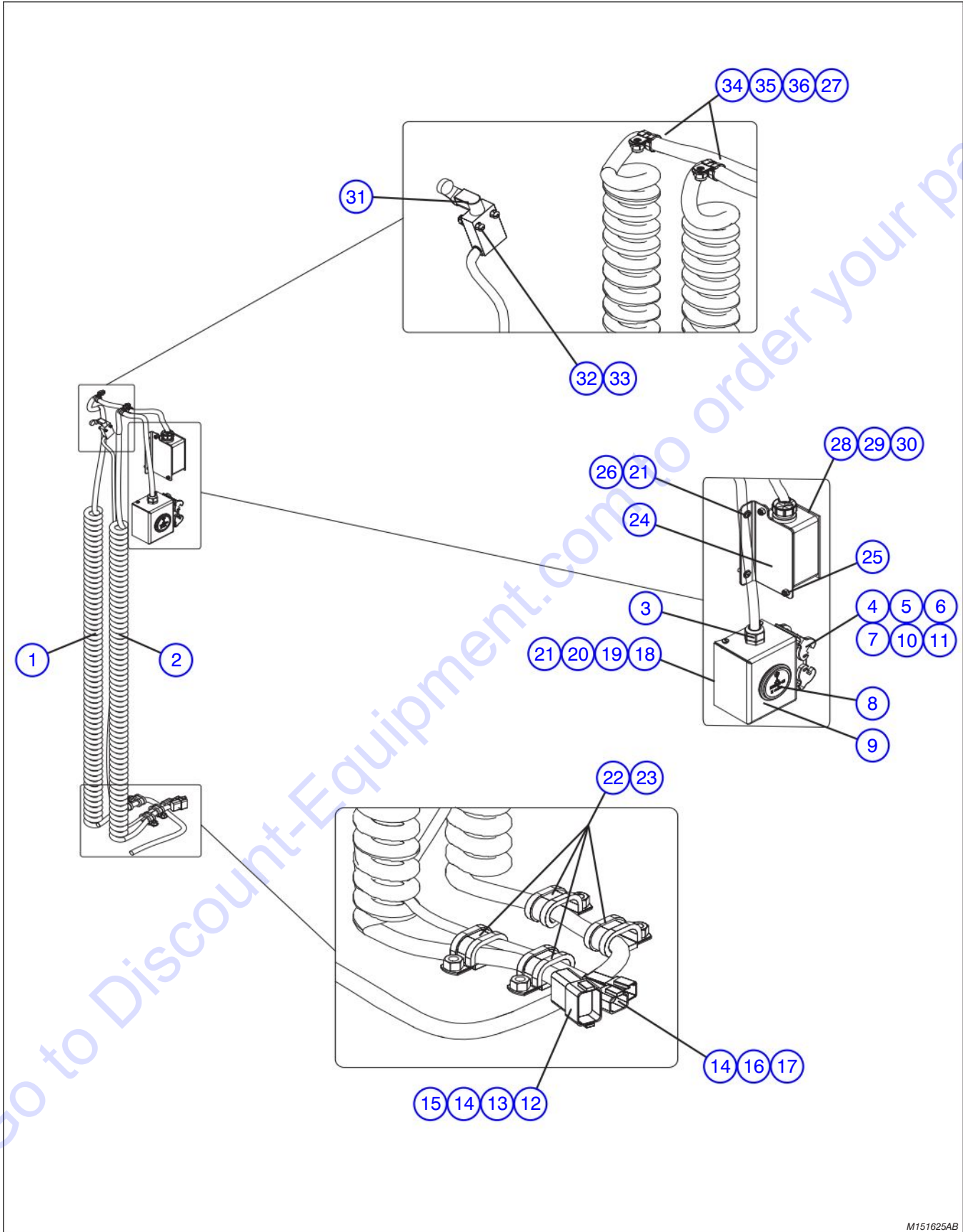
Index No.	Skyjack Part No.	Qty.	Description
-	157322DG	-	NOTE: Part Numbers followed by a "DG" indicate dark grey painted parts. MAST LIFT CYLINDER ASSEMBLY (16 Feet)
1	(Ref.)	1	• CYLINDER, Lift (For components, refer to Section 2.7)
2	157833	1	• PIN, Clevis
3	157323DG	1	• BRACKET, Cylinder mount
4	157822	12	• SCREW, Socket head cap (zinc, 5/16"-18 x 7/8")
5	157467	1	• PIN, Cotter
6	151683	1	• COIL, 24V
7	300322	1	• KNOB, Pull
8	103472	2	• WASHER, Flat (3/8")
9	156833	2	• SCREW, Hex socket shoulder (3/8"- x 3/8")



M157326AB

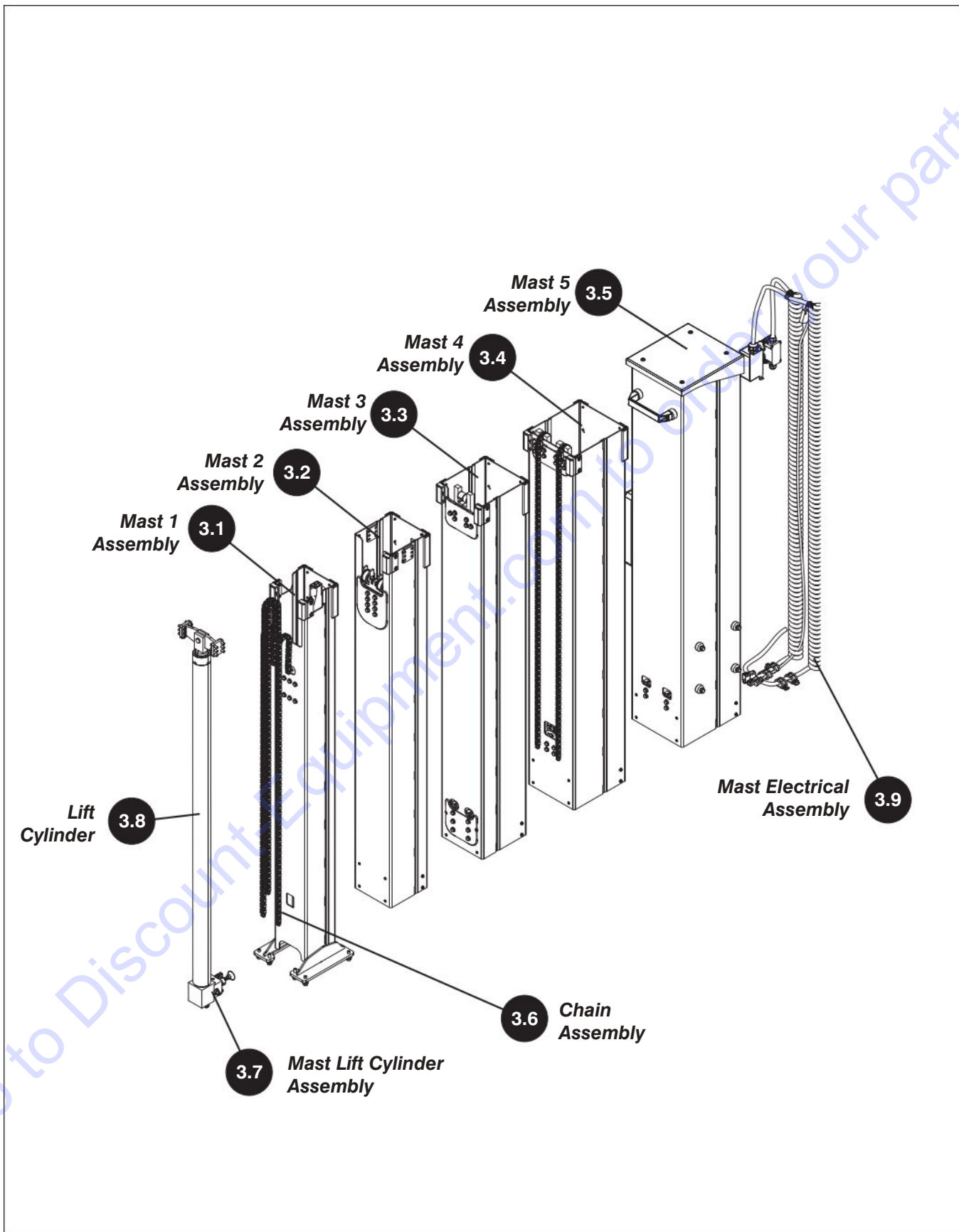
Index No.	Skyjack Part No.	Qty.	Description
-	157326DG	-	NOTE: Part Numbers followed by a "DG" indicate dark grey painted parts. LIFT CYLINDER ASSEMBLY
	159471DG	1	• LIFT CYLINDER ASSEMBLY
1	157648DG	1	• • WELDMENT, Tube
2	156865	1	• • GLAND
3	157650	1	• • SLEEVE STOP
4	157651	1	• • PISTON
5	157649	1	• • ROD
6	159802	1	• MANIFOLD ASSEMBLY
7	151696	1	• • VALVE, Emergency lowering
8	103069	1	• • FITTING, Straight (06 JICM - 06 ORBM)
9	158844	1	• • BLOCK MANIFOLD
10	108721	1	• ORIFICE, One way (0.055" diameter)
11	103866	4	• BOLT, Hex head (5/16"-18 x 2.25", Grade 5)
12	103404	4	• WASHER, Lock (5/16")
13	159475	1	• O-RING
K1	157652	1	KIT, Seal

2.8 Mast Electrical Assembly (SJ12)

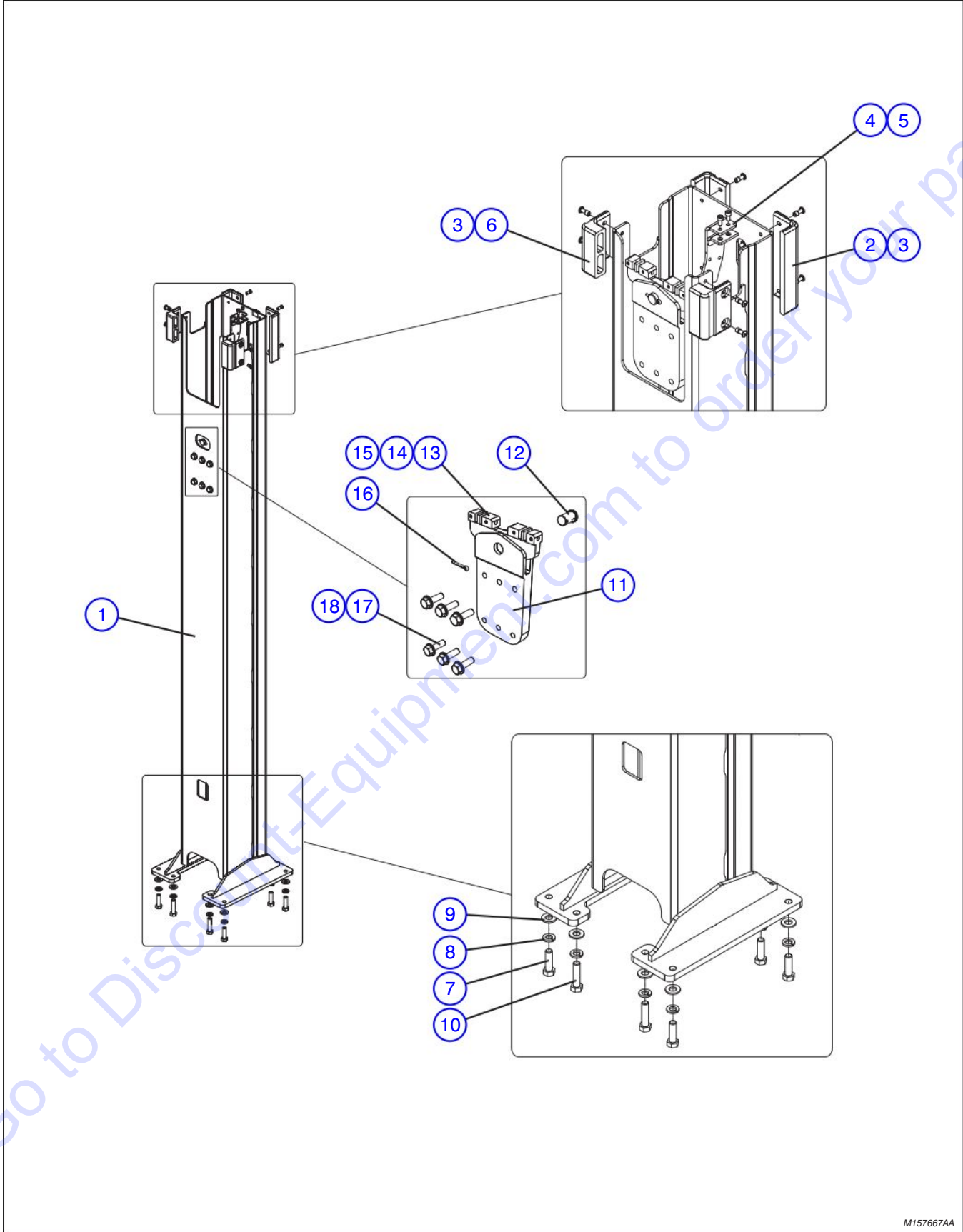


M151625AB

Index No.	Skyjack Part No.	Qty.	Description
			NOTE: Part Numbers followed by a "DG" indicate dark grey painted parts.
A	158505DG	-	MAST ELECTRICAL ASSEMBLY (ANSI/CSA)
B	158504DG	-	MAST ELECTRICAL ASSEMBLY (CE/AS/KC)
1	158103	1	• CABLE, Retractable (14/3)
	158755	1	• CONTROL CABLE ASSEMBLY
2	158102	1	• • CABLE, Retractable (18/15)
3	120644	2	• • CONNECTOR, Heyco liquid tight (PG16)
	120646	2	• • NUT, Cable gland lock (PG16)
4	156544	3	• • CONNECTOR BLOCK, Footmount
5	156547	1	• • CONNECTOR FRAME, Footmount
6	156542	15	• • CONTACT (Male)
7	158750	1	• • CONNECTOR HOUSING, Box
8	103336	1	• • HOURMETER
9	158614DG	1	• • ENCLOSURE, Mast
10	103957	4	• • SCREW, Round head machine (#8-32 x 1/2")
11	138765	4	• • NUT, Hex nylon lock (#8-32, Grade 5)
12	117586	1	• • CONNECTOR, Receptacle (12 pin)
13	117594	1	• • SEAL, Connector
14	117590	15	• • CONTACT, Pin (16-18)
15	117588	1	• • CONNECTOR, Receptacle wedge (12 pin)
16	117578	1	• • CONNECTOR, Receptacle (4 pin)
17	117580	1	• • CONNECTOR, Receptacle wedge (4 pin)
18	104185	4	• WASHER, Lock (#10)
19	115545	4	• SCREW, Round head machine (#10-32 x 3/8")
20	158615DG	1	• BRACKET, Mast
21	157759	2	• RIVET, Pop (3/16" x 0.25-0.375 GR)
22	103078	4	• CLIP, double (S344G10)
23	103978	4	• NUT, Hex head (3/8"-16, Grade 5)
24	158620DG	1	• BRACKET, Mast AC, A
25	134140	2	• • RIVET (1/4"x 0.74" ALU), A
	157759	2	• • RIVET, Pop (3/16" x 0.25-0.375 GR), B
26	104694	2	• WASHER, Flat (#10), A
27	151596	2	• SCREW, Button head cap (ZN, 1/4"-20 x 3/4", ASTM F835)
28	136328	1	• BOX, Outlet, A
29	109698	1	• RECEPTACLE, GFI, A
30	109699	1	• PLATE, Receptacle, A
31	158322	1	• LIMIT SWITCH ASSEMBLY (Mast)
	117079	1	• • SWITCH, Limit (with roller lever)
	117579	1	• • CONNECTOR, Receptacle (4 pin)
	117581	1	• • CONNECTOR, Receptacle wedge (4 pin)
	117591	4	• • CONTACT, Pin (16-18)
32	138765	2	• NUT, Hex nylon lock (#8-32, Grade 5)
33	112248	2	• SCREW, Round head machine (#8-32 x 1.00")
34	103024	3	• CLIP, Single (G10), A
	102929	3	• CLIP, Single (G10), B
35	103995	2	• WASHER, Flat (1/4")
36	115649	2	• NUT, Hex nylon lock (1/4"-20, Grade 5)

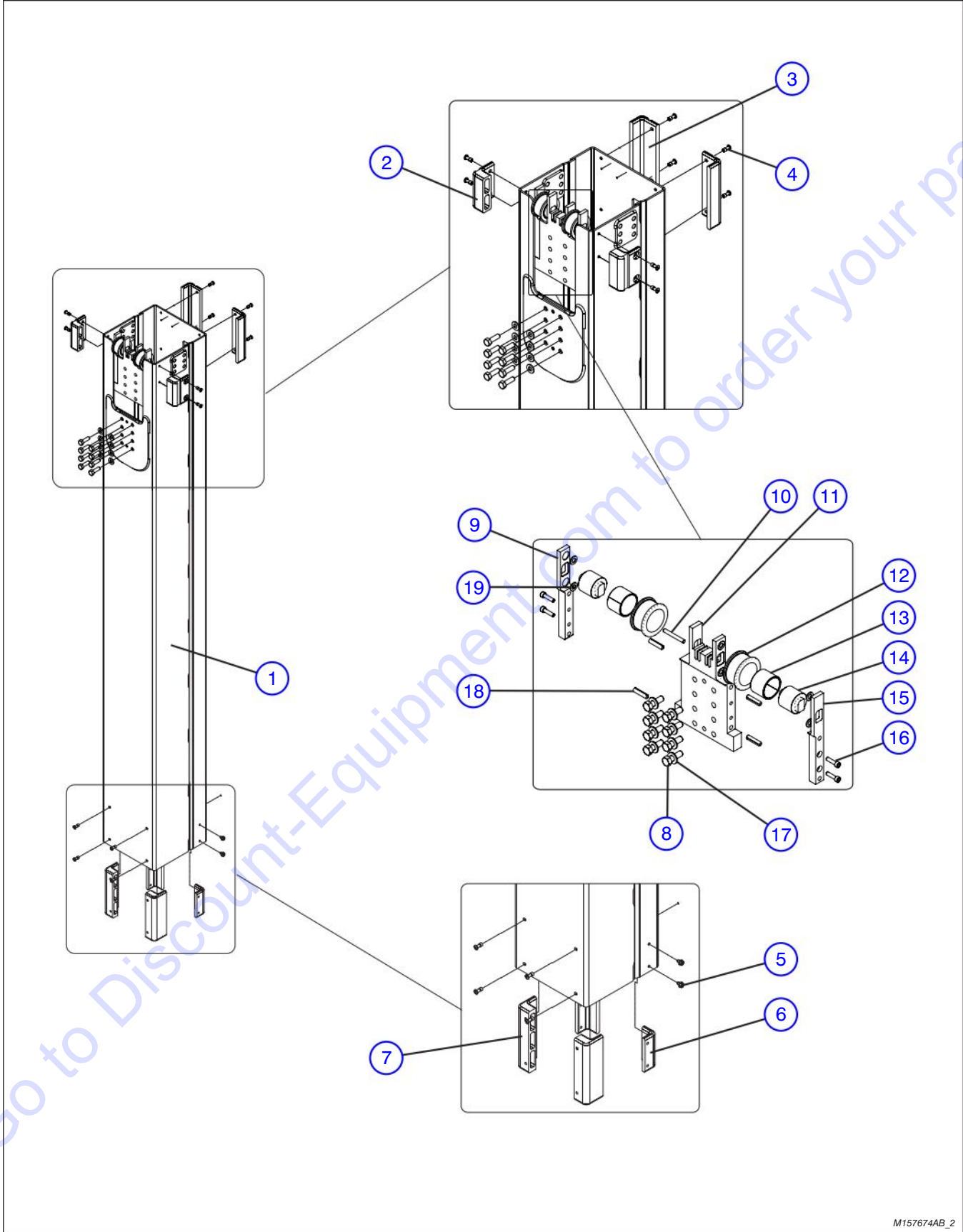


3.1 Mast 1 Assembly (SJ16)



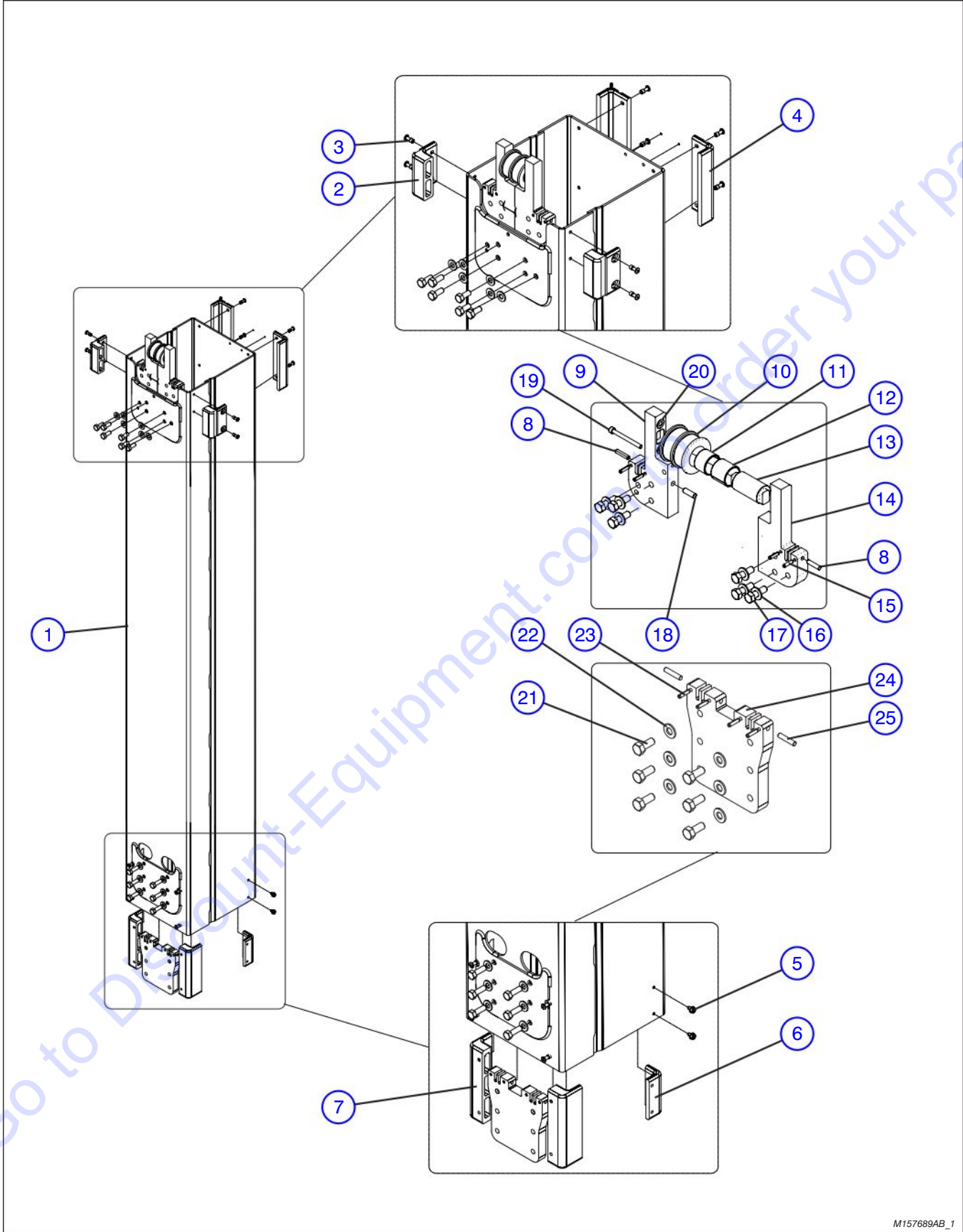
M157667AA

Index No.	Skyjack Part No.	Qty.	Description
-	157667DG	-	NOTE: Part Numbers followed by a "DG" indicate dark grey painted parts. MAST 1 ASSEMBLY
1	157668DG	1	• WELDMENT, Mast 1
2	159398	2	• WEAR PAD (Thin & long)
3	157759	8	• RIVET, Pop (3/16" x 0.25-.375 GR)
4	157797DG	1	• SUPPORT, Limit switch
5	157829	2	• SCREW, Socket head cap (#10-32 x 3/8")
6	158087	2	• WEAR PAD (Thick & short)
7	101297	6	• BOLT, Hex head (3/8"-16 x 1.25", Grade 5)
8	103999	8	• WASHER, Lock (3/8")
9	125959	8	• WASHER, Flat hardened (3/8")
10	103870	2	• BOLT, Hex head (3/8"-16 x 1.5", Grade 5)
-	157670	1	• CHAIN TENSIONER ASSEMBLY
11	157671	1	• • BLOCK, Tensioner mount (Mast 1)
12	157265	1	• • PIN, Clevis
13	157672	1	• • BLOCK, Tensioner (Mast 1)
14	157673	2	• • PIN, Chain (BL 444)
15	157033	4	• • PIN, Spring (0.156 x 5/8")
16	157467	1	• • PIN, Cotter
17	158319	6	• • BOLT, Hex head (5/16"-18 x 1.0", Grade 8)
18	103996	6	• • WASHER, Flat (5/16")



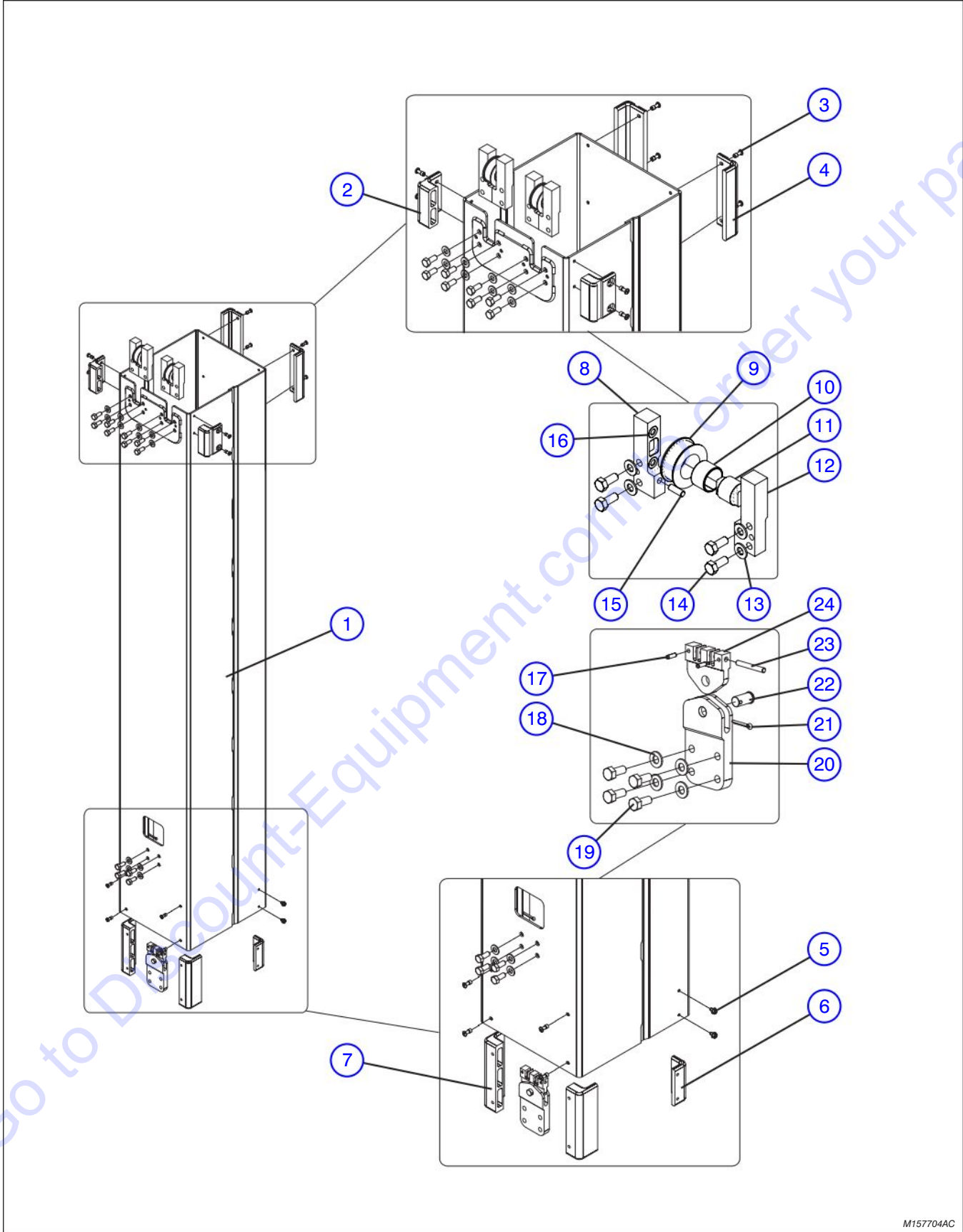
M157674AB_2

Index No.	Skyjack Part No.	Qty.	Description
-	157674DG	-	NOTE: Part Numbers followed by a "DG" indicate dark grey painted parts. MAST 2 ASSEMBLY
1	157675DG	1	• WELDMENT, Mast 2
2	158087	2	• WEAR PAD (Thick & short)
3	159398	2	• WEAR PAD (Thin & long)
4	157759	12	• RIVET, Pop (3/16" x 0.25-0.375 GR)
5	158317	4	• SCREW, Thread rolling (10-32 x 3/8")
6	157763	2	• WEAR PAD (Thin & short)
7	159399	2	• WEAR PAD (Thick & long)
-	157679	1	• ROLLER SUPPORT ASSEMBLY, Mast 2
8	158319	8	• • BOLT, Hex head (5/16"-18 x 1.00", Grade 8)
9	157683	1	• • SUPPORT, Roller (Left hand)
10	157680	1	• • SUPPORT, Roller
11	157688	1	• • PIN, Chain (BL 434)
12	157686	2	• • ROLLER, Chain (BL 444)
13	148847	2	• • BUSHING, CJS-2016 (1 1/4" x 1" LG)
14	157684	2	• • PIN, Roller (BL 444)
15	157681	1	• • SUPPORT, Roller (Right hand)
16	157426	4	• • SCREW, Socket head cap (#10-24 x 3/4")
17	103996	8	• • WASHER, Flat (5/16")
18	163177	4	• • PIN, Roll 1/4" Dia. x 1"
			(For Machines with S/N's ??????? and Above)
19	163166	4	• • WASHER, Thrust (Fiberglide FTS0408)
			(For Machines with S/N's ??????? and Above)



M157689AB_1

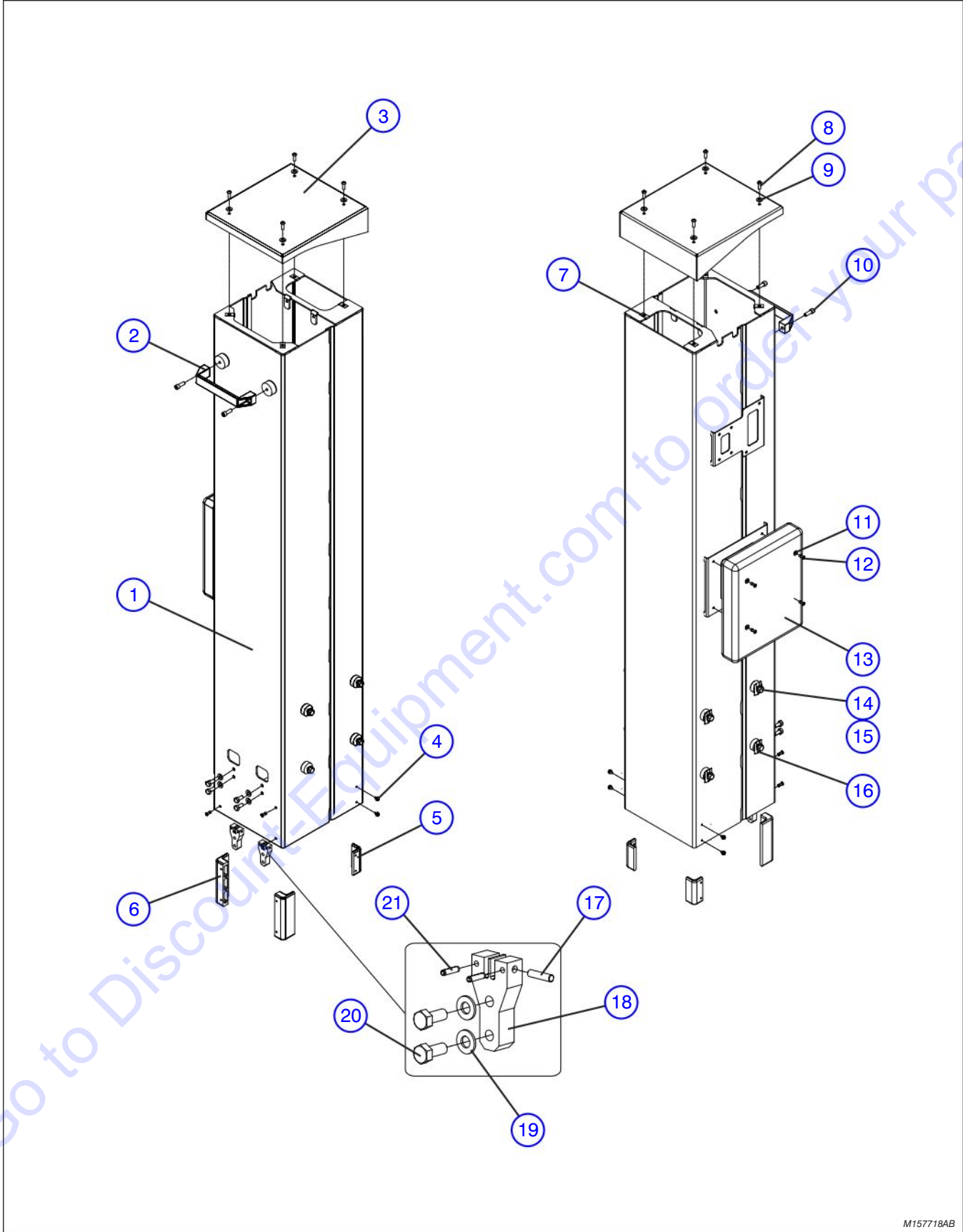
Index No.	Skyjack Part No.	Qty.	Description
-	157689DG	-	NOTE: Part Numbers followed by a "DG" indicate dark grey painted parts. MAST 3 ASSEMBLY
1	157690DG	1	• WELDMENT, Mast 3
2	158087	2	• WEAR PAD (Thick & short)
3	157759	12	• RIVET, Pop (3/16" x 0.25-0.375 GR)
4	159398	2	• WEAR PAD (Thin & long)
5	158317	4	• SCREW, Thread rolling (10-32 x 3/8")
6	157763	2	• WEAR PAD (Thin & short)
7	159399	2	• WEAR PAD (Thick & long)
-	157694	1	• ROLLER SUPPORT ASSEMBLY, Mast 3
8	157700	2	• • PIN, Chain (BL 434)
9	157695	1	• • MOUNT - Roller (Left hand)
10	157698	1	• • ROLLER (Double)
11	100249	1	• • BUSHING, Fiberglide (CJS-A538)
12	100309	1	• • BUSHING, Fiberglide
13	157697	1	• • PIN, Roller (Double)
14	157696	1	• • MOUNT - Roller (Right hand)
15	157033	4	• • PIN, Spring (0.156 x 5/8")
16	103996	6	• • WASHER, Flat (5/16")
17	158319	6	• • BOLT, Hex head (5/16"-18 x 1.00", Grade 8)
18	157360	1	• • PIN, Dowel (1/4" diameter X 3/4")
19	103919	1	• • SHCS, #10-24 x 1.750"
			(For Machines with S/N's ??????? and Above)
20	163166	4	• • WASHER, Thrust (Fiberglide FTS0408)
			(For Machines with S/N's ??????? and Above)
-	157701	1	• CHAIN MOUNT ASSEMBLY (BL 444)
21	157033	4	• • PIN, Spring (0.156 x 5/8")
22	103996	6	• • WASHER, Flat (5/16")
23	158320	6	• • BOLT, Hex head (5/16"-18 x 3/4", Grade 8)
24	157702	1	• • MOUNT, Chain (BL 444)
25	157673	2	• • PIN, Chain (BL 444)



M157704AC

Index No.	Skyjack Part No.	Qty.	Description
-	157704DG	-	NOTE: Part Numbers followed by a "DG" indicate dark grey painted parts. MAST 4 ASSEMBLY
1	157705DG	1	• WELDMENT, Mast 4
2	158087	2	• WEAR PAD (Thick & short)
3	157759	12	• RIVET, Pop (3/16" x 0.25-0.375 GR)
4	157733	2	• WEAR PAD (Thin & long)
5	158317	4	• SCREW, Thread rolling (10-32 x 3/8")
6	157763	2	• WEAR PAD (Thin & short)
7	159399	2	• WEAR PAD (Thick & long)
-	157713	2	• SINGLE ROLLER ASSEMBLY
8	157714	1	• • MOUNT - Roller (Single - left hand)
9	157490	1	• • ROLLER (Single)
10	100249	1	• • BUSHING, Fiberglide (CJS-A538)
11	157716	1	• • PIN, Roller (Single)
12	157715	1	• • MOUNT - Roller (Single - right hand)
13	103996	4	• • WASHER, Flat (5/16")
14	158320	4	• • BOLT, Hex head (5/16"-18 x 3/4", Grade 8)
15	157360	1	• • PIN, Dowel (1/4" diameter X 3/4")
16	163166	4	• • WASHER, Thrust (Fiberglide FTS0408)
(For Machines with S/N's ??????? and Above)			
-	157708	1	• CHAIN TENSIONER ASSEMBLY, Mast 4
17	157825	2	• • PIN, Spring (0.156 x 1/2")
18	103996	4	• • WASHER, Flat (5/16")
19	158320	4	• • BOLT, Hex head (5/16"-18 x 3/4", Grade 8)
20	157709	1	• • MOUNT - Tensioner
21	157467	1	• • PIN, Cotter
22	157711	1	• • PIN, Clevis
23	157688	1	• • PIN, Chain (BL 434)
24	157710	1	• • BLOCK, Tensioner

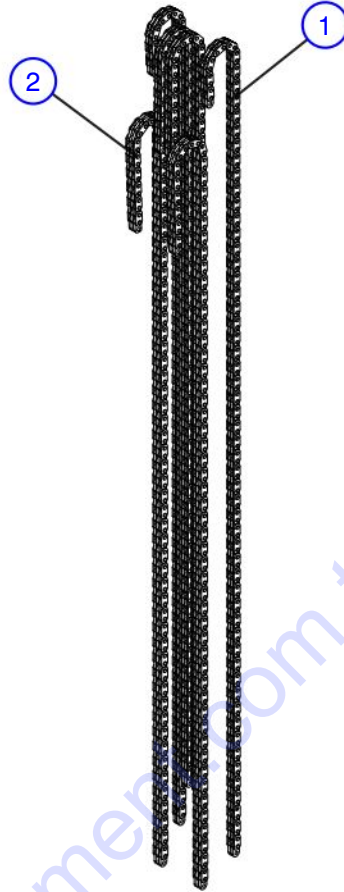
3.5 Mast 5 Assembly (SJ16)



M157718AB

Index No.	Skyjack Part No.	Qty.	Description
-	157718DG	-	NOTE: Part Numbers followed by a "DG" indicate dark grey painted parts. MAST 5 ASSEMBLY
1	157719DG	1	• WELDMENT, Mast 5
2	928533	1	• HANDLE
3	157319DG	1	• COVER, Mast
4	158317	4	• SCREW, Thread rolling (10-32 x 3/8")
5	157763	2	• WEAR PAD (Thin & short)
6	158086	2	• WEAR PAD (Thick & long)
7	149496	4	• NUT, Speed clip (1/4"-20 x 1/2")
8	103856	4	• BOLT, Hex head (1/4"-20 x 3/4" Grade 5)
9	103995	4	• WASHER, Flat (1/4")
10	157822	2	• SCREW, Socket head cap (5/16"-18 x 7/8")
11	104694	3	• WASHER, Flat (#10)
12	157759	8	• RIVET, Pop (3/16" x 0.25-0.375 GR)
13	117293	1	• BOX, Manual
14	158488	8	• • BOLT, Hex head (3/8"-16 x 3/4", Grade 8)
15	125959	8	• WASHER, Flat hardened (3/8")
16	156837	4	• SHIM, Platform MT 22GA
-	157320	2	• CHAIN MOUNT ASSEMBLY (SINGLE)
17	157700	1	• • PIN, Chain (BL 434)
18	157321	1	• • MOUNT, Chain
19	103996	2	• • WASHER, Flat (5/16")
20	158320	2	• • BOLT, Hex head (5/16"-18 x 3/4", Grade 8)
21	157033	2	• • PIN, Spring (0.156 x 5/8")

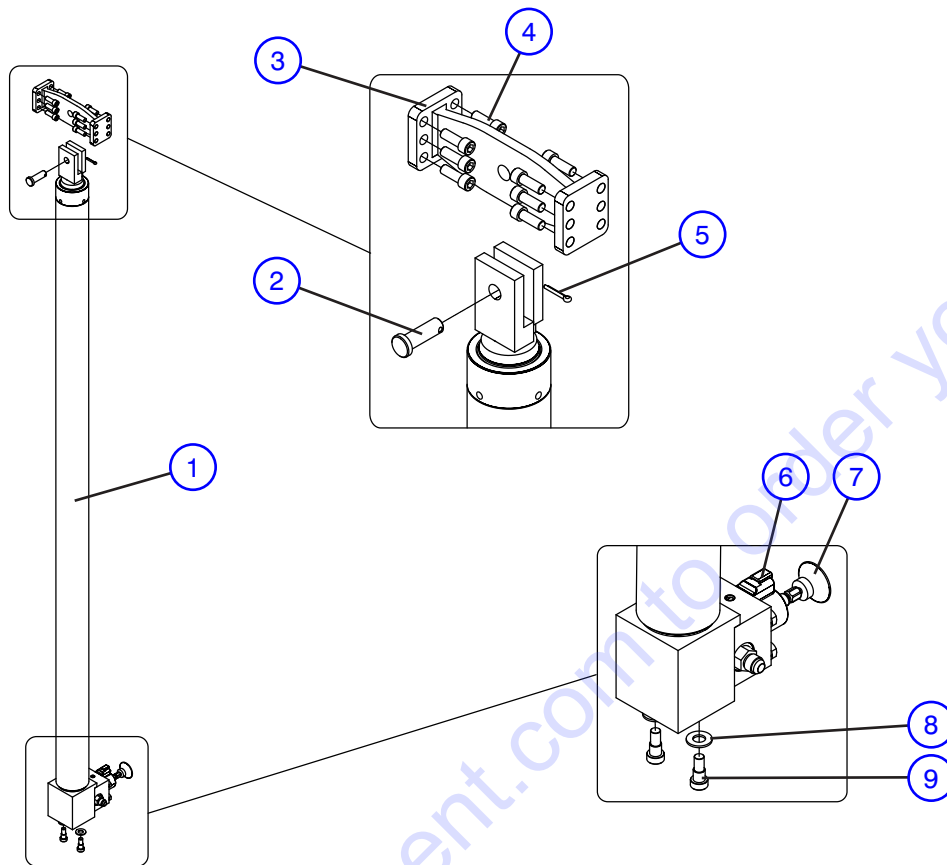
3.6 Chain Assembly (SJ16)



M158107AB

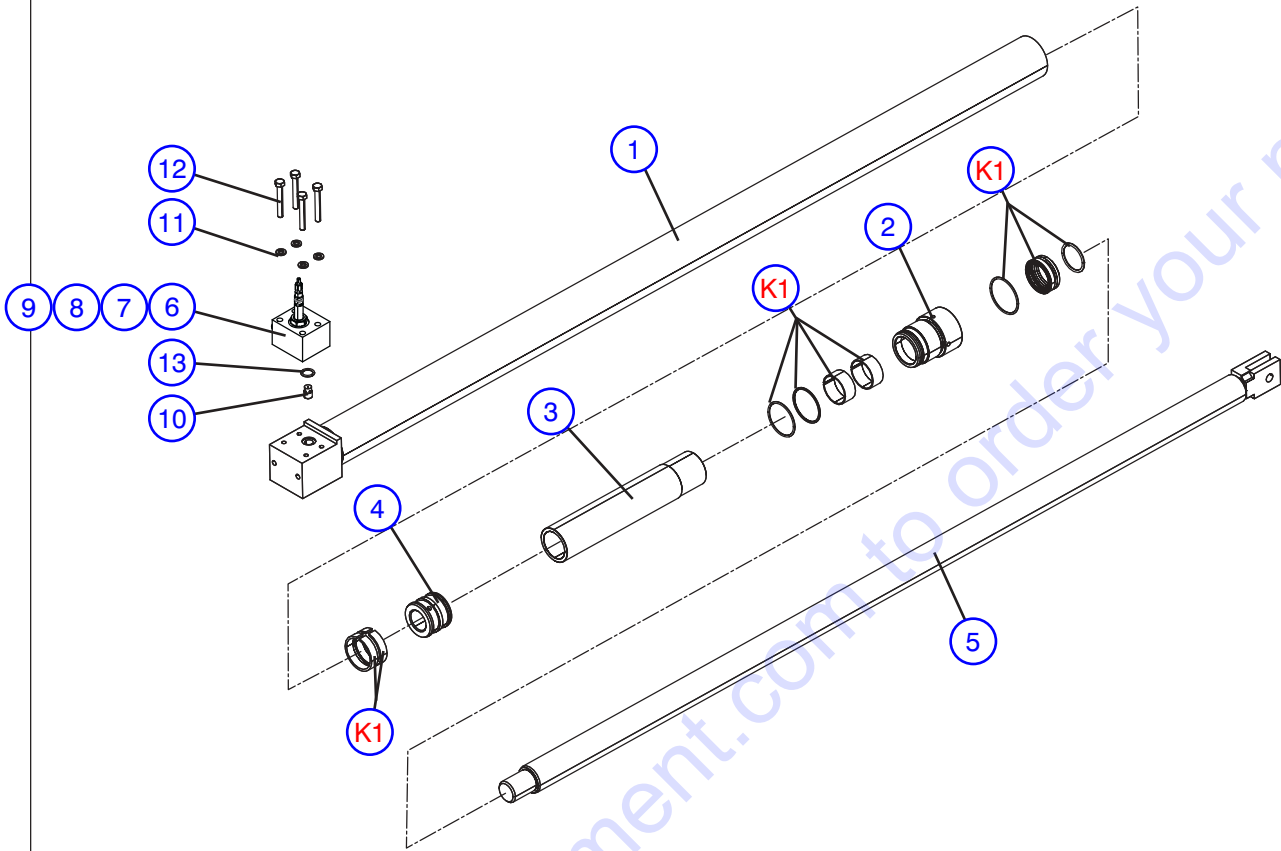
Index No.	Skyjack Part No.	Qty.	Description
-	158107	1	NOTE: Part Numbers followed by a "DG" indicate dark grey painted parts. CHAIN ASSEMBLY
1	157721	4	• CHAIN - BL 434
2	158462	2	• CHAIN - BL 444

3.7 Mast Lift Cylinder Assembly (SJ16)



M157322AA

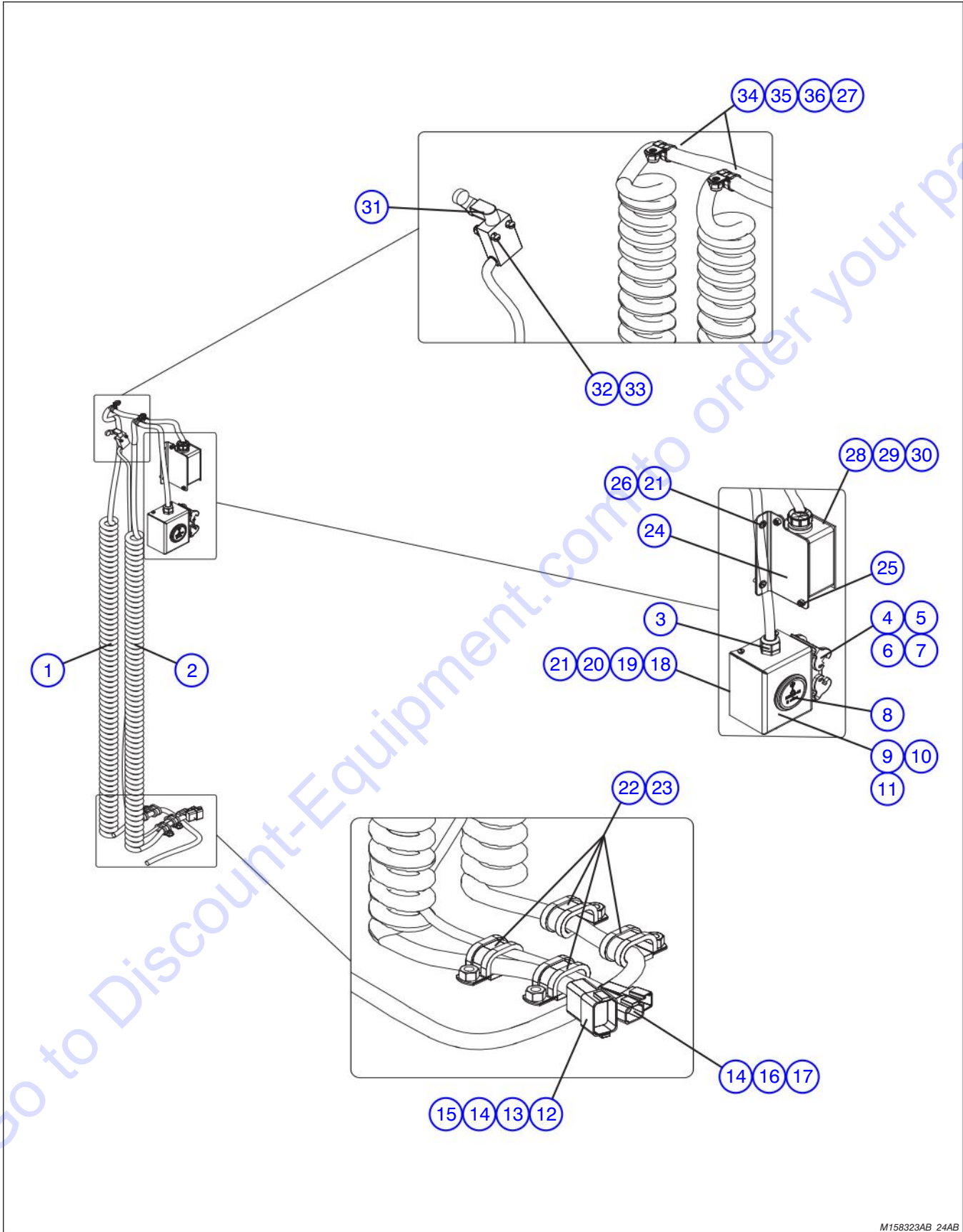
Index No.	Skyjack Part No.	Qty.	Description
-	159472DG	-	NOTE: Part Numbers followed by a "DG" indicate dark grey painted parts. MAST LIFT CYLINDER ASSEMBLY (16 Feet)
1	(Ref.)	1	• CYLINDER, Lift (For components, refer to Section 3.8)
2	157833	1	• PIN, Clevis
3	157323DG	1	• BRACKET, Cylinder mount
4	157822	12	• SCREW, Socket head cap (zinc, 5/16"-18 x 7/8")
5	157467	1	• PIN, Cotter
6	151683	1	• COIL, 24V
7	300322	1	• KNOB, Pull
8	103472	2	• WASHER, Flat (3/8")
9	156833	2	• SCREW, Hex socket shoulder (3/8"- x 3/8")



M157326AB

Index No.	Skyjack Part No.	Qty.	Description
-	159473DG	-	NOTE: Part Numbers followed by a "DG" indicate dark grey painted parts. LIFT CYLINDER ASSEMBLY
1	159471DG	1	• LIFT CYLINDER
2	157648DG	1	• • WELDMENT, Tube
3	156865	1	• • GLAND
4	157650	1	• • SLEEVE STOP
5	157651	1	• • PISTON
6	157649	1	• • ROD
7	159802	1	• MANIFOLD ASSEMBLY
8	151696	1	• • VALVE, Emergency lowering
9	103069	1	• • FITTING, Straight (06 JICM - 06 ORBM)
10	158844	1	• • BLOCK MANIFOLD
11	159416	1	• ORIFICE, One way (0.043" diameter)
12	103866	4	• BOLT, Hex head (5/16"-18 x 2.25", Grade 5)
13	103404	4	• WASHER, Lock (5/16")
K1	159475	1	• O-RING
K1	157652	1	KIT, Seal

3.9 Mast Electrical Assembly (SJ16)



M158323AB_24AB

Index No.	Skyjack Part No.	Qty.	Description
			NOTE: Part Numbers followed by a "DG" indicate dark grey painted parts.
A	158324DG	-	MAST ELECTRICAL ASSEMBLY (ANSI/CSA)
B	158323DG	-	MAST ELECTRICAL ASSEMBLY (CE/AS/KC)
1	151204	1	• CABLE, Retractable (14/3)
	158756	1	• CONTROL CABLE ASSEMBLY
2	151203	1	• • CABLE, Retractable (18/15)
3	120644	2	• • CONNECTOR, Heyco liquid tight (PG16)
	120646	2	• • NUT, Cable gland lock (PG16)
4	156544	3	• • CONNECTOR BLOCK, Footmount
5	156547	1	• • CONNECTOR FRAME, Footmount
6	156542	15	• • CONTACT (Male)
7	158750	1	• • CONNECTOR HOUSING, Box mount
8	103336	1	• • HOURMETER
9	158614DG	1	• • ENCLOSURE, Mast
10	103957	4	• • SCREW, Round head machine (#8-32 x 1/2")
11	138765	4	• • NUT, Hex nylon lock (#8-32, Grade 5)
12	117586	2	• • CONNECTOR, Receptacle (12 pin)
13	117594	2	• • SEAL, Connector
14	117590	15	• • CONTACT, Pin (16-18)
15	117588	2	• • CONNECTOR, Receptacle wedge (12 pin)
16	117578	2	• • CONNECTOR, Receptacle (4 pin)
17	117580	2	• • CONNECTOR, Receptacle wedge (4 pin)
18	104185	4	• WASHER, Lock (#10)
19	115545	4	• SCREW, Round head machine (#10-32 x 3/8")
20	158615DG	1	• BRACKET, Mast
21	157759	2	• RIVET, Pop (3/16" x 0.25-0.375 GR)
22	103078	4	• CLIP, double (S344G10)
23	103978	4	• NUT, Hex head (3/8"-16, Grade 5)
24	158620DG	1	• BRACKET, Mast AC, A
25	134140	2	• • RIVET (1/4"x 0.74" ALU), A
	157759	2	• • RIVET, Pop (3/16" x 0.25-0.375 GR), B
26	104694	2	• WASHER, Flat (#10), A
27	151596	2	• SCREW, Button head cap (ZN, 1/4"-20 x 3/4", ASTM F835)
28	136328	1	• BOX, Outlet, A
29	109698	1	• RECEPTACLE, GFI, A
30	109699	1	• PLATE, Receptacle, A
31	158322	1	• LIMIT SWITCH ASSEMBLY (Mast)
	117079	1	• • SWITCH, Limit (with roller lever)
	117579	1	• • CONNECTOR, Receptacle (4 pin)
	117581	1	• • CONNECTOR, Receptacle wedge (4 pin)
	117591	4	• • CONTACT, Pin (16-18)
32	138765	2	• NUT, Hex nylon lock (#8-32, Grade 5)
33	112248	2	• SCREW, Round head machine (#8-32 x 1.00")
34	103024	3	• CLIP, Single (G10), A
	102929	3	• CLIP, Single (G10), B
35	103995	2	• WASHER, Flat (1/4")
36	115649	2	• NUT, Hex nylon lock (1/4"-20, Grade 5)

PARTS FINDER

**Search Website
by Part Number**



**Search Manual
Library For Parts
Manual & Lookup Part
Numbers – Purchase
or Request Quote**

Search Manuals

Enter your information to search for a manual or to purchase a manual or parts.

* Brand:

* Model:

* Serial:

* Part Number:

SEARCH

**Can't Find Part or
Manual? Request Help
by Manufacturer,
Model & Description**

Parts Order Form

Please fill in the following information to request help finding a part or manual.

Manufacturer:

Model:

Description:

Quantity:

Part Number:

Part Name:

Part Description:

Part Category:

Part Location:

Part Status:

Part Condition:

Part Material:

Part Color:

Part Weight:

Part Dimensions:

Part Price:

Part Availability:

Part Lead Time:

Part Notes:

Submit

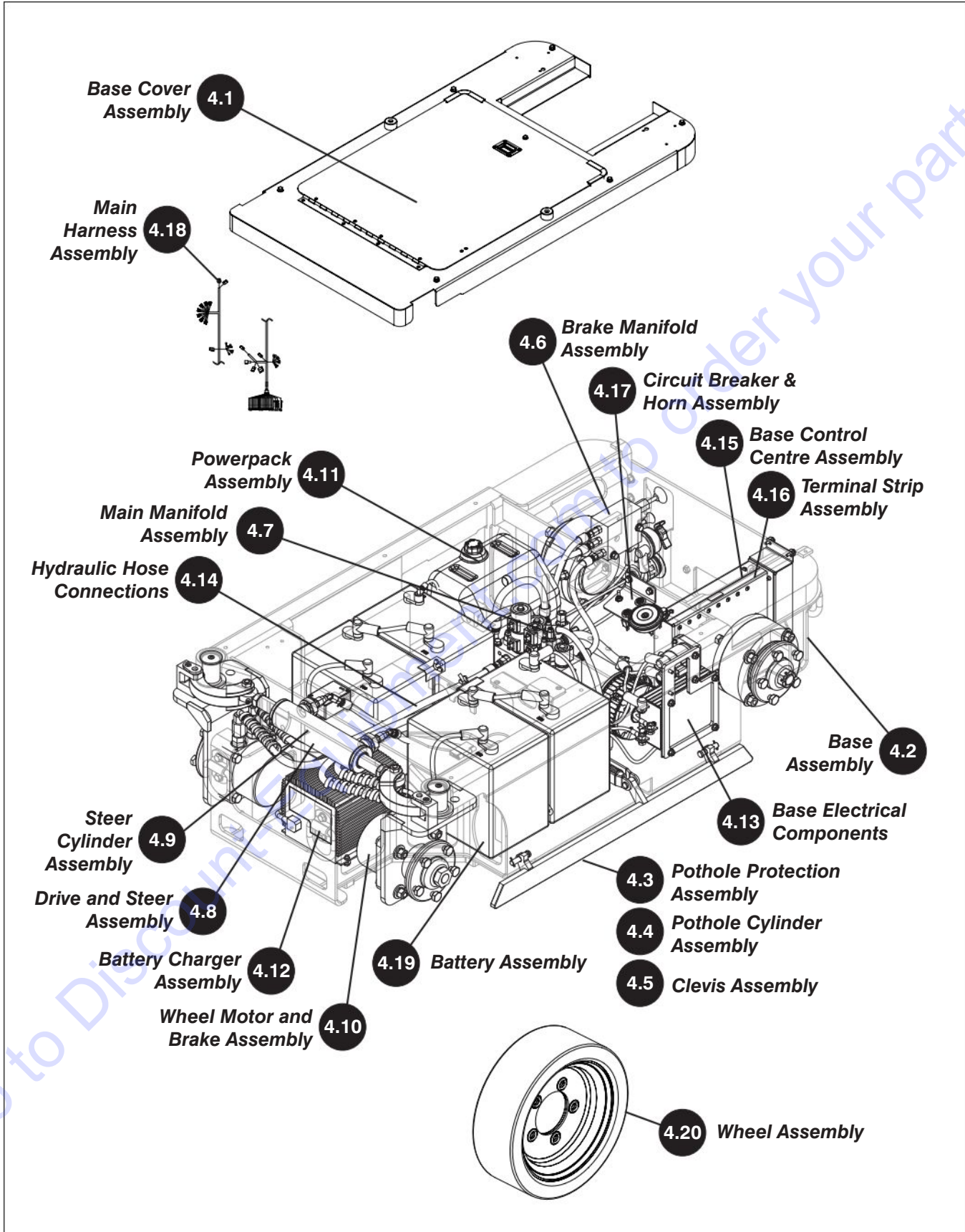
Discount-Equipment.com is your online resource for quality parts & equipment.

Florida: **561-964-4949** Outside Florida TOLL FREE: **877-690-3101**

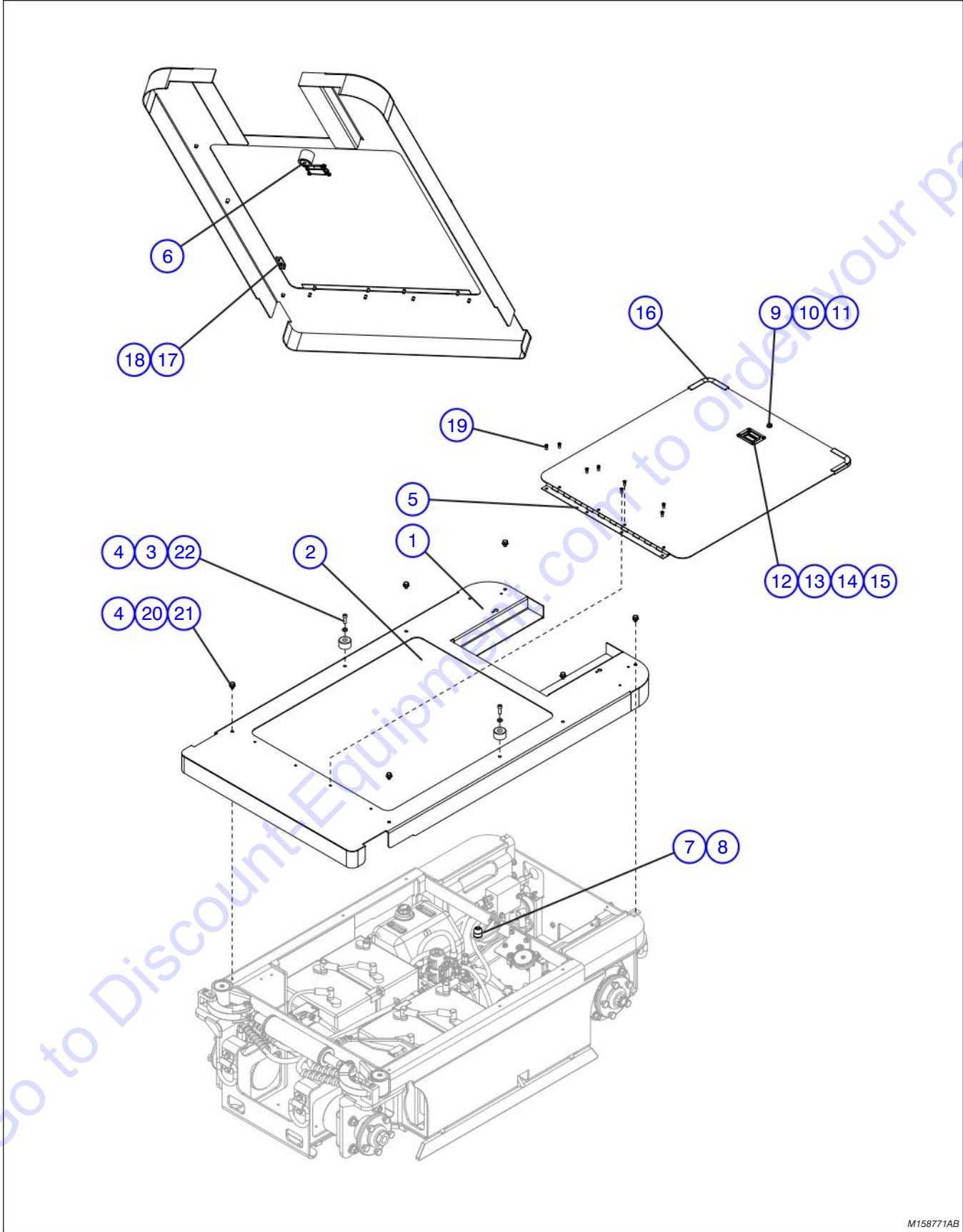
Need parts?

Click on this link: <http://www.discount-equipment.com/category/5443-parts/> and choose one of the options to help get the right parts and equipment you are looking for. Please have the machine model and serial number available in order to help us get you the correct parts. If you don't find the part on the website or on one of the online manuals, please fill out the request form and one of our experienced staff members will get back to you with a quote for the right part that your machine needs.

We sell worldwide for the brands: Genie, Terex, JLG, MultiQuip, Mikasa, Essick, Whiteman, Mayco, Toro Stone, Diamond Products, Generac Magnum, Airman, Haulotte, Barreto, Power Blanket, Nifty Lift, Atlas Copco, Chicago Pneumatic, Allmand, Miller Curber, Skyjack, Lull, Skytrak, Tsurumi, Husquvarna Target, Stow, Wacker, Sakai, Mi-T-M, Sullair, Basic, Dynapac, MBW, Weber, Bartell, Bennar Newman, Haulotte, Ditch Runner, Menegotti, Morrison, Contec, Buddy, Crown, Edco, Wyco, Bomag, Laymor, EZ Trench, Bil-Jax, F.S. Curtis, Gehl Pavers, Heli, Honda, ICS/PowerGrit, IHI, Partner, Imer, Clipper, MMD, Koshin, Rice, CH&E, General Equipment, Amida, Coleman, NAC, Gradall, Square Shooter, Kent, Stanley, Tamco, Toku, Hatz, Kohler, Robin, Wisconsin, Northrock, Oztec, Toker TK, Rol-Air, APT, Wylie, Ingersoll Rand / Doosan, Innovatech, Con X, Ammann, Mecalac, Makinex, Smith Surface Prep, Small Line, Wanco, Yanmar



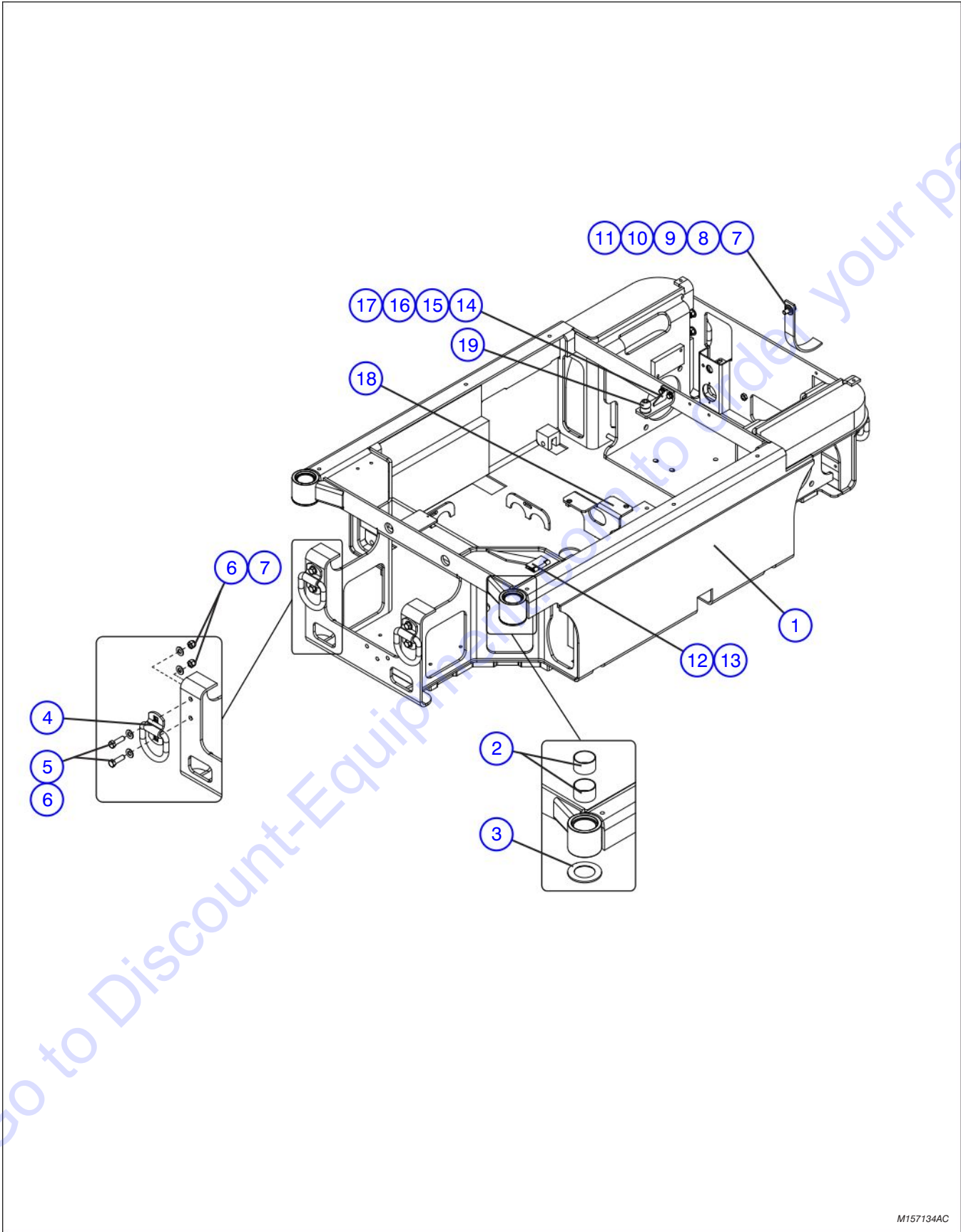
4.1 Base Cover Assembly



M158771AB

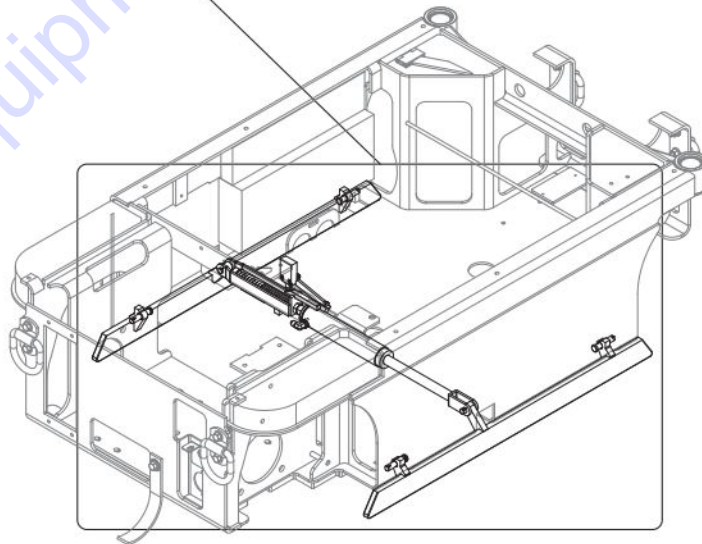
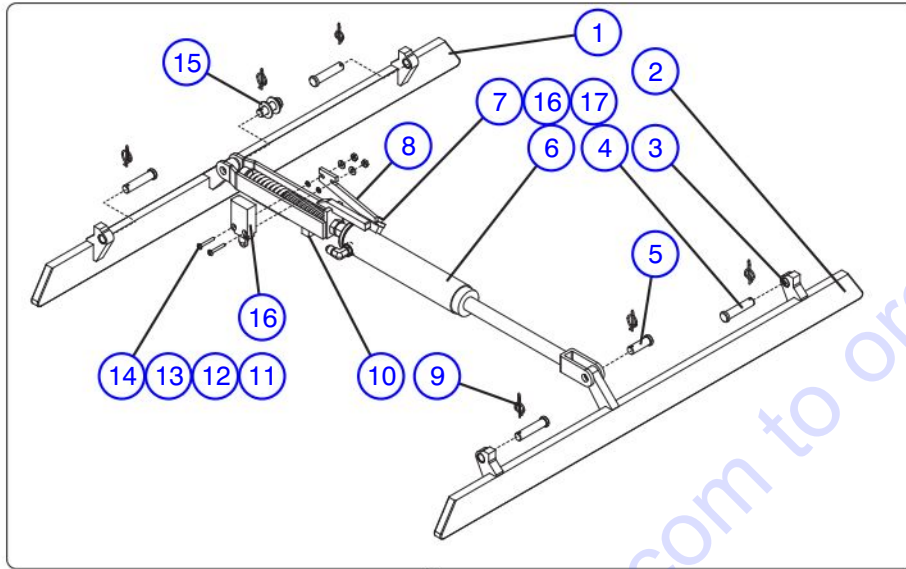
Index No.	Skyjack Part No.	Qty.	Description
-	158771DG	-	<p>NOTE: Part Numbers followed by a "DG" indicate dark grey painted parts.</p> <p>BASE COVER ASSEMBLY</p>
1	158772DG	1	<ul style="list-style-type: none"> • WELDMENT, Cover top
2	157180	1	<ul style="list-style-type: none"> • COVER, Service
3	157822	2	<ul style="list-style-type: none"> • SCREW, Socket head cap (zinc, 5/16"-18 x 7/8")
4	103404	8	<ul style="list-style-type: none"> • WASHER, Lock (5/16")
5	157840DG	1	<ul style="list-style-type: none"> • HINGE, Piano (21")
	112447	1	<ul style="list-style-type: none"> • HOLDER, Rubber
6	125893	1	<ul style="list-style-type: none"> • • HOLDER, Rubber (female)
7	125892	1	<ul style="list-style-type: none"> • • HOLDER, Rubber (male)
8	112449	1	<ul style="list-style-type: none"> • BOLT, Machine hex head (1/4"-20 x 1")
9	103855	1	<ul style="list-style-type: none"> • BOLT, Hex head (1/4"-20 x 1/2", Grade 5)
10	103995	1	<ul style="list-style-type: none"> • WASHER, Flat (1/4")
11	103980	1	<ul style="list-style-type: none"> • NUT, Hex head (1/4"-20, Grade 8)
12	151658	1	<ul style="list-style-type: none"> • RECESSED HANDLE ASSEMBLY
13	156600	4	<ul style="list-style-type: none"> • SCREW, Flat head (#8-32 x 3/8)
14	103986	4	<ul style="list-style-type: none"> • NUT, Hex head (#8-32)
15	103991	4	<ul style="list-style-type: none"> • WASHER, Flat (#8)
16	117398	1	<ul style="list-style-type: none"> • TRIM, Protective
17	157160DG	1	<ul style="list-style-type: none"> • BRACKET, Stop
18	119945	2	<ul style="list-style-type: none"> • RIVET, Pop (Wide head)
19	116161	8	<ul style="list-style-type: none"> • RIVET, Pop (Stainless steel)
20	103996	6	<ul style="list-style-type: none"> • WASHER, Flat (5/16")
21	103845	6	<ul style="list-style-type: none"> • BOLT, Hex head (5/16"-18 x 1/2", Grade 5)
22	158864	2	<ul style="list-style-type: none"> • BUMPER

4.2 Base Assembly



Index No.	Skyjack Part No.	Qty.	Description
			NOTE: Part Numbers followed by a "DG" indicate dark grey painted parts.
A	158350DG	-	BASE ASSEMBLY (SJ12)
B	157134DG	-	BASE ASSEMBLY (SJ16)
1	158351DG	1	• WELDMENT, Base, A
	157411DG	1	• WELDMENT, Base, B
2	100904	4	• BUSHING, Fiberglide (1.5" ID x 1")
3	149782	2	• WASHER, Bronze (kingpin)
4	156848	4	• D-RING ASSEMBLY
5	101297	8	• BOLT, Carriage (3/8"-16 x 1.25", Grade 5), A
	117430	8	• BOLT, Carriage (3/8"-16 x 1.25", Grade 8), B
6	104606	8	• NUT, Hex nylon lock (3/8"-16, Grade 5)
7	103472	18	• WASHER, Flat (3/8"), A
	103472	17	• WASHER, Flat (3/8"), B
8	115420	1	• STRAP, Static
9	103473	1	• BOLT, Hex head (3/8"-16 x 1", Grade 5)
10	155979	1	• WASHER, Int tooth lock (3/8")
11	108575	1	• NUT, Hex head jam (3/8"-16, Grade 5)
12	157157DG	1	• PLATE, Hinged
13	139641	2	• RIVET, Pop (1/4")
14	151659DG	1	• BRACKET, Latch weld
15	103995	2	• WASHER, Flat (1/4")
16	104000	2	• WASHER, Lock (1/4")
17	103856	2	• BOLT, Hex head (1/4"-20 x 3/4", Grade 5)
18	158812DG	1	BRACKET WELDMENT, Main Valve
	158813DG	1	• BRACKET, Main valve
	138624	2	• WELD NUT, Pilot projection (.31-18)
19	(Ref.)	1	HOLDER, Rubber (For components, refer to Section 4.1)

4.3 Pothole Protection Assembly

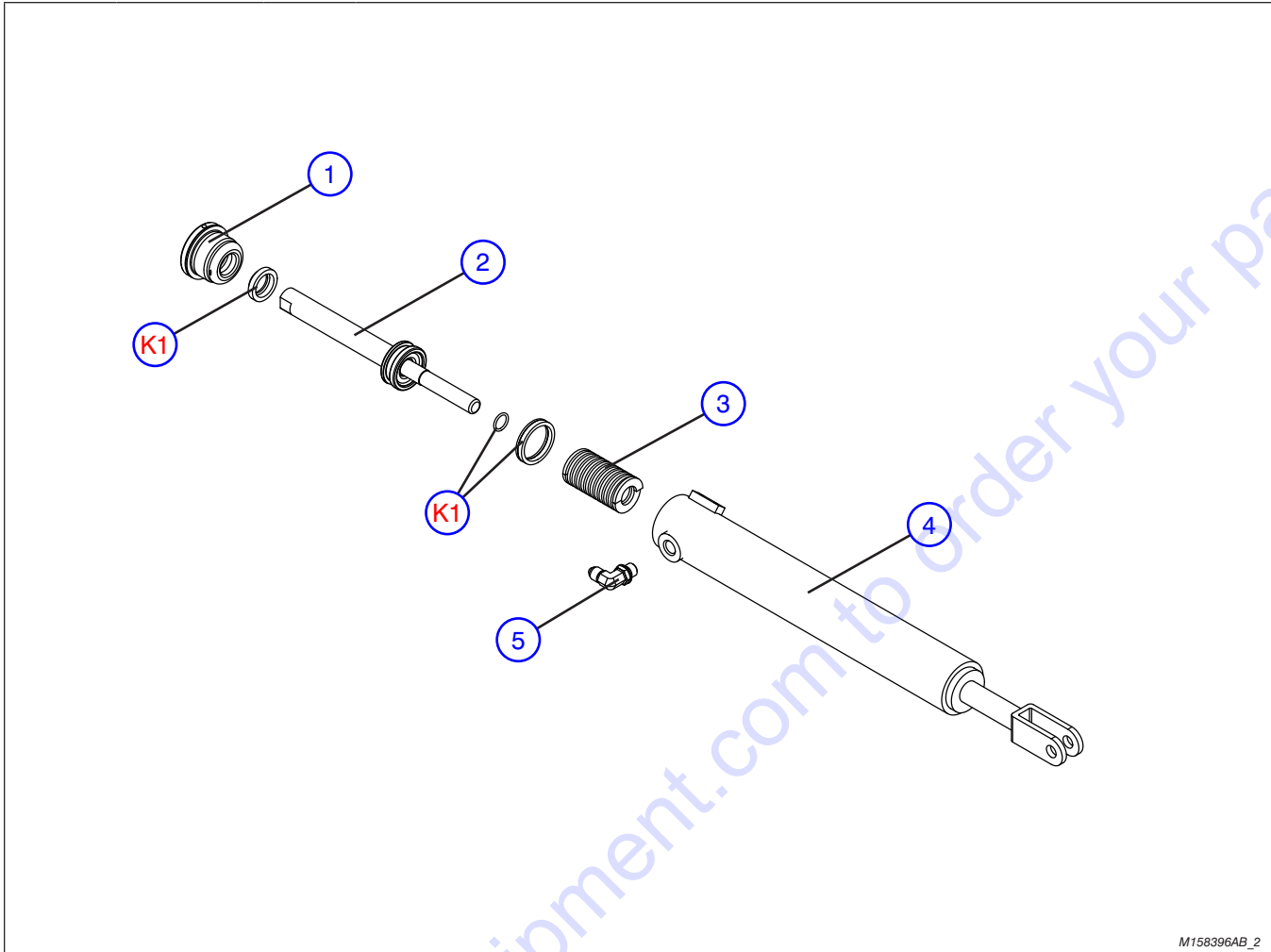


M158122AB

Index No.	Skyjack Part No.	Qty.	Description
-	158122DG	-	<p>NOTE: Part Numbers followed by a "DG" indicate dark grey painted parts.</p> <p>POTHOLE PROTECTION ASSEMBLY</p>
1	158398DG	1	• PLATE, Pothole Assembly (Right-hand)
2	158397DG	1	• PLATE, Pothole Weld (Left-hand)
3	119312	6	• BUSHING, Fiberglide
4	158144	4	• PIN, Clevis
5	158148	2	• PIN, Clevis
6	(Ref.)	1	• CYLINDER, Hydraulic (For components, refer to Section 4.4)
7	158889	2	• SCREW, Socket head cap (10-24 x 1/2")
8	158395	1	• BRACKET, Limit Switch
9	158818	6	• PIN, Cotter (Rue ring)
10	(Ref.)	1	• ASSEMBLY, Clevis (For components, refer to Section 4.5)
11	112248	2	• SCREW, Round head machine (#8-32 x 1.0")
12	112249	2	• WASHER, Lock (#8)
13	103991	2	• WASHER, Flat (#8)
14	103986	2	• NUT, Hex head (#8-32)
15	119313	2	• WASHER, Flat (.438)
16	104694	2	• WASHER, Flat #10
17	104185	2	• WASHER, Lock #10
18	(Ref.)	1	LIMIT SWITCH ASSEMBLY (For components, refer to Section 4.13)

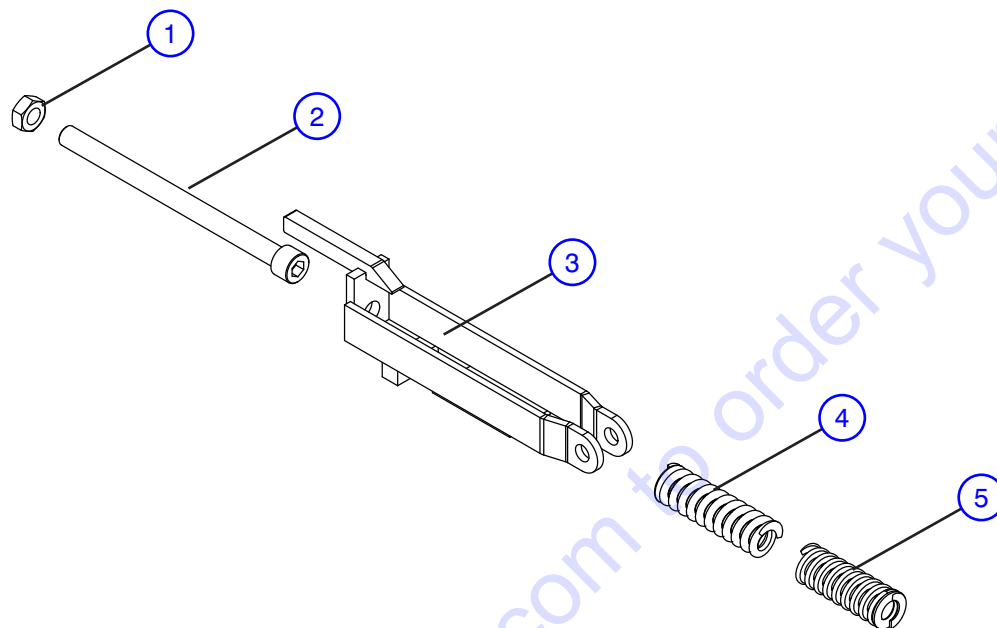
4.4 Pothole Cylinder Assembly

AB



M158396AB_2

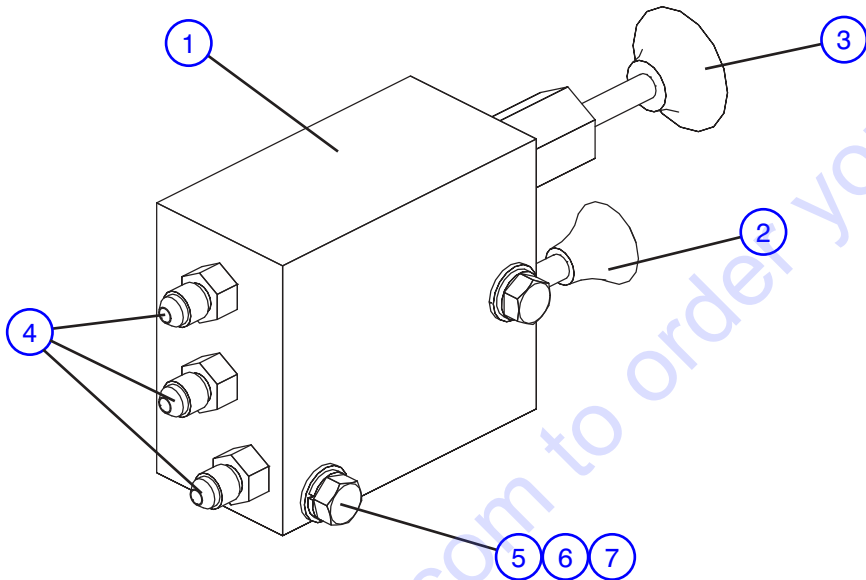
Index No.	Skyjack Part No.	Qty.	Description
-	158396DG	-	NOTE: Part Numbers followed by a "DG" indicate dark grey painted parts. POTHOLE CYLINDER ASSEMBLY
1	159336	1	• GLAND
2	159337	1	• ROD
3	159338	1	• SPRING
4	159339DG	1	• BARREL
5	159340	1	• FITTING, 90-degree (04MJ-04MB)
K1	159341	1	KIT, Seal



M158906AB

Index No.	Skyjack Part No.	Qty.	Description
-	158906DG	1	NOTE: Part Numbers followed by a "DG" indicate dark grey painted parts. CLEVIS ASSEMBLY
1	107949	1	• NUT, Hex head jam (1/2"-13, Grade 5)
2	158987	1	• SCREW, Socket head cap (1/2"-13 x 7")
3	158390DG	1	• WELD, Clevis
4	158400	1	• SPRING, Die (3.5" LG)
5	158399	1	• SPRING, Die (3" LG)

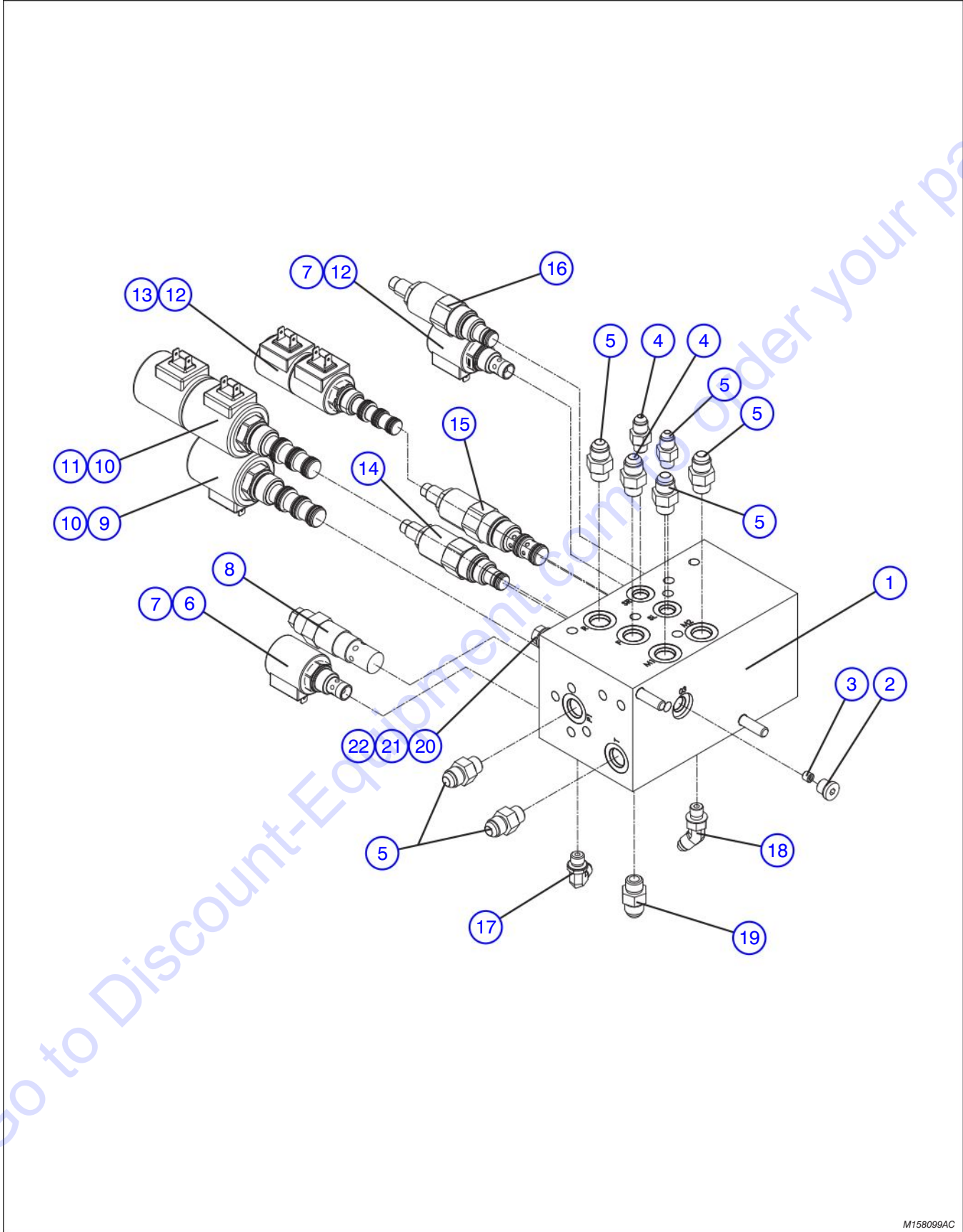
4.6 Brake Manifold Assembly



M151458AA

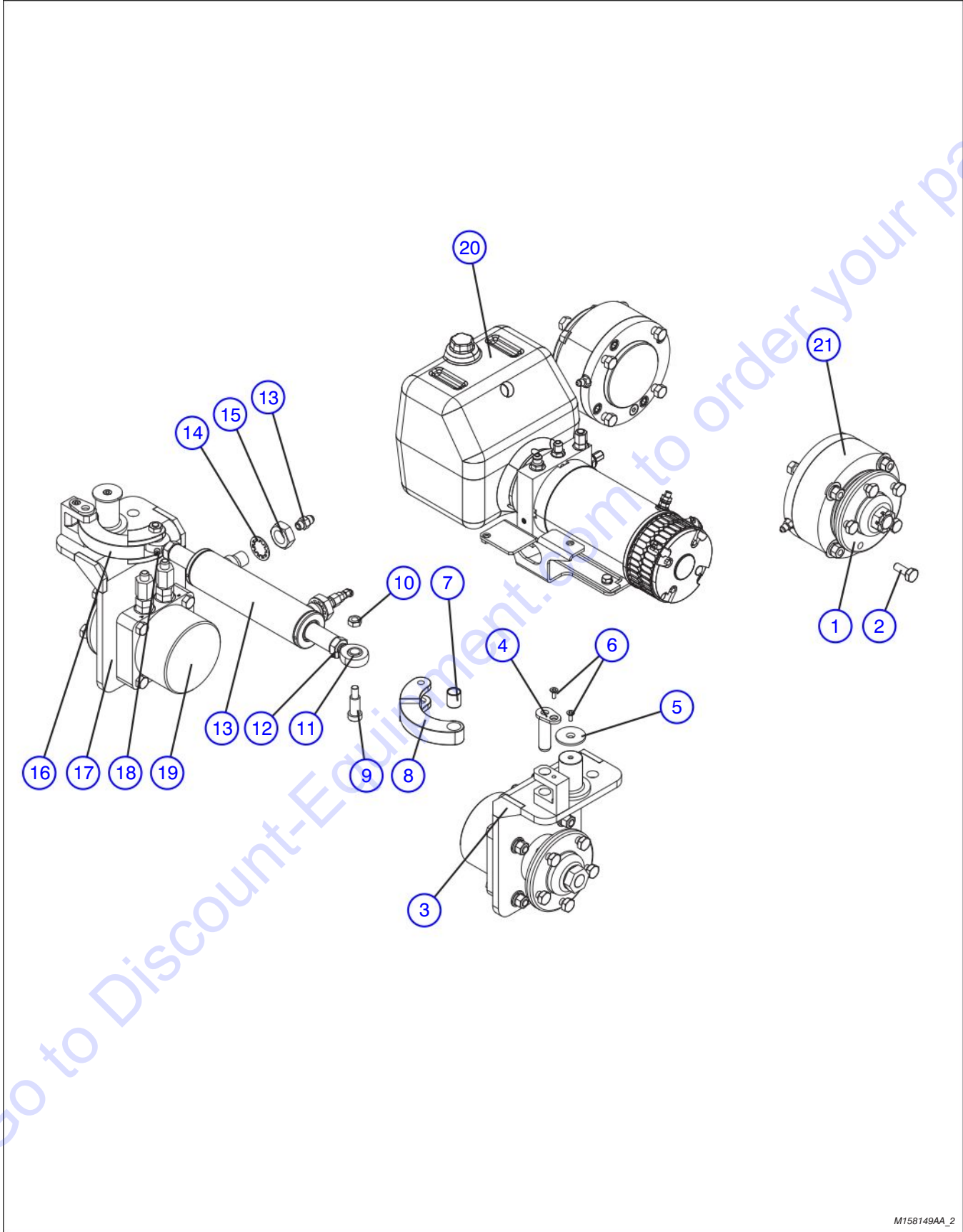
Index No.	Skyjack Part No.	Qty.	Description
-	136540	1	NOTE: Part Numbers followed by a "DG" indicate dark grey painted parts. BRAKE MANIFOLD ASSEMBLY
1	146563	1	• BLOCK, Brake manifold
2	146561	1	• VALVE, Auto reset
3	146559	1	• VALVE, Hand pump
4	701954	3	• FITTING, Straight (04 JICM - 04 ORBM)
5	103884	2	BOLT, Hex head (5/16"-18 x 2.5", Grade 5)
6	103996	2	WASHER, Flat (5/16")
7	103404	2	WASHER, Lock (5/16")
-	146564	1	KIT, Seal

4.7 Main Manifold Assembly



M158099AC

Index No.	Skyjack Part No.	Qty.	Description
-	158099	-	NOTE: Part Numbers followed by a "DG" indicate dark grey painted parts. MAIN MANIFOLD ASSEMBLY
1	158198	1	• MANIFOLD ASSEMBLY
2	709963	1	• PLUG, Hollow (Hex 4 SAE ORB)
3	141518	1	• PLUG, Pressure (1/16 NPT X 0.031" ID)
4	126128	2	• FITTING, Straight (04 JICM - 04 ORBM)
5	103069	7	• FITTING, Straight (06 JICM - 06 ORBM)
6	103655	1	• VALVE, Poppet Solenoid Cartridge
7	103656	1	• VALVE, Poppet Solenoid Cartridge
8	147889	1	• VALVE, Counterbalance (4000 psi)
9	158185	1	• VALVE, 4 way (2 pos)
10	105610	3	• COIL, 24V (2 prong, #10)
11	156850	1	• VALVE, Drive (3/4 way Mtr Spool)
12	103605	4	• COIL, 24V (2 prong)
13	158186	1	• VALVE, 4 way spool (3 pos tandem C)
14	151684	1	• VALVE, Relief
15	158852	1	• VALVE, Priority flow control
16	158853	1	• VALVE, Relief (1500 psi)
17	125883	1	• FITTING, 90-degree (04JICM-04ORBM)
18	131716	1	• FITTING, 45-degree (04JICM-04ORBM)
19	103069	1	FITTING, Straight (06 JICM - 06 ORBM)
20	138762	2	BOLT, Hex head (5/16"-18 x 5", Grade 5)
21	103996	2	WASHER, Flat (5/16")
22	103404	2	WASHER, Lock (5/16")

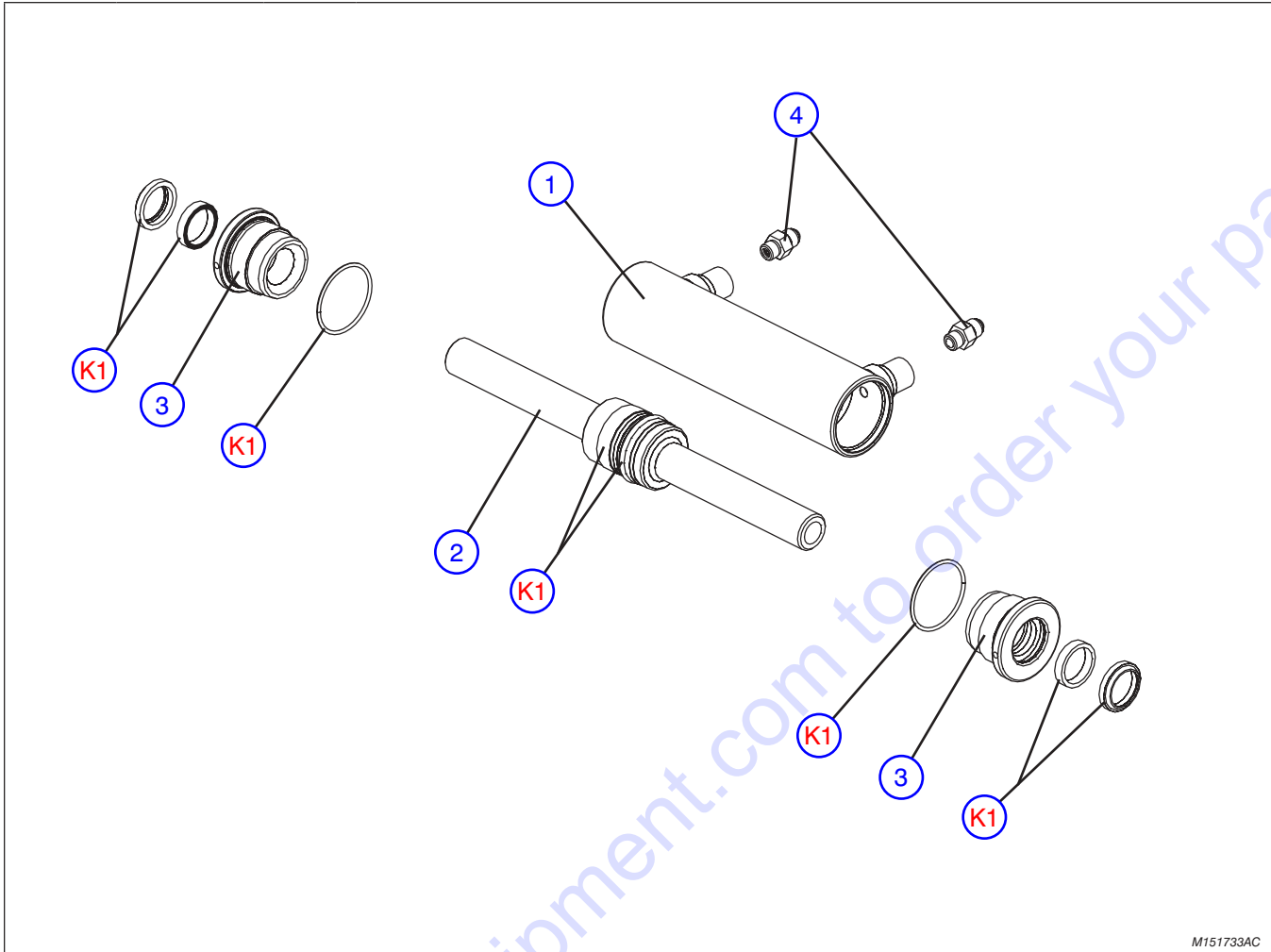


M158149AA_2

Index No.	Skyjack Part No.	Qty.	Description
			NOTE: Part Numbers followed by a "DG" indicate dark grey painted parts.
A	158149DG	-	DRIVE/STEER ASSEMBLY (ANSI/CSA)
B	158316DG	-	DRIVE/STEER ASSEMBLY (CE/AS/KC)
1	107912	4	• HUB, Wheel
2	103199	20	• BOLT, Wheel (1/2"-20 x 1.5625")
3	151246DG	1	• WELDMENT, Motor (Right-hand)
4	151326	2	• PIN, Steer
5	151650	2	• RETAINER, Washer
6	110853	4	• SCREW, Flat head cap (1/4"-20 x 5/8", Grade 5)
7	100050	2	• BUSHING, Fibreglide
8	151260DG	1	• WELDMENT, Steer arm (Left-hand)
9	107951	2	• SCREW, Hex socket shoulder (5/8" x 1.25")
10	107949	2	• NUT, Hex head jam (1/2"-13, Grade 5)
11	107143	2	• END, Rod
12	106450	2	• NUT, Hex head jam (3/4"-16, Grade 5)
13	(Ref.)	1	• CYLINDER, Steer (For components, refer to Section 4.9)
14	103789	2	• WASHER, Int tooth lock (1")
15	107947	2	• NUT, Hex head jam (1"-14, Grade 5)
16	151259DG	1	• WELDMENT, Steer arm (Right hand)
17	151247DG	1	• WELDMENT, Motor (Left hand)
18	132565	2	• CAP, Grease (GC5)
19	(Ref.)	1	• WHEEL MOTOR AND BRAKE ASSEMBLY (For components, refer to Section 4.10)
20	(Ref.)	1	• POWERPACK ASSEMBLY (For components, refer to Section 4.11)

4.9 Steer Cylinder Assembly

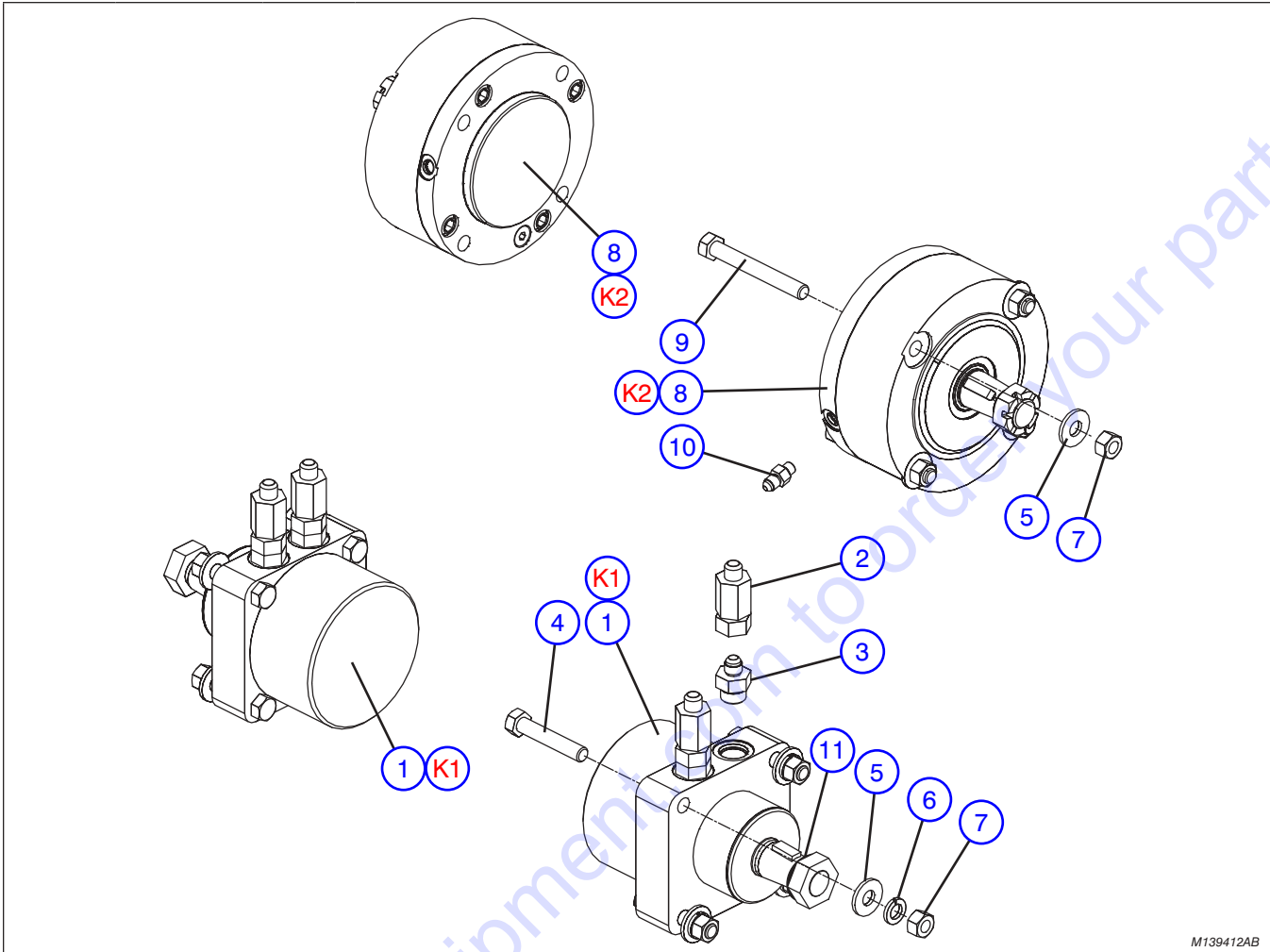
AE



M151733AC

Index No.	Skyjack Part No.	Qty.	Description
-	151690DG	-	NOTE: Part Numbers followed by a "DG" indicate dark grey painted parts. STEER CYLINDER ASSEMBLY
1	121089DG	1	• WELDMENT, Tube
2	107939	1	• ROD
3	121088	2	• GLAND
4	701956	2	• FITTING, Straight Connector (-6 SAE -4 JIC)
			(Order Part #103069 for Machines with Serial #'s 14002896 and Below)
K1	157562	1	KIT, Seal

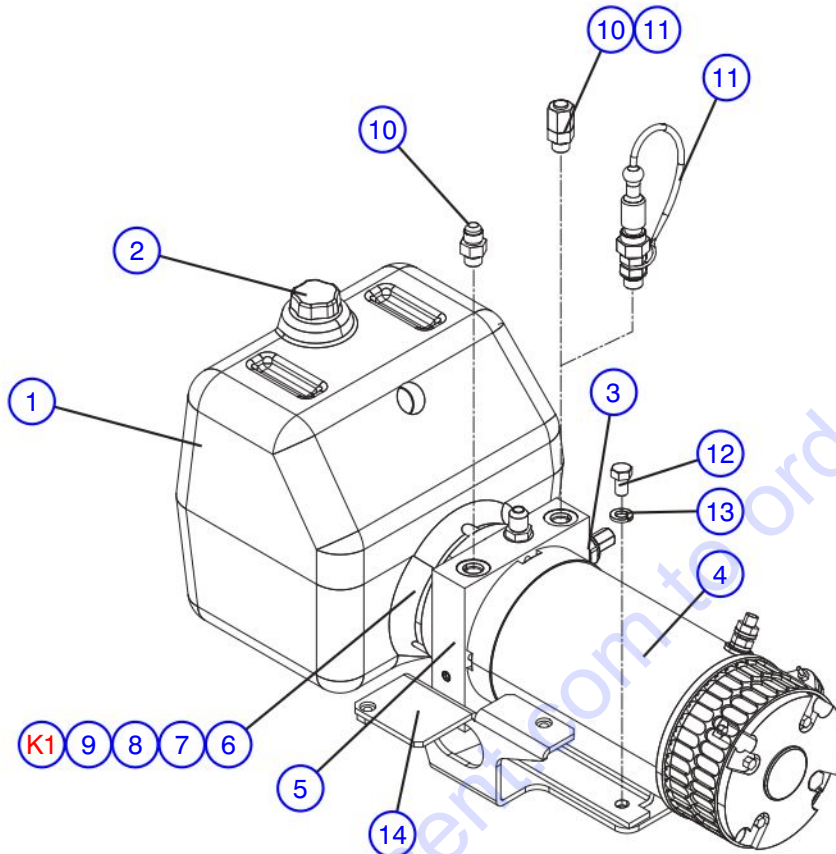
4.10 Wheel Motor and Brake Assembly



M139412AB

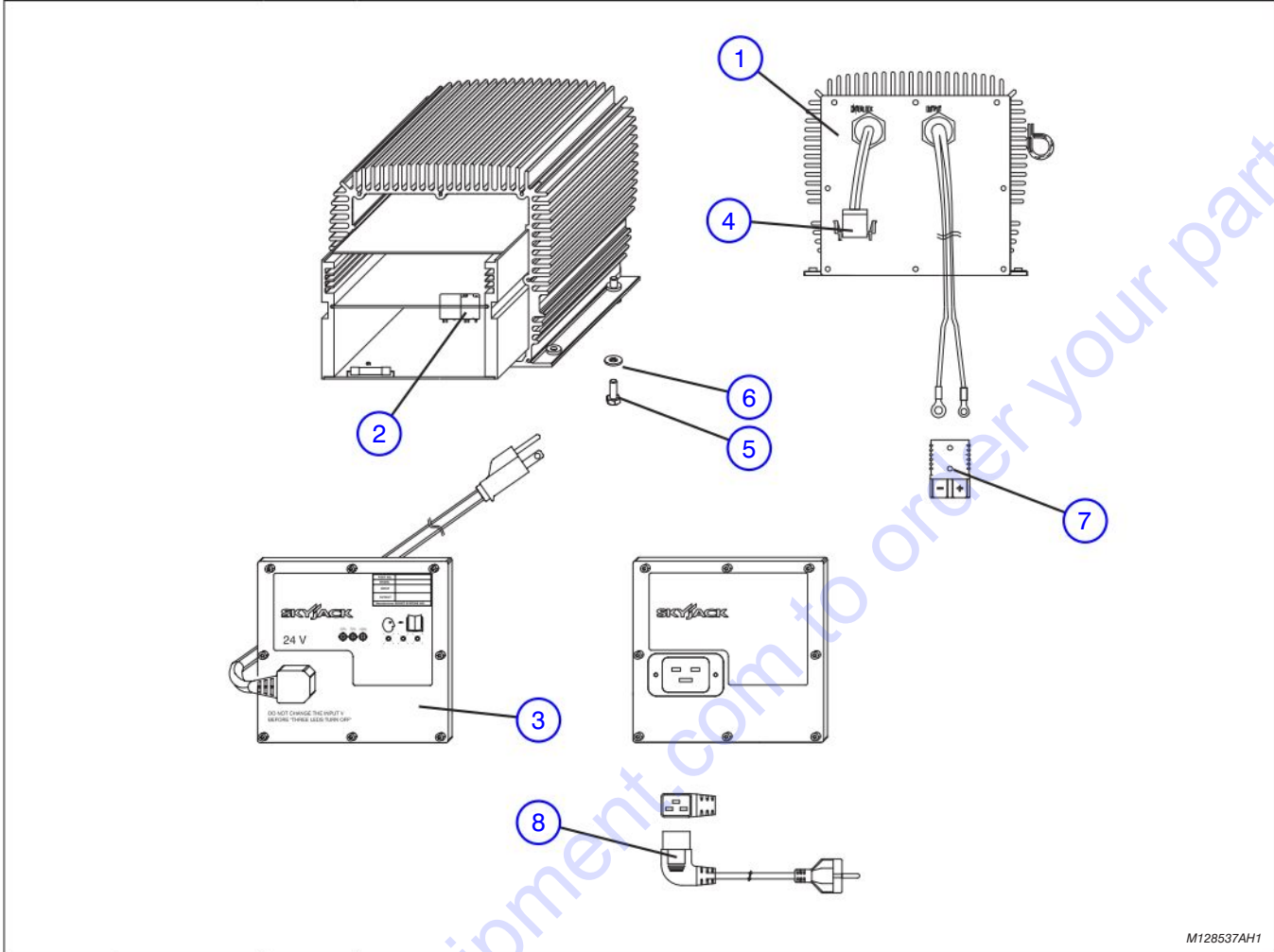
Index No.	Skyjack Part No.	Qty.	Description
NOTE: Part Numbers followed by a "DG" indicate dark grey painted parts.			
1	139412	2	MOTOR, Wheel
2	151465	4	FITTING, Straight swivel (06 JICM - 06 JICF)
3	103307	4	FITTING, Straight (06 JICM - 10 ORBM)
4	108818	8	BOLT, Hex head (1/2"-13 x 2.75", Grade 5)
5	103468	16	WASHER, Flat (1/2" SAE AA)
6	103470	16	WASHER, Lock (1/2", Grade 5)
7	103471	16	NUT, Hex head (1/2"-13, Grade 5)
8	154839	2	BRAKE, Wheel mount
	159422	1	• KEY, Square
	159423	1	• NUT, Slotted hex
	159424	1	• PIN, Cotter
9	127060	8	BOLT, Hex head (1/2"-13 x 4", Grade 5)
10	126128	2	FITTING, Straight (04 JICM - 04 ORBM)
11	103789	2	WASHER, Lock (Int tooth, 1")
K1	151099	2	KIT, Seal
K2	156251	2	KIT, Bearing and seal
	156252	2	KIT, Brake stack
	156253	2	KIT, O-ring

4.11 Powerpack Assembly



M151270AD_2

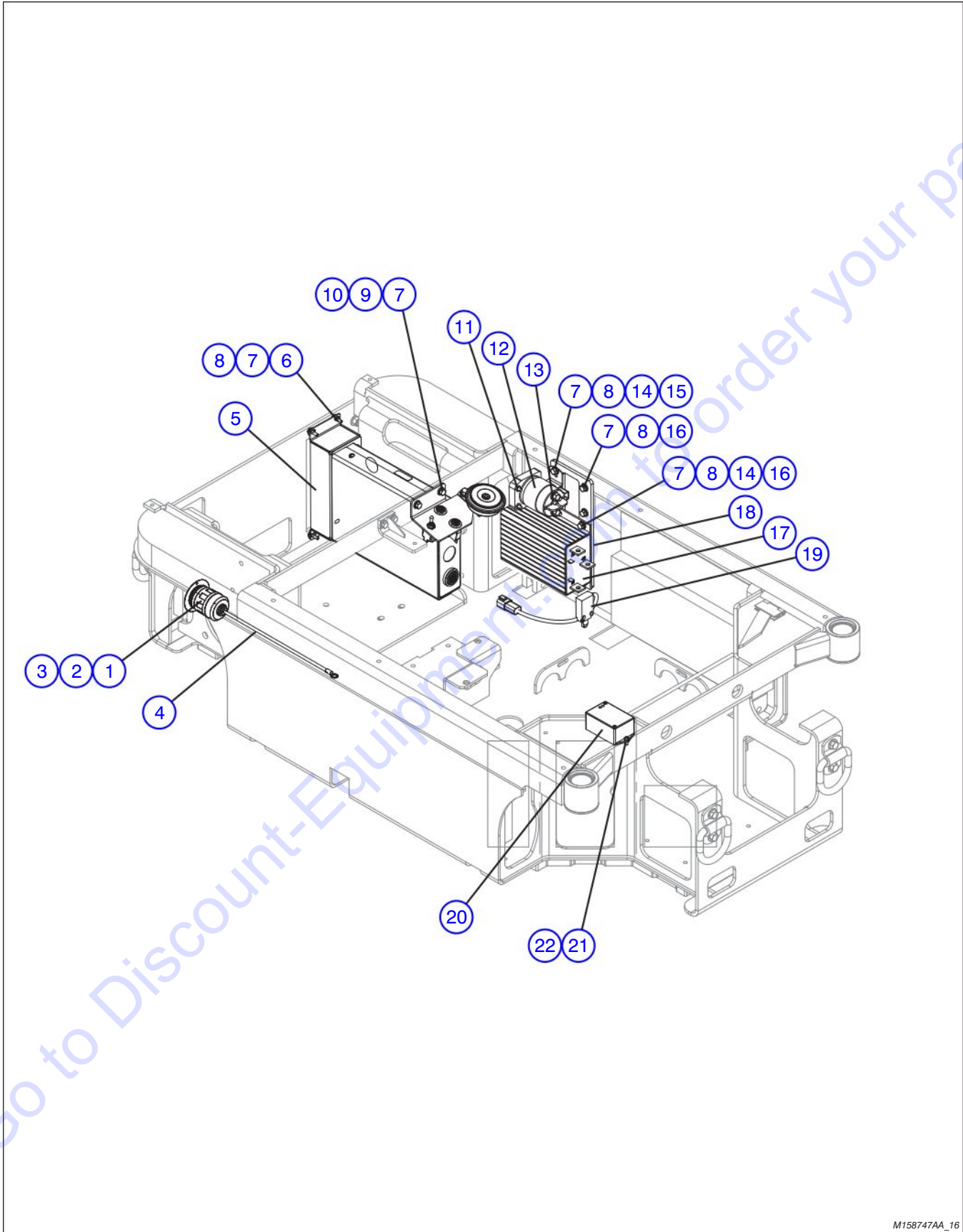
Index No.	Skyjack Part No.	Qty.	Description
-	151270	1	NOTE: Part Numbers followed by a "DG" indicate dark grey painted parts. POWERPACK, 24V
1	156874	1	• TANK, Hydraulic
2	156958	1	• CAP, Filler/Breather
3	156956	1	• VALVE, Relief
4	156877	1	• MOTOR, 24VDC
5	156959	1	• MANIFOLD, Powerpack
6	156875	1	• PUMP
7	156876	1	• COUPLER
8	156957	1	• STRAINER
9	156960	1	• CLAMP
10	103069	2	FITTING, Straight (06 JICM - 06 ORBM) (ANSI/CSA)
	103069	1	FITTING, Straight (06 JICM - 06 ORBM) (CE, AS & KC)
11	107666	1	FITTING, Cap (06 JICF) (ANSI/CSA)
	122420	1	QUICK DISCONNECT (CE, AS & KC)
12	103887	4	BOLT, Hex head (5/16"-18 x 3/4", Grade 5)
13	103404	4	WASHER, Lock (5/16")
14	(Ref.)	1	BRACKET, Main valve (For components, refer to Section 4.2)
K1	156961	1	KIT, Seal



M128537AH1

Index No.	Skyjack Part No.	Qty.	Description
			NOTE: Part Numbers followed by a "DG" indicate dark grey painted parts.
1	160931	1	CHARGER, Battery (24VDC) <i>(Order Part #128537 for ANSI & AS Machines with S/N's 14002615 and Below)</i> <i>(Order Part #152070 for CE & KC Machines with S/N's 14002615 and Below)</i>
2	127154	1	• RELAY, Interlock
3	147674	1	FRONTPLATE ASSEMBLY (with hardwired cord) (ANSI/CSA & AS)
4	115391	1	PLUG, Charger cutout
5	103856	4	BOLT, Hex head (1/4"-20 x 3/4", Grade 5)
6	103995	4	WASHER, Flat (1/4")
7	103364	1	CONNECTOR, Battery (50 Amp)
8	120790	1	CORD, 220V Charger (with plug) (CE & KC)

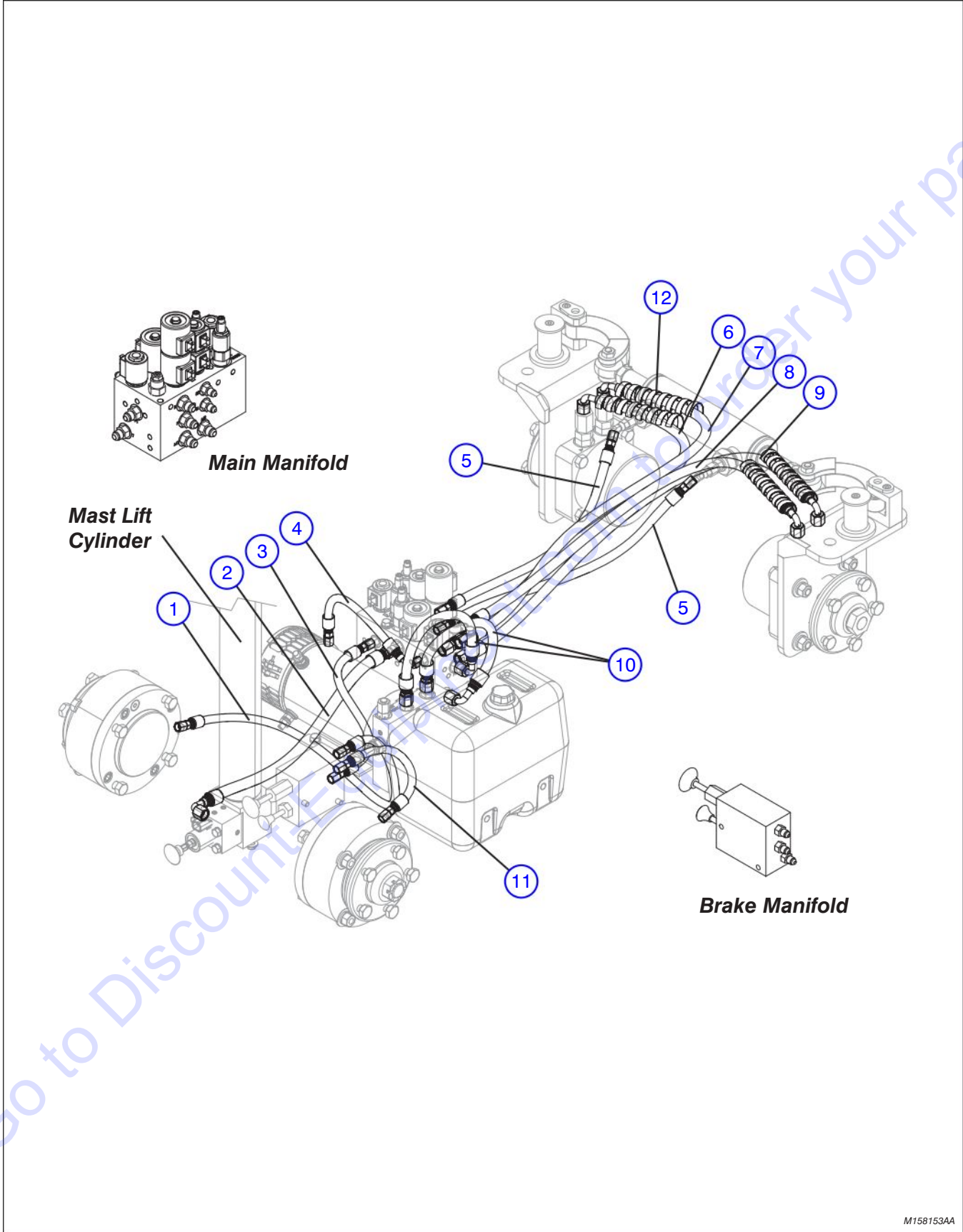
4.13 Base Electrical Components



M15874AA_16

Index No.	Skyjack Part No.	Qty.	Description
			NOTE: Part Numbers followed by a "DG" indicate dark grey painted parts.
A	158196	-	BASE ELECTRICAL (ANSI/CSA) - SJ12 & SJ16
B	158747	-	BASE ELECTRICAL (CE) - SJ12
C	158748	-	BASE ELECTRICAL (AS) - SJ12
D	158749	-	BASE ELECTRICAL (KC) - SJ12
E	158184	-	BASE ELECTRICAL (KC) - SJ16
F	158195	-	BASE ELECTRICAL (CE) - SJ16
G	158152	-	BASE ELECTRICAL (AS) - SJ16
1	105271	1	CONNECTOR, Inlet (110V), A
2	113227	1	SEAL, Cover, A
3	162754	2	RIVET, 5/32-0.312DIA, AL-AL, A
4	156845	1	GROUND WIRE ASSEMBLY
5	(Ref.)	1	BASE CONTROL CENTRE ASSEMBLY (For components, refer to Section 4.15)
6	(Ref.)	1	CIRCUIT BREAKER AND HORN ASSEMBLY (For components, refer to Section 4.17)
7	103995	20	WASHER, Flat (1/4")
8	103965	4	SCREW, Round head machine (1/4"-20 x 3/4")
9	104000	14	WASHER, Lock (1/4")
10	103892	4	BOLT, Hex head (1/4"-20 x 5/8", Grade 5)
11	104003	2	NUT, Hex head (#10-32)
12	165865	1	CONTACTOR
	164671	1	• KIT, Diode
13	156844	2	NUT, Hex head (5/16"-24, Grade 5)
14	103980	6	NUT, Hex head (1/4"-20, Grade 8)
15	103856	2	BOLT, Hex head (1/4"-20 x 3/4", Grade 5)
16	103891	4	BOLT, Hex head (1/4"-20 x 7/8", Grade 5)
17	151207	1	CONTROLLER, Pump motor (24VDC - 360 Amp)
18	158113	1	BACKPLATE
19	158318	1	LIMIT SWITCH ASSEMBLY
	119348	1	• SWITCH, Limit (Sealed)
	117578	1	• CONNECTOR, Receptacle (4-pin)
	117580	1	• CONNECTOR, Receptacle (4-pin wedge)
	117590	4	• CONNECTOR, Pin (Contact 16-18)
20	157375	1	SWITCH, Tilt (Combo)
21	104185	2	WASHER, Lock (#10)
22	103962	2	SCREW, Round head machine (#10-32 x 1/2")

4.14 Hydraulic Hose Connections

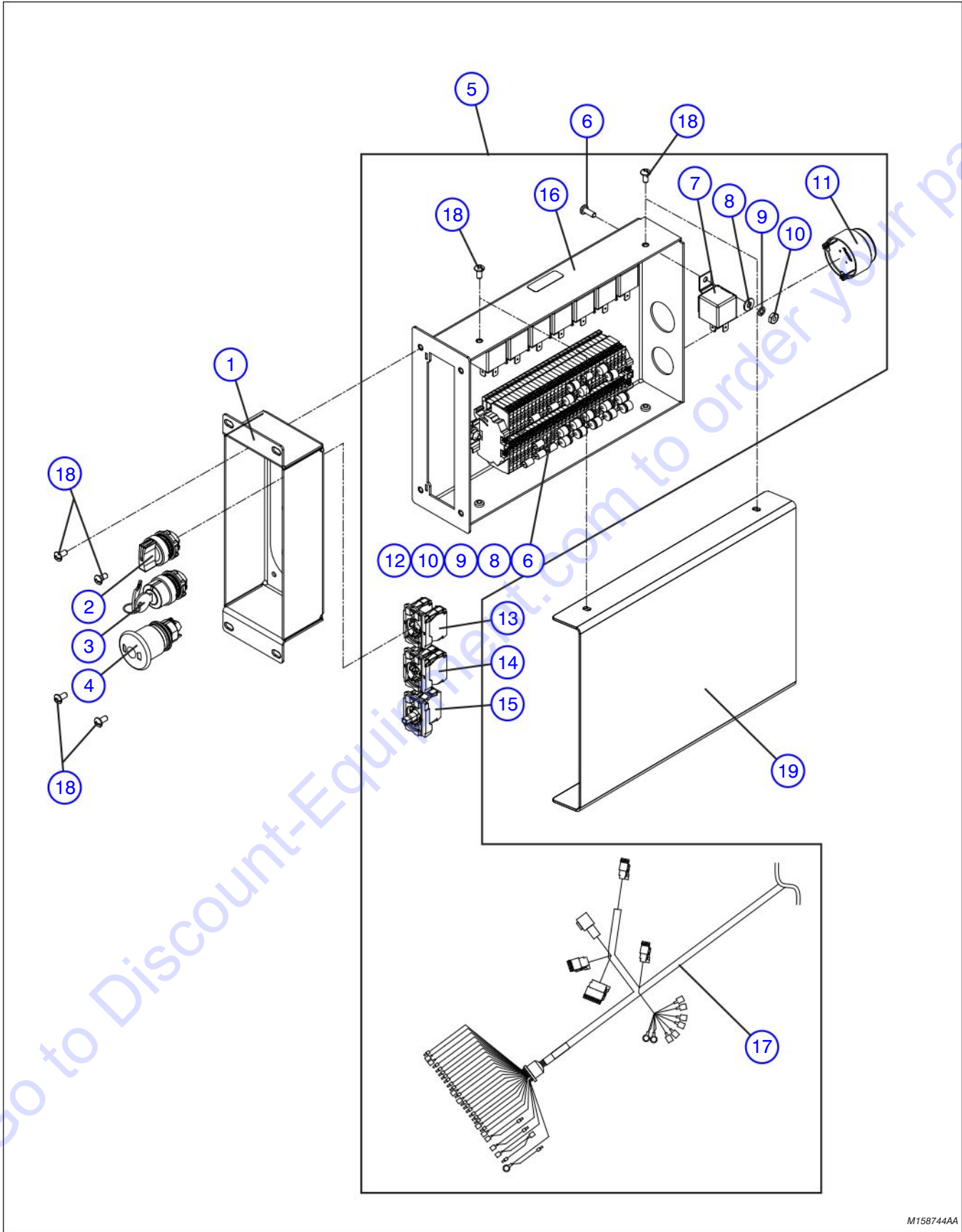


M158153AA

Index No.	Hose P/N	From		To	
		Description	Port	Port	Description
1	H 31040028 2	Brake manifold	B1	-	Left brake
2	H 34060019 0	Main manifold	L	-	Emergency lowering valve
3	H 31040022 0	Main manifold	B	B	Brake manifold
4	H 31040022 0	Main manifold	PH	-	Pothole cylinder
5	H 31040022 0	Main manifold	SR	-	Steering cylinder
	H 31040022 0	Main manifold	SL	-	Steering cylinder
6	H 34060036 0	Main manifold	M2	A	Left drive motor
7	H 34060035 0	Main manifold	F	B	Left drive motor
8	H 34060034 0	Main manifold	R	B	Right drive motor
9	H 34060037 0	Main manifold	M1	A	Main manifold
10	H 34060014 0	Main manifold	T	T	Powerpack
	H 34060014 0	Main manifold	P	P	Powerpack
11	H 31040011 0	Brake manifold	B2	-	Right brake

Index No.	Skyjack Part No.	Qty.	Description
12	131285	2.67'	<p>NOTE: Part Numbers followed by a "DG" indicate dark grey painted parts.</p> <p>GUARD, Spring (5/8" x 10")</p>

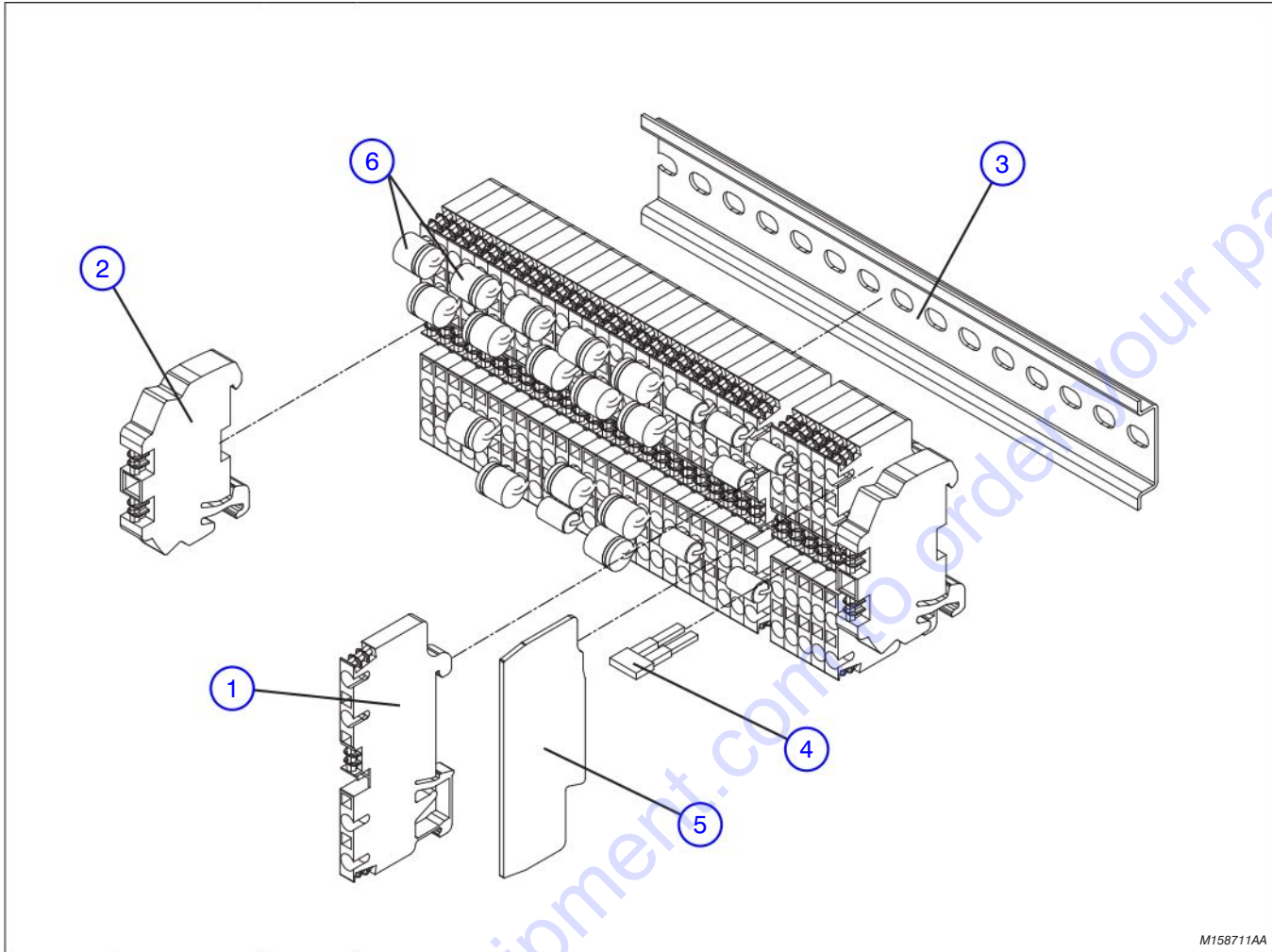
4.15 Base Control Centre Assembly



M158744AA

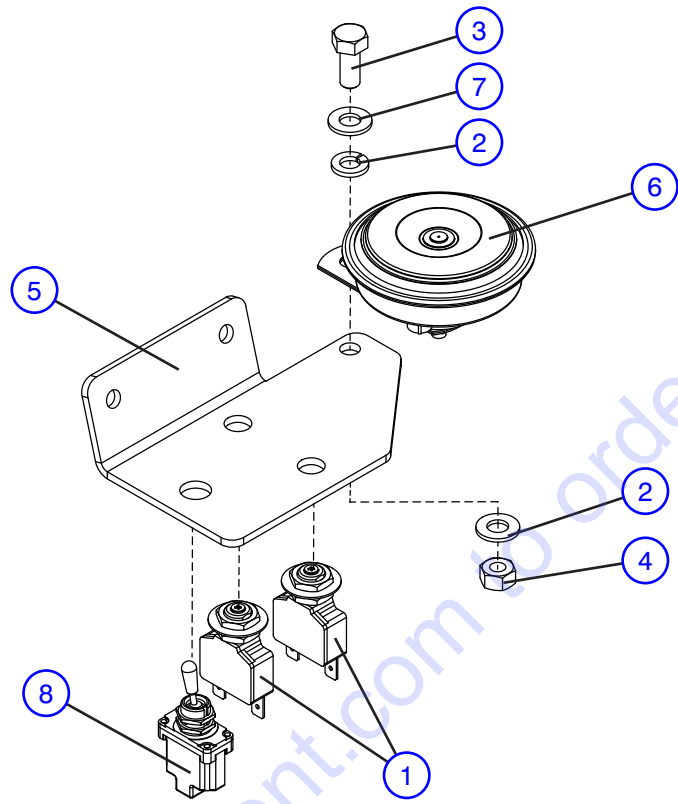
Index No.	Skyjack Part No.	Qty.	Description
			NOTE: Part Numbers followed by a "DG" indicate dark grey painted parts.
A	158744DG	-	BASE CONTROL CENTRE ASSEMBLY (ANSI/CSA, KC)
B	158746DG	-	BASE CONTROL CENTRE ASSEMBLY (CE)
C	158739DG	-	BASE CONTROL CENTRE ASSEMBLY (AS)
1	158418DG	1	• LOWER CONTROLS, A, C
	158419DG	1	• LOWER CONTROLS, B
	158420DG	1	• • WELDMENT, Controls face
2	147069	1	• • HEAD, Selector switch (Lower/Raise)
3	149536	1	• • HEAD, Selector key switch (Off/Platform/Base), A, C
	147057	1	• • HEAD, Selector key switch (Off/Platform/Base), B
4	147051	1	• • HEAD, Emergency stop
5	158728	1	• LOWER CONTROL BOX ASSEMBLY
	151551	1	• • WELDMENT, Controls deck
6	103962	10	• • SCREW, Round head machine (#10-32 x 1/2")
7	108589	8	• • RELAY, Sealed (24V)
8	104694	10	• • WASHER, Flat (#10)
9	104185	10	• • WASHER, Lock (#10)
10	104003	10	• • NUT, Hex head (#10-32)
11	103057	1	• • BEEPER, Slow pulsing (24VDC)
12	(Ref.)	-	• • TERMINAL STRIP ASSEMBLY (For components, refer to Section 4.16)
13	-	-	• • SWITCH, Selector (Lower/Raise)
	147056	1	• • • LATCH
	147054	2	• • • BLOCK, Contact (N.O.)
14	-	-	• • SWITCH, Selector key (Off/Platform/Base)
	147056	1	• • • LATCH
	147054	1	• • • BLOCK, Contact (N.O.)
	147053	2	• • • BLOCK, Contact (N.C.)
15	-	-	• • SWITCH, Emergency stop
	147056	1	• • • LATCH
	147053	1	• • • BLOCK, Contact (N.C.)
	147061	1	• • • LED BLOCK, 24V (Red)
16	151551DG	1	• • WELDMENT, Controls deck
17	(Ref.)	1	• • HARNESS, Main (For components, refer to Section 4.18)
18	103964	8	• SCREW, Round head machine (#10-32 x 1/4")
19	151558DG	1	• COVER, Lower controls

4.16 Terminal Strip Assembly



M158711AA

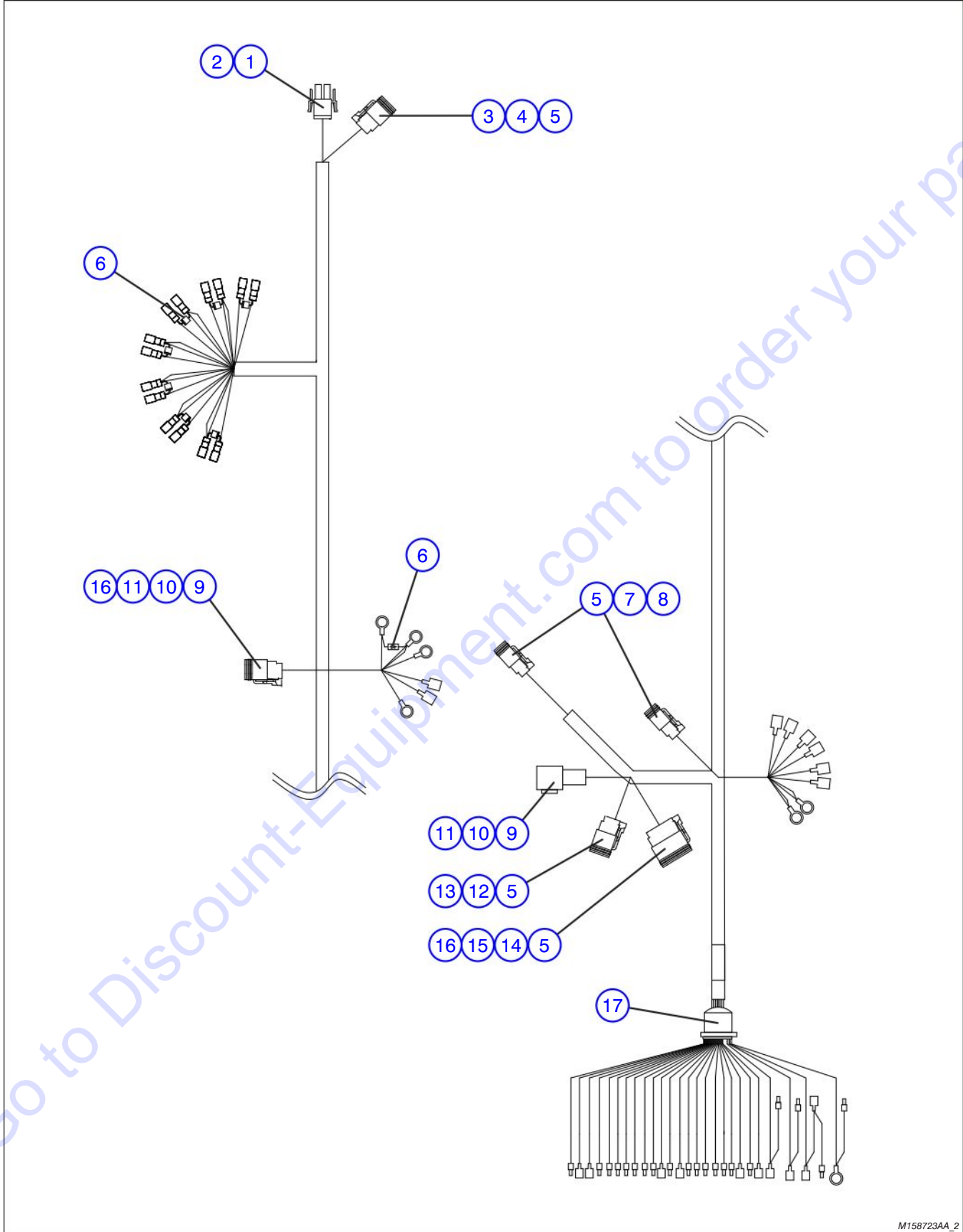
Index No.	Skyjack Part No.	Qty.	Description
-	158711	-	NOTE: Part Numbers followed by a "DG" indicate dark grey painted parts. TERMINAL STRIP ASSEMBLY
	158708	1	• SUB-ASSEMBLY, Terminal Strip
1	157589	31	• • TERMINAL BLOCK, Through
2	157590	2	• • END STOP
3	102874	1	• • DINRAIL
4	158712	1	• • JUMPER, 2-pos
5	157591	1	• • END PLATE
6	102921	15	• DIODE (6A)
	156564	1	• RESISTOR (1.5 ohm, 1 watt)
	151643	1	• RESISTOR (250 ohm, 1 watt)
	156515	1	• RESISTOR (220 ohm, 3/4 watt)
	158707	1	• RESISTOR (845 ohm, 1 watt)
	151647	1	• RESISTOR (68 ohm, 1 watt)
	156527	1	• RESISTOR (2k ohm, 2 watt)
	151645	1	• RESISTOR (4.7k ohm, 1 watt)



M158740AA

Index No.	Skyjack Part No.	Qty.	Description
-	158740DG	-	NOTE: Part Numbers followed by a "DG" indicate dark grey painted parts. CIRCUIT BREAKER AND HORN ASSEMBLY (SJ12/16)
1	117325	2	• BREAKER, Circuit (15 Amp)
2	103996	2	• WASHER, Flat (5/16")
3	103887	1	• BOLT, Hex head (5/16"-18 x 3/4", Grade 5)
4	100397	1	• NUT, Hex head (5/16"-18, Grade 5)
5	158741DG	1	• BRACKET
6	146649	1	• HORN, 24V (Low tone)
7	103404	1	• WASHER, Lock (5/16")
8	115573	1	• SWITCH, Toogle

4.18 Main Harness Assembly

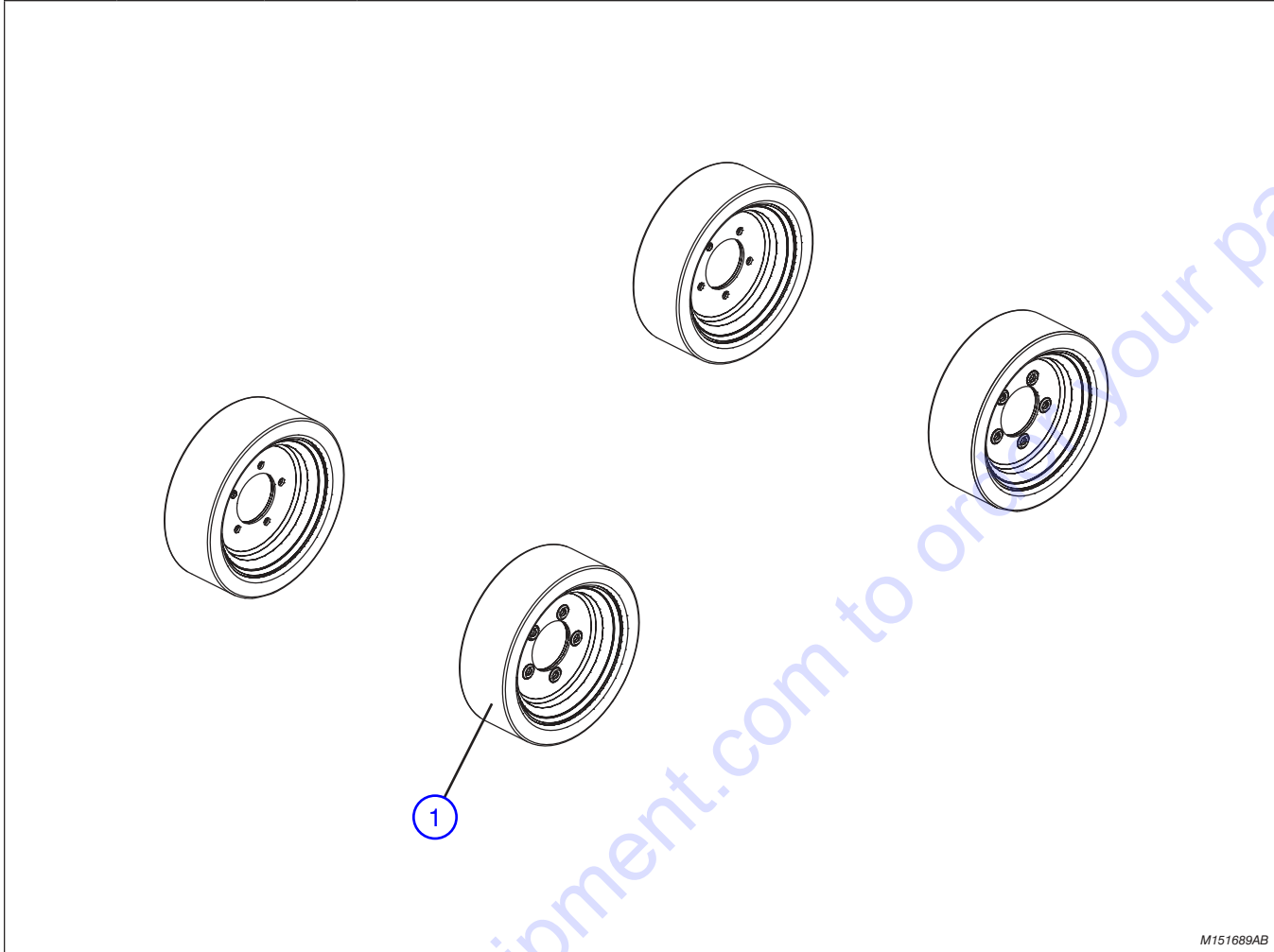


M158723AA_2

Index No.	Skyjack Part No.	Qty.	Description
-	158723	1	<p>NOTE: Part Numbers followed by a "DG" indicate dark grey painted parts.</p> <p>MAIN HARNESS</p>
1	116992	1	<ul style="list-style-type: none"> • HOUSING, Plug (2 pole)
2	116990	2	<ul style="list-style-type: none"> • PIN, Wire (Female)
3	158476	1	<ul style="list-style-type: none"> • CONNECTOR, Plug (6 pin)
4	158477	1	<ul style="list-style-type: none"> • CONNECTOR, Plug wedge (6 pin)
5	117593	29	<ul style="list-style-type: none"> • CONNECTOR, Contact socket (14-16)
6	129258	8	<ul style="list-style-type: none"> • DIODE
7	117597	2	<ul style="list-style-type: none"> • CONNECTOR, Plug (2 pin)
8	117599	2	<ul style="list-style-type: none"> • CONNECTOR, Plug wedge (2 pin)
9	117578	1	<ul style="list-style-type: none"> • CONNECTOR, Receptacle (4 pin)
10	117580	1	<ul style="list-style-type: none"> • CONNECTOR, Receptacle wedge (4 pin)
11	117592	4	<ul style="list-style-type: none"> • CONNECTOR, Contact pin (14-16)
12	117579	2	<ul style="list-style-type: none"> • CONNECTOR, Plug (4 pin)
13	117581	2	<ul style="list-style-type: none"> • CONNECTOR, Plug wedge (4 pin)
14	117587	1	<ul style="list-style-type: none"> • CONNECTOR, Plug (12 pin)
15	117589	1	<ul style="list-style-type: none"> • CONNECTOR, Plug wedge (12 pin)
16	117594	3	<ul style="list-style-type: none"> • SEALING, Connector
17	138754	1	<ul style="list-style-type: none"> • STRAIN RELIEF

Index No.	Skyjack Part No.	Qty.	Description
-	160955	-	<p>NOTE: Part Numbers followed by a "DG" indicate dark grey painted parts.</p> <p>BATTERY ASSEMBLY</p> <p>(Order Part #158421 for Machines with S/N's 14002615 and Below)</p> <ul style="list-style-type: none"> • CABLE, Battery • CABLE, Battery • CABLE, Battery • BOOT, Battery (Red) • CABLE, Battery (with inline fuse) <p>(Order Part #137243 for Machines with S/N's 14002615 and Below)</p> <ul style="list-style-type: none"> • FUSE (300 Amp) • CABLE, Battery • CABLE, Battery <p>(Order Part #120425 for Machines with S/N's 14002615 and Below)</p> <ul style="list-style-type: none"> • BATTERY (6V) <p>(Order Part #103480 for Machines with S/N's 14002615 and Below)</p> <ul style="list-style-type: none"> • SWITCH, Main disconnect • BRACKET, Battery tie down • HOLD DOWN, Battery • BOLT, Hex head (3/8"-16 x 5/8", Grade 5) • WASHER, Lock (3/8") • NUT, Hex head (3/8"-16, Grade 5) • WING NUT, Hex head (0.375 -16 Grade 5) <p>LEVER, Locking</p> <p>CONTROLLER, Pump motor (24VDC - 360 Amp)</p> <p>(For components, refer to Section 4.13)</p>
1	151594	2	
2	151591	3	
3	151593	1	
4	117408	14	
5	161953	1	
6	310517	1	
7	151592	1	
7	119615	1	
8	160933	4	
9	119725	1	
10	157364	2	
11	157363	2	
12	138464	3	
13	103999	3	
14	103978	3	
15	120175	2	
16	108714	1	
17	(Ref.)	1	

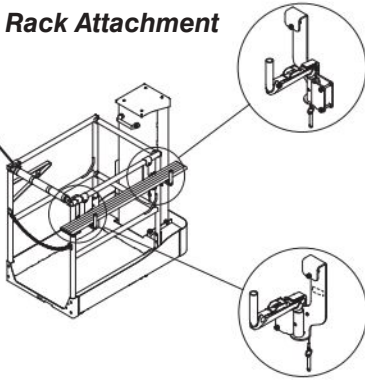
4.20 Wheel Assembly



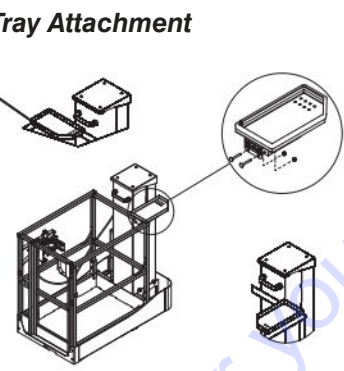
M151689AB

Index No.	Skyjack Part No.	Qty.	Description
1	152039 154835	4 4	<p>NOTE: Part Numbers followed by a "DG" indicate dark grey painted parts.</p> <p>TIRE (Grey) TIRE (White)</p>

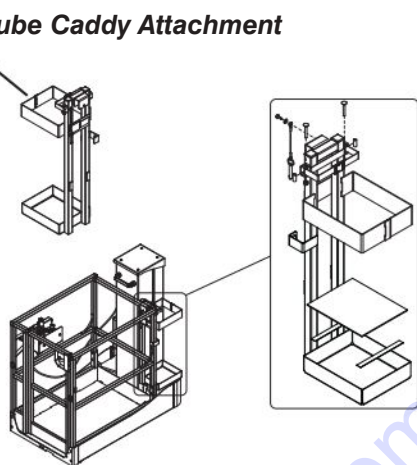
5.1 Pipe Rack Attachment



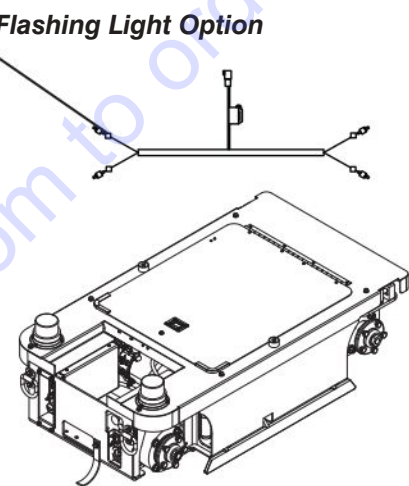
5.2 Tool Tray Attachment



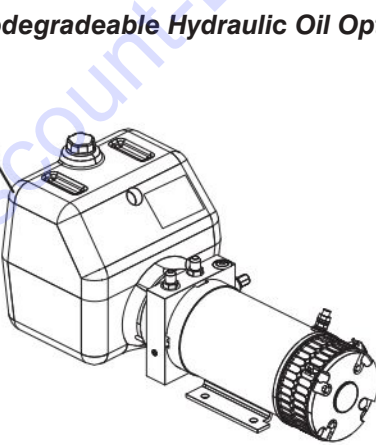
5.3 Tube Caddy Attachment



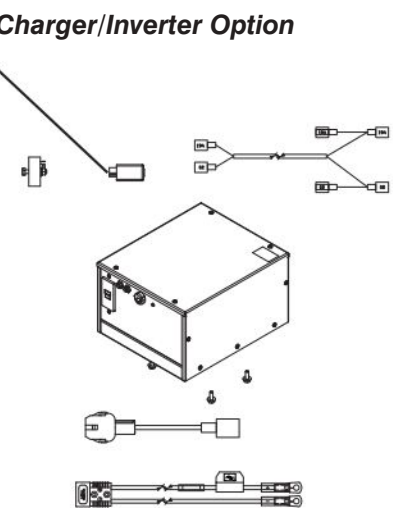
5.4 Flashing Light Option



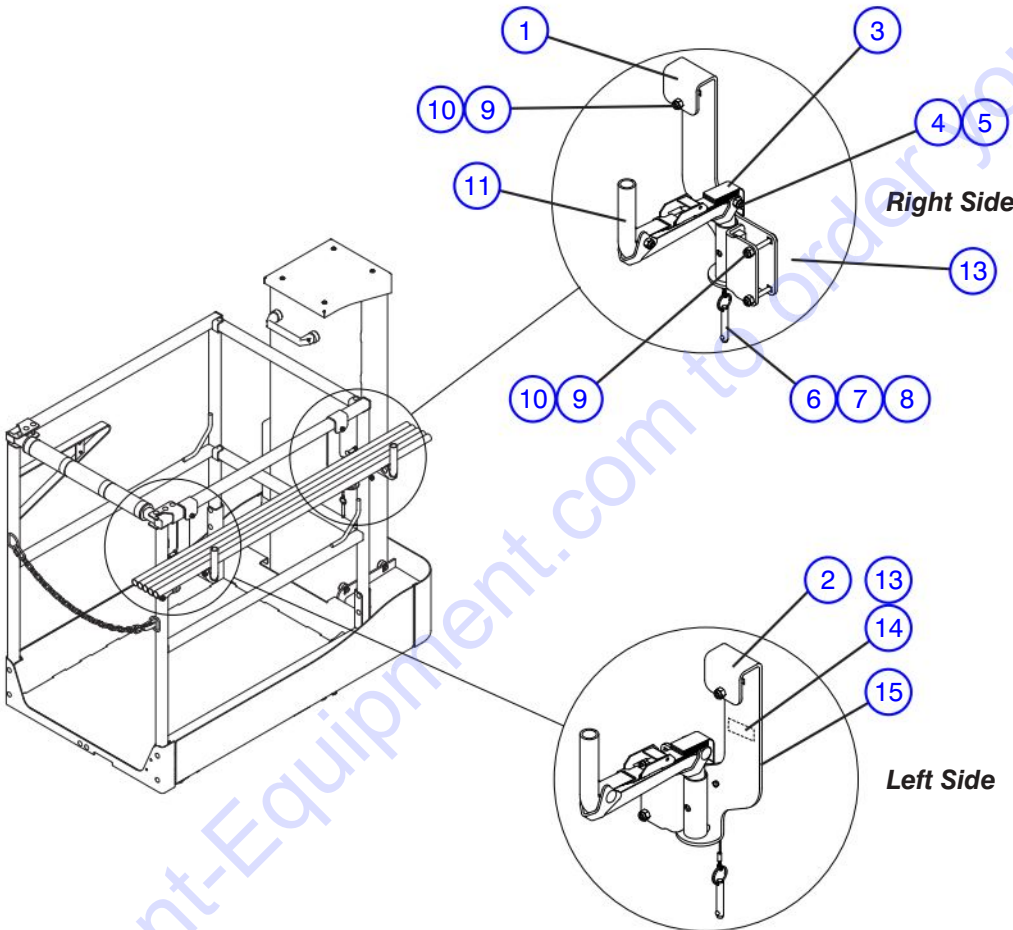
5.5 Biodegradable Hydraulic Oil Option



5.6 Charger/Inverter Option



5.1 Pipe Rack Attachment

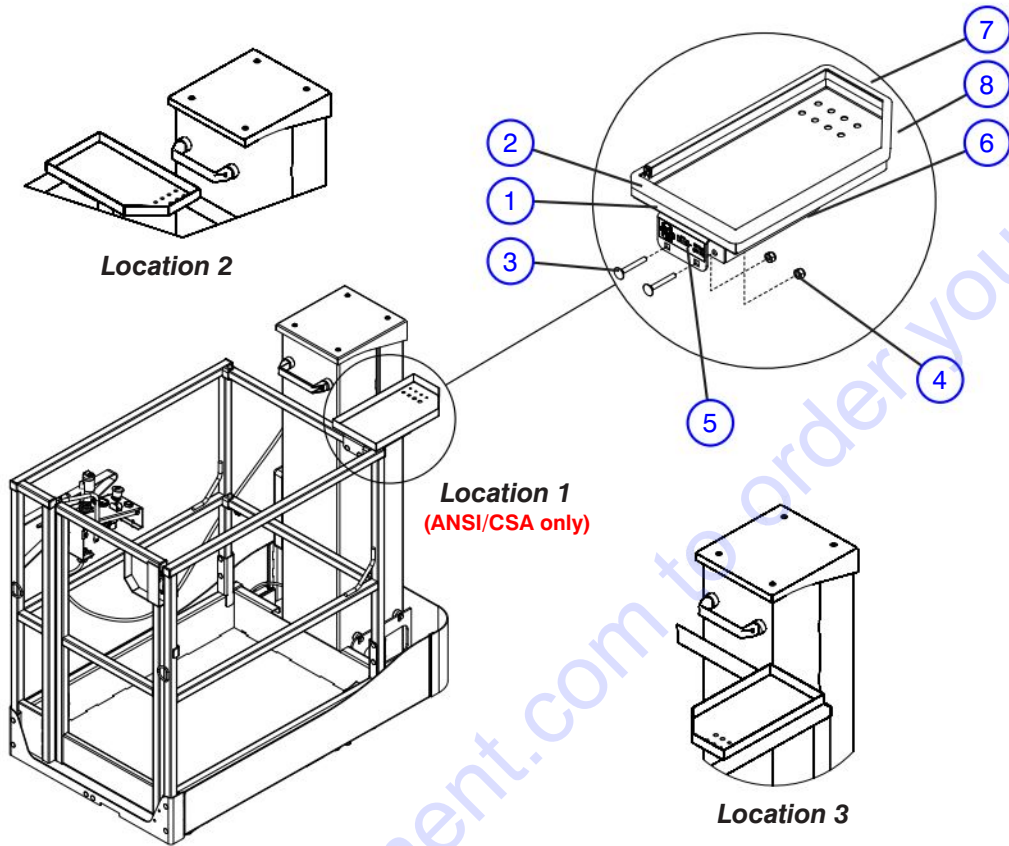


M158342AC

Index No.	Skyjack Part No.	Qty.	Description
			NOTE: Part Numbers followed by a "DG" indicate dark grey painted parts.
A	158342	-	PIPE RACK KIT (ANSI/CSA)
B	158804	-	PIPE RACK KIT (CE)
C	158848	-	PIPE RACK KIT (AS/KC)
-	157408	1	• ASSEMBLY, Pipe rack (Right side)
-	158343	1	• ASSEMBLY, Pipe rack (Left side)
1	157404	1	• • WELDMENT, Pipe rack (Right side)
2	158344	1	• • WELDMENT, Pipe rack (Left side)
3	158357	1	• • STRAP, Nylon tie down flat hook
4	158381	2	• • SPACER, Stand off (5/16" ID x 1" LG)
5	158380	2	• • BOLT, Carriage (5/16" - 18 x 1.75" grd5)
6	124548	1	• • LARGE LOOP PIN QUICK RELEASE ASSEMBLY
7	103995	1	• • WASHER, Flat (1/4")
8	157173	1	• • RIVET (1/4"x 0.49")
9	127437	3	• • BOLT, Carriage (5/16"-18 x 2", Grade 5)
10	103984	5	• • NUT, Hex nylon lock (5/16"-18, Grade 5)
11	157405	1	• • WELDMENT, Tube pipe rack
12	159707	1	• CERTIFICATE, Mini Lift Pipe Rack, (Not shown) B
13	159710	2	• LABEL, Attachment combo, vertical, B, C
14	158874	2	• LABEL, Pipe rack capacity
15	158872	2	• LABEL, Manual force (200N) / No wind (0 m/s), B, C
16	159281	1	• FIELD INSTRUCTION, Pipe Rack Installation (Not shown), A
	159614	1	• FIELD INSTRUCTION, Pipe Rack Installation (Not shown), B
	159617	1	• FIELD INSTRUCTION, Pipe Rack Installation (Not shown), C

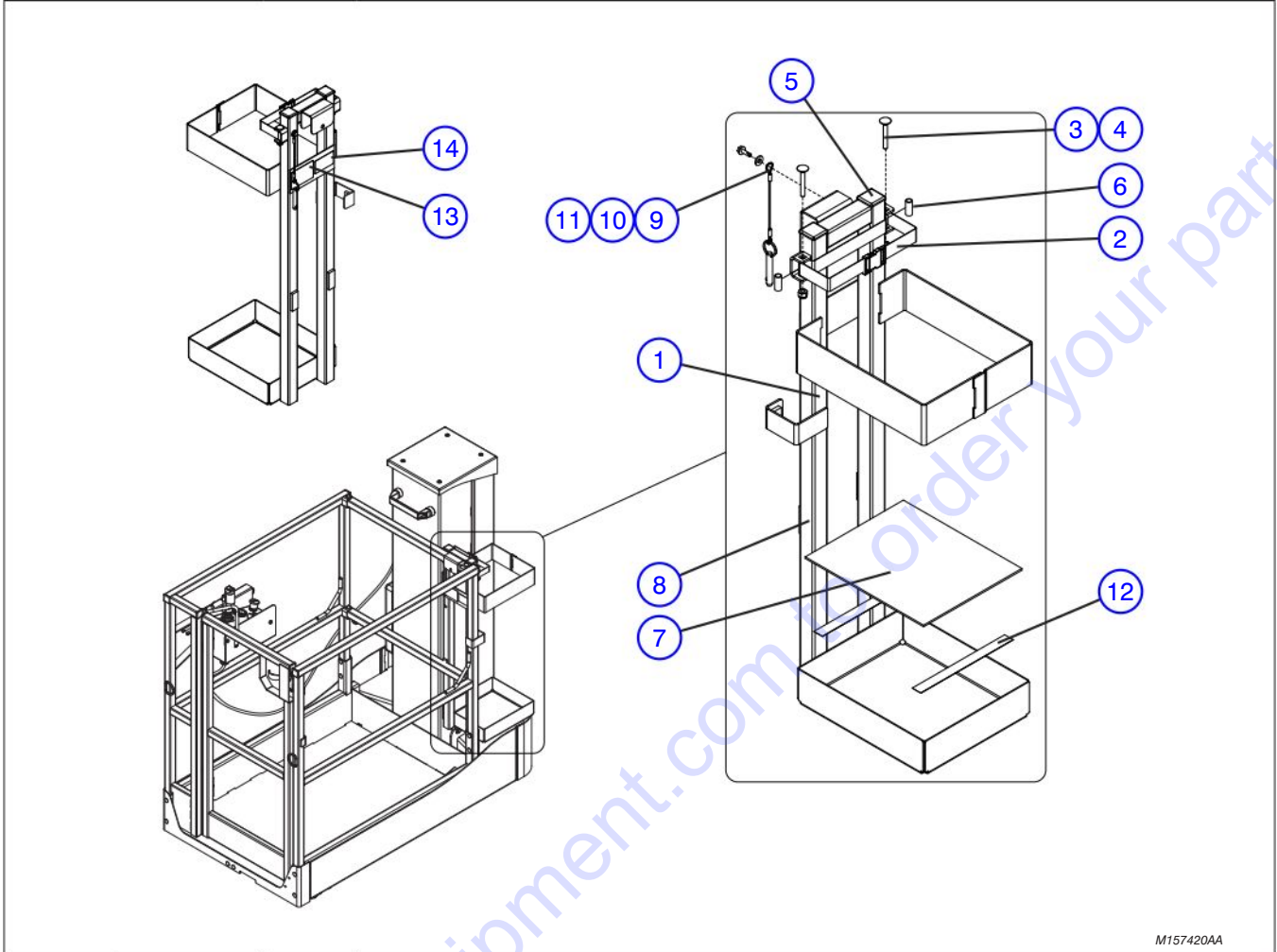
5.2 Tool Tray Attachment

AC



M158365AC

Index No.	Skyjack Part No.	Qty.	Description
<p>NOTE: Part Numbers followed by a “DG” indicate dark grey painted parts.</p>			
A	158365	-	TOOL TRAY KIT (ANSI/CSA)
B	158805	-	TOOL TRAY KIT (CE)
C	158849	-	TOOL TRAY KIT (AS/KC)
1	158371	1	• • WELDMENT, Tool tray
2	117398	44	• • PROTECTIVE TRIM (3/16-1/4)
3	127437	2	• • BOLT, Carriage (5/16”-18 x 2”, Grade 5)
4	103984	2	• • NUT, Hex nylon lock (5/16”-18, Grade 5)
5	158660	1	• • LABEL, Tool tray location & capacity, A
6	159709	1	• • LABEL, Attachment combo, horizontal, B, C
7	159080	1	• • LABEL, Tool tray location (1) + capacity
8	159102	1	• • LABEL, Tool tray location (2) + capacity
9	159708	1	• • CERTIFICATE, Mini Lift Tool Tray (Not shown), B
10	159282	1	• FIELD INSTRUCTION, Tool tray installation (Not shown), A
	159751	1	• FIELD INSTRUCTION, Tool tray installation (Not shown), B
	159752	1	• FIELD INSTRUCTION, Tool tray installation (Not shown), C

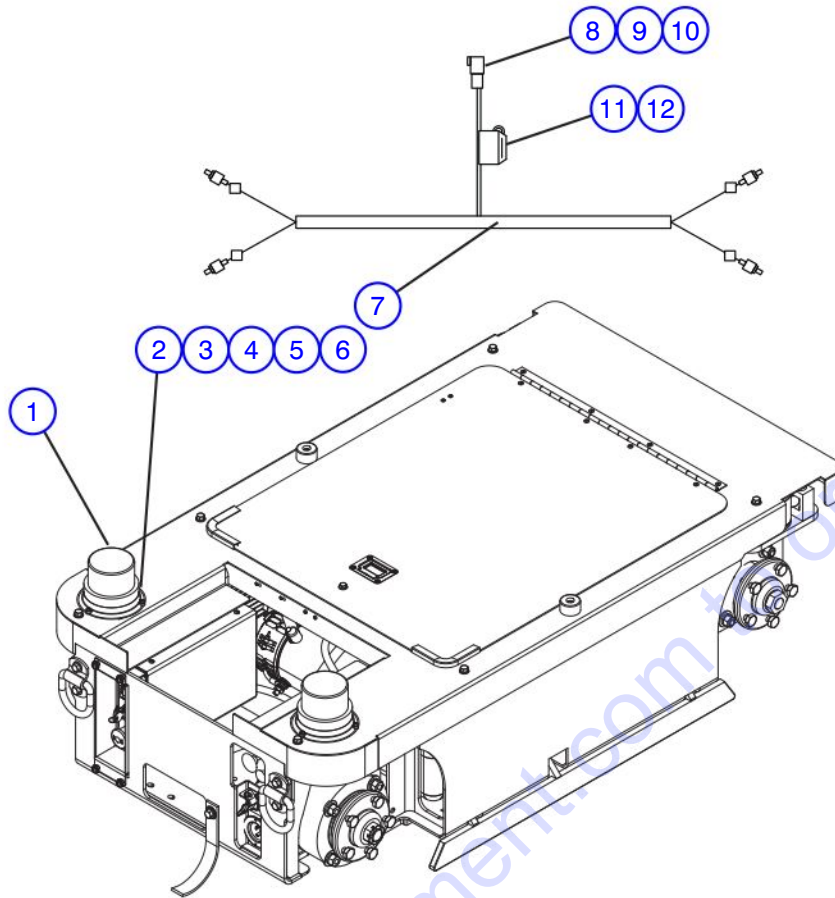


M157420AA

Index No.	Skyjack Part No.	Qty.	Description
			NOTE: Part Numbers followed by a "DG" indicate dark grey painted parts.
-	159389	-	TUBE CADDY INSTALLATION FIELD KIT (ANSI/CSA)
-	157420	-	• TUBE CADDY KIT
	158363	1	• • ASSEMBLY, Tube Caddy
1	158372	1	• • • WELDMENT, Tube Caddy
2	158358	1	• • • STRAP, Nylon with buckle
3	127437	4	• • • BOLT, Carriage (0.313 -18 x 2 Grade 5)
4	103984	4	• • • NUT, Hex nylon lock (0.313 -18 Grade 5)
5	100702	2	• • • CAP, Plate end
6	158381	2	• • • SPACER, Stand off (5/16 ID x 1" LG)
7	158334	1	• • • SHEET, Rubber (0.125" x 8.5" x 9.5")
8	125577	2	• • • BUMPER, Door
9	124548	1	• • • LARGE LOOP PIN QUICK RELEASE ASSEMBLY
10	103995	1	• • • WASHER, Flat (1/4")
11	103632	1	• • • SCREW, Hex head self tapping (1/4"-14 x 3/4")
12	158843	16	• • • TAPE, Adhesive transfer (3/4")
13	158875	1	• • LABEL, Tube caddy capacity
14	158919	1	• • LABEL, Manual force 200N
15	159283	1	• FIELD INSTRUCTION, Tube caddy installation (Not shown)

5.4 Flashing Light Option

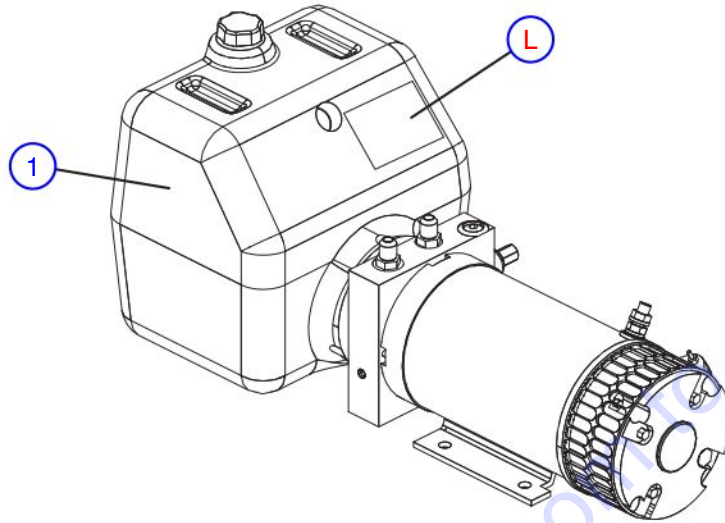
AE



M151635AC

Index No.	Skyjack Part No.	Qty.	Description
-	159515	-	NOTE: Part Numbers followed by a "DG" indicate dark grey painted parts. FLASHING LIGHT INSTALLATION FIELD KIT
-	151635	-	• FLASHING LIGHT KIT
1	160227	2	• LIGHT, LED Strobe (Order Part #157136 for Machines with Serial #'s 14002017 and Below)
	158779	1	• • • LENS, Amber (For Machines with Serial #'s 14002017 and Below)
	158780	1	• • • BULB (Flash Tube) (For Machines with Serial #'s 14002017 and Below)
2	104003	6	• • NUT, Hex head (#10-32)
3	104694	6	• • WASHER, Flat (#10)
4	104698	6	• • SCREW, Round head machine (#10-32 x 3/4")
5	104185	6	• • WASHER, Lock (#10)
6	100616	2	• • GROMMET, RB-220 9/16"
7	157135	1	• HARNESS, Strobe
8	117596	1	• • • CONNECTOR, Receptacle (2 pin)
9	117598	1	• • • CONNECTOR, Receptacle wedge (2 pin)
10	117590	2	• • • CONTACT, Pin (16-18)
11	119293	1	• • • FUSE HOLDER (With Cover)
12	156202	1	• • • FUSE, 5A
-	159284	1	• FIELD INSTRUCTION, Flashing light installation (Not Shown)

5.5 Biodegradable Hydraulic Oil Option

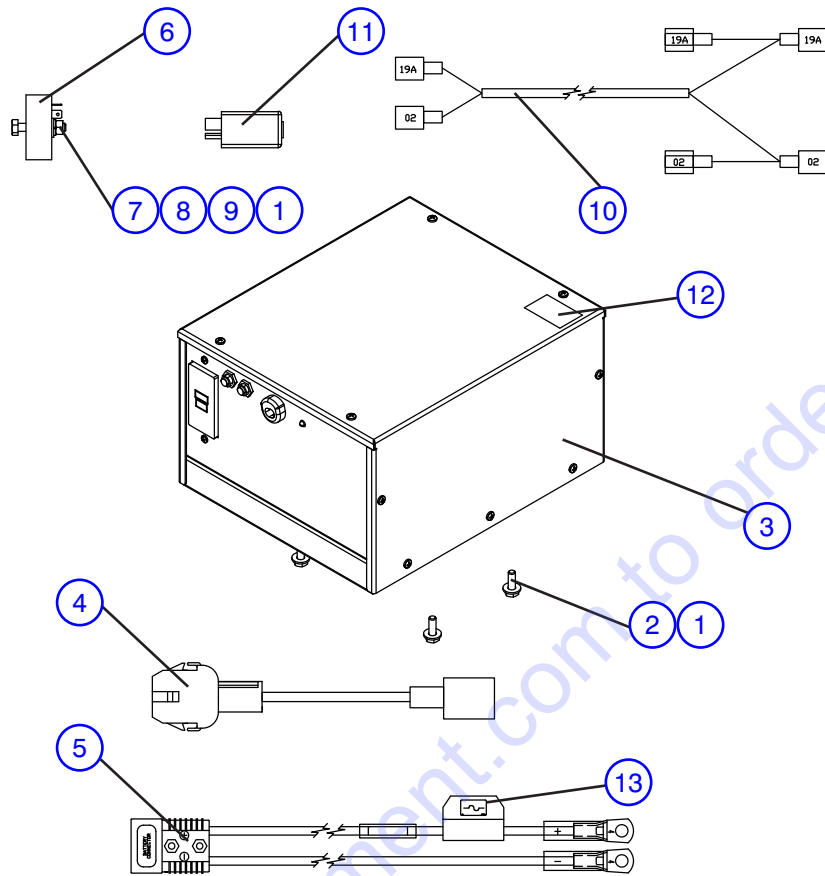


M157132AA

Index No.	Skyjack Part No.	Qty.	Description
-	157142	-	<p>NOTE: Part Numbers followed by a “DG” indicate dark grey painted parts.</p>
1	157138	8L	<p>BIODEGRADEABLE HYDRAULIC OIL OPTION</p> <ul style="list-style-type: none"> • OIL, Biodegradable hydraulic
2	157143	1	<ul style="list-style-type: none"> • LABEL, Hydraway Bio SE32-68

5.6 Charger/Inverter Option

AE



M151633AA

Index No.	Skyjack Part No.	Qty.	Description
-	151633	-	NOTE: Part Numbers followed by a "DG" indicate dark grey painted parts. CHARGER/INVERTER KIT (ANSI/CSA)
1	103995	5	• WASHER, Flat (0.25)
2	103856	4	• BOLT, Hex head (1/4"-20 x 3/4", Grade 5)
3	157365	1	• CHARGER/INVERTER
4	159125	1	• PLUG ASSEMBLY (Charger/Inverter)
5	159666	1	• CABLE ASSEMBLY (Charger/Inverter)
6	137417	1	• TIMER RELAY DELAY (ON - RELEASE)
7	103859	1	• BOLT, Hex head (1/4"-20 x 6/4", Grade 5)
8	104000	1	• WASHER, Lock (1/4")
9	103980	1	• NUT, Hex head (1/4"-20, Grade 8)
10	160379	1	• WIRE ASSEMBLY (Charger/Inverter)
11	104208	1	• PLUG, Male 15A
12	130115	1	LABEL, Inverter Switch
13	119915	1	LABEL, Fuse
14	160490	1	FIELD INSTRUCTION, Charger/Inverter installation (Not shown)

Label Kits

The following label kit is for models SJ12 and SJ16.

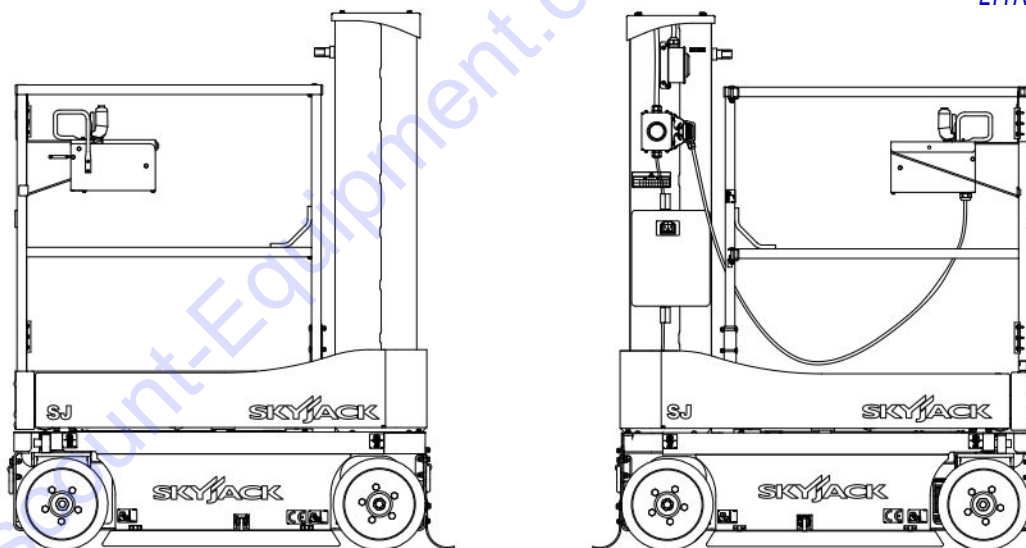
It excludes:

- model designations
- platform capacities
- wheel loads
- serial plates
- base and platform control console labels

Supply model number, country and language when ordering complete machine labels.

Label Kit		
MODEL	ANSI/CSA, AS & KC	CE
SJ12\16	Part # 160766	Part # 160767

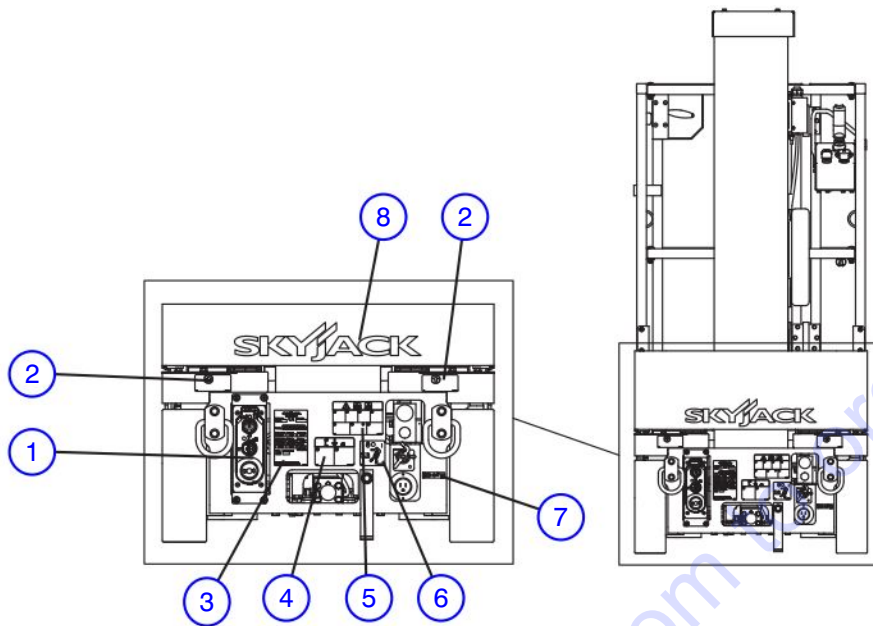
277AB



SKYJACKTM

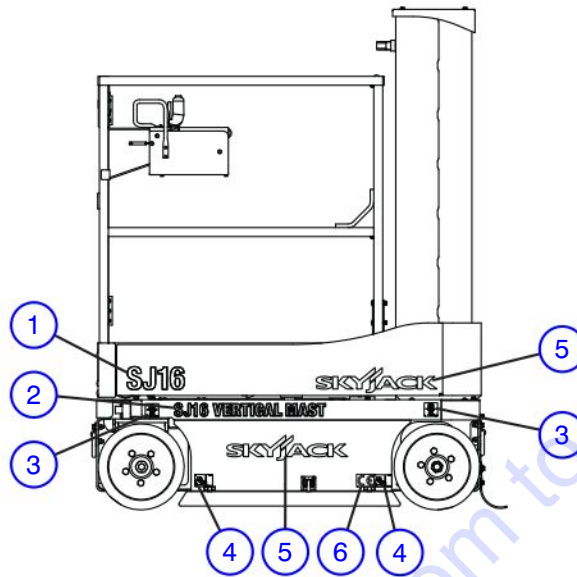
6.2 Labels - Vertical Mast (Rear View)

AD



SJ16 159790AA Rear View

Index No.	Skyjack Part No.	Qty.	Description
<p>NOTE: Part Numbers followed by a "DG" indicate dark grey painted parts.</p>			
1	156317	1	LABEL, Base Controls (Not included in kit)
2	124767	2	LABEL, Lift and Tie Down Points
3	-	1	LABEL, Serial Plate (Contact Discount-equipment)
4	159511	1	LABEL, Emergency Lowering Procedure
5	156721	1	LABEL, Winching/Towing/Pushing Procedure
6	119674	1	LABEL, Main Power Disconnect
7	138211	1	LABEL, Connect Platform AC Supply
8	158536	1	LABEL, Skyjack Logo (White)

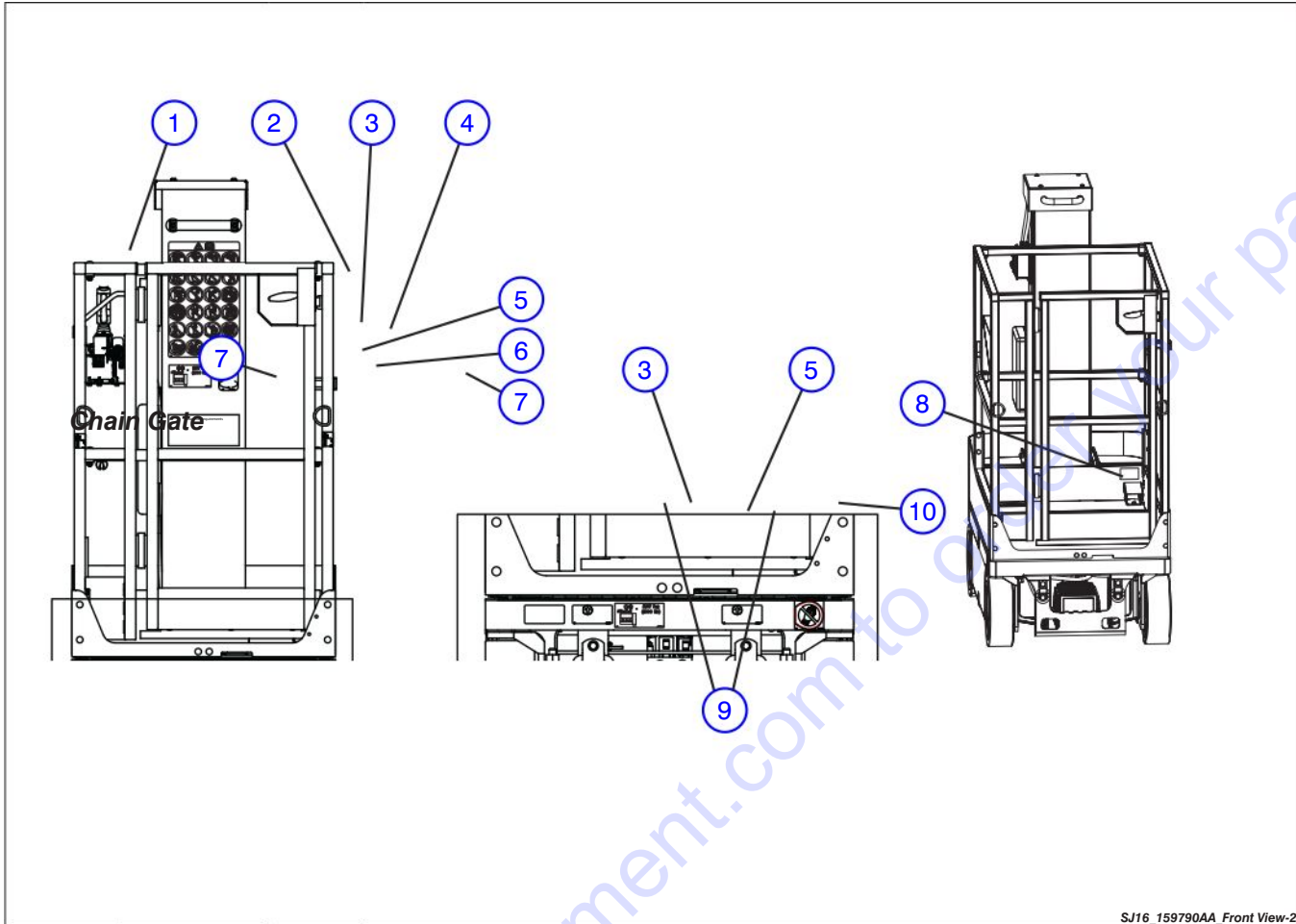


SJ16_Left View-2

Index No.	Skyjack Part No.	Qty.	Description
<p>NOTE: Part Numbers followed by a "DG" indicate dark grey painted parts.</p>			
1	159517	1	LABEL, Model Number ("SJ12") (Not included in kit)
	159519	1	LABEL, Model Number ("SJ16") (Not included in kit)
2	159516	1	LABEL, Model Number ("SJ12 Vertical Mast") (Not included in kit)
	159518	1	LABEL, Model Number ("SJ16 Vertical Mast") (Not included in kit)
3	157014	2	LABEL, Wheel Load (400 kg/880 lb.) (SJ12) (Not included in kit)
	156602	2	LABEL, Wheel Load (475 kg/1050 lb.) (SJ16) (Not included in kit)
4	102896	2	LABEL, Forklift Pocket
5	158536	2	LABEL, Skyjack Logo (White)
6	117023	1	LABEL, "CE" (CE)

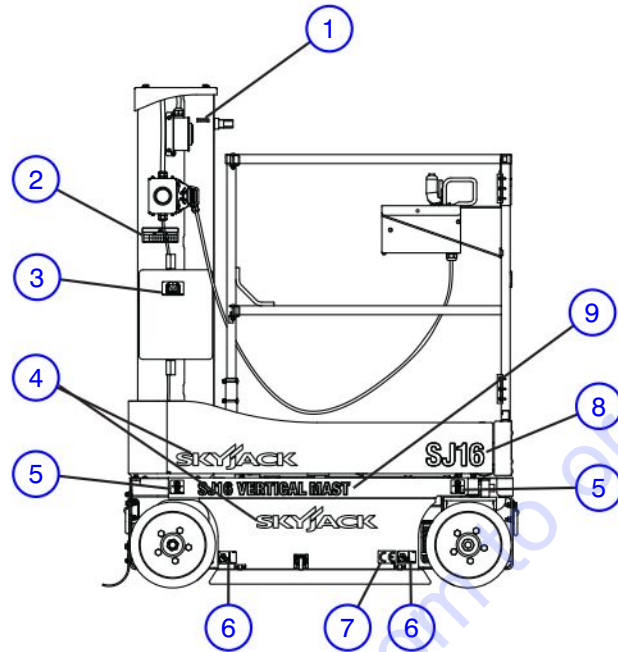
6.4 Labels - Vertical Mast (Front View)

AD



SJ16 159790AA Front View-2

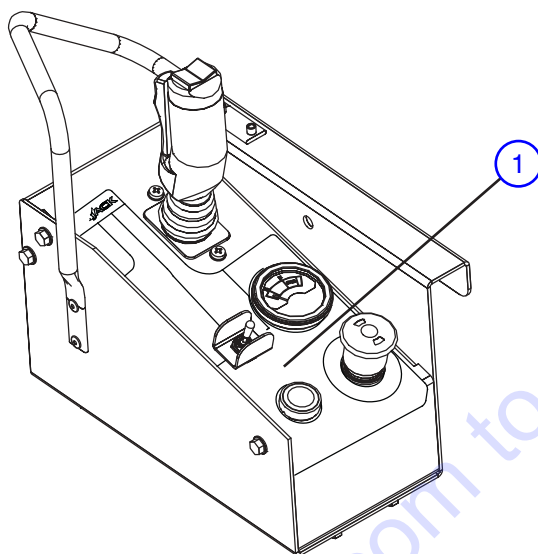
Index No.	Skyjack Part No.	Qty.	Description
<p>NOTE: Part Numbers followed by a “DG” indicate dark grey painted parts.</p>			
1	119803	AR	TAPE, Safety (1”) (Not included in kit)
2	159501	1	LABEL, Hazard Identification
3	156417	2	LABEL, Horizontal Load Rating and Platform Capacity (500/2P) (SJ12 CE/AS/KC) (Not included in kit)
	156687	2	LABEL, Horizontal Load Rating and Platform Capacity (500/2P) (SJ16 CE/AS/KC) (Not included in kit)
	156308	2	LABEL, Horizontal Load Rating and Platform Capacity (SJ12/16 ANSI/CSA) (Not included in kit)
4	156436	1	LABEL, Operator’s Daily Inspection
5	124465	2	LABEL, Horizontal Load Rating (SJ12/16 ANSI/CSA) (Not included in kit)
6	161631	1	LABEL, Clearance for non insulated mobile plant (SJ12/16 AS) (Not included in kit)
7	130018	2	LABEL, Lanyard Anchorage Point
8	157012	1	LABEL, Platform Traversing Procedure
9	124767	2	LABEL, Lift and Tie Down Points
10	124362	1	LABEL, No Jewelry



SJ16 Right View-2

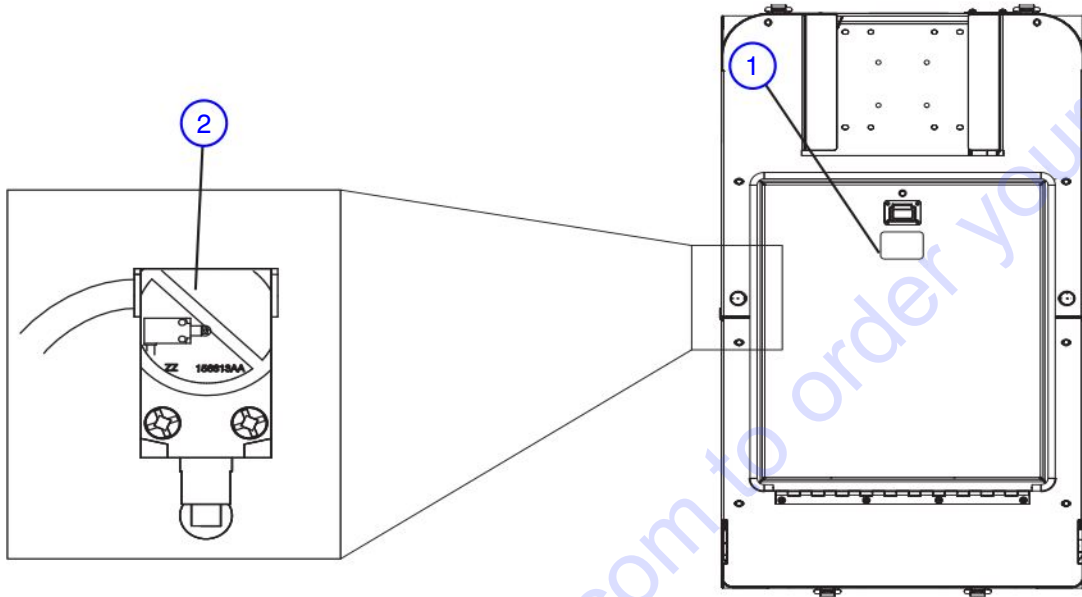
Index No.	Skyjack Part No.	Qty.	Description
<p>NOTE: Part Numbers followed by a "DG" indicate dark grey painted parts.</p>			
1	138211	1	LABEL, Connect Platform AC Supply
2	156441	1	LABEL, Annual Inspection
3	123628	1	LABEL, Manual Storage Box
4	158536	2	LABEL, Skyjack Logo (White)
5	157014	2	LABEL, Wheel Load (400 kg/880 lb.) (SJ12) (Not included in kit)
	156602	2	LABEL, Wheel Load (475 kg/1050 lb.) (SJ16) (Not included in kit)
6	102896	2	LABEL, Forklift Pocket
7	117023	1	LABEL, "CE" (CE)
8	159517	1	LABEL, Model Number ("SJ12") (Not included in kit)
	159519	1	LABEL, Model Number ("SJ16") (Not included in kit)
9	159516	1	LABEL, Model Number ("SJ12 Vertical Mast") (Not included in kit)
	159518	1	LABEL, Model Number ("SJ16 Vertical Mast") (Not included in kit)

6.6 Labels - Platform Control Console



M148639AA

Index No.	Skyjack Part No.	Qty.	Description
1	156318	1	<p>NOTE: Part Numbers followed by a "DG" indicate dark grey painted parts.</p> <p>LABEL, Platform Control Console (Not included in kit)</p>

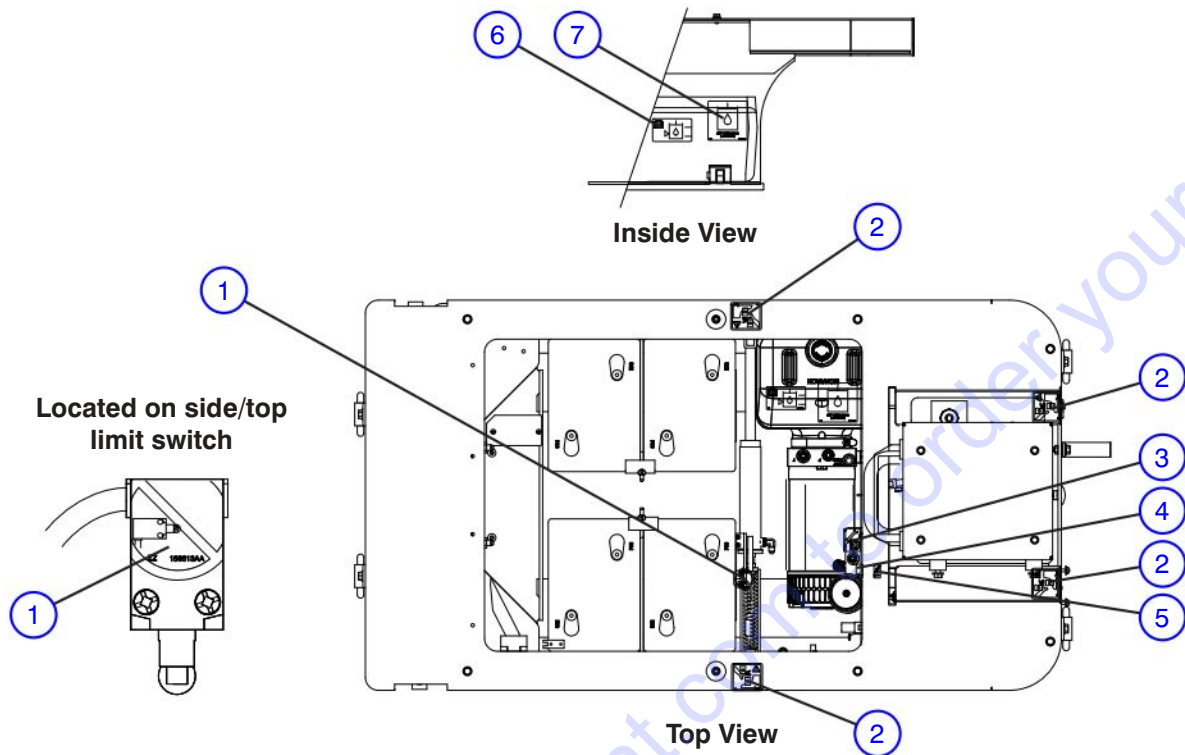


156347AE SJ12 BASE 2

Index No.	Skyjack Part No.	Qty.	Description
1	157011	1	<p>NOTE: Part Numbers followed by a "DG" indicate dark grey painted parts.</p> <p>LABEL, Do Not Open</p>
2	156613	AR	<p>LABEL, Do Not Alter</p>

6.7 Labels - Vertical Mast (Base View, Continued)

AD



156347AD_SJ12_BASE

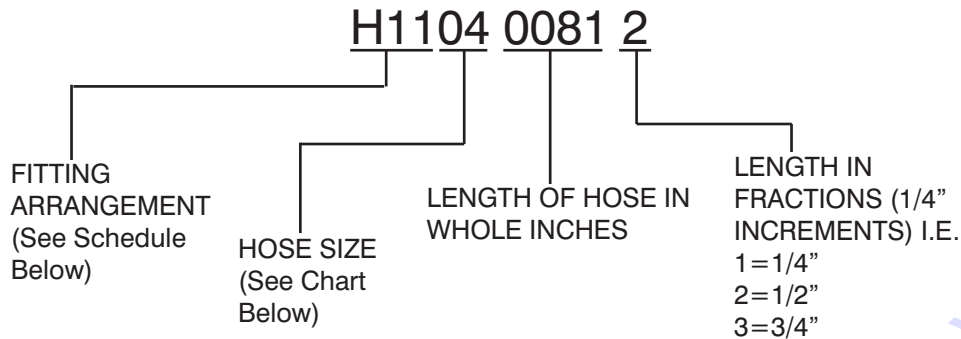
Index No.	Skyjack Part No.	Qty.	Description
NOTE: Part Numbers followed by a "DG" indicate dark grey painted parts.			
1	156613	3	LABEL, Do Not Alter (CE/AS/KC - 2 on platform + 1 at base)
	156613	2	LABEL, Do Not Alter (ANSI - 1 on platform + 1 at base)
2	119866	4	LABEL, Crushing Hazard
3	156612	1	LABEL, Diagnostic Switch
4	117387	1	LABEL, Power Circuit Breaker
5	117389	1	LABEL, Ground Circuit Breaker
6	146016	1	LABEL, Hydraulic Oil Level (Min/Max)
7	102961	1	LABEL, Hydraulic Oil ATF Dextron III

7.1 *Standard Hose Numbering System*

7.2 *Vertical Mast Fluids Table*

Go to Discount-Equipment.com to order your parts

7.1 Standard Hose Numbering System



Using the number above as an example (H1104 0081 2). This hose requires a 37° JIC, female swivel fitting on one end. A medium length 90° JIC, female swivel fitting for the other end. The Hose must meet or exceed S.A.E. 100R13 hose specification, and be a total of 81-1/2" long. NOTE: Hose ends and hose must be from same manufacturer per S.A.E. J1273 Nov. '91, Sections 3.10 and 4.2. Hose ends and hose must be of the same size i.e. #4 size fittings must be used with #4 size hose.

Hose Size Chart

SIZE	03	04	06	08	10	12	16	20	24	32	40	48	56	64
ID	3/16"	1/4"	3/8"	1/2"	5/8"	3/4"	1"	1-1/4"	1-1/2"	2"	2-1/2"	3"	3-1/2"	4"

HOSE PREFIX	HOSE END FITTING	HOSE END FITTING	S.A.E. HOSE SPECIFICATION
H01	FEMALE, 37° JIC, SWIVEL	FEMALE, 37° JIC, SWIVEL	100R17
H02	FEMALE, 37° JIC, SWIVEL	FEMALE, 37° JIC, SWIVEL	100R13
H03	FEMALE, 37° JIC, SWIVEL	45°, FEMALE, 37° JIC, SWIVEL	100R17
H04	FEMALE, 37° JIC, SWIVEL	45°, FEMALE, 37° JIC, SWIVEL	100R13
H05	FEMALE, 37° JIC, SWIVEL	LONG 90°, FEMALE, 37° JIC, SWIVEL	100R17
H06	FEMALE, 37° JIC, SWIVEL	SHORT 90°, FEMALE, 37° JIC, SWIVEL	100R17
H07	LONG 90°, FEMALE, 37° JIC, SWIVEL	LONG 90°, FEMALE, 37° JIC, SWIVEL	100R17
H08	FEMALE, 37° JIC, SWIVEL	FEMALE, 37° JIC, SWIVEL	100R4
H09	FEMALE, 37° JIC, SWIVEL	45°, FEMALE, 37° JIC, SWIVEL	100R4
H10	FEMALE, 37° JIC, SWIVEL	MALE PIPE THREAD FITTING	100R17
H11	FEMALE, 37° JIC, SWIVEL	MEDIUM 90°, FEMALE, 37° JIC, SWIVEL	100R13
H12	SHORT 90°, FEMALE, 37° JIC, SWIVEL	SHORT 90°, FEMALE, 37° JIC, SWIVEL	100R17
H13	FEMALE, 37° JIC, SWIVEL	REUSABLE MALE PIPE THREAD FITTING	300 PSI
H14	REUSABLE MALE PIPE THREAD FITTING	NO FITTING	300 PSI
H15	REUSABLE, FEMALE, 37° JIC, SWIVEL	REUSABLE, FEMALE, 37° JIC, SWIVEL	300 PSI

Fitting Arrangement Schedule (Continued on the following page)

7.1 Standard Hose Numbering System

Fitting Arrangement Schedule (Continued from the previous page)

HOSE PREFIX	HOSE END FITTING	HOSE END FITTING	S.A.E. HOSE SPECIFICATION
H16	NO FITTING	NO FITTING	100R4
H17	NO FITTING	NO FITTING	300 PSI
H18	REUSABLE, FEMALE, 37° JIC, SWIVEL	NO FITTING	300 PSI
H19	LONG 90°, FEMALE, 37° JIC, SWIVEL	FEMALE, 37° JIC, SWIVEL	100R13
H20	FEMALE, SHORT 37° JIC, SWIVEL	SHORT 90°, FEMALE, 37° JIC, SWIVEL	100R4
H21	FEMALE, SHORT 37° JIC, SWIVEL	SHORT 90°, FEMALE, 37° JIC, SWIVEL	100R2AT
H22	FEMALE, 37° JIC, SWIVEL	FEMALE, 37° JIC, SWIVEL	100R2AT
H23	FEMALE, LONG 37° JIC, SWIVEL	LONG 90°, FEMALE, 37° JIC, SWIVEL	100R2AT
H24	FEMALE, SHORT 37° JIC, SWIVEL	SHORT 90°, FEMALE, 37° JIC, SWIVEL	100R13
H25	FEMALE, 37° JIC, SWIVEL	FEMALE, 37° JIC, SWIVEL	100R4
H26	SHORT 90°, FEMALE, 37° JIC, SWIVEL	FEMALE, 37° JIC, SWIVEL	100R17
H27	LONG 90°, FEMALE, 37° JIC, SWIVEL	FEMALE, 37° JIC, SWIVEL	100R17
H28	FEMALE, 37° JIC, SWIVEL	FEMALE, 37° JIC, SWIVEL	100R17
H29	SHORT 45°, FEMALE, 37° JIC, SWIVEL	FEMALE, 37° JIC, SWIVEL	100R17
H30	MEDIUM 90°, FEMALE, 37° JIC, SWIVEL	FEMALE, 37° JIC, SWIVEL	100R17
H31	FEMALE, 37° JIC, SWIVEL	FEMALE, 37° JIC, SWIVEL	100R17
H32	SHORT 45°, FEMALE, 37° JIC, SWIVEL	FEMALE, 37° JIC, SWIVEL	100R17
H33	MEDIUM 45°, FEMALE, 37° JIC, SWIVEL	FEMALE, 37° JIC, SWIVEL	100R17
H34	SHORT 90°, FEMALE, 37° JIC, SWIVEL	FEMALE, 37° JIC, SWIVEL	100R17
H35	MEDIUM 90°, FEMALE, 37° JIC, SWIVEL	FEMALE, 37° JIC, SWIVEL	100R17
H36	LONG 90°, FEMALE, 37° JIC, SWIVEL	FEMALE, 37° JIC, SWIVEL	100R17
H37	SHORT 45°, FEMALE, 37° JIC, SWIVEL	FEMALE, 37° JIC, SWIVEL	100R4
H38	SHORT 90°, FEMALE, 37° JIC, SWIVEL	FEMALE, 37° JIC, SWIVEL	100R4
H39	LONG 90°, FEMALE, 37° JIC, SWIVEL	FEMALE, 37° JIC, SWIVEL	100R4
H40	SHORT 90°, FEMALE, 37° JIC, SWIVEL	FEMALE, 37° JIC, SWIVEL	100R16

7.2 Vertical Mast Fluids Table

HYDRAULIC OIL				
Specification	Capacity (Liters)	Capacity (US Gallons)	Oil Type	Skyjack Part No.
Standard	4.92	1.3	ATF Dexron III	119309
Option	4.92	1.3	NATURELLE HF E 32	157138

270AC

Go to Discount-Equipment.com to order Skyjack Parts

PARTS FINDER

**Search Website
by Part Number**



**Search Manual
Library For Parts
Manual & Lookup Part
Numbers – Purchase
or Request Quote**

Search Manuals

Enter your information to help us find the right parts manual for your machine.

* Brand:

* Model:

* Serial:

* Part Number:

SEARCH

**Can't Find Part or
Manual? Request Help
by Manufacturer,
Model & Description**

Parts Order Form

Please fill in the following information to help us find the right part for your machine.

Manufacturer:	<input type="text"/>
Model:	<input type="text"/>
Description:	<input type="text"/>
Part Number:	<input type="text"/>
Quantity:	<input type="text"/>
Notes:	<input type="text"/>

Submit

Discount-Equipment.com is your online resource for quality parts & equipment.

Florida: **561-964-4949** Outside Florida TOLL FREE: **877-690-3101**

Need parts?

Click on this link: <http://www.discount-equipment.com/category/5443-parts/> and choose one of the options to help get the right parts and equipment you are looking for. Please have the machine model and serial number available in order to help us get you the correct parts. If you don't find the part on the website or on one of the online manuals, please fill out the request form and one of our experienced staff members will get back to you with a quote for the right part that your machine needs.

We sell worldwide for the brands: Genie, Terex, JLG, MultiQuip, Mikasa, Essick, Whiteman, Mayco, Toro Stone, Diamond Products, Generac Magnum, Airman, Haulotte, Barreto, Power Blanket, Nifty Lift, Atlas Copco, Chicago Pneumatic, Allmand, Miller Curber, Skyjack, Lull, Skytrak, Tsurumi, Husquvarna Target, Stow, Wacker, Sakai, Mi-T-M, Sullair, Basic, Dynapac, MBW, Weber, Bartell, Bennar Newman, Haulotte, Ditch Runner, Menegotti, Morrison, Contec, Buddy, Crown, Edco, Wyco, Bomag, Laymor, EZ Trench, Bil-Jax, F.S. Curtis, Gehl Pavers, Heli, Honda, ICS/PowerGrit, IHI, Partner, Imer, Clipper, MMD, Koshin, Rice, CH&E, General Equipment, Amida, Coleman, NAC, Gradall, Square Shooter, Kent, Stanley, Tamco, Toku, Hatz, Kohler, Robin, Wisconsin, Northrock, Oztec, Toker TK, Rol-Air, APT, Wylie, Ingersoll Rand / Doosan, Innovatech, Con X, Ammann, Mecalac, Makinex, Smith Surface Prep, Small Line, Wanco, Yanmar