



SKYJACK[™]

PARTS MANUAL

SJ12, SJ16

VERTICAL MAST

213557ABA

September 2020
ANSI/CSA, CE, AS

Go to Discount-Equipment.com to order your parts

PARTS FINDER

**Search Website
by Part Number**



**Search Manual
Library For Parts
Manual & Lookup Part
Numbers – Purchase
or Request Quote**

Search Manuals

Enter your information to help us find the right parts manual for your machine.

* Brand:

* Model:

* Serial:

* Part Number:

SEARCH

**Can't Find Part or
Manual? Request Help
by Manufacturer,
Model & Description**

Parts Order Form

Please fill in the following information to help us find the right part for your machine.

Manufacturer:	<input type="text"/>
Model:	<input type="text"/>
Description:	<input type="text"/>
Part Number:	<input type="text"/>
Quantity:	<input type="text"/>
Notes:	<input type="text"/>

Submit

Discount-Equipment.com is your online resource for quality parts & equipment.

Florida: **561-964-4949** Outside Florida TOLL FREE: **877-690-3101**

Need parts?

Click on this link: <http://www.discount-equipment.com/category/5443-parts/> and choose one of the options to help get the right parts and equipment you are looking for. Please have the machine model and serial number available in order to help us get you the correct parts. If you don't find the part on the website or on one of the online manuals, please fill out the request form and one of our experienced staff members will get back to you with a quote for the right part that your machine needs.

We sell worldwide for the brands: Genie, Terex, JLG, MultiQuip, Mikasa, Essick, Whiteman, Mayco, Toro Stone, Diamond Products, Generac Magnum, Airman, Haulotte, Barreto, Power Blanket, Nifty Lift, Atlas Copco, Chicago Pneumatic, Allmand, Miller Curber, Skyjack, Lull, Skytrak, Tsurumi, Husquvarna Target, Stow, Wacker, Sakai, Mi-T-M, Sullair, Basic, Dynapac, MBW, Weber, Bartell, Bennar Newman, Haulotte, Ditch Runner, Menegotti, Morrison, Contec, Buddy, Crown, Edco, Wyco, Bomag, Laymor, EZ Trench, Bil-Jax, F.S. Curtis, Gehl Pavers, Heli, Honda, ICS/PowerGrit, IHI, Partner, Imer, Clipper, MMD, Koshin, Rice, CH&E, General Equipment, Amida, Coleman, NAC, Gradall, Square Shooter, Kent, Stanley, Tamco, Toku, Hatz, Kohler, Robin, Wisconsin, Northrock, Oztec, Toker TK, Rol-Air, APT, Wylie, Ingersoll Rand / Doosan, Innovatech, Con X, Ammann, Mecalac, Makinex, Smith Surface Prep, Small Line, Wanco, Yanmar

This manual is based on Serial Numbers:

SJ12 & SJ16: A600 000 001 - A600 999 999

Please refer to the website (www.discount-equipment.com) for contact information, other serial numbers, the most recent technical manuals, and USB software.

Go to Discount-Equipment.com to order your parts

Table of Contents

Foreword	7
General.....	7
Parts Ordering Information.....	7
Method of Listing.....	7
Quantities.....	7
How To Order Repair Parts.....	7
Recommended Service Parts.....	8
Section 1 – Platform	11
1.1 Upper Platform.....	12
1.2 Lower Platform.....	14
1.3 Railing.....	15
1.4 Gate.....	16
1.5 Saloon Gate.....	18
1.6 Limit Switches.....	20
1.7 Platform Control Console.....	22
1.8 Joystick.....	24
1.9 Platform Control Box Wiring.....	26
Section 2 – Mast - SJ12	31
2.1 Mast 1 - SJ12.....	32
2.2 Mast 2 - SJ12.....	34
2.3 Mast 3 - SJ12.....	36
2.4 Mast 4 - SJ12.....	38
2.5 Chain - SJ12.....	40
2.6 Lift Cylinder Hardware - SJ12.....	41
2.7 Lift Cylinder - SJ12.....	42
2.8 Mast Electrical - SJ12.....	44
2.9 Control Cable - SJ12.....	46
2.10 Power Outlet - CE.....	48
Section 3 – Mast - SJ16	51
3.1 Mast 1 - SJ16.....	52
3.2 Mast 2 - SJ16.....	54
3.3 Mast 3 - SJ16.....	56
3.4 Mast 4 - SJ16.....	58
3.5 Mast 5 - SJ16.....	60
3.6 Chain - SJ16.....	62

3.7	Lift Cylinder Hardware - SJ16	63
3.8	Lift Cylinder - SJ16	64
3.9	Mast Electrical - SJ16	66
3.10	Control Cable - SJ16	68
Section 4 – Base Parts		71
4.1	Base Cover	72
4.2	Base	74
4.3	Pothole Protection	76
4.4	Pothole Cylinder	78
4.5	Clevis	79
4.6	Drive and Steer	80
4.7	Steer Cylinder	82
4.8	Wheel Motor and Brake	84
4.9	Powerpack	86
4.10	Charger	88
4.11	Base Electrical Components	90
4.12	Lower Control Box	92
4.13	Terminal Strip	94
4.14	Circuit Breaker and Horn	95
4.15	Main and Brake Manifolds	96
4.16	Main Manifold	98
4.17	Main Harness	100
4.18	Battery	102
4.19	Wheel	104
Section 5 – Hose Connections		105
5.1	Standard Hose Numbering System	106
5.2	Hydraulic Hose Connections	108
Section 6 – Attachments and Options		111
6.1	Tube Caddy	112
6.2	Pipe Rack	114
6.3	Tool Tray	116
6.4	Flashing Light	118
6.5	Wind Rating Kit SJ16	120
6.6	Discover AGM Batteries	124
6.7	RCD Option - CE	126
6.8	Elevate Telematics	128
6.9	Telematics Keypad	130
6.10	Battery Management System	132
Section 7 – Labels		135
7.1	Label Kits	136

7.2	Labels - Rear View	137
7.3	Labels - Left View	138
7.4	Labels - Front View	139
7.5	Labels - Right View	140
7.6	Labels - Control Box	141
7.7	Labels - Miscellaneous	142
7.8	Labels - Hydraulic Oil	143

Go to Discount-Equipment.com to order your parts

Foreword

General

The information contained in this manual is designed to aid the user in locating and identifying replacement parts. Component parts of various assemblies and subassemblies comprising the work platform are illustrated and accompanied by a descriptive parts list. Exploded drawings are used to show relative location of component parts in disassembly order. If a part cannot be found in this manual, contact Discount-equipment for assistance.

Parts Ordering Information

When ordering replacement parts, the complete part number and description should be used to ensure proper identification and delivery of the desired item. This complete identification should also be used when requesting equipment information.

Method of Listing

Parts are listed in order according to the reference number shown in the illustration, followed by a full description based upon the "NOUN FIRST" method. That is, the noun name of the part is listed first, then the modifying description information which serves to specifically identify the item. For example: PIN, Clevis.

Assemblies at the beginning of a parts list may be identified with a reference letter: A, B, C, etc. These letters are used to identify different configurations of the assembly. Individual parts in these lists have corresponding letters after their description to identify which assembly it is used in. If a part does not have a reference letter, it is used in all of the assemblies.

Bullets (•) are used to show the assembly structure, or parent/child relationship. A part listed at the beginning of the parts list without a bullet before the description is the main assembly, and all of the parts below it with one bullet are the subcomponent parts of that assembly. Two bullets denote a subcomponent of a subcomponent, etc.

Example:

Main Assembly A

- Part 1 (subcomponent of Main Assembly A)
- Part 2 (subcomponent of Main Assembly A)
- • Part 3 (subcomponent of Part 2)

Quantities

The quantities required to complete the assembly are given for each part. If the quantity is (AR), it is understood that the quantity may vary when the machine is equipped with certain options. Order quantity as needed.

How To Order Repair Parts

1. Address all orders to Discount-equipment.
2. Specify model and serial number of the work platform (found on the serial number plate).
3. List the quantity needed.
4. List the length needed (if it is a bulk item).
5. List the part number and description as shown in this manual for each item.
6. Show the billing and shipping address and the name of the individual, if possible.
7. Suggest the best routing.

Customer: _____

Dealer: _____

Model Number: _____

Serial Number: _____

Date Purchased: _____

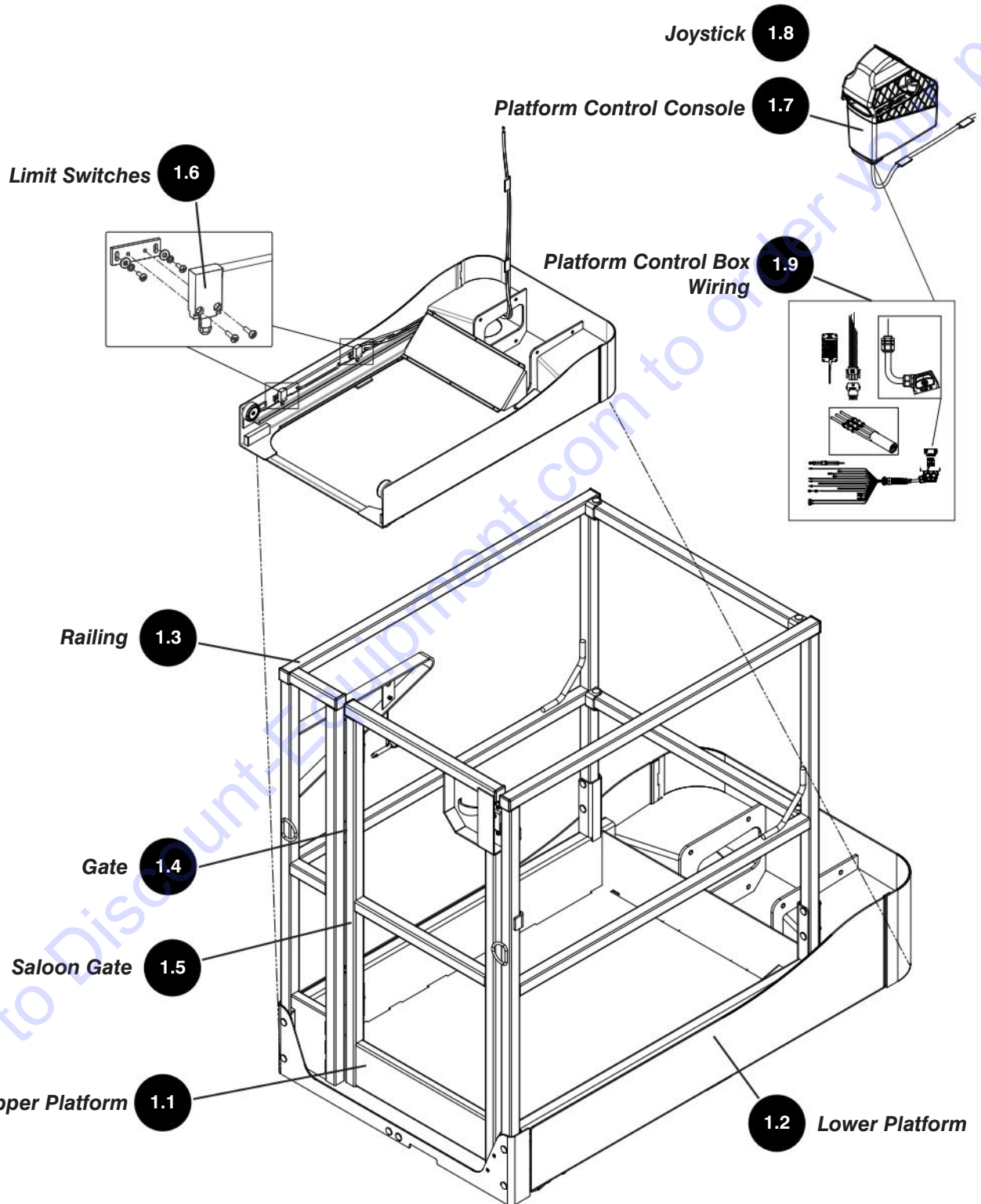
Recommended Service Parts

Description	Year 1 Qty	Year 2 Qty	Year 3 Qty	Skyjack Part No.
Mechanical				
Platform Roller	0	0	4	151677
Wear Pad (Thick and Short) SJ12/SJ16	0	6/8	6/8	158087
Wear Pad (Thin and Long) SJ12/SJ16	0	4/6	4/6	159398
Wear Pad (Thin and Short) SJ12/SJ16	0	6/8	6/8	157763
Wear Pad (Thick and Long) SJ12/SJ16	0	4/6	4/6	159399
Wear Pad (Thin and Long)	0	2	2	157733
Wear Pad (Thick and Long)	0	2	2	158086
Pin, Clevis	0	2	4	158144
Pin, Clevis	0	2	2	158148
Pin, Cotter (rue ring)	0	2	2	158818
Quick Release Pin - large loop	2	2	2	124548
Pin Assembly - large loop	1	1	1	216212
Batteries				
Battery, wet 6VDC 232Ah (ANSI/CSA, CE, AS)	0	4	4	103480
AGM Battery, dry 6VDC 220Ah (ANSI/CSA)	0	4	4	160933
Electrical				
Limit switch - platform extended LS4 (ANSI/CSA, AS and CE)	0	1	1	229308
Limit switch - service position LS3 (ANSI/CSA, AS and CE)	0	1	1	229309
Limit switch, Mast Position LS1	0	1	1	199406
Limit switch, Pothole LS2	0	1	1	199401
Emergency Stop Head (Platform and Base)	1	1	2	147051
E-Stop Contact Block NC (Platform and Base)	1	2	2	147053
LED Block, Red 24V	1	1	2	147061
Latch, Switch Contact Blocks	1	2	4	147056
Contact Block NO (Horn, Base Selector, and Up/Down switch)	1	2	2	147054
Pushbutton Head, Black (Horn)	0	1	1	147058
Toggle Switch (Lift/Off/Drive)	0	1	1	116382
Relay 24V 40A Sealed	0	2	4	108589
Tilt switch	0	1	1	157375
Contact, Switch Solenoid	0	1	1	146475
Base Selector Switch Head (Up/Down)	0	1	1	147069
Keyed Selector Switch, (Idle/Platform/Base) (ANSI/CSA, AS)	0	1	1	213697
Keyed Selector Switch, (Idle/Platform/Base) (CE)	0	1	1	213698
Coil 24V, Main Manifold	0	1	1	105610
Coil 24V, Main Manifold	0	1	3	103605

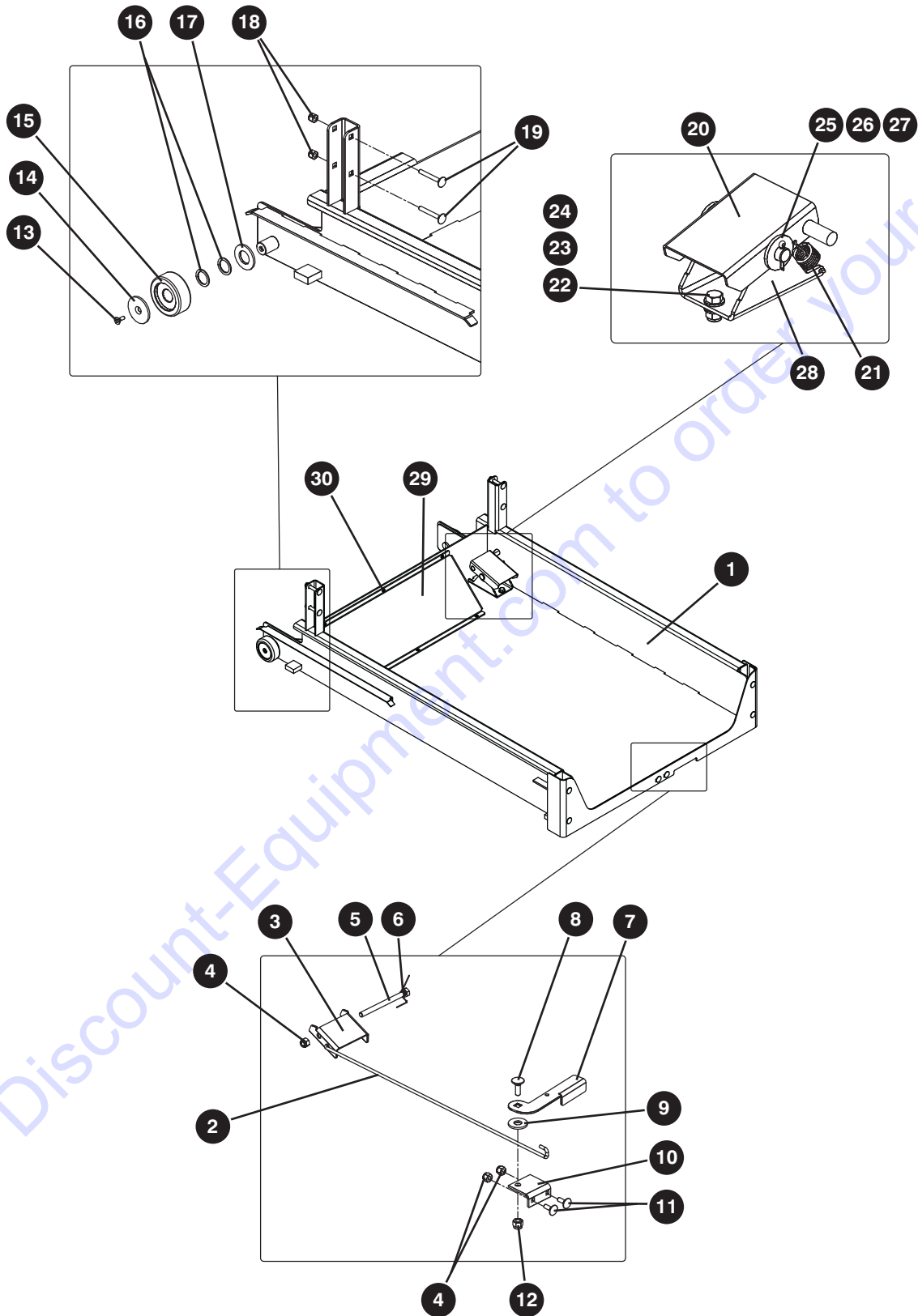
Recommended Service Parts

Description	Year 1 Qty	Year 2 Qty	Year 3 Qty	Skyjack Part No.
Hydraulic				
Seal Kit - Lift Cylinder(s)	0	1	1	157652
Valve, Hold/Emergency Lowering	0	1	1	151696
Valve, Pothole Release	0	1	1	103655
Solenoid 24V Coil, Pothole	0	1	1	104493
Seal Kit - Pothole Cylinder	0	1	1	211650
Seal Kit - Steer Cylinder	0	1	1	157562
Seal Kit - Wheel Motor	0	1	2	151099
Seal Kit - Brake, Bearing and Seal	0	1	2	156251
Seal Kit - Brake, Brake stack	0	1	2	156252
Seal Kit - Brake, O-ring	0	1	2	156253
Seal Kit - Powerpack	0	0	1	156961
Relief Valve, Powerpack Manifold - System R1	0	1	1	156956
Relief Valve, Main Manifold - Steer R2	0	1	1	158853
Relief Valve, Main Manifold - Lift R3	0	1	1	151684
Priority Flow Relief Steer Valve, Main Manifold FC1	0	0	1	158852
Valve, Counterbalance	0	0	1	147889
Valve, Lift	0	0	1	158185
Valve, Steer	0	0	1	158186
Valve, Drive	0	0	1	156850
Valve, Brake	0	0	1	103656

Section 1 – Platform



1.1 Upper Platform



M220058AB

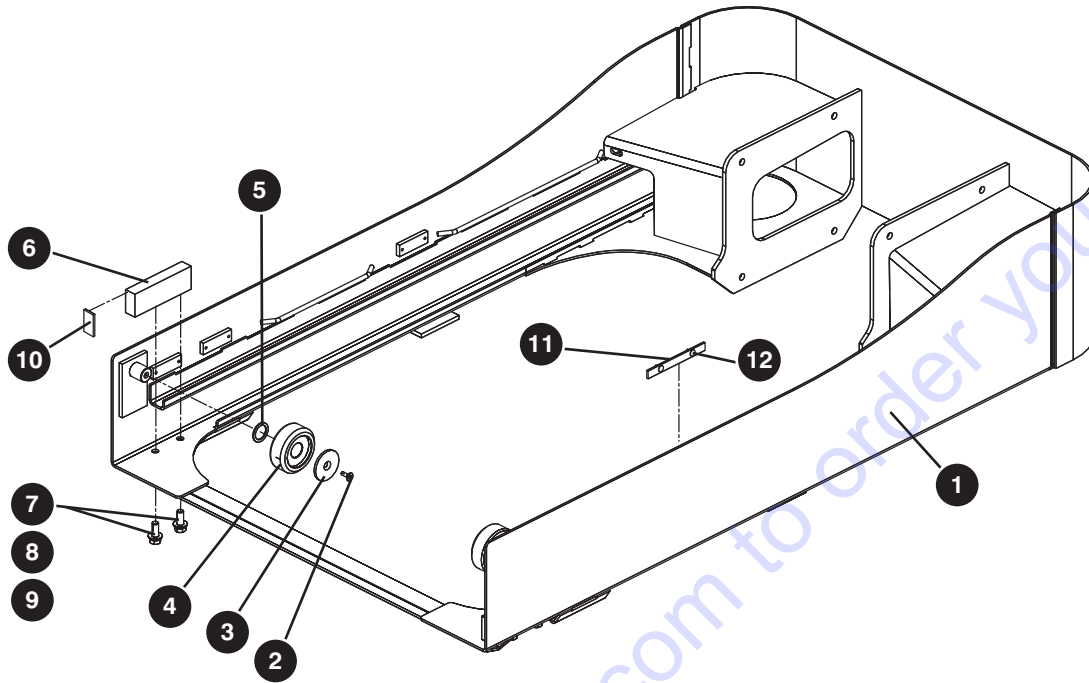
213557ABA

SJ12, SJ16

1.1 Upper Platform

Index No.	Skyjack Part No.	Qty.	Description
-	220058	1	UPPER PLATFORM
1	220057	1	• PLATFORM WELDMENT
-	151668	1	• SERVICE LOCK
2	151623	1	• • ROD
3	151620	1	• • STRIKER
4	103984	3	• • NUT, Hex nylon lock (5/16"-18, grade 5)
5	103882	1	• • BOLT, Hex head (5/16"-18 x 4", grade 5)
6	156551	1	• • SPRING
7	151619	1	• • HANDLE
8	111804	1	• • BOLT, Carriage (3/8"-16 x 1", grade 5)
9	104379	1	• • WASHER, Flat (1/2")
10	151618	1	• • MOUNT
11	110814	2	• • BOLT, Carriage (5/16"-18 x 3/4", grade 5)
12	104606	1	• • NUT, Hex nylon lock (3/8"-16, grade 5)
13	110853	2	• SCREW, Flat head cap (1/4"-20 x 5/8", grade 5)
14	151650	2	• RETAINER, Washer
15	151677	2	• ROLLER (2-3/4" OD x 7/8" ID x 1.051")
16	116621	4	• SHIM (0.063")
17	205682	2	• WASHER, Flat (7/8")
18	103984	8	• NUT, Hex nylon lock (5/16"-18, grade 5)
19	127437	8	• BOLT, Carriage (5/16"-18 x 2", grade 5)
-	151563	1	• FOOT PEDAL ASSEMBLY
20	158370	1	• • FOOT PEDAL
21	158100	1	• • SPRING
22	103887	1	• • BOLT, Hex head (5/16"-18 x 3/4", grade 5)
23	103996	2	• • WASHER, Flat (5/16")
24	103984	1	• • NUT, Hex head lock (5/16"-18, grade 5)
25	157441	1	• • PIN, Clevis (1/2" x 3.5")
26	157467	1	• • PIN, Cotter
27	104379	2	• • WASHER, Flat (1/2")
28	151525	1	• • BASE, Foot pedal
29	170179	1	• KICKER, Platform
30	157759	6	• RIVET, Pop (3/16" x 9/16")

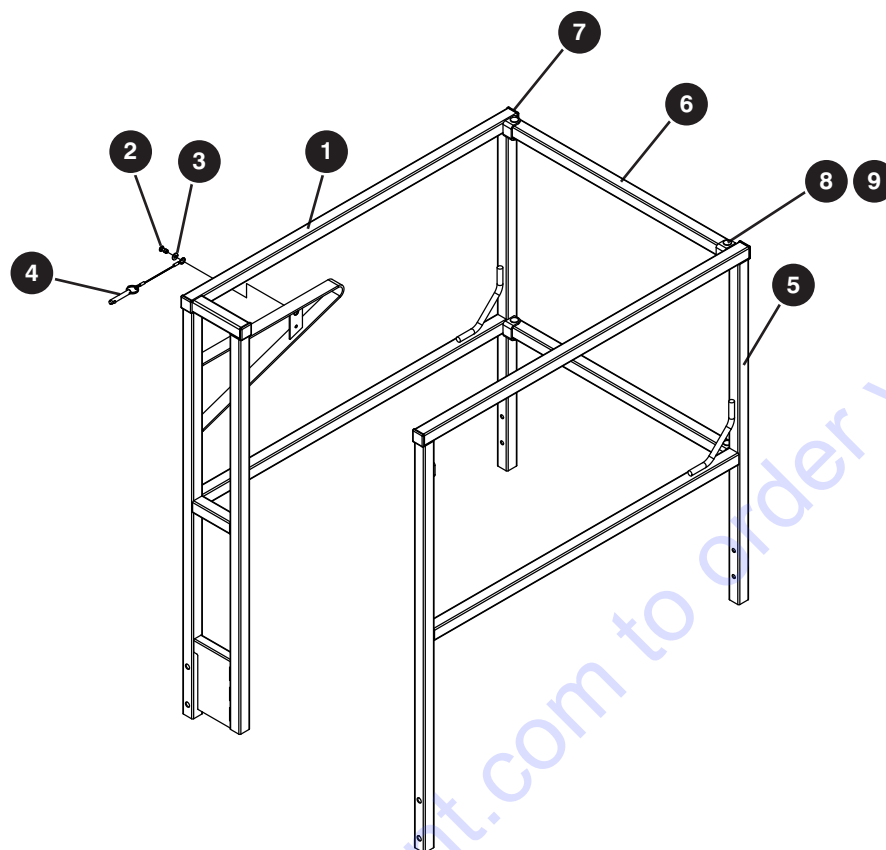
1.2 Lower Platform



M157435AC

Index No.	Skyjack Part No.	Qty.	Description
-	157435	1	LOWER PLATFORM
1	157434	1	• LOWER PLATFORM WELDMENT
2	110853	2	• SCREW, Flat head cap (1/4"-20 x 5/8", grade 5)
3	151650	2	• RETAINER, Washer
4	151677	2	• ROLLER (2-3/4" OD x 7/8" ID x 1.05")
5	116621	2	• SHIM (0.063")
6	156847	2	• BAR, Platform stop
7	103473	4	• BOLT, Hex head (3/8"-16 x 1", grade 5)
8	103999	4	• WASHER, Lock (3/8")
9	103472	4	• WASHER, Flat (3/8")
10	158841	2	• PAD, Adhesive - foam (1-1/2" x 3/4" x 1/8)
-	151671	1	BLOCKER PLATE - SJ16
11	151670	1	• PLATE
12	119945	2	• RIVET, Pop

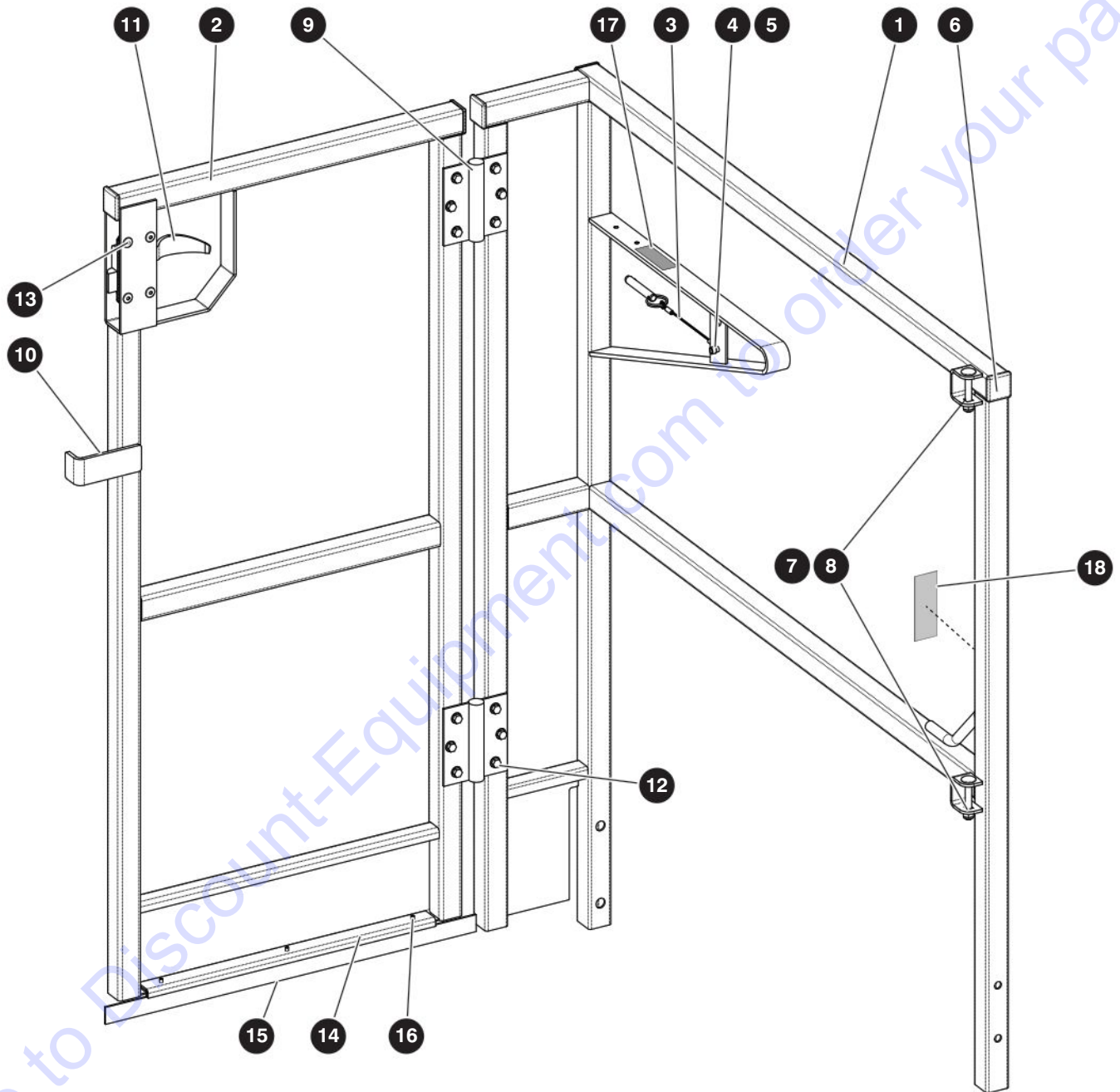
1.3 Railing



M213196AB

Index No.	Skyjack Part No.	Qty.	Description
-	213196	1	RAILING
-	213197	1	• RAILING, Right side - Control box side
1	213198	1	• • RAILING
2	157173	1	• • RIVET (1/4" x 1/2")
3	103995	1	• • WASHER, Flat (1/4")
4	216212	1	• • LARGE LOOP, Quick release assembly
	105807	1	• • • LANYARD 6"
	100509	1	• • • PIN, Quick release (3/8" diameter x 1.688" length)
5	213200	1	• RAILING, Left side
6	151478	2	• TUBE, Railing (center)
7	100702	5	• END CAP, Plastic
8	127437	4	• BOLT, Carriage (5/16"-18 x 2", grade 5)
9	103984	4	• NUT, Hex nylon lock (5/16"-18, grade 5)

1.4 Gate



M228863AA

213557ABA

16

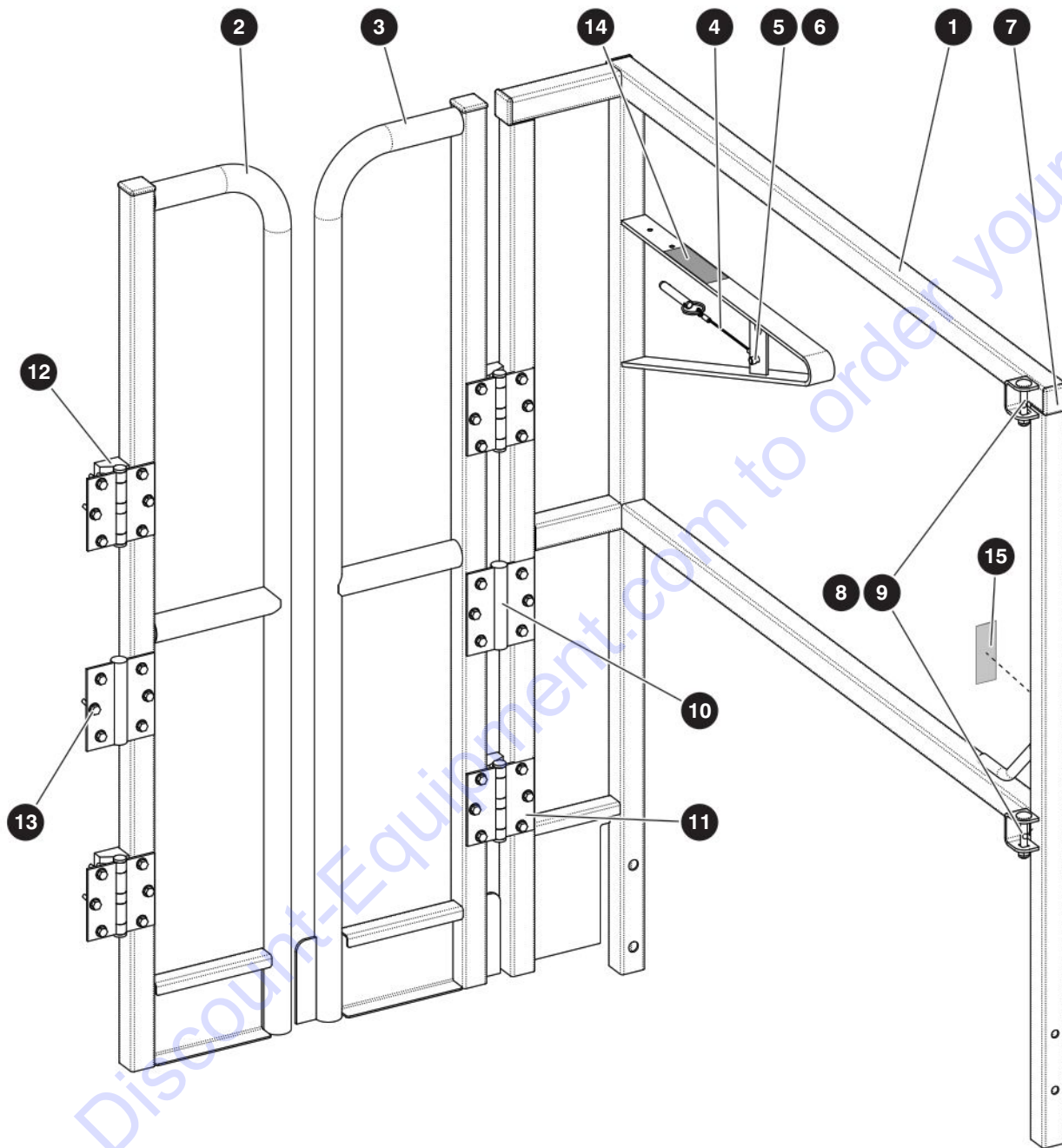
SJ12, SJ16

SKYJACK

1.4 Gate

Index No.	Skyjack Part No.	Qty.	Description
-	228863	1	FULL GATE FIELD KIT
-	228861	1	• FULL GATE FIELD KIT
1	213198	1	• • RAILING, Right side - Control box side
2	156583	1	• • FULL GATE
3	216212	1	• • PIN ASSEMBLY, Large loop
4	157173	1	• • RIVET, Pop (1/4" x 1/2")
5	103995	1	• • WASHER, Flat (1/4")
6	100702	5	• • PLUG, Plastic tube (1-1/4" x 1-1/4")
7	127437	2	• • BOLT, Carriage bolt (5/16" x 18" x 2", grade 5)
8	103984	2	• • NUT, Lock (5/16" x 18", grade 5, nylon)
9	209527	2	• • HINGE, Spring
10	125577	1	• • BUMPER, Door
11	138695	1	• • CAB LOCK, Gate assembly
12	112329	12	• • BOLT, Self tapp (1/4" x 14" x 1")
13	139641	4	• • RIVET, Pop (1/4" x 5/8")
14	156589	1	• • PLATE, Gate clamp
15	156590	1	• • RUBBER STRIP, Gate
16	119945	3	• • RIVET, Pop (1/4" x 3/8")
-	228868	1	• LABELS
17	172632	1	• • LABEL, Control box location
18	172646	1	• • LABEL, Harness anchor - ANSI/CSA, AS
	172638	1	• • LABEL, Harness anchor - CE
-	228866	1	• MANUAL
19	228867	1	• • INSTRUCTION, Full gate installation (not shown)

1.5 Saloon Gate



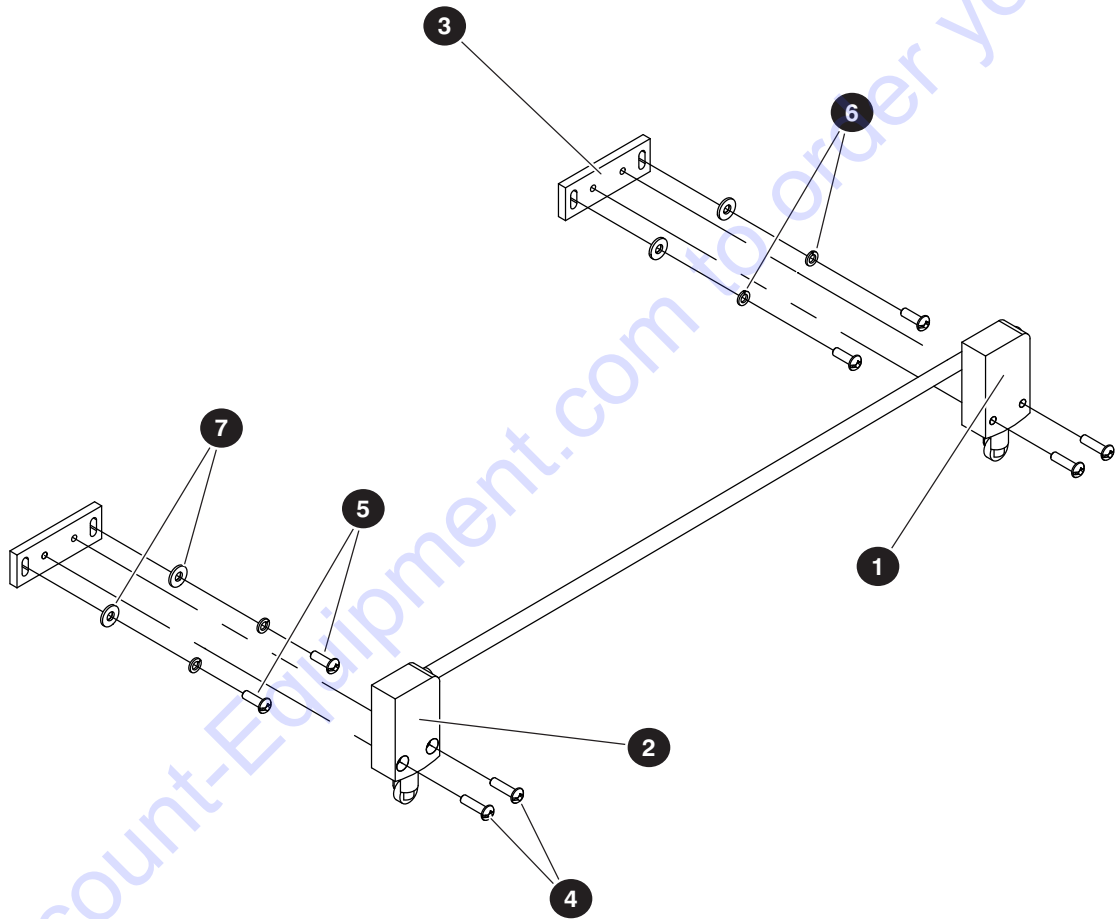
M213321AA

213557ABA

1.5 Saloon Gate

Index No.	Skyjack Part No.	Qty.	Description
-	213321	1	SALOON GATE
-	158790	1	• SALOON GATE
1	213198	1	• • RAILING, Right side - Control box side
2	158792	1	• • GATE, Saloon left side
3	158793	1	• • GATE, Saloon right side - Control box side
4	216212	1	• • LARGE LOOP, Pin assembly
5	157713	1	• • RIVET, Pop (1/4" x 1/2")
6	103995	1	• • WASHER, Flat (1/4")
7	100702	5	• • PLUG, Plastic tube (1-1/4" x 1-1/4")
8	127437	2	• • BOLT, Carriage (5/16"-18" x 2, grade 5)
9	103984	2	• • NUT, Lock (5/16"-18", grade 5, nylon)
10	209527	2	• • HINGE, Spring
11	136176	4	• • HINGE, Butt
12	158811	4	• • STOP, Saloon gate
13	112329	44	• • BOLT, Self tapping (1/4"-14" x 1")
-	228868	1	• LABELS
14	172632	1	• • LABEL, Control box location
15	172646	1	• • LABEL, Harness anchor - ANSI/CSA, AS
	172638	1	• • LABEL, Harness anchor - CE
-	228864	1	• MANUAL
16	228865	1	• • INSTRUCTION, Saloon gate installation (not shown)

1.6 Limit Switches



M229308AA

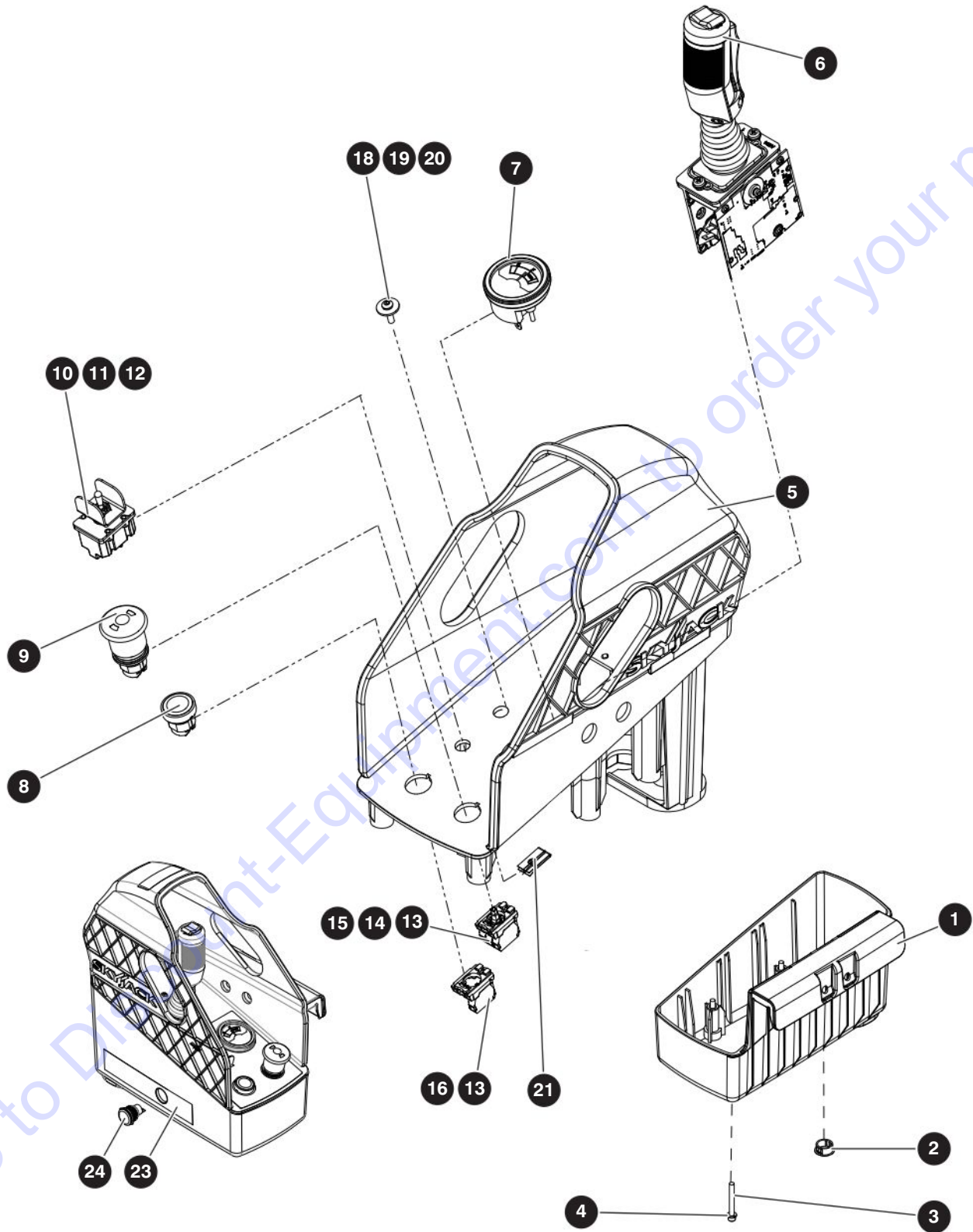
213557ABA

SJ12, SJ16

1.6 Limit Switches

Index No.	Skyjack Part No.	Qty.	Description
-	-	1	LIMIT SWITCHES
1	229308	1	• LIMIT SWITCH - 65"
2	229309	1	• LIMIT SWITCH - 85"
3	156497	2	• BLOCK, Slotted limit switch
4	116192	4	• SCREW, Round head machine (8-32" x 5/8")
5	103957	4	• SCREW, Round head machine (8-32" x 1/2")
6	112249	4	• WASHER, Lock (#8)
7	103991	4	• WASHER, Flat (#8)
8	108791	4	• CLIP, Cord adhesive back (not shown)

1.7 Platform Control Console



M229598AA

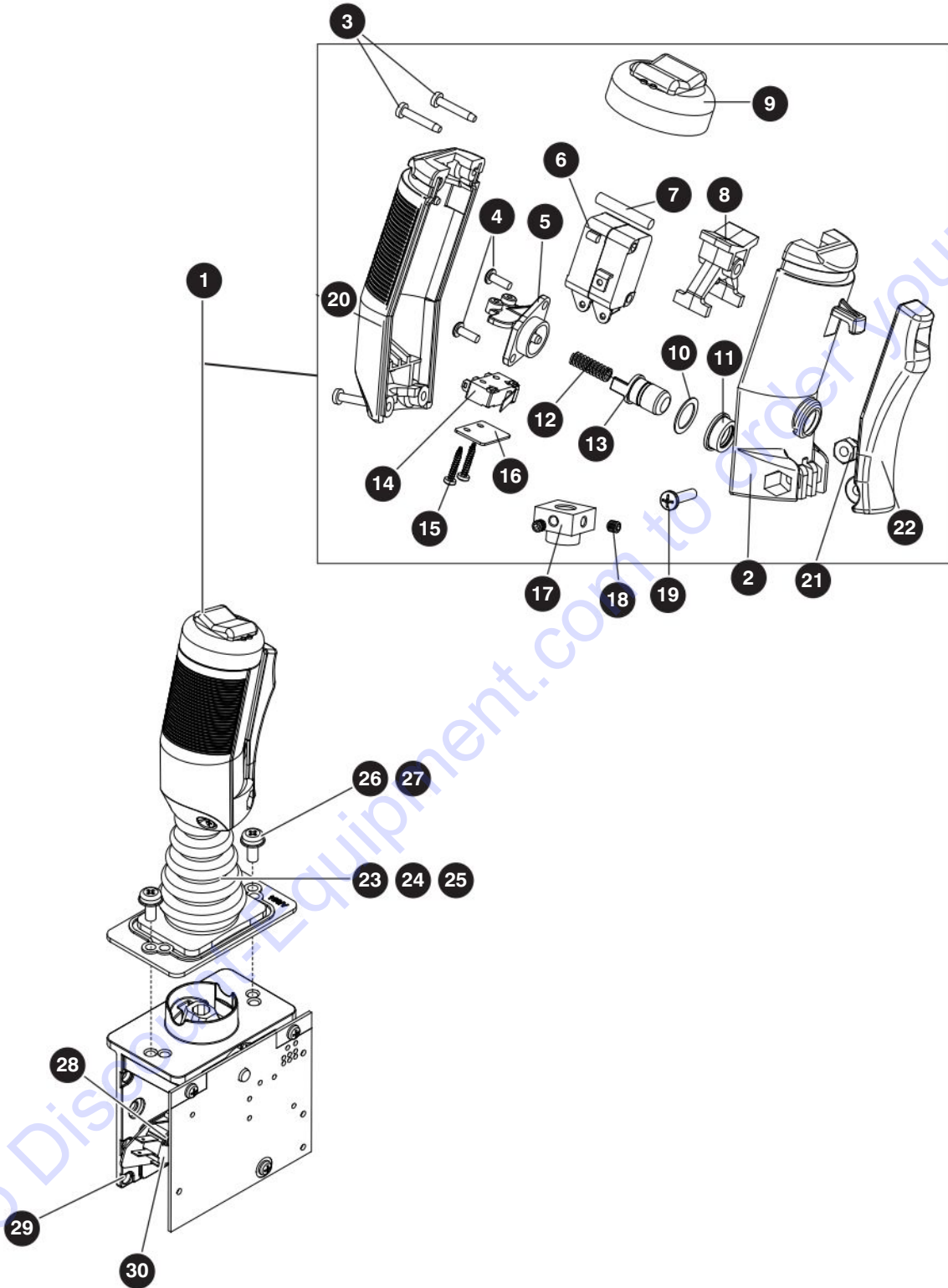
213557ABA

SJ12, SJ16

1.7 Platform Control Console

Index No.	Skyjack Part No.	Qty.	Description
A	213777	1	CONTROL BOX ASSEMBLY - ANSI/CSA, AS, CE
B	223596	1	CONTROL BOX ASSEMBLY - ANSI/CSA, AS, CE with SGLE
1	196205	1	• BASE, Control box A
	230075	1	• BASE, Control box SGLE B
2	102956	2	• PLUG
3	103943	6	• SCREW, Socket head cap (1/4"-20 x 2")
4	221193	6	• WASHER, Flat (#10)
-	213342	1	• COVER, Control box, A
-	223598	1	• COVER, Control box, B
5	196206	1	• • COVER, DC control box
6	(Ref.)	1	• • Joystick, Hall effect trimmable 0-5 VDC (For components, refer to Section 1.8 Joystick)
7	122093	1	• • INDICATOR, Battery charge
8	147058	1	• • BLACK, Pushbutton head
9	147051	1	• • HEAD, Emergency stop
10	116382	1	• • SWITCH, Toggle 0.165 T
11	111181	1	• • GUARD, Toggle switch
12	144016	1	• • PANEL BUSHING SEAL, Toggle switch
13	147056	2	• • LATCH
14	147061	1	• • LED BLOCK, Red 24V
15	147053	2	• • CONTACT BLOCK, NC
16	147054	1	• • CONTACT BLOCK, NO
17	211416	1	• • LABEL, Control box (not shown)
18	192776	1	• • BOLT, Button head cs (10-24 x 3/4")
19	104185	1	• • WASHER, Lock (#10)
20	168040	1	• • WASHER, Fender type B (ID 3/16" x OD 3/4")
21	213782	1	• • PUSH NUT (10-24, rectangular)
22	(Ref.)	1	• • WIRING, Platform controls (not shown), A
	(Ref.)	1	• • WIRING, Platform controls (not shown), B (For components, refer to Section 1.9 Platform Control Box Wiring)
23	172926	1	• • LABEL, SGLE, B
24	220498	1	• • PUSHBUTTON, B

1.8 Joystick



M159111AC

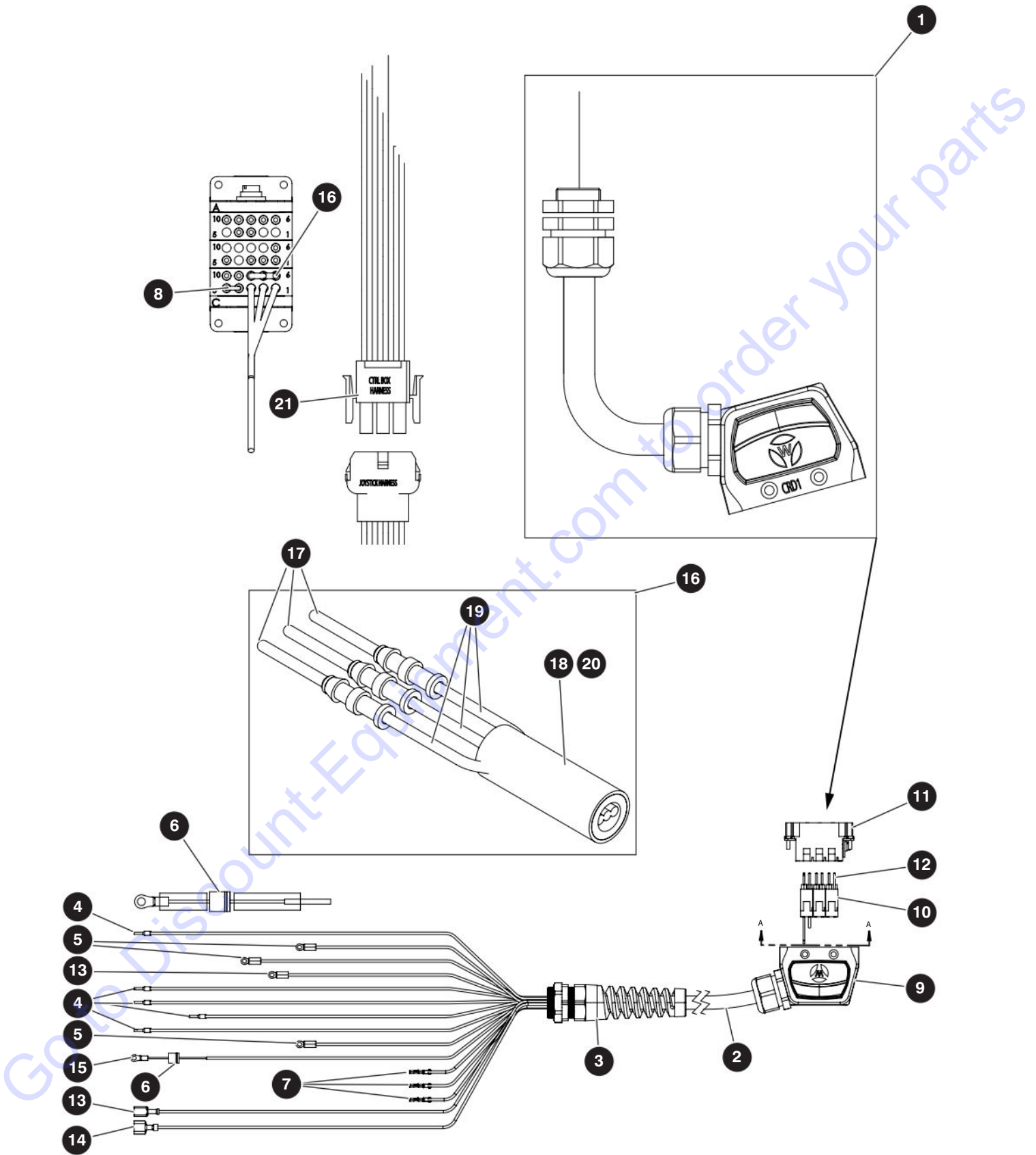
213557ABA

SJ12, SJ16

1.8 Joystick

Index No.	Skyjack Part No.	Qty.	Description
-	159111	1	CONTROLLER
1	159055	1	• HANDLE
2	159057	1	• • HANDLE, Front half
3	122879	4	• • SCREW, Controller handle
4	159065	2	• • SCREW, Plastite (#4-20 x 5/16")
5	159060	1	• • HOLDER, Micro switch
6	159613	1	• • ROCKER MICRO
7	141341	1	• • AXLE, Rocker
8	154717	1	• • ROCKER
9	122874	1	• • CAP, Rubber
10	159063	1	• • WASHER
11	159062	1	• • BOOT, Plunger switch
12	159064	1	• • SPRING
13	159061	1	• • SWITCH, Plunger
14	159067	1	• • SWITCH, Lever micro
15	159066	2	• • SCREW, Plastite (#2-28 x 1/2")
16	159068	1	• • INSULATOR, Micro
17	122961	1	• • COUPLING (8mm)
18	122960	2	• • SCREW, Set
19	154718	1	• • SCREW (#6-32 x 5/8")
20	159058	1	• • HANDLE, Back half
21	122964	1	• • NUT, Controller lever
22	159059	1	• • LEVER, Trigger
23	127179	1	• BOOT AND GASKET
24	159615	1	• WASHER
25	159616	1	• E-CLIP
26	122846	1	• SCREW
27	122847	1	• WASHER
28	147313	1	• SCREW
29	159618	1	• MICROINSULATOR
30	122869	1	• SWITCH, Micro

1.9 Platform Control Box Wiring



M213344AD

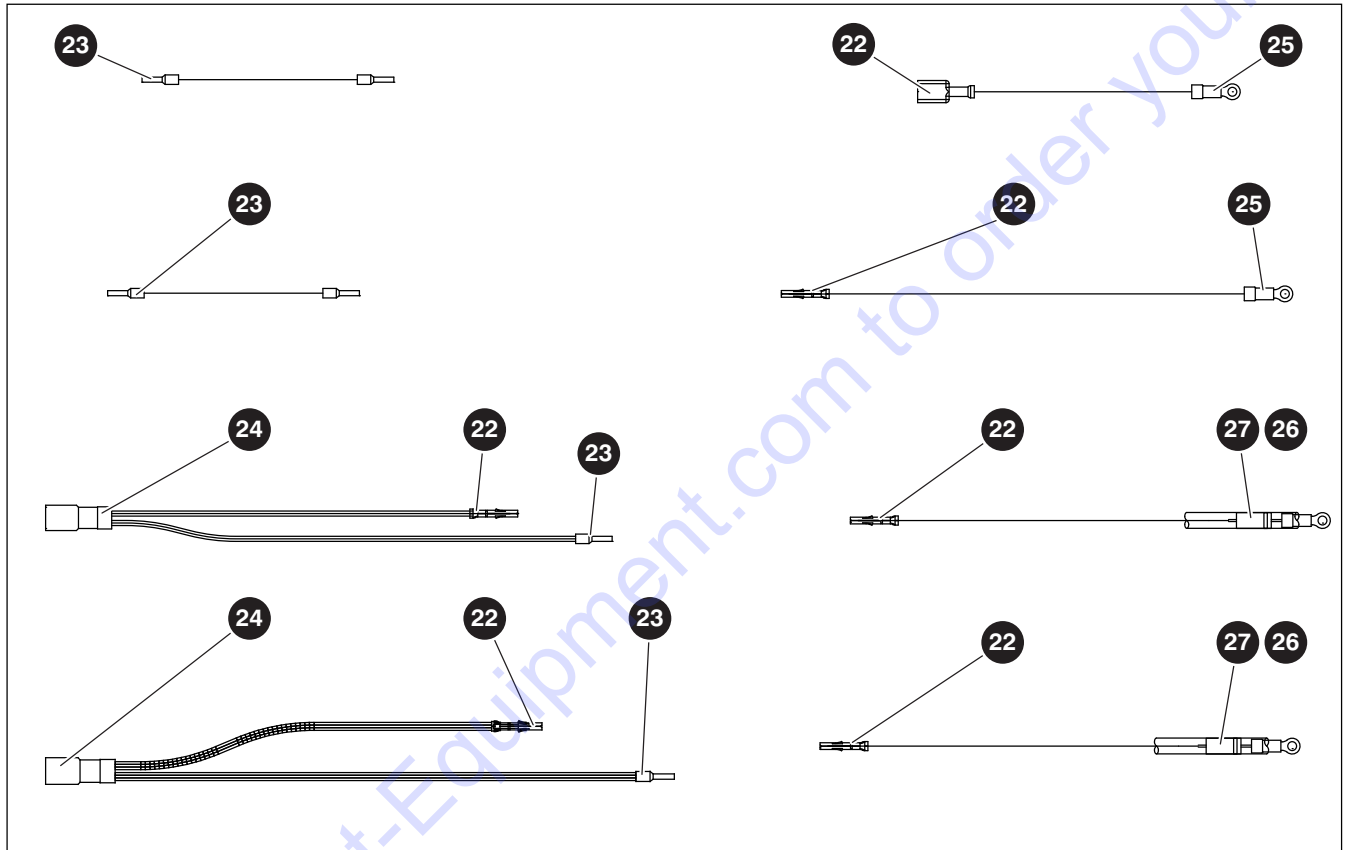
213557ABA

SJ12, SJ16

1.9 Platform Control Box Wiring

Index No.	Skyjack Part No.	Qty.	Description
A	213344	1	Platform Control Wiring - ANSI/CSA, CE, AS
B	223599	1	Platform Control Wiring- ANSI/CSA, CE, AS with SGLE
1	213343	1	• CABLE, Control box, A
	228851	1	• CABLE, Control box, B
2	102887	103"	• • CONTROL CABLE 16/15
3	196141	1	• • CORDGRIP, Flexible liquid tight
4	121050	5	• • CONNECTOR, Ferrule 16GA
5	102955	2	• • TERMINAL (14-16GA,#6 ring blue)
6	102921	1	• • DIODE
7	116990	3	• • WIRE PIN, Female
8	156843	1	• • JUMPER - 2 Position
9	211817	1	• • HOOD, Connector housing (black)
10	156544	3	• • CONNECTOR, Block footmount
11	156547	1	• • CONNECTOR, Frame footmount
12	156542	17	• • CONTACT, Male
13	105359	1	• • TERMINAL, Blade, A
	105359	2	• • TERMINAL, Blade, B
14	105360	1	• • TERMINAL, Male
15	220948	1	• • TERMINAL, Ring
16	228853	1	• • JUMPER, 3 Position
17	156542	3	• • • CONTACT , Male
18	119431	1	• • • SPLICE, Butt (14-12 AWG non insulated)
19	102734	6	• • • WIRE, White (TEW 16 AWG 26 BC)
20	108878	1	• • • HEATSHRINK, Polyofin (3/10" diameter)
21	116993	1	• HOUSING, Plug male (9-pole)

1.9 Platform Control Box Wiring



M213344AD

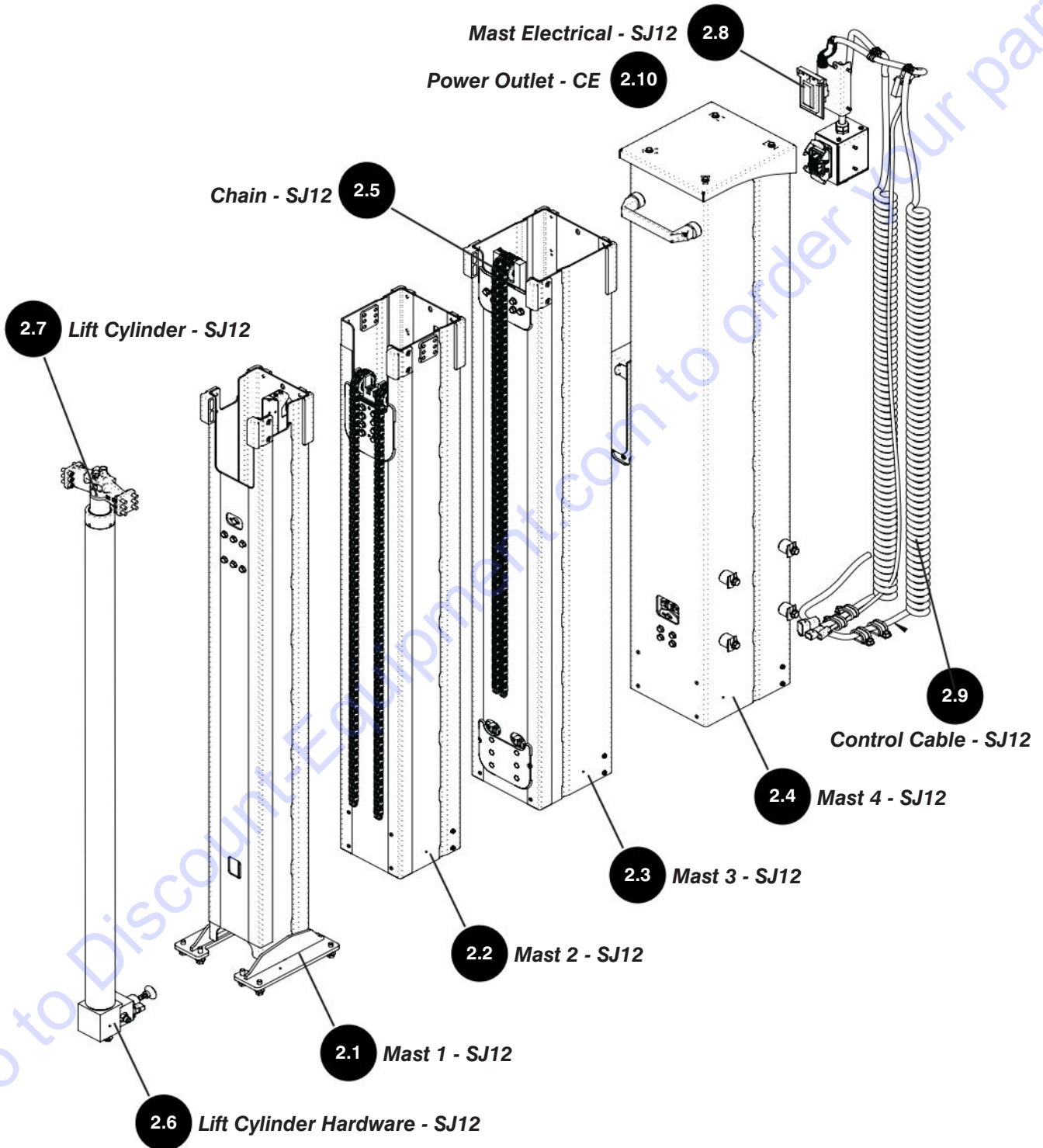
213557ABA

SJ12, SJ16

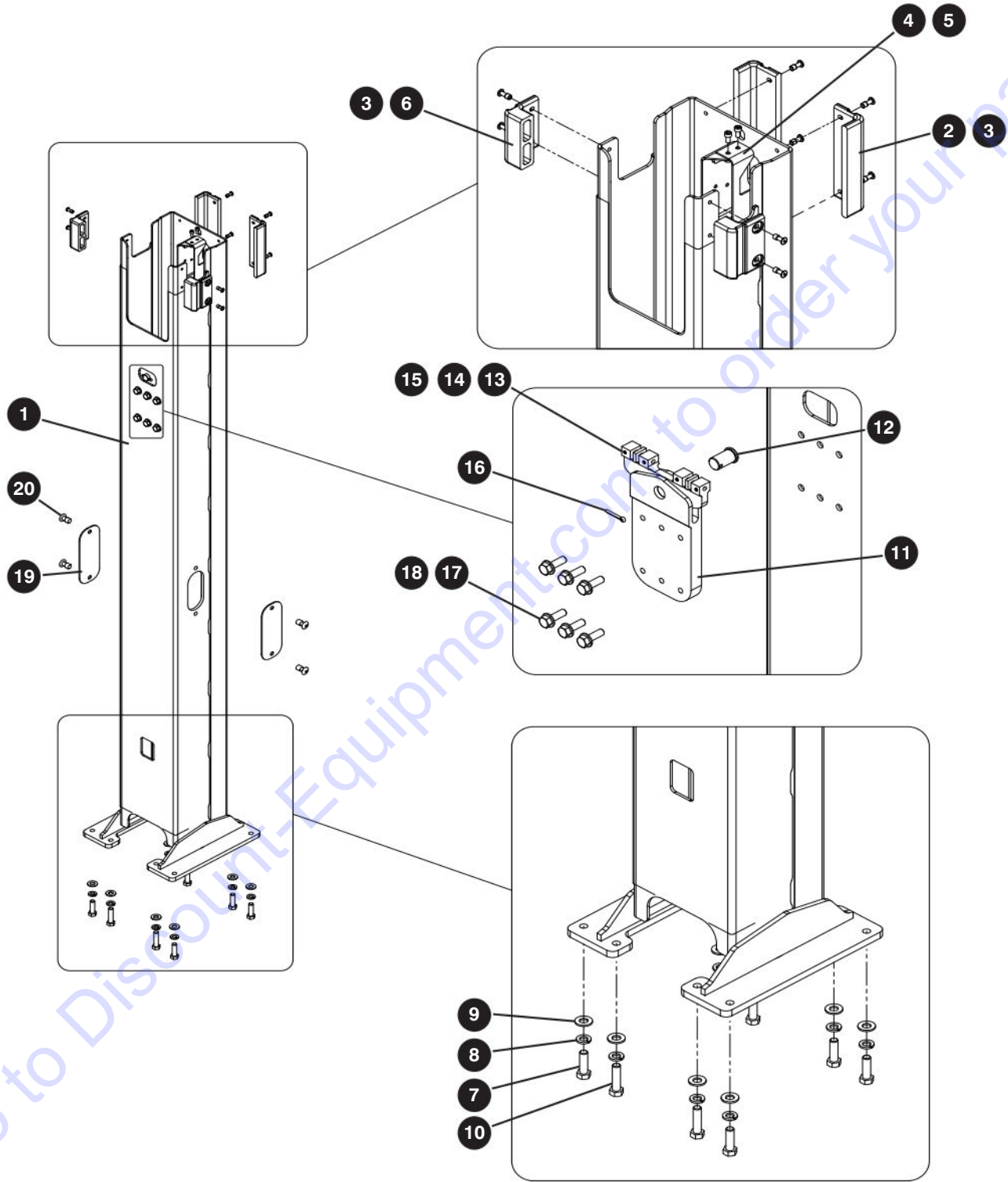
1.9 Platform Control Box Wiring

Index No.	Skyjack Part No.	Qty.	Description
22	116990	6	• WIRE PIN, Female (MATE-N-LOCK)
23	121050	6	• FERRULE (16 GA black)
24	105568	2	• TERMINAL, Female (10-12AWG nylon yellow)
25	102955	2	• TERMINAL (14-16GA #6 ring blue)
26	102921	2	• DIODE
27	220948	2	• TERMINAL (14-16 AWG #6 ring non-insulated)

Section 2 – Mast - SJ12



2.1 Mast 1 - SJ12



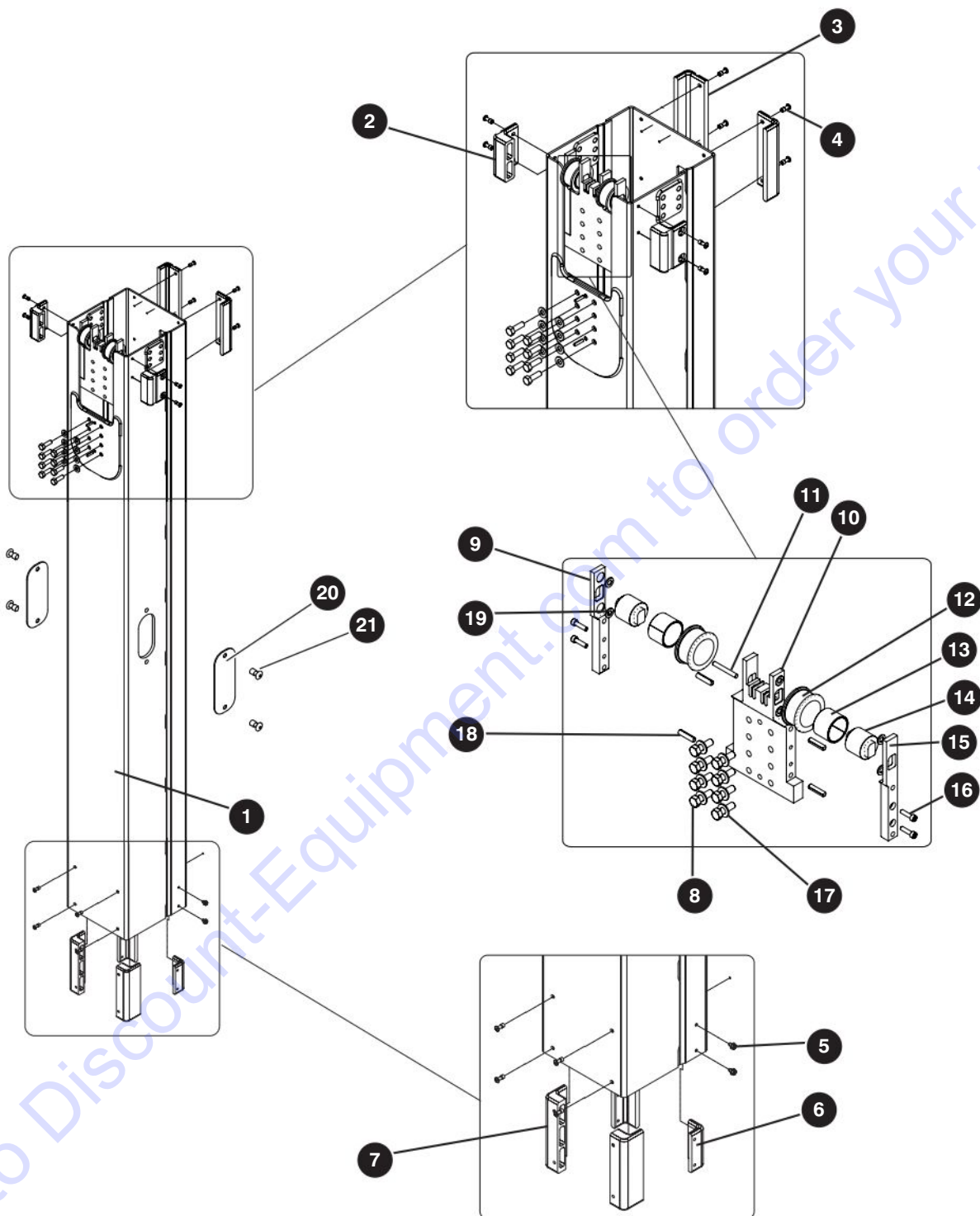
M157667AH

213557ABA

2.1 Mast 1 - SJ12

Index No.	Skyjack Part No.	Qty.	Description
-	157667	1	MAST 1
1	157668	1	• MAST 1 WELDMENT
2	159398	2	• WEAR PAD (thin and long)
3	157759	8	• RIVET, Pop (3/16" x 1/4-3/8")
4	195075	1	• BRACKET
5	157829	2	• SCREW, Socket head cap (#10-32 x 3/8")
6	158087	2	• WEAR PAD (thick and short)
7	101297	6	• BOLT, Hex head (3/8"-16 x 1-1/4", grade 5)
8	103999	8	• WASHER, Lock (3/8")
9	125959	8	• WASHER, Flat hardened (3/8")
10	103870	2	• BOLT, Hex head (3/8"-16 x 1-1/2", grade 5)
-	157670	1	• CHAIN TENSIONER
11	157671	1	• • BLOCK, Tensioner mount
12	157265	1	• • PIN, Clevis
13	157672	1	• • BLOCK, Tensioner
14	157673	2	• • PIN, Chain (BL 444)
15	157033	4	• • PIN, Spring (5/32" x 5/8")
16	157467	1	• • PIN, Cotter
17	158319	6	• • BOLT, Hex head (5/16"-18 x 1", grade 8)
18	103996	6	• • WASHER, Flat (5/16")
19	226204	2	• PLATE, Cover
20	157756	4	• RIVET, Pop (3/16" x 7/16")

2.2 Mast 2 - SJ12



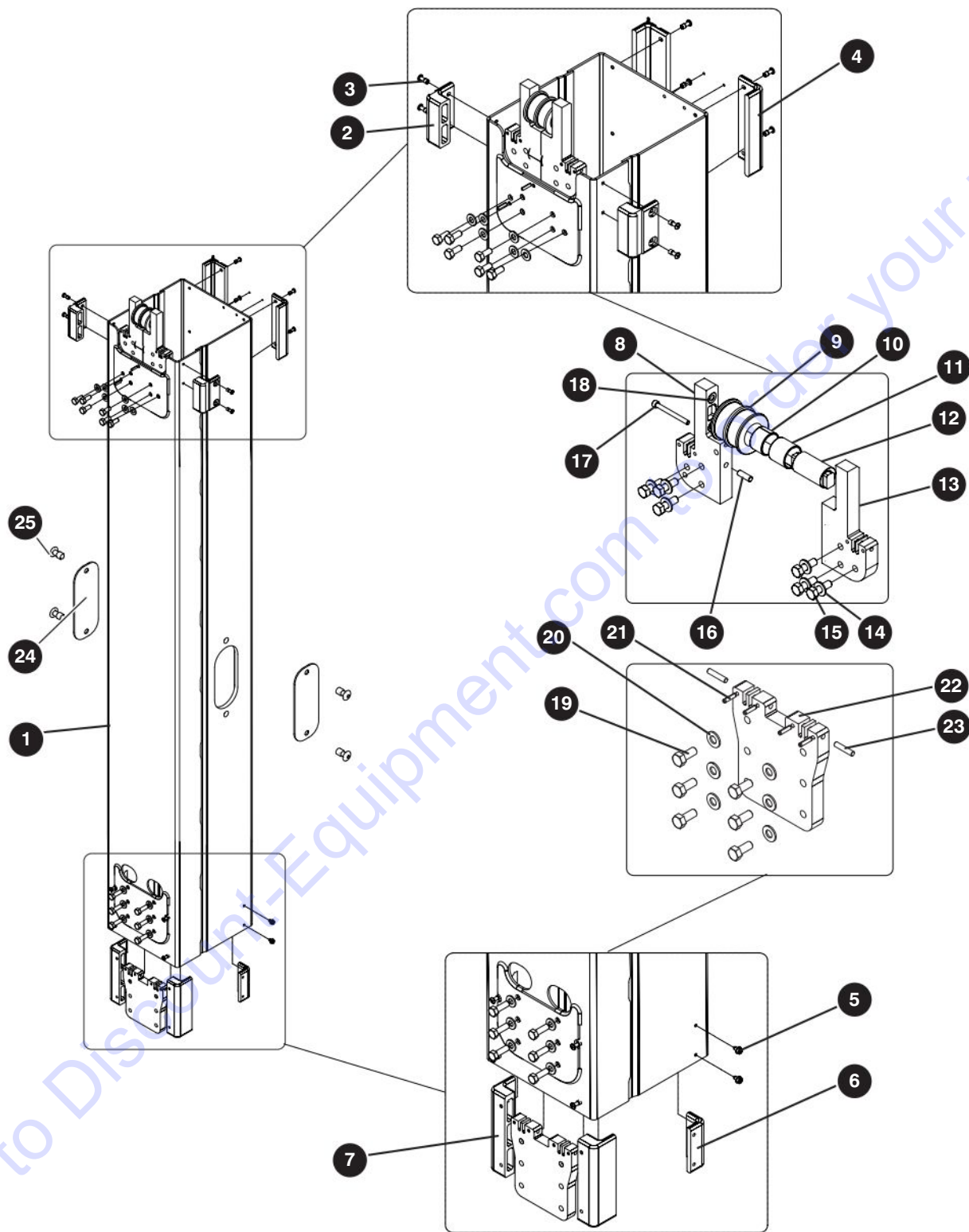
M157674AG

213557ABA

2.2 Mast 2 - SJ12

Index No.	Skyjack Part No.	Qty.	Description
-	157674	1	MAST 2
1	157675	1	• MAST 2 WELDMENT
2	158087	2	• WEAR PAD (thick and short)
3	159398	2	• WEAR PAD (thin and long)
4	157759	12	• RIVET, Pop (3/16" x 1/4-3/8")
5	158317	4	• SCREW, Thread rolling (10-32 x 3/8")
6	157763	2	• WEAR PAD (thick and short)
7	159399	2	• WEAR PAD (thin and long)
-	157679	1	• ROLLER SUPPORT
8	158319	8	• • BOLT, Hex head (5/16"-18 x 1", grade 8)
9	157683	1	• • SUPPORT, Roller (left hand)
10	157680	1	• • SUPPORT, Roller
11	157688	1	• • PIN, Chain (BL 434)
12	157686	2	• • ROLLER, Chain (BL 444)
13	148847	2	• • BUSHING, CJS-2016 (1-1/4" x 1")
14	157684	2	• • PIN, Roller (BL 444)
15	157681	1	• • SUPPORT, Roller (right hand - Control box side)
16	195231	4	• • SCREW, Socket head cap (#10-32 x 3/4")
17	103996	8	• • WASHER, Flat (5/16")
18	163177	4	• • PIN, Roll (1/4" diameter x 1")
19	163166	4	• • WASHER, Thrust (Fiberglide FTS0408)
20	226204	2	• PLATE, Cover
21	157756	4	• RIVET, Pop (3/16" x 7/16")

2.3 Mast 3 - SJ12



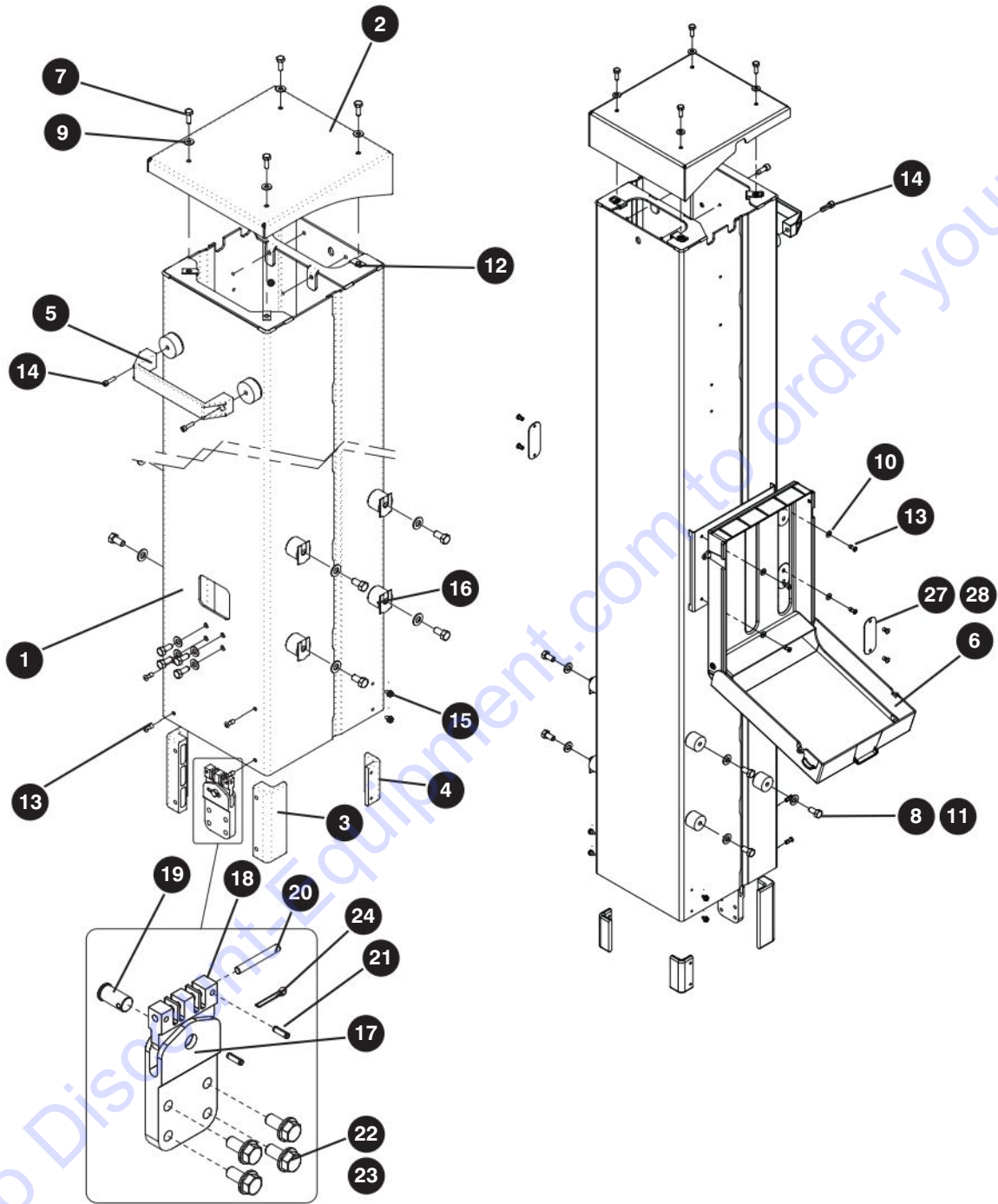
M160786AE

213557ABA

2.3 Mast 3 - SJ12

Index No.	Skyjack Part No.	Qty.	Description
-	160786	1	MAST 3
1	157690	1	• MAST 3 WELDMENT
2	158087	2	• WEAR PAD (thick and short)
3	157759	12	• RIVET, Pop (3/16" x 1/4-3/8")
4	157733	2	• WEAR PAD (thin and long)
5	158317	4	• SCREW, Thread rolling (10-32 x 3/8")
6	157763	2	• WEAR PAD (thin and short)
7	159399	2	• WEAR PAD (thick and long)
-	162606	1	• ROLLER SUPPORT
8	157695	1	• • MOUNT - Roller (left hand)
9	157698	1	• • ROLLER (double)
10	100249	1	• • BUSHING, Fiberglide (CJS-A538)
11	100309	1	• • BUSHING, Fiberglide
12	157697	1	• • PIN, Roller (double)
13	157696	1	• • MOUNT, Roller (right hand - control box side)
14	103996	6	• • WASHER, Flat (5/16")
15	158319	6	• • BOLT, Hex head (5/16"-18 x 1", grade 8)
16	157360	1	• • PIN, Dowel (1/4" diameter x 3/4")
17	195229	1	• • SCREW, Head cap (#10-32 x 1-3/4")
18	163166	4	• • WASHER, Thrust (Fiberglide FTS0408)
-	157701	1	• CHAIN MOUNT (BL 444)
19	158320	6	• • BOLT, Hex head (5/16"-18 x 3/4", grade 8)
20	103996	6	• • WASHER, Flat (5/16")
21	157033	4	• • PIN, Spring (0.156" x 5/8")
22	157702	1	• • MOUNT, Chain (BL 444)
23	157673	2	• • PIN, Chain (BL 444)
24	226204	2	• PLATE, Cover
25	157756	4	• RIVET, Pop (3/16" x 7/16")

2.4 Mast 4 - SJ12



M158959AG

213557ABA

38

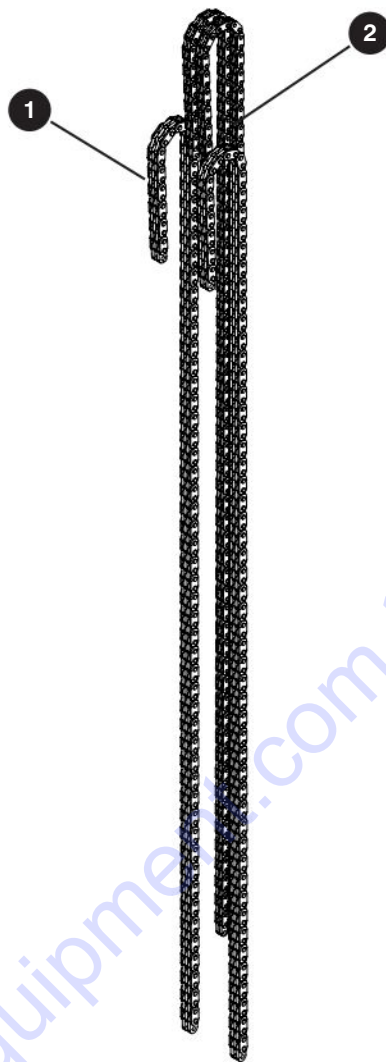
SJ12, SJ16

SKYJACK

2.4 Mast 4 - SJ12

Index No.	Skyjack Part No.	Qty.	Description
-	158959	1	MAST 4
1	157909	1	• MAST 4 WELDMENT
2	157915	1	• COVER, Mast
3	158086	2	• WEAR PAD (thick and long)
4	157763	2	• WEAR PAD (thin and short)
5	928533	1	• HANDLE
6	198789	1	• BOX, Manual
7	103856	4	• BOLT, Hex head (1/4"-20 x 1/2", grade 5)
8	158488	8	• BOLT, Hex head (3/8"-16 x 3/4", grade 8)
9	103995	4	• WASHER, Flat (1/4")
10	104694	4	• WASHER, Flat (#10)
11	125959	8	• WASHER, Flat hardened (3/8")
12	149496	4	• NUT, Speed clip (1/4-20 x 1/2")
13	157759	8	• RIVET, Pop (3/16" x 1/4-3/8")
14	157822	2	• SCREW, Socket head cap (5/16"-18 x 7/8", zinc)
15	158317	4	• SCREW, Thread rolling (10-32 x 3/8")
16	156837	4	• SHIM, Platform MT 22GA (0.0299)
-	157708	1	• CHAIN TENSIONER
17	157709	1	• • MOUNT, Tensioner
18	157710	1	• • BLOCK, Tensioner
19	157711	1	• • PIN, Clevis
20	157688	1	• • PIN, Chain (BL 434)
21	157825	2	• • PIN, Spring (0.156 x 1/2")
22	158320	4	• • BOLT, Hex head (5/16"-18 x 3/4", grade 8)
23	103996	4	• • WASHER, Flat (5/16")
24	157467	1	• • PIN, Cotter
25	207981	1	• BAG, Resealable (12" x 9" x 0.002") (not shown)
26	114710	1	• KEY RING, Skyjack (not shown)
27	226204	2	• PLATE, Cover
28	157756	4	• RIVET, Pop (3/16" x 7/16")

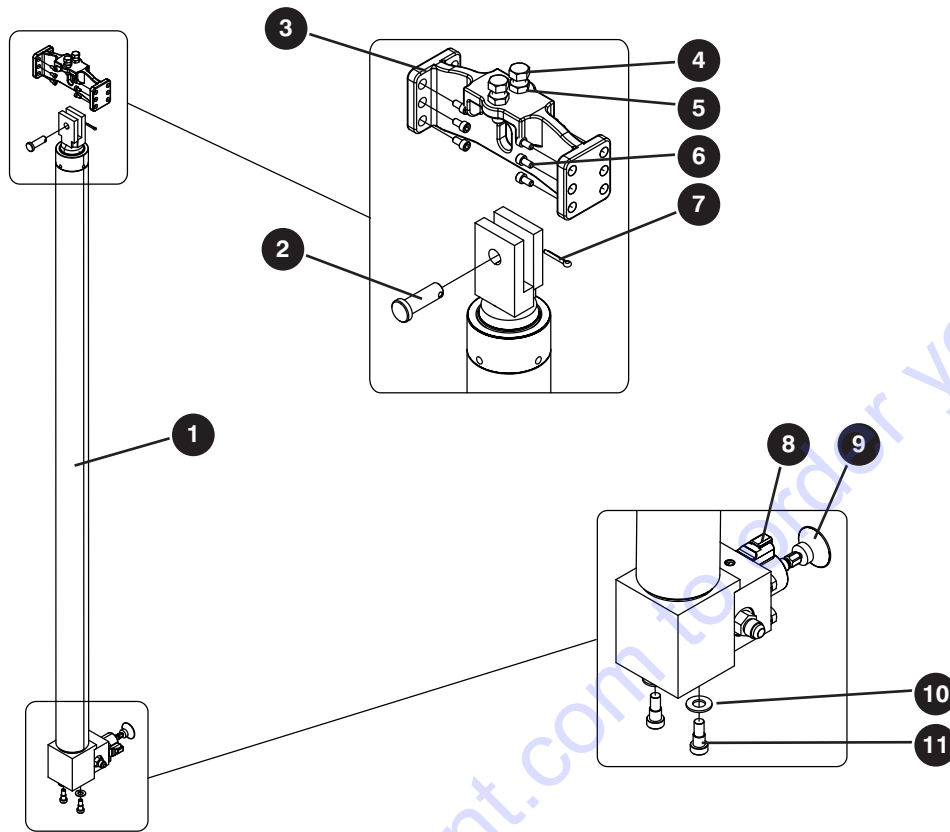
2.5 Chain - SJ12



M158960AB

Index No.	Skyjack Part No.	Qty.	Description
-	158960	1	CHAIN
1	158462	2	• CHAIN, Mast lift (large) - BL 444
2	157721	2	• CHAIN, Mast lift (small) - BL 434

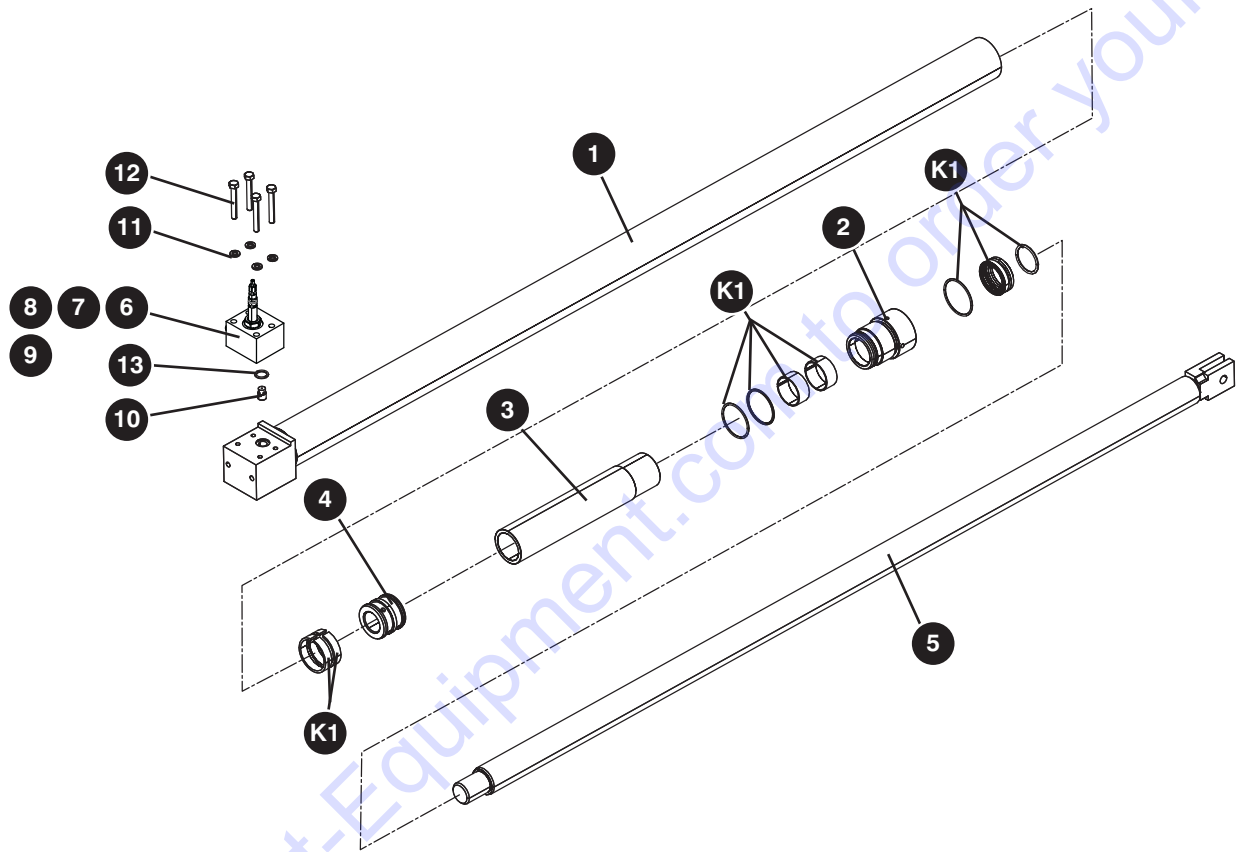
2.6 Lift Cylinder Hardware - SJ12



M157322AG

Index No.	Skyjack Part No.	Qty.	Description
-	157322	1	MAST LIFT CYLINDER (12')
1	(Ref.)	1	<ul style="list-style-type: none"> CYLINDER, Lift <i>(For components, refer to Section 2.7 Lift Cylinder - SJ12)</i>
2	157833	1	<ul style="list-style-type: none"> PIN, Clevis
3	160195	1	<ul style="list-style-type: none"> BRACKET, Cylinder mount
4	163555	2	<ul style="list-style-type: none"> BOLT, Hex head (3/8"-24 x 1-1/4, grade 8)
5	160810	2	<ul style="list-style-type: none"> NUT, Hex head jamming (3/8"-24, grade 5)
6	157822	12	<ul style="list-style-type: none"> SCREW, Socket head cap (zinc, 5/16"-18 x 7/8")
7	163546	1	<ul style="list-style-type: none"> PIN, Cotter
8	151683	1	<ul style="list-style-type: none"> COIL, 24V
9	300322	1	<ul style="list-style-type: none"> KNOB, Pull
10	103472	2	<ul style="list-style-type: none"> WASHER, Flat (3/8")
11	156833	2	<ul style="list-style-type: none"> SCREW, Hex socket shoulder (3/8"x 3/8")

2.7 Lift Cylinder - SJ12



M157326AC

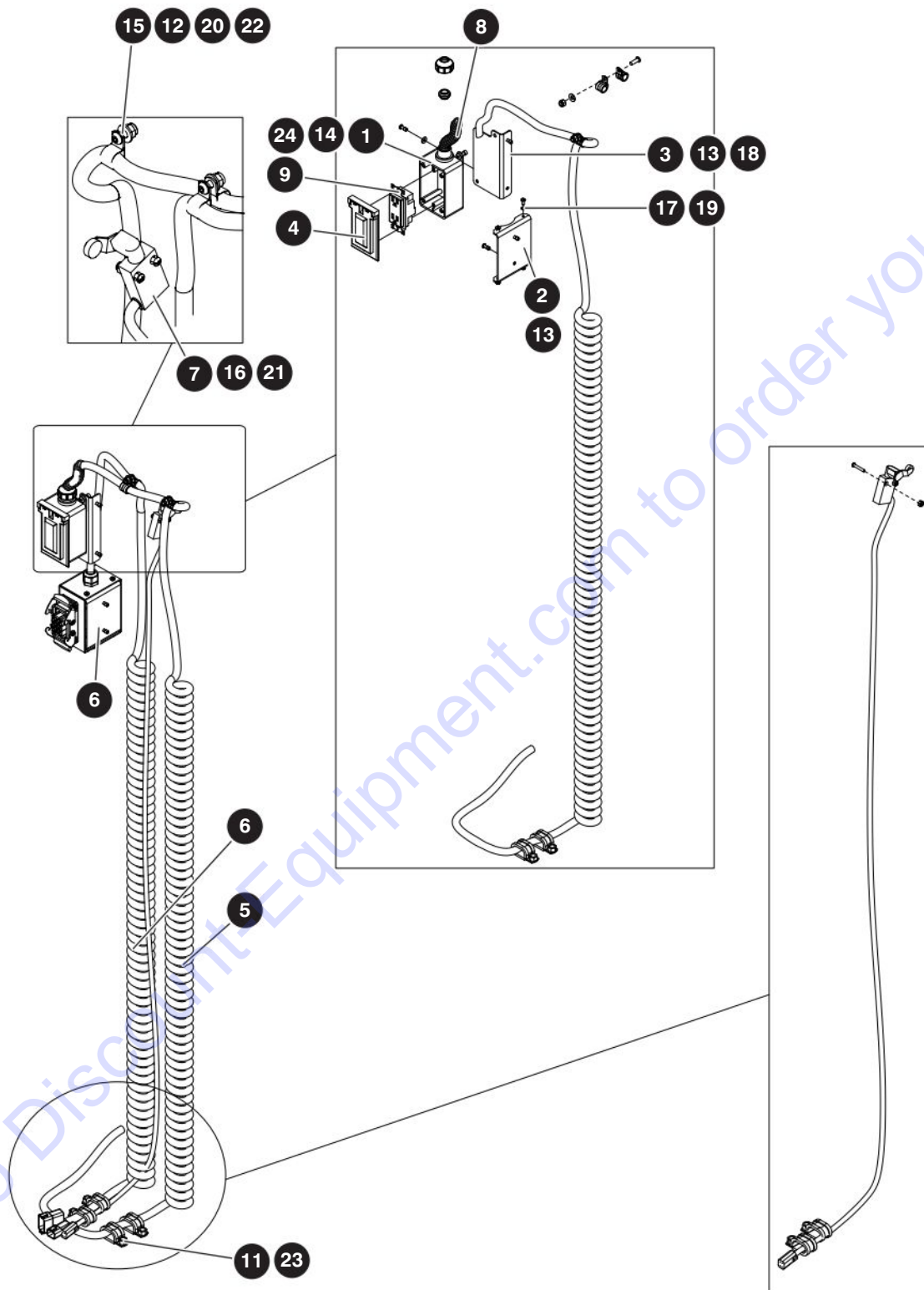
213557ABA

SJ12, SJ16

2.7 Lift Cylinder - SJ12

Index No.	Skyjack Part No.	Qty.	Description
-	157326	1	LIFT CYLINDER ASSEMBLY
-	159471	1	• LIFT CYLINDER
1	157648	1	• • TUBE
2	156865	1	• • GLAND
3	157650	1	• • SLEEVE STOP
4	157651	1	• • PISTON
5	157649	1	• • ROD
6	159802	1	• MANIFOLD, Cyliner
7	151696	1	• • VALVE, Emergency lowering
8	103069	1	• • FITTING, Straight (06 JICM - 06 ORBM)
9	158844	1	• • MANIFOLD, Block
10	108721	1	• ORIFICE, One way (0.055" diameter)
11	103404	4	• WASHER, Lock (5/16")
12	103866	4	• BOLT, Hex head (5/16"-18 x 2-1/4", grade 5)
13	159475	1	• O-RING
K1	157652	1	• KIT, Seal

2.8 Mast Electrical - SJ12



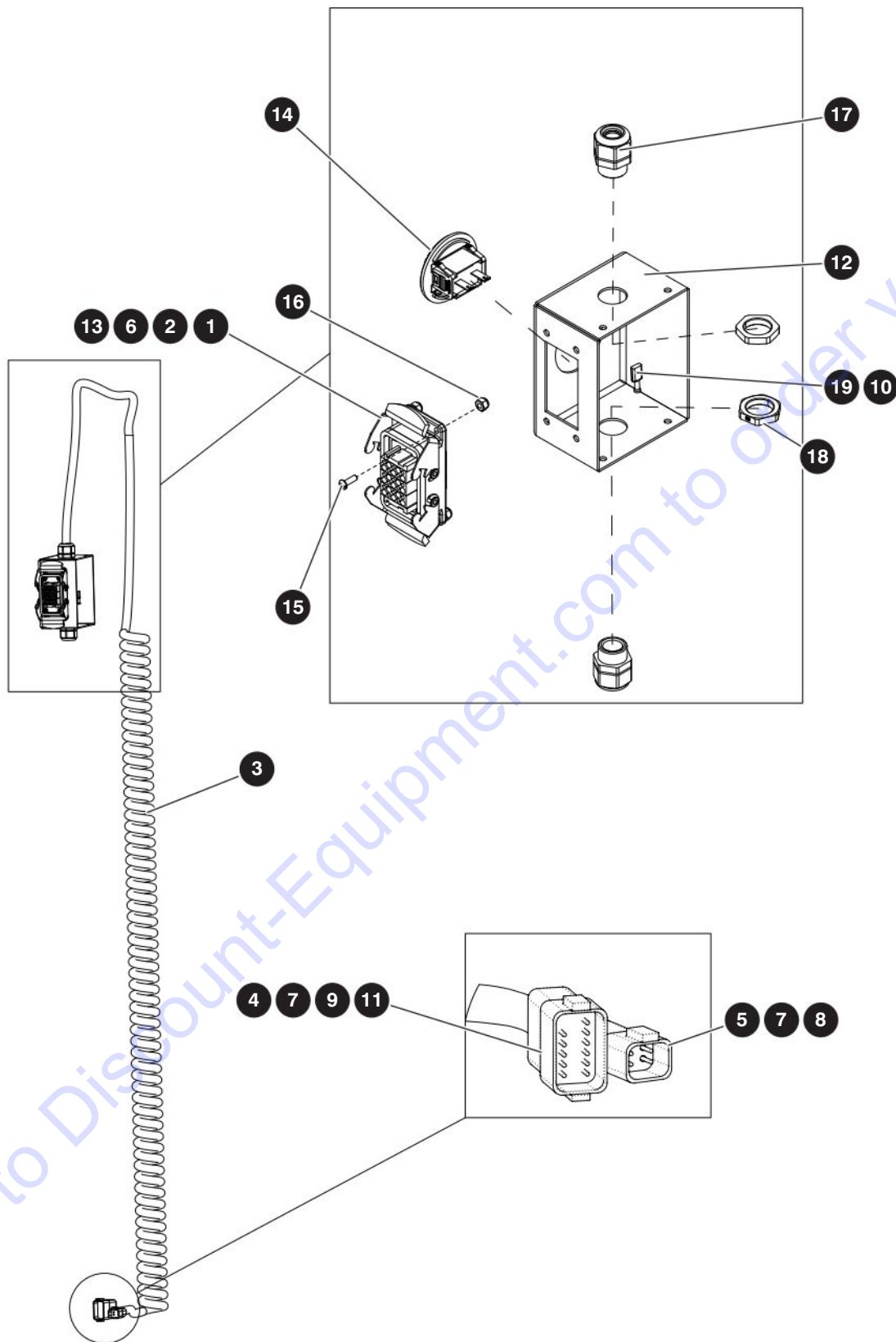
M213181AC

213557ABA

2.8 Mast Electrical - SJ12

Index No.	Skyjack Part No.	Qty.	Description
A	213181	1	MAST ELECTRICAL - ANSI/CSA
B	213182	1	MAST ELECTRICAL - CE & AS
C	213183	1	MAST ELECTRICAL - CE with RCD
1	211238	1	• 110V OUTLET BOX - modification, A
2	158615	1	• BRACKET, Mast
3	158620	1	• BRACKET, Mast AC
4	166943	1	• COVER, GFI weatherproof, A
5	(Ref.)	1	• CONTROL CABLE <i>(For components, refer to Section 2.9 Control Cable - SJ12)</i>
6	151803	1	• CONTROL CABLE 14/3 RETRACTILE, A
-	220935	1	• CONTROL CABLE 14/3 RETRACTILE, B
-	220936	1	• CONTROL CABLE 14/3 RETRACTILE, C
7	199406	1	• LIMIT SWITCH ASSEMBLY
8	170759	1	• SPLIT TUBE , UV-resistant (5/8" X 4"), A, B
9	109698	1	• RECEPTACLE, A
10	114386	2	• CABLE, Tiewrap (14 5/8" black nylon) (not shown), A, B
11	103078	4	• CLAMP, Loop cushion double (grade 10)
12	220931	3	• CLAMP (grade 8)
13	157759	4	• RIVET, Pop (3/16" x 0.565")
14	134140	2	• RIVET, Pop (1/4" x 3/4") , A
15	151596	2	• BOLT, Button head socket cap (1/4"-20 x 3/4")
16	112248	2	• SCREW, Round head machine (8-32 x 1")
17	115545	4	• SCREW, Round head machine (10-32 x 3/8")
18	104694	2	• WASHER, Flat (#10)
19	104185	4	• WASHER, Lock (#10)
20	103995	2	• WASHER, Flat (1/4")
21	138765	2	• NUT, Lock (8-32 grade 5, zinc - nylon)
22	115649	2	• NUT, Lock (1/4"-20 grade 5, nylon)
23	103978	4	• NUT, Hex (3/8"-16, grade 5)
24	(Ref.)	1	POWER OUTLET - CE <i>(For components, refer to Section 2.10 Power Outlet - CE)</i>

2.9 Control Cable - SJ12



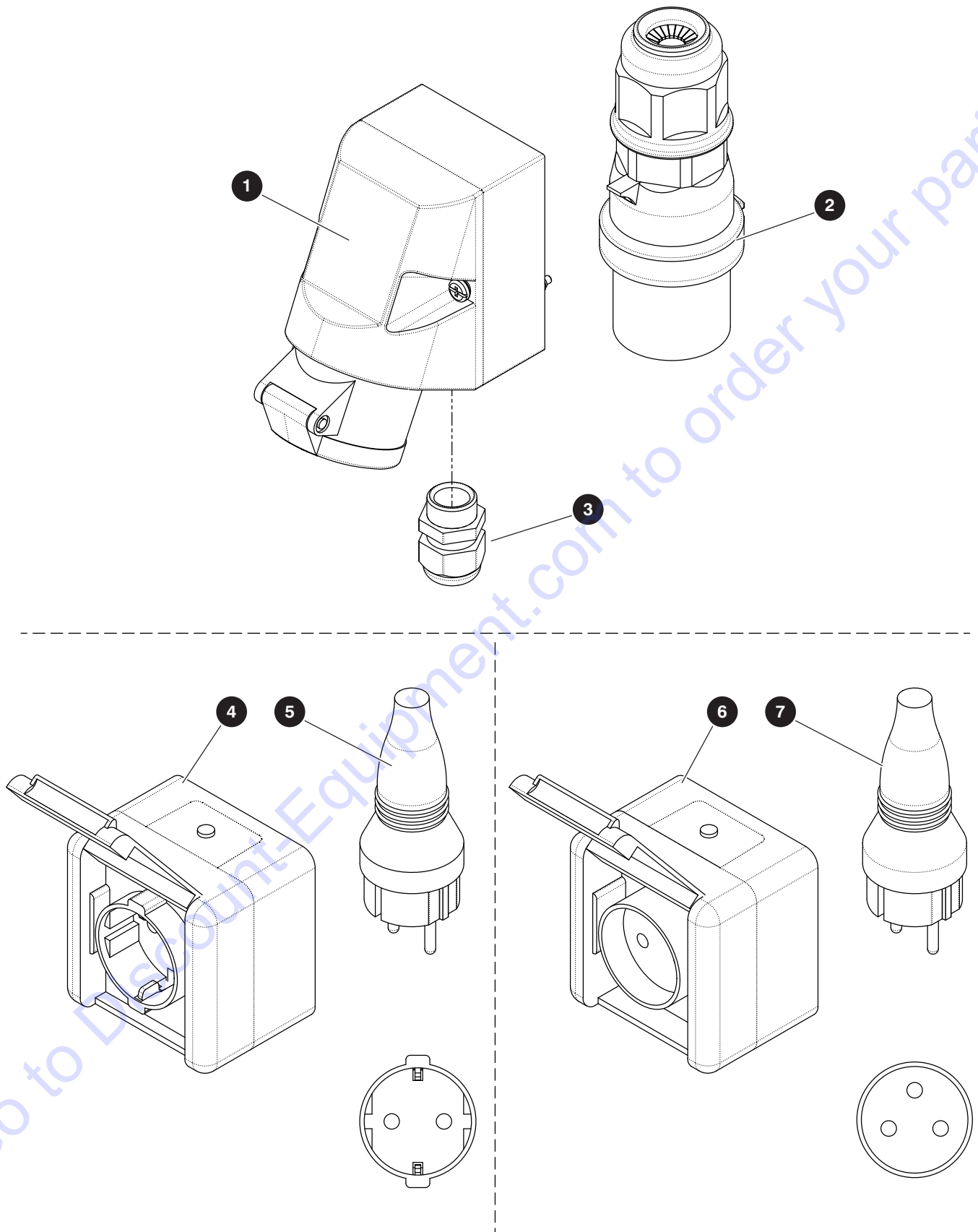
M213113AC

213557ABA

2.9 Control Cable - SJ12

Index No.	Skyjack Part No.	Qty.	Description
-	212113	1	CONTROL CABLE
1	156549	3	• CONNECTOR BLOCK, Hood
2	156546	1	• CONNECTOR FRAME, Hood
3	158102	1	• CONTROL CABLE 15/18 RETRACTILE
4	117586	1	• CONNECTOR, Receptacle 12 pin
5	117578	1	• CONNECTOR, Receptacle 4 pin
6	156543	15	• CONTACT, Female
7	117590	15	• CONNECTOR, Pin contact
8	117580	1	• CONNECTOR, Receptacle (4 pin wedge)
9	117588	1	• CONNECTOR, Receptacle (4 -12 pin wedge)
10	113584	1	• HEATSHRINK (1/2" black)
11	117594	1	• CONNECTOR, Sealing plug
12	158614	1	• ENCLOSURE, Mast
13	211818	1	• CONNECTOR, Base mount (black)
14	195940	1	• HOUR METER
15	103957	4	• SCREW, Round head machine (8-32 x 1/2")
16	138765	4	• NUT, Lock (8-32, grade 5, zinc - nylon)
17	120644	2	• CONNECTOR, Strain relief
18	120646	2	• NUT, Lock cable gland
19	105359	1	• TERMINAL (1/4")

2.10 Power Outlet - CE



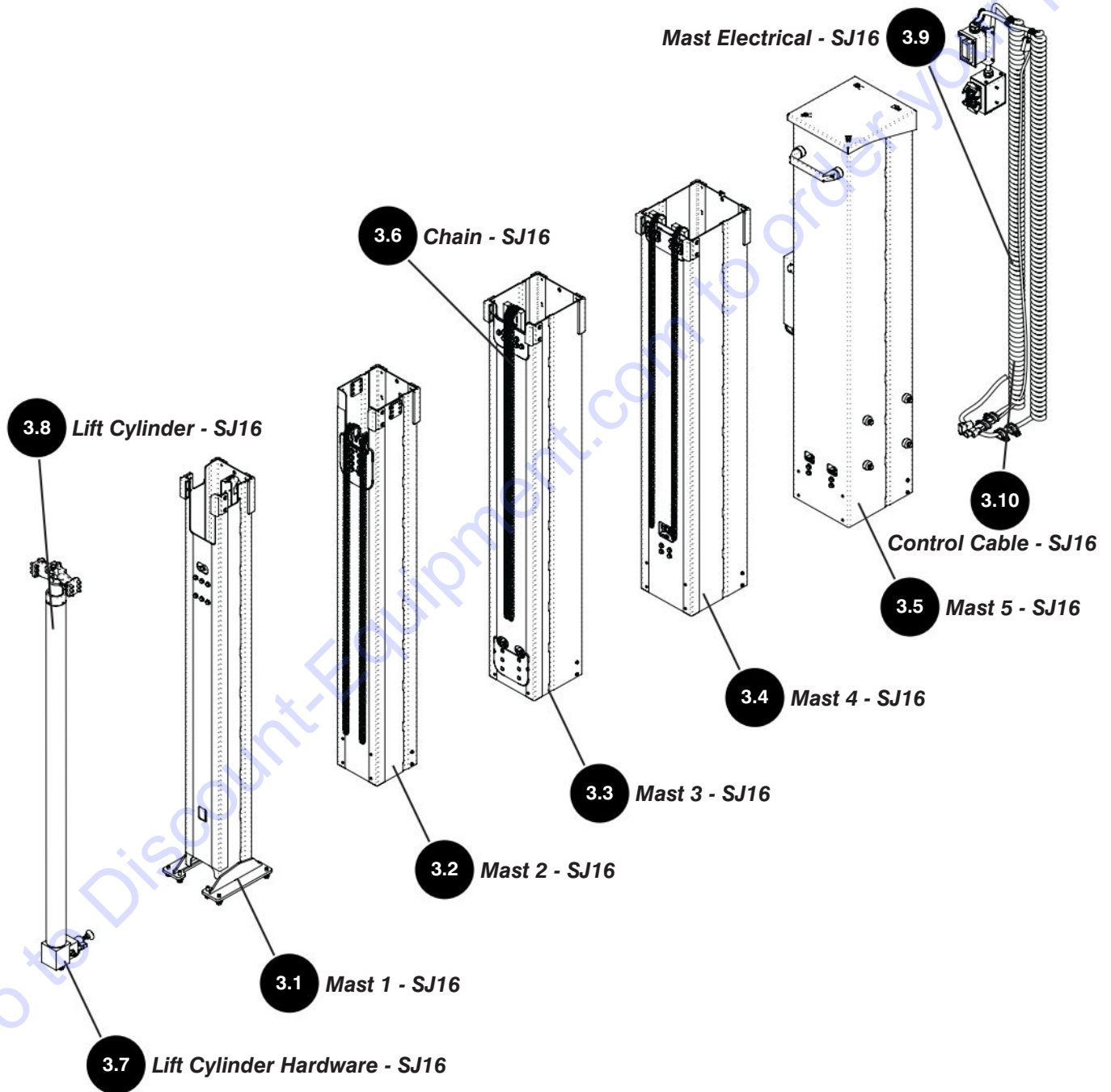
M230219AA_M230221AA_M230215AA

213557ABA

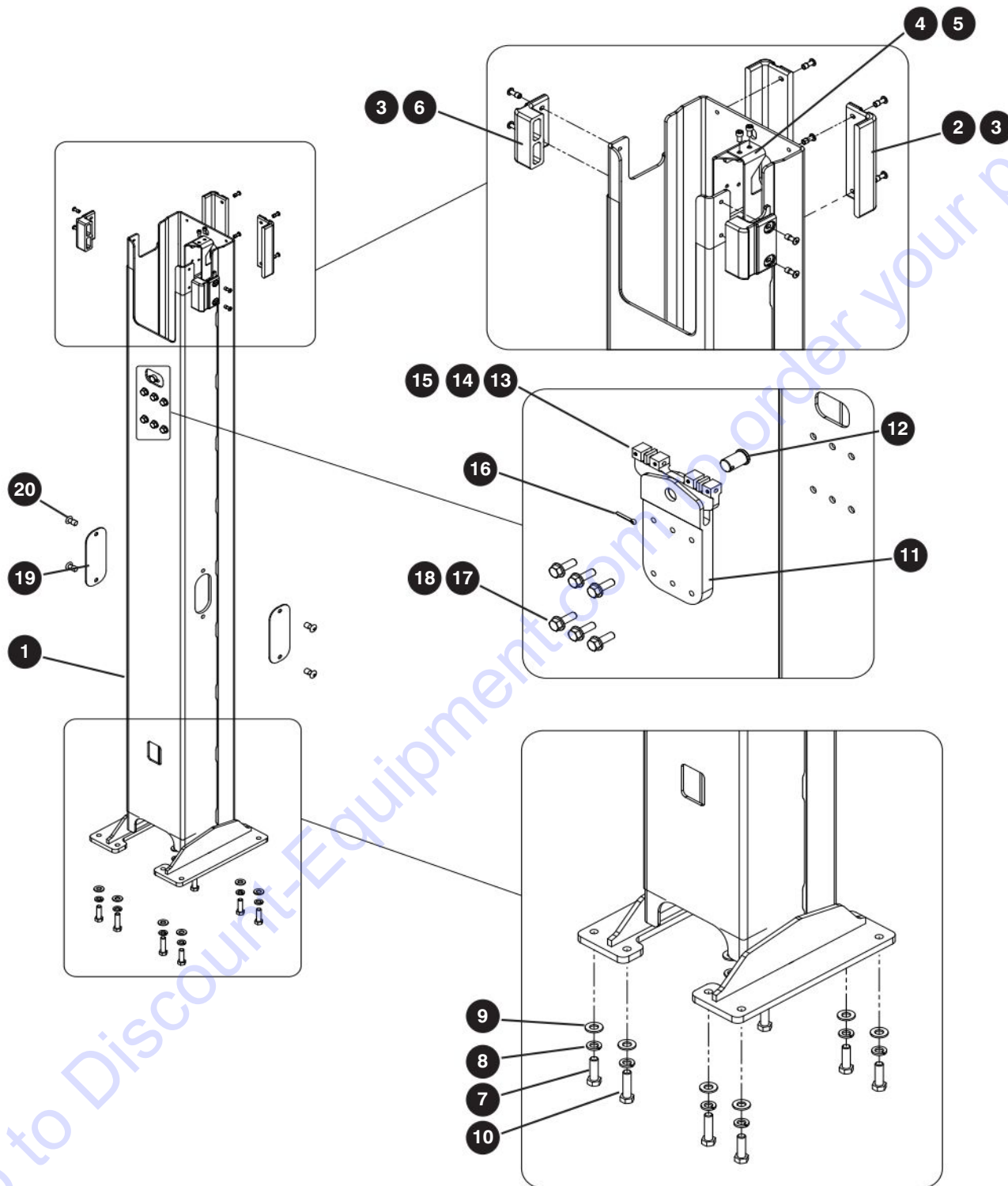
2.10 Power Outlet - CE/AS/KC

Index No.	Skyjack Part No.	Qty.	Description
A	230223	1	POWER OUTLET - UK
1	226503	1	• RECEPTACLE, 16 amp 110 VAC 2P+E
2	226501	2	• PLUG, 16 amp 110 VAC 2P+E
3	138373	1	• STRAIN RELIEF, M20
B	230221	1	POWER OUTLET - Type F
4	226454	1	• OUTLET, Socket - 16 amp 250 V
5	157192	1	• PLUG, 250 V
C	230219	1	POWER OUTLET - Type E
6	226455	1	• OUTLET, Socket - 16 amp 250 V
7	157192	1	• PLUG, 250 V

Section 3 – Mast - SJ16



3.1 Mast 1 - SJ16



M157667AH

213557ABA

SJ12, SJ16

3.1 Mast 1 - SJ16

Index No.	Skyjack Part No.	Qty.	Description
-	157667	1	MAST 1
1	157668	1	• MAST 1 WELDMENT
2	159398	2	• WEAR PAD (thin and long)
3	157759	8	• RIVET, Pop (3/16" x 1/4-3/8")
4	195075	1	• BRACKET
5	157829	2	• SCREW, Socket head cap (#10-32 x 3/8")
6	158087	2	• WEAR PAD (thick and short)
7	101297	6	• BOLT, Hex head (3/8"-16 x 1-1/4", grade 5)
8	103999	8	• WASHER, Lock (3/8")
9	125959	8	• WASHER, Flat hardened (3/8")
10	103870	2	• BOLT, Hex head (3/8"-16 x 1-1/2", grade 5)
-	157670	1	• CHAIN TENSIONER
11	157671	1	• • BLOCK, Tensioner mount
12	157265	1	• • PIN, Clevis
13	157672	1	• • BLOCK, Tensioner
14	157673	2	• • PIN, Chain (BL 444)
15	157033	4	• • PIN, Spring (5/32" x 5/8")
16	157467	1	• • PIN, Cotter
17	158319	6	• • BOLT, Hex head (5/16"-18 x 1", grade 8)
18	103996	6	• • WASHER, Flat (5/16")
19	226204	2	• PLATE, Cover
20	157756	4	• RIVET, Pop (3/16" x 7/16")

PARTS FINDER

**Search Website
by Part Number**



**Search Manual
Library For Parts
Manual & Lookup Part
Numbers – Purchase
or Request Quote**

Search Manuals

Enter your information to help us find the right parts manual for your machine.

* Brand:

* Model:

* Serial:

* Part Number:

SEARCH

**Can't Find Part or
Manual? Request Help
by Manufacturer,
Model & Description**

Parts Order Form

Please fill in the following information to help us find the right part for your machine.

Manufacturer:	<input type="text"/>
Model:	<input type="text"/>
Description:	<input type="text"/>
Part Number:	<input type="text"/>
Quantity:	<input type="text"/>
Notes:	<input type="text"/>

Submit

Discount-Equipment.com is your online resource for quality parts & equipment.

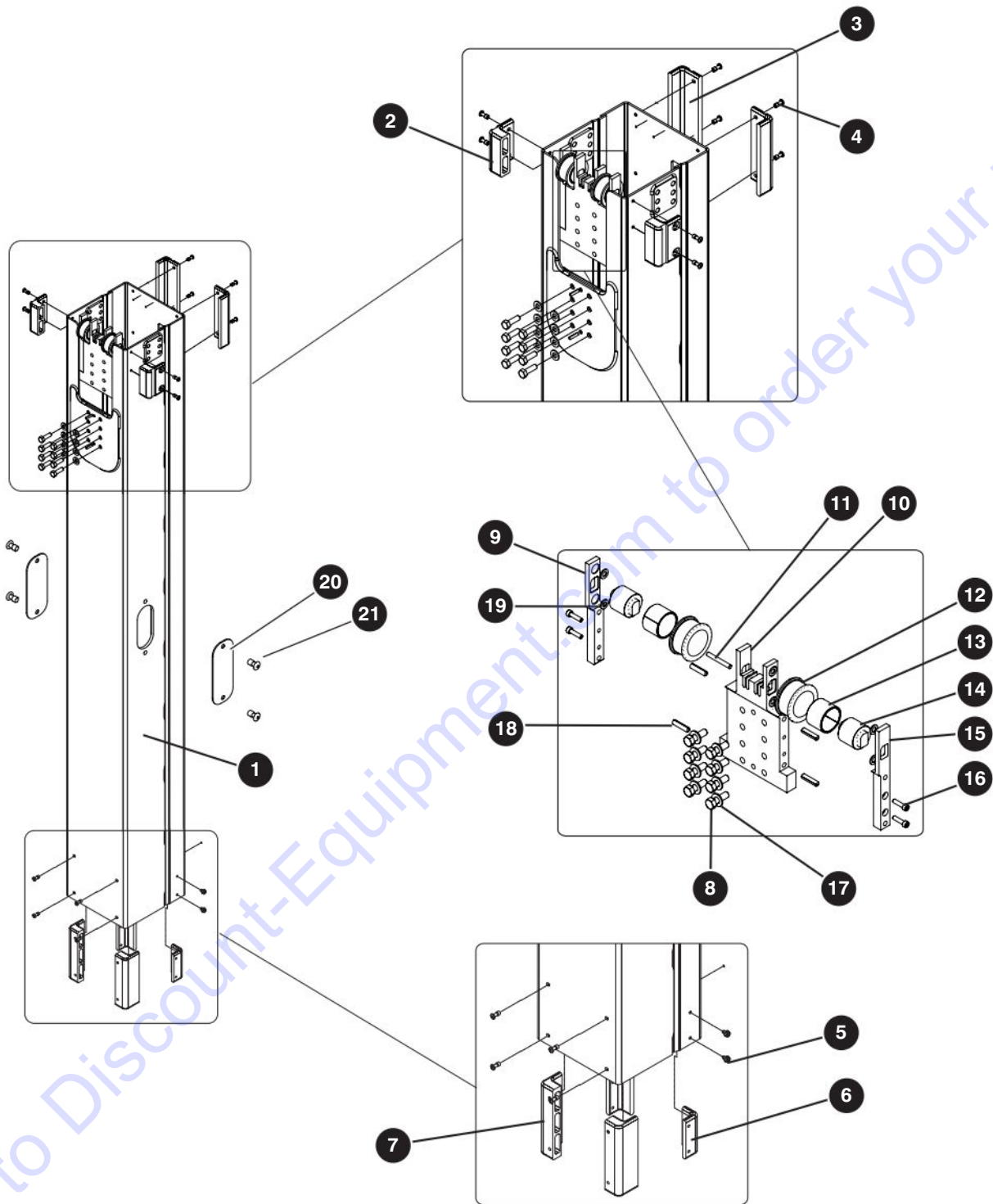
Florida: **561-964-4949** Outside Florida TOLL FREE: **877-690-3101**

Need parts?

Click on this link: <http://www.discount-equipment.com/category/5443-parts/> and choose one of the options to help get the right parts and equipment you are looking for. Please have the machine model and serial number available in order to help us get you the correct parts. If you don't find the part on the website or on one of the online manuals, please fill out the request form and one of our experienced staff members will get back to you with a quote for the right part that your machine needs.

We sell worldwide for the brands: Genie, Terex, JLG, MultiQuip, Mikasa, Essick, Whiteman, Mayco, Toro Stone, Diamond Products, Generac Magnum, Airman, Haulotte, Barreto, Power Blanket, Nifty Lift, Atlas Copco, Chicago Pneumatic, Allmand, Miller Curber, Skyjack, Lull, Skytrak, Tsurumi, Husquvarna Target, Stow, Wacker, Sakai, Mi-T-M, Sullair, Basic, Dynapac, MBW, Weber, Bartell, Bennar Newman, Haulotte, Ditch Runner, Menegotti, Morrison, Contec, Buddy, Crown, Edco, Wyco, Bomag, Laymor, EZ Trench, Bil-Jax, F.S. Curtis, Gehl Pavers, Heli, Honda, ICS/PowerGrit, IHI, Partner, Imer, Clipper, MMD, Koshin, Rice, CH&E, General Equipment, Amida, Coleman, NAC, Gradall, Square Shooter, Kent, Stanley, Tamco, Toku, Hatz, Kohler, Robin, Wisconsin, Northrock, Oztec, Toker TK, Rol-Air, APT, Wylie, Ingersoll Rand / Doosan, Innovatech, Con X, Ammann, Mecalac, Makinex, Smith Surface Prep, Small Line, Wanco, Yanmar

3.2 Mast 2 - SJ16



M157674AG

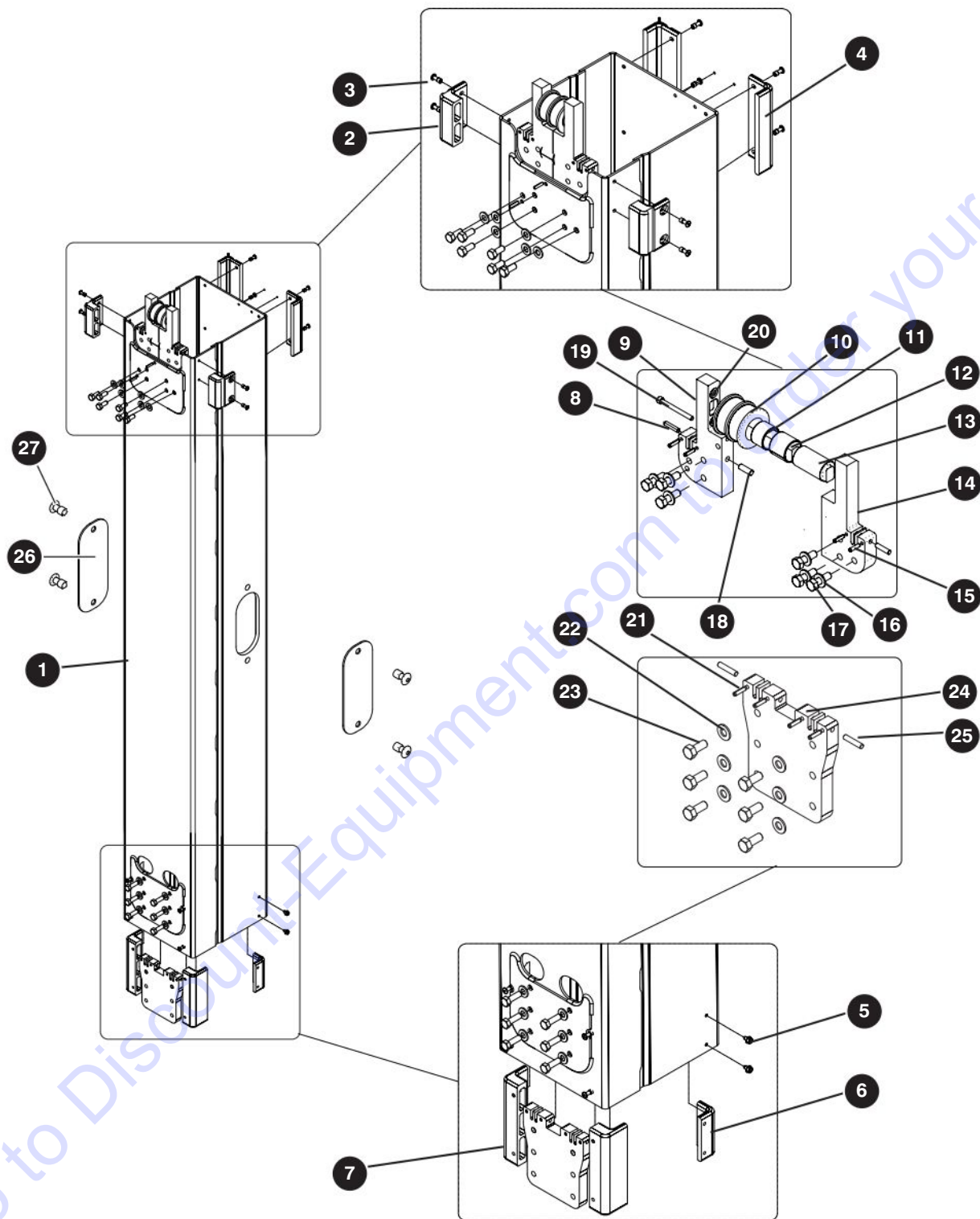
213557ABA

SJ12, SJ16

3.2 Mast 2 - SJ16

Index No.	Skyjack Part No.	Qty.	Description
-	157674	1	MAST 2
1	157675	1	• MAST 2 WELDMENT
2	158087	2	• WEAR PAD (thick and short)
3	159398	2	• WEAR PAD (thin and long)
4	157759	12	• RIVET, Pop (3/16" x 1/4-3/8")
5	158317	4	• SCREW, Thread rolling (10-32 x 3/8")
6	157763	2	• WEAR PAD (thin and short)
7	159399	2	• WEAR PAD (thick and long)
-	157679	1	• ROLLER SUPPORT
8	158319	8	• • BOLT, Hex head (5/16"-18 x 1", grade 8)
9	157683	1	• • SUPPORT, Roller (left hand)
10	157680	1	• • SUPPORT, Roller
11	157688	1	• • PIN, Chain (BL 434)
12	157686	2	• • ROLLER, Chain (BL 444)
13	148847	2	• • BUSHING, CJS-2016 (1-1/4" x 1")
14	157684	2	• • PIN, Roller (BL 444)
15	157681	1	• • SUPPORT, Roller (right hand - control box side)
16	195231	4	• • SCREW, Socket head cap (#10-32 x 3/4")
17	103996	8	• • WASHER, Flat (5/16")
18	163177	4	• • PIN, Roll (1/4" diameter x 1")
19	163166	4	• • WASHER, Thrust (Fiberglide FTS0408)
20	226204	2	• PLATE, Cover
21	157756	4	• RIVET, Pop (3/16" x 7/16")

3.3 Mast 3 - SJ16



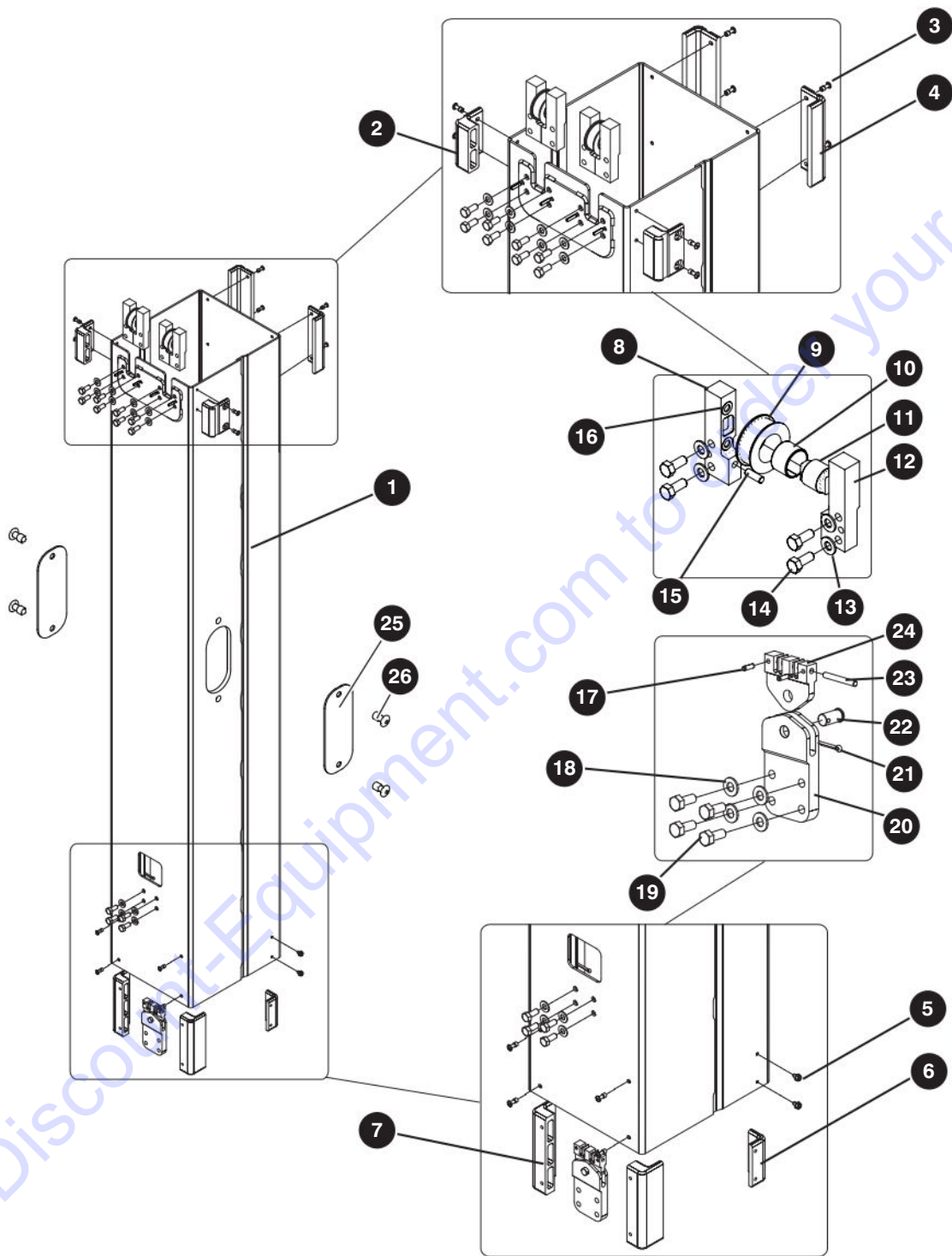
M157689AG

213557ABA

3.3 Mast 3 - SJ16

Index No.	Skyjack Part No.	Qty.	Description
-	157689	1	MAST 3
1	157690	1	• MAST 3 WELDMENT
2	158087	2	• WEAR PAD (thick and short)
3	116161	12	• RIVET, Pop (3/16" x 0.565")
4	159398	2	• WEAR PAD (thin and long)
5	158317	4	• SCREW, Thread rolling (10-32 x 3/8")
6	157763	2	• WEAR PAD (thin and short)
7	159399	2	• WEAR PAD (thick and long)
-	157694	1	• ROLLER SUPPORT
8	157700	2	• • PIN, Chain (BL 434)
9	157695	1	• • MOUNT, Roller (left hand)
10	157698	1	• • ROLLER (double)
11	100249	1	• • BUSHING, Fiberglide (CJS-A538)
12	100309	1	• • BUSHING, Fiberglide
13	157697	1	• • PIN, Roller (double)
14	157696	1	• • MOUNT, Roller (right hand - control box side)
15	157033	4	• • PIN, Spring (0.156 x 5/8")
16	103996	6	• • WASHER, Flat (5/16")
17	158319	6	• • BOLT, Hex head (5/16"-18 x 1", grade 8)
18	157360	1	• • PIN, Dowel (1/4" diameter x 3/4")
19	195229	1	• • SCREW, Socket head caped (#10-32 x 1-3/4")
20	163166	4	• • WASHER, Thrust (Fiberglide FTS0408)
-	157701	1	• CHAIN MOUNT (BL 444)
21	157033	4	• • PIN, Spring (0.156 x 5/8")
22	103996	6	• • WASHER, Flat (5/16")
23	158320	6	• • BOLT, Hex head (5/16"-18 x 3/4", grade 8)
24	157702	1	• • MOUNT, Chain (BL 444)
25	157673	2	• • PIN, Chain (BL 444)
26	226204	2	• PLATE, Cover
27	157756	4	• RIVET, Pop (3/16" x 7/16")

3.4 Mast 4 - SJ16



M157704AG

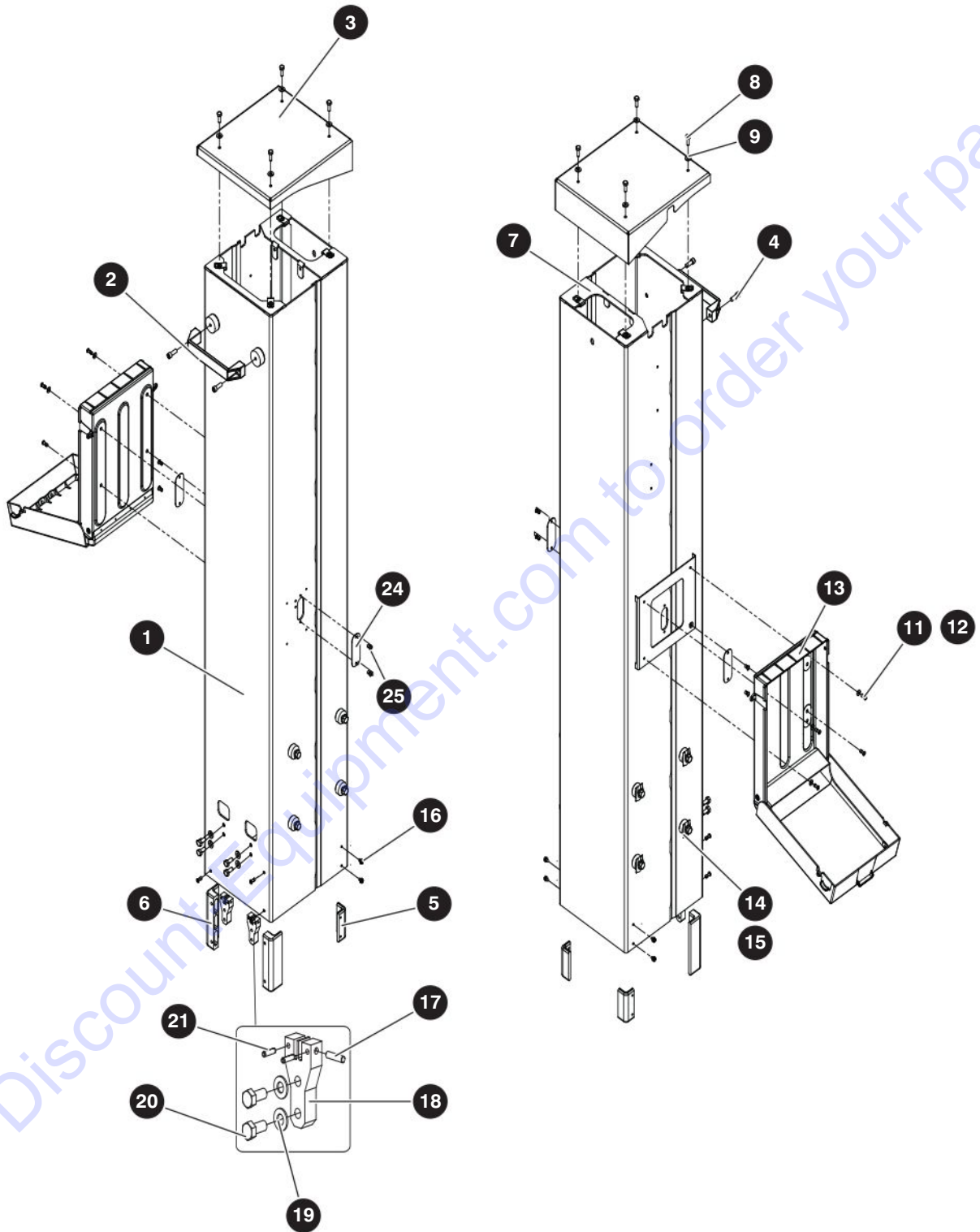
213557ABA

SJ12, SJ16

3.4 Mast 4 - SJ16

Index No.	Skyjack Part No.	Qty.	Description
-	157704	1	MAST 4
1	157705	1	• MAST 4 WELDMENT
2	158087	2	• WEAR PAD (thick and short)
3	116161	12	• RIVET, Pop (3/16" x 0.565")
4	157733	2	• WEAR PAD (thin and long)
5	158317	4	• SCREW, Thread rolling (10-32 x 3/8")
6	157763	2	• WEAR PAD (thin and short)
7	159399	2	• WEAR PAD (thick and long)
-	157713	2	• SINGLE ROLLER
8	157714	1	• • MOUNT - Roller (single left hand)
9	157490	1	• • ROLLER (single)
10	100249	1	• • BUSHING, Fiberglide (CJS-A538)
11	157716	1	• • PIN, Roller (single)
12	157715	1	• • MOUNT, Roller (single right hand - control box side)
13	103996	4	• • WASHER, Flat (5/16")
14	158320	4	• • BOLT, Hex head (5/16"-18 x 3/4", grade 8)
15	157360	1	• • PIN, Dowel (1/4" diameter x 3/4")
16	163166	4	• • WASHER, Thrust (Fiberglide FTS0408)
-	157708	1	• CHAIN TENSIONER
17	157825	2	• • PIN, Spring (0.156 x 1/2")
18	103996	4	• • WASHER, Flat (5/16")
19	158320	4	• • BOLT, Hex head (5/16"-18 x 3/4", grade 8)
20	157709	1	• • MOUNT, Tensioner
21	157467	1	• • PIN, Cotter
22	157711	1	• • PIN, Clevis
23	157688	1	• • PIN, Chain (BL 434)
24	157710	1	• • BLOCK, Tensioner
25	226204	2	• PLATE, Cover
26	157756	4	• RIVET, Pop (3/16" x 7/16")

3.5 Mast 5 - SJ16



M157718AG

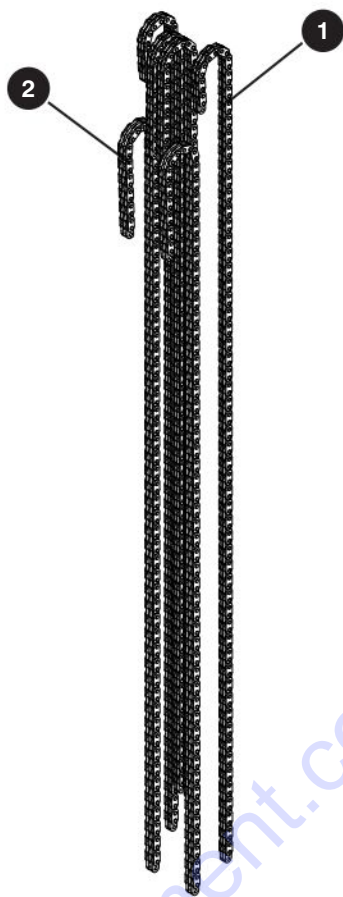
213557ABA

SJ12, SJ16

3.5 Mast 5 - SJ16

Index No.	Skyjack Part No.	Qty.	Description
-	157718	1	MAST 5
1	157719	1	• MAST 5 WELDMENT
2	928533	1	• HANDLE
3	157319	1	• COVER, Mast
4	158317	4	• SCREW, Thread rolling (10-32 x 3/8")
5	157763	2	• WEAR PAD (thin and short)
6	158086	2	• WEAR PAD (thick and long)
7	149496	4	• NUT, Speed clip (1/4"-20 x 1/2")
8	103856	4	• BOLT, Hex head (1/4"-20 x 3/4", grade 5)
9	103995	4	• WASHER, Flat (1/4")
10	157822	2	• SCREW, Socket head cap (5/16"-18 x 7/8")
11	104694	4	• WASHER, Flat (#10)
12	157759	8	• RIVET, Pop (3/16" x 1/2"-3/8")
13	198789	1	• BOX, Manual
14	158488	8	• BOLT, Hex head (3/8"-16 x 3/4", grade 8)
15	125959	8	• WASHER, Flat hardened (3/8")
16	156837	4	• SHIM, Platform (MT 22GA)
-	157320	2	• CHAIN MOUNT (single)
17	157700	1	• • PIN, Chain (BL 434)
18	157321	1	• • MOUNT, Chain
19	103996	2	• • WASHER, Flat (5/16")
20	158320	2	• • BOLT, Hex head (5/16"-18 x 3/4", grade 8)
21	157033	2	• • PIN, Spring (0.156 x 5/8")
22	207981	1	• BAG, Resealable (12" x 9" x 0.002")(not shown)
23	114710	1	• KEY RING, Skyjack (not shown)
24	226204	2	• PLATE, Cover
25	157756	4	• RIVET, Pop (3/16" x 7/16")

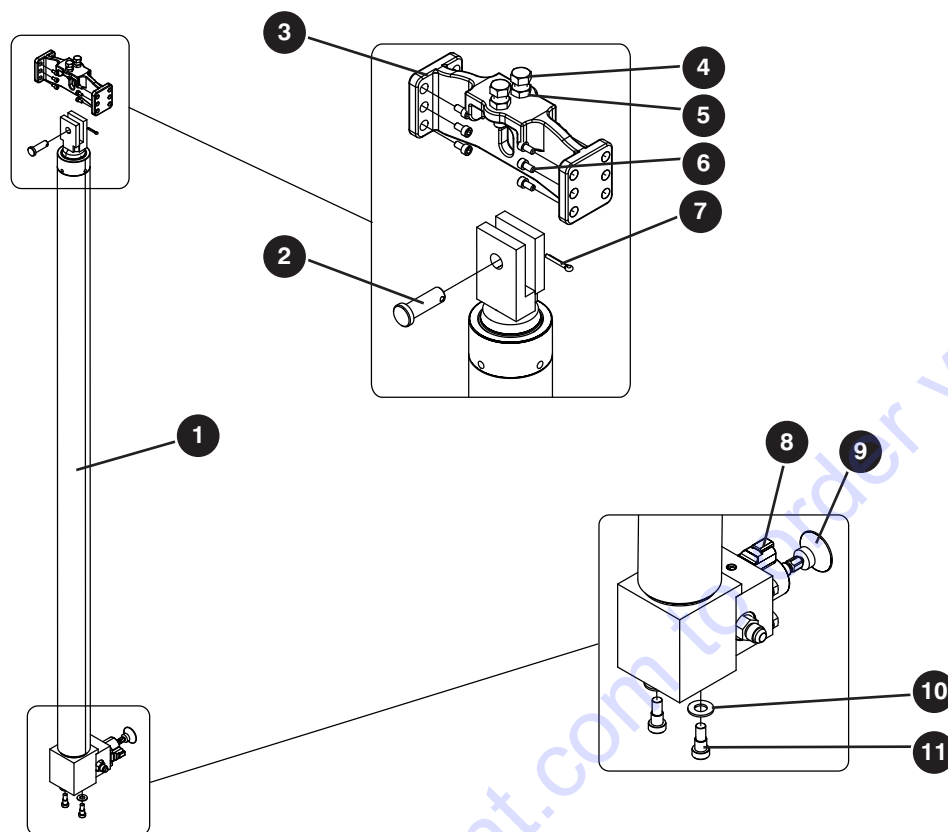
3.6 Chain - SJ16



M158107AB

Index No.	Skyjack Part No.	Qty.	Description
-	158107	1	CHAIN - SJ16
1	157721	4	• CHAIN - BL 434
2	158462	2	• CHAIN - BL 444

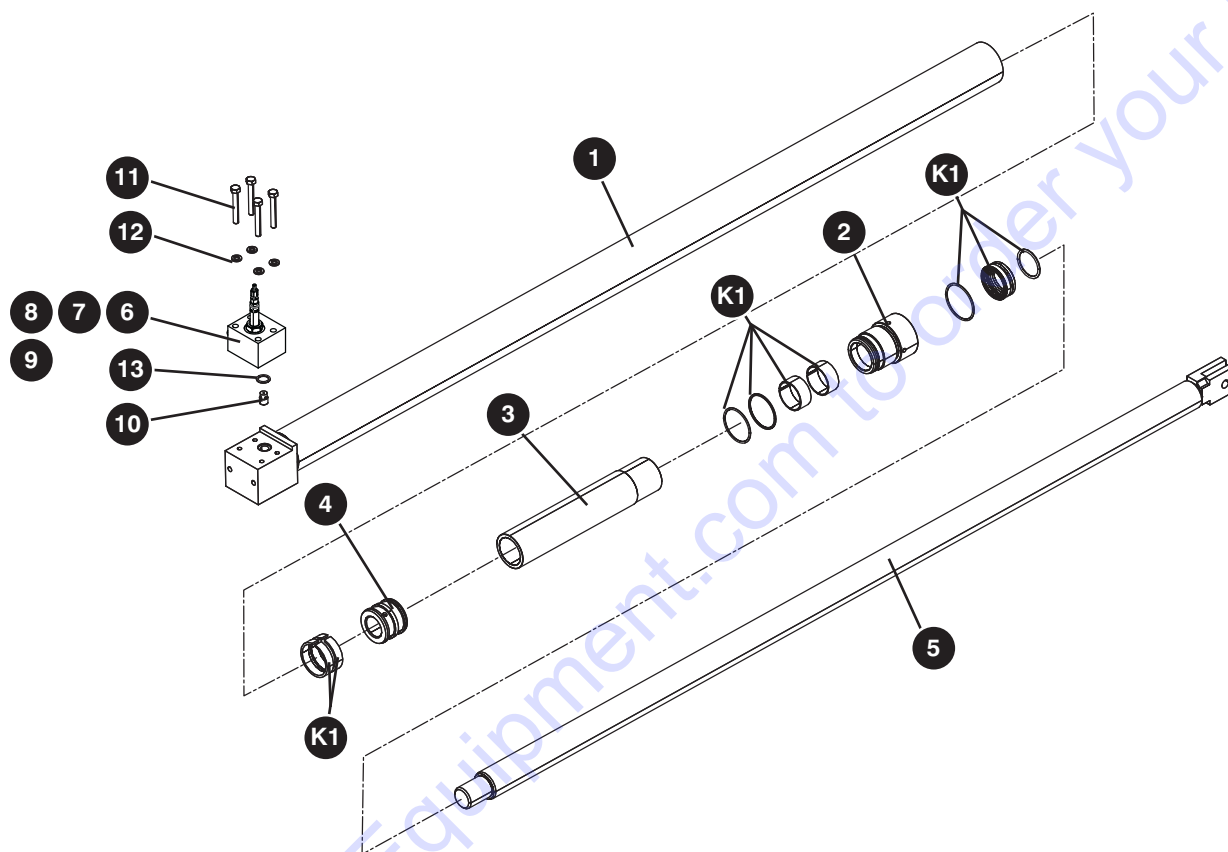
3.7 Lift Cylinder Hardware - SJ16



M159472AE

Index No.	Skyjack Part No.	Qty.	Description
-	159472	1	MAST LIFT CYLINDER (16')
1	(Ref.)	1	<ul style="list-style-type: none"> • CYLINDER, Lift <i>(For components, refer to Section 3.8 Lift Cylinder - SJ16)</i>
2	157833	1	<ul style="list-style-type: none"> • PIN, Clevis
3	160195	1	<ul style="list-style-type: none"> • BRACKET, Cylinder mount
4	163555	2	<ul style="list-style-type: none"> • BOLT, Hex head (3/8"-24 x 1.25, grade 8)
5	160810	2	<ul style="list-style-type: none"> • NUT, Hex head Jamming (3/8"-24, grade 5)
6	157822	12	<ul style="list-style-type: none"> • SCREW, Socket head cap (zinc, 5/16"-18 x 7/8")
7	163546	1	<ul style="list-style-type: none"> • PIN, Cotter (1/2" diameter rue RingTM)
8	151683	1	<ul style="list-style-type: none"> • COIL, 24V
9	300322	1	<ul style="list-style-type: none"> • KNOB, Pull
10	103472	2	<ul style="list-style-type: none"> • WASHER, Flat (3/8")
11	156833	2	<ul style="list-style-type: none"> • SCREW, Hex socket shoulder (3/8" x 3/8")

3.8 Lift Cylinder - SJ16



M159473AB

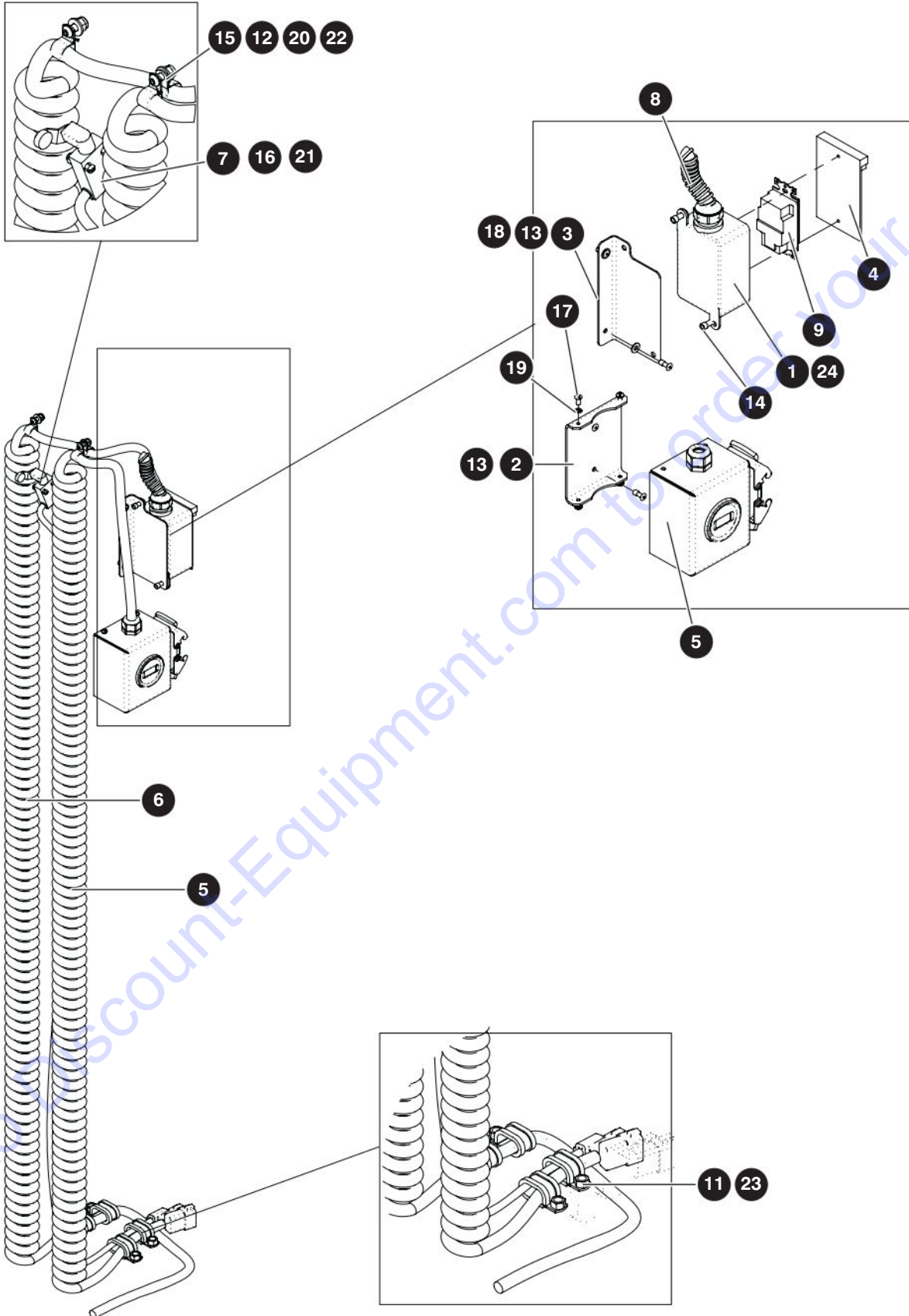
213557ABA

SJ12, SJ16

3.8 Lift Cylinder - SJ16

Index No.	Skyjack Part No.	Qty.	Description
-	159473	1	LIFT CYLINDER ASSEMBLY
-	159471	1	• LIFT CYLINDER
1	157648	1	• • TUBE
2	156865	1	• • GLAND
3	157650	1	• • SLEEVE STOP
4	157651	1	• • PISTON
5	157649	1	• • ROD
6	159802	1	• MANIFOLD, Cylinder
7	151696	1	• • VALVE, Emergency lowering
8	103069	1	• • FITTING, Straight (06 JICM - 06 ORBM)
9	158844	1	• • MANIFOLD, Block
10	159416	1	• ORIFICE, One way (0.043" diameter)
11	103866	4	• BOLT, Hex head (5/16"-18 x 2-1/4", grade 5)
12	103404	4	• WASHER, Lock (5/16")
13	159475	1	• O-RING
K1	157652	1	• KIT, Seal

3.9 Mast Electrical - SJ16



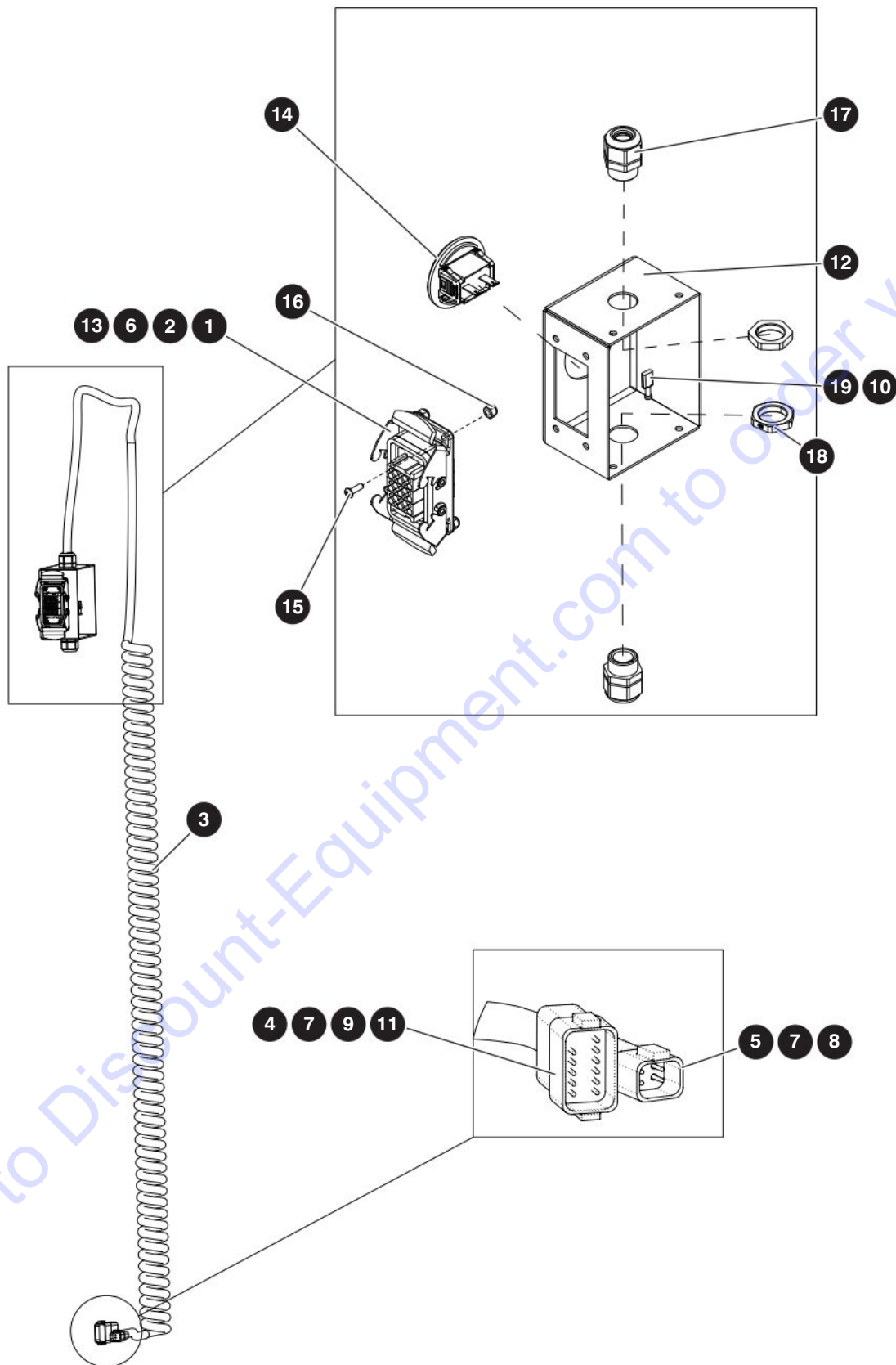
M213184AC

213557ABA

3.9 Mast Electrical - SJ16

Index No.	Skyjack Part No.	Qty.	Description
A	213184	1	MAST ELECTRICAL - ANSI/CSA
B	213185	1	MAST ELECTRICAL - CE, AS
C	232764	1	MAST ELECTRICAL - CE with RCD
1	211238	1	• 110V OUTLET BOX - modification, A
2	158615	1	• BRACKET, Mast
3	158620	1	• BRACKET, Mast AC
4	166943	1	• COVER, GFI weatherproof, A
5	212107	1	• CONTROL CABLE - SJ16
6	151204	1	• CONTROL CABLE, 14/3 Retractable, A
	220937	1	• CONTROL CABLE, 14/3 Retractable, B
	231944	1	• CONTROL CABLE, 14/3 Retractable, RCD, C
7	199406	1	• LIMIT SWITCH ASSEMBLY
8	170759	1	• SPLIT TUBE , UV-Resistant (5/8" x 4")
9	109698	1	• RECEPTACLE, GFCI, A
10	114386	2	• CABLE, Tiewrap (14 5/8" black nylon) (not shown)
11	103078	4	• CLAMP, Loop cushion double (grade 10)
12	220931	3	• CLAMP (grade 8)
13	157759	4	• RIVET, Pop (3/16" x 0.565")
14	134140	2	• RIVET, Pop (1/4" x 3/4"), A
15	151596	2	• BOLT, Button head socket cap (1/4"-20 x 3/4")
16	112248	2	• SCREW, Round head machine (#8-32 x 1")
17	115545	4	• SCREW, Round head machine (#10-32 x 3/8")
18	104694	2	• WASHER, Flat (#10)
19	104185	4	• WASHER, Lock (#10)
20	103995	2	• WASHER, Flat (1/4")
21	138765	2	• NUT, Lock (8-32 grade 5, zinc - nylon)
22	115649	2	• NUT, Lock (1/4"-20 grade 5, nylon)
23	103978	4	• NUT, Hex (3/8"-16 grade 5)
24	(Ref.)	1	POWER OUTLET - CE (For components, refer to Section 2.10 Power Outlet - CE)

3.10 Control Cable - SJ16



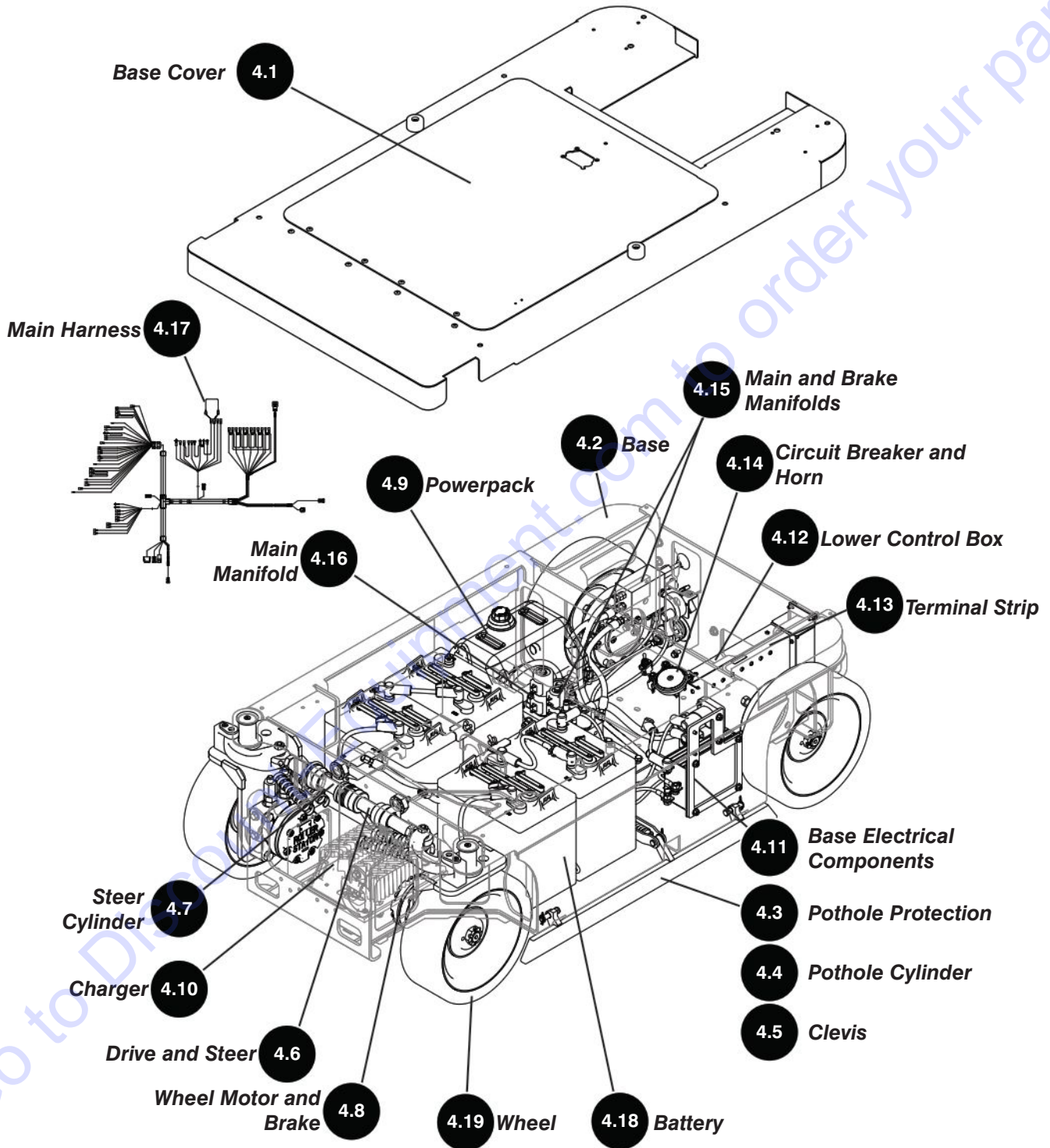
M212107AC

213557ABA

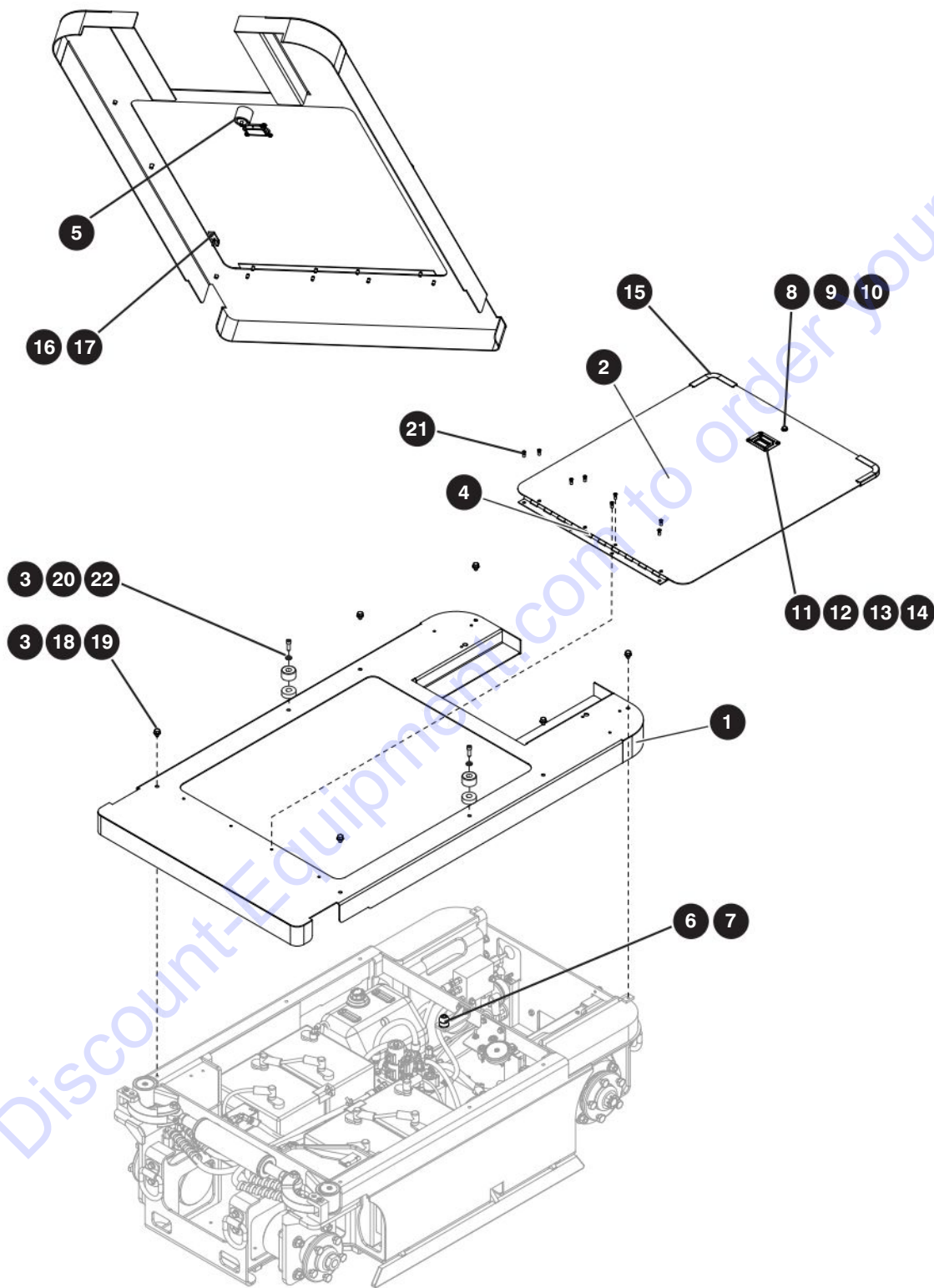
3.10 Control Cable - SJ16

Index No.	Skyjack Part No.	Qty.	Description
-	212107	1	CONTROL CABLE
1	156549	3	• CONNECTOR BLOCK, Hood
2	156546	1	• CONNECTOR FRAME, Hood
3	151203	1	• CONTROL CABLE 18/15 RETRACTILE
4	117586	1	• CONNECTOR, Receptacle 12 pin
5	117578	1	• CONNECTOR, Receptacle 4 pin
6	156543	15	• CONTACT, Female
7	117590	15	• CONNECTOR, Pin contact
8	117580	1	• CONNECTOR, Receptacle (4 pin wedge)
9	117588	1	• CONNECTOR, Receptacle (4 -12 pin wedge)
10	113584	1	• HEATSHRINK (1/2" black)
11	117594	1	• CONNECTOR, Sealing plug
12	158614	1	• ENCLOSURE, Mast
13	211818	1	• CONNECTOR, Base mount (black)
14	195940	1	• HOUR METER
15	103957	4	• SCREW, Round head machine (8-32 x 1/2")
16	138765	4	• NUT, Lock (8-32 grade 5, zinc -nylon)
17	120644	2	• CONNECTOR, Strain relief
18	120646	2	• NUT, Lock cable gland (PG-16)
19	105359	1	• TERMINAL (1/4")

Section 4 – Base Parts



4.1 Base Cover



M158771AE

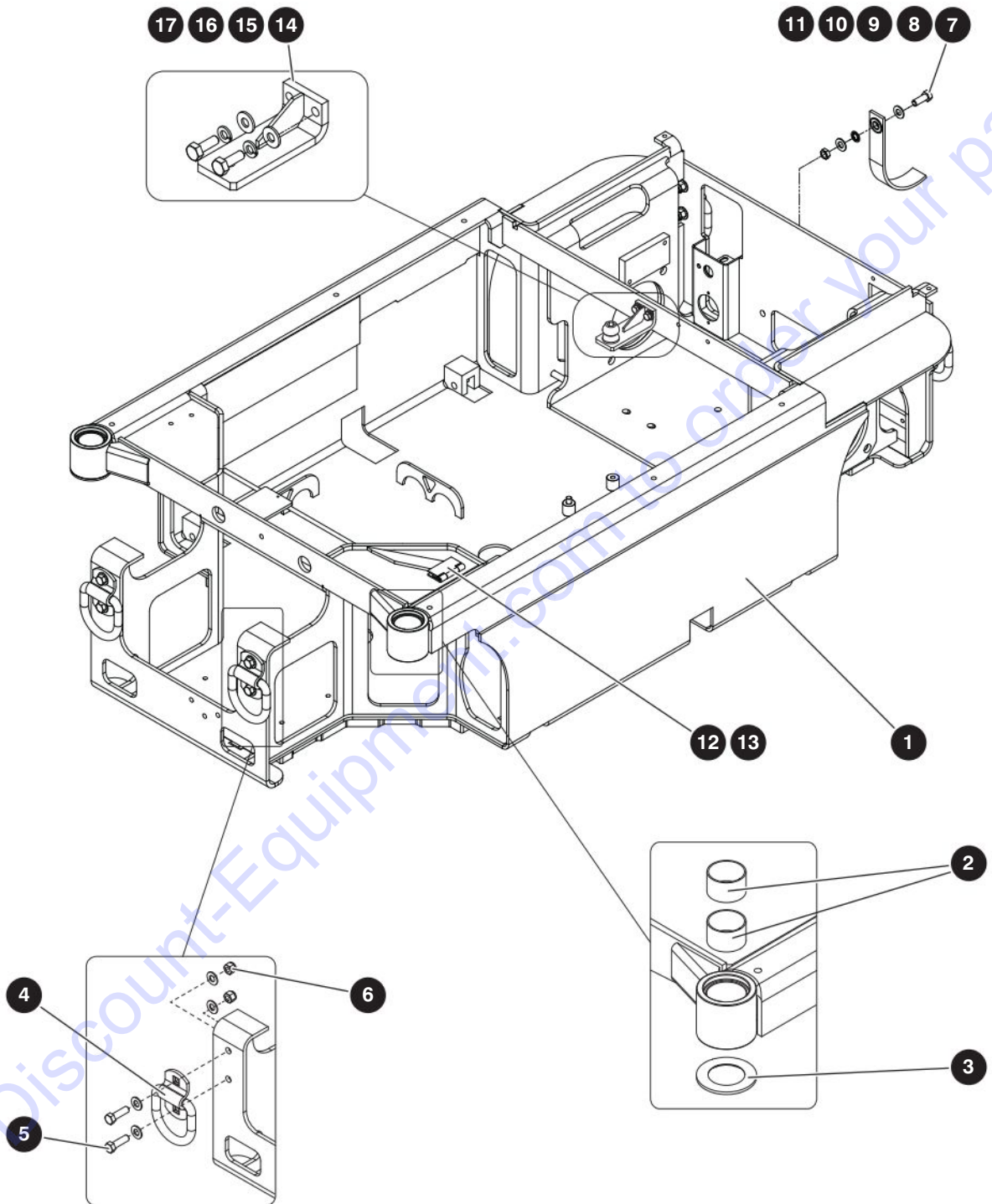
213557ABA

SJ12, SJ16

4.1 Base Cover

Index No.	Skyjack Part No.	Qty.	Description
-	158771	1	BASE COVER
1	158772	1	• COVER, Top
2	157180	1	• COVER, Service
3	103404	8	• WASHER, Lock (0.312")
4	157840	1	• HINGE, Piano (21")
-	112447	1	• BUMPER KIT, Rubber
5	125893	1	• • HOLDER, Rubber (female)
6	125892	1	• • HOLDER, Rubber (male)
7	213146	1	• BOLT, Socket head cap (1/4"- 20 x 1", zinc)
8	103855	1	• BOLT, Hex head (1/4"-20 x 1/2", grade 5)
9	103995	1	• WASHER, Flat (1/4")
10	103980	1	• NUT, Hex head (1/4"-20, grade 8)
11	151658	1	• HANDLE, Recessed
12	156600	4	• SCREW, Machine flat head (8-32 x 3/8")
13	103986	4	• NUT, Hex (#8-32)
14	103991	4	• WASHER, Flat (#8)
15	117398	1	• TRIM, Protective
16	157160	1	• BRACKET, Stop
17	161603	2	• RIVET, Pop large flange (5/32")
18	103996	6	• WASHER, Flat (0.312")
19	103845	6	• BOLT, Hex head (0.31"-18 x 1/2", zinc, grade 5)
20	158864	2	• BUMPER
21	157173	8	• RIVET, Pop (1/4"x1/2")
22	157822	2	• SCREW, Socket head cap(5/16"-18 x 7/8")

4.2 Base



M170589AB

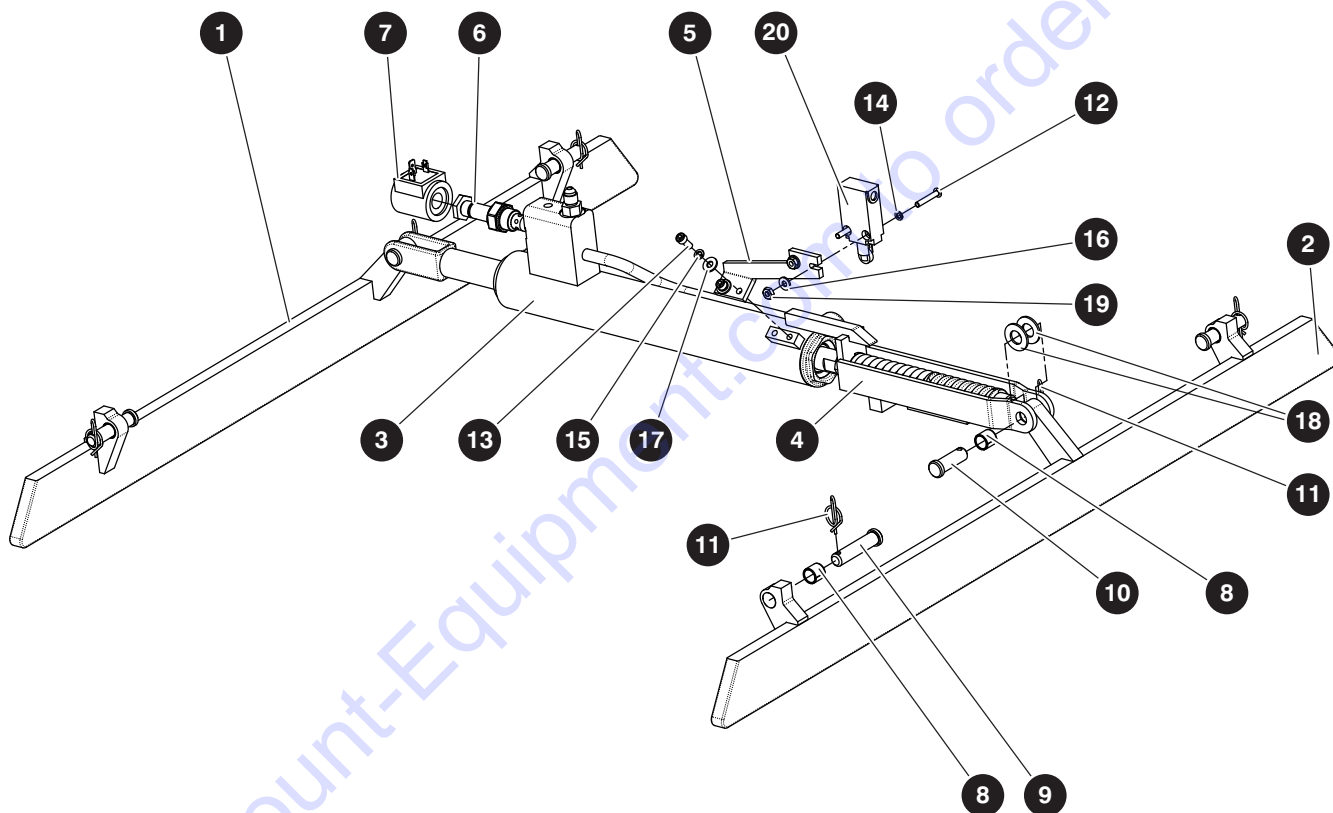
213557ABA

SJ12, SJ16

4.2 Base

Index No.	Skyjack Part No.	Qty.	Description
A	170589	1	BASE - SJ12 ANSI/CSA, CE, AS
B	157134	1	BASE - SJ16 ANSI/CSA, CE, AS
1	170542	1	• BASE WELDMENT, A
	170551	1	• BASE WELDMENT, B
2	100904	4	• BUSHING, Fiberglide (1-1/2" ID x 1")
3	149782	2	• WASHER, Bronze (kingpin)
4	156848	4	• D-RING ASSEMBLY
5	101297	8	• BOLT, Carriage (3/8"-16 x 1-1/4", grade 5)
6	104606	8	• NUT, Hex nylon lock (3/8"-16, grade 5)
7	103472	18	• WASHER, Flat (3/8")
8	115420	1	• STRAP, Static
9	103473	1	• BOLT, Hex head (3/8"-16 x 1", grade 5)
10	155979	1	• WASHER, Lock internal tooth (3/8")
11	108575	1	• NUT, Hex head jam (3/8"-16, grade 5)
12	157157	1	• PLATE, Hinged
13	139641	2	• RIVET, Pop (1/4")
14	151660	1	• BRACKET, Latch
15	103995	2	• WASHER, Flat (1/4")
16	104000	2	• WASHER, Lock (1/4")
17	103856	2	• BOLT, Hex head (1/4"-20 x 3/4", grade 5)

4.3 Pothole Protection



M212883AB

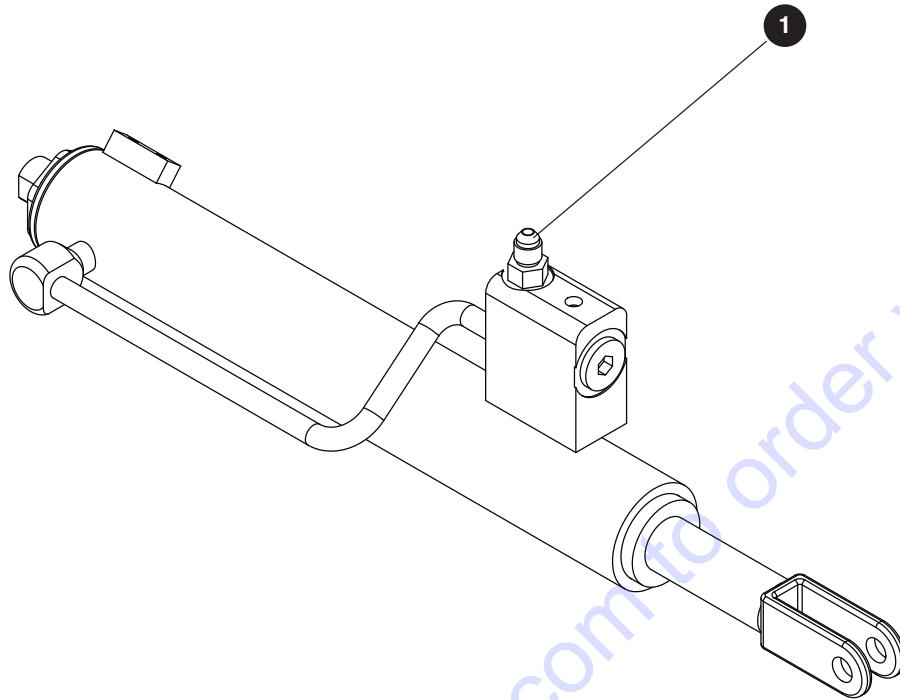
213557ABA

SJ12, SJ16

4.3 Pothole Protection

Index No.	Skyjack Part No.	Qty.	Description
-	212883	1	POTHOLE PROTECTION
1	158397	1	• PLATE, Pothole (left hand)
2	158398	1	• PLATE, Pothole (right hand - control box side)
3	(Ref.)	1	• CYLINDER, Pothole <i>(For components, refer to Section 4.4 Pothole Cylinder)</i>
4	(Ref.)	1	• CLEVIS <i>(For components, refer to Section 4.5 Clevis)</i>
5	158395	1	• BRACKET, Limit switch
6	103655	1	• VALVE, Poppet solenoid cartridge
7	104493	1	• COIL, 24V - 3 prong
8	119312	6	• BUSHING, Fiberglide
9	158144	4	• PIN, Clevis
10	158148	2	• PIN, Clevis
11	158818	6	• PIN, Cotter (rue ring)
12	112248	2	• SCREW, Round head machine (#8-32 x 1")
13	158889	2	• SCREW, Socket head cap (10-24 x 1/2")
14	112249	2	• WASHER, Lock (#8)
15	104185	2	• WASHER, Lock (#10)
16	103991	2	• WASHER, Flat (#8)
17	104694	2	• WASHER, Flat (#10)
18	119313	2	• WASHER, Flat (7/16")
19	103986	2	• NUT, Hex head (#8-32)
20	(Ref.)	1	• LIMIT SWITCH <i>(For components, refer to Section 4.11 Base Electrical Components)</i>

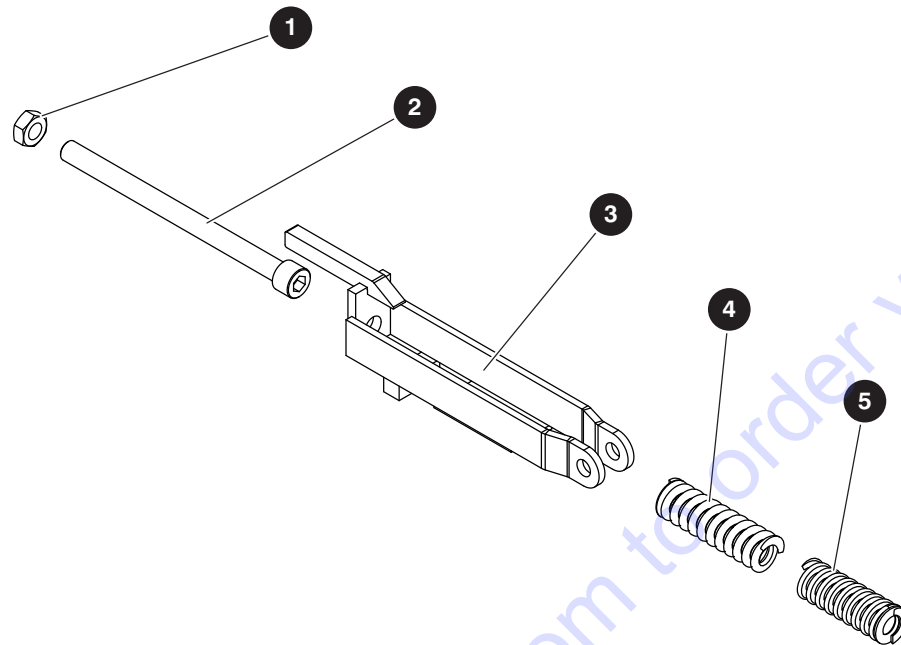
4.4 Pothole Cylinder



M211118AC

Index No.	Skyjack Part No.	Qty.	Description
-	211118	1	POTHOLE CYLINDER
1	126128	1	• FITTING, Straight (04 JICM - 04 ORBM)
K	211650	1	• KIT, Seal (not shown)

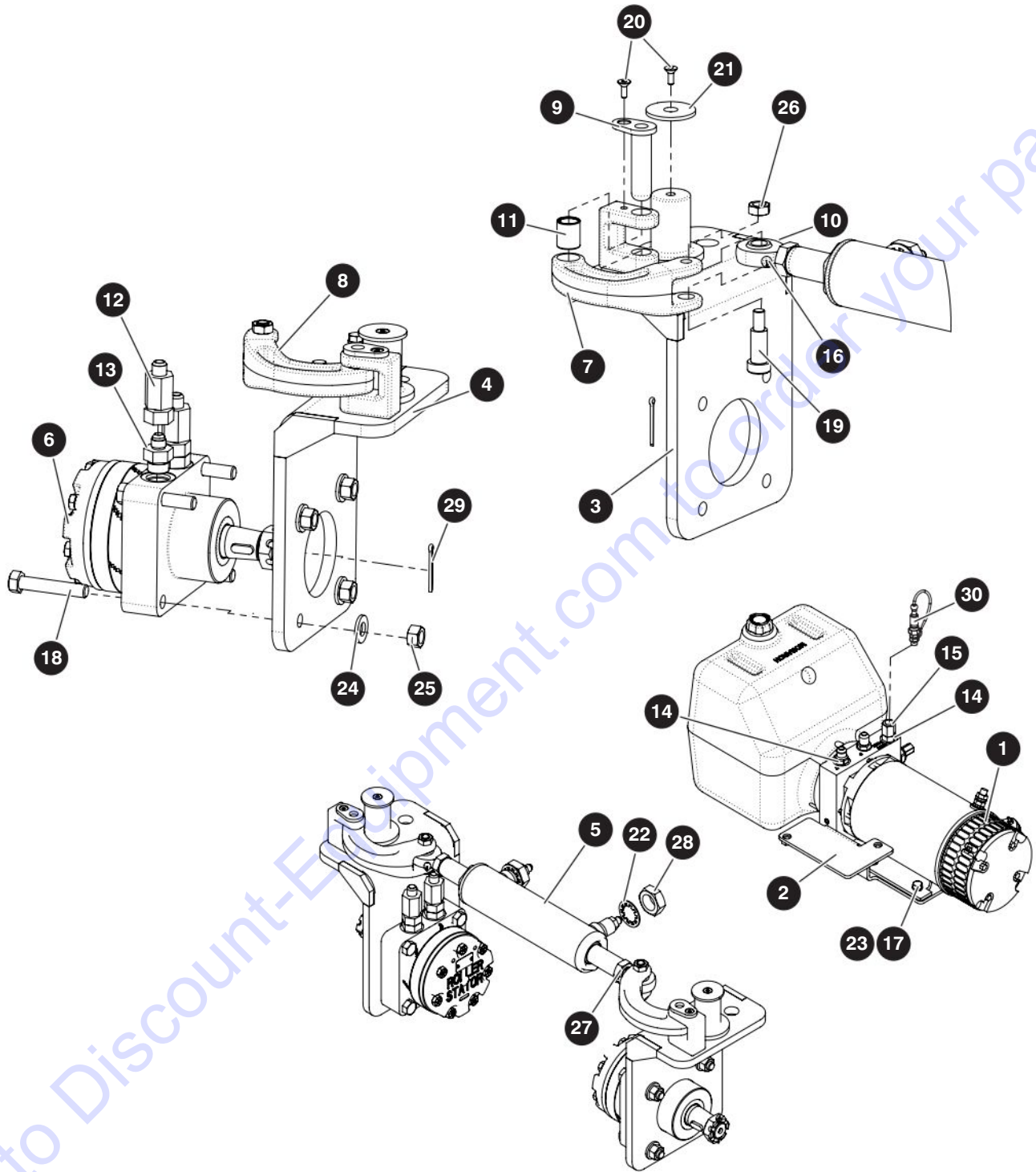
4.5 Clevis



M158906AB

Index No.	Skyjack Part No.	Qty.	Description
-	158906	1	CLEVIS
1	107949	1	• NUT, Hex head jam (1/2"-13, grade 5)
2	158987	1	• SCREW, Socket head cap (1/2"-13 x 7")
3	158390	1	• WELD, Clevis
4	158400	1	• SPRING, Die (3.5" length)
5	158399	1	• SPRING, Die (3" length)

4.6 Drive and Steer



M213177AD

213557ABA

80

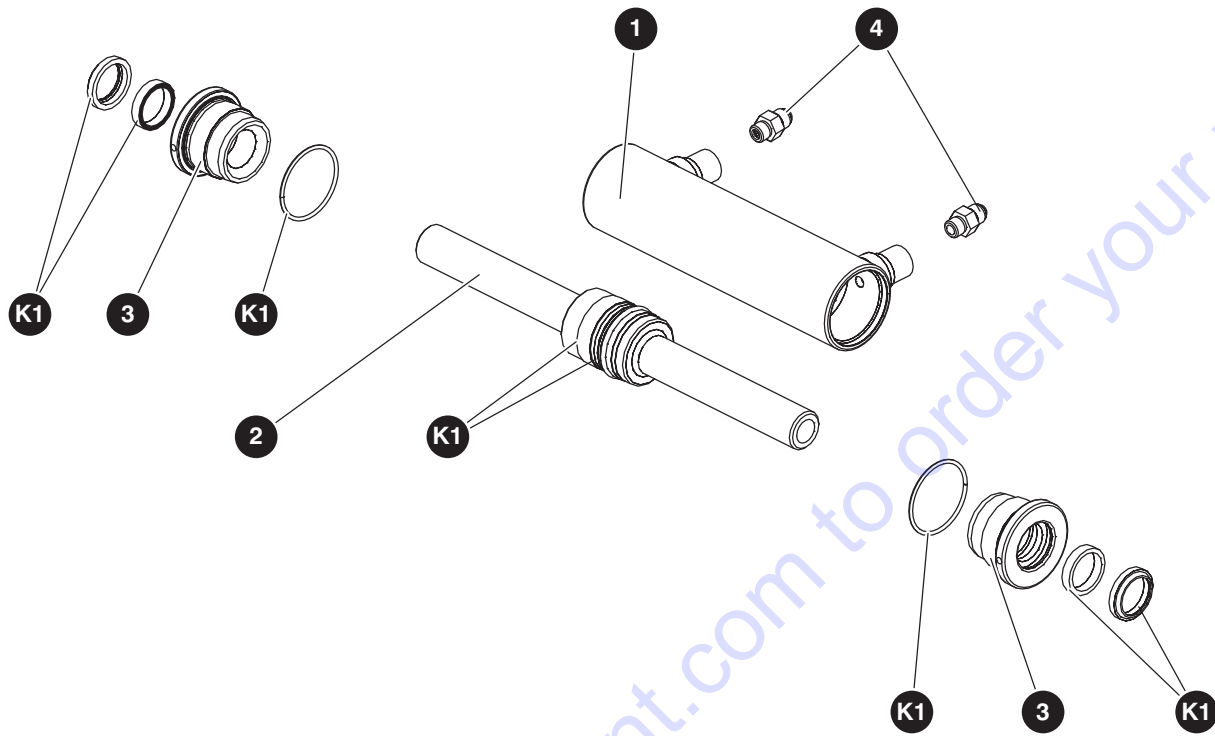
SJ12, SJ16

SKYJACK

4.6 Drive and Steer

Index No.	Skyjack Part No.	Qty.	Description
A	213177	1	DRIVE/STEER - ANSI/CSA
B	213178	1	DRIVE/STEER - CE, AS
1	(Ref.)	1	<ul style="list-style-type: none"> POWERPACK, 24V <i>(For components, refer to Section 4.9 Powerpack)</i>
2	212241	1	<ul style="list-style-type: none"> BRACKET, Main valve
3	170017	1	<ul style="list-style-type: none"> BRACKET, Left hand motor
4	170016	1	<ul style="list-style-type: none"> BRACKET, Right hand motor - control box side
5	(Ref.)	1	<ul style="list-style-type: none"> CYLINDER, Steering <i>(For components, refer to Section 4.7 Steer Cylinder)</i>
6	(Ref.)	2	<ul style="list-style-type: none"> MOTOR, Hydraulic (CE14) <i>(For components, refer to Section 4.8 Wheel Motor and Brake)</i>
7	151248	1	<ul style="list-style-type: none"> STEER ARM, Right hand - control box side
8	151249	1	<ul style="list-style-type: none"> STEER ARM, Left hand
9	151326	2	<ul style="list-style-type: none"> STEERING, Pin
10	107143	2	<ul style="list-style-type: none"> ROD END, Male
11	100050	2	<ul style="list-style-type: none"> BUSHING, Fibreglide
12	151465	4	<ul style="list-style-type: none"> FITTING, Straight (06JICM-06JICF LIVE SW)
13	103307	4	<ul style="list-style-type: none"> FITTING, (10 SAE TO -6 JIC)
14	103069	2	<ul style="list-style-type: none"> FITTING, Straight (06 JICM - 06 ORBM), A
-	103069	1	<ul style="list-style-type: none"> FITTING, Straight (06 JICM - 06 ORBM), B
15	107666	1	<ul style="list-style-type: none"> FITTING, Cap (06JICF), A
16	132565	2	<ul style="list-style-type: none"> CAP, Grease (GC5)
17	103887	4	<ul style="list-style-type: none"> BOLT, Hex head (0.312-18" x 3/4" grade 5)
18	123855	8	<ul style="list-style-type: none"> BOLT, Hex head (1/2-13" x 2-3/4" grade 8)
19	107951	2	<ul style="list-style-type: none"> SCREW, Hex socket shoulder (5/8" x 1-1/4")
20	110853	4	<ul style="list-style-type: none"> SCREW, Flat head cap (1/4-20" x 5/8", grade 5)
21	151650	2	<ul style="list-style-type: none"> WASHER, Retainer
22	103789	2	<ul style="list-style-type: none"> WASHER, Lock
23	103404	4	<ul style="list-style-type: none"> WASHER, Lock (0.312")
24	104379	8	<ul style="list-style-type: none"> Washer, Flat (1/2" Hard)
25	123856	8	<ul style="list-style-type: none"> NUT, HEX (1/2-13" grade 8)
26	107949	2	<ul style="list-style-type: none"> NUT, Hex head jam (1/2-13" grade 8)
27	106450	2	<ul style="list-style-type: none"> NUT, Hex head jam (3/4-16" grade 5)
28	107947	2	<ul style="list-style-type: none"> NUT, Hex head jam (1-14" grade 5)
29	103974	2	<ul style="list-style-type: none"> PIN, Cotter (1/8" diameter x 1-1/2")
30	122420	1	<ul style="list-style-type: none"> QUICK DISCONNECT, B

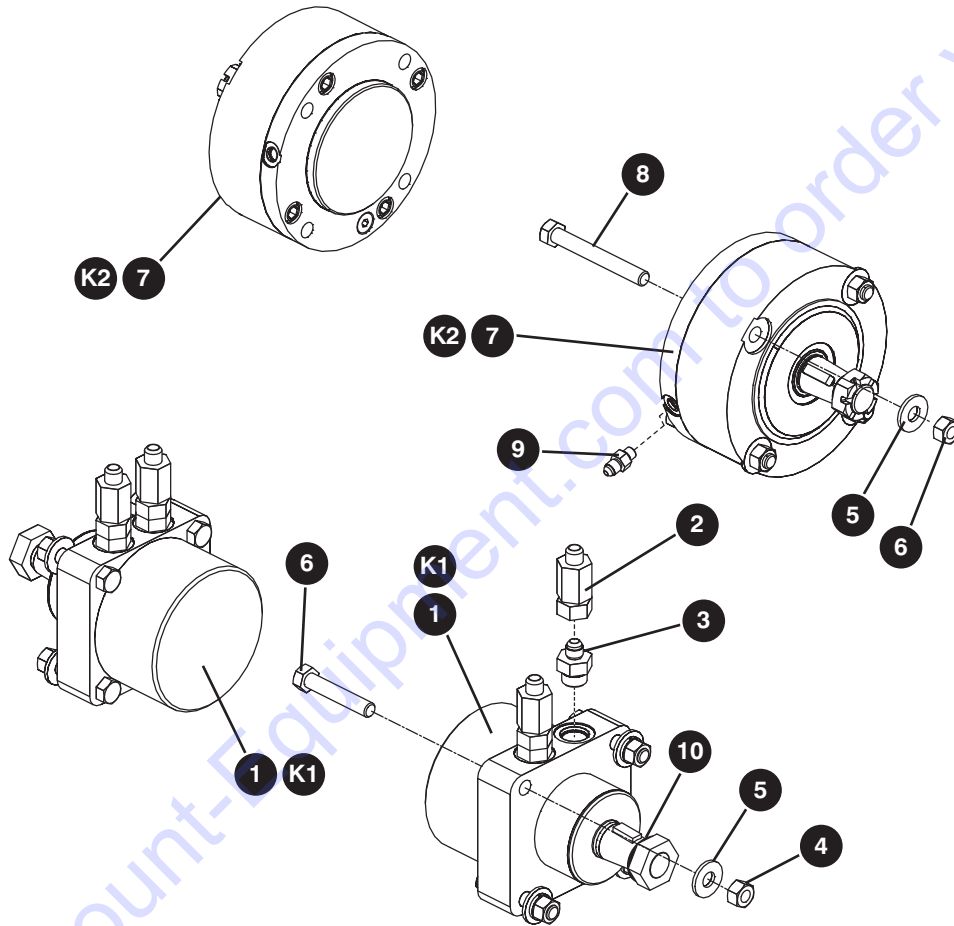
4.7 Steer Cylinder



M151690A1

Index No.	Skyjack Part No.	Qty.	Description
-	151690	1	STEER CYLINDER
1	121089	1	• TUBE
2	107939	1	• ROD
3	167695	2	• GLAND
4	701956	2	• FITTING, Straight connector (04JICM-06ORBM)
K1	157562	1	• KIT, Seal

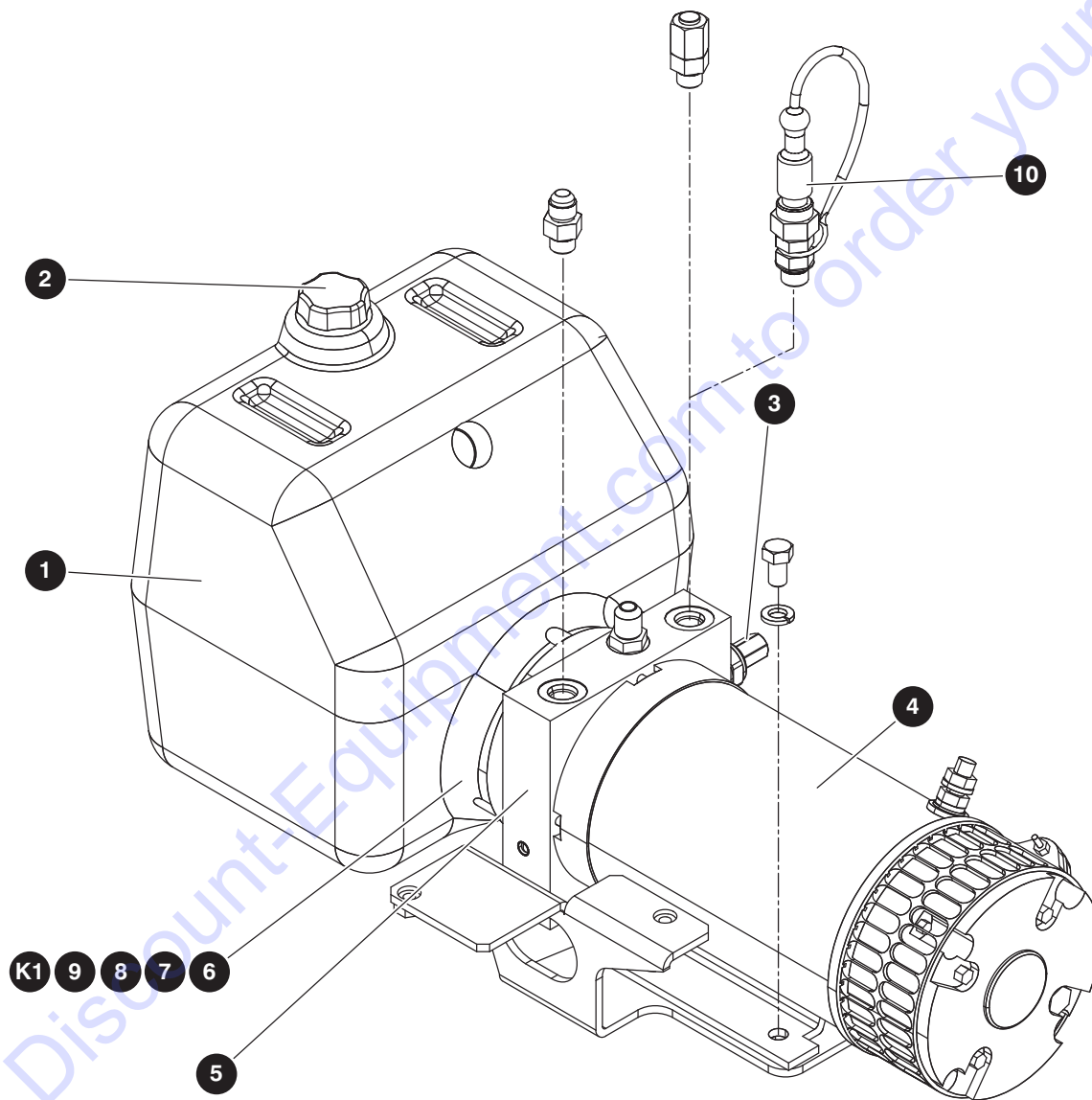
4.8 Wheel Motor and Brake



4.8 Wheel Motor and Brake

Index No.	Skyjack Part No.	Qty.	Description
-	-	1	WHEEL MOTOR AND BRAKE
1	139412	2	• MOTOR, Wheel
-	167908	1	• KEY, Shaft (not shown)
-	213015	1	• BEARING, Front housing (not shown)
2	151465	4	• FITTING, Straight swivel (06 JICM - 06 JICF)
3	103307	4	• FITTING, Straight (06 JICM - 10 ORBM)
4	123856	16	• NUT, Hex (1/2"-13 grade 8)
5	104379	16	• WASHER, Flat (1/2" Hard)
6	123855	8	• BOLT, Hex head (1/2"-13 x 2-3/4" grade 8)
7	154839	2	• BRAKE, Wheel mount
-	159422	1	• KEY, Square (not shown)
-	159423	1	• NUT, Slotted hex (not shown)
-	159424	1	• PIN, Cotter (not shown)
8	194270	8	• BOLT, Hex head (1/2"-13 x 4", grade 8)
9	126128	2	• FITTING, Straight (04 JICM - 04 ORBM)
10	103789	2	• WASHER, Lock (internal tooth, 1")
K1	151099	2	• KIT, Seal
K2	156251	2	• KIT, Bearing and seal
-	156252	2	• KIT, Brake stack
-	156253	2	• KIT, O-ring

4.9 Powerpack



M212933AA

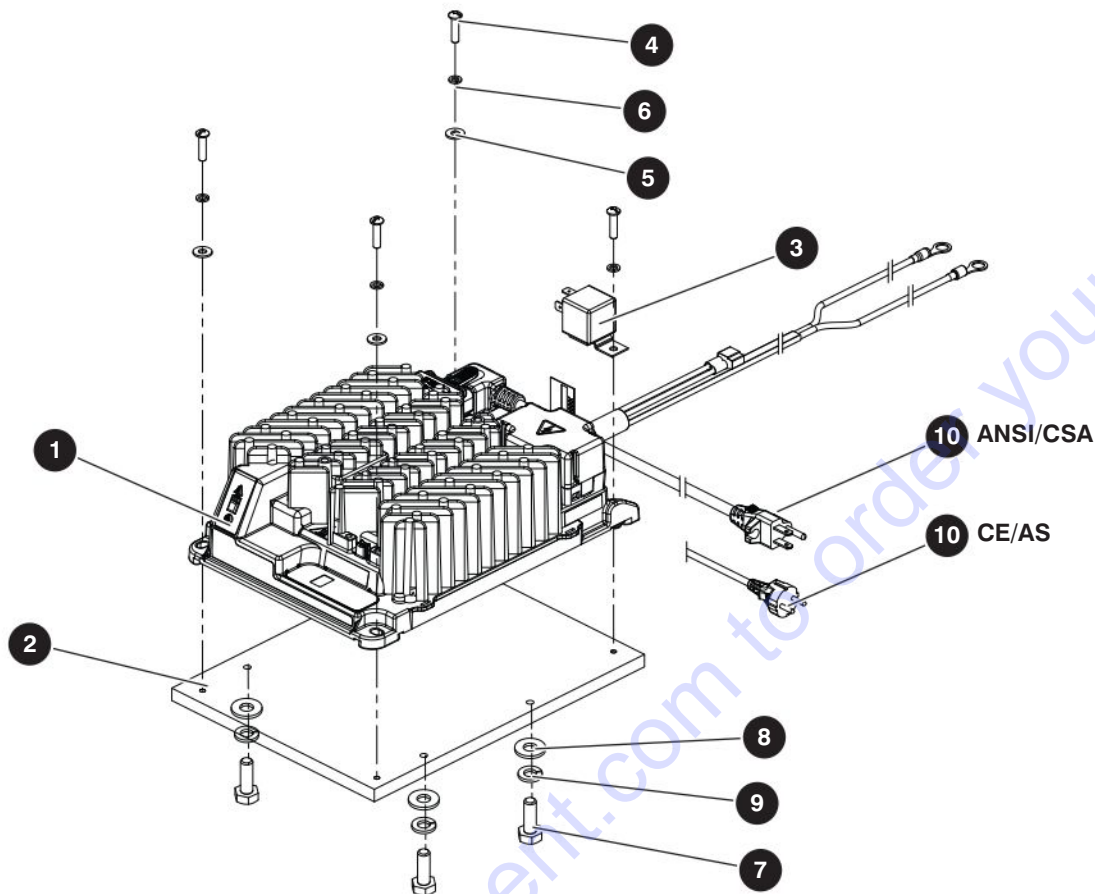
213557ABA

SJ12, SJ16

4.9 Powerpack

Index No.	Skyjack Part No.	Qty.	Description
A	212933	1	POWERPACK, 24V - ANSI/CSA
B	212933	1	POWERPACK, 24V - CE, AS
1	156874	1	• TANK, Hydraulic
2	156958	1	• CAP, Filler/breather
3	156956	1	• VALVE, Relief
4	156877	1	• MOTOR, 24VDC
5	156959	1	• MANIFOLD, Powerpack
6	216559	1	• PUMP
7	156876	1	• COUPLER
8	156957	1	• STRAINER
9	156960	1	• CLAMP
10	122420	1	• QUICK DISCONNECT, B
K1	156961	1	• KIT, Seal

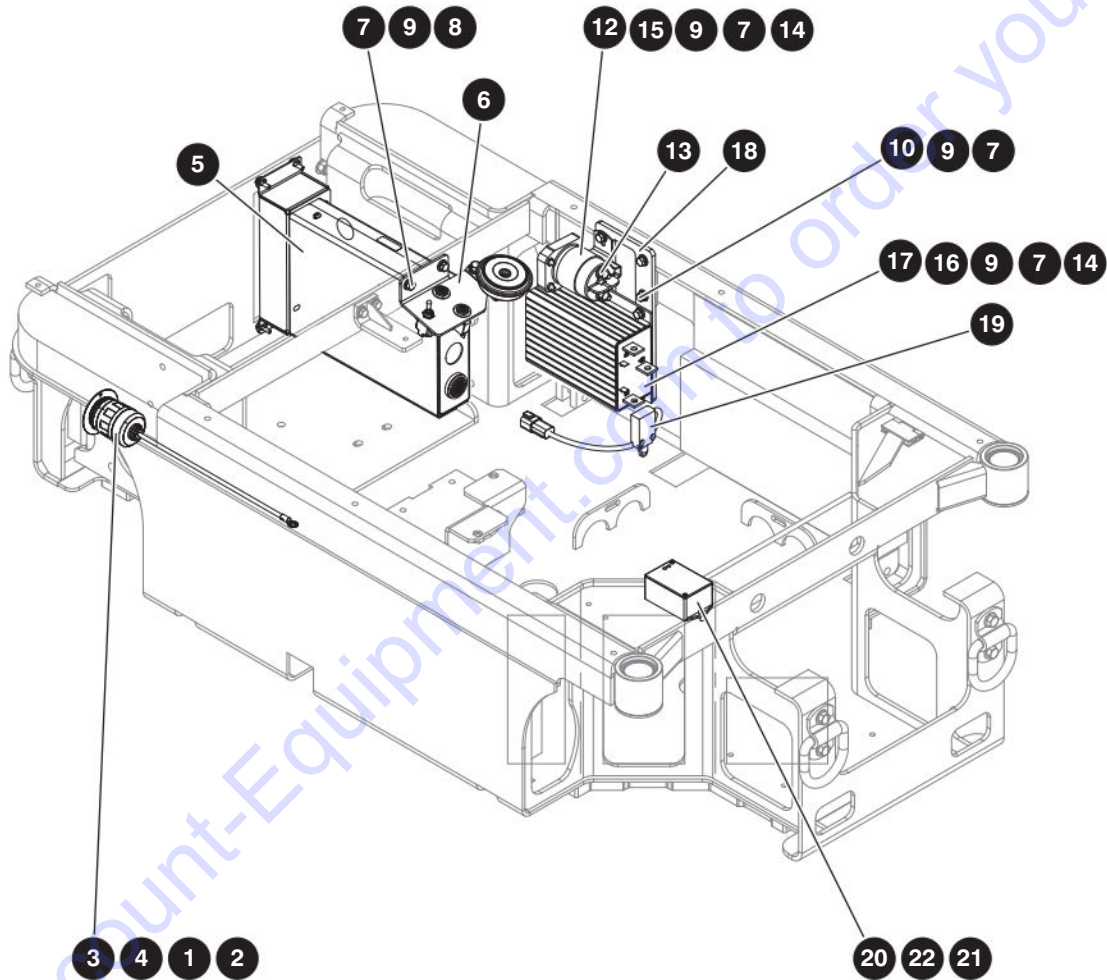
4.10 Charger



M226390AA

Index No.	Skyjack Part No.	Qty.	Description
A	226390	1	CHARGER, IC650 - ANSI/CSA
B	228231	1	CHARGER, IC650 - CE, AS
-	226374	1	CHARGER, Delta-Q IC650, A, B
1	223160	1	• CHARGER, Delta-Q IC650 - NO
2	221711	1	• PLATE, Charger mount - IC650
3	223065	1	• RELAY, Charger - IC650
4	138834	4	• SCREW, Round head machine (#10-24 x 3/4")
5	104694	3	• WASHER, Flat (#10)
6	104185	4	• WASHER, Lock (#10)
7	103856	4	BOLT, Hex head (1/4"-20 x 3/4", grade 5)
8	103995	4	WASHER, Flat (#10)
9	104000	4	WASHER, Lock (#10)
10	223156	1	CORD, Charger Delta-Q IC650, A
	223157	1	CORD, Charger Delta-Q IC650, B
11	102892	10	• TIEWRAP CABLE, Black (5-3/8") (not shown)

4.11 Base Electrical Components



M212887AB

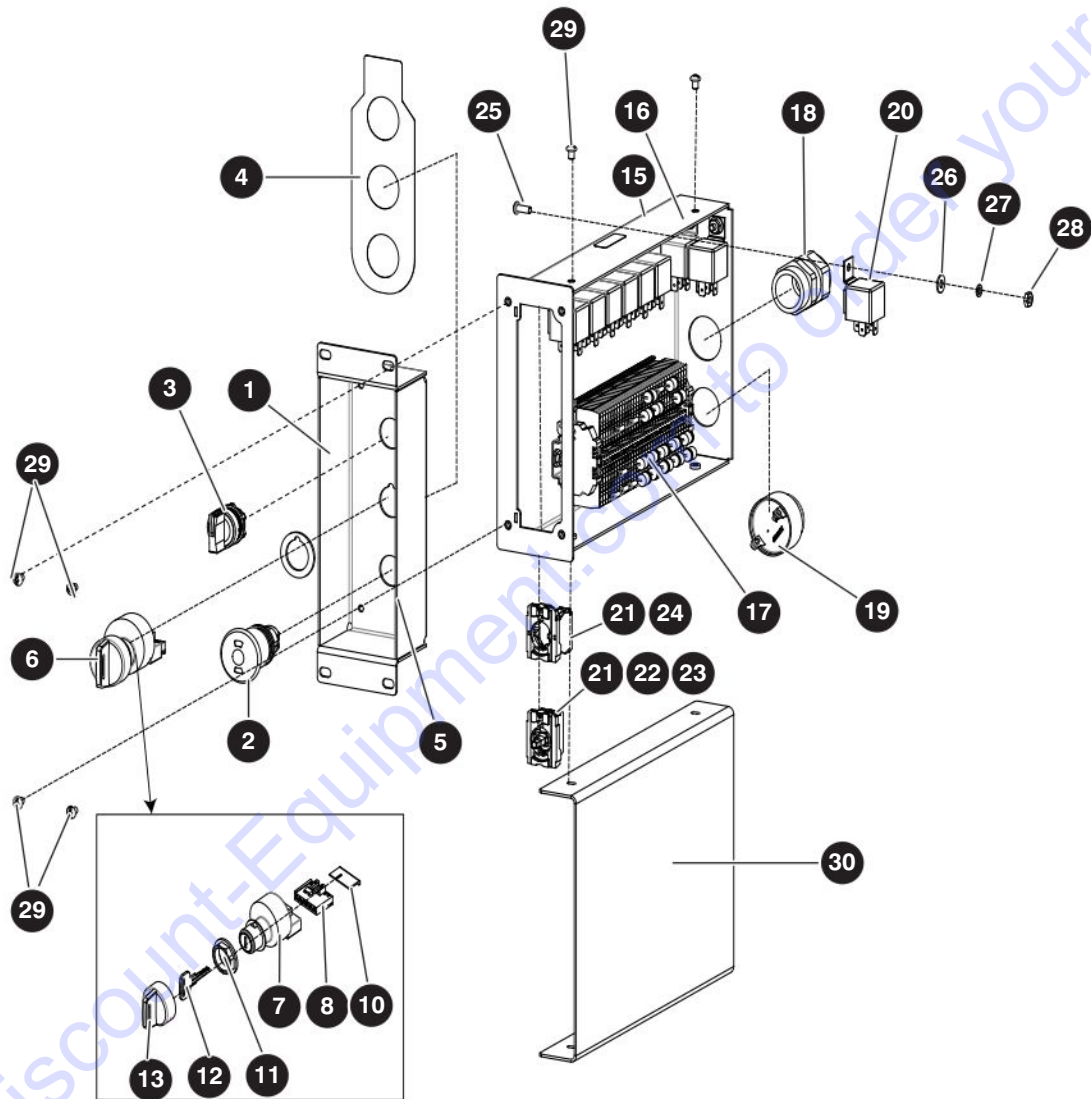
213557ABA

SJ12, SJ16

4.11 Base Electrical Components

Index No.	Skyjack Part No.	Qty.	Description
A	212887	1	ELECTRICAL COMPONENTS - BASE, ANSI/CSA
B	212890	1	ELECTRICAL COMPONENTS - BASE, CE
C	212891	1	ELECTRICAL COMPONENTS - BASE, AS
1	105271	1	• CONNECTOR, Inlet (110V)
2	113227	1	• SEAL, Cover
3	162754	2	• RIVET (5/32"-0.312" diameter)
4	156845	1	• GROUND WIRE
5	(Ref.)	1	• LOWER CONTROL BOX, A, C <i>(For components, refer to Section 4.12 Lower Control Box)</i>
	(Ref.)		• LOWER CONTROL BOX, B <i>(For components, refer to Section 4.12 Lower Control Box)</i>
6	(Ref.)	1	• CIRCUIT BREAKER AND HORN <i>(For components, refer to Section 4.14 Circuit Breaker and Horn)</i>
7	103995	20	• WASHER, Flat (1/4")
8	103965	4	• SCREW, Round head machine (1/4"-20 x 3/4")
9	104000	14	• WASHER, Lock (1/4")
10	103892	4	• BOLT, Hex head (1/4"-20 x 5/8", grade 5)
11	104003	2	• NUT, Hex head (#10-32)
12	165865	1	• CONTACTOR
	164671	1	• KIT, Diode
13	156844	2	• NUT, Hex head (5/16"-24, grade 5)
14	103980	6	• NUT, Hex head (1/4"-20, grade 8)
15	103856	2	• BOLT, Hex head (1/4"-20 x 3/4", grade 5)
16	103891	4	• BOLT, Hex head (1/4"-20 x 7/8", grade 5)
17	151207	1	• CONTROLLER, Pump motor (24VDC - 360 A)
18	158113	1	• BACKPLATE
19	199401	1	• LIMIT SWITCH
-	199412	1	• • SWITCH, Limit roller plunger 2m cable
-	117578	1	• • CONNECTOR, Receptacle (4 pin)
-	117580	1	• • CONNECTOR, Receptacle (4 pin wedge)
-	117590	4	• • CONNECTOR, Pin (Contact 16-18)
20	157375	1	• SWITCH, Tilt (combo)
21	104185	2	• WASHER, Lock (#10)
22	103962	2	• SCREW, Round head machine (#10-32 x 1/2")

4.12 Lower Control Box



M212886AD

213557ABA

92

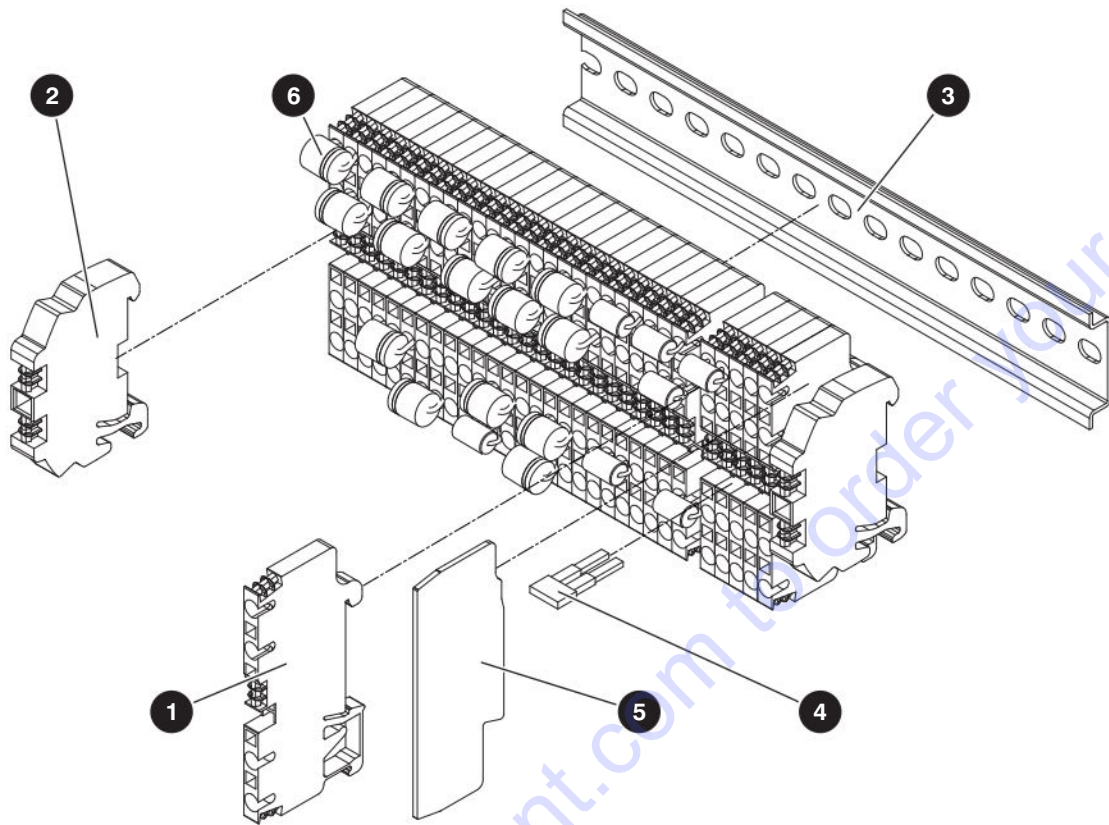
SJ12, SJ16

SKYJACK

4.12 Lower Control Box

Index No.	Skyjack Part No.	Qty.	Description
A	212886	1	CONTROL CENTER - ANSI/CSA, AS
B	212889	1	CONTROL CENTER - CE
1	196173	1	• LOWER CONTROLS, Switches, A
	196471	1	• LOWER CONTROLS, Switches, B
2	147051	1	• • HEAD, Emergency stop
3	147069	1	• • HEAD, Selector switch
4	156317	1	• • DECAL, Lower controls
5	196170	1	• • FACEPLATE, Controls
6	213697	1	• • KEY SWITCH, (3 way), A
	213698	1	• • KEY SWITCH, (3 way), B
7	213699	1	• • • SWITCH, Head (3 way), A
	213700	1	• • • SWITCH, Head (3 way), B
8	137441	1	• • • HOUSING, Connector (6 way)
9	137442	6	• • • WIRE TERMINAL, Female (not shown)
10	137443	1	• • • TERMINAL, Position assurance
11	138136	1	• • • NUT, Key switch
12	138137	2	• • • KEY RONIS 455
13	138138	1	• • • BOOT, Key switch
14	212662	1	• • SPACER, Key switch (not shown)
15	212885	1	• LOWER CONTROL BOX INTERNAL COMPONENTS
16	151551	1	• • WELDMENT, Controls deck
17	(Ref.)	1	• • TERMINAL STRIP <i>(For components, refer to Section 4.13 Terminal Strip)</i>
18	229318	1	• • WIRING, Lower controls (Not shown)
19	103057	1	• • BEEPER, (6-28 VDC)
20	108589	9	• • RELAY, Sealed- 24V, 40A
21	147056	2	• • LATCH
22	147061	1	• • LED BLOCK, Red- 24V
23	147053	1	• • CONTACT BLOCK, NC
24	147054	2	• • CONTACT BLOCK, NO
25	103962	11	• • SCREW, Round head machine (10-32" x 1/2")
26	104694	11	• • Washer, Flat (#10)
27	104185	11	• • WASHER, Lock (#10)
28	104003	11	• • NUT, Hex (10-32)
29	103964	8	• SCREW, Round head machine (10-32" x 1/4")
30	151558	1	• COVER, Lower controls

4.13 Terminal Strip



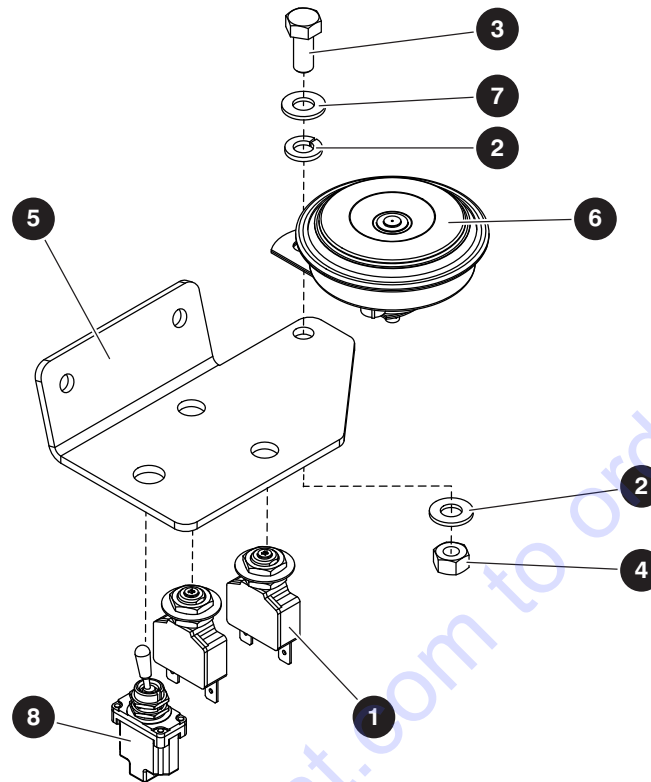
M231547AA

Index No.	Skyjack Part No.	Qty.	Description
-	231547	1	TERMINAL STRIP
-	158708	1	• TERMINAL STRIP
1	157589	31	TERMINAL BLOCK, Through
2	157590	2	• • END STOP
3	130752	1	• • Track for Relay
4	158712	1	• • JUMPER, 2-pos
5	157591	1	• • END PLATE
6	102921	15	• DIODE (6A)
	156564	1	• RESISTOR (1.5 ohm, 1 watt)
	151643	1	• RESISTOR (250 ohm, 1 watt)
	156515	1	• RESISTOR (220 ohm, 3/4 watt)
	158707	1	• RESISTOR (845 ohm, 1 watt)
	151647	1	• RESISTOR (68 ohm, 1 watt)
	156527	1	• RESISTOR (2k ohm, 2 watt)
	151645	1	• RESISTOR (4.7k ohm, 1 watt)
	103369	1	• HEATSHRINK (1/16" diameter, polyofin)

213557ABA

SJ12, SJ16

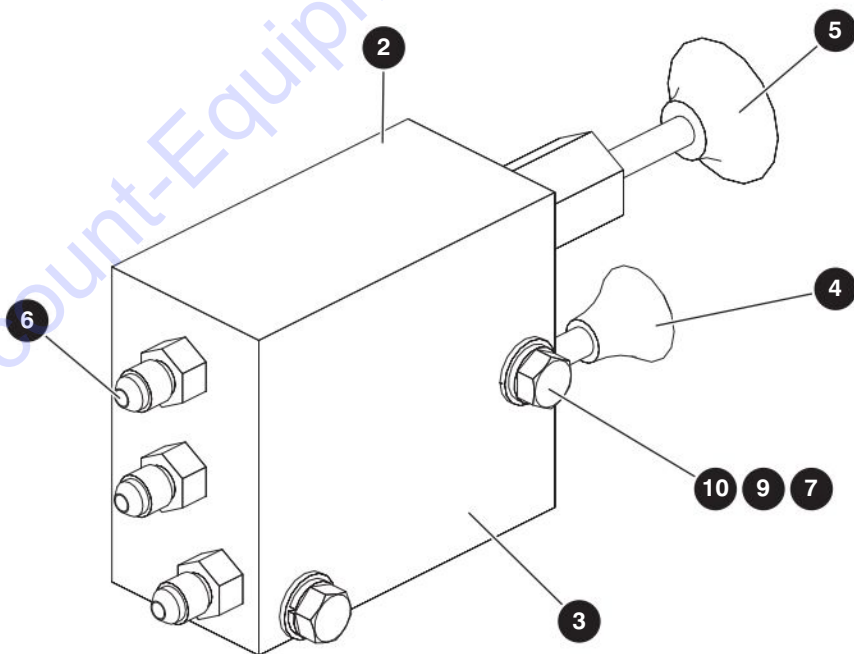
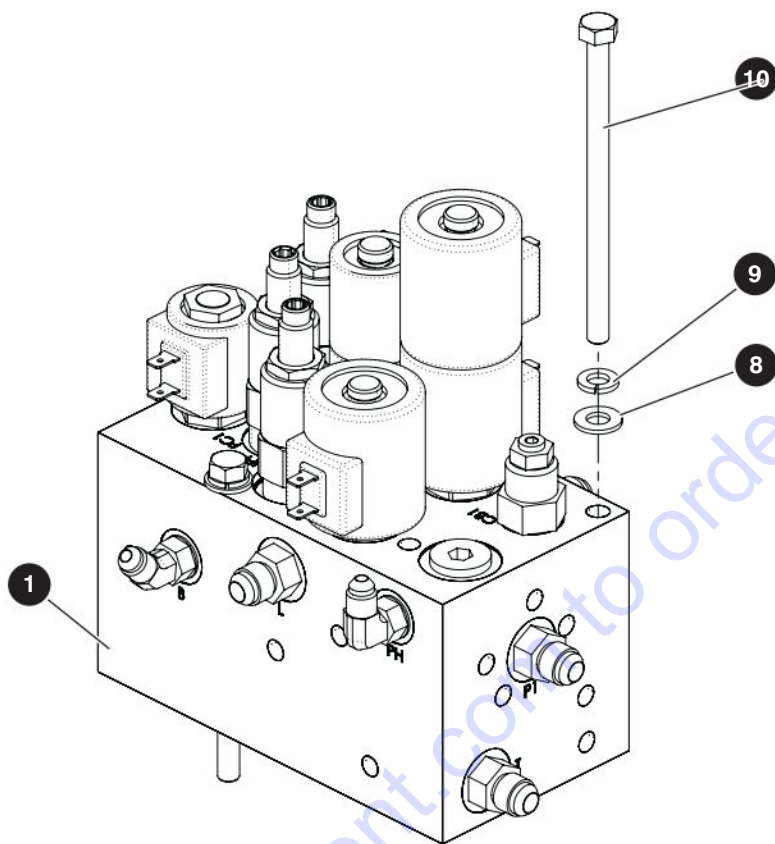
4.14 Circuit Breaker and Horn



M158740AC

Index No.	Skyjack Part No.	Qty.	Description
-	158740	1	CIRCUIT BREAKER AND HORN
1	117325	2	• BREAKER, Circuit (15 A)
2	103996	2	• WASHER, Flat (5/16")
3	103887	1	• BOLT, Hex head (5/16"-18 x 3/4", grade 5)
4	100397	1	• NUT, Hex head (5/16"-18, grade 5)
5	158741	1	• BRACKET
6	146649	1	• HORN, Low tone 24V
7	103404	1	• WASHER, Lock (5/16")
8	115573	1	• SWITCH, Toggle

4.15 Main and Brake Manifolds



M210428AC

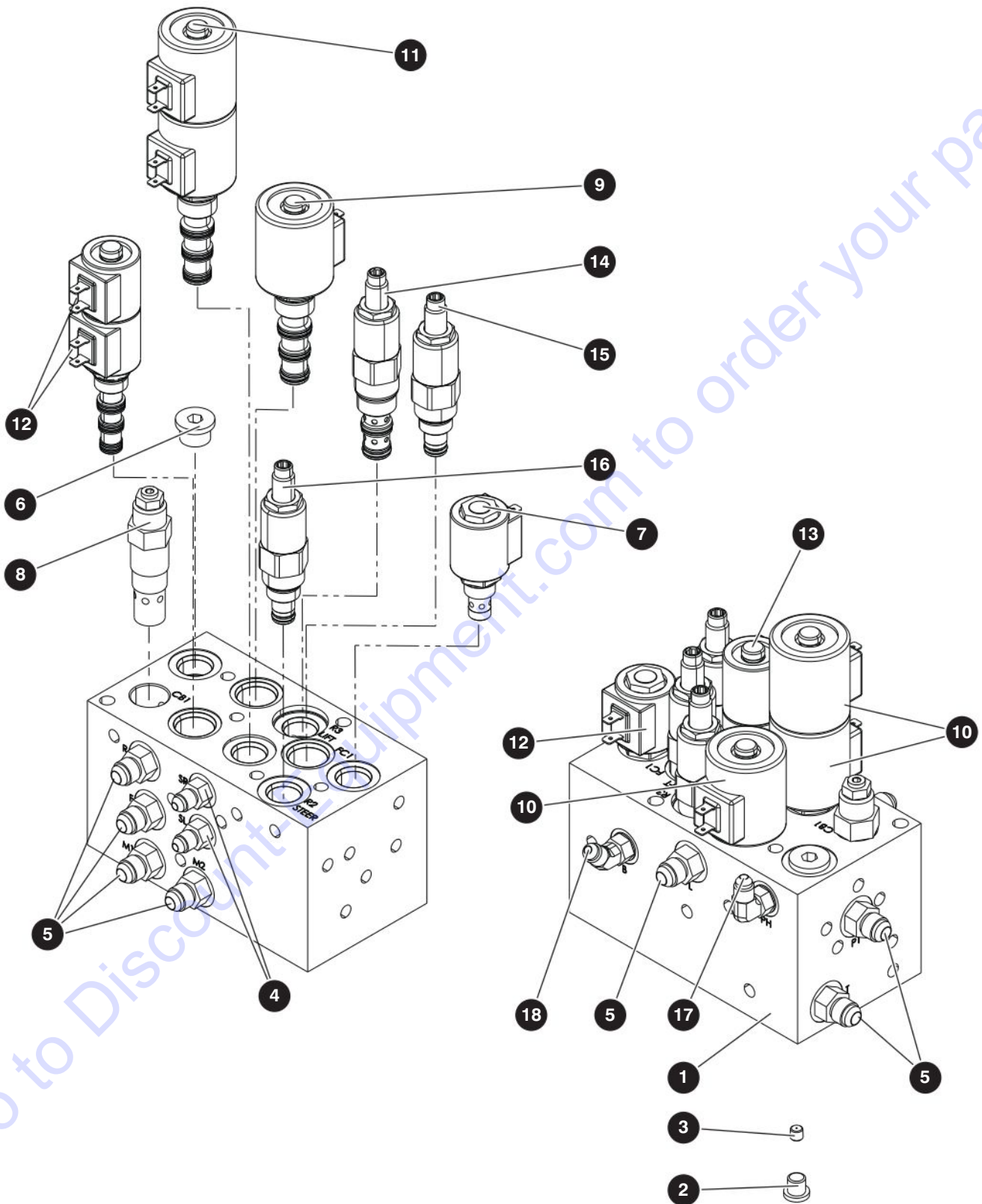
213557ABA

SJ12, SJ16

4.15 Main and Brake Manifolds

Index No.	Skyjack Part No.	Qty.	Description
-	210428	1	MAIN AND BRAKE MANIFOLDS
1	(Ref.)	1	<ul style="list-style-type: none"> MANIFOLD, Main <i>(For components, refer to Section 4.16 Main Manifold)</i>
2	136540	1	<ul style="list-style-type: none"> MANIFOLD, Rear brake release
3	146563	1	<ul style="list-style-type: none"> BLOCK, Brake manifold
4	146561	1	<ul style="list-style-type: none"> VALVE, Auto reset
5	146559	1	<ul style="list-style-type: none"> VALVE, Hand pump
6	701954	3	<ul style="list-style-type: none"> FITTING, Straight (04 JICM - 04 ORBM)
7	103884	2	<ul style="list-style-type: none"> BOLT, Hex head (5/16"-18 x 2.5", grade 5)
8	138762	2	<ul style="list-style-type: none"> BOLT, Hex head (5/16"-18 x 5", grade 5)
9	103404	4	<ul style="list-style-type: none"> WASHER, Lock (5/16")
10	103996	4	<ul style="list-style-type: none"> WASHER, Flat (5/16")
K1	146564	1	<ul style="list-style-type: none"> KIT, Seal, (not shown)

4.16 Main Manifold



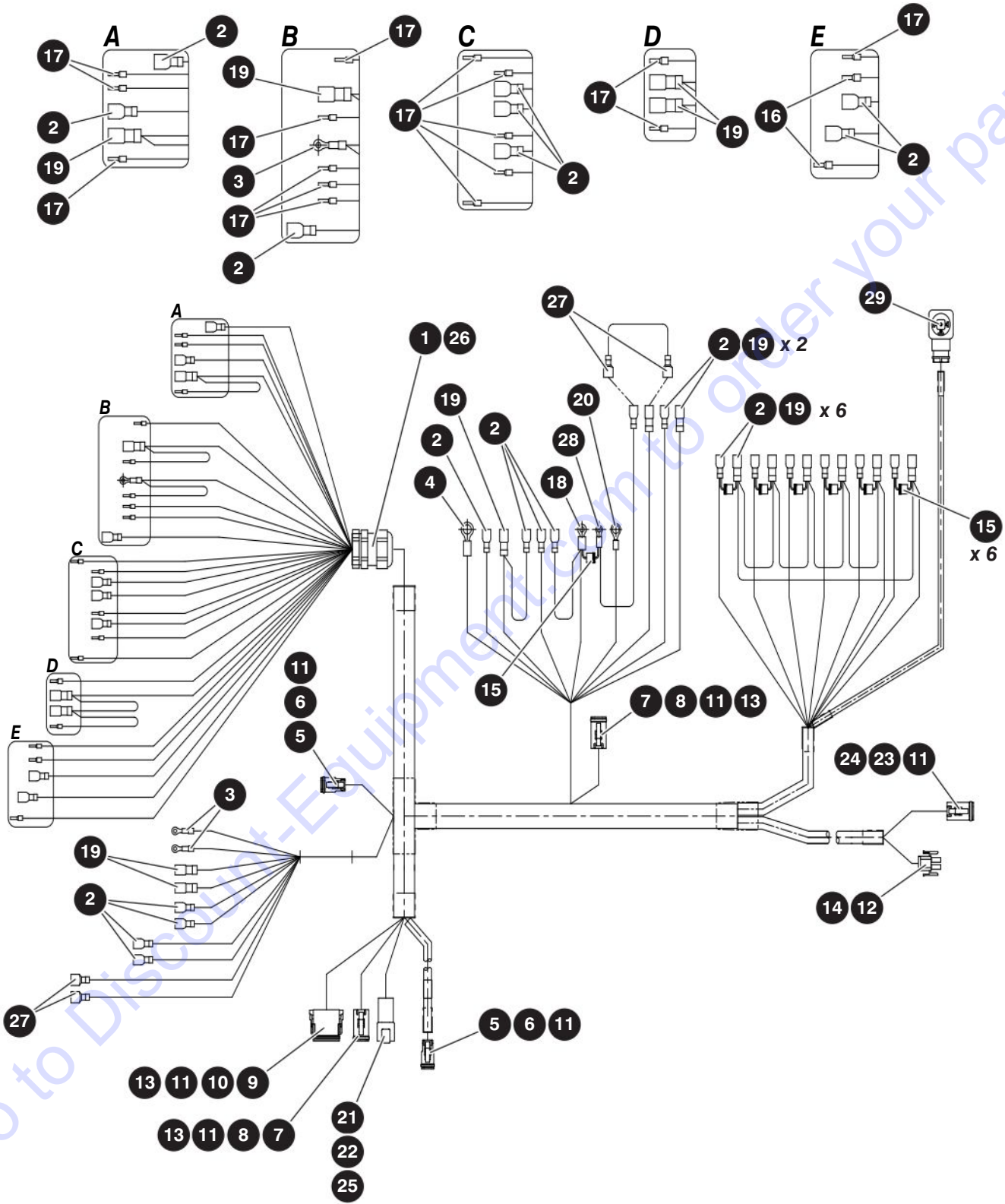
M210426AC

213557ABA

4.16 Main Manifold

Index No.	Skyjack Part No.	Qty.	Description
-	210426	1	MAIN MANIFOLD
1	158198	1	• MANIFOLD,Main
2	121250	1	• PLUG, Hollow (hex 4 SAE ORB)
3	141518	1	• PLUG, Pressure (1/16 NPT X 0.031" ID)
4	126128	2	• FITTING, Straight (04 JICM - 04 ORBM)
5	103069	7	• FITTING, Straight (06 JICM - 06 ORBM)
6	702796	1	• PLUG, Fitting (08)
7	103656	1	• VALVE, Poppet solenoid cartridge
8	147889	1	• VALVE, Counterbalance (4000 psi)
9	158185	1	• VALVE, 4 way (2 pos)
10	105610	3	• COIL, 24V (2 prong, #10)
11	156850	1	• VALVE, Drive (3/4 way mtr spool)
12	103605	3	• COIL, 24V (2 prong)
13	158186	1	• VALVE, 4 way spool (3 pos tandem C)
14	151684	1	• VALVE, Relief
15	158852	1	• VALVE, Priority flow control
16	158853	1	• VALVE, Relief (1500 psi)
17	125883	1	• FITTING, 90° (04JICM-04ORBM)
18	131716	1	• FITTING, 45° (04JICM-04ORBM)

4.17 Main Harness



M229317AB

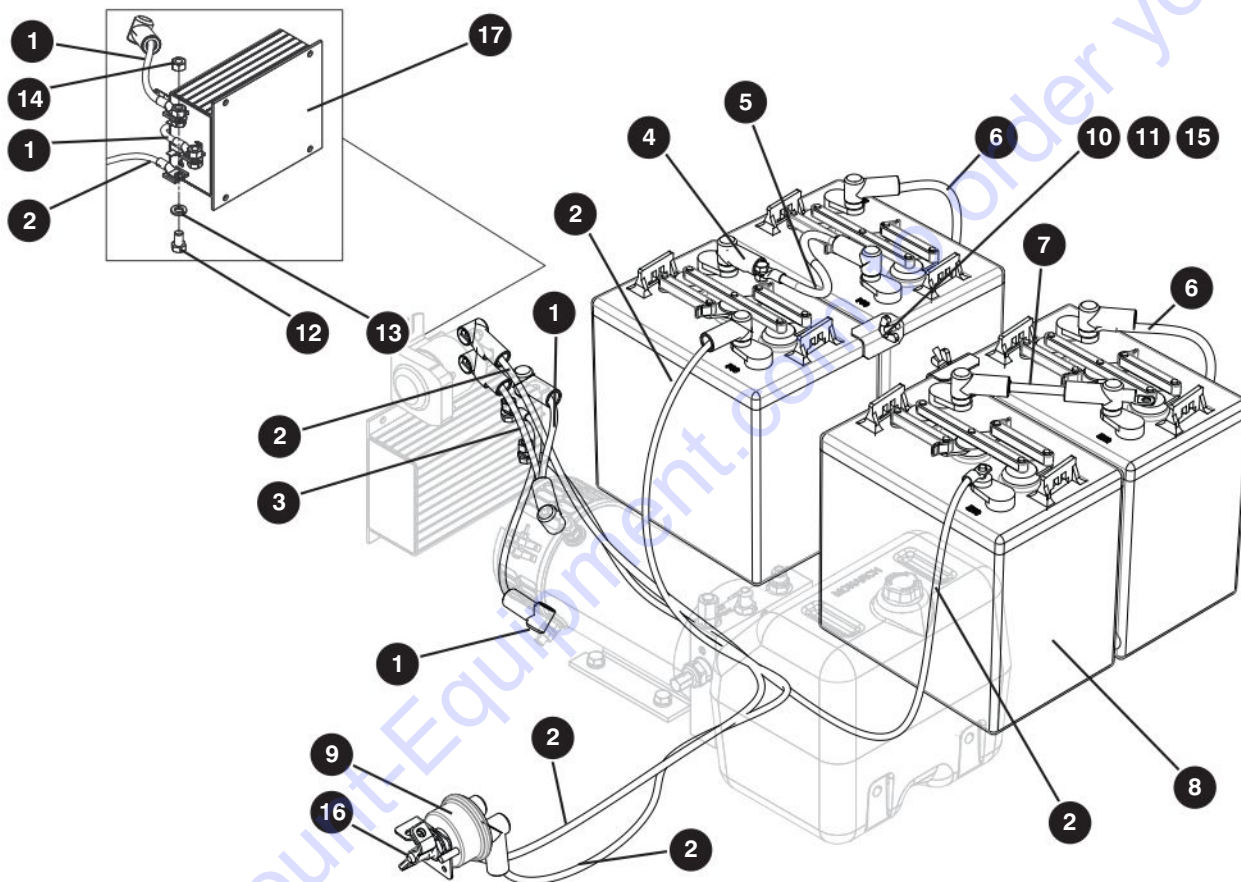
213557ABA

SJ12, SJ16

4.17 Main Harness

Index No.	Skyjack Part No.	Qty.	Description
-	229317	1	MAIN HARNESS
1	138754	1	• STRAIN RELIEF
2	105359	24	• TERMINAL, Female (14-16 GA insulated, blue)
3	166889	3	• TERMINAL, Ring (#6) (10-12 AWG)
4	108172	1	• TERMINAL, Ring (10-12GA, 3/8)
5	117597	2	• CONNECTOR, Plug (2 pin)
6	117599	2	• CONNECTOR, Plug (2-pin wedge)
7	117579	2	• CONNECTOR, Plug (4-pin)
8	117581	2	• CONNECTOR, Plug (4-pin wedge)
9	117587	1	• CONNECTOR, Plug (12-pin)
10	117589	1	• CONNECTOR, Plug (12-pin wedge)
11	117593	26	• CONNECTOR, Contact socket (14-16)
12	116992	1	• MALE, Housing plug - 2 pole
13	117594	4	• CONNECTOR, Sealing plug
14	116990	2	• WIRE PIN, Female
15	129258	7	• DIODE
16	138044	3	• FERRULE, (14 GA blue)
17	121050	15	• FERRULE, (16 GA black)
18	108171	1	• TERMINAL, (10-12 GA #10 ring yellow)
19	105568	15	• TERMINAL, Female (10-12 AWG nylon yellow)
20	109210	1	• TERMINAL, (14-16 GA x 5/16 ring)
21	117578	1	• CONNECTOR, Receptacle (4 -pin)
22	117580	1	• CONNECTOR, Receptacle (4-pin wedge)
23	158476	1	• CONNECTOR, Plug (6-pin)
24	158477	1	• CONNECTOR, Plug (6-pin wedge)
25	117592	4	• CONNECTOR, Contact (14-16 pin)
26	159651	1	• NUT, Jam - Plastic (M32)
27	105360	4	• TERMINAL, Male (14-16 GA x 1/4 full insulated)
28	102936	1	• TERMINAL, (14-16 GA x #10 ring blue)
29	119825	1	• CONNECTOR, Solenoid with diode

4.18 Battery



M158421AD

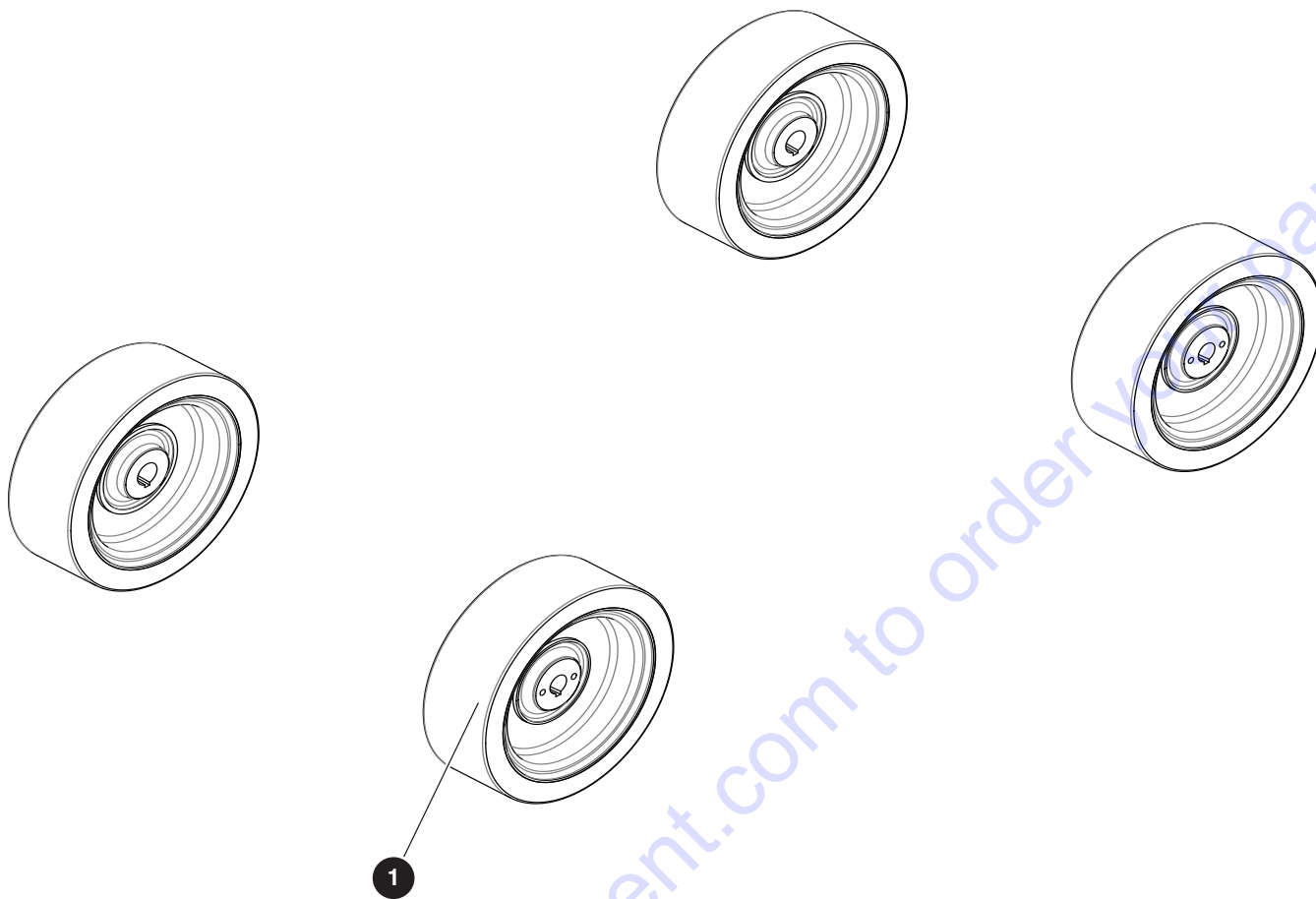
213557ABA

SJ12, SJ16

4.18 Battery

Index No.	Skyjack Part No.	Qty.	Description
-	158421	1	BATTERIES
1	151594	2	• CABLE, Battery
2	151591	3	• CABLE, Battery
3	151593	1	• CABLE, Battery
4	117408	14	• INSULATOR BOOT, Battery (red)
5	137243	1	• CABLE, Battery (with inline fuse)
	310517	1	• • FUSE (300 A)
6	151592	1	• CABLE, Battery
7	120425	1	• CABLE, Battery
8	103480	4	• BATTERY (6V)
9	119725	1	• SWITCH, Main disconnect
10	157364	2	• BRACKET, Battery tie down
11	157363	2	• J HOOK (14.25")
12	138464	3	• BOLT, Hex head (3/8"-16 x 5/8", grade 5)
13	103999	3	• WASHER, Lock (3/8")
14	103978	3	• NUT, Hex head (3/8"-16, grade 5)
15	120175	2	• WING NUT, Hex head (3/8" -16 grade 5)
16	108714	1	• LEVER, Locking
17	(Ref.)	1	• CONTROLLER, Pump motor (24VDC - 360 Amp) <i>(For components, refer to Section 4.11 Base Electrical Components)</i>

4.19 Wheel



M216473AA

Index No.	Skyjack Part No.	Qty.	Description
-	216473	1	WHEEL - ANSI/CSA, CE, AS
1	209400	4	<ul style="list-style-type: none"> WHEEL, 12 x 4 x 8 Non marking grey

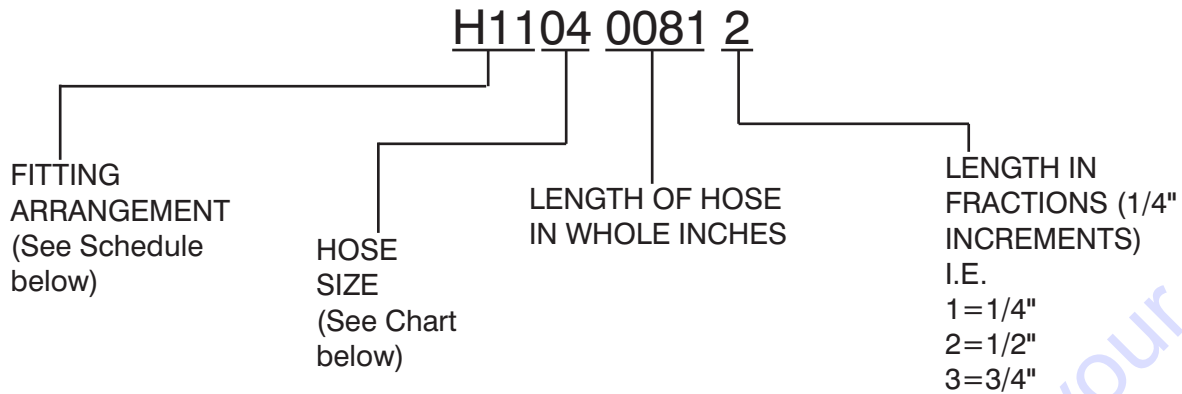
Section 5 – Hose Connections

5.1 *Standard Hose Numbering System*

5.2 *Hydraulic Hose Connections*

Go to Discount-Equipment.com to order your parts

5.1 Standard Hose Numbering System



Using the number above as an example, H1104 0081 2, this hose requires a 37° JIC female swivel fitting on one end, and a medium length 90° JIC female swivel fitting for the other end. The hose must meet or exceed the S.A.E. 100R13 hose specification, and be a total of 81-1/2" long.



NOTE

Hose ends and hose must be from same manufacturer per S.A.E. J1273 Nov. '91, Sections 3.10 and 4.2. Hose ends and hose must be of the same size i.e. #4 size fittings must be used with #4 size hose.

Hose Size Chart

Size	03	04	06	08	10	12	16	20	24	32	40	48	56	64
ID	3/16"	1/4"	3/8"	1/2"	5/8"	3/4"	1"	1-1/4"	1-1/2"	2"	2-1/2"	3"	3-1/2"	4"

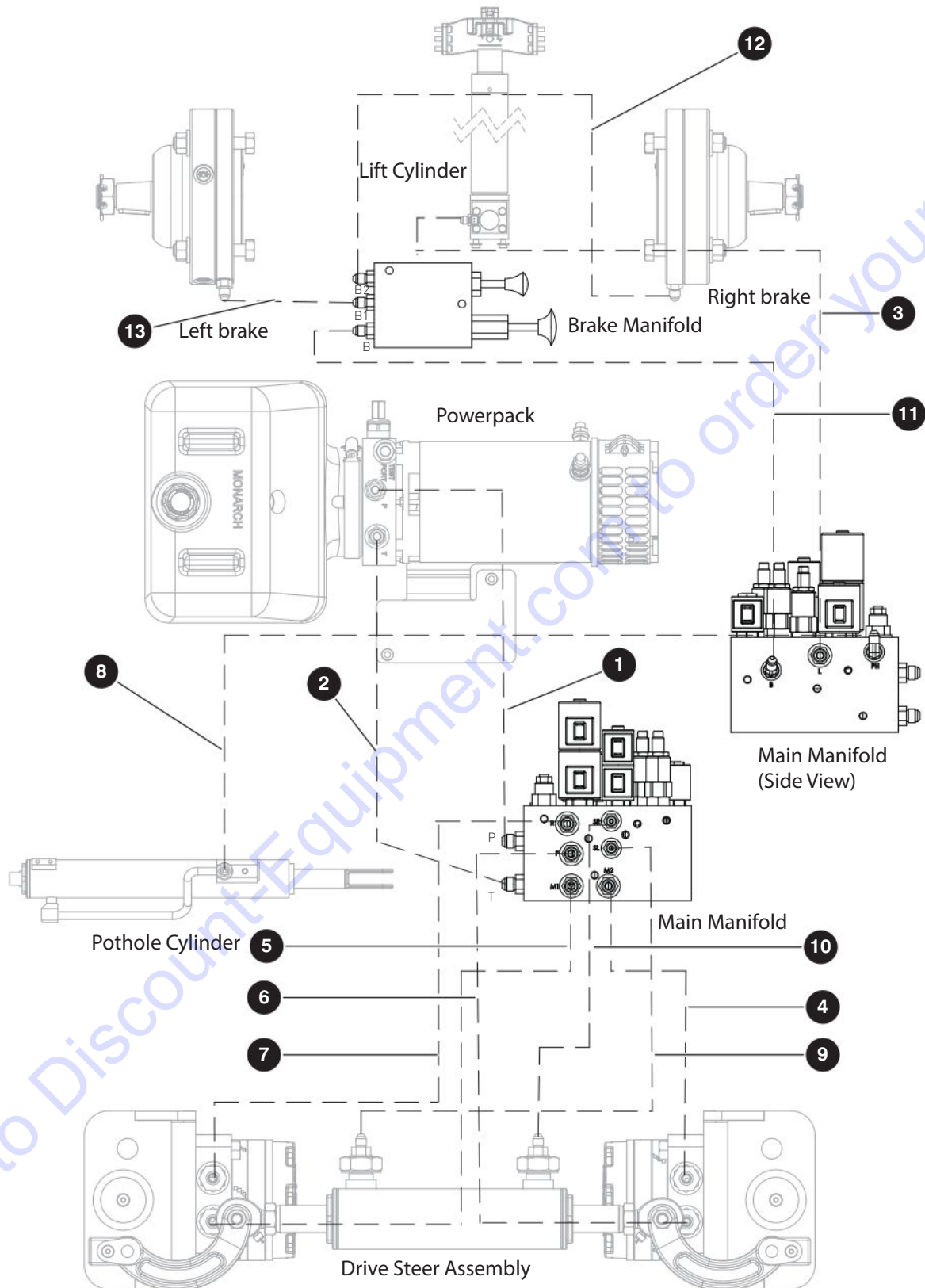
Fitting Arrangement Schedule

Hose Prefix	Hose End Fitting	Hose End Fitting	S.A.E. Hose Specification
H01	FEMALE, 37° JIC, SWIVEL	FEMALE, 37° JIC, SWIVEL	100R17
H02	FEMALE, 37° JIC, SWIVEL	FEMALE, 37° JIC, SWIVEL	100R13
H03	FEMALE, 37° JIC, SWIVEL	45°, FEMALE, 37° JIC, SWIVEL	100R17
H04	FEMALE, 37° JIC, SWIVEL	45°, FEMALE, 37° JIC, SWIVEL	100R13
H05	FEMALE, 37° JIC, SWIVEL	LONG 90°, FEMALE, 37° JIC, SWIVEL	100R17
H06	FEMALE, 37° JIC, SWIVEL	SHORT 90°, FEMALE, 37° JIC, SWIVEL	100R17
H07	LONG 90°, FEMALE, 37° JIC, SWIVEL	LONG 90°, FEMALE, 37° JIC, SWIVEL	100R17
H08	FEMALE, 37° JIC, SWIVEL	FEMALE, 37° JIC, SWIVEL	100R4
H09	FEMALE, 37° JIC, SWIVEL	45°, FEMALE, 37° JIC, SWIVEL	100R4
H10	FEMALE, 37° JIC, SWIVEL	MALE PIPE THREAD FITTING	100R17
H11	FEMALE, 37° JIC, SWIVEL	MEDIUM 90°, FEMALE, 37° JIC, SWIVEL	100R13
H12	SHORT 90°, FEMALE, 37° JIC, SWIVEL	SHORT 90°, FEMALE, 37° JIC, SWIVEL	100R17
H13	FEMALE, 37° JIC, SWIVEL	REUSABLE MALE PIPE THREAD FITTING	300 PSI
H14	REUSABLE MALE PIPE THREAD FITTING	NO FITTING	300 PSI
H15	REUSABLE FEMALE, 37° JIC, SWIVEL	REUSABLE FEMALE, 37° JIC, SWIVEL	300 PSI
H16	NO FITTING	NO FITTING	100R4
H17	NO FITTING	NO FITTING	300 PSI
H18	REUSABLE, FEMALE, 37° JIC, SWIVEL	NO FITTING	300 PSI

5.1 Standard Hose Numbering System

Hose Prefix	Hose End Fitting	Hose End Fitting	S.A.E. Hose Specification
H19	LONG 90°, FEMALE, 37° JIC, SWIVEL	FEMALE, 37° JIC, SWIVEL	100R13
H20	FEMALE, SHORT 37° JIC, SWIVEL	SHORT 90°, FEMALE, 37° JIC, SWIVEL	100R4
H21	FEMALE, SHORT 37° JIC, SWIVEL	SHORT 90°, FEMALE, 37° JIC, SWIVEL	100R2AT
H22	FEMALE, 37° JIC, SWIVEL	FEMALE, 37° JIC, SWIVEL	100R2AT
H23	FEMALE, LONG 37° JIC, SWIVEL	LONG 90°, FEMALE, 37° JIC, SWIVEL	100R2AT
H24	FEMALE, SHORT 37° JIC, SWIVEL	SHORT 90°, FEMALE, 37° JIC, SWIVEL	100R13
H25	FEMALE, 37° JIC, SWIVEL	FEMALE, 37° JIC, SWIVEL	100R4
H30	MEDIUM 90°, FEMALE, 37° JIC, SWIVEL	FEMALE, 37° JIC, SWIVEL	100R17
H31	FEMALE, 37° JIC, SWIVEL	FEMALE, 37° JIC, SWIVEL	100R17
H32	SHORT 45°, FEMALE, 37° JIC, SWIVEL	FEMALE, 37° JIC, SWIVEL	100R17
H33	MEDIUM 45°, FEMALE, 37° JIC, SWIVEL	FEMALE, 37° JIC, SWIVEL	100R17
H34	SHORT 90°, FEMALE, 37° JIC, SWIVEL	FEMALE, 37° JIC, SWIVEL	100R17
H35	MEDIUM 90°, FEMALE, 37° JIC, SWIVEL	FEMALE, 37° JIC, SWIVEL	100R17
H36	LONG 90°, FEMALE, 37° JIC, SWIVEL	FEMALE, 37° JIC, SWIVEL	100R17
H37	SHORT 45°, FEMALE, 37° JIC, SWIVEL	FEMALE, 37° JIC, SWIVEL	100R4
H38	SHORT 90°, FEMALE, 37° JIC, SWIVEL	FEMALE, 37° JIC, SWIVEL	100R4
H39	LONG 90°, FEMALE, 37° JIC, SWIVEL	FEMALE, 37° JIC, SWIVEL	100R4
H40	SHORT 90°, FEMALE, 37° JIC, SWIVEL	FEMALE, 37° JIC, SWIVEL	100R16
H43	FEMALE, 37° JIC, SWIVEL	FEMALE, 37° JIC, SWIVEL	100R16
H51	FEMALE, 37° JIC, SWIVEL	FEMALE, 37° JIC, SWIVEL	100R17
H52	SHORT 45°, FEMALE, 37° JIC, SWIVEL	FEMALE, 37° JIC, SWIVEL	100R17
H53	MEDIUM 45°, FEMALE, 37° JIC, SWIVEL	FEMALE, 37° JIC, SWIVEL	100R17
H54	SHORT 90°, FEMALE, 37° JIC, SWIVEL	FEMALE, 37° JIC, SWIVEL	100R17
H55	MEDIUM 90°, FEMALE, 37° JIC, SWIVEL	FEMALE, 37° JIC, SWIVEL	100R17
H56	LONG 90°, FEMALE, 37° JIC, SWIVEL	FEMALE, 37° JIC, SWIVEL	100R17
H57	SHORT 45°, FEMALE, SAE ORFS, SWIVEL	FEMALE, SAE ORFS, SWIVEL	100R13
H58	FEMALE, SAE ORFS, SWIVEL	FEMALE, SAE ORFS, SWIVEL	100R13
H59	MEDIUM 90°, FEMALE, SAE ORFS, SWIVEL	FEMALE, SAE ORFS, SWIVEL	100R13
H60	FEMALE, 37° JIC, SWIVEL	FEMALE, 37° JIC, SWIVEL	100R17
H61	FEMALE, 37° JIC, SWIVEL	FEMALE, 37° JIC, SWIVEL	100R16
H62	SHORT 90°, FEMALE, 37° JIC, SWIVEL	FEMALE, 37° JIC, SWIVEL	100R16
H63	MEDIUM 90°, FEMALE, 37° JIC, SWIVEL	FEMALE, 37° JIC, SWIVEL	100R16
H64	LONG 90°, FEMALE, 37° JIC, SWIVEL	FEMALE, 37° JIC, SWIVEL	100R16
H65	MEDIUM 67°, FEMALE, 37° JIC, SWIVEL	FEMALE, 37° JIC, SWIVEL	100R12
H66	FEMALE, 37° JIC, SWIVEL	NO FITTING	100R4
H67	FEMALE, 37° JIC, SWIVEL	FEMALE, 37° JIC, SWIVEL	100R19
H68	SHORT 45°, FEMALE, 37° JIC, SWIVEL	FEMALE, 37° JIC, SWIVEL	100R19
H69	MEDIUM 90°, FEMALE, 37° JIC, SWIVEL	FEMALE, 37° JIC, SWIVEL	100R19
H70	LONG 90°, FEMALE, 37° JIC, SWIVEL	FEMALE, 37° JIC, SWIVEL	100R19
H71	LONG 90°, FEMALE, SAE ORFS, SWIVEL	FEMALE, SAE ORFS, SWIVEL	100R15

5.2 Hydraulic Hose Connections



M213795AC

213557ABA

SJ12, SJ16

5.2 Hydraulic Hose Connections

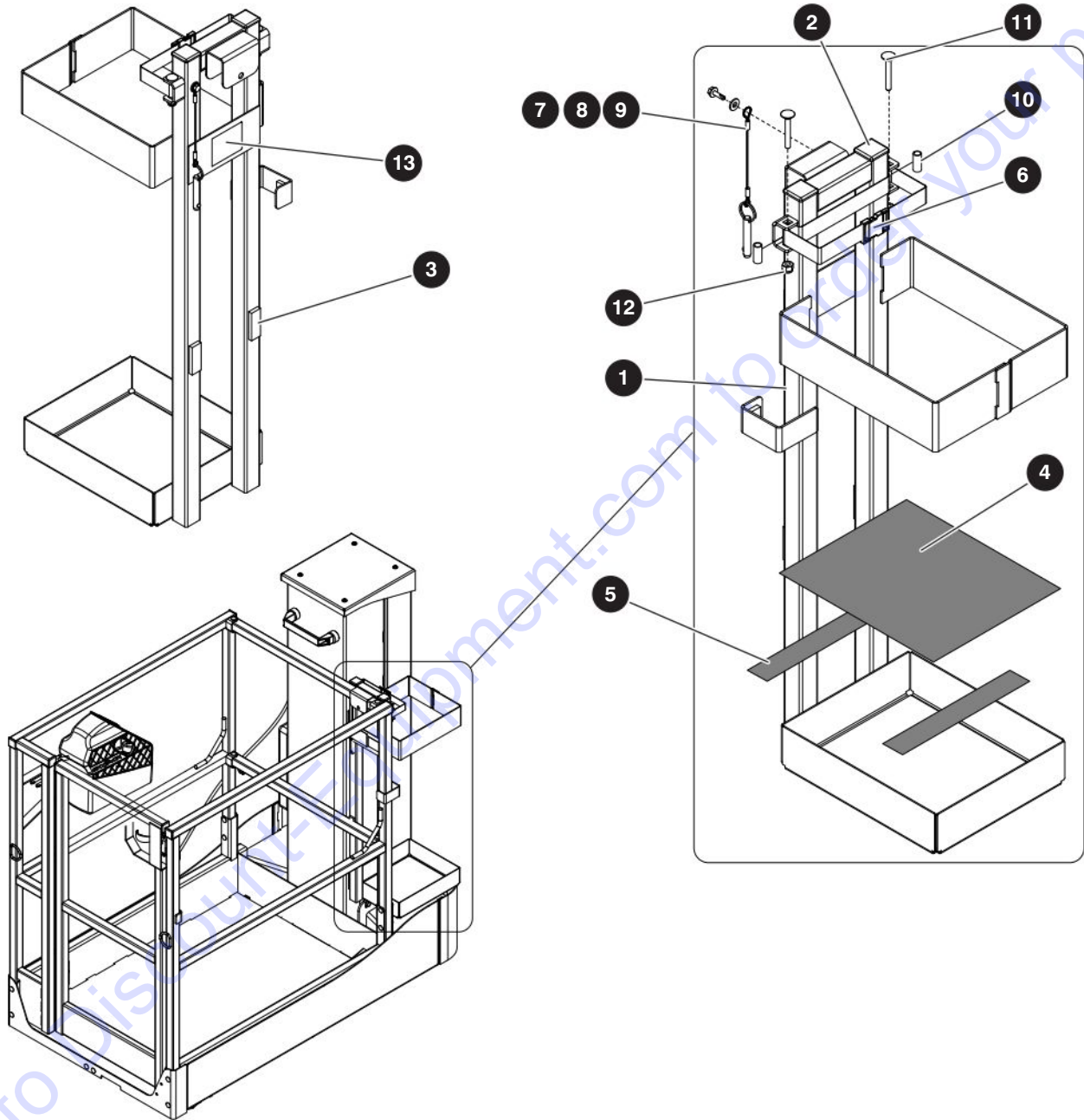
Index No.	Hose P/N	From		To		
		Description	Port	Port	Description	
-	213795	HOSE KIT				
1	H3406 0014 0	Pump	P	P	Main Manifold	
2	H3406 0014 0	Main Manifold	T	T	Tank	
3	H3406 0019 0	Main Manifold	L	-	Lift Cylinder	
4	H3406 0037 0	Main Manifold	M2	A	Left Drive Motor	
5	H3406 0037 0	Main Manifold	M1	A	Right Drive Motor - Control box side	
6	H3406 0037 0	Main Manifold	F	B	Left Drive Motor	
7	H3406 0037 0	Main Manifold	R	B	Right Drive Motor - Control box side	
8	H3104 0015 0	Main Manifold	PH	-	Pothole Cylinder	
9	H3104 0022 0	Main Manifold	SL	-	Steer Cylinder Right Port	
10	H3104 0022 0	Main Manifold	SR	-	Steer Cylinder Left Port	
11	H3104 0022 0	Main Manifold	B	B	Brake Manifold	
12	H3104 0011 0	Brake Manifold	B2	-	Right Brake - Control box side	
13	H3104 0028 2	Brake Manifold	B1	-	Left Brake	

Index No.	Skyjack Part No.	Qty.	Description
14	131285	40"	GUARD, Spring (5/8" diameter) (not shown)

Section 6 – Attachments and Options

- 6.1 *Tube Caddy*
- 6.2 *Pipe Rack*
- 6.3 *Tool Tray*
- 6.4 *Flashing Light*
- 6.5 *Wind Rating Kit SJ16*
- 6.6 *Discover AGM Batteries*
- 6.7 *RCD Option - CE*
- 6.8 *Elevate Telematics*
- 6.9 *Telematics Keypad*
- 6.10 *Battery Management System*

6.1 Tube Caddy



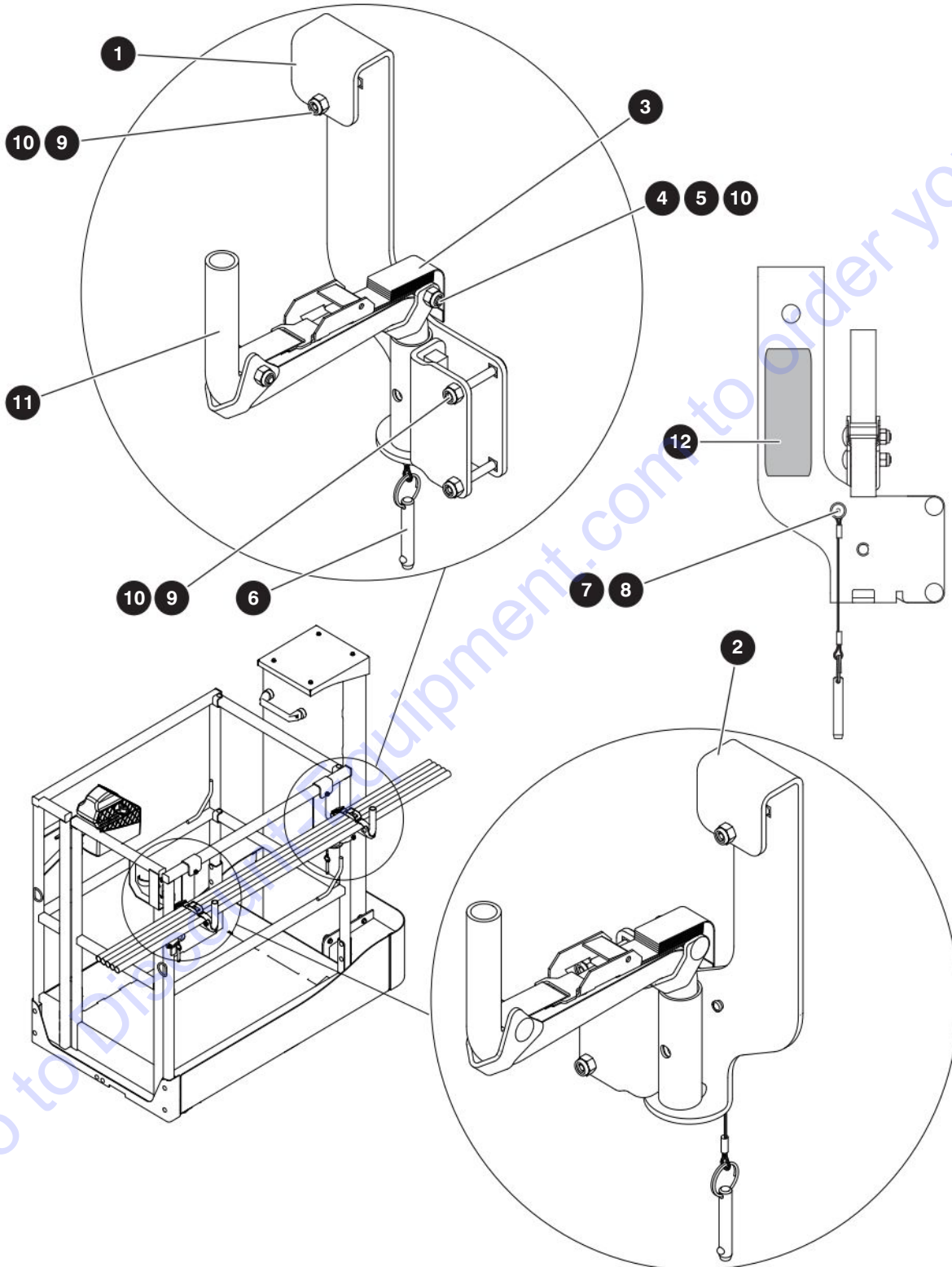
M223575AA

213557ABA

6.1 Tube Caddy

Index No.	Skyjack Part No.	Qty.	Description
-	223575	1	TUBE CADDY KIT
-	158363	1	• TUBE CADDY
1	158372	1	• • TUBE CADDY
2	100702	2	• • CAP, End
3	125577	3	• • BUMPER, Door
4	158334	1	• • SHEET, Rubber (1/8" x 8-1/2" x 10-1/4")
5	158843	16"	• • TAPE, Adhesive transfer (3/4")
6	158358	1	• • STRAP, Nylon with buckle
7	124548	1	• • PIN, Quick release
8	103995	1	• • WASHER, Flat (1/4")
9	103632	1	• • SCREW, Hex head self tapping (1/4"-14 x 3/4")
10	158381	2	• • SPACER, Stand off (5/16 ID x 1" length)
11	127437	2	• • BOLT, Carriage (5/16 -18 x 2" grade 5)
12	103984	2	• • NUT, Hex nylon lock (5/16 -18 grade 5)
-	223576	1	• LABEL, Tube caddy
13	216558	1	• • LABEL, Tube caddy capacity
-	223577	1	• TUBE CADDY MANUAL
14	223582	1	• INSTRUCTION, Tube caddy (not shown)
15	223583	1	• EC Declaration (not shown)

6.2 Pipe Rack



M223586AA

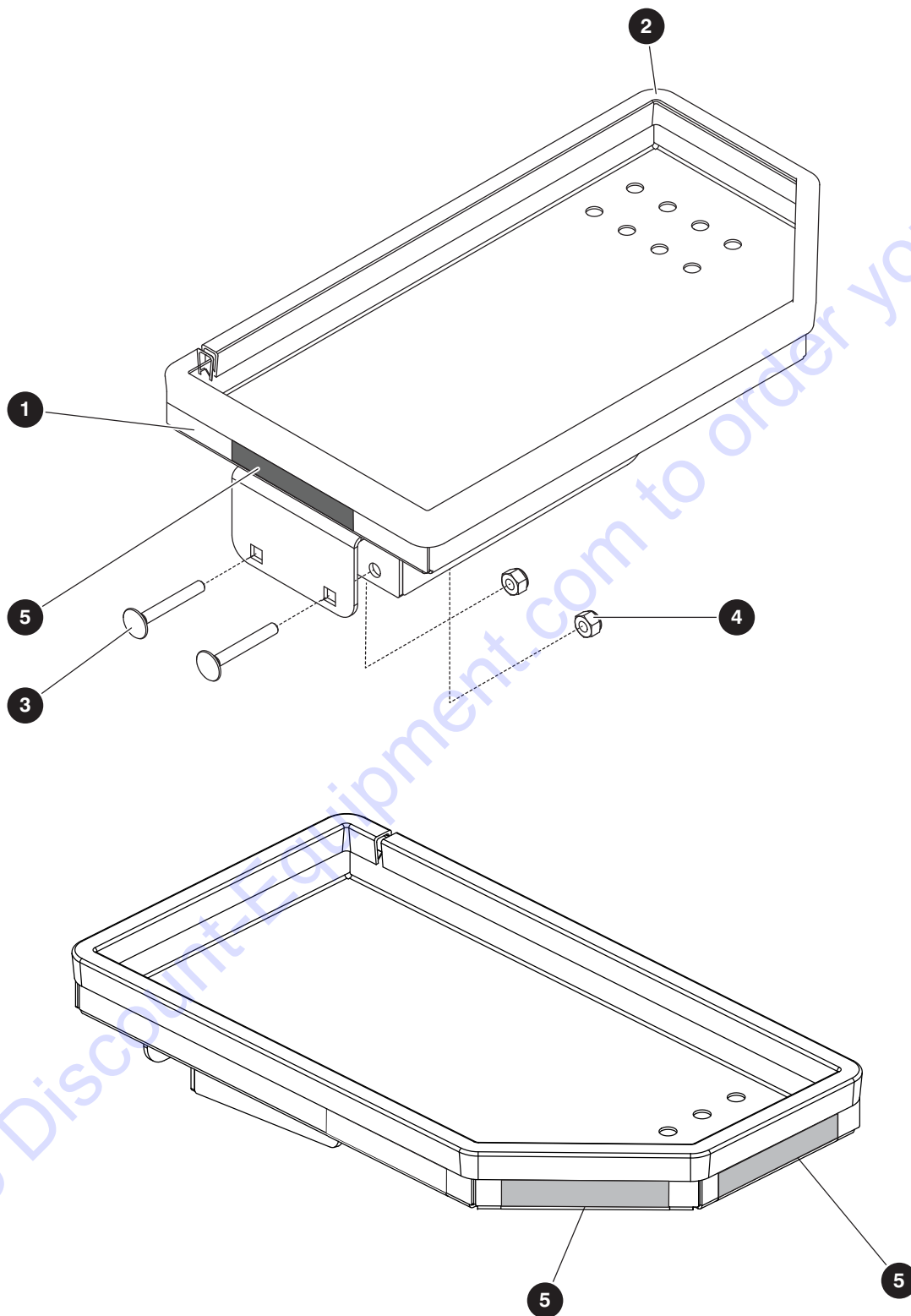
213557ABA

SJ12, SJ16

6.2 Pipe Rack

Index No.	Skyjack Part No.	Qty.	Description
-	223586	1	PIPE RACK KIT
A	157408	1	• BRACKET, Pipe rack - right side (control box side)
B	158343	1	• BRACKET, Pipe rack - left side
1	157404	1	• • PIPE RACK, Right side (control box side), A
2	158344	1	• • PIPE RACK, Left side, B
3	158357	2	• • STRAP, Nylon tie down flat hook
4	158381	4	• • SPACER, Stand off (5/16" ID x 1" length)
5	158380	4	• • BOLT, Carriage (5/16" - 18 x 1-3/4" grade 5)
6	124548	2	• • PIN, Quick release
7	103995	2	• • WASHER, Flat (1/4")
8	157173	2	• • RIVET (1/4"x 0.49")
9	127437	6	• • BOLT, Carriage (5/16"-18 x 2", grade 5)
10	103984	10	• • NUT, Hex nylon lock (5/16"-18, grade 5)
11	157405	2	• • TUBE, Pipe rack
-	223587	1	• LABEL, Pipe rack
12	223585	2	• • LABEL, Pipe rack capacity
-	223588	1	• PIPE RACK MANUAL
13	223589	1	• • INSTRUCTION, Pipe rack installation (not shown)
14	223590	1	• EC Declaration (not shown)

6.3 Tool Tray



M223578AA

213557ABA

116

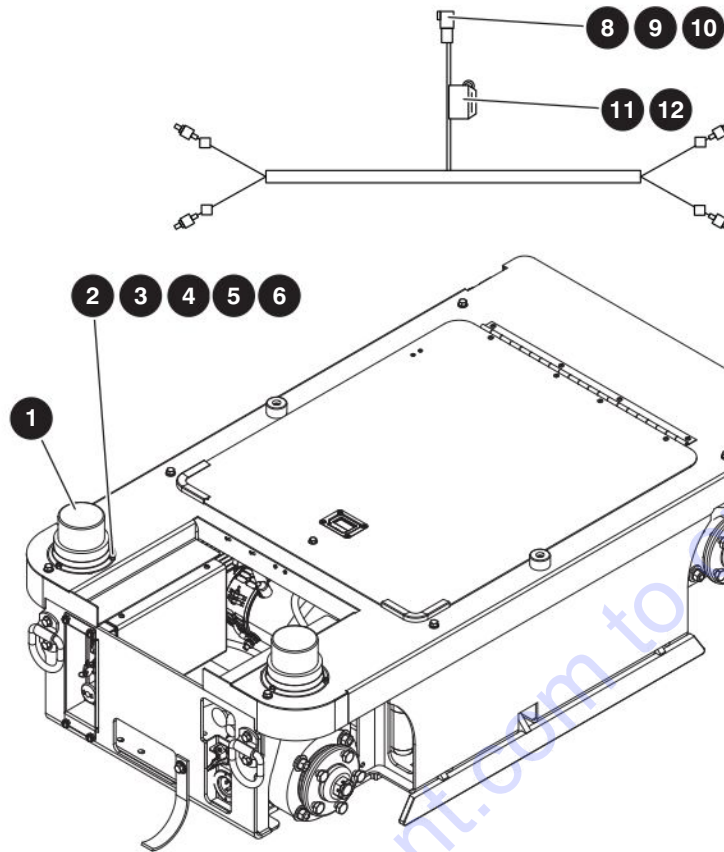
SJ12, SJ16

SKYJACK

6.3 Tool Tray

Index No.	Skyjack Part No.	Qty.	Description
-	223578	1	TOOL TRAY KIT
-	223579	1	• TOOL TRAY
1	158371	1	• • TRAY, Tool
2	117398	44"	• • PROTECTIVE TRIM (3/16"-1/4")
3	127437	2	• • BOLT, Carriage (5/16"-18 x 2", grade 5)
4	103984	2	• • NUT, Hex nylon lock (5/16"-18, grade 5)
-	223580	1	• LABEL, Tool tray
5	173039	3	• • LABEL, Capacity
-	223581	1	• TOOL TRAY MANUAL
6	223584	1	• • INSTRUCTION, Tool tray installation (not shown)

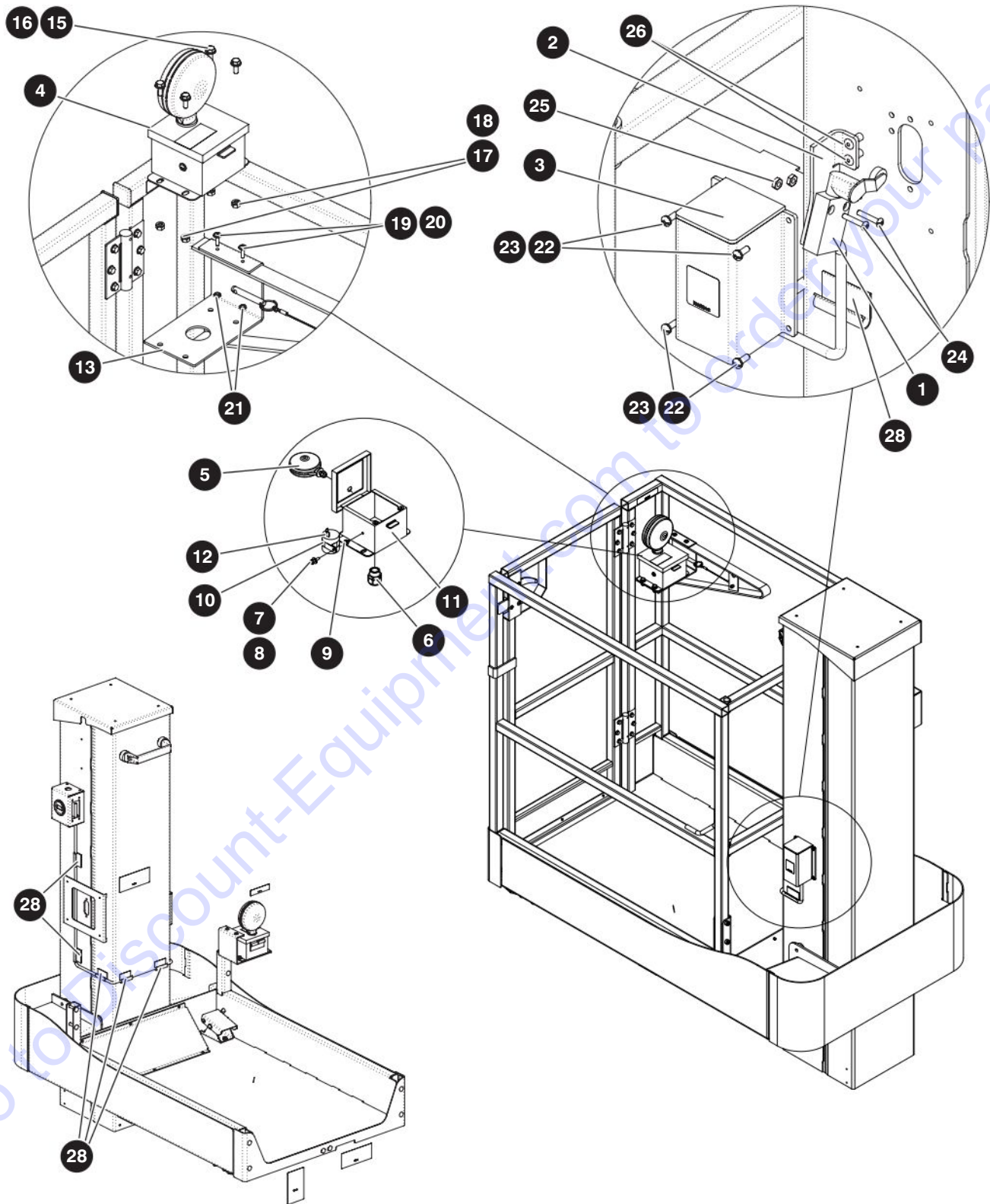
6.4 Flashing Light



M151635AE

Index No.	Skyjack Part No.	Qty.	Description
-	159515	1	FLASHING LIGHT INSTALLATION FIELD KIT
-	151635	1	• FLASHING LIGHT KIT
1	160227	2	• • LIGHT, LED Strobe
	158779	1	• • • LENS, Amber
	158780	1	• • • BULB (Flash tube)
2	104003	6	• • NUT, Hex head (#10-32)
3	104694	6	• • WASHER, Flat (#10)
4	104698	6	• • SCREW, Round head machine (#10-32 x 3/4")
5	104185	6	• • WASHER, Lock (#10)
6	100616	2	• • GROMMET, RB-220 9/16"
7	157135	1	• • HARNESS, Strobe
8	117596	1	• • • CONNECTOR, Receptacle (2 pin)
9	117598	1	• • • CONNECTOR, Receptacle wedge (2 pin)
10	117590	2	• • • CONTACT, Pin (16-18)
11	119293	1	• • • FUSE HOLDER (with cover)
12	156202	1	• • • FUSE, 5A
-	159284	1	• FIELD INSTRUCTION, Flashing light installation (not shown)

6.5 Wind Rating Kit SJ16



M232783AA

213557ABA

120

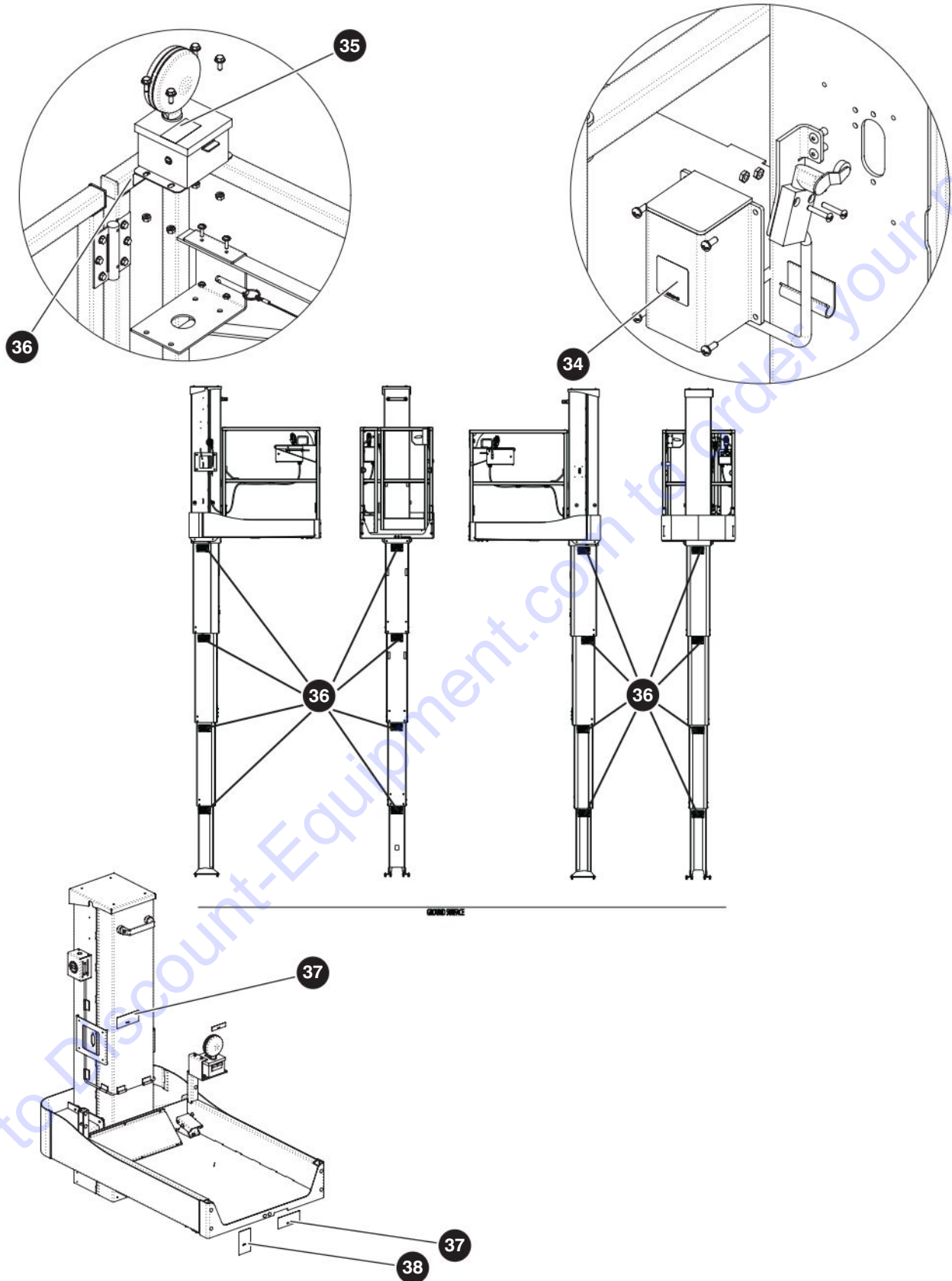
SJ12, SJ16

SKYJACK

6.5 Wind Rating Kit SJ16

Index No.	Skyjack Part No.	Qty.	Description
A	232783	1	WIND RATING KIT - ANSI
B	232784	1	WIND RATING KIT - CE
1	199405	1	• SWITCH, Limit lever 2M
2	221984	1	• SUPPORT, Limit switch
3	162873	1	• ASSEMBLY, Limit switch box
4	162882	1	• ASSEMBLY, Flashing light box
5	121477	1	• • LIGHT, Beacon - 24V
6	120644	1	• • CONNECTOR, Heyco liquid tight
7	104694	1	• • WASHER, Flat (#10)
8	104698	1	• • SCREW, Round head machine (10-32 x 3/4")
9	104003	1	• • NUT, Hex head (#10-32)
10	132793	1	• • CLAMP, Plastic (1-1/4")
11	162827	1	• • BOX, Flashing light
12	103743	1	• • FLASHER, Series - 24V DF
13	162886	1	• BRACKET, Flashing light box
14	103256	100"	• CABTIRE (not shown)
15	103856	4	• BOLT, Hex head (1/4"-20 x 3/4" grade 5)
16	103995	4	• WASHER, Flat (1/4")
17	104000	4	• WASHER, Lock (1/4")
18	103980	4	• NUT, Hex head (1/4"-20 grade 8)
19	104698	2	• SCREW, Round head machine (10-32 x 3/4")
20	104694	2	• WASHER, Flat (#10)
21	104003	2	• NUT, Hex (#10-32)
22	103962	4	• SCREW, Round head machine (10-32 x 1/2")
23	104185	4	• WASHER, Lock (#10)
24	126499	2	• SCREW, Round head machine (8-32 x 7/8")
25	103986	2	• NUT, Hex (8-32)
26	157759	2	• RIVET, Pop (3/16"x 0.565")
27	100616	2	• GROMMET, Rubber (5/16" x 9/16" x 1/8") (not shown)
28	108791	6	• CLIP, Cord adhesive back
29	114594	2	• TERMINAL, Female electrical (not shown)
30	114595	4	• TERMINAL, Male electrical (not shown)
31	162909	1	• SCHEMATIC, Electrical SJ16 Outdoor field kit (not shown)
32	232786A	1	• INSTRUCTIONS, Height limiting group (not shown)

6.5 Wind Rating Kit SJ16



M232783AA

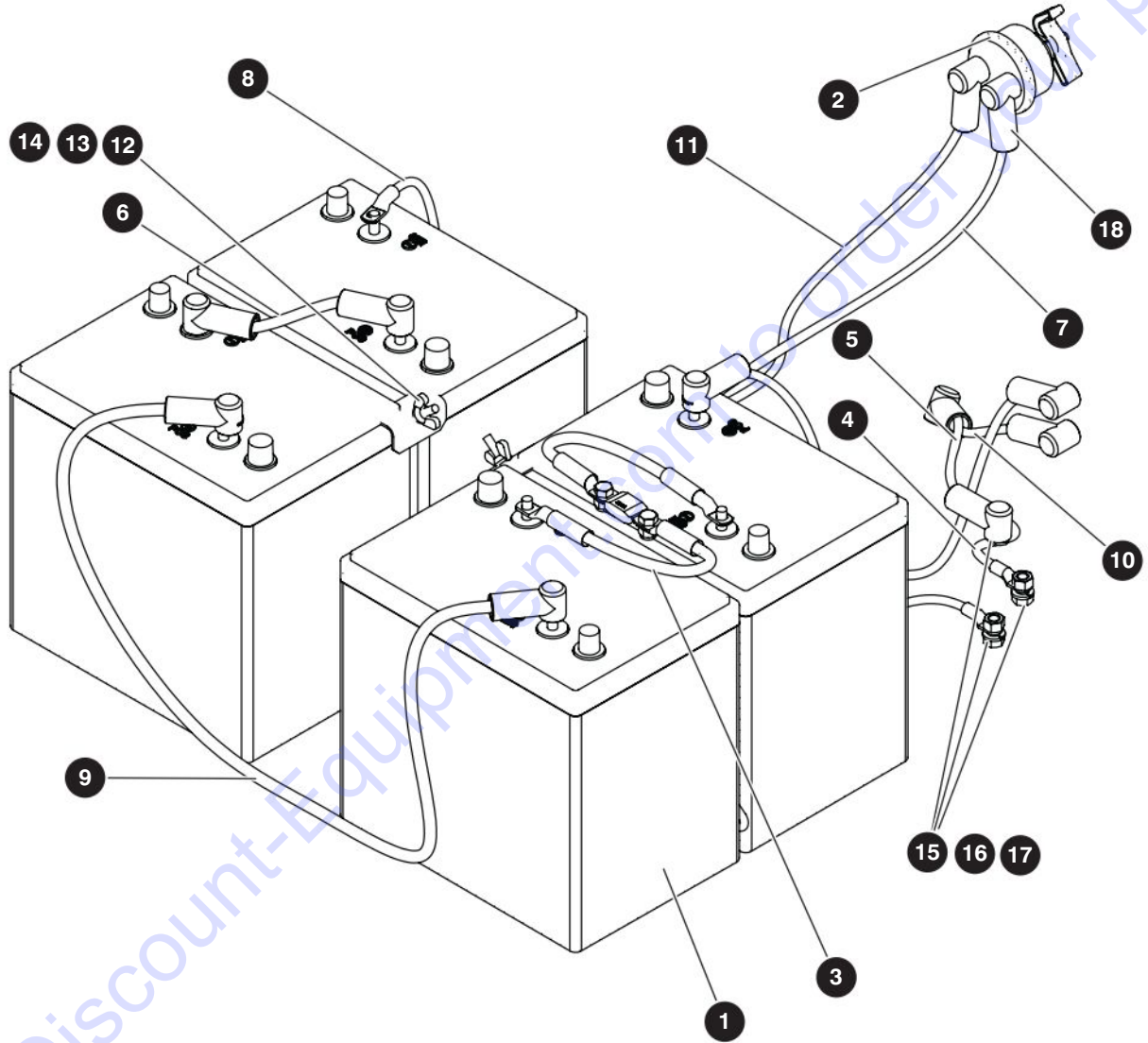
213557ABA

SJ12, SJ16

6.5 Wind Rating Kit SJ16

Index No.	Skyjack Part No.	Qty.	Description
-	172032	1	<ul style="list-style-type: none"> • LABELS, Location wind rating kit
34	156613	1	<ul style="list-style-type: none"> • • LABEL, Do not alter limit switches
35	162832	1	<ul style="list-style-type: none"> • • LABEL Danger elevation above 3.6 meter (light) length
36	162833	17	<ul style="list-style-type: none"> • • LABELS, Danger elevated above 3.6 meter
37	173627	2	<ul style="list-style-type: none"> • • LABEL ,Capacity outdoor option < 3.6meter
38	173629	1	<ul style="list-style-type: none"> • • LABEL, Serial plate SJ16 outdoor option, A
-	173628	1	<ul style="list-style-type: none"> • • LABEL, Serial plate SJ16 outdoor option, B

6.6 Discover AGM Batteries



M160955AD

213557ABA

124

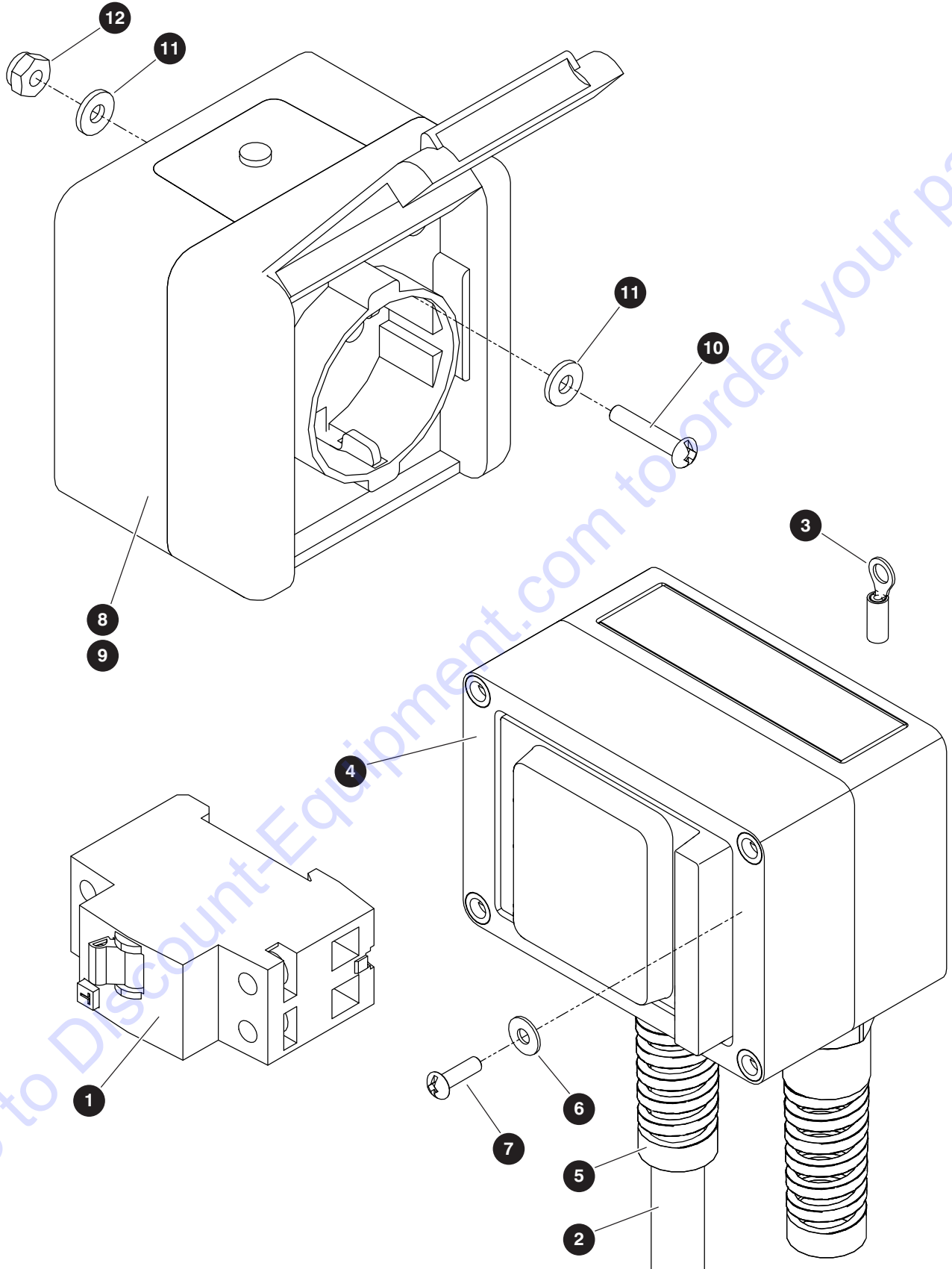
SJ12, SJ16

SKYJACK

6.6 Discover AGM Batteries

Index No.	Skyjack Part No.	Qty.	Description
-	160955	1	DISCOVER AGM BATTERIES
1	160933	4	• BATTERY, Discover AGM
2	119725	1	• SWITCH , Master disconnect 6
3	195691	1	• CABLE, Battery (300A in-line fuse)
4	151594	1	• CABLE, Battery
5	151594	1	• CABLE, Battery
6	119615	1	• CABLE, Welding
7	151591	1	• CABLE, Battery
8	151591	1	• CABLE, Battery
9	151592	1	• CABLE, Battery
10	151593	1	• CABLE, Battery
11	151591	1	• CABLE, Battery
12	157364	2	• BRACKET, Battery tie down
13	157363	2	• J HOOK, Battery hold down (14-1/4")
14	120175	2	• NUT, Nut wing (1/4"-20 type A)
15	138464	3	• Bolt, Hex head (3/8"-16 " x 5/8" grade 5)
16	103999	3	• WASHER, Lock (3/8")
17	103978	3	• NUT, Hex (3/8"-16" grade 5)
18	117408	13	• BATTERY BOOT (red)

6.7 RCD Option - CE



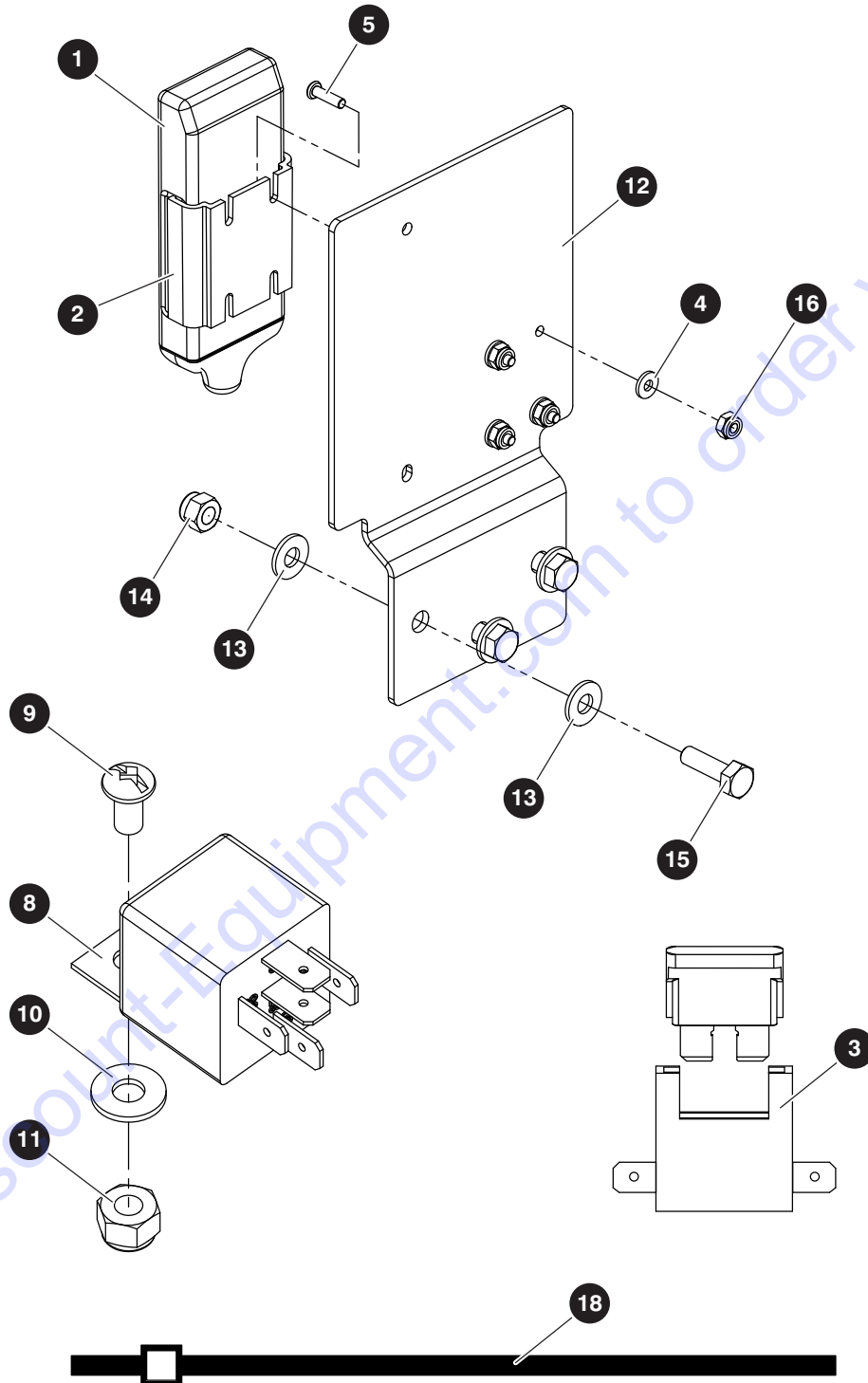
M236713AA

213557ABA

6.7 RCD Option - CE

Index No.	Skyjack Part No.	Qty.	Description
A	236715	1	RCD Option, Group C, Europa, 16A - CE
B	236712	1	RCD Option, Group A, Doepke - CE
C	236713	1	RCD Option, Group A, Doepke, Type F, 16A plug - CE
D	236714	1	RCD Option, Group A, Doepke, Type E, 16A plug - CE
-	236709	1	• WIRING ASSEMBLY, RCD Europa - no plug, A
	236707	1	• WIRING ASSEMBLY, Doepke 2A - no plug, B
	236708	1	• WIRING ASSEMBLY, Doepke type F - 16 A plug, C, D
1	157187	1	• • RCBO, Type C - 16A Europa, A
	168379	1	• • RCCB, Type A - Doepke DFS 2A, B, C, D
2	194589	1	• • CABTIRE, 14/3 (6' length)
3	216790	2	• • TERMINAL, Ring (#10 14-16 GA blue)
-	236706	1	• RCD ENCLOSURE ASSEMBLY
4	194510	1	• • ENCLOSURE, RCD
5	158212	2	• • RELIEF, Strain (PG-13.5)
6	117952	2	• • WASHER, Seal (0.203 ID x 0.50 OD x 0.40)
7	120094	2	• • SCREW, Round head machine (10-32 x 0.625")
-	236710	1	• OUTLET BOX, Type F, C
	236711	1	• OUTLET BOX, Type E, D
8	228059	1	• • SOCKET, Outlet - Type F, C
	228058	1	• • SOCKET, Outlet - Type E, D
9	228060	1	• • BOX, Outlet (16A 250 V), C
10	103955	2	• • SCREW, Round head machine (6-32 x 3/4")
11	191833	4	• • WASHER, Flat (#6)
12	196306	2	• • NUT, Lock (6-32 gr 5 nylon)

6.8 Elevate Telematics



M235838AA

213557ABA

128

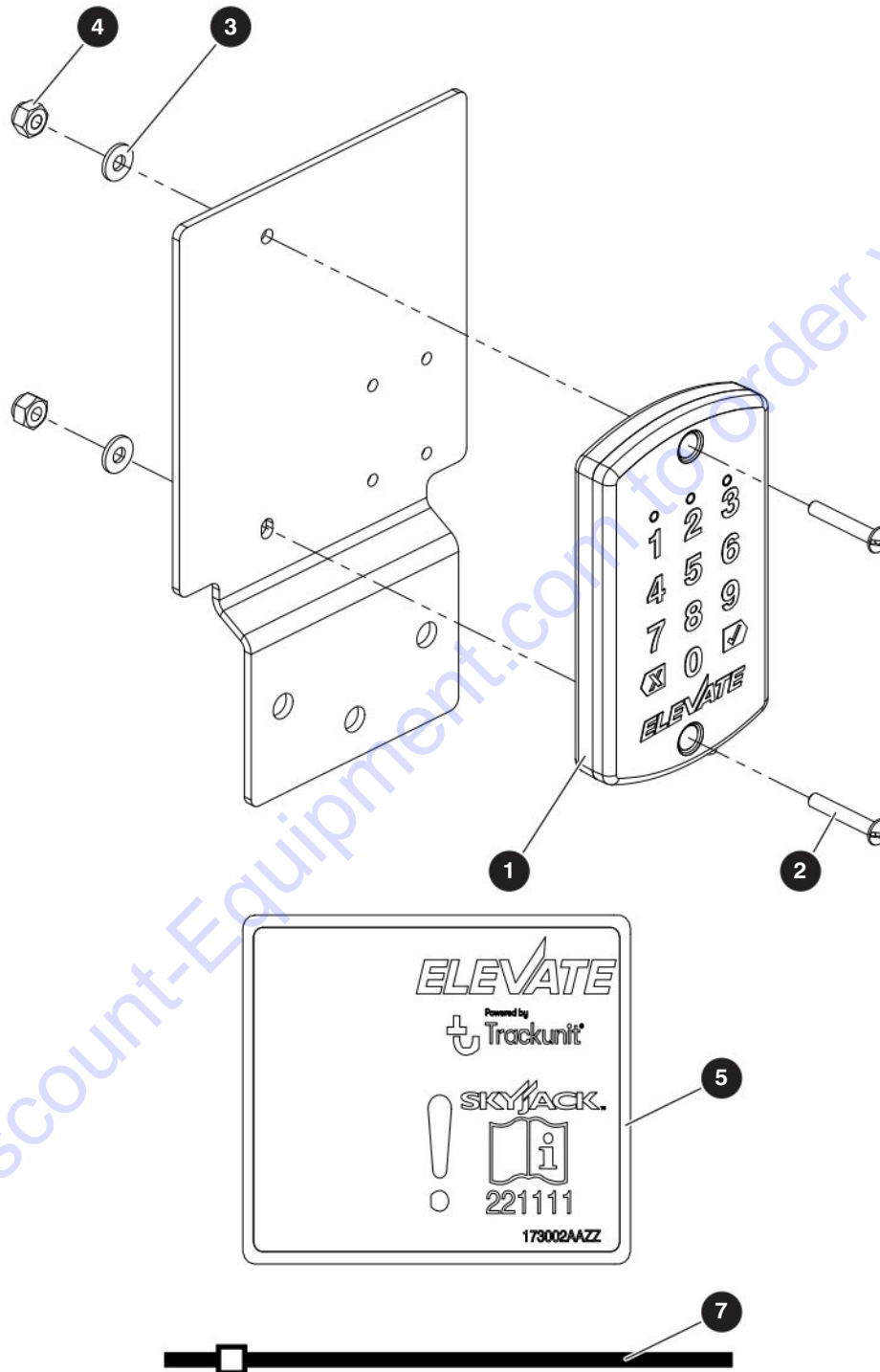
SJ12, SJ16

SKYJACK

6.8 Elevate Telematics

Index No.	Skyjack Part No.	Qty.	Description
-	235840	1	ELEVATE TELEMATICS FIELD KIT
1	213098	1	• TELEMATICS, Track Unit
2	199296	1	• • BRACKET
3	199299	1	• • FUSE KIT, 1 Amp Fuse and Holder
4	191833	4	• WASHER, Flat (#6)
5	114678	4	• SCREW, Round Head Machine (#6-32 x 1/2")
6	226445	1	• HARNESS, Elevate Telematics - VM (Not shown)
7	220577	1	• WIRE ASM, B+ (Not shown)
8	108589	1	• RELAY, 24V - 40 Amp
9	115545	1	• SCREW, Round head machine (#10-32 x 3/8")
10	104694	1	• WASHER, Flat (#10 SAE)
11	300450	1	• NUT, Hex Nylon Lock (#10-32)
12	228804	1	• BRACKET, Telematics
13	103995	6	• WASHER, Flat (1/4")
14	115649	3	• NUT, Nylon Lock (1/4"-20 Gr. 5)
15	103891	3	• BOLT, Hex Head (1/4"-20 x 7/8" Gr. 5)
16	196306	4	• NUT, Nylon Lock (#6-32 Gr. 5)
17	235370	1	• INSTRUCTIONS, Elevate Telematics - VM (Not shown)
18	102891	10	• TIE WRAP, Cable (5-3/8")

6.9 Telematics Keypad



M235836AA

213557ABA

130

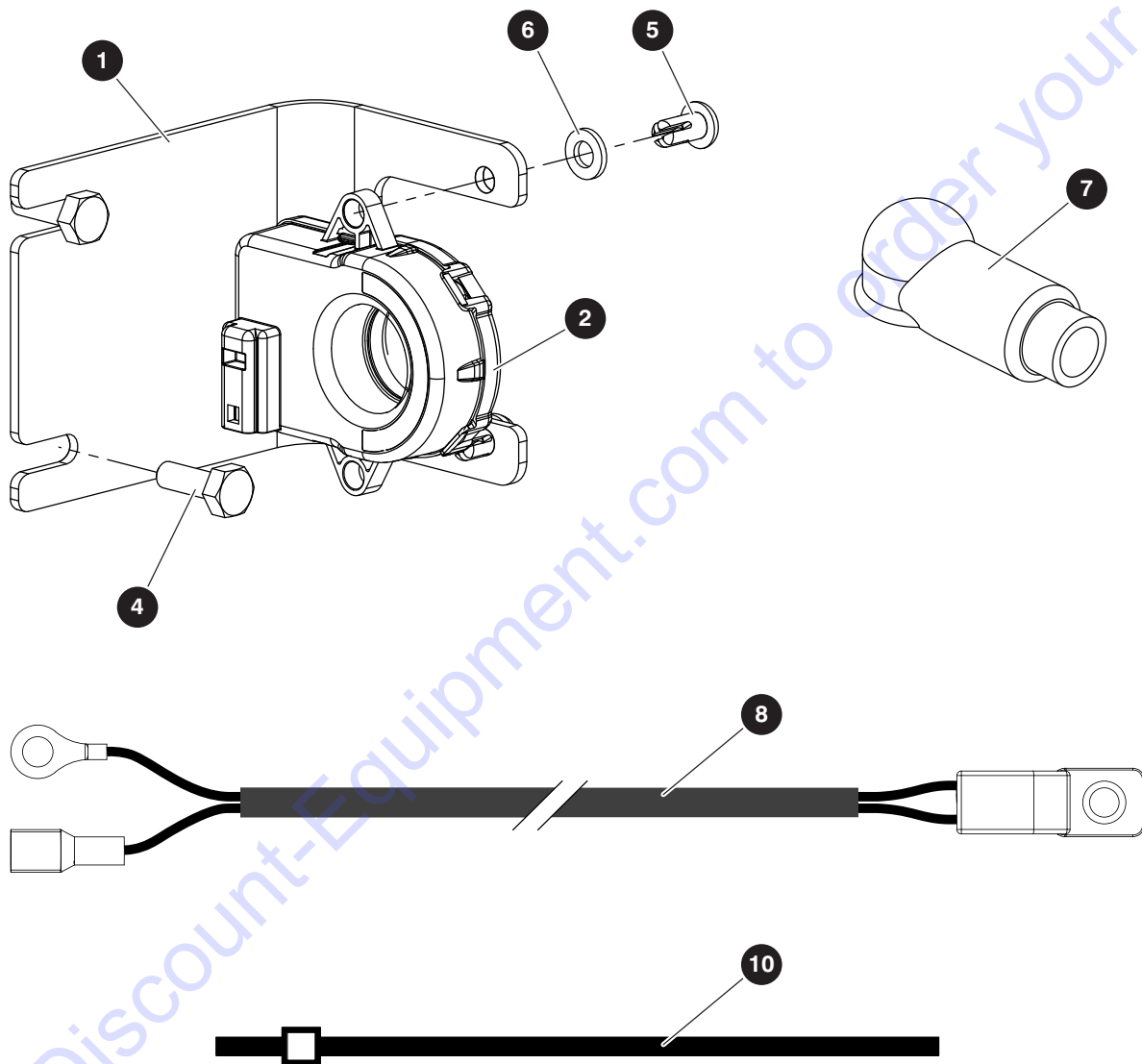
SJ12, SJ16

SKYJACK

6.9 Telematics Keypad

Index No.	Skyjack Part No.	Qty.	Description
-	235841	1	ELEVATE KEYPAD FIELD KIT
1	213099	1	• KEYPAD, Track Unit - dual ID
2	112248	2	• SCREW, Round head machine (#8-32 x 1")
3	103991	2	• WASHER, Flat (#8)
4	138765	2	• NUT, Nylon lock (#8-32 gr. 5 zinc)
5	173002	1	• LABEL, Telematics Trackunit
6	235371	1	• INSTRUCTIONS, Keypad - VM (Not shown)
7	102891	10	• TIE WRAP, Cable (5-3/8")

6.10 Battery Management System



M235837AA

213557ABA

132

SJ12, SJ16

SKYJACK

6.10 Battery Management System

Index No.	Skyjack Part No.	Qty.	Description
-	235842	1	ELEVATE BMS FIELD KIT
1	230522	1	• BRACKET, Current Sensor
2	228573	1	• SENSOR, Current - 500A
3	232581	1	• HARNESS, BMS - VM (Not shown)
4	103856	2	• BOLT, Hex Head Zinc (1/4"-20 x 3/4" Gr. 5)
5	133219	2	• WASHER, Flat (M6 Din 125)
6	231923	2	• RIVET, Plastic (1/4" x 1/4" x 3/8")
7	139105	1	• BOOT, Terminal - #2/0 Red
8	226371	1	• SENSOR, Temperature
9	235372	1	• INSTRUCTIONS, BMS - VM (Not shown)
10	102891	10	• TIE WRAP, Cable (5-3/8")

Section 7 – Labels

- 7.1 *Label Kits*
- 7.2 *Labels - Rear View*
- 7.3 *Labels - Left View*
- 7.4 *Labels - Front View*
- 7.5 *Labels - Right View*
- 7.6 *Labels - Control Box*
- 7.7 *Labels - Miscellaneous*
- 7.8 *Labels - Hydraulic Oil*

7.1 Label Kits

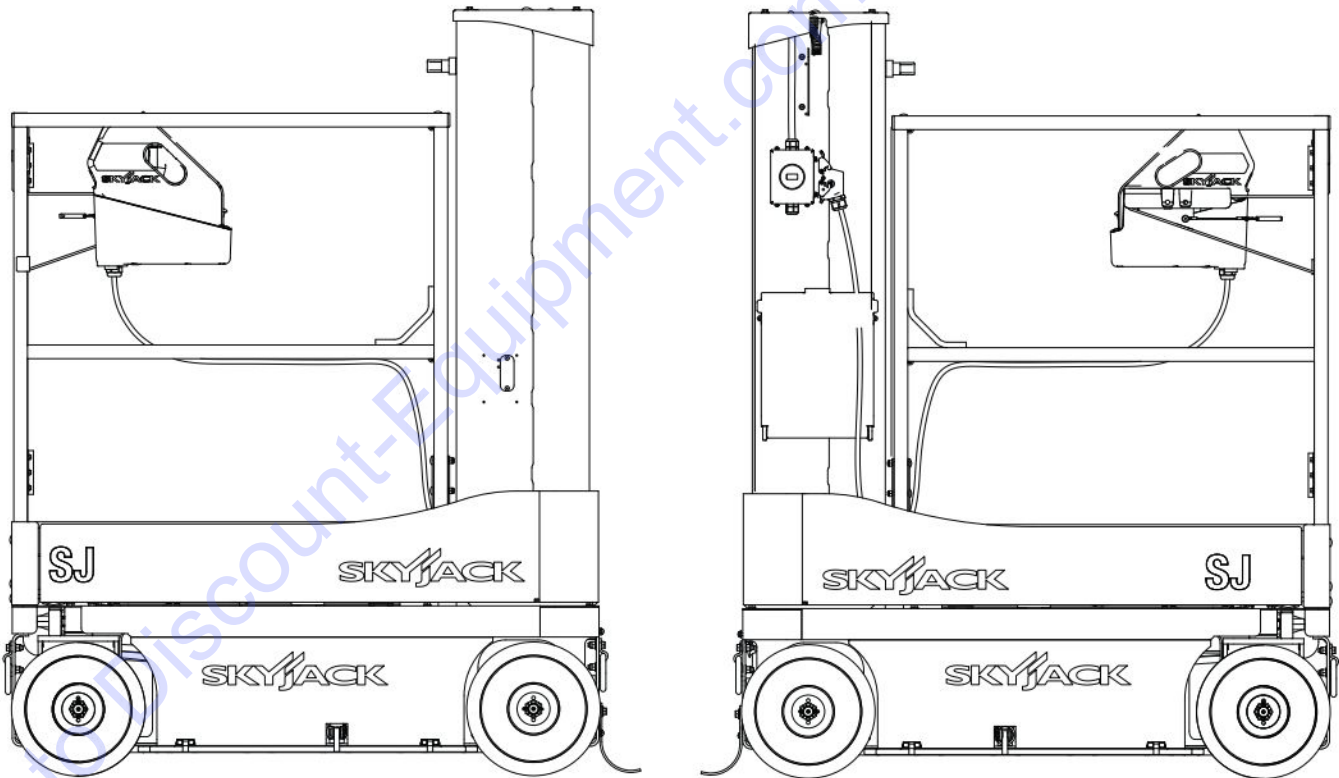
The following label kits contain all of the labels required for a complete standard machine, with the exception of:

- Serial number plates
- Region specific labels
- Wheel loads
- Platform capacities

Contact Discount-equipment to order those labels individually.

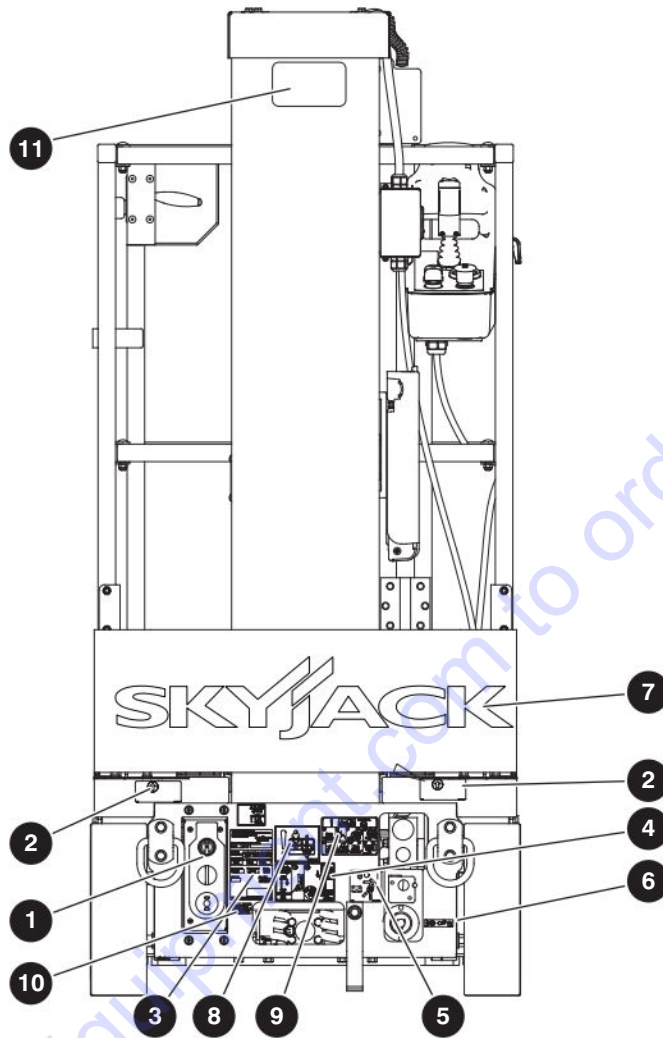
Supply the model number, country and language when ordering label kits.

Label Kit	
Model	Kit Number
SJ12	226061
SJ16	226060



SKYJACK™

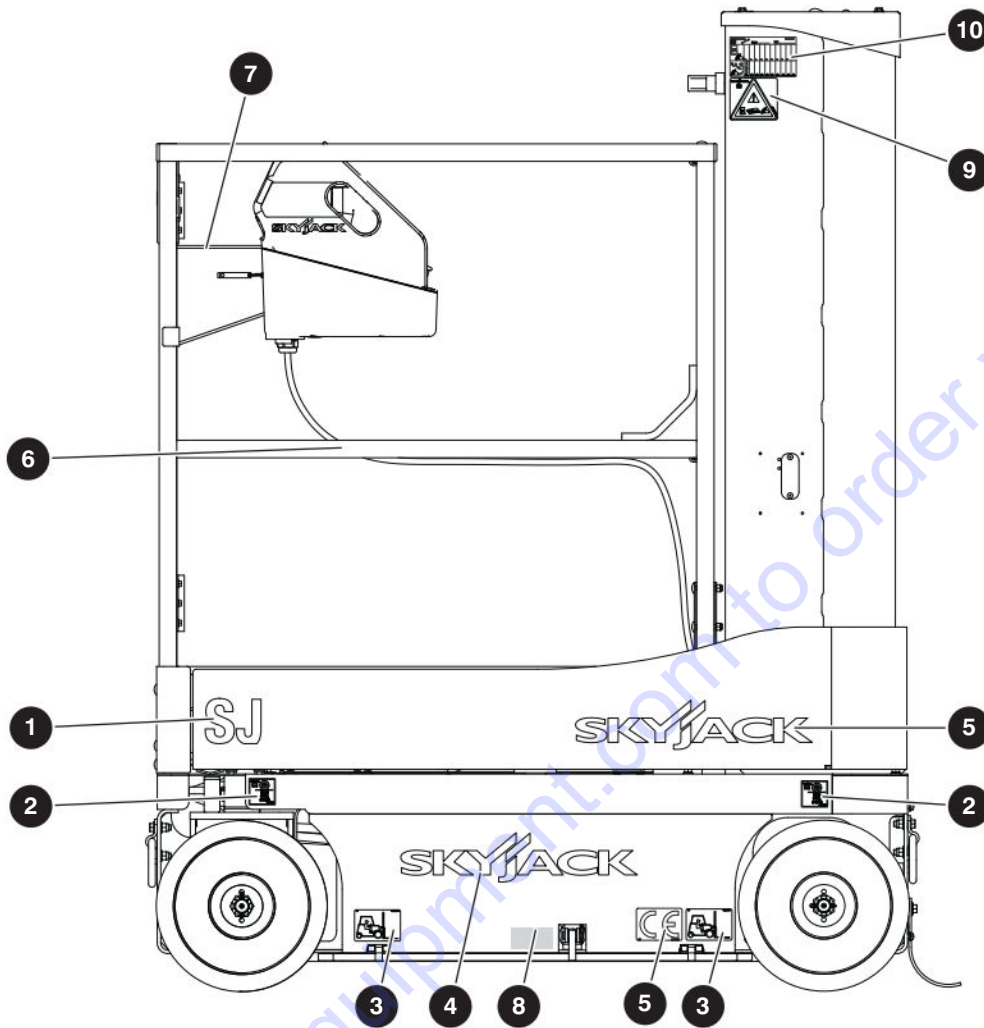
7.2 Labels - Rear View



M173229AC_1

Index No.	Skyjack Part No.	Qty.	Description
1	156317	1	LABEL, Base controls
2	124767	2	LABEL, Lift and tie down points
3	-	1	LABEL, Serial plate (Contact Discount-equipment)
4	173237	1	LABEL, Emergency lowering procedure
5	119674	1	LABEL, Battery disconnect
6	138211	1	LABEL, Connect platform AC supply
7	158536	1	LABEL, SKYJACK logo (white)
8	172939	1	LABEL, E-lowering information
9	173236	1	LABEL, Towing/brake release
10	-	1	LABEL, Manufactured (month/year)- ANSI/CSA (Contact Discount-equipment)
11	-	1	LABEL, QR Code (Contact Discount-equipment)

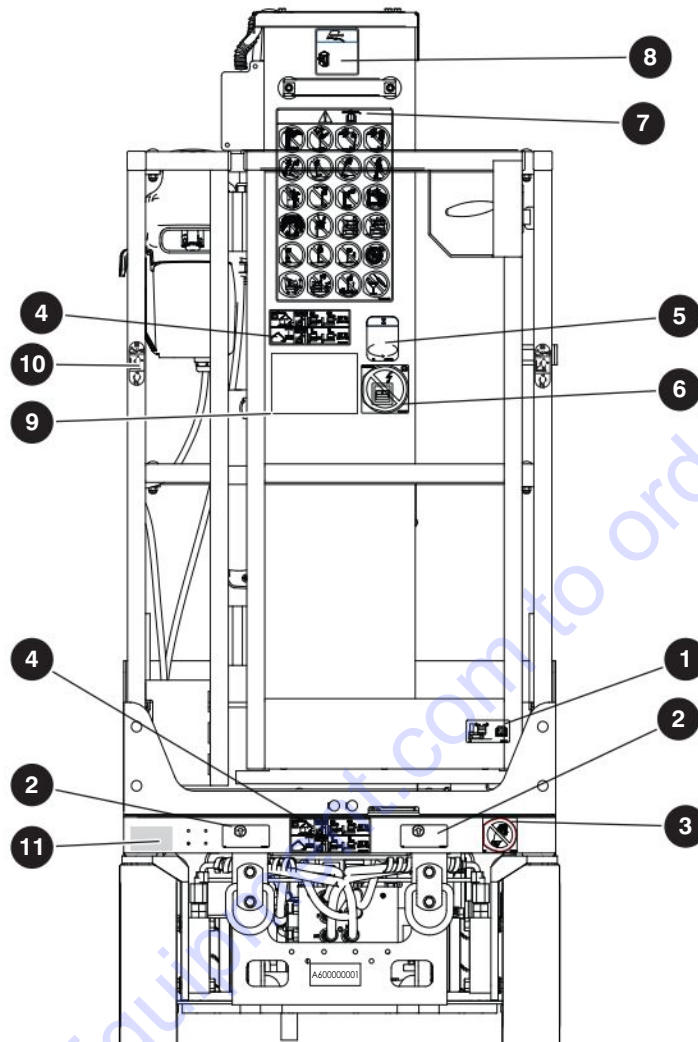
7.3 Labels - Left View



M67057AB

Index No.	Skyjack Part No.	Qty.	Description
1	173230	1	LABEL, SKYJACK logo SJ12
	173258	1	LABEL, SKYJACK logo SJ16
2	171371	2	LABEL, Wheel load 430 KG/ 950 LB - SJ12
	171557	2	LABEL, Wheel load 510 KG/ 1125 LB - SJ16
3	102896	2	LABEL, Forklift pocket
4	158536	2	LABEL, Skyjack logo 17" white
5	117023	1	LABEL, CE mark - CE
6	172927	1	LABEL, Platform control cable pin
7	172632	1	LABEL, Control box location
8	173024	1	LABEL, Warning hand/foot pinch
9	172656	1	LABEL, Annual inspection pictorial
10	172695	1	LABEL, Warning annual inspection

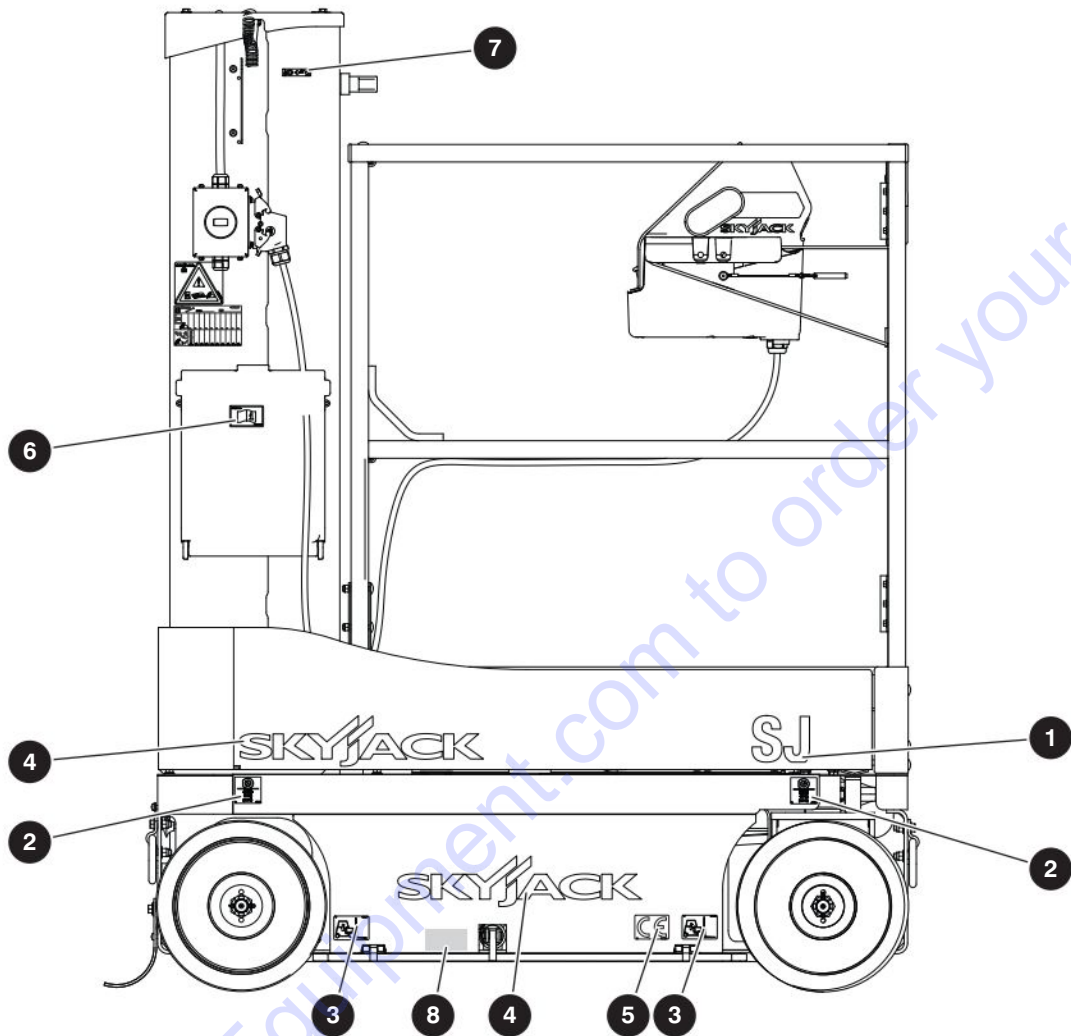
7.4 Labels - Front View



M173229AC

Index No.	Skyjack Part No.	Qty.	Description
1	157012	1	LABEL, Platform traversing procedure
2	124767	2	LABEL, Lift and tie down points
3	124362	1	LABEL, No jewellery
4	173257	2	LABEL, Capacity 227kg(500lb) 2P/1P in/out - SJ12
	173260	2	LABEL, Capacity 227kg(500lb) 1P indoor - SJ16
5	156436	1	LABEL, Daily check pictorial
6	172693	1	LABEL, Non - insulated
7	173235	1	LABEL, Warning hazard - mast lift
8	172804	1	LABEL, Mast inspection
9	161631	1	LABEL, Clearance power lines - AS
10	172646	2	LABEL, Harness anchorage
11	173081	1	LABEL, Warning california proposition 65 - ANSI

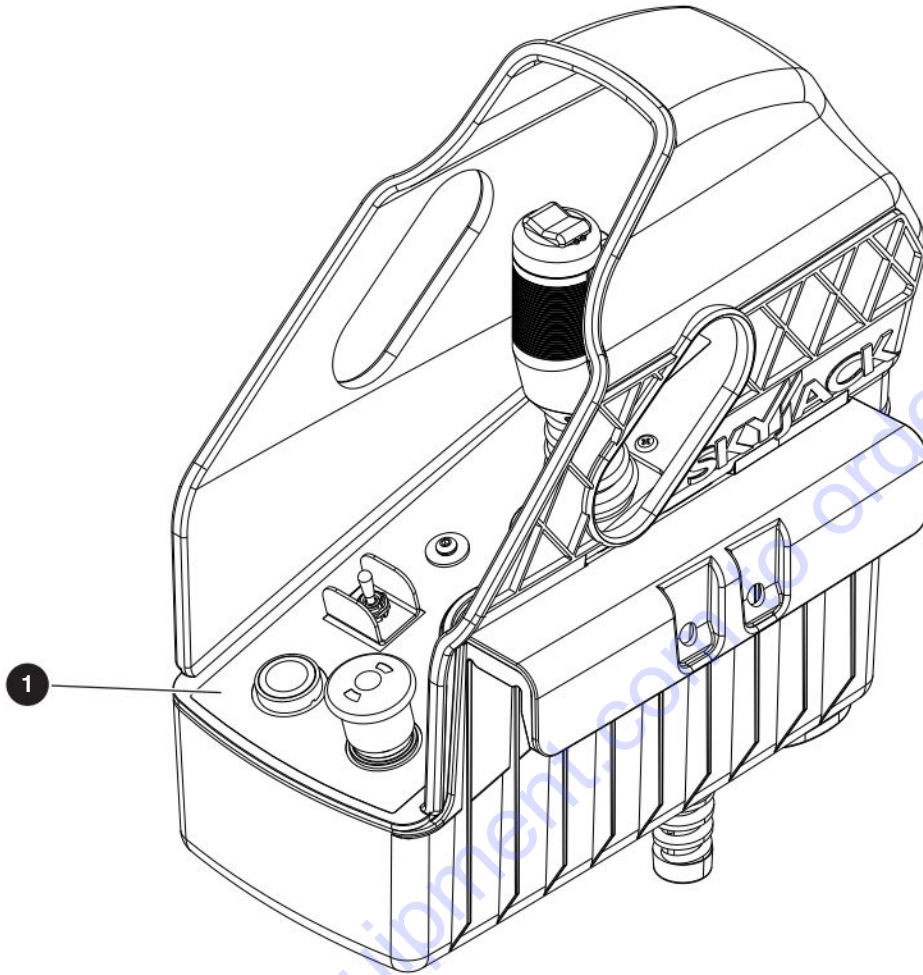
7.5 Labels - Right View



M67060AA

Index No.	Skyjack Part No.	Qty.	Description
1	159517	2	LABEL, SJ12 white
	159519	2	LABEL, SJ16 white
2	171371	2	LABEL, Wheel load 430 KG/ 950 LB - SJ12
	171557	2	LABEL, Wheel load 510 KG/ 1125 LB - SJ16
3	102896	2	LABEL, Forklift pocket
4	158536	2	LABEL, SKYJACK logo 17" white
5	117023	1	LABEL, CE mark
6	123628	1	LABEL, Manual box
7	138211	1	LABEL, Connect platform ac supply
8	173024	1	LABEL, Warning hand/foot pinch

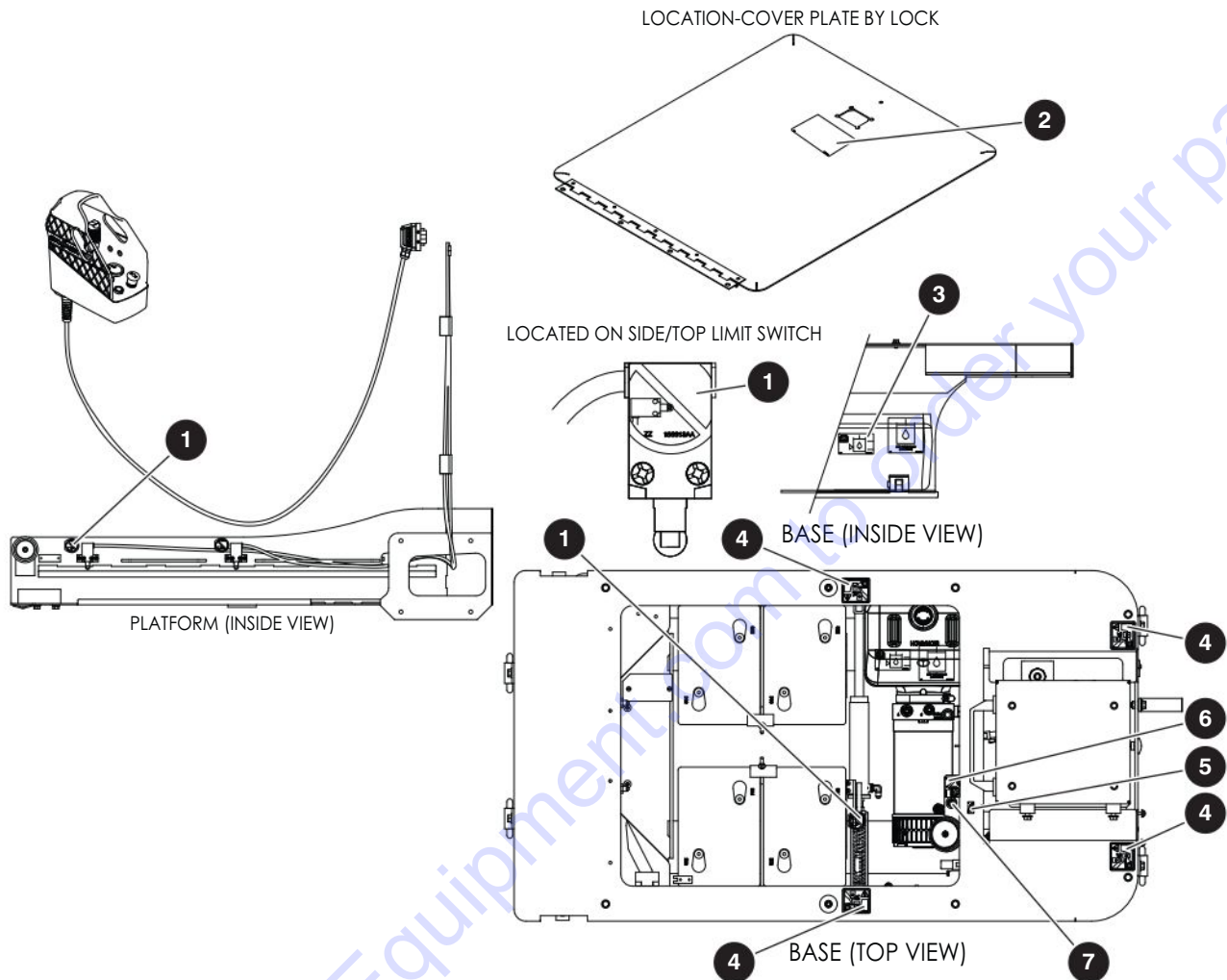
7.6 Labels - Control Box



M67061AA

Index No.	Skyjack Part No.	Qty.	Description
1	211416	1	LABEL, Control box SJ12/16

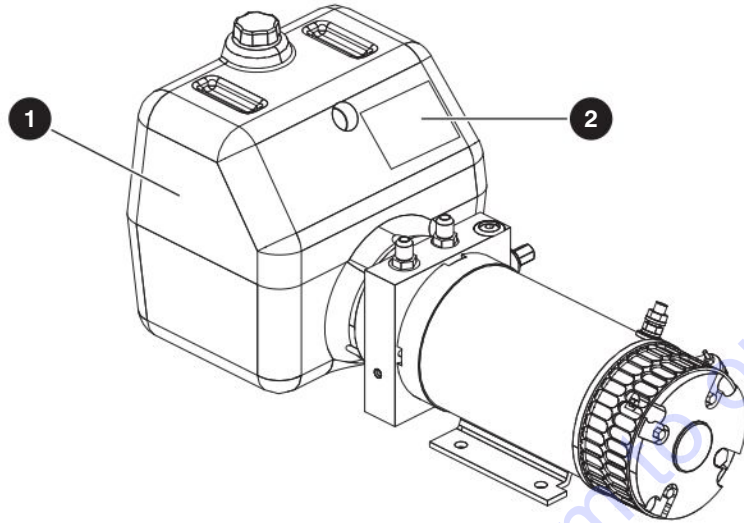
7.7 Labels - Miscellaneous



M67062AA

Index No.	Skyjack Part No.	Qty.	Description
1	156613	3	LABEL, Do not alter limit switches
2	157011	1	LABEL, Do not open with platform elevated
3	146016	1	LABEL, Hydraulic oil level (min/max)
4	173024	4	LABEL, Warning hand/foot pinch
5	117387	1	LABEL, Power reset
6	156612	1	LABEL, Maintenance switch
7	117389	1	LABEL, Push to reset ground symbol

7.8 Labels - Hydraulic Oil



M157142AA

Index No.	Skyjack Part No.	Qty.	Description
1	157143	1	<ul style="list-style-type: none"> • LABEL, Hydraway bio SE32-68 (bio oil) • LABEL, ATF dextron III (non-bio oil)
2	102961	1	

PARTS FINDER

**Search Website
by Part Number**



**Search Manual
Library For Parts
Manual & Lookup Part
Numbers – Purchase
or Request Quote**

Search Manuals

Enter your information to help us find the right parts manual for your machine.

* Brand:

* Model:

* Serial:

* Part Number:

SEARCH

**Can't Find Part or
Manual? Request Help
by Manufacturer,
Model & Description**

Parts Order Form

Please fill in the following information to help us find the right part for your machine.

Manufacturer:	<input type="text"/>
Model:	<input type="text"/>
Description:	<input type="text"/>
Part Number:	<input type="text"/>
Quantity:	<input type="text"/>
Notes:	<input type="text"/>

Submit

Discount-Equipment.com is your online resource for quality parts & equipment.

Florida: **561-964-4949** Outside Florida TOLL FREE: **877-690-3101**

Need parts?

Click on this link: <http://www.discount-equipment.com/category/5443-parts/> and choose one of the options to help get the right parts and equipment you are looking for. Please have the machine model and serial number available in order to help us get you the correct parts. If you don't find the part on the website or on one of the online manuals, please fill out the request form and one of our experienced staff members will get back to you with a quote for the right part that your machine needs.

We sell worldwide for the brands: Genie, Terex, JLG, MultiQuip, Mikasa, Essick, Whiteman, Mayco, Toro Stone, Diamond Products, Generac Magnum, Airman, Haulotte, Barreto, Power Blanket, Nifty Lift, Atlas Copco, Chicago Pneumatic, Allmand, Miller Curber, Skyjack, Lull, Skytrak, Tsurumi, Husquvarna Target, Stow, Wacker, Sakai, Mi-T-M, Sullair, Basic, Dynapac, MBW, Weber, Bartell, Bennar Newman, Haulotte, Ditch Runner, Menegotti, Morrison, Contec, Buddy, Crown, Edco, Wyco, Bomag, Laymor, EZ Trench, Bil-Jax, F.S. Curtis, Gehl Pavers, Heli, Honda, ICS/PowerGrit, IHI, Partner, Imer, Clipper, MMD, Koshin, Rice, CH&E, General Equipment, Amida, Coleman, NAC, Gradall, Square Shooter, Kent, Stanley, Tamco, Toku, Hatz, Kohler, Robin, Wisconsin, Northrock, Oztec, Toker TK, Rol-Air, APT, Wylie, Ingersoll Rand / Doosan, Innovatech, Con X, Ammann, Mecalac, Makinex, Smith Surface Prep, Small Line, Wanco, Yanmar