



SKYJACK[™]

PARTS MANUAL

SJ12 , SJ16

VERTICAL MAST

194425AB

June 2017

ANSI, CE & KC

Go to Discount-Equipment.com to order your parts

PARTS FINDER

**Search Website
by Part Number**



**Search Manual
Library For Parts
Manual & Lookup Part
Numbers – Purchase
or Request Quote**

Search Manuals

Enter your information to help us find the right parts manual for your machine.

* Brand:

* Model:

* Serial:

* Part Number:

SEARCH

**Can't Find Part or
Manual? Request Help
by Manufacturer,
Model & Description**

Parts Order Form

Please fill in the following information to help us find the right part for your machine.

Manufacturer:	<input type="text"/>
Model:	<input type="text"/>
Description:	<input type="text"/>
Part Number:	<input type="text"/>
Quantity:	<input type="text"/>
Notes:	<input type="text"/>

Submit

Discount-Equipment.com is your online resource for quality parts & equipment.

Florida: **561-964-4949** Outside Florida TOLL FREE: **877-690-3101**

Need parts?

Click on this link: <http://www.discount-equipment.com/category/5443-parts/> and choose one of the options to help get the right parts and equipment you are looking for. Please have the machine model and serial number available in order to help us get you the correct parts. If you don't find the part on the website or on one of the online manuals, please fill out the request form and one of our experienced staff members will get back to you with a quote for the right part that your machine needs.

We sell worldwide for the brands: Genie, Terex, JLG, MultiQuip, Mikasa, Essick, Whiteman, Mayco, Toro Stone, Diamond Products, Generac Magnum, Airman, Haulotte, Barreto, Power Blanket, Nifty Lift, Atlas Copco, Chicago Pneumatic, Allmand, Miller Curber, Skyjack, Lull, Skytrak, Tsurumi, Husquvarna Target, Stow, Wacker, Sakai, Mi-T-M, Sullair, Basic, Dynapac, MBW, Weber, Bartell, Bennar Newman, Haulotte, Ditch Runner, Menegotti, Morrison, Contec, Buddy, Crown, Edco, Wyco, Bomag, Laymor, EZ Trench, Bil-Jax, F.S. Curtis, Gehl Pavers, Heli, Honda, ICS/PowerGrit, IHI, Partner, Imer, Clipper, MMD, Koshin, Rice, CH&E, General Equipment, Amida, Coleman, NAC, Gradall, Square Shooter, Kent, Stanley, Tamco, Toku, Hatz, Kohler, Robin, Wisconsin, Northrock, Oztec, Toker TK, Rol-Air, APT, Wylie, Ingersoll Rand / Doosan, Innovatech, Con X, Ammann, Mecalac, Makinex, Smith Surface Prep, Small Line, Wanco, Yanmar

This manual is based on Serial Number(s):

SJ12 & SJ 16 14 005 753 - 14 999 999

Please refer to the website (www.discount-equipment.com)
for other Serial Numbers, most recent Technical Manuals
and USB software.

Go to Discount-Equipment.com to order your parts

Table of Contents

Foreword	7
General.....	7
Parts Ordering Information.....	7
Method of Listing.....	7
Quantities.....	7
How To Order Repair Parts.....	7
Section 1 – Platform Related Parts	9
1.1 Chain Entrance Assembly.....	10
1.2 Lower Platform Assembly.....	13
1.3 Upper Platform Assembly.....	14
1.4 Railing Assembly.....	16
1.5 Gate Assembly.....	17
1.6 Saloon Gate Attachment.....	19
1.7 Platform Control Console Assembly.....	20
1.8 Controller Assembly.....	22
1.9 Platform Limit Switch Assembly.....	24
1.10 Platform Control Cable Assembly.....	26
Section 2 – Mast Related Parts (SJ12)	27
2.1 Mast 1 Assembly (SJ12).....	28
2.2 Mast 2 Assembly (SJ12).....	30
2.3 Mast 3 Assembly (SJ12).....	32
2.4 Mast 4 Assembly (SJ12).....	34
2.5 Chain Assembly (SJ12).....	36
2.6 Mast Lift Cylinder Assembly (SJ12).....	37
2.7 Lift Cylinder (SJ12).....	38
2.8 Mast Electrical Assembly (SJ12).....	40
Section 3 – Mast Related Parts (SJ16)	45
3.1 Mast 1 Assembly (SJ16).....	46
3.2 Mast 2 Assembly (SJ16).....	48
3.3 Mast 3 Assembly (SJ16).....	50
3.4 Mast 4 Assembly (SJ16).....	52
3.5 Mast 5 Assembly (SJ16).....	54
3.6 Chain Assembly (SJ16).....	56
3.7 Mast Lift Cylinder Assembly (SJ16).....	57
3.8 Lift Cylinder (SJ16).....	58
3.9 Mast Electrical Assembly (SJ16).....	60

Section 4 – Base Related Parts	65
4.1 Base Cover Assembly	66
4.2 Base Assembly	68
4.3 Pothole Protection Assembly	70
4.4 Pothole Cylinder Assembly	72
4.5 Clevis Assembly	73
4.6 Brake Manifold Assembly	75
4.7 Main Manifold Assembly	76
4.8 Drive and Steer Assembly	78
4.9 Drive and Steer Assembly	80
4.10 Steer Cylinder Assembly	82
4.11 Wet Brake Assembly	83
4.12 Wheel Motor and Brake Assembly	84
4.13 Powerpack Assembly	86
4.14 Delta Q Charger	88
4.15 Battery Charger Assembly	89
4.16 Base Electrical Components	90
4.17 Hydraulic Hose Connections	92
4.18 Base Control Centre Assembly	94
4.19 Terminal Strip Assembly	96
4.20 Circuit Breaker and Horn Assembly	97
4.21 Main Harness Assembly	98
4.22 Battery Assembly	100
4.23 Battery Assembly Gel	102
4.24 Wheel Assembly	104
Section 5 – Attachments and Options	105
5.1 Pipe Rack Attachment	106
5.2 Tool Tray Attachment	108
5.3 Tube Caddy Attachment	109
5.4 Flashing Light Option	112
5.5 Biodegradable Hydraulic Oil Option	113
5.6 Charger/Inverter Option	114
5.7 Aluminum Control Box Guard Option	115
5.8 Outdoor Field Kit SJ16	116
5.9 Outdoor Field Kit Pictorial Labels SJ16	118
5.10 Control Box Wiring Modification	120
5.11 Battery Assembly Discover AGM	122
5.12 AGM Battery Protection	124
5.13 Lavendon Options SJ12 (CE)	126
5.14 Mast Group with RCD option (CE)	128
5.15 Extending Platform GRP 16" Lavendon (SJ12-CE)	132
5.16 Extending Platform GRP 20"(ANSI/CSA)	134

5.17	Elevate Telematics	136
5.18	Harness Assembly - Trackunit	140
5.19	Elevate Hareness Assembly	142
5.20	Secondary Guarding Option	144
Section 6 – Labels		147
6.1	Label Kits	147
6.2	Labels - Vertical Mast (Rear View)	148
6.3	Labels - Vertical Mast (Left View)	149
6.4	Labels - Vertical Mast (Front View)	150
6.5	Labels - Vertical Mast (Right View)	151
6.6	Labels - Platform Control Console	152
6.7	Labels - Vertical Mast (Base View)	153
Section 7 – Tables		155
7.1	Standard Hose Numbering System	156
7.2	Vertical Mast Fluids Table	158

Foreword

General

The information contained in this manual is designed to aid the user in locating and identifying replacement parts. Component parts of various assemblies and subassemblies comprising the work platform are illustrated and accompanied by a descriptive parts list. Exploded drawings are used to show relative location of component parts in disassembly order. If a part cannot be found in this manual, contact Discount-equipment for assistance.

Parts Ordering Information

When ordering replacement parts, the complete part number and description should be used to ensure proper identification and delivery of the desired item. This complete identification should also be used when requesting equipment information.

Method of Listing

Parts are listed in order according to the reference number shown in the illustration, followed by a full description based upon the "NOUN FIRST" method. That is, the noun name of the part is listed first, then the modifying description information which serves to specifically identify the item. For example: PIN, Clevis.

Assemblies at the beginning of a parts list may be identified with a reference letter: A, B, C, etc. These letters are used to identify different configurations of the assembly. Individual parts in these lists have corresponding letters after their description to identify which assembly it is used in. If a part does not have a reference letter, it is used in all of the assemblies.

Bullets (•) are used to show the assembly structure, or parent/child relationship. A part listed at the beginning of the parts list without a bullet before the description is the main assembly, and all of the parts below it with one bullet are the subcomponent parts of that assembly. Two bullets denote a subcomponent of a subcomponent, etc.

Example:

Main Assembly A

- Part 1 (subcomponent of Main Assembly A)
- Part 2 (subcomponent of Main Assembly A)
- • Part 3 (subcomponent of Part 2)

Quantities

The quantities required to complete the assembly are given for each part. If the quantity is (AR), it is understood that the quantity may vary when the machine is equipped with certain options. Order quantity as needed.

How To Order Repair Parts

1. Address all orders Discount-equipment.
2. Specify model and serial number of the work platform (found on the serial number plate).
3. List the quantity needed.
4. List the length needed (if it is a bulk item).
5. List the part number and description as shown in this manual for each item.
6. Show the billing and shipping address and the name of the individual, if possible.
7. Suggest the best routing.

Customer: _____

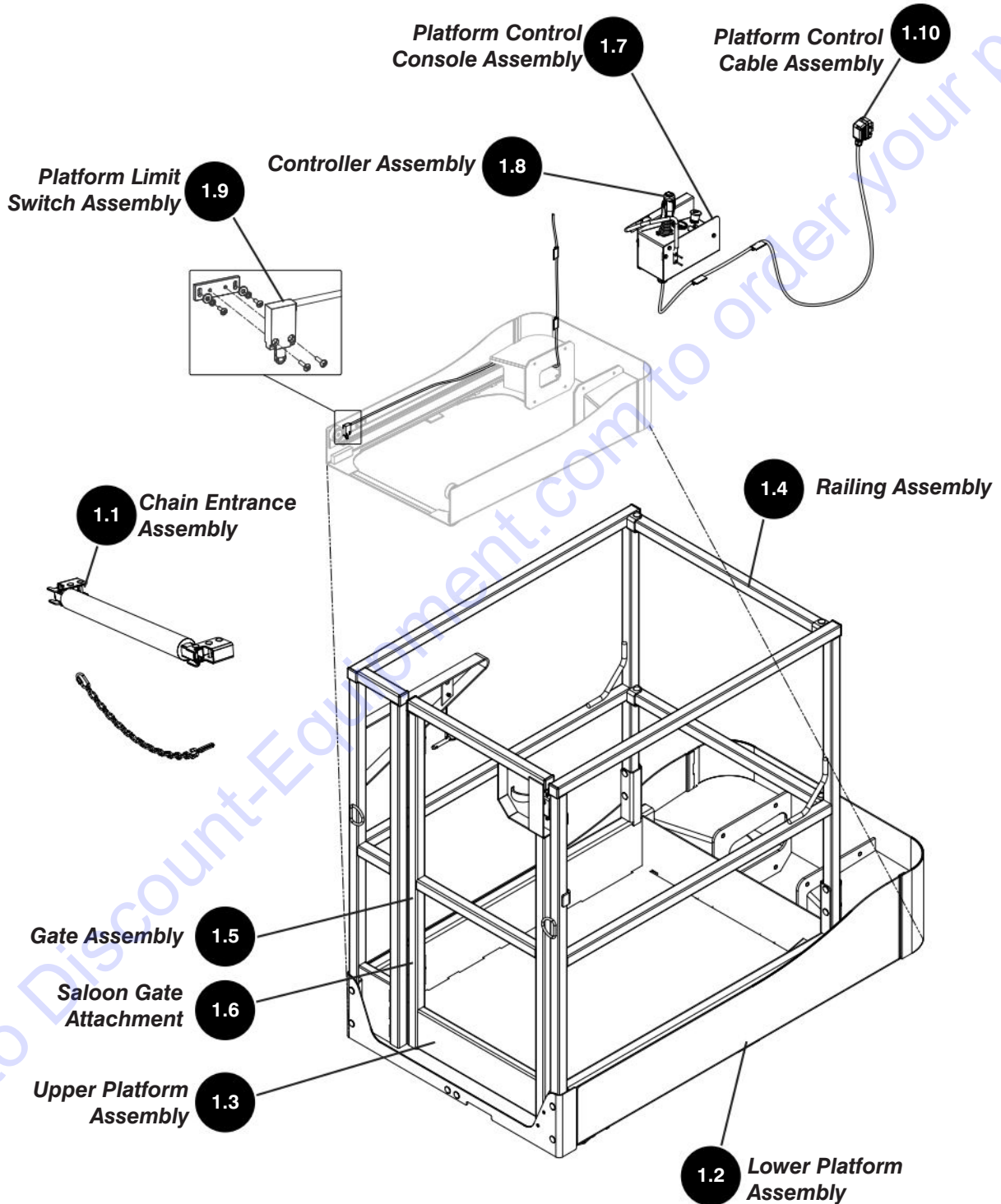
Dealer: _____

Model Number: _____

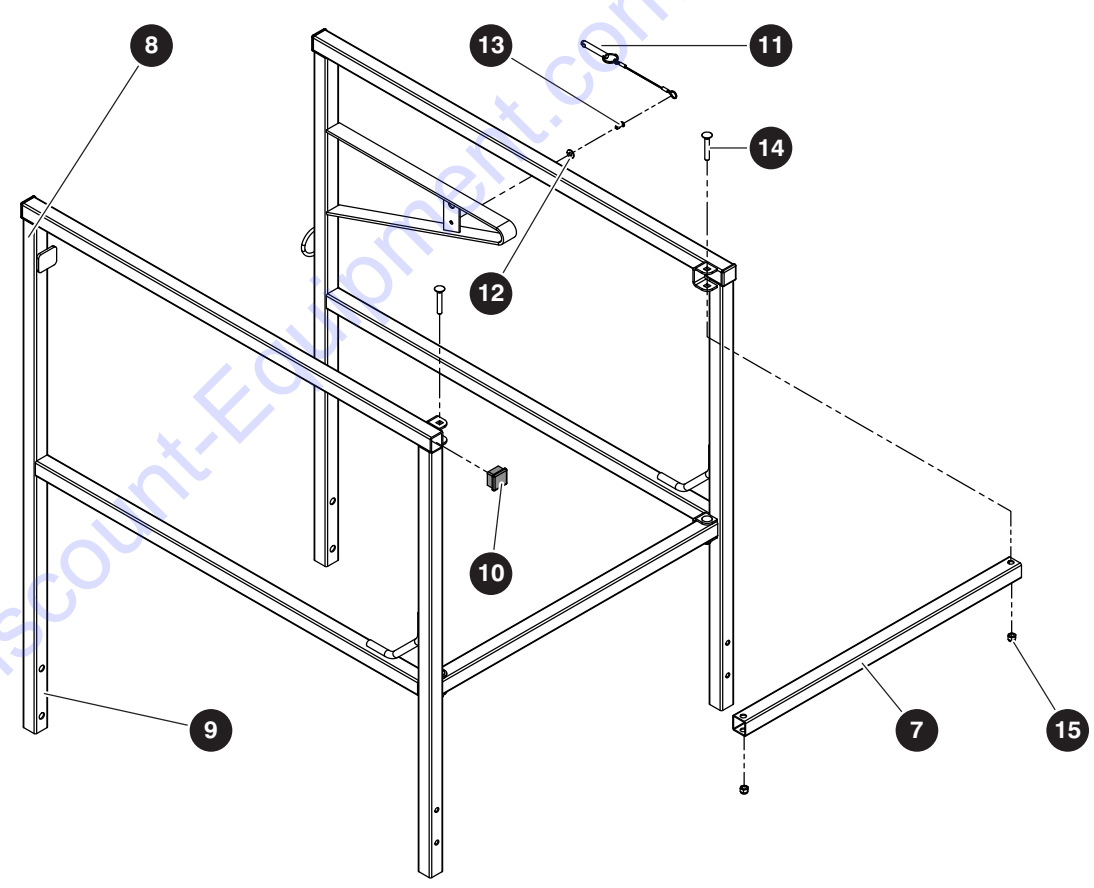
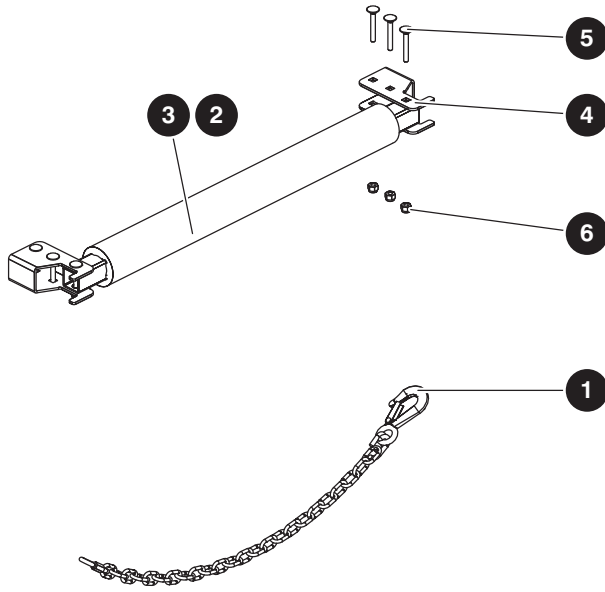
Serial Number: _____

Date Purchased: _____

Section 1 – Platform Related Parts



1.1 Chain Entrance Assembly



M156484AB_M151543AC

194425AB

10

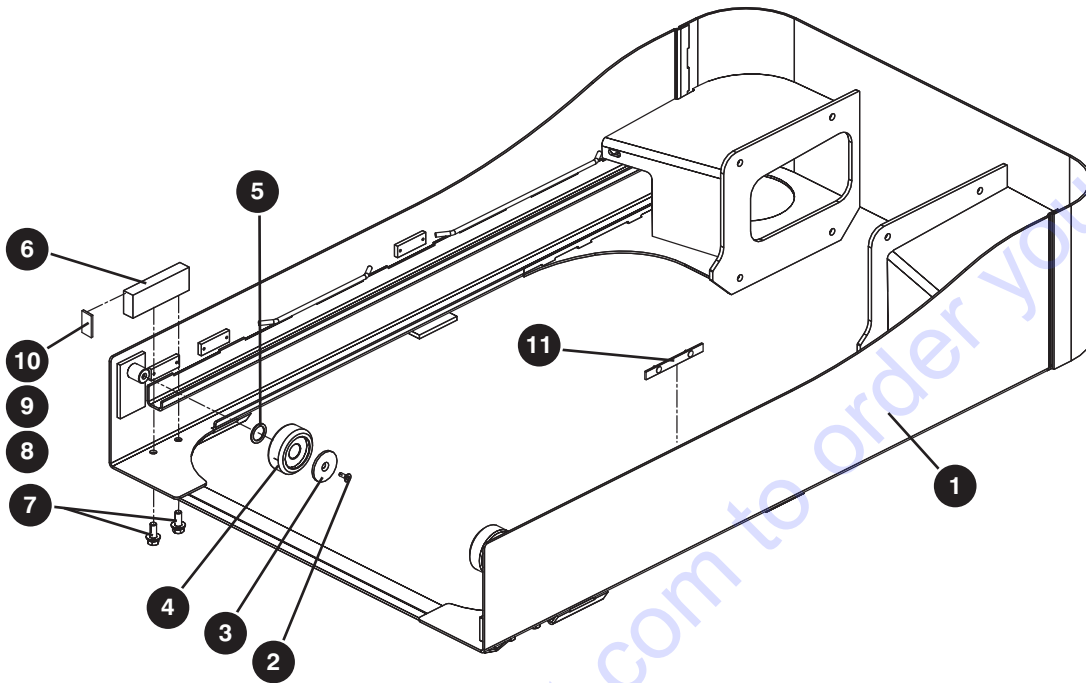
SJ12, SJ16

SKYJACK

1.1 Chain Entrance Assembly

Index No.	Skyjack Part No.	Qty.	Description
-	156485	1	CHAIN ENTRANCE GROUP (ANSI/CSA)
-	156484	-	• CHAIN ENTRANCE ASSEMBLY
1	167219	1	• • ASSEMBLY, Chain entrance with mesh cover
-	106893	1	• • • ASSEMBLY, Entry chain
-	166761	1	• • • COVR, Entrance chain mesh
2	151478	1	• • TUBE, Railing (Center)
3	125691	1	• • PADDING, Tube
4	156486	2	• • MOUNT, Top rail
5	127437	6	• • BOLT, Carriage (5/16"-18 x 2", Grade 5)
6	103984	6	• • NUT, Hex nylon lock (5/16"-18, Grade 5)
-	151543	1	• ASSEMBLY, RAILING COMMON
7	151478	2	• • TUBE, Square 1-1/4" x 1/12" x 26-3/4"
8	151539	1	• • WELDMENT, Right railing - Control box side
9	151540	1	• • WELDMENT, Left railing
10	100702	4	• • CAP, Plastic end
11	124548	1	• • ASSEMBLY, Pin quick release large loop
12	103995	1	• • WASHER, Flat 1/4"
13	157173	1	• • POP RIVET, 1/4" x 0.490
14	127437	4	• • BOLT, Carriage 5/16"-18 x 2" grade 5
15	103984	4	• • NUT, Hex lock with nylon insert 5/16"-18 grade 5

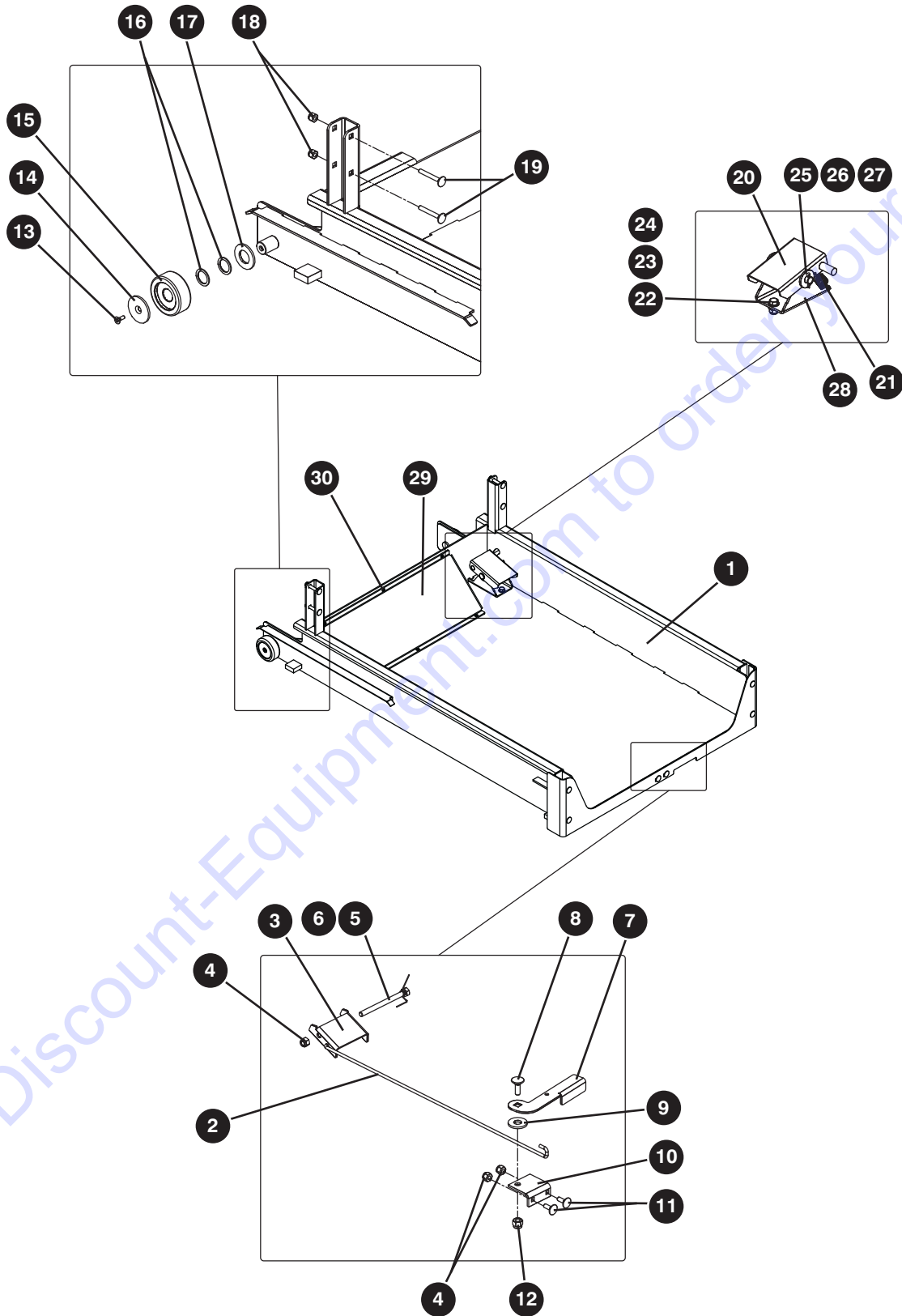
1.2 Lower Platform Assembly



M157435AB

Index No.	Skyjack Part No.	Qty.	Description
-	157435	1	LOWER PLATFORM ASSEMBLY
1	157434	1	• WELDMENT, Lower platform
2	110853	2	• SCREW, Flat head cap (1/4"-20 x 5/8", Grade 5)
3	151650	2	• RETAINER, Washer
4	151677	2	• ROLLER (2.75" OD x 7/8" ID x 1.051")
5	116621	2	• SHIM (0.063")
6	156847	2	• BAR, Platform stop
7	103473	4	• BOLT, Hex head (3/8"-16 x 1", Grade 5)
8	103999	4	• WASHER, Lock (3/8")
9	103472	4	• WASHER, Flat (3/8")
10	158841	2	• POLYURETHANE, Adhesive (1.5" x 3/4" x 1/8)
11	151671	1	BLOCKER PLATE ASSEMBLY (16 in. extension platform)
-	151670	1	• PLATE
-	119945	2	• RIVET, Pop

1.3 Upper Platform Assembly



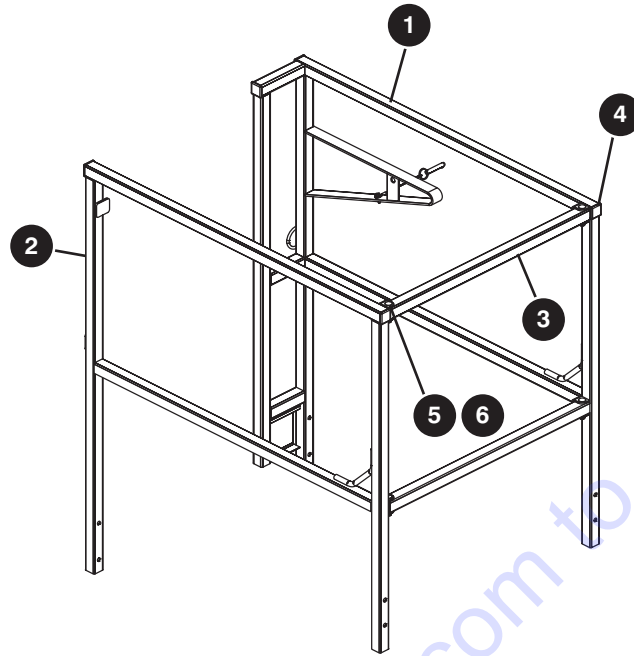
M170590AB

194425AB

1.3 Upper Platform Assembly

Index No.	Skyjack Part No.	Qty.	Description
A	158110	1	UPPER PLATFORM ASSEMBLY (16 in. extension) (KC)
B	158138	1	UPPER PLATFORM ASSEMBLY (20 in. extension) (ANSI/CSA)
C	170590	1	UPPER PLATFORM ASSEMBLY (16 in. extension) (CE)
1	157341	1	• WELDMENT, Platform
-	151668	1	• SERVICE LOCK ASSEMBLY, A, C
-	151672	1	• SERVICE LOCK ASSEMBLY, B
2	151623	1	• • ROD, A, C
	151621	1	• • ROD, B
3	151620	1	• • STRIKER
4	103984	3	• • NUT, Hex nylon lock (5/16"-18, Grade 5)
5	103882	1	• • BOLT, Hex head (5/16"-18 x 4", Grade 5)
6	156551	1	• • SPRING
7	151619	1	• • HANDLE
8	111804	1	• • BOLT, Carriage (3/8"-16 x 1", Grade 5)
9	104379	1	• • WASHER, Flat (1/2" SAE AA)
10	151618	1	• • MOUNT
11	110814	2	• • BOLT, Carriage (5/16"-18 x 3/4", Grade 5)
12	104606	1	• • NUT, Hex nylon lock (3/8"-16, Grade 5)
13	110853	2	• SCREW, Flat head cap (1/4"-20 x 5/8", Grade 5)
14	151650	2	• RETAINER, Washer
15	151677	2	• ROLLER (2.75" OD x 7/8" ID x 1.051")
16	116621	4	• SHIM (0.063")
17	205682	2	• WASHER, Flat (7/8")
18	103984	8	• NUT, Hex nylon lock (5/16"-18, Grade 5)
19	127437	8	• BOLT, Carriage (5/16"-18 x 2", Grade 5)
-	151563	1	• FOOT PEDAL ASSEMBLY
20	158370	1	• • WELDMENT, Foot pedal
21	158100	1	• • SPRING
22	103887	1	• • BOLT, Hex head (5/16"-18 x 3/4", Grade 5)
23	103996	2	• • WASHER, Flat (5/16")
24	103984	1	• • NUT, Hex head lock (5/16"-18, Grade 5)
25	157441	1	• • PIN, Clevis (1/2" x 3.5")
26	157467	1	• • PIN, Cotter
27	104379	2	• • WASHER, Flat (1/2") hard
28	151525	1	• • BASE, Foot pedal
29	170179	1	• WELDMENT, Platform kicker C
30	157759	6	• RIVET, Pop (3/16" X 9/16") C

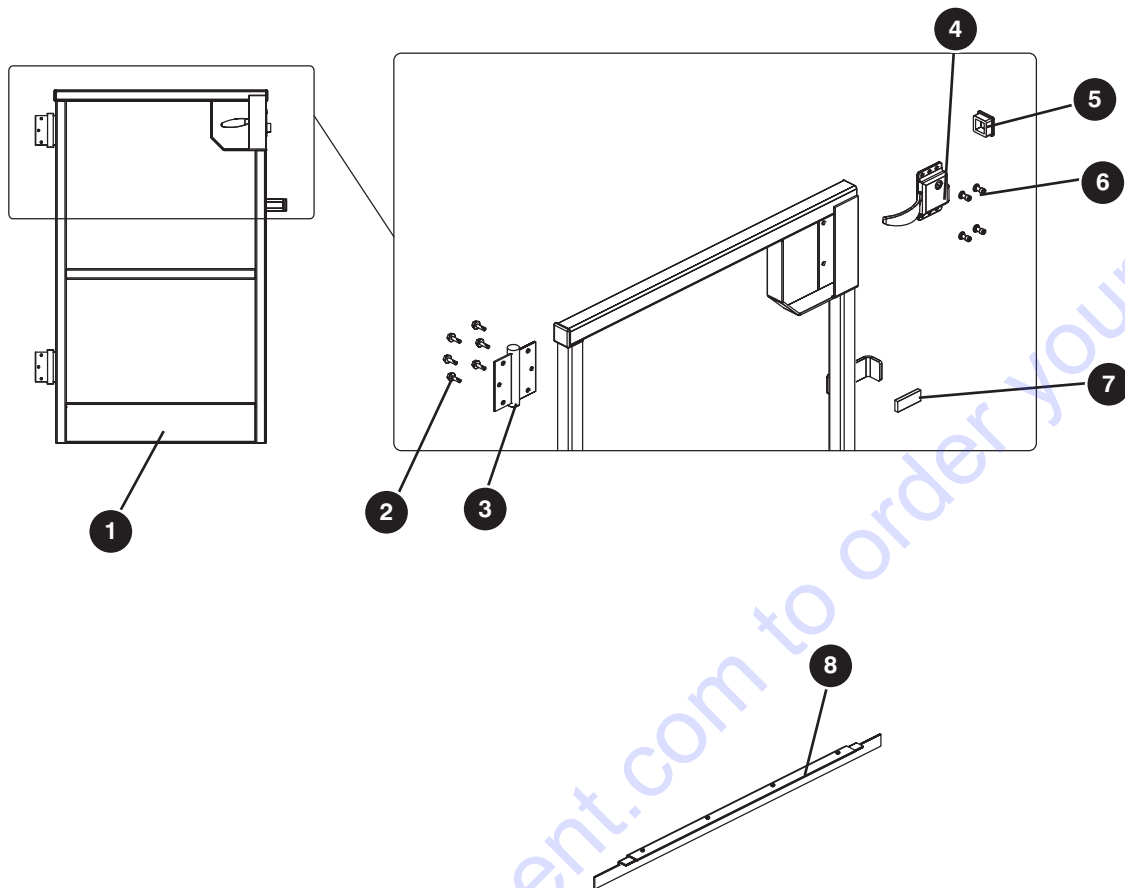
1.4 Railing Assembly



M156578AC

Index No.	Skyjack Part No.	Qty.	Description
-	156578	-	RAILING ASSEMBLY
1	158831	1	• ASSEMBLY, Narrow entrance rails
2	151540	1	• WELDMENT, Railing (Left hand)
3	151478	2	• TUBE, Railing (Center)
4	100702	5	• END CAP, Plastic
5	127437	4	• BOLT, Carriage (5/16"-18 x 2", Grade 5)
6	103984	4	• NUT, Hex nylon lock (5/16"-18, Grade 5)

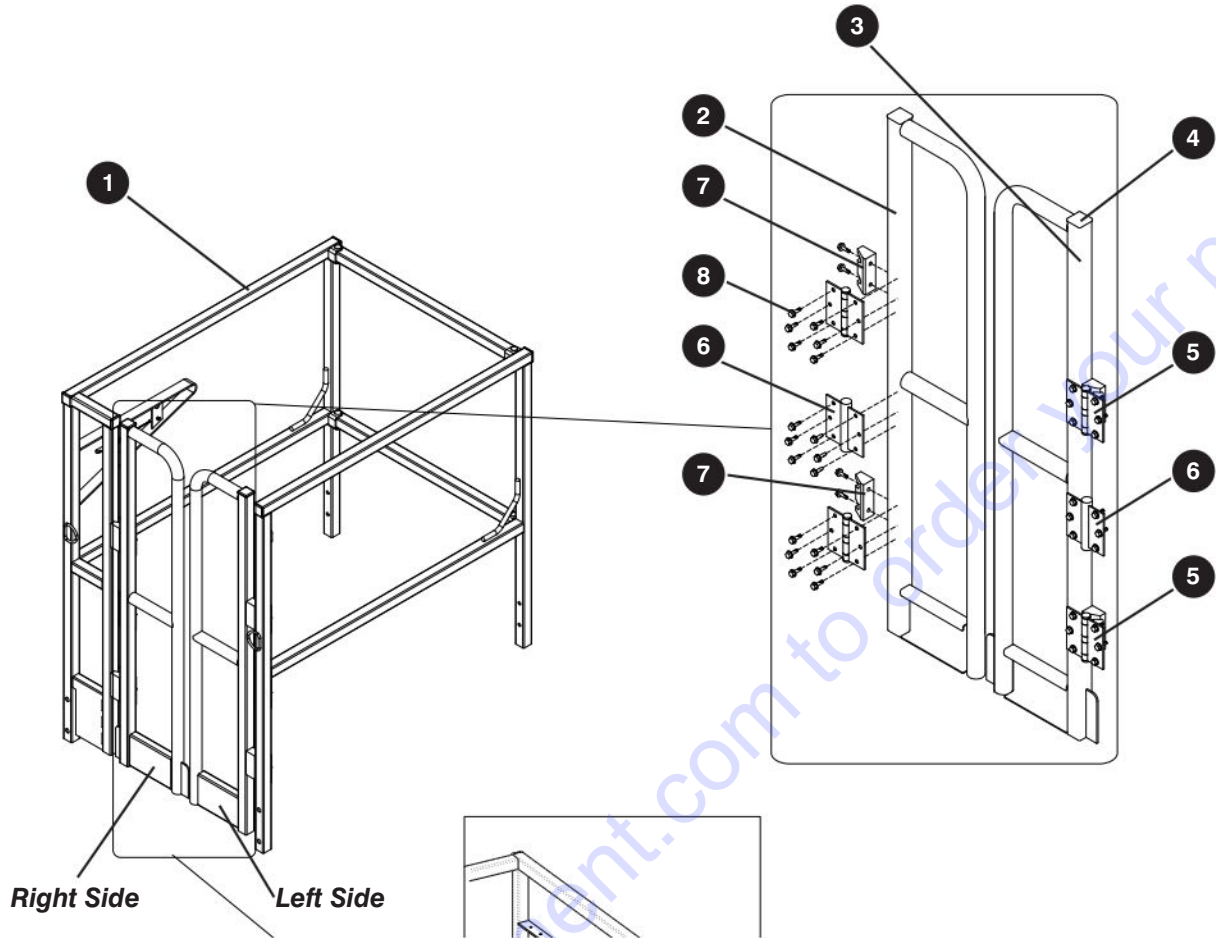
1.5 Gate Assembly



M156582AF

Index No.	Skyjack Part No.	Qty.	Description
-	156582	1	GATE ASSEMBLY (Full gate)
1	156583	1	• WELDMENT, Gate,
2	112329	12	• BOLT, Self tapping (1/4"-14 x 1")
3	209527	2	• HINGE, Spring
4	138695	1	• LOCK, Gate
5	100702	2	• CAP, Plastic end
6	139641	4	• RIVET, Pop (1/4")
7	125577	1	• BUMPER
8	156487	1	GATE SWEEP ASSEMBLY
	158829	1	FIELD KIT, FULL GATE INSTALLATION (ANSI/CSA)
	159384	1	FIELD KIT, FULL GATE INSTALLATION (CE & KC)

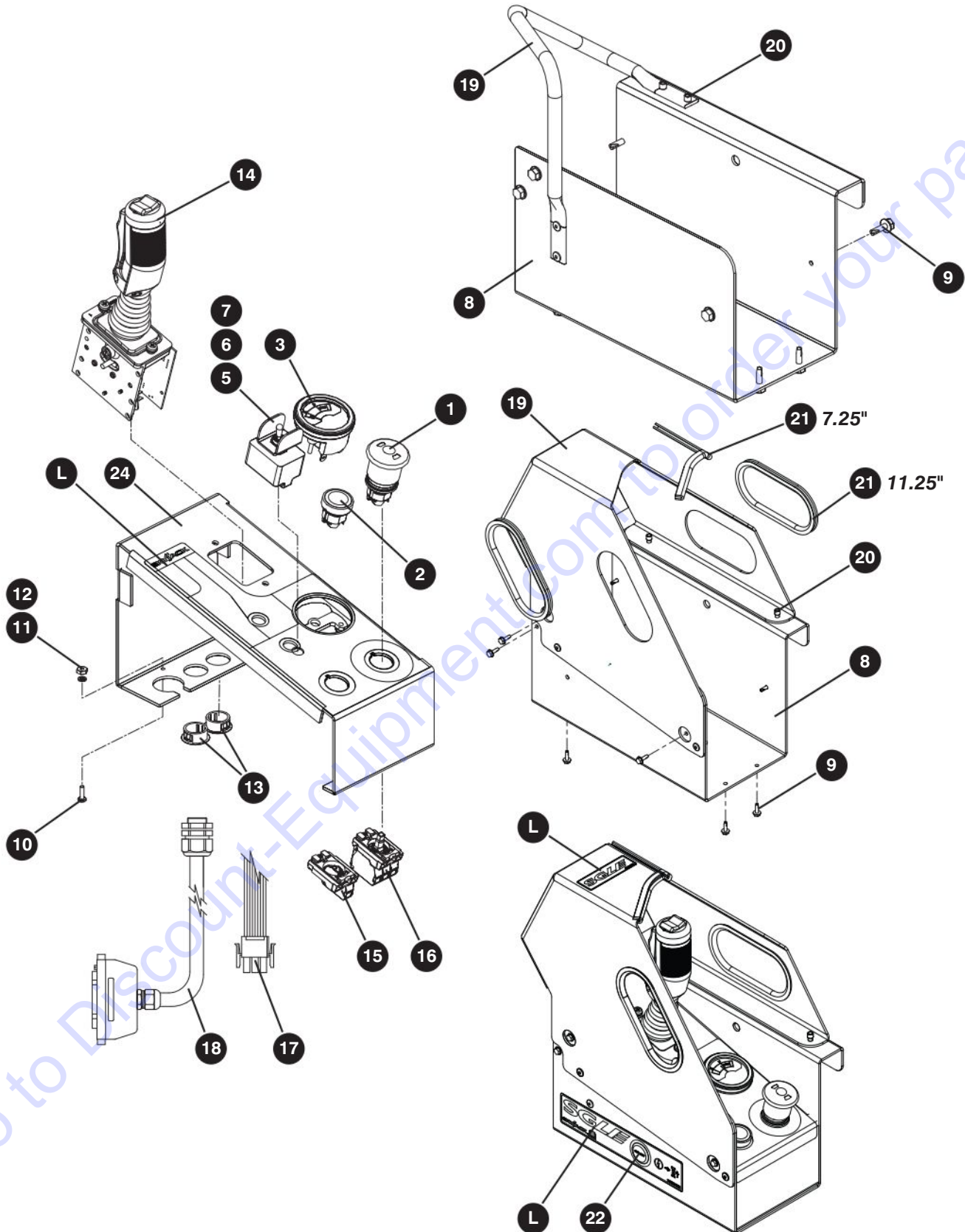
1.6 Saloon Gate Attachment



M158791AA

Index No.	Skyjack Part No.	Qty.	Description
-	158791	-	SALOON GATE ASSEMBLY
1	156578	(Ref.)	• RAILING ASSEMBLY (Narrow Entrance) (For components, refer to Section 1.4 Railing Assembly)
-	158790	1	• SALOON GATE ASSEMBLY
2	158793	1	• • WELDMENT, Saloon gate (Left side)
3	158792	1	• • WELDMENT, Saloon gate (Right side - Control box side)
4	100702	2	• • CAP, Plastic end
5	158823	4	• • HINGE, 5 Knuckle CB
6	209527	2	• • HINGE, Spring
7	158811	4	• • STOP, Saloon gate
8	112329	44	• • BOLT, Self tapping (1/4"-14 x 1")
	158828	1	FIELD KIT, SALOON GATE INSTALLATION

1.7 Platform Control Console Assembly



M209169AB

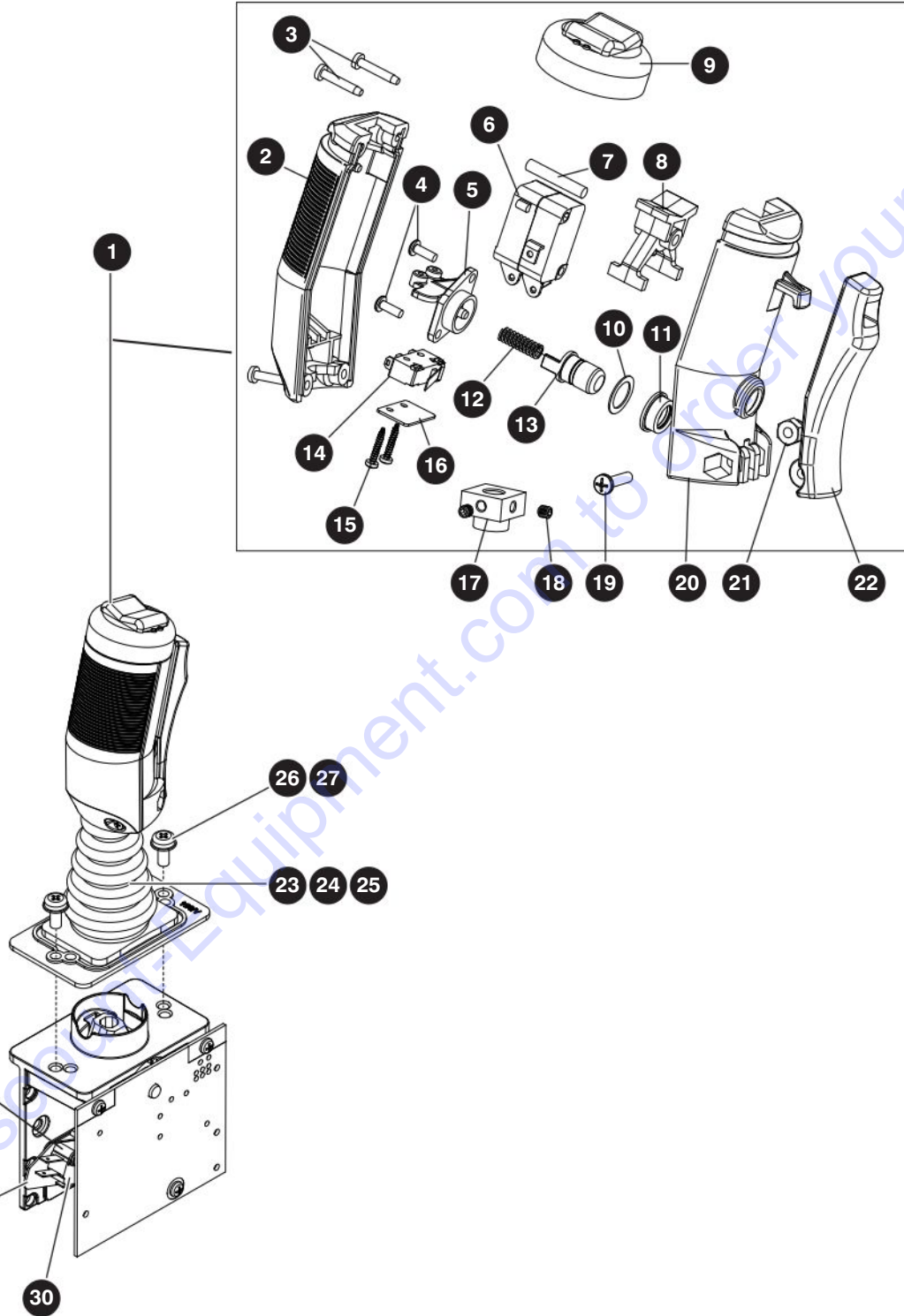
194425AB

SJ12, SJ16

1.7 Platform Control Console Assembly

Index No.	Skyjack Part No.	Qty.	Description
			 NOTE <i>Part Numbers followed by a "DG" indicate dark grey painted parts.</i>
A	209169	-	CONTROL CONSOLE
B	161747	-	CONTROL CONSOLE, ALUMINUM GUARD
C	232755	-	CONTROL CONSOLE, ALUMINUM GUARD - SGLE
-	151469	1	• CONTROL BOX
1	147051	1	• • HEAD, Emergency stop
2	147058	1	• • HEAD, Pushbutton (Horn)
3	122093	1	• • INDICATOR, Battery charge
4	156884	1	• • PLATE, Control Box (Top)
5	111181	1	• • GUARD, Switch
6	144016	1	• • SEAL, Bushing
7	116382	1	• • SWITCH, Toggle, 4NT1-1
8	160355	1	• PLATE, Control Box, A
	147372	1	• PLATE, Control Box, B, C
9	103632	9	• SCREW, Hex head self tapping (1/4"-14 x 3/4")
10	103957	1	• SCREW, Round head machine (#8-32 x 1/2")
11	112249	1	• WASHER, Lock (#8)
12	103986	1	• NUT, Hex head (#8-32)
13	102956	2	• PLUG (7/8")
14	(Ref.)	-	• CONTROLLER ASSEMBLY (For components, refer to Section 1.8 Controller Assembly)
	151467	1	• WIRING, Control box
	156553	1	• • WIRING, Sub-Assy Control box
15	-	-	• • • SWITCH, Horn
	147056	1	• • • • LATCH
	147054	1	• • • • BLOCK, Contact (N.O.)
16	-	-	• • • SWITCH, Emergency stop
	147056	1	• • • • LATCH
	147053	2	• • • • BLOCK, Contact (N.C.)
	147061	1	• • • • LED BLOCK, 24V (Red)
17	116993	-	• • • HOUSING, Male connector (9 pin)
18	(Ref.)	1	• • CONTROL CABLE ASSEMBLY (16 pin) (For components, refer to Section 1.10 Platform Control Cable Assembly)
19	160262	1	• TUBE, Control Box, A
	161240	1	• PLATE, Guard - Control Box, B, C
20	157759	AR	• RIVET, Pop - 0.188" x 0.565" STL SM FLG DM HD O-END
21	194731	30"	• EDGE MOLDING, Control Box, B, C
22	220498	1	• PUSHBUTTON, SGLE
23	220559	1	• INSTRUCTIONS, SGLE Install (Not shown)
24	156923	1	• PLATE, Control Box - Top
L	(Ref.)	1	• LABELS (For components, refer to Section 6.6)

1.8 Controller Assembly



M151201AD

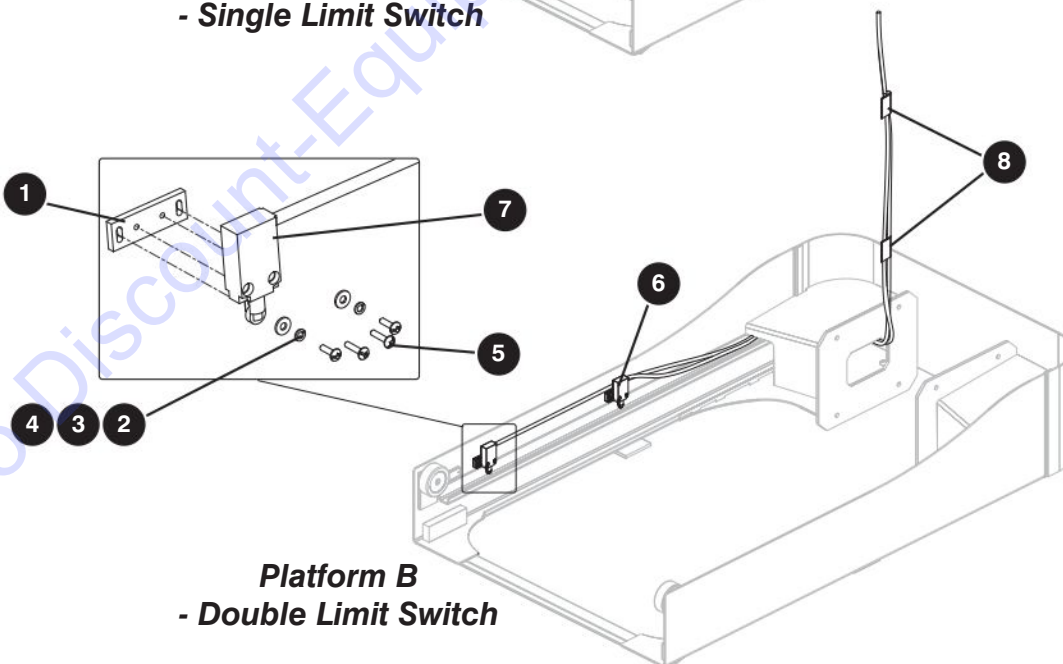
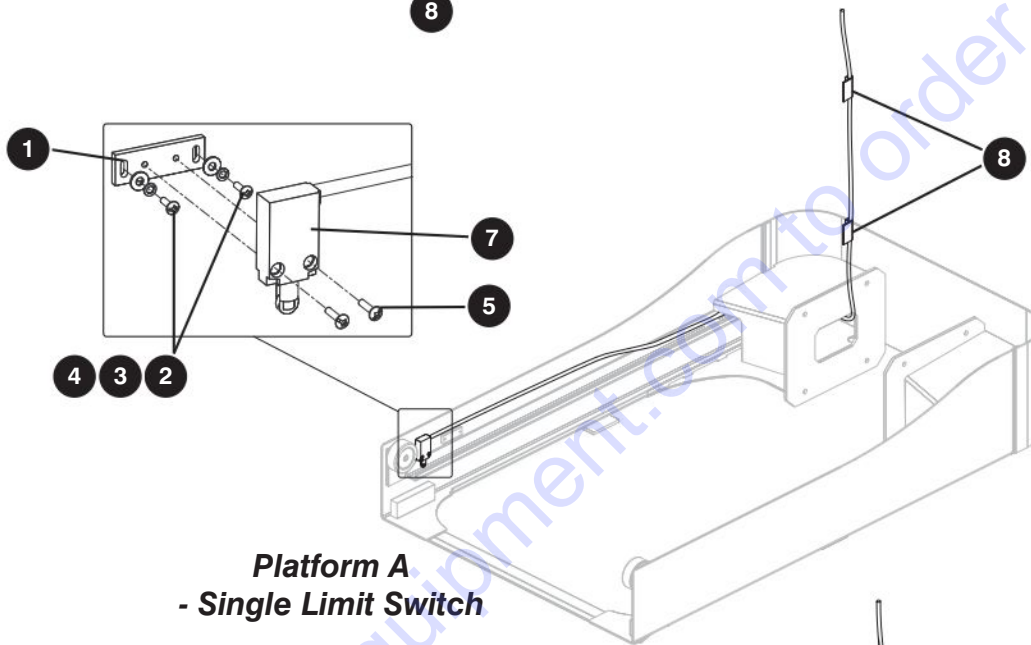
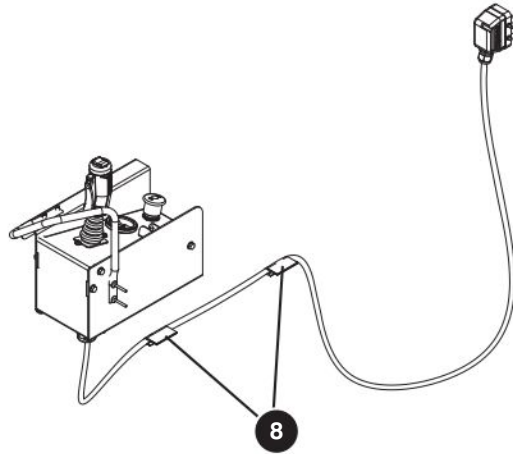
194425AB

SJ12, SJ16

1.8 Controller Assembly

Index No.	Skyjack Part No.	Qty.	Description
			 NOTE <i>Part Numbers followed by a "DG" indicate dark grey painted parts.</i>
-	159111	1	CONTROLLER ASSEMBLY
1	159055	1	• HANDLE ASSEMBLY
2	159057	1	• • HANDLE, Front half
3	122879	4	• • SCREW, Controller handle
4	159065	2	• • SCREW, Plastite (#4-20 x 5/16")
5	159060	1	• • HOLDER, Micro switch
6	159613	1	• • ROCKER MICRO ASSEMBLY
7	141341	1	• • AXLE, Rocker
8	154717	1	• • ROCKER
9	122874	1	• • CAP, Rubber
10	159063	1	• • WASHER
11	159062	1	• • BOOT, Plunger switch
12	159064	1	• • SPRING
13	159061	1	• • SWITCH, Plunger
14	159067	1	• • SWITCH, Lever micro
15	159066	2	• • SCREW, Plastite (#2-28 x 1/2")
16	159068	1	• • INSULATOR, Micro
17	122961	1	• • COUPLING (8mm)
18	122960	2	• • SCREW, Set
19	154718	1	• • SCREW (#6-32 x 5/8")
20	159058	1	• • HANDLE, Back half
21	122964	1	• • NUT, Controller lever
22	159059	1	• • LEVER, Trigger
23	127179	1	• BOOT & GASKET
24	159615	1	• WASHER
25	159616	1	• E-CLIP
26	122846	1	• SCREW
27	122847	1	• WASHER
28	147313	1	• SCREW
29	159618	1	• MICROINSULATOR
30	122869	1	• SWITCH, Micro

1.9 Platform Limit Switch Assembly




M156552AG

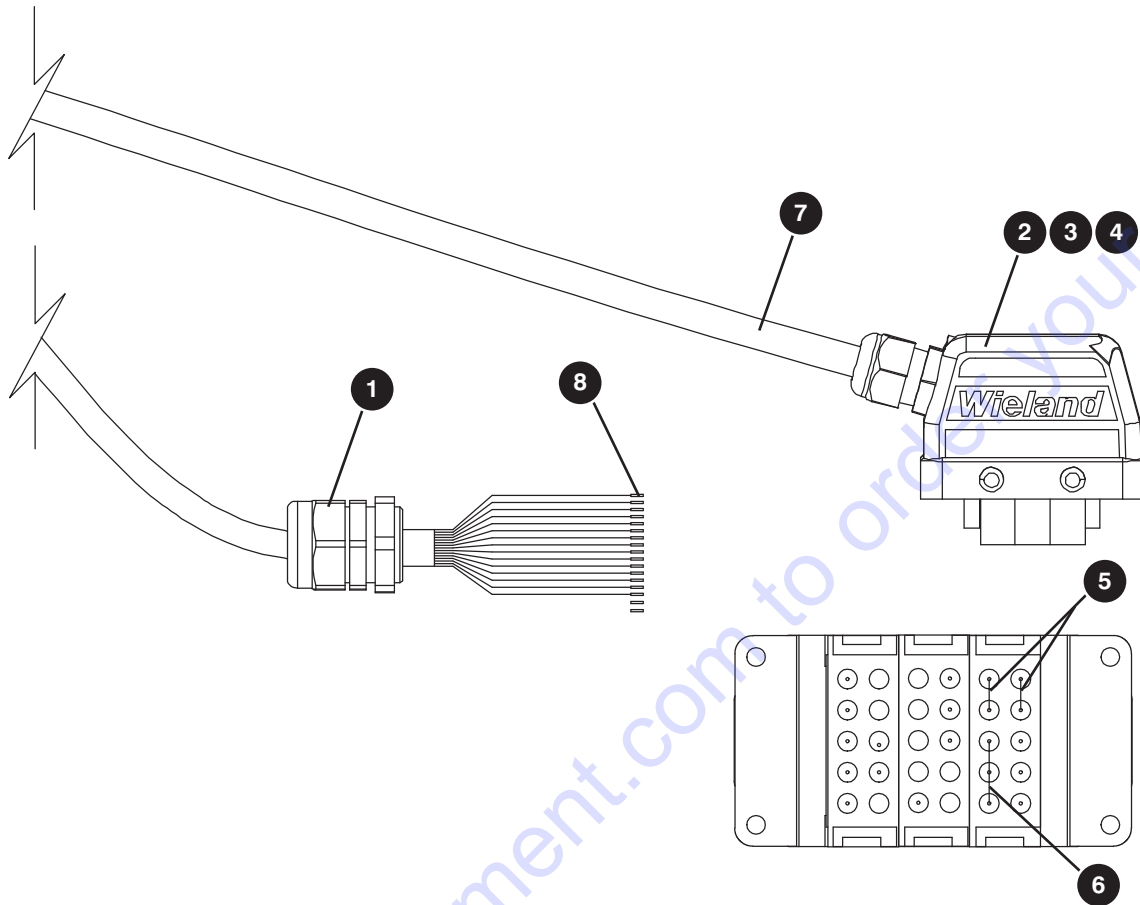
194425AB

SJ12, SJ16


1.9 Platform Limit Switch Assembly

Index No.	Skyjack Part No.	Qty.	Description
			 NOTE <i>Part Numbers followed by a "DG" indicate dark grey painted parts.</i>
A	-	-	PLATFORM LIMIT SWITCH ASSEMBLY (ANSI/CSA, 20" traversing platform)
B	-	-	PLATFORM LIMIT SWITCH ASSEMBLY (CE & KC, 16" traversing platform)
1	156497	1	• BLOCK, Mounting, A
	156497	2	• BLOCK, Mounting, B
2	103957	2	• SCREW, Round head machine (#8-32 x 1/2"), A
		4	• SCREW, Round head machine (#8-32 x 1/2"), B
3	112249	2	• WASHER, Lock (#8), A
		4	• WASHER, Lock (#8), B
4	103991	2	• WASHER, Flat (#8), A
		4	• WASHER, Flat (#8), B
5	116192	2	• SCREW, Round head machine (#8-32 x 5/8"), A
		4	• SCREW, Round head machine (#8-32 x 5/8"), B
6	199411	1	• LIMIT SWITCH ASSEMBLY, B
7	199407	1	• LIMIT SWITCH ASSEMBLY
8	108791	4	• CORD CLIP, Adhesive back

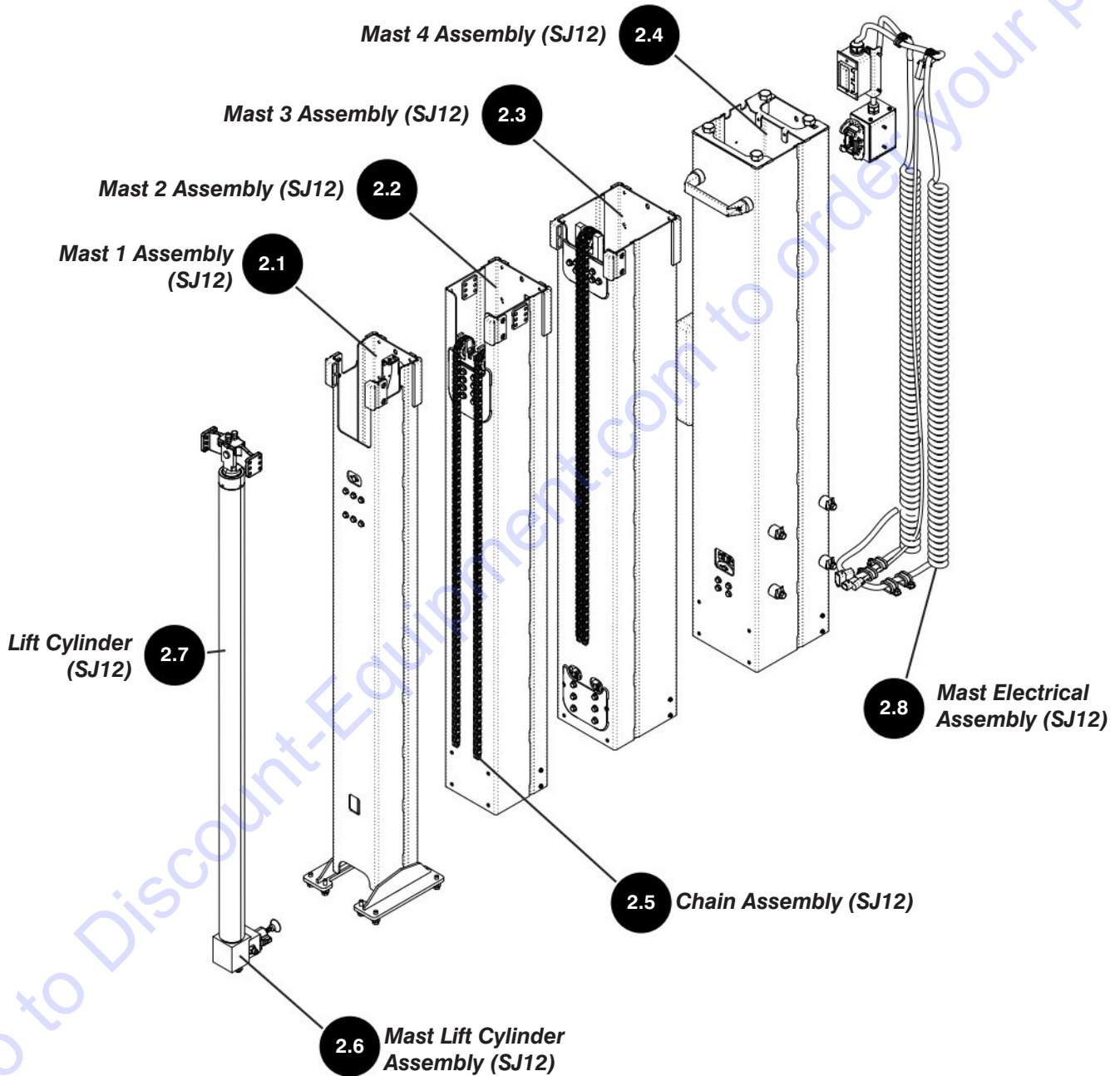
1.10 Platform Control Cable Assembly



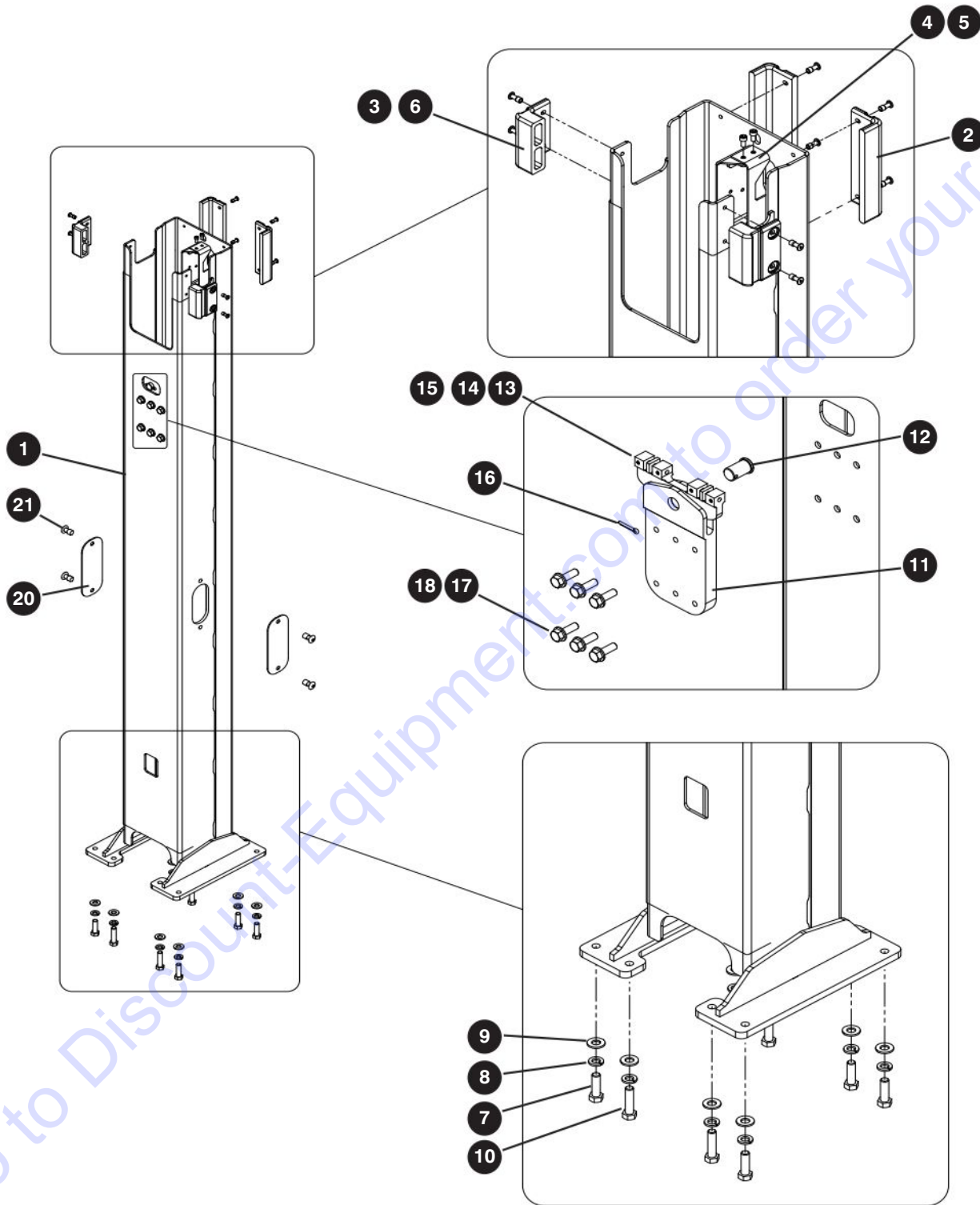
M151468AH

Index No.	Skyjack Part No.	Qty.	Description
-	151468	1	<p> NOTE Part Numbers followed by a "DG" indicate dark grey painted parts.</p> <p>PLATFORM CONTROL CABLE ASSEMBLY</p>
1	300788	1	<ul style="list-style-type: none"> • STRAIN RELIEF (LTF 21)
2	156549	3	<ul style="list-style-type: none"> • BLOCK, Connector
3	156546	1	<ul style="list-style-type: none"> • FRAME, Connector
4	156545	1	<ul style="list-style-type: none"> • HOUSING, Connector
5	156555	2	<ul style="list-style-type: none"> • JUMPER (2 position)
6	156560	1	<ul style="list-style-type: none"> • JUMPER (3 position)
7	102887	1	<ul style="list-style-type: none"> • CABLE, Control (16/15)
8	156543	17	<ul style="list-style-type: none"> • CONTACT, Female

Section 2 – Mast Related Parts (SJ12)



2.1 Mast 1 Assembly (SJ12)



M157667AH


194425AB

28

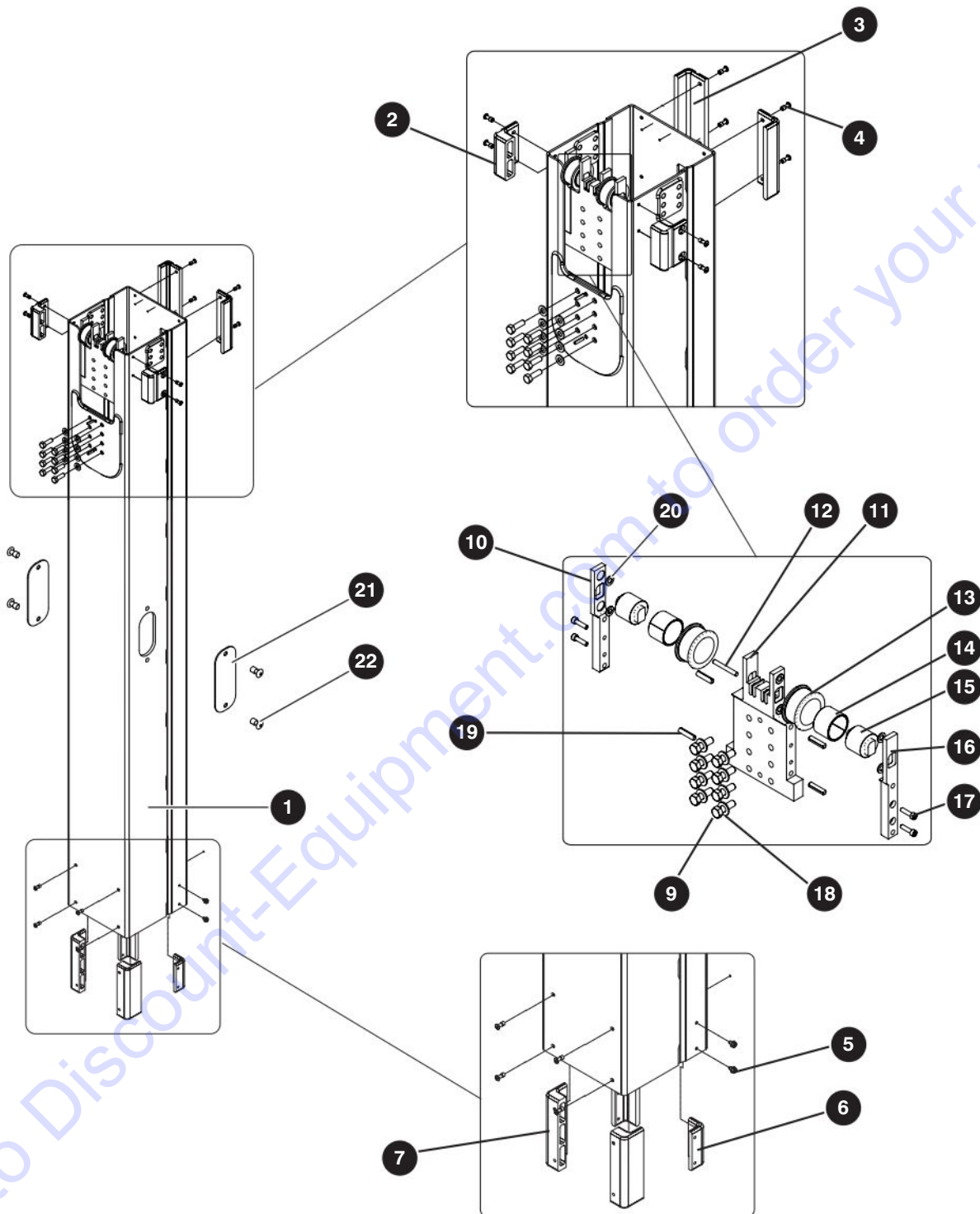
SJ12, SJ16

SKYJACK

2.1 Mast 1 Assembly (SJ12)

Index No.	Skyjack Part No.	Qty.	Description
-	157667DG	-	 NOTE <i>Part Numbers followed by a "DG" indicate dark grey painted parts.</i>
-	157667DG	-	MAST 1 ASSEMBLY
1	157668DG	1	• WELDMENT, Mast 1
2	159398	2	• WEAR PAD (Thin & long)
3	157759	8	• RIVET, Pop (3/16" x 0.25-.375 GR)
4	195075	1	• WELDMENT, Bracket
5	157829	2	• SCREW, Socket head cap (#10-32 x 3/8")
6	158087	2	• WEAR PAD (Thick & short)
7	101297	6	• BOLT, Hex head (3/8"-16 x 1.25", Grade 5)
8	103999	8	• WASHER, Lock (3/8")
9	125959	8	• WASHER, Flat hardened (3/8")
10	103870	2	• BOLT, Hex head (3/8"-16 x 1.5", Grade 5)
-	157670	1	• CHAIN TENSIONER ASSEMBLY
11	157671	1	• • BLOCK, Tensioner mount (Mast 1)
12	157265	1	• • PIN, Clevis
13	157672	1	• • BLOCK, Tensioner (Mast 1)
14	157673	2	• • PIN, Chain (BL 444)
15	157033	4	• • PIN, Spring (0.156 x 5/8")
16	157467	1	• • PIN, Cotter
17	158319	6	• • BOLT, Hex head (5/16"-18 x 1.0", Grade 8)
18	103996	6	• • WASHER, Flat (5/16")
20	226204	2	• COVER PLATE
21	157756	4	• RIVET

2.2 Mast 2 Assembly (SJ12)



M157674AE


194425AB

30

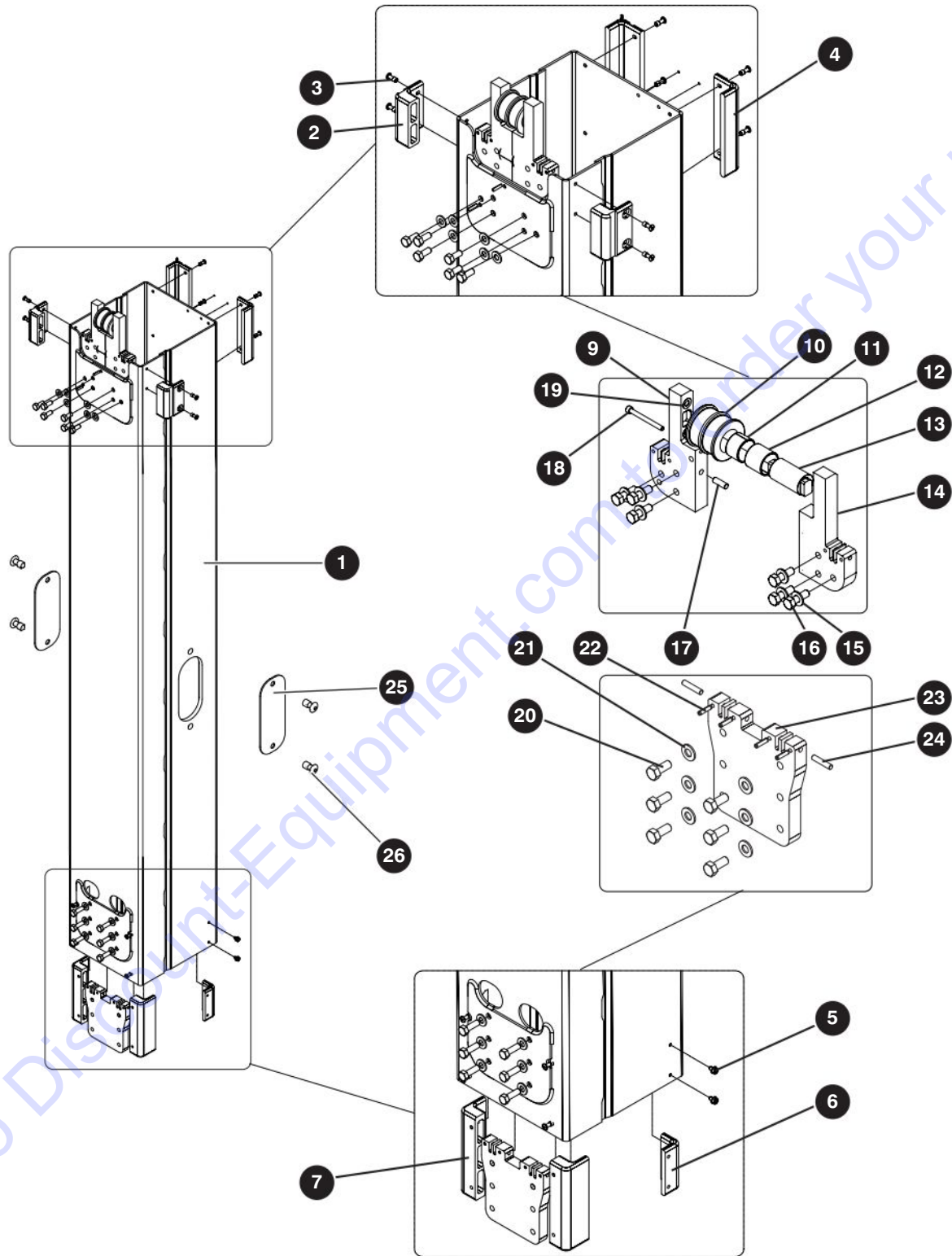
SJ12, SJ16

SKYJACK

2.2 Mast 2 Assembly (SJ12)

Index No.	Skyjack Part No.	Qty.	Description
-	157674DG	-	 NOTE <i>Part Numbers followed by a "DG" indicate dark grey painted parts.</i>
			MAST 2 ASSEMBLY
1	157675DG	1	• WELDMENT, Mast 2
2	158087	2	• WEAR PAD (Thick & short)
3	159398	2	• WEAR PAD (Thin & long)
4	157759	12	• RIVET, Pop (3/16" x 0.25-0.375 GR)
5	158317	4	• SCREW, Thread rolling (10-32 x 3/8")
6	157763	2	• WEAR PAD (Thin & short)
7	159399	2	• WEAR PAD (Thick & long)
-	157679	1	• ROLLER SUPPORT ASSEMBLY, Mast 2
9	158319	8	• • BOLT, Hex head (5/16"-18 x 1.00", Grade 8)
10	157683	1	• • SUPPORT, Roller (Left hand)
11	157680	1	• • SUPPORT, Roller
12	157688	1	• • PIN, Chain (BL 434)
13	157686	2	• • ROLLER, Chain (BL 444)
14	148847	2	• • BUSHING, CJS-2016 (1 1/4" x 1" LG)
15	157684	2	• • PIN, Roller (BL 444)
16	157681	1	• • SUPPORT, Roller (Right hand - Control box side)
17	195231	4	• • SCREW, SCREW, SHC #10-32 x 0.750
18	103996	8	• • WASHER, Flat (5/16")
19	163177	4	• • PIN, Roll 1/4" Dia. x 1"
20	163166	4	• • WASHER, Thrust (Fiberglide FTS0408)
21	226204	2	• COVER PLATE
22	157756	4	• RIVET

2.3 Mast 3 Assembly (SJ12)



M162606AE

194425AB

32

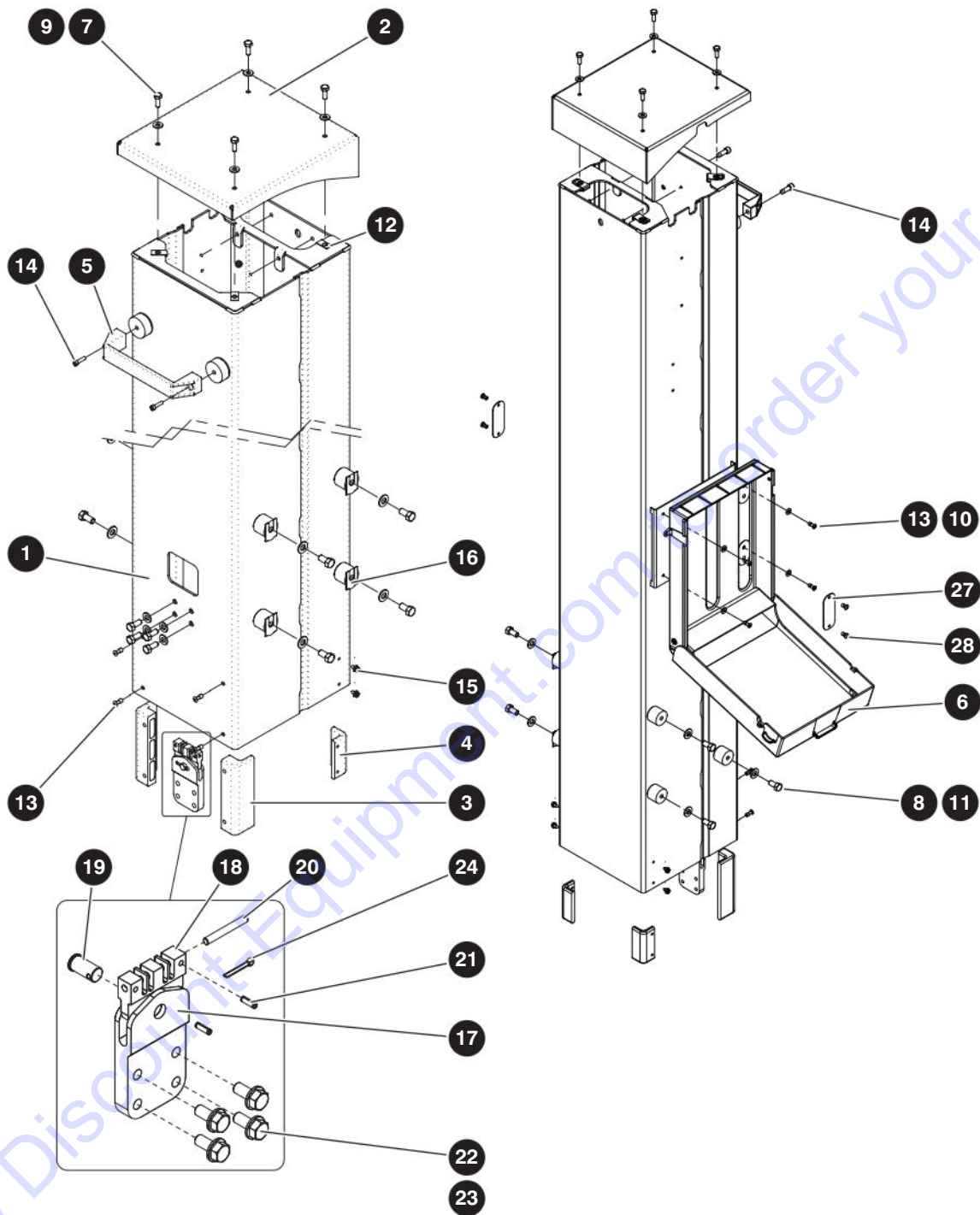
SJ12, SJ16

SKYJACK

2.3 Mast 3 Assembly (SJ12)

Index No.	Skyjack Part No.	Qty.	Description
-	160786DG	-	 NOTE <i>Part Numbers followed by a "DG" indicate dark grey painted parts.</i>
			MAST 3 ASSEMBLY
1	157690DG	1	• WELDMENT, Mast 3
2	158087	2	• WEAR PAD (Thick & short)
3	157759	12	• RIVET, Pop (3/16" x 0.25-0.375 GR)
4	157733	2	• WEAR PAD (Thin & long)
5	158317	4	• SCREW, Thread rolling (10-32 x 3/8")
6	157763	2	• WEAR PAD (Thin & short)
7	159399	2	• WEAR PAD (Thick & long)
-	162606	1	• ROLLER SUPPORT ASSEMBLY, Mast 3
9	157695	1	• • MOUNT - Roller (Left hand)
10	157698	1	• • ROLLER (Double)
11	100249	1	• • BUSHING, Fiberglide (CJS-A538)
12	100309	1	• • BUSHING, Fiberglide
13	157697	1	• • PIN, Roller (Double)
14	157696	1	• • MOUNT - Roller (Right hand - Control box side)
15	103996	6	• • WASHER, Flat (5/16")
16	158319	6	• • BOLT, Hex head (5/16"-18 x 1.00", Grade 8)
17	157360	1	• • PIN, Dowel (1/4" diameter X 3/4")
18	195229	1	• • SHCS, #10-32 x 1-3/4"
19	163166	4	• • WASHER, Thrust (Fiberglide FTS0408)
-	157701	1	• CHAIN MOUNT ASSEMBLY (BL 444)
20	158320	6	• • BOLT, Hex head (5/16"-18 x 3/4", Grade 8)
21	103996	6	• • WASHER, Flat (5/16")
22	157033	4	• • PIN, Spring (0.156 x 5/8")
23	157702	1	• • MOUNT, Chain (BL 444)
24	157673	2	• • PIN, Chain (BL 444)
25	226204	2	• COVER PLATE
26	157756	4	• RIVET

2.4 Mast 4 Assembly (SJ12)




M158959AD

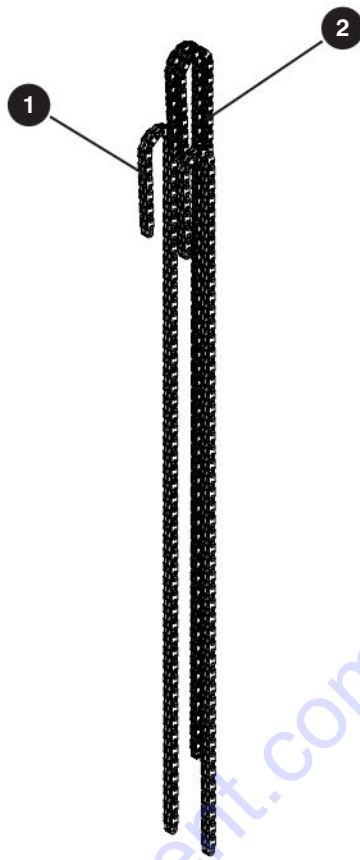
194425AB

SJ12, SJ16


2.4 Mast 4 Assembly (SJ12)

Index No.	Skyjack Part No.	Qty.	Description
			 NOTE <i>Part Numbers followed by a "DG" indicate dark grey painted parts.</i>
-	158959DG	-	MAST 4 ASSEMBLY
1	157909DG	1	• WELDMENT, Mast 4
2	157915DG	1	• COVER, Mast
3	158086	2	• WEAR PAD (Thick & long)
4	157763	2	• WEAR PAD (Thin & short)
5	928533	1	• HANDLE
6	172358	1	• BOX, Manual
7	103856	4	• BOLT, Hex head (1/4"-20 x 1/2", Grade 5)
8	158488	8	• BOLT, Hex head (3/8"-16 x 3/4", Grade 8)
9	103995	4	• WASHER, Flat (1/4")
10	104694	4	• WASHER, Flat (#10)
11	125959	8	• WASHER, Flat hardened (3/8")
12	149496	4	• NUT, Speed clip (1/4-20 x 1/2")
13	157759	8	• RIVET, Pop (3/16" x 0.25-0.375 GR)
14	157822	2	• SCREW, Socket head cap (zinc, 5/16"-18 x 7/8")
15	158317	4	• SCREW, Thread rolling (10-32 x 3/8")
16	156837	4	• SHIM, Platform MT 22GA (0.0299)
-	157708	1	• CHAIN TENSIONER ASSEMBLY, Mast 4
17	157709	1	• • MOUNT - Tensioner
18	157710	1	• • BLOCK, Tensioner
19	157711	1	• • PIN, Clevis
20	157688	1	• • PIN, Chain (BL 434)
21	157825	2	• • PIN, Spring (0.156 x 1/2")
22	158320	4	• • BOLT, Hex head (5/16"-18 x 3/4", Grade 8)
23	103996	4	• • WASHER, Flat (5/16")
24	157467	1	• • PIN, Cotter
25	207981	1	• BAG, Resealable - 12x9x0.002 (Not Shown)
26	114710	1	• KEY RING, Skyjack (Not Shown)
27	226204	2	• COVER PLATE
28	157756	4	• RIVET
29	173200	1	• MANUAL, Manual of responsibilities (Not Shown)- ANSI/CSA

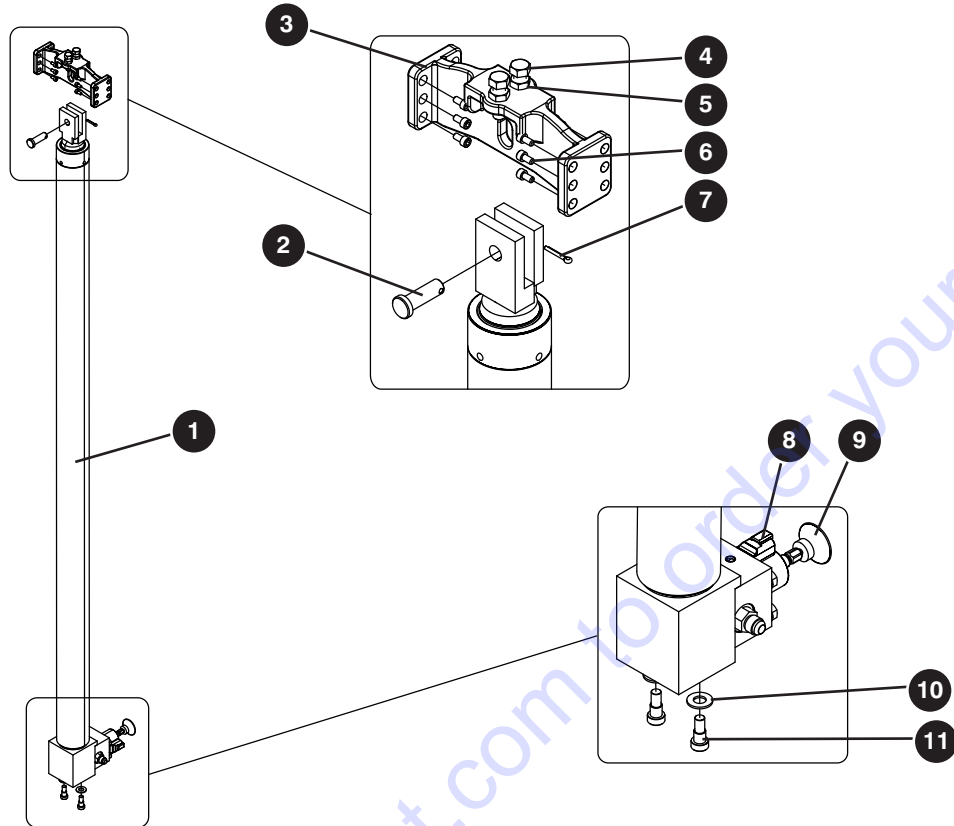
2.5 Chain Assembly (SJ12)




M158960AB

Index No.	Skyjack Part No.	Qty.	Description
-	158960	1	<p> NOTE Part Numbers followed by a "DG" indicate dark grey painted parts.</p> <p>CHAIN ASSEMBLY</p>
1	158462	2	<ul style="list-style-type: none"> • CHAIN, Mast lift (Large) - BL 444
2	157721	2	<ul style="list-style-type: none"> • CHAIN, Mast lift (Small) - BL 434

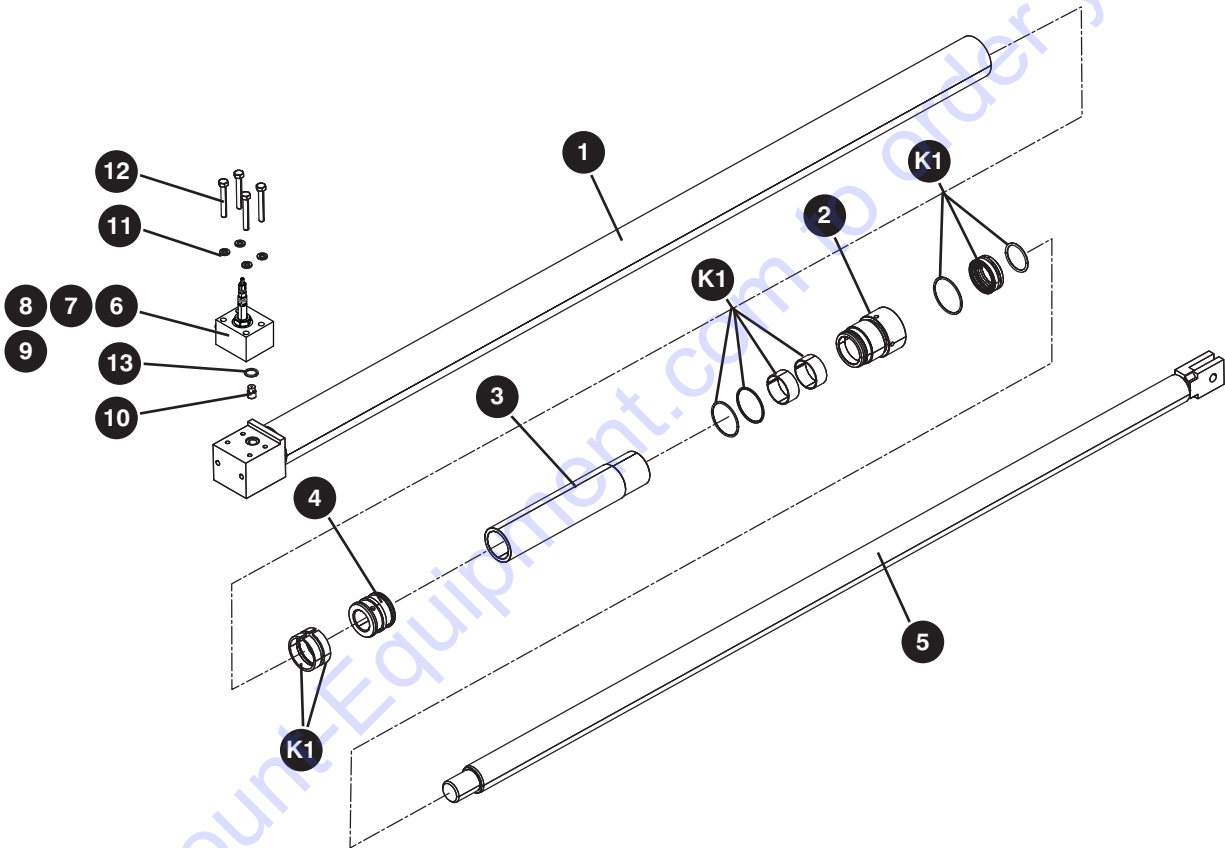
2.6 Mast Lift Cylinder Assembly (SJ12)



M157322AB

Index No.	Skyjack Part No.	Qty.	Description
-	157322DG	-	<p> NOTE Part Numbers followed by a "DG" indicate dark grey painted parts.</p> <p>MAST LIFT CYLINDER ASSEMBLY (16 Feet)</p> <ul style="list-style-type: none"> • CYLINDER, Lift (For components, refer to Section 2.7 Lift Cylinder (SJ12)) • PIN, Clevis • BRACKET, Cylinder mount • BOLT, Hex Head (3/8"-24 x 1.25, Grade 8) • NUT, Hex Head Jamming (3/8"-24, Grade 5) • SCREW, Socket head cap (zinc, 5/16"-18 x 7/8") • PIN, Cotter 1/2" dia. Rue Ring™ • COIL, 24V • KNOB, Pull • WASHER, Flat (3/8") • SCREW, Hex socket shoulder (3/8"- x 3/8")
1	(Ref.)	1	
2	157833	1	
3	160195DG	1	
4	163555	2	
5	160810	2	
6	157822	12	
7	163546	1	
8	151683	1	
9	300322	1	
10	103472	2	
11	156833	2	

2.7 Lift Cylinder (SJ12)



M157326AB


194425AB

38

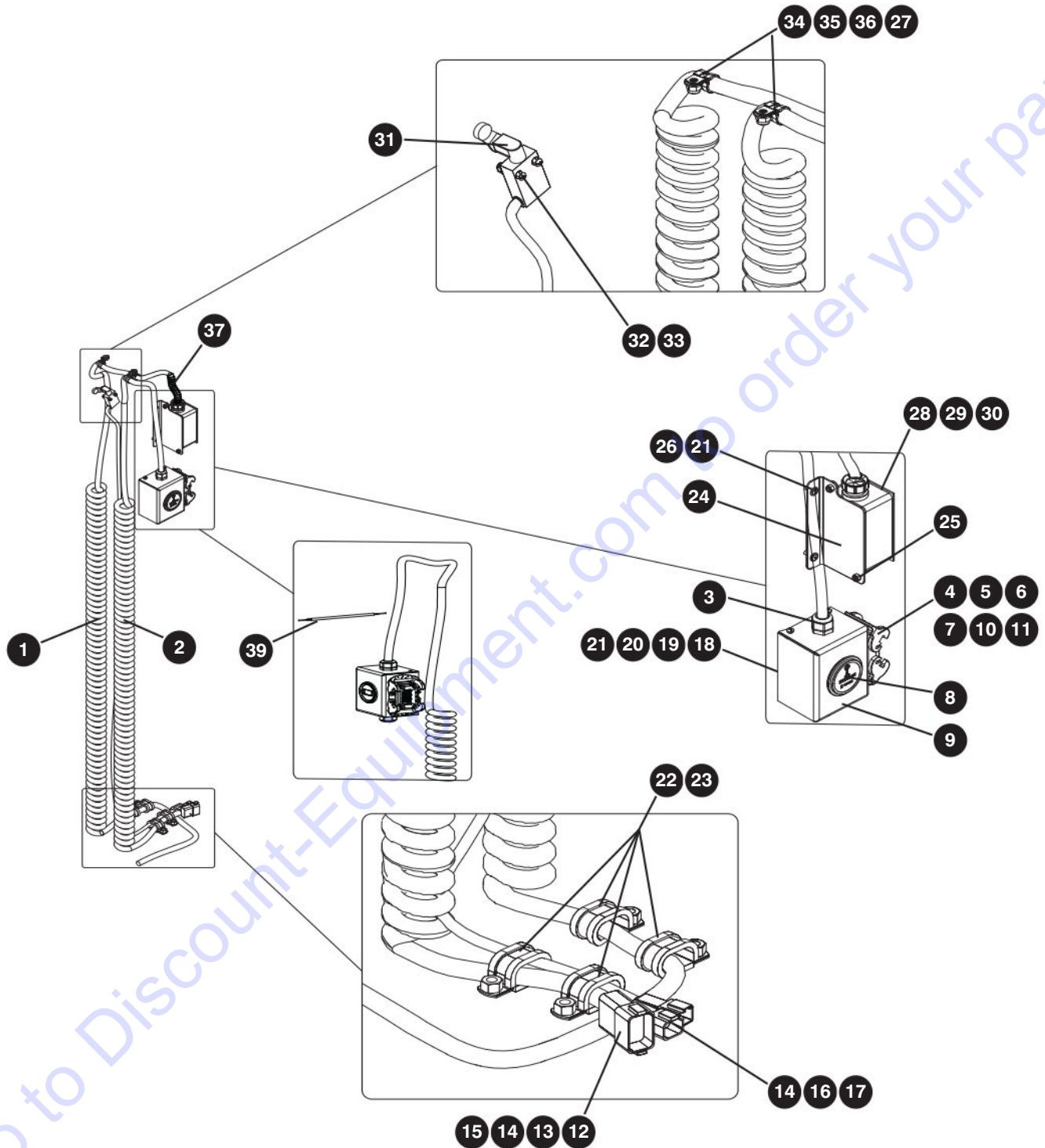
SJ12, SJ16

SKYJACK

2.7 Lift Cylinder (SJ12)

Index No.	Skyjack Part No.	Qty.	Description
			 NOTE <i>Part Numbers followed by a "DG" indicate dark grey painted parts.</i>
-	157326DG	-	LIFT CYLINDER ASSEMBLY
	159471DG	1	• LIFT CYLINDER ASSEMBLY
1	157648DG	1	• • WELDMENT, Tube
2	156865	1	• • GLAND
3	157650	1	• • SLEEVE STOP
4	157651	1	• • PISTON
5	157649	1	• • ROD
6	159802	1	• MANIFOLD ASSEMBLY
7	151696	1	• • VALVE, Emergency lowering
8	103069	1	• • FITTING, Straight (06 JICM - 06 ORBM)
9	158844	1	• • BLOCK MANIFOLD
10	108721	1	• ORIFICE, One way (0.055" diameter)
11	103866	4	• BOLT, Hex head (5/16"-18 x 2.25", Grade 5)
12	103404	4	• WASHER, Lock (5/16")
13	159475	1	• O-RING
K1	157652	1	KIT, Seal

2.8 Mast Electrical Assembly (SJ12)



M158505AJ

194425AB

40

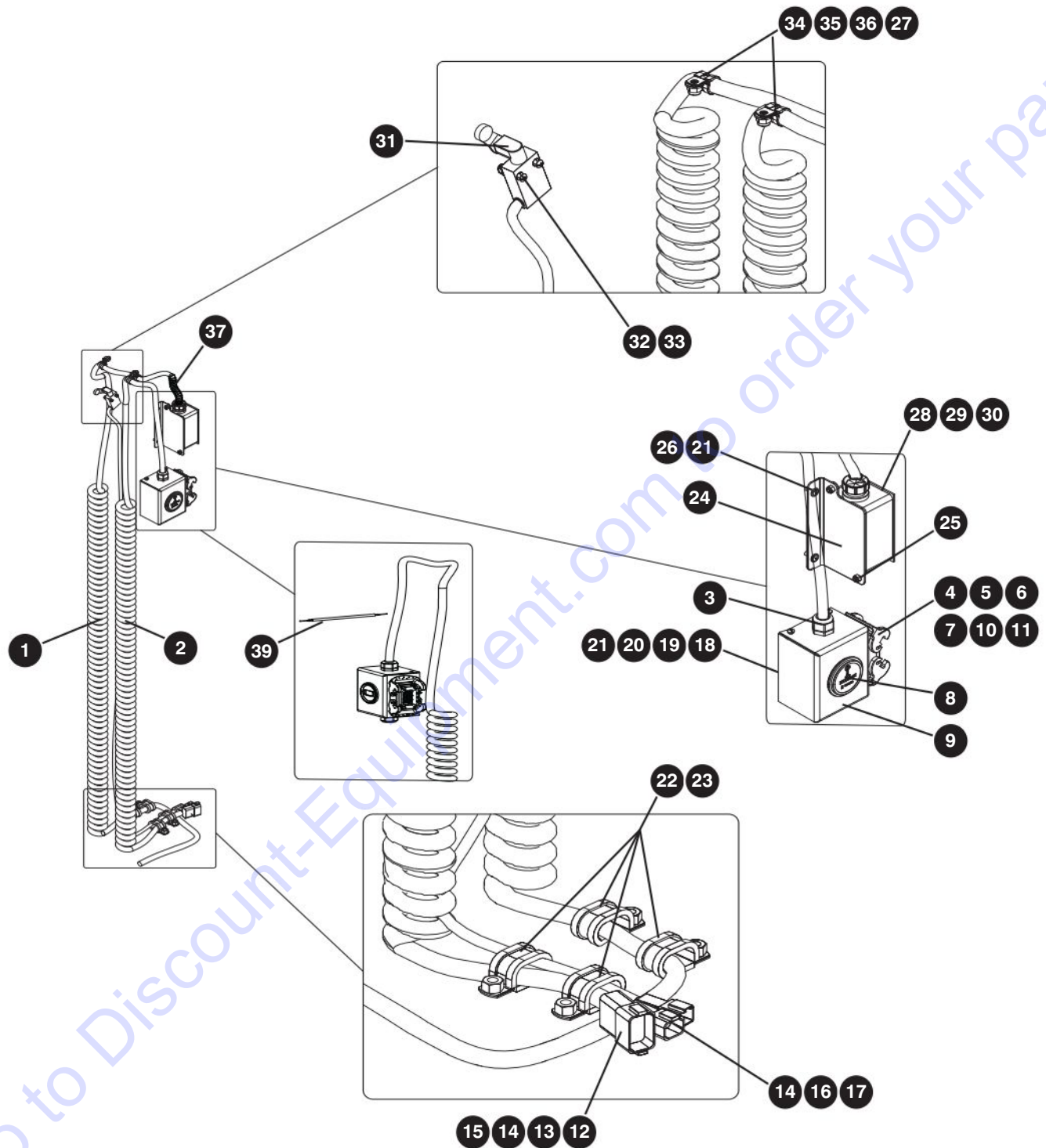
SJ12, SJ16

SKYJACK

2.8 Mast Electrical Assembly (SJ12)

Index No.	Skyjack Part No.	Qty.	Description
			 NOTE <i>Part Numbers followed by a "DG" indicate dark grey painted parts.</i>
A	158505DG	-	MAST ELECTRICAL ASSEMBLY (ANSI/CSA)
B	158504DG	-	MAST ELECTRICAL ASSEMBLY (CE & KC)
1	158103	1	• CABLE, Retractable (14/3) , A
	220935	1	• CABLE, Retractable (14/3) , B
2	223805	1	• CONTROL CABLE ASSEMBLY , A
	158755	1	• CONTROL CABLE ASSEMBLY , B
	158102	1	• • CABLE, Retractable (18/15)
3	120644	2	• • CONNECTOR, Heyco liquid tight (PG16)
	120646	2	• • NUT, Cable gland lock (PG16)
4	156544	3	• • CONNECTOR BLOCK, Footmount
5	156547	1	• • CONNECTOR FRAME, Footmount
6	156542	15	• • CONTACT (Male)
7	158750	1	• • CONNECTOR HOUSING, Box
8	195940	1	• • HOURMETER
9	158614DG	1	• • ENCLOSURE, Mast
10	103957	4	• • SCREW, Round head machine (#8-32 x 1/2")
11	138765	4	• • NUT, Hex nylon lock (#8-32, Grade 5)
12	117586	1	• • CONNECTOR, Receptacle (12 pin)
13	117594	1	• • SEAL, Connector
14	117590	15	• • CONTACT, Pin (16-18)
15	117588	1	• • CONNECTOR, Receptacle wedge (12 pin)
16	117578	1	• • CONNECTOR, Receptacle (4 pin)
17	117580	1	• • CONNECTOR, Receptacle wedge (4 pin)
18	104185	4	• WASHER, Lock (#10)
19	115545	4	• SCREW, Round head machine (#10-32 x 3/8")
20	158615DG	1	• BRACKET, Mast
21	157759	2	• RIVET, Pop (3/16" x 0.25-0.375 GR)
22	103078	4	• CLIP, double (S344G10)
23	103978	4	• NUT, Hex head (3/8"-16, Grade 5)
24	158620DG	1	• BRACKET, Mast AC
25	134140	2	• • RIVET (1/4"x 0.74" ALU), A
	157759	2	• • RIVET, Pop (3/16" x 0.25-0.375 GR), B
26	104694	2	• WASHER, Flat (#10)
27	151596	2	• SCREW, Button head cap (ZN, 1/4"-20 x 3/4", ASTM F835)
28	211238	1	• BOX, Outlet, A
29	109698	1	• RECEPTACLE, GFI, A
30	166943	1	• COVER, Weatherproof GFI, A
			Parts list continued on the following page

2.8 Mast Electrical Assembly (SJ12)



M158505AF

194425AB

42

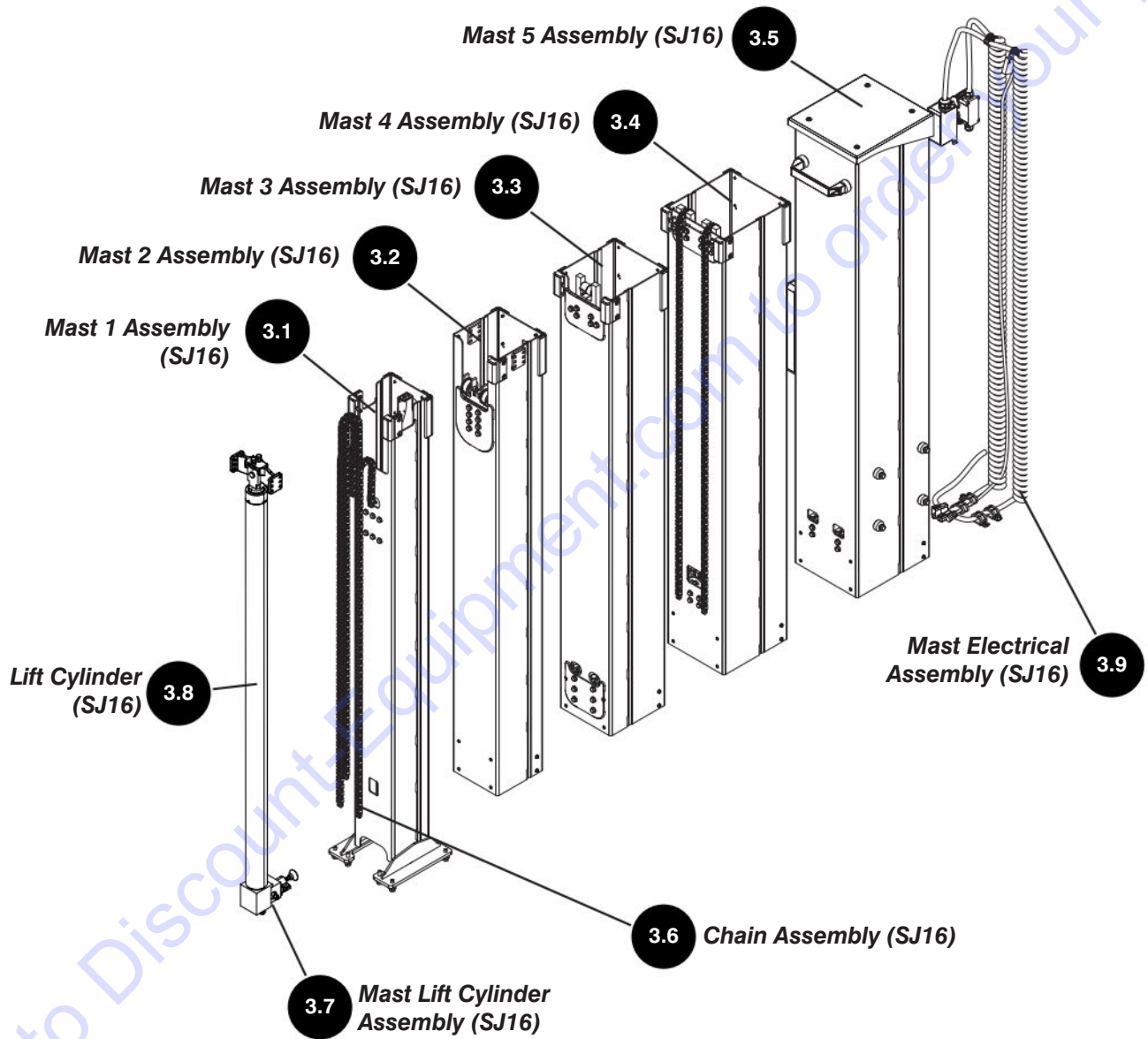
SJ12, SJ16

SKYJACK

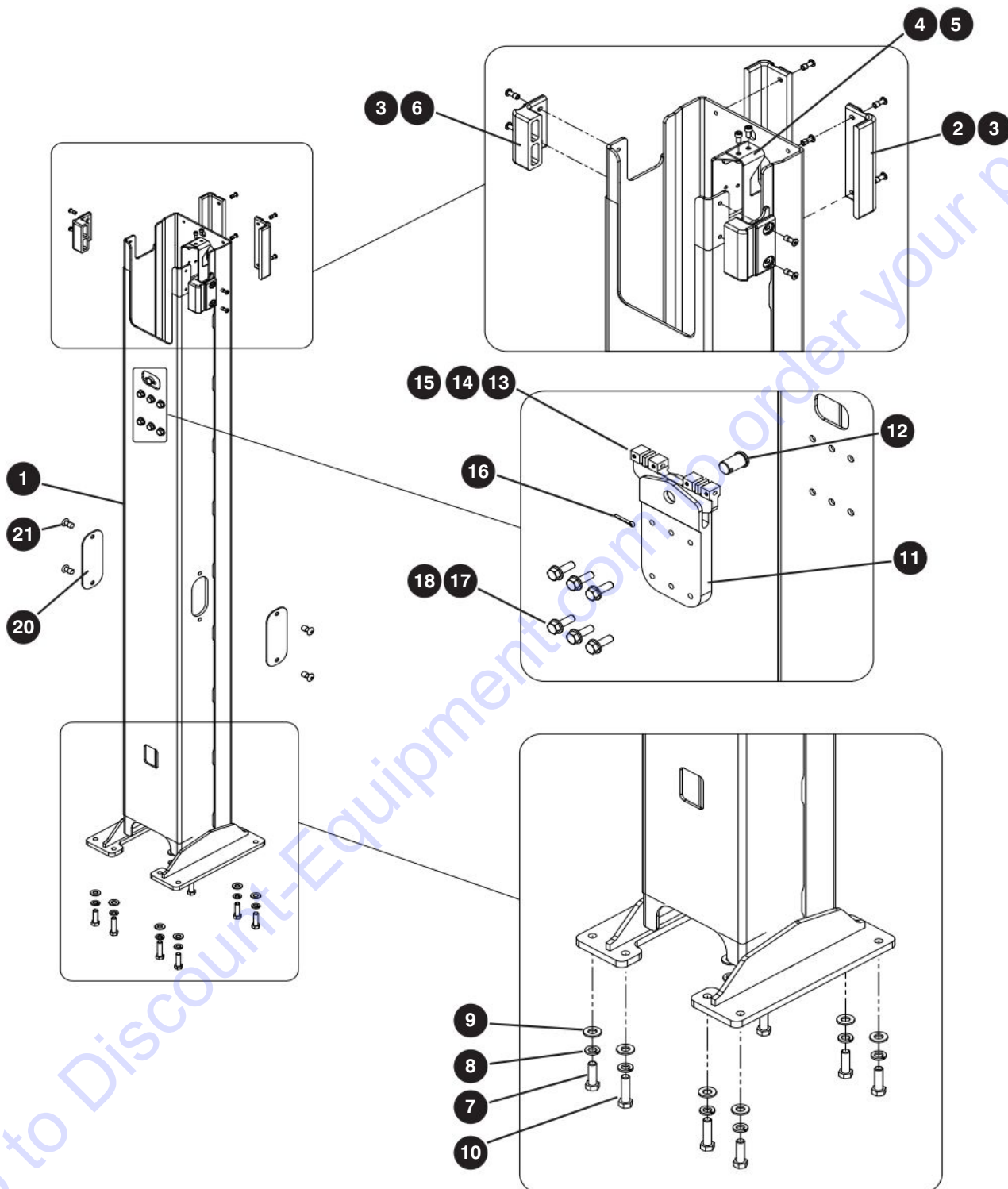
2.8 Mast Electrical Assembly (SJ12)

Index No.	Skyjack Part No.	Qty.	Description
			Parts list continued from the previous page
31	199406	1	• LIMIT SWITCH ASSEMBLY (Mast)
	199405	1	• • SWITCH, Limit (with roller lever)
	117579	1	• • CONNECTOR, Receptacle (4 pin)
	117581	1	• • CONNECTOR, Receptacle wedge (4 pin)
	117591	4	• • CONTACT, Pin (16-18)
32	138765	2	• NUT, Hex nylon lock (#8-32, Grade 5)
33	112248	2	• SCREW, Round head machine (#8-32 x 1.00")
34	220931	3	• CLIP, Single (G8)
35	103995	2	• WASHER, Flat (1/4")
36	115649	2	• NUT, Hex nylon lock (1/4"-20, Grade 5)
37	170759	1	• TUBE, UV - Resistant split - 5/8" x 4"
38	114386	2	• TIE WRAP, Nylon x 14-5/8" long (Not Shown)
39	156843	1	• JUMPER (2 position) (ANSI/CSA)

Section 3 – Mast Related Parts (SJ16)



3.1 Mast 1 Assembly (SJ16)



M157667AH

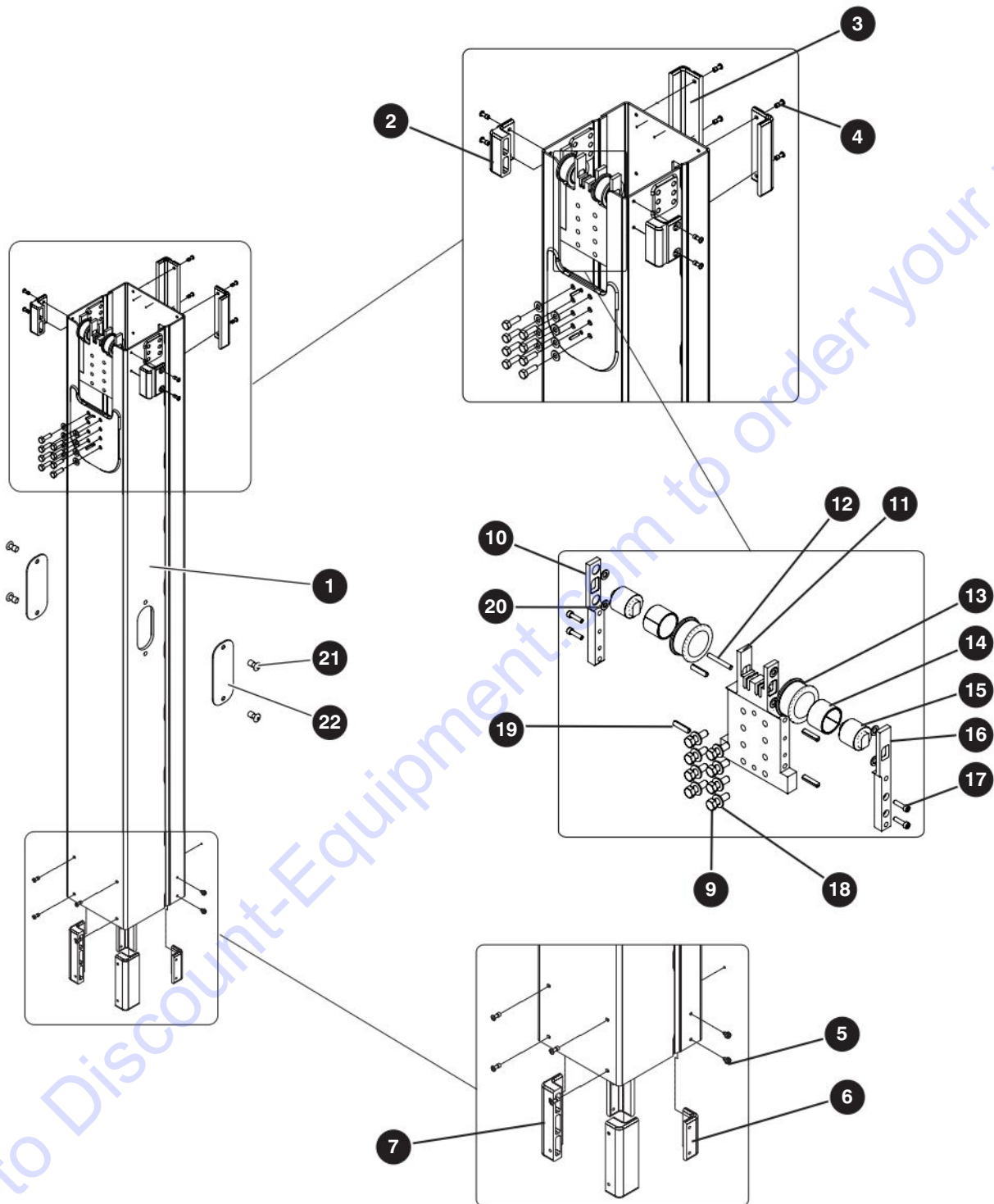
194425AB

SJ12, SJ16

3.1 Mast 1 Assembly (SJ16)

Index No.	Skyjack Part No.	Qty.	Description
-	157667DG	-	 NOTE <i>Part Numbers followed by a "DG" indicate dark grey painted parts.</i>
-	157667DG	-	MAST 1 ASSEMBLY
1	157668DG	1	• WELDMENT, Mast 1
2	159398	2	• WEAR PAD (Thin & long)
3	157759	8	• RIVET, Pop (3/16" x 0.25-.375 GR)
4	195075	1	• WELDMENT, Bracket
5	157829	2	• SCREW, Socket head cap (#10-32 x 3/8")
6	158087	2	• WEAR PAD (Thick & short)
7	101297	6	• BOLT, Hex head (3/8"-16 x 1.25", Grade 5)
8	103999	8	• WASHER, Lock (3/8")
9	125959	8	• WASHER, Flat hardened (3/8")
10	103870	2	• BOLT, Hex head (3/8"-16 x 1.5", Grade 5)
-	157670	1	• CHAIN TENSIONER ASSEMBLY
11	157671	1	• • BLOCK, Tensioner mount (Mast 1)
12	157265	1	• • PIN, Clevis
13	157672	1	• • BLOCK, Tensioner (Mast 1)
14	157673	2	• • PIN, Chain (BL 444)
15	157033	4	• • PIN, Spring (0.156 x 5/8")
16	157467	1	• • PIN, Cotter
17	158319	6	• • BOLT, Hex head (5/16"-18 x 1.0", Grade 8)
18	103996	6	• • WASHER, Flat (5/16")
20	226204	2	• COVER PLATE
21	157756	4	• RIVET

3.2 Mast 2 Assembly (SJ16)



M157674AE

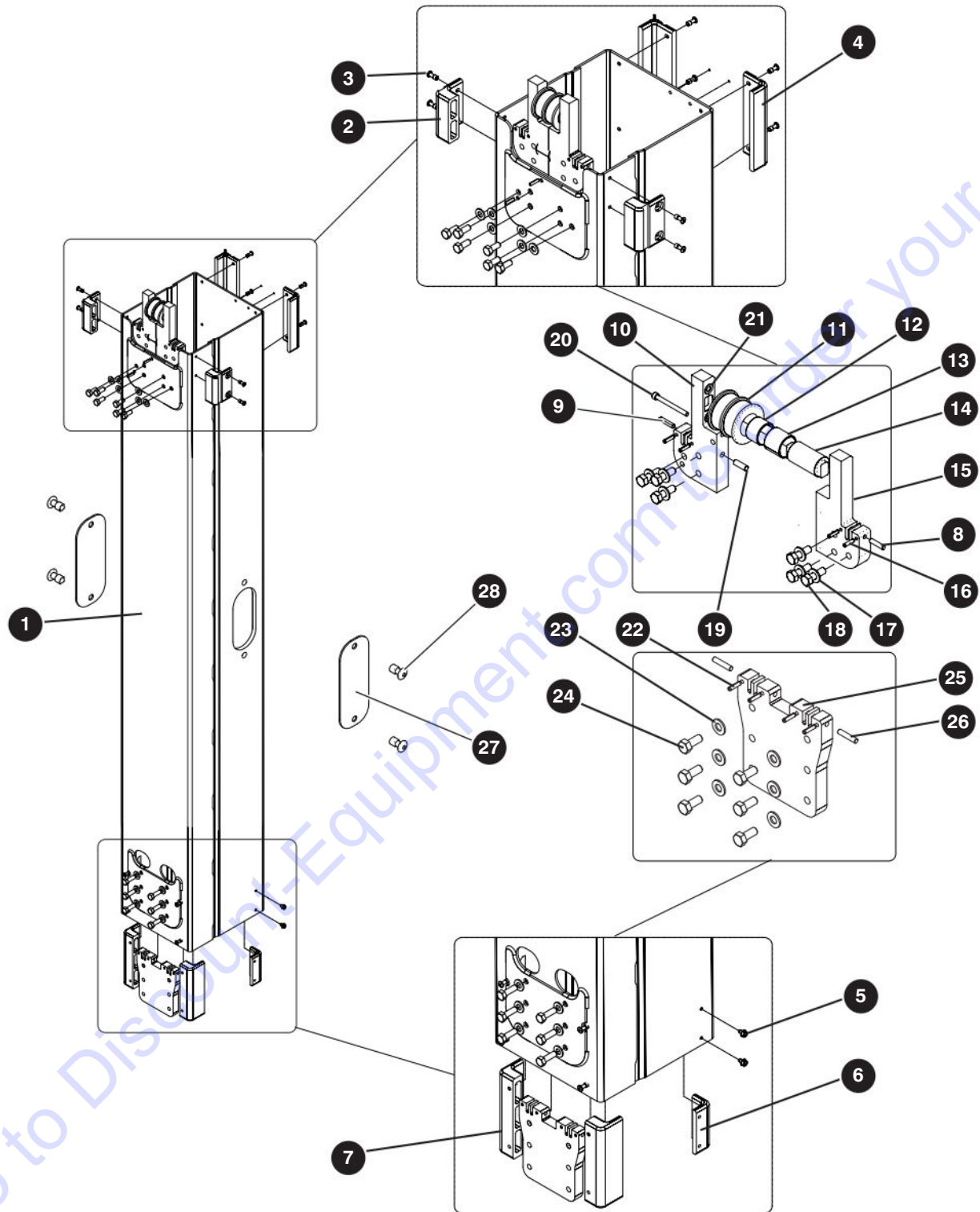
194425AB

SJ12, SJ16

3.2 Mast 2 Assembly (SJ16)

Index No.	Skyjack Part No.	Qty.	Description
			 NOTE <i>Part Numbers followed by a "DG" indicate dark grey painted parts.</i>
-	157674DG	-	MAST 2 ASSEMBLY
1	157675DG	1	• WELDMENT, Mast 2
2	158087	2	• WEAR PAD (Thick & short)
3	159398	2	• WEAR PAD (Thin & long)
4	157759	12	• RIVET, Pop (3/16" x 0.25-0.375 GR)
5	158317	4	• SCREW, Thread rolling (10-32 x 3/8")
6	157763	2	• WEAR PAD (Thin & short)
7	159399	2	• WEAR PAD (Thick & long)
-	157679	1	• ROLLER SUPPORT ASSEMBLY, Mast 2
9	158319	8	• • BOLT, Hex head (5/16"-18 x 1.00", Grade 8)
10	157683	1	• • SUPPORT, Roller (Left hand)
11	157680	1	• • SUPPORT, Roller
12	157688	1	• • PIN, Chain (BL 434)
13	157686	2	• • ROLLER, Chain (BL 444)
14	148847	2	• • BUSHING, CJS-2016 (1 1/4" x 1" LG)
15	157684	2	• • PIN, Roller (BL 444)
16	157681	1	• • SUPPORT, Roller (Right hand - Control box side)
17	195231	4	• • SCREW, SHC #10-32 x 0.750
18	103996	8	• • WASHER, Flat (5/16")
19	163177	4	• • PIN, Roll 1/4" Dia. x 1"
20	163166	4	• • WASHER, Thrust (Fiberglide FTS0408)
21	226204	2	• COVER PLATE
22	157756	4	• RIVET


3.3 Mast 3 Assembly (SJ16)



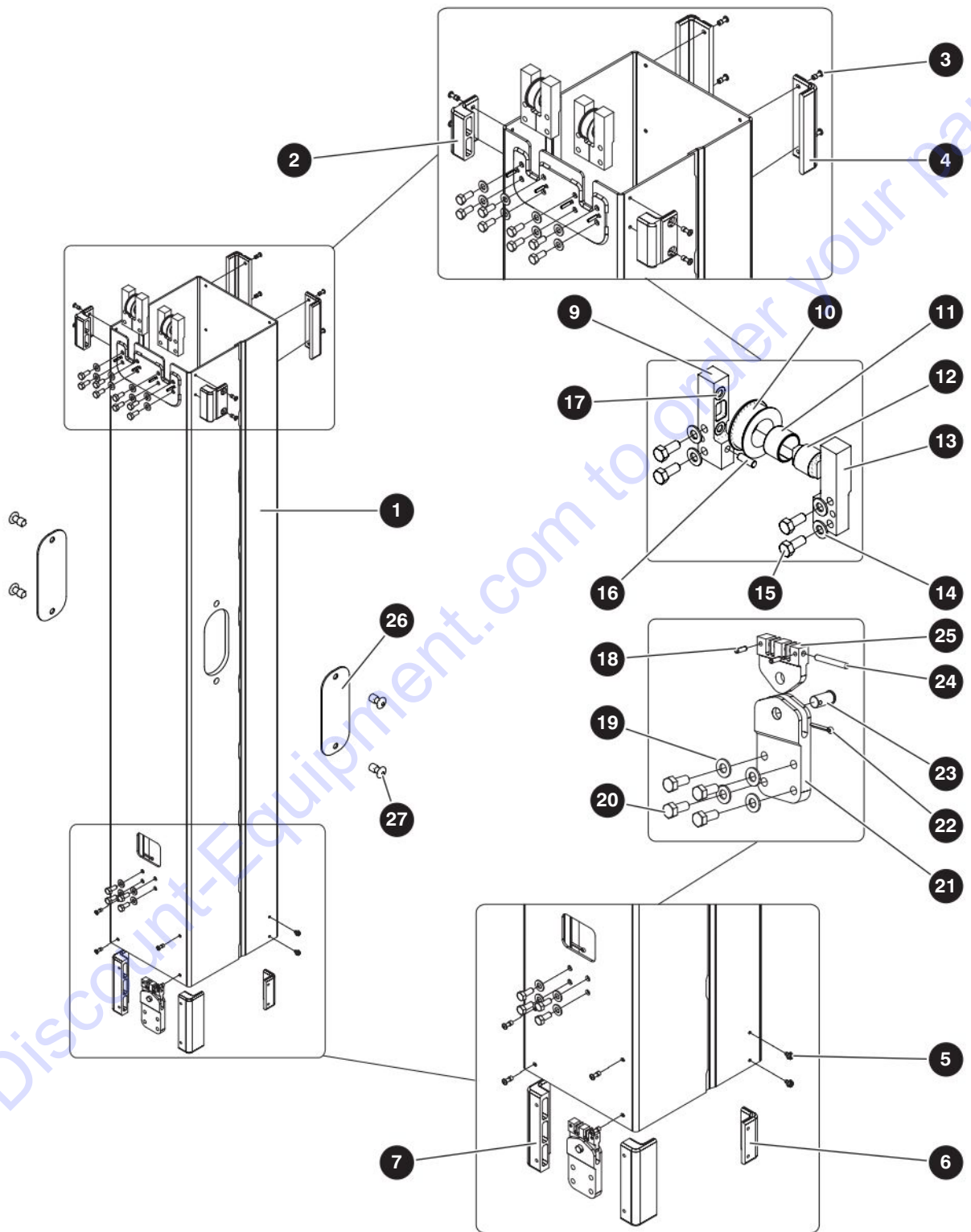
M157689AE

194425AB

3.3 Mast 3 Assembly (SJ16)

Index No.	Skyjack Part No.	Qty.	Description
			 NOTE <i>Part Numbers followed by a "DG" indicate dark grey painted parts.</i>
-	157689DG	-	MAST 3 ASSEMBLY
1	157690DG	1	• WELDMENT, Mast 3
2	158087	2	• WEAR PAD (Thick & short)
3	157759	12	• RIVET, Pop (3/16" x 0.25-0.375 GR)
4	159398	2	• WEAR PAD (Thin & long)
5	158317	4	• SCREW, Thread rolling (10-32 x 3/8")
6	157763	2	• WEAR PAD (Thin & short)
7	159399	2	• WEAR PAD (Thick & long)
-	157694	1	• ROLLER SUPPORT ASSEMBLY, Mast 3
9	157700	2	• • PIN, Chain (BL 434)
10	157695	1	• • MOUNT - Roller (Left hand)
11	157698	1	• • ROLLER (Double)
12	100249	1	• • BUSHING, Fiberglide (CJS-A538)
13	100309	1	• • BUSHING, Fiberglide
14	157697	1	• • PIN, Roller (Double)
15	157696	1	• • MOUNT - Roller (Right hand - Control box side)
16	157033	4	• • PIN, Spring (0.156 x 5/8")
17	103996	6	• • WASHER, Flat (5/16")
18	158319	6	• • BOLT, Hex head (5/16"-18 x 1.00", Grade 8)
19	157360	1	• • PIN, Dowel (1/4" diameter X 3/4")
20	195229	1	• • SCREW, Socket head caped #10-32 X 1.75
21	163166	4	• • WASHER, Thrust (Fiberglide FTS0408)
-	157701	1	• CHAIN MOUNT ASSEMBLY (BL 444)
22	157033	4	• • PIN, Spring (0.156 x 5/8")
23	103996	6	• • WASHER, Flat (5/16")
24	158320	6	• • BOLT, Hex head (5/16"-18 x 3/4", Grade 8)
25	157702	1	• • MOUNT, Chain (BL 444)
26	157673	2	• • PIN, Chain (BL 444)
27	226204	2	• COVER PLATE
28	157756	4	• RIVET

3.4 Mast 4 Assembly (SJ16)



M157704AE

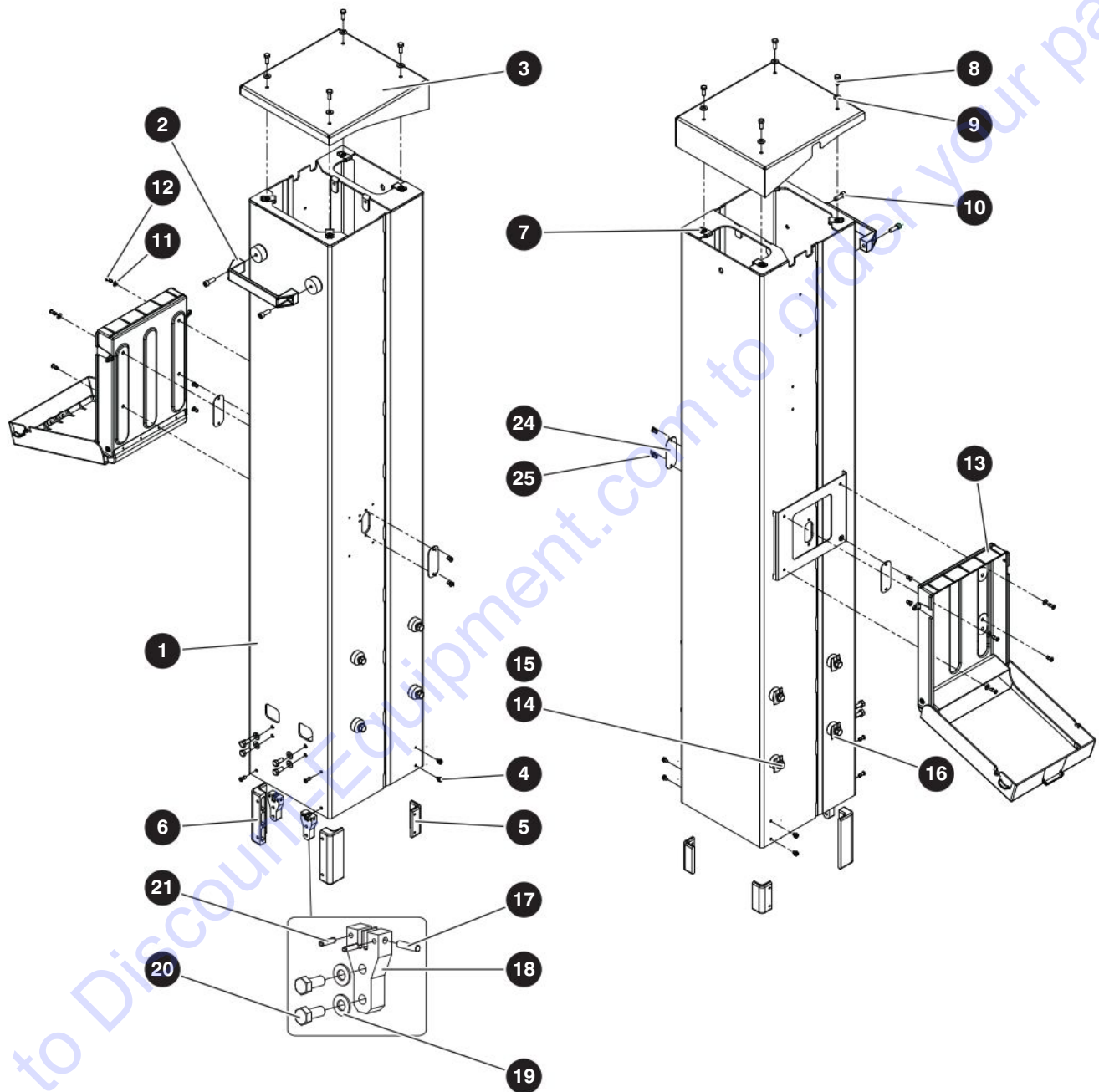
194425AB

SJ12, SJ16

3.4 Mast 4 Assembly (SJ16)

Index No.	Skyjack Part No.	Qty.	Description
			 NOTE <i>Part Numbers followed by a "DG" indicate dark grey painted parts.</i>
-	157704DG	-	MAST 4 ASSEMBLY
1	157705DG	1	• WELDMENT, Mast 4
2	158087	2	• WEAR PAD (Thick & short)
3	157759	12	• RIVET, Pop (3/16" x 0.25-0.375 GR)
4	157733	2	• WEAR PAD (Thin & long)
5	158317	4	• SCREW, Thread rolling (10-32 x 3/8")
6	157763	2	• WEAR PAD (Thin & short)
7	159399	2	• WEAR PAD (Thick & long)
-	157713	2	• SINGLE ROLLER ASSEMBLY
9	157714	1	• • MOUNT - Roller (Single - left hand)
10	157490	1	• • ROLLER (Single)
11	100249	1	• • BUSHING, Fiberglide (CJS-A538)
12	157716	1	• • PIN, Roller (Single)
13	157715	1	• • MOUNT - Roller (Single right hand - Control box side)
14	103996	4	• • WASHER, Flat (5/16")
15	158320	4	• • BOLT, Hex head (5/16"-18 x 3/4", Grade 8)
16	157360	1	• • PIN, Dowel (1/4" diameter X 3/4")
17	163166	4	• • WASHER, Thrust (Fiberglide FTS0408)
-	157708	1	• CHAIN TENSIONER ASSEMBLY, Mast 4
18	157825	2	• • PIN, Spring (0.156 x 1/2")
19	103996	4	• • WASHER, Flat (5/16")
20	158320	4	• • BOLT, Hex head (5/16"-18 x 3/4", Grade 8)
21	157709	1	• • MOUNT - Tensioner
22	157467	1	• • PIN, Cotter
23	157711	1	• • PIN, Clevis
24	157688	1	• • PIN, Chain (BL 434)
25	157710	1	• • BLOCK, Tensioner
26	226204	2	• COVER PLATE
27	157756	4	• RIVET

3.5 Mast 5 Assembly (SJ16)



M157718AF

194425AB

SJ12, SJ16

PARTS FINDER

**Search Website
by Part Number**



**Search Manual
Library For Parts
Manual & Lookup Part
Numbers – Purchase
or Request Quote**

Search Manuals

Enter your information to help us find the right parts manual for your machine.

* Brand:

* Model:

* Serial:

* Part Number:

SEARCH

**Can't Find Part or
Manual? Request Help
by Manufacturer,
Model & Description**

Parts Order Form

Please fill in the following information to help us find the right part for your machine.

Manufacturer:	<input type="text"/>
Model:	<input type="text"/>
Description:	<input type="text"/>
Part Number:	<input type="text"/>
Quantity:	<input type="text"/>
Notes:	<input type="text"/>

Submit

Discount-Equipment.com is your online resource for quality parts & equipment.


Florida: **561-964-4949** Outside Florida TOLL FREE: **877-690-3101**

Need parts?

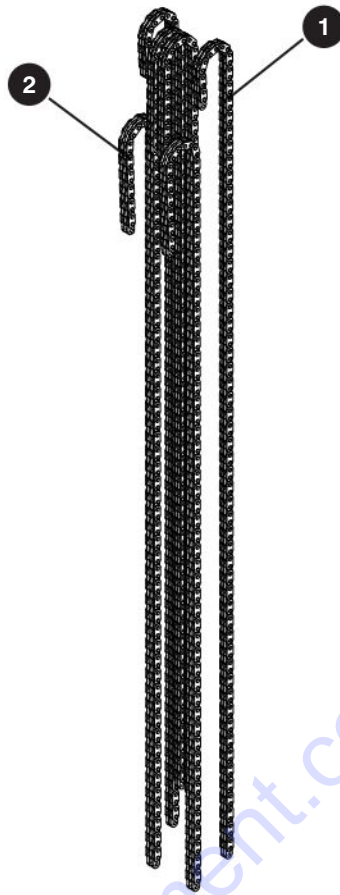
Click on this link: <http://www.discount-equipment.com/category/5443-parts/> and choose one of the options to help get the right parts and equipment you are looking for. Please have the machine model and serial number available in order to help us get you the correct parts. If you don't find the part on the website or on one of the online manuals, please fill out the request form and one of our experienced staff members will get back to you with a quote for the right part that your machine needs.

We sell worldwide for the brands: Genie, Terex, JLG, MultiQuip, Mikasa, Essick, Whiteman, Mayco, Toro Stone, Diamond Products, Generac Magnum, Airman, Haulotte, Barreto, Power Blanket, Nifty Lift, Atlas Copco, Chicago Pneumatic, Allmand, Miller Curber, Skyjack, Lull, Skytrak, Tsurumi, Husquvarna Target, Stow, Wacker, Sakai, Mi-T-M, Sullair, Basic, Dynapac, MBW, Weber, Bartell, Bennar Newman, Haulotte, Ditch Runner, Menegotti, Morrison, Contec, Buddy, Crown, Edco, Wyco, Bomag, Laymor, EZ Trench, Bil-Jax, F.S. Curtis, Gehl Pavers, Heli, Honda, ICS/PowerGrit, IHI, Partner, Imer, Clipper, MMD, Koshin, Rice, CH&E, General Equipment, Amida, Coleman, NAC, Gradall, Square Shooter, Kent, Stanley, Tamco, Toku, Hatz, Kohler, Robin, Wisconsin, Northrock, Oztec, Toker TK, Rol-Air, APT, Wylie, Ingersoll Rand / Doosan, Innovatech, Con X, Ammann, Mecalac, Makinex, Smith Surface Prep, Small Line, Wanco, Yanmar


3.5 Mast 5 Assembly (SJ16)

Index No.	Skyjack Part No.	Qty.	Description
-	-	-	 NOTE <i>Part Numbers followed by a "DG" indicate dark grey painted parts.</i>
-	157718DG	-	MAST 5 ASSEMBLY
1	157719DG	1	• WELDMENT, Mast 5
2	928533	1	• HANDLE
3	157319DG	1	• COVER, Mast
4	158317	4	• SCREW, Thread rolling (10-32 x 3/8")
5	157763	2	• WEAR PAD (Thin & short)
6	158086	2	• WEAR PAD (Thick & long)
7	149496	4	• NUT, Speed clip (1/4-20 x 1/2")
8	103856	4	• BOLT, Hex head (1/4"-20 x 3/4" Grade 5)
9	103995	4	• WASHER, Flat (1/4")
10	157822	2	• SCREW, Socket head cap (5/16"-18 x 7/8")
11	104694	3	• WASHER, Flat (#10)
12	157759	8	• RIVET, Pop (3/16" x 0.25-0.375 GR)
13	172358	1	• BOX, Manual
14	158488	8	• BOLT, Hex head (3/8"-16 x 3/4", Grade 8)
15	125959	8	• WASHER, Flat hardened (3/8")
16	156837	4	• SHIM, Platform MT 22GA
-	157320	2	• CHAIN MOUNT ASSEMBLY (SINGLE)
17	157700	1	• • PIN, Chain (BL 434)
18	157321	1	• • MOUNT, Chain
19	103996	2	• • WASHER, Flat (5/16")
20	158320	2	• • BOLT, Hex head (5/16"-18 x 3/4", Grade 8)
21	157033	2	• • PIN, Spring (0.156 x 5/8")
22	207981	1	• BAG, Resealable - 12x9x0.002 (Not Shown)
23	114710	1	• KEY RING, Skyjack (Not Shown)
24	226204	2	• COVER PLATE
25	157756	4	• RIVET
26	173200	1	• MANUAL, Manual of responsibilities (Not Shown)- ANSI/CSA

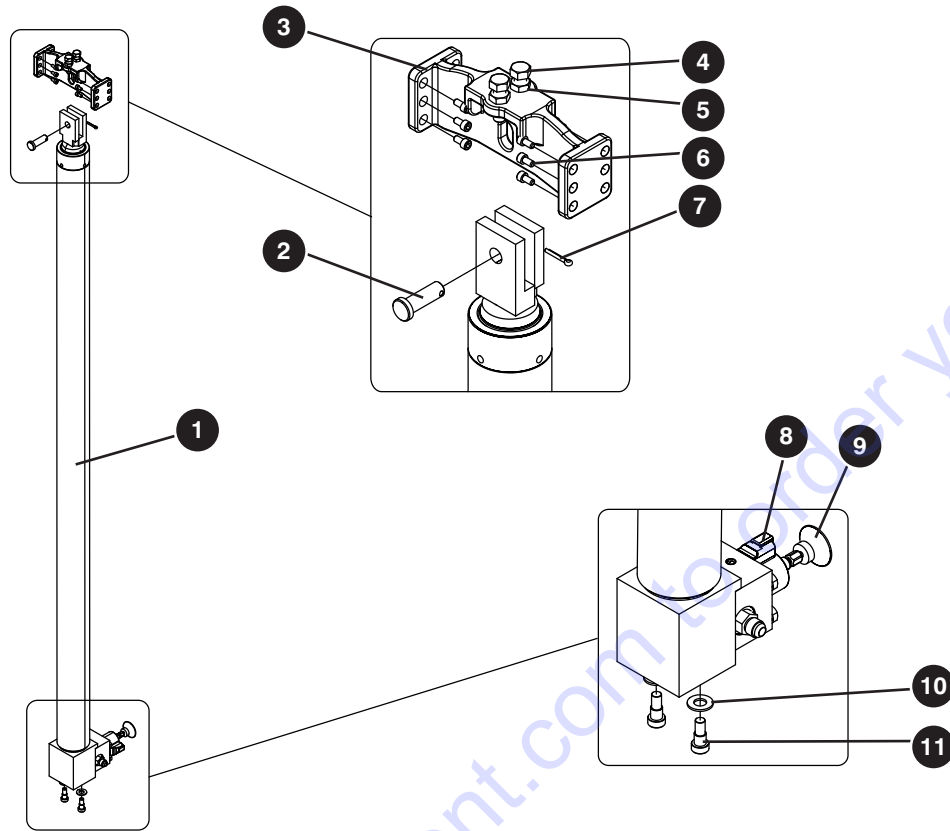
3.6 Chain Assembly (SJ16)




M158107AB

Index No.	Skyjack Part No.	Qty.	Description
-	158107	1	<p> NOTE Part Numbers followed by a "DG" indicate dark grey painted parts.</p> <p>CHAIN ASSEMBLY</p>
1	157721	4	<ul style="list-style-type: none"> • CHAIN - BL 434
2	158462	2	<ul style="list-style-type: none"> • CHAIN - BL 444

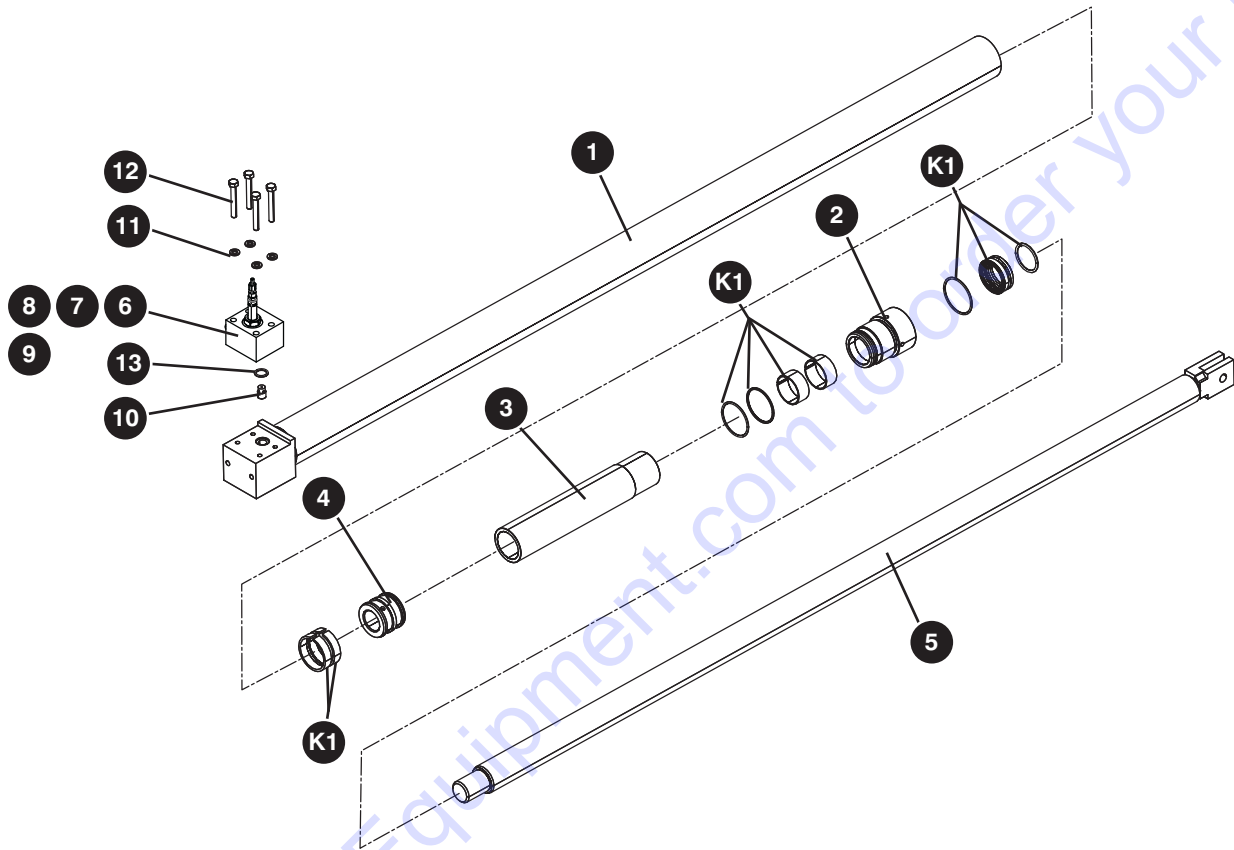
3.7 Mast Lift Cylinder Assembly (SJ16)



M157322AB

Index No.	Skyjack Part No.	Qty.	Description
-	159472DG	-	<p> NOTE Part Numbers followed by a "DG" indicate dark grey painted parts.</p> <p>MAST LIFT CYLINDER ASSEMBLY (16 Feet)</p> <ul style="list-style-type: none"> • CYLINDER, Lift <p>(For components, refer to Section 3.8 Lift Cylinder (SJ16))</p>
1	(Ref.)	1	
2	157833	1	
3	160195DG	1	
4	163555	2	
5	160810	2	
6	157822	12	
7	163546	1	
8	151683	1	
9	300322	1	
10	103472	2	
11	156833	2	

3.8 Lift Cylinder (SJ16)



M157326AB

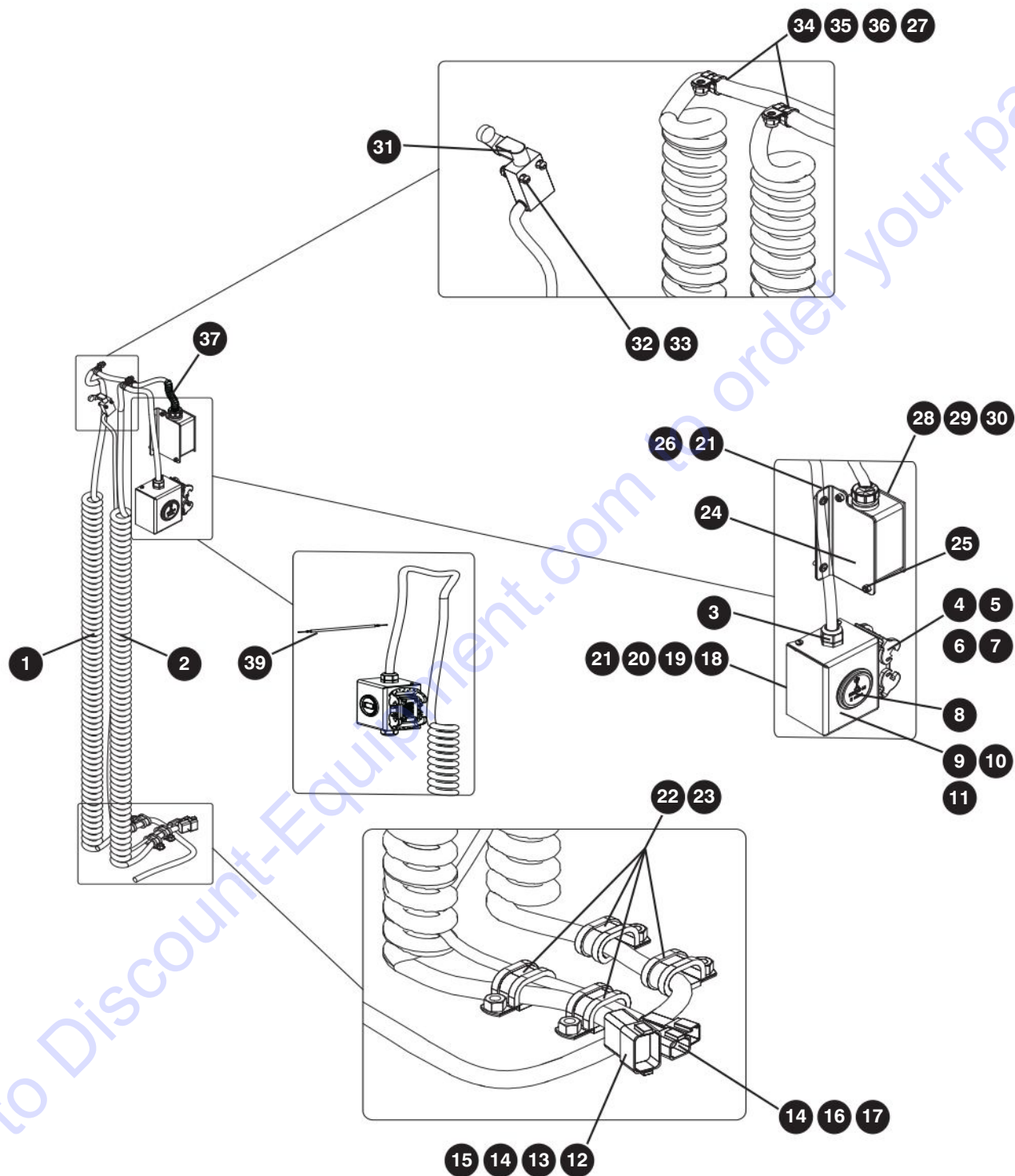
194425AB

SJ12, SJ16

3.8 Lift Cylinder (SJ16)

Index No.	Skyjack Part No.	Qty.	Description
			 NOTE <i>Part Numbers followed by a "DG" indicate dark grey painted parts.</i>
-	159473DG	-	LIFT CYLINDER ASSEMBLY
	159471DG	1	• LIFT CYLINDER
1	157648DG	1	• • WELDMENT, Tube
2	156865	1	• • GLAND
3	157650	1	• • SLEEVE STOP
4	157651	1	• • PISTON
5	157649	1	• • ROD
6	159802	1	• MANIFOLD ASSEMBLY
7	151696	1	• • VALVE, Emergency lowering
8	103069	1	• • FITTING, Straight (06 JICM - 06 ORBM)
9	158844	1	• • BLOCK MANIFOLD
10	159416	1	• ORIFICE, One way (0.043" diameter)
11	103866	4	• BOLT, Hex head (5/16"-18 x 2.25", Grade 5)
12	103404	4	• WASHER, Lock (5/16")
13	159475	1	• O-RING
K1	157652	1	KIT, Seal

3.9 Mast Electrical Assembly (SJ16)




M158505AJ

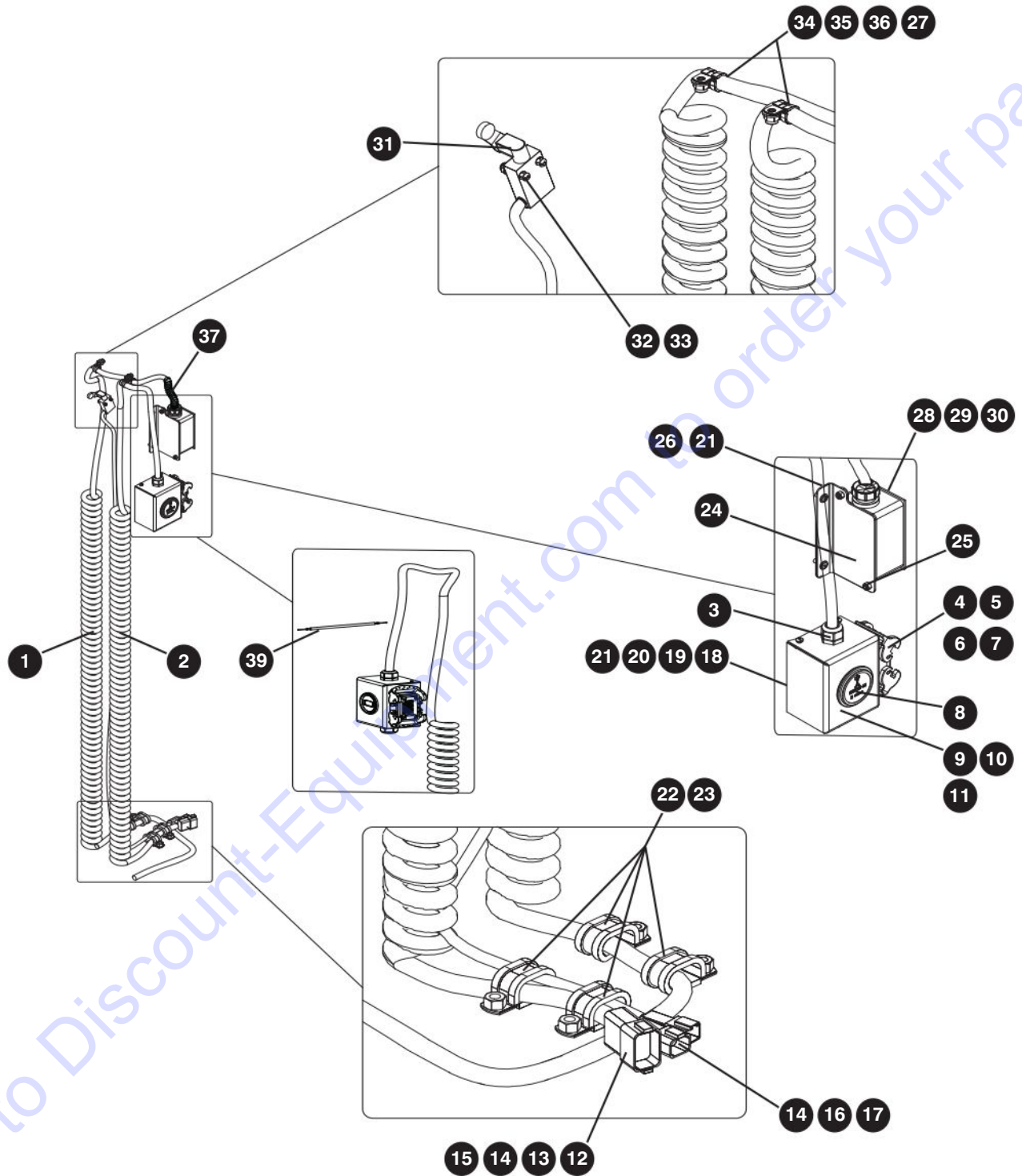
194425AB

SJ12, SJ16

3.9 Mast Electrical Assembly (SJ16)

Index No.	Skyjack Part No.	Qty.	Description
			 NOTE <i>Part Numbers followed by a "DG" indicate dark grey painted parts.</i>
A	158324DG	-	MAST ELECTRICAL ASSEMBLY (ANSI/CSA)
B	158323DG	-	MAST ELECTRICAL ASSEMBLY (CE & KC)
1	151204	1	• CABLE, Retractable (14/3) , A
	220937	1	• CABLE, Retractable (14/3) , B
2	223806	1	• CONTROL CABLE ASSEMBLY , A
	158756	1	• CONTROL CABLE ASSEMBLY , B
	151203	1	• • CABLE, Retractable (18/15)
3	120644	2	• • CONNECTOR, Heyco liquid tight (PG16)
	120646	2	• • NUT, Cable gland lock (PG16)
4	156544	3	• • CONNECTOR BLOCK, Footmount
5	156547	1	• • CONNECTOR FRAME, Footmount
6	156542	15	• • CONTACT (Male)
7	158750	1	• • CONNECTOR HOUSING, Box mount
8	195940	1	• • HOURMETER
9	158614DG	1	• • ENCLOSURE, Mast
10	103957	4	• • SCREW, Round head machine (#8-32 x 1/2")
11	138765	4	• • NUT, Hex nylon lock (#8-32, Grade 5)
12	117586	2	• • CONNECTOR, Receptacle (12 pin)
13	117594	2	• • SEAL, Connector
14	117590	15	• • CONTACT, Pin (16-18)
15	117588	2	• • CONNECTOR, Receptacle wedge (12 pin)
16	117578	2	• • CONNECTOR, Receptacle (4 pin)
17	117580	2	• • CONNECTOR, Receptacle wedge (4 pin)
18	104185	4	• WASHER, Lock (#10)
19	115545	4	• SCREW, Round head machine (#10-32 x 3/8")
20	158615DG	1	• BRACKET, Mast
21	157759	2	• RIVET, Pop (3/16" x 0.25-0.375 GR)
22	103078	4	• CLIP, double (S344G10)
23	103978	4	• NUT, Hex head (3/8"-16, Grade 5)
24	158620DG	1	• BRACKET, Mast AC
25	134140	2	• • RIVET (1/4"x 0.74" ALU) , A
	157759	2	• • RIVET, Pop (3/16" x 0.25-0.375 GR) , B
26	104694	2	• WASHER, Flat (#10)
27	151596	2	• SCREW, Button head cap (ZN, 1/4"-20 x 3/4", ASTM F835)
28	211238	1	• BOX, Outlet, A
29	109698	1	• RECEPTACLE, GFI, A
30	166943	1	• COVER, Weatherproof GFI, A
-			Parts list continued on the following page

3.9 Mast Electrical Assembly (SJ16)




M158505AF

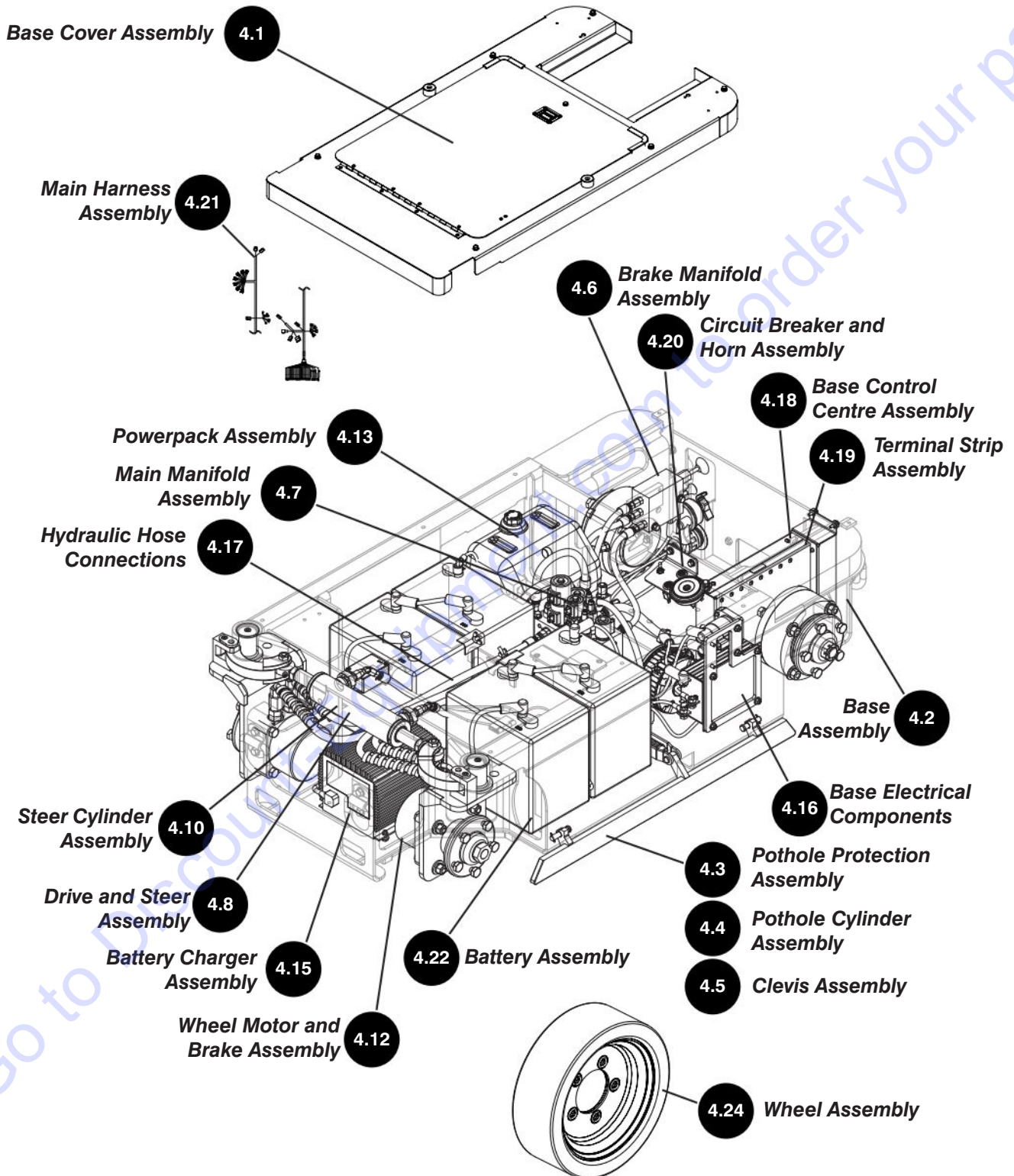
194425AB

SJ12, SJ16

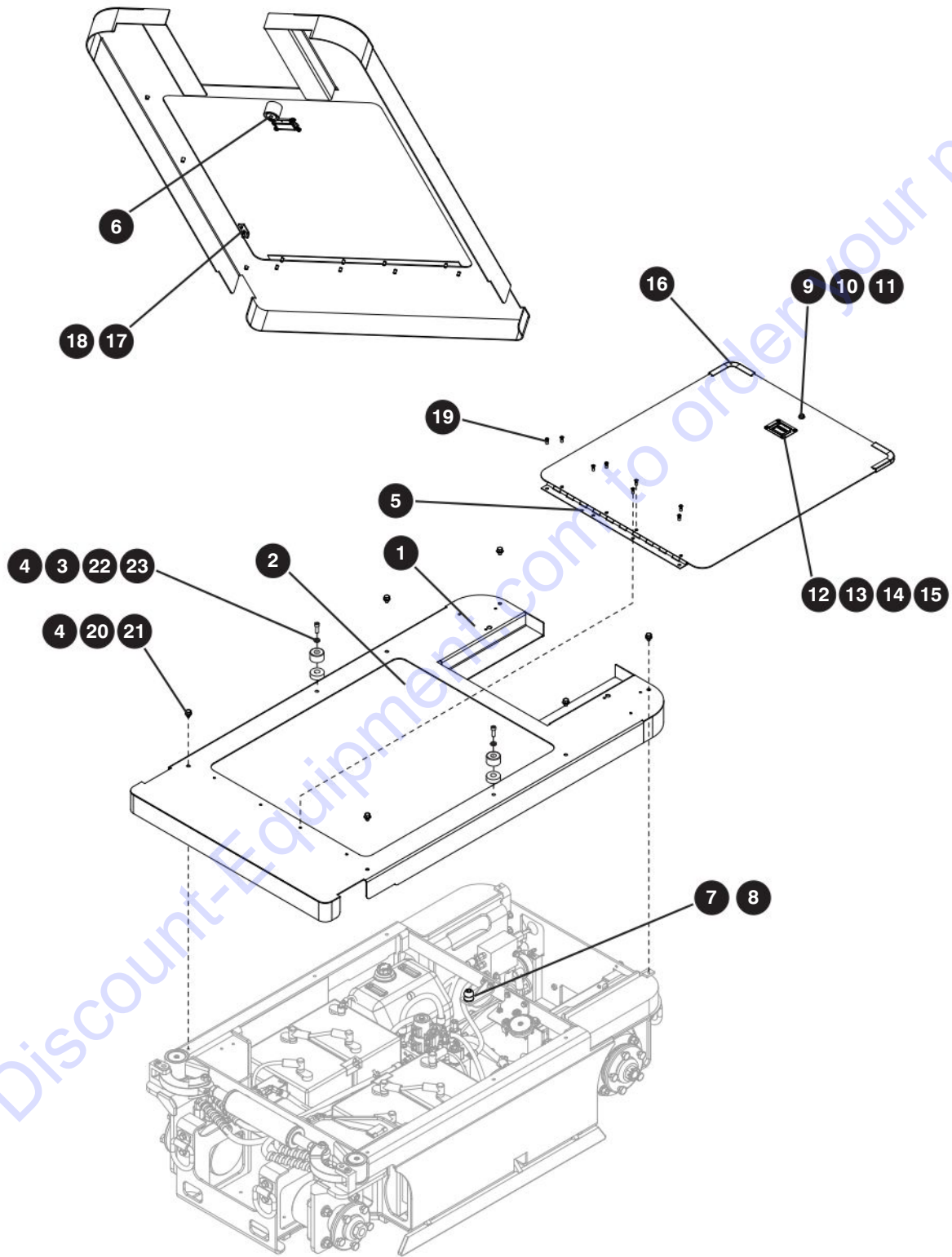
3.9 Mast Electrical Assembly (SJ16)

Index No.	Skyjack Part No.	Qty.	Description
			 NOTE Part Numbers followed by a "DG" indicate dark grey painted parts.
			Parts list continued from the previous page
31	199406	1	• LIMIT SWITCH ASSEMBLY (Mast)
	199405	1	• • SWITCH, Limit (with roller lever)
	117579	1	• • CONNECTOR, Receptacle (4 pin)
	117581	1	• • CONNECTOR, Receptacle wedge (4 pin)
	117591	4	• • CONTACT, Pin (16-18)
32	138765	2	• NUT, Hex nylon lock (#8-32, Grade 5)
33	112248	2	• SCREW, Round head machine (#8-32 x 1.00")
34	220931	3	• CLIP, Single (G8)
35	103995	2	• WASHER, Flat (1/4")
36	115649	2	• NUT, Hex nylon lock (1/4"-20, Grade 5)
37	170759	1	• TUBE, UV - Resistant split - 5/8" x 4"
38	114386	2	• TIE WRAP, Nylon x 14-5/8" long (Not Shown)
39	156843	1	• JUMPER (2 position) (ANSI/CSA)

Section 4 – Base Related Parts



4.1 Base Cover Assembly



M158771AB


194425AB

66

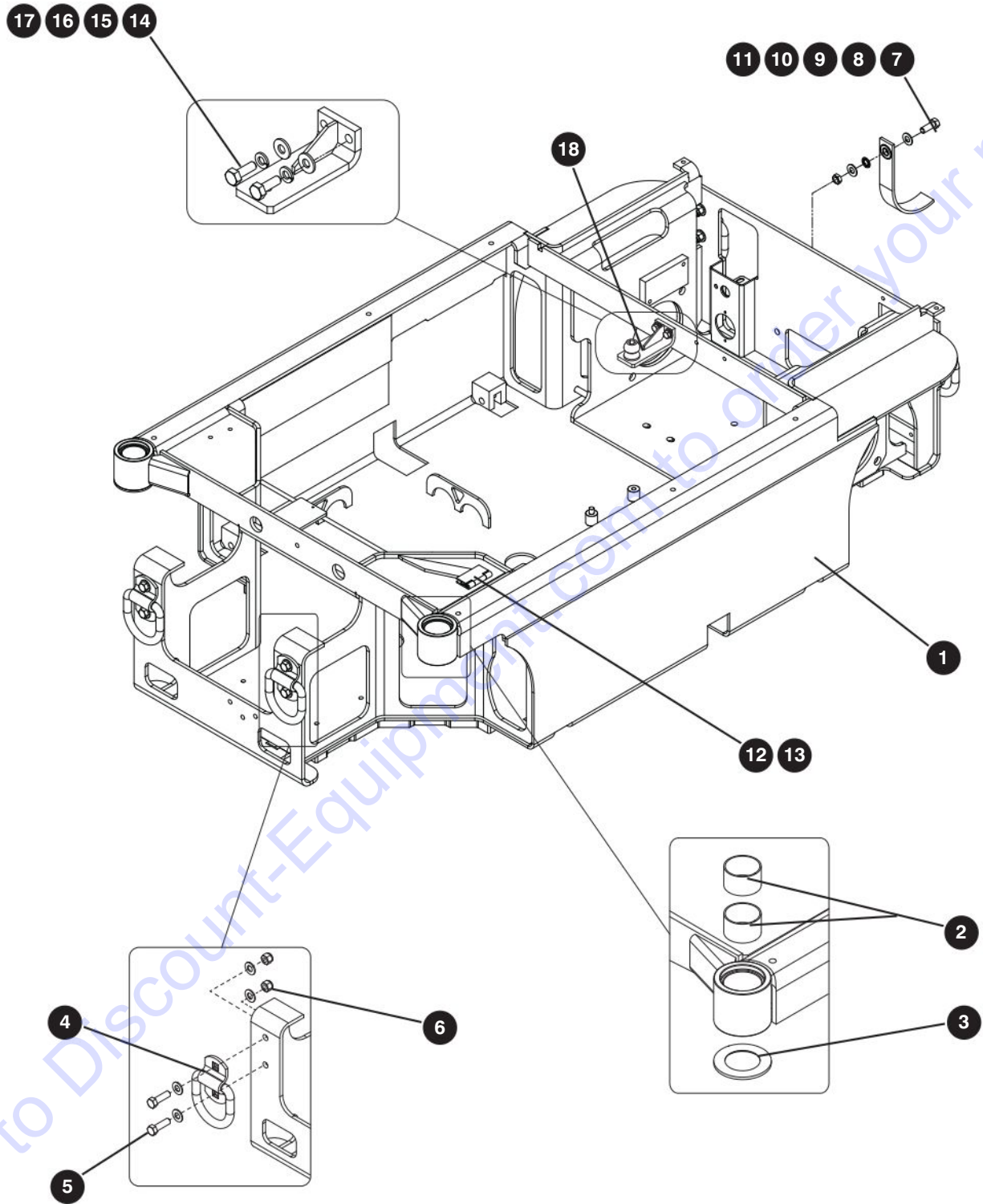
SJ12, SJ16

SKYJACK

4.1 Base Cover Assembly

Index No.	Skyjack Part No.	Qty.	Description
			 NOTE <i>Part Numbers followed by a "DG" indicate dark grey painted parts.</i>
-	158771DG	-	BASE COVER ASSEMBLY
1	158772DG	1	• WELDMENT, Cover top
2	157180	1	• COVER, Service
3	157822	2	• SCREW, Socket head cap (zinc, 5/16"-18 x 7/8")
4	103404	8	• WASHER, Lock (5/16")
5	157840DG	1	• HINGE, Piano (21")
	112447	1	• HOLDER, Rubber
6	125893	1	• • HOLDER, Rubber (female)
7	125892	1	• • HOLDER, Rubber (male)
8	112449	1	• BOLT, Machine hex head (1/4"-20 x 1")
9	103855	1	• BOLT, Hex head (1/4"-20 x 1/2", Grade 5)
10	103995	1	• WASHER, Flat (1/4")
11	103980	1	• NUT, Hex head (1/4"-20, Grade 8)
12	151658	1	• RECESSED HANDLE ASSEMBLY
13	156600	4	• SCREW, Flat head (#8-32 x 3/8)
14	103986	4	• NUT, Hex head (#8-32)
15	103991	4	• WASHER, Flat (#8)
16	117398	1	• TRIM, Protective
17	157160DG	1	• BRACKET, Stop
18	161603	2	• RIVET, Pop (Large flange 5/32")
19	157173	8	• RIVET, Pop (Large flange 1/4")
20	103996	6	• WASHER, Flat (5/16")
21	103845	6	• BOLT, Hex head (5/16"-18 x 1/2", Grade 5)
22	158864	2	• BUMPER
23	158845	A/R	• SPACER, 0.625"
	158846	A/R	• SPACER, 0.5"
	158847	A/R	• SPACER, 0.375"

4.2 Base Assembly




M170589AA

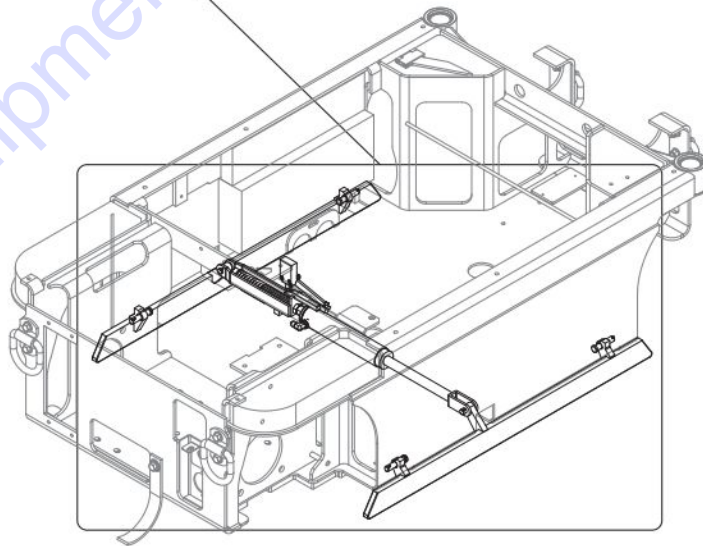
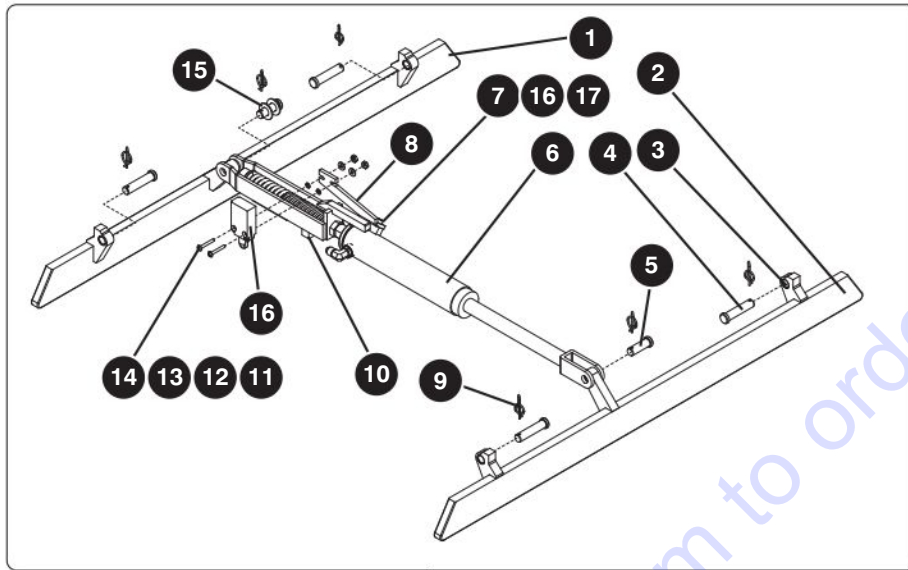
194425AB

SJ12, SJ16

4.2 Base Assembly

Index No.	Skyjack Part No.	Qty.	Description
			 NOTE <i>Part Numbers followed by a "DG" indicate dark grey painted parts.</i>
A	158350DG	-	BASE ASSEMBLY (SJ12 - ANSI/CSA, KC)
B	170589DG	-	BASE ASSEMBLY (SJ12 - CE)
C	157134DG	-	BASE ASSEMBLY (SJ16)
1	170550DG	1	• WELDMENT, Base, A
	170542DG	1	• WELDMENT, Base, B
	170551DG	1	• WELDMENT, Base, C
2	100904	4	• BUSHING, Fiberglide (1.5" ID x 1")
3	149782	2	• WASHER, Bronze (kingpin)
4	156848	4	• D-RING ASSEMBLY
5	101297	8	• BOLT, Carriage (3/8"-16 x 1.25", Grade 5), A, B
	101297	8	• BOLT, Hex head (3/8"-16 x 1.25", Grade 5), C
6	104606	8	• NUT, Hex nylon lock (3/8"-16, Grade 5)
7	103472	18	• WASHER, Flat (3/8")
8	115420	1	• STRAP, Static
9	103473	1	• BOLT, Hex head (3/8"-16 x 1", Grade 5)
10	155979	1	• WASHER, Int tooth lock (3/8")
11	108575	1	• NUT, Hex head jam (3/8"-16, Grade 5)
12	157157DG	1	• PLATE, Hinged
13	139641	2	• RIVET, Pop (1/4")
14	151660DG	1	• BRACKET, Latch weld
15	103995	2	• WASHER, Flat (1/4")
16	104000	2	• WASHER, Lock (1/4")
17	103856	2	• BOLT, Hex head (1/4"-20 x 3/4", Grade 5)
18	(Ref.)	1	HOLDER, Rubber (For components, refer to Section 4.1 Base Cover Assembly)

4.3 Pothole Protection Assembly



M158122AB


194425AB

70

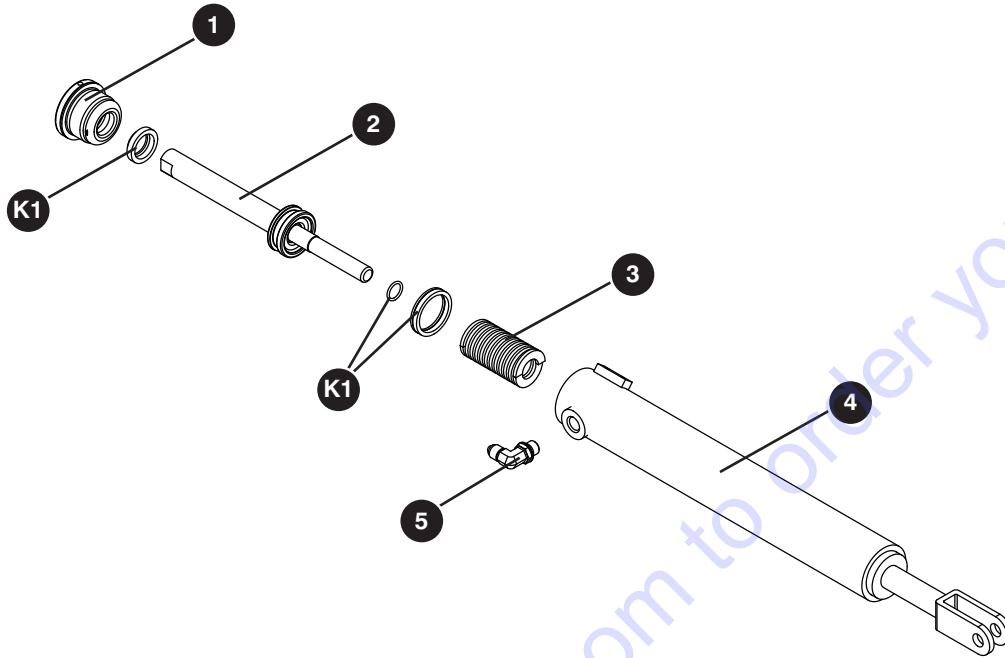
SJ12, SJ16

SKYJACK


4.3 Pothole Protection Assembly

Index No.	Skyjack Part No.	Qty.	Description
			 NOTE <i>Part Numbers followed by a "DG" indicate dark grey painted parts.</i>
-	158122DG	-	POTHOLE PROTECTION ASSEMBLY
1	158398DG	1	<ul style="list-style-type: none"> • PLATE, Pothole Assembly (Right-hand - Control box side)
2	158397DG	1	<ul style="list-style-type: none"> • PLATE, Pothole Weld (Left-hand)
3	119312	6	<ul style="list-style-type: none"> • BUSHING, Fiberglide
4	158144	4	<ul style="list-style-type: none"> • PIN, Clevis
5	158148	2	<ul style="list-style-type: none"> • PIN, Clevis
6	(Ref.)	1	<ul style="list-style-type: none"> • CYLINDER, Hydraulic <p>(For components, refer to Section 4.4 Pothole Cylinder Assembly)</p>
7	158889	2	<ul style="list-style-type: none"> • SCREW, Socket head cap (10-24 x 1/2")
8	158395	1	<ul style="list-style-type: none"> • BRACKET, Limit Switch
9	158818	6	<ul style="list-style-type: none"> • PIN, Cotter (Rue ring)
10	(Ref.)	1	<ul style="list-style-type: none"> • ASSEMBLY, Clevis <p>(For components, refer to Section 4.5 Clevis Assembly)</p>
11	112248	2	<ul style="list-style-type: none"> • SCREW, Round head machine (#8-32 x 1.0")
12	112249	2	<ul style="list-style-type: none"> • WASHER, Lock (#8)
13	103991	2	<ul style="list-style-type: none"> • WASHER, Flat (#8)
14	103986	2	<ul style="list-style-type: none"> • NUT, Hex head (#8-32)
15	119313	2	<ul style="list-style-type: none"> • WASHER, Flat (.438)
16	104694	2	<ul style="list-style-type: none"> • WASHER, Flat #10
17	104185	2	<ul style="list-style-type: none"> • WASHER, Lock #10
18	(Ref.)	1	<p>LIMIT SWITCH ASSEMBLY</p> <p>(For components, refer to Section 4.16 Base Electrical Components)</p>

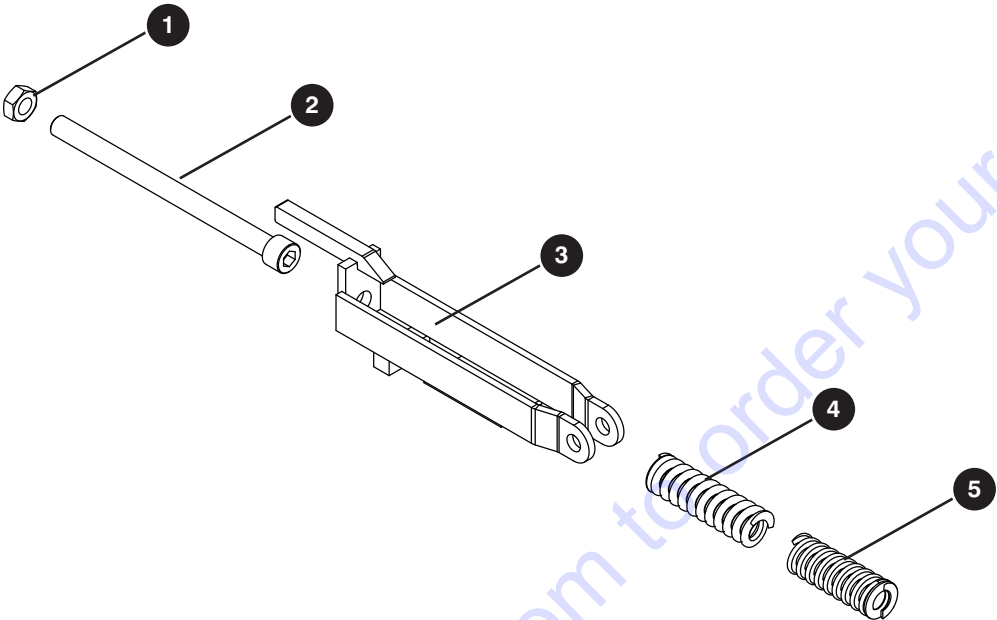
4.4 Pothole Cylinder Assembly




M158396AB_2

Index No.	Skyjack Part No.	Qty.	Description
-	158396DG	-	<p> NOTE Part Numbers followed by a "DG" indicate dark grey painted parts.</p> <p>POTHOLE CYLINDER ASSEMBLY</p> <ul style="list-style-type: none"> • GLAND • ROD • SPRING • BARREL • FITTING, 90-degree (04MJ-04MB)
1	159336	1	
2	159337	1	
3	159338	1	
4	159339DG	1	
5	159340	1	
K1	159341	1	KIT, Seal

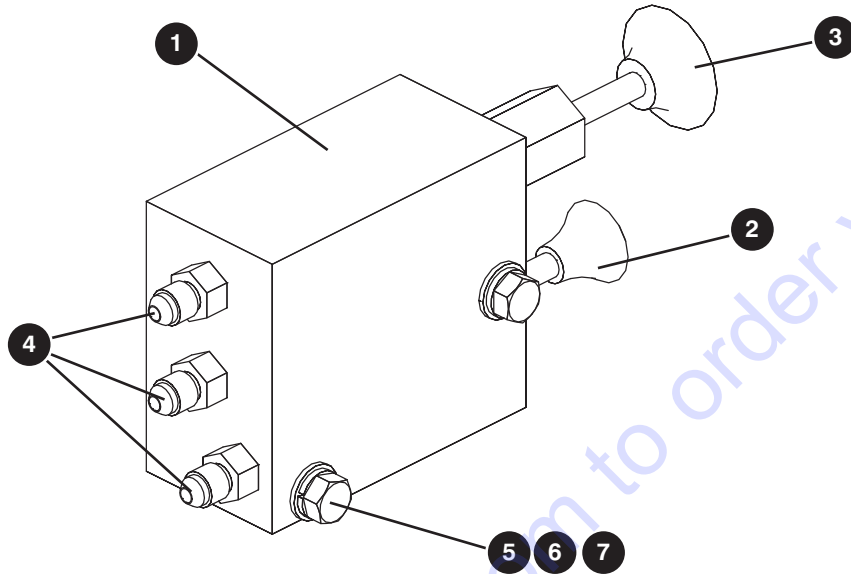
4.5 Clevis Assembly



M158906AB

Index No.	Skyjack Part No.	Qty.	Description
-	158906DG	1	<p> NOTE Part Numbers followed by a "DG" indicate dark grey painted parts.</p> <p>CLEVIS ASSEMBLY</p>
1	107949	1	<ul style="list-style-type: none"> • NUT, Hex head jam (1/2"-13, Grade 5)
2	158987	1	<ul style="list-style-type: none"> • SCREW, Socket head cap (1/2"-13 x 7")
3	158390DG	1	<ul style="list-style-type: none"> • WELD, Clevis
4	158400	1	<ul style="list-style-type: none"> • SPRING, Die (3.5" LG)
5	158399	1	<ul style="list-style-type: none"> • SPRING, Die (3" LG)

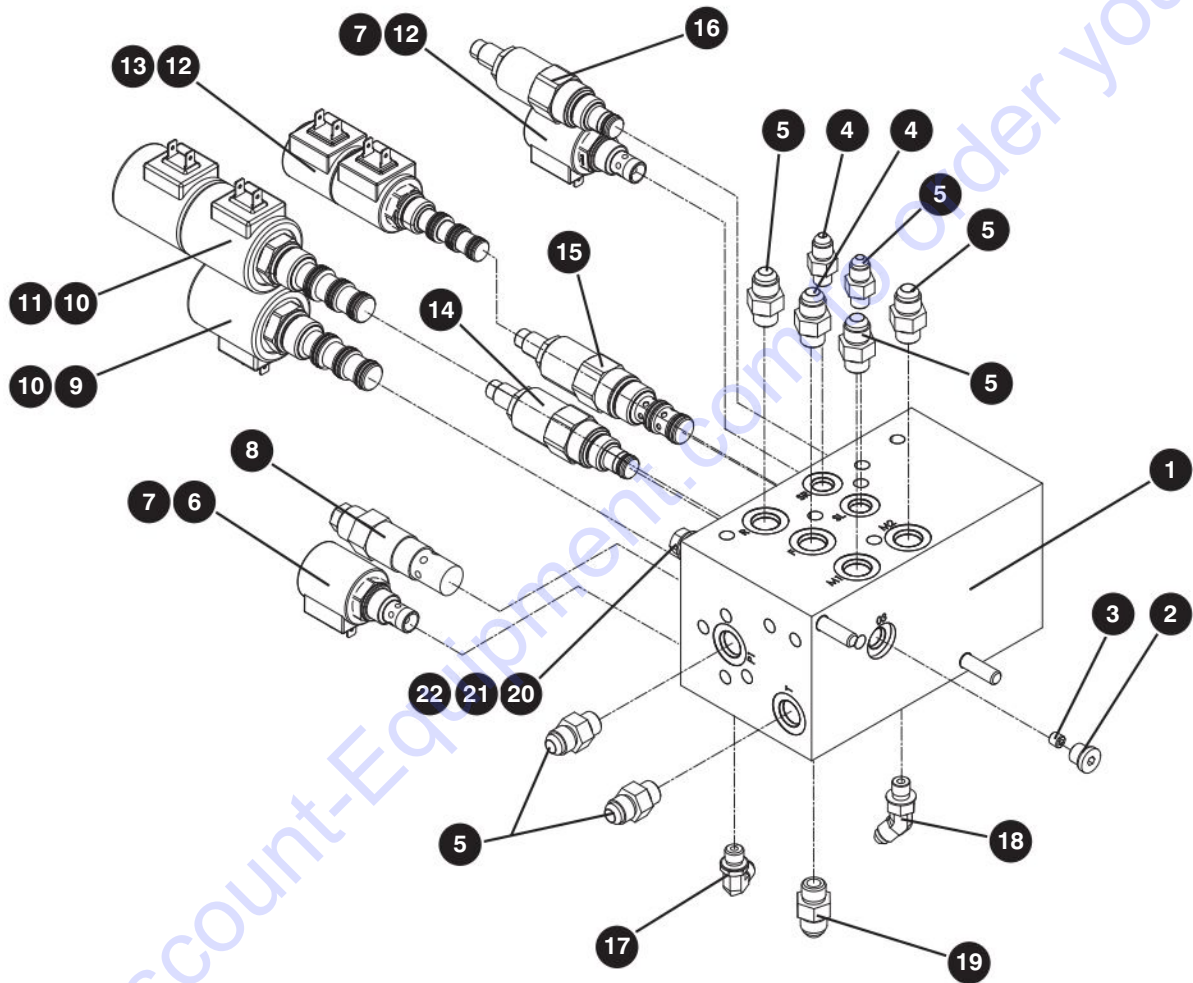
4.6 Brake Manifold Assembly



M151458AA

Index No.	Skyjack Part No.	Qty.	Description
-	136540	1	BRAKE MANIFOLD ASSEMBLY
1	146563	1	• BLOCK, Brake manifold
2	146561	1	• VALVE, Auto reset
3	146559	1	• VALVE, Hand pump
4	701954	3	• FITTING, Straight (04 JICM - 04 ORBM)
5	103884	2	BOLT, Hex head (5/16"-18 x 2.5", Grade 5)
6	103996	2	WASHER, Flat (5/16")
7	103404	2	WASHER, Lock (5/16")
-	146564	1	KIT, Seal (Not Shown)

4.7 Main Manifold Assembly



M158099AC

194425AB

76

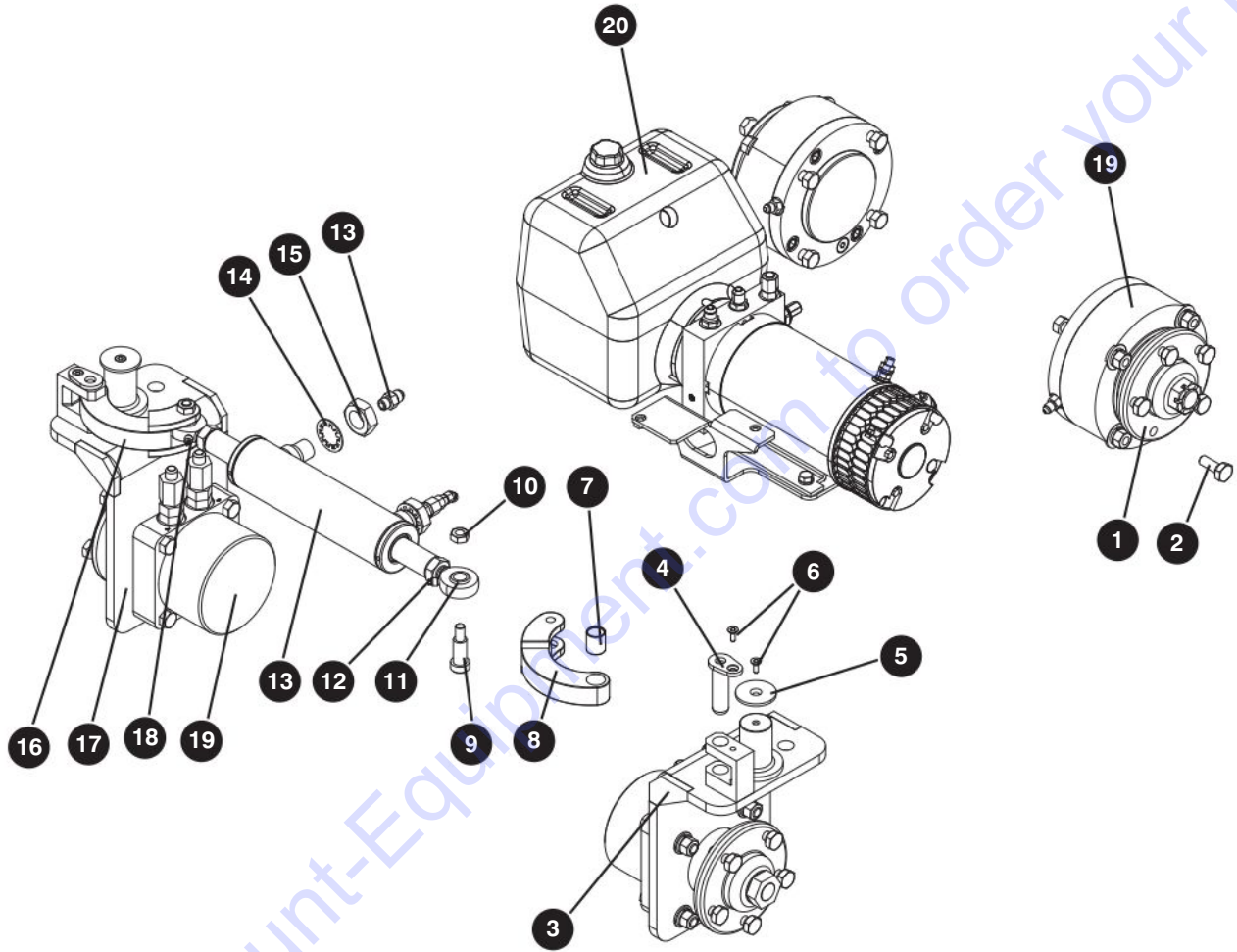
SJ12, SJ16

SKYJACK

4.7 Main Manifold Assembly

Index No.	Skyjack Part No.	Qty.	Description
-	158099	-	 NOTE <i>Part Numbers followed by a "DG" indicate dark grey painted parts.</i>
			MAIN MANIFOLD ASSEMBLY
1	158198	1	• MANIFOLD ASSEMBLY
2	121250	1	• PLUG, Hollow (Hex 4 SAE ORB)
3	141518	1	• PLUG, Pressure (1/16 NPT X 0.031" ID)
4	126128	2	• FITTING, Straight (04 JICM - 04 ORBM)
5	103069	7	• FITTING, Straight (06 JICM - 06 ORBM)
6	103655	1	• VALVE, Poppet Solenoid Cartridge
7	103656	1	• VALVE, Poppet Solenoid Cartridge
8	147889	1	• VALVE, Counterbalance (4000 psi)
9	158185	1	• VALVE, 4 way (2 pos)
10	105610	3	• COIL, 24V (2 prong, #10)
11	156850	1	• VALVE, Drive (3/4 way Mtr Spool)
12	103605	4	• COIL, 24V (2 prong)
13	158186	1	• VALVE, 4 way spool (3 pos tandem C)
14	151684	1	• VALVE, Relief
15	158852	1	• VALVE, Priority flow control
16	158853	1	• VALVE, Relief (1500 psi)
17	125883	1	• FITTING, 90-degree (04JICM-04ORBM)
18	131716	1	• FITTING, 45-degree (04JICM-04ORBM)
19	103069	1	FITTING, Straight (06 JICM - 06 ORBM)
20	138762	2	BOLT, Hex head (5/16"-18 x 5", Grade 5)
21	103996	2	WASHER, Flat (5/16")
22	103404	2	WASHER, Lock (5/16")

4.8 Drive and Steer Assembly



M158149AA_2


194425AB

78

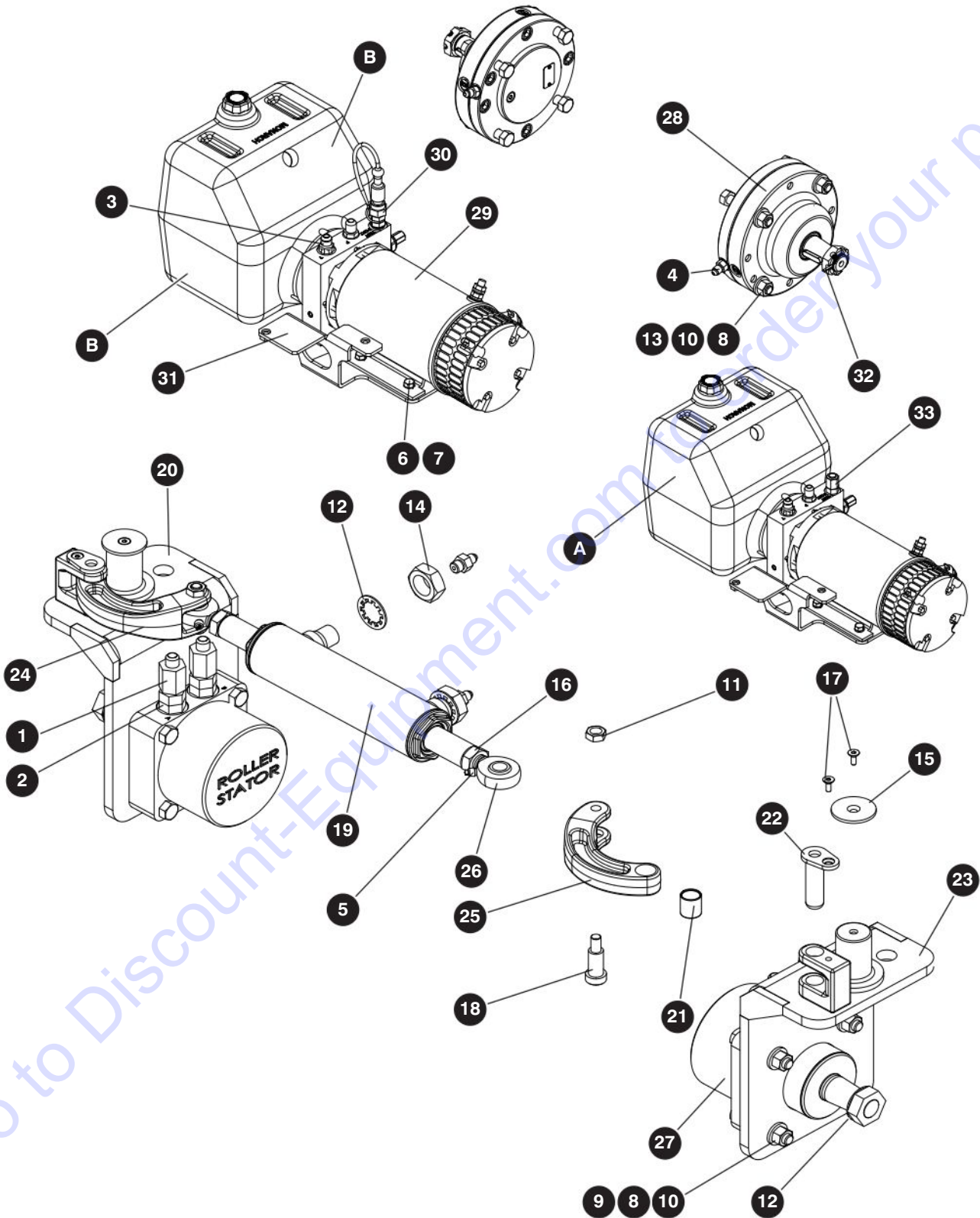
SJ12, SJ16

SKYJACK

4.8 Drive and Steer Assembly

Index No.	Skyjack Part No.	Qty.	Description
			 NOTE <i>Part Numbers followed by a "DG" indicate dark grey painted parts.</i>
A	158149DG	-	DRIVE/STEER ASSEMBLY (ANSI/CSA) <i>(For machine serial number 14013127 and below)</i>
B	158316DG	-	DRIVE/STEER ASSEMBLY (CE & KC) <i>(For machine serial number 14013127 and below)</i>
1	107912	4	<ul style="list-style-type: none"> HUB, Wheel <i>(Used on machines without the integrated hub wheel assemblies)</i>
2	103199	20	<ul style="list-style-type: none"> BOLT, Wheel (1/2"-20 x 1.5625") <i>(Used on machines without the integrated hub wheel assemblies)</i>
3	170016DG	1	<ul style="list-style-type: none"> WELDMENT, Motor (Right-hand - Control box side)
4	151326	2	<ul style="list-style-type: none"> PIN, Steer
5	151650	2	<ul style="list-style-type: none"> RETAINER, Washer
6	110853	4	<ul style="list-style-type: none"> SCREW, Flat head cap (1/4"-20 x 5/8", Grade 5)
7	100050	2	<ul style="list-style-type: none"> BUSHING, Fibreglide
8	151260DG	1	<ul style="list-style-type: none"> WELDMENT, Steer arm (Left-hand)
9	107951	2	<ul style="list-style-type: none"> SCREW, Hex socket shoulder (5/8" x 1.25")
10	107949	2	<ul style="list-style-type: none"> NUT, Hex head jam (1/2"-13, Grade 5)
11	107143	2	<ul style="list-style-type: none"> END, Rod
12	106450	2	<ul style="list-style-type: none"> NUT, Hex head jam (3/4"-16, Grade 5)
13	(Ref.)	1	<ul style="list-style-type: none"> CYLINDER, Steer <i>(For components, refer to Section 4.10 Steer Cylinder Assembly)</i>
14	103789	2	<ul style="list-style-type: none"> WASHER, Int tooth lock (1")
15	107947	2	<ul style="list-style-type: none"> NUT, Hex head jam (1"-14, Grade 5)
16	151259DG	1	<ul style="list-style-type: none"> WELDMENT, Steer arm (Right-hand - Control box side)
17	170017DG	1	<ul style="list-style-type: none"> WELDMENT, Motor (Left hand)
18	132565	2	<ul style="list-style-type: none"> CAP, Grease (GC5)
19	(Ref.)	1	<ul style="list-style-type: none"> WHEEL MOTOR AND BRAKE ASSEMBLY <i>(For components, refer to Section 4.12 Wheel Motor and Brake Assembly)</i>
20	(Ref.)	1	<ul style="list-style-type: none"> POWERPACK ASSEMBLY <i>(For components, refer to Section 4.12 Powerpack Assembly)</i>

4.9 Drive and Steer Assembly



M216474

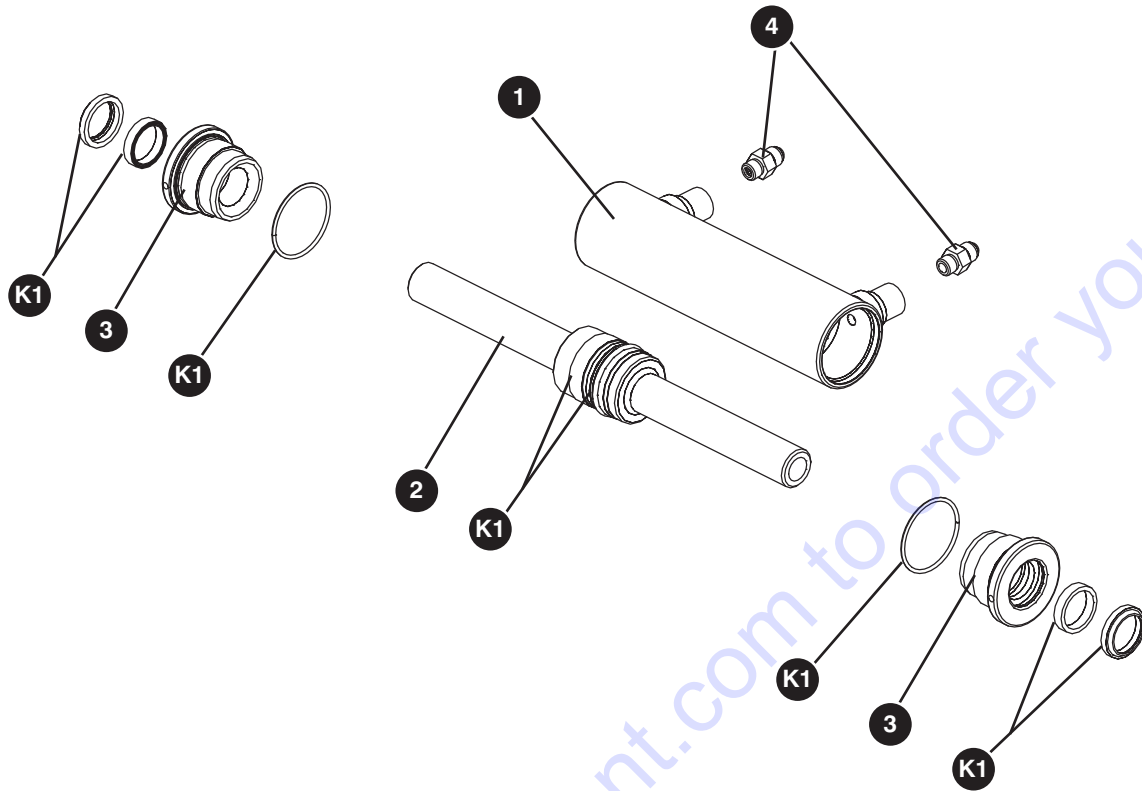
194425AB

SJ12, SJ16


4.9 Drive and Steer Assembly

Index No.	Skyjack Part No.	Qty.	Description
A	216475	-	DRIVE/STEER ASSEMBLY (ANSI) (For machine serial number 14013127 above)
B	216474	-	DRIVE/STEER ASSEMBLY (CE & KC) (For machine serial number 14013127 above)
1	151465	4	• FITTING, STR (06JICM-06JICF LIVE SW)
2	103307	4	• FITTING, 10 SAE TO -6 JIC
3	103069	2	• FITTING - STR (06 JICM - 06 ORBM) (A)
	-	1	• FITTING - STR (06 JICM - 06 ORBM) (B)
4	126128	2	• FITTING, 4 SAE TO -4 JIC
5	132565	2	• CAP, Grease GC5
6	103887	4	• BOLT, HXHD 0.312"-18 X 0.750" GR5
7	103404	4	• WASHER, LOCK 0.312"
8	123856	16	• NUT, HEX 0.50"-13 GR8
9	123855	8	• BOLT, HXHD 0.50"-13 X 2.750" GR8
10	104379	16	• Washer Flat 0.500" Hard
11	107949	2	• NUT, HEX head JAM 0.50"-13 GR5
12	103789	2	• WASHER-LOCK SP-NR #B-493, TOOTH 1.00"
13	196596	8	• BOLT, Hex head 0.50-13 X 3.000 GR.8 ZINC PLATED
14	107947	2	• NUT, Hex head JAM 1-14 GR5
15	151650	2	• RETAINER, WASHER
16	106450	2	• NUT, HEX HD JAM 0.75-16 GR5
17	110853	4	• FHCS 0.25-20 x 0.625, GRADE 5
18	107951	2	• SCREW, HEX SOCKET SHOULDER 0.625 x 1.25
19	151690	1	• CYLINDER, Steering SJ12/16 (For components, refer to Section 4.10 Steer Cylinder Assembly)
20	170017	1	• MOTOR WELDMENT, Left hand
21	100050	2	• BUSHING, Fiberglide
22	151326	2	• PIN STEERING WELDMENT, MINILIFT
23	170016	1	• MOTOR WELDMENT, Right hand - Control box side
24	151248	1	• STEER ARM, Right hand - Control box side
25	151249	1	• STEER ARM, Left hand
26	107143	2	• END, Male rod
27	139412	2	• HYDRAULIC MOTOR CE14
28	217960	2	• BRAKE, Wheel mount
29	212933	1	• POWERPACK, 24V (For components, refer to Section 4.12 Powerpack Assembly)
30	122420	1	• ASSY, Quick disconnect (B)
31	158812	1	• WELDMENT BRACKET MAIN VALVE
32	103974	2	• PIN, Cotter - 0.125 DIA X 1.50"
33	107666	1	• FITTING, Cap (06JICF) (A)

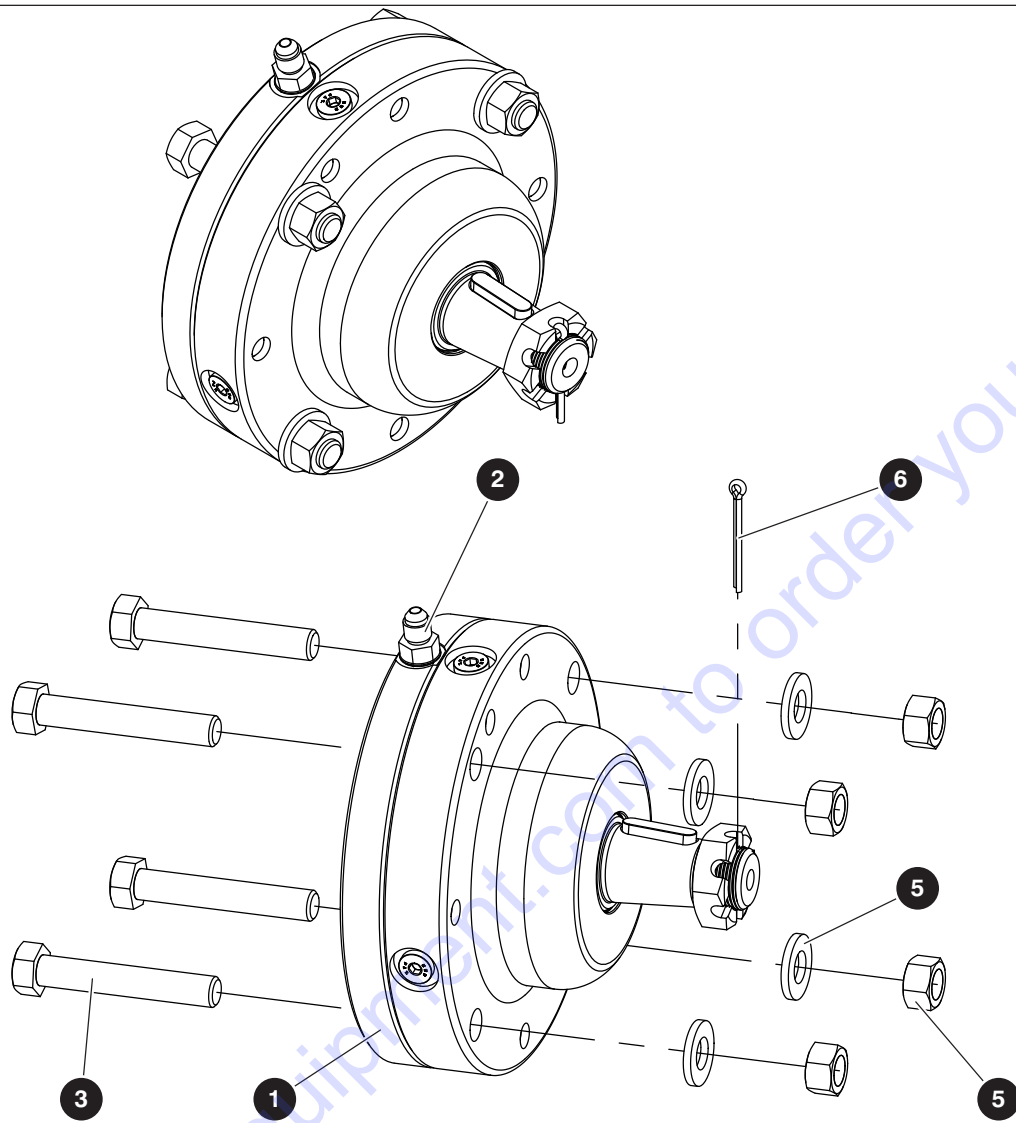
4.10 Steer Cylinder Assembly



M151733AC

Index No.	Skyjack Part No.	Qty.	Description
-	151690DG	-	<p> NOTE Part Numbers followed by a "DG" indicate dark grey painted parts.</p> <p>STEER CYLINDER ASSEMBLY</p>
1	121089DG	1	<ul style="list-style-type: none"> • WELDMENT, Tube
2	107939	1	<ul style="list-style-type: none"> • ROD
3	121088	2	<ul style="list-style-type: none"> • GLAND
4	701956	2	<ul style="list-style-type: none"> • FITTING, Straight Connector (-6 SAE -4 JIC)
K1	157562	1	<ul style="list-style-type: none"> • KIT, Seal


4.11 Wet Brake Assembly



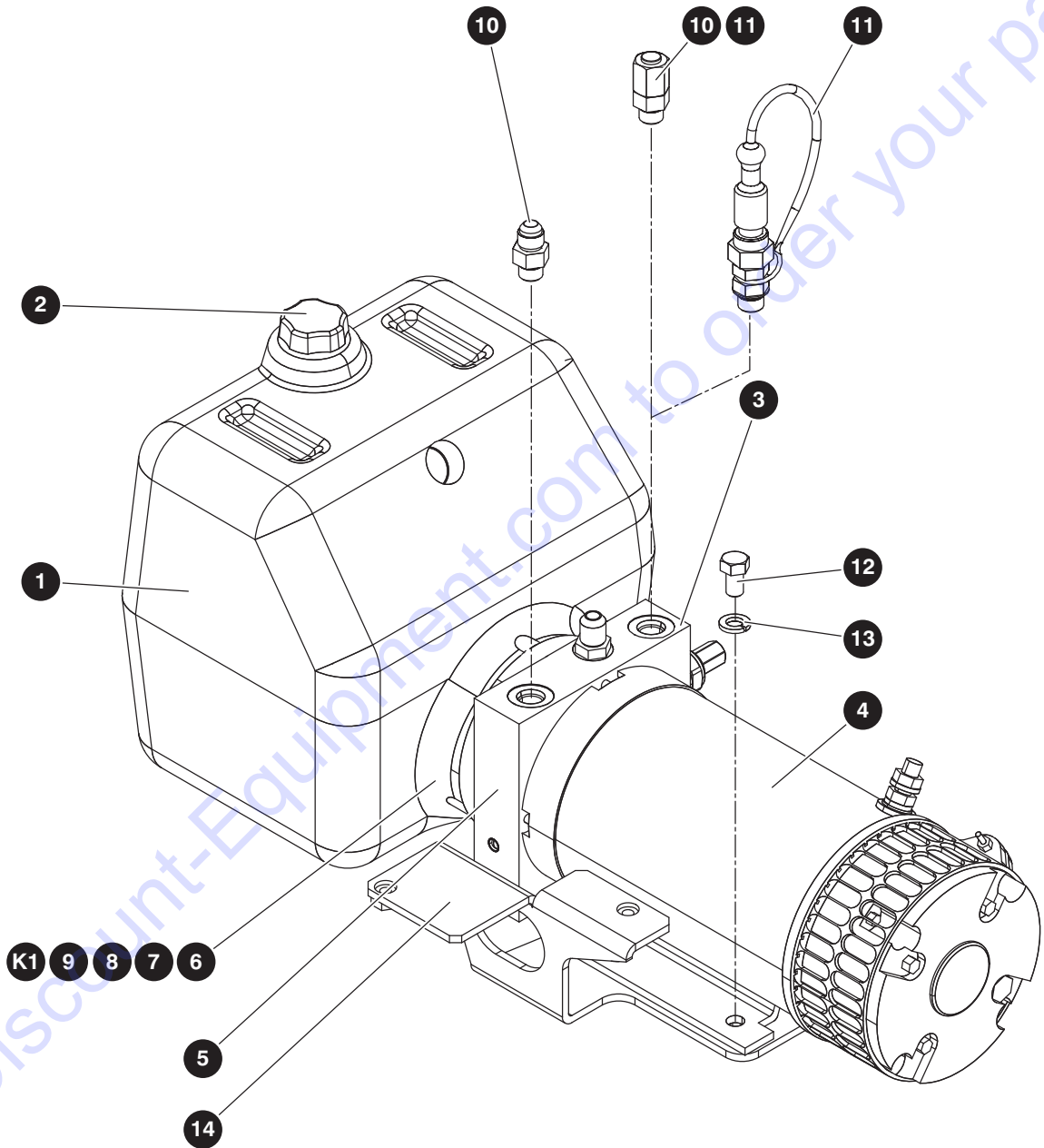
M221488AA

Index No.	Skyjack Part No.	Qty.	Description
-	221489	1	WET BRAKE ASSEMBLY
1	217960	2	• BRAKE, Wheel Mount
2	126128	2	• FITTING, Straight (04 JICM - 04 ORBM)
3	196596	8	• BOLT, Hex head (1/2"-13 x 3 gr8)
4	104379	8	• WASHER, Flat (1/2")
5	123856	8	• NUT, Hex (1/2" - 13 gr8)
6	103974	2	• PIN, Cotter (1/4" x 1.50")
7	199302A	1	• INSTRUCTIONS, Wet brake replacement


4.12 Wheel Motor and Brake Assembly

Index No.	Skyjack Part No.	Qty.	Description
			 NOTE <i>Part Numbers followed by a "DG" indicate dark grey painted parts.</i>
1	139412	2	MOTOR, Wheel
-	167908	1	• KEY, Shaft (Not Shown)
-	213015	1	• BEARING, Front Housing (Not Shown)
2	151465	4	FITTING, Straight swivel (06 JICM - 06 JICF)
3	103307	4	FITTING, Straight (06 JICM - 10 ORBM)
4	123856	16	NUT, Hex 1/2"-13 grade 8
5	104379	16	WASHER, Flat (1/2" Hard)
6	123855	8	BOLT, Hex head 1/2"-13 X 2-3/4" grade 8
7	154839	2	BRAKE, Wheel mount
	159422	1	• KEY, Square
	159423	1	• NUT, Slotted hex
	159424	1	• PIN, Cotter
8	194270	8	BOLT, Hex head 1/2"-13 x 4" Grade 8
9	126128	2	FITTING, Straight (04 JICM - 04 ORBM)
10	103789	2	WASHER, Lock (Int tooth, 1")
K1	151099	2	KIT, Seal
K2	156251	2	KIT, Bearing and seal
	156252	2	KIT, Brake stack
	156253	2	KIT, O-ring

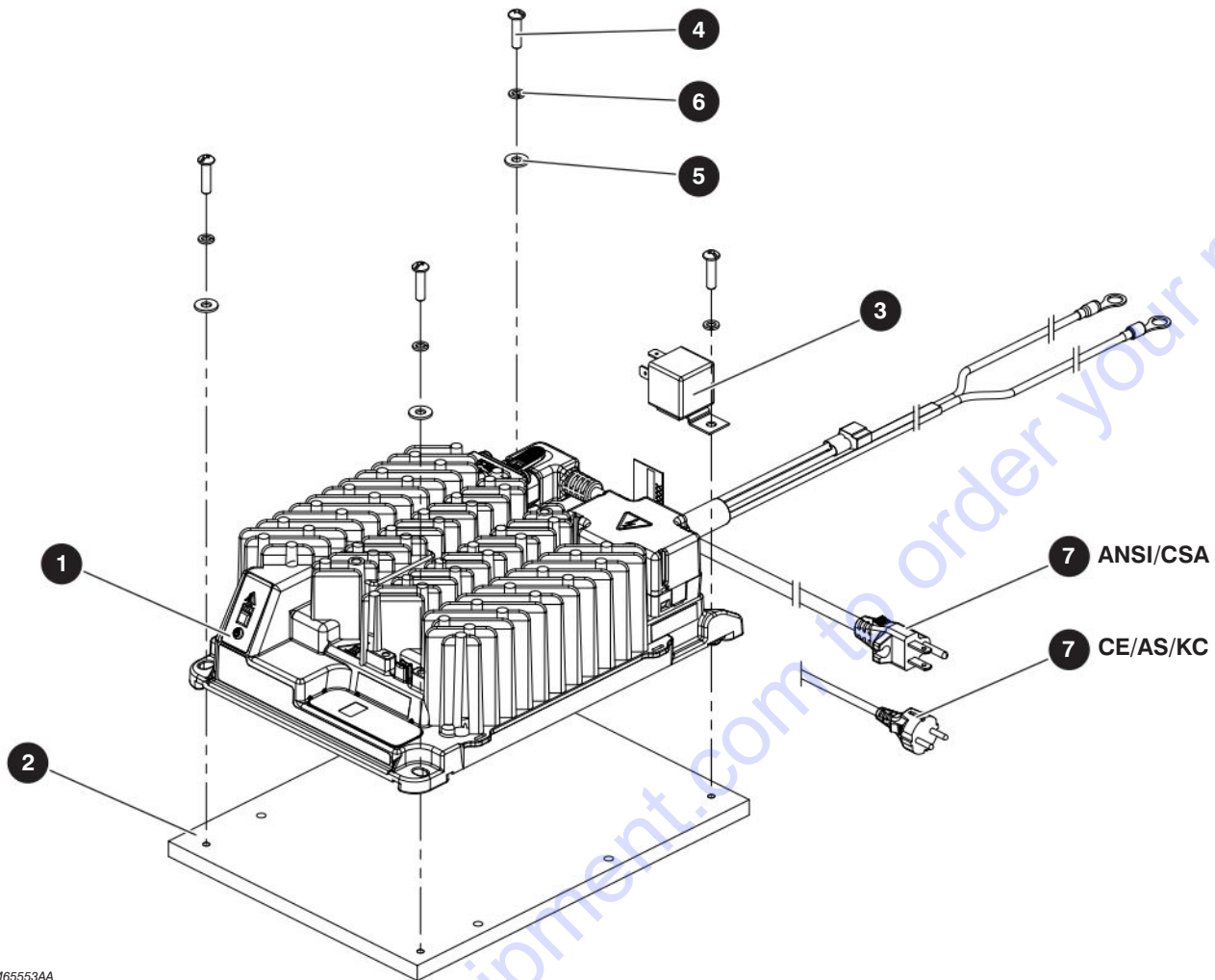
4.13 Powerpack Assembly



4.13 Powerpack Assembly

Index No.	Skyjack Part No.	Qty.	Description
			 NOTE <i>Part Numbers followed by a "DG" indicate dark grey painted parts.</i>
A	151270	1	POWERPACK, 24V (For Serial number 14010998 & Below)
B	212933	1	POWERPACK, 24V (For Serial number 14010999 & Above)
1	156874	1	• TANK, Hydraulic
2	156958	1	• CAP, Filler/Breather
3	156956	1	• VALVE, Relief
4	156877	1	• MOTOR, 24VDC
5	156959	1	• MANIFOLD, Powerpack
6	156875	1	• PUMP (Short Shaft) (A)
	216559	1	• PUMP (Long Shaft) (B)
7	156876	1	• COUPLER
8	156957	1	• STRAINER
9	156960	1	• CLAMP
10	103069	2	FITTING, Straight (06 JICM - 06 ORBM) (ANSI/CSA)
	103069	1	FITTING, Straight (06 JICM - 06 ORBM) (CE & KC)
11	107666	1	FITTING, Cap (06 JICF) (ANSI/CSA)
	122420	1	QUICK DISCONNECT (CE & KC)
12	103887	4	BOLT, Hex head (5/16"-18 x 3/4", Grade 5)
13	103404	4	WASHER, Lock (5/16")
14	(Ref.)	1	BRACKET, Main valve (For components, refer to Section 4.2 Base Assembly)
K1	156961	1	KIT, Seal

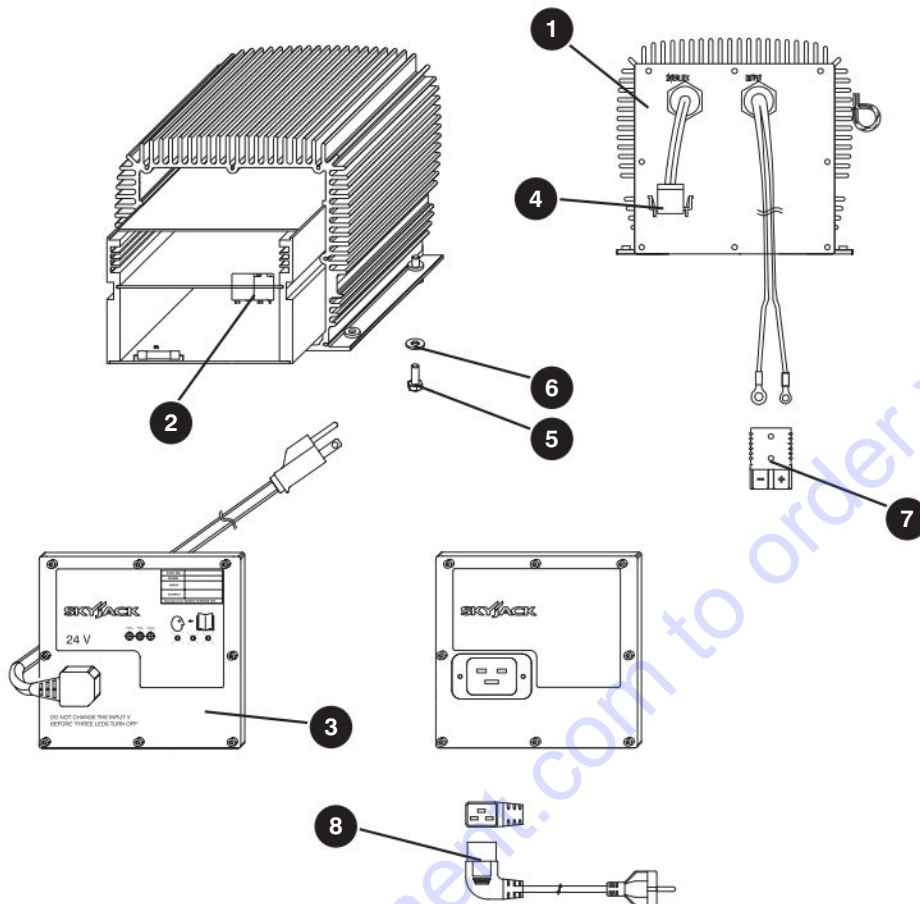
4.14 Delta Q Charger



M6553AA

Index No.	Skyjack Part No.	Qty.	Description
A	228476	1	DELTA-Q CHARGER KIT, IC650 - ANSI/CSA
B	228479	1	DELTA-Q CHARGER KIT, IC650 - CE, AS & KC
1	223160	1	• CHARGER, Delta-Q IC650 - NO
2	221711	1	• PLATE, Charger Mount - IC650
3	223065	1	• RELAY ASM, Charger - IC650
4	138834	4	• SCREW, Round Head Machine - #10-24 x 3/4"
5	104694	3	• WASHER, Flat - #10
6	104185	4	• WASHER, Lock - #10
7	223156	1	• CORD, Charger Delta-Q IC650 - NA, A
	223157	1	• CORD, Charger Delta-Q IC650 - CE, B
8	102892	10	• TIEWRAP CABLE, 5-3/8" Black (not shown)
9	228477	1	• INSTRUCTIONS, DeltaQ - SJIII & VM (not shown)

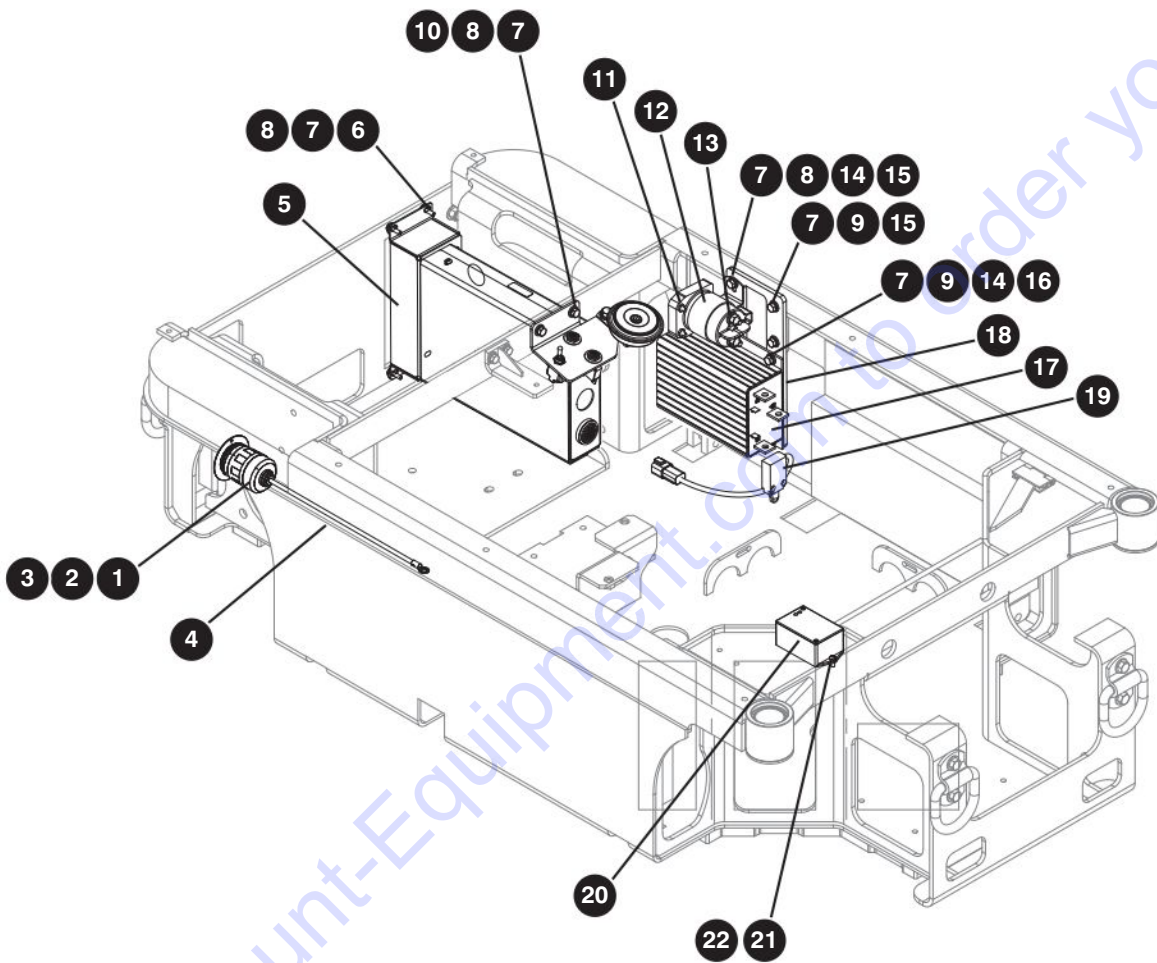
4.15 Battery Charger Assembly



M151630AA_VM

Index No.	Skyjack Part No.	Qty.	Description
1	160931	1	CHARGER, Battery (24VDC)
2	196127	1	• RELAY, 16A ANSI/CE
3	147674	1	FRONTPLATE ASSEMBLY (with hardwired cord), ANSI/CSA
4	115391	1	PLUG, Charger cutout
5	103856	4	BOLT, Hex head (1/4"-20 x 3/4", Grade 5)
6	103995	4	WASHER, Flat (1/4")
7	103364	1	CONNECTOR, Battery (50 Amp)
8	120790	1	CORD, 220V Charger (with plug), CE & KC

4.16 Base Electrical Components



M158747AA_16


194425AB

90

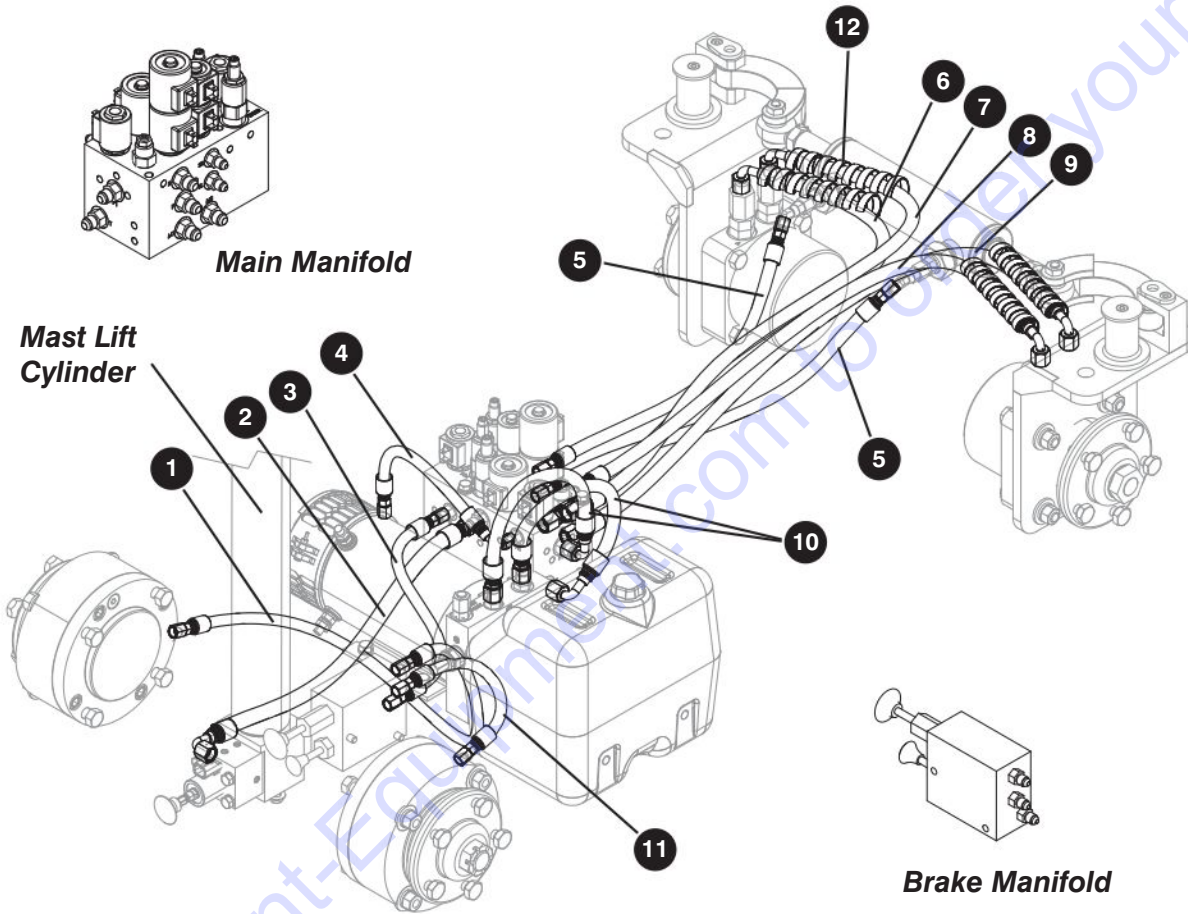
SJ12, SJ16

SKYJACK

4.16 Base Electrical Components

Index No.	Skyjack Part No.	Qty.	Description
			 NOTE <i>Part Numbers followed by a "DG" indicate dark grey painted parts.</i>
A	158196	-	BASE ELECTRICAL (ANSI/CSA) - SJ12 & SJ16
B	158747	-	BASE ELECTRICAL (CE) - SJ12
	158749	-	BASE ELECTRICAL (KC) - SJ12
	158184	-	BASE ELECTRICAL (KC) - SJ16
	158195	-	BASE ELECTRICAL (CE) - SJ16
1	105271	1	CONNECTOR, Inlet (110V), A
2	113227	1	SEAL, Cover, A
3	162754	2	RIVET, 5/32-0.312DIA, AL-AL, A
4	156845	1	GROUND WIRE ASSEMBLY
5	(Ref.)	1	BASE CONTROL CENTRE ASSEMBLY (For components, refer to Section 4.18 Base Control Centre Assembly)
6	(Ref.)	1	CIRCUIT BREAKER AND HORN ASSEMBLY (For components, refer to Section 4.20 Circuit Breaker and Horn Assembly)
7	103995	20	WASHER, Flat (1/4")
8	103965	4	SCREW, Round head machine (1/4"-20 x 3/4")
9	104000	14	WASHER, Lock (1/4")
10	103892	4	BOLT, Hex head (1/4"-20 x 5/8", Grade 5)
11	104003	2	NUT, Hex head (#10-32)
12	165865	1	CONTACTOR
	164671	1	• KIT, Diode
13	156844	2	NUT, Hex head (5/16"-24, Grade 5)
14	103980	6	NUT, Hex head (1/4"-20, Grade 8)
15	103856	2	BOLT, Hex head (1/4"-20 x 3/4", Grade 5)
16	103891	4	BOLT, Hex head (1/4"-20 x 7/8", Grade 5)
17	151207	1	CONTROLLER, Pump motor (24VDC - 360 Amp)
18	158113	1	BACKPLATE
19	199401	1	LIMIT SWITCH ASSEMBLY
	199412	1	• SWITCH, Limit Roller Plunger 2m cable
	117578	1	• CONNECTOR, Receptacle (4-pin)
	117580	1	• CONNECTOR, Receptacle (4-pin wedge)
	117590	4	• CONNECTOR, Pin (Contact 16-18)
20	157375	1	SWITCH, Tilt (Combo)
21	104185	2	WASHER, Lock (#10)
22	103962	2	SCREW, Round head machine (#10-32 x 1/2")

4.17 Hydraulic Hose Connections



M158153AA

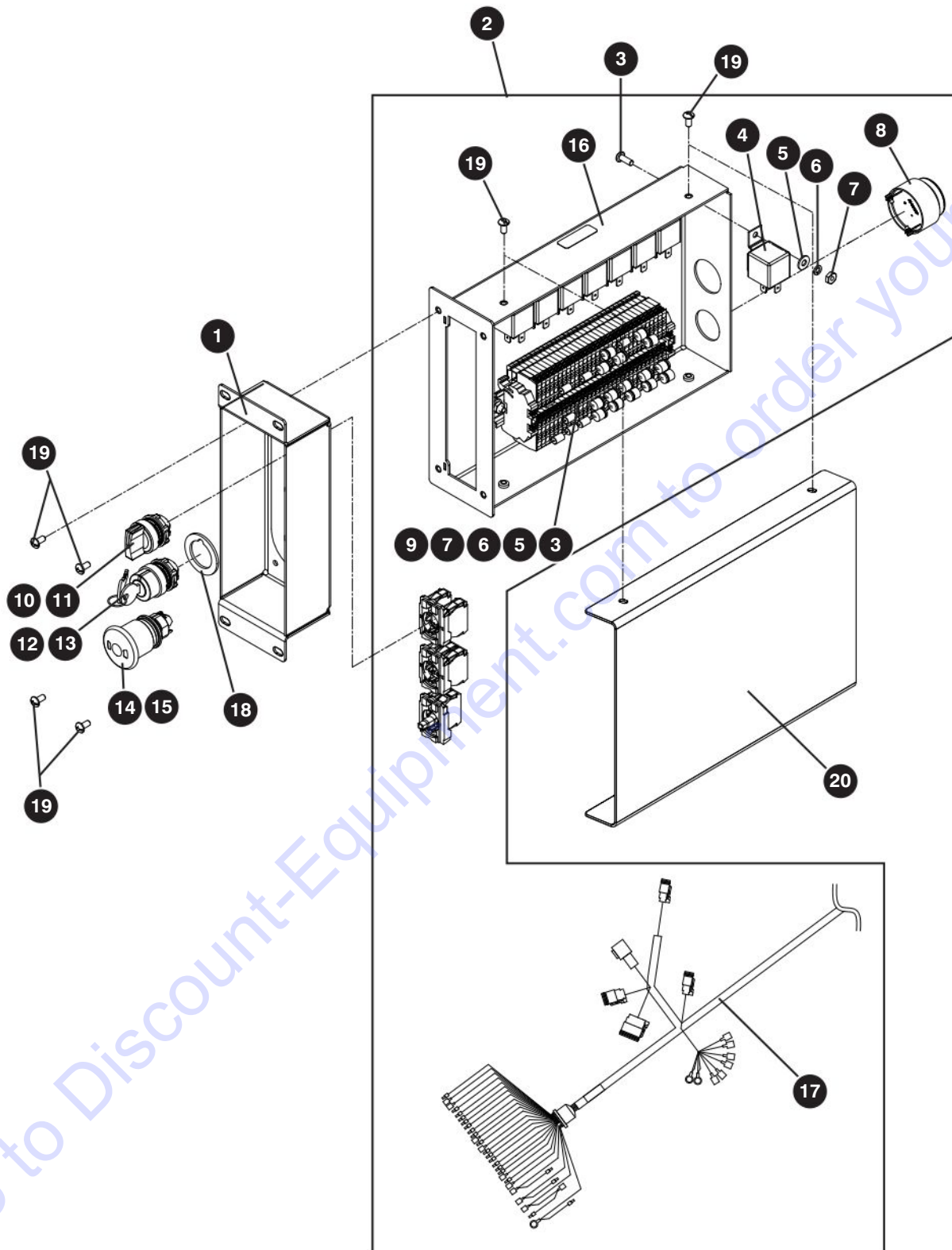
194425AB

4.17 Hydraulic Hose Connections

Index No.	Hose P/N	From		To	
		Description	Port	Port	Description
1	H 31040028 2	Brake manifold	B1	-	Left brake
2	H 34060019 0	Main manifold	L	-	Emergency lowering valve
3	H 31040022 0	Main manifold	B	B	Brake manifold
4	H 31040022 0	Main manifold	PH	-	Pothole cylinder
5	H 31040022 0	Main manifold	SR	-	Steering cylinder
	H 31040022 0	Main manifold	SL	-	Steering cylinder
6	H 34060036 0	Main manifold	M2	A	Left drive motor
7	H 34060035 0	Main manifold	F	B	Left drive motor
8	H 34060034 0	Main manifold	R	B	Right drive motor - Control box side
9	H 34060037 0	Main manifold	M1	A	Right drive motor - Control box side
10	H 34060014 0	Main manifold	T	T	Powerpack
	H 34060014 0	Main manifold	P	P	Powerpack
11	H 31040011 0	Brake manifold	B2	-	Right brake - Control box side

Index No.	Skyjack Part No.	Qty.	Description
12	131285	2.67'	GUARD, Spring (5/8" x 10")

4.18 Base Control Centre Assembly



M196169AB

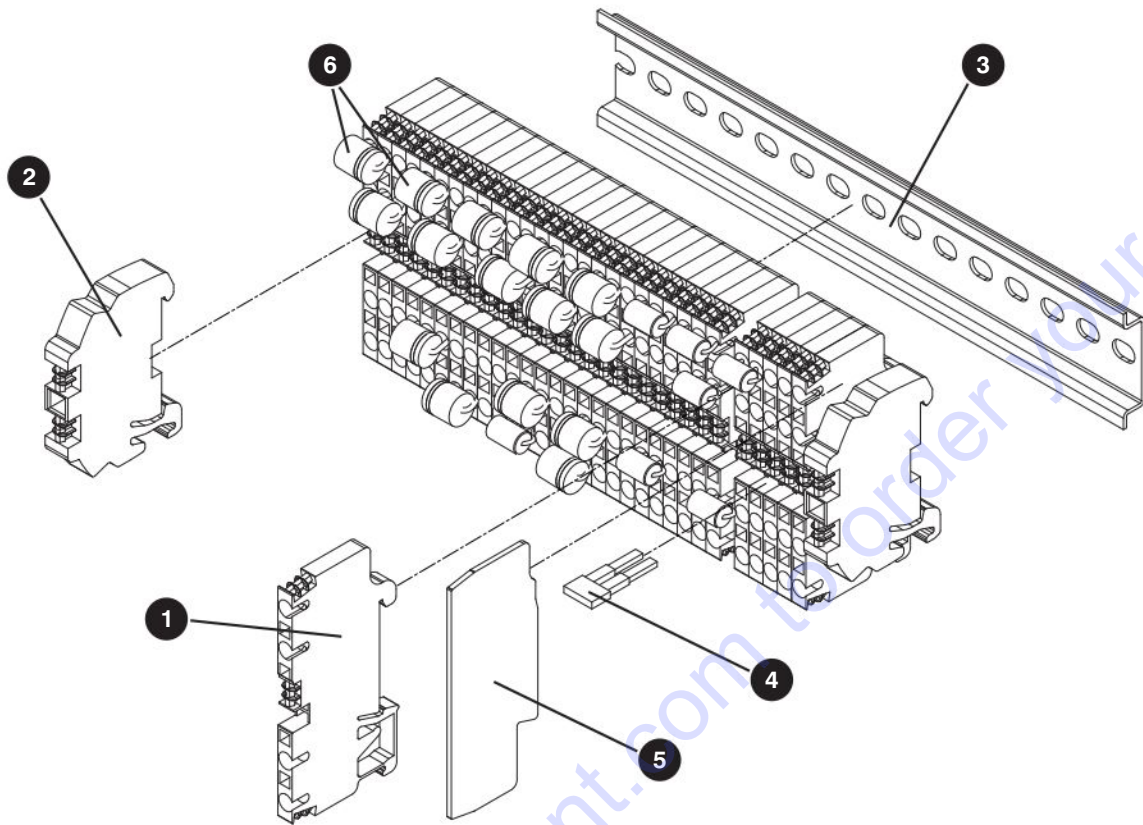
194425AB

SJ12, SJ16


4.18 Base Control Centre Assembly

Index No.	Skyjack Part No.	Qty.	Description
A	196169DG	-	BASE CONTROL CENTRE ASSEMBLY (ANSI/CSA & KC)
B	196470DG	-	BASE CONTROL CENTRE ASSEMBLY (CE)
1	196173DG	1	• LOWER CONTROLS, A
	196471DG	1	• LOWER CONTROLS, B
	196170DG	1	• • WELDMENT, Controls face
2	196171	1	• LOWER CONTROL BOX ASSEMBLY
	151551	1	• • WELDMENT, Controls deck
3	103962	11	• • SCREW, Round head machine (#10-32 x 1/2")
4	108589	9	• • RELAY, Sealed (24V)
5	104694	11	• • WASHER, Flat (#10)
6	104185	11	• • WASHER, Lock (#10)
7	104003	11	• • NUT, Hex head (#10-32)
8	103057	1	• • BEEPER, Slow pulsing (24VDC)
9	(Ref.)	-	• • TERMINAL STRIP ASSEMBLY (For components, refer to Section 4.16)
10	194747	-	• • SWITCH, Selector (Lower/Raise)
11	147069	1	• • HEAD, Selector switch (Lower/Raise)
	147056	1	• • • LATCH
	147054	2	• • • BLOCK, Contact (N.O.)
12	194758	-	• • SWITCH, Selector key (Off/Platform/Base) A
	194748	-	• • SWITCH, Selector key (Off/Platform/Base) B
	149536	1	• • • SWITCH, SELECTOR Head Keyed A
	147057	1	• • • SWITCH, SELECTOR Head Keyed B
	147056	1	• • • LATCH
	147054	1	• • • BLOCK, Contact (N.O.)
	147053	2	• • • BLOCK, Contact (N.C.)
13	213697	1	• • SWITCH, KEY 3 WAY, A
	213698	1	• • SWITCH, KEY 3 WAY, B
	213699	1	• • • SWITCH, HEAD KEY 3 WAY, A
	213700	1	• • • SWITCH, HEAD KEY 3 WAY, B
	137441	1	• • • HOUSING CONNECTOR 6 WAY
	137442	6	• • • WIRE TERMINAL 280 FEMALE UNSEALED
	137443	1	• • • TERMINAL POSITION ASSURANCE
	138136	1	• • • NUT KEY SWITCH
	138137	2	• • • KEY RONIS 455
	138138	1	• • • BOOT KEY SWITCH
14	194749	-	• • SWITCH, Emergency stop
15	147051	1	• • HEAD, Emergency stop
	147056	1	• • • LATCH
	147053	1	• • • BLOCK, Contact (N.C.)
	147061	1	• • • LED BLOCK, 24V (Red)
16	151551DG	1	• • WELDMENT, Controls deck
17	(Ref.)	1	• • HARNESS, Main (For components, refer to Section 4.19)
18	212662	1	• • SPACER, Key switch
19	103964	8	• SCREW, Round head machine (#10-32 x 1/4")
20	151558DG	1	• COVER, Lower controls

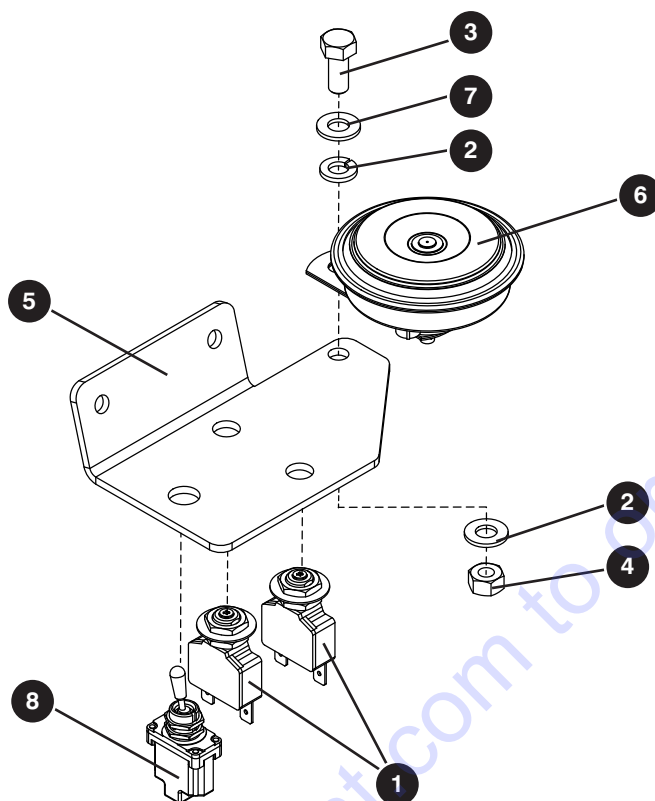
4.19 Terminal Strip Assembly




M158711AA

Index No.	Skyjack Part No.	Qty.	Description
-	158711	-	 NOTE <i>Part Numbers followed by a "DG" indicate dark grey painted parts.</i> TERMINAL STRIP ASSEMBLY
	158708	1	• SUB-ASSEMBLY, Terminal Strip
1	157589	31	• • TERMINAL BLOCK, Through
2	157590	2	• • END STOP
3	102874	1	• • DINRAIL
4	158712	1	• • JUMPER, 2-pos
5	157591	1	• • END PLATE
6	102921	15	• DIODE (6A)
	156564	1	• RESISTOR (1.5 ohm, 1 watt)
	151643	1	• RESISTOR (250 ohm, 1 watt)
	156515	1	• RESISTOR (220 ohm, 3/4 watt)
	158707	1	• RESISTOR (845 ohm, 1 watt)
	151647	1	• RESISTOR (68 ohm, 1 watt)
	156527	1	• RESISTOR (2k ohm, 2 watt)
	151645	1	• RESISTOR (4.7k ohm, 1 watt)

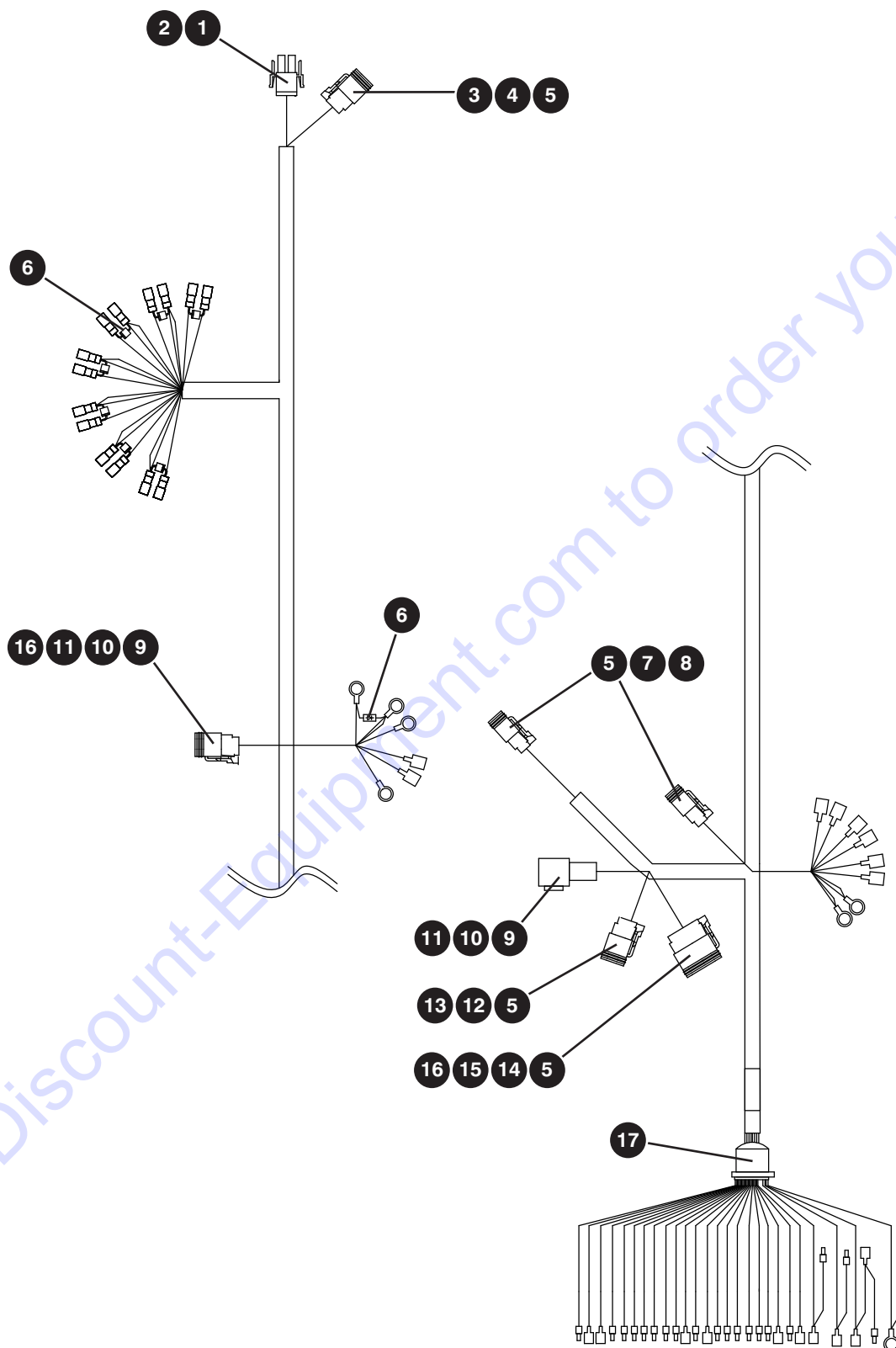
4.20 Circuit Breaker and Horn Assembly



M158740AA

Index No.	Skyjack Part No.	Qty.	Description
-	158740DG	-	<p> NOTE Part Numbers followed by a "DG" indicate dark grey painted parts.</p> <p>CIRCUIT BREAKER AND HORN ASSEMBLY (SJ12/16)</p>
1	117325	2	• BREAKER, Circuit (15 Amp)
2	103996	2	• WASHER, Flat (5/16")
3	103887	1	• BOLT, Hex head (5/16"-18 x 3/4", Grade 5)
4	100397	1	• NUT, Hex head (5/16"-18, Grade 5)
5	158741DG	1	• BRACKET
6	146649	1	• HORN, 24V (Low tone)
7	103404	1	• WASHER, Lock (5/16")
8	115573	1	• SWITCH, Toogle

4.21 Main Harness Assembly



M158723AA_2

194425AB

98

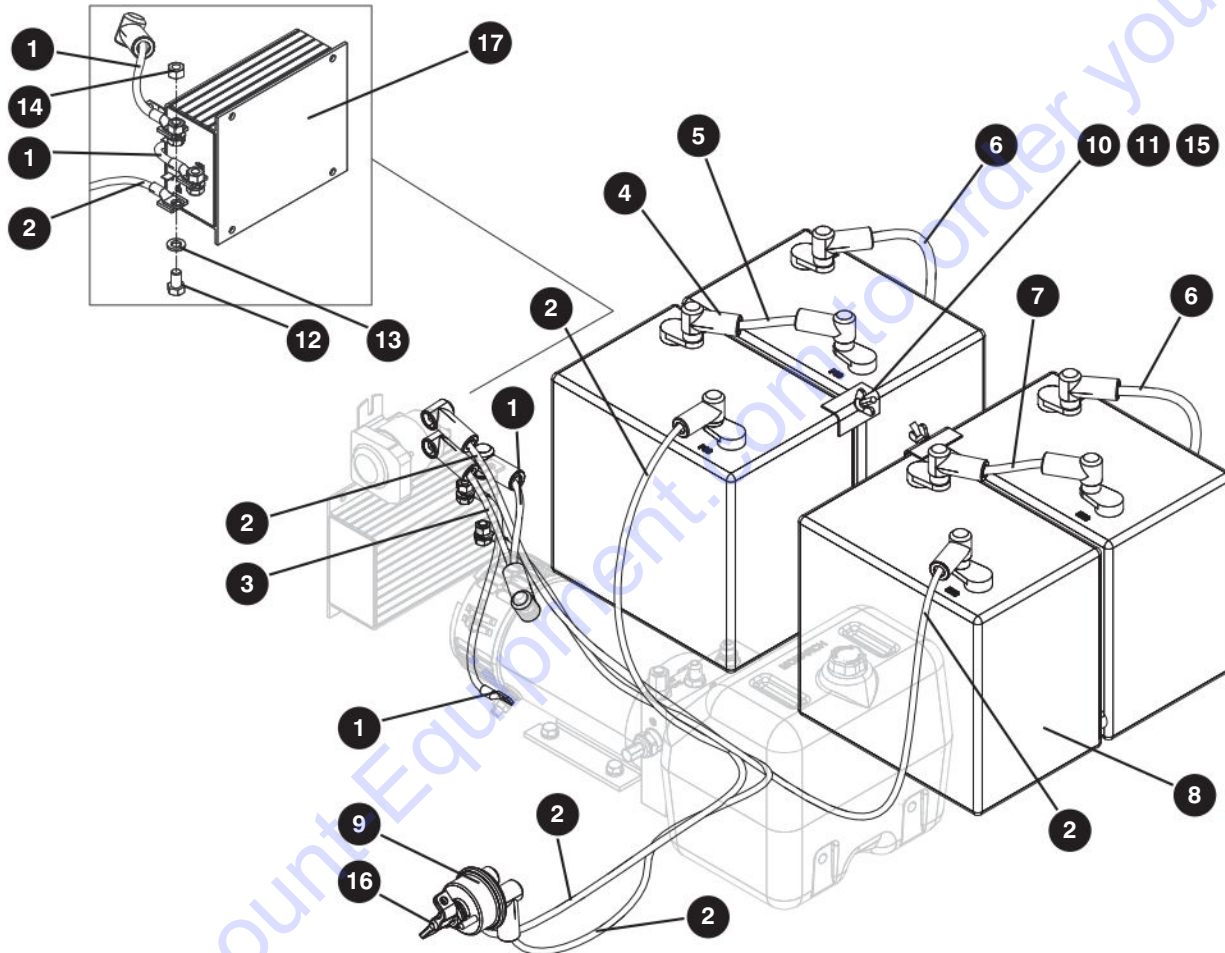
SJ12, SJ16

SKYJACK

4.21 Main Harness Assembly

Index No.	Skyjack Part No.	Qty.	Description
-	196172	1	MAIN HARNESS
1	116992	1	• HOUSING, Plug (2 pole)
2	116990	2	• PIN, Wire (Female)
3	158476	1	• CONNECTOR, Plug (6 pin)
4	158477	1	• CONNECTOR, Plug wedge (6 pin)
5	117593	29	• CONNECTOR, Contact socket (14-16)
6	129258	8	• DIODE
7	117597	2	• CONNECTOR, Plug (2 pin)
8	117599	2	• CONNECTOR, Plug wedge (2 pin)
9	117578	1	• CONNECTOR, Receptacle (4 pin)
10	117580	1	• CONNECTOR, Receptacle wedge (4 pin)
11	117592	4	• CONNECTOR, Contact pin (14-16)
12	117579	2	• CONNECTOR, Plug (4 pin)
13	117581	2	• CONNECTOR, Plug wedge (4 pin)
14	117587	1	• CONNECTOR, Plug (12 pin)
15	117589	1	• CONNECTOR, Plug wedge (12 pin)
16	117594	3	• SEALING, Connector
17	138754	1	• STRAIN RELIEF

4.22 Battery Assembly



M158421AA

194425AB

100

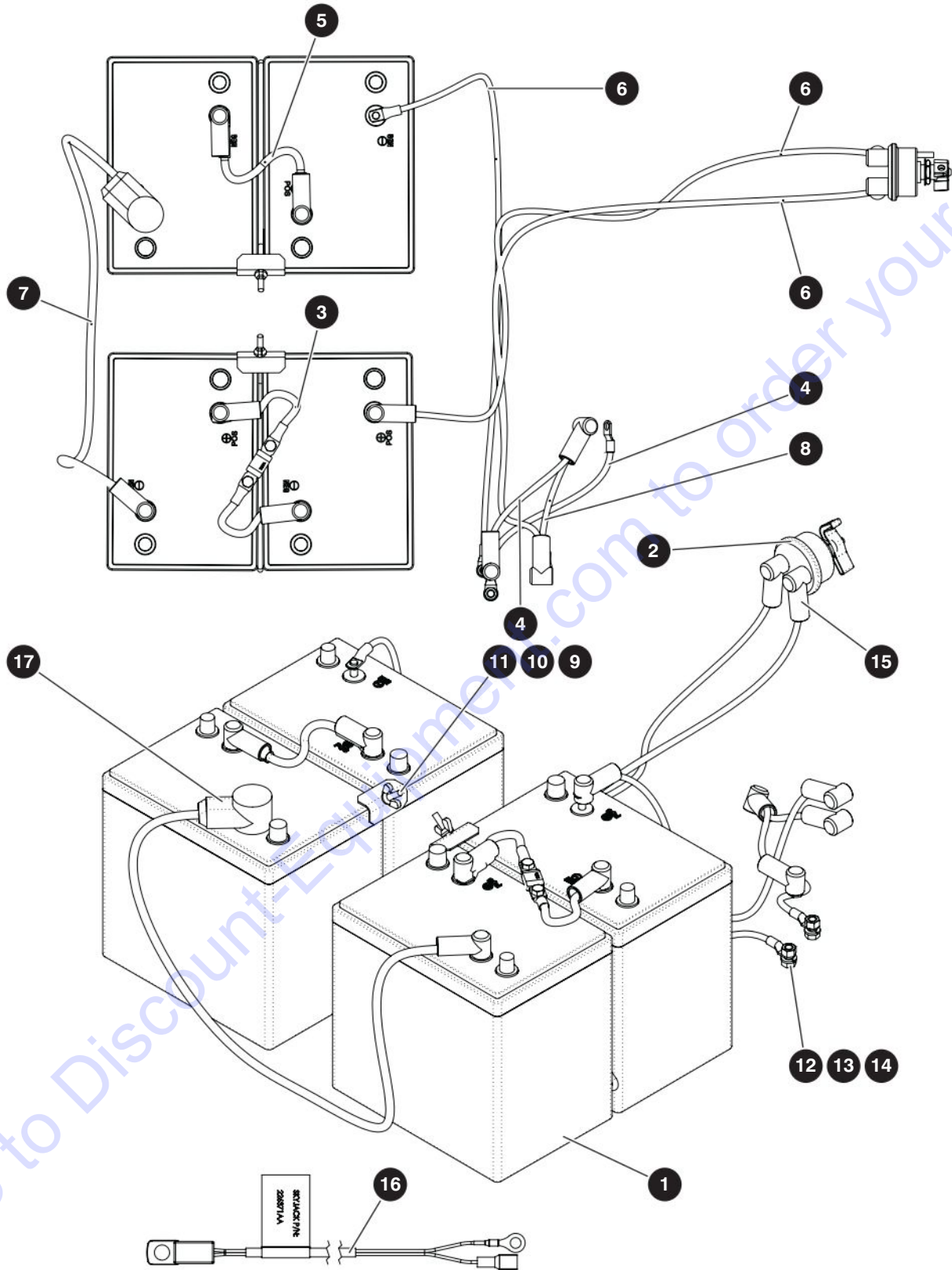
SJ12, SJ16

SKYJACK

4.22 Battery Assembly

Index No.	Skyjack Part No.	Qty.	Description
			 NOTE <i>Part Numbers followed by a "DG" indicate dark grey painted parts.</i>
-	158421	-	BATTERY ASSEMBLY
1	151594	2	• CABLE, Battery
2	151591	3	• CABLE, Battery
3	151593	1	• CABLE, Battery
4	117408	14	• BOOT, Battery (Red)
5	137243	1	• CABLE, Battery (with inline fuse)
	310517	1	• • FUSE (300 Amp)
6	151592	1	• CABLE, Battery
7	120425	1	• CABLE, Battery
8	103480	4	• BATTERY (6V)
9	119725	1	• SWITCH, Main disconnect
10	157364	2	• BRACKET, Battery tie down
11	157363	2	• HOLD DOWN, Battery
12	138464	3	• BOLT, Hex head (3/8"-16 x 5/8", Grade 5)
13	103999	3	• WASHER, Lock (3/8")
14	103978	3	• NUT, Hex head (3/8"-16, Grade 5)
15	120175	2	• WING NUT, Hex head (0.375 -16 Grade 5)
16	108714	1	LEVER, Locking
17	(Ref.)	1	CONTROLLER, Pump motor (24VDC - 360 Amp) (For components, refer to Section 4.16 Base Electrical Components)

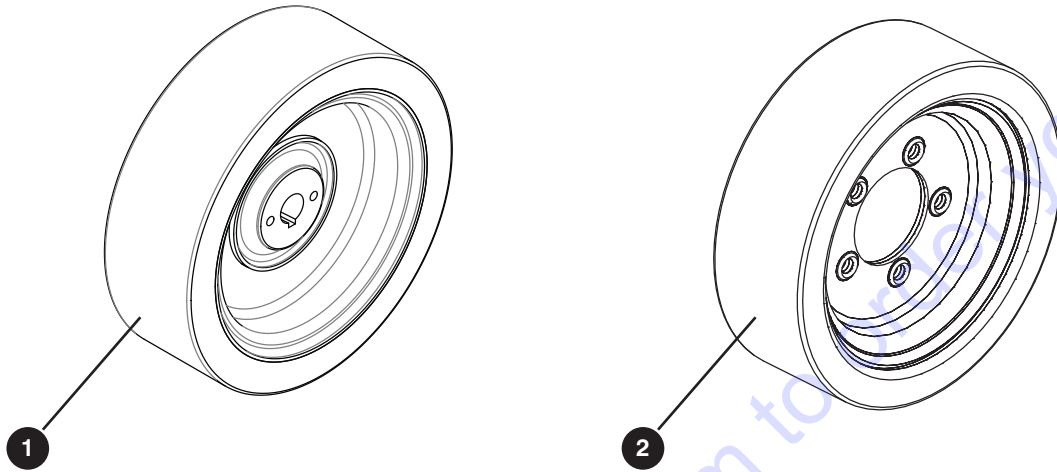
4.23 Battery Assembly Gel



4.23 Battery Assembly Gel

Index No.	Skyjack Part No.	Qty.	Description
-	228470	1	BATTERY ASSEMBLY GEL
1	208947	4	• BATTERY, East penn gel (6V)
2	119725	1	• SWITCH, Master Disconnect
3	195691	1	• CABLE, Battery fuse (300A)
4	151594	2	• CABLE, Battery
5	119615	1	• CABLE, Welding
6	151591	3	• CABLE, Battery
7	151592	1	• CABLE, Battery
8	151593	1	• CABLE, Battery
9	157364	2	• BRACKET, Battery tie down
10	157363	2	• HOLD DOWN, Battery
11	120175	2	• WING NUT, Hex head (0.375 -16 Grade 5)
12	138464	3	• BOLT, Hex head (3/8"-16 x 5/8", Grade 5)
13	103999	3	• WASHER, Lock (3/8")
14	103978	3	• NUT, Hex head (3/8"-16, Grade 5)
15	117408	12	• BOOT, Battery (Red)
16	226371	1	• SENSOR, Temperature (DELTA-Q IC650)
17	199581	1	• BOOT, Battery (Red)

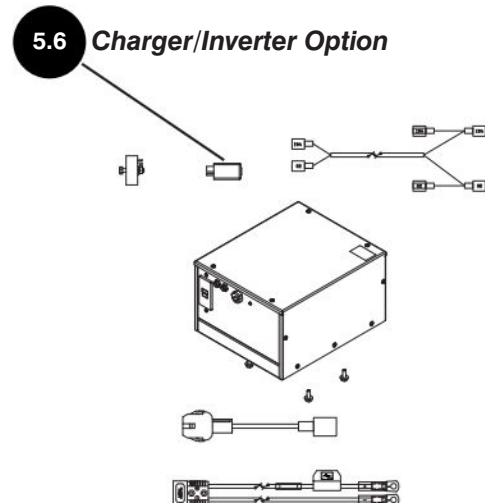
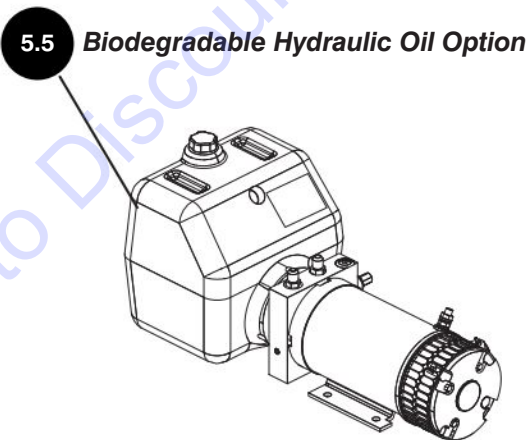
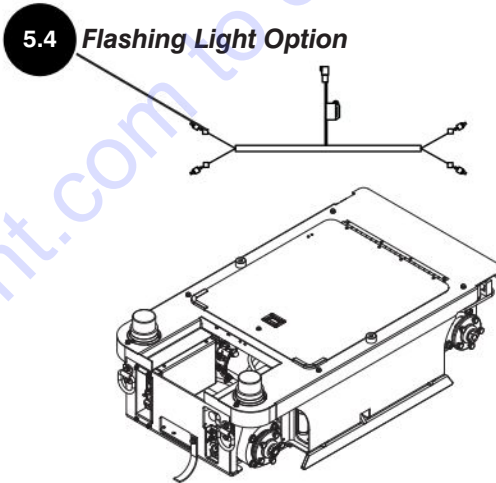
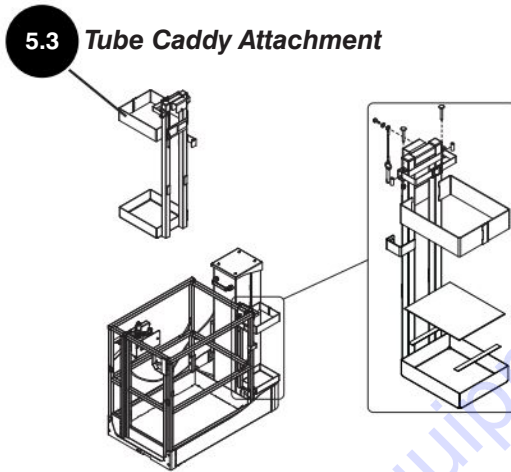
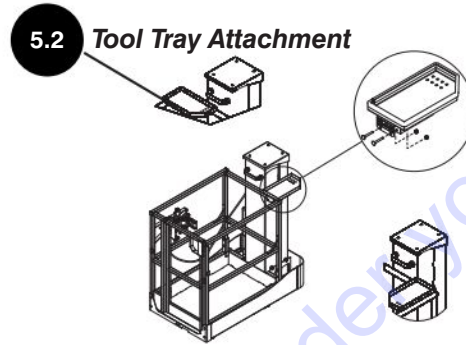
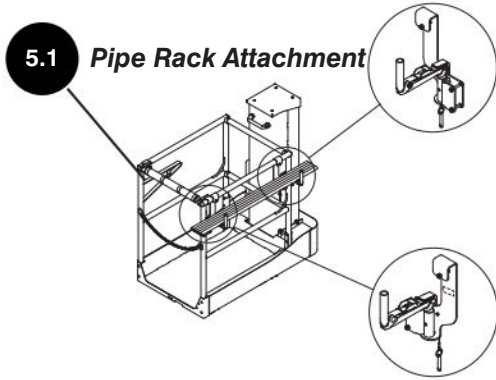
4.24 Wheel Assembly



M163739AA_M216473AA

Index No.	Skyjack Part No.	Qty.	Description
1	209400	4	TIRE, Integrated Hub (Carlisle, Grey) (For model SJ12/16 with serial number 14013128 & Above)
2	158436	4	TIRE, (Carlisle, Grey) (For model SJ12/16 with serial number 14013127 & Below)

Section 5 – Attachments and Options



PARTS FINDER

**Search Website
by Part Number**



**Search Manual
Library For Parts
Manual & Lookup Part
Numbers – Purchase
or Request Quote**

Search Manuals

Enter your information to help us find the right parts manual for your machine.

* Brand:

* Model:

* Serial:

* Part Number:

SEARCH

**Can't Find Part or
Manual? Request Help
by Manufacturer,
Model & Description**

Parts Order Form

Please fill in the following information to help us find the right part for your machine.

Manufacturer:	<input type="text"/>
Model:	<input type="text"/>
Description:	<input type="text"/>
Part Number:	<input type="text"/>
Quantity:	<input type="text"/>
Notes:	<input type="text"/>
Submit	<input type="button" value="Submit"/>

Discount-Equipment.com is your online resource for quality parts & equipment.

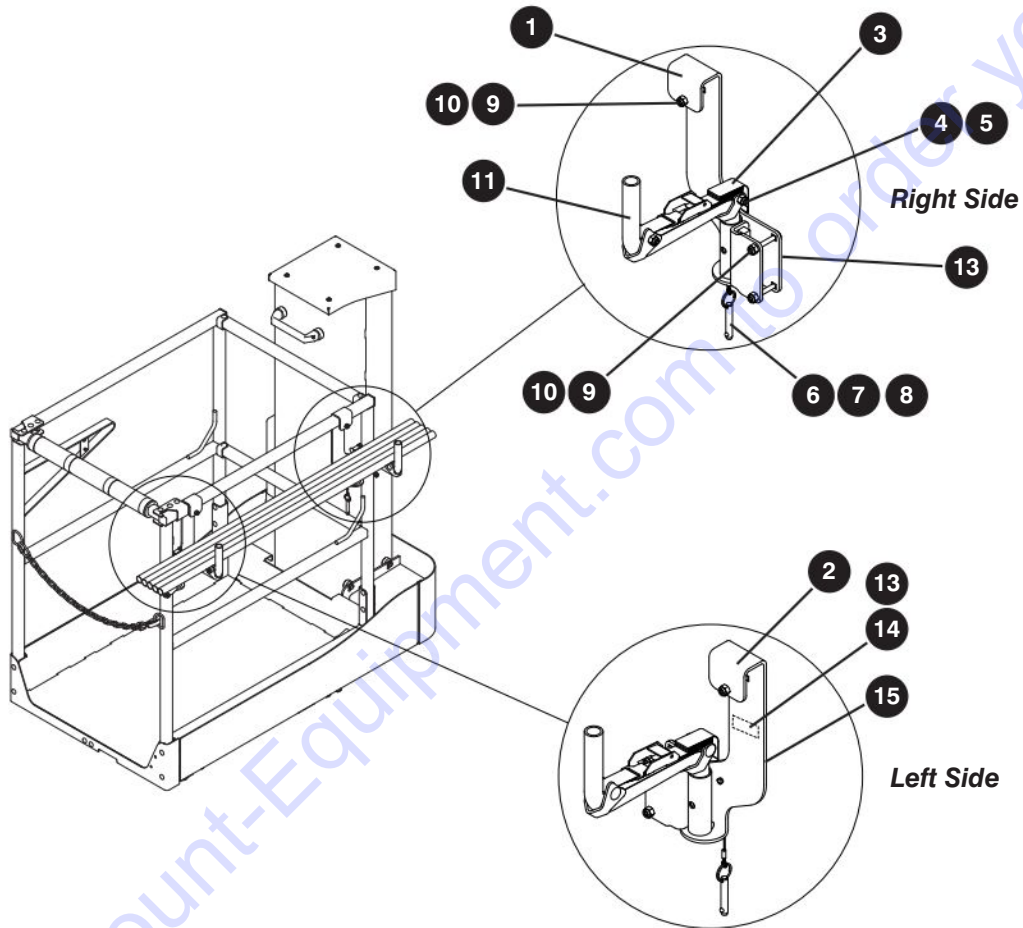
Florida: **561-964-4949** Outside Florida TOLL FREE: **877-690-3101**

Need parts?

Click on this link: <http://www.discount-equipment.com/category/5443-parts/> and choose one of the options to help get the right parts and equipment you are looking for. Please have the machine model and serial number available in order to help us get you the correct parts. If you don't find the part on the website or on one of the online manuals, please fill out the request form and one of our experienced staff members will get back to you with a quote for the right part that your machine needs.

We sell worldwide for the brands: Genie, Terex, JLG, MultiQuip, Mikasa, Essick, Whiteman, Mayco, Toro Stone, Diamond Products, Generac Magnum, Airman, Haulotte, Barreto, Power Blanket, Nifty Lift, Atlas Copco, Chicago Pneumatic, Allmand, Miller Curber, Skyjack, Lull, Skytrak, Tsurumi, Husquvarna Target, Stow, Wacker, Sakai, Mi-T-M, Sullair, Basic, Dynapac, MBW, Weber, Bartell, Bennar Newman, Haulotte, Ditch Runner, Menegotti, Morrison, Contec, Buddy, Crown, Edco, Wyco, Bomag, Laymor, EZ Trench, Bil-Jax, F.S. Curtis, Gehl Pavers, Heli, Honda, ICS/PowerGrit, IHI, Partner, Imer, Clipper, MMD, Koshin, Rice, CH&E, General Equipment, Amida, Coleman, NAC, Gradall, Square Shooter, Kent, Stanley, Tamco, Toku, Hatz, Kohler, Robin, Wisconsin, Northrock, Oztec, Toker TK, Rol-Air, APT, Wylie, Ingersoll Rand / Doosan, Innovatech, Con X, Ammann, Mecalac, Makinex, Smith Surface Prep, Small Line, Wanco, Yanmar

5.1 Pipe Rack Attachment



M158342AC

194425AB

106

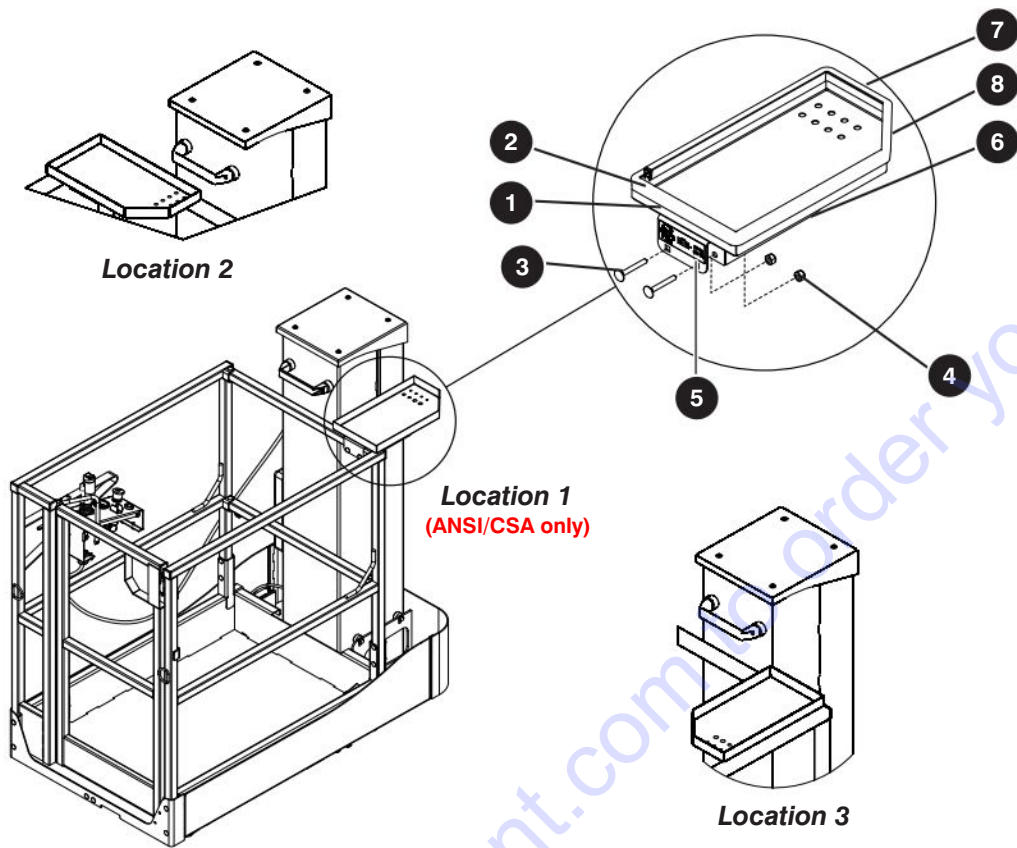
SJ12, SJ16

SKYJACK

5.1 Pipe Rack Attachment

Index No.	Skyjack Part No.	Qty.	Description
A	158342	-	PIPE RACK KIT (ANSI/CSA)
B	158804	-	PIPE RACK KIT (CE)
C	158848	-	PIPE RACK KIT (KC)
-	157408	1	• ASSEMBLY, Pipe rack (Right side - Control box side)
-	158343	1	• ASSEMBLY, Pipe rack (Left side)
1	157404	1	• • WELDMENT, Pipe rack (Right side - Control box side)
2	158344	1	• • WELDMENT, Pipe rack (Left side)
3	158357	1	• • STRAP, Nylon tie down flat hook
4	158381	2	• • SPACER, Stand off (5/16" ID x 1" LG)
5	158380	2	• • BOLT, Carriage (5/16" - 18 x 1.75" grd5)
6	124548	1	• • LARGE LOOP PIN QUICK RELEASE ASSEMBLY
7	103995	1	• • WASHER, Flat (1/4")
8	157173	1	• • RIVET (1/4"x 0.49")
9	127437	3	• • BOLT, Carriage (5/16"-18 x 2", Grade 5)
10	103984	5	• • NUT, Hex nylon lock (5/16"-18, Grade 5)
11	157405	1	• • WELDMENT, Tube pipe rack
12	159707	1	• CERTIFICATE, Mini Lift Pipe Rack, (Not shown) B
13	159710	2	• LABEL, Attachment combo, vertical, B, C
14	158874	2	• LABEL, Pipe rack capacity
15	158872	2	• LABEL, Manual force (200N) / No wind (0 m/s), B, C
-	159281	1	• FIELD INSTRUCTION, Pipe Rack Installation, A (Not Shown)
-	159614	1	• FIELD INSTRUCTION, Pipe Rack Installation, B (Not Shown)
-	159617	1	• FIELD INSTRUCTION, Pipe Rack Installation, C (Not Shown)

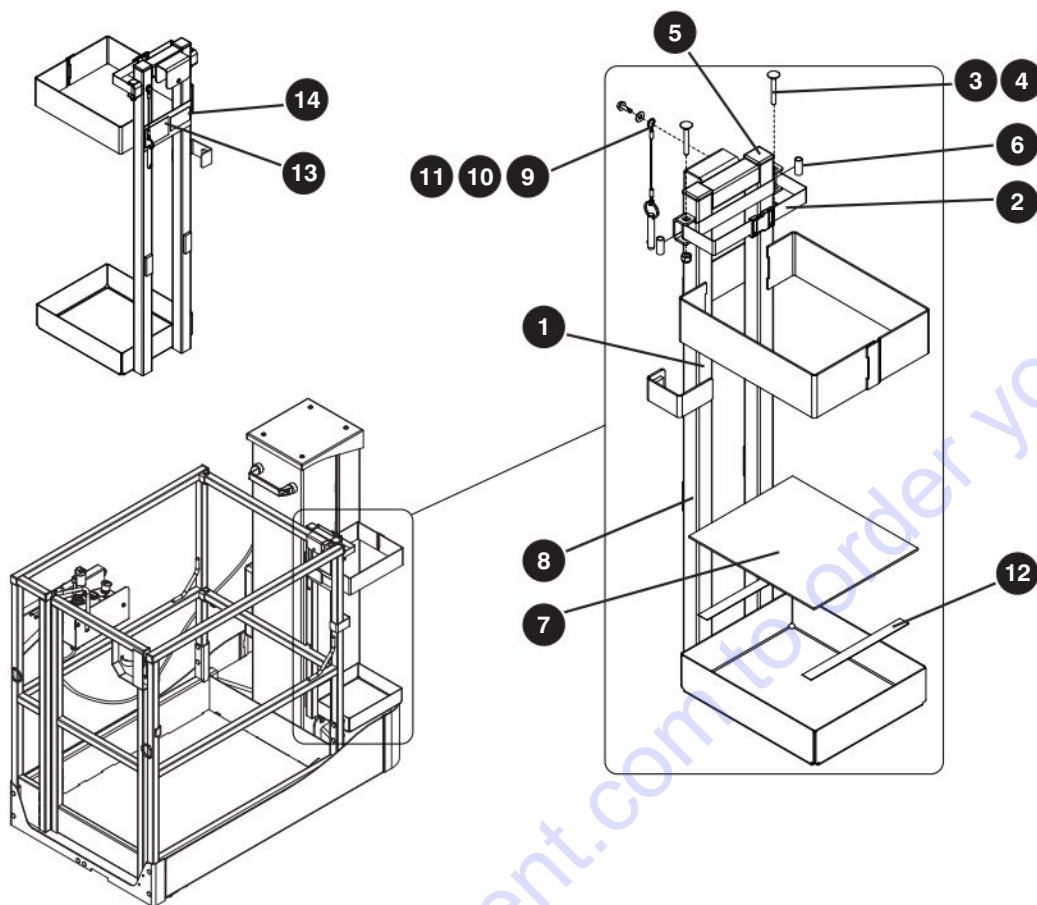
5.2 Tool Tray Attachment



M158365AC

Index No.	Skyjack Part No.	Qty.	Description
A	158365	-	TOOL TRAY KIT (ANSI/CSA)
B	158805	-	TOOL TRAY KIT (CE)
C	158849	-	TOOL TRAY KIT (KC)
1	158371	1	• • WELDMENT, Tool tray
2	117398	44	• • PROTECTIVE TRIM (3/16-1/4)
3	127437	2	• • BOLT, Carriage (5/16"-18 x 2", Grade 5)
4	103984	2	• • NUT, Hex nylon lock (5/16"-18, Grade 5)
5	158660	1	• • LABEL, Tool tray location & capacity, A
6	159709	1	• • LABEL, Attachment combo, horizontal, B, C
7	159080	1	• • LABEL, Tool tray location (1) + capacity
8	159102	1	• • LABEL, Tool tray location (2) + capacity
9	159708	1	• • CERTIFICATE, Mini Lift Tool Tray (Not shown), B
-	159282	1	• FIELD INSTRUCTION, Tool tray installation, A (Not Shown)
-	159751	1	• FIELD INSTRUCTION, Tool tray installation, B (Not Shown)
-	159752	1	• FIELD INSTRUCTION, Tool tray installation, C (Not Shown)

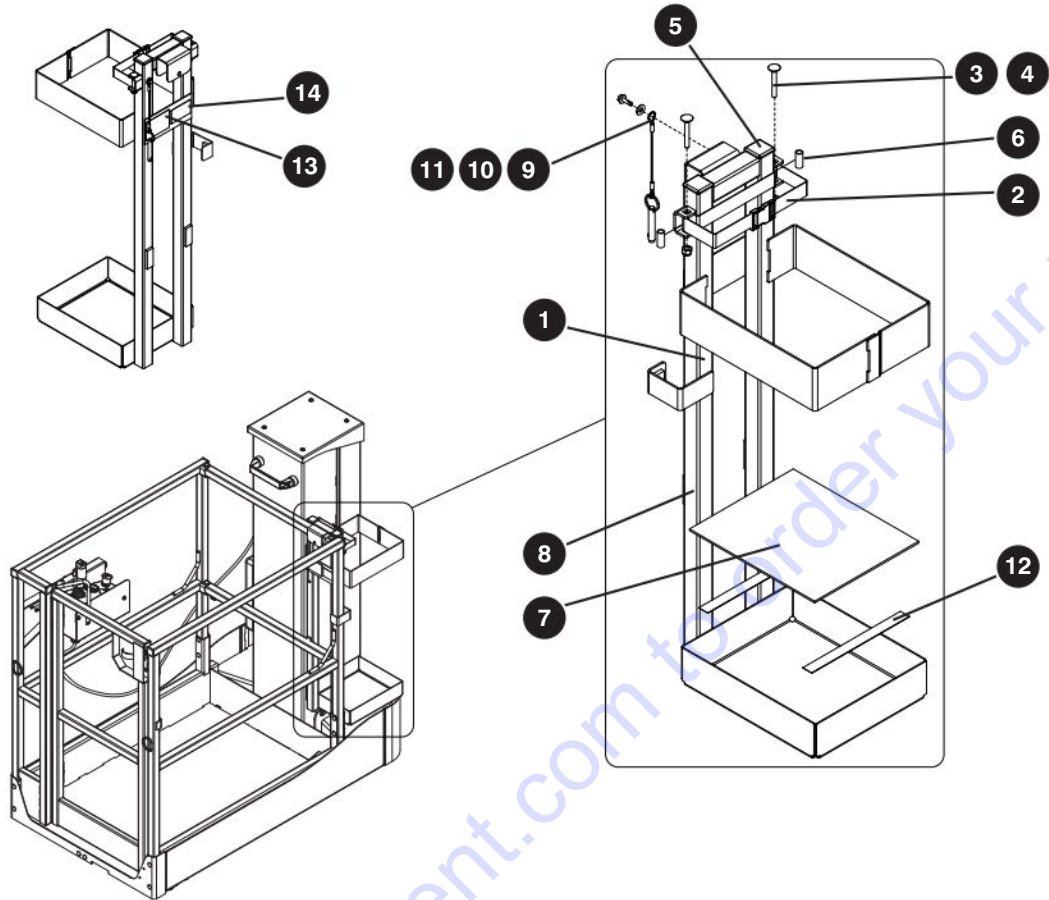
5.3 Tube Caddy Attachment



M157420AA

Index No.	Skyjack Part No.	Qty.	Description
-	159389	-	TUBE CADDY INSTALLATION FIELD KIT (ANSI/CSA)
-	157420	-	• TUBE CADDY KIT
	158363	1	• • ASSEMBLY, Tube Caddy
1	158372	1	• • • WELDMENT, Tube Caddy
2	158358	1	• • • STRAP, Nylon with buckle
3	127437	4	• • • BOLT, Carriage (0.313 -18 x 2 Grade 5)
4	103984	4	• • • NUT, Hex nylon lock (0.313 -18 Grade 5)
5	100702	2	• • • CAP, Plate end
6	158381	2	• • • SPACER, Stand off (5/16 ID x 1" LG)
7	158334	1	• • • SHEET, Rubber (0.125" x 8.5" x 9.5")
8	125577	2	• • • BUMPER, Door
9	124548	1	• • • LARGE LOOP PIN QUICK RELEASE ASSEMBLY
10	103995	1	• • • WASHER, Flat (1/4")
-	-	-	Parts list continued on the following page

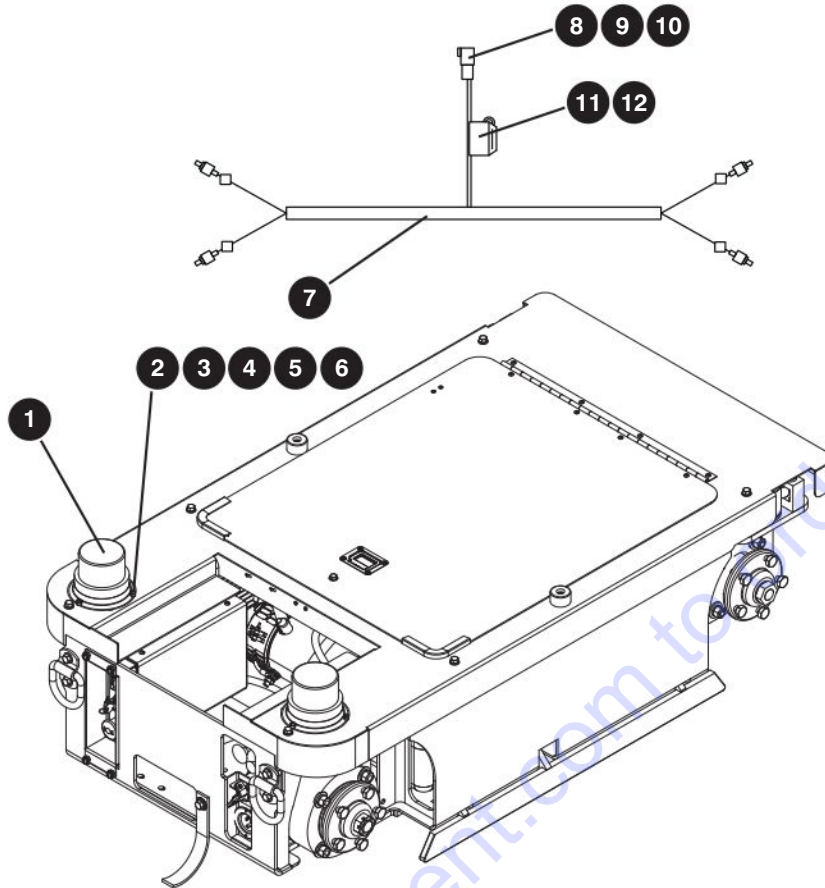
5.3 Tube Caddy Attachment



M157420AA

Index No.	Skyjack Part No.	Qty.	Description
			Parts list continued from the previous page
11	103632	1	• • • SCREW, Hex head self tapping (1/4"-14 x 3/4")
12	158843	16	• • • TAPE, Adhesive transfer (3/4")
13	158875	1	• • LABEL, Tube caddy capacity
14	158919	1	• • LABEL, Manual force 200N
-	159283	1	• FIELD INSTRUCTION, Tube caddy installation (Not Shown)

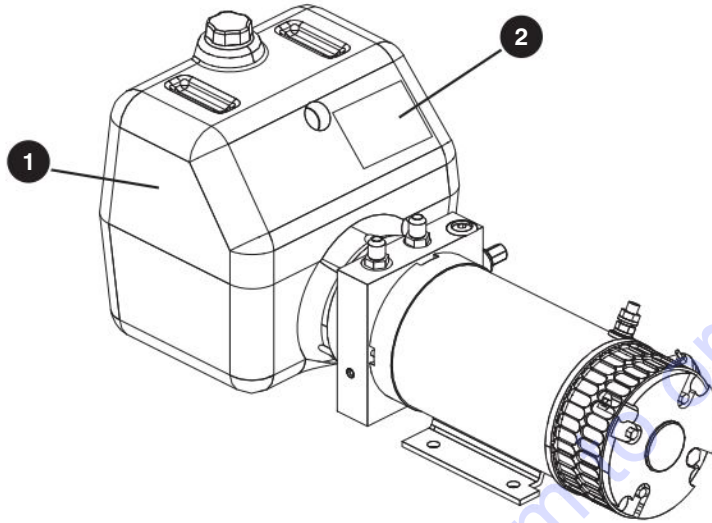
5.4 Flashing Light Option



M151635AC

Index No.	Skyjack Part No.	Qty.	Description
-	159515	-	FLASHING LIGHT INSTALLATION FIELD KIT
-	151635	-	• FLASHING LIGHT KIT
1	160227	2	• • LIGHT, LED Strobe
	158779	1	• • • LENS, Amber
	158780	1	• • • BULB (Flash Tube)
2	104003	6	• • NUT, Hex head (#10-32)
3	104694	6	• • WASHER, Flat (#10)
4	104698	6	• • SCREW, Round head machine (#10-32 x 3/4")
5	104185	6	• • WASHER, Lock (#10)
6	100616	2	• • GROMMET, RB-220 9/16"
7	157135	1	• • HARNESS, Strobe
8	117596	1	• • • CONNECTOR, Receptacle (2 pin)
9	117598	1	• • • CONNECTOR, Receptacle wedge (2 pin)
10	117590	2	• • • CONTACT, Pin (16-18)
11	119293	1	• • • FUSE HOLDER (With Cover)
12	156202	1	• • • FUSE, 5A
-	159284	1	• FIELD INSTRUCTION, Flashing light installation (Not Shown)

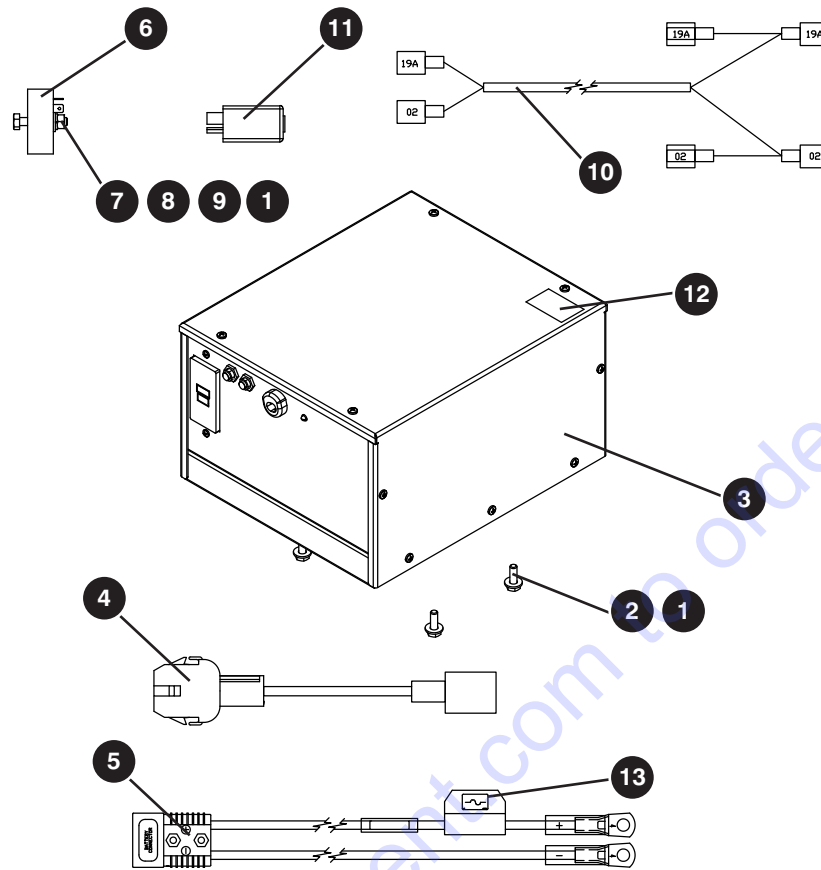
5.5 Biodegradable Hydraulic Oil Option



M157132AA

Index No.	Skyjack Part No.	Qty.	Description
-	157142	-	BIODEGRADEABLE HYDRAULIC OIL OPTION
1	157138	8L	• OIL, Biodegradeable hydraulic
2	157143	1	• LABEL, Hydraway Bio SE32-68

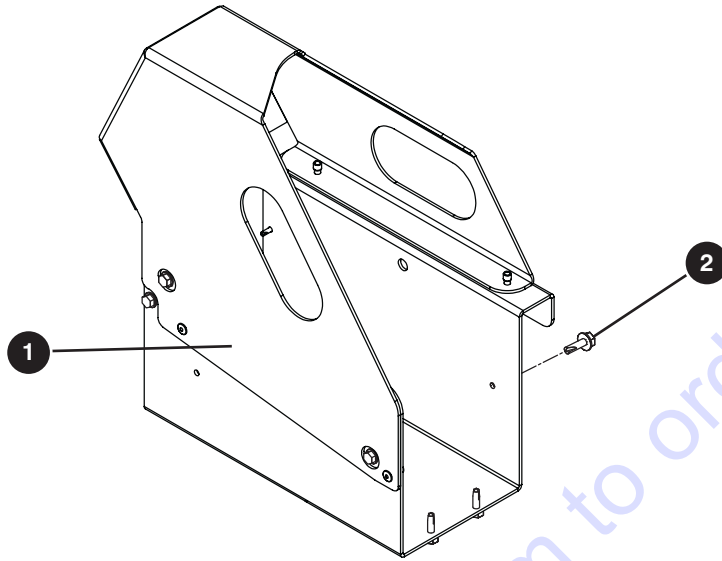
5.6 Charger/Inverter Option



M151633AD

Index No.	Skyjack Part No.	Qty.	Description
-	151633	-	CHARGER/INVERTER KIT (ANSI/CSA)
1	103995	5	• WASHER, Flat (0.25)
2	103856	4	• BOLT, Hex head (1/4"-20 x 3/4", Grade 5)
3	157365	1	• CHARGER/INVERTER
-	167911	1	• • CORD, A/C Input (Not Shown)
-	212584	1	• • DISPLAY, 7 segment (Not Shown)
4	159125	1	• PLUG ASSEMBLY (Charger/Inverter)
5	159666	1	• CABLE ASSEMBLY (Charger/Inverter)
6	137417	1	• TIMER RELAY DELAY (ON - RELEASE)
7	103859	1	• BOLT, Hex head (1/4"-20 x 6/4", Grade 5)
8	104000	1	• WASHER, Lock (1/4")
9	103980	1	• NUT, Hex head (1/4"-20, Grade 8)
10	160379	1	• WIRE ASSEMBLY (Charger/Inverter)
11	104208	1	• PLUG, Male 15A
12	130115	1	LABEL, Inverter Switch
13	119915	1	LABEL, Fuse
-	160490	1	FIELD INSTRUCTION, Charger/Inverter installation (Not Shown)

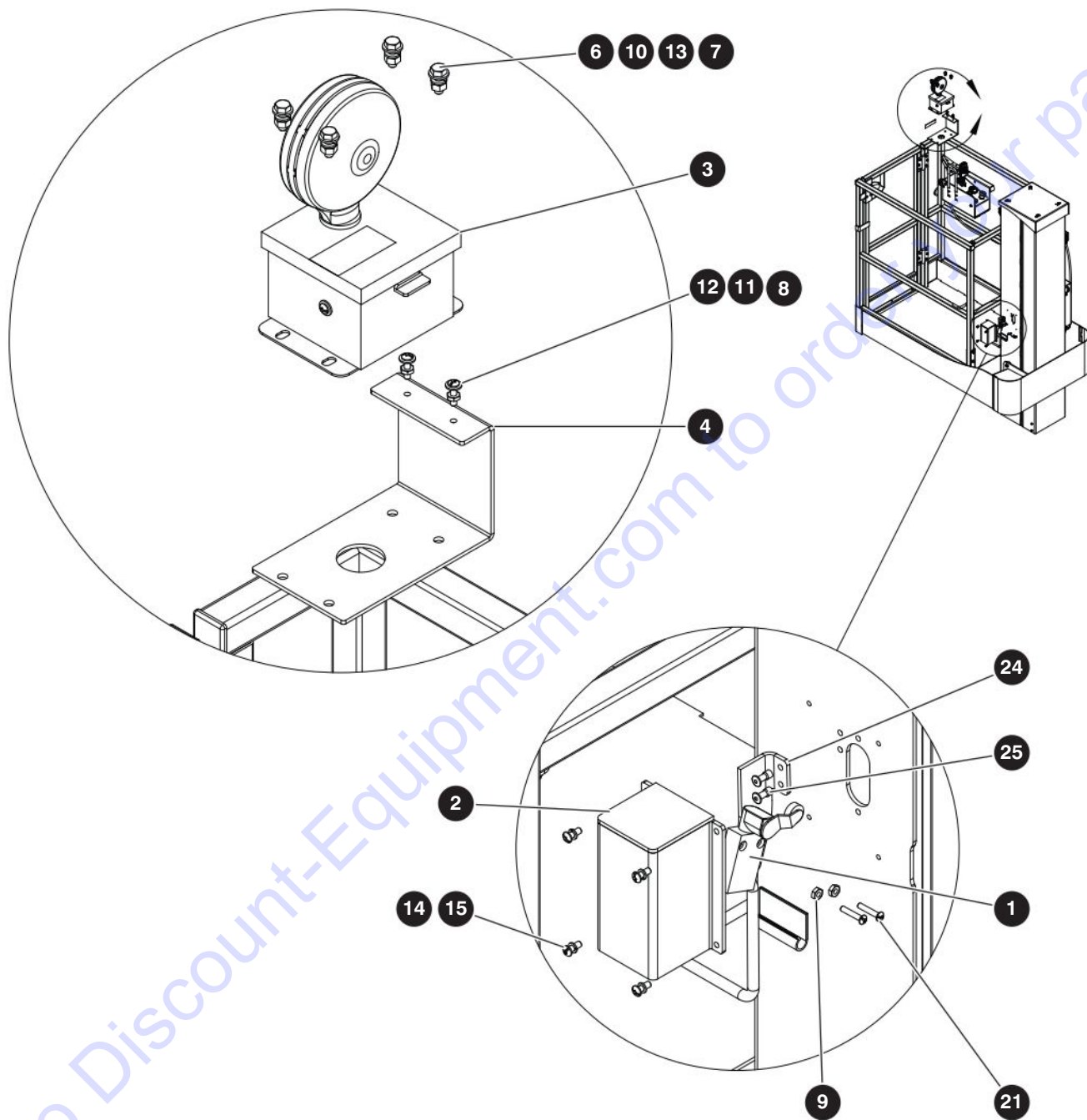
5.7 Aluminum Control Box Guard Option



M161747AA

Index No.	Skyjack Part No.	Qty.	Description
-	-	-	ALUMINUM CONTROL BOX GUARD OPTION (ANSI, CE)
1	162483	1	• CONTROL BOX ASSEMBLY
2	103632	9	• SCREW, Hex head self tapping (1/4"-14 x 3/4")

5.8 Outdoor Field Kit SJ16



M194489AA

194425AB

116

SJ12, SJ16

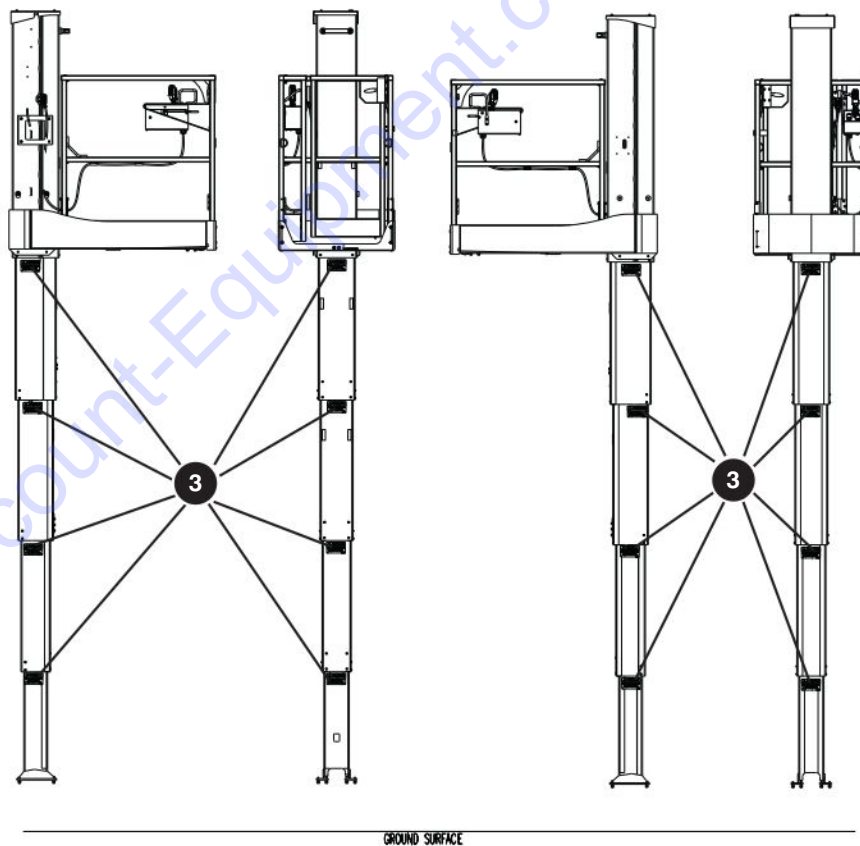
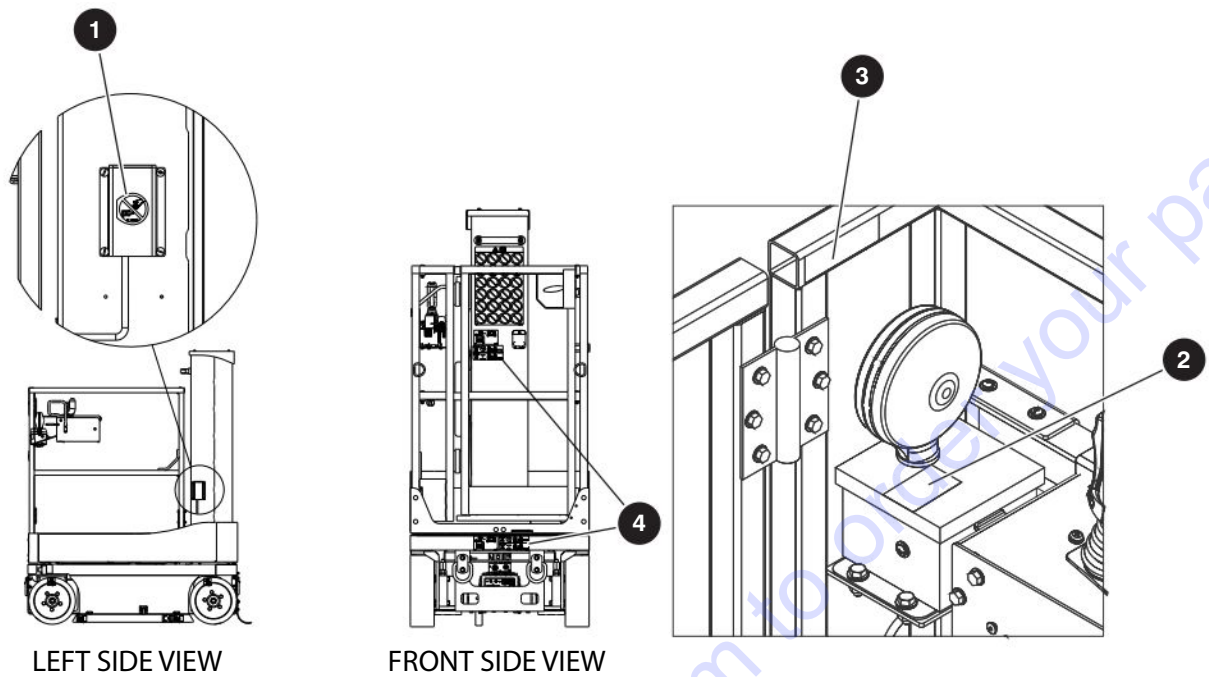
SKYJACK

5.8 Outdoor Field Kit SJ16

Index No.	Skyjack Part No.	Qty.	Description
-	194489	1	OUTDOOR FIELD KIT SJ16 (CE)
1	199405	1	• SWITCH, Limit roller lever
2	162873	1	• ASSEMBLY, Limit switch box
3	162882	1	• ASSEMBLY, Box Flashing light
4	162886	1	• BRACKET, Flashing light box
5	103256	A/R	• CABTIRE 18/2 SJ (Not Shown)
6	103856	4	• BOLT, Hex head 1/4"-20 X 3/4" grade 5
7	103980	4	• NUT, Hex head 1/24"-20 grade 8
8	104003	2	• NUT, Hex 10-32
9	103986	2	• NUT, Hex 8-32
10	103995	4	• WASHER, 5/16" ID x 3/4" OD x 1/16" zinc
11	104694	2	• WASHER, Flat #10
12	104698	2	• SCREW, Round head Machine 10-32 x 3/4"
13	104000	4	• WASHER, Lock 1/4"
14	104185	4	• WASHER, Lock #10
15	103962	4	• SCREW, Round head Machine 10-32 x 1/2"
16	108791	6	• CLIP, Cord adhesive back" (Not Shown)
17	172033	1	• LABEL, Serial plate (Not Shown)
18	100616	2	• GROMMET, Rubber 5/16" x 9/16" x 1/8" (Not Shown)
19	162257	1	• INSTRUCTIONS, SJ16 outdoor option installation procedure (Not Shown)
20	162909	1	• ELEC SCH -MOD SJ-16 OUTDOOR FIELD KIT (Not Shown)
21	126499	2	• SCREW, Round head Machine 8-32 x 7/8"
22	114595	4	• TERMINAL, Female 18-22 AWG Red (Not Shown)
22	114594	2	• TERMINAL, Male 18-22AWG (Not Shown)
23	194289	1	• SJ16 CE OUTDOOR OPTION OPERATING MANUAL (Not Shown)
24	221984	1	• SUPPORT, Limit switch
25	157759	2	• RIVET, Pop (3/16" x 0.25-0.375 GR)
26	172032	1	• LABEL, Layout pictorial SJ 16 outdoor field kit EN280 2013 (Not Shown)

(For components, refer to Section 5.9 Outdoor Field Kit Pictorial Labels SJ16)

5.9 Outdoor Field Kit Pictorial Labels SJ16



M172032AA-1 M172032AA-2

194425AB

118

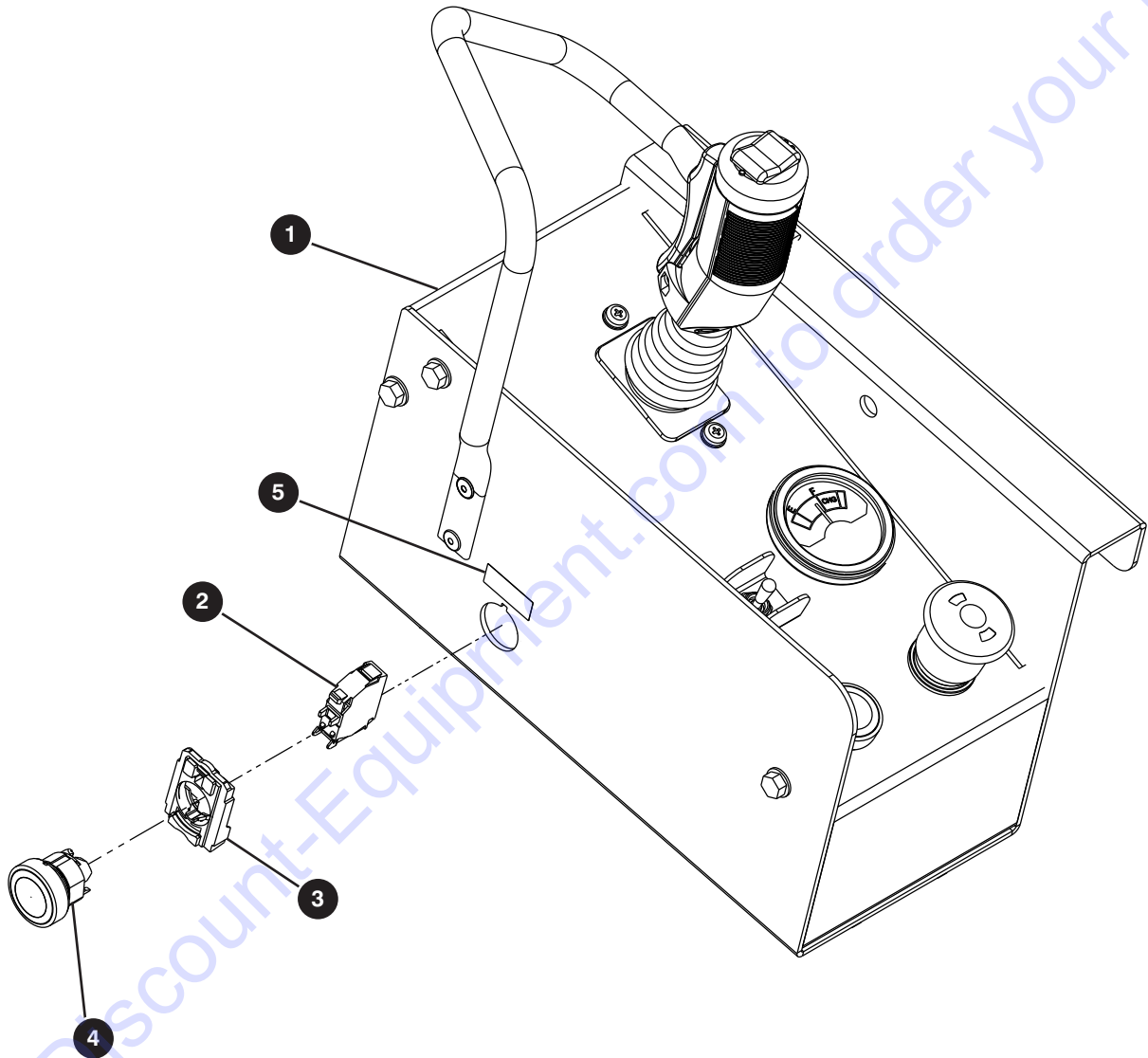
SJ12, SJ16

SKYJACK

5.9 Outdoor Field Kit Pictorial Labels SJ16

Index No.	Skyjack Part No.	Qty.	Description
-	172032	1	LABEL, LAYOUT PICTORIAL SJ-16 OUTDOOR FIELD KIT
1	156613	1	LABEL, Do not alter limit switches
2	162832	1	LABEL, Danger flashing light box
3	162833	17	LABEL, Danger mast
4	172034	2	LABEL, Wind rating SJ16 CE outdoor

5.10 Control Box Wiring Modification



M195181AA

194425AB

120

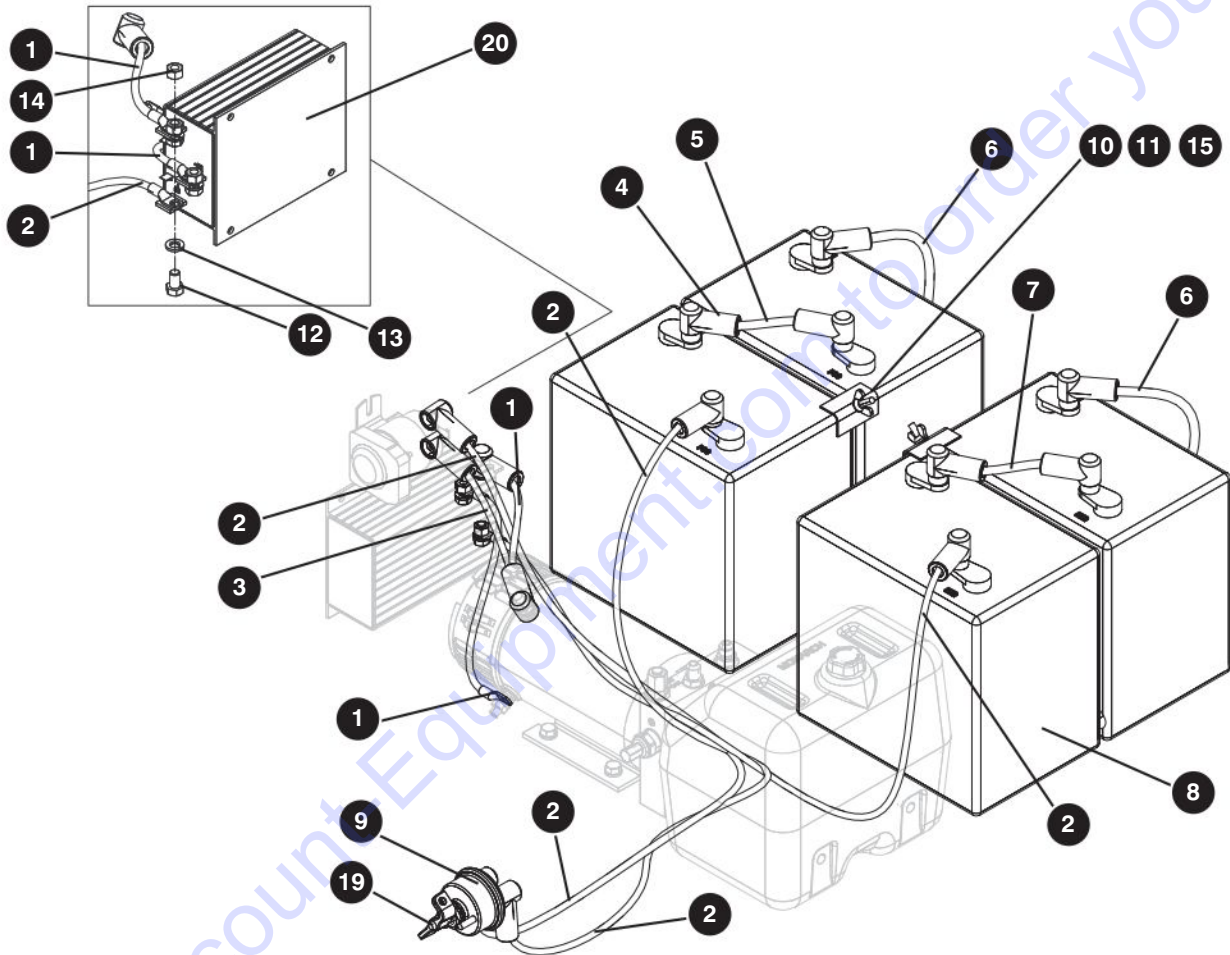
SJ12, SJ16

SKYJACK

5.10 Control Box Wiring Modification

Index No.	Skyjack Part No.	Qty.	Description
-	195181	-	CONTROL BOX SJ12/16 WIRING (SELECT UK ONLY)
1	209169	1	• ASSEMBLY, Control box SJ12/16
2	147054	1	• CONTACT, Contact block NO
3	147056	1	• LATCH
4	147058	1	• SWITCH, Push button head, black
5	172101	1	• LABEL, Enable switch
6	102710	15	• WIRE, Wire black TEW 16 AWG 26 BC (Not Shown)

5.11 Battery Assembly Discover AGM



M158421AA

194425AB

122

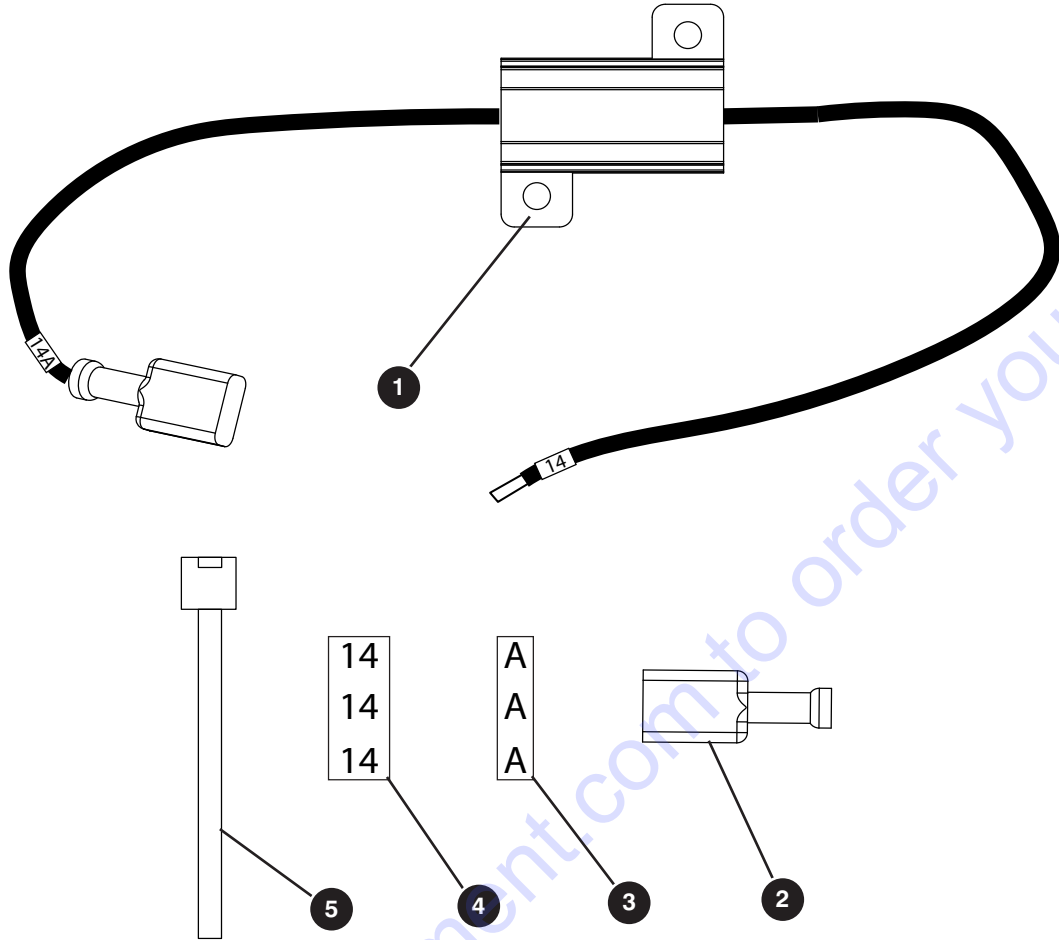
SJ12, SJ16

SKYJACK

5.11 Battery Assembly Discover AGM

Index No.	Skyjack Part No.	Qty.	Description
A	195015	-	(For machines with serial number 14007193 to 14007447) BATTERY ASSEMBLY
B	160955	-	(For machines with serial number 14007448 and above) BATTERY ASSEMBLY
1	151594	2	• CABLE, Battery
2	151591	3	• CABLE, Battery
3	151593	1	• CABLE, Battery
4	117408	13	• BOOT, Battery (Red) - A
-	-	14	• BOOT, Battery (Red) - B
5	137243	1	• CABLE, Battery (with inline fuse) - A
-	195691	1	• CABLE, Battery (with inline fuse) - B
-	310517	1	• • FUSE (300 Amp)
6	151592	1	• CABLE, Battery
7	119615	1	• CABLE, Battery
8	160933	4	• BATTERY (6V)
9	119725	1	• SWITCH, Main disconnect
10	157364	2	• BRACKET, Battery tie down
11	157363	2	• HOLD DOWN, Battery
12	138464	3	• BOLT, Hex head (3/8"-16 x 5/8", Grade 5)
13	103999	3	• WASHER, Lock (3/8")
14	103978	3	• NUT, Hex head (3/8"-16, Grade 5)
15	120175	2	• WING NUT, Hex head (0.375 -16 Grade 5)
16	155795	1	• BATTERY BOOT, Black X-large - (Not Shown) - A
17	199436	1	• HARNESS, AGM Mod. minilift elec. panel - (Not Shown) - B
18	128620	1	• MARINE, Top post to 5/16" Stud, negative - (Not Shown) - A
19	108714	1	LEVER, Locking
20	(Ref.)	1	CONTROLLER, Pump motor (24VDC - 360 Amp) (For components, refer to Section 4.16 Base Electrical Components)

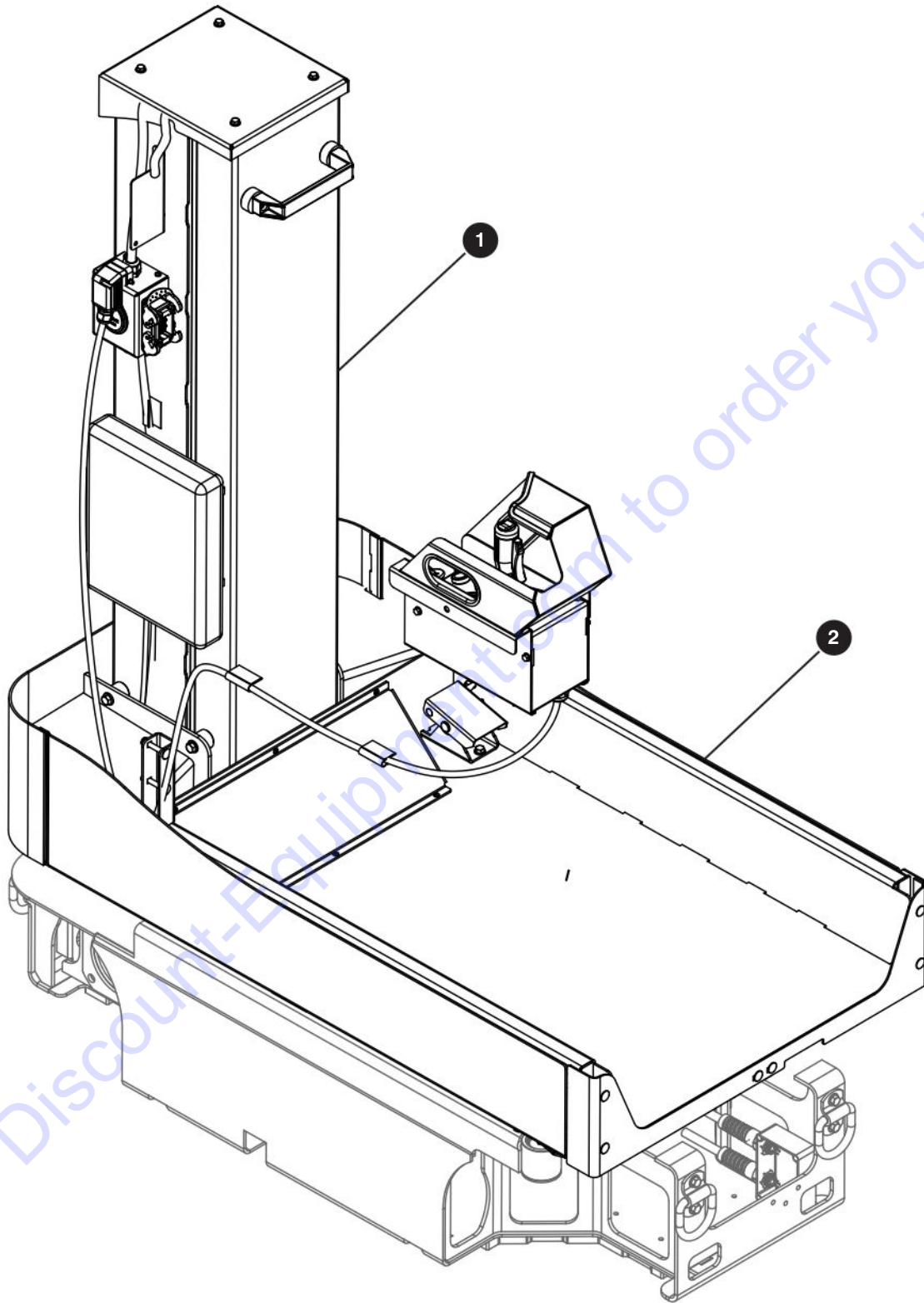
5.12 AGM Battery Protection



M199073AA

Index No.	Skyjack Part No.	Qty.	Description
-	199077	1	(For machines with serial number 14007193 to 14007447) AGM BATTERY PROTECTION FIELD KIT
-	199073	1	• AGM BATTERY PROTECTION KIT
1	199025	1	• • RESISTOR, AGM battery - 10 ohm
2	105360	1	• • CONNECTOR, Male (14-16GA blue)
3	113114	2	• • MARKER, Wire - Brady (A)
4	113014	2	• • MARKER, Wire - Brady (14)
5	102892	2	• • TIE, Zip (5.6")
6	199053	1	• INSTRUCTION, AGM Battery protection (not shown)

5.13 Lavendon Options SJ12 (CE)



M195284AA

194425AB

126

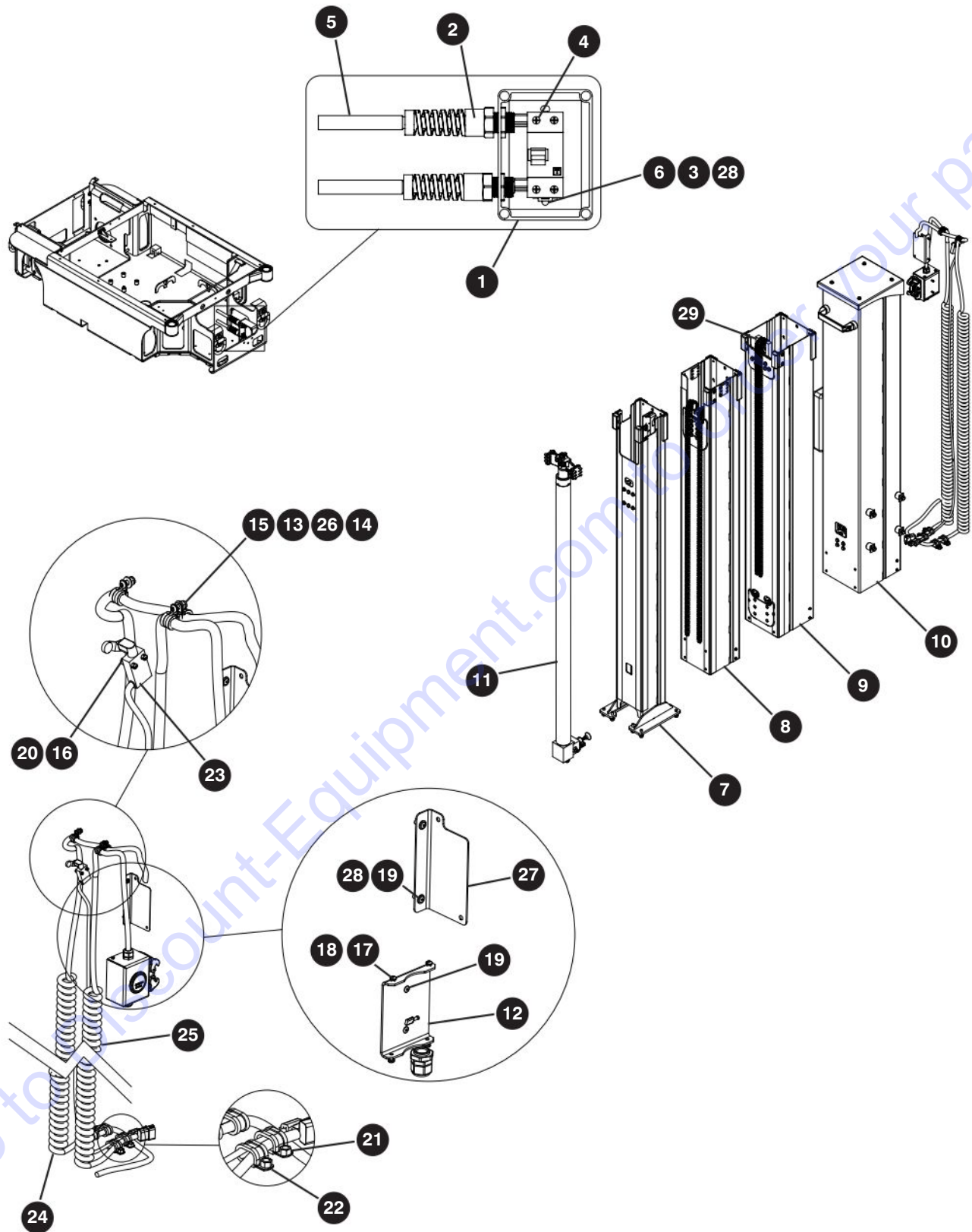
SJ12, SJ16

SKYJACK

5.13 Lavendon Options SJ12 (CE)

Index No.	Skyjack Part No.	Qty.	Description
-	-	-	(For SJ12 with serial number 14006730 and above)
-	195284	1	LAVENDON OPTIONS SJ12 (INCLUDING PLATFORM GROUP)
1	(Ref).	1	ASSEMBLY, RCD MINI LIFT (For components, refer to Section 5.14 Mast Group with RCD option (CE))
2	(Ref).	1	EXTENDING PLATFORM GRP (16") LAVENDON (For components, refer to Section 5.15 Extending Platform GRP 16" Lavendon (SJ12-CE))

5.14 Mast Group with RCD option (CE)



M194725AA

194425AB

128

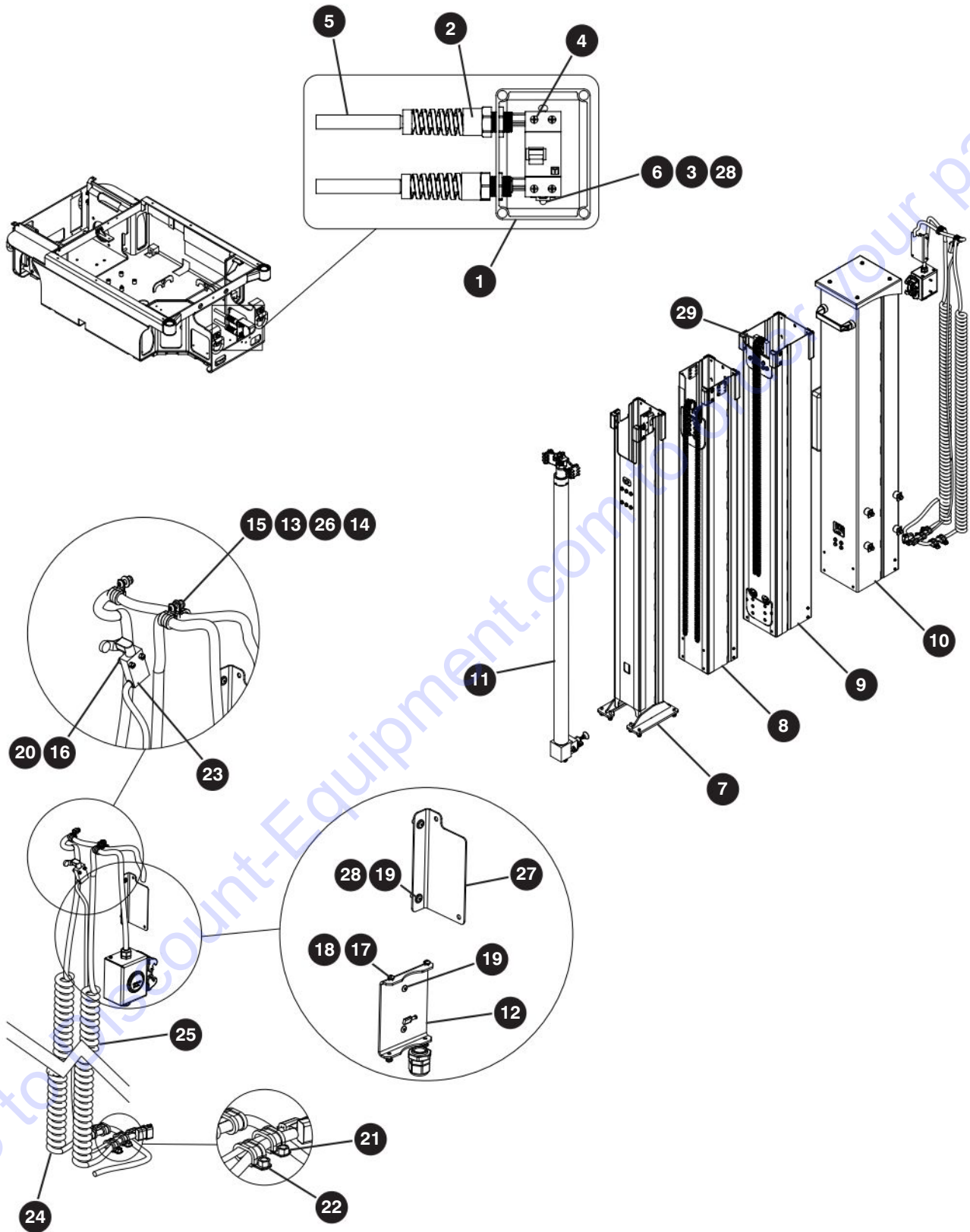
SJ12, SJ16

SKYJACK

5.14 Mast Group with RCD option (CE)

Index No.	Skyjack Part No.	Qty.	Description
-	231943	-	ASSEMBLY, RCD MINI LIFT
1	194510	1	• ENCLOSURE, RCD modification
2	158212	2	• CONNECTOR, Strain relief PG - 13-1/2"
3	117952	2	• WASHER, SEAL - 13/64" ID x 1/2" OD x. 040
4	157187	1	• BREAKER
5	194589	1	• WIRE, Cabtire CE 14/3 6ft
6	120094	2	• SCREW, Round head machine 10-32 x 5/8"
A	194725	-	MAST GROUP - SJ12 (CE) WITH RCD
B	231946	-	MAST GROUP - SJ16 (CE) WITH RCD
7	(Ref).	1	• ASSEMBLY, Mast 1 subgroup (For components, refer to Section 2.1 Mast 1 Assembly (SJ12)) (For components, refer to Section 3.1 Mast 1 Assembly (SJ16))
8	(Ref).	1	• ASSEMBLY, Mast 2 subgroup (For components, refer to Section 2.2 Mast 2 Assembly (SJ12)) (For components, refer to Section 3.2 Mast 2 Assembly (SJ16))
9	(Ref).	1	• ASSEMBLY, Mast 3 subgroup (For components, refer to Section 2.3 Mast 3 Assembly (SJ12)) (For components, refer to Section 3.3 Mast 3 Assembly (SJ16))
10	(Ref).	1	• ASSEMBLY, Mast 4 subgroup (For components, refer to Section 2.4 Mast 4 Assembly (SJ12)) (For components, refer to Section 3.4 Mast 4 Assembly (SJ16))
8	(Ref).	1	• ASSEMBLY, Mast 5 subgroup (For components, refer to Section 3.5 Mast 5 Assembly (SJ16))
11	(Ref).	1	• ASSEMBLY, lift cylinder (For components, refer to Section 2.6 Mast Lift Cylinder Assembly (SJ12)) (For components, refer to Section 3.7 Mast Lift Cylinder Assembly (SJ16))
-	194724	-	• ASSEMBLY, Electrical subgroup - Mast CE with RCD - A
-	231945	-	• ASSEMBLY, Electrical subgroup - Mast CE with RCD - B
12	158615	1	• • BRACKET, Mast
13	103995	2	• • WASHER, Flat 1/4" SAE
14	151596	2	• • BOLT, Button head cap screw 1/4"-20 x 3/4" (zinc) ASTM F835
15	115649	2	• • NUT, Lock 1/4"-20 grade 5 - nylon insert
16	138765	2	• • NUT, Lock 8-32 grade 5 - zinc - nylon insert
17	115545	4	• • SCREW, Round head machine 10-32 x 3/8"
18	104185	4	• • WASHER, Lock #10
19	157759	4	• • RIVET, Pop -3/16" x 9/16" Steel-Dome Head Open-End
20	112248	2	• • SCREW, Round head machine 8-32 x 1"
21	103978	4	• • NUT, Hex 3/8"- 16 grade 5
-	-	-	Parts list continued on the following page

5.14 Mast Group with RCD option (CE)



M194725AA

194425AB

130

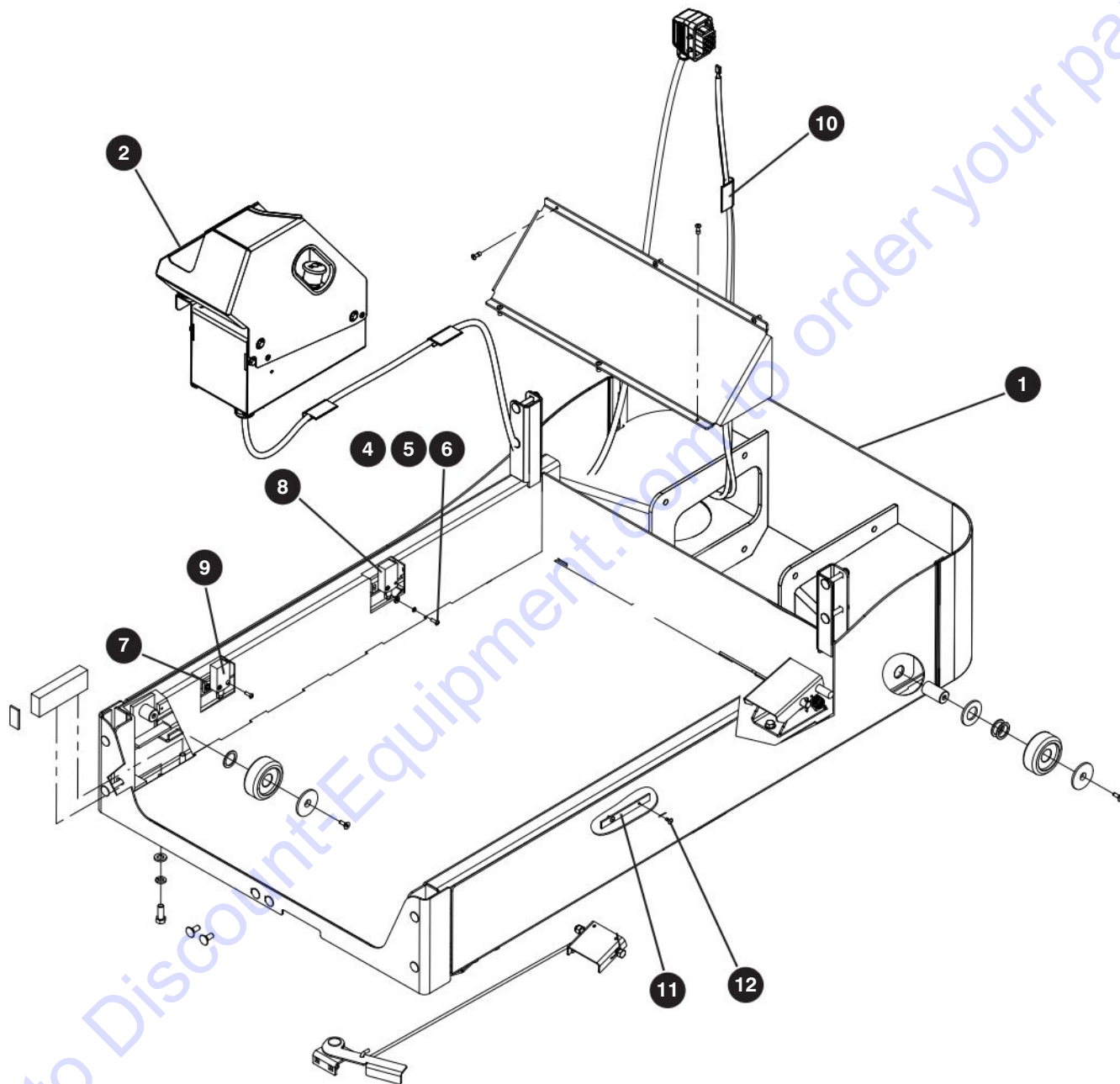
SJ12, SJ16

SKYJACK

5.14 Mast Group with RCD option (CE)

Index No.	Skyjack Part No.	Qty.	Description
-	-		Parts list continued from the previous page
22	103078	4	• • CLAMP, Loop cushion double G10
23	199406	1	• • SWITCH, Limit assembly - mast
24	220936	1	• • WIRE, RCD cable 14/3 retractable - A
-	231944	1	• • WIRE, RCD cable 14/3 retractable - B
25	158755	1	• • ASSEMBLY, Control cable - Mast - A
	158756	1	• • ASSEMBLY, Control cable - Mast- B
26	220931	3	• • CLAMP, Single clip G8
27	158620	1	• • BRACKET - Mast AC
28	104694	4	• • WASHER, Flat #10
29	170759	1	• • SPLIT TUBE, UV resistant (5/8" X 4") (Not Shown) - B
30	114386	1	• • TIEWRAP CABLE, Black nylon (14 5/8") (Not Shown) - B
29	(Ref).	1	• ASSEMBLY, Chain subgroup - SJ12 (For components, refer to Section 2.5 Chain Assembly (SJ12))
			• ASSEMBLY, Chain subgroup - SJ16 (For components, refer to Section 3.6 Chain Assembly (SJ16))

5.15 Extending Platform GRP 16" Lavendon (SJ12-CE)



M195283AA

194425AB

132

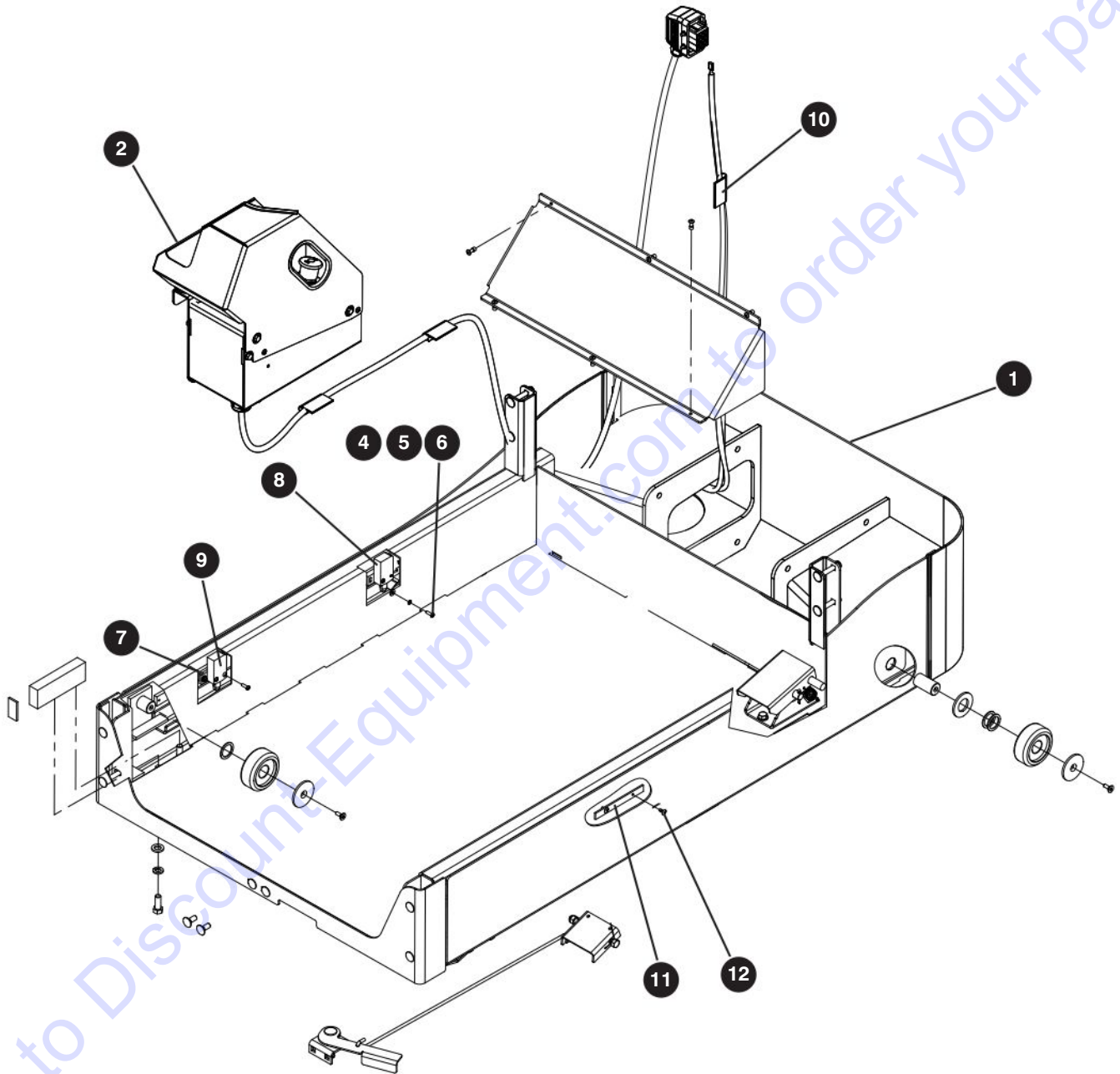
SJ12, SJ16

SKYJACK

5.15 Extending Platform GRP 16" Lavendon (SJ12-CE)

Index No.	Skyjack Part No.	Qty.	Description
-	195283	1	EXTENDING PLATFORM GRP (16"), LAVENDON
1	157435	1	<ul style="list-style-type: none"> • LOWER PLATFORM SUBGROUP (For components, refer to Section 1.2 Lower Platform Assembly)
-	161746	1	<ul style="list-style-type: none"> • ELEC. SUBGROUP - 16" EXT PLATFORM AS
-	232701	1	<ul style="list-style-type: none"> • ELEC. SUBGROUP - 16" EXT PLATFORM ,Aluminium guard w/ SGLE
2	161747	1	<ul style="list-style-type: none"> • • ASSEMBLY, Control box SJ12 australia
	232755	1	<ul style="list-style-type: none"> • • ASSEMBLY, Control box aluminium gurad with SGLE
3	116192	4	<ul style="list-style-type: none"> • • SCREW, Round head machine 8-32 x 5/8"
4	103991	4	<ul style="list-style-type: none"> • • WASHER, Flat #8
5	112249	4	<ul style="list-style-type: none"> • • WASHER, Lock #8
6	103957	4	<ul style="list-style-type: none"> • • SCREW, Round head machine 8-32 x 1/2"
7	156497	2	<ul style="list-style-type: none"> • • BLOCK, Slotted limit switch mt.
8	199411	1	<ul style="list-style-type: none"> • • ASSEMBLY, Limit switch
9	199407	1	<ul style="list-style-type: none"> • • ASSEMBLY, Limit switch
10	108791	4	<ul style="list-style-type: none"> • • CLIP, Cord adhesive back
-	170590	1	<ul style="list-style-type: none"> • PLATFORM UPPER SUBGROUP (16in) (For components, refer to Section 1.3 Upper Platform Assembly)
-	151671	1	<ul style="list-style-type: none"> • BLOCKER PLATE SUBGROUP
11	151670	1	<ul style="list-style-type: none"> • • PLATE, Blocker
12	119945	2	<ul style="list-style-type: none"> • • POP RIVET, Wide head

5.16 Extending Platform GRP 20"(ANSI/CSA)



M158140AA

194425AB

134

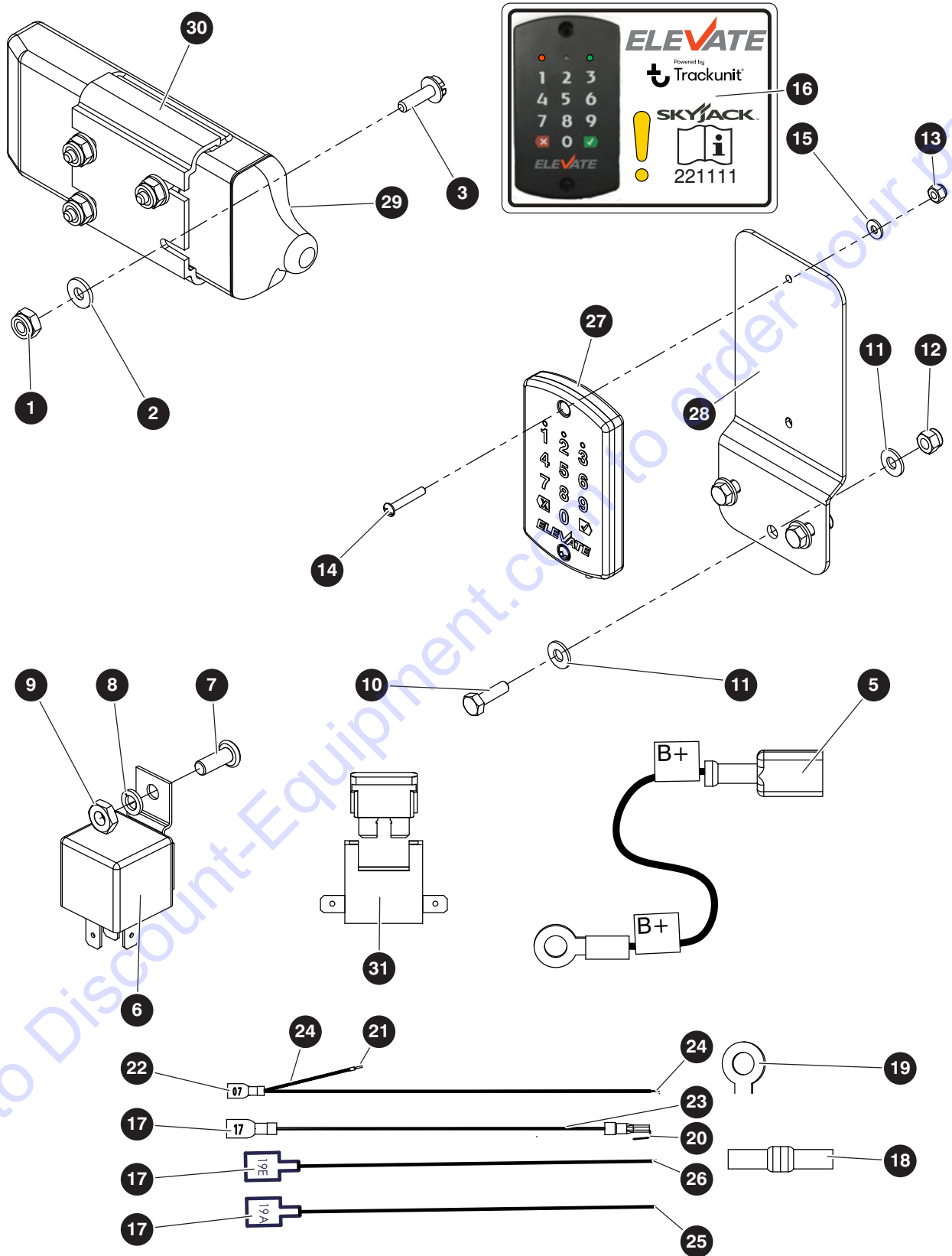
SJ12, SJ16

SKYJACK

5.16 Extending Platform GRP 20"(ANSI/CSA)

Index No.	Skyjack Part No.	Qty.	Description
A	158140	1	EXTENDING PLATFORM GRP (20")
B	211775	1	EXTENDING PLATFORM GRP (20"), Aluminium guard
C	232564	1	EXTENDING PLATFORM GRP (20"), Aluminium guard w/ SGLE
1	157435	1	<ul style="list-style-type: none"> • LOWER PLATFORM SUBGROUP (For components, refer to Section 1.2 Lower Platform Assembly)
-	151629	1	<ul style="list-style-type: none"> • ELEC. SUBGROUP - 20" EXT PLATFORM, A
-	211774	1	<ul style="list-style-type: none"> • ELEC. SUBGROUP - 20" EXT PLATFORM, Aluminium guard, B
-	232563	1	<ul style="list-style-type: none"> • ELEC. SUBGROUP - 20" EXT PLATFORM, Aluminium guard w/ SGLE, C
2	209169	1	<ul style="list-style-type: none"> • • ASSEMBLY, Control box SJ12/16 high guard, A
-	161747	1	<ul style="list-style-type: none"> • • ASSEMBLY, Control box SJ12 australia, B
-	232755	1	<ul style="list-style-type: none"> • • ASSEMBLY, Control box aluminium gurad with SGLE, C
3	116192	4	<ul style="list-style-type: none"> • • SCREW, Round head machine 8-32 x 5/8"
4	103991	4	<ul style="list-style-type: none"> • • WASHER, Flat #8
5	112249	4	<ul style="list-style-type: none"> • • WASHER, Lock #8
6	103957	4	<ul style="list-style-type: none"> • • SCREW, Round head machine 8-32 x 1/2"
7	156497	2	<ul style="list-style-type: none"> • • BLOCK, Slotted limit switch mt.
8	199411	1	<ul style="list-style-type: none"> • • ASSEMBLY, Limit switch
9	199407	1	<ul style="list-style-type: none"> • • ASSEMBLY, Limit switch
10	108791	4	<ul style="list-style-type: none"> • • CLIP, Cord adhesive back
11	156843	1	<ul style="list-style-type: none"> • • JUMPER, Male (2 - position), C (Not Shown)
-	158138	1	<ul style="list-style-type: none"> • PLATFORM UPPER SUBGROUP (20in) (For components, refer to Section 1.3 Upper Platform Assembly)
-	151671	1	<ul style="list-style-type: none"> • BLOCKER PLATE SUBGROUP
11	151670	1	<ul style="list-style-type: none"> • • PLATE, Blocker
12	119945	2	<ul style="list-style-type: none"> • • POP RIVET, Wide head
13	220787	1	<ul style="list-style-type: none"> • SGLE, Field kit, (Not Shown)

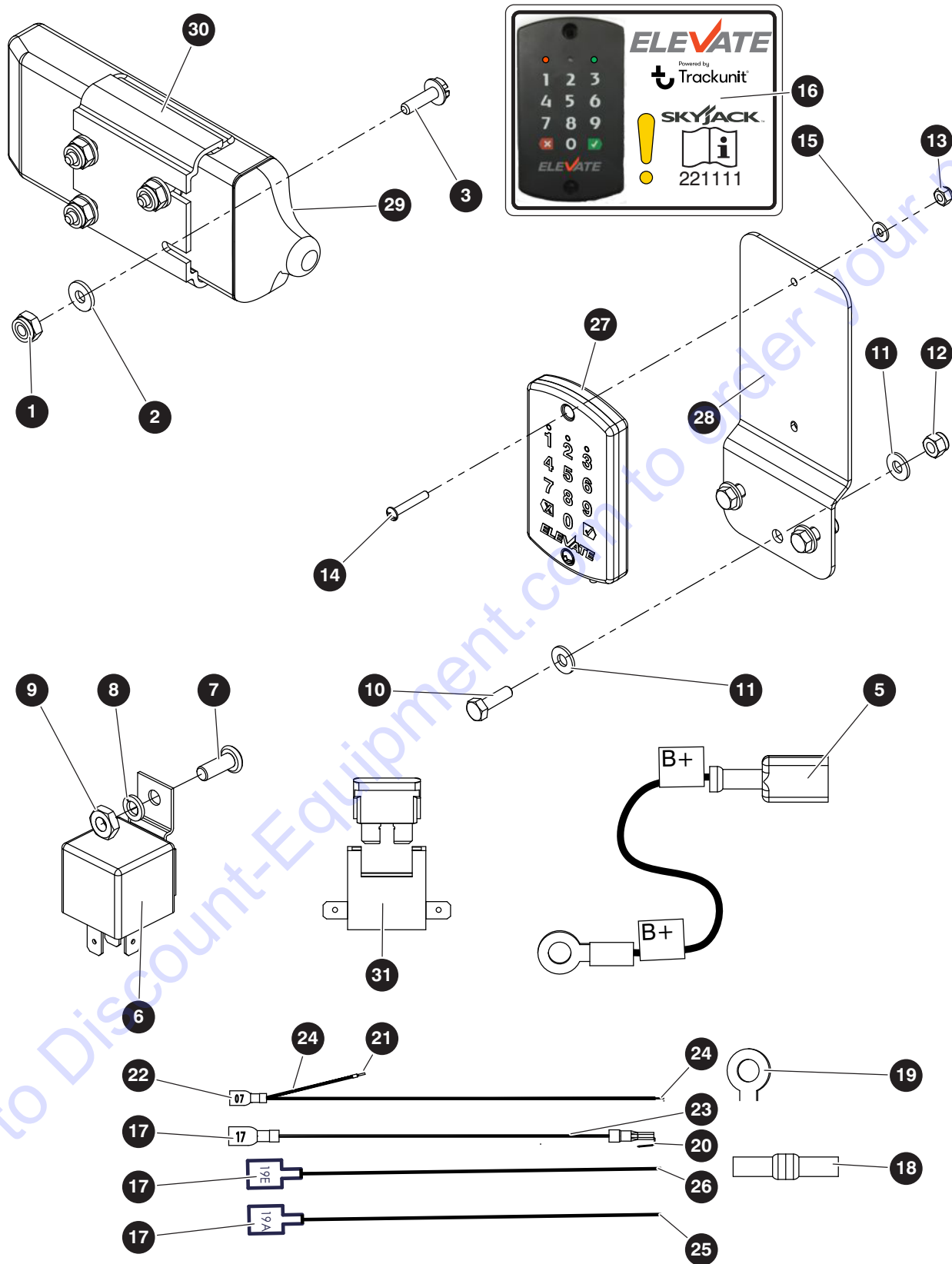
5.17 Elevate Telematics



5.17 Elevate Telematics

Index No.	Skyjack Part No.	Qty.	Description
A	221982	1	SERVICE KIT, Track Unit - Vertical Mast (with keypad)
B	221983	1	SERVICE KIT, Track Unit - Vertical Mast (without keypad)
-	221990	1	• TELEMATICS ASSEMBLY, Install Parts
1	196306	4	• • NUT, Lock 6-32 Gr. 5 - Nylon
2	191833	4	• • WASHER, Flat #6
3	221090	4	• • SCREW, Hex Socket Head - #6-32 X 0.500" - Zinc
-	221088	1	• • HARNESS ASM, Track Unit VM
4	221087	1	• • • HARNESS, TRACK UNIT TELEMATICS VM (Not Shown)
5	220577	1	• • • WIRE ASSEMBLY, B+
6	108589	1	• • • RELAY, 24V - 40 AMP
7	115545	1	• • • ROUND HEAD MACHINE SCREW #10-32 X 3/8
8	104694	1	• • • WASHER, Flat #10 S.A.E
9	300450	1	• • • LOCKNUT, #10-32 UNF (NYLON INSERT) HEX
10	103891	3	• • BOLT, Hex Head - 0.25"-20 X 0.875" Gr. 5
11	103995	6	• • WASHER, Flat 0.250"
12	115649	3	• • NUT, Lock 0.250"- 20 Gr .5 - Nylon
13	138765	2	• • NUT, Lock #8-32 Gr .5 ZINC - Nylon
14	112248	2	• • BOLT, Machine Head ZINC (#8-32 X 1.00)
15	103991	2	• • Washer Flat #8
16	173002	1	• • LABEL, Telematics Track Unit
-	221673	1	• • WIRE KIT, Track Unit Telematics
17	105359	5	• • • TERMINAL, Female 14-16 GA insulated, blue
18	105267	1	• • • SPLICE, Butt Vinyl Yellow
19	108171	1	• • • TERMINAL, 10-12GA, #10 RING
20	220148	1	• • • CONNECTOR, Piggyback 18-22AWG, Red
21	138044	1	• • • FERRULE, 14GA Blue
22	102934	1	• • • TERMINAL, MALE DISCONNECT 10-12 AWG
23	802039	24	• • • WIRE - GREEN/BLACK 18 AWG (17)
24	102702	42	• • • WIRE, Red Tew 14 AWG 41 BC (07)
25	102701	18	• • • WIRE, Red/White TEW 14 AWG 41 BC (19A)
26	102701	18	• • • WIRE, Red/White TEW 14 AWG 41 BC (19E)
27	213099	1	• TELEMATICS, Track Unit Dual ID Keypad, A
28	221091	1	• BRACKET, Telematics Keypad, A
-	213098	1	• TELEMATICS, TRACK UNIT ME501-4
29	(Ref.)	1	• • CONTROL UNIT
30	(Ref.)	1	• • BRACKET, Control Unit
31	(Ref.)	1	• • FUSE KIT, 1 Amp Fuse And Holder
32	(Ref.)	1	• • CONTROL CABLE, Track Unit (Not Shown)
33	221111	1	• INSTRUCTIONS, OP-Telematics Track Unit (English) (Not Shown), A
34	221979	1	• INSTRUCTIONS, Service Kit - TUNIT VM (English) (Not Shown)

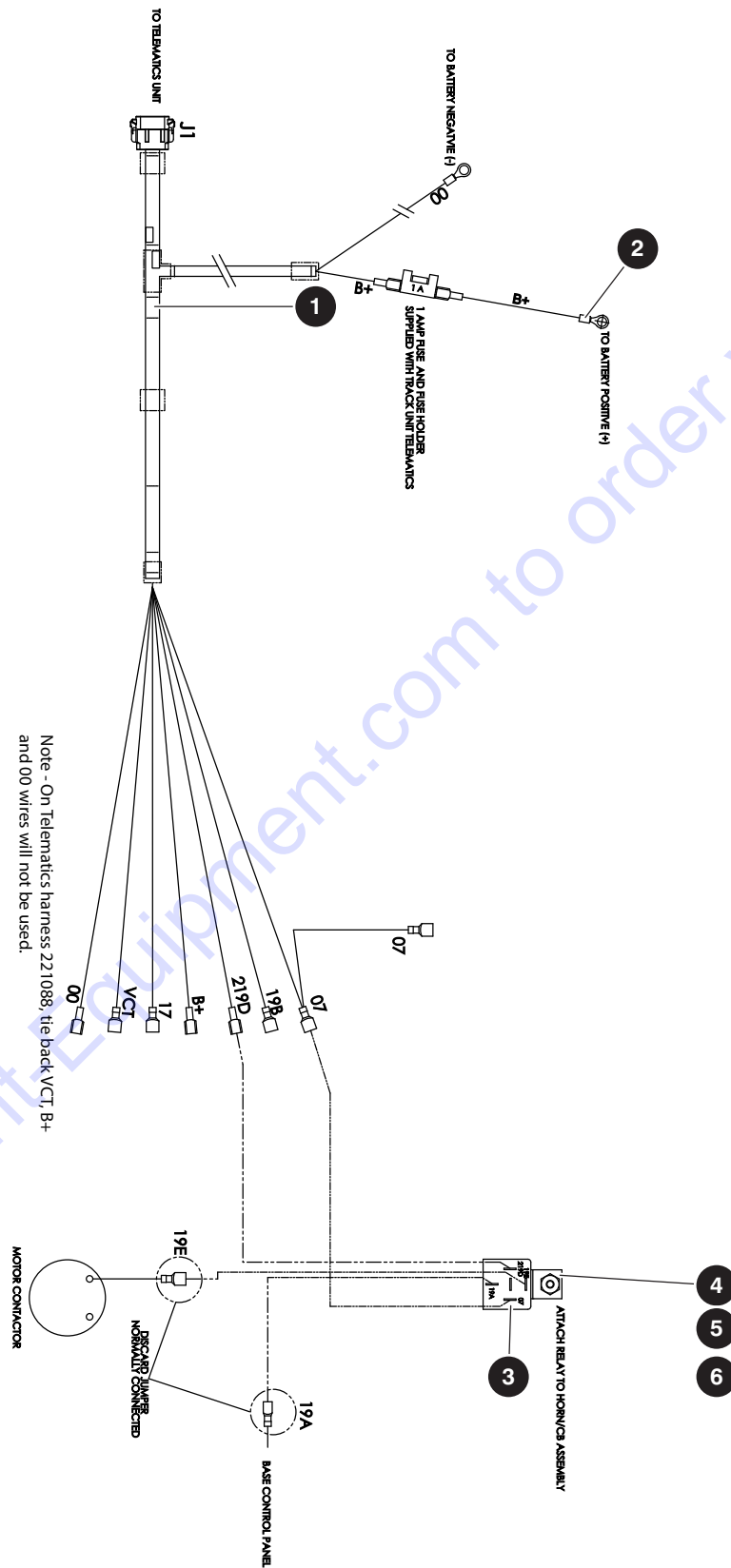
5.17 Elevate Telematics



5.17 Elevate Telematics

Index No.	Skyjack Part No.	Qty.	Description
35	221153	1	TELEMATICS, Monitoring - 12 months (Not Shown)
36	221647	1	TELEMATICS, Engage - 12 months (Not Shown)
37	221648	1	TELEMATICS, Engage + ACCESS - 12 months (Not Shown)
38	221154	1	TELEMATICS, Monitoring - 36 months (Not Shown)
39	221650	1	TELEMATICS, Engage - 36 months (Not Shown)
40	221651	1	TELEMATICS, Engage + ACCESS - 36 months (Not Shown)
41	221155	1	TELEMATICS, Monitoring - 60 months (Not Shown)
42	221654	1	TELEMATICS, Engage - 60 months (Not Shown)
43	221655	1	TELEMATICS, Engage + Access - 60 months (Not Shown)

5.18 Harness Assembly - Trackunit



M221088AB

194425AB

140

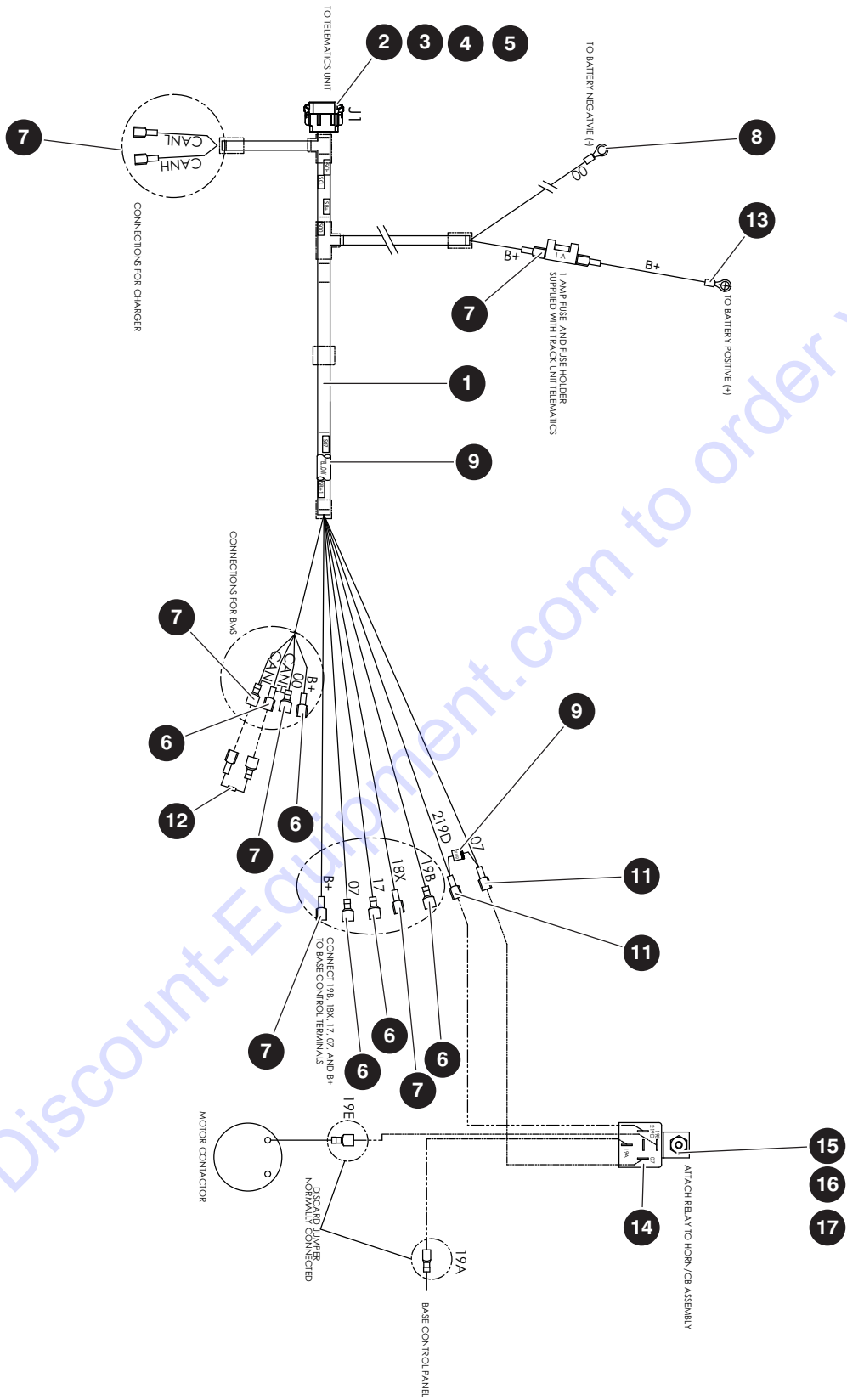
SJ12, SJ16

SKYJACK

5.18 Harness Assembly - Trackunit

Index No.	Skyjack Part No.	Qty.	Description
-	221088	1	HARNESS ASM, TRACK UNIT VM
1	221087	1	HARNESS, TRACK UNIT TELEMATICS VM
2	220577	1	WIRE ASSEMBLY, B+
3	108589	1	RELAY 24 V 40 AMP
4	115545	1	ROUND HEAD MACHINE SCREW #10-32 X 3/8
5	104694	1	WASHER-FLAT #10 S.A.E
6	300450	1	LOCKNUT, #10-32 UNF (NYLON INSERT) HEX

5.19 Elevate Hareness Assembly

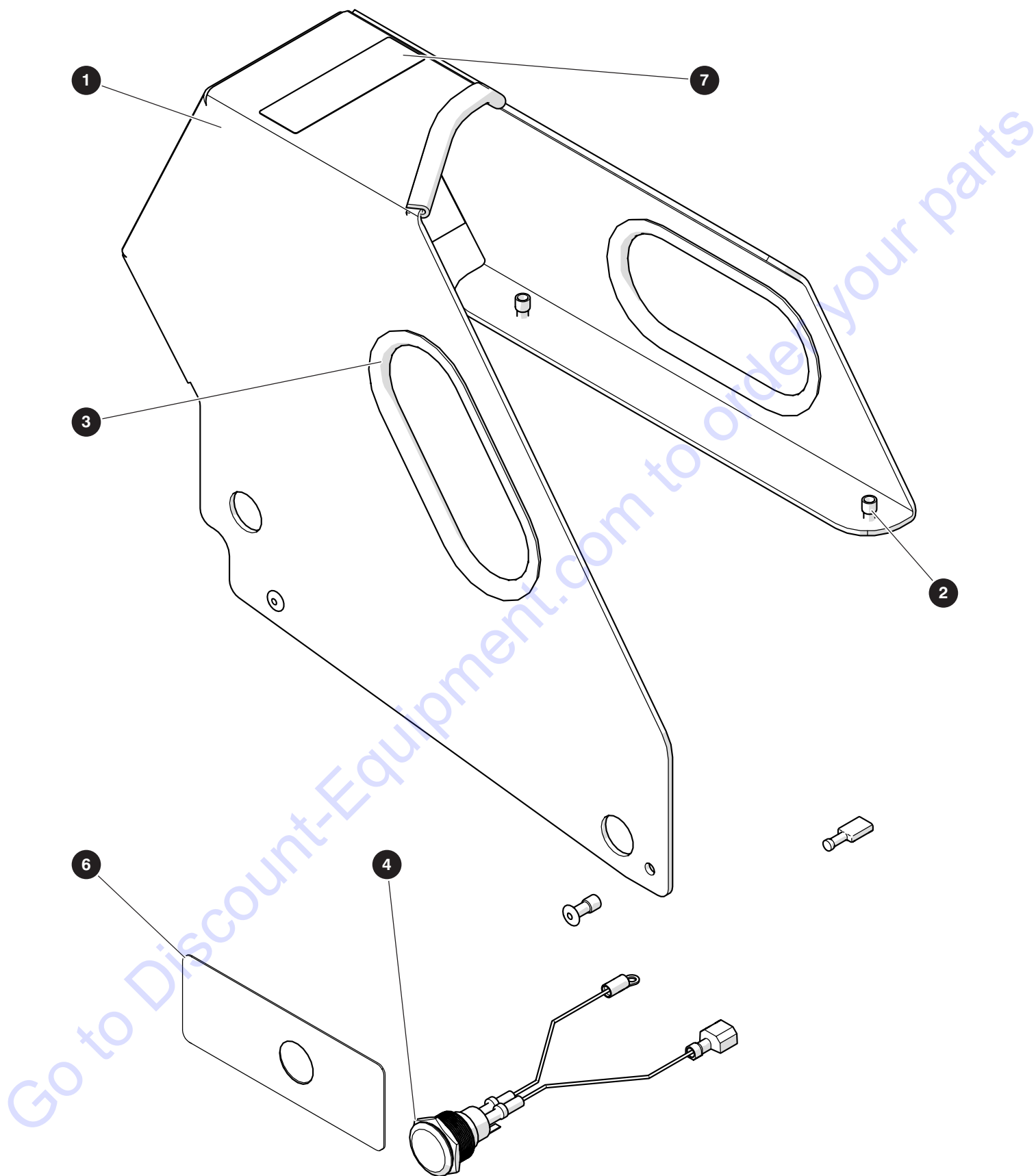


M228562AD

5.19 Elevate Hareness Assembly

Index No.	Skyjack Part No.	Qty.	Description
-	228562	1	HARNESS ASM, ELEVATE VM
1	226445	1	HARNESS, ELEVATE TELEMATICS VM
2	220611	1	• CONNECTOR, DEUTSCH DTM06-12S
3	220612	1	• CONNECTOR, DEUTSCH DTM06 WEDGE
4	220613	9	• CONNECTOR, CONTACT SOCKET NO.20
5	156152	3	• SEALING PLUG, DRC SERIES
6	114594	5	• TERMINAL, MALE 18-22AWG, RED
7	114595	7	• TERMINAL, FEMALE 18-22AWG, RED
8	120070	1	• TERMINAL, 18-22AWG, 5/16 RING RED
9	129258	1	• DIODE
10	119965	1.5	• HEATSHRINK 3/8 DIA YELLOW
11	105359	2	• TERMINAL, FEMALE 14-16GA
12	228570	1	• JUMPER, TERMINATING RESISTOR ELEV/19
13	220577	1	WIRE ASSEMBLY, B+
14	108589	1	RELAY 24 V 40 AMP
15	115545	1	ROUND HEAD MACHINE SCREW #10-32 X 3/8
16	104694	1	WASHER-FLAT #10 S.A.E
17	300450	1	LOCKNUT, #10-32 UNF (NYLON INSERT) HEX

5.20 Secondary Guarding Option



5.20 Secondary Guarding Option

Index No.	Skyjack Part No.	Qty.	Description
1	161240	1	GUARD, Control Box
2	157759	6	RIVET, POP - .188x.565 STL SM FLG DM HD O-END
3	194731	30"	EDGE MOLDING, Control Box
4	220498	1	ASSEMBLY, PUSHBUTTON
5	105359	1	TERMINAL, 1/4" F BLADE 14-16G INS (Not Shwon)
6	172788ZZ	1	LABEL,SGLE Enable
7	172926ZZ	1	LBL SGLE

Section 6 – Labels

6.1 Label Kits

The following label kit is for models SJ12 and SJ16.

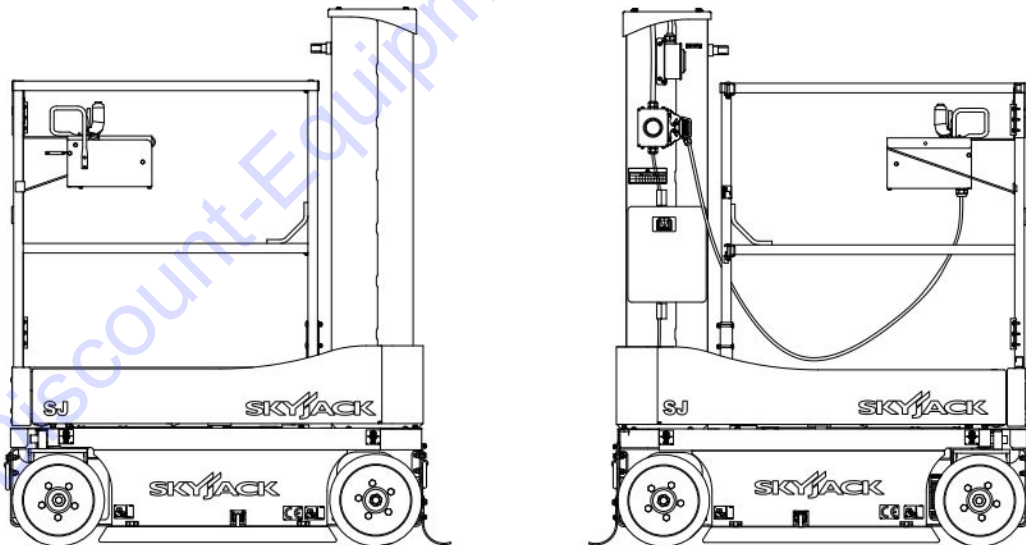
It excludes:

- model designations
- platform capacities
- wheel loads
- serial plates
- base and platform control console labels

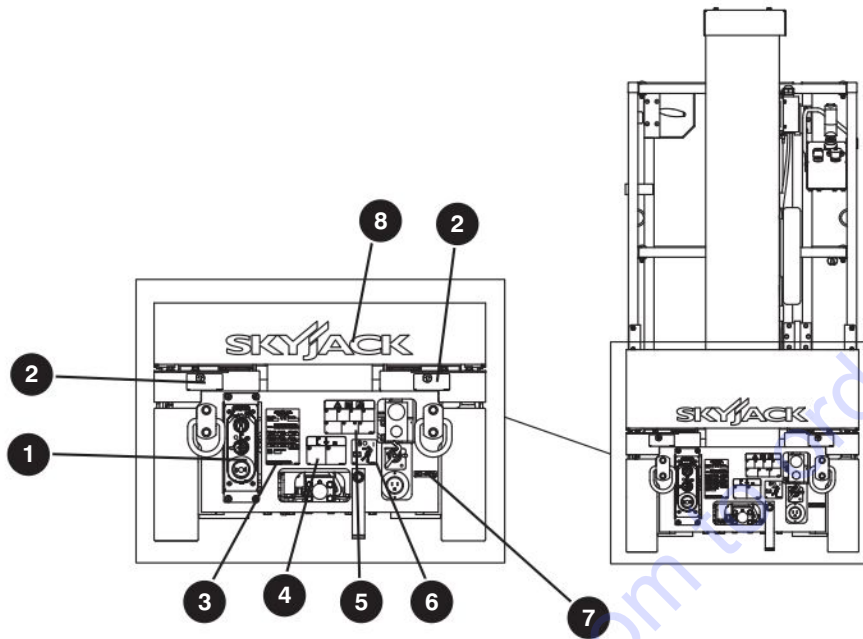
Supply model number, country and language when ordering complete machine labels.

Label Kit		
MODEL	ANSI/CSA & KC	CE
SJ12\16	Part # 160766	Part # 160767

277AC



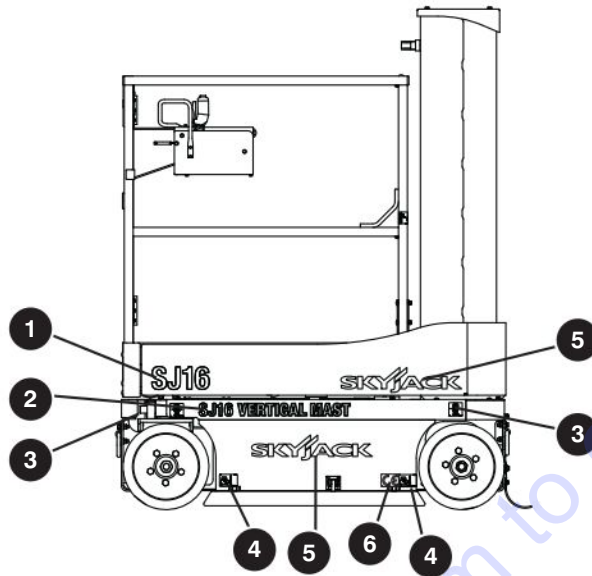
6.2 Labels - Vertical Mast (Rear View)



SJ16_159790AA_Rear View

Index No.	Skyjack Part No.	Qty.	Description
1	156317	1	LABEL, Base Controls (Not included in kit)
2	124767	2	LABEL, Lift and Tie Down Points
3	-	1	LABEL, Serial Plate (Contact Discount-equipment)
4	159511	1	LABEL, Emergency Lowering Procedure
5	156721	1	LABEL, Winching/Towing/Pushing Procedure
6	119674	1	LABEL, Main Power Disconnect
7	138211	1	LABEL, Connect Platform AC Supply (ANSI/CSA)
8	158536	1	LABEL, Skyjack Logo (White)

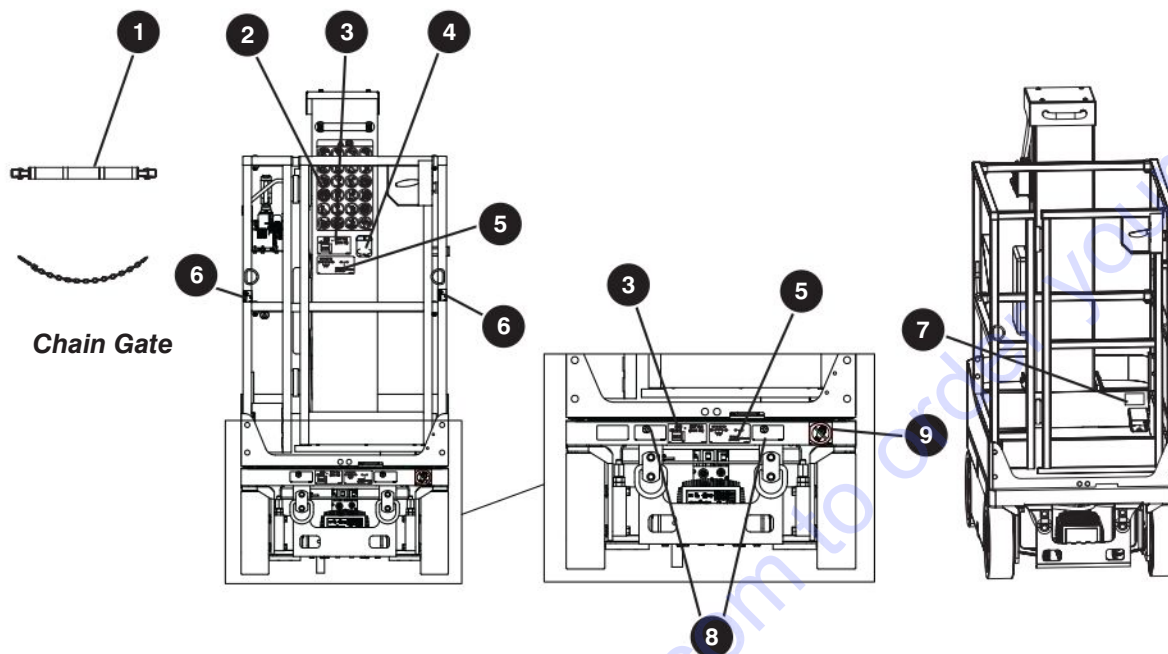
6.3 Labels - Vertical Mast (Left View)



SJ16_Left View-2

Index No.	Skyjack Part No.	Qty.	Description
1	159517	1	LABEL, Model Number (" SJ12 ") (Not included in kit)
	159519	1	LABEL, Model Number (" SJ16 ") (Not included in kit)
2	159516	1	LABEL, Model Number (" SJ12 Vertical Mast ") (Not included in kit)
	159518	1	LABEL, Model Number (" SJ16 Vertical Mast ") (Not included in kit)
3	157014	2	LABEL, Wheel Load (400 kg/880 lb.) (SJ12) (Not included in kit) (Not available in CE)
	156602	2	LABEL, Wheel Load (475 kg/1050 lb.) (SJ16) (Not included in kit) (Not available in CE)
	171371	2	LABEL, Wheel Load (430kg/950 lb.) (SJ12) (Not included in kit)
	171557	2	LABEL, Wheel Load (510 kg/1125 lb.) (SJ16) (Not included in kit)
4	102896	2	LABEL, Forklift Pocket
5	158536	2	LABEL, Skyjack Logo (White)
6	117023	1	LABEL, "CE" (CE)

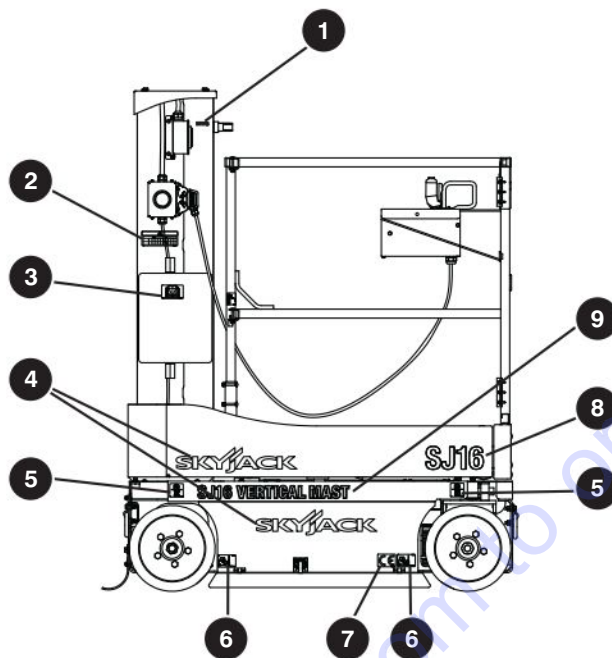
6.4 Levels - Vertical Mast (Front View)



SJ16_159790AA_Front View-2

Index No.	Skyjack Part No.	Qty.	Description
1	119803	AR	TAPE, Safety (1") (Not included in kit)
2	159501	1	LABEL, Hazard Identification
3	156417	2	LABEL, Horizontal Load Rating and Platform Capacity (500 lb/2P) (SJ12 CE & KC) (Not included in kit)
	156687	2	LABEL, Horizontal Load Rating and Platform Capacity (500 lb/2P) (SJ16 KC) (Not included in kit)
	171556	2	LABEL, Horizontal Load Rating and Platform Capacity (500 lb/1P) (SJ16 CE) (Not included in kit)
	156308	2	LABEL, Horizontal Load Rating and Platform Capacity (SJ12/16 ANSI/CSA) (Not included in kit)
4	156436	1	LABEL, Operator's Daily Inspection
5	124465	2	LABEL, Horizontal Load Rating (SJ12/16 ANSI/CSA) (Not included in kit)
6	130018	2	LABEL, Fall Protection Anchorage
7	157012	1	LABEL, Platform Traversing Procedure
8	124767	2	LABEL, Lift and Tie Down Points
9	124362	1	LABEL, No Jewelry

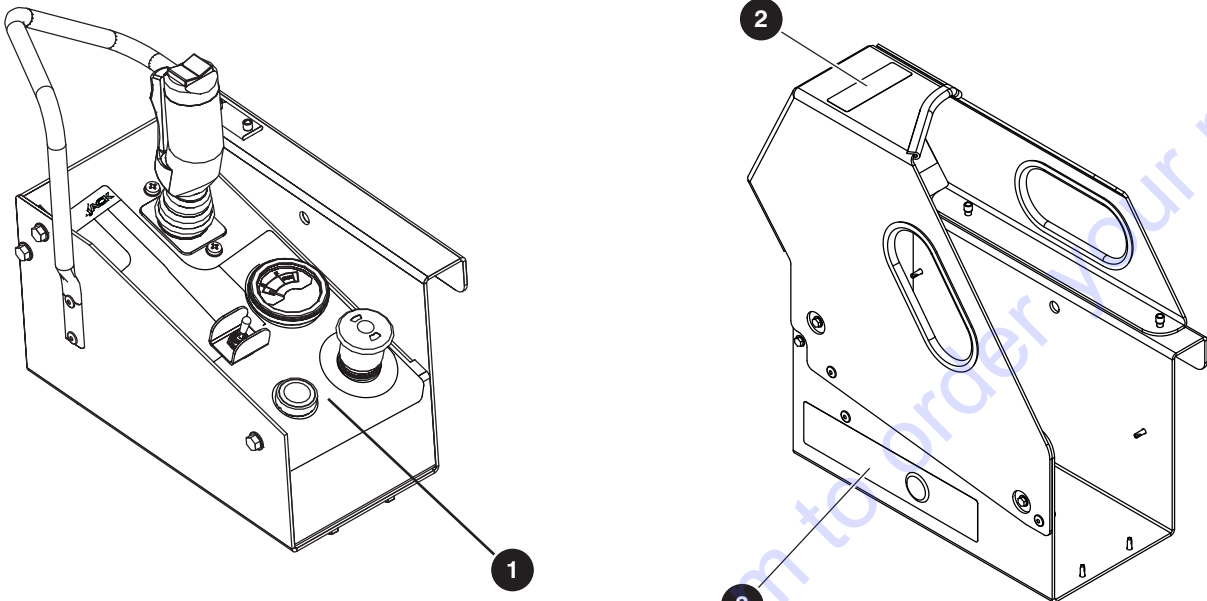
6.5 Labels - Vertical Mast (Right View)



SJ16_Right View-2

Index No.	Skyjack Part No.	Qty.	Description
1	138211	1	LABEL, Connect Platform AC Supply (ANSI/CSA)
2	156441	1	LABEL, Annual Inspection
3	123628	1	LABEL, Manual Storage Box
4	158536	2	LABEL, Skyjack Logo (White)
5	157014	2	LABEL, Wheel Load (400 kg/880 lb.) (SJ12) (Not included in kit) (Not available in CE)
	156602	2	LABEL, Wheel Load (475 kg/1050 lb.) (SJ16) (Not included in kit) (Not available in CE)
	171371	2	LABEL, Wheel Load (430 kg/950 lb.) (SJ12) (Not included in kit)
	171557	2	LABEL, Wheel Load (510 kg/1125 lb.) (SJ16) (Not included in kit)
6	102896	2	LABEL, Forklift Pocket
7	117023	1	LABEL, "CE" (CE)
8	159517	1	LABEL, Model Number (" SJ12 ") (Not included in kit)
	159519	1	LABEL, Model Number (" SJ16 ") (Not included in kit)
9	159516	1	LABEL, Model Number (" SJ12 Vertical Mast ") (Not included in kit)
	159518	1	LABEL, Model Number (" SJ16 Vertical Mast ") (Not included in kit)

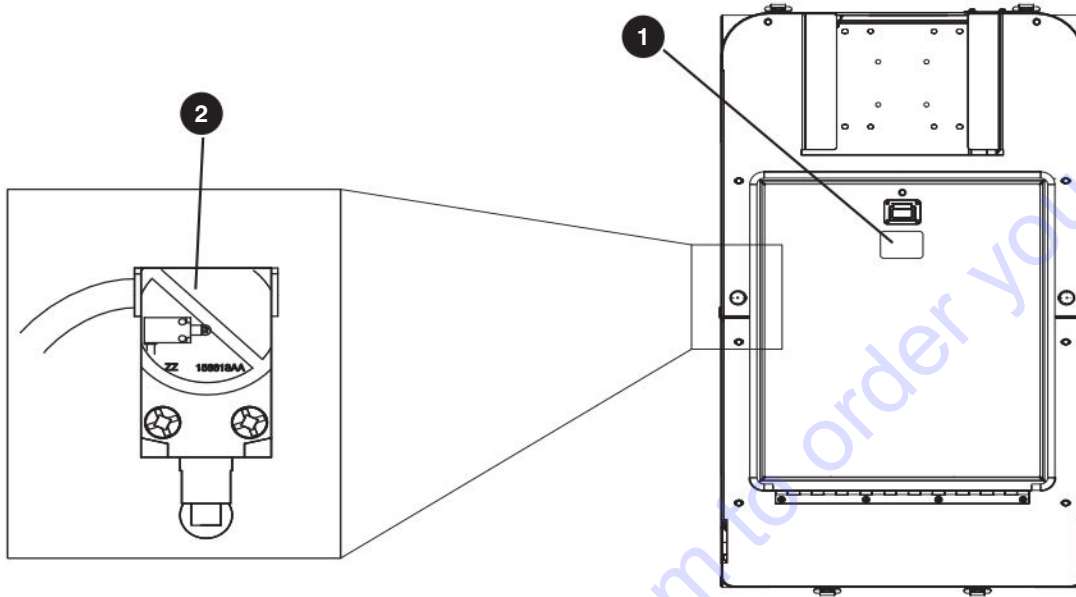
6.6 Labels - Platform Control Console



M148639AA_M220492AA_Labels

Index No.	Skyjack Part No.	Qty.	Description
1	156318	1	LABEL, Platform Control Console (Not included in kit)
2	172926	1	LABEL, SGLE (Not included in kit)
3	172788	1	LABEL, SGLE ENABLE (Not included in kit)

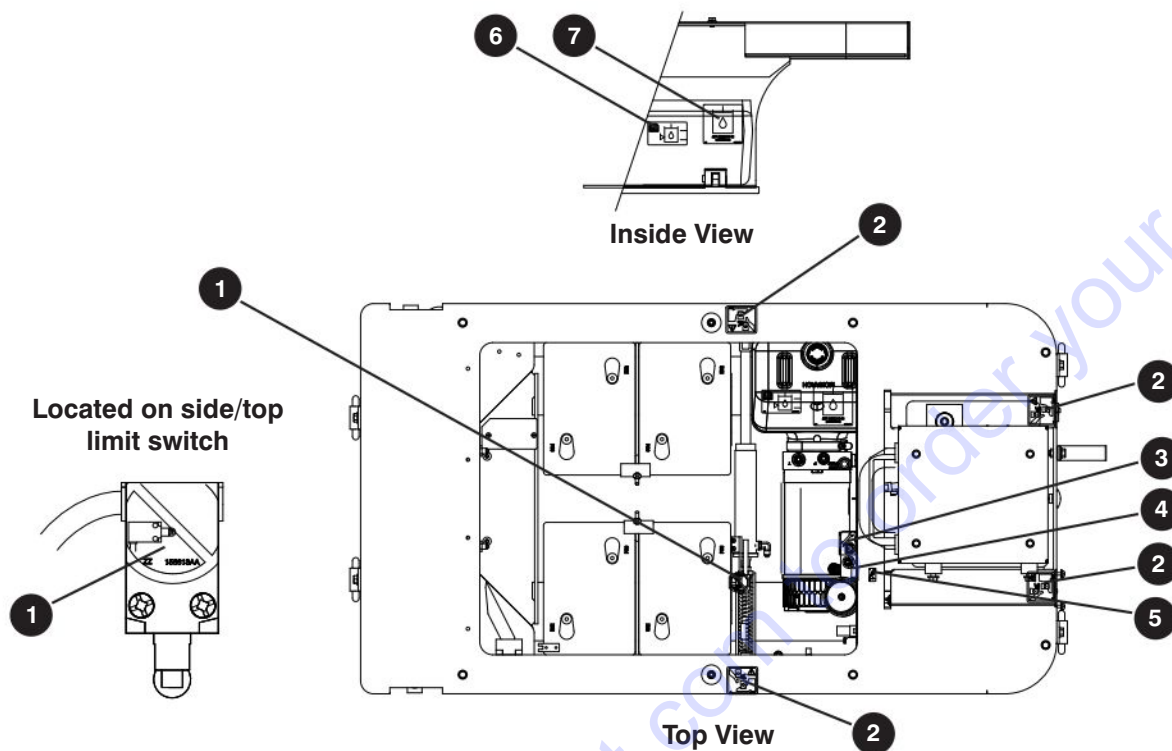
6.7 Labels - Vertical Mast (Base View)



156347AE_SJ12_BASE_2

Index No.	Skyjack Part No.	Qty.	Description
1	157011	1	LABEL, Do Not Open
2	156613	AR	LABEL, Do Not Alter

6.7 Labels - Vertical Mast (Base View)



156347AD_SJ12_BASE

Index No.	Skyjack Part No.	Qty.	Description
1	156613	3	LABEL, Do Not Alter (CE & KC - 2 on platform + 1 at base)
	156613	2	LABEL, Do Not Alter (ANSI - 1 on platform + 1 at base)
2	119866	4	LABEL, Crushing Hazard
3	156612	1	LABEL, Diagnostic Switch
4	117387	1	LABEL, Power Circuit Breaker
5	117389	1	LABEL, Ground Circuit Breaker
6	146016	1	LABEL, Hydraulic Oil Level (Min/Max)
7	102961	1	LABEL, Hydraulic Oil ATF Dextron III

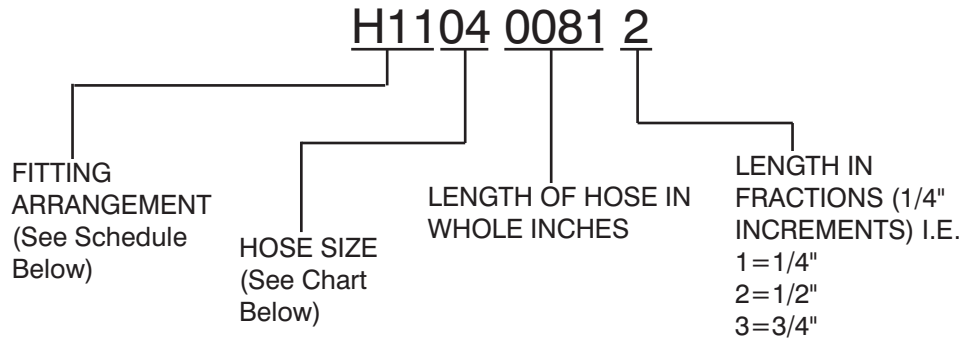
Section 7 – Tables

7.1 *Standard Hose Numbering System*

7.2 *Vertical Mast Fluids Table*

Go to Discount-Equipment.com to order your parts

7.1 Standard Hose Numbering System



Using the number above as an example (H1104 0081 2). This hose requires a 37° JIC, female swivel fitting on one end. A medium length 90° JIC, female swivel fitting for the other end. The Hose must meet or exceed S.A.E. 100R13 hose specification, and be a total of 81-1/2" long. NOTE: Hose ends and hose must be from same manufacturer per S.A.E. J1273 Nov. '91, Sections 3.10 and 4.2. Hose ends and hose must be of the same size i.e. #4 size fittings must be used with #4 size hose.

Hose Size Chart

SIZE	03	04	06	08	10	12	16	20	24	32	40	48	56	64
ID	3/16"	1/4"	3/8"	1/2"	5/8"	3/4"	1"	1-1/4"	1-1/2"	2"	2-1/2"	3"	3-1/2"	4"

HOSE PREFIX	HOSE END FITTING	HOSE END FITTING	S.A.E. HOSE SPECIFICATION
H01	FEMALE, 37° JIC, SWIVEL	FEMALE, 37° JIC, SWIVEL	100R17
H02	FEMALE, 37° JIC, SWIVEL	FEMALE, 37° JIC, SWIVEL	100R13
H03	FEMALE, 37° JIC, SWIVEL	45°, FEMALE, 37° JIC, SWIVEL	100R17
H04	FEMALE, 37° JIC, SWIVEL	45°, FEMALE, 37° JIC, SWIVEL	100R13
H05	FEMALE, 37° JIC, SWIVEL	LONG 90°, FEMALE, 37° JIC, SWIVEL	100R17
H06	FEMALE, 37° JIC, SWIVEL	SHORT 90°, FEMALE, 37° JIC, SWIVEL	100R17
H07	LONG 90°, FEMALE, 37° JIC, SWIVEL	LONG 90°, FEMALE, 37° JIC, SWIVEL	100R17
H08	FEMALE, 37° JIC, SWIVEL	FEMALE, 37° JIC, SWIVEL	100R4
H09	FEMALE, 37° JIC, SWIVEL	45°, FEMALE, 37° JIC, SWIVEL	100R4
H10	FEMALE, 37° JIC, SWIVEL	MALE PIPE THREAD FITTING	100R17
H11	FEMALE, 37° JIC, SWIVEL	MEDIUM 90°, FEMALE, 37° JIC, SWIVEL	100R13
H12	SHORT 90°, FEMALE, 37° JIC, SWIVEL	SHORT 90°, FEMALE, 37° JIC, SWIVEL	100R17
H13	FEMALE, 37° JIC, SWIVEL	REUSABLE MALE PIPE THREAD FITTING	300 PSI
H14	REUSABLE MALE PIPE THREAD FITTING	NO FITTING	300 PSI
H15	REUSABLE, FEMALE, 37° JIC, SWIVEL	REUSABLE, FEMALE, 37° JIC, SWIVEL	300 PSI

Fitting Arrangement Schedule (Continued on the following page)

7.1 Standard Hose Numbering System

Fitting Arrangement Schedule (Continued from the previous page)

HOSE PREFIX	HOSE END FITTING	HOSE END FITTING	S.A.E. HOSE SPECIFICATION
H16	NO FITTING	NO FITTING	100R4
H17	NO FITTING	NO FITTING	300 PSI
H18	REUSABLE, FEMALE, 37° JIC, SWIVEL	NO FITTING	300 PSI
H19	LONG 90°, FEMALE, 37° JIC, SWIVEL	FEMALE, 37° JIC, SWIVEL	100R13
H20	FEMALE, SHORT 37° JIC, SWIVEL	SHORT 90°, FEMALE, 37° JIC, SWIVEL	100R4
H21	FEMALE, SHORT 37° JIC, SWIVEL	SHORT 90°, FEMALE, 37° JIC, SWIVEL	100R2AT
H22	FEMALE, 37° JIC, SWIVEL	FEMALE, 37° JIC, SWIVEL	100R2AT
H23	FEMALE, LONG 37° JIC, SWIVEL	LONG 90°, FEMALE, 37° JIC, SWIVEL	100R2AT
H24	FEMALE, SHORT 37° JIC, SWIVEL	SHORT 90°, FEMALE, 37° JIC, SWIVEL	100R13
H25	FEMALE, 37° JIC, SWIVEL	FEMALE, 37° JIC, SWIVEL	100R4
H26	SHORT 90°, FEMALE, 37° JIC, SWIVEL	FEMALE, 37° JIC, SWIVEL	100R17
H27	LONG 90°, FEMALE, 37° JIC, SWIVEL	FEMALE, 37° JIC, SWIVEL	100R17
H28	FEMALE, 37° JIC, SWIVEL	FEMALE, 37° JIC, SWIVEL	100R17
H29	SHORT 45°, FEMALE, 37° JIC, SWIVEL	FEMALE, 37° JIC, SWIVEL	100R17
H30	MEDIUM 90°, FEMALE, 37° JIC, SWIVEL	FEMALE, 37° JIC, SWIVEL	100R17
H31	FEMALE, 37° JIC, SWIVEL	FEMALE, 37° JIC, SWIVEL	100R17
H32	SHORT 45°, FEMALE, 37° JIC, SWIVEL	FEMALE, 37° JIC, SWIVEL	100R17
H33	MEDIUM 45°, FEMALE, 37° JIC, SWIVEL	FEMALE, 37° JIC, SWIVEL	100R17
H34	SHORT 90°, FEMALE, 37° JIC, SWIVEL	FEMALE, 37° JIC, SWIVEL	100R17
H35	MEDIUM 90°, FEMALE, 37° JIC, SWIVEL	FEMALE, 37° JIC, SWIVEL	100R17
H36	LONG 90°, FEMALE, 37° JIC, SWIVEL	FEMALE, 37° JIC, SWIVEL	100R17
H37	SHORT 45°, FEMALE, 37° JIC, SWIVEL	FEMALE, 37° JIC, SWIVEL	100R4
H38	SHORT 90°, FEMALE, 37° JIC, SWIVEL	FEMALE, 37° JIC, SWIVEL	100R4
H39	LONG 90°, FEMALE, 37° JIC, SWIVEL	FEMALE, 37° JIC, SWIVEL	100R4
H40	SHORT 90°, FEMALE, 37° JIC, SWIVEL	FEMALE, 37° JIC, SWIVEL	100R16

7.2 Vertical Mast Fluids Table

HYDRAULIC OIL				
Specification	Capacity (Liters)	Capacity (US Gallons)	Oil Type	Skyjack Part No.
Standard	4.92	1.3	ATF Dexron III	119309
Option	4.92	1.3	NATURELLE HF E 32	157138

270AC

Go to Discount-Equipment.com to order your parts

PARTS FINDER

**Search Website
by Part Number**



**Search Manual
Library For Parts
Manual & Lookup Part
Numbers – Purchase
or Request Quote**

Search Manuals

Enter your information to help us find the right parts manual for your machine.

* Brand:

* Model:

* Serial:

* Part Number:

SEARCH

**Can't Find Part or
Manual? Request Help
by Manufacturer,
Model & Description**

Parts Order Form

Please fill in the following information to help us find the right part for your machine.

Manufacturer:	<input type="text"/>
Model:	<input type="text"/>
Description:	<input type="text"/>
Part Number:	<input type="text"/>
Quantity:	<input type="text"/>
Notes:	<input type="text"/>

Submit

Discount-Equipment.com is your online resource for quality parts & equipment.

Florida: **561-964-4949** Outside Florida TOLL FREE: **877-690-3101**

Need parts?

Click on this link: <http://www.discount-equipment.com/category/5443-parts/> and choose one of the options to help get the right parts and equipment you are looking for. Please have the machine model and serial number available in order to help us get you the correct parts. If you don't find the part on the website or on one of the online manuals, please fill out the request form and one of our experienced staff members will get back to you with a quote for the right part that your machine needs.

We sell worldwide for the brands: Genie, Terex, JLG, MultiQuip, Mikasa, Essick, Whiteman, Mayco, Toro Stone, Diamond Products, Generac Magnum, Airman, Haulotte, Barreto, Power Blanket, Nifty Lift, Atlas Copco, Chicago Pneumatic, Allmand, Miller Curber, Skyjack, Lull, Skytrak, Tsurumi, Husquvarna Target, Stow, Wacker, Sakai, Mi-T-M, Sullair, Basic, Dynapac, MBW, Weber, Bartell, Bennar Newman, Haulotte, Ditch Runner, Menegotti, Morrison, Contec, Buddy, Crown, Edco, Wyco, Bomag, Laymor, EZ Trench, Bil-Jax, F.S. Curtis, Gehl Pavers, Heli, Honda, ICS/PowerGrit, IHI, Partner, Imer, Clipper, MMD, Koshin, Rice, CH&E, General Equipment, Amida, Coleman, NAC, Gradall, Square Shooter, Kent, Stanley, Tamco, Toku, Hatz, Kohler, Robin, Wisconsin, Northrock, Oztec, Toker TK, Rol-Air, APT, Wylie, Ingersoll Rand / Doosan, Innovatech, Con X, Ammann, Mecalac, Makinex, Smith Surface Prep, Small Line, Wanco, Yanmar