



# Parts Manual

Vertical Mast Series

Part No. 157974AB May 2012

# PARTS FINDER

**Search Website  
by Part Number**



**Search Manual  
Library For Parts  
Manual & Lookup Part  
Numbers – Purchase  
or Request Quote**

**Search Manuals**

Enter your information to help us find the right parts manual for your machine.

\* Brand:

\* Model:

\* Serial:

\* Part Number:

SEARCH

**Can't Find Part or  
Manual? Request Help  
by Manufacturer,  
Model & Description**

**Parts Order Form**

Please fill in the following information to help us find the right part for your machine.

Manufacturer:	<input type="text"/>
Model:	<input type="text"/>
Description:	<input type="text"/>
Part Number:	<input type="text"/>
Quantity:	<input type="text"/>
Notes:	<input type="text"/>

Submit

Discount-Equipment.com is your online resource for quality parts & equipment.

Florida: **561-964-4949** Outside Florida TOLL FREE: **877-690-3101**

**Need parts?**

Click on this link: <http://www.discount-equipment.com/category/5443-parts/> and choose one of the options to help get the right parts and equipment you are looking for. Please have the machine model and serial number available in order to help us get you the correct parts. If you don't find the part on the website or on one of the online manuals, please fill out the request form and one of our experienced staff members will get back to you with a quote for the right part that your machine needs.

We sell worldwide for the brands: Genie, Terex, JLG, MultiQuip, Mikasa, Essick, Whiteman, Mayco, Toro Stone, Diamond Products, Generac Magnum, Airman, Haulotte, Barreto, Power Blanket, Nifty Lift, Atlas Copco, Chicago Pneumatic, Allmand, Miller Curber, Skyjack, Lull, Skytrak, Tsurumi, Husquvarna Target, Stow, Wacker, Sakai, Mi-T-M, Sullair, Basic, Dynapac, MBW, Weber, Bartell, Bennar Newman, Haulotte, Ditch Runner, Menegotti, Morrison, Contec, Buddy, Crown, Edco, Wyco, Bomag, Laymor, EZ Trench, Bil-Jax, F.S. Curtis, Gehl Pavers, Heli, Honda, ICS/PowerGrit, IHI, Partner, Imer, Clipper, MMD, Koshin, Rice, CH&E, General Equipment, Amida, Coleman, NAC, Gradall, Square Shooter, Kent, Stanley, Tamco, Toku, Hatz, Kohler, Robin, Wisconsin, Northrock, Oztec, Toker TK, Rol-Air, APT, Wylie, Ingersoll Rand / Doosan, Innovatech, Con X, Ammann, Mecalac, Makinex, Smith Surface Prep, Small Line, Wanco, Yanmar

**This manual is based on Serial Numbers:**

SJ12 14,001,106 to 14,001,629

SJ16 14,001,077 to 14,001,629

Excluding Serial Numbers: 14001417 & 14001435

Please refer to the website - [www.discount-equipment.com](http://www.discount-equipment.com) for older Serial Numbers.

Go to Discount-Equipment.com to order your parts

# Vertical Mast Series Parts Manual

## General

The information contained in this section is designed to aid the user in locating and identifying replacement parts. Component parts of various assemblies and sub-assemblies comprising the work platform are illustrated and accompanied by a descriptive parts list. Exploded drawings are used to show relative location of component parts in disassembly order. If a part cannot be found in this section, order by work platform model number and serial number, giving a complete description of the part.

## Parts Ordering Information

When ordering replacement parts, the complete part number and description should be used to ensure proper identification and delivery of the desired item. This complete identification should also be used when requesting equipment information.

## Method of Listing

Parts are listed in order according to the reference number shown in the illustration, followed by a full description based upon the "NOUN FIRST" method. That is, the noun name of the part is listed first, then the modifying description information which serves to specifically identify the item. For example: PIN, Clevis. Assemblies or groups are shown at the beginning of a parts list and are identified with the letter references A, B, C, etc. Individual parts in these lists have corresponding letters after their description to identify which assembly or group it is used in. Individual parts without identifying letters are used in all the assemblies or group shown at the beginning of the parts list. Descriptions preceded with an (•) indicates a serviceable component or attaching hardware for the higher level assembly. If

an index number initially starts with the letter "K", for example "K1", means it's a kit. Any item(s) included in a kit will not have an index number.

## Quantities (Units Per Assy.)

The quantities of each part that are required to complete the assembly. If quantity is (AR), it is understood that the quantity may vary when machine is equipped with certain options. Order quantity as needed.

## Hardware

Standard screws, washers, nuts, etc. are not identified by a reference number. These parts are known as COMMON HARDWARE items and appear indented under the major items with which they are used. They should be ordered separately as listed, since they are not component parts of the pieces they attach to.

## How to Order Repair Parts

1. Address all orders to Discount-equipment.
2. Specify model and serial number of the work platform (found on the serial number plate).
3. List the quantity needed.
4. List the length needed (if bulk item).
5. List the part number and description as shown in this manual for each item.
6. Show billing and shipping address and name of individual if possible.
7. Suggest best routing.

CUSTOMER \_\_\_\_\_

DEALER \_\_\_\_\_

MODEL NUMBER \_\_\_\_\_

SERIAL NUMBER \_\_\_\_\_

DATE PURCHASED \_\_\_\_\_



## Table of Contents

### 1.0 PLATFORM RELATED PARTS

1.1 Chain Entrance Assembly .....	10
1.2 Lower Platform Assembly.....	11
1.3 Upper Platform Assembly .....	12
1.4 Railing Assembly .....	14
1.5 Gate Assembly .....	15
1.6 Saloon Gate Attachment .....	17
1.7 Platform Control Console Assembly.....	18
1.8a Controller Assembly .....	20
1.8b Controller Assembly.....	22
1.9 Platform Limit Switch Assembly .....	24
1.10 Platform Control Cable Assembly.....	26

### 2.0 MAST RELATED PARTS (SJ12)

2.1 Mast 1 Assembly (SJ12).....	28
2.2 Mast 2 Assembly (SJ12).....	30
2.3 Mast 3 Assembly (SJ12).....	32
2.4 Mast 4 Assembly (SJ12).....	34
2.5 Chain Assembly (SJ12).....	37
2.6 Mast Lift Cylinder Assembly (SJ12) .....	38
2.7 Lift Cylinder (SJ12) .....	39
2.8 Mast Electrical Assembly (SJ12).....	40

### 3.0 MAST RELATED PARTS (SJ16)h

3.1 Mast 1 Assembly (SJ16).....	44
3.2 Mast 2 Assembly (SJ16).....	46
3.3 Mast 3 Assembly (SJ16).....	48
3.4 Mast 4 Assembly (SJ16).....	50
3.5 Mast 5 Assembly (SJ16).....	52
3.6 Chain Assembly (SJ16).....	55
3.7 Mast Lift Cylinder Assembly (SJ16) .....	56
3.8 Lift Cylinder (SJ16) .....	57
3.9 Mast Electrical Assembly (SJ16).....	58

### 4.0 BASE RELATED PARTS

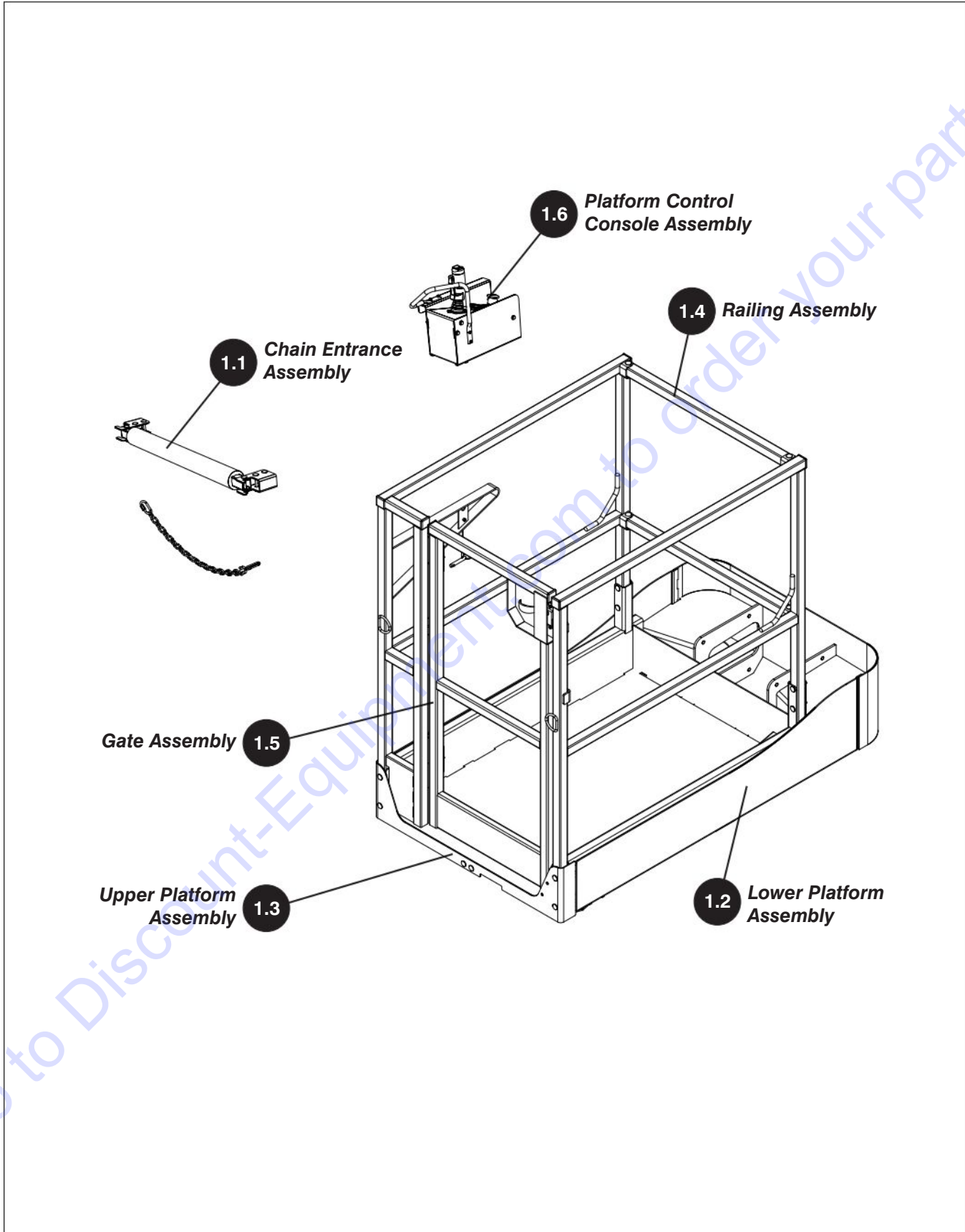
4.1 Base Cover Assembly .....	62
4.2 Base Assembly.....	64
4.3 Pothole Protection Assembly .....	66
4.4 Pothole Cylinder Assembly .....	68
4.5 Clevis Assembly .....	69
4.6 Brake Manifold Assembly.....	71
4.7 Main Manifold Assembly .....	72
4.8 Drive and Steer Assembly .....	74
4.9 Steer Cylinder Assembly .....	76
4.10 Wheel Motor and Brake Assembly.....	77
4.11 Powerpack Assembly .....	78
4.12 Battery Charger Assembly .....	79
4.13 Base Electrical Components.....	80

## Table of Contents

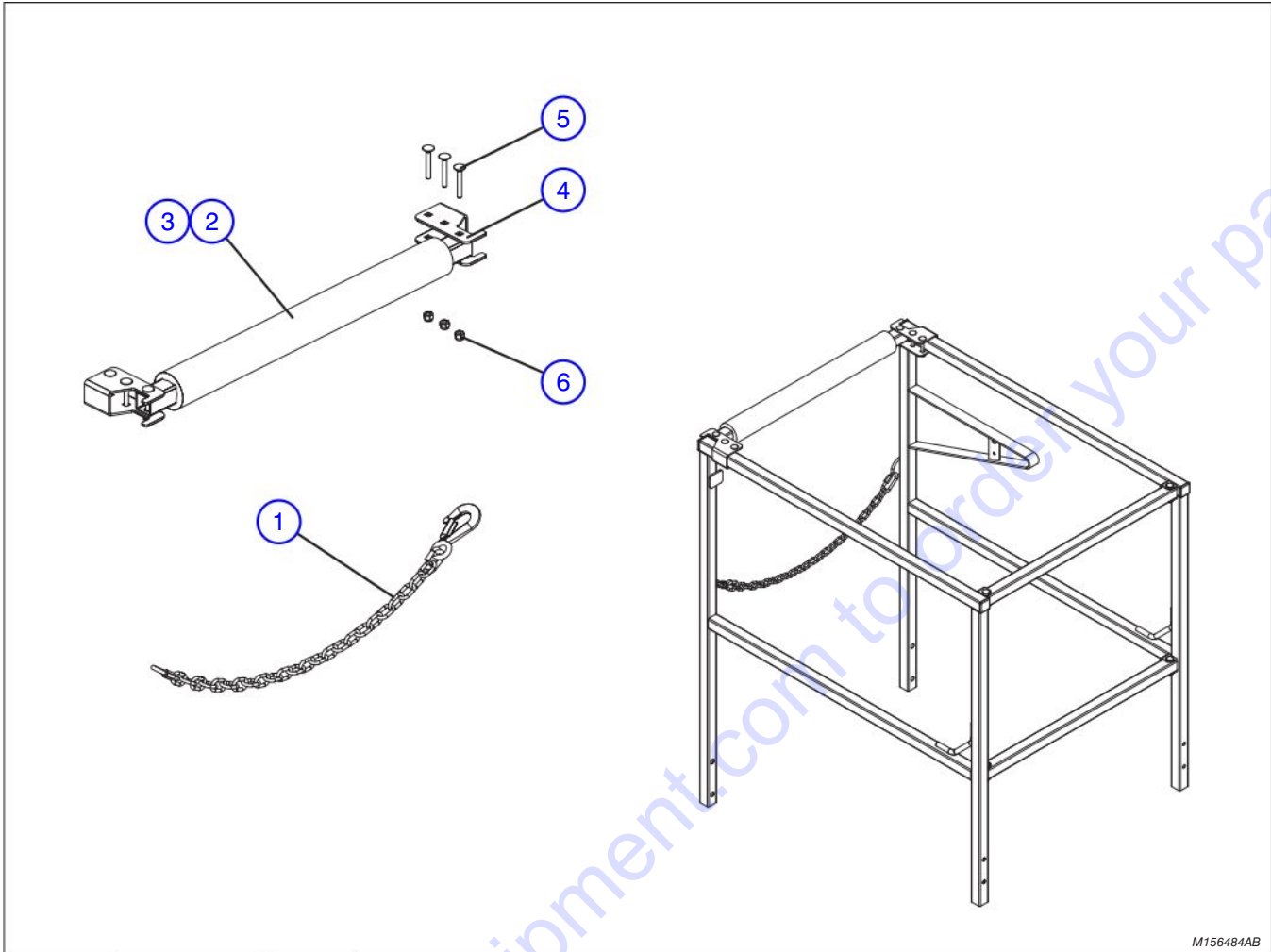
4.14 Hydraulic Hose Connections .....	82
4.15 Base Control Centre Assembly .....	84
4.16 Terminal Strip Assembly .....	86
4.17 Circuit Breaker and Horn Assembly .....	87
4.18 Main Harness Assembly .....	88
4.19 Battery Assembly .....	90
4.20 Wheel Assembly .....	91
<b>5.0 ATTACHMENTS &amp; OPTIONS</b>	
5.1 Pipe Rack Attachment .....	94
5.2 Tool Tray Attachment .....	95
5.3 Tube Caddy Attachment .....	96
5.4 Flashing Light Option .....	97
5.5 Biodegradeable Hydraulic Oil Option .....	98
5.6 Charger/Inverter Option .....	99
<b>6.0 LABELS</b>	
6.1 Label Kit .....	101
6.2 Labels - Vertical Mast (Left View) .....	102
6.3 Labels - Vertical Mast (Right View) .....	103
6.4 Labels - Vertical Mast (Rear View) .....	104
6.5 Labels - Vertical Mast (Front View) .....	105
6.6 Labels - Vertical Mast (Base View) .....	106
6.7 Labels - Platform Control Console .....	107
6.8 Labels - Miscellaneous .....	108
t	
<b>7.0 TABLES</b>	
7.1 Standard Hose Numbering System .....	110
7.2 Vertical Mast Fluids Table .....	112

1.0 PLATFORM RELATED PARTS

1

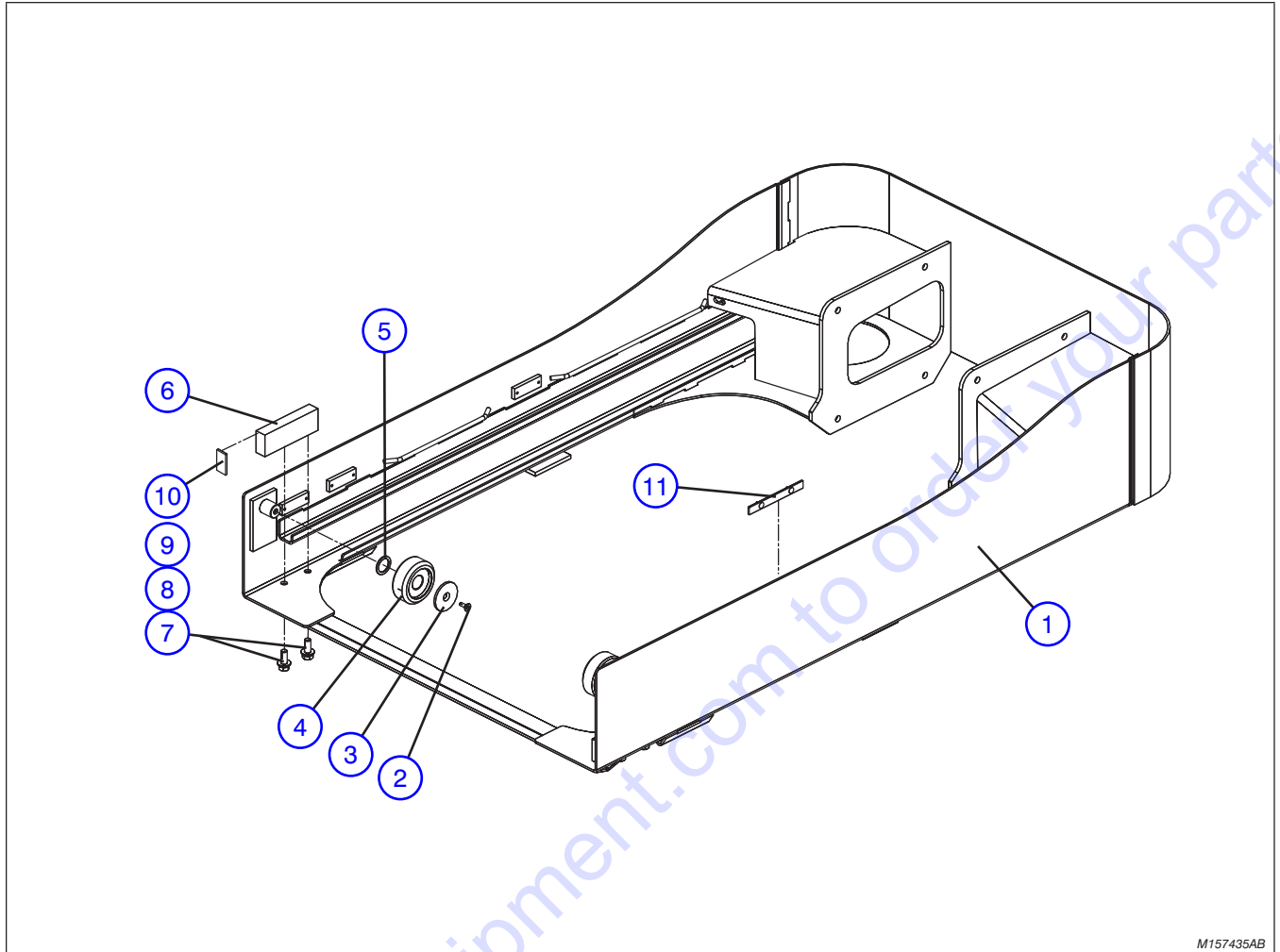


### 1.1 Chain Entrance Assembly



M156484AB

Index No.	Skyjack Part No.	Qty.	Description
-	156484	-	CHAIN ENTRANCE ASSEMBLY (ANSI/CSA)
1	106893	1	• CHAIN
2	151478	1	• TUBE, Railing (Center)
3	125691	1	• PADDING, Tube
4	156486	2	• MOUNT, Top rail
5	127437	6	• BOLT, Carriage (5/16"-18 x 2", Grade 5)
6	103984	6	• NUT, Hex nylon lock (5/16"-18, Grade 5)

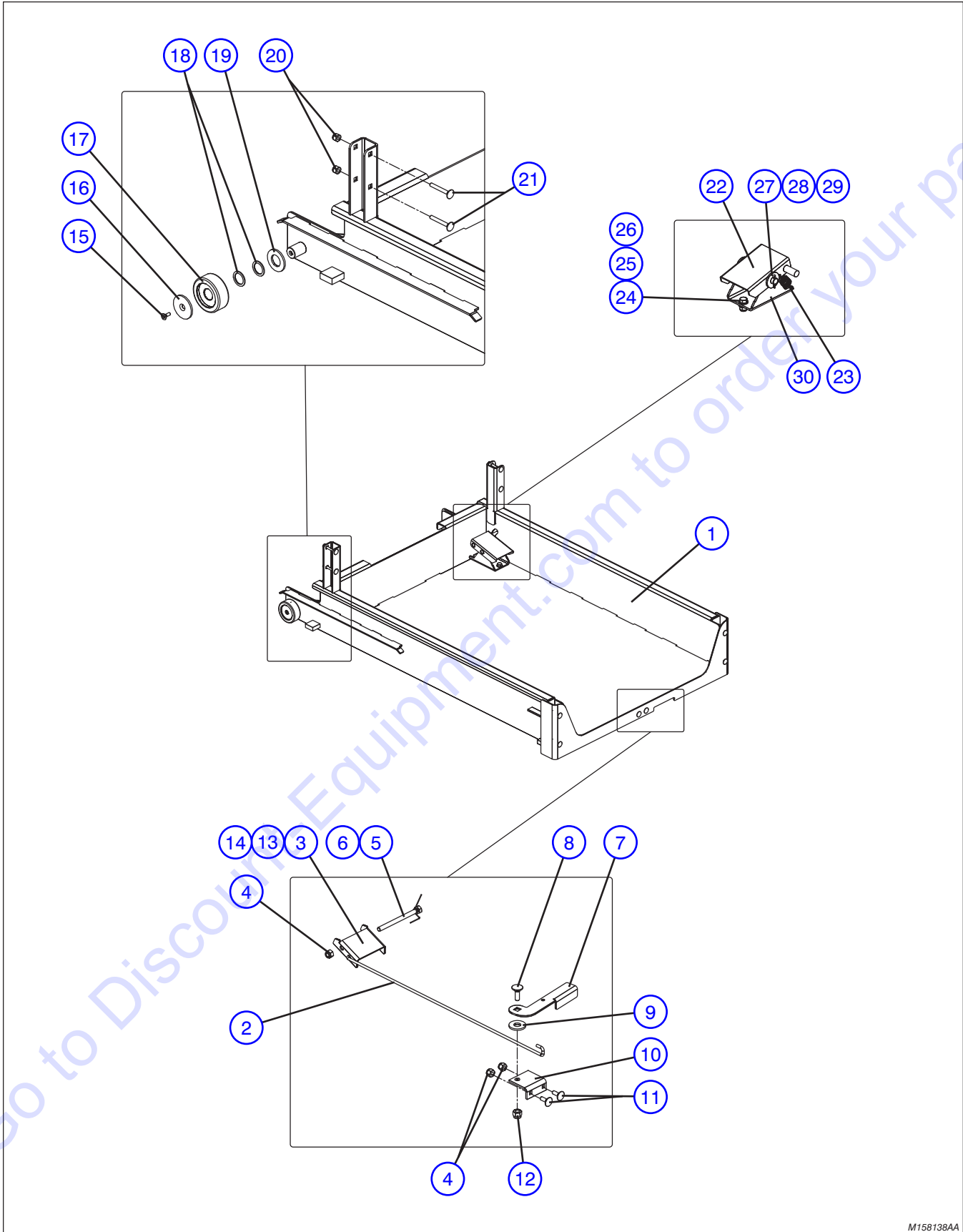


M157435AB

Index No.	Skyjack Part No.	Qty.	Description
-	157435	1	LOWER PLATFORM ASSEMBLY
1	157434	1	• WELDMENT, Lower platform
2	110853	2	• SCREW, Flat head cap (1/4"-20 x 5/8", Grade 5)
3	151650	2	• RETAINER, Washer
4	151677	2	• ROLLER (2.75" OD x 7/8" ID x 1.051")
5	116621	2	• SHIM (0.063")
6	156847	2	• BAR, Platform stop
7	103473	4	• BOLT, Hex head (3/8"-16 x 1", Grade 5)
8	103999	4	• WASHER, Lock (3/8")
9	103472	4	• WASHER, Flat (3/8")
10	158824	.25	• NEOPRENE, Adhesive back (1/8" x 3/4")
11	151671	1	BLOCKER PLATE ASSEMBLY (16 in. extension platform)
-	151670	1	• PLATE
-	119945	2	• RIVET, Pop



### 1.3 Upper Platform Assembly

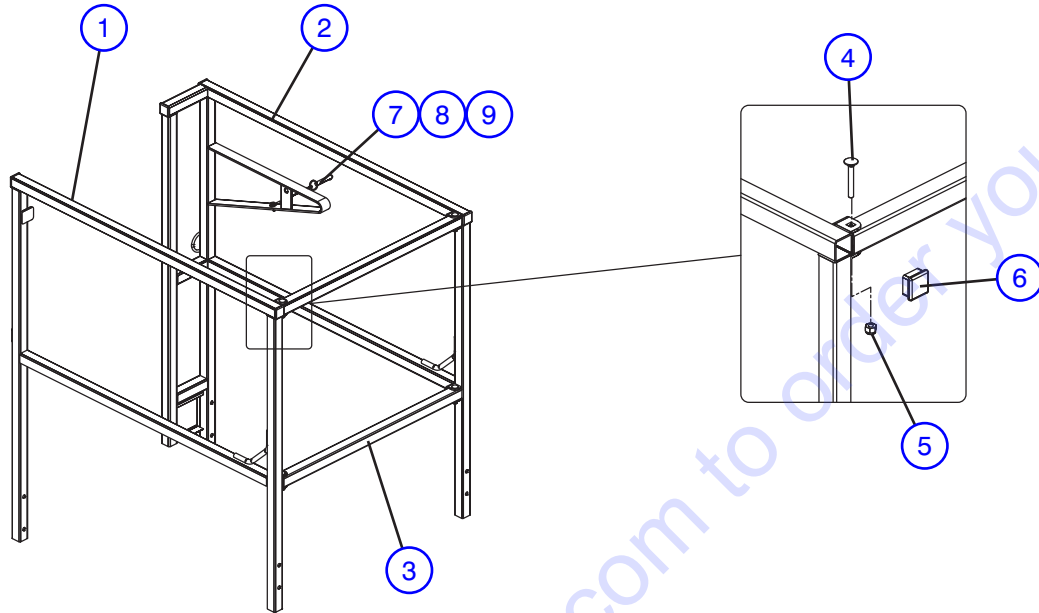


M158138AA

### 1.3 Upper Platform Assembly

Index No.	Skyjack Part No.	Qty.	Description
<b>A</b>	158110	1	UPPER PLATFORM ASSEMBLY (16 in. extension) <b>(CE, AS &amp; KC)</b>
<b>B</b>	158138	1	UPPER PLATFORM ASSEMBLY (20 in. extension) <b>(ANSI/CSA)</b>
1	157341	1	• WELDMENT, Platform
-	151668	1	• SERVICE LOCK ASSEMBLY, <b>A</b>
-	151672	1	• SERVICE LOCK ASSEMBLY, <b>B</b>
2	151623	1	• • ROD, <b>A</b>
	151621	1	• • ROD, <b>B</b>
3	151620	1	• • STRIKER
4	103984	3	• • NUT, Hex nylon lock (5/16"-18, Grade 5)
5	103882	1	• • BOLT, Hex head (5/16"-18 x 4", Grade 5)
6	156551	1	• • SPRING
7	151619	1	• • HANDLE
8	111804	1	• • BOLT, Carriage (3/8"-16 x 1", Grade 5)
9	103468	1	• • WASHER, Flat (1/2" SAE AA)
10	151618	1	• • MOUNT
11	110814	2	• • BOLT, Carriage (5/16"-18 x 3/4", Grade 5)
12	104606	1	• • NUT, Hex nylon lock (3/8"-16, Grade 5)
13	120094	2	• SCREW, Round head ( 10-32 x 0.625")
14	104003	2	• NUT, Hex head (10-32)
15	110853	2	• SCREW, Flat head cap (1/4"-20 x 5/8", Grade 5)
16	151650	2	• RETAINER, Washer
17	151677	2	• ROLLER (2.75" OD x 7/8" ID x 1.051")
18	116621	4	• SHIM (0.063")
19	131953	2	• WASHER, Flat (7/8")
20	103984	8	• NUT, Hex nylon lock (5/16"-18, Grade 5)
21	127437	8	• BOLT, Carriage (5/16"-18 x 2", Grade 5)
-	151563	1	• FOOT PEDAL ASSEMBLY
22	158370	1	• • WELDMENT, Foot pedal
23	158100	1	• • SPRING
24	103887	1	• • BOLT, Hex head (5/16"-18 x 3/4", Grade 5)
25	103996	2	• • WASHER, Flat (5/16")
26	103984	1	• • NUT, Hex head lock (5/16"-18, Grade 5)
27	157441	1	• • PIN, Clevis (1/2" x 3.5")
28	157467	1	• • PIN, Cotter
29	103468	2	• • WASHER, Flat (1/2")
30	151525	1	• • BASE, Foot pedal

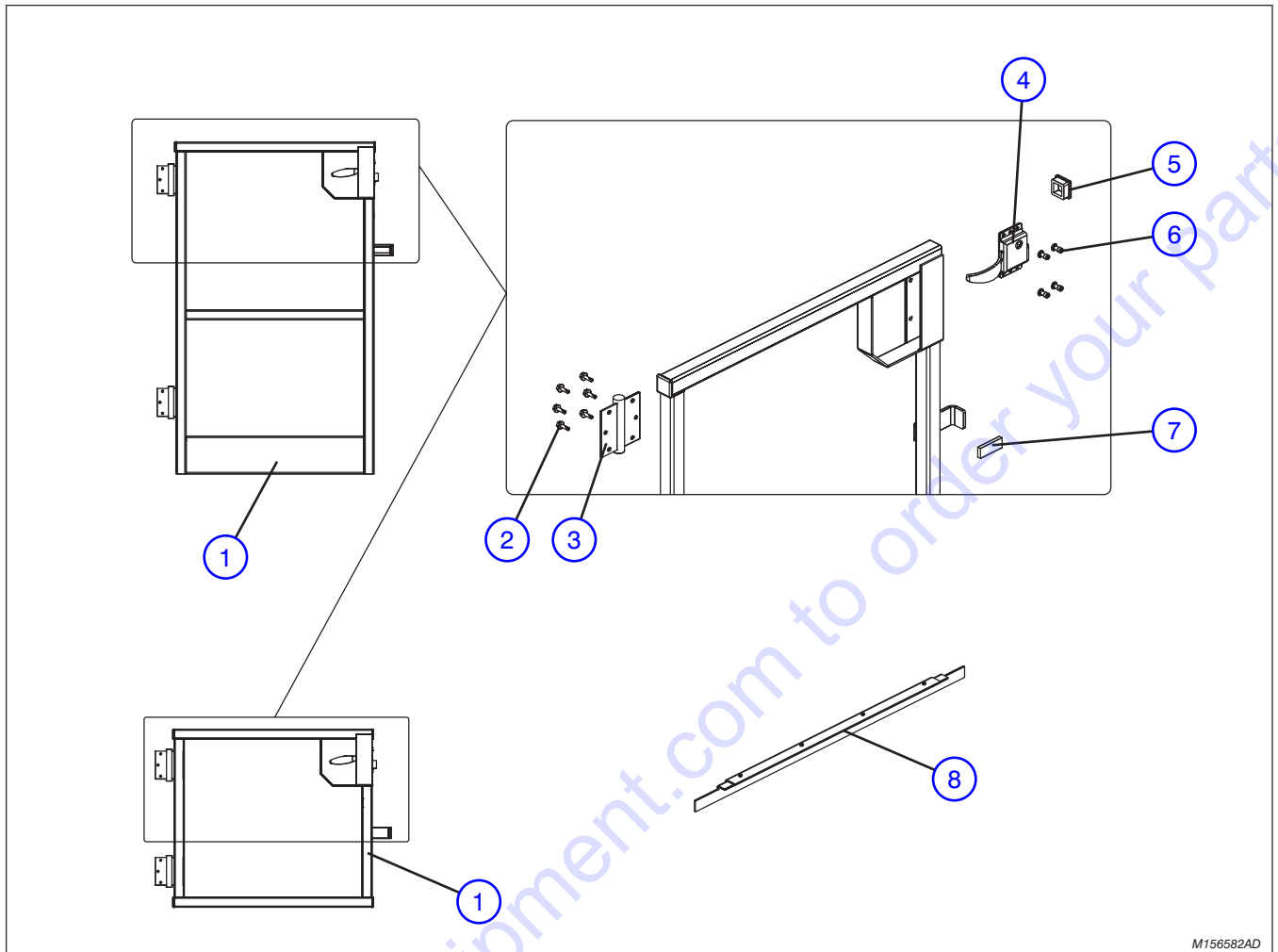
## 1.4 Railing Assembly



M156578AA

Index No.	Skyjack Part No.	Qty.	Description
<b>A</b>	156578	-	RAILING ASSEMBLY (Narrow Entrance)
<b>B</b>	151543	-	RAILING ASSEMBLY (Chain gate)
1	151540	1	• WELDMENT, Railing (Left hand)
2	156579	1	• WELDMENT, Railing (Right hand - Control box side), <b>A</b>
	151539	1	• WELDMENT, Railing (Right hand - Control box side), <b>B</b>
3	151478	2	• TUBE, Railing (Center)
4	127437	4	• BOLT, Carriage (5/16"-18 x 2", Grade 5)
5	103984	4	• NUT, Hex nylon lock (5/16"-18, Grade 5)
6	100702	4	• END CAP, Plastic
7	124548	1	• LARGE LOOP PIN QUICK RELEASE ASSEMBLY
8	157173	1	• RIVET (1/4"x 0.49")
9	103995	1	• WASHER, Flat (1/4")

M138730AB



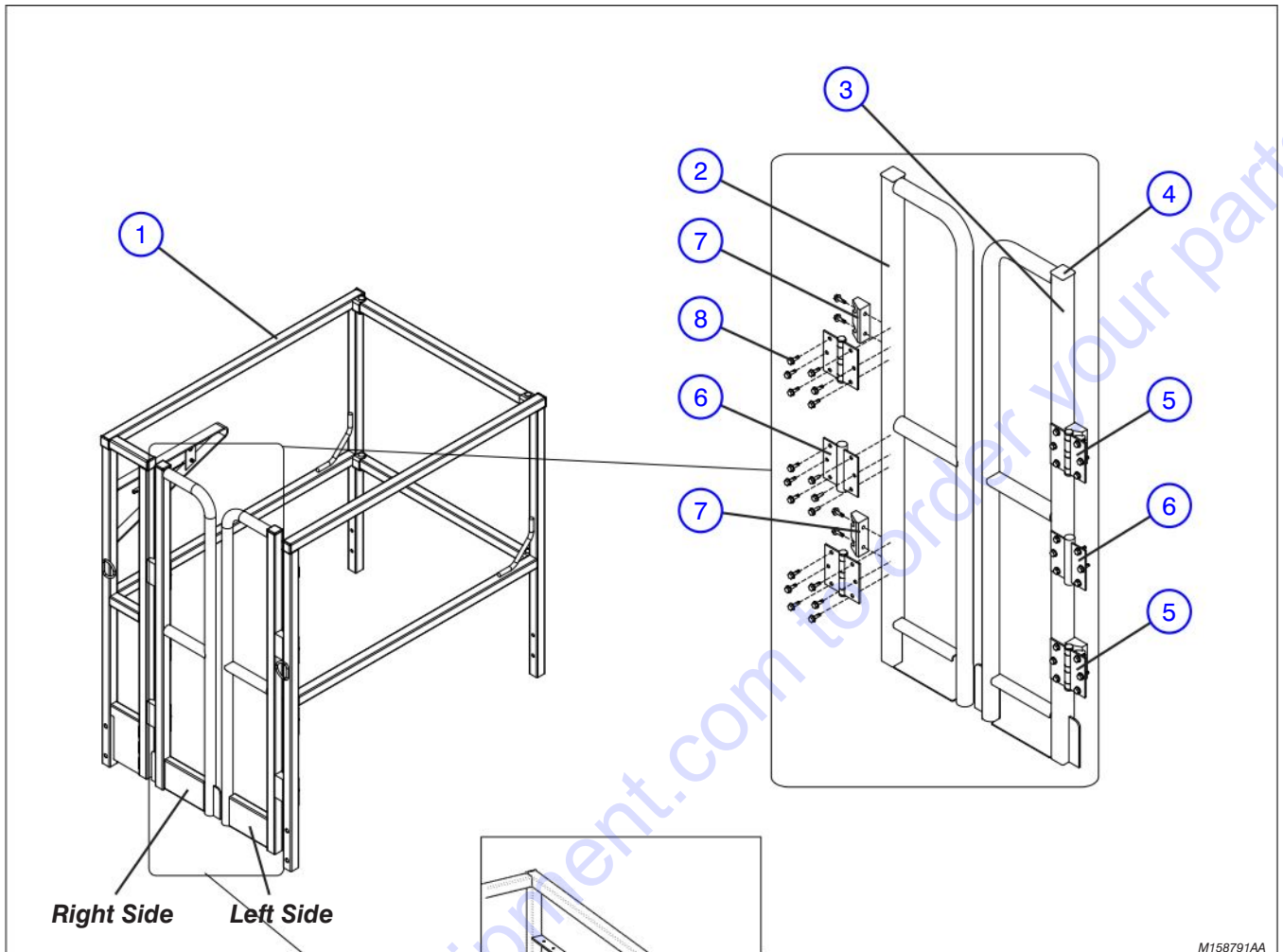
M156582AD

Index No.	Skyjack Part No.	Qty.	Description
<b>A</b>	156582	1	GATE ASSEMBLY (Full gate)
<b>B</b>	156814	1	GATE ASSEMBLY (Half gate) <b>(ANSI/CSA)</b>
1	156583	1	• WELDMENT, Gate, <b>A</b>
	156815	1	• WELDMENT, Gate, <b>B</b>
2	103632	12	• SCREW, Hex head self tapping (1/4"-14 x 3/4")
3	117277	2	• HINGE, Spring
4	138695	1	• LOCK, Gate
5	100702	2	• CAP, Plastic end
6	139641	4	• RIVET, Pop (1/4")
7	125577	1	• BUMPER
8	156487	1	GATE SWEEP ASSEMBLY, <b>A (CE)</b>
	158829	1	FIELD KIT, FULL GATE INSTALLATION <b>(ANSI/CSA)</b>
	159384	1	FIELD KIT, FULL GATE INSTALLATION <b>(CE, AS &amp; KC)</b>
	158830	1	FIELD KIT, HALF GATE INSTALLATION <b>(ANSI/CSA)</b>

**Notes**

Go to [Discount-Equipment.com](http://Discount-Equipment.com) to order your parts

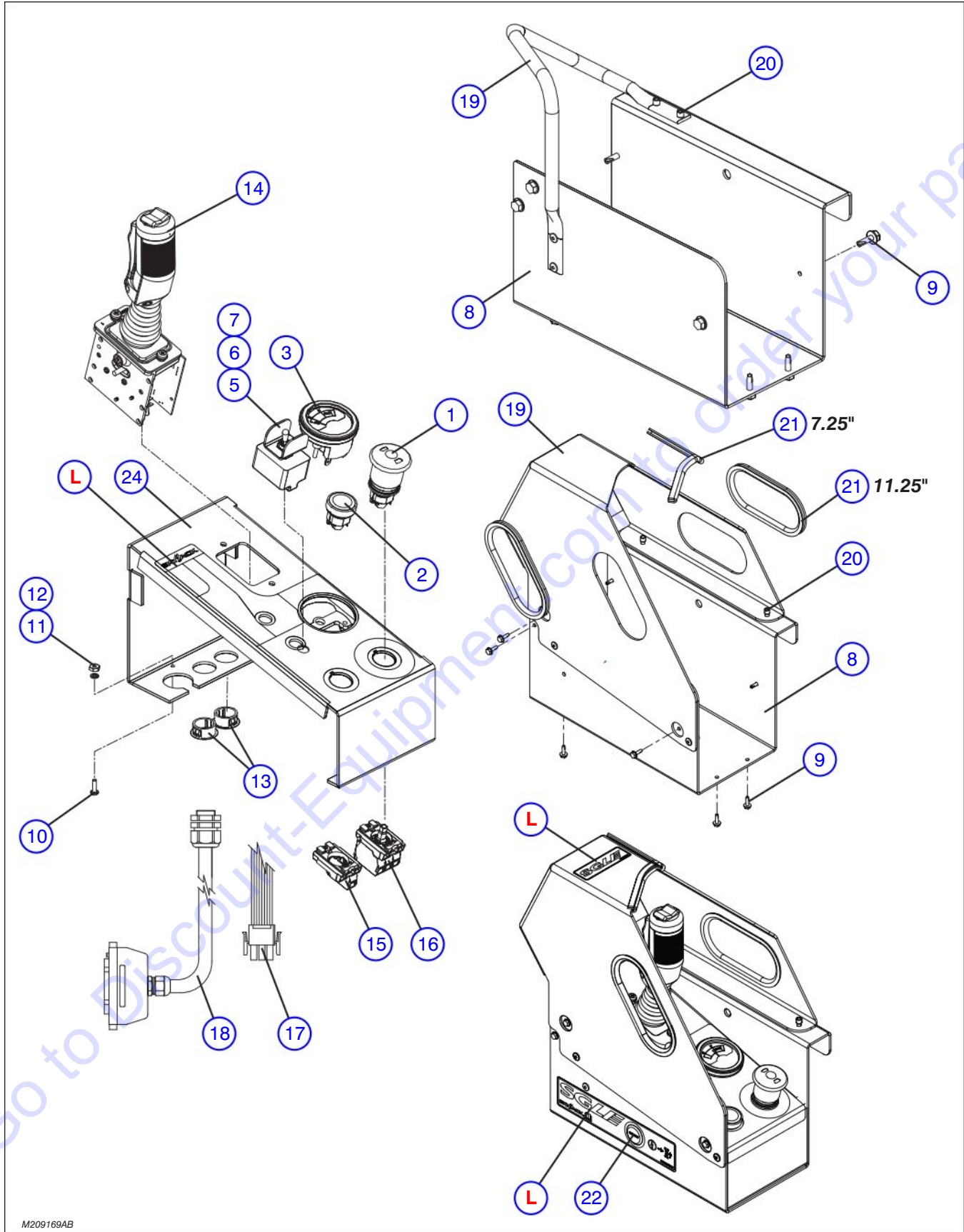




M158791AA

Index No.	Skyjack Part No.	Qty.	Description
-	158791	-	SALOON GATE ASSEMBLY (ANSI/CSA, CE & KC)
1	156578	(Ref.)	• RAILING ASSEMBLY (Narrow Entrance) (For components, refer to Section 1.4)
-	158790	1	• SALOON GATE ASSEMBLY
2	158793	1	• • WELDMENT, Saloon gate (Left side)
3	158792	1	• • WELDMENT, Saloon gate (Right side - Control box side)
4	100702	2	• • CAP, Plastic end
5	158823	4	• • HINGE, 5 Knuckle CB
6	117277	2	• • HINGE, Spring
7	158811	4	• • STOP, Saloon gate
	103632	44	• • SCREW, Hex head self tapping (1/4"-14 x 3/4")
	158828	1	FIELD KIT, SALOON GATE INSTALLATION (ANSI/CSA, CE & KC)

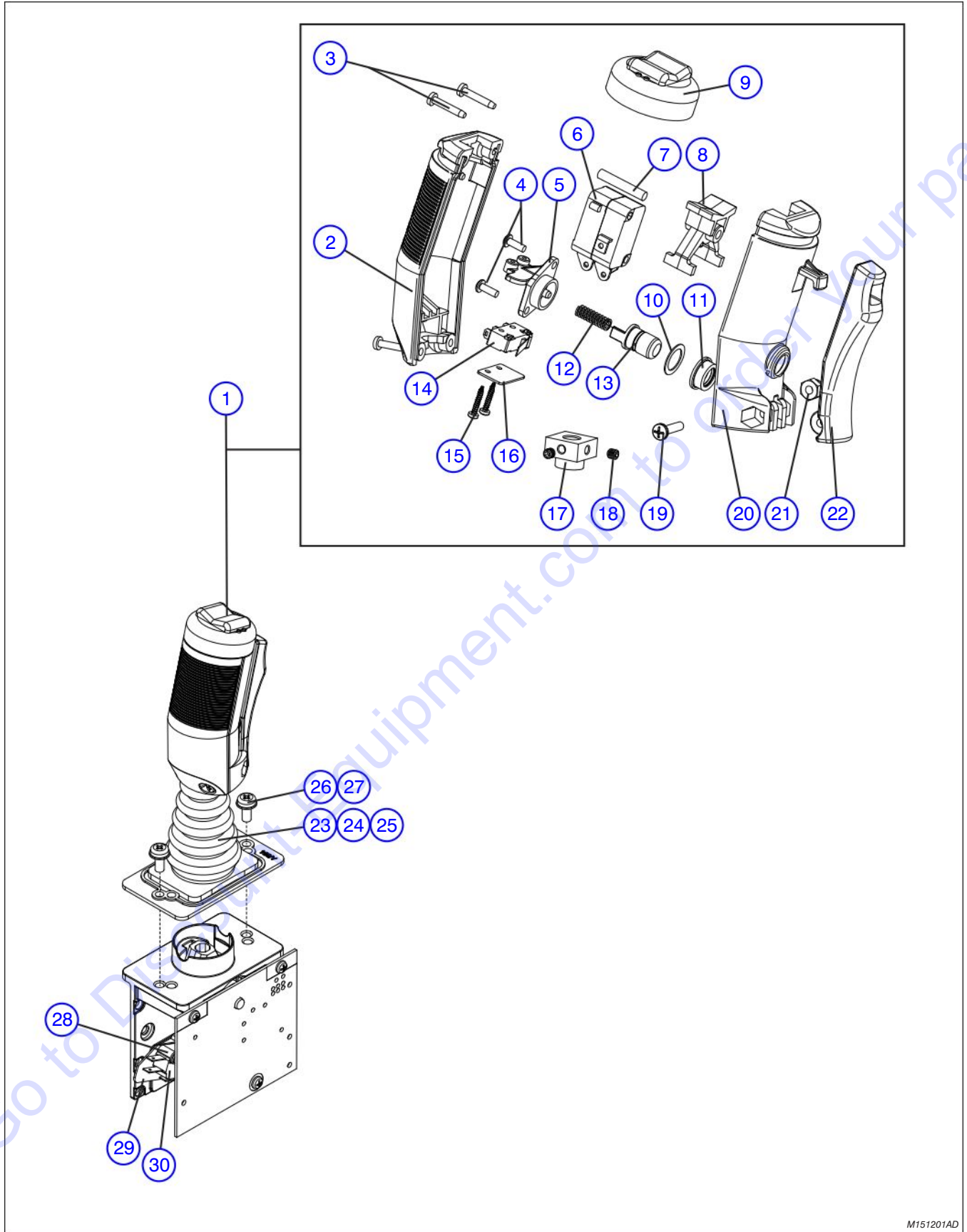
# 1.7 Platform Control Console Assembly



M209169AB

## 1.7 Platform Control Console Assembly

Index No.	Skyjack Part No.	Qty.	Description
<b>A</b>	209169	-	CONTROL CONSOLE (For SJ12 with serial number 14001499 and above and SJ16 with serial number 14001499 and above)
	151466	-	CONTROL CONSOLE (For SJ12 with serial number 14001498 and below and SJ16 with serial number 14001498 and below)
<b>B</b>	161747	-	CONTROL CONSOLE, ALUMINUM GUARD
<b>C</b>	232755	-	CONTROL CONSOLE, ALUMINUM GUARD - SGLE
-	151469	1	• CONTROL BOX
1	147051	1	• • HEAD, Emergency stop
2	147058	1	• • HEAD, Pushbutton (Horn)
3	122093	1	• • INDICATOR, Battery charge
4	156884	1	• • PLATE, Control Box (Top)
5	111181	1	• • GUARD, Switch
6	144016	1	• • SEAL, Bushing
7	116382	1	• • SWITCH, Toggle, 4NT1-1
8	160355	1	• PLATE, Control Box, <b>A</b>
	147372	1	• PLATE, Control Box, <b>B, C</b>
9	103632	9	• SCREW, Hex head self tapping (1/4"-14 x 3/4")
10	103957	1	• SCREW, Round head machine (#8-32 x 1/2")
11	112249	1	• WASHER, Lock (#8)
12	103986	1	• NUT, Hex head (#8-32)
13	102956	2	• PLUG (7/8")
14	(Ref.)	-	• CONTROLLER ASSEMBLY (For components, refer to Section 1.8a)
	151467	1	• WIRING, Control box
	156553	1	• • WIRING, Sub-Assy Control box
15	-	-	• • • SWITCH, Horn
	147056	1	• • • • LATCH
	147054	1	• • • • BLOCK, Contact (N.O.)
16	-	-	• • • SWITCH, Emergency stop
	147056	1	• • • • LATCH
	147053	2	• • • • BLOCK, Contact (N.C.)
	147061	1	• • • • LED BLOCK, 24V (Red)
17	116993	-	• • • HOUSING, Male connector (9 pin)
18	(Ref.)	1	• • CONTROL CABLE ASSEMBLY (16 pin) (For components, refer to Section 1.10)
19	160262	1	• TUBE, Control Box, <b>A</b>
	161240	1	• PLATE, Guard - Control Box, <b>B, C</b>
20	157759	AR	• RIVET, Pop - 0.188" x 0.565" STL SM FLG DM HD O-END
21	194731	30"	• EDGE MOLDING, Control Box, <b>B, C</b>
22	220498	1	• PUSHBUTTON, SGLE
23	220559	1	• INSTRUCTIONS, SGLE Install (Not shown)
24	156923	1	• PLATE, Control Box - Top
<b>L</b>	(Ref.)	1	• LABELS (For components, refer to Section 6.7)

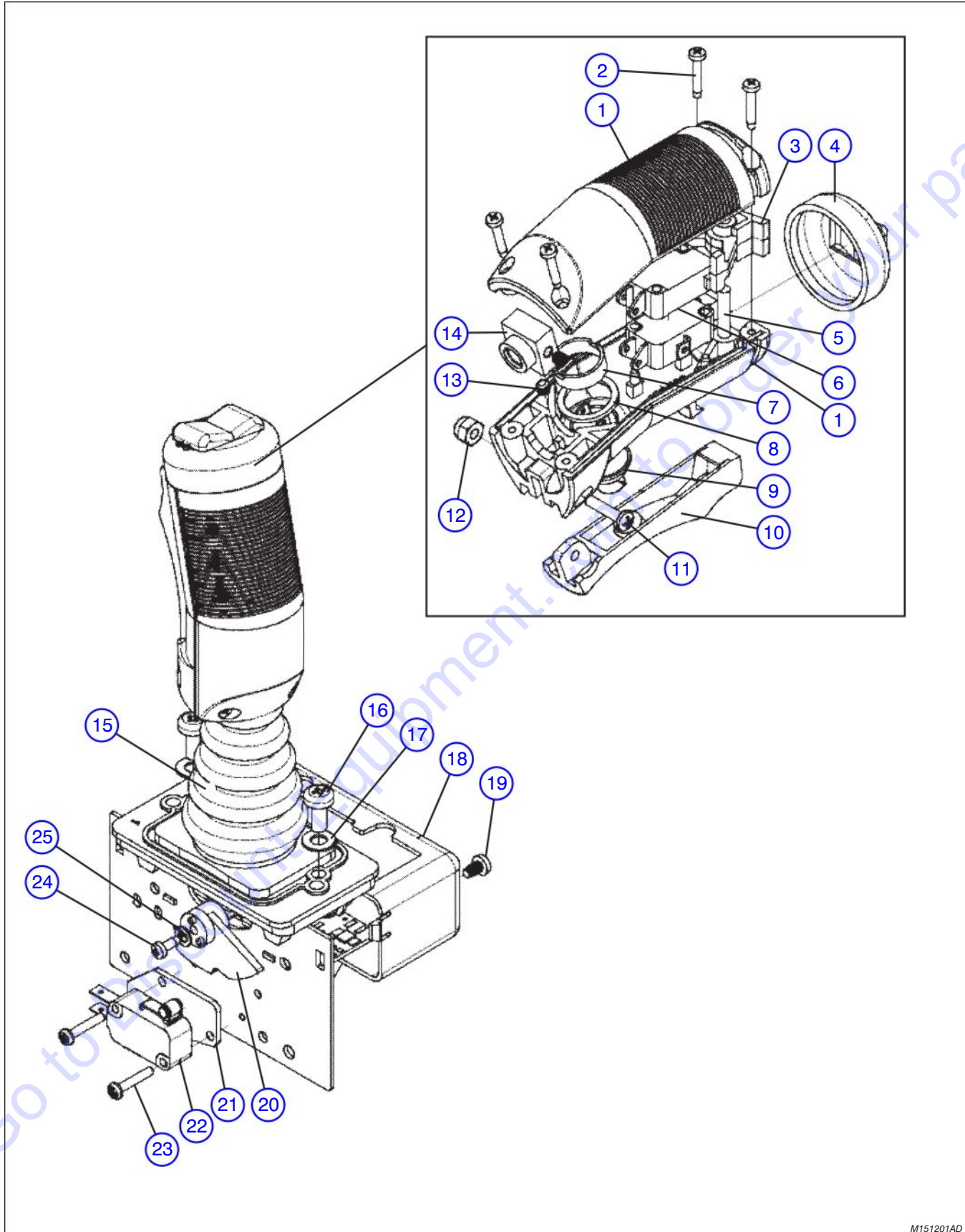


M151201AD

Index No.	Skyjack Part No.	Qty.	Description
-	159111	1	CONTROLLER ASSEMBLY (For SJ 12 with serial number 14001499 and above and SJ 16 with serial number 14001499 and above)
1	159055	1	• HANDLE ASSEMBLY
2	159057	1	• • HANDLE, Front half
3	122879	4	• • SCREW, Controller handle
4	159065	2	• • SCREW, Plastite (#4-20 x 5/16")
5	159060	1	• • HOLDER, Micro switch
6	159613	1	• • ROCKER MICRO ASSEMBLY
7	141341	1	• • AXLE, Rocker
8	154717	1	• • ROCKER
9	122874	1	• • CAP, Rubber
10	159063	1	• • WASHER
11	159062	1	• • BOOT, Plunger switch
12	159064	1	• • SPRING
13	159061	1	• • SWITCH, Plunger
14	159067	1	• • SWITCH, Lever micro
15	159066	2	• • SCREW, Plastite (#2-28 x 1/2")
16	159068	1	• • INSULATOR, Micro
17	122961	1	• • COUPLING (8mm)
18	122960	2	• • SCREW, Set
19	154718	1	• • SCREW (#6-32 x 5/8")
20	159058	1	• • HANDLE, Back half
21	122964	1	• • NUT, Controller lever
22	159059	1	• • LEVER, Trigger
23	127179	1	• BOOT & GASKET
24	159615	1	• WASHER
25	159616	1	• E-CLIP
26	122846	1	• SCREW
27	122847	1	• WASHER
28	147313	1	• SCREW
29	159618	1	• MICROINSULATOR
30	122869	1	• SWITCH, Micro



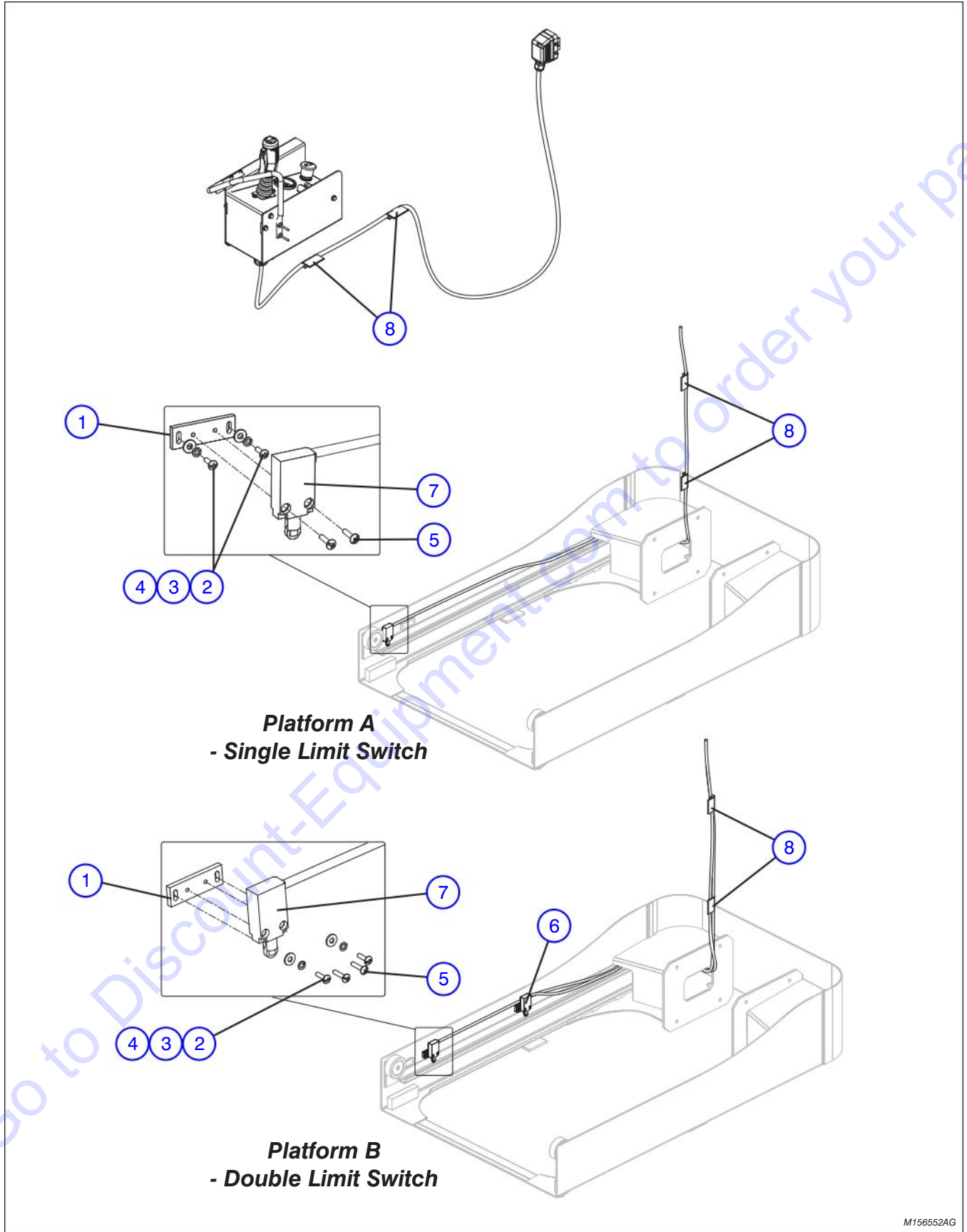
1.8b Controller Assembly



M151201AD

1.8b Controller Assembly

Index No.	Skyjack Part No.	Qty.	Description
-	151201	1	CONTROLLER ASSEMBLY (For SJ 12 with serial number 14001498 and below and SJ 16 with serial number 14001498 and below)
-	154716	1	• HANDLE ASSEMBLY
1	134112	1	• • KIT, Handle
2	122879	4	• • SCREW
3	154717	1	• • ROCKER
4	122874	1	• • CAP, Rubber
5	141341	1	• • AXEL, Rocker
6	122877	2	• • MICROSWITCH
7	122963	1	• • NUT, Microswitch
8	122965	1	• • GASKET
9	122872	1	• • SWITCH
10	122873	1	• • LEVER
11	154718	1	• • SCREW
12	122964	1	• • NUT
13	122960	2	• • SET SCREW
14	122961	1	• • COUPLING
15	127179	1	• BOOT
16	122846	2	• SCREW
17	122847	2	• WASHER
18	154719	1	• ENCLOSURE
19	156856	1	• SCREW
20	156857	1	• CAM
21	156860	1	• INSULATOR
22	122869	1	• MICROSWITCH
23	156861	2	• SCREW
24	156859	1	• SCREW
25	156858	1	• WASHER



**Platform A**  
- Single Limit Switch

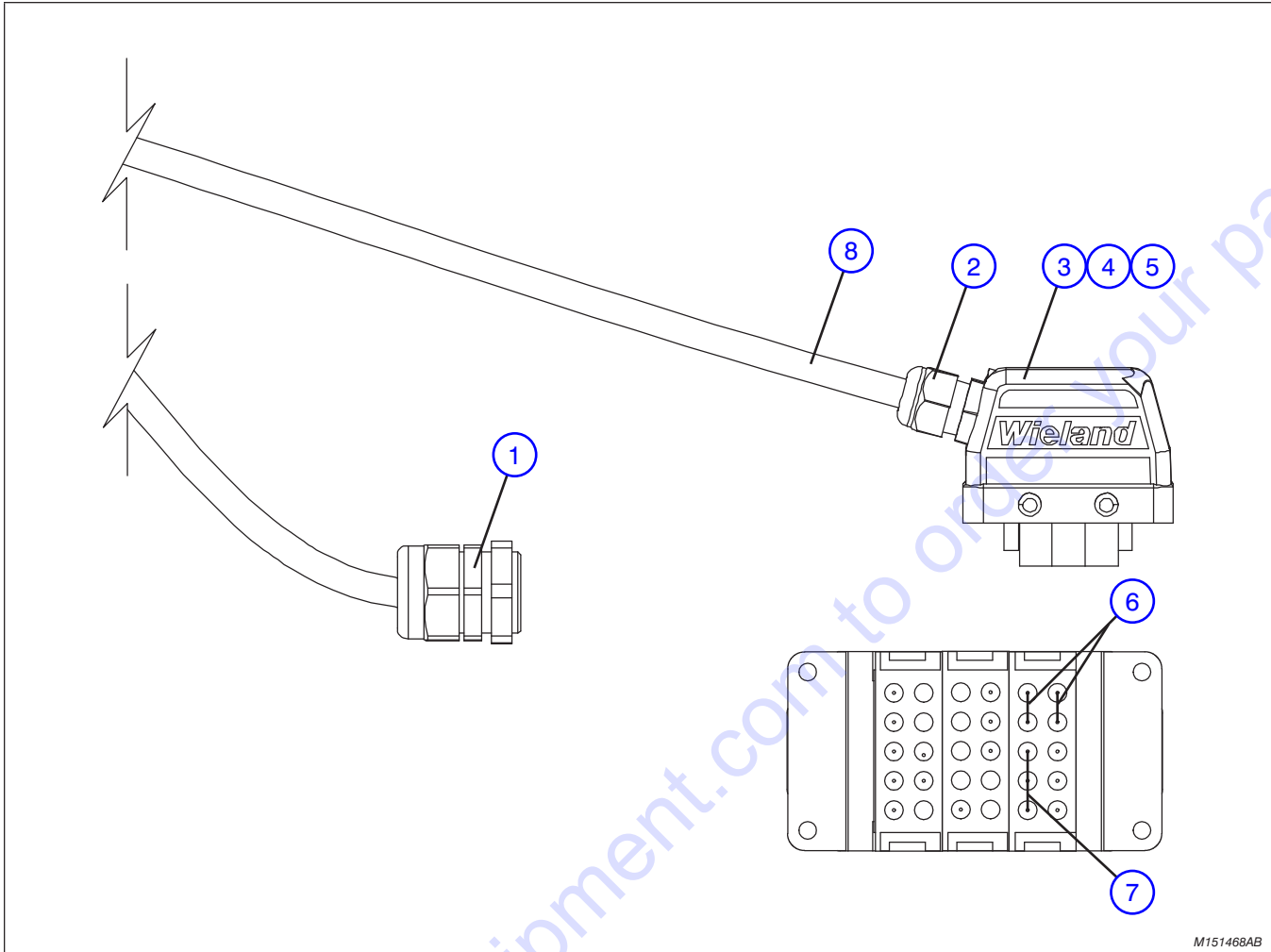
**Platform B**  
- Double Limit Switch

M156552AG

Index No.	Skyjack Part No.	Qty.	Description
<b>A</b>	-	-	PLATFORM LIMIT SWITCH ASSEMBLY (ANSI/CSA, 20" traversing platform)
<b>B</b>	-	-	PLATFORM LIMIT SWITCH ASSEMBLY (CE/AS/KC, 16" traversing platform)h
1	156497	1	• BLOCK, Mounting, <b>A</b>
	156497	2	• BLOCK, Mounting, <b>B</b>
2	103957	2	• SCREW, Round head machine (#8-32 x 1/2"), <b>A</b>
		4	• SCREW, Round head machine (#8-32 x 1/2"), <b>B</b>
3	112249	2	• WASHER, Lock (#8), <b>A</b>
		4	• WASHER, Lock (#8), <b>B</b>
4	103991	2	• WASHER, Flat (#8), <b>A</b>
		4	• WASHER, Flat (#8), <b>B</b>
5	116192	2	• SCREW, Round head machine (#8-32 x 5/8"), <b>A</b>
		4	• SCREW, Round head machine (#8-32 x 5/8"), <b>B</b>
6	156522	1	• LIMIT SWITCH ASSEMBLY, <b>B</b>
7	156523	1	• LIMIT SWITCH ASSEMBLY, <b>A, B</b>
8	108791	4	• CORD CLIP, Adhesive back

Go to Discount-Equipment.com to order your parts

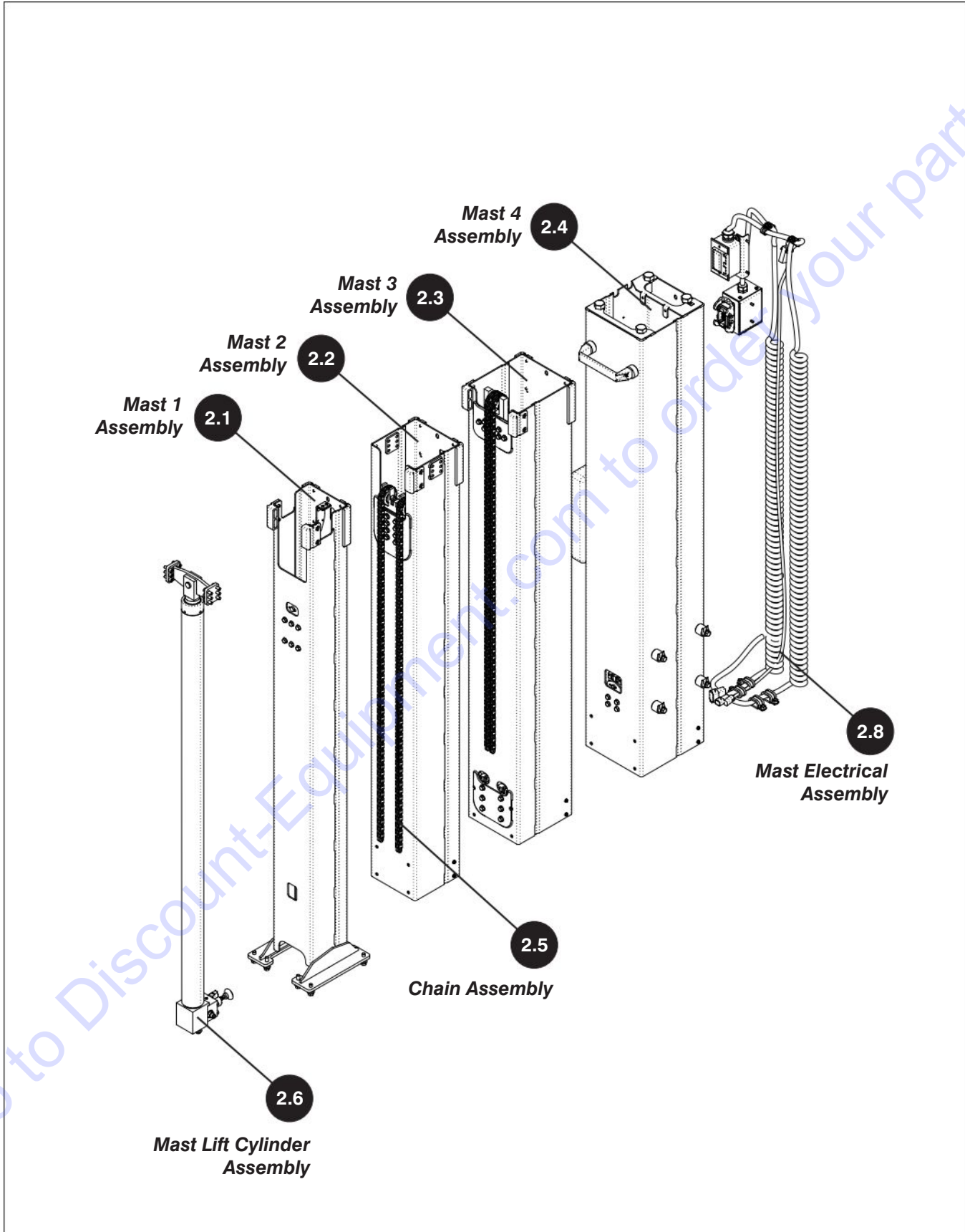
### 1.10 Platform Control Cable Assembly



M151468AB

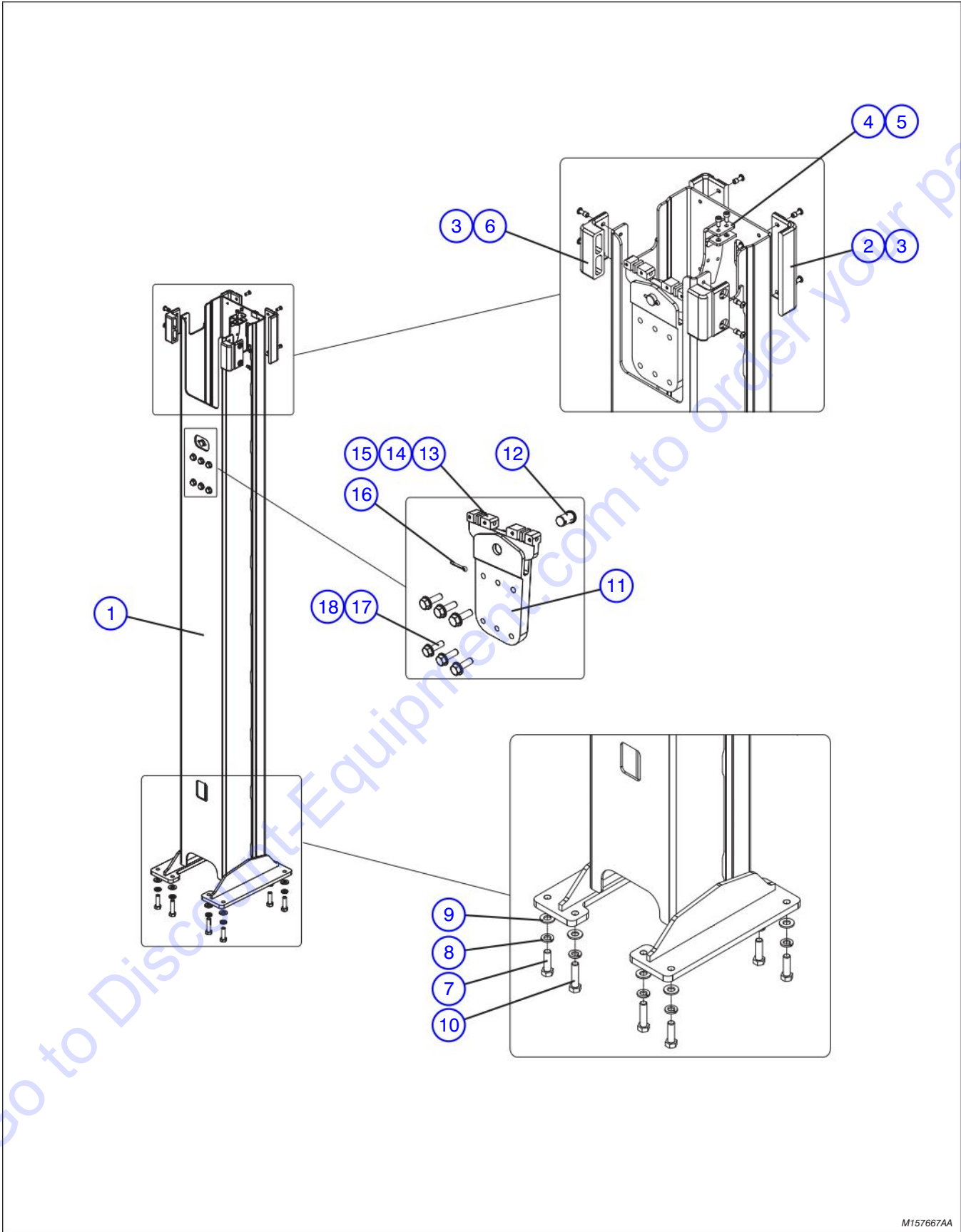
Index No.	Skyjack Part No.	Qty.	Description
-	151468	1	PLATFORM CONTROL CABLE ASSEMBLY
1	300788	1	• STRAIN RELIEF (LTF 21)
2	138373	1	• STRAIN RELIEF (M20)
3	156549	3	• BLOCK, Connector
4	156546	1	• FRAME, Connector
5	156545	1	• HOUSING, Connector
6	156555	2	• JUMPER (2 position)
7	156560	1	• JUMPER (3 position)
8	102887	1	• CABLE, Control (16/15)





Go to Discount-Equipment.com to order your parts

2.1 Mast 1 Assembly (SJ12)

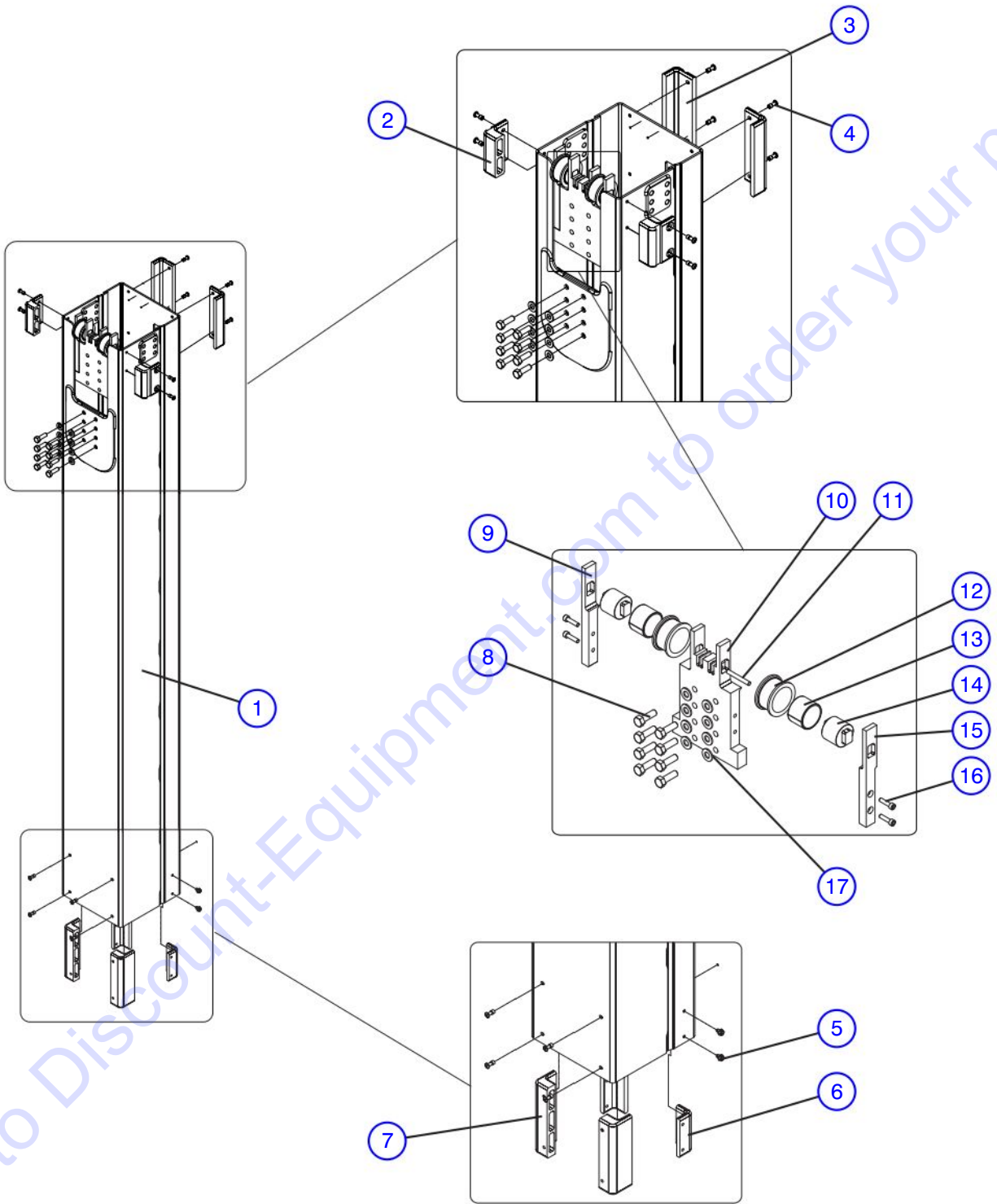


M157667AA

## 2.1 Mast 1 Assembly (SJ12)

Index No.	Skyjack Part No.	Qty.	Description
-	157667	-	MAST 1 ASSEMBLY
1	157668	1	• WELDMENT, Mast 1
2	157733	2	• WEAR PAD (Thin & long)
3	157759	8	• RIVET, Pop (3/16" x 0.25-.375 GR)
4	157797	1	• SUPPORT, Limit switch
5	157829	2	• SCREW, Socket head cap (#10-32 x 3/8")
6	158087	2	• WEAR PAD (Thick & short)
7	101297	6	• BOLT, Hex head (3/8"-16 x 1.25", Grade 5)
8	103999	8	• WASHER, Lock (3/8")
9	125959	8	• WASHER, Flat hardened (3/8")
10	103870	2	• BOLT, Hex head (3/8"-16 x 1.5", Grade 5)
-	157670	1	• CHAIN TENSIONER ASSEMBLY
11	157671	1	• • BLOCK, Tensioner mount (Mast 1)
12	157265	1	• • PIN, Clevis
13	157672	1	• • BLOCK, Tensioner (Mast 1)
14	157673	2	• • PIN, Chain (BL 444)
15	157033	4	• • PIN, Spring (0.156 x 5/8")
16	157467	1	• • PIN, Cotter
17	158319	6	• • BOLT, Hex head (5/16"-18 x 1.0", Grade 8)
18	103999	6	• • WASHER, Flat (5/16")

2.2 Mast 2 Assembly (SJ12)



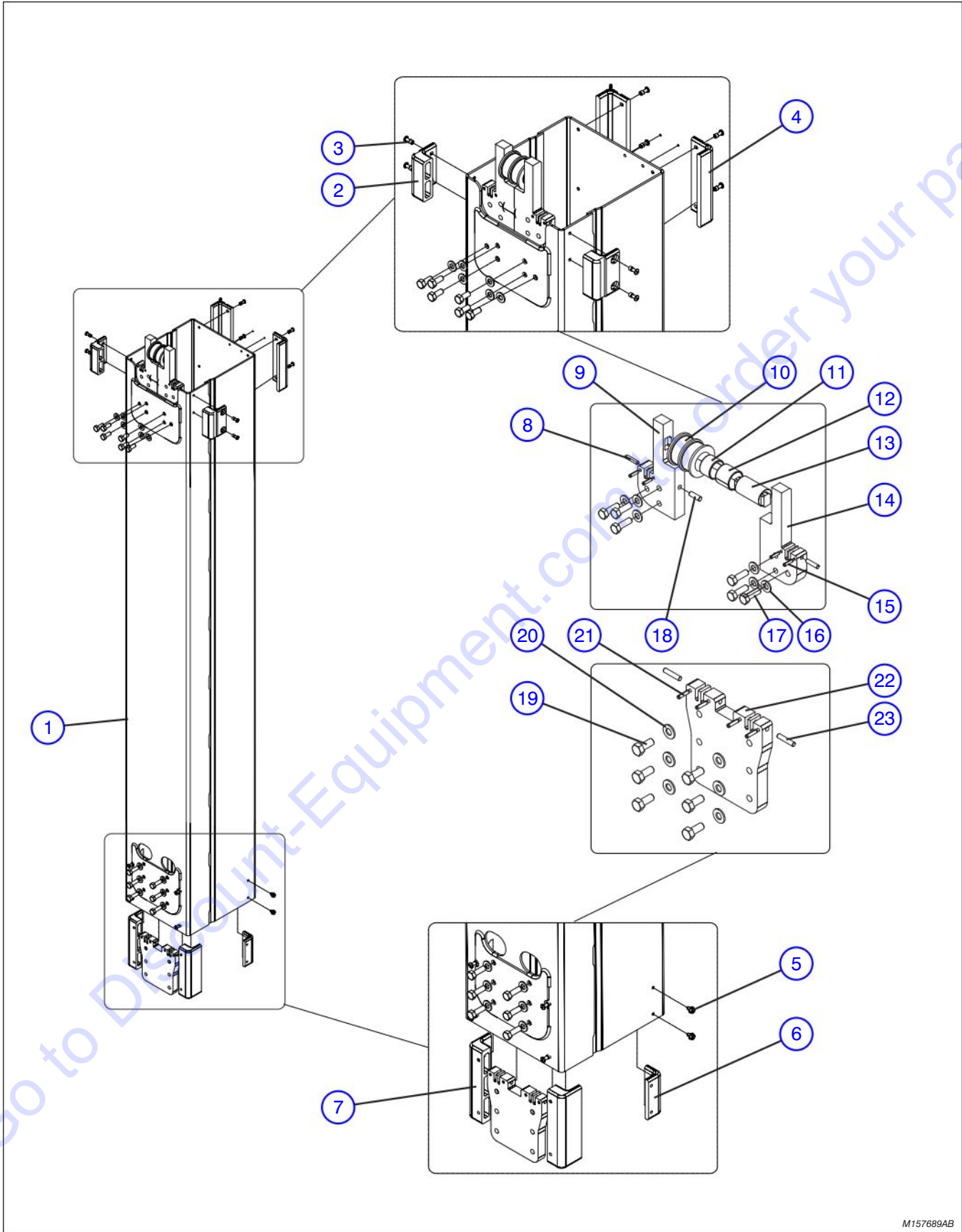
M157674AB

2.2 Mast 2 Assembly (SJ12)

Index No.	Skyjack Part No.	Qty.	Description
-	158958	-	MAST 2 ASSEMBLY
1	157675	1	• WELDMENT, Mast 2
2	158087	2	• WEAR PAD (Thick & short)
3	157733	2	• WEAR PAD (Thin & long)
4	157759	12	• RIVET, Pop (3/16" x 0.25-0.375 GR)
5	158317	4	• SCREW, Thread rolling (10-32 x 3/8")
6	157763	2	• WEAR PAD (Thin & short)
7	158086	2	• WEAR PAD (Thick & long)
-	158961	1	• ROLLER SUPPORT ASSEMBLY, Mast 2
8	158319	8	• • BOLT, Hex head (5/16"-18 x 1.00", Grade 8)
9	157683	1	• • SUPPORT, Roller (Left hand)
10	158962	1	• • SUPPORT, Roller
11	158963	1	• • PIN, Chain (AL 444)
12	157686	2	• • ROLLER, Chain (BL 444)
13	101328	2	• • BUSHING, Fiberglide (CJS-A542)
14	157684	2	• • PIN, Roller (BL 444)
15	157681	1	• • SUPPORT, Roller (Right hand - Control box side)
16	157426	4	• • SCREW, Socket head cap (#10-24 x 3/4")
17	103996	8	• • WASHER, Flat (5/16")

Go to Discount-Equipment.com to order your parts

2.3 Mast 3 Assembly (SJ12)



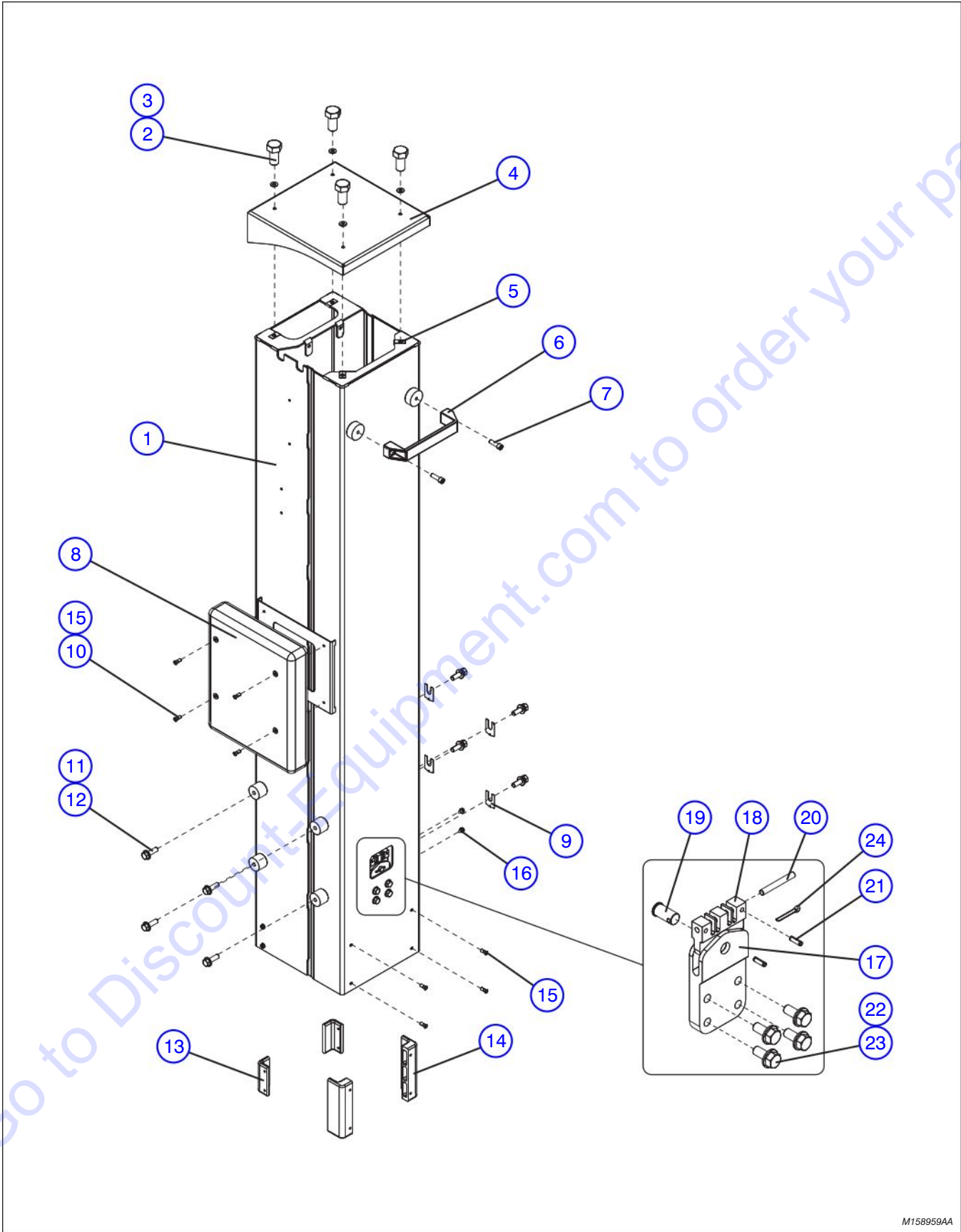
M157689AB

### 2.3 Mast 3 Assembly (SJ12)

Index No.	Skyjack Part No.	Qty.	Description
-	157689	-	MAST 3 ASSEMBLY
1	157690	1	• WELDMENT, Mast 3
2	158087	2	• WEAR PAD (Thick & short)
3	157759	12	• RIVET, Pop (3/16" x 0.25-0.375 GR)
4	157733	2	• WEAR PAD (Thin & long)
5	158317	4	• SCREW, Thread rolling (10-32 x 3/8")
6	157763	2	• WEAR PAD (Thin & short)
7	158086	2	• WEAR PAD (Thick & long)
-	157694	1	• ROLLER SUPPORT ASSEMBLY, Mast 3
8	157700	2	• • PIN, Chain (BL 434)
9	157695	1	• • MOUNT - Roller (Left hand)
10	157698	1	• • ROLLER (Double)
11	100249	1	• • BUSHING, Fiberglide (CJS-A538)
12	100309	1	• • BUSHING, Fiberglide
13	157697	1	• • PIN, Roller (Double)
14	157696	1	• • MOUNT - Roller (Right hand - Control box side)
15	157033	4	• • PIN, Spring (0.156 x 5/8")
16	103996	6	• • WASHER, Flat (5/16")
17	158319	6	• • BOLT, Hex head (5/16"-18 x 1.00", Grade 8)
18	157360	1	• • PIN, Dowel (1/4" diameter X 3/4")
-	157701	1	• CHAIN MOUNT ASSEMBLY (BL 444)
19	158320	6	• • BOLT, Hex head (5/16"-18 x 3/4", Grade 8)
20	103996	6	• • WASHER, Flat (5/16")
21	157033	4	• • PIN, Spring (0.156 x 5/8")
22	157702	1	• • MOUNT, Chain (BL 444)
23	157673	2	• • PIN, Chain (BL 444)



2.4 Mast 4 Assembly (SJ12)

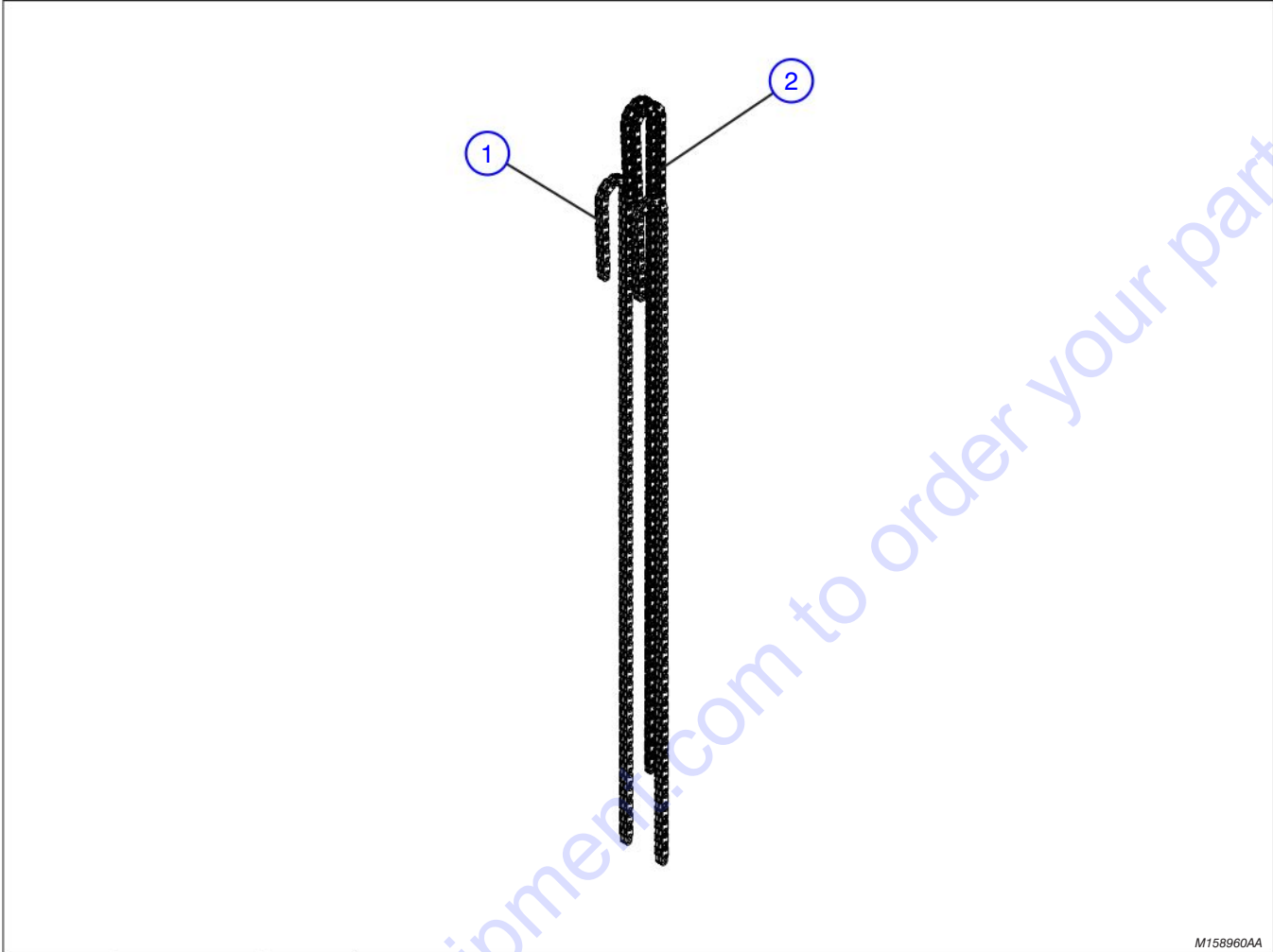


M158959AA

## 2.4 Mast 4 Assembly (SJ12)

Index No.	Skyjack Part No.	Qty.	Description
-	158959	-	MAST 4 ASSEMBLY
1	157909	1	• WELDMENT, Mast 4
2	103855	4	• BOLT, Hex head (1/4"-20 x 1/2", Grade 5)
3	103995	4	• WASHER, Flat (1/4")
4	157915	1	• COVER, Mast
5	149496	4	• NUT, Speed clip (1/4-20 x 1/2")
6	928533	1	• HANDLE
7	157822	2	• SCREW, Socket head cap (zinc, 5/16"-18 x 7/8")
8	117293	1	• BOX, Manual
9	156837	4	• SHIM, Platform MT 22GA (0.0299)
10	104694	4	• WASHER, Flat (#10)
11	158488	8	• BOLT, Hex head (3/8"-16 x 3/4", Grade 8)
12	125959	8	• WASHER, Flat hardened (3/8")
13	157763	2	• WEAR PAD (Thin & short)
14	158086	2	• WEAR PAD (Thick & long)
15	157759	8	• RIVET, Pop (3/16" x 0.25-0.375 GR)
16	158317	4	• SCREW, Thread rolling (10-32 x 3/8")
-	158964	1	• CHAIN TENSIONER ASSEMBLY, Mast 4
17	157709	1	• • MOUNT - Tensioner
18	158965	1	• • BLOCK, Tensioner
19	157711	1	• • PIN, Clevis
20	158963	1	• • PIN, Chain (BL 434)
21	157825	2	• • PIN, Spring (0.156 x 1/2")
22	158320	4	• • BOLT, Hex head (5/16"-18 x 3/4", Grade 8)
23	103996	4	• • WASHER, Flat (5/16")
24	157467	1	• • PIN, Cotter

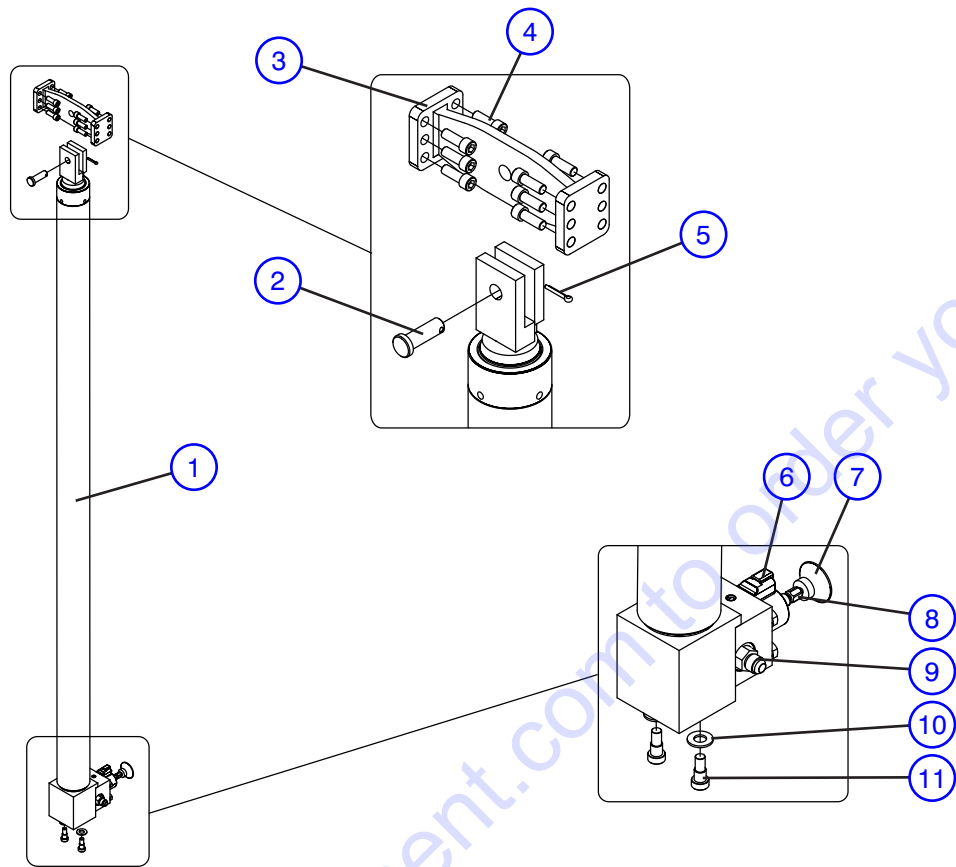
2.5 Chain Assembly (SJ12)



M158960AA

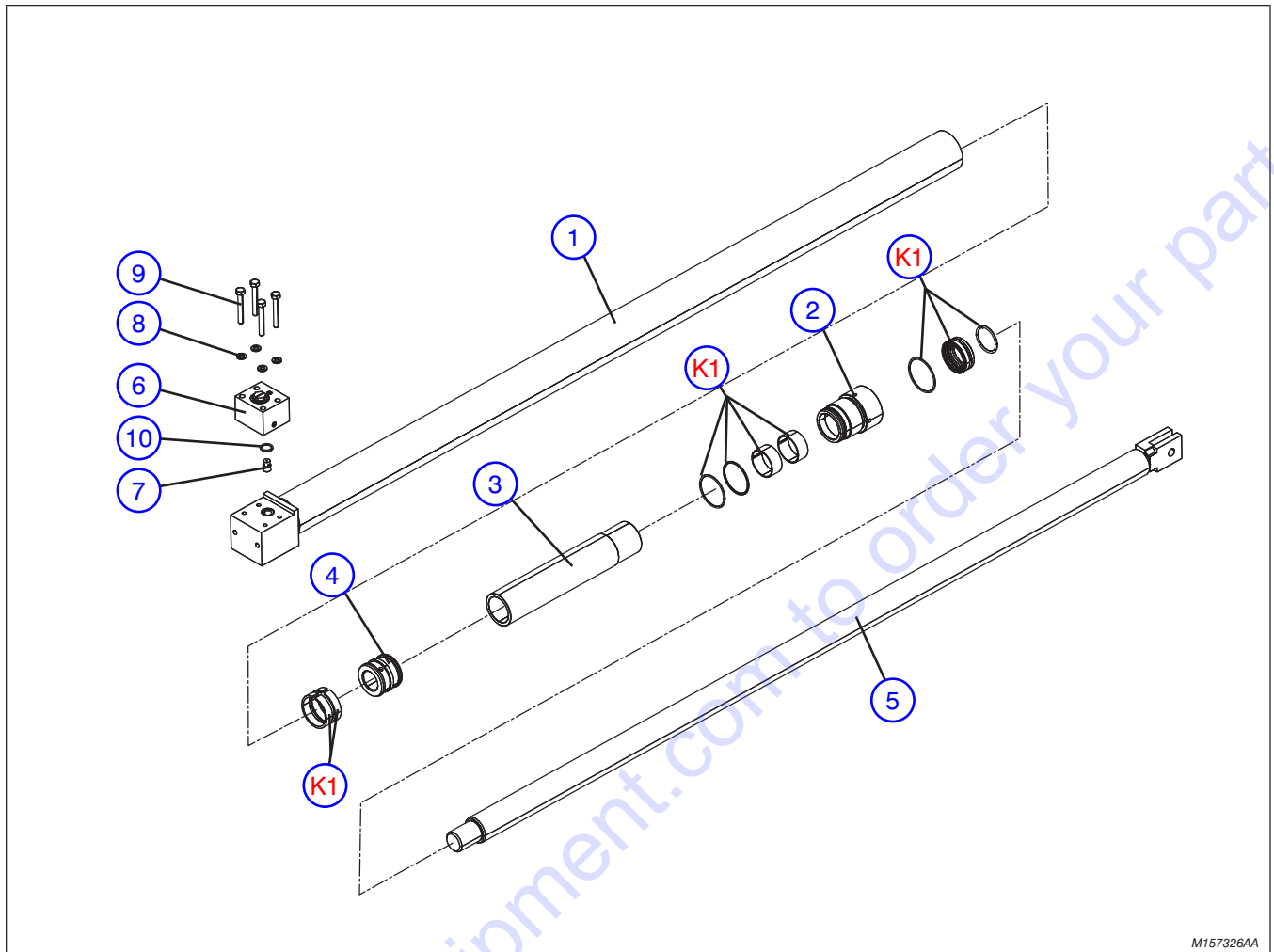
Index No.	Skyjack Part No.	Qty.	Description
-	158960	1	CHAIN ASSEMBLY
1	158462	2	• CHAIN, Mast lift (Small) - BL 444
2	158966	2	• CHAIN, Mast lift (Large) - AL 444

## 2.6 Mast Lift Cylinder Assembly (SJ12)



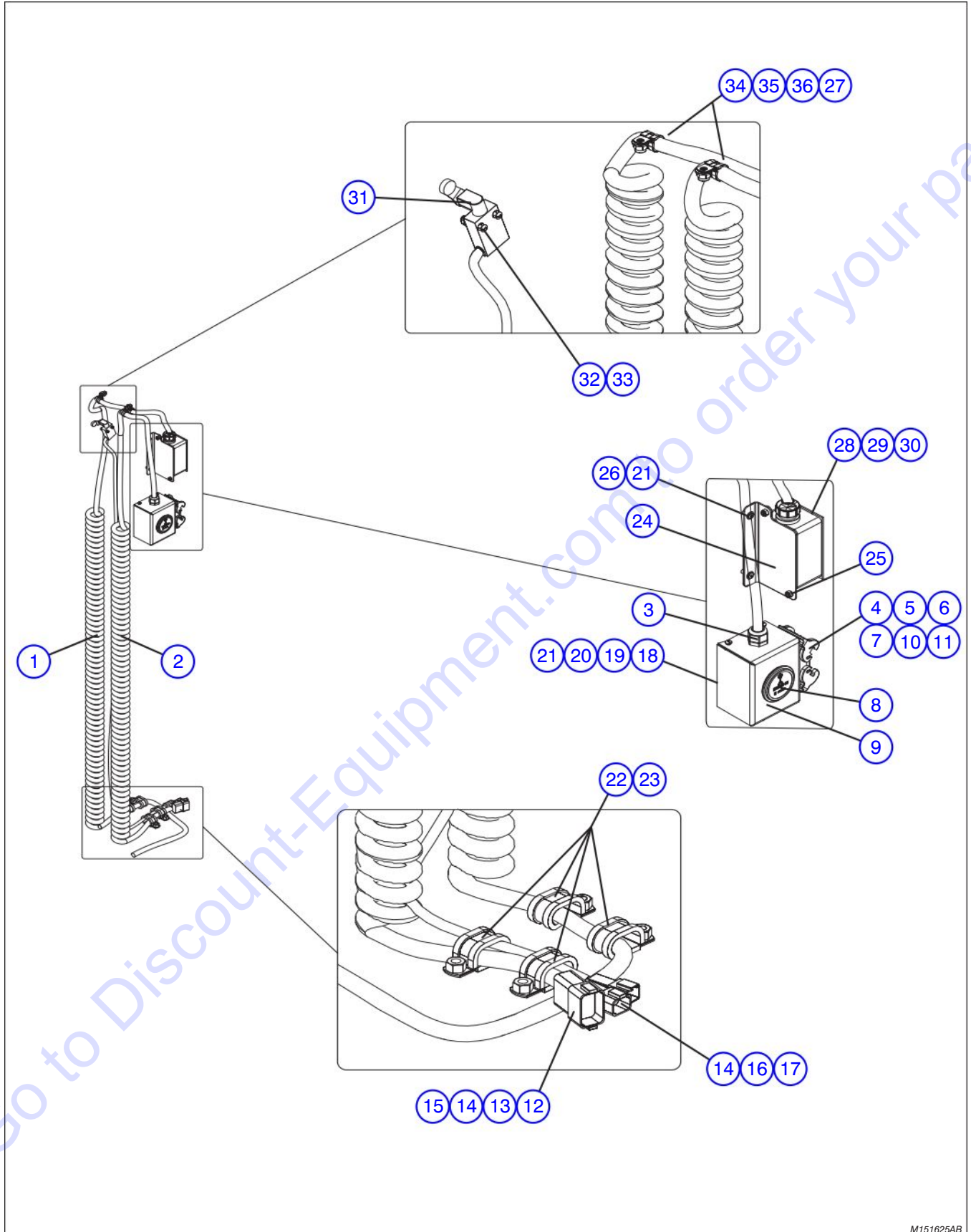
M157322AA

Index No.	Skyjack Part No.	Qty.	Description
-	157322	-	MAST LIFT CYLINDER ASSEMBLY (16 Feet)
1	(Ref.)	1	<ul style="list-style-type: none"> <li>• CYLINDER, Lift</li> <li>(For components, refer to Section 2.7)</li> </ul>
2	157833	1	<ul style="list-style-type: none"> <li>• PIN, Clevis</li> </ul>
3	157323	1	<ul style="list-style-type: none"> <li>• BRACKET, Cylinder mount</li> </ul>
4	157822	12	<ul style="list-style-type: none"> <li>• SCREW, Socket head cap (zinc, 5/16"-18 x 7/8")</li> </ul>
5	157467	1	<ul style="list-style-type: none"> <li>• PIN, Cotter</li> </ul>
6	151683	1	<ul style="list-style-type: none"> <li>• COIL, 24V</li> </ul>
7	300322	1	<ul style="list-style-type: none"> <li>• KNOB, Pull</li> </ul>
8	151696	1	<ul style="list-style-type: none"> <li>• VALVE, Emergency lowering</li> </ul>
9	103069	1	<ul style="list-style-type: none"> <li>• FITTING, Straight (06 JICM - 06 ORBM)</li> </ul>
10	103472	2	<ul style="list-style-type: none"> <li>• WASHER, Flat (3/8")</li> </ul>
11	156833	2	<ul style="list-style-type: none"> <li>• SCREW, Hex socket shoulder (3/8"- x 3/8")</li> </ul>



M157326AA

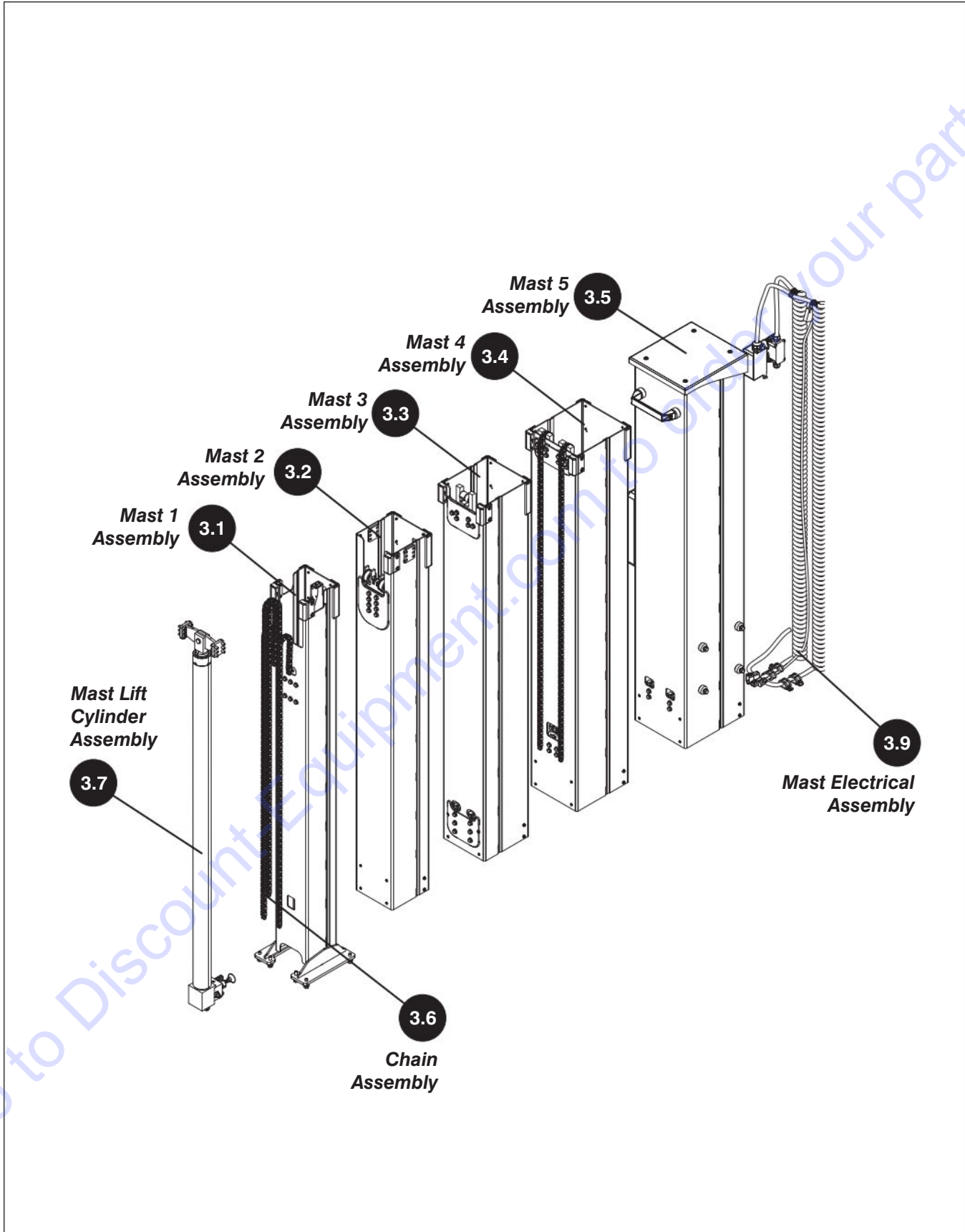
Index No.	Skyjack Part No.	Qty.	Description
-	157326	-	LIFT CYLINDER ASSEMBLY
	159471	1	• LIFT CYLINDER
1	157648	1	• • WELDMENT, Tube
2	156865	1	• • GLAND
3	157650	1	• • SLEEVE STOP
4	157651	1	• • PISTON
5	157649	1	• • ROD
6	156866	1	• MANIFOLD
7	108721	1	• ORIFICE, One way (0.055" diameter)
8	103866	4	• BOLT, Hex head (5/16"-18 x 2.25", Grade 5)
9	103404	4	• WASHER, Lock (5/16")
10	159475	1	• O-RING
K1	157652	1	KIT, Seal



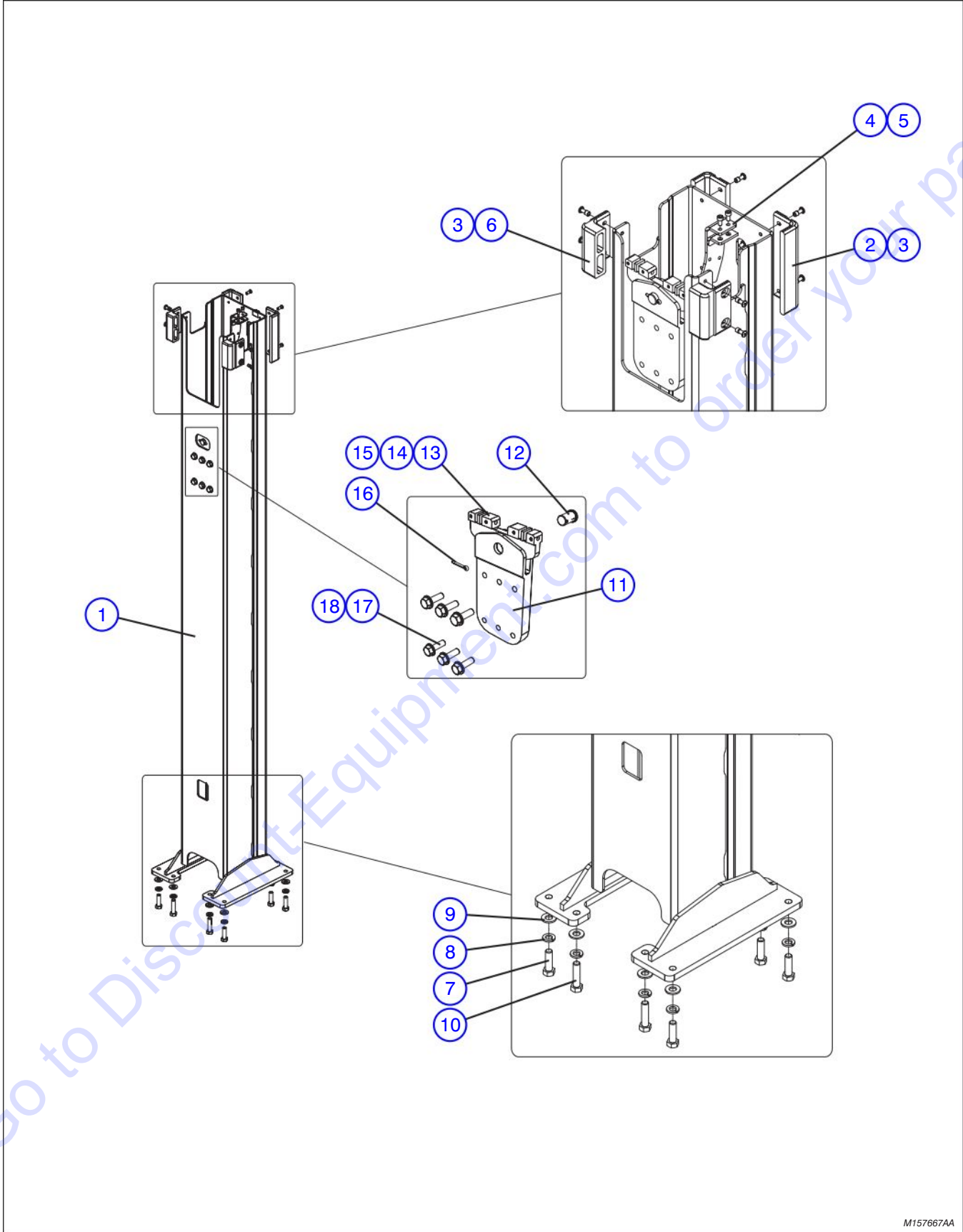
M151625AB

Index No.	Skyjack Part No.	Qty.	Description
<b>A</b>	158505	-	MAST ELECTRICAL ASSEMBLY ( <b>ANSI/CSA</b> )
<b>C</b>	158504	-	MAST ELECTRICAL ASSEMBLY ( <b>CE/AS/KC</b> )
<b>1</b>	158103	1	• CABLE, Retractable (14/3)
	158755	1	• CONTROL CABLE ASSEMBLY
<b>2</b>	158102	1	• • CABLE, Retractable (18/15)
<b>3</b>	120644	2	• • CONNECTOR, Heyco liquid tight (PG16)
	120646	2	• • NUT, Cable gland lock (PG16)
<b>4</b>	156544	3	• • CONNECTOR BLOCK, Footmount
<b>5</b>	156547	1	• • CONNECTOR FRAME, Footmount
<b>6</b>	156542	15	• • CONTACT (Male)
<b>7</b>	158750	1	• • CONNECTOR HOUSING, Box mount
<b>8</b>	103336	1	• • HOURMETER
<b>9</b>	158614	1	• • ENCLOSURE, Mast
<b>10</b>	103957	4	• • SCREW, Round head machine (#8-32 x 1/2")
<b>11</b>	138765	4	• • NUT, Hex nylon lock (#8-32, Grade 5)
<b>12</b>	117586	1	• • CONNECTOR, Receptacle (12 pin)
<b>13</b>	117594	1	• • SEAL, Connector
<b>14</b>	117590	15	• • CONTACT, Pin (16-18)
<b>15</b>	117588	1	• • CONNECTOR, Receptacle wedge (12 pin)
<b>16</b>	117578	1	• • CONNECTOR, Receptacle (4 pin)
<b>17</b>	117580	1	• • CONNECTOR, Receptacle wedge (4 pin)
<b>18</b>	104185	4	• WASHER, Lock (#10)
<b>19</b>	115545	4	• SCREW, Round head machine (#10-32 x 3/8")
<b>20</b>	158615	1	• BRACKET, Mast
<b>21</b>	157759	4	• RIVET, Pop (3/16" x 0.25-0.375 GR)
<b>22</b>	103078	4	• CLIP, double (S344G10)
<b>23</b>	103978	4	• NUT, Hex head (3/8"-16, Grade 5)
<b>24</b>	158620	1	• BRACKET, Mast AC, <b>A</b>
<b>25</b>	134140	2	• • RIVET (1/4"x 0.74" ALU), <b>A</b>
<b>26</b>	104694	2	• WASHER, Flat (#10), <b>A</b>
<b>27</b>	151596	2	• SCREW, Button head cap (ZN, 1/4"-20 x 3/4", ASTM F835)
<b>28</b>	136328	1	• BOX, Outlet, <b>A</b>
<b>29</b>	109698	1	• RECEPTACLE, GFI, <b>A</b>
<b>30</b>	109699	1	• PLATE, Receptacle, <b>A</b>
<b>31</b>	158322	1	• LIMIT SWITCH ASSEMBLY (Mast)
	117079	1	• • SWITCH, Limit (with roller lever)
	117579	1	• • CONNECTOR, Receptacle (4 pin)
	117581	1	• • CONNECTOR, Receptacle wedge (4 pin)
	117591	4	• • CONTACT, Pin (16-18)
<b>32</b>	138765	2	• NUT, Hex nylon lock (#8-32, Grade 5)
<b>33</b>	112248	2	• SCREW, Round head machine (#8-32 x 1.00")
<b>34</b>	103024	3	• CLIP, Single (G10), <b>A</b>
	102929	3	• CLIP, Single (G10), <b>B</b>
<b>35</b>	103995	2	• WASHER, Flat (1/4")
<b>36</b>	115649	2	• NUT, Hex nylon lock (1/4"-20, Grade 5)





3.1 Mast 1 Assembly (SJ16)

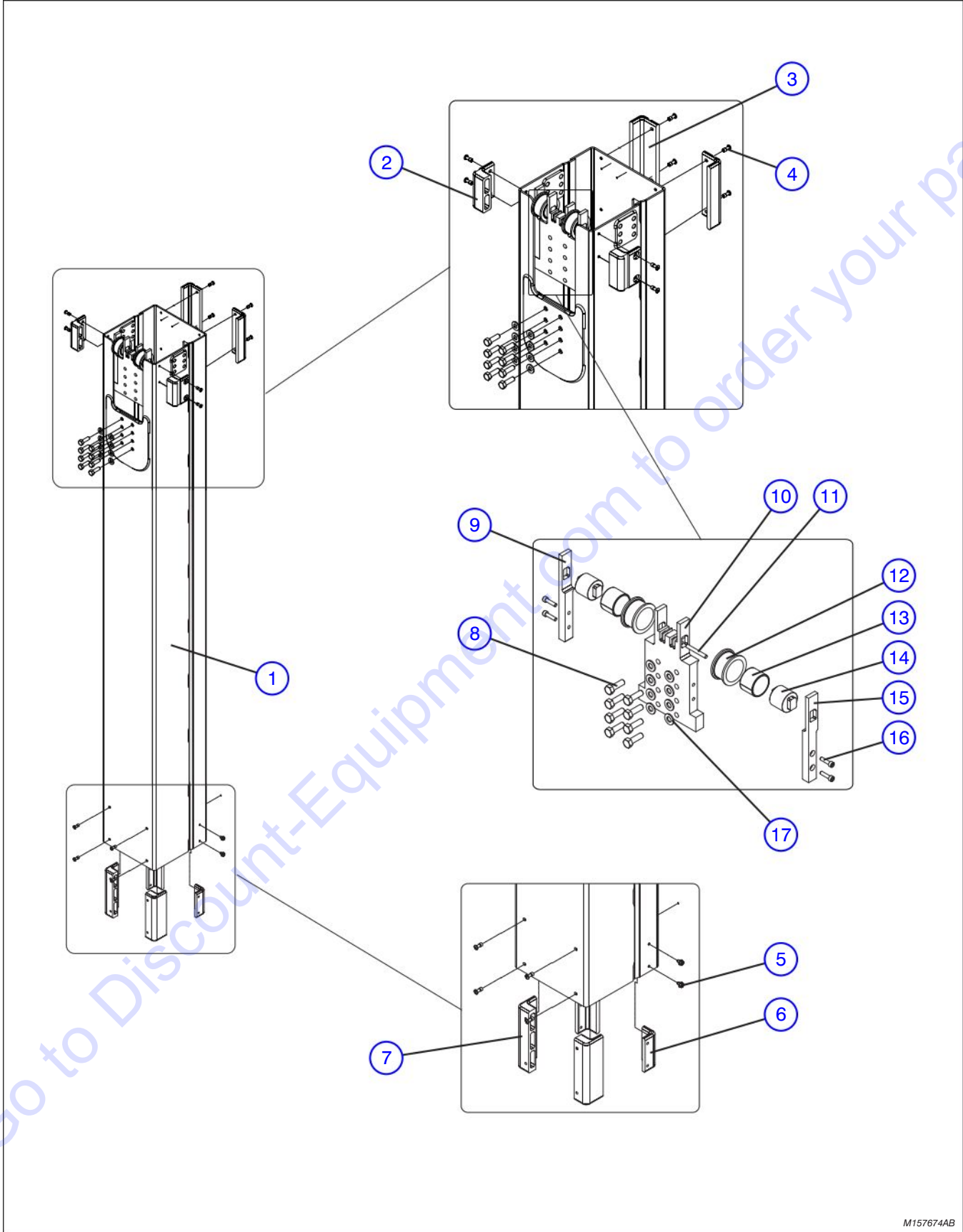


M157667AA

### 3.1 Mast 1 Assembly (SJ16)

Index No.	Skyjack Part No.	Qty.	Description
-	157667	-	MAST 1 ASSEMBLY
1	157668	1	• WELDMENT, Mast 1
2	157733	2	• WEAR PAD (Thin & long)
3	157759	8	• RIVET, Pop (3/16" x 0.25-.375 GR)
4	157797	1	• SUPPORT, Limit switch
5	157829	2	• SCREW, Socket head cap (#10-32 x 3/8")
6	158087	2	• WEAR PAD (Thick & short)
7	101297	6	• BOLT, Hex head (3/8"-16 x 1.25", Grade 5)
8	103999	8	• WASHER, Lock (3/8")
9	125959	8	• WASHER, Flat hardened (3/8")
10	103870	2	• BOLT, Hex head (3/8"-16 x 1.5", Grade 5)
-	157670	1	• CHAIN TENSIONER ASSEMBLY
11	157671	1	• • BLOCK, Tensioner mount (Mast 1)
12	157265	1	• • PIN, Clevis
13	157672	1	• • BLOCK, Tensioner (Mast 1)
14	157673	2	• • PIN, Chain (BL 444)
15	157033	4	• • PIN, Spring (0.156 x 5/8")
16	157467	1	• • PIN, Cotter
17	158319	6	• • BOLT, Hex head (5/16"-18 x 1.0", Grade 8)
18	103996	6	• • WASHER, Flat (5/16")

3.2 Mast 2 Assembly (SJ16)

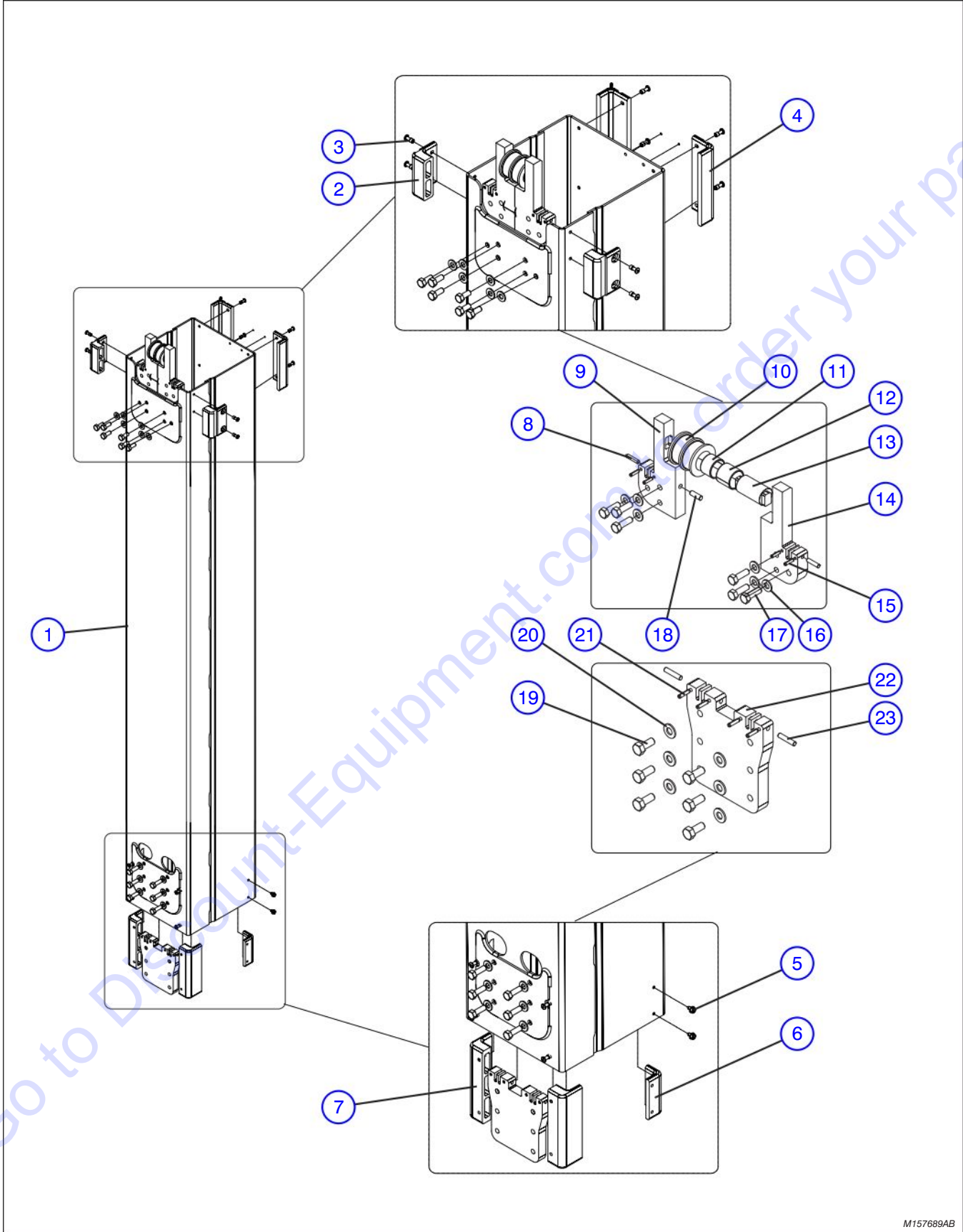


M157674AB

### 3.2 Mast 2 Assembly (SJ16)

Index No.	Skyjack Part No.	Qty.	Description
-	157674	-	MAST 2 ASSEMBLY
1	157675	1	• WELDMENT, Mast 2
2	158087	2	• WEAR PAD (Thick & short)
3	157733	2	• WEAR PAD (Thin & long)
4	157759	12	• RIVET, Pop (3/16" x 0.25-0.375 GR)
5	158317	4	• SCREW, Thread rolling (10-32 x 3/8")
6	157763	2	• WEAR PAD (Thin & short)
7	158086	2	• WEAR PAD (Thick & long)
-	157679	1	• ROLLER SUPPORT ASSEMBLY, Mast 2
8	158319	8	• • BOLT, Hex head (5/16"-18 x 1.00", Grade 8)
9	157683	1	• • SUPPORT, Roller (Left hand)
10	157680	1	• • SUPPORT, Roller
11	157688	1	• • PIN, Chain (BL 434)
12	157686	2	• • ROLLER, Chain (BL 444)
13	101328	2	• • BUSHING, Fiberglide (CJS-A542)
14	157684	2	• • PIN, Roller (BL 444)
15	157681	1	• • SUPPORT, Roller (Right hand - Control box side)
16	157426	4	• • SCREW, Socket head cap (#10-24 x 3/4")
17	103996	8	• • WASHER, Flat (5/16")

3.3 Mast 3 Assembly (SJ16)



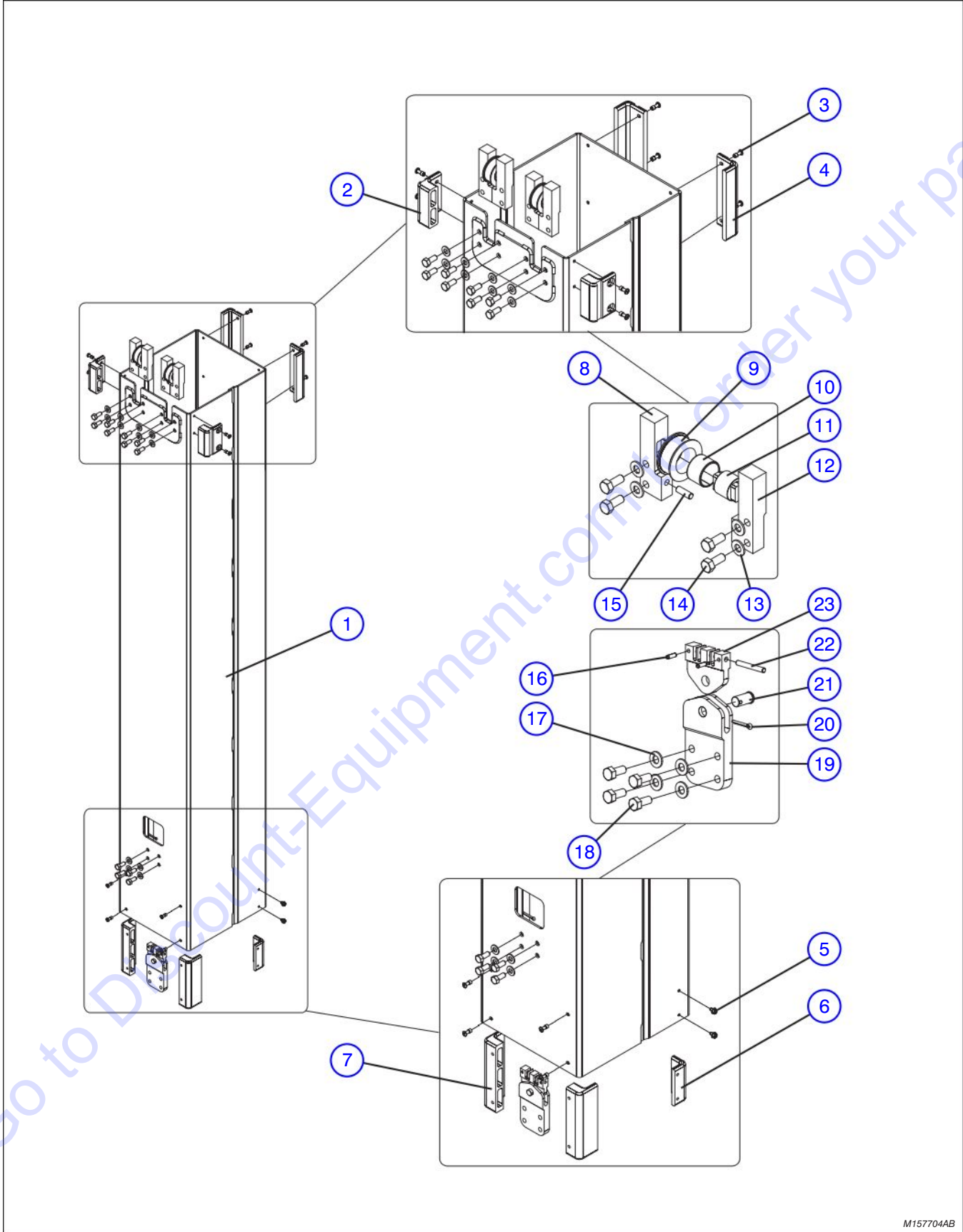
M157689AB

### 3.3 Mast 3 Assembly (SJ16)

Index No.	Skyjack Part No.	Qty.	Description
-	157689	-	MAST 3 ASSEMBLY
1	157690	1	• WELDMENT, Mast 3
2	158087	2	• WEAR PAD (Thick & short)
3	157759	12	• RIVET, Pop (3/16" x 0.25-0.375 GR)
4	157733	2	• WEAR PAD (Thin & long)
5	158317	4	• SCREW, Thread rolling (10-32 x 3/8")
6	157763	2	• WEAR PAD (Thin & short)
7	158086	2	• WEAR PAD (Thick & long)
-	157694	1	• ROLLER SUPPORT ASSEMBLY, Mast 3
8	157700	2	• • PIN, Chain (BL 434)
9	157695	1	• • MOUNT - Roller (Left hand)
10	157698	1	• • ROLLER (Double)
11	100249	1	• • BUSHING, Fiberglide (CJS-A538)
12	100309	1	• • BUSHING, Fiberglide
13	157697	1	• • PIN, Roller (Double)
14	157696	1	• • MOUNT - Roller (Right hand - Control box side)
15	157033	4	• • PIN, Spring (0.156 x 5/8")
16	103996	6	• • WASHER, Flat (5/16")
17	158319	6	• • BOLT, Hex head (5/16"-18 x 1.00", Grade 8)
18	157360	1	• • PIN, Dowel (1/4" diameter X 3/4")
-	157701	1	• CHAIN MOUNT ASSEMBLY (BL 444)
19	157033	4	• • PIN, Spring (0.156 x 5/8")
20	103996	6	• • WASHER, Flat (5/16")
21	158320	6	• • BOLT, Hex head (5/16"-18 x 3/4", Grade 8)
22	157702	1	• • MOUNT, Chain (BL 444)
23	157673	2	• • PIN, Chain (BL 444)



3.4 Mast 4 Assembly (SJ16)

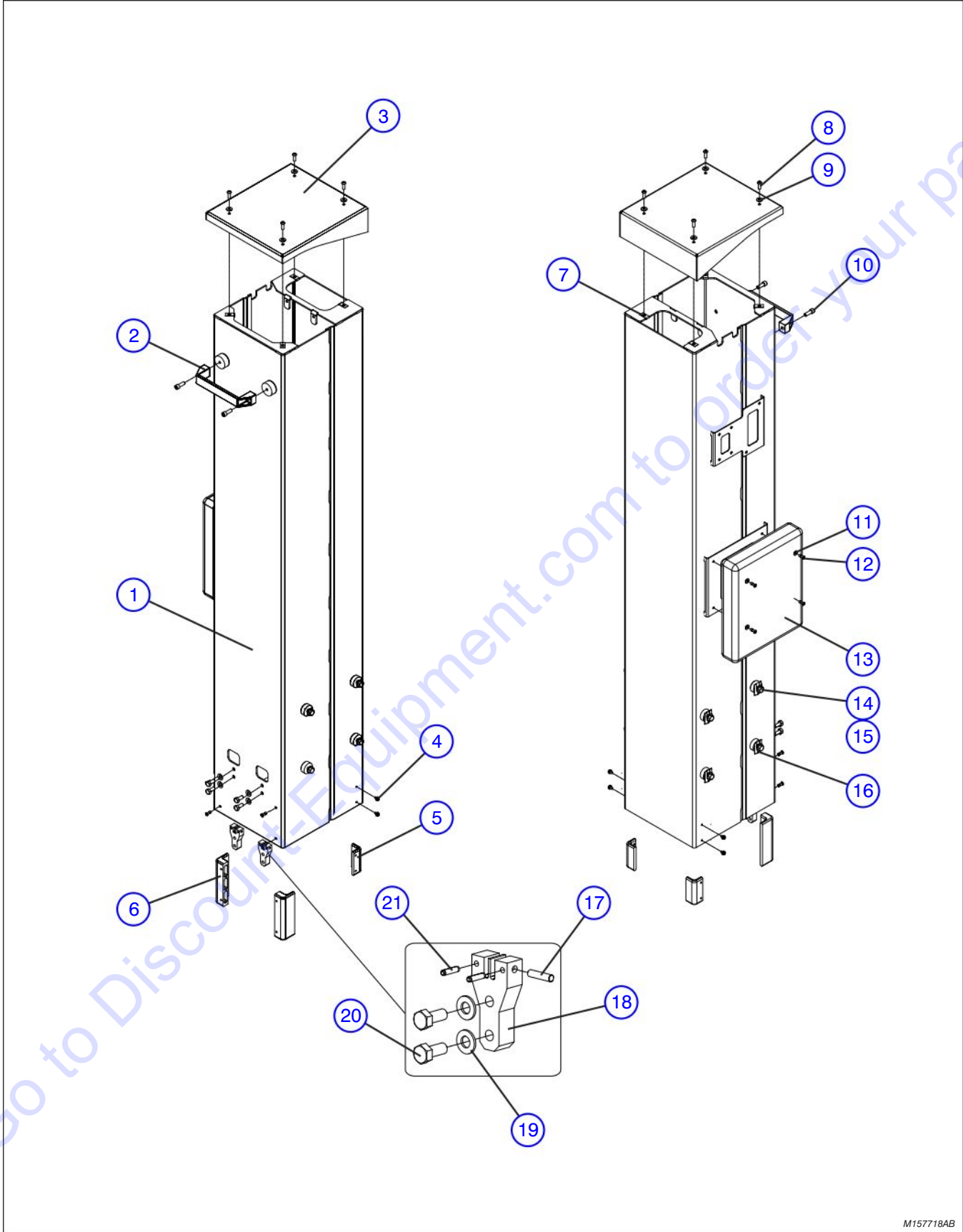


M157704AB

### 3.4 Mast 4 Assembly (SJ16)

Index No.	Skyjack Part No.	Qty.	Description
-	157704	-	MAST 4 ASSEMBLY
1	157705	1	• WELDMENT, Mast 4
2	158087	2	• WEAR PAD (Thick & short)
3	157759	12	• RIVET, Pop (3/16" x 0.25-0.375 GR)
4	157733	2	• WEAR PAD (Thin & long)
5	158317	4	• SCREW, Thread rolling (10-32 x 3/8")
6	157763	2	• WEAR PAD (Thin & short)
7	158086	2	• WEAR PAD (Thick & long)
-	157713	2	• SINGLE ROLLER ASSEMBLY
8	157714	1	• • MOUNT - Roller (Single left hand)
9	157490	1	• • ROLLER (Single)
10	100249	1	• • BUSHING, Fiberglide (CJS-A538)
11	157716	1	• • PIN, Roller (Single)
12	157715	1	• • MOUNT - Roller (Single right hand - Control box side)
13	103996	4	• • WASHER, Flat (5/16")
14	158320	4	• • BOLT, Hex head (5/16"-18 x 3/4", Grade 8)
15	157360	1	• • PIN, Dowel (1/4" diameter X 3/4")
-	157708	1	• CHAIN TENSIONER ASSEMBLY, Mast 4
16	157825	2	• • PIN, Spring (0.156 x 1/2")
17	103996	4	• • WASHER, Flat (5/16")
18	158320	4	• • BOLT, Hex head (5/16"-18 x 3/4", Grade 8)
19	157709	1	• • MOUNT - Tensioner
20	157467	1	• • PIN, Cotter
21	157711	1	• • PIN, Clevis
22	157688	1	• • PIN, Chain (BL 434)
23	157710	1	• • BLOCK, Tensioner

3.5 Mast 5 Assembly (SJ16)

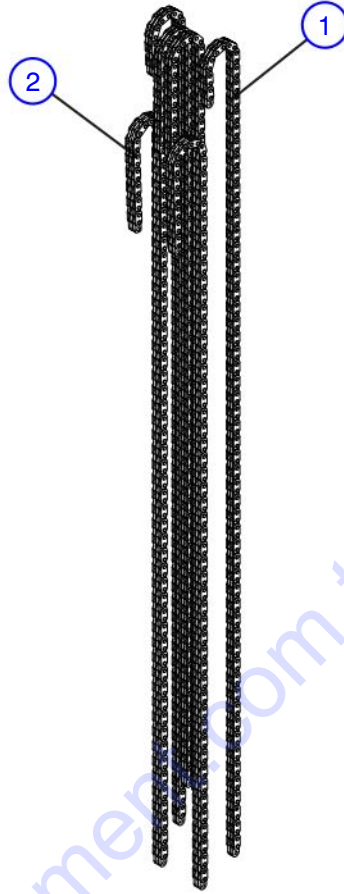


M157718AB

### 3.5 Mast 5 Assembly (SJ16)

Index No.	Skyjack Part No.	Qty.	Description
-	157718	-	MAST 5 ASSEMBLY
1	157719	1	• WELDMENT, Mast 5
2	928533	1	• HANDLE
3	157319	1	• COVER, Mast
4	158317	4	• SCREW, Thread rolling (10-32 x 3/8")
5	157763	2	• WEAR PAD (Thin & short)
6	158086	2	• WEAR PAD (Thick & long)
7	149496	4	• NUT, Speed clip (1/4-20 x 1/2")
8	151596	4	• SCREW, Button head cap (ZN, 1/4"-20 x 3/4", ASTM F835)
9	103995	4	• WASHER, Flat (1/4")
10	157822	2	• SCREW, Socket head cap (5/16"-18 x 7/8")
11	104694	3	• WASHER, Flat (#10)
12	157759	8	• RIVET, Pop (3/16" x 0.25-0.375 GR)
13	117293	1	• BOX, Manual
14	158488	8	• • BOLT, Hex head (3/8"-16 x 3/4", Grade 8)
15	125959	8	• WASHER, Flat hardened (3/8")
16	156837	4	• SHIM, Platform MT 22GA
-	157320	2	• CHAIN MOUNT ASSEMBLY (SINGLE)
17	157700	1	• • PIN, Chain (BL 434)
18	157321	1	• • MOUNT, Chain
19	103996	2	• • WASHER, Flat (5/16")
20	158320	2	• • BOLT, Hex head (5/16"-18 x 3/4", Grade 8)
21	157033	2	• • PIN, Spring (0.156 x 5/8")

3.6 Chain Assembly (SJ16)



M158107AB

Index No.	Skyjack Part No.	Qty.	Description
-	158107	1	CHAIN ASSEMBLY
1	157721	4	• CHAIN - BL 434
2	158462	2	• CHAIN - BL 444

# PARTS FINDER

**Search Website  
by Part Number**



**Search Manual  
Library For Parts  
Manual & Lookup Part  
Numbers – Purchase  
or Request Quote**

**Search Manuals**

Enter your information to help us find the right parts manual for your machine.

\* Brand:

\* Model:

\* Serial:

\* Part Number:

SEARCH

**Can't Find Part or  
Manual? Request Help  
by Manufacturer,  
Model & Description**

**Parts Order Form**

Please fill in the following information to help us find the right part for your machine.

Manufacturer:	<input type="text"/>
Model:	<input type="text"/>
Description:	<input type="text"/>
Part Number:	<input type="text"/>
Quantity:	<input type="text"/>
Notes:	<input type="text"/>

Submit

Discount-Equipment.com is your online resource for quality parts & equipment.

Florida: **561-964-4949** Outside Florida TOLL FREE: **877-690-3101**

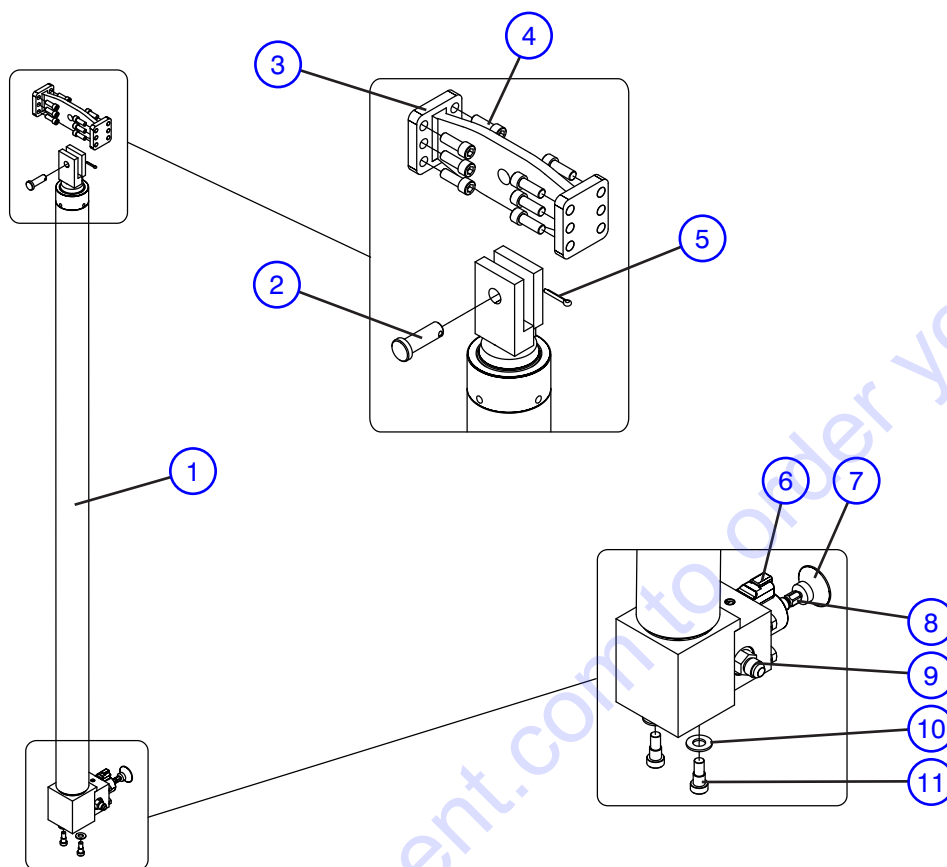
**Need parts?**

Click on this link: <http://www.discount-equipment.com/category/5443-parts/> and choose one of the options to help get the right parts and equipment you are looking for. Please have the machine model and serial number available in order to help us get you the correct parts. If you don't find the part on the website or on one of the online manuals, please fill out the request form and one of our experienced staff members will get back to you with a quote for the right part that your machine needs.

We sell worldwide for the brands: Genie, Terex, JLG, MultiQuip, Mikasa, Essick, Whiteman, Mayco, Toro Stone, Diamond Products, Generac Magnum, Airman, Haulotte, Barreto, Power Blanket, Nifty Lift, Atlas Copco, Chicago Pneumatic, Allmand, Miller Curber, Skyjack, Lull, Skytrak, Tsurumi, Husquvarna Target, Stow, Wacker, Sakai, Mi-T-M, Sullair, Basic, Dynapac, MBW, Weber, Bartell, Bennar Newman, Haulotte, Ditch Runner, Menegotti, Morrison, Contec, Buddy, Crown, Edco, Wyco, Bomag, Laymor, EZ Trench, Bil-Jax, F.S. Curtis, Gehl Pavers, Heli, Honda, ICS/PowerGrit, IHI, Partner, Imer, Clipper, MMD, Koshin, Rice, CH&E, General Equipment, Amida, Coleman, NAC, Gradall, Square Shooter, Kent, Stanley, Tamco, Toku, Hatz, Kohler, Robin, Wisconsin, Northrock, Oztec, Toker TK, Rol-Air, APT, Wylie, Ingersoll Rand / Doosan, Innovatech, Con X, Ammann, Mecalac, Makinex, Smith Surface Prep, Small Line, Wanco, Yanmar

### 3.7 Mast Lift Cylinder Assembly (SJ16)

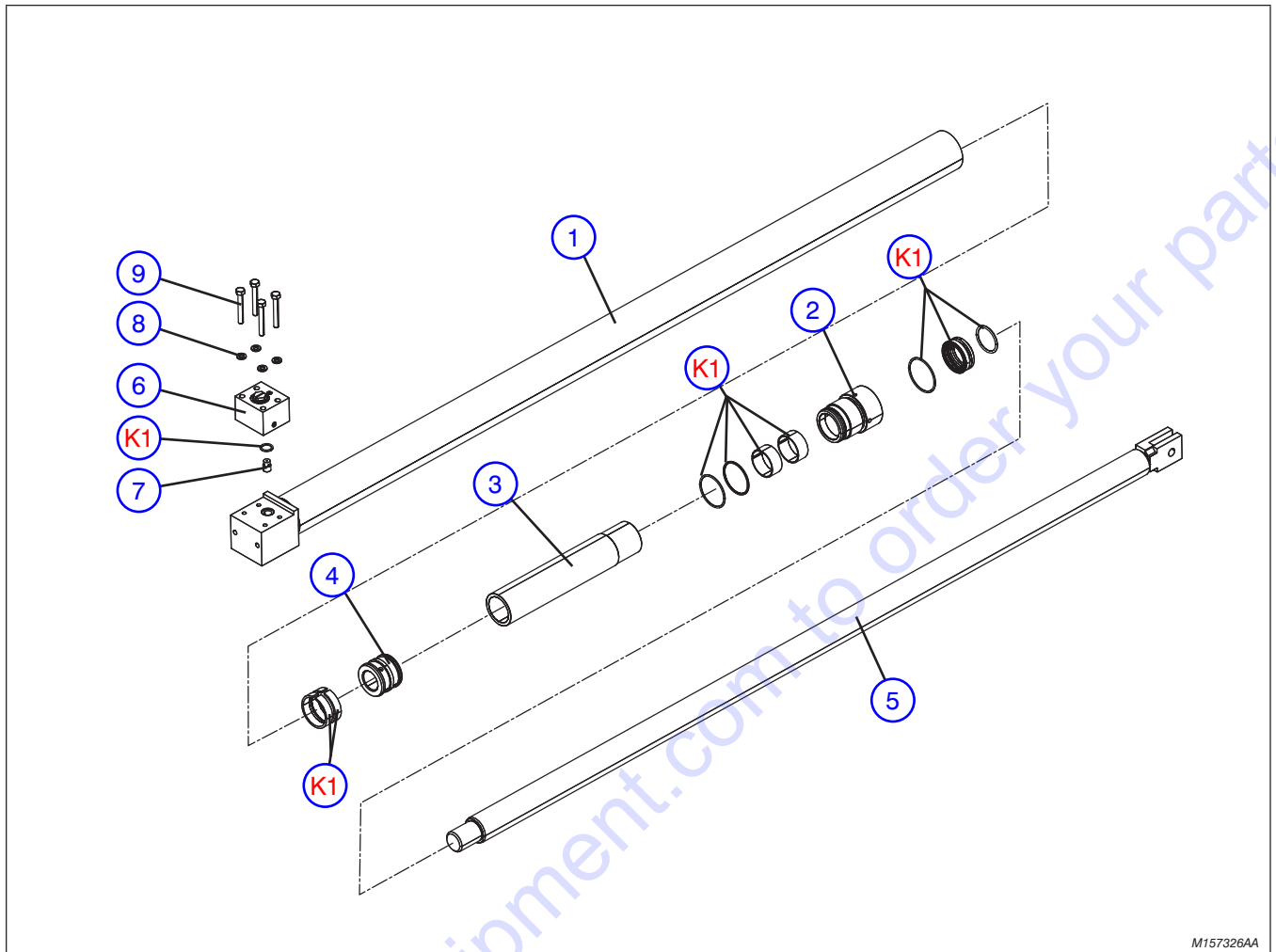
AB



M157322AA

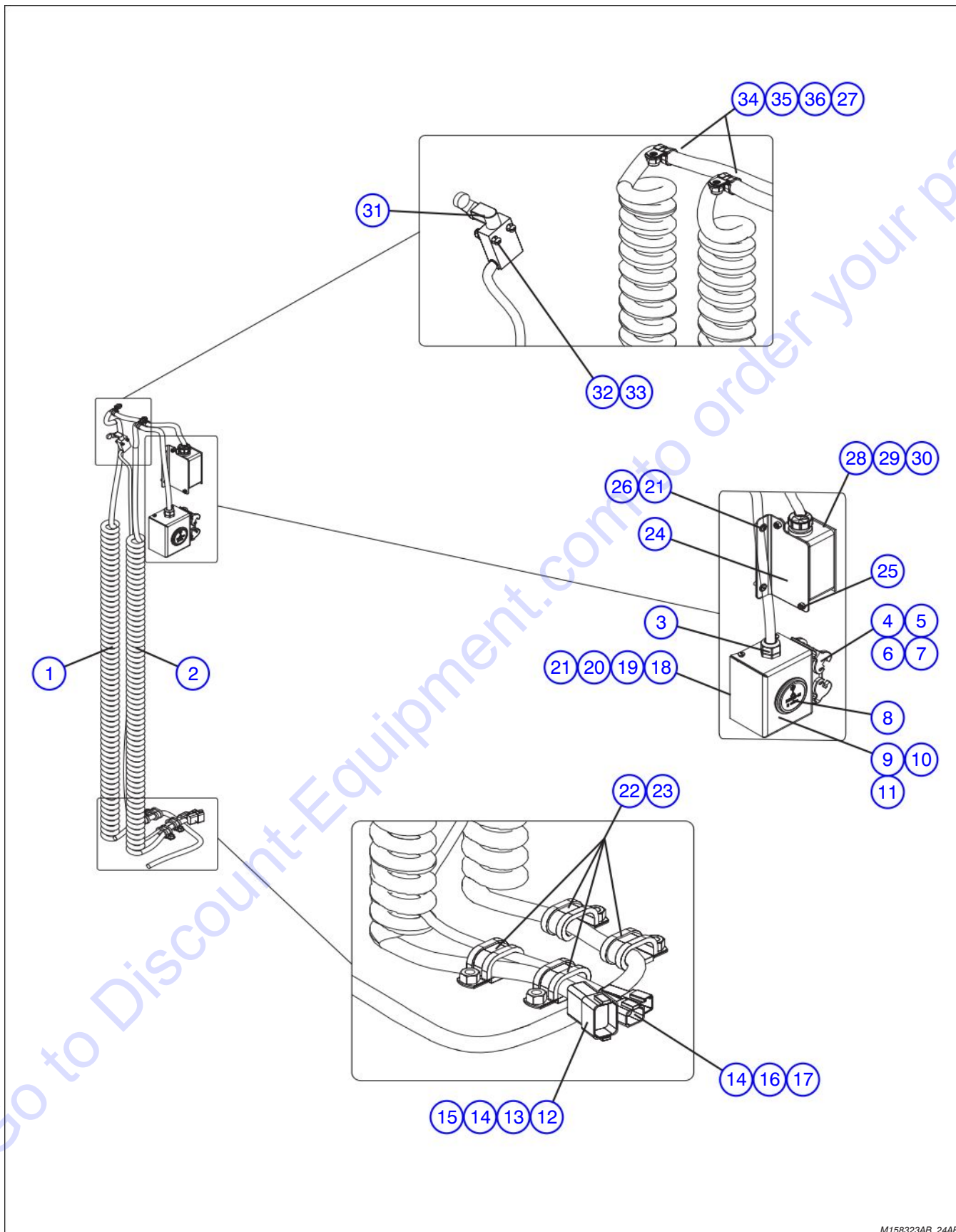
Index No.	Skyjack Part No.	Qty.	Description
-	159472	-	MAST LIFT CYLINDER ASSEMBLY (16 Feet)
1	(Ref.)	1	<ul style="list-style-type: none"> <li>• CYLINDER, Lift</li> </ul> (For components, refer to Section 3.8)
2	157833	1	<ul style="list-style-type: none"> <li>• PIN, Clevis</li> </ul>
3	157323	1	<ul style="list-style-type: none"> <li>• BRACKET, Cylinder mount</li> </ul>
4	157822	12	<ul style="list-style-type: none"> <li>• SCREW, Socket head cap (zinc, 5/16"-18 x 7/8")</li> </ul>
5	157467	1	<ul style="list-style-type: none"> <li>• PIN, Cotter</li> </ul>
6	151683	1	<ul style="list-style-type: none"> <li>• COIL, 24V</li> </ul>
7	300322	1	<ul style="list-style-type: none"> <li>• KNOB, Pull</li> </ul>
8	151696	1	<ul style="list-style-type: none"> <li>• VALVE, Emergency lowering</li> </ul>
9	103069	1	<ul style="list-style-type: none"> <li>• FITTING, Straight (06 JICM - 06 ORBM)</li> </ul>
10	103472	2	<ul style="list-style-type: none"> <li>• WASHER, Flat (3/8")</li> </ul>
11	156833	2	<ul style="list-style-type: none"> <li>• SCREW, Hex socket shoulder (3/8"- x 3/8")</li> </ul>





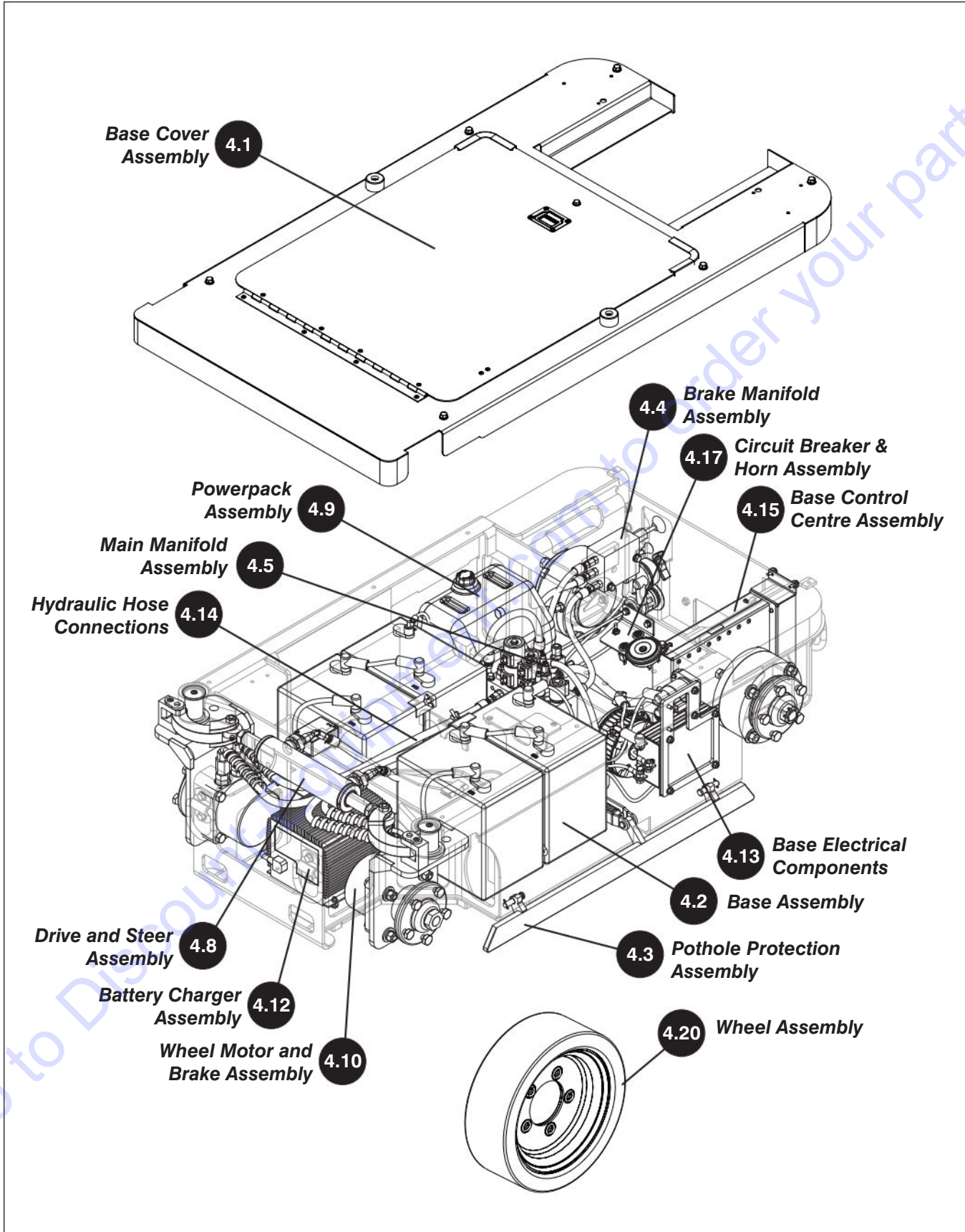
M157326AA

Index No.	Skyjack Part No.	Qty.	Description
-	159473	-	LIFT CYLINDER ASSEMBLY
	159471	1	• LIFT CYLINDER
1	157648	1	• • WELDMENT, Tube
2	156865	1	• • GLAND
3	157650	1	• • SLEEVE STOP
4	157651	1	• • PISTON
5	157649	1	• • ROD
6	156866	1	• MANIFOLD
7	159416	1	• ORIFICE, One way (0.043" diameter)
8	103866	4	• BOLT, Hex head (5/16"-18 x 2.25", Grade 5)
9	103404	4	• WASHER, Lock (5/16")
10	159475	1	• O-RING
K1	157652	1	KIT, Seal

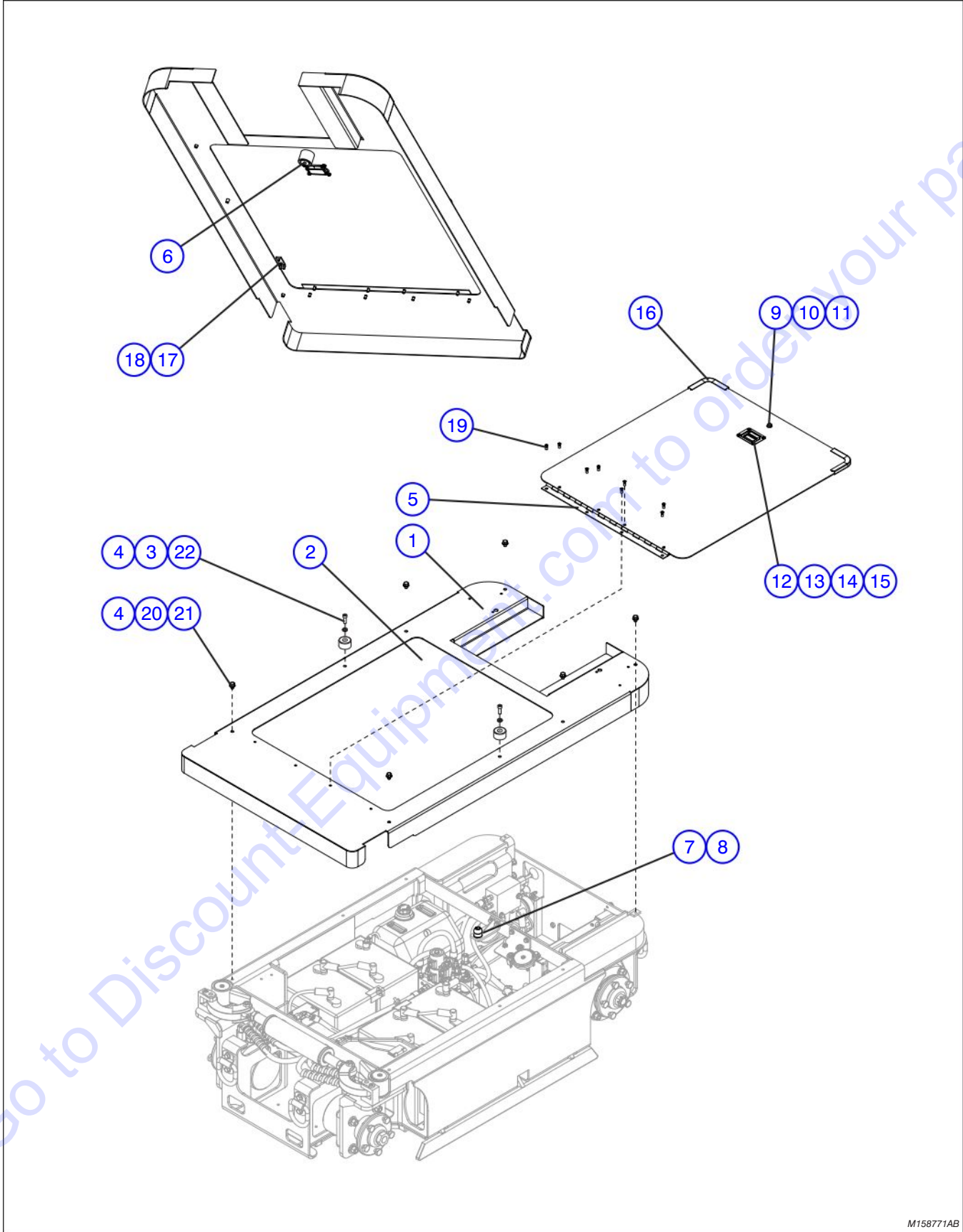


M158323AB\_24AB

Index No.	Skyjack Part No.	Qty.	Description
<b>A</b>	158324	-	MAST ELECTRICAL ASSEMBLY <b>(ANSI/CSA)</b>
<b>C</b>	158323	-	MAST ELECTRICAL ASSEMBLY <b>(CE/AS/KC)</b>
1	151204	1	• CABLE, Retractable (14/3)
	158756	1	• CONTROL CABLE ASSEMBLY
2	151203	1	• • CABLE, Retractable (18/15)
3	120644	2	• • CONNECTOR, Heyco liquid tight (PG16)
	120646	2	• • NUT, Cable gland lock (PG16)
4	156544	3	• • CONNECTOR BLOCK, Footmount
5	156547	1	• • CONNECTOR FRAME, Footmount
6	156542	15	• • CONTACT (Male)
7	158750	1	• • CONNECTOR HOUSING, Box mount
8	103336	1	• • HOURMETER
9	158614	1	• • ENCLOSURE, Mast
10	103957	4	• • SCREW, Round head machine (#8-32 x 1/2")
11	138765	4	• • NUT, Hex nylon lock (#8-32, Grade 5)
12	117586	1	• • CONNECTOR, Receptacle (12 pin)
13	117594	1	• • SEAL, Connector
14	117590	15	• • CONTACT, Pin (16-18)
15	117588	1	• • CONNECTOR, Receptacle wedge (12 pin)
16	117578	1	• • CONNECTOR, Receptacle (4 pin)
17	117580	1	• • CONNECTOR, Receptacle wedge (4 pin)
18	104185	4	• WASHER, Lock (#10)
19	115545	4	• SCREW, Round head machine (#10-32 x 3/8")
20	158615	1	• BRACKET, Mast
21	157759	4	• RIVET, Pop (3/16" x 0.25-0.375 GR)
22	103078	4	• CLIP, double (S344G10)
23	103978	4	• NUT, Hex head (3/8"-16, Grade 5)
24	158620	1	• BRACKET, Mast AC, <b>A</b>
25	134140	2	• • RIVET (1/4"x 0.74" ALU), <b>A</b>
26	104694	2	• WASHER, Flat (#10), <b>A</b>
27	151596	2	• SCREW, Button head cap (ZN, 1/4"-20 x 3/4", ASTM F835)
28	136328	1	• BOX, Outlet, <b>A</b>
29	109698	1	• RECEPTACLE, GFI, <b>A</b>
30	109699	1	• PLATE, Receptacle, <b>A</b>
31	158322	1	• LIMIT SWITCH ASSEMBLY (Mast)
	117079	1	• • SWITCH, Limit (with roller lever)
	117579	1	• • CONNECTOR, Receptacle (4 pin)
	117581	1	• • CONNECTOR, Receptacle wedge (4 pin)
	117591	4	• • CONTACT, Pin (16-18)
32	138765	2	• NUT, Hex nylon lock (#8-32, Grade 5)
33	112248	2	• SCREW, Round head machine (#8-32 x 1.00")
34	103024	3	• CLIP, Single (G10), <b>A</b>
	102929	3	• CLIP, Single (G10), <b>B</b>
35	103995	2	• WASHER, Flat (1/4")
36	115649	2	• NUT, Hex nylon lock (1/4"-20, Grade 5)



4.1 Base Cover Assembly

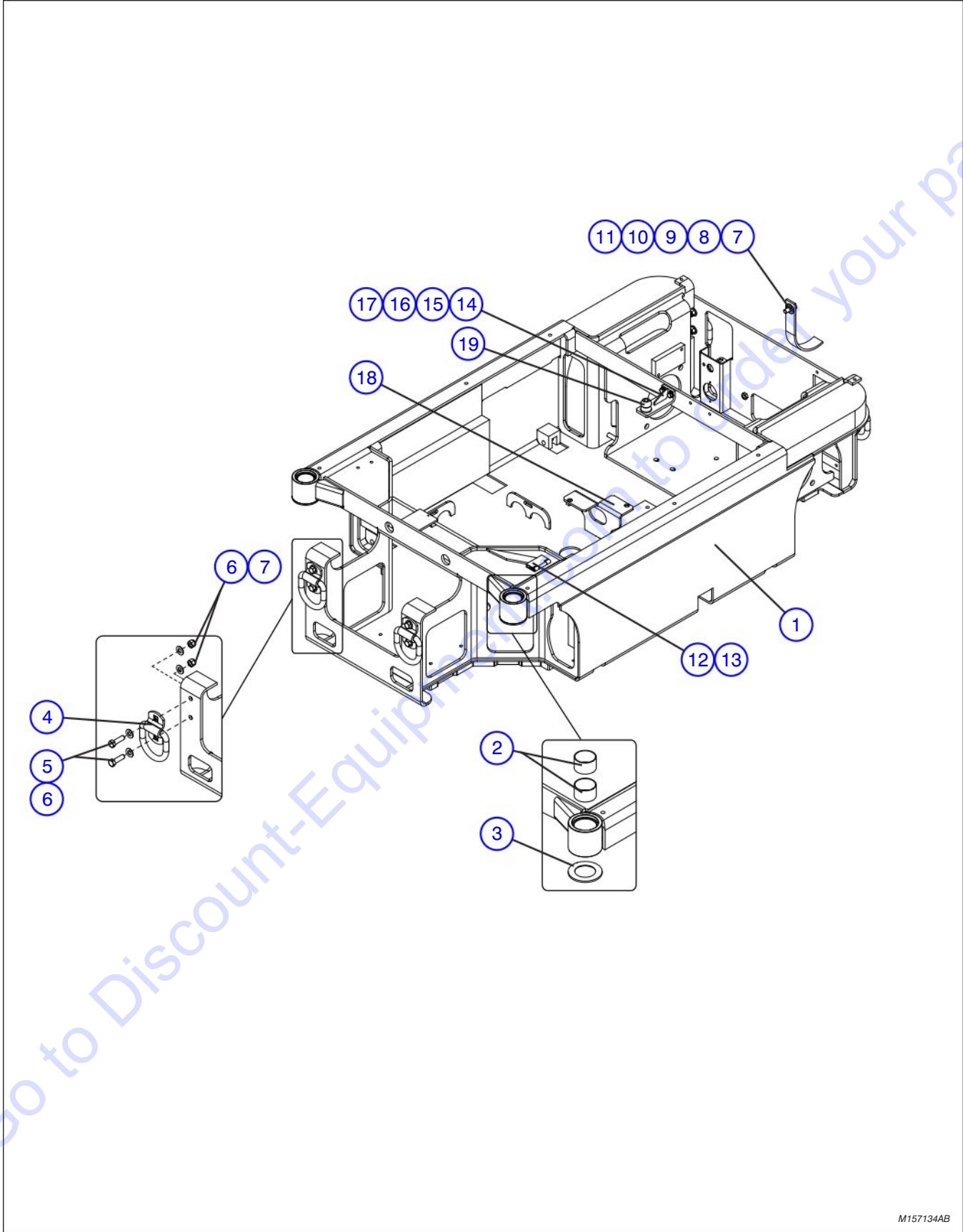


M158771AB



Index No.	Skyjack Part No.	Qty.	Description
-	158771	-	BASE COVER ASSEMBLY
1	158772	1	• WELDMENT, Cover top
2	157180	1	• COVER, Service
3	157822	2	• SCREW, Socket head cap (zinc, 5/16"-18 x 7/8")
4	103404	8	• WASHER, Lock (5/16")
5	157840	1	• HINGE, Piano (21")
	112447	1	• HOLDER, Rubber
6	125893	1	• • HOLDER, Rubber (female)
7	125892	1	• • HOLDER, Rubber (male)
8	112449	1	• BOLT, Machine hex head (1/4"-20 x 1")
9	103855	1	• BOLT, Hex head (1/4"-20 x 1/2", Grade 5)
10	103995	1	• WASHER, Flat (1/4")
11	103980	1	• NUT, Hex head (1/4"-20, Grade 8)
13	151658	1	• RECESSED HANDLE ASSEMBLY
13	156600	4	• SCREW, Flat head (#8-32 x 3/8)
14	103986	4	• NUT, Hex head (#8-32)
15	103991	4	• WASHER, Flat (#8)
16	117398	1	• TRIM, Protective
17	157160	1	• BRACKET, Stop
18	119945	2	• RIVET, Pop (Wide head)
19	116161	8	• RIVET, Pop (Stainless steel)
20	103996	6	• WASHER, Flat (5/16")
21	103855	6	• BOLT, Hex head (5/16"-18 x 1/2", Grade 5)
22	158864	2	• BUMPER

4.2 Base Assembly

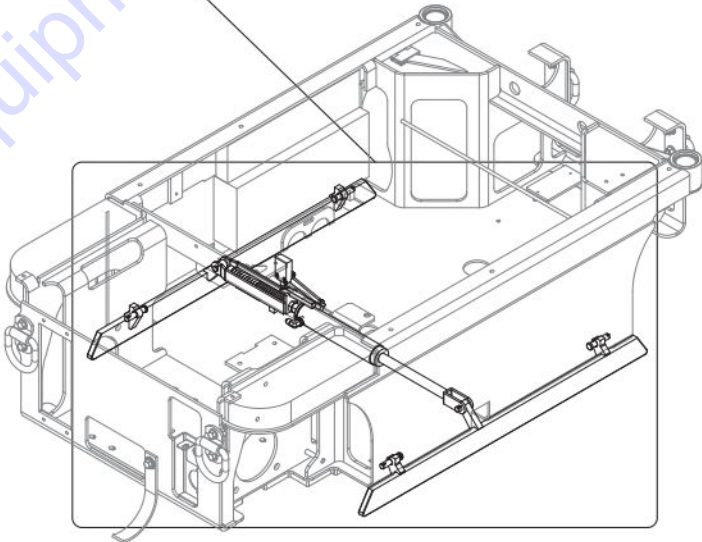
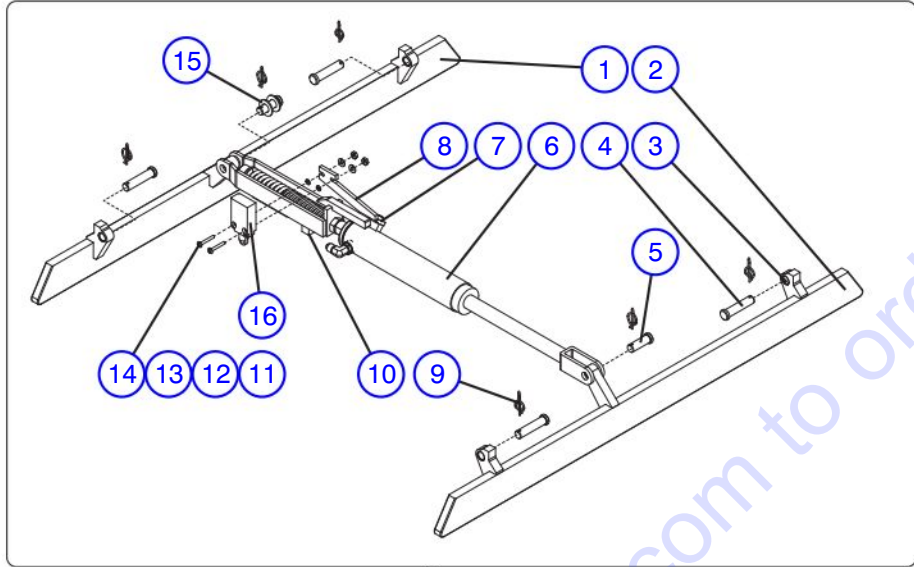


M157134AB



Index No.	Skyjack Part No.	Qty.	Description
<b>A</b>	158350	-	BASE ASSEMBLY (SJ12)
<b>B</b>	157134	-	BASE ASSEMBLY (SJ16)
<b>1</b>	158351	1	• WELDMENT, Base, <b>A</b>
	157411	1	• WELDMENT, Base, <b>B</b>
<b>2</b>	100904	4	• BUSHING, Fiberglide (1.5" ID x 1")
<b>3</b>	149782	2	• WASHER, Bronze (kingpin)
<b>4</b>	156848	4	• D-RING ASSEMBLY
<b>5</b>	101297	8	• BOLT, Carriage (3/8"-16 x 1.25", Grade 5), <b>A</b>
	117430	8	• BOLT, Carriage (3/8"-16 x 1.25", Grade 8), <b>B</b>
<b>6</b>	104606	8	• NUT, Hex nylon lock (3/8"-16, Grade 5)
<b>7</b>	103472	18	• WASHER, Flat (3/8")
<b>8</b>	115420	1	• STRAP, Static
<b>9</b>	103473	1	• BOLT, Hex head (3/8"-16 x 1", Grade 5)
<b>10</b>	155979	1	• WASHER, Int tooth lock (3/8")
<b>11</b>	108575	1	• NUT, Hex head jam (3/8"-16, Grade 5)
<b>12</b>	157157	1	• PLATE, Hinged
<b>13</b>	139641	2	• RIVET, Pop (1/4")
<b>14</b>	151659	1	• BRACKET, Latch weld
<b>15</b>	103995	2	• WASHER, Flat (1/4")
<b>16</b>	104000	2	• WASHER, Lock (1/4")
<b>17</b>	103856	2	• BOLT, Hex head (1/4"-20 x 3/4", Grade 5)
<b>18</b>	158812	1	BRACKET WELDMENT, Main Valve
	158813	1	• BRACKET, Main valve
	138624	2	• WELD NUT, Pilot projection (.31-18)
<b>19</b>	(Ref.)	1	HOLDER, Rubber (For components, refer to Section 4.1)

4.3 Pothole Protection Assembly

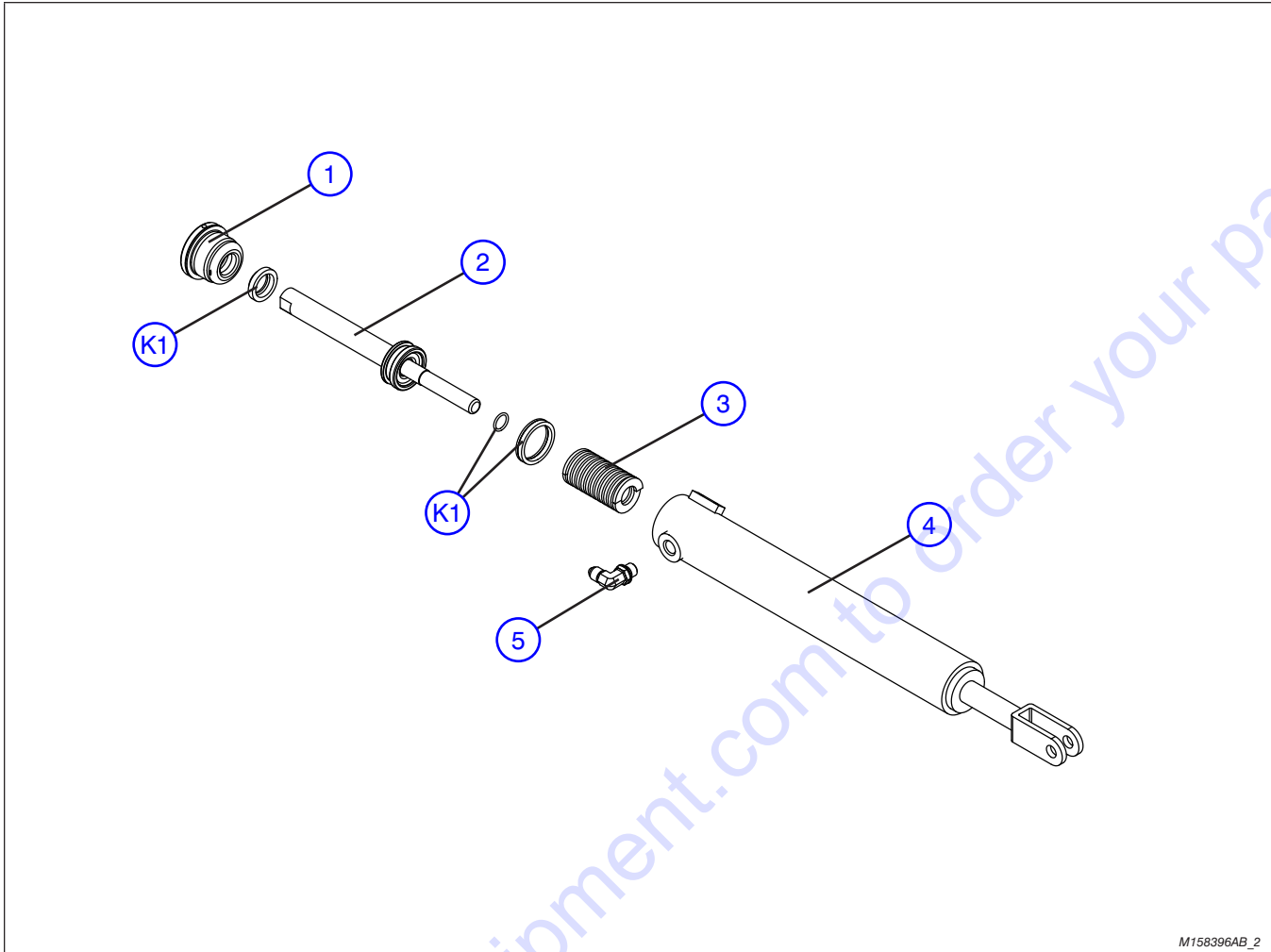


M158122AB

### 4.3 Pothole Protection Assembly

Index No.	Skyjack Part No.	Qty.	Description
-	158122	-	POTHOLE PROTECTION ASSEMBLY
1	158398	1	• PLATE, Pothole Assembly (Right-hand - Control box side)
2	158397	1	• PLATE, Pothole Weld (Left-hand)
3	119312	6	• BUSHING, Fiberglide
4	158144	4	• PIN, Clevis
5	158148	2	• PIN, Clevis
6	(Ref.)	1	• CYLINDER, Hydraulic (For components, refer to Section 4.4)
7	157822	2	• SCREW, Socket head cap (10-2418 x 1/2")
8	158395	1	• BRACKET, Limit Switch
9	158818	6	• PIN, Cotter (Rue ring)
10	(Ref.)	1	• ASSEMBLY, Clevis (For components, refer to Section 4.5)
11	112248	2	• SCREW, Round head machine (#8-32 x 1.0")
12	112249	2	• WASHER, Lock (#8)
13	103991	2	• WASHER, Flat (#8)
14	103986	2	• NUT, Hex head (#8-32)
15	119313	2	• WASHER, Flat (.438)
16	(Ref.)	1	LIMIT SWITCH ASSEMBLY (For components, refer to Section 4.13)

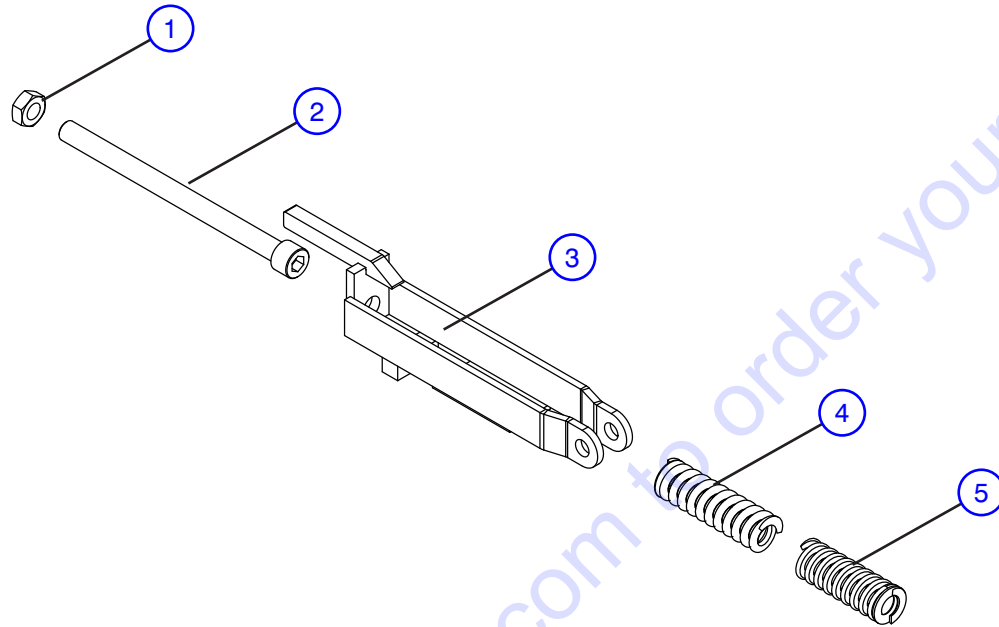
#### 4.4 Pothole Cylinder Assembly



M158396AB\_2

Index No.	Skyjack Part No.	Qty.	Description
-	158396	-	POTHOLE CYLINDER ASSEMBLY
1	159336	1	• GLAND
2	159337	1	• ROD
3	159338	1	• SPRING
4	159339	1	• BARREL
5	159340	1	• FITTING, 90-degree (04MJ-04MB)
K1	159341	1	KIT, Seal

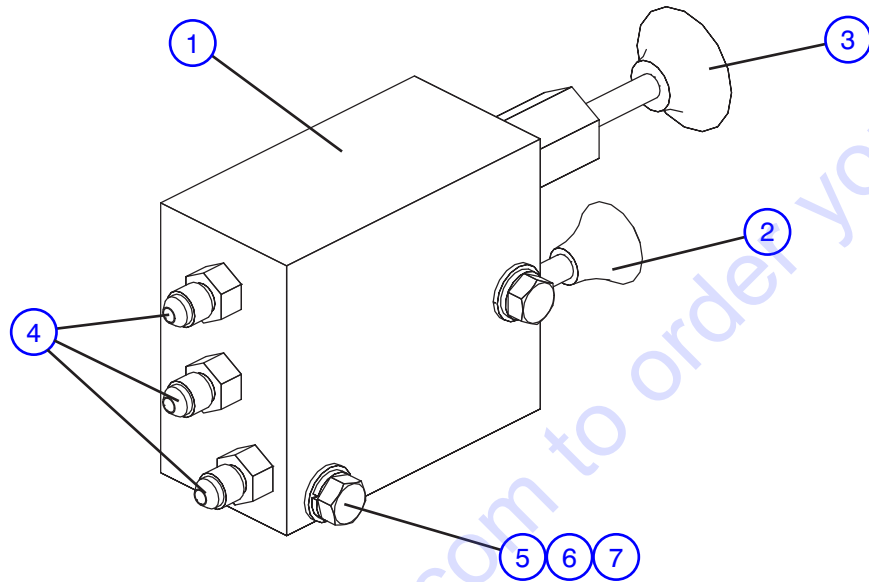
## 4.5 Clevis Assembly



M158906AB

Index No.	Skyjack Part No.	Qty.	Description
-	158906	1	CLEVIS ASSEMBLY
1	107949	1	• NUT, Hex head jam (1/2"-13, Grade 5)
2	158987	1	• SCREW, Socket head cap (1/2"-13 x 7")
3	158390	1	• WELD, Clevis
4	158400	1	• SPRING, Die (3.5" LG)
5	158399	1	• SPRING, Die (3" LG)

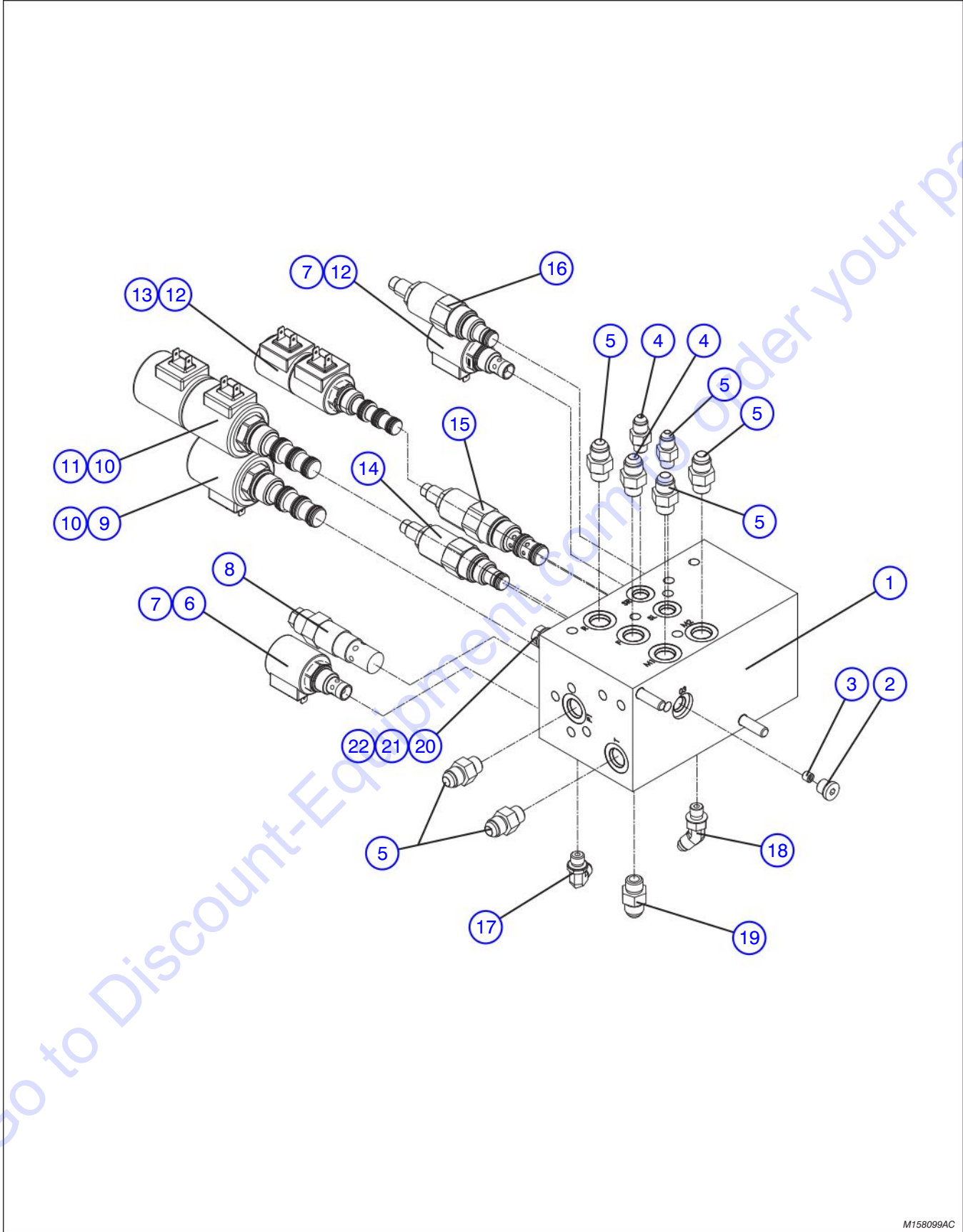
#### 4.6 Brake Manifold Assembly



M151458AA

Index No.	Skyjack Part No.	Qty.	Description
-	136540	1	BRAKE MANIFOLD ASSEMBLY
1	146563	1	• BLOCK, Brake manifold
2	146561	1	• VALVE, Auto reset
3	146559	1	• VALVE, Hand pump
4	701954	3	• FITTING, Straight (04 JICM - 04 ORBM)
5	103884	2	BOLT, Hex head (5/16"-18 x 2.5", Grade 5)
6	103996	2	WASHER, Flat (5/16")
7	103404	2	WASHER, Lock (5/16")
-	146564	1	KIT, Seal

4.7 Main Manifold Assembly



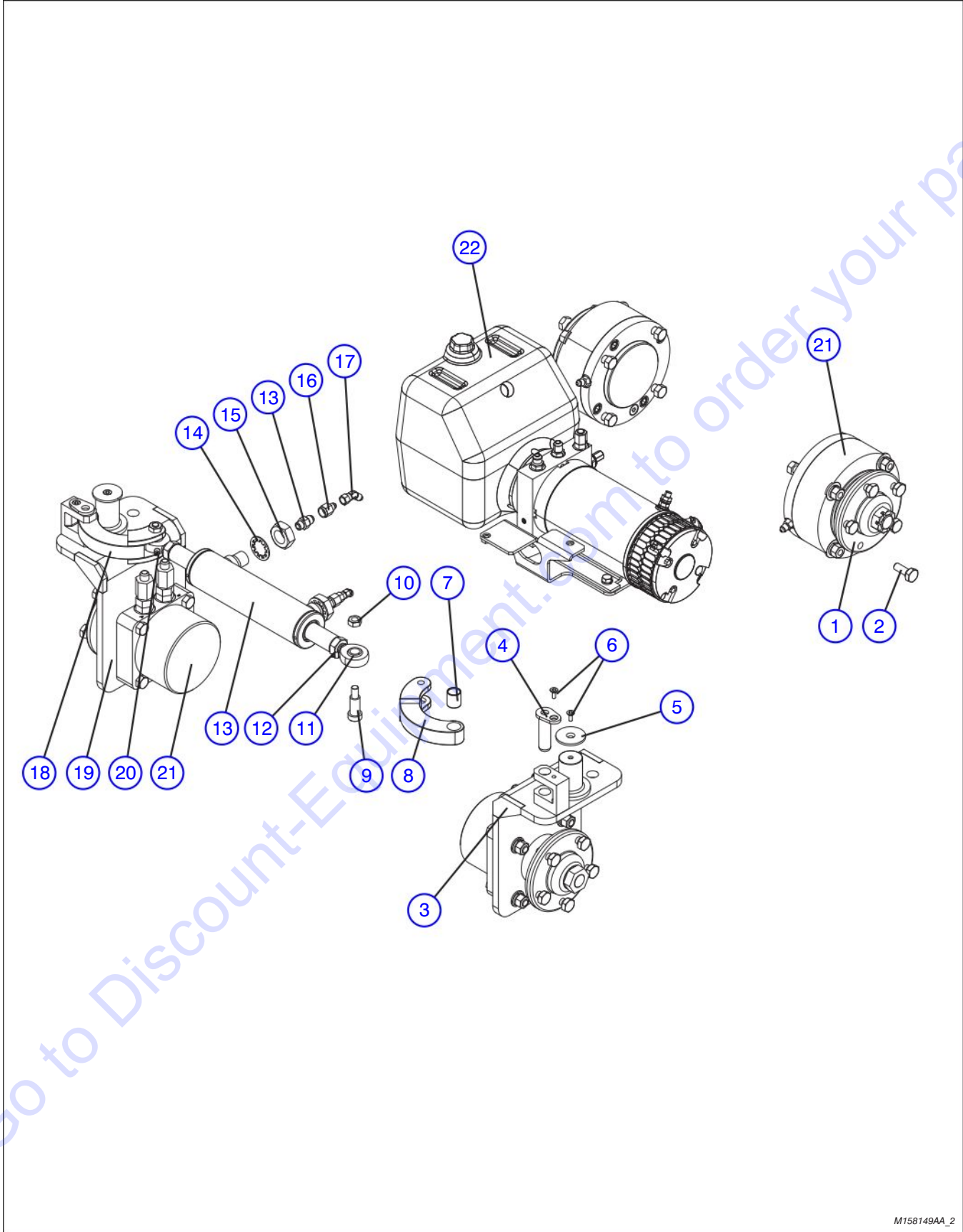
M158099AC



#### 4.7 Main Manifold Assembly

Index No.	Skyjack Part No.	Qty.	Description
-	158099	-	MAIN MANIFOLD ASSEMBLY
1	158198	1	• MANIFOLD ASSEMBLY
2	709963	1	• PLUG, Hollow (Hex 4 SAE ORB)
3	141518	1	• PLUG, Pressure (1/16 NPT X 0.031" ID)
4	126128	2	• FITTING, Straight (04 JICM - 04 ORBM)
5	103069	6	• FITTING, Straight (06 JICM - 06 ORBM)
6	103655	1	• VALVE, Poppet Solenoid Cartridge
7	103656	1	• VALVE, Poppet Solenoid Cartridge
8	147889	1	• VALVE, Counterbalance (4000 psi)
9	158185	1	• VALVE, 4 way (2 pos)
10	105610	3	• COIL, 24V (2 prong, #10)
11	156850	1	• VALVE, Drive (3/4 way Mtr Spool)
12	103605	4	• COIL, 24V (2 prong)
13	158186	1	• VALVE, 4 way spool (3 pos tandem C)
14	151684	1	• VALVE, Relief
15	158852	1	• VALVE, Priority flow control
16	158853	1	• VALVE, Relief (1500 psi)
17	125883	1	• FITTING, 90-degree (04JICM-04ORBM)
18	131716	1	• FITTING, 45-degree (04JICM-04ORBM)
19	103069	1	FITTING, Straight (06 JICM - 06 ORBM)
20	138762	2	BOLT, Hex head (5/16"-18 x 5", Grade 5)
21	103996	2	WASHER, Flat (5/16")
22	103404	2	WASHER, Lock (5/16")

4.8 Drive and Steer Assembly

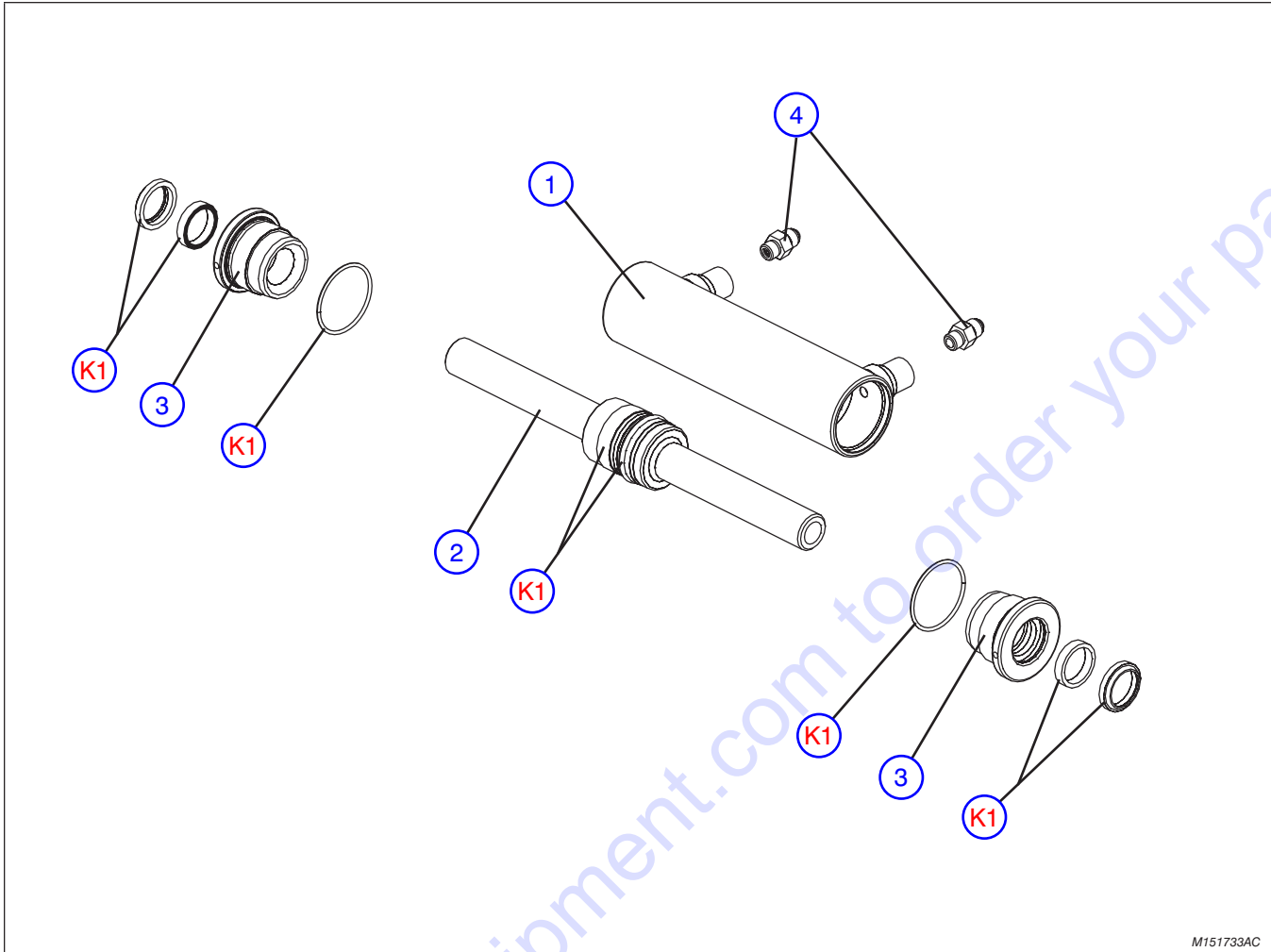


M158149AA\_2

#### 4.8 Drive and Steer Assembly

Index No.	Skyjack Part No.	Qty.	Description
<b>A</b>	158149	-	DRIVE/STEER ASSEMBLY <b>(ANSI/CSA)</b>
<b>B</b>	158316	-	DRIVE/STEER ASSEMBLY <b>(CE/AS/KC)</b>
1	107912	4	• HUB, Wheel
2	103199	20	• BOLT, Wheel (1/2"-20 x 1.5625")
3	151246	1	• WELDMENT, Motor (Right-hand - Control box side)
4	151326	2	• PIN, Steer
5	151650	2	• RETAINER, Washer
6	110853	4	• SCREW, Flat head cap (1/4"-20 x 5/8", Grade 5)
7	100050	2	• BUSHING, Fibreglide
8	151260	1	• WELDMENT, Steer arm (Left-hand)
9	107951	2	• SCREW, Hex socket shoulder (5/8" x 1.25")
10	107949	2	• NUT, Hex head jam (1/2"-13, Grade 5)
11	107143	2	• END, Rod
12	106450	2	• NUT, Hex head jam (3/4"-16, Grade 5)
13	(Ref.)	1	• CYLINDER, Steer (For components, refer to Section 4.9)
14	103789	2	• WASHER, Int tooth lock (1")
15	107947	2	• NUT, Hex head jam (1"-14, Grade 5)
16	707041	2	• FITTING, Straight (06 JIFC - 04 JICM)
17	151688	2	• FITTING, Elbow 45° (04 JICM - 04 JICF)
18	151259	1	• WELDMENT, Steer arm (Right hand - Control box side)
19	151247	1	• WELDMENT, Motor (Left hand)
20	132565	2	• CAP, Grease (GC5)
21	(Ref.)	1	• WHEEL MOTOR AND BRAKE ASSEMBLY (For components, refer to Section 4.10)
22	(Ref.)	1	• POWERPACK ASSEMBLY (For components, refer to Section 4.11)

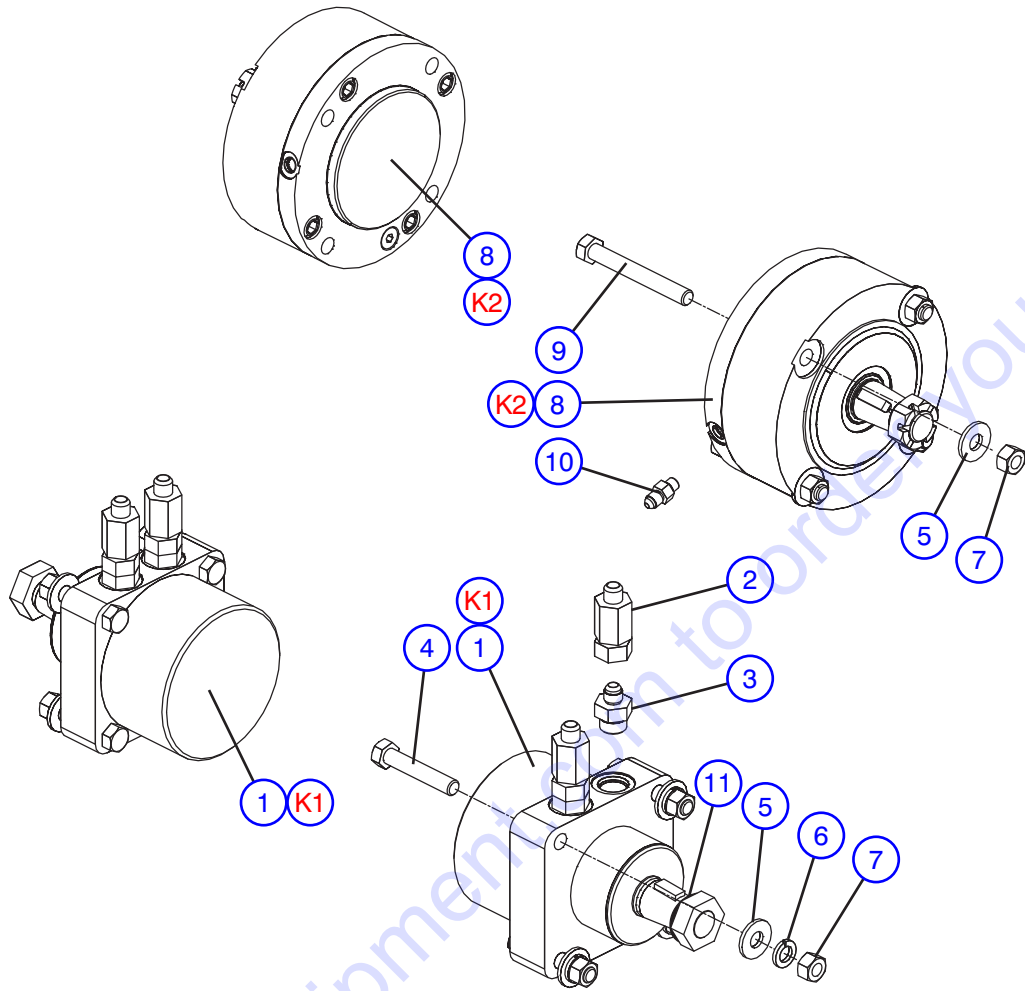
### 4.9 Steer Cylinder Assembly



M151733AC

Index No.	Skyjack Part No.	Qty.	Description
-	151690	-	STEER CYLINDER ASSEMBLY
1	121089	1	• WELDMENT, Tube
2	107939	1	• ROD
3	121088	2	• GLAND
4	103069	2	• FITTING, Straight (06 JICM - 06 ORBM)
K1	121090	1	KIT, Seal

### 4.10 Wheel Motor and Brake Assembly

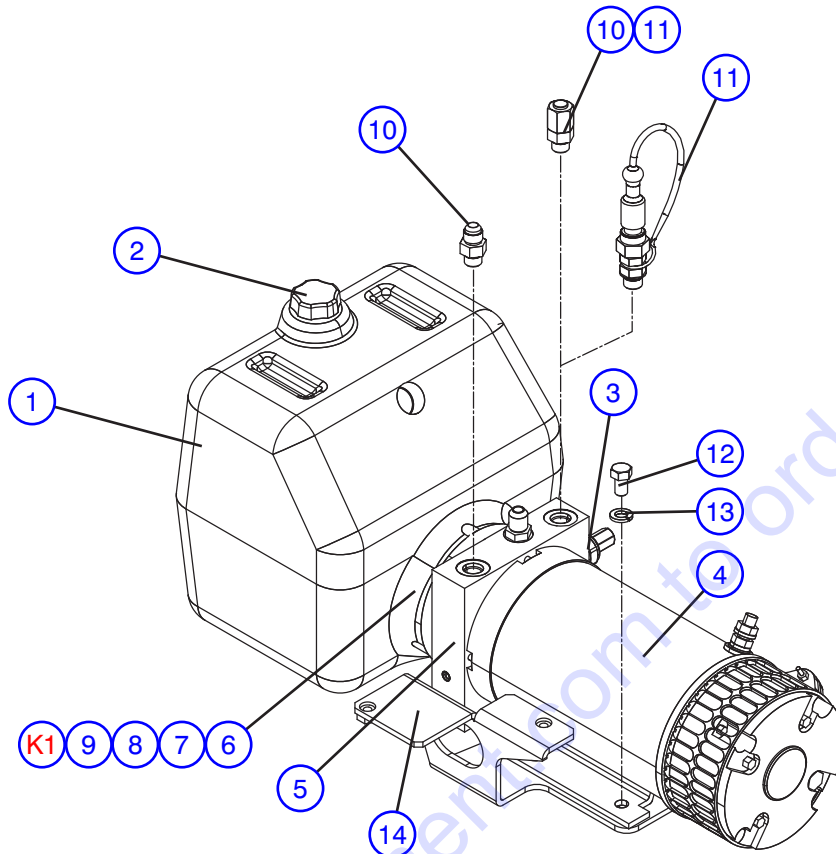


M139412AB

Index No.	Skyjack Part No.	Qty.	Description
1	139412	2	MOTOR, Wheel
2	151465	4	FITTING, Straight swivel (06 JICM - 06 JICF)
3	103307	4	FITTING, Straight (06 JICM - 10 ORBM)
4	108818	8	BOLT, Hex head (1/2"-13 x 2.75", Grade 5)
5	103468	16	WASHER, Flat (1/2" SAE AA)
6	103470	16	WASHER, Lock (1/2", Grade 5)
7	103471	16	NUT, Hex head (1/2"-13, Grade 5)
8	154839	2	BRAKE, Wheel mount
	159422	1	• KEY, Square
	159423	1	• KUT, Slotted hex
	159424	1	• PIN, Cotter
9	127060	8	BOLT, Hex head (1/2"-13 x 4", Grade 5)
10	126128	2	FITTING, Straight (04 JICM - 04 ORBM)
11	103789	2	WASHER, Lock (Int tooth, 1")
K1	151099	2	KIT, Seal
K2	156251	2	KIT, Bearing and seal
	156252	2	KIT, Brake stack
	156253	2	KIT, O-ring

4.11 Powerpack Assembly

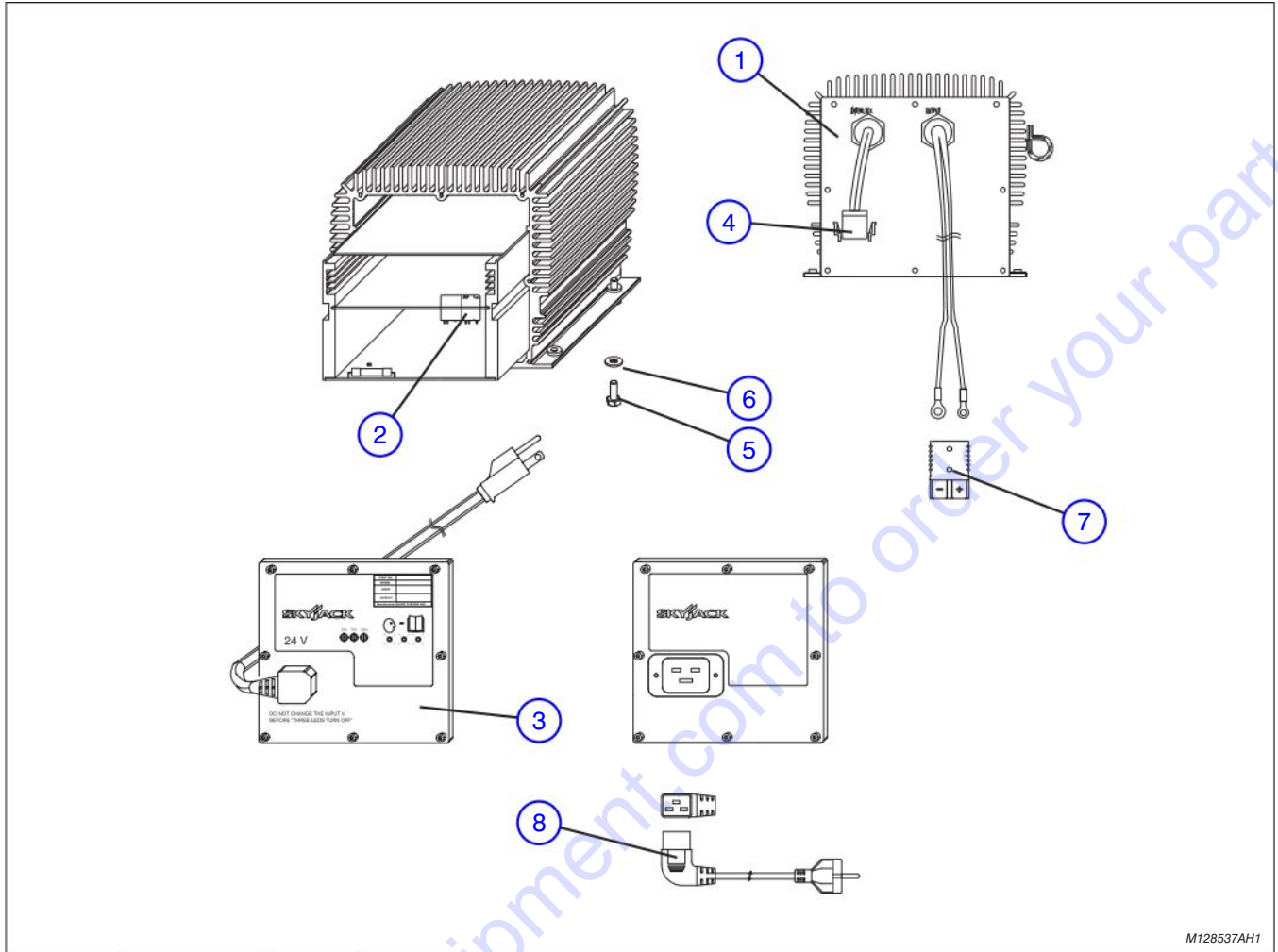
AB



M151270AD\_2

Index No.	Skyjack Part No.	Qty.	Description
-	151270	1	POWERPACK, 24V
1	156874	1	• TANK, Hydraulic
2	156958	1	• CAP, Filler/Breather
3	156956	1	• VALVE, Relief
4	156877	1	• MOTOR, 24VDC
5	156959	1	• MANIFOLD, Powerpack
6	156875	1	• PUMP
7	156876	1	• COUPLER
8	156957	1	• STRAINER
9	156960	1	• CLAMP
10	103069	2	FITTING, Straight (06 JICM - 06 ORBM) <b>(ANSI/CSA)</b>
	103069	1	FITTING, Straight (06 JICM - 06 ORBM) <b>(CE, AS &amp;KC)</b>
11	107666	1	FITTING, Cap (06 JICF) <b>(ANSI/CSA)</b>
	122420	1	QUICK DISCONNECT <b>(CE, AS &amp;KC)</b>
12	103887	4	BOLT, Hex head (5/16"-18 x 3/4", Grade 5)
13	103404	4	WASHER, Lock (5/16")
14	(Ref.)	1	BRACKET, Main valve <b>(For components, refer to Section 4.2)</b>
K1	156961	1	KIT, Seal

## 4.12 Battery Charger Assembly

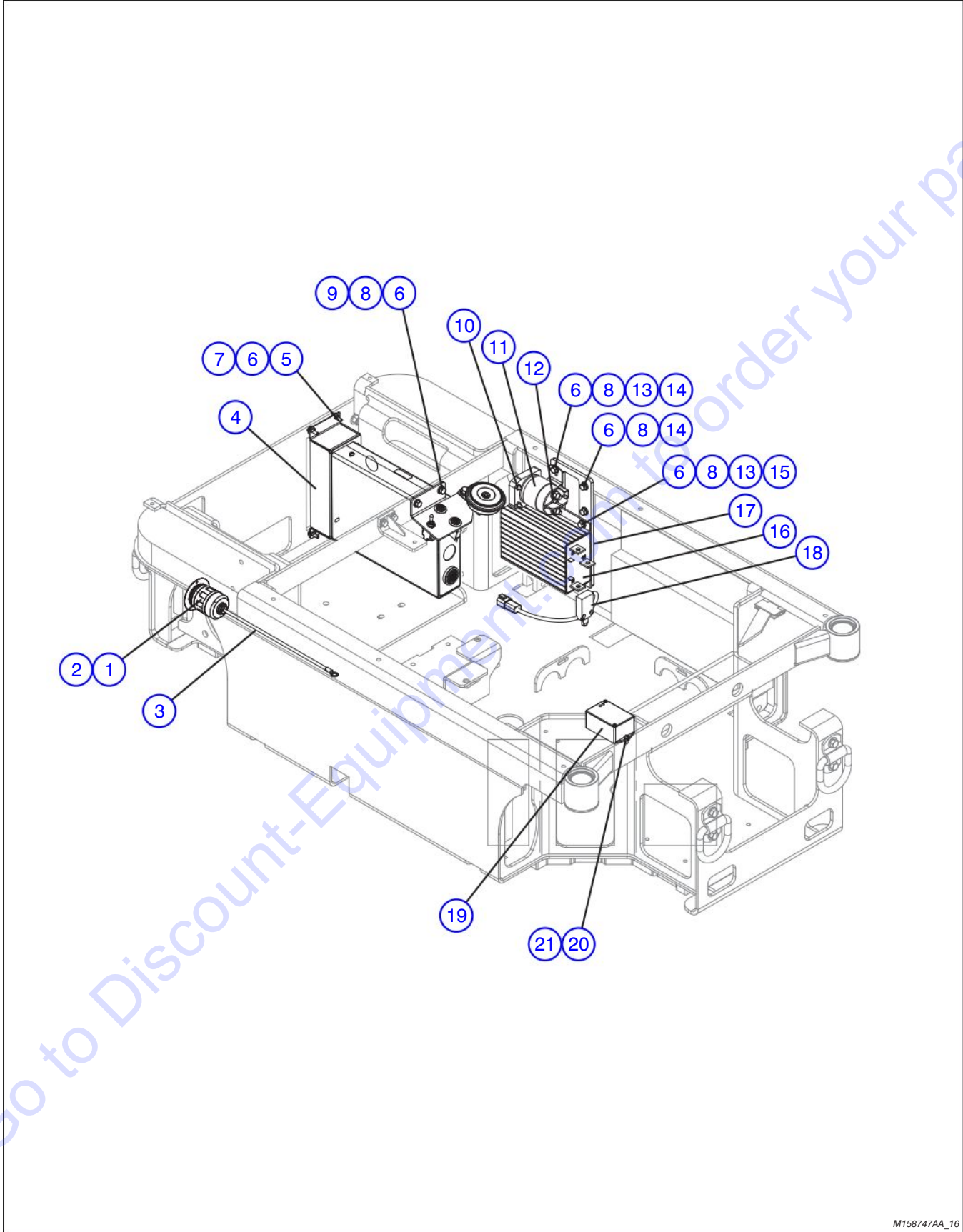


M128537AH1

Index No.	Skyjack Part No.	Qty.	Description
1	128537	1	CHARGER, Battery (24VDC) <b>(ANSI/CSA &amp; AS)</b>
	152070	1	CHARGER, Battery (24VDC) <b>(CE &amp; KC)</b>
2	127154	1	• RELAY, Interlock
3	147674	1	FRONTPLATE ASSEMBLY (with hardwired cord) <b>(ANSI/CSA &amp; AS)</b>
4	115391	1	PLUG, Charger cutout
5	103856	4	BOLT, Hex head (1/4"-20 x 3/4", Grade 5)
6	103995	4	WASHER, Flat (1/4")
7	103364	1	CONNECTOR, Battery (50 Amp)
8	120790	1	CORD, 220V Charger (with plug) <b>(CE &amp; KC)</b>



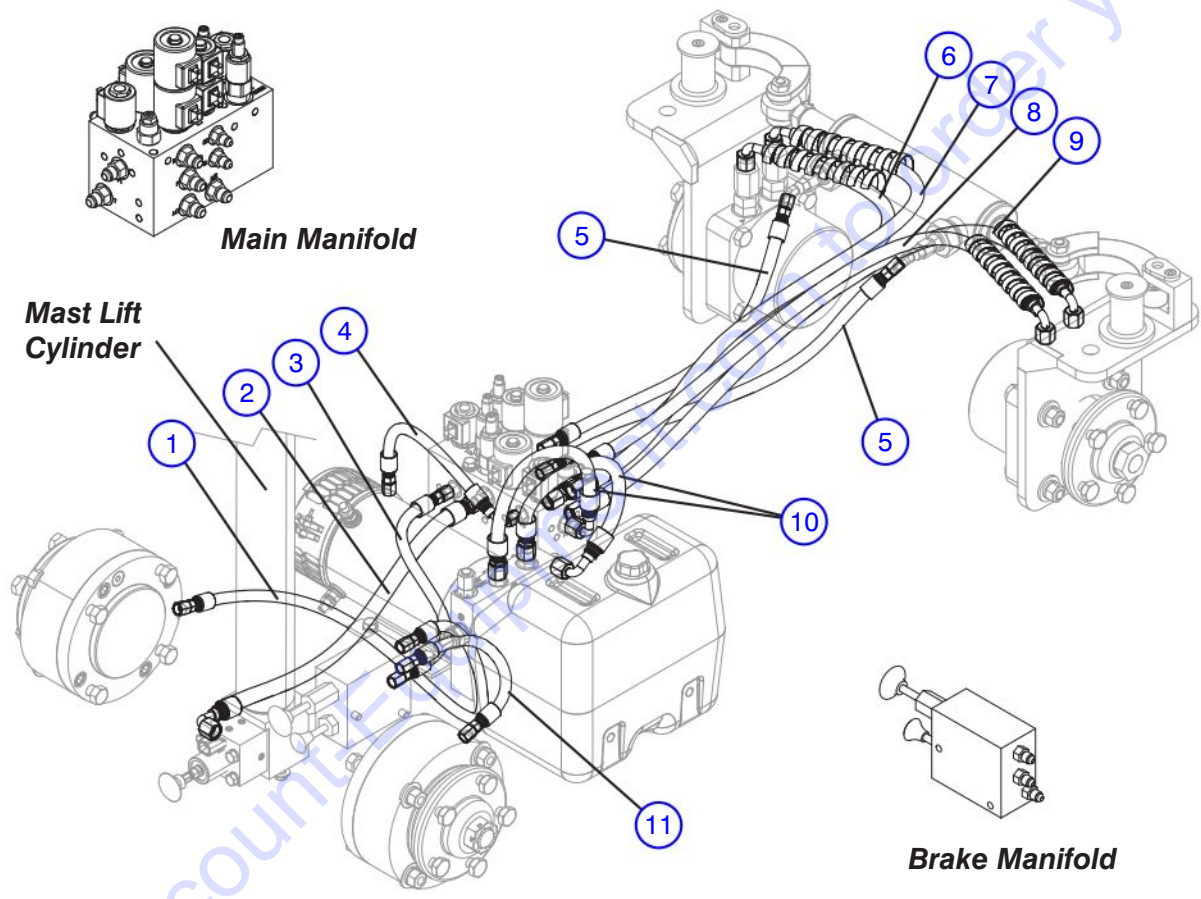
4.13 Base Electrical Components



M15874AA\_16

Index No.	Skyjack Part No.	Qty.	Description
<b>A</b>	158196	-	BASE ELECTRICAL (ANSI/CSA) - SJ12 & SJ16
<b>B</b>	158747	-	BASE ELECTRICAL (CE) - SJ12
<b>C</b>	158748	-	BASE ELECTRICAL (AS) - SJ12
<b>D</b>	158749	-	BASE ELECTRICAL (KC) - SJ12
<b>E</b>	158184	-	BASE ELECTRICAL (KC) - SJ16
<b>F</b>	158195	-	BASE ELECTRICAL (CE) - SJ16
<b>G</b>	158152	-	BASE ELECTRICAL (AS) - SJ16
1	105271	1	CONNECTOR, Inlet (110V), <b>A</b>
2	113227	1	SEAL, Cover, <b>A</b>
3	156845	1	GROUND WIRE ASSEMBLY, <b>A</b>
4	(Ref.)	1	BASE CONTROL CENTRE ASSEMBLY (For components, refer to Section 4.15)
5	(Ref.)	1	CIRCUIT BREAKER AND HORN ASSEMBLY (For components, refer to Section 4.17)
6	103995	20	WASHER, Flat (1/4")
7	103965	4	SCREW, Round head machine (1/4"-20 x 3/4")
8	104000	14	WASHER, Lock (1/4")
9	103892	4	BOLT, Hex head (1/4"-20 x 5/8", Grade 5)
10	104003	2	NUT, Hex head (#10-32)
11	165865	1	CONTACTOR
	164671		• KIT, Diode
12	156844	2	NUT, Hex head (5/16"-24, Grade 5)
13	103980	6	NUT, Hex head (1/4"-20, Grade 8)
14	103856	2	BOLT, Hex head (1/4"-20 x 3/4", Grade 5)
15	103891	4	BOLT, Hex head (1/4"-20 x 7/8", Grade 5)
16	151207	1	CONTROLLER, Pump motor (24VDC - 360 Amp)
17	158113	1	BACKPLATE
18	158318	1	LIMIT SWITCH ASSEMBLY
	119348	1	• SWITCH, Limit (Sealed)
	117578	1	• CONNECTOR, Receptacle (4-pin)
	117580	1	• CONNECTOR, Receptacle (4-pin wedge)
	117590	4	• CONNECTOR, Pin (Contact 16-18)
19	157375	1	SWITCH, Tilt (Combo)
20	104185	2	WASHER, Lock (#10)
21	103962	2	SCREW, Round head machine (#10-32 x 1/2")

4.14 Hydraulic Hose Connections



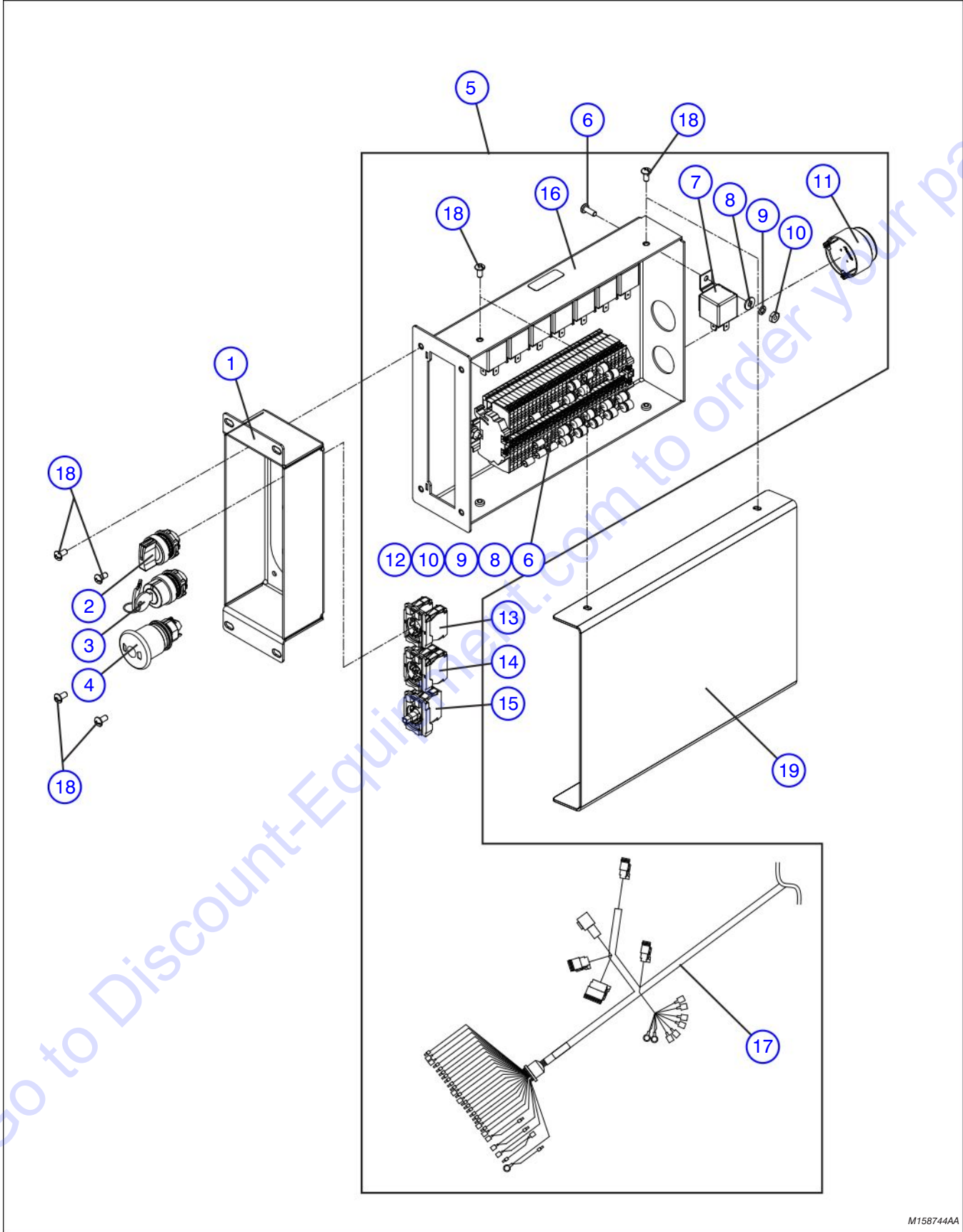
M158153AA

#### 4.14 Hydraulic Hose Connections

Index No.	Hose P/N	From		To	
		Description	Port	Port	Description
1	H 31040028 2	Brake manifold	B1	-	Left brake
2	H 34060019 0	Main manifold	L	-	Emergency lowering valve
3	H 31040022 0	Main manifold	B	B	Brake manifold
4	H 31040022 0	Main manifold	PH	-	Pothole cylinder
5	H 31040022 0	Main manifold	SR	-	Steering cylinder
	H 31040022 0	Main manifold	SL	-	Steering cylinder
6	H 34060036 0	Main manifold	M2	A	Left drive motor
7	H 34060035 0	Main manifold	F	B	Left drive motor
8	H 34060034 0	Main manifold	R	B	Right drive motor - Control box side
9	H 34060037 0	Main manifold	M1	A	Main manifold
10	H 34060014 0	Main manifold	T	T	Powerpack
	H 34060014 0	Main manifold	P	P	Powerpack
11	H 31040011 0	Brake manifold	B2	-	Right brake - Control box side

Index No.	Skyjack Part No.	Qty.	Description
12	131285	2	GUARD, Spring (5/8" x 10")

4.15 Base Control Centre Assembly

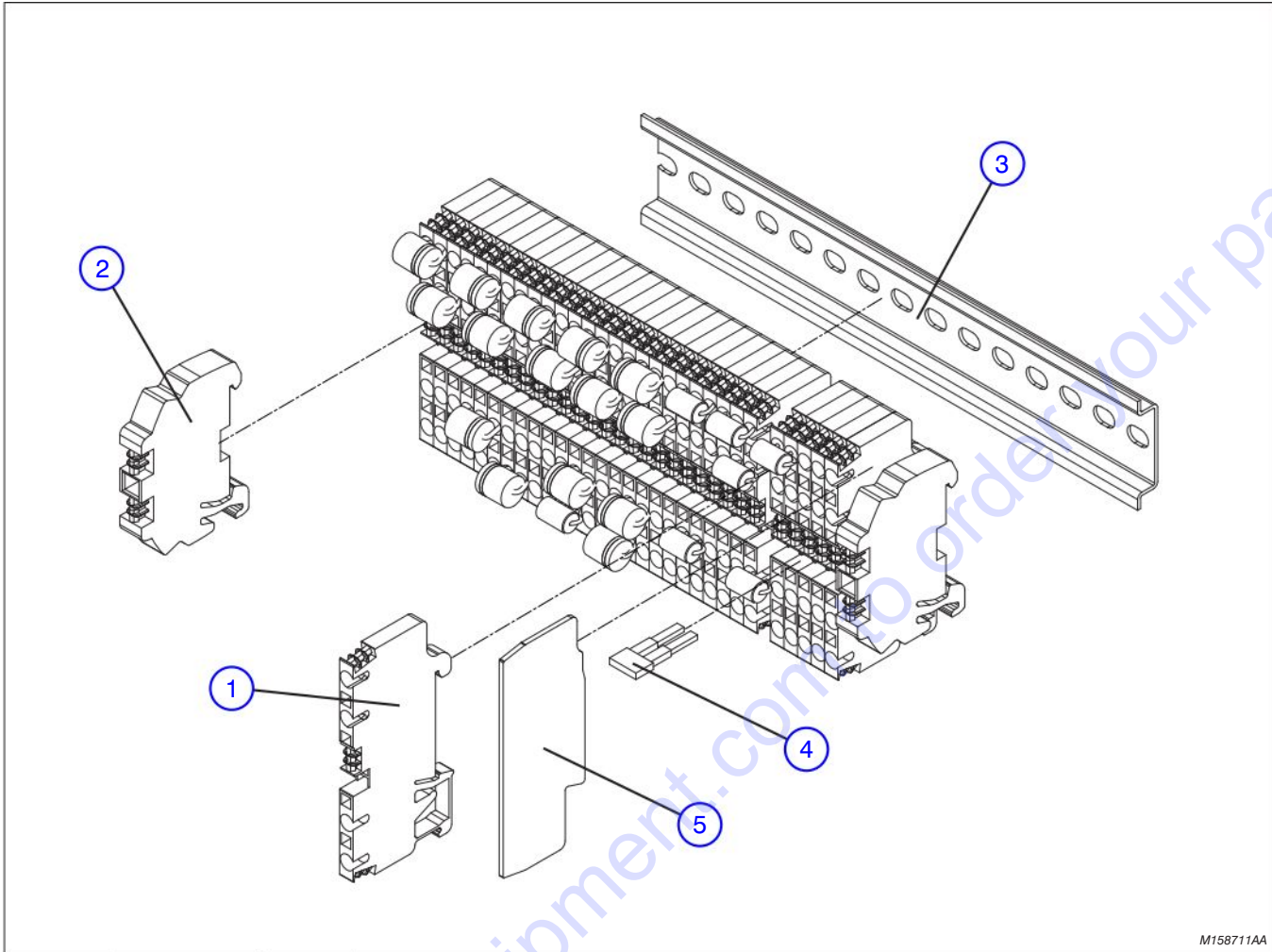


M158744AA

Index No.	Skyjack Part No.	Qty.	Description
<b>A</b>	158744	-	BASE CONTROL CENTRE ASSEMBLY ( <b>ANSI/CSA, KC</b> )
<b>B</b>	158746	-	BASE CONTROL CENTRE ASSEMBLY ( <b>CE</b> )
<b>C</b>	158739	-	BASE CONTROL CENTRE ASSEMBLY ( <b>AS</b> )
<b>1</b>	158418	1	• LOWER CONTROLS, <b>A, C</b>
	158419	1	• LOWER CONTROLS, <b>B</b>
	158420	1	• • WELDMENT, Controls face
<b>2</b>	147069	1	• • HEAD, Selector switch (Lower/Raise)
<b>3</b>	149536	1	• • HEAD, Selector key switch (Off/Platform/Base), <b>A, C</b>
	147057	1	• • HEAD, Selector key switch (Off/Platform/Base), <b>B</b>
<b>4</b>	147051	1	• • HEAD, Emergency stop
<b>5</b>	158728	1	• LOWER CONTROL BOX ASSEMBLY
	151551	1	• • WELDMENT, Controls deck
<b>6</b>	103962	10	• • SCREW, Round head machine (#10-32 x 1/2")
<b>7</b>	108589	8	• • RELAY, Sealed (24V)
<b>8</b>	104694	10	• • WASHER, Flat (#10)
<b>9</b>	104185	10	• • WASHER, Lock (#10)
<b>10</b>	104003	10	• • NUT, Hex head (#10-32)
<b>11</b>	103057	1	• • BEEPER, Slow pulsing (24VDC)
<b>12</b>	(Ref.)	-	• • TERMINAL STRIP ASSEMBLY (For components, refer to Section 4.16)
<b>13</b>	-	-	• • SWITCH, Selector (Lower/Raise)
	147056	1	• • • LATCH
	147054	2	• • • BLOCK, Contact (N.O.)
<b>14</b>	-	-	• • SWITCH, Selector key (Off/Platform/Base)
	147056	1	• • • LATCH
	147054	1	• • • BLOCK, Contact (N.O.)
	147053	2	• • • BLOCK, Contact (N.C.)
<b>15</b>	-	-	• • SWITCH, Emergency stop
	147056	1	• • • LATCH
	147053	1	• • • BLOCK, Contact (N.C.)
	147061	1	• • • LED BLOCK, 24V (Red)
<b>16</b>	151551	1	• • WELDMENT, Controls deck
<b>17</b>	(Ref.)	1	• • HARNESS, Main (For components, refer to Section 4.18)
<b>18</b>	103964	8	• SCREW, Round head machine (#10-32 x 1/4")
<b>19</b>	151558	1	• COVER, Lower controls



### 4.16 Terminal Strip Assembly

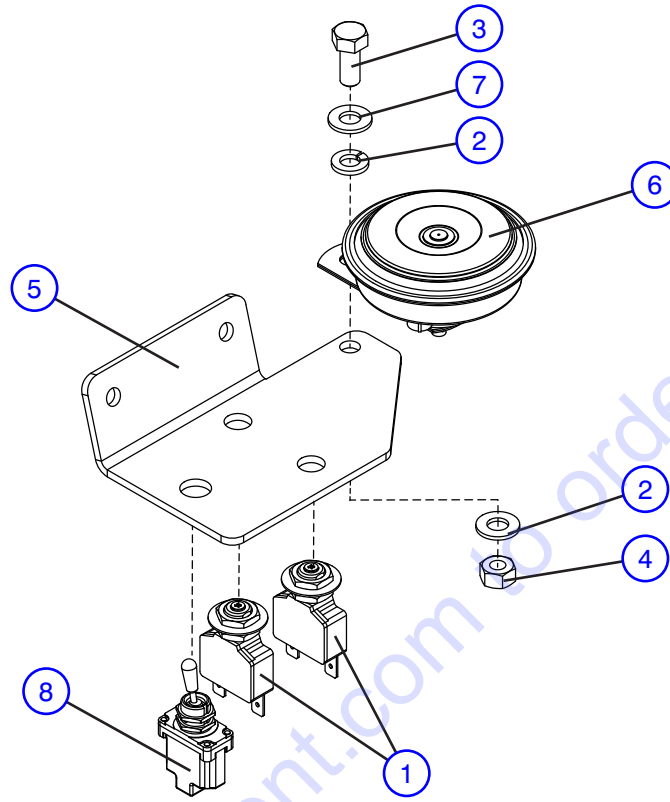


M158711AA

Index No.	Skyjack Part No.	Qty.	Description
-	158711	-	TERMINAL STRIP ASSEMBLY
	158708	1	• SUB-ASSEMBLY, Terminal Strip
1	157589	31	• • TERMINAL BLOCK, Through
2	157590	2	• • END STOP
3	102874	1	• • DINRAIL
4	158712	1	• • JUMPER, 2-pos
5	157591	1	• • END PLATE
6	102921	15	• DIODE (6A)
	156564	1	• RESISTOR (1.5 ohm, 1 watt)
	151643	1	• RESISTOR (250 ohm, 1 watt)
	156515	1	• RESISTOR (220 ohm, 3/4 watt)
	158707	1	• RESISTOR (845 ohm, 1 watt)
	151647	1	• RESISTOR (68 ohm, 1 watt)
	156527	1	• RESISTOR (2k ohm, 2 watt)
	151645	1	• RESISTOR (4.7k ohm, 1 watt)



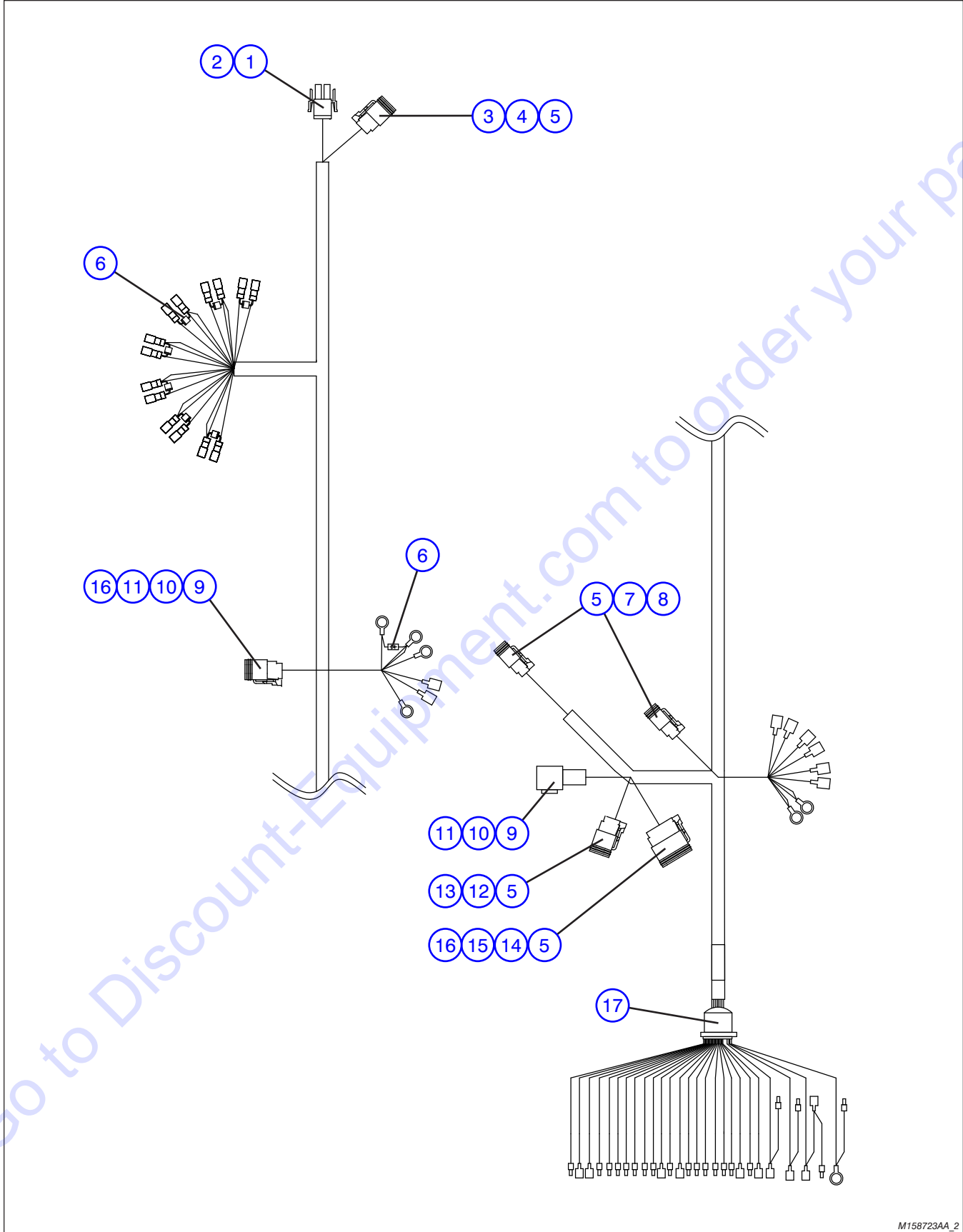
#### 4.17 Circuit Breaker and Horn Assembly



M158740AA

Index No.	Skyjack Part No.	Qty.	Description
-	158740	-	CIRCUIT BREAKER AND HORN ASSEMBLY (SJ12/16)
1	117325	2	• BREAKER, Circuit (15 Amp)
2	103996	2	• WASHER, Flat (5/16")
3	103887	1	• BOLT, Hex head (5/16"-18 x 3/4", Grade 5)
4	100397	1	• NUT, Hex head (5/16"-18, Grade 5)
5	158741	1	• BRACKET
6	146649	1	• HORN, 24V (Low tone)
7	103404	1	• WASHER, Lock (5/16")
8	115573	1	• SWITCH, Toggle

4.18 Main Harness Assembly

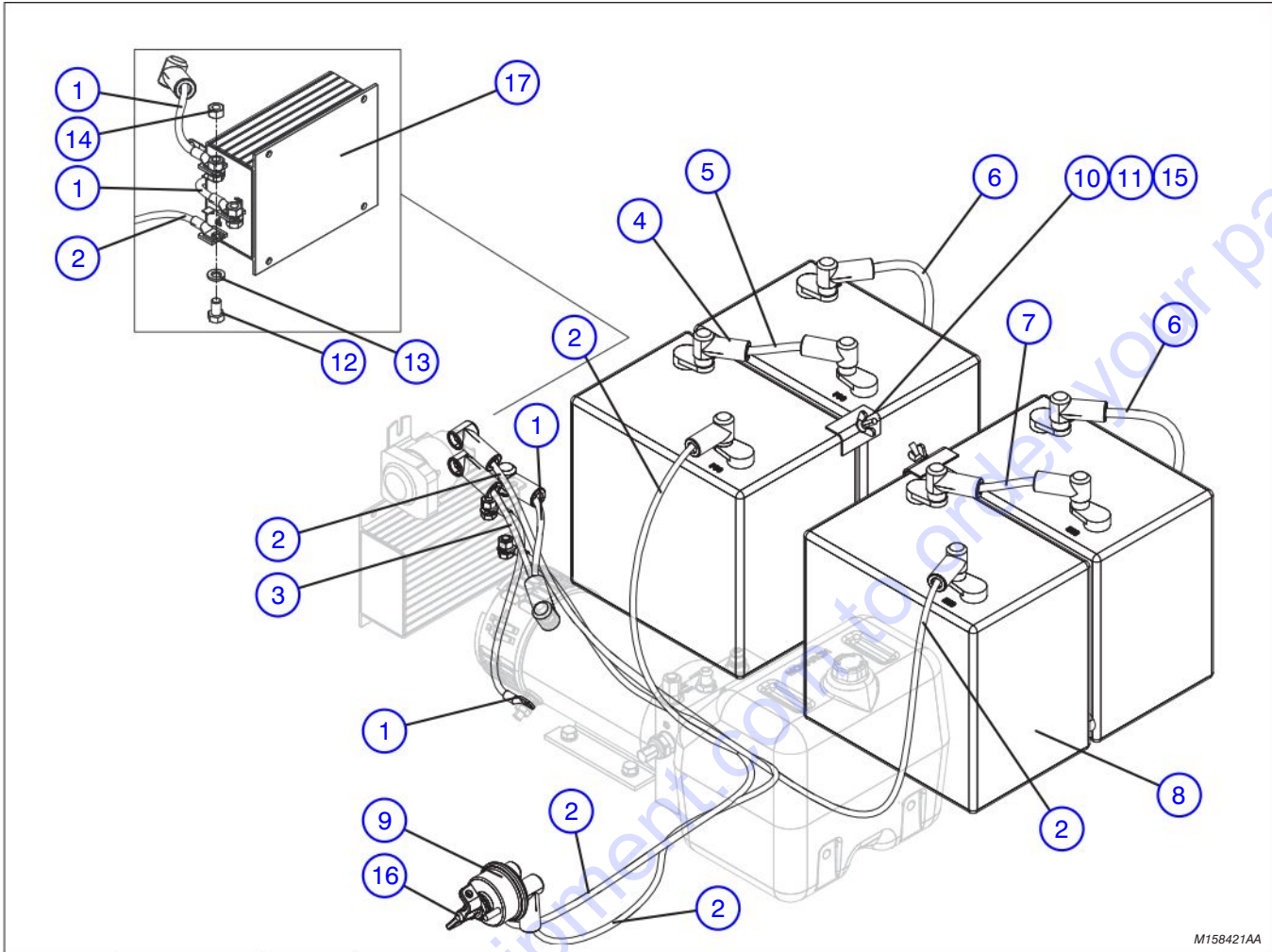


M158723AA\_2

4.18 Main Harness Assembly

Index No.	Skyjack Part No.	Qty.	Description
-	158723	1	MAIN HARNESS
1	116992	1	• HOUSING, Plug (2 pole)
2	116990	2	• PIN, Wire (Female)
3	158476	1	• CONNECTOR, Plug (6 pin)
4	158477	1	• CONNECTOR, Plug wedge (6 pin)
5	117593	29	• CONNECTOR, Contact socket (14-16)
6	129258	8	• DIODE
7	117597	2	• CONNECTOR, Plug (2 pin)
8	117599	2	• CONNECTOR, Plug wedge (2 pin)
9	117578	1	• CONNECTOR, Receptacle (4 pin)
10	117580	1	• CONNECTOR, Receptacle wedge (4 pin)
11	117592	4	• CONNECTOR, Contact pin (14-16)
12	117579	2	• CONNECTOR, Plug (4 pin)
13	117581	2	• CONNECTOR, Plug wedge (4 pin)
14	117587	1	• CONNECTOR, Plug (12 pin)
15	117589	1	• CONNECTOR, Plug wedge (12 pin)
16	117594	2	• SEALING, Connector
17	138754	1	• STRAIN RELIEF

## 4.19 Battery Assembly

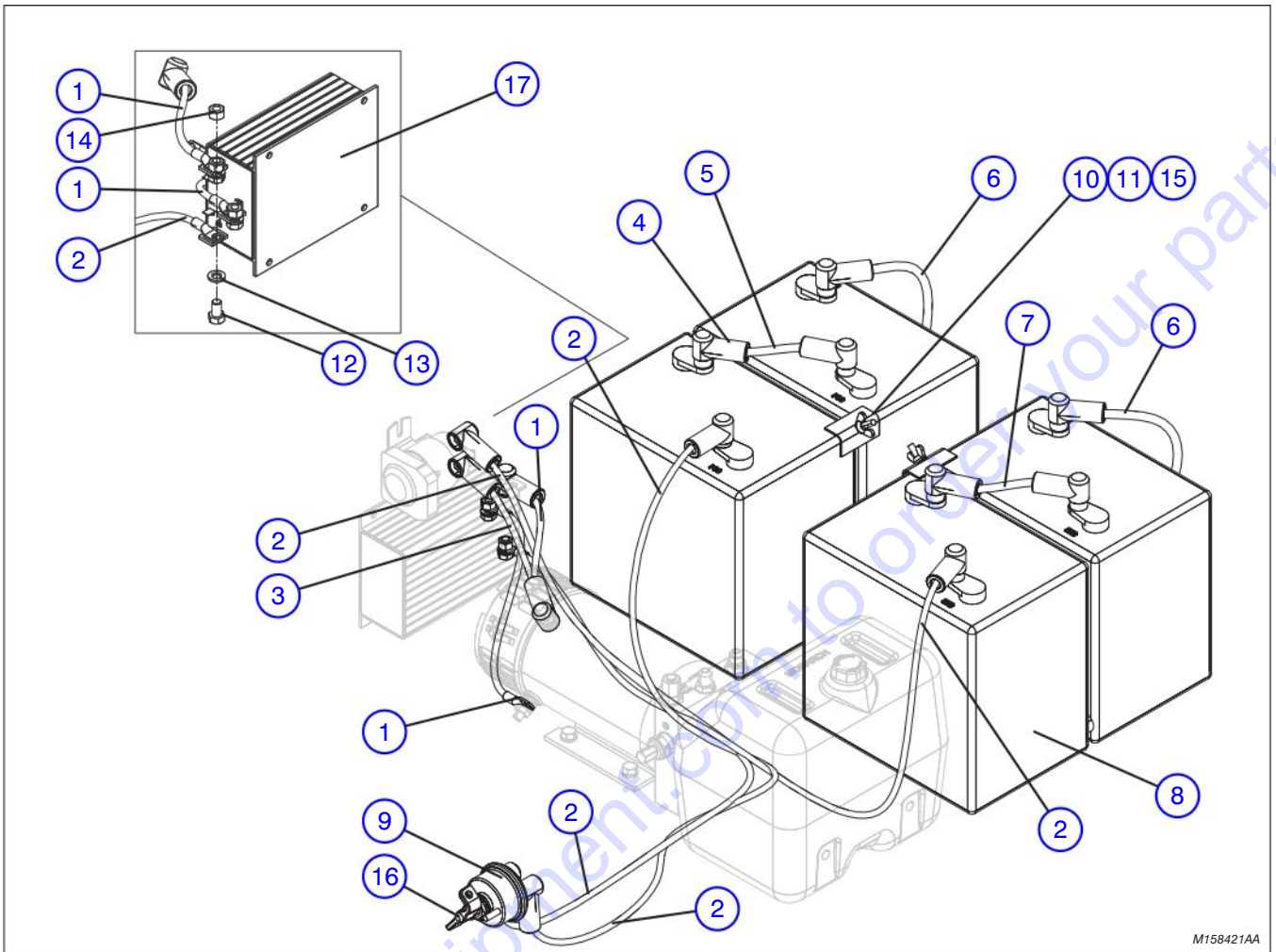


M158421AA

Index No.	Skyjack Part No.	Qty.	Description
-	158421	-	BATTERY ASSEMBLY
1	151594	2	• CABLE, Battery
2	151591	3	• CABLE, Battery
3	151593	1	• CABLE, Battery
4	117408	13	• BOOT, Battery (Red)
5	137243	1	• CABLE, Battery (with inline fuse)
	310517	1	• • FUSE (300 Amp)
6	151592	1	• CABLE, Battery
7	120425	1	• CABLE, Battery
8	103480	4	• BATTERY (6V)
9	119725	1	• SWITCH, Main disconnect
10	157364	2	• BRACKET, Battery tie down
11	157363	2	• HOLD DOWN, Battery
12	138464	3	• BOLT, Hex head (3/8"-16 x 5/8", Grade 5)
13	103999	3	• WASHER, Lock (3/8")

**Parts list continued on the following page.**

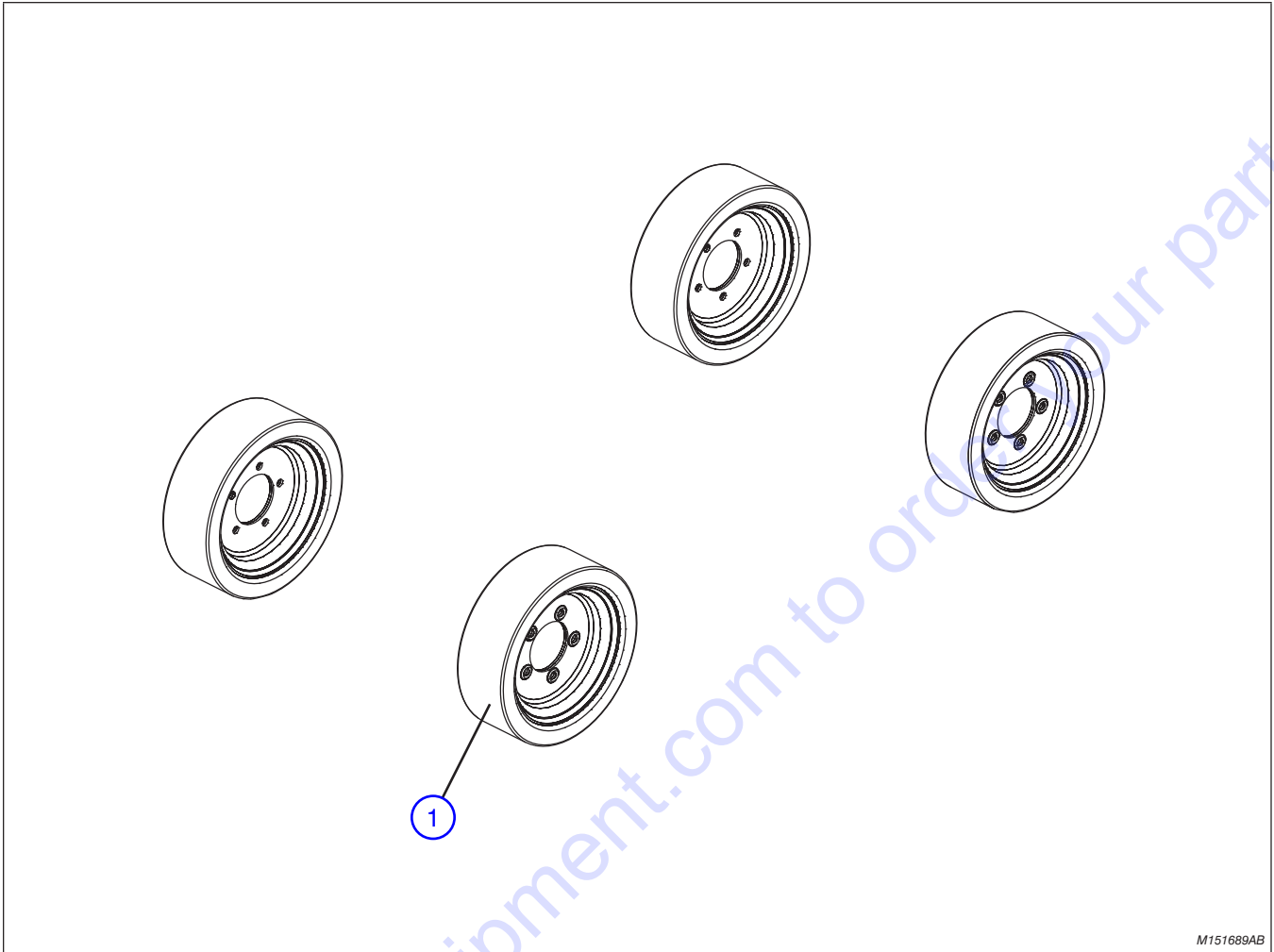
## 4.19 Battery Assembly



M158421AA

Index No.	Skyjack Part No.	Qty.	Description
<b>Parts list continued from the previous page.</b>			
14	103978	3	• NUT, Hex head (3/8"-16, Grade 5)
15	120175	2	• WING NUT, Hex head (0.375 -16 Grade 5)
16	108714	1	LEVER, Locking
17	(Ref.)	1	CONTROLLER, Pump motor (24VDC - 360 Amp) (For components, refer to Section 4.13)

4.20 Wheel Assembly



M151689AB

Index No.	Skyjack Part No.	Qty.	Description
1	152039 154835	4 4	TIRE (Grey) TIRE (White)

5.1 *Pipe Rack Attachment*

5.2 *Tool Tray Attachment*

5.3 *Tube Caddy Attachment*

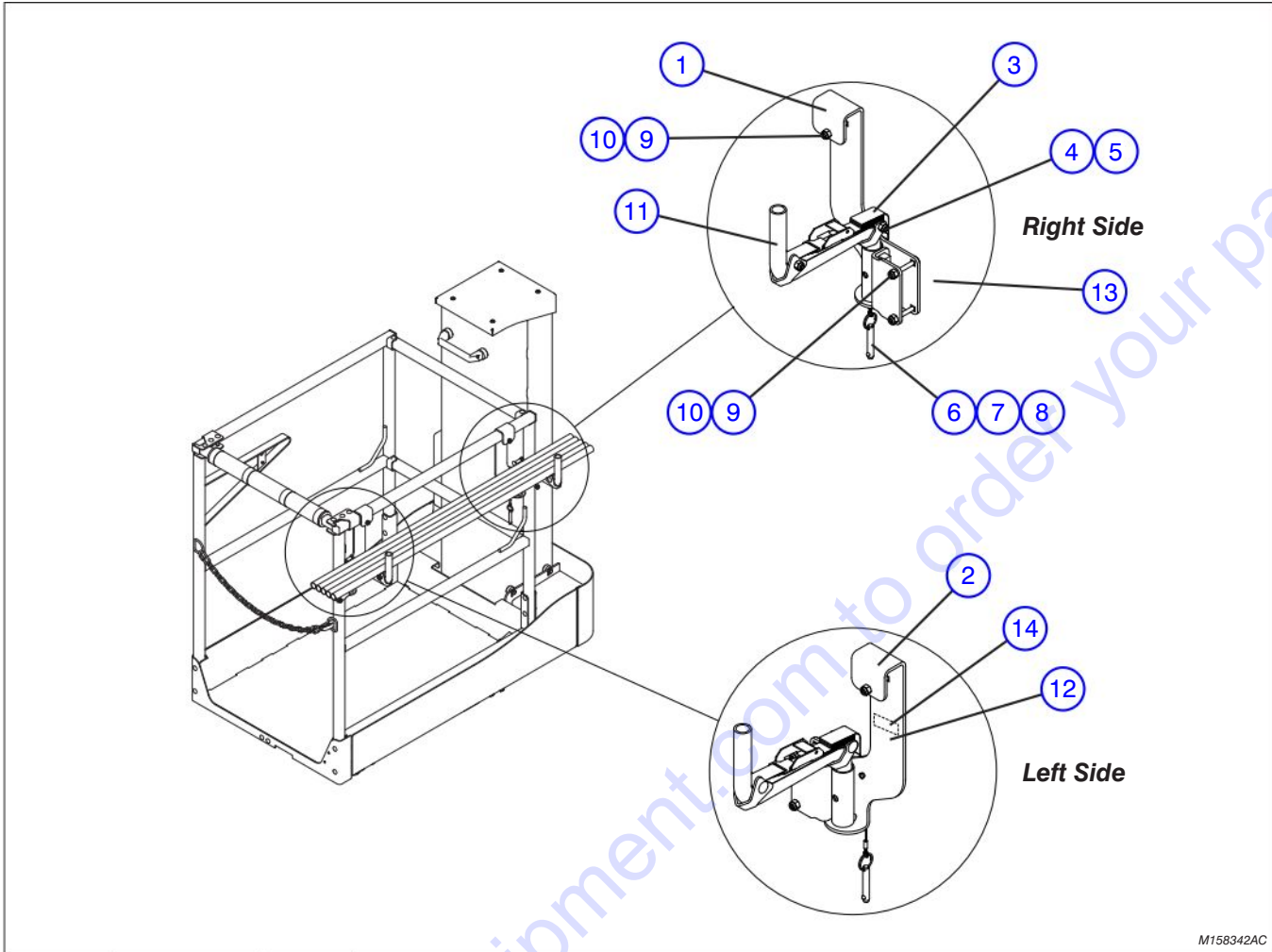
5.4 *Flashing Light Option*

5.5 *Biodegradeable Hydraulic Oil Option*

5.6 *Charger/Inverter Option*

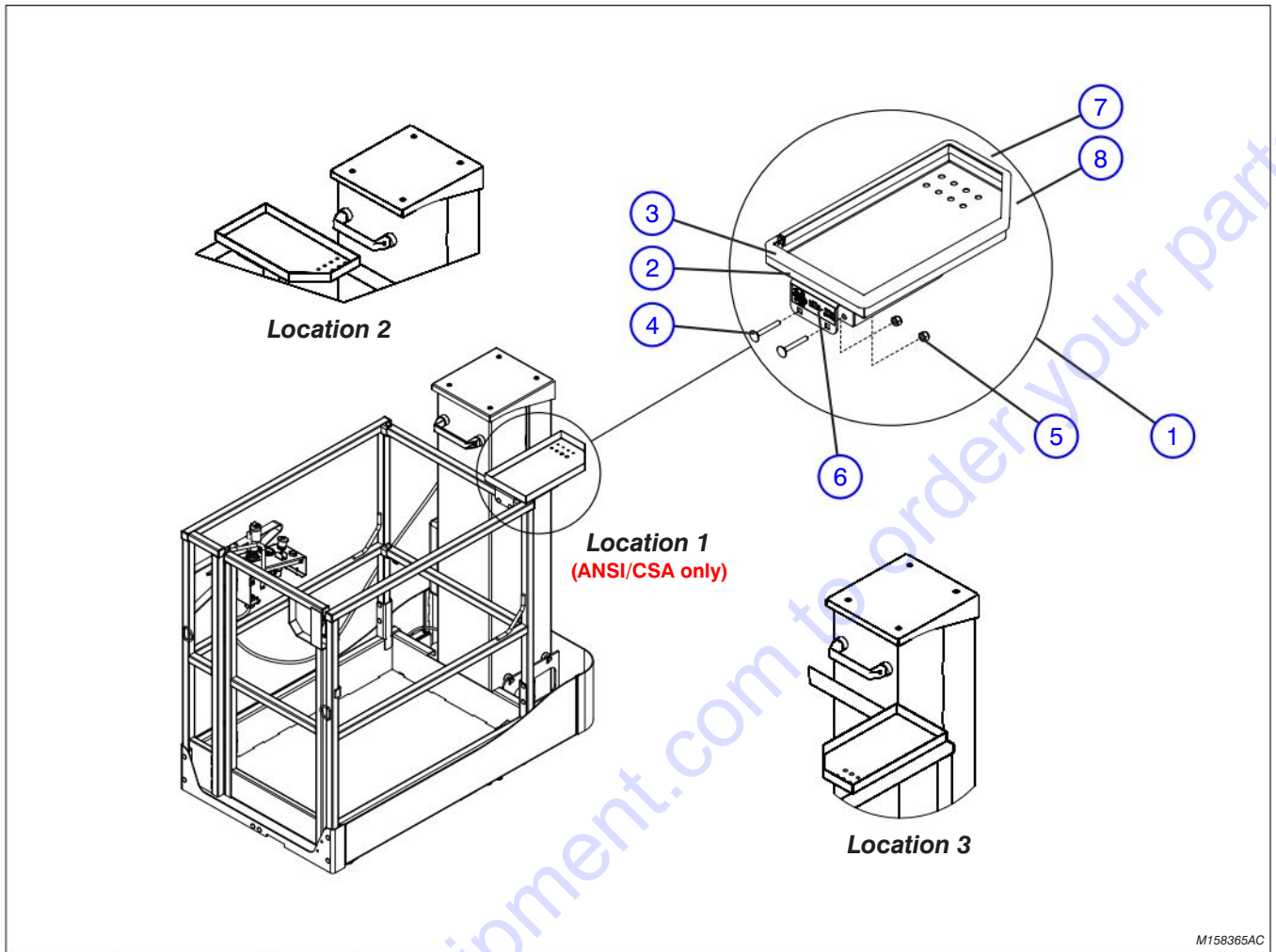


## 5.1 Pipe Rack Attachment



M158342AC

Index No.	Skyjack Part No.	Qty.	Description
<b>A</b>	158342	-	PIPE RACK KIT <b>(ANSI/CSA)</b>
<b>B</b>	158804	-	PIPE RACK KIT <b>(CE/AS/KC)</b>
-	157408	1	• ASSEMBLY, Pipe rack (Right side - Control box side)
-	158343	1	• ASSEMBLY, Pipe rack (Left side)
1	157404	1	• • WELDMENT, Pipe rack (Right side - Control box side)
2	158344	1	• • WELDMENT, Pipe rack (Left side)
3	158357	1	• • STRAP, Nylon tie down flat hook
4	158381	2	• • SPACER, Stand off (5/16" ID x 1" LG)
5	158380	2	• • BOLT, Carriage (5/16" - 18 x 1.75" grd5)
6	124548	1	• • LARGE LOOP PIN QUICK RELEASE ASSEMBLY
7	103995	1	• • WASHER, Flat (1/4")
8	157173	1	• • RIVET (1/4"x 0.49")
9	127437	3	• • BOLT, Carriage (5/16"-18 x 2", Grade 5)
10	103984	5	• • NUT, Hex nylon lock (5/16"-18, Grade 5)
11	157405	1	• • WELDMENT, Tube pipe rack
12	158873	2	• LABEL, Retracted position only
13	158874	2	• LABEL, Pipe rack capacity
14	158872	2	• LABEL, Manual force (200N) / No wind (0 m/s), <b>B</b>

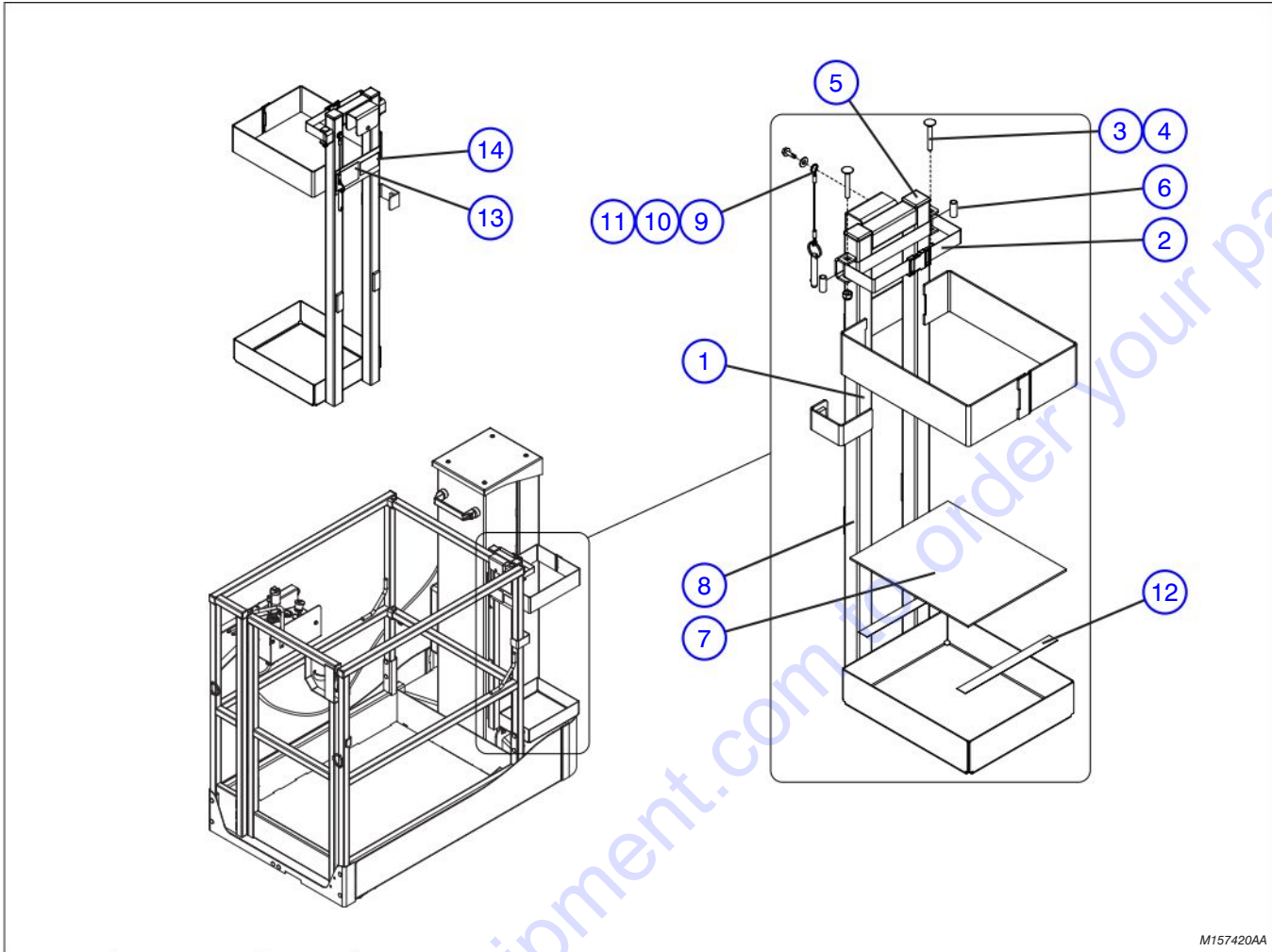


M158365AC

Index No.	Skyjack Part No.	Qty.	Description
<b>A</b>	159385	-	TOOL TRAY INSTALLATION FIELD KIT <b>(ANSI/CSA)</b>
<b>B</b>	159387	-	TOOL TRAY INSTALLATION FIELD KIT <b>(CE, AS &amp; KC)</b>
<b>1</b>	158365	-	• TOOL TRAY KIT, <b>A</b>
	158805	-	• TOOL TRAY KIT, <b>B</b>
<b>2</b>	158371	1	• WELDMENT, Tool tray
<b>3</b>	117398	44	• PROTECTIVE TRIM (3/16-1/4)
<b>4</b>	127437	2	• BOLT, Carriage (5/16"-18 x 2", Grade 5)
<b>5</b>	103984	2	• NUT, Hex nylon lock (5/16"-18, Grade 5)
<b>6</b>	158660	1	• LABEL, Tool tray location & capacity, <b>A</b>
<b>7</b>	159080	1	• LABEL, Tool tray location (1) + capacity
<b>8</b>	159102	1	• LABEL, Tool tray location (2) + capacity
<b>9</b>	159282	1	• FIELD INSTRUCTION, Tool tray installation

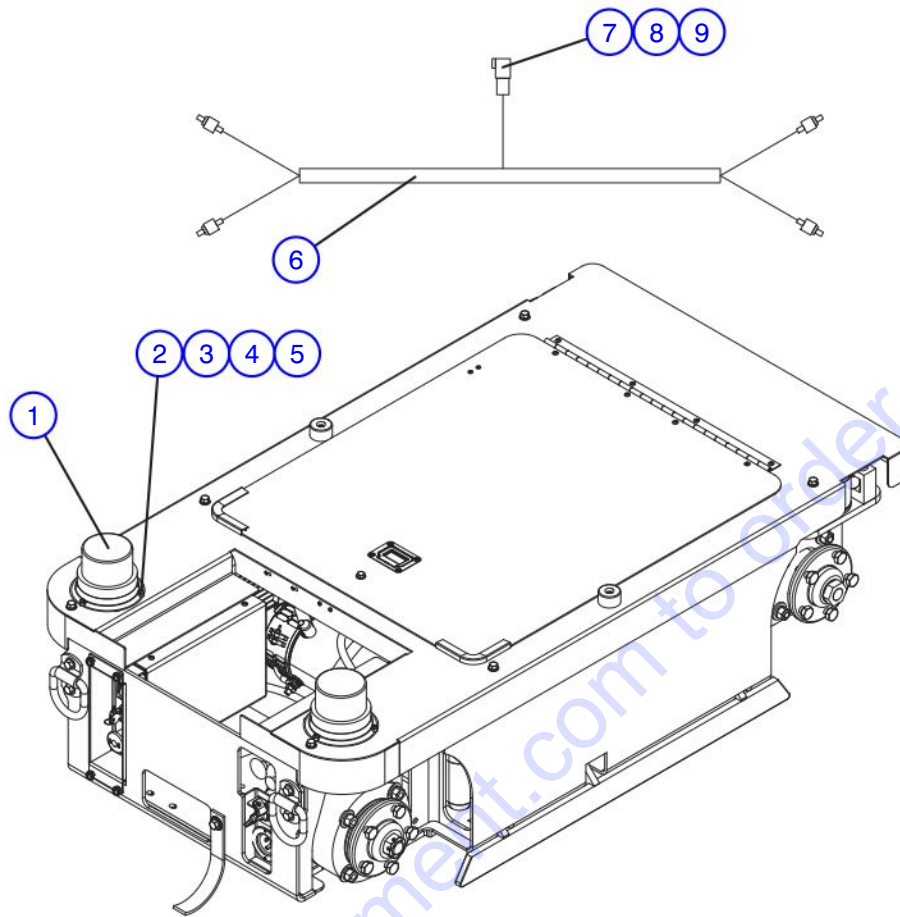
### 5.3 Tube Caddy Attachment

AB



M157420AA

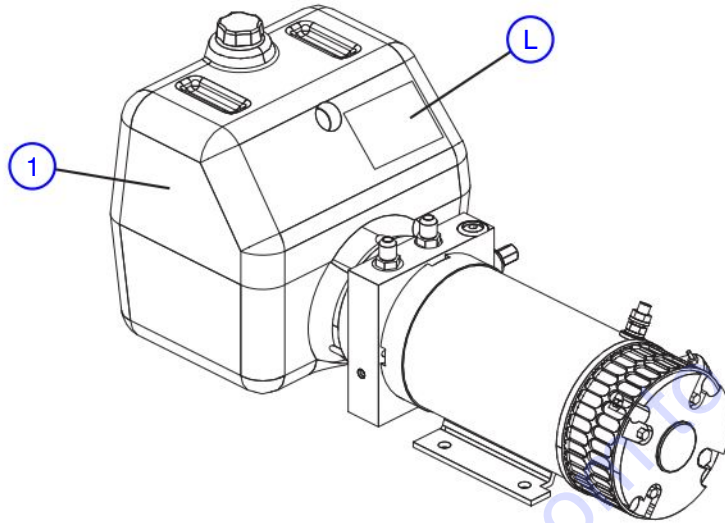
Index No.	Skyjack Part No.	Qty.	Description
-	159389	-	TUBE CADDY INSTALLATION FIELD KIT <b>(ANSI/CSA)</b>
-	157420	-	• TUBE CADDY KIT
	158363	1	• • ASSEMBLY, Tube Caddy
1	158372	1	• • • WELDMENT, Tube Caddy
2	158358	1	• • • STRAP, Nylon with buckle
3	127437	4	• • • BOLT, Carriage (0.313 -18 x 2 Grade 5)
4	103984	4	• • • NUT, Hex nylon lock (0.313 -18 Grade 5)
5	100702	2	• • • CAP, Plate end
6	158381	2	• • • SPACER, Stand off (5/16 ID x 1" LG)
7	158334	1	• • • SHEET, Rubber (0.125" x 8.5" x 9.5")
8	125577	2	• • • BUMPER, Door
9	124548	1	• • • LARGE LOOP PIN QUICK RELEASE ASSEMBLY
10	103995	1	• • • WASHER, Flat (1/4")
11	103632	1	• • • SCREW, Hex head self tapping (1/4"-14 x 3/4")
12	158843	16	• • • TAPE, Adhesive transfer (3/4")
13	158875	1	• • LABEL, Tube caddy capacity
14	158919	1	• • LABEL, Manual force 200N
15	159283	1	• FIELD INSTRUCTION, Tube caddy installation



M151635AB

Index No.	Skyjack Part No.	Qty.	Description
-	159515	-	FLASHING LIGHT INSTALLATION FIELD KIT
-	151635	-	• FLASHING LIGHT KIT
1	157136	2	• • LIGHT, Strobe
	158779	1	• • • LENS, Amber
	158780	1	• • • BULB (Flash Tube)
2	103987	6	• • NUT, Hex head (#10-24)
3	104694	6	• • WASHER, Flat (#10)
4	138834	6	• • SCREW, Round head machine (#10-24 x 3/4")
5	104185	6	• • WASHER, Lock (#10)
6	157135	1	• • HARNESS, Strobe
7	117596	1	• • • CONNECTOR, Receptacle (2 pin)
8	117598	1	• • • CONNECTOR, Receptacle wedge (2 pin)
9	117590	2	• • • CONTACT, Pin (16-18)
10	159284	1	• FIELD INSTRUCTION, Flashing light installation

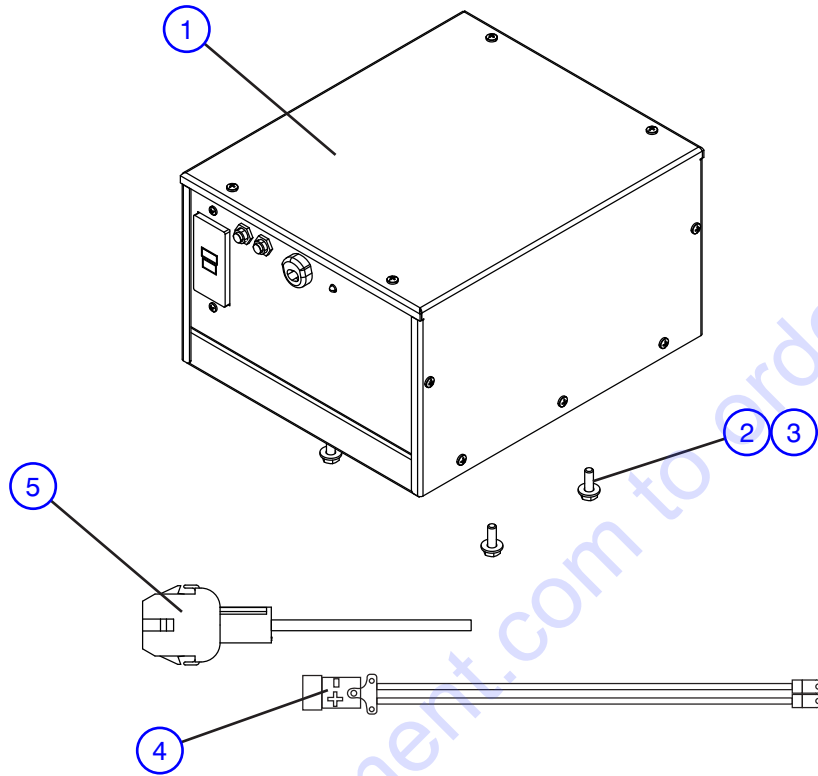
### 5.5 Biodegradable Hydraulic Oil Option



M157132AA

Index No.	Skyjack Part No.	Qty.	Description
-	157142	-	BIODEGRADEABLE HYDRAULIC OIL OPTION
1	157138	8L	<ul style="list-style-type: none"> <li>OIL, Biodegradable hydraulic</li> </ul>
L	157143	1	<ul style="list-style-type: none"> <li>LABEL, Hydraway Bio SE32-68</li> </ul>

## 5.6 Charger/Inverter Option



M151633AA

Index No.	Skyjack Part No.	Qty.	Description
-	151633	-	CHARGER/INVERTER OPTION <b>(ANSI/CSA)</b>
1	157365	1	• CHARGER/INVERTER
2	103995	4	• WASHER, Flat (1/4")
3	103856	4	• BOLT, Hex head (1/4"-20 x 3/4", Grade 5)
4	159125	1	• PLUG ASSEMBLY, Charger/inverter
5	158429	1	• CABLE ASSEMBLY, Charger/inverter

**Notes**

Go to [Discount-Equipment.com](http://Discount-Equipment.com) to order your parts



**Label Kits**

The following label kit is for models SJ12 and SJ16.

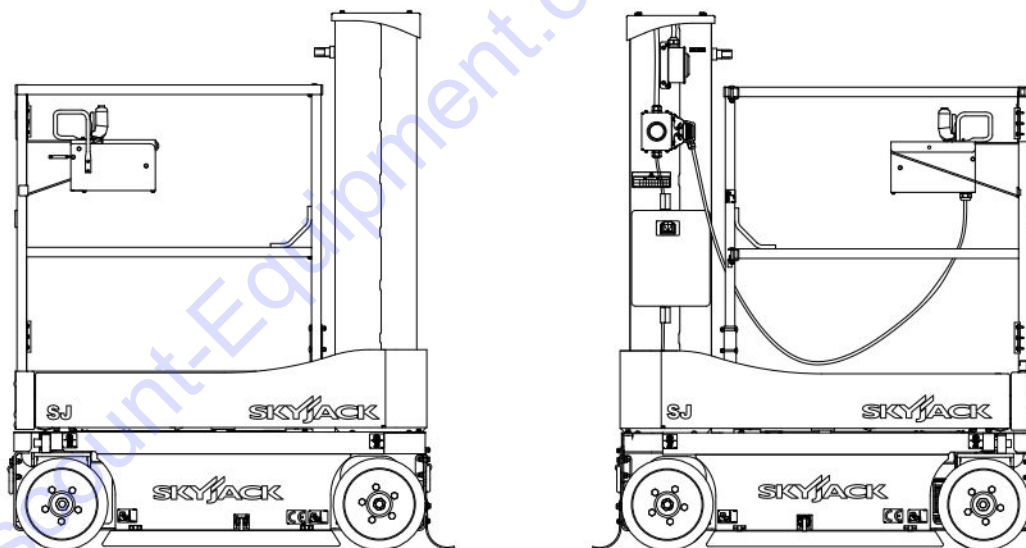
It excludes:

- model designations
- platform capacities
- standards compliance
- serial plates

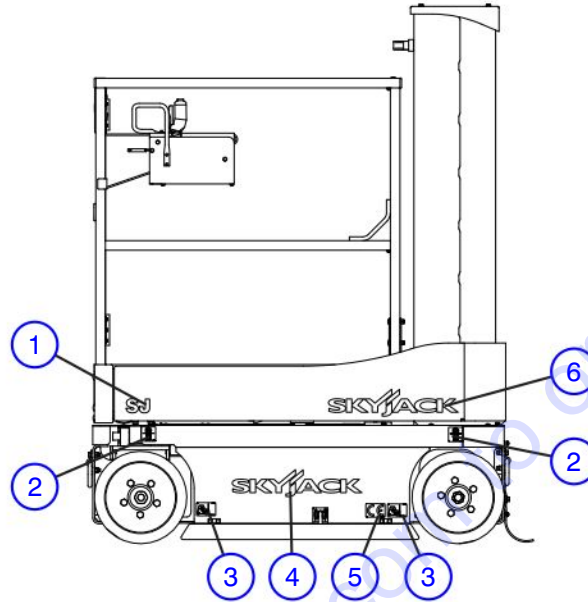
Supply model number, country and language when ordering complete machine labels.

Label Kit		
MODEL	ANSI/CSA	CE
SJ12	Part # 157535	Part # 157536

277AA



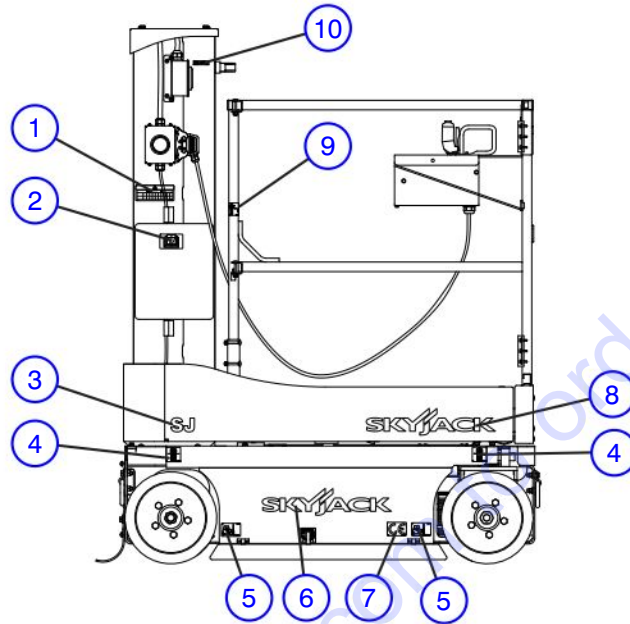
**6.2 Labels - Vertical Mast (Left View)**



156347AD\_SJ12\_LEFT

Index No.	Skyjack Part No.	Qty.	Description
1	156335	1	LABEL, Model number <b>(SJ12)</b> (Not included in kit)
	156416	1	LABEL, Model number <b>(SJ16)</b> (Not included in kit)
2	157014	2	LABEL, Wheel Load (400 kg/880 lb.) <b>(SJ12)</b>
	156602	2	LABEL, Wheel Load (475 kg/1050 lb.) <b>(SJ16)</b>
3	102896	2	LABEL, Forklift boot
4	129759	1	LABEL, Skyjack logo (Blue/Red)
5	117023	1	LABEL, "CE" <b>(CE)</b>
6	129758	1	LABEL, Skyjack logo (Blue)

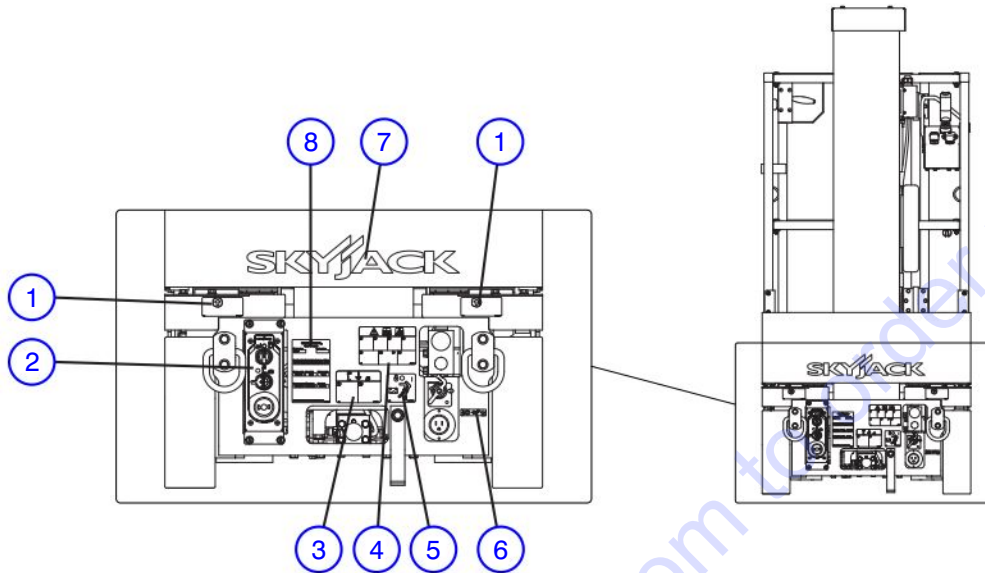
### 6.3 Labels - Vertical Mast (Right View)



156347AD\_SJ12\_RIGHT

Index No.	Skyjack Part No.	Qty.	Description
1	156441	1	LABEL, Annual inspection
2	123628	1	LABEL, Manual box
3	156335	1	LABEL, Model number <b>(SJ12)</b> (Not included in kit)
	156416	1	LABEL, Model number <b>(SJ16)</b> (Not included in kit)
4	157014	2	LABEL, Wheel Load (400 kg/880 lb.) <b>(SJ12)</b>
	156602	2	LABEL, Wheel Load (475 kg/1050 lb.) <b>(SJ16)</b>
5	102896	2	LABEL, Forklift boot
6	129759	1	LABEL, Skyjack logo (Blue/Red)
7	117023	1	LABEL, "CE" <b>(CE)</b>
8	129758	1	LABEL, Skyjack logo (Blue)
9	130018	2	LABEL, Harness anchorage pictorial
10	138211	1	LABEL, AC connection

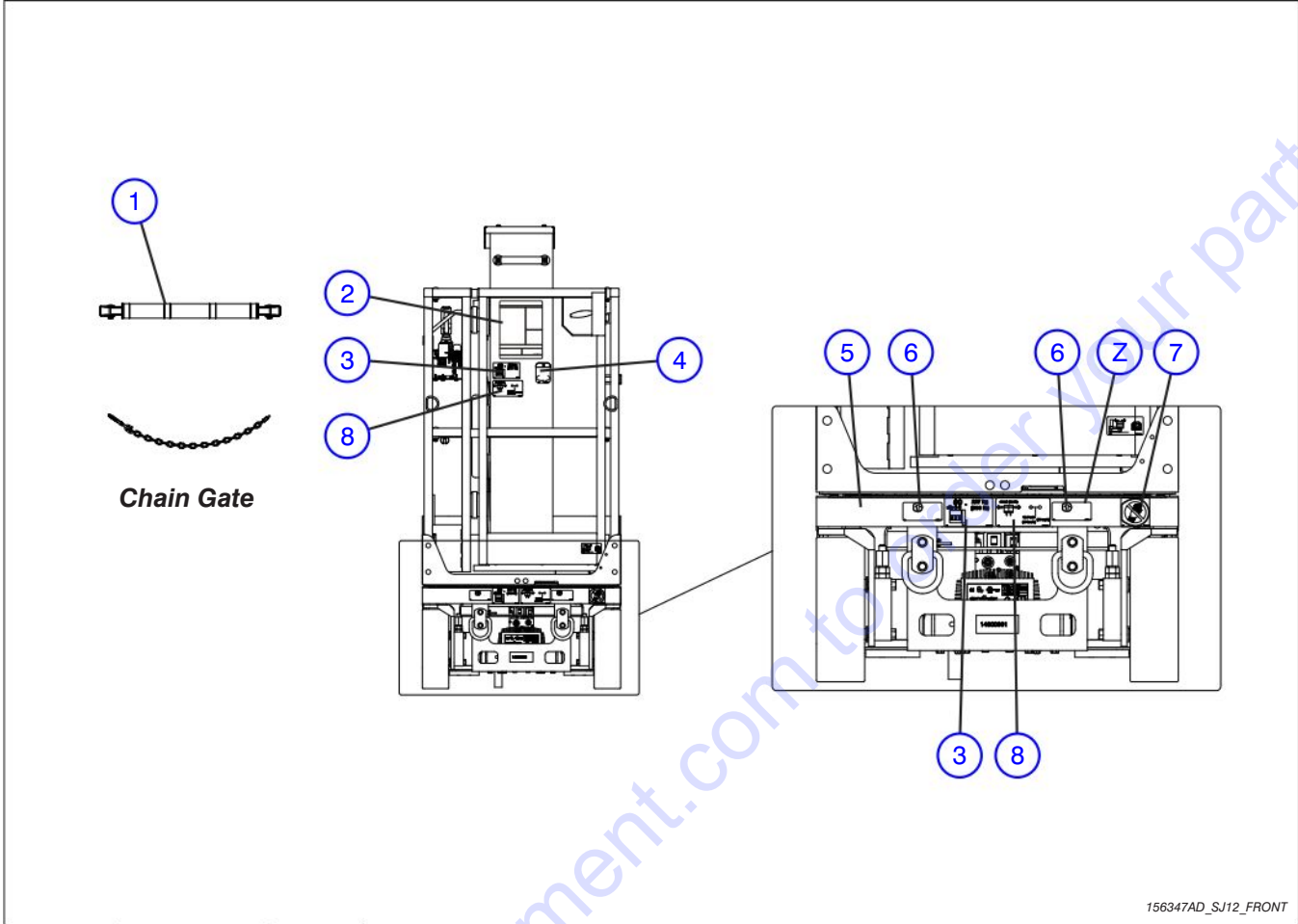
### 6.4 Labels - Vertical Mast (Rear View)



156347AD\_SJ12\_REAR

Index No.	Skyjack Part No.	Qty.	Description
1	124767	2	LABEL, Lift point/tie down
2	156317	1	LABEL, Base control console
3	156435	1	LABEL, Emergency lowering
4	156721	1	LABEL, Caution brake
5	119674	1	LABEL, Battery disconnect switch
6	138211	1	LABEL, AC connection
7	129758	1	LABEL, Skyjack logo (Blue)
8	-	1	LABEL, Serial plate <b>(ANSI/CSA)</b> (Contact Discount-equipment)

6.5 Labels - Vertical Mast (Front View)

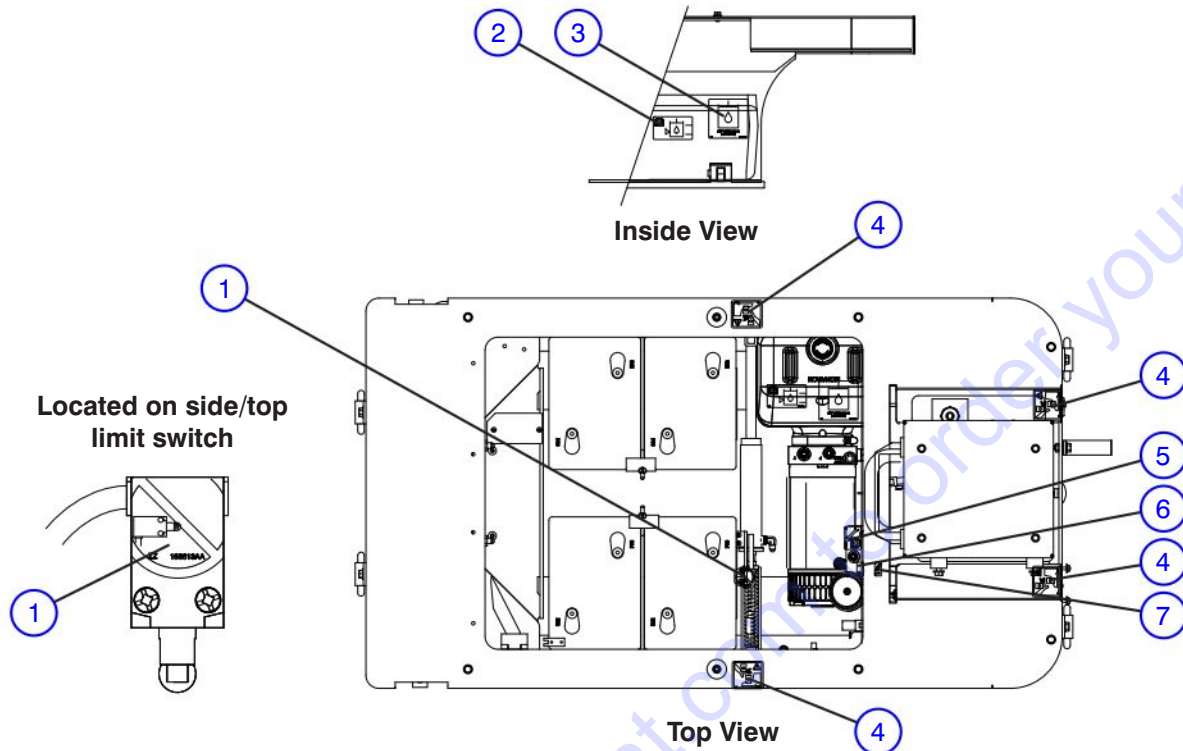


156347AD\_SJ12\_FRONT

Index No.	Skyjack Part No.	Qty.	Description
1	119803	AR	TAPE, Safety (1") (Not included in kit)
2	156720	1	LABEL, Danger/Warning info. (CE)
	156320	1	LABEL, Danger/Warning info. (ANSI/CSA)
3	156417	2	LABEL, Platform capacity (500/2P) (SJ12 CE/KC/AS) (Not included in kit)
	156687	2	LABEL, Platform capacity (500/2P) (SJ16 CE/AS/KC) (Not included in kit)
	156308	2	LABEL, Platform capacity (500/2P) (SJ12/16 ANSI/CSA) (Not included in kit)
4	156436	1	LABEL, Daily checklist
5	156310	1	LABEL, Standards compliance (ANSI/CSA) (Not included in kit)
6	124767	2	LABEL, Lift point/tie down
7	124362	1	LABEL, Do not wear jewelry
8	124465	1	LABEL, Side force/outdoor (SJ12/16 ANSI/CSA) (Not included in kit)

6.6 Labels - Vertical Mast (Base View)

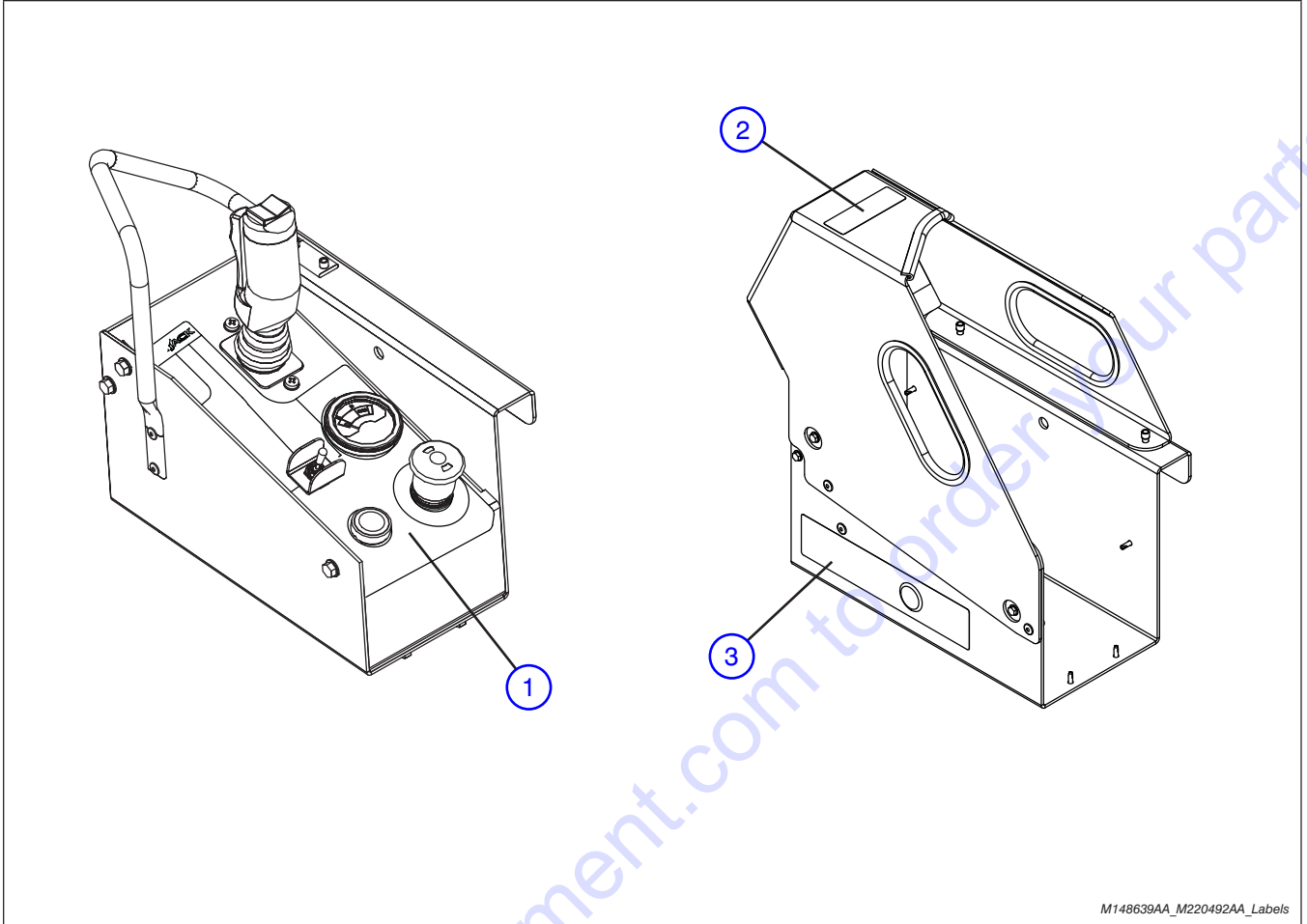
AB



156347AD\_SJ12\_BASE

Index No.	Skyjack Part No.	Qty.	Description
1	156613	3	LABEL, Do not alter ( <b>CE/AS/KC</b> - 2 on platform + 1 at base)
	156613	2	LABEL, Do not alter ( <b>ANSI</b> - 1 on platform + 1 at base)
2	146016	1	LABEL, Hydraulic oil level (Min/Max)
3	102961	1	LABEL, Use hydraulic oil only
4	119866	4	LABEL, Danger! Pinch hand/foot
5	156612	1	LABEL, Maintenance switch
6	117389	1	LABEL, Ground reset
7	117387	1	LABEL, Power reset

## 6.7 Labels - Platform Control Console

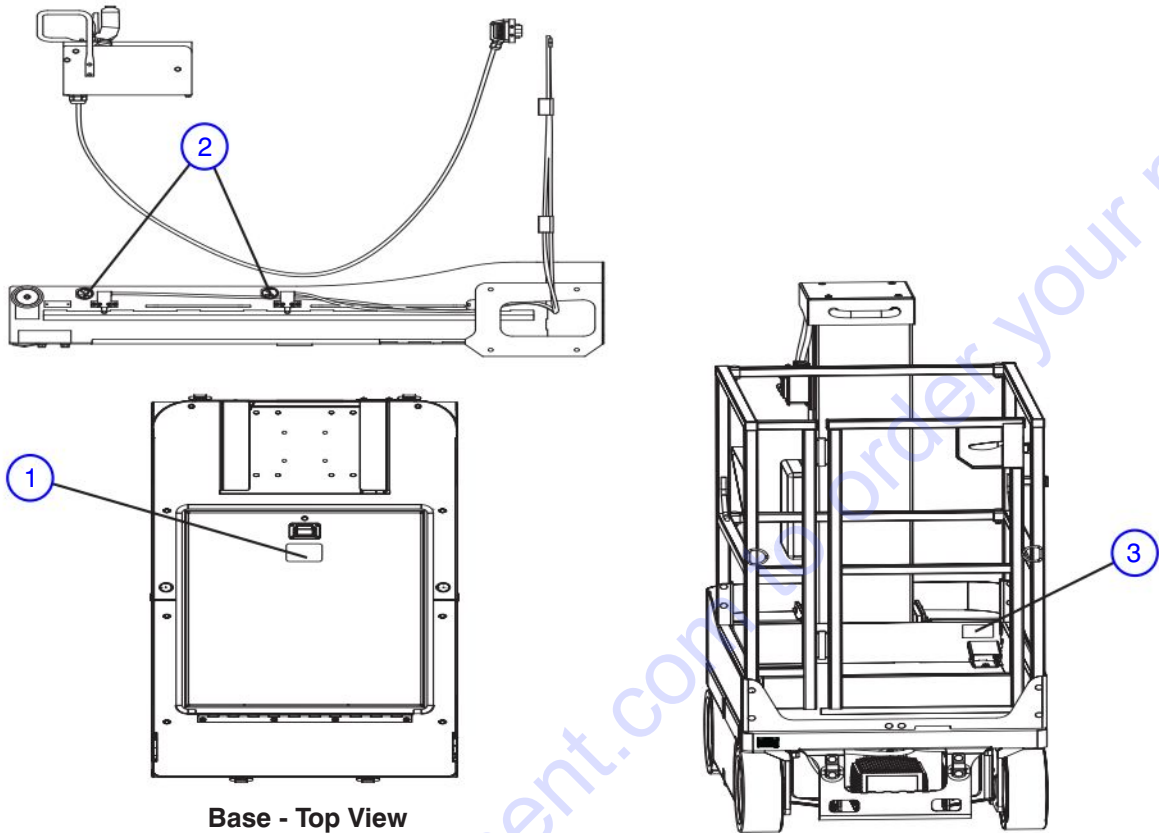


M148639AA\_M220492AA\_Labels

Index No.	Skyjack Part No.	Qty.	Description
1	156318	1	LABEL, Platform control console
2	172926	1	LABEL, SGLE (Not included in kit)
3	172788	1	LABEL, SGLE ENABLE (Not included in kit)



6.8 Labels - Miscellaneous



Base - Top View

156347AD\_SJ12\_MISC

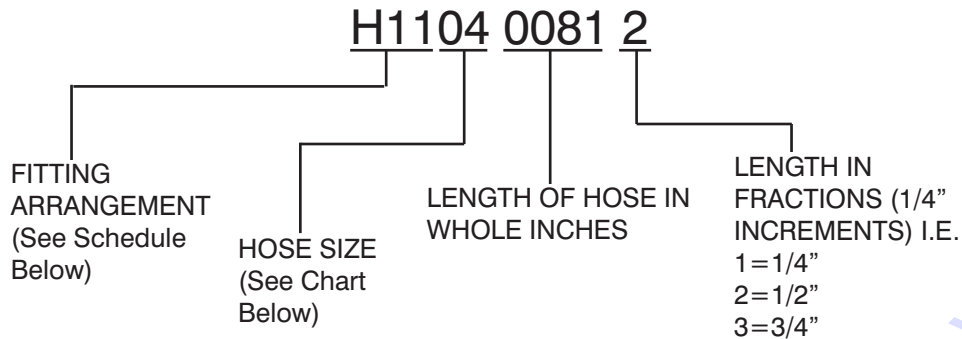
Index No.	Skyjack Part No.	Qty.	Description
1	157011	1	LABEL, Do not open
2	156613	AR	LABEL, Do not alter
3	157012	1	LABEL, Platform traversing

7.1 *Standard Hose Numbering System*

7.2 *Vertical Mast Fluids Table*

Go to Discount-Equipment.com to order your parts

## 7.1 Standard Hose Numbering System



Using the number above as an example (H1104 0081 2). This hose requires a 37° JIC, female swivel fitting on one end. A medium length 90° JIC, female swivel fitting for the other end. The Hose must meet or exceed S.A.E. 100R13 hose specification, and be a total of 81-1/2" long. NOTE: Hose ends and hose must be from same manufacturer per S.A.E. J1273 Nov. '91, Sections 3.10 and 4.2. Hose ends and hose must be of the same size i.e. #4 size fittings must be used with #4 size hose.

### Hose Size Chart

SIZE	03	04	06	08	10	12	16	20	24	32	40	48	56	64
ID	3/16"	1/4"	3/8"	1/2"	5/8"	3/4"	1"	1-1/4"	1-1/2"	2"	2-1/2"	3"	3-1/2"	4"

HOSE PREFIX	HOSE END FITTING	HOSE END FITTING	S.A.E. HOSE SPECIFICATION
H01	FEMALE, 37° JIC, SWIVEL	FEMALE, 37° JIC, SWIVEL	100R17
H02	FEMALE, 37° JIC, SWIVEL	FEMALE, 37° JIC, SWIVEL	100R13
H03	FEMALE, 37° JIC, SWIVEL	45°, FEMALE, 37° JIC, SWIVEL	100R17
H04	FEMALE, 37° JIC, SWIVEL	45°, FEMALE, 37° JIC, SWIVEL	100R13
H05	FEMALE, 37° JIC, SWIVEL	LONG 90°, FEMALE, 37° JIC, SWIVEL	100R17
H06	FEMALE, 37° JIC, SWIVEL	SHORT 90°, FEMALE, 37° JIC, SWIVEL	100R17
H07	LONG 90°, FEMALE, 37° JIC, SWIVEL	LONG 90°, FEMALE, 37° JIC, SWIVEL	100R17
H08	FEMALE, 37° JIC, SWIVEL	FEMALE, 37° JIC, SWIVEL	100R4
H09	FEMALE, 37° JIC, SWIVEL	45°, FEMALE, 37° JIC, SWIVEL	100R4
H10	FEMALE, 37° JIC, SWIVEL	MALE PIPE THREAD FITTING	100R17
H11	FEMALE, 37° JIC, SWIVEL	MEDIUM 90°, FEMALE, 37° JIC, SWIVEL	100R13
H12	SHORT 90°, FEMALE, 37° JIC, SWIVEL	SHORT 90°, FEMALE, 37° JIC, SWIVEL	100R17
H13	FEMALE, 37° JIC, SWIVEL	REUSABLE MALE PIPE THREAD FITTING	300 PSI
H14	REUSABLE MALE PIPE THREAD FITTING	NO FITTING	300 PSI
H15	REUSABLE, FEMALE, 37° JIC, SWIVEL	REUSABLE, FEMALE, 37° JIC, SWIVEL	300 PSI

Fitting Arrangement Schedule (Continued on the following page)

## 7.1 Standard Hose Numbering System

Fitting Arrangement Schedule (Continued from the previous page)

HOSE PREFIX	HOSE END FITTING	HOSE END FITTING	S.A.E. HOSE SPECIFICATION
H16	NO FITTING	NO FITTING	100R4
H17	NO FITTING	NO FITTING	300 PSI
H18	REUSABLE, FEMALE, 37° JIC, SWIVEL	NO FITTING	300 PSI
H19	LONG 90°, FEMALE, 37° JIC, SWIVEL	FEMALE, 37° JIC, SWIVEL	100R13
H20	FEMALE, SHORT 37° JIC, SWIVEL	SHORT 90°, FEMALE, 37° JIC, SWIVEL	100R4
H21	FEMALE, SHORT 37° JIC, SWIVEL	SHORT 90°, FEMALE, 37° JIC, SWIVEL	100R2AT
H22	FEMALE, 37° JIC, SWIVEL	FEMALE, 37° JIC, SWIVEL	100R2AT
H23	FEMALE, LONG 37° JIC, SWIVEL	LONG 90°, FEMALE, 37° JIC, SWIVEL	100R2AT
H24	FEMALE, SHORT 37° JIC, SWIVEL	SHORT 90°, FEMALE, 37° JIC, SWIVEL	100R13
H25	FEMALE, 37° JIC, SWIVEL	FEMALE, 37° JIC, SWIVEL	100R4
H26	SHORT 90°, FEMALE, 37° JIC, SWIVEL	FEMALE, 37° JIC, SWIVEL	100R17
H27	LONG 90°, FEMALE, 37° JIC, SWIVEL	FEMALE, 37° JIC, SWIVEL	100R17
H28	FEMALE, 37° JIC, SWIVEL	FEMALE, 37° JIC, SWIVEL	100R17
H29	SHORT 45°, FEMALE, 37° JIC, SWIVEL	FEMALE, 37° JIC, SWIVEL	100R17
H30	MEDIUM 90°, FEMALE, 37° JIC, SWIVEL	FEMALE, 37° JIC, SWIVEL	100R17
H31	FEMALE, 37° JIC, SWIVEL	FEMALE, 37° JIC, SWIVEL	100R17
H32	SHORT 45°, FEMALE, 37° JIC, SWIVEL	FEMALE, 37° JIC, SWIVEL	100R17
H33	MEDIUM 45°, FEMALE, 37° JIC, SWIVEL	FEMALE, 37° JIC, SWIVEL	100R17
H34	SHORT 90°, FEMALE, 37° JIC, SWIVEL	FEMALE, 37° JIC, SWIVEL	100R17
H35	MEDIUM 90°, FEMALE, 37° JIC, SWIVEL	FEMALE, 37° JIC, SWIVEL	100R17
H36	LONG 90°, FEMALE, 37° JIC, SWIVEL	FEMALE, 37° JIC, SWIVEL	100R17
H37	SHORT 45°, FEMALE, 37° JIC, SWIVEL	FEMALE, 37° JIC, SWIVEL	100R4
H38	SHORT 90°, FEMALE, 37° JIC, SWIVEL	FEMALE, 37° JIC, SWIVEL	100R4
H39	LONG 90°, FEMALE, 37° JIC, SWIVEL	FEMALE, 37° JIC, SWIVEL	100R4
H40	SHORT 90°, FEMALE, 37° JIC, SWIVEL	FEMALE, 37° JIC, SWIVEL	100R16

**7.2 Vertical Mast Fluids Table**

<b>HYDRAULIC OIL</b>				
<b>Specification</b>	<b>Capacity (Liters)</b>	<b>Capacity (US Gallons)</b>	<b>Oil Type</b>	<b>Skyjack Part No.</b>
Standard	4.92	1.3	ATF Dexron III	119309
Option	4.92	1.3	NATURELLE HF E 32	157138

270AC

Go to Discount-Equipment.com to order your parts

# PARTS FINDER

**Search Website  
by Part Number**



**Search Manual  
Library For Parts  
Manual & Lookup Part  
Numbers – Purchase  
or Request Quote**

**Search Manuals**

Enter your information to help us find the right manual for your machine.

\* Brand:

\* Model:

\* Serial:

\* Part Number:

SEARCH

**Can't Find Part or  
Manual? Request Help  
by Manufacturer,  
Model & Description**

**Parts Order Form**

Please fill in the following information to help us find the right part for your machine.

Manufacturer:	<input type="text"/>
Model:	<input type="text"/>
Description:	<input type="text"/>
Part Number:	<input type="text"/>
Quantity:	<input type="text"/>
Notes:	<input type="text"/>

Submit

Discount-Equipment.com is your online resource for quality parts & equipment.

Florida: **561-964-4949** Outside Florida TOLL FREE: **877-690-3101**

**Need parts?**

Click on this link: <http://www.discount-equipment.com/category/5443-parts/> and choose one of the options to help get the right parts and equipment you are looking for. Please have the machine model and serial number available in order to help us get you the correct parts. If you don't find the part on the website or on one of the online manuals, please fill out the request form and one of our experienced staff members will get back to you with a quote for the right part that your machine needs.

We sell worldwide for the brands: Genie, Terex, JLG, MultiQuip, Mikasa, Essick, Whiteman, Mayco, Toro Stone, Diamond Products, Generac Magnum, Airman, Haulotte, Barreto, Power Blanket, Nifty Lift, Atlas Copco, Chicago Pneumatic, Allmand, Miller Curber, Skyjack, Lull, Skytrak, Tsurumi, Husquvarna Target, Stow, Wacker, Sakai, Mi-T-M, Sullair, Basic, Dynapac, MBW, Weber, Bartell, Bennar Newman, Haulotte, Ditch Runner, Menegotti, Morrison, Contec, Buddy, Crown, Edco, Wyco, Bomag, Laymor, EZ Trench, Bil-Jax, F.S. Curtis, Gehl Pavers, Heli, Honda, ICS/PowerGrit, IHI, Partner, Imer, Clipper, MMD, Koshin, Rice, CH&E, General Equipment, Amida, Coleman, NAC, Gradall, Square Shooter, Kent, Stanley, Tamco, Toku, Hatz, Kohler, Robin, Wisconsin, Northrock, Oztec, Toker TK, Rol-Air, APT, Wylie, Ingersoll Rand / Doosan, Innovatech, Con X, Ammann, Mecalac, Makinex, Smith Surface Prep, Small Line, Wanco, Yanmar