

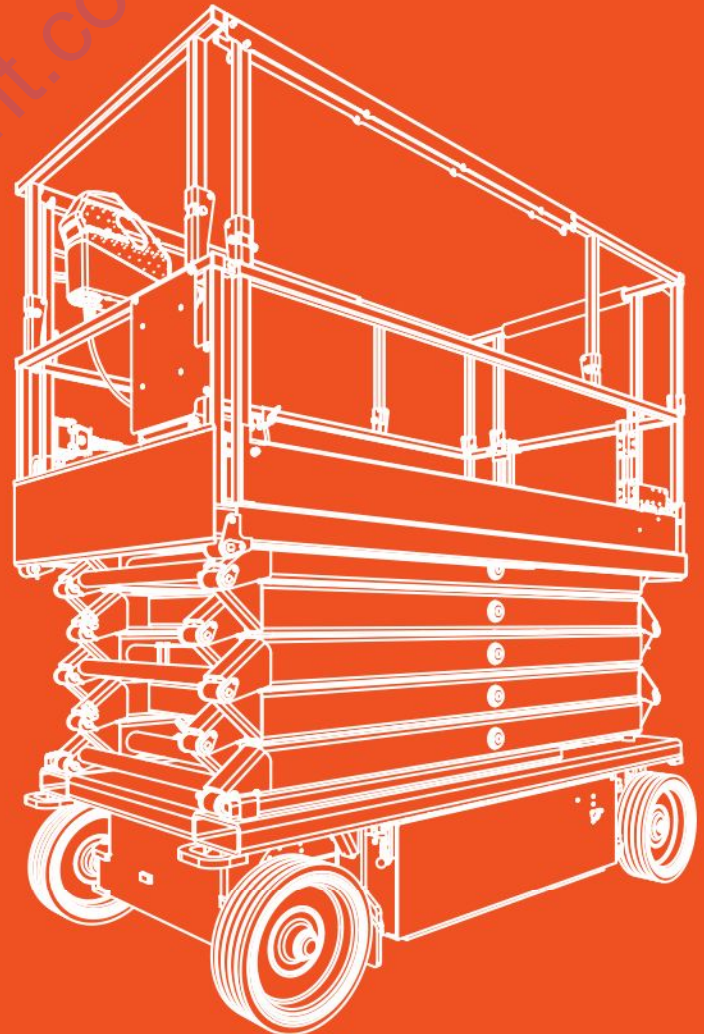


SKYJACK

PARTS MANUAL

SJ3220, SJ3226, SJ4720, SJ4726, SJ4732

DC ELECTRIC SCISSORS



223197ABA

August 2020

ANSI/CSA, CE, AS, KC

PARTS FINDER

**Search Website
by Part Number**



**Search Manual
Library For Parts
Manual & Lookup Part
Numbers – Purchase
or Request Quote**

Search Manuals

Enter your information to help us find the right parts manual for your machine.

* Brand:

* Model:

* Serial:

* Part Number:

SEARCH

**Can't Find Part or
Manual? Request Help
by Manufacturer,
Model & Description**

Parts Order Form

Please fill in the following information to help us find the right part for your machine.

Manufacturer:	<input type="text"/>
Model:	<input type="text"/>
Description:	<input type="text"/>
Part Number:	<input type="text"/>
Quantity:	<input type="text"/>
Notes:	<input type="text"/>

Discount-Equipment.com is your online resource for quality parts & equipment.

Florida: **561-964-4949** Outside Florida TOLL FREE: **877-690-3101**

Need parts?

Click on this link: <http://www.discount-equipment.com/category/5443-parts/> and choose one of the options to help get the right parts and equipment you are looking for. Please have the machine model and serial number available in order to help us get you the correct parts. If you don't find the part on the website or on one of the online manuals, please fill out the request form and one of our experienced staff members will get back to you with a quote for the right part that your machine needs.

We sell worldwide for the brands: Genie, Terex, JLG, MultiQuip, Mikasa, Essick, Whiteman, Mayco, Toro Stone, Diamond Products, Generac Magnum, Airman, Haulotte, Barreto, Power Blanket, Nifty Lift, Atlas Copco, Chicago Pneumatic, Allmand, Miller Curber, Skyjack, Lull, Skytrak, Tsurumi, Husquvarna Target, Stow, Wacker, Sakai, Mi-T-M, Sullair, Basic, Dynapac, MBW, Weber, Bartell, Bennar Newman, Haulotte, Ditch Runner, Menegotti, Morrison, Contec, Buddy, Crown, Edco, Wyco, Bomag, Laymor, EZ Trench, Bil-Jax, F.S. Curtis, Gehl Pavers, Heli, Honda, ICS/PowerGrit, IHI, Partner, Imer, Clipper, MMD, Koshin, Rice, CH&E, General Equipment, Amida, Coleman, NAC, Gradall, Square Shooter, Kent, Stanley, Tamco, Toku, Hatz, Kohler, Robin, Wisconsin, Northrock, Oztec, Toker TK, Rol-Air, APT, Wylie, Ingersoll Rand / Doosan, Innovatech, Con X, Ammann, Mecalac, Makinex, Smith Surface Prep, Small Line, Wanco, Yanmar

This manual is based on Serial Number(s):

SJ3220/3226: A/B101 000 001 to A/B101 999 999

SJ4720/4726/SJ4732: A/B102 000 001 to A/B102 999 999

Please refer to the website (www.discount-equipment.com)
for contact information, other Serial Numbers, the most
recent Technical Manuals and USB software.

Go to Discount-Equipment.com to order your parts

Table of Contents

Foreword	7
General	7
Parts Ordering Information	7
Method of Listing	7
Quantities	7
How To Order Repair Parts	7
Recommended Service Parts	8
Section 1 – Platform	11
1.1 Main Platform - SJ3220/26	12
1.2 Main Platform - SJ4720/26/32	14
1.3 Main Platform - SJ4726 Aircraft Option	16
1.4 Extension Platform	18
1.5 Main Railing	20
1.6 Main Railing - SJ4726 Aircraft Option	22
1.7 Extension Railing	24
1.8 Extension Railing and Front Gate - Aircraft Option	26
1.9 Rear Gates - SJ3220/26	28
1.10 Rear Gates - SJ4720/26/32	30
1.11 Full Rear Gate - Aircraft Option	32
1.12 Gate Latch	35
1.13 Powerdeck Cylinder	36
1.14 Platform Control Box	38
1.15 Control Box Cover	40
1.16 Joystick	42
1.17 Powerdeck Controls	44
1.18 Platform A/C Outlet	46
1.19 Platform Protection - Aircraft Protection	48
1.20 Outdoor Switch - SJ3226 ANSI/CSA	50

Section 2 – Scissors	53
2.1 Scissors - SJ3220, SJ4720	54
2.2 Scissors - SJ3226, SJ4726	56
2.3 Scissors - SJ4732	58
2.4 Scissors Hardware	60
2.5 Lift Cylinder	62
2.6 Cylinder Manifold - SJ3220, SJ4720	64
2.7 Cylinder Manifold - SJ3226, SJ4726/32	65
2.8 Horn	66
2.9 Angle Transducer	67
2.10 Pressure Transducer	68
2.11 Flashing Light	69
2.12 Beeper	70
Section 3 – Base	71
3.1 Base - SJ3220/3226	72
3.2 Base - SJ4720/4726/4732	74
3.3 Counterweight - SJ3220/26	76
3.4 Counterweight - SJ4720/26/32	78
3.5 Pin Brakes (ANSI/CSA)	80
3.6 Wheel Motor (ANSI/CSA)	82
3.7 Wheel Motor/Disc Brake (CE, AS & KC)	84
3.8 Steering	86
3.9 Tie Rod	88
3.10 Steer Cylinder	89
3.11 Pothole Protection	90
3.12 Wheels	93
3.13 Drive Manifold - SJ3220/26, SJ4726/32 (ANSI/CSA)	94
3.14 Drive Manifold - SJ3220/26 (CE, AS & KC)	96
3.15 Drive Manifold - SJ4720/26/32 (CE, AS & KC)	98
3.16 Base Control - Plastic Box	100
3.17 Base Control	102
3.18 Ladder	104
3.19 Skycoded Control Module	106

Section 4 – Hydraulic Tray	107
4.1 Hydraulic Tray	108
4.2 Hydraulic Tank	110
4.3 Hydraulic Tank - EE-Rated/Aircraft Protection	112
4.4 Main Manifold	114
4.5 Powerdeck Manifold (Option)	116
4.6 Counterweight	117
4.7 Motor, Pump and Contactor	118
4.8 Skycoded Display Module	120
4.9 Emergency Lowering Switch	122
Section 5 – Battery Tray	123
5.1 Battery Tray	124
5.2 Batteries	126
5.3 Battery Charger	128
Section 6 – Electrical Harnesses	131
6.1 Main Harness - SJ3220/26	132
6.2 Main Harness - SJ4720/26/32	134
6.3 Platform Control Cable	136
6.4 Platform Control Cable - SGLE	138
6.5 Platform Control Cable - Aircraft Protection	140
6.6 Holding Valve Harness	142
6.7 Prop Lowering Valve Harness (CE Only)	143
6.8 Control Cable - Base to Platform	144
6.9 Dual Flashing Light Harness	145
6.10 Base Control Harness - Plastic Box	146
6.11 Base Control Harness	148
6.12 Powerdeck Harnesses	150
6.13 Power Cables	152
6.14 Power Cables - Aircraft Protection	153
6.15 Interlocks - SJ4726 Aircraft Protection	154
6.16 Anti-Overriding Posts Limit Switches (KC Only)	156
6.17 Anti-Overriding Posts Harnesses (KC Only)	157
6.18 Elevate Telematics Harness	158
6.19 Outdoor Switch Harness - SJ3226 Only	159

Section 7 – Hose Connections	161
7.1 Standard Hose Numbering System	162
7.2 Hose Connections - SJ3220/26 (ANSI/CSA)	164
7.3 Hose Connections - SJ3220/26 (CE, AS & KC)	166
7.4 Hose Connections - SJ4726/32 (ANSI/CSA)	168
7.5 Hose Connections - SJ4720/26/32 (CE, AS & KC)	170
7.6 Hose Connections - Hydraulic Tray	172
7.7 Air Hose - Aircraft Protection	174
Section 8 – Options	175
8.1 Inverter Group (ANSI/CSA Only)	176
8.2 Inverter (ANSI/CSA Only)	178
8.3 Dual Flashing Light Group	181
8.4 Light Duty Pipe Racks	182
8.5 Universal Heavy-Duty Pipe Rack	184
8.6 Universal Board Carrier	186
8.7 Elevate Telematics, Keypad & BMS	188
8.8 Residual Current Device (CE Only)	191
8.9 Anti-Overriding Posts (KC Only)	192
8.10 Tray Locking Plates	195
8.11 Tool Caddy	196
Section 9 – Labels	199
9.1 Label Kits	200
9.2 Labels - Platform Controls	201
9.3 Labels - Miscellaneous	202
9.4 Labels - Sides (SJ3220/26)	204
9.5 Labels - Sides (SJ4720/26/32)	206
9.6 Labels - Front, Back & Top (SJ3220/26)	208
9.7 Labels - Front, Back & Top (SJ4720/26/32)	210
9.8 Labels - Base Control Console	212
9.9 Labels - SJ4726 Aircraft Protection	214
9.10 Labels - Lift Here (SJ4726 Aircraft Protection)	216
9.11 Labels - Hose Layout (KC Only)	218
9.12 Labels - Anti-Overriding Posts (KC Only)	221

Foreword

General

The information contained in this manual is designed to aid the user in locating and identifying replacement parts. Component parts of various assemblies and subassemblies comprising the work platform are illustrated and accompanied by a descriptive parts list. Exploded drawings are used to show relative location of component parts in disassembly order. If a part cannot be found in this manual, contact Discount-equipment for assistance.

Parts Ordering Information

When ordering replacement parts, the complete part number and description should be used to ensure proper identification and delivery of the desired item. This complete identification should also be used when requesting equipment information.

Method of Listing

Parts are listed in order according to the reference number shown in the illustration, followed by a full description based upon the "NOUN FIRST" method. That is, the noun name of the part is listed first, then the modifying description information which serves to specifically identify the item. For example: PIN, Clevis.

Assemblies at the beginning of a parts list may be identified with a reference letter: A, B, C, etc. These letters are used to identify different configurations of the assembly. Individual parts in these lists have corresponding letters after their description to identify which assembly it is used in. If a part does not have a reference letter, it is used in all of the assemblies.

Bullets (•) are used to show the assembly structure, or parent/child relationship. A part listed at the beginning of the parts list without a bullet before the description is the main assembly, and all of the parts below it with one bullet are the subcomponent parts of that assembly. Two bullets denote a subcomponent of a subcomponent, etc.

Example:

Main Assembly A

- Part 1 (subcomponent of Main Assembly A)
- Part 2 (subcomponent of Main Assembly A)
- • Part 3 (subcomponent of Part 2)

Quantities

The quantities required to complete the assembly are given for each part. If the quantity is (AR), it is understood that the quantity may vary when the machine is equipped with certain options. Order quantity as needed.

How To Order Repair Parts

1. Address all orders to Discount-equipment
2. Specify model and serial number of the work platform (found on the serial number plate).
3. List the quantity needed.
4. List the length needed (if it is a bulk item).
5. List the part number and description as shown in this manual for each item.
6. Show the billing and shipping address and the name of the individual, if possible.
7. Suggest the best routing.

Customer: _____

Dealer: _____

Model Number: _____

Serial Number: _____

Date Purchased: _____

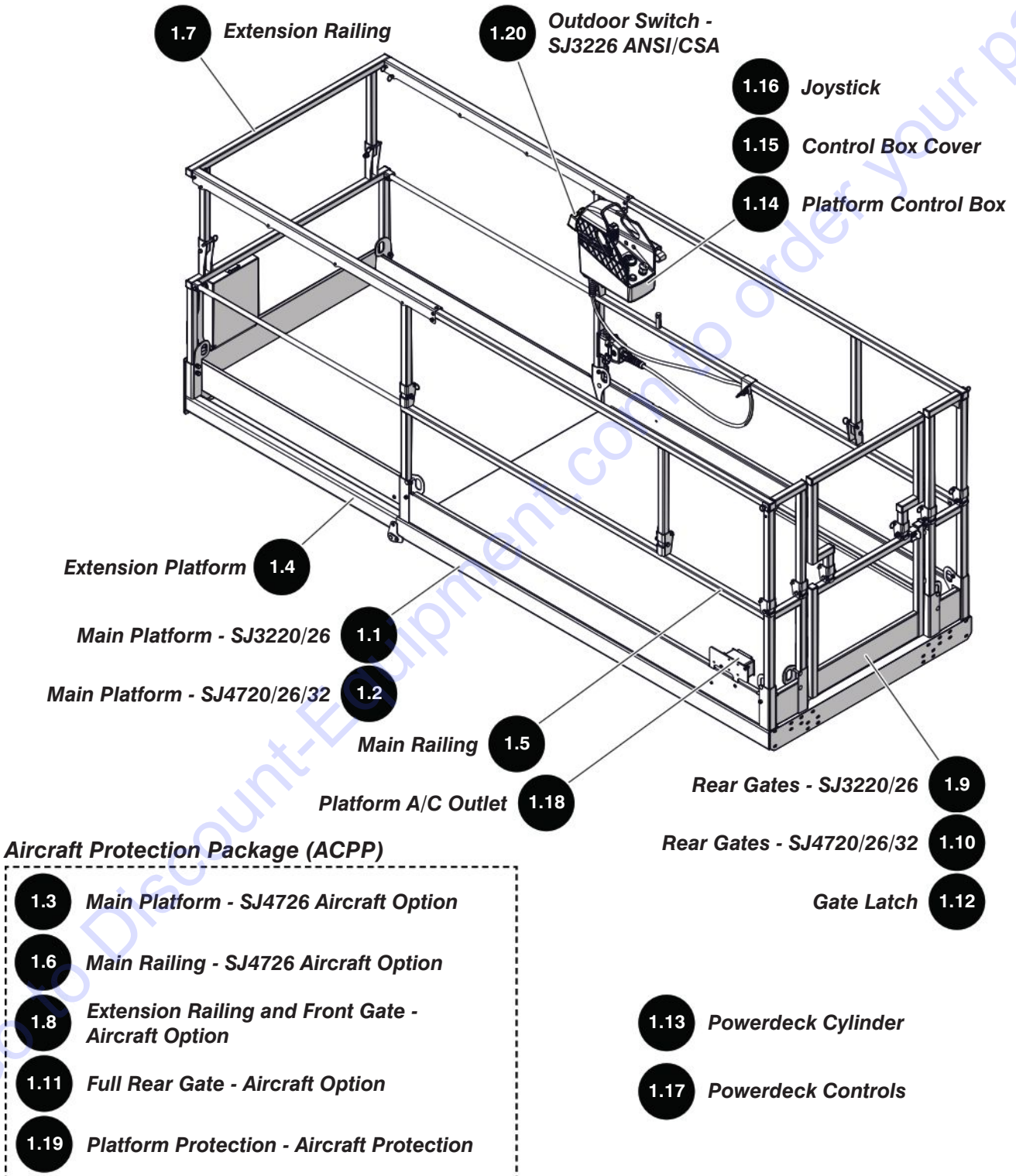
Recommended Service Parts

Description	Year 1 Qty	Year 2 Qty	Year 3 Qty	Skyjack Part No.
Mechanical				
ROTARY LATCH, Hydraulic Tray	0	1	1	112307
ROTARY LATCH, Battery Tray	0	1	1	112308
QUICK RELEASE PIN, Large Loop	5	5	5	216212
QUICK RELEASE PIN, Small Loop	2	2	2	216211
Electrical				
E-STOP HEAD, Platform & Base	1	1	2	147051
E-STOP CONTACT BLOCK, N.C. - Platform & Base	1	2	2	147053
LED Block, Red 24V	1	1	2	147061
LATCH, Switch Contact Block	1	2	4	147056
CONTACT BLOCK, N.O. - Horn/Base Selector	1	2	2	147054
PUSHBUTTON HEAD, Black - Horn	0	1	1	147058
SWITCH, Toggle - Lift/Off/Drive	0	1	1	207741
SWITCH, Toggle - Torque	0	1	1	115574
HEAD, Base Selector Switch - Up/Down	0	1	1	147069
SWITCH, Keyed Selector Head - Idle/Platform/Base (ANSI/CSA, AS, KC)	0	1	1	149536
SWITCH, Keyed Selector Head - Idle/Platform/Base (CE)	0	1	1	147057
JOYSTICK	0	0	1	211751
ANGLE TRANSDUCER	0	1	1	220597
TOGGLE SWITCH, Emergency Lower	0	0	1	212204
FLASHING LIGHT, Amber LED	0	0	1	216142
POTHOLE LIMIT SWITCH, Hydraulic Tray Side	0	1	1	210226
POTHOLE LIMIT SWITCH, Battery Tray Side	0	1	1	210227
COIL, 24V - Drive, Main Manifold & Powerdeck	0	1	2	103605
COIL, 24V - Main Manifold	0	1	1	105610
COIL, 12V - Holding Valve Manifold	0	1	2	104410
SWITCH, Solenoid Contactor	0	1	1	146475
KIT, Brush Repair - Pump/Motor	0	1	1	169623
KIT, Band Repair - Pump/Motor (EE-Rated Only)	0	1	1	169534
TOGGLE SWITCH (Outdoor Switch)	0	1	1	171911
LIGHT, LED Green - 24V (Outdoor Switch)	0	1	1	228895
SWITCH, Toggle - Powerdeck Enable, Extend/Retract	0	1	2	102853
Batteries				
BATTERY, 6 Volt - U2200XC2 (ANSI/CSA, CE, & KC)	0	4	4	103480
BATTERY, 6 Volt - U2500XC2 (ANSI/CSA, AS, CE, & KC)	0	4	4	106552
BATTERY, DISCOVER AGM EVGC6A-A (ANSI/CSA, CE & KC)	0	4	4	160933
BATTERY, T-105 (ANSI/CSA)	0	4	4	168109

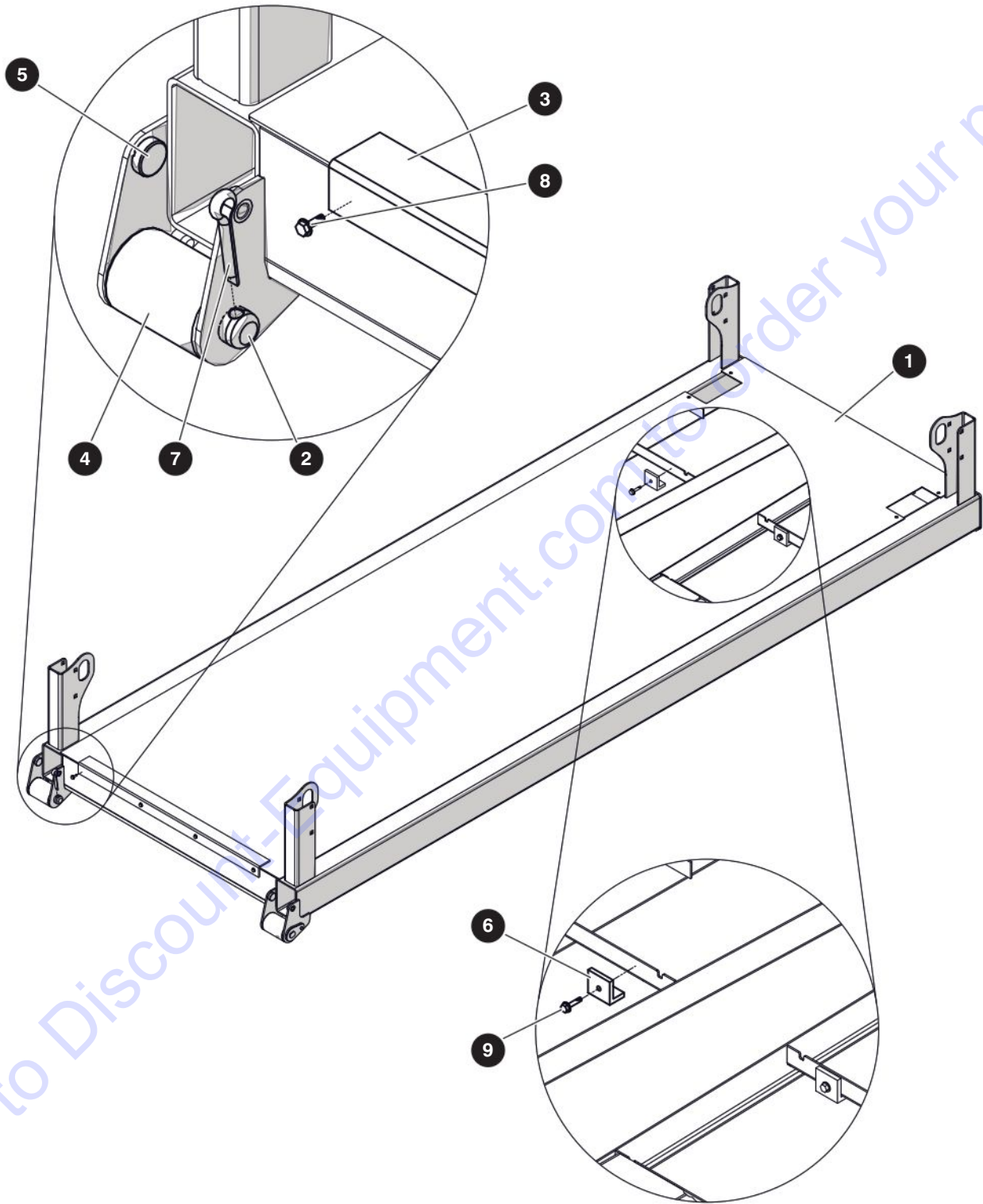
Recommended Service Parts

Description	Year 1 Qty	Year 2 Qty	Year 3 Qty	Skyjack Part No.
Hydraulic				
SEAL KIT, Lift Cylinders	0	1	2	121097
RELIEF VALVE, Holding Valve Manifold	0	0	1	220449
PRESSURE TRANSDUCER, 3000 PSI (SJ3220, SJ4720/26/32)	0	1	1	217934
PRESSURE TRANSDUCER, 2000 PSI (SJ3226)	0	1	1	217933
SEAL KIT, Wheel Motor (SJ3220/26 ANSI/CSA)	0	1	2	151099
SEAL KIT, Wheel Motor (SJ4726/32 ANSI/CSA)	0	1	2	199328
SEAL KIT, Wheel Motor (CE, AS & KC)	0	1	2	139735
SEAL KIT, Steer Cylinder	0	1	1	105816
ELEMENT, Hydraulic Filter Cartridge	1	1	1	104254
FILLER BREATHER, Hydraulic Tank	0	0	1	102693
RELIEF VALVE, Main Manifold - System & Lift	0	1	2	104534
VALVE, Solenoid -Cartridge Spool (Differential)	0	0	1	104132
VALVE, Solenoid -Cartridge Spool (Speed)	0	0	2	103623
VALVE, Flow Divider/Combiner	0	0	1	103354
VALVE, Open Center (Drive)	0	0	1	153334
VALVE, Directional (Steer)	0	0	1	153334
VALVE, Solenoid - Cartridge Spool (Holding) (SJ3220)	0	0	2	103655
VALVE, SP08-20-0-N-00 (Holding) (SJ4720)	0	0	2	207870
VALVE, Solenoid - Cartridge Spool (Holding) (SJ3226, SJ4726/32)	0	0	2	103655
VALVE, Solenoid - Cartridge Spool (Lift)	0	0	1	106273
VALVE, Solenoid - Cartridge Spool (Brake & Speed)	0	0	1	103623
VALVE, Counterbalance	0	0	1	147889

Section 1 – Platform



1.1 Main Platform - SJ3220/26



M199851AB

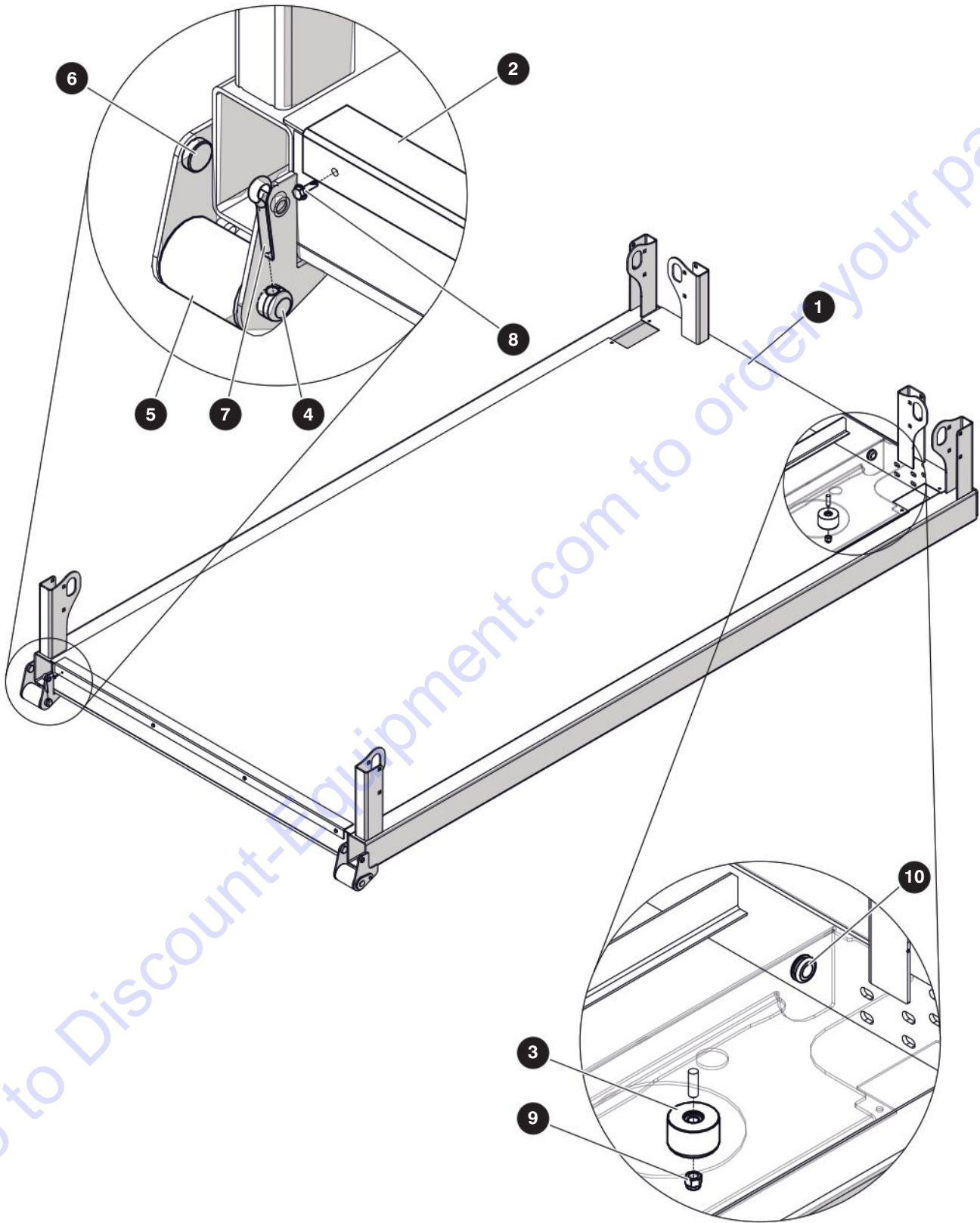
223197ABA

SJ3220, SJ3226, SJ4720, SJ4726, SJ4732

1.1 Main Platform - SJ3220/26

Index No.	Skyjack Part No.	Qty.	Description
A	199851	1	MAIN PLATFORM, SJ3220
B	199724	1	MAIN PLATFORM, SJ3220 - POWERDECK
C	198693	1	MAIN PLATFORM, SJ3226
1	151016	1	• PLATFORM, A
	153281	1	• PLATFORM, B
	151017	1	• PLATFORM, C
2	125422	2	• PIN ASM, Rollout
3	108773	1	• SLIDER, Rollout
4	125455	2	• ROLLER, UHMW - 2.42" LG x 1-3/4" DIA Black
5	125433	4	• SLIDER BUSHING
6	122466	2	• BUMPER, Platform, A, B
7	121874	2	• COTTER PIN, 1/4" DIA x 1-1/2"
8	112327	4	• BOLT, Self-Tapping - #8-18 x 1/2"
9	112329	2	• BOLT, Self-Tapping - 1/4"-14 x 1", A, B

1.2 Main Platform - SJ4720/26/32



M198669AB

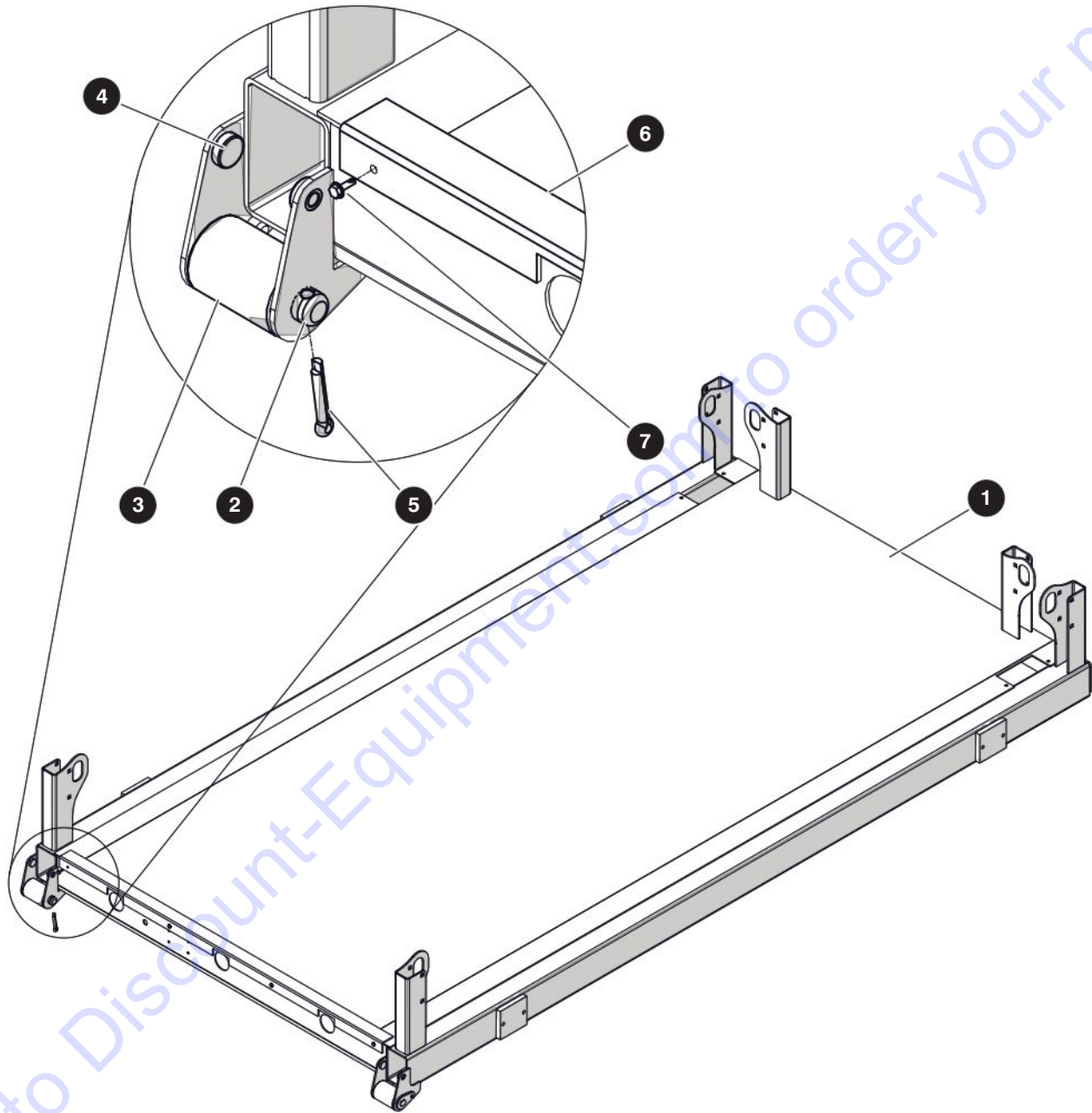
223197ABA

SJ3220, SJ3226, SJ4720, SJ4726, SJ4732

1.2 Main Platform - SJ4720/26/32

Index No.	Skyjack Part No.	Qty.	Description
A	198669	1	MAIN PLATFORM, SJ4720/32
B	207493	1	MAIN PLATFORM, SJ4726
C	207495	1	MAIN PLATFORM, SJ4726 - POWERDECK
1	151024	1	<ul style="list-style-type: none"> • PLATFORM, A • PLATFORM, B • PLATFORM, C
	151024	1	
	155842	1	
2	134559	1	<ul style="list-style-type: none"> • SLIDER, Rollout
3	130689	2	<ul style="list-style-type: none"> • BUMPER, Platform, A
4	125422	2	<ul style="list-style-type: none"> • PIN ASM, Rollout
5	125455	2	<ul style="list-style-type: none"> • ROLLER, UHMW - 2.42" LG x 1-3/4" DIA Black
6	125433	4	<ul style="list-style-type: none"> • SLIDER BUSHING
7	121874	2	<ul style="list-style-type: none"> • COTTER PIN, 1/4" DIA x 1-1/2"
8	112327	4	<ul style="list-style-type: none"> • BOLT, Self-Tapping - #8-18 x 1/2"
9	104606	2	<ul style="list-style-type: none"> • NUT, Nylon Lock - 3/8"-16 Gr. 5, A
10	144469	1	<ul style="list-style-type: none"> • GROMMET, Rubber - 7/8" OD x 9/16" ID x 3/16" THK

1.3 Main Platform - SJ4726 Aircraft Option



M213329AC

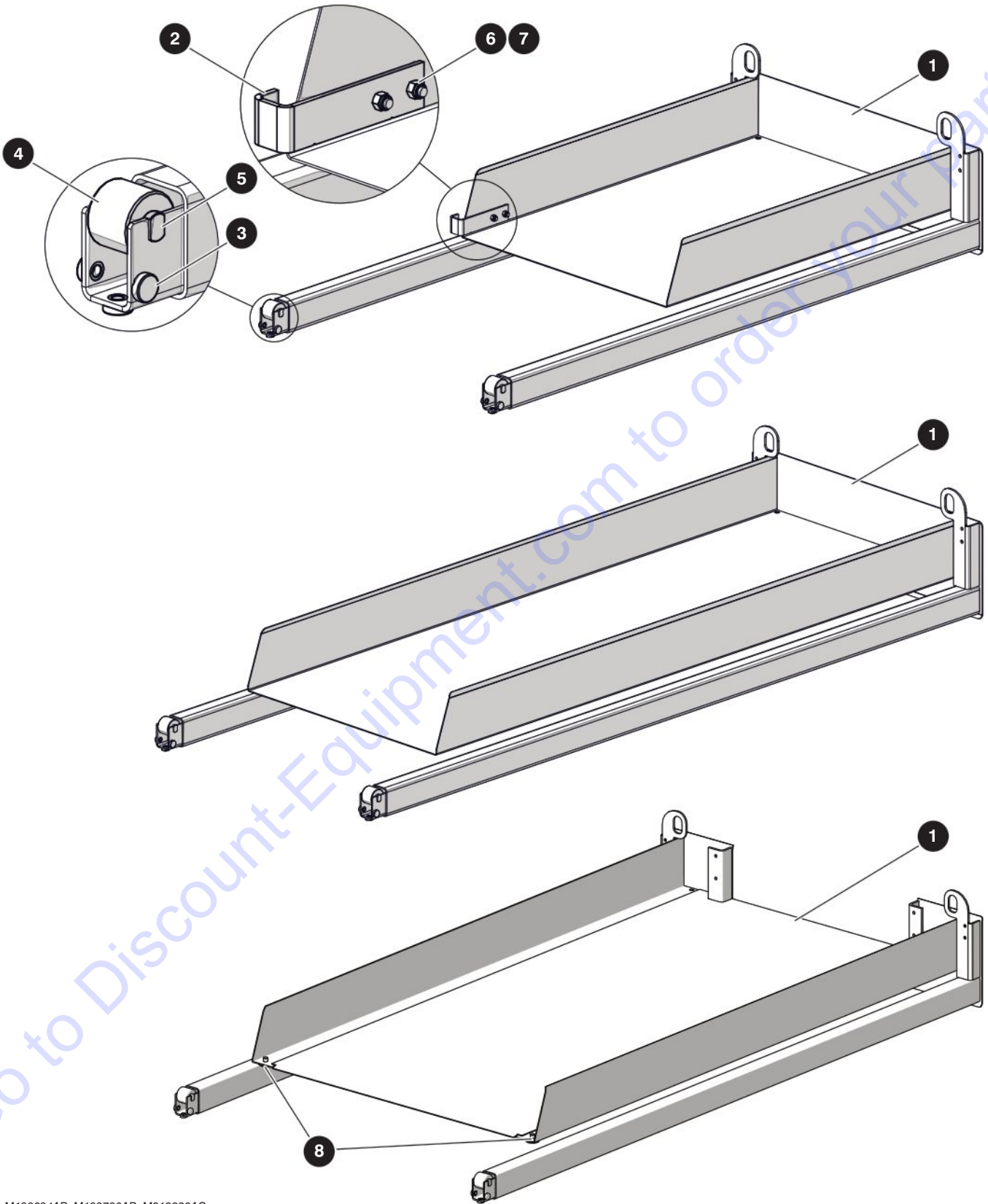
223197ABA

SJ3220, SJ3226, SJ4720, SJ4726, SJ4732

1.3 Main Platform - SJ4726 Aircraft Option

Index No.	Skyjack Part No.	Qty.	Description
-	213329	1	MAIN PLATFORM, SJ4726 <i>(only for machines with the Aircraft Option)</i>
1	213792	1	• PLATFORM, With Guarding Mounts
2	125422	2	• PIN ASM, Rollout
3	125455	2	• ROLLER, UHMW - 2.42" LG x 1-3/4" DIA Black
4	125433	4	• SLIDER BUSHING
5	600738	2	• COTTER PIN, DIN94 6,3 x 40-ST
6	134559	1	• SLIDER, Rollout
7	112327	4	• BOLT, Self-Tapping - #8-18 x 1/2"

1.4 Extension Platform

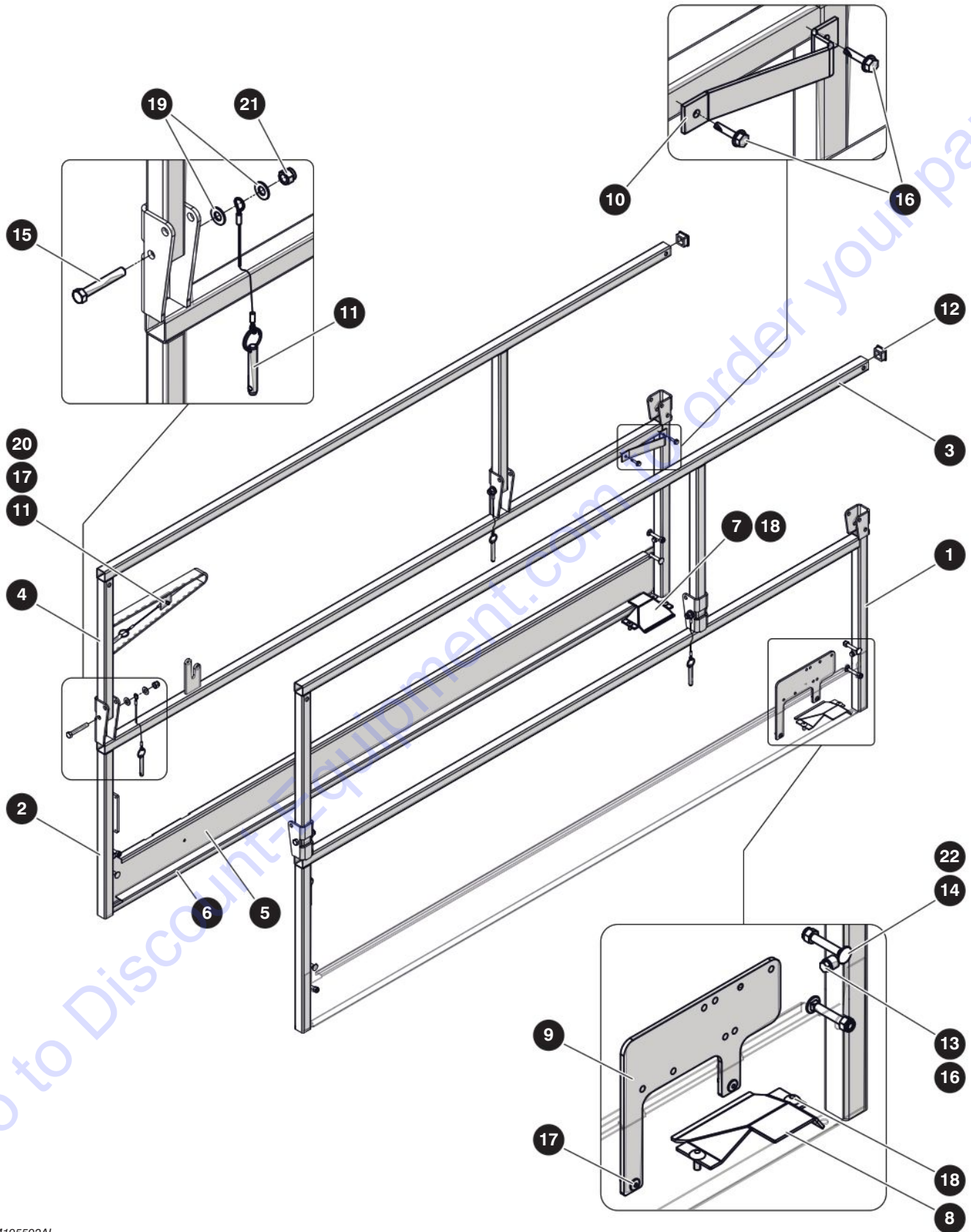


M198694AB_M199730AB_M213330AC

1.4 Extension Platform

Index No.	Skyjack Part No.	Qty.	Description
A	198694	1	EXTENSION DECK, 3' - SJ3220/26
B	199730	1	EXTENSION DECK, 6' - SJ3220 (Powerdeck)
C	198670	1	EXTENSION DECK, 4' - SJ4720/26/32
D	207497	1	EXTENSION DECK, 6' - SJ4726 (Powerdeck)
E	213330	1	EXTENSION DECK, 6' - SJ4726 (only for machines with the Aircraft Protection)
1	160517	1	• EXTENSION DECK, A
	160541	1	• EXTENSION DECK, Powerdeck, B
	160519	1	• EXTENSION DECK, C
	160543	1	• EXTENSION DECK, Powerdeck, D
	165899	1	• EXTENSION DECK, Powerdeck, E
2	121042	1	• STOP, Extension Deck, A, C
3	125433	6	• SLIDER BUSHING
4	125431	2	• ROLLER, UHMW - 1.42" LG x 1-3/4" DIA Black
5	160513	2	• PIN, Rollout
6	300064	2	• BOLT, Button Head Cap Screw - 5/16"-18 x 3/4", A, C
7	103984	2	• NUT, Nylon Lock - 5/16"-18 Gr. 5, A, C
8	101954	2	• SLIDE PAD - 5/16", E

1.5 Main Railing



M195592A/

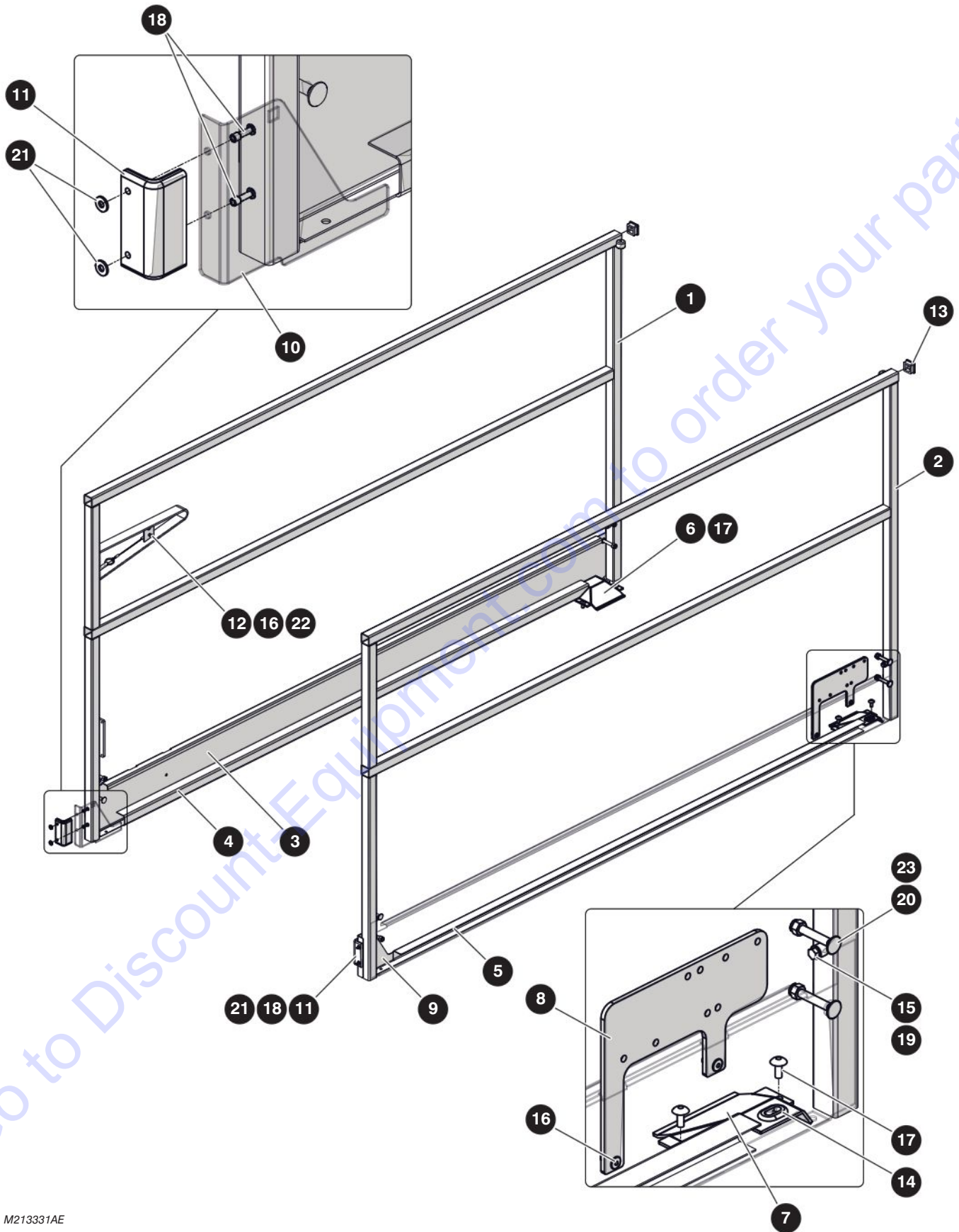
223197ABA

SJ3220, SJ3226, SJ4720, SJ4726, SJ4732

1.5 Main Railing

Index No.	Skyjack Part No.	Qty.	Description
A	195592	1	MAIN RAILINGS - SJ3220/26
B	204428	1	MAIN RAILINGS - SJ4720/26/32
1	213660	1	• RAILING, Lower - Left Hand (Manual Box Side)
2	213661	1	• RAILING, Lower - Right Hand (Control Box Side)
3	213662	1	• RAILING, Upper - Left Hand (Manual Box Side)
4	213663	1	• RAILING, Upper - Right Hand (Control Box Side)
5	157778	2	• KICK PLATE, Universal
6	125448	1	• CABLE GUARD
7	125494	1	• COVER, Cable Guard - Right Hand (Control Box Side)
8	125495	1	• COVER, Cable Guard - Left Hand (Manual Box Side)
9	223728	1	• PLATE, AC Outlet
10	230100	1	• PLATE, Striker, A
11	216212	5	• PIN ASM, 3/8" DIA x 1.8" - Large Loop
12	100702	2	• PLUG, Plastic Tube - 1-1/4" x 1-1/4"
13	125580	4	• SPACER, Railing Retainer
14	127437	8	• CARRIAGE BOLT, 5/16"-18 x 2" Gr. 5
15	103873	4	• BOLT, Hex Head - 3/8"-16 x 2-1/2" Gr. 5
16	112329	6	• BOLT, Self Tapping - 1/4"-14 x 1"
17	139641	3	• POP RIVET, 1/4" x 0.615" - AL SM FLG DM HD O-END
18	132042	4	• POP RIVET, 1/4" x 0.630" - AL SM FLG DM HD C-END
19	103472	8	• WASHER, Flat - 3/8"
20	103995	1	• WASHER, Flat - 1/4"
21	104606	4	• NUT, Nylon Lock - 3/8"-16 Gr. 5
22	103984	8	• NUT, Nylon Lock - 5/16"-18 Gr. 5

1.6 Main Railing - SJ4726 Aircraft Option



M213331AE

223197ABA

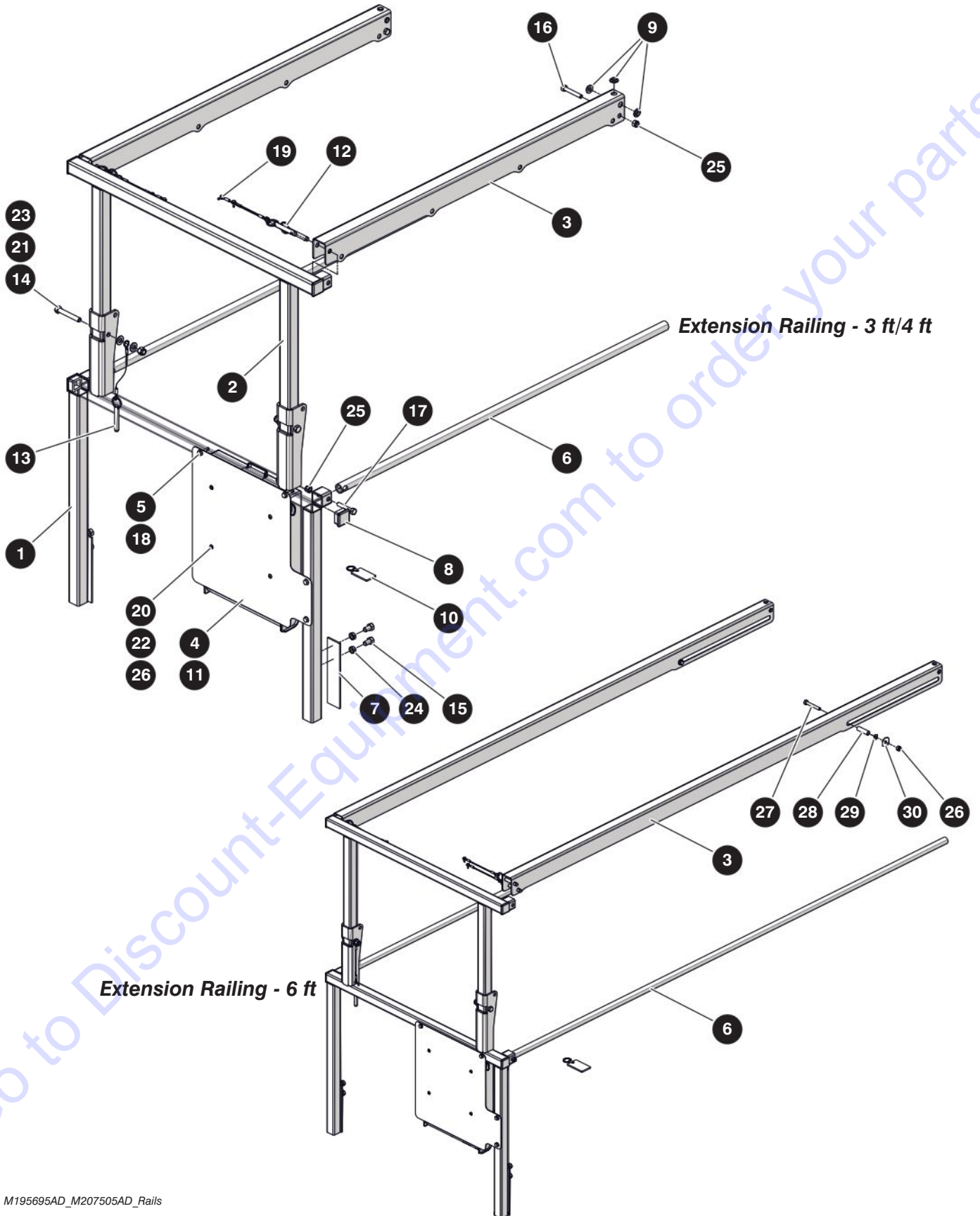
SJ3220, SJ3226, SJ4720, SJ4726, SJ4732



1.6 Main Railing - SJ4726 Aircraft Option

Index No.	Skyjack Part No.	Qty.	Description
-	213331	1	MAIN RAILINGS - SJ4726 <i>(only for machines with the Aircraft Option)</i>
1	213335	1	<ul style="list-style-type: none"> • RAILINGS, Control Box Side
2	213336	1	<ul style="list-style-type: none"> • RAILINGS, Manual Box Side
3	157778	2	<ul style="list-style-type: none"> • KICK PLATE, Universal
4	147024	1	<ul style="list-style-type: none"> • PLATE, Cable Guard - Control Box Side
5	155629	1	<ul style="list-style-type: none"> • PLATE, Cable Guard - Manual Box Side
6	125494	1	<ul style="list-style-type: none"> • COVER, Cable Guard - Control Box Side
7	155632	1	<ul style="list-style-type: none"> • COVER, Cable Guard - Manual Box Side (Modified)
8	223728	1	<ul style="list-style-type: none"> • PLATE, AC Outlet
9	161732	1	<ul style="list-style-type: none"> • PLATE, Powerdeck Toe Guard - Manual Box Side
10	161753	1	<ul style="list-style-type: none"> • PLATE, Powerdeck Toe Guard - Control Box Side
11	157763	2	<ul style="list-style-type: none"> • WEAR PAD, Thin and Short
12	216212	1	<ul style="list-style-type: none"> • PIN ASM, 3/8" DIA x 1.8" - Large Loop
13	100702	2	<ul style="list-style-type: none"> • PLUG, Plastic Tube - 1-1/4" x 1-1/4"
14	103014	1	<ul style="list-style-type: none"> • GROMMET, Rubber - 5/8" x 7/8" x 1/8"
15	125580	4	<ul style="list-style-type: none"> • SPACER, Railing Retainer
16	139641	3	<ul style="list-style-type: none"> • POP RIVET, 1/4" x 0.615" - AL SM FLG DM HD O-END
17	132042	4	<ul style="list-style-type: none"> • POP RIVET, 1/4" x 0.630" - AL SM FLG DM HD C-END
18	119913	4	<ul style="list-style-type: none"> • P RIVET 5/32 X 0.415, AL SM FLG DM HD O=END
19	112329	4	<ul style="list-style-type: none"> • BOLT, Self Tapping - 1/4"-14 x 1"
20	127437	8	<ul style="list-style-type: none"> • CARRIAGE BOLT, 5/16"-18 x 2" Gr. 5
21	103991	4	<ul style="list-style-type: none"> • WASHER, Flat #8
22	103995	1	<ul style="list-style-type: none"> • WASHER, Flat - 1/4"
23	103984	8	<ul style="list-style-type: none"> • NUT, Nylon Lock - 5/16"-18 Gr. 5

1.7 Extension Railing

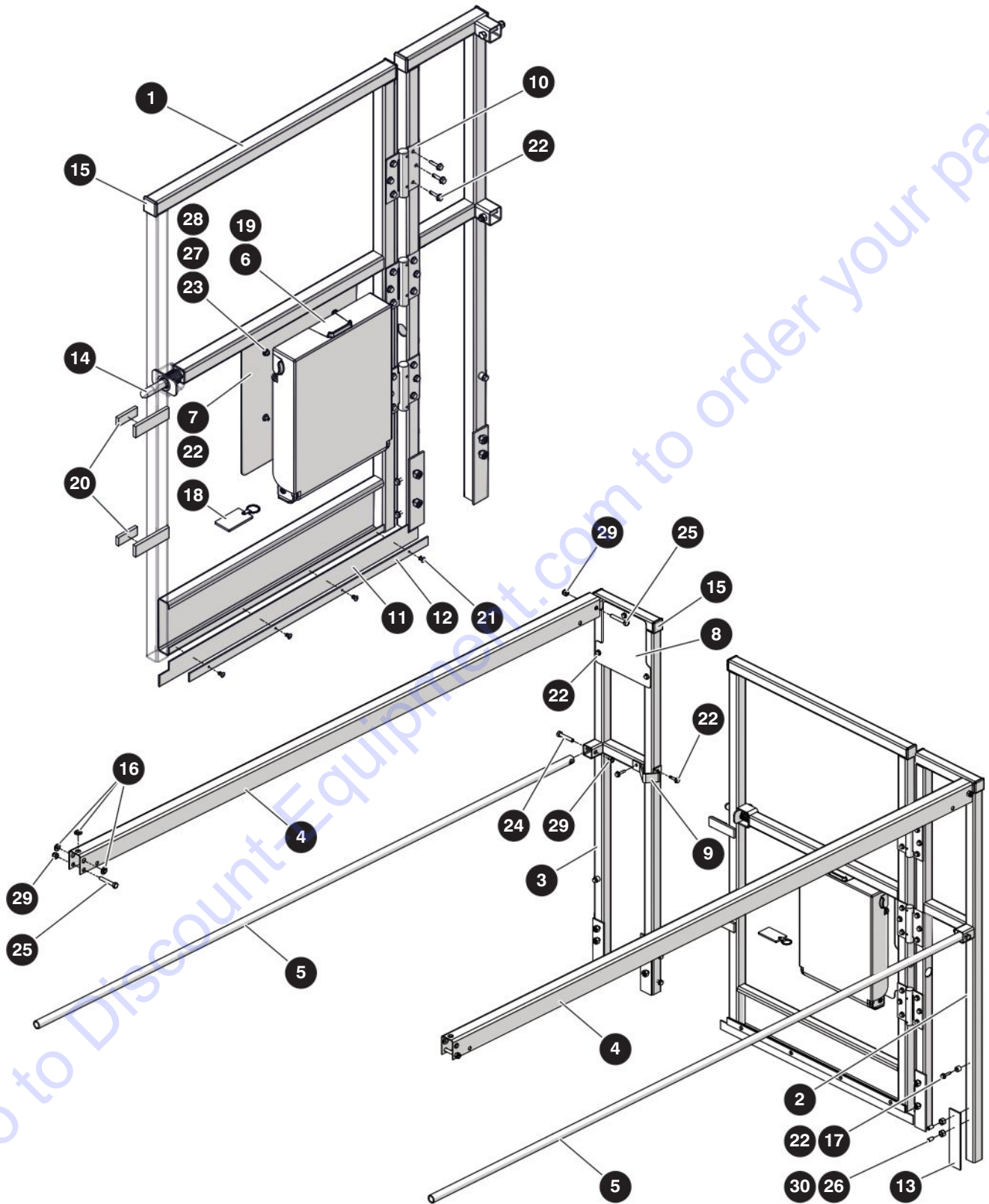


M195695AD_M207505AD_Rails

1.7 Extension Railing

Index No.	Skyjack Part No.	Qty.	Description
A	198695	1	EXTENSION RAILING - SJ3220/26 - 3'
B	199704	1	EXTENSION RAILING - SJ3220 POWERDECK - 6'
C	207441	1	EXTENSION RAILING - SJ4720/26/32 - 4'
D	207505	1	EXTENSION RAILING - SJ4726 POWERDECK - 6'
1	213657	1	• RAILING, Extension Deck - Lower, A, B
	216128	1	• RAILING, Extension Deck - Lower, C, D
2	213658	1	• RAILING, Extension Deck - Upper, A, B
	216129	1	• RAILING, Extension Deck - Upper, C, D
3	199414	2	• HANDRAIL, Extension Deck - 3', A
	228080	2	• HANDRAIL, Extension Deck - 6', B, D
	207516	2	• HANDRAIL, Extension Deck - 4', C
4	198789	1	• MANUAL BOX
5	199482	1	• PLATE, Info/Warning/Manual Box
6	103796	2	• TUBE, Round - Extension Deck Midrail, A
	106394	2	• TUBE, Round - Extension Deck Midrail, B, D
	130347	2	• TUBE, Round - Extension Deck Midrail, C
7	106950	2	• PLATE, Retainer - Extension Deck Rail
8	100702	4	• PLUG, Plastic Tube - 1-1/4" x 1-1/4"
9	103550	6	• PLUG, Handrail Slide
10	114710	1	• RING, Key - Skyjack
11	207981	1	• BAG, Resealable - 12" x 9" x 0.002"
12	216211	4	• PIN ASM, 3/8" DIA x 1.8" - Small Loop
13	216212	2	• PIN ASM, 3/8" DIA x 1.8" - Large Loop
14	103873	2	• BOLT, Hex Head - 3/8"-16 x 2-1/2" Gr. 5
15	138464	4	• BOLT, Hex Head - 3/8"-16 x 5/8" Gr. 5
16	103865	2	• BOLT, Hex Head Zinc - 5/16"-18 x 2" Gr. 5, A, C
17	103885	2	• BOLT, Hex Head - 5/16"-18 x 1-3/4" Gr. 5
18	112329	4	• BOLT, Self Tapping - 1/4"-14 x 1"
19	112327	4	• BOLT, Self Tapping - #8-18 x 1/2"
20	103962	4	• SCREW, Round Head Machine - #10-32 x 1/2"
21	103472	4	• WASHER, Flat - 3/8"
22	104694	4	• WASHER, Flat - #10
23	104606	2	• NUT, Nylon Lock - 3/8"-16 Gr. 5
24	108575	4	• NUT, Hex Head Jam - 3/8"-16 Gr. 5
25	103984	4	• NUT, Nylon Lock - 5/16"-18 Gr. 5
26	130017	4	• NUT, Keps - #10-32 Zinc
27	103884	2	• BOLT, Hex Head Zinc - 5/16"-18 x 2-1/2" Gr. 5, B, D
28	199897	2	• SLIDER BUSHING, B, D
29	204054	4	• WASHER, Flat Nylon - 5/16", B, D
30	207341	4	• WASHER, Flat Fender - 5/16" x 1-1/4", B, D

1.8 Extension Railing and Front Gate - Aircraft Option



M213332AB

223197ABA

26

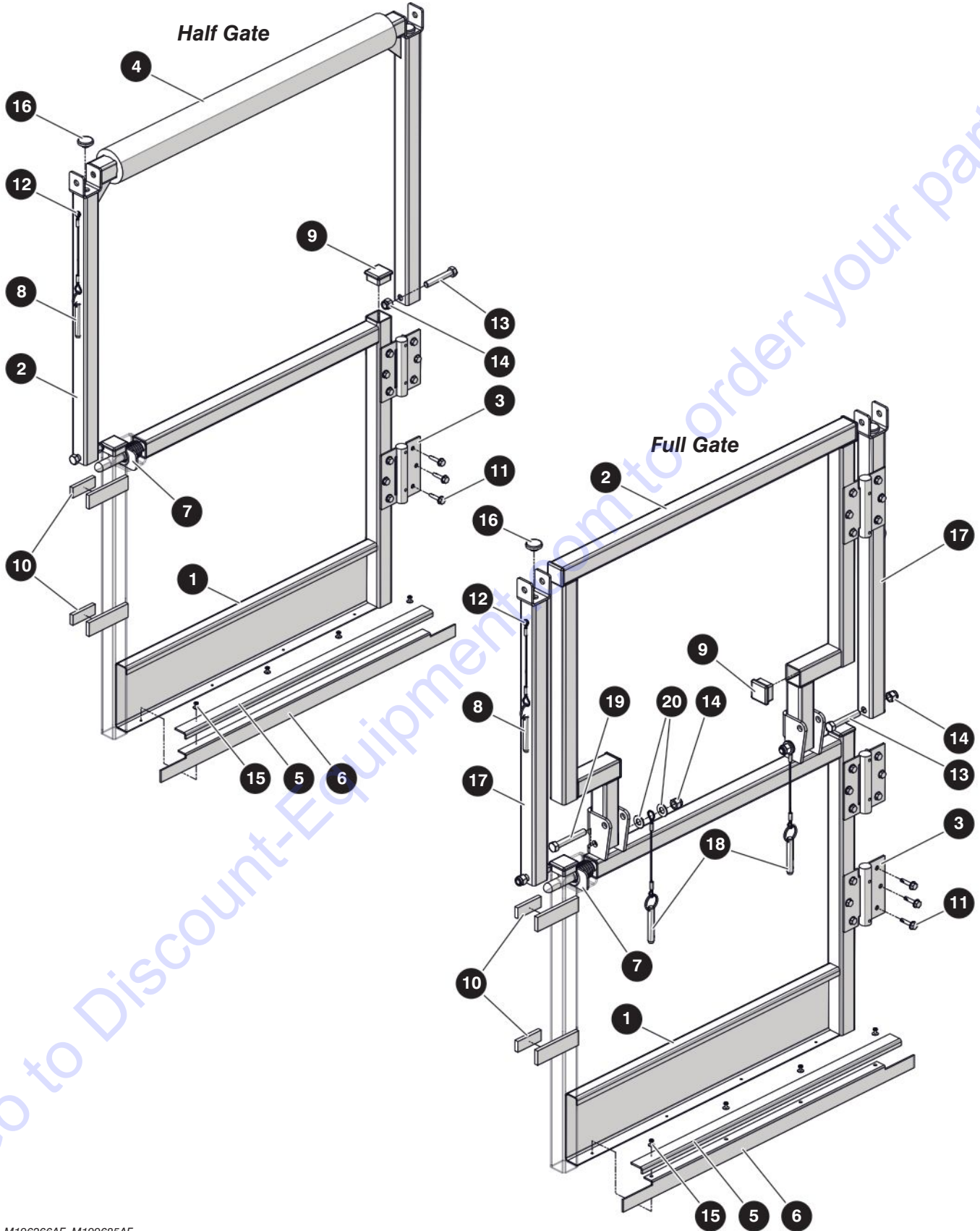
SJ3220, SJ3226, SJ4720, SJ4726, SJ4732

SKYJACK

1.8 Extension Railing and Front Gate - Aircraft Option

Index No.	Skyjack Part No.	Qty.	Description
-	213332	1	EXTENSION DECK WITH FRONT GATE <i>(only for machines with the Aircraft Option)</i>
1	220775	1	• FRONT GATE
2	220052	1	• RAILING, Control Box Side
3	146536	1	• RAILING, Rigid
4	125561	2	• HANDRAIL, Extension Deck
5	106394	2	• TUBE, Round - Extension Deck Midrail
6	198789	1	• MANUAL BOX
7	199482	1	• PLATE, Info/Warning/Manual Box
8	161609	1	• PLATE, Gate Warning Label
9	110693	1	• PLATE, Stop Gate Latch
10	209527	3	• SPRING HINGE
11	216867	1	• PLATE, Rubber Clamp
12	216868	1	• RUBBER STRIP
13	106950	4	• PLATE, Retainer - Extension Deck Rail
14	(Ref.)	-	• GATE LATCH <i>(For components, refer to Section 1.12 Gate)</i>
15	100702	6	• PLUG, Plastic Tube - 1-1/4" X 1-1/4"
16	103550	6	• HANDRAIL, Slide Plug
17	125580	2	• SPACER, Railing Retainer
18	114710	1	• RING, Key - Skyjack
19	207981	1	• BAG, Resealable - 12" x 9" x 0.002"
20	103628	4	• RUBBER, Self-Seal
21	119945	4	• POP RIVET, 1/8" x 0.390" - AL LG FLG HD O-END
22	112329	33	• BOLT, Self Tapping - 1/4"-14 x 1"
23	103962	4	• SCREW, Round Head Machine - #10-32 x 1/2"
24	103885	2	• BOLT, Hex Head - 5/16"-18 x 1-3/4" Gr. 5
25	103865	4	• BOLT, Hex Head Zinc - 5/16"-18 x 2" Gr. 5
26	104625	8	• SET SCREW, Cup - 3/8"-16 x 5/8"
27	104694	4	• WASHER, Flat - #10
28	130017	4	• NUT, Keps - #10-32 ZN
29	103984	6	• NUT, Nylon Lock - 5/16"-18 Gr. 5
30	103978	8	• NUT, Hex - 3/8"-16 Gr. 5
-	(Ref.)	-	INTERLOCKS SUBGROUP (Not Shown) <i>(For components, refer to Section 6.15 Interlocks)</i>

1.9 Rear Gates - SJ3220/26

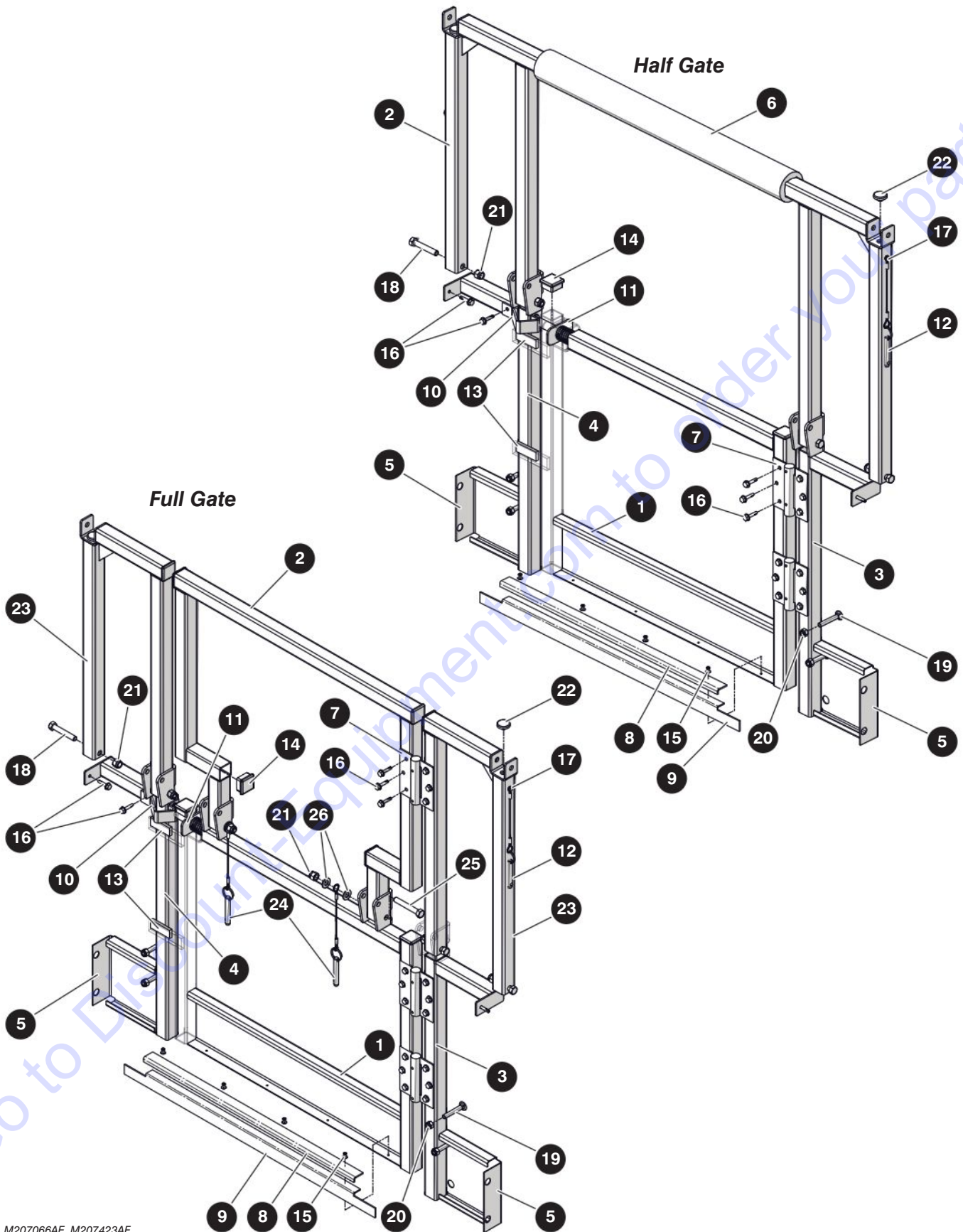


M196266AE_M199685AF

1.9 Rear Gates - SJ3220/26

Index No.	Skyjack Part No.	Qty.	Description
A	196226	1	HALF REAR GATE
B	199685	1	FULL REAR GATE
1	226475	1	• HALF GATE, Lower, A
	226476	1	• FULL GATE, Lower- Folding, B
2	213670	1	• HALF GATE, Upper, A
	213677	1	• FULL GATE, Upper, B
3	209527	2	• SPRING HINGE, A
	209527	3	• SPRING HINGE, B
4	104183	24.5"	• PADDING, Entry Railing, A
5	119942	1	• PLATE, Gate Clamp
6	119940	1	• RUBBER STRIP, A
	119941	1	• RUBBER STRIP, B
7	(Ref.)	-	• GATE LATCH <i>(For components, refer to Section 1.12 Gate)</i>
8	216211	2	• PIN, 3/8" DIA x 1.8" - Small Loop, A
9	100702	2	• PLUG, Plastic Tube - 1-1/4" X 1-1/4", A
	100702	6	• PLUG, Plastic Tube - 1-1/4" X 1-1/4", B
10	103628	2	• RUBBER, Self-Seal
11	112329	12	• BOLT, Self Tapping - 1/4"-14 x 1", A
	112329	18	• BOLT, Self Tapping - 1/4"-14 x 1", B
12	112327	2	• BOLT, Self Tapping - #8-18 x 1/2"
13	103872	2	• BOLT, Hex Head - 3/8"-16 x 2-1/4" Gr. 5
14	104606	2	• NUT, Nylon Lock - 3/8"-16 Gr. 5, A
	104606	4	• NUT, Nylon Lock - 3/8"-16 Gr. 5, B
15	119945	4	• POP RIVET, 1/8" x 0.390" - AL LG FLG HD O-END
16	216617	2	• SPACER, Gate Railing
17	213675	2	• RAILING, Full Gate Support, B
18	216212	2	• PIN, 3/8" DIA x 1.8" - Large Loop, B
19	103873	2	• BOLT, Hex Head - 3/8"-16 x 2-1/2" Gr. 5, B
20	103472	4	• WASHER, Flat - 3/8", B

1.10 Rear Gates - SJ4720/26/32

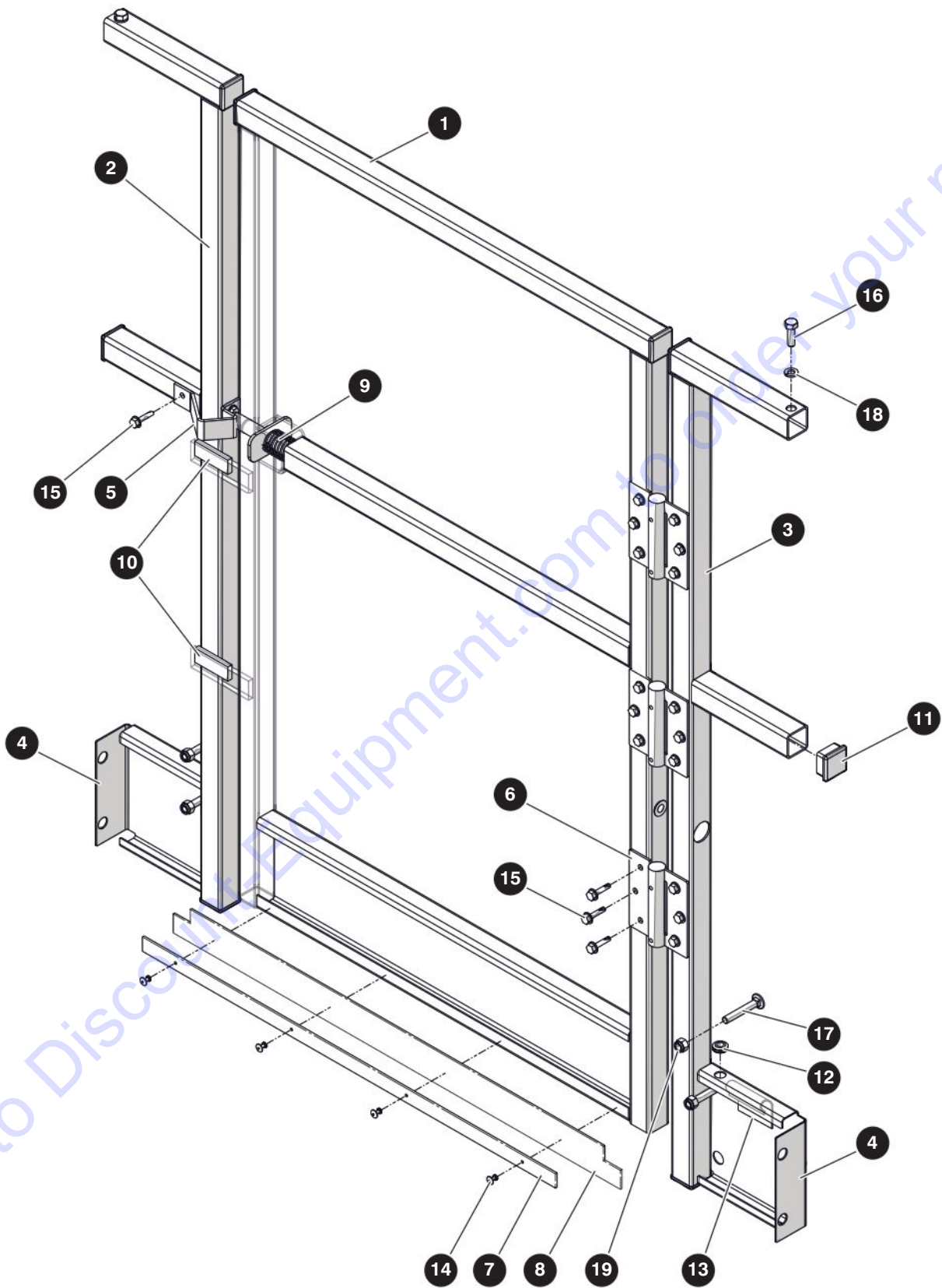


M207066AE_M207423AF

1.10 Rear Gates - SJ4720/26/32

Index No.	Skyjack Part No.	Qty.	Description
A	207066	1	HALF REAR GATE
B	207423	1	FULL REAR GATE
1	226475	1	• HALF GATE, Lower, A
	226476	1	• FULL GATE, Lower - Folding, B
2	216135	1	• HALF GATE, Upper, A
	213677	1	• FULL GATE, Upper, B
3	216133	1	• RAILING, Gate - Manual Box Side
4	213134	1	• RAILING, Gate - Control Box Side
5	128719	2	• KICK PLATE, End Entrance
6	104183	25"	• PADDING, Entry Railing, A
7	209527	2	• SPRING HINGE, A
	209527	3	• SPRING HINGE, B
8	119942	1	• PLATE, Gate Clamp
9	119940	1	• RUBBER STRIP
10	110693	1	• PLATE, Stop Gate Latch
11	(Ref.)	-	• GATE LATCH <i>(For components, refer to Section 1.12 Gate)</i>
12	216211	2	• PIN, 3/8" DIA x 1.8" - Small Loop
13	103628	4	• RUBBER, Self-Seal
14	100702	2	• PLUG, Plastic Tube - 1-1/4" X 1-1/4", A
	100702	8	• PLUG, Plastic Tube - 1-1/4" X 1-1/4", B
15	119945	4	• POP RIVET, 1/8" x 0.390" - AL LG FLG HD O-END
16	112329	16	• BOLT, Self Tapping - 1/4"-14 x 1", A
	112329	22	• BOLT, Self Tapping - 1/4"-14 x 1", B
17	112327	2	• BOLT, Self Tapping - #8-18 x 1/2"
18	103872	4	• BOLT, Hex Head - 3/8"-16 x 2-1/4" Gr. 5
19	127437	4	• CARRIAGE BOLT, 5/16"-18 x 2" Gr. 5
20	103984	4	• NUT, Nylon Lock - 5/16"-18 Gr. 5
21	104606	4	• NUT, Nylon Lock - 3/8"-16 Gr. 5, A
	104606	6	• NUT, Nylon Lock - 3/8"-16 Gr. 5, B
22	216617	2	• SPACER, Gate Railing
23	216137	2	• RAILING, Upper, B
24	216212	2	• PIN, 3/8" DIA x 1.8" - Large Loop, B
25	103873	2	• BOLT, Hex Head - 3/8"-16 x 2-1/2" Gr. 5, B
26	103472	4	• WASHER, Flat - 3/8", B

1.11 Full Rear Gate - Aircraft Option



M213333AB

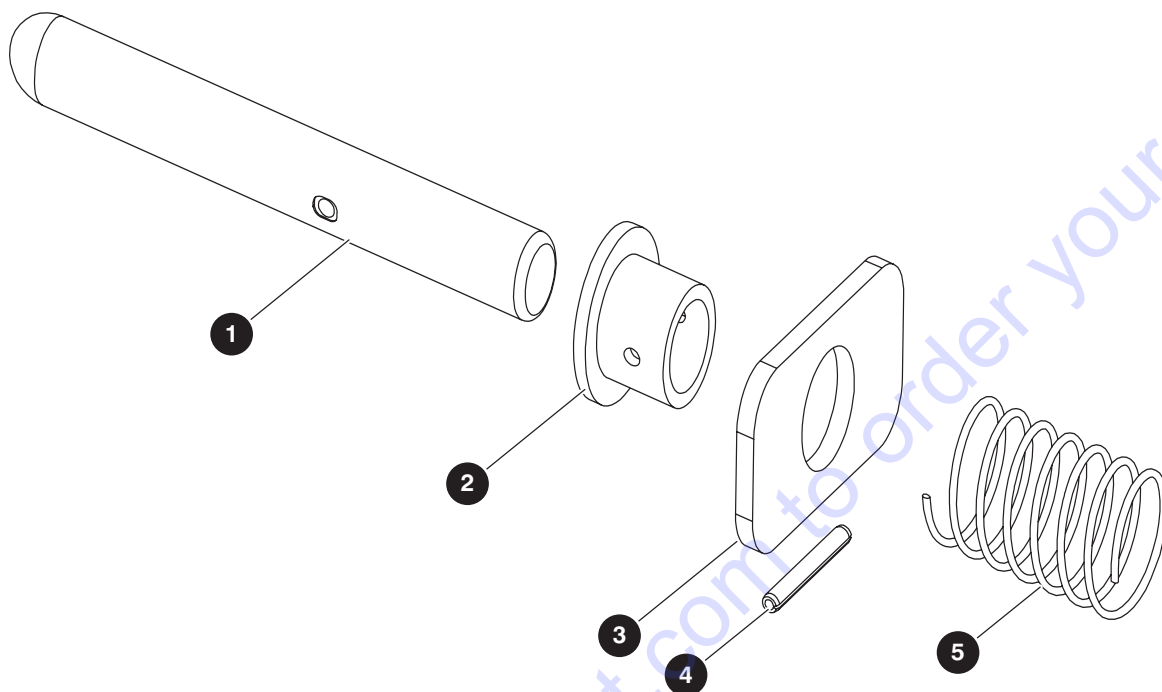
223197ABA

SJ3220, SJ3226, SJ4720, SJ4726, SJ4732

1.11 Full Rear Gate - Aircraft Option

Index No.	Skyjack Part No.	Qty.	Description
-	213333	1	FULL REAR GATE, ACPP <i>(only for machines with the Aircraft Protection)</i>
1	220775	1	• GATE
2	146539	1	• RAILING, End Entrance - Full Gate
3	212169	1	• RAILING, Gate - Manual Box Side
4	128719	2	• KICKPLATE, End Entrance
5	110693	1	• PLATE, Stop Gate Latch
6	209527	3	• SPRING HINGE
7	216867	1	• PLATE, Rubber Clamp
8	216868	1	• RUBBER STRIP
9	(Ref.)	-	• GATE LATCH <i>(For components, refer to Section 1.12 Gate)</i>
10	103628	4	• RUBBER, Self-Seal
11	100702	8	• PLUG, Plastic Tube - 1-1/4" X 1-1/4"
12	100616	1	• GROMMET, Rubber - 5/16" x 9/16" x 1/8"
13	108791	1	• CLIP, Cord - Adhesive Back
14	119945	4	• POP RIVET, 1/8" x 0.390" - AL LG FLG HD O-END
15	112329	20	• BOLT, Self Tapping - 1/4"-14 x 1"
16	103864	2	• BOLT, Hex Head Zinc - 5/16"-18 x 1" Gr. 5
17	127437	4	• CARRIAGE BOLT, 5/16"-18 x 2" Gr. 5
18	103404	2	• WASHER, Lock - 5/16"
19	103984	4	• NUT, Nylon Lock - 5/16"-18 Gr. 5

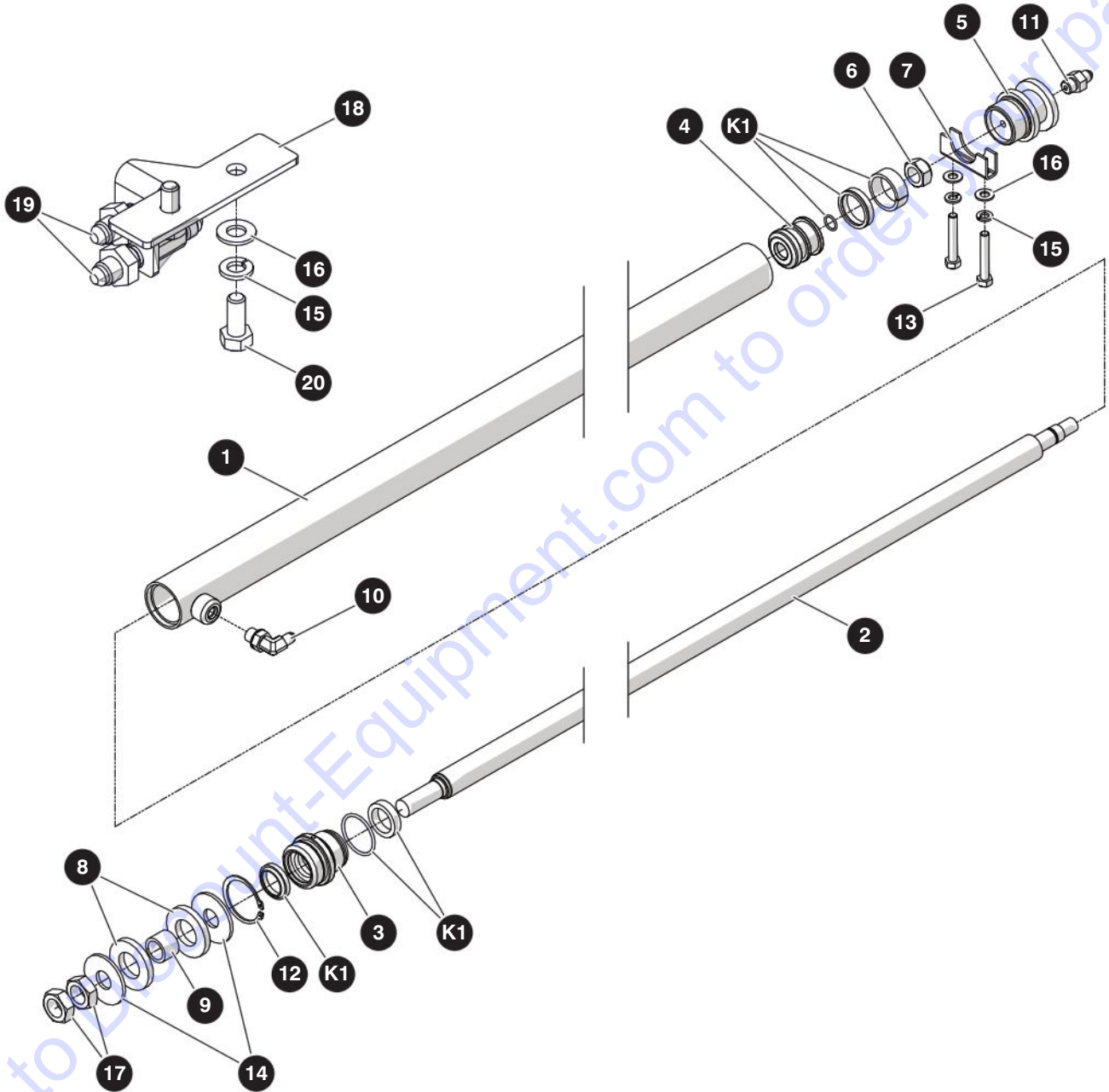
1.12 Gate Latch



M10160AA

Index No.	Skyjack Part No.	Qty.	Description
-	110824	-	GATE LATCH
1	109377	1	• PIN, Latch
2	105312	1	• GUIDE, Nylon Spring
3	105307	1	• PLATE, Gate Latch Release
4	100950	1	• PIN, Spring - 1/8" x 1"
5	103107	1	• SPRING, Compression

1.13 Powerdeck Cylinder



M213333AB

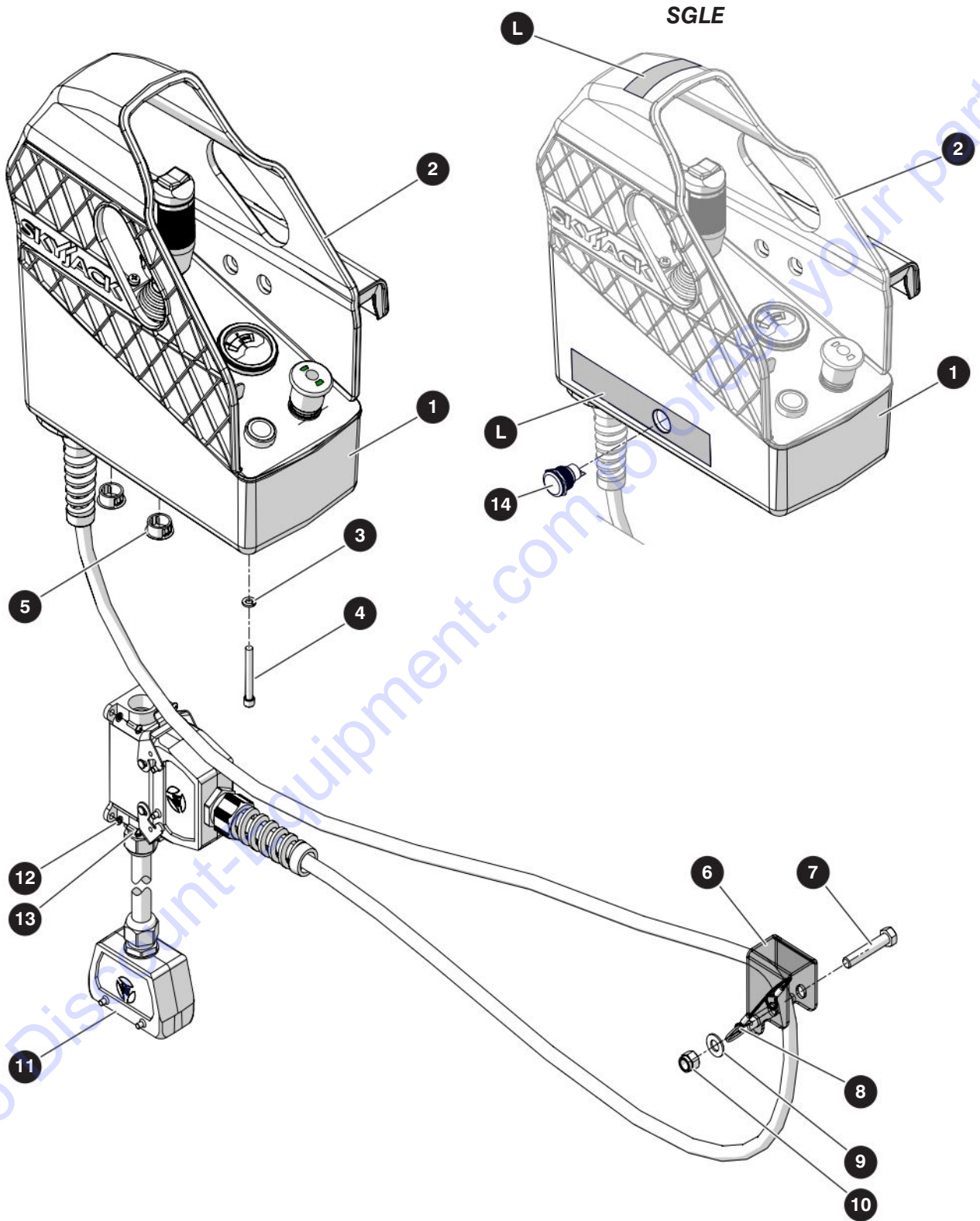
223197ABA

SJ3220, SJ3226, SJ4720, SJ4726, SJ4732

1.13 Powerdeck Cylinder

Index No.	Skyjack Part No.	Qty.	Description
A	199748	1	POWERDECK CYLINDER - SJ3220
B	207499	1	POWERDECK CYLINDER - SJ4726 <i>(including machines with the Aircraft Option)</i>
-	159239	1	• CYLINDER, Powerdeck, A
	159239	2	• CYLINDER, Powerdeck, B
1	163845	1	• • CYLINDER BARREL
2	163846	1	• • ROD
3	161796	1	• • PISTON
4	125698	1	• • GLAND
5	161748	1	• • END CAP
6	103830	1	• • NUT, Hex Head - 5/18"-11 Gr. C
7	113653	1	• PIPE CLAMP, Exhaust - 1-1/8" x Plate Width 5/8", A
	113653	2	• PIPE CLAMP, Exhaust - 1-1/8" x Plate Width 5/8", B
8	113305	2	• NOISE INSULATOR, Hydraulic Extension Deck, A
	113305	4	• NOISE INSULATOR, Hydraulic Extension Deck, B
9	125664	1	• SPACER, Hydraulic Extension Deck, A
	125664	2	• SPACER, Hydraulic Extension Deck, B
10	129127	1	• FITTING, Hydraulic - 4-6 O-Ring 90 Degree Elbow, A
	129127	2	• FITTING, Hydraulic - 4-6 O-Ring 90 Degree Elbow, B
11	701956	1	• FITTING, 6 SAE To -4 JIC, A
	701956	2	• FITTING, 6 SAE To -4 JIC, B
12	106446	1	• RING, Retaining - #N1400-0175, A
	106446	2	• RING, Retaining - #N1400-0175, B
13	103865	2	• BOLT, Hex Head Zinc - 5/16"-18 x 2" Gr. 5, A
	103865	4	• BOLT, Hex Head Zinc - 5/16"-18 x 2" Gr. 5, B
14	212940	2	• WASHER, Flat - 0.824" ID x 2.012" OD x 0.199" Zinc Hard, A
	212940	4	• WASHER, Flat - 0.824" ID x 2.012" OD x 0.199" Zinc Hard, B
15	103404	2	• WASHER, Lock - 5/16", A
	103404	6	• WASHER, Lock - 5/16", B
16	103996	2	• Washer Flat - 5/16", A
	103996	6	• Washer Flat - 5/16", B
17	106450	2	• NUT, Hex Head Jam - 3/4"-16 Gr. 5, A
	106450	4	• NUT, Hex Head Jam - 3/4"-16 Gr. 5, B
18	160482	1	• BRACKET, Bulkhead Fitting, B
19	160483	2	• FITTING, Hydraulic - 04BH04MJ04MJ, B
20	103887	2	• BOLT, Hex Head - 5/16"-18 x 3/4" Gr. 5, B
K1	159256	AR	KIT, Seal Repair

1.14 Platform Control Box



M123456AA

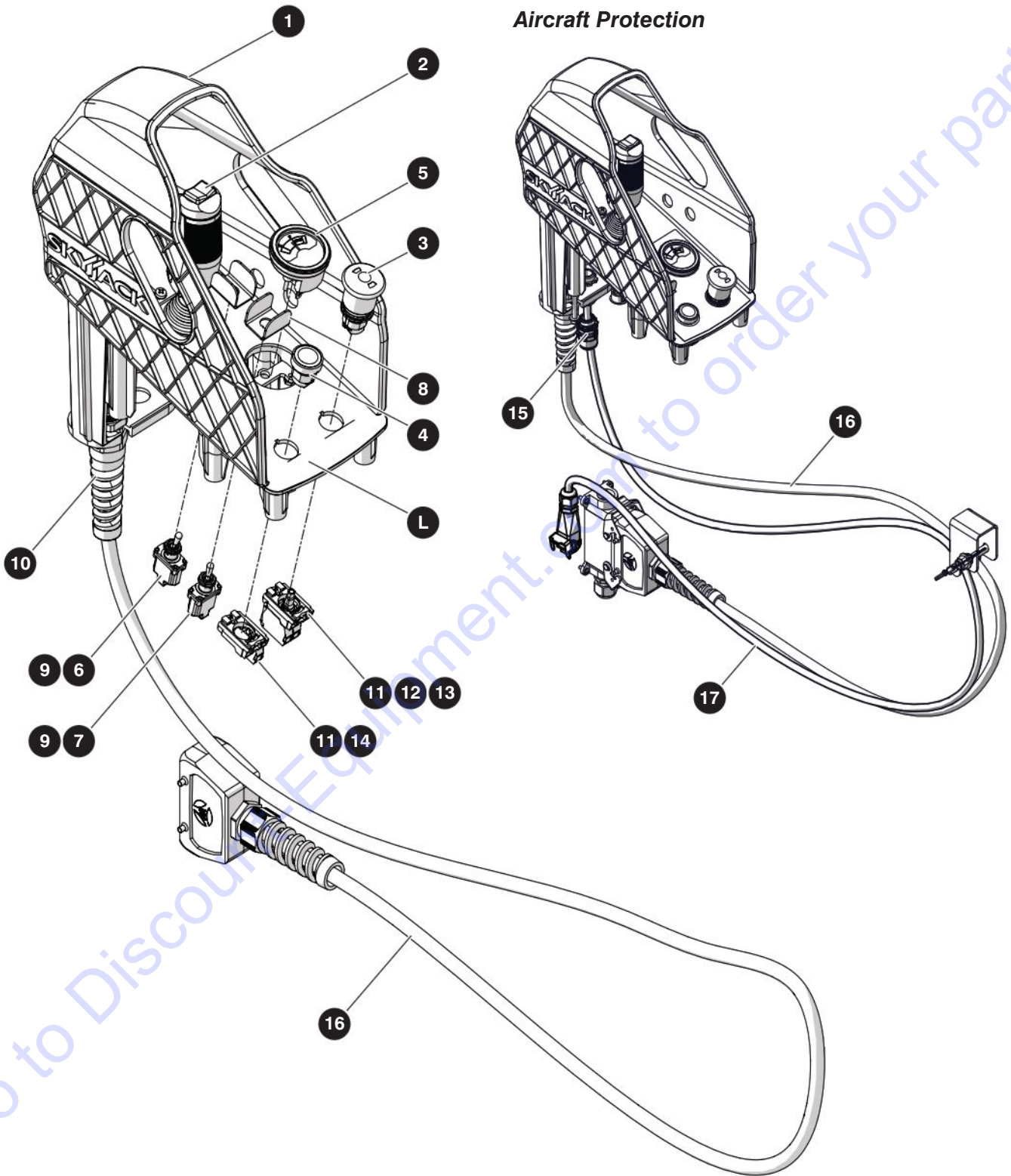
223197ABA

SJ3220, SJ3226, SJ4720, SJ4726, SJ4732

1.14 Platform Control Box

Index No.	Skyjack Part No.	Qty.	Description
A	220971	1	PLATFORM CONTROL BOX
B	220961	1	PLATFORM CONTROL BOX - SGLE
C	216641	1	PLATFORM CONTROL BOX - ACPP <i>(only for machines with the Aircraft Protection)</i>
-	212637	1	• CONTROL BOX, A
	220963	1	• CONTROL BOX, SGLE, B
	213837	1	• CONTROL BOX, Aircraft Protection, C
1	196205	1	• • BASE, Control Box, A, C
	220964	1	• • BASE, Control Box - SGLE, B
2	(Ref.)	1	• • CONTROL BOX COVER <i>(For components, refer to Section 1.15 Control)</i>
3	221193	6	• • WASHER, Flat - #10 - Zinc Plated
4	103943	6	• • SCREW, SHC - 1/4"-20 x 2"
5	102956	2	• • PLUG, Snap-in - 7/8" Hole
6	158209	1	• RAILING CLAMP, Control Cable
7	103596	1	• BOLT, Hex Hd - 3/8"-16 x 2" Gr. 5
8	216212	1	• PIN ASM, Quick Release - Large Loop
9	103472	1	• WASHER, Flat - 3/8"
10	104606	1	• NUT, Nylon Lock - 3/8"-16 Gr. 5
11	(Ref.)	1	• CONTROL CABLE ASM, 16 PIN - 55' <i>(For components, refer to Section 6.8 Control)</i>
12	112249	4	• WASHER, Lock - #8
13	103957	4	• SCREW, Round Hd Machine - #8-32 X 1/2"
-	220960	-	• SWITCH ASM, With Harness, B
14	220494	1	• • SWITCH, Pushbutton - Anti-Vandal, B
L	(Ref.)	-	• LABELS, SGLE, B <i>(For components, refer to Section 9.2 Labels)</i>

1.15 Control Box Cover



M212628AB

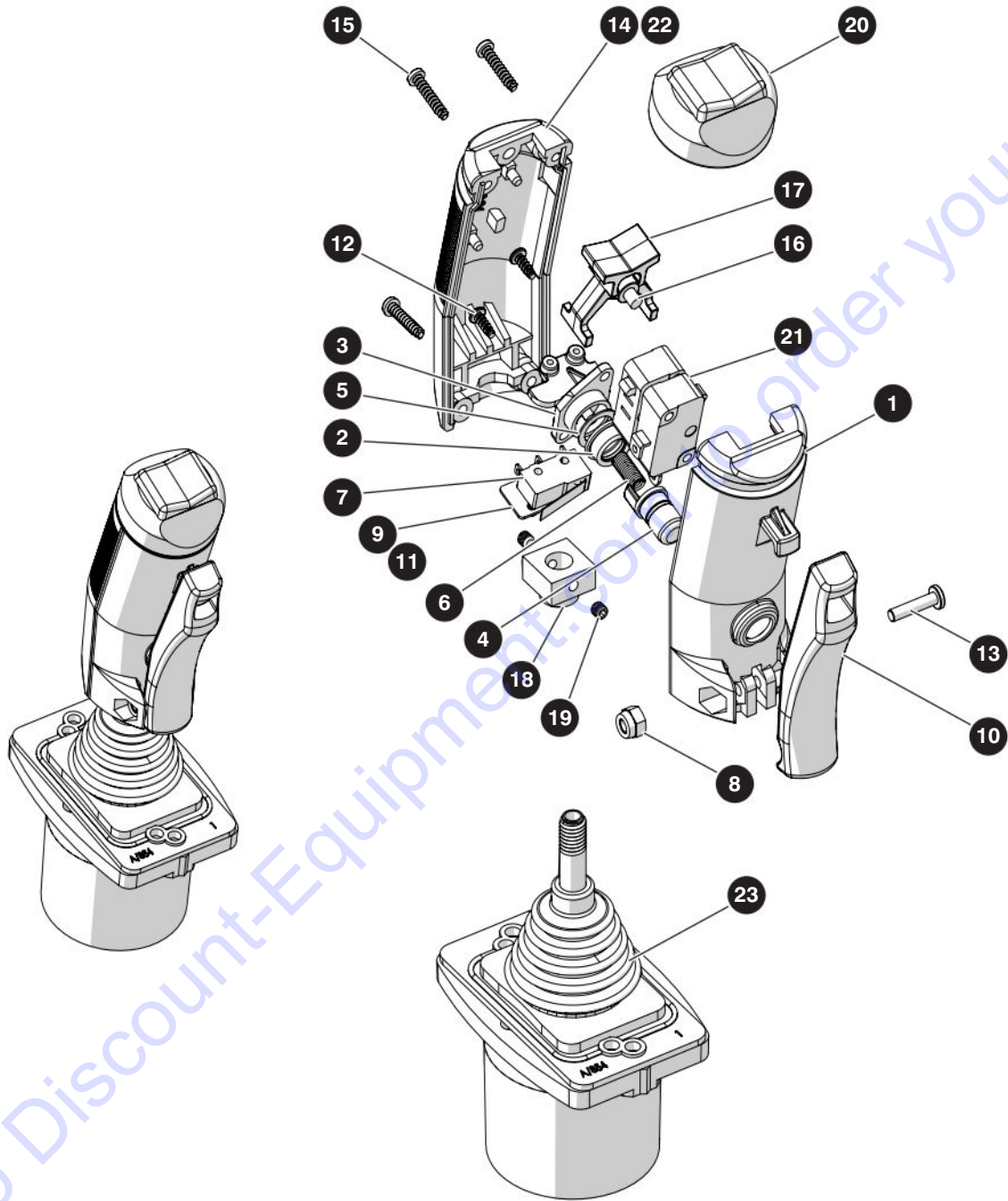
223197ABA

SJ3220, SJ3226, SJ4720, SJ4726, SJ4732

1.15 Control Box Cover

Index No.	Skyjack Part No.	Qty.	Description
A	212628	1	CONTROL BOX COVER GROUP - STANDARD
B	220966	1	CONTROL BOX COVER GROUP - SGLE
C	213838	1	CONTROL BOX COVER GROUP - ACPP <i>(for machines with the Aircraft Protection)</i>
1	196206	1	• COVER, Control Box
2	(Ref.)	1	• JOYSTICK, 5V Single Axis w/ Rocker <i>(For components, refer to Section 1.16 Joystick)</i>
3	147051	1	• EMERGENCY STOP HEAD
4	147058	1	• PUSHBUTTON HEAD, Black
5	122093	1	• INDICATOR, Battery Charge
6	115574	1	• SWITCH, Toggle - 1NT1-2
7	207741	1	• SWITCH, Toggle - 1 Pole 3 Position
8	111181	2	• GUARD, Toggle Switch
9	144016	2	• SEAL, Toggle Switch Panel Bushing
10	196141	1	• CORDGRIP, Flexible Liquid Tight
11	147056	2	• LATCH
12	147061	1	• LED BLOCK, Red - 24V
13	147053	1	• CONTACT BLOCK, Normally Closed
14	147054	1	• CONTACT BLOCK, Normally Open
15	103036	1	• CONNECTOR, Strain Relief - 1/2" NPT, C
16	(Ref.)	1	• PLATFORM CONTROL CABLE, A <i>(For components, refer to Section 6.3 Platform)</i>
	(Ref.)	1	• PLATFORM CONTROL CABLE - SGLE, B <i>(For components, refer to Section 6.4 Platform)</i>
	(Ref.)	1	• PLATFORM CONTROL CABLE - ACPP, C <i>(For components, refer to Section 6.5 Platform)</i>
17	(Ref.)	1	• INTERLOCK HARNESS, C <i>(For components, refer to Section 6.15 Interlocks)</i>
L	(Ref.)	1	• LABEL, Platform Control Box <i>(For components, refer to Section 9.2 Labels)</i>

1.16 Joystick



M211751AB

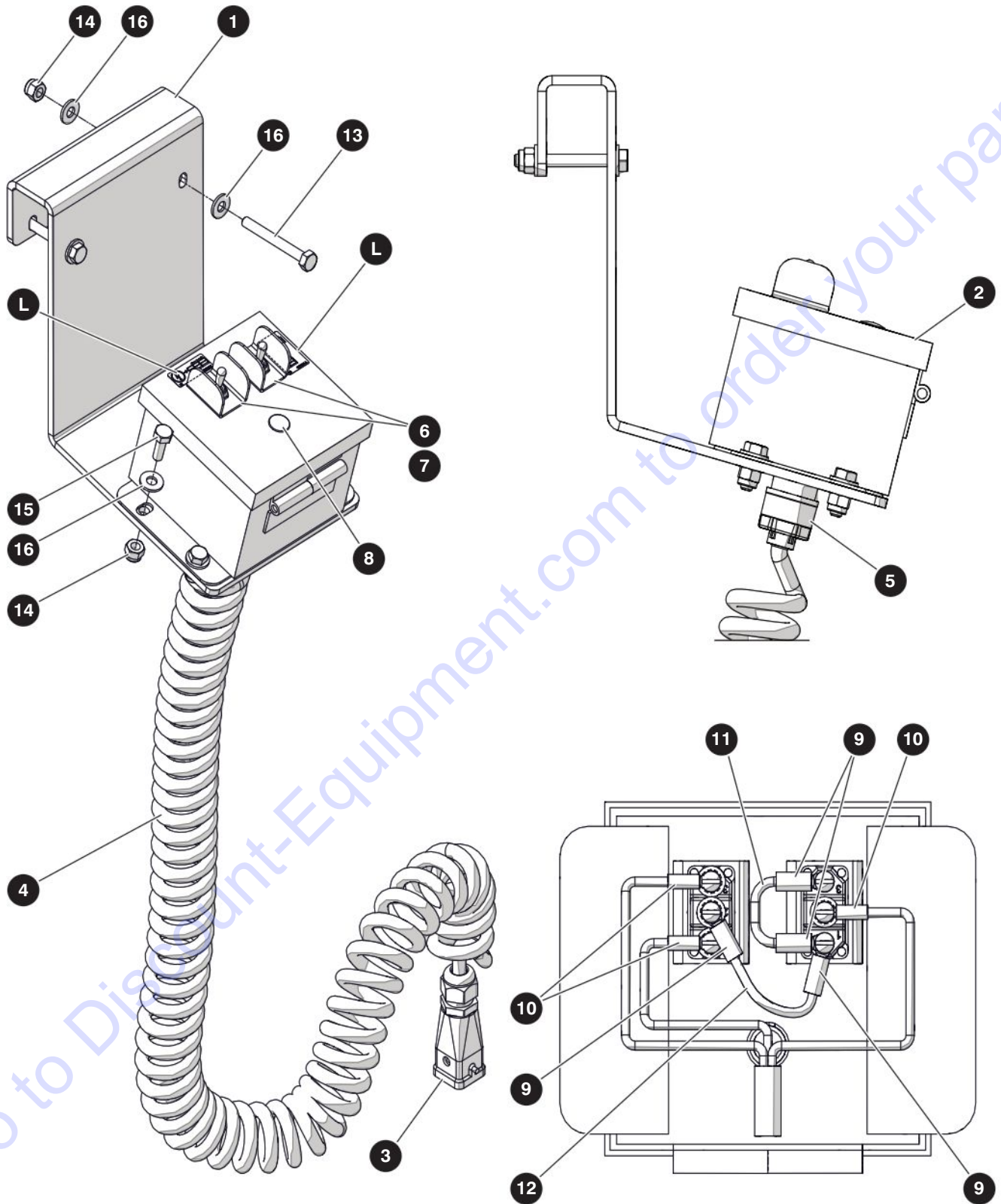
223197ABA

SJ3220, SJ3226, SJ4720, SJ4726, SJ4732

1.16 Joystick

Index No.	Skyjack Part No.	Qty.	Description
-	211751	1	JOYSTICK
1	159057	1	• HANDLE, Front Half
2	159062	1	• BOOT, Plunger Switch
3	159060	1	• HOLDER, Micro Switch
4	159061	1	• SWITCH, Plunger
5	159063	1	• WASHER
6	159064	1	• SPRING
7	159067	1	• SWITCH, Micro Lever - Enable
8	122964	1	• NUT, Controller Lever
9	159066	2	• SCREW, Plastite - #2-28 x 1/2"
10	159059	1	• LEVER, Trigger
11	159068	1	• INSULATOR, Micro
12	159065	1	• SCREW, Plastite - #4-20 x 5/16"
13	154718	1	• SCREW - #6-32 x 5/8"
14	159058	1	• HANDLE, Back Half
15	122879	4	• SCREW, Controller Handle
16	141341	1	• AXLE, Rocker
17	154717	1	• ROCKER
18	122961	1	• COUPLING - 8mm
19	122960	2	• SCREW, Set
20	122874	1	• BOOT, Rocker
21	159613	1	• ASSEMBLY, Rocker Micro - Left/Right Steer
22	159070	2	• GASKET, 4"
23	127179	1	• BOOT

1.17 Powerdeck Controls



M209556AD

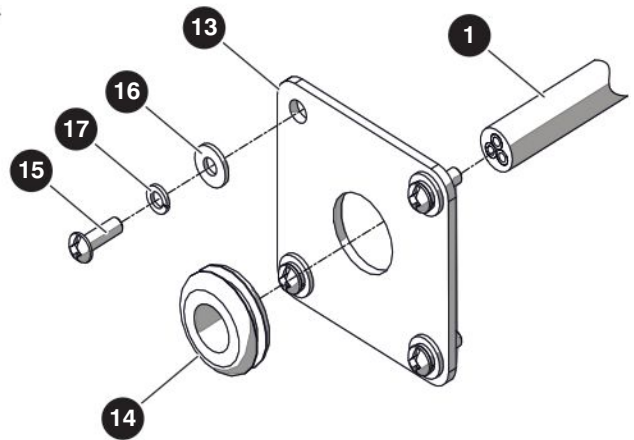
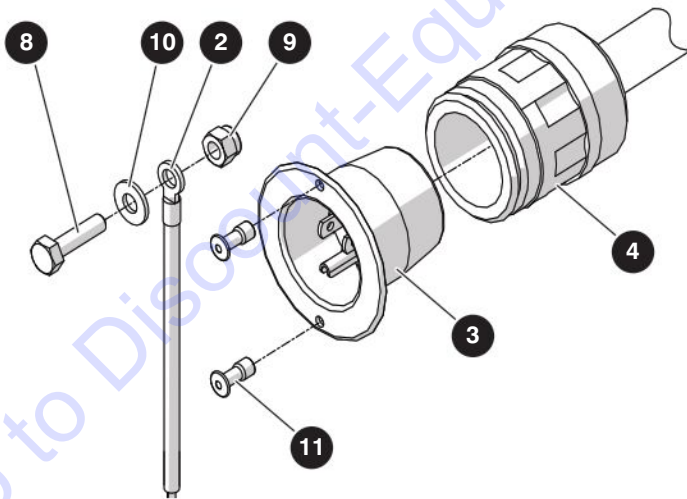
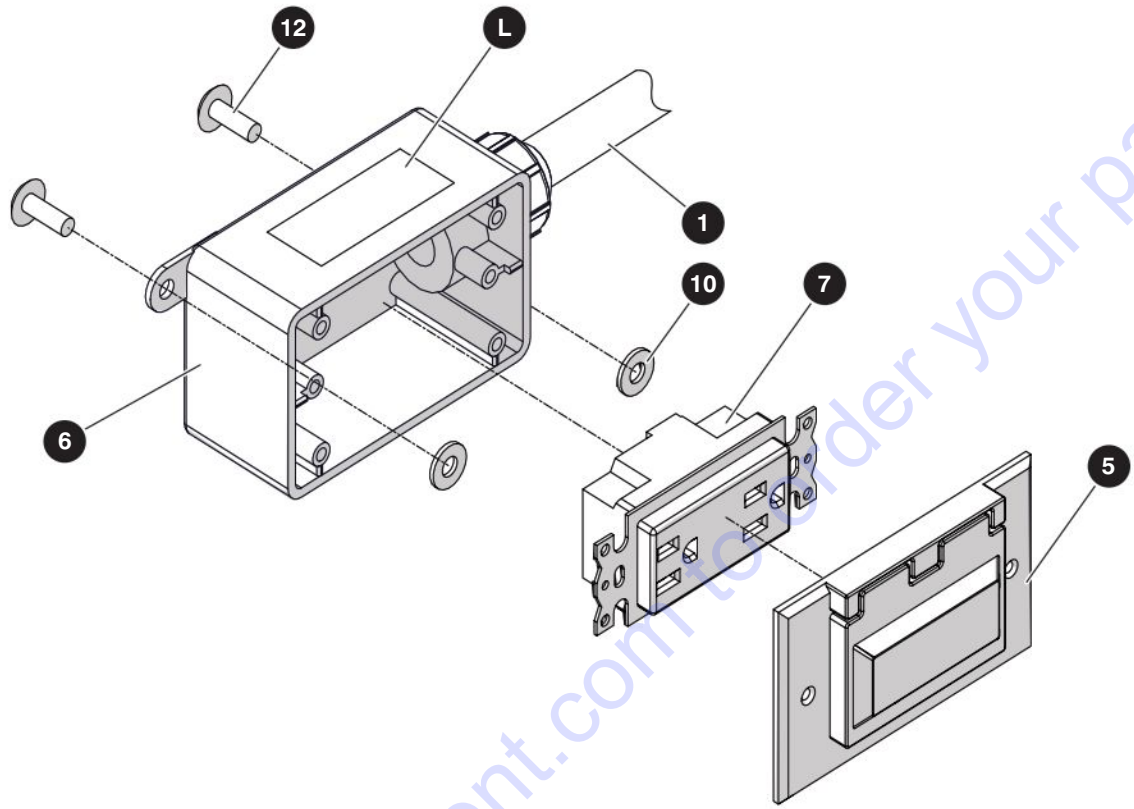
223197ABA

SJ3220, SJ3226, SJ4720, SJ4726, SJ4732

1.17 Powerdeck Controls

Index No.	Skyjack Part No.	Qty.	Description
-	209556	1	POWERDECK CONTROL BOX
1	212522	1	• PLATE, Support - Powerdeck
2	115539	1	• AUXILIARY, Control Box
3	107712	1	• CONNNECTOR, Cabtire - 5 Pin Male
4	207881	1	• CORD, Coiled - 18/3
5	103041	1	• STRAIN RELIEF, Connector - Blue
6	102853	2	• SWITCH, Toggle - 1Nt1-7
7	111181	2	• GUARD, Toggle Switch
8	114377	1	• PLUG, Snap In For 1/2 Hole
9	216792	4	• TERMINAL, #6 Ring - 14-16 Ga Blue
10	216658	3	• TERMINAL, #6 Ring - 18-22 Ga Red
11	104643	2	• WIRE, Purple/White Tew 16 Awg 26 Bc
12	104643	2.5	• WIRE, Purple/White Tew 16 Awg 26 Bc
13	103862	2	• BOLT, Hex Head - 1/4"-20 x 2-1/4" Gr. 5
14	115649	6	• NUT, Lock - 1/4"-20 Gr. 5 Nylon
15	103856	4	• BOLT, Hex Head Zinc - 1/4"-20 x 3/4" Gr. 5
16	103995	8	• WASHER, Flat - 1/4"
L	(Ref.)	1	<ul style="list-style-type: none"> LABEL <p><i>(For components, refer to Section 9.3 Labels)</i></p>

1.18 Platform A/C Outlet



M199865AB

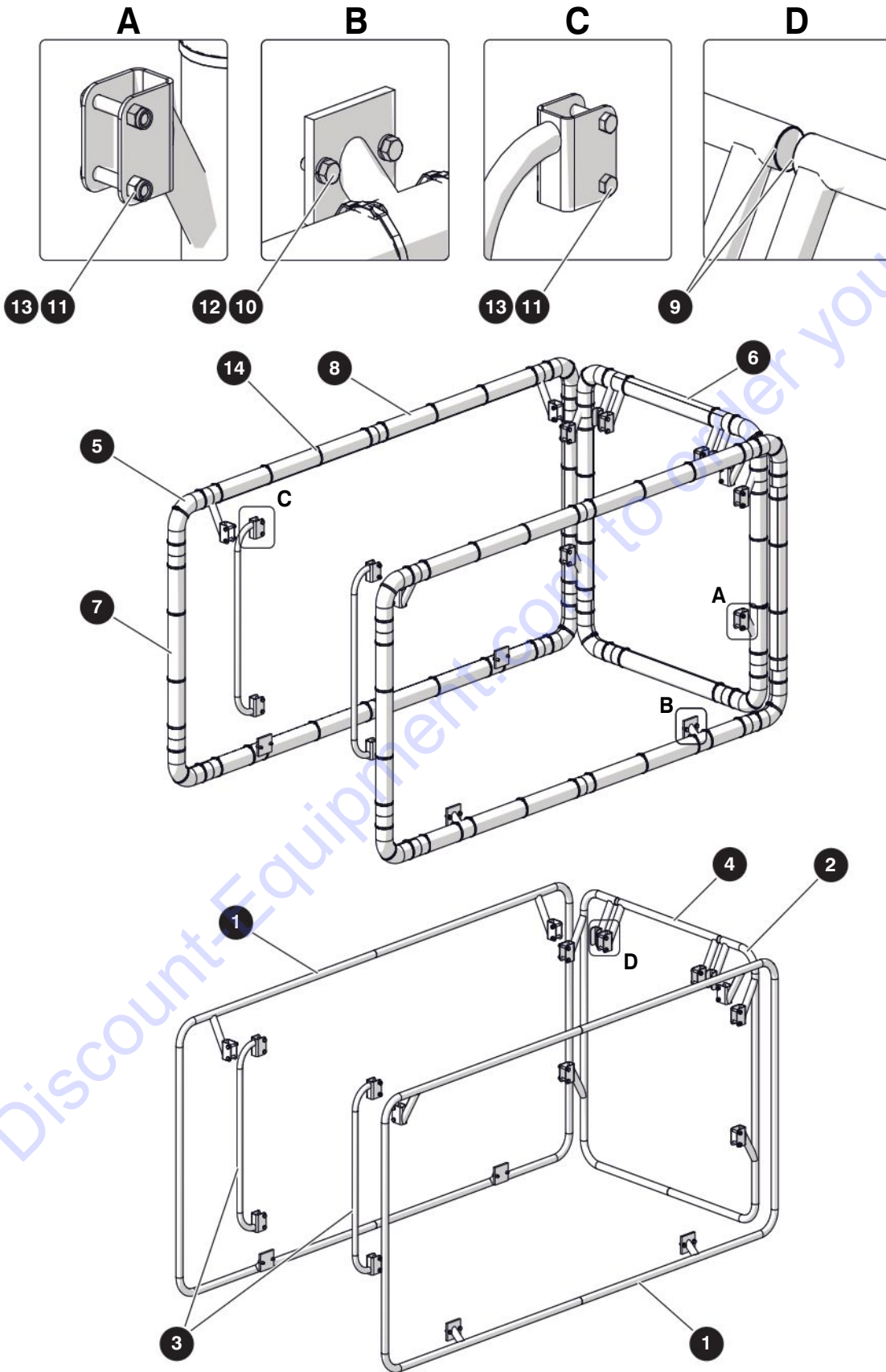
223197ABA

SJ3220, SJ3226, SJ4720, SJ4726, SJ4732

1.18 Platform A/C Outlet

Index No.	Skyjack Part No.	Qty.	Description
A	199865	-	PLATFORM A/C OUTLET - SJ3220 (ANSI/CSA)
B	223694	-	PLATFORM A/C OUTLET - SJ3220, SJ4720 (CE)
C	125633	-	PLATFORM A/C OUTLET - SJ3220, SJ4720 (AS & KC)
D	195963	-	PLATFORM A/C OUTLET - SJ3226, SJ4726 (ANSI/CSA including machines with the Aircraft Protection)
E	223695	-	PLATFORM A/C OUTLET - SJ3226, SJ4726 (CE)
F	125655	-	PLATFORM A/C OUTLET - SJ3226, SJ4726 (AS & KC)
G	209516	-	PLATFORM A/C OUTLET - SJ4732 (ANSI/CSA)
H	223696	-	PLATFORM A/C OUTLET - SJ4732 (CE)
I	130333	-	PLATFORM A/C OUTLET - SJ4732 (AS & KC)
1	105269	342"	• CABTIRE, 14/3, A
	167552	408"	• CABTIRE, 14/3, B, C
	105269	420"	• CABTIRE, 14/3, D
	167553	492"	• CABTIRE, 14/3, E, F
	105269	519"	• CABTIRE, 14/3, G
	167554	588"	• CABTIRE, 14/3, H, I
2	130730	1	• ASSEMBLY, Wire - Ground, A, D, G
3	105271	1	• PLUG, Male - Recessed (15A, 125V), A, D, G
4	113227	1	• SEAL, Tite Cover - 110V, A, D, G
5	109699	1	• PLATE, Receptacle, A, D, G
6	136328	1	• BOX, Outlet - 110V, A, D, G
7	109698	1	• GFCI, Receptacle, A, D, G
8	103857	1	• BOLT, Hex Hd - 1/4"-20 x 1" Gr. 5, A, D, G
9	115649	1	• NUT, Nylon Lock - 1/4"-20 Gr. 5, A, D, G
10	103995	3	• WASHER, Flat - 1/4", A, D, G
11	119913	2	• RIVET, Pop - 5/32" x 0.415", A, D, G
12	134140	2	• RIVET, Pop - 1/4" x 0.740", A, D, G
13	221708	1	• FACEPLATE, Power to Platform, B, E, H
14	104059	1	• GROMMET, Rubber - 1/2" x 13/16" x 1/8", B, E, H
15	103957	4	• SCREW, Round Head Machine - #8-32 x 1/2", B, E, H
16	103991	4	• WASHER, Flat - #8, B, E, H
17	112249	4	• WASHER, Lock - #8, B, E, H
L	(Ref.)	1	• LABEL, AC Outlet, A, D, G <i>(For components, refer to Section 9.3 Labels)</i>

1.19 Platform Protection - Aircraft Protection



M213334AB

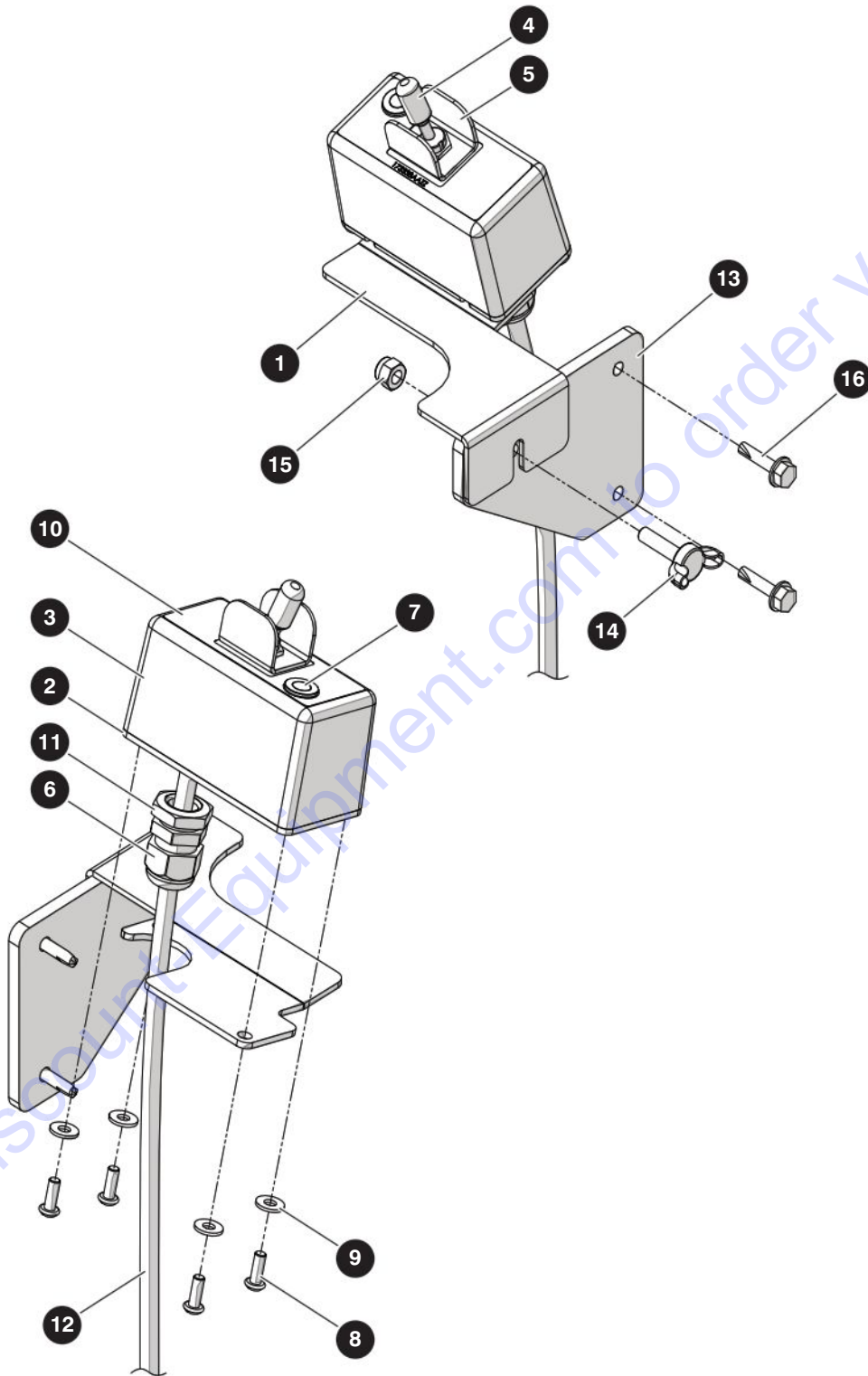
223197ABA

SJ3220, SJ3226, SJ4720, SJ4726, SJ4732

1.19 Platform Protection - Aircraft Protection

Index No.	Skyjack Part No.	Qty.	Description
-	213334	1	PLATFORM PROTECTION <i>(only for machines with the Aircraft Option)</i>
1	213785	2	<ul style="list-style-type: none"> • BUMPER, Platform Rail Side
2	152091	1	<ul style="list-style-type: none"> • BUMPER, Aircraft Rail Pad PD
3	111167	2	<ul style="list-style-type: none"> • HANDRAIL, Boeing
4	146543	1	<ul style="list-style-type: none"> • RAIL GUARD, Gate - Boeing
-	161855	1	<ul style="list-style-type: none"> • FOAM, Bumper Padding
5	152157	12	<ul style="list-style-type: none"> • • FOAM, Side/End Corner - Yellow
6	152159	2	<ul style="list-style-type: none"> • • FOAM, Front Horizontal
7	152160	6	<ul style="list-style-type: none"> • • FOAM, Front Vertical - Yellow
8	152161	8	<ul style="list-style-type: none"> • • FOAM, Side Horizontal - Yellow
9	131938	4	<ul style="list-style-type: none"> • PLUG, 1-1/8" DIA Hole
10	300437	8	<ul style="list-style-type: none"> • BOLT, Hex Head - 3/8"-16 x 7/8" Gr. 5
11	103596	28	<ul style="list-style-type: none"> • BOLT, Hex Head Zinc - 3/8"-16 x 2" Gr. 5
12	103999	8	<ul style="list-style-type: none"> • WASHER, Lock - 3/8"
13	104606	28	<ul style="list-style-type: none"> • NUT, Nylon Lock - 3/8"-16 Gr. 5
14	155083	AR	<ul style="list-style-type: none"> • TIEWRAP, Low Profile - Black 16" UV Resist

1.20 Outdoor Switch - SJ3226 ANSI/CSA



M228897AA

223197ABA

50

SJ3220, SJ3226, SJ4720, SJ4726, SJ4732

SKYJACK

1.20 Outdoor Switch - SJ3226 ANSI/CSA

Index No.	Skyjack Part No.	Qty.	Description
-	232760	-	OUTDOOR SWITCH (ANSI/CSA)
1	228887	1	• BRACKET, Outdoor Switch
-	232761	1	• SWITCH ASM, Outdoor
2	228898	1	• • COVER, Outdoor Switch Box
3	228871	1	• • BOX, Outdoor Switch
4	171911	1	• • SWITCH, Toggle ITL1-2D
5	111181	1	• • TOGGLE, Switch Guard
6	132110	1	• • STRAIN RELIEF, PG-11
7	228895	1	• • LIGHT, Led Green - 24V
8	103960	2	• • SCREW, Round Head Machine - #10-24 x 1/2"
9	104694	2	• • WASHER, Flat - #10
10	173338	1	• • LABEL, Outdoor Switch
11	228122	1	• • NUT, Locking - Strain Relief PG-11
12	(Ref.)	-	• • HARNESS, Outdoor Switch - 232762 <i>(For components, refer to Section 6.19 Outdoor)</i>
13	228886	1	• MOUNT, Outdoor Switch
14	207242	1	• SCREW, Wing - 1/4"-20 x 1"
15	115649	1	• NUT, Nylon Lock - 1/4"-20 Gr. 5
16	112329	2	• BOLT, Self Tapping - 1/4"-14 x 1"

PARTS FINDER

**Search Website
by Part Number**



**Search Manual
Library For Parts
Manual & Lookup Part
Numbers – Purchase
or Request Quote**

Search Manuals

Enter your information to help us find the right parts manual for your machine.

* Brand:

* Model:

* Serial:

* Part Number:

SEARCH

**Can't Find Part or
Manual? Request Help
by Manufacturer,
Model & Description**

Parts Order Form

Please fill in the following information to help us find the right part for your machine.

Manufacturer:	<input type="text"/>
Model:	<input type="text"/>
Description:	<input type="text"/>
Part Number:	<input type="text"/>
Quantity:	<input type="text"/>
Notes:	<input type="text"/>

Discount-Equipment.com is your online resource for quality parts & equipment.

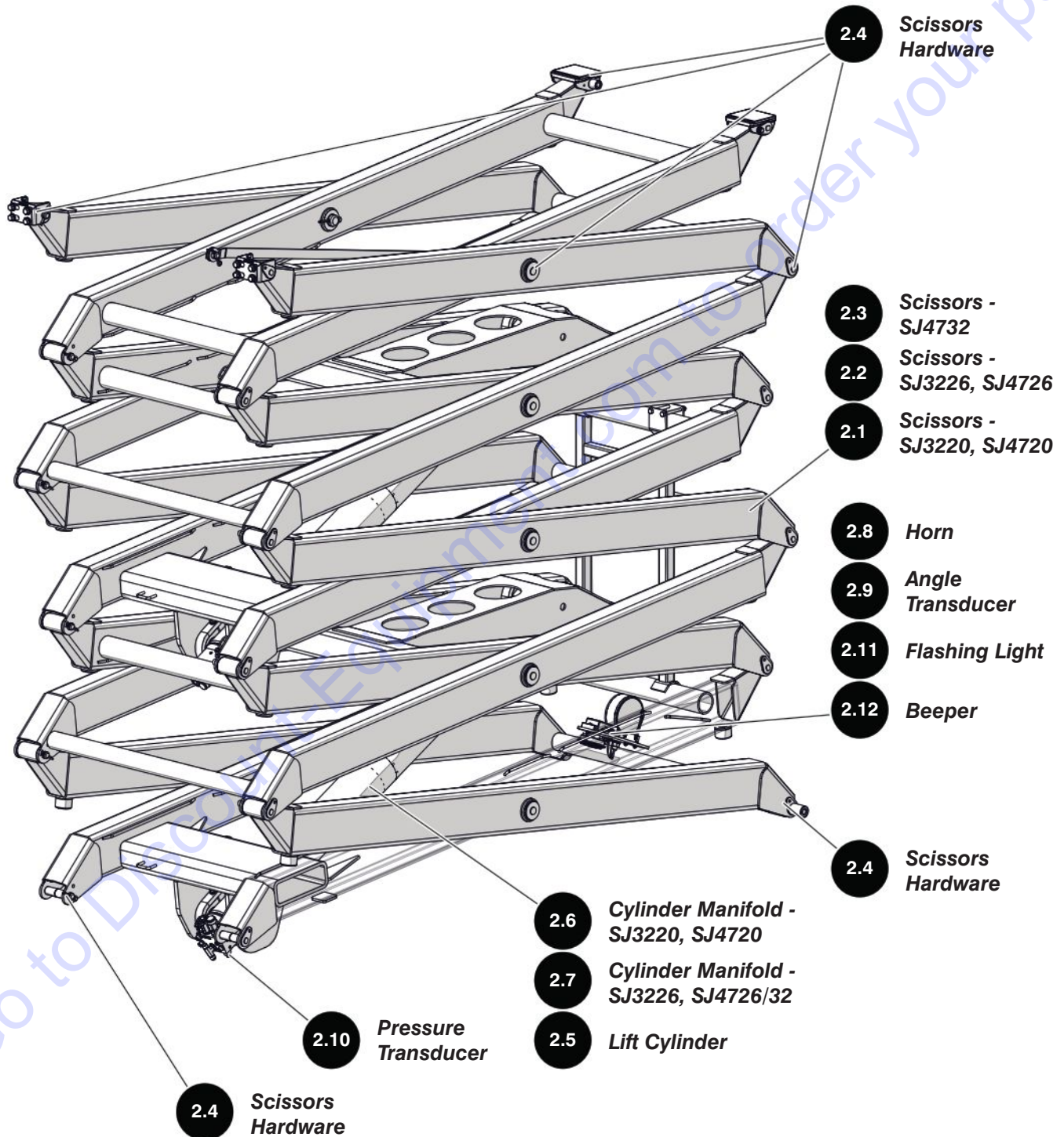
Florida: **561-964-4949** Outside Florida TOLL FREE: **877-690-3101**

Need parts?

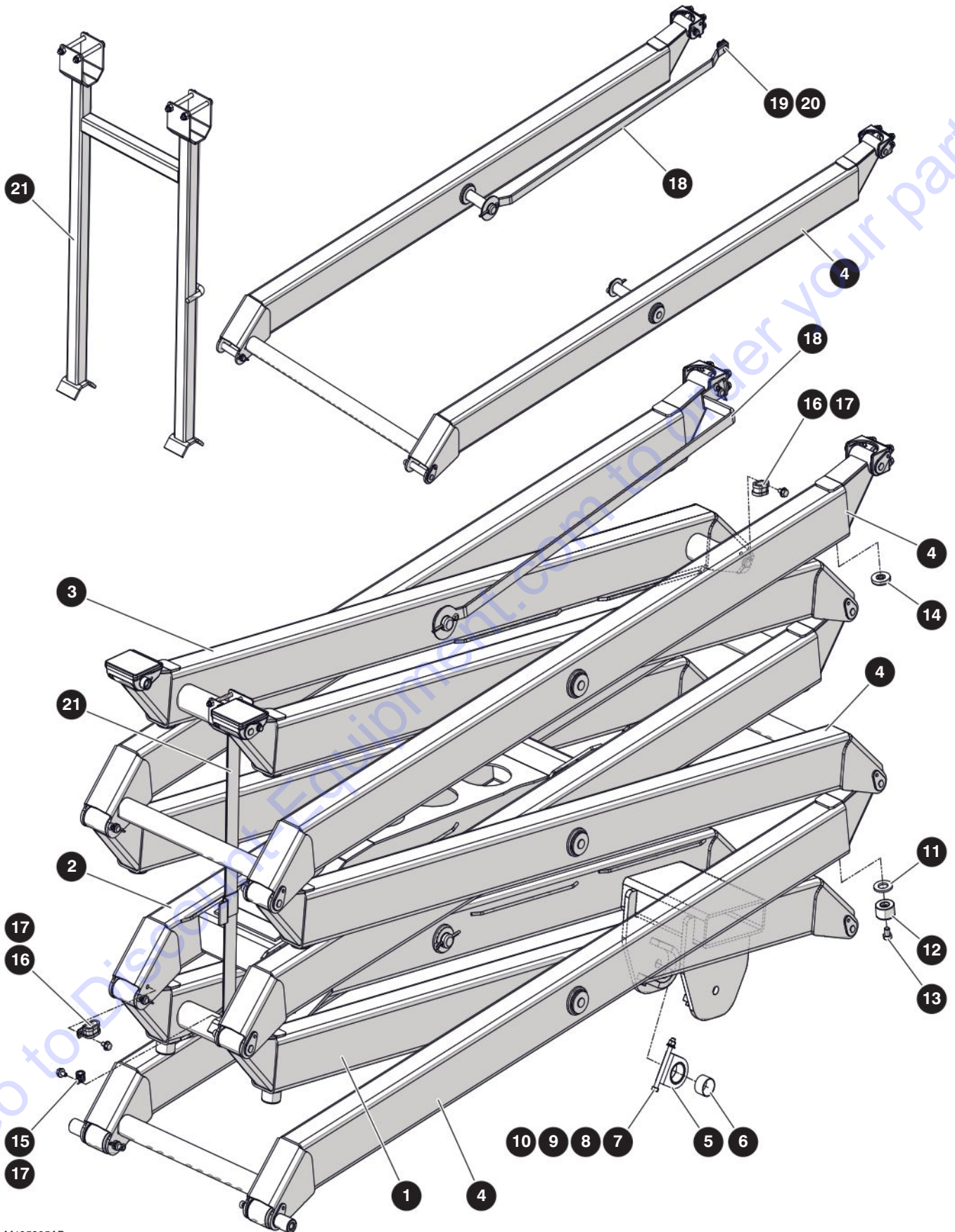
Click on this link: <http://www.discount-equipment.com/category/5443-parts/> and choose one of the options to help get the right parts and equipment you are looking for. Please have the machine model and serial number available in order to help us get you the correct parts. If you don't find the part on the website or on one of the online manuals, please fill out the request form and one of our experienced staff members will get back to you with a quote for the right part that your machine needs.

We sell worldwide for the brands: Genie, Terex, JLG, MultiQuip, Mikasa, Essick, Whiteman, Mayco, Toro Stone, Diamond Products, Generac Magnum, Airman, Haulotte, Barreto, Power Blanket, Nifty Lift, Atlas Copco, Chicago Pneumatic, Allmand, Miller Curber, Skyjack, Lull, Skytrak, Tsurumi, Husquvarna Target, Stow, Wacker, Sakai, Mi-T-M, Sullair, Basic, Dynapac, MBW, Weber, Bartell, Bennar Newman, Haulotte, Ditch Runner, Menegotti, Morrison, Contec, Buddy, Crown, Edco, Wyco, Bomag, Laymor, EZ Trench, Bil-Jax, F.S. Curtis, Gehl Pavers, Heli, Honda, ICS/PowerGrit, IHI, Partner, Imer, Clipper, MMD, Koshin, Rice, CH&E, General Equipment, Amida, Coleman, NAC, Gradall, Square Shooter, Kent, Stanley, Tamco, Toku, Hatz, Kohler, Robin, Wisconsin, Northrock, Oztec, Toker TK, Rol-Air, APT, Wylie, Ingersoll Rand / Doosan, Innovatech, Con X, Ammann, Mecalac, Makinex, Smith Surface Prep, Small Line, Wanco, Yanmar

Section 2 – Scissors



2.1 Scissors - SJ3220, SJ4720



M195285AB

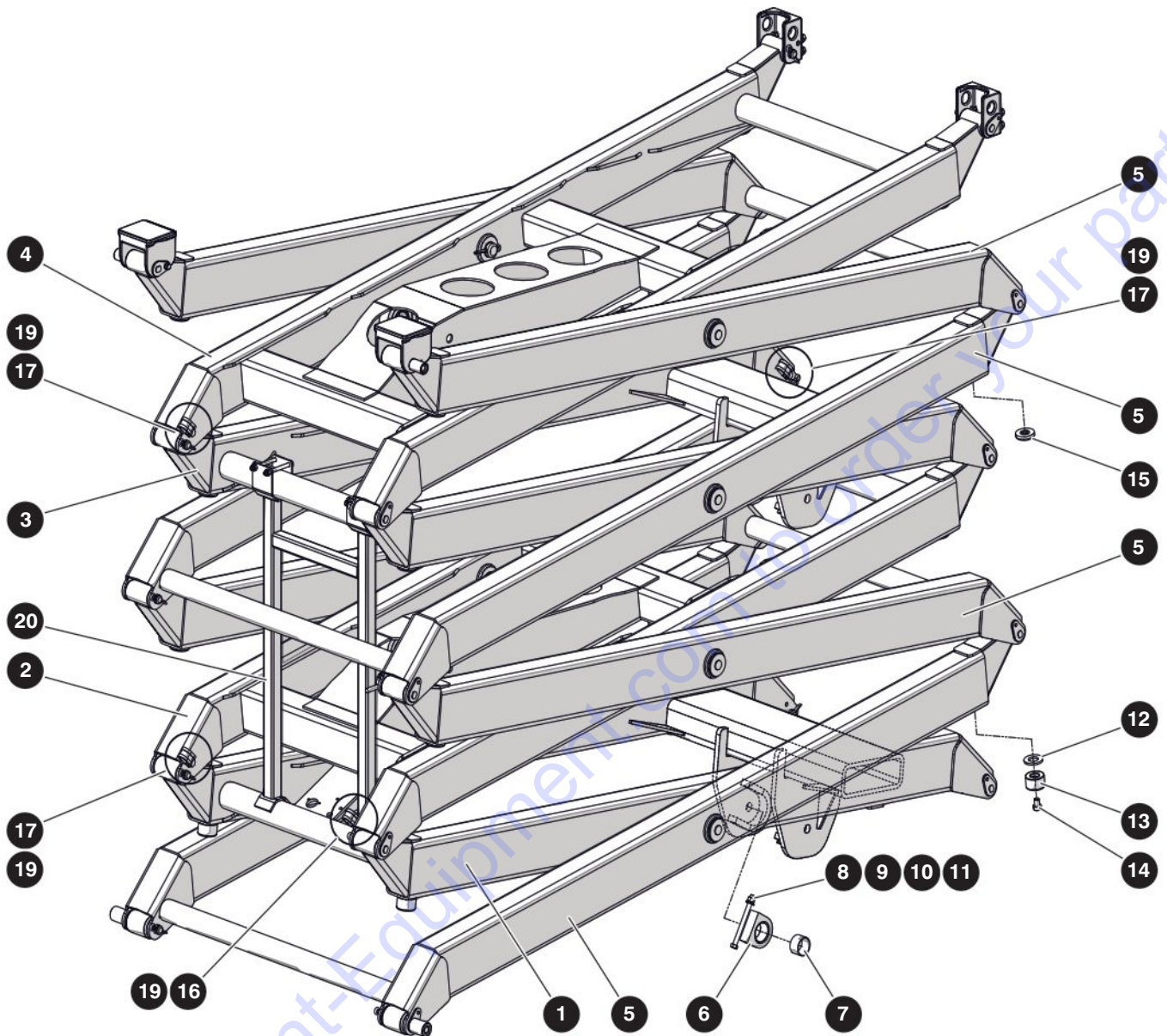
223197ABA

SJ3220, SJ3226, SJ4720, SJ4726, SJ4732

2.1 Scissors - SJ3220, SJ4720

Index No.	Skyjack Part No.	Qty.	Description
A	195285	1	SCISSORS - SJ3220 (ANSI/CSA)
B	195288	1	SCISSORS - SJ3220 (ANSI/CSA Powerdeck)
C	207989	1	SCISSORS - SJ4720 (CE & KC)
1	196329	1	• SCISSOR, Inside - Level 1, A, B
	197737	1	• SCISSOR, Inside - Level 1, C
2	196283	1	• SCISSOR, Inside - Level 2, A, B
	197742	1	• SCISSOR, Inside - Level 2, C
3	198826	1	• SCISSOR, Inside - Level 3, A
	228092	1	• SCISSOR, Inside - Level 3, B
	207987	1	• SCISSOR, Inside - Level 3, C
4	195655	3	• SCISSOR, Outside, A, B
	195802	3	• SCISSOR, Outside, C
5	220457	4	• BLOCK, Bushing - Insert Moulded
6	100904	4	• BUSHING, Fiberglide- 1-1/2" DIA x 1"
7	103913	4	• BOLT, Hex Head - 3/8"-16 x 4-1/2" Gr. 5
8	103472	4	• WASHER, Flat - 3/8"
9	103999	4	• WASHER, Lock - 3/8"
10	103978	4	• NUT, Hex - 3/8"-16 Gr. 5
11	205682	4	• WASHER, Flat - 7/8" Hard Zinc
12	130840	4	• BUMPER, Scissor Bottom
13	123713	4	• BOLT, Hex Head - M12 x 1.25 x 16 MM Gr. 8.8
14	121860	8	• BUMPER, Scissor Upper
15	102929	1	• CLIP, Single - G10, A, B
16	103078	2	• CLAMP, Loop Cushion Double - G10, A, B
	103078	3	• CLAMP, Loop Cushion Double - G10, C
17	122501	3	• SCREW, Machined Hex Washer Head - 3/8"-16 x 5/8"
18	121907	1	• CABLE CARRIER, A
	121907	2	• CABLE CARRIER, B
	134737	1	• CABLE CARRIER, C
19	702194	2	• WASHER, Flat - 3/4" Hard High Zinc, C
20	103055	1	• HITCH PIN, Clip, C
21	132539	1	• MAINTENANCE STAND GROUP, A, B
	231903	1	• MAINTENANCE STAND
	122006	2	• BOLT, Hex Head - 5/16"-18 x 3-1/4" Gr. 5
	103984	2	• NUT, Hex Nylon Lock - 5/16"-18 Gr. 5
	130433	1	• MAINTENANCE STAND GROUP, C
	123324	1	• MAINTENANCE STAND
	122006	4	• BOLT, Hex Head - 5/16"-18 x 3-1/4" Gr. 5
	103984	4	• NUT, Hex Nylon Lock - 5/16"-18 Gr. 5

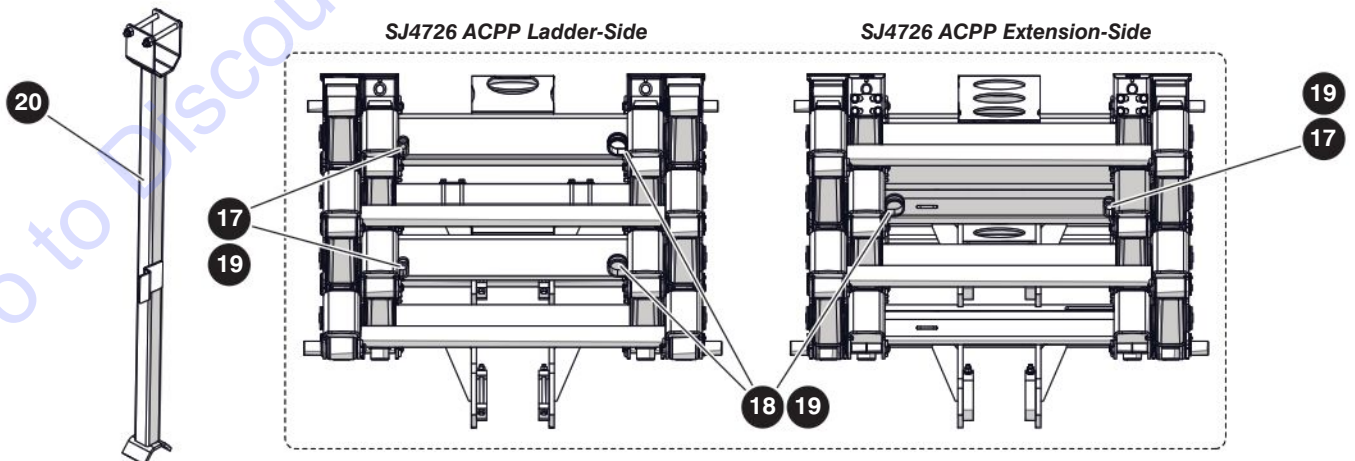
2.2 Scissors - SJ3226, SJ4726



SJ3226

SJ4726 ACP Ladder-Side

SJ4726 ACP Extension-Side



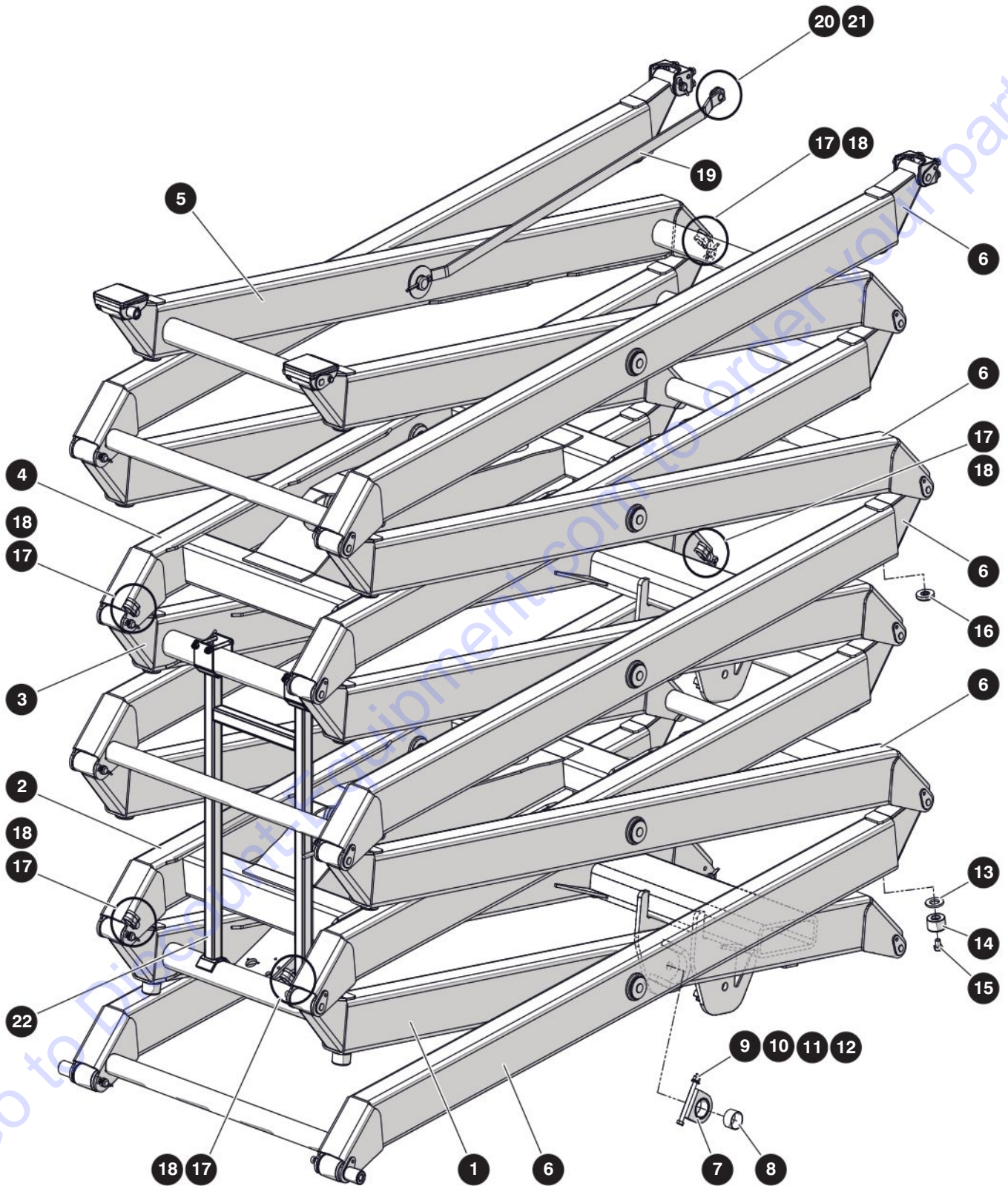
M207976AB

223197ABA

2.2 Scissors - SJ3226, SJ4726

Index No.	Skyjack Part No.	Qty.	Description
A	195282	1	SCISSORS - SJ3226
B	207976	1	SCISSORS - SJ4726
C	212972	1	SCISSORS - SJ4726 (ANSI/CSA Powerdeck)
D	216642	1	SCISSORS - SJ4726 (only for machines with the Aircraft Option)
1	196329	1	• SCISSOR, Inside - Level 1, A
	197737	1	• SCISSOR, Inside - Level 1, B, C, D
2	196283	1	• SCISSOR, Inside - Level 2, A
	197742	1	• SCISSOR, Inside - Level 2, B, C, D
3	196280	1	• SCISSOR, Inside - Level 3, A
	197738	1	• SCISSOR, Inside - Level 3, B
	228093	1	• SCISSOR, Inside - Level 3, C, D
4	228095	1	• SCISSOR, Inside - Level 4, A
	228096	1	• SCISSOR, Inside - Level 4, B
	197742	1	• SCISSOR, Inside - Level 4, C, D
5	195655	4	• SCISSOR, Outside, A
	195802	4	• SCISSOR, Outside, B, C, D
6	220457	8	• BLOCK, Bushing - Insert Moulded
7	100904	8	• BUSHING, Fiberglide- 1-1/2" DIA x 1"
8	103913	8	• BOLT, Hex Head - 3/8"-16 x 4-1/2" Gr. 5
9	103472	8	• WASHER, Flat - 3/8"
10	103999	8	• WASHER, Lock - 3/8"
11	103978	8	• NUT, Hex - 3/8"-16 Gr. 5
12	205682	4	• WASHER, Flat - 7/8" Hard Zinc
13	130840	4	• BUMPER, Scissor Bottom
14	123713	4	• BOLT, Hex Head - M12 x 1.25 x 16 MM Gr. 8.8
15	121860	12	• BUMPER, Scissor Upper
16	102929	1	• CLIP, Single - G10, A
17	103078	3	• CLAMP, Loop Cushion Double - G10, A, D
	103078	4	• CLAMP, Loop Cushion Double - G10, B, C
18	133241	3	• CLAMP, Tube - 1-5_8, D
19	122501	4	• SCREW, Machined Hex Washer Head - 3/8"-16 x 5/8", A, B, C
	122501	6	• SCREW, Machined Hex Washer Head - 3/8"-16 x 5/8", D
20	132539	1	• MAINTENANCE STAND GROUP, A
	123344	1	• • MAINTENENANCE STAND
	122006	2	• • BOLT, Hex Head - 5/16"-18 x 3-1/4" Gr. 5
	103984	2	• • NUT, Hex Nylon Lock - 5/16"-18 Gr. 5
	130433	1	• MAINTENANCE STAND GROUP, B, C, D
	123324	1	• • MAINTENENANCE STAND
	122006	2	• • BOLT, Hex Head - 5/16"-18 x 3-1/4" Gr. 5
	103984	2	• • NUT, Hex Nylon Lock - 5/16"-18 Gr. 5

2.3 Scissors - SJ4732



M195800AC

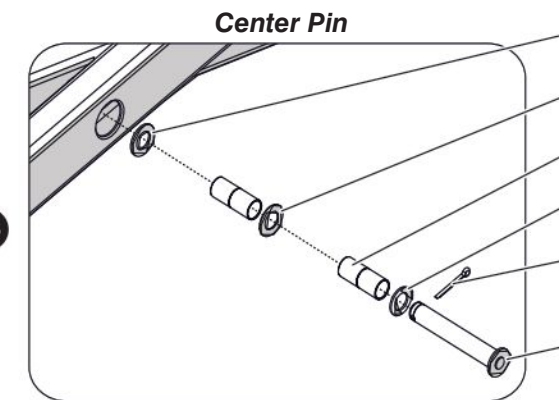
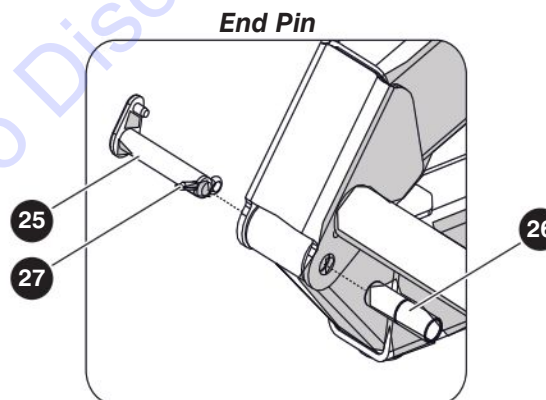
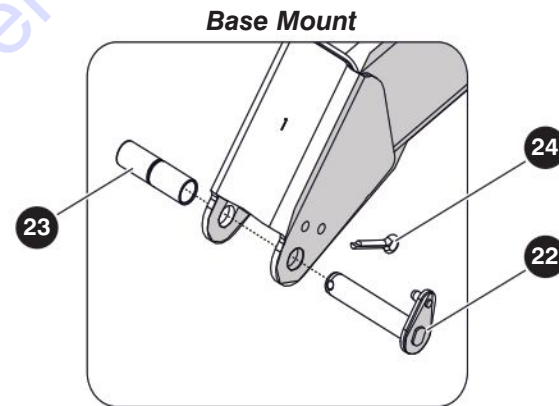
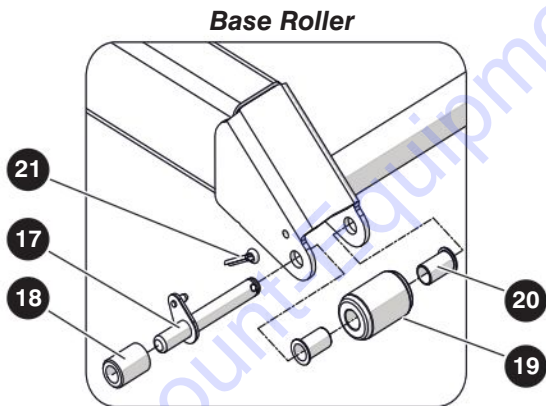
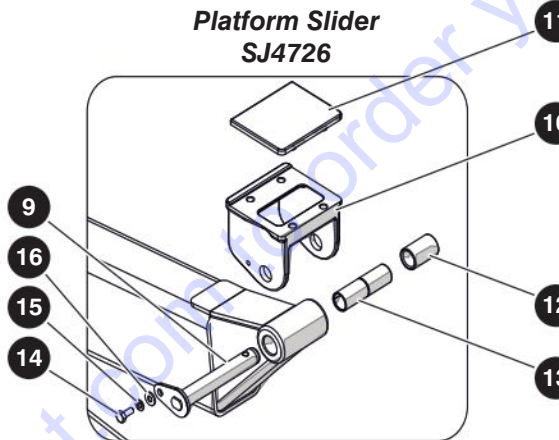
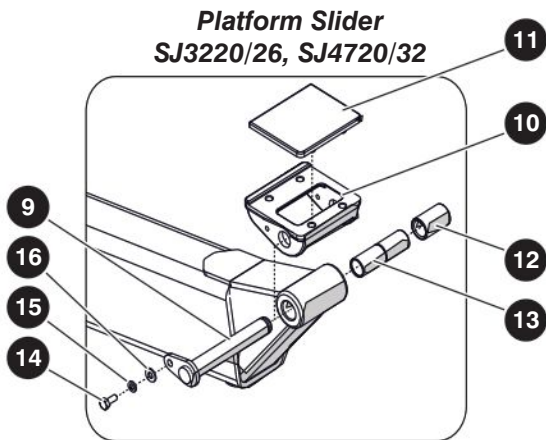
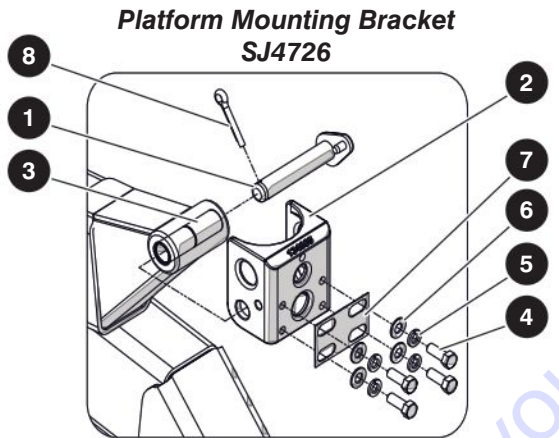
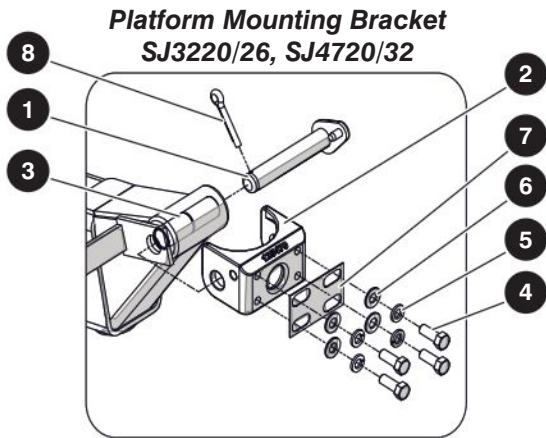
223197ABA

SJ3220, SJ3226, SJ4720, SJ4726, SJ4732

2.3 Scissors - SJ4732

Index No.	Skyjack Part No.	Qty.	Description
-	195800	1	SCISSORS - SJ4732
1	197737	1	• SCISSOR, Inside - Level 1
2	197742	1	• SCISSOR, Inside - Level 2
3	197738	1	• SCISSOR, Inside - Level 3
4	228096	1	• SCISSOR, Inside - Level 4
5	198555	1	• SCISSOR, Inside - Level 5
6	195802	5	• SCISSOR, Outside
7	220457	8	• BLOCK, Bushing - Insert Moulded
8	100904	8	• BUSHING, Fiberglide- 1-1/2" DIA x 1"
9	103913	8	• BOLT, Hex Head - 3/8"-16 x 4-1/2" Gr. 5
10	103472	8	• WASHER, Flat - 3/8"
11	103999	8	• WASHER, Lock - 3/8"
12	103978	8	• NUT, Hex - 3/8"-16 Gr. 5
13	205682	4	• WASHER, Flat - 7/8" Hard Zinc
14	130840	4	• BUMPER, Scissor Bottom
15	123713	4	• BOLT, Hex Head - M12 x 1.25 x 16 MM Gr. 8.8
16	121860	16	• BUMPER, Scissor Upper
17	103078	5	• CLAMP, Loop Cushion Double - G10
18	122501	5	• SCREW, Machined Hex Washer Head - 3/8"-16 x 5/8"
19	134737	1	• CABLE CARRIER
20	702194	2	• WASHER, Flat - 3/4" Hard High Zinc
21	103055	1	• HITCH PIN, Clip
22	130433	1	• MAINTENANCE STAND GROUP
	123324	1	• • MAINTENENANCE STAND
	122006	4	• • BOLT, Hex Head - 5/16"-18 x 3-1/4" Gr. 5
	103984	4	• • NUT, Hex Nylon Lock - 5/16"-18 Gr. 5

2.4 Scissors Hardware



M65704AA

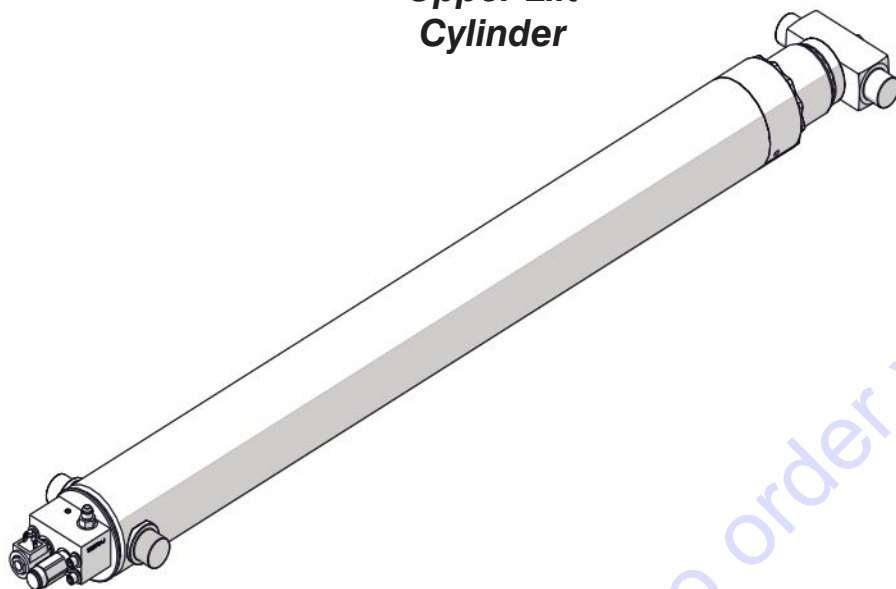
223197ABA

2.4 Scissors Hardware

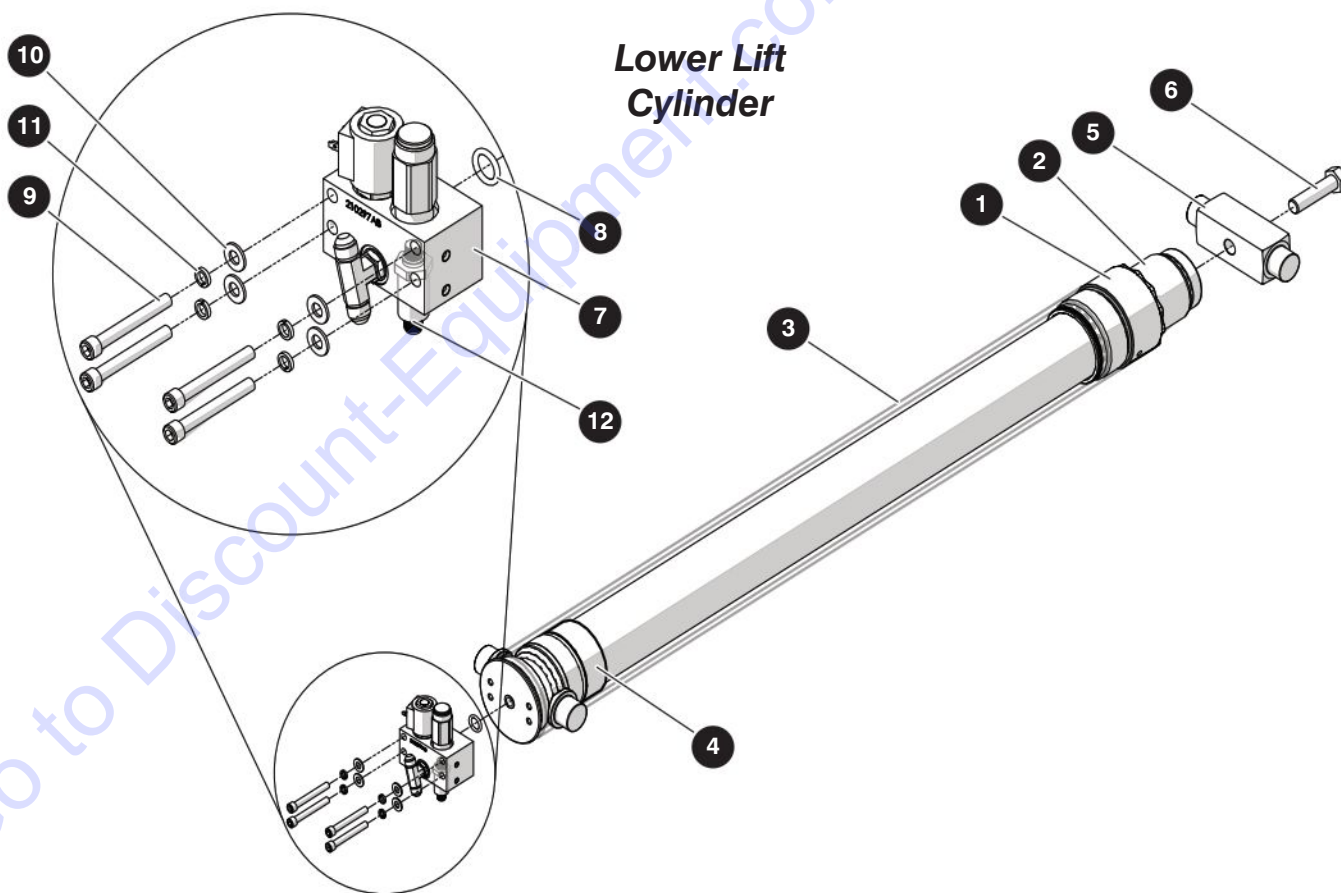
Index No.	Skyjack Part No.	Qty.	Description
-	-	-	• PLATFORM MOUNTING BRACKET
1	121676	1	• • PIN, Cable Carrier (SJ3220)
	120958	1	• • PIN, Inside Scissors (SJ3226, SJ4720/26/32)
2	125470	1	• • CASTING, Platform Bracket (SJ3220/26, SJ4720/32)
	134065	1	• • CASTING, Platform Bracket (SJ4726)
3	123430	2	• • BEARING, Plain - 3/4" ID x 7/8" OD x 1-1/2" FG
4	103473	4	• • BOLT, Hex Head Zinc - 3/8"-16 x 1" Gr. 5
5	103999	4	• • WASHER, Lock - 3/8"
6	103472	4	• • WASHER, Flat - 3/8"
7	133169	AR	• • SHIM, Platform Mount
8	121874	1	• • PIN, Cotter - 1/4" DIA x 1-1/2"
-	-	-	• PLATFORM SLIDER
9	213651	1	• • PIN, Upper Slider (SJ3220/26, SJ4720)
	121685	1	• • PIN, Upper Slider (SJ4726)
	134494	1	• • PIN, Upper Slider (SJ4732)
10	120771	1	• • CASTING, Platform Slider - Plated (SJ3220/26, SJ4720/32)
	134049	1	• • CASTING, Platform Slider - Plated (SJ4726)
11	120772	1	• • PAD, Slider
12	210388	1	• • SPACER, Platform (SJ3220/26, SJ4720)
	207983	1	• • SPACER, Platform (SJ4726)
	197495	1	• • SPACER, Platform (SJ4732)
13	123430	2	• • BEARING, Plain - 3/4" ID x 7/8" OD x 1-1/2" FG
14	103892	1	• • BOLT, Hex Head - 1/4"-20 x 5/8" Gr. 5
15	104000	1	• • WASHER, Lock - 1/4"
16	103995	1	• • WASHER, Flat - 1/4"
-	-	-	• BASE ROLLER
17	198755	1	• • PIN, Bottom Roller
18	198761	1	• • SPACER, Bottom Roller Pin
19	223149	1	• • ROLLER, Scissor Arm
20	223150	2	• • BUSHING, Flanged - 3/4" ID x 1-1/2" LG
21	121874	1	• • PIN, Cotter - 1/4" DIA x 1-1/2"
-	-	-	• BASE MOUNT
22	120958	1	• • PIN, Inside Scissors
23	123430	2	• • BEARING, Plain - 3/4" ID x 7/8" OD x 1-1/2" FG
24	121874	1	• • PIN, Cotter - 1/4" DIA x 1-1/2"
-	-	-	• END PIN
25	120958	1	• • PIN, Inside Scissors
26	123430	2	• • BEARING, Plain - 3/4" ID x 7/8" OD x 1-1/2" FG
27	121874	1	• • PIN, Cotter - 1/4" DIA x 1-1/2"
-	-	-	• CENTER PIN
28	120673	1	• • PIN, Center
29	101520	1	• • WASHER, Nylon - 2" OD x 1.28 ID x 0.12"
30	123431	4	• • BEARING, Plain - 1-1/4" ID x 1.410" OD x 1.813" FG
31	121703	1	• • WASHER, Thrust - Fiberglide #LTD2036
32	122502	1	• • WASHER, Flat - 1-1/4" x 2-1/4" OD x 0.134" (Without Cable Carrier)
33	121875	1	• • PIN, Cotter - 5/16" DIA x 2"

2.5 Lift Cylinder

Upper Lift
Cylinder



Lower Lift
Cylinder



M204363AE_M204364AE

223197ABA

62

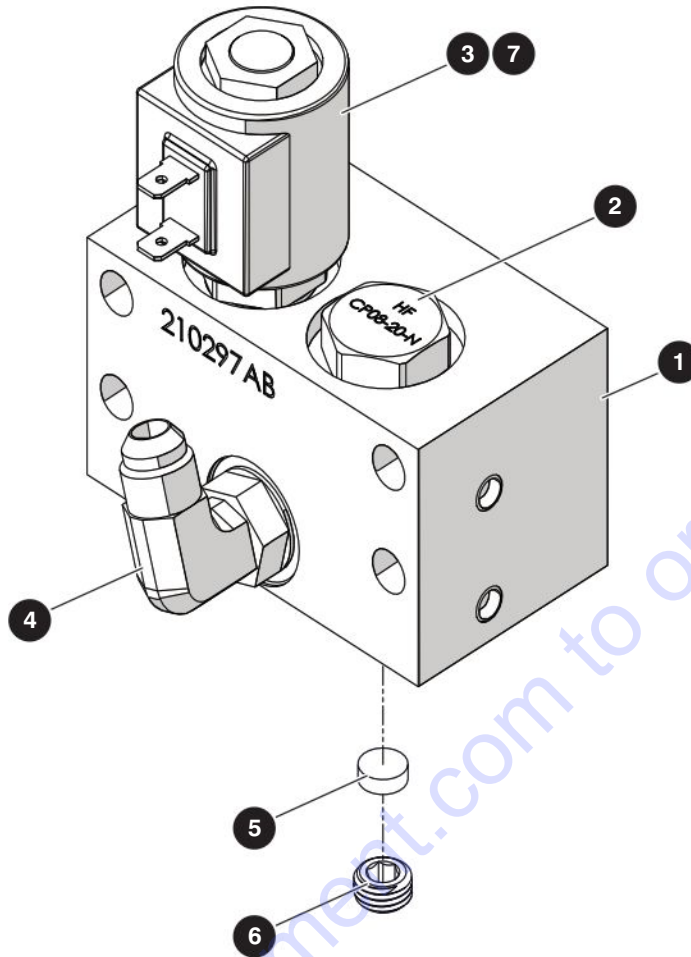
SJ3220, SJ3226, SJ4720, SJ4726, SJ4732

SKYJACK

2.5 Lift Cylinder

Index No.	Skyjack Part No.	Qty.	Description
A	204376	1	LIFT CYLINDER - SJ3220, SJ4720
B	204363	1	UPPER LIFT CYLINDER - SJ3226, SJ4726/32
C	204364	1	LOWER LIFT CYLINDER - SJ3226, SJ4726/32
-	220455	1	• LIFT CYLINDER
1	199315		• • GLAND
2	160720		• • ROD
3	199316		• • TUBE
4	162804		• • SPACER
5	199318		• • RODEYE
6	105686		• • BOLT, Hex - 3/4"-16 x 3"
7	(Ref.)	1	• CYLINDER MANIFOLD <i>(For components, refer to Section 2.6 Cylinder)</i>
8	103403	1	• SEAL, O-Ring
9	108429	4	• SCREW, Socket Head Cap - 5/16"-18 x 2-1/2", A, C
	162145	4	• SCREW, Socket Head Cap - 5/16"-18 x 2-1/2", B
10	103996	4	• WASHER, Flat - 5/16"
11	104637	4	• WASHER, Lock - 5/16" High Collar x 0.09"
12	(Ref.)	1	PRESSURE TRANSDUCER, Lower Lift Cylinder Only <i>(For components, refer to Section 2.10 Pressure)</i>
K1	121097	1	KIT, Seal Repair (Not Shown)

2.6 Cylinder Manifold - SJ3220, SJ4720



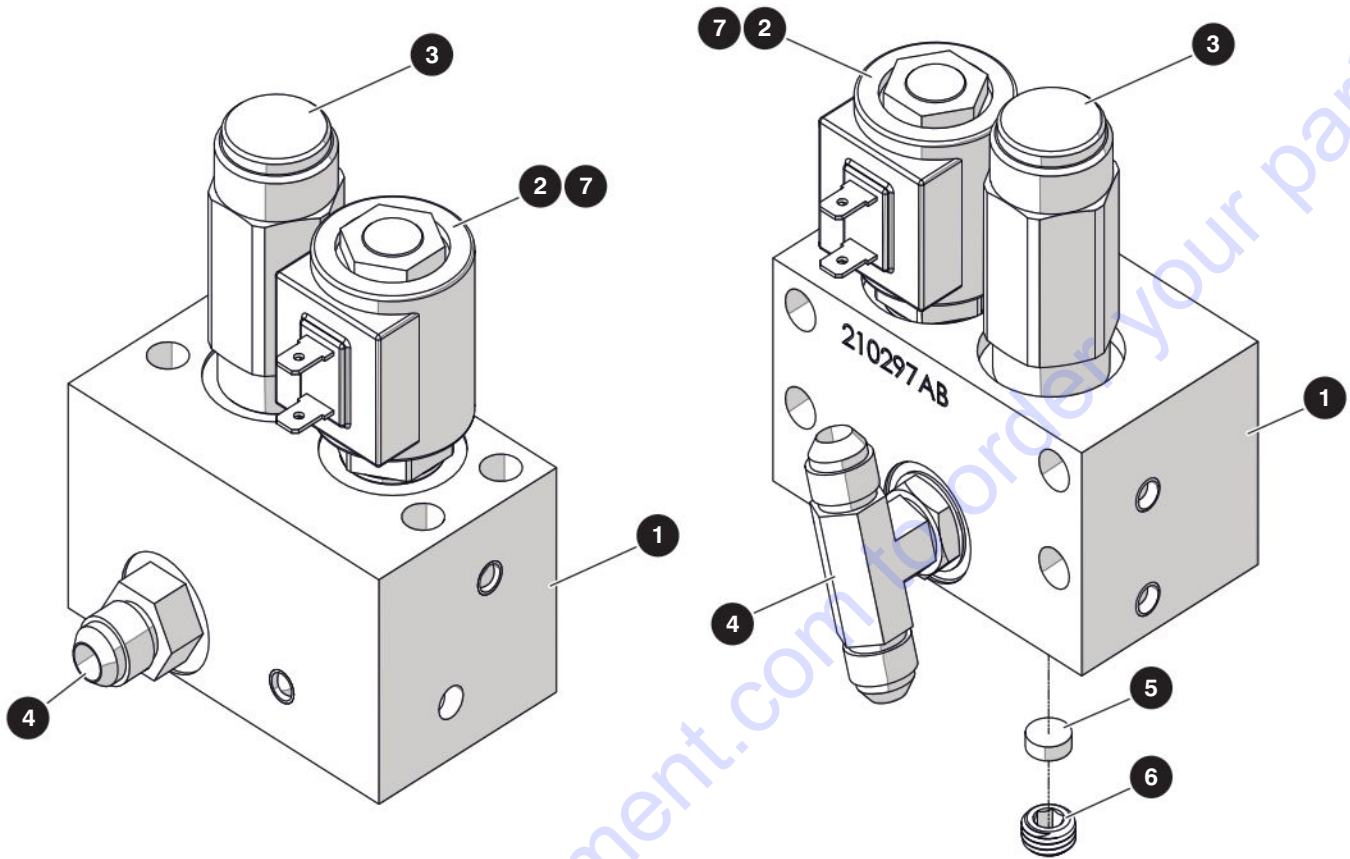
M208585AE

Index No.	Skyjack Part No.	Qty.	Description
-	208585	1	CYLINDER MANIFOLD - SJ3220, SJ4720
1	210297	1	• MANIFOLD, Cylinder - 2VC08-2
2	113801	1	• PLUG, Cavity
3	103655	1	• VALVE, Poppet - Solenoid Cartridge
4	114578	1	• FITTING, 90D - 06JICM-06ORBM
5	210292	1	• SNUBBER, 5um
6	210291	1	• SET SCREW, Jam Socket - 7/16"-20 x 7/32"
7	104410	1	VALVE, 12V - 3-Prong Coil

2.7 Cylinder Manifold - SJ3226, SJ4726/32

Upper Cylinder

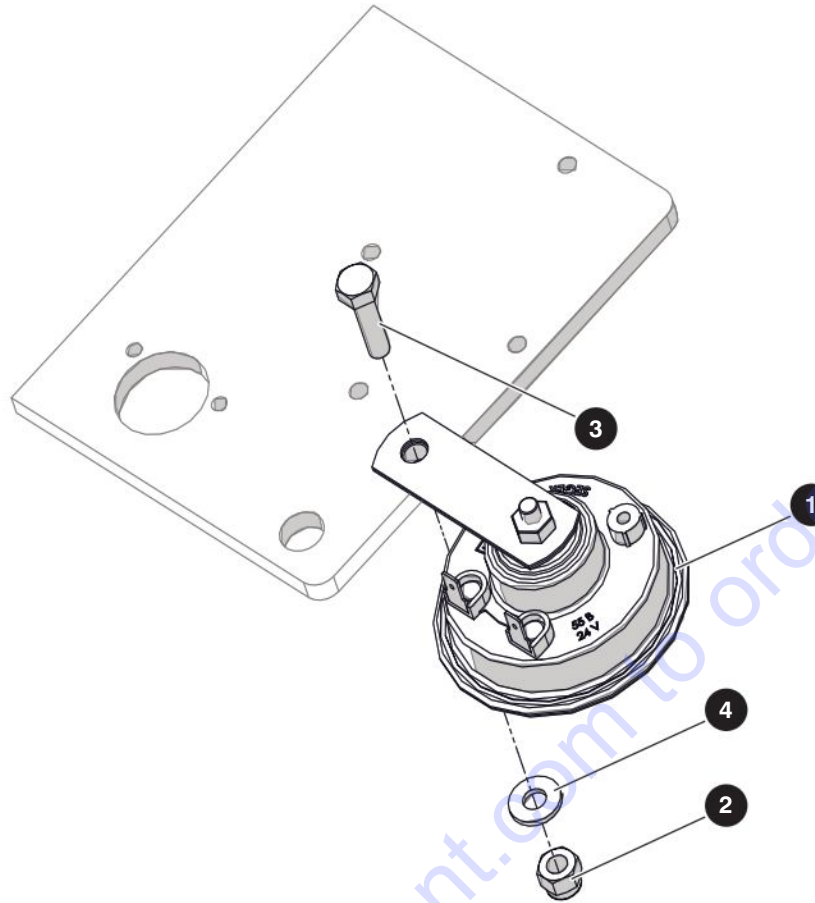
Lower Cylinder



M208583AD_M208582AE

Index No.	Skyjack Part No.	Qty.	Description
A	208583	1	UPPER LIFT CYLINDER MANIFOLD - SJ3226, SJ4726/32
B	208582	1	LOWER LIFT CYLINDER MANIFOLD - SJ3226, SJ4726/32
1	108778	1	• MANIFOLD, Cylinder With Plugs - Upper Lift Cyl, A
	210297	1	• MANIFOLD, Cylinder - 2VC08-2, B
2	103655	1	• VALVE, Poppet - Solenoid Cartridge
3	220449	1	• VALVE, Relief - RV08-22F - 2000 PSI
4	103069	1	• FITTING, Straight - 06JICM-06ORBM, A
	114579	1	• FITTING, BR Tee - 06JICM-06JICM-06ORBM, B
5	210292	1	• SNUBBER, 5um, B
6	210291	1	• SET SCREW, Jam Socket - 7/16"-20 x 7/32", B
7	104410	1	VALVE, 12V - 3-Prong Coil

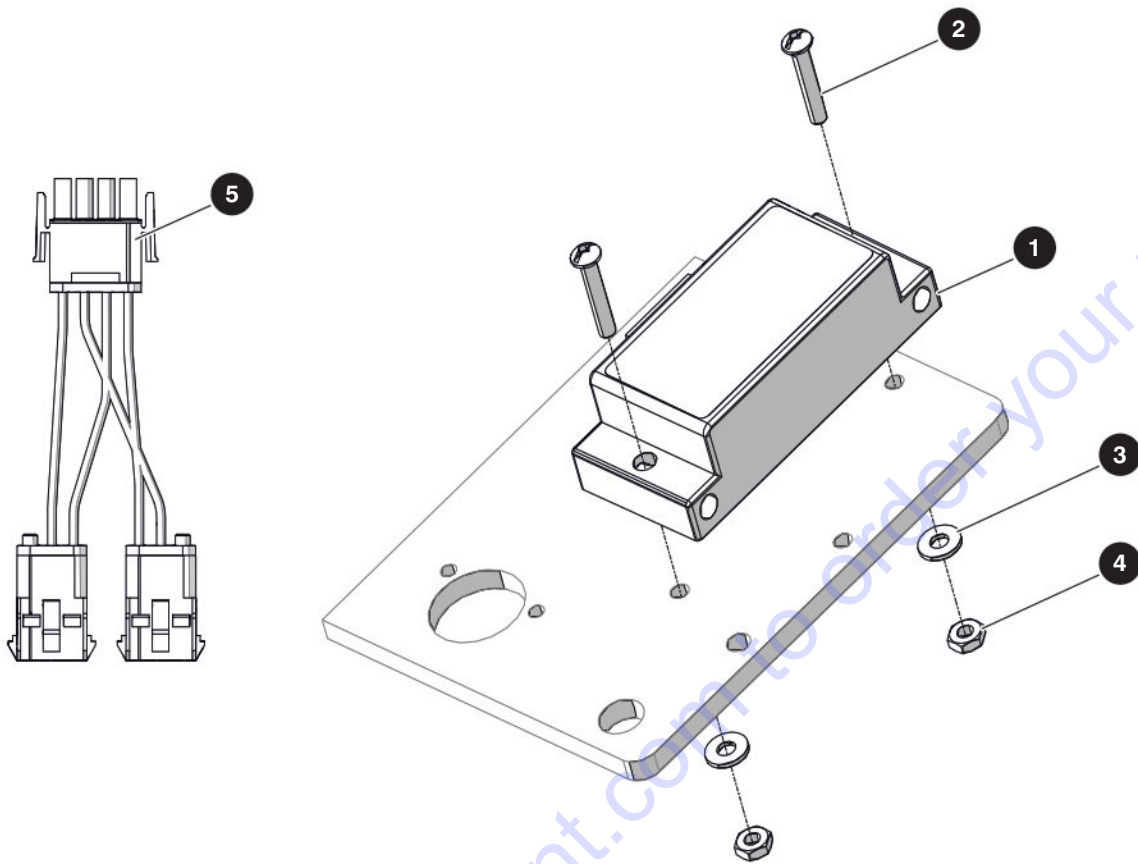
2.8 Horn



M207904AB

Index No.	Skyjack Part No.	Qty.	Description
A	207904	-	HORN SUBGROUP
B	204133	-	HORN SUBGROUP (ANSI/CSA EE-Rated)
1	146649	1	• HORN, 24B- Low Tone
2	115649	1	• NUT, Nylon Lock - 1/4"-20 Gr. 5
3	103857	1	• BOLT, Hex Hd Zinc - 1/4"-20 x 1" Gr. 5
4	103995	1	• WASHER, Flat - 1/4"
-	\$	1	• LIQUID RUBBER (Not shown), B (Purchased Locally)

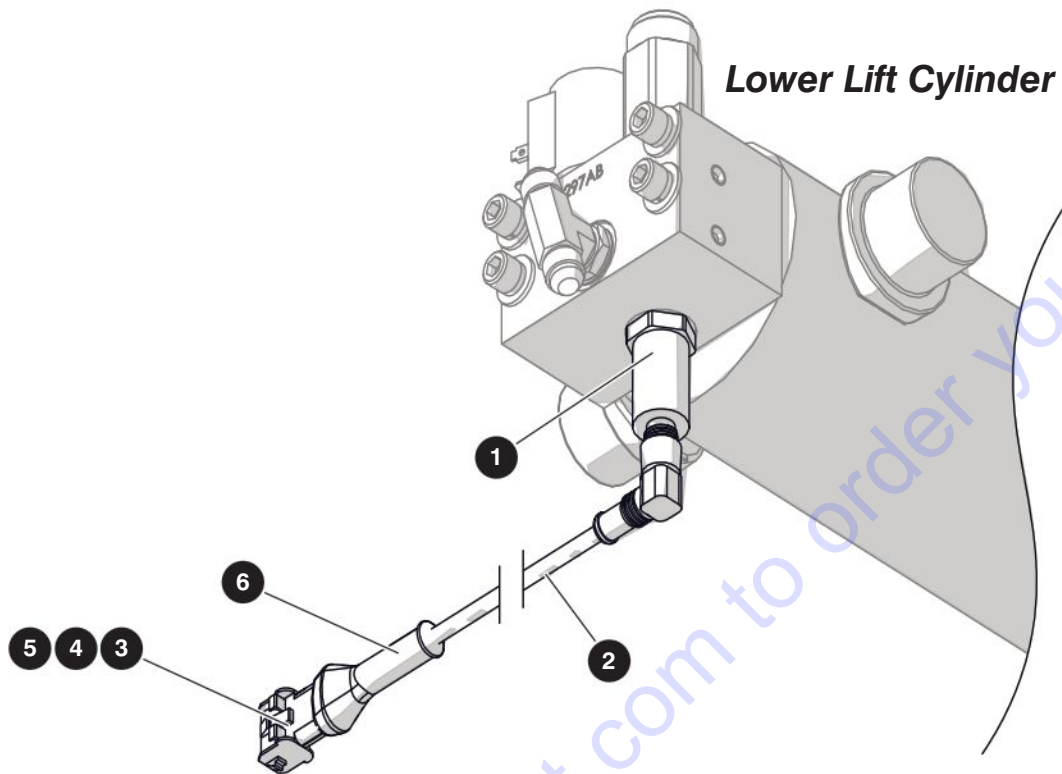
2.9 Angle Transducer



M224523AB_M229311AA

Index No.	Skyjack Part No.	Qty.	Description
-	224523	-	ANGLE TRANSDUCER GROUP
1	220597	1	• ANGLE TRANSDUCER, Dual
2	122498	2	• SCREW, Round Hd Machined - #10-32 x 1-1/4"
3	104694	2	• WASHER, Flat - #10
4	300450	2	• NUT, Nylon Lock - #10-32 Gr. 5
5	(Ref.)	1	HARNESS, Y Adapter - Angle Transducer <i>(For components, refer to Section 6.1 Main)</i>

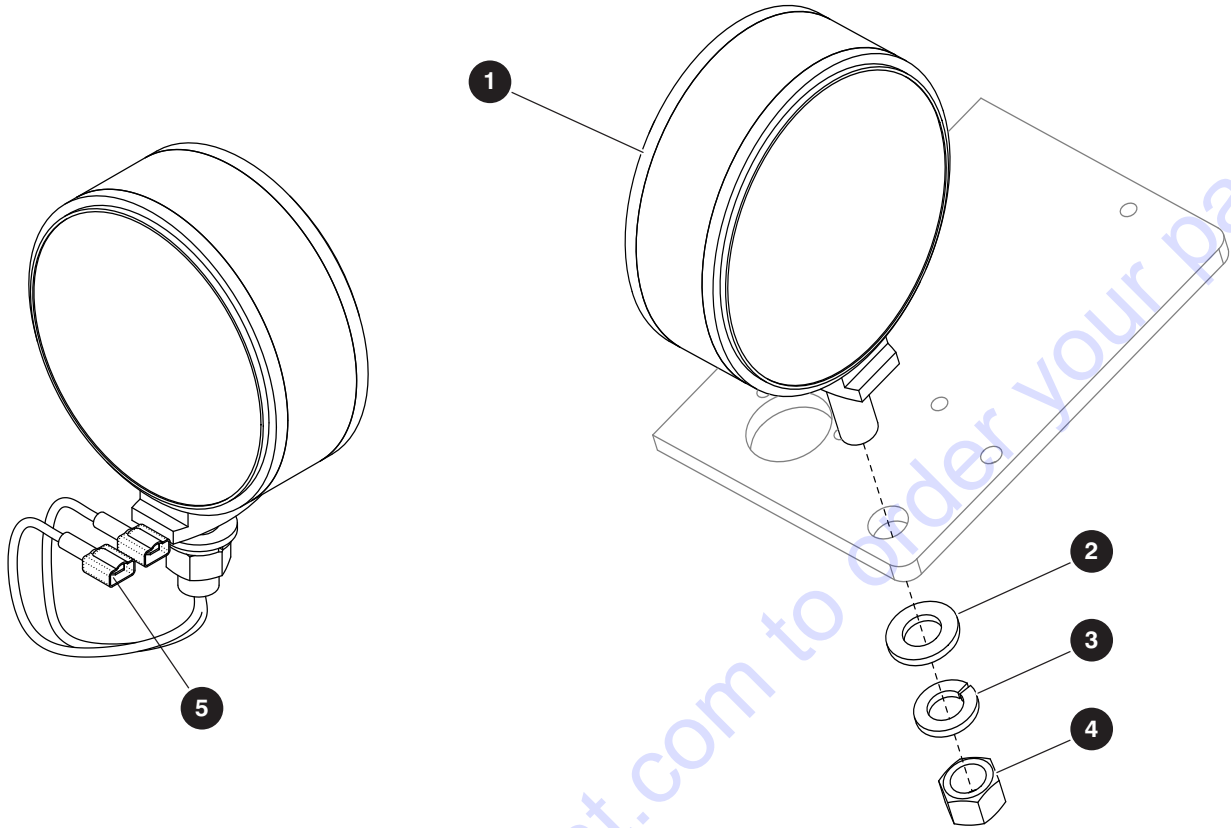
2.10 Pressure Transducer



M211930AC

Index No.	Skyjack Part No.	Qty.	Description
A	211930	-	PRESSURE TRANSDUCER SUBGROUP, 3000 PSI - SJ3220, SJ4720/26/32
B	211931	-	PRESSURE TRANSDUCER SUBGROUP, 2000 PSI - SJ3226
1	217934	1	• PRESSURE TRANSDUCER, 3000 PSI - M12, A
	217933	1	• PRESSURE TRANSDUCER, 2000 PSI - M12, B
-	211948	1	• HARNESS, Pressure Transducer
2	211932	1	• CABLE ASM, M12 Connector
3	211949	1	• CONNECTOR, 3 Pole Cap Housing
4	134068	1	• WIRE SEAL, 3 Position
5	116989	3	• WIRE PIN, Male - Mate-N-Lock
6	220098	1	• INSULATOR, Cable End

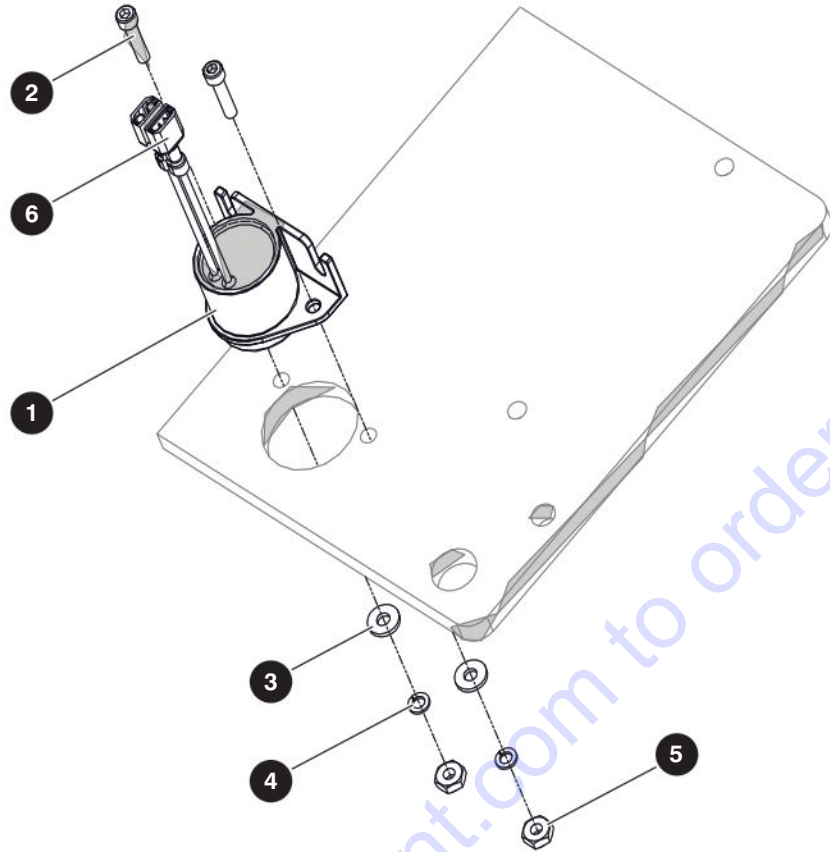
2.11 Flashing Light



M216618AA_M65622AA

Index No.	Skyjack Part No.	Qty.	Description
-	232797	-	FLASHING LIGHT
1	235775	1	• LAMP, Amber LED
2	933817	1	• WASHER, Flat - M12
3	116995	1	• WASHER, Lock - M12 Plated
4	933838	1	• NUT, Hex Hd - M12 x 1-1/4"
5	114594	2	• TERMINAL, Male - 18-22 AWG
6	229269	1	• INSTRUCTIONS, Flashing Light (Not Shown)

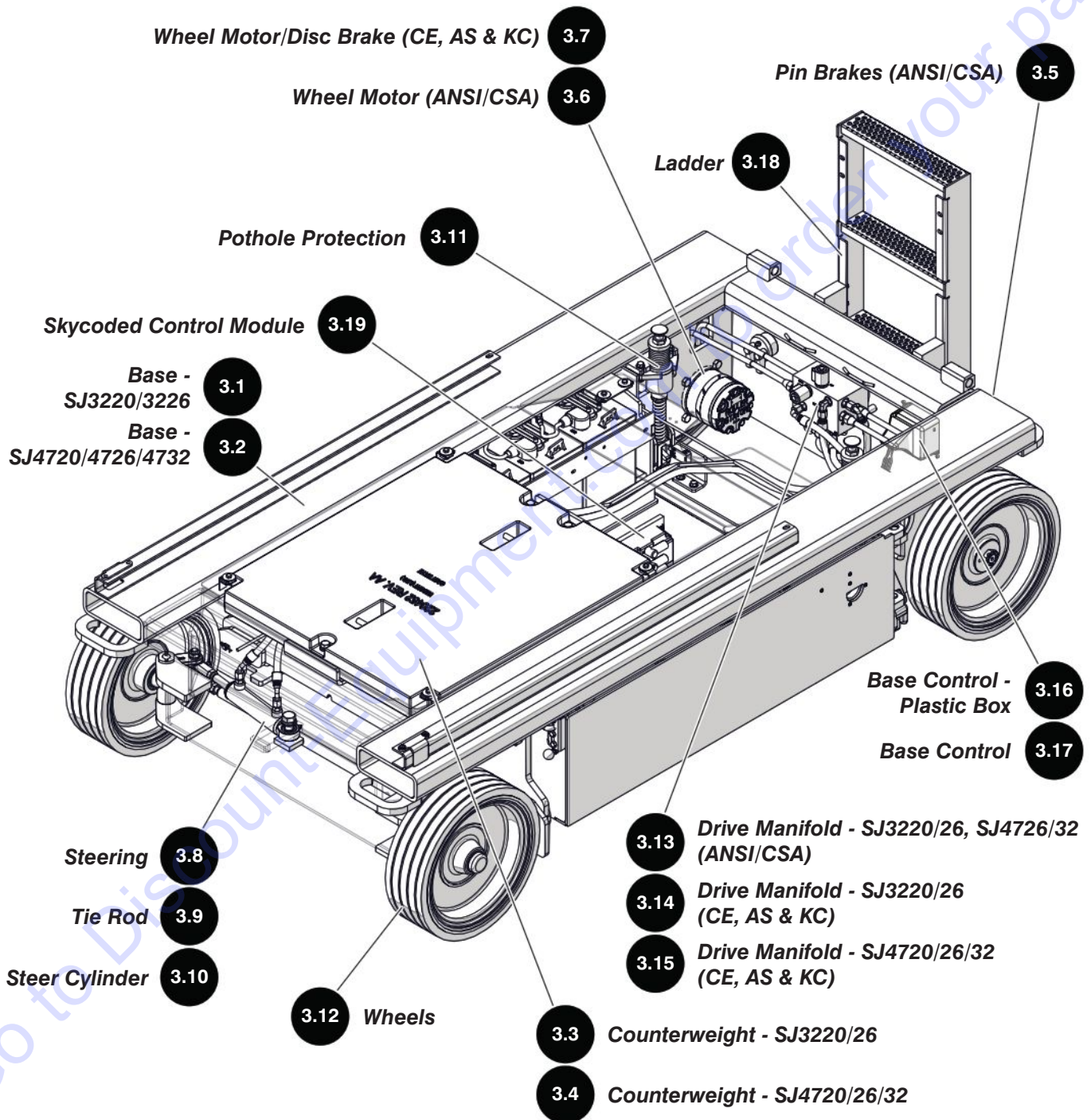
2.12 Beeper



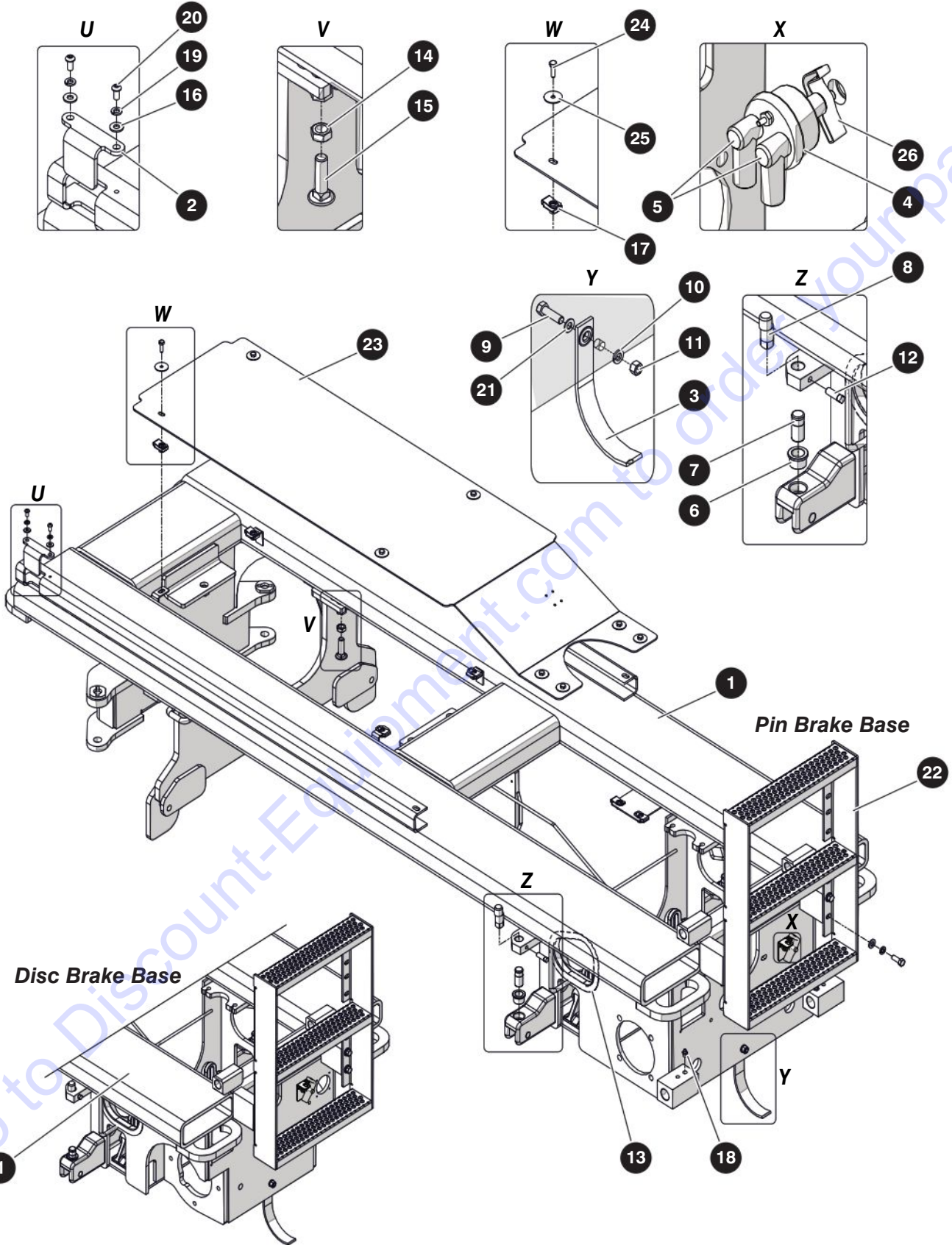
M207902AB

Index No.	Skyjack Part No.	Qty.	Description
-	207902	-	BEEPER SUBGROUP
1	170620	1	• BEEPER, SP-1048
2	196439	2	• SCREW, Socket Head Cap - #6-32 x 5/8"
3	191833	2	• WASHER, Flat - #6
4	106099	2	• WASHER, Lock - #6
5	103985	2	• NUT, Hex - #6-32
6	114595	2	• TERMINAL, Female 18-22 AWG - Red

Section 3 – Base



3.1 Base - SJ3220/3226

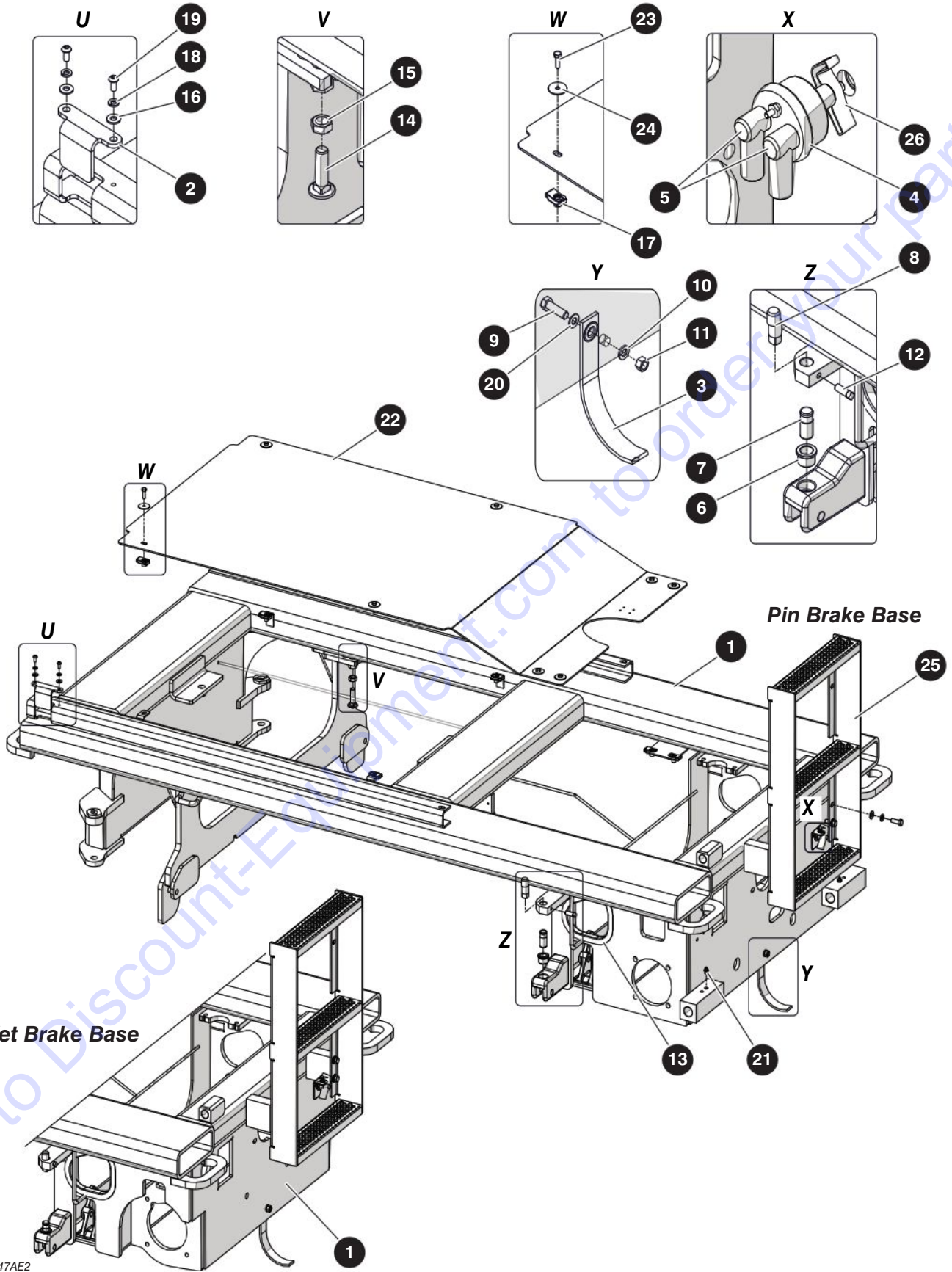


M195879AF2

3.1 Base - SJ3220/3226

Index No.	Skyjack Part No.	Qty.	Description
A	-	1	BASE, SJ3220/26 (ANSI/CSA)
B	-	1	BASE, SJ3220/26 (CE, AS & KC)
1	195578	1	• CHASSIS, Pin Brake, A
	195125	1	• CHASSIS, Disc Brakes, B
2	211987	2	• COVER, Access - Roller
3	115420	1	• STATIC STRAP
4	210051	1	• SWITCH, Master Disconnect - Double Pole
5	117408	2	• BATTERY BOOT, Red
6	100335	2	• BUSHING, Bronze Flange
7	223111	2	• PIN, Grooved - 3/4" OD x 1-5/8" LG
8	100446	2	• PIN, Eccentric - Short (1/8" Offset)
9	101297	1	• BOLT, Hex Head Zinc - 3/8"-16 x 1-1/4" Gr. 5
10	103999	1	• WASHER, Lock - 3/8"
11	103978	1	• NUT, Hex - 3/8"-16 Gr. 5
12	141751	2	• SET SCREW, Square Head Cup Point - 3/8"-16 x 3/4" Gr. 5 ZP
13	119922	17"	• PROTECTIVE TRIM, 1/4" - 1/2"
14	165901	2	• BOLT, Carriage - 1/2"-13 x 1-3/4" Gr. 5
15	107949	2	• NUT, Hex Head Jam - 1/2"-13 Gr. 5
16	103995	4	• WASHER, Flat - 1/4"
17	149496	8	• NUT, Speed Clip - 1/4"-20 x 1/2" OL
18	102027	2	• FITTING, Grease - 1/8" NPT Straight, A
19	104000	4	• WASHER, Lock - 1/4"
20	300060	4	• BOLT, Button Head Cap Screw - 1/4"-20 x 1/2"
21	125959	1	• WASHER, Flat - 3/8" Hard
22	(Ref.)	1	• LADDER <i>(For components, refer to Section 3.18 Ladder)</i>
23	195401	1	• PLATE, Chassis Cover
24	103891	8	• BOLT, Hex Head - 1/4"-20 x 7/8" Gr. 5
25	700598	8	• WASHER, Fender - 1-1/4" OD x 9/32" ID
26	108714	1	• LEVER, Master Disconnect

3.2 Base - SJ4720/4726/4732

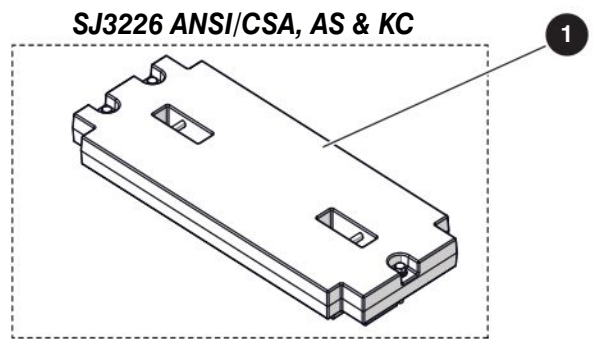
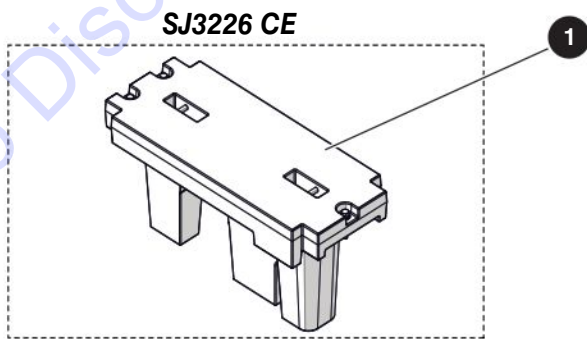
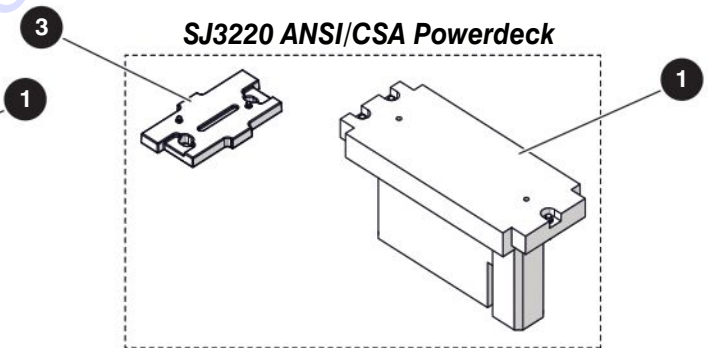
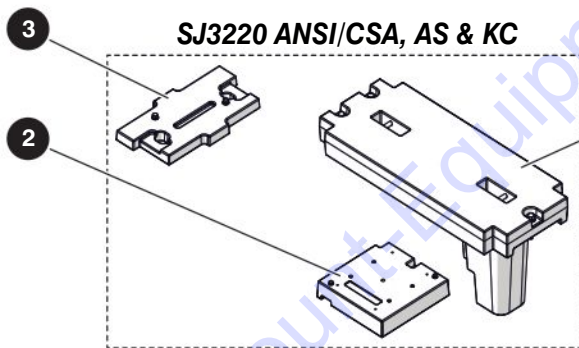
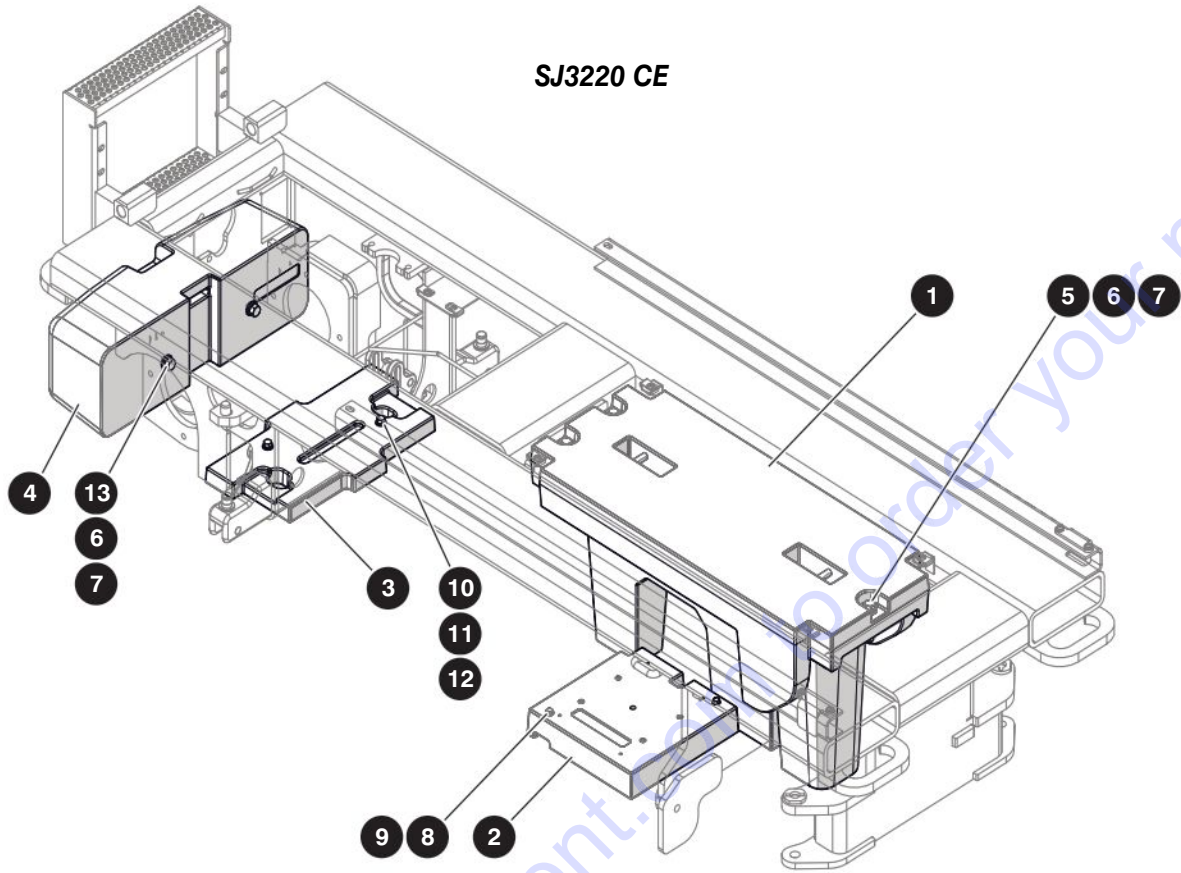


M209247AE2

3.2 Base - SJ4720/4726/4732

Index No.	Skyjack Part No.	Qty.	Description
A	-	1	BASE, SJ4726/32 (ANSI/CSA)
B	-	1	BASE, SJ4720/26/32 (CE, AS & KC)
C	-	1	BASE, SJ4726 (ANSI/CSA) (<i>only for machines with the Aircraft Option</i>)
1	196289	1	• BASE, Pin Brakes, A, C
	196300	1	• BASE, Wet Brakes, B
2	211987	2	• COVER, Access - Roller
3	115420	1	• STATIC STRAP, A, B
	156429	1	• STATIC STRAP, C
4	210051	1	• SWITCH, Master Disconnect - Double Pole
5	117408	2	• BATTERY BOOT, Red
6	100335	2	• BUSHING, Bronze Flange
7	223111	2	• PIN, Grooved - 3/4" OD x 1-5/8" LG
8	100446	2	• PIN, Eccentric - Short (1/8" Offset)
9	101297	1	• BOLT, Hex Head Zinc - 3/8"-16 x 1-1/4" Gr. 5
10	103999	1	• WASHER, Lock - 3/8"
11	103978	1	• NUT, Hex - 3/8"-16 Gr. 5
12	141751	2	• SET SCREW, Square Head Cup Point - 3/8"-16 x 3/4" Gr. 5 ZP
13	119922	1	• PROTECTIVE TRIM, 1/4" - 1/2"
14	165901	2	• BOLT, Carriage - 1/2"-13 x 1-3/4" Gr. 5
15	107949	2	• NUT, Hex Head Jam - 1/2"-13 Gr. 5
16	103995	4	• WASHER, Flat - 1/4"
17	149496	8	• NUT, Speed Clip - 1/4"-20 x 1/2" OL
18	104000	4	• WASHER, Lock - 1/4"
19	300060	4	• BOLT, Button Head Cap Screw - 1/4"-20 x 1/2"
20	125959	1	• WASHER, Flat - 3/8" Hard
21	102027	1	• FITTING, Grease - 1/8" NPT Straight, A, C
22	196252	1	• PLATE, Chassis Cover
23	103891	8	• BOLT, Hex Head - 1/4"-20 x 7/8" Gr. 5
24	700598	8	• WASHER, Fender - 1-1/4" OD x 9/32" ID
25	(Ref.)	1	• LADDER (For components, refer to Section 3.18 Ladder)
26	108714	1	• LEVER, Master Disconnect

3.3 Counterweight - SJ3220/26

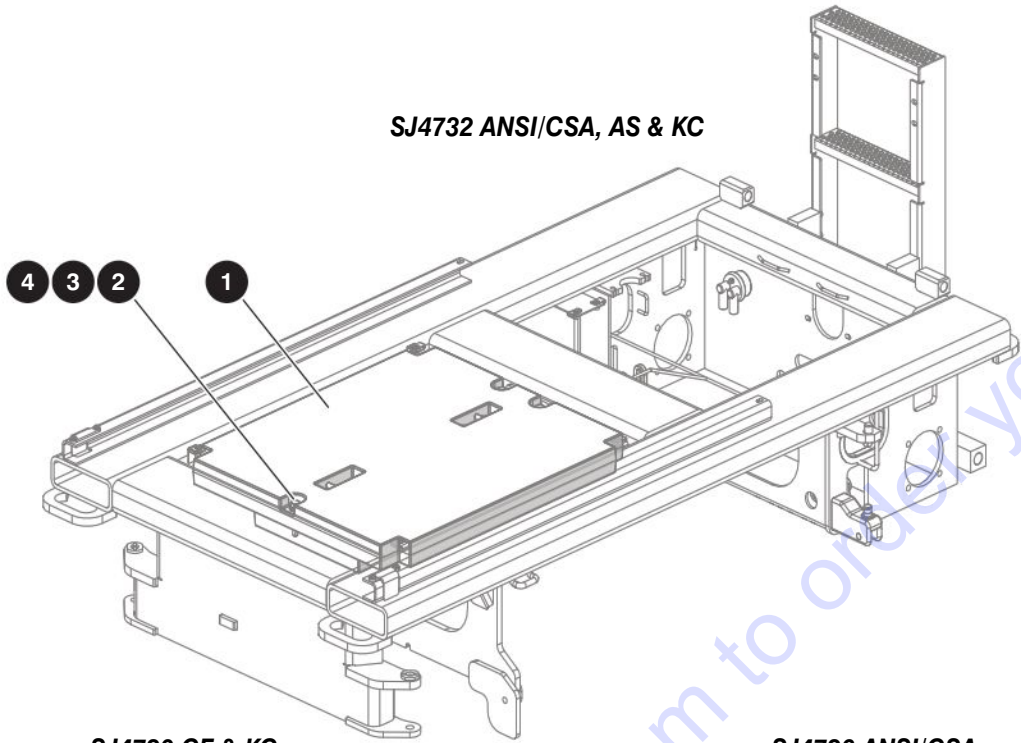


M207670A1

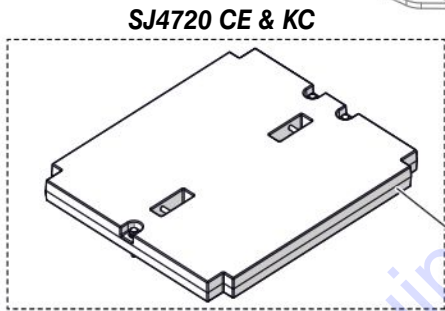
3.3 Counterweight - SJ3220/26

Index No.	Skyjack Part No.	Qty.	Description
A	207674	-	COUNTERWEIGHT SUBGROUP, SJ3220 (ANSI/CSA, AS & KC)
B	223705	-	COUNTERWEIGHT SUBGROUP, SJ3220 (ANSI/CSA Powerdeck)
C	207670	-	COUNTERWEIGHT SUBGROUP, SJ3220 (CE)
D	195157	-	COUNTERWEIGHT SUBGROUP, SJ3226 (ANSI/CSA, AS & KC)
E	204021	-	COUNTERWEIGHT SUBGROUP, SJ3226 (CE)
1	221677	1	• COUNTERWEIGHT, A
	220447	1	• COUNTERWEIGHT, B
	216585	1	• COUNTERWEIGHT, C
	216152	1	• COUNTERWEIGHT, D
	216581	1	• COUNTERWEIGHT, E
2	223726	1	• COUNTERWEIGHT, A, B, C
3	220465	1	• COUNTERWEIGHT, A, B, C
4	223698	1	• COUNTERWEIGHT, C
5	108818	3	• BOLT, Hex Head - 1/2"-13 x 2-3/4" Gr. 5
6	104379	AR	• Washer, Flat - 1/2" Hard
7	103470	AR	• WASHER, Lock - 1/2" Nom x 0.12"
8	103862	2	• BOLT, Hex Head - 1/4"-20 x 2-1/4" Gr. 5, A, B, C
9	103995	2	• WASHER, Flat - 1/4", A, B, C
10	103472	2	• WASHER, Flat - 3/8", A, B, C
11	103870	2	• BOLT, Hex Head - 3/8"-16 x 1-1/2" Gr. 5, A, B, C
12	103999	2	• WASHER, Lock - 3/8", A, B, C
13	103907	2	• BOLT, Hex Head - 1/2"-13 x 1-1/2" Gr. 5, C

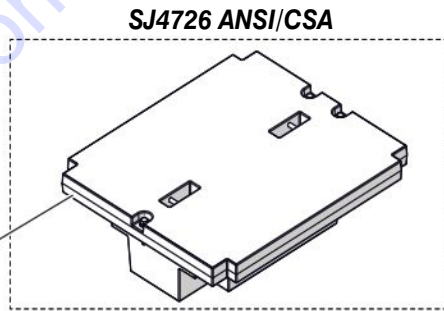
3.4 Counterweight - SJ4720/26/32



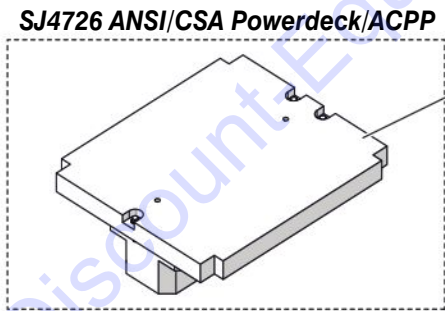
SJ4732 ANSI/CSA, AS & KC



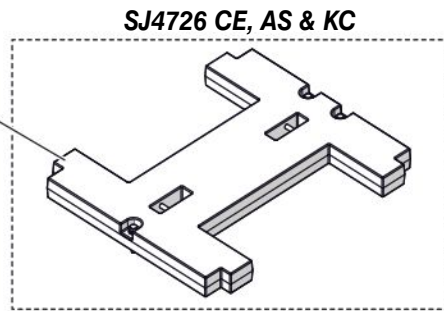
SJ4720 CE & KC



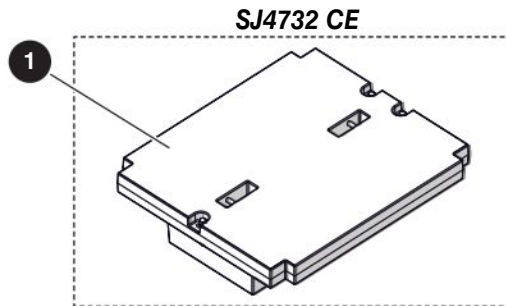
SJ4726 ANSI/CSA



SJ4726 ANSI/CSA Powerdeck/ACPP



SJ4726 CE, AS & KC



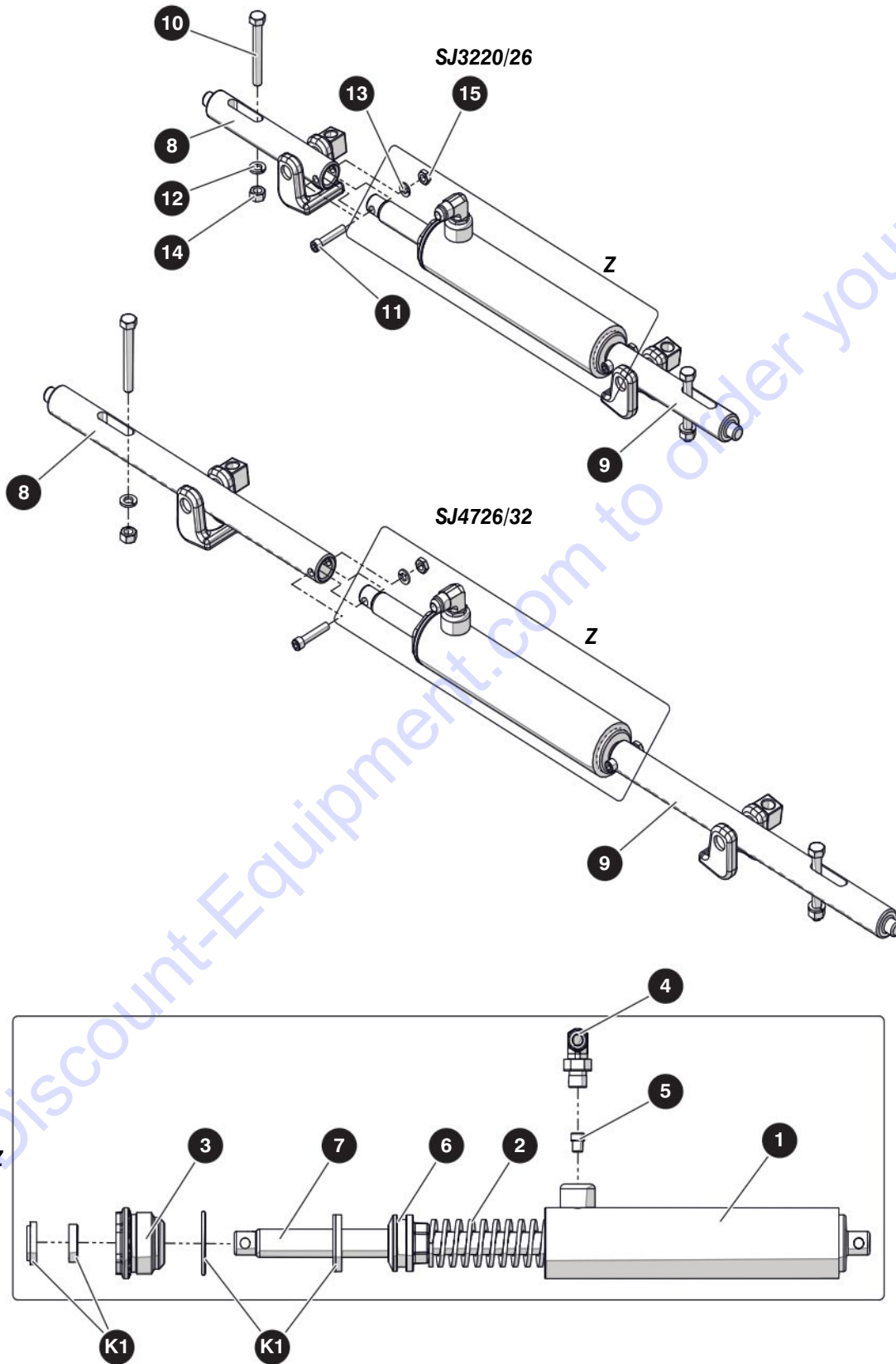
SJ4732 CE

M209180AC

3.4 Counterweight - SJ4720/26/32

Index No.	Skyjack Part No.	Qty.	Description
A	209184	1	COUNTERWEIGHT SUBGROUP, SJ4720 (CE & KC)
B	209182	1	COUNTERWEIGHT SUBGROUP, SJ4726 (ANSI/CSA)
C	223703	1	COUNTERWEIGHT SUBGROUP, SJ4726 (ANSI/CSA Powerdeck/Aircraft Protection)
D	228062	1	COUNTERWEIGHT SUBGROUP, SJ4726 (CE, AS & KC)
E	209180	1	COUNTERWEIGHT SUBGROUP, SJ4732 (ANSI/CSA, AS & KC)
F	209181	1	COUNTERWEIGHT SUBGROUP, SJ4732 (CE)
1	220451	1	• COUNTERWEIGHT, A
	220453	1	• COUNTERWEIGHT, B
	220448	1	• COUNTERWEIGHT, C
	228061	1	• COUNTERWEIGHT, D
	220452	1	• COUNTERWEIGHT, E
	220450	1	• COUNTERWEIGHT, F
2	108818	3	• BOLT, Hex Head - 1/2"-13 x 2-3/4" Gr. 5
3	104379	3	• WASHER, Flat - 1/2" Hard
4	103470	3	• WASHER, Lock - 1/2" Nom x 0.12"

3.5 Pin Brakes (ANSI/CSA)



M198894AD

223197ABA

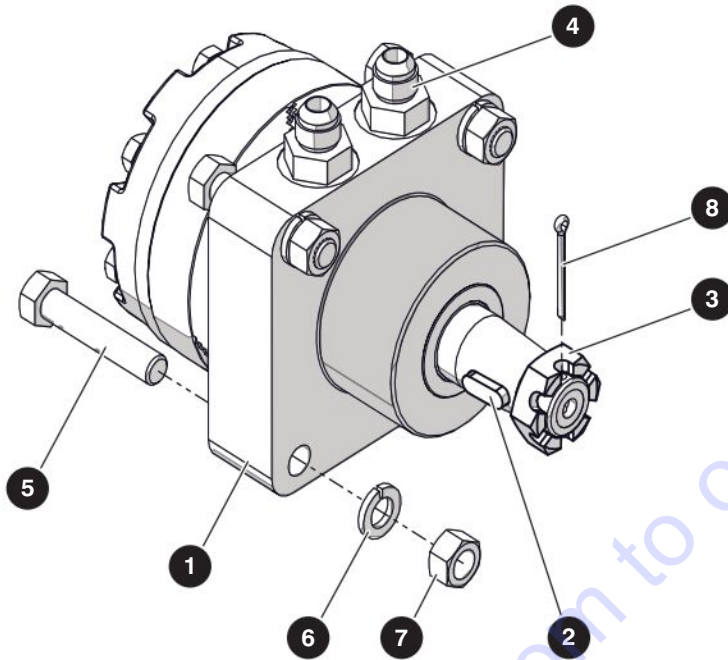
SJ3220, SJ3226, SJ4720, SJ4726, SJ4732

3.5 Pin Brakes (ANSI/CSA)

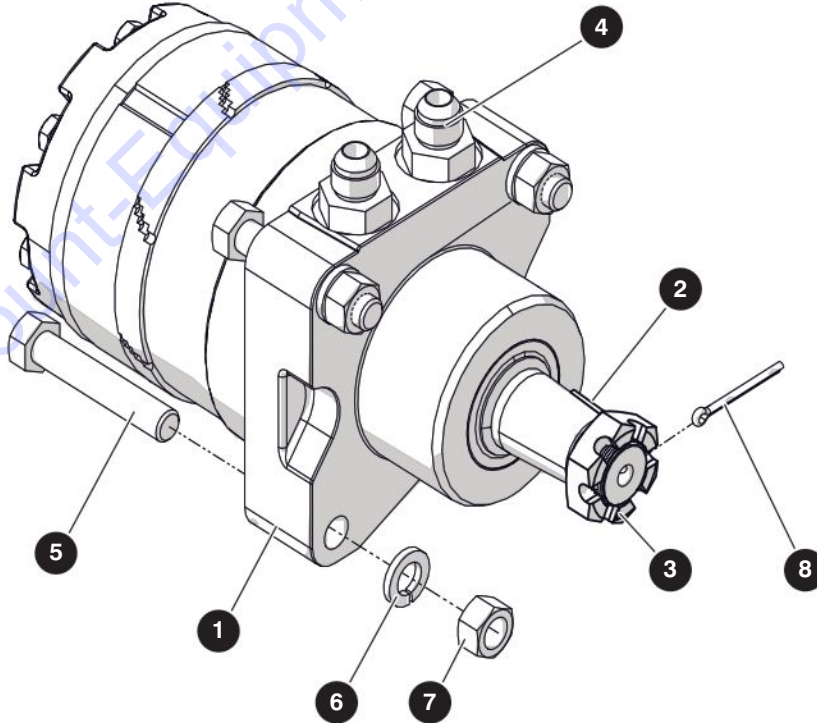
Index No.	Skyjack Part No.	Qty.	Description
A	198894	1	PIN BRAKE SUBGROUP - SJ3220/26
B	209099	1	PIN BRAKE SUBGROUP - SJJ4726/32
-	204005	1	• BRAKE CYLINDER, SJ321X
1	127668	1	• • BARREL
2	128158	1	• • SPRING BRAKE
3	120148	1	• • GLAND
4	114578	1	• • FITTING, 90D - 06JICM-06ORBM
5	130407	1	• • ORIFICE, 3/8" OD x 0.051"
6	204001	1	• • PISTON
7	204003	1	• • ROD
8	198891	1	• PIN BRAKE, Right Hand - Battery Tray Side, A
	209097	1	• PIN BRAKE, Right Hand - Battery Tray Side, B
9	198892	1	• PIN BRAKE, Left Hand - Hydraulic Tray Side, A
	209098	1	• PIN BRAKE, Left Hand - Hydraulic Tray Side, B
10	103884	2	• BOLT, Hex Head - 5/16"-18 x 2-1/2" Gr. 5
11	159801	2	• SCREW, Socket Head Cap - 1/4"-20 x 1-1/4" Zinc
12	103404	2	• WASHER, Lock - 5/16"
13	104000	2	• WASHER, Lock - 1/4"
14	100397	2	• NUT, Hed Head Zinc - 5/16"-18 Gr. 5
15	103983	2	• NUT, Hed Head Jam - 1/4"-20 Gr. 5
K1	199321	1	KIT, Seal Repair

3.6 Wheel Motor (ANSI/CSA)

SJ3220/26



SJ4726/32



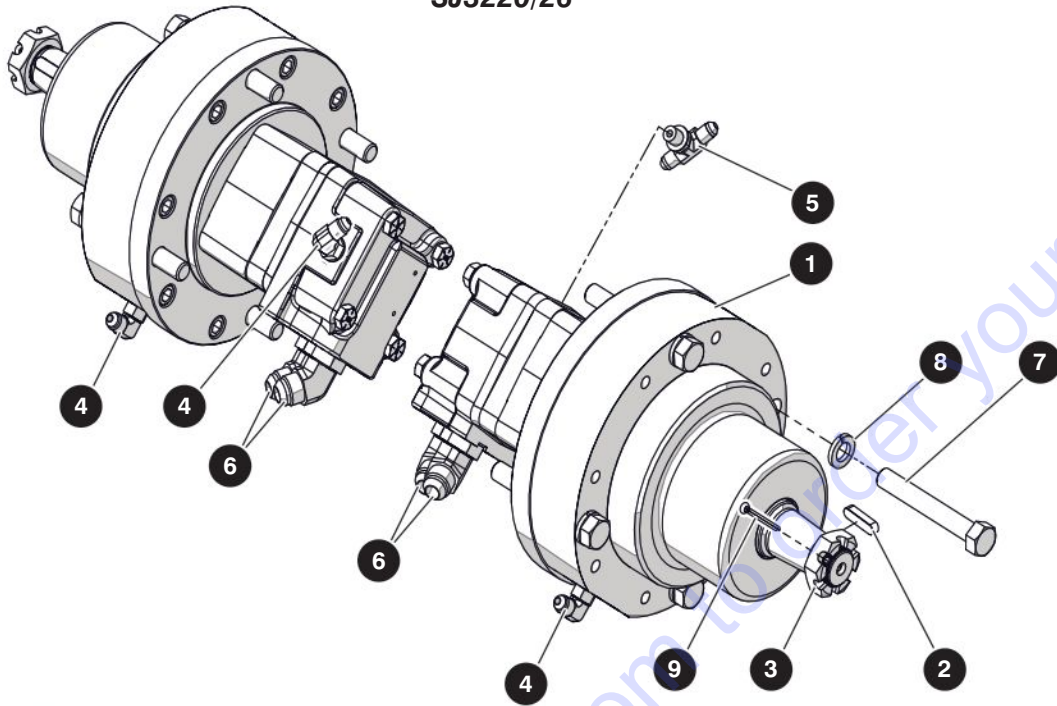
M198838AD

3.6 Wheel Motor (ANSI/CSA)

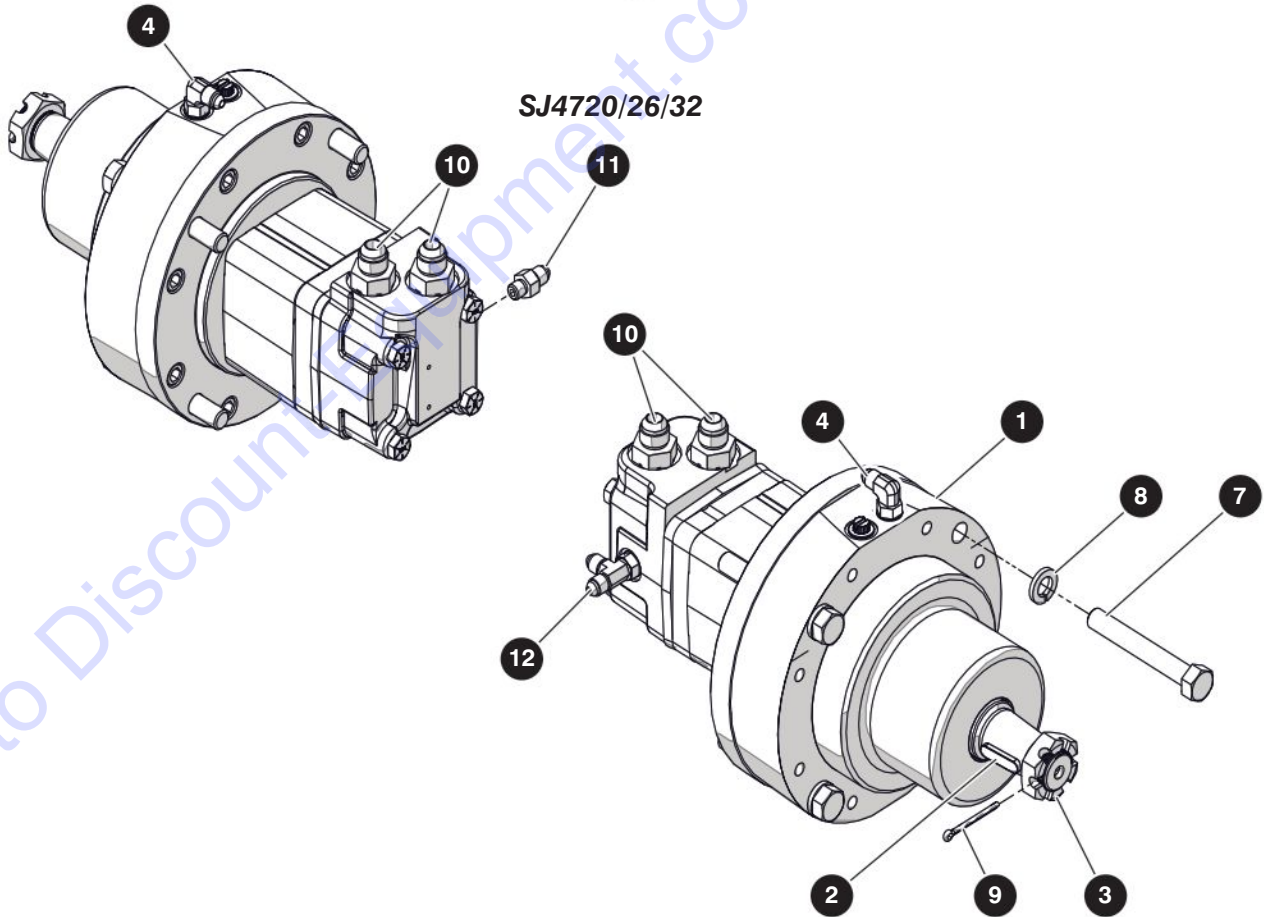
Index No.	Skyjack Part No.	Qty.	Description
A	198838	1	WHEEL MOTOR SUBGROUP - SJ3220/26
B	209016	1	WHEEL MOTOR SUBGROUP - SJ4726/32
1	194615	2	• MOTOR, Hydraulic, A
	208918	2	• MOTOR, Hydraulic - 348 CC, B
2	161684	1	• • KEY, Rounded, A
	199327	1	• • KEY, Rounded, B
3	224557	1	• • NUT, Castle - 1"-20
4	103071	4	• FITTING, Straight - 08JICM-10ORBM
5	103901	8	• BOLT, Hex Head - 1/2"-13 x 2-1/2" Gr. 5, A
	108818	8	• BOLT, Hex Head - 1/2"-13 x 2-3/4" Gr. 5, B
6	103470	8	• WASHER, Lock - 1/2" NOM x 0.12"
7	103471	8	• NUT, Hex Head Zinc - 1/2"-13 Gr. 5
8	103974	2	• PIN, Cotter - 1/8"DIA x 1-1/2"
K1	151099	1	KIT, Seal Repair (Not shown), A
	199328	1	KIT, Seal Repair (Not shown), B

3.7 Wheel Motor/Disc Brake (CE, AS & KC)

SJ3220/26



SJ4720/26/32

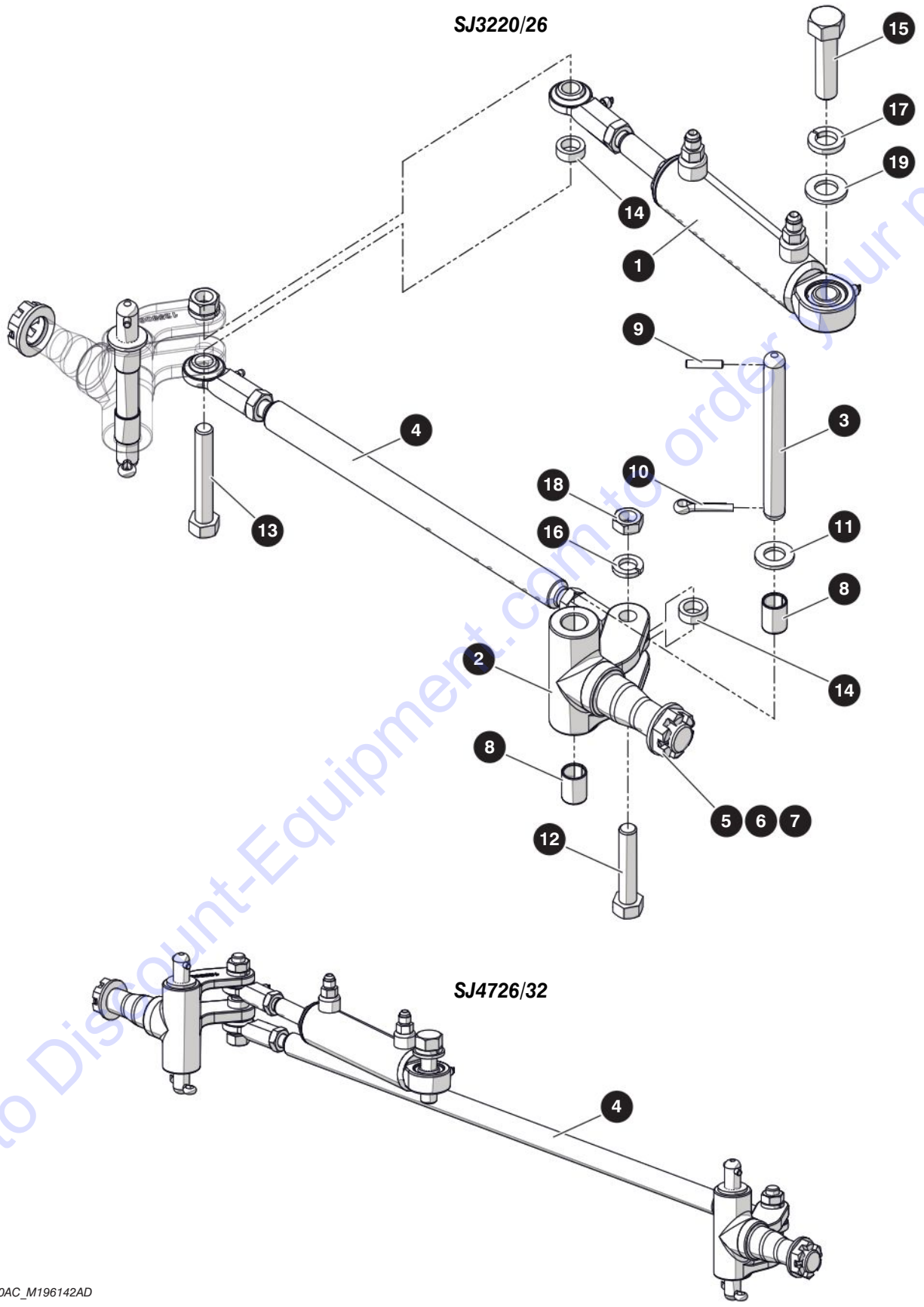


M198838AD_M209220AE

3.7 Wheel Motor/Disc Brake (CE, AS & KC)

Index No.	Skyjack Part No.	Qty.	Description
A	198844	1	WHEEL MOTOR/BRAKE SUBGROUP - SJ3220/26
B	209220	1	WHEEL MOTOR/BRAKE SUBGROUP - SJ4720/26/32
1	134573	2	• MOTOR, With Internal Disc Brake - HK-18, A
	162353	2	• MOTOR, With Internal Disc Brake - HK-25, B
2	161684	1	• • KEY, Rounded
3	224557	1	• • NUT, Castle - "1-20
4	125883	3	• FITTING, 90 Degrees - 04JICM-04ORBM, A
	125883	2	• FITTING, 90 Degrees - 04JICM-04ORBM, B
5	132463	1	• FITTING, Tee - 04MJ-04MB-04MJ, A
6	120054	4	• FITTING, 45 Degrees - 08JICM-10ORBM, A
7	125525	8	• BOLT, Hex Head - 1/2"-13 x 3-1/2" Gr. 5
8	103470	8	• WASHER, Lock - 1/2" NOM x 0.12"
9	103974	2	• PIN, Cotter - 1/8"DIA x 1-1/2"
10	103071	4	• FITTING, Straight - 08JICM-10ORBM, B
11	126128	1	• FITTING, 04SAE to -4JIC, B
12	211844	1	• FITTING Run Tee - 04JICM-04ORBM-04JICM, B
K1	139735	1	KIT, Seal Repair (Not shown)

3.8 Steering

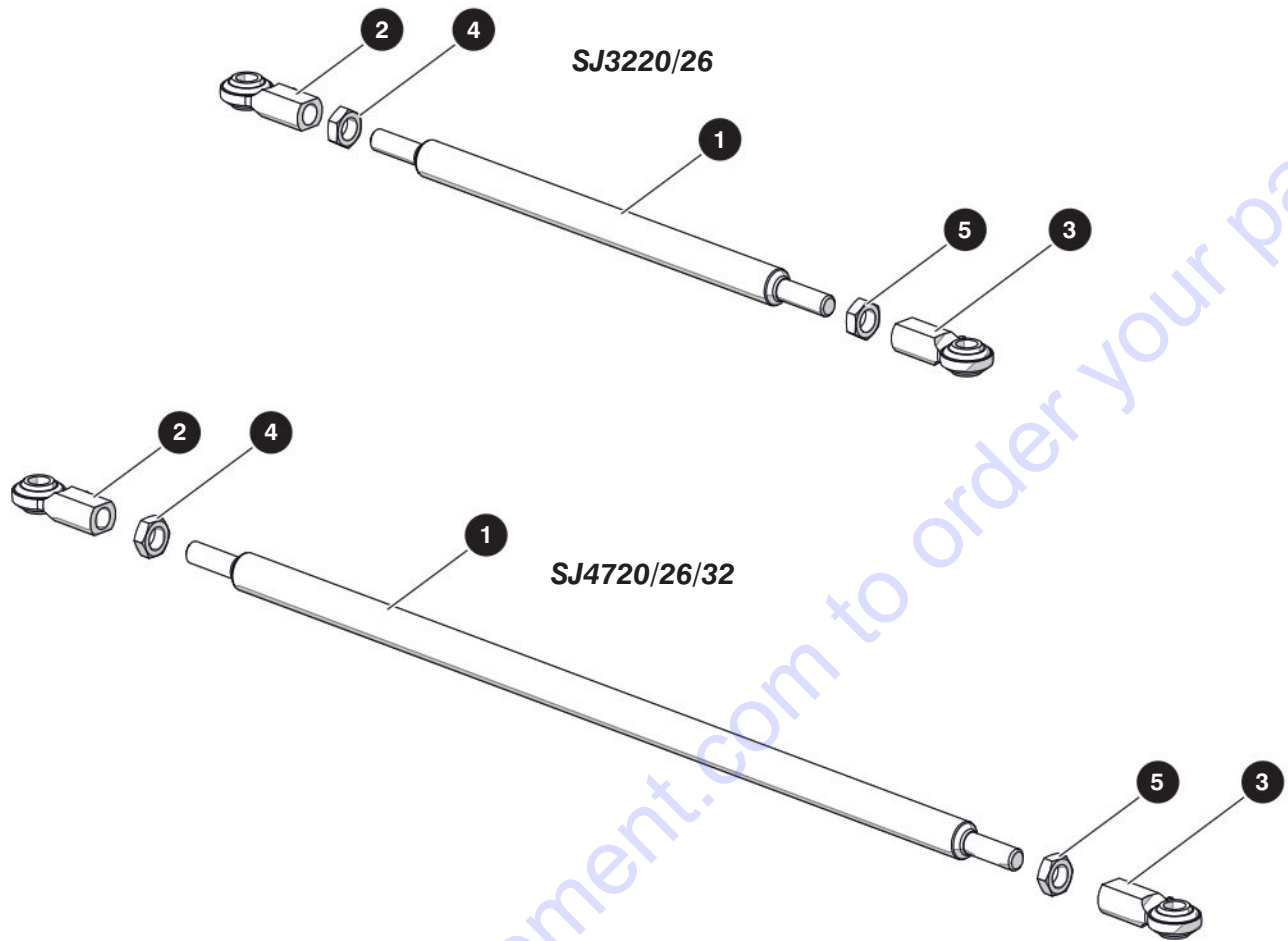


M198840AC_M196142AD

3.8 Steering

Index No.	Skyjack Part No.	Qty.	Description
A	198840	1	STEERING SUBGROUP - SJ3220/26
B	196142	1	STEERING SUBGROUP - SJ4720/26/32
1	(Ref.)	1	<ul style="list-style-type: none"> • STEER CYLINDER <i>(For components, refer to Section 3.10 Steer)</i>
2	125806	2	<ul style="list-style-type: none"> • SPINDLE
3	100120	2	<ul style="list-style-type: none"> • PIN, King Axle
4	(Ref.)	1	<ul style="list-style-type: none"> • TIE-ROD, Steering <i>(For components, refer to Section 3.9 Tie)</i>
5	221083	2	<ul style="list-style-type: none"> • WASHER, Flat - 1.074" ID x 1.762 OD x 0.150" Hard
6	102749	2	<ul style="list-style-type: none"> • NUT, Castle - 1"-14 TPI x 0.56"
7	103085	2	<ul style="list-style-type: none"> • PIN, Cotter - 3/16" DIA x 1-1/2"
8	100050	4	<ul style="list-style-type: none"> • BEARING, Plain - 3/4" ID x 7/8" OD x 1" FG
9	100825	2	<ul style="list-style-type: none"> • PIN, Stainless - Scissor End
10	103478	2	<ul style="list-style-type: none"> • PIN, Cotter - 1/4" DIA x 1-1/4"
11	104129	2	<ul style="list-style-type: none"> • WASHER, Bronze - 1-3/8" OD x 3/4" ID x 1/8"
12	125747	1	<ul style="list-style-type: none"> • BOLT, Hex Head - 5/8"-11 x 2-3/4" Gr. 5
13	107797	1	<ul style="list-style-type: none"> • BOLT, Hex Head - 5/8"-11 x 3-1/2" Gr. 5
14	100856	2	<ul style="list-style-type: none"> • SPACER, 1" DIA SRC1045 x 0.44" Lg
15	151102	1	<ul style="list-style-type: none"> • BOLT, Hex Head - 3/4"-10 x 2-1/2" Gr. 5 Zinc
16	103998	2	<ul style="list-style-type: none"> • WASHER, Lock - 5/8"
17	104002	1	<ul style="list-style-type: none"> • WASHER, Lock - 3/4"
18	103982	2	<ul style="list-style-type: none"> • NUT, Hex Head Jam - 5/8"-11 Gr. 5
19	702194	1	<ul style="list-style-type: none"> • WASHER, Flat - 3/4" Hard High Zinc

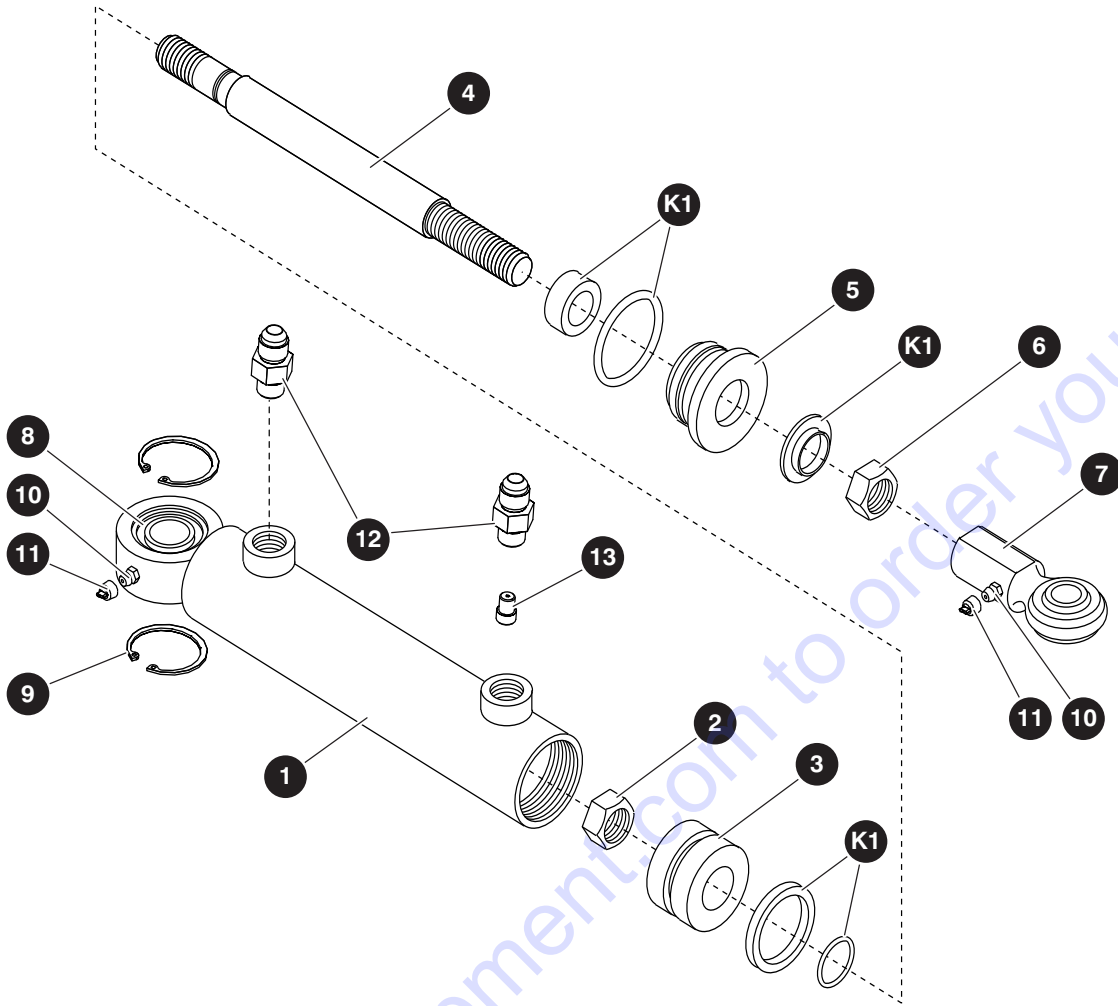
3.9 Tie Rod



M125472AD_M196301AD

Index No.	Skyjack Part No.	Qty.	Description
A	125472	1	TIE ROD - SJ3220/26
B	196301	1	TIE ROD - SJ4720/26/32
1	125469	1	• ROD, Tie - 1" OD x 17.990", A
	196140	1	• ROD, Tie - 1" OD x 31-1/4", B
2	115281	1	• ROD END, Female - Left Hand Thread
3	100847	1	• ROD END, Female - Right Hand Thread
4	100855	1	• NUT, Hex Head Jam - 5/8"-18 Gr. 5 - Left Hand
5	100846	1	• NUT, Hex Head Jam - 5/8"-18 Gr. 5 - Right Hand

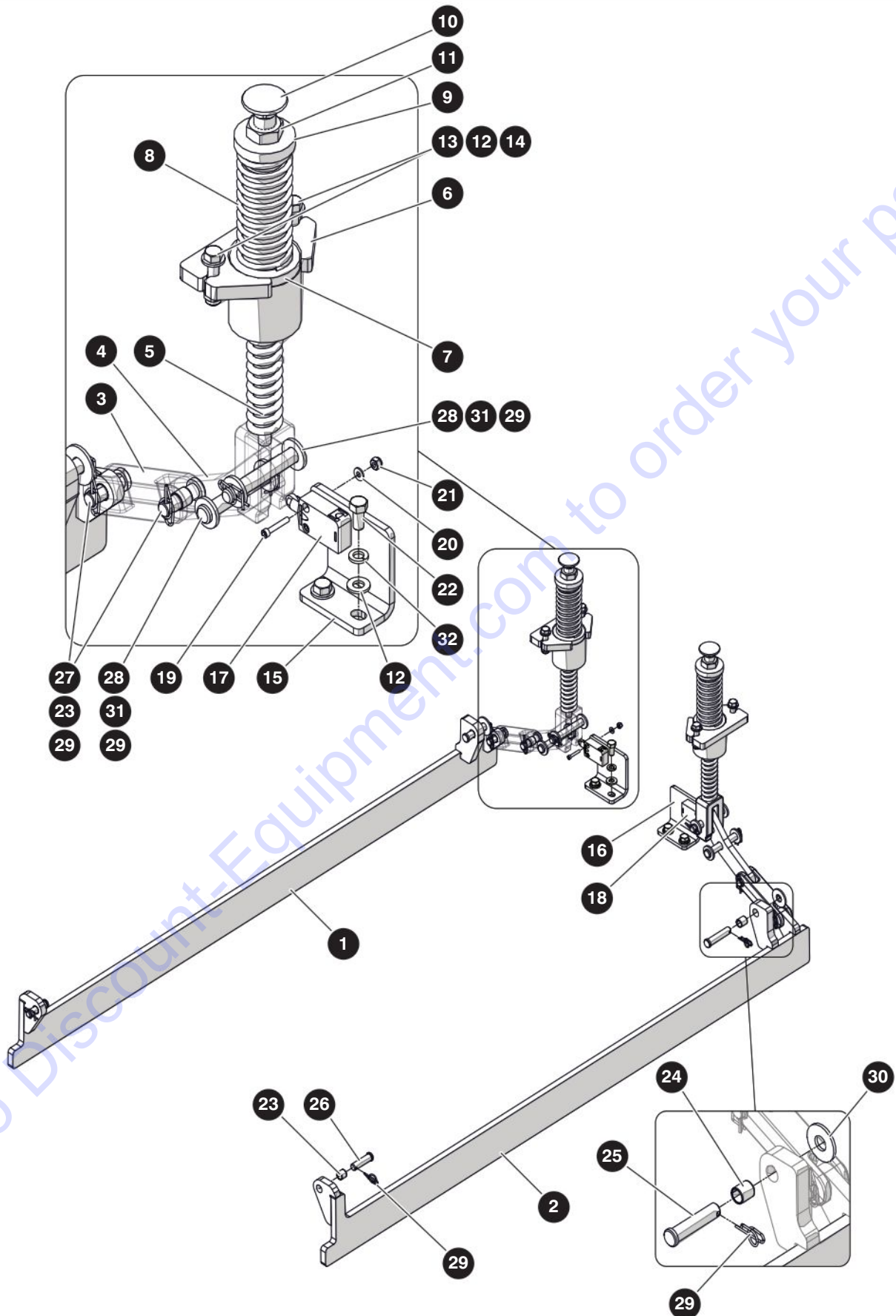
3.10 Steer Cylinder



M162715AC

Index No.	Skyjack Part No.	Qty.	Description
-	162715	1	STEER CYLINDER
1	162716	1	• BARREL
2	103830	1	• NUT, Lock - 5/8"-11 Gr. C
3	118844	1	• PISTON
4	117047	1	• ROD
5	120148	1	• GLAND
6	100846	1	• NUT, Jam - 5/8"-18
7	100847	1	• ROD END
8	102025	1	• BEARING, Spherical
9	104114	2	• RING, Retaining
10	103513	1	• FITTING, Grease
11	132565	2	• CAP, Grease Fitting
12	103069	2	• FITTING, Straight - 06JICM-06ORBM
13	105811	1	• ORIFICE, 0.040" DIA
K1	105816	1	KIT, Seal Repair

3.11 Pothole Protection



M210126AK

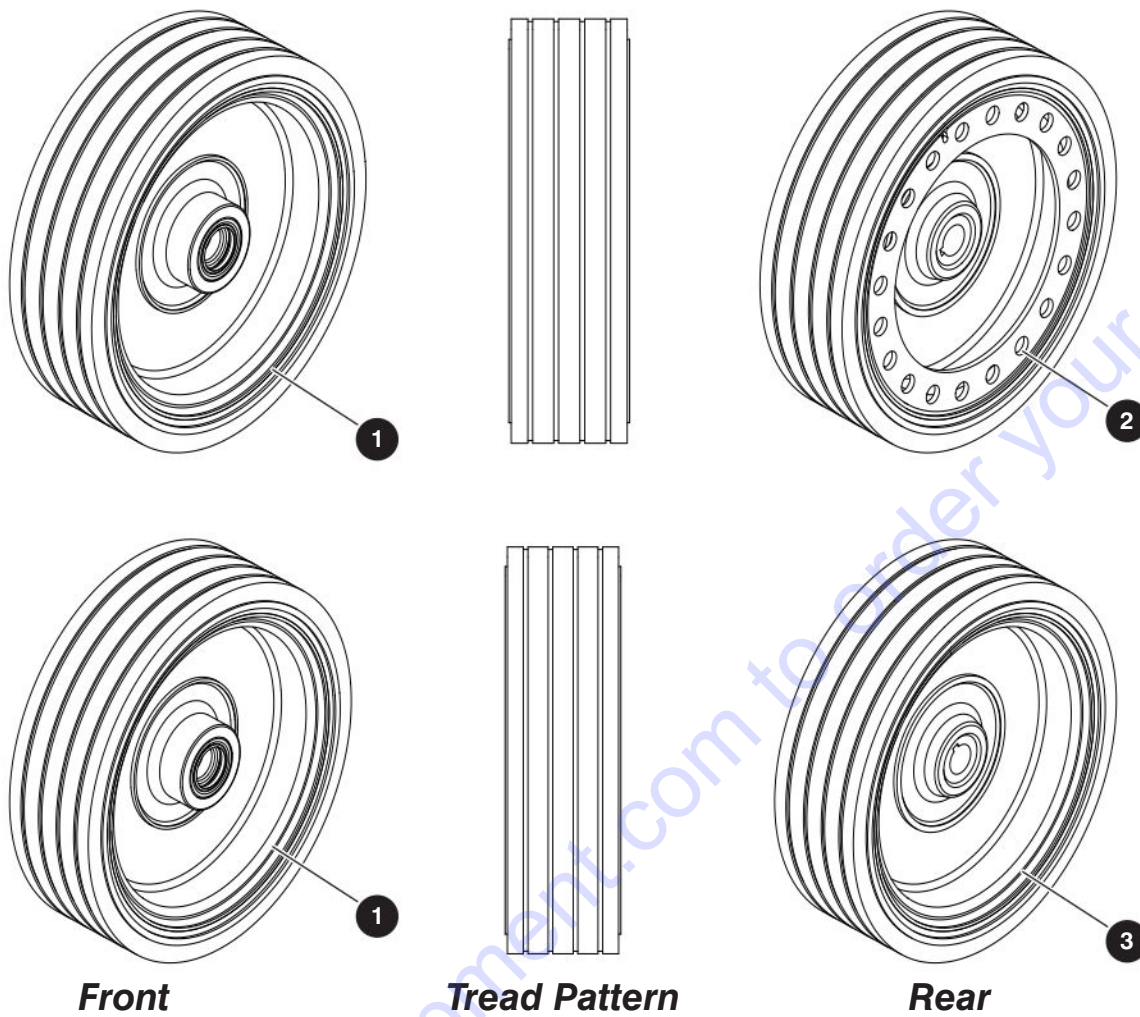
223197ABA

SJ3220, SJ3226, SJ4720, SJ4726, SJ4732

3.11 Pothole Protection

Index No.	Skyjack Part No.	Qty.	Description
A	210093	1	POTHOLE PROTECTION - SJ3220/26
B	210126	1	POTHOLE PROTECTION - SJ4720/26/32
1	223130	1	• POTHOLE BAR, Hydraulic Tray Side
2	223129	1	• POTHOLE BAR, Battery Tray Side
3	210094	2	• LINK, Pivot - Cast
4	210095	2	• LINK, Actuator
5	211965	2	• COMPRESSION ROD
6	211963	2	• GUIDE, Compression Rod
7	211964	2	• BUSHING, Flanged - 1.977" OD x 1.601" ID x 2.5"
8	210001	2	• SPRING, 1.937" OD x 5.5" LG
9	209990	2	• PLATE, Spring Retainer
10	216227	2	• CARRIAGE BOLT, 3/4"-10 x 3" Gr. 5
11	100252	2	• NUT, Hex Hd Jam - 3/4"-10 x Gr. B
12	125959	12	• WASHER, Flat - 3/8" Hard
13	103871	4	• BOLT, Hex Hd - 3/8"-16 x 1-3/4" Gr. 5
14	104606	4	• NUT, Nylon Lock - 3/8"-16 Gr. 5
15	210122	1	• MOUNTING PLATE, Limit Switch - Hydraulic Tray Side
16	210123	1	• MOUNTING PLATE, Limit Switch - Battery Tray Side
17	210226	1	• LIMIT SWITCH, Pothole - Hydraulic Tray Side
18	210227	1	• LIMIT SWITCH, Pothole - Battery Tray Side
19	207325	4	• SCREW, Socket Hd Cap Screw - #8-32 x 1"
20	103991	4	• WASHER, Flat - #8
21	138765	4	• NUT, Nylon Lock - #8-32 Gr. 5 Zinc
22	101632	4	• BOLT, Hex Hd - 3/8"-16 x 3/4" Gr. 5 Zinc
23	194705	8	• BEARING, Fiberglide - 1/2" ID x 0.593" OD x 1/2"
24	151450	2	• BUSHING, Fiberglide - CJS0810
25	194706	2	• CLEVIS PIN, 1/2" OD x 2-1/4"
26	223143	2	• CLEVIS PIN, 1/2" x 1-25/32"
27	157833	4	• CLEVIS PIN, 1/2" DIA x 1.53125"
28	210124	4	• CLEVIS PIN, 1/2" x 3-1/8"
29	163546	12	• COTTER PIN, 1/2" DIA Rue Ring
30	212926	2	• WASHER, Flat - 1/2" ID x 1-3/8" OD x 0.1" Hard
31	104379	8	• WASHER, Flat - 1/2" Hard
32	103999	4	• WASHER, Lock - 3/8"

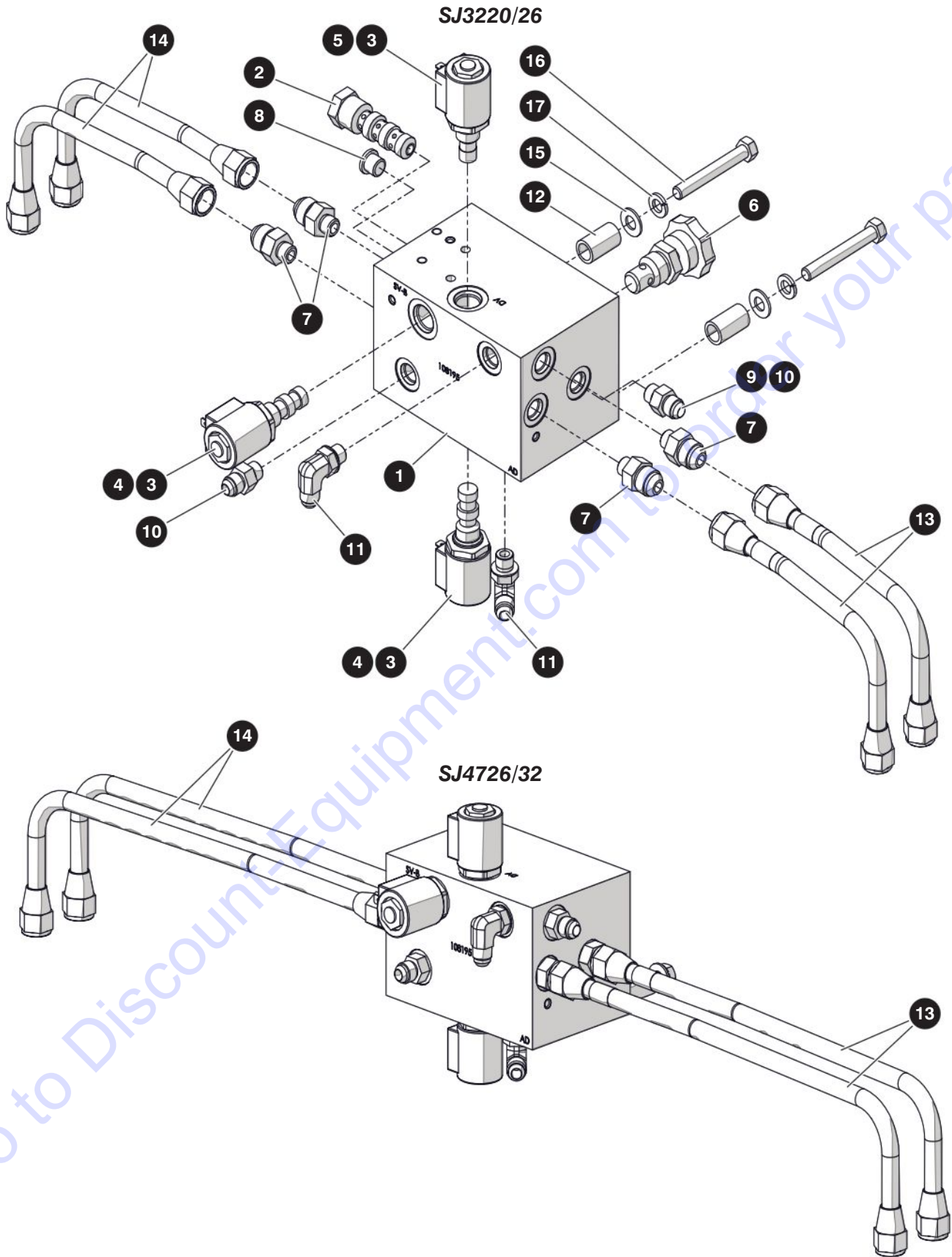
3.12 Wheels



M213763AA_M213043AA

Index No.	Skyjack Part No.	Qty.	Description
1	198594	2	• FRONT WHEEL, Non-Marking Gray - Freewheel
	198600	1	• • WHEEL, Non-Marking Gray - 16 x 5 x 12
	102977	1	• • BEARING, Cup Outer
	103003	1	• • BEARING, Cone
	102978	1	• • BEARING, Cup - LM48510
	103009	1	• • BEARING, Cone - LM48548
	103144	1	• • SEAL, Grease - 00/100
	102865	1	• • DUST CAP
2	198601	2	• REAR WHEEL, Non-Marking Gray - With Brake Ring (Pin Brakes) (ANSI/CSA)
	198642	1	• • WHEEL, Non-Marking Gray - 16 x 5 x 12
	125722	1	• • PLATE, Brake Ring
3	198608	2	• REAR WHEEL, Non-Marking Gray (Wet Brakes) (CE, AS & KC)
	198642	1	• • WHEEL, Non-Marking Gray - 16 x 5 x 12

3.13 Drive Manifold - SJ3220/26, SJ4726/32 (ANSI/CSA)

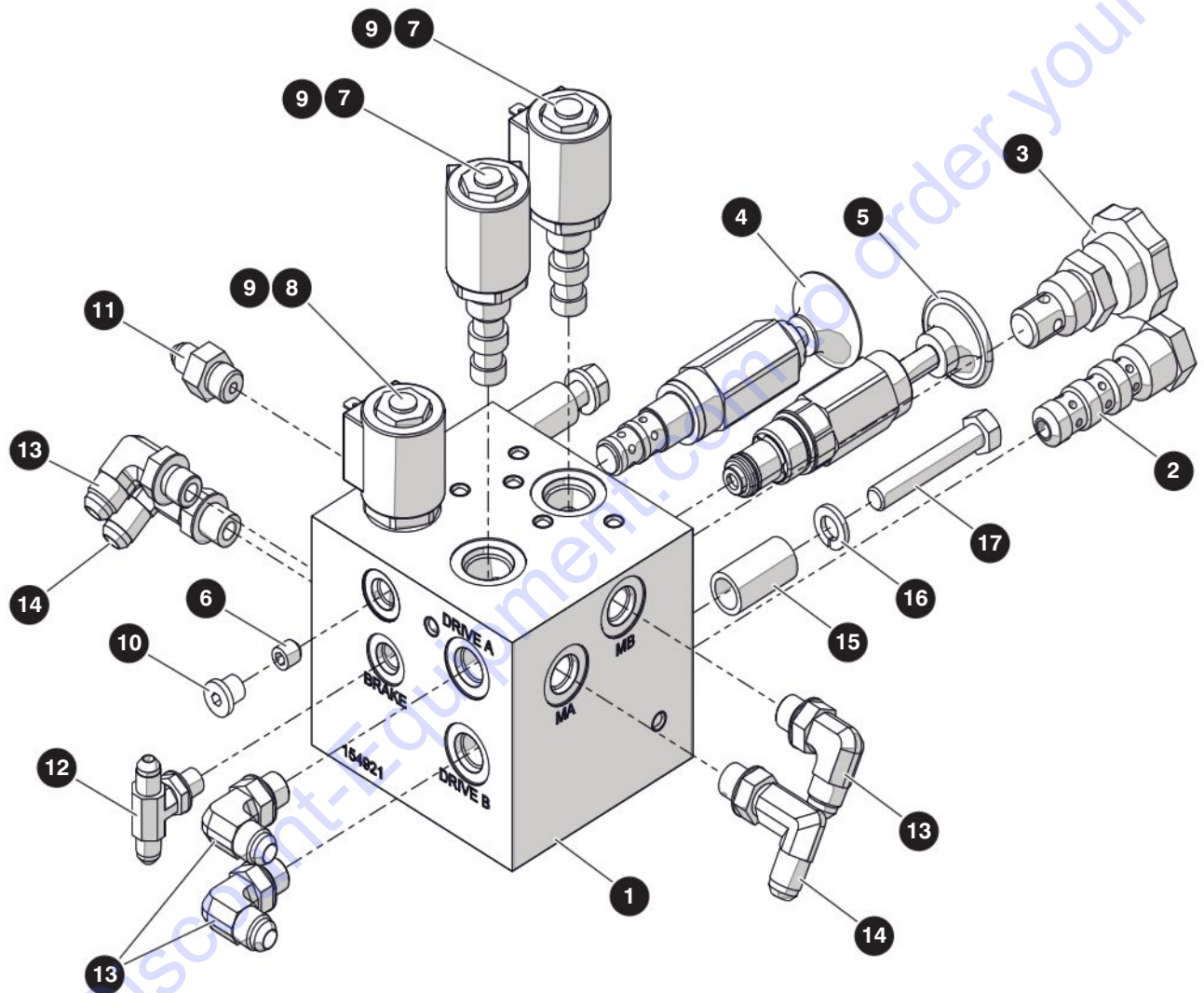


M195862AD_M196312AD

3.13 Drive Manifold - SJ3220/26, SJ4726/32 (ANSI/CSA)

Index No.	Skyjack Part No.	Qty.	Description
A	195862	1	DRIVE MANIFOLD SUBGROUP - SJ3220/26
B	196312	1	DRIVE MANIFOLD SUBGROUP - SJ4726/32
-	199661	1	• DRIVE MANIFOLD ASSY
1	108195	1	• • MANIFOLD, Series-Parallel - With Plug
	112758	1	• • • MANIFOLD, Series-Parallel
	108052	8	• • • PLUG, Expander
2	103354	1	• • VALVE, Flow Divider
3	103605	3	• • VALVE, 24V Coil - 2 Prong
4	103623	2	• • VALVE, 3-Way Spool - SV08-31
5	104132	1	• • VALVE, 2-Way - SV08-24
6	103136	1	• • VALVE, Manual Needle - NV10-21E
7	104402	4	• • FITTING, 06SAE to -8JIC
8	104437	1	• • FITTING, Plug - 06ORB Hex Socket
9	104434	1	• • SET SCREW, Brass - 3/8"-16 OD x 0.040" ID
10	103069	2	• • FITTING, Straight - 06JICM-06ORBM
11	114578	2	• • FITTING, 90 Degrees - 06JICM-06ORBM
12	195863	2	• TUBE SPACER
13	204640	2	• TUBE, Hydraulic Line, A
	197414	2	• TUBE, Hydraulic Line - Wheel Motor, B
14	204642	2	• TUBE, Hydraulic Line, A
	197415	2	• TUBE, Hydraulic Line - Wheel Motor, B
15	103472	2	• WASHER, Flat - 3/8"
16	103874	2	• BOLT, Hex Head - 3/8"-16 x 2-3/4" Gr. 5
17	103999	2	• WASHER, Lock - 3/8"

3.14 Drive Manifold - SJ3220/26 (CE, AS & KC)



M195862AD

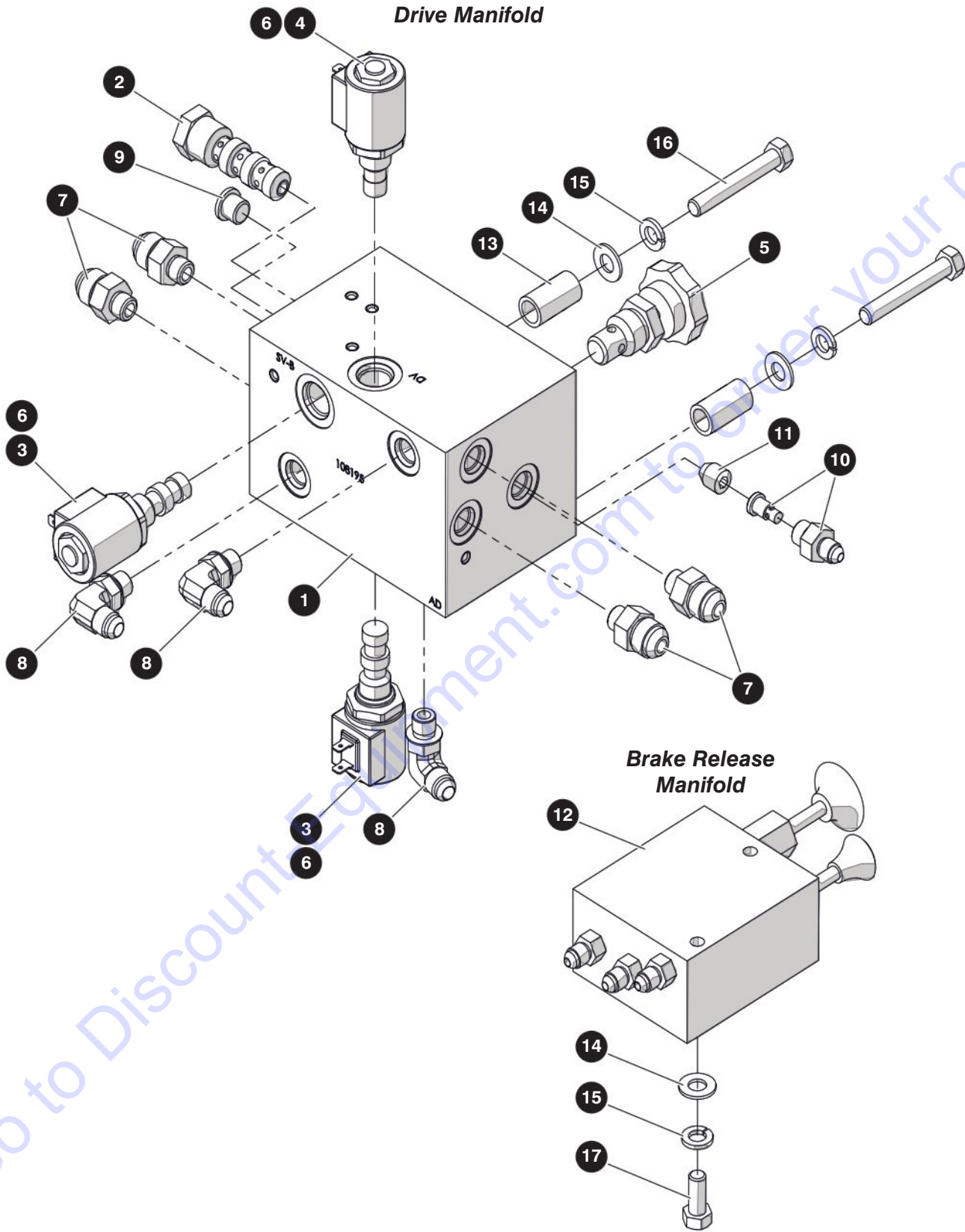
223197ABA

SJ3220, SJ3226, SJ4720, SJ4726, SJ4732

3.14 Drive Manifold - SJ3220/26 (CE, AS & KC)

Index No.	Skyjack Part No.	Qty.	Description
-	204416	1	DRIVE MANIFOLD SUBGROUP - SJ3220/26
-	204420	1	• DRIVE MANIFOLD
1	154921	1	• • MANIFOLD, Series-Parallel - With Plug
	154918	1	• • • MANIFOLD, Block
	154926	15	• • • PLUG, Expander
2	103354	1	• • VALVE, Flow Divider
3	103136	1	• • VALVE, Manual Needle - NV10-21E
4	113752	1	• • VALVE, Auto Reset - MP08-3401K
5	165932	1	• • PUMP, Manual Hand
6	104434	1	• • SET SCREW, Brass - 3/8"-16 OD x 0.040" ID
7	103623	2	• • VALVE, 3-Way Spool - SV08-31
8	104132	1	• • VALVE, 2-Way - SV08-24
9	103605	3	• • VALVE, 24V Coil - 2 Prong
10	121250	1	• • FITTING, Plug - 04ORBM
11	701956	1	• • FITTING, 06SAE to -4JIC
12	132463	1	• • FITTING, Tee - 04MJ-04MB-04MJ
13	114578	4	• • FITTING, 90 Degrees - 06JICM-06ORBM
14	139104	2	• • FITTING, 90 Degrees LG - 06JICM-06ORBM
15	155939	2	• TUBE, Spacer - 1-1/4"
16	103999	2	• WASHER, Lock - 3/8"
17	103872	2	• BOLT, Hex Head - 3/8"-16 x 2-1/4" Gr. 5

3.15 Drive Manifold - SJ4720/26/32 (CE, AS & KC)



M196578AE

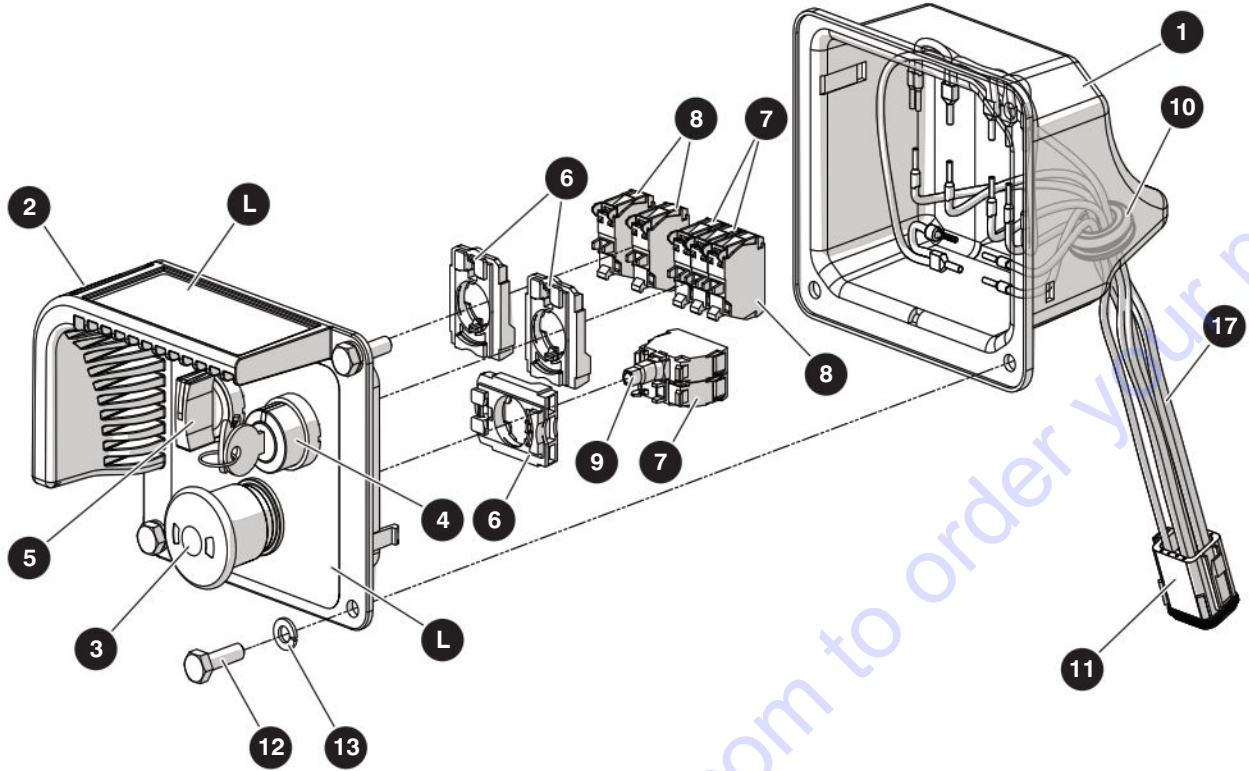
223197ABA

SJ3220, SJ3226, SJ4720, SJ4726, SJ4732

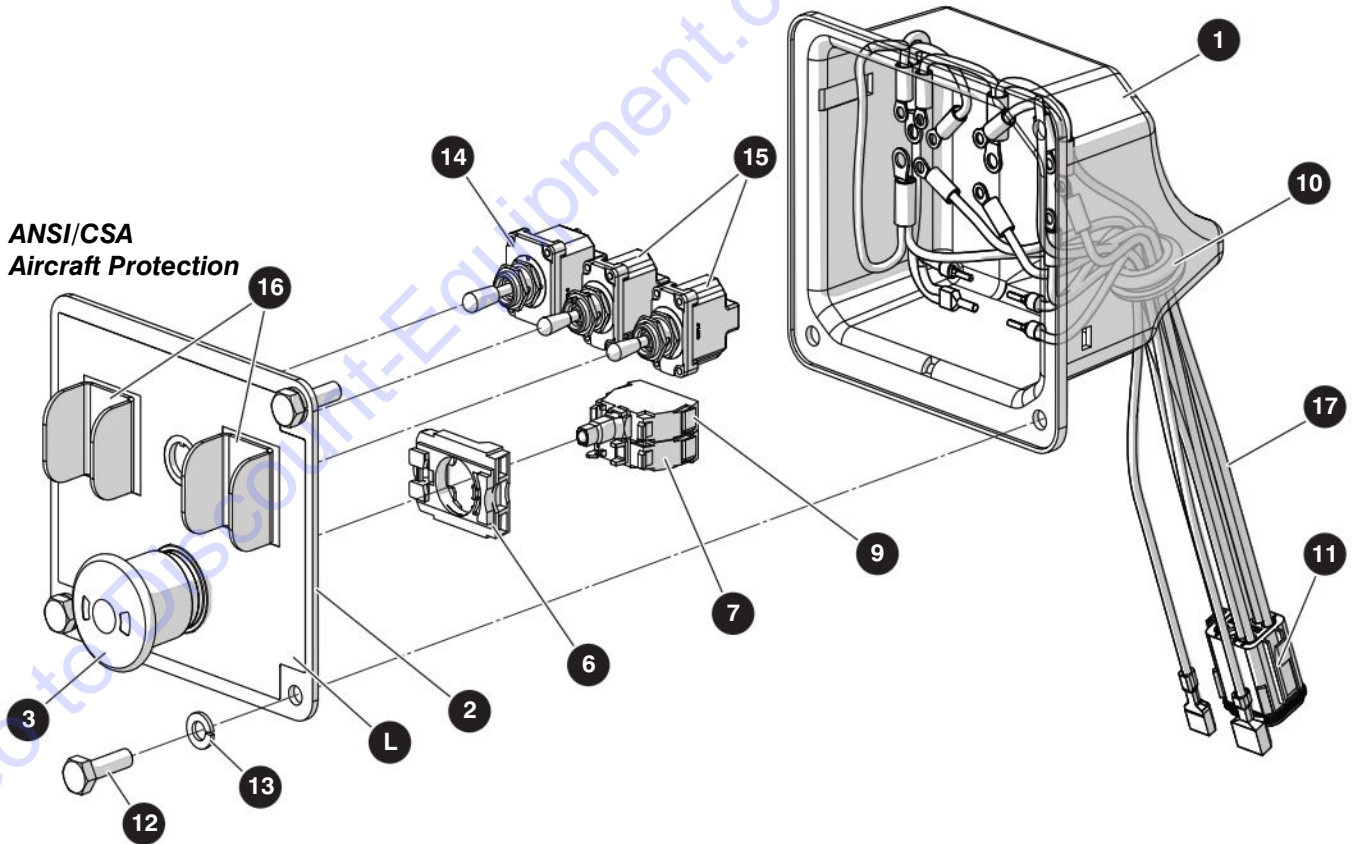
3.15 Drive Manifold - SJ4720/26/32 (CE, AS & KC)

Index No.	Skyjack Part No.	Qty.	Description
-	196578	1	DRIVE MANIFOLD SUBGROUP - SJ4720/26/32
-	211845	1	• DRIVE MANIFOLD
1	108195	1	• • MANIFOLD, Series-Parallel - With Plug
	112758	1	• • • MANIFOLD, Series-Parallel
	108052	8	• • • PLUG, Expander
2	103354	1	• • VALVE, Flow Divider
3	103623	2	• • VALVE, 3-Way Spool - SV08-31
4	104132	1	• • VALVE, 2-Way - SV08-24
5	103136	1	• • VALVE, Manual Needle - NV10-21E
6	103605	3	• • VALVE, 24V Coil - 2 Prong
7	104402	4	• • FITTING, 06SAE to -8JIC
8	114578	3	• • FITTING, 90 Degrees - 06JICM-06ORB
9	104437	1	• • FITTING, Plug - 06ORB Hex Socket
10	701956	1	• • FITTING, 06SAE to -4JIC
11	104434	1	• • SET SCREW, Brass - 3/8"-16 OD x 0.040" ID
12	136540	1	• BRAKE RELEASE MANIFOLD
	146559	1	• • PUMP
	146561	1	• • VALVE
	146563	1	• • BLOCK, Brake Release Manifold
	701954	3	• • FITTING, Straight - 04JIC
13	155939	2	• SPACER, Tube - 1-1/4"
14	103472	4	• WASHER, Flat - 3/8"
15	103999	4	• WASHER, Lock - 3/8"
16	103873	2	• BOLT, Hex Head - 3/8"-16 x 2-1/2" Gr. 5
17	125741	2	• BOLT, Hex Head - 3/8"-16 x 7/8" Gr. 5
K1	146564	1	KIT, Seal Repair - Brake Release Manifold (Not shown)

3.16 Base Control - Plastic Box



**ANSI/CSA
Aircraft Protection**



M220824AB_M231922AA

223197ABA

100

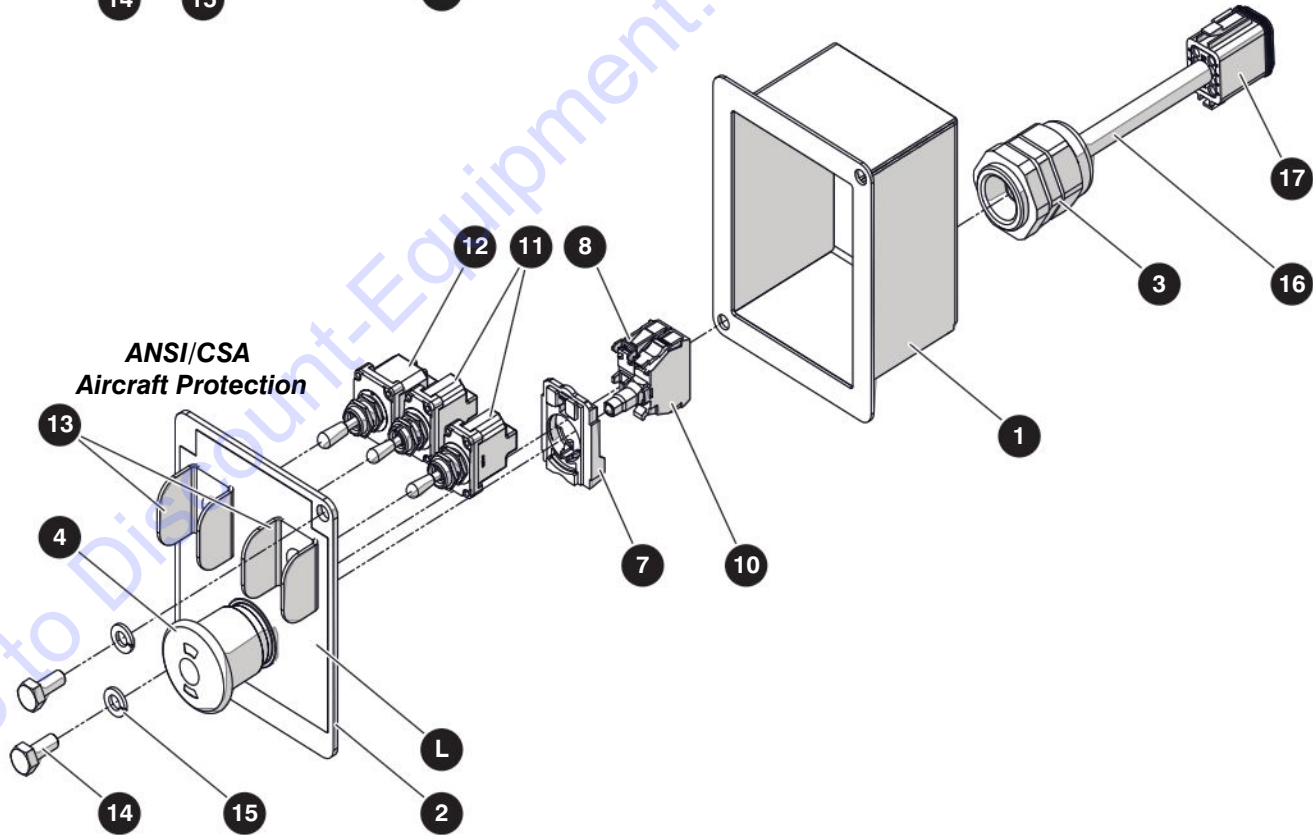
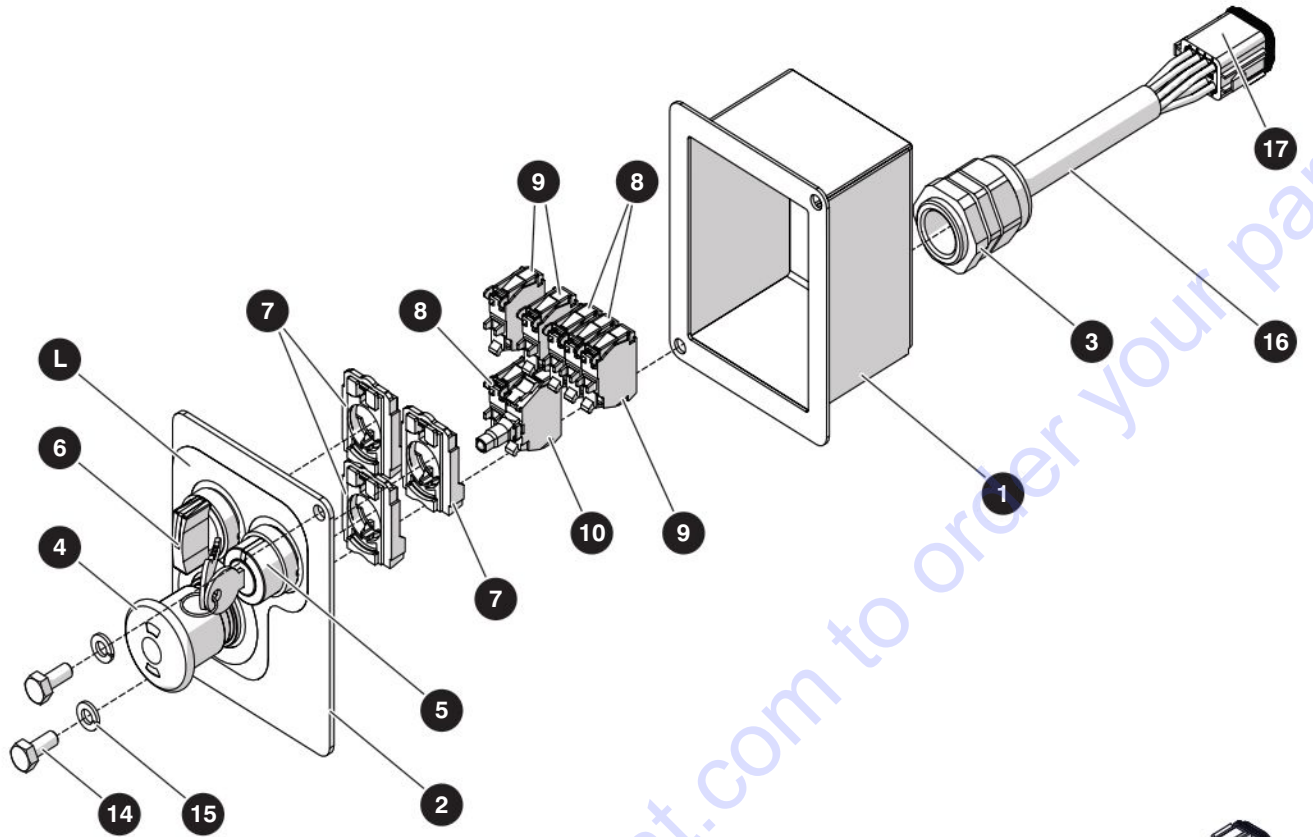
SJ3220, SJ3226, SJ4720, SJ4726, SJ4732

SKYJACK

3.16 Base Control - Plastic Box

Index No.	Skyjack Part No.	Qty.	Description
A	220824	-	BASE CONTROLS - PLASTIC BOX (ANSI/CSA, AS & KC)
B	220825	-	BASE CONTROLS - PLASTIC BOX (CE)
C	231922	-	BASE CONTROLS - PLASTIC BOX (ANSI/CSA) (for machines with the Aircraft Option)
1	226493	1	• BASE, Base Controls
2	226492	1	• COVER, Base Controls, A, B
	231918	1	• PLATE, Base Controls - ACPP, C
3	147051	1	• HEAD, Emergency Stop
4	149536	1	• SWITCH, Selector Head- Keyed, A
	147057	1	• SWITCH, Selector Head- Keyed, B
5	147069	1	• HEAD, Selector Switch, A, B
6	147056	3	• LATCH, A, B
	147056	1	• LATCH, C
7	147053	3	• CONTACT BLOCK, Normally Closed, A, B
	147053	1	• CONTACT BLOCK, Normally Closed, C
8	147054	3	• CONTACT BLOCK, Normally Open, A, B
9	147061	1	• LED BLOCK, Red- 24V
10	103014	1	• GROMMET, Rubber - 5/8" x 7/8" x 1/8"
11	230108	1	• WIRING, Base Controls, A, B
	231920	1	• WIRING, Base Controls, C
12	103891	3	• BOLT, Hex Head - 1/4"-20 x 7/8" Gr. 5, A, B
13	104000	3	• WASHER, Lock - 1/4", A, B
14	216898	1	• SWITCH, Toggle - 2NT1-5, C
15	102853	2	• SWITCH, Toggle - 1NT1-7, C
16	111181	2	• GUARD, Toggle Switch, C
17	(Ref.)	1	• BASE CONTROL HARNESS <i>(For components, refer to Section 6.11 Base)</i>
L	(Ref.)	1	• LABEL <i>(For components, refer to Section 9.8 Labels)</i>

3.17 Base Control



M207808AB_M213676AB

PARTS FINDER

**Search Website
by Part Number**



**Search Manual
Library For Parts
Manual & Lookup Part
Numbers – Purchase
or Request Quote**

Search Manuals

Enter your information to help us find the right parts manual for your machine.

* Brand:

* Model:

* Serial:

* Part Number:

SEARCH

**Can't Find Part or
Manual? Request Help
by Manufacturer,
Model & Description**

Parts Order Form

Please fill in the following information to help us find the right part for your machine.

Manufacturer:	<input type="text"/>
Model:	<input type="text"/>
Description:	<input type="text"/>
Part Number:	<input type="text"/>
Quantity:	<input type="text"/>
Notes:	<input type="text"/>

Submit

Discount-Equipment.com is your online resource for quality parts & equipment.

Florida: **561-964-4949** Outside Florida TOLL FREE: **877-690-3101**

Need parts?

Click on this link: <http://www.discount-equipment.com/category/5443-parts/> and choose one of the options to help get the right parts and equipment you are looking for. Please have the machine model and serial number available in order to help us get you the correct parts. If you don't find the part on the website or on one of the online manuals, please fill out the request form and one of our experienced staff members will get back to you with a quote for the right part that your machine needs.

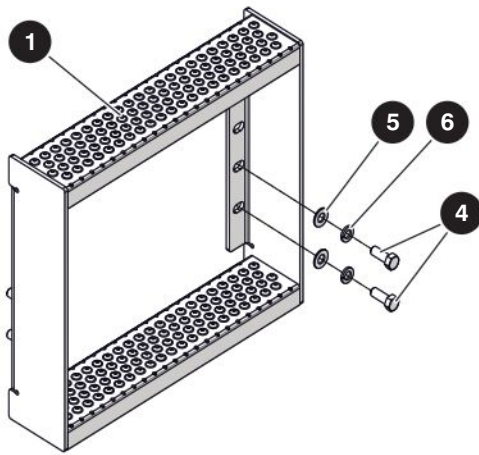
We sell worldwide for the brands: Genie, Terex, JLG, MultiQuip, Mikasa, Essick, Whiteman, Mayco, Toro Stone, Diamond Products, Generac Magnum, Airman, Haulotte, Barreto, Power Blanket, Nifty Lift, Atlas Copco, Chicago Pneumatic, Allmand, Miller Curber, Skyjack, Lull, Skytrak, Tsurumi, Husquvarna Target, Stow, Wacker, Sakai, Mi-T-M, Sullair, Basic, Dynapac, MBW, Weber, Bartell, Bennar Newman, Haulotte, Ditch Runner, Menegotti, Morrison, Contec, Buddy, Crown, Edco, Wyco, Bomag, Laymor, EZ Trench, Bil-Jax, F.S. Curtis, Gehl Pavers, Heli, Honda, ICS/PowerGrit, IHI, Partner, Imer, Clipper, MMD, Koshin, Rice, CH&E, General Equipment, Amida, Coleman, NAC, Gradall, Square Shooter, Kent, Stanley, Tamco, Toku, Hatz, Kohler, Robin, Wisconsin, Northrock, Oztec, Toker TK, Rol-Air, APT, Wylie, Ingersoll Rand / Doosan, Innovatech, Con X, Ammann, Mecalac, Makinex, Smith Surface Prep, Small Line, Wanco, Yanmar

3.17 Base Control

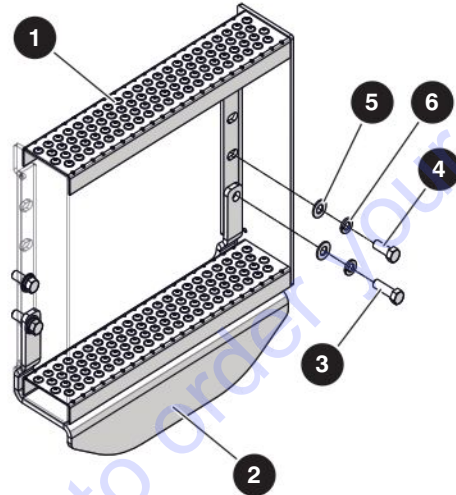
Index No.	Skyjack Part No.	Qty.	Description
A	207808	-	BASE CONTROLS (ANSI/CSA, AS & KC)
B	208823	-	BASE CONTROLS (CE)
C	213767	-	BASE CONTROLS (ANSI/CSA) (<i>only for machines with the Aircraft Option</i>)
1	155982	1	• ELECTRICAL ENCLOSURE
2	195876	1	• PLATE, Base Control, A, B
	213765	1	• PLATE, Base Control, C
3	300788	1	• STRAIN RELIEF, LTF 21
4	147051	1	• HEAD, Emergency Stop
5	149536	1	• SWITCH, Selector Head- Keyed, A
	147057	1	• SWITCH, Selector Head- Keyed, B
6	147069	1	• HEAD, Selector Switch, A, B
7	147056	3	• LATCH, A, B
	147056	1	• LATCH, C
8	147053	3	• CONTACT BLOCK, Normally Closed, A, B
	147053	1	• CONTACT BLOCK, Normally Closed, C
9	147054	3	• CONTACT BLOCK, Normally Open, A, B
10	147061	1	• LED BLOCK, Red- 24V
11	102853	2	• SWITCH, Toggle - 1NT1-7, C
12	216898	1	• SWITCH, Toggle - 2NT1-5, C
13	111181	2	• GUARD, Toggle Switch, C
14	103892	2	• BOLT, Hex Hd - 1/4"-20 x 5/8" Gr. 5
15	104000	2	• WASHER, Lock - 1/4"
16	212706	1	• WIRING, Base Controls, A, B
	213768	1	• WIRING, Base Controls, C
17	(Ref.)	1	• HARNESS, Base Controls <i>(For components, refer to Section 6.11 Base)</i>
L	(Ref.)	1	• LABEL <i>(For components, refer to Section 9.8 Labels)</i>

3.18 Ladder

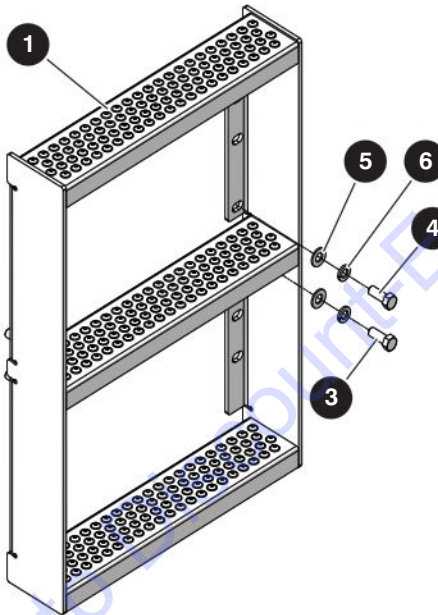
SJ3220 - ANSI/CSA
SJ4720 CE



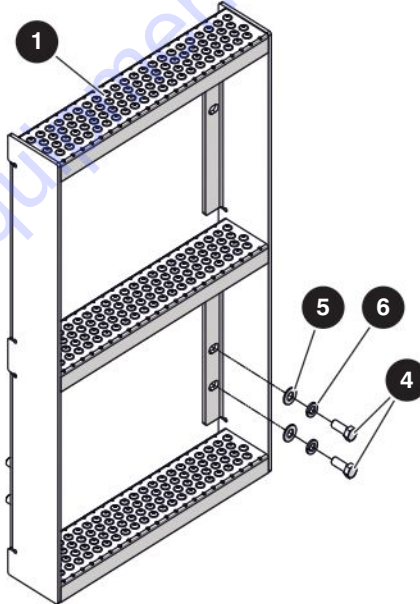
SJ3220 - CE



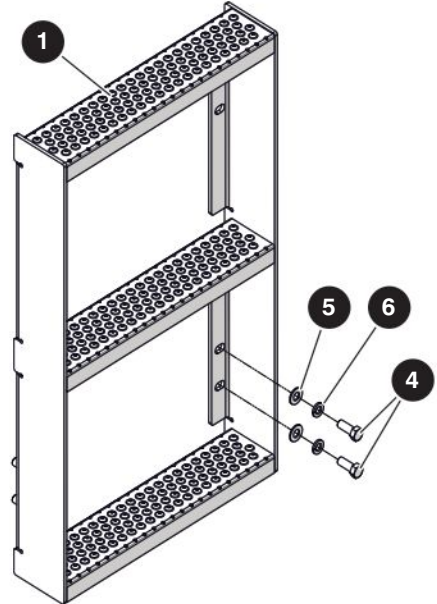
SJ3220 - AS, KC



SJ3226, SJ4726



SJ4732

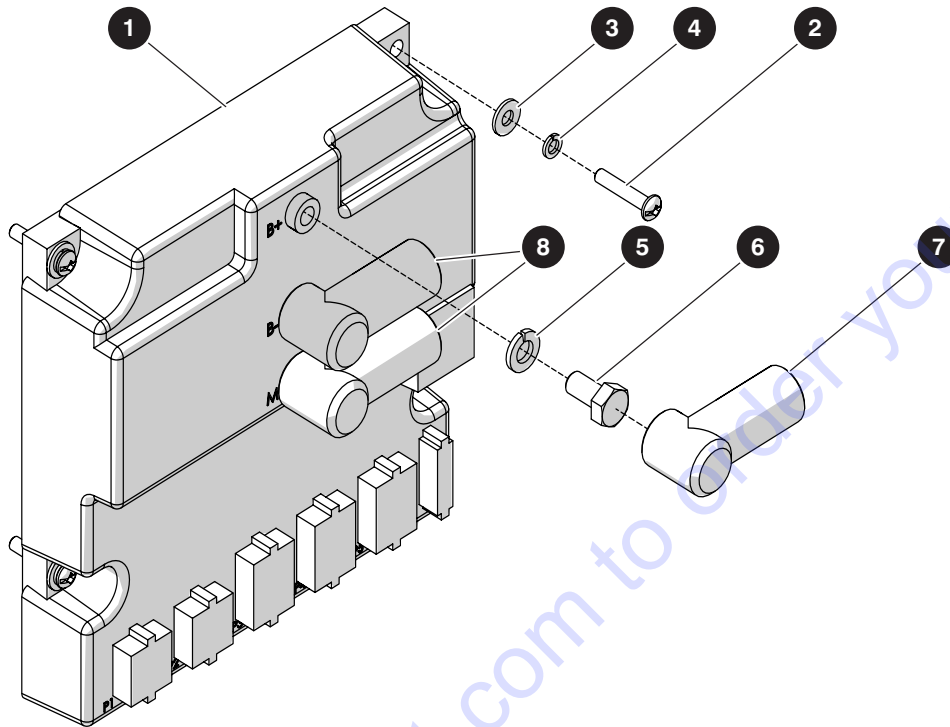


M228083AA_M223689AA_M223691AA_M199765AD_M195178AD

3.18 Ladder

Index No.	Skyjack Part No.	Qty.	Description
A	223689	-	LADDER - SJ3220 (ANSI/CSA including Powerdeck), SJ4720 (CE)
B	228083	-	LADDER - SJ3220 (CE)
C	199765	-	LADDER - SJ3220 (AS & KC)
D	195178	-	LADDER - SJ3226, SJ4726
E	223691	-	LADDER - SJ4732
1	223686	1	• LADDER, A, B
	199778	1	• LADDER, C
	195082	1	• LADDER, D
	223688	1	• LADDER, E
2	228082	1	• BRACKET, Step Guard, B
3	101297	2	• BOLT, Hex Head Zinc - 3/8"-16 x 1-1/4" Gr. 5, B
4	103473	4	• BOLT, Hex Head Zinc - 3/8"-16 x 1" Gr. 5, A, C, D, E
		2	• BOLT, Hex Head Zinc - 3/8"-16 x 1" Gr. 5, B
5	103472	4	• WASHER, Flat - 3/8", A, B, C, D, E
6	103999	4	• WASHER, Lock - 3/8", A, B, C, D, E

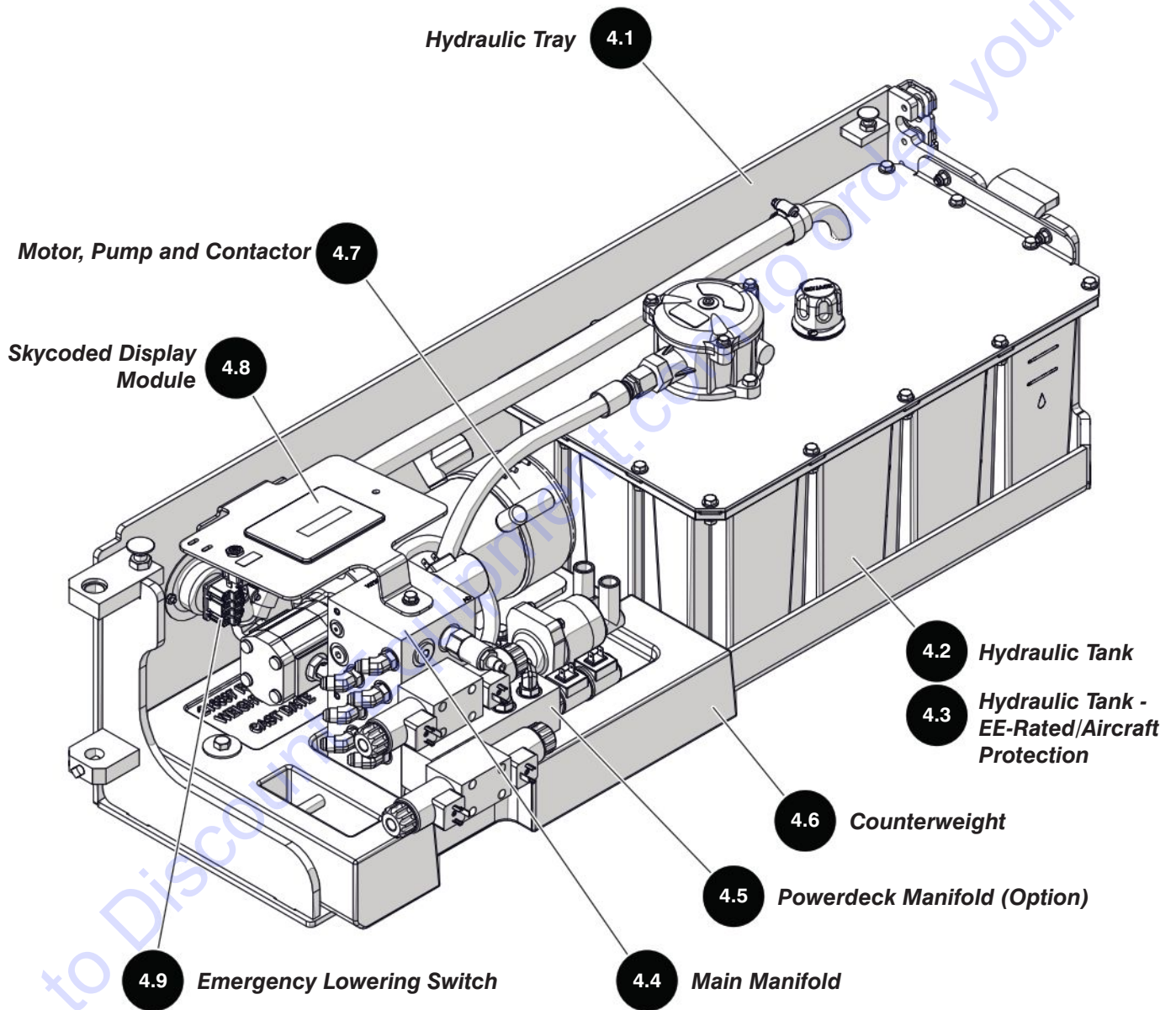
3.19 Skycoded Control Module



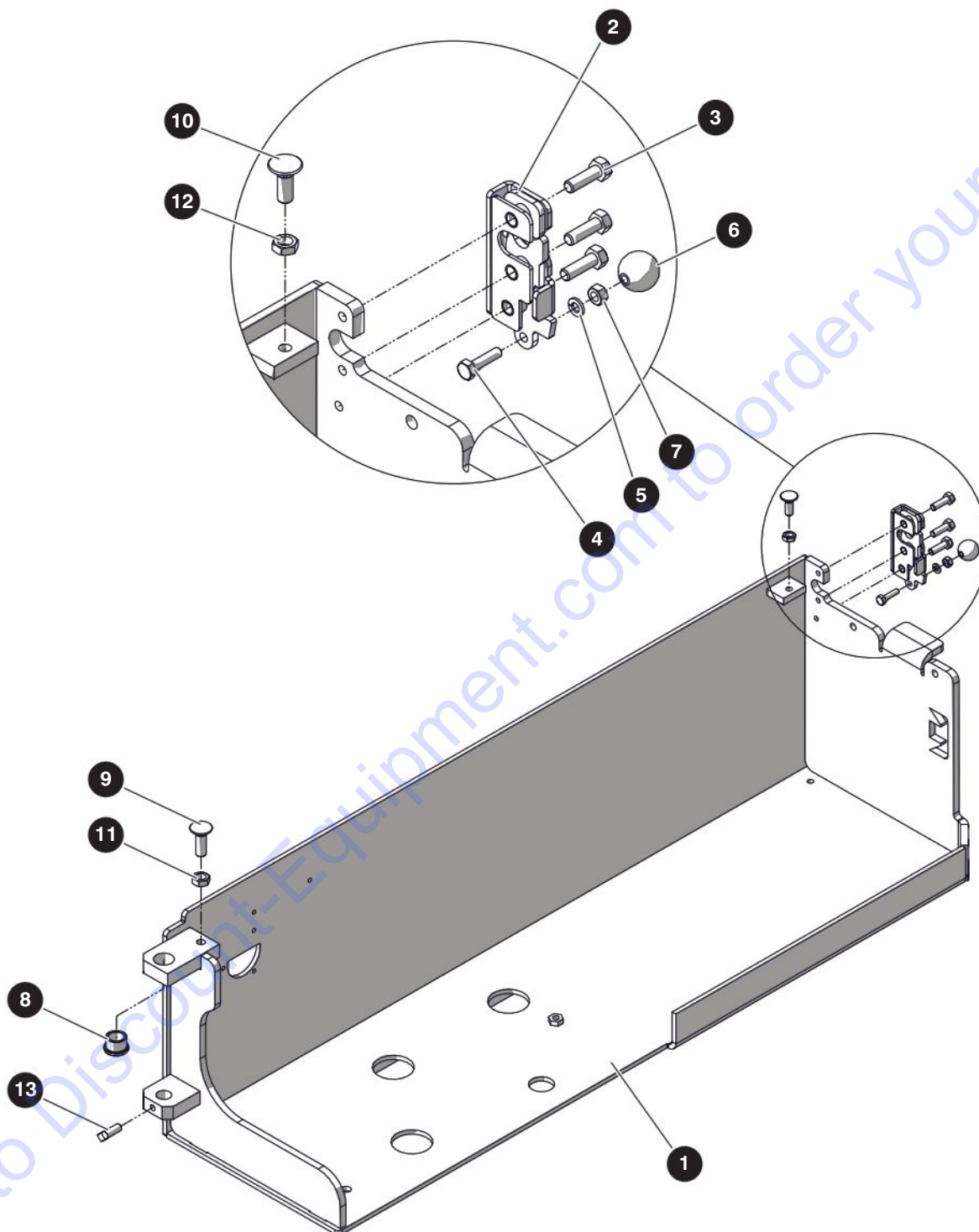
M208037AE

Index No.	Skyjack Part No.	Qty.	Description
-	208037	-	SKYCODED CONTROL MODULE
1	217926	1	• CONTROLLER, EZ Lift 230 - HPII
2	105621	4	• SCREW, Round Hd Machine - #10-32 x 1"
3	104694	4	• WASHER, Flat - #10
4	104185	4	• WASHER, Lock - #10
5	116218	3	• WASHER, Lock - M8 Plated DIN 127B
6	933660	3	• BOLT, Hex Hd - M8 x 1.25 x 16MM Gr. 8.8
7	117408	1	• BATTERY BOOT, Red
8	117407	2	• BATTERY BOOT, Black

Section 4 – Hydraulic Tray



4.1 Hydraulic Tray



M197238AD

223197ABA

108

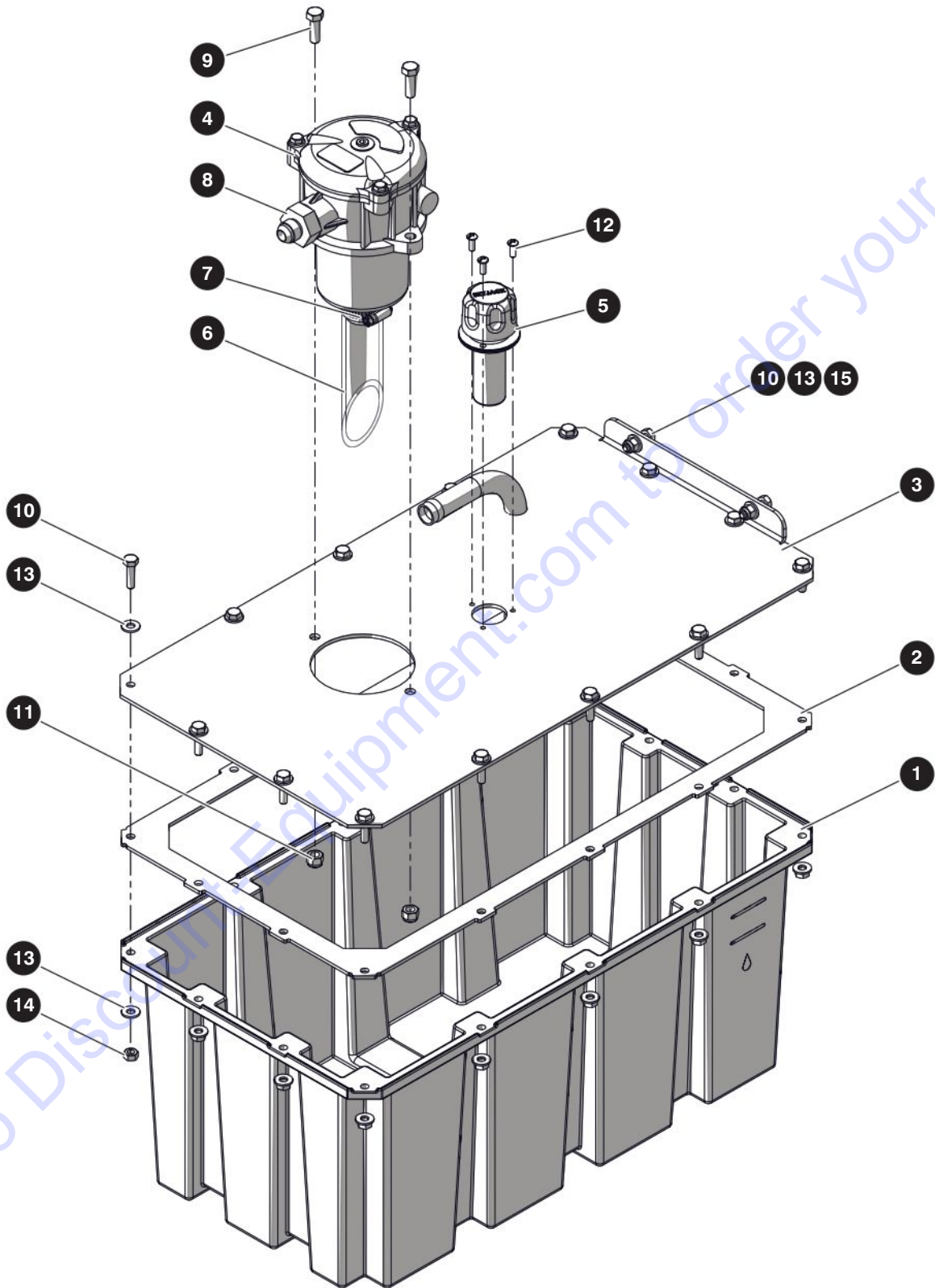
SJ3220, SJ3226, SJ4720, SJ4726, SJ4732

SKYJACK

4.1 Hydraulic Tray

Index No.	Skyjack Part No.	Qty.	Description
-	197238	1	HYDRAULIC TRAY SUBGROUP
1	195736	1	• HYDRAULIC TRAY
2	112307	1	• LATCH, Rotary - Left Hand (Hydraulic Tray Side)
3	103864	3	• BOLT, Hex Head Zinc - 5/16"-18 x 1" Gr. 5
4	103857	1	• BOLT, Hex Head Zinc - 1/4"-20 x 1" Gr. 5
5	104000	1	• WASHER, Lock - 1/4"
6	111534	1	• KNOB, Rotary Latch
7	103980	1	• NUT, Hex Head - 1/4"-20 Gr. 8
8	100335	1	• BUSHING, Flange - Bronze
9	125798	1	• BOLT, Carriage Bolt - 1/2"-13 x 1-1/2" Gr. 5
10	127393	1	• BOLT, Carriage Bolt - 3/8"-16 x 1-1/4" Gr. 5
11	107949	1	• NUT, Hex Head Jam - 1/2"-13 Gr. 5
12	108575	1	• NUT, Hex Head Jam - 3/8"-16 Gr. 5
13	141751	1	• SET SCREW, Square Head Cup Point - 3/8"-16 x 3/4" Gr. 5 Zinc

4.2 Hydraulic Tank



M207187AE

223197ABA

110

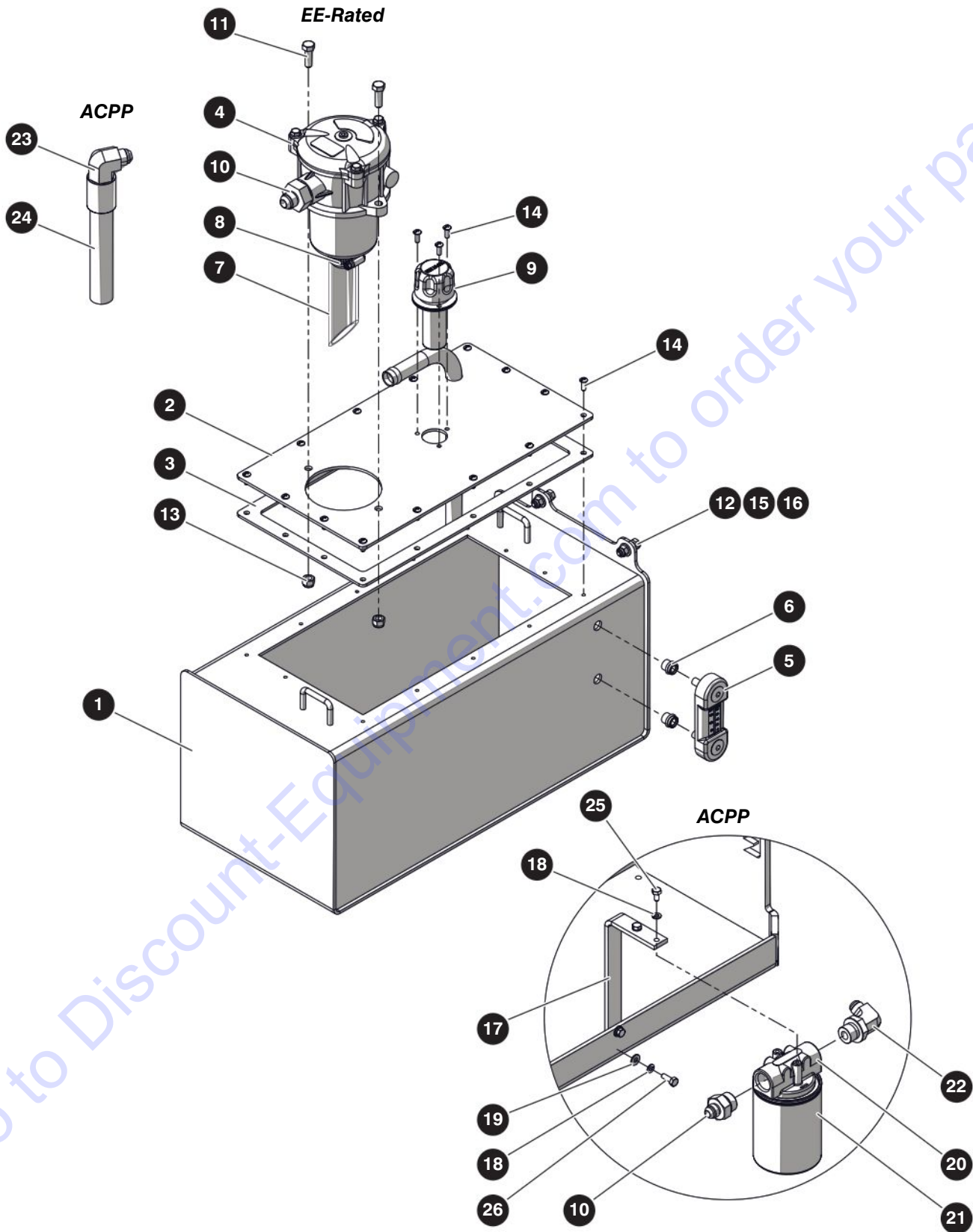
SJ3220, SJ3226, SJ4720, SJ4726, SJ4732

SKYJACK

4.2 Hydraulic Tank

Index No.	Skyjack Part No.	Qty.	Description
-	207187	1	HYDRAULIC TANK SUBGROUP
1	195770	1	• TANK, Hydraulic - Plastic
2	195776	1	• GASKET, Hydraulic Tank
3	195774	1	• TANK, Cover
4	109568	1	• FILTER, Hydraulic Oil
	104254	1	• • ELEMENT, Filter
	123022	1	• • SEAL, O-ring
	123021	1	• • COVER
	123020	1	• • SPRING
	122973	1	• • CASTING, Aluminum
	121571	1	• • SCREW, Set
	122969	3	• • BOLT, Washer combined
	122968	1	• • CASING, Filter
5	102693	1	• FILLER BREATHER, Small
6	213140	1	• HOSE, Filter to Tank
7	103320	1	• CLAMP, Gear - SAE #16 -
8	105446	1	• FITTING, 12 SAE to -8JIC
9	103864	2	• BOLT, Hex Head Zinc - 5/16"-18 x 1" Gr. 5
10	103857	16	• BOLT, Hex Head Zinc - 1/4"-20 x 1" Gr. 5
11	103984	2	• NUT, Lock - 5/16"-18 Gr. 5 Nylon
12	103962	3	• SCREW, Round Head Machine - #10-32 x 1/2"
13	103995	30	• WASHER, Flat - 1/4"
14	103980	14	• NUT, Hex Head 1/4"-20 Gr. 8
15	115649	2	• NUT, Lock - 1/4"-20 Gr. 5 Nylon

4.3 Hydraulic Tank - EE-Rated/Aircraft Protection

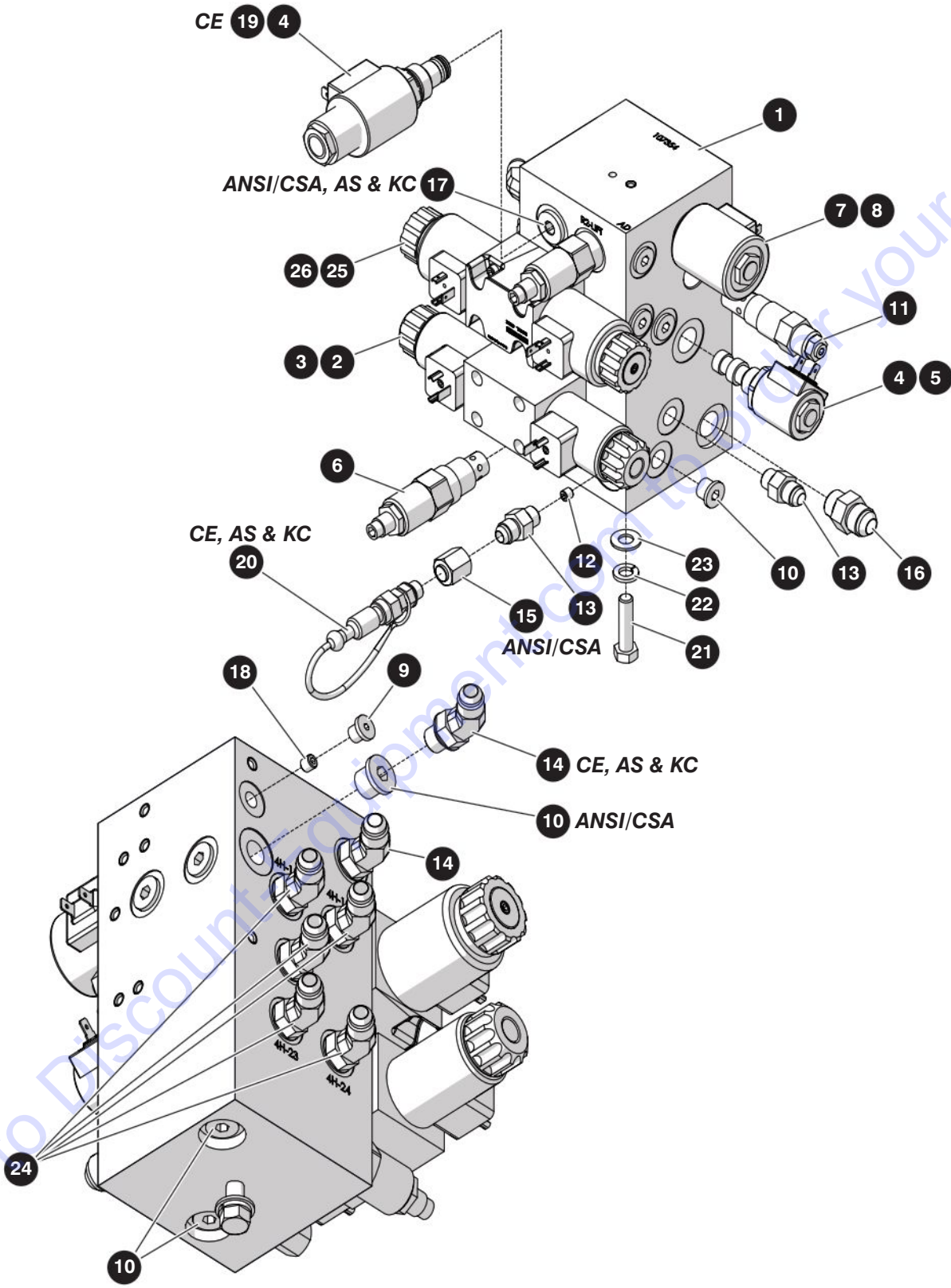


M207074AE_M216633AB

4.3 Hydraulic Tank - EE-Rated/Aircraft Protection

Index No.	Skyjack Part No.	Qty.	Description
A	207074	1	HYDRAULIC TANK SUBGROUP (EE-Rated)
B	216633	1	HYDRAULIC TANK SUBGROUP (only for machines with the Aircraft Option)
1	207064	1	• HYDRAULIC TANK
2	207065	1	• LID, Hydraulic Tank, A
	216636	1	• LID, Hydraulic Tank, B
3	207069	1	• GASKET, Hydraulic Tank
4	109568	1	• FILTER, Hydraulic Oil
	104254	1	• • ELEMENT, Filter
	123022	1	• • SEAL, O-ring
	123021	1	• • COVER
	123020	1	• • SPRING
	122973	1	• • CASTING, Aluminum
	121571	1	• • SCREW, Set
	122969	3	• • BOLT, Washer combined
	122968	1	• • CASING, Filter
5	103236	1	• LEVEL INDICATOR, 3"
6	124311	2	• INSERTS, Rivnuts
7	213140	1	• HOSE, Filter to Tank
8	103320	1	• CLAMP, Gear - SAE #16 -
9	102693	1	• FILLER BREATHER, Small
10	105446	1	• FITTING, 12 SAE to -8JIC
11	103864	2	• BOLT, Hex Head Zinc - 5/16"-18 x 1" Gr. 5
12	103857	2	• BOLT, Hex Head Zinc - 1/4"-20 x 1" Gr. 5
13	103984	2	• NUT, Lock - 5/16"-18 Gr. 5 Nylon
14	103962	17	• SCREW, Round Head Machine - #10-32 x 1/2"
15	103995	2	• WASHER, Flat - 1/4"
16	115649	2	• NUT, Lock - 1/4"-20 Gr. 5 Nylon
17	216634	1	• BRACKET, Filter - Hydraulic Tank, B
18	104000	4	• WASHER, Lock - 1/4", B
19	103995	4	• WASHER, Flat - 1/4", B
20	136403	1	• HEAD, Oil Filter, B
21	108628	1	• FILTER, Oil, B
22	112366	1	• FITTING, 90D - 08JICM 12ORBM, B
23	216627	1	• FITTING, 90D - 08JICM 12NPTM, B
24	113570	1	• FITTING, Pipe Nipple - 3/4"NOM x SCH40 x 6", B
25	103855	2	• BOLT, Hex Head - 1/4"-20 x 1/2" Gr. 5, B
26	103856	2	• BOLT, Hex Head Zinc - 1/4"-20 x 3/4" Gr. 5, B

4.4 Main Manifold



M228041AA

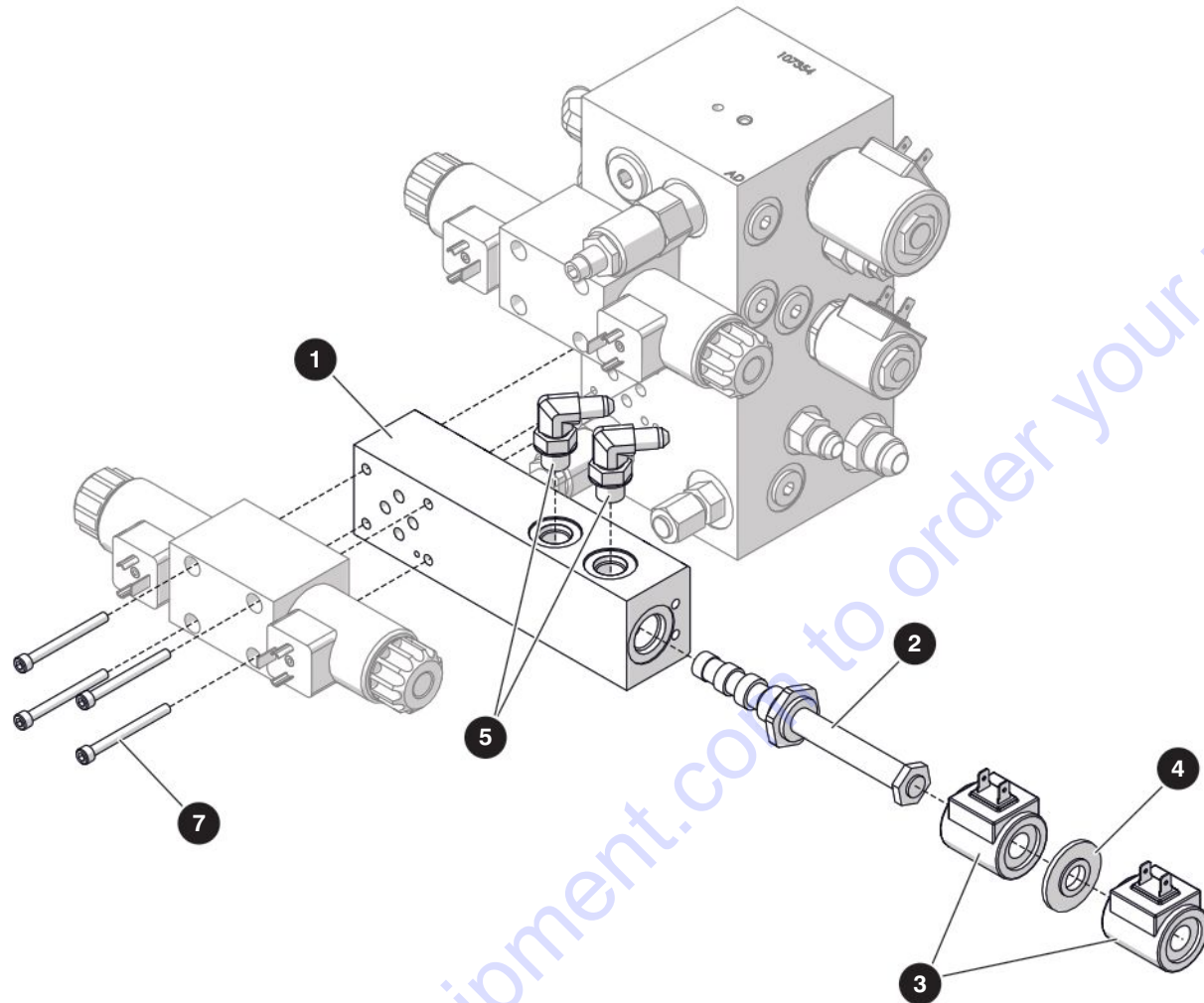
223197ABA

SJ3220, SJ3226, SJ4720, SJ4726, SJ4732

4.4 Main Manifold

Index No.	Skyjack Part No.	Qty.	Description
A	228041	1	MAIN MANIFOLD SUBGROUP, SJ3220 (ANSI/CSA)
B	228043	1	MAIN MANIFOLD SUBGROUP, SJ3220, SJ4720/32 (CE)
C	228045	1	MAIN MANIFOLD SUBGROUP, SJ3220 (AS & KC)
D	228042	1	MAIN MANIFOLD SUBGROUP, SJ3226, SJ4726/32 (ANSI/CSA)
E	228044	1	MAIN MANIFOLD SUBGROUP, SJ3226, SJ4726 (CE)
F	228046	1	MAIN MANIFOLD SUBGROUP, SJ3226, SJ4726/32 (AS & KC)
1	107354	1	• MAIN MANIFOLD ASM
	111119	1	• • MAIN MANIFOLD
	108052	9	• • PLUG, Expander
2	153334	1	• VALVE, 24V - DIR D03
3	103920	4	• SCREW, Socket Head Cap - #10-24 x 2", A, D
	103919	4	• SCREW, Socket Head Cap - #10-24 x 1-3/4", B, C, E, F
4	103605	1	• VALVE, 24V Coil - 2 Prong, A, C, D, F
	103605	2	• VALVE, 24V Coil - 2 Prong, B, E
5	103623	1	• VALVE, Solenoid - Cartridge Spool
6	104534	2	• RELIEF VALVE
7	105610	1	• VALVE, 24V Coil - 2 Prong #10
8	106273	1	• VALVE, Solenoid - Cartridge Spool
9	102856	1	• FITTING, Plug - 03ORB Hex Socket
10	104437	9	• FITTING, Plug - 06ORB Hex Socket, A, D
	104437	8	• FITTING, Plug - 06ORB Hex Socket, B, C, E, F
11	147889	1	• VALVE, Counterbalance - 4000 PSI
12	104419	1	• PRESSURE PLUG, 1/16" NPT Brass
13	103069	2	• FITTING, Straight - 06JICM-06ORBM, A, D
	103069	1	• FITTING, Straight - 06JICM-06ORBM, B, C, E, F
14	114580	5	• FITTING, 45 Degree - 06JICM-06ORBM, A, D
	114580	6	• FITTING, 45 Degree - 06JICM-06ORBM, B, C, E, F
15	107666	1	• FITTING, Cap - 06JICF, A, D
16	102659	1	• FITTING, Straight - 08JICM-08ORBM
17	115320	1	• O-RING, Plug - #8, A, C, D, F
18	228015	1	• ORIFICE, 0.081", A, C
	228013	1	• ORIFICE, 0.089", B
	228014	1	• ORIFICE, 0.106", D, F
19	220950	1	• HF SP08-21-0-N-0, B, E
20	122420	1	• QUICK DISCONNECT, B, C, E, F
21	103870	1	• BOLT, Hex Head - 3/8"-16 x 1-1/2" Gr. 5
22	103999	1	• WASHER, Lock - 3/8"
23	103472	1	• WASHER, Flat - 3/8"
24	228076	1	• FITTING, 45 Degree - 06JICM-06ORBM w/ 0.031" Orifice
	228077	1	• • FITTING, 45 Degree - 06JICM-06ORBM Tapped
	141518	1	• • PLUG, Pressure - 1/16" NPT x 0.031" I.D.
25	153334	1	• VALVE, 24V - DIR D03, A, D
	199986	1	• VALVE, D03 - Open Center, B, C, E, F
26	103920	4	• SCREW, Socket Head Cap - #10-24 x 2", A, D
	103919	4	• SCREW, Socket Head Cap - #10-24 x 1-3/4", B, C, E, F

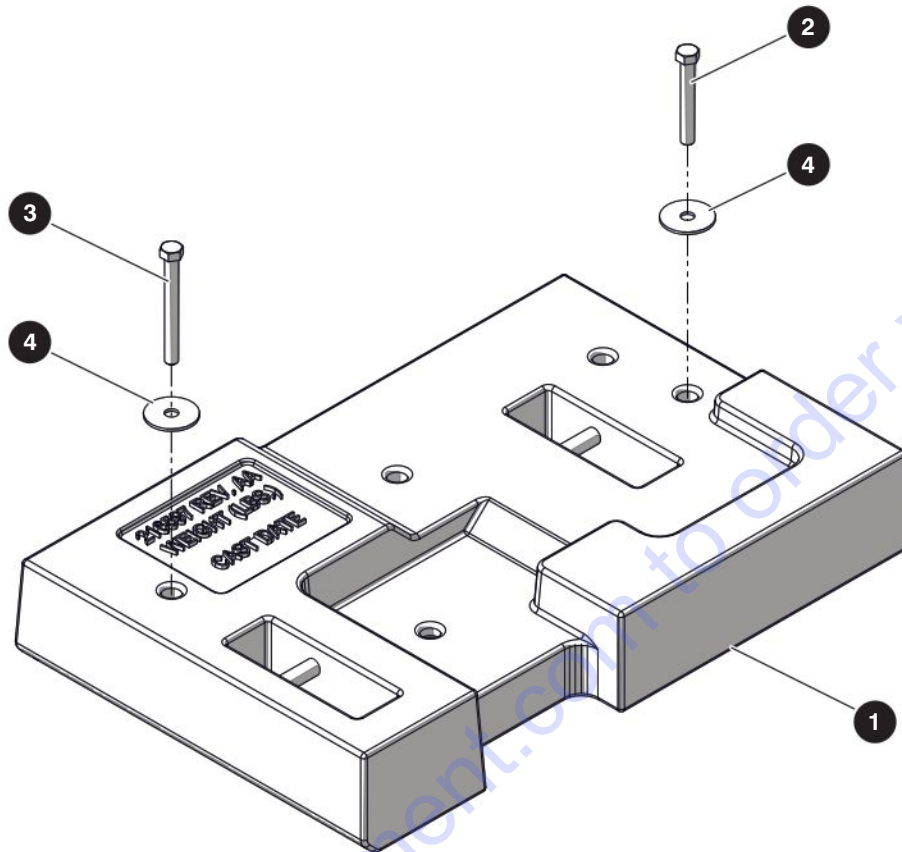
4.5 Powerdeck Manifold (Option)



M160463AA_3

Index No.	Skyjack Part No.	Qty.	Description
-	160463	1	POWERDECK MANIFOLD
1	160454	1	• MANIFOLD, Powerdeck
2	113953	1	• VALVE, 4-Way Spool
3	103605	2	• VALVE, 24V Coil - 2 Prong
4	148271	1	• SPACER, Coil
5	129127	2	• FITTING, Hyd - 4-6 O-Ring 90D Elbow
6	139834	4	• O-RING, 1/2"OD x 0.3715"ID (Not shown)
7	103923	4	• SHCS, #10-24 x 3-1/2"

4.6 Counterweight



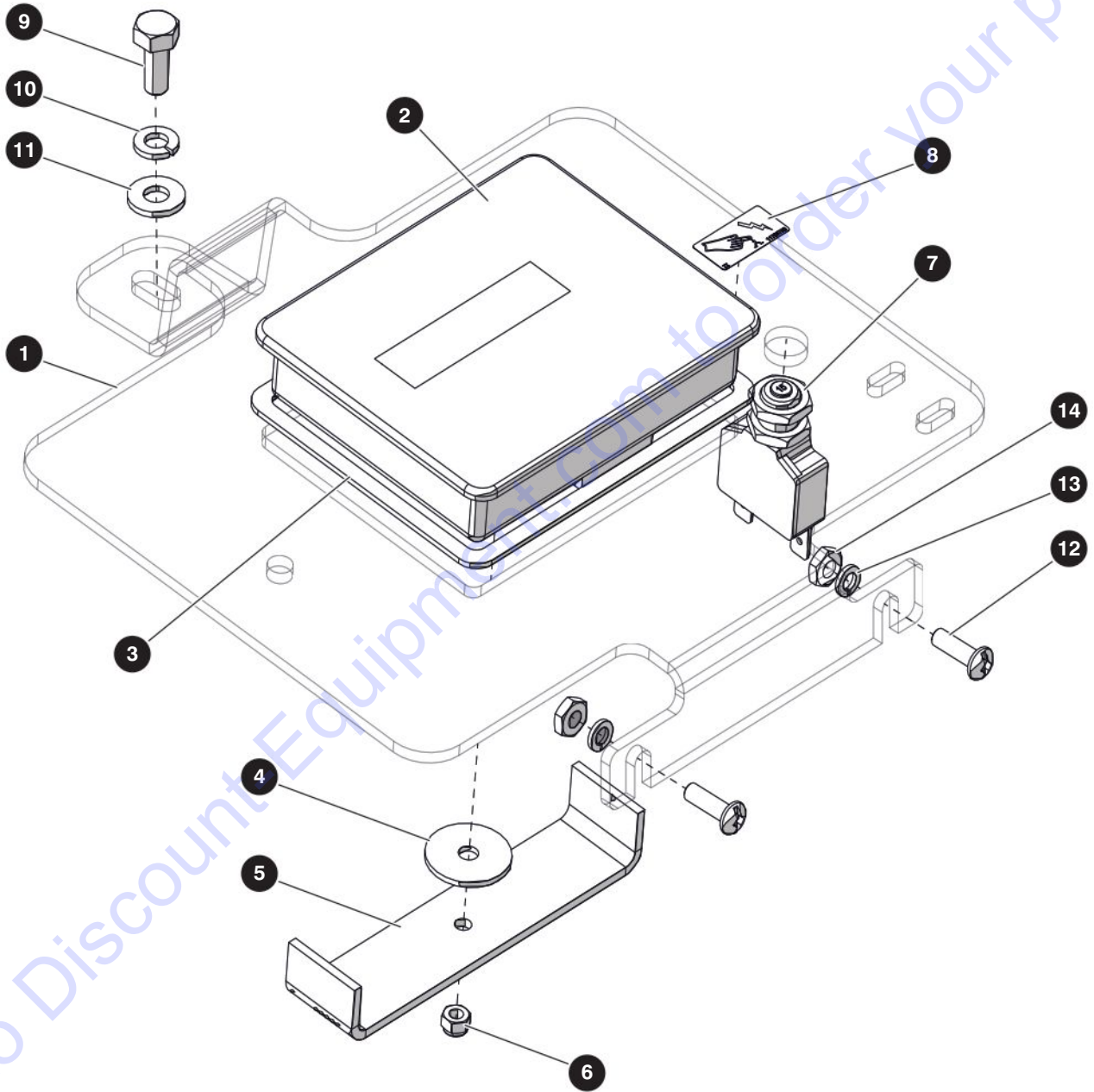
M197240AE

Index No.	Skyjack Part No.	Qty.	Description
-	197240	1	COUNTERWEIGHT SUBGROUP
1	216597	1	• COUNTERWEIGHT
2	103874	1	• BOLT, Hex Head - 3/8"-16 x 2-3/4" Gr. 5
3	103915	1	• BOLT, Hex Head - 3/8"-16 x 3-1/2" Gr. 5
4	127067	2	• WASHER, Flat - 3/8" Style BB

4.7 Motor, Pump and Contactor

Index No.	Skyjack Part No.	Qty.	Description
A	207098	1	MOTOR/PUMP SUBGROUP, SJ3220/26, SJ4726/32
B	213797	1	MOTOR/PUMP SUBGROUP, SJ3220/26, SJ4726/32 (ANSI/CSA EE-Rated)
C	211687	1	MOTOR/PUMP SUBGROUP, SJ4620/26/32 (CE, AS & KC)
1	208025	1	• BRACKET, Pump Motor
-	161936	1	• MOTOR/PUMP, 3.59CC, A
	165610	1	• MOTOR/PUMP, 3.59CC, B
	161938	1	• MOTOR/PUMP, 4.48CC, C
2	169260	1	• • MOTOR, 24 VDC
3	169261	1	• • PUMP, Hydraulic, A, B
	199196	1	• • PUMP, Hydraulic, C
4	144058	1	• • FITTING, 90D - 12BEAD - 10ORBM
5	169558	2	• • BOLT, Socket Head - M8 x 1.25 x 95 CL 12.9 ZN, A, B
	199199	2	• • BOLT, Socket Head - M8 x 1.25 x 100 CL 12.9 ZN, C
6	146475	1	• CONTACTOR, Solenoid Switch
7	103995	2	• WASHER, Flat - 1/4", A, C
	103995	8	• WASHER, Flat - 1/4", B
8	104000	2	• WASHER, Lock - 1/4", A, C
	104000	4	• WASHER, Lock - 1/4", B
9	112495	2	• BOLT, Hex Head - 1/4"-20 x 3/8" Gr. 5, A, C
10	103996	4	• Washer, Flat - 5/16"
11	103404	6	• WASHER, Lock - 5/16"
12	103845	4	• BOLT, Hex Head Zinc - 5/16"-18 x 1/2" Gr. 5
13	152200	2	• WASHER, Flat - 3/8" USS
14	103999	2	• WASHER, Lock - 3/8"
15	103596	2	• BOLT, Hex Head Zinc - 3/8"-16 x 2" Gr. 5
16	156844	2	• NUT, Hex - 5/16"-24 Gr. 5
17	102665	1	• FITTING, 90D - 06JICM-08ORBM
18	104185	2	• WASHER, Lock - #10
19	104003	2	• NUT, Hex - #10-32
20	117408	2	• BOOT, Battery - Red, A, C
	117408	1	• BOOT, Battery - Red, B
21	117407	1	• BOOT, Battery - Black
22	228011	1	• BOOT, Battery - Red (Motor/Pump)
23	216148	1	• BRACKET, Contactor Switch, B
24	216149	1	• COVER, Contactor Switch, B
25	216140	1	• GROMMET, 3/8"ID x 3/16", B
26	216141	2	• GROMMET, 1/2"ID x 3/16", B
27	103855	2	• BOLT, Hex Head - 1/4"-20 x 1/2" Gr. 5, B
28	103856	4	• BOLT, Hex Head Zinc - 1/4"-20 x 3/4" Gr. 5, B
29	115649	2	• NUT, Nylon Lock - 1/4"-20 Gr. 5, B
K1	169535	1	KIT, Seal Repair (Not shown)
K2	169623	1	KIT, Brush Repair (Not shown)
K3	169534	1	KIT, Band Repair (Not shown), B

4.8 Skycoded Display Module



M208631AG

223197ABA

120

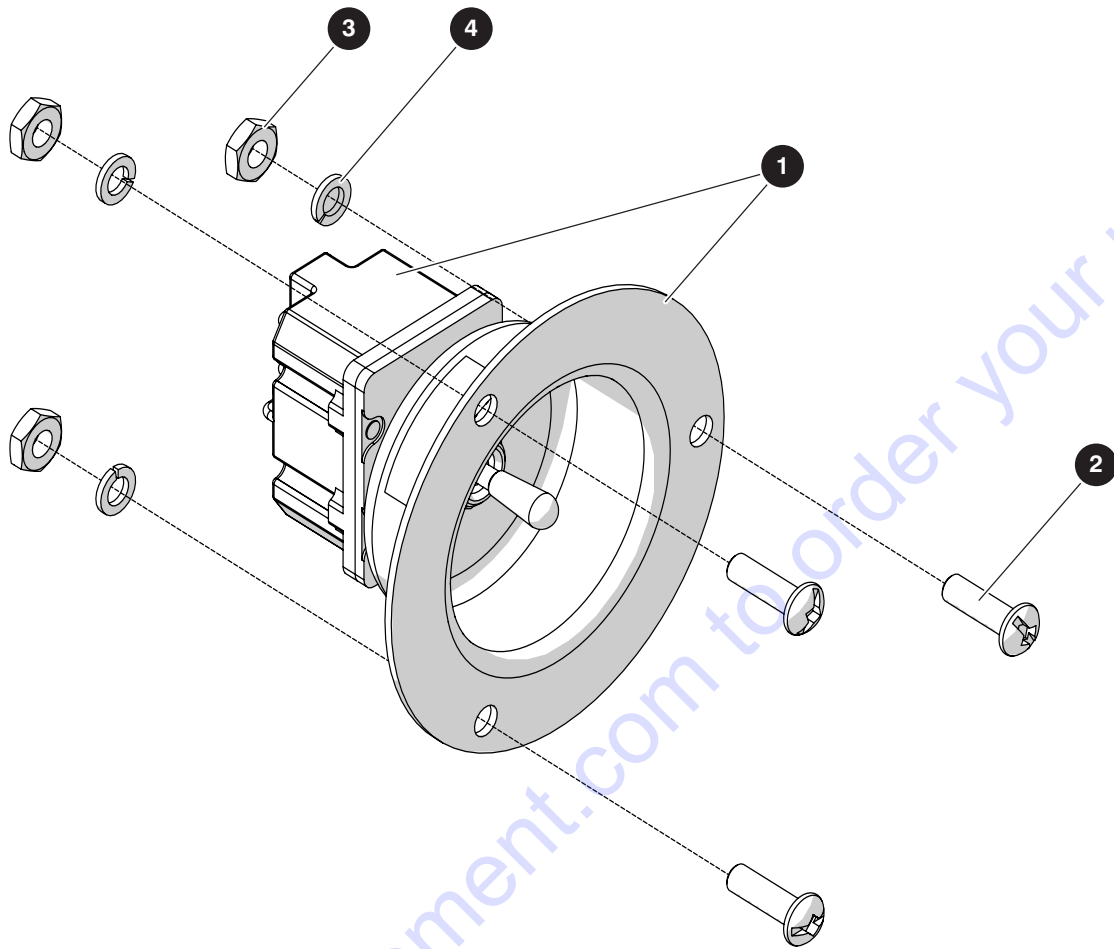
SJ3220, SJ3226, SJ4720, SJ4726, SJ4732

SKYJACK

4.8 Skycoded Display Module

Index No.	Skyjack Part No.	Qty.	Description
-	208631	-	SKYCODED DISPLAY MODULE
1	221699	1	• BRACKET, Display
2	217921	1	• MODULE, Display - 2 Line RS-232
3	221682	1	• GASKET, Display Module
4	221683	1	• GASKET, Display Bracket
5	211905	1	• STRAP, Display Module
6	121484	1	• NUT, Lock - M4 x 0.70" Nylon
7	117325	1	• BREAKER, Circuit - 15 Amp
8	(Ref.)	1	• LABEL <i>(For components, refer to Section 9.3 Labels)</i>
9	103892	1	• BOLT, Hex Head - 1/4"-20 x 5/8" Gr. 5
10	104000	1	• WASHER, Lock - 1/4"
11	103995	1	• WASHER, Flat - 1/4"
12	120094	2	• SCREW, Round Hd Machine - #10-32 x 5/8"
13	104185	2	• WASHER, Lock - #10
14	104003	2	• NUT, Hex - #10-32 Gr. 5

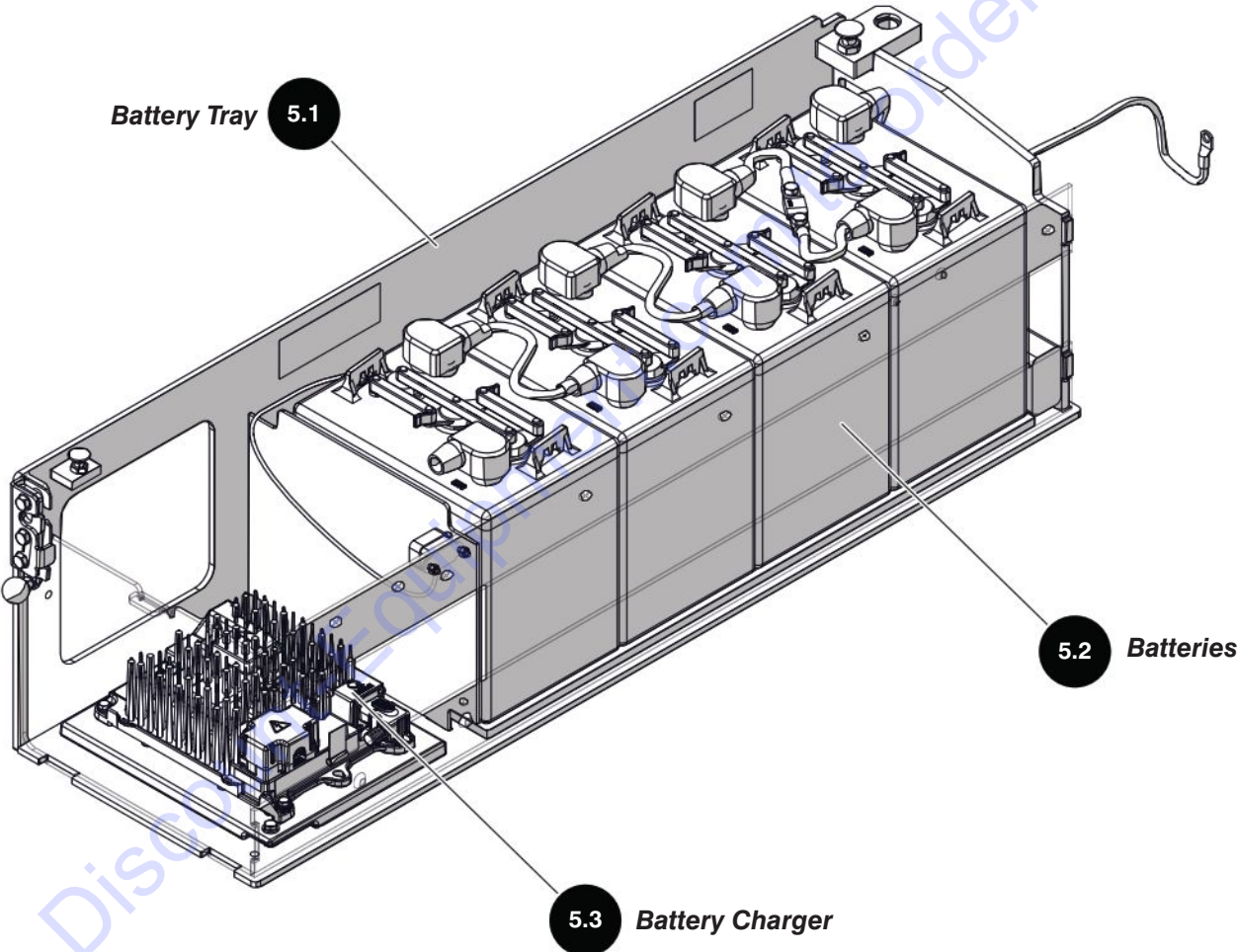
4.9 Emergency Lowering Switch



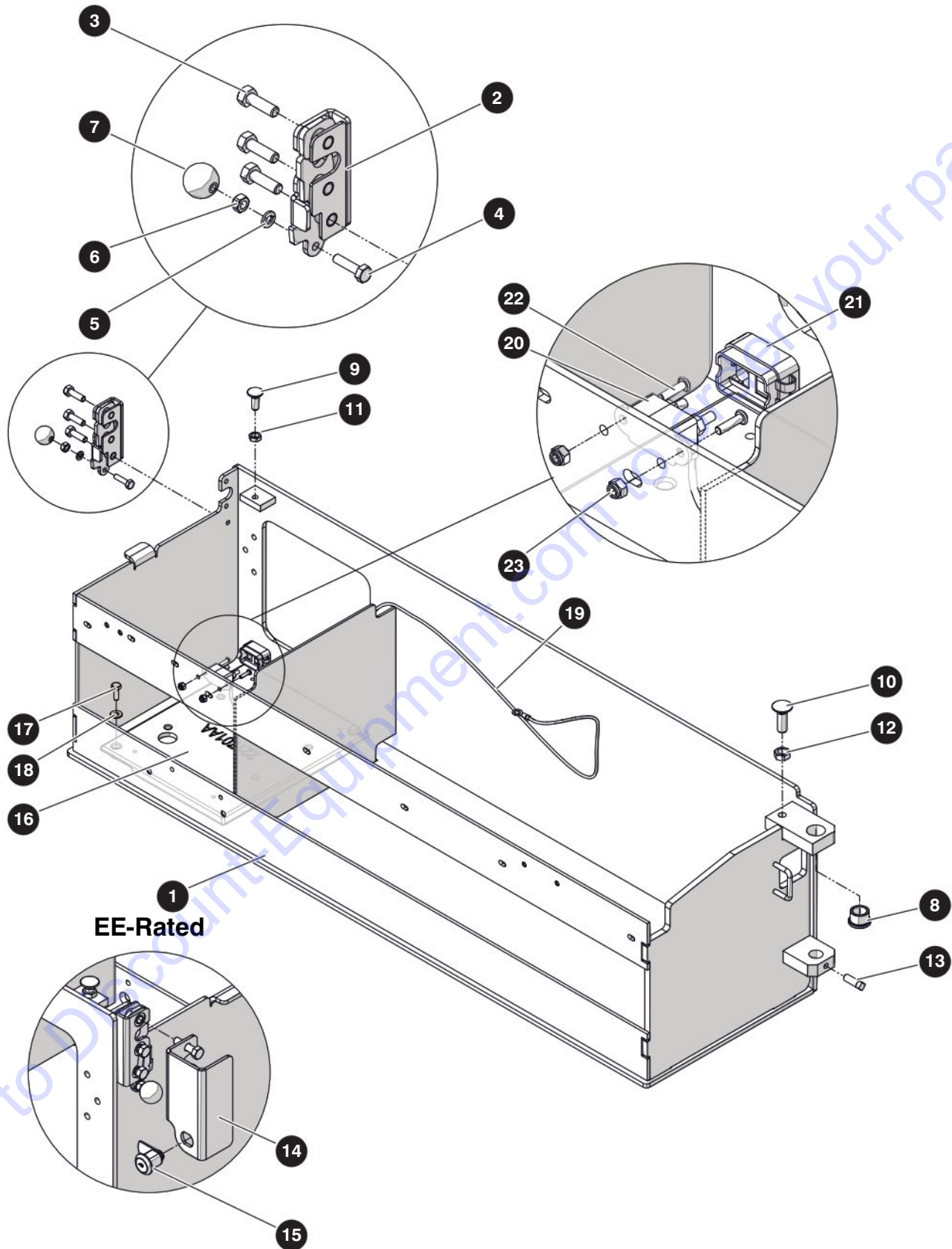
M212205AB

Index No.	Skyjack Part No.	Qty.	Description
A	212205	-	EMERGENCY LOWERING SWITCH
B	220947	-	EMERGENCY LOWERING SWITCH (ANSI/CSA EE-Rated)
1	212204	1	• SWITCH, E-Lower
	211880	1	• • MOUNT, Toggle Switch
	212537	1	• • SWITCH, Toggle - 4NT1-7
	212536	1	• • WIRING, E-Lowering Switch (Not Shown)
2	120094	3	• SCREW, Round Hd Machine - #10-32 x 5/8"
3	104003	3	• NUT, Hex - #10-32
4	104185	3	• WASHER, Lock - #10

Section 5 – Battery Tray



5.1 Battery Tray



M216589AA

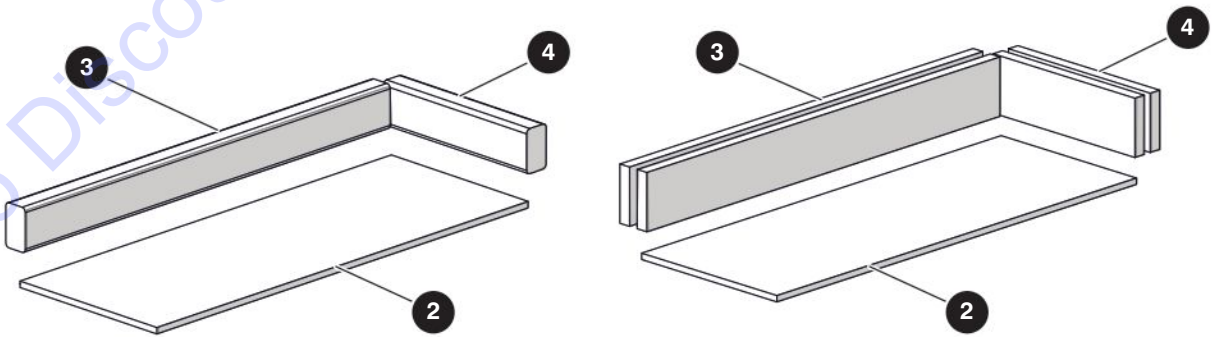
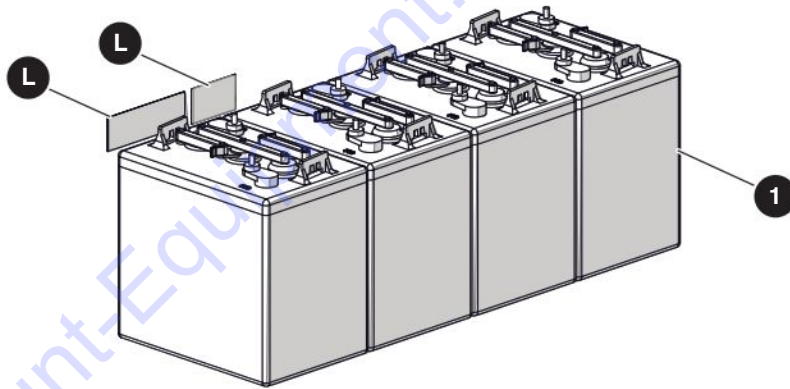
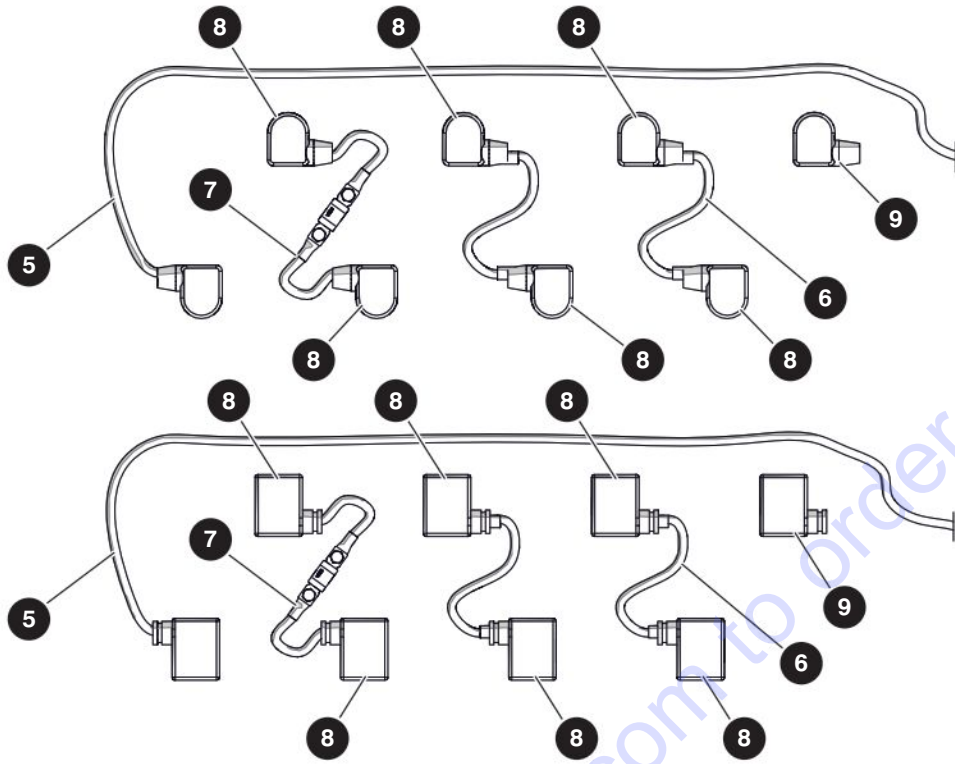
223197ABA

SJ3220, SJ3226, SJ4720, SJ4726, SJ4732

5.1 Battery Tray

Index No.	Skyjack Part No.	Qty.	Description
A	216589	1	BATTERY TRAY, SJ3220
B	216591	1	BATTERY TRAY, SJ3220 (ANSI/CSA EE-Rated)
C	197345	1	BATTERY TRAY, SJ3226, SJ4720/4726/4732
D	199820	1	BATTERY TRAY, SJ3226, SJ4726/4732 (ANSI/CSA EE-Rated)
1	195758	1	• BATTERY TRAY
2	112308	1	• LATCH, Rotary - Right Hand (Battery Side)
3	103864	3	• BOLT, Hex Head Zinc - 5/16"-18 x 1" Gr. 5, A, C
	112532	3	• BOLT, Hex Head Zinc - 5/16"-18 x 1-1/4" Gr. 5, B, D
4	103857	1	• BOLT, Hex Head Zinc - 1/4"-20 x 1" Gr. 5
5	104000	1	• WASHER, Lock - 1/4"
6	103980	1	• NUT, Hex Head - 1/4"-20 Gr. 8
7	111534	1	• KNOB, Rotary Latch
8	100335	1	• BUSHING, Flange - Bronze
9	127393	1	• BOLT, Carriage Bolt - 3/8"-16 x 1-1/4" Gr. 5
10	125798	1	• BOLT, Carriage Bolt - 1/2"-13 x 1-1/2" Gr. 5
11	108575	1	• NUT, Hex Head Jam - 3/8"-16 Gr. 5
12	107949	1	• NUT, Hex Head Jam - 1/2"-13 Gr. 5
13	141751	1	• SET SCREW, Square Head Cup Point - 3/8"-16 x 3/4" Gr. 5 Zinc
14	210417	1	• LOCK PLATE, Battery Tray, B, D
15	104051	1	• CAM LOCK, Battery Tray, B, D
16	221701	1	• PLATE, Mounting - Charger, C
17	103856	2	• BOLT, Hex Head Zinc - 1/4"-20 x 3/4" Gr. 5, C, D
18	103995	2	• WASHER, Flat - 1/4", C, D
19	211996	1	• WIRE ASM, 98
20	408526	1	• BREAKER, 10 Amp
21	197252	1	• COVER, Breaker - Red
22	116192	2	• SCREW, Round Head Machine - #8-32 x 5/8"
23	138765	2	• NUT, Nylon Lock - #8-32 Gr. Zinc

5.2 Batteries



M195473AA_M195484AA

223197ABA

126

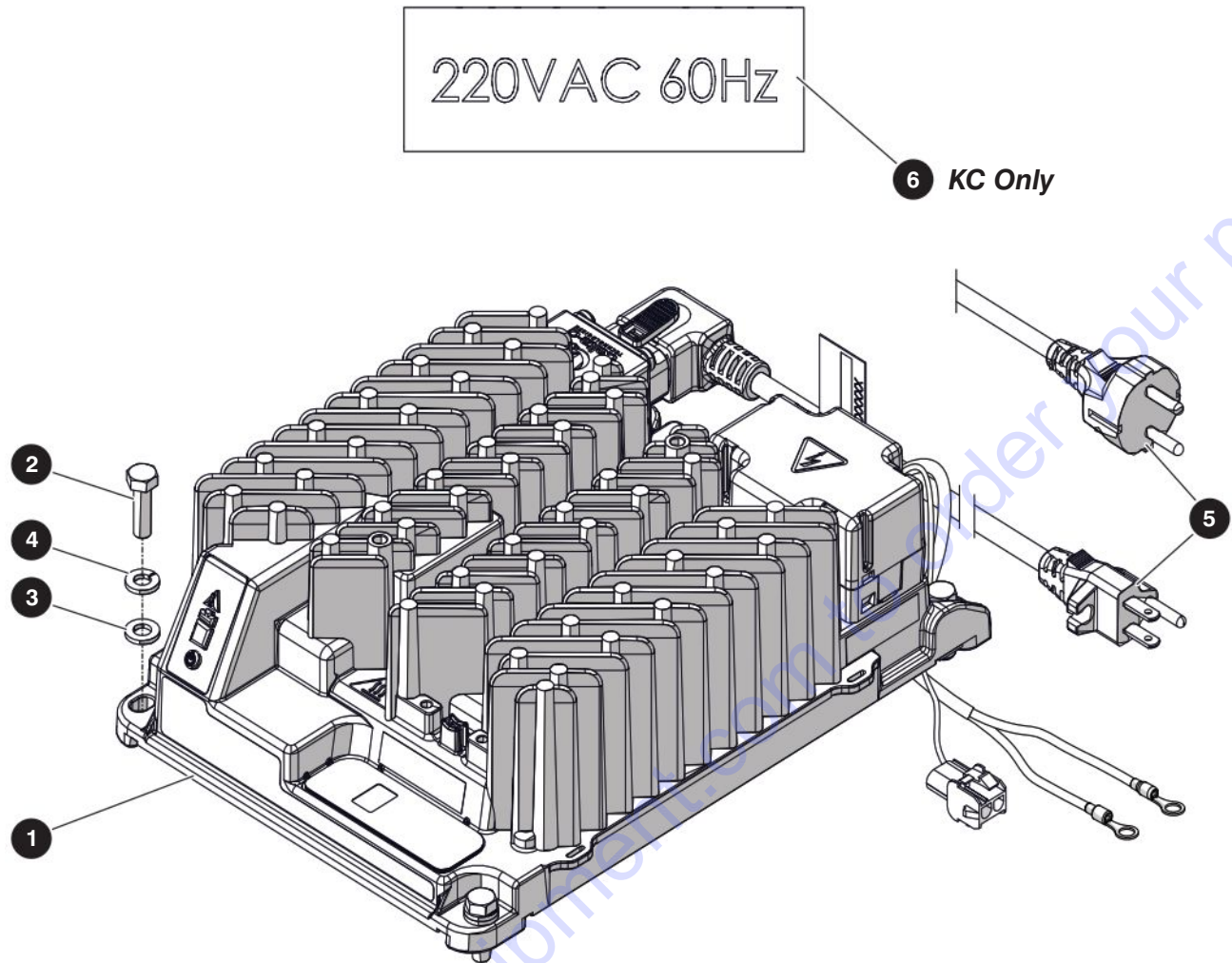
SJ3220, SJ3226, SJ4720, SJ4726, SJ4732

SKYJACK

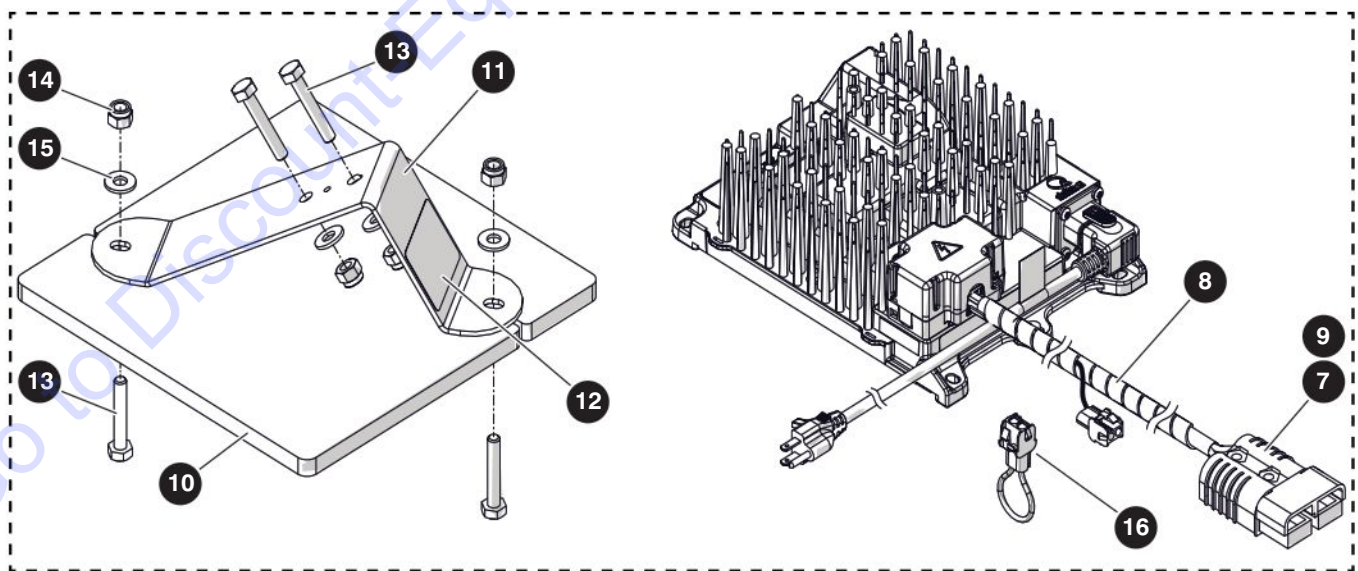
5.2 Batteries

Index No.	Skyjack Part No.	Qty.	Description
A	195473	1	BATTERY, US 2200 (ANSI/CSA)
B	195477	1	BATTERY, US 2200 (ANSI/CSA EE-Rated & Aircraft Protection On-Board Charger)
C	216647	1	BATTERY, US 2200 (Aircraft Protection Off-Board Charger)
D	195472	1	BATTERY, US 2200 (CE & KC) (ANSI/CSA - Brazil)
E	228089	1	BATTERY, US 2200 (AS)
F	195470	1	BATTERY, US 250 (ANSI/CSA)
G	195468	1	BATTERY, US 250 (CE & KC) (ANSI/CSA - Brazil)
H	195174	1	BATTERY, US 250 (AS)
I	195484	1	BATTERY, AGM (ANSI/CSA)
J	195483	1	BATTERY, AGM (CE & KC) (ANSI/CSA - Brazil)
1	103480	4	• BATTERY, 6 Volt - U2200XC2, A, B, C, D, E
	106552	4	• BATTERY, 6 Volt - U250XC2, F, G, H
	160933	4	• BATTERY, AGM EVGC6A-A, I, J
2	100440	1	• PLYWOOD, 3/8" x 10-1/2" x 28-1/2", A, B, C, D, F, G, I, J
	120340	1	• NEOPRENE SHEET, 1/4" x 10-1/2" x 28-1/2", E, H
3	100442	1	• WOOD SPACER, Battery - 2" x 3" x 28", A, B, C, I
	129123	2	• PLYWOOD, 3/4" x 3-1/2" x 28", D, J
	228087	1	• PLASTIC SPACER, 2" x 4" x 28", E
4	111423	1	• WOOD SPACER, Battery - 2" x 3" x 11", A, B, C, F, I
	129122	2	• PLYWOOD, 3/4" x 3-1/2" x 11", D, G, J
	120338	1	• PLASTIC-WOOD SPACER, Battery - 2" x 4" x 11", E, H
5	228070	1	• BATTERY CABLE, #4GA - 5/16" x 77" x 3/8"
6	216105	2	• BATTERY CABLE, #4GA - 5/16" x 11" x 5/16", A, B, D, E, F, G, H, I, J
7	216103	1	• BATTERY CABLE, 300A - In-Line Fuse
	310517	1	• FUSE, 300A
8	209605	7	• INSULATOR, Battery Boot (Red), A, B, C, D, E, F, G, H
	209951	7	• INSULATOR, Battery Boot (Red), I, J
9	211395	1	• INSULATOR, Battery Boot (Black), A, B, C, D, E, F, G, H
	211614	1	• INSULATOR, Battery Boot (Black), I, J
L	(Ref.)	-	• LABELS (For components, refer to Section 9.3 Labels)

5.3 Battery Charger



ANSI/CSA Aircraft Protection - Off-Board Charger



M223735AA_M228005AA

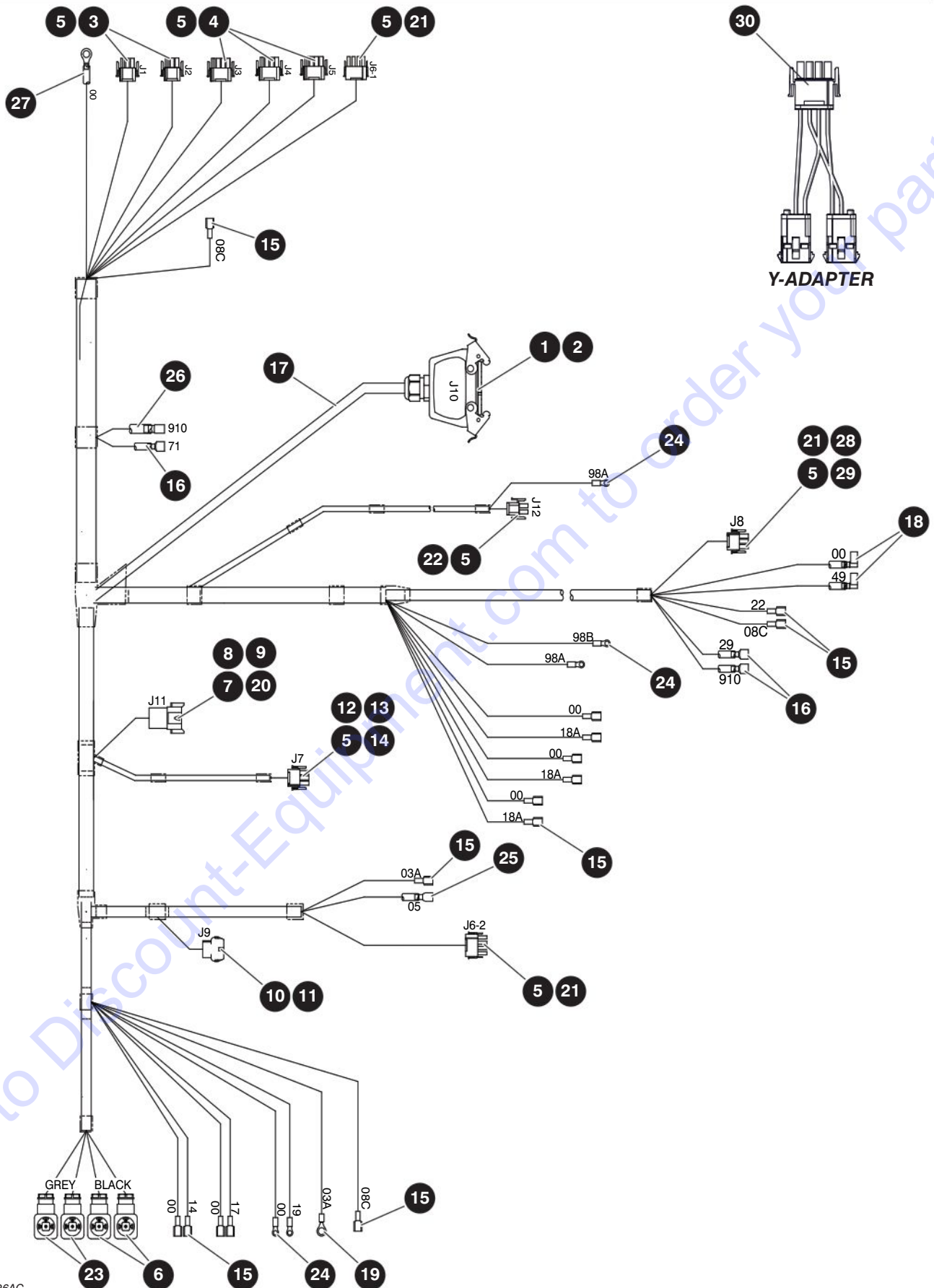
5.3 Battery Charger

Index No.	Skyjack Part No.	Qty.	Description
A	223735	-	CHARGER, DELTA-Q (ANSI/CSA)
B	228000	-	CHARGER, DELTA-Q (CE, AS)
C	228001	-	CHARGER, DELTA-Q (KC)
D	228005	-	CHARGER, DELTA-Q (ANSI/CSA) (only for machines with an Off-Board Charger)
1	223152	1	• CHARGER, 750W Cord - Signet
2	217394	4	• BOLT, Hex Hd M6 X 1 X 20 CI 8.8 FT ZP, A, B, C
3	933834	4	• WASHER, Flat - M6 X 12 O.D., A, B, C
4	121758	4	• WASHER, Lock - M6 Plated DIN 127B, A, B, C
5	223156	1	• CORD, Charger - Delta-Q IC650, A, D
	223157	1	• CORD, Charger - Delta-Q IC650 NC, B, C
6	155705	1	• LABEL, 220VAC - 60Hz, C
7	104632	1	• CONNECTOR, Battery - 175 AMP Red 2 Prong, D
8	403213	66	• SPIRAL WRAP, 3/8", D
9	113584	1.5	• HEATSHRINK, Black - 1/2", D
10	228004	1	• PLATE, Counterweight, D
11	213801	1	• MOUNT, Connector - 2 Prong, D
12	158639A	1	• LABEL, Connect Charger Here, D
13	103859	4	• BOLT, Hex Head Zinc - 1/4"-20 x 1-1/2" Gr. 5, D
14	115649	4	• NUT, Nylon Lock - 1/4"-20 Gr. 5, D
15	103995	6	• WASHER, Flat - 1/4", D
16	221596	1	WIRE ASM, 00A, D
	115391	1	• RECEPTACLE, 2 Pole Female - Mate-N-Lock
	116989	2	• WIRE PIN, Male - Mate-N-Lock
	802029	4	• WIRE, White - 18 AWG
17	(Ref.)	-	BATTERY CONNECTORS, Aircraft Protection (Not Shown), D <i>(For components, refer to Section 6.14 Power)</i>

Section 6 – Electrical Harnesses

- 6.1 *Main Harness - SJ3220/26*
- 6.2 *Main Harness - SJ4720/26/32*
- 6.3 *Platform Control Cable*
- 6.4 *Platform Control Cable - SGLE*
- 6.5 *Platform Control Cable - Aircraft Protection*
- 6.6 *Holding Valve Harness*
- 6.7 *Prop Lowering Valve Harness (CE Only)*
- 6.8 *Control Cable - Base to Platform*
- 6.9 *Dual Flashing Light Harness*
- 6.10 *Base Control Harness - Plastic Box*
- 6.11 *Base Control Harness*
- 6.12 *Powerdeck Harnesses*
- 6.13 *Power Cables*
- 6.14 *Power Cables - Aircraft Protection*
- 6.15 *Interlocks - SJ4726 Aircraft Protection*
- 6.16 *Anti-Overriding Posts Limit Switches (KC Only)*
- 6.17 *Anti-Overriding Posts Harnesses (KC Only)*
- 6.18 *Elevate Telematics Harness*
- 6.19 *Outdoor Switch Harness - SJ3226 Only*

6.1 Main Harness - SJ3220/26



M224526AC

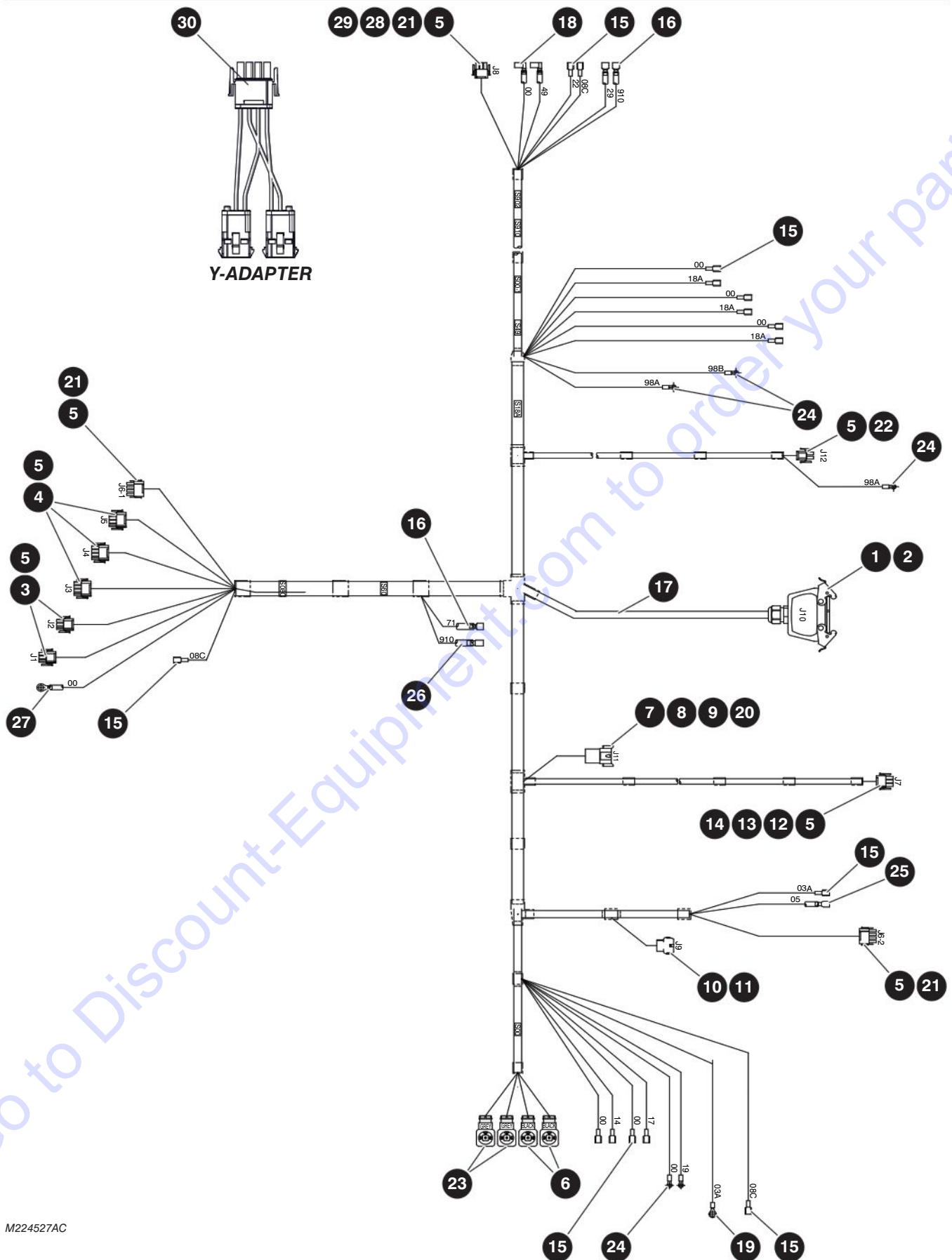
223197ABA

SJ3220, SJ3226, SJ4720, SJ4726, SJ4732

6.1 Main Harness - SJ3220/26

Index No.	Skyjack Part No.	Qty.	Description
-	224526	1	MAIN HARNESS - SJ3220/26
1	211055	1	• HOUSING, Double Hinge - With Levers
2	210497	1	• INSERT, Female - 16 Pole
3	116993	2	• HOUSING, 9 Pole Plug
4	130449	3	• HOUSING, 12 Pole Plug
5	116990	51	• WIRE PIN, Female
6	231908	2	• CONNECTOR, Din Valve - Black
7	117582	1	• CONNECTOR, Receptacle - 8-Pin
8	117584	1	• CONNECTOR, Receptacle - 8-Pin Wedge
9	117590	7	• CONNECTOR, Contact Pin 16-18
10	132799	1	• RECEPTACLE, 6 Pole - Female
11	116989	6	• WIRE PIN, Male
12	130446	1	• HOUSING, 3 Pole Plug
13	134067	1	• INTERFACE SEAL, 3 Position
14	134068	1	• WIRE SEAL, 3 Position
15	216787	15	• TERMINAL, F. Disc - 18-22 GA Red
16	231911	3	• TERMINAL, Male - 18-22 AWG 1/4" x 0.032"
17	102887	60	• CONTROL CABLE, 16/15
18	231910	2	• TERMINAL, Female -18-22 GA Insulated 90° x 1/4" x 0.032"
19	216789	1	• TERMINAL, 5/16 Ring - 18-22 AWG Red
20	117594	1	• SEALING PLUG, Connector
21	130448	3	• 4 POLE, Male - Mate-N-Lock
22	116992	1	• 2 POLE, Male - Mate-N-Lock
23	231909	2	• CONNECTOR, Din Valve - Grey
24	119752	5	• TERMINAL, #10 Ring - 18-22 AWG Red
25	105359	1	• TERMINAL, Female 14-16GA Insulated Blue
26	105568	1	• TERMINAL, Female 10-12GA Insulated Yellow
27	211995	1	• TERMINAL, 5/16" Ring - 10-12GA Non-Insulated
28	224528	1	• SEAL, Interface - 4 Position
29	224529	1	• SEAL, Wire - 4 Position
30	229311	1	HARNESS, Y Adapter - Angle Transducer (Used on machines with two angle transducers (J8-1 & J8-2) connections)

6.2 Main Harness - SJ4720/26/32



M224527AC

223197ABA

134

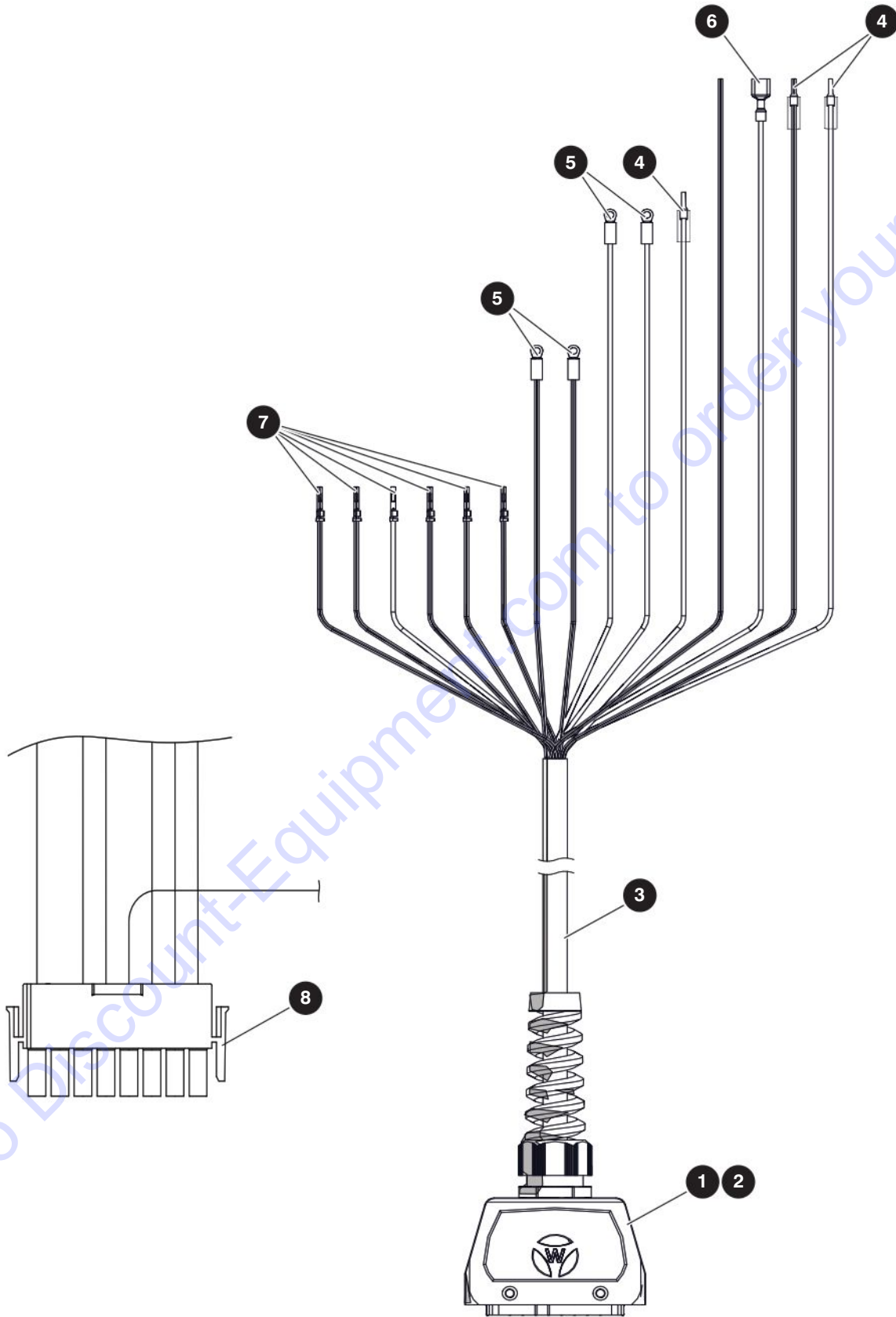
SJ3220, SJ3226, SJ4720, SJ4726, SJ4732

SKYJACK

6.2 Main Harness - SJ4720/26/32

Index No.	Skyjack Part No.	Qty.	Description
-	224527	1	MAIN HARNESS - SJ4720/26/32
1	211055	1	• HOUSING, Double Hinge - With Levers
2	210497	1	• INSERT, Female - 16 Pole
3	116993	2	• HOUSING, 9 Pole Plug
4	130449	3	• HOUSING, 12 Pole Plug
5	116990	51	• WIRE PIN, Female
6	231908	2	• CONNECTOR, Din Valve - Black
7	117582	1	• CONNECTOR, Receptacle - 8-Pin
8	117584	1	• CONNECTOR, Receptacle - 8-Pin Wedge
9	117590	7	• CONNECTOR, Contact Pin 16-18
10	132799	1	• RECEPTACLE, 6 Pole - Female
11	116989	6	• WIRE PIN, Male
12	130446	1	• HOUSING, 3 Pole Plug
13	134067	1	• INTERFACE SEAL, 3 Position
14	134068	1	• WIRE SEAL, 3 Position
15	216787	15	• TERMINAL, F. Disc - 18-22 GA Red
16	231911	3	• TERMINAL, Male - 18-22 AWG 1/4" x 0.032"
17	102887	72	• CONTROL CABLE, 16/15
18	231910	2	• TERMINAL, Female -18-22 GA Insulated 90° x 1/4" x 0.032"
19	216789	1	• TERMINAL, 5/16 Ring - 18-22 GA Red
20	117594	1	• SEALING PLUG, Connector
21	130448	3	• 4 POLE, Male - Mate-N-Lock
22	116992	1	• 2 POLE, Male - Mate-N-Lock
23	231909	2	• CONNECTOR, Din Valve - Grey
24	216788	5	• TERMINAL, #10 Ring - 18-22 GA Red
25	105359	1	• TERMINAL, Female 14-16GA Insulated Blue
26	105568	1	• TERMINAL, Female 10-12GA Insulated Yellow
27	211995	1	• TERMINAL, 5/16" Ring - 10-12GA Non-Insulated
28	224528	1	• SEAL, Interface - 4 Position
29	224529	1	• SEAL, Wire - 4 Position
30	229311	1	HARNESS, Y Adapter - Angle Transducer (Used on machines with two angle transducers (J8-1 & J8-2) connections)

6.3 Platform Control Cable

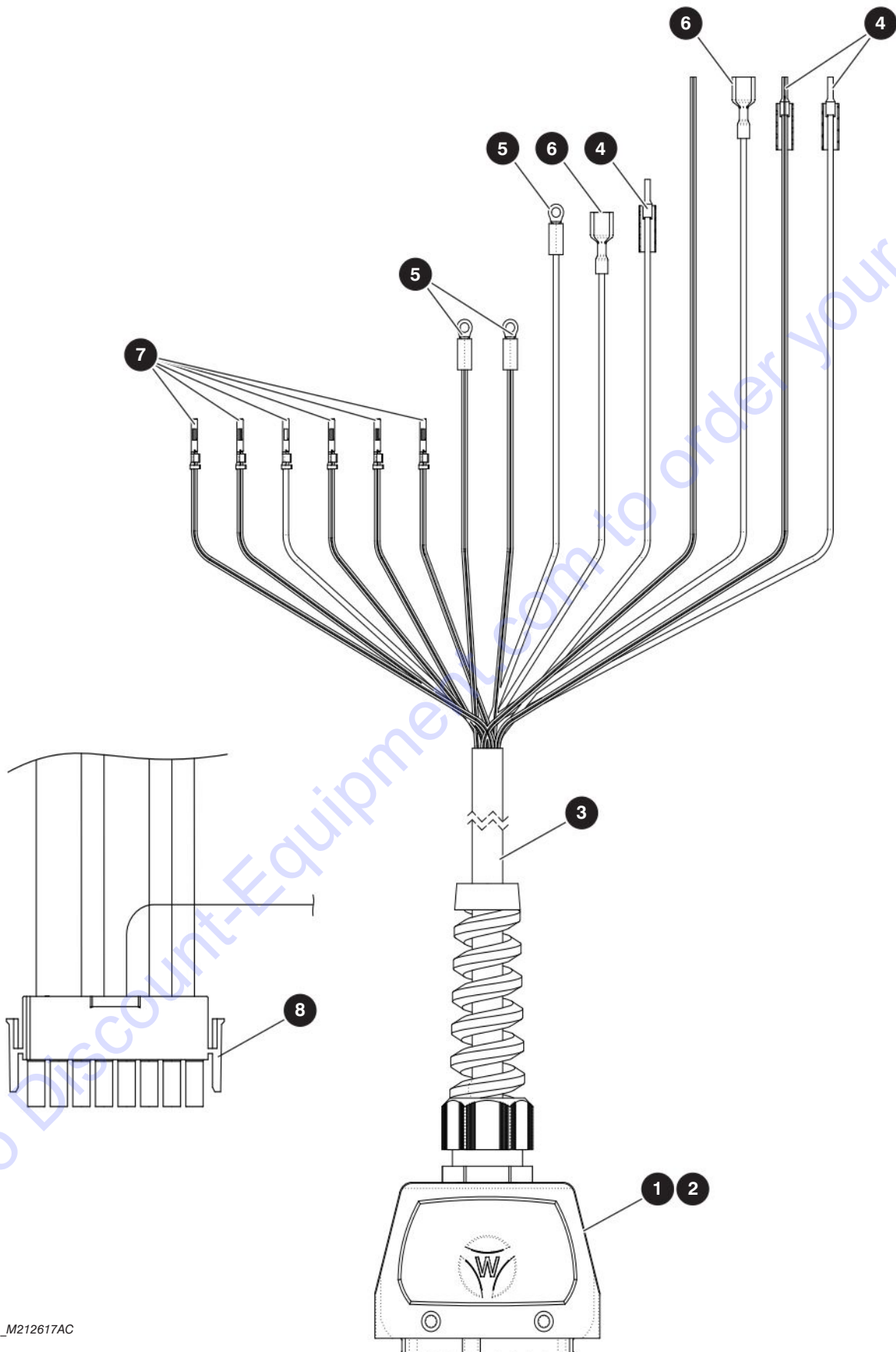


M212619AC_M212617AC

6.3 Platform Control Cable

Index No.	Skyjack Part No.	Qty.	Description
-	212619	-	PLATFORM CONTROL CABLE
1	211057	1	• HOUSING, Double Hinge - Pigtail Gland
2	210498	1	• INSERT, Male - 16 Pole
3	102887	88"	• CONTROL CABLE, 16/15
4	121050	3	• CONNECTOR, Ferrule - 16GA
5	216792	4	• TERMINAL, Ring - #6 14-16 GA Blue
6	216793	1	• TERMINAL, Female - 14-16 AWG Blue
7	116990	6	• WIRE PIN, Female - Mate-N-Lock
8	208623	1	CONNECTOR, 8 Pin Female - Mate-N-Lock

6.4 Platform Control Cable - SGLE

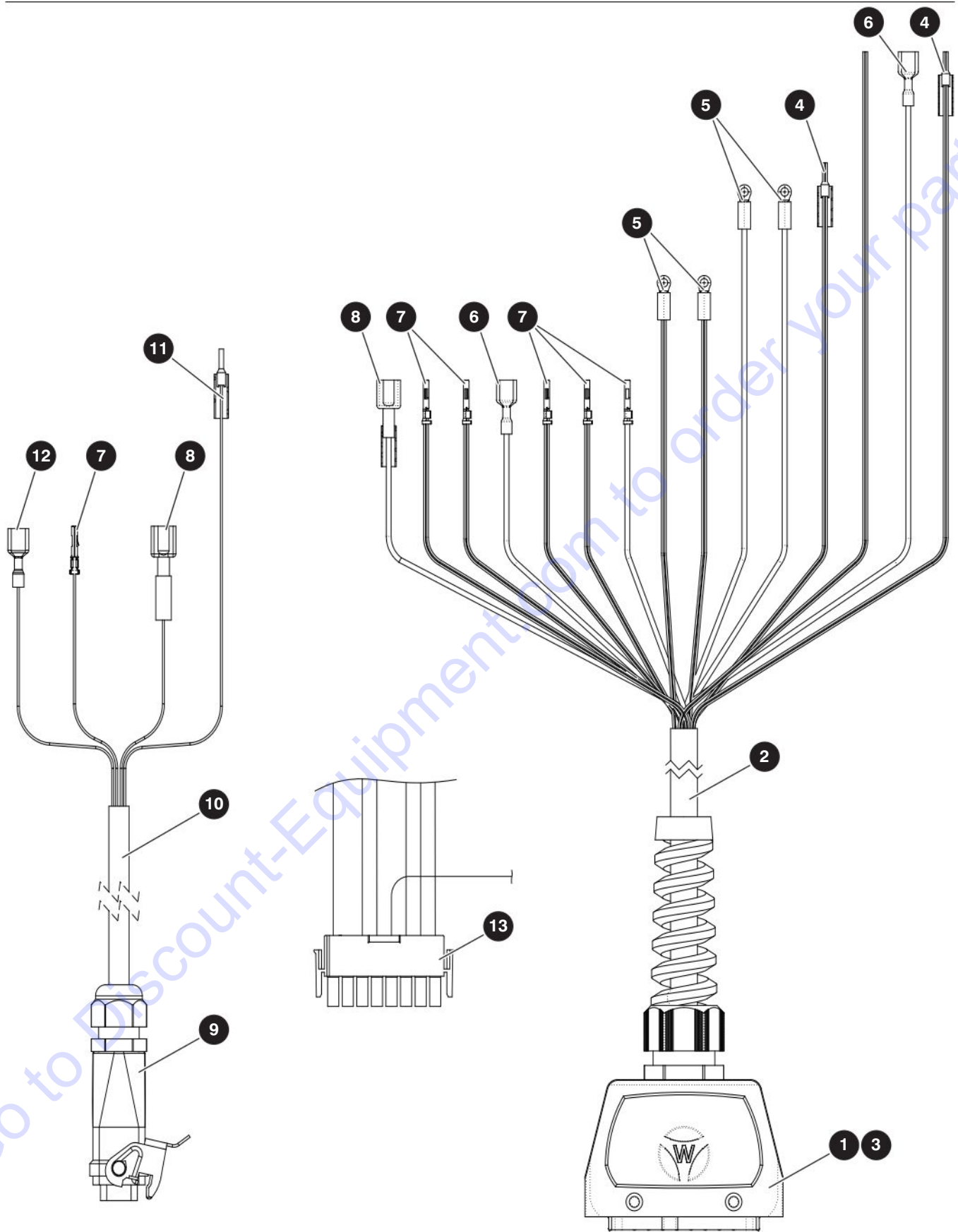


M220968AA_M212617AC

6.4 Platform Control Cable - SGLE

Index No.	Skyjack Part No.	Qty.	Description
-	220968	-	PLATFORM CONTROL CABLE, SGLE
1	211057	1	• HOUSING, Double Hinge - Pigtail Gland
2	210498	1	• INSERT, Male - 16 Pole
3	102887	88"	• CONTROL CABLE, 16/15
4	121050	3	• CONNECTOR, Ferrule - 16GA
5	216792	3	• TERMINAL, Ring - #6 14-16 GA Blue
6	216793	2	• TERMINAL, Female - 14-16 AWG Blue
7	116990	6	• WIRE PIN, Female - Mate-N-Lock
8	208623	1	CONNECTOR, 8 Pin Female - Mate-N-Lock

6.5 Platform Control Cable - Aircraft Protection

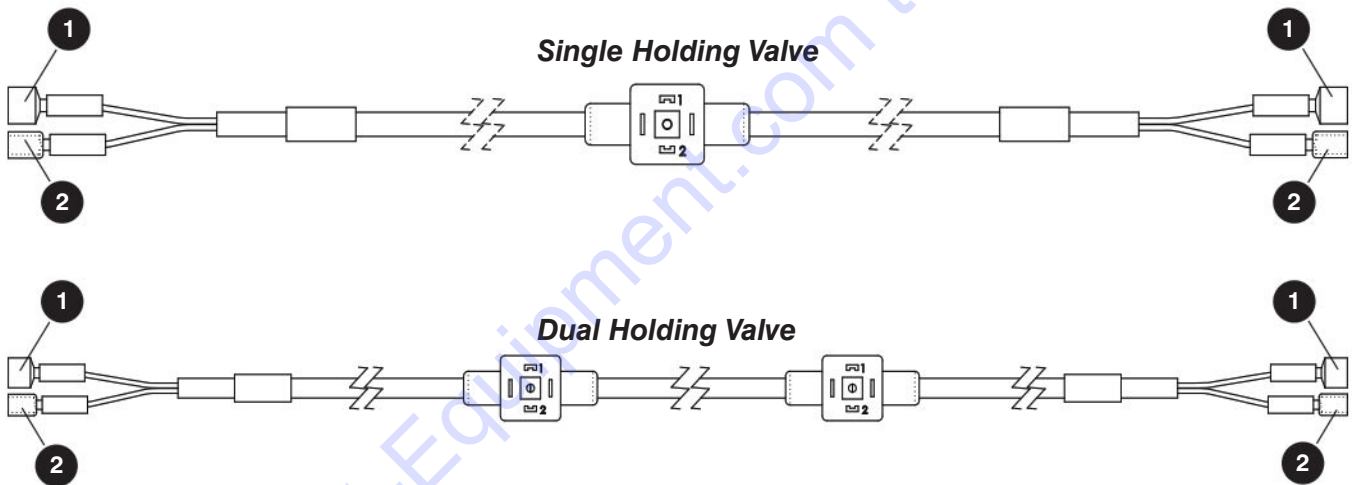
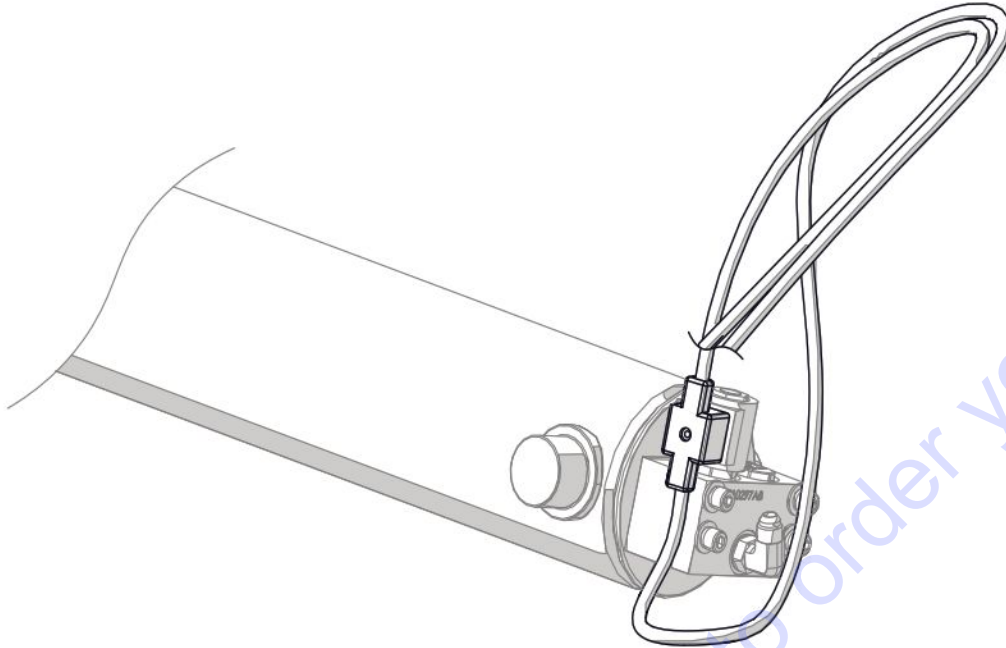


M220968AA_M212617AC_M213773AB

6.5 Platform Control Cable - Aircraft Protection

Index No.	Skyjack Part No.	Qty.	Description
-	213774	1	PLATFORM CONTROL CABLE <i>(only for machines with the Aircraft Option)</i>
1	211057	1	• HOUSING, Double Hinge - Pigtail Gland
2	102887	73"	• CONTROL CABLE, 16/15
3	210498	1	• INSERT, Male - 16 Pole
4	121050	2	• CONNECTOR, Ferrule - 16GA
5	216792	4	• TERMINAL, Ring - #6 14-16 GA Blue
6	216793	2	• TERMINAL, Female - 14-16 AWG Blue
7	116990	6	• WIRE PIN, Female - Mate-N-Lock
8	114594	2	• TERMINAL, Male - 18-22 AWG
9	107711	1	• CONNECTOR, Cabtire - 5 Pin Female
10	103255	70.75"	• CABTIRE, 18/4 SJ
11	121050	1	• CONNECTOR, Ferrule - 16 GA
12	216787	1	• TERMINAL, Female - 18-22 AWG Red
13	208623	1	• CONNECTOR, 8 Pin Female - Mate-N-Lock

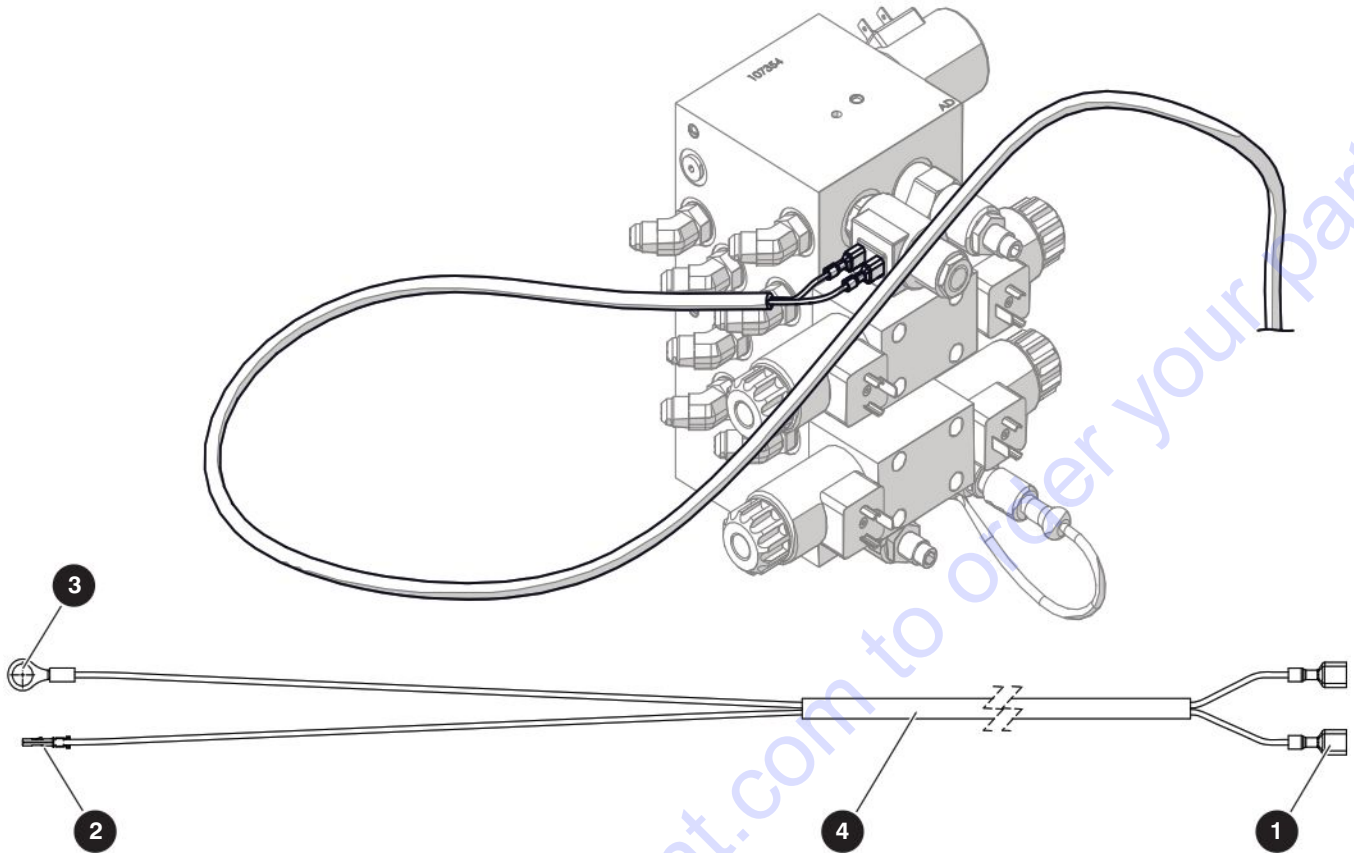
6.6 Holding Valve Harness



M65705AA_M211925AC_M211926AB

Index No.	Skyjack Part No.	Qty.	Description
A	211926	1	HOLDING VALVE HARNESS - SJ3220, SJ4720
B	211925	1	DUAL HOLDING VALVE HARNESS - SJ3226, SJ4726/32
1	105360	2	• TERMINAL, Male - 14-16GA x 1/4" Full Insulated
2	105359	2	• TERMINAL, 1/4" F Blade - 14-16GA Insulated

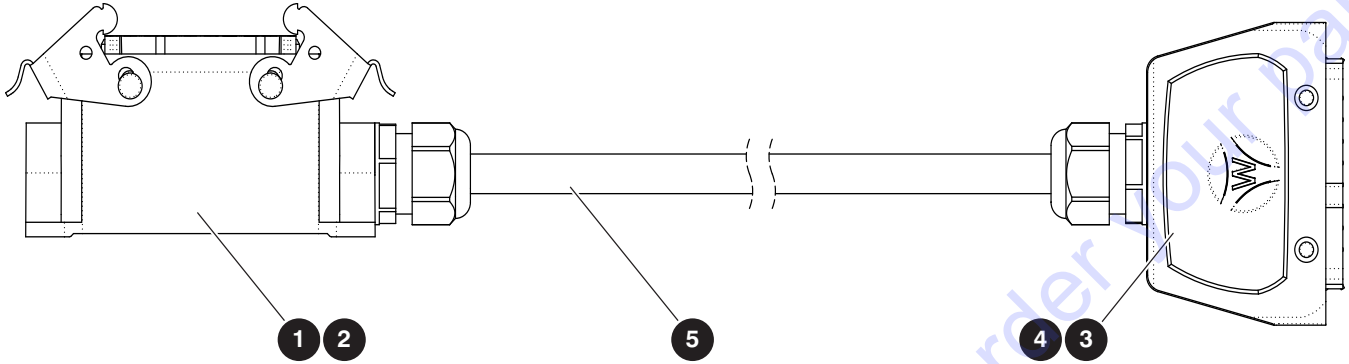
6.7 Prop Lowering Valve Harness (CE Only)



M220951AB

Index No.	Skyjack Part No.	Qty.	Description
-	220951	1	PROP LOWERING VALVE HARNESS (CE)
1	216787	2	<ul style="list-style-type: none"> • TERMINAL, Female - 18-22 AWG Red
2	116990	1	<ul style="list-style-type: none"> • WIRE PIN, Female - Mate-N-Lock
3	216789	1	<ul style="list-style-type: none"> • TERMINAL, 5/16" Ring - 18-22 AWG Red
4	103256	80	<ul style="list-style-type: none"> • CABTIRE, 18/2

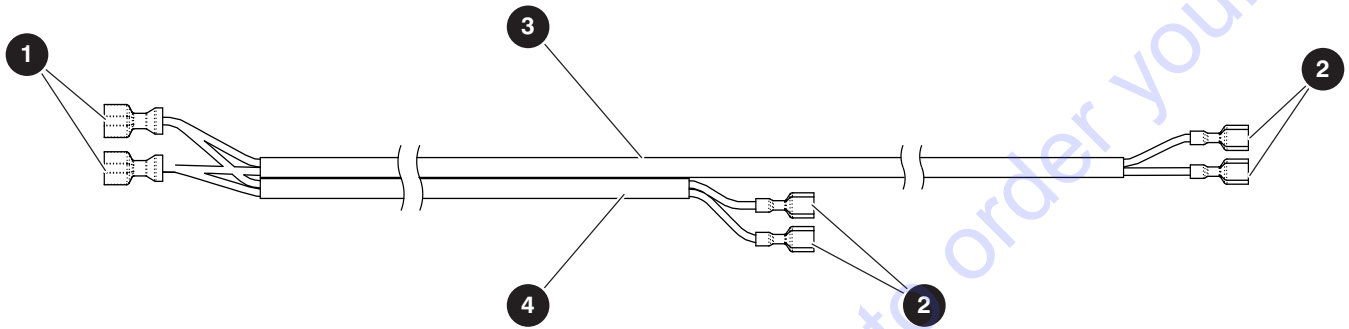
6.8 Control Cable - Base to Platform



M211921AB

Index No.	Skyjack Part No.	Qty.	Description
A	211921	1	CONTROL CABLE, 16 PIN-32 FT - SJ3220, SJ4720
B	211924	1	CONTROL CABLE, 16 PIN-39 FT - SJ3226, SJ4726
C	211922	1	CONTROL CABLE, 16 PIN-47 FT - SJ4732
1	211054	1	• HOUSING, Double Hinge - Face Mounting
2	210497	1	• INSERT, Female - 16 Pole
3	210548	1	• HOUSING, Double Hinge - Without Levers
4	210498	1	• INSERT, Male - 16 Pole
5	102887	384"	• CONTROL CABLE, 16/15, A
		468"	• CONTROL CABLE, 16/15, B
		564"	• CONTROL CABLE, 16/15, C

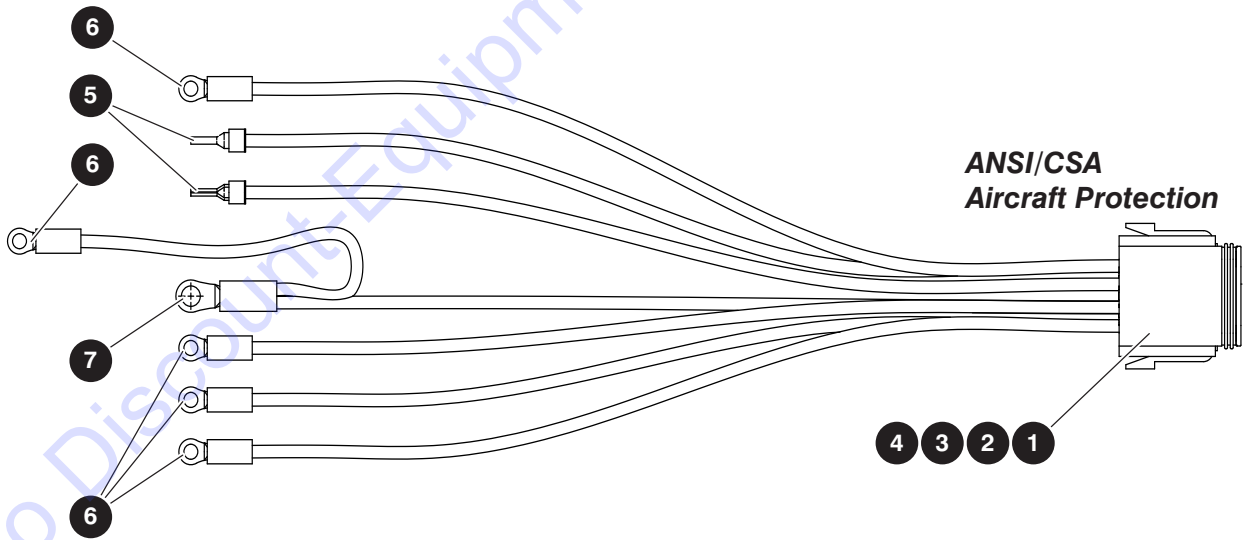
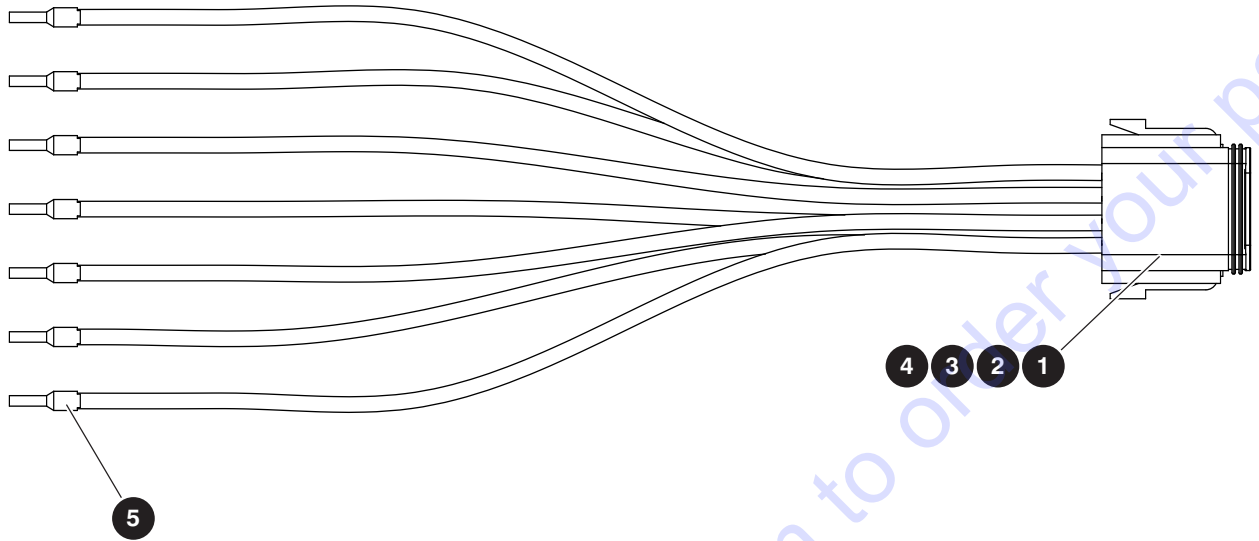
6.9 Dual Flashing Light Harness



M220091AA_Parts

Index No.	Skyjack Part No.	Qty.	Description
-	220091	-	DUAL FLASHING LIGHT HARNESS
1	102934	2	<ul style="list-style-type: none"> TERMINAL, Male Disconnect - 10-12 AWG
2	216787	4	<ul style="list-style-type: none"> TERMINAL, Female - 18-22 AWG Red
3	103256	153"	<ul style="list-style-type: none"> CABTIRE, 18/2 SJ
4	103256	100"	<ul style="list-style-type: none"> CABTIRE, 18/2 SJ

6.10 Base Control Harness - Plastic Box



M230107AB_M231921AA

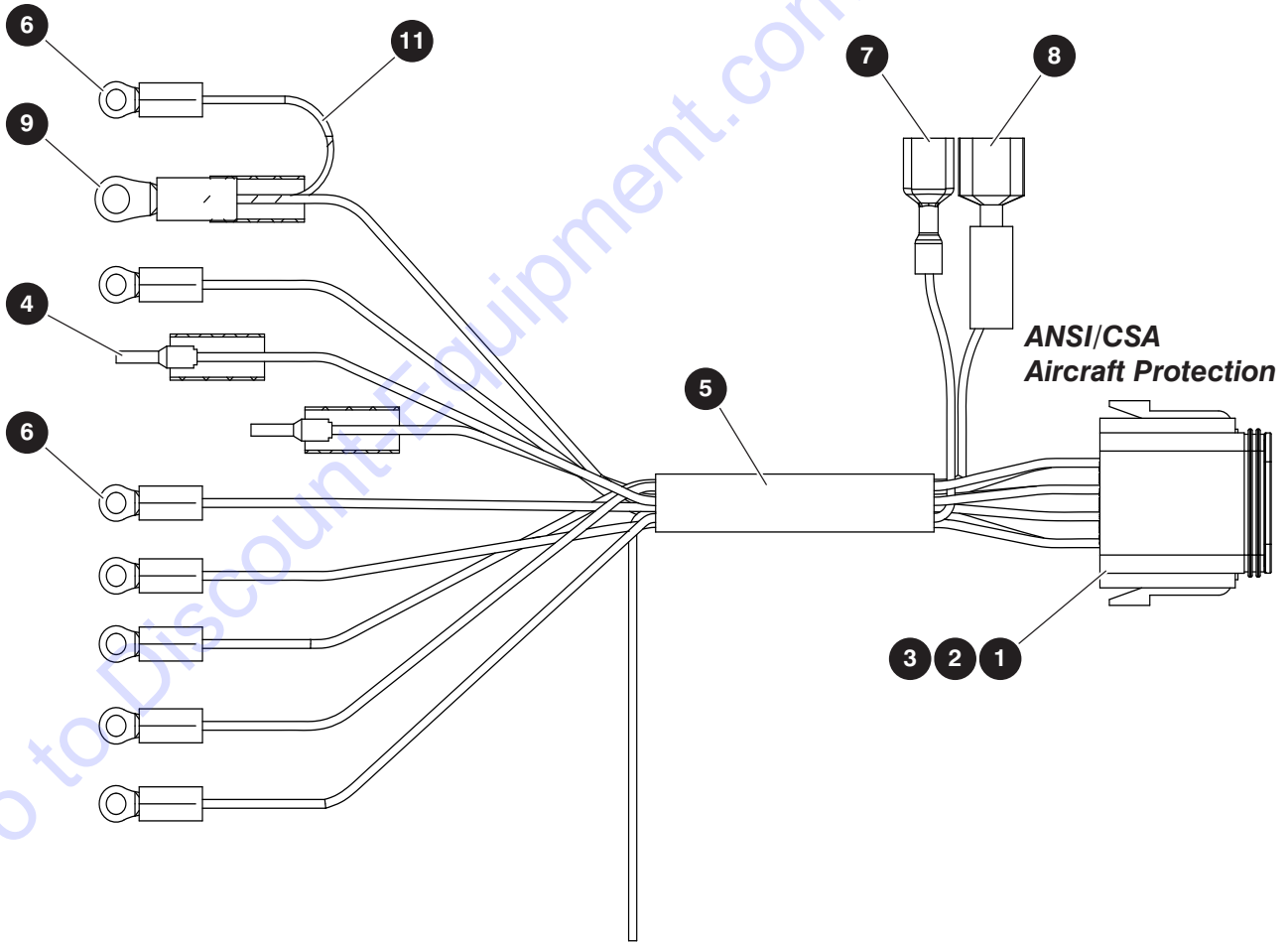
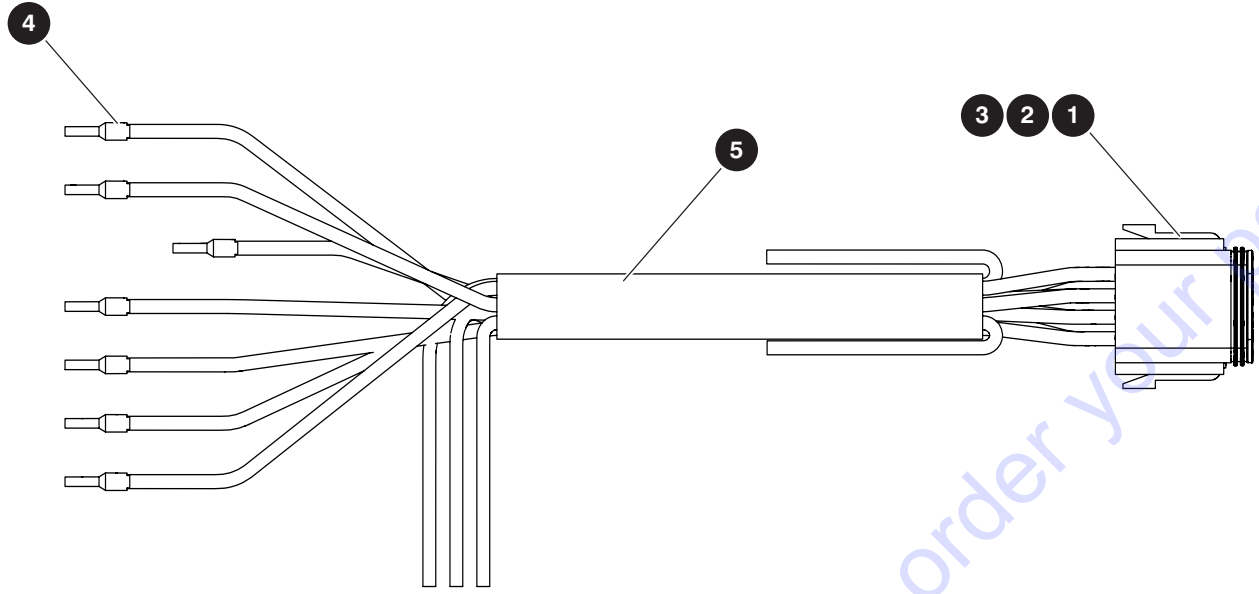
223197ABA

SJ3220, SJ3226, SJ4720, SJ4726, SJ4732

6.10 Base Control Harness - Plastic Box

Index No.	Skyjack Part No.	Qty.	Description
A	230107	1	BASE HARNESS - PLASTIC BOX
B	231921	1	BASE HARNESS - PLASTIC BOX <i>(ANSI/CSA) (for machines with the Aircraft Option)</i>
1	117583	1	• CONNECTOR, Plug - 8-Pin
2	117585	1	• CONNECTOR, Plug - 8-Pin Wedge
3	117591	7	• CONNECTOR, Contact Socket 16-18
4	117594	1	• CONNECTOR, Sealing Plug
5	121050	7	• CONNECTOR, Ferrule 16 GA, A
	121050	2	• CONNECTOR, Ferrule 16 GA, B
6	216792	5	• TERMINAL, #6 Ring - 14-16 GA Blue, B
7	108171	1	• TERMINAL, #10 Ring - 10-12 GA Yellow, B

6.11 Base Control Harness



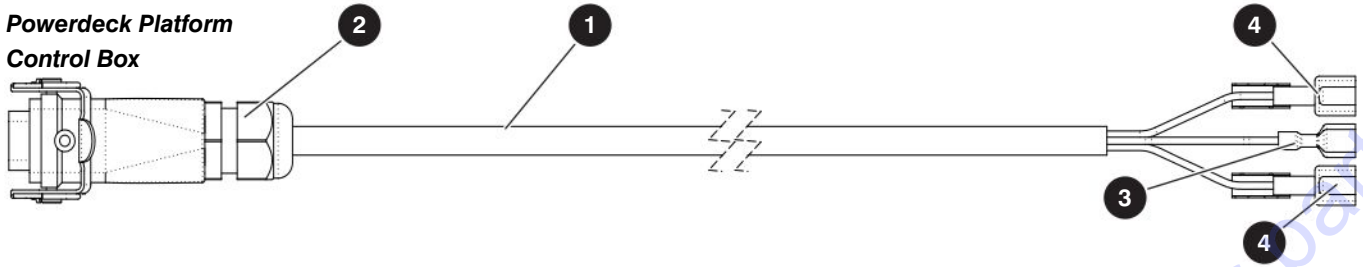
M212681AB_M213770AB

6.11 Base Control Harness

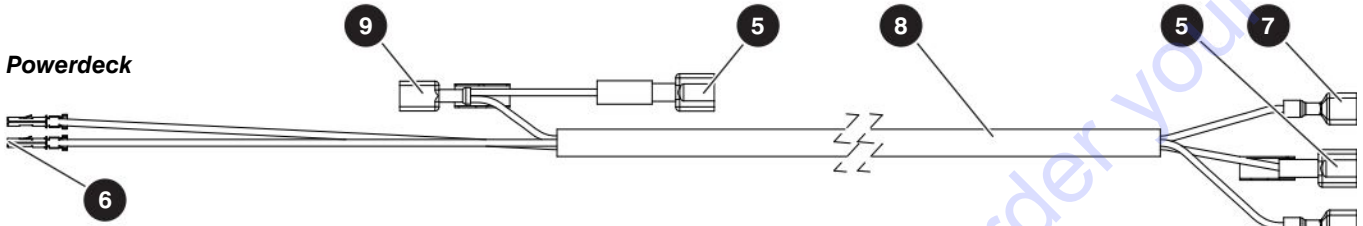
Index No.	Skyjack Part No.	Qty.	Description
A	212681	1	BASE CONTROL HARNESS
B	213770	1	BASE CONTROL HARNESS (ANSI/CSA) (<i>for machines with the Aircraft Option</i>)
1	117583	1	• CONNECTOR, Plug - 8-Pin Deutsch, A
2	117585	1	• CONNECTOR, Plug - 8-Pin Wedge, A
3	117591	8	• CONNECTOR, Contact Socket - 16-18, A
4	121050	7	• CONNECTOR, Ferrule - 16 GA, A
	121050	2	• CONNECTOR, Ferrule - 16 GA, B
5	102888	1	• CONTROL CABLE, 16/10, A
	102888	11	• CONTROL CABLE, 16/10, B
6	216792	7	• TERMINAL, #6 Ring - 14-16 GA Blue, B
7	216793	1	• TERMINAL, FEMALE - 14-16 AWG Blue, B
8	105360	1	• TERMINAL, Male - 14-16 GA x 1/4" Full Insulated, B
9	108171	1	• TERMINAL, #10 Yellow - 10-12 GA, B
10	133096	1	• HEATSHRINK, Adhesive Lined - 1/4" ID (Not Shown), B
11	104643	3	• WIRE, Purple/White TEW - 16 AWG 26 BC, B

6.12 Powerdeck Harnesses

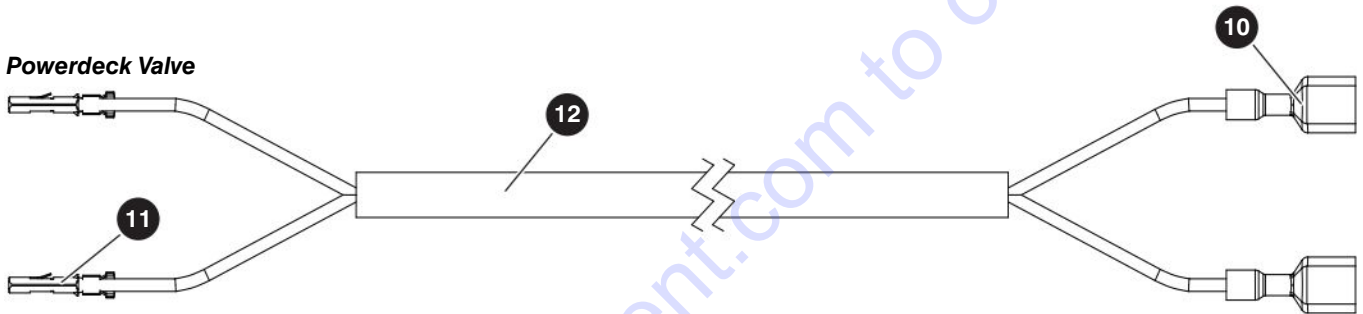
Powerdeck Platform Control Box



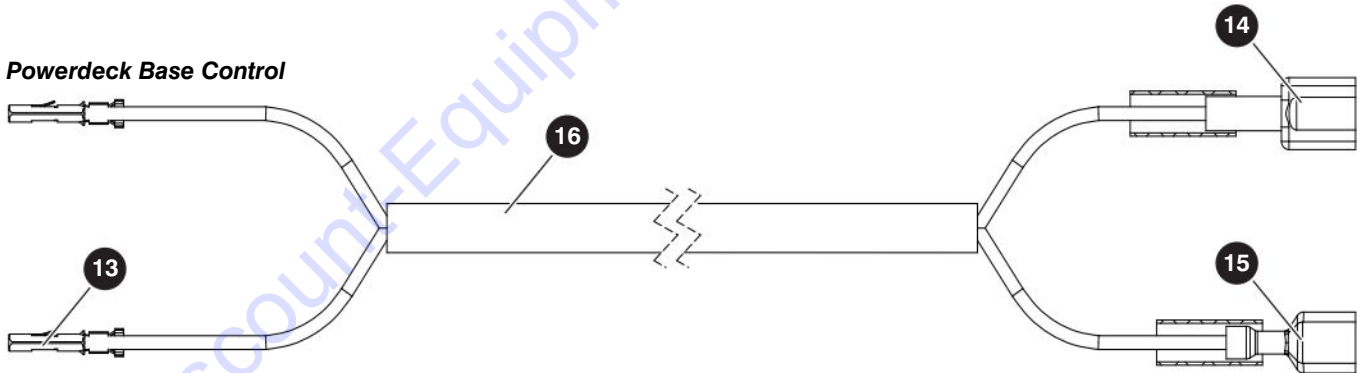
Powerdeck



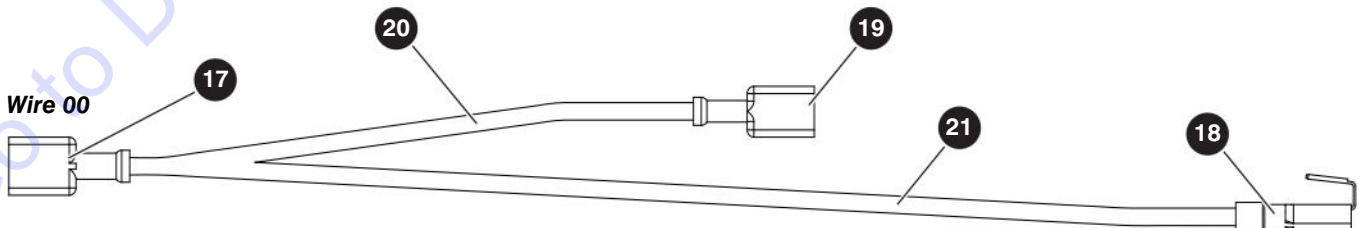
Powerdeck Valve



Powerdeck Base Control



Wire 00

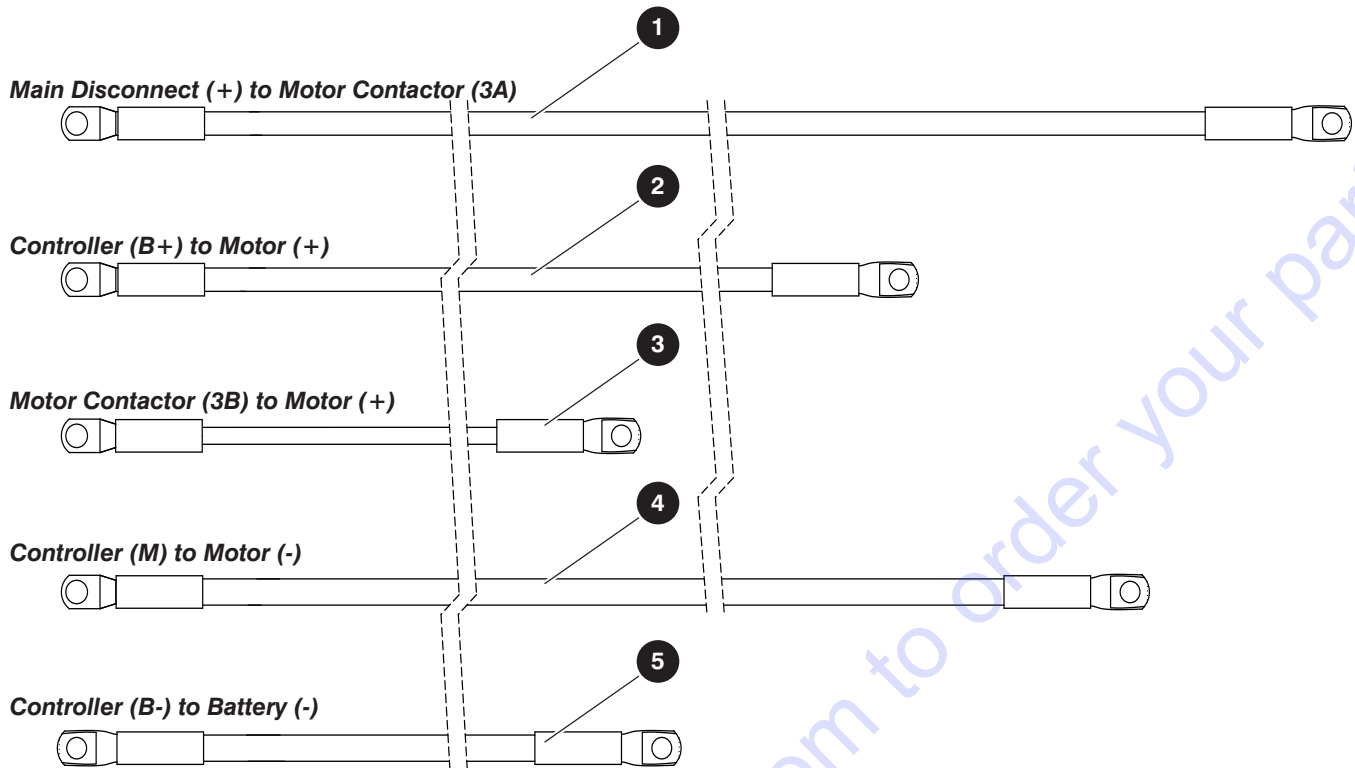


M207879AD_M209557AC_M216663AC_M216895AB_M216896AB_M211950AA

6.12 Powerdeck Harnesses

Index No.	Skyjack Part No.	Qty.	Description
A	207879	1	HARNESS, POWERDECK PLATFORM CONTROL BOX - SJ3220
B	209557	1	HARNESS, POWERDECK PLATFORM CONTROL BOX - SJ4726
1	103257	432"	• CABTIRE, 18/3, A
	103257	478"	• CABTIRE, 18/3, B
2	107711	1	• CONNECTOR, Cabtire - 5-Pin Female
3	216787	1	• TERMINAL, Female - 18-22 AWG Red
4	114594	2	• TERMINAL, Male - 18-22 AWG
C	216663	1	HARNESS, POWERDECK
5	114594	2	• TERMINAL, Male - 18-22 AWG
6	116990	2	• WIRE PIN, Female - Mate-N-Lock
7	216787	2	• TERMINAL, Female - 18-22 AWG Red
8	103257	55	• CABTIRE, 18/3
9	105359	1	• TERMINAL, Female - 14-16GA Insulated Blue
D	216896	1	HARNESS, POWERDECK VALVE
10	216787	2	• TERMINAL, Female - 18-22 AWG Red
11	116990	2	• WIRE PIN, Female - Mate-N-Lock
12	103256	90	• CABTIRE, 18/2
E	216895	1	HARNESS, POWERDECK BASE CONTROLS 4726
13	116990	2	• WIRE PIN, Female - Mate-N-Lock
14	114594	1	• TERMINAL, Male - 18-22 AWG
15	114595	1	• TERMINAL, Female - 18-22 AWG Red
16	103256	60	• CABTIRE, 18/2
F	211950	1	WIRE ASM, 00
17	105568	1	• TERMINAL, Female - 10-12 AWG Nylon Yellow
18	204674	1	• TERMINAL, Piggyback - 14-16 AWG Blue
19	105359	1	• TERMINAL, 1/4" F Blade - 14-16GA INS
20	102734	6	• WIRE, White TEW - 16 AWG 26 BC
21	102734	10	• WIRE, White TEW - 16 AWG 26 BC

6.13 Power Cables



M208035AE

Index No.	Skyjack Part No.	Qty.	Description
A	208035	1	POWER CABLE KIT - SJ3220/26
B	217936	1	POWER CABLE KIT - SJ3220/26 (ANSI/CSA EE-Rated)
C	209517	1	POWER CABLE KIT - SJ4720/26/32
D	220464	1	POWER CABLE KIT - SJ4726/32 (ANSI/CSA EE-Rated)
1	217939	1	• CABLE, #4GA - 3/8" x 76-1/2" x 5/16" (3A,3A), A, B
	224544	1	• CABLE, #4GA - 5/16" x 92" x 3/8" (3A,3A), C, D
2	224539	1	• CABLE, #4GA - 5/16" x 69" x 3/8" (3B,3B), A
	217940	1	• CABLE, #4GA - 5/16" x 69" x 3/8" (3B,3B), B
	224533	1	• CABLE, #4GA - 5/16" x 81" x 3/8" (3B,3B), C
	216452	1	• CABLE, #4GA - 5/16" x 80" x 3/8" (3B,3B), D
3	224536	1	• CABLE, #4GA - 5/16" x 15" x 3/8" (3B,3B), A, C
	216445	1	• CABLE, #4GA - 5/16" x 15" x 3/8" (3B,3B), B, D
4	224540	1	• CABLE, #4GA - 5/16" x 73" x 3/8" (M-,M-), A
	220946	1	• CABLE, #4GA - 5/16" x 73" x 3/8" (M-,M-), B
	224545	1	• CABLE, #4GA - 5/16" x 82" x 3/8" (M-,M-), C
	216454	1	• CABLE, #4GA - 3/8" x 82" x 5/16" (M-,M-), D
5	228071	1	• CABLE, #4GA - 5/16" x 46" x 5/16" (00,00), A, B
	228072	1	• CABLE, #4GA - 5/16" x 54" x 5/16" (00,00), C, D

PARTS FINDER

**Search Website
by Part Number**



**Search Manual
Library For Parts
Manual & Lookup Part
Numbers – Purchase
or Request Quote**

Search Manuals

Enter your information to help us find the right parts manual for your machine.

* Brand:

* Model:

* Serial:

* Part Number:

SEARCH

**Can't Find Part or
Manual? Request Help
by Manufacturer,
Model & Description**

Parts Order Form

Please fill in the following information to help us find the right part for your machine.

Manufacturer:	<input type="text"/>
Model:	<input type="text"/>
Description:	<input type="text"/>
Part Number:	<input type="text"/>
Quantity:	<input type="text"/>
Notes:	<input type="text"/>

Submit

Discount-Equipment.com is your online resource for quality parts & equipment.

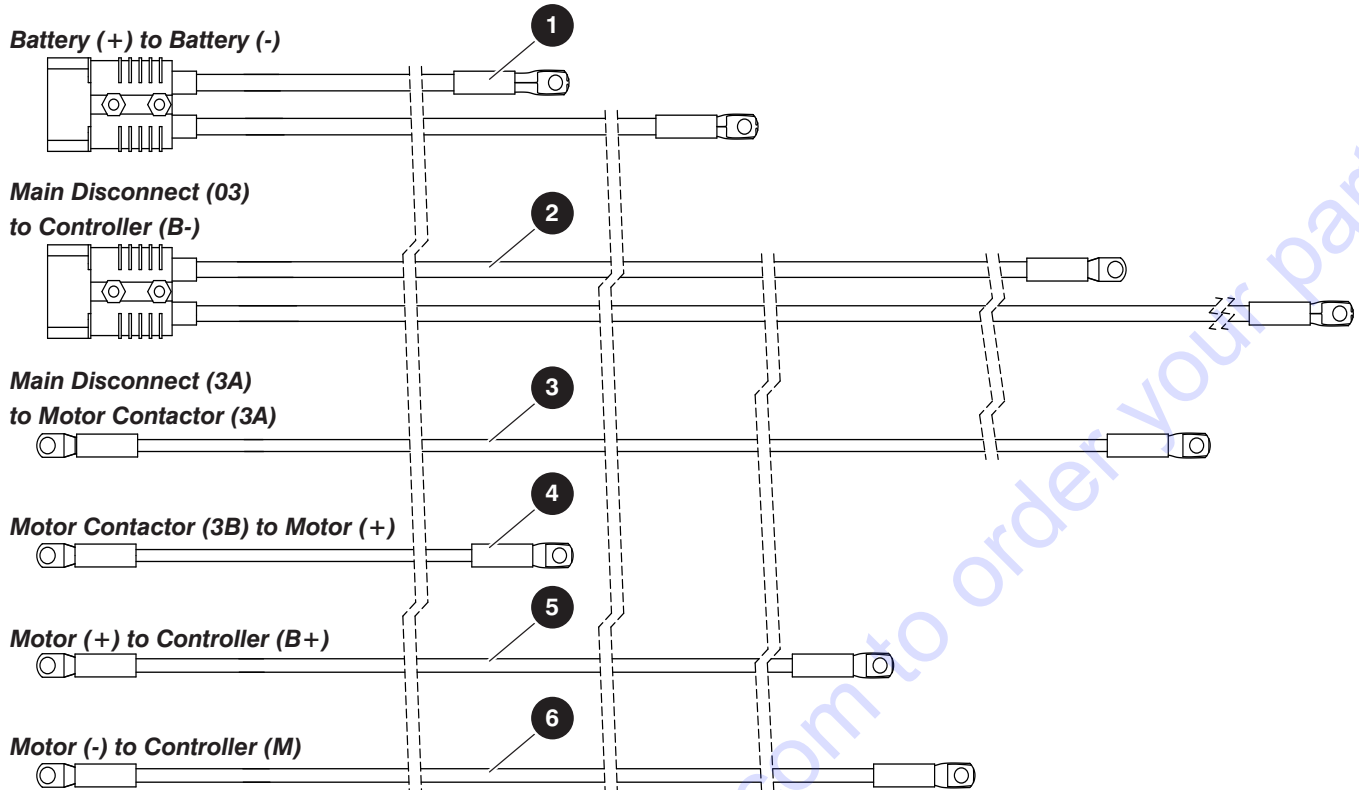
Florida: **561-964-4949** Outside Florida TOLL FREE: **877-690-3101**

Need parts?

Click on this link: <http://www.discount-equipment.com/category/5443-parts/> and choose one of the options to help get the right parts and equipment you are looking for. Please have the machine model and serial number available in order to help us get you the correct parts. If you don't find the part on the website or on one of the online manuals, please fill out the request form and one of our experienced staff members will get back to you with a quote for the right part that your machine needs.

We sell worldwide for the brands: Genie, Terex, JLG, MultiQuip, Mikasa, Essick, Whiteman, Mayco, Toro Stone, Diamond Products, Generac Magnum, Airman, Haulotte, Barreto, Power Blanket, Nifty Lift, Atlas Copco, Chicago Pneumatic, Allmand, Miller Curber, Skyjack, Lull, Skytrak, Tsurumi, Husquvarna Target, Stow, Wacker, Sakai, Mi-T-M, Sullair, Basic, Dynapac, MBW, Weber, Bartell, Bennar Newman, Haulotte, Ditch Runner, Menegotti, Morrison, Contec, Buddy, Crown, Edco, Wyco, Bomag, Laymor, EZ Trench, Bil-Jax, F.S. Curtis, Gehl Pavers, Heli, Honda, ICS/PowerGrit, IHI, Partner, Imer, Clipper, MMD, Koshin, Rice, CH&E, General Equipment, Amida, Coleman, NAC, Gradall, Square Shooter, Kent, Stanley, Tamco, Toku, Hatz, Kohler, Robin, Wisconsin, Northrock, Oztec, Toker TK, Rol-Air, APT, Wylie, Ingersoll Rand / Doosan, Innovatech, Con X, Ammann, Mecalac, Makinex, Smith Surface Prep, Small Line, Wanco, Yanmar

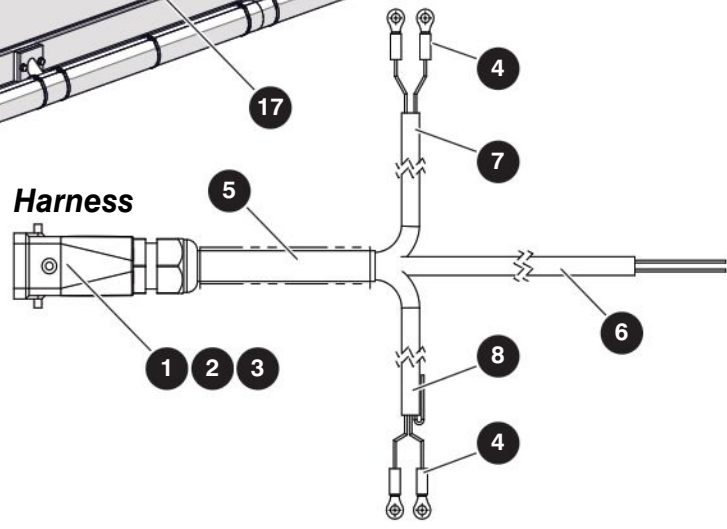
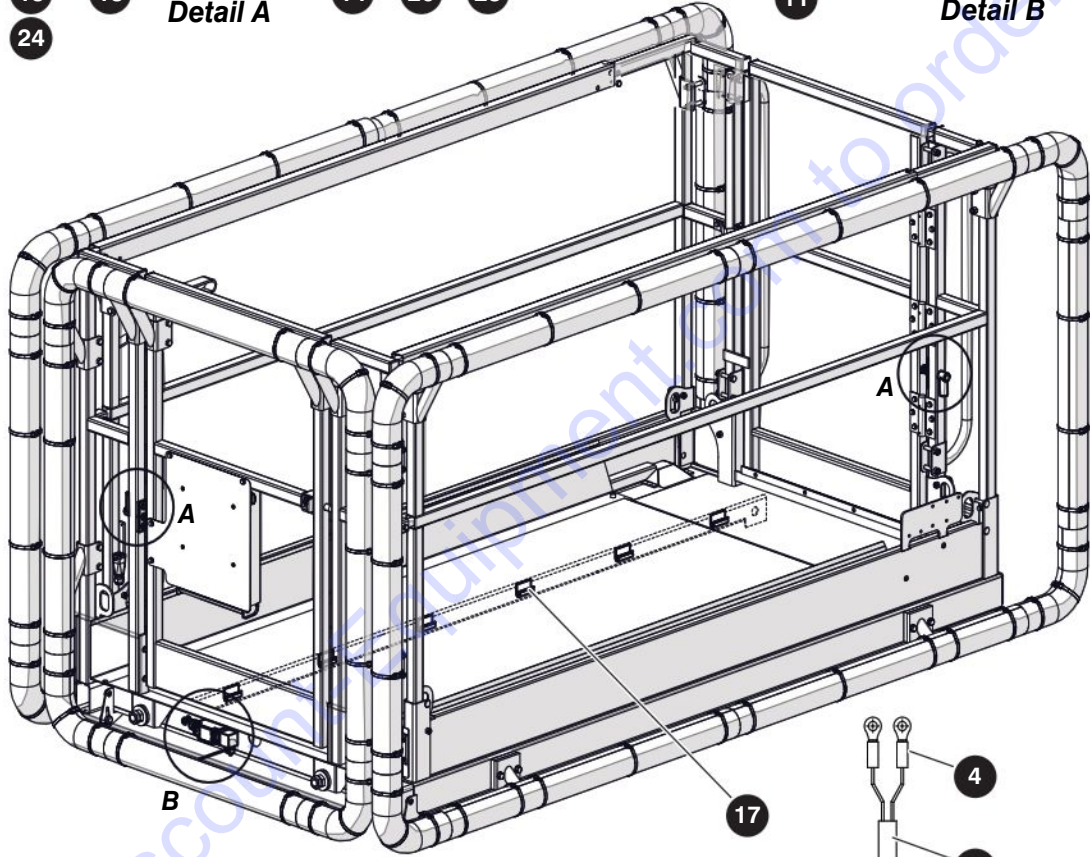
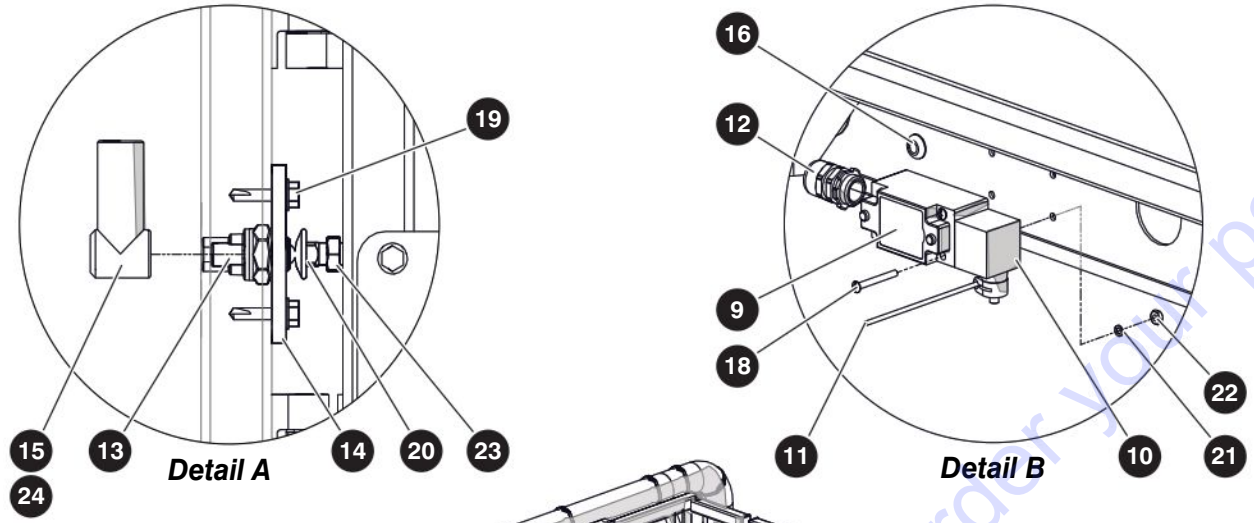
6.14 Power Cables - Aircraft Protection



M208035AE

Index No.	Skyjack Part No.	Qty.	Description
-	216645	1	POWER CABLE KIT - SJ4726 (ANSI/CSA) (only for machines with the Aircraft Option)
1	213842	1	• BATTERY CONNECT, 175 Amp (Batt 03,00)
2	213843	1	• BATTERY CONNECT, 175 Amp (03,00)
3	224544	1	• CABLE, #4GA - 5/16" x 92" x 3/8" (3A,3A)
4	216445	1	• CABLE, #4GA - 5/16" x 15" x 3/8" (3B,3B)
5	216452	1	• CABLE, #4GA - 5/16" x 80" x 3/8" (3B,3B)
6	216454	1	• CABLE, #4GA - 3/8" x 82" x 5/16" (M-,M-)

6.15 Interlocks - SJ4726 Aircraft Protection



M213780AB

223197ABA

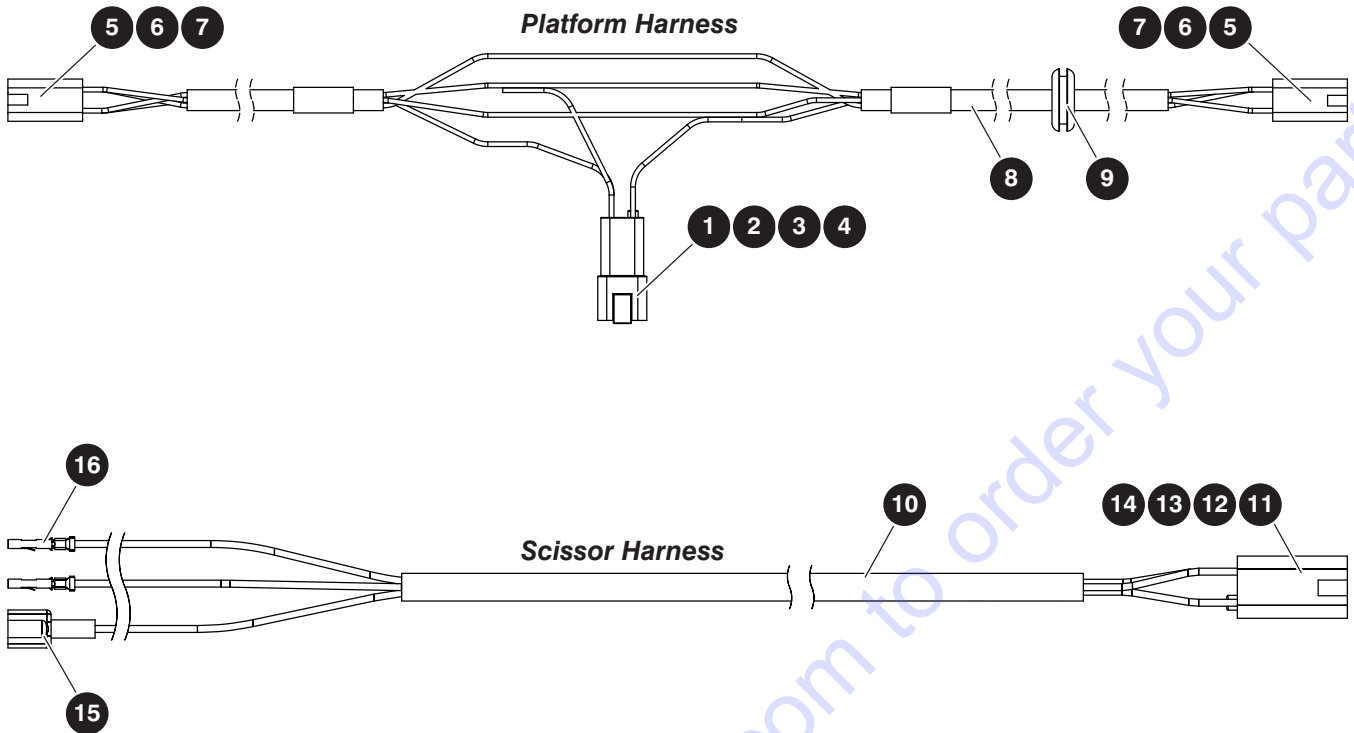
SJ3220, SJ3226, SJ4720, SJ4726, SJ4732



6.15 Interlocks - SJ4726 Aircraft Protection

Index No.	Skyjack Part No.	Qty.	Description
-	213780	1	INTERLOCKS SUBGROUP <i>(only for machines with the Aircraft Option)</i>
-	213835	1	• HARNESS, Interlocks - Platform
1	132790	1	• • HOOD, Plug - 5 Pin
2	103569	1	• • INSERT, Male - 4 Pin plus Ground
3	132110	1	• • STRAIN RELIEF, PG-11
4	216660	4	• • TERMINAL, #8 Ring - 18-22 AWG Red
5	102913	6	• • HEATSHRINK, 1" DIA Polyofin Black
6	103256	187"	• • CABTIRE, 18/2 SJ
7	103256	177"	• • CABTIRE, 18/2 SJ
8	106401	1	• • CORD, Retractable - 18/3 SJO
9	102668	1	• LIMIT SWITCH
10	102882	1	• HEAD, Limit Switch - Side ROT.DPDT
11	103142	1	• BAR ARM
12	103036	1	• CONNECTOR, Strain Relief - 1/2"
13	102758	2	• SAFETY SWITCH, Neutral
	104185	2	• • WASHER, Lock - #10
	103957	2	• • SCREW, Round Head Machine - #8-32 x 1/2"
14	153358	2	• PLATE, Mounting - Safety Switch
15	117407	2	• BOOT, Battery - Black
16	208897	1	• GROMMET, 0.66" OD x 0.28" ID x 0.42" Rubber
17	108791	6	• CLIP, Cord - Adhesive Back
18	111579	4	• SCREW, Round Head Machine - #8-32 x 1-1/2"
19	112329	4	• BOLT, Self-Tapping - 1/4"-14 x 1"
20	111804	2	• BOLT, Carriage - 3/8"-16 x 1" Gr. 5
21	112249	4	• WASHER, Lock - #8
22	103986	4	• NUT, Hex - #8-32
23	108575	2	• NUT, Hex Head Jam - 3/8"-16 Gr. 5
24	102913	12	• HEATSHRINK, 1" DIA Polyofin Black

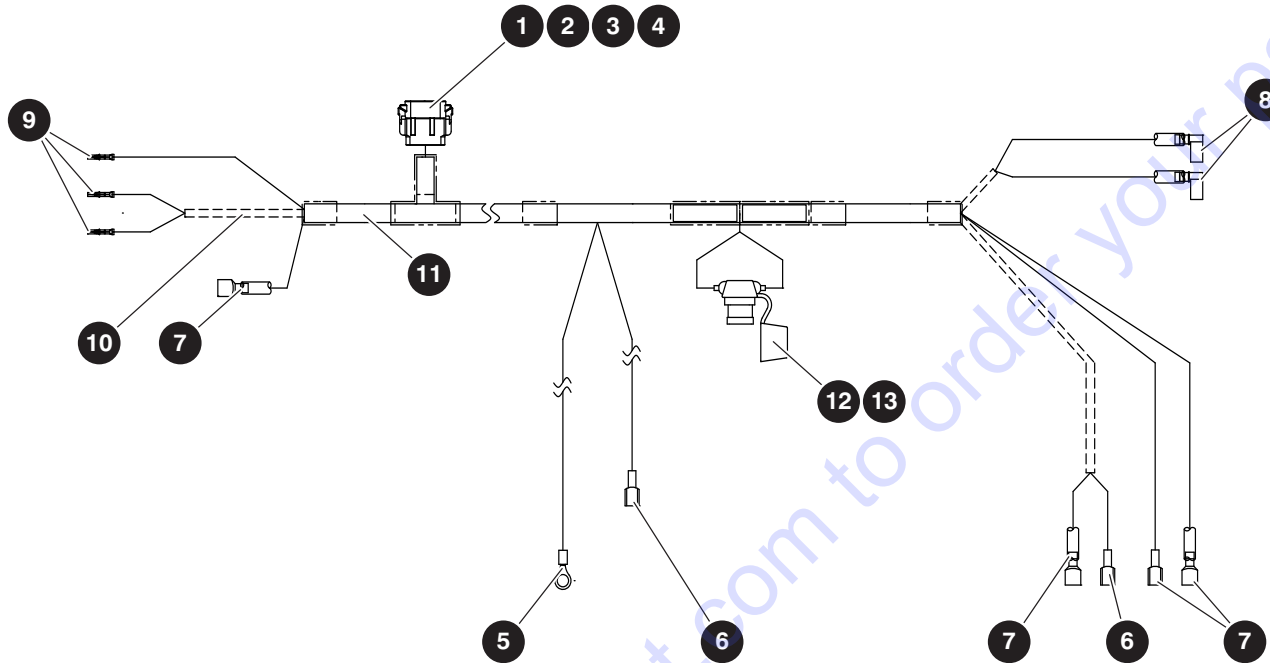
6.17 Anti-Overriding Posts Harnesses (KC Only)



M220079AA_M212440AB

Index No.	Skyjack Part No.	Qty.	Description
A	220079	1	HARNES, PLATFORM
1	117578	1	• CONNECTOR, Receptacle - 4 Pin
2	117580	1	• CONNECTOR, Receptacle - 4 Pin Wedge
3	117590	3	• CONNECTOR, Contact Pin - 16-18
4	117594	1	• CONNECTOR, Sealing Plug
5	117579	2	• CONNECTOR, Plug - 4 Pin
6	117581	2	• CONNECTOR, Plug - 4 Pin Wedge
7	117591	8	• CONNECTOR, Contact Socket - 16-18
8	103255	216"	• CABTIRE, 18/4
9	104059	1	• GROMMET, Rubber - 1/2" x 13/16" x 1/8"
B	212440	1	HARNES, SCISSORS
10	103257	528"	• CABTIRE, 18/3
11	117579	1	• CONNECTOR, Plug - 4 Pin
12	117581	1	• CONNECTOR, Plug - 4 Pin Wedge
13	117591	3	• CONNECTOR, Contact Socket - 16-18
14	117594	1	• CONNECTOR, Sealing Plug
15	114594	1	• TERMINAL, Male - 18-22 AWG
16	116990	2	• WIRE PIN, Female - Mate-N-Lock

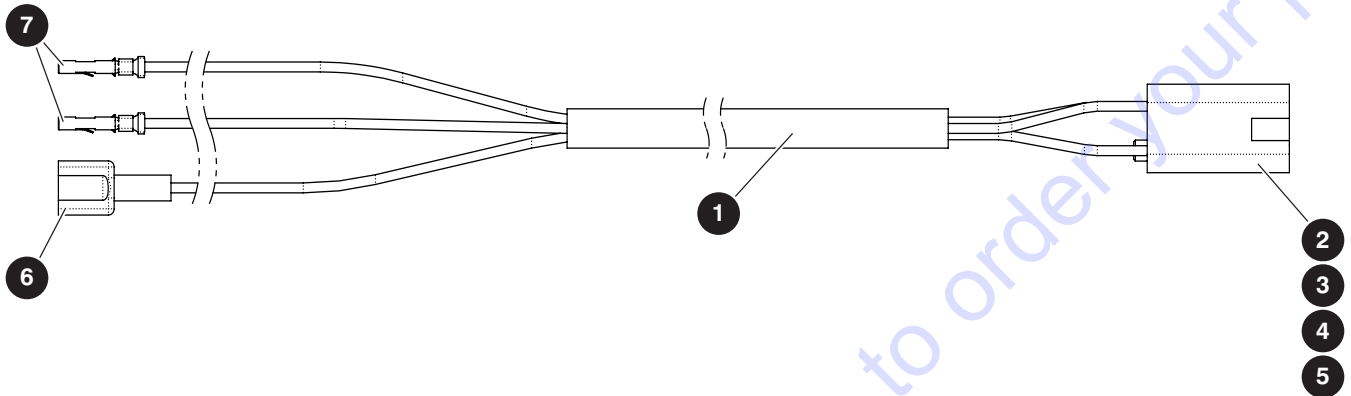
6.18 Elevate Telematics Harness



M228875AE

Index No.	Skyjack Part No.	Qty.	Description
-	228875	1	ELEVATE TELEMATICS HARNESS
1	220611	1	• CONNECTOR, Deutsh DTM06-12S
2	220612	1	• CONNECTOR, Deutsh DTM06 Wedge
3	220613	6	• CONNECTOR, Contact Socket No. 20
4	156152	6	• SEALING PLUG, DRC series
5	216789	1	• TERMINAL, 5/16" Ring - 18-22 AWG Red
6	216787	3	• TERMINAL, Female - 18-22 AWG Red
7	114594	3	• TERMINAL, Male - 18-22 AWG Red
8	231899	2	• TERMINAL, Female - 18-22 GA Insulated 90 Degree x 0.187" x 0.032"
9	116990	3	• WIRE PIN, Female - Mate-N-Lock
10	156201	154	• CABLE, 1/2" MM Shielded Twisted Pair
11	120748	107	• WIRE PROTECTOR, 1/2"
12	119293	1	• FUSE HOLDER, With Cover
13	235012	1	• FUSE, 1 Amp - Blade

6.19 Outdoor Switch Harness - SJ3226 Only



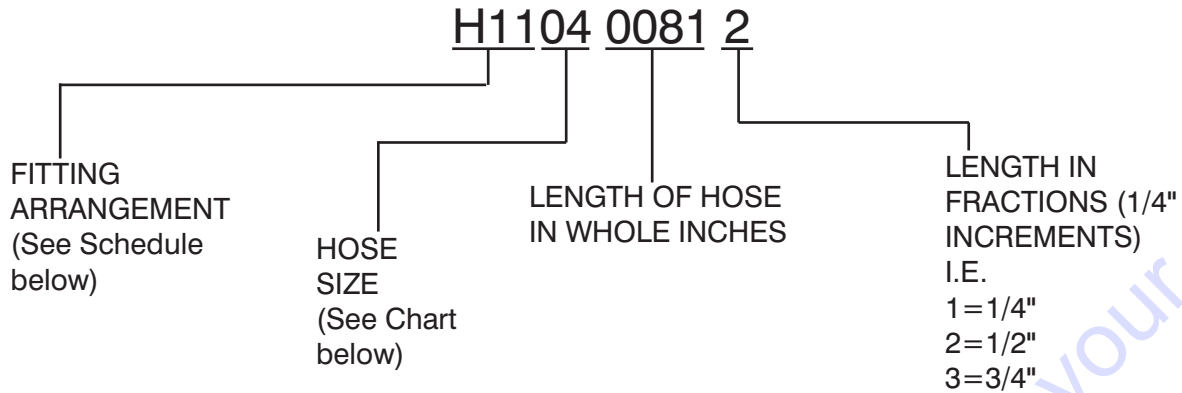
M212635AB

Index No.	Skyjack Part No.	Qty.	Description
-	212635	1	OUTDOOR SWITCH HARNESS
1	103257	660"	<ul style="list-style-type: none"> CABTIRE, 18/3 SJ
2	117579	1	<ul style="list-style-type: none"> CONNECTOR, Plug - 4 Pin
3	117581	1	<ul style="list-style-type: none"> CONNECTOR, Plug - 4 Pin Wedge
4	117591	3	<ul style="list-style-type: none"> CONNECTOR, Contact Socket - 16-18
5	117594	1	<ul style="list-style-type: none"> CONNECTOR, Sealing Plug
6	114594	1	<ul style="list-style-type: none"> TERMINAL, Male - 18-22 AWG Red
7	116990	2	<ul style="list-style-type: none"> WIRE PIN, Female - MATE-N-LOCK

Section 7 – Hose Connections

- 7.1** *Standard Hose Numbering System*
- 7.2** *Hose Connections - SJ3220/26 (ANSI/CSA)*
- 7.3** *Hose Connections - SJ3220/26 (CE, AS & KC)*
- 7.4** *Hose Connections - SJ4726/32 (ANSI/CSA)*
- 7.5** *Hose Connections - SJ4720/26/32 (CE, AS & KC)*
- 7.6** *Hose Connections - Hydraulic Tray*
- 7.7** *Air Hose - Aircraft Protection*

7.1 Standard Hose Numbering System



Using the number above as an example, H1104 0081 2, this hose requires a 37° JIC female swivel fitting on one end, and a medium length 90° JIC female swivel fitting for the other end. The hose must meet or exceed the S.A.E. 100R13 hose specification, and be a total of 81-1/2" long.



NOTE

Hose ends and hose must be from same manufacturer per S.A.E. J1273 Nov. '91, Sections 3.10 and 4.2. Hose ends and hose must be of the same size i.e. #4 size fittings must be used with #4 size hose.

Hose Size Chart

Size	03	04	06	08	10	12	16	20	24	32	40	48	56	64
ID	3/16"	1/4"	3/8"	1/2"	5/8"	3/4"	1"	1-1/4"	1-1/2"	2"	2-1/2"	3"	3-1/2"	4"

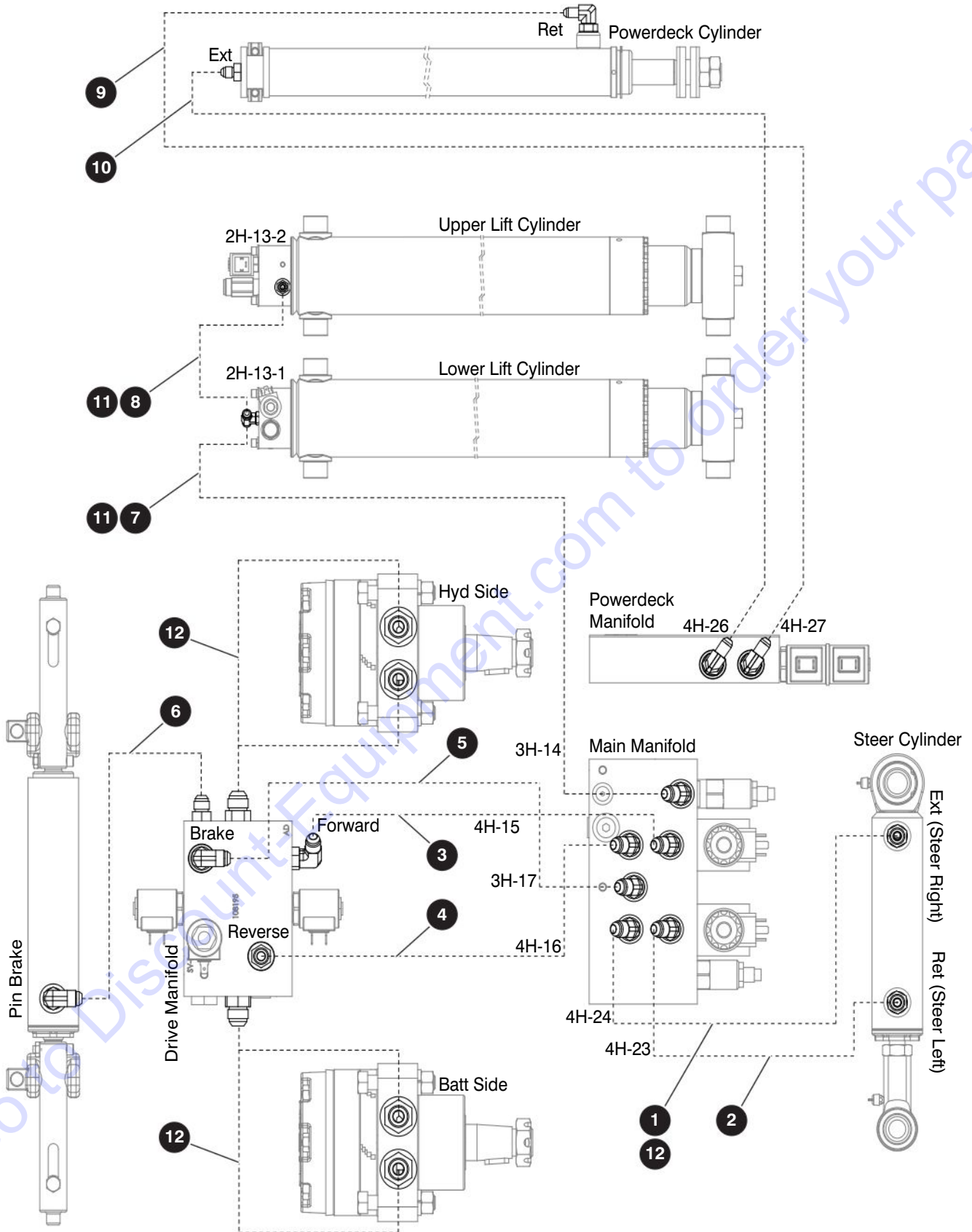
Fitting Arrangement Schedule

Hose Prefix	Hose End Fitting	Hose End Fitting	S.A.E. Hose Specification
H01	FEMALE, 37° JIC, SWIVEL	FEMALE, 37° JIC, SWIVEL	100R17
H02	FEMALE, 37° JIC, SWIVEL	FEMALE, 37° JIC, SWIVEL	100R13
H03	FEMALE, 37° JIC, SWIVEL	45°, FEMALE, 37° JIC, SWIVEL	100R17
H04	FEMALE, 37° JIC, SWIVEL	45°, FEMALE, 37° JIC, SWIVEL	100R13
H05	FEMALE, 37° JIC, SWIVEL	LONG 90°, FEMALE, 37° JIC, SWIVEL	100R17
H06	FEMALE, 37° JIC, SWIVEL	SHORT 90°, FEMALE, 37° JIC, SWIVEL	100R17
H07	LONG 90°, FEMALE, 37° JIC, SWIVEL	LONG 90°, FEMALE, 37° JIC, SWIVEL	100R17
H08	FEMALE, 37° JIC, SWIVEL	FEMALE, 37° JIC, SWIVEL	100R4
H09	FEMALE, 37° JIC, SWIVEL	45°, FEMALE, 37° JIC, SWIVEL	100R4
H10	FEMALE, 37° JIC, SWIVEL	MALE PIPE THREAD FITTING	100R17
H11	FEMALE, 37° JIC, SWIVEL	MEDIUM 90°, FEMALE, 37° JIC, SWIVEL	100R13
H12	SHORT 90°, FEMALE, 37° JIC, SWIVEL	SHORT 90°, FEMALE, 37° JIC, SWIVEL	100R17
H13	FEMALE, 37° JIC, SWIVEL	REUSABLE MALE PIPE THREAD FITTING	300 PSI
H14	REUSABLE MALE PIPE THREAD FITTING	NO FITTING	300 PSI
H15	REUSABLE FEMALE, 37° JIC, SWIVEL	REUSABLE FEMALE, 37° JIC, SWIVEL	300 PSI
H16	NO FITTING	NO FITTING	100R4
H17	NO FITTING	NO FITTING	300 PSI
H18	REUSABLE, FEMALE, 37° JIC, SWIVEL	NO FITTING	300 PSI

7.1 Standard Hose Numbering System

Hose Prefix	Hose End Fitting	Hose End Fitting	S.A.E. Hose Specification
H19	LONG 90°, FEMALE, 37° JIC, SWIVEL	FEMALE, 37° JIC, SWIVEL	100R13
H20	FEMALE, SHORT 37° JIC, SWIVEL	SHORT 90°, FEMALE, 37° JIC, SWIVEL	100R4
H21	FEMALE, SHORT 37° JIC, SWIVEL	SHORT 90°, FEMALE, 37° JIC, SWIVEL	100R2AT
H22	FEMALE, 37° JIC, SWIVEL	FEMALE, 37° JIC, SWIVEL	100R2AT
H23	FEMALE, LONG 37° JIC, SWIVEL	LONG 90°, FEMALE, 37° JIC, SWIVEL	100R2AT
H24	FEMALE, SHORT 37° JIC, SWIVEL	SHORT 90°, FEMALE, 37° JIC, SWIVEL	100R13
H25	FEMALE, 37° JIC, SWIVEL	FEMALE, 37° JIC, SWIVEL	100R4
H30	MEDIUM 90°, FEMALE, 37° JIC, SWIVEL	FEMALE, 37° JIC, SWIVEL	100R17
H31	FEMALE, 37° JIC, SWIVEL	FEMALE, 37° JIC, SWIVEL	100R17
H32	SHORT 45°, FEMALE, 37° JIC, SWIVEL	FEMALE, 37° JIC, SWIVEL	100R17
H33	MEDIUM 45°, FEMALE, 37° JIC, SWIVEL	FEMALE, 37° JIC, SWIVEL	100R17
H34	SHORT 90°, FEMALE, 37° JIC, SWIVEL	FEMALE, 37° JIC, SWIVEL	100R17
H35	MEDIUM 90°, FEMALE, 37° JIC, SWIVEL	FEMALE, 37° JIC, SWIVEL	100R17
H36	LONG 90°, FEMALE, 37° JIC, SWIVEL	FEMALE, 37° JIC, SWIVEL	100R17
H37	SHORT 45°, FEMALE, 37° JIC, SWIVEL	FEMALE, 37° JIC, SWIVEL	100R4
H38	SHORT 90°, FEMALE, 37° JIC, SWIVEL	FEMALE, 37° JIC, SWIVEL	100R4
H39	LONG 90°, FEMALE, 37° JIC, SWIVEL	FEMALE, 37° JIC, SWIVEL	100R4
H40	SHORT 90°, FEMALE, 37° JIC, SWIVEL	FEMALE, 37° JIC, SWIVEL	100R16
H43	FEMALE, 37° JIC, SWIVEL	FEMALE, 37° JIC, SWIVEL	100R16
H51	FEMALE, 37° JIC, SWIVEL	FEMALE, 37° JIC, SWIVEL	100R17
H52	SHORT 45°, FEMALE, 37° JIC, SWIVEL	FEMALE, 37° JIC, SWIVEL	100R17
H53	MEDIUM 45°, FEMALE, 37° JIC, SWIVEL	FEMALE, 37° JIC, SWIVEL	100R17
H54	SHORT 90°, FEMALE, 37° JIC, SWIVEL	FEMALE, 37° JIC, SWIVEL	100R17
H55	MEDIUM 90°, FEMALE, 37° JIC, SWIVEL	FEMALE, 37° JIC, SWIVEL	100R17
H56	LONG 90°, FEMALE, 37° JIC, SWIVEL	FEMALE, 37° JIC, SWIVEL	100R17
H57	SHORT 45°, FEMALE, SAE ORFS, SWIVEL	FEMALE, SAE ORFS, SWIVEL	100R13
H58	FEMALE, SAE ORFS, SWIVEL	FEMALE, SAE ORFS, SWIVEL	100R13
H59	MEDIUM 90°, FEMALE, SAE ORFS, SWIVEL	FEMALE, SAE ORFS, SWIVEL	100R13
H60	FEMALE, 37° JIC, SWIVEL	FEMALE, 37° JIC, SWIVEL	100R17
H61	FEMALE, 37° JIC, SWIVEL	FEMALE, 37° JIC, SWIVEL	100R16
H62	SHORT 90°, FEMALE, 37° JIC, SWIVEL	FEMALE, 37° JIC, SWIVEL	100R16
H63	MEDIUM 90°, FEMALE, 37° JIC, SWIVEL	FEMALE, 37° JIC, SWIVEL	100R16
H64	LONG 90°, FEMALE, 37° JIC, SWIVEL	FEMALE, 37° JIC, SWIVEL	100R16
H65	MEDIUM 67°, FEMALE, 37° JIC, SWIVEL	FEMALE, 37° JIC, SWIVEL	100R12
H66	FEMALE, 37° JIC, SWIVEL	NO FITTING	100R4
H67	FEMALE, 37° JIC, SWIVEL	FEMALE, 37° JIC, SWIVEL	100R19
H68	SHORT 45°, FEMALE, 37° JIC, SWIVEL	FEMALE, 37° JIC, SWIVEL	100R19
H69	MEDIUM 90°, FEMALE, 37° JIC, SWIVEL	FEMALE, 37° JIC, SWIVEL	100R19
H70	LONG 90°, FEMALE, 37° JIC, SWIVEL	FEMALE, 37° JIC, SWIVEL	100R19
H71	LONG 90°, FEMALE, SAE ORFS, SWIVEL	FEMALE, SAE ORFS, SWIVEL	100R15

7.2 Hose Connections - SJ3220/26 (ANSI/CSA)



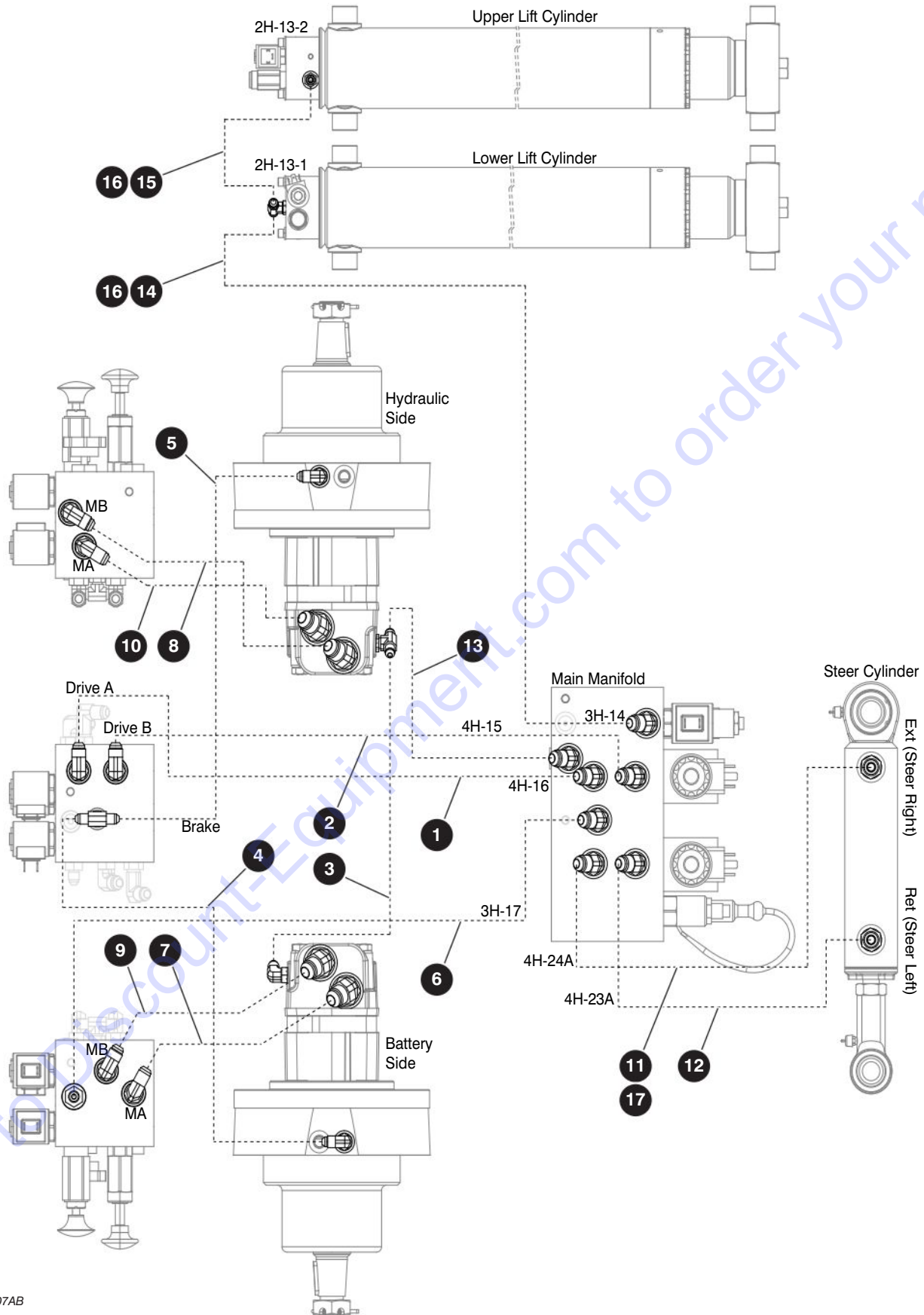
M65706AB

7.2 Hose Connections - SJ3220/26 (ANSI/CSA)

Index No.	Hose P/N	From		To	
		Description	Port	Port	Description
1	H5206 0093 2	Main Manifold	4H-24	Ext	Steer Cylinder - Right Turn
2	H5206 0089 2	Main Manifold	4H-23	Ret	Steer Cylinder - Left Turn
3	H5406 0029 0	Main Manifold	4H-15	Forward	Drive Manifold
4	H5106 0025 0	Main Manifold	4H-16	Reverse	Drive Manifold
5	H5106 0034 0	Main Manifold	3H-17	Brake	Drive Manifold
6	H5406 0018 2	Drive Manifold	Brake	-	Pin Brake Cylinder
7	104657	Main Manifold	3H-14	2H-13-1	Lower Lift Cylinder
8	H5406 0203 2	Lower Lift Cylinder	2H-13-1	2H-13-2	Upper Lift Cylinder (SJ3226 Only)
9	H3104 0409 0	Powerdeck Manifold	4H-27	Ret	Powerdeck Cylinder
9	H3104 0409 0	Powerdeck Manifold	4H-27	Ret	Powerdeck Cylinder
10	H3104 0339 0	Powerdeck Manifold	4H-26	Ext	Powerdeck Cylinder

Index No.	Skyjack Part No.	Qty.	Description
11	171444	24"	WRAP, Spiral - 1" DIA - Scissor Hoses
	171444	24"	WRAP, Spiral - 1" DIA - Powerdeck Hoses
12	213884	12"	WRAP, Spiral - 1/2" DIA
13	(Ref.)	-	TUBE, Hydraulic Line - Wheel Motor <i>(For components, refer to Section 3.6 Wheel)</i>

7.3 Hose Connections - SJ3220/26 (CE, AS & KC)



M65707AB

223197ABA

166

SJ3220, SJ3226, SJ4720, SJ4726, SJ4732

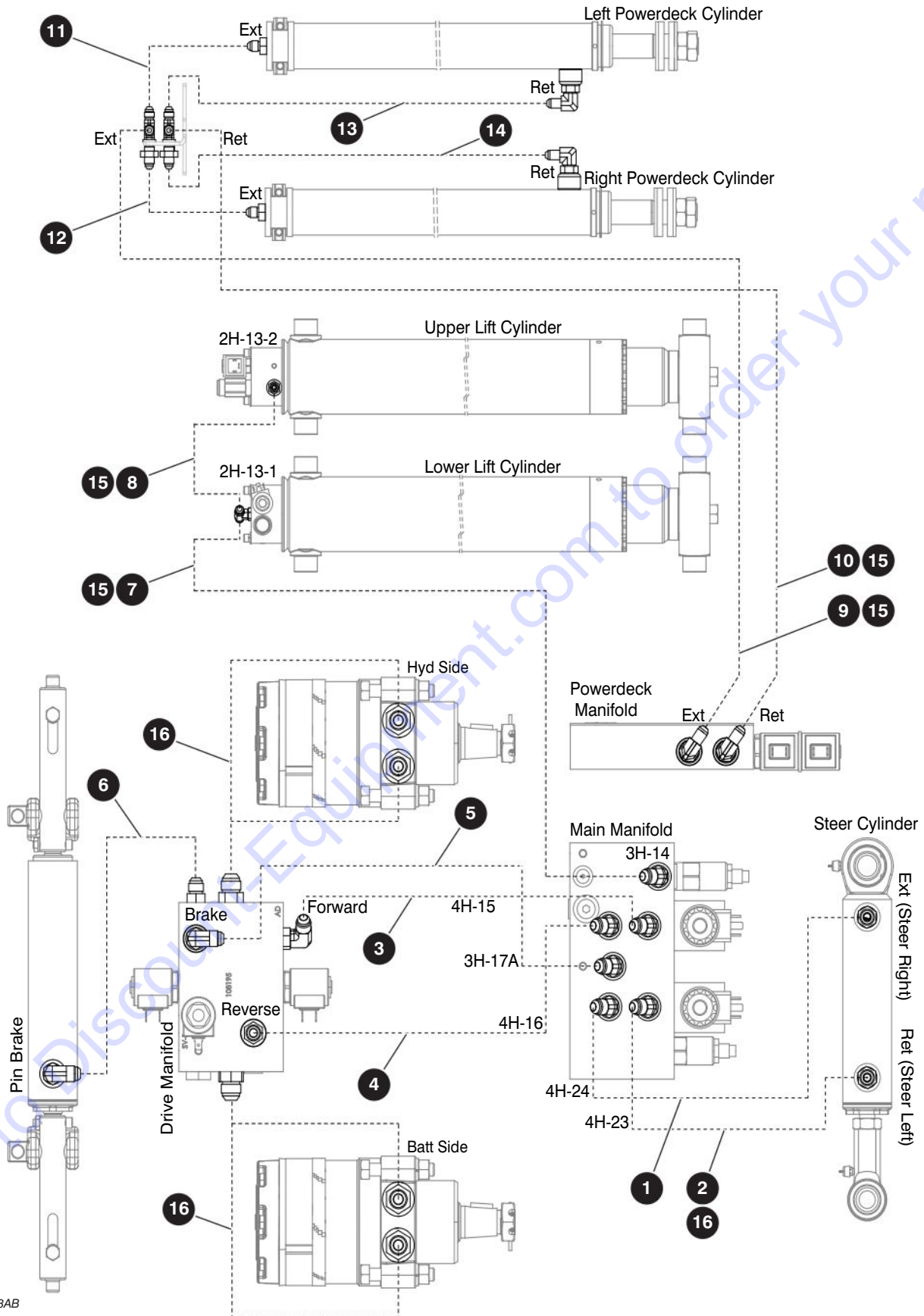
SKYJACK

7.3 Hose Connections - SJ3220/26 (CE, AS & KC)

Index No.	Hose P/N	From		To	
		Description	Port	Port	Description
1	H5206 0027 0	Main Manifold	4H-16	Forward	Drive Manifold
2	H5206 0025 0	Main Manifold	4H-15	Reverse	Drive Manifold
3	157238	Motor Brake - Batt Side	Right	-	Case Drain Tee
4	H5404 0019 0	Drive Manifold Brake	-	-	Motor Brake Release - Batt Side
5	157238	Drive Manifold Brake	-	-	Motor Brake Release - Hyd Side
6	199710	Main Manifold	3H-17	-	Rear Manifold Pressure
7	196128	Drive Manifold	MA	Forward	Motor Brake - Batt Side
8	196128	Drive Manifold	MB	Reverse	Motor Brake - Hyd Side
9	196130	Drive Manifold	MB	Reverse	Motor Brake - Batt Side
10	196130	Drive Manifold	MA	Forward	Motor Brake - Hyd Side
11	H5206 0093 2	Main Manifold	4H-24	Ext	Steer Cylinder - Right Turn
12	H5206 0089 2	Main Manifold	4H-23	Ret	Steer Cylinder - Left Turn
13	210373	Main Manifold Case Drain	-	Left	Motor Brake Drain - Hyd Side
14	104657	Main Manifold	3H-14	2H-13-1	Lower Lift Cylinder
15	H5406 0203 2	Lower Lift Cylinder	2H-13-1	2H-13-2	Upper Lift Cylinder (SJ3226 only)

Index No.	Skyjack Part No.	Qty.	Description
16	171444	24"	WRAP, Spiral - 1" DIA - Scissor Hoses
17	213884	12"	WRAP, Spiral - 1/2" DIA

7.4 Hose Connections - SJ4726/32 (ANSI/CSA)



M65708AB

223197ABA

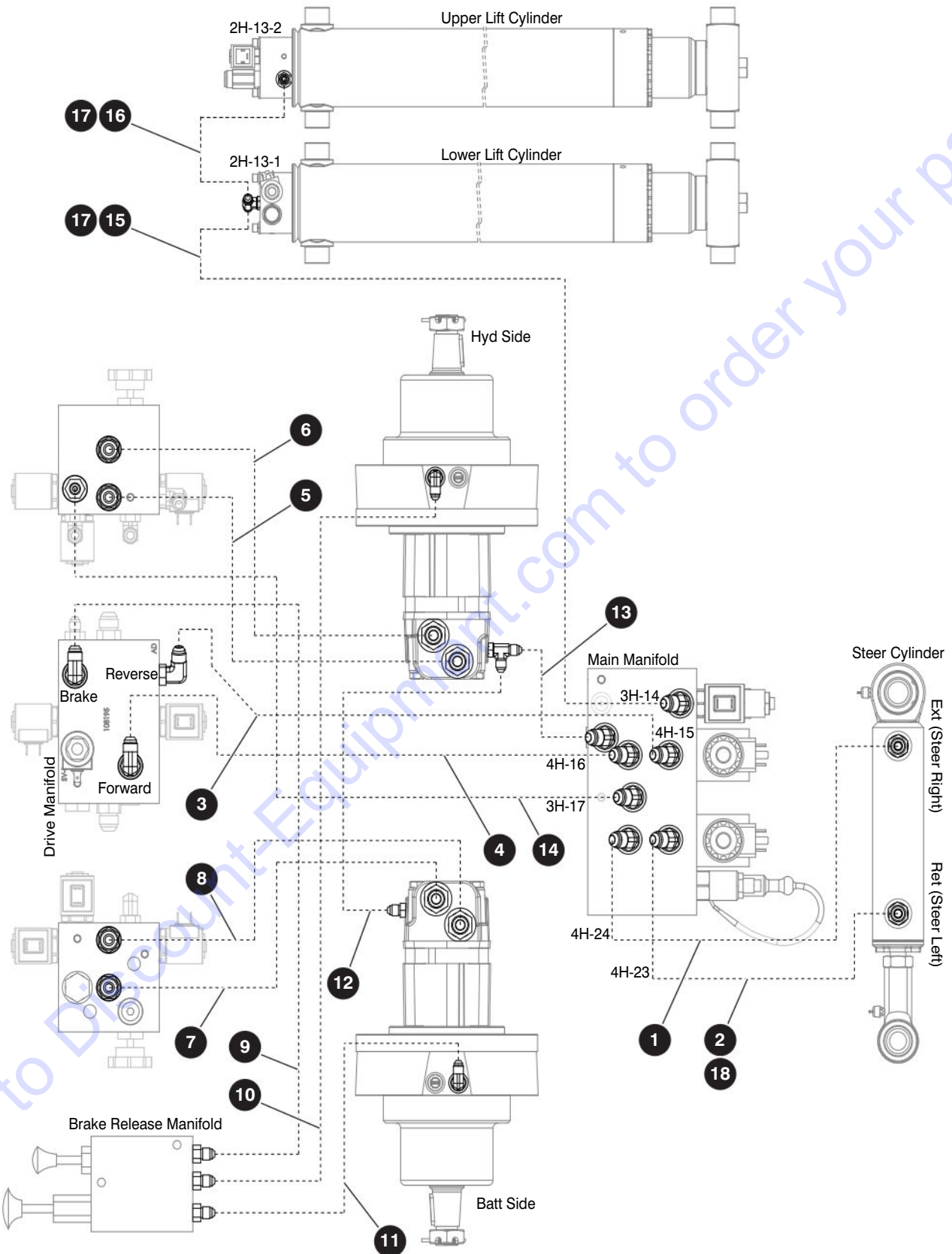
SJ3220, SJ3226, SJ4720, SJ4726, SJ4732

7.4 Hose Connections - SJ4726/32 (ANSI/CSA)

Index No.	Hose P/N	From		To	
		Description	Port	Port	Description
1	H5206 0099 0	Main Manifold	4H-24	Ext	Steer Cylinder - Right Turn
2	H5206 0099 0	Main Manifold	4H-23	Ret	Steer Cylinder - Left Turn
3	H5406 0036 0	Main Manifold	4H-15	Forward	Drive Manifold
4	H5106 0031 0	Main Manifold	4H-16	Reverse	Drive Manifold
5	H5106 0041 0	Main Manifold	3H-17A	Brake	Drive Manifold
6	H5406 0016 2	Drive Manifold	Brake	-	Pin Brake Cylinder
7	104657	Main Manifold	3H-14	2H-13-1	Lower Cylinder
8	H5406 0203 2	Lower Cylinder	2H-13-1	2H-13-2	Upper Cylinder
9	H5104 0420 0	Powerdeck Manifold	Ext	Ext	Bulkhead Fitting
10	H5104 0420 0	Powerdeck Manifold	Ret	Ret	Bulkhead Fitting
11	132461	Bulkhead Fitting	Ext	Ext	Left Cylinder
12	132461	Bulkhead Fitting	Ext	Ext	Right Cylinder
13	132462	Bulkhead Fitting	Ret	Ret	Left Cylinder
14	132462	Bulkhead Fitting	Ret	Ret	Right Cylinder

Index No.	Skyjack Part No.	Qty.	Description
15	171444	24"	WRAP, Spiral - 1" DIA - Scissor Hoses
	171444	12"	WRAP, Spiral - 1" DIA - Powerdeck Hoses
16	213884	12"	WRAP, Spiral - 1/2" DIA
17	(Ref.)	-	TUBE, Hydraulic Line - Wheel Motor <i>(For components, refer to Section 3.6 Wheel)</i>

7.5 Hose Connections - SJ4720/26/32 (CE, AS & KC)



M65710AB

223197ABA

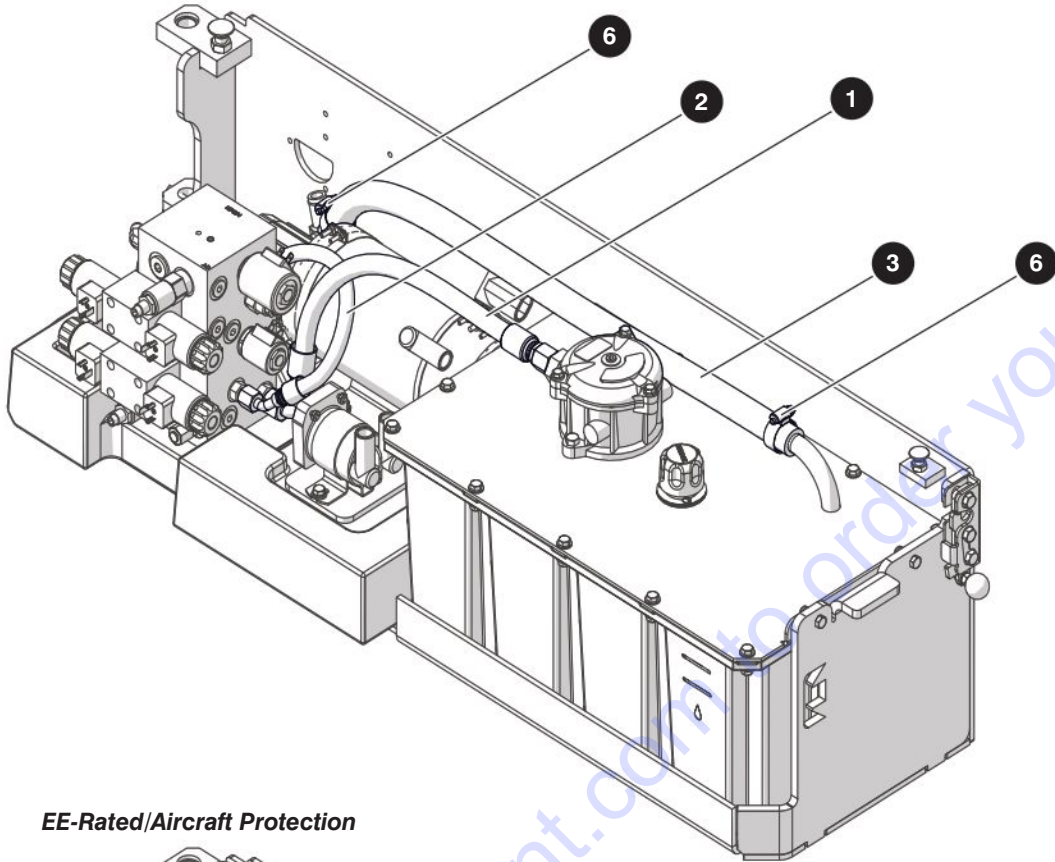
SJ3220, SJ3226, SJ4720, SJ4726, SJ4732

7.5 Hose Connections - SJ4720/26/32 (CE, AS & KC)

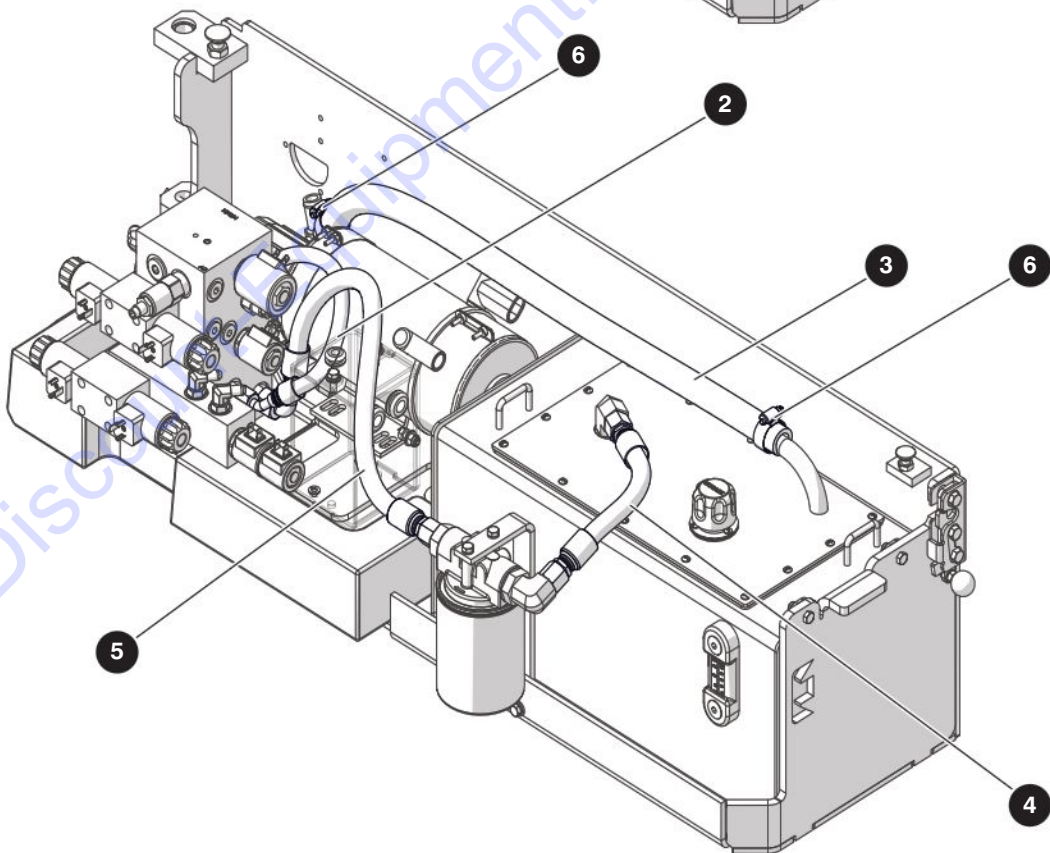
Index No.	Hose P/N	From		To	
		Description	Port	Port	Description
1	H5206 0099 0	Main Manifold	4H-24	Ext	Steer Cylinder - Right Turn
2	H5206 0099 0	Main Manifold	4H-23	Ret	Steer Cylinder - Left Turn
3	H5106 0036 0	Main Manifold	4H-15	Reverse	Drive Manifold
4	H5106 0032 0	Main Manifold	4H-16	Forward	Drive Manifold
5	136568	Drive Manifold	-	Hyd	Motor Brake
6	H5108 0010 1	Drive Manifold	-	Hyd	Motor Brake
7	136568	Drive Manifold	-	Batt	Motor Brake
8	H5108 0010 1	Drive Manifold	-	Batt	Motor Brake
9	136572	Drive Manifold	-	-	Brake Manifold
10	H5404 0018 2	Brake Release Manifold	-	Hyd	Brake Release
11	136573	Brake Release Manifold	-	Batt	Brake Release
12	H5404 0020 2	Case Drain - Hyd Side Brake	-	-	Battery Side Brake Tee
13	211806	Main Manifold Case Drain	-	-	Motor Brake Drain - Hyd Side
14	211807	Main Manifold	3H-17	Brake	Drive Manifold
15	104657	Main Manifold	3H-14	2H-13-1	Lower Cylinder
16	H5406 0203 2	Lower Cylinder	2H-13-1	2H-13-2	Upper Cylinder

Index No.	Skyjack Part No.	Qty.	Description
17	171444	24"	WRAP, Spiral - 1" DIA
18	213884	12"	WRAP, Spiral - 1/2" DIA

7.6 Hose Connections - Hydraulic Tray



EE-Rated/Aircraft Protection



M207170AG

223197ABA

172

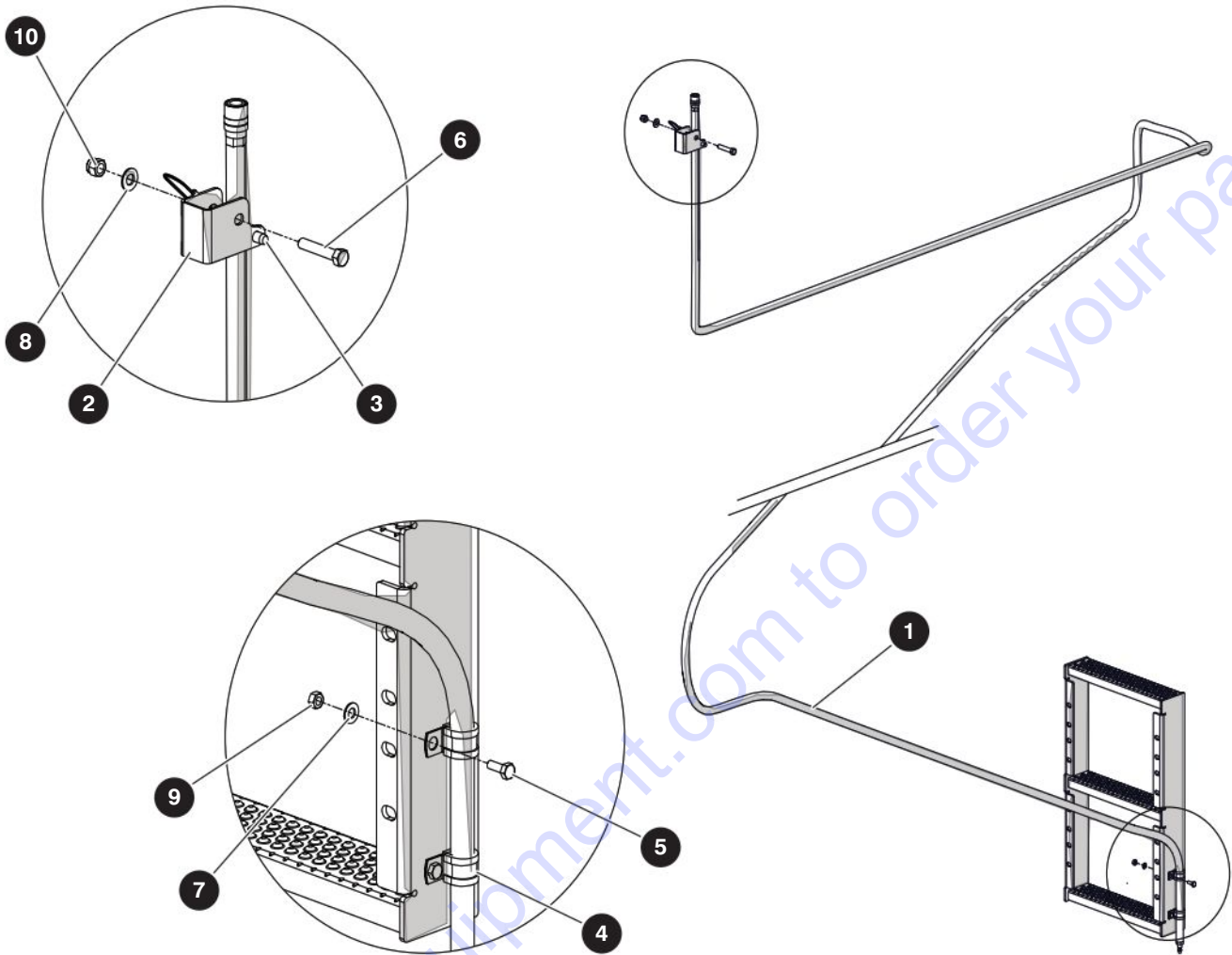
SJ3220, SJ3226, SJ4720, SJ4726, SJ4732

SKYJACK

7.6 Hose Connections - Hydraulic Tray

Index No.	Skyjack Part No.	Qty.	Description
A	207170	1	HOSE SUBGROUP, HYDRAULIC TRAY
B	216637	1	HOSE SUBGROUP, HYDRAULIC TRAY (EE-Rated/Aircraft Protection)
1	H540800200	1	<ul style="list-style-type: none"> • HOSE, H54 - 1/2" x 100"R17 x 20" LG (Main Manifold to Return Filter), A • HOSE, H52 - 3/8" x 100"R17 x 16" LG (Pump Outlet to Main Manifold Pressure) • HOSE, Tank Truck - 3/4" x 30" (Tank Sunction to Pump Inlet) • HOSE, H51 - 1/2" x 100"R17 x 12" LG (Oil Filter to Tank Return), B • HOSE, H51 - 1/2" x 100"R17 x 26" LG (Main Manifold Tank to Oil Filter), B • CLAMPS, Constant Tension
2	H520600160	1	
3	210055	1	
4	H510800120	1	
5	H540800260	1	
6	114402	2	

7.7 Air Hose - Aircraft Protection



M213802AB

Index No.	Skyjack Part No.	Qty.	Description
-	213802	-	AIR HOSE SUBGROUP <i>(only for machines with the Aircraft Option)</i>
1	213799	1	• AIR HOSE, 1/2" x 1/4" Plug x 1/4" Coupling x 506"
2	158209	1	• CLAMP, Railing - Control Cable
3	216212	1	• PIN ASM, 3/8" DIA x 1.8" - Large Loop
4	152402	2	• CLAMP, Tube - 3/4"
5	103856	2	• BOLT, Hex Head Zinc - 1/4"-20 x 3/4" Gr. 5
6	103596	1	• BOLT, Hex Head Zinc - 3/8"-16 x 2" Gr. 5
7	104000	2	• WASHER, Lock - 1/4"
8	103472	1	• WASHER, Flat - 3/8"
9	103980	2	• NUT, Hex Head - 1/4"-20 Gr. 8
10	104606	1	• NUT, Nylon Lock - 3/8"-16 Gr. 5

Section 8 – Options

8.1 *Inverter Group (ANSI/CSA Only)*

8.2 *Inverter (ANSI/CSA Only)*

8.3 *Dual Flashing Light Group*

8.4 *Light Duty Pipe Racks*

8.5 *Universal Heavy-Duty Pipe Rack*

8.6 *Universal Board Carrier*

8.7 *Elevate Telematics, Keypad & BMS*

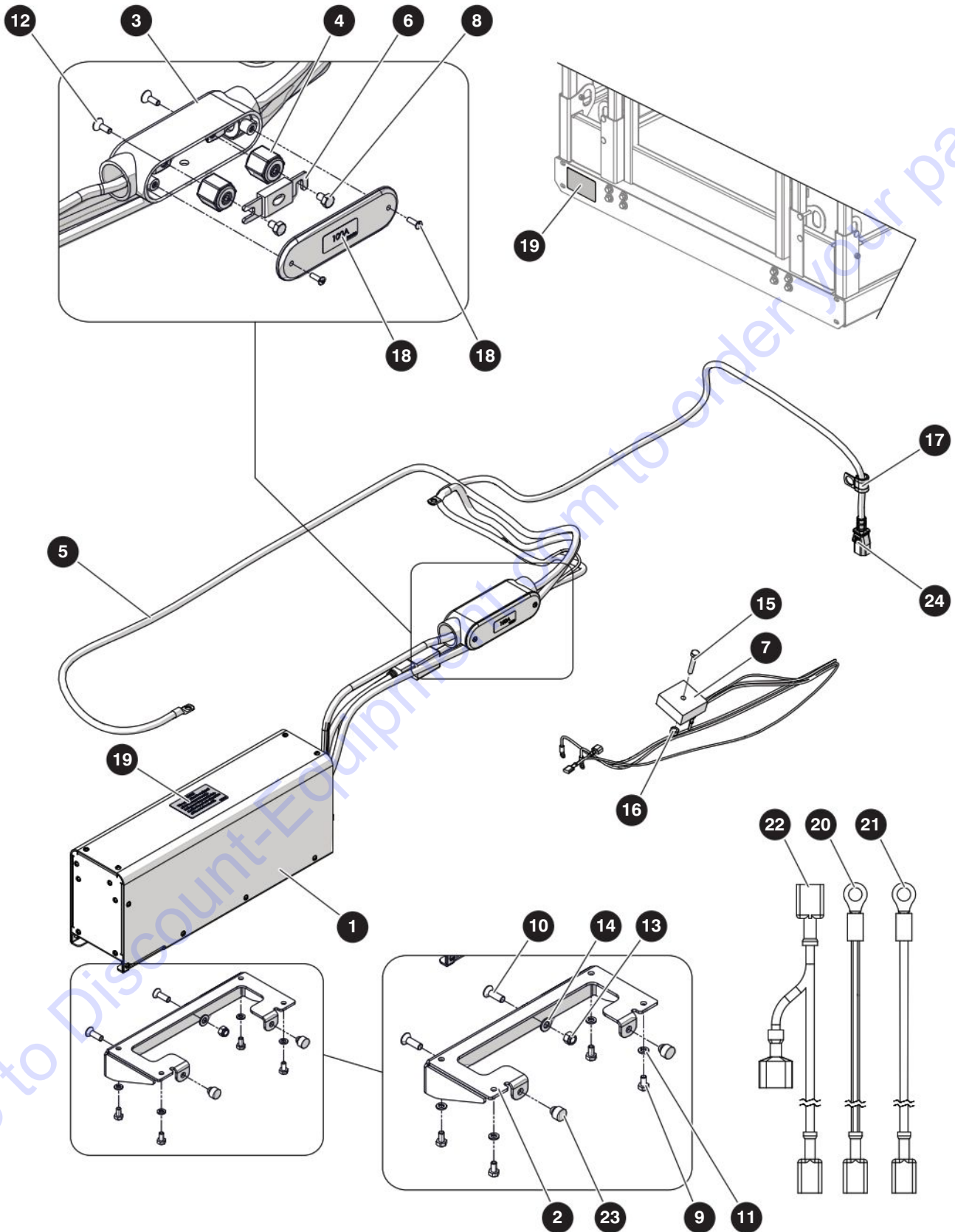
8.8 *Residual Current Device (CE Only)*

8.9 *Anti-Overriding Posts (KC Only)*

8.10 *Tray Locking Plates*

8.11 *Tool Caddy*

8.1 Inverter Group (ANSI/CSA Only)



M208837AD

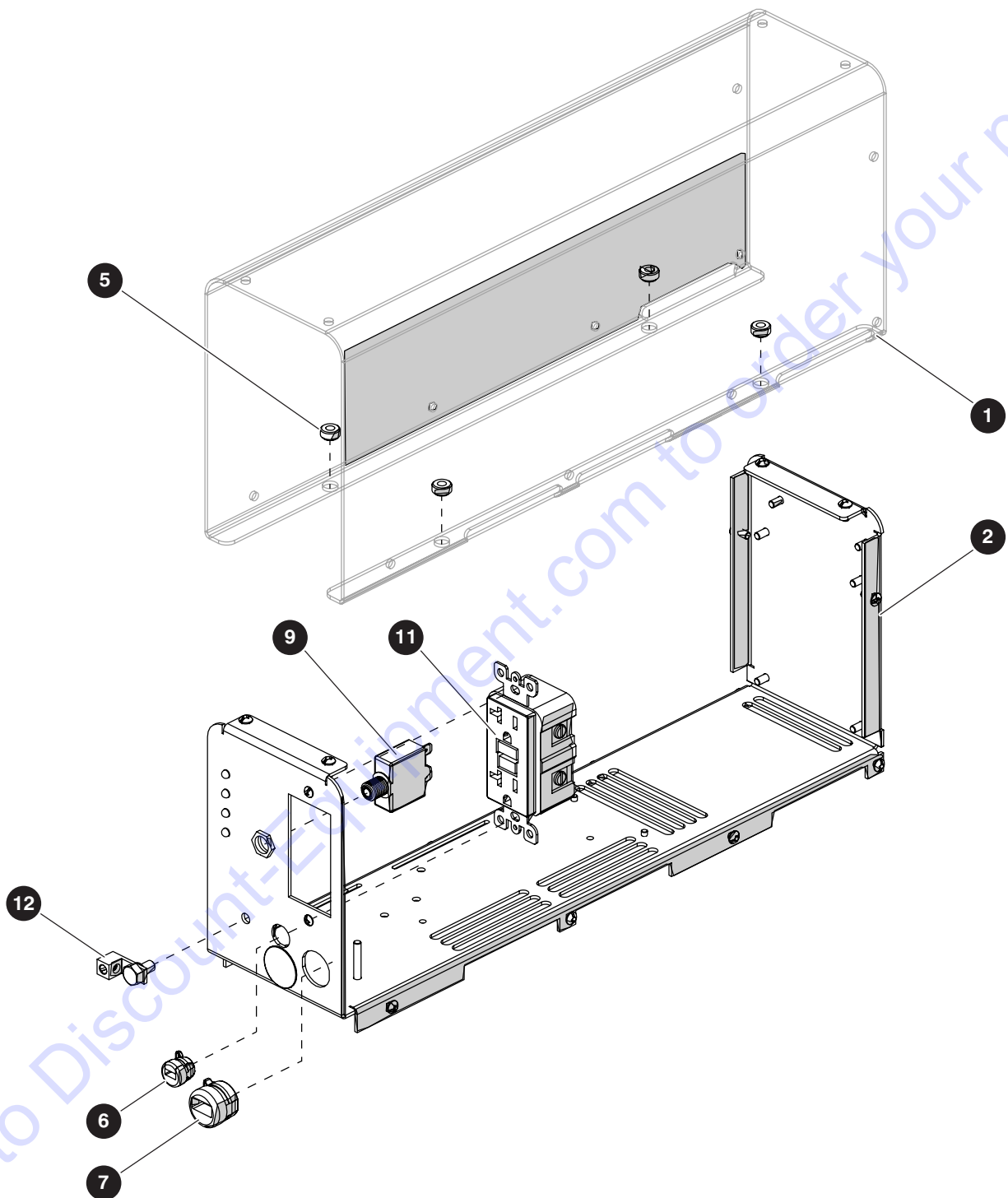
223197ABA

SJ3220, SJ3226, SJ4720, SJ4726, SJ4732

8.1 Inverter Group (ANSI/CSA Only)

Index No.	Skyjack Part No.	Qty.	Description
A	235516	-	INVERTER KIT, SJ3220/26
B	235517	-	INVERTER KIT, SJ4726/32
1	(Ref.)	1	<ul style="list-style-type: none"> INVERTER, 24VDC 120V @ 60Hz 800W <i>(For components, refer to Section 8.2 Inverter)</i>
2	207608	1	<ul style="list-style-type: none"> BRACKET, Inverter Mount
3	119061	1	<ul style="list-style-type: none"> FUSE BOX
4	103068	2	<ul style="list-style-type: none"> FUSE INSULATOR
5	228073	1	<ul style="list-style-type: none"> CABLE, #4GA - 1/4" x 72" x 5/16"
6	146442	1	<ul style="list-style-type: none"> FUSE, 100A
7	137417	1	<ul style="list-style-type: none"> RELAY, Timer - Delay-On-Release
8	112495	2	<ul style="list-style-type: none"> BOLT, Hex Head - 1/4"-20 x 3/8" Gr. 5
9	103855	4	<ul style="list-style-type: none"> BOLT, Hex Head - 1/4"-20 x 1/2" Gr. 5
10	103950	2	<ul style="list-style-type: none"> BOLT, Flat Head - 5/16"-18 x 1" Gr. 5
11	104000	4	<ul style="list-style-type: none"> WASHER, Lock - 1/4"
12	110853	2	<ul style="list-style-type: none"> BOLT, Flat Head Cap Screw - 1/4"-20 x 5/8" Gr. 5
13	103984	2	<ul style="list-style-type: none"> NUT, Nylon Lock - 5/16"-18 Gr. 5
14	103996	2	<ul style="list-style-type: none"> WASHER, Flat - 5/16"
15	103859	1	<ul style="list-style-type: none"> BOLT, Hex Head Zinc - 1/4"-20 x 1-1/2" Gr. 5
16	115649	1	<ul style="list-style-type: none"> NUT, Nylon Lock - 1/4"-20 Gr. 5
17	144129	1	<ul style="list-style-type: none"> CLAMP, Loop Cushion - #10 (0.53" Mount), A
	102929	1	<ul style="list-style-type: none"> CLIP, Single - G10, B
18	146454	1	<ul style="list-style-type: none"> LBL, Fuse - 100A
19	130115	2	<ul style="list-style-type: none"> LBL, Inverter Switch
20	211953	1	<ul style="list-style-type: none"> WIRE ASM, 19
21	228053	1	<ul style="list-style-type: none"> WIRE ASM, 00
22	217922	1	<ul style="list-style-type: none"> WIRE ASM, 08C
23	130184	2	<ul style="list-style-type: none"> BUMPER, Inverter Support, A
24	169396	1	<ul style="list-style-type: none"> EXTENSION CORD, Inverter
25	229272	1	<ul style="list-style-type: none"> INSTRUCTIONS, Inverter Install (Not Shown)

8.2 Inverter (ANSI/CSA Only)



M209055AA

223197ABA

178

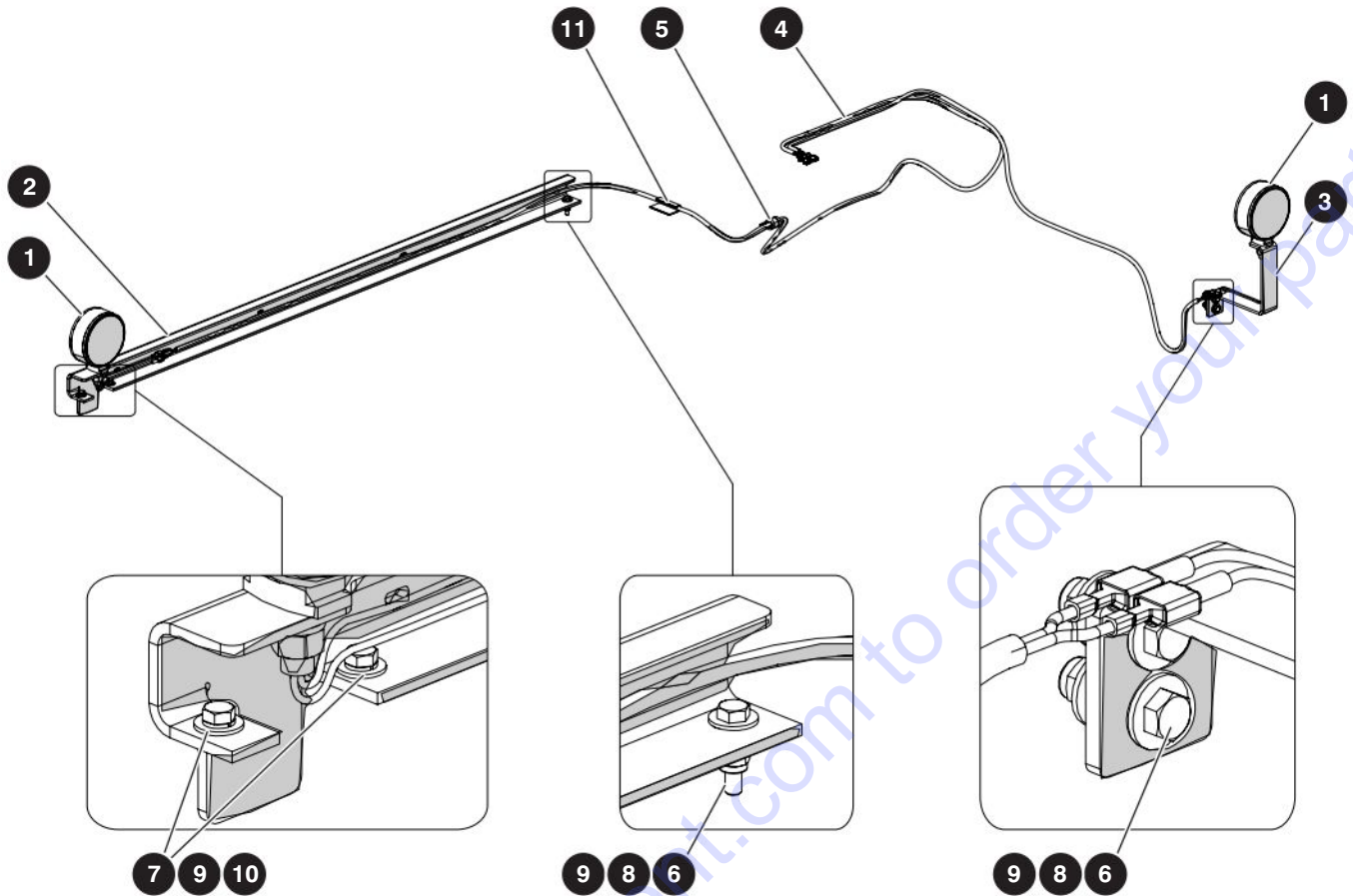
SJ3220, SJ3226, SJ4720, SJ4726, SJ4732

SKYJACK

8.2 Inverter (ANSI/CSA Only)

Index No.	Skyjack Part No.	Qty.	Description
-	209055	-	INVERTER, 24VDC 120V @ 60Hz 800W
1	199217	1	• PLATE, Cover - Flange-In
2	129855	1	• PLATE, Chassis - Flange-In
3	129862	1	• CAPACITOR (10 μ F, 230 VAC) (Not Shown)
4	199218	1	• CIRCUIT BOARD, Inverter (Not Shown)
5	199220	4	• SPACER, Aluminum (5/16" O.D.)
6	199222	1	• STRAIN RELIEF, 14/2 to 10/3
7	199223	1	• STRAIN RELIEF, Straight (7/8" Mount)
8	129861	1	• FAN, 80 CMF (Not Shown)
9	199226	1	• BREAKER, Thermal (15A)
10	129860	1	• TRANSFORMER, XFMR (Not Shown)
11	129856	1	• GFCI, Faceless (20A)
12	199212	1	• BONDING LUG, Inverter
13	199213	1	• POWER CORD, A/C - Inverter (Not Shown)

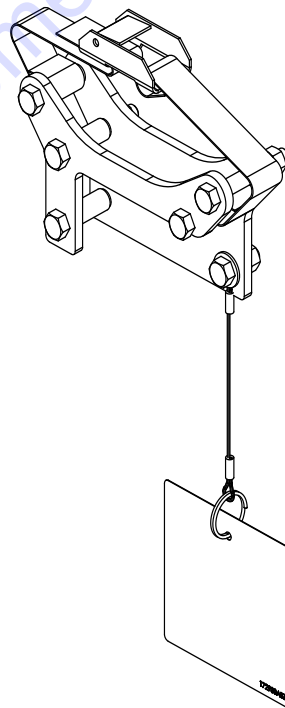
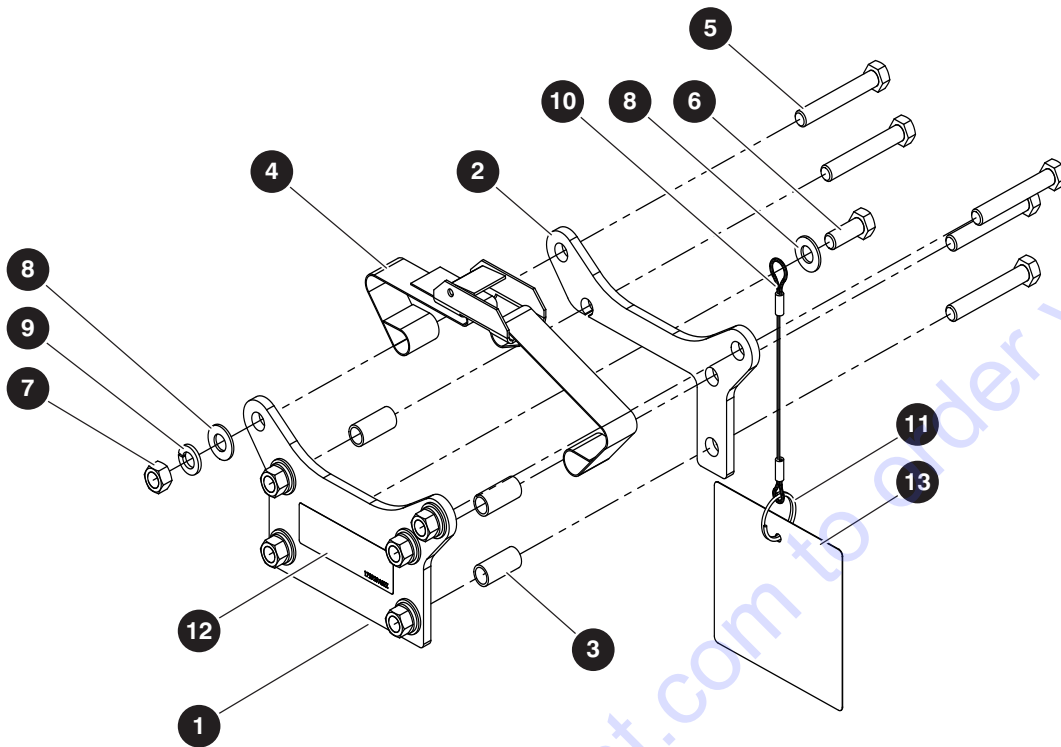
8.3 Dual Flashing Light Group



M216957AA

Index No.	Skyjack Part No.	Qty.	Description
A	232796	-	DUAL FLASHING LIGHT GROUP (ANSI/CSA, CE & AS)
B	235780	-	DUAL FLASHING LIGHT GROUP (KC)
1	216142	2	• LAMP, Amber - LED, A
2	213672	1	• GUARD PLATE, Dual Flashing Late, A
3	210236	1	• BRACKET, Dual Flashing Light - Stand Off, A
4	220091	1	• HARNESS, Dual Flashing Light
5	149495	1	• CLAMP, Tube - 1_2, A
6	103858	3	• BOLT, Hex Head Zinc - 1/4"-20 x 1-1/4" Gr. 5, A
7	103855	2	• BOLT, Hex Head - 1/4"-20 x 1/2" Gr. 5, A
8	115649	3	• NUT, Nylon Lock - 1/4"-20 Gr. 5, A
9	192635	8	• WASHER, Flat - 1/4", A
10	104000	2	• WASHER, Lock - 1/4", A
11	108791	1	• CLIP, Cord - Adhesive Back, A
12	235356	1	• INSTRUCTIONS, DUAL FLASHING LIGHT INSTALLATION (Not shown), A

8.4 Light Duty Pipe Racks



M65326AA

223197ABA

182

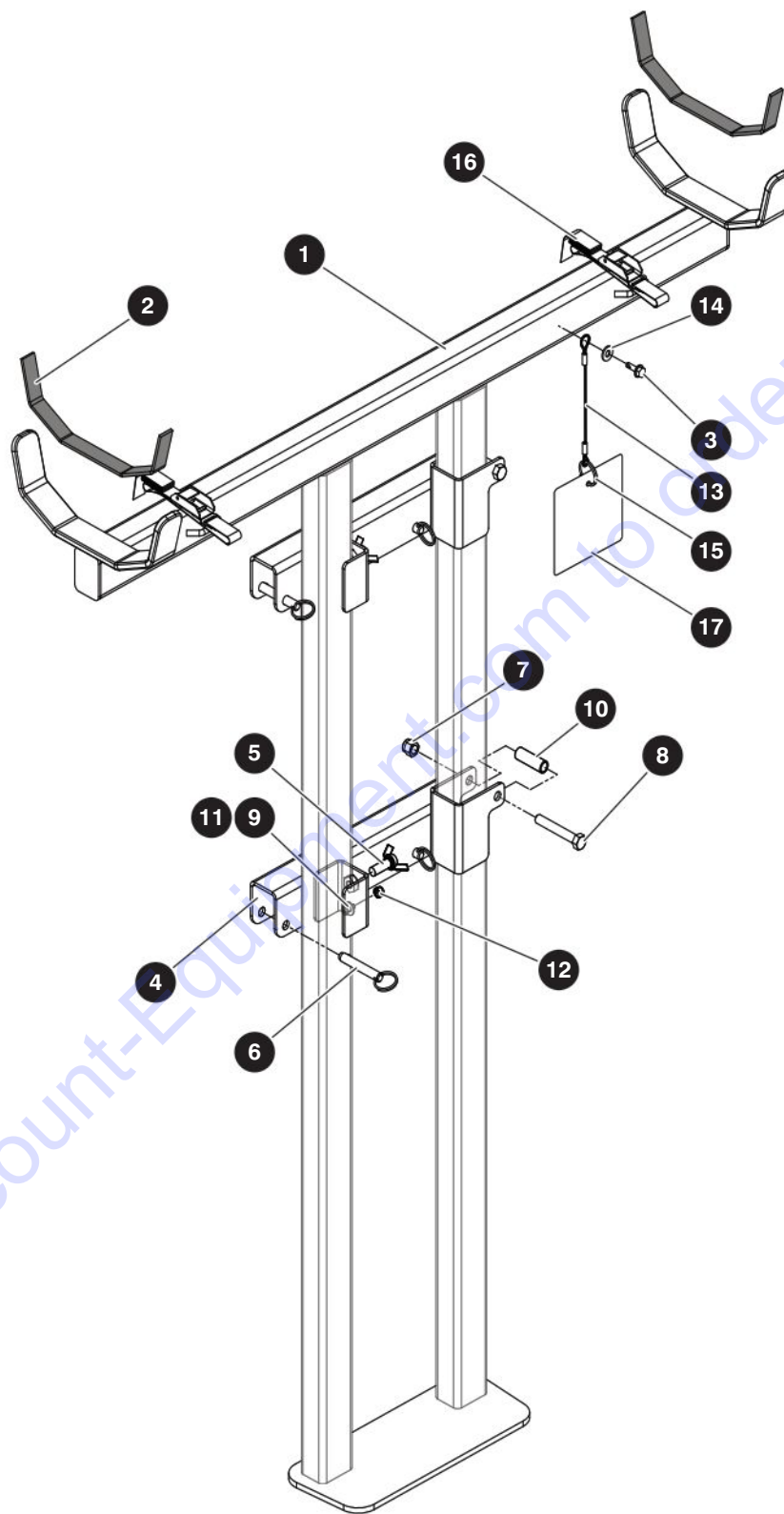
SJ3220, SJ3226, SJ4720, SJ4726, SJ4732

SKYJACK

8.4 Light Duty Pipe Racks

Index No.	Skyjack Part No.	Qty.	Description
A	212585	1	LIGHT DUTY PIPE RACK (ANSI/CSA & CE)
B	212586	1	LIGHT DUTY PIPE RACK (AS)
1	133594	2	• PLATE, Pipe Rack
2	133593	2	• PLATE, Pipe Rack - Cutout
3	133598	6	• SPACER, Rolled - 3/8" x 1-1/8"
4	130359	2	• CAM BUCKLE, Strap - 1" x 6' (1000 lb)
5	103873	10	• BOLT, Hex Hd - 3/8"-16 x 2-1/2" Gr. 5
6	103473	2	• BOLT, Hex Hd Zinc - 3/8"-16 x 1" Gr. 5
7	103978	12	• NUT, Hex - 3/8"-16 Gr. 5
8	103472	12	• WASHER, Flat - 3/8"
9	103999	12	• WASHER, Lock - 3/8"
10	105807	2	• LANYARD, 6"
11	160320	2	• RING, Lanyard
12	172929	2	• LABEL, LD Pipe Rack Weight
13	172930	2	• LABEL, LD Pipe Rack Capacity
14	172932	1	• INSTRUCTIONS, Light Duty Pipe Rack (Not Shown)

8.5 Universal Heavy-Duty Pipe Rack



M232377AA

223197ABA

184

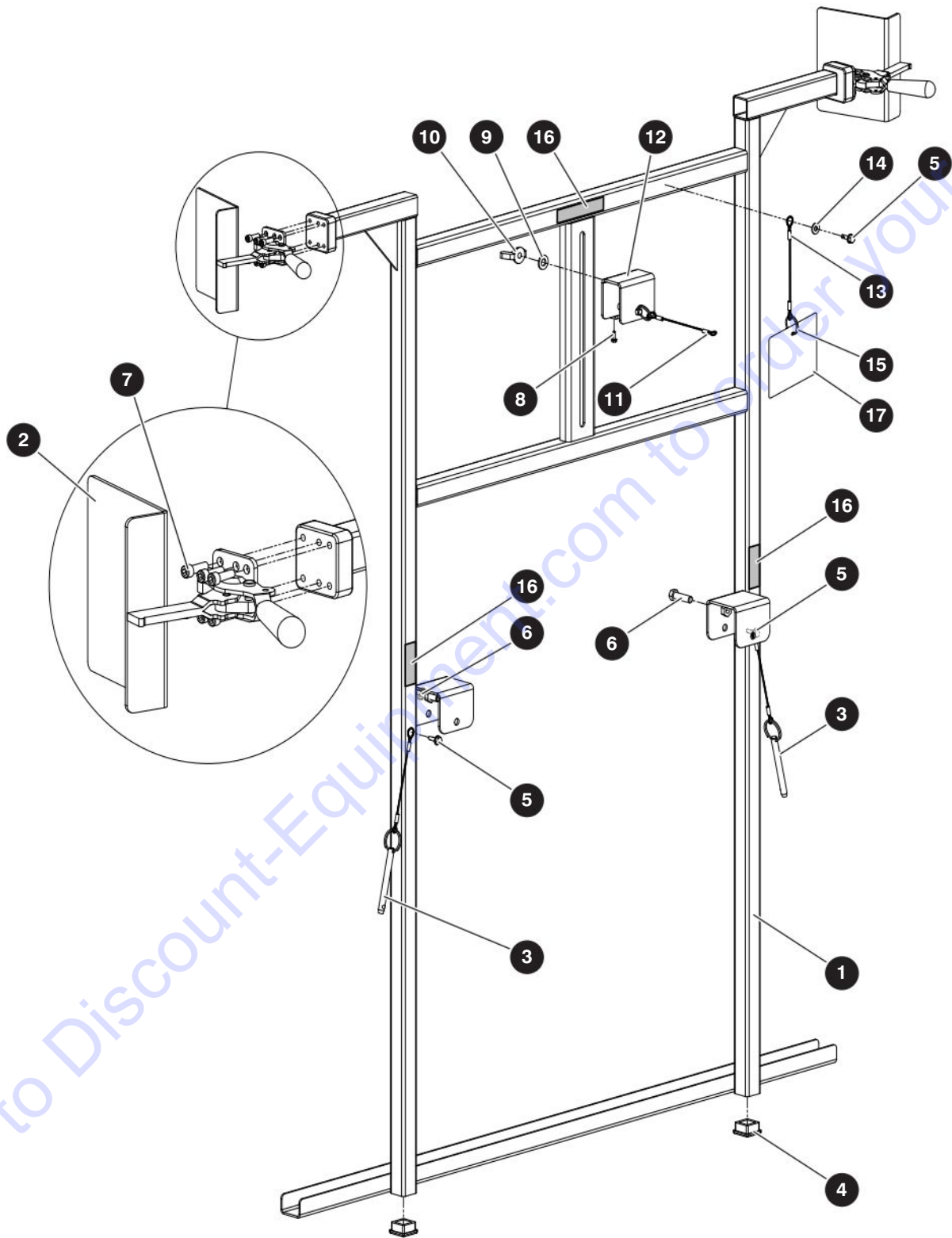
SJ3220, SJ3226, SJ4720, SJ4726, SJ4732

SKYJACK

8.5 Universal Heavy-Duty Pipe Rack

Index No.	Skyjack Part No.	Qty.	Description
A	235056	1	UNIVERSAL HEAVY-DUTY PIPE RACK (ANSI/CSA)
B	235057	1	UNIVERSAL HEAVY-DUTY PIPE RACK (CE)
C	235058	1	UNIVERSAL HEAVY-DUTY PIPE RACK (AS)
1	232376	1	• HD Pipe Rack
2	195289	2	• STRIP, Protector
3	103632	1	• BOLT, Hex Head Self-Tapping - 1/4"-14 x 3/4"
4	232380	2	• TUBE, Channel - HD Pipe Rack
5	152535	2	• WING SCREW, 3/8"-16 x 1"
6	216211	4	• PIN, 3/8" Dia x 1.8" - Small Loop
7	104606	2	• NUT, Nylon Lock - 3/8"-16 Gr. 5
8	103873	2	• BOLT, Hex Head - 3/8"-16 x 2-1/2" Gr. 5
9	103960	2	• SCREW, Round Head Machine - #10-24 x 1/2"
10	232387	2	• SPACER, 10x13x40
11	221193	2	• WASHER, Flat - #10 Zinc Plated
12	126642	2	• NUT, Nylon Lock - #10-24 Gr. 5
13	105807	1	• LANYARD, 6"
14	103995	1	• WASHER, Flat - 1/4"
15	160320	1	• RING, Lanyard
16	195346	2	• STRAP, Nylon Tie Down Flat Hook
17	173721	1	• LABEL, HD Pipe Rack Capacity, A
	173705	1	• LABEL, HD Pipe Rack Capacity, B
	173720	1	• LABEL, HD Pipe Rack Capacity, C
18	235332	1	• INSTRUCTIONS, Universal HD Pipe Rack (Not Shown)

8.6 Universal Board Carrier



M235059AA

223197ABA

186

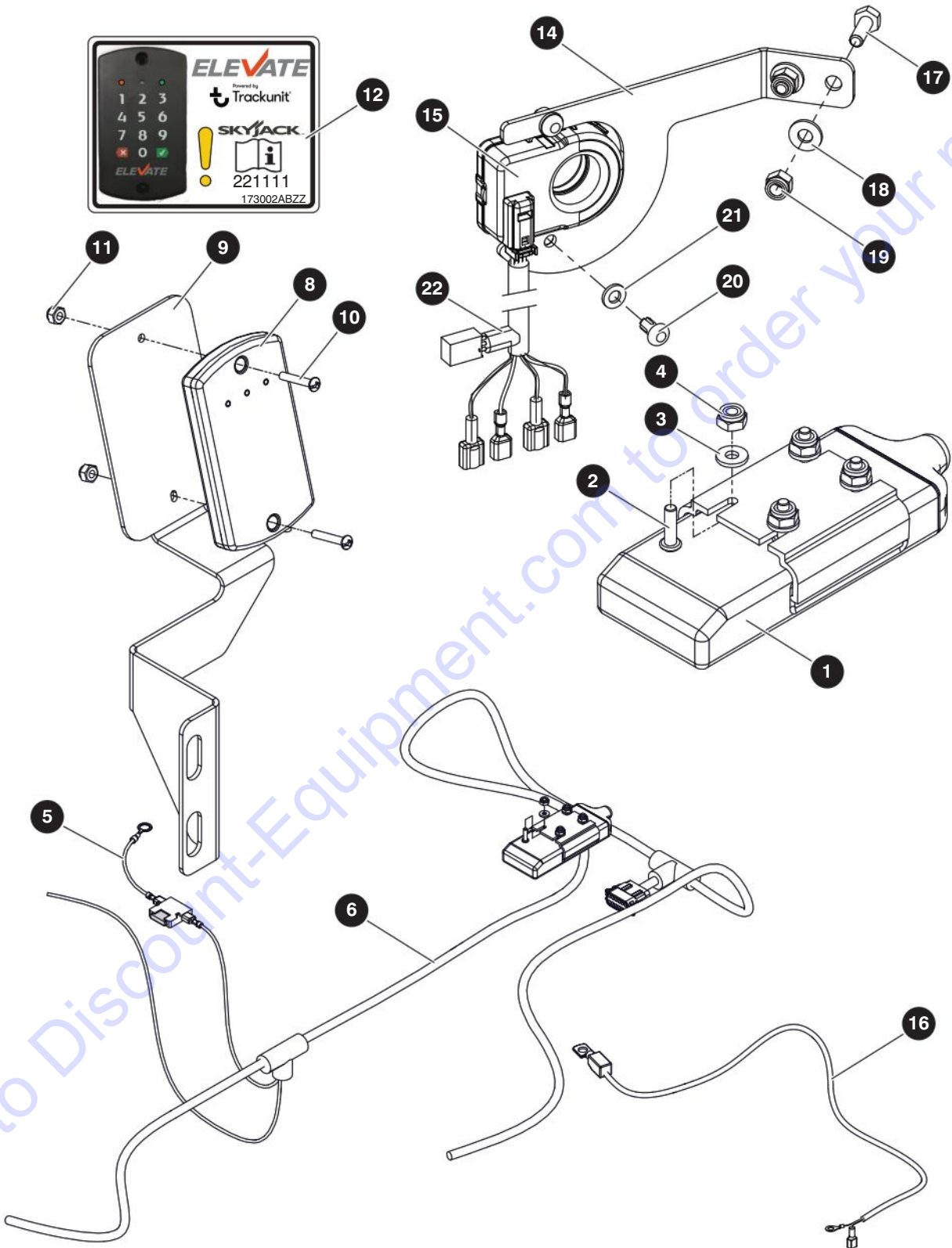
SJ3220, SJ3226, SJ4720, SJ4726, SJ4732

SKYJACK

8.6 Universal Board Carrier

Index No.	Skyjack Part No.	Qty.	Description
A	235059	1	UNIVERSAL BOARD CARRIER (ANSI/CSA)
B	235060	1	UNIVERSAL BOARD CARRIER (CE)
C	235061	1	UNIVERSAL BOARD CARRIER (AS)
1	232373	1	• Universal Board Carrier
2	143674	2	• CLAMP, With Holder
3	167235	2	• PIN, Detent - 3/8" x 3"
4	100702	4	• PLUG, Plastic Tube - 1-1/4" x 1-1/4"
5	103632	3	• BOLT, Hex Head Self-Tapping - 1/4"-14 x 3/4"
6	199960	2	• BOLT, Hex Head - 3/8"-16 x 1-3/8" Gr. 5
7	103941	12	• SCREW, Socket Head Cap - 1/4"-20 x 3/4"
8	112327	1	• BOLT, Self-Tapping - #8-18 x 1/2"
9	125959	2	• WASHER, Flat - 3/8" Hard
10	127068	1	• WING NUT, Type-A - 3/8"-16
11	216211	1	• PIN, 3/8" Dia x 1.8" Small Loop
12	232394	1	• UPPER MOUNT
13	105807	1	• LANYARD, 6"
14	103995	1	• WASHER, Flat - 1/4"
15	160320	1	• RING
16	173042	3	• LABEL, Keep In Lock
17	173734	1	• LABEL, Universal Board Carrier Capacity, A
	173735	1	• LABEL, Universal Board Carrier Capacity, B
	173736	1	• LABEL, Universal Board Carrier Capacity, C
18	235333	1	• INSTRUCTIONS, Universal Board Carrier (Not Shown)

8.7 Elevate Telematics, Keypad & BMS



M65814AA

223197ABA

188

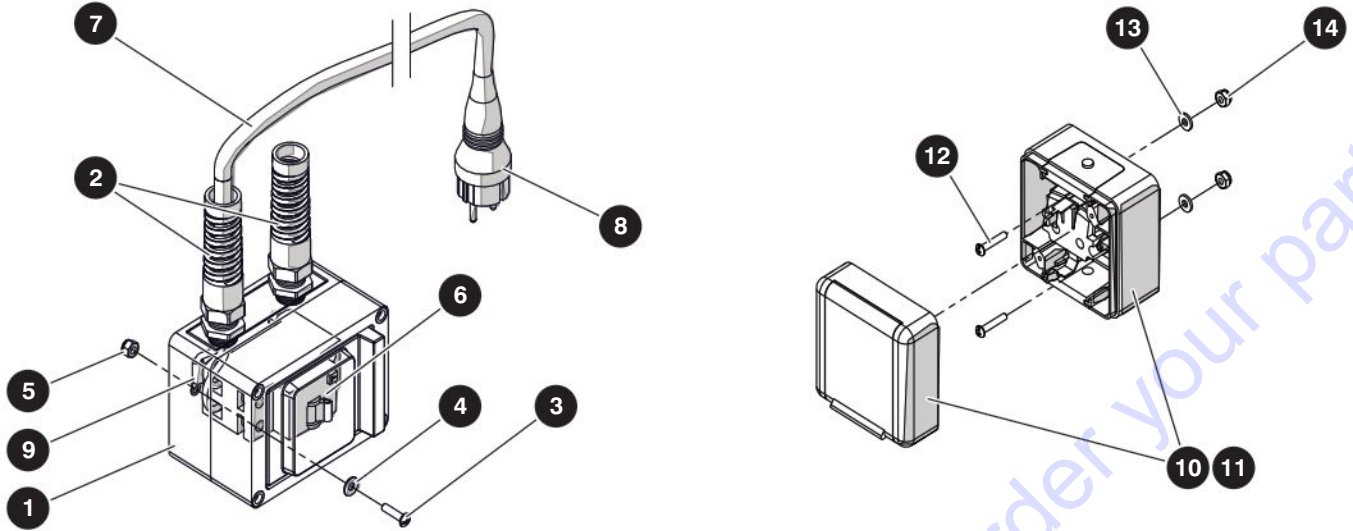
SJ3220, SJ3226, SJ4720, SJ4726, SJ4732

SKYJACK

8.7 Elevate Telematics, Keypad & BMS

Index No.	Skyjack Part No.	Qty.	Description	
A	235513	1	TRACK UNIT TELEMATICS	
	1	1	• TELEMATICS, Track Unit	
		1	• • COVER	
		1	• • BRACKET	
		1	• • BATTERY	
		1	• • CABLE, Control	
		1	• • FUSE KIT, 1 Amp Fuse and Holder	
	2	114678	4	• SCREW, Round Hd Machine - #6-32 x 1/2"
	3	191833	4	• WASHER, Flat - #6
	4	196306	4	• NUT, Lock - #6-32 Gr. 5 Nyl
	5	220577	1	• WIRE ASSEMBLY, B+
	6	228875	1	• HARNESS, Telematics
	7	235359	1	• INSTRUCTIONS, Elevate Telematics - SJ322X/SJ47XX (Not Shown)
B	235514	1	TELEMATICS KEYPAD	
	8	213099	1	• KEYPAD, Track Unit
	9	228893	1	• BRACKET, Track Unit Keypad
	10	112248	2	• SCREW, Round Hd Machine - #8-32 x 1"
	11	138765	2	• NUT, Lock - #8-32 Gr. 5 Zinc Nyl
	12	173002	1	• LABEL, Equipped with Elevate Keypad
	13	235359	1	• INSTRUCTIONS, Elevate Telematics - SJ322X/SJ47XX (Not Shown)
C	235504	1	TELEMATICS BMS	
	14	228879	1	• BRACKET, BMS Sensor
	15	228573	1	• SENSOR, Current - 500A
	16	226371	1	• SENSOR, Temperature - Delta-Q IC650
	17	103856	2	• BOLT, Hex Head Zinc - 1/4"-20 x 3/4" Gr. 5
	18	103995	2	• WASHER, Flat - 1/4"
	19	115649	2	• NUT, Nylon Lock - 1/4"-20 Gr. 5
	20	231923	2	• RIVET, Plastic - 1/4" x 1/4" x 3/8"
	21	133219	2	• WASHER, Flat - M6 Din 125
	22	230102	1	• HARNESS, BMS
	23	235359	1	• INSTRUCTIONS, Elevate Telematics - SJ322X/SJ47XX (Not Shown)

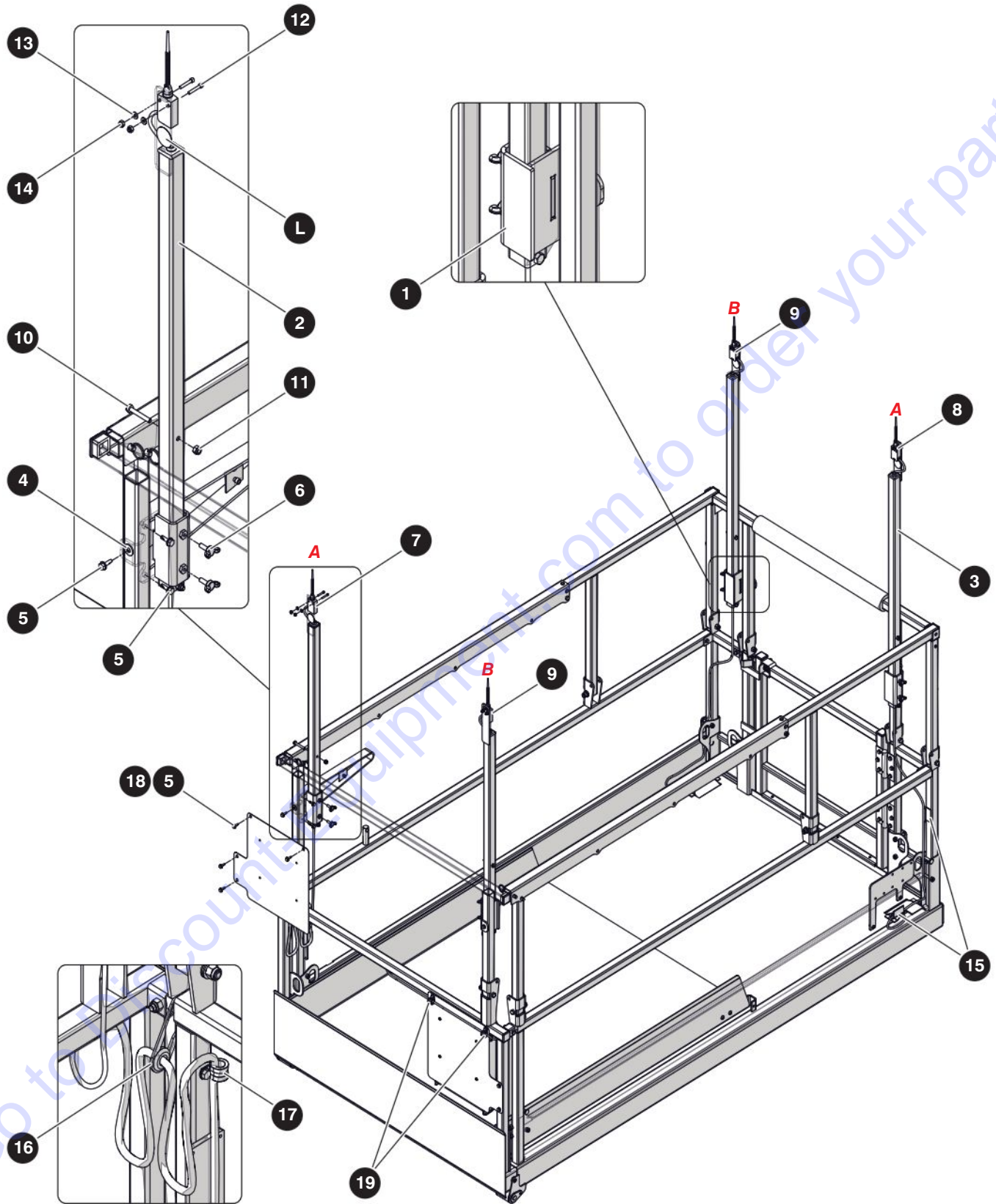
8.8 Residual Current Device (CE Only)



M220482AB

Index No.	Skyjack Part No.	Qty.	Description
A	220482	1	RESIDUAL CURRENT DEVICE
B	220485	1	RESIDUAL CURRENT DEVICE
C	220478	1	RESIDUAL CURRENT DEVICE
-	220479	1	• ENCLOSURE, Base
1	194510	1	• • MODIFICATION, RCD Enclosure
2	158212	1	• • RELIEF, Strain - PG-13.5
3	104698	1	• • SCREW, Round Head Machine - #10-32 x 3/4"
4	117952	1	• • WASHER, Seal - 0.203" ID x 1/2" OD x 0.040"
5	300450	1	• • NUT, Nylon Lock - #10-32 Gr. 5
-	235850	1	• WIRING SUBGROUP, Europe C-16A, A, B
	220481	1	• WIRING SUBGROUP, Europe C-16A, C
6	168379	1	• • RCCB, Type A - Dopeke DFS 2A
7	194590	1	• • CABTIRE, CE 14/3 - 8 Ft
8	157192	1	• • PLUG, Solid Rubber - 250V Schuko, A, B
9	216790	2	• • TERMINAL, Ring - #10 Blue 14-16 GA
-	226453	1	• OUTLET BOX, A, C
	226456	1	• OUTLET BOX, B
10	228059	1	• • SOCKET OUTLET, 16A 250V, A, C
	228058	1	• • SOCKET OUTLET, 16A 250V - Type E, B
11	228060	1	• • BOX, Outlet - 16A 250V A, C
	103955	2	• • SCREW, Round Head Machine - #6-32 x 3/4", A, C
	138834	2	• • SCREW, Round Head Machine - #10-24 x 3/4", B
13	191833	2	• • WASHER, Flat - #6, A, C
	104694	2	• • WASHER, Flat - #10, B
14	196306	2	• • NUT, Nylon Lock - #6-32 Gr. 5, A, C
	126642	2	• • NUT, Nylon Lock - #10-24 Gr. 5, B

8.9 Anti-Overrising Posts (KC Only)



M216620AB

223197ABA

192

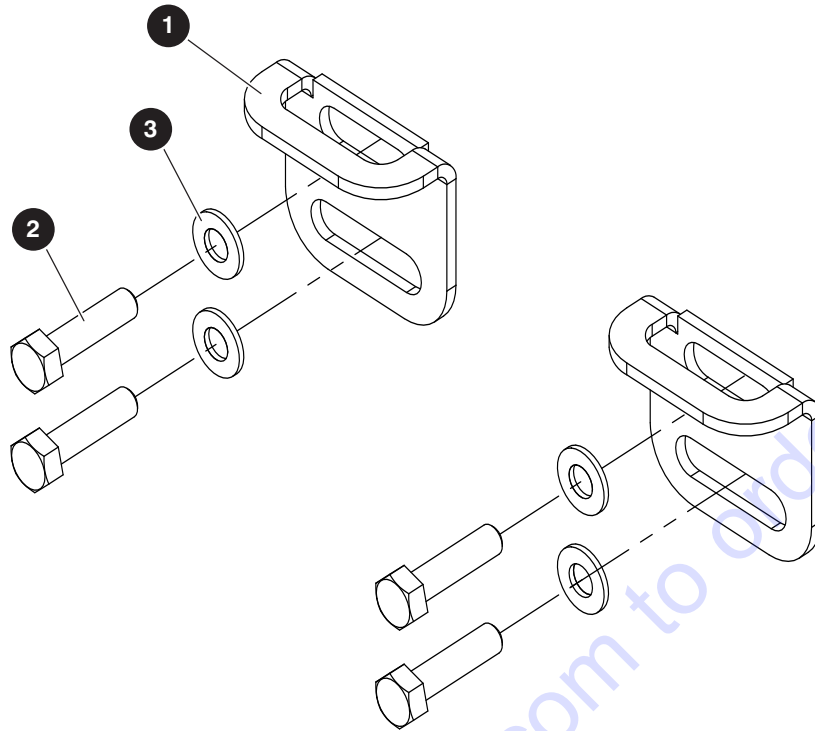
SJ3220, SJ3226, SJ4720, SJ4726, SJ4732

SKYJACK

8.9 Anti-Overriding Posts (KC Only)

Index No.	Skyjack Part No.	Qty.	Description
A	216619	1	ANTI-OVERRISING GROUP - SJ3220/26
	216620	1	ANTI-OVERRISING GROUP - SJ4720/26/32
B	212463	1	ANTI-OVERRISING GROUP - ADD 2 POSTS
1	212395	4	<ul style="list-style-type: none"> • BRACKET
2	212414	2	<ul style="list-style-type: none"> • ROD, Platform Limit Switch - Short Y (Extension Side)
3	212418	2	<ul style="list-style-type: none"> • ROD, Platform Limit Switch - Long Y (Entrance Side)
4	192635	4	<ul style="list-style-type: none"> • WASHER, Flat - 1/4" USS
5	103632	13	<ul style="list-style-type: none"> • BOLT, Hex Head Self-Tapping - 1/4"-14 x 3/4"
6	192632	8	<ul style="list-style-type: none"> • SCREW, Wing - 1/4"-20 x 3/4"
7	(Ref.)	1	<ul style="list-style-type: none"> • ASSEMBLY, Limit Switch - 64IN, A <p><i>(For components, refer to Section 6.16 Anti-Overriding)</i></p>
8	(Ref.)	1	<ul style="list-style-type: none"> • ASSEMBLY, Limit Switch - 108IN, A <p><i>(For components, refer to Section 6.16 Anti-Overriding)</i></p>
9	(Ref.)	2	<ul style="list-style-type: none"> • ASSEMBLY, Limit Switch ASM - Y, B <p><i>(For components, refer to Section 6.16 Anti-Overriding)</i></p>
10	103860	8	<ul style="list-style-type: none"> • BOLT, Hex Head Zinc - 1/4"-20 x 1-3/4" Gr. 5
11	115649	8	<ul style="list-style-type: none"> • NUT, Nylon Lock - 1/4"-20 Gr. 5
12	207325	8	<ul style="list-style-type: none"> • SCREW, Socket Head Cap - #8-32 x 1"
13	103991	8	<ul style="list-style-type: none"> • WASHER, Flat - #8
14	138765	8	<ul style="list-style-type: none"> • NUT, Nylon Lock Zinc - #8-32 Gr. 5
15	108791	2	<ul style="list-style-type: none"> • CLIP, Cord - Adhesive Back, A
16	208896	1	<ul style="list-style-type: none"> • HANGER, Cord, A
17	102929	1	<ul style="list-style-type: none"> • CLIP, Single - G10, A
18	199482	1	<ul style="list-style-type: none"> • PLATE, Info/Warning/Manual Box Mtg, A
19	103024	2	<ul style="list-style-type: none"> • CLIP, Single - G8, B
L	(Ref.)	4	<ul style="list-style-type: none"> • LABEL, Do Not Alter Anti-Overriding Limit Switches <p><i>(For components, refer to Section 9.12 Labels)</i></p>

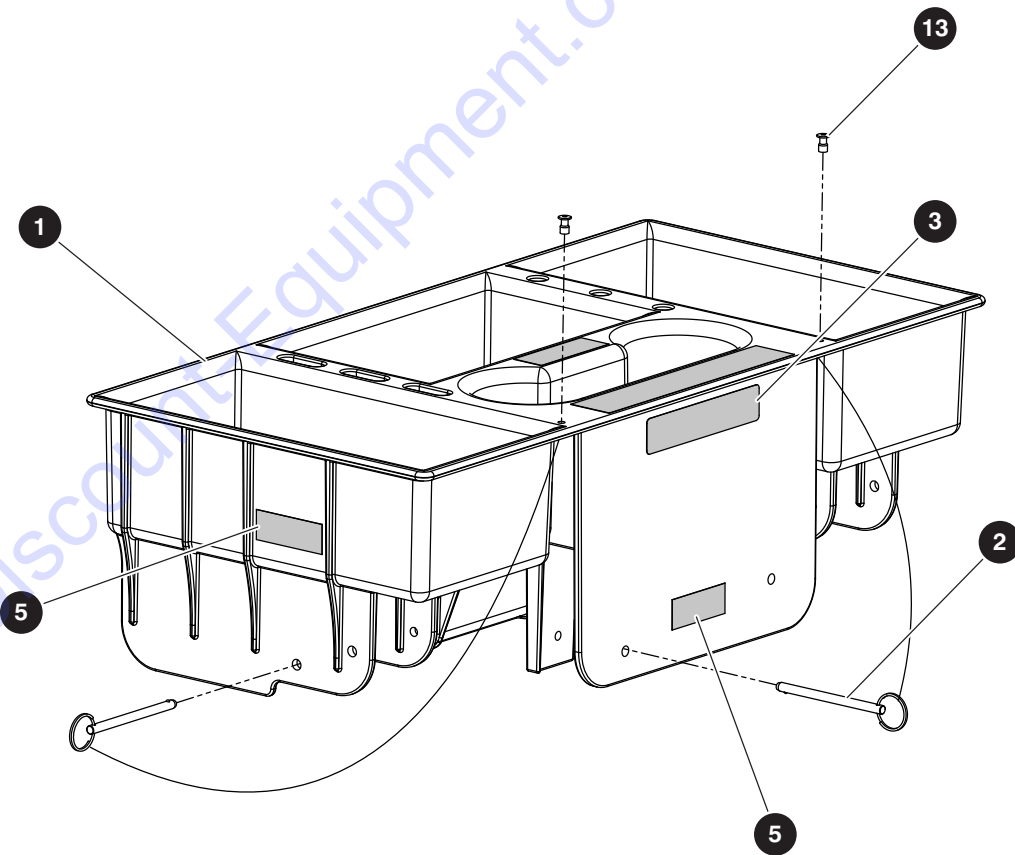
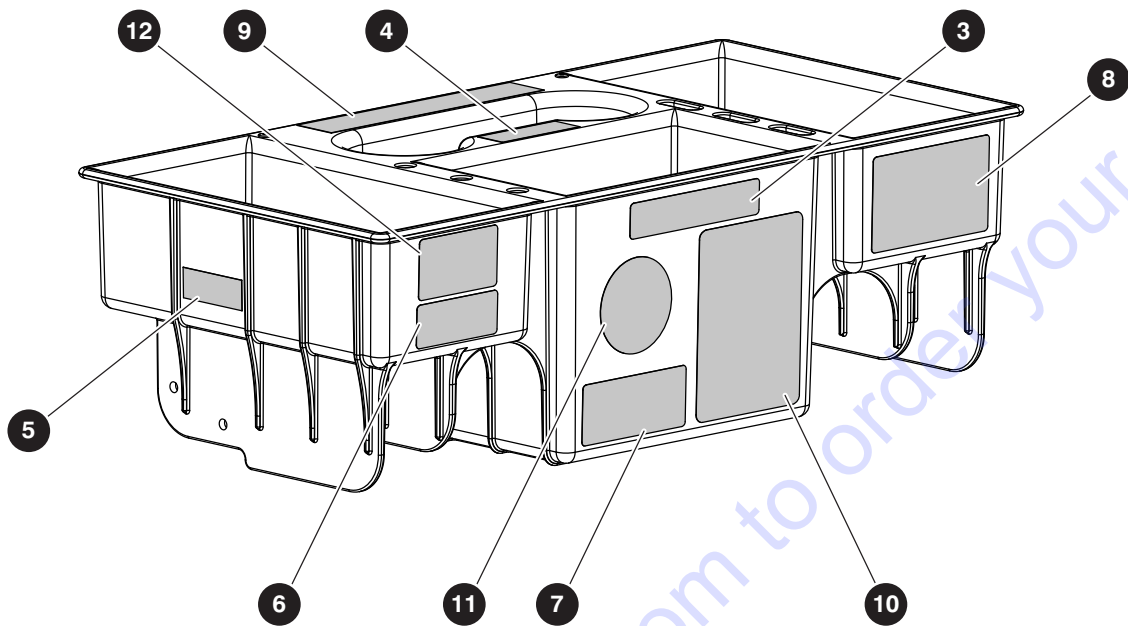
8.10 Tray Locking Plates



M228878AA

Index No.	Skyjack Part No.	Qty.	Description
-	221483	1	TRAY LOCKING SUBGROUP
1	220604	2	<ul style="list-style-type: none"> • PLATE, Bracket - Tray Locking
2	112532	4	<ul style="list-style-type: none"> • BOLT, Hex Hd - 5/16"-18 x 1-1/4" Gr. 5
3	103996	4	<ul style="list-style-type: none"> • WASHER, Flat - 5/16"

8.11 Tool Caddy



M204334AA_7

223197ABA

196

SJ3220, SJ3226, SJ4720, SJ4726, SJ4732

SKYJACK

8.11 Tool Caddy

Index No.	Skyjack Part No.	Qty.	Description
-	211271	1	TOOL CADDY SUBGROUP
-	204334	1	• TOOL CADDY ASSEMBLY
1	198945	1	• • TOOL CADDY TRAY
2	198965	2	• • PIN, Quick Release - 1/4" x 3.2" (With Lanyard)
3	172293	2	• • LABEL, Skyjack Logo 5" White
4	172294	1	• • LABEL, Skyjack Logo 3" White
5	168421	3	• • LABEL, Lock Pin in Place
6	172245	1	• • LABEL, Tool Caddy Weight
7	172246	1	• • LABEL, Tool Caddy Pin Location
8	172247	1	• • LABEL, Tool Caddy Location
9	172292	1	• • LABEL, Accessoryzers 7" White
10	172298	1	• • LABEL, Tool Caddy Model Serial Numbers
11	172299	1	• • LABEL, Do Not Block Exit/Entrance
12	172297	1	• • LABEL, Danger Of Falling Tools Drive Slowly
13	116161	2	• • POP RIVET, 3/16" x 0.565" - SS Small Flange Dome Hd
14	204306	1	• INSTRUCTIONS, Tool Caddy Installation (Not Shown)

Section 9 – Labels

- 9.1 *Label Kits*
- 9.2 *Labels - Platform Controls*
- 9.3 *Labels - Miscellaneous*
- 9.4 *Labels - Sides (SJ3220/26)*
- 9.5 *Labels - Sides (SJ4720/26/32)*
- 9.6 *Labels - Front, Back & Top (SJ3220/26)*
- 9.7 *Labels - Front, Back & Top (SJ4720/26/32)*
- 9.8 *Labels - Base Control Console*
- 9.9 *Labels - SJ4726 Aircraft Protection*
- 9.10 *Labels - Lift Here (SJ4726 Aircraft Protection)*
- 9.11 *Labels - Hose Layout (KC Only)*
- 9.12 *Labels - Anti-Overriding Posts (KC Only)*

9.1 Label Kits

The label kits below contain all of the labels required for a complete standard machine, with the exception of:

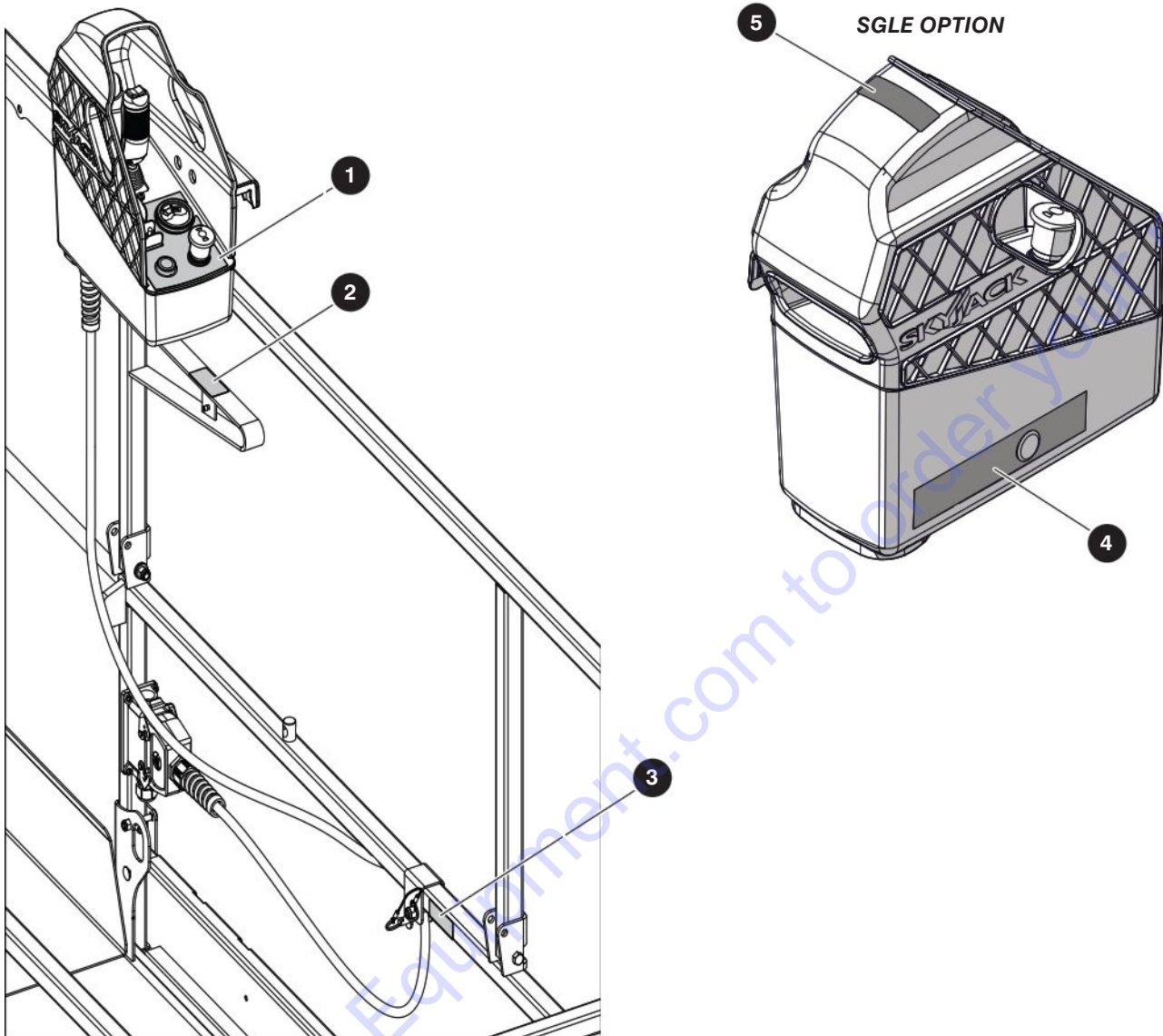
- **Serial number plates**
- **Platform capacity labels**
- **Model designations**
- **Powerline clearance label for AS**
- **Safety tape**
- **Hose labels for KC**
- **All special options**

Contact Discount-equipment to order those labels individually.

Supply the model number, country and language when ordering label kits.

Index No.	Skyjack Part No.	Qty.	Description
1	199333	1	LABEL KIT, SJ3220/26 SJ4720/26/32 ANSI/CSA
2	199334	1	LABEL KIT, SJ3220/26 SJ4720/26/32 CE
3	199335	1	LABEL KIT, SJ3220/26 SJ4720/26/32 AS
4	199336	1	LABEL KIT, SJ3220/26 SJ4720/26/32 KC

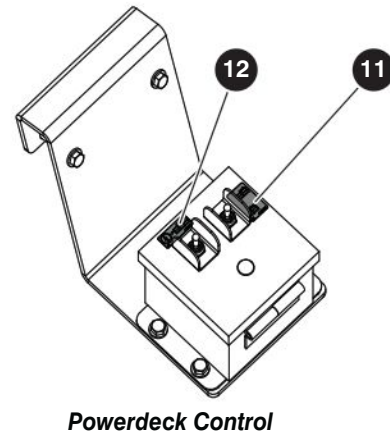
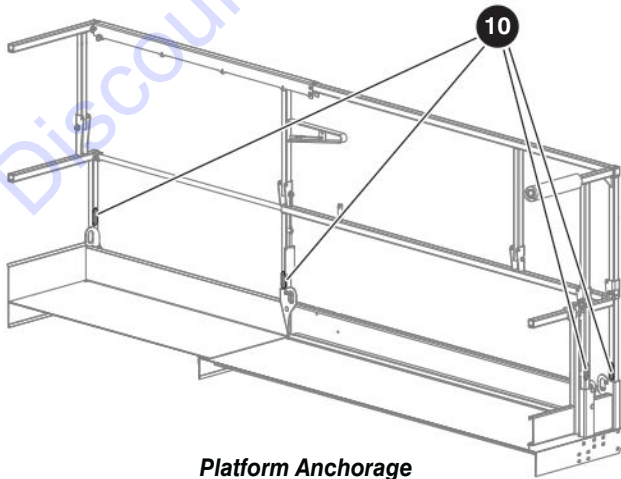
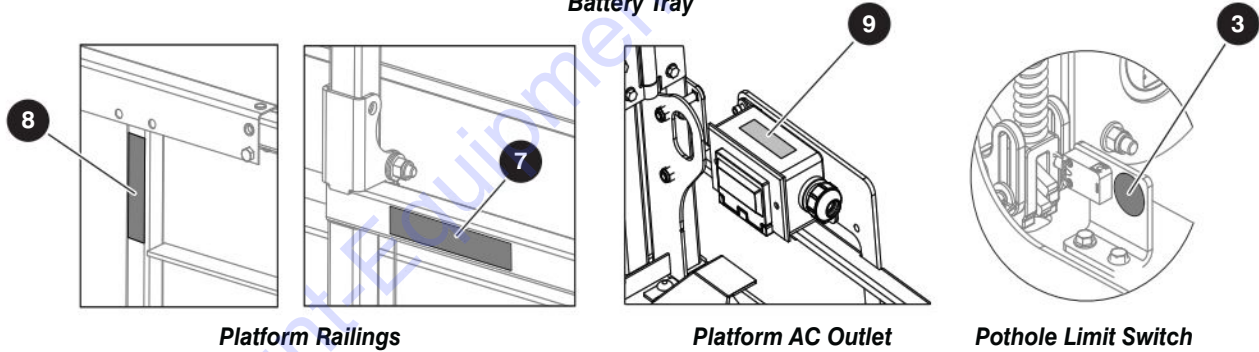
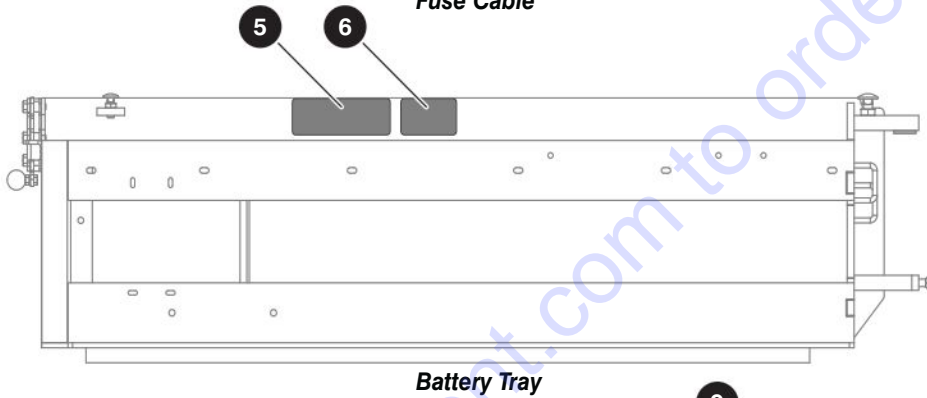
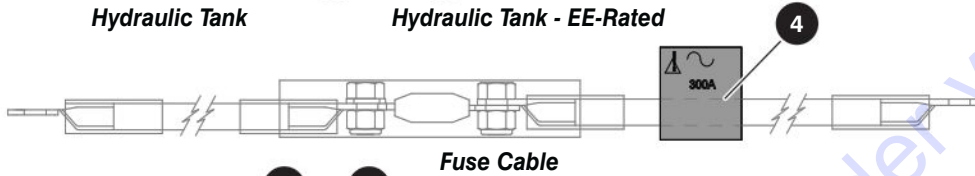
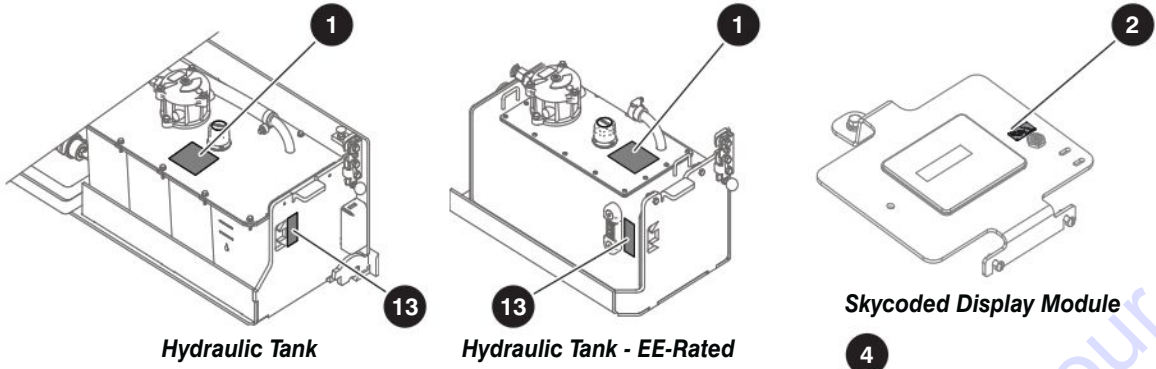
9.2 Labels - Platform Controls



M172114AC_M220961AA_Labels

Index No.	Skyjack Part No.	Qty.	Description
1	172114	1	LBL, Platform Control Box
2	172632	1	LBL, Control Box Location
3	172927	1	LBL, Platform Control Cable
4	172788	1	LBL, SGLE Enable
5	172926	1	LBL, SGLE

9.3 Labels - Miscellaneous



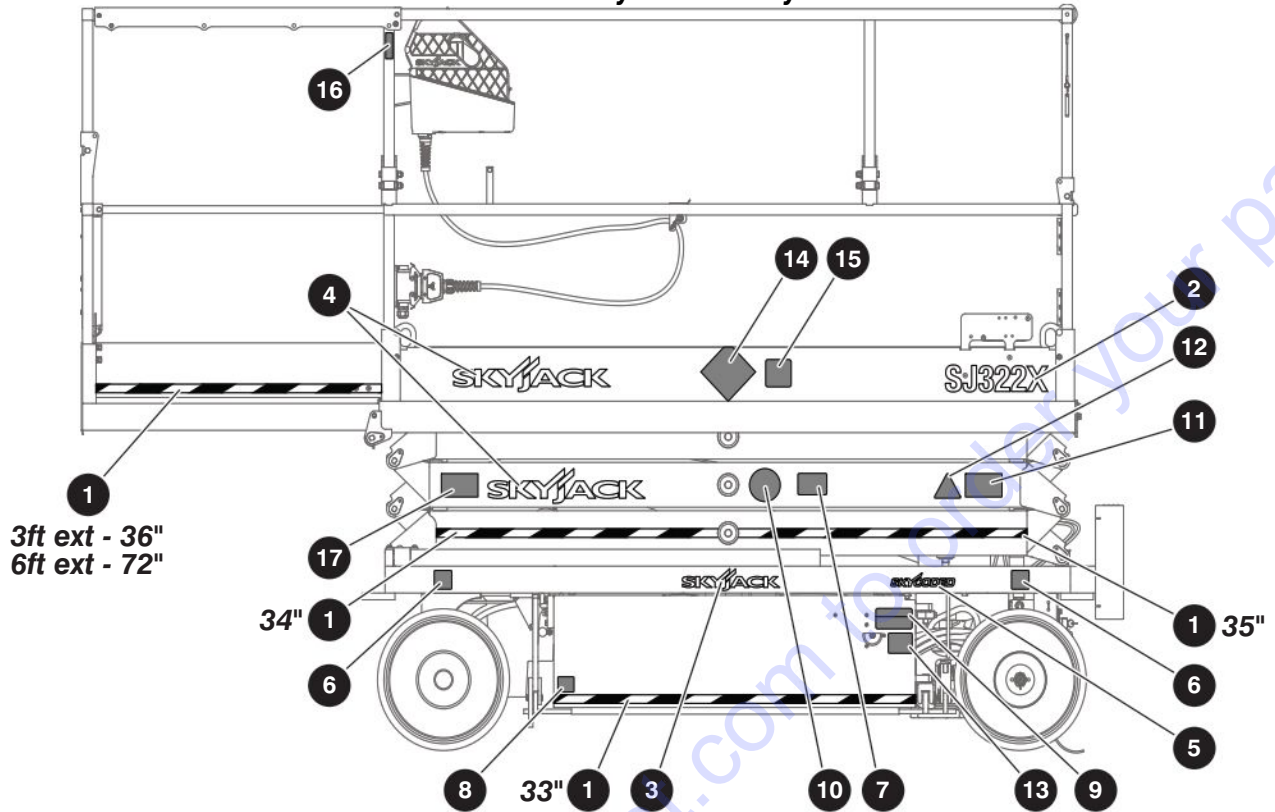
M65715AA

9.3 Labels - Miscellaneous

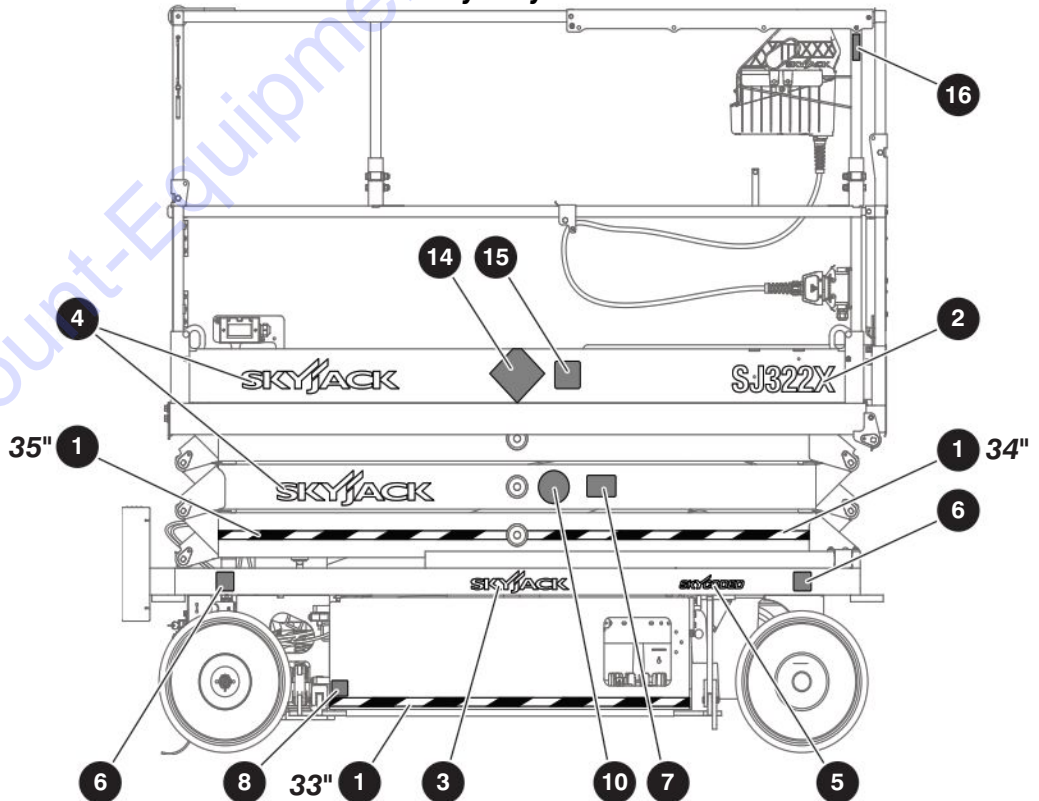
Index No.	Skyjack Part No.	Qty.	Description
1	102961	1	LBL, ATF Dexon III
	161565	1	LBL, Oil Shell Naturella HF-E32
2	117387	1	LBL, Power Reset
3	156613	2	LBL, Do Not Alter Limit Switch
4	137276	1	LBL, 300A Fuse
5	172696	1	LBL, Wood Spacers Location - US 2200 XC2, AGM
	172697	1	LBL, Wood Spacers Location - US 250 XC
6	226063	1	LBL, 300A Fuse Location
7	126057	AR	LBL, Falling Hazard - Horizontal
8	126056	AR	LBL, Falling Hazard - Vertical
9	138211	1	LBL, Connect AC Supply Here
10	172646	8	LBL, Harness Anchorage (ANSI/CSA, AS & KC)
	172638	8	LBL, Harness Anchorage (CE)
11	132003	1	LBL, Powerdeck Extend/Retract Pictorial
12	132004	1	LBL, Enable Powerdeck Deck Pictorial
13	172425	1	LBL, Hydraulic Oil Level - Small

9.4 Labels - Sides (SJ3220/26)

Hydraulic Tray Side



Battery Tray Side



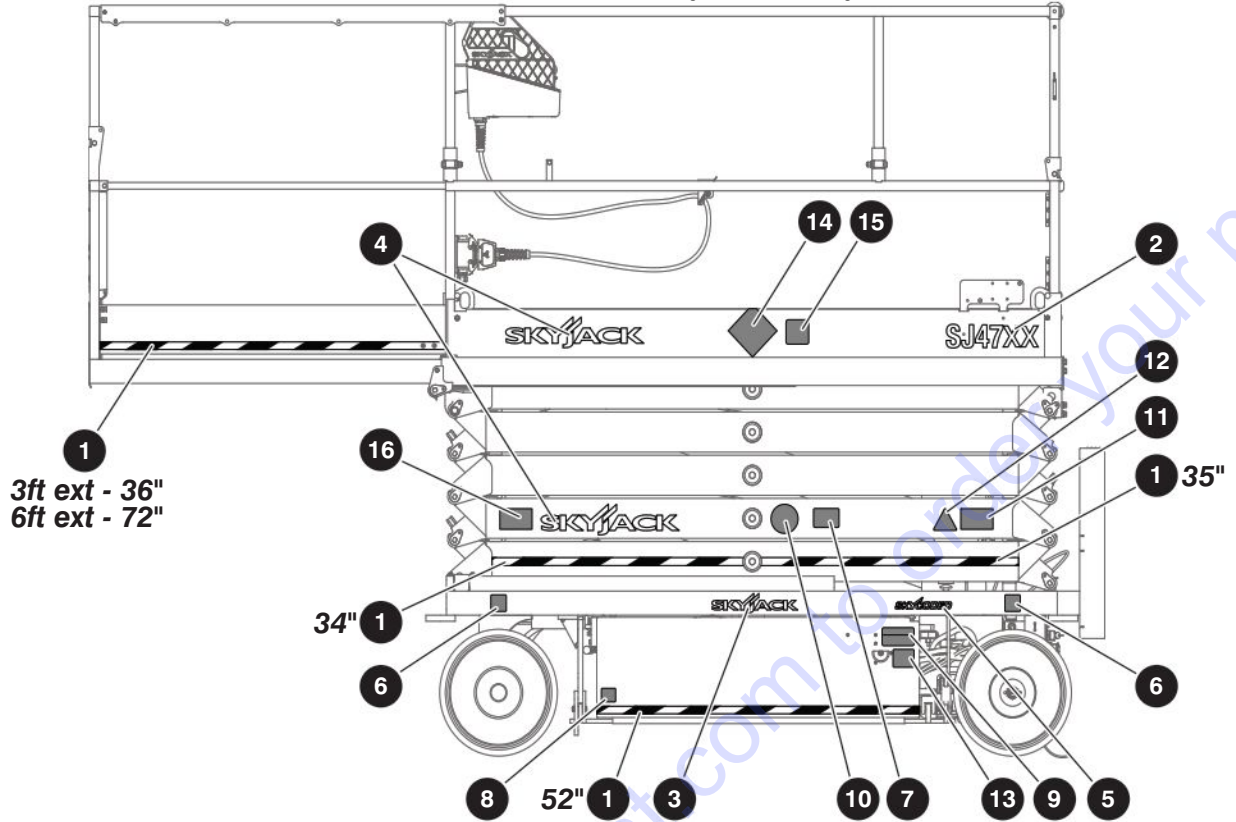
M65712AD

9.4 Labels - Sides (SJ3220/26)

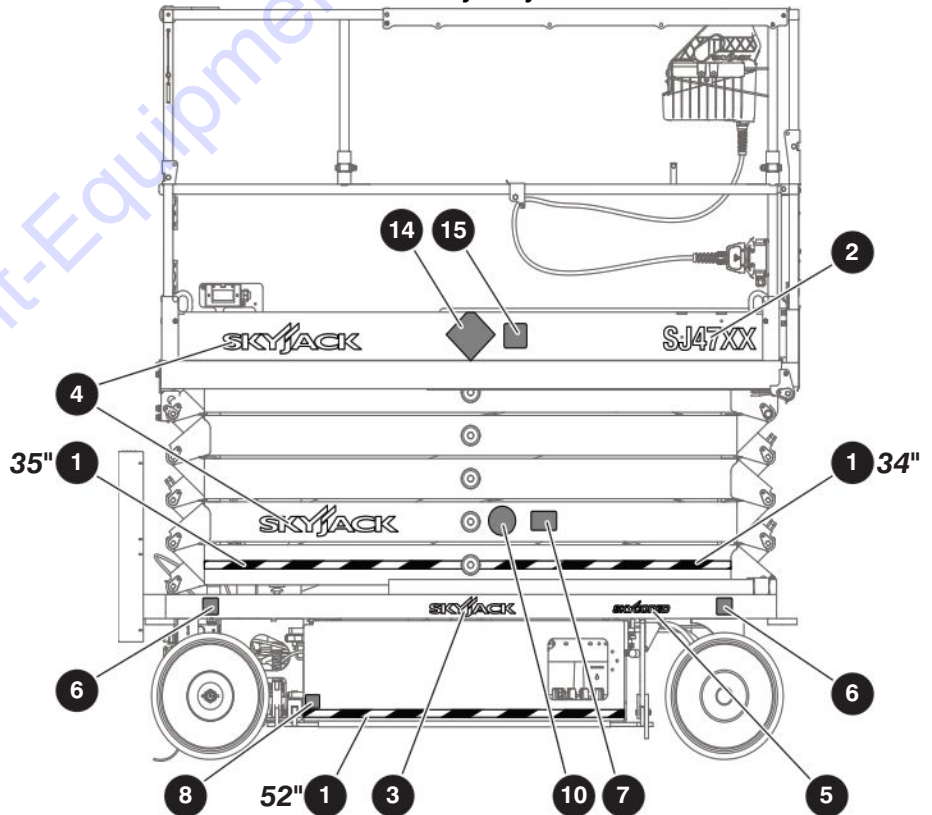
Index No.	Skyjack Part No.	Qty.	Description
1	119803	AR	TAPE, Caution - 1" Wide
2	172543	2	LBL, SJ3220
	172544	2	LBL, SJ3226
3	163860	2	LBL, Skyjack White - 13"
4	158554	4	LBL, Skyjack White - 20"
5	173160	2	LBL, Skycoded
6	173030	4	LBL, Wheel Load - 853 kg/1880 lb (SJ3220)
	173028	4	LBL, Wheel Load - 794 kg/1750 lb (SJ3226)
7	117023	2	LBL, CE Mark
8	173024	2	LBL, Danger Hand/Foot Pinch
9	172631	1	LBL, Emergency Lowering
10	139855	2	LBL, Keep Clear Pictorial
11	172656	1	LBL, Annual Inspection
12	172695	1	LBL, Warning Annual Inspection
13	172939	1	LBL, E-Lowering Information
14	104589	2	LBL, EE (ANSI/CSA EE-Rated)
15	173757	2	LBL, Tuv.Com ID (ANSI/CSA EE-Rated)
16	172705	2	LBL, Platform Extension Pin
17	(Ref.)	1	LBL, QR Code

9.5 Labels - Sides (SJ4720/26/32)

Hydraulic Tray Side



Battery Tray Side



M65714AC

223197ABA

206

SJ3220, SJ3226, SJ4720, SJ4726, SJ4732

SKYJACK

PARTS FINDER

**Search Website
by Part Number**



**Search Manual
Library For Parts
Manual & Lookup Part
Numbers – Purchase
or Request Quote**

Search Manuals

Enter your information to help us find the right parts manual for your machine.

* Brand:

* Model:

* Serial:

* Part Number:

SEARCH

**Can't Find Part or
Manual? Request Help
by Manufacturer,
Model & Description**

Parts Order Form

Please fill in the following information to help us find the right part for your machine.

Manufacturer:	<input type="text"/>
Model:	<input type="text"/>
Description:	<input type="text"/>
Part Number:	<input type="text"/>
Quantity:	<input type="text"/>
Notes:	<input type="text"/>

Submit

Discount-Equipment.com is your online resource for quality parts & equipment.

Florida: **561-964-4949** Outside Florida TOLL FREE: **877-690-3101**

Need parts?

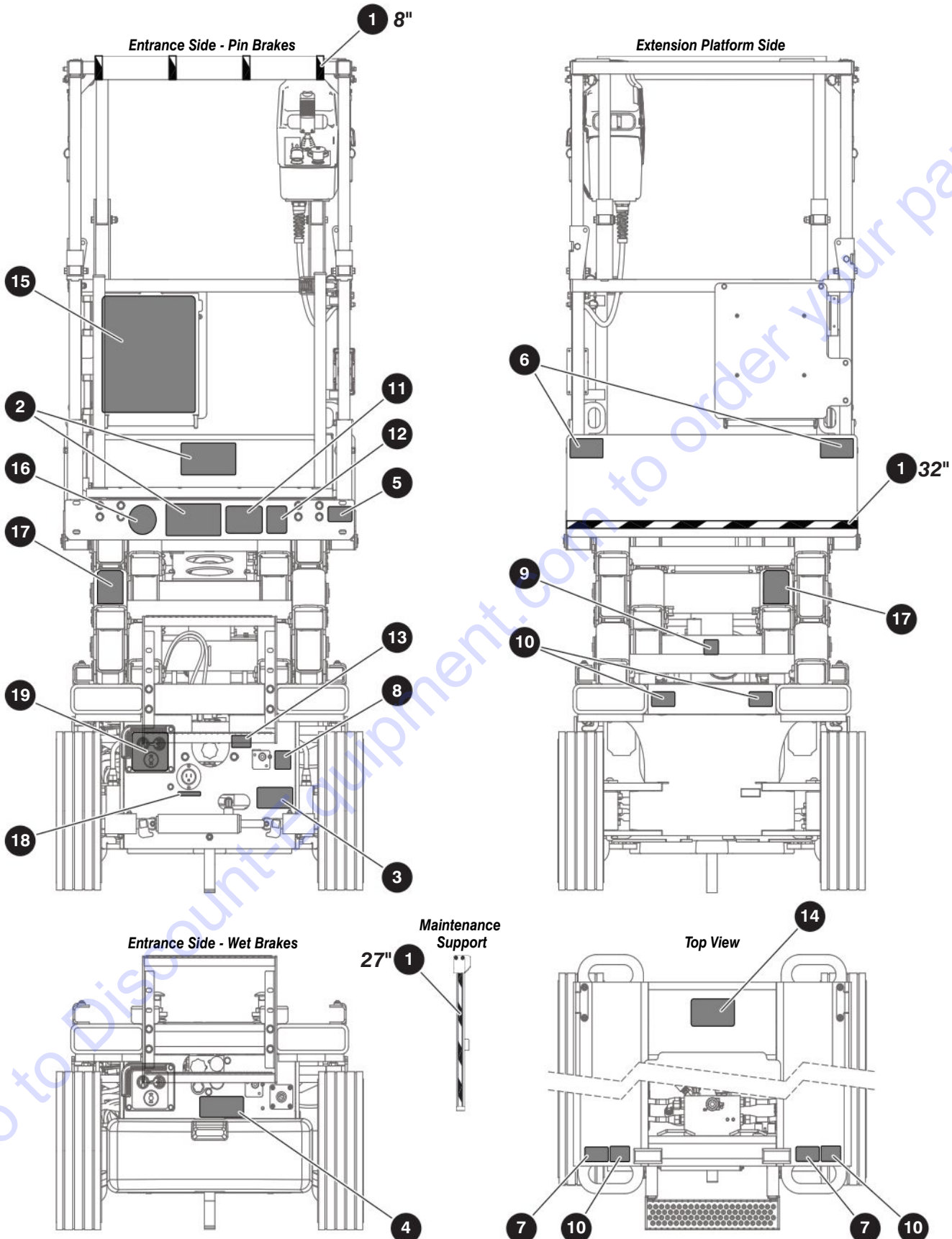
Click on this link: <http://www.discount-equipment.com/category/5443-parts/> and choose one of the options to help get the right parts and equipment you are looking for. Please have the machine model and serial number available in order to help us get you the correct parts. If you don't find the part on the website or on one of the online manuals, please fill out the request form and one of our experienced staff members will get back to you with a quote for the right part that your machine needs.

We sell worldwide for the brands: Genie, Terex, JLG, MultiQuip, Mikasa, Essick, Whiteman, Mayco, Toro Stone, Diamond Products, Generac Magnum, Airman, Haulotte, Barreto, Power Blanket, Nifty Lift, Atlas Copco, Chicago Pneumatic, Allmand, Miller Curber, Skyjack, Lull, Skytrak, Tsurumi, Husquvarna Target, Stow, Wacker, Sakai, Mi-T-M, Sullair, Basic, Dynapac, MBW, Weber, Bartell, Bennar Newman, Haulotte, Ditch Runner, Menegotti, Morrison, Contec, Buddy, Crown, Edco, Wyco, Bomag, Laymor, EZ Trench, Bil-Jax, F.S. Curtis, Gehl Pavers, Heli, Honda, ICS/PowerGrit, IHI, Partner, Imer, Clipper, MMD, Koshin, Rice, CH&E, General Equipment, Amida, Coleman, NAC, Gradall, Square Shooter, Kent, Stanley, Tamco, Toku, Hatz, Kohler, Robin, Wisconsin, Northrock, Oztec, Toker TK, Rol-Air, APT, Wylie, Ingersoll Rand / Doosan, Innovatech, Con X, Ammann, Mecalac, Makinex, Smith Surface Prep, Small Line, Wanco, Yanmar

9.5 Labels - Sides (SJ4720/26/32)

Index No.	Skyjack Part No.	Qty.	Description
1	119803	AR	TAPE, Caution - 1" Wide
2	172551	2	LBL, SJ4720
	172545	2	LBL, SJ4726
	172546	2	LBL, SJ4732
3	163860	2	LBL, Skyjack White - 13"
4	158554	4	LBL, Skyjack White - 20"
5	173160	2	LBL, Skycoded
6	173038	4	LBL, Wheel Load - 934 kg/2059 lb (SJ4720)
	173029	4	LBL, Wheel Load - 1161 kg/2560 lb (SJ4726 ANSI/CSA)
	173031	4	LBL, Wheel Load - 1066 kg/2350 lb (SJ4726 CE, AS, KC)
	173031	4	LBL, Wheel Load - 1066 kg/2350 lb (SJ4732)
7	117023	2	LBL, CE Mark
8	173024	2	LBL, Danger Hand/Foot Pinch
9	172631	1	LBL, Emergency Lowering
10	139855	2	LBL, Keep Clear Pictorial
11	172656	1	LBL, Annual Inspection
12	172695	1	LBL, Warning Annual Inspection
13	172939	1	LBL, E-Lowering Information
14	104589	2	LBL, EE (ANSI/CSA EE-Rated)
15	154888	2	LBL, Tuv.Com ID (ANSI/CSA EE-Rated)
16	(Ref.)	1	LBL, QR Code

9.6 Labels - Front, Back & Top (SJ3220/26)



M65711AC

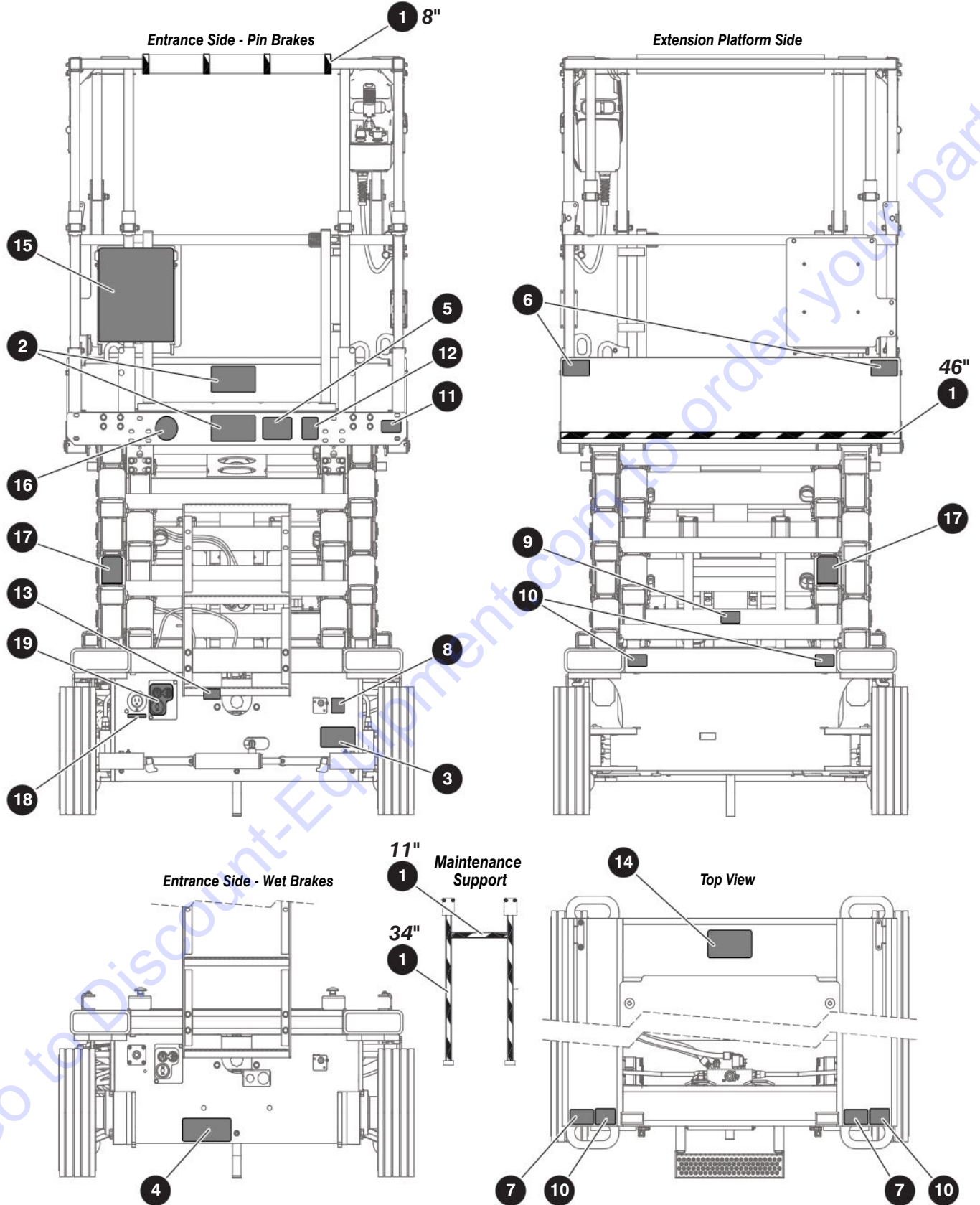
223197ABA

SJ3220, SJ3226, SJ4720, SJ4726, SJ4732

9.6 Labels - Front, Back & Top (SJ3220/26)

Index No.	Skyjack Part No.	Qty.	Description
1	119803	AR	TAPE, Caution - 1" Wide
2	173032	2	LBL, Platform Capacity - 900 (650/250) 2P/1P (SJ3220)
	173631	2	LBL, Platform Capacity - 500 (250/250) In 2P/Out 1P 5.64 Meters (SJ3226 ANSI/CSA)
	172692	2	LBL, Platform Capacity - 500 (250/250) 2P (SJ3226 CE, AS, & KC)
3	173025	1	LBL, Towing/Pushing Procedure - Pin Brakes (ANSI/CSA)
4	173020	1	LBL, Towing/Pushing Procedure - Wet Brakes (CE, AS, & KC)
5	173081	1	LBL, California Proposition 65 Warning - Batt (ANSI/CSA)
6	137988	1	LBL, Crush/Pinch Hazard Pictorial
7	102896	2	LBL, Forklift Boot Pictorial
8	119674	1	LBL, Battery Disconnect Switch Pictorial
9	173676	1	LBL, Maintenance Support Pictorial
10	124767	4	LBL, Lift Point/Tie Down Pictorial
11	124362	1	LBL, Warning Do Not Wear Jewelry Pictorial
12	158912	1	LBL, Daily Maintenance Checklist
13	158911	1	LBL, Free Wheeling
14	172678	1	LBL, Maintenance Support Procedure
15	172677	1	LBL, Danger Hazards Pictorial
16	172693	1	LBL, No Insulation
17	172928	2	LBL, Deploy Maintenance Bars
18	138211	1	LBL, Connect AC Pictorial
19	(Ref.)	1	LBL, Base Control <i>(For components, refer to Section 9.8 Labels)</i>

9.7 Labels - Front, Back & Top (SJ4720/26/32)



M65713AB

223197ABA

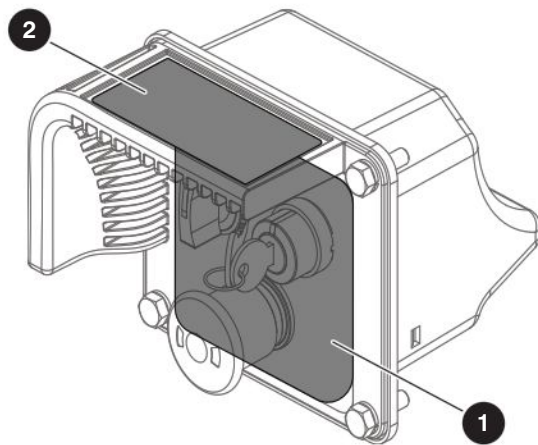
SJ3220, SJ3226, SJ4720, SJ4726, SJ4732

9.7 Labels - Front, Back & Top (SJ4720/26/32)

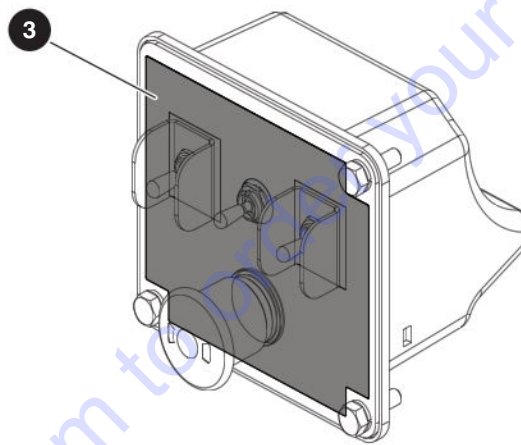
Index No.	Skyjack Part No.	Qty.	Description
1	119803	AR	TAPE, Caution - 1" Wide
2	173035	2	LBL, Platform Capacity - 1300 (1000/300) 2P/1P (SJ4720)
	172881	2	LBL, Platform Capacity - 1000 (700/300) 2P/1P (SJ4726 ANSI/CSA)
	172805	2	LBL, Platform Capacity - 900 (600/300) 3P (SJ4726 ANSI/CSA Aircraft Protection)
	173403	2	LBL, Platform Capacity - 1000 (700/300) 3P/1P In/Out (SJ4726 CE, AS, KC)
	172800	2	LBL, Platform Capacity - 700 (450/250) 2P/1P (SJ4732)
3	173025	1	LBL, Towing/Pushing Procedure - Pin Brakes (ANSI/CSA)
4	173020	1	LBL, Towing/Pushing Procedure - Wet Brakes (CE, AS, KC)
5	173081	1	LBL, California Proposition 65 Warning - Batt (ANSI/CSA)
6	137988	1	LBL, Crush/Pinch Hazard Pictorial
7	102896	2	LBL, Forklift Boot Pictorial
8	119674	1	LBL, Battery Disconnect Switch Pictorial
9	127711	1	LBL, Maintenance Support Pictorial
10	124767	4	LBL, Lift Point/Tie Down Pictorial
11	124362	1	LBL, Warning Do Not Wear Jewelry Pictorial
12	158912	1	LBL, Daily Maintenance Checklist
13	158911	1	LBL, Free Wheeling
14	172678	1	LBL, Maintenance Support Procedure
15	172677	1	LBL, Danger Hazards Pictorial
16	172693	1	LBL, No Insulation
17	172928	2	LBL, Deploy Maintenance Bars
18	138211	1	LBL, Connect AC Pictorial
19	(Ref.)	1	LBL, Base Control <i>(For components, refer to Section 9.8 Labels)</i>

9.8 Labels - Base Control Console

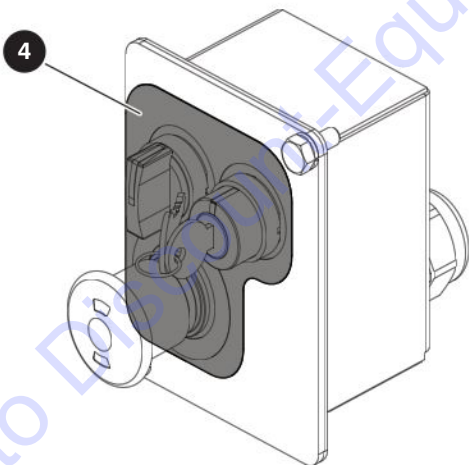
Plastic Box



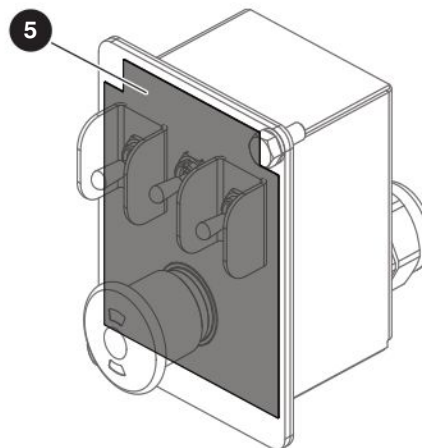
Plastic Box - Aircraft Protection



Metal Box



Metal Box - Aircraft Protection



M65908AB

223197ABA

212

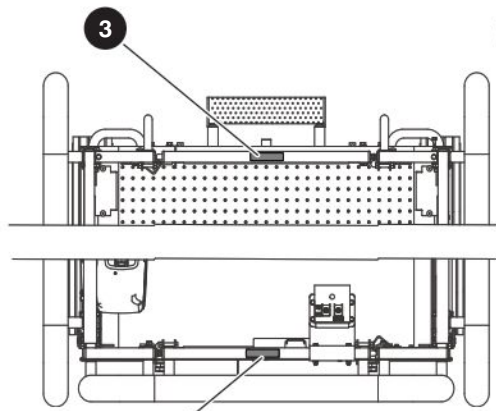
SJ3220, SJ3226, SJ4720, SJ4726, SJ4732

SKYJACK

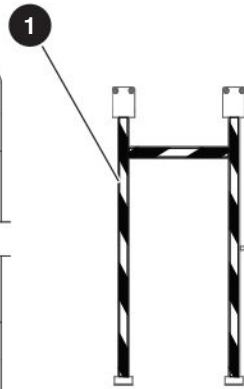
9.8 Labels - Base Control Console

Index No.	Skyjack Part No.	Qty.	Description
A	-	-	BASE CONTROL CONSOLE - PLASTIC
1	173407	1	LBL, Lower Base Control - Plastic Box
2	173408	1	LBL, Upper Base Control - Plastic Box
3	173633	1	LBL, Base Control <i>(only for machines with the Aircraft Protection)</i>
B	-	-	BASE CONTROL CONSOLE - METAL
4	207003	1	LBL, Base Control
5	172647	1	LBL, Base Control <i>(only for machines with the Aircraft Protection)</i>

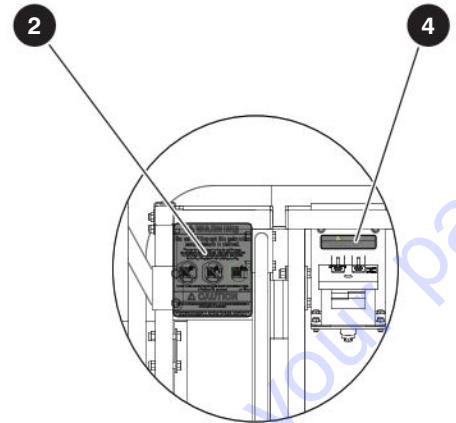
9.9 Labels - SJ4726 Aircraft Protection



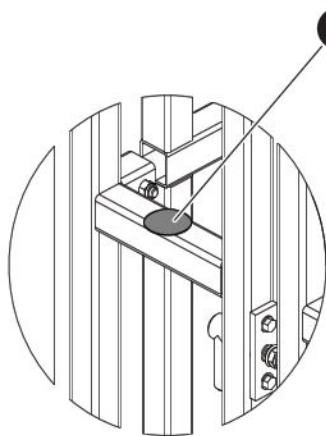
Top View



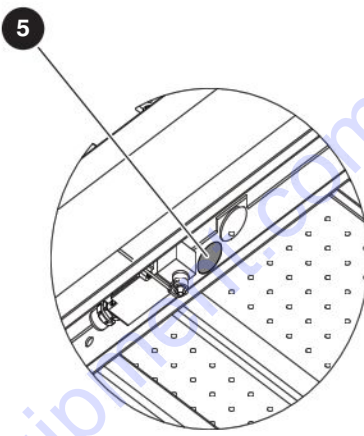
Ladder View



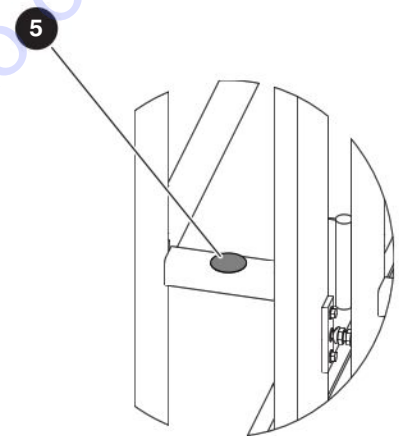
Powerdeck Control View



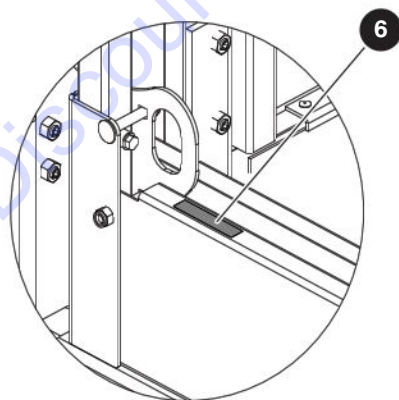
Front Gate Limit Switch



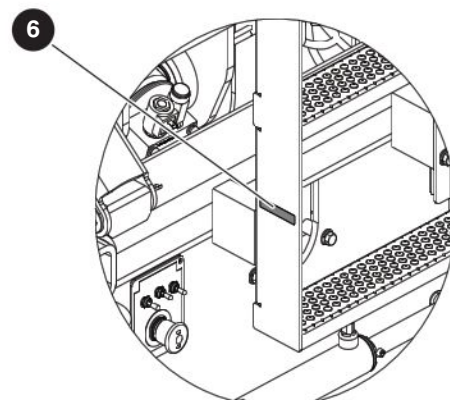
Powerdeck Limit Switch



Rear Gate Limit Switch



Air Hose - Platform



Air Hose - Base

M172807AA

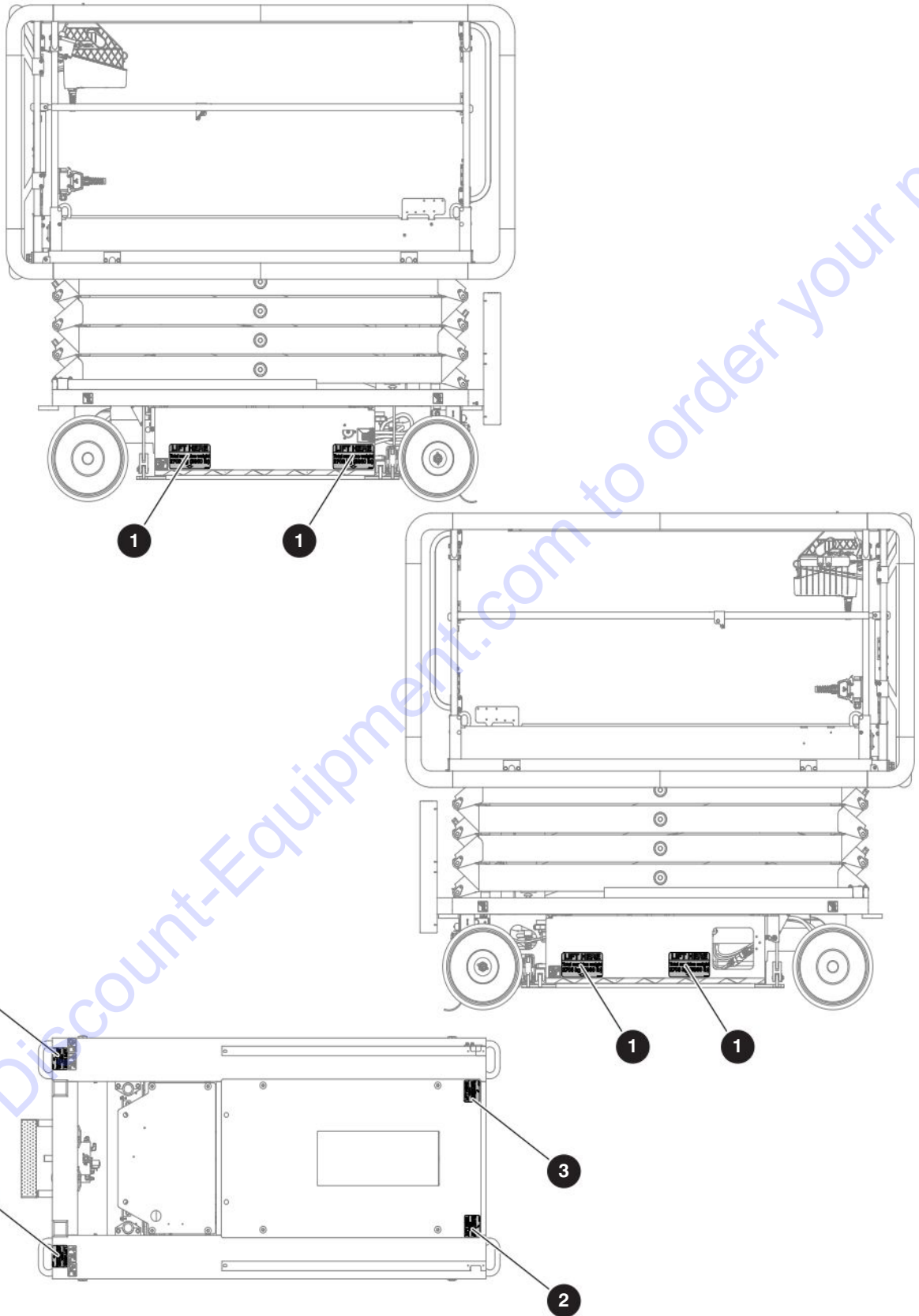
223197ABA

SJ3220, SJ3226, SJ4720, SJ4726, SJ4732

9.9 Labels - SJ4726 Aircraft Protection

Index No.	Skyjack Part No.	Qty.	Description
1	146684	65"	<ul style="list-style-type: none"> • TAPE, Reflective Red Boeing
2	173756	1	<ul style="list-style-type: none"> • LBL, Warning - Front Gate Access
3	127730	2	<ul style="list-style-type: none"> • LBL, Caution - Close Gate
4	127989	1	<ul style="list-style-type: none"> • LBL, Caution - Ext Retracted English
5	156613	3	<ul style="list-style-type: none"> • LBL, Do Not Alter Limit Switches
6	138212	2	<ul style="list-style-type: none"> • LBL, Connect Air Here

9.10 Labels - Lift Here (SJ4726 Aircraft Protection)



M172871AB

223197ABA

216

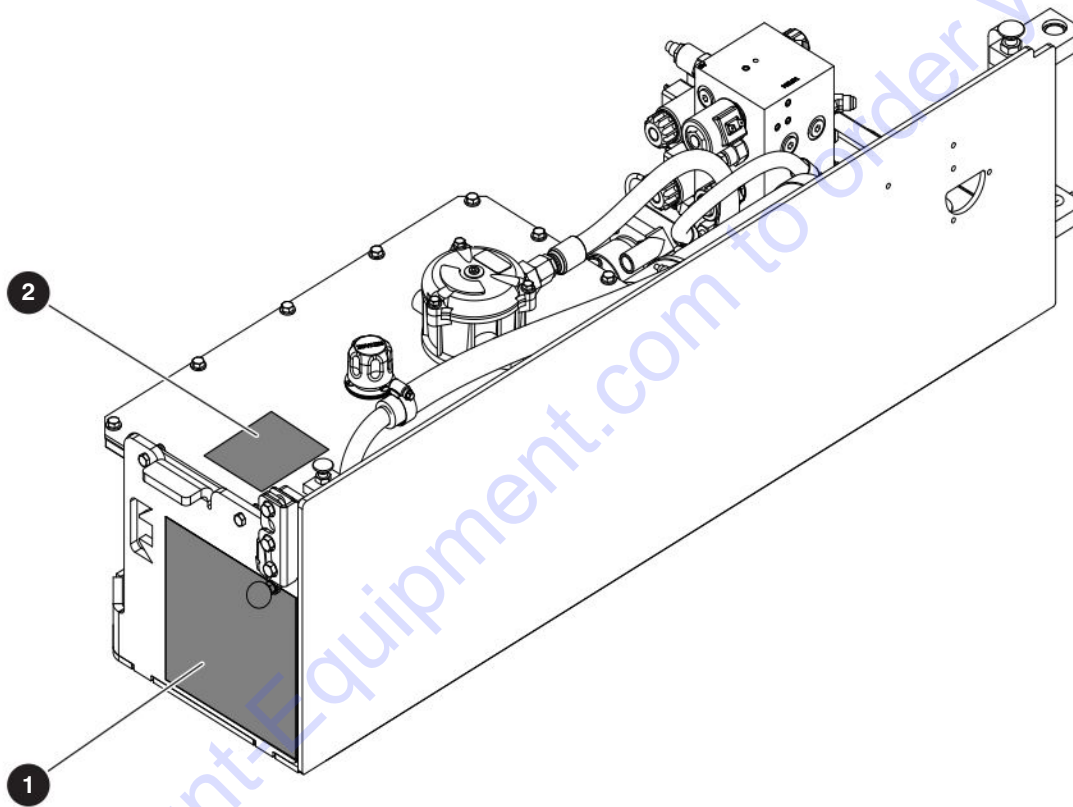
SJ3220, SJ3226, SJ4720, SJ4726, SJ4732

SKYJACK

9.10 Labels - Lift Here (SJ4726 Aircraft Protection)

Index No.	Skyjack Part No.	Qty.	Description
-	172871	1	LABEL KIT, LIFT HERE (2703 KG/5960 LB) <i>(for machines with the Aircraft Protection)</i>
1	173752	4	<ul style="list-style-type: none"> LABEL, Lift Here (2703 kg/5960 lb)
2	173753	1	<ul style="list-style-type: none"> LABEL, Lift Here - Hydraulic Tray Side (2703 kg/5960 lb)
3	173754	1	<ul style="list-style-type: none"> LABEL, Lift Here - Battery Tray Side (2703 kg/5960 lb)
4	173755	2	<ul style="list-style-type: none"> LABEL, Lift Here - Straight (2703 kg/5960 lb)

9.11 Labels - Hose Layout (KC Only)



M172907AA

223197ABA

218

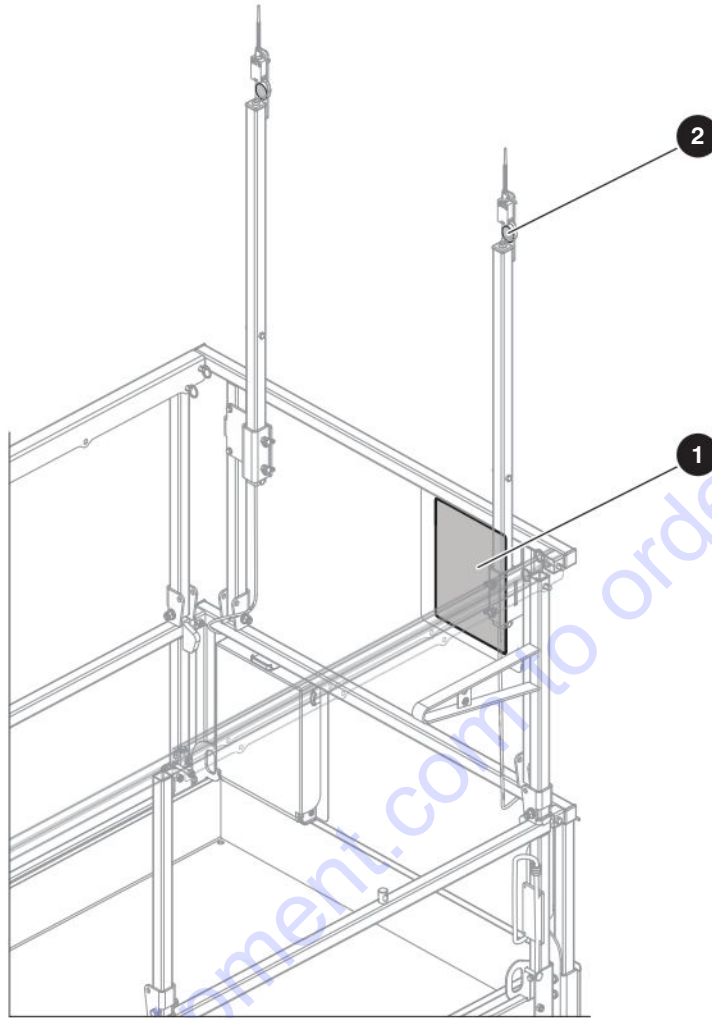
SJ3220, SJ3226, SJ4720, SJ4726, SJ4732

SKYJACK

9.11 Labels - Hose Layout (KC Only)

Index No.	Skyjack Part No.	Qty.	Description
A	172907	-	LBL LAYOUT, HOSE - SJ3220/26
B	173041	-	LBL LAYOUT, HOSE - SJ4720/26/32
1	172699	1	• LBL, Hyd Hose Numbers Layout, A
	173182	1	• LBL, Hyd Hose Numbers Layout, B
2	173185	1	• LBL, Manifold Hose Numbers, A
	172812	1	• LBL, Manifold Hose Numbers, B
3	172359	2	• LBL, 1
4	172360	2	• LBL, 2
5	172361	2	• LBL, 3
6	172362	2	• LBL, 4
7	172363	2	• LBL, 5
8	172364	2	• LBL, 6
9	172365	2	• LBL, 7
10	172366	2	• LBL, 8
11	172367	2	• LBL, 9
12	172368	2	• LBL, 10
13	172369	2	• LBL, 11
14	172374	2	• LBL, 12
15	172375	2	• LBL, 13
16	172376	2	• LBL, 14, A
17	172377	2	• LBL, 15
18	172378	2	• LBL, 16
19	172379	2	• LBL, 17
20	172380	2	• LBL, 18, B
21	172381	2	• LBL, 19, B

9.12 Labels - Anti-Overrising Posts (KC Only)



M172751AB

Index No.	Skyjack Part No.	Qty.	Description
1	172751	1	<ul style="list-style-type: none"> • LBL, Quickstart Instructions
2	173178	2	<ul style="list-style-type: none"> • LBL, Do Not Alter Anti-Overrising Limit Switches
	173178	4	<ul style="list-style-type: none"> • LBL, Do Not Alter Anti-Overrising Limit Switches (With Optional Posts)

PARTS FINDER

**Search Website
by Part Number**



**Search Manual
Library For Parts
Manual & Lookup Part
Numbers – Purchase
or Request Quote**

Search Manuals

Enter your information to help us find the right parts manual for your machine.

* Brand:

* Model:

* Serial:

* Part Number:

SEARCH

**Can't Find Part or
Manual? Request Help
by Manufacturer,
Model & Description**

Parts Order Form

Please fill in the following information to help us find the right part for your machine.

Manufacturer:	<input type="text"/>
Model:	<input type="text"/>
Description:	<input type="text"/>
Part Number:	<input type="text"/>
Quantity:	<input type="text"/>
Notes:	<input type="text"/>

Submit

Discount-Equipment.com is your online resource for quality parts & equipment.

Florida: **561-964-4949** Outside Florida TOLL FREE: **877-690-3101**

Need parts?

Click on this link: <http://www.discount-equipment.com/category/5443-parts/> and choose one of the options to help get the right parts and equipment you are looking for. Please have the machine model and serial number available in order to help us get you the correct parts. If you don't find the part on the website or on one of the online manuals, please fill out the request form and one of our experienced staff members will get back to you with a quote for the right part that your machine needs.

We sell worldwide for the brands: Genie, Terex, JLG, MultiQuip, Mikasa, Essick, Whiteman, Mayco, Toro Stone, Diamond Products, Generac Magnum, Airman, Haulotte, Barreto, Power Blanket, Nifty Lift, Atlas Copco, Chicago Pneumatic, Allmand, Miller Curber, Skyjack, Lull, Skytrak, Tsurumi, Husquvarna Target, Stow, Wacker, Sakai, Mi-T-M, Sullair, Basic, Dynapac, MBW, Weber, Bartell, Bennar Newman, Haulotte, Ditch Runner, Menegotti, Morrison, Contec, Buddy, Crown, Edco, Wyco, Bomag, Laymor, EZ Trench, Bil-Jax, F.S. Curtis, Gehl Pavers, Heli, Honda, ICS/PowerGrit, IHI, Partner, Imer, Clipper, MMD, Koshin, Rice, CH&E, General Equipment, Amida, Coleman, NAC, Gradall, Square Shooter, Kent, Stanley, Tamco, Toku, Hatz, Kohler, Robin, Wisconsin, Northrock, Oztec, Toker TK, Rol-Air, APT, Wylie, Ingersoll Rand / Doosan, Innovatech, Con X, Ammann, Mecalac, Makinex, Smith Surface Prep, Small Line, Wanco, Yanmar