

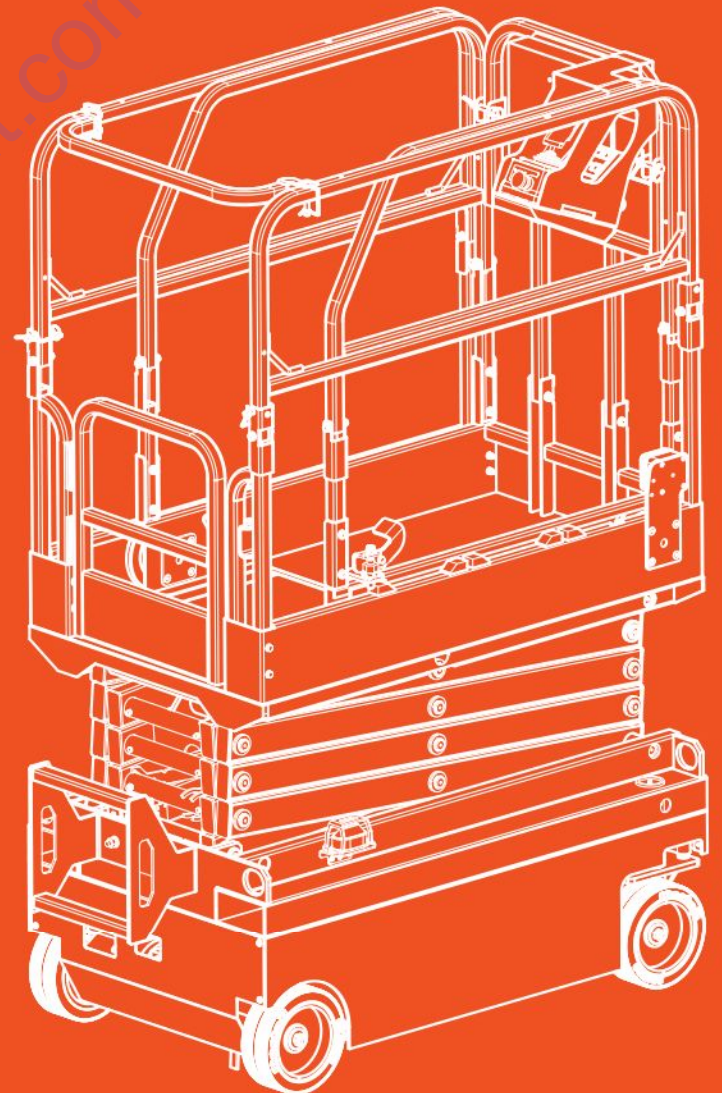


SKYJACK

PARTS MANUAL

SJ3013 micro, SJ3014 micro

DC ELECTRIC SCISSORS



238838ABA

January 2021
ANSI & CE

PARTS FINDER

**Search Website
by Part Number**



**Search Manual
Library For Parts
Manual & Lookup Part
Numbers – Purchase
or Request Quote**

Search Manuals

Enter your information to help us find the right parts manual for your machine.

* Brand:

* Model:

* Serial:

* Part Number:

SEARCH

**Can't Find Part or
Manual? Request Help
by Manufacturer,
Model & Description**

Parts Order Form

Please fill in the following information to help us find the right part for your machine.

Manufacturer:	<input type="text"/>
Model:	<input type="text"/>
Description:	<input type="text"/>
Part Number:	<input type="text"/>
Quantity:	<input type="text"/>
Notes:	<input type="text"/>

Submit

Discount-Equipment.com is your online resource for quality parts & equipment.

Florida: **561-964-4949** Outside Florida TOLL FREE: **877-690-3101**

Need parts?

Click on this link: <http://www.discount-equipment.com/category/5443-parts/> and choose one of the options to help get the right parts and equipment you are looking for. Please have the machine model and serial number available in order to help us get you the correct parts. If you don't find the part on the website or on one of the online manuals, please fill out the request form and one of our experienced staff members will get back to you with a quote for the right part that your machine needs.

We sell worldwide for the brands: Genie, Terex, JLG, MultiQuip, Mikasa, Essick, Whiteman, Mayco, Toro Stone, Diamond Products, Generac Magnum, Airman, Haulotte, Barreto, Power Blanket, Nifty Lift, Atlas Copco, Chicago Pneumatic, Allmand, Miller Curber, Skyjack, Lull, Skytrak, Tsurumi, Husquvarna Target, Stow, Wacker, Sakai, Mi-T-M, Sullair, Basic, Dynapac, MBW, Weber, Bartell, Bennar Newman, Haulotte, Ditch Runner, Menegotti, Morrison, Contec, Buddy, Crown, Edco, Wyco, Bomag, Laymor, EZ Trench, Bil-Jax, F.S. Curtis, Gehl Pavers, Heli, Honda, ICS/PowerGrit, IHI, Partner, Imer, Clipper, MMD, Koshin, Rice, CH&E, General Equipment, Amida, Coleman, NAC, Gradall, Square Shooter, Kent, Stanley, Tamco, Toku, Hatz, Kohler, Robin, Wisconsin, Northrock, Oztec, Toker TK, Rol-Air, APT, Wylie, Ingersoll Rand / Doosan, Innovatech, Con X, Ammann, Mecalac, Makinex, Smith Surface Prep, Small Line, Wanco, Yanmar

This manual is for MEWPs with serial numbers:

SJ3013 & SJ3014: 09281002 - 09281013

SJ3013 & SJ3014: 09281015 - 09281040

Please refer to the website (www.discount-equipment.com) for contact information, other serial numbers, the most recent technical manuals, and USB software.

Go to Discount-Equipment.com to order your parts

Table of Contents

Foreword	5
General.....	5
Parts Ordering Information.....	5
Method of Listing.....	5
Quantities.....	5
How To Order Repair Parts.....	5
Recommended Service Parts.....	6
Section 1 – Platform	7
1.1 Main Platform.....	8
1.2 Extension Deck.....	10
1.3 Control Box.....	12
Section 2 – Scissors	13
2.1 Scissor Level 1.....	14
2.2 Scissor Level 2.....	16
2.3 Scissor Level 3.....	18
2.4 Scissor Level 4.....	20
2.5 Spring Frame.....	22
Section 3 – Base	25
3.1 Chassis.....	26
3.2 Drive Wheels.....	28
3.3 Steer Wheels.....	30
3.4 Steer Cylinder.....	32
3.5 System Components Tray.....	34
3.6 Pothole Protection.....	36
3.7 Flashing Light.....	38
3.8 Tilt Switch.....	39
3.9 Ladder.....	40
Section 4 – Labels	41
4.1 Rear.....	42
4.2 Left Side.....	44
4.3 Front.....	46
4.4 Top.....	47
4.5 Right Side.....	48
4.6 Platform.....	50
4.7 System Components Tray.....	52

Foreword

General

The information contained in this manual is designed to aid the user in locating and identifying replacement parts. Component parts of various assemblies and subassemblies comprising the work platform are illustrated and accompanied by a descriptive parts list. Exploded drawings are used to show relative location of component parts in disassembly order. If a part cannot be found in this manual, contact Discount-equipment for assistance.

Parts Ordering Information

When ordering replacement parts, the complete part number and description should be used to ensure proper identification and delivery of the desired item. This complete identification should also be used when requesting equipment information.

Method of Listing

Parts are listed in order according to the reference number shown in the illustration, followed by a full description based upon the "NOUN FIRST" method. That is, the noun name of the part is listed first, then the modifying description information which serves to specifically identify the item. For example: PIN, Clevis.

Assemblies at the beginning of a parts list may be identified with a reference letter: A, B, C, etc. These letters are used to identify different configurations of the assembly. Individual parts in these lists have corresponding letters after their description to identify which assembly it is used in. If a part does not have a reference letter, it is used in all of the assemblies.

Bullets (•) are used to show the assembly structure, or parent/child relationship. A part listed at the beginning of the parts list without a bullet before the description is the main assembly, and all of the parts below it with one bullet are the subcomponent parts of that assembly. Two bullets denote a subcomponent of a subcomponent, etc.

Example:

Main Assembly A

- Part 1 (subcomponent of Main Assembly A)
- Part 2 (subcomponent of Main Assembly A)
- • Part 3 (subcomponent of Part 2)

Quantities

The quantities required to complete the assembly are given for each part. If the quantity is (AR), it is understood that the quantity may vary when the machine is equipped with certain options. Order quantity as needed.

How To Order Repair Parts

1. Address all orders to Discount-equipment.
2. Specify model and serial number of the work platform (found on the serial number plate).
3. List the quantity needed.
4. List the length needed (if it is a bulk item).
5. List the part number and description as shown in this manual for each item.
6. Show the billing and shipping address and the name of the individual, if possible.
7. Suggest the best routing.

Customer: _____

Dealer: _____

Model Number: _____

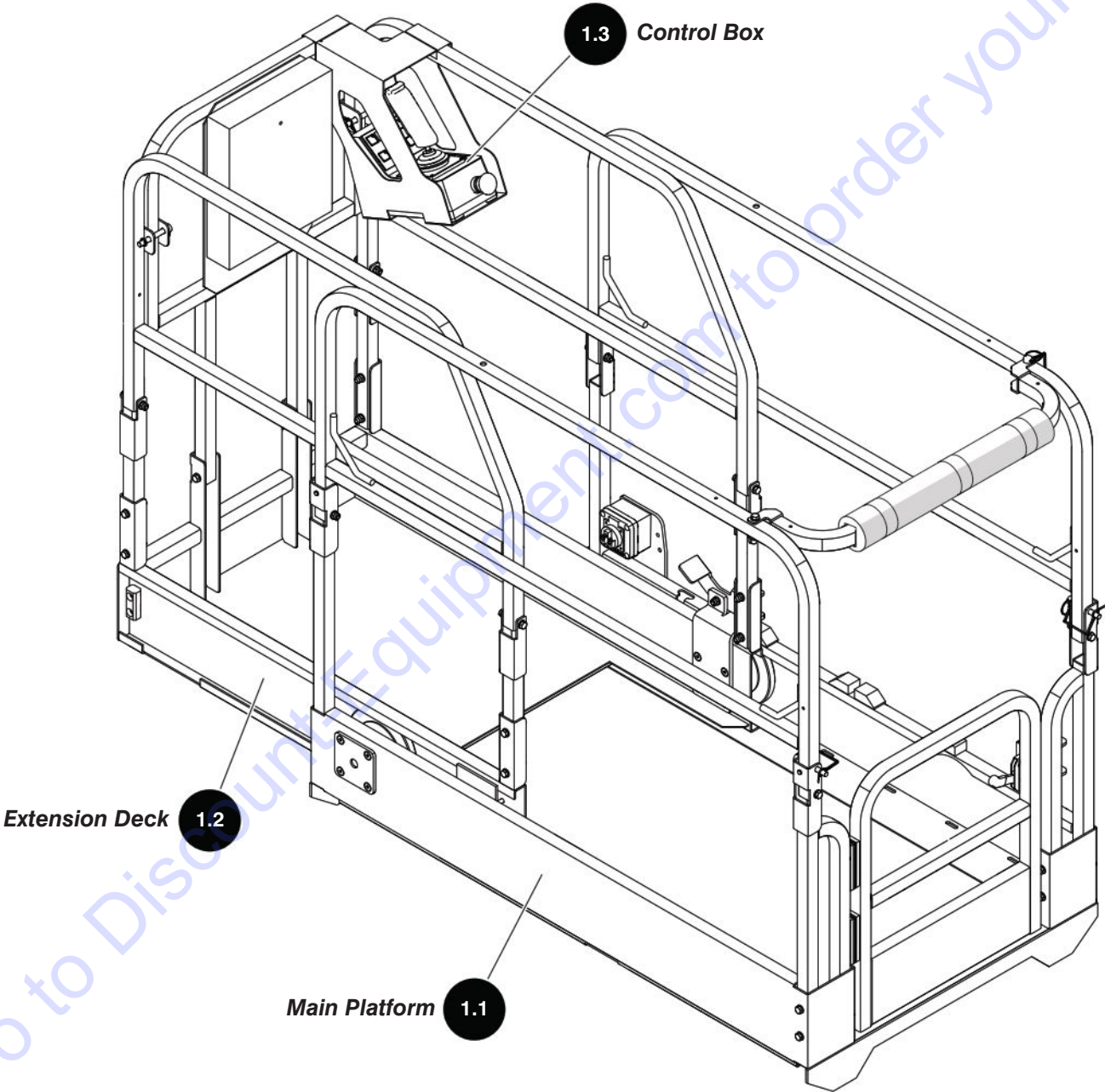
Serial Number: _____

Date Purchased: _____

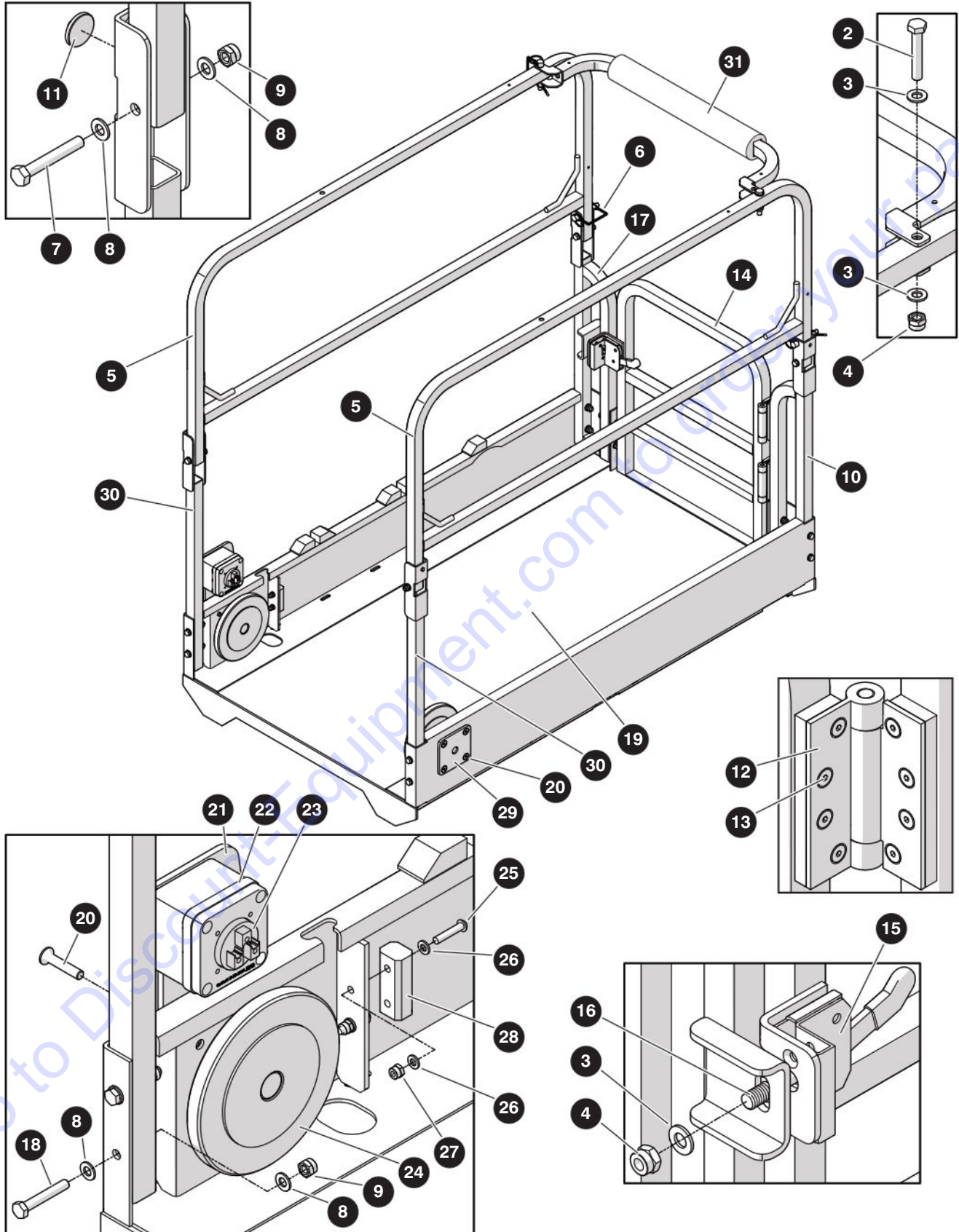
Recommended Service Parts

Description	Year 1 Qty	Year 2 Qty	Year 3 Qty	Skyjack Part No.
Electrical				
CONTROL BOX, B system				237323
CABLE, JOYSTICK - B system				237324
JOYSTICK				237325
PCB BOARD, B system				237326
DECAL, JOYSTICK - A system				237327
ECU				237328
PLUG, ECU				237329
CONTROLLER, Motor				237330
SENSOR, Tilt				237331
SENSOR, Angle				237332
SENSOR, Overload				237333
CHARGER, Battery				237334
CABLE, Battery charger				237335
INDICATOR, Charge				237336
CONTACT, NO				237337
CONTACT, NC				237338
BUTTON, Emergency stop				237339
SWITCH, Key				237340
SWITCH, Toggle - 2 position				237341
SWITCH, Toggle - 3 position				237342
CABLE, Emergency lowering				237343
HANDLE, T				237349
CONTACTOR, DC				237352
Hydraulic				
MOTOR, Drive				237322
VALVE, Check				237344
VALVE, Lowering				237345
CYLINDER, Steer				237346
PUMP, Gear - power unit				237347
POWER UNIT				237348
Other				
WHEEL				237350
LOCK, Door				237351

Section 1 – Platform



1.1 Main Platform



M239021AA

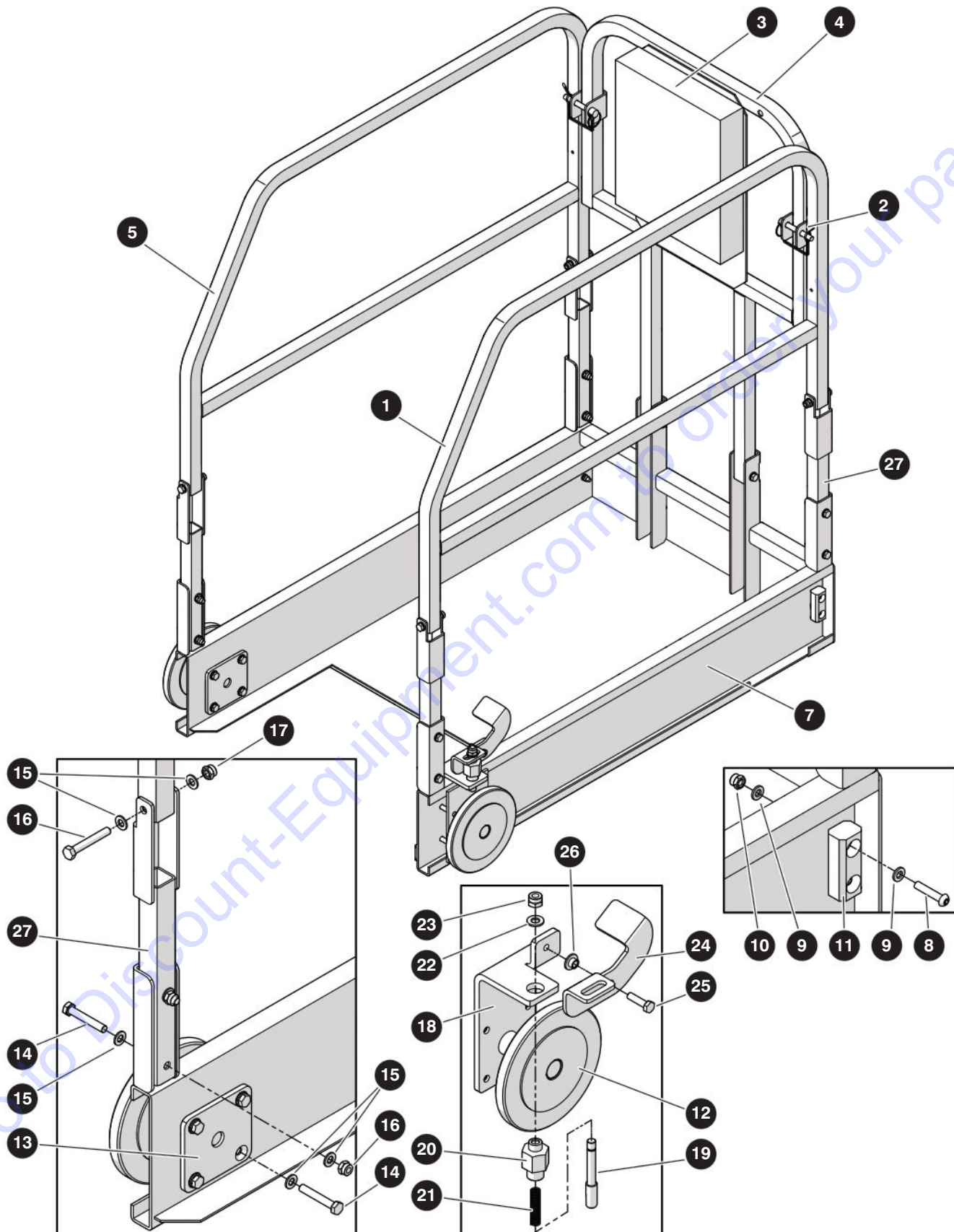
238838ABA

SJ3013 micro, SJ3014 micro

1.1 Main Platform

Index No.	Skyjack Part No.	Qty.	Description
-	02J0002465	1	MAIN PLATFORM ASSEMBLY
1	02J0002478	1	• RAILING, Rear
2	031003W004	1	• BOLT, Hex head (M10 x 60)
3	031003C063	2	• WASHER, Flat (M10)
4	03114CY038	2	• NUT, Lock (M10)
5	02J0002475	2	• RAILING, Side
6	031005J960	2	• PIN, Quick release
7	031005J071	2	• BOLT, Hex head (M8 x 55)
8	031003C070	8	• WASHER, Flat (M8)
9	03114CY042	4	• NUT, Lock (M8)
10	021109Y667	1	• RAILING, Rear left
11	05114CY112	4	• BUMPER, Railing
12	051005J690	2	• HINGE, Spring
13	031005J968	16	• SCREW, Flat head hex socket (M5 x 10)
14	021109Y668	1	• GATE
15	051005J338	1	• LATCH, Gate
16	051005J339	1	• PIN, Latch
17	021109Y666	1	• RAILING, Rear right
18	03109HT006001	2	• BOLT, Hex head (M8 x 50)
19	02J0002466	1	• BASE, Platform
20	03112QB032001	8	• SCREW, Flat head hex socket (M8 x 40)
21	02J0001667	1	• SEAT, Pulley - right
22	05J0000122	1	• BOX, Junction
23	051005J044	1	• SOCKET, Upper control
24	02J0001645	2	• PULLEY, Platform
25	03J0000026	2	• SCREW, Button head (M6 x 30)
26	031003C069	4	• WASHER, Flat (M6)
27	03114CY041	2	• NUT, Lock (M6)
28	021109Y246	2	• BUMPER
29	02J0001669	1	• SEAT, Pulley - right
30	02J0001675	2	• RAILING, Vertical
31	104183	20"	• PADDING, Railing (not shown)

1.2 Extension Deck



M238987AA

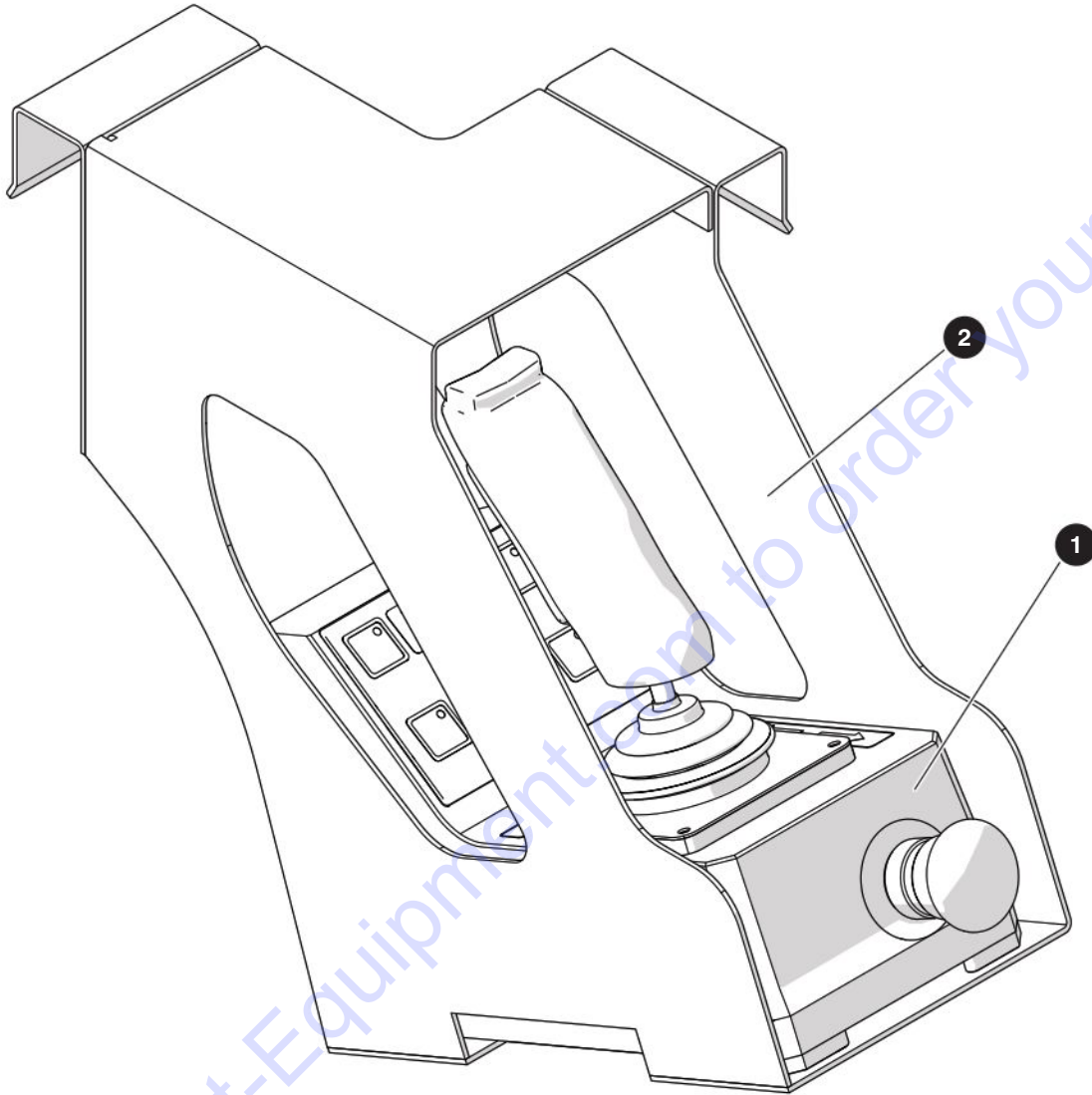
238838ABA

SJ3013 micro, SJ3014 micro

1.2 Extension Deck

Index No.	Skyjack Part No.	Qty.	28p3.698
-	02J0001679	1	EXTENSION DECK ASSEMBLY
1	02J0001694	1	• RAILING, Right side - extension deck
2	031005J960	2	• PIN, Quick release
3	091003X013	1	• BOX, Manual
4	02J0001686	1	• RAILING, Front
5	02J0001691	1	• RAILING, Left side - extension deck
6	05114CY112	4	• BUMPER, Railing
7	02J0001680	1	• BASE, Extension deck
8	03J0000026	4	• SCREW, Button head (M6 x 30)
9	031003C069	8	• WASHER, Flat (M6)
10	03114CY041	4	• NUT, Lock (M6)
11	021109Y246	2	• BUMPER
12	02J0001645	2	• PULLEY, Platform
13	02J0001669	1	• SEAT, Pulley - left
14	03109HT006001	8	• BOLT, Hex head (M8 x 50)
15	031003C070	14	• WASHER, Flat (M8)
16	031005J071	2	• BOLT, Hex head (M8 x 55)
17	03114CY042	2	• NUT, Lock (M8)8
18	02J0001695	1	• SEAT, Pulley - right
19	021109Y261	1	• PIN, Limit
20	051005J006	1	• TUBE, Limit
21	051003C004	1	• SPRING, Pedal
22	031003C063	2	• WASHER, Flat (M10)
23	03114CY038	1	• NUT, Lock (M10)
24	021109Y260	1	• PEDAL
25	031003C018	1	• BOLT, Hex head (M8 x 30)
26	021005J045	1	• SPACER
27	02J0003531	4	• RAILING, Connection

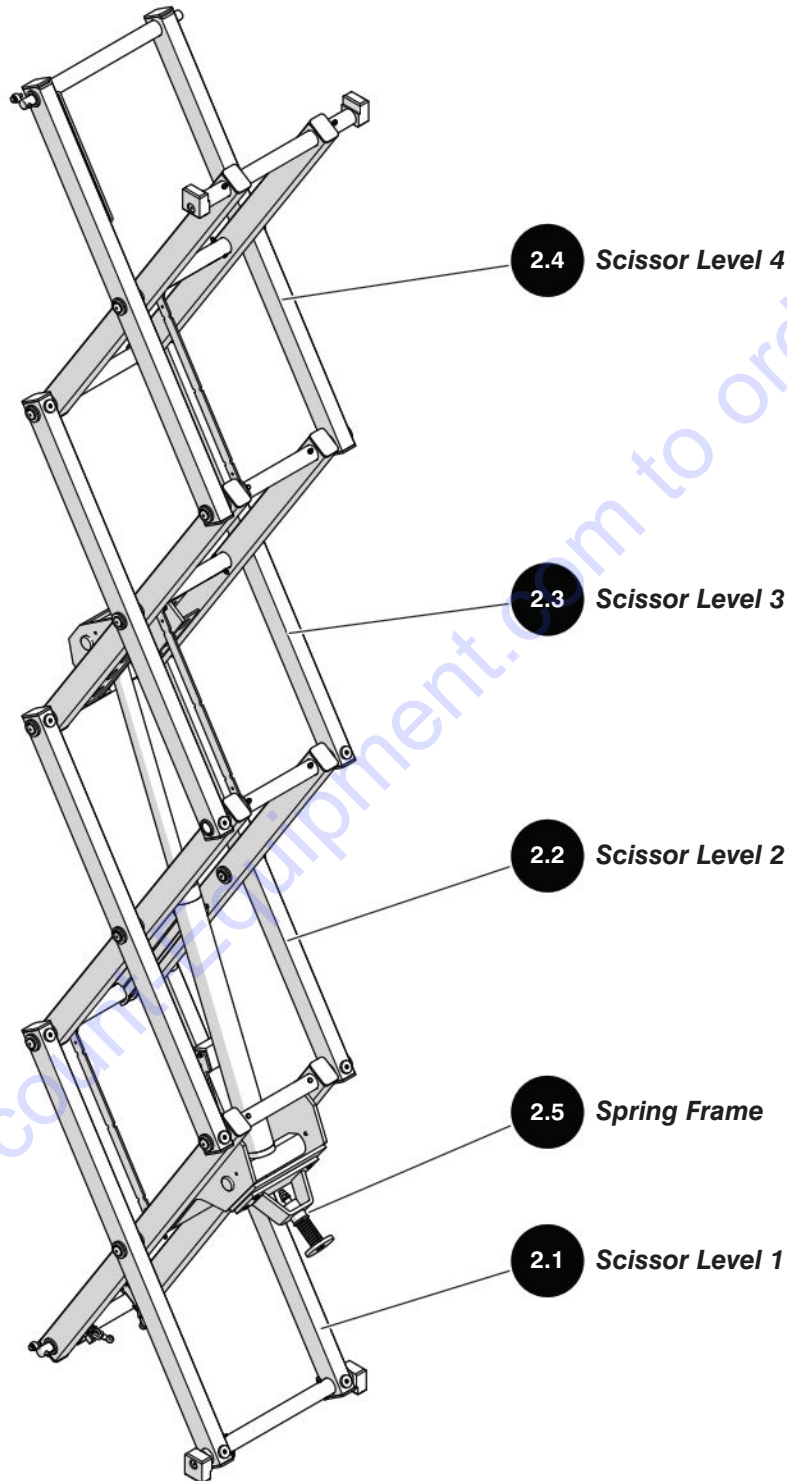
1.3 Control Box



M238992AA

Index No.	Skyjack Part No.	Qty.	Description
-	02J0006802004	1	CONTROL BOX ASSEMBLY
1	05J0000805	1	• CONTROL BOX
2	02J0006383	1	• MOUNT, Control box

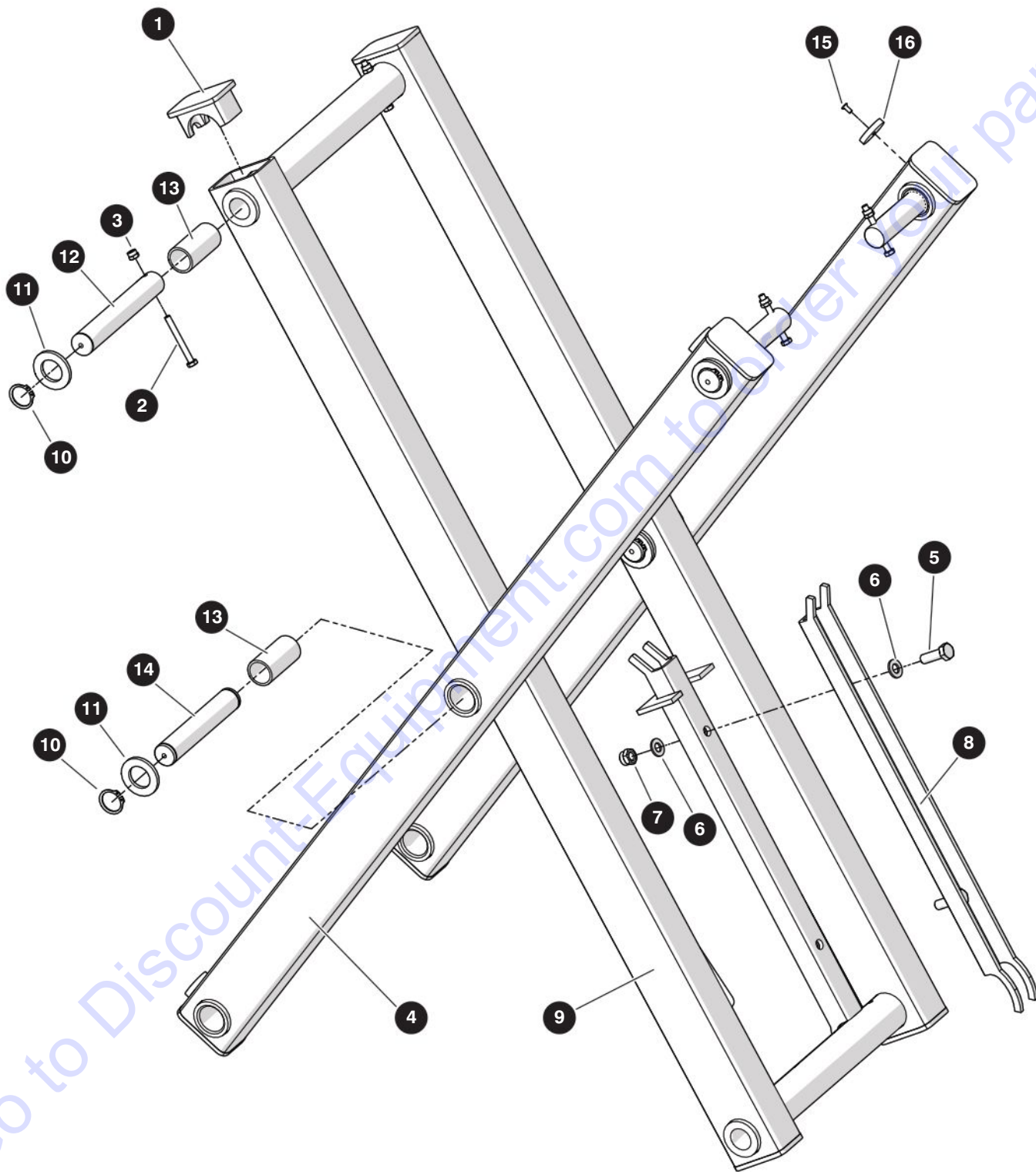
Section 2 – Scissors



2.1 Scissor Level 1

Index No.	Skyjack Part No.	Qty.	Description
1	05J0000404003	8	CAP, End
2	031111D004	6	BOLT, Hex head (M6 x 55)
3	031003C056	6	NUT, Lock (M6)
4	031003C012	2	BOLT, Hex head (M8 x 25)
5	031003C070	2	WASHER, Flat (M8)
6	02J0002504	1	PIN, Cylinder - lower
7	031003C021001	4	SCREW, Flat head hex socket (M8 x 16)
8	021109Y822	4	BUMPER, Scissor
9	03J0000106	2	BUSHING (38 x 42 x 25)
10	02J0002482	1	SUPPORT, Scissor
11	02J0002499001	1	SCISSOR ARM, Outer - level 1
12	02J0002495001	1	SCISSOR ARM, Inner - level 1
13	031003C215	6	BUSHING (25 x 30 x 50)
14	031108L002	4	RING, Retaining
15	031003C064	4	WASHER, Flat (M12)
16	021109Y731001	2	PIN, Centre
17	021109Y734001	2	PIN, Slider - lower
18	021005J071001	2	SLIDER
19	(Ref.)	1	SPRING FRAME <i>(For components, refer to 2.5 Spring Frame)</i>
20	02J0002694	2	BRACKET, Limit switch
21	031003C179	8	SCREW, Pan head cross groove (M4 x 12)
22	051111D013	2	SWITCH, Limit
23	051005J007002	1	PIN, Retaining
24	021109Y729001	1	PIN, Scissor Stack - lower

2.2 Scissor Level 2



M239173AA-2

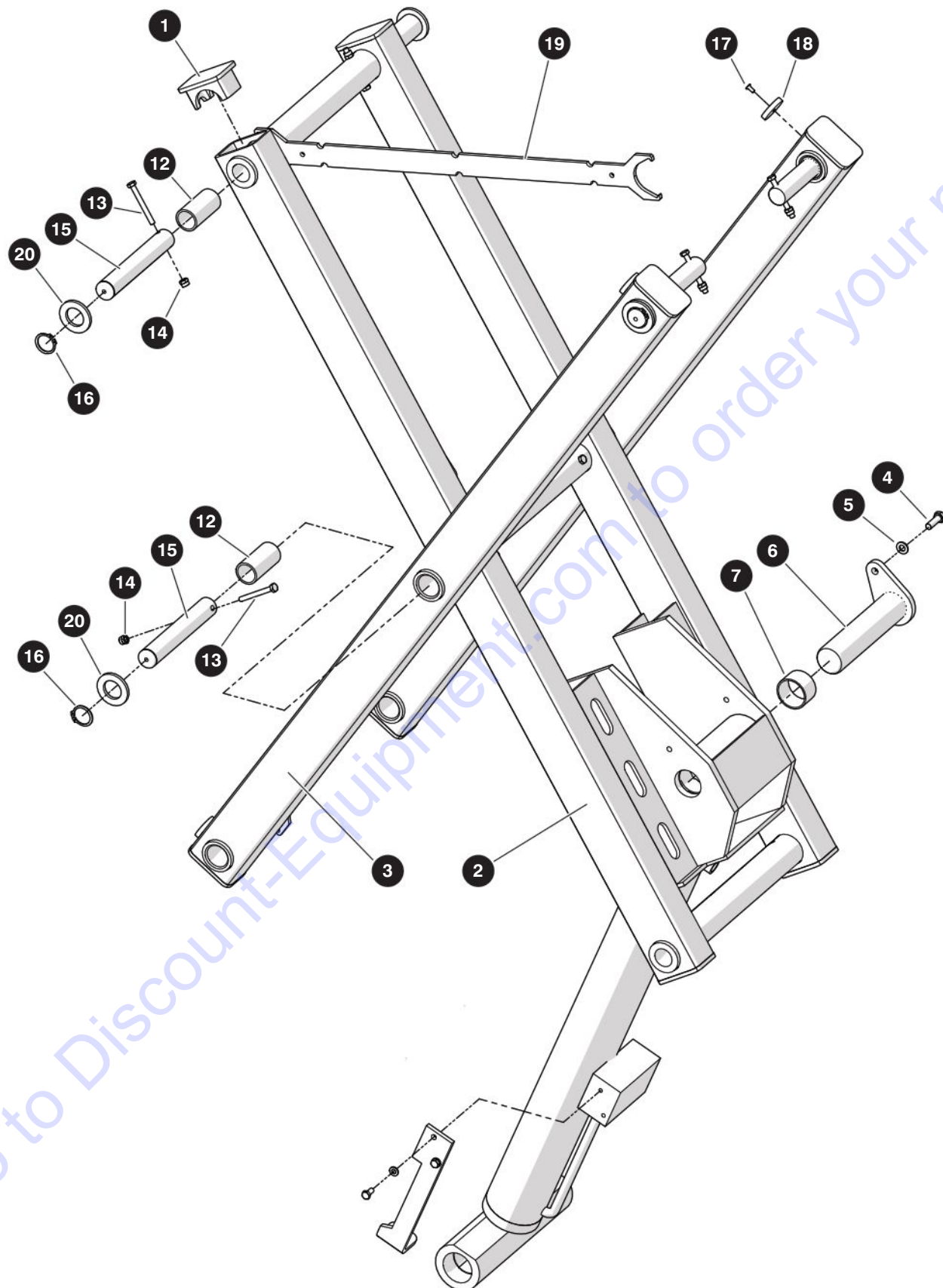
238838ABA

SJ3013 micro, SJ3014 micro

2.2 Scissor Level 2

Index No.	Skyjack Part No.	Qty.	Description
1	05J0000404003	1	CAP, End
2	031111D004	2	BOLT, Hex head (M6 x 55)
3	031003C056	3	NUT, Lock (M6)
4	02J0002493001	4	SCISSOR ARM, Outer
5	031003C019	5	BOLT, Hex head (M10 x 30)
6	031003C063	6	WASHER, Flat (M10)
7	031003C052	7	NUT, Lock (M10)
8	02J0002483	8	STAND, Maintenance
9	02J0002492001	9	SCISSOR ARM, Inner - level 2
10	031108L002	10	RING, Retaining
11	031003C064	11	WASHER, Flat (M12)
12	021109Y731001	12	PIN, Centre
13	031003C215	13	BUSHING (25 x 30 x 50)
14	021109Y732001	14	PIN, Centre
15	031003C021001	15	SCREW, Flat hex socket (M8 x 16)
16	021109Y822	16	BUMPER, Scissor

2.3 Scissor Level 3



M239173AA-3

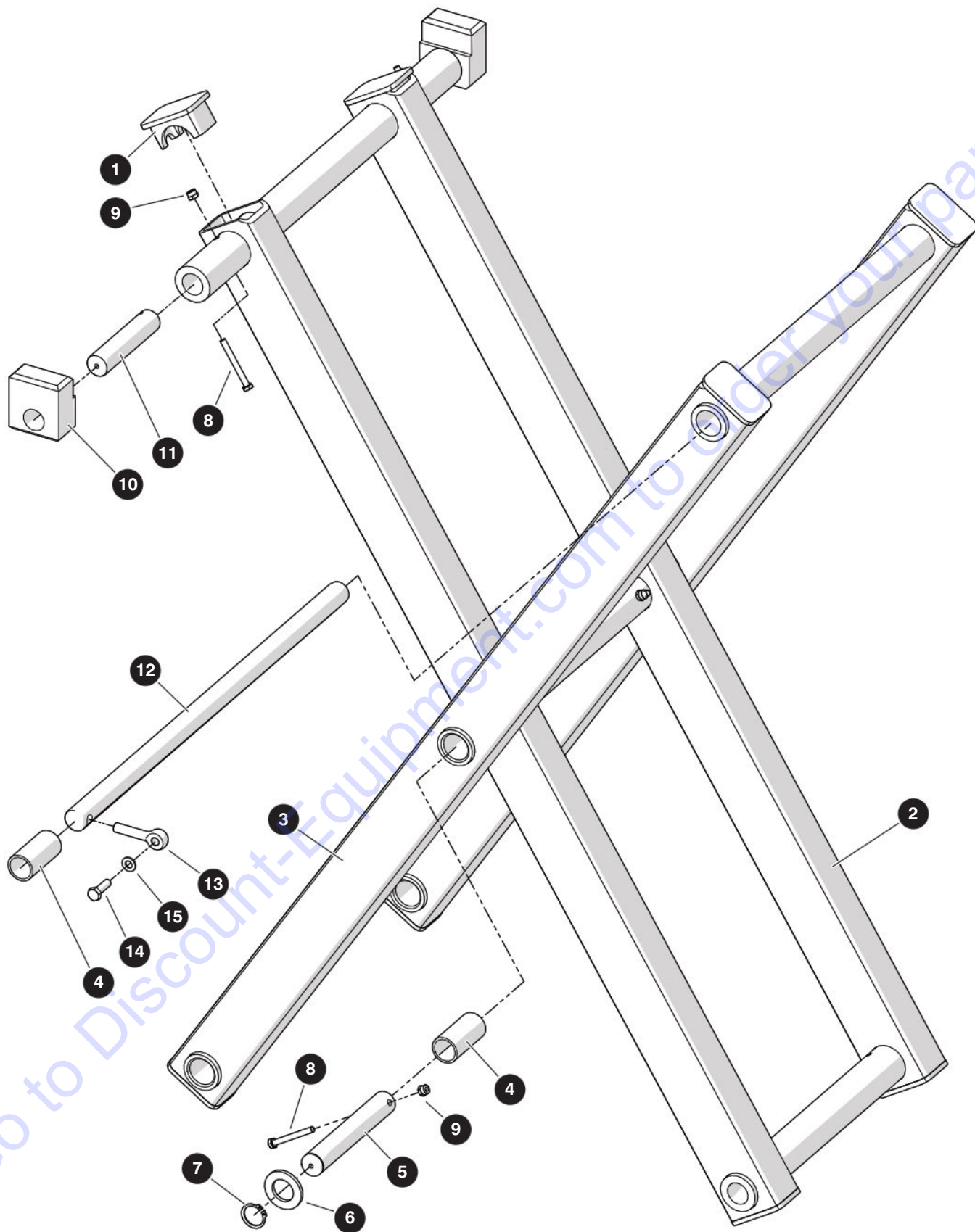
238838ABA

SJ3013 micro, SJ3014 micro

2.3 Scissor Level 3

Index No.	Skyjack Part No.	Qty.	Description
1	05J0000404003	8	CAP, End
2	02J0002484001	1	SCISSOR ARM, Inner - level 3
3	02J0002493001	2	SCISSOR ARM, Outer - level 2/3
4	031003C012	1	BOLT, Hex head (M8 x 25)
5	031003C070	5	WASHER, Flat (M8)
6	02J0002501	6	PIN, Cylinder - upper
7	03J0000106	2	BUSHING (38 x 42 x 25)
8	05J0000497	1	CYLINDER, Lift
9	02J0000238	1	BRACKET, Mounting - limit switch
10	031003C069	2	WASHER, Flat (M6)
11	031003C017	2	BOLT, Hex head (M6 x 12)
12	031003C215	2	BUSHING (25 x 30 x 50)
13	031111D004	4	BOLT, Hex head (M6 x 55)
14	031003C056	4	NUT, Lock (M6)
15	021109Y731001	4	PIN, Centre
16	031108L002	6	RING, Retaining (32)
17	031003C021001	4	SCREW, Flat hex socket (M8 x 16)
18	021109Y822	4	BUMPER, Scissor
19	02J0002482	2	SUPPORT, Scissor
20	031003C064	6	WASHER, Flat (M12)

2.4 Scissor Level 4



M239173AA-4

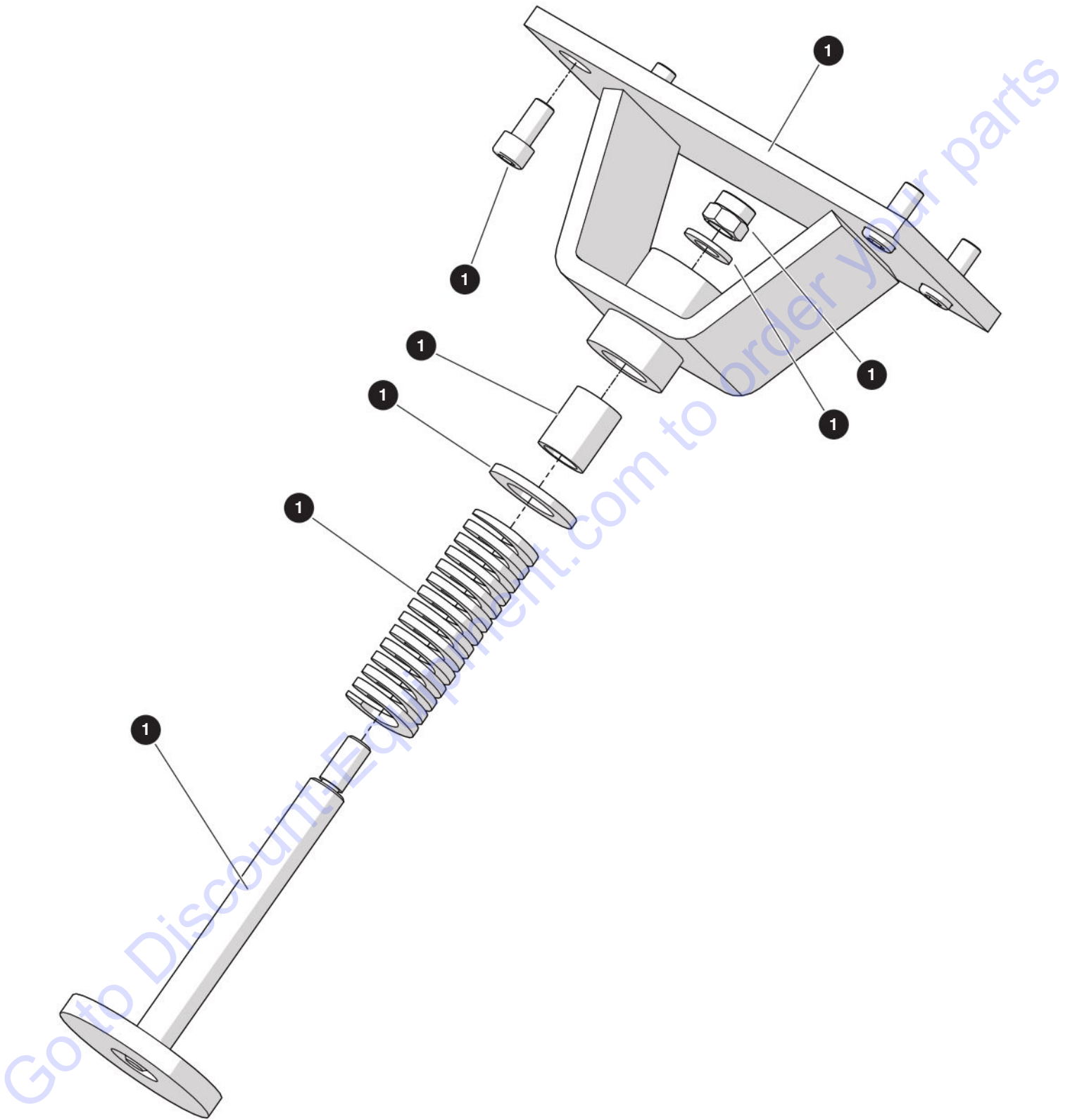
238838ABA

SJ3013 micro, SJ3014 micro

2.4 Scissor Level 4

Index No.	Skyjack Part No.	Qty.	Description
1	05J0000404003	1	CAP, End
2	02J0002500001	2	SCISSOR ARM, Inner - level 4
3	02J0002490001	3	SCISSOR ARM, Outer - level 4
4	031003C215	4	BUSHING (25 x 30 x 50)
5	021109Y731001	5	PIN, Centre
6	031003C064	6	WASHER, Flat (M12)
7	031108L002	7	RING, Retaining (32)
8	031111D004	8	BOLT, Hex head (M6 x 55)
9	031003C056	9	NUT, Lock (M6)
10	021005J071001	10	SLIDER
11	021109Y733001	11	PIN, Slider - upper
12	021109Y730001	1	PIN, Scissor stack - upper
13	051005J007002	1	PIN, Retaining
14	031003C012	2	BOLT, Hex head (M8 x 25)
15	031003C070	2	WASHER, Flat (M8)

2.5 Spring Frame



M239173AA-5

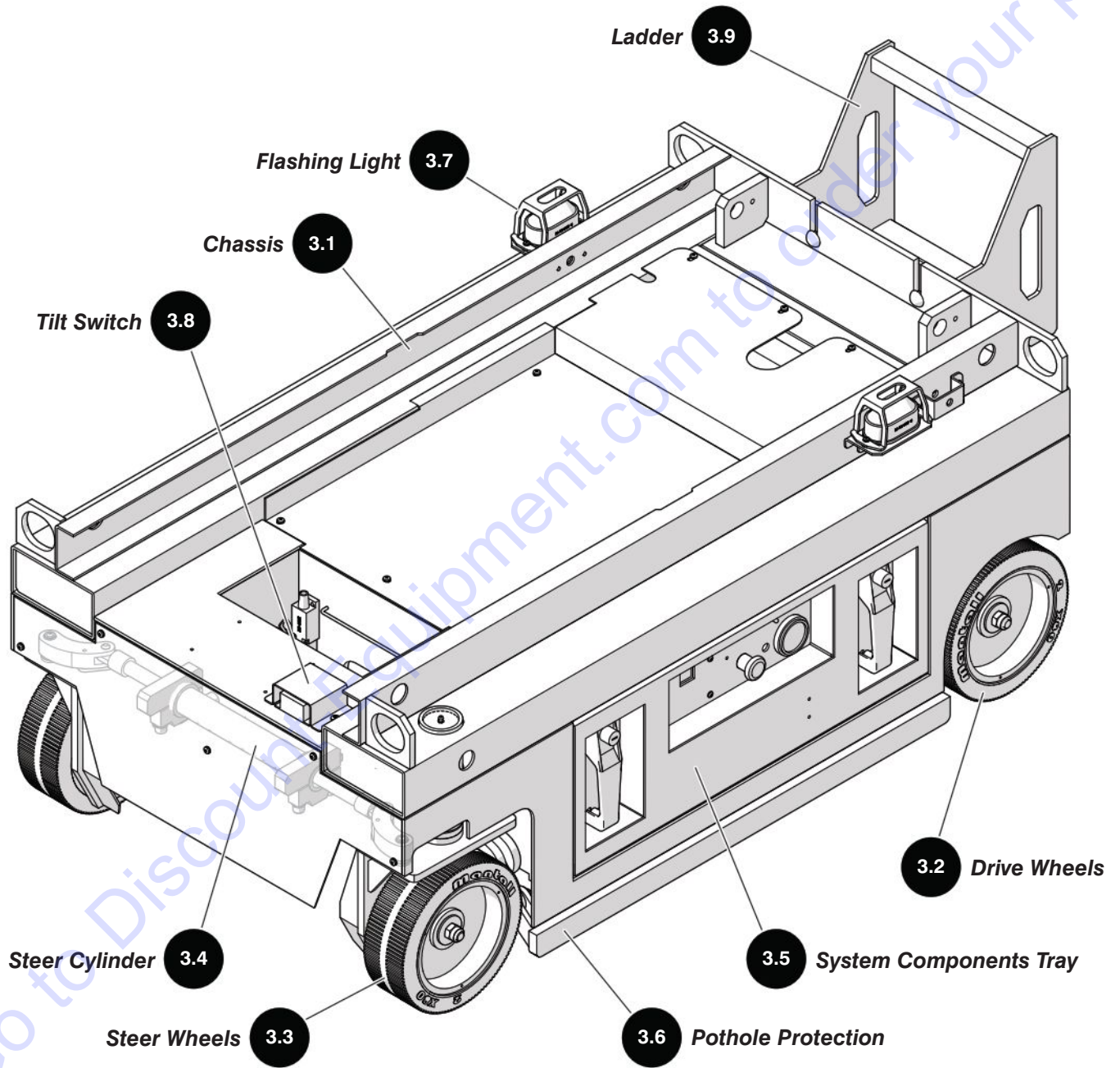
238838ABA

SJ3013 micro, SJ3014 micro

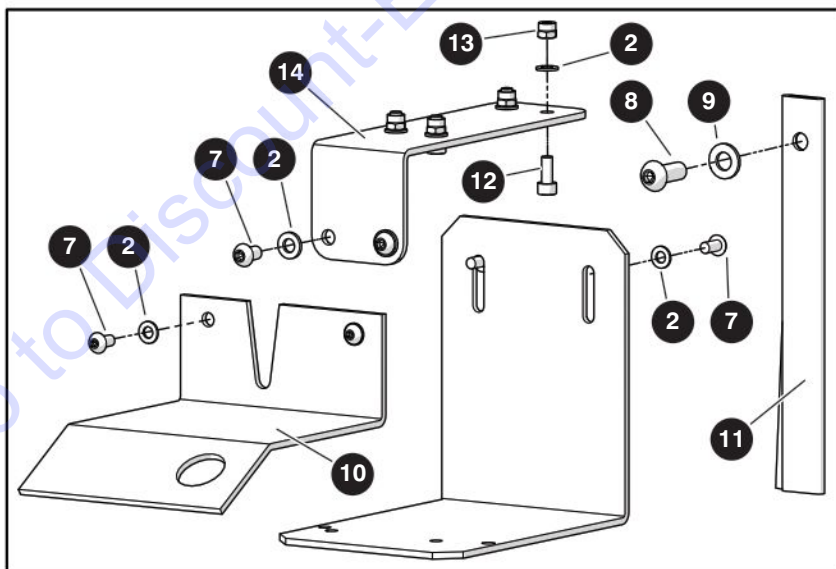
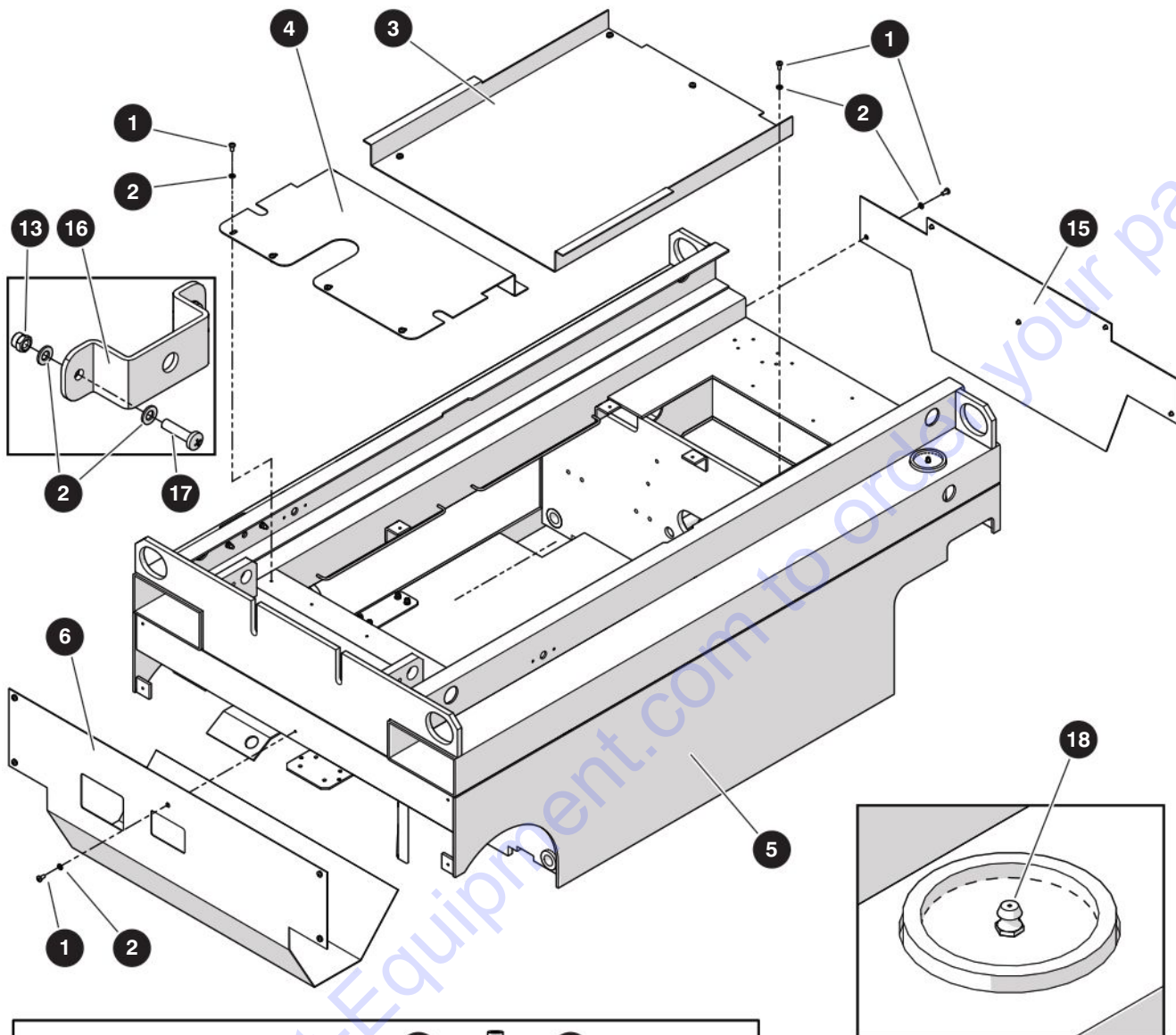
2.5 Spring Frame

Index No.	Skyjack Part No.	Qty.	Description
-	02J0002506	1	SPRING FRAME
1	02J0002511	1	• PIN, Scissor spring
2	05J0000525	1	• SPRING
3	031003C084	1	• WASHER, Flat (M24)
4	03J0000107	1	• BUSHING (18 x 24 x 30)
5	02J0002507	1	• FRAME, Spring
6	031003C064	1	• WASHER, Flat (M12)
7	031003C053	1	• NUT, Lock (M12)
8	03114CY158	4	SCREW, Socket head cap (M10 x 20)

Section 3 – Base



3.1 Chassis



M239136AA-2

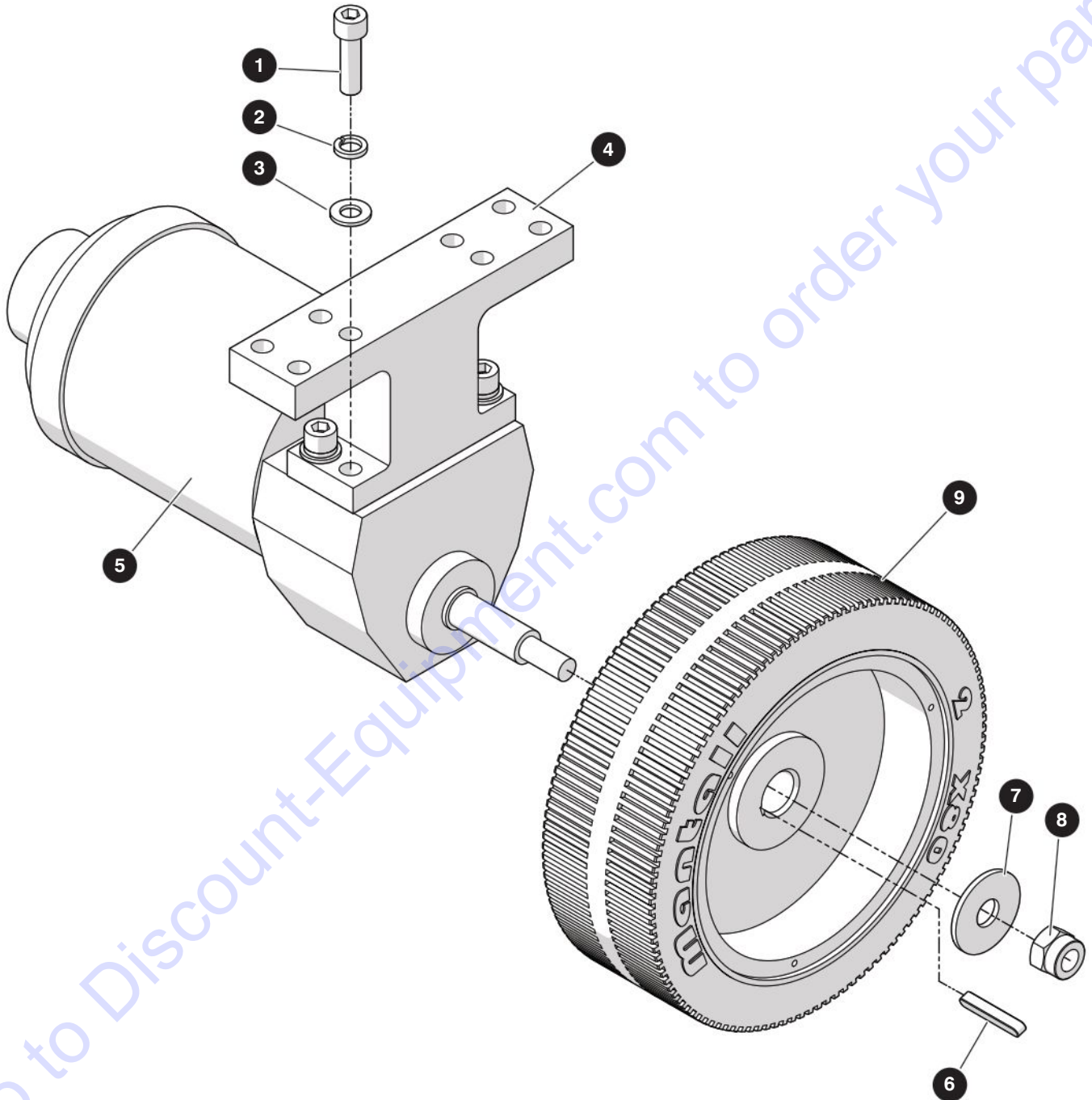
238838ABA

SJ3013 micro, SJ3014 micro

3.1 Chassis

Index No.	Skyjack Part No.	Qty.	Description
1	03J0000143	19	SCREW, Pan head cross groove (M5 x 10)
2	031005J037	23	WASHER, Flat (M5)
3	02J0002406	1	COVER, Top
4	02J0002400	1	COVER, Cable
5	02J0002413	1	CHASSIS WELDMENT
6	02J0002399	1	COVER, Rear
7	03109HT098	6	SCREW, Button head hex socket (M5 x 10)
8	003112QB193	1	SCREW, Button head hex socket (M8 x 20)
9	031003C070	9	WASHER, Flat (M8)
10	02J0002401	1	PLATE, Charger plug
11	051005J803	1	STRIP, Anti-static
12	03109HT207	4	SCREW, Cap (M5 x 12)
13	031005J043	6	NUT, Lock (M5)
14	02J0001577	1	PLATE, Cable track
15	02J0002407	1	COVER, Front
16	02J0001578	1	PLATE, Wire
17	03112QB153	2	SCREW, Pan head cross groove (M5 x 20)
18	051005J052	2	FITTING, Grease

3.2 Drive Wheels



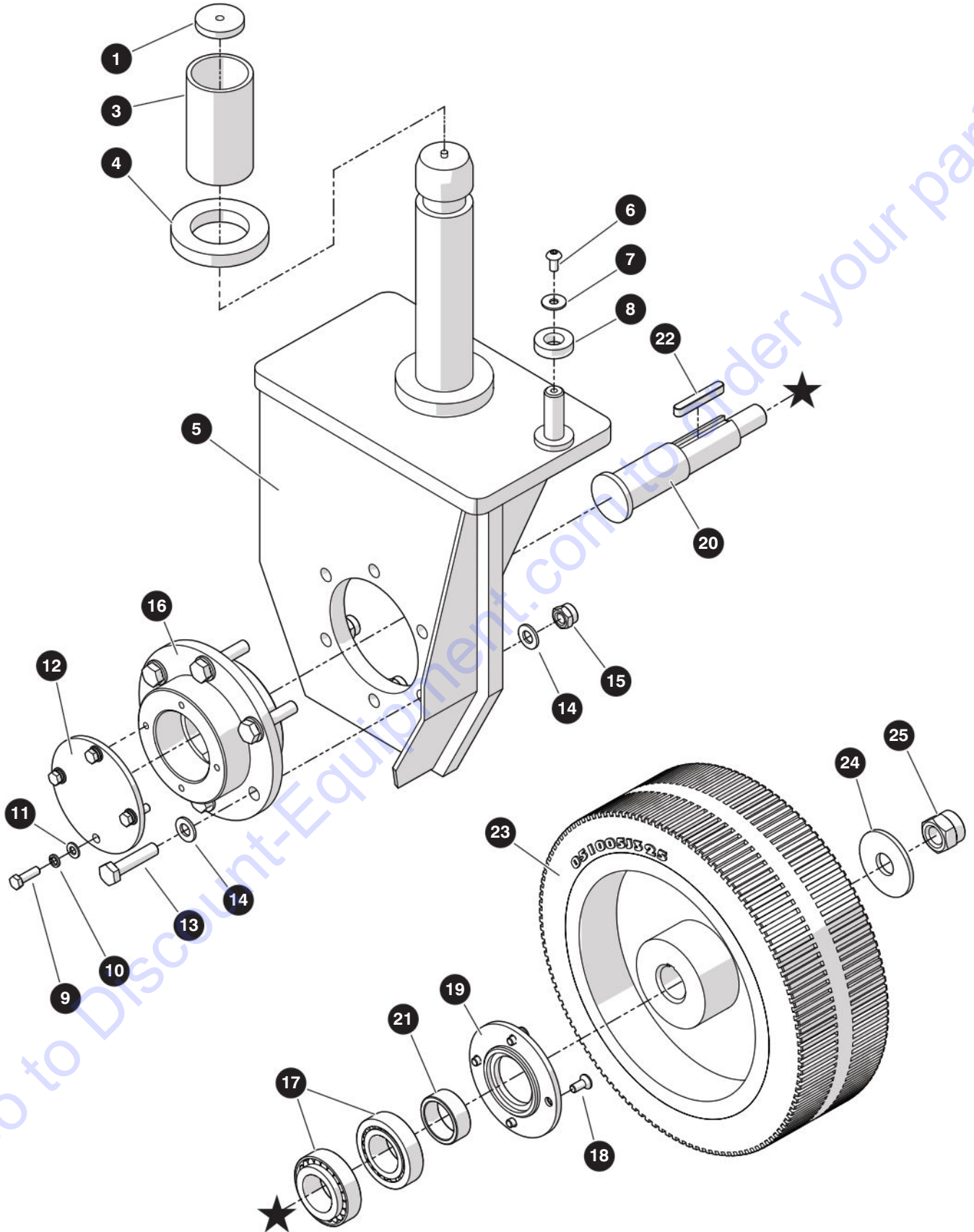
M239018AA

238838ABA

3.2 Drive Wheels

Index No.	Skyjack Part No.	Qty.	Description
-	02J0002457	2	DRIVE WHEEL
1	031003C015	4	• BOLT, Hex head (M10 x 50)
2	031003C062	4	• WASHER, Lock (M10)
3	031003C063	4	• WASHER, Flat (M10)
4	02J0002458	1	• PLATE, Mounting - wheel motor
5	051005J520	1	• MOTOR, Wheel
6	051005J020002	1	• KEY
7	031003C064	1	• WASHER, Flat (M12)
8	03114CY039	1	• NUT, Lock (M12)
9	051005J358	1	• TIRE

3.3 Steer Wheels



M239015AA

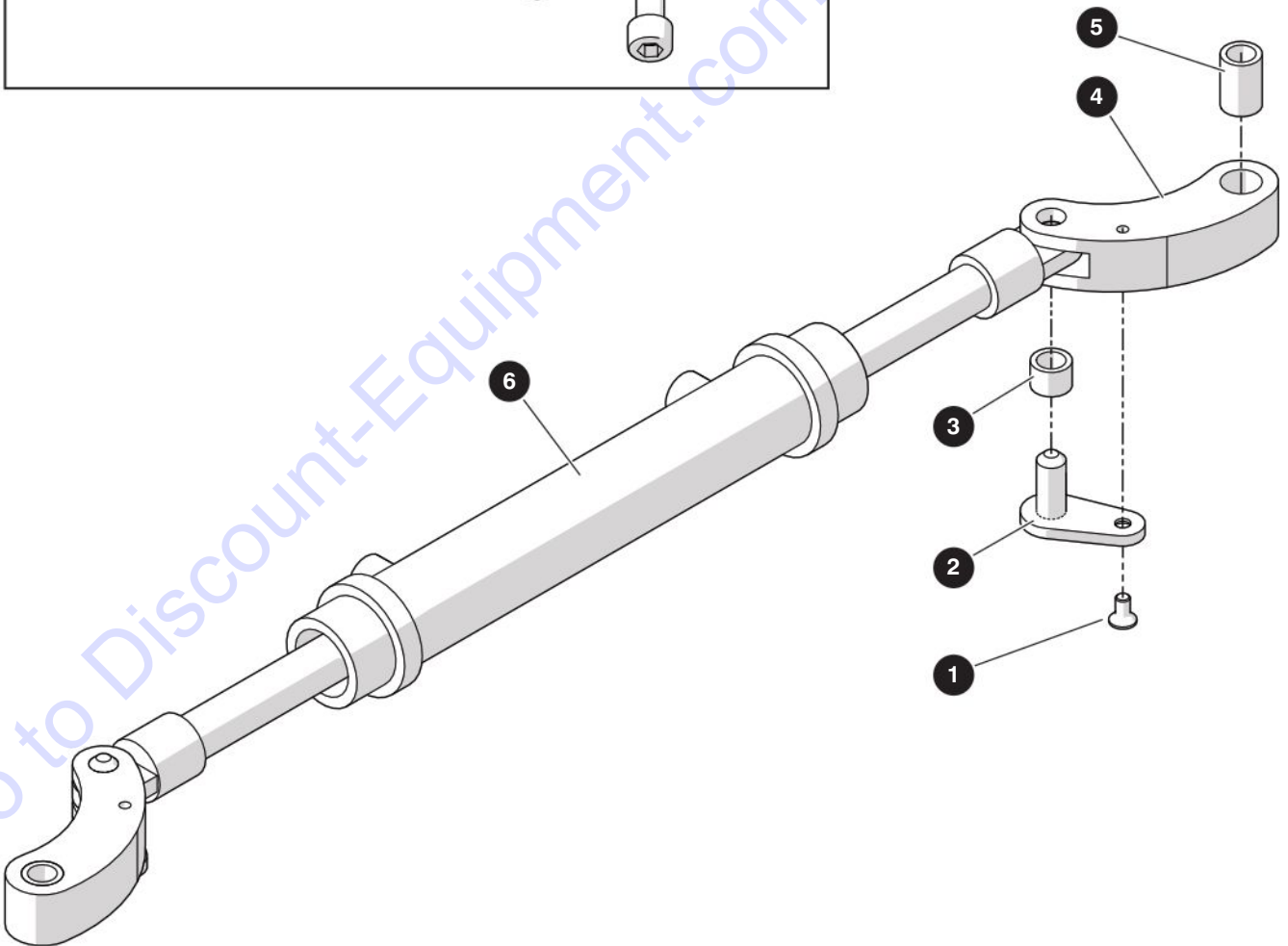
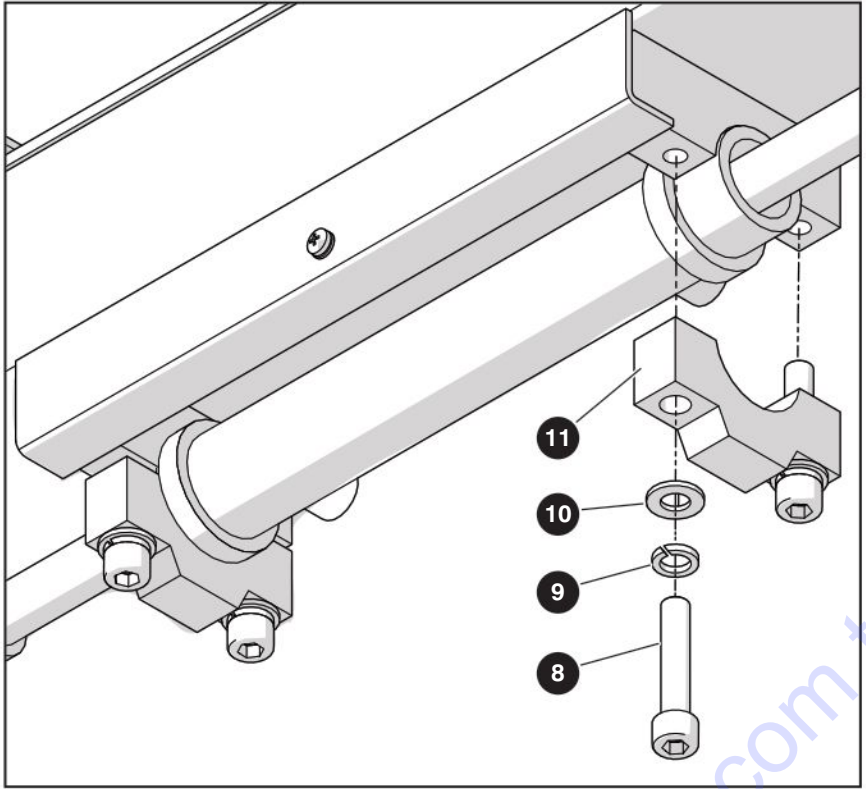
238838ABA

SJ3013 micro, SJ3014 micro

3.3 Steer Wheels

Index No.	Skyjack Part No.	Qty.	Description
1	02J0002446	1	GASKET, Shaft
2	03114CY027	1	BUSHING (30 x 36 x 20)
3	03J0000056	11	BUSHING (35 x 41 x 70)
4	02J0001619	1	RING
5	02J0002454	1	WHEEL BASE, Steer - left
	02J0002447	1	WHEEL BASE, Steer - right (not shown)
6	03109HT098	1	SCREW, Button head (M5 x 10)
7	031005J037	1	WASHER, Flat (M5)
8	02J0001618	1	PAD
9	031005J077	4	BOLT, Hex head (M4 x 12)
10	031005J924	4	WASHER, Lock (M4)
11	031003W038	4	WASHER, Flat (M4)
12	02J0001624	1	COVER, Shaft end
13	031005J012	6	BOLT, Hex head (M8 x 35)
14	031003C070	6	WASHER, Flat (M8)
15	03114CY042	1	NUT, Lock (M8)
16	02J0001621	2	SET, Wheel
17	031006T084	4	BEARING, Roller
18	031003C021	1	SCREW, Hex socket cap (M8 x 16)
19	02J0001623	1	SET, Wheel
20	02J0001622	1	AXLE
21	02J0001642	1	SLEEVE, Tire
22	051005J020002	1	KEY
23	051005J358	1	TIRE
24	031003C064	1	WASHER, Flat (M12)
25	03114CY039	1	NUT, Lock (M12)

3.4 Steer Cylinder



M239017AA

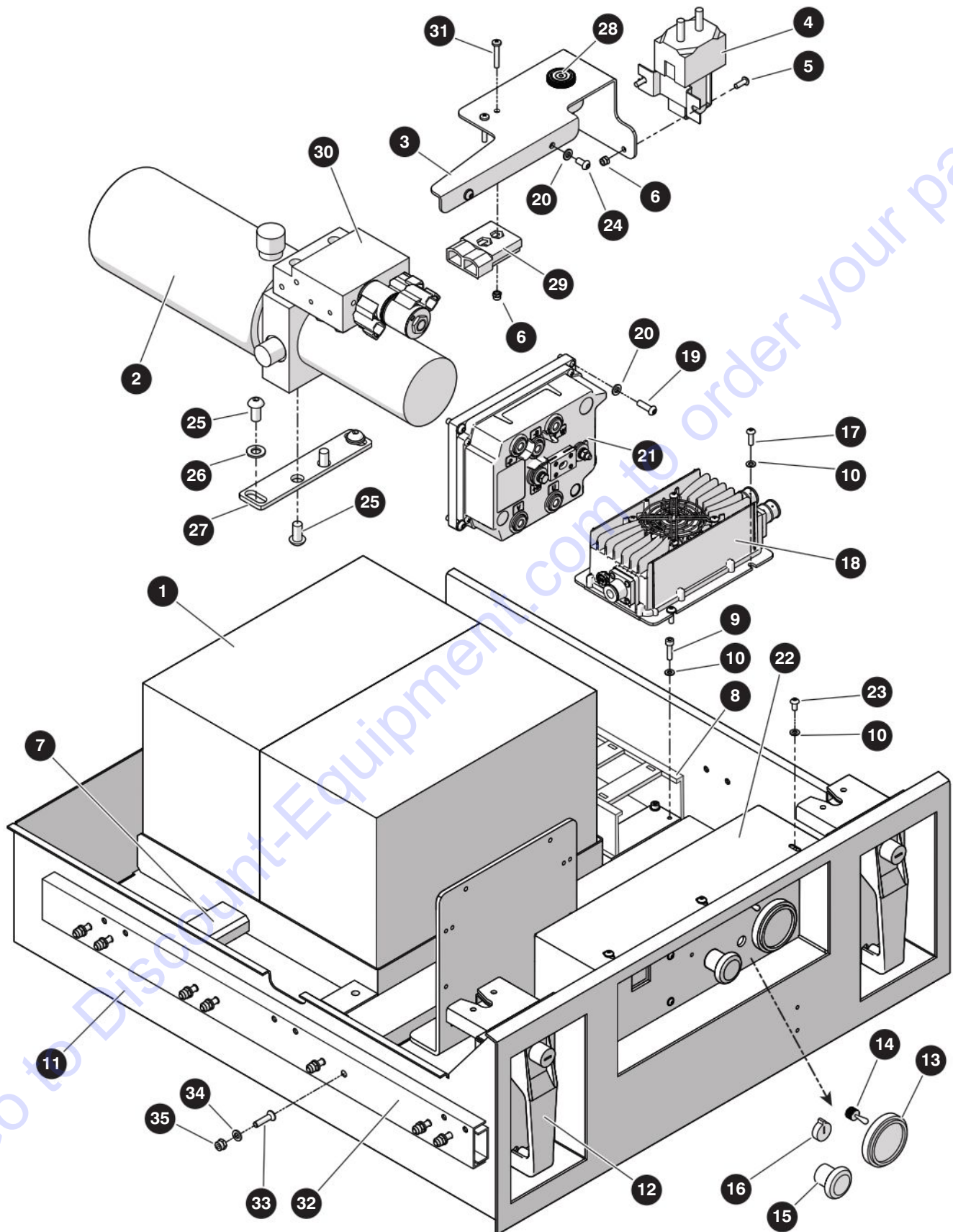
238838ABA

SJ3013 micro, SJ3014 micro

3.4 Steer Cylinder

Index No.	Skyjack Part No.	Qty.	Description
-	02J0002456	1	STEER CYLINDER
1	031011B026	2	• SCREW, Hex socket flat (M5 x 20)
2	02J0001637	2	• PIN, Cylinder
3	03J0000058	2	• BUSHING, Fiberglass (12 x 17 x 12)
4	02J0001636	2	• KNUCKLE, Steer
5	03J0000059	2	• BUSHING, Fiberglass (12 x 17 x 25)
6	05J0000356	1	• CYLINDER, Steer
8	031003C023	4	SCREW, Socket head cap (M10 x 50)
9	031003C062	4	WASHER, Lock (M10)
10	031003C063	4	WASHER, Flat (M10)
11	02J0001574	2	BRACKET, Steering cylinder

3.5 System Components Tray



M239012AA

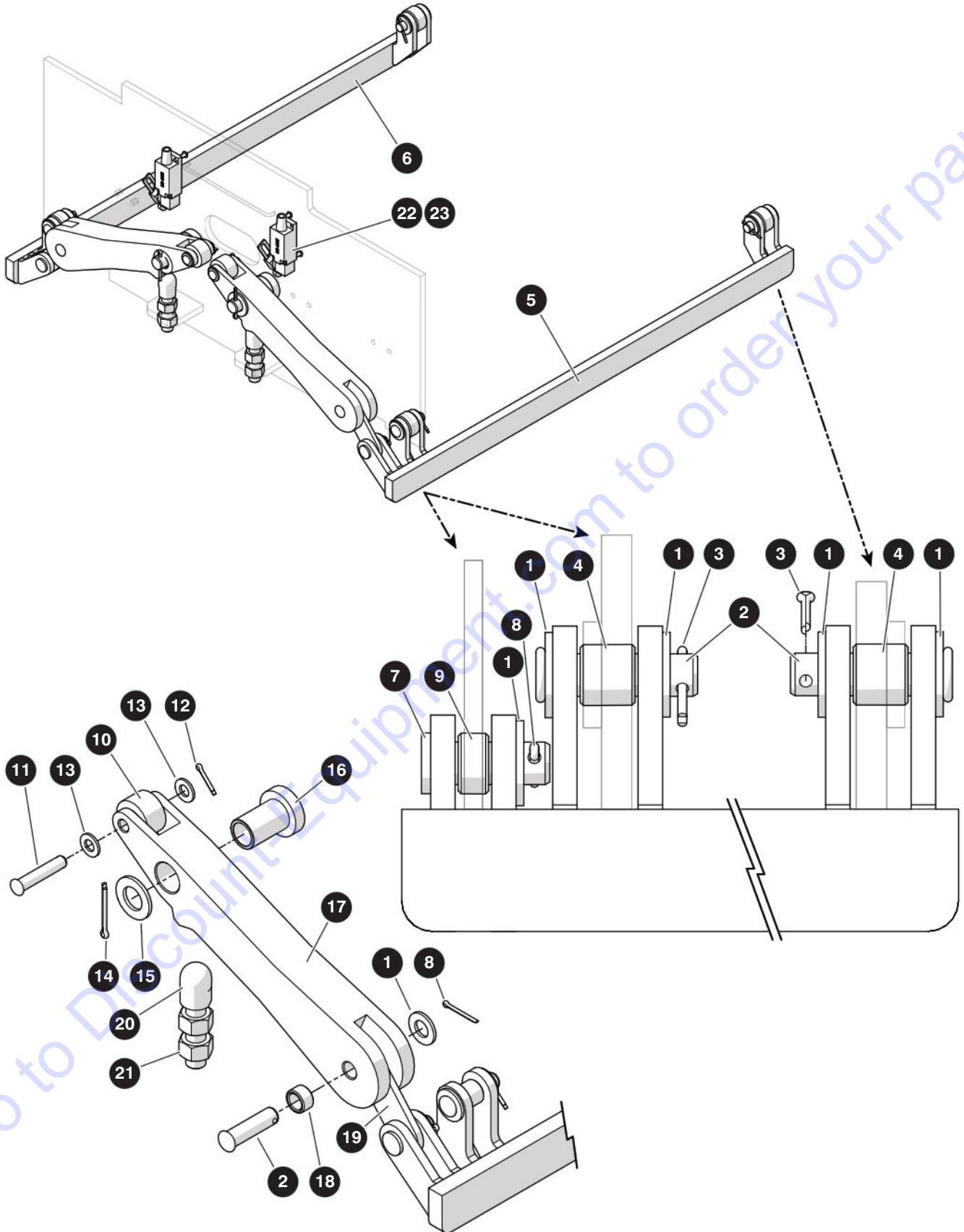
238838ABA

SJ3013 micro, SJ3014 micro

3.5 System Components Tray

Index No.	Skyjack Part No.	Qty.	Description
-	02J0002441	1	SYSTEM COMPONENTS TRAY
1	051005J357	2	• BATTERY
2	051005J593	1	• POWER UNIT
3	021109Y811001	1	• PLATE, Plug mount
4	051005J028	1	• CONTACTOR
5	031006T093	2	• SCREW, Button head (M5 x 14)
6	031005J043	2	• NUT, Lock (M5)
7	02J0001608001	1	• PAD, Rubber - shock absorber
8	05J0000400	1	• CABLE TRACK
9	03109HT225	4	• SCREW, Button head (M5 x 20)
10	031005J037	11	• WASHER, Flat (M5)
11	02J0002442	1	• DRAWER, Sliding
12	051005J924	2	• LOCK, Door
13	051005J809002	1	• HOURMETER
14	051005J153	1	• SWITCH, Toggle
15	051003C062	1	• BUTTON, Emergency stop
16	051003J059	1	• SWITCH, Key - 3 position
17	031005J740	4	• SCREW, Button head (M5 x 16)
18	051005J622	1	• CHARGER, Battery
19	03109HT205	4	• SCREW, Button head (M6 x 20)
20	031003C069	6	• WASHER, Flat (M6)
21	05J0000612001	1	• CONTROLLER, TS200
22	02J0002155001	1	• COVER, Electrical
23	03109HT098	3	• SCREW, Button head (M5 x 10)
24	031006T007002	2	• SCREW, Button head (M6 x 12)
25	031003C165	3	• SCREW, Button head (M10 x 20)
26	031003C063	1	• WASHER, Flat (M10)
27	021005J530001	1	• PLATE, Mounting - motor
28	051005J051	1	• ALARM
29	051005J449	1	• CONNECTOR, Main power
30	05J0000294	1	• MANIFOLD ASSEMBLY
31	031011B033	2	• SCREW, Pan head (M4 x 35)
32	051005J066004	2	RAIL, Sliding
33	031006T052001	16	SCREW, Flat head hex socket (M6 x 20) (inner rail)
	03112QB186	16	SCREW, Flat head hex socket (M6 x 25) (outer rail)
34	031003C069	16	WASHER, Flat (M6)
35	03114CY041	16	NUT, Lock (M6)

3.6 Pothole Protection



M239012AA

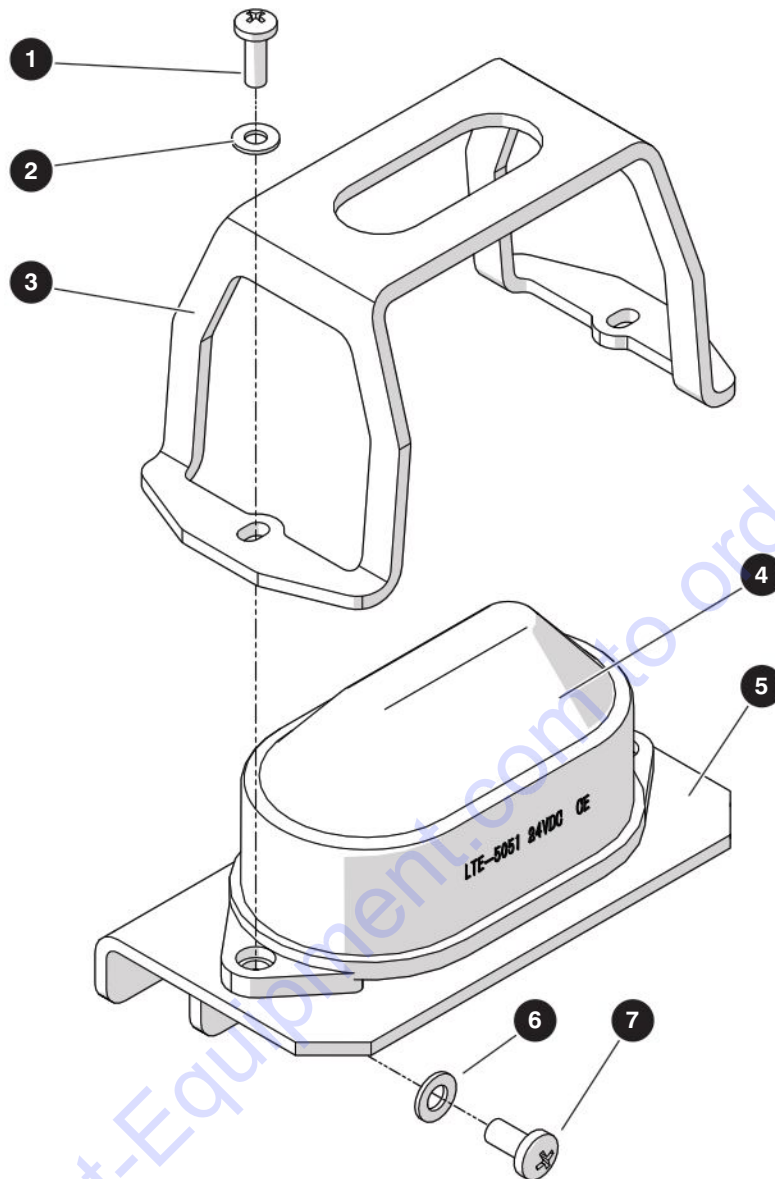
238838ABA

SJ3013 micro, SJ3014 micro

3.6 Pothole Protection

Index No.	Skyjack Part No.	Qty.	Description
1	031003C065	10	• WASHER, Flat (M14)
2	031005J225	6	• PIN (10 x 60)
3	031005J950	4	• PIN, Cottar (4 x 22)
4	02J0002409	4	• BUSHING, Nylon (14 x 20 x 20)
5	02J0002459	1	• PLATE, Pothole - left side
6	02J0002463	1	• PLATE, Pothole - right side
7	02J0002412	2	• PIN
8	031005J870	4	• PIN, Cottar (4 x 32)
9	02J0002411	2	• BUSHING, Nylon (14 x 20 x 12)
10	02J0002405	2	• PULLEY, Nylon
11	03109HT168	2	• PIN (16 x 70)
12	03114CY120	2	• PIN, Cottar (3.2 x 18)
13	031003C063	10	• WASHER, Flat (M10)
14	03109HT029	2	• PIN, Cottar (5 x 36)
15	031003C068	2	• WASHER, Flat (M20)
16	02J0002408	2	• GASKET, Plastic
17	02J0002402	2	• PLATE, Pull - pothole
18	02J0002410	2	• BUSHING, Nylon (14 x 20 x 14)
19	02J0002403	2	• PLATE, Connection - pothole
20	02J0002404	2	• ROD, Position
21	031003C051	4	• NUT, Hex (M16-1.5)
22	051111D013	2	• SWITCH, Limit
23	03112QB028	4	• SCREW, Button head (M5 x 20)

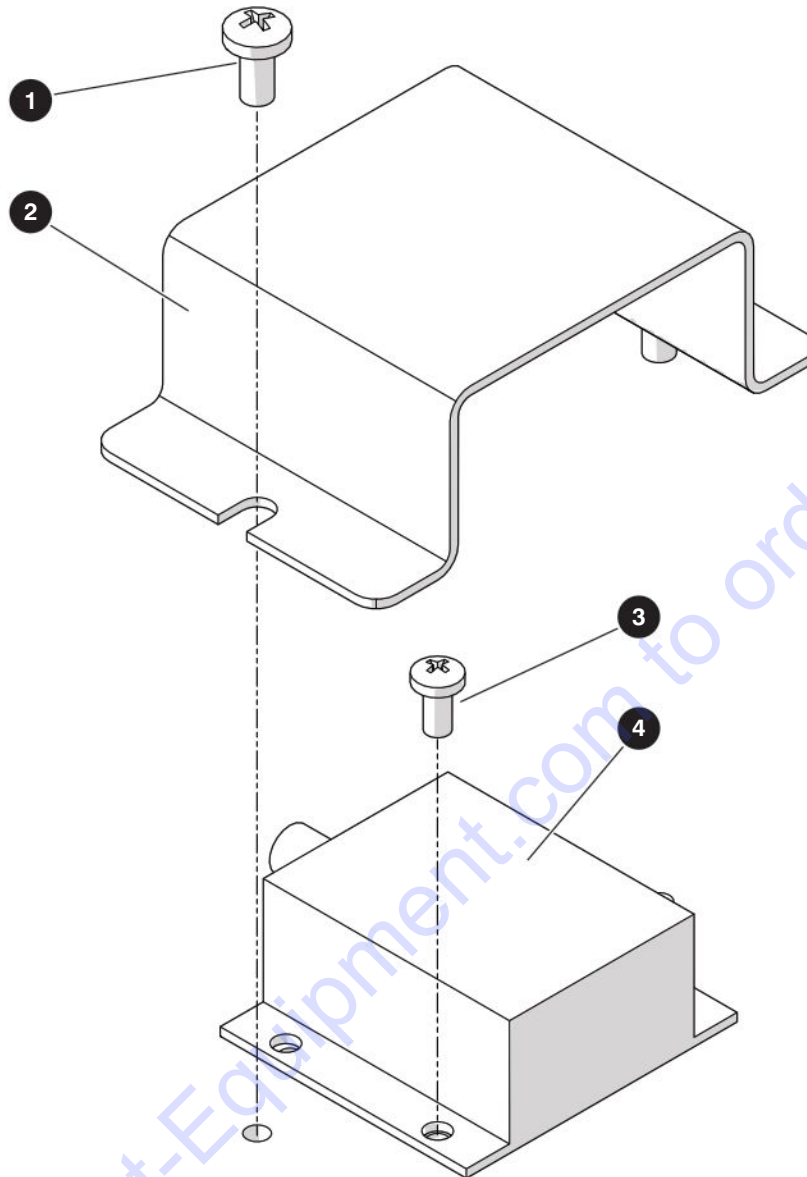
3.7 Flashing Light



M239136AA-3

Index No.	Skyjack Part No.	Qty.	Description
1	03109HT187	2	SCREW, Button head (M4 x 14)
2	031003W038	2	WASHER, Flat (M4)
3	02J0002151	1	COVER, Flashing light
4	05J0000210	1	LIGHT, Flashing (24 V DC)
5	02J0002191	1	PLATE, Connective - light cover
6	031005J037	2	WASHER, Flat (M5)
7	03J0000143	2	SCREW, Button head (M5 x 10)

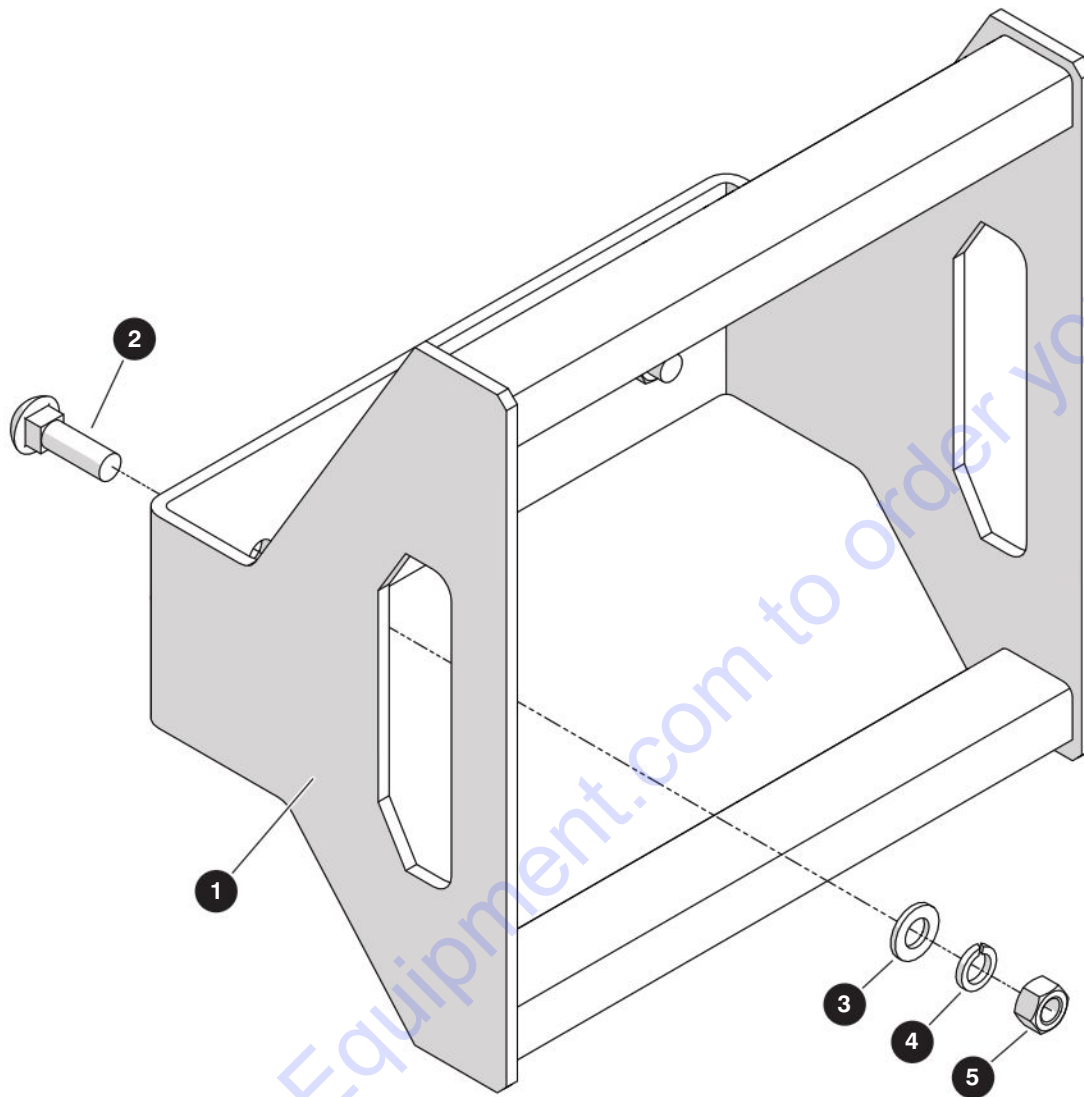
3.8 Tilt Switch



M239136AA_4

Index No.	Skyjack Part No.	Qty.	Description
1	-	1	SCREW, Pan head cross groove
2	02J0003061001	1	COVER, Tilt switch
3	03J0000143	1	SCREW, Pan head cross groove (M5 x 10)
4	051005J846	1	SWITCH, Tilt

3.9 Ladder



M239012AA

Index No.	Skyjack Part No.	Qty.	Description
-	02J0002516001	1	LADDER ASSEMBLY
1	02J0002517001	1	• LADDER WELDMENT
2	03J0000257	2	• BOLT, Carriage (M12 x 45)
3	03114CY120	2	• WASHER, Flat (M12)
4	031108L033	2	• WASHER, Lock (M12)
5	031005J007	2	• NUT, HEx (M12)

Section 4 – Labels

4.1 *Rear*

4.2 *Left Side*

4.3 *Front*

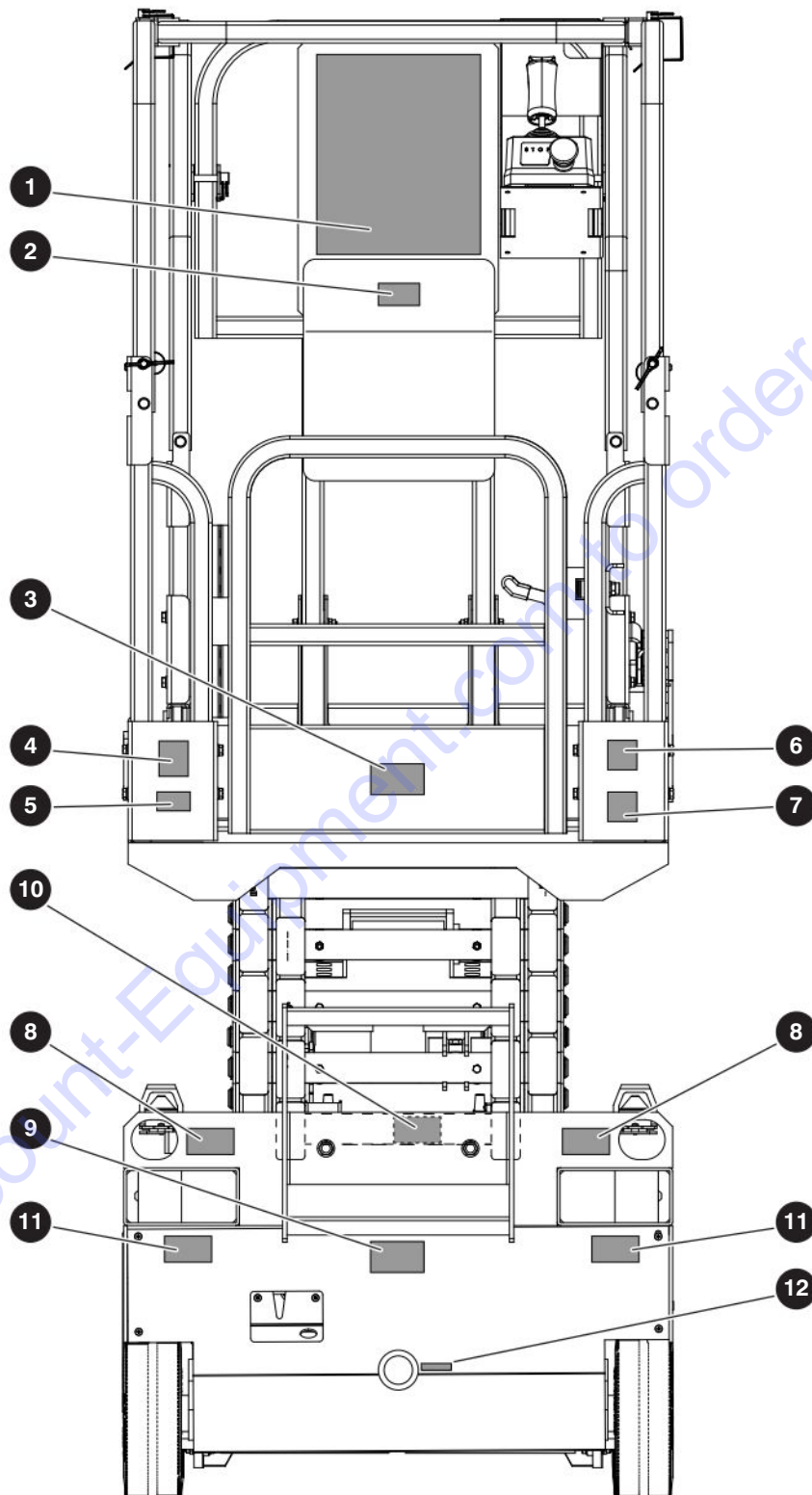
4.4 *Top*

4.5 *Right Side*

4.6 *Platform*

4.7 *System Components Tray*

4.1 Rear



SJ3013_Rearview_lbls

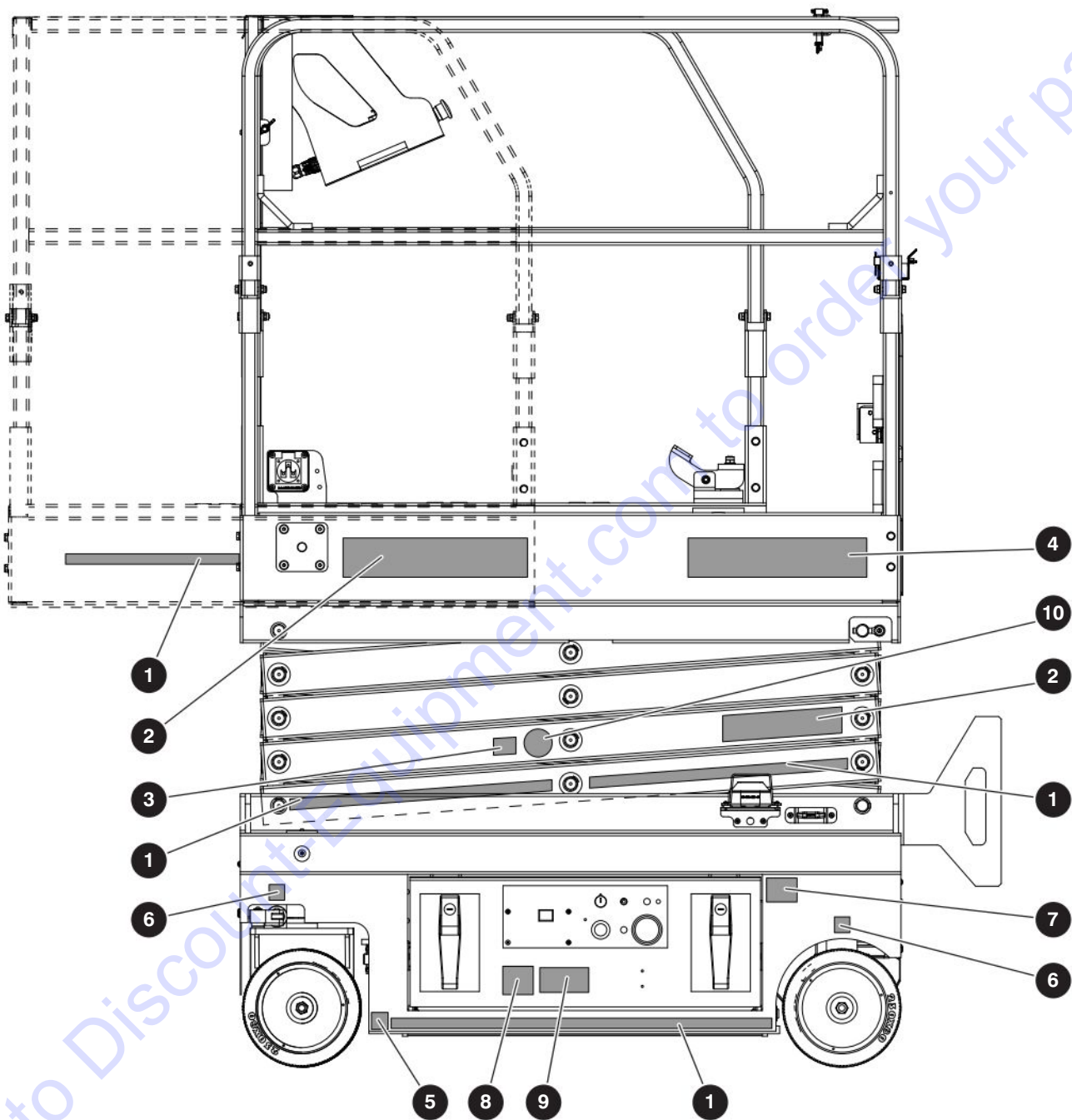
238838ABA

SJ3013 micro, SJ3014 micro

4.1 Rear

Index No.	Skyjack Part No.	Qty.	Description
1	172677	1	LABEL, Dangers hazards
2	123628	1	LABEL, Manual box
3	173811	1	LABEL, Platform capacity
4	158912	1	LABEL, LABEL, Operator daily inspection
5	173081	1	LABEL, California prop 65 - ANSI
6	124362	1	LABEL, Warning - do not wear jewelry
7	172693	1	LABEL, No insulation
8	124767	2	LABEL, Lift point/tie down
9	230732	1	LABEL, Maintenance bar procedure
10	127711	1	LABEL, Maintenance bar
11	102896	2	LABEL, Forklift boot
12	138211	1	LABEL, Connect AC supply

4.2 Left Side



SJ3013_Leftview_Jbls_CE

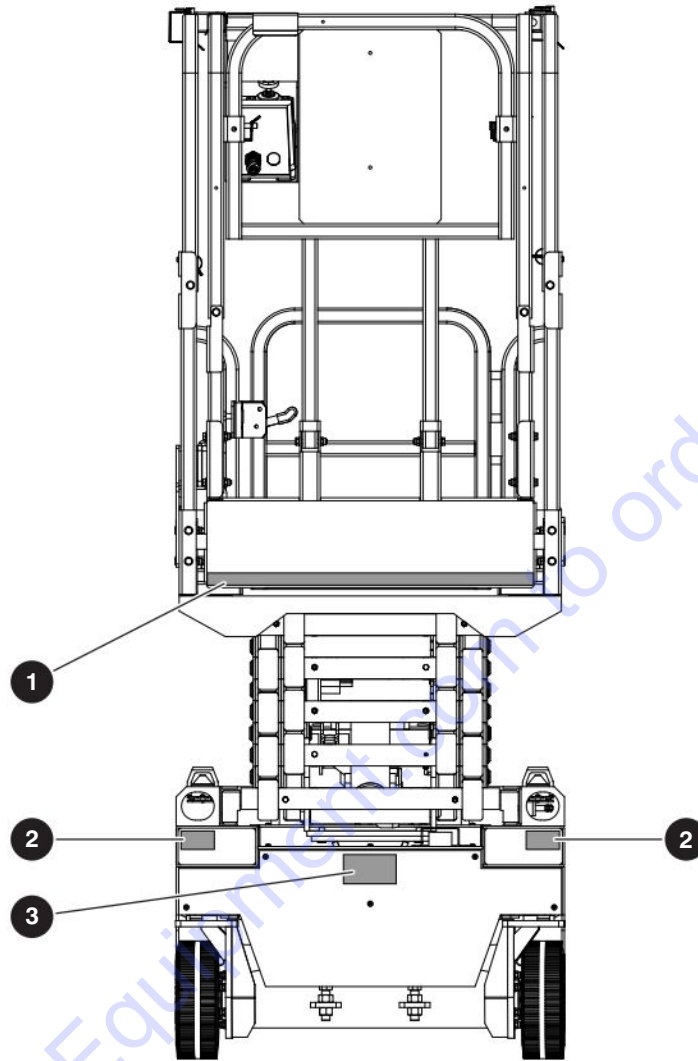
238838ABA

SJ3013 micro, SJ3014 micro

4.2 Left Side

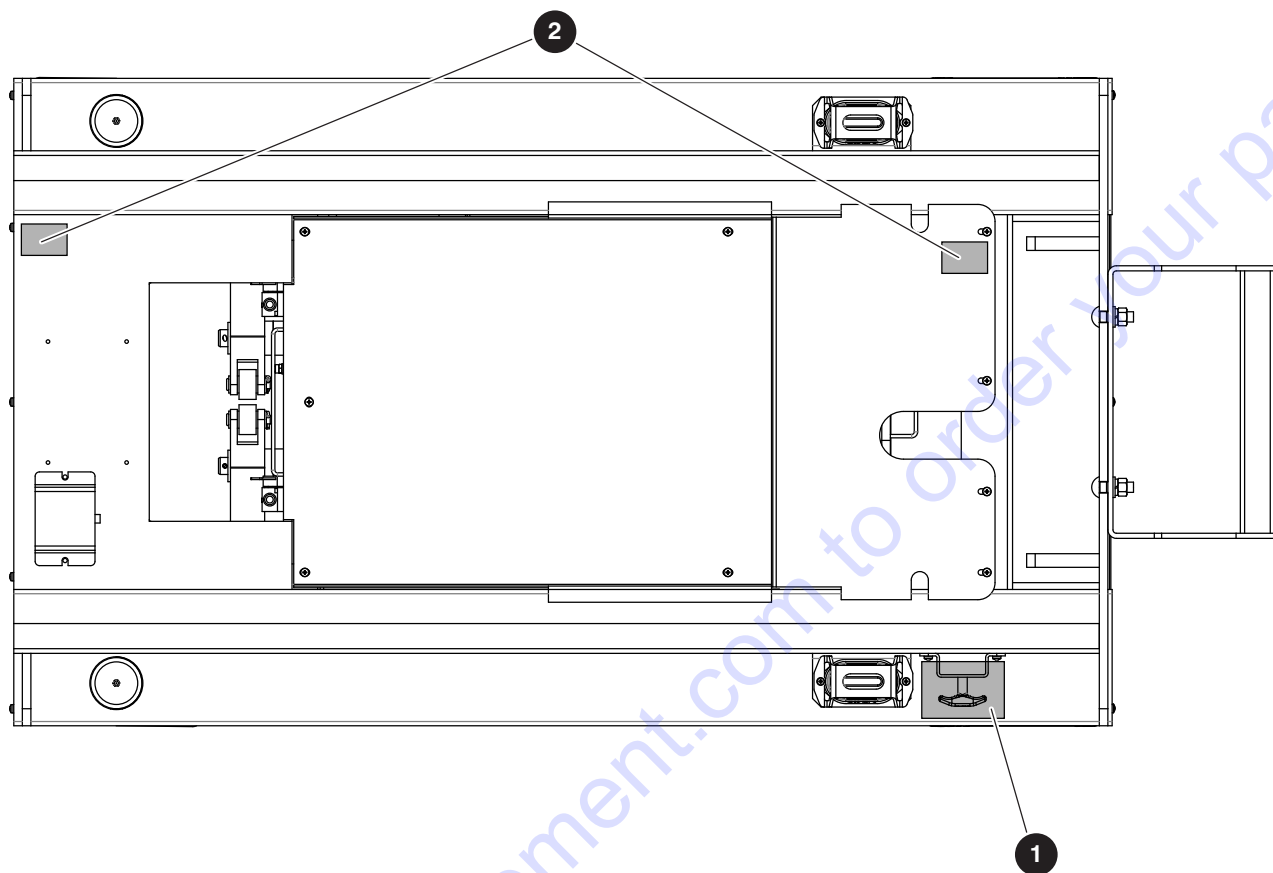
Index No.	Skyjack Part No.	Qty.	Description
1	119803	AR	TAPE, Caution - 1" wide
2	163860	2	LABEL, Skyjack logo - white (13")
3	117023	1	LABEL, CE mark - CE
4	173810	1	LABEL, SJ3013 micro logo
	173842	1	LABEL, SJ3014 micro logo
5	173024	1	LABEL, Warning hand/foot pinch
6	230727	2	LABEL, Wheel load - 265 kg/585 lb
7	172939	1	LABEL, E-lowering Information
8	172695	1	LABEL, Warning annual inspection
9	172656	1	LABEL, Annual inspection
10	139855	1	LABEL, Keep clear

4.3 Front



SJ3013_Frontview_lbls

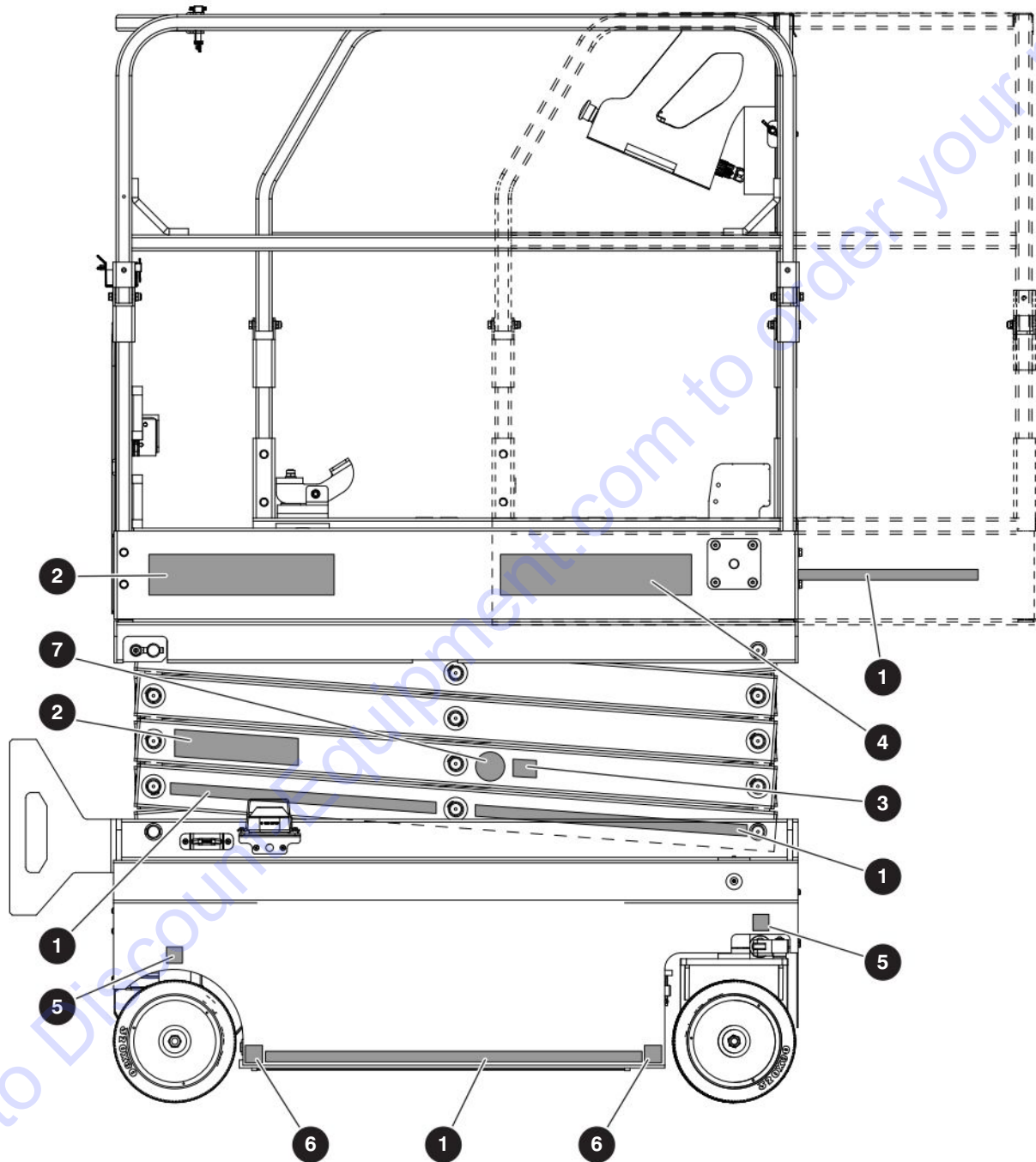
Index No.	Skyjack Part No.	Qty.	Description
1	119803	AR	TAPE, Caution - 1" wide
2	124767	2	LABEL, Lift point/tie down
3	237750	1	LABEL, On slab compliance - ANSI



SJ3013_Topview_lbls

Index No.	Skyjack Part No.	Qty.	Description
1	235917	1	LABEL, Emergency lowering
2	172904	2	LABEL, Deploy maintenance bars

4.5 Right Side



SJ3013_Rightview_IbIs

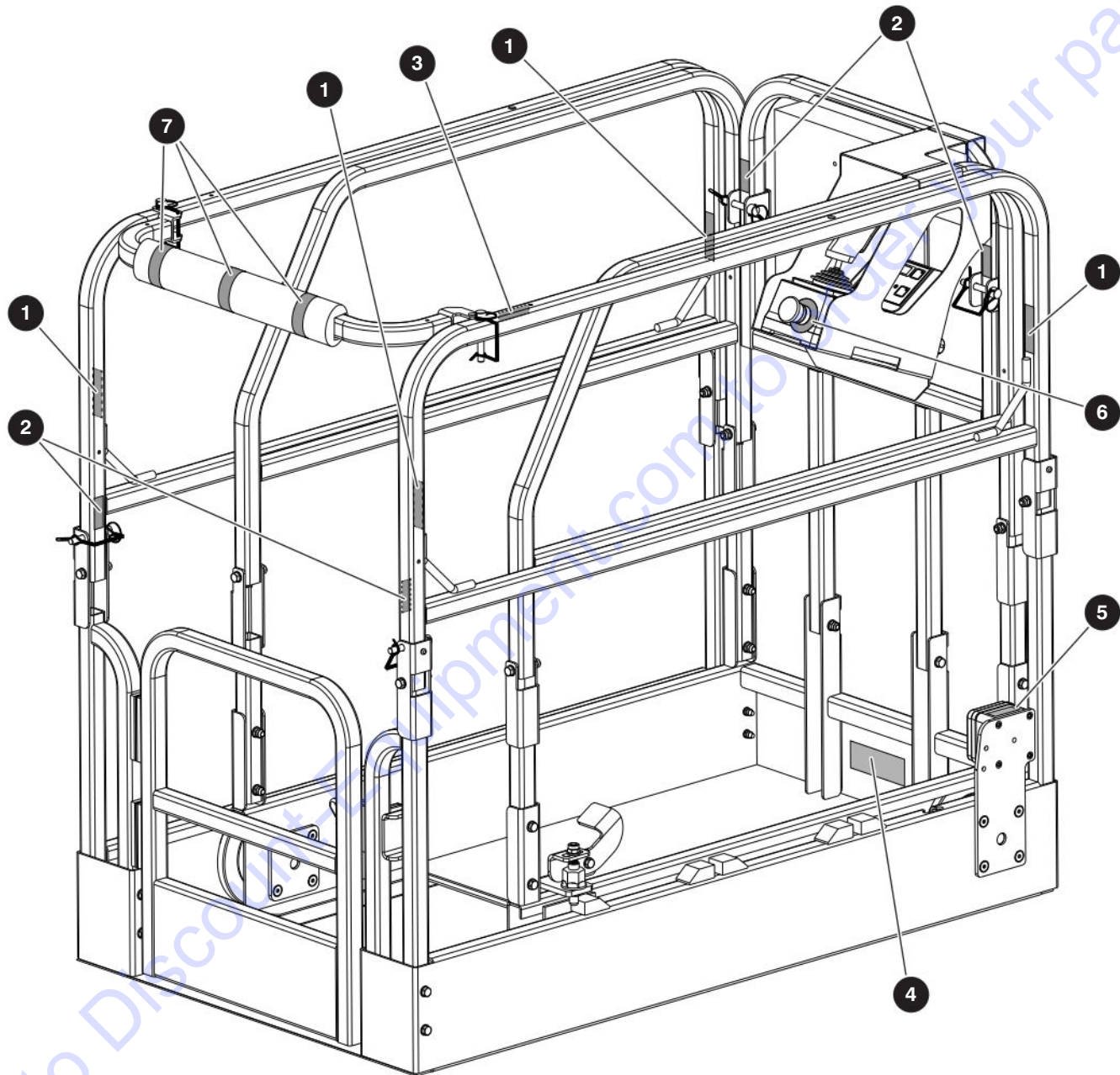
238838ABA

SJ3013 micro, SJ3014 micro

4.5 Right Side

Index No.	Skyjack Part No.	Qty.	Description
1	119803	AR	TAPE, Caution - 1" wide
2	163860	2	LABEL, Skyjack logo - white (13")
3	117023	1	LABEL, CE mark - CE
4	173810	1	LABEL, SJ3013 micro logo
	173842	1	LABEL, SJ3014 micro logo
5	230727	2	LABEL, Wheel load - 265 kg/585 lb
6	173024	2	LABEL, Warning hand/foot pinch
7	139855	1	LABEL, Keep clear

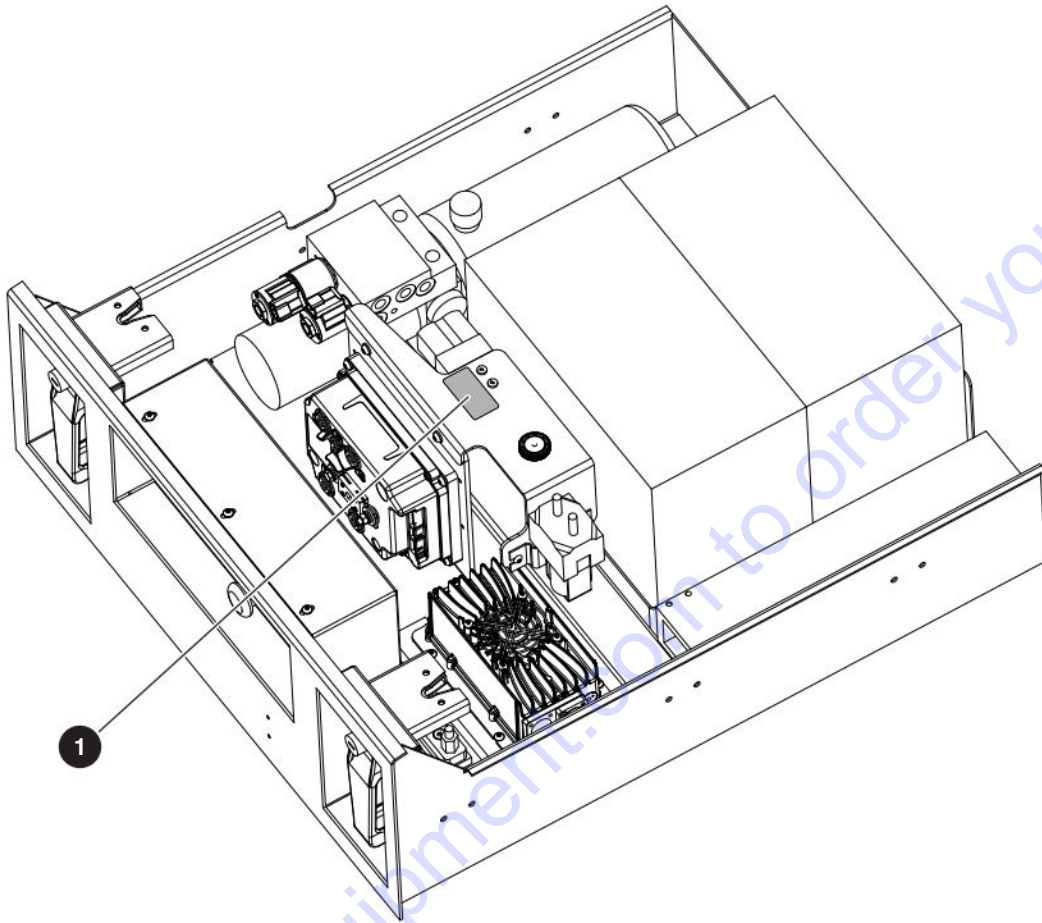
4.6 Platform



4.6 Platform

Index No.	Skyjack Part No.	Qty.	Description
1	172646	4	LABEL, Harness anchorage - ANSI
	172638	4	LABEL, Harness anchorage - CE
2	126056	4	LABEL, Falling hazard - vertical
3	126057	1	LABEL, Falling hazard - horizontal
4	173811	1	LABEL, Platform capacity
5	138211	1	LABEL, Connect AC supply
6	111814	1	LABEL, Emergency stop
7	119803	AR	TAPE, Caution - 1" wide

4.7 System Components Tray



SJ3013-023AA

Index No.	Skyjack Part No.	Qty.	Description
1	230733	1	LABEL, Main power connector

PARTS FINDER

**Search Website
by Part Number**



**Search Manual
Library For Parts
Manual & Lookup Part
Numbers – Purchase
or Request Quote**

Search Manuals

Enter your information to help us find the right parts manual for your machine.

* Brand:

* Model:

* Serial:

* Part Number:

SEARCH

**Can't Find Part or
Manual? Request Help
by Manufacturer,
Model & Description**

Parts Order Form

Please fill in the following information to help us find the right part for your machine.

Manufacturer:	<input type="text"/>
Model:	<input type="text"/>
Description:	<input type="text"/>
Part Number:	<input type="text"/>
Quantity:	<input type="text"/>
Notes:	<input type="text"/>

Discount-Equipment.com is your online resource for quality parts & equipment.

Florida: **561-964-4949** Outside Florida TOLL FREE: **877-690-3101**

Need parts?

Click on this link: <http://www.discount-equipment.com/category/5443-parts/> and choose one of the options to help get the right parts and equipment you are looking for. Please have the machine model and serial number available in order to help us get you the correct parts. If you don't find the part on the website or on one of the online manuals, please fill out the request form and one of our experienced staff members will get back to you with a quote for the right part that your machine needs.

We sell worldwide for the brands: Genie, Terex, JLG, MultiQuip, Mikasa, Essick, Whiteman, Mayco, Toro Stone, Diamond Products, Generac Magnum, Airman, Haulotte, Barreto, Power Blanket, Nifty Lift, Atlas Copco, Chicago Pneumatic, Allmand, Miller Curber, Skyjack, Lull, Skytrak, Tsurumi, Husquvarna Target, Stow, Wacker, Sakai, Mi-T-M, Sullair, Basic, Dynapac, MBW, Weber, Bartell, Bennar Newman, Haulotte, Ditch Runner, Menegotti, Morrison, Contec, Buddy, Crown, Edco, Wyco, Bomag, Laymor, EZ Trench, Bil-Jax, F.S. Curtis, Gehl Pavers, Heli, Honda, ICS/PowerGrit, IHI, Partner, Imer, Clipper, MMD, Koshin, Rice, CH&E, General Equipment, Amida, Coleman, NAC, Gradall, Square Shooter, Kent, Stanley, Tamco, Toku, Hatz, Kohler, Robin, Wisconsin, Northrock, Oztec, Toker TK, Rol-Air, APT, Wylie, Ingersoll Rand / Doosan, Innovatech, Con X, Ammann, Mecalac, Makinex, Smith Surface Prep, Small Line, Wanco, Yanmar