



[www.Discount-Equipment.com](http://www.Discount-Equipment.com)

**SKYJACK**<sup>™</sup>

# OPERATION MANUAL

---

**SJ12, SJ16**

VERTICAL MAST



**213721ACA**  
August 2020  
ANSI/CSA

To order go to [Discount-Equipment.com](http://Discount-Equipment.com)

**TO PURCHASE THIS PRODUCT PLEASE CONTACT US**



**Equipment Financing and  
Extended Warranties Available**



**Discount-Equipment.com is your online resource for  
commercial and industrial quality parts and equipment sales.**

**561-964-4949**

**visit us on line @ [www.discount-equipment.com](http://www.discount-equipment.com)**

Select an option below to find your Equipment

**Search by Manufacturer**

**Search by Product Type**

**Request a Quote**

We sell worldwide for the brands: Genie, Terex, JLG, MultiQuip, Mikasa, Essick, Whiteman, Mayco, Toro Stone, Diamond Products, Generac Magnum, Airman, Haulotte, Barreto, Power Blanket, Nifty Lift, Atlas Copco, Chicago Pneumatic, Allmand, Miller Curber, Skyjack, Lull, Skytrak, Tsurumi, Husquvarna Target, Stow, Wacker, Sakai, Mi-T-M, Sullair, Basic, Dynapac, MBW, Weber, Bartell, Bennar Newman, Haulotte, Ditch Runner, Menegotti, Morrison, Contec, Buddy, Crown, Edco, Wyco, Bomag, Laymor, EZ Trench, Bil-Jax, F.S. Curtis, Gehl Pavers, Heli, Honda, ICS/PowerGrit, IHI, Partner, Imer, Clipper, MMD, Koshin, Rice, CH&E, General Equipment, Amida, Coleman, NAC, Gradall, Square Shooter, Kent, Stanley, Tamco, Toku, Hatz, Kohler, Robin, Wisconsin, Northrock, Oztec, Toker TK, Rol-Air, APT, Wylie, Ingersoll Rand / Doosan, Innovatech, Con X, Ammann, Mecalac, Makinex, Smith Surface Prep, Small Line, Wanco, Yanmar

**This manual is for MEWPs with serial numbers:**

**SJ12, SJ16:** A600 000 001 & above

**Please refer to the website ([www.skyjack.com](http://www.skyjack.com))  
for contact information, other Serial Numbers,  
most recent Technical Manuals, and USB  
software.**

To order go to [DiscountEquipment.com](http://DiscountEquipment.com)

Original instructions in English.

# THIS SAFETY ALERT SYMBOL MEANS ATTENTION!



## BE ALERT! YOUR SAFETY IS INVOLVED.

The Safety Alert Symbol identifies important safety messages on MEWPs, safety signs in manuals or elsewhere. When you see this symbol, be alert to the possibility of personal injury or death. Follow the instructions in the safety message.

### **DANGER**

**DANGER** indicates an imminently hazardous situation which, if not avoided, will result in death or serious injury.

### **WARNING**

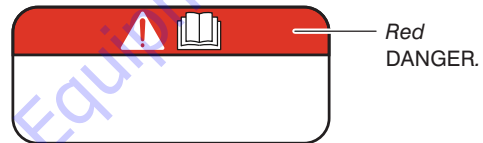
**WARNING** indicates a potentially hazardous situation which, if not avoided, could result in death or serious injury.

### **CAUTION**

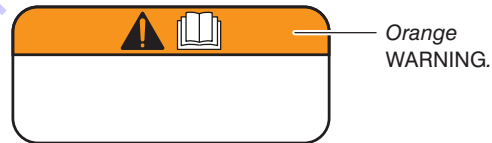
**CAUTION** indicates a potentially hazardous situation which, if not avoided, may result in minor or moderate injury. It may also be used to alert against unsafe practices.

### **IMPORTANT**

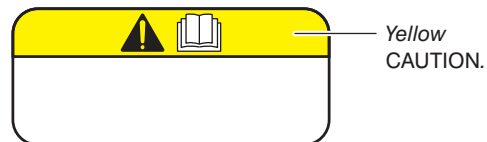
**IMPORTANT** indicates a procedure essential for safe operation and which, if not followed, may result in a malfunction or damage to the MEWP.



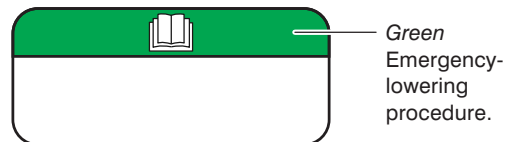
Red  
DANGER.



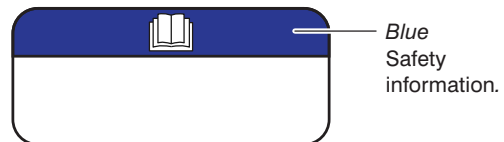
Orange  
WARNING.



Yellow  
CAUTION.



Green  
Emergency-  
lowering  
procedure.



Blue  
Safety  
information.

# Table of Contents

<b>Section 1 – About this Mobile Elevating Work Platform (MEWP)</b> .....	<b>9</b>
<b>1.1 Read and heed.</b> .....	<b>9</b>
1.1-1 <i>Mobile Elevating Work Platform (MEWP) definition</i> .....	9
1.1-2 <i>Purpose of equipment</i> .....	9
1.1-3 <i>Use of equipment</i> .....	9
1.1-4 <i>Operation manual</i> .....	9
1.1-5 <i>Operator</i> .....	9
1.1-6 <i>Service policy and warranty</i> .....	9
1.1-7 <i>Ownership of MEWP</i> .....	9
1.1-8 <i>Optional equipment</i> .....	9
1.1-9 <i>Scope of this manual</i> .....	10
<b>1.2 Primary assemblies</b> .....	<b>11</b>
<b>1.3 Serial number nameplate</b> .....	<b>12</b>
<b>1.4 Maintenance responsibility</b> .....	<b>13</b>
1.4-1 <i>Operator</i> .....	13
1.4-2 <i>Maintenance and inspection schedule</i> .....	13
1.4-3 <i>Owner</i> .....	13
<b>Section 2 – General Safety Precautions</b> .....	<b>15</b>
<b>2.1 Electrocuting hazards</b> .....	<b>15</b>
2.1-1 <i>Minimum distance from electrical conductors</i> .....	15
<b>2.2 Safety instructions</b> .....	<b>16</b>
<b>2.3 Fall-protection</b> .....	<b>19</b>
<b>2.4 Worksite inspection</b> .....	<b>19</b>
<b>Section 3 – Familiarization</b> .....	<b>21</b>
<b>3.1 Overview of the MEWP</b> .....	<b>22</b>
<b>3.2 Manual storage box</b> .....	<b>23</b>
<b>3.3 Control functions</b> .....	<b>23</b>
3.3-1 <i>Main power disconnect switch</i> .....	23
3.3-2 <i>Base control console</i> .....	23
3.3-3 <i>Platform control console</i> .....	24
<b>3.4 Features and devices</b> .....	<b>24</b>
3.4-1 <i>Lowered travel position and elevated travel position</i> .....	24
3.4-2 <i>Drive speed</i> .....	25
3.4-3 <i>Tilt switch</i> .....	25
3.4-4 <i>Brake release system</i> .....	25
3.4-5 <i>Emergency-lowering system</i> .....	25

3.4-6	<i>Fall-protection anchorages</i> . . . . .	25
3.4-7	<i>Pothole protection device</i> . . . . .	26
<b>3.5</b>	<b>General components</b> . . . . .	<b>26</b>
3.5-1	<i>Circuit breaker and diagnostic switch</i> . . . . .	26
3.5-2	<i>Hourmeter</i> . . . . .	27
3.5-3	<i>AC power socket on the platform</i> . . . . .	27
3.5-4	<i>Battery charger</i> . . . . .	27
3.5-5	<i>Motion alarm</i> . . . . .	27
3.5-6	<i>Platform maintenance lock</i> . . . . .	27
<b>3.6</b>	<b>Optional equipment</b> . . . . .	<b>28</b>
3.6-1	<i>Secondary Guarding Lift Enable (SGLE) push-button</i> . . . . .	28
3.6-2	<i>Flashing Light</i> . . . . .	28
3.6-3	<i>Elevate™ telematics - access control unit</i> . . . . .	29
<b>Section 4 – Inspections Before Operation</b> . . . . .		<b>31</b>
<b>4.1</b>	<b>Operator’s Responsibility</b> . . . . .	<b>31</b>
<b>4.2</b>	<b>Visual and daily maintenance inspections</b> . . . . .	<b>32</b>
4.2-1	<i>Labels</i> . . . . .	32
4.2-2	<i>Electrical</i> . . . . .	32
4.2-3	<i>Hydraulic</i> . . . . .	32
4.2-4	<i>Wheel/tire assembly</i> . . . . .	33
4.2-5	<i>Base</i> . . . . .	33
4.2-6	<i>Platform assembly</i> . . . . .	34
4.2-7	<i>Hydraulic/electrical compartment</i> . . . . .	35
4.2-8	<i>Lift mechanism</i> . . . . .	37
4.2-9	<i>Optional equipment and attachments</i> . . . . .	37
<b>4.3</b>	<b>Function tests</b> . . . . .	<b>38</b>
4.3-1	<i>Do a test of the main power disconnect switch</i> . . . . .	38
4.3-2	<i>Do a test of the emergency-stop button on the base</i> . . . . .	38
4.3-3	<i>Do a test of the <b>off/platform/base key</b> switch</i> . . . . .	38
4.3-4	<i>Do a test of the lower/neutral/raise switch</i> . . . . .	39
4.3-5	<i>Do a test of the emergency-lowering function</i> . . . . .	39
4.3-6	<i>Do a test of the emergency-stop button on the platform</i> . . . . .	39
4.3-7	<i>Do a test of the function-enable switch</i> . . . . .	40
4.3-8	<i>Do a test of the steer function</i> . . . . .	40
4.3-9	<i>Do a test of the drive function</i> . . . . .	40
4.3-10	<i>Do a test of the anti-tiedown function</i> . . . . .	40
4.3-11	<i>Do a test of the brakes</i> . . . . .	41
4.3-12	<i>Do a test of the platform raise and lower functions</i> . . . . .	41
4.3-13	<i>Do a test of the horn</i> . . . . .	41
4.3-14	<i>Do a test of the pothole protection device</i> . . . . .	42
4.3-15	<i>Do a test of the platform maintenance limit switch</i> . . . . .	42
4.3-16	<i>Do a test of the elevated travel speed</i> . . . . .	43
4.3-17	<i>Do a test of the SGLE switch (optional equipment)</i> . . . . .	44

4.3-18	Do a test of the flashing light (optional equipment)	44
4.4	<b>Operator's Checklist</b>	<b>45</b>
<b>Section 5 – Operation</b>		<b>47</b>
5.1	Energize the base control console	47
5.2	Raise or lower the platform with the base control console	47
5.3	Energize the platform control console	47
5.4	Raise or lower the platform with the platform control console	48
5.5	Drive forward or rearward	48
5.6	Steer	49
5.7	Platform Traversing	49
5.8	Raise and lower with the SGLE platform control console (optional equipment)	49
5.9	MEWP shutdown	50
<b>Section 6 – Additional Procedures</b>		<b>51</b>
6.1	Use the emergency-lowering function	51
6.2	Release the brakes manually	51
6.3	Winch and tow the MEWP	52
6.4	Move the MEWP for transport	52
6.4-1	Hoist the MEWP	53
6.4-2	Drive and tie-down the MEWP	53
6.5	Open the hydraulic/electrical compartment	55
6.6	Charge the Battery	56
<b>Section 7 – Specifications</b>		<b>59</b>
7.1	Standard and optional equipment	59
7.2	Owner's annual inspection record	60
7.3	Specifications	61
7.4	Environment	62
7.5	Maximum platform capacities (evenly distributed)	62
7.6	Floor Loading Capacity	63
<b>Section 8 – Labels</b>		<b>65</b>
8.1	<b>SJ12 and SJ16 models</b>	<b>66</b>
8.1-1	Rear view	66
8.1-2	Left view	69
8.1-3	Front view	70
8.1-4	Right view	73
8.1-5	Platform control console	75
8.1-6	Base view (cover down)	76
8.1-7	Platform (inside view)	77
8.1-8	Base view–cover up	78
<b>Section 9 – Unique Skyjack Features</b>		<b>81</b>

# Section 1 – About this Mobile Elevating Work Platform (MEWP)

## 1.1 Read and heed

Skyjack is continuously improving and expanding product features on its equipment; therefore, specifications and dimensions are subject to change without notice.

### 1.1-1 Mobile Elevating Work Platform (MEWP) definition

A mobile machine intended for moving persons, tools, and material to working positions, consisting of a work platform with controls, an extending structure and a chassis.

### 1.1-2 Purpose of equipment

The Skyjack Vertical Mast lifts are designed to move personnel, tools, and materials to working positions.

### 1.1-3 Use of equipment

The MEWP is a highly maneuverable, mobile work station. Work platform elevation and elevated driving must only be done on a firm, level surface.

### 1.1-4 Operation manual

The operation manual is an important part of the MEWP. It is important to always keep a copy of this manual in the weather-resistant manual storage box of the MEWP. The manual must be in good condition.

### 1.1-5 Operator

The operator must read and completely understand this operation manual, the safety panel label located on the platform, the limitations, operating procedures, operator's responsibility for maintenance and all other warnings and instructions in this manual and on the MEWP.

Before you operate the MEWP, make sure you read and completely understand this information:

1. The full contents of the operation manual, including the MEWP limitations and the responsibilities of the operator for the operation, applicable maintenance and safety instructions.

2. The safety panel label on the platform, the labels on the MEWP and the attachments.

Compare the labels on the MEWP with the labels in this manual. Immediately replace any labels that are damaged or missing.

Only trained and authorized personnel shall be permitted to operate a MEWP.

The operator must be familiar with the employer's work rules and related government regulations.

### 1.1-6 Service policy and warranty

Skyjack warrants each new product to be free of defective parts and workmanship for the first 2 years or 3000 hours, whichever occurs first. Any defective part will be replaced or repaired by your local Skyjack dealer at no charge for parts or labor. In addition, all products have a 5 year structural warranty.

Contact the Skyjack Service Department for warranty statement extensions or exclusions.

### 1.1-7 Ownership of MEWP

Notify Skyjack of MEWP ownership. If you sell or transfer the ownership of a MEWP, promptly notify Skyjack of the new owner's contact information.

Skyjack needs this information to inform the owner of any updates or additional activities that are necessary to keep the machine in proper working condition.

### 1.1-8 Optional equipment

This MEWP is designed to accept a variety of optional accessories. Refer to [Section 7.1](#) for a list of the optional accessories. Operating instructions for these options are located in [Section 5](#) of this manual.

For components or systems that are not standard, speak to the Skyjack Service Department. Give the model and serial number for each applicable MEWP.



---

### 1.1-9 Scope of this manual

1. This manual applies to the ANSI/CSA versions of the SJ Vertical Mast series. For a list of applicable models, refer to [Section 7.1](#).
  - Equipment identified with ANSI meets the ANSI SAIA-A92.20-2018 standard.
  - Equipment identified with CSA meets the CSA B354.6:2017 standard.

To order go to [Discount-Equipment.com](http://Discount-Equipment.com)

## 1.2 Primary assemblies

The MEWP has these primary assemblies:

1. Base
2. Lift mechanism
3. Platform.

- 1 Base:** The base is a rigid, one-piece weldment consisting of these components:

  - Hydraulic system and components.
  - Electrical system and components.
  - Four 6-volt batteries.
  - Emergency-lowering system at the base control console.
  - The front wheels are powered by hydraulic motors and steered by a hydraulic cylinder.
  - The rear wheels are non-driven and have spring-applied, hydraulically-released brakes.
- 2 Lift mechanism:** The lift mechanism is made of steel. The mast assembly is raised and lowered by a series of chains and a single-acting hydraulic-lift cylinder with holding valves.
- 3 Platform:** The platform has these parts.

  - Tubular support frame.
  - Slip-resistant “diamond plate” deck surface.
  - Fixed tubular guardrails, with mid-rails, and toe boards.
  - You can enter and exit the platform from the front of the MEWP through a spring-returned gate with a latch.
  - AC power outlet.

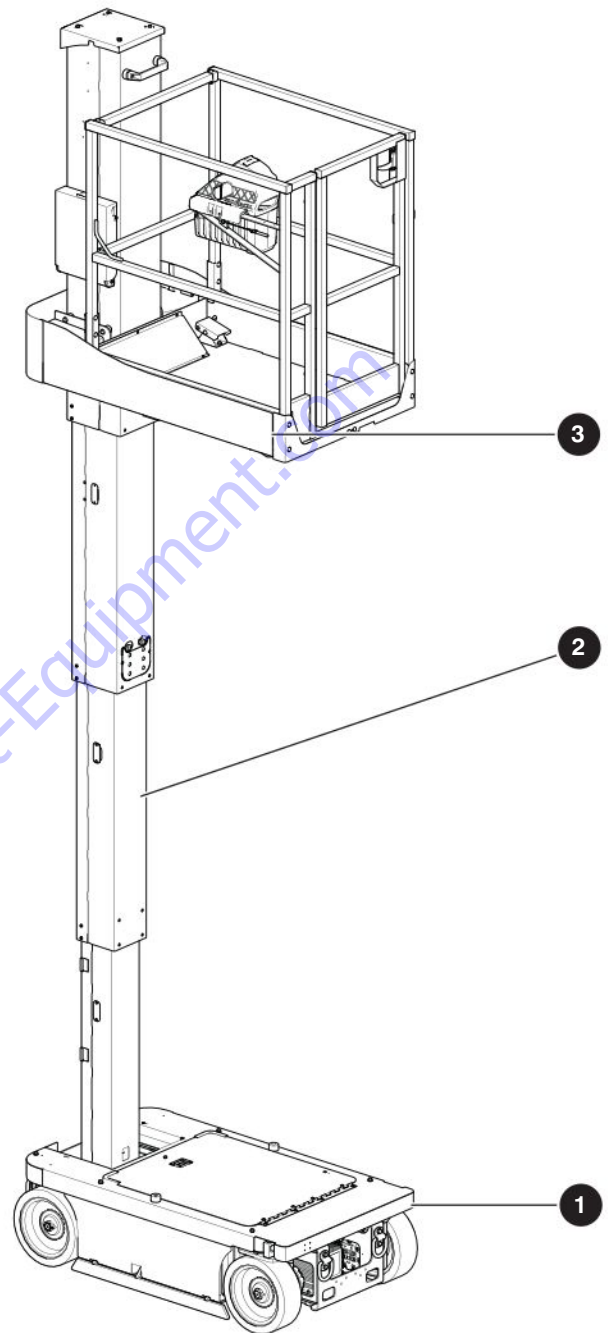
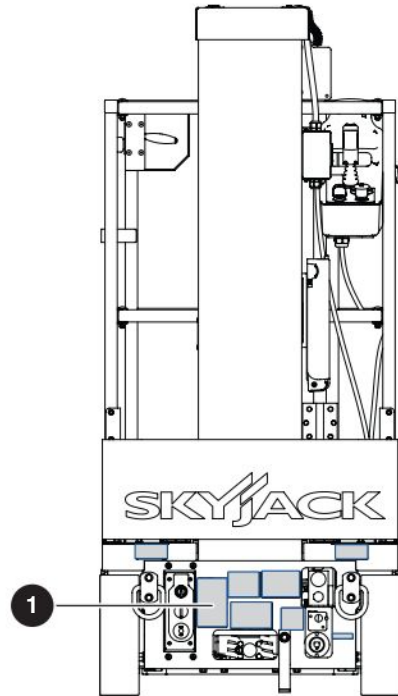


Figure 01 Primary assemblies



### 1.3 Serial number nameplate

The **serial number nameplate 1** is located at the rear of the MEWP. It contains this information:

- Model number
- Type
- Group
- Serial number
- Indoor or outdoor use
- Capacity and maximum number of persons
- Voltage
- Maximum drive height
- Maximum platform height
- Maximum wind speed
- Maximum manual force
- Model year
- MEWP weight
- System pressure
- Maximum incline.

## 1.4 Maintenance responsibility

### 1.4-1 Operator

Before the beginning of each shift, do all the daily inspections and function tests. Refer to [Section 4](#).

### 1.4-2 Maintenance and inspection schedule

Refer to the service manual for frequent, periodic, and annual inspections.

The actual operating environment of the MEWP may affect the maintenance schedule.

### **IMPORTANT**

**Only use original or manufacturer-approved parts and components for the MEWP.**

### **NOTE**

Refer to the Skyjack web site ([www.skyjack.com](http://www.skyjack.com)) for machine registration and the latest service bulletins before you do frequent/periodic or annual inspections.

### 1.4-3 Owner

The owner is responsible for maintenance inspections and repairs. Refer to the service manual for the recommended maintenance and inspection areas and intervals. Keep a record of the annual inspection on the label on the mast assembly. Refer to [Section 7.2](#) in this manual.

### **WARNING**

**Only trained and qualified/competent personnel, who understand the mechanical procedures, may do maintenance on the MEWP. The use of a MEWP that is not properly maintained or in the correct working condition could result in death or serious injury.**

# Section 2 – General Safety Precautions

## **WARNING**

Failure to obey the instructions and precautions in this manual could result in MEWP damage, property damage, personal injury or death.

It is mandatory that you use this MEWP correctly. Read this manual and make sure you fully understand it before you operate the MEWP.

Use personal protective equipment (PPE) when you do work on or near machinery to protect your eyes, ears, hands, feet, and body.

Any modifications to the MEWP must have written permission from Skyjack.

## **WARNING**

Do not operate the MEWP if:

- It does not operate correctly
- It is damaged, or shows worn or missing parts
- The safety devices are tampered with or disabled
- It is locked and tagged for servicing or repair
- It was modified without permission from Skyjack and the MEWP owner.

If you do not obey, there is a risk of death or serious injury.

## 2.1 Electrocutation hazards

The MEWP is not electrically insulated and does not provide protection from contact with or proximity to energized electrical conductors. Follow [Section 2.1-1](#) for the minimum distance to keep between all parts of the MEWP, occupants, or tools, and the electrical conductors. Consider MEWP movement and electrical line sway in minimum distance calculation.

If you need to work nearer than 3m (10ft), stop and apply control measures as determined by a qualified person with respect to electrical transmission and distribution.

Obey all the national, state/provincial/territorial and local safety rules.

### 2.1-1 Minimum distance from electrical conductors

Voltage Range	Minimum Distance from Electrical Conductors
≤ 50 KVA	3 m (10 ft)
> 50 KVA, or if not known	STOP and apply control measures as determined by a qualified person with respect to electrical transmission and distribution.

## **DANGER**

Electrocution hazard. Keep all parts of the MEWP, occupants, or tools a safe distance away from power lines, electrical power sources, or energized sources. If you do not obey, there is a risk of death or serious injury.



Keep a minimum safe distance from sources of high-voltage power.



**DO NOT** operate the MEWP during lightning or storms.

## **CAUTION**

**DO NOT** use the MEWP as a ground for welding. If you do not obey, there is a risk of minor or moderate injury, or malfunction or damage to the MEWP.

## 2.2 Safety instructions

### WARNING

**DO NOT** operate this MEWP without proper authorization and training. Failure to avoid this hazard could result in death or serious injury.

### WARNING

**DO NOT** operate this MEWP in enclosed areas without adequate ventilation for exhaust gas and fumes. Failure to follow this warning could cause death or serious injury.

### WARNING

Failure to heed the following safety precautions could result in tip-over, falling, crushing, or other hazards leading to death or serious injury.

KNOW all national, state/provincial or territorial, and local rules which apply to your MEWP and worksite.

MAKE SURE all the safety and instructional labels are correctly attached on the MEWP in the correct location. Clean or replace labels that you cannot read.

DISCONNECT and lock out main power disconnect on the left side of the MEWP when leaving the MEWP unattended to prevent unauthorized use.



**DO NOT** wear jewelry or loose clothing that could become caught or entangled.



**DO NOT** allow the entanglement of ropes, cables or hoses with the MEWP, adjacent structures or objects.



Prevent falling from the platform. Always keep a firm footing on the platform floor when working thereon. Do not climb on the toe-board, mid-rail, or top-rail. Do not use planks, ladders, or any other devices on the platform for achieving additional height or reach.



**DO NOT** raise the platform or operate elevated in windy or gusty conditions that exceed the limits specified in [Section 7.5](#).



**DO NOT** increase the surface area of the platform or carry large surface area items when exposed to wind. Increasing the area exposed to the wind will decrease the MEWP stability.



**DO NOT** elevate or drive elevated on a slope. Elevated driving must be done on a firm, level surface.



**DO NOT** drive elevated on a soft or uneven surface.

**DO NOT** raise the platform if it is not on a firm, level surface.

**MAKE SURE** the ground condition assessment considers subsurface voids such as cellars, basements, culverts, and pipes.



**DO NOT** drive elevated near depressions or holes of any type, loading docks, debris, drop-offs or surfaces that may affect the stability of the MEWP.

**IF OPERATION IN AREAS WITH HOLES OR DROP-OFFS IS ABSOLUTELY NECESSARY,** elevated driving shall not be allowed. Position the MEWP horizontally only with the platform fully-lowered. After ensuring that all 4 wheels have contact with a firm, level surface, the platform can be raised. After elevation, the drive function must not be activated.

**DO NOT** ascend or descend grades greater than the maximum inclines listed in [Section 7.3](#). Ascending or descending slopes must only be done when fully lowered.



**DO NOT** operate a MEWP that has ladders, scaffolding, or other devices on it to increase the platform size or work height.



**DO NOT** exceed the maximum side force on the platform capacity label when elevated (refer to [Section 7.5](#)).



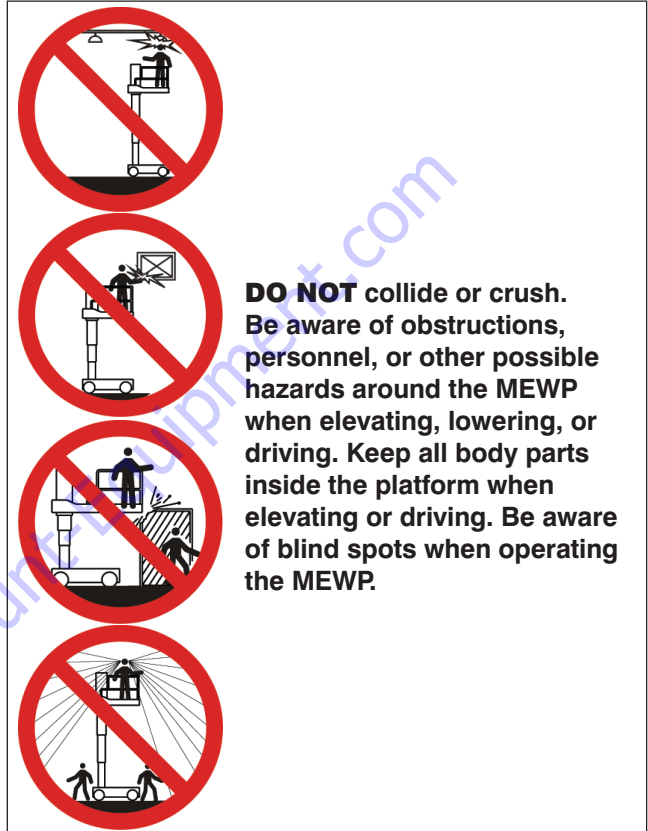
**DO NOT** use the MEWP as a crane.



**DO NOT** sit, stand, or climb on the guardrails.



**DO NOT** climb on the base or the mast.



**DO NOT** collide or crush. Be aware of obstructions, personnel, or other possible hazards around the MEWP when elevating, lowering, or driving. Keep all body parts inside the platform when elevating or driving. Be aware of blind spots when operating the MEWP.



**DO NOT** elevate the platform when the MEWP is on a truck, forklift, or other device or vehicle.



**DO NOT** use the MEWP when the wheels or tires are damaged (refer to [Section 4.2-4](#)). Make sure the wheel nuts and cotter pins are in place.



**DO NOT** alter or disable limit switches or other safety devices.



**DO NOT** use the MEWP without guardrails, lock pins, and the entry gate in place.



**DO NOT** use the MEWP under the influence of alcohol or drugs, or if the operator's performance is impaired by a medical condition, the influence of prescription or over the counter drugs, or fatigue.



**DO NOT** exceed the rated capacity of the MEWP.



**DO NOT** distribute the load unevenly.



**DO NOT** use the MEWP if it does not function correctly or if any parts are damaged or worn.



**DO NOT** leave the MEWP unattended with the key in the key switch.



**DO NOT** access the hydraulic/electrical compartment while the platform is raised.

**DO NOT** operate on slippery surfaces without sufficient traction to stop, drive, or steer the MEWP.

**STUNT** driving and horseplay are prohibited.

**DO NOT** position the MEWP against another object to steady the platform.

**DO NOT** place materials on the guardrails or materials that exceed the confines of the guardrails unless approved by Skyjack.

Remove all personnel from the platform before you try to free a snagged platform with the base controls.



## 2.3 Fall-protection

The guardrail system is the primary fall-protection system of the MEWP platform.

If personal fall-protection equipment (PFPE) is required, by an employer or the authority having jurisdiction, Skyjack recommends the use of a full body harness with a lanyard. PFPE must be attached only to approved fall-protection anchorage points in the platform.

All PFPE must be compliant with applicable government rules and must be inspected as per the manufacturer's recommendation.

### WARNING

#### Fall hazard.

- Only enter and exit the MEWP using the three points of contact principle.
- Only use the equipped access openings.
- Only enter and exit the MEWP when the platform is fully lowered.
- Face the MEWP when entering or exiting the platform.

#### Failure to follow these instructions could result in death or serious injury.

Enter or exit the platform from the ground only. Use the three points of contact principle, which is when two hands and one foot, or one hand and two feet are in contact with the MEWP or the ground at all times. Face the MEWP when entering or exiting the platform.

## 2.4 Worksite inspection

Make sure the operating environment, ambient temperature, Electromagnetic Compatibility (EMC), and Hazardous Location Rating (locations with potentially flammable gases, explosive gases or particles) are appropriate for the MEWP specifications (refer to [Section 7.4](#)).

Be sure to follow all national, state/provincial/territorial, and local rules that relate to operating the MEWP.

Perform a full worksite inspection before operating the MEWP. Identify potential hazards in the area.

Be aware of moving equipment in the area. Take the necessary precautions to prevent collisions.

It is the responsibility of the operator to perform a worksite inspection and avoid/address the following hazards:

- Holes or drop-offs
- Slopes
- Ditches or soft fills
- Floor obstructions, bumps, or debris
- Overhead obstructions
- Electrical conductors
- Hazardous locations
- Inadequate surface support to withstand all load forces imposed by the MEWP (refer to [Section 7.6](#))
- Wind and weather conditions
- Presence of personnel
- Other mobile equipment
- Traffic hazards
- Equipment that could move and collide with the MEWP, such as overhead cranes
- Other possible unsafe conditions.

## Section 3 – Familiarization

### **WARNING**

Do not operate this MEWP without correct training and authorization. If you do not obey, there is a risk of death or serious injury.

### **WARNING**

MEWP Familiarization must be given to a qualified operator. If you do not obey, there is a risk of death or serious injury.

### **WARNING**

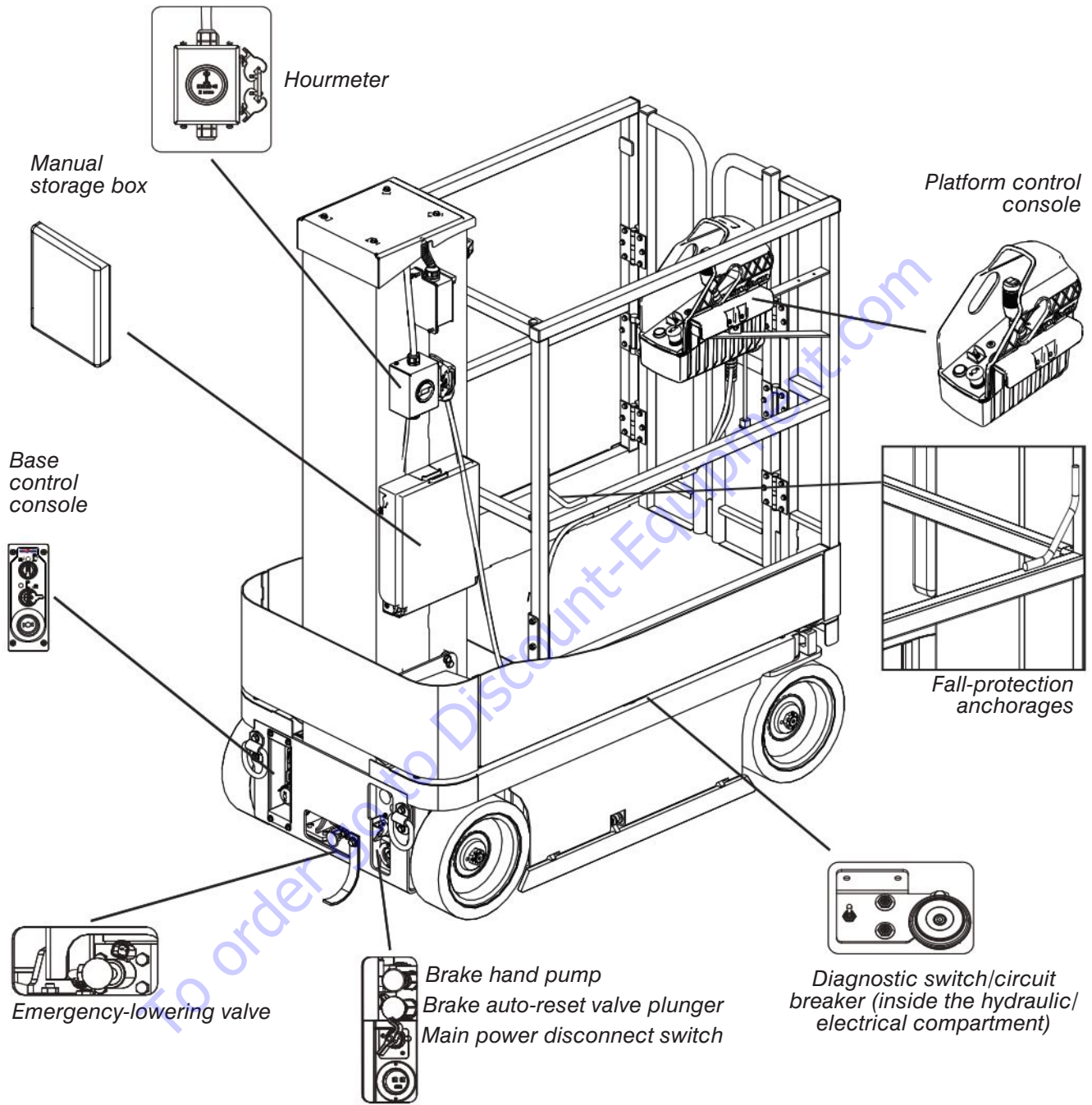
It is the responsibility of the operator to fully understand, and follow all instructions and warnings contained in this operation manual and on the MEWP. If you do not obey, there is a risk of death or serious injury.

Read and fully understand the operation manual, all the warnings, and the instruction labels (refer to [Section 8](#)) on the MEWP.

Do these tasks before the operation:

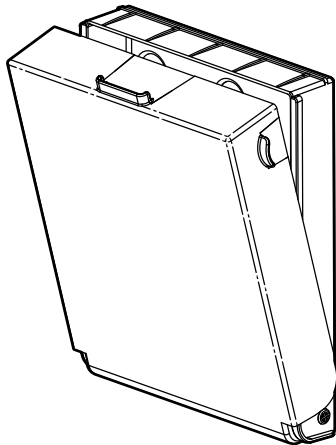
1. Worksite inspection. Refer to [Section 2.4](#).
2. Daily visual and maintenance inspections. Refer to [Section 4.2](#).
3. Function tests. Refer to [Section 4.3](#).

### 3.1 Overview of the MEWP



## 3.2 Manual storage box

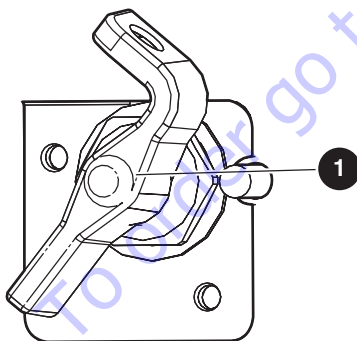
The manual storage box is weather-resistant. It contains the operation manual, ANSI Manual of Responsibilities, and the ANSI/CSA certificate. You must keep the operation manual for the make and model of this MEWP in this box. Refer to [Section 3.1](#) for the location of the manual storage box.



## 3.3 Control functions

### 3.3-1 Main power disconnect switch

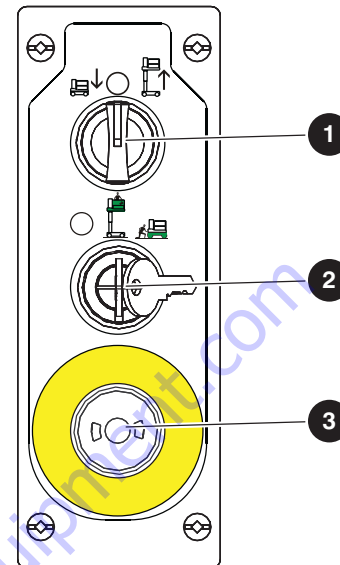
Refer to [Section 3.1](#) for the location of the main power disconnect switch.



- ❶ **Main power disconnect:** This switch disconnects power to all control circuits when it is in the off position. The switch must be in the on position to operate the MEWP. The switch must be in the off position when you transport the MEWP or put it in storage.

### 3.3-2 Base control console

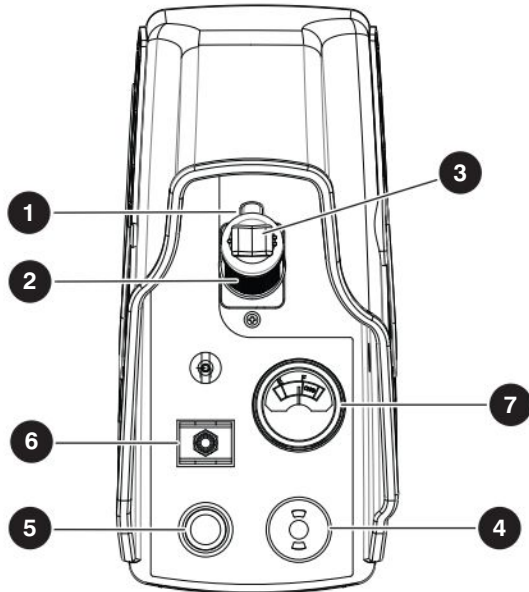
Refer to [Section 3.1](#) for the location of the base control console.



- ❶ **Lower/neutral/raise:** This switch controls the function to lower or raise the platform.
- ❷ **Off/platform/base key:** With this three-way switch, you can:
- Turn off the power to the MEWP controls.
  - Energize the base controls.
  - Energize the platform controls.
- ❸ **Emergency-stop:** This button disconnects power to the control circuit. Pull to connect the power again.

### 3.3-3 Platform control console

Use this control console to operate the MEWP from the platform. Refer to [Section 3.1](#) for the location of the platform control console.



- 1 **Lift/drive/steer function-enable:** This switch energizes the controller handle. Squeeze and hold the switch continuously to engage the lift, drive and steer functions.
- 2 **Lift/drive controller:** This one-hand lever controls the lift and drive movements. To return it to the initial neutral position, release the controller.
- 3 **Steering rocker:** This switch controls the left and right steering. Release the switch to return it to the neutral position.
- 4 **Emergency-stop/operation light:** This button, disconnects the power to the control circuit.
  - When the light is on continuously, the platform controls are available.
- 5 **Horn:** This push-button makes a sound like a car horn.
- 6 **Lift/off/drive:** This switch has three positions or modes.
  - The off position on this switch disconnects the power to both the lift and drive circuits.
  - The lift position energizes the lift circuit.
  - The drive position energizes the drive circuit
- 7 **Battery voltmeter:** Shows the voltage of the battery.

## 3.4 Features and devices

### 3.4-1 Lowered travel position and elevated travel position

The available MEWP functions depend on these factors:

- MEWP configuration (lowered travel position/ elevated travel position)
- Chassis angle

The MEWP is in the lowered travel position when the platform is below height "A" (refer to [Figure 022](#)).

The MEWP is in the elevated travel position when the platform is at or above height "A" (refer to [Figure 022](#)).

Model	A - Height	Maximum Drive Height
SJ12	0.45 m (1.5 ft)	Full Height
SJ16	0.45 m (1.5 ft)	Full Height

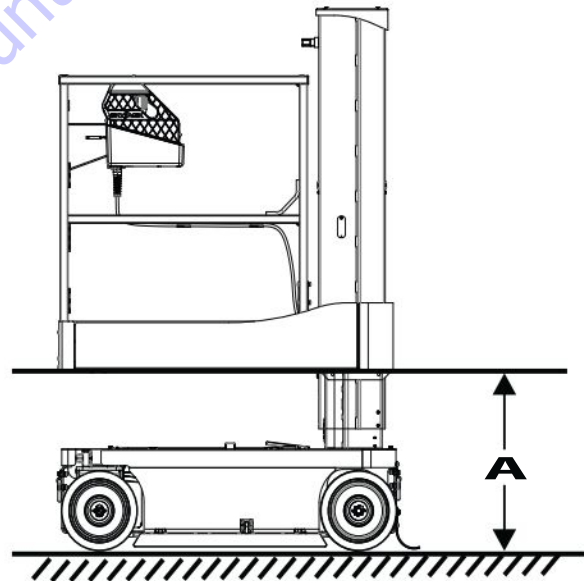


Figure 02 Lowered and elevated travel position

### 3.4-2 Drive speed

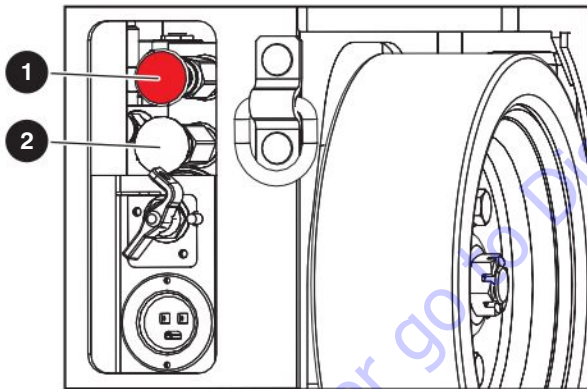
The drive speed depends on the MEWP configuration (lowered travel position/elevated travel position). When the MEWP is in the elevated travel position, the speed is slower than the speed in the lowered travel position. Refer to [Section 7.3](#).

### 3.4-3 Tilt switch

This device senses when the MEWP has passed a predetermined angle in the longitudinal (front-to-back) or lateral (side-to-side) direction. Refer to [Section 7.5](#). When the tilt switch is on, and the MEWP is in the elevated travel position, it disables the drive and lift functions and an alarm makes a sound. If the alarm makes a sound, fully lower the platform. Level the MEWP before you raise the platform.

### 3.4-4 Brake release system

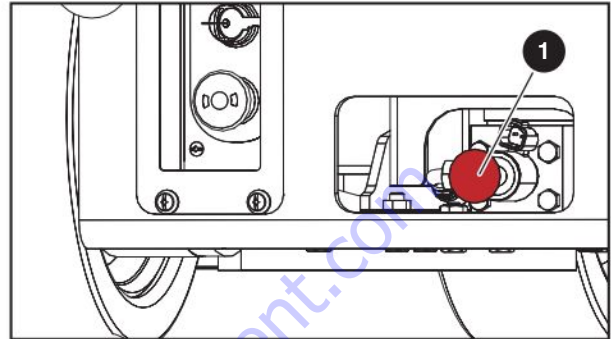
This system disengages the brakes manually before you push, winch, or tow the MEWP. Refer to [Section 6.2](#) for the procedure. Refer to [Section 3.1](#) for the location of the brake-release system.



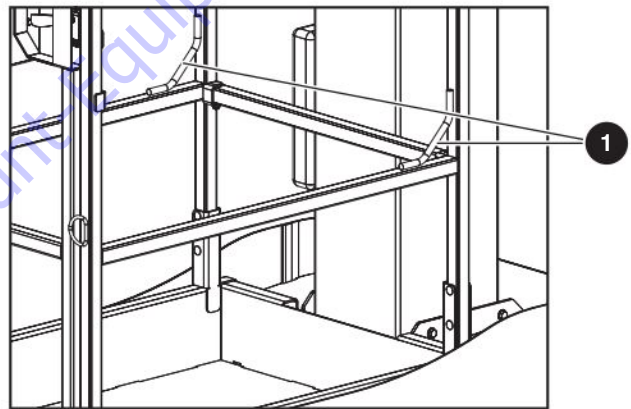
- 1 Brake hand pump
- 2 Brake auto-reset valve plunger

### 3.4-5 Emergency-lowering system

With the emergency-lowering system, you can lower the platform if there is a failure of the primary power. Refer to [Section 6.1](#) for the emergency-lowering procedure. Refer to [Section 3.1](#) for the location of the emergency-lowering valve 1.



### 3.4-6 Fall-protection anchorages

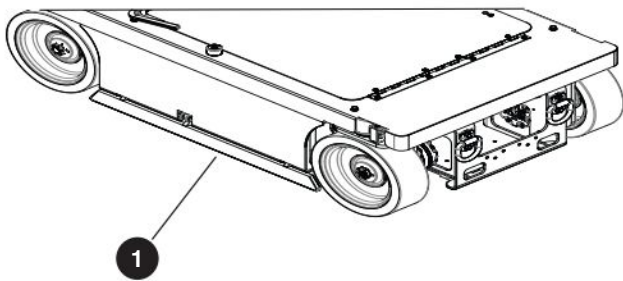


- 1 **Fall-protection anchorage:** When required, use this as a point to attach personal fall protection equipment (PFPE). Do not attach the PFPE to any other points on the platform. Do not use this anchorage to lift, anchor, attach, or hold the platform, or other apparatuses or material.

### **⚠ WARNING**

Only use the fall protection anchorage in the limits of the platform. Do not use the fall protection anchorage for other than its intended function (refer to [Section 2.3](#)). If you use it incorrectly, death, serious injury, and/or MEWP damage can occur.

### 3.4-7 Pothole protection device



- 1 Pothole protection device:** This device consists of a set of mechanically actuated steel weldments located under the base. These weldments will automatically deploy for reduced ground clearance when elevating the MEWP. If the pothole-protection device has not fully deployed when the MEWP is in the elevated travel position the drive function will be disabled.

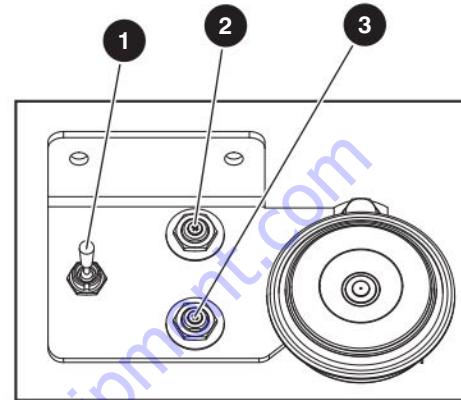
#### **⚠ WARNING**

**Crushing Hazard. Personnel on the ground must stay away from the pothole protection device. If you do not obey, there is a risk of death or serious injury.**

## 3.5 General components

### 3.5-1 Circuit breaker and diagnostic switch

Refer to [Section 3.1](#) for the location of the circuit breaker/diagnostic switch.



**1 Diagnostic switch**

The diagnostic switch is used during MEWP servicing to diagnose MEWP operation.

**2 Power-overload circuit breaker**

If a power overload occurs, the circuit breaker opens. Push the circuit breaker to reset the circuit.

**3 Circuit-grounding circuit breaker**

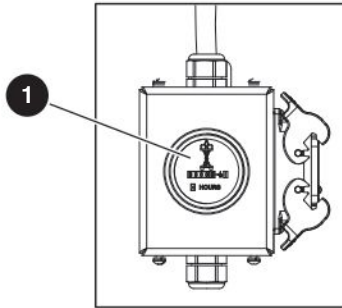
If a positive circuit grounding occurs, the circuit breaker opens. Push the circuit breaker to reset the circuit.

#### **⚠ WARNING**

**Do not use the diagnostic switch when there are personnel on the platform. The MEWP may move when you engage the diagnostic switch. If you do not obey, there is a risk of death or serious injury.**

### 3.5-2 Hourmeter

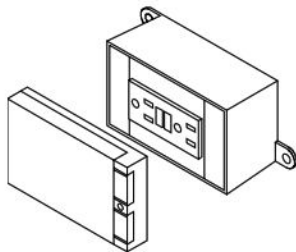
Refer to [Section 3.1](#) for the location of the hourmeter.



- 1 **Hourmeter:** The hourmeter records total MEWP operation time.

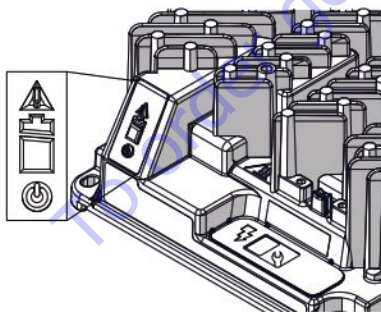
### 3.5-3 AC power socket on the platform

The AC power socket is a source of AC power on the platform when the plug at the base is connected to a generator or an external power supply.



### 3.5-4 Battery charger

The charger is at the front of the base. Refer to [Section 6.6](#) for battery charging instructions.

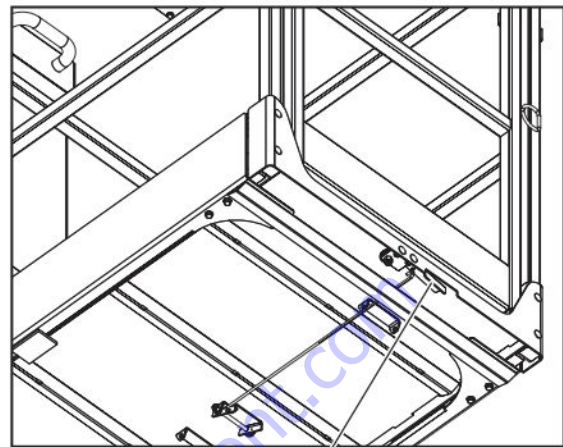


### 3.5-5 Motion alarm

The alarm makes a sound when a control function operates. On some MEWPs, an amber flashing light goes with this alarm.

### 3.5-6 Platform maintenance lock

The platform has a locking mechanism located below the platform.



- 1 **Platform maintenance lock:** When it is engaged, you can move the platform to the maintenance position and open the hydraulic/electrical compartment. When the platform is in the maintenance position, all MEWP functions are disabled.

### **WARNING**

The MEWP can move when you engage the diagnostic switch. If you use it incorrectly, death, serious injury, and/or MEWP damage can occur.



## 3.6 Optional equipment

### **CAUTION**

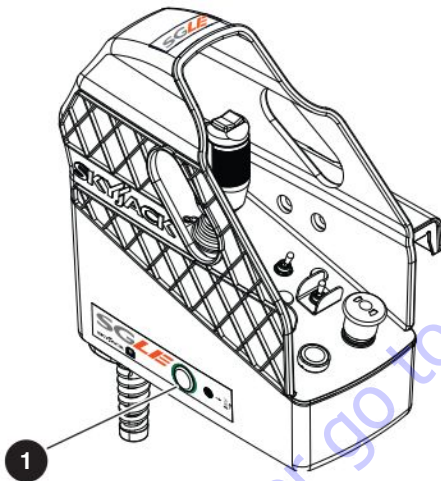
Skyjack approved modifications and attachments can change the MEWP specifications. Refer to the applicable instructions and labels.

### **IMPORTANT**

Refer to the labels of the optional equipment for the actual weight. Include this weight to calculate the total load on the platform. Include personnel and other materials in the total load.

The weight of the attached parts, panels, occupants, and tools put together must not be more than the rated platform capacity.

### 3.6-1 Secondary Guarding Lift Enable (SGLE) push-button

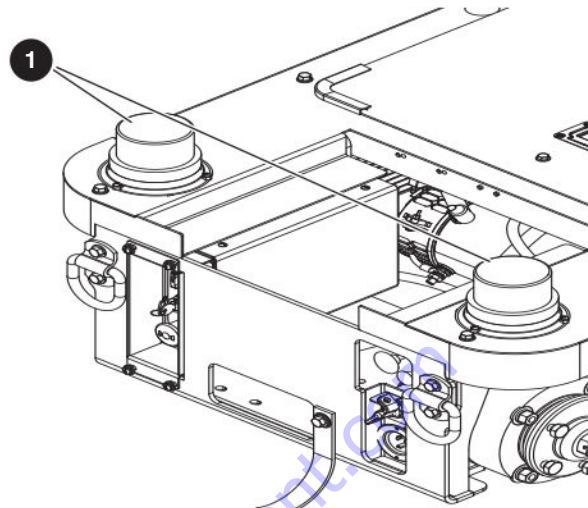


- 1 SGLE:** This push-button energizes the lift function. Hold the button down together with the function-enable switch to enable the raising of the platform with the lift function.

### **NOTE**

The SGLE does not have an effect on these functions: lower, drive, steer or emergency lowering.

### 3.6-2 Flashing Light



- 1 Flashing light :** The flashing light is attached to the base and flashes when a control function is enabled.

### 3.6-3 Elevate™ telematics - access control unit

Access control is an added function of the Elevate™ Trackunit. The access control function does not have an effect on: emergency-lowering, load sensing, the horn, and when you lower the platform. These functions are always available. The access control unit does not allow the electric motor to operate without an approved code or card.

#### IMPORTANT

**The owner is responsible to supply PIN codes or Smart ID cards for MEWPs that have the access control function. Skyjack does not supply or reset PIN codes or Smart ID cards. Speak to the MEWP owner to help you with PIN codes or Smart ID cards that do not function, or you cannot find.**

With the access control function, the user can control access to the MEWP operation. You can get unique PIN codes or Smart ID cards to unlock and start the MEWP. For this function, an Elevate™ telematics device and an access control keypad are necessary. With the Trackunit Manager, the MEWP owner can customize the access control to the MEWP (<https://www.trackunit.com/services/manager/>). Speak to the MEWP owner to help you with PIN codes or Smart ID cards that do not function, or you cannot find.



- 1 Orange indicator:** This light shows that the access control unit is ON. The keypad always has power regardless of the emergency-stop, off/platform/base key switch, or main power disconnect position.

- 2 Green/red indicator:** A green light shows that the access control unit is in operation. A red light that flashes shows that the keypad received a cancel input.

#### Operation

To operate the MEWP, the light and all of these power connections must be ON before the set time expires. This set time is the time that the MEWP owner sets for the access control operation.

- The green light on the keypad of the access control unit.
- The main power disconnect switch.
- The emergency-stop button on the base control console.
- The off/platform/base key switch.

You can also set these power connections to ON before you start the access control unit.

To operate the access control unit, use the PIN code or Smart ID card.

#### With the Keypad:

##### NOTE

*This touch-sensitive keypad beeps to identify a correct input.*

1. Enter the PIN code.
2. Press the **green checkmark** to confirm.
  - **Result:** The green light identifies an approved ID. Start the operation.

##### NOTE

*If you push an incorrect button when you enter the PIN code, push the Cancel button to start again.*

#### With the Smart ID Card:

1. Put the card in front of the reader.
2. A beep identifies that the reader read the card.
  - **Result:** The green light identifies an approved ID. Start the operation.

**IMPORTANT**

If the set time of the access control unit expires, enter the PIN code or tap the Smart ID card again. If there is a failure of the access control activation, speak to the MEWP owner.

**IMPORTANT**

The access control unit will not operate if these power connections are not ON in the set time, or if the operator disconnects them:

- The main power disconnect switch
- The emergency-stop button on the base control console
- The off/platform/base key switch.

**IMPORTANT**

To start the access control unit, enter the PIN code or tap the Smart ID card. These power connections must be in the ON position in the set time:

- The main power disconnect switch
- The emergency-stop button on the base control console
- The off/platform/base key switch.

**Function Tests**

Do the function tests as specified in [Section 4.3](#).

When you do the function tests, make sure that the green light on the keypad is ON. This light confirms that the access control unit is in operation. Do the function tests for these power connections in the set time:

- The main power disconnect switch
- The emergency-stop button on the base control console
- The off/platform/base key switch.

---

# Section 4 – Inspections Before Operation

## 4.1 Operator's Responsibility

Do these tasks before each work shift and in this sequence:

1. **Visual and daily maintenance inspections**  
(refer to [Section 4.2](#)).

### **WARNING**

**Do an inspection on the MEWP for damage or loose or missing parts. If damage is found, lock and tag the MEWP and remove it from service. If you do not obey, there is a risk of death or serious injury.**

2. **Function tests** (refer to [Section 4.3](#)).

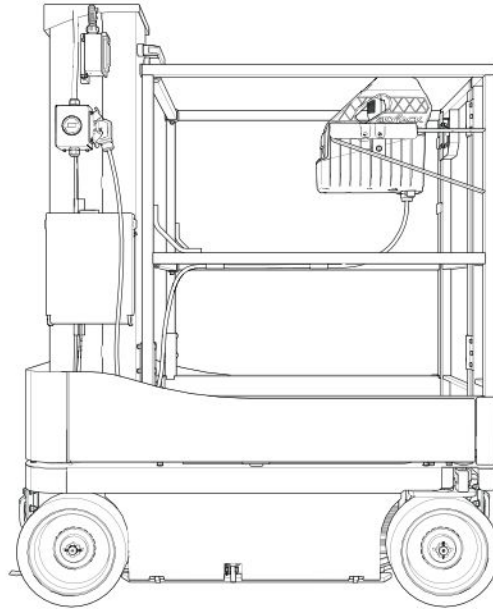
Refer to [Section 4.4](#) for a checklist of the inspection items.

### **WARNING**

**If the MEWP is damaged or has been modified from the initial factory-delivered condition, without permission from Skyjack, lock and tag the MEWP. Remove the MEWP from service. If you do not obey, there is a risk of death or serious injury.**

Repairs to the MEWP are tasks only for a qualified service technician. Do the visual and daily maintenance inspections and function tests again after the repairs.

Scheduled maintenance inspections are a task only for a qualified service technician.



## 4.2 Visual and daily maintenance inspections

Do an inspection of the MEWP in this sequence.

### **⚠ WARNING**

Do not operate a MEWP that does not function correctly. Lock and tag the MEWP, and remove it for servicing. Only a qualified service technician must repair the MEWP. If you do not obey, there is a risk of death or serious injury.

### **⚠ WARNING**

Turn the main power disconnect switch to the off position before you do the visual and daily maintenance inspections. If you do not obey, there is a risk of death or serious injury.

### **⚠ CAUTION**

Make sure that the MEWP is on a firm, level surface before you do the visual and daily maintenance inspections. If you do not obey, there is a risk of machine damage.

### 4.2-1 Labels

Refer to [Section 8](#) in this manual for the labels. Make sure all the labels are in the correct location, are in good condition, and you can read them.

### 4.2-2 Electrical

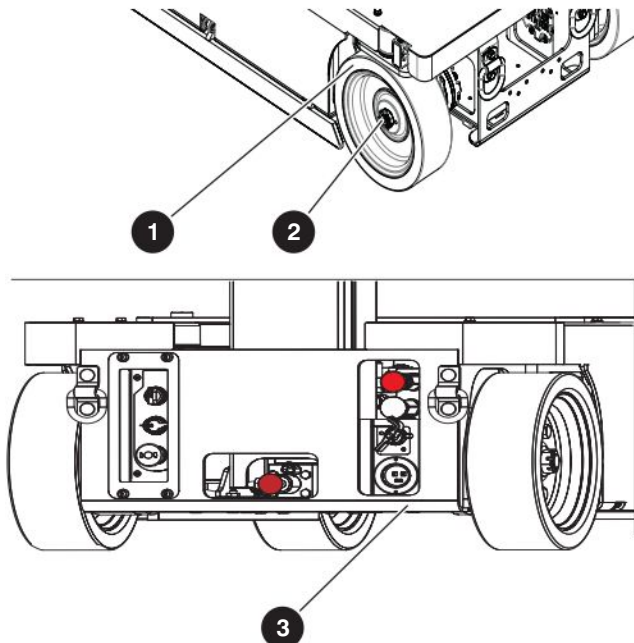
Do a check on these areas for chafed, corroded, and loose wires:

- Base to platform cables and wiring harness
- Hydraulic and electrical compartment wiring harnesses.

### 4.2-3 Hydraulic

Do a check on these areas and make sure there are no signs of leakage:

- Hydraulic tank, filter, fittings, hoses
- All hydraulic cylinders
- All hydraulic manifolds
- The ground area below the MEWP



#### 4.2-4 Wheel/tire assembly

Do the inspection that follows:

##### 1 Wheel/tire assembly

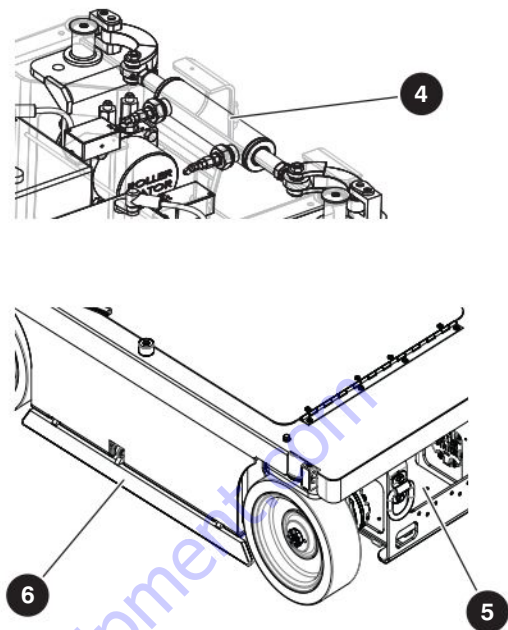
- Do a check on all the tire treads and sidewalls for cuts, cracks, and unusual wear.
- Do a check on each wheel for damage, and cracked welds.
- Make sure the wheels are correctly aligned vertically and horizontally.
- Make sure there is no visible damage.

### **⚠ WARNING**

**Do not use tires other than the tires that Skyjack specifies for this MEWP. Do not mix different types of tires or use tires that are not in good condition. Only replace the tires with the same types that are approved by Skyjack. The use of other tires can make the MEWP less stable. If you do not obey, there is a risk of death or serious injury.**

##### 2 Wheel nuts

- Make sure the castle nut is in position and is tight.
- Make sure the cotter pin is correctly installed.



#### 4.2-5 Base

Do the inspection that follows:

##### 3 Base weldment

- There are no cracks in the welds or structure.
- There are no signs of deformation

##### 4 Steer cylinder assembly

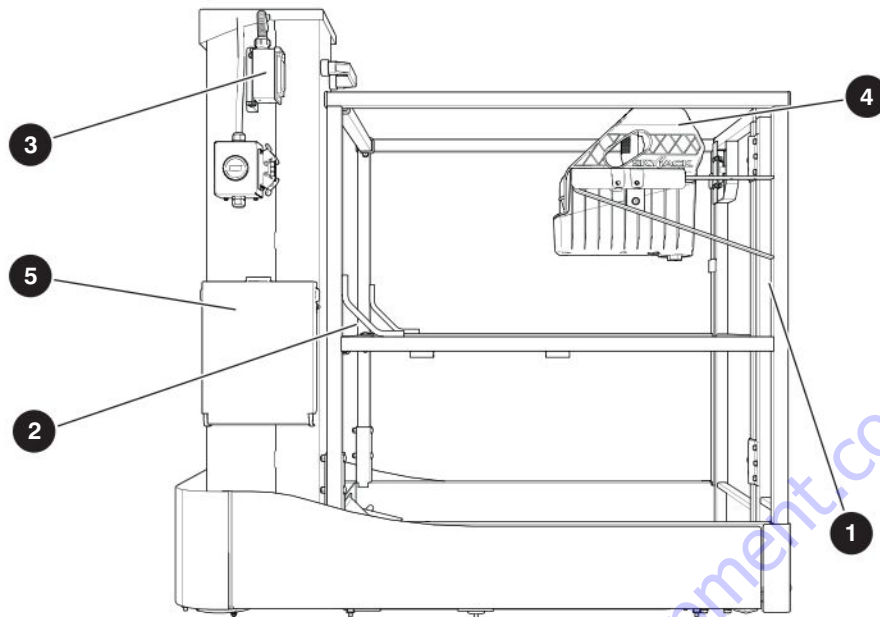
- The steer cylinder assembly is correctly installed.
- There are no loose or missing fasteners.
- There is no visible damage.

##### 5 Battery charger

- Make sure that the battery charger is correctly installed, and in good condition.
- Make sure there is no visible damage.

##### 6 Pothole protection device

- Make sure there are no loose or missing parts.
- Make sure there is no visible damage.
- Make sure there is no dirt or obstructions.



#### 4.2-6 Platform assembly

Do the inspection that follows in sequence:

#### **⚠ WARNING**

**Fall Hazard. Use the three points of contact principle when you use the MEWP to enter or exit the platform. If you do not obey, there is a risk of death or serious injury.**

1. Enter the platform and close the gate.

#### 1 Platform railings

- Make sure there are no loose or missing parts, and there is no visible damage.
- Make sure that all railings are correctly installed.
- Make sure that all fasteners are tight.
- Make sure that the gate is in good condition and operates correctly.
- Make sure that the platform foot pedal is in good working order and that it has no loose or missing parts and there is no visible damage.

#### 2 Fall-protection anchorages

- Make sure that the fall-protection anchorages are correctly attached.
- Make sure the fall protection anchorages show no signs of visible damage, deformation, or cracks.

#### 3 AC power socket

- Make sure that the socket is free of dirt or blockages.

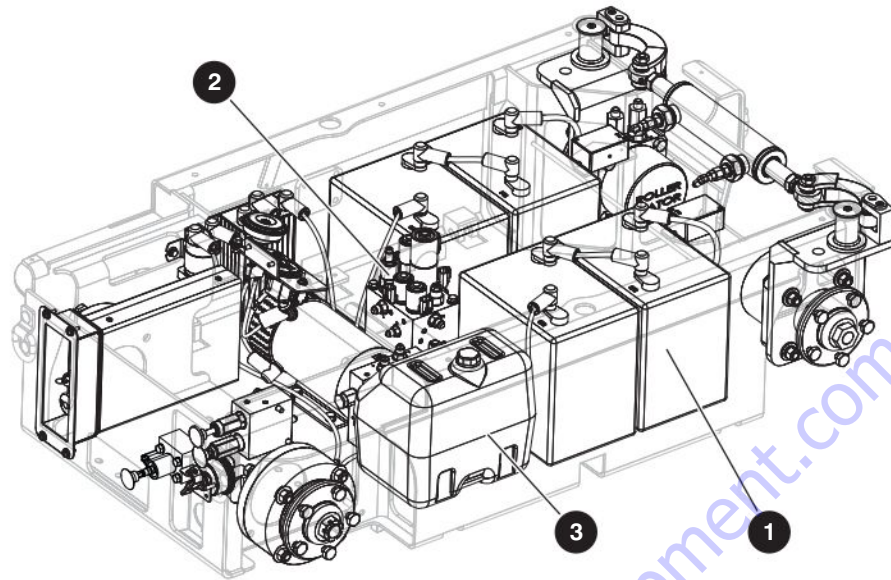
#### 4 Platform control console

- Make sure the control console is locked with lock-pins.
- Make sure the platform control cable is correctly locked, and there is no visible damage.

2. Exit the platform, and close the gate.

#### 5 Manual storage box

- Make sure that the operation manual and other important documents are in the manual storage box.
- Make sure that the documents are in good condition, and you can read them.
- Always put the manuals and other documents back in the storage box after use.



### 4.2-7 Hydraulic/electrical compartment

Open the hydraulic/ electrical compartment refer [Section 6.5](#). Do the inspection that follows:

#### 1 Batteries

#### **⚠ WARNING**

**Explosion hazard. Keep flames and sparks away. Do not smoke near the batteries. Batteries release explosive gas while you charge them. Charge the batteries in a well-ventilated area. If you do not obey, there is a risk of death or serious injury.**

#### **⚠ WARNING**

**Corrosion hazard. Do not touch battery acid. Wear the correct PPE. If the battery acid touches you, immediately flush the area with cold water and get medical aid.**

1. Do an inspection of the battery case for damage.
2. Make sure all the battery connections are tight.
3. If applicable, do a check on the battery fluid levels. If the plates do not have a minimum 13 mm (1/2 inch) of solution above them, add distilled or demineralized water.

#### **⚠ WARNING**

**Only use original or manufacturer-approved parts and components for the MEWP. If you do not obey, there is a risk of death, serious injury, or machine damage.**

#### 2 Manifold

- Make sure all fittings and hoses are correctly tightened.
- Make sure there is no indication of hydraulic leakage.
- Make sure there are no loose wires or missing fasteners.

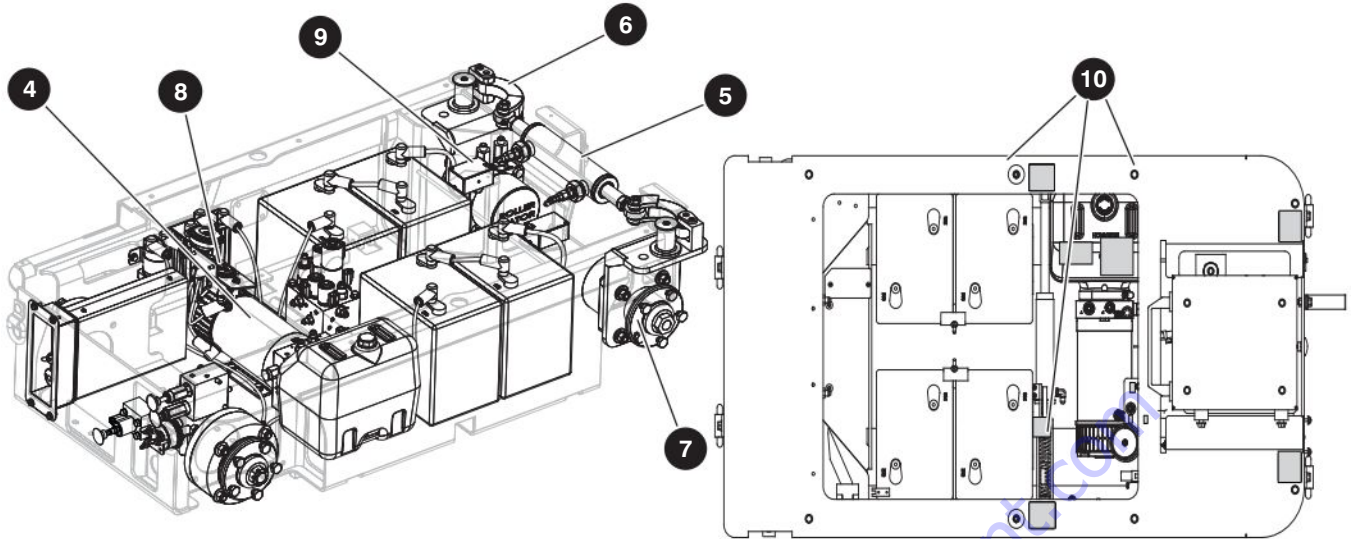
#### 3 Hydraulic tank

- Make sure the hydraulic filler cap closes tightly.
- Make sure there is no visible damage or hydraulic leaks.

#### **Hydraulic oil level:**

1. Make sure the platform is fully lowered.
2. Do a check on the **gauge** on the side of the hydraulic oil tank. The hydraulic oil level must be at or a small distance above the top mark of the gauge.





#### 4 Hydraulic pump and motor

- Make sure there are no loose or missing fasteners.
- Make sure there is no visible damage.

#### 5 Steer cylinder assembly

- Make sure the steer cylinder assembly is correctly installed.
- Make sure there are no loose or missing fasteners.
- Make sure there is no visible damage.

#### 6 Steer linkages

- Make sure there are no loose or missing fasteners and lock-pins.
- Make sure the steer linkages and bushings are correctly attached.
- Make sure there is no visible damage.

#### 7 Wheel/motor assembly

- Make sure there are no loose or missing fasteners.
- Make sure there is no visible damage.

#### 8 Motor controller

- Make sure the motor controller has no damage and is correctly attached.
- Make sure there are no loose wires or missing fasteners.

#### 9 Tilt sensors

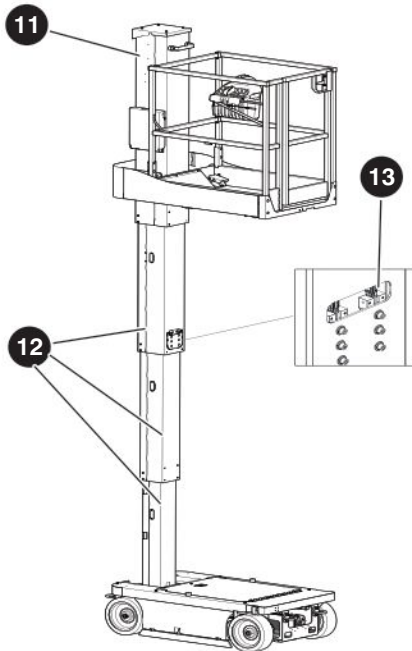
- Make sure the tilt sensors are correctly attached and there is no visible damage.

#### 10 Limit switches

- Make sure the limit switches are correctly attached, there is no visible damage, and the movement is not obstructed.

3. Close the compartment access door and latch it.

4. Push the platform to the operation position and latch it.



#### 4.2-8 Lift mechanism

##### 11 Mast assembly

- Make sure the mast assembly shows no signs of visible damage, deformation, or cracks in the weldments.

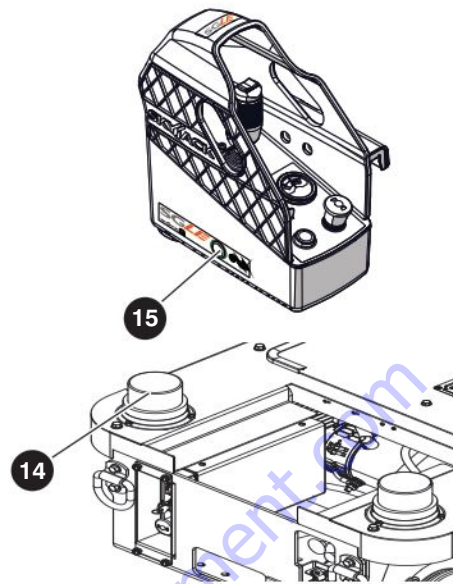
1. Complete the Function Tests in *Section 4.3.* before proceeding to the next step.
2. Raise the platform.

##### 12 Wear pads

- Make sure the bolts are tight.
- Make sure there are no loose or missing parts.
- Make sure there is no visible damage.

##### 13 Chains

- Make sure the chains are correctly attached.
- Make sure the bolts are tight.
- Make sure there are no loose or missing parts.
- Make sure there is no visible damage.



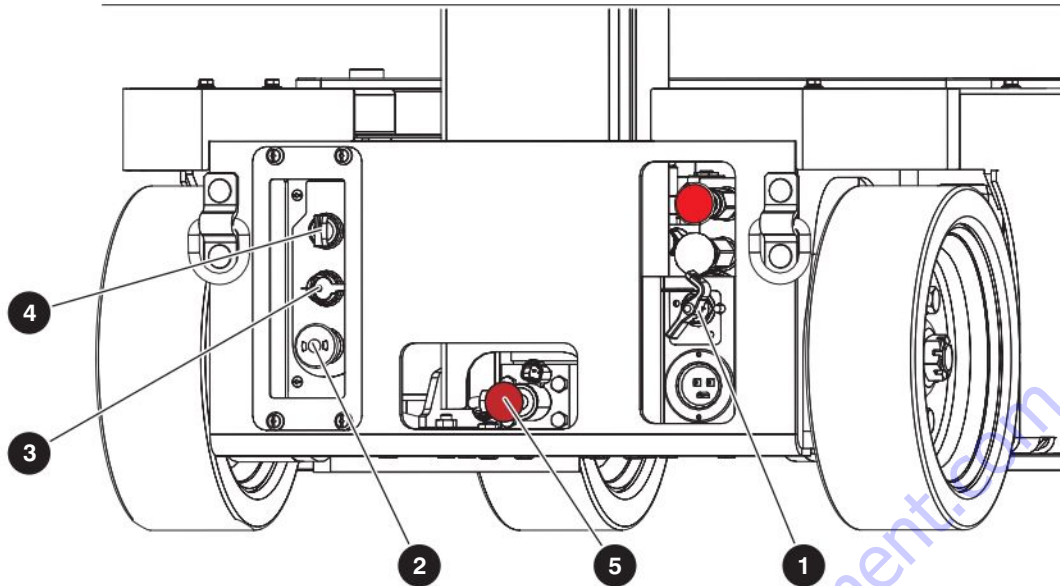
#### 4.2-9 Optional equipment and attachments

##### 14 Flashing lights

- Make sure there are no loose or missing parts.
- Make sure there is no visible damage.

##### 15 SGLE Switch

- Make sure there are no loose or missing parts.
- Make sure there is no visible damage.



## 4.3 Function tests

Do the function tests in sequence.

### **⚠ WARNING**

Do not operate a MEWP that does not function correctly. Lock and tag the MEWP, and remove it for servicing. Only a qualified service technician must repair the MEWP. If you do not obey, there is a risk of death or serious injury.

Be sure to read [Section 5](#) before you do the function tests.

### 4.3-1 Do a test of the main power disconnect switch

1. Turn the **main power disconnect switch** ① to the **off position**.
2. Pull the **emergency-stop button** ② on the base control console.
3. Turn and hold the off/platform/base key switch ③ to the base position.
4. Turn and hold the lower/neutral/raise switch ④ in the raise position.
  - **Result:** The platform does not rise .

### 4.3-2 Do a test of the emergency-stop button on the base

1. Turn the **main power disconnect switch** ① to the **on position**.
2. Push the **emergency-stop button** ②.
3. Turn and hold the off/platform/base keyswitch ③ to the base position.
4. Turn and hold the **lower/neutral/raise switch** ④ to the **raise position** .
  - **Result:** The platform does not rise.

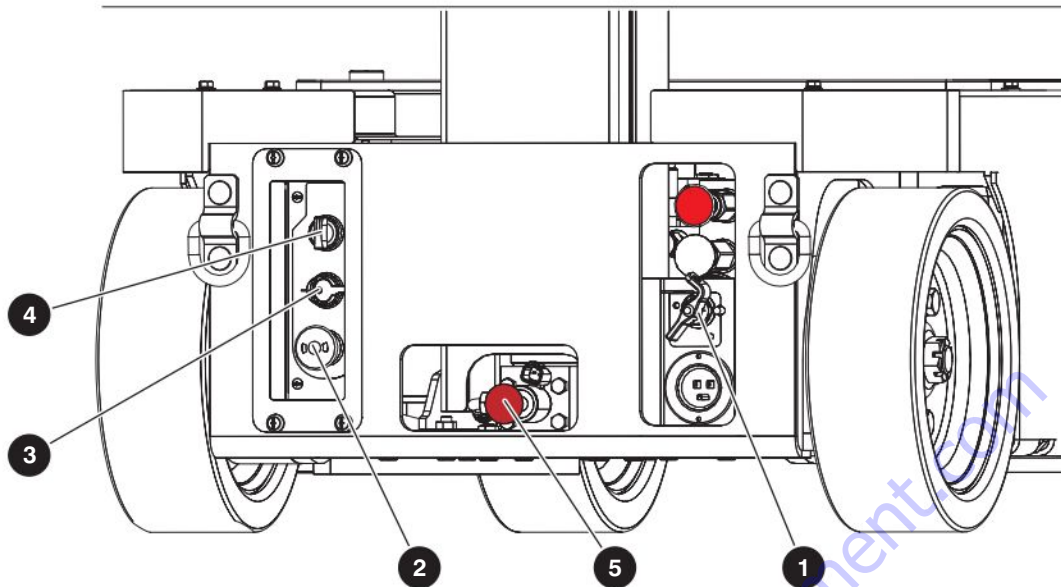
### 4.3-3 Do a test of the off/platform/base key switch

1. Pull the **emergency-stop** ② button.

### **⚠ WARNING**

Look for overhead obstructions or other possible hazards around the MEWP when you raise the platform. Do not lower the platform unless the area below is clear of personnel and obstructions. If you do not obey, there is a risk of death or serious injury.

2. Turn the **off/platform/base key switch** ③ to the **platform position** .
3. Turn and hold the **lower/neutral/raise switch** ④ to the **raise position**.
  - **Result:** The platform does not rise.



4. Turn and hold the **off/platform/base key** ③ switch to the **base position**.
5. Turn and hold the **lower/neutral/raise** switch ④ to the **raise position**.
  - **Result:** The platform rises.

#### 4.3-4 Do a test of the lower/neutral/raise switch

1. Turn and hold the **off/platform/base key** ③ switch to the **base position**.
2. Turn and hold the **lower/neutral/raise** switch ④ to the **raise position**.
  - **Result:** The platform rises.
3. Turn and hold the **lower/neutral/raise** ④ switch to the **lower position**.
  - **Result:** The platform lowers.

#### 4.3-5 Do a test of the emergency-lowering function

##### **⚠ WARNING**

Look for overhead obstructions or other possible hazards around the MEWP when you raise the platform. Do not lower the platform unless the area below is clear of personnel and obstructions. If you do not obey, there is a risk of death or serious injury.

1. Raise the platform.
2. Push the **emergency-stop** button ②.

3. On the rear of the base, pull out and hold the emergency-lowering valve ⑤ to fully lower the platform.
  - **Result:** The platform fully lowers.

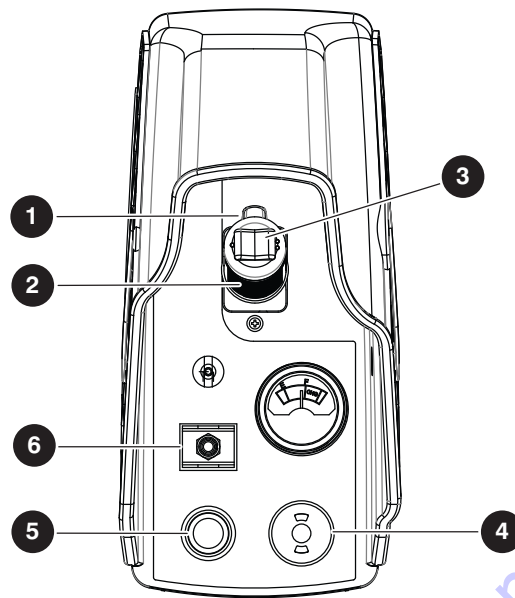
#### 4.3-6 Do a test of the emergency-stop button on the platform

1. Make sure the **main power disconnect** ① switch is in the **on position**.
2. Pull the **emergency-stop** button ② on the base control console.
3. Turn the **off/platform/base key** switch ③ to the **platform position**.

##### **⚠ WARNING**

**Fall Hazard.** Use the three points of contact principle when you use the MEWP to enter or exit the platform. If you do not obey, there is a risk of death or serious injury

4. Enter the platform and close the gate.



5. Push the **emergency stop** button ④ on the platform control console.
6. Move the **lift/off/drive** switch ⑥ to the **drive position**.
7. Squeeze and hold the **function-enable** switch ①.
8. Push the **controller handle** ② to drive forward.
  - **Result:** The drive function does not operate.

#### 4.3-7 Do a test of the function-enable switch

1. Make sure the path you plan to travel is clear.
2. Pull the **emergency-stop** button ④.
3. Move the **lift/off/drive** switch ⑥ to the **drive position**.
4. Do not use the **function-enable** switch ①, and try to drive the MEWP by moving the **controller handle** forward.
  - **Result:** The drive function does not operate.

#### 4.3-8 Do a test of the steer function

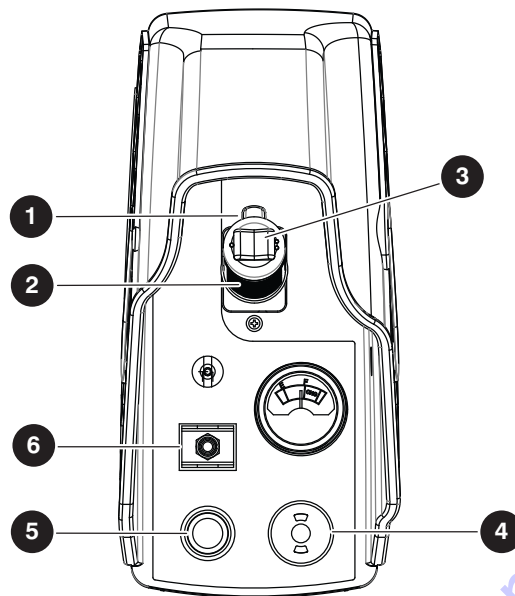
1. Move the **lift/off/drive** switch to the **drive position**.
2. Squeeze and hold the **function-enable** switch.
3. Press the **steering rocker** switch ③ on top of the **controller handle** ② to steer left and right.
  - **Result:** The steer wheels turn left and right.

#### 4.3-9 Do a test of the drive function

1. Make sure the path of intended motion is clear.
2. Move the **lift/off/drive** switch ⑥ to the **drive position**.
3. Squeeze and hold the **function-enable** switch ①.
4. Slowly push the **controller handle** ② until the MEWP starts to move. Then, release the handle, so that it goes back to the center position.
  - **Result:** The MEWP moves in the forward direction and then stops.
5. Slowly pull the **controller handle** ② until the MEWP starts to move. Then, release the handle, so that it goes back to the center position.
  - **Result:** The MEWP moves in the opposite direction and then stops.

#### 4.3-10 Do a test of the anti-tiedown function

1. Make sure the path of intended motion is clear.
2. Move the **lift/off/drive** switch ⑥ to the drive position.
3. Squeeze and hold the **function-enable** switch ① for more than 7 seconds.
4. Slowly push the **controller handle** ② to move the MEWP in the forward direction.
  - **Result:** The MEWP does not move in the forward direction.



#### 4.3-11 Do a test of the brakes

##### IMPORTANT

The brakes engage instantly when you release the function-enable switch. This causes the MEWP to stop immediately.

1. Make sure the path of intended motion is clear.
2. Move the **lift/off/drive** switch **6** to the **drive** position.
3. Squeeze and hold the **function-enable** switch **1**.
4. Drive the MEWP forward and then rearward. Release the **controller handle** **2**.
  - **Result:** The MEWP stops. Do not operate the MEWP if the MEWP pulls to one side while it stops. A service technician must do a check on the brake adjustments.
5. Drive the MEWP forward and then rearward. Release the **function-enable** switch **1** only.
  - **Result:** The MEWP comes to an instant and sudden stop. Do not operate the MEWP if it does not stop immediately, or it pulls to one side while it stops. A service technician must do a check on the brake adjustments.

#### 4.3-12 Do a test of the platform raise and lower functions

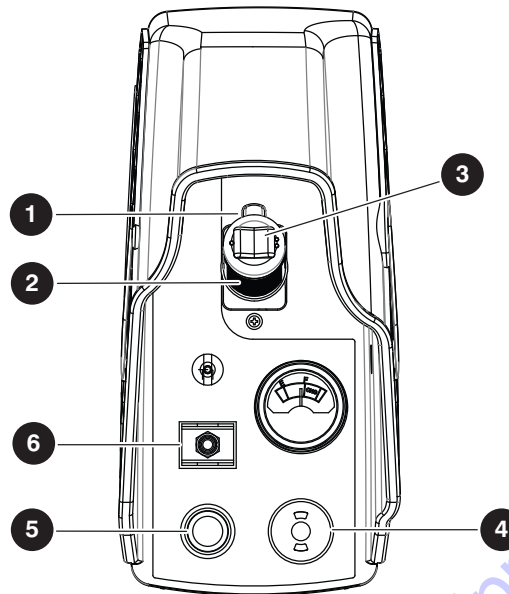
##### ⚠ WARNING

Look for overhead obstructions or other possible hazards around the MEWP when you raise the platform. Do not lower the platform unless the area below is clear of personnel and obstructions. If you do not obey, there is a risk of death or serious injury.

1. Move the **lift/off/drive** switch **6** to the **lift** position .
2. Squeeze and hold the **function-enable** switch **1**.
3. Push the **controller handle** **2** to raise the platform by approximately 0.5 m (20 in).
  - **Result:** The platform rises.
4. Squeeze and hold the **function-enable** switch **1**.
5. Pull the **controller handle** **2** to fully lower the platform.
  - **Result:** The platform fully lowers.

#### 4.3-13 Do a test of the horn

1. Push the **horn** button **5**.
  - **Result:** The horn makes a sound.



#### 4.3-14 Do a test of the pothole protection device

##### **WARNING**

Crush hazard. Make sure all personnel on ground stay away from the pothole protection device. If you do not obey, there is a risk of death or serious injury.

##### **WARNING**

Fall Hazard. Use the three points of contact principle when you use the MEWP to enter or exit the platform. If you do not obey, there is a risk of death or serious injury.

1. Push the **emergency-stop** button ④.
2. Exit the platform.
3. Put a block (approximately 3.75 cm (1.5 in) under the pothole protection device on the right side of the MEWP.
4. Enter the platform.
5. Close the gate.
6. Pull the **emergency-stop** button ④.
7. Raise the platform until it is at a height of approximately 60 cm (2 ft).
8. Drive the MEWP forward or rearward.
  - **Result:** The drive function does not operate.

9. Fully lower the platform.

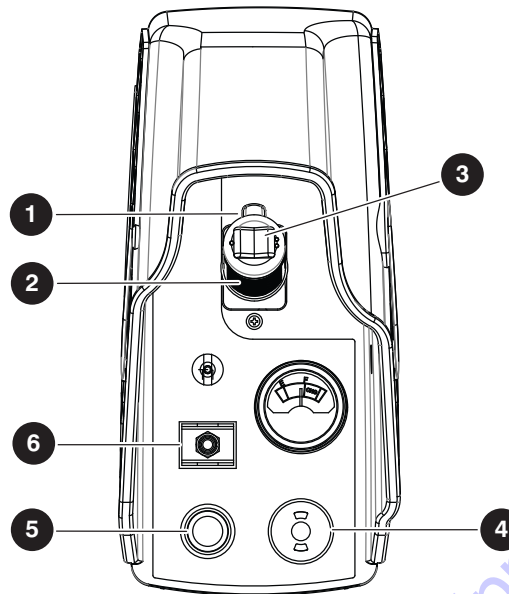
10. Do steps 1 to 9 again, with the block under the pothole protection device on the left side of the MEWP.

- **Result:** The drive function does not operate.

11. Push the **emergency-stop** button ④.
12. Exit the platform.
13. Remove the block.

#### 4.3-15 Do a test of the platform maintenance limit switch

1. Push the platform to the maintenance position, refer to [Section 6.5](#).
2. Pull the emergency-stop button ④ on the platform control console.
3. Move the **lift/off/drive** switch ⑥ to the **lift position**.
4. Squeeze and hold the **function-enable** switch ①.
5. Push the **controller handle** ② to drive forward.
  - **Result:** The drive function does not operate.
6. Push the platform to the operation position and latch it in place.



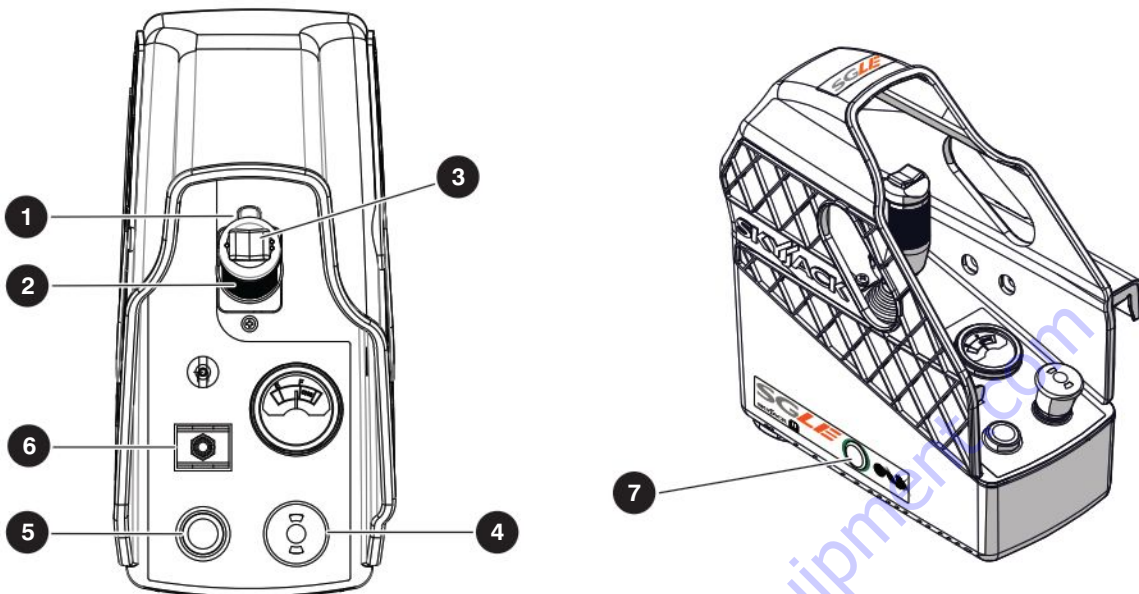
#### 4.3-16 Do a test of the elevated travel speed

##### **⚠ WARNING**

Look for overhead obstructions or other possible hazards around the MEWP when you raise the platform. Do not lower the platform unless the area below is clear of personnel and obstructions. If you do not obey, there is a risk of death or serious injury.

1. Pull the **emergency stop** button 4.
2. Make sure the path of intended motion is clear.
3. Raise the platform until it is at a height of approximately 60 cm (2 ft).
4. Drive the MEWP forward and then rearward.
  - **Result:** The MEWP drives slower than when it was in the lowered travel position.





#### 4.3-17 Do a test of the SGLE switch (optional equipment)

##### **WARNING**

Look for overhead obstructions or other possible hazards around the MEWP when you raise the platform. Do not lower the platform unless the area below is clear of personnel and obstructions. If you do not obey, there is a risk of death or serious injury.

1. Move the lift/off/drive switch **6** to the lift position.
2. Do not squeeze the function-enable switch **1** or push the SGLE button **7**. Push and pull the controller handle **2** to raise and lower the platform.
  - **Result:** The platform does not rise or lower.
3. Push and hold the SGLE button only. Do not squeeze the function-enable switch. Push and pull the controller handle to raise or lower the platform.
  - **Result:** The platform does not rise or lower

4. Push and hold the SGLE button. Squeeze the function-enable switch. Push and pull the controller handle to raise or lower the platform.
  - **Result:** The platform rises and lowers.
5. Squeeze the function-enable switch only. Do not push the SGLE button. Push and pull the controller handle to raise or lower the platform.
  - **Result:** The platform lowers, but does not rise.

#### 4.3-18 Do a test of the flashing light (optional equipment)

1. Make sure the path of intended motion is clear.
2. Operate the drive or lift function.
  - **Result:** The light flashes.
3. Stop all MEWP motion.
  - **Result:** The light does not flash.

### 4.4 Operator's Checklist (page 1 of 2)



## SJ12, SJ16 Daily Operator's Checklist

Serial Number: \_\_\_\_\_  
 Model: \_\_\_\_\_  
 Hourmeter Reading: \_\_\_\_\_  
 Date: \_\_\_\_\_  
 Time: \_\_\_\_\_

Operator's Name  
(Printed): \_\_\_\_\_

Operator's Signature: \_\_\_\_\_

Each item shall be inspected using the appropriate section of the Skyjack operating manual. As each item is inspected, check or complete the appropriate box.

P PASS      N/A NOT APPLICABLE

**Add a comment if the item does not pass inspection.**

	P	N/A	Comment (if item does not pass inspection)
<b>Visual and Daily Maintenance Inspections</b>			
<b>Labels - Do an inspection for damaged, or missing labels</b>			
<b>Electrical - Do an inspection for loose, damaged, or missing components</b>			
<b>Limit switches - Do an inspection for damaged, or missing labels</b>			
<b>Hydraulic - Do an inspection for loose, damaged, or missing components</b>			
<b>Base - Do an inspection for loose, damaged, or missing components</b>			
Base weldment			
Steer cylinder assembly			
Battery charger			
Pothole protection device			
<b>Wheel/tire assembly - Do an inspection for loose, damaged, or missing components</b>			
Wheel/tire assembly			
<b>Platform assembly - Do an inspection for loose, damaged, or missing components</b>			
Platform			
Fall protection anchorages			
AC power socket			
Platform control console			
Manual storage box			
<b>Hydraulic/electrical compartment - Do an inspection for leaks and loose, damaged, or missing components</b>			
Batteries			
Manifold			
Hydraulic tank			
Hydraulic oil level			
Hydraulic pump and motor			
Steer cylinder assembly			
Steer linkages			
Wheel/motor assembly			
Motor controller			
Tilt sensor			
Pothole protection limit switches			
<b>Lift mechanism- Do an inspection for loose, damaged, or missing components</b>			
Mast assembly			
Wear pads			
Chains			

**NOTE:** Make a copy of this page or go to [www.skyjack.com](http://www.skyjack.com) for a copy that you can print.

### 4.4 Operator's checklist (page 2 of 2)

	P	N/A	Comment (if item does not pass inspection)
<b>Visual and Daily Maintenance Inspections</b>			
Optional equipment and attachments - Do an inspection for leaks and loose, damaged, or missing components. Refer to the Operation manual for the applicable optional equipment or attachment.			
Flashing lights			
SGLE switch			
<b>Function Tests</b>			
Do a test of the main power disconnect switch			
Do a test of the emergency-stop button on the base			
Do a test of the off/base/platform key switch			
Do a test of the lower/neutral/raise switch			
Do a test of the emergency-lowering function			
Do a test of the emergency-stop button on the platform			
Do a test of the function-enable switch			
Do a test of the steer function			
Do a test of the drive function			
Do a test of the anti-tiedown function			
Do a test of the brakes			
Do a test of the platform raise and lower functions			
Do a test of the horn			
Do a test of the pothole protection device			
Do a test of the platform maintenance limit switch			
Do a test of the elevated travel speed			
Do a test of the SGLE switch (optional equipment)			

1831AB

To order go to Discount-Equipment.com

**NOTE:** Make a copy of this page or go to [www.skyjack.com](http://www.skyjack.com) for a copy that you can print.

# Section 5 – Operation

## **WARNING**

Do not operate this MEWP without authorization and training. If you do not obey, there is a risk of death or serious injury.

Do these tasks in sequence before MEWP operation:

1. Visual and daily maintenance inspections. Refer to [Section 4.2](#).
2. Function tests. Refer to [Section 4.3](#).
3. Worksite inspection. Refer to [Section 2.4](#).
4. If a risk assessment finds that a rescue plan is necessary, make sure you have a system of communication. The communication must be between the personnel on the platform and the selected support personnel. The selected support personnel must know how to use the base controls to lower the platform.

## **WARNING**

Do not operate the MEWP if:

- It does not operate correctly
- It is damaged or shows worn or missing parts
- The safety devices are tampered with or disabled
- It is locked and tagged for servicing or repair
- It was modified without permission from Skyjack and the MEWP owner.

If you do not obey, there is a risk of death or serious injury.

## 5.1 Energize the base control console

1. Turn the **main power disconnect** switch to the on position.
2. Pull the **emergency-stop** button on the base control console.
3. Turn and hold the **off/platform/base key** switch to the base position.

## 5.2 Raise or lower the platform with the base control console

1. Energize the base control console (refer to [Section 5.1](#)).
2. Turn and hold the **off/platform/base key** switch to the **base position**.

## **WARNING**

Look for overhead obstructions or other possible hazards around the MEWP when you raise the platform. Do not lower the platform unless the area below is clear of personnel and obstructions. If you do not obey, there is a risk of death or serious injury.

3. Turn and hold the **lower/neutral/raise** switch to the raise or lower position and hold it to raise or lower the platform. Release the switch to stop.

## 5.3 Energize the platform control console

1. Turn the **main power disconnect** switch to the on position.
2. Pull the **emergency-stop** button on the base control console.
3. Turn the **off/platform/base key** switch to the **platform position**.

## **WARNING**

Fall Hazard. Use the three points of contact principle when you use the MEWP to enter or exit the platform. If you do not obey, there is a risk of death or serious injury.

4. Enter the platform.
5. Close the gate.
6. Pull the **emergency-stop** button on the platform control console.

## 5.4 Raise or lower the platform with the platform control console

1. Energize the platform control console (refer to [Section 5.3](#)).

### WARNING

Look for overhead obstructions or other possible hazards around the MEWP when you raise the platform. Do not lower the platform unless the area below is clear of personnel and obstructions. If you do not obey, there is a risk of death or serious injury.

2. Move the **lift/off/drive** switch to the **lift position**.
3. Squeeze and hold the **function-enable** switch.
4. Move the **controller handle** forward or rearward to go to the necessary height.

### NOTE

*The lowering function is not proportional.*

5. Move the **controller handle** to the neutral central position to stop. Release the **function-enable** switch.

### WARNING

Push the emergency-stop button when you are at the necessary location or elevation. This prevents unintended MEWP movement. If you do not obey, there is a risk of death or serious injury.

### WARNING

If the tilt alarm makes a sound, and the platform does not raise:

1. Fully lower the platform immediately.
2. Make sure the MEWP is on a firm, level surface.

If you do not obey, there is a risk of death or serious injury.

## 5.5 Drive forward or rearward

### WARNING

Make sure there are no personnel or obstructions in the path of travel. Acquaint yourself with the blind spots of the MEWP. If you do not obey, there is a risk of death or serious injury.

### WARNING

Crush hazard. Make sure all personnel on ground stay away from pothole protection device. If you do not obey, there is a risk of death or serious injury.

### WARNING

Do not drive the MEWP elevated in areas where electrical cables or debris are in the path of travel. If you do not obey, there is a risk of death or serious injury.

1. Energize the platform control console (refer to [Section 5.3](#)).

2. Move the **lift/off/drive** switch to the drive position.

3. Squeeze and hold the **function-enable** switch.

4. Move the **controller handle** forward or rearward to drive at and in the necessary speed and direction.

5. Move the **controller handle** to the neutral central position to stop. Release the **function-enable** switch.

### WARNING

Push the emergency-stop button when you are at the necessary location or elevation. This prevents unintended MEWP movement. If you do not obey, there is a risk of death or serious injury.

### CAUTION

The pothole protection relies on stable ground clearance. If the total MEWP weight is ever on the pothole protection, immediately lower the platform, and lock and tag the MEWP. A qualified service technician must do a complete inspection. If you do not obey, there is a risk of MEWP damage.

## 5.6 Steer

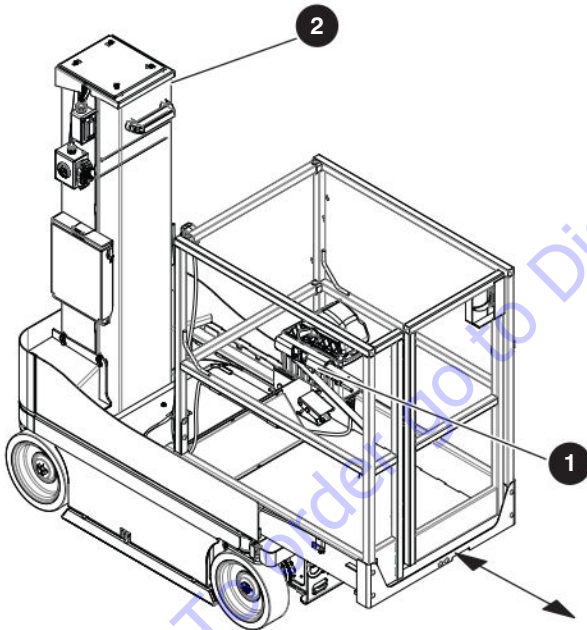
1. Energize the platform control console (refer to [Section 5.3](#)).
2. Move the **lift/off/drive** switch to the drive position.
3. Squeeze and hold the **function-enable** switch.
4. Push the **steering rocker** switch on top of the **controller handle** in one of the two directions to steer.

### NOTE

The steer function is not proportional. Drive and steer functions can be active at the same time.

## 5.7 Platform Traversing

1. To traverse the platform, step on the foot pedal on the platform **1** and grasp the platform repositioning handle **2** then carefully push/pull the platform until desired location is reached.



2. Ensure the foot pedal **1** rests in one of the locking slots.

## 5.8 Raise and lower with the SGLE platform control console (optional equipment)

1. Energize the platform control console (refer to [Section 5.3](#)).
2. Move the **lift/off/drive** switch to the **lift position**.

### ⚠ WARNING

Look for overhead obstructions or other possible hazards around the MEWP when you raise the platform. Do not lower the platform unless the area below is clear of personnel and obstructions. If you do not obey, there is a risk of death or serious injury.

3. Push and hold the **SGLE** push-button and squeeze the **function-enable** switch.
4. Push the **controller handle** until you are at the necessary height.
5. Squeeze the **function-enable** switch.
6. Pull the **controller handle** to lower the platform.

### NOTE

The SGLE does not have an effect on these functions: lower, drive, steer, or emergency-lowering.

7. Release the **controller handle** until it goes back to the center position to stop. Release the **function-enable** switch.

## 5.9 MEWP shutdown

### **WARNING**

Look for overhead obstructions or other possible hazards around the MEWP when you raise the platform. Do not lower the platform unless the area below is clear of personnel and obstructions. If you do not obey, there is a risk of death or serious injury.

1. Select a reasonably well-protected location to park the MEWP. This location must have a firm, level surface, clear of obstructions, and traffic.
2. Fully lower the platform.
3. Push the **emergency-stop** button.

### **WARNING**

Fall Hazard. Use the three points of contact principle when you use the MEWP to enter or exit the platform. If you do not obey, there is a risk of death or serious injury.

4. Exit the platform.
5. Turn the **off/platform/base key** switch to the **off position** on the base control console and remove the key.
6. Push the **emergency-stop** button.
7. Turn the **main power disconnect** switch to the **off position**.

To order go to [Discount-Equipment.com](http://Discount-Equipment.com)

## Section 6 – Additional Procedures

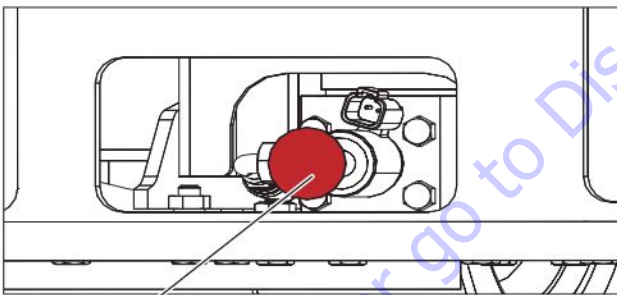
### 6.1 Use the emergency-lowering function

With the emergency-lowering system, you can lower the platform if there is a failure of the primary power.

#### **WARNING**

**Crush hazard. Keep clear of the lift mechanism when you use the emergency-lowering function. If you do not obey, there is a risk of death or serious injury.**

1. Remove obstructions before you lower the platform.
2. If necessary, retract the extension platform or move the MEWP to clear an obstruction.
3. Push the **emergency-stop** button on the base control console.



4. Find the emergency-lowering valve **1** at the rear of the base.

#### **WARNING**

**Look for overhead obstructions or other possible hazards around the MEWP when you raise the platform. Do not lower the platform unless the area below is clear of personnel and obstructions. If you do not obey, there is a risk of death or serious injury.**

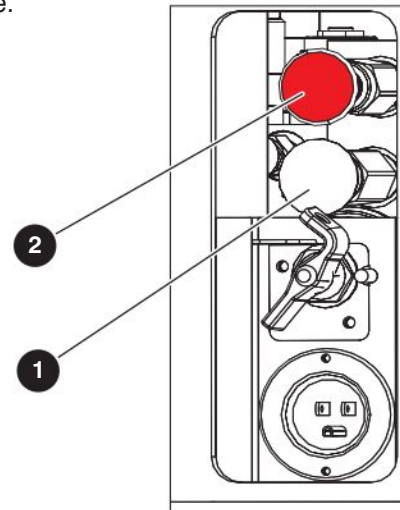
5. Pull out and hold the emergency-lowering valve to fully lower the platform.

### 6.2 Release the brakes manually

#### **WARNING**

**Do not manually disengage the brakes if the MEWP is on a slope. If you do not obey, there is a risk of death or serious injury.**

1. Make sure that the MEWP is on firm, level ground. Use wheel chocks or blocks at the front and rear of the wheels to prevent MEWP movement.
2. Turn the **main power disconnect** switch to the off position.
3. Push the **plunger 1** of the brake auto-reset valve on the drive manifold at the rear side of the base.



4. Continuously push and release the **knob 2** of the hand pump until you feel firm resistance. The brake is released.

#### **NOTE**

*If the MEWP does not have a pressure gauge, refer to the service manual for the installation procedure.*



## 6.3 Winch and tow the MEWP

### WARNING

Tip-over hazard. Make sure that platform is fully lowered before you push, winch or tow. Sudden movement can cause the MEWP to become unstable. If you do not obey, there is a risk of death or serious injury.

### WARNING

Tip-over hazard. In emergency situations, where the MEWP functions are unavailable, and an obstruction prevents the platform lower function, carefully move the MEWP. Move the MEWP sufficiently far away to clear the obstruction. Do not move at a speed faster than 50 mm/sec (2 in/sec). If you do not obey, there is a risk of death, serious injury, and/or MEWP damage.

### WARNING

When you push, winch or tow, do not move the MEWP at a speed faster than 3.2 km/h (2.0 mph). If you do not obey, there is a risk of death or serious injury.

### WARNING

Do not push, winch, or tow the MEWP onto a slope. Only brake the tow vehicle slowly. Do not pull the MEWP down a slope to a winch. Make sure that there are no personnel in the path you plan to travel. If you do not obey, there is a risk of death, serious injury, and/or MEWP damage.

### WARNING

Do not manually disengage the brakes if the MEWP is on a slope. If you do not obey, there is a risk of death or serious injury.

### WARNING

Tip-over hazard. Disengage the brakes manually before you push, winch, or tow the MEWP. If you do not obey, there is a risk of death or serious injury.

1. Release the brakes manually. Refer to [Section 6.2](#).
2. Remove the wheel chocks or blocks.
3. Push, winch, or tow the MEWP to the necessary location.
4. Put the MEWP on a firm, level surface.
5. Use wheel chocks or blocks at the front and rear of the wheels to prevent MEWP movement.
6. Pull out the **plunger** of the brake auto-reset valve to re-engage the brakes.

### WARNING

Engage the brakes immediately after the MEWP is at the necessary location. If you do not obey, there is a risk of death or serious injury.

## 6.4 Move the MEWP for transport

When you drive a MEWP onto or remove it from a transport vehicle, on a public road, give protection to the person(s) involved. Protection can include:

- Warning cones
- Road signs and signaling devices
- Applicable personal protective equipment, such as reflective clothing
- Flag personnel to warn other vehicles of the MEWP and other related vehicles
- Other applicable control measures.

Obey all the national, state/provincial/territorial, and local safety rules when you move the MEWP for transport. Only qualified personnel with authorization must drive the MEWP on to or remove it from a transport vehicle.

Be sure the vehicle capacity and load equipment, hoists, chains, straps, and other related items are sufficient to withstand the maximum MEWP weight.

Park the transport vehicle on a level surface. Use wheel chocks or blocks to prevent unintended vehicle movement during this operation.

### 6.4-1 Hoist the MEWP

#### **⚠ WARNING**

**Only qualified riggers must operate the machinery during a lift.**

When you hoist the MEWP, you must:

- Turn the **main power disconnect** switch to the off position.
- Retract and secure the traversing platform.
- Attach the platform control console to the mounting bracket, or remove the **platform control console**.
- Remove all personnel, tools, and materials from the platform.
- Attach the rigging to all **four lift points** ①. Refer to [Figure 033](#) & [Figure 044](#).

#### **NOTE**

For the weight of the MEWP, refer to [Section 7.3](#) Horizontally, the **center of gravity** is approximately in the middle of the MEWP, front to back and side to side. Refer to [Figure 055](#). Vertically, the center of gravity is approximately a small distance above the chassis.

- The ramp or dock capacity must be able to hold the maximum MEWP weight.
- Use side guards (if available) to prevent a fall from the ramp.
- The incline of the ramp must not exceed the MEWP gradeability. Refer to [Section 7.3](#).
- Do a test of the MEWP brakes to make sure they operate correctly.

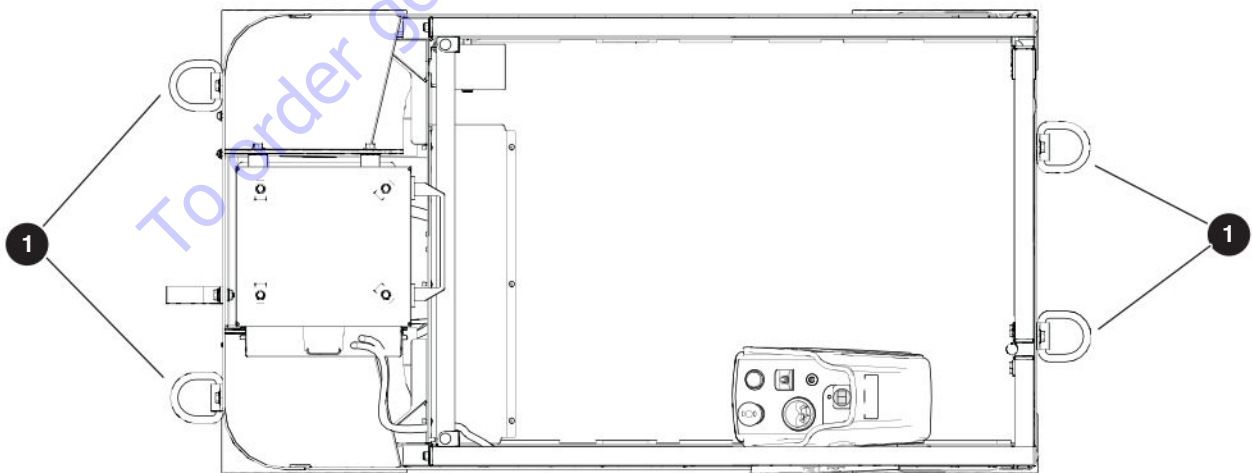
#### **⚠ WARNING**

**When you transport the MEWP, it must be attached to a truck or trailer deck. Use the available tie-down points to attach the MEWP. If you do not obey, there is a risk of death or serious injury.**

- Tie-down the MEWP to the transport vehicle using the four **tie-down points** ①. Refer to [Figure 033](#).

### 6.4-2 Drive and tie-down the MEWP

Before you drive the MEWP:



**Figure 03** Tie-down and lift points

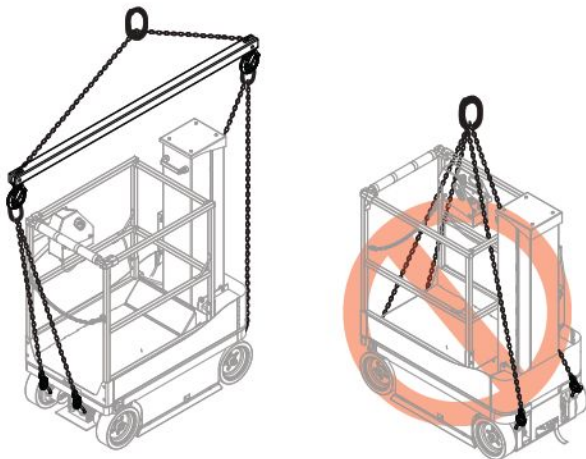


Figure 04 Appropriate method to hoist



Gradeability 30%: Climbing reverse, descending forward  
 Gradeability 25%: Climbing forward, descending reverse

Figure 06 Maximum gradeability of inclined drive

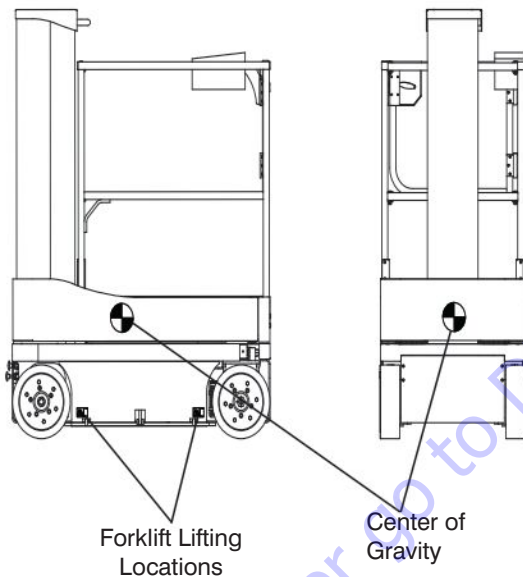


Figure 05 Center of gravity and forklift lift locations

**NOTE**

For the weight of the MEWP, refer to Section 7.3. The center of gravity is approximately in the middle of the MEWP, front to back and side to side. Refer to Figure 0505. Vertically, the center of gravity is approximately a small distance above the base..

**NOTE**

A forklift truck can lift the MEWP from the sides. Lift with the forks in the forklift lift locations as shown in Figure 055.

**CAUTION**

Make sure you use the correct lift method. An incorrect lift method, such as the one in Figure 044, can cause damage to the MEWP.

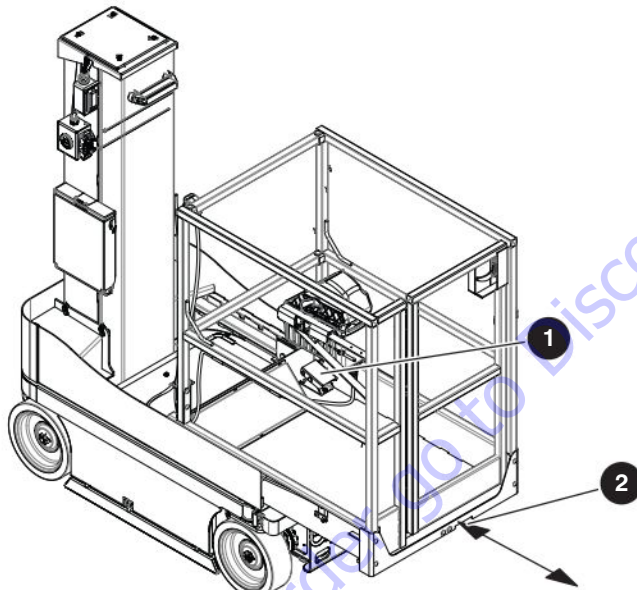
## 6.5 Open the hydraulic/electrical compartment

1. Make sure that the MEWP is on firm, level ground.
2. Fully lower the platform.

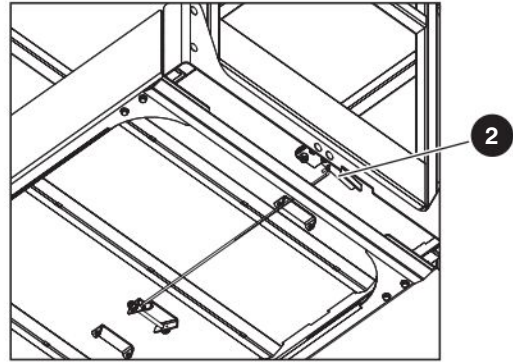
### **⚠ WARNING**

The following procedure must be done from the ground outside of the platform. If you do not obey, there is a risk of death or serious injury.

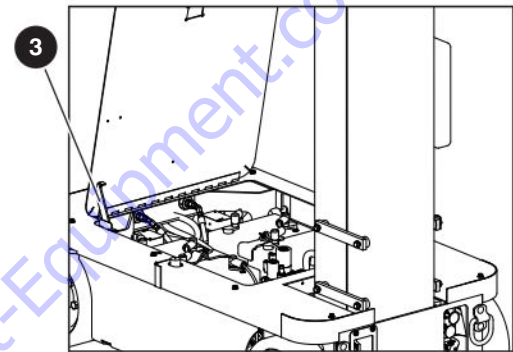
3. Turn the main power disconnect off.
4. Press the foot pedal **1** on the platform.
5. Push the platform until the maintenance lock engages.



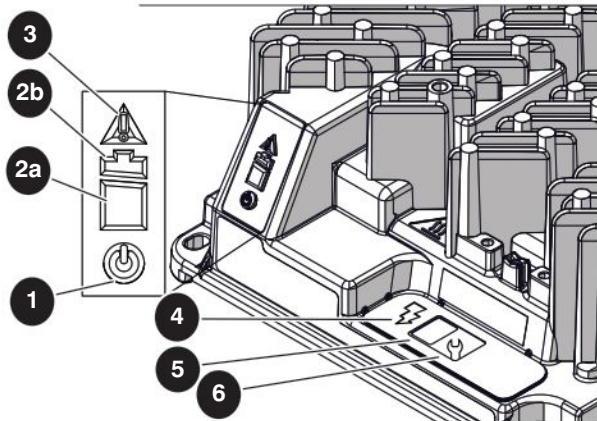
6. Locate the platform maintenance lock mechanism underneath the platform.
7. Pull and hold the handle **2** to unlatch the platform locking mechanism.
8. Fully pull the platform to the maintenance position.



9. Open the hydraulic/electrical compartment cover, and properly install the prop bar **3**.



## 6.6 Charge the Battery



No.	Indicator type	Condition	Description
1	AC power	Blue	Battery charger is connected to the AC power.
2a	Battery charge <80%	Green flash	Low charge— continue to charge.
		Solid green	High charge— continue to charge.
2b	Battery charge >80%	Green flash	High charge— continue to charge or stop the charge.
		Solid green	Charge complete— stop the charge.
3	Fault/ error	Solid red	Charger fault—refer to the service manual.
		Amber flash	Error found—refer to the service manual.
4	Charge output	Solid yellow	Charger output is on.
5	Charge profile/ error display	Algorithm or fault/ error code	N/A.
6	Select charge profile	Charge algorithm	N/A.

### **⚠ WARNING**

Electrocution hazard. Do not put the charger in water. If you do not obey, there is a risk of death or serious injury.

### **⚠ CAUTION**

Burn hazard. Do not touch the surface of the charger when it is in operation, especially in higher temperature environments. Let the charger cool before you touch it. If you do not obey, there is a risk of death or serious injury.

1. Supply sufficient airflow for the batteries and the charger.

### **NOTE**

Do not let materials or fabric be on the charger. It is necessary for the charger to have access to cool air for it to operate correctly. Clean the charger cooling fins if they are clogged with debris to make sure the charger functions at its best.

2. Do a visual and manual inspection of the DC output wires and terminals. Make sure they are in good condition before each use.

### **⚠ WARNING**

Explosion hazard. Be careful when you use fuels, solvents or other flammable materials near the charger or batteries. A spark from the charger or batteries can cause a fire or explosion. If you do not obey, there is a risk of death or serious injury.

3. Connect the power supply cable to a correctly grounded socket between 100 to 240 VAC, 50/60 Hz. The charger automatically senses and adjusts to the voltage range of the AC input.

### **NOTE**

The charger starts automatically in 4-6 seconds, regardless of the remaining battery charge (down to 1 VDC terminal voltage). The LEDs show that the charge continues.

**NOTE**

Many conditions have an effect on the battery charge time. These include: the battery amp-hour capacity, the remaining charge, the temperature, and the condition (new, used, and defective).

More time is necessary to charge batteries that are larger than 240 AH.

** WARNING**

**Explosion hazard. Do not disconnect the DC output wires near the batteries when the charger is ON. This can cause an arc, which can then cause the batteries to explode. You must disconnect the AC power supply cable from its socket, and then the charger DC connections. If you do not obey, there is a risk of death or serious injury.**

** WARNING**

**Electrocution hazard. Do not touch parts of the charger output wires that are not insulated, the battery connector, or the battery terminals. If you do not obey, there is a risk of death or serious injury.**

To order go to [Discount-Equipment.com](http://Discount-Equipment.com)


# Section 7 – Specifications

## 7.1 Standard and optional equipment














Models	SJ12	SJ16
<b>STANDARD EQUIPMENT</b>		
Maximum drive height	Full Height	Full Height
Variable speed, front two wheel hydraulic drive	*	*
Zero-inside turn radius	*	*
Dual holding brakes	*	*
Proportional controls	*	*
24V DC power source	*	*
Low-voltage battery protection	*	*
Solid rubber, non-marking tires	*	*
Pothole protection system	*	*
110V AC outlet at platform with GFI	*	*
Tilt alarm with drive and lift cut-out	*	*
All-motion audible alarm	*	*
Fall-protection Anchorage(s)	*	*
Operator horn	*	*
Lift lugs and tie downs	*	*
Relay-based control system	*	*
Color-coded and numbered wiring system	*	*
Platform traversing	*	*
Full-height spring-hinged gate	*	*
Grey non-marking tires	*	*
<b>OPTIONAL EQUIPMENT</b>		
Flashing light	*	*
Saloon spring-hinged gate	*	*
Bio-oil	*	*
Non-Bio-oil	*	*
Lowering-only alarm	*	*
Secondary guard lift enable	*	*
Elevate telematics	*	*
Light-duty pipe rack	*	*
Tool tray	*	*
Tube caddy	*	*

1837\_SJ12&16\_Features\_ANSI

## 7.2 Owner's annual inspection record



Model \_\_\_\_\_ SN \_\_\_\_\_

 Inspection Date											
 Inspector Signature	SKYJACK 										

### WARNING

Do not use the MEWP if there is no inspection recorded in the last 13 months. If you do not obey, there is a risk of death or serious injury.

### IMPORTANT

The Owner's annual inspection record is located on the mast assembly. It must be filled out after an annual inspection has been completed. Do not use the MEWP if an inspection has not been recorded in the last 13 months.



## 7.3 Specifications

Model	SJ12	SJ16
Weight *	863 kg (1905 lb)	980 kg (2160 lb)
Overall Width	0.78 m (30.50 in)	0.78 m (30.50 in)
Overall Length	1.40 m (55.14 in)	1.40 m (55.14 in)
Platform Size (Inside)	0.68 m x 0.85 m (26.96 in x 33.31 in)	0.68 m x 0.85 m (26.96 in x 33.31 in)
Platform Traversing	0.41 m (16.00 in)	0.41 m (16.00 in)
<b>Height</b>		
Working Height	5.49 m (18 ft)	6.58 m (21.7 ft)
Platform Elevated Height	3.66 m (12 ft)	4.75 m (15.7 ft)
Stowed Height	1.78 m (70.19 in)	1.78 m (70.19 in)
Drive Height	Full	Full
Lowered Platform Height	0.45 m (17.66 in)	0.45 m (17.66 in)
<b>Standard Operating Times</b>		
Lift Time (Rated Load)	13 s - 16 s	16 s - 25 s
Lower Time (Rated Load)	13 s - 17 s	17 s - 19 s
<b>Chassis</b>		
Normal Drive Speed	3.1 km/h - 4.0 km/h (2.0 mph - 2.5 mph)	3.1 km/h - 4.0 km/h (2.0 mph - 2.5 mph)
Elevated Drive Speed	0.6 km/h - 0.8 km/h (0.4 mph - 0.5 mph)	0.6 km/h - 0.8 km/h (0.4 mph - 0.5 mph)
Gradeability (Ramp Angle [Reverse/Forward])**	30% / 25%	30% / 25%
Tires (Solid Rubber)	309 mm x 100 mm (12 in x 4 in)	309 mm x 100 mm (12 in x 4 in)
<b>Hydraulic Oil</b>		
Type	ATF Dexron III	ATF Dexron III
Tank Capacity	4.9 L (1.3 gal)	4.9 L (1.3 gal)

\* Weights are approximate; refer to serial nameplate for specific weight.

\*\* Refer to Section 6.4 Move the MEWP for Transport in the Operation manual for more details.

1835AB

## 7.4 Environment

Model	SJ12	SJ16
Electromagnetic Compatibility (EMC)	Meets requirements of EN 55011 Class A	
Hazardous Location Rating	MEWP not rated for hazardous locations with potentially flammable gases, explosive gases or particles	
Sound Pressure Level	Does not exceed 70 dB(A)	
<b>Operating Temperatures</b>		
Standard	-20°C (-4°F) to +40°C (+104°F)	

## 7.5 Maximum platform capacities (evenly distributed)

Model		Wind Rating	Total Platform Capacity		Extension Platform Capacity		Manual Side Force	Tilt Cutout Setting (side-to-side x front-to-back)
SJ12	Indoor	0 m/s (0 mph)	227 kg (500 lb)	2 person(s)	227 kg (500 lb)	2 person(s)	400 N (90 lbf)	1.5° x 3°
	Outdoor	12.5 m/s (28 mph)		1 person(s)		1 person(s)	200 N (45 lbf)	
SJ16	Indoor	0 m/s (0 mph)	227 kg (500 lb)	1 person(s)	227 kg (500 lb)	1 person(s)	200 N (45 lbf)	1.5° x 3°

1839AB

### NOTE

Occupants and materials are not to exceed the rated load. Refer to the capacity label at the entrance of the platform and the mast assembly for additional information and models equipped with options.

## 7.6 Floor Loading Capacity

Model	Total MEWP Weight	Total MEWP Load			
		Wheel**	LCP***	OFL***	
SJ12	min*	863 kg (1905 lb)	275 kg (610 lb)	647 kPa (94 psi)	7.8 kPa (162 psf)
	max*	1090 kg (2405 lb)	430 kg (950 lb)	891 kPa (129 psi)	9.8 kPa (205 psf)
SJ16	min*	980 kg (2160 lb)	355 kg (783 lb)	774 kPa (112 psi)	8.8 kPa (184 psf)
	max*	1207 kg (2660 lb)	510 kg (1125 lb)	1010 kPa (146 psi)	10.8 kPa (226 psf)

\* **Min:** Minimum MEWP weight (Unloaded platform, no options/attachments) 1836AB  
**Max:** Maximum MEWP weight (Platform loaded to capacity with options/attachments)

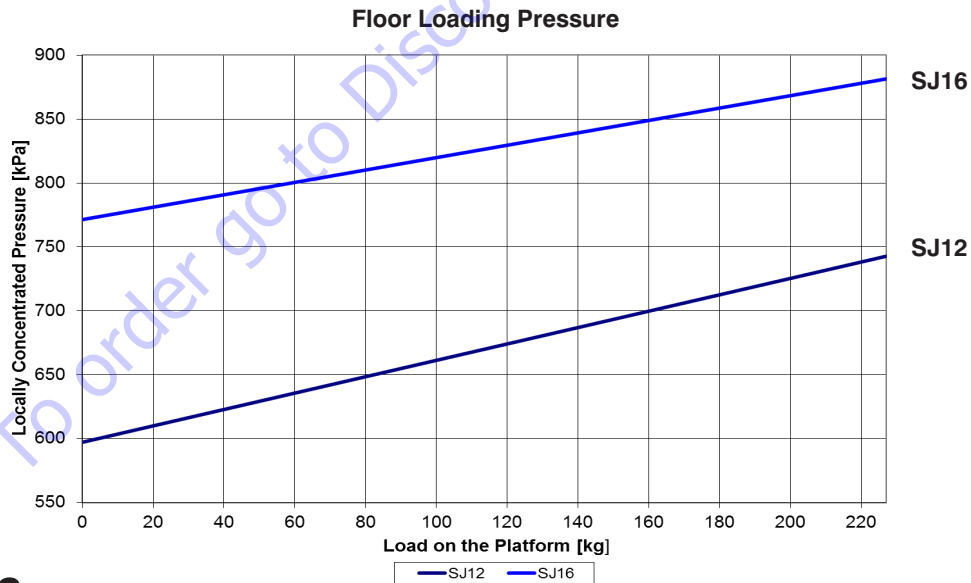
\*\* **Wheel** is the weight that can be experienced on one wheel  
**Note:** This is more than 25% of the machine weight due to possible weight distribution over the machine and platform.

\*\*\* **LCP:** Local Concentrated Pressure is a measure of how hard the MEWP presses on the area in direct contact with the floor/tire.  
**OFL:** Overall Floor Load (Pressure) is a measure of the average load the MEWP imparts on the whole surface directly underneath the chassis. This has been calculated by dividing the MEWP weight by the overall floor area occupied by the MEWP (on wheels).

**Note:** The floor covering (e.g., tile, carpet, etc.) or the structure (e.g., beams) of the operating surface must be able to withstand more than the values indicated above.

### NOTE

The LCP or OFL that an individual surface can withstand varies from structure to structure and is generally determined by the engineer or architect for that particular structure.



### WARNING

Do not use tires other than the tires that Skyjack specifies for this MEWP. Do not mix different types of tires or use tires that are not in good condition. Only replace the tires with the same types that are approved by Skyjack. The use of other tires can make the MEWP less stable. If you do not obey, there is a risk of death or serious injury.

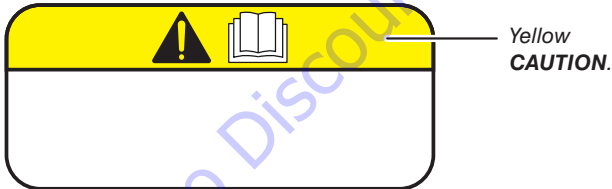
# Section 8 – Labels



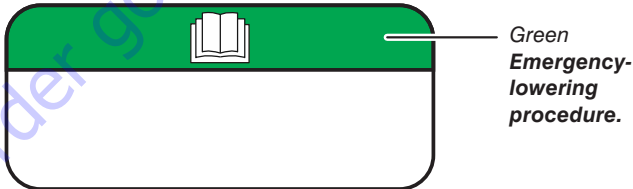
Red  
**DANGER.**



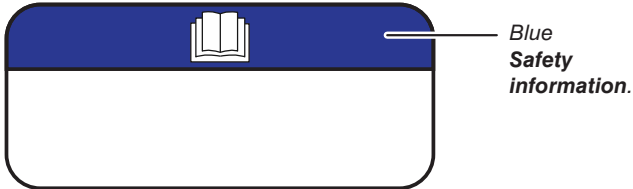
Orange  
**WARNING.**



Yellow  
**CAUTION.**



Green  
**Emergency-lowering  
procedure.**

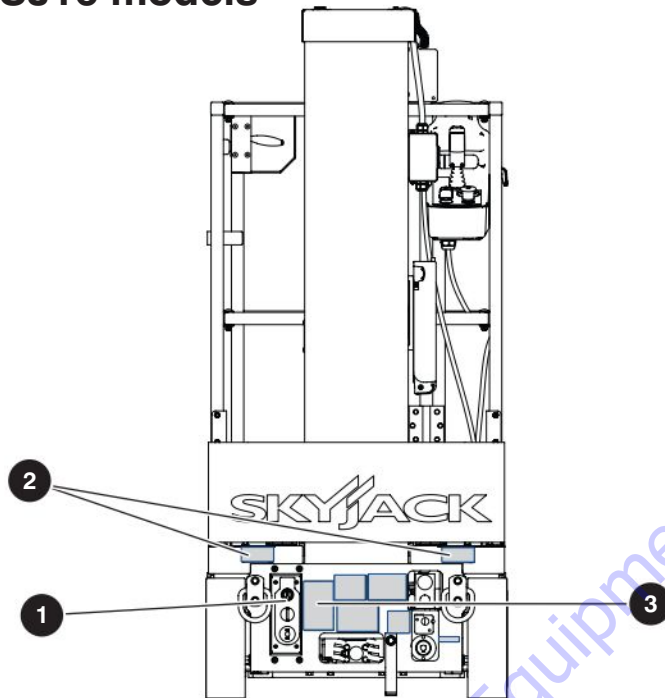


Blue  
**Safety  
information.**

To order go to [Discount-Equipment.com](http://Discount-Equipment.com)

# 8.1 SJ12 and SJ16 models

## 8.1-1 Rear view

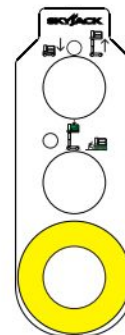


Description

Label pictorial

### 1 Base controls

- Turn and hold the **lower/neutral/raise** switch to lower or raise the platform.
- Select the **off position** to turn off power to the MEWP, the **base position** to energize the base controls, or the **platform position** to energize the platform controls.
- Push the **emergency-stop** button to disconnect power to the control circuit. Pull the **emergency-stop** button to connect the power again.



### 2 Lift and tie-down points

Only use these points to lift or tie-down the MEWP.



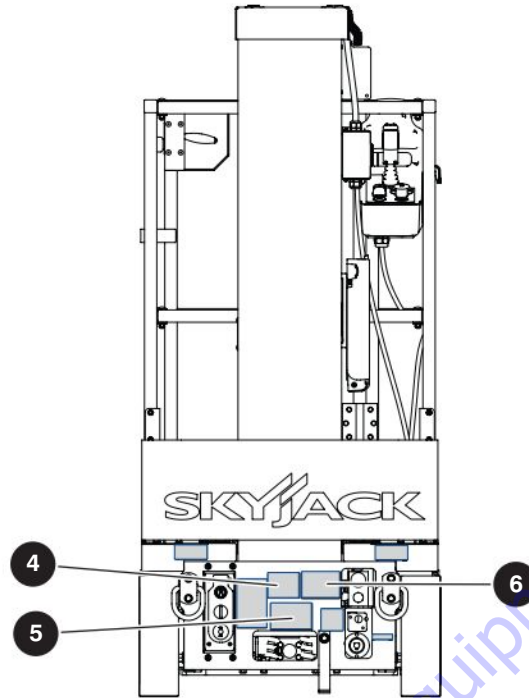
### 3 Serial plate\*

MEWP identification and specifications.

\*The serial plate information changes with different MEWPs.

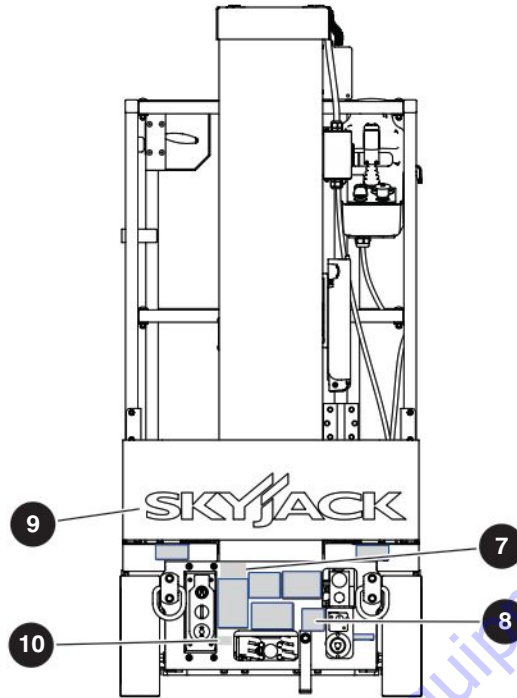


Rear view (continued)



Description	Label Pictorial
<p><b>4 Emergency-lowering identification</b></p>	
<p><b>5 Emergency-lowering procedure</b>                      Refer to the operation manual.</p> <ol style="list-style-type: none"> <li>1. Push the <b>emergency-stop</b> button to on the base control console.</li> <li>2. Pull and hold the emergency-lowering valve to fully lower the platform.</li> </ol>	
<p><b>6 Winch/tow/push procedure</b>                      Refer to the operation manual.</p> <ol style="list-style-type: none"> <li>1. Use wheel chocks or blocks at the front and rear of the wheels to prevent MEWP movement.</li> <li>2. Turn the main power disconnect switch to the off position.</li> <li>3. Find the brake valve and pump.</li> <li>4. Push the plunger of the brake auto-reset valve. Continuously push and release the knob of the hand pump until the firm resistance is felt.</li> <li>5. Push, winch, or tow the MEWP to the necessary location.</li> <li>6. Use wheel chocks or blocks at the front and rear of the wheels to prevent MEWP movement.</li> <li>7. Pull the plunger of the brake auto-reset valve to re-engage the brakes.</li> </ol>	

Rear view (continued)



Description

Label Pictorial

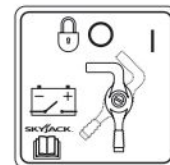
**7 Elevate™ Trackunit (optional)**

This MEWP has added functionality.



**8 Main power disconnect switch**

Turn the switch clockwise to turn the power on. Turn the switch counterclockwise to turn the power off. Use a padlock to lock the switch in position.



**9 Skyjack logo**

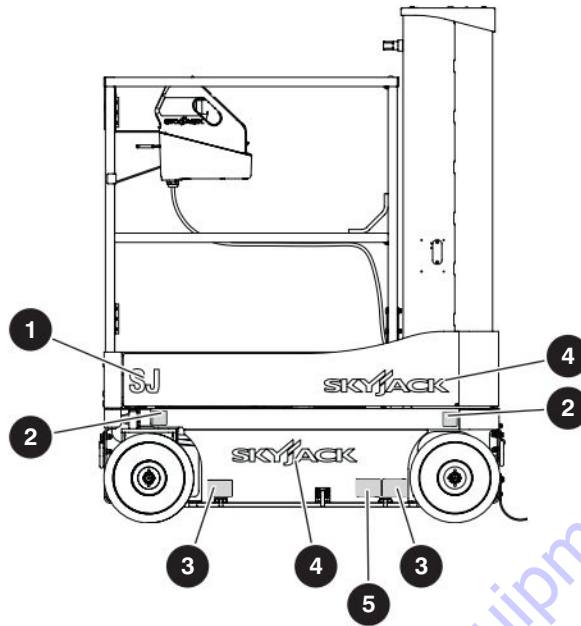


**10 Skyjack manufactured date**

Shows the month and year of manufacture for this MEWP.



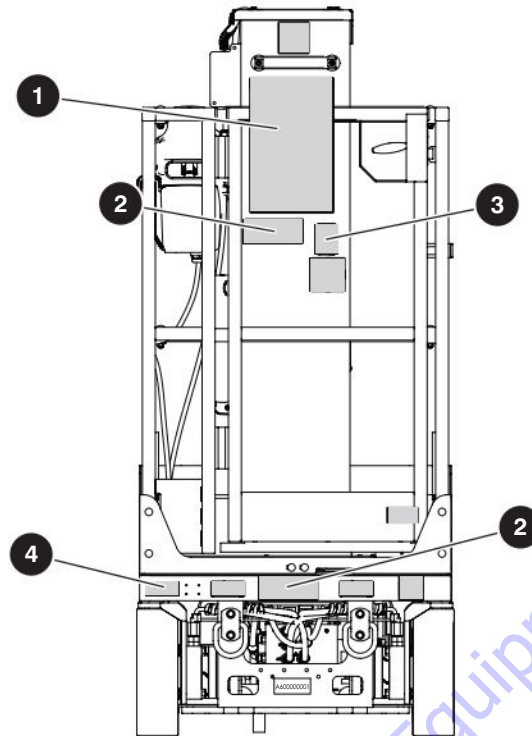
8.1-2 Left view



Description	Label Pictorial
<p><b>1 Model number*</b>                      Product identifier.  <i>*The model number can be different from the one you see.</i></p>	
<p><b>2 Wheel load*</b>                      Shows the maximum load applied to the ground by the specified wheel.  <i>*Each model has different wheel loads.</i></p>	
<p><b>3 Forklift lift location</b>                      Insert the fork fully into the forklift lift location to lift the MEWP.</p>	
<p><b>4 Skyjack logo</b></p>	
<p><b>5 Warning - crush hazard</b></p>	



8.1-3 Front view



Description

Label Pictorial

**1 Hazard identification**

Read and understand the specified hazards with this MEWP before operation. Refer to [Section 2](#).

*Note: This label is on the mast assembly.*



**2 Platform capacity\***

Shows the rated work load in each configuration.

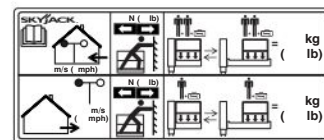
*\*Each model has different platform capacities.*

**Horizontal load rating\*\***

Do not apply more than the specified side load. Operate the MEWP when the wind speed, which includes wind gusts, is less than the specified speed for this model.

*\*\*The rating changes between different units.*

*Note: One label is at the entrance and another is on the mast assembly.*



**3 Operator daily inspection**

Refer to the operation manual. Do the visual inspections and function tests before you start each work shift.

Refer to [Section 4.4](#).

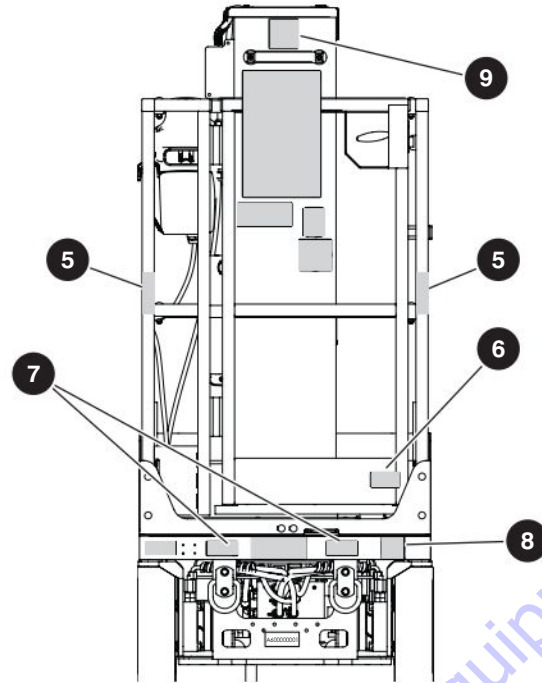


**4 Warning - California proposition 65**

Cancer and reproductive harm - <https://www.p65warnings.ca.gov/>.

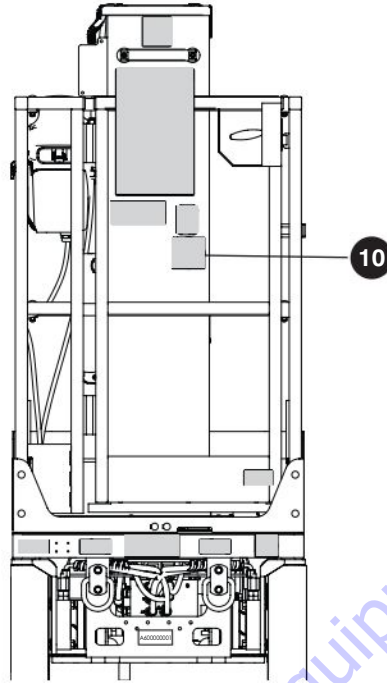


Front view (continued)



Description	Label Pictorial
<p><b>5 Fall-protection anchorages</b></p> <p>When required, attach the body-harness lanyards of each occupant to the fall-protection anchorage points.</p> <p>Rated for one (1) person for each anchorage point.</p> <p><i>Note: This label is inside the platform above the fall-protection anchorages.</i></p>	
<p><b>6 Platform traversing procedure</b></p> <p>Refer to the operation manual.</p> <p>Follow this procedure to traverse the platform.</p>	
<p><b>7 Lift and tie-down points</b></p> <p>Only use these points to lift or tie-down the MEWP.</p>	
<p><b>8 No jewelry</b></p> <p>Caution. Do not wear jewelry or loose clothing that could become caught or entangled.</p>	
<p><b>9 Refer to the service manual.</b></p> <p>Remove the cover to perform the scheduled maintenance.</p>	

Front view (continued)



Description

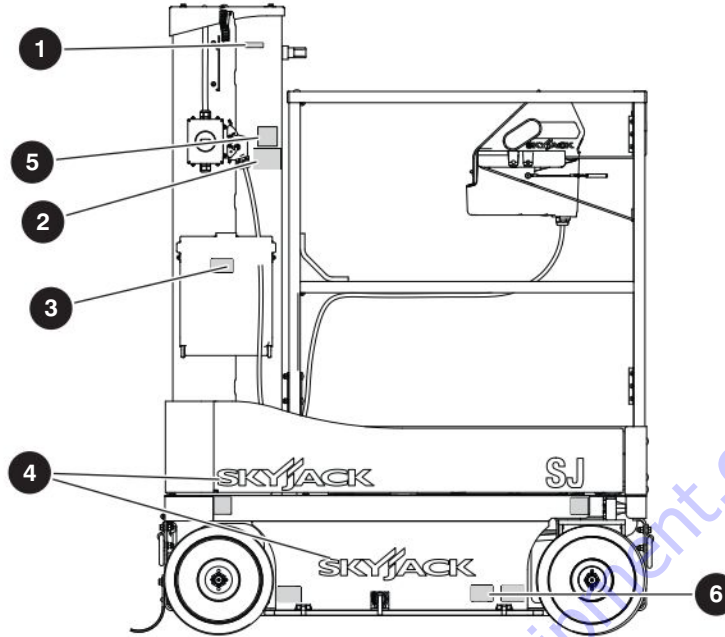
Label Pictorial

**10 No insulation**

This MEWP is not electrically insulated and does not provide protection from contact with or proximity to energized electrical conductors. Follow [Section 2.1-1](#) for the minimum distance to keep between all parts of the MEWP, occupants, or tools, and the electrical conductors.



8.1-4 Right view

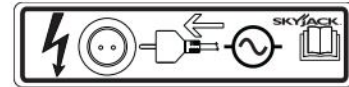


Description

Label Pictorial

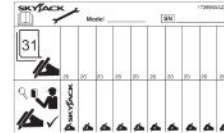
1 AC power plug

Connect the AC supply here.



2 Annual inspection

Make sure the MEWP has received an annual inspection before operation.



3 Manual storage box

Shows the location of the operation manual.



4 Skyjack logo



5 Warning - annual inspection

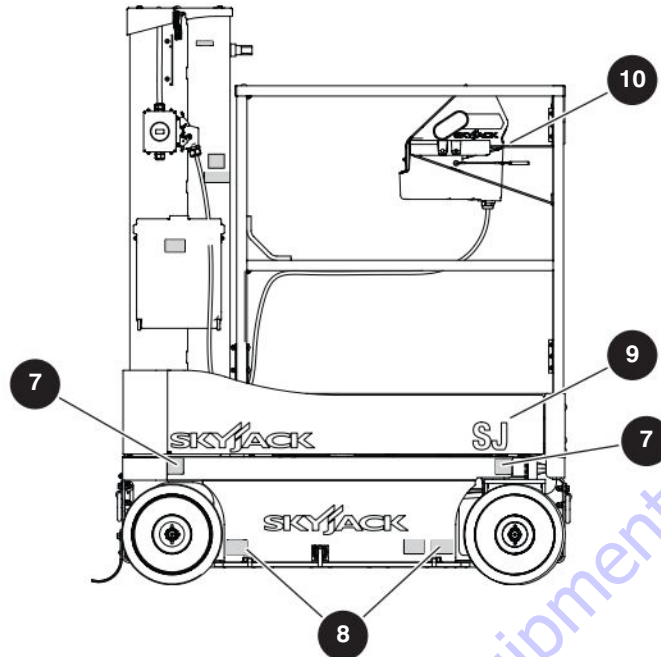
Refer to the operation manual. Make sure the annual and daily inspections are done.



6 Warning - crush hazard

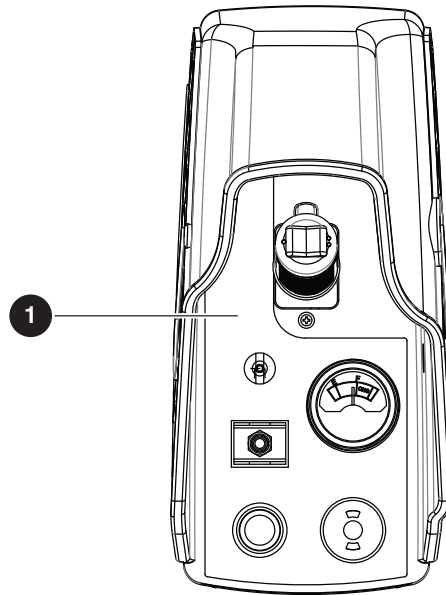


Right view (continued)



Description	Label Pictorial
<p><b>6 Wheel load*</b> Shows the maximum load applied to the ground by the specified wheel. <i>*Each model has different wheel loads.</i></p>	
<p><b>7 Forklift lift location</b> Insert the fork fully into the forklift lift location to lift the MEWP.</p>	
<p><b>8 Model number*</b> Product identifier. <i>*The model number can be different from the one you see.</i></p>	<p style="font-size: 2em; font-weight: bold;">SJ16</p>
<p><b>10 Location of the platform control console</b> Shows the location of the platform control console.</p>	

### 8.1-5 Platform control console

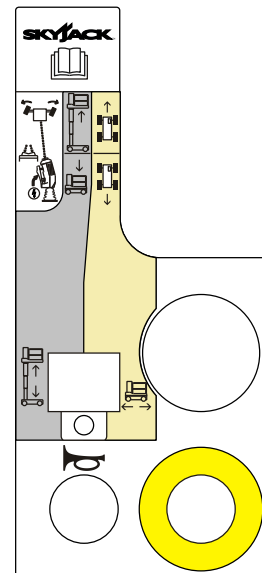


Description

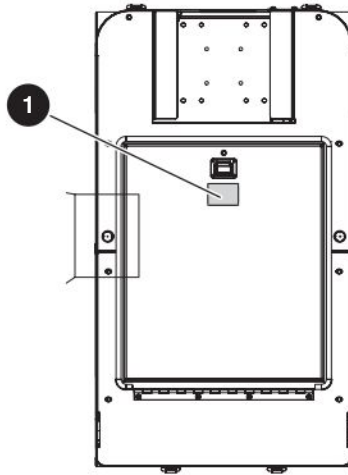
Label Pictorial

#### 1 Platform controls

- Squeeze and hold the **function-enable** switch to energize the lift, drive, and steer functions.
- Operate the **steering rocker** switch to steer.
- Move the **controller handle** to control the lift and drive movements.
- Select the **lift**, **off**, or **drive** mode.
- Push the **horn** button to make a sound like a car horn.
- Push the **emergency-stop** button to disconnect power to the control circuit. Pull the **emergency-stop** button to connect the power again. The operation light goes on to indicate upper control availability.



### 8.1-6 Base view (cover down)



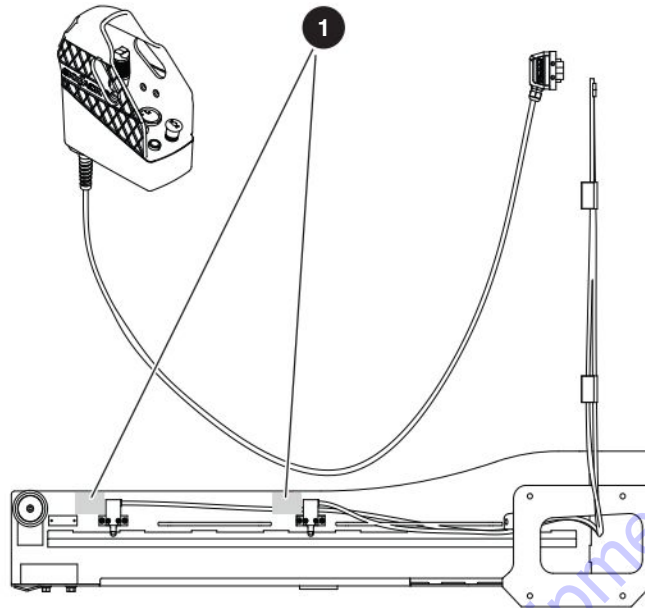
Description	Label Pictorial
-------------	-----------------

**1 Warning - do not open**

Do not access the hydraulic/electrical compartment while the platform is elevated.



### 8.1-7 Platform (inside view)



Description

Label Pictorial

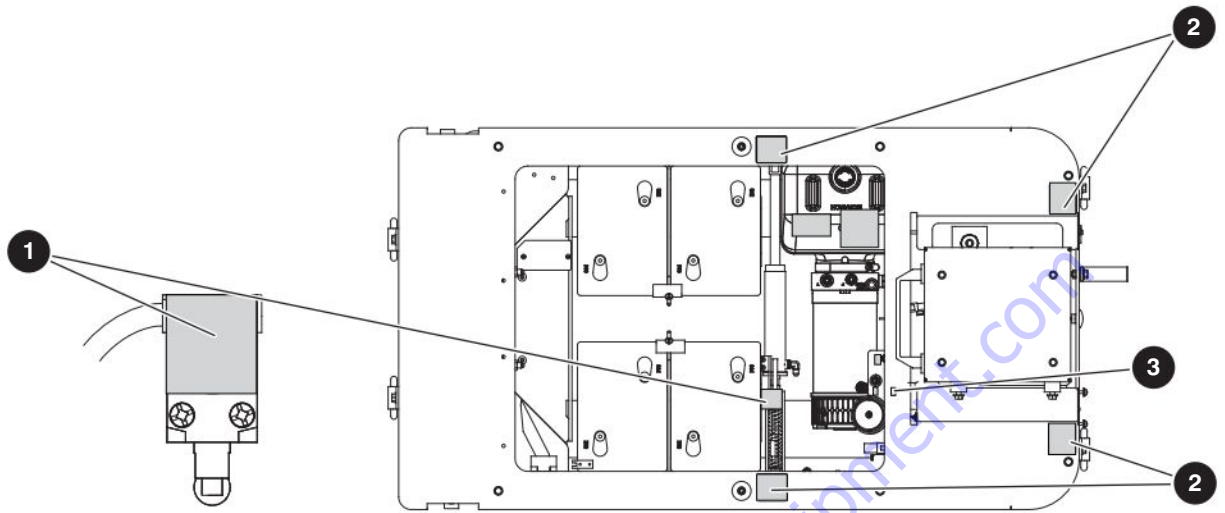
**1 Warning - do not alter**

Do not tamper with or disable the limit switches or other safety devices.





### 8.1-8 Base view–cover up



Description

Label Pictorial

**1 Warning - do not alter**

Do not tamper with or disable the limit switches or other safety devices.

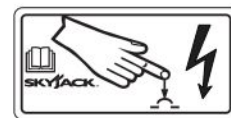


**2 Warning - crush hazard**

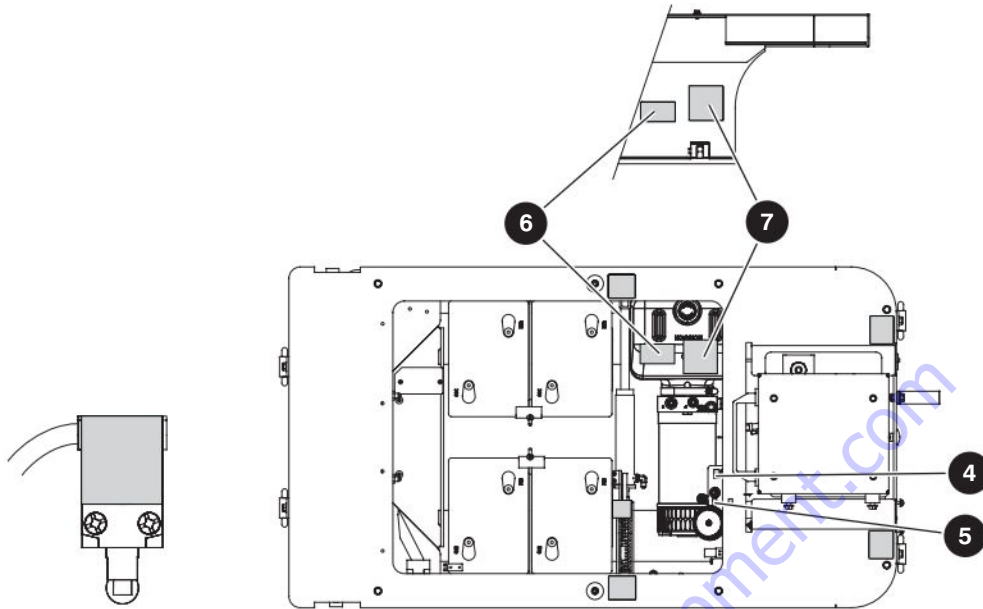


**3 Power circuit breaker**

Push to reset the power circuit breaker.



**Base view–cover up (continued)**



Description	Label Pictorial
<p><b>4 Diagnostic switch</b>                      Refer to the service manual.                      This switch enables the hydraulic functions for maintenance/ servicing.</p>	
<p><b>5 Ground circuit breaker</b>                      Push to reset the ground circuit breaker.</p>	
<p><b>6 Hydraulic oil level</b>                      Shows the minimum and maximum hydraulic oil level.</p>	
<p><b>7 Hydraulic Oil ATF Dexron III</b>                      Only replace the hydraulic fluid with ATF Dexron III.</p>	

---

## Section 9 – Unique Skyjack Features

Your Skyjack MEWP may be equipped with the following unique features:

### **ACCESSORYZERS™**

Having equipment with features and functionality that allow you and your customers to do more is a vital part of the utilization equation. Skyjack offers a range of accessory products to further expand a given product's adaptability and your power to offer a truly flexible rental choice.

To order go to [Discount-Equipment.com](http://Discount-Equipment.com)



# WARNING

Cancer and Reproductive Harm-  
<https://www.p65warnings.ca.gov/>.

To order go to [DiscountEquipment.com](http://DiscountEquipment.com)

**TO PURCHASE THIS PRODUCT PLEASE CONTACT US**



**Equipment Financing and  
Extended Warranties Available**



**Discount-Equipment.com is your online resource for  
commercial and industrial quality parts and equipment sales.**

**561-964-4949**

**visit us on line @ [www.discount-equipment.com](http://www.discount-equipment.com)**

Select an option below to find your Equipment

**Search by Manufacturer**

**Search by Product Type**

**Request a Quote**

We sell worldwide for the brands: Genie, Terex, JLG, MultiQuip, Mikasa, Essick, Whiteman, Mayco, Toro Stone, Diamond Products, Generac Magnum, Airman, Haulotte, Barreto, Power Blanket, Nifty Lift, Atlas Copco, Chicago Pneumatic, Allmand, Miller Curber, Skyjack, Lull, Skytrak, Tsurumi, Husquvarna Target, Stow, Wacker, Sakai, Mi-T-M, Sullair, Basic, Dynapac, MBW, Weber, Bartell, Bennar Newman, Haulotte, Ditch Runner, Menegotti, Morrison, Contec, Buddy, Crown, Edco, Wyco, Bomag, Laymor, EZ Trench, Bil-Jax, F.S. Curtis, Gehl Pavers, Heli, Honda, ICS/PowerGrit, IHI, Partner, Imer, Clipper, MMD, Koshin, Rice, CH&E, General Equipment, Amida, Coleman, NAC, Gradall, Square Shooter, Kent, Stanley, Tamco, Toku, Hatz, Kohler, Robin, Wisconsin, Northrock, Oztec, Toker TK, Rol-Air, APT, Wylie, Ingersoll Rand / Doosan, Innovatech, Con X, Ammann, Mecalac, Makinex, Smith Surface Prep, Small Line, Wanco, Yanmar



[www.Discount-Equipment.com](http://www.Discount-Equipment.com)

**SKYJACK**<sup>™</sup>