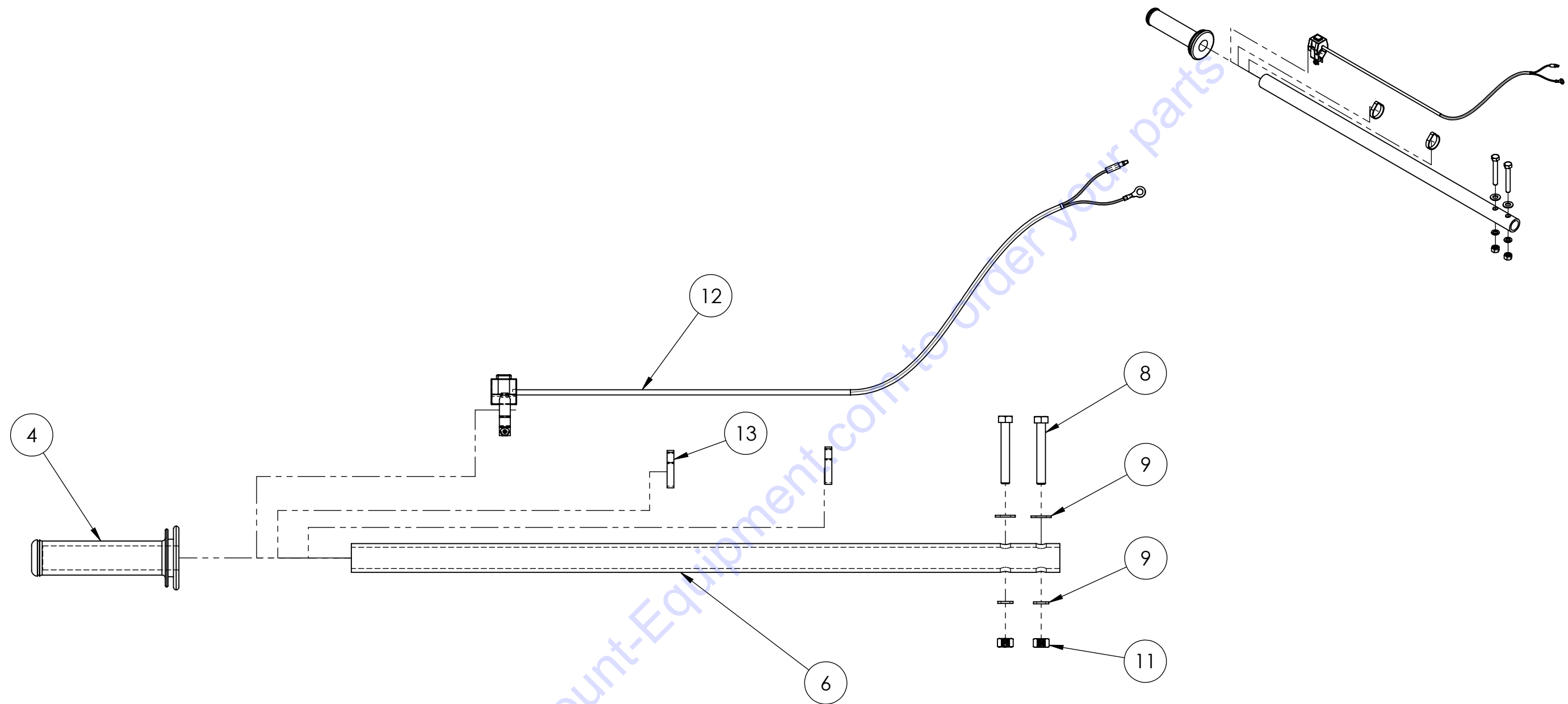


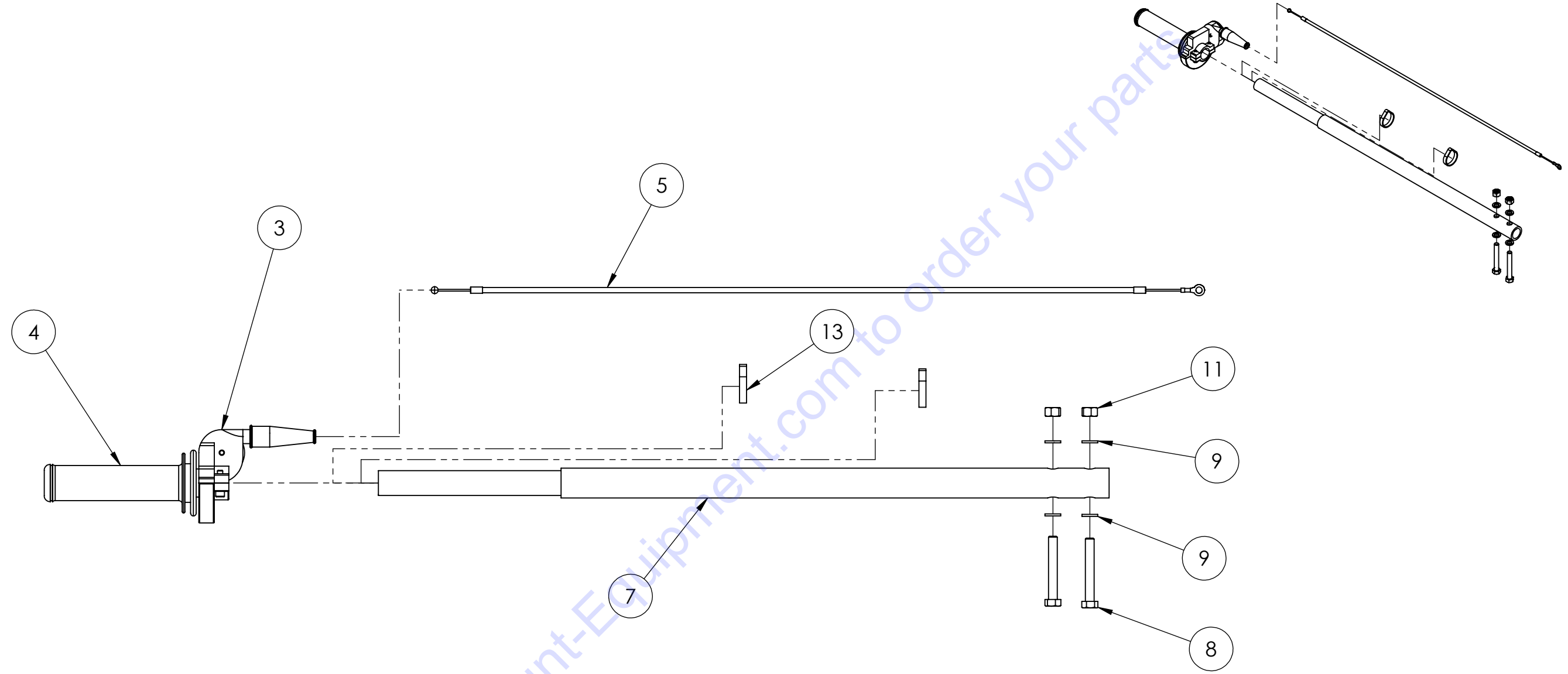
1.
NOTES: (UNLESS OTHERWISE SPECIFIED)

THIRD ANGLE PROJECTION 	(UNLESS OTHERWISE SPECIFIED) DIMENSIONS IN INCHES TOLERANCES: DECIMALS ANGLES .X: +/- 0.050 X: +/- 1.0° .XX: +/- 0.020 X.X: +/- 0.5° .XXX: +/- 0.010 X.XX: +/- 0.05° ALL Ø'S FOR PEM HARDWARE +.003 - .000	DRAWN: d.j.michno	DATE: 11/1/2018	Rice HYDRO,INC.		
		CHECKED:				TITLE: TM-11 HANDLE ASSEMBLY ASSISTANT 1 PER UNIT
CAD GENERATED DRAWING : DO NOT MANUALLY UPDATE	Copyright 2018 Rice HYDRO INC.	ENGR:	APPROVED:	SIZE: B	DWG NUMBER: TM-11 Handle (Assistant) Assy	
THIS IS CONFIDENTIAL AND PROPRIETARY INFORMATION THAT BELONGS TO Rice HYDRO INC. IT MAY NOT BEUSED OR REPRODUCED IN ANY MEDIA OR DISCLOSED WITHOUT THE PRIOR WRITTEN CONSENT OF OWNER.		MATERIAL: TBD	FINISH: SEE NOTES	SCALE: 1:4	SHEET: 1 OF 1	



1.
NOTES: (UNLESS OTHERWISE SPECIFIED)

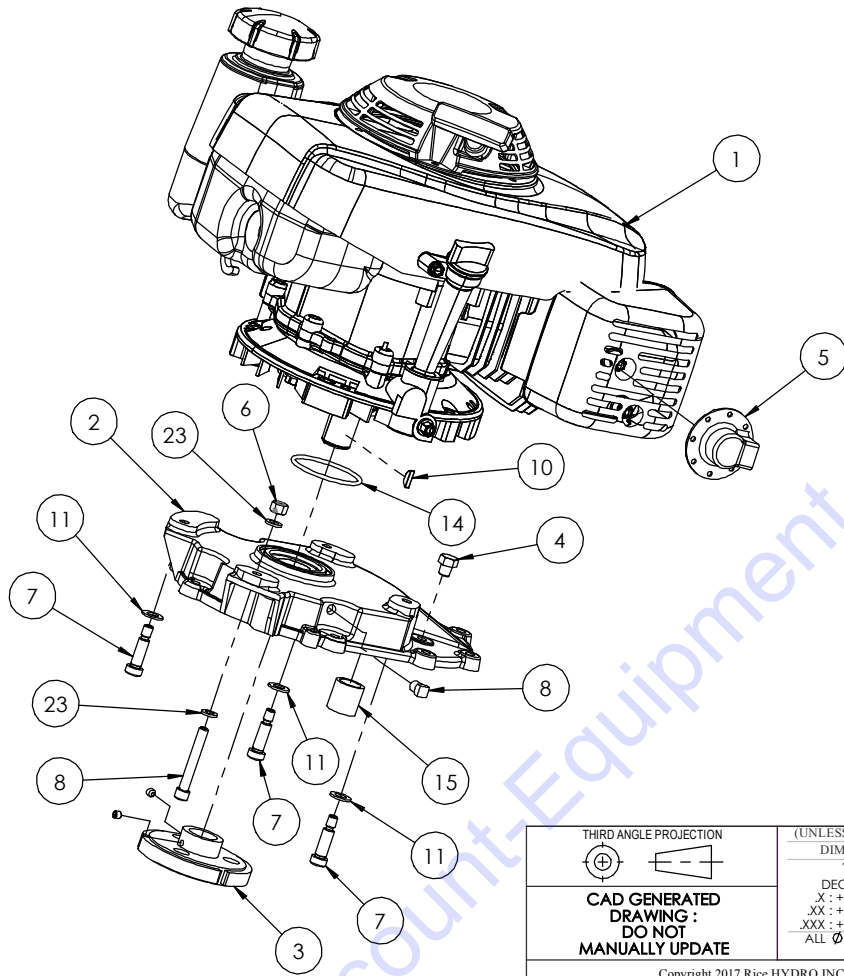
THIRD ANGLE PROJECTION 	(UNLESS OTHERWISE SPECIFIED) DIMENSIONS IN INCHES TOLERANCES: DECIMALS ANGLES .X : +/- 0.050 X : +/- 1.0° .XX : +/- 0.020 X.X : +/- 0.5° .XXX : +/- 0.010 X.XX : +/- 0.05° ALL Ø'S FOR PEM HARDWARE +.003 - .000	DRAWN: d.j.michno	DATE: 10/26/2018	Rice HYDRO,INC.	
		CHECKED:			
CAD GENERATED DRAWING : DO NOT MANUALLY UPDATE	Copyright 2018 Rice HYDRO INC.	ENGR:	APPROVED:	DWG NUMBER: TM-11 Kill Switch Handle Assy Exploded	
THIS IS CONFIDENTIAL AND PROPRIETARY INFORMATION THAT BELONGS TO Rice HYDRO INC. IT MAY NOT BEUSED OR REPRODUCED IN ANY MEDIA OR DISCLOSED WITHOUT THE PRIOR WRITTEN CONSENT OF OWNER.		MATERIAL: TBD	FINISH: SEE NOTES		
		DO NOT SCALE DRAWING		SCALE: 1:4	SHEET: 1 OF 1



Go to Discount-Equipment.com to order your parts

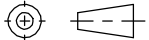
1.
NOTES: (UNLESS OTHERWISE SPECIFIED)

THIRD ANGLE PROJECTION 	(UNLESS OTHERWISE SPECIFIED) DIMENSIONS IN INCHES TOLERANCES: DECIMALS ANGLES .X: +/- 0.050 X: +/- 1.0° .XX: +/- 0.020 X.X: +/- 0.5° .XXX: +/- 0.010 X.XX: +/- 0.05° ALL Ø'S FOR PEM HARDWARE +.003 - .000	DRAWN: d.j.michno CHECKED: ENGR: APPROVED:	DATE: 10/26/2018	Rice HYDRO, INC.	
CAD GENERATED DRAWING : DO NOT MANUALLY UPDATE	Copyright 2018 Rice HYDRO INC.	DO NOT SCALE DRAWING		TITLE: THROTTLE HANDLE ASSEMBLY TM-11 EXPLODED VIEW 1 PER UNIT	
THIS IS CONFIDENTIAL AND PROPRIETARY INFORMATION THAT BELONGS TO Rice HYDRO INC. IT MAY NOT BE USED OR REPRODUCED IN ANY MEDIA OR DISCLOSED WITHOUT THE PRIOR WRITTEN CONSENT OF OWNER.		MATERIAL: TBD FINISH: SEE NOTES	SIZE: B SCALE: 1:4	DWG NUMBER: TM-11 Throttle Handle Assy Exploded	REV: A
				SHEET: 1 OF 1	



1.

NOTES: (UNLESS OTHERWISE SPECIFIED)

THIRD ANGLE PROJECTION 	(UNLESS OTHERWISE SPECIFIED) DIMENSIONS IN INCHES TOLERANCES: DECIMALS ANGLES X : +/- 0.050 X : +/- 1.0° XX : +/- 0.020 XX : +/- 0.5° XXX : +/- 0.010 XXX : +/- 0.05° ALL Ø'S FOR PEM HARDWARE +.003 - .000	DRAWN: d.j.michno	DATE: 12/07/17	Rice HYDRO, INC		
CAD GENERATED DRAWING: DO NOT MANUALLY UPDATE		CHECKED:	ENGR:	TITLE: TM-11 TOP - EXPLODED VIEW		
Copyright 2017 Rice HYDRO INC.		DO NOT SCALE DRAWING		SIZE: B	DWG NUMBER: TM-11 TOP Assy Exploded	REV: B
THIS IS CONFIDENTIAL AND PROPRIETARY INFORMATION THAT BELONGS TO Rice HYDRO INC. IT MAY NOT BE USED OR REPRODUCED IN ANY MEDIA OR DISCLOSED WITHOUT THE PRIOR WRITTEN CONSENT OF OWNER.		MATERIAL:	SCALE: 1:4	SHEET: 1 OF 1		
		FINISH: SEE NOTES				

PARTS FINDER

**Search Website
by Part Number**



**Search Manual
Library For Parts
Manual & Lookup Part
Numbers – Purchase
or Request Quote**

Search Manuals

Enter your information to help us find the right parts manual for your machine.

* Brand:

* Model:

* Serial:

* Part Number:

SEARCH

**Can't Find Part or
Manual? Request Help
by Manufacturer,
Model & Description**

Parts Order Form

Please fill in the following information to help us find the right part for your machine.

Manufacturer:	<input type="text"/>
Model:	<input type="text"/>
Description:	<input type="text"/>
Part Number:	<input type="text"/>
Quantity:	<input type="text"/>
Notes:	<input type="text"/>

Discount-Equipment.com is your online resource for quality parts & equipment.

Florida: **561-964-4949** Outside Florida TOLL FREE: **877-690-3101**

Need parts?

Click on this link: <http://www.discount-equipment.com/category/5443-parts/> and choose one of the options to help get the right parts and equipment you are looking for. Please have the machine model and serial number available in order to help us get you the correct parts. If you don't find the part on the website or on one of the online manuals, please fill out the request form and one of our experienced staff members will get back to you with a quote for the right part that your machine needs.

We sell worldwide for the brands: Genie, Terex, JLG, MultiQuip, Mikasa, Essick, Whiteman, Mayco, Toro Stone, Diamond Products, Generac Magnum, Airman, Haulotte, Barreto, Power Blanket, Nifty Lift, Atlas Copco, Chicago Pneumatic, Allmand, Miller Curber, Skyjack, Lull, Skytrak, Tsurumi, Husquvarna Target, Stow, Wacker, Sakai, Mi-T-M, Sullair, Basic, Dynapac, MBW, Weber, Bartell, Bennar Newman, Haulotte, Ditch Runner, Menegotti, Morrison, Contec, Buddy, Crown, Edco, Wyco, Bomag, Laymor, EZ Trench, Bil-Jax, F.S. Curtis, Gehl Pavers, Heli, Honda, ICS/PowerGrit, IHI, Partner, Imer, Clipper, MMD, Koshin, Rice, CH&E, General Equipment, Amida, Coleman, NAC, Gradall, Square Shooter, Kent, Stanley, Tamco, Toku, Hatz, Kohler, Robin, Wisconsin, Northrock, Oztec, Toker TK, Rol-Air, APT, Wylie, Ingersoll Rand / Doosan, Innovatech, Con X, Ammann, Mecalac, Makinex, Smith Surface Prep, Small Line, Wanco, Yanmar