



PARTS BREAKDOWN FOR MODELS TR10-SERIES SN#39387

PART NUMBER..	DESCRIPTION..	QTY REQ'D
UD04-0007.38	SEAL	1
UD04-0007.43	SEAL	3
UD04-0014.31	PLUNGER ROD	3
UD04-0023.21	SUPPORT RING	3
UD04-0028.29	CRANKSHAFT	1
UD04-0115.08	ROD GUIDE	3
UD04-0208.71	BACK COVER	1
UD04-0209.54	CRANKCASE	1
UD04-0248.03	BEARING	2
UD04-0301.55	SLINGER RING	3
UD04-0303.18	PLUNGER NUT	3
UD04-0501.C6	BEARING CAP	1
UD04-0501.C7	BEARING CAP	1
UD04-0602.75	GASKET	1
UD02-0605.09	GASKET	1
UD02-0605.43	GASKET	1
UD04-0801.17	KEY	1
UD04-1101.A3	O-RING	6
UD04-1101.A2	O-RING	6
UD04-1101.30	RETAINER O-RING	3
UD02-1101.60	O-RING	3
UD04-1101.73	O-RING	2
UD04-1205.31	PLUNGER - 20 MM	3
UD04-1403.05	WASHER	8
UD04-1403.40	ONLY AVAIL IN KIT #40	3
UD02-1411.03	WASHER	8
UD04-1502.14	CONNECTING ROD PIN	3
UD04-1534.03	SHIM .003	1
UD04-1534.04	SHIM .010	1
UD04-1603.A7	DISCHARGE PLUG	1
UD04-1603.A8	INLET PLUG	1
UD04-1603.B8	SIGHT GLASS	1
UD04-1603.94	VALVE CAP	6
UD04-1603.02	DRAIN PLUG	1
UD04-1604.F1	MANIFOLD	1
UD02-1804.25	BOLT	8
UD02-1804.52	BOLT	5
UD04-1804.82	BOLT	8
UD04-6000.52	BRONZE CONNECTING ROD	3
UD04-6058.58	DIP STICK	1

GEAR REDUCTION..

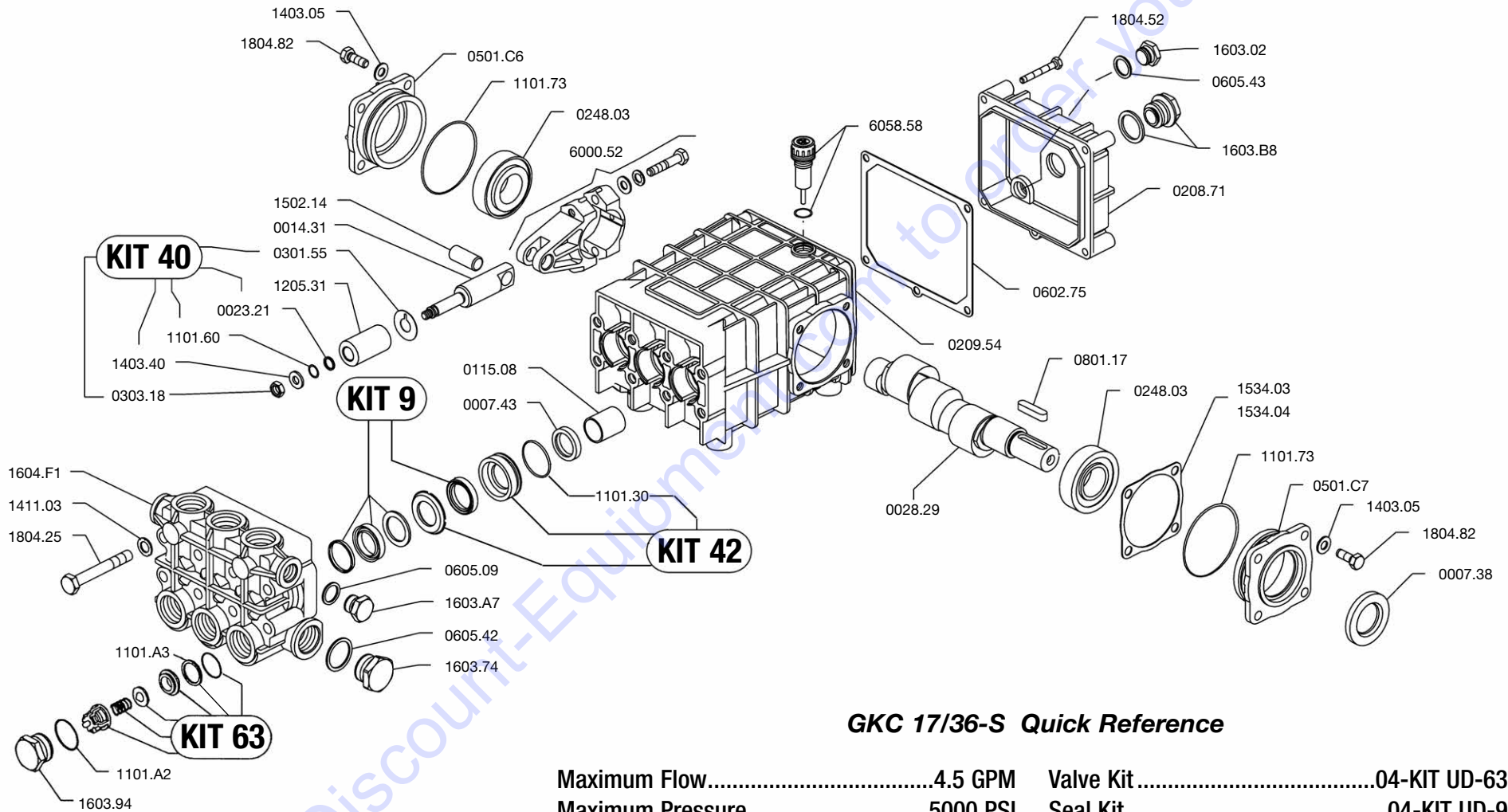
UD04-0004.29	1" DRIVE GEAR	1
UD04-0007.33	SEAL	1
UD04-0213.27	PUMP GEAR	1
UD04-0214.14	BEARING	1
UD04-0228.30	GEAR BOX HOUSING	1
UD04-0516.04	FLANGE	1
UD04-0602.42	GASKET - GEAR BOX HOUSING	1
UD04-0602.59	GASKET - GEAR BOX	1
UD04-0605.43	OIL PLUG GASKET	1
UD04-0614.07	SET SCREW	1
UD04-1411.02	WASHER	4
UD04-1412.04	WASHER	7
UD04-1506.20	SNAP RING	1
UD04-1506.21	SNAP RING	1
UD04-1603.02	DRAIN PLUG	1
UD04-1603.06	OIL SIGHT GLASS	1
UD04-1805.03	BOLT	7
UD04-1805.23	BOLT	4
UD04-6058.26	OIL VENT CAP	1

PARTS BREAKDOWN FOR MODELS TR10-SERIES SN#39387
RICE HYDRO, INC.

MISCELLANEOUS PARTS..

PART NUMBER..	DESCRIPTION..	QTY REQ'D
GAUGE-6000	0-6000 PSI LIQUID FILLED GAUGE	1
NEEDLEVALVE-1/4	AIR BLEED VALVE	1
BALLVALVE-7250-3/8	OUTLET BALLVALVE	1
UNLOADER-5000PSI	500-5000 PSI PRESSURE REGULATOR	1
CARTON-TR6	EXTRA LARGE SHIPPING BOX	1
LINESTRAINER-1/2	INLINE STRAINER	1
HOESWIVEL-1/2	SWIVEL HOSE INLET	1
PUMP-4.5/5000PSI	TRIPLEX PLUNGER PUMP - <i>GAS ENGINES</i>	1
PUMP-4.5/5000/SHAFT	TRIPLEX PLUNGER PUMP - <i>ELECTRIC MOTORS</i>	1
MOTOR-TRE10	15HP 3PH 60HZ 208/230/460V MOTOR	1
MOTOR-TRE10F	15HP 3PH 50HZ 220/380/440V MOTOR	1
HONDA-GX630RHQZB3	GAS ENGINE	1
HONDA-HD654270	MUFFLER FOR ENGINE	1
BATTERY-ACCESSORIES	BATTERY AND ACCESSORIES	1
LABEL-KIT-TR	INSTRUCTION AND CAUTION STICKERS	1
OUTLET HOSE..		
HOSE-3/8-5000X8-RH	8' FOOT OUTLET HOSE - STANDARD	1
COUPLERPLUG-S-3/8	MALE PUMP OUTLET - PIPING	1
COUPLERBODY-S-3/8	FEMALE PUMP OUTLET - HOSE	1
HOSE-HYD-3/8-HP	SPECIFY LENGTH OF HOSE	
FITTING-3/8-MPIPE	FITTING FOR HOSE - RIGID	1
FITTING-3/8-MPX	FITTING FOR HOSE - SWIVEL	1
KITS..		
	*Kits are all inclusive	
UD04-KIT-UD9	SEAL KIT	
UD04-KIT-UD40	PLUNGER O-RING KIT	
UD04-KIT-UD42	BRASS KIT	
UD04-KIT-UD63	VALVE KIT	

GKC 17/36-S



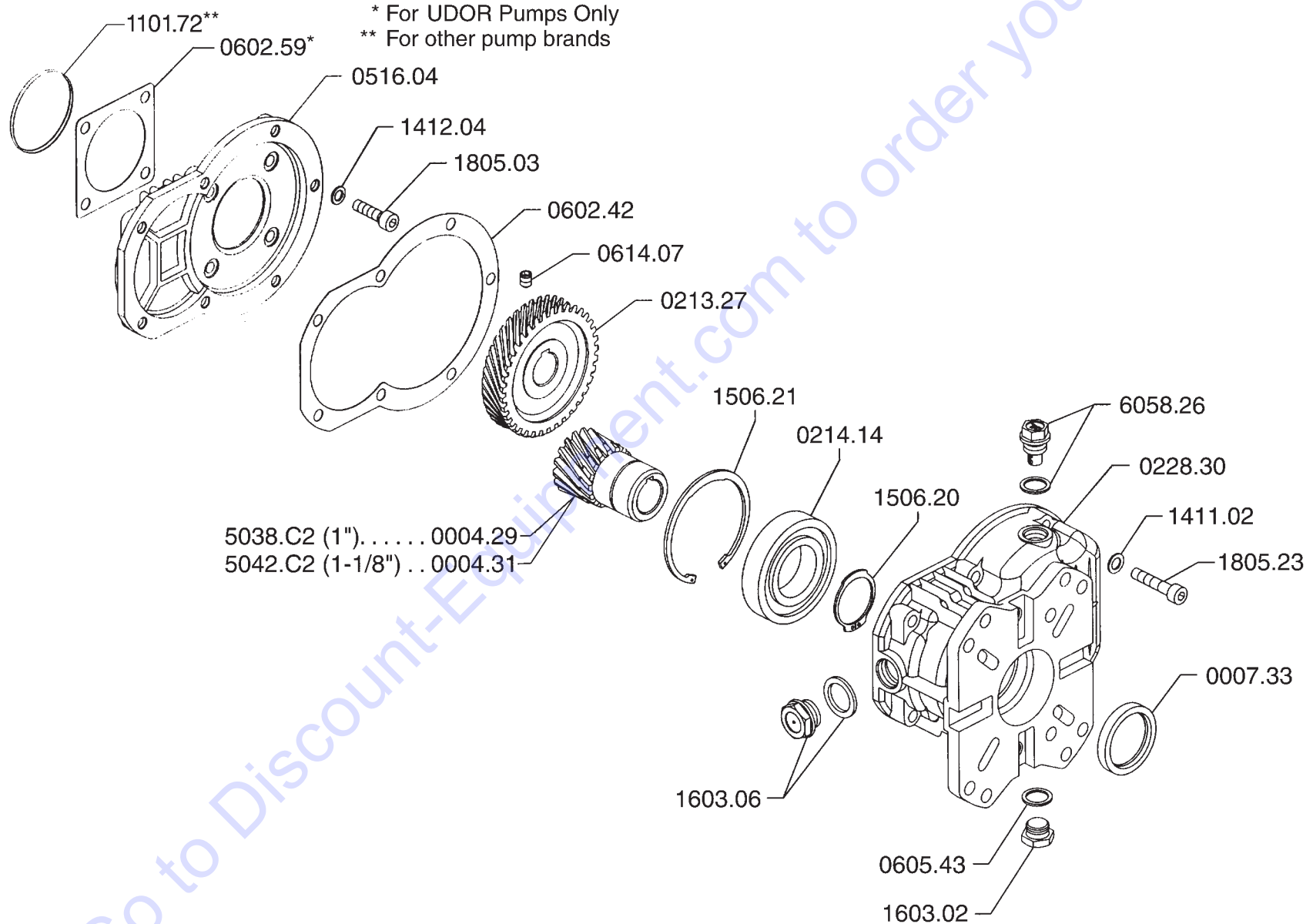
GKC 17/36-S Quick Reference

Maximum Flow.....	4.5 GPM	Valve Kit.....	04-KIT UD-63
Maximum Pressure	5000 PSI	Seal Kit.....	04-KIT UD-9
Rated Pump Speed	1450 RPM	Brass Kit.....	04-KIT UD-42
Oil Capacity	40 oz. UDOR LUBE	Plunger Bolt Kit.....	04-KIT UD-40
	or SAE 30W	Plunger Part #	04-1205.31
	Non-Detergent Oil	Plunger Diameter	20 MM

Revised 11-1-2006

5038.C2 & 5042.C2

10 oz. 90 wt. Gear Lube



Go to Discount-Equipment.com to order your parts

PARTS FINDER

**Search Website
by Part Number**



**Search Manual
Library For Parts
Manual & Lookup Part
Numbers – Purchase
or Request Quote**

Search Manuals

Enter your information to help us find the right parts manual for your machine.

* Brand:

* Model:

* Serial:

* Part Number:

SEARCH

**Can't Find Part or
Manual? Request Help
by Manufacturer,
Model & Description**

Parts Order Form

Please fill in the following information to help us find the right part for your machine.

Manufacturer:	<input type="text"/>
Model:	<input type="text"/>
Description:	<input type="text"/>
Part Number:	<input type="text"/>
Quantity:	<input type="text"/>
Notes:	<input type="text"/>

Submit

Discount-Equipment.com is your online resource for quality parts & equipment.

Florida: **561-964-4949** Outside Florida TOLL FREE: **877-690-3101**

Need parts?

Click on this link: <http://www.discount-equipment.com/category/5443-parts/> and choose one of the options to help get the right parts and equipment you are looking for. Please have the machine model and serial number available in order to help us get you the correct parts. If you don't find the part on the website or on one of the online manuals, please fill out the request form and one of our experienced staff members will get back to you with a quote for the right part that your machine needs.

We sell worldwide for the brands: Genie, Terex, JLG, MultiQuip, Mikasa, Essick, Whiteman, Mayco, Toro Stone, Diamond Products, Generac Magnum, Airman, Haulotte, Barreto, Power Blanket, Nifty Lift, Atlas Copco, Chicago Pneumatic, Allmand, Miller Curber, Skyjack, Lull, Skytrak, Tsurumi, Husquvarna Target, Stow, Wacker, Sakai, Mi-T-M, Sullair, Basic, Dynapac, MBW, Weber, Bartell, Bennar Newman, Haulotte, Ditch Runner, Menegotti, Morrison, Contec, Buddy, Crown, Edco, Wyco, Bomag, Laymor, EZ Trench, Bil-Jax, F.S. Curtis, Gehl Pavers, Heli, Honda, ICS/PowerGrit, IHI, Partner, Imer, Clipper, MMD, Koshin, Rice, CH&E, General Equipment, Amida, Coleman, NAC, Gradall, Square Shooter, Kent, Stanley, Tamco, Toku, Hatz, Kohler, Robin, Wisconsin, Northrock, Oztec, Toker TK, Rol-Air, APT, Wylie, Ingersoll Rand / Doosan, Innovatech, Con X, Ammann, Mecalac, Makinex, Smith Surface Prep, Small Line, Wanco, Yanmar