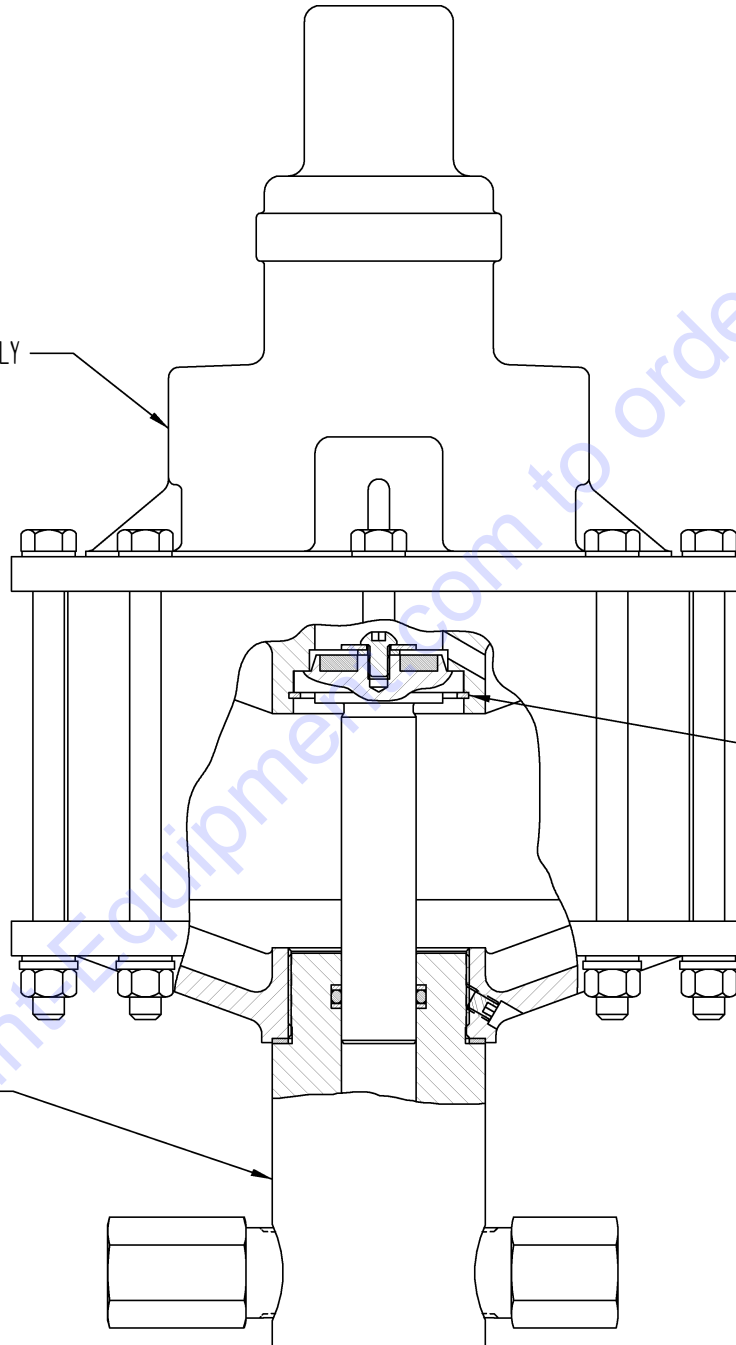




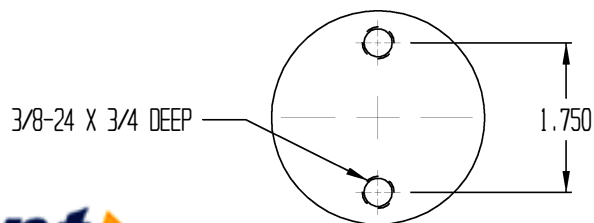
PUMP ASSEMBLY D6000B55 THRU B180

DRY LUBE AIR MOTOR ASSEMBLY
C10515



RETAINING RING
12-R200S000 (REF)

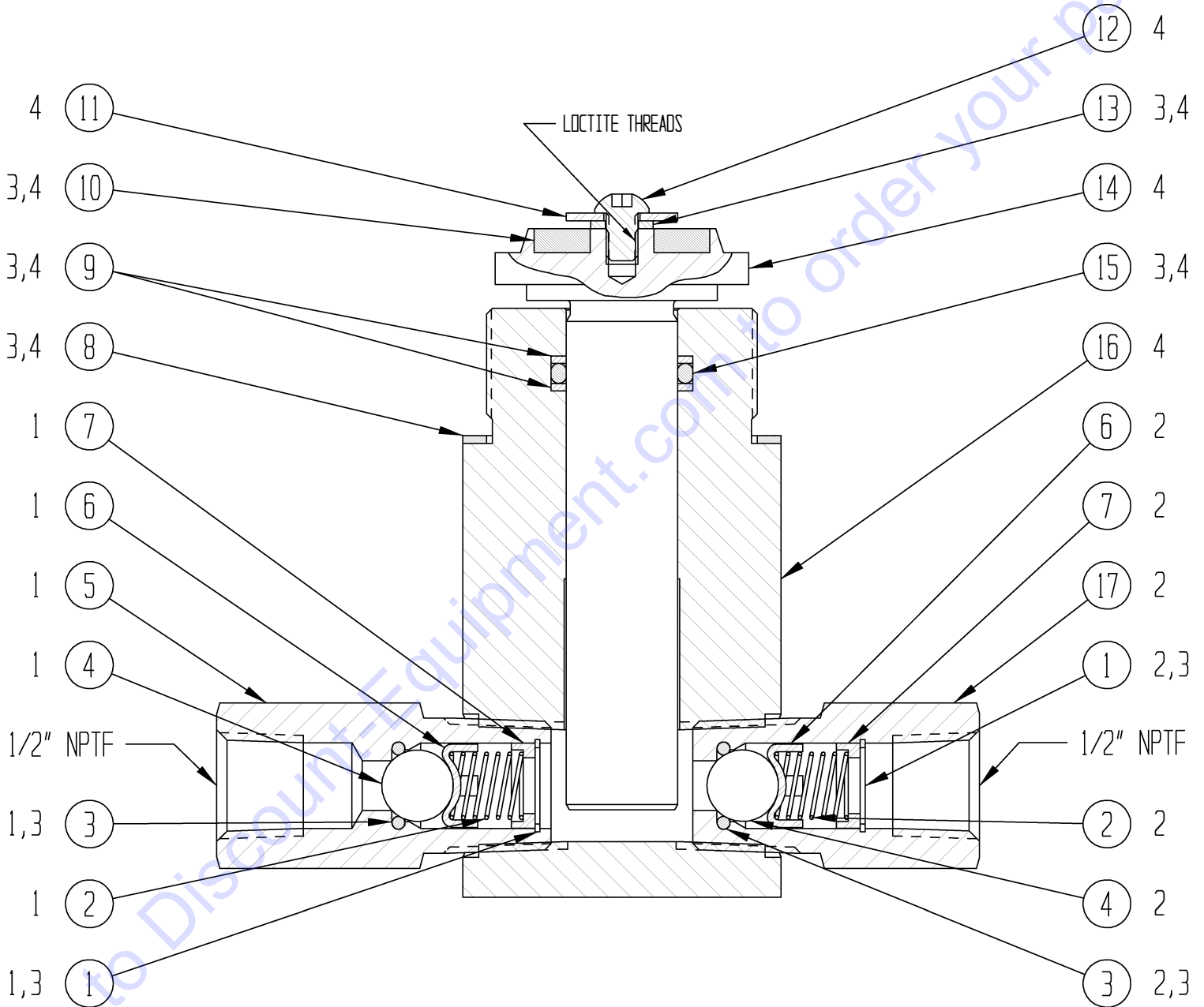
HYDRAULIC ASSEMBLY
11-6010W030 (55:1)
11-6010W050 (95:1)
11-6010W080 (145:1)
11-6010W100 (180:1)



MOUNTING DIMENSIONS



HYDRAULIC ASSEMBLY 11-6010W030 THRU W100



*
4 INCLUDED IN 11-6011WXXX PISTON & CYLINDER ASSEMBLY

*
3 INCLUDED IN 11-6099NXXX HYDRAULIC REPAIR KIT

2 INCLUDED IN 11-5023S000 OUTLET CHECK VALVE ASSEMBLY

1 INCLUDED IN 11-5024S000 INLET CHECK VALVE ASSEMBLY

* REPRESENTS PUMP ASSEMBLY MODEL NUMBER



SOUTHERN CALIFORNIA HYDRAULIC ENGINEERING CORPORATION
 DESIGNERS AND MANUFACTURERS OF HYDRAULIC & PNEUMATIC EQUIPMENT

BILL OF MATERIALS FILE: 10-550-010.XLS								
DRAWING NUMBER & DESCRIPTION: 11-6010W030 THRU W100 HYDRAULIC ASSEMBLY								
11-6010		REVISION: 05/06/03						
W030 (55:1)	W050 (95:1)	W080 (145:1)	W100 (180:1)	ITEM NO	QTY	PART NO	DESCRIPTION	REFERENCE NO
•	•	•	•	1	2	P10202-068	RETAINING RING	12-R068S000
•	•	•	•	2	2	11-5013S000	SPRING	10-450-13
•	•	•	•	3	2	P11003-112	O-RING EPR	12-6227N010S
•	•	•	•	4	2	12-0440S562	CHECK BALL	
•	•	•	•	5	1	11-5019S000	SEAT-INLET	10-450-19
•	•	•	•	6	2	11-5034S002	BALL GUIDE	10-450-34-2
•	•	•	•	7	2	11-5017S000	SPRING GUIDE	10-450-17
•	•	•	•	8	1	11-5028N000	GASKET	10-450-28
•				9	2	P11227-212	BACK UP	12-8774T017
	•			9	2	P11227-115	BACK UP	12-8774T013
		•		9	2	P11227-113	BACK UP	12-8774T011
			•	9	2	P11227-112	BACK UP	12-8774T010
•	•	•	•	10	1	11-5051P000	PISTON BUMPER	10-450-51
•	•	•	•	11	1	12-25N87WF1Z	FENDER WASHER	
•	•	•	•	12	1	12-25F37SBC45Z	BUTTON HEAD CAP SCREW	
•	•	•	•	13	1	P10212-025	HELICAL SPRING LOCK WASHER	12-5001C407
•				14	1	11-6008S030	HYDRAULIC PISTON	10-550-8-3
	•			14	1	11-6008S050	HYDRAULIC PISTON	10-550-8-5
		•		14	1	11-6008S080	HYDRAULIC PISTON	10-550-8-8
			•	14	1	11-6008S100	HYDRAULIC PISTON	10-550-8-10
•				15	1	P11000-212	O-RING	12-6227N017
	•			15	1	P11000-115	O-RING	12-6227N013
		•		15	1	P11000-113	O-RING	12-6227N011
			•	15	1	P11000-112	O-RING	12-6227N010
•				16	1	11-6009B030	HYDRAULIC CYLINDER	10-550-9-3
	•			16	1	11-6009B050	HYDRAULIC CYLINDER	10-550-9-5
		•		16	1	11-6009B080	HYDRAULIC CYLINDER	10-550-9-8
			•	16	1	11-6009B100	HYDRAULIC CYLINDER	10-550-9-10
•	•	•	•	17	1	11-5020S000	SEAT-OUTLET	10-450-20

Where Used
 Pump Assemblies

10-6000W030NSW-W100NSW
 10-6000W030-W100
 D6000B55-B180



SOUTHERN CALIFORNIA HYDRAULIC ENGINEERING CORPORATION

Designer and Manufacturers of Hydraulic & Pneumatic Equipment

600 SERIES PUMP LUBRICATED AND DRY LUBE APA VALVE AIR MOTOR ASSEMBLIES

DOC NO. 15138
REV. N/C 04-06-09 M.E.
PAGE 1 OF 4

LUBRICATED AIR MOTOR ASSEMBLY 11-6094A000 DRY LUBE AIR MOTOR ASSEMBLY 11-6094ADL0 AND C10515

(SEE PAGE 2 & 3 FOR DRY LUBE AIR MOTOR ASSEMBLY 11-6094ADL0 AND C10515)

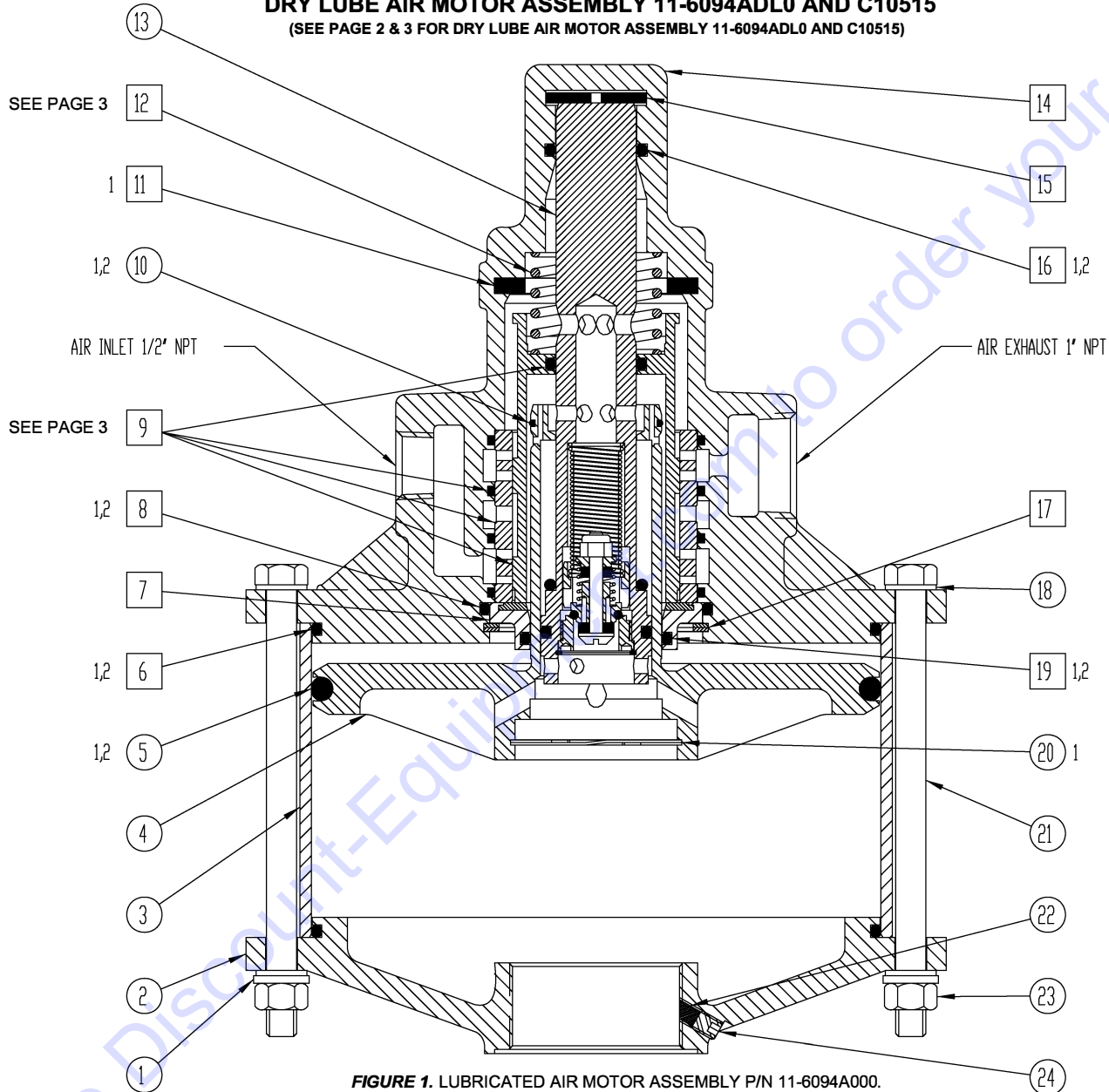


FIGURE 1. LUBRICATED AIR MOTOR ASSEMBLY P/N 11-6094A000.
SEE PAGE 2 & 3 FOR DRY LUBE AIR MOTOR ASSEMBLY P/N 11-6094ADL0 AND C10515.

1 INCLUDED IN 11-6100N000 AIR MOTOR REPAIR KIT

1 INCLUDED IN R10104 AIR MOTOR REPAIR KIT

2 INCLUDED IN 11-6130N000 AIR MOTOR PACKING SET

2 INCLUDED IN R10105 AIR MOTOR PACKING SET

INCLUDED IN 11-6128A000 HEAD ASSEMBLY

INCLUDED IN C10516 HEAD ASSEMBLY

NOTE: USE WITH AIR MOTOR ASSEMBLY P/N 11-6094A000.
P/N 11-6100N000 AND 11-6130N000 INCLUDE SAME PARTS
AS R10104 AND R10105 RESPECTIVELY.

NOTE: USE WITH AIR MOTOR ASSEMBLY P/N 11-6094ADL0
AND C10515. P/N 11-6100N000 AND 11-6130N000 INCLUDE
SAME PARTS AS R10104 AND R10105 RESPECTIVELY.



SOUTHERN CALIFORNIA HYDRAULIC ENGINEERING CORPORATION
Designer and Manufacturers of Hydraulic & Pneumatic Equipment

600 SERIES PUMP LUBRICATED AND DRY LUBE APA VALVE AIR MOTOR ASSEMBLIES

A. LUBRICATED AIR MOTOR ASSEMBLY P/N 11-6094A000 (REFER TO ITEM 9A & 12A)

B. DRY LUBE AIR MOTOR ASSEMBLY P/N 11-6094ADL0 AND C10515 (REFER TO ITEM 9B & 12B)

DOC. NO. 15138, REV. N/C, 04-06-09

PAGE 2 OF 4

ITEM NO	QTY	PART NO	DESCRIPTION	REFERENCE NO
1	8	P10212-038	WASHER-LOCK	
2	1	11-6002A000	END	10-550-2
3	1	11-6151P000	CYLINDER-AIR	10-550-151
4	1	11-6025A000	PISTON-AIR	10-550-25
5	1	P11000-439	O-RING	12-6227N066
6	2	P11000-261	O-RING	12-6230N039
7	1	11-5047N000	BEARING ASSEMBLY	10-450-47
8	1	P11000-231	O-RING	12-6230N009
9A *	1	11-6152A000	LUBRICATED APA VALVE ASSEMBLY (SEE PAGE 3)	10-550-152
9B *	1	11-6152ADL0	DRY LUBE APA VALVE ASSEMBLY (SEE PAGE 3)	10-550-152DL
10	1	P11000-028	O-RING	12-8775N028
11	1	11-5057P000	BUMPER	10-450-57
12A *	1	11-5005M001	SPRING, RETURN (USE W/ITEM No. 9A, SEE PAGE 3)	10-450-5-1
12B *	1	11-5005M002	SPRING, RETURN (USE W/ITEM No. 9B, SEE PAGE 3)	10-450-5-2
13	1	11-6027A000	PILOT VALVE ASSEMBLY	10-550-27
14	1	11-6092A000	HEAD	10-550-92
15	1	11-5012N000	BUMPER	10-450-12
16	1	P11000-214	O-RING	12-6227N019
17	1	12-R262S000	RETAINING RING	RRT-262
18	16	P10214-038	WASHER-FLAT	
19	1	P11000-223	O-RING	12-6230N001
20	1	12-R200S000	RETAINING RING	RRT-200
21	8	P10230	BOLT-HEX	
22	1	11-5172N000	PLUG	10-450-172
23	8	12-37CNFH1Z	NUT-HEX	
24	1	P10238	SET SCREW-HEX SOCKET	12-25C313CPSS

*** ITEM 9A - LUBRICATED APA VALVE ASSEMBLY P/N 11-6152A000. SEE PAGE 3 FOR DETAILS.**

ITEM NO	QTY	PART NO	DESCRIPTION	REFERENCE NO
9A.1	1	P11000-214	O-RING	
9A.2	1	11-6153A000	PISTON, APA	10-550-153
9A.3	1	11-6126A000	SLEEVE, APA	10-550-126
9A.4	4	P11000-144	O-RING	

*** ITEM 9B - DRY LUBE APA VALVE ASSEMBLY P/N 11-6152ADL0 AND C10526. SEE PAGE 3 FOR DETAILS.**

ITEM NO	QTY	PART NO	DESCRIPTION	REFERENCE NO
9B.1	1	P11000-214	O-RING	
9B.2	1	P10263-193	RETAINING RING	
9B.3	1	D10684	SEAL, DRY LUBE	
9B.4	1	P11000-135	O-RING	
9B.5	1	D10817	PISTON, APA	
9B.6	2	P11003-137	O-RING	
9B.7	1	D10263	SLEEVE, APA	
9B.8	4	P11000-144	O-RING	



SOUTHERN CALIFORNIA HYDRAULIC ENGINEERING CORPORATION

Designer and Manufacturers of Hydraulic & Pneumatic Equipment

600 SERIES PUMP DRY LUBE AND LUBRICATED APA VALVE AIR MOTOR ASSEMBLIES

DOC NO. 15138
REV. N/C 04-06-09 M.E.
PAGE 3 OF 4

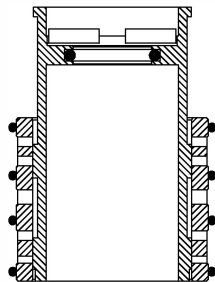


FIGURE 2. LUBRICATED APA VALVE ASSEMBLY
P/N 11-6152A000

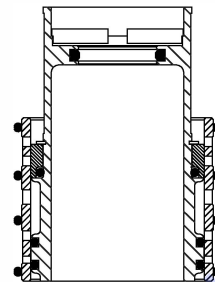


FIGURE 3. DRY LUBE APA VALVE ASSEMBLY
NEW P/N 11-6152ADL0 AND C10526

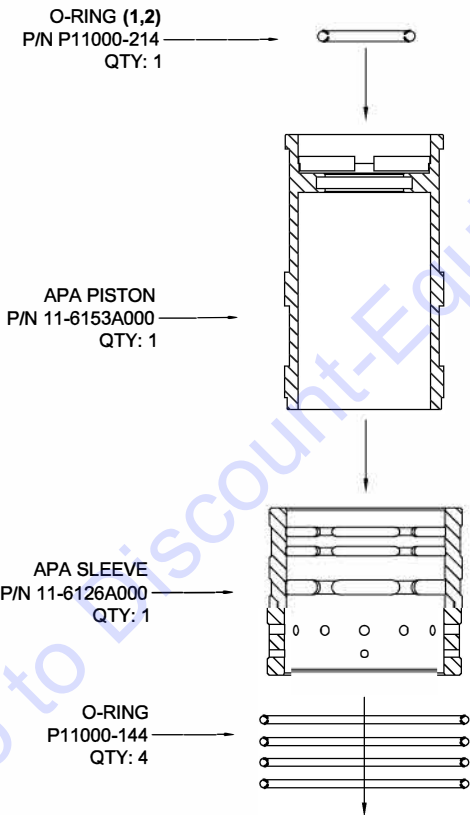


FIGURE 4. LUBRICATED APA VALVE PART CONFIGURATION.
USE APA VALVE ASSEMBLY P/N 11-6152A000.
USE APA VALVE RETURN SPRING P/N 11-5005M001.
USE AIR MOTOR P/N 11-6094A000
REFER TO ITEMS 9A AND 12A

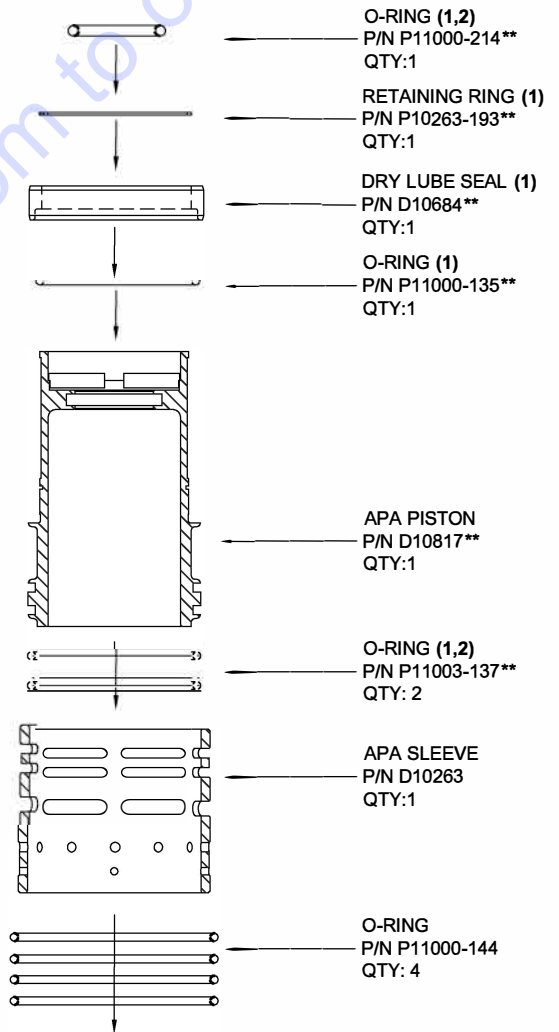


FIGURE 5. DRY LUBE APA VALVE PART CONFIGURATION.
USE APA VALVE ASSEMBLY P/N 11-6152ADL0
USE APA VALVE RETURN SPRING P/N 11-5005M002
USE AIR MOTOR ASSEMBLY P/N 11-6094ADL0 AND C10525
**PARTS INCLUDED IN APA PISTON ASSEMBLY P/N C10544
REFER TO ITEMS 9B AND 12B



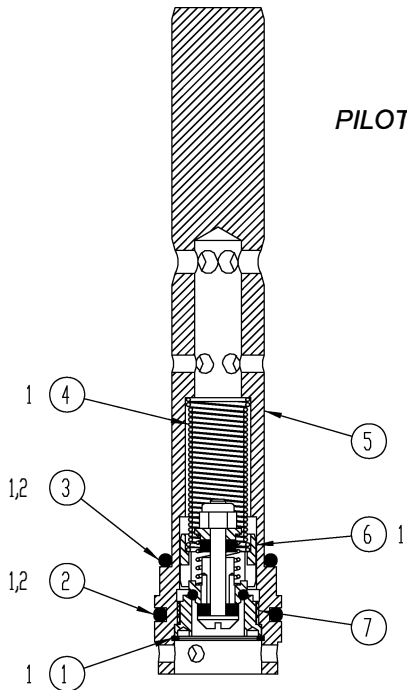
SOUTHERN CALIFORNIA HYDRAULIC ENGINEERING CORPORATION

Designer and Manufacturers of Hydraulic & Pneumatic Equipment

600 SERIES PUMP LUBRICATED AND DRY LUBE APA VALVE AIR MOTOR ASSEMBLIES

DOC NO. 15138
REV. N/C 04-06-09 M.E.
PAGE 4 OF 4

PILOT VALVE ASSEMBLY 11-6027A000

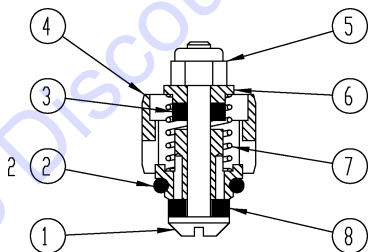


7	1	11-5024A403	SEAT	10-403-24
6	1	11-6032X403	AIR CHECK ASSY	10-403-32-1
5	1	11-6023A000	VALVE BODY	10-550-23
4	1	11-5016M001	SPRING	10-450-16-1
3	1	P11000-214	O-RING	12-6227N019
2	1	P11000-216	O-RING	12-6227N021
1	1	12-R093S000	RETAINING RING	RRT-93
ITEM NO.	QTY	PART NO.	DESCRIPTION	REF NO.

2 INCLUDED IN 11-6130N000 AND R10105 AIR MOTOR PACKING SET

1 INCLUDED IN 11-6100N000 AND R10104 AIR MOTOR REPAIR KIT

AIR CHECK ASSEMBLY 11-6032X403



8	1	11-5025V403	WASHER	10-403-25V
7	1	11-5015M000	SPRING	10-450-15
6	1	11-5039S000	RETAINER	10-450-39
5	1	12-2104A4D08	NUT	
4	1	11-5171X001	VALVE BODY	10-450-171-1
3	1	11-5043V000	WASHER	10-450-43V
2	1	P11000-111	O-RING	12-6227N009
1	1	11-5056A000	SCREW	10-450-56
ITEM NO.	QTY	PART NO.	DESCRIPTION	REF NO.

PARTS FINDER

**Search Website
by Part Number**



**Search Manual
Library For Parts
Manual & Lookup Part
Numbers – Purchase
or Request Quote**

Search Manuals

Enter your information to help us find the right parts manual for your machine.

* Brand:

* Model:

* Serial:

* Part Number:

SEARCH

**Can't Find Part or
Manual? Request Help
by Manufacturer,
Model & Description**

Parts Order Form

Please fill in the following information to help us find the right part for your machine.

Manufacturer:	<input type="text"/>
Model:	<input type="text"/>
Description:	<input type="text"/>
Part Number:	<input type="text"/>
Quantity:	<input type="text"/>
Notes:	<input type="text"/>

Submit

Discount-Equipment.com is your online resource for quality parts & equipment.

Florida: **561-964-4949** Outside Florida TOLL FREE: **877-690-3101**

Need parts?

Click on this link: <http://www.discount-equipment.com/category/5443-parts/> and choose one of the options to help get the right parts and equipment you are looking for. Please have the machine model and serial number available in order to help us get you the correct parts. If you don't find the part on the website or on one of the online manuals, please fill out the request form and one of our experienced staff members will get back to you with a quote for the right part that your machine needs.

We sell worldwide for the brands: Genie, Terex, JLG, MultiQuip, Mikasa, Essick, Whiteman, Mayco, Toro Stone, Diamond Products, Generac Magnum, Airman, Haulotte, Barreto, Power Blanket, Nifty Lift, Atlas Copco, Chicago Pneumatic, Allmand, Miller Curber, Skyjack, Lull, Skytrak, Tsurumi, Husquvarna Target, Stow, Wacker, Sakai, Mi-T-M, Sullair, Basic, Dynapac, MBW, Weber, Bartell, Bennar Newman, Haulotte, Ditch Runner, Menegotti, Morrison, Contec, Buddy, Crown, Edco, Wyco, Bomag, Laymor, EZ Trench, Bil-Jax, F.S. Curtis, Gehl Pavers, Heli, Honda, ICS/PowerGrit, IHI, Partner, Imer, Clipper, MMD, Koshin, Rice, CH&E, General Equipment, Amida, Coleman, NAC, Gradall, Square Shooter, Kent, Stanley, Tamco, Toku, Hatz, Kohler, Robin, Wisconsin, Northrock, Oztec, Toker TK, Rol-Air, APT, Wylie, Ingersoll Rand / Doosan, Innovatech, Con X, Ammann, Mecalac, Makinex, Smith Surface Prep, Small Line, Wanco, Yanmar