



# SOUTHERN CALIFORNIA HYDRAULIC ENGINEERING CORPORATION

DESIGNERS AND MANUFACTURE OF HYDRAULIC & PNEUMATIC EQUIPMENT

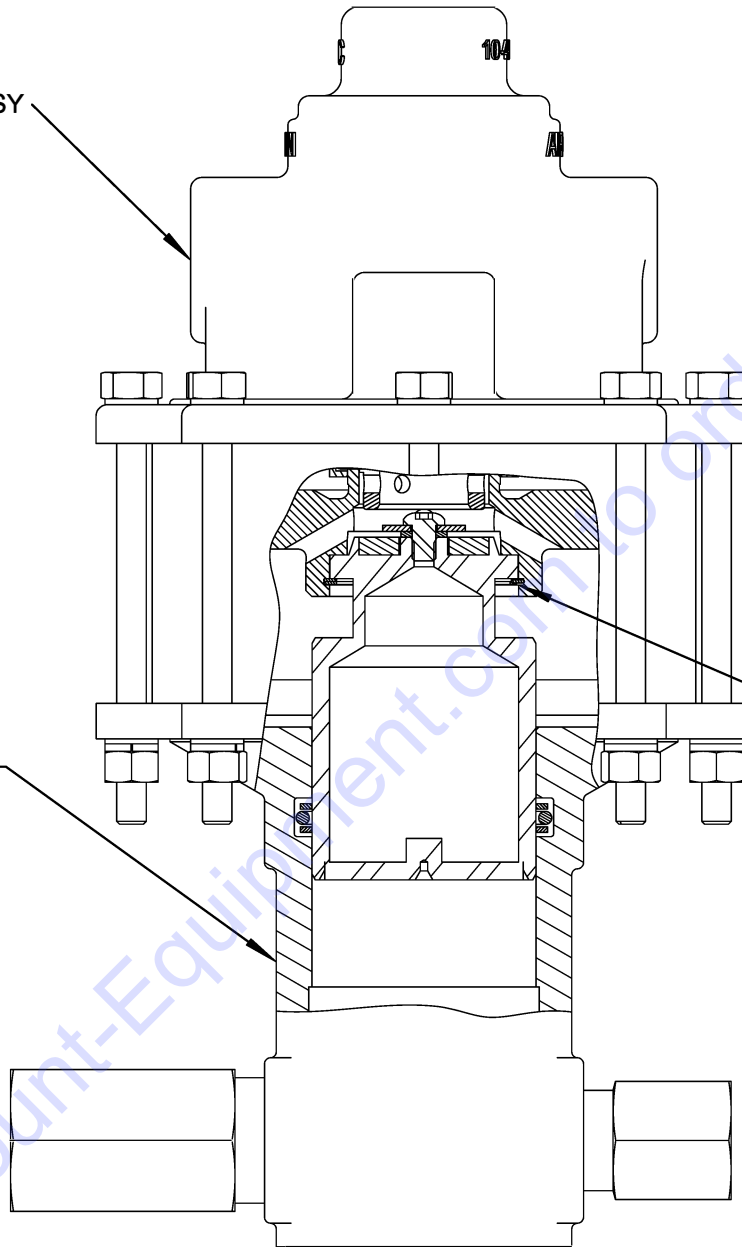
REV. N/C, 07-08-14

## PUMP ASSEMBLY D5000A5

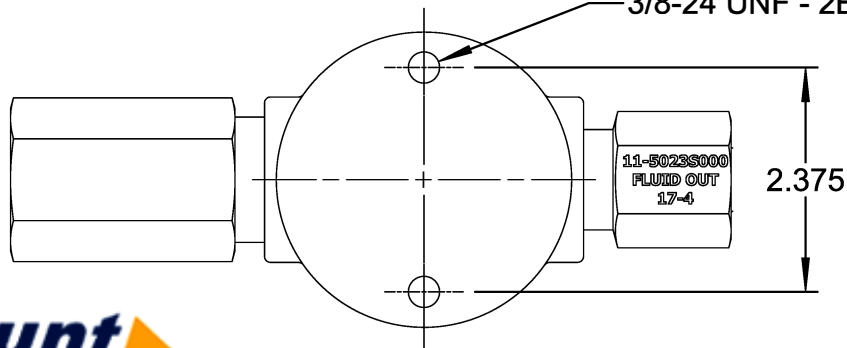
AIR MOTOR ASSY  
11-5179ADL0

HYDRAULIC ASSY  
11-5162W000

RETAINING RING  
12-R200S00 (REF)



3/8-24 UNF - 2B  $\nabla$  .750

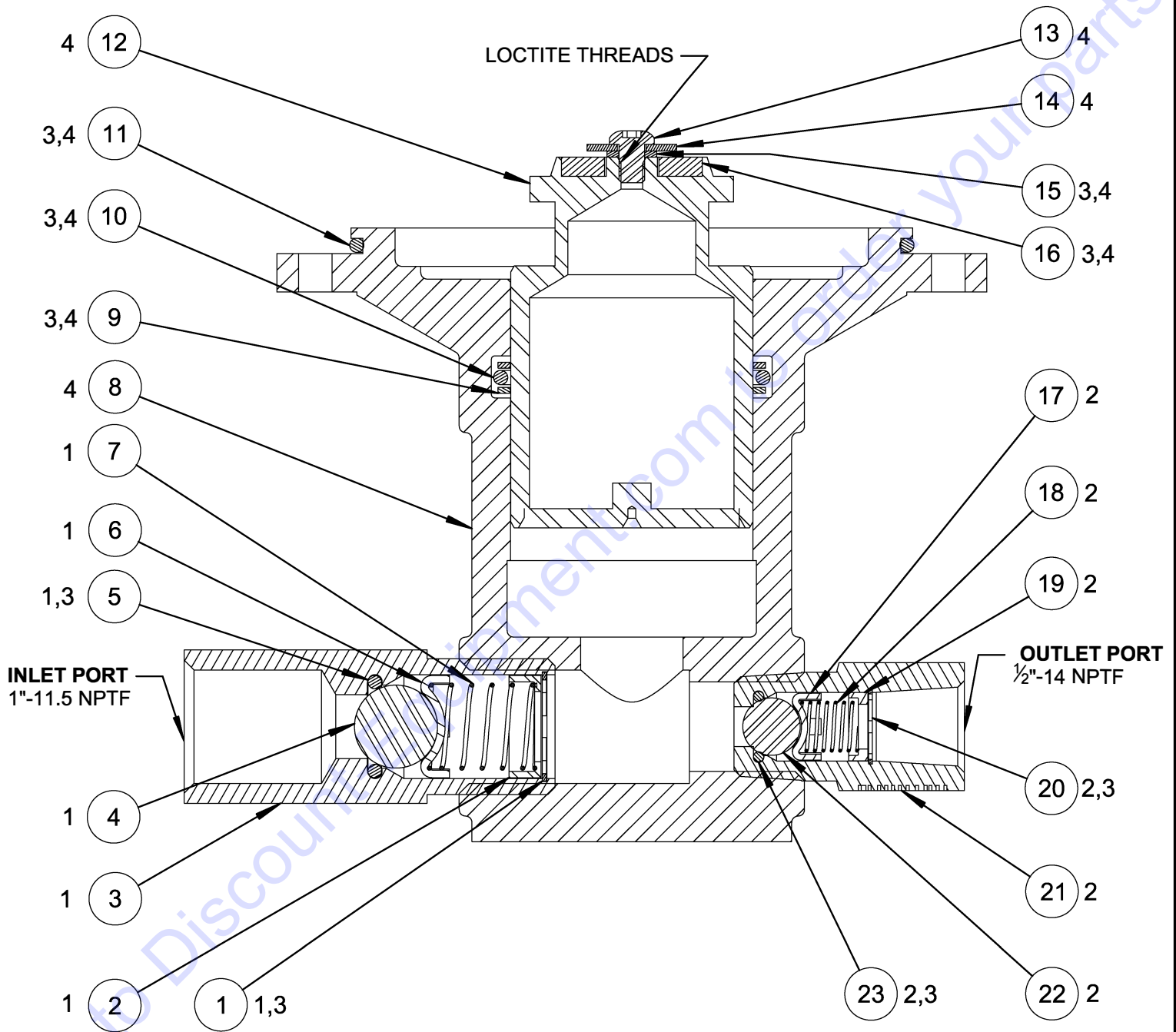


MOUNTING DIMENSIONS





**HYDRAULIC ASSEMBLY 11-5162W000**



4. INCLUDED IN 11-5217W000 PISTON & CYLINDER ASSEMBLY.

3. INCLUDED IN 11-5148N003 HYDRAULIC REPAIR KIT.

2. INCLUDED IN 11-5023S000 OUTLET CHECK VALVE ASSEMBLY.

1. INCLUDED IN 11-5031S000 INLET CHECK VALVE ASSY.

**NOTES:** UNLESS OTHERWISE SPECIFIED:



## SOUTHERN CALIFORNIA HYDRAULIC ENGINEERING CORPORATION

*Designer and Manufacturer of Hydraulic & Pneumatic Equipment*

**BILL OF MATERIALS:** 11-5162W000

DRAWING NUMBER & DESCRIPTION: 11-5162W000 HYDRAULIC ASSEMBLY

REVISION: N/C, 07-08-2014

ITEM	QTY	PART NO.	DESCRIPTION	REFERENCE NO
1	1	P10202-100	RETAINING_RING	
2	1	11-5032S000	SPRING_GUIDE	10-450-32
3	1	11-5035S000	FITTING INLET	10-450-35
4	1	12-0440S812	CHECK BALL	
5	1	P11003-210	O-RING, BUNA	12-6227N015
6	1	11-5034S003	BALL GUIDE	10-450-34-3
7	1	11-5033S000	SPRING	10-450-33
8	1	11-5110A000	CYLINDER-END, HYDRAULIC	10-450-110
9	2	P11227-332	BACK UP	
10	1	P11000-332	O-RING, BUNA	
11	1	P11000-252	O-RING, BUNA	
12	1	11-5109S000	PISTON, HYDRAULIC	10-450-109
13	1	12-25F37SBC45Z	BUTTON HD. CAP SCREW	
14	1	12-25N87WF1Z	FENDER WASHER	
15	1	P10212-025	WASHER-LOCK	
16	1	11-5051P000	PISTON BUMBER	10-450-51
17	1	11-5034S002	BALL GUIDE	10-450-34-2
18	1	11-5013S000	SPRING	10-450-13
19	1	11-5017S000	SPRING GUIDE	10-450-17
20	1	P10202-068	RETAINING RING	
21	1	11-5020S000	FITTING OUTLET	10-450-20
22	1	12-0440S562	CHECK BALL	
23	1	P11003-112	O-RING, BUNA	

WHERE USED: 10-5000W003, 10-5000W003L, D5000A5

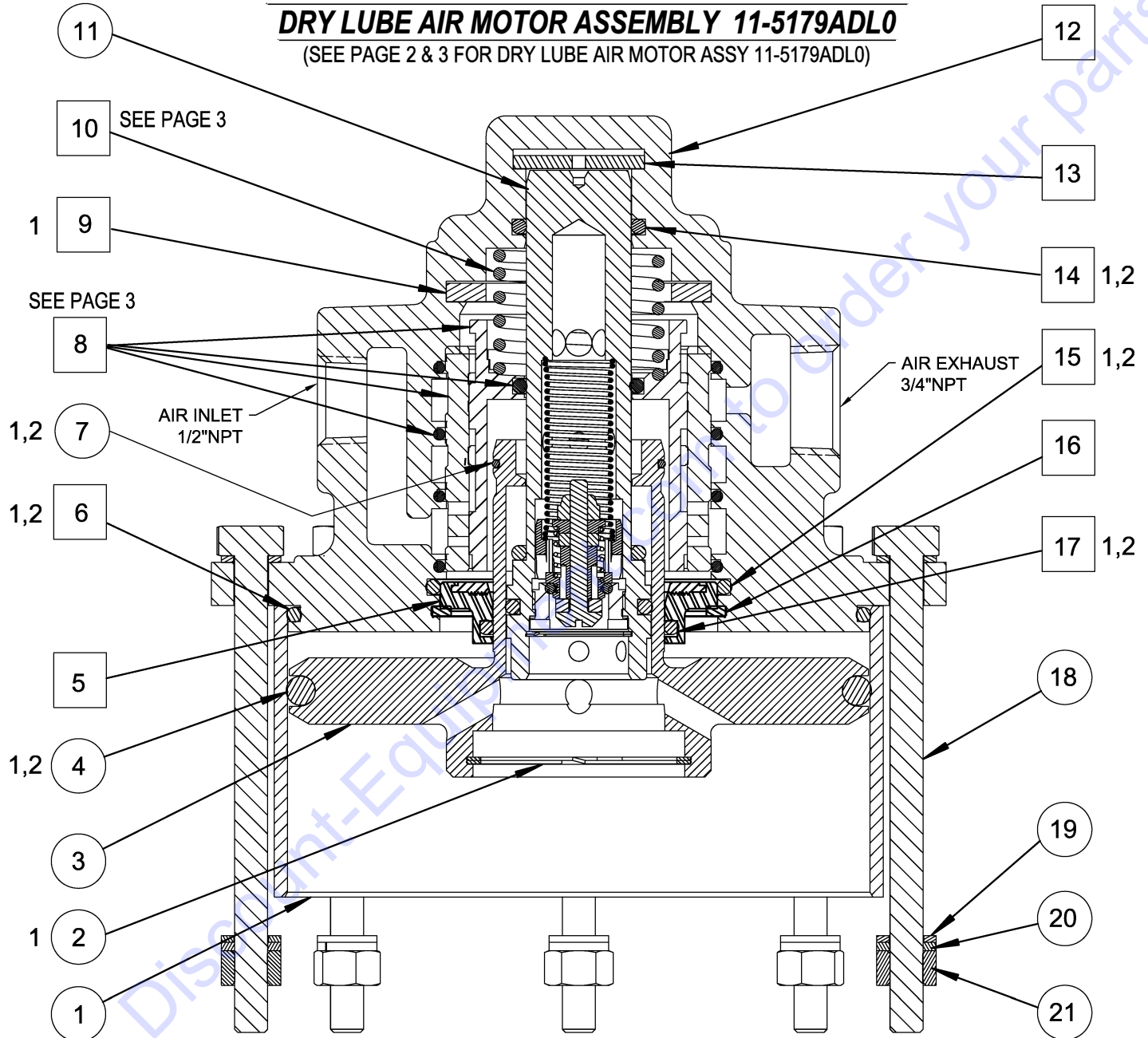


500 SERIES PUMP LUBRICATED AND DRY LUBE APA VALVE AIR MOTOR ASSEMBLIES W/O END-PLATE  
DOC NO. D15202  
PAGE 1 OF 4

**LUBRICATED AIR MOTOR ASSEMBLY 11-5179A000**

**DRY LUBE AIR MOTOR ASSEMBLY 11-5179ADL0**

(SEE PAGE 2 & 3 FOR DRY LUBE AIR MOTOR ASSY 11-5179ADL0)



**FIGURE 1.** LUBRICATED AIR MOTOR ASSEMBLY P/N 11-5179A000.  
SEE PAGE 2 & 3 FOR DRY LUBE AIR MOTOR ASSEMBLY P/N 11-5179ADL0

**NOTES:** USE WITH LUBRICATED AIR MOTOR ASSY P/N 11-5179A000.

**NOTES:** USE WITH DRY LUBE AIR MOTOR ASSY P/N 11-5179ADL0.

- 1. INCLUDED IN 11-5124N001 AIR MOTOR REPAIR KIT
- 2. INCLUDED IN 11-5142N001 AIR MOTOR PACKING SET
- XX INCLUDED IN 11-5154A000 HEAD ASSY.
- 3. PARTS IN 11-5124N001 AND 11-5142N001 ARE ALSO INCLUDED IN P/N 11-5124NDL2 AND 11-5142NDL2 RESPECTIVELY.
- 4. P/N 11-5124NDL2 CAN BE USED INSTEAD OF 11-5124N001.
- 5. P/N 11-5142NDL2 CAN BE USED INSTEAD OF 11-5142N001.

- 1. INCLUDED IN R10102-1 AIR MOTOR REPAIR KIT
- 2. INCLUDED IN R10103-1 AIR MOTOR PACKING SET
- XX INCLUDED IN C10522 HEAD ASSEMBLY
- 3. P/N 11-5124NDL2 AND 11-5142NDL2 INCLUDE SAME PARTS AS R10102-1 AND R10103-1 RESPECTIVELY.
- 4. P/N 11-5124NDL2 CAN BE USED INSTEAD OF R10102-1.
- 5. P/N 11-5142NDL2 CAN BE USED INSTEAD OF R10103-1.



# SOUTHERN CALIFORNIA HYDRAULIC ENGINEERING CORPORATION

Designer and Manufactures of Hydraulic & Pneumatic Equipment

## 500 SERIES PUMP LUBRICATED AND DRY LUBE APA VALVE AIR MOTOR ASSEMBLIES W/O END-PLATE

A. LUBRICATED AIR MOTOR ASSY. P/N 11-5179A000 (REFER TO ITEM 8A & 10A)

B. DRY LUBE AIR MOTOR ASSY. P/N 11-5179ADL0 (REFER TO ITEM 8B & 10B)

DOC NO. D15202, REV: N/C, 7/8/2014

PAGE 2 OF 4

ITEM	QTY	PART NUMBER	DESCRIPTION	REF. NO.
1	1	11-5181P000	CYLINDER-AIR	10-450-181
2	1	12-R200S000	RETAINING RING	
3	1	11-5048A000	PISTON-AIR	10-450-48
4	1	P11000-429	O-RING, BUNA	12-6227N056
5	1	11-5047N000	BEARING ASSY.	
6	1	P11000-252	O-RING, BUNA	12-6230N030
7	1	P11000-028	O-RING, BUNA	12-8775N028
<b>8A*</b>	1	11-5178A000	APA VALVE ASSY, LUBRICATED (SEE PAGE 3)	10-450-178
<b>8B*</b>	1	11-5178ADL0	APA VALVE ASSY, DRY LUBE (SEE PAGE 3)	10-450-178 DL
9	1	11-5057P000	BUMPER	10-450-57
<b>10A*</b>	1	11-5005M000	SPRING (USE W/ITEM 8A, SEE PAGE 3)	10-450-5
<b>10B*</b>	1	11-5005M002	SPRING, RETURN (USE W/ITEM 8B, SEE PAGE 3)	10-450-5-2
11	1	11-5060A000	PILOT VALVE ASSY	10-450-60
12	1	11-5112A000	HEAD-AIR MOTOR	10-450-112
13	1	11-5012N000	BUMPER	10-450-12
14	1	P11000-214	O-RING, BUNA	12-6227N019
15	1	P11000-231	O-RING, BUNA	12-6230N009
16	1	12-R262S000	RETAINING RING	
17	1	P11000-223	O-RING, BUNA	12-6230N001
18	8	P10231	BOLT, HEX.HD. 5/16-18 UNC X 4.50	
19	16	P10214-031	WASHER, FLAT	
20	8	P10212-031	WASHER, LOCK	
21	8	P10297-038	NUT, HEX.HD. 3/8-16 UNC	

### \* ITEM 8A - LUBRICATED APA VALVE ASSY. P/N 11-5178A000 (SEE PAGE 3 FOR DETAILS)

ITEM	QTY	PART NUMBER	DESCRIPTION	REF. NO.
8A.1	1	P11000-214	O-RING, BUNA	12-6227N019
8A.2	1	11-5177A000	PISTON, APA VALVE	10-450-177
8A.3	1	11-5146A000	SLEEVE, APA VALVE	10-450-146
8A.4	4	P11000-144	O-RING, BUNA	12-8775N144

### \* ITEM 8B - DRY LUBE APA VALVE ASSY. P/N 11-5178ADL0 AND C10525 (SEE PAGE 3 FOR DETAILS)

ITEM	QTY	PART NUMBER	DESCRIPTION	REF. NO.
8B.1	1	P11000-214	O-RING, BUNA	12-6227N019
8B.2	1	P10263-193	RETAINING RING	
8B.3	1	D10684	SEAL, DRY LUBE	
8B.4	1	P11000-135	O-RING, BUNA	
8B.5	1	D10818	PISTON, APA	
8B.6	2	P11003-137	O-RING	
8B.7	1	D10264	SLEEVE, APA	
8B.8	4	P11000-144	O-RING, BUNA	



# SOUTHERN CALIFORNIA HYDRAULIC ENGINEERING CORPORATION

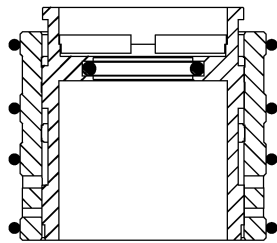
Designer and Manufacturers of Hydraulic & Pneumatic Equipment

## 500 SERIES PUMP DRY LUBE AND LUBRICATED APA VALVE AIR MOTOR ASSEMBLIES W/O END-PLATE

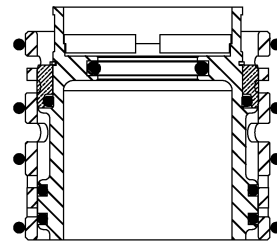
DOC NO. 15202

REV. N/C 07-08-14 T.H.

PAGE 3 OF 4

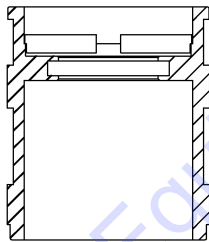
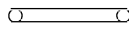


**FIGURE 2.** LUBRICATED APA VALVE ASSEMBLY  
P/N 11-5178A000

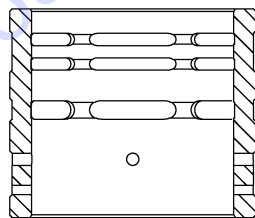


**FIGURE 3.** DRY LUBE APA VALVE ASSEMBLY  
NEW P/N 11-5178ADL0 AND C10525

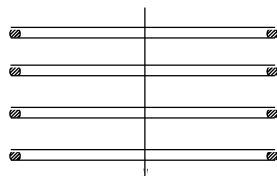
8A.1 O-RING (1, 2)  
P/N P11000-214  
QTY: 1



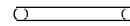
8A.2 APA PISTON  
P/N 11-5177A000  
QTY: 1



8A.3 APA SLEEVE  
P/N 11-5146A000  
QTY: 1



8A.4 O-RING  
P11000-144  
QTY: 4



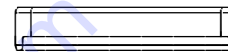
O-RING (1, 2)  
P/N P11000-214\*\*  
QTY: 1

8B.1



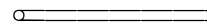
RETAINING RING (1)  
P/N P10263-193\*\*  
QTY: 1

8B.2



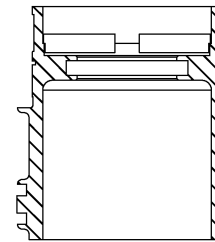
DRY LUBE SEAL (1)  
P/N D10684\*\*  
QTY: 1

8B.3



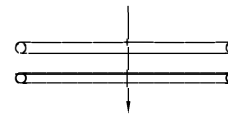
O-RING (1, 2)  
P/N P11000-135\*\*  
QTY: 1

8B.4



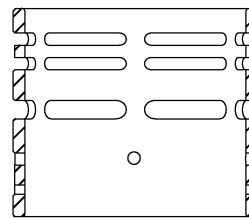
APA PISTON  
P/N D10818\*\*  
QTY: 1

8B.5



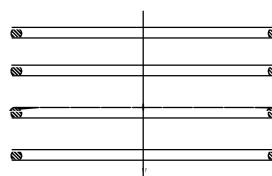
O-RING (1, 2)  
P/N P11003-137\*\*  
QTY: 2

8B.6



APA SLEEVE  
P/N D10264  
QTY: 1

8B.7



O-RING  
P/N P11000-144  
QTY: 4

8B.8

**FIGURE 4.** LUBRICATED APA VALVE PART CONFIGURATION.

USE APA VALVE ASSEMBLY P/N 11-5178A000.

USE APA VALVE RETURN SPRING P/N 11-5005M000.

USE AIR MOTOR ASSY. P/N 11-5179A000

**REFER TO ITEMS 8A AND 10A**

**FIGURE 5.** DRY LUBE APA VALVE PART CONFIGURATION.

USE APA VALVE ASSEMBLY P/N 11-5178ADL0

USE APA VALVE RETURN SPRING P/N 11-5005M002

USE AIR MOTOR ASSY. P/N 11-5179ADL0

\*\*PARTS INCLUDED IN APA PISTON ASSEMBLY P/N C10543

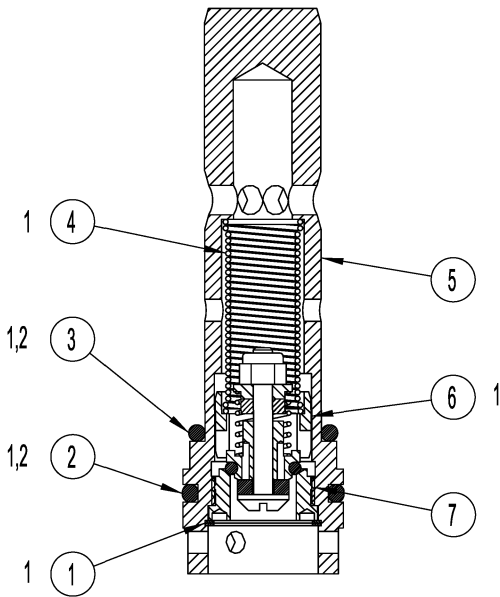
**REFER TO ITEMS 8B AND 10B**



# SOUTHERN CALIFORNIA HYDRAULIC ENGINEERING CORPORATION

*Designer and Manufacturers of Hydraulic & Pneumatic Equipment*

500 SERIES PUMP LUBRICATED AND DRY LUBE APA VALVE AIR MOTOR ASSEMBLIES W/O END-PLATE  
 DOC NO. 15202  
 REV. N/C 7-8-14 T.H.  
 PAGE 4 OF 4



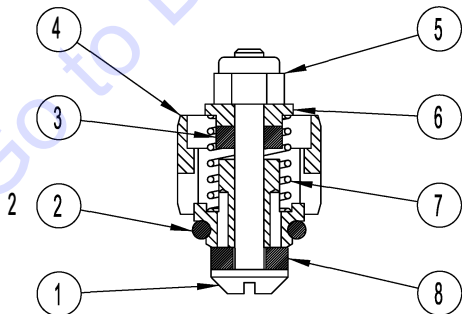
## PILOT VALVE ASSEMBLY 11-5060A000

7	1	11-5024A403	SEAT	10-403-24
6	1	11-5032X403	AIR CHECK ASSY	10-403-32
5	1	11-5049A000	VALVE BODY	10-450-49
4	1	11-5016M000	SPRING	10-450-16
3	1	P11000-214	O-RING	12-6227N019
2	1	P11000-216	O-RING	12-6227N021
1	1	12-R093S000	RETAINING RING	RRT-93
ITEM NO.	QTY	PART NO.	DESCRIPTION	REF NO.

2. INCLUDED IN 11-5142N000 & R10103 AIR MOTOR PACKING SET

1. INCLUDED IN 11-5124N000 & R10102 AIR MOTOR REPAIR KIT

## AIR CHECK ASSEMBLY 11-5032X403



8	1	11-5025N403	WASHER	10-403-25
7	1	11-5015M000	SPRING	10-450-15
6	1	11-5039S000	RETAINER	10-450-39
5	1	12-2104A4D08	NUT	
4	1	11-5171X000	VALVE BODY	10-450-171
3	1	11-5043N000	WASHER	10-450-43
2	1	P11000-111	O-RING	12-6227N009
1	1	11-5056A000	SCREW	10-450-56
ITEM NO.	QTY	PART NO.	DESCRIPTION	REF NO.



# PARTS FINDER

**Search Website  
by Part Number**



**Search Manual  
Library For Parts  
Manual & Lookup Part  
Numbers – Purchase  
or Request Quote**

**Search Manuals**

Enter your information to help us find the right parts manual for your machine.

\* Brand:

\* Model:

\* Serial:

\* Part Number:

SEARCH

**Can't Find Part or  
Manual? Request Help  
by Manufacturer,  
Model & Description**

**Parts Order Form**

Please fill in the following information to help us find the right part for your machine.

Manufacturer:	<input type="text"/>
Model:	<input type="text"/>
Description:	<input type="text"/>
Part Number:	<input type="text"/>
Quantity:	<input type="text"/>
Notes:	<input type="text"/>

Discount-Equipment.com is your online resource for quality parts & equipment.

Florida: **561-964-4949** Outside Florida TOLL FREE: **877-690-3101**

**Need parts?**

Click on this link: <http://www.discount-equipment.com/category/5443-parts/> and choose one of the options to help get the right parts and equipment you are looking for. Please have the machine model and serial number available in order to help us get you the correct parts. If you don't find the part on the website or on one of the online manuals, please fill out the request form and one of our experienced staff members will get back to you with a quote for the right part that your machine needs.

We sell worldwide for the brands: Genie, Terex, JLG, MultiQuip, Mikasa, Essick, Whiteman, Mayco, Toro Stone, Diamond Products, Generac Magnum, Airman, Haulotte, Barreto, Power Blanket, Nifty Lift, Atlas Copco, Chicago Pneumatic, Allmand, Miller Curber, Skyjack, Lull, Skytrak, Tsurumi, Husquvarna Target, Stow, Wacker, Sakai, Mi-T-M, Sullair, Basic, Dynapac, MBW, Weber, Bartell, Bennar Newman, Haulotte, Ditch Runner, Menegotti, Morrison, Contec, Buddy, Crown, Edco, Wyco, Bomag, Laymor, EZ Trench, Bil-Jax, F.S. Curtis, Gehl Pavers, Heli, Honda, ICS/PowerGrit, IHI, Partner, Imer, Clipper, MMD, Koshin, Rice, CH&E, General Equipment, Amida, Coleman, NAC, Gradall, Square Shooter, Kent, Stanley, Tamco, Toku, Hatz, Kohler, Robin, Wisconsin, Northrock, Oztec, Toker TK, Rol-Air, APT, Wylie, Ingersoll Rand / Doosan, Innovatech, Con X, Ammann, Mecalac, Makinex, Smith Surface Prep, Small Line, Wanco, Yanmar