



A TEREX BRAND



Parts Manual

Serial Number Range

GR-12
GR-15
GR-20

from SN GR10-20000 to GR16-40865

from SN GR16P-40866 to GR16P-44699

from SN GRP-44700

from SN GRR-101

Part No. 227660
Rev: D
September 2020

Go to Discount-Equipment.com to order your parts

PARTS FINDER

**Search Website
by Part Number**



**Search Manual
Library For Parts
Manual & Lookup Part
Numbers – Purchase
or Request Quote**

Search Manuals

Enter your information to help us find the right parts manual for your machine.

* Brand:

* Model:

* Serial:

* Part Number:

SEARCH

**Can't Find Part or
Manual? Request Help
by Manufacturer,
Model & Description**

Parts Order Form

Please fill in the following information to help us find the right part for your machine.

MANUFACTURER:

MODEL:

DESCRIPTION:

DATE:

NAME:

PHONE:

EMAIL:

ADDRESS:

CITY:

STATE:

ZIP:

PHONE:

EMAIL:

REQUEST QUOTE

Discount-Equipment.com is your online resource for quality parts & equipment.

Florida: **561-964-4949** Outside Florida TOLL FREE: **877-690-3101**

Need parts?

Click on this link: <http://www.discount-equipment.com/category/5443-parts/> and choose one of the options to help get the right parts and equipment you are looking for. Please have the machine model and serial number available in order to help us get you the correct parts. If you don't find the part on the website or on one of the online manuals, please fill out the request form and one of our experienced staff members will get back to you with a quote for the right part that your machine needs.

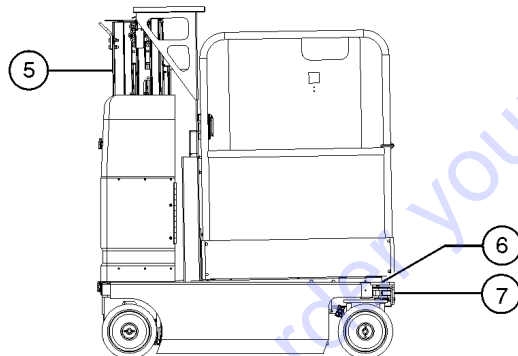
We sell worldwide for the brands: Genie, Terex, JLG, MultiQuip, Mikasa, Essick, Whiteman, Mayco, Toro Stone, Diamond Products, Generac Magnum, Airman, Haulotte, Barreto, Power Blanket, Nifty Lift, Atlas Copco, Chicago Pneumatic, Allmand, Miller Curber, Skyjack, Lull, Skytrak, Tsurumi, Husquvarna Target, Stow, Wacker, Sakai, Mi-T-M, Sullair, Basic, Dynapac, MBW, Weber, Bartell, Bennar Newman, Haulotte, Ditch Runner, Menegotti, Morrison, Contec, Buddy, Crown, Edco, Wyco, Bomag, Laymor, EZ Trench, Bil-Jax, F.S. Curtis, Gehl Pavers, Heli, Honda, ICS/PowerGrit, IHI, Partner, Imer, Clipper, MMD, Koshin, Rice, CH&E, General Equipment, Amida, Coleman, NAC, Gradall, Square Shooter, Kent, Stanley, Tamco, Toku, Hatz, Kohler, Robin, Wisconsin, Northrock, Oztec, Toker TK, Rol-Air, APT, Wylie, Ingersoll Rand / Doosan, Innovatech, Con X, Ammann, Mecalac, Makinex, Smith Surface Prep, Small Line, Wanco, Yanmar

To August 31, 2016

Genie
 A TEREX BRAND
 Model: Serial number: GR16P-12345
 Manufacture date: 01/02/2010 Model year: 2016
 Elec/Hydr Schematic:
 Power supply voltage/Pneumatic Pressure:
 Nominal Power:
 Machine unladen weight:
 Max Load:
 Occupants and Equipment must not exceed:
 Maximum allowable inclination of the chassis:
 Maximum Wind Speed:
 Indoor:
 Outdoor:
 Gradeability:
 Maximum allowable side force:
 Maximum platform height:

GR 16 P - 12345

- 1
- 2
- 3
- 4



- 1 Model
- 2 Model year
- 3 Facility code
- 4 Sequence number

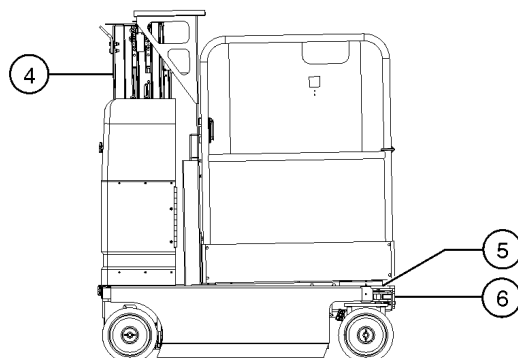
- 5 Serial label (located on mast)
- 6 Serial number stamped on chassis (GR)
- 7 Serial number stamped on chassis (QSR/QSW)

From September 1, 2016

Genie
 A TEREX BRAND
 Model: Serial number: GRP-12345
 Year of Manufacture : 2016
 Elec/Hydr Schematic:
 Power supply voltage/Pneumatic Pressure:
 Nominal Power:
 Machine unladen weight:
 Max Load:
 Occupants and Equipment must not exceed:
 Maximum allowable inclination of the chassis:
 Maximum Wind Speed:
 Indoor:
 Outdoor:
 Gradeability:
 Maximum allowable side force:
 Maximum platform height:

GR P - 12345

- 1
- 2
- 3



- 1 Model
- 2 Facility code
- 3 Sequence number

- 4 Serial label (located on mast)
- 5 Serial number stamped on chassis (GR)
- 6 Serial number stamped on chassis (QSR/QSW)

Required Parts

The following parts are required to perform maintenance procedures as outlined in the Genie GR-12, GR-15 and GR-20 Service Manual.

Description	Part No.
Filter Element	44788
Resistor, 10 ohm, 25W	27287
Dielectric Grease	66399
Boe-Lube Silicone Wax	90337

Recommended Parts

Description	Part No.
Genie Blue Paint, 1 Gallon	32150
Genie Blue Paint, 12 Ounce Aerosol.....	1484
Genie Gray Paint, 1 Gallon.....	32151
Genie Gray Paint, 12 Ounce Aerosol	1268

Manuals

Genie Industries offers the following support documents for these models:

Title	Part No.
EMI Safety Manual	27581
Manual of Responsibilities ANSI A92.5 (to SN GRP-58958 & SN GRR-9201).....	44163
ANSI A92.20 (from SN GRP-58959 & SN GRR-9202)....	1298933

Go to Discount-Equipment.com to order your parts



Description	Page
100 Decals	10
101.1 Decals with Words, Standard and AWP Platform; ANSI, CSA (to SN GRP-59999 and SN GRR-10000) ..	10
101.2 Decals with Words, Standard and AWP Platform; ANSI, CSA (to SN GRP-59999 and SN GRR-10000) ..	14
101.3 Decals with Words, Standard and AWP Platform; ANSI, CSA (to SN GRP-59999 and SN GRR-10000) ..	18
102.1 Decals with Words, Standard Platform; AUS (to SN GRP-59999 and SN GRR-10000)	22
102.2 Decals with Words, Standard Platform; AUS (to SN GRP-59999 and SN GRR-10000)	26
102.3 Decals with Words, Standard Platform; AUS (to SN GRP-59999 and SN GRR-10000)	30
103.1 Decals with Symbols, Standard and AWP Platform; Asia and South America (to SN GRP-59999 and SN GRR-10000) ..	34
103.2 Decals with Symbols, Standard and AWP Platform; Asia and South America (to SN GRP-59999 and SN GRR-10000) ..	38
103.3 Decals with Symbols, Standard and AWP Platform; Asia and South America (to SN GRP-59999 and SN GRR-10000) ..	42
104.1 Decals with Symbols, Standard Platform; CE (to SN GRP-59999 and SN GRR-10000)	46
104.2 Decals with Symbols, Standard Platform; CE (to SN GRP-59999 and SN GRR-10000)	50
104.3 Decals with Symbols, Standard Platform; CE (to SN GRP-59999 and SN GRR-10000)	54
105.1 Decals with Word, Hydraulic Tank Side (from SN GRP-60000 and SN GRR-10001)	58
106.1 Decals with Word, Battery Charger Side (from SN GRP-60000 and SN GRR-10001)	60
107.1 Decals with Word, Platform (from SN GRP-60000 and SN GRR-10001)	64
108.1 Decals with Symbol, Hydraulic Tank Side (from SN GRP-60000 and SN GRR-10001)	66
109.1 Decals with Symbol, Battery Charger Side (from SN GRP-60000 and SN GRR-10001)	68
110.1 Decals with Symbol, Platform (from SN GRP-60000 and SN GRR-10001)	70
200 Base Components	72
201.1 Steer Axle Linkage and Wheels	72
201.2 Steer Axle Linkage and Wheels	76
202.1 Non-steer Axle	80
202.2 Non-steer Axle	82
203.1 Pothole Protection Assembly	84
204.1 Battery Pack and Counterweight Brackets	88
204.2 Battery Pack and Counterweight Brackets	92
204.3 Battery Pack and Counterweight Brackets	96
205.1 Ground Control Module Components (to serial number GR14-29566)	100
205.2 Ground Control Module Components (from serial number GR14-29567, GRR-101)	106
206.1 Power Unit Components	112
207.1 Ground Control Panel	116
208.1 Battery Charger	118
209.1 Electrical Wiring (to SN GR14-29741)	122
209.2 Electrical Wiring (to SN GR14-29741)	124
209.3 Electrical Wiring (to SN GR14-29741)	126
210.1 Electrical Wiring (from SN GR14-29742 to GRP-59999 & from SN GRR-101 to GRR-10000)	128
211.1 Electrical Wiring (from SN GRP-60000 & SN GRR-10001)	132

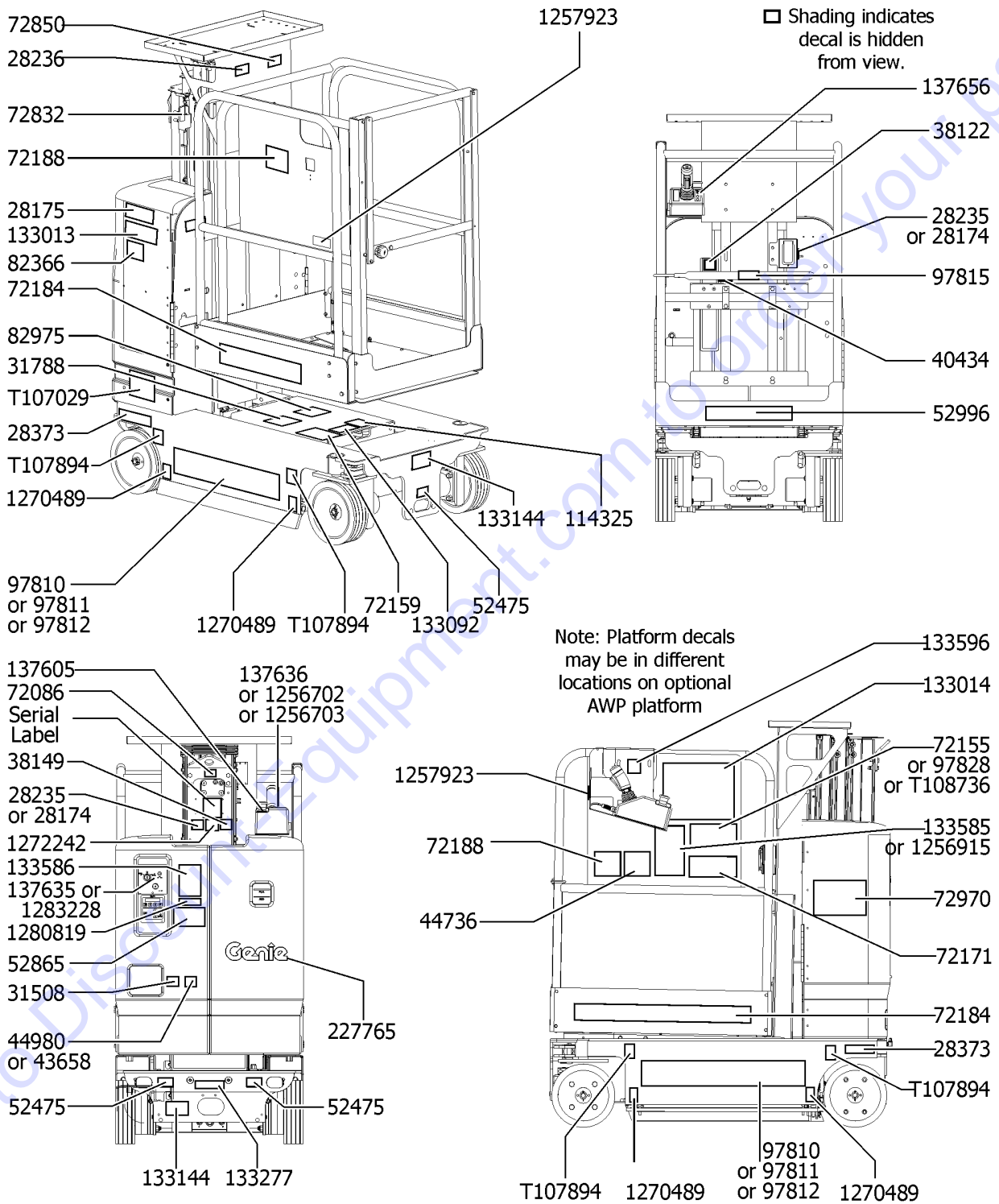
Table of Contents

Description	Page
300 Mast Components	136
301.1 Number 1 Column Assembly, GR-12	136
301.2 Number 1 Column Assembly, GR-15	140
301.3 Number 1 Column Assembly, GR-20	144
302.1 Number 2 Column Assembly, GR-12	148
302.2 Number 2 Column Assembly, GR-15	150
302.3 Number 2 Column Assembly, GR-20	152
303.1 Number 3 Column Assemblies	154
304.1 Number 4 Column Assemblies, GR-15	158
304.2 Number 4 Column Assemblies, GR-20	162
305.1 Number 5 Column Assemblies, GR-20	166
306.1 Carriage Assembly, GR-12 & GR-20	168
306.2 Carriage Assembly, GR-15	170
307.1 Lifting Chain Assembly, GR-12	172
308.1 Lifting Chain Assembly, GR-15	176
309.1 Lifting Chain Assembly, GR-20	180
310.1 Sequencing Cable, GR-12	184
310.2 Sequencing Cable, GR-15	186
310.3 Sequencing Cable, GR-20	188
311.1 Mast Covers, GR-12	190
311.2 Mast Covers, GR-15	192
311.3 Mast Covers, GR-20	194
312.1 Control Cable Assembly; GR-12	196
312.2 Control Cable Assembly; GR-20	198
313.1 Control Cable Assembly, GR-15	200
314.1 Bellows, CE and Australia Models	202
400 Hydraulic Components	204
401.1 Hydraulic Power Unit and Lift Cylinder, GR-20	204
401.2 Hydraulic Power Unit and Lift Cylinder, GR-12 and GR-15	208
402.1 Function Manifold	212
403.1 Brake Release Manifold	214
404.1 Hydraulic Hoses and Fittings	216
500 Platform Components	218
501.1 Standard Platform	218
501.2 Standard Platform	222
501.3 Standard Platform	226
502.1 Gated Entry Platform (AWP) (to SN GRP-59999 & to SN GRR-10000)	230
502.2 Gated Entry Platform (AWP) (to SN GRP-59999 & to SN GRR-10000)	234
502.3 Gated Entry Platform (AWP) (to SN GRP-59999 & to SN GRR-10000)	238

Description	Page
503.1 Platform with Extension Deck	242
503.2 Platform with Extension Deck	248
504.1 Platform Extension and Gates	252
505.1 Platform Controls, 2 Speed Lift	254
506.1 Platform Controls, Proportional Lift	258
507.1 Joystick Controller	262
508.1 Platform Overload Assembly	264
509.1 Power to Platform (to SN GRP-59999 & to SN GRR-10000)	268
509.2 Power to Platform (from SN GRP-60000 & SN GRR-10001)	272
600 Accessories	274
601.1 Workstation Tray (to SN GRP-59999 & SN GRR-10000)	274
601.2 Workstation Tray (from SN GRP-60000 & SN GRR-10001)	276
602.1 Flashing Beacon	278
603.1 PCON Guard	280
604.1 Telematics Option (from SN GR14-30931)	282
605.1 Lift Guard Contact Alarm (from SN GR14-35000)	284
Part Number Index	286

Go to Discount-Equipment.com to order your parts

101.1 Decals with Words, Standard and AWP Platform; ANSI, CSA (to SN GRP-59999 and SN GRR-10000)

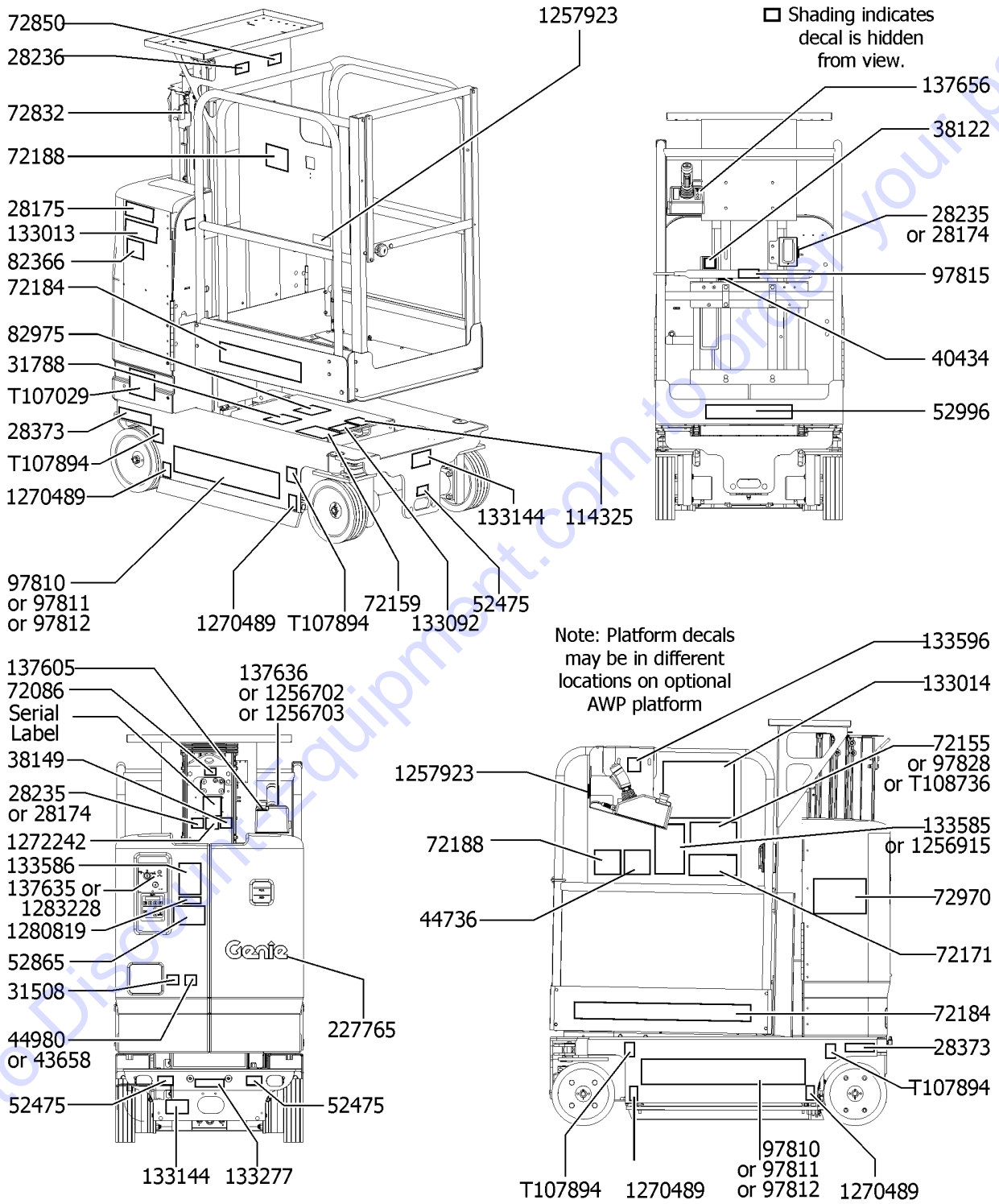


101.1 Decals with Words, Standard and AWP Platform; ANSI, CSA (to SN GRP-59999 and SN GRR-10000)

Item	Part No.	Description	Qty.
	220001GT	DECAL KIT,SAFETY/INSTR,WORDS (models with 2 speed controller) (includes items 1-10, 12, 14, 17, 19, 21, 22, 23, 25-27, 33-41, 46, 54 and 55) to SN 34999	1
1	28174GT	DECAL,POWER TO PLATFORM 230V (option)	2
2	28175GT	DECAL,WARNING-COMPART ACCESS	1
3	28235GT	DECAL,POWER TO PLATFORM 115V (option)	1
4	28236GT	DECAL,WARN,IMPROPER OPERATION	1
5	28373GT	DECAL,FORK LIFT POCKET	2
6	31508GT	DECAL,DANGER,ELECT HAZARD,PLUG	1
7	31788GT	DECAL,DANGER,BATTERY SAFETY***	1
8	38122GT	DECAL,LABEL, OM STORAGE	1
9	38149GT	DECAL,LABEL,PATENTS	1
10	40434GT	DECAL,LANYARD ANCHORAGE POINT	1
11	43658GT	DECAL,LABEL,PWR TO CHARGR 230V	1
12	44736GT	DECAL,DANGER,TIP-OVER,TILT	1
13	44980GT	DECAL,LABEL,PWR TO CHARGER 115UK	1
14	52475GT	DECAL LABEL TRANSPORT TIE DOWN*	3
15	52865GT	DECAL,ANNUAL INSP***	1
16	52996GT	DECAL,COSMETIC,GENIE LOGO (models with narrow platform)	1
17	72086GT	DECAL,LABEL,LIFTING EYE	1
19	72159GT	DECAL,TIP-OVER,BATTERIES,GR	1
18	72155GT	DECAL,MAX CAPACITY (350LB),GR GR-12, GR-15 & GR-20 (models with narrow platform)	1
20	72171GT	DECAL,SIDE FORCE,100,GR,ANSI	1
21	72184GT	DECAL,COSMETIC,GENIE RUNABOUT (models with standard or extension deck platform)	2
22	72188GT	DECAL,DIRECTIONAL ARROWS,GR	2
23	72832GT	DECAL,DANGER,DO NOT ALTER SWTC	1
24	72850GT	DECAL,DANGER,MAX CAP TRAY,WRD GR-12 & GR-15 (models with work tray option)	1
25	72970GT	DECAL,INSTRUCTIONS-CHARGER OP	1
26	82366GT	DECAL,LABEL-CHEVRON RANDO	1
27	82975GT	DECAL,DANGER,COLLISION HAZARD	1



101.1 Decals with Words, Standard and AWP Platform; ANSI, CSA (to SN GRP-59999 and SN GRR-10000)

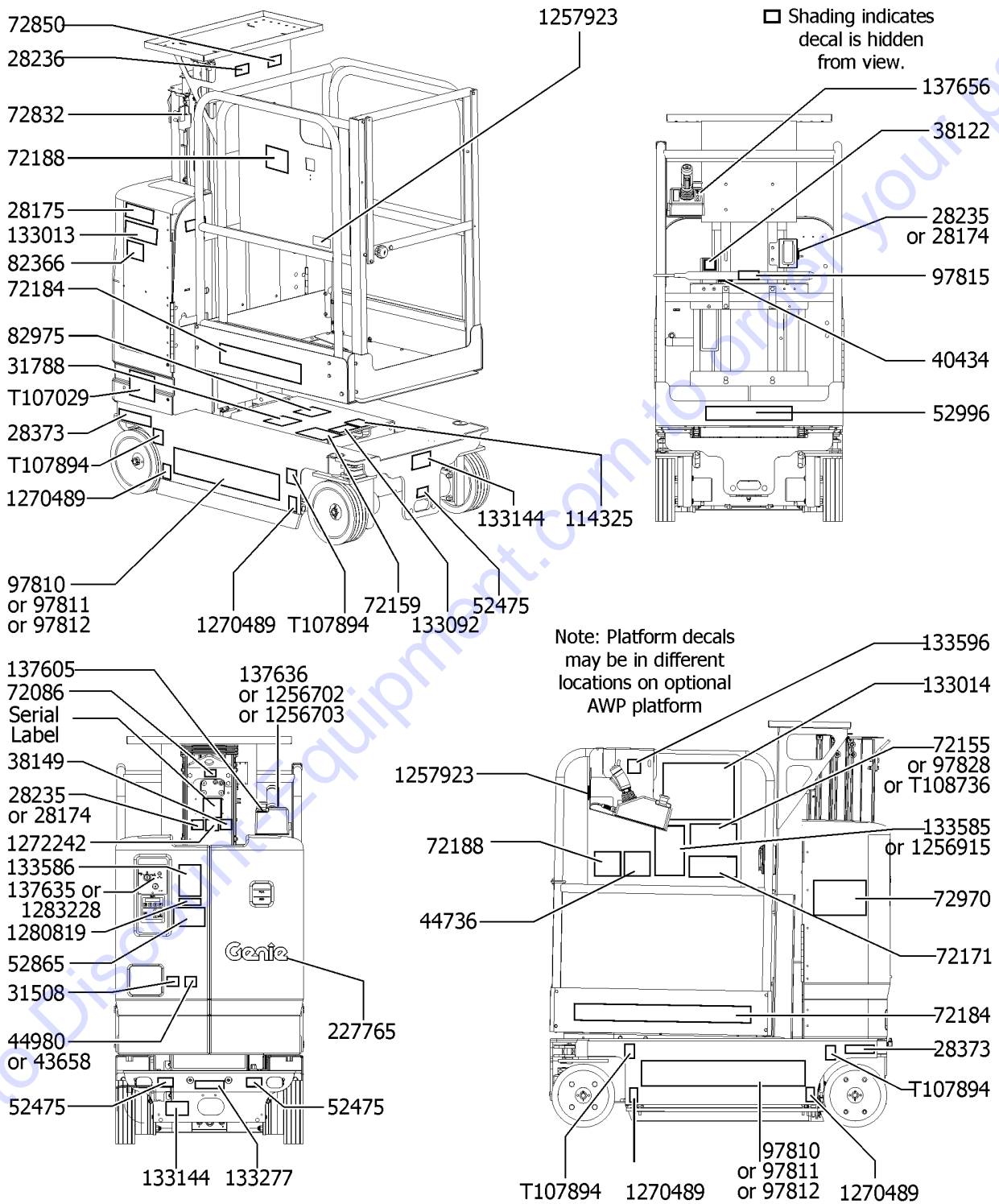


101.1 Decals with Words, Standard and AWP Platform; ANSI, CSA (to SN GRP-59999 and SN GRR-10000)

Item	Part No.	Description	Qty.
28	97810GT	DECAL,COSMETIC,GENIE GR-12*** GR-12	2
31	97815GT	DECAL,LABEL,LOWER MIDRAIL only for sliding mid-rail gate	1
33	114325GT	DECAL,BATTERY CONN DIAG,GR	1
34	133013GT	DECAL,DANGER,ELECTROCUTION,GR	1
35	133014GT	DECAL,GENERAL SAFETY,RUNABOUT*	1
36	133092GT	DECAL,CRUSH HAZARD,USE SAFETY	1
37	133144GT	DECAL,LABEL-TRANSPORT DIGRAM	2
38	133277GT	DECAL,LABEL,EMERGENCY LOWERING	1
39	133585GT	OPERATING INST,PLAT,GR (models with 2 speed lift controller) to SN 34999	1
40	133586GT	DECAL,INSTRUCTIONS-OPER,GCP	1
41	133596GT	DECAL,LABEL,FAULT CODES	1
42	137605GT	DECAL,E-STOP,GR/GRC/GS PCON	1
43	137635GT	E-STOP, GR/GRC/GS GCON to SN GRP-54305 and GRR-3283	1
44	137636GT	DECAL, UI, GR/GRC/GS PCON (models with 2 speed lift controller) to SN 34999	1
45	137656GT	DECAL,PROPEL,GR/GRC/GS,PCON	1
46	227765GT	DECAL,COSMETIC,GENIE,GR/QS	1
47	1256702GT	DECAL, UI, GS/GR, PROP LIFT (models with proportional speed controller) from SN 35000	1
48	1256703GT	DECAL, STD, PROP LIFT, UI, SVC (models converted from 2 speed to proportional speed controller)	1
49	1256915GT	OPERATING INST,PLAT,GR (models with proportional speed controller)	1
50	1257923GT	DECAL, SMARTLINK PROPORTIONAL LIFT IDENTIFIER (models with proportional speed controller)	2
51	1270489GT	DECAL,WHEEL LOAD,GR/GRC	4
52	1272242GT	DECAL,MACHINE REGISTRATION/OWNER TRANSFER	1
53	1280819GT	DECAL,WARNING,CANCER AND REPRODUCTIVE HARM, PROP 65	1
54	1283228GT	DECAL,GR GCON, TECH PRO from SN GRP-54306 and GRR-3284	1
55	T107029GT	DECAL DANGER BRAKE REL SAFETY	1
56	T107894GT	DECAL,LABEL,TIRE SPEC,GR/GRC	4
57	T108736GT	DECAL-NOTICE,MAX CAP-500 GR-12 & GR-15 (models with standard or extension deck platform)	1



101.2 Decals with Words, Standard and AWP Platform; ANSI, CSA (to SN GRP-59999 and SN GRR-10000)

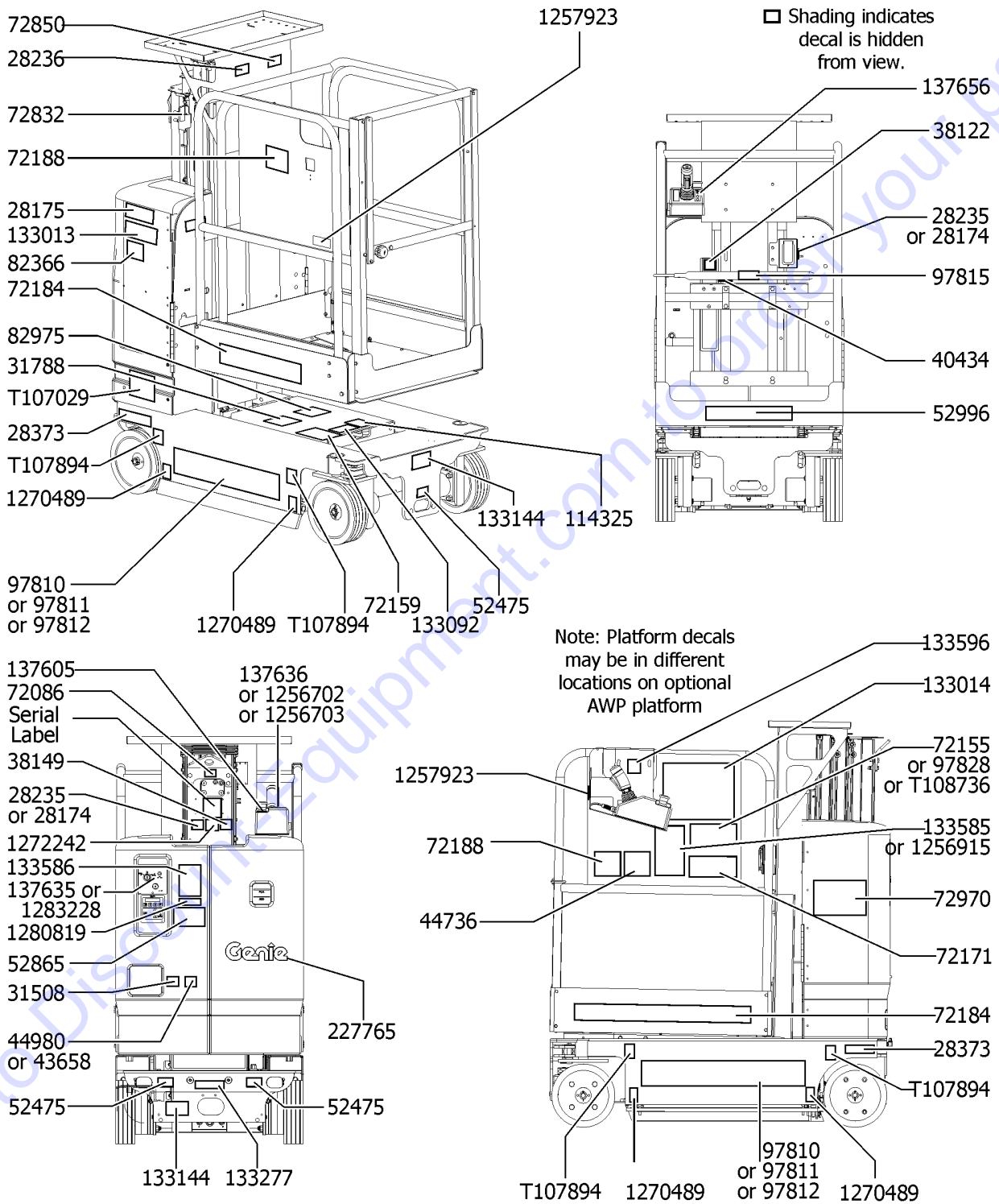


101.2 Decals with Words, Standard and AWP Platform; ANSI, CSA (to SN GRP-59999 and SN GRR-10000)

Item	Part No.	Description	Qty.
	220001GT	DECAL KIT,SAFETY/INSTR,WORDS (models with 2 speed controller) (includes items 1-10, 12, 14, 17, 19, 21, 22, 23, 25-27, 33-41, 46, 54 and 55) to SN 34999	1
1	28174GT	DECAL,POWER TO PLATFORM 230V (option)	2
2	28175GT	DECAL,WARNING-COMPART ACCESS	1
3	28235GT	DECAL,POWER TO PLATFORM 115V (option)	1
4	28236GT	DECAL,WARN,IMPROPER OPERATION	1
5	28373GT	DECAL,FORK LIFT POCKET	2
6	31508GT	DECAL,DANGER,ELECT HAZARD,PLUG	1
7	31788GT	DECAL,DANGER,BATTERY SAFETY***	1
8	38122GT	DECAL,LABEL, OM STORAGE	1
9	38149GT	DECAL,LABEL,PATENTS	1
10	40434GT	DECAL,LANYARD ANCHORAGE POINT	1
11	43658GT	DECAL,LABEL,PWR TO CHARGR 230V	1
12	44736GT	DECAL,DANGER,TIP-OVER,TILT	1
13	44980GT	DECAL,LABEL,PWR TO CHARGER 115UK	1
14	52475GT	DECAL LABEL TRANSPORT TIE DOWN*	3
15	52865GT	DECAL,ANNUAL INSP***	1
16	52996GT	DECAL,COSMETIC,GENIE LOGO (models with narrow platform)	1
17	72086GT	DECAL,LABEL,LIFTING EYE	1
19	72159GT	DECAL,TIP-OVER,BATTERIES,GR	1
18	72155GT	DECAL,MAX CAPACITY (350LB),GR GR-12, GR-15 & GR-20 (models with narrow platform)	1
20	72171GT	DECAL,SIDE FORCE,100,GR,ANSI	1
21	72184GT	DECAL,COSMETIC,GENIE RUNABOUT (models with standard or extension deck platform)	2
22	72188GT	DECAL,DIRECTIONAL ARROWS,GR	2
23	72832GT	DECAL,DANGER,DO NOT ALTER SWTC	1
24	72850GT	DECAL,DANGER,MAX CAP TRAY,WRD GR-12 & GR-15 (models with work tray option)	1
25	72970GT	DECAL,INSTRUCTIONS-CHARGER OP	1
26	82366GT	DECAL,LABEL-CHEVRON RANDO	1
27	82975GT	DECAL,DANGER,COLLISION HAZARD	1



101.2 Decals with Words, Standard and AWP Platform; ANSI, CSA (to SN GRP-59999 and SN GRR-10000)

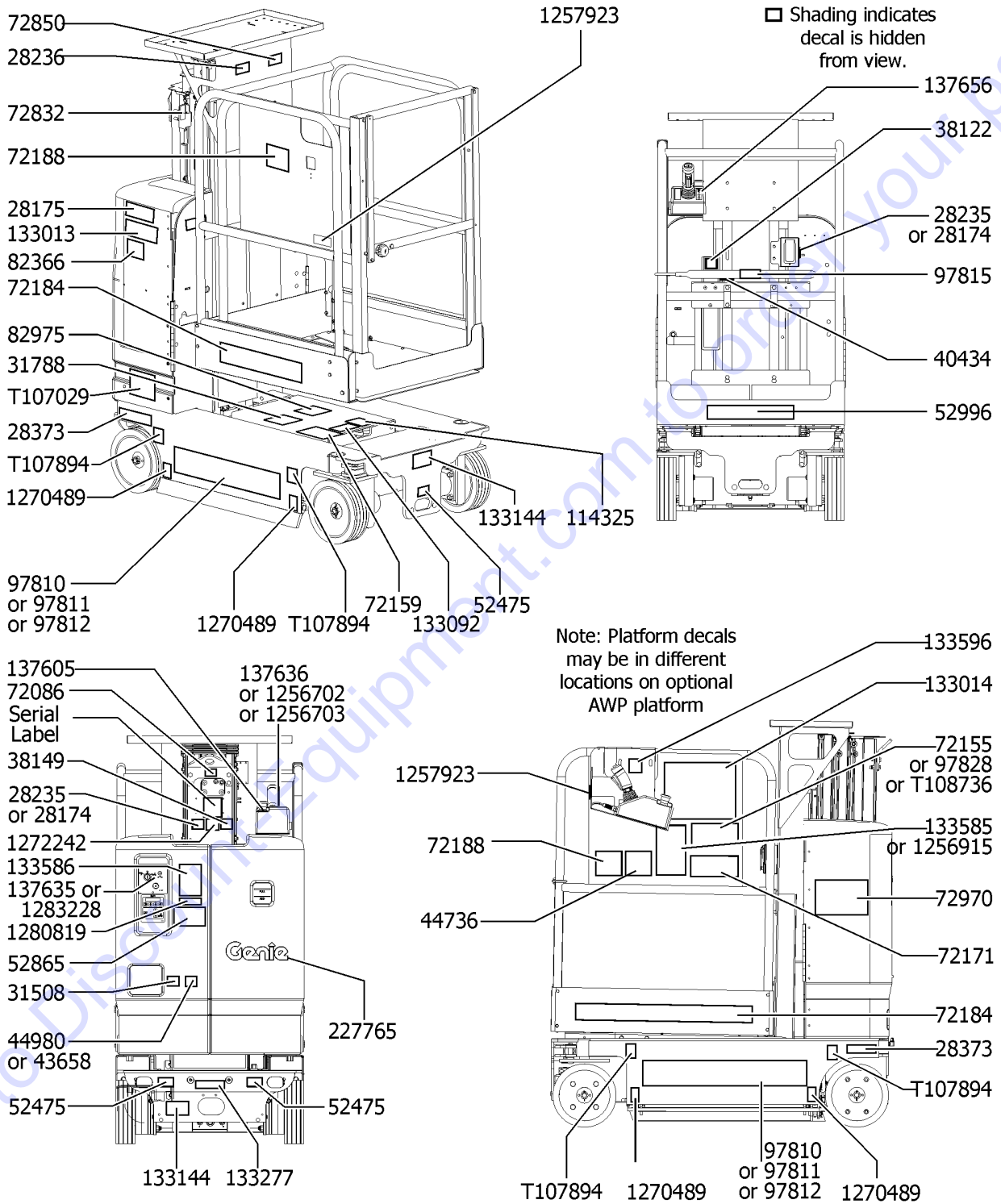


101.2 Decals with Words, Standard and AWP Platform; ANSI, CSA (to SN GRP-59999 and SN GRR-10000)

Item	Part No.	Description	Qty.
29	97811GT	DECAL,COSMETIC,GENIE GR-15*** GR-15	2
31	97815GT	DECAL,LABEL,LOWER MIDRAIL	1
33	114325GT	DECAL,BATTERY CONN DIAG,GR	1
34	133013GT	DECAL,DANGER,ELECTROCUTION,GR	1
35	133014GT	DECAL,GENERAL SAFETY,RUNABOUT*	1
36	133092GT	DECAL,CRUSH HAZARD,USE SAFETY	1
37	133144GT	DECAL,LABEL-TRANSPORT DIGRAM	2
38	133277GT	DECAL,LABEL,EMERGENCY LOWERING	1
39	133585GT	OPERATING INST,PLAT,GR (models with 2 speed lift controller) to SN 34999	1
40	133586GT	DECAL,INSTRUCTIONS-OPER,GCP	1
41	133596GT	DECAL,LABEL,FAULT CODES	1
42	137605GT	DECAL,E-STOP,GR/GRC/GS PCON	1
43	137635GT	E-STOP, GR/GRC/GS GCON to SN GRP-54305 and GRR-3283	1
44	137636GT	DECAL, UI, GR/GRC/GS PCON (models with 2 speed lift controller) to SN 34999	1
45	137656GT	DECAL,PROPEL,GR/GRC/GS,PCON	1
46	227765GT	DECAL,COSMETIC,GENIE,GR/QS	1
47	1256702GT	DECAL, UI, GS/GR, PROP LIFT (models with proportional speed controller) from SN 35000	1
48	1256703GT	DECAL, STD, PROP LIFT, UI, SVC (models converted from 2 speed to proportional speed controller)	1
49	1256915GT	OPERATING INST,PLAT,GR (models with proportional speed controller)	1
50	1257923GT	DECAL, SMARTLINK PROPORTIONAL LIFT IDENTIFIER (models with proportional speed controller)	2
51	1270489GT	DECAL,WHEEL LOAD,GR/GRC	4
52	1272242GT	DECAL,MACHINE REGISTRATION/OWNER TRANSFER	1
53	1280819GT	DECAL,WARNING,CANCER AND REPRODUCTIVE HARM, PROP 65	1
54	1283228GT	DECAL,GR GCON, TECH PRO from SN GRP-54306 and GRR-3284	1
55	T107029GT	DECAL DANGER BRAKE REL SAFETY	1
56	T107894GT	DECAL,LABEL,TIRE SPEC,GR/GRC	4
57	T108736GT	DECAL-NOTICE,MAX CAP-500 GR-12 & GR-15 (models with standard or extension deck platform)	1



101.3 Decals with Words, Standard and AWP Platform; ANSI, CSA (to SN GRP-59999 and SN GRR-10000)

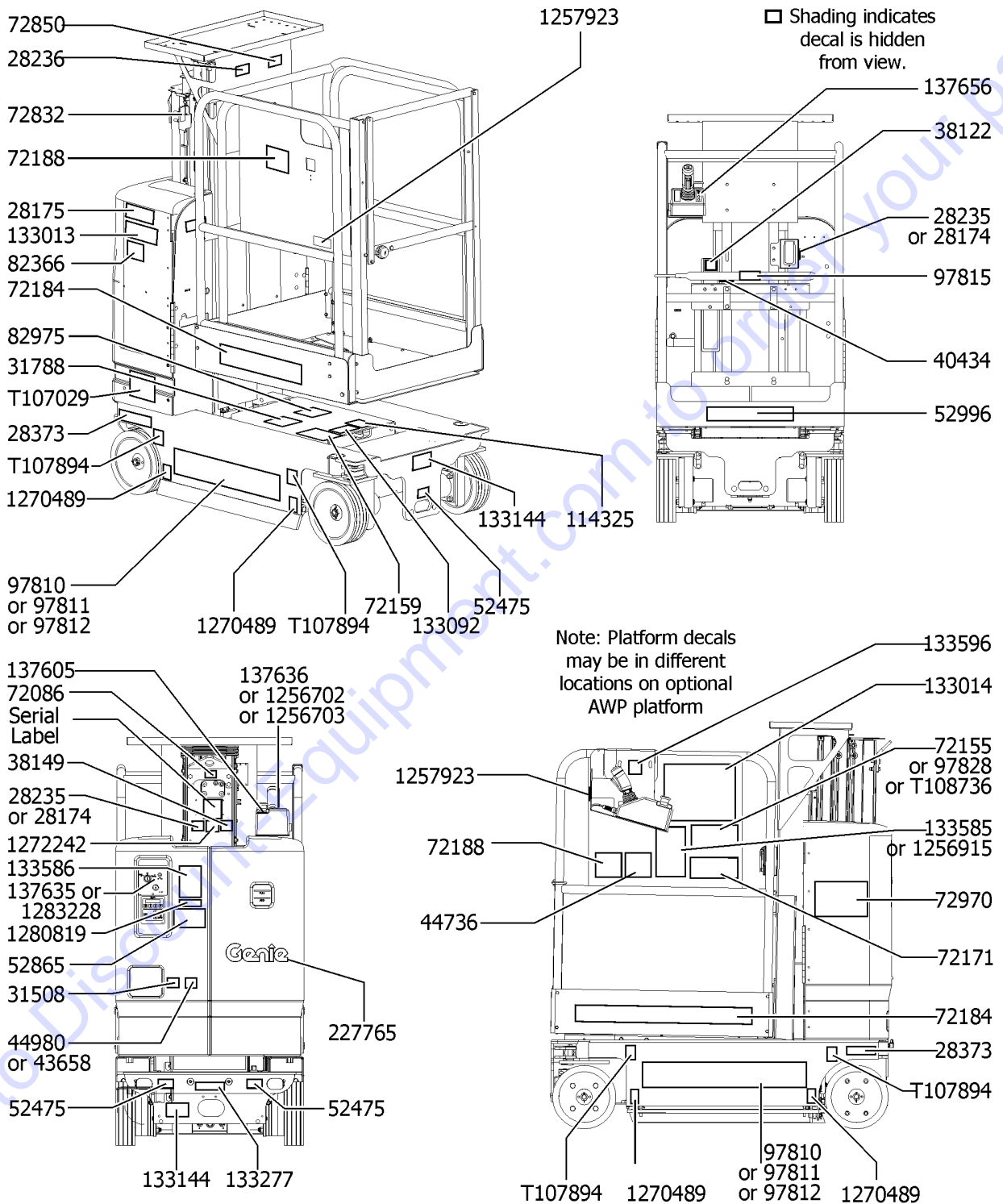


101.3 Decals with Words, Standard and AWP Platform; ANSI, CSA (to SN GRP-59999 and SN GRR-10000)

Item	Part No.	Description	Qty.
	220001GT	DECAL KIT,SAFETY/INSTR,WORDS (models with 2 speed controller) (includes items 1-10, 12, 14, 17, 19, 21, 22, 23, 25-27, 33-41, 46, 54 and 55) to SN 34999	1
1	28174GT	DECAL,POWER TO PLATFORM 230V (option)	2
2	28175GT	DECAL,WARNING-COMPART ACCESS	1
3	28235GT	DECAL,POWER TO PLATFORM 115V (option)	1
4	28236GT	DECAL,WARN,IMPROPER OPERATION	1
5	28373GT	DECAL,FORK LIFT POCKET	2
6	31508GT	DECAL,DANGER,ELECT HAZARD,PLUG	1
7	31788GT	DECAL,DANGER,BATTERY SAFETY***	1
8	38122GT	DECAL,LABEL, OM STORAGE	1
9	38149GT	DECAL,LABEL,PATENTS	1
10	40434GT	DECAL,LANYARD ANCHORAGE POINT	1
11	43658GT	DECAL,LABEL,PWR TO CHARGR 230V	1
12	44736GT	DECAL,DANGER,TIP-OVER,TILT	1
13	44980GT	DECAL,LABEL,PWR TO CHARGER 115UK	1
14	52475GT	DECAL LABEL TRANSPORT TIE DOWN*	3
15	52865GT	DECAL,ANNUAL INSP***	1
16	52996GT	DECAL,COSMETIC,GENIE LOGO (models with narrow platform)	1
17	72086GT	DECAL,LABEL,LIFTING EYE	1
19	72159GT	DECAL,TIP-OVER,BATTERIES,GR	1
18	72155GT	DECAL,MAX CAPACITY (350LB),GR GR-12, GR-15 & GR-20 (models with narrow platform)	1
20	72171GT	DECAL,SIDE FORCE,100,GR,ANSI	1
21	72184GT	DECAL,COSMETIC,GENIE RUNABOUT (models with standard or extension deck platform)	2
22	72188GT	DECAL,DIRECTIONAL ARROWS,GR	2
23	72832GT	DECAL,DANGER,DO NOT ALTER SWTC	1
25	72970GT	DECAL,INSTRUCTIONS-CHARGER OP	1
26	82366GT	DECAL,LABEL-CHEVRON RANDO	1
27	82975GT	DECAL,DANGER,COLLISION HAZARD	1
32	97828GT	DECAL-NOTICE,MAX CAP-350#,STD* GR-20 (models with standard or extension deck platform)	1



101.3 Decals with Words, Standard and AWP Platform; ANSI, CSA (to SN GRP-59999 and SN GRR-10000)

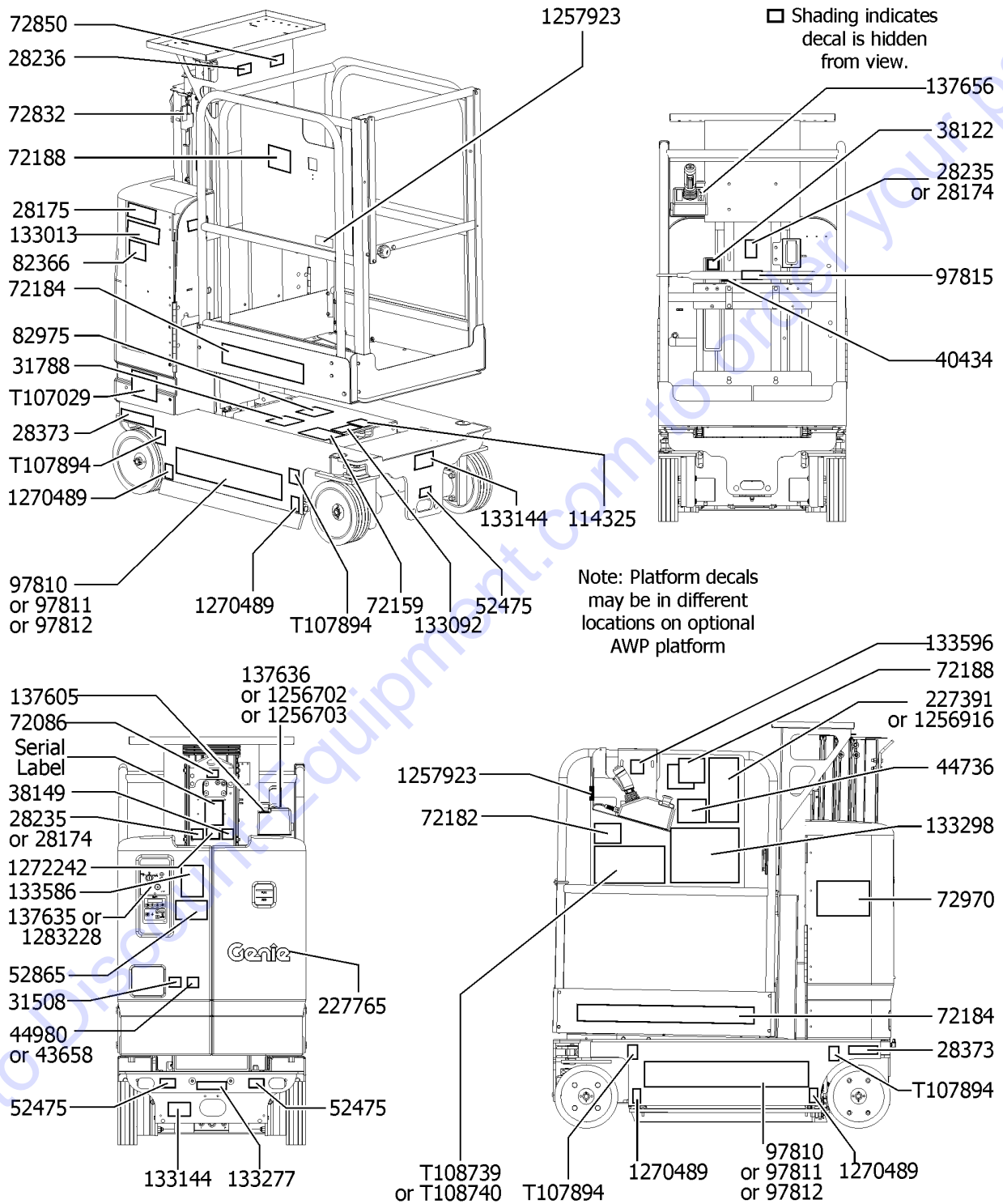


101.3 Decals with Words, Standard and AWP Platform; ANSI, CSA (to SN GRP-59999 and SN GRR-10000)

Item	Part No.	Description	Qty.
31	97815GT	DECAL,LABEL,LOWER MIDRAIL	1
33	114325GT	DECAL,BATTERY CONN DIAG,GR	1
34	133013GT	DECAL,DANGER,ELECTROCUTION,GR	1
35	133014GT	DECAL,GENERAL SAFETY,RUNABOUT*	1
36	133092GT	DECAL,CRUSH HAZARD,USE SAFETY	1
37	133144GT	DECAL,LABEL-TRANSPORT DIGRAM	2
38	133277GT	DECAL,LABEL,EMERGENCY LOWERING	1
39	133585GT	OPERATING INST,PLAT,GR (models with 2 speed lift controller) to SN 34999	1
40	133586GT	DECAL,INSTRUCTIONS-OPER,GCP	1
41	133596GT	DECAL,LABEL,FAULT CODES	1
42	137605GT	DECAL,E-STOP,GR/GRC/GS PCON	1
43	137635GT	E-STOP, GR/GRC/GS GCON	1
44	137636GT	DECAL, UI, GR/GRC/GS PCON (models with 2 speed lift controller) to SN 34999	1
45	137656GT	DECAL,PROPEL,GR/GRC/GS,PCON	1
46	227765GT	DECAL,COSMETIC,GENIE,GR/QS	1
47	1256702GT	DECAL, UI, GS/GR, PROP LIFT (models with proportional speed controller) from SN 35000	1
48	1256703GT	DECAL, STD, PROP LIFT, UI, SVC (models converted from 2 speed to proportional speed controller)	1
49	1256915GT	OPERATING INST,PLAT,GR (models with proportional speed controller)	1
50	1257923GT	DECAL, SMARTLINK PROPORTIONAL LIFT IDENTIFIER (models with proportional speed controller)	2
51	1270489GT	DECAL,WHEEL LOAD,GR/GRC	4
52	1272242GT	DECAL,MACHINE REGISTRATION/OWNER TRANSFER	1
53	1280819GT	DECAL,WARNING,CANCER AND REPRODUCTIVE HARM, PROP 65	1
54	1283228GT	DECAL,GR GCON, TECH PRO from SN GRP-54306 and GRR-3284	1
55	T107029GT	DECAL DANGER BRAKE REL SAFETY	1
56	T107894GT	DECAL,LABEL,TIRE SPEC,GR/GRC	4



102.1 Decals with Words, Standard Platform; AUS (to SN GRP-59999 and SN GRR-10000)

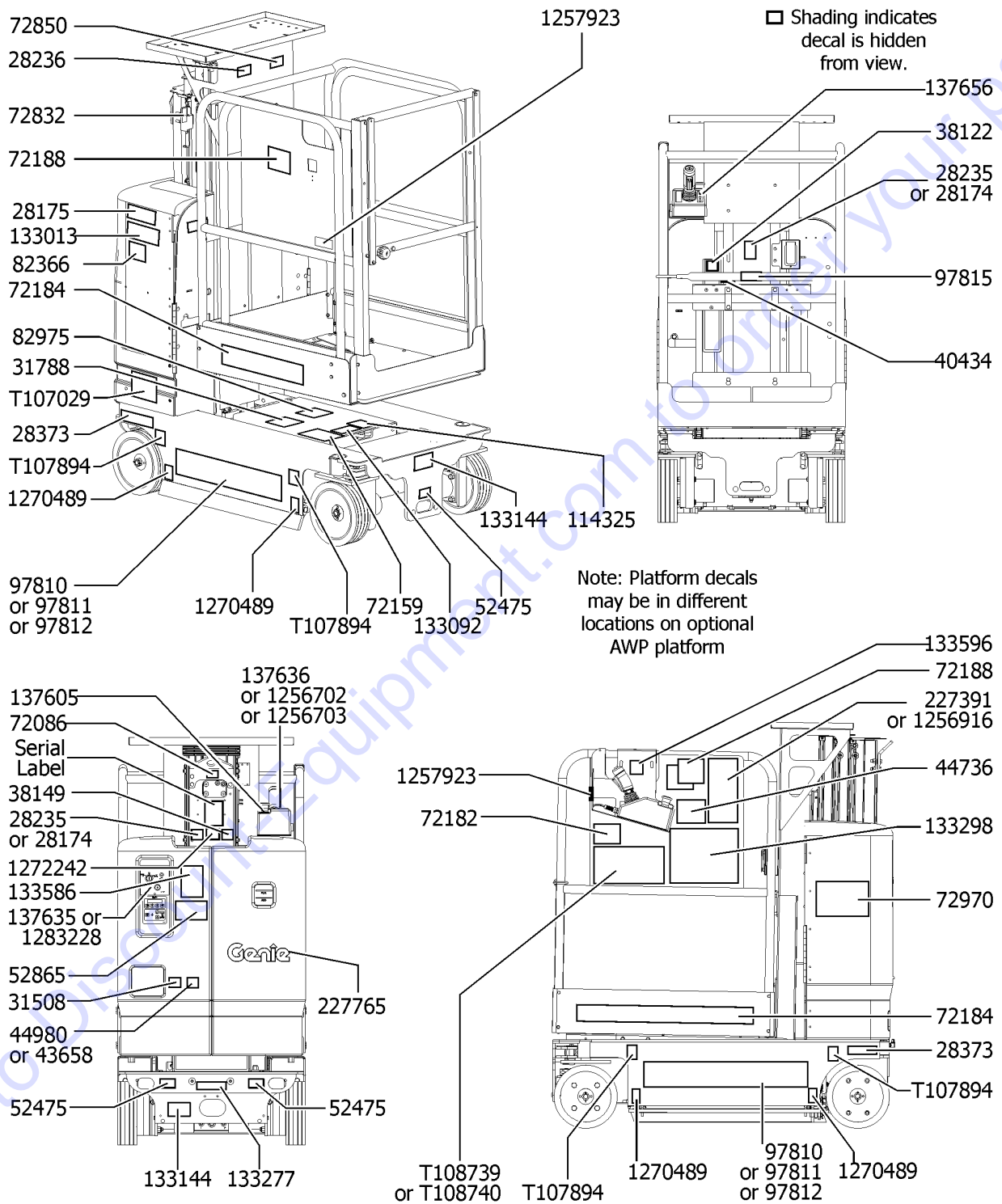


102.1 Decals with Words, Standard Platform; AUS (to SN GRP-59999 and SN GRR-10000)

Item	Part No.	Description	Qty.
		DECAL KIT,SAFETY/INSTR,WORDS (models with 2 speed controller) (includes items 1-10, 12, 14, 16, 17, 19-21, 23-25, 31-38, 43, 44, 52 and 53) to SN 34999	
1	28174GT	DECAL,POWER TO PLATFORM 230V (option)	2
2	28175GT	DECAL,WARNING-COMPART ACCESS	1
3	28235GT	DECAL,POWER TO PLATFORM 115V (option)	
4	28236GT	DECAL,WARN,IMPROPER OPERATION	1
5	28373GT	DECAL,FORK LIFT POCKET	2
6	31508GT	DECAL,DANGER,ELECT HAZARD,PLUG	1
7	31788GT	DECAL,DANGER,BATTERY SAFETY***	1
8	38122GT	DECAL,LABEL, OM STORAGE	1
9	38149GT	DECAL,LABEL,PATENTS	1
10	40434GT	DECAL,LANYARD ANCHORAGE POINT	1
11	43658GT	DECAL,LABEL,PWR TO CHARGR 230V	1
12	44736GT	DECAL,DANGER,TIP-OVER,TILT	1
13	44980GT	DECAL,LABEL,PWR TO CHARGER 115UK	
14	52475GT	DECAL LABEL TRANSPORT TIE DOWN*	3
15	52865GT	DECAL,ANNUAL INSP***	1
16	72086GT	DECAL,LABEL,LIFTING EYE	1
17	72159GT	DECAL,TIP-OVER,BATTERIES,GR	1
18	72182GT	DECAL,SIDE FORCE,GR,CE&AUS,WRD	1
19	72184GT	DECAL,COSMETIC,GENIE RUNABOUT	2
20	72188GT	DECAL,DIRECTIONAL ARROWS,GR	2
21	72832GT	DECAL,DANGER,DO NOT ALTER SWTC	1
22	72850GT	DECAL,DANGER,MAX CAP TRAY,WRD GR-12 & GR-15 (models work station tray option)	1
23	72970GT	DECAL,INSTRUCTIONS-CHARGER OP	1
24	82366GT	DECAL,LABEL-CHEVRON RANDO	1
25	82975GT	DECAL,DANGER,COLLISION HAZARD	1
26	97810GT	DECAL,COSMETIC,GENIE GR-12*** GR-12	2
29	97815GT	DECAL,LABEL,LOWER MIDRAIL	1



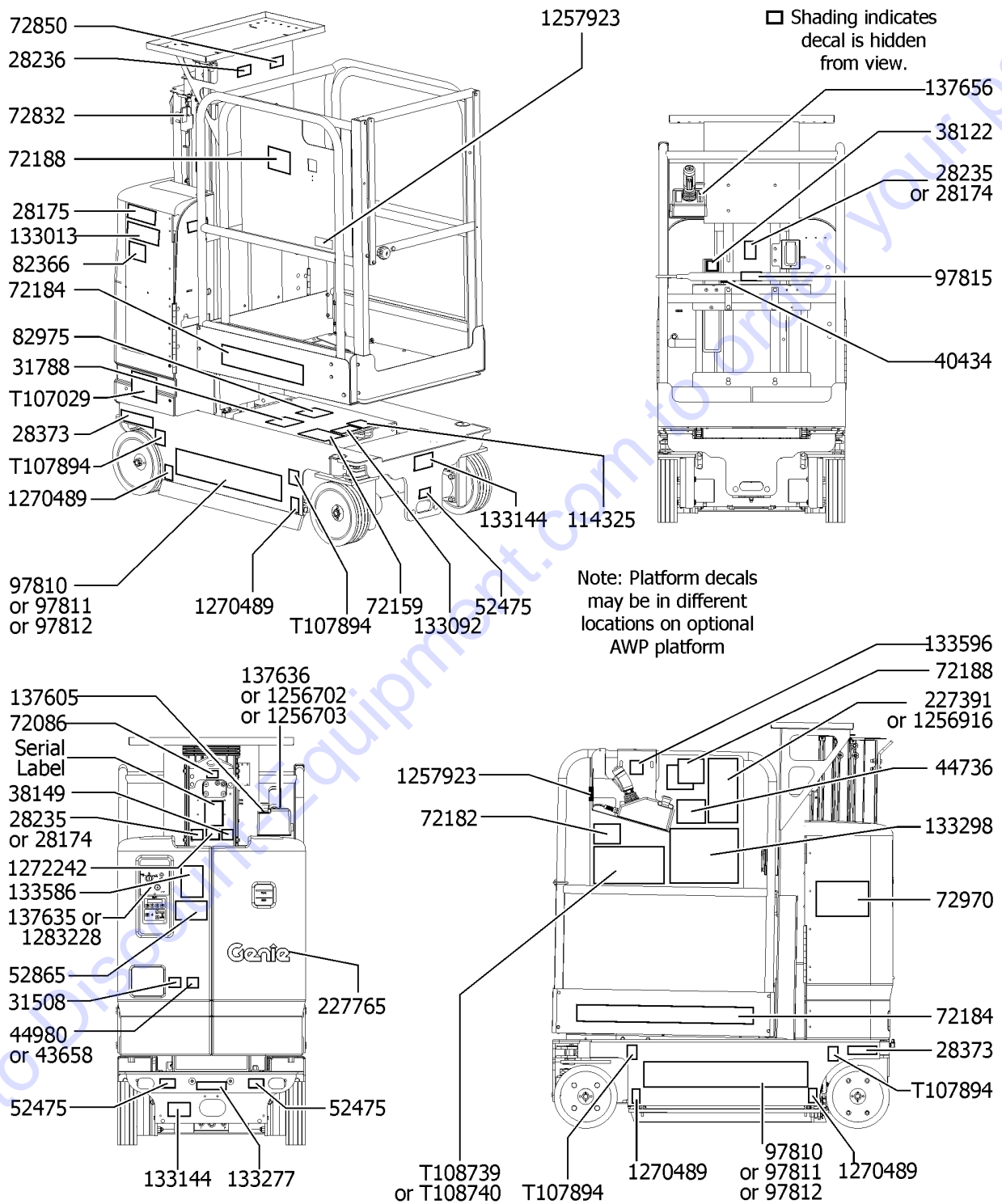
102.1 Decals with Words, Standard Platform; AUS (to SN GRP-59999 and SN GRR-10000)



102.1 Decals with Words, Standard Platform; AUS (to SN GRP-59999 and SN GRR-10000)

Item	Part No.	Description	Qty.
31	114325GT	DECAL,BATTERY CONN DIAG,GR	1
32	133013GT	DECAL,DANGER,ELECTROCUTION,GR	1
33	133092GT	DECAL,CRUSH HAZARD,USE SAFETY	1
34	133144GT	DECAL,LABEL-TRANSPORT DIGRAM	2
35	133277GT	DECAL,LABEL,EMERGENCY LOWERING	1
36	133298GT	DECAL,GENERAL SAFETY,GRC,AUS	1
37	133586GT	DECAL,INSTRUCTIONS-OPER,GCP	1
38	133596GT	DECAL,LABEL,FAULT CODES	1
39	137605GT	DECAL,E-STOP,GR/GRC/GS PCON	1
40	137635GT	E-STOP, GR/GRC/GS GCON to SN GRP-54305 and GRR-3283	1
41	137636GT	DECAL, UI, GR/GRC/GS PCON (models with 2 speed lift controller) to SN 34999	1
42	137656GT	DECAL,PROPEL,GR/GRC/GS,PCON	1
43	227391GT	DECAL,INST,OP,PLAT,GR,AUS (models with 2 speed lift controller) to SN 34999	1
44	227765GT	DECAL,COSMETIC,GENIE,GR/QS	1
45	1256702GT	DECAL, UI, GS/GR, PROP LIFT (models with proportional speed controller) from SN 35000	1
46	1256703GT	DECAL, STD, PROP LIFT, UI, SVC (models converted from 2 speed to proportional speed controller)	1
47	1256915GT	OPERATING INST,PLAT,GR (models with proportional speed controller)	1
48	1257923GT	DECAL, SMARTLINK PROPORTIONAL LIFT IDENTIFIER (models with proportional speed controller)	2
49	1270489GT	DECAL,WHEEL LOAD,GR/GRC	4
50	1272242GT	DECAL,MACHINE REGISTRATION/OWNER TRANSFER	1
51	1283228GT	DECAL,GR GCON, TECH PRO from SN GRP-54306 and GRR-3284	1
52	T107029GT	DECAL DANGER BRAKE REL SAFETY	1
53	T107894GT	DECAL,LABEL,TIRE SPEC,GR/GRC	4
54A	T108739GT	DECAL, MAX CAP-227 KR,GR,AUS GR-12 & GR-15 (models with standard or extension platform)	1

102.2 Decals with Words, Standard Platform; AUS (to SN GRP-59999 and SN GRR-10000)

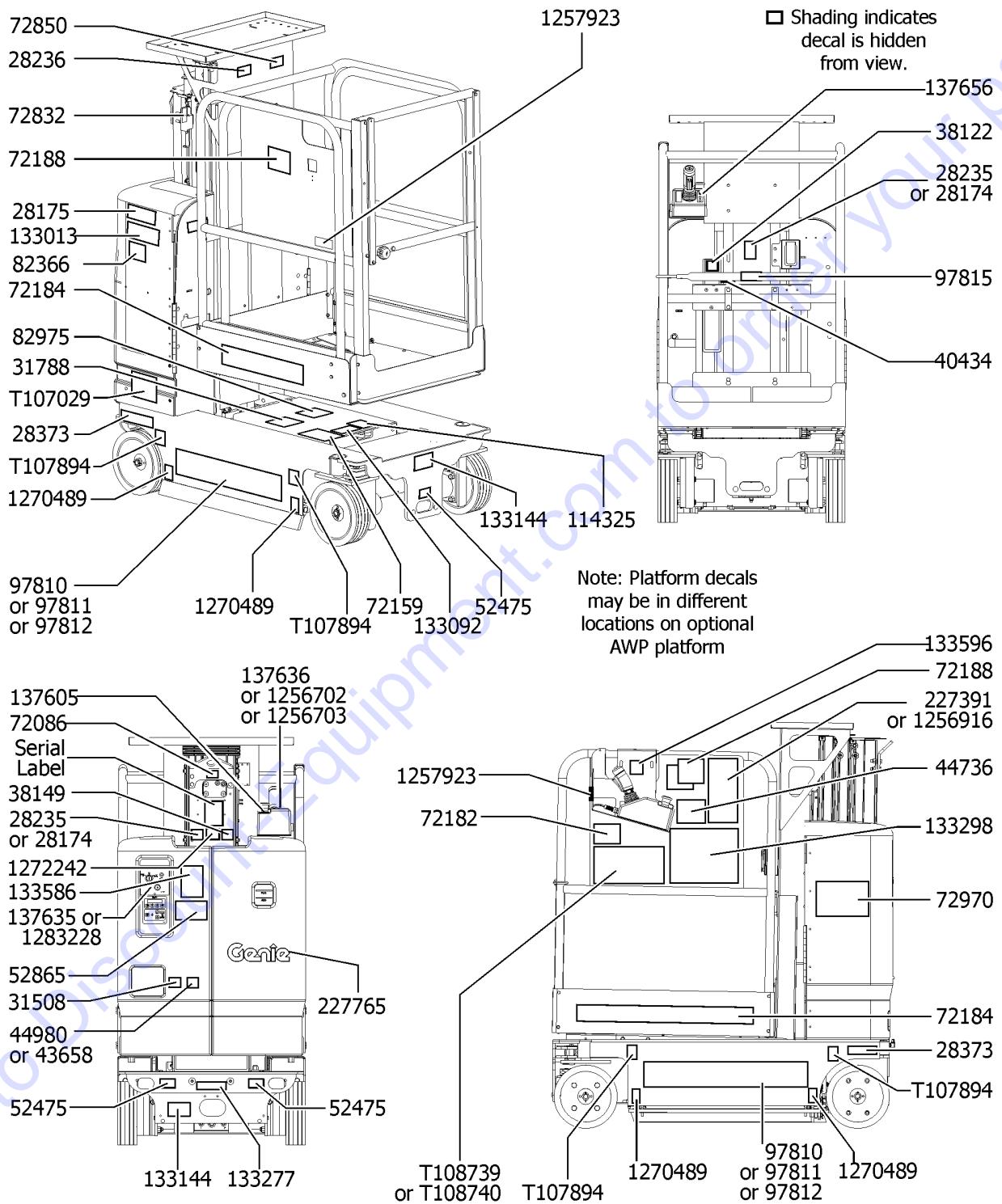


102.2 Decals with Words, Standard Platform; AUS (to SN GRP-59999 and SN GRR-10000)

Item	Part No.	Description	Qty.
		DECAL KIT,SAFETY/INSTR,WORDS (models with 2 speed controller) (includes items 1-10, 12, 14, 16, 17, 19-21, 23-25, 31-38, 43, 44, 52 and 53) to SN 34999	
1	28174GT	DECAL,POWER TO PLATFORM 230V (option)	2
2	28175GT	DECAL,WARNING-COMPART ACCESS	1
3	28235GT	DECAL,POWER TO PLATFORM 115V (option)	
4	28236GT	DECAL,WARN,IMPROPER OPERATION	1
5	28373GT	DECAL,FORK LIFT POCKET	2
6	31508GT	DECAL,DANGER,ELECT HAZARD,PLUG	1
7	31788GT	DECAL,DANGER,BATTERY SAFETY***	1
8	38122GT	DECAL,LABEL, OM STORAGE	1
9	38149GT	DECAL,LABEL,PATENTS	1
10	40434GT	DECAL,LANYARD ANCHORAGE POINT	1
11	43658GT	DECAL,LABEL,PWR TO CHARGR 230V	1
12	44736GT	DECAL,DANGER,TIP-OVER,TILT	1
13	44980GT	DECAL,LABEL,PWR TO CHARGER 115UK	
14	52475GT	DECAL LABEL TRANSPORT TIE DOWN*	3
15	52865GT	DECAL,ANNUAL INSP***	1
16	72086GT	DECAL,LABEL,LIFTING EYE	1
17	72159GT	DECAL,TIP-OVER,BATTERIES,GR	1
18	72182GT	DECAL,SIDE FORCE,GR,CE&AUS,WRD	1
19	72184GT	DECAL,COSMETIC,GENIE RUNABOUT	2
20	72188GT	DECAL,DIRECTIONAL ARROWS,GR	2
21	72832GT	DECAL,DANGER,DO NOT ALTER SWTC	1
22	72850GT	DECAL,DANGER,MAX CAP TRAY,WRD GR-12 & GR-15 (models work station tray option)	1
23	72970GT	DECAL,INSTRUCTIONS-CHARGER OP	1
24	82366GT	DECAL,LABEL-CHEVRON RANDO	1
25	82975GT	DECAL,DANGER,COLLISION HAZARD	1
27	97811GT	DECAL,COSMETIC,GENIE GR-15*** GR-15	2
29	97815GT	DECAL,LABEL,LOWER MIDRAIL	1



102.2 Decals with Words, Standard Platform; AUS (to SN GRP-59999 and SN GRR-10000)

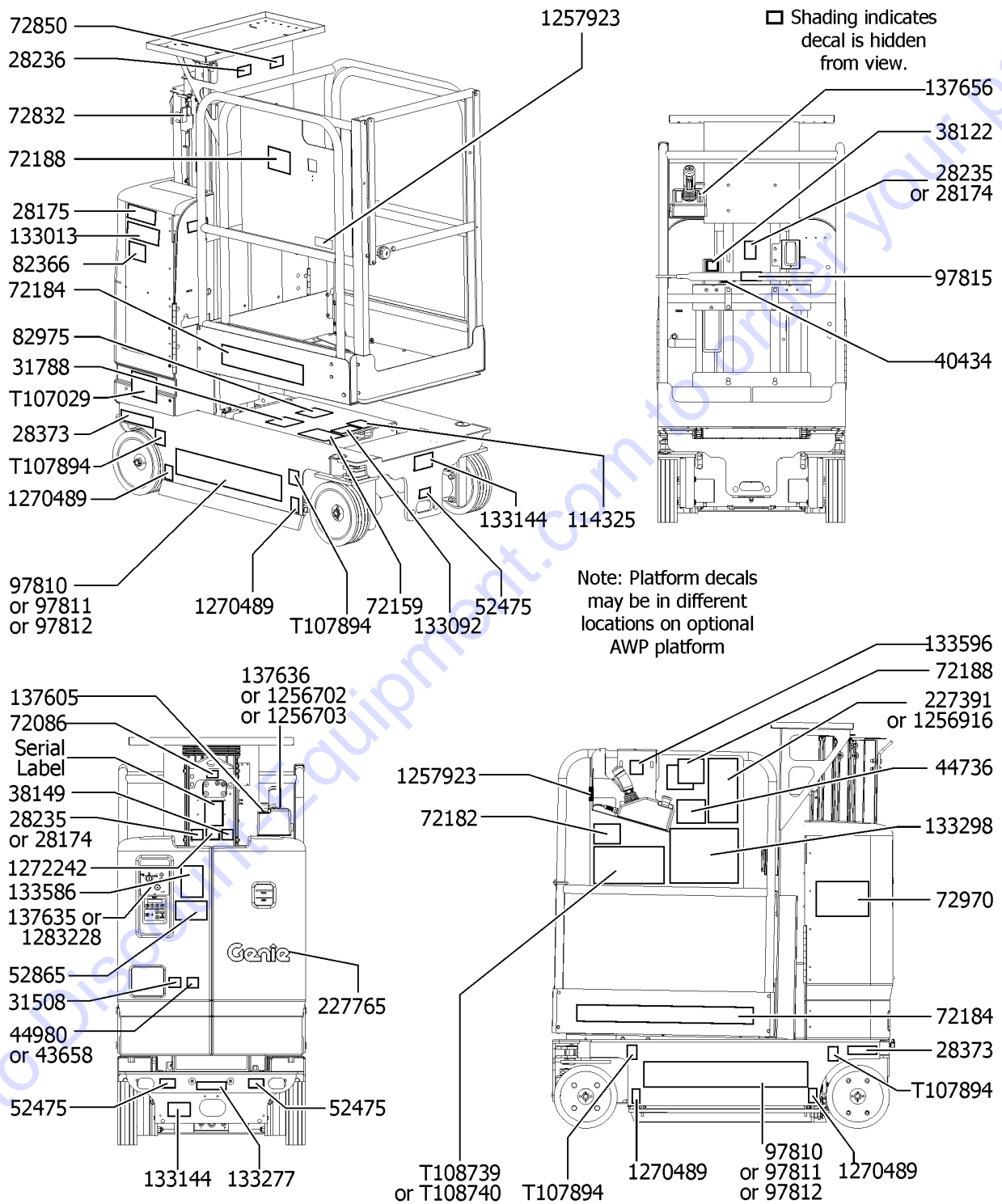


102.2 Decals with Words, Standard Platform; AUS (to SN GRP-59999 and SN GRR-10000)

Item	Part No.	Description	Qty.
31	114325GT	DECAL,BATTERY CONN DIAG,GR	1
32	133013GT	DECAL,DANGER,ELECTROCUTION,GR	1
33	133092GT	DECAL,CRUSH HAZARD,USE SAFETY	1
34	133144GT	DECAL,LABEL-TRANSPORT DIGRAM	2
35	133277GT	DECAL,LABEL,EMERGENCY LOWERING	1
36	133298GT	DECAL,GENERAL SAFETY,GRC,AUS	1
37	133586GT	DECAL,INSTRUCTIONS-OPER,GCP	1
38	133596GT	DECAL,LABEL,FAULT CODES	1
39	137605GT	DECAL,E-STOP,GR/GRC/GS PCON	1
40	137635GT	E-STOP, GR/GRC/GS GCON to SN GRP-54305 and GRR-3283	1
41	137636GT	DECAL, UI, GR/GRC/GS PCON (models with 2 speed lift controller) to SN 34999	1
42	137656GT	DECAL,PROPEL,GR/GRC/GS,PCON	1
43	227391GT	DECAL,INST,OP,PLAT,GR,AUS	1
44	227765GT	DECAL,COSMETIC,GENIE,GR/QS	1
45	1256702GT	DECAL, UI, GS/GR, PROP LIFT (models with proportional speed controller) from SN 35000	1
46	1256703GT	DECAL, STD, PROP LIFT, UI, SVC (models converted from 2 speed to proportional speed controller)	1
47	1256916GT	OPERATING INST,PLAT,GR,AUS (models with proportional speed controller)	1
48	1257923GT	DECAL, SMARTLINK PROPORTIONAL LIFT IDENTIFIER (models with proportional speed controller)	2
49	1270489GT	DECAL,WHEEL LOAD,GR/GRC	4
50	1272242GT	DECAL,MACHINE REGISTRATION/OWNER TRANSFER	1
51	1283228GT	DECAL,GR GCON, TECH PRO from SN GRP-54306 and GRR-3284	1
52	T107029GT	DECAL DANGER BRAKE REL SAFETY	1
53	T107894GT	DECAL,LABEL,TIRE SPEC,GR/GRC	4
54A	T108739GT	DECAL, MAX CAP-227 KR,GR,AUS GR-12 & GR-15 (models with standard or extension platform)	1



102.3 Decals with Words, Standard Platform; AUS (to SN GRP-59999 and SN GRR-10000)

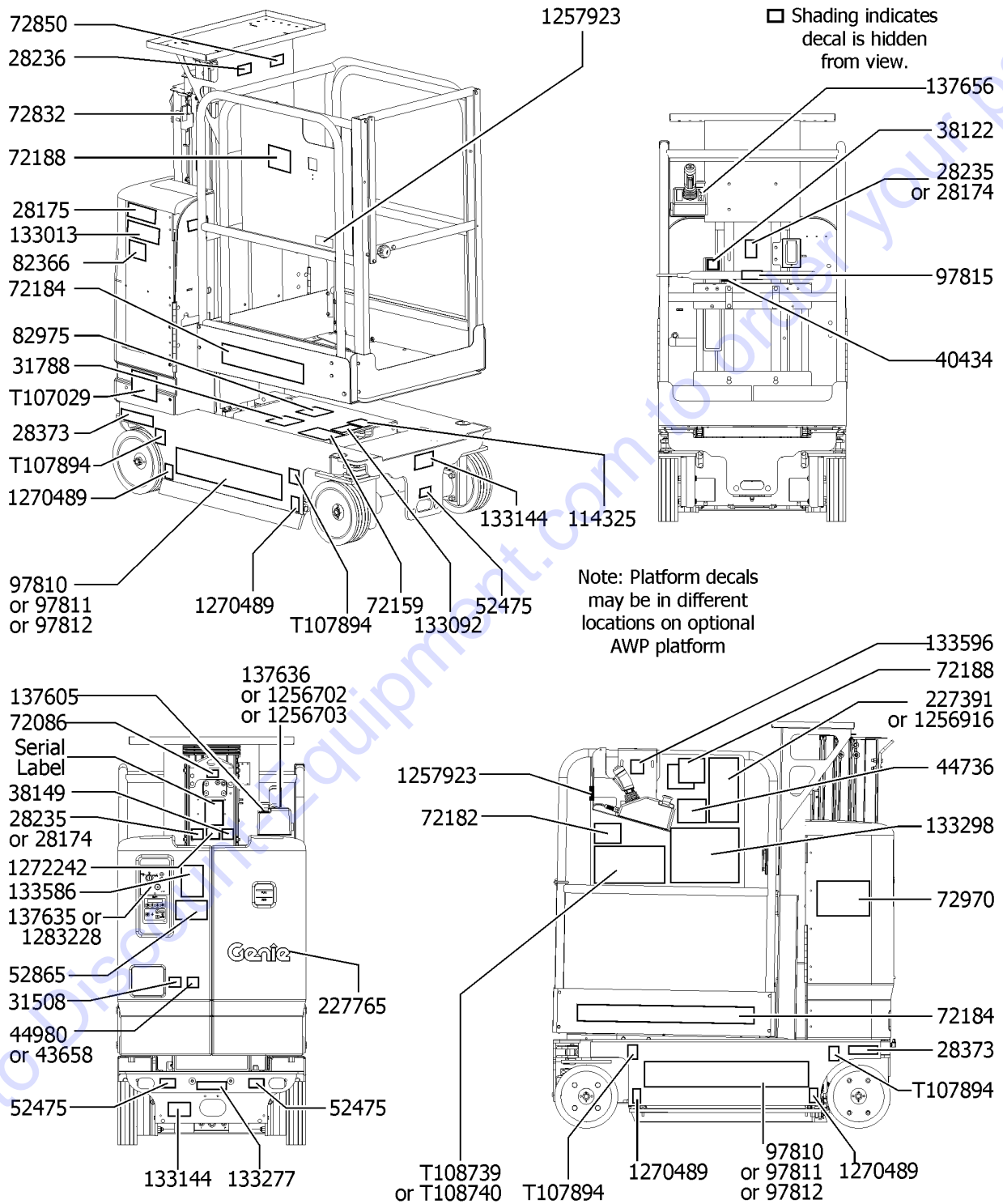


102.3 Decals with Words, Standard Platform; AUS (to SN GRP-59999 and SN GRR-10000)

Item	Part No.	Description	Qty.
		DECAL KIT,SAFETY/INSTR,WORDS (models with 2 speed controller) (includes items 1-10, 12, 14, 16, 17, 19-21, 23-25, 31-38, 43, 44, 52 and 53) to SN 34999	
1	28174GT	DECAL,POWER TO PLATFORM 230V (option)	2
2	28175GT	DECAL,WARNING-COMPART ACCESS	1
3	28235GT	DECAL,POWER TO PLATFORM 115V (option)	
4	28236GT	DECAL,WARN,IMPROPER OPERATION	1
5	28373GT	DECAL,FORK LIFT POCKET	2
6	31508GT	DECAL,DANGER,ELECT HAZARD,PLUG	1
7	31788GT	DECAL,DANGER,BATTERY SAFETY***	1
8	38122GT	DECAL,LABEL, OM STORAGE	1
9	38149GT	DECAL,LABEL,PATENTS	1
10	40434GT	DECAL,LANYARD ANCHORAGE POINT	1
11	43658GT	DECAL,LABEL,PWR TO CHARGR 230V	1
12	44736GT	DECAL,DANGER,TIP-OVER,TILT	1
13	44980GT	DECAL,LABEL,PWR TO CHARGER 115UK	
14	52475GT	DECAL LABEL TRANSPORT TIE DOWN*	3
15	52865GT	DECAL,ANNUAL INSP***	1
16	72086GT	DECAL,LABEL,LIFTING EYE	1
17	72159GT	DECAL,TIP-OVER,BATTERIES,GR	1
18	72182GT	DECAL,SIDE FORCE,GR,CE&AUS,WRD	1
19	72184GT	DECAL,COSMETIC,GENIE RUNABOUT	2
20	72188GT	DECAL,DIRECTIONAL ARROWS,GR	2
21	72832GT	DECAL,DANGER,DO NOT ALTER SWTC	1
23	72970GT	DECAL,INSTRUCTIONS-CHARGER OP	1
24	82366GT	DECAL,LABEL-CHEVRON RANDO	1
25	82975GT	DECAL,DANGER,COLLISION HAZARD	1
28	97812GT	DECAL,COSMETIC,GENIE GR-20***	2
		GR-20	
29	97815GT	DECAL,LABEL,LOWER MIDRAIL	1
30	97828GT	DECAL-NOTICE,MAX CAP-350#,STD*	1
		GR-20 (models with standard or extension platform)	



102.3 Decals with Words, Standard Platform; AUS (to SN GRP-59999 and SN GRR-10000)

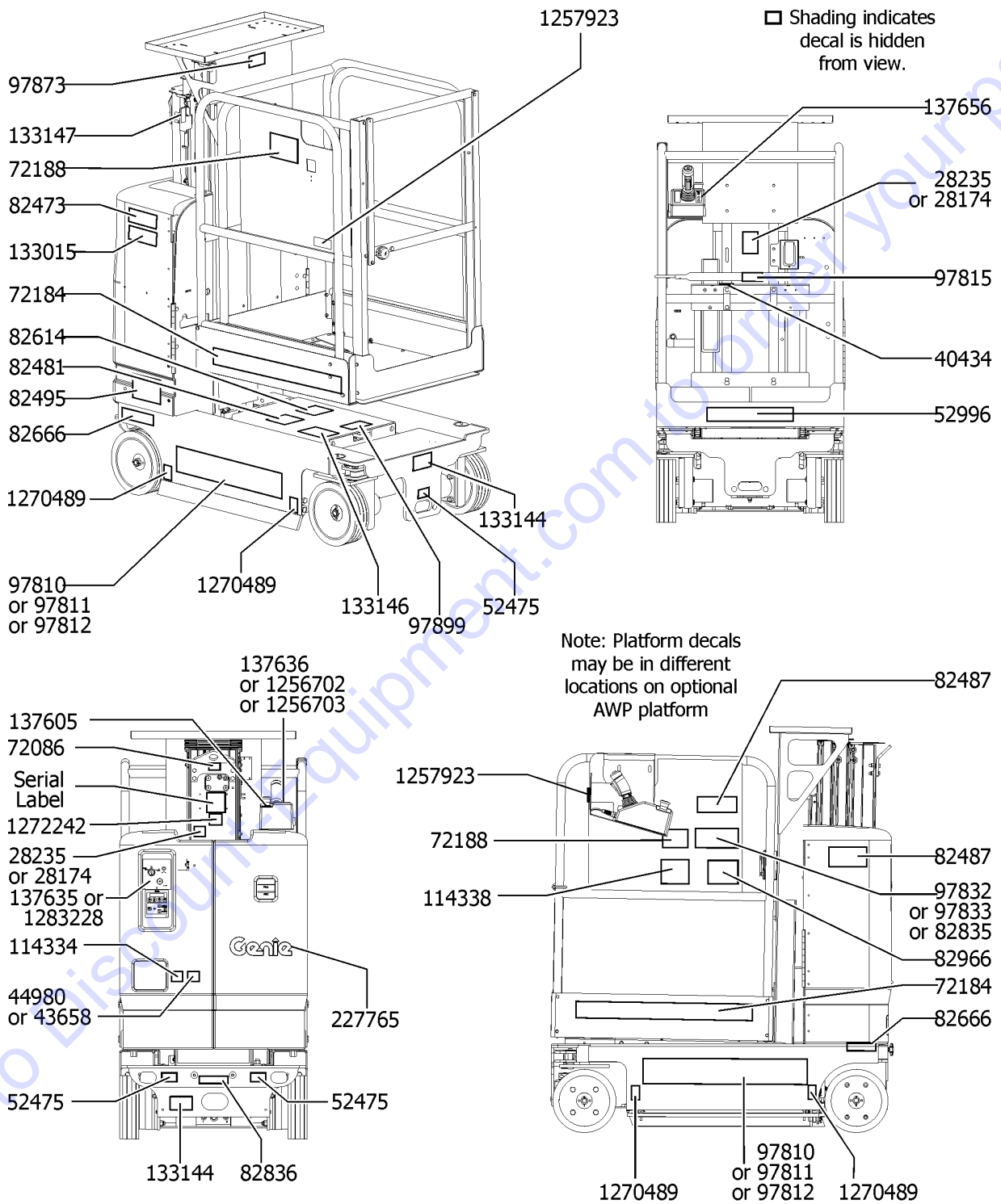


102.3 Decals with Words, Standard Platform; AUS (to SN GRP-59999 and SN GRR-10000)

Item	Part No.	Description	Qty.
31	114325GT	DECAL,BATTERY CONN DIAG,GR	1
32	133013GT	DECAL,DANGER,ELECTROCUTION,GR	1
33	133092GT	DECAL,CRUSH HAZARD,USE SAFETY	1
34	133144GT	DECAL,LABEL-TRANSPORT DIGRAM	2
35	133277GT	DECAL,LABEL,EMERGENCY LOWERING	1
36	133298GT	DECAL,GENERAL SAFETY,GRC,AUS	1
37	133586GT	DECAL,INSTRUCTIONS-OPER,GCP	1
38	133596GT	DECAL,LABEL,FAULT CODES	1
39	137605GT	DECAL,E-STOP,GR/GRC/GS PCON	1
40	137635GT	E-STOP, GR/GRC/GS GCON to SN GRP-54305 and GRR-3283	1
41	137636GT	DECAL, UI, GR/GRC/GS PCON (models with 2 speed lift controller) to SN 34999	1
42	137656GT	DECAL,PROPEL,GR/GRC/GS,PCON	1
43	227391GT	DECAL,INST,OP,PLAT,GR,AUS	1
44	227765GT	DECAL,COSMETIC,GENIE,GR/QS	1
45	1256702GT	DECAL, UI, GS/GR, PROP LIFT (models with proportional speed controller) from SN 35000	1
46	1256703GT	DECAL, STD, PROP LIFT, UI, SVC (models converted from 2 speed to proportional speed controller)	1
47	1256915GT	OPERATING INST,PLAT,GR (models with proportional speed controller)	1
48	1257923GT	DECAL, SMARTLINK PROPORTIONAL LIFT IDENTIFIER (models with proportional speed controller)	2
49	1270489GT	DECAL,WHEEL LOAD,GR/GRC	4
50	1272242GT	DECAL,MACHINE REGISTRATION/OWNER TRANSFER	1
51	1283228GT	DECAL,GR GCON, TECH PRO from SN GRP-54306 and GRR-3284	1
52	T107029GT	DECAL DANGER BRAKE REL SAFETY	1
53	T107894GT	DECAL,LABEL,TIRE SPEC,GR/GRC	4
54B	T108740GT	DECAL, MAX CAP-159 KR,GR,AUS GR-20 (models with standard platform)	1



103.1 Decals with Symbols, Standard and AWP Platform; Asia and South America (to SN GRP-59999 and SN GRR-10000)

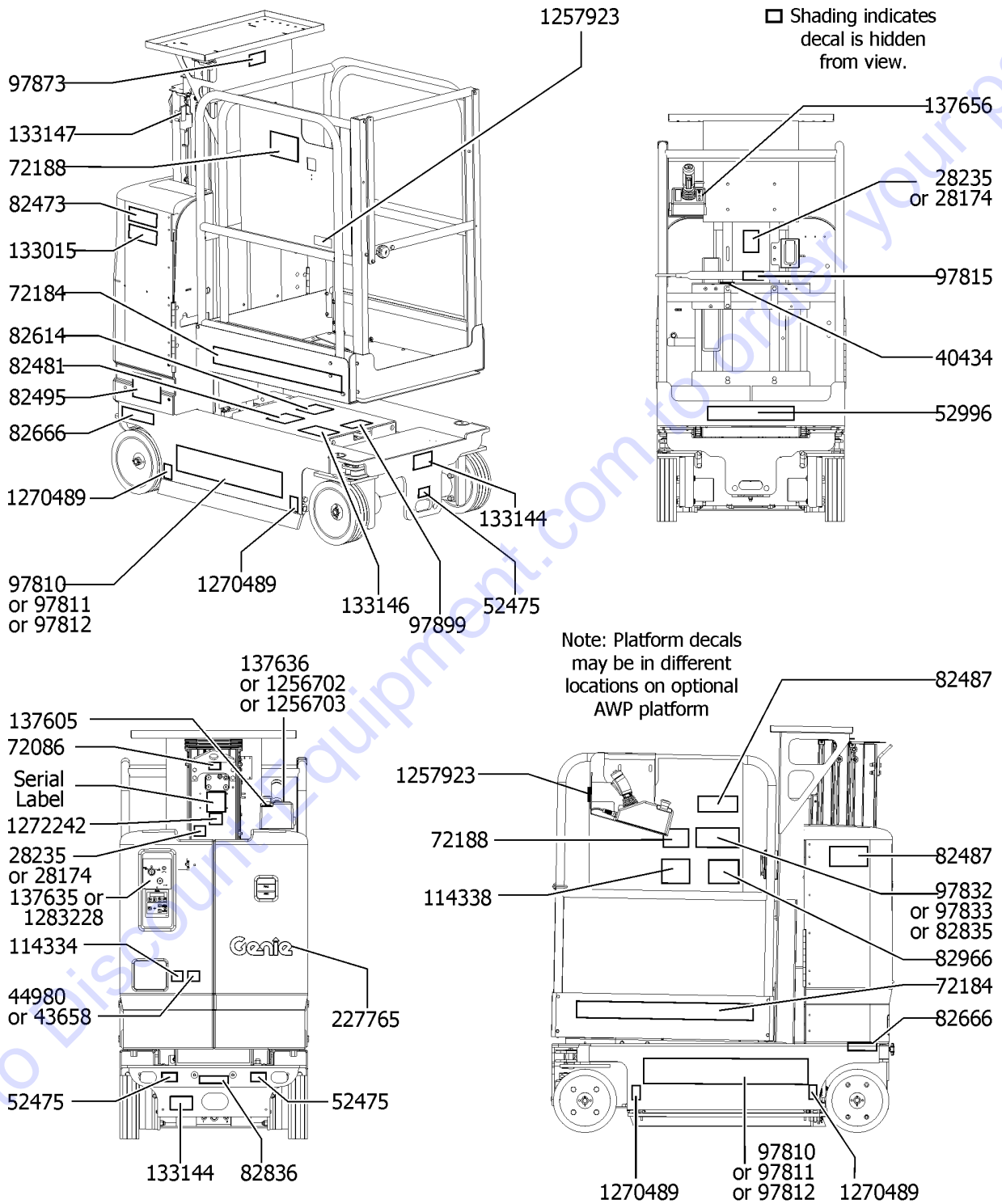


103.1 Decals with Symbols, Standard and AWP Platform; Asia and South America (to SN GRP-59999 and SN GRR-10000)

Item	Part No.	Description	Qty.
	220002GT	DECAL KIT,SAFETY/INSTR,SYM (models with 2 speed controller) (includes items 1-3, 6, 8, 9, 10-16, 18, 27-33 & 38) to SN 34999	
1	28174GT	DECAL,POWER TO PLATFORM 230V (option)	2
2	28235GT	DECAL,POWER TO PLATFORM 115V (option)	
3	40434GT	DECAL,LANYARD ANCHORAGE POINT	1
4	43658GT	DECAL,LABEL,PWR TO CHARGR 230V	1
5	44980GT	DECAL,LABEL,PWR TO CHARGER 115UK	
6	52475GT	DECAL LABEL TRANSPORT TIE DOWN*	3
7	52996GT	DECAL,COSMETIC,GENIE LOGO (models with narrow platform)	1
8	72086GT	DECAL,LABEL,LIFTING EYE	1
9	72184GT	DECAL,COSMETIC,GENIE RUNABOUT (models with standard or extension deck platform)	2
10	72188GT	DECAL,DIRECTIONAL ARROWS,GR	2
11	82473GT	DECAL,SYMBOL-COMP ACCESS	1
12	82481GT	DECAL,SYMBOL-BATTERY SAFETY	1
13	82487GT	DECAL,SYMBOL-READ THE MANUAL	2
14	82495GT	DECAL SYMBOL BRAKE REL SAFETY	1
15	82614GT	DECAL,DANGER,COLLISION HAZARD	1
16	82666GT	DECAL,LABEL,FORKLIFT POCKET	2
17	82835GT	DECAL,DANGR,159 KG CAP,STD PLT (models with narrow platform)	1
18	82836GT	LABEL,AUXILIARY LOWERING	1
19	82966GT	DECAL,SIDE FORCE,GR - ANSI,SYM (ANSI models)	1
20	97810GT	DECAL,COSMETIC,GENIE GR-12*** GR-12	2
23	97815GT	DECAL,LABEL,LOWER MIDRAIL	1
24	97832GT	DECAL-DANGER,MAX CAP-227 KG*** GR-12 & GR-15 (ANSI models with standard or extension deck platform)	1
26	97873GT	DECAL-DANGER,MAX CAP-TRAY,SYM* GR-12 & GR-15 (models with work station tray)	1
27	97899GT	DECAL,WARN,SAFETY CHOCK***	1
28	114334GT	DECAL SYMBOL ELECTRIC HAZARD PLUG	1
29	114338GT	DECAL,SYM-TIP-OVR,TILT ALARM	1
30	133015GT	DECAL,DANGER,ELEC.HAZ SYMB	1



103.1 Decals with Symbols, Standard and AWP Platform; Asia and South America (to SN GRP-59999 and SN GRR-10000)



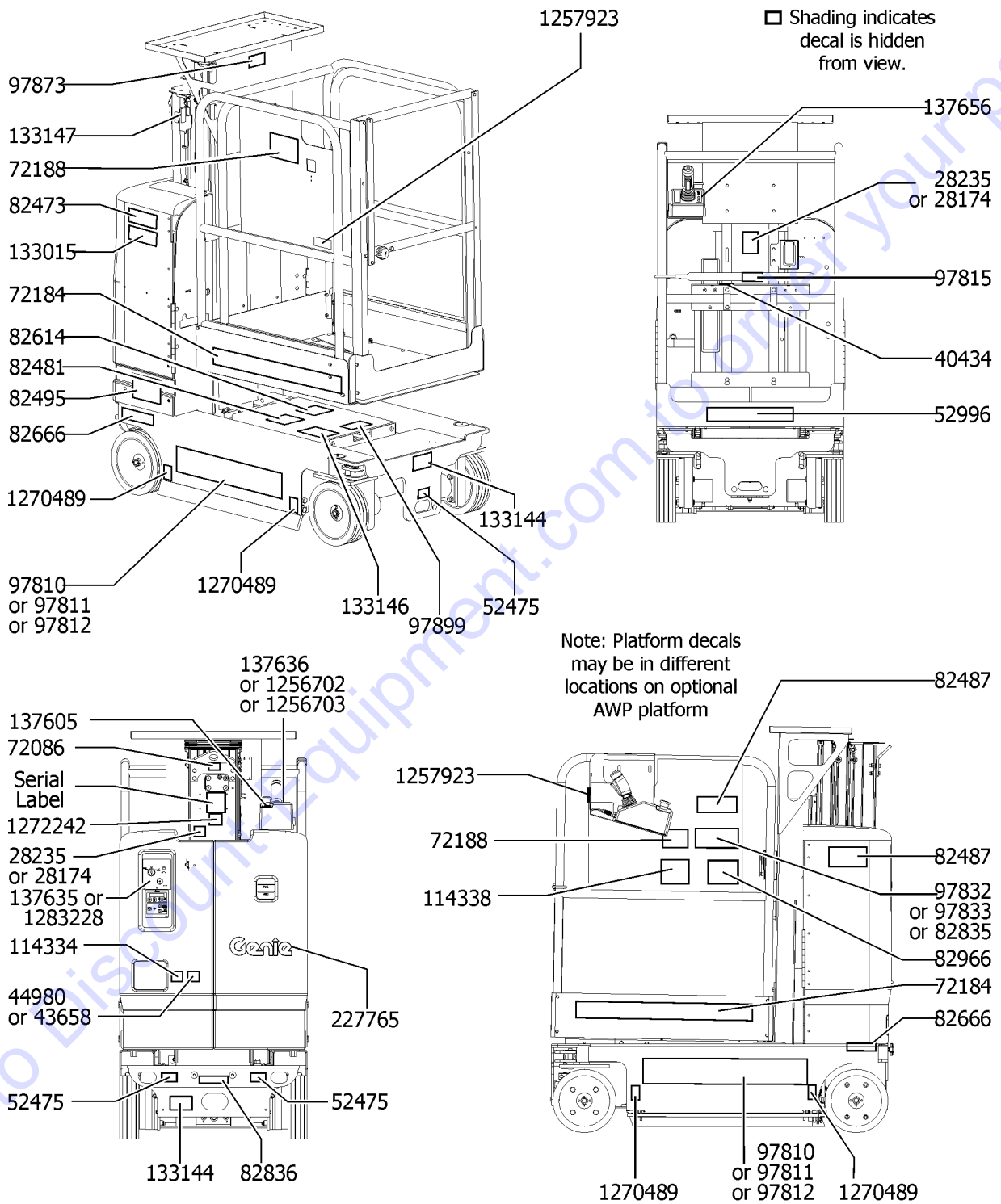
103.1 Decals with Symbols, Standard and AWP Platform; Asia and South America (to SN GRP-59999 and SN GRR-10000)

Item	Part No.	Description	Qty.
31	133144GT	DECAL,LABEL-TRANSPORT DIGRAM	2
32	133146GT	DECAL,SYM-TIPOVER,BATTERIES,GR	1
33	133147GT	DECAL,SYM-TIPOVER,LIMIT SWITCH	1
34	137605GT	DECAL,E-STOP,GR/GRC/GS PCON	1
35	137635GT	E-STOP, GR/GRC/GS GCON to SN GRP-54305 and GRR-3283	1
36	137636GT	DECAL, UI, GR/GRC/GS PCON (models with 2 speed lift controller) to SN 34999	1
37	137656GT	DECAL,PROPEL,GR/GRC/GS,PCON	1
38	227765GT	DECAL,COSMETIC,GENIE,GR/QS	1
39	1256702GT	DECAL, UI, GS/GR, PROP LIFT (models with proportional speed controller) from SN 35000	1
40	1256703GT	DECAL, STD, PROP LIFT, UI, SVC (models converted from 2 speed to proportional speed controller)	1
41	1257923GT	DECAL, SMARTLINK PROPORTIONAL LIFT IDENTIFIER (models with proportional speed controller)	2
42	1270489GT	DECAL,WHEEL LOAD,GR/GRC	4
43	1272242GT	DECAL,MACHINE REGISTRATION/OWNER TRANSFER	1
44	1283228GT	DECAL,GR GCON, TECH PRO from SN GRP-54306 and GRR-3284	1

Go to Discount-Equipment.com to order your parts



103.2 Decals with Symbols, Standard and AWP Platform; Asia and South America (to SN GRP-59999 and SN GRR-10000)

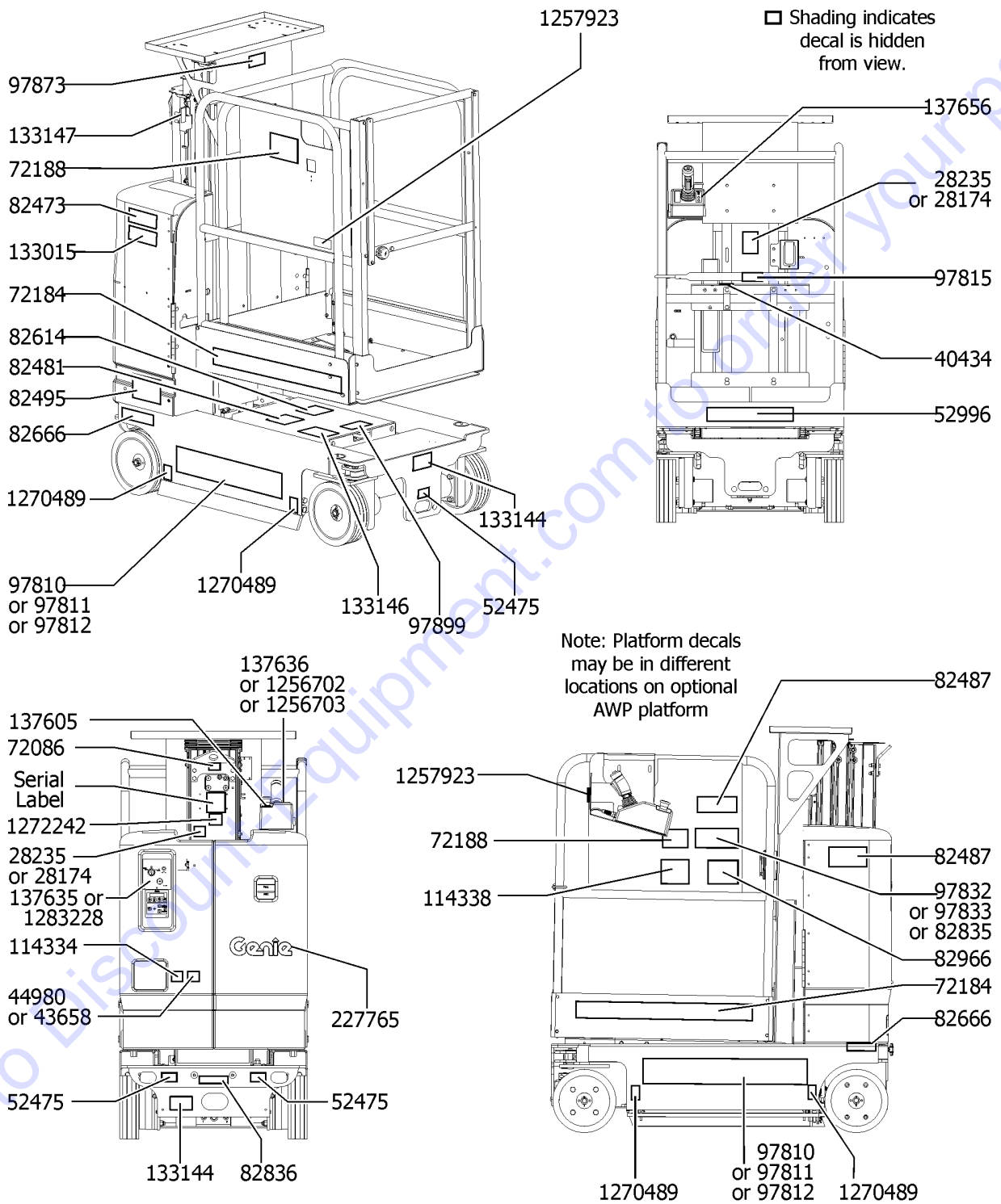


103.2 Decals with Symbols, Standard and AWP Platform; Asia and South America (to SN GRP-59999 and SN GRR-10000)

Item	Part No.	Description	Qty.
	220002GT	DECAL KIT,SAFETY/INSTR,SYM (models with 2 speed controller) (includes items 1-3, 6, 8, 9, 10-16, 18, 27-33 & 38) to SN 34999	
1	28174GT	DECAL,POWER TO PLATFORM 230V (option)	2
2	28235GT	DECAL,POWER TO PLATFORM 115V (option)	
3	40434GT	DECAL,LANYARD ANCHORAGE POINT	1
4	43658GT	DECAL,LABEL,PWR TO CHARGR 230V	1
5	44980GT	DECAL,LABEL,PWR TO CHARGER 115UK	
6	52475GT	DECAL LABEL TRANSPORT TIE DOWN*	3
7	52996GT	DECAL,COSMETIC,GENIE LOGO (models with narrow platform)	1
8	72086GT	DECAL,LABEL,LIFTING EYE	1
9	72184GT	DECAL,COSMETIC,GENIE RUNABOUT (models with standard or extension deck platform)	2
10	72188GT	DECAL,DIRECTIONAL ARROWS,GR	2
11	82473GT	DECAL,SYMBOL-COMP ACCESS	1
12	82481GT	DECAL,SYMBOL-BATTERY SAFETY	1
13	82487GT	DECAL,SYMBOL-READ THE MANUAL	2
14	82495GT	DECAL SYMBOL BRAKE REL SAFETY	1
15	82614GT	DECAL,DANGER,COLLISION HAZARD	1
16	82666GT	DECAL,LABEL,FORKLIFT POCKET	2
17	82835GT	DECAL,DANGR,159 KG CAP,STD PLT (models with narrow platform)	1
18	82836GT	LABEL,AUXILIARY LOWERING	1
19	82966GT	DECAL,SIDE FORCE,GR - ANSI,SYM (ANSI models)	1
22	97812GT	DECAL,COSMETIC,GENIE GR-20*** GR-20	1
23	97815GT	DECAL,LABEL,LOWER MIDRAIL	1
25	97873GT	DECAL-DANGER,MAX CAP-TRAY,SYM*	1
27	97899GT	DECAL,WARN,SAFETY CHOCK***	1
28	114334GT	DECAL SYMBOL ELECTRIC HAZARD PLUG	1
29	114338GT	DECAL,SYM-TIP-OVR,TILT ALARM	1
30	133015GT	DECAL,DANGER,ELEC.HAZ SYMB	1
31	133144GT	DECAL,LABEL-TRANSPORT DIGRAM	2



103.2 Decals with Symbols, Standard and AWP Platform; Asia and South America (to SN GRP-59999 and SN GRR-10000)



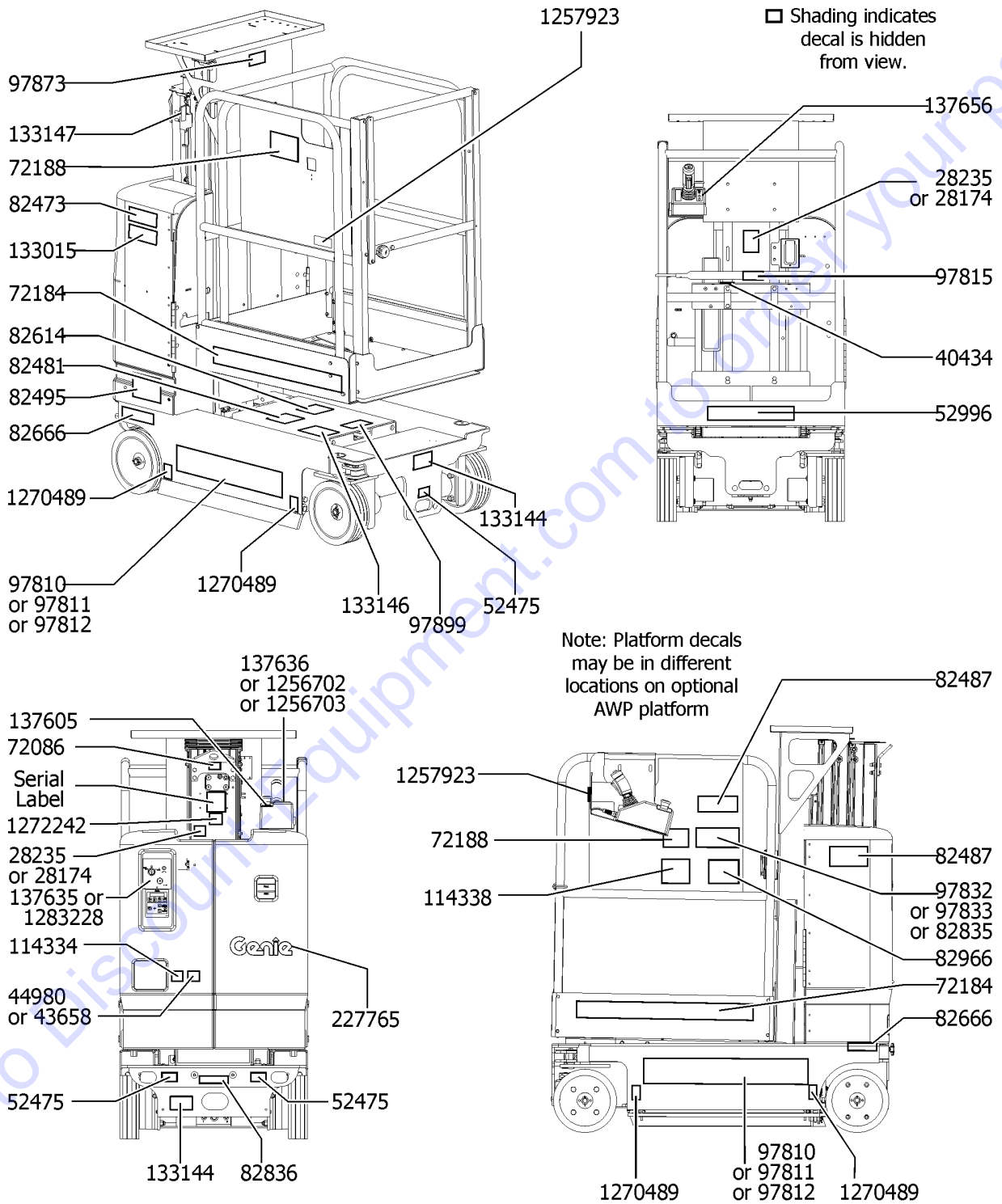
103.2 Decals with Symbols, Standard and AWP Platform; Asia and South America (to SN GRP-59999 and SN GRR-10000)

Item	Part No.	Description	Qty.
32	133146GT	DECAL,SYM-TIPOVER,BATTERIES,GR	1
33	133147GT	DECAL,SYM-TIPOVER,LIMIT SWITCH	1
34	137605GT	DECAL,E-STOP,GR/GRC/GS PCON	1
35	137635GT	E-STOP, GR/GRC/GS GCON	1
		to SN GRP-54305 and GRR-3283	
36	137636GT	DECAL, UI, GR/GRC/GS PCON	1
		(models with 2 speed lift controller) to SN 34999	
37	137656GT	DECAL,PROPEL,GR/GRC/GS,PCON	1
38	227765GT	DECAL,COSMETIC,GENIE,GR/QS	1
39	1256702GT	DECAL, UI, GS/GR, PROP LIFT	1
		(models with proportional speed controller) from SN 35000	
40	1256703GT	DECAL, STD, PROP LIFT, UI, SVC	1
		(models converted from 2 speed to proportional speed controller)	
41	1257923GT	DECAL, SMARTLINK PROPORTIONAL LIFT IDENTIFIER	2
		(models with proportional speed controller)	
42	1270489GT	DECAL,WHEEL LOAD,GR/GRC	4
43	1272242GT	DECAL,MACHINE REGISTRATION/OWNER TRANSFER	1
44	1283228GT	DECAL,GR GCON, TECH PRO	1
		from SN GRP-54306 and GRR-3284	

Go to Discount-Equipment.com to order your parts



103.3 Decals with Symbols, Standard and AWP Platform; Asia and South America (to SN GRP-59999 and SN GRR-10000)

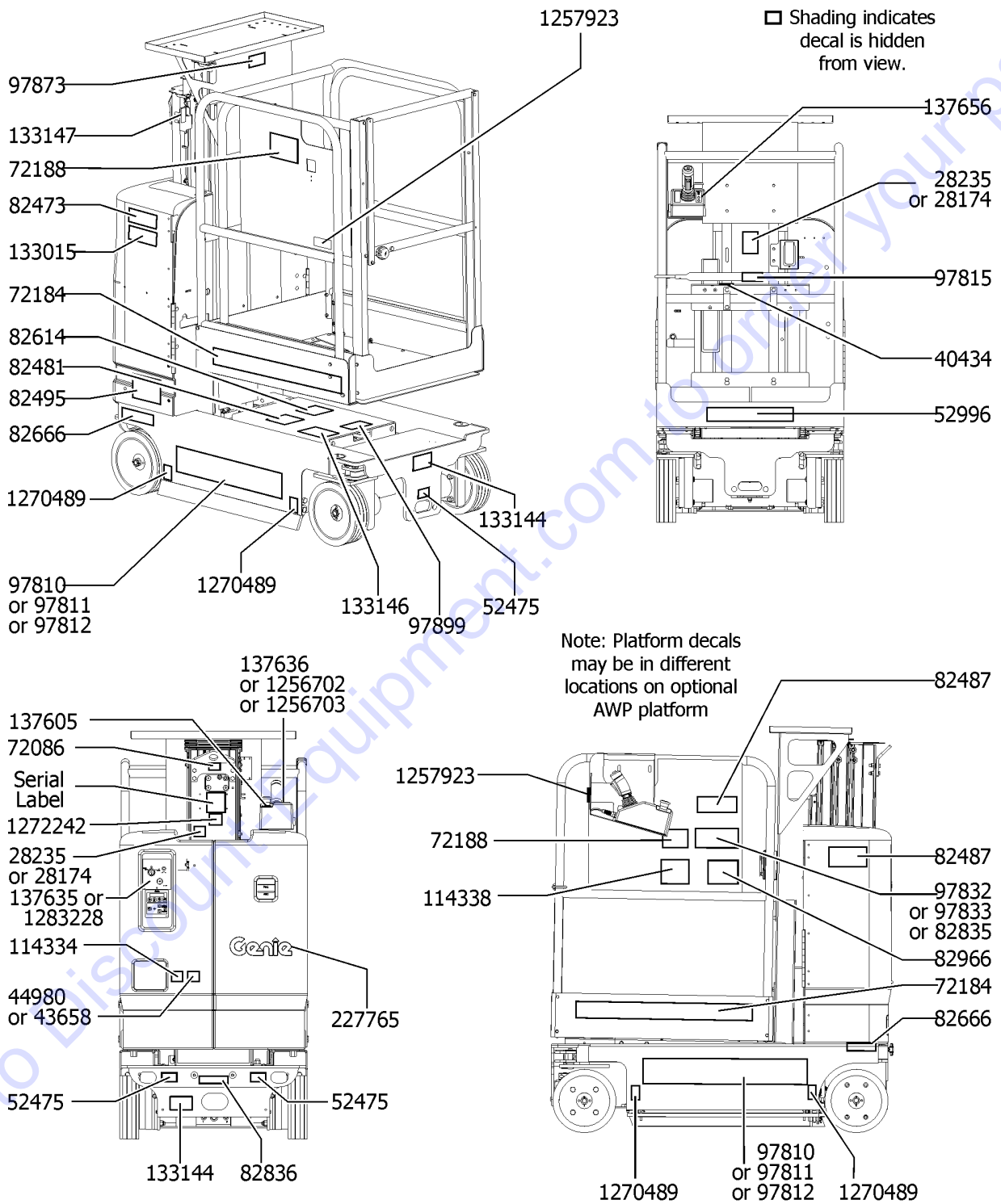


103.3 Decals with Symbols, Standard and AWP Platform; Asia and South America (to SN GRP-59999 and SN GRR-10000)

Item	Part No.	Description	Qty.
	220002GT	DECAL KIT,SAFETY/INSTR,SYM (models with 2 speed controller) (includes items 1-3, 6, 8, 9, 10-16, 18, 27-33 & 38) to SN 34999	
1	28174GT	DECAL,POWER TO PLATFORM 230V (option)	2
2	28235GT	DECAL,POWER TO PLATFORM 115V (option)	
3	40434GT	DECAL,LANYARD ANCHORAGE POINT	1
4	43658GT	DECAL,LABEL,PWR TO CHARGR 230V	1
5	44980GT	DECAL,LABEL,PWR TO CHARGER 115UK	
6	52475GT	DECAL LABEL TRANSPORT TIE DOWN*	3
7	52996GT	DECAL,COSMETIC,GENIE LOGO (models with narrow platform)	1
8	72086GT	DECAL,LABEL,LIFTING EYE	1
9	72184GT	DECAL,COSMETIC,GENIE RUNABOUT (models with standard or extension deck platform)	2
10	72188GT	DECAL,DIRECTIONAL ARROWS,GR	2
11	82473GT	DECAL,SYMBOL-COMP ACCESS	1
12	82481GT	DECAL,SYMBOL-BATTERY SAFETY	1
13	82487GT	DECAL,SYMBOL-READ THE MANUAL	2
14	82495GT	DECAL SYMBOL BRAKE REL SAFETY	1
15	82614GT	DECAL,DANGER,COLLISION HAZARD	1
16	82666GT	DECAL,LABEL,FORKLIFT POCKET	2
17	82835GT	DECAL,DANGR,159 KG CAP,STD PLT (models with narrow platform)	1
18	82836GT	LABEL,AUXILIARY LOWERING	1
19	82966GT	DECAL,SIDE FORCE,GR - ANSI,SYM (ANSI models)	1
21	97811GT	DECAL,COSMETIC,GENIE GR-15*** GR-15	2
23	97815GT	DECAL,LABEL,LOWER MIDRAIL	1
24	97832GT	DECAL-DANGER,MAX CAP-227 KG*** GR-12 & GR-15 (ANSI models with standard or extension deck platform)	1
26	97873GT	DECAL-DANGER,MAX CAP-TRAY,SYM* GR-12 & GR-15 (models with work station tray)	1
27	97899GT	DECAL,WARN,SAFETY CHOCK***	1
28	114334GT	DECAL SYMBOL ELECTRIC HAZARD PLUG	1
29	114338GT	DECAL,SYM-TIP-OVR,TILT ALARM	1
30	133015GT	DECAL,DANGER,ELEC.HAZ SYMB	1



103.3 Decals with Symbols, Standard and AWP Platform; Asia and South America (to SN GRP-59999 and SN GRR-10000)



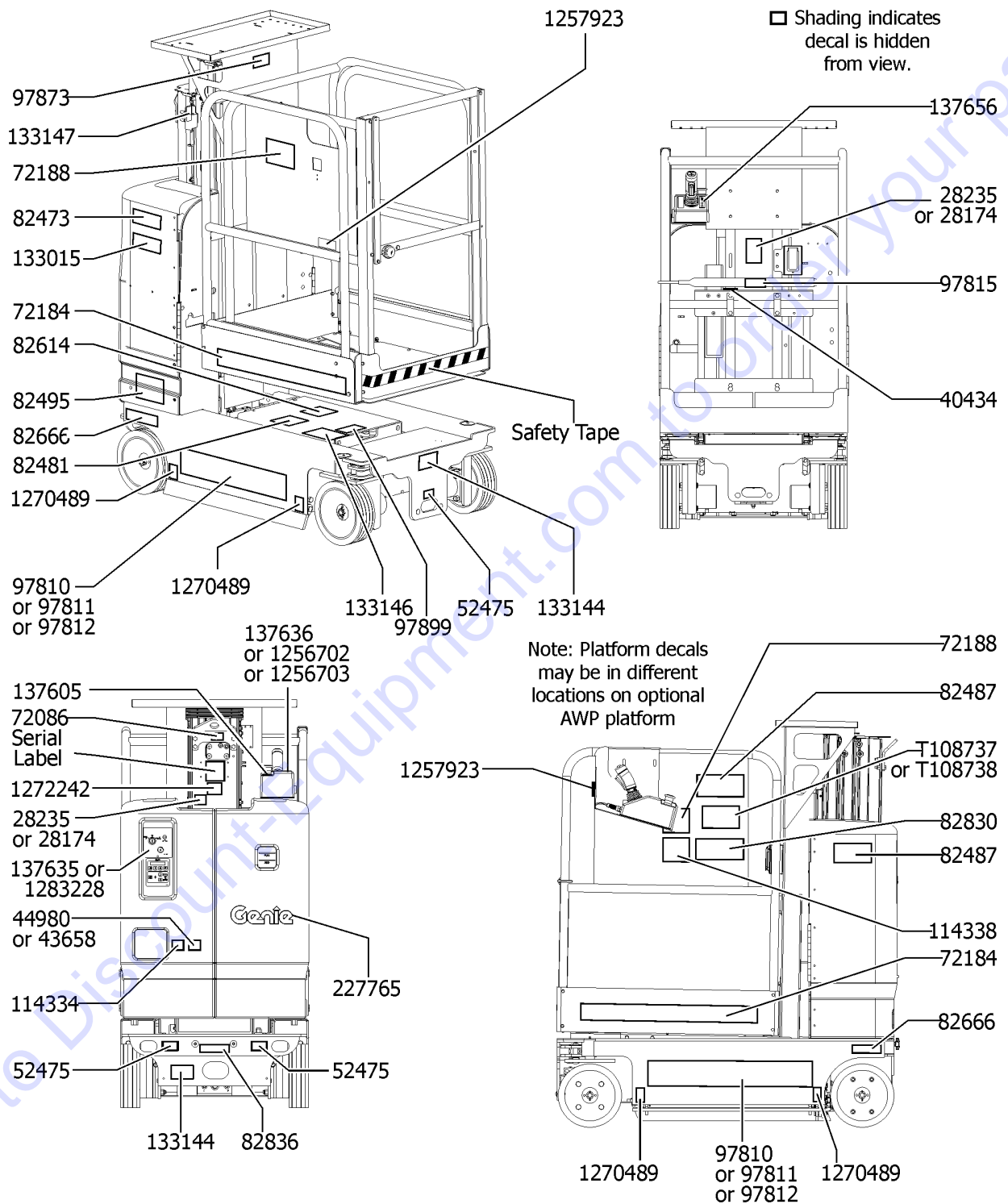
103.3 Decals with Symbols, Standard and AWP Platform; Asia and South America (to SN GRP-59999 and SN GRR-10000)

Item	Part No.	Description	Qty.
31	133144GT	DECAL,LABEL-TRANSPORT DIGRAM	2
32	133146GT	DECAL,SYM-TIPOVER,BATTERIES,GR	1
33	133147GT	DECAL,SYM-TIPOVER,LIMIT SWITCH	1
34	137605GT	DECAL,E-STOP,GR/GRC/GS PCON	1
35	137635GT	E-STOP, GR/GRC/GS GCON to SN GRP-54305 and GRR-3283	1
36	137636GT	DECAL, UI, GR/GRC/GS PCON (models with 2 speed lift controller) to SN 34999	1
37	137656GT	DECAL,PROPEL,GR/GRC/GS,PCON	1
38	227765GT	DECAL,COSMETIC,GENIE,GR/QS	1
39	1256702GT	DECAL, UI, GS/GR, PROP LIFT (models with proportional speed controller) from SN 35000	1
40	1256703GT	DECAL, STD, PROP LIFT, UI, SVC (models converted from 2 speed to proportional speed controller)	1
41	1257923GT	DECAL, SMARTLINK PROPORTIONAL LIFT IDENTIFIER (models with proportional speed controller)	2
42	1270489GT	DECAL,WHEEL LOAD,GR/GRC	4
43	1272242GT	DECAL,MACHINE REGISTRATION/OWNER TRANSFER	1
44	1283228GT	DECAL,GR GCON, TECH PRO from SN GRP-54306 and GRR-3284	1

Go to Discount-Equipment.com to order your parts



104.1 Decals with Symbols, Standard Platform; CE (to SN GRP-59999 and SN GRR-10000)

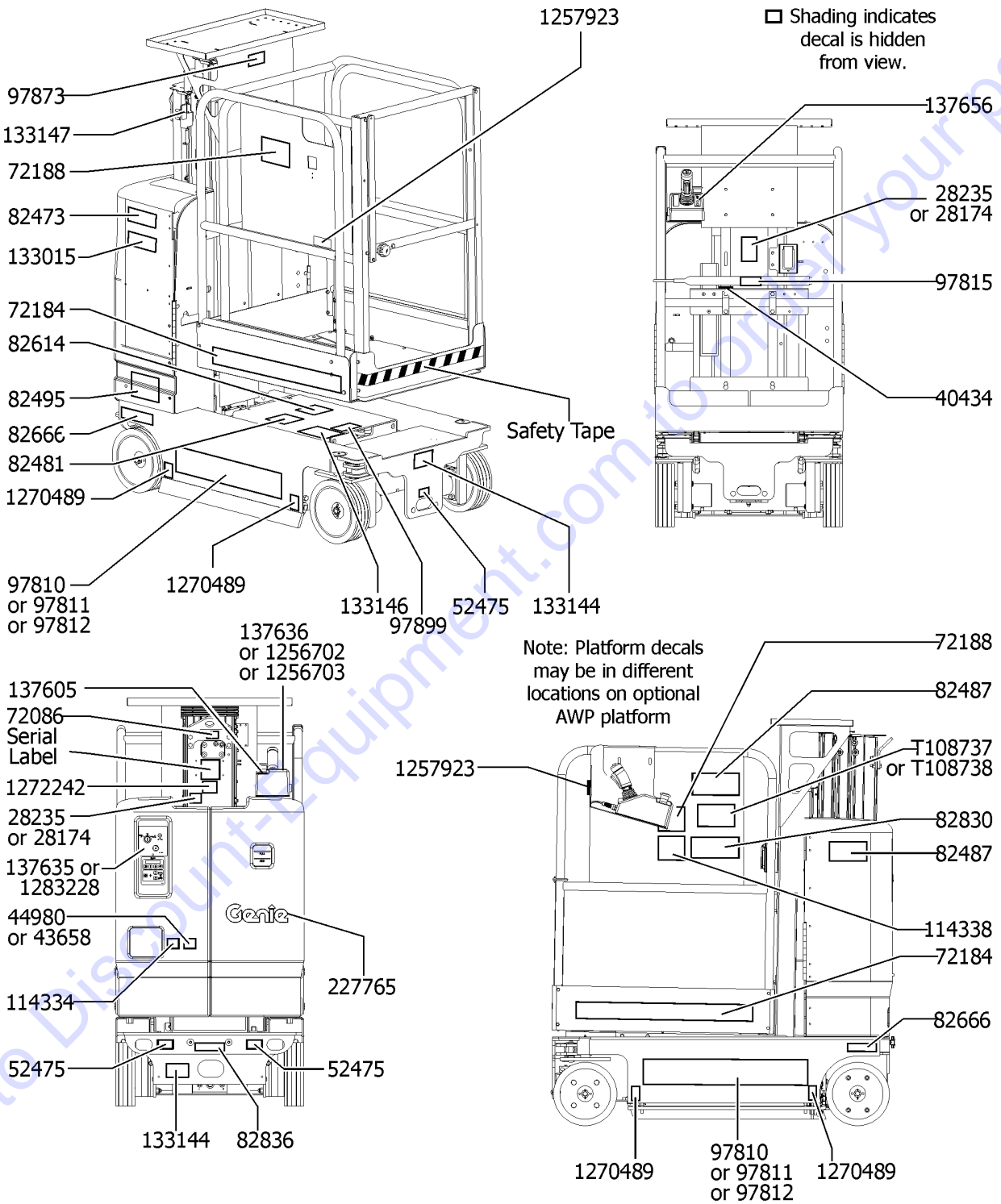


104.1 Decals with Symbols, Standard Platform; CE (to SN GRP-59999 and SN GRR-10000)

Item	Part No.	Description	Qty.
	220002GT	DECAL KIT,SAFETY/INSTR,SYM (models with 2 speed controller) (includes items 1-3, 6-15, 17, 23-29 & 34) to SN 34999	1
1	28174GT	DECAL,POWER TO PLATFORM 230V (option)	2
2	28235GT	DECAL,POWER TO PLATFORM 115V (option)	2
3	40434GT	DECAL,LANYARD ANCHORAGE POINT	1
4	43658GT	DECAL,LABEL,PWR TO CHARGR 230V	1
5	44980GT	DECAL,LABEL,PWR TO CHARGER 115UK	1
6	52475GT	DECAL LABEL TRANSPORT TIE DOWN*	3
7	72086GT	DECAL,LABEL,LIFTING EYE	1
8	72184GT	DECAL,COSMETIC,GENIE RUNABOUT (models with standard or extension deck platform)	2
9	72188GT	DECAL,DIRECTIONAL ARROWS,GR	2
10	82473GT	DECAL,SYMBOL-COMP ACCESS	1
11	82481GT	DECAL,SYMBOL-BATTERY SAFETY	1
12	82487GT	DECAL,SYMBOL-READ THE MANUAL	2
13	82495GT	DECAL SYMBOL BRAKE REL SAFETY	1
14	82614GT	DECAL,DANGER,COLLISION HAZARD	1
15	82666GT	DECAL,LABEL,FORKLIFT POCKET	2
16	82830GT	DECAL,DANGER,SIDE FORCE CE GR (CE models)	1
17	82836GT	LABEL,AUXILIARY LOWERING	1
18	97810GT	DECAL,COSMETIC,GENIE GR-12*** GR-12	2
21	97815GT	DECAL,LABEL,LOWER MIDRAIL	1
22	97873GT	DECAL-DANGER,MAX CAP-TRAY,SYM* GR-12 & GR-15 (models with work station tray)	1
23	97899GT	DECAL,WARN,SAFETY CHOCK***	1
24	114334GT	DECAL SYMBOL ELECTRIC HAZARD PLUG	1
25	114338GT	DECAL,SYM-TIP-OVR,TILT ALARM	1
26	133015GT	DECAL,DANGER,ELEC.HAZ SYMB	1
27	133144GT	DECAL,LABEL-TRANSPORT DIGRAM	2
28	133146GT	DECAL,SYM-TIPOVER,BATTERIES,GR	1
29	133147GT	DECAL,SYM-TIPOVER,LIMIT SWITCH	1



104.1 Decals with Symbols, Standard Platform; CE (to SN GRP-59999 and SN GRR-10000)



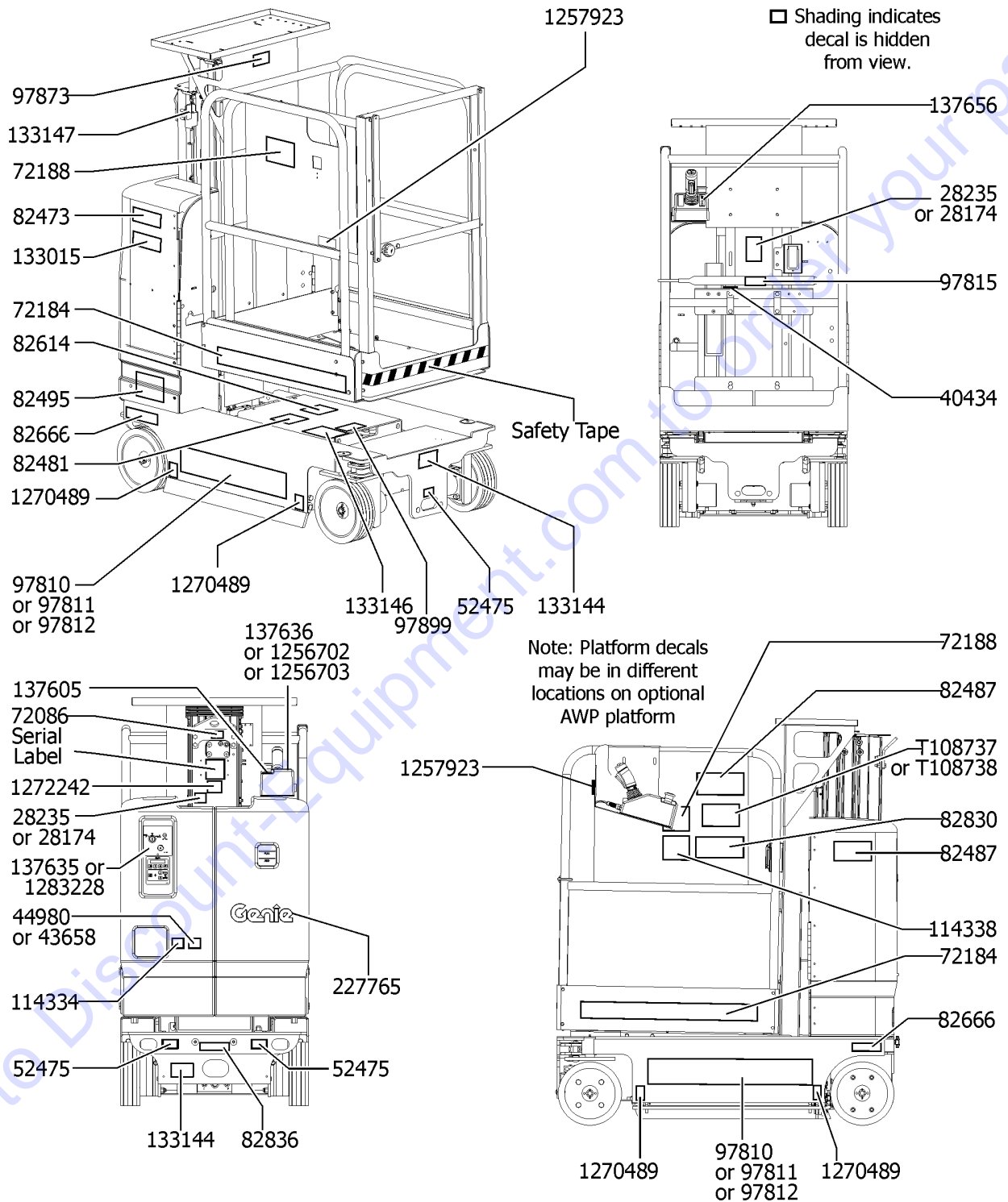
104.1 Decals with Symbols, Standard Platform; CE (to SN GRP-59999 and SN GRR-10000)

Item	Part No.	Description	Qty.
30	137605GT	DECAL,E-STOP,GR/GRC/GS PCON	1
31	137635GT	E-STOP, GR/GRC/GS GCON to SN GRP-54305 and GRR-3283	1
32	137636GT	DECAL, UI, GR/GRC/GS PCON (models with 2 speed controller) to SN 34999	1
33	137656GT	DECAL,PROPEL,GR/GRC/GS,PCON	1
34	227765GT	DECAL,COSMETIC,GENIE,GR/QS	1
35	1256702GT	DECAL, UI, GS/GR, PROP LIFT (models with proportional speed controller) from SN 35000	1
36	1256703GT	DECAL, STD, PROP LIFT, UI, SVC (models converted from 2 speed to proportional speed controller)	1
37	1257923GT	DECAL, SMARTLINK PROPORTIONAL LIFT IDENTIFIER (models with proportional speed controller)	2
38	1270489GT	DECAL,WHEEL LOAD,GR/GRC	4
39	1272242GT	DECAL,MACHINE REGISTRATION/OWNER TRANSFER	1
40	1283228GT	DECAL,GR GCON, TECH PRO from SN GRP-54306 and GRR-3284	1
41A	T108737GT	DECAL-DANGER,MAX CAP-227 KG GR-12 & GR-15 (Australia models with standard or extension deck platform)	1

Go to Discount-Equipment.com to order your parts



104.2 Decals with Symbols, Standard Platform; CE (to SN GRP-59999 and SN GRR-10000)

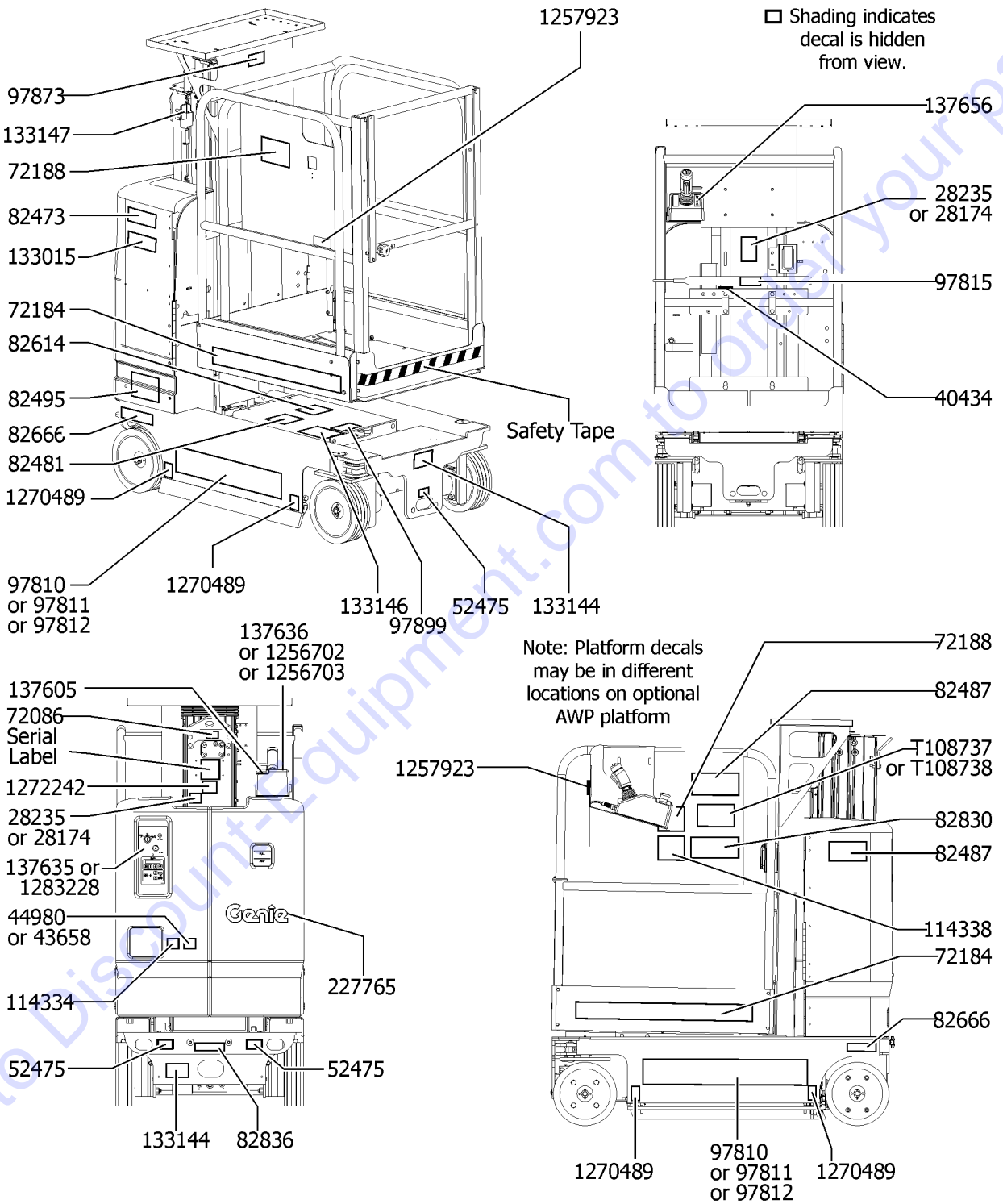


104.2 Decals with Symbols, Standard Platform; CE (to SN GRP-59999 and SN GRR-10000)

Item	Part No.	Description	Qty.
	220002GT	DECAL KIT,SAFETY/INSTR,SYM (models with 2 speed controller) (includes items 1-3, 6-15, 17, 23-29 & 34) to SN 34999	1
1	28174GT	DECAL,POWER TO PLATFORM 230V (option)	2
2	28235GT	DECAL,POWER TO PLATFORM 115V (option)	2
3	40434GT	DECAL,LANYARD ANCHORAGE POINT	1
4	43658GT	DECAL,LABEL,PWR TO CHARGR 230V	1
5	44980GT	DECAL,LABEL,PWR TO CHARGER 115UK	1
6	52475GT	DECAL LABEL TRANSPORT TIE DOWN*	3
7	72086GT	DECAL,LABEL,LIFTING EYE	1
8	72184GT	DECAL,COSMETIC,GENIE RUNABOUT (models with standard or extension deck platform)	2
9	72188GT	DECAL,DIRECTIONAL ARROWS,GR	2
10	82473GT	DECAL,SYMBOL-COMP ACCESS	1
11	82481GT	DECAL,SYMBOL-BATTERY SAFETY	1
12	82487GT	DECAL,SYMBOL-READ THE MANUAL	2
13	82495GT	DECAL SYMBOL BRAKE REL SAFETY	1
14	82614GT	DECAL,DANGER,COLLISION HAZARD	1
15	82666GT	DECAL,LABEL,FORKLIFT POCKET	2
16	82830GT	DECAL,DANGER,SIDE FORCE CE GR (CE models)	1
17	82836GT	LABEL,AUXILIARY LOWERING	1
20	97812GT	DECAL,COSMETIC,GENIE GR-20*** GR-20	2
21	97815GT	DECAL,LABEL,LOWER MIDRAIL	1
22	97873GT	DECAL-DANGER,MAX CAP-TRAY,SYM*	1
23	97899GT	DECAL,WARN,SAFETY CHOCK***	1
24	114334GT	DECAL SYMBOL ELECTRIC HAZARD PLUG	1
25	114338GT	DECAL,SYM-TIP-OVR,TILT ALARM	1
26	133015GT	DECAL,DANGER,ELEC.HAZ SYMB	1
27	133144GT	DECAL,LABEL-TRANSPORT DIGRAM	2
28	133146GT	DECAL,SYM-TIPOVER,BATTERIES,GR	1
29	133147GT	DECAL,SYM-TIPOVER,LIMIT SWITCH	1



104.2 Decals with Symbols, Standard Platform; CE (to SN GRP-59999 and SN GRR-10000)



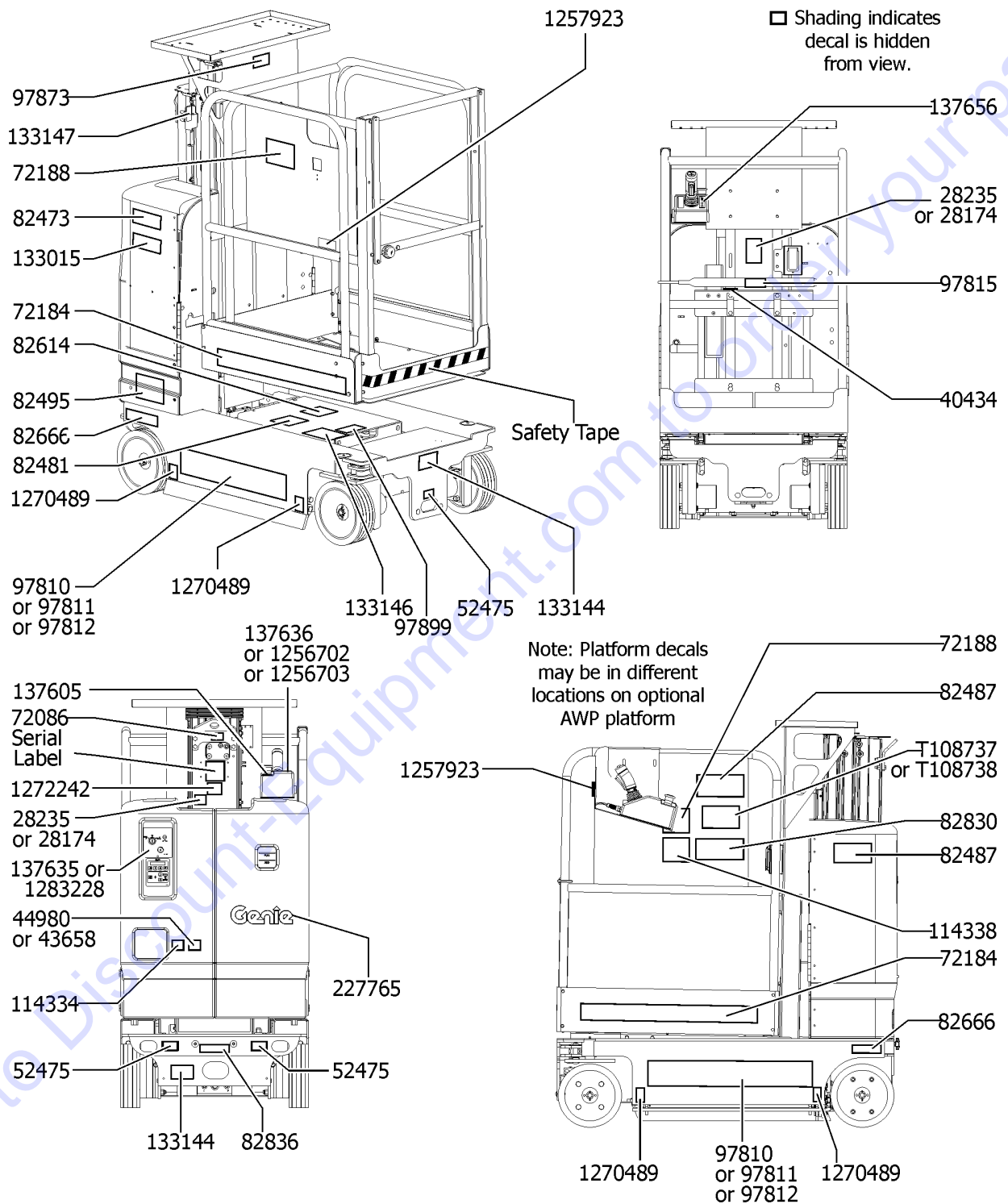
104.2 Decals with Symbols, Standard Platform; CE (to SN GRP-59999 and SN GRR-10000)

Item	Part No.	Description	Qty.
30	137605GT	DECAL,E-STOP,GR/GRC/GS PCON	1
31	137635GT	E-STOP, GR/GRC/GS GCON to SN GRP-54305 and GRR-3283	1
32	137636GT	DECAL, UI, GR/GRC/GS PCON (models with 2 speed controller) to SN 34999	1
33	137656GT	DECAL,PROPEL,GR/GRC/GS,PCON	1
34	227765GT	DECAL,COSMETIC,GENIE,GR/QS	1
35	1256702GT	DECAL, UI, GS/GR, PROP LIFT (models with proportional speed controller) from SN 35000	1
36	1256703GT	DECAL, STD, PROP LIFT, UI, SVC (models converted from 2 speed to proportional speed controller)	1
37	1257923GT	DECAL, SMARTLINK PROPORTIONAL LIFT IDENTIFIER (models with proportional speed controller)	2
38	1270489GT	DECAL,WHEEL LOAD,GR/GRC	4
39	1272242GT	DECAL,MACHINE REGISTRATION/OWNER TRANSFER	1
40	1283228GT	DECAL,GR GCON, TECH PRO from SN GRP-54306 and GRR-3284	1
41B	T108738GT	DECAL-DANGER,MAX CAP-159 KG GR-20 (Australia models with standard platform)	1

Go to Discount-Equipment.com to order your parts



104.3 Decals with Symbols, Standard Platform; CE (to SN GRP-59999 and SN GRR-10000)

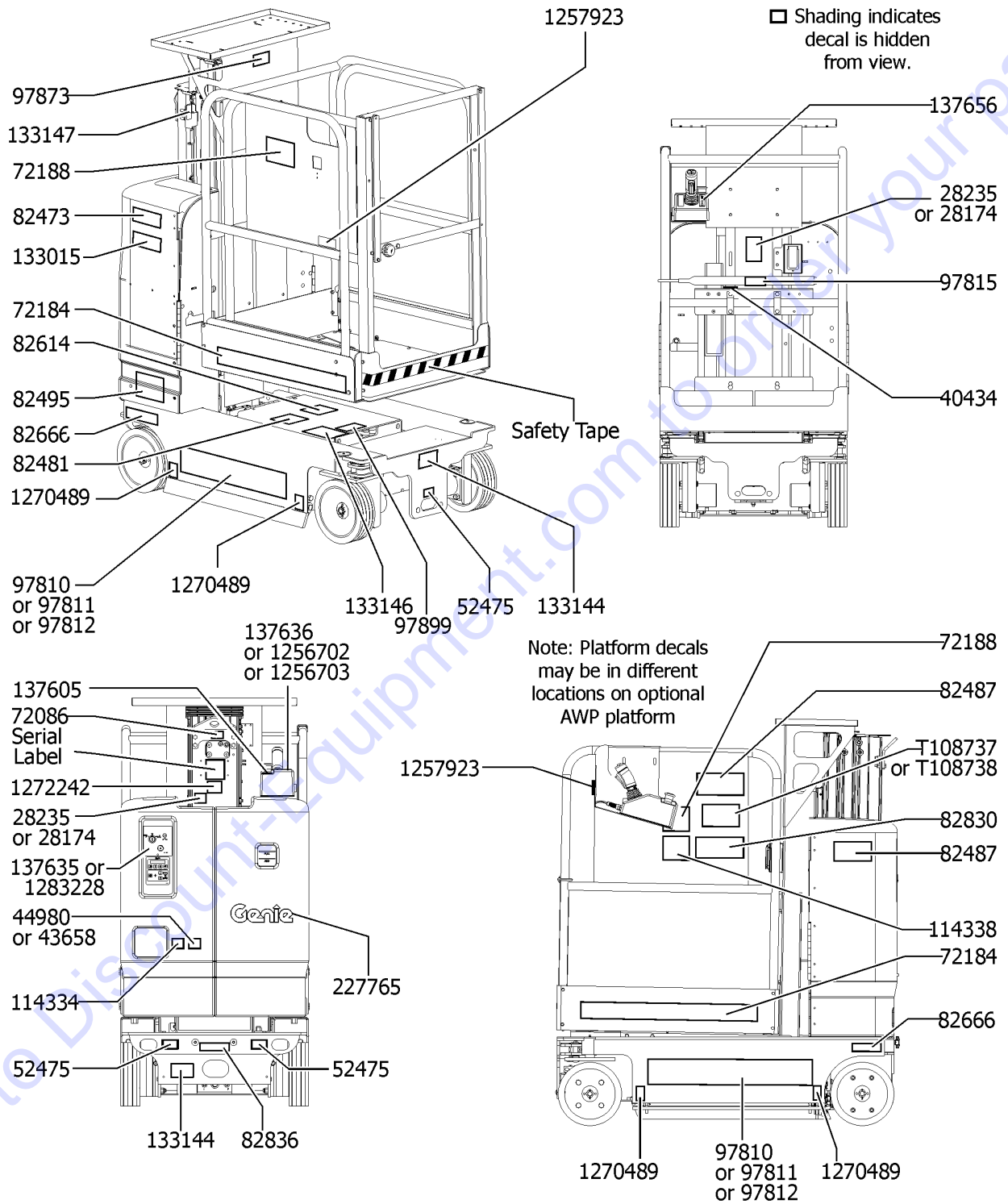


104.3 Decals with Symbols, Standard Platform; CE (to SN GRP-59999 and SN GRR-10000)

Item	Part No.	Description	Qty.
	220002GT	DECAL KIT,SAFETY/INSTR,SYM (models with 2 speed controller) (includes items 1-3, 6-15, 17, 23-29 & 34) to SN 34999	1
1	28174GT	DECAL,POWER TO PLATFORM 230V (option)	2
2	28235GT	DECAL,POWER TO PLATFORM 115V (option)	2
3	40434GT	DECAL,LANYARD ANCHORAGE POINT	1
4	43658GT	DECAL,LABEL,PWR TO CHARGR 230V	1
5	44980GT	DECAL,LABEL,PWR TO CHARGER 115UK	1
6	52475GT	DECAL LABEL TRANSPORT TIE DOWN*	3
7	72086GT	DECAL,LABEL,LIFTING EYE	1
8	72184GT	DECAL,COSMETIC,GENIE RUNABOUT (models with standard or extension deck platform)	2
9	72188GT	DECAL,DIRECTIONAL ARROWS,GR	2
10	82473GT	DECAL,SYMBOL-COMP ACCESS	1
11	82481GT	DECAL,SYMBOL-BATTERY SAFETY	1
12	82487GT	DECAL,SYMBOL-READ THE MANUAL	2
13	82495GT	DECAL SYMBOL BRAKE REL SAFETY	1
14	82614GT	DECAL,DANGER,COLLISION HAZARD	1
15	82666GT	DECAL,LABEL,FORKLIFT POCKET	2
16	82830GT	DECAL,DANGER,SIDE FORCE CE GR (CE models)	1
17	82836GT	LABEL,AUXILIARY LOWERING	1
19	97811GT	DECAL,COSMETIC,GENIE GR-15*** GR-15	2
21	97815GT	DECAL,LABEL,LOWER MIDRAIL	1
22	97873GT	DECAL-DANGER,MAX CAP-TRAY,SYM* GR-12 & GR-15 (models with work station tray)	1
23	97899GT	DECAL,WARN,SAFETY CHOCK***	1
24	114334GT	DECAL SYMBOL ELECTRIC HAZARD PLUG	1
25	114338GT	DECAL,SYM-TIP-OVR,TILT ALARM	1
26	133015GT	DECAL,DANGER,ELEC.HAZ SYMB	1
27	133144GT	DECAL,LABEL-TRANSPORT DIGRAM	2
28	133146GT	DECAL,SYM-TIPOVER,BATTERIES,GR	1
29	133147GT	DECAL,SYM-TIPOVER,LIMIT SWITCH	1



104.3 Decals with Symbols, Standard Platform; CE (to SN GRP-59999 and SN GRR-10000)



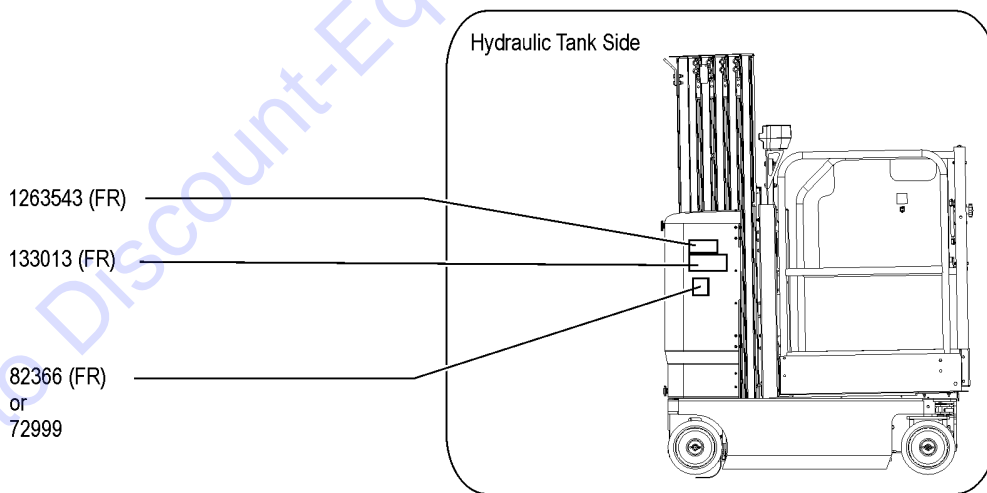
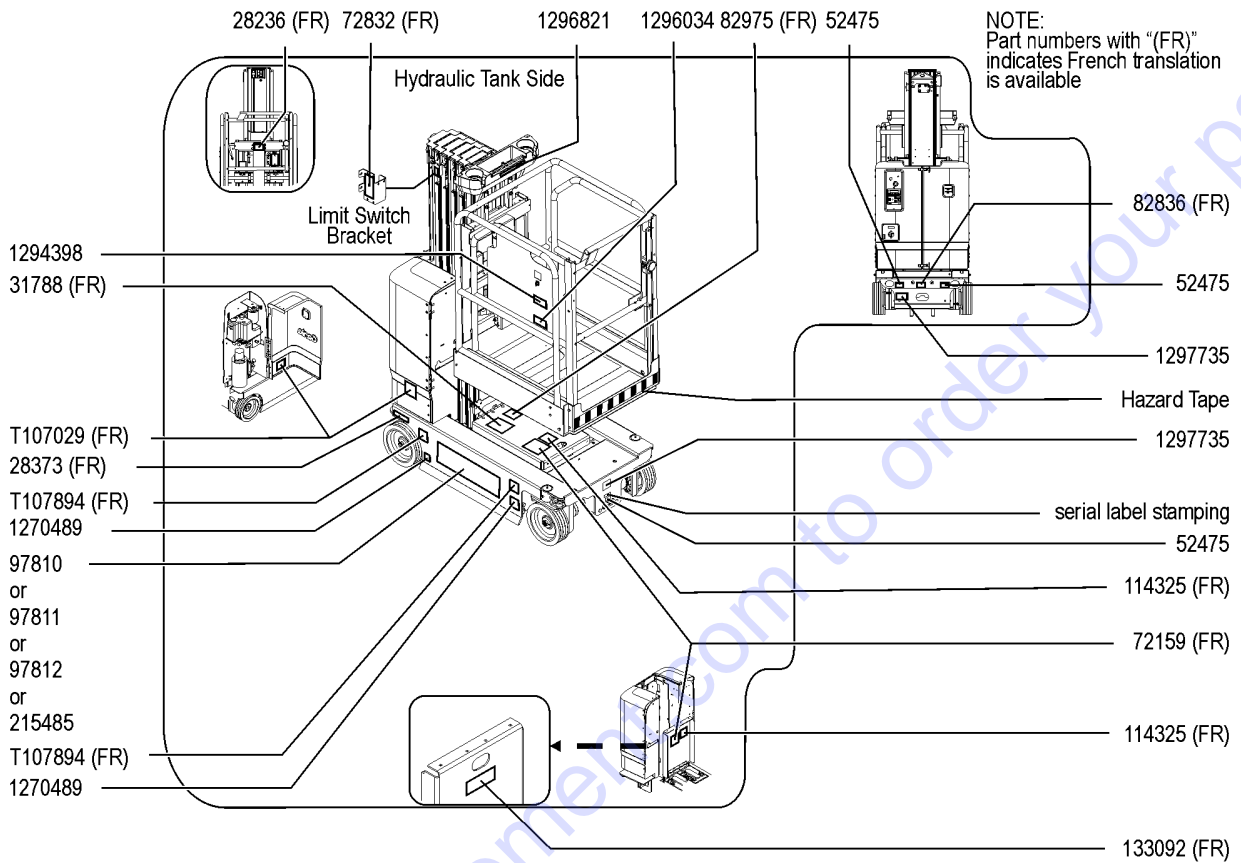
104.3 Decals with Symbols, Standard Platform; CE (to SN GRP-59999 and SN GRR-10000)

Item	Part No.	Description	Qty.
30	137605GT	DECAL,E-STOP,GR/GRC/GS PCON	1
31	137635GT	E-STOP, GR/GRC/GS GCON to SN GRP-54305 and GRR-3283	1
32	137636GT	DECAL, UI, GR/GRC/GS PCON (models with 2 speed controller) to SN 34999	1
33	137656GT	DECAL,PROPEL,GR/GRC/GS,PCON	1
34	227765GT	DECAL,COSMETIC,GENIE,GR/QS	1
35	1256702GT	DECAL, UI, GS/GR, PROP LIFT (models with proportional speed controller) from SN 35000	1
36	1256703GT	DECAL, STD, PROP LIFT, UI, SVC (models converted from 2 speed to proportional speed controller)	1
37	1257923GT	DECAL, SMARTLINK PROPORTIONAL LIFT IDENTIFIER (models with proportional speed controller)	2
38	1270489GT	DECAL,WHEEL LOAD,GR/GRC	4
39	1272242GT	DECAL,MACHINE REGISTRATION/OWNER TRANSFER	1
40	1283228GT	DECAL,GR GCON, TECH PRO from SN GRP-54306 and GRR-3284	1
41A	T108737GT	DECAL-DANGER,MAX CAP-227 KG GR-12 & GR-15 (Australia models with standard or extension deck platform)	1

Go to Discount-Equipment.com to order your parts



105.1 Decals with Word, Hydraulic Tank Side (from SN GRP-60000 and SN GRR-10001)

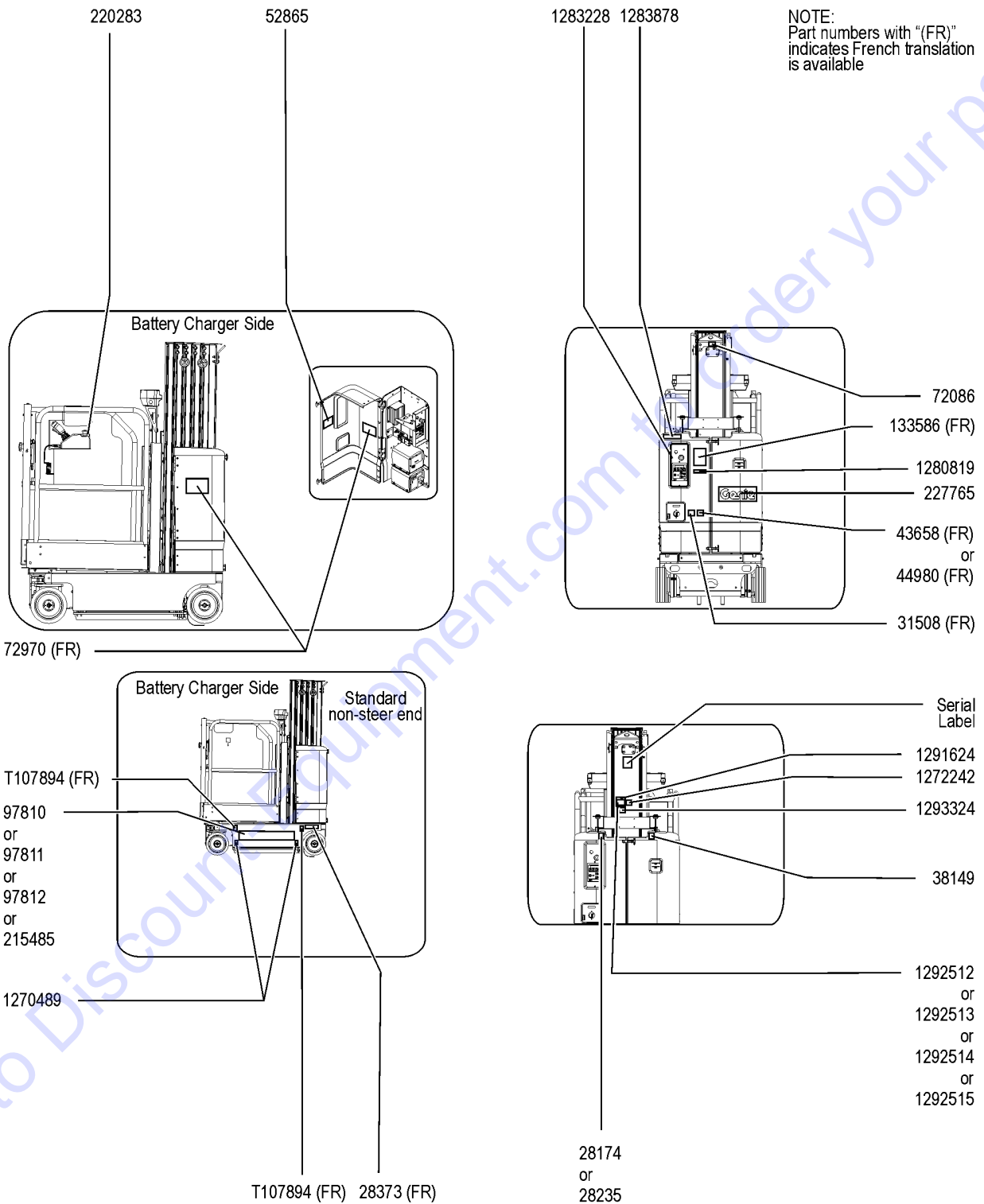


105.1 Decals with Word, Hydraulic Tank Side (from SN GRP-60000 and SN GRR-10001)

Item	Part No.	Description	Qty.
-	1305749GT	INSTRUCTIONS,INSTALL,COMP,WORD, GR	1
-	1305750GT	DECAL KIT, GR,COMP,WORD,ANSI & AUS	1
1	28236GT	DECAL,WARN,IMPROPER OPERATION	1
2	28373GT	DECAL,FORK LIFT POCKET	1
3	31788GT	DECAL,DANGER,BATTERY SAFETY***	1
4	52475GT	DECAL LABEL TRANSPORT TIE DOWN*	3
5	72159GT	DECAL,TIP-OVER,BATTERIES,GR	1
6	72832GT	DECAL,DANGER,DO NOT ALTER SWTC	1
7	72999GT	DECAL,LABEL,PETRO CANADA*** Option, hydraulic oil	1
8	82366GT	DECAL,LABEL-CHEVRON RANDO Option, hydraulic oil	1
9	82836GT	LABEL,AUXILIARY LOWERING	1
10	82975GT	DECAL,DANGER,COLLISION HAZARD	1
11	97810GT	DECAL,COSMETIC,GENIE GR-12*** GR-12	1
12	97811GT	DECAL,COSMETIC,GENIE GR-15*** GR-15	1
13	97812GT	DECAL,COSMETIC,GENIE GR-20*** GR-20	1
14	114325GT	DECAL,BATTERY CONN DIAG,GR	1
15	133013GT	DECAL,DANGER,ELECTROCUTION,GR	1
16	133092GT	DECAL,CRUSH HAZARD,USE SAFETY	1
17	215485GT	DECAL, COSMETIC, BLK GR-20 GR-20	1
18	1263543GT	DECAL,WARNING-COMPART ACCESS	1
19	1270489GT	DECAL,WHEEL LOAD,GR/GRC	2
20	1294398GT	NEW ANSI CHECK MASK	1
21	1296034GT	DECAL, SMARTLINK, DUAL ZONE	1
22	1296821GT	DECAL, WARNING, TOOL TRAY	1
23	1297735GT	DECAL,LABEL-TRANSPORT DIAGRAM,GR	2
24	T107029GT	DECAL DANGER BRAKE REL SAFETY	1
25	T107894GT	DECAL,LABEL,TIRE SPEC,GR/GRC	2



106.1 Decals with Word, Battery Charger Side (from SN GRP-60000 and SN GRR-10001)

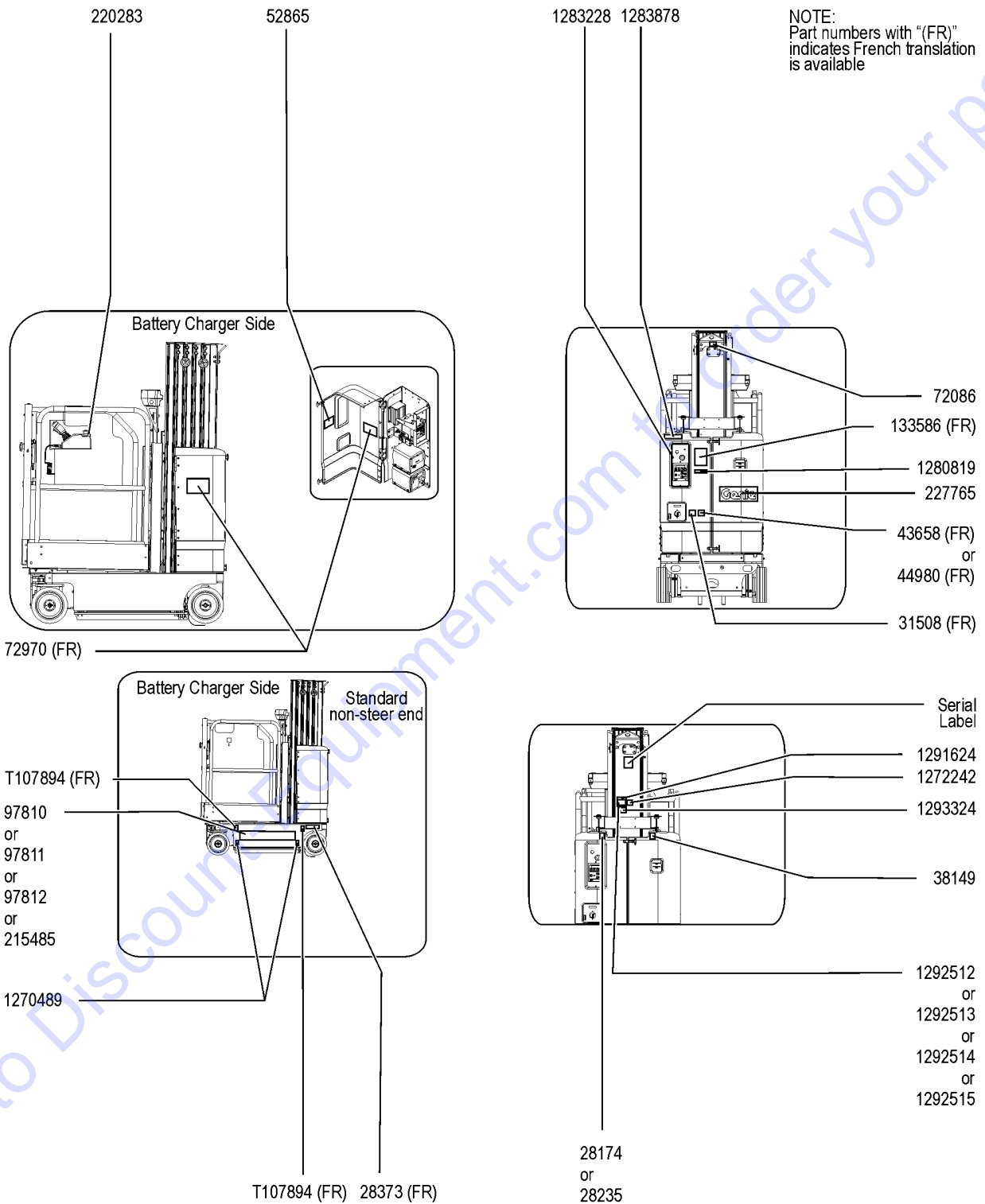


106.1 Decals with Word, Battery Charger Side (from SN GRP-60000 and SN GRR-10001)

Item	Part No.	Description	Qty.
1	28174GT	DECAL,POWER TO PLATFORM 230V	1
2	28235GT	DECAL,POWER TO PLATFORM 115V	1
3	28373GT	DECAL,FORK LIFT POCKET	1
4	31508GT	DECAL,DANGER,ELECT HAZARD,PLUG	1
5	38149GT	DECAL,LABEL,PATENTS US Only	1
6	43658GT	DECAL,LABEL,PWR TO CHARGR 230V Option, power to charger	1
7	44980GT	DECAL,LABEL,PWR TO CHARGER 115UK Option, power to charger	1
8	52865GT	DECAL,ANNUAL INSP***	1
9	72086GT	DECAL,LABEL,LIFTING EYE	1
10	72970GT	DECAL,INSTRUCTIONS-CHARGER OP	1
11	97810GT	DECAL,COSMETIC,GENIE GR-12*** GR-12	1
12	97811GT	DECAL,COSMETIC,GENIE GR-15*** GR-15	1
13	97812GT	DECAL,COSMETIC,GENIE GR-20*** GR-20	1
14	133586GT	DECAL,INSTRUCTIONS-OPER,GCP	1
15	215485GT	DECAL, COSMETIC, BLK GR-20 GR-20	1
16	220283GT	TAG,WARNING,UNAUTH USE	1
17	227765GT	DECAL,COSMETIC,GENIE,GR/QS	1
18	1270489GT	DECAL,WHEEL LOAD,GR/GRC	1
19	1272242GT	DECAL,MACHINE REGISTRATION/OWNER TRANSFER	1
20	1280819GT	DECAL,WARNING,CANCER AND REPRODUCTIVE HARM, PROP 65	1
21	1283228GT	DECAL,GR GCON, TECH PRO	1
22	1283878GT	DECAL,TECH PRO LINK	1
23	1291624GT	DECAL COSM,GENIE UFT,CONNECT LEXAN COVER	1
24	1292512GT	DECAL COSM,GENIE LIFT CONNECT,ESN,SKU4-1	1
25	1292513GT	DECAL COSM,GENIE LIFT CONNECT,ESN,SKU4-2	1
26	1292514GT	DECAL COSM,GENIE LIFT CONNECT,ESN,SKU4-3	1
27	1292515GT	DECAL COSM,GENIE LIFT CONNECT,ESN,SKU4-4	1
28	1293324GT	DECAL,ICES-2/CAN-2 COMPLIANCE	1



106.1 Decals with Word, Battery Charger Side (from SN GRP-60000 and SN GRR-10001)



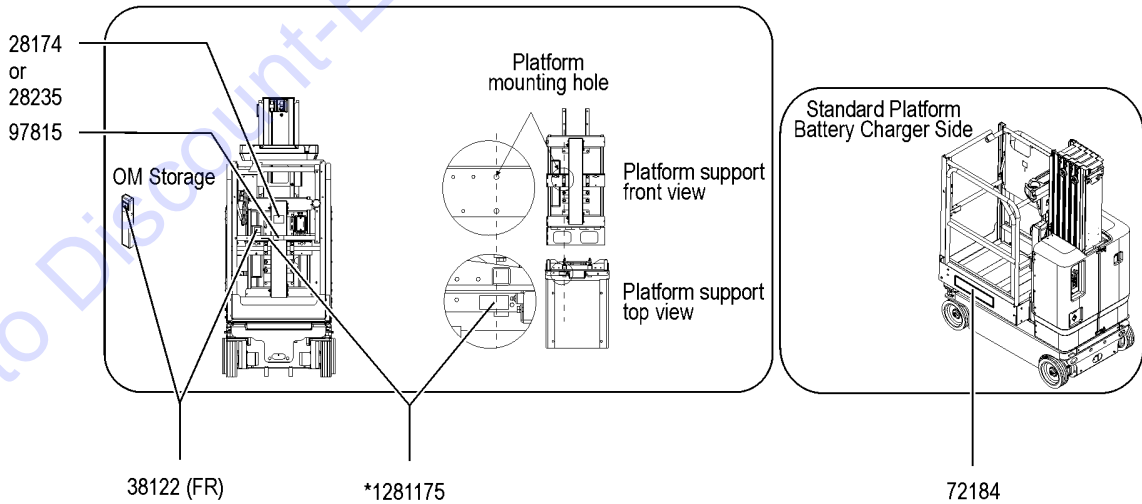
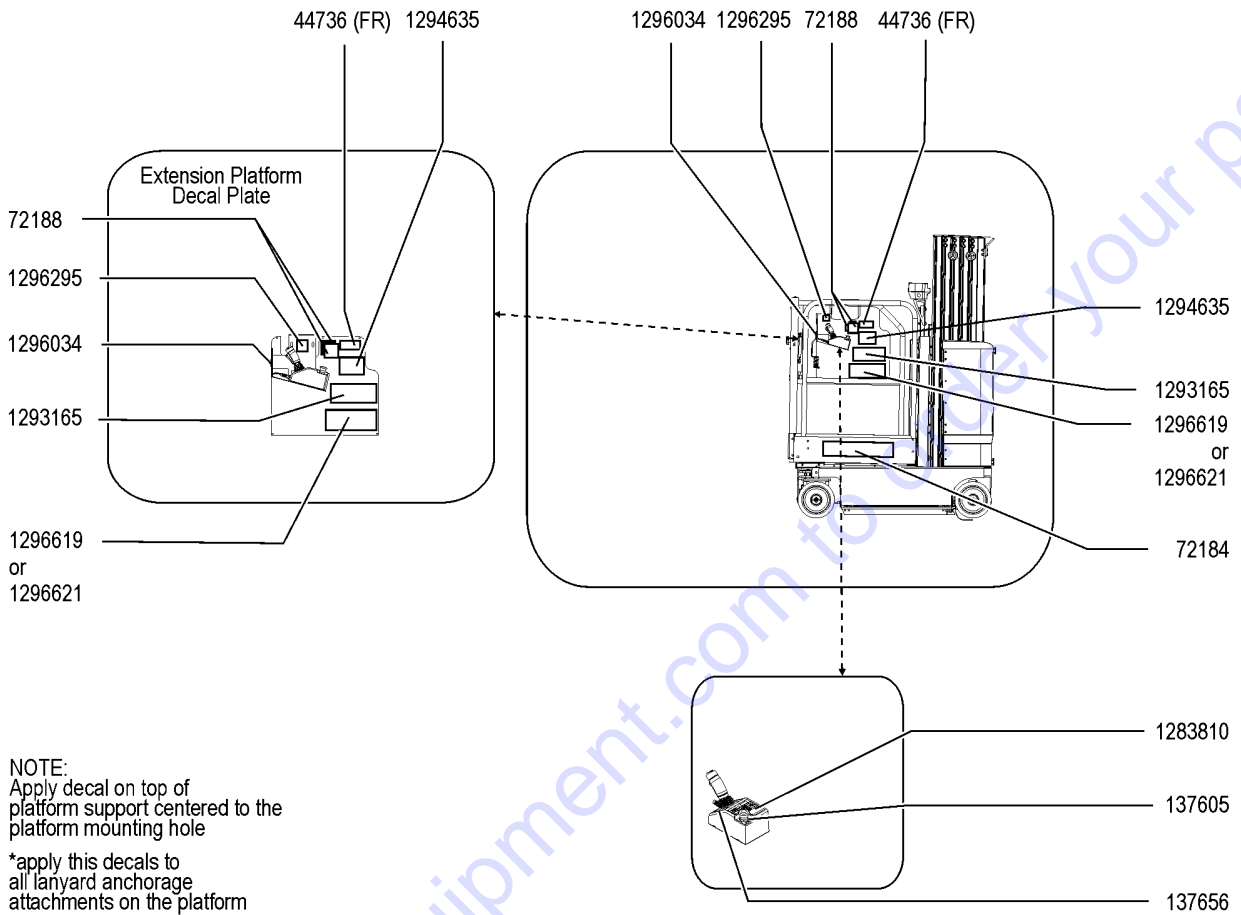
106.1 Decals with Word, Battery Charger Side (from SN GRP-60000 and SN GRR-10001)

<i>Item</i>	<i>Part No.</i>	<i>Description</i>	<i>Qty.</i>
29	T107894GT	DECAL,LABEL,TIRE SPEC,GR/GRC	2

Go to Discount-Equipment.com to order your parts



107.1 Decals with Word, Platform (from SN GRP-60000 and SN GRR-10001)

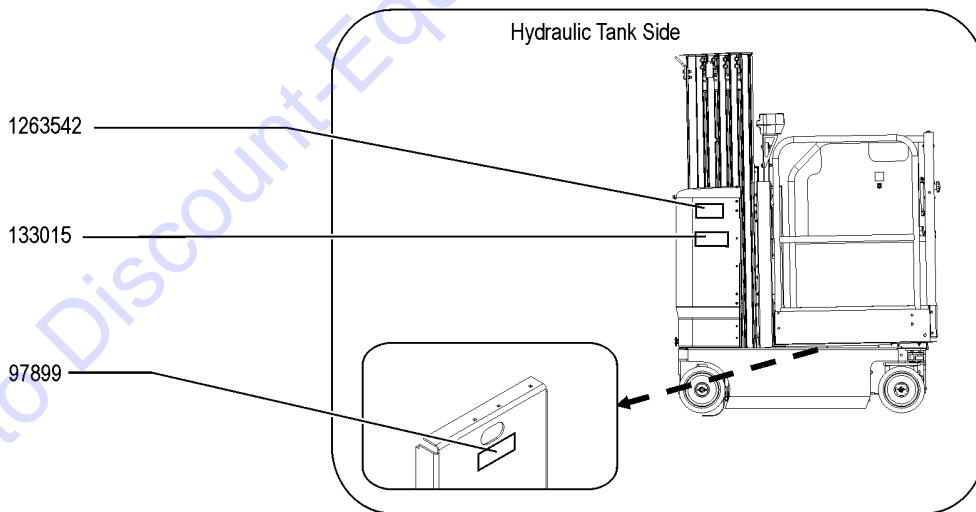
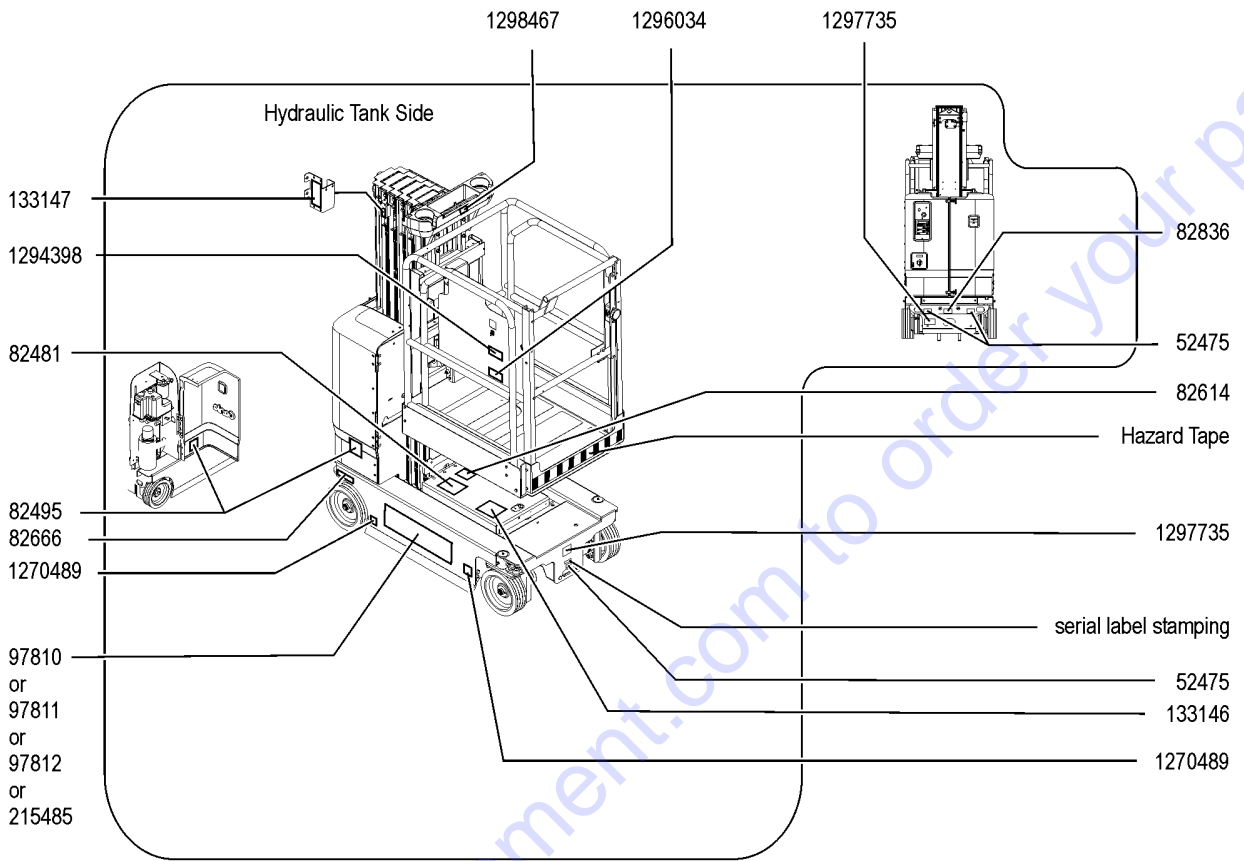


107.1 Decals with Word, Platform (from SN GRP-60000 and SN GRR-10001)

Item	Part No.	Description	Qty.
-	1305751GT	INSTRUCTIONS,INSTALL,PLAT,WORD, GR	1
-	1305752GT	DECAL KIT, GR,PLAT,WORD,ANSI & AUS	1
1	28174GT	DECAL,POWER TO PLATFORM 230V	1
2	28235GT	DECAL,POWER TO PLATFORM 115V	1
3	38122GT	DECAL,LABEL, OM STORAGE	1
4	44736GT	DECAL,DANGER,TIP-OVER,TILT	1
5	72184GT	DECAL,COSMETIC,GENIE RUNABOUT	2
6	72188GT	DECAL,DIRECTIONAL ARROWS,GR	2
7	97815GT	DECAL,LABEL,LOWER MIDRAIL	1
8	137605GT	DECAL,E-STOP,GR/GRC/GS PCON	1
9	137656GT	DECAL,PROPEL,GR/GRC/GS,PCON	1
10	1281175GT	DECAL,LANYARD,FALL RESTRAINED	1
11	1283810GT	DECAL,STD,DUAL ZONE,GR/GS,UI	1
12	1293165GT	DECAL,DANGER/WARNING COMBO,GS-1330m	1
13	1294635GT	DECAL,PLATFORM OVERLOAD LED INDICATOR LIGHT	1
14	1296034GT	DECAL, SMARTLINK, DUAL ZONE	1
15	1296295GT	DECAL,LABEL,FAULT CODES	1
16	1296619GT	DECAL, DANGER, MAX CAPACITY 350LBS, SIDE FORCE 45LBS	1
		GR-20	
17	1296621GT	DECAL, DANGER, MAX CAPACITY 500LBS, SIDE FORCE 45LBS	1
		GR-12, 15	



108.1 Decals with Symbol, Hydraulic Tank Side (from SN GRP-60000 and SN GRR-10001)

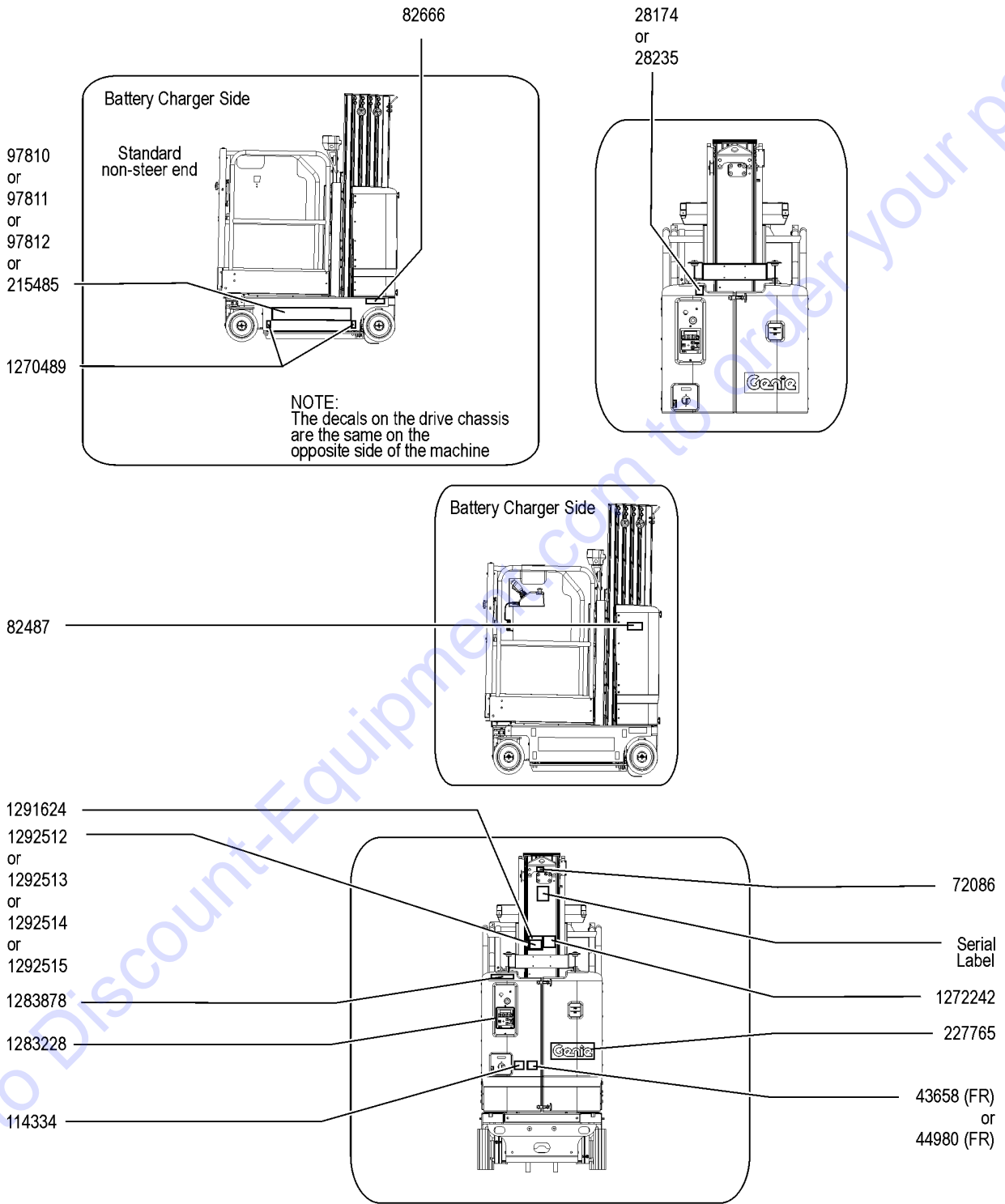


108.1 Decals with Symbol, Hydraulic Tank Side (from SN GRP-60000 and SN GRR-10001)

Item	Part No.	Description	Qty.
-	1305753GT	INSTRUCTIONS,INSTALL,COMP,SYMBOL, GR	1
-	1305754GT	DECAL KIT, GR,COMP,SYMBOL,ANSI & CE	1
1	52475GT	DECAL LABEL TRANSPORT TIE DOWN*	3
2	82481GT	DECAL,SYMBOL-BATTERY SAFETY	1
3	82495GT	DECAL SYMBOL BRAKE REL SAFETY	1
4	82614GT	DECAL,DANGER,COLLISION HAZARD	1
5	82666GT	DECAL,LABEL,FORKLIFT POCKET	1
6	82836GT	LABEL,AUXILIARY LOWERING	1
7	97810GT	DECAL,COSMETIC,GENIE GR-12*** GR-12	1
8	97811GT	DECAL,COSMETIC,GENIE GR-15*** GR-15	1
9	97812GT	DECAL,COSMETIC,GENIE GR-20*** GR-20	1
10	97899GT	DECAL,WARN,SAFETY CHOCK***	1
11	133015GT	DECAL,DANGER,ELEC.HAZ SYMB	1
12	133146GT	DECAL,SYM-TIPOVER,BATTERIES,GR	1
13	133147GT	DECAL,SYM-TIPOVER,LIMIT SWITCH	1
14	215485GT	DECAL, COSMETIC, BLK GR-20 GR-20	1
15	1263542GT	DECAL,SYMBOL-COMP ACCESS	2
16	1270489GT	DECAL,WHEEL LOAD,GR/GRC	1
17	1294398GT	NEW ANSI CHECK MASK	1
18	1296034GT	DECAL, SMARTLINK, DUAL ZONE	1
19	1297735GT	DECAL,LABEL-TRANSPORT DIAGRAM,GR	2
20	1298467GT	DECAL, SYMBOL, READ THE MANUAL, 2.38x1.25	1



109.1 Decals with Symbol, Battery Charger Side (from SN GRP-60000 and SN GRR-10001)

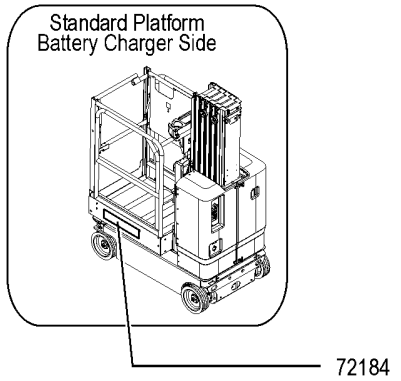
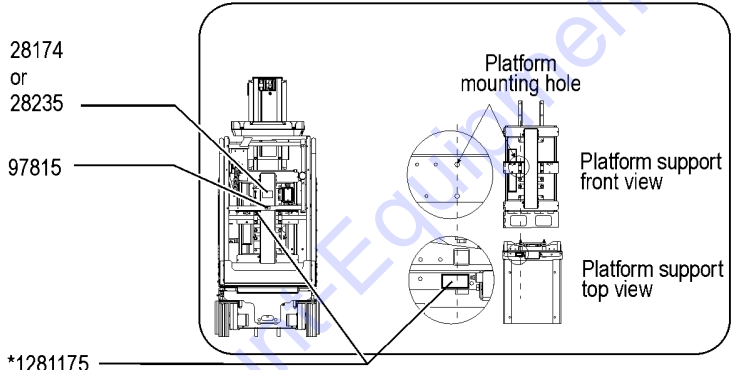
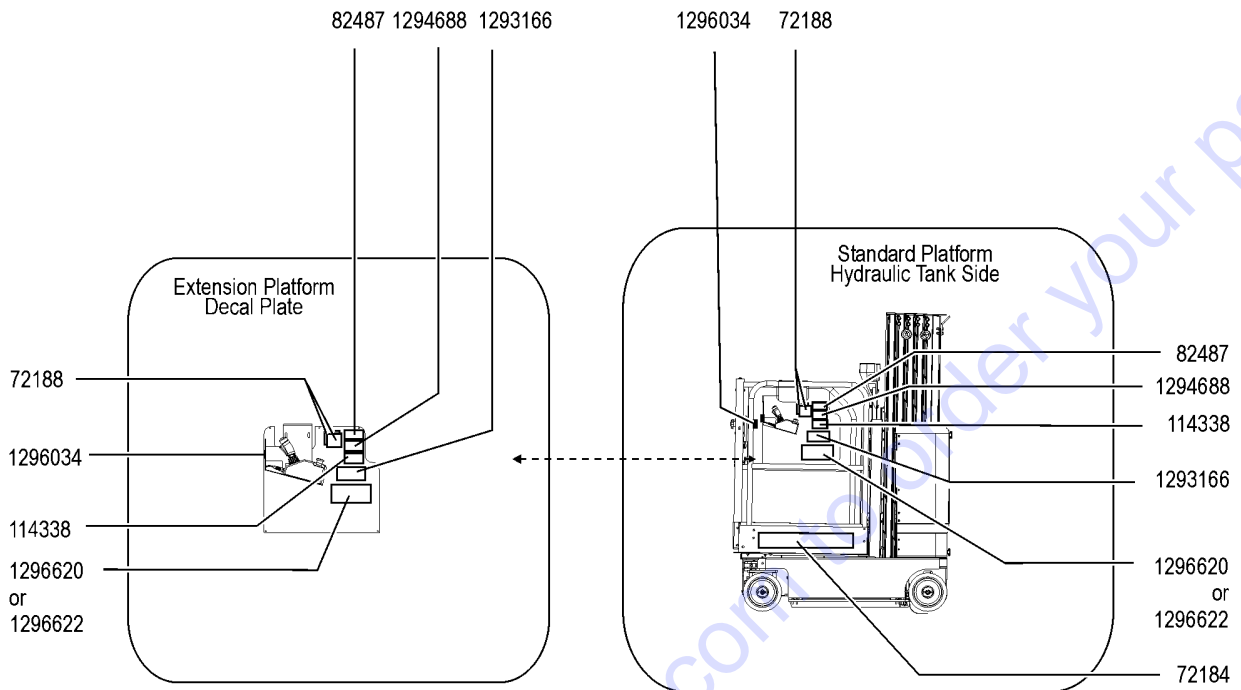


109.1 Decals with Symbol, Battery Charger Side (from SN GRP-60000 and SN GRR-10001)

Item	Part No.	Description	Qty.
1	28174GT	DECAL,POWER TO PLATFORM 230V	1
2	28235GT	DECAL,POWER TO PLATFORM 115V	1
3	43658GT	DECAL,LABEL,PWR TO CHARGR 230V Option, power to charger	1
4	44980GT	DECAL,LABEL,PWR TO CHARGER 115UK Option, power to charger	1
5	72086GT	DECAL,LABEL,LIFTING EYE	1
6	82487GT	DECAL,SYMBOL-READ THE MANUAL	1
7	82666GT	DECAL,LABEL,FORKLIFT POCKET	1
8	97810GT	DECAL,COSMETIC,GENIE GR-12*** GR-12	1
9	97811GT	DECAL,COSMETIC,GENIE GR-15*** GR-15	1
10	97812GT	DECAL,COSMETIC,GENIE GR-20*** GR-20	1
11	114334GT	DECAL SYMBOL ELECTRIC HAZARD PLUG	1
12	215485GT	DECAL, COSMETIC, BLK GR-20 GR-20	1
13	227765GT	DECAL,COSMETIC,GENIE,GR/QS	1
14	1270489GT	DECAL,WHEEL LOAD,GR/GRC	2
15	1272242GT	DECAL,MACHINE REGISTRATION/OWNER TRANSFER	1
16	1283228GT	DECAL,GR GCON, TECH PRO	1
17	1283878GT	DECAL,TECH PRO LINK	1
18	1291624GT	DECAL COSM,GENIE UFT,CONNECT LEXAN COVER	1
19	1292512GT	DECAL COSM,GENIE LIFT CONNECT,ESN,SKU4-1	1
20	1292513GT	DECAL COSM,GENIE LIFT CONNECT,ESN,SKU4-2	1
21	1292514GT	DECAL COSM,GENIE LIFT CONNECT,ESN,SKU4-3	1
22	1292515GT	DECAL COSM,GENIE LIFT CONNECT,ESN,SKU4-4	1

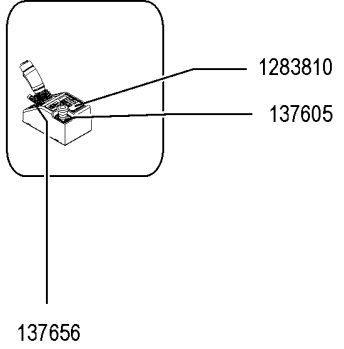


110.1 Decals with Symbol, Platform (from SN GRP-60000 and SN GRR-10001)



NOTE:
*apply this decals to all lanyard anchorage attachments on the platform

NOTE:
Apply decals on top of platform support centered to the platform mounting hole



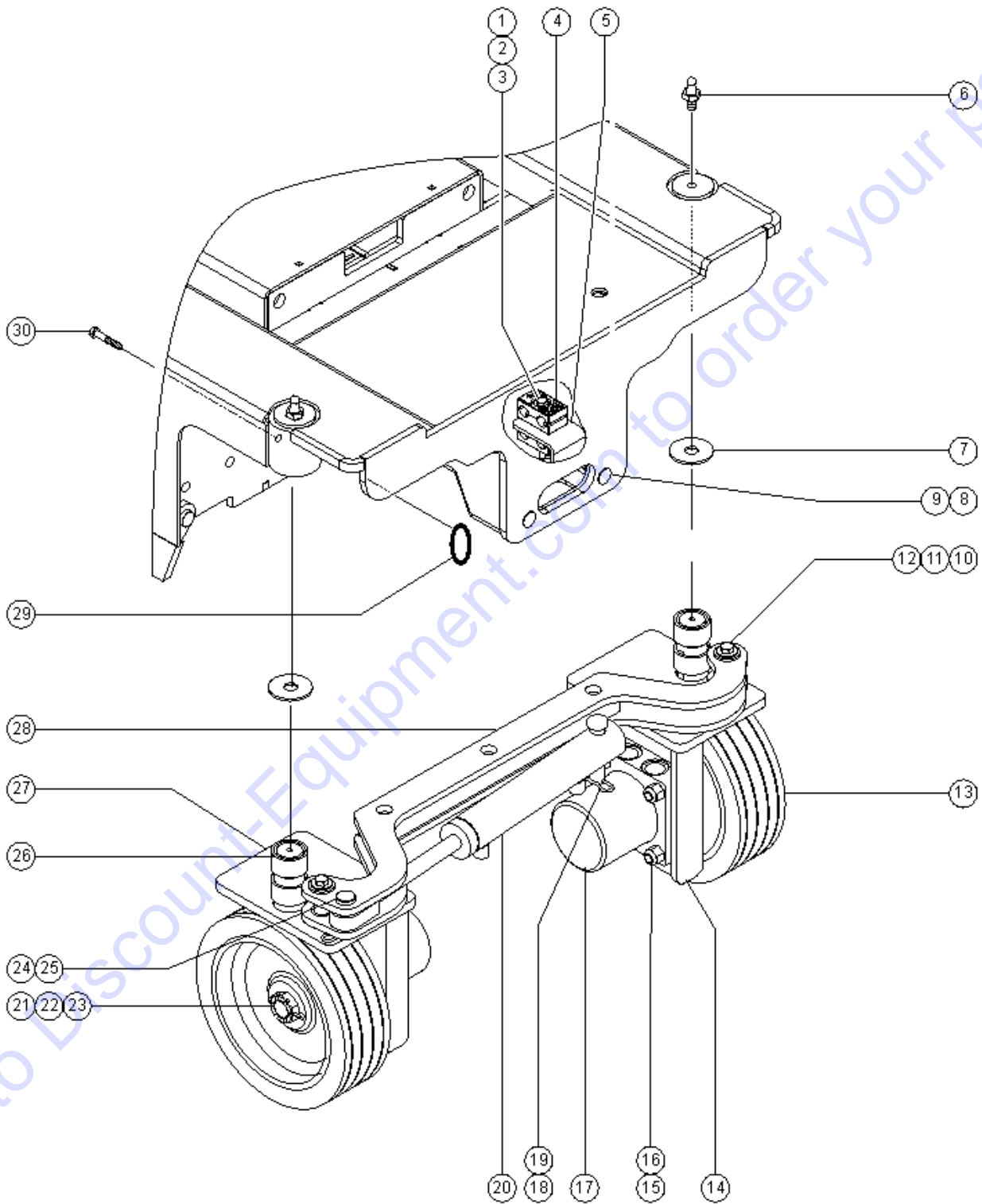
110.1 Decals with Symbol, Platform (from SN GRP-60000 and SN GRR-10001)

Item	Part No.	Description	Qty.
-	1305755GT	INSTRUCTIONS,INSTALL,PLAT,SYMBOL, GR	1
-	1305756GT	DECAL KIT, GR,PLAT,SYMBOL,ANSI & CE	1
1	28174GT	DECAL,POWER TO PLATFORM 230V	1
2	28235GT	DECAL,POWER TO PLATFORM 115V	1
3	72184GT	DECAL,COSMETIC,GENIE RUNABOUT	2
4	72188GT	DECAL,DIRECTIONAL ARROWS,GR	2
5	82487GT	DECAL,SYMBOL-READ THE MANUAL	1
6	97815GT	DECAL,LABEL,LOWER MIDRAIL	1
7	114338GT	DECAL,SYM-TIP-OVR,TILT ALARM	1
8	137605GT	DECAL,E-STOP,GR/GRC/GS PCON	1
9	137656GT	DECAL,PROPEL,GR/GRC/GS,PCON	1
10	1281175GT	DECAL,LANYARD,FALL RESTRAINED	1
11	1283810GT	DECAL,STD,DUAL ZONE,GR/GS,UI	1
12	1293166GT	DECAL,TIP-OVER,CRUSH, GS-1330m	1
13	1294688GT	DECAL,PLATFORM OVERLOAD, MINI	1
14	1296034GT	DECAL, SMARTLINK, DUAL ZONE	1
15	1296620GT	DECAL, DANGER, MAX CAPACITY 159KG, SIDE FORCE 200N	1
16	1296622GT	DECAL, DANGER, MAX CAPACITY 272KG, SIDE FORCE 200N	1

Go to Discount-Equipment.com to order your parts



201.1 Steer Axle Linkage and Wheels

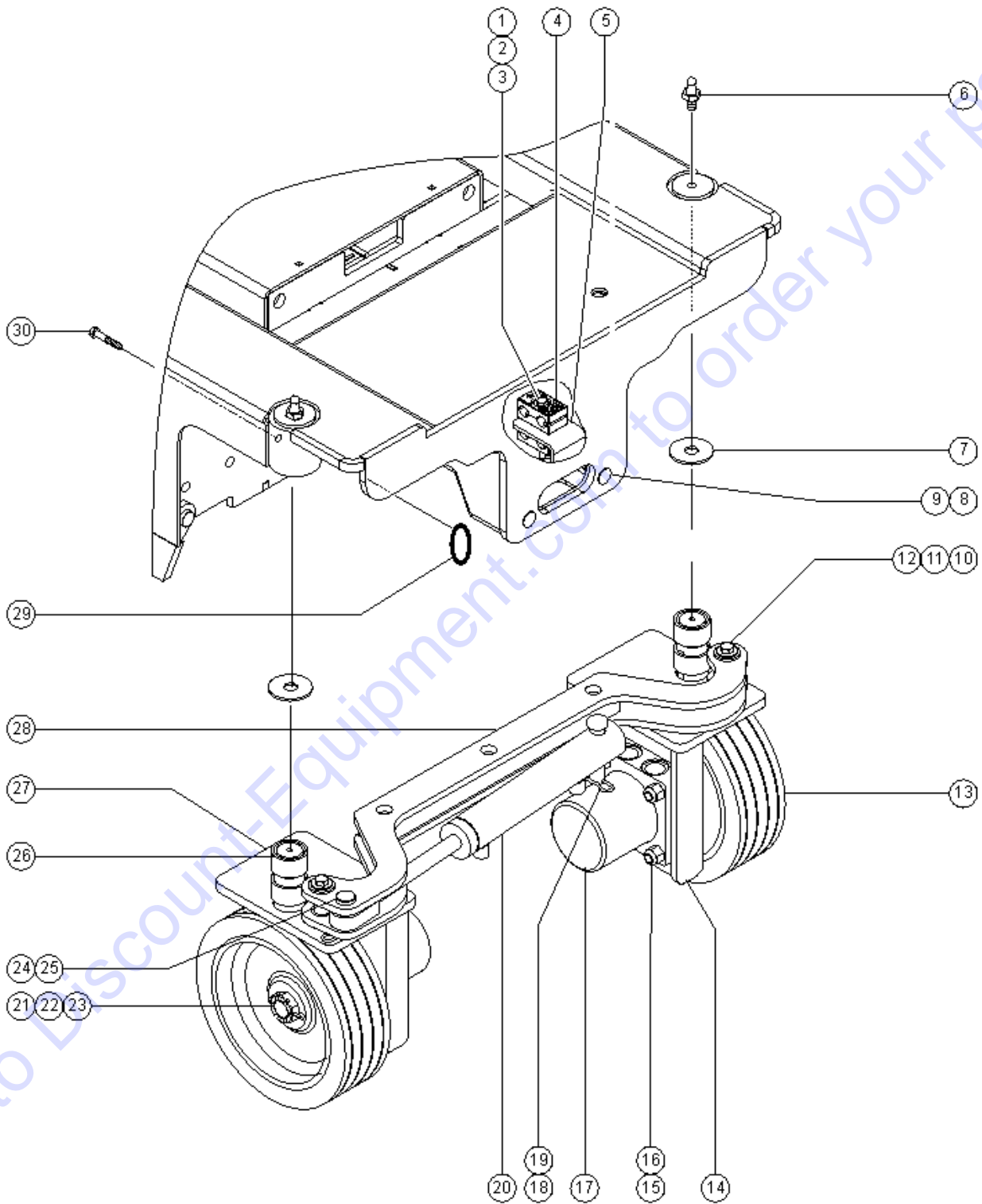


201.1 Steer Axle Linkage and Wheels

Item	Part No.	Description	Qty.
1	12343GT	SCREW,HHC,1/4-20 X 3	
2	6638GT	WASHER,FLAT,USS,1/4"Y	
3	6091GT	NUT,NYLOCK,1/4-20	
4	78736GT	CLAMP,2 HOSE,PLASTIC	4
5	124122GT	FORMING, DRIVE HOSE GUARD	1
6	66770GT	FITTING,STRAIGHT DRIVE-IN ZERK	
7	105565GT	WASHER,THRUST, GS	
8	105092GT	BOLT,CARRIAGE,3/8-16X1.25,GR5	
9	4828GT	NUT,NYLOCK,3/8-16	
10	8255GT	SCREW,HHC,3/8-16 X .75	
11	6097GT	WASHER,FLAT,USS,3/8",Y	
12	47548GT	BEARING,FL,0.75ID X 1 OD X .49	4
13	57998GT	WHEEL&TIRE ASSEMBLY,10" grey, non-marking	2
14	145084GT	WELDMENT, STEER YOKE, LH, GR GR-12 & GR-15	1
15	6198GT	NUT,NYLOCK,1/2-13	
16	9145GT	SCREW,HHC,1/2-13 X 2.5,GR5	8
17	57996GT	MOTOR, 10.0 CU IN/REV DRIVE	2
17-	65616GT	SEAL KIT PWR WHL MOTOR	
18	96423GT	RUE RING,3/4 PIN	2
19	96907GT	PIN,CLEVIS,0.75 X 3.25"	
20	105547GT	CYLINDER,GS/GR STEER***	1
20-	105550GT	KIT,STEER CYL SEAL	
21	5361GT	PIN,COTTER,.125 X 1.5	
22	69548GT	NUT, 3/4-16, UNF, 2B, SLOTTED	
23	69547GT	KEY,DRIVE MOTOR(57996)	
24	6545GT	PIN,CLEVIS,.75 X 2	
25	5361GT	PIN,COTTER,.125 X 1.5	
26	18396GT	BEARING,1.5IDX1.75ODX1.0L	4



201.1 Steer Axle Linkage and Wheels



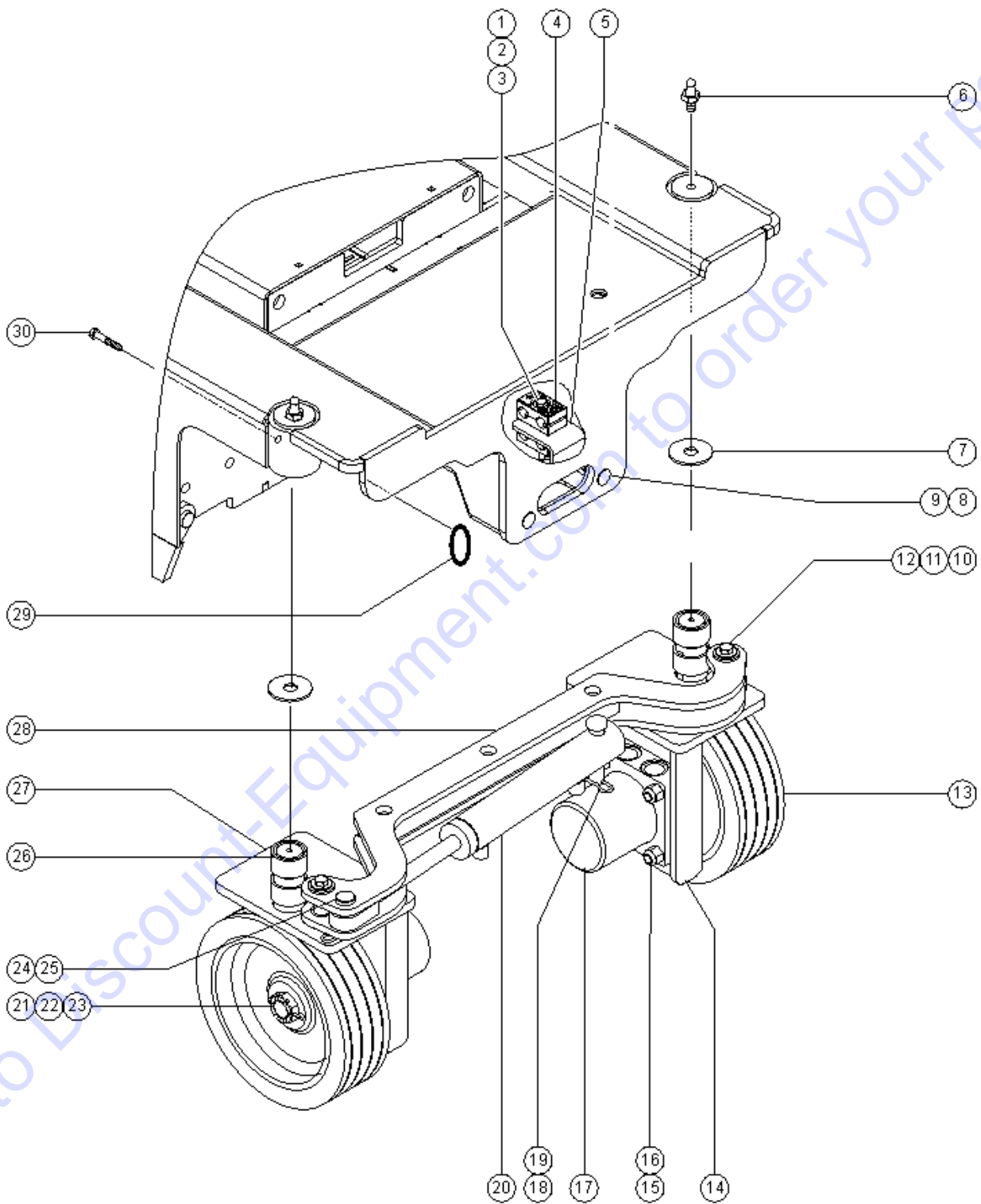
201.1 Steer Axle Linkage and Wheels

Item	Part No.	Description	Qty.
27	145083GT	WELDMENT, STEER YOKE, RH, GR GR-12 & GR-15	1
28	107359GT	TIE ROD ASSY W/BRNGS,GR2 (includes item 12)	1
29	106924GT	GROMMET,RUBBER .38X.2X1.75	2
30	109581GT	SCREW,SET,HS1/4-20X.625W/PATCH	

Go to Discount-Equipment.com to order your parts



201.2 Steer Axle Linkage and Wheels

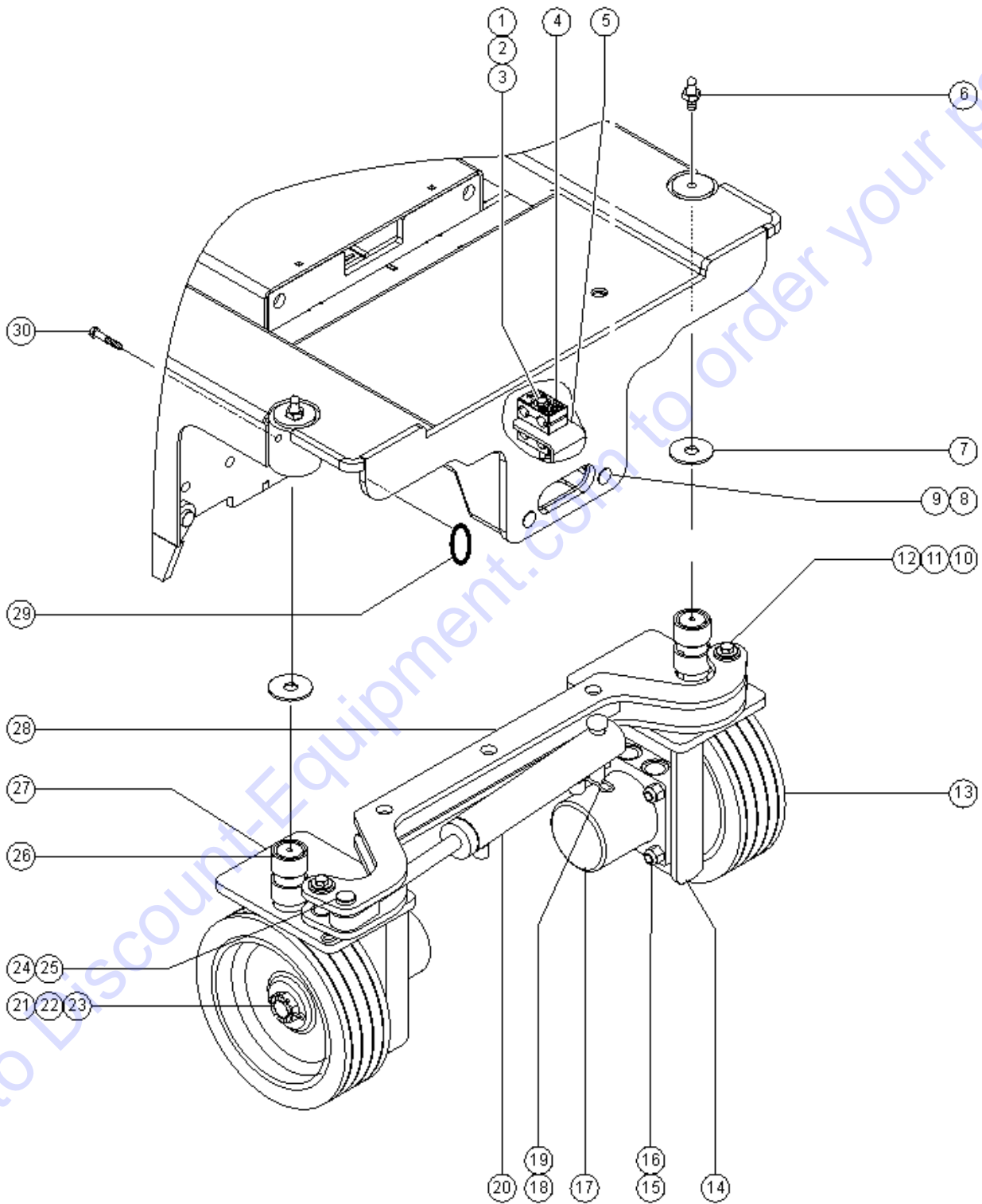


201.2 Steer Axle Linkage and Wheels

Item	Part No.	Description	Qty.
1	12343GT	SCREW,HHC,1/4-20 X 3	
2	6638GT	WASHER,FLAT,USS,1/4"Y	
3	6091GT	NUT,NYLOCK,1/4-20	
4	78736GT	CLAMP,2 HOSE,PLASTIC	4
5	124122GT	FORMING, DRIVE HOSE GUARD	1
6	66770GT	FITTING,STRAIGHT DRIVE-IN ZERK	
7	105565GT	WASHER,THRUST, GS	
8	105092GT	BOLT,CARRIAGE,3/8-16X1.25,GR5	
9	4828GT	NUT,NYLOCK,3/8-16	
10	8255GT	SCREW,HHC,3/8-16 X .75	
11	6097GT	WASHER,FLAT,USS,3/8",Y	
12	47548GT	BEARING,FL,0.75ID X 1 OD X .49	4
13	57998GT	WHEEL&TIRE ASSEMBLY,10" grey, non-marking	2
14	145086GT	WELDMENT, STEER YOKE, LH, GR20 GR-20	
15	6198GT	NUT,NYLOCK,1/2-13	
16	9145GT	SCREW,HHC,1/2-13 X 2.5,GR5	
17	57996GT	MOTOR, 10.0 CU IN/REV DRIVE	2
17-	65616GT	SEAL KIT PWR WHL MOTOR	
18	96423GT	RUE RING,3/4 PIN	2
19	96907GT	PIN,CLEVIS,0.75 X 3.25"	
20	105547GT	CYLINDER,GS/GR STEER***	1
20-	105550GT	KIT,STEER CYL SEAL	
21	5361GT	PIN,COTTER,.125 X 1.5	
22	69548GT	NUT, 3/4-16, UNF, 2B, SLOTTED	
23	69547GT	KEY,DRIVE MOTOR(57996)	
24	6545GT	PIN,CLEVIS,.75 X 2	
25	5361GT	PIN,COTTER,.125 X 1.5	
26	18396GT	BEARING,1.5IDX1.75ODX1.0L	4



201.2 Steer Axle Linkage and Wheels



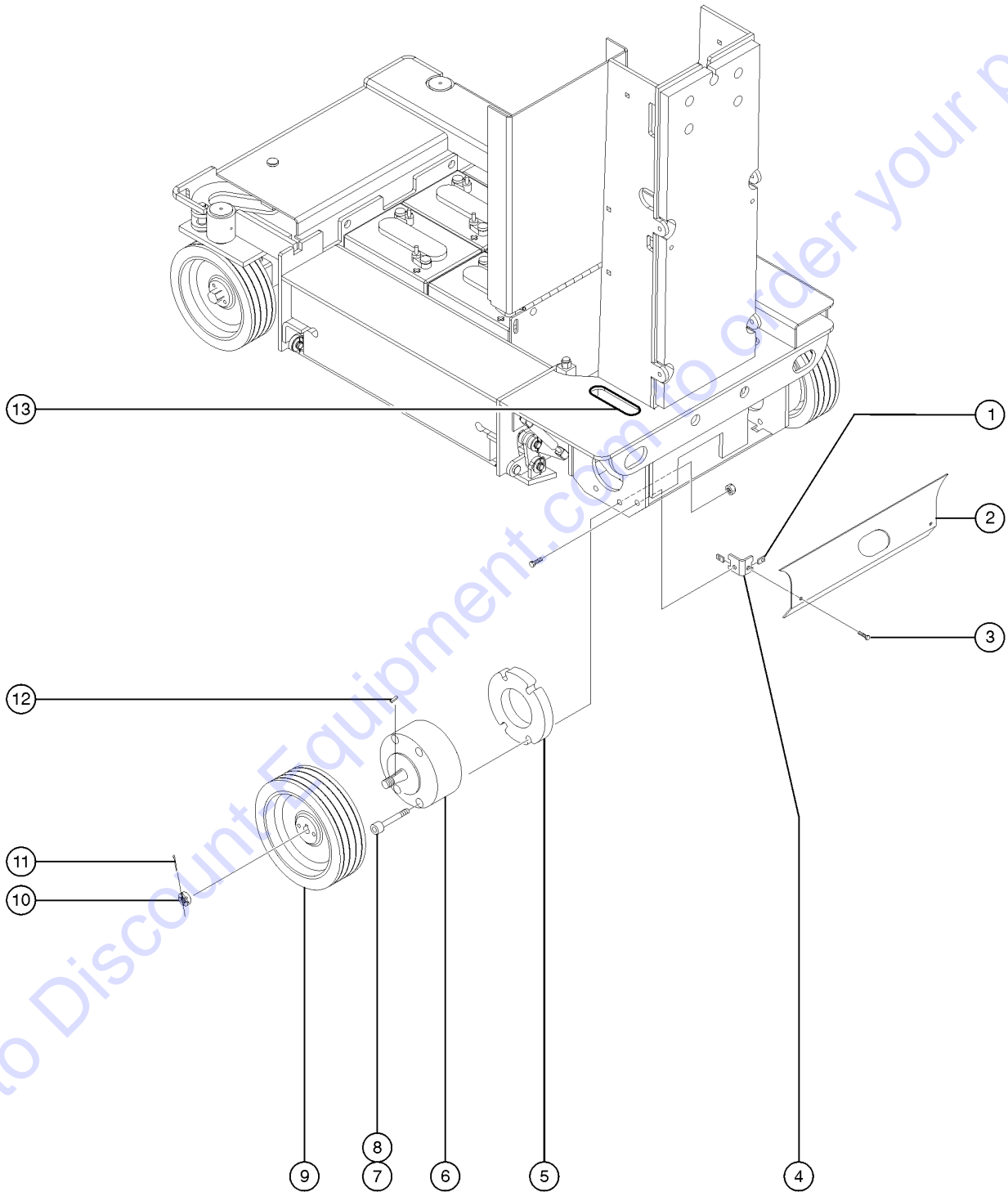
201.2 Steer Axle Linkage and Wheels

Item	Part No.	Description	Qty.
27	145085GT	WELDMENT, STEER YOKE, RT, GR20 GR-20	
28	107359GT	TIE ROD ASSY W/BRNGS,GR2 (includes item 12)	1
29	106924GT	GROMMET,RUBBER .38X.2X1.75	2
30	109581GT	SCREW,SET,HS1/4-20X.625W/PATCH	

Go to Discount-Equipment.com to order your parts



202.1 Non-steer Axle

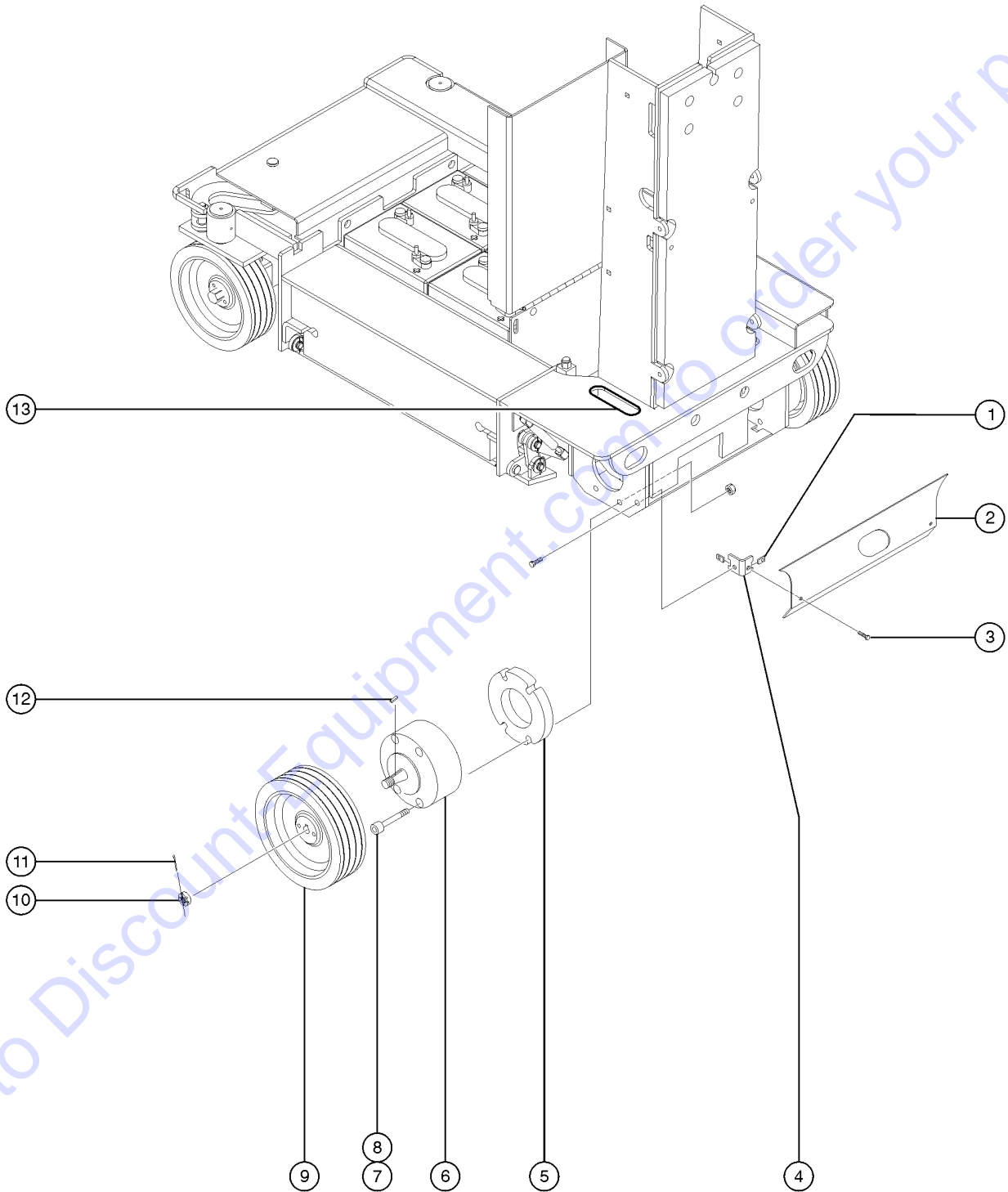


Item	Part No.	Description	Qty.
1	56912GT	SPRING CLIP,1/4-20,.025-.15X.54,ZAG	
2A	822685GT	FIELD KIT,REAR COVER,GR (origal PN 100914 no longer available) (use kit 822685 for first time replacement, kit includes mounting hardware) to SN 30431	
2B	822586GT	FORMING,REAR COVER,GR	1
3	6888GT	SCREW,HHC,1/4-20 X 1	
4A	822685GT	FIELD KIT,REAR COVER,GR (origal PN 96113 no longer available) (use kit 822685 for first time replacement, kit includes mounting hardware) to SN 30431	2
4B	822587GT	BRACKET,REAR COVER,GR	
6	215550GT	BRAKE,1.5IN/FT SHAFT,W/ORIFICE	1
6-	226432GT	ORIFICE,0.025 DISK,.375 OD	
7	42360GT	SCREW,SHC,1/2-13 X 4 ZINC	8
8	6198GT	NUT,NYLOCK,1/2-13	
9	57998GT	WHEEL&TIRE ASSEMBLY,10" grey, non-marking	2
10	69548GT	NUT, 3/4-16, UNF, 2B, SLOTTED	2
11	5361GT	PIN,COTTER,.125 X 1.5	2
12	69547GT	KEY,DRIVE MOTOR(57996)	2
13	105440GT	GROMMET, RUBBER 2.5 X 3.0	2

Go to Discount-Equipment.com to order your parts



202.2 Non-steer Axle

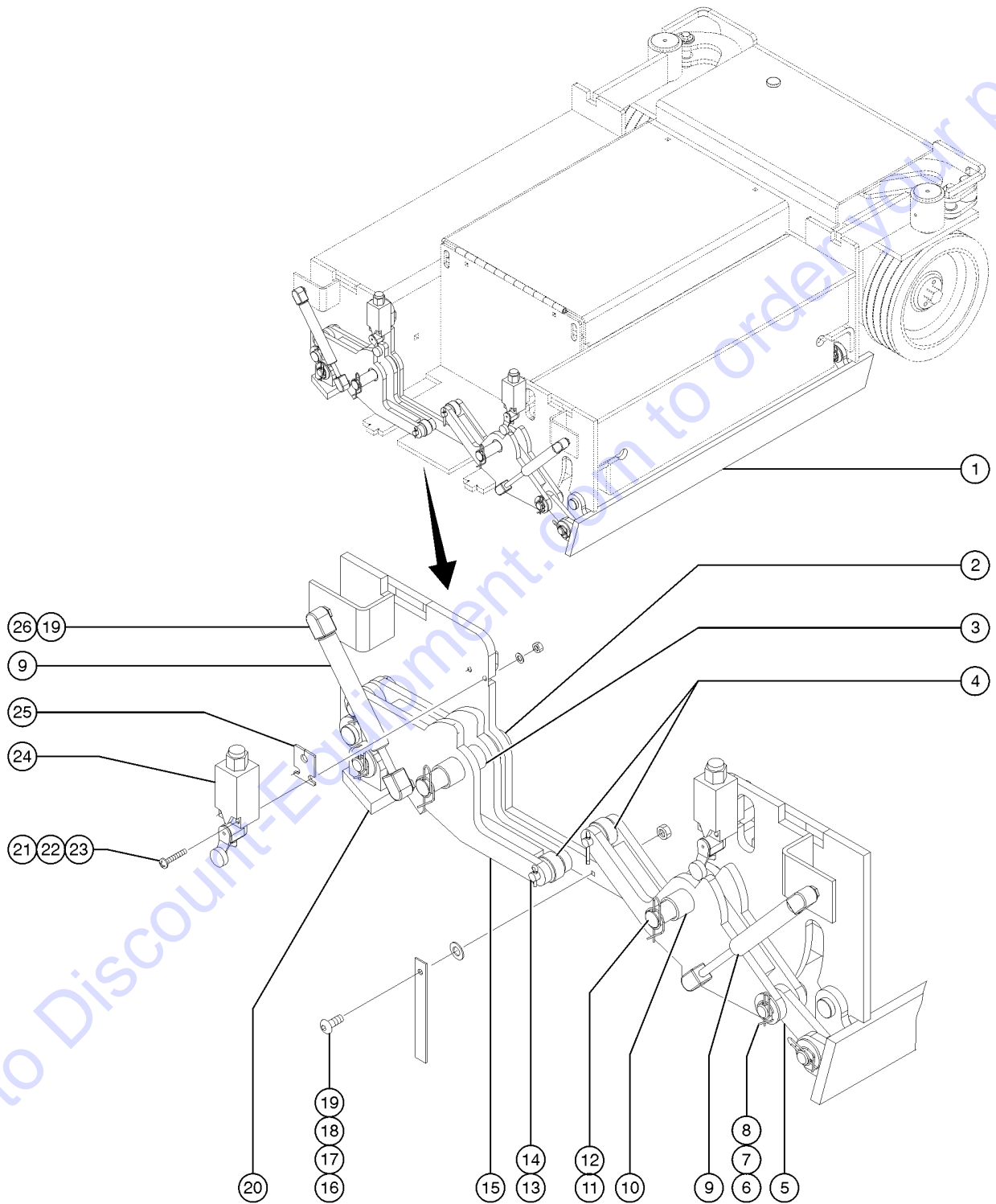


Item	Part No.	Description	Qty.
1	56912GT	SPRING CLIP,1/4-20,.025-.15X.54,ZAG	
2A	822685GT	FIELD KIT,REAR COVER,GR (original PN 100914 no longer available) (use kit 822685 for first time replacement, kit includes mounting hardware) to SN 30431	
2B	822586GT	FORMING,REAR COVER,GR	1
3	6888GT	SCREW,HHC,1/4-20 X 1	
4A	822685GT	FIELD KIT,REAR COVER,GR (original PN 96113 no longer available) (use kit 822685 for first time replacement, kit includes mounting hardware) to SN 30431	2
4B	822587GT	BRACKET,REAR COVER,GR	
5	100808GT	PLATE, BRAKE SPACER, GR20	2
6	215550GT	BRAKE,1.5IN/FT SHAFT,W/ORIFICE	1
6-	226432GT	ORIFICE,0.025 DISK,.375 OD	
7	42360GT	SCREW,SHC,1/2-13 X 4 ZINC	8
8	6198GT	NUT,NYLOCK,1/2-13	
9	57998GT	WHEEL&TIRE ASSEMBLY,10" grey, non-marking	2
10	69548GT	NUT, 3/4-16, UNF, 2B, SLOTTED	2
11	5361GT	PIN,COTTER,.125 X 1.5	2
12	69547GT	KEY,DRIVE MOTOR(57996)	2
13	105440GT	GROMMET, RUBBER 2.5 X 3.0	2

Go to Discount-Equipment.com to order your parts



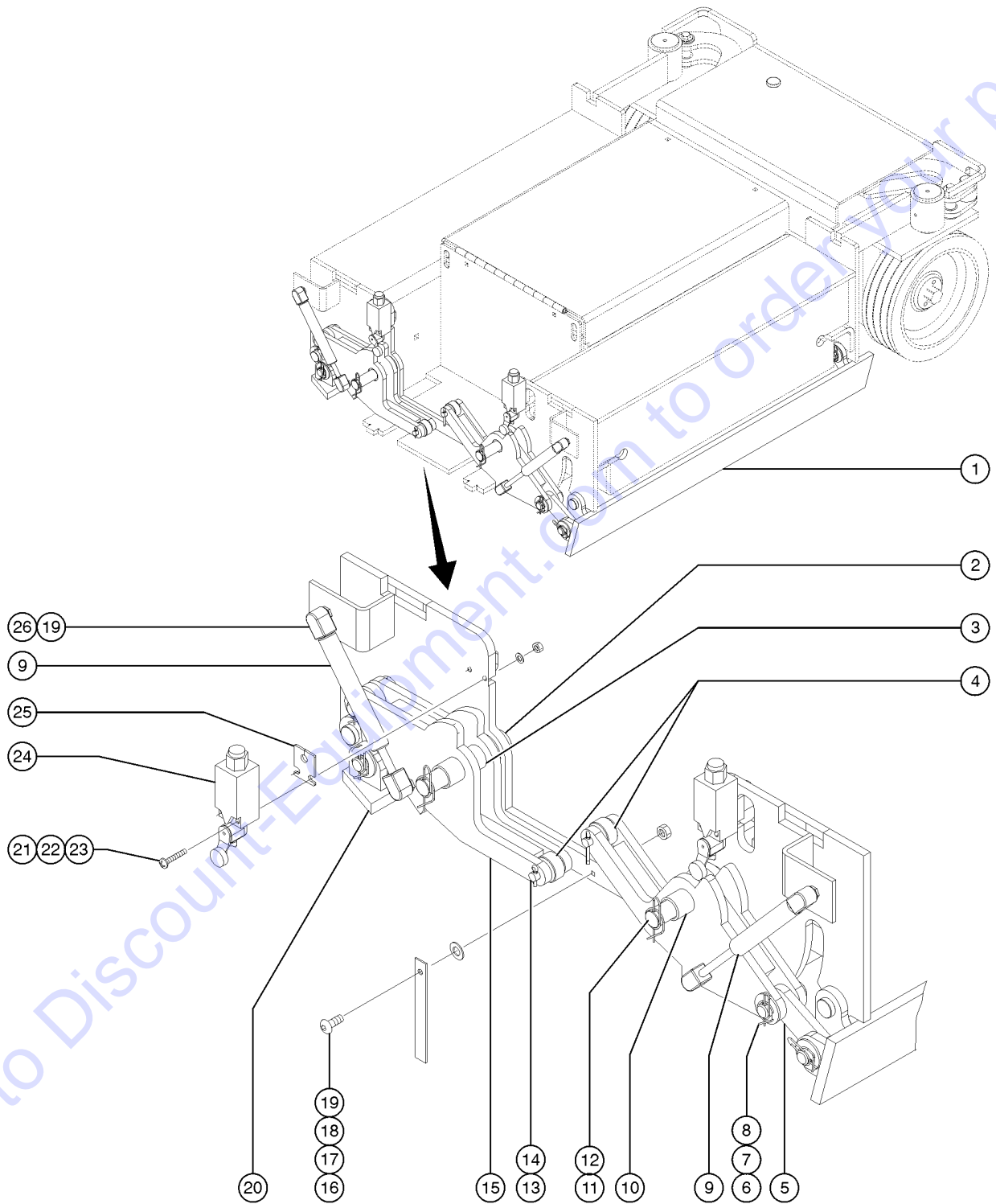
203.1 Pothole Protection Assembly



203.1 Pothole Protection Assembly

Item	Part No.	Description	Qty.
1	100489GT	WELDMENT, POTHOLE GUARD, RT (power unit side)	1
2A	1260045GT	KIT, GR PHG SPACER UPDATE (to SN GR15-36988)	2
2B	1259993GT	SPACER,.781IDX1.5ODX.375THK (replaced 55355) (from SN-36989)	
3	96642GT	BEARING,.75ID X 1.0OD X 1.38LG (replaced 55355) (from SN-36989)	2
4	96541GT	CAM FOLLOWER, 1.125 X .375, DELRIN (replaced 55355) (from SN-36989)	2
5	100492GT	PLATE, POTHOLE LOWER LINK (replaced 55355) (from SN-36989)	2
6	96422GT	RUE RING,5/8 PIN (replaced 55355) (from SN-36989)	8
7	96135GT	PIN,CLEVIS,.625 X 1.88,ZINC PL (replaced 55355) (from SN-36989)	8
8	22261GT	WASHER,FLAT,.650 X 1.312 X.095 (replaced 55355) (from SN-36989)	
9	100834GT	GAS SPRING, GR (replaced 55355) (from SN-36989)	2
10A	1260045GT	KIT, GR PHG SPACER UPDATE (to SN GR15-36988)	2
10B	1260030GT	SPACER, .82IDX1.0 ODX1.00 LG (replaced 100915) (from SN-36989)	
11	96423GT	RUE RING,3/4 PIN (replaced 100915) (from SN-36989)	2
12	78060GT	PIN,CLEVIS,.75 DIA. X 4.00 (replaced 100915) (from SN-36989)	2
13	12016GT	PIN,COTTER,.125 X .75 (replaced 100915) (from SN-36989)	2
14	34742GT	PIN,CLEVIS,.375 X 1.75 LG. (replaced 100915) (from SN-36989)	2
15	107370GT	UPPER POTHOLE LINK ASSY W/BRNG (includes item 3)	2
16	64154GT	BOLT,CARRIAGE,3/8-16 X1.00,G5 (includes item 3)	
17	105060GT	GROUND STRAP, 8"LG (includes item 3)	2
18	6097GT	WASHER,FLAT,USS,3/8",Y (includes item 3)	
19	7713GT	NUT, LP NYLOCK, 3/8-16 (includes item 3)	
20	100488GT	WELDMENT, POTHOLE GUARD, LT (ground controls side)	1
21A	51063GT	SCREW,PHILLIPS,RHM,10-32 X 1.5 (to SN GR15-36988)	4
21B	54239GT	SCREW,PHILLIPS,PHM,10-32 X 2.0 (from SN GR15-36989) (replaced 49775)	
22	75144GT	WASHER,FLAT,SAE 1/4",ZINC (from SN GR15-36989) (replaced 49775)	4
23	15513GT	NUT,HEX,10-32 (from SN GR15-36989) (replaced 49775)	4
24A	96948GT	SWITCH,LIMIT,W/ROLLER ARM*** (from SN GR15-36989) (replaced 49775)	2
24A-	19491GT	CONTACTOR,LIMIT SWITCH (from SN GR15-36989) (replaced 49775)	

203.1 Pothole Protection Assembly



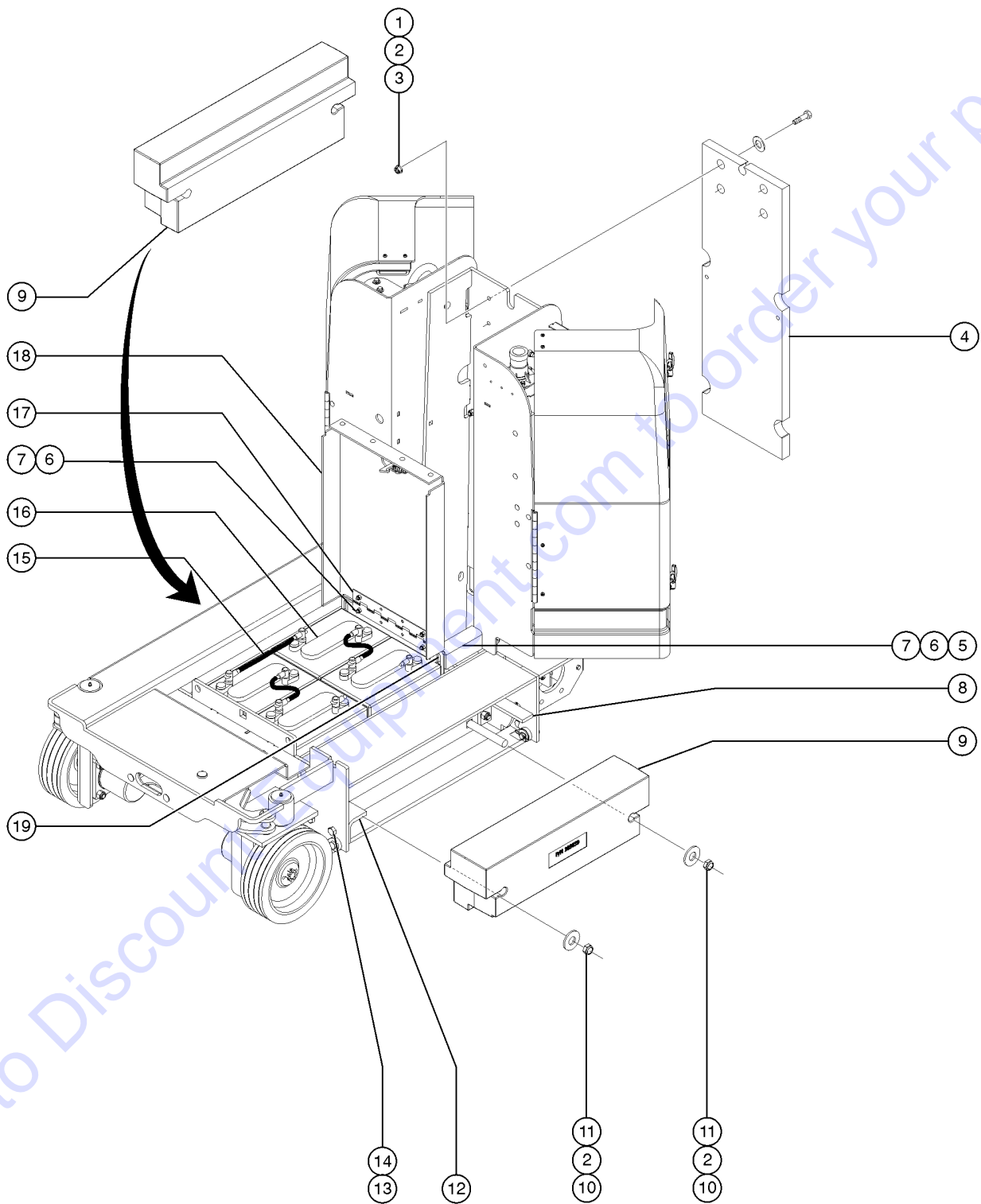
203.1 Pothole Protection Assembly

<i>Item</i>	<i>Part No.</i>	<i>Description</i>	<i>Qty.</i>
24A-	97128GT	ROLLER ARM,LIMIT SWITCH***	
24B	87561GT	CABLE SQUEEZE CONN 2 WIRE	
25	1260031GT	SPACER, LIMIT SWITCH	
		(from SN GR15-36989)	
26	78086GT	BALL STUD, GAS STRUT, 3/8-16	4

Go to Discount-Equipment.com to order your parts



204.1 Battery Pack and Counterweight Brackets

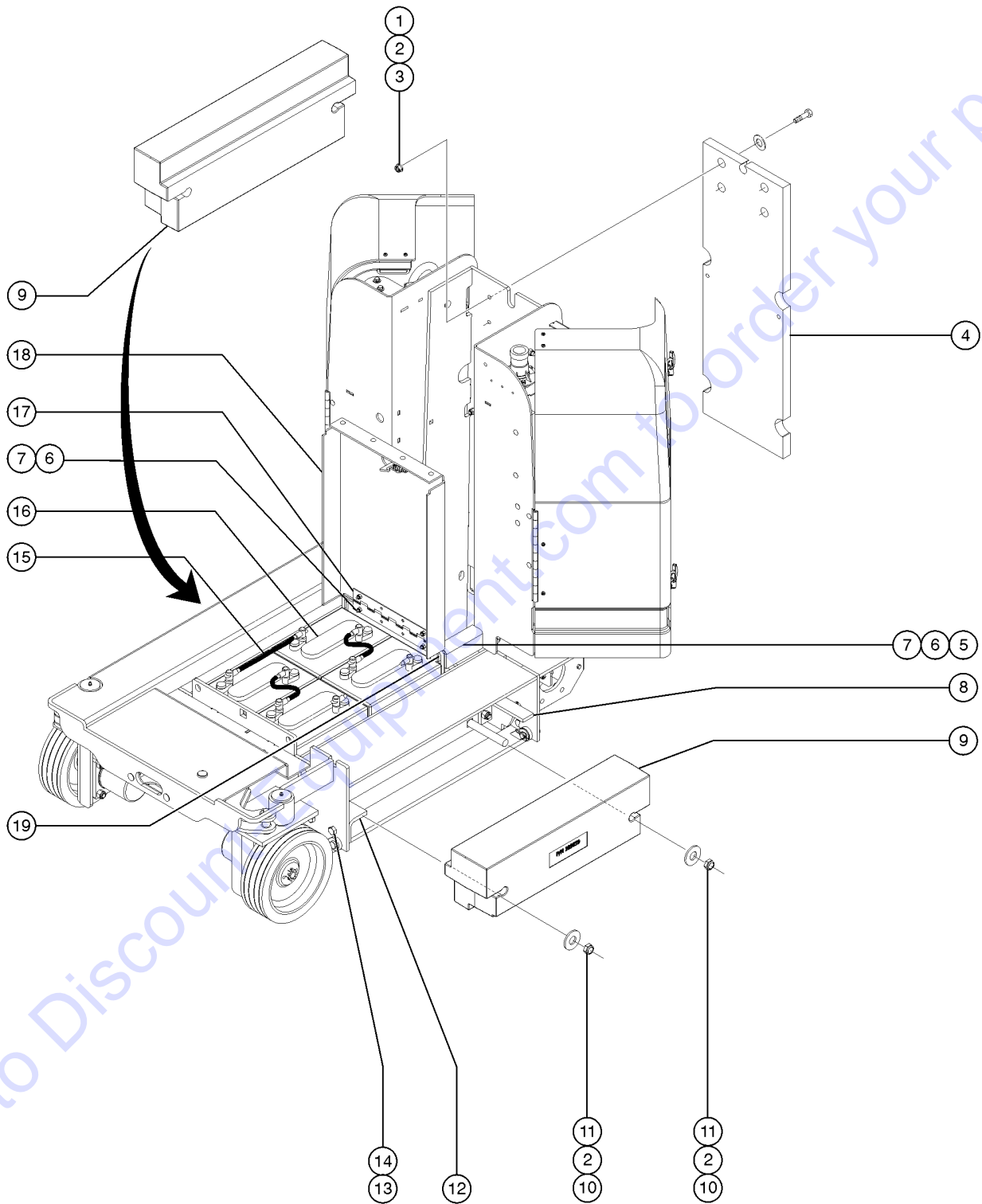


204.1 Battery Pack and Counterweight Brackets

Item	Part No.	Description	Qty.
5	100913GT	FORMING, CABLE BRIDGE	1
6	6878GT	BOLT,CARRIAGE,1/4-20 X .75,G2	
7	6091GT	NUT,NYLOCK,1/4-20	
10	7713GT	NUT, LP NYLOCK, 3/8-16	
13	8177GT	SCREW,HHC,1/2-13 X 1.5	
14	6198GT	NUT,NYLOCK,1/2-13	
15		Ref. Battery Cables	
		(refer to 209.1)	
16A	76502GT	BATTERY,T105 W/LPT,3 CAP,DRY**	4
		(dry battery)	
16A-	137770GT	BATTERY WATERING KIT, 24V UNIV	
		(to watch the installation video, copy and paste this link to your web browser) https://www.youtube.com/watch?v=13zTfl-hWik	
16A-	137769GT	BATTERY WATERING HAND PUMP	
16A-	18503GT	NUT,LOCKING-LG.FLANGE,5/16-18	
16B	105150GT	BATTERY, AGM, 6V, (TROJAN) ***	4
		(option)	
16B-	137770GT	BATTERY WATERING KIT, 24V UNIV	
		(to watch the installation video, copy and paste this link to your web browser) https://www.youtube.com/watch?v=13zTfl-hWik	
16B-	137769GT	BATTERY WATERING HAND PUMP	
16B-	18503GT	NUT,LOCKING-LG.FLANGE,5/16-18	
17	47569GT	HINGE,11"X 2.5"X.44"	1
18A	229212GT	BATT CVR ASSY,GR,WORDS,ANSI	1
		(USA, Canada, Australia)	
18A-	100986GT	PLATE,BATT. TRAY LATCH HANDLE	
18A-	23396GT	SPRING,CONTROL CABLE, AWP	
18A-	96699GT	SLEEVE,TANK SUPPORT	
		(bushing)	
18B	229213GT	BATT CVR ASSY,GR,SYM,ANSI	1
		(Asia, South America)	
18B-	100986GT	PLATE,BATT. TRAY LATCH HANDLE	
18B-	23396GT	SPRING,CONTROL CABLE, AWP	
18B-	96699GT	SLEEVE,TANK SUPPORT	
		(bushing)	
18C	229214GT	BATT CVR ASSY,GR,SYM,CE	
		(Europe)	
18C-	100986GT	PLATE,BATT. TRAY LATCH HANDLE	
18C-	23396GT	SPRING,CONTROL CABLE, AWP	



204.1 Battery Pack and Counterweight Brackets



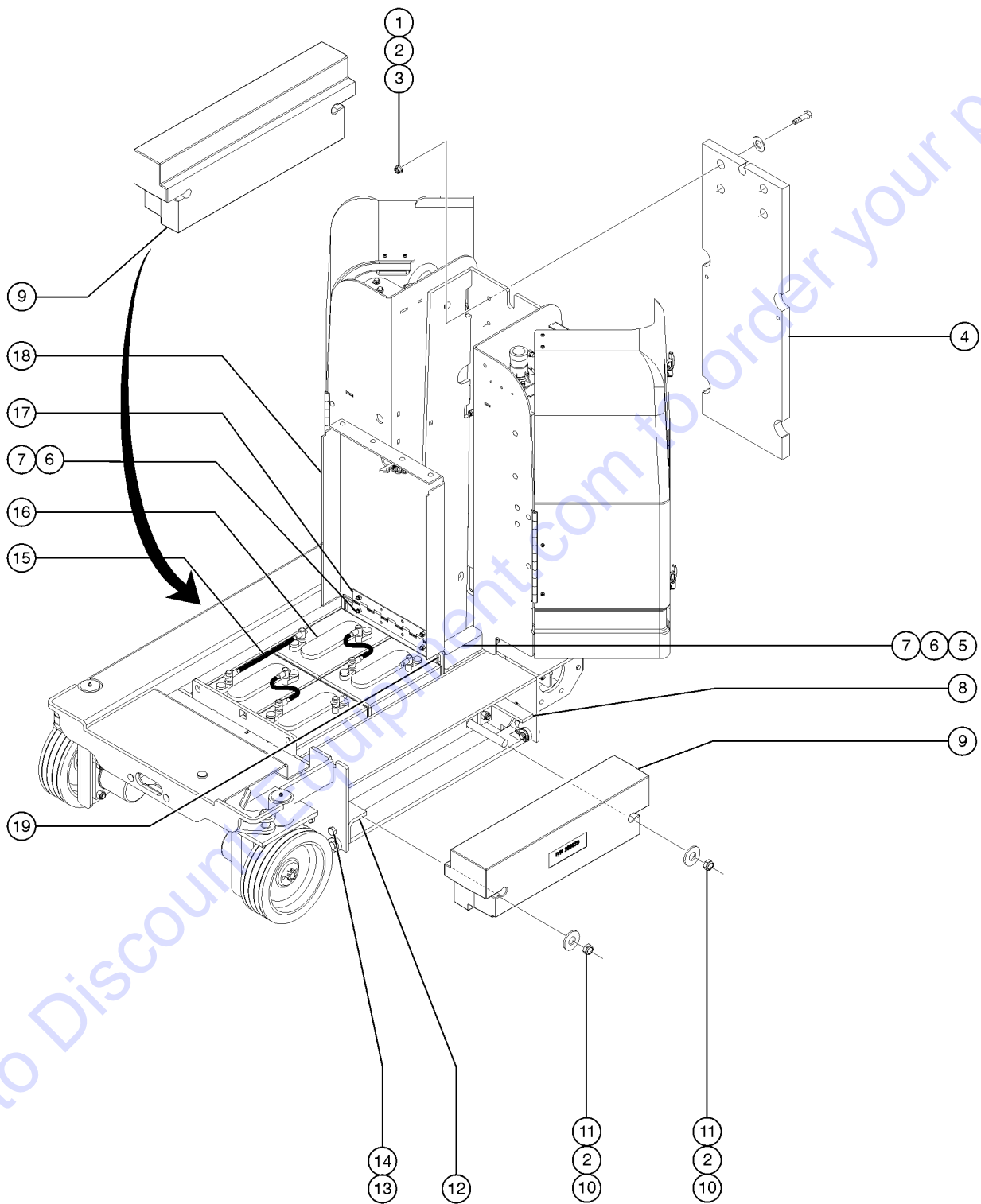
204.1 Battery Pack and Counterweight Brackets

<i>Item</i>	<i>Part No.</i>	<i>Description</i>	<i>Qty.</i>
18C-	96699GT	SLEEVE,TANK SUPPORT	
18D	231191GT	ASSY, BATTERY COVER, EE	
		EE option	
19	124962GT	GROMMET,RUBBER,1.0 X 1.25X1.5	

Go to Discount-Equipment.com to order your parts



204.2 Battery Pack and Counterweight Brackets

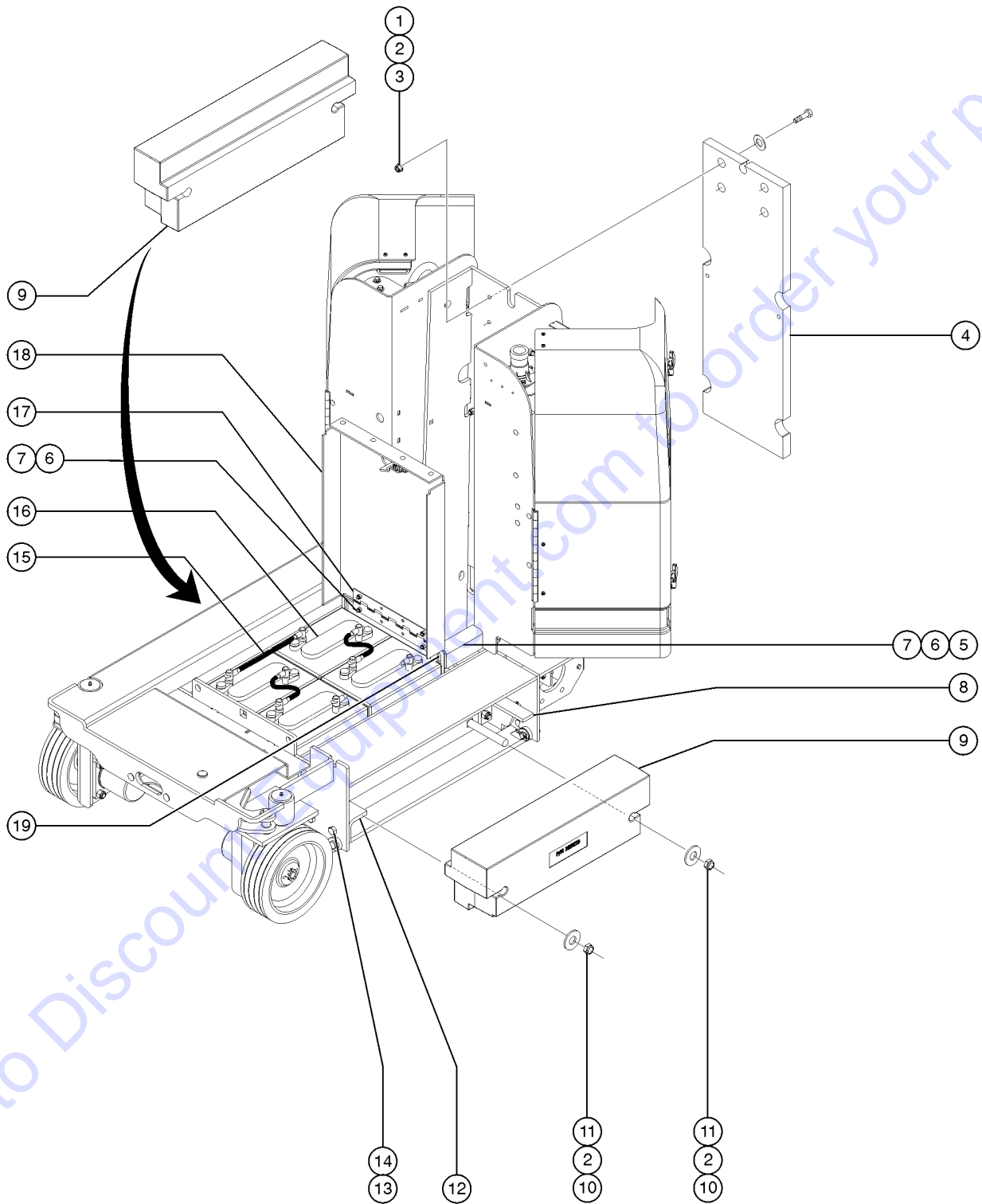


204.2 Battery Pack and Counterweight Brackets

Item	Part No.	Description	Qty.
2A	15086GT	WASHER,FLAT,.375 X 1.5 X .125 GR-15	
5	100913GT	FORMING, CABLE BRIDGE	1
6	6878GT	BOLT,CARRIAGE,1/4-20 X .75,G2	
7	6091GT	NUT,NYLOCK,1/4-20	
8A	124151GT	WLDMT,CW SUPPORT,LT GR-15 & GR-20 (non-steer end, ground controls side)	2
8B	124152GT	WLDMT,CW SUPPORT,RT GR-15 & GR-20 (non-steer end, power unit side)	1
9A	109840GT	COUNTERWEIGHT,CAST,GR15 GR-15	2
10	7713GT	NUT, LP NYLOCK, 3/8-16	
11	124105GT	BOLT,CARRIAGE,3/8-16 X 6.00,G2 GR-15	
12	100352GT	FORMING, CWT BRACKET GR-15 & GR-20 (non-steer end)	2
13	8177GT	SCREW,HHC,1/2-13 X 1.5	
14	6198GT	NUT,NYLOCK,1/2-13	
15		Ref. Battery Cables (refer to 209.1)	
16A	76502GT	BATTERY,T105 W/LPT,3 CAP,DRY** (dry battery)	4
16A-	137770GT	BATTERY WATERING KIT, 24V UNIV (to watch the installation video, copy and paste this link to your web browser) https://www.youtube.com/watch?v=13zTfl-hWik	
16A-	137769GT	BATTERY WATERING HAND PUMP	
16A-	18503GT	NUT,LOCKING-LG.FLANGE,5/16-18	
16B	105150GT	BATTERY, AGM, 6V, (TROJAN) *** (option)	4
16B-	137770GT	BATTERY WATERING KIT, 24V UNIV (to watch the installation video, copy and paste this link to your web browser) https://www.youtube.com/watch?v=13zTfl-hWik	
16B-	137769GT	BATTERY WATERING HAND PUMP	
16B-	18503GT	NUT,LOCKING-LG.FLANGE,5/16-18	
17	47569GT	HINGE,11"X 2.5"X.44"	1
18A	229212GT	BATT CVR ASSY,GR,WORDS,ANSI (USA, Canada, Australia)	1
18A-	100986GT	PLATE,BATT. TRAY LATCH HANDLE	
18A-	23396GT	SPRING,CONTROL CABLE, AWP	
18A-	96699GT	SLEEVE,TANK SUPPORT (bushing)	
18B	229213GT	BATT CVR ASSY,GR,SYM,ANSI (Asia, South America)	1



204.2 Battery Pack and Counterweight Brackets



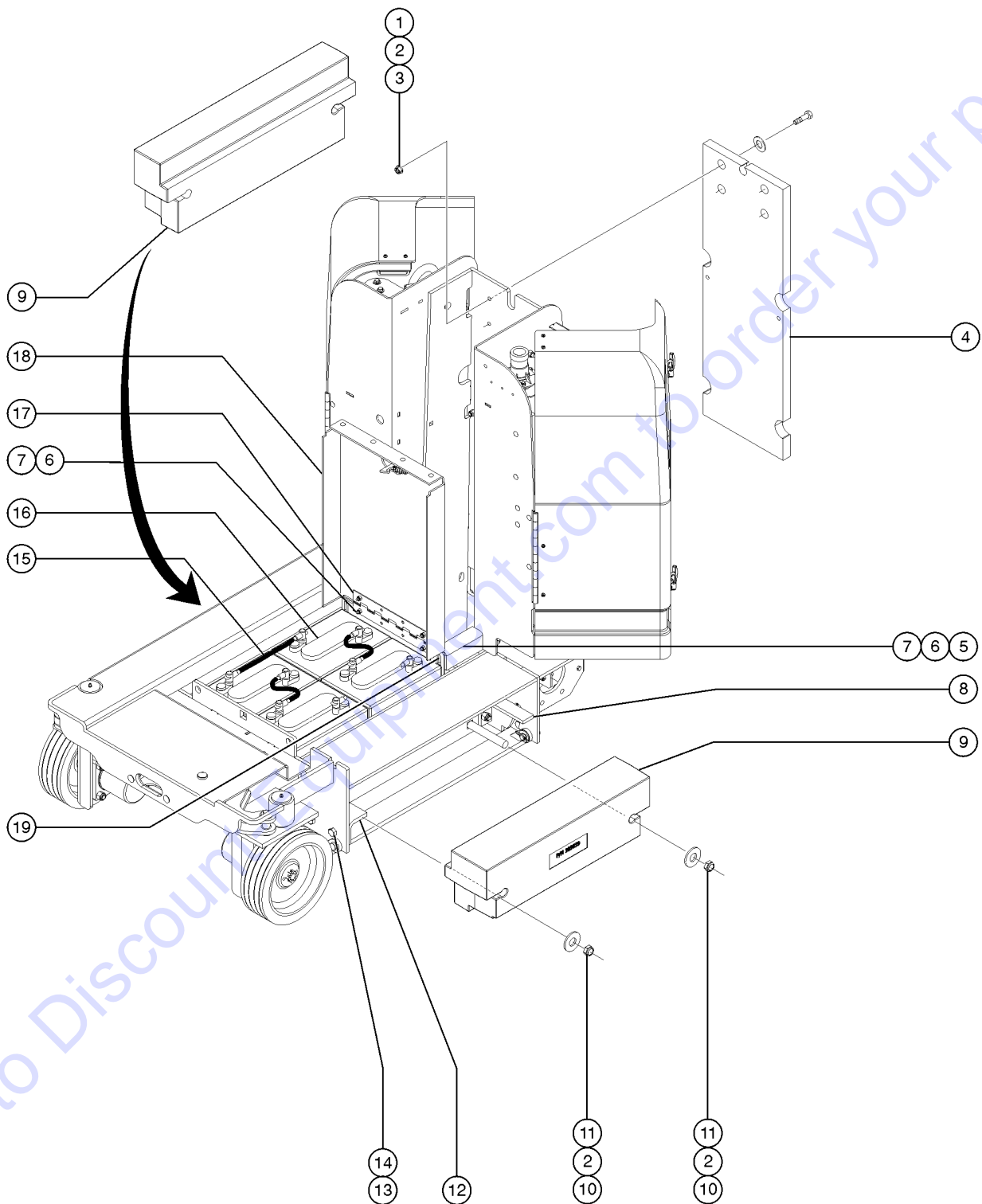
204.2 Battery Pack and Counterweight Brackets

<i>Item</i>	<i>Part No.</i>	<i>Description</i>	<i>Qty.</i>
18B-	100986GT	PLATE,BATT. TRAY LATCH HANDLE	
18B-	23396GT	SPRING,CONTROL CABLE, AWP	
18B-	96699GT	SLEEVE,TANK SUPPORT	
		(bushing)	
18C	229214GT	BATT CVR ASSY,GR,SYM,CE	
		(Europe)	
18C-	100986GT	PLATE,BATT. TRAY LATCH HANDLE	
18C-	23396GT	SPRING,CONTROL CABLE, AWP	
18C-	96699GT	SLEEVE,TANK SUPPORT	
18D	231191GT	ASSY, BATTERY COVER, EE	
		EE option	
19	124962GT	GROMMET,RUBBER,1.0 X 1.25X1.5	

Go to Discount-Equipment.com to order your parts



204.3 Battery Pack and Counterweight Brackets

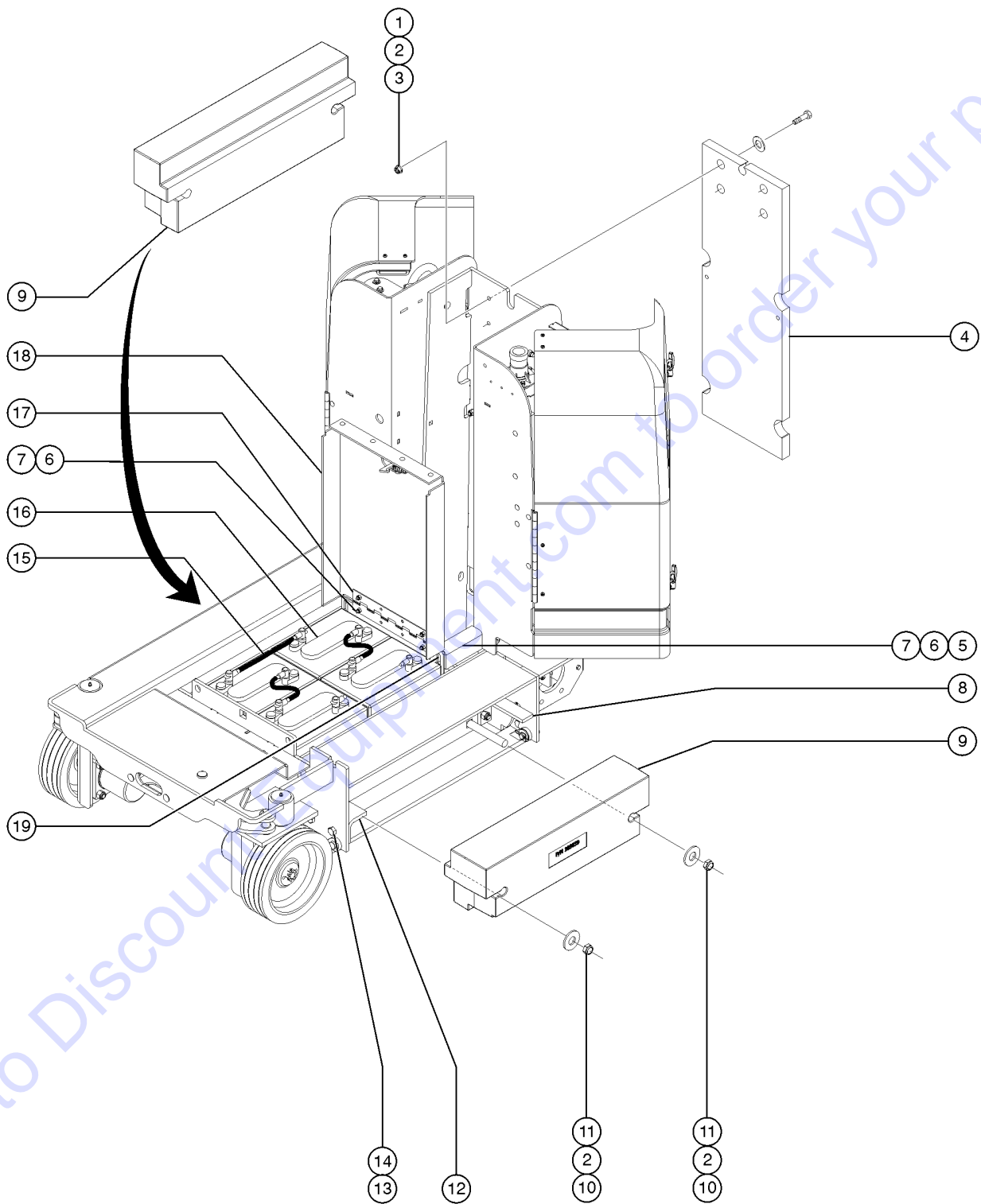


204.3 Battery Pack and Counterweight Brackets

Item	Part No.	Description	Qty.
1	7713GT	NUT, LP NYLOCK, 3/8-16 GR-20	
2B	6097GT	WASHER, FLAT, USS, 3/8", Y GR-20	
3	5224GT	SCREW, HHC, 3/8-16 X 2 GR-20	
4	100809GT	CAST, CWT, MAST GR-20	1
5	100913GT	FORMING, CABLE BRIDGE	1
6	6878GT	BOLT, CARRIAGE, 1/4-20 X .75, G2	
7	6091GT	NUT, NYLOCK, 1/4-20	
8A	124151GT	WLDMT, CW SUPPORT, LT GR-15 & GR-20 (non-steer end, ground controls side)	2
8B	124152GT	WLDMT, CW SUPPORT, RT GR-15 & GR-20 (non-steer end, power unit side)	1
9B	109839GT	COUNTERWEIGHT, CAST, GR20 GR-20	2
10	7713GT	NUT, LP NYLOCK, 3/8-16	
12	100352GT	FORMING, CWT BRACKET GR-15 & GR-20 (non-steer end)	2
13	8177GT	SCREW, HHC, 1/2-13 X 1.5	
14	6198GT	NUT, NYLOCK, 1/2-13	
15		Ref. Battery Cables (refer to 209.1)	
16A	76502GT	BATTERY, T105 W/LPT, 3 CAP, DRY** (dry battery)	4
16A-	137770GT	BATTERY WATERING KIT, 24V UNIV (to watch the installation video, copy and paste this link to your web browser) https://www.youtube.com/watch?v=13zTfl-hWik	
16A-	137769GT	BATTERY WATERING HAND PUMP	
16A-	18503GT	NUT, LOCKING-LG. FLANGE, 5/16-18	
16B	105150GT	BATTERY, AGM, 6V, (TROJAN) *** (option)	4
16B-	137770GT	BATTERY WATERING KIT, 24V UNIV (to watch the installation video, copy and paste this link to your web browser) https://www.youtube.com/watch?v=13zTfl-hWik	
16B-	137769GT	BATTERY WATERING HAND PUMP	
16B-	18503GT	NUT, LOCKING-LG. FLANGE, 5/16-18	
17	47569GT	HINGE, 11" X 2.5" X .44"	1
18A	107133GT	BATTERY COVER ASSY, WORDS (USA, Canada, Australia)	1
18A-	100986GT	PLATE, BATT. TRAY LATCH HANDLE	
18A-	23396GT	SPRING, CONTROL CABLE, AWP	



204.3 Battery Pack and Counterweight Brackets



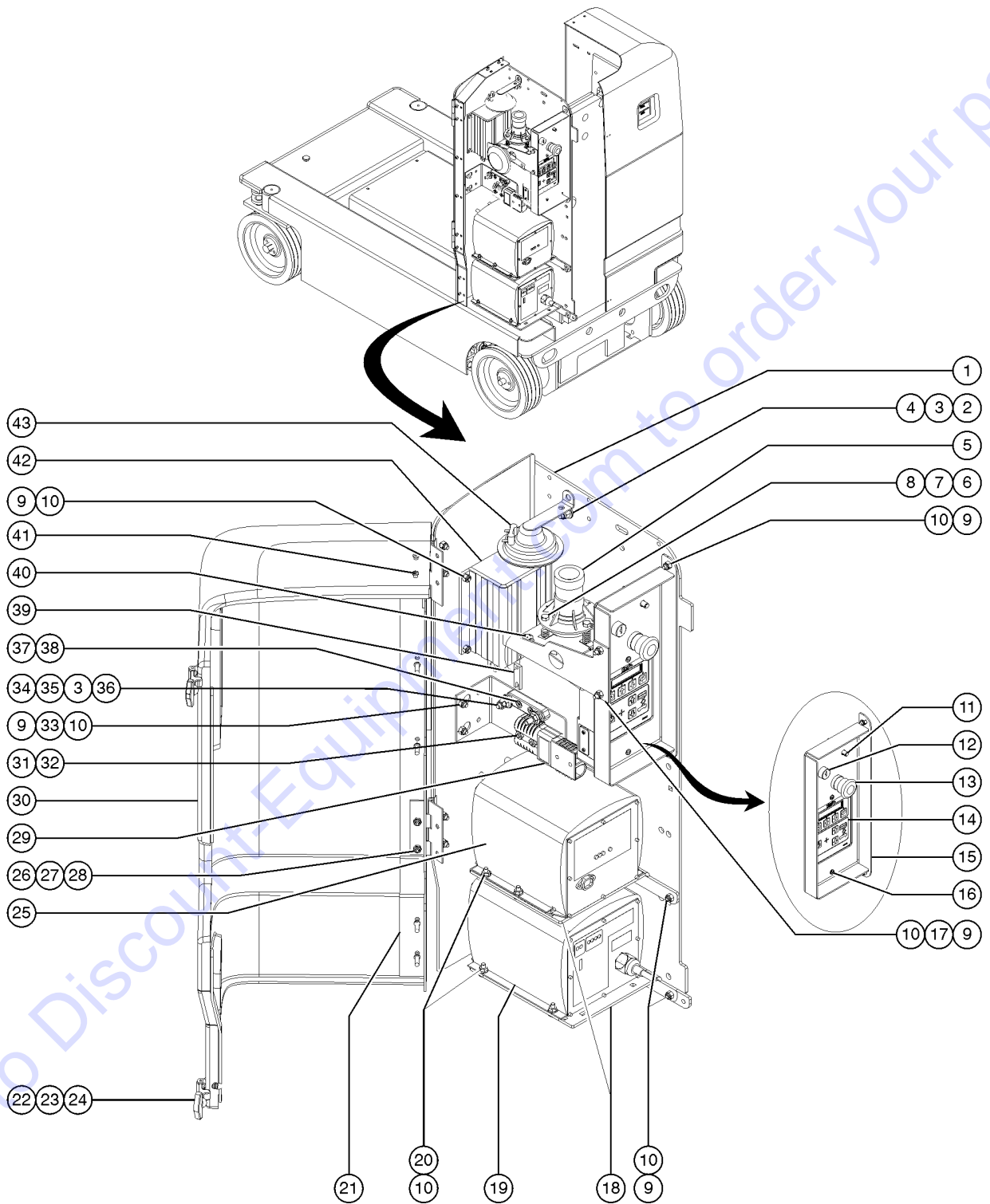
204.3 Battery Pack and Counterweight Brackets

Item	Part No.	Description	Qty.
18A-	96699GT	SLEEVE,TANK SUPPORT (bushing)	
18B	107134GT	BATTERY COVER ASSY,SYMBOLS (Europe, Asia, South America)	1
18B-	100986GT	PLATE,BATT. TRAY LATCH HANDLE	
18B-	23396GT	SPRING,CONTROL CABLE, AWP	
18B-	96699GT	SLEEVE,TANK SUPPORT (bushing)	
18C	229214GT	BATT CVR ASSY,GR,SYM,CE (Europe)	
18C-	100986GT	PLATE,BATT. TRAY LATCH HANDLE	
18C-	23396GT	SPRING,CONTROL CABLE, AWP	
18C-	124962GT	GROMMET,RUBBER,1.0 X 1.25X1.5 (bushing)	
18D	231191GT	ASSY, BATTERY COVER, EE	
		EE option	
19	124962GT	GROMMET,RUBBER,1.0 X 1.25X1.5	

Go to Discount-Equipment.com to order your parts



205.1 Ground Control Module Components (to serial number GR14-29566)

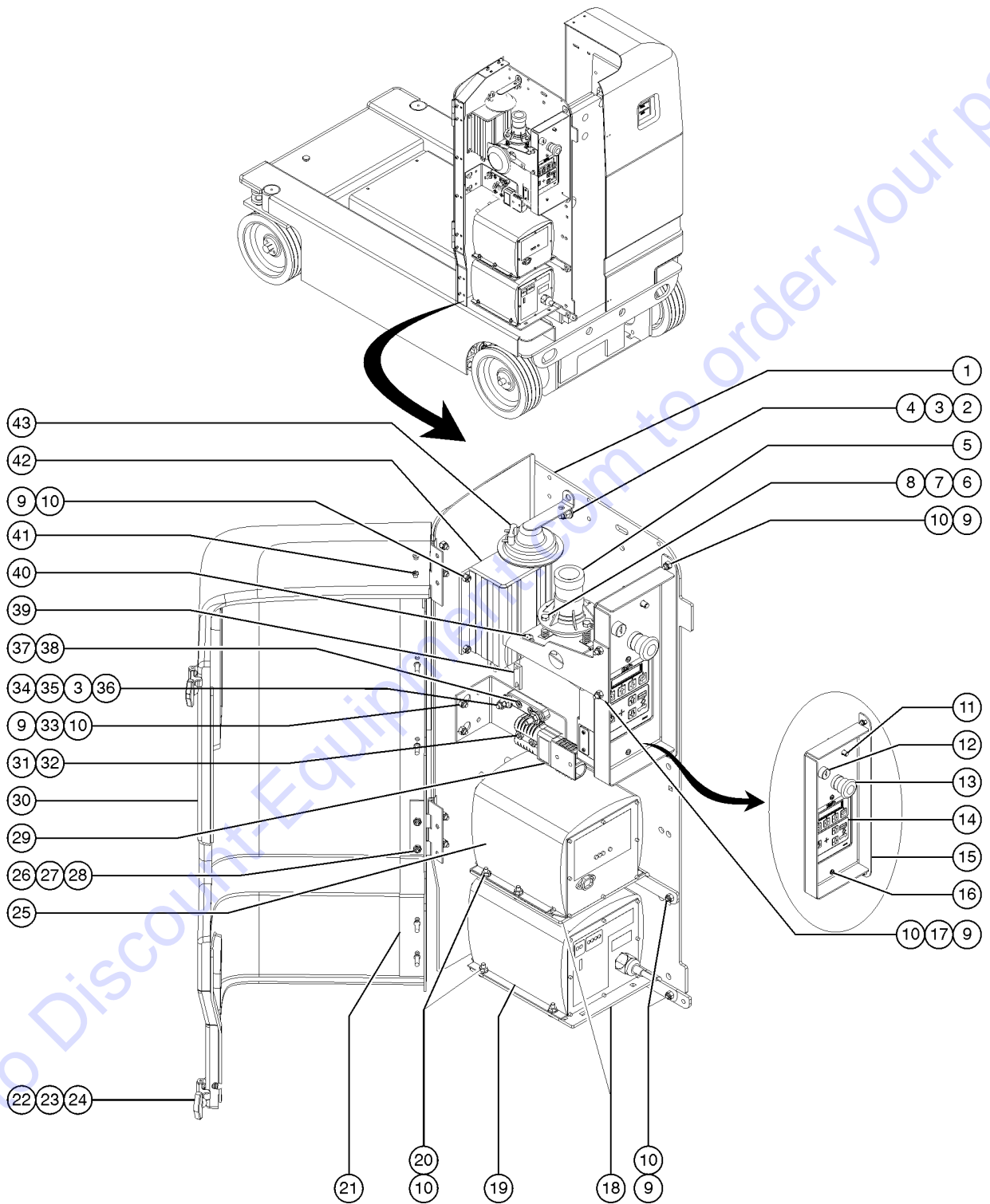


205.1 Ground Control Module Components (to serial number GR14-29566)

Item	Part No.	Description	Qty.
1	145286GT	FORMING,GROUND CONTROLS TRAY	1
2	4828GT	NUT,NYLOCK,3/8-16	
3	5397GT	WASHER,FLAT,USS,5/16",Y	
4	6175GT	SCREW,HHC,3/8-16 X 1	
5	228406GT	ASSY,LVL SNSR W/ CONNECTOR	1
5-	105142GT	LEVEL SENSOR,LS60,RED,1.5 DIA	
5-	60440GT	CONN,RECEP 3 WAY, 14-18GA	
5-	60441GT	LOCK,RECEP 3 WAY,14-18GA	
6	6637GT	SCREW,HHC,1/4-20 X 1.75	
7	39469GT	SPRING,COMPRESSION.485 X1.75**	
8	56912GT	SPRING CLIP,1/4-20,.025-.15X.54,ZAG	
9	6091GT	NUT,NYLOCK,1/4-20	
10	9116GT	BOLT, CARRIAGE, 1/4-20 X 1.25, G2	
11	96452GT	CIRCUIT BREAKER,7.0 AMP***	1
12A	96008-SGT	KEYSWITCH,3 POS. W/KEYS*** includes retaining ring and set of keys	1
12A-	83093GT	KEY SINGLE***	
12A-	85239GT	NUT,RETAINER (96008)	
12A-	96009GT	WASHER,NITRILE	
12A-	96010GT	SCREW,PHILLIPS,PHM,8-32 X.25**	
12B	83131GT	KEYSWITCH,3 POS W/KEYS,LOCKING	1
12B-	85239GT	NUT,RETAINER (96008)	1
12C	37947GT	KEYS,10 PACK***	
13	66812GT	BUTTON,PUSH,RED MUSHROOM HEAD	1
13-	66817GT	BASE WITH 1 NC CONTACT, E-STOP	
13-	66818GT	CONTACT,NC	
14		Ref. GROUND CONTROL PANEL (refer to 207.1)	
15	145280GT	FORMING, CONTROL PANEL, GR	1



205.1 Ground Control Module Components (to serial number GR14-29566)



PARTS FINDER

**Search Website
by Part Number**



**Search Manual
Library For Parts
Manual & Lookup Part
Numbers – Purchase
or Request Quote**

A screenshot of the "Search Manuals" form. The form has a title "Search Manuals" and a subtitle "Please provide information to help us locate the right manual for your machine." It includes several input fields: "Brand" (a dropdown menu), "Model" (a text field), "Serial" (a text field), "Part Number" (a text field), and "Category" (a dropdown menu). There is a "Search" button at the bottom of the form.

**Can't Find Part or
Manual? Request Help
by Manufacturer,
Model & Description**

A screenshot of the "Parts Order Form". The form has a title "Parts Order Form" and a subtitle "Please fill in as much information as possible." It includes several input fields: "Manufacturer" (a dropdown menu), "Model" (a text field), "Description" (a text field), "Quantity" (a text field), "Part Number" (a text field), "Category" (a dropdown menu), "Manufacturer Code" (a text field), "Model Code" (a text field), "Part Code" (a text field), "Part Name" (a text field), and "Part Description" (a text field). There is a "Submit" button at the bottom of the form.

Discount-Equipment.com is your online resource for quality parts & equipment.

Florida: **561-964-4949** Outside Florida TOLL FREE: **877-690-3101**

Need parts?

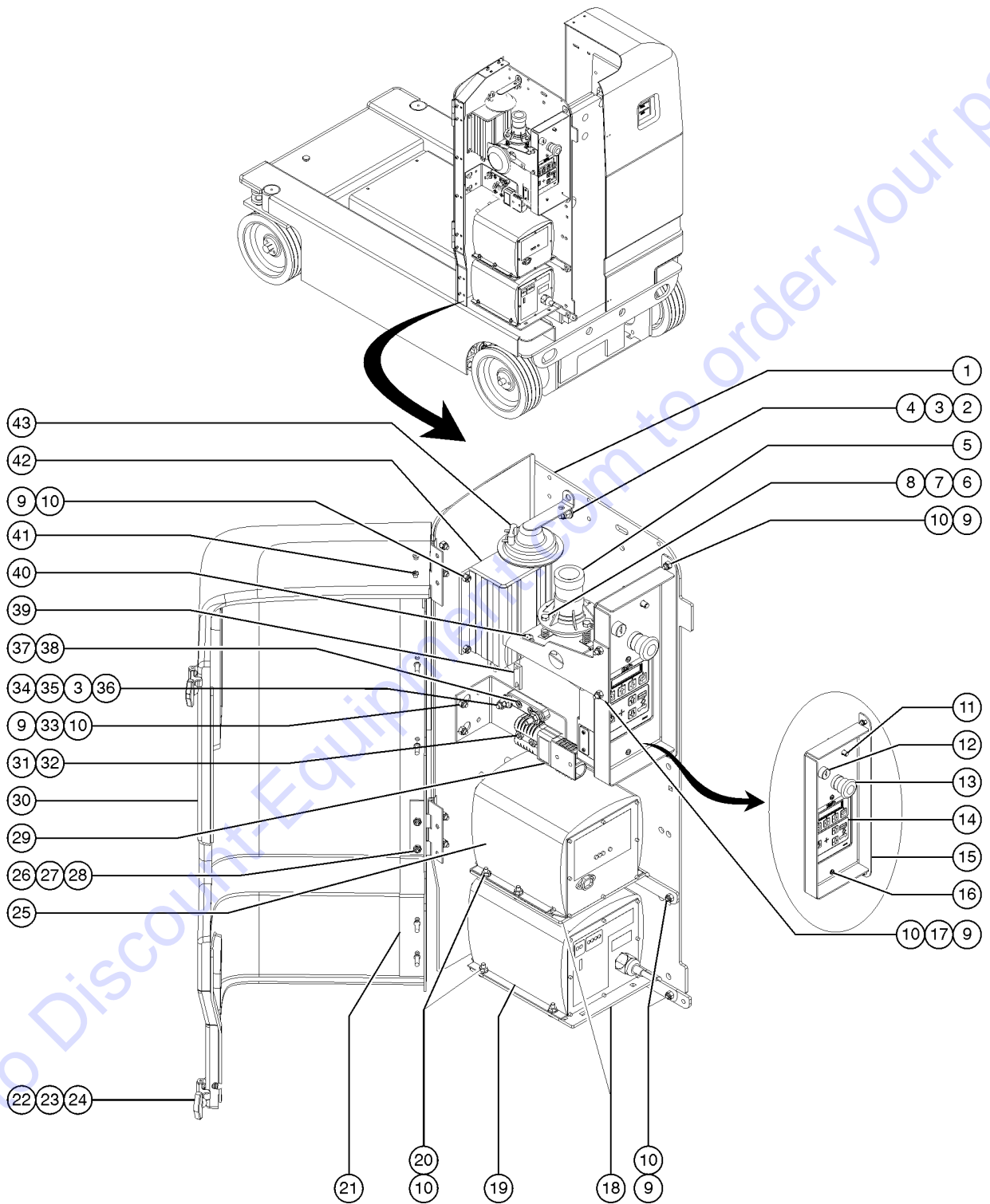
Click on this link: <http://www.discount-equipment.com/category/5443-parts/> and choose one of the options to help get the right parts and equipment you are looking for. Please have the machine model and serial number available in order to help us get you the correct parts. If you don't find the part on the website or on one of the online manuals, please fill out the request form and one of our experienced staff members will get back to you with a quote for the right part that your machine needs.

We sell worldwide for the brands: Genie, Terex, JLG, MultiQuip, Mikasa, Essick, Whiteman, Mayco, Toro Stone, Diamond Products, Generac Magnum, Airman, Haulotte, Barreto, Power Blanket, Nifty Lift, Atlas Copco, Chicago Pneumatic, Allmand, Miller Curber, Skyjack, Lull, Skytrak, Tsurumi, Husquvarna Target, Stow, Wacker, Sakai, Mi-T-M, Sullair, Basic, Dynapac, MBW, Weber, Bartell, Bennar Newman, Haulotte, Ditch Runner, Menegotti, Morrison, Contec, Buddy, Crown, Edco, Wyco, Bomag, Laymor, EZ Trench, Bil-Jax, F.S. Curtis, Gehl Pavers, Heli, Honda, ICS/PowerGrit, IHI, Partner, Imer, Clipper, MMD, Koshin, Rice, CH&E, General Equipment, Amida, Coleman, NAC, Gradall, Square Shooter, Kent, Stanley, Tamco, Toku, Hatz, Kohler, Robin, Wisconsin, Northrock, Oztec, Toker TK, Rol-Air, APT, Wylie, Ingersoll Rand / Doosan, Innovatech, Con X, Ammann, Mecalac, Makinex, Smith Surface Prep, Small Line, Wanco, Yanmar

205.1 Ground Control Module Components (to serial number GR14-29566)

Item	Part No.	Description	Qty.
16	75041GT	SCREW,PHILLIPS,PHM,10-32 X 1	
17	145279GT	FORMING,LEVEL SENSOR MOUNT, GR	1
18	T106788GT	FORMING, CHARGER MOUNT BRACKET	2
18-	T110723GT	FORMING, CHARGER MOUNT, GR (power to platform receptacle plug option)	
19	96950GT	INVERTER,24VDC,110/230 VAC***	1
20	18504GT	NUT,LOCKING-LG.FLANGE,1/4-20	
21	124232GT	WELDMENT,COVER SUP.CONT	1
22	57881GT	LATCH, RUBBER, 3-13/32 X 1-7/8	2
23	45546GT	SCREW,RHM,6-32 X .5	
24	12344GT	NUT,NYLOCK,6-32	
25		Ref. BATTERY CHARGER	
		(refer to 208.1)	
26	6889GT	NUT,LP NYLOCK,1/4-20	
27	105573GT	HINGE,ACCESS DOOR***	2
28	43137GT	SCREW,PHM,1/4-20 X .75	4
29	128135GT	TERM CONTACTS #2GA SB175 BATT	2
30	T110712GT	GRND CNTRL COVR,WORDS ANSI,EN USA and Canada models with word decals; English	1
30-	T115403GT	GRND CNTRL COVR,WORDS ANSI,FR Canada models with word decals; French	
30-	T110713GT	GRND CONTROL COVER ASSY, SYMB Europe, Asia and S. America models with symbol decals	
31	66094GT	NUT-THIN HEAVY HEX, 1/4-20	
32	8915GT	SCREW,HHC,1/4-20 X 1.25	
33	145284GT	FORMING,FUSE BRACKET	1
34	6782GT	NUT,NYLOCK,5/16-18	
35	18503GT	NUT,LOCKING-LG.FLANGE,5/16-18	
36	66717GT	FUSE BLOCK, ANN & ANL FUSE	1
37	6873GT	SCREW,FHM,10-32 X 1	
38	6178GT	NUT,NYLOCK,10-32	
39	124449GT	TILT SENSOR TEST TOOL	1
40	39540GT	ALARM,STEADY TONE***	1

205.1 Ground Control Module Components (to serial number GR14-29566)



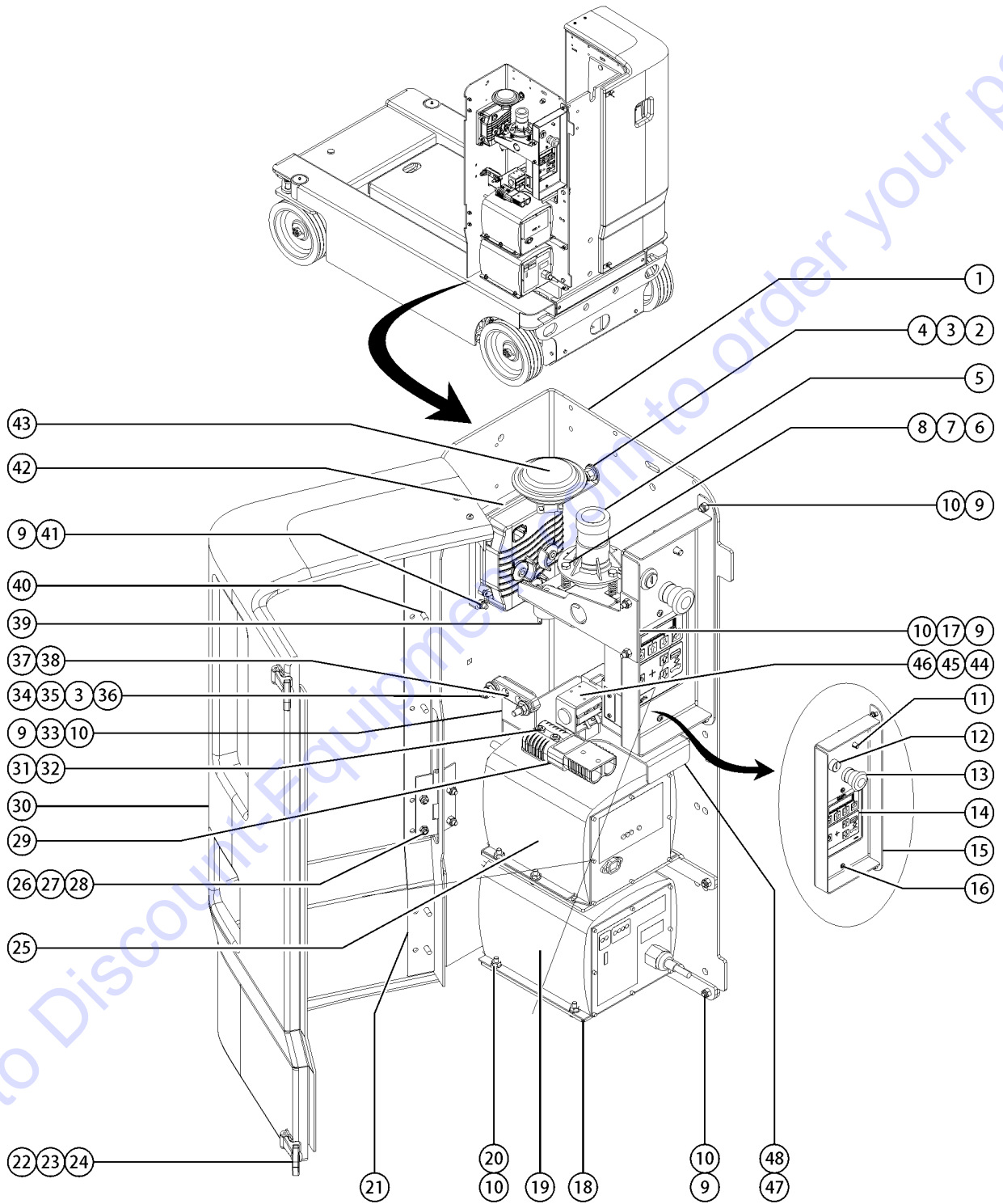
205.1 Ground Control Module Components (to serial number GR14-29566)

Item	Part No.	Description	Qty.
40-	72326GT	NUT - PLASTIC,RING FOR ALARMS	
41	7265GT	RIVET,STEEL,P, .25 X .375	
42A	1257203GT	KIT,MTR CNTRLR REPLACEMENT,GR% kit includes installation instructions, new motor controller (PN 823408), harness, battery cables, and new fasteners.	1
42B	823408GT	MOTOR CONTROLLER, DC,24V,300A motor controllers sold separately only in cases where upgrade kits are N/A or an upgrade kit has been previously installed	
42C	232573GT	RESISTOR, 200 OHM 10 WATT	
42D	232535GT	KIT,CONTACTOR,GR	
42D-	232848GT	CONTACTOR ASSY,GR	
42E	1257035GT	KIT,BATT. CABLE ASSY., GR	
		from SN 29743	
43	81579GT	HORN,24VDC,SPADE TERMINALS***	1

Go to Discount-Equipment.com to order your parts



205.2 Ground Control Module Components (from serial number GR14-29567, GRR-101)

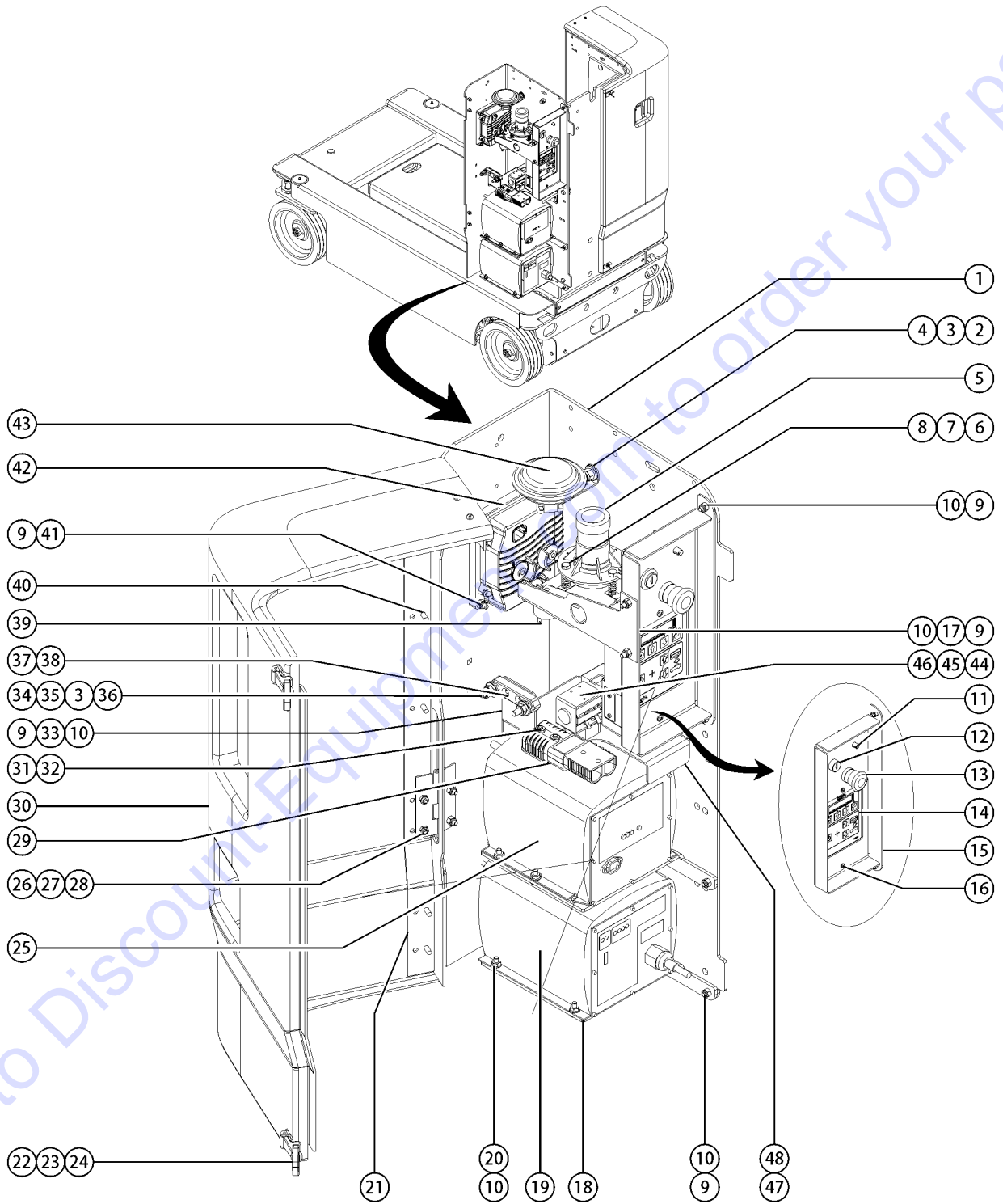


205.2 Ground Control Module Components (from serial number GR14-29567, GRR-101)

Item	Part No.	Description	Qty.
A	124449GT	TILT SENSOR TEST TOOL	1
B	1289561GT	BRACKET, TELEMATICS	
B	1289520GT	MODULE, TELEMATICS, ZTR, M7, NORTH AMERICA	
B	1289521GT	MODULE, TELEMATICS, ZTR, M7, EMEA/APAC	
1	145286GT	FORMING,GROUND CONTROLS TRAY	1
2	4828GT	NUT,NYLOCK,3/8-16	
3	5397GT	WASHER,FLAT,USS,5/16",Y	
4	6175GT	SCREW,HHC,3/8-16 X 1	
5A	228406GT	ASSY,LVL SNSR W/ CONNECTOR	1
		to SN 40225	
5A-	105142GT	LEVEL SENSOR,LS60,RED,1.5 DIA	
5A-	60440GT	CONN,RECEP 3 WAY, 14-18GA	
5A-	60441GT	LOCK,RECEP 3 WAY,14-18GA	
5B	823368GT	SENSOR,LEVEL,UNIVERSAL	1
		from SN 40226	
6A	6637GT	SCREW,HHC,1/4-20 X 1.75	
		to SN 40225	
6B	8179GT	SCREW,HHC,1/4-20 X 2.25	
		from SN 40226	
7	39469GT	SPRING,COMPRESSION.485 X1.75**	
8A	56912GT	SPRING CLIP,1/4-20,.025-.15X.54,ZAG	
		to SN 40225	
8B	6091GT	NUT,NYLOCK,1/4-20	
		from SN 40226	
9	6091GT	NUT,NYLOCK,1/4-20	
10	6878GT	BOLT,CARRIAGE,1/4-20 X .75,G2	
11	96452GT	CIRCUIT BREAKER,7.0 AMP***	1
12	96008-SGT	KEYSWITCH,3 POS. W/KEYS***	1
12-	37947GT	KEYS,10 PACK***	
12-	83093GT	KEY SINGLE***	
12-	85239GT	NUT,RETAINER (96008)	
12-	96009GT	WASHER,NITRILE	
12-	96010GT	SCREW,PHILLIPS,PHM,8-32 X.25**	
13	66812GT	BUTTON,PUSH,RED MUSHROOM HEAD	1



205.2 Ground Control Module Components (from serial number GR14-29567, GRR-101)

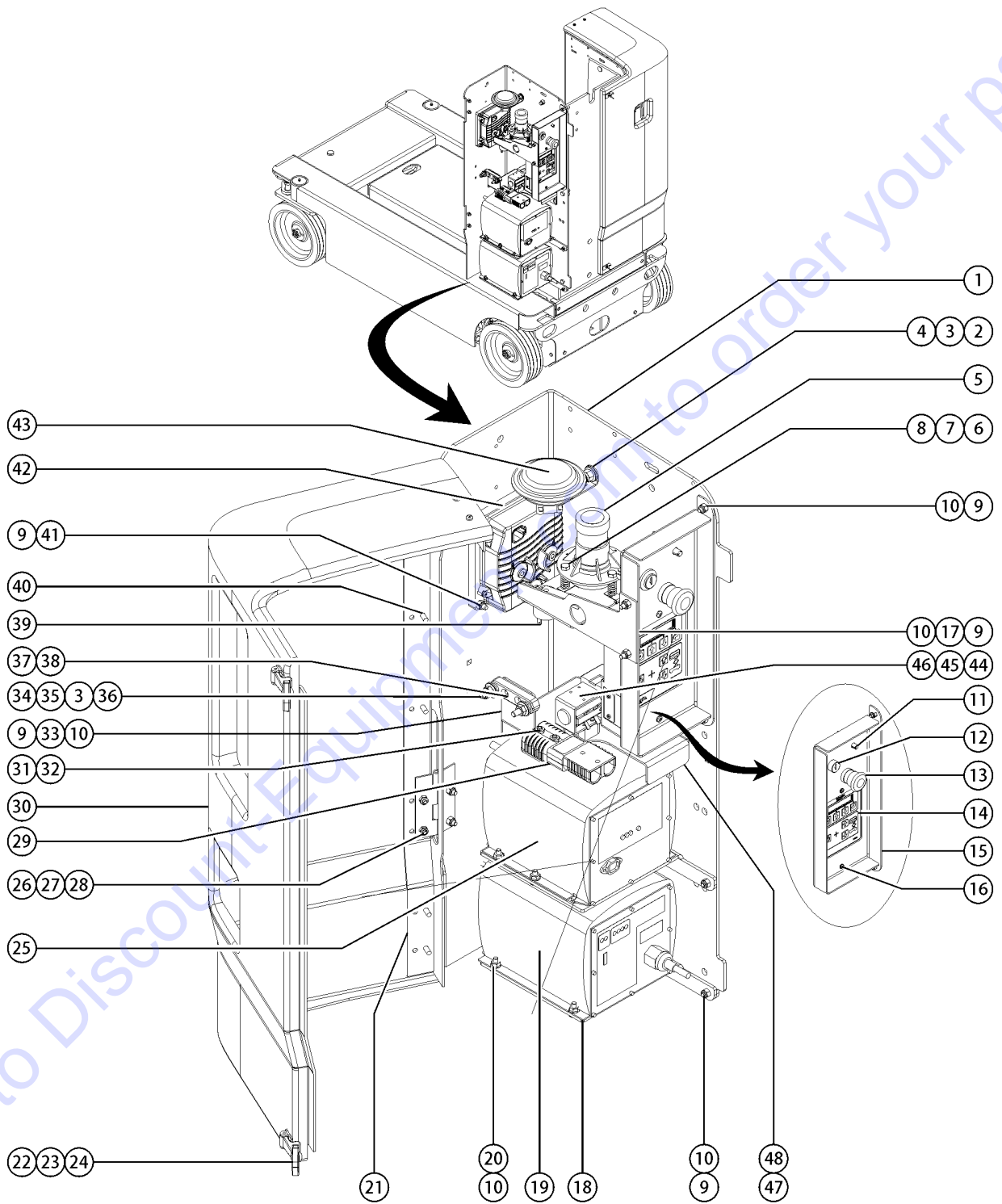


205.2 Ground Control Module Components (from serial number GR14-29567, GRR-101)

Item	Part No.	Description	Qty.
13-	66817GT	BASE WITH 1 NC CONTACT, E-STOP	
13-	66818GT	CONTACT,NC	
14		Ref. GROUND CONTROL PANEL	
		(refer to 207.1)	
15	145280GT	FORMING, CONTROL PANEL, GR	1
		to SN GRR-3870	
15B	1283227GT	FORMING, GR CONTROL PANEL,TECH PRO	
		from SN GRR-3871	
16	77677GT	SCREW,PHILLIPS,PHM,10-24 X 1	
17A	145279GT	FORMING,LEVEL SENSOR MOUNT, GR	1
		to SN 40225	
17B	1264298GT	FORMING BRACKET UTSG	1
		from SN 40226 (not shown)	
18A	T106788GT	FORMING, CHARGER MOUNT BRACKET	2
18A-	T110723GT	FORMING, CHARGER MOUNT, GR	
		(power to platform receptacle plug option)	
18B	1272975GT	FORMING, CHARGER MOUNT	
		(EE units option, from SN GR16P-44174)	
18C	1275663GT	FORMING, BATT CHARGER MOUNT	
		(from SN GR16P-44174)	
19	96950GT	INVERTER,24VDC,110/230 VAC***	1
20	18504GT	NUT,LOCKING-LG.FLANGE,1/4-20	
21A	124232GT	WELDMENT,COVER SUP.CONT	1
		to SN 44173	
21B	1278386GT	WELDMENT,COVER SUPPORT, GND CNTRL	1
		from SN 44174	
22	57881GT	LATCH, RUBBER, 3-13/32 X 1-7/8	2
23	45546GT	SCREW,RHM,6-32 X .5	
24	12344GT	NUT,NYLOCK,6-32	
25		Ref. BATTERY CHARGER	
		(refer to 208.1)	
26	6889GT	NUT,LP NYLOCK,1/4-20	
27	105573GT	HINGE,ACCESS DOOR***	2
28	43136GT	SCREW,PHM,1/4-20 X .625	4
29	19436GT	CONNECTOR,ANDERSON SB 175,1/0G	2
29-	66397GT	QUICK DISCONNECT CASING,BATT**	4
29-	128135GT	TERM CONTACTS #2GA SB175 BATT	4
30	229215GT	GRND CNTRL COVR,WORDS ANSI,EN	1
		USA and Canada models with word decals, English	
30-	229216GT	GRND CNTRL COVR,WORDS ANSI,FR	
		Canada models with word decals; French	



205.2 Ground Control Module Components (from serial number GR14-29567, GRR-101)

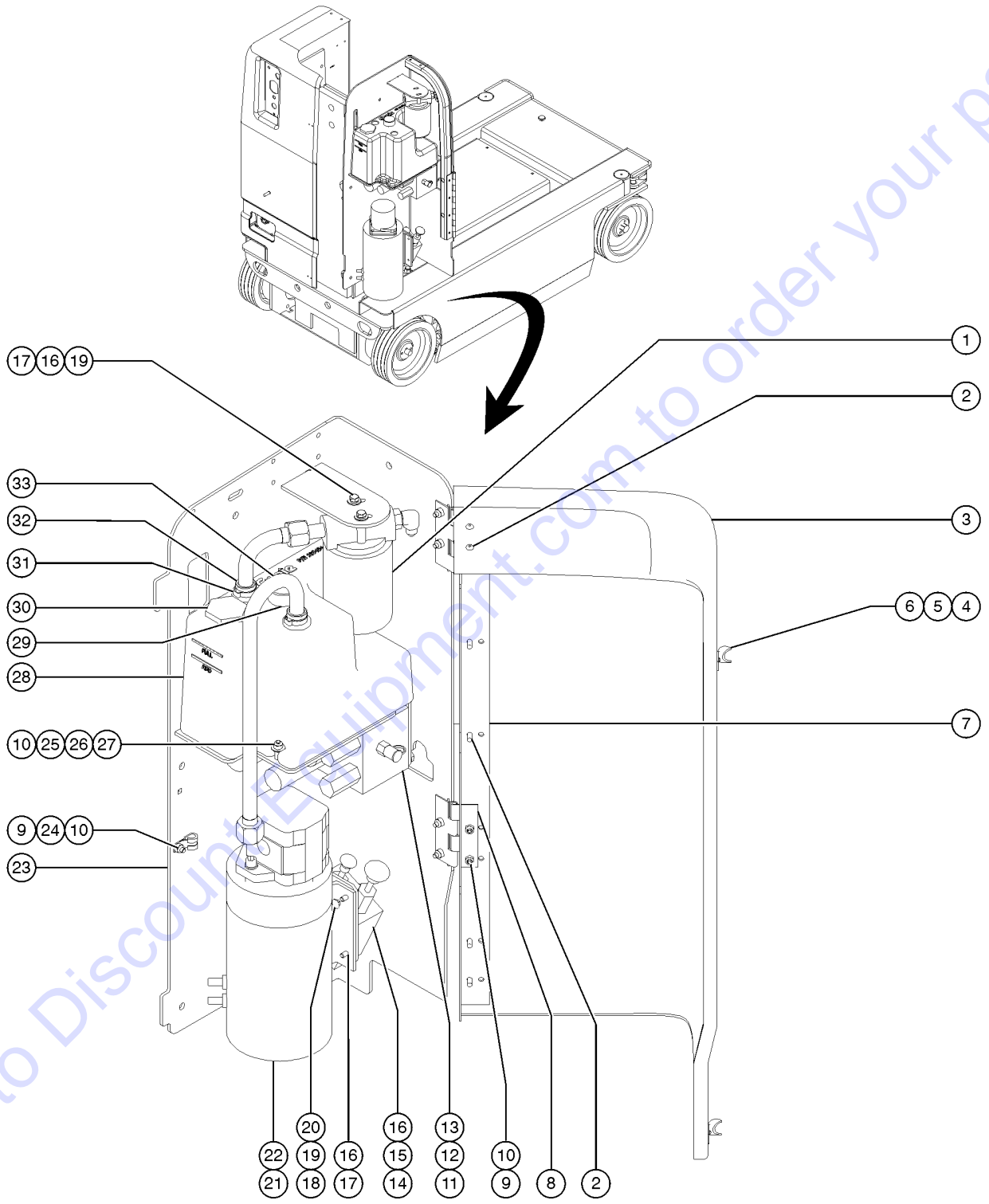


205.2 Ground Control Module Components (from serial number GR14-29567, GRR-101)

Item	Part No.	Description	Qty.
30-	229217GT	GRND CONTROL COVER ASSY, SYMB Europe, Asia and S. America models with symbol decals	
31	66094GT	NUT-THIN HEAVY HEX, 1/4-20	
32	8915GT	SCREW,HHC,1/4-20 X 1.25	
33	145284GT	FORMING,FUSE BRACKET	1
34	6782GT	NUT,NYLOCK,5/16-18	
35	18503GT	NUT,LOCKING-LG.FLANGE,5/16-18	
36	66717GT	FUSE BLOCK, ANN & ANL FUSE	1
37	105273GT	SCREW,HEX HD,NO SLOT,#14X.50	
38	6178GT	NUT,NYLOCK,10-32	
39	39540GT	ALARM,STEADY TONE*** (to SN GR16P-41763) (72326 plastic nut not included, order separately)	1
39-	72326GT	NUT - PLASTIC,RING FOR ALARMS for 39540	
40	7265GT	RIVET,STEEL,P, .25 X .375	
41	9116GT	BOLT, CARRIAGE, 1/4-20 X 1.25, G2	
42A	1257203GT	KIT,MTR CNTRLR REPLACEMENT,GR% from SN 5001 to 29742; kit includes installation instructions, new motor controller (PN 823408), harness, battery cables, and new fasteners. For machines that do not already have contactors installed, must also order 219897.	1
42A-	823408GT	MOTOR CONTROLLER, DC,24V,300A motor controllers sold separately only in cases where upgrade kits are N/A or an upgrade kit has been previously installed	
42A-	232580GT	HARNESS,DIODE JUMPER	
42A-	232573GT	RESISTOR, 200 OHM 10 WATT	
42B	232535GT	KIT,CONTACTOR,GR from SN 5001	
42B-	232848GT	CONTACTOR ASSY,GR	
43	81579GT	HORN,24VDC,SPADE TERMINALS***	1
44	1270456GT	CONTACTOR,DRIVE,24V,180A	1
45	162273GT	SPACER,MOUNTING	1
46	49373GT	SCREW,PHILLIPS,PHM,M5X.8X25	2
47	219384GT	FORMING,GR CONTACTOR MOUNT	1
48	39540GT	ALARM,STEADY TONE*** not shown (from SN GR16P-41764) (72326 plastic nut not included, order separately)	1
48-	72326GT	NUT - PLASTIC,RING FOR ALARMS for 39540	



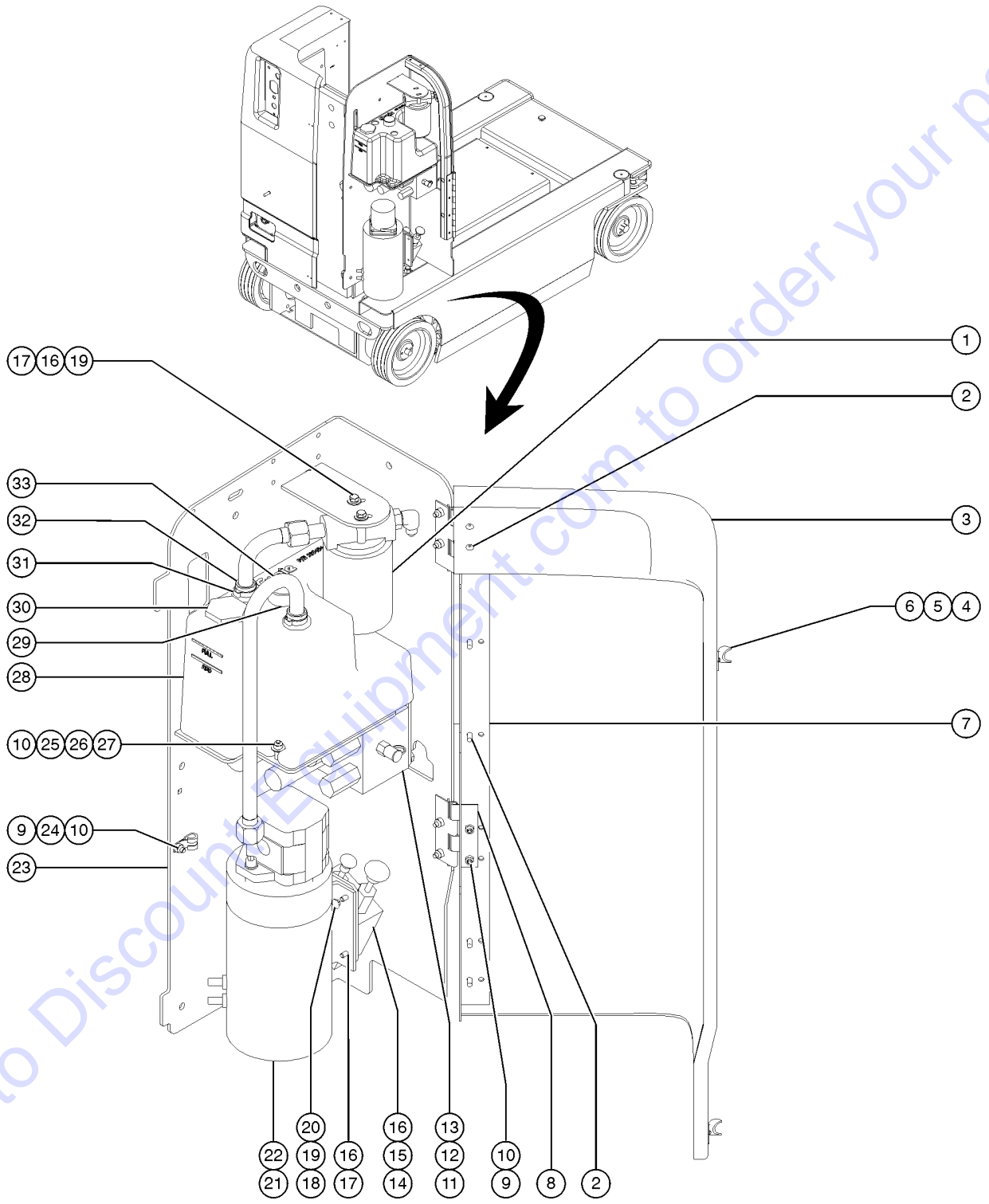
206.1 Power Unit Components



Item	Part No.	Description	Qty.
1	78622GT	FILTER ASSY,SAE8,10 MIC,PAPR**	1
1-	44207GT	FILTER ELEMENT,BETA(10)=200 (fiberglass, optional upgrade)	
1-	44788GT	FILTER ELEMENT,10MICRON,PAPER* (paper, standard)	
2	7265GT	RIVET,STEEL,P, .25 X .375	
3	T110714GT	POWER UNIT CVR ASSY, WORDS EN USA and Canada models with word decals; English (to SN GRP-59999 & SN GRR-10000)	1
3-	T115404GT	POWER UNIT CVR ASSY, WORDS FR Canada models with word decals; French (to SN GRP-59999 & SN GRR-10000)	
3-	T110715GT	POWER UNIT COVER ASSY, SYMB Europe, Asia and S. America models with symbol decals (to SN GRP-59999 & SN GRR-10000)	
4	57881GT	LATCH, RUBBER, 3-13/32 X 1-7/8	2
5	45546GT	SCREW,RHM,6-32 X .5	
6	12344GT	NUT,NYLOCK,6-32	
7	124233GT	WELDMENT,COVER SUP.HYD	1
8	105573GT	HINGE,ACCESS DOOR***	2
9	6878GT	BOLT,CARRIAGE,1/4-20 X .75,G2	
10	6091GT	NUT,NYLOCK,1/4-20	
11		Ref. MANIFOLD,FUNCTION (refer to 402.1)	1
12	6021GT	WASHER,LOCK,.375	
13	6175GT	SCREW,HHC,3/8-16 X 1	
14		Ref. MANIFOLD,BRAKE RELEASE (refer to 403.1)	
15	6884GT	SCREW,HHC,1/4-20 X 2.5	
16	6356GT	WASHER,LOCK,.25	
17	6090GT	SCREW,HHC,1/4-20 X .75	
18	96905GT	BOLT,CARRIAGE,1/4-20 X 2.5,G2	
19	6638GT	WASHER,FLAT,USS,1/4"Y	
20	6889GT	NUT,LP NYLOCK,1/4-20	
21		Ref. Motor (refer to 401.1)	
22		Ref. Pump (refer to 401.1)	
23	161001GT	WELDMENT, HYD TRAY	1
24	124728GT	CLAMP,0.44,#7X1/4,RUB CUSH	1



206.1 Power Unit Components



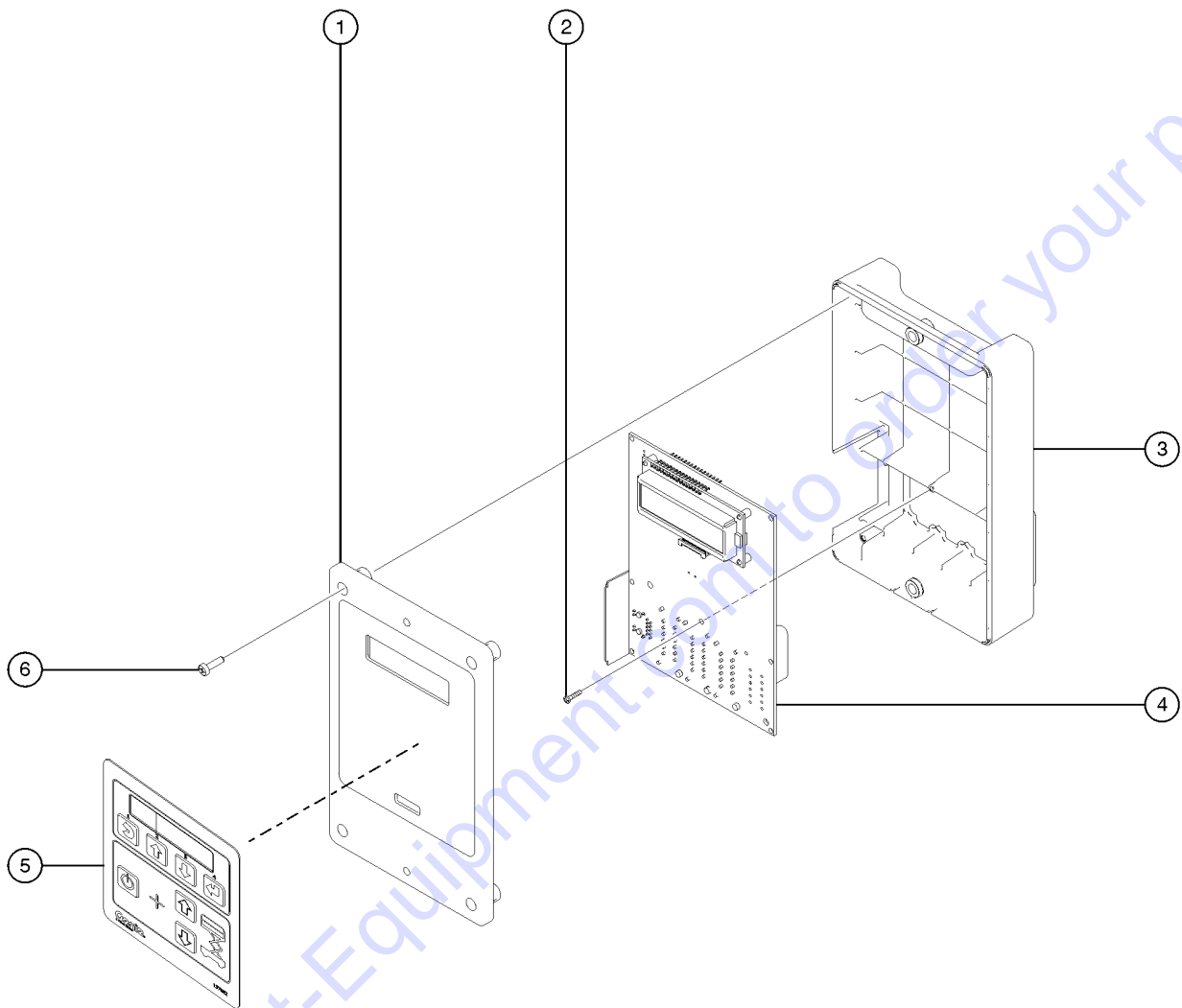
206.1 Power Unit Components

<i>Item</i>	<i>Part No.</i>	<i>Description</i>	<i>Qty.</i>
25	6638GT	WASHER,FLAT,USS,1/4"Y	
26	96699GT	SLEEVE,TANK SUPPORT	2
27	9116GT	BOLT, CARRIAGE, 1/4-20 X 1.25, G2	
28	100484GT	HYD. TANK, POLYETHELENE	1
29	78546GT	BREATHER CAP,HYD. TANK,1/4 NPT	1
30	66204GT	PLUG, 1-1/2" NPT HEX HEAD	
31	96855GT	CLAMP,HOSE,1 EAR,1-1/16***	
32	96709GT	GROMMET,SLAB HYD TANK***	
33	100510GT	TUBE ASSY, DRAW	1

Go to Discount-Equipment.com to order your parts



207.1 Ground Control Panel



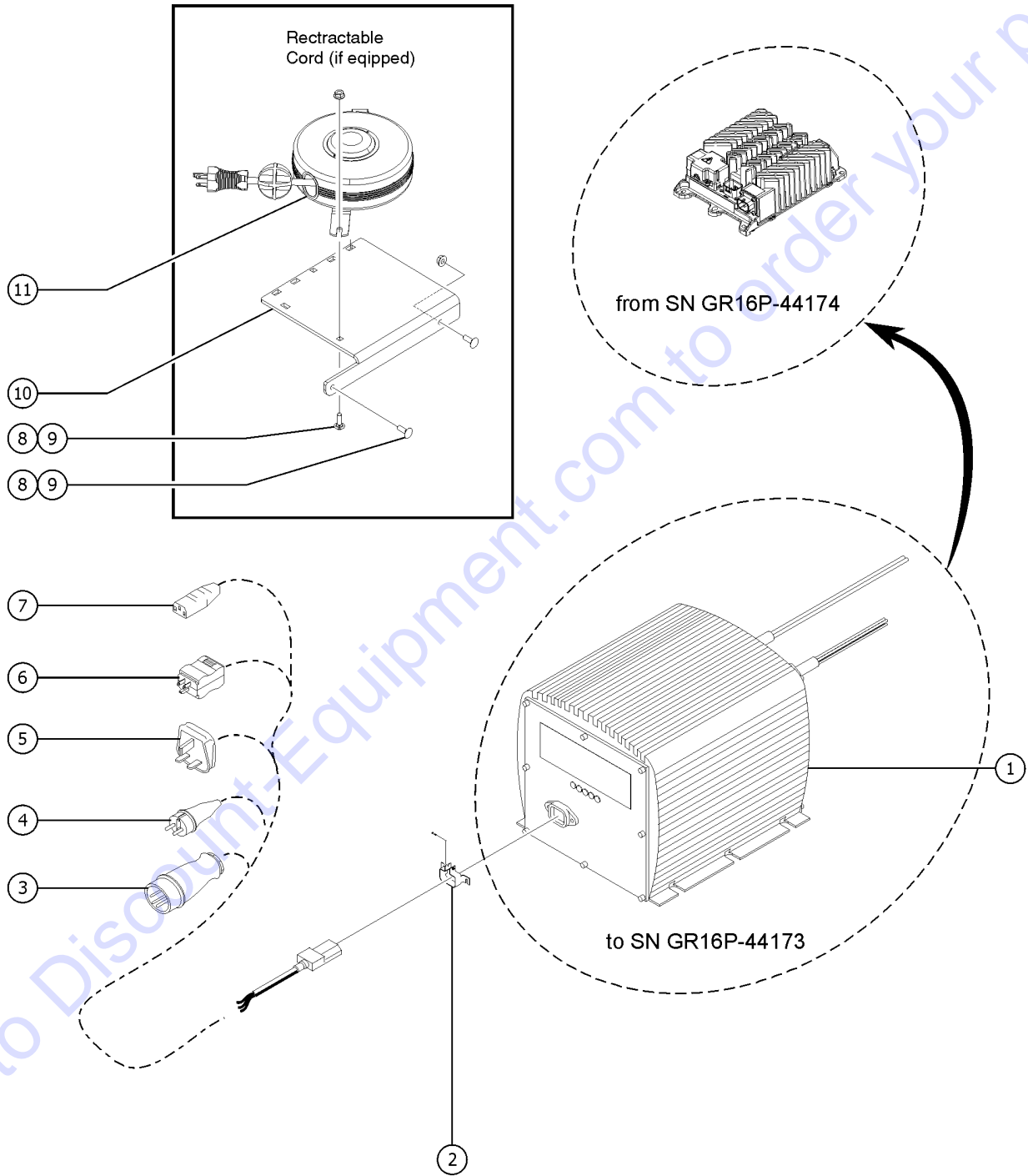
207.1 Ground Control Panel

Item	Part No.	Description	Qty.
A	137692GT	GCON, GR/GRC/GS Complete (models with 2 speed lift controller) to SN 34999	1
A-	137673GT	LABEL, SERIAL, GC21-19	1
B	1256721GT	GCON,STD,PROP LIFT. (models with proportional lift controller) to SN GRP-59999 & SN GRR-10000	1
C	1284285GT	GCON,STD,DUAL ZONE from SN GRP-60000 & SN GRR-10001	1
1	T106366GT	ENCLOSURE,GC27-25/GC21-19,FRNT	1
2	137637GT	SCREW,PHM,4-20X.5, 48-2 TRI-L	
3	T106372GT	ENCLOSURE, GC21-19, BK	1
4A	137604GT	PCBA, GC21-19 (models with 2 speed lift controller) to SN 34999	1
4A-	T106362GT	COVER, RJ45, GC27-25/GC21-19 replaced 137584	
4A-	T106363GT	ADAPTER, RJ45, GC27-25/GC21-19 replaced 137655	
4B	1256719GT	PCBA,GCON STD,PROP LIFT (models with proportional lift controller and units converted from 2 speed lift controller to proportional speed controller) to SN GRP-59999 & SN GRR-10000	
4C	1284287GT	PCBA,GCON,STD,DUAL ZONE from SN GRP-60000 & SN GRR-10001	
5	137562GT	DECAL,MEMBRANE, GR/GRC/GS GCON	1
6	137668GT	SCREW,PHM,6-19X.75, 48-2 TRI-L	

Go to Discount-Equipment.com to order your parts



208.1 Battery Charger

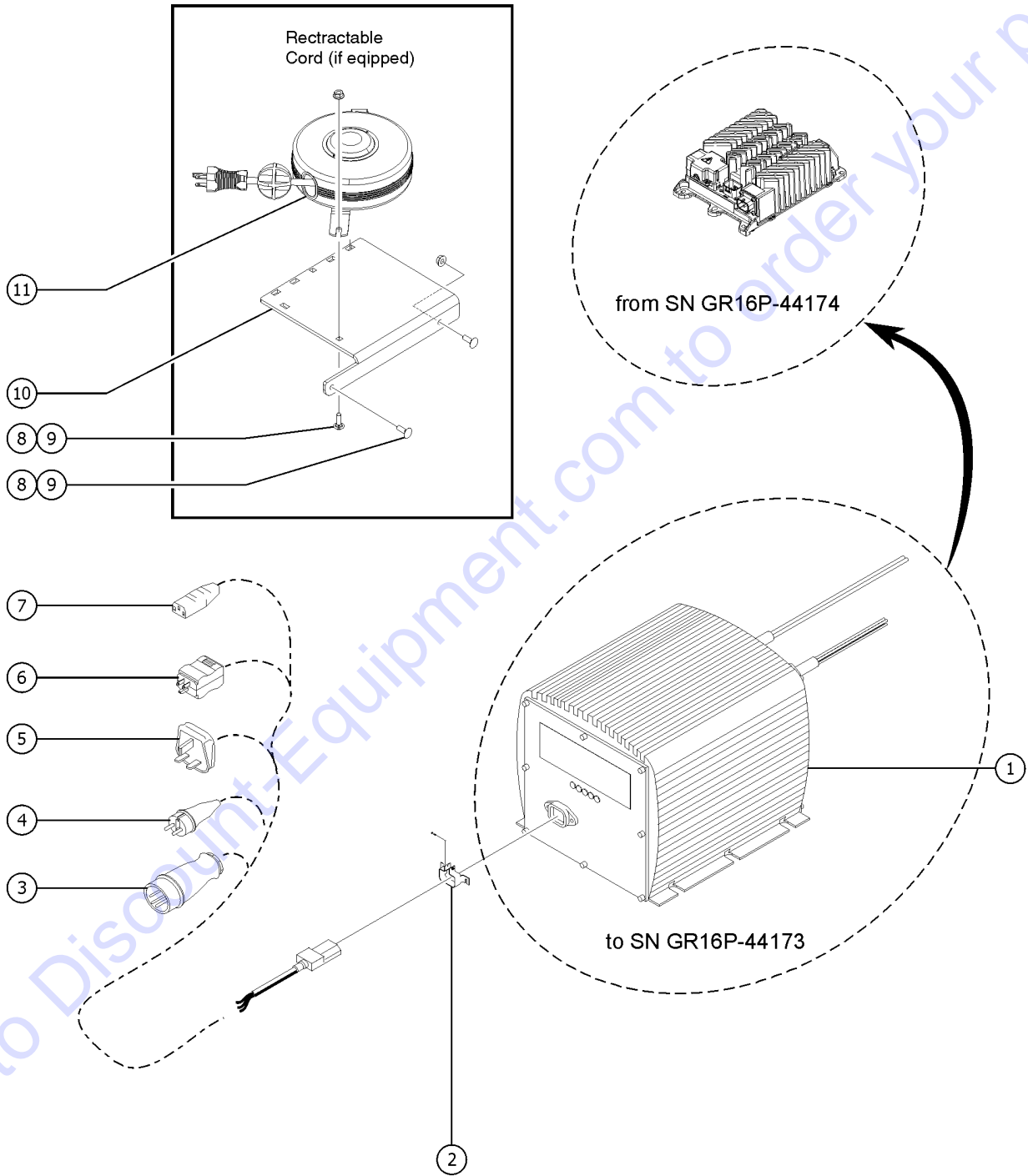


Go to Discount-Equipment.com to order your parts

Item	Part No.	Description	Qty.
A	144161GT	PLUG,PWR,UK,16AMP,3PIN,BLK	
B	25388GT	PLUG,FUSED,250V,13AMP,U.K.**	
C	6595GT	PLUG,ELECTRICAL,DOMESTIC	
D	1280665GT	PLUG, TYPE F, 230A, 50HZ, 16A, IP44	
E	97059GT	FUSE,BATTERY CHARGER***	
F	1278183GT	CABLE ASSY,CHARGER,US110 includes US 110V plug (from SN GR16P-44174)	
F	1278187GT	CABLE ASSY,CHARGER,UNTERM without plug (from SN GR16P-44174)	
G	139318GT	BUSHING,STRAIN RELIEF, .875/.30 from SN GR16P-44174	
1	105739GT	CHARGER,BAT,24VDC,H/LO GEN2 to SN GR16P-44173	1
1-	105334GT	CONNECTOR, IEC CHARGER CORD	
1-	144180GT	MANUAL,OWNERS,CHARGER,105739	
1-	219480GT	KIT,BATTERY CHARGER,24V (includes 105739 charger, fasteners, ring terminals and instructions for field installation)	
1B	1278188GT	KIT,650W CHARGER,FLA,GR for standard 'flooded' batteries (from SN 20000 to 44173)	
1B	1278189GT	KIT,650W CHARGER,AGM,GR for AGM 'maintenance-free' batteries (from SN 20000 to 44173)	
1B	1278706GT	KIT,650W CHARGER,AGM,GR,EE EE Rated - for standard 'flooded' batteries (from SN 20000 to 44173)	
1B	1278705GT	KIT,650W CHARGER,FLA,GR,EE EE Rated - for AGM 'maintenance-free' batteries (from SN 20000 to 44173)	
1B-	1264372GT	CHARGER,24V,650W,USB for 1278188, 1278189, 1278705, 1278706	
1B-	1278191GT	HARNESS,CHARGER INTERLOCK for 1264372	
1C	1264372GT	CHARGER,24V,650W,USB from SN GR16P-44174; charge cord is not included	1
1C-	1273576GT	CABLE ASSY,CHARGER/BATTERY for standard 'flooded' batteries	
1C-	1272844GT	CABLE,CHARGER, DC, W/ BTS for AGM 'maintenance free' batteries	
1C-	1279428GT	KIT,DC BLOCK ASSEMBLY	
1C-	1278183GT	CABLE ASSY,CHARGER,US110 power supply cord (ANSI/CSA models)	
1C-	1278187GT	CABLE ASSY,CHARGER,UNTERM power supply cord; wall terminal not included, order separately	
2	55010GT	LOCK, CONNECTOR to SN GR16P-44173	1
3	71706GT	POWER CORD, UK 110, 115" to SN GR16P-44173	1
3B	1278184GT	CABLE ASSY,CHARGER,UK110V for 1264372 (from SN 20000 to 44173)	
4	55019GT	POWER CORD,NOVON, 8" to SN GR16P-44173	1



208.1 Battery Charger



Go to Discount-Equipment.com to order your parts

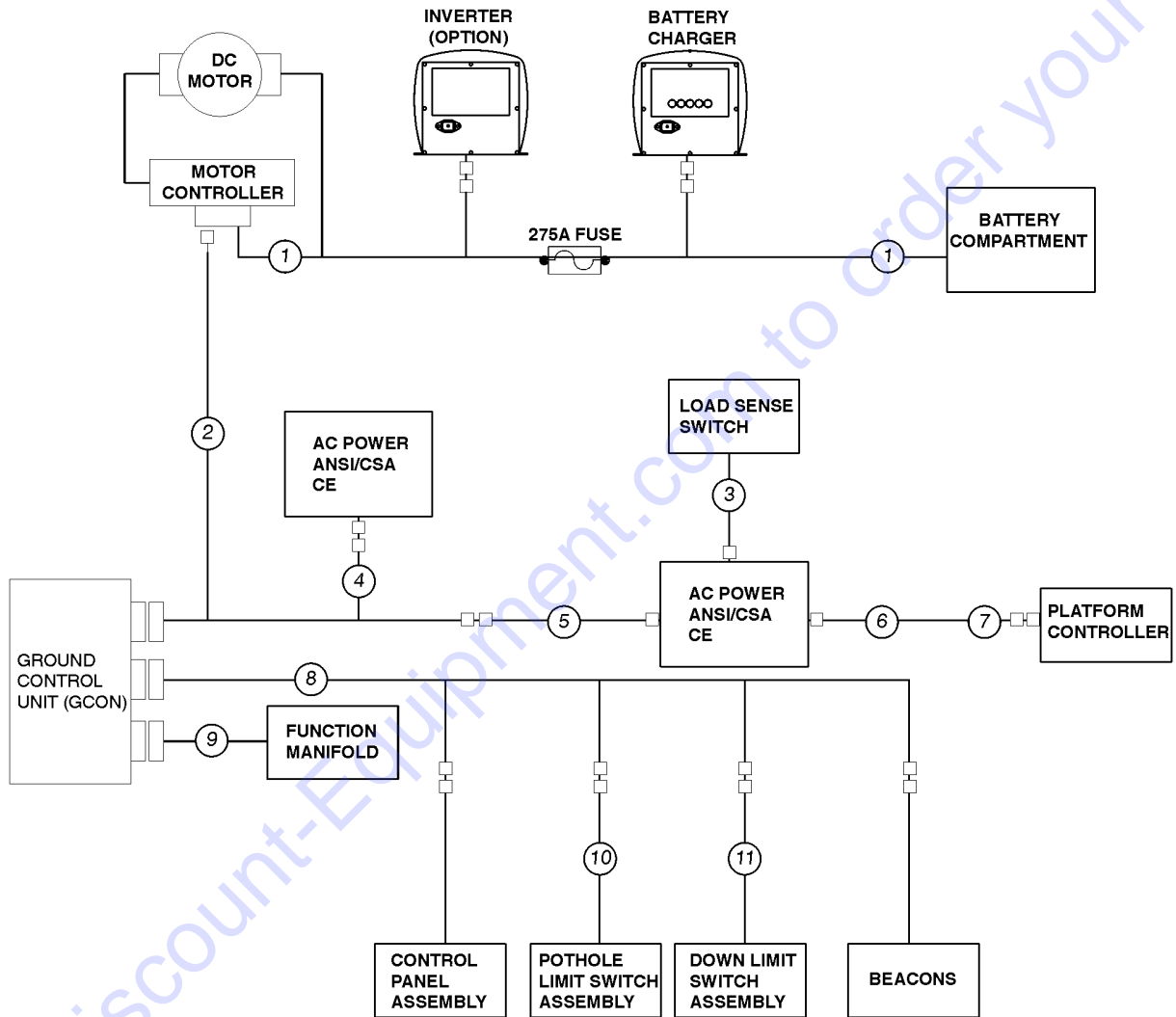
208.1 Battery Charger

Item	Part No.	Description	Qty.
4B	1278186GT	CABLE ASSY,CHARGER,NOVON for 1264372 (from SN 20000 to 44173)	
5	55018GT	POWER CORD,UK-HIGH VOLTAGE, 8" to SN GR16P-44173	1
5B	1278185GT	CABLE ASSY,CHARGER,UK220V for 1264372 (from SN 20000 to 44173)	
6	55021GT	POWER CORD,US 110, 8" to SN GR16P-44173	1
6B	1278183GT	CABLE ASSY,CHARGER,US110 for 1264372 (from SN 20000 to 44173)	
7	48282GT	POWER CORD, IEC 320 BLANK, 79" to SN GR16P-44173	1
7B	1278187GT	CABLE ASSY,CHARGER,UNTERM for 1264372 (from SN 20000 to 44173)	
8	6878GT	BOLT,CARRIAGE,1/4-20 X .75,G2	4
9	18504GT	NUT,LOCKING-LG.FLANGE,1/4-20	4
10A	T106788GT	FORMING, CHARGER MOUNT BRACKET to SN GR16P-44173	1
10B	1272975GT	FORMING, CHARGER MOUNT from SN GR16P-44174	1
11	218073GT	CORD REEL,SPRING REWIND	1

Go to Discount-Equipment.com to order your parts



209.1 Electrical Wiring (to SN GR14-29741)



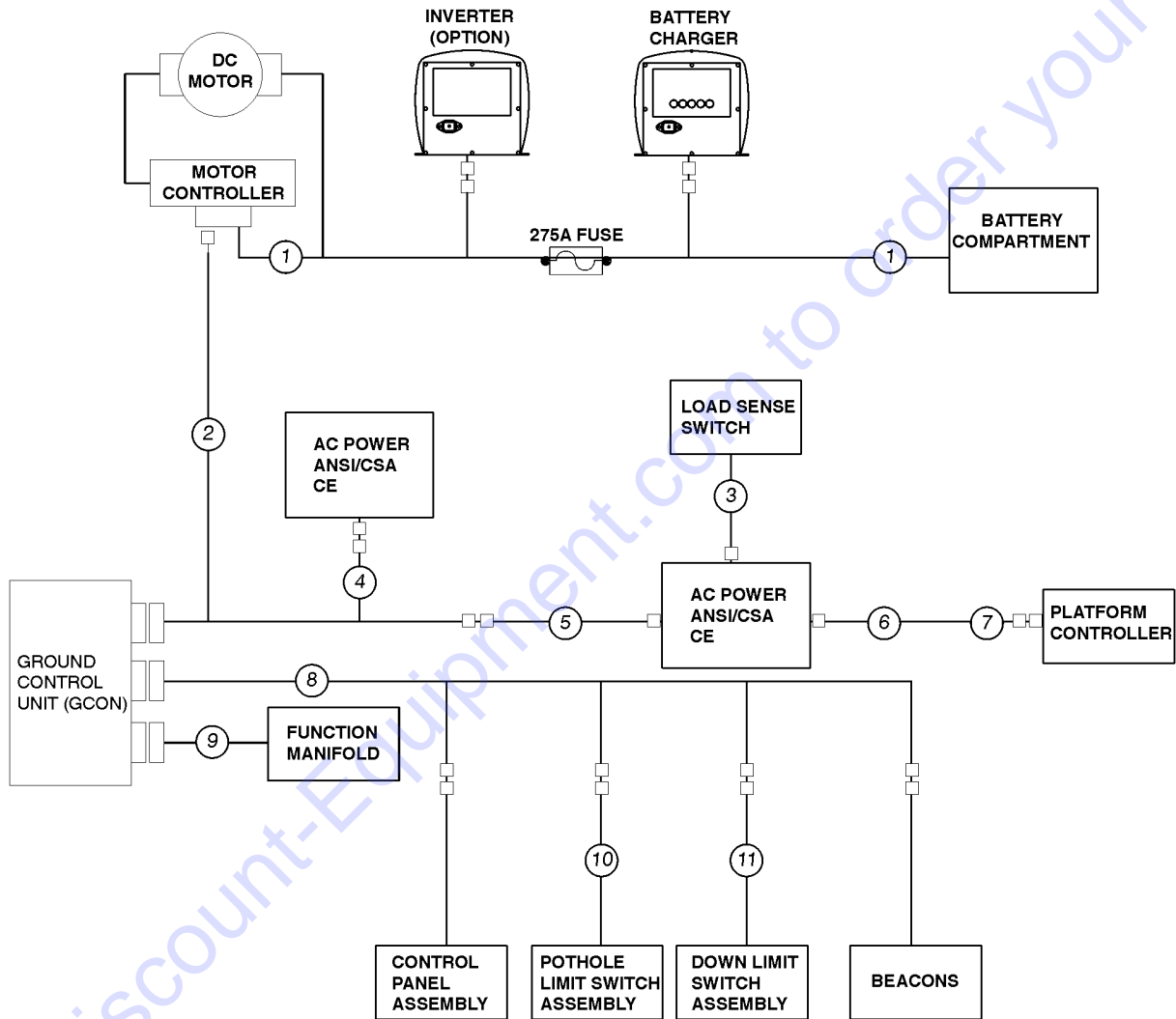
209.1 Electrical Wiring (to SN GR14-29741)

Item	Part No.	Description	Qty.
	109758GT	HARNESS, REC PLUG	
1	100801GT	BATTERY CABLE ASSY, GR to SN 29741	1
2	137608GT	HARNESS, GR POWER CONTROL	1
3	137726GT	SWITCH ASSY, LIMIT, LOAD SENSE	1
4	T107890GT	POWER CABLE, GR BASE, DOMESTIC ANSI	1
4-	T107891GT	POWER CABLE,GR BASE,INTRNATION CE	
5A	137761GT	HARNESS, GR-12 MAST ANSI GR-12, ANSI	1
5A-	137737GT	HARNESS, GR-12 MAST CE GR-12, CE	
6	137729GT	ASSY, DOM J-BOX, PLAT GR ANSI	1
6-	137732GT	ASSY, CE J-BOX, GR CE	
7	137731GT	WIRE ASSY, STD/EXT PLAT. GR	1
8	137755GT	HARNESS, GR, SW SNSRS W/O LS ANSI	1
8-	137609GT	HARNESS,GR, SW SNSRS W/ LS CE	
9	137607GT	HARNESS, GR FUNCTION MANIFOLD	1
10	T107892GT	ASSY, POTHOLE HARNESS, GR	1
11	137728GT	WIRE ASSY, DOWN LIMIT SW.	1

Go to Discount-Equipment.com to order your parts



209.2 Electrical Wiring (to SN GR14-29741)



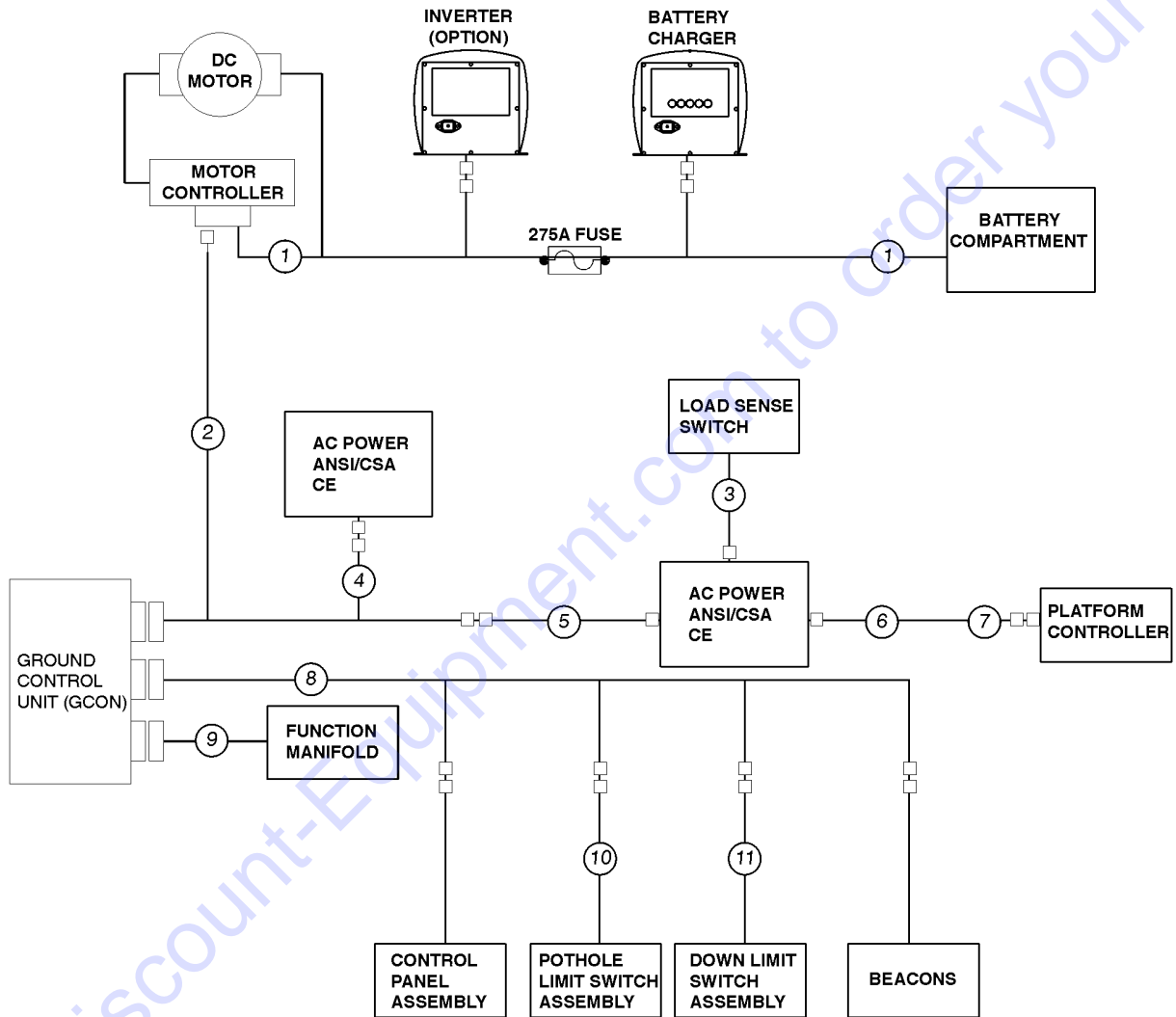
209.2 Electrical Wiring (to SN GR14-29741)

Item	Part No.	Description	Qty.
	109758GT	HARNESS, REC PLUG	
1	100801GT	BATTERY CABLE ASSY, GR to SN 29741	1
2	137608GT	HARNESS, GR POWER CONTROL	1
3	137726GT	SWITCH ASSY, LIMIT, LOAD SENSE	1
4	T107890GT	POWER CABLE, GR BASE, DOMESTIC ANSI	1
4-	T107891GT	POWER CABLE,GR BASE,INTRNATION CE	
5B	137762GT	HARNESS, GR-15 MAST ANSI GR-15, ANSI	1
5B-	137727GT	HARNESS, GR-15 MAST CE GR-15, CE	
6	137729GT	ASSY, DOM J-BOX, PLAT GR ANSI	1
6-	137732GT	ASSY, CE J-BOX, GR CE	
7	137731GT	WIRE ASSY, STD/EXT PLAT. GR	1
8	137755GT	HARNESS, GR, SW SNSRS W/O LS ANSI	1
8-	137609GT	HARNESS,GR, SW SNSRS W/ LS CE	
9	137607GT	HARNESS, GR FUNCTION MANIFOLD	1
9-	87747GT	CONN,RECEP 8 WAY BLK,1 BUSS to SN 25914	
10	T107892GT	ASSY, POTHOLE HARNESS, GR	1
11	137728GT	WIRE ASSY, DOWN LIMIT SW.	1

Go to Discount-Equipment.com to order your parts



209.3 Electrical Wiring (to SN GR14-29741)



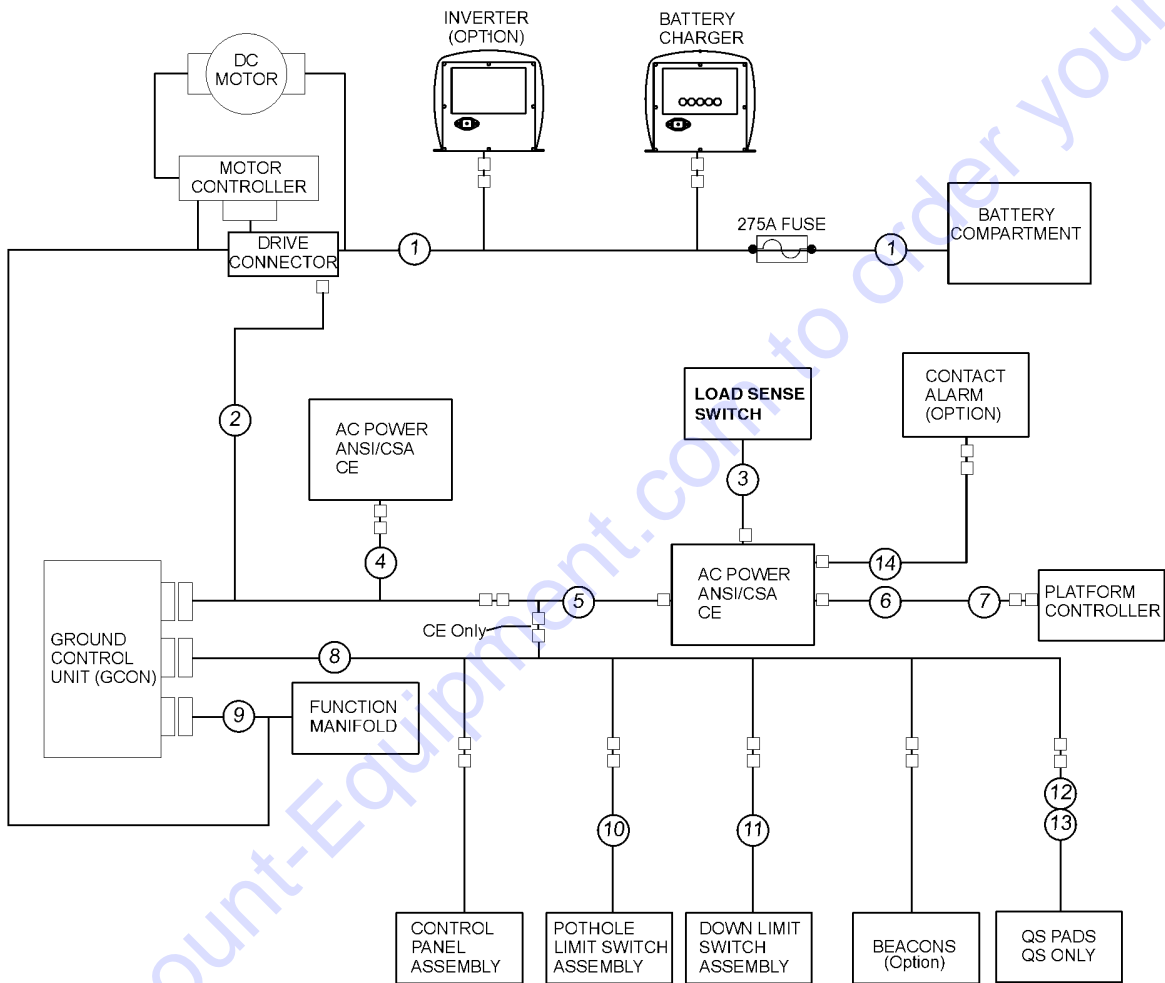
209.3 Electrical Wiring (to SN GR14-29741)

Item	Part No.	Description	Qty.
A	40833GT	FUSE,275 AMP,VERY FAST ACTING	
B	109758GT	HARNESS, REC PLUG	
1	100801GT	BATTERY CABLE ASSY, GR	1
		to SN 29741	
2	137608GT	HARNESS, GR POWER CONTROL	1
3	137726GT	SWITCH ASSY, LIMIT, LOAD SENSE	1
4	T107890GT	POWER CABLE, GR BASE, DOMESTIC	1
		ANSI	
4-	T107891GT	POWER CABLE,GR BASE,INTRNATION	
		CE	
5C	137763GT	HARNESS, GR-20 MAST ANSI	
		GR-20, ANSI	
5C-	137738GT	HARNESS, GR-20 MAST CE	
		GR-20,CE	
6	137729GT	ASSY, DOM J-BOX, PLAT GR	1
		ANSI	
6-	137732GT	ASSY, CE J-BOX, GR	
		CE	
7	137731GT	WIRE ASSY, STD/EXT PLAT. GR	1
8	137755GT	HARNESS, GR, SW SNSRS W/O LS	1
		ANSI	
8-	137609GT	HARNESS,GR, SW SNSRS W/ LS	
		CE	
9	137607GT	HARNESS, GR FUNCTION MANIFOLD	1
		to SN 2591	
9-	87747GT	CONN,RECEP 8 WAY BLK,1 BUSS	
		to SN 25914	
10	T107892GT	ASSY, POTHOLE HARNESS, GR	1
11	137728GT	WIRE ASSY, DOWN LIMIT SW.	1

Go to Discount-Equipment.com to order your parts



210.1 Electrical Wiring (from SN GR14-29742 to GRP-59999 & from SN GRR-101 to GRR-10000)

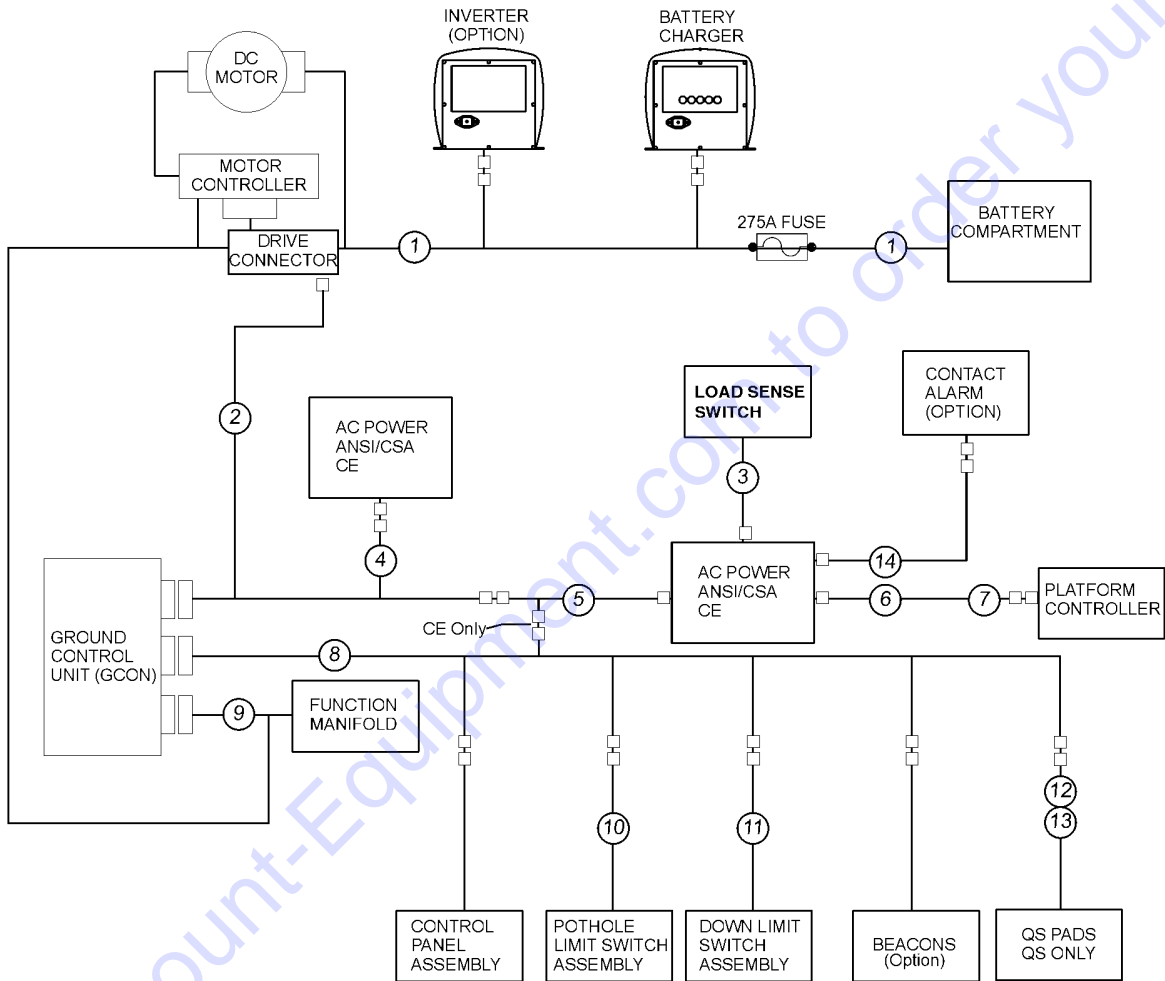


210.1 Electrical Wiring (from SN GR14-29742 to GRP-59999 & from SN GRR-101 to GRR-10000)

Item	Part No.	Description	Qty.
A	40833GT	FUSE,275 AMP,VERY FAST ACTING	
B	109758GT	HARNESS, REC PLUG	
1	826935GT	BATTERY CABLE ASSY, GR	1
		complete cable kit (9 cables)	
1B	1292446GT	CABLE ASSY,BAT1+ TO BAT2-,RED	2
1B	1292447GT	CABLE ASSY,BAT2+ TO BAT3-,RED	1
1B	1292448GT	CABLE ASSY,BAT POS TO FUSE,RED	1
1B	1292449GT	CABLE ASSY,BAT NEG/FUSE TO PLUG	1
1B	1292450GT	CABLE ASSY,CONTACTOR TO MC+,RED	1
1B	1292451GT	CABLE ASSY,MTR CNTLR TO MOTOR,RED	1
1B	1292452GT	CABLE ASSY,MTR CNTLR TO MOTOR,BLK	1
1B	1292453GT	CABLE ASSY,PLUG TO MTR CNTLR	1
2	137608GT	HARNESS, GR POWER CONTROL	1
3	137726GT	SWITCH ASSY, LIMIT, LOAD SENSE	1
4	T107890GT	POWER CABLE, GR BASE, DOMESTIC	1
		ANSI	
4-	T107891GT	POWER CABLE,GR BASE,INTRNATION	
		CE	
5	137761GT	HARNESS, GR-12 MAST ANSI	1
		GR-12, ANSI (to SN GR14-34999)	
5-	1293394GT	HARNESS, GR-12 MAST ANSI	
		GR-12, ANSI (from SN GR14-35000)	
5-	137737GT	HARNESS, GR-12 MAST CE	
		GR-12, CE (to SN GR14-34999)	
5-	1293390GT	HARNESS, GR-12 MAST CE	
		GR-12, CE (from SN GR14-35000)	
5B	137762GT	HARNESS, GR-15 MAST ANSI	1
		GR-15, ANSI (to SN GR14-34999)	
5B-	1293395GT	HARNESS, GR-15 MAST ANSI	
		GR-15, ANSI (from SN GR14-35000)	
5B-	137727GT	HARNESS, GR-15 MAST CE	
		GR-15, CE (to SN GR14-34999)	
5B-	1293391GT	HARNESS, GR-15 MAST CE	
		GR-15, CE (from SN GR14-35000)	
5C	137763GT	HARNESS, GR-20 MAST ANSI	
		GR-20, ANSI (to SN GR14-34999)	
5C-	1293396GT	HARNESS, GR-20 MAST ANSI	
		GR-20, ANSI (from SN GR14-35000)	
5C-	137738GT	HARNESS, GR-20 MAST CE	
		GR-20,CE (to SN GR14-34999)	
5C-	1293392GT	HARNESS, GR-20 MAST CE	
		GR-20,CE (from SN GR14-35000)	
6	137729GT	ASSY, DOM J-BOX, PLAT GR	1
		ANSI	



210.1 Electrical Wiring (from SN GR14-29742 to GRP-59999 & from SN GRR-101 to GRR-10000)



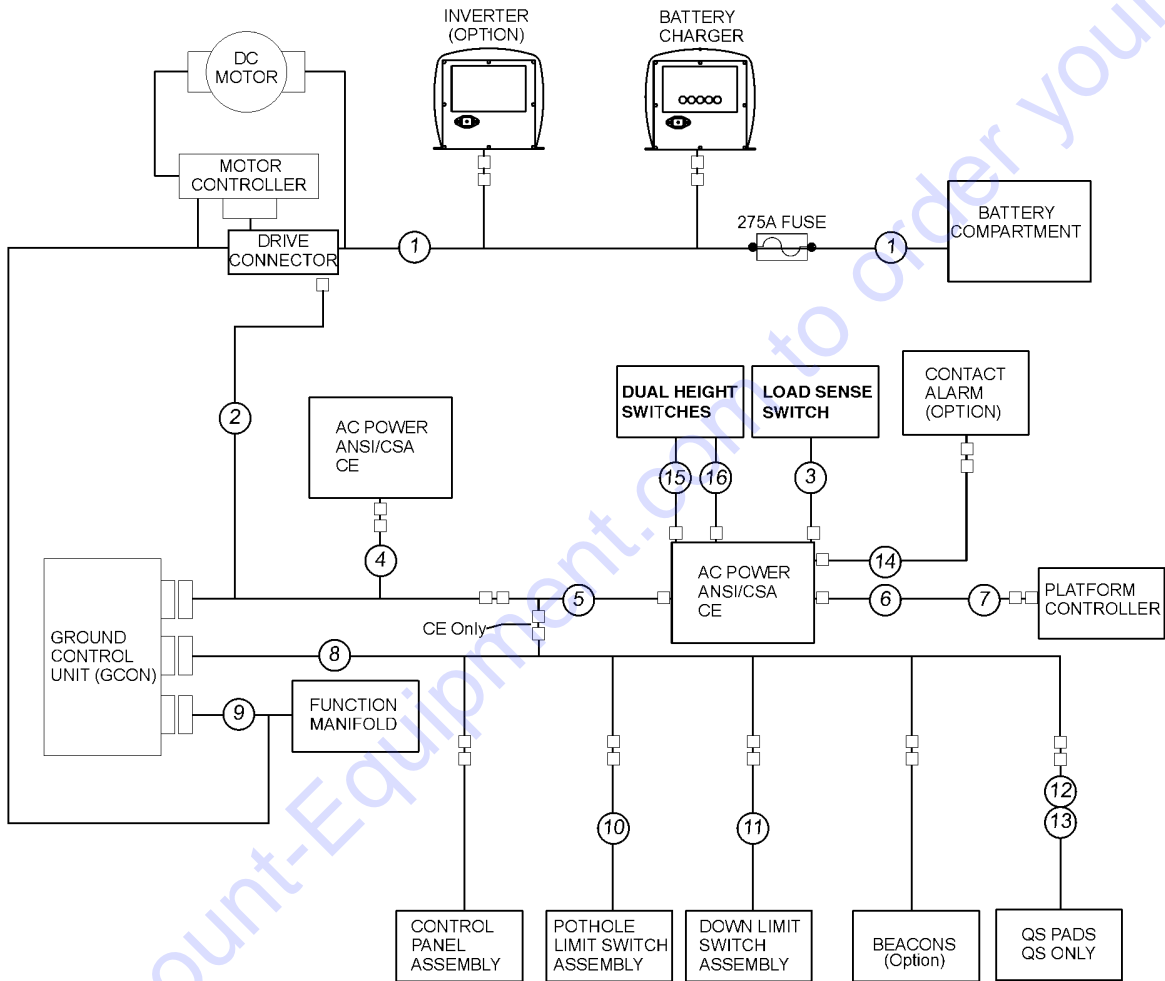
210.1 Electrical Wiring (from SN GR14-29742 to GRP-59999 & from SN GRR-101 to GRR-10000)

Item	Part No.	Description	Qty.
6B	137732GT	ASSY, CE J-BOX, GR CE	
7	137731GT	WIRE ASSY, STD/EXT PLAT. GR 1	1
8	137755GT	HARNESS, GR, SW SNSRS W/O LS 1 ANSI, (to SN 40225)	1
8-	1263397GT	HARNESS, GR/GRC SW SNSRS 1 ANSI, (from SN 40226)	1
8-	137609GT	HARNESS, GR, SW SNSRS W/ LS CE, (to SN 40225)	
8-	1263398GT	HARNESS, GR/GRC SW SNSRS W/LS CE, (from SN 40226)	
9	1251910GT	HARNESS, GR FUNC. MANIFOLD	
10	T107892GT	ASSY, POTHOLE HARNESS, GR 1	1
11	137728GT	WIRE ASSY, DOWN LIMIT SW. 1	1
12	137759GT	HARNESS, GR SQS PADS 1 QS Models only	1
13	137760GT	HARNESS, GR QS PAD EXT 1 QS Models only	1
14	1293397GT	HARNESS, CONTACT ALARM, GR PLATFORM 1 Refer to 605.1	1

Go to Discount-Equipment.com to order your parts



211.1 Electrical Wiring (from SN GRP-60000 & SN GRR-10001)

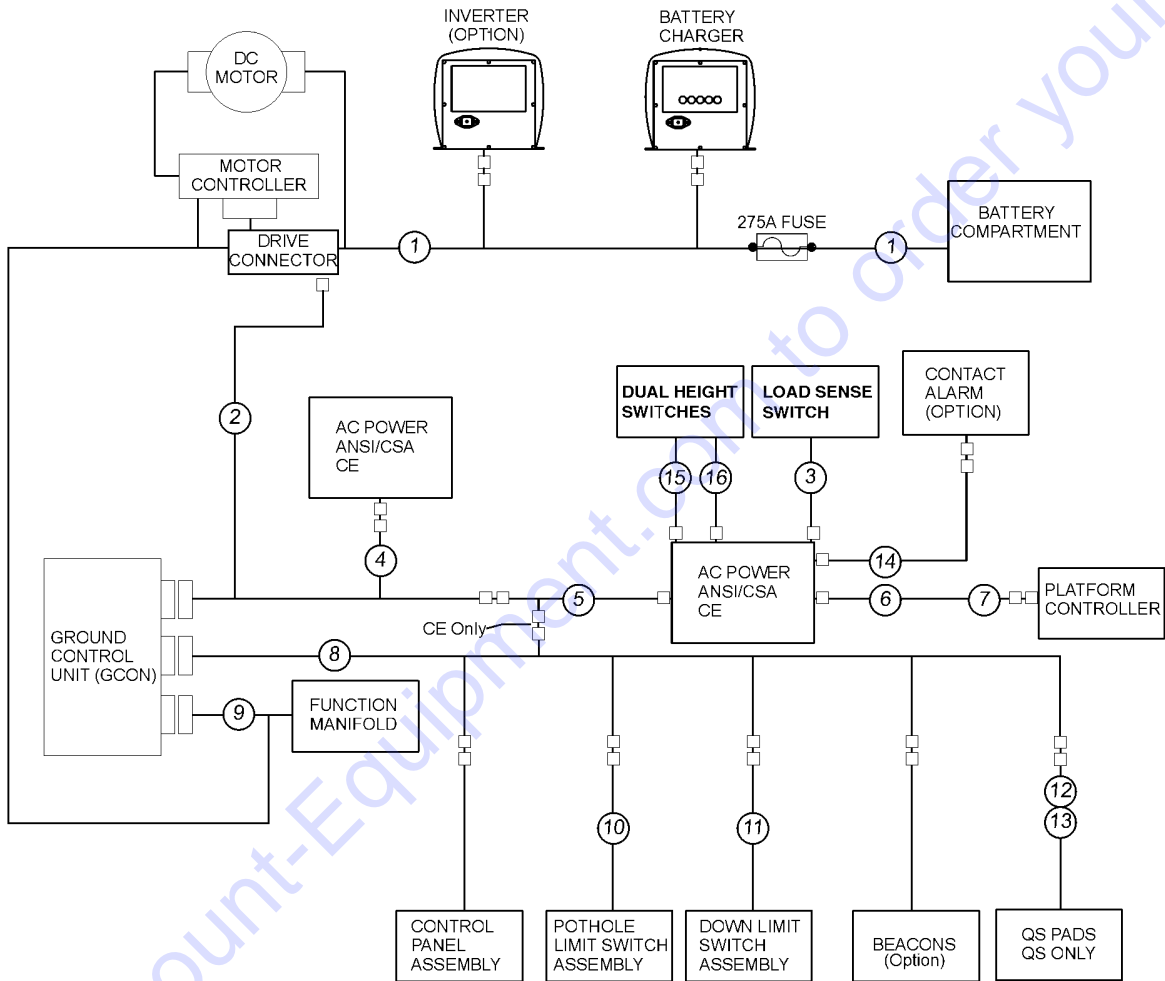


211.1 Electrical Wiring (from SN GRP-60000 & SN GRR-10001)

Item	Part No.	Description	Qty.
A	40833GT	FUSE,275 AMP,VERY FAST ACTING	
B	109758GT	HARNESS, REC PLUG	
1	826935GT	BATTERY CABLE ASSY, GR	1
		complete cable kit (9 cables)	
1B	1292446GT	CABLE ASSY,BAT1+ TO BAT2-,RED	2
1B	1292447GT	CABLE ASSY,BAT2+ TO BAT3-,RED	1
1B	1292448GT	CABLE ASSY,BAT POS TO FUSE,RED	1
1B	1292449GT	CABLE ASSY,BAT NEG/FUSE TO PLUG	1
1B	1292450GT	CABLE ASSY,CONTACTOR TO MC+,RED	1
1B	1292451GT	CABLE ASSY,MTR CNTLR TO MOTOR,RED	1
1B	1292452GT	CABLE ASSY,MTR CNTLR TO MOTOR,BLK	1
1B	1292453GT	CABLE ASSY,PLUG TO MTR CNTLR	1
2	137608GT	HARNESS, GR POWER CONTROL	1
3	137726GT	SWITCH ASSY, LIMIT, LOAD SENSE	1
4	T107890GT	POWER CABLE, GR BASE, DOMESTIC	1
		ANSI	
4-	T107891GT	POWER CABLE,GR BASE,INTRNATION	
		CE	
5	1297800GT	CABLE,MAST,GR12	
		GR-12	
5B	1297801GT	CABLE,MAST,GR15	
		GR-15	
5C	1297802GT	CABLE,MAST,GR20	
		GR-20	
6	1297738GT	ASSY,ANSI,PLAT E-BOXES	
		ANSI	
6B	1297740GT	ASSY,CE,PLAT E-BOXES	
		CE	
7	137731GT	WIRE ASSY, STD/EXT PLAT. GR	1
8	1297894GT	HARNESS,SENSOR,GR,DUAL ZONE	
9	1251910GT	HARNESS, GR FUNC. MANIFOLD	
10	T107892GT	ASSY, POTHOLE HARNESS, GR	1
11	137728GT	WIRE ASSY, DOWN LIMIT SW.	1
12	137759GT	HARNESS, GR SQS PADS	1
		QS Models only	
13	137760GT	HARNESS, GR QS PAD EXT	1
		QS Models only	
14	1293397GT	HARNESS, CONTACT ALARM, GR PLATFORM	1
		Refer to 605.1	



211.1 Electrical Wiring (from SN GRP-60000 & SN GRR-10001)



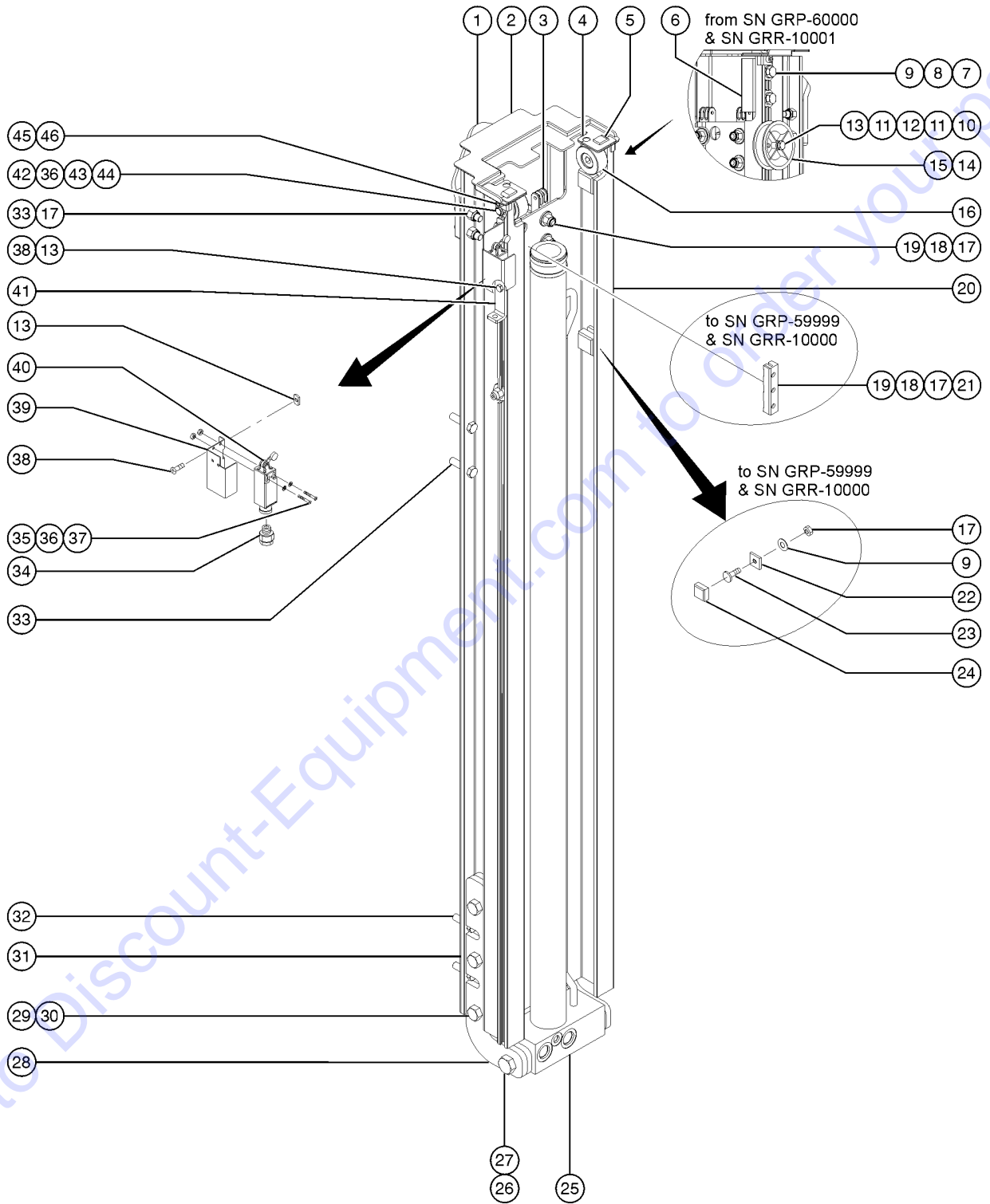
211.1 Electrical Wiring (from SN GRP-60000 & SN GRR-10001)

<i>Item</i>	<i>Part No.</i>	<i>Description</i>	<i>Qty.</i>
15	1297622GT	LIMIT SW, DUAL ZONE, GR, CNTRL	
16	1297623GT	LIMIT SW, DUAL ZONE, GR, HYD	

Go to Discount-Equipment.com to order your parts



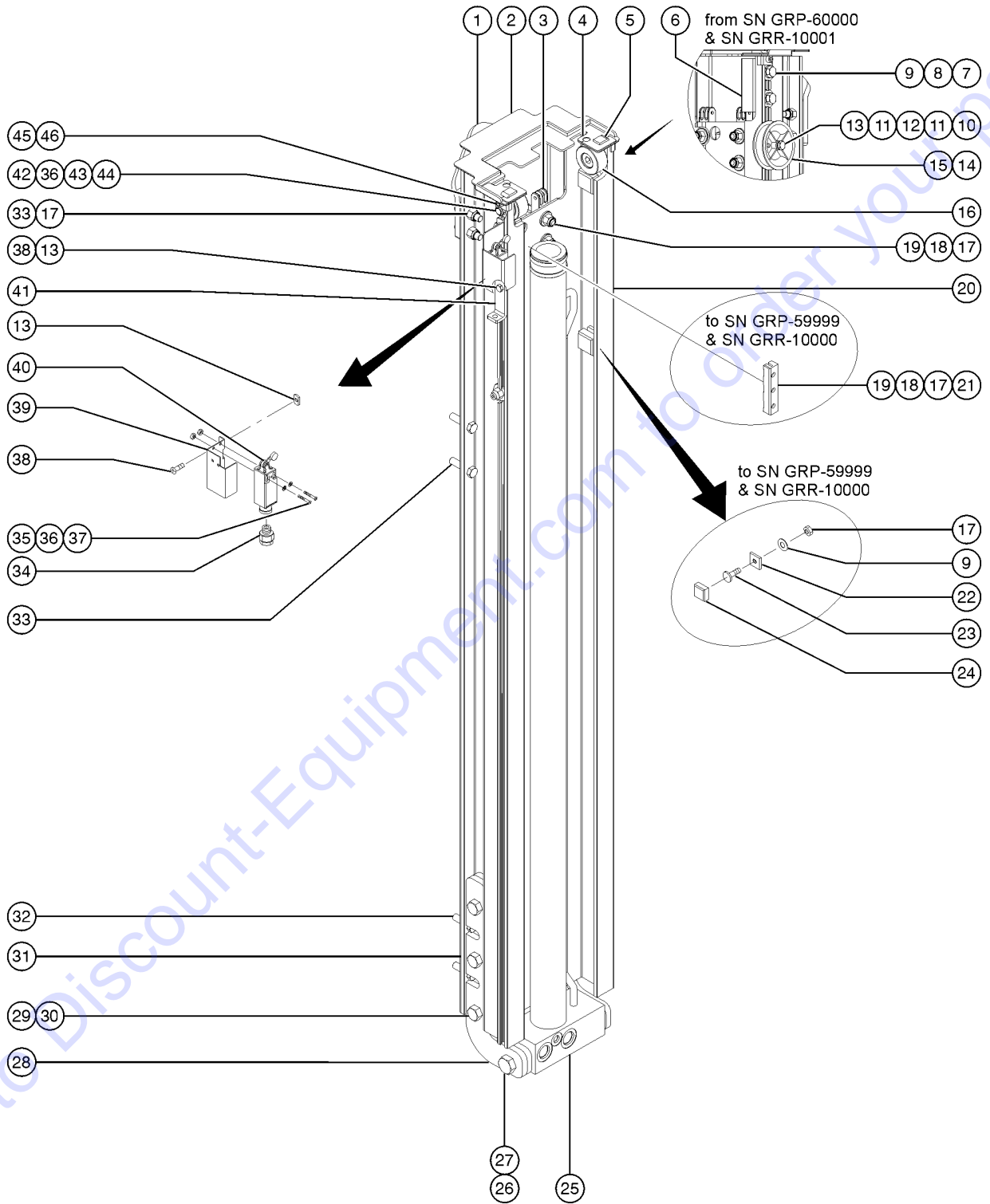
301.1 Number 1 Column Assembly, GR-12



Item	Part No.	Description	Qty.
-	90337GT	BOE LUBE aluminum dry lubricant	1
1	107023GT	LIFTING EYE ASSEMBLY	1
2		Ref. Mast Cover, Number 1 Column (refer to 311.1)	
3		Ref. Upper Chain Terminal, Number 1 Column (refer to 307.1, 308.1 and 309.1)	
4	100778GT	PLATE, MAST FLAP CLAMP	4
5	38730GT	NUT,WELD,ANGLE,1/4" T-SLOT	4
6	100379GT	BLOCK, MAST SLIDER, GR20 from SN GRP-60000 & SN GRR-10001	2
7	6175GT	SCREW,HHC,3/8-16 X 1 from SN GRP-60000 & SN GRR-10001	
8	6021GT	WASHER,LOCK,.375 from SN GRP-60000 & SN GRR-10001	
9	6097GT	WASHER,FLAT,USS,3/8",Y	
10	8915GT	SCREW,HHC,1/4-20 X 1.25 from SN GRP-60000 & SN GRR-10001	
11	25926GT	WASHER,FLAT,M6 PLTD. from SN GRP-60000 & SN GRR-10001	
12	22699GT	WASHER,FLAT,M10,ZINC PLTD. from SN GRP-60000 & SN GRR-10001	
13	35991GT	NUT,WELD 1/4-20, PLATED L.L.**	
14	23394GT	PULLEY,ELEC.CNTRL.CABLE,AWP from SN GRP-60000 & SN GRR-10001	3
15	40735GT	SPACER, 1/4ID3/8OD, .875LG from SN GRP-60000 & SN GRR-10001	
16	38016GT	ROLLER,PLASTIC,AWP96** to SN GRP-59999 & SN GRR-10000	16
16B	38016GT	ROLLER,PLASTIC,AWP96** from SN GRP-60000 & SN GRR-10001	4
17	6022GT	NUT,HEX,3/8-16	
18	5397GT	WASHER,FLAT,USS,5/16",Y	
19	35714GT	SCREW,FHS,3/8-16 X 2.25	
20	100711GT	COLUMN #1 MACHINED, 57 to SN GRP-59999 & SN GRR-10000	1
20B	1293974GT	COLUMN #1 MACHINED, 65 from SN GRP-60000 & SN GRR-10001	
21	35709GT	BLOCK,SLIDE,UPPER to SN GRP-59999 & SN GRR-10000	2
22	38013GT	SHIM NUT,ADJUSTER to SN GRP-59999 & SN GRR-10000	4
23	40946GT	BOLT,SHIM to SN GRP-59999 & SN GRR-10000	4
24	38011GT	SHIM,SIDE PAD to SN GRP-59999 & SN GRR-10000	4
25		Ref. Lift Cylinder (refer to 401.1)	



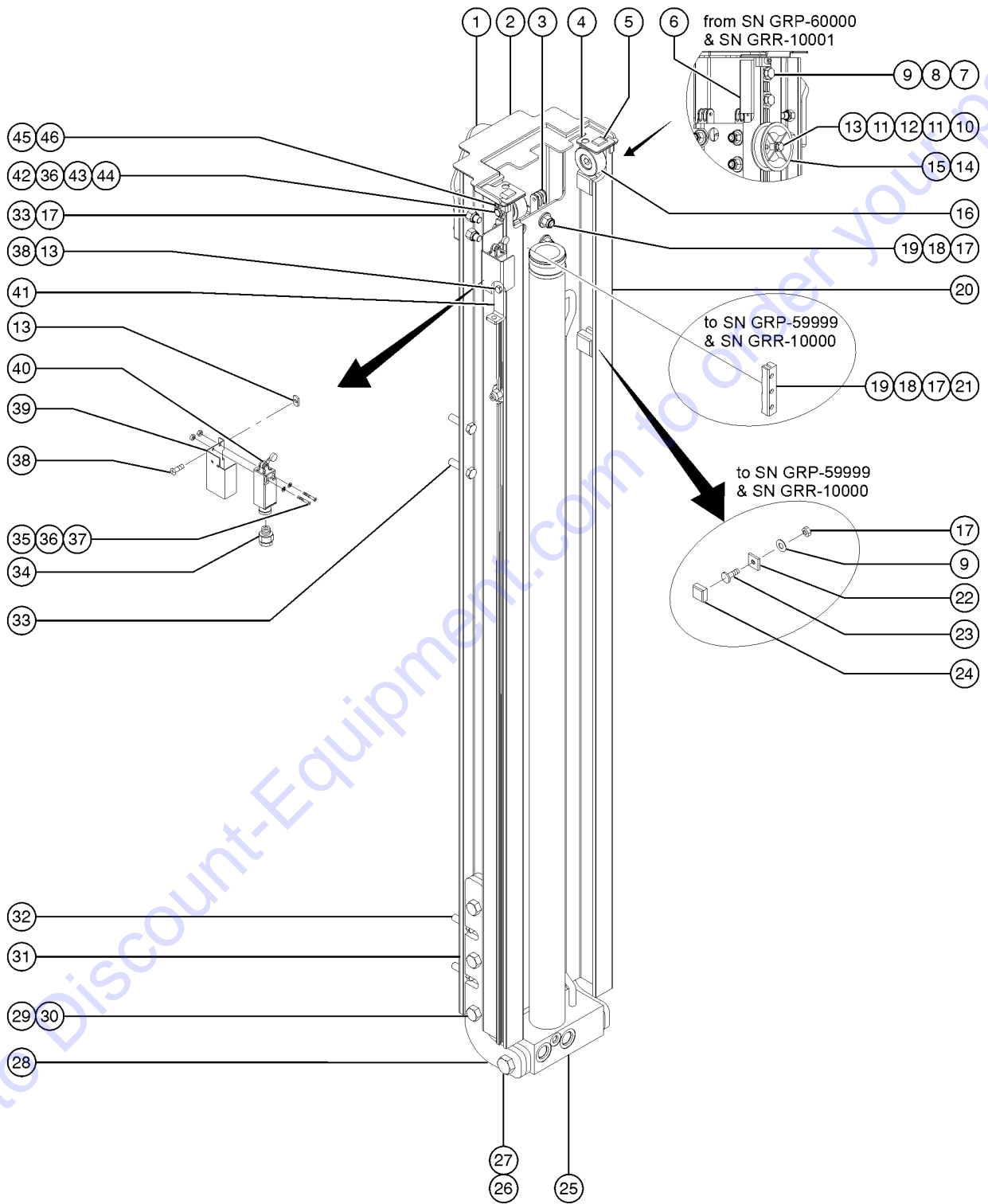
301.1 Number 1 Column Assembly, GR-12



Item	Part No.	Description	Qty.
26	1268235GT	SCREW,HHC,5/8-11 X 8.00	
27	38028GT	NUT,LP NYLOCK,5/8-11	
28	100483GT	PLATE, CYLINDER MOUNT	4
29	38601GT	SCREW,HHC,1/2-13 X 7.5	
30	6086GT	NUT,LP NYLOCK,1/2-13	
31	107131GT	MAST STIFFENER ASSY, GR12/15 to SN GRP-59999 & SN GRR-10000	1
31B	1296910GT	PLATE, REINFORCEMENT, GR12, GR15 from SN GRP-60000 & SN GRR-10001	
32	6019GT	SCREW,HHC,3/8-16 X 1.25 GRD 5	
33	8516GT	SCREW, HCC, 3/8-16 X 1.50	
34	7056GT	CONN,SQUEEZE,1/2NPT .38-.50,SM for limit switch 25050	
34B	87561GT	CABLE SQUEEZE CONN 2 WIRE for limit switch 96948	
35	51063GT	SCREW,PHILLIPS,RHM,10-32 X 1.5	
36	6607GT	WASHER,LOCK,#10 PLTD	
37	15513GT	NUT,HEX,10-32	
38	38979GT	SCREW,PHM,1/4-20X.5 PHIL replaced 11808	
39	69575GT	COVER,LIMIT SWITCH W/DECAL GR	1
40	96948GT	SWITCH,LIMIT,W/ROLLER ARM***	1
40-	19491GT	CONTACTOR,LIMIT SWITCH	
40-	97128GT	ROLLER ARM,LIMIT SWITCH***	
41		Ref. Upper Sequencing Cable Bracket (refer to 310.1)	
42	7713GT	NUT, LP NYLOCK, 3/8-16 to SN GRP-59999 & SN GRR-10000	
43	6052GT	WASHER,SHIM,.5 X .875 X .063 to SN GRP-59999 & SN GRR-10000	
44	35706GT	BOLT,ROLLER,.470"(SHORT) to SN GRP-59999 & SN GRR-10000	
45	40004GT	SCREW,SHC,1/4-20 X .375 BLK	
46	41055GT	WASHER,T-SLOT	



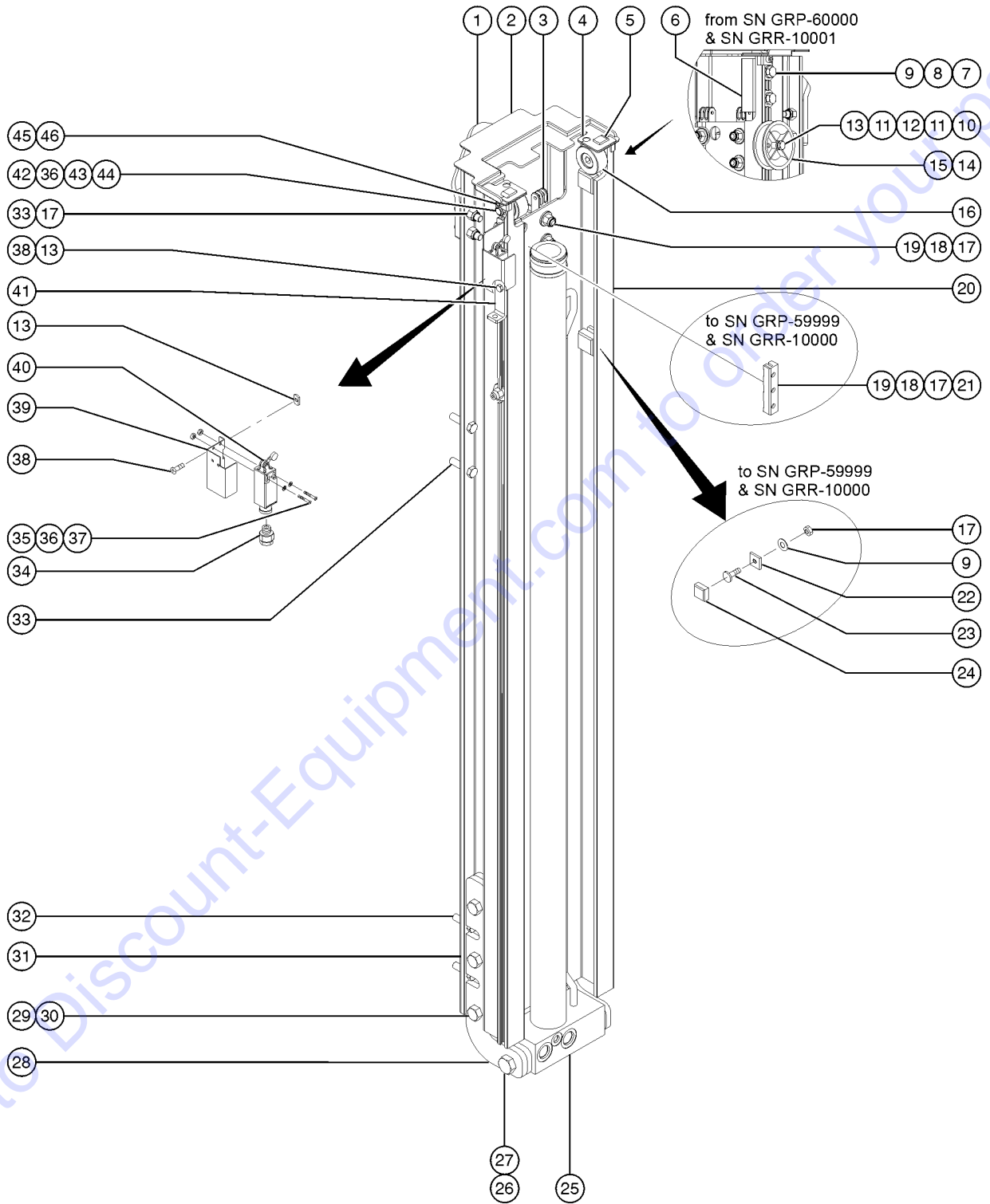
301.2 Number 1 Column Assembly, GR-15



Item	Part No.	Description	Qty.
	90337GT	BOE LUBE aluminum dry lubricant	1
1	107023GT	LIFTING EYE ASSEMBLY	1
2		Ref. Mast Cover, Number 1 Column (refer to 311.1)	
3		Ref. Upper Chain Terminal, Number 1 Column (refer to 307.1, 308.1 and 309.1)	
4	100778GT	PLATE, MAST FLAP CLAMP	6
5	38730GT	NUT,WELD,ANGLE,1/4" T-SLOT	6
6	100379GT	BLOCK, MAST SLIDER, GR20 from SN GRP-60000 & SN GRR-10001	2
7	6175GT	SCREW,HHC,3/8-16 X 1 from SN GRP-60000 & SN GRR-10001	
8	6021GT	WASHER,LOCK,.375 from SN GRP-60000 & SN GRR-10001	
9	6097GT	WASHER,FLAT,USS,3/8",Y	
10	8915GT	SCREW,HHC,1/4-20 X 1.25 from SN GRP-60000 & SN GRR-10001	
11	25926GT	WASHER,FLAT,M6 PLTD. from SN GRP-60000 & SN GRR-10001	
12	22699GT	WASHER,FLAT,M10,ZINC PLTD. from SN GRP-60000 & SN GRR-10001	
13	35991GT	NUT,WELD 1/4-20, PLATED L.L.**	
14	23394GT	PULLEY,ELEC.CNTRL.CABLE,AWP from SN GRP-60000 & SN GRR-10001	4
15	40735GT	SPACER, 1/4ID3/8OD, .875LG from SN GRP-60000 & SN GRR-10001	
16	38016GT	ROLLER,PLASTIC,AWP96** to SN GRP-59999 & SN GRR-10000	12
16B	38016GT	ROLLER,PLASTIC,AWP96** from SN GRP-60000 & SN GRR-10001	4
17	6022GT	NUT,HEX,3/8-16	
18	5397GT	WASHER,FLAT,USS,5/16",Y	
19	35714GT	SCREW,FHS,3/8-16 X 2.25	
20	100711GT	COLUMN #1 MACHINED, 57 to SN GRP-59999 & SN GRR-10000	1
20B	1293974GT	COLUMN #1 MACHINED, 65 from SN GRP-60000 & SN GRR-10001	
21	35709GT	BLOCK,SLIDE,UPPER to SN GRP-59999 & SN GRR-10000	3
22	38013GT	SHIM NUT,ADJUSTER to SN GRP-59999 & SN GRR-10000	4
23	40946GT	BOLT,SHIM to SN GRP-59999 & SN GRR-10000	4
24	38011GT	SHIM,SIDE PAD to SN GRP-59999 & SN GRR-10000	4
25		Ref. Lift Cylinder (refer to 401.1)	



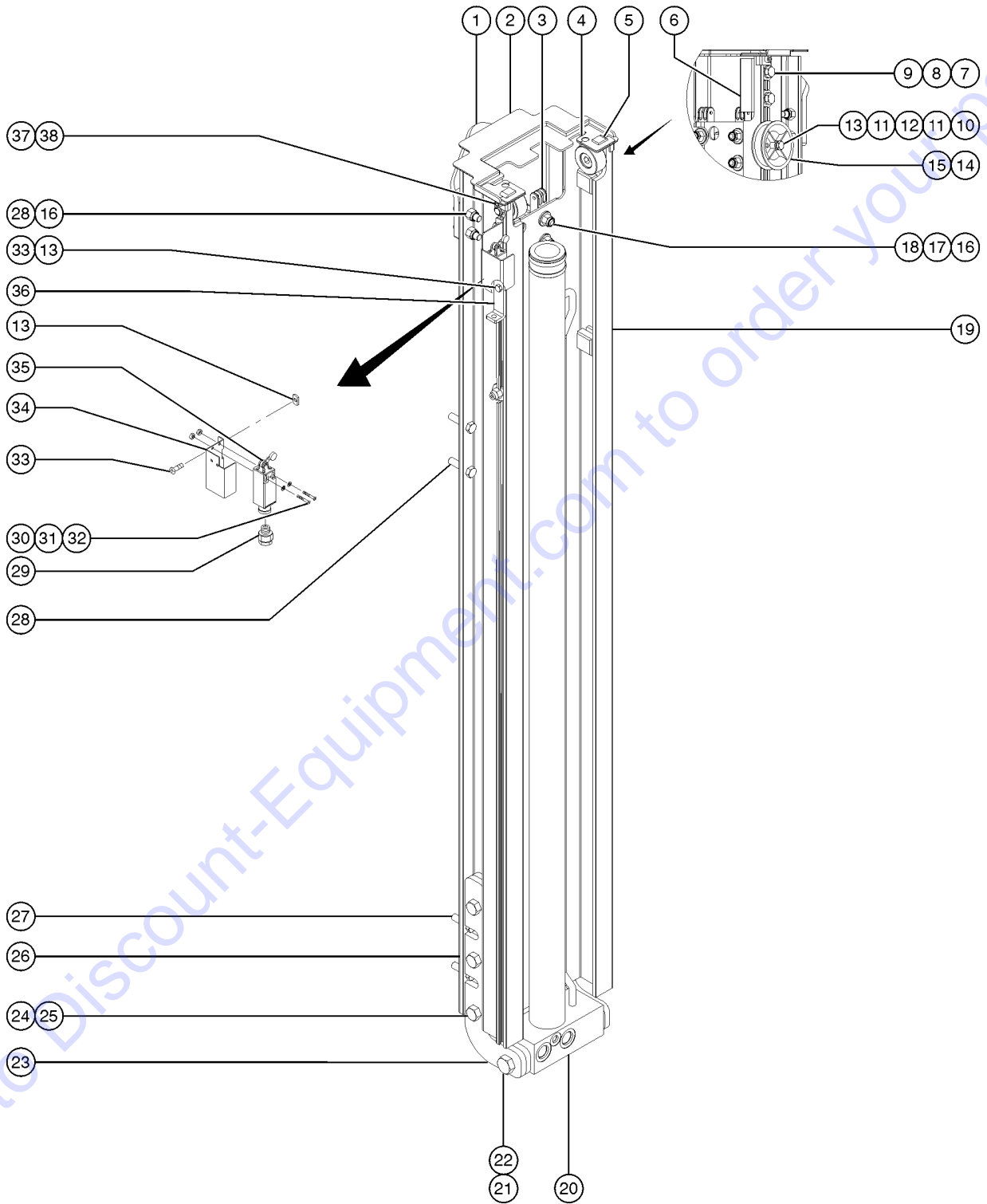
301.2 Number 1 Column Assembly, GR-15



Item	Part No.	Description	Qty.
26	1268235GT	SCREW,HHC,5/8-11 X 8.00	
27	38028GT	NUT,LP NYLOCK,5/8-11	
28	100483GT	PLATE, CYLINDER MOUNT	4
29	38601GT	SCREW,HHC,1/2-13 X 7.5	
30	6086GT	NUT,LP NYLOCK,1/2-13	
31	107131GT	MAST STIFFENER ASSY, GR12/15 to SN GRP-59999 & SN GRR-10000	1
31B	1296910GT	PLATE, REINFORCEMENT, GR12, GR15 from SN GRP-60000 & SN GRR-10001	
32	6019GT	SCREW,HHC,3/8-16 X 1.25 GRD 5	
33	8516GT	SCREW, HCC, 3/8-16 X 1.50	
34	7056GT	CONN,SQUEEZE,1/2NPT .38-.50,SM for limit switch 25050	
34B	87561GT	CABLE SQUEEZE CONN 2 WIRE for limit switch 96948	
35	51063GT	SCREW,PHILLIPS,RHM,10-32 X 1.5	
36	6607GT	WASHER,LOCK,#10 PLTD	
37	15513GT	NUT,HEX,10-32	
38	11808GT	SCREW,HHC,1/4-20 X .375	
39	69575GT	COVER,LIMIT SWITCH W/DECAL GR	1
40	96948GT	SWITCH,LIMIT,W/ROLLER ARM***	1
40-	19491GT	CONTACTOR,LIMIT SWITCH	
40-	97128GT	ROLLER ARM,LIMIT SWITCH***	
41		Ref. Upper Sequencing Cable Bracket (refer to 310.1)	
42	7713GT	NUT, LP NYLOCK, 3/8-16 to SN GRP-59999 & SN GRR-10000	
43	6052GT	WASHER,SHIM,.5 X .875 X .063 to SN GRP-59999 & SN GRR-10000	
44	35706GT	BOLT,ROLLER,.470"(SHORT) to SN GRP-59999 & SN GRR-10000	
45	40004GT	SCREW,SHC,1/4-20 X .375 BLK	
46	41055GT	WASHER,T-SLOT	

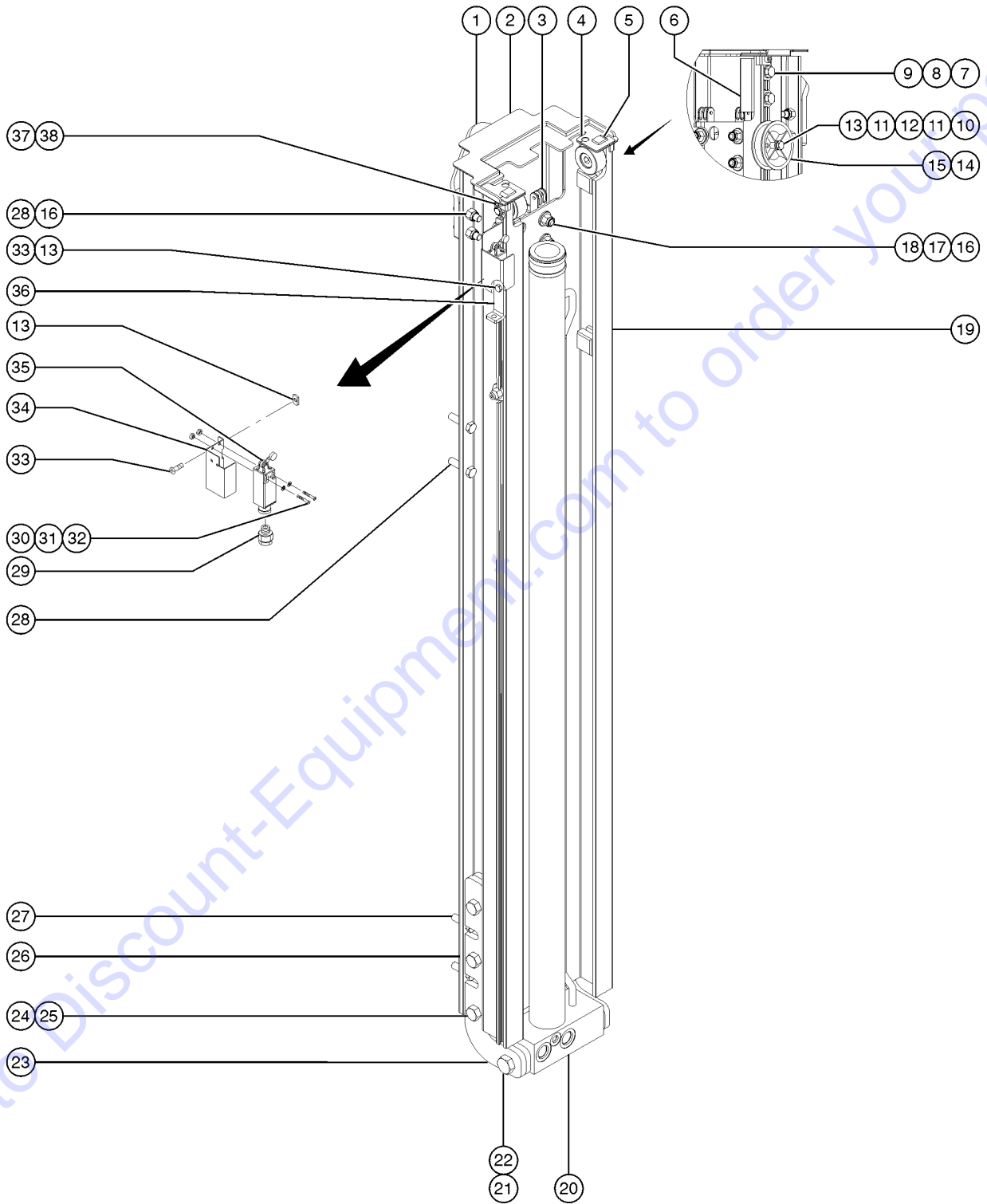


301.3 Number 1 Column Assembly, GR-20



Item	Part No.	Description	Qty.
	90337GT	BOE LUBE aluminum dry lubricant	1
1	107023GT	LIFTING EYE ASSEMBLY	1
2		Ref. Mast Cover, Number 1 Column (refer to 311.1)	
3		Ref. Upper Chain Terminal, Number 1 Column (refer to 307.1, 308.1 and 309.1)	
4	100778GT	PLATE, MAST FLAP CLAMP	8
5	38730GT	NUT,WELD,ANGLE,1/4" T-SLOT	8
6	100379GT	BLOCK, MAST SLIDER, GR20	2
7	6175GT	SCREW,HHC,3/8-16 X 1	
8	6021GT	WASHER,LOCK,375	
9	6097GT	WASHER,FLAT,USS,3/8",Y	
10	8915GT	SCREW,HHC,1/4-20 X 1.25	
11	25926GT	WASHER,FLAT,M6 PLTD.	
12	22699GT	WASHER,FLAT,M10,ZINC PLTD.	
13	35991GT	NUT,WELD 1/4-20, PLATED L.L.**	
14	23394GT	PULLEY,ELEC.CNTRL.CABLE,AWP	5
15	40735GT	SPACER, 1/4ID3/8OD, .875LG	
16	4828GT	NUT,NYLOCK,3/8-16	
17	5397GT	WASHER,FLAT,USS,5/16",Y	
18	35714GT	SCREW,FHS,3/8-16 X 2.25	
19	100380GT	COL 1 MACHINED, 72.5	
20		Ref. Lift Cylinder (refer to 401.1)	
21	1268235GT	SCREW,HHC,5/8-11 X 8.00	
22	38028GT	NUT,LP NYLOCK,5/8-11	
23	100483GT	PLATE, CYLINDER MOUNT	4
24	38601GT	SCREW,HHC,1/2-13 X 7.5	
25	6086GT	NUT,LP NYLOCK,1/2-13	
26	107132GT	MAST STIFFENER ASSY,GR20	
27	6019GT	SCREW,HHC,3/8-16 X 1.25 GRD 5	

301.3 Number 1 Column Assembly, GR-20

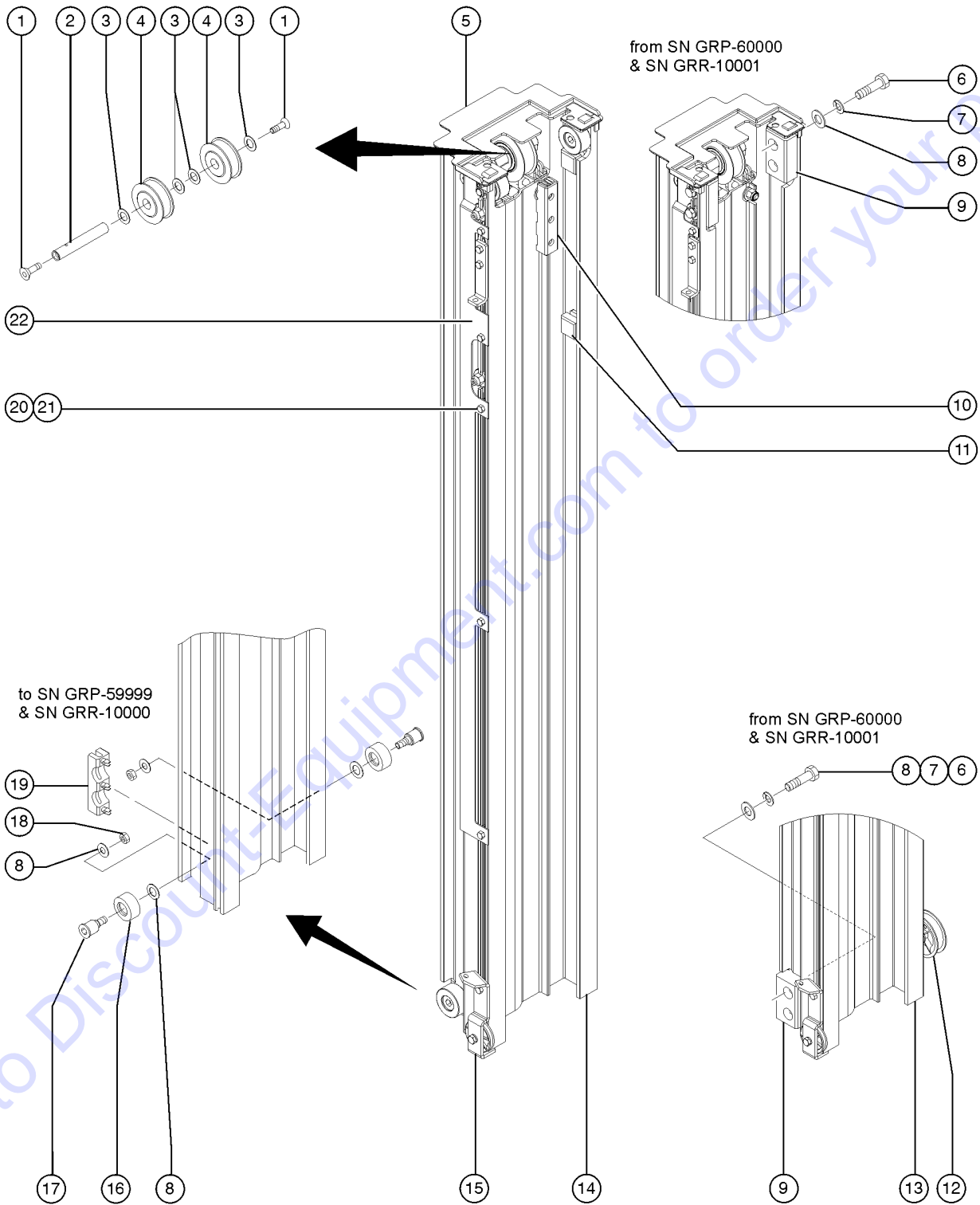


Item	Part No.	Description	Qty.
28	8516GT	SCREW, HCC, 3/8-16 X 1.50	
29	7056GT	CONN,SQUEEZE, 1/2NPT .38-.50,SM for limit switch 25050	
29B	87561GT	CABLE SQUEEZE CONN 2 WIRE for limit switch 96948	
30	51063GT	SCREW,PHILLIPS,RHM,10-32 X 1.5	
31	6607GT	WASHER,LOCK,#10 PLTD	
32	15513GT	NUT,HEX,10-32	
33	11808GT	SCREW,HHC,1/4-20 X .375 replaced 11808	
34	69575GT	COVER,LIMIT SWITCH W/DECAL GR	1
35	96948GT	SWITCH,LIMIT,W/ROLLER ARM***	1
35-	19491GT	CONTACTOR,LIMIT SWITCH	
35-	97128GT	ROLLER ARM,LIMIT SWITCH***	
36		Ref. Upper Sequencing Cable Bracket (refer to 310.1)	
37	40004GT	SCREW,SHC,1/4-20 X .375 BLK	
38	41055GT	WASHER,T-SLOT	

Go to Discount-Equipment.com to order your parts



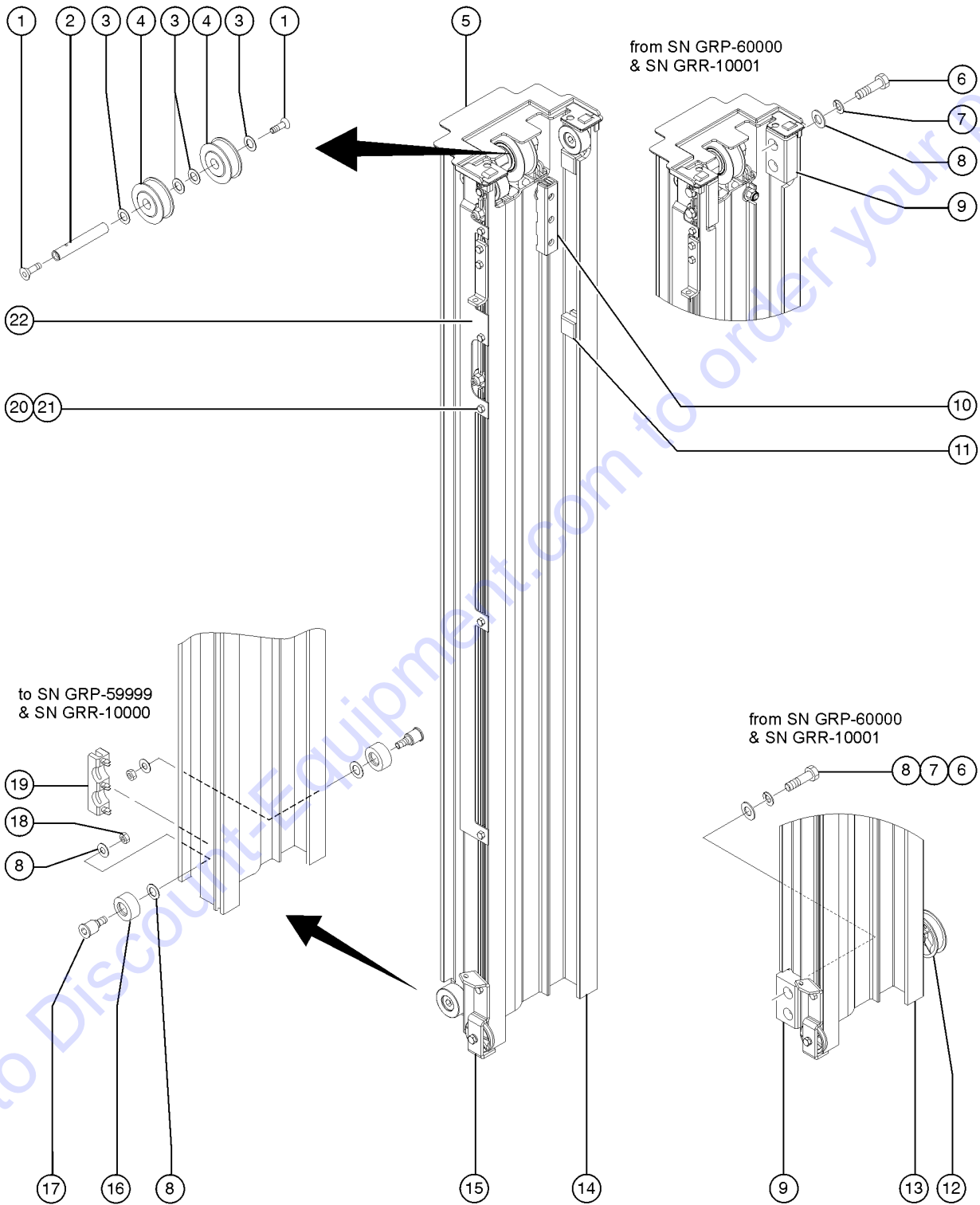
302.1 Number 2 Column Assembly, GR-12



Item	Part No.	Description	Qty.
1	45425GT	SCREW,FHS,3/8-16 X .75	
2	35707GT	SHAFT,LIFTING CHAINS,20MM DIA.	2
3	38709GT	WASHER,SHIM,.938 X 1.37 X .048	
4	38447GT	PULLEY W/BEARINGS	2
5		Ref. Mast Cover, Column Number 2	
		(refer to 311.1)	
6	6175GT	SCREW,HHC,3/8-16 X 1	
		from SN GRP-60000 & SN GRR-10001	
7	6021GT	WASHER,LOCK,.375	
		from SN GRP-60000 & SN GRR-10001	
8	6097GT	WASHER,FLAT,USS,3/8",Y	
9	100379GT	BLOCK, MAST SLIDER, GR20	16
		from SN GRP-60000 & SN GRR-10001	
10		Ref. Upper Slider Block	
		(refer to 301.1) to SN GRP-59999 & SN GRR-10000	
11	38011GT	SHIM,SIDE PAD	4
		to SN GRP-59999 & SN GRR-10000	
12		Ref. Control Cable Pulley	
		(refer to 312.1 & 313.1) from SN GRP-60000 & SN GRR-10001	
13	100381GT	COL 2 MACHINED, 72.5	1
		from SN GRP-60000 & SN GRR-10001	
14	100712GT	COLUMN #2 MACHINED, 57	1
		to SN GRP-59999 & SN GRR-10000	
14B	1293975GT	COLUMN #2 MACHINED, 65	
		from SN GRP-60000 & SN GRR-10001	
15		Ref. Pulley Bracket	
		(refer to 310.1)	
16		Ref. Roller	
		(refer to 301.1) to SN GRP-59999 & SN GRR-10000	
17	35706GT	BOLT,ROLLER,.470"(SHORT)	
		to SN GRP-59999 & SN GRR-10000	
18	7713GT	NUT, LP NYLOCK, 3/8-16	
		to SN GRP-59999 & SN GRR-10000	
19	35710GT	BLOCK,SLIDE,LOWER	2
		to SN GRP-59999 & SN GRR-10000	
20	11808GT	SCREW,HHC,1/4-20 X .375	
21	35991GT	NUT,WELD 1/4-20, PLATED L.L.**	
22	57809GT	PLATE, LIMIT SWITCH ROLL GR	1
		to SN GRP-59999 & SN GRR-10000	
22B	100858GT	FORMING, LIMIT SWITCH ROLL	1
		from SN GRP-60000 & SN GRR-10001	



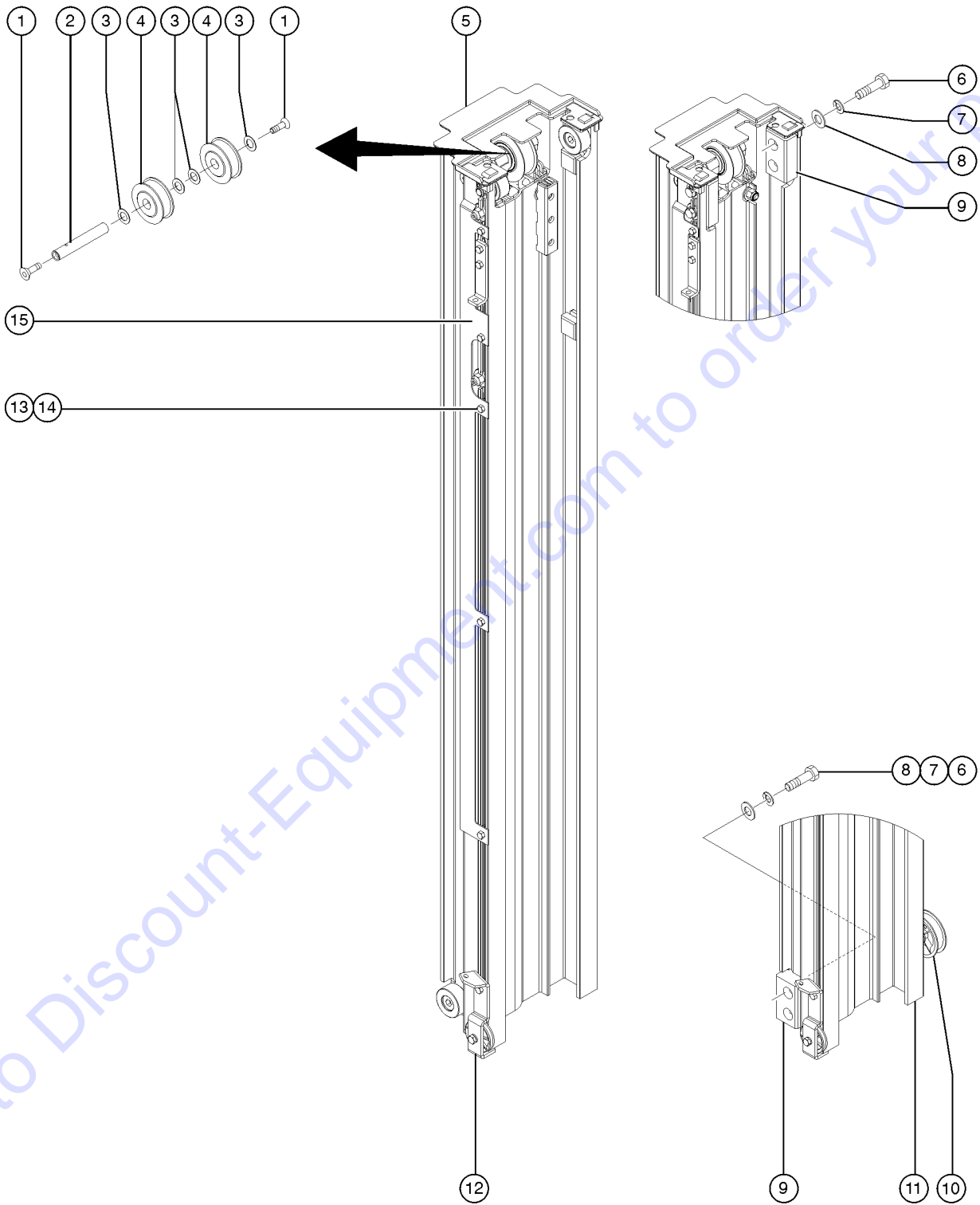
302.2 Number 2 Column Assembly, GR-15



Item	Part No.	Description	Qty.
1	45425GT	SCREW,FHS,3/8-16 X .75	
2	35707GT	SHAFT,LIFTING CHAINS,20MM DIA.	3
3	38709GT	WASHER,SHIM,.938 X 1.37 X .048	
4	38447GT	PULLEY W/BEARINGS	2
5		Ref. Mast Cover, Column Number 2	
		(refer to 311.1)	
6	6175GT	SCREW,HHC,3/8-16 X 1	
		from SN GRP-60000 & SN GRR-10001	
7	6021GT	WASHER,LOCK,.375	
		from SN GRP-60000 & SN GRR-10001	
8	6097GT	WASHER,FLAT,USS,3/8",Y	
9	100379GT	BLOCK, MAST SLIDER, GR20	16
		from SN GRP-60000 & SN GRR-10001	
10		Ref. Upper Slider Block	
		(refer to 301.1) to SN GRP-59999 & SN GRR-10000	
11	38011GT	SHIM,SIDE PAD	4
		to SN GRP-59999 & SN GRR-10000	
12		Ref. Control Cable Pulley	
		(refer to 312.1 & 313.1) from SN GRP-60000 & SN GRR-10001	
13	100381GT	COL 2 MACHINED, 72.5	1
		from SN GRP-60000 & SN GRR-10001	
14	100712GT	COLUMN #2 MACHINED, 57	1
		to SN GRP-59999 & SN GRR-10000	
14B	1293975GT	COLUMN #2 MACHINED, 65	
		from SN GRP-60000 & SN GRR-10001	
15		Ref. Pulley Bracket	
		(refer to 310.1)	
16		Ref. Roller	
		(refer to 301.1) to SN GRP-59999 & SN GRR-10000	
17	35706GT	BOLT,ROLLER,.470"(SHORT)	
		to SN GRP-59999 & SN GRR-10000	
18	7713GT	NUT, LP NYLOCK, 3/8-16	
		to SN GRP-59999 & SN GRR-10000	
19	35710GT	BLOCK,SLIDE,LOWER	3
		to SN GRP-59999 & SN GRR-10000	
20	11808GT	SCREW,HHC,1/4-20 X .375	
21	35991GT	NUT,WELD 1/4-20, PLATED L.L.**	
22	57809GT	PLATE, LIMIT SWITCH ROLL GR	1
		to SN GRP-59999 & SN GRR-10000	
22B	100858GT	FORMING, LIMIT SWITCH ROLL	1
		from SN GRP-60000 & SN GRR-10001	



302.3 Number 2 Column Assembly, GR-20

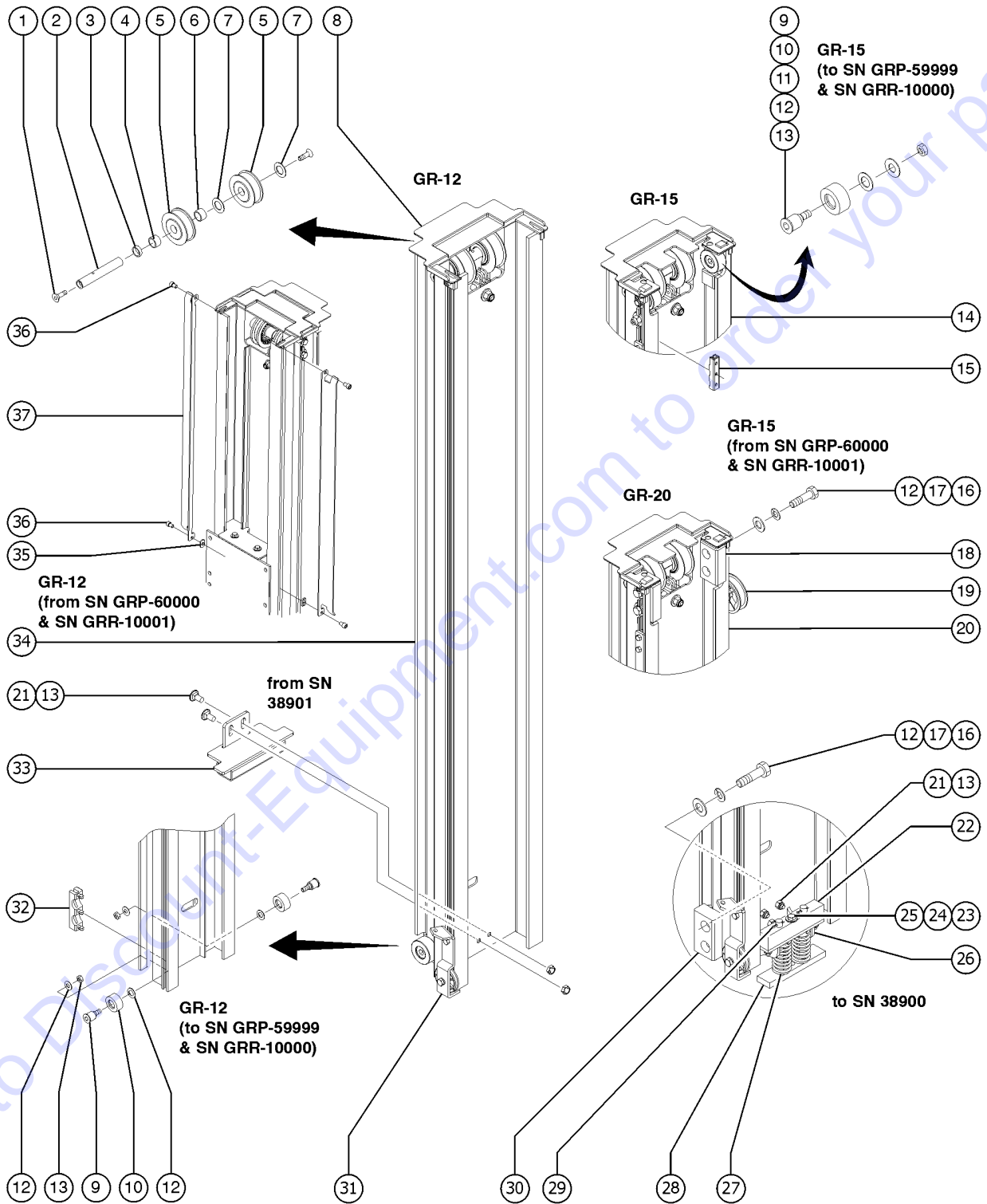


Item	Part No.	Description	Qty.
1	45425GT	SCREW,FHS,3/8-16 X .75	
2	35707GT	SHAFT,LIFTING CHAINS,20MM DIA.	4
3	38709GT	WASHER,SHIM,.938 X 1.37 X .048	
4	38447GT	PULLEY W/BEARINGS	2
5		Ref. Mast Cover, Column Number 2	
		(refer to 311.1)	
6	6175GT	SCREW,HHC,3/8-16 X 1	
7	6021GT	WASHER,LOCK,.375	
8	6097GT	WASHER,FLAT,USS,3/8",Y	
9	100379GT	BLOCK, MAST SLIDER, GR20	16
10		Ref. Control Cable Pulley	
		(refer to 312.1 & 313.1)	
11	100381GT	COL 2 MACHINED, 72.5	1
12		Ref. Pulley Bracket	
		(refer to 310.1)	
13	11808GT	SCREW,HHC,1/4-20 X .375	
14	35991GT	NUT,WELD 1/4-20, PLATED L.L.**	
15	100858GT	FORMING, LIMIT SWITCH ROLL	1

Go to Discount-Equipment.com to order your parts



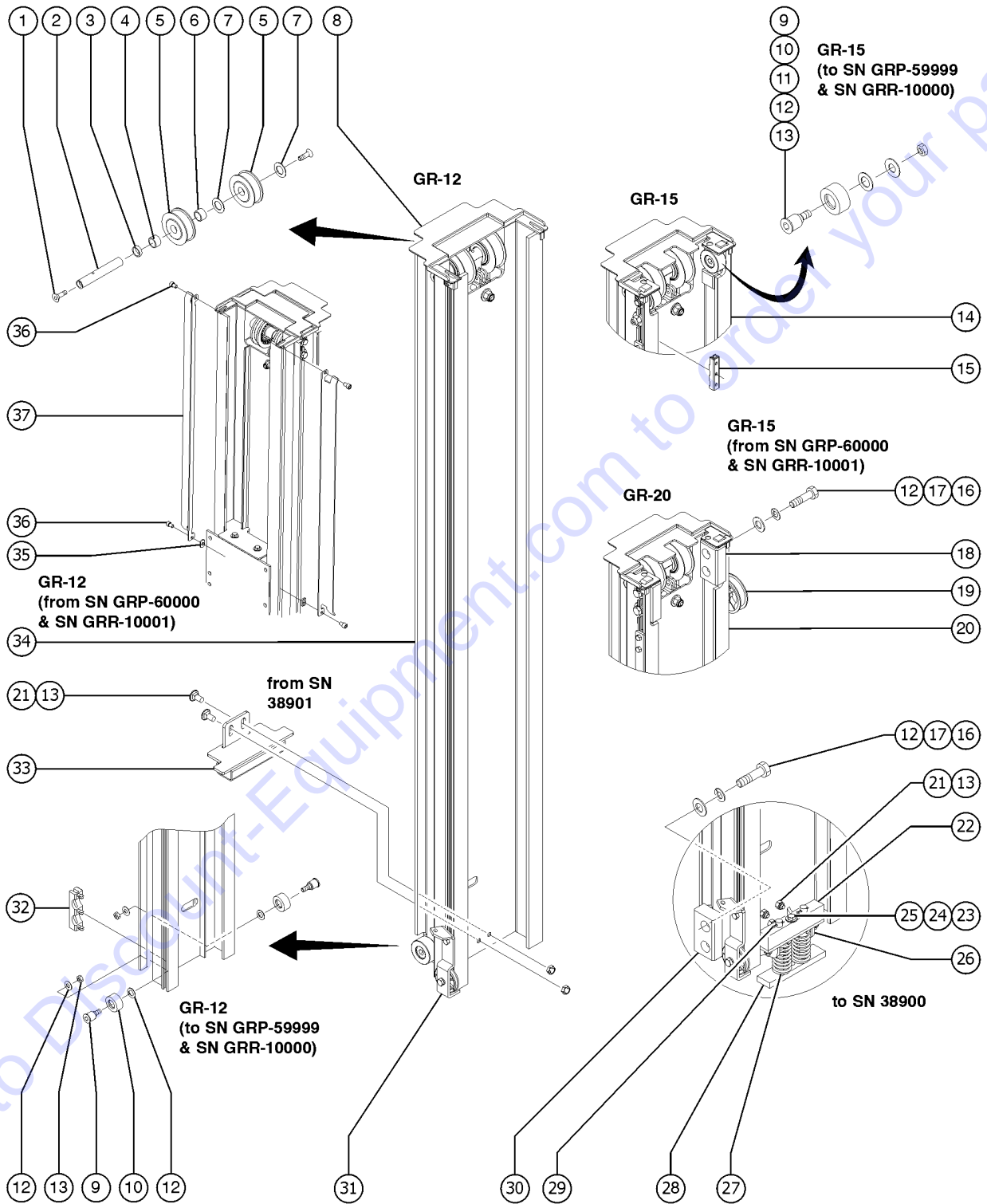
303.1 Number 3 Column Assemblies



Item	Part No.	Description	Qty.
1	45425GT	SCREW,FHS,3/8-16 X .75	
2A	35707GT	SHAFT,LIFTING CHAINS,20MM DIA. GR-12	2
2B	35707GT	SHAFT,LIFTING CHAINS,20MM DIA. GR-15	3
2C	35709GT	BLOCK,SLIDE,UPPER GR-20	4
3A	35722GT	SPACER,SHAFT,,310 GR-12	1
3B	35722GT	SPACER,SHAFT,,310 GR-15 & GR-20	2
4	35711GT	SPACER,SHAFT,,840"LG GR-12 & GR-15	2
5	38447GT	PULLEY W/BEARINGS	2
6	38316GT	SPACER,,560 AWP MAST	1
7	38709GT	WASHER,SHIM,,938 X 1.37 X .048	
8		Ref. Mast Cover, Column Number 3 (refer to 311.1)	
9	35706GT	BOLT,ROLLER,,470"(SHORT)	
10		Ref. Roller (refer to 301.1)	
11	6052GT	WASHER,SHIM,,5 X .875 X .063	
12	6097GT	WASHER,FLAT,USS,3/8",Y	
13	7713GT	NUT, LP NYLOCK, 3/8-16	
14	100713GT	COLUMN #3 MACHINED, 57 (to SN GRP-59999 & SN GRR-10000)	1
14B	1293976GT	COLUMN #3 MACHINED, 65 (from SN GRP-60000 & SN GRR-10001)	1
15		Ref. Upper Slide Block (refer to 301.1) (to SN GRP-59999 & SN GRR-10000)	
16	6175GT	SCREW,HHC,3/8-16 X 1	
17	6021GT	WASHER,LOCK,,375	
18		Ref. Mast Slider Block (refer to 302.1)	
19		Ref. Control Cable Pulley (refer to 312.1 & 313.1)	
20	100382GT	COL 3 MACHINED, 72.5 GR-20	1
21	101718GT	BOLT,CARRIAGE,3/8-16 X .75,G2	
22	100942GT	BLOCK, PH ACTUATOR GUIDE (to SN GR15-38900)	1
23	6637GT	SCREW,HHC,1/4-20 X 1.75 (to SN GR15-38900)	
24	6638GT	WASHER,FLAT,USS,1/4"Y (to SN GR15-38900)	



303.1 Number 3 Column Assemblies

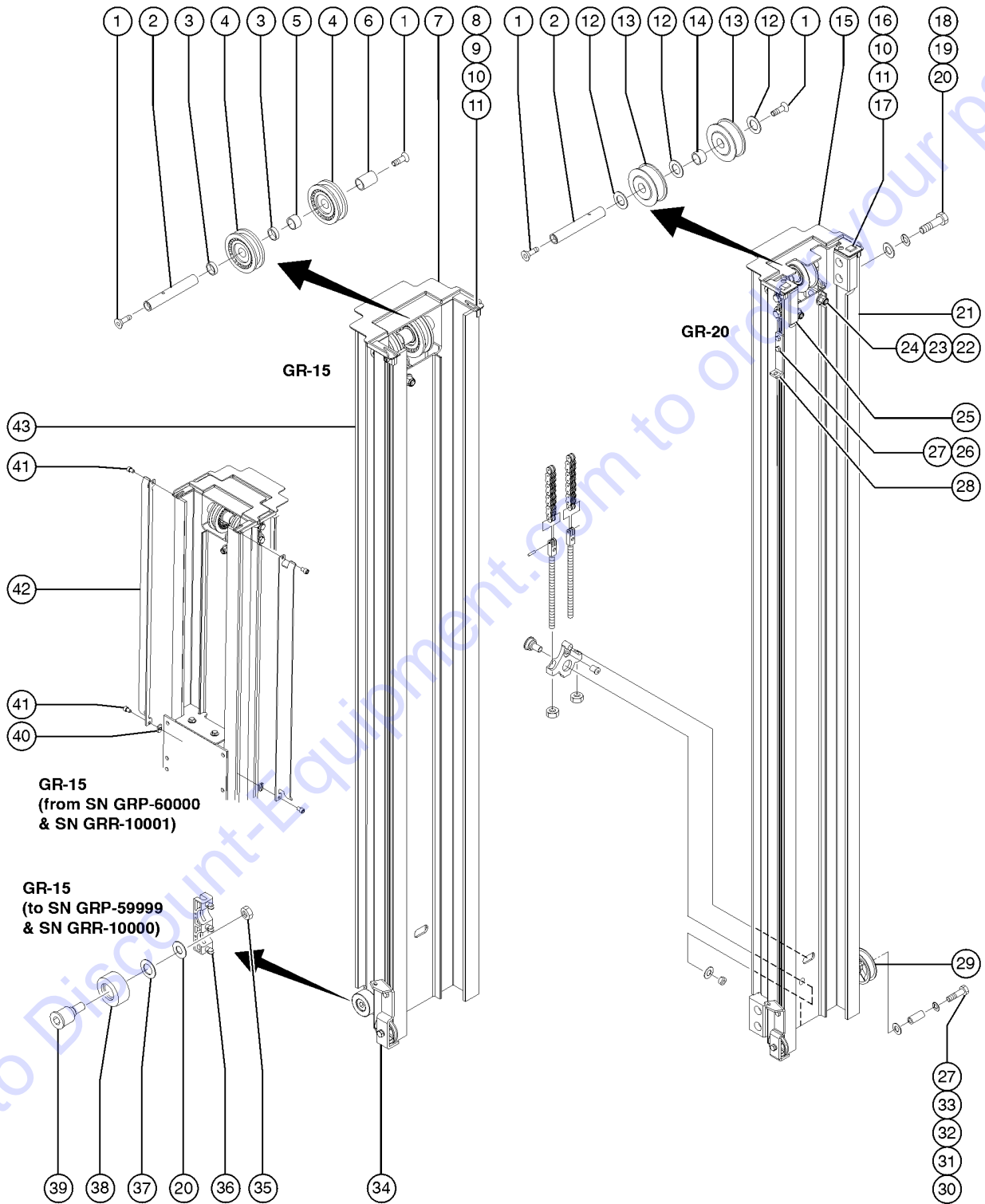


Item	Part No.	Description	Qty.
25	6091GT	NUT,NYLOCK,1/4-20 (to SN GR15-38900)	
26		WELDMENT, PHG ACTUATOR (to SN GR15-38900) (if original refer to update kit item 33)	1
27	235340GT	SPRING, COMPRESSION (to SN GR15-38900)	2
28	100673GT	WELDMENT, PH ACTUATOR (to SN GR15-38900)	1
29	12016GT	PIN,COTTER, .125 X .75 (to SN GR15-38900)	
30	100379GT	BLOCK, MAST SLIDER, GR20	16
31		Ref. Pulley Bracket (refer to 310.1)	
32		Ref. Lower Slide Block (refer to 302.1) (to SN GRP-59999 & SN GRR-10000)	
32B		Ref. Block Mast Slider GR-12 (refer to 305.1) (from SN GRP-60000 & SN GRR-10001)	
33A	1260891GT	KIT,GR PHG REPLACEMENT (to SN GR15-38900) (update kit)	1
33B	1257714GT	WELDMENT, PHG ACTUATOR (from SN GR15-38901)	1
34	100714GT	COLUMN #5 MACHINED, 57 GR-12 (to SN GRP-59999 & SN GRR-10000)	1
34B	1293977GT	COLUMN #5 MACHINED, 65 GR-12 (from SN GRP-60000 & SN GRR-10001)	1
35	35991GT	NUT,WELD 1/4-20, PLATED L.L.** (from SN GRP-60000 & SN GRR-10001)	4
36	40004GT	SCREW,SHC,1/4-20 X .375 BLK (from SN GRP-60000 & SN GRR-10001)	4
37	1297332GT	FORMING, HEIGHT RESTRICTOR, RAMP, GR12 (from SN GRP-60000 & SN GRR-10001)	2

Go to Discount-Equipment.com to order your parts



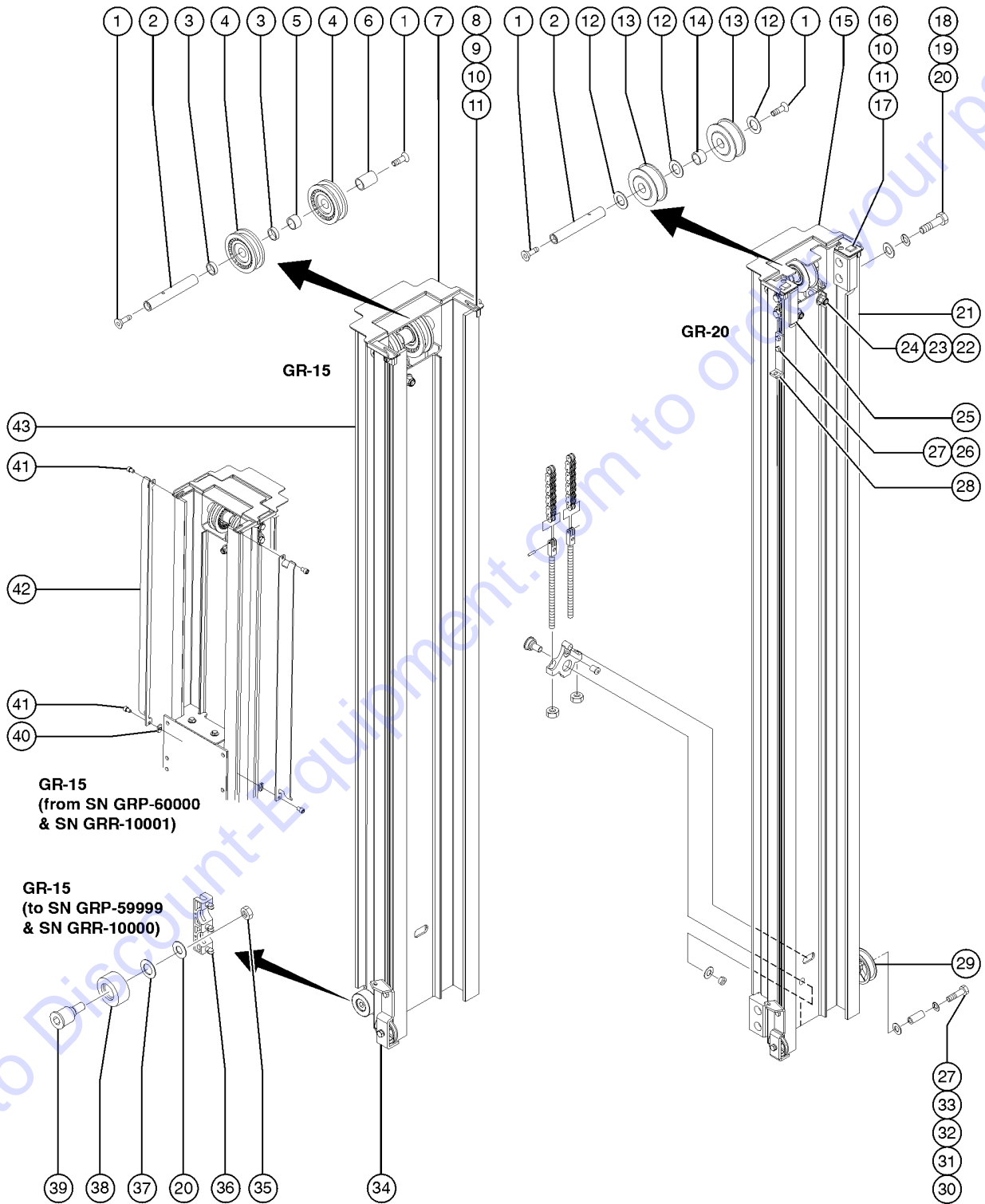
304.1 Number 4 Column Assemblies, GR-15



Item	Part No.	Description	Qty.
1	45425GT	SCREW,FHS,3/8-16 X .75	
2	35707GT	SHAFT,LIFTING CHAINS,20MM DIA.	1
3	35722GT	SPACER,SHAFT,.310	
4	35715GT	PULLEY,SMALL CHAIN	2
5	35711GT	SPACER,SHAFT,.840"LG	
6	37686GT	SPACER,SHAFT,1.400	
7		Ref. Mast Cover, Number 4 Column (refer to 311.1)	
8	57264GT	NUT, 1/4-20 T	
9	109500GT	PLATE, MAST FLAP CLAMP, 5-6	2
10	40004GT	SCREW,SHC,1/4-20 X .375 BLK	
11	41055GT	WASHER,T-SLOT	
12	38709GT	WASHER,SHIM,.938 X 1.37 X .048	
13	38447GT	PULLEY W/BEARINGS	2
14	38316GT	SPACER,.560 AWP MAST	
15		Ref. Mast Cover, Number 4 Column (refer to 311.1)	
16		Ref. Mast Flap Clamp (refer to 301.1)	
17	38730GT	NUT,WELD,ANGLE,1/4" T-SLOT	2
18	6175GT	SCREW,HHC,3/8-16 X 1	
19	6021GT	WASHER,LOCK,.375	
20	6097GT	WASHER,FLAT,USS,3/8",Y	
21		REF. COL4 MACHINED GR-20 (Refer to 304.2)	
22	4828GT	NUT,NYLOCK,3/8-16	
23	5397GT	WASHER,FLAT,USS,5/16",Y	
24	35714GT	SCREW,FHS,3/8-16 X 2.25	
25		Ref. Mast Slider Block (refer to 303.1)	
26	7339GT	SCREW,HHC,1/4-20 X .5	
27	35991GT	NUT,WELD 1/4-20, PLATED L.L.**	
28		Ref. Upper Sequencing Bracket (refer to 301.1)	



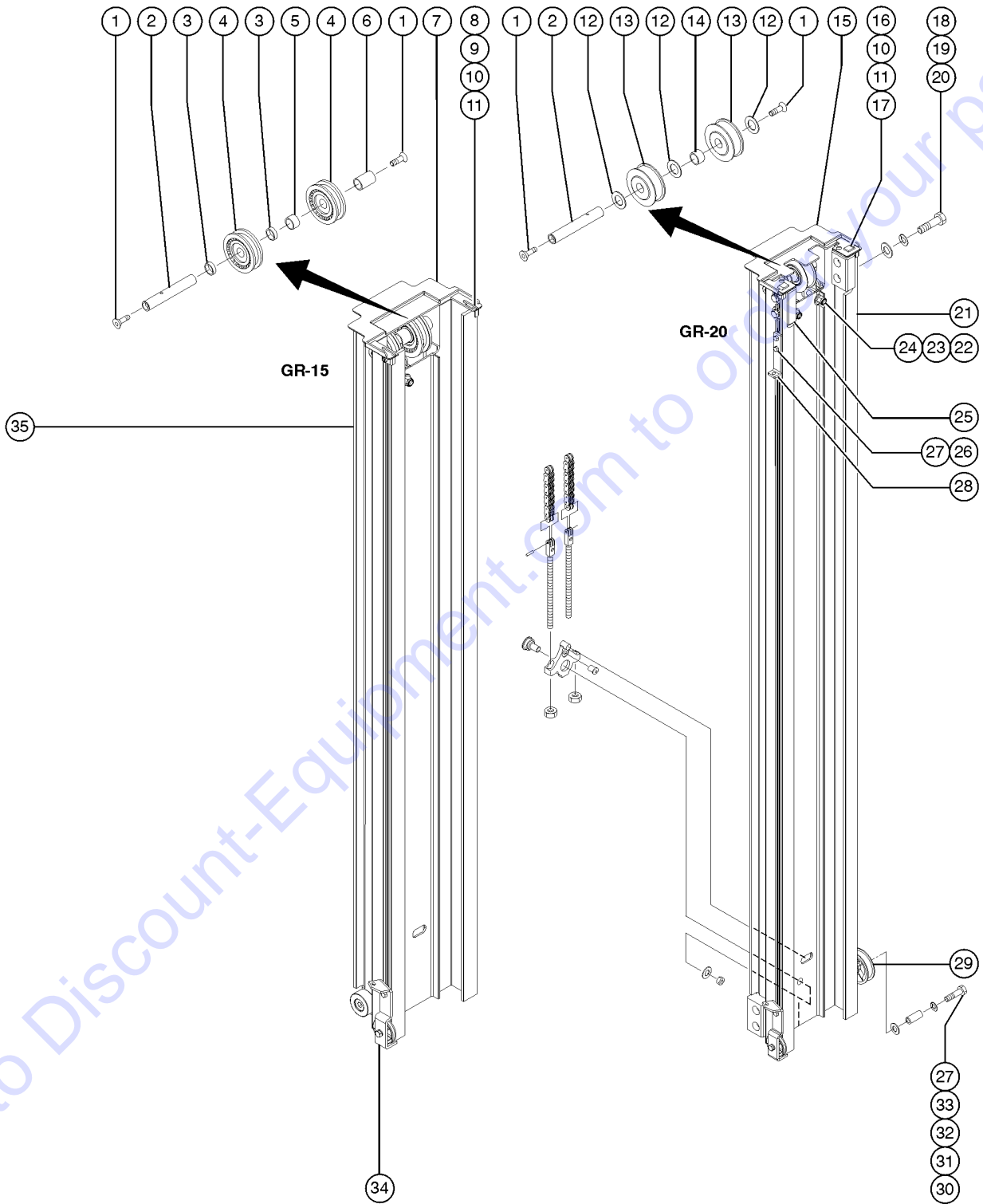
304.1 Number 4 Column Assemblies, GR-15



Item	Part No.	Description	Qty.
29		Ref. Control Cable Pulley (refer to 312.1 & 313.1)	
30	8915GT	SCREW,HHC,1/4-20 X 1.25	
31	25926GT	WASHER,FLAT,M6 PLTD.	
32	40735GT	SPACER, 1/4ID3/8OD, .875LG	
33	22699GT	WASHER,FLAT,M10,ZINC PLTD.	
34		Ref. Pulley Bracket (refer to 310.1)	
35	7713GT	NUT, LP NYLOCK, 3/8-16 (to SN GRP-59999 & SN GRR-10000)	
36		Ref. Lower Slide Block (refer to 302.1) (to SN GRP-59999 & SN GRR-10000)	
36B		Ref. Block Mast Slider GR-15 (refer to 305.1) (from SN GRP-60000 & SN GRR-10001)	
37	6052GT	WASHER,SHIM, 5 X .875 X .063 (to SN GRP-59999 & SN GRR-10000)	
38		Ref. Roller, GR-15 (refer to 301.1) (to SN GRP-59999 & SN GRR-10000)	
39	35706GT	BOLT,ROLLER,.470"(SHORT) (to SN GRP-59999 & SN GRR-10000)	
40	35991GT	NUT,WELD 1/4-20, PLATED L.L.** (from SN GRP-60000 & SN GRR-10001)	4
41	40004GT	SCREW,SHC,1/4-20 X .375 BLK (from SN GRP-60000 & SN GRR-10001)	4
42	1297333GT	FORMING, HEIGHT RESTRICTOR, RAMP, GR15 (from SN GRP-60000 & SN GRR-10001)	2
43	100715GT	COLUMN #6 MACHINED, 57 (to SN GRP-59999 & SN GRR-10000)	
43B	1293978GT	COLUMN #6 MACHINED, 65 (from SN GRP-60000 & SN GRR-10001)	



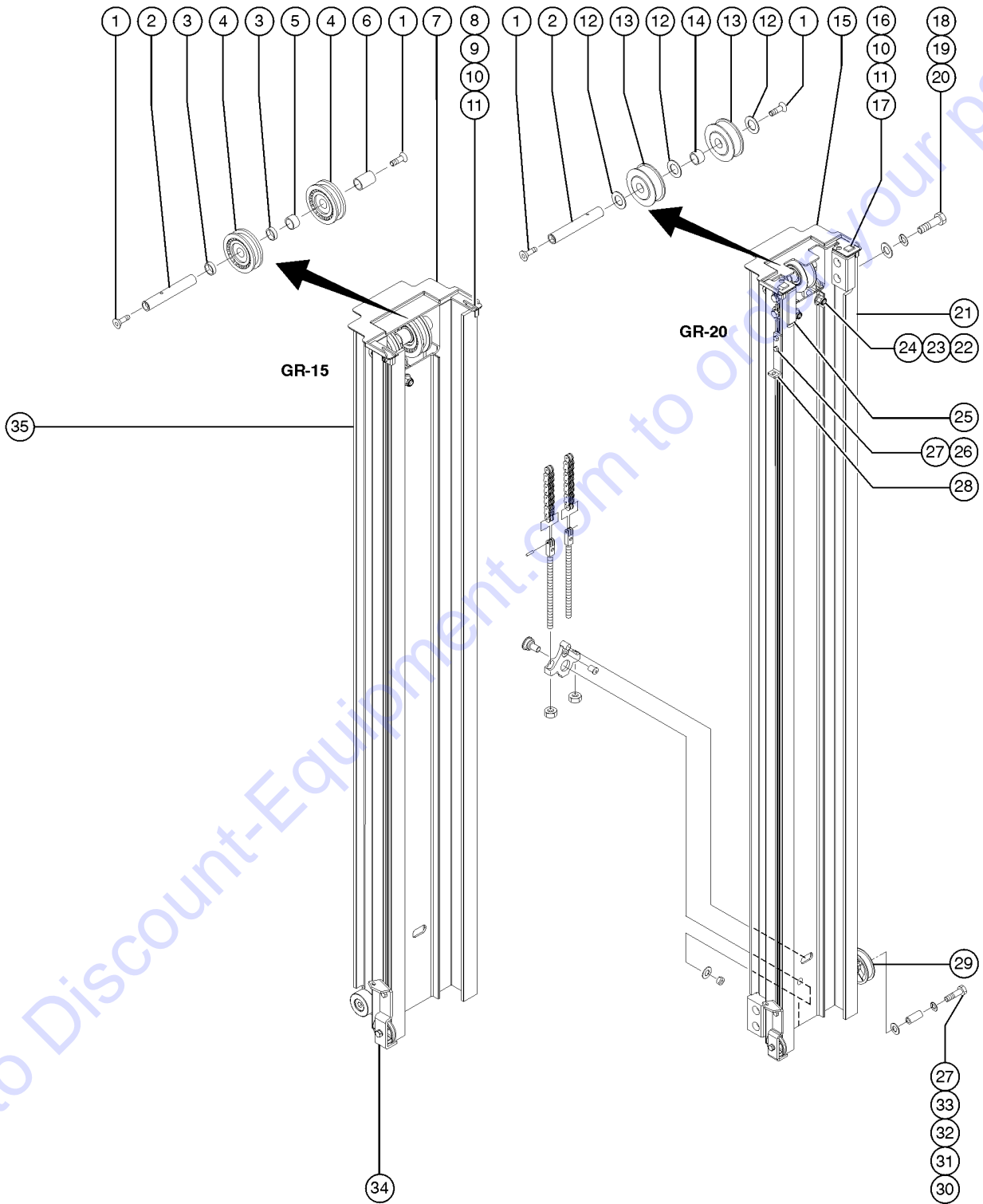
304.2 Number 4 Column Assemblies, GR-20



Item	Part No.	Description	Qty.
1	45425GT	SCREW,FHS,3/8-16 X .75	
2	35707GT	SHAFT,LIFTING CHAINS,20MM DIA.	1
3	35722GT	SPACER,SHAFT,.310	
4	35715GT	PULLEY,SMALL CHAIN	2
5	35711GT	SPACER,SHAFT,.840"LG	
6	37686GT	SPACER,SHAFT,1.400	
7		Ref. Mast Cover, Number 4 Column (refer to 311.1)	
8	57264GT	NUT, 1/4-20 T	
9	109500GT	PLATE, MAST FLAP CLAMP, 5-6	2
10	40004GT	SCREW,SHC,1/4-20 X .375 BLK	
11	41055GT	WASHER,T-SLOT	
12	38709GT	WASHER,SHIM,.938 X 1.37 X .048	
13	38447GT	PULLEY W/BEARINGS	2
14	38316GT	SPACER,.560 AWP MAST	
15		Ref. Mast Cover, Number 4 Column (refer to 311.1)	
16		Ref. Mast Flap Clamp (refer to 301.1)	
17	38730GT	NUT,WELD,ANGLE,1/4" T-SLOT	2
18	6175GT	SCREW,HHC,3/8-16 X 1	
19	6021GT	WASHER,LOCK,.375	
20	6097GT	WASHER,FLAT,USS,3/8",Y	
21	100383GT	COL 4 MACHINED, 72.5	1
22	4828GT	NUT,NYLOCK,3/8-16	
23	5397GT	WASHER,FLAT,USS,5/16",Y	
24	35714GT	SCREW,FHS,3/8-16 X 2.25	
25		Ref. Mast Slider Block (refer to 303.1)	
26	7339GT	SCREW,HHC,1/4-20 X .5	
27	35991GT	NUT,WELD 1/4-20, PLATED L.L.**	
28		Ref. Upper Sequencing Bracket (refer to 301.1)	



304.2 Number 4 Column Assemblies, GR-20

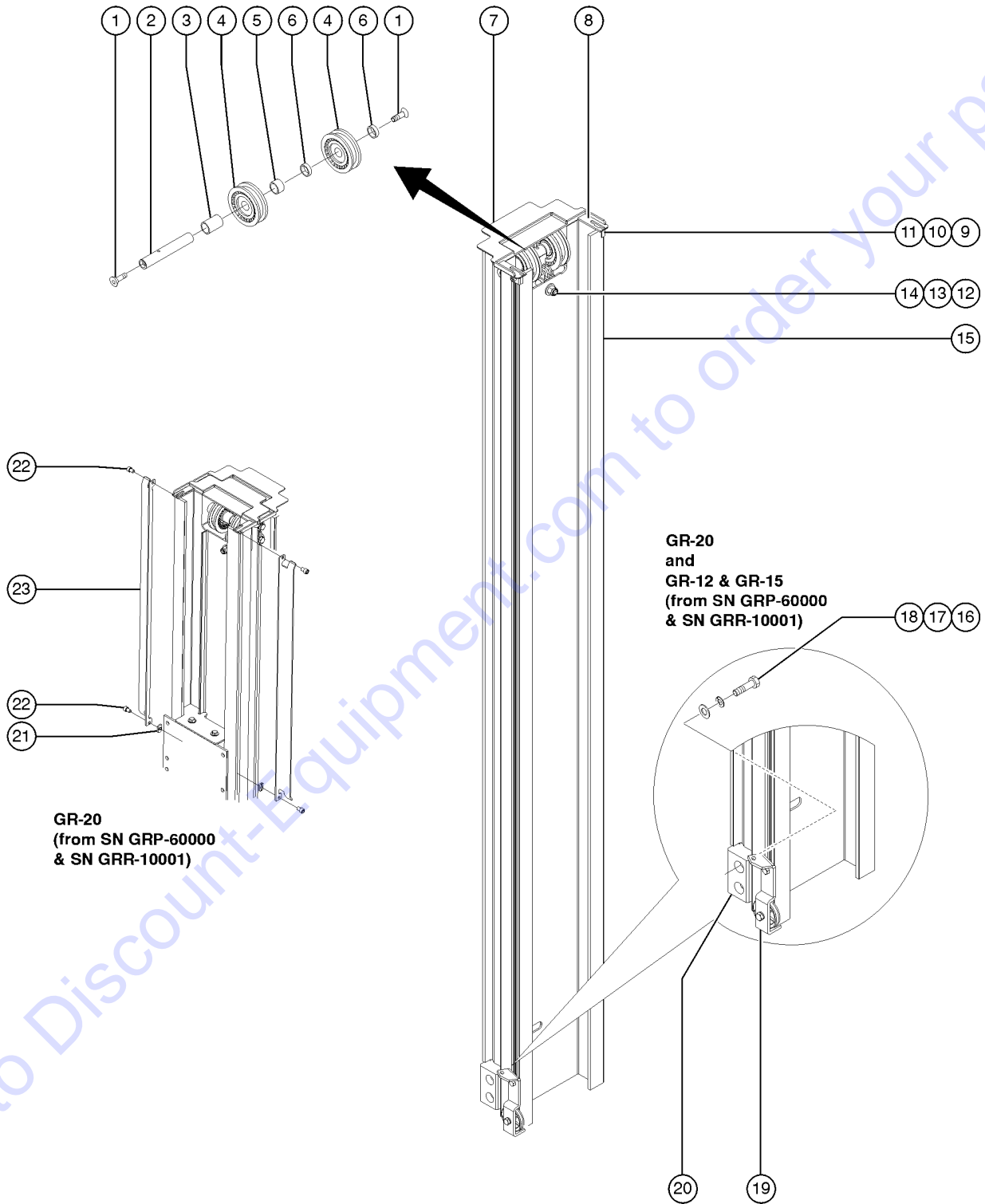


Item	Part No.	Description	Qty.
29		Ref. Control Cable Pulley (refer to 312.1 & 313.1)	
30	8915GT	SCREW,HHC,1/4-20 X 1.25	
31	25926GT	WASHER,FLAT,M6 PLTD.	
32	40735GT	SPACER, 1/4ID3/8OD, .875LG	
33	22699GT	WASHER,FLAT,M10,ZINC PLTD.	
34		Ref. Pulley Bracket (refer to 310.1)	
35		Ref. Column #6 GR-15 (refer to 304.1)	

Go to Discount-Equipment.com to order your parts



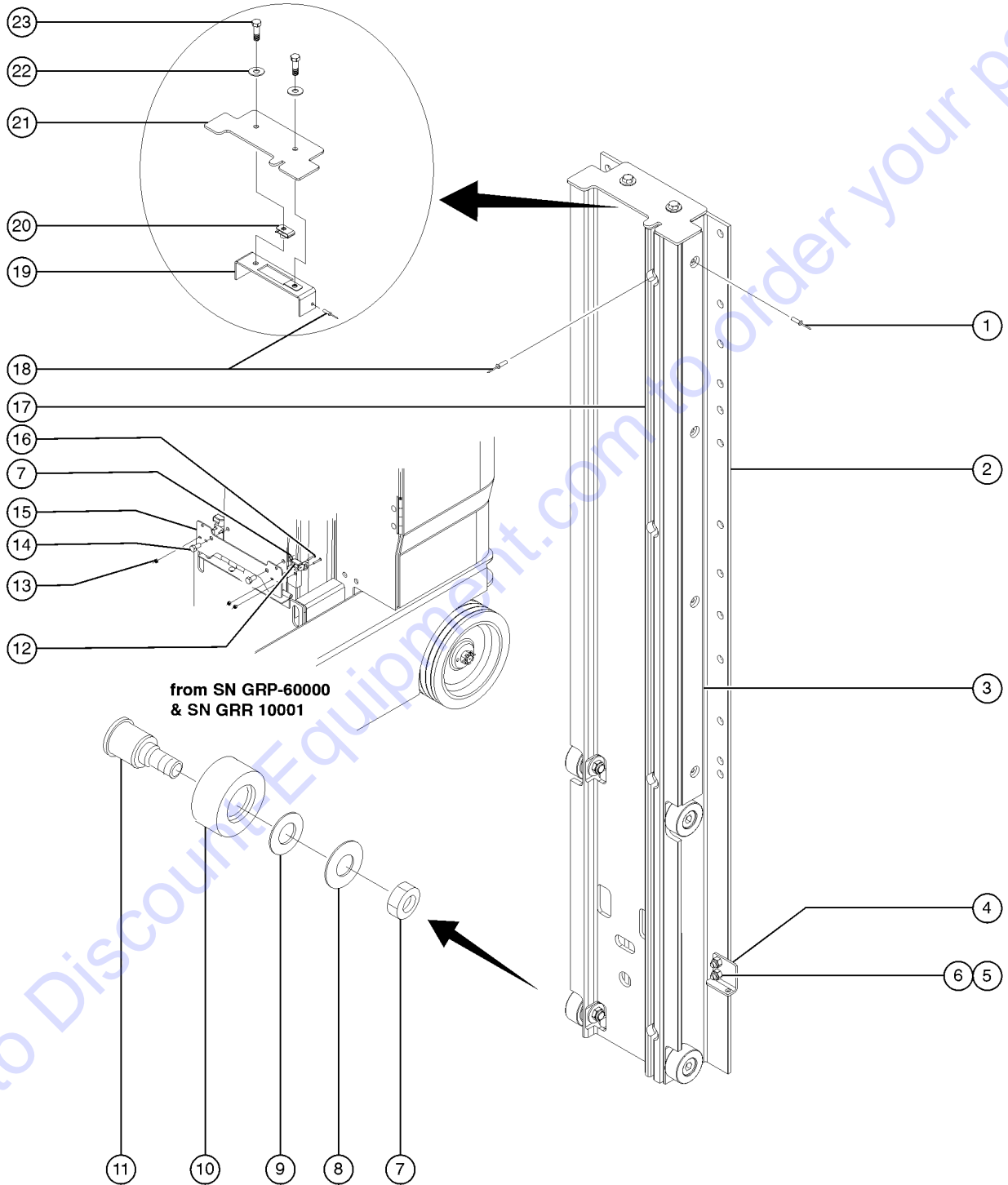
305.1 Number 5 Column Assemblies, GR-20



Item	Part No.	Description	Qty.
1	45425GT	SCREW,FHS,3/8-16 X .75	
2	35707GT	SHAFT,LIFTING CHAINS,20MM DIA.	1
3	37686GT	SPACER,SHAFT,1.400	
4	35715GT	PULLEY,SMALL CHAIN	2
5	35711GT	SPACER,SHAFT,.840"LG	
6	35722GT	SPACER,SHAFT,.310	
7		Ref. Mast Cover, Column Number 5 (refer to 311.1)	
8	109500GT	PLATE, MAST FLAP CLAMP, 5-6	2
9	40004GT	SCREW,SHC,1/4-20 X .375 BLK	
10	41055GT	WASHER,T-SLOT	
11	57264GT	NUT, 1/4-20 T	
12	4828GT	NUT,NYLOCK,3/8-16	
13	5397GT	WASHER,FLAT,USS,5/16",Y	
14	35714GT	SCREW,FHS,3/8-16 X 2.25	
15	100384GT	COL 5 MACHINED, 72.5	1
		GR-20	
16	6175GT	SCREW,HHC,3/8-16 X 1	
17	6021GT	WASHER,LOCK,.375	
18	6097GT	WASHER,FLAT,USS,3/8",Y	
19	100386GT	FORMING, PULLEY BRKT	
20	100379GT	BLOCK, MAST SLIDER, GR20	
21	35991GT	NUT,WELD 1/4-20, PLATED L.L.** (from SN GRP-60000 & SN GRR-10001)	4
22	40004GT	SCREW,SHC,1/4-20 X .375 BLK (from SN GRP-60000 & SN GRR-10001)	4
23	1289429GT	FORMING, HEIGHT RESTRICTOR, RAMP, GR20 (from SN GRP-60000 & SN GRR-10001)	2



306.1 Carriage Assembly, GR-12 & GR-20

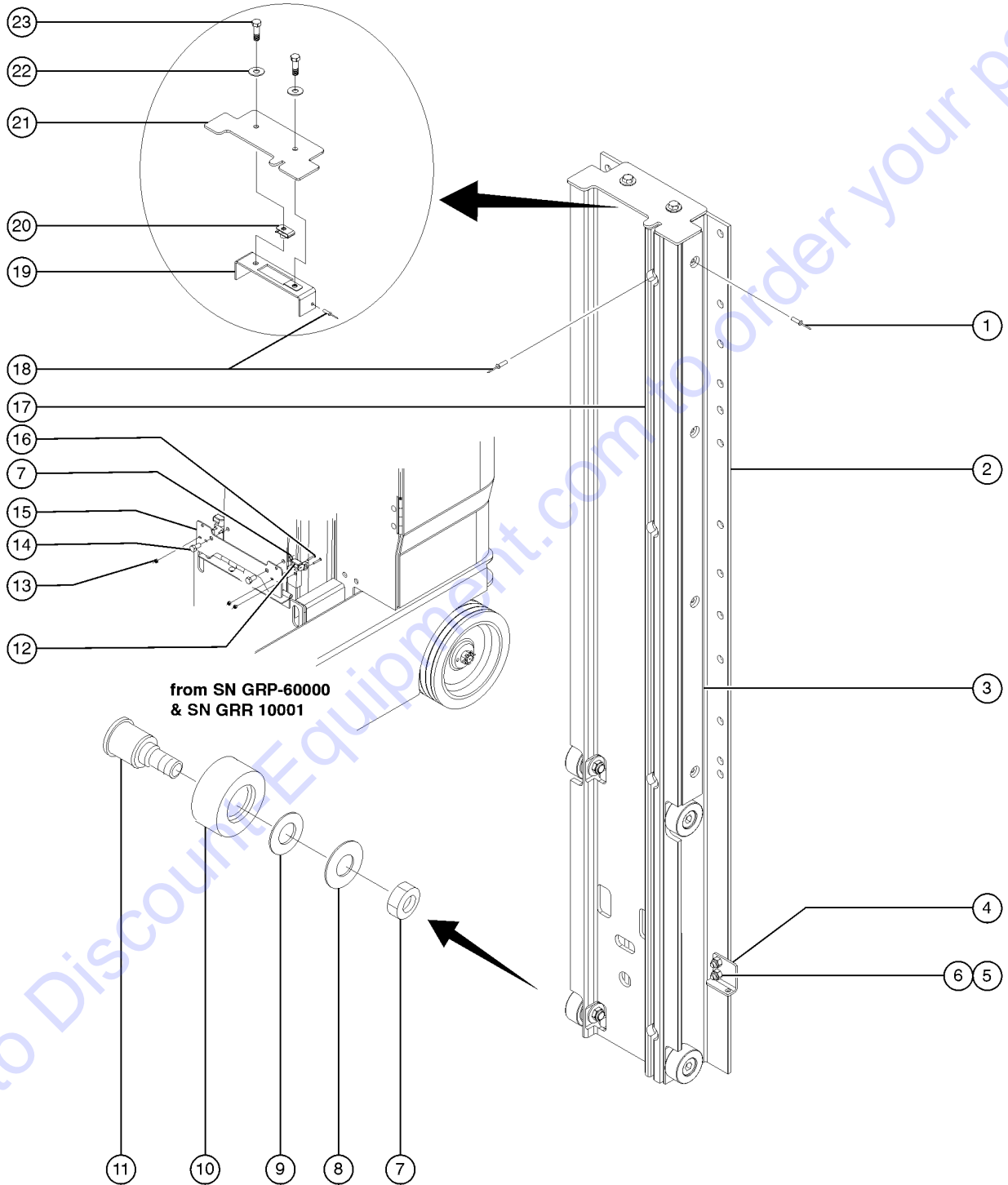


306.1 Carriage Assembly, GR-12 & GR-20

Item	Part No.	Description	Qty.
	8920GT	RIVET,ALUM,ALUM,P,.156 X .375	
1	69855GT	RIVET,ALUM,ALUM,.25 X 1.125 AL	
2	100744GT	CARRIAGE, 3 & 5 COLUMN	1
2-		GR-12 & GR-20 Ref. Carriage Sequencing Cable Assembly (refer to 310.1)	
3	57195GT	GUIDE, SLIDER CARRIAGE	2
4	35734GT	FORMING, SEQUENCING, CARR, ZN	1
5	6091GT	NUT,NYLOCK,1/4-20	
6	6090GT	SCREW,HHC,1/4-20 X .75	
7	7713GT	NUT, LP NYLOCK, 3/8-16	
8	6097GT	WASHER,FLAT,USS,3/8",Y	
9	6052GT	WASHER,SHIM,.5 X .875 X .063	
10		Ref. Roller (refer to 301.1)	
11	35706GT	BOLT,ROLLER,.470"(SHORT)	
12	139644GT	LIMIT SWITCH,TAB,BLUE,MICRO	
		(from SN GRP-60000 & SN GRR 10001)	
13	12344GT	NUT,NYLOCK,6-32	
		(from SN GRP-60000 & SN GRR 10001)	
14	8255GT	SCREW,HHC,3/8-16 X .75	
		(from SN GRP-60000 & SN GRR 10001)	
15	1289428GT	PLATE, HEIGHT RESTRICTOR, MOUNT, GR	1
		(from SN GRP-60000 & SN GRR 10001)	
16	75067GT	SCREW,6-32 X 7/8 PPMS ZINC	
		(from SN GRP-60000 & SN GRR 10001)	
17	38005GT	SLIDE BLOCK,CARRIAGE%%	1
18	8920GT	RIVET,ALUM,ALUM,P,.156 X .375	
19	100777GT	FORMING, CARRIAGE FLAP MOUNT	1
20	56912GT	SPRING CLIP,1/4-20,.025-.15X.54,ZAG	
21	100752GT	COVER, CARRIAGE	1
22	6638GT	WASHER,FLAT,USS,1/4"Y	
23	6888GT	SCREW,HHC,1/4-20 X 1	



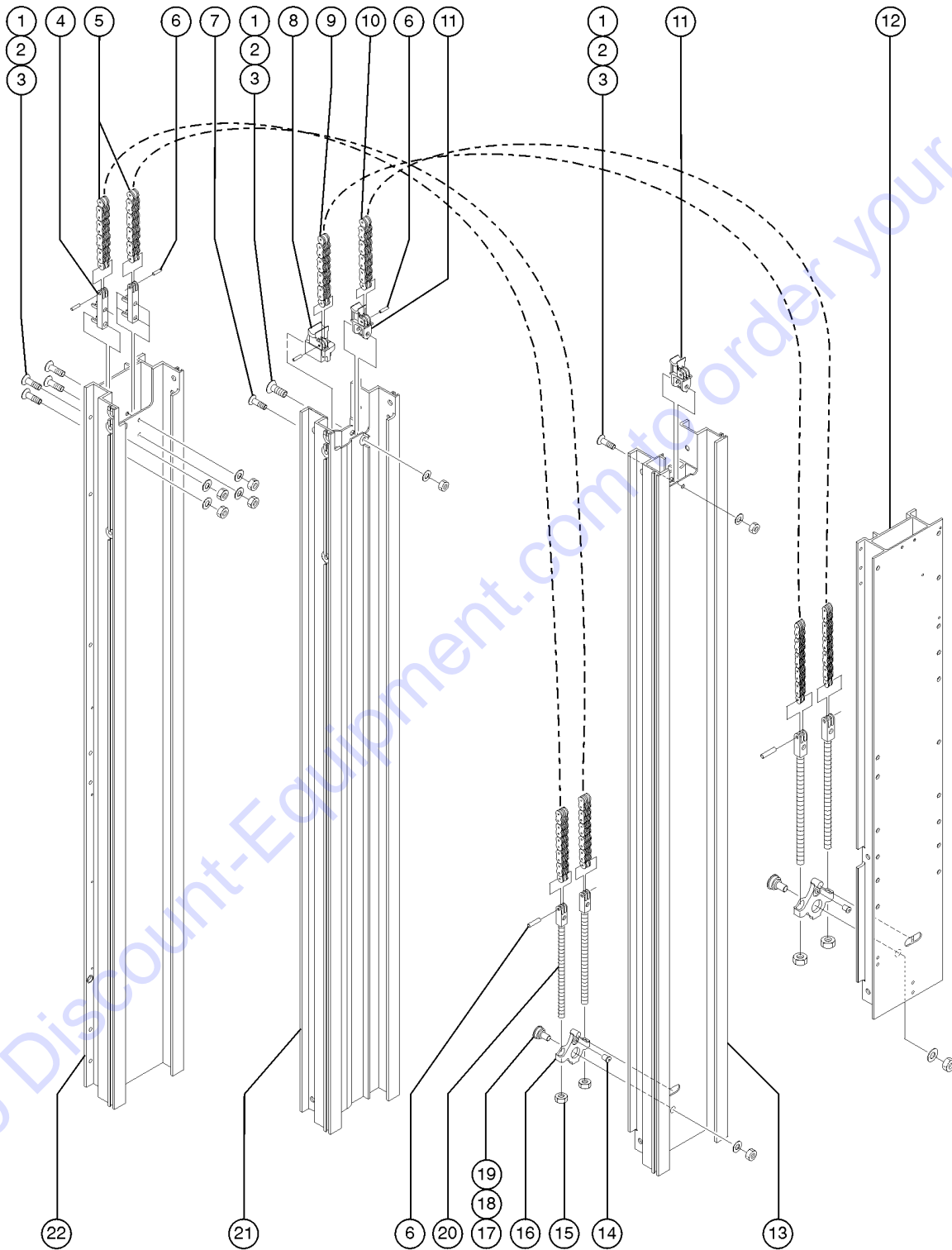
306.2 Carriage Assembly, GR-15



Item	Part No.	Description	Qty.
	8920GT	RIVET,ALUM,ALUM,P,.156 X .375	
1	69855GT	RIVET,ALUM,ALUM,.25 X 1.125 AL	
2	100745GT	CARRIAGE, 4 & 6 COLUMN	1
2-		Ref. Carriage Sequencing Cable Assembly (refer to 310.1)	
3	57195GT	GUIDE, SLIDER CARRIAGE	2
4	35734GT	FORMING, SEQUENCING, CARR, ZN	1
5	6091GT	NUT,NYLOCK,1/4-20	
6	6090GT	SCREW,HHC,1/4-20 X .75	
7	7713GT	NUT, LP NYLOCK, 3/8-16	
8	6097GT	WASHER,FLAT,USS,3/8",Y	
9	6052GT	WASHER,SHIM,.5 X .875 X .063	
10		Ref. Roller (refer to 301.1)	
11	35706GT	BOLT,ROLLER,.470"(SHORT)	
12	139644GT	LIMIT SWITCH,TAB,BLUE,MICRO (from SN GRP-60000 & SN GRR 10001)	
13	12344GT	NUT,NYLOCK,6-32 (from SN GRP-60000 & SN GRR 10001)	
14	8255GT	SCREW,HHC,3/8-16 X .75 (from SN GRP-60000 & SN GRR 10001)	
15	1289428GT	PLATE, HEIGHT RESTRICTOR, MOUNT, GR (from SN GRP-60000 & SN GRR 10001)	1
16	75067GT	SCREW,6-32 X 7/8 PPMS ZINC (from SN GRP-60000 & SN GRR 10001)	
17	38005GT	SLIDE BLOCK,CARRIAGE%%	1
18	8920GT	RIVET,ALUM,ALUM,P,.156 X .375	
19	100777GT	FORMING, CARRIAGE FLAP MOUNT	1
20	56912GT	SPRING CLIP,1/4-20,.025-.15X.54,ZAG	
21	100752GT	COVER, CARRIAGE	1
22	6638GT	WASHER,FLAT,USS,1/4"Y	
23	6888GT	SCREW,HHC,1/4-20 X 1	



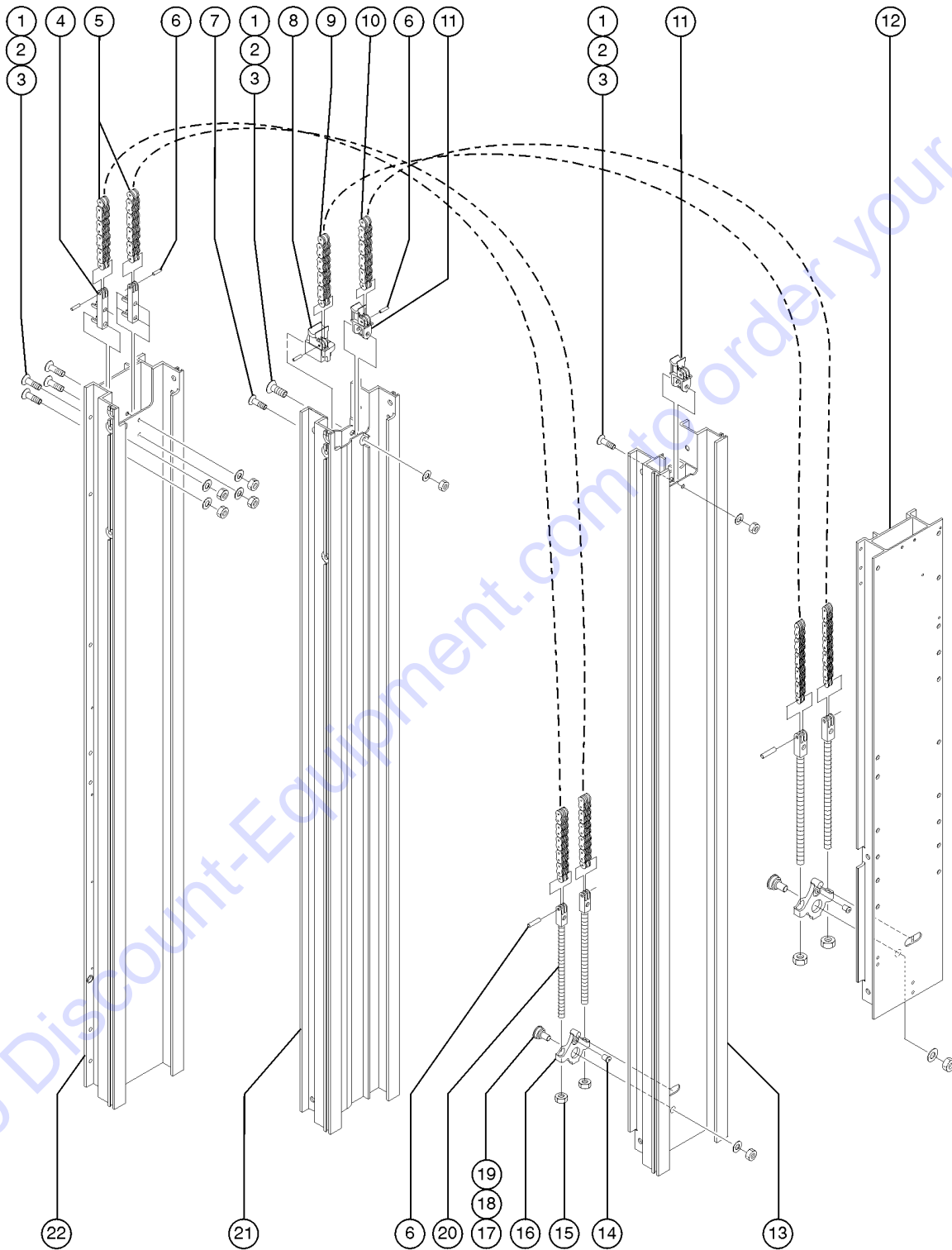
307.1 Lifting Chain Assembly, GR-12



Item	Part No.	Description	Qty.
1	35714GT	SCREW,FHS,3/8-16 X 2.25	
2	5397GT	WASHER,FLAT,USS,5/16",Y	
3	4828GT	NUT,NYLOCK,3/8-16	
4	35699GT	CHAIN TERMINAL CASTING,#1	2
5	40550GT	CHAIN ASSY,#1,57"COL. S-SERIES (includes items 4 and 20) to SN GRP-59999 & SN GRR-10000	2
5-	41247GT	CHAIN,STD.LEAF(LG)53.5"S-SERIE 53.5 inches	
5B	1298027GT	CHAIN ASSY,#1,65" COL. S-SERIES (includes items 4 and 20) from SN GRP-60000 & SN GRR-10001	2
5B-	35704-6063GT	CHAIN,STD.LEAF AL544,60.63" 60.63 inches	
6	6534GT	PIN,GROOVED- .200 X .75*	8
7	40945GT	SCREW,FHS,1/4-20 X 2.25	
8	35697GT	CHAIN TERM,CLEVIS CYL.,ZINC	1
9	41246GT	CHAIN ASSY.#2 COL. (CYLINDER) (includes items 8 and 20) to SN GRP-59999 & SN GRR-10000	1
9-	41247GT	CHAIN,STD.LEAF(LG)53.5"S-SERIE 53.5 inches	
9B	1298026GT	CHAIN ASSY,#2,65" COL. S-SERIES (includes items 8 and 20) from SN GRP-60000 & SN GRR-10001	1
9B-	35704-6063GT	CHAIN,STD.LEAF AL544,60.63" 60.63 inches	
10	41248GT	CHAIN ASSY. #2 COL.CWP/SP (includes items 11 and 20) to SN GRP-59999 & SN GRR-10000	1
10-	41247GT	CHAIN,STD.LEAF(LG)53.5"S-SERIE 53.5 inches	
10B	1298028GT	CHAIN ASSY,#2,65" COL. S-SERIES (includes items 11 and 20) from SN GRP-60000 & SN GRR-10001	
10B-	35704-6063GT	CHAIN,STD.LEAF AL544,60.63" 60.63 inches	
11	35695GT	CHAIN TERM,PULLEY SUPORT-ZINC (double slot)	2
12		Ref. Carriage (refer to 306.1)	
13		Ref. Number 3 Column (refer to 303.1)	
14	11890GT	GLIDE BUTTON,SIDE,GLL.,100 TK	2
15	35712GT	NUT,NYLOCK,3/8-24	
16	35698GT	CHAIN TENSION ROCKER CAST.ZINC	2
17	35705GT	BOLT-ROCKER, S-SERIES	
18	6095GT	WASHER,FLAT,USS,1/2",Y	
19	6086GT	NUT,LP NYLOCK,1/2-13	



307.1 Lifting Chain Assembly, GR-12



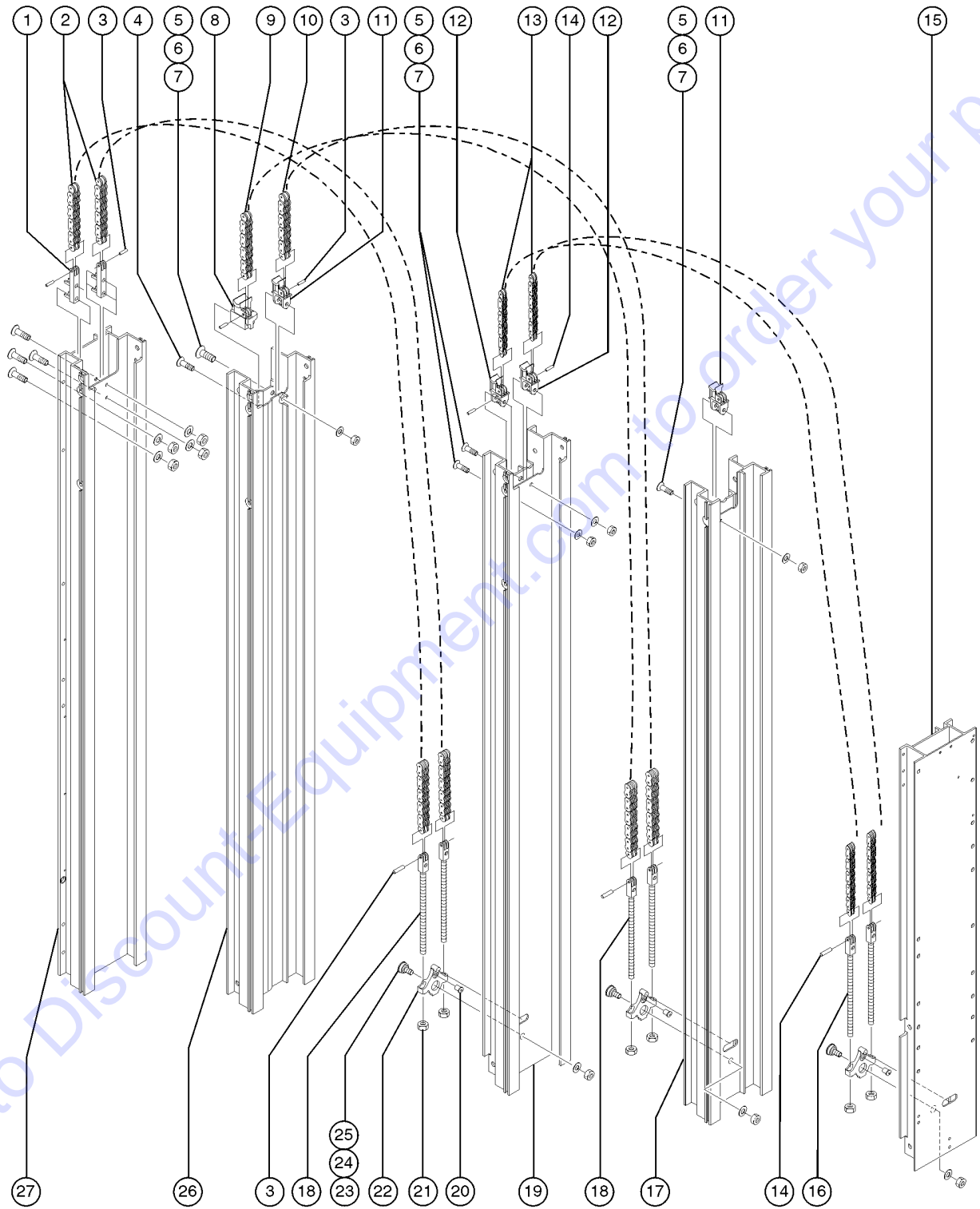
307.1 Lifting Chain Assembly, GR-12

<i>Item</i>	<i>Part No.</i>	<i>Description</i>	<i>Qty.</i>
20	38187GT	CHAIN TERM.LWR.SS(2 SLOT)* (includes item 6)	4
21		Ref. Number 2 Column (refer to 302.1)	
22		Ref. Number 1 Column (refer to 301.1)	

Go to Discount-Equipment.com to order your parts



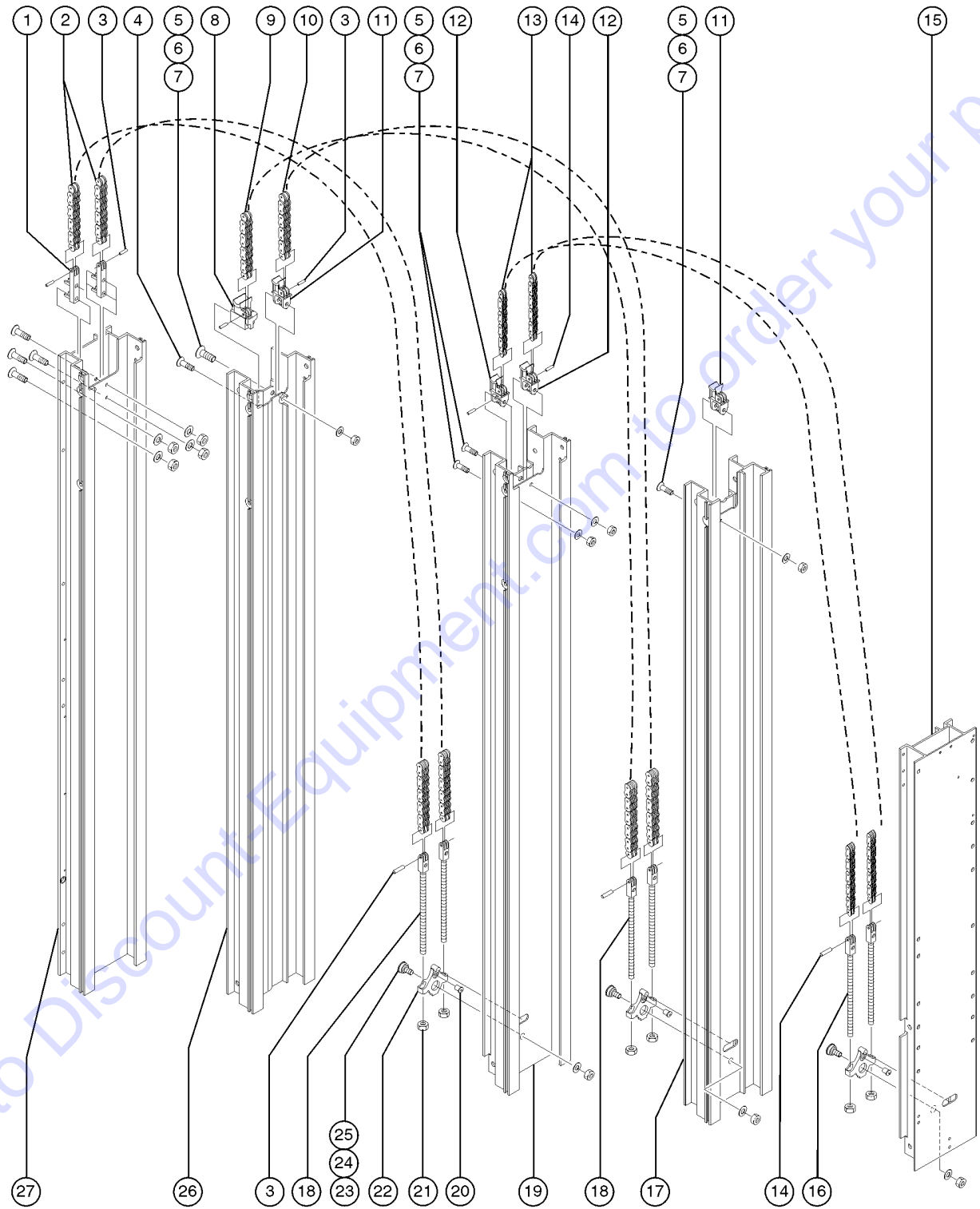
308.1 Lifting Chain Assembly, GR-15



Item	Part No.	Description	Qty.
1	35699GT	CHAIN TERMINAL CASTING,#1	2
2	40550GT	CHAIN ASSY#1,57"COL. S-SERIES (includes items 1 and 18) to SN GRP-59999 & SN GRR-10000	2
2B	1298027GT	CHAIN ASSY,#1,65" COL. S-SERIES (includes items 1 and 18) from SN GRP-60000 & SN GRR-10001	2
2B-	35704-6063GT	CHAIN,STD.LEAF AL544,60.63"	60.63 inches
3	6534GT	PIN,GROOVED- .200 X .75*	8
4	40945GT	SCREW,FHS,1/4-20 X 2.25	
5	35714GT	SCREW,FHS,3/8-16 X 2.25	
6	5397GT	WASHER,FLAT,USS,5/16",Y	
7	4828GT	NUT,NYLOCK,3/8-16	
8	35697GT	CHAIN TERM,CLEVIS CYL.,ZINC	1
9	41246GT	CHAIN ASSY.#2 COL. (CYLINDER) (includes items 8 and 18) to SN GRP-59999 & SN GRR-10000	1
9B	1298026GT	CHAIN ASSY,#2,65" COL. S-SERIES (includes items 8 and 18) from SN GRP-60000 & SN GRR-10001	1
9B-	35704-6063GT	CHAIN,STD.LEAF AL544,60.63"	60.63 inches
10	41248GT	CHAIN ASSY.#2 COL.CWP/SP (includes items 11 and 18) to SN GRP-59999 & SN GRR-10000	1
10-	41247GT	CHAIN,STD.LEAF(LG)53.5"S-SERIE	53.5 inches
10B	1298028GT	CHAIN ASSY,#2,65" COL. S-SERIES (includes items 11 and 18) from SN GRP-60000 & SN GRR-10001	1
10B-	35704-6063GT	CHAIN,STD.LEAF AL544,60.63"	60.63 inches
11	35695GT	CHAIN TERM,PULLEY SUPORT-ZINC	2
12	38980GT	CHAIN TERM,PULLEY SUPPORT-ZNC	2
13	41250GT	CHAIN ASSY.SMALL CHAIN CWP/SP (includes items 12 and 14) to SN GRP-59999 & SN GRR-10000	2
13-	41249GT	CHAIN,SMALL,53.5"	53.5 inches
13B	1298029GT	CHAIN ASSY,#2,65" COL.(SM) S-SERIES (includes items 12 and 14) from SN GRP-60000 & SN GRR-10001	2
13B-	35703-6063GT	CHAIN,STD.LEAF AL522,60.63"	60.63 inches
14	38986GT	PIN,GROOVED,.200 X .50*	4
15		Ref. Carriage (refer to 306.1)	
16	41224GT	CHAIN TERM.LWR.SS(1 SLOT)	2
17		REF. COLUMN #6, 57" SUPER SERIES** (refer to 304.1)	
18	38187GT	CHAIN TERM.LWR.SS(2 SLOT)*	4



308.1 Lifting Chain Assembly, GR-15

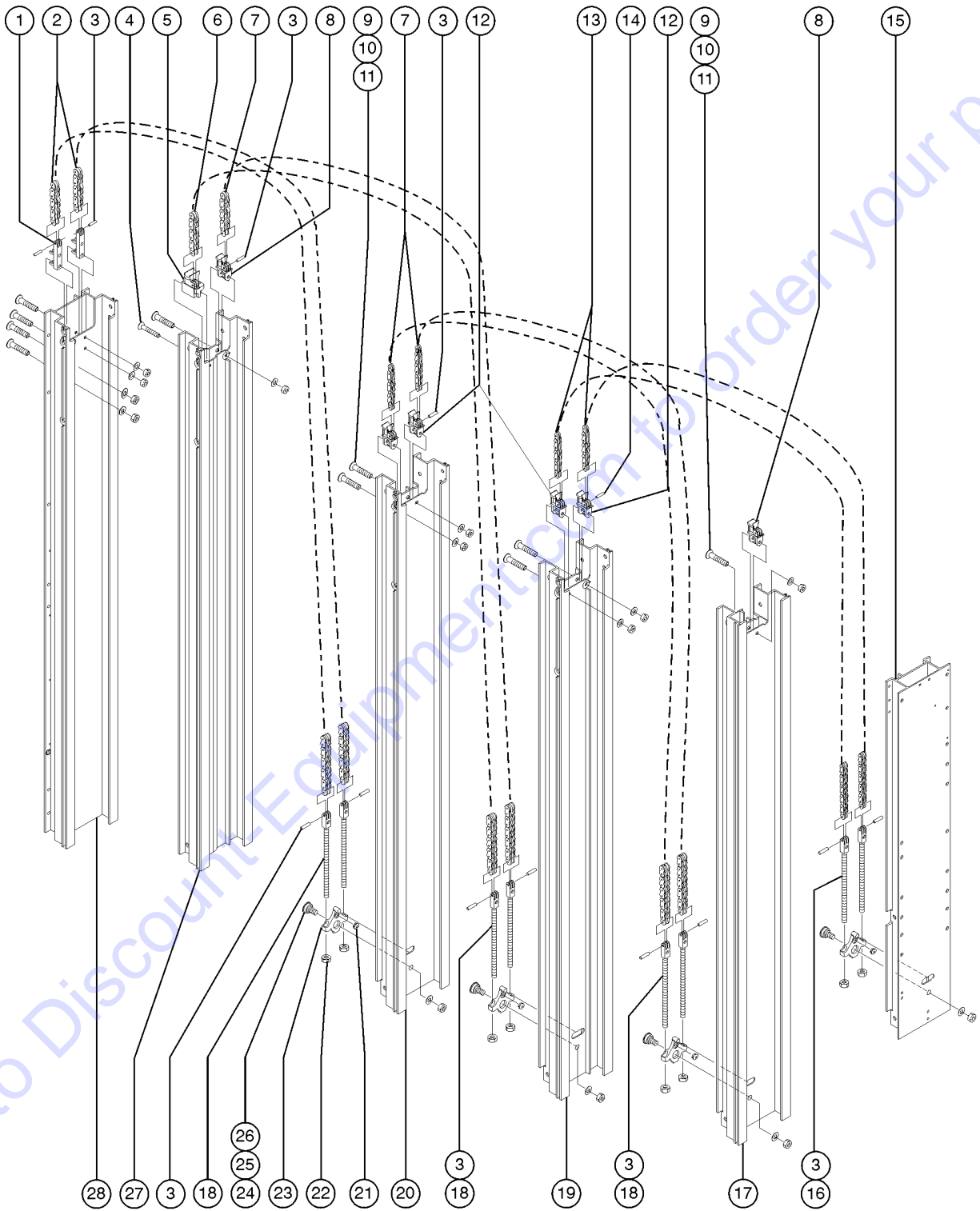


Item	Part No.	Description	Qty.
19		Ref. Number 3 Column (refer to 303.1)	
20	11890GT	GLIDE BUTTON,SIDE,GLL,.100 TK	3
21	35712GT	NUT,NYLOCK,3/8-24	
22	35698GT	CHAIN TENSION ROCKER CAST.ZINC	3
23	35705GT	BOLT-ROCKER, S-SERIES	3
24	6097GT	WASHER,FLAT,USS,3/8",Y	
25	6086GT	NUT,LP NYLOCK,1/2-13	
26		Ref. Number 2 Column (refer to 302.1)	
27		Ref. Number 1 Column (refer to 301.1)	

Go to Discount-Equipment.com to order your parts



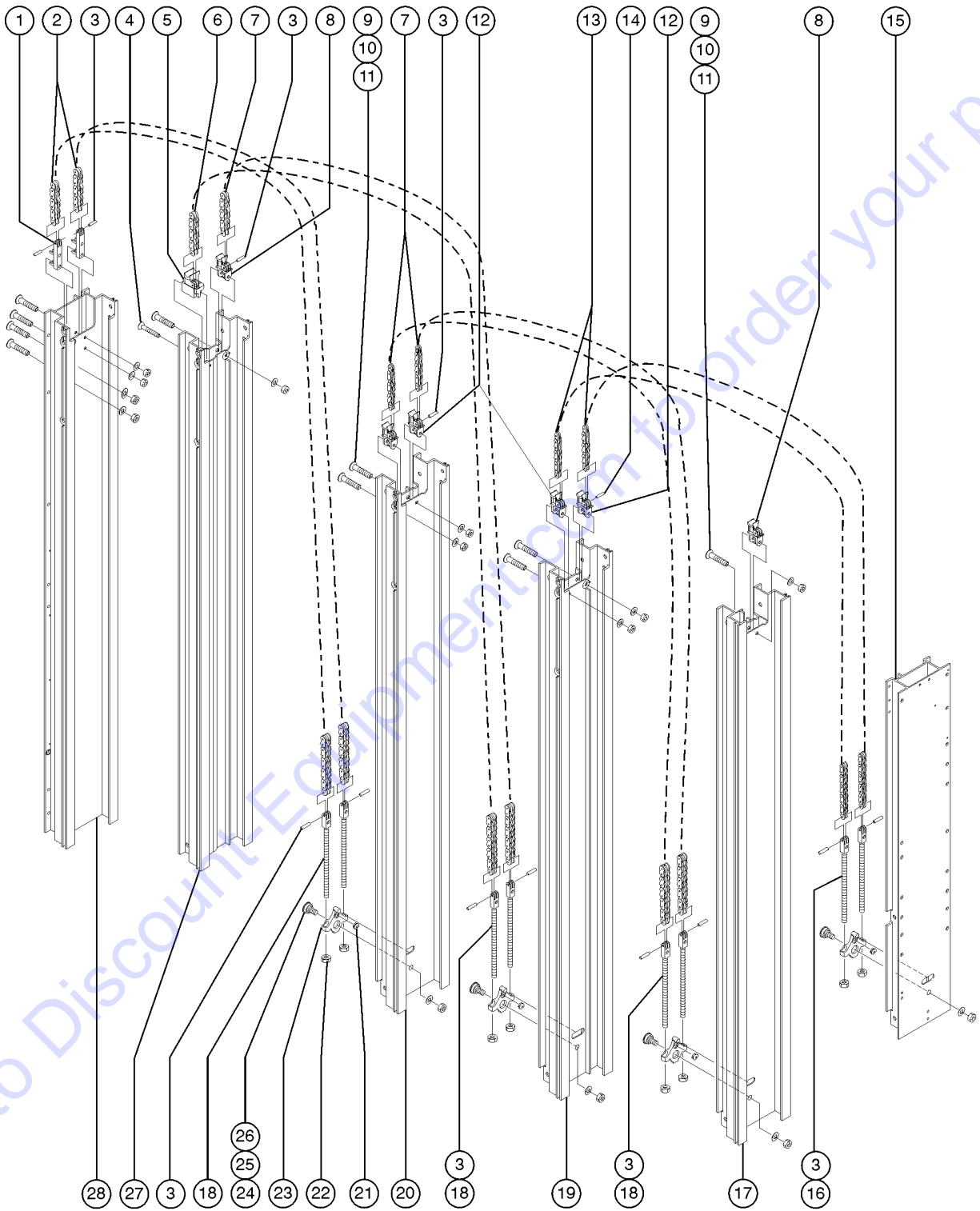
309.1 Lifting Chain Assembly, GR-20



Item	Part No.	Description	Qty.
1	35699GT	CHAIN TERMINAL CASTING,#1	2
2	37385GT	CHAIN ASSY#1,72.5"COL.S-SERIES (includes items 1 and 18)	2
2-	35704-6813GT	CHAIN,STD.LEAF AL544,68.13" 68.5 inches	
3	6534GT	PIN,GROOVED- .200 X .75*	12
4	40945GT	SCREW,FHS,1/4-20 X 2.25	1
5	35697GT	CHAIN TERM,CLEVIS CYL.,ZINC	1
6	37384GT	CHAIN ASSY#2,72.5"COL.S-SERIES (includes items 5 and 18)	1
6-	35704-6813GT	CHAIN,STD.LEAF AL544,68.13" 68.5 inches	
7	37386GT	CHAIN ASSY,72.5"COL. S-SERIES (includes items 8 and 18)	3
7-	35704-6813GT	CHAIN,STD.LEAF AL544,68.13" 68.5 inches	
8	35695GT	CHAIN TERM,PULLEY SUPORT-ZINC (double slot)	3
9	35714GT	SCREW,FHS,3/8-16 X 2.25	
10	5397GT	WASHER,FLAT,USS,5/16",Y	
11	4828GT	NUT,NYLOCK,3/8-16	10
12	38980GT	CHAIN TERM,PULLEY SUPPORT-ZNC (single slot)	2
13	37387GT	CHAIN ASSY,72.5COL.(SM)S-SERIE (includes items 12 and 16)	2
13-	35703-6813GT	CHAIN,STD.LEAF AL522,68.13" 68.5 inches	
14	38986GT	PIN,GROOVED, .200 X .50*	4
15		Ref. Carriage (refer to 306.1)	
16	41224GT	CHAIN TERM.LWR.SS(1 SLOT) (includes item 14)	1
17		Ref. Number 5 Column (refer to 305.1)	
18	38187GT	CHAIN TERM.LWR.SS(2 SLOT)* (includes item 3)	8
19		Ref. Number 4 Column (refer to 304.1)	
20		Ref. Number 3 Column (refer to 303.1)	
21	11890GT	GLIDE BUTTON,SIDE,GLL.,100 TK	4
22	35712GT	NUT,NYLOCK,3/8-24	
23	35698GT	CHAIN TENSION ROCKER CAST.ZINC	4
24	35705GT	BOLT-ROCKER, S-SERIES	



309.1 Lifting Chain Assembly, GR-20

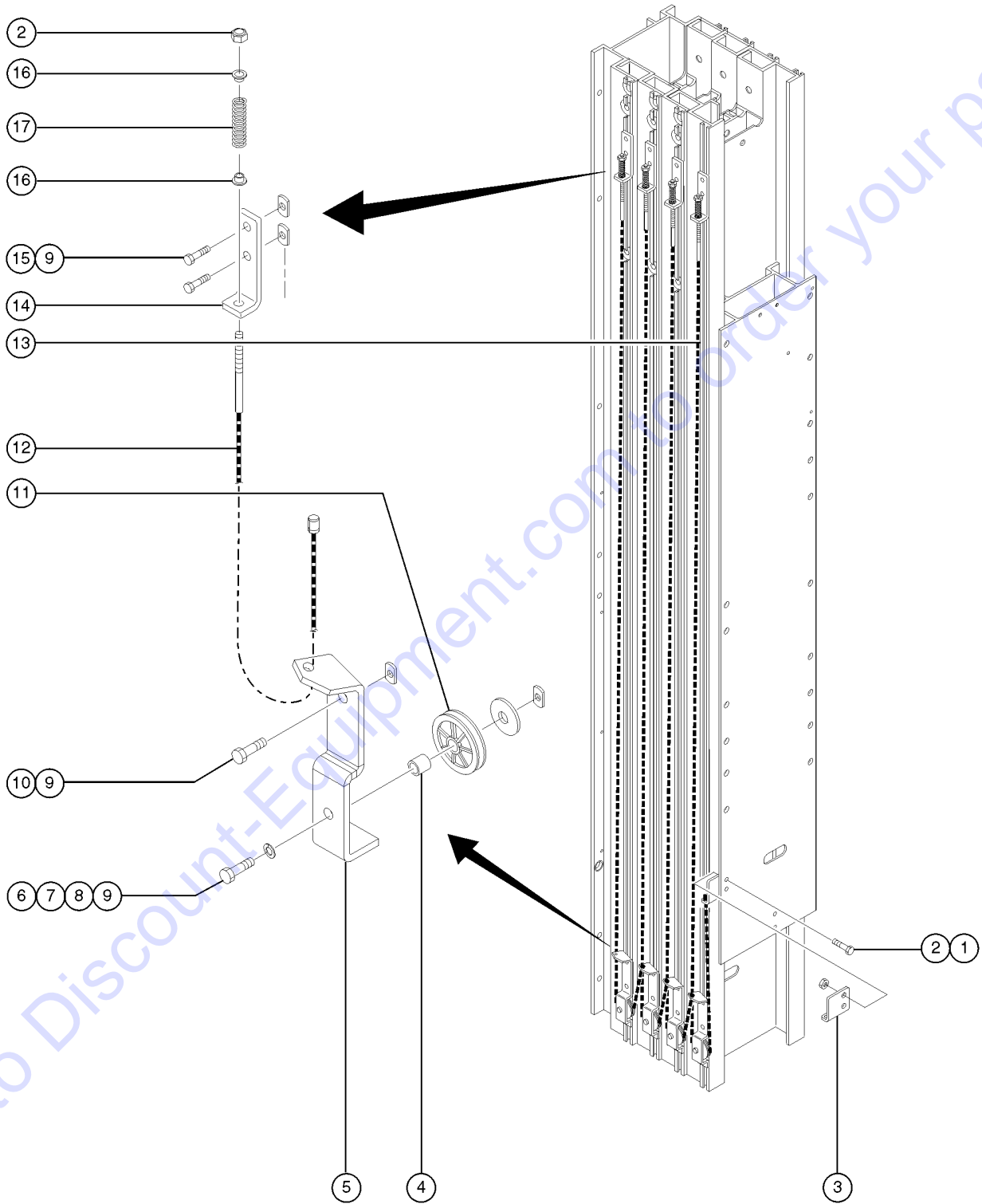


Item	Part No.	Description	Qty.
25	6095GT	WASHER,FLAT,USS,1/2",Y	
26	6198GT	NUT,NYLOCK,1/2-13	
27		Ref. Number 2 Column	
		(refer to 302.1)	
28		Ref. Number 1 Column	
		(refer to 301.1)	

Go to Discount-Equipment.com to order your parts



310.1 Sequencing Cable, GR-12

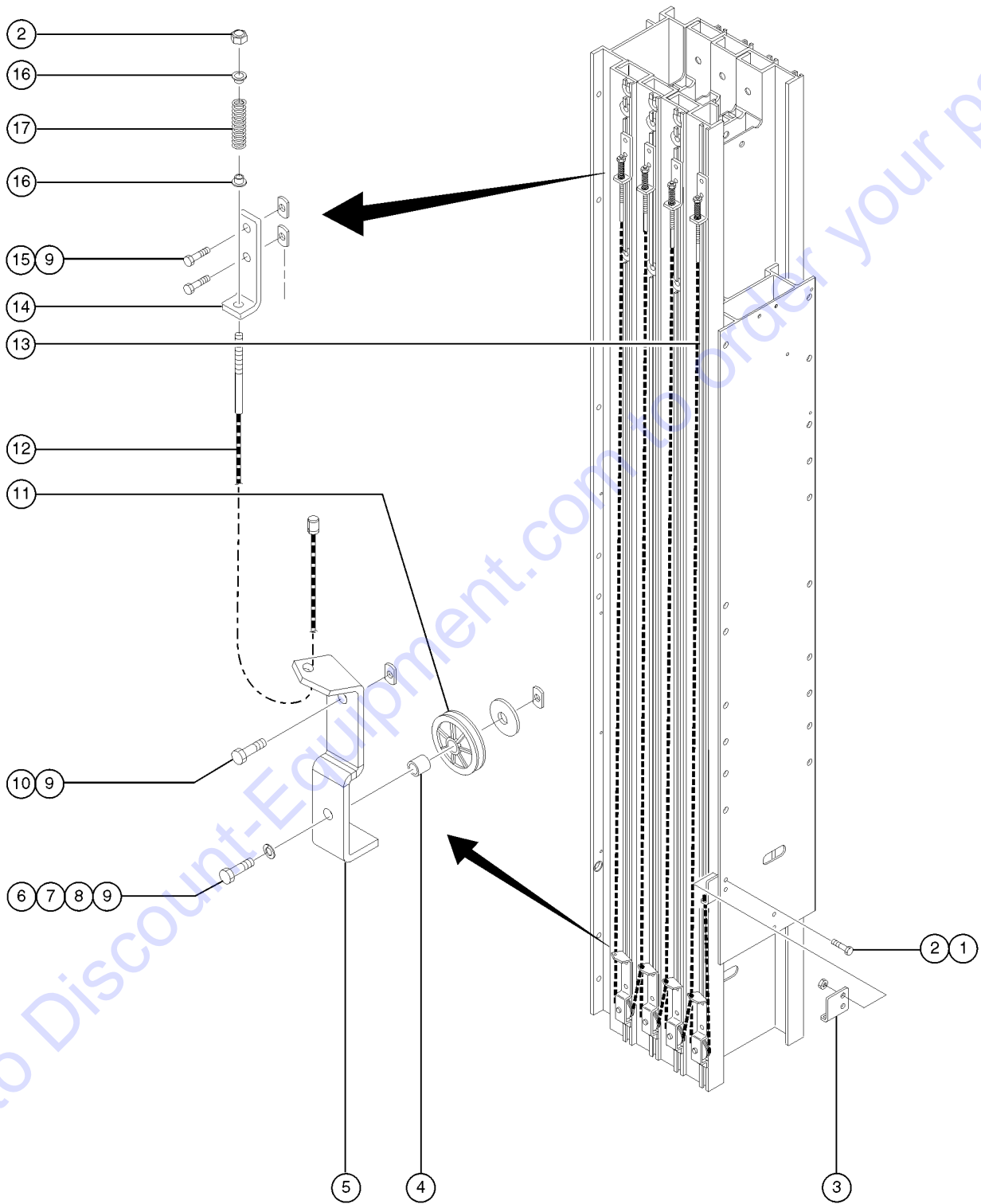


Item	Part No.	Description	Qty.
1	6090GT	SCREW,HHC,1/4-20 X .75	
2	6091GT	NUT,NYLOCK,1/4-20	
3	35734GT	FORMING, SEQUENCING, CARR, ZN	1
4A	100905GT	SPACER,TUBE,1/4X3/8X.40" LG	2
		GR-12	
5	100386GT	FORMING, PULLEY BRKT	1
6	6888GT	SCREW,HHC,1/4-20 X 1	
7	6356GT	WASHER,LOCK,.25	
8	12906GT	WASHER,FENDER,.25 X 1.25 X.062	
9	35991GT	NUT,WELD 1/4-20, PLATED L.L.**	
10	11808GT	SCREW,HHC,1/4-20 X .375	
11A	35733GT	PULLEY,SEQUENCING,NYLATRON	2
		GR-12	
12A	124081GT	CABLE ASSY,SEQ,MAST,GR12&15	1
		GR-12 (includes item 14)	
14A	57147GT	BRACKET,SEQUENCING,UPPER,ZI***	2
		GR-12	
13A	58382GT	CABLE ASSY,SEQ,CARRIAG,GR12/15	1
		GR-12, GR-15 (includes item 14)	
15	7339GT	SCREW,HHC,1/4-20 X .5	
16A	38234GT	BUSHING,FLANGE,3/8 OD X 1/4 ID	4
		GR-12	
17A	8849GT	SPRING, TENSION CABLE	2
		GR-12	

Go to Discount-Equipment.com to order your parts



310.2 Sequencing Cable, GR-15

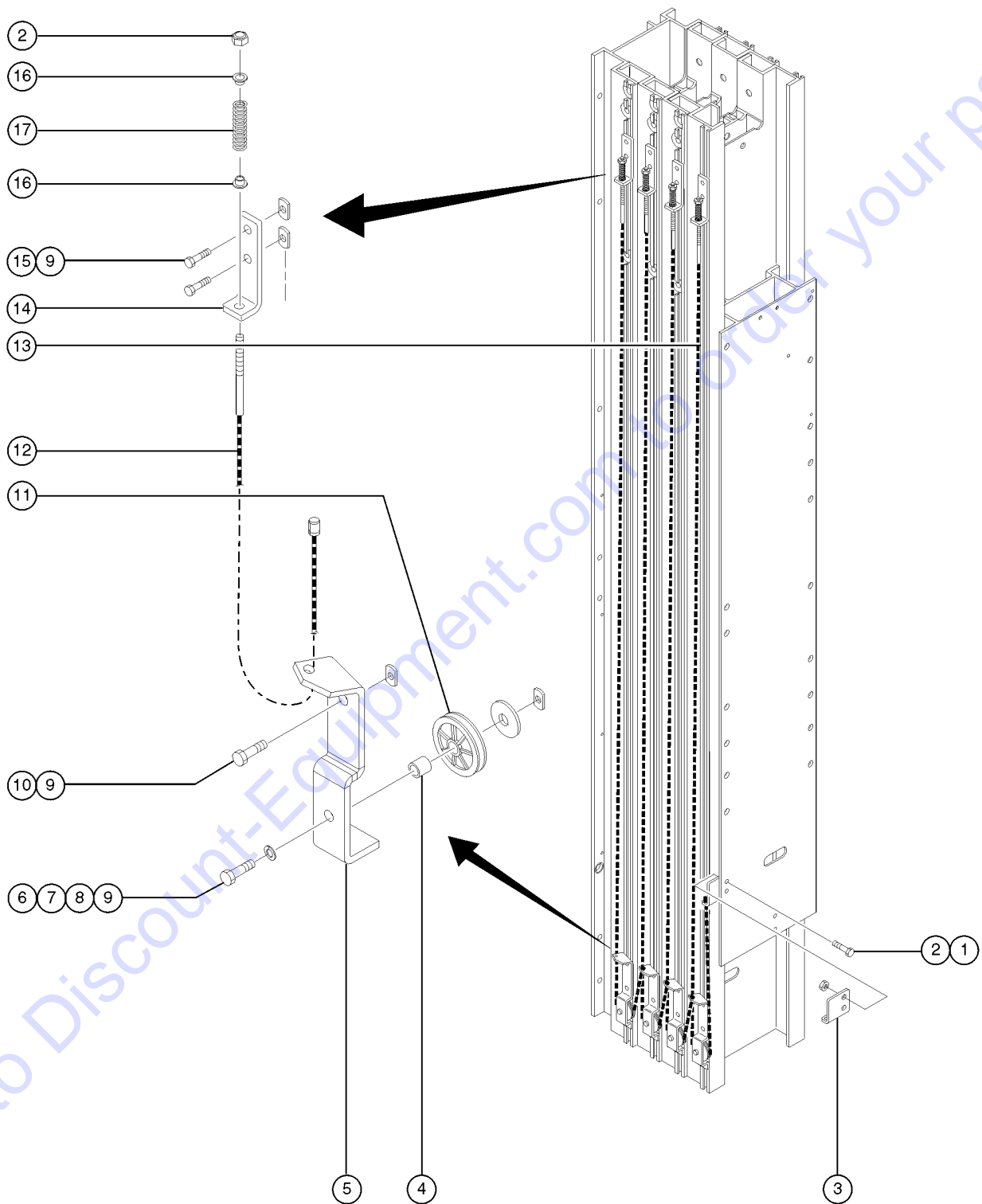


Item	Part No.	Description	Qty.
1	6090GT	SCREW,HHC,1/4-20 X .75	
2	6091GT	NUT,NYLOCK,1/4-20	
3	35734GT	FORMING, SEQUENCING, CARR, ZN	1
4	100905GT	SPACER,TUBE,1/4X3/8X.40" LG	3
		GR-15	
5	100386GT	FORMING, PULLEY BRKT	1
6	6888GT	SCREW,HHC,1/4-20 X 1	
7	6356GT	WASHER,LOCK,.25	
8	12906GT	WASHER,FENDER,.25 X 1.25 X.062	
9	35991GT	NUT,WELD 1/4-20, PLATED L.L.**	
10	11808GT	SCREW,HHC,1/4-20 X .375	
11B	35733GT	PULLEY,SEQUENCING,NYLATRON	3
		GR-15	
12B	124081GT	CABLE ASSY,SEQ,MAST,GR12&15	3
		GR-15 (includes item 14)	
13A	58382GT	CABLE ASSY,SEQ,CARRIAG,GR12/15	1
		GR-12 & GR-15 (includes item 14)	
14B	57147GT	BRACKET,SEQUENCING,UPPER,ZI***	3
		GR-15	
15	7339GT	SCREW,HHC,1/4-20 X .5	
16B	38234GT	BUSHING,FLANGE,3/8 OD X 1/4 ID	6
		GR-15	
17B	8849GT	SPRING, TENSION CABLE	3
		GR-15	

Go to Discount-Equipment.com to order your parts



310.3 Sequencing Cable, GR-20

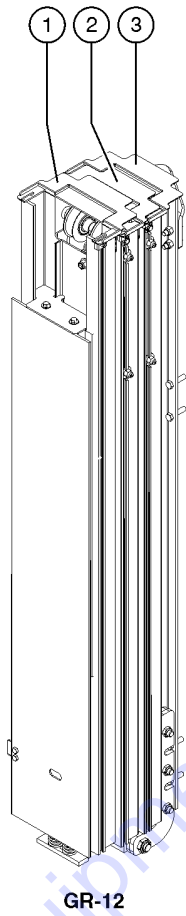


Item	Part No.	Description	Qty.
1	6090GT	SCREW,HHC,1/4-20 X .75	
2	6091GT	NUT,NYLOCK,1/4-20	
3	35734GT	FORMING, SEQUENCING, CARR, ZN	1
4	100905GT	SPACER,TUBE,1/4X3/8X.40" LG	4
		GR-20	
5	100386GT	FORMING, PULLEY BRKT	1
6	6888GT	SCREW,HHC,1/4-20 X 1	
7	6356GT	WASHER,LOCK,.25	
8	12906GT	WASHER,FENDER,.25 X 1.25 X.062	
9	35991GT	NUT,WELD 1/4-20, PLATED L.L.**	
10	11808GT	SCREW,HHC,1/4-20 X .375	
11C	35733GT	PULLEY,SEQUENCING,NYLATRON	4
		GR-20	
12C	100409GT	CABLE ASSY,SEQ,MAST,GR20	4
		GR-20 (includes item 14)	
13B	58381GT	CABLE ASSY,SEQ,CARRIAGE,GR20	1
		GR-20 (includes item 14)	
14C	57147GT	BRACKET,SEQUENCING,UPPER,ZI***	4
		GR-20	
15	38979GT	SCREW,PHM,1/4-20X.5 PHIL	
		replaced 7339	
16C	38234GT	BUSHING,FLANGE,3/8 OD X 1/4 ID	8
		GR-20	
17C	8849GT	SPRING, TENSION CABLE	6
		GR-20	

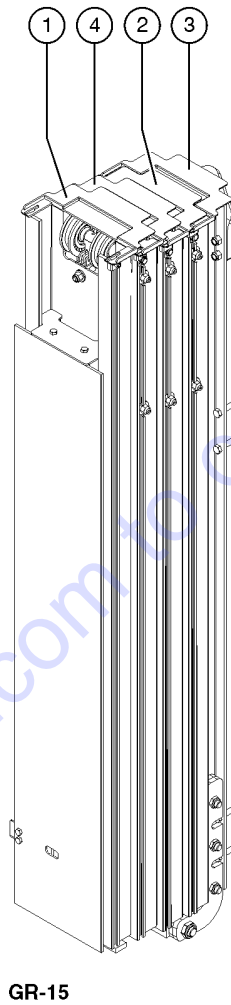
Go to Discount-Equipment.com to order your parts



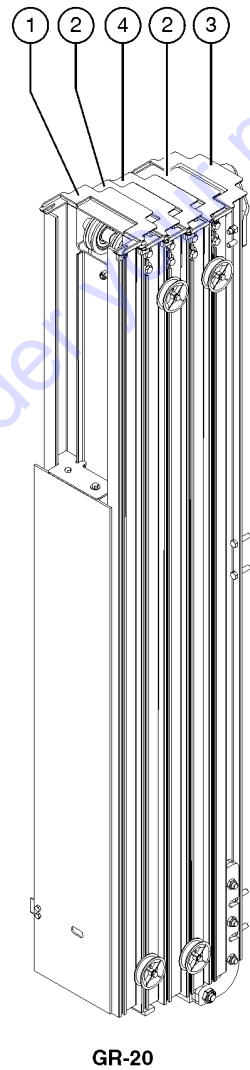
311.1 Mast Covers, GR-12



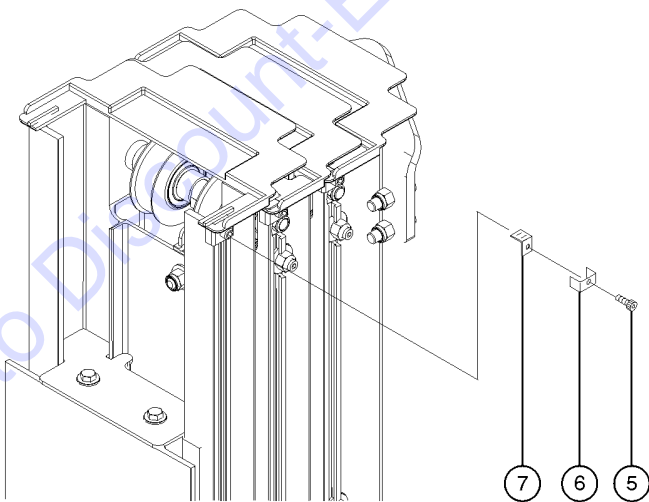
GR-12



GR-15



GR-20



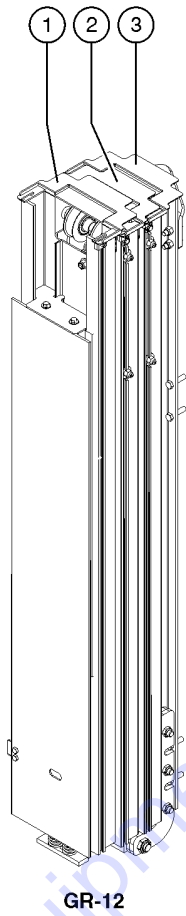
311.1 Mast Covers, GR-12

Item	Part No.	Description	Qty.
1A	100770GT	FLAP, MAST COVER #5,#6 GR-12 (column #3)	1
2A	100769GT	FLAP, MAST COVER #2, #4 GR-12 (column #2)	1
3A	100767GT	FLAP, MAST COVER #1 GR-12 (column #1)	1
5A	40004GT	SCREW,SHC,1/4-20 X .375 BLK GR-12	6
6A	41055GT	WASHER,T-SLOT GR-12	6
7A	38730GT	NUT,WELD,ANGLE,1/4" T-SLOT GR-12	6

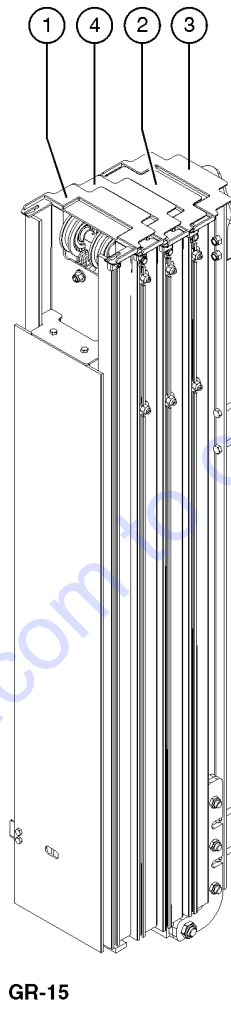
Go to Discount-Equipment.com to order your parts



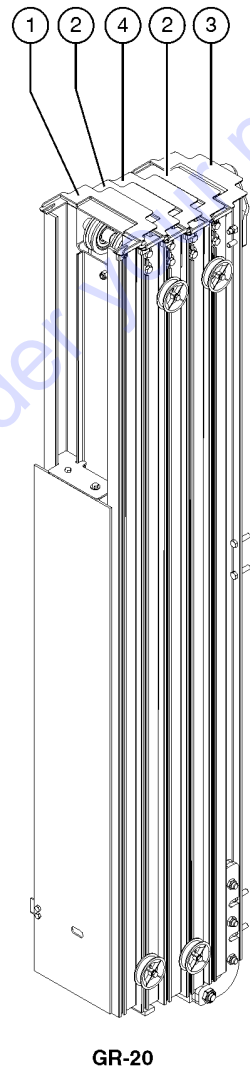
311.2 Mast Covers, GR-15



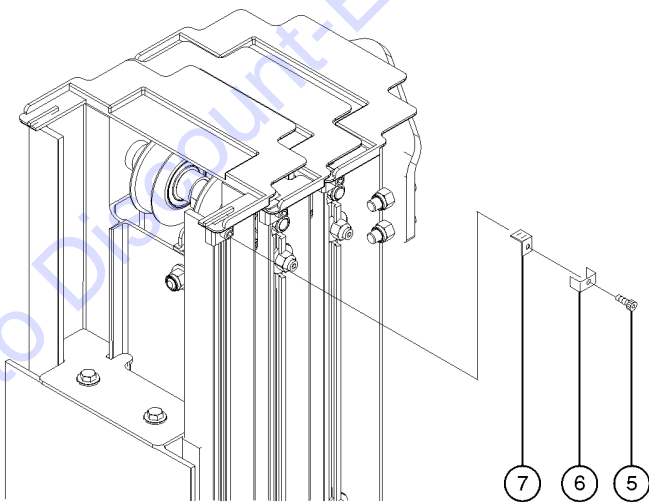
GR-12



GR-15



GR-20



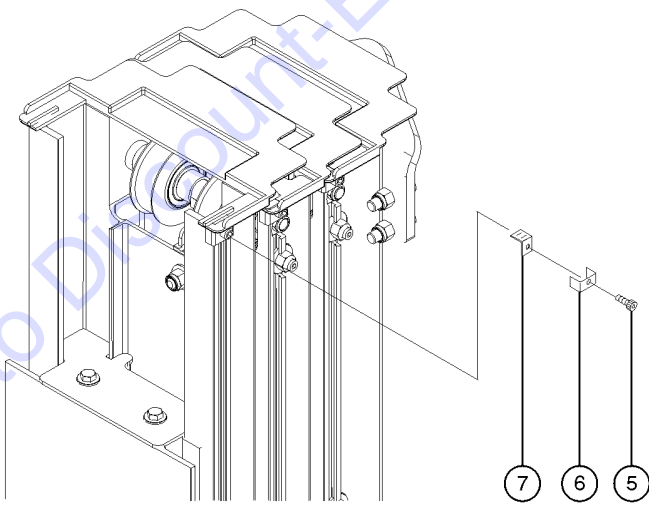
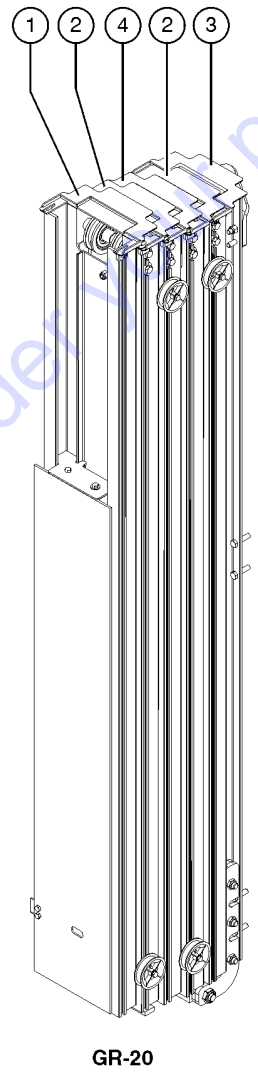
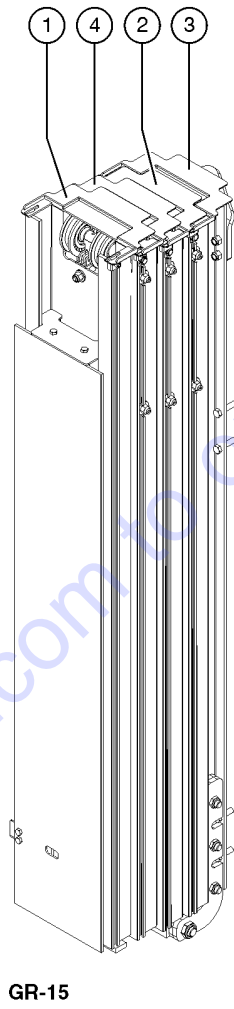
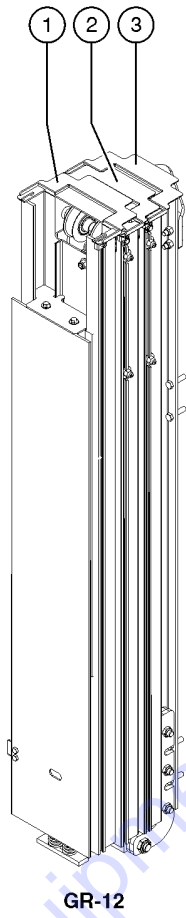
311.2 Mast Covers, GR-15

Item	Part No.	Description	Qty.
1B	100770GT	FLAP, MAST COVER #5,#6 GR-15 (column #4)	1
2B	100769GT	FLAP, MAST COVER #2, #4 GR-15 (column #2)	1
3B	100767GT	FLAP, MAST COVER #1 GR-15 (column #1)	1
4A	100768GT	FLAP, MAST COVER #3 GR-15 (column #3)	1
5B	40004GT	SCREW,SHC,1/4-20 X .375 BLK GR-15	8
6B	41055GT	WASHER,T-SLOT GR-15	8
7B	38730GT	NUT,WELD,ANGLE,1/4" T-SLOT GR-15	8

Go to Discount-Equipment.com to order your parts



311.3 Mast Covers, GR-20



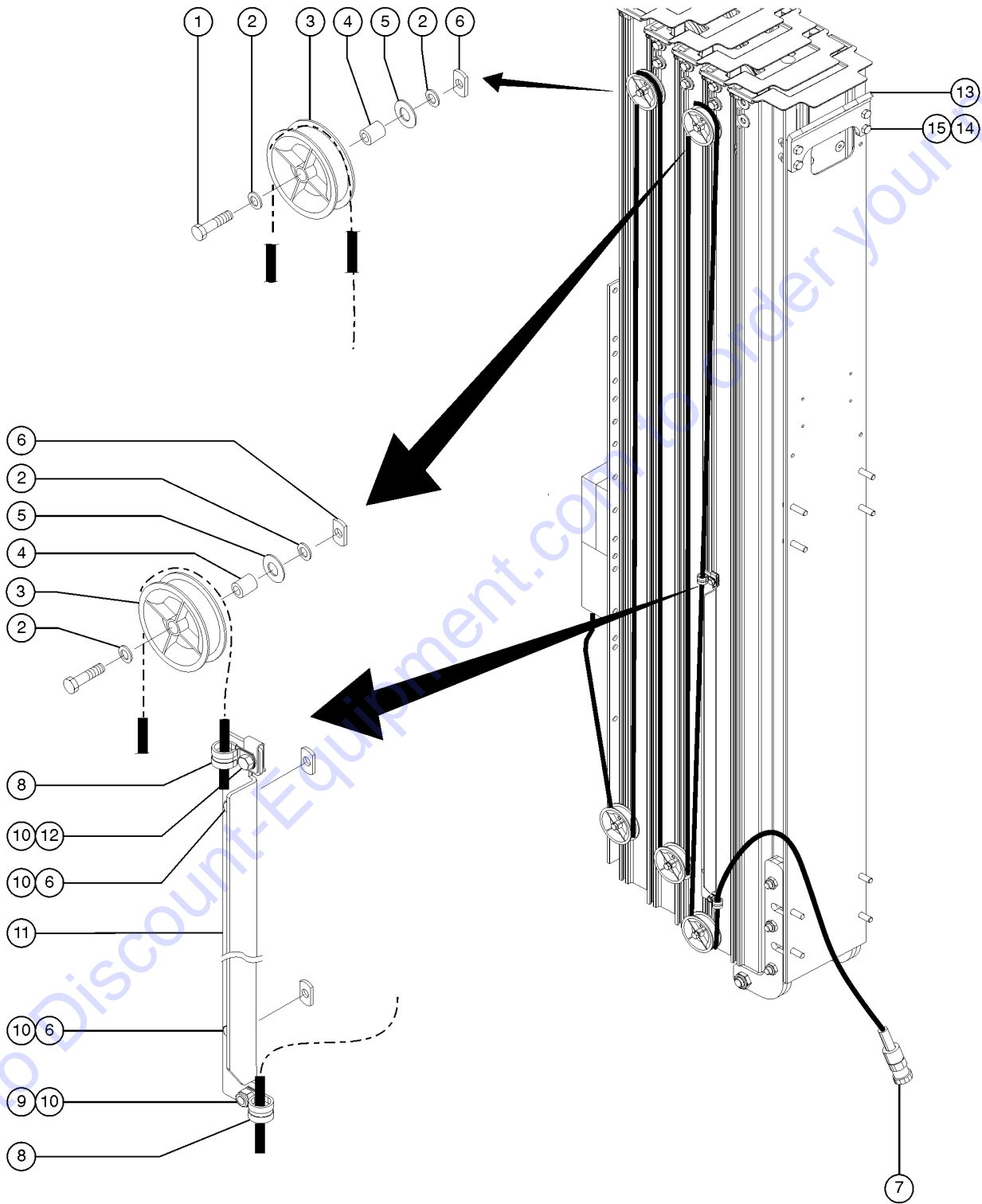
311.3 Mast Covers, GR-20

Item	Part No.	Description	Qty.
1C	100770GT	FLAP, MAST COVER #5,#6 GR-20 (column #5)	1
2C	100769GT	FLAP, MAST COVER #2, #4 GR-20 (column #2 and #4)	2
3C	100767GT	FLAP, MAST COVER #1 GR-20 (column #1)	1
4B	100768GT	FLAP, MAST COVER #3 GR-20 (column #3)	1
5C	40004GT	SCREW,SHC,1/4-20 X .375 BLK GR-20	10
6C	41055GT	WASHER,T-SLOT GR-20	10
7C	38730GT	NUT,WELD,ANGLE,1/4" T-SLOT GR-20	10

Go to Discount-Equipment.com to order your parts



312.1 Control Cable Assembly; GR-12

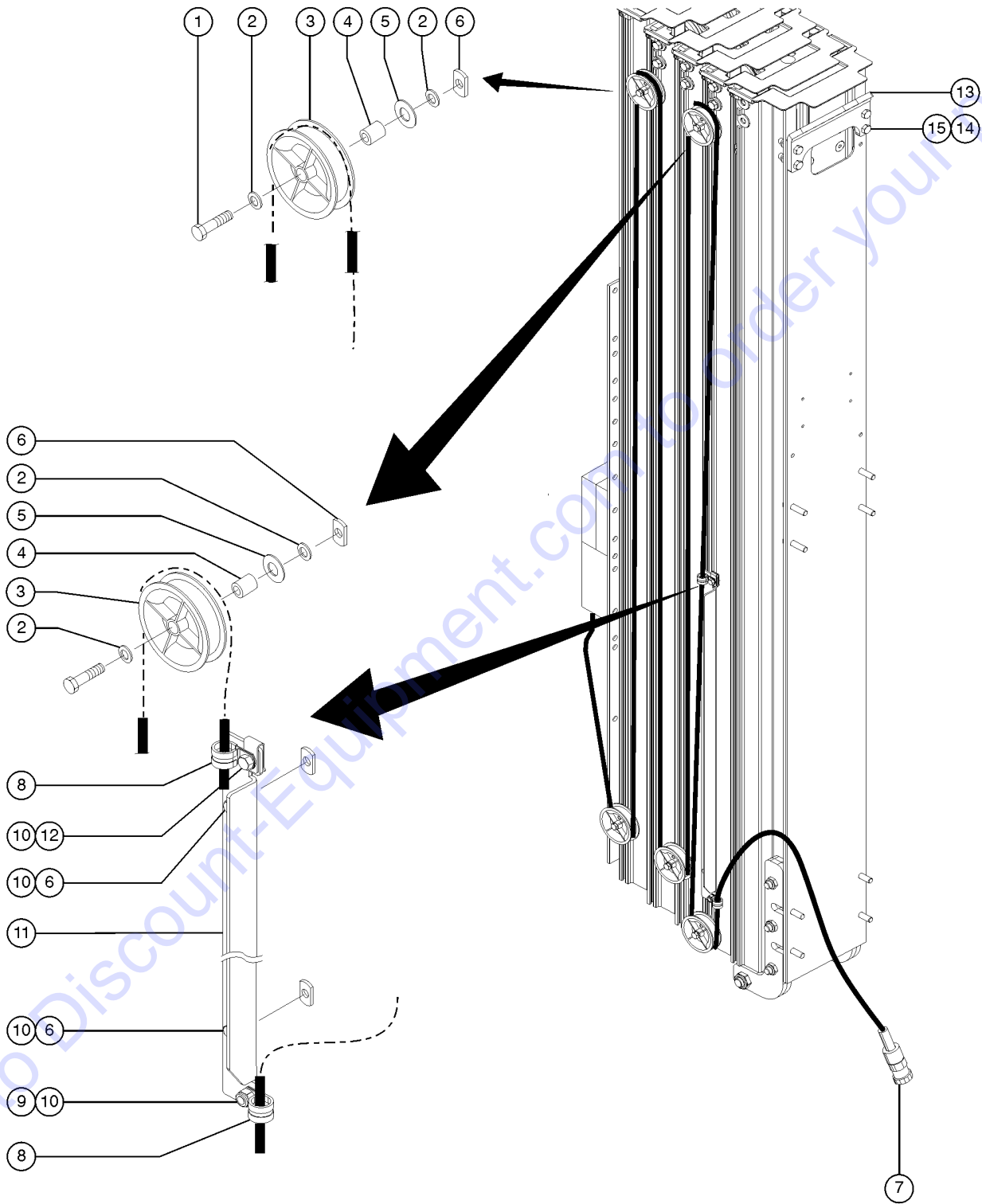


Item	Part No.	Description	Qty.
1	8915GT	SCREW,HHC,1/4-20 X 1.25	
2	25926GT	WASHER,FLAT,M6 PLTD.	
3A	23394GT	PULLEY,ELEC.CNTRL.CABLE,AWP GR-12	4
4	40735GT	SPACER, 1/4ID3/8OD, .875LG	
5	22699GT	WASHER,FLAT,M10,ZINC PLTD.	
6	35991GT	NUT,WELD 1/4-20, PLATED L.L.**	
7		Ref. HARNESS, GR-xx MAST (refer to 209.1) (GR-12, GR-15 & GR-20, ANSI & CE)	
8	6833GT	CLAMP,0.50,#8 X 1/4,RUB CUSH to SN GRP-59999 & SN GRR-10000	2
8B	1302181GT	CLAMP,0.5625 #9 X 1/4,RUB CUSH from SN GRP-60000 & SN GRR-10001	2
9	6091GT	NUT,NYLOCK,1/4-20	
10	7339GT	SCREW,HHC,1/4-20 X .5	
11	124166GT	FORMING,CABLE BRKT,GR	1
12	56912GT	SPRING CLIP,1/4-20,.025-.15X.54,ZAG	1
13	107023GT	LIFTING EYE ASSEMBLY	1
14	8516GT	SCREW, HCC, 3/8-16 X 1.50	
15	4828GT	NUT,NYLOCK,3/8-16	

Go to Discount-Equipment.com to order your parts



312.2 Control Cable Assembly; GR-20

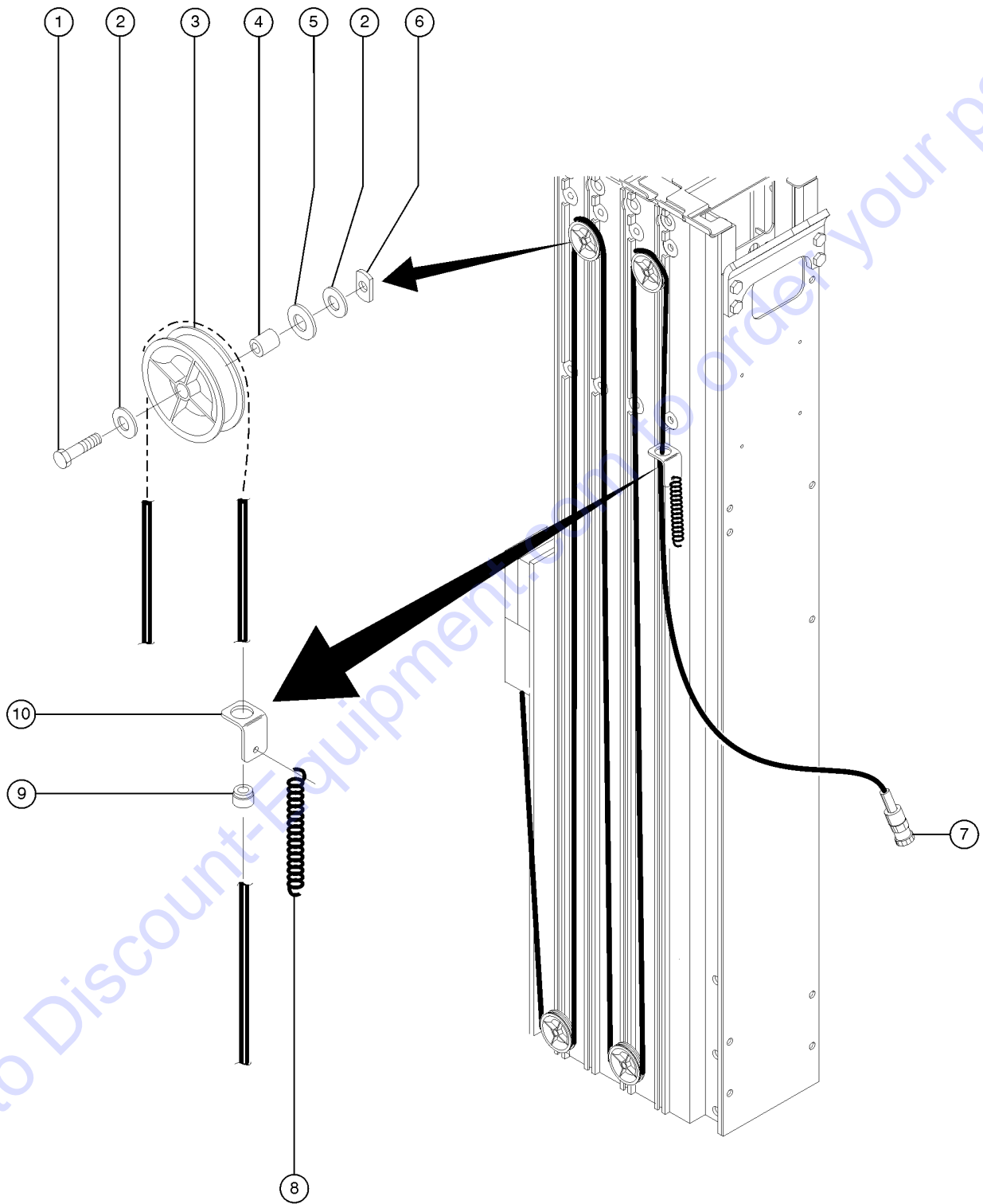


Item	Part No.	Description	Qty.
1	8915GT	SCREW,HHC,1/4-20 X 1.25	
2	25926GT	WASHER,FLAT,M6 PLTD.	
3B	23394GT	PULLEY,ELEC.CNTRL.CABLE,AWP GR-20 (shown)	5
4	40735GT	SPACER, 1/4ID3/8OD, .875LG	
5	22699GT	WASHER,FLAT,M10,ZINC PLTD.	
6	35991GT	NUT,WELD 1/4-20, PLATED L.L.**	
7		Ref. HARNESS, GR-xx MAST (refer to 209.1) (GR-12, GR-15 & GR-20, ANSI & CE)	
8	6833GT	CLAMP,0.50,#8 X 1/4,RUB CUSH	2
9	6091GT	NUT,NYLOCK,1/4-20	
10	7339GT	SCREW,HHC,1/4-20 X .5	
11	124166GT	FORMING,CABLE BRKT,GR	1
12	56912GT	SPRING CLIP,1/4-20,.025-.15X.54,ZAG	1
13	107023GT	LIFTING EYE ASSEMBLY	1
14	8516GT	SCREW, HCC, 3/8-16 X 1.50	
15	4828GT	NUT,NYLOCK,3/8-16	

Go to Discount-Equipment.com to order your parts



313.1 Control Cable Assembly, GR-15



313.1 Control Cable Assembly, GR-15

Item	Part No.	Description	Qty.
1	8915GT	SCREW,HHC,1/4-20 X 1.25	
2	25926GT	WASHER,FLAT,M6 PLTD.	
3	23394GT	PULLEY,ELEC.CNTRL.CABLE,AWP	4
4	40735GT	SPACER, 1/4ID3/8OD, .875LG	
5	22699GT	WASHER,FLAT,M10,ZINC PLTD.	
6	35991GT	NUT,WELD 1/4-20, PLATED L.L.**	
7		Ref. HARNESS, GR-xx MAST (refer to 209.1) (GR-12, GR-15 & GR-20, ANSI & CE)	
8	23396GT	SPRING,CONTROL CABLE, AWP	1
9	60746GT	BUSHING, STRAIN RELIEF, 1"	1
10	69529GT	BRACKET,CONTROL CABLE W/BUSHIN (includes item 9)	1

Go to Discount-Equipment.com to order your parts



PARTS FINDER

**Search Website
by Part Number**



**Search Manual
Library For Parts
Manual & Lookup Part
Numbers – Purchase
or Request Quote**

Search Manuals

Enter your information to help us find the right parts manual for your machine.

* Brand:

* Model:

* Serial:

* Part Number:

SEARCH

**Can't Find Part or
Manual? Request Help
by Manufacturer,
Model & Description**

Parts Order Form

Please fill in the following information to help us find the right part for your machine.

Manufacturer:	<input type="text"/>
Model:	<input type="text"/>
Description:	<input type="text"/>
Part Number:	<input type="text"/>
Quantity:	<input type="text"/>
Notes:	<input type="text"/>

Submit

Discount-Equipment.com is your online resource for quality parts & equipment.

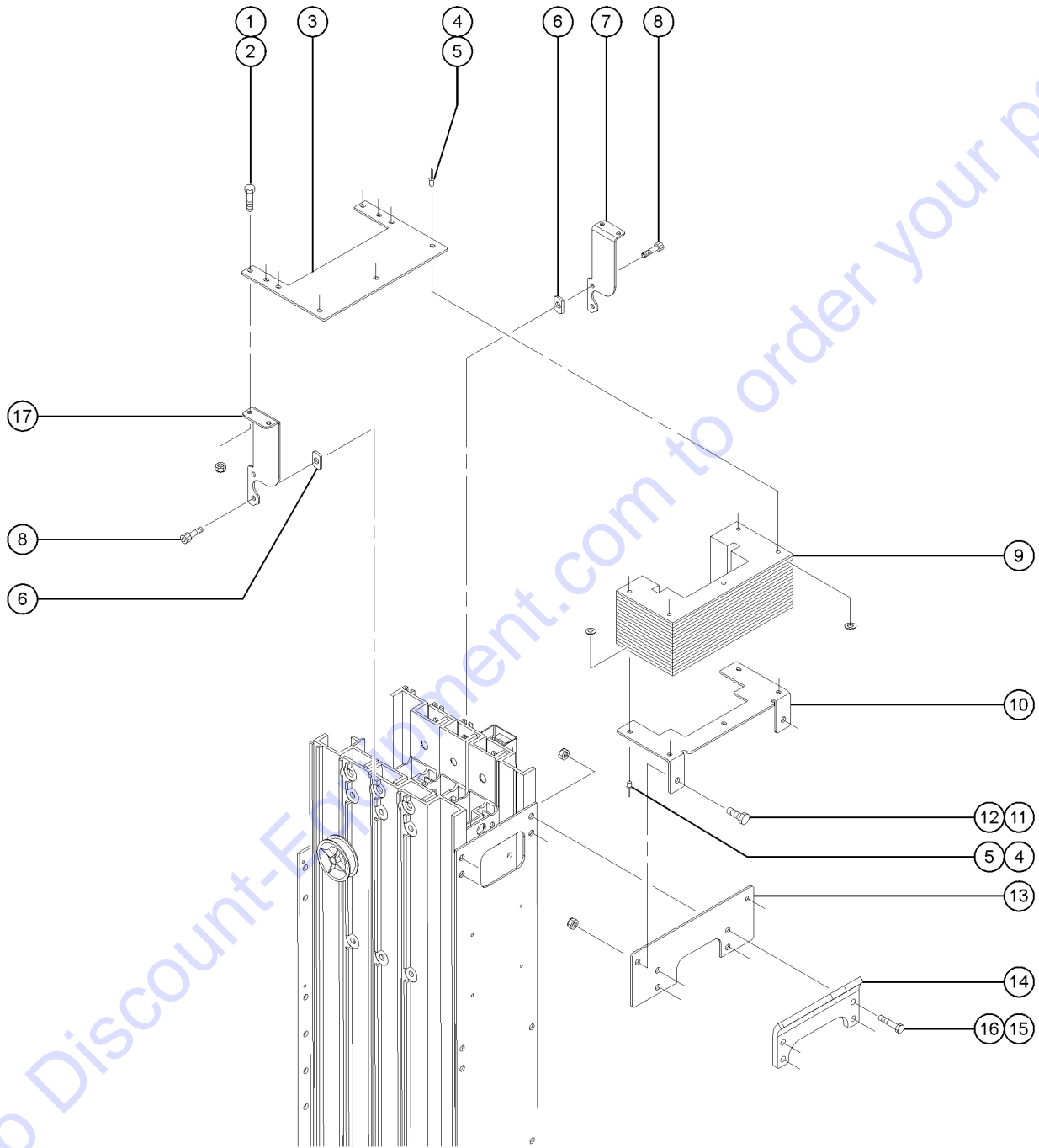
Florida: **561-964-4949** Outside Florida TOLL FREE: **877-690-3101**

Need parts?

Click on this link: <http://www.discount-equipment.com/category/5443-parts/> and choose one of the options to help get the right parts and equipment you are looking for. Please have the machine model and serial number available in order to help us get you the correct parts. If you don't find the part on the website or on one of the online manuals, please fill out the request form and one of our experienced staff members will get back to you with a quote for the right part that your machine needs.

We sell worldwide for the brands: Genie, Terex, JLG, MultiQuip, Mikasa, Essick, Whiteman, Mayco, Toro Stone, Diamond Products, Generac Magnum, Airman, Haulotte, Barreto, Power Blanket, Nifty Lift, Atlas Copco, Chicago Pneumatic, Allmand, Miller Curber, Skyjack, Lull, Skytrak, Tsurumi, Husquvarna Target, Stow, Wacker, Sakai, Mi-T-M, Sullair, Basic, Dynapac, MBW, Weber, Bartell, Bennar Newman, Haulotte, Ditch Runner, Menegotti, Morrison, Contec, Buddy, Crown, Edco, Wyco, Bomag, Laymor, EZ Trench, Bil-Jax, F.S. Curtis, Gehl Pavers, Heli, Honda, ICS/PowerGrit, IHI, Partner, Imer, Clipper, MMD, Koshin, Rice, CH&E, General Equipment, Amida, Coleman, NAC, Gradall, Square Shooter, Kent, Stanley, Tamco, Toku, Hatz, Kohler, Robin, Wisconsin, Northrock, Oztec, Toker TK, Rol-Air, APT, Wylie, Ingersoll Rand / Doosan, Innovatech, Con X, Ammann, Mecalac, Makinex, Smith Surface Prep, Small Line, Wanco, Yanmar

314.1 Bellows, CE and Australia Models



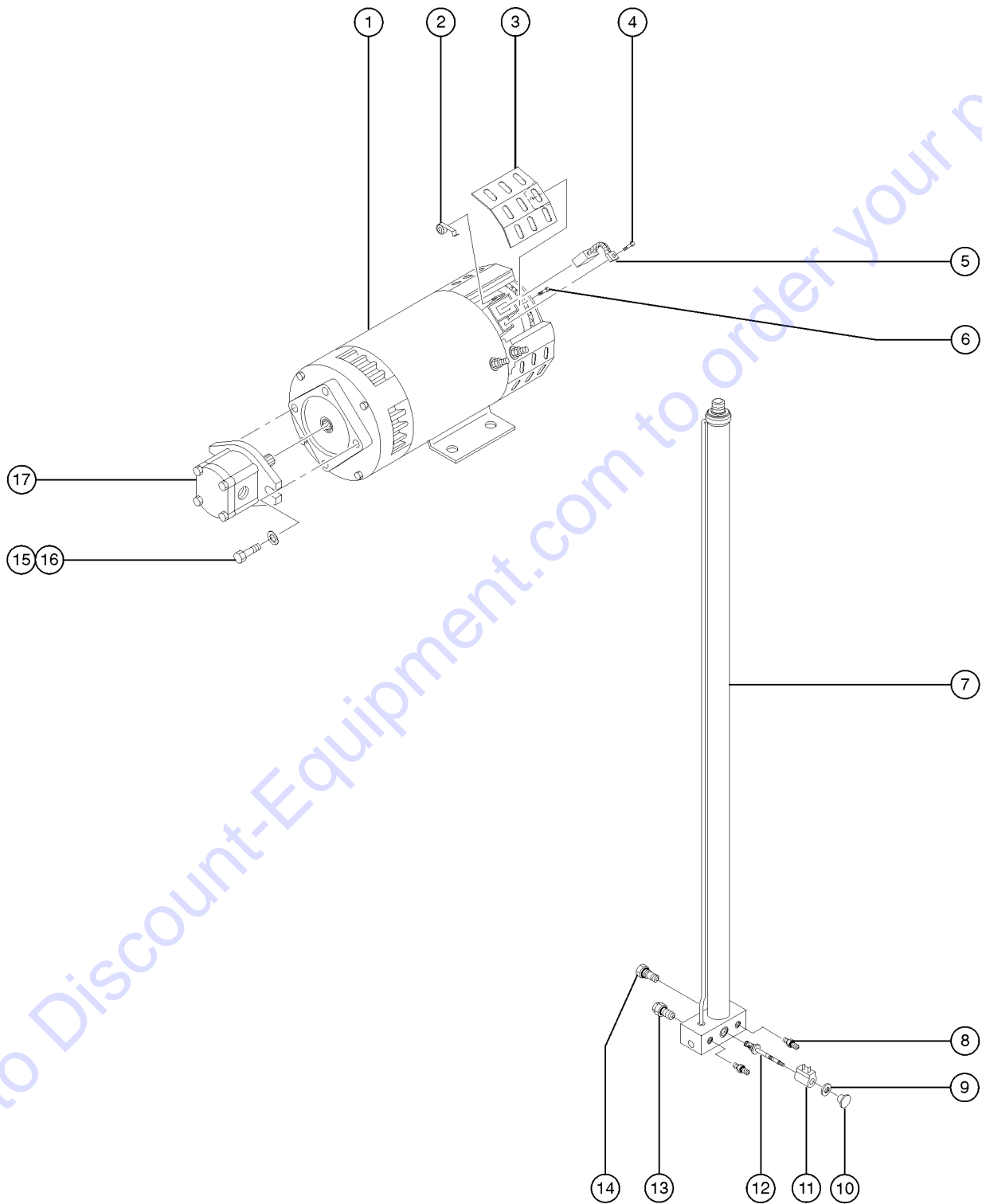
Go to Discount-Exhaust.com to order your parts

Item	Part No.	Description	Qty.
1	6090GT	SCREW,HHC,1/4-20 X .75	
2	6091GT	NUT,NYLOCK,1/4-20	
3	44264-SGT	PLATE, UPPER BELLOW MNT, CE	1
4	6271GT	RIVET, ALUM, ALUM, P, .25 x .375	
5	75144GT	WASHER,FLAT,SAE 1/4",ZINC	
6	35991GT	NUT,WELD 1/4-20, PLATED L.L.**	
7	1298552GT	FORMING, BELLOW MOUNT RH, GR/GRC	1
8	40004GT	SCREW,SHC,1/4-20 X .375 BLK	
9	44372GT	BELLOW, CE	1
10	44263-SGT	FORMING, LOWER BELLOW MNT,CE	1
11	8255GT	SCREW,HHC,3/8-16 X .75	
12	7713GT	NUT, LP NYLOCK, 3/8-16	
13	69384-SGT	MOUNT,LOWER BELLOW,CE,RUNABOUT	1
14		Ref., Lifting Eye Plate (refer to 301.1)	
15	8516GT	SCREW, HCC, 3/8-16 X 1.50	
16	4828GT	NUT,NYLOCK,3/8-16	
17	1298551GT	FORMING, BELLOW MOUNT LH, GR/GRC	1

Go to Discount-Equipment.com to order your parts



401.1 Hydraulic Power Unit and Lift Cylinder, GR-20

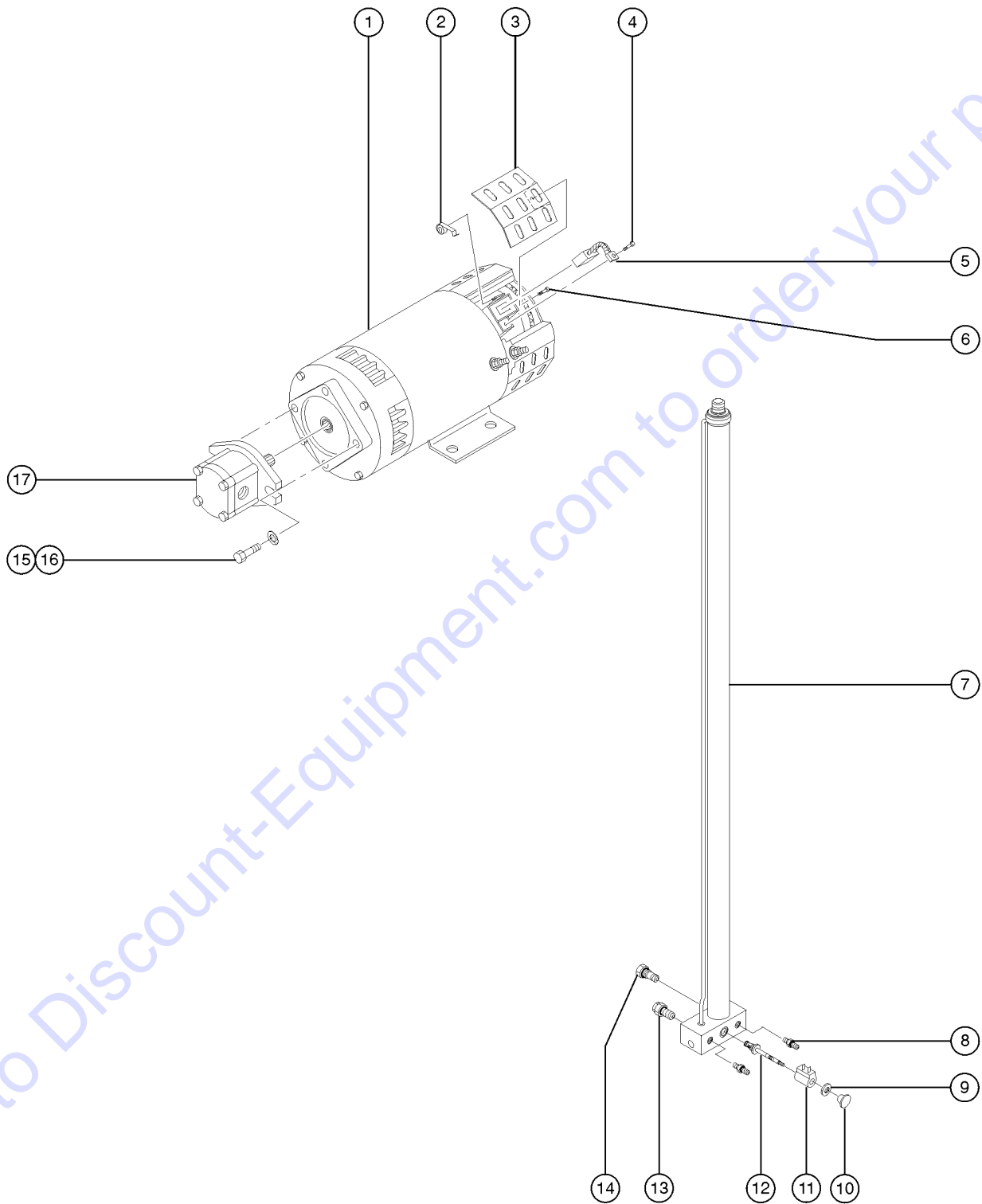


401.1 Hydraulic Power Unit and Lift Cylinder, GR-20

Item	Part No.	Description	Qty.
		PUMP,4CC GEAR,CCW 228192 Parker (component no longer available)	
	229453GT	SEAL KIT,PUMP,PARKER (228192) for Parker pump 228192	
1	105387GT	MOTOR,24DC,ADV (includes items 2-6)	1
1-	44777GT	BEARING,MOTOR	
1-	44778GT	BEARING,MOTOR,36843,BRUSH END*	
1-	43685GT	SEAL KIT,LIFT PUMP,BARNES**	
1-	58934GT	BRUSH BOX ASSEMBLY	
1-	52915GT	BRUSH LEAD ASSEMBLY KIT(48504)	
2	44750GT	SPRING-BRUSH,40844, SCISSORS	4
3	44752GT	COVER-BRUSH INSPEC.40844,SCISS	4
4	52913GT	SCREW,HH TAPETITE THRD8-32X.50	
5	44751GT	BRUSH,PWR UNIT (40844)**	4
6	52914GT	SCREW,HHTAPTITE THREAD8-32X.38	
7B	100400GT	CYLINDER,LIFT, 70" STROKE GR-20	1
7B-	80943GT	SEAL KIT,DONYANG CYL (35737)* for 100400	
8	48905GT	CONN,520120-4***	2
9	52943GT	NUT SOLENOID VALVE COIL	1
10	38068GT	KNOB,PUSH/PULL,RED	1
11	84422GT	COIL-SOLENOID VALVE,20V DC***	1
12	66465GT	VALVE,W/20V NC SOLENOID,MANUAL (includes items 9 and 11)	1
13	35725GT	VALVE,FLOW CONTROL PREAS.COMP. 1 gpm, L/min	1
14	35726GT	VALVE,HYDRAULIC CHECK	1
15	32317GT	SCREW,HHC,3/8-24 X 1 GR 8 YEL	2
16	6021GT	WASHER,LOCK, .375	
17A		PUMP,4CC GEAR,CCW 228192 Parker (component no longer available)	
17A-	229453GT	SEAL KIT,PUMP,PARKER (228192) for Parker pump 228192	
17B	231572GT	PUMP,4CC,GEAR,CCW	1
17B-	233641GT	SEAL KIT,BOSCH PUMP For Bosch PN 9510090001	



401.1 Hydraulic Power Unit and Lift Cylinder, GR-20



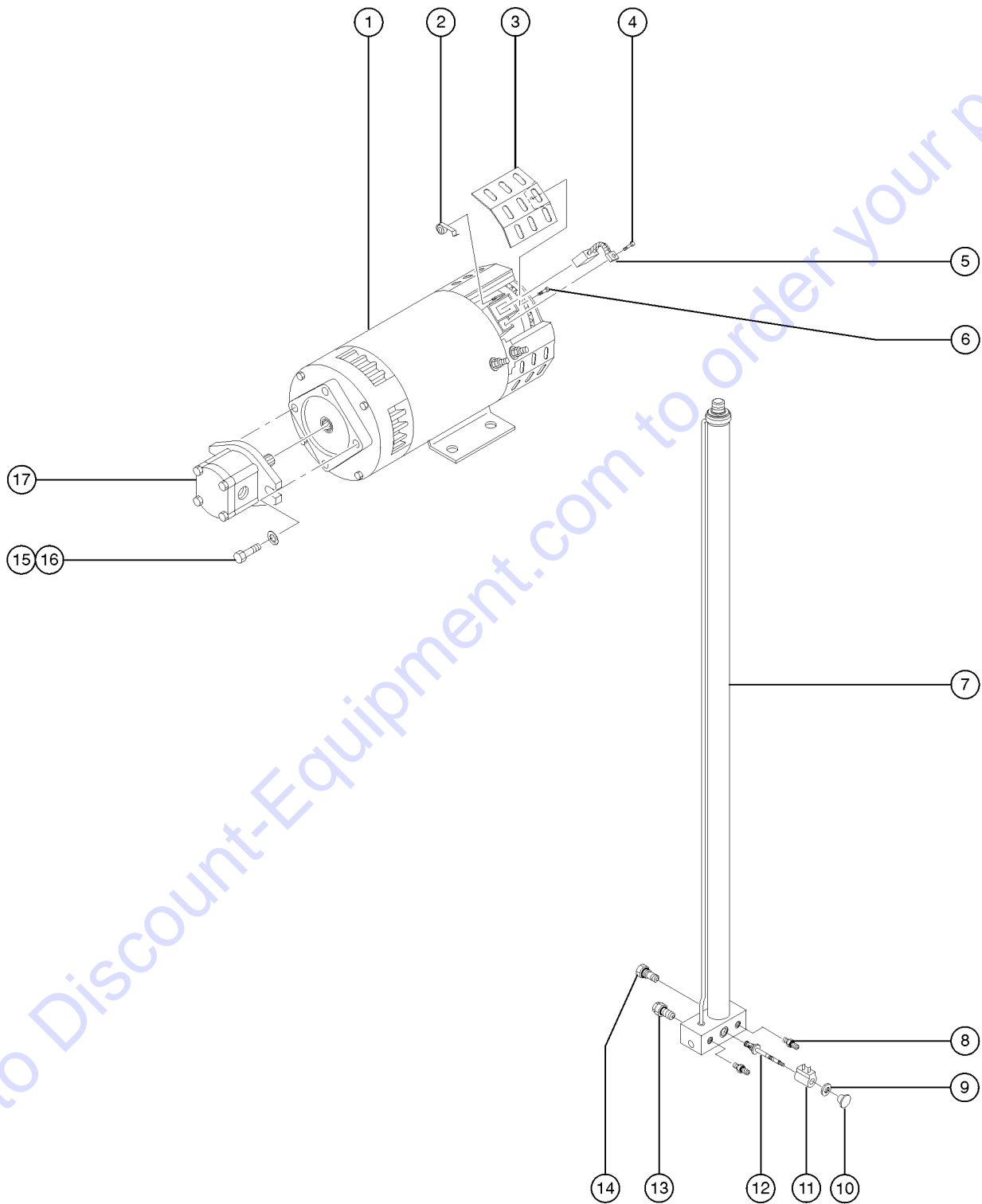
401.1 Hydraulic Power Unit and Lift Cylinder, GR-20

<i>Item</i>	<i>Part No.</i>	<i>Description</i>	<i>Qty.</i>
17B-	85197GT	SEAL KIT,BOSCH PUMP*** For Bosch PN 9510290001	

Go to Discount-Equipment.com to order your parts



401.2 Hydraulic Power Unit and Lift Cylinder, GR-12 and GR-15



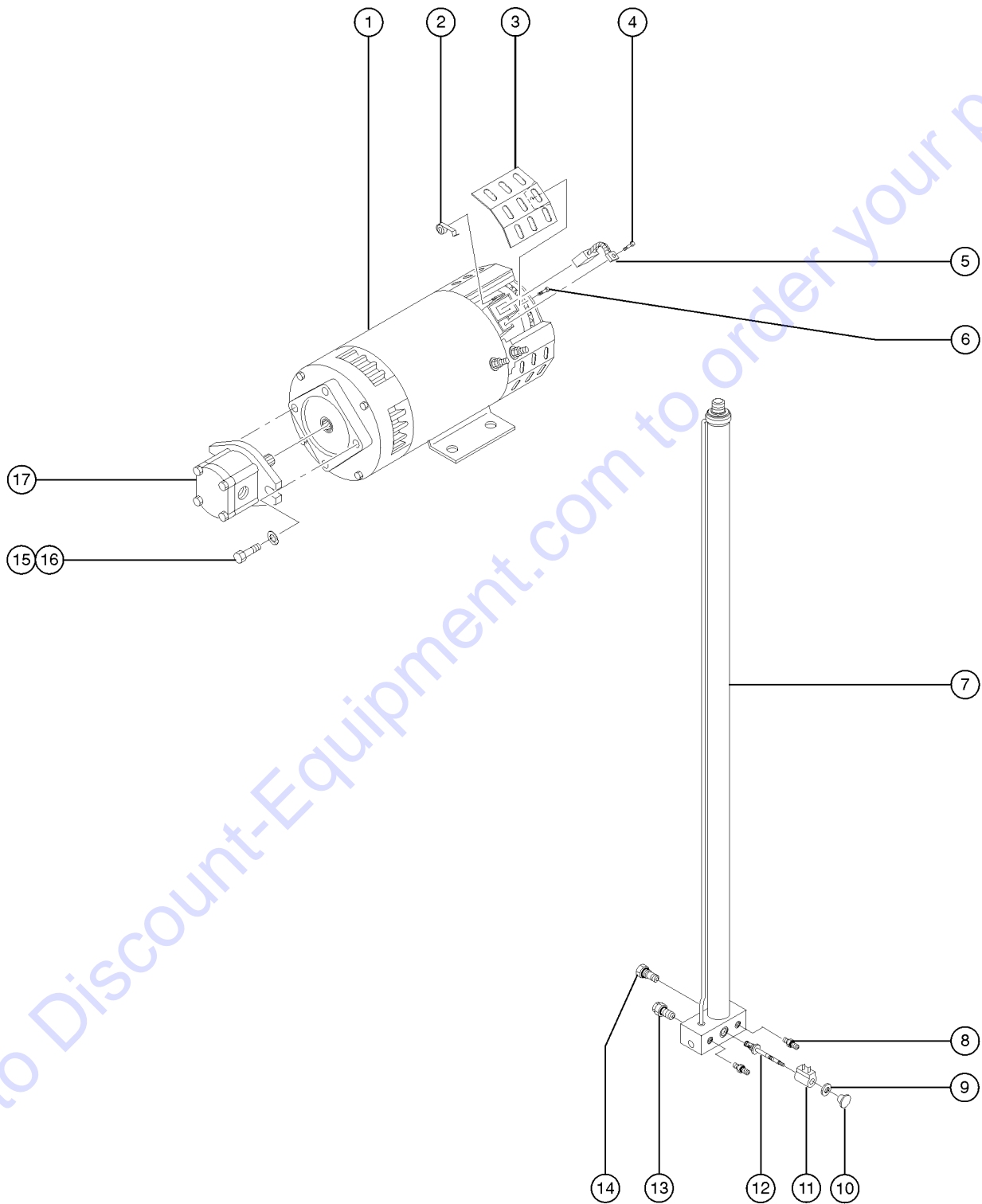
Go to Discount-Equipment.com to order your parts

401.2 Hydraulic Power Unit and Lift Cylinder, GR-12 and GR-15

Item	Part No.	Description	Qty.
1	105387GT	MOTOR,24DC,ADV (includes items 2-6)	1
1-	44777GT	BEARING,MOTOR	
1-	44778GT	BEARING,MOTOR,36843,BRUSH END*	
1-	43685GT	SEAL KIT,LIFT PUMP,BARNES**	
1-	58934GT	BRUSH BOX ASSEMBLY	
1-	52915GT	BRUSH LEAD ASSEMBLY KIT(48504)	
2	44750GT	SPRING-BRUSH,40844, SCISSORS	4
3	44752GT	COVER-BRUSH INSPEC.40844,SCISS	4
4	52913GT	SCREW,HH TAPETITE THRD8-32X.50	
5	44751GT	BRUSH,PWR UNIT (40844)**	4
6	52914GT	SCREW,HHTAPTITE THREAD8-32X.38	
7A	80949GT	CYLINDER, LIFT 41" STROKE, DY* GR-12, GR-15 (to SN GRP-59999 and SN GRR-10000)	1
7A-	80941GT	SEAL KIT,DONYANG CYL (for 80949)	
7B	1293893GT	CYLINDER, LIFT, 41" STROKE GR-12, GR-15 (from SN GRP-60000 and SN GRR-10001)	1
7A-	80941GT	SEAL KIT,DONYANG CYL (for 1293893)	
8	48905GT	CONN,520120-4***	2
9	52943GT	NUT SOLENOID VALVE COIL	1
10	38068GT	KNOB,PUSH/PULL,RED	1
11	84422GT	COIL-SOLENOID VALVE,20V DC***	1
12	66465GT	VALVE,W/20V NC SOLENOID,MANUAL (includes items 9 and 11)	1
13	35725GT	VALVE,FLOW CONTROL PREAS.COMP. 1 gpm, L/min	1
14	35726GT	VALVE,HYDRAULIC CHECK	1
15	32317GT	SCREW,HHC,3/8-24 X 1 GR 8 YEL	2
16	6021GT	WASHER,LOCK,,375	
17A		PUMP,4CC GEAR,CCW 228192 Parker (component no longer available)	
17A-	229453GT	SEAL KIT,PUMP,PARKER (228192) for Parker pump 228192	
17B	96193GT	PUMP,4CC GEAR,CCW*** pump ID 9510090001	
17B-	233641GT	SEAL KIT,BOSCH PUMP For Bosch PN 9510090001	



401.2 Hydraulic Power Unit and Lift Cylinder, GR-12 and GR-15



Go to Discount-Equipment.com to order your parts

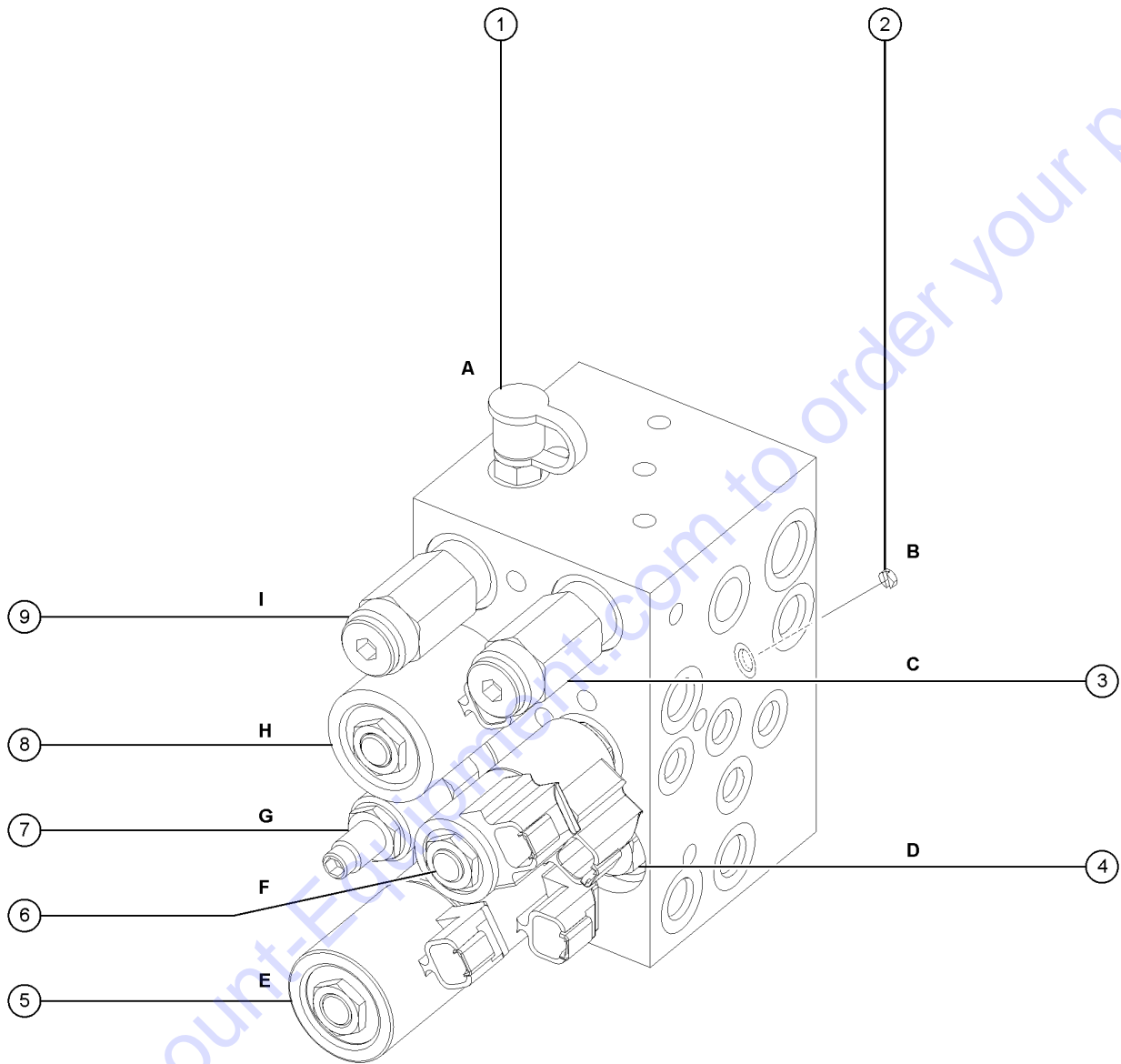
401.2 Hydraulic Power Unit and Lift Cylinder, GR-12 and GR-15

<i>Item</i>	<i>Part No.</i>	<i>Description</i>	<i>Qty.</i>
17B-	85197GT	SEAL KIT,BOSCH PUMP*** For Bosch PN 9510290001	

Go to Discount-Equipment.com to order your parts



402.1 Function Manifold

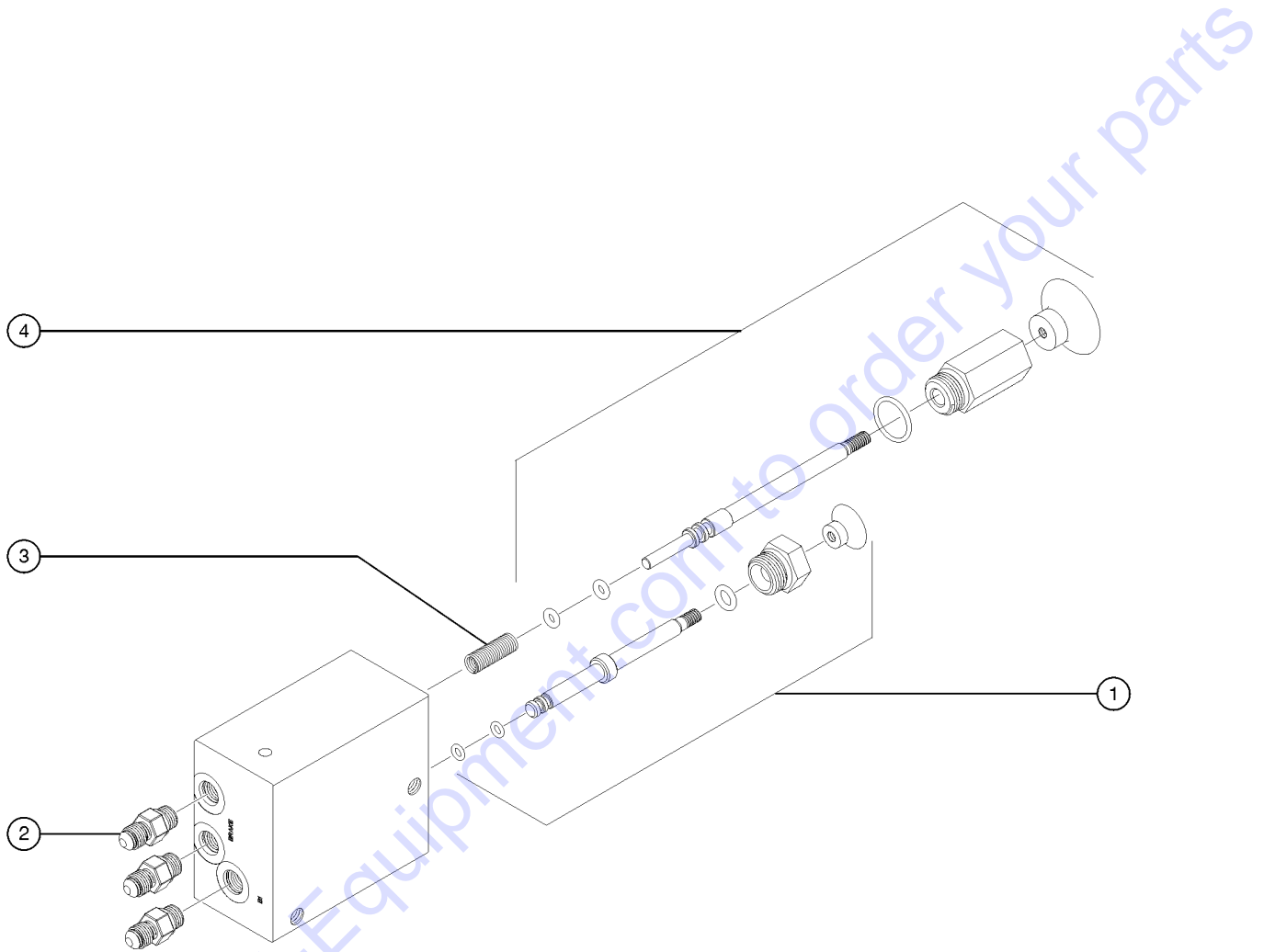


Go to Discount-Furniture.com to order your parts

Item	Part No.	Description	Qty.
	105462GT	KIT,DYN.BRAKING MANIF,MINI Use the letter callouts to cross-reference with the Service Manual.	
	49612GT	O-RING KIT (ORFS FITTINGS)	
	49613GT	PLUG AND CAP KIT-SERVICE,ORFS*	
1	48997GT	NIPPLE,DIAGNOSTIC,#4 PORT*** (A, Testing)	1
1-	48880GT	CAP,DIAGNOSTIC NIPPLE	
1-	20224GT	DIAGNOSTIC FEMALE Q-DSCNT (pressure gauge not included)	
2	84386GT	CHECK DISK, NO SPRING (B, Steer circuit)	1
3	65962GT	VALVE-RELIEF, 3700 PSI #8** (C, Lift relief)	1
3-	44226GT	SEAL KIT-FOR P.N.44167	
4	46216GT	VALVE,CHECK,IWP-S/CWP PWR ASSI (D, Drive circuit)	1
4-	44227GT	SEAL KIT, VALVE	
5	44172GT	VALVE,SOLENOID,3POS 4WAY*** (E, Drive forward/reverse)	1
5-	84385GT	COIL,20VDC DEUTCSH W/DIODE (sold separately)	
5-	44174GT	NUT-COIL SHORT	
5-	44230GT	SEAL KIT-P.N.44169,44172,44171	
6	44168GT	VALVE,SOLENOID,3POS 4WAY (F, Steer left/right)	1
6-	77709GT	COIL,#8 20VDC,DEUTSCH W/DIOD (sold separately)	
6-	44174GT	NUT-COIL SHORT	
6-	44229GT	SEAL KIT, VALVE	
7	84384GT	PRTY,FLOW CNTRL VALVE,.75 GPM (G, Steer Circuit) (0.75 gpm / 2.8 L/min, 1500 psi / 103.4 bar)	1
7-	1261888GT	SEAL KIT (84384) for 84384	
8	44169GT	VALVE-SOLENOID, 2POS 4 WAY (H, Platform up)	1
8-	84385GT	COIL,20VDC DEUTCSH W/DIODE (sold separately)	
8-	44174GT	NUT-COIL SHORT	
8-	44230GT	SEAL KIT-P.N.44169,44172,44171	
9	65962GT	VALVE-RELIEF, 3700 PSI #8** (I, System relief)	1
9-	44226GT	SEAL KIT-FOR P.N.44167	



403.1 Brake Release Manifold



Go to Discount-Equipment.com to order your parts

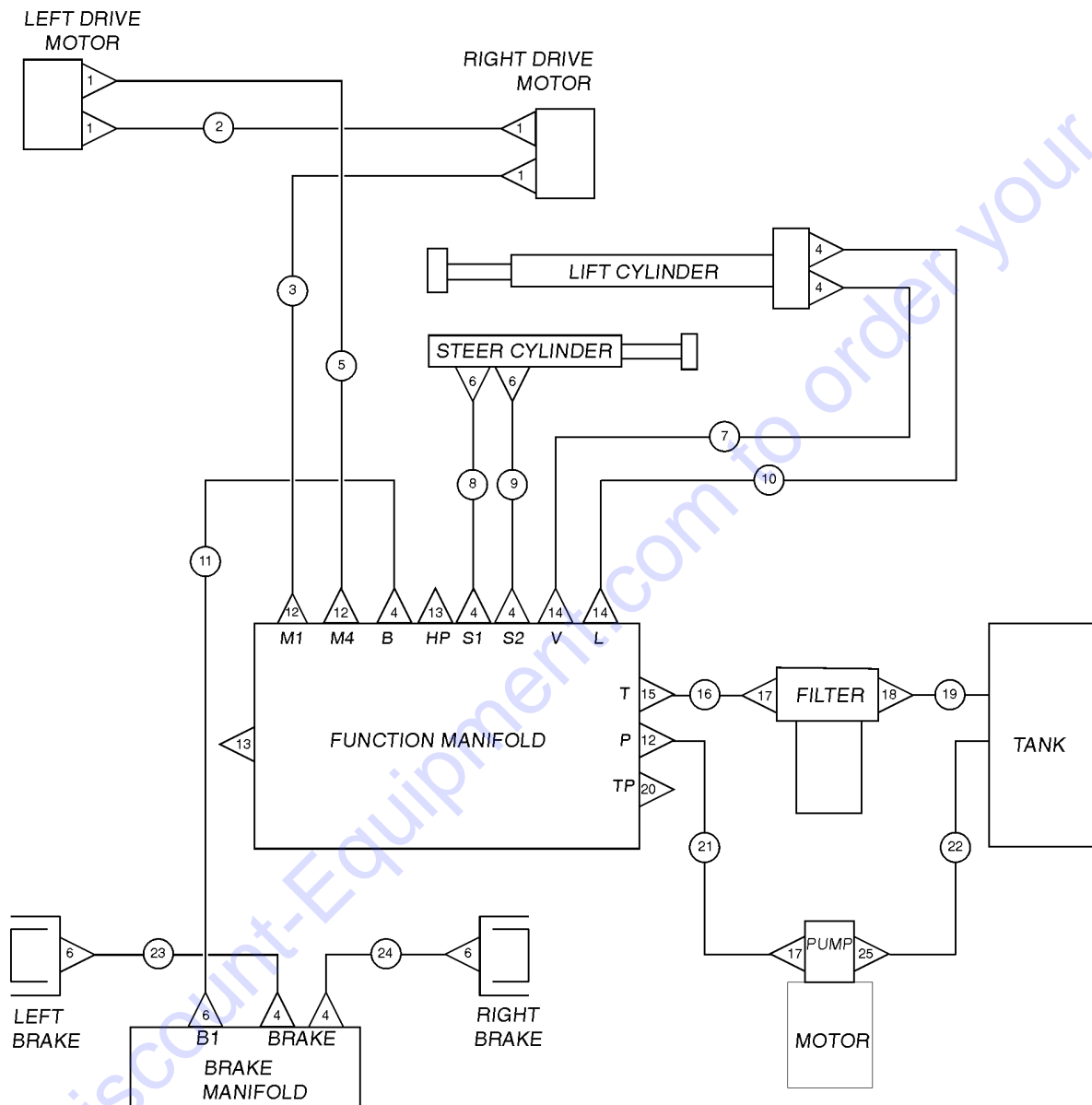
403.1 Brake Release Manifold

Item	Part No.	Description	Qty.
	105067GT	MANIFOLD,BRAKE RELEASE (includes items 1, 3 and 4)	
1	84743GT	VALVE,PILOT OPERATED ASSEMBLY*	1
1-	84740GT	SEAL KIT,HAND PUMP***	
1-	84746GT	KNOB,PILOT OP VALVE (BLACK)***	
2	39877GT	CONNECTOR, 070120-4-4	3
3	84748GT	SPRING,HAND PUMP ROD	1
4	84739GT	VALVE,HAND PUMP ASSEMBLY***	1
4-	84740GT	SEAL KIT,HAND PUMP***	
4-	84742GT	KNOB,HAND PUMP (RED)***	

Go to Discount-Equipment.com to order your parts



404.1 Hydraulic Hoses and Fittings



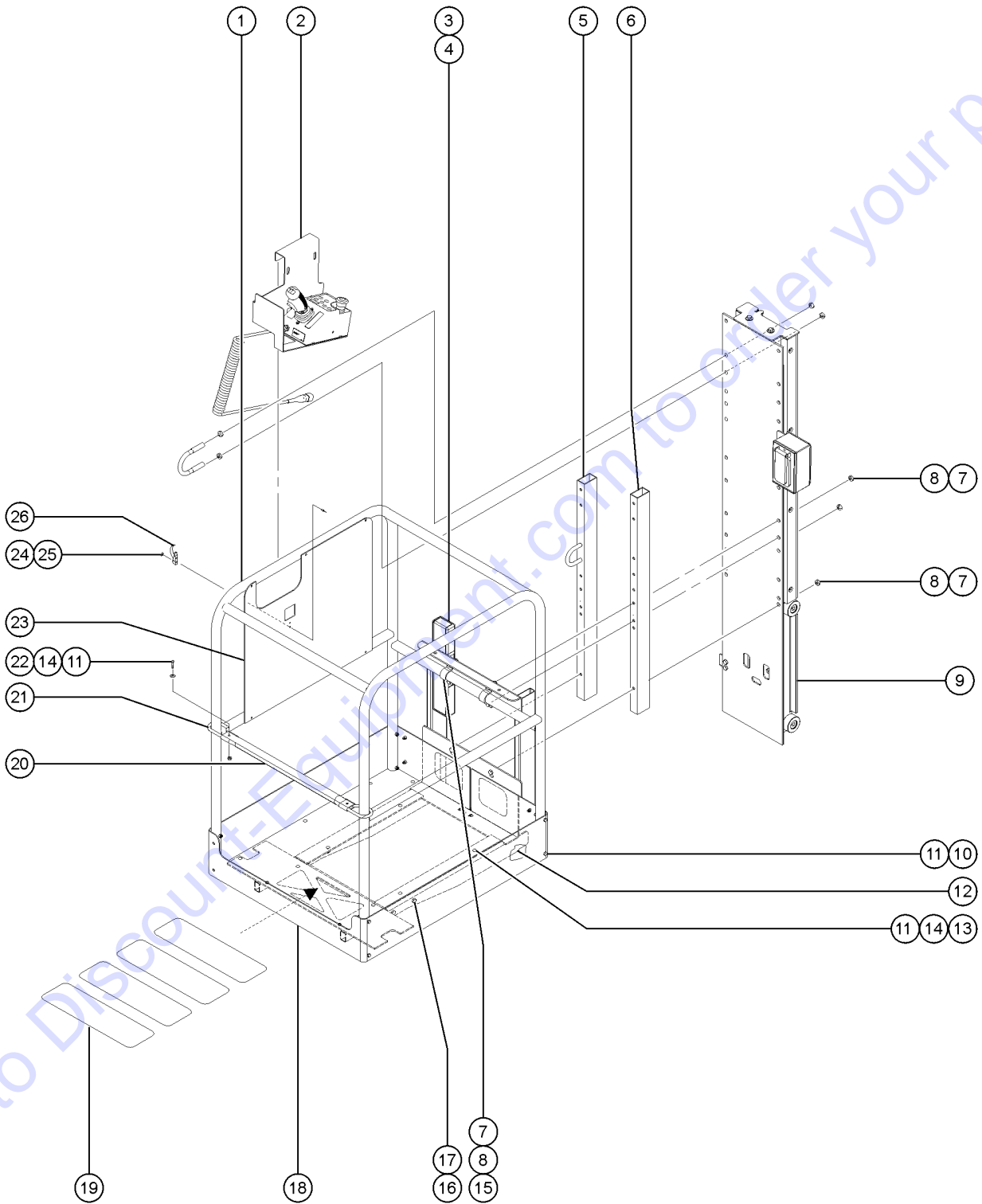
LEGEND	
	ADAPTER
	HOSE ASSEMBLY
	UNION

404.1 Hydraulic Hoses and Fittings

Item	Part No.	Description	Qty.
	91734GT	CABLE TIE,4" YELLOW	
	91739GT	CABLE TIE,4" RED	
	21121GT	CABLE TIE, 4" BLK, HEAT RESISTANT	
1	61264GT	ELBOW,90D,520220,6-10	4
2	109836GT	HOSE,ASSY,MOTOR CROSSOVER (components: 48812, 48812 and 56776 @ 38 inches)	1
3	109837GT	HOSE,ASSY,RT DRIVE MOTOR (components: 39890, 48812 and 56776 @ 88 inches)	1
4	39877GT	CONNECTOR, 070120-4-4	7
5	109838GT	HOSE,ASSY,LT DRIVE MOTOR (components: 39890, 48812 and 56776 @ 92 inches)	1
6	13921GT	ELBOW,070220-4-4	5
7	100805GT	HOSE,ASSY,LC. TO MAN, VENT (components: 78855, 78855 and 78852 @ 37 inches)	1
8	100720GT	HOSE, ASSY, RT STEER (components: 78855, 78855 and 78852 @ 65 inches)	1
9	100719GT	HOSE, ASSY, LT STEER (components: 78855, 78855 and 78852 @ 69 inches)	1
10	100724GT	HOSE, ASSY, LIFT CYL. TO MAN. (components: 78855, 78855 and 78852 @ 33 inches)	1
11	100723GT	HOSE, ASSY, BRAKE (components: 48805, 48806 and 48751 @ 9.5 inches)	1
12	39878GT	CONNECTOR, 070120-6-6	3
13	45374GT	PLUG,HEX HEAD,090109A-4	2
14	39881GT	CONNECTOR,070120-4-6	2
15	39873GT	ELBOW,070220-6-6	1
16	100726GT	HOSE, ASSY, MAN TO FILTER (components: 96406, 105045 and 75631 @ 15 inches)	1
17	39876GT	ELBOW,070220-6-8	2
18	96398GT	CONNECTOR, 070120-12-8	1
19	100486GT	TUBE ASSY,RETURN	1
20		Ref. Diagnostic Nipple (refer to 402.1)	
21	100725GT	HOSE, ASSY, PRESSURE (components: 39890, 39890 and 56776 @ 33 inches)	1
22	100510GT	TUBE ASSY, DRAW	1
23	100721GT	HOSE, ASSY, LT BRAKE (components: 48805, 48805 and 48751 @ 32 inches)	1
24	100722GT	HOSE, ASSY, RT BRAKE (components: 48805, 48805 and 48751 @ 14.5 inches)	1
25	22664GT	ELBOW,070220-12-10	1



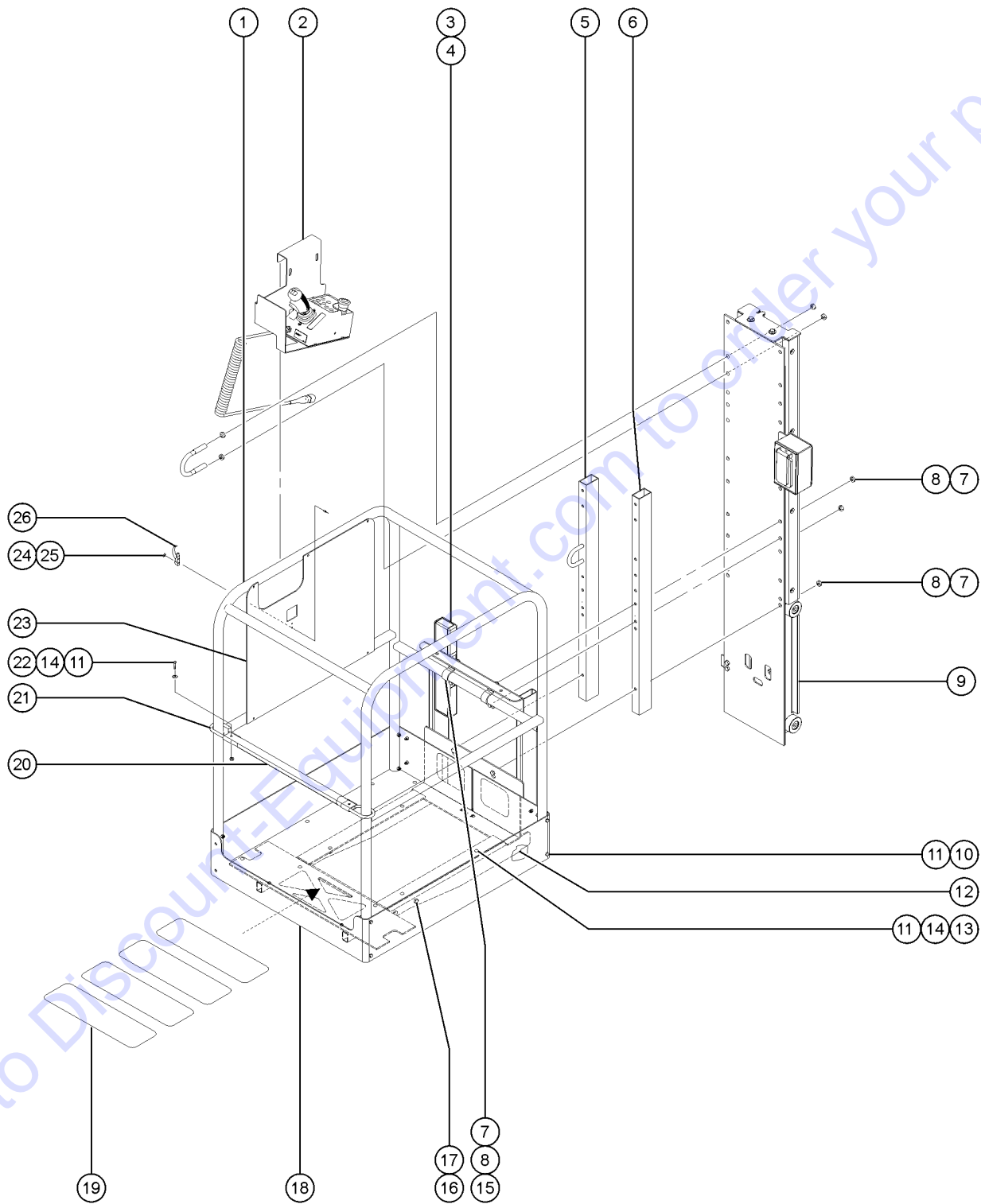
501.1 Standard Platform



Item	Part No.	Description	Qty.
-	T115616GT	PLAT ASSY,STD,GR12/15,ANSI/CSA GR-12 & GR-15; USA & Canada, English Words (to SN GRP-59999 & to SN GRR-10000)	
-	T115618GT	PLAT ASSY,STD,GR12/15,CSA FR GR-12 & GR-15; Canada, French Words (to SN GRP-59999 & to SN GRR-10000)	
-	T115620GT	PLAT ASSY,STD,GR12/15,CE GR-12 & GR-15; Europe, Symbols (to SN GRP-59999 & to SN GRR-10000)	
-	T115622GT	PLAT ASSY,STD,GR12/15,AUS GR-12 & GR-15; Australia, Words (to SN GRP-59999 & to SN GRR-10000)	
-	226778GT	PLAT ASSY,STD,GR12/15,ANSI/ASIA GR-12 & GR-15; Asia & S. America Symbols (to SN GRP-59999 & to SN GRR-10000)	
1	100827GT	WELDMENT, STD PLAT RAIL	1
1B	107262GT	STD PLAT RAILING ASSY,GR	1
2		Ref. PLATFORM CONTROLS (refer to 505.1 or 506.1)	
3	107272GT	INST.STORAGE BOX ASSY'WORDS USA, Canada & Australia	1
3-	1296810GT	INSTRUCTION TUBE,GR/QS Europe, Asia & S. America	
4	7265GT	RIVET,STEEL,P, .25 X .375	3
5	100960GT	WLDM,PLAT SPCR W/LNYD,ANSI,TAL GR-12; USA & Canada (to SN GRP-59999 & to SN GRR-10000)	1
5B	100957GT	WLDMT,PLAT SPACER W/LNYD, CE GR-12; Europe & Australia (Applicable to all markets from SN GRP-60000 & SN GRR-10001)	
6	100958GT	TUBE,PLATFORM SPACER,ANSI,TALL GR-12; USA & Canada (to SN GRP-59999 & to SN GRR-10000)	1
6B	100952GT	TUBE, PLATFORM SPACER, CE GR-12; Europe & Australia (Applicable to all markets from SN GRP-60000 & SN GRR-10001)	
7	4828GT	NUT,NYLOCK,3/8-16	
8	22832GT	SCREW,HHC,3/8-16 X 6 GR-12	
9		Ref. Carriage (refer to 306.1)	
10	6637GT	SCREW,HHC,1/4-20 X 1.75	
11	6091GT	NUT,NYLOCK,1/4-20	
12	124624GT	PLATFORM SUPPORT ASSY,ANSI USA & Canada (to SN GRP-59999 & to SN GRR-10000)	1
12B		PLATFORM SUPPORT ASSY,CE (refer to 508.1) Europe & Australia (Applicable to all markets from SN GRP-60000 & SN GRR-10001)	
13	124576GT	BOLT,CARRIAGE,1/4-20X1.00 G5	
14	6638GT	WASHER,FLAT,USS,1/4"Y	
15	38586GT	CLAMP,PLATFORM MOUNT	2
16	7713GT	NUT, LP NYLOCK, 3/8-16	
17	13918GT	SCREW,HHC,3/8-16 X 1.75,GRD.8	4



501.1 Standard Platform



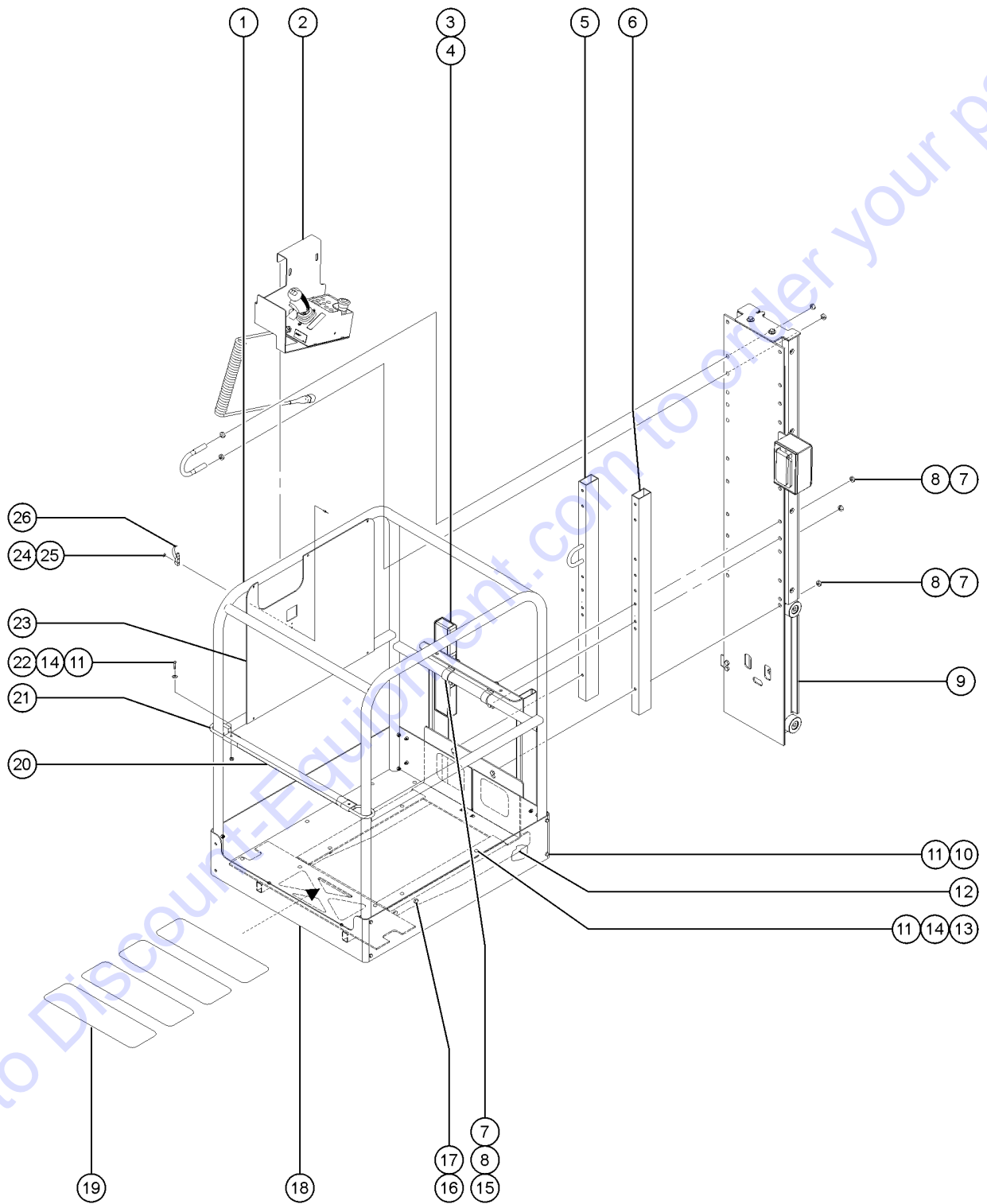
501.1 Standard Platform

Item	Part No.	Description	Qty.
18	115419GT	TOEBOARD ASSY W/DEC, STD,GR	1
19	24537GT	TAPE, NON-SKID, DIE CUT, 6" X 2'	4
20	100883GT	TUBE, SLIDING MIDRAIL	1
21	41292GT	MID-RAIL GUIDE WITH LOOM	2
21-	31146GT	WIRE LOOM, .413" NON-SLIT***	16
22	6888GT	SCREW, HHC, 1/4-20 X 1	
23	T115617GT	DECAL PLT, STD, GR12/15, ANSI/CSA GR-12 & GR-15; USA & Canada; English (to SN GRP-59999 & to SN GRR-10000)	1
23-	T115619GT	DECAL PLT, STD, GR12/15, CSA FR GR-12 & GR-15; USA & Canada; French (to SN GRP-59999 & to SN GRR-10000)	
23-	T115621GT	DECAL PLT, STD, GR12/15, CE GR-12 & GR-15; Europe (to SN GRP-59999 & to SN GRR-10000)	
23-	T115623GT	DECAL PLT, STD, GR12/15, AUS GR-12 & GR-15; Australia (to SN GRP-59999 & to SN GRR-10000)	
23-	226779GT	DCL PLT, STD, GR12/15, ASIA/S. AM GR-12 & GR-15; Asia & S. America (to SN GRP-59999 & to SN GRR-10000)	
24	11805GT	WASHER, FLAT, MS, #6, Y	
25	38600GT	RIVET, STL, STL, .156 X .50	
26	47218GT	DRAW LATCH, OVER-CENTER*** (includes keeper and latch)	
26-	62819GT	KEEPER, OVER CENTER LATCH TMZ	

Go to Discount-Equipment.com to order your parts



501.2 Standard Platform

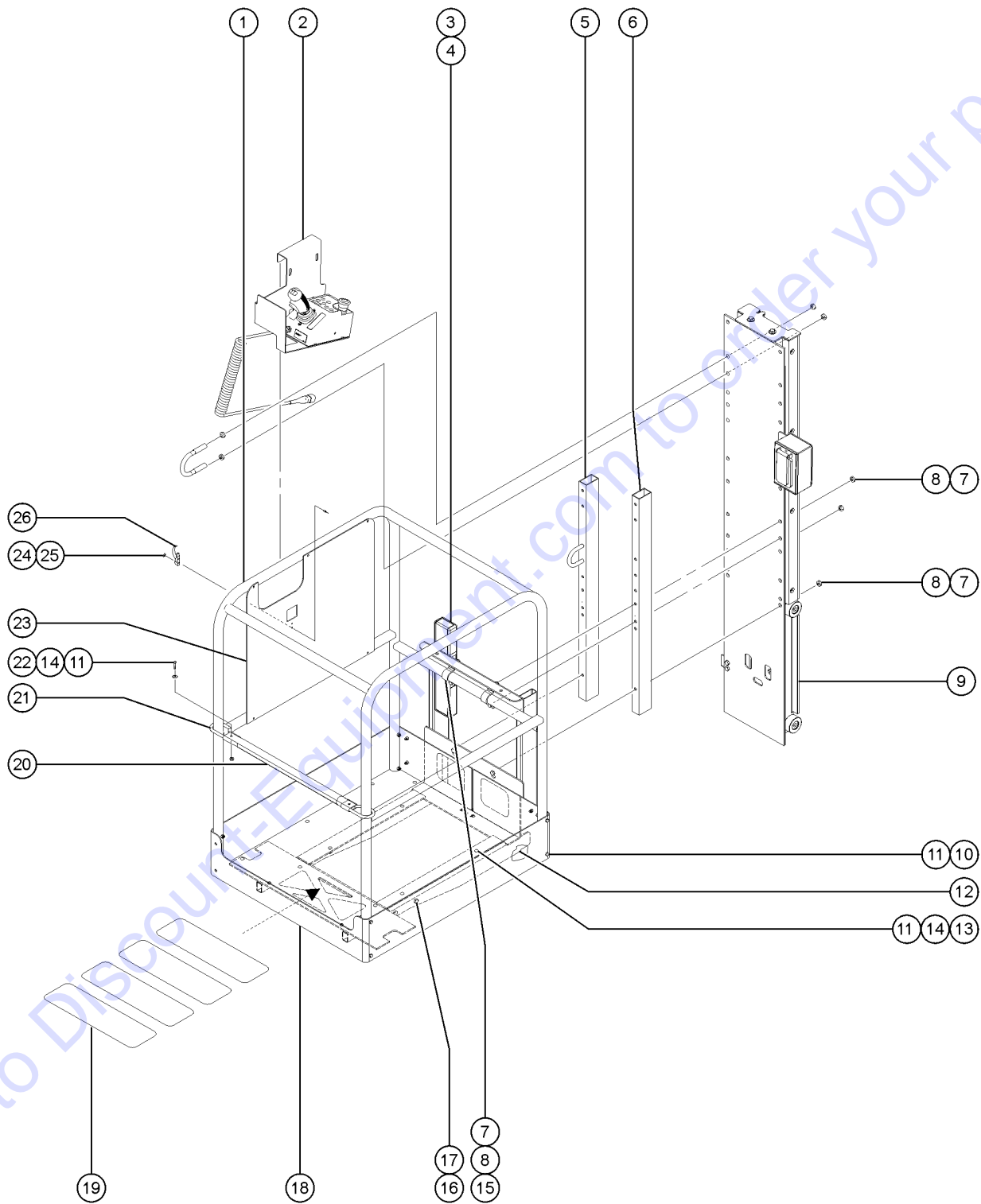


Go to Discount-Equipment.com to order your parts

Item	Part No.	Description	Qty.
-	T115616GT	PLAT ASSY,STD,GR12/15,ANSI/CSA GR-12 & GR-15; USA & Canada, English (to SN GRP-59999 & to SN GRR-10000)
-	T115618GT	PLAT ASSY,STD,GR12/15,CSA FR GR-12 & GR-15; Canada, French (to SN GRP-59999 & to SN GRR-10000)
-	T115620GT	PLAT ASSY,STD,GR12/15,CE GR-12 & GR-15; Europe, Symbols (to SN GRP-59999 & to SN GRR-10000)
-	T115622GT	PLAT ASSY,STD,GR12/15,AUS GR-12 & GR-15; Australia (to SN GRP-59999 & to SN GRR-10000)
-	226778GT	PLAT ASSY,STD,GR12/15,ANSI/ASIA GR-12 & GR-15; Asia & S. America Symbols (to SN GRP-59999 & to SN GRR-10000)
1	107262GT	STD PLAT RAILING ASSY,GR	1
2		Ref. Platform Controls (refer to 505.1)
3	107272GT	INST.STORAGE BOX ASSY*WORDS USA, Canada & Australia	1
3-	1296810GT	INSTRUCTION TUBE,GR/QS Europe, Asia & S. America
4	7265GT	RIVET,STEEL,P, .25 X .375	3
5	1261228GT	WLDT,ANSI&AWP PLAT,GR12/15 GR-12 & GR-15; replaced 100956 ; USA and Canada (from SN GR15-37684 to SN GRP-59999 & to SN GRR-10000)
6	1264278GT	SPACER,ANSI&AWP,PTD,GR12/15 GR-12 & GR-15; replaced 100951 (from SN GR15-37684 to SN GRP-59999 & to SN GRR-10000)
7	4828GT	NUT,NYLOCK,3/8-16
8	6605GT	SCREW,HHC,3/8-16 X 3.5,GR5 GR-15
9		Ref. Carriage (refer to 306.1)
10	6637GT	SCREW,HHC,1/4-20 X 1.75
11	6091GT	NUT,NYLOCK,1/4-20
12	124624GT	PLATFORM SUPPORT ASSY,ANSI USA & Canada (to SN GRP-59999 & to SN GRR-10000)	1
12B		PLATFORM SUPPORT ASSY,CE (refer to 508.1) Europe & Australia (Applicable to all markets from SN GRP-60000 & SN GRR-10001)
13	124576GT	BOLT,CARRIAGE,1/4-20X1.00 G5
14	6638GT	WASHER,FLAT,USS,1/4"Y
15	38586GT	CLAMP,PLATFORM MOUNT	2
16	7713GT	NUT, LP NYLOCK, 3/8-16
17	13918GT	SCREW,HHC,3/8-16 X 1.75,GRD.8	4
18	115419GT	TOEBOARD ASSY W/DEC, STD,GR	1
19	24537GT	TAPE,NON-SKID,DIE CUT,6"X 2'	4
20	100883GT	TUBE, SLIDING MIDRAIL	1



501.2 Standard Platform

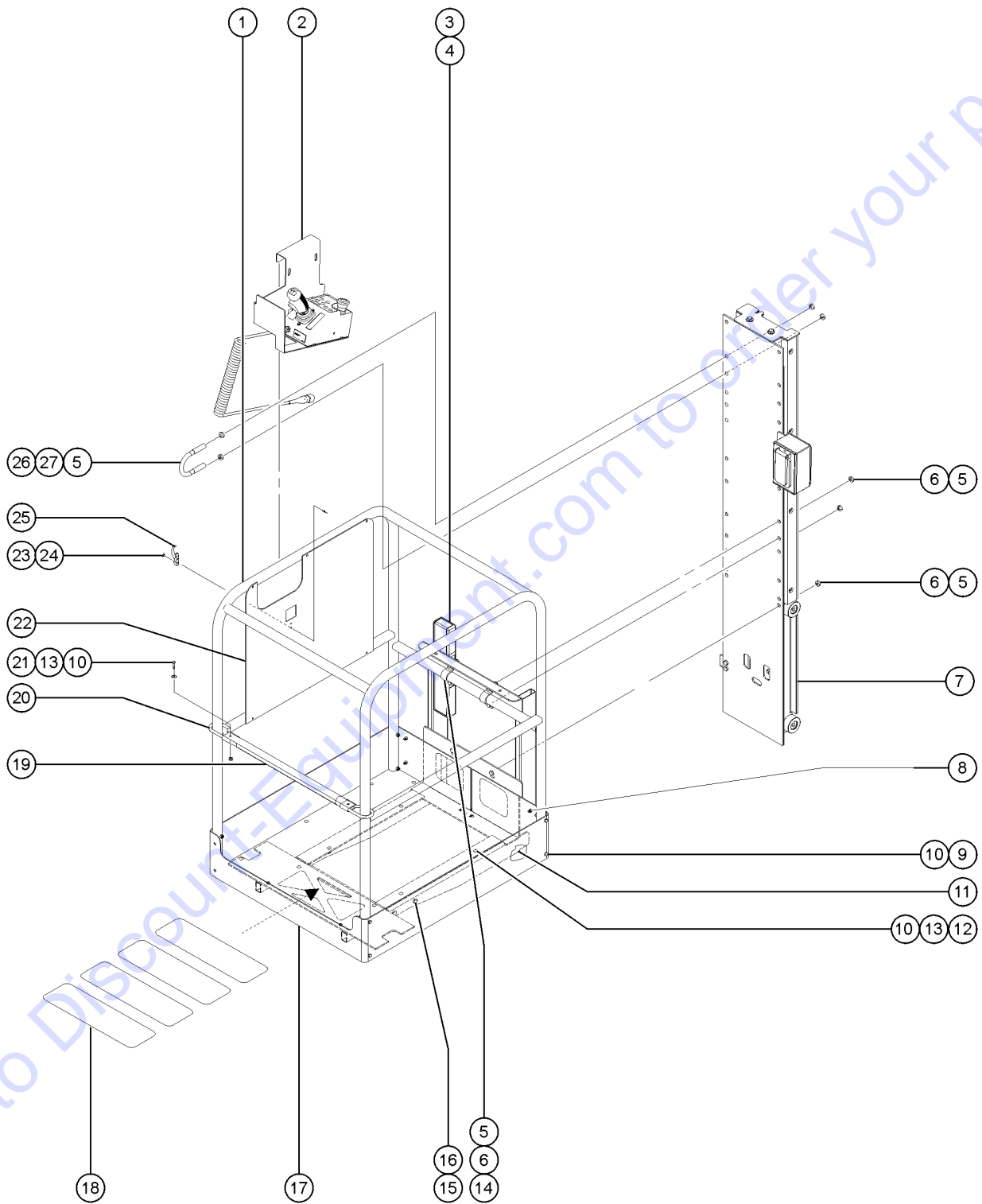


Item	Part No.	Description	Qty.
21	41292GT	MID-RAIL GUIDE WITH LOOM	2
21-	31146GT	WIRE LOOM,.413" NON-SLIT***	16
22	6888GT	SCREW,HHC,1/4-20 X 1	
23	T115617GT	DECAL PLT,STD,GR12/15,ANSI/CSA GR-12 & GR-15; USA & Canada; English (to SN GRP-59999 & to SN GRR-10000)	1
23-	T115619GT	DECAL PLT,STD,GR12/15,CSA FR GR-12 & GR-15; USA & Canada; French (to SN GRP-59999 & to SN GRR-10000)	
23-	T115621GT	DECAL PLT,STD,GR12/15,CE GR-12 & GR-15; Europe (to SN GRP-59999 & to SN GRR-10000)	
23-	T115623GT	DECAL PLT,STD,GR12/15,AUS GR-12 & GR-15; Australia (to SN GRP-59999 & to SN GRR-10000)	
23-	226779GT	DCL PLT,STD,GR12/15,ASIA/S.AM GR-12 & GR-15; Asia & S. America (to SN GRP-59999 & to SN GRR-10000)	
24	11805GT	WASHER,FLAT,MS,#6,Y	
25	38600GT	RIVET,STL,STL,.156 X .50	
26	47218GT	DRAW LATCH,OVER-CENTER*** (includes keeper and latch)	
26-	62819GT	KEEPER, OVER CENTER LATCH TMZ	

Go to Discount-Equipment.com to order your parts



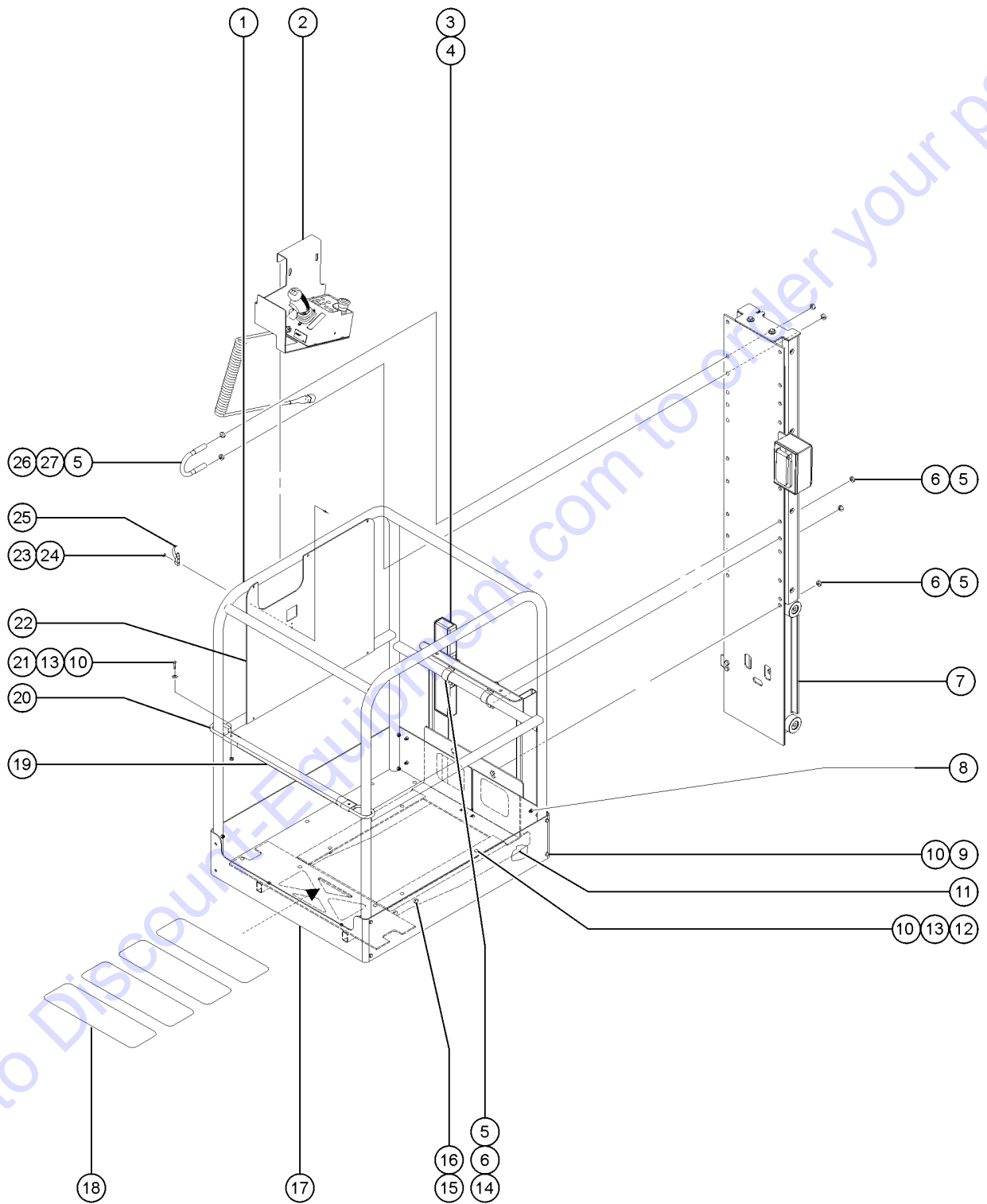
501.3 Standard Platform



Item	Part No.	Description	Qty.
-	T115634GT	PLAT ASSY,STD,GR20,ANSI/CSA GR-20; USA and Canada, English (to SN GRP-59999 & to SN GRR-10000)	
-	T115646GT	PLAT ASSY,STD,GR20,CSA FR GR-20; Canada, French (to SN GRP-59999 & to SN GRR-10000)	
-	T115648GT	PLAT ASSY,STD,GR20,CE GR-20; Europe, Symbols (to SN GRP-59999 & to SN GRR-10000)	
-	T115650GT	PLAT ASSY,STD,GR20,AUS GR-20; Australia, Words (to SN GRP-59999 & to SN GRR-10000)	
-	226780GT	PLAT ASSY,STD,GR20,ANSI/ASIA GR-20; Asia and S. America Symbols (to SN GRP-59999 & to SN GRR-10000)	
1	107263GT	STD PLAT RAILING ASSY,WRDS,GR	1
1-	107262GT	STD PLAT RAILING ASSY,GR	
1B	100827GT	WELDMENT, STD PLAT RAIL	
2		Ref. Platform Controls (refer to 505.1 or 506.1)	
3	107272GT	INST.STORAGE BOX ASSY'WORDS USA, Canada & Australia	1
3-	1296810GT	INSTRUCTION TUBE,GR/QS Europe, Asia & S. America	
4	7265GT	RIVET,STEEL,P, .25 X .375	3
5	4828GT	NUT,NYLOCK,3/8-16	
6	6019GT	SCREW,HHC,3/8-16 X 1.25 GRD 5 GR-20	
7		Ref. Carriage (refer to 306.1)	
8	6090GT	SCREW,HHC,1/4-20 X .75	
9	6637GT	SCREW,HHC,1/4-20 X 1.75	
10	6091GT	NUT,NYLOCK,1/4-20	
11	124624GT	PLATFORM SUPPORT ASSY,ANSI USA & Canada (to SN GRP-59999 & to SN GRR-10000)	1
11B		PLATFORM SUPPORT ASSY,CE (refer to 508.1) Europe & Australia (Applicable to all markets from SN GRP-60000 & SN GRR-10001)	
12	124576GT	BOLT,CARRIAGE,1/4-20X1.00 G5	
13	6638GT	WASHER,FLAT,USS,1/4"Y	
14	38586GT	CLAMP,PLATFORM MOUNT	2
15	7713GT	NUT, LP NYLOCK, 3/8-16	
16	13918GT	SCREW,HHC,3/8-16 X 1.75,GRD.8	4
17	115419GT	TOEBOARD ASSY W/DEC, STD,GR	1
18	24537GT	TAPE,NON-SKID,DIE CUT,6"X 2'	4
19	100883GT	TUBE, SLIDING MIDRAIL	1



501.3 Standard Platform

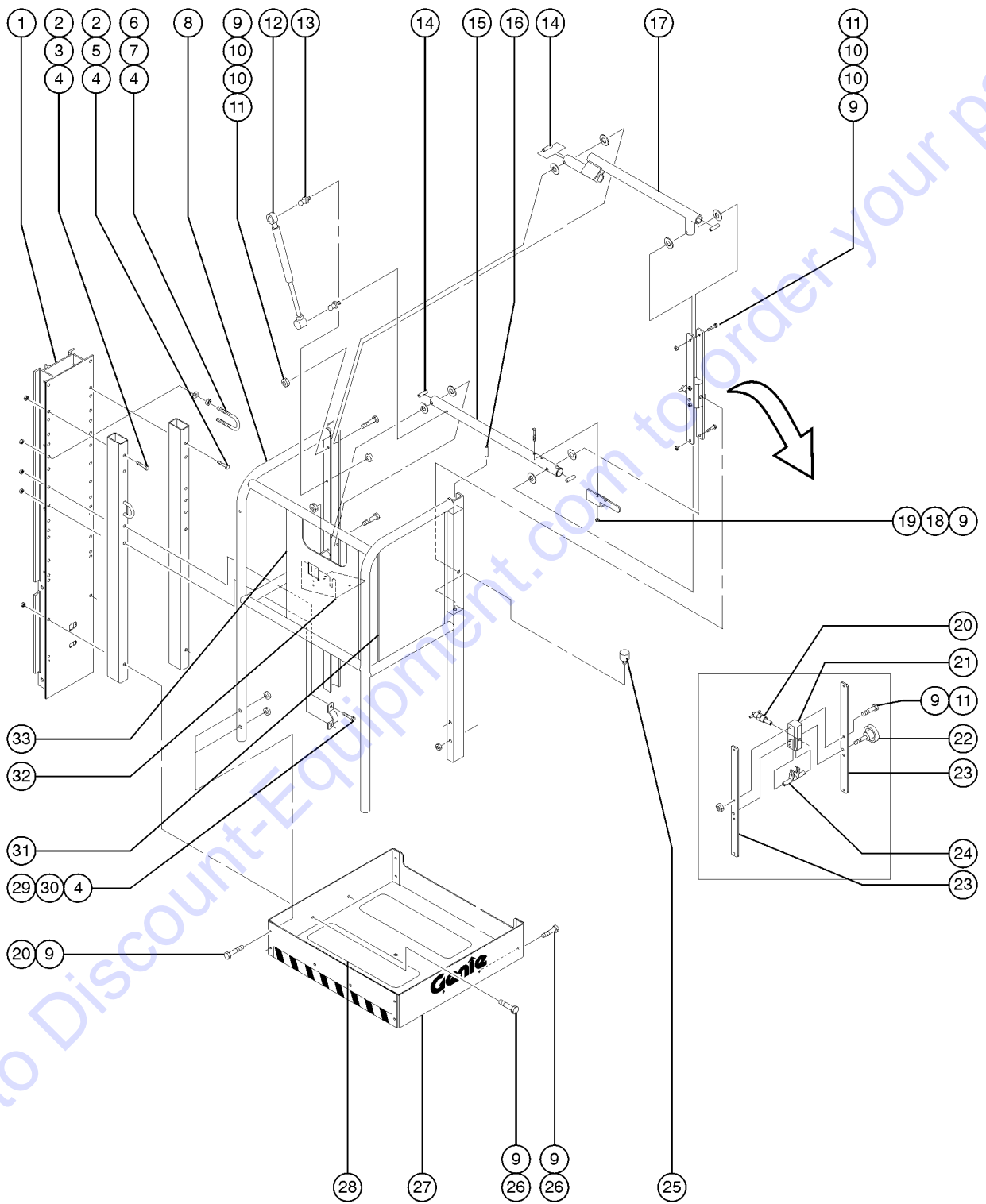


Item	Part No.	Description	Qty.
20	41292GT	MID-RAIL GUIDE WITH LOOM	2
20-	31146GT	WIRE LOOM,.413" NON-SLIT***	16
21	6888GT	SCREW,HHC,1/4-20 X 1	
22	T115635GT	DECAL PLT,STD,GR20,ANSI/CSA GR-20; USA & Canada; English (to SN GRP-59999 & to SN GRR-10000)	
22-	T115647GT	DECAL PLT,STD,GR20,CSA FR GR-20; USA & Canada; French (to SN GRP-59999 & to SN GRR-10000)	
22-	T115649GT	DECAL PLT,STD,GR20,CE GR-20; Europe (to SN GRP-59999 & to SN GRR-10000)	
22-	T115651GT	DECAL PLT,STD,GR20,AUS GR-20; Australia (to SN GRP-59999 & to SN GRR-10000)	
22-	226781GT	DCL PLT,STD,GR20,ASIA/S.AM GR-20; Asia & S. America (to SN GRP-59999 & to SN GRR-10000)	
23	11805GT	WASHER,FLAT,MS,#6,Y	
24	38600GT	RIVET,STL,STL,.156 X .50	
25	47218GT	DRAW LATCH,OVER-CENTER*** (includes keeper and latch)	
25-	62819GT	KEEPER, OVER CENTER LATCH TMZ	
26	6550GT	U-BOLT,3/8 X 1 YZ	
		GR-20	
27	6022GT	NUT,HEX,3/8-16	
		GR-20	

Go to Discount-Equipment.com to order your parts



502.1 Gated Entry Platform (AWP) (to SN GRP-59999 & to SN GRR-10000)

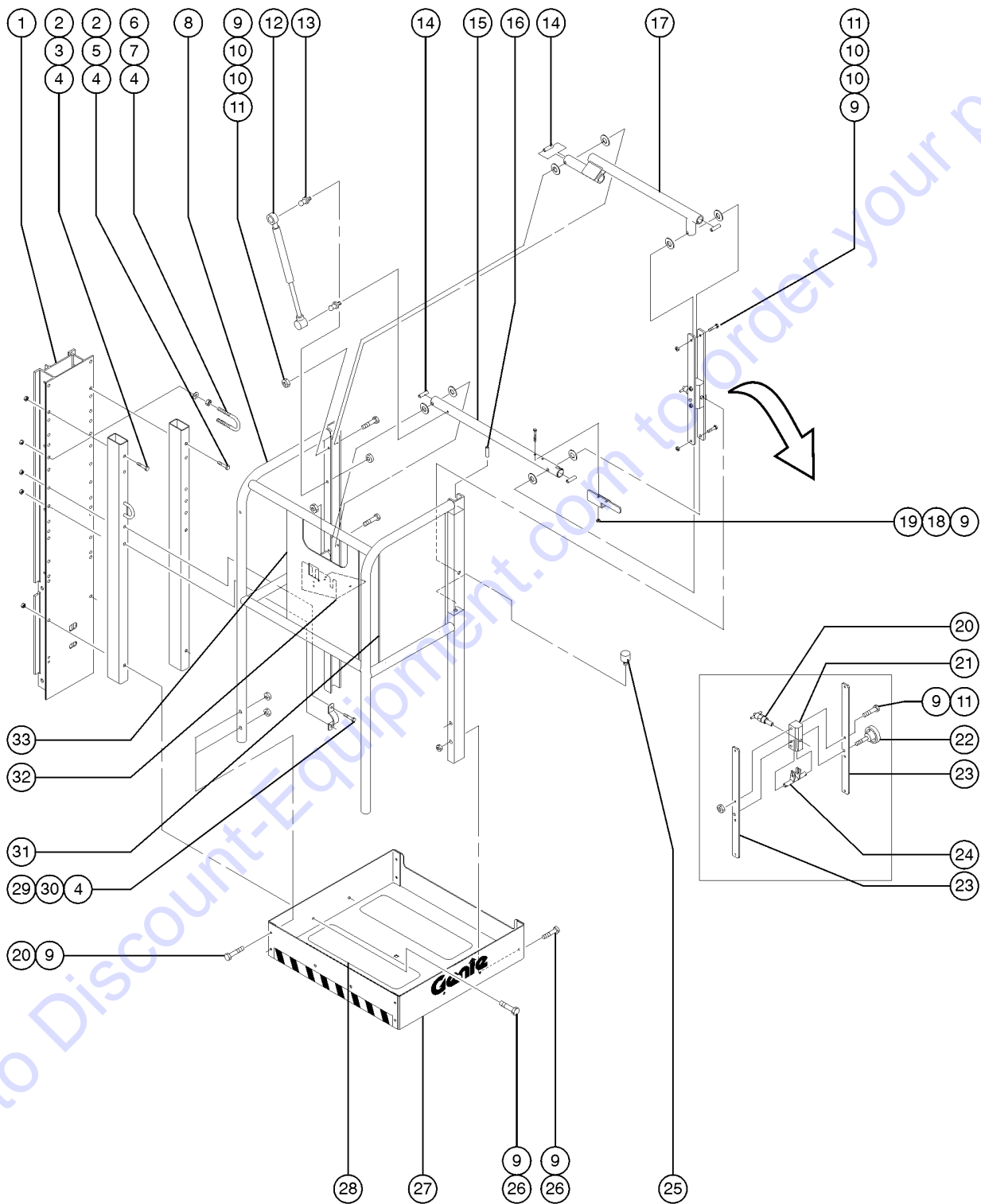


502.1 Gated Entry Platform (AWP) (to SN GRP-59999 & to SN GRR-10000)

Item	Part No.	Description	Qty.
	T115626GT	PLAT,AWP NRW,GR,ANSI/CSA GR-12, GR-15 & GR-20; USA & Canada, English	
	T115628GT	PLAT,AWP NRW,GR,CSA FR GR-12, GR-15 & GR-20; Canada, French	
	226800GT	PLAT,AWP NRW,GR,ANSI/ASIA GR-12, GR-15 & GR-20; Asia & S. America, Symbols	
1		Ref. Carriage (refer to 306.1)	
2	22832GT	SCREW,HHC,3/8-16 X 6 GR-12	
3	1261228GT	WLDT,ANSI&AWP PLAT,GR12/15 GR-12 & GR-15; replaced 124126 from SN GR15-37684	
4	4828GT	NUT,NYLOCK,3/8-16	
5	1264278GT	SPACER,ANSI&AWP,PTD,GR12/15 GR-12	1
6	6550GT	U-BOLT,3/8 X 1 YZ	
7	6022GT	NUT,HEX,3/8-16	
8	145177GT	WELDMENT, PLATFORM GATED NRW	1
9	6091GT	NUT,NYLOCK,1/4-20	
10	12013GT	SHIM,.375 X .063	
11	6884GT	SCREW,HHC,1/4-20 X 2.5	
12	226802GT	GAS STRUT,20LB,13"EXT-9"CLOSED	1
12-	65874GT	CONNECTOR, NYLON END (35893)**	
13	40265GT	BALL STUD,GAS STRUT (38593)***	2
14	37719GT	BUSHING,1.5 X 3/8 OD X 1/4 ID	4
15	824461GT	ASM, ARM, LOWER PIVOT NRW replaced 145168	1
16	38338GT	PIN,SPRING,.25X.75 ZINC PLATED	1
17	824457GT	ASM, UPPER GATE ARM NRW replaced 145174	1
18	145266GT	BRACKET,GATE STOP,GR,NRW	1
19	4266GT	SCREW,HHC,1/4-20 X 2	
20	37732GT	PIN,PULL	1
21	57116GT	HOUSING, LATCH, AWP/IWP/CWP	1
22	26787GT	KNOB order set screw separately	1
22B	2095GT	SCREW,SET,HS 10-32 X.25	1
23	26780GT	PLATE,HINGE	2



502.1 Gated Entry Platform (AWP) (to SN GRP-59999 & to SN GRR-10000)



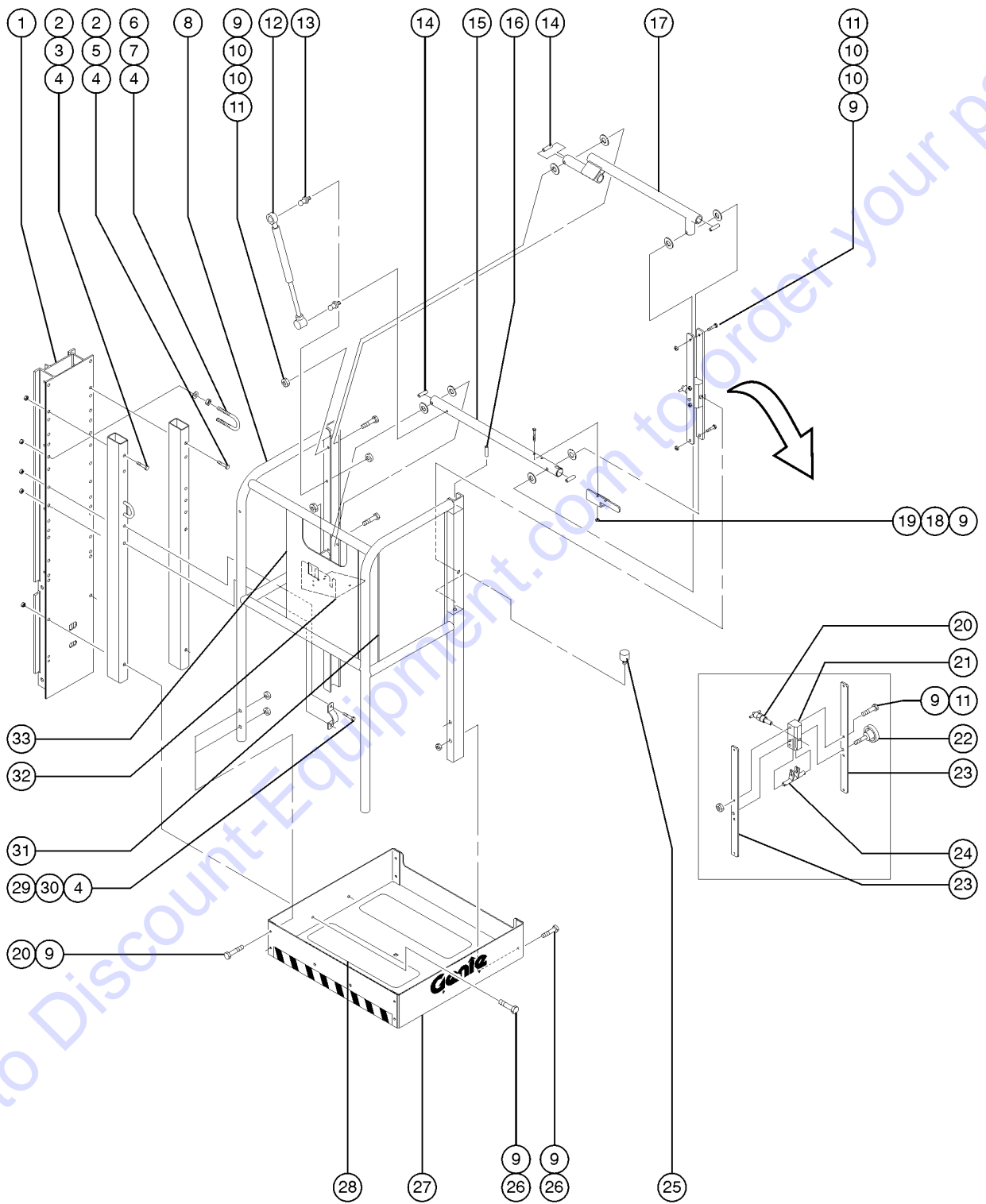
502.1 Gated Entry Platform (AWP) (to SN GRP-59999 & to SN GRR-10000)

Item	Part No.	Description	Qty.
24	57138GT	LATCH ROTATOR, GATED PLATFORM	1
25	26785GT	BUMPER,RUBBER	1
26	6888GT	SCREW,HHC,1/4-20 X 1	
27	229076GT	TOEBOARD W/DECALS, NARROW	1
28	24537GT	TAPE,NON-SKID,DIE CUT,6"X 2'	2
29	6175GT	SCREW,HHC,3/8-16 X 1	
30	38586GT	CLAMP,PLATFORM MOUNT	
31	T115627GT	DCL PLT,AWP NW,GR12/15,ANS/CSA GR-12,GR-15 & GR-20; USA & Canada, English	1
31-	T115629GT	DCL PLT,AWP NW,GR12/15,CSA FR GR-12, GR-15 & GR-20; USA & Canada, French	
31-	T114176GT	DCL PLT ASSY,GATED,NRW,AWP,SYM GR-12, GR-15 & GR-20; Asia & S. America, Symbols	
32	227120GT	FORMING,PLAT CTRL ADPTER	1
33	T114174GT	DECAL PLT,JYSTK,AWP GATED,WRD GR-12,GR-15 & GR-20; USA & Canada, English	1
33-	T114175GT	DECAL PLT,JYSTK,AWP GATED,FR GR-12, GR-15 & GR-20; USA & Canada, French	
33-	226801GT	DCL PLT,JYSTK,AWP NW,SY ANSI GR-12, GR-15 & GR-20; Asia & S. America, Symbols	

Go to Discount-Equipment.com to order your parts



502.2 Gated Entry Platform (AWP) (to SN GRP-59999 & to SN GRR-10000)

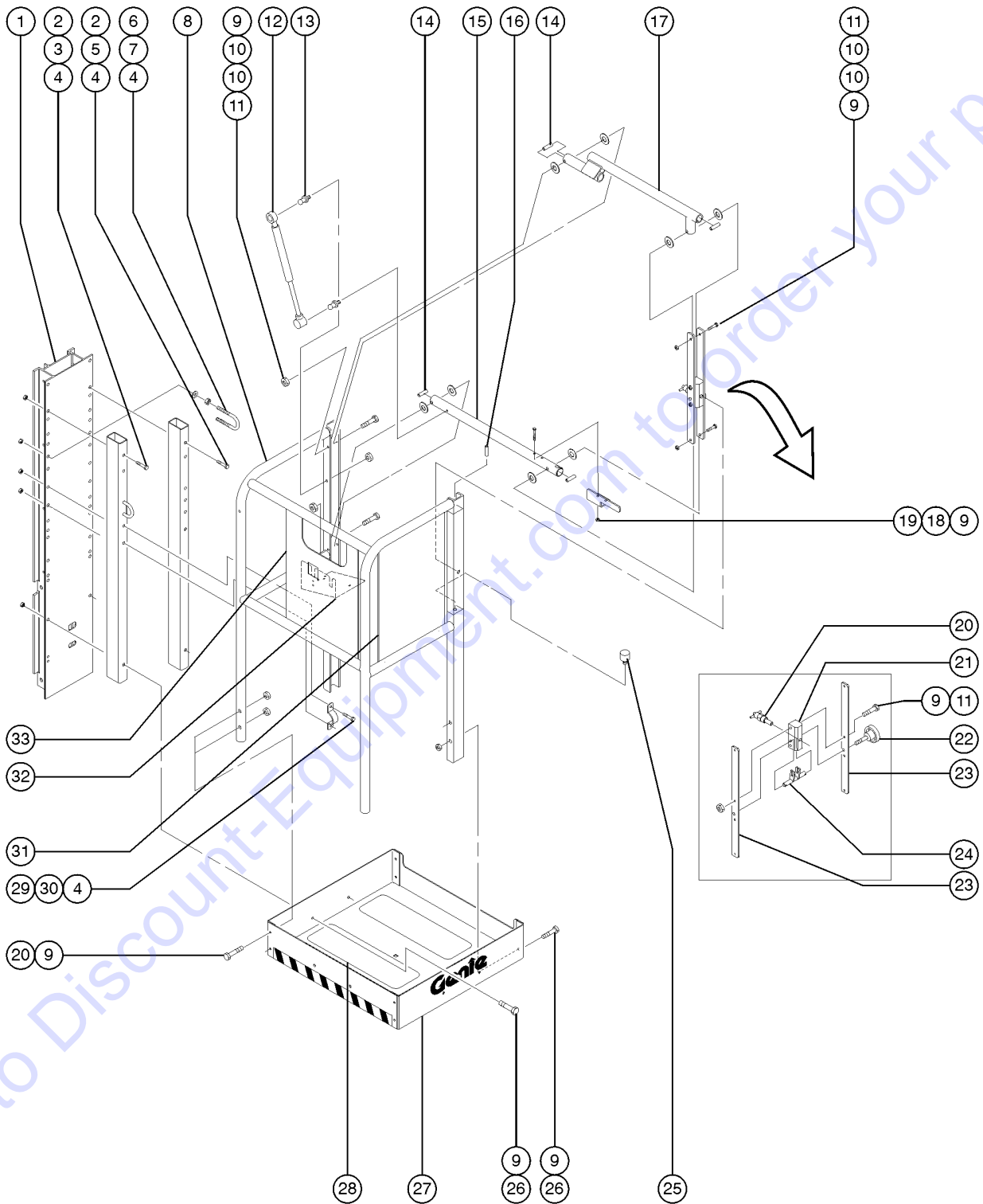


502.2 Gated Entry Platform (AWP) (to SN GRP-59999 & to SN GRR-10000)

Item	Part No.	Description	Qty.
	T115626GT	PLAT,AWP NRW,GR,ANSI/CSA GR-12, GR-15 & GR-20; USA & Canada, English	
	T115628GT	PLAT,AWP NRW,GR,CSA FR GR-12, GR-15 & GR-20; Canada, French	
	226800GT	PLAT,AWP NRW,GR,ANSI/ASIA GR-12, GR-15 & GR-20; Asia & S. America, Symbols	
1		Ref. Carriage (refer to 306.1)	
2	22832GT	SCREW,HHC,3/8-16 X 6	
3	1261228GT	WLDT,ANSI&AWP PLAT,GR12/15 GR-12 & GR-15; replaced 124126 from SN GR15-37684	
4	4828GT	NUT,NYLOCK,3/8-16	
5	1264278GT	SPACER,ANSI&AWP,PTD,GR12/15	
6	6550GT	U-BOLT,3/8 X 1 YZ	
7	6022GT	NUT,HEX,3/8-16	
8	145177GT	WELDMENT, PLATFORM GATED NRW	1
9	6091GT	NUT,NYLOCK,1/4-20	
10	12013GT	SHIM,.375 X .063	
11	6884GT	SCREW,HHC,1/4-20 X 2.5	
12	226802GT	GAS STRUT,20LB,13"EXT-9"CLOSED	1
12-	65874GT	CONNECTOR, NYLON END (35893)**	
13	40265GT	BALL STUD,GAS STRUT (38593)***	2
14	37719GT	BUSHING,1.5 X 3/8 OD X 1/4 ID	4
15	824461GT	ASM, ARM, LOWER PIVOT NRW replaced 145168	1
16	38338GT	PIN,SPRING,.25X.75 ZINC PLATED	1
17	824457GT	ASM, UPPER GATE ARM NRW replaced 145174	1
18	145266GT	BRACKET,GATE STOP,GR,NRW	1
19	4266GT	SCREW,HHC,1/4-20 X 2	
20	37732GT	PIN,PULL	1
21	57116GT	HOUSING, LATCH, AWP/IWP/CWP	1
22	26787GT	KNOB order set screw separately	1
22B	2095GT	SCREW,SET,HS 10-32 X.25	1
23	26780GT	PLATE,HINGE	2



502.2 Gated Entry Platform (AWP) (to SN GRP-59999 & to SN GRR-10000)



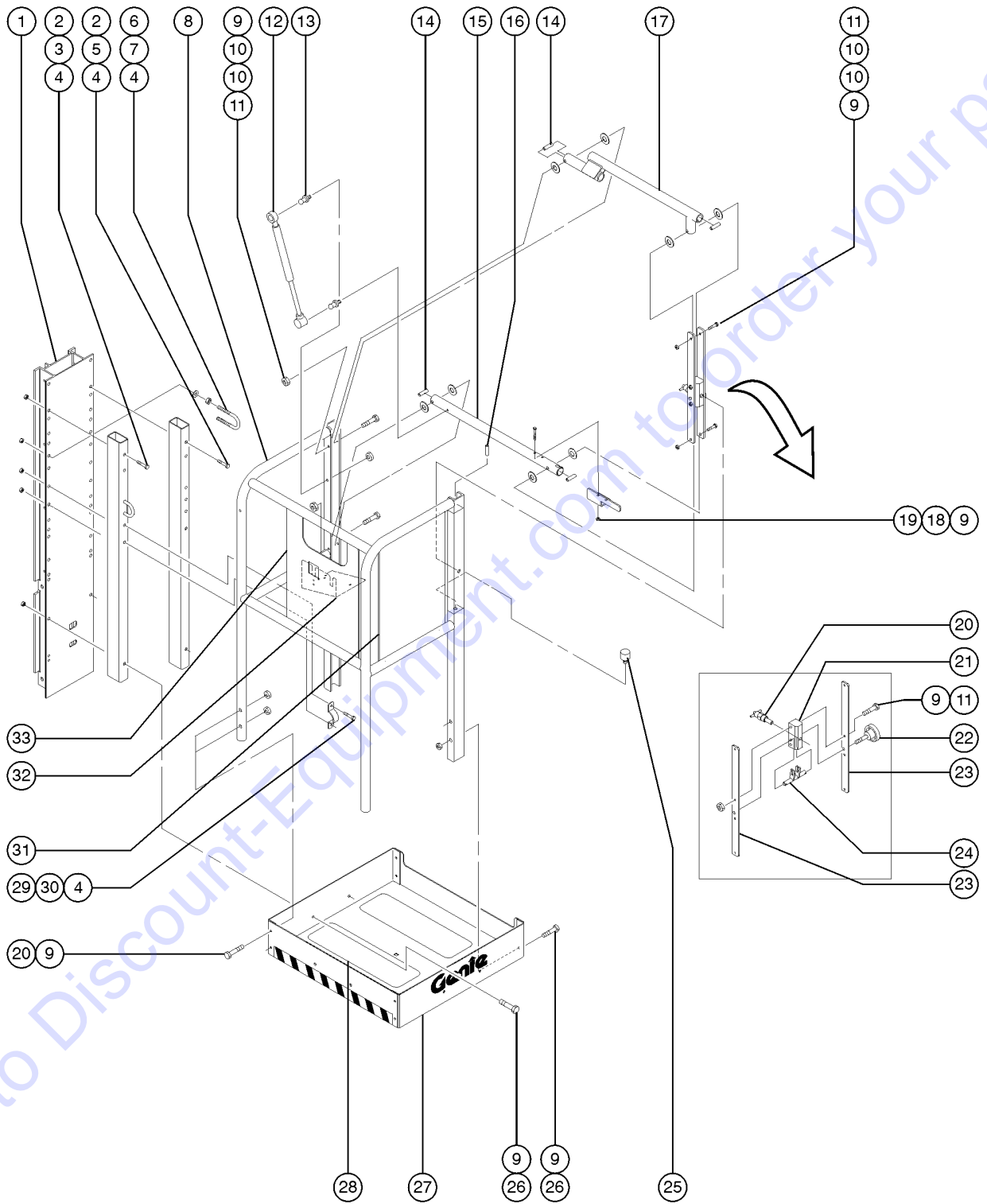
502.2 Gated Entry Platform (AWP) (to SN GRP-59999 & to SN GRR-10000)

Item	Part No.	Description	Qty.
24	57138GT	LATCH ROTATOR, GATED PLATFORM	1
25	26785GT	BUMPER,RUBBER	1
26	6888GT	SCREW,HHC,1/4-20 X 1	
27	229076GT	TOEBOARD W/DECALS, NARROW	1
28	24537GT	TAPE,NON-SKID,DIE CUT,6"X 2'	2
29	6175GT	SCREW,HHC,3/8-16 X 1	
30	38586GT	CLAMP,PLATFORM MOUNT	
31	T115627GT	DCL PLT,AWP NW,GR12/15,ANS/CSA GR-12,GR-15 & GR-20; USA & Canada, English	1
31-	T115629GT	DCL PLT,AWP NW,GR12/15,CSA FR GR-12, GR-15 & GR-20; USA & Canada,French	
31-	T114176GT	DCL PLT ASSY,GATED,NRW,AWP,SYM GR-12, GR-15 & GR-20; Asia & S. America, Symbols	
32	227120GT	FORMING,PLAT CTRL ADPTER	1
33	T114174GT	DECAL PLT,JYSTK,AWP GATED,WRD GR-12,GR-15 & GR-20; USA & Canada, English	1
33-	T114175GT	DECAL PLT,JYSTK,AWP GATED,FR GR-12, GR-15 & GR-20; USA & Canada, French	
33-	226801GT	DCL PLT,JYSTK,AWP NW,SY ANSI GR-12, GR-15 & GR-20; Asia & S. America, Symbols	

Go to Discount-Equipment.com to order your parts



502.3 Gated Entry Platform (AWP) (to SN GRP-59999 & to SN GRR-10000)

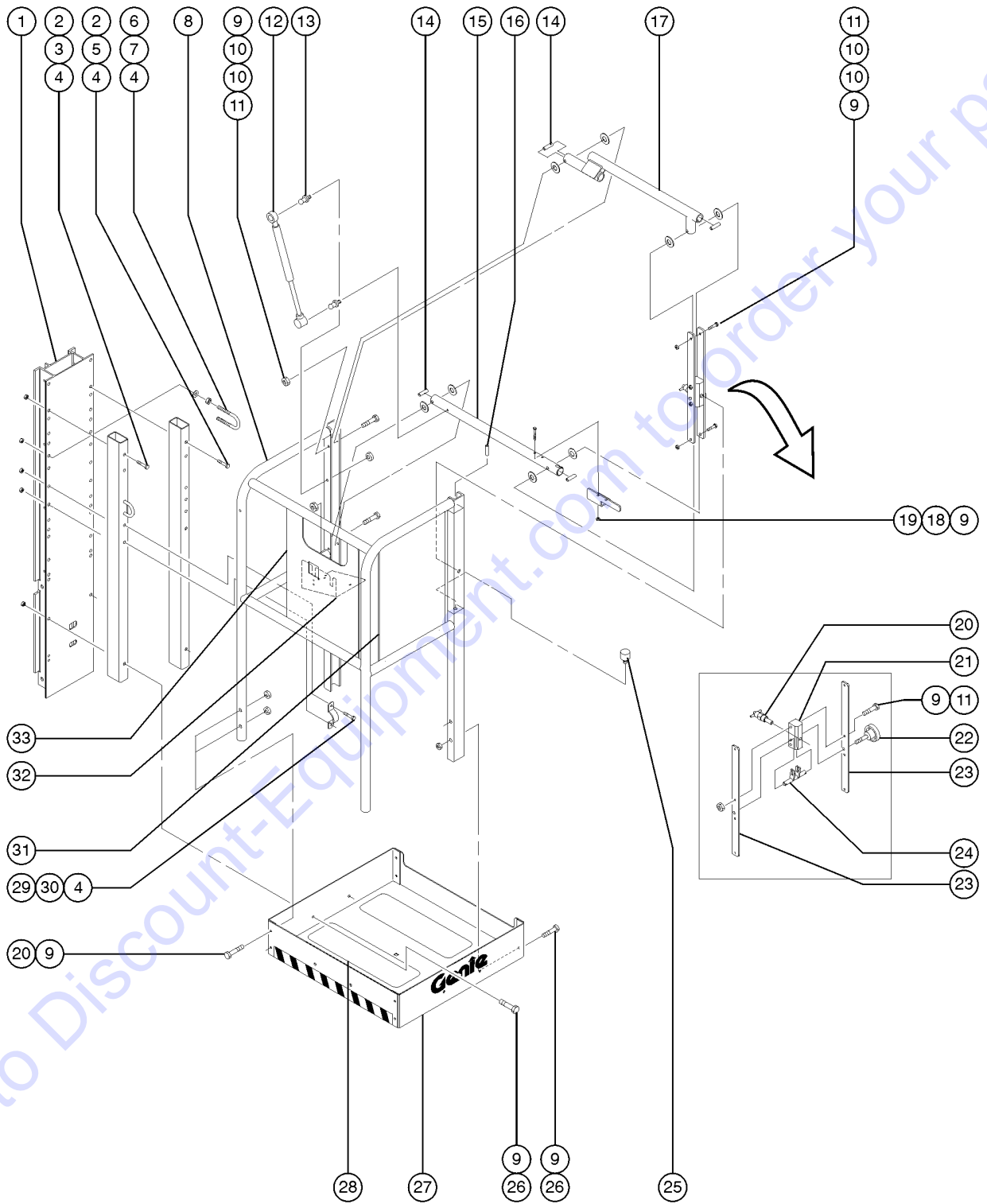


502.3 Gated Entry Platform (AWP) (to SN GRP-59999 & to SN GRR-10000)

Item	Part No.	Description	Qty.
	T115626GT	PLAT,AWP NRW,GR,ANSI/CSA GR-12, GR-15 & GR-20; USA & Canada, English	
	T115628GT	PLAT,AWP NRW,GR,CSA FR GR-12, GR-15 & GR-20; Canada, French	
	226800GT	PLAT,AWP NRW,GR,ANSI/ASIA GR-12, GR-15 & GR-20; Asia & S. America Symbols	
1		Ref. Carriage (refer to 306.1)	
6	6550GT	U-BOLT,3/8 X 1 YZ	
7	6022GT	NUT,HEX,3/8-16	
8	145177GT	WELDMENT, PLATFORM GATED NRW	1
9	6091GT	NUT,NYLOCK,1/4-20	
10	12013GT	SHIM,.375 X .063	
11	6884GT	SCREW,HHC,1/4-20 X 2.5	
12	226802GT	GAS STRUT,20LB,13"EXT-9"CLOSED	1
12-	65874GT	CONNECTOR, NYLON END (35893)**	
13	40265GT	BALL STUD,GAS STRUT (38593)***	2
14	37719GT	BUSHING,1.5 X 3/8 OD X 1/4 ID	4
15	824461GT	ASM, ARM, LOWER PIVOT NRW replaced 145168	1
16	38338GT	PIN,SPRING,.25X.75 ZINC PLATED	1
17	824457GT	ASM, UPPER GATE ARM NRW replaced 145174	1
18	145266GT	BRACKET,GATE STOP,GR,NRW	1
19	4266GT	SCREW,HHC,1/4-20 X 2	
20	37732GT	PIN,PULL	1
21	57116GT	HOUSING, LATCH, AWP/IWP/CWP	1
22	26787GT	KNOB order set screw separately	1
22B	2095GT	SCREW,SET,HS 10-32 X.25	1
23	26780GT	PLATE,HINGE	2
24	57138GT	LATCH ROTATOR, GATED PLATFORM	1
25	26785GT	BUMPER,RUBBER	1
26	6888GT	SCREW,HHC,1/4-20 X 1	
27	229076GT	TOEBOARD W/DECALS, NARROW	1



502.3 Gated Entry Platform (AWP) (to SN GRP-59999 & to SN GRR-10000)



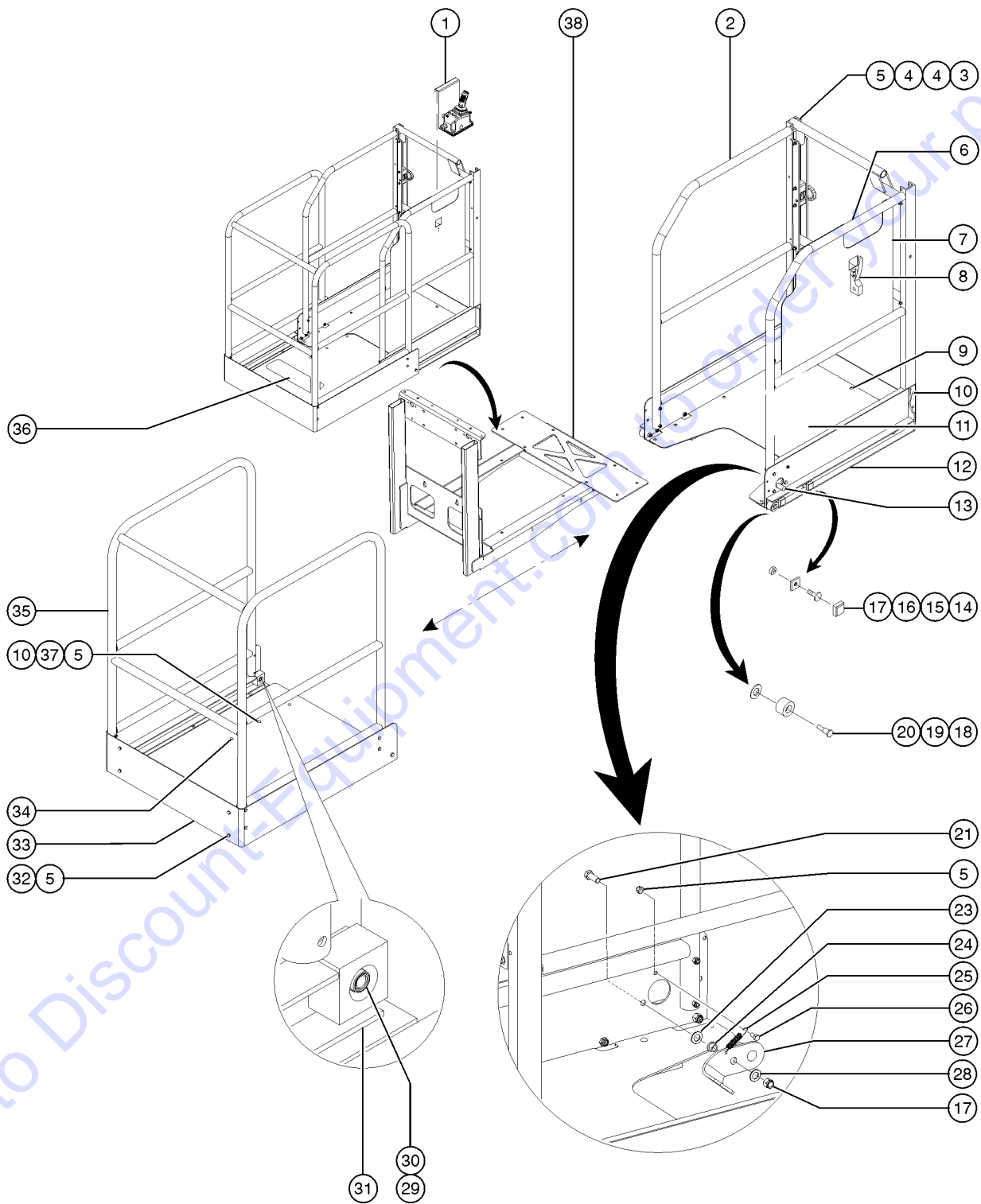
502.3 Gated Entry Platform (AWP) (to SN GRP-59999 & to SN GRR-10000)

Item	Part No.	Description	Qty.
28	24537GT	TAPE,NON-SKID,DIE CUT,6"X 2'	2
29	6175GT	SCREW,HHC,3/8-16 X 1	
30	38586GT	CLAMP,PLATFORM MOUNT	
31	T115627GT	DCL PLT,AWP NW,GR12/15,ANS/CSA GR-12,GR-15 & GR-20; USA & Canada; English	1
31-	T115629GT	DCL PLT,AWP NW,GR12/15,CSA FR GR-12, GR-15 & GR-20; USA & Canada; French	
31-	T114176GT	DCL PLT ASSY,GATED,NRW,AWP,SYM GR-12, GR-15 & GR-20; Asia & S. America; Symbols	
32	227120GT	FORMING,PLAT CTRL ADPTER	1
33	T114174GT	DECAL PLT,JYSTK,AWP GATED,WRD GR-12,GR-15 & GR-20; USA & Canada; English	1
33-	T114175GT	DECAL PLT,JYSTK,AWP GATED,FR GR-12, GR-15 & GR-20; USA & Canada; French	
33-	226801GT	DCL PLT,JYSTK,AWP NW,SY ANSI GR-12, GR-15 & GR-20; Asia & S. America; Symbols	

Go to Discount-Equipment.com to order your parts



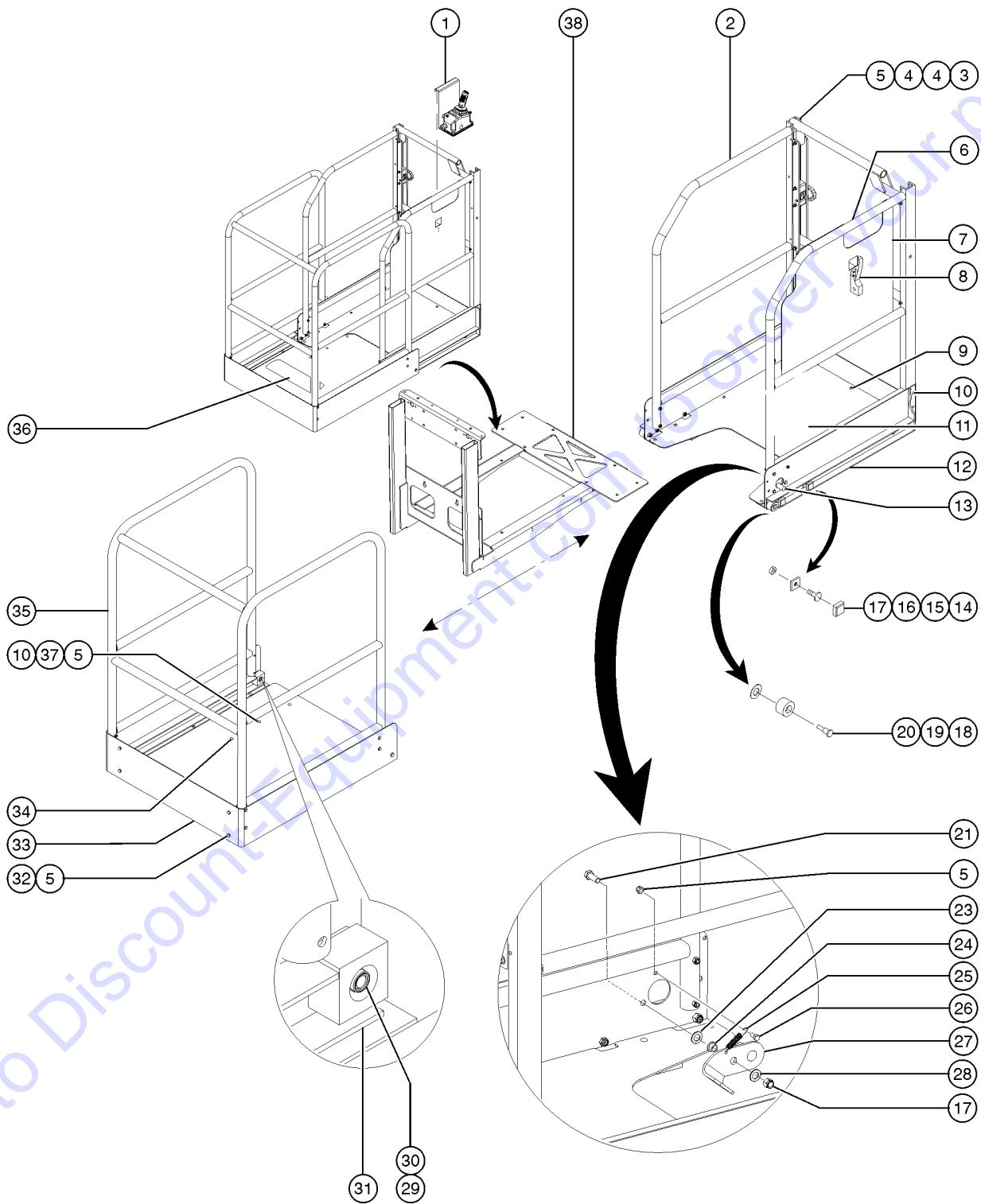
503.1 Platform with Extension Deck



Item	Part No.	Description	Qty.
-	T115624GT	PLAT ASSY,EXT,GR12/15,ANSI/CSA (models with midrail entry) GR-12 & GR-15; USA & Canada, English (to SN GRP-59999 & SN GRR-10000)	
-	T115636GT	PLAT ASSY,EXT,GR12/15,CSA FR (models with midrail entry) GR-12 & GR-15; Canada, French (to SN GRP-59999 & SN GRR-10000)	
-	T115638GT	PLAT ASSY,EXT,GR12/15,CE (models with midrail entry) GR-12 & GR-15; Europe, Symbols (to SN GRP-59999 & SN GRR-10000)	
-	T115640GT	PLAT ASSY,EXT,GR12/15,AUS (models with midrail entry) GR-12 & GR-15; Australia (to SN GRP-59999 & SN GRR-10000)	
-	226782GT	PLAT ASSY,EXT,GR12/15,ANSI/ASIA (models with midrail entry) GR-12 & GR-15; Asia & S. America, Symbols (to SN GRP-59999 & SN GRR-10000)	
-	T115642GT	PLAT ASSY,EXTGTD,GR12/15,ANSI (models with gate entry) GR-12 & GR-15; USA & Canada, English (to SN GRP-59999 & SN GRR-10000)	
-	T115643GT	PLT ASSY,EXTGTD,GR12/15,CSA FR (models with gate entry) GR-12 & GR-15; Canada, French (to SN GRP-59999 & SN GRR-10000)	
-	T115644GT	PLAT ASSY,EXTGTD,GR12/15,CE (model with gate entry) GR-12 & GR-15; Europe, Symbols (to SN GRP-59999 & SN GRR-10000)	
-	T115645GT	PLAT ASSY,EXTGTD,GR12/15,AUS (models with gate entry) GR-12 & GR-15; Australia (to SN GRP-59999 & SN GRR-10000)	
-	226798GT	PLAT ASSY,EXTGTD,GR12/15,ANSI (models with gate entry) GR-12 & GR-15; Asia & S. America, Symbols (to SN GRP-59999 & SN GRR-10000)	
1		Ref. Platform Controls (refer to 505.1 or 506.1)	
2	109833GT	WELDMENT,INNER PUSH RAIL,LH (ground control side)	1
3	6884GT	SCREW,HHC,1/4-20 X 2.5	
4	12013GT	SHIM,.375 X .063	
5	6091GT	NUT,NYLOCK,1/4-20	
6	109834GT	WELDMENT,INNER PUSH RAIL,RH (power unit side)	1
7	T115625GT	DECAL PLT,EXT,GR12/15,ANSI/CSA GR-12 & GR-15; USA & Canada, English (to SN GRP-59999 & SN GRR-10000)	1
7-	T115637GT	DECAL PLT,EXT,GR12/15,CSA FR GR-12 & GR-15; Canada, French (to SN GRP-59999 & SN GRR-10000)	
7-	226795GT	DCL PLT,EXT,GR12/15,ASIA/S.AM GR-12 & GR-15; Asia & S. America, Symbols (to SN GRP-59999 & SN GRR-10000)	
7-	T115639GT	DECAL PLT,EXT,GR12/15,CE GR-12 & GR-15; Europe, Symbols (to SN GRP-59999 & SN GRR-10000)	
7-	T115641GT	DECAL PLT,EXT,GR12/15,AUS GR-12 & GR-15; Australia (to SN GRP-59999 & SN GRR-10000)	
8	47218GT	DRAW LATCH,OVER-CENTER*** (includes keeper and latch)	1
8-	62819GT	KEEPER, OVER CENTER LATCH TMZ	
9	71315GT	RIVET,DRIVE, .25 X .25	
10	124576GT	BOLT,CARRIAGE,1/4-20X1.00 G5	
11	47225GT	TAPE,NON-SKID,DIE CUT,1.38X1.5	1



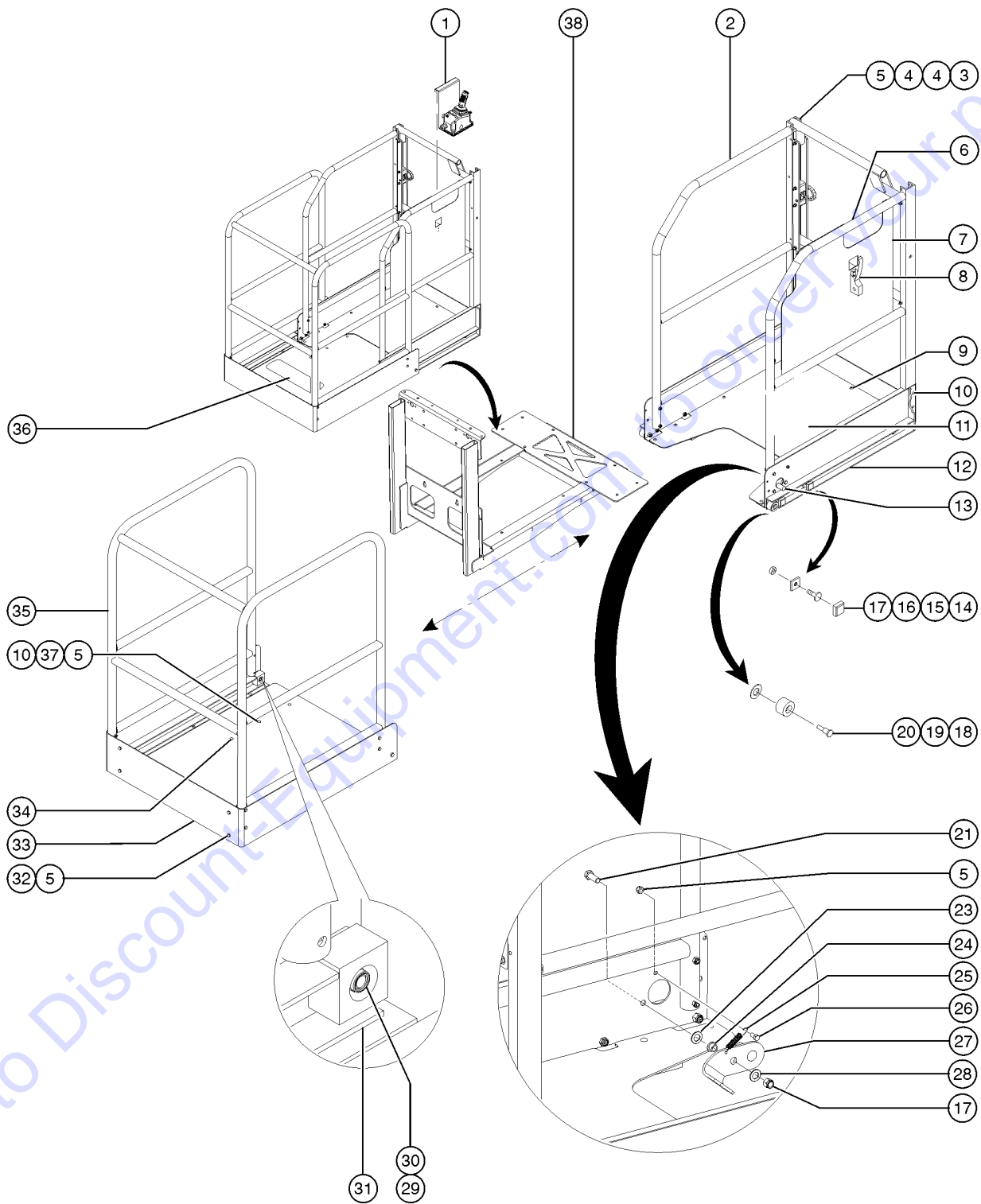
503.1 Platform with Extension Deck



Item	Part No.	Description	Qty.
12	124555GT	WELDMENT,INNER DECK EXT,GR	1
13	124020GT	WELDMENT,FOOT PEDAL,GR	1
14	38011GT	SHIM,SIDE PAD	4
15	40946GT	BOLT,SHIM	
16	38013GT	SHIM NUT,ADJUSTER	
17	7713GT	NUT, LP NYLOCK, 3/8-16	
18	21280GT	BOLT-ROLLER,3/8-24 X 1.69-ZINC	
19	11906GT	ROLLER-NYLATRON, 1.625" O.D.	2
19-	21279GT	BUTTON, .800 O.D. X .281	
20	6097GT	WASHER,FLAT,USS,3/8",Y	
21	6175GT	SCREW,HHC,3/8-16 X 1	
22	6091GT	NUT,NYLOCK,1/4-20	
23	6035GT	WASHER,FLAT,USS,5/8",Y	
24	33720GT	BEARING,FLANGE,3/8 (AWP & ST)	
25	69466GT	SPRING, EXTENSION .375 X .20	1
26	7339GT	SCREW,HHC,1/4-20 X .5	
27	124020GT	WELDMENT,FOOT PEDAL,GR	1
28	6052GT	WASHER,SHIM,.5 X .875 X .063	
29	4828GT	NUT,NYLOCK,3/8-16	
30	6019GT	SCREW,HHC,3/8-16 X 1.25 GRD 5	
31	69397GT	SLIDE BLOCK, EXT. PLATFORM	2
32	6090GT	SCREW,HHC,1/4-20 X .75	
33	124625GT	OUTER DECK ASSY W/DECALS	
34	124580GT	BOLT,CARRIAGE,1/4X.75,G5	
35	100655GT	WELDMENT, RAIL, OUTER DECK	1
36	24537GT	TAPE,NON-SKID,DIE CUT,6"X 2'	4
37	6638GT	WASHER,FLAT,USS,1/4"Y	
38A	124624GT	PLATFORM SUPPORT ASSY,ANSI USA & Canada (to SN GRP-59999 & SN GRR-10000)	1



503.1 Platform with Extension Deck

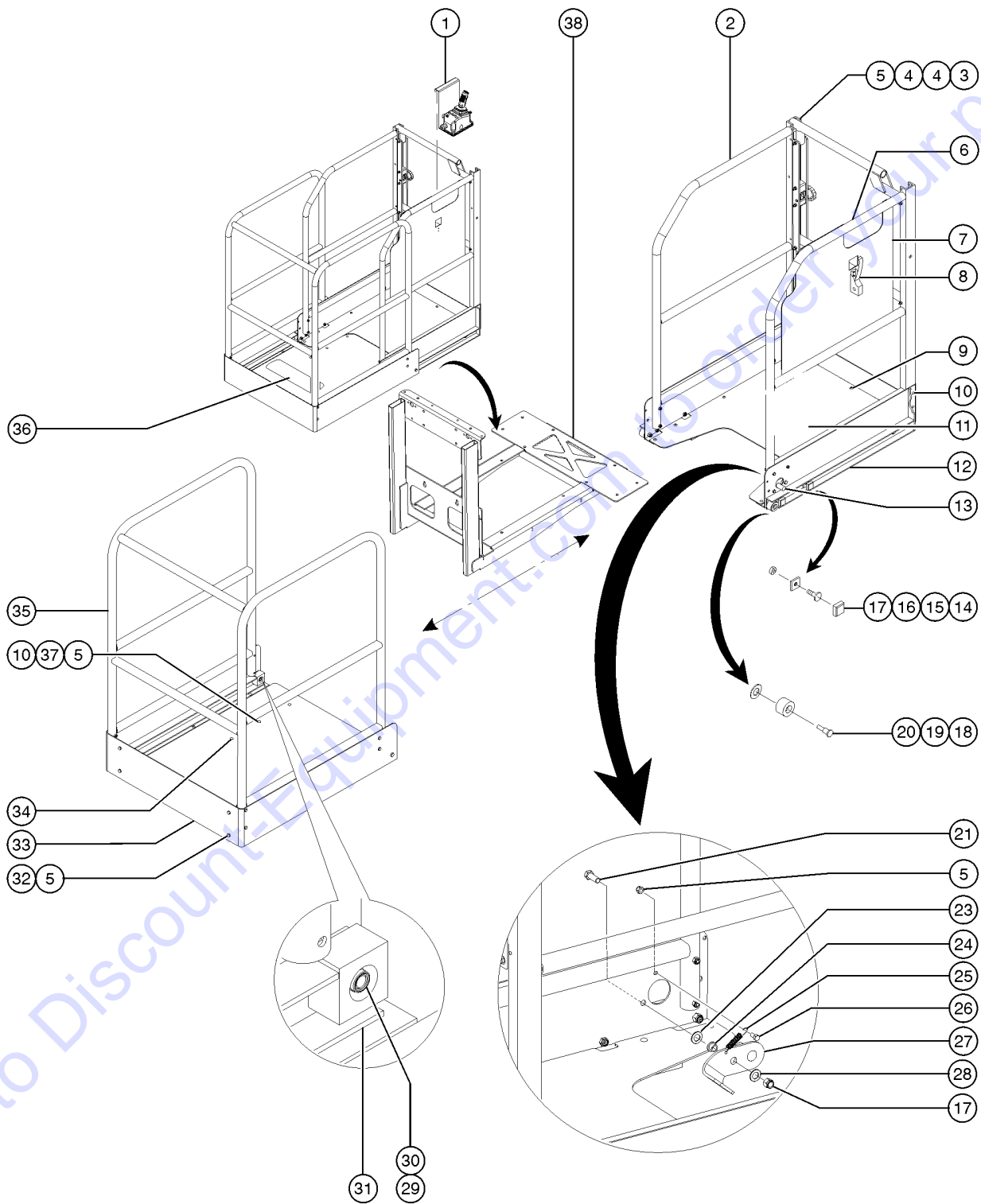


<i>Item</i>	<i>Part No.</i>	<i>Description</i>	<i>Qty.</i>
38B		PLATFORM SUPPORT ASSY,CE (refer to 508.1)	

Go to Discount-Equipment.com to order your parts



503.2 Platform with Extension Deck

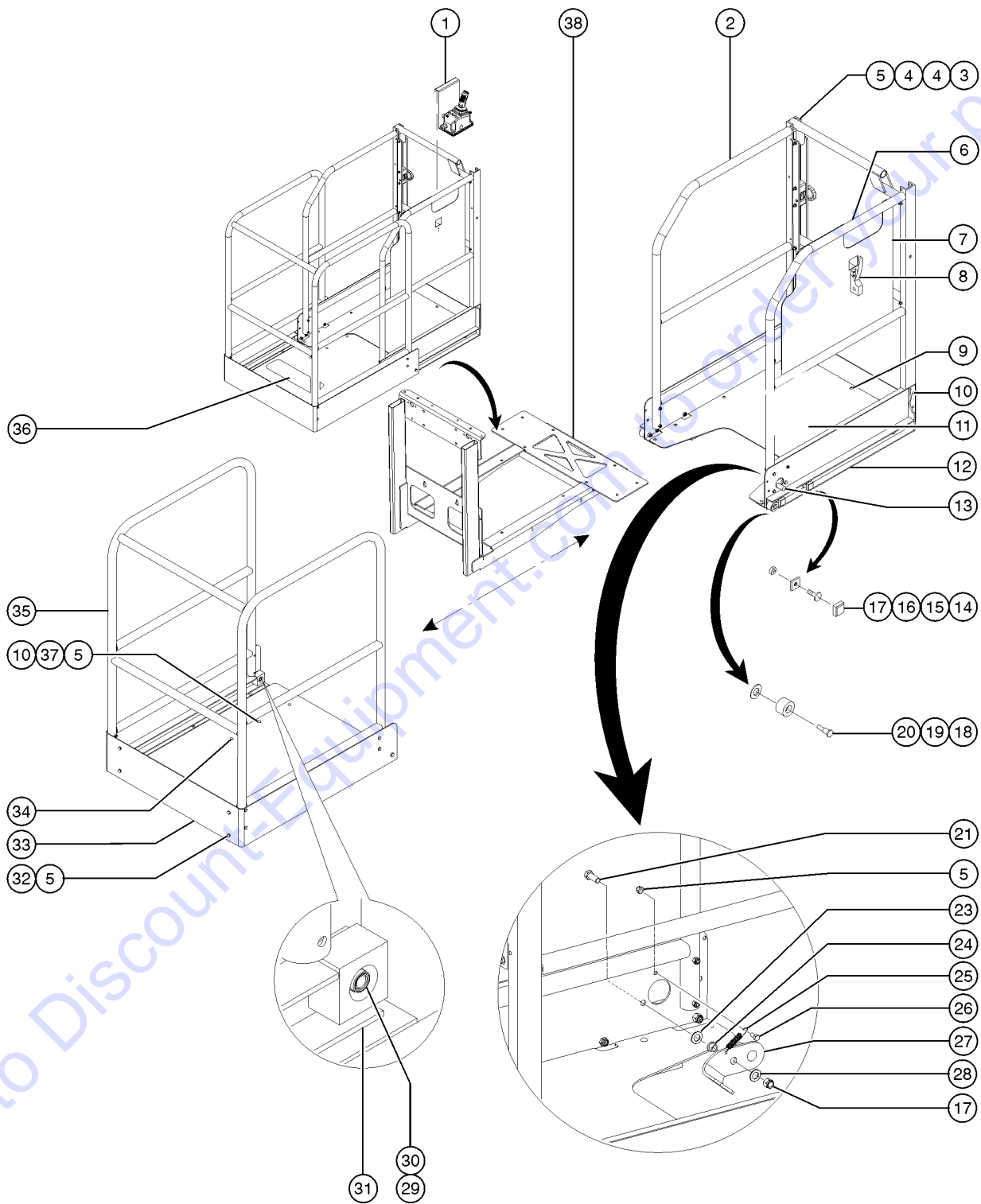


503.2 Platform with Extension Deck

Item	Part No.	Description	Qty.
-	T115652GT	PLAT ASSY,EXT,GR20,ANSI/CSA (models with midrail entry) GR-20; USA & Canada, English (to SN GRP-59999 & SN GRR-10000)
-	T115654GT	PLAT ASSY,EXT,GR20,CSA FR (models with midrail entry) GR-20; Canada, French (to SN GRP-59999 & SN GRR-10000)
-	T115662GT	PLAT ASSY,EXT,GR20,CE (models with midrail entry) GR-20; Europe, Symbols (to SN GRP-59999 & SN GRR-10000)
-	T115664GT	PLAT ASSY,EXT,GR20,AUS (models with midrail entry) GR-20; Australia (to SN GRP-59999 & SN GRR-10000)
-	226796GT	PLAT ASSY,EXT,GR20,ANSI/ASIA (models with midrail entry) GR-20; Asia & S. America, Symbols (to SN GRP-59999 & SN GRR-10000)
-	T115666GT	PLAT ASSY,EXTGTD,GR20,ANSI (models with gate entry) GR-20; USA & Canada, English (to SN GRP-59999 & SN GRR-10000)
-	T115667GT	PLAT ASSY,EXTGTD,GR20,CSA FR (models with gate entry) GR-20; Canada, French (to SN GRP-59999 & SN GRR-10000)
-	T115668GT	PLAT ASSY,EXTGTD,GR20,CE (models with gate entry) GR-20; Europe, Symbols (to SN GRP-59999 & SN GRR-10000)
-	T115669GT	PLAT ASSY,EXTGTD,GR20,AUS (models with gate entry) GR-20; Australia (to SN GRP-59999 & SN GRR-10000)
-	226799GT	PLAT ASSY,EXTGTD,GR20,ANSI (models with gate entry) GR-20; Asia & S. America, Symbols (to SN GRP-59999 & SN GRR-10000)
1		Ref. Platform Controls (refer to 505.1 or 506.1)
2	109833GT	WELDMENT,INNER PUSH RAIL,LH (ground control side)	1
3	6884GT	SCREW,HHC,1/4-20 X 2.5
4	12013GT	SHIM,.375 X .063
5	6091GT	NUT,NYLOCK,1/4-20
6	109834GT	WELDMENT,INNER PUSH RAIL,RH (power unit side)	1
7-	T115653GT	DECAL PLT,EXT,GR20,ANSI/CSA GR-20; USA & Canada, English (to SN GRP-59999 & SN GRR-10000)
7-	T115655GT	DECAL PLT,EXT,GR20,CSA FR GR-20; Canada, French (to SN GRP-59999 & SN GRR-10000)
7-	T115665GT	DECAL PLT,EXT,GR20,AUS GR-20; Australia (to SN GRP-59999 & SN GRR-10000)
7-	226797GT	DCL PLT,EXT,GR20,ASIA/S.AM GR-20; Asia & S. America, Symbols (to SN GRP-59999 & SN GRR-10000)
7-	T115663GT	DECAL PLT,EXT,GR20,CE GR-20; Europe, Symbols (to SN GRP-59999 & SN GRR-10000)
8	47218GT	DRAW LATCH,OVER-CENTER*** (includes keeper and latch)	1
8-	62819GT	KEEPER, OVER CENTER LATCH TMZ
9	71315GT	RIVET,DRIVE, .25 X .25
10	124576GT	BOLT,CARRIAGE,1/4-20X1.00 G5
11	47225GT	TAPE,NON-SKID,DIE CUT,1.38X1.5	1
12	124555GT	WELDMENT,INNER DECK EXT,GR	1



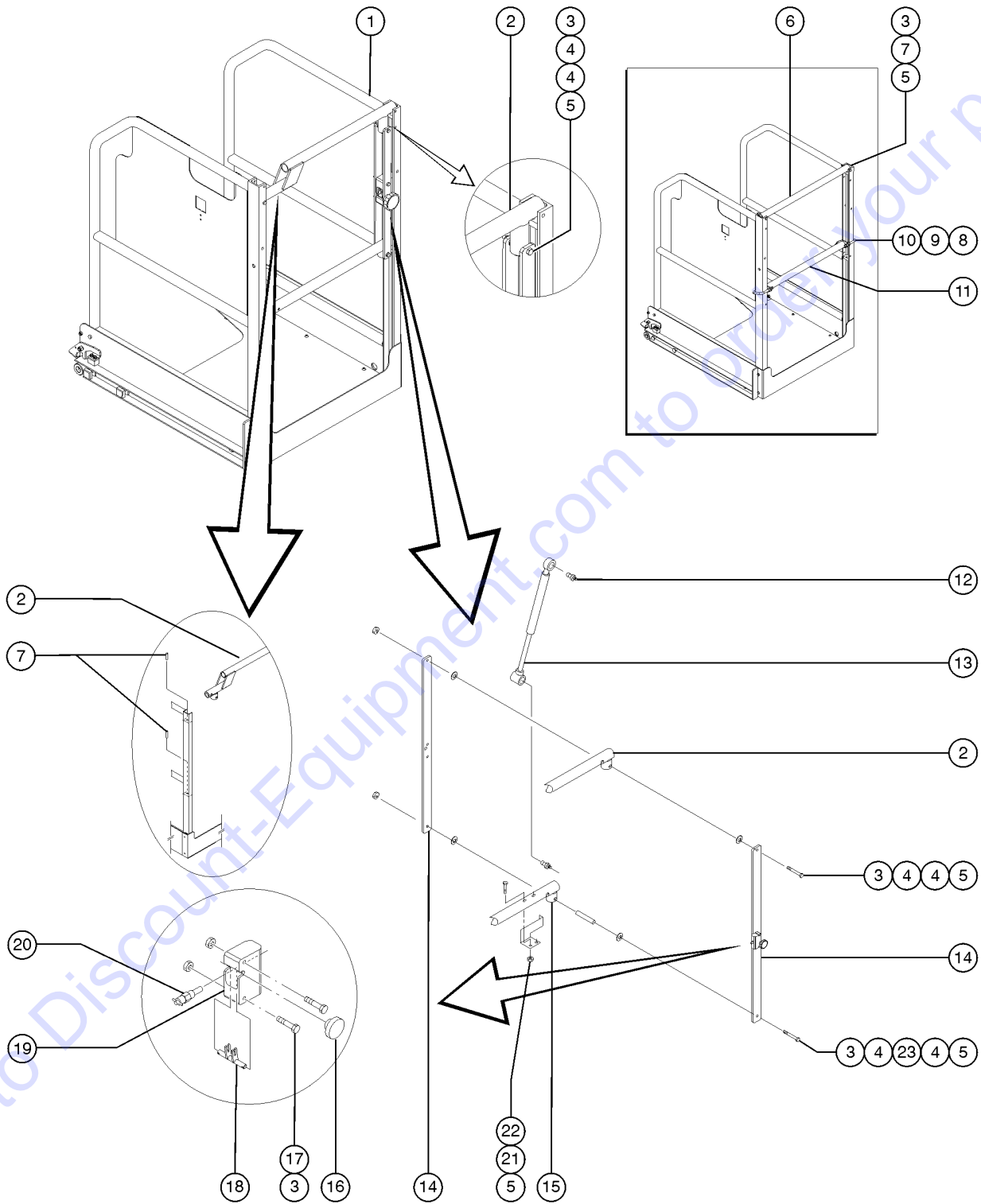
503.2 Platform with Extension Deck



Item	Part No.	Description	Qty.
13	124020GT	WELDMENT, FOOT PEDAL, GR	1
14	38011GT	SHIM, SIDE PAD	4
15	40946GT	BOLT, SHIM	
16	38013GT	SHIM NUT, ADJUSTER	
17	7713GT	NUT, LP NYLOCK, 3/8-16	
18	21280GT	BOLT-ROLLER, 3/8-24 X 1.69-ZINC	
19	11906GT	ROLLER-NYLATRON, 1.625" O.D.	2
19-	21279GT	BUTTON, .800 O.D. X .281	
20	6097GT	WASHER, FLAT, USS, 3/8", Y	
21	6175GT	SCREW, HHC, 3/8-16 X 1	
22	6091GT	NUT, NYLOCK, 1/4-20	
23	6035GT	WASHER, FLAT, USS, 5/8", Y	
24	33720GT	BEARING, FLANGE, 3/8 (AWP & ST)	
25	69466GT	SPRING, EXTENSION .375 X .20	1
26	7339GT	SCREW, HHC, 1/4-20 X .5	
27	124020GT	WELDMENT, FOOT PEDAL, GR	1
28	6052GT	WASHER, SHIM, .5 X .875 X .063	
29	4828GT	NUT, NYLOCK, 3/8-16	
30	6019GT	SCREW, HHC, 3/8-16 X 1.25 GRD 5	
31	69397GT	SLIDE BLOCK, EXT. PLATFORM	2
32	6090GT	SCREW, HHC, 1/4-20 X .75	
33	124625GT	OUTER DECK ASSY W/DECALS	
34	124580GT	BOLT, CARRIAGE, 1/4X.75, G5	
35	100655GT	WELDMENT, RAIL, OUTER DECK	1
36	24537GT	TAPE, NON-SKID, DIE CUT, 6"X 2'	4
37	6638GT	WASHER, FLAT, USS, 1/4"Y	
38A	124624GT	PLATFORM SUPPORT ASSY, ANSI USA & Canada (to SN GRP-59999 & SN GRR-10000)	1
38B		PLATFORM SUPPORT ASSY, CE (refer to 508.1)	



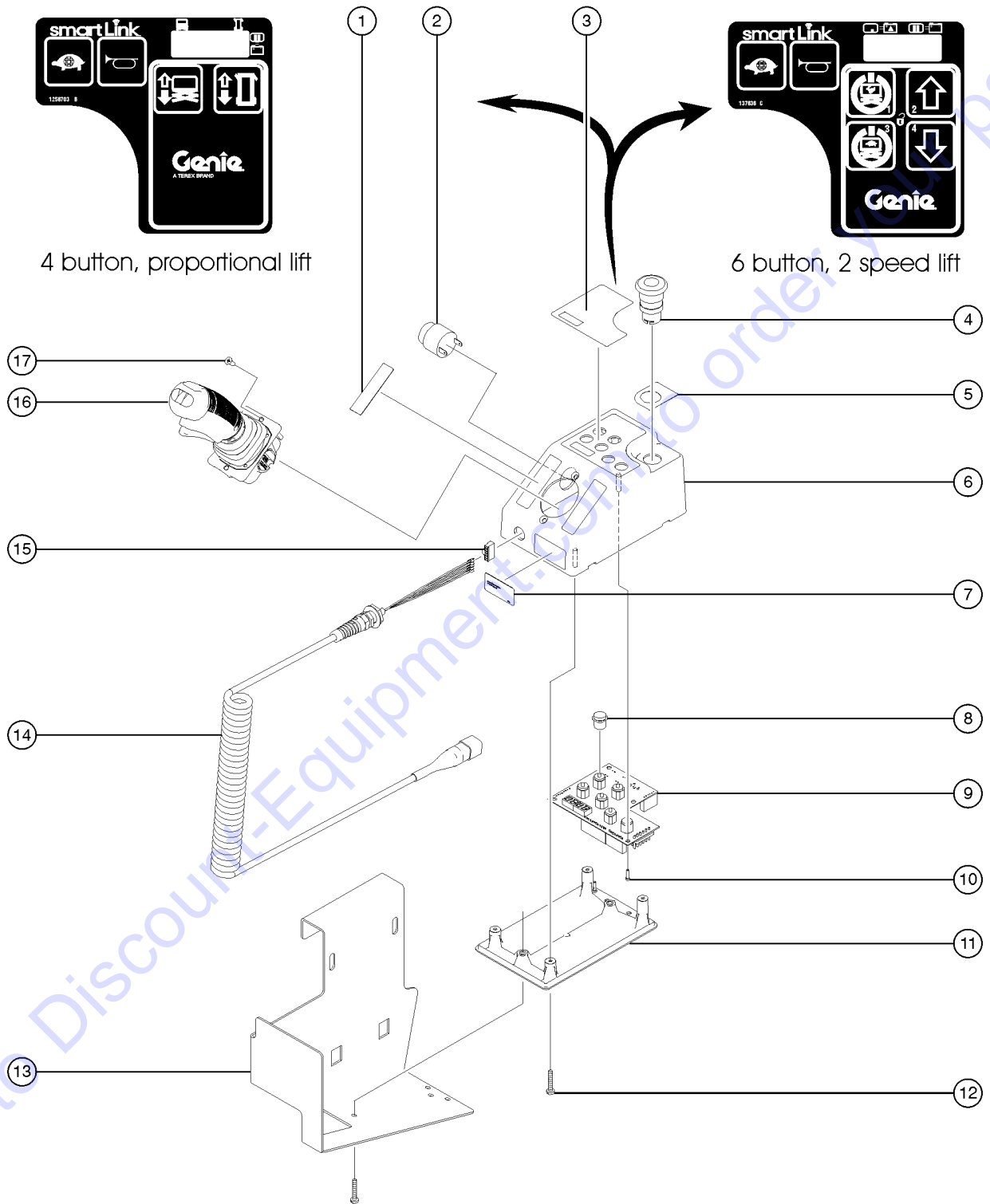
504.1 Platform Extension and Gates



504.1 Platform Extension and Gates

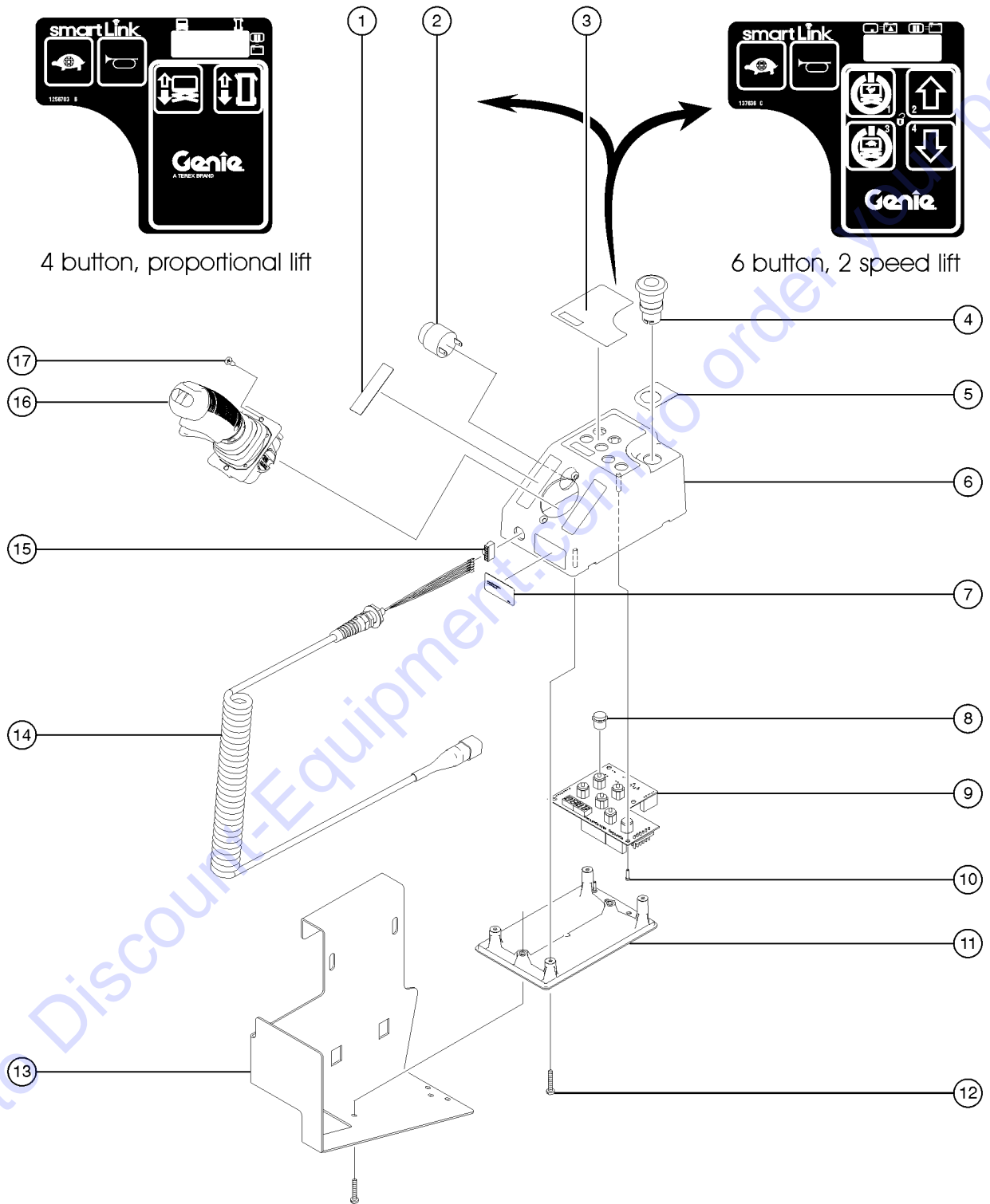
Item	Part No.	Description	Qty.
A	1289528GT	KIT,GATE,SLIDG MIDRAIL,GR includes items 3, 5-11	
1		Ref. Inner Deck Platform Rails (refer to 503.1)	
2	824458GT	ASM, UPPER SWING GATE replaced 109513	1
3	6884GT	SCREW,HHC,1/4-20 X 2.5	
4	12013GT	SHIM,.375 X .063	
5	6091GT	NUT,NYLOCK,1/4-20	
6	109504GT	TUBE, FIXED TOP RAIL, EXT PLAT	1
7	37719GT	BUSHING,1.5 X 3/8 OD X 1/4 ID	
8	80306GT	U-BOLT, 3/8-16 X 3 X 2.375	
9	6022GT	NUT,HEX,3/8-16	
10	4828GT	NUT,NYLOCK,3/8-16	
11	109505GT	WLDMT,SLIDG MID RAIL,EXT PLAT	1
12	40265GT	BALL STUD,GAS STRUT (38593)***	2
13	226802GT	GAS STRUT,20LB,13"EXT-9"CLOSED	1
13-	65874GT	CONNECTOR, NYLON END (35893)**	
14	109517GT	FLATBAR, LINK, SWING GATE	2
15		ASM, LOWER SWING GATE available soon, replaced 145272	1
15-	145193GT	ASM, TUBE GR GATED (includes items 5, 12, 22 and 23)	
16	26787GT	KNOB order set screw separately	1
16B	2095GT	SCREW,SET,HS 10-32 X.25	1
17	6889GT	NUT,LP NYLOCK,1/4-20	
18	57138GT	LATCH ROTATOR, GATED PLATFORM	1
19	57116GT	HOUSING, LATCH, AWP/IWP/CWP	1
20	37732GT	PIN,PULL	1
21	38338GT	PIN,SPRING,.25X.75 ZINC PLATED	2
22	145189GT	BRACKET,GATE STOP	1
23	4266GT	SCREW,HHC,1/4-20 X 2	

505.1 Platform Controls, 2 Speed Lift



Item	Part No.	Description	Qty.
A	1258335GT	KIT, SL PROP UPGRD, ANSI, GR (For 2 speed to proportional lift conversion. Software upgrade is required and available on-line or refer to 506.1 for USB flash drive) to SN GR14-34999
B	1258336GT	KIT, SL PROP UPGRD, AUS, GR (For 2 speed to proportional lift conversion. Software upgrade is required and available on-line or refer to 506.1 for USB flash drive) to SN GR14-34999
C	1258340GT	KIT, SL PROP UPGRD, CE, GR (For 2 speed to proportional lift conversion. Software upgrade is required and available on-line or refer to 506.1 for USB flash drive) to SN GR14-34999
D	1258517GT	KIT, SL PROP UPGRD, ANSI SYM G (For 2 speed to proportional lift conversion. Software upgrade is required and available on-line or refer to 506.1 for USB flash drive) to SN GR14-34999
E	137633GT	PCON, GR/GRC/GS (models with 6 button, 2 speed controller) (complete platform control box with coil cord, bracket not included) to SN GR14-34999
E-	219205GT	FLASH DRIVE, SL1K1.0 SOFTWARE (models with 6 button, 2 speed controller) (complete platform control box with coil cord, bracket not included) to SN GR14-34999
F	137587GT	HARNESS, ESTOP, GR/GRC/GS PCON
1	137656GT	DECAL, PROPEL, GR/GRC/GS, PCON	1
2A	39540GT	ALARM, STEADY TONE*** order 72326 mounting ring separately	1
2B	72326GT	NUT - PLASTIC, RING FOR ALARMS for 39540
3A	137636GT	DECAL, UI, GR/GRC/GS PCON (models with 6 button, 2 speed controller) to SN GR14-34999	1
3B	1256703GT	DECAL, STD, PROP LIFT, UI, SVC (units converted from 6 button, 2 speed lift to 4 button, proportional controller)	1
4	66812GT	BUTTON, PUSH, RED MUSHROOM HEAD	1
4-	66817GT	BASE WITH 1 NC CONTACT, E-STOP
5	137605GT	DECAL, E-STOP, GR/GRC/GS PCON	1
6	T106368GT	ENCLOSURE, GC14-1, TOP	1
7	137642GT	LABEL, GR/GRC/GS PCON	1
8	T106373GT	CAP, BUTTON, K12	4
9	137522GT	PCBA, GC14-1	1
10	137637GT	SCREW, PHM, 4-20X.5, 48-2 TRI-L
11	T106370GT	ENCLOSURE, GC14-1/GC16-1, BOT	1
12	137640GT	SCREW, PHM, 8-16X.75, 48-2 TRI-L
13A	T114178GT	PLAT CONTROL BRKT ASSY, GR/GRC USA, Canada, Australia	1
13B	145344GT	FORMING, PLATFORM CONTROL Europe, Asia, S. America
14	235464GT	KIT, COIL CORD, CONTRLR, SL1000 includes item 15	1
14-	60444GT	CONN, RECEP 6 WAY, 14-18GA

505.1 Platform Controls, 2 Speed Lift

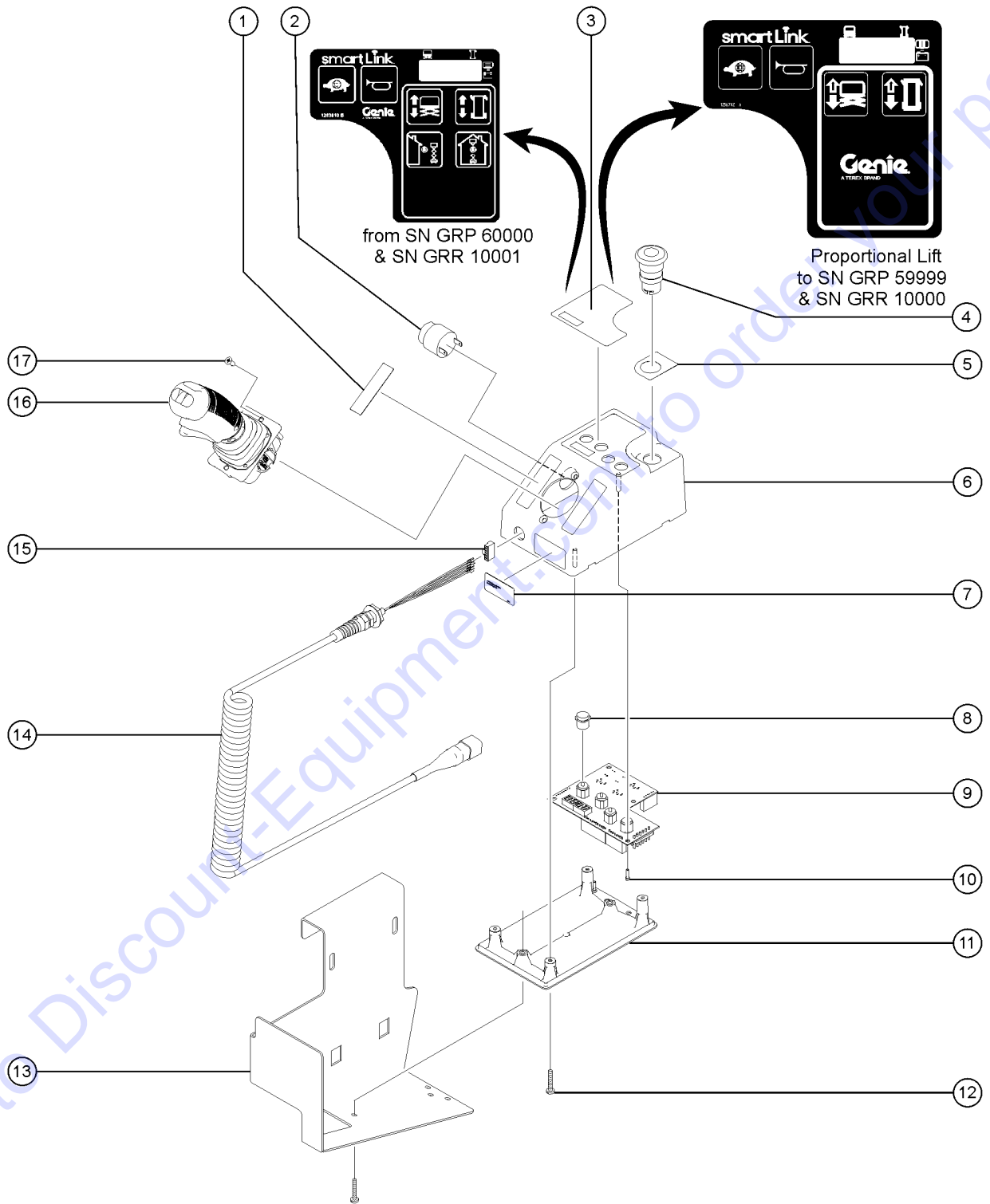


Item	Part No.	Description	Qty.
14-	60757GT	PLUG,SEAL,12-18 GA	
14-	60445GT	LOCK,RECEP 6 WAY,14-18GA	
14-	137697GT	TERMINAL, PIN, AU, 18-20GA	
14-	231921GT	KIT,CONN,RECEPT W/PIN AND LOCK	
14-	231922GT	KIT,CONN,PLUG W/SCKT AND LOCK	
15	137699GT	PLUG, 6POS ECO PWR	1
16		Ref., JOYSTICK	
		refer to 507.1	
17	229845GT	SCREW,BHSCS,M5X10,SS	
		apply Loctite 243 or equivalent before installation	

Go to Discount-Equipment.com to order your parts



506.1 Platform Controls, Proportional Lift

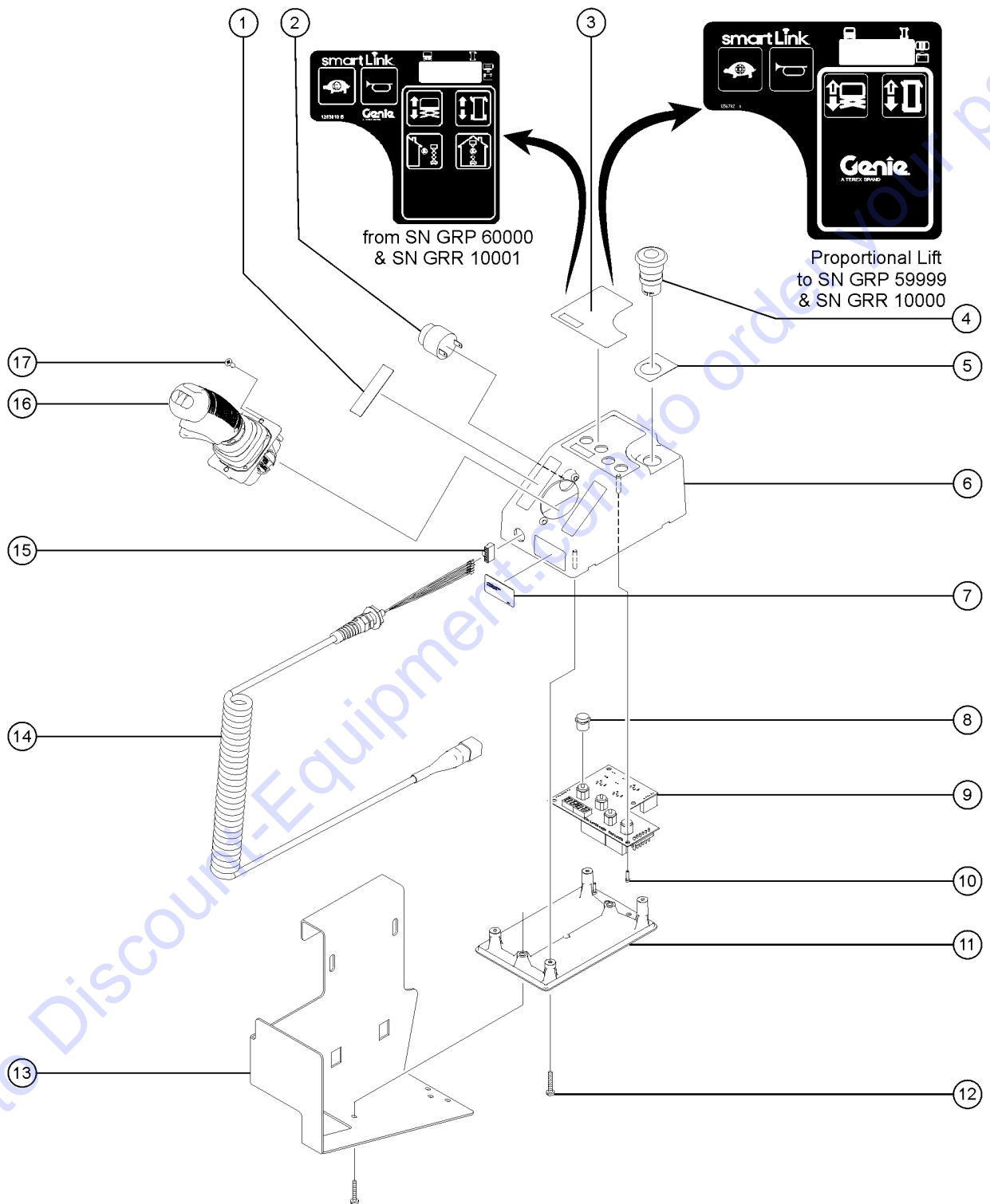


506.1 Platform Controls, Proportional Lift

Item	Part No.	Description	Qty.
A	1256727GT	PCON,STD,PROP LIFT,GR/GS (complete platform control box with coil cord, bracket not included) from SN GR14-35000 to GR16-40865, GR16P-40866 to GR16P-44699, from GRP-44700. from GRR-101 to SN GRP-59999 & SN GRR-10000	1
A-	1258731GT	FLASH DRIVE,SL1K2.0 SOFTWARE (For proportional lift or upgrade kits only. Software update available on-line. Flash drive sold separately.) to SN GRP-59999 & SN GRR-10000	
A-	137587GT	HARNESS, ESTOP, GR/GRC/GS PCON	
B	1283792GT	PCON,STD,DUAL ZONE,GS/GR from SN GRP-60000 & SN GRR-10001	1
B-	1283811GT	SOFTWARE,PCON,DUAL ZONE from SN GRP-60000 & SN GRR-10001	
1	137656GT	DECAL,PROPEL,GR/GRC/GS,PCON	1
2A	39540GT	ALARM,STEADY TONE*** order 72326 mounting ring separately	1
2B	72326GT	NUT - PLASTIC,RING FOR ALARMS for 39540	
3A	1256702GT	DECAL, UI, GS/GR, PROP LIFT (models with 4 button, proportional controller) to SN GRP-59999 & SN GRR-10000	1
3B		REF:DECAL,STD,PROP LIFT,UI,SVC (units converted from 6 button, 2 speed lift to 4 button, proportional controller, refer to 505.1) to SN GRP-59999 & SN GRR-10000	1
3C	1283810GT	DECAL,STD,DUAL ZONE,GR/GS,UI from SN GRP-60000 & SN GRR-10001	
4	66812GT	BUTTON,PUSH,RED MUSHROOM HEAD	1
4-	66817GT	BASE WITH 1 NC CONTACT, E-STOP	
5	137605GT	DECAL,E-STOP,GR/GRC/GS PCON	1
6	1256656GT	ENCLOSURE,STD 4-BUTTON, TOP to SN GRP-59999 & SN GRR-10000	
6B	T106368GT	ENCLOSURE,GC14-1, TOP from SN GRP-60000 & SN GRR-10001	
7		(component no longer available)	
8	T106373GT	CAP,BUTTON,K12	6
9	1256725GT	PCBA,PCON STD,PROP LIFT to SN GRP-59999 & SN GRR-10000	1
9B	1283790GT	PCBA,PCON,STD,DUAL ZONE from SN GRP-60000 & SN GRR-10001	
10	137637GT	SCREW,PHM,4-20X.5, 48-2 TRI-L	
11	T106370GT	ENCLOSURE,GC14-1/GC16-1, BOT	1
12	137640GT	SCREW,PHM,8-16X.75, 48-2 TRI-L	
13A	T114178GT	PLAT CONTROL BRKT ASSY,GR/GRC USA, Canada, Australia	1
13B	145344GT	FORMING, PLATFORM CONTROL Europe, Asia and S. America	
14	235464GT	KIT,COIL CORD,CONTRLR,SL1000 includes item 15	1
14-	231921GT	KIT,CONN,RECEPT W/PIN AND LOCK	



506.1 Platform Controls, Proportional Lift



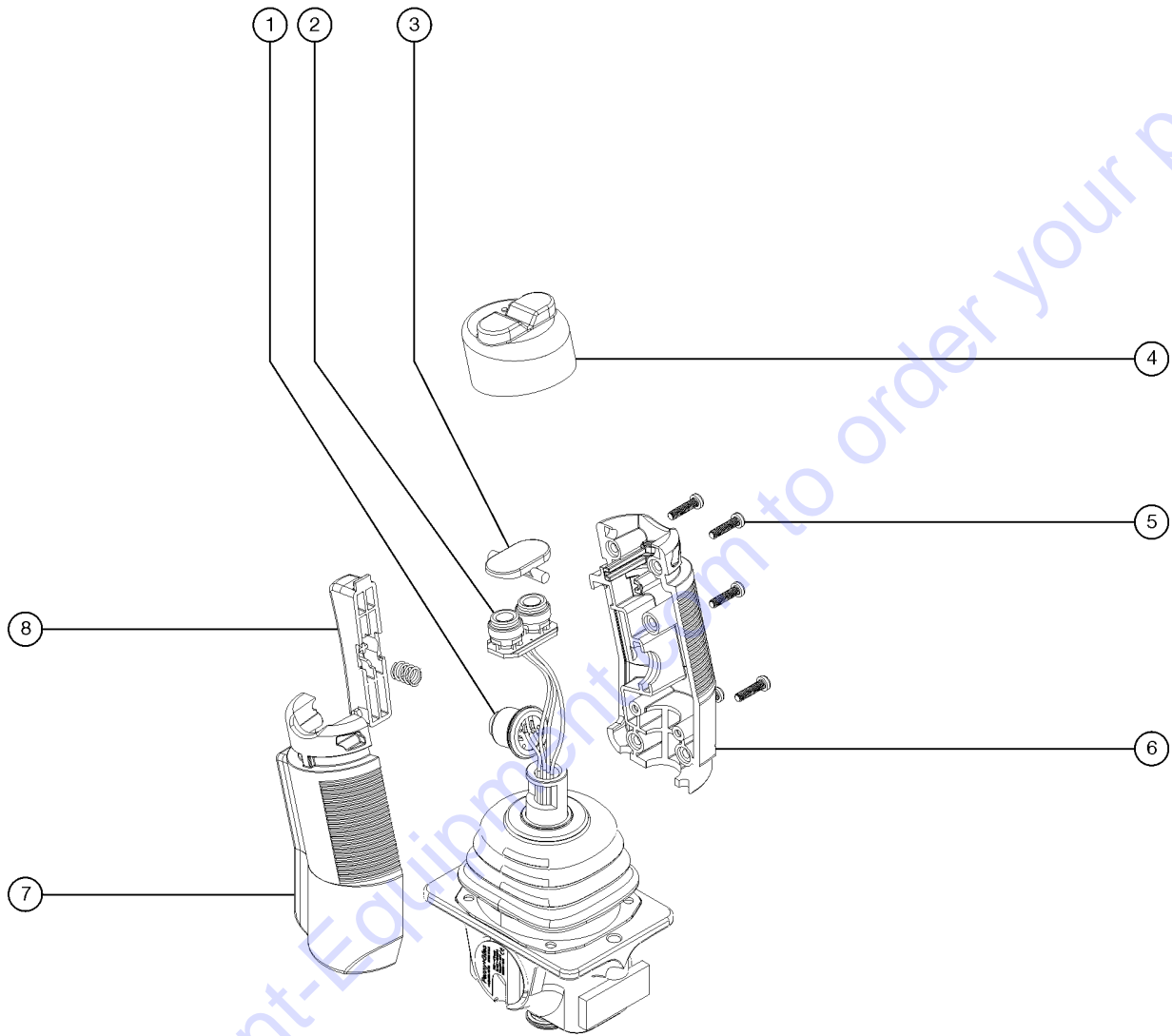
506.1 Platform Controls, Proportional Lift

Item	Part No.	Description	Qty.
14-	231922GT	KIT,CONN,PLUG W/SCKT AND LOCK	
15	137699GT	PLUG, 6POS ECO PWR	1
16		Ref., JOYSTICK	1
		refer to 507.1	
17	229845GT	SCREW,BHSCS,M5X10,SS	
		apply Loctite 243 or equivalent before installation	

Go to Discount-Equipment.com to order your parts



507.1 Joystick Controller



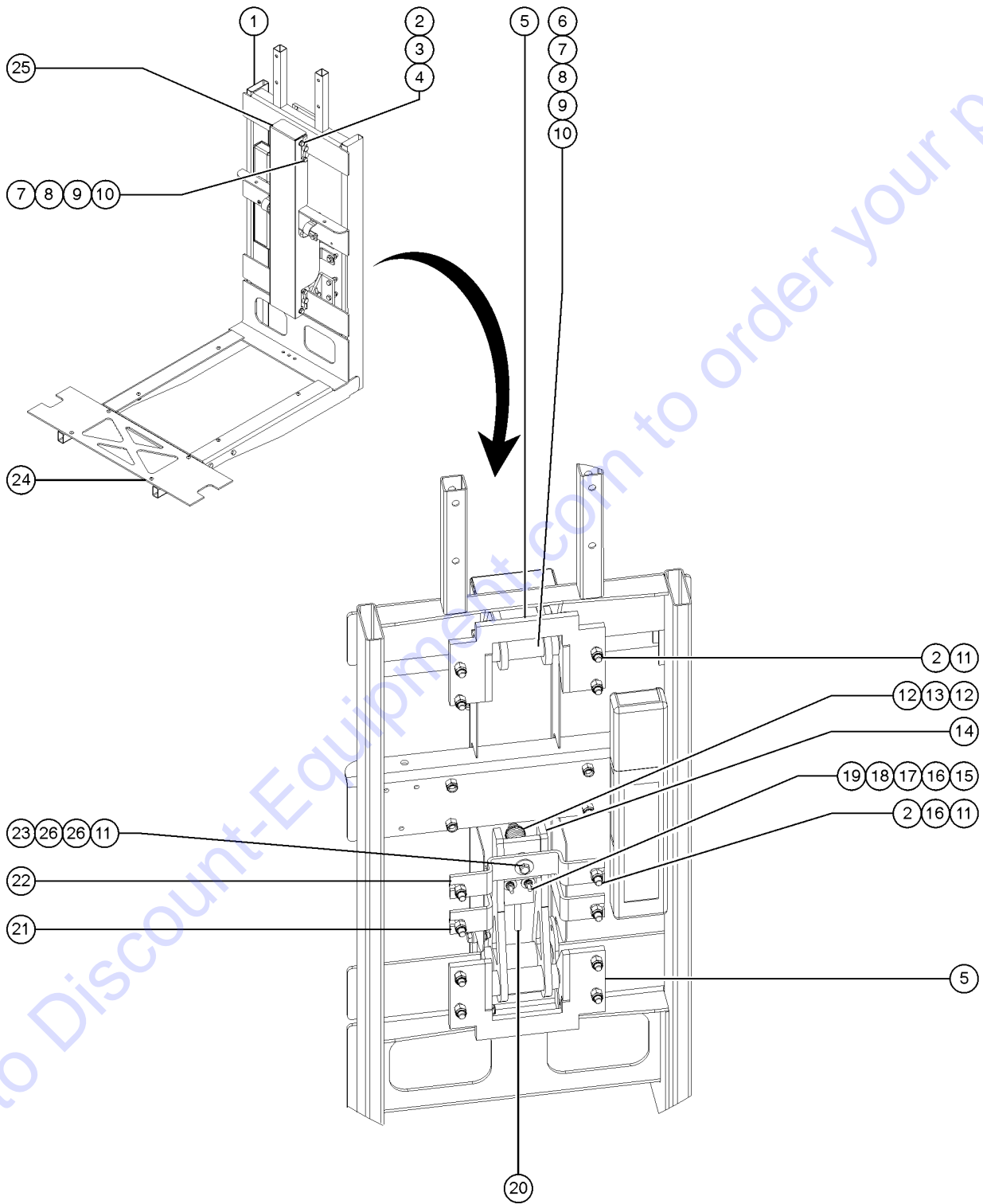
507.1 Joystick Controller

Item	Part No.	Description	Qty.
A-	137634GT	JOYSTICK, HALL EFFECT, SINGLE	
B-	214544GT	KIT,BOOT,JOYSTICK,SL1000	
		joystick boot	
1	235463GT	KIT,SWITCH,JYSTK,SL1000	1
		function enable and steer switches	
2	235463GT	KIT,SWITCH,JYSTK,SL1000	1
		function enable and steer switches	
3	229092GT	ROCKER,2 SWITCH	1
4	229093GT	BOOT, 2 SWITCH, SILICON	1
5	229086GT	SCREW, SELF TAP	5
6	229087GT	HANDLE HALF,RIGHT,W/TOP SWITCH	1
6A	229091GT	SCREW,GRUB,M5X8MM,HLF DOG,BZP	
		for 229087	
7	229088GT	HANDLE HALF,LEFT,W/TOP SWITCH	1
7A	229090GT	SCREW,GRUB,M5X8MM CUP(BLK)	
		for 229088	
8	229089GT	TRIGGER, EXTENDED	1
		squeeze handle	
8	229094GT	SPRING, HANDLE TRIGGER	1

Go to Discount-Equipment.com to order your parts

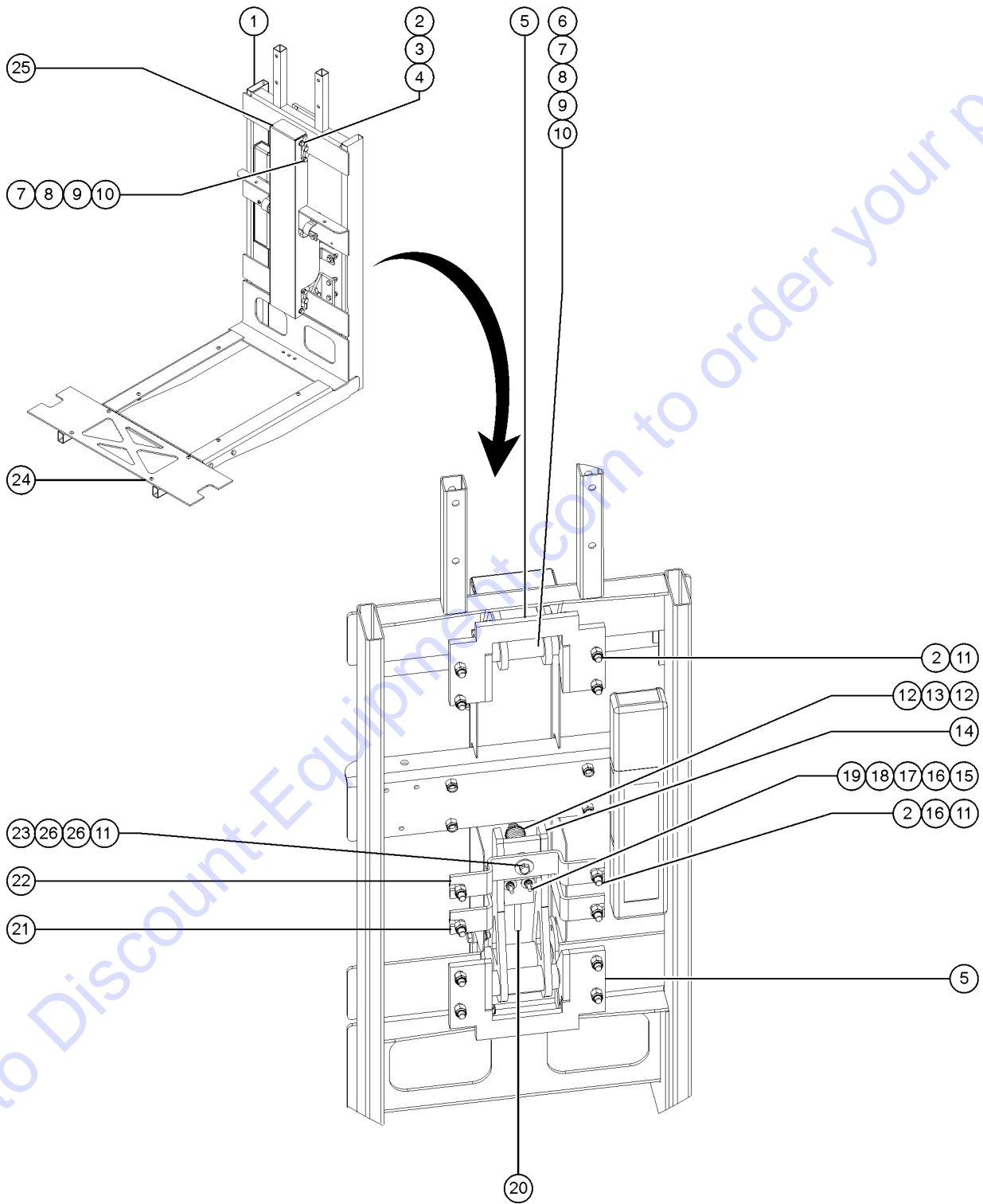


508.1 Platform Overload Assembly



Item	Part No.	Description	Qty.
1	124626GT	PLATFORM SUPPORT ASSY,CE SYM Europe & Australia to SN GRP-59999 & SN GRR-10000	1
1B	124626GT	PLATFORM SUPPORT ASSY,CE SYM applicable to all markets from SN GRP-60000 & SN GRR-10001	1
2	6019GT	SCREW,HHC,3/8-16 X 1.25 GRD 5 confirm size before ordering	
2B	6888GT	SCREW,HHC,1/4-20 X 1 confirm size before ordering	
3	6021GT	WASHER,LOCK,.375	
3B	6356GT	WASHER,LOCK,.25	
4	29868GT	SPRING CLIP,3/8-16,.05-.20X.73,ZAG	
4B	56912GT	SPRING CLIP,1/4-20,.025-.15X.54,ZAG	
5	100530GT	WELDMENT, LOAD SENSE CARRIAGE	2
6	1254350GT	ASSY,LOWER LINK,GR (includes bearings, 39581)	1
6-	39581GT	BEARING,0.75IDX1.00ODX0.50L	4
7	13002GT	SCREW,HHC,5/16-18 X 1 GR5	
8	825020GT	ROD END, .25 X 2.75, ZAG	
9	124680GT	PIN,0.75DIA X 5.13LG,CHAMFER	4
10	6782GT	NUT,NYLOCK,5/16-18	
11	4828GT	NUT,NYLOCK,3/8-16	
12	61975GT	RETAINER,SPRING,1.21 X .375	2
13	61974GT	SPRING,COMP,1" OD,232 LB/IN	1
14	1254351GT	ASSY,PIVOT LINK,GR (includes bearings, 39581)	1
14-	39581GT	BEARING,0.75IDX1.00ODX0.50L	4
15	15513GT	NUT,HEX,10-32	
16	6607GT	WASHER,LOCK,#10 PLTD	
17	35461GT	WASHER,FLAT,MS,#8,Y	
18	6638GT	WASHER,FLAT,USS,1/4"Y	
19	75041GT	SCREW,PHILLIPS,PHM,10-32 X 1	
20		SWITCH, ROLLER PLUNGER LIMIT	1
21	100825GT	FORMING, LIMIT SWITCH CARRIER	1
22	100824GT	FORMING, SPRING CARRIER	1

508.1 Platform Overload Assembly



Go to Discount-Equipment.com to order your parts

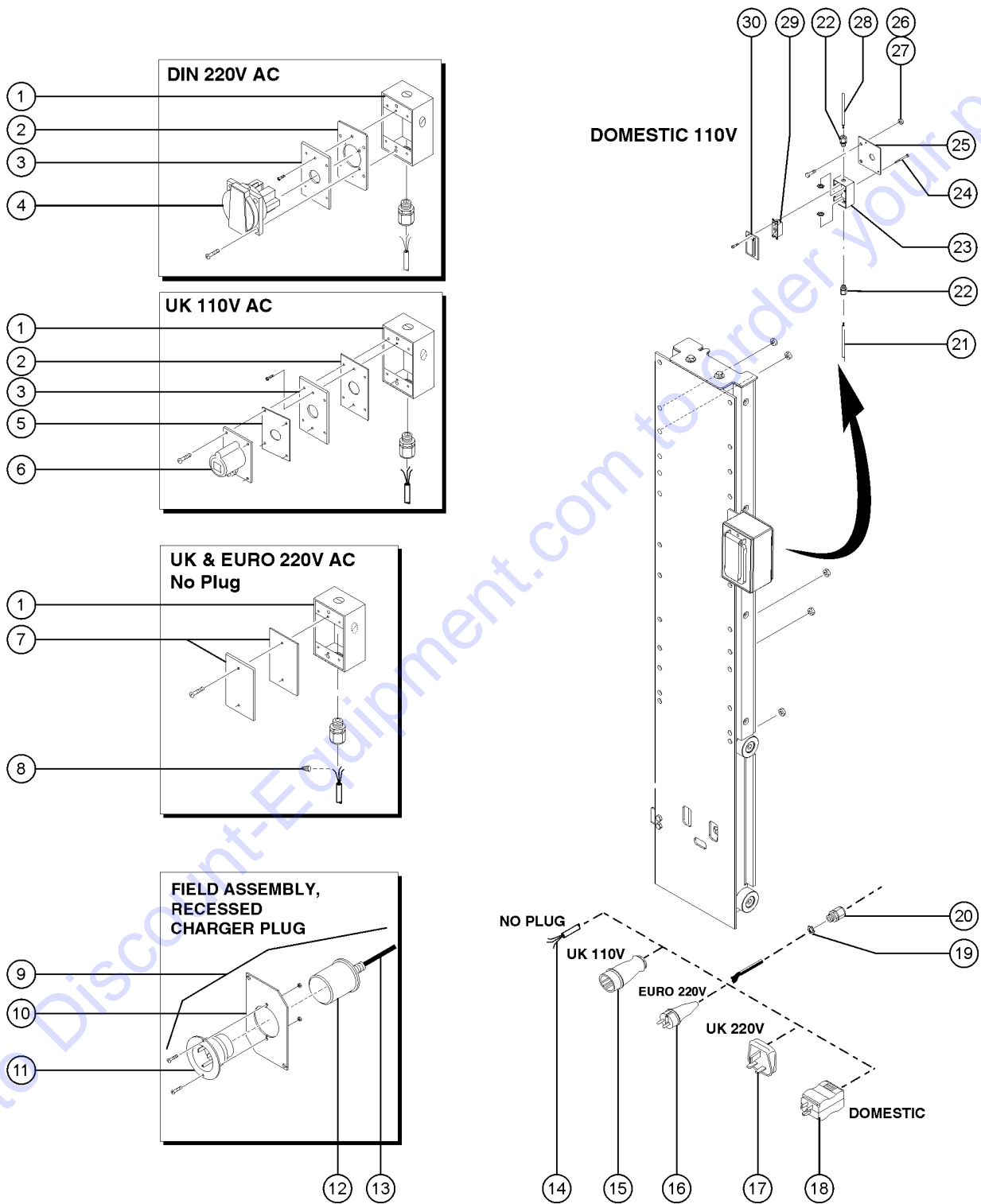
508.1 Platform Overload Assembly

<i>Item</i>	<i>Part No.</i>	<i>Description</i>	<i>Qty.</i>
23	8352GT	SCREW,HHC,3/8-16 X 3.75 GD 5	
24	100550GT	WELDMENT, PLAT SUPPORT EXT	1
25	100826GT	FORMING, LOADSENSE COVER	1
26	6097GT	WASHER,FLAT,USS,3/8",Y	

Go to Discount-Equipment.com to order your parts



509.1 Power to Platform (to SN GRP-59999 & to SN GRR-10000)

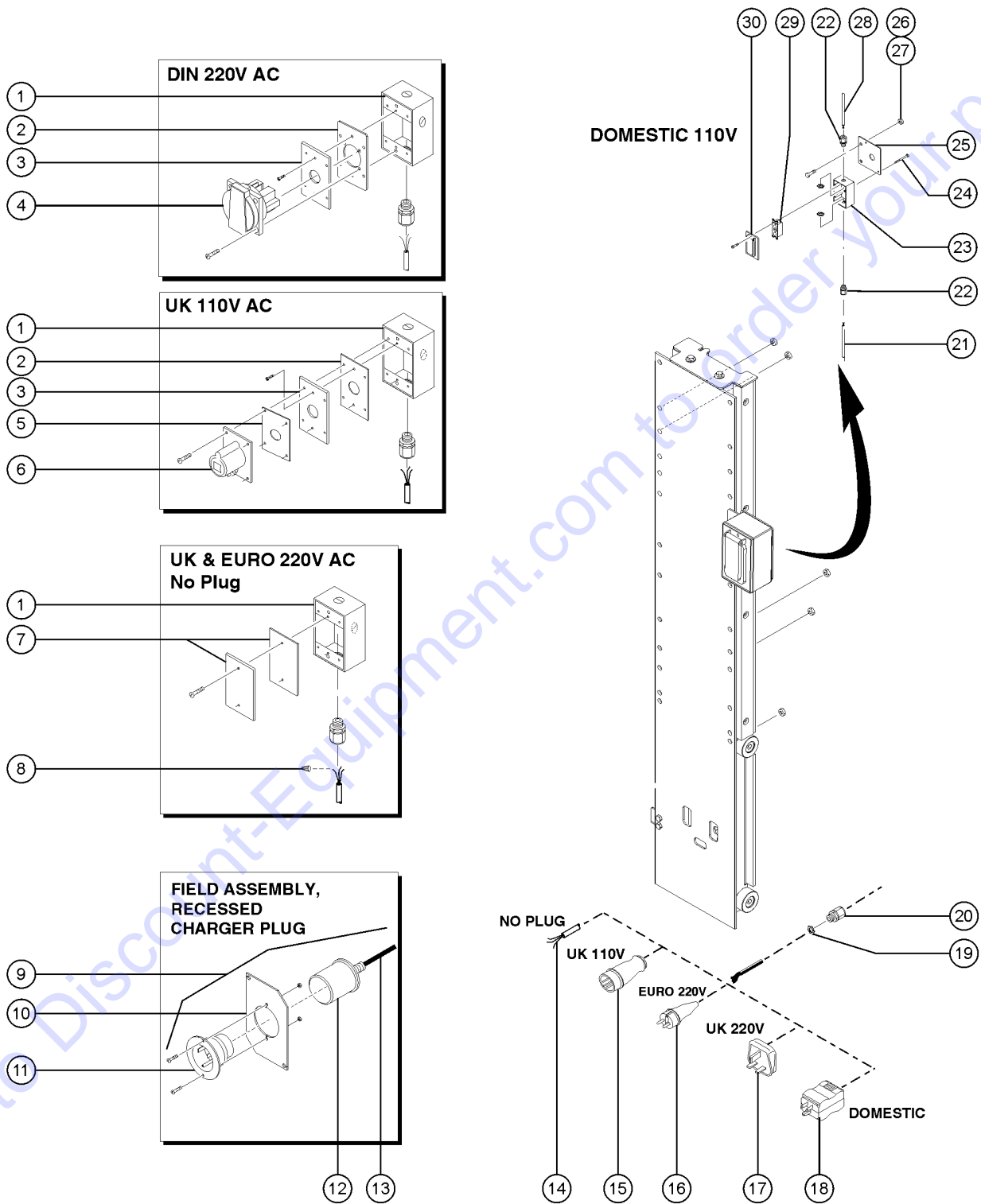


509.1 Power to Platform (to SN GRP-59999 & to SN GRR-10000)

Item	Part No.	Description	Qty.
-	105812GT	COVER,T-BOX LOCKABLE EE rated (not shown)	1
1	69919GT	JUNCTION BOX, 4 OUTLET, DEEP UK and CE units	1
2	66355GT	GASKET, UK & DIN PWR. TO PLAT	1
3	96236GT	PLATE,AC ADAPTER,DIN/UK***	1
4	66353GT	RECEPTACLE, DIN, 220V 50A	1
5	66356GT	GASKET, UK RECEPTACLE 2.88 in x 2.88 inch	1
6	T112563GT	SVC KIT,UK RECEPT.REPLACEMENT	1
6-	T112560GT	RECEPTACLE,UK,110V	1
6-	T112561GT	PLATE,UK,POWER TO PLAT 4.63 inch x 2.88 inch	1
6-	33759GT	SCREW,PHILLIPS,PHM,8-32 X.375	4
6-	66355GT	GASKET, UK & DIN PWR. TO PLAT 4.63 inch x 2.88 inch	1
7	10777GT	COVER,BLANK includes gasket	1
8	6626GT	WIRE CAP,ORANGE	
9	105448GT	FIELD ASSY,REC.CHARGER PLUG includes items 10-13	1
10	105483-SGT	PLATE,AC ADAPTER(ANSI/CSA)	1
11	105117GT	PLUG,FLG INLET,15A/125V,2PWGD	1
12	105118GT	GASKET,(BOOT) FLANGE INLET PLG	1
13	48282GT	POWER CORD, IEC 320 BLANK, 79"	1
14		Ref. Power Cable refer to 209.1 and 210.1	
15	144161GT	PLUG,PWR,UK,16AMP,3PIN,BLK	1
16	1280665GT	PLUG, TYPE F, 230A, 50HZ, 16A, IP44	1
17	25388GT	PLUG,FUSED,250V,13AMP,U.K.**	1
17-	65737GT	FUSE,13 AMP,220V PLUG***	
18	6595GT	PLUG,ELECTRICAL,DOMESTIC	1
19	6935GT	LOCKNUT,ELEC,1/2"	1
20	7056GT	CONN,SQUEEZE,1/2NPT .38-.50,SM	1
21		Ref. Wire Harness Assembly (refer to 209.1)	
22	7057GT	CONN. SQZ,1/2NPT .39-.56 MED.	



509.1 Power to Platform (to SN GRP-59999 & to SN GRR-10000)



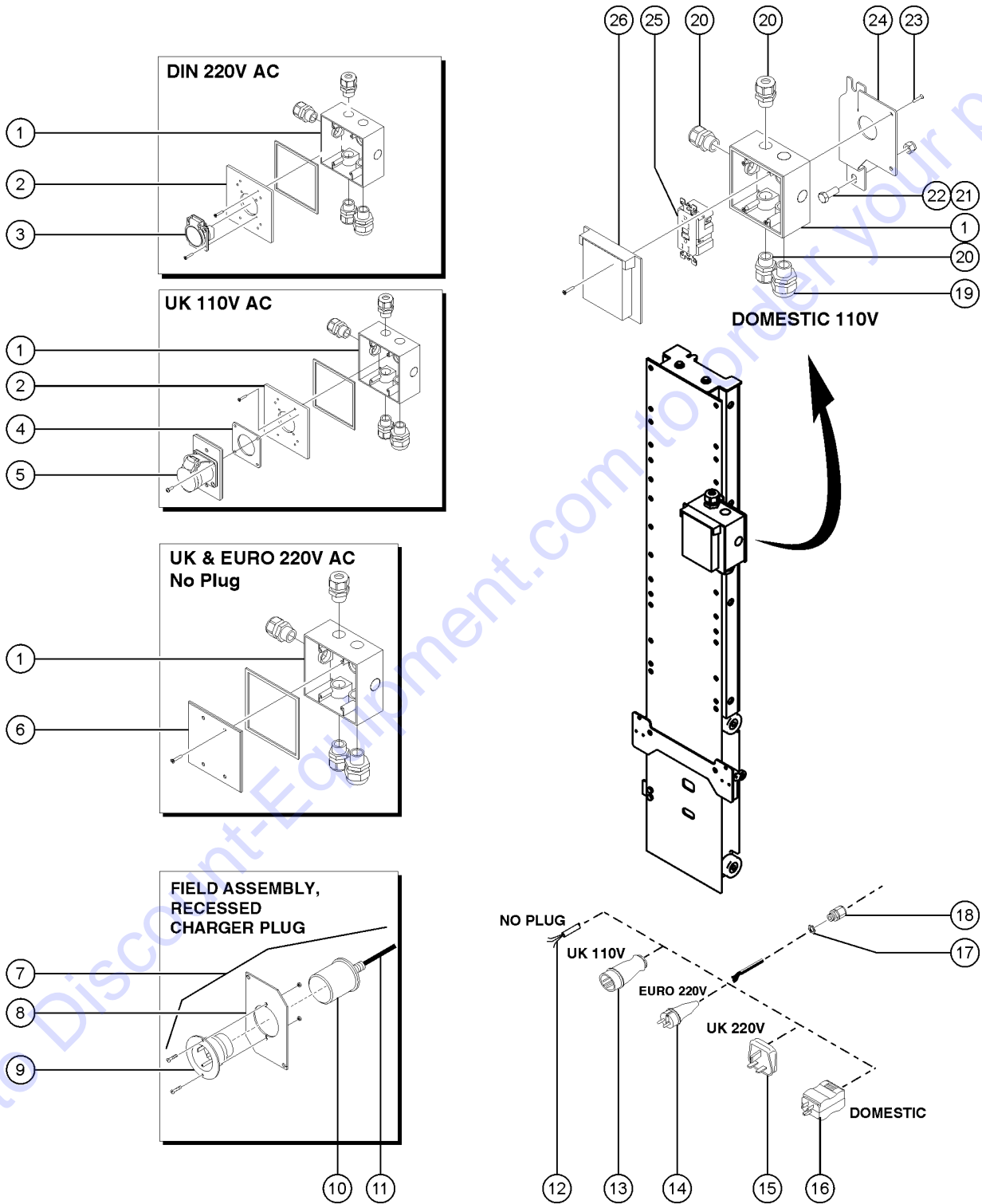
509.1 Power to Platform (to SN GRP-59999 & to SN GRR-10000)

Item	Part No.	Description	Qty.
23	10775GT	T-BOX,2.75 X 4.5 X 2.0	1
23-	69919GT	JUNCTION BOX, 4 OUTLET, DEEP (2 openings, CE)	
24	21018GT	SCREW,PHIL,PHM,10-24 X.38,SEMS	
25	124949GT	FORMING,T-JUNCTION MOUNT	1
26	4828GT	NUT,NYLOCK,3/8-16	
27	6175GT	SCREW,HHC,3/8-16 X 1	
28		Ref. Wire Harness Assembly (refer to 209.1)	
29	13585GT	OUTLET, 110V	1
29-	T112560GT	RECEPTACLE,UK,110V	
30	45437GT	COVER,GFCI,WEATHERPROOF (includes gasket and mounting fasteners)	1
30-	10777GT	COVER,BLANK (includes gasket, blank cover and mounting fasteners)	
30-	T112561GT	PLATE,UK,POWER TO PLAT	

Go to Discount-Equipment.com to order your parts



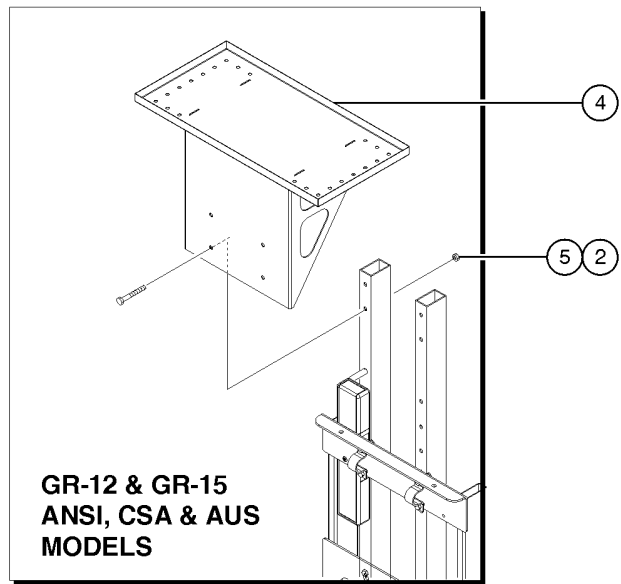
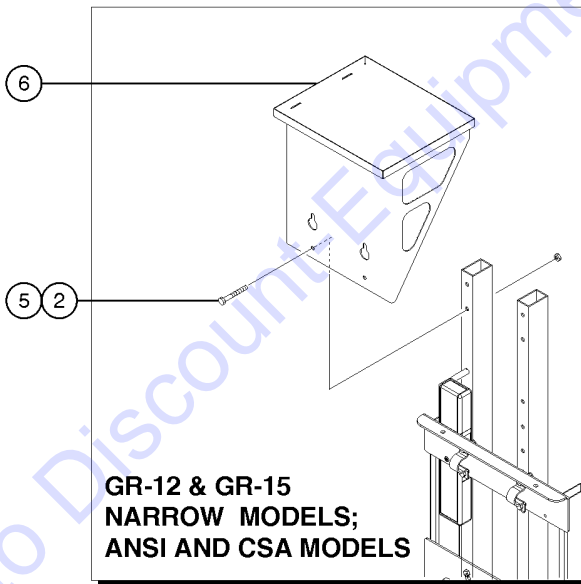
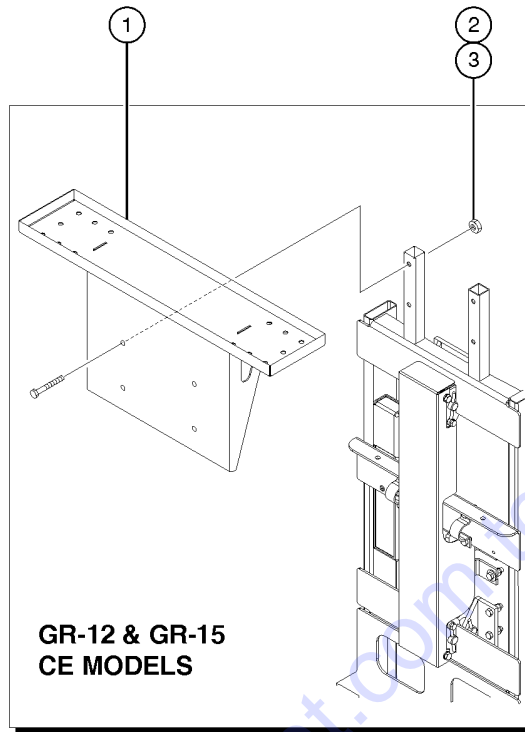
509.2 Power to Platform (from SN GRP-60000 & SN GRR-10001)



509.2 Power to Platform (from SN GRP-60000 & SN GRR-10001)

Item	Part No.	Description	Qty.
1	1301747GT	JUNCTION BOX, 7 OUTLET 2-GANG	1
2	1303920GT	PLATE, AC ADAPTER, DIN/UK 2GANG	1
3	66353GT	RECEPTACLE, DIN, 220V 50A	1
4	66356GT	GASKET, UK RECEPTACLE	1
5	T112563GT	SVC KIT,UK RECEPT.REPLACEMENT	1
6	1301750GT	COVER,BELL 2-GANG NO FLIP WP	1
7	105448GT	FIELD ASSY,REC.CHARGER PLUG	1
		includes items 8-11	
8	105483-SGT	PLATE,AC ADAPTER(ANSI/CSA)	1
9	105117GT	PLUG,FLG INLET,15A/125V,2PWGD	1
10	105118GT	GASKET,(BOOT) FLANGE INLET PLG	1
11	48282GT	POWER CORD, IEC 320 BLANK, 79"	1
12		Ref. Power Cable	
		refer to 209.1 and 210.1	
13	144161GT	PLUG,PWR,UK,16AMP,3PIN,BLK	1
14	1280665GT	PLUG, TYPE F, 230A, 50HZ, 16A, IP44	1
15	25388GT	PLUG,FUSED,250V,13AMP,U.K.**	1
15-	65737GT	FUSE,13 AMP,220V PLUG***	
16	6595GT	PLUG,ELECTRICAL,DOMESTIC	1
17	6935GT	LOCKNUT,ELEC,1/2"	1
18	7056GT	CONN,SQUEEZE,1/2NPT .38-.50,SM	1
19	1293399GT	CONN, SQZ, 1/2HPT .45-.71	1
20	7057GT	CONN. SQZ,1/2NPT .39-.56 MED.	3
21	6175GT	SCREW,HHC,3/8-16 X 1	1
22	4828GT	NUT,NYLOCK,3/8-16	1
23	21018GT	SCREW,PHIL,PHM,10-24 X.38,SEMS	2
24	1301751GT	FORMING, T-JUNCTION 2-GANG MOUNT	1
25	13585GT	OUTLET, 110V	1
26	1301748GT	COVER,BELL 2-GANG FLIP WEATHERPROOF	1

601.1 Workstation Tray (to SN GRP-59999 & SN GRR-10000)



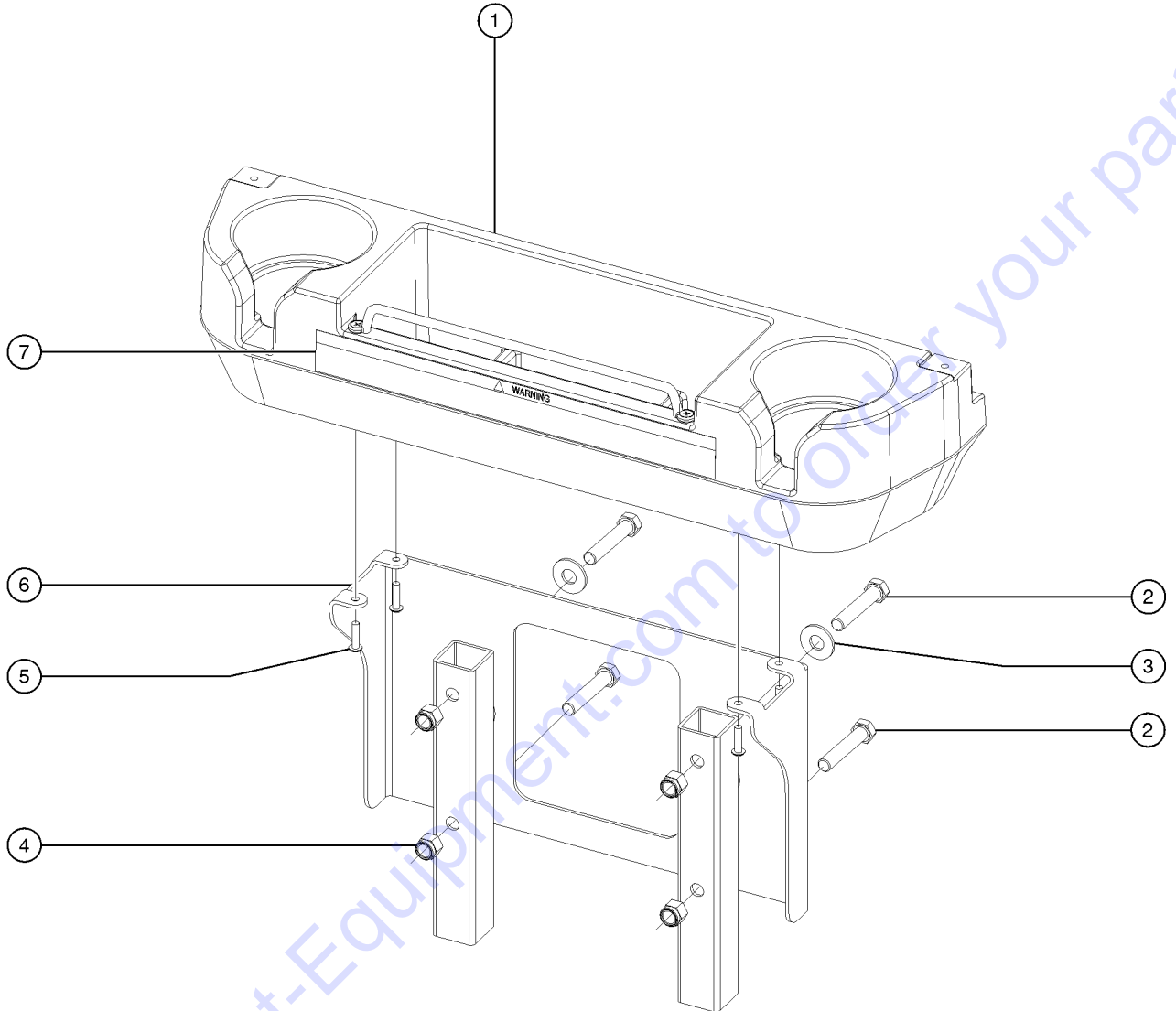
601.1 Workstation Tray (to SN GRP-59999 & SN GRR-10000)

Item	Part No.	Description	Qty.
1	107351GT	WORKSTATION TRAY ASSY,CE SY GR-12 & GR-15; Standard & Extension Deck Platform, Europe	1
2	4828GT	NUT,NYLOCK,3/8-16	
3	5224GT	SCREW,HHC,3/8-16 X 2	
4A	107350GT	WORKSTATION TRAY ASSY,ANSI WRD GR-12 & GR-15; Standard & Extension Deck Platform, USA, Canada, Australia	1
4B	107126GT	WORKSTATION TRAY ASSY,ANSI SY GR-12 & GR-15; Standard & Extension Deck Platform, Asia, South America	
5	6019GT	SCREW,HHC,3/8-16 X 1.25 GRD 5	
6A	229077GT	WORKSTATION TRAY ASSY,ANSI WRD GR-12 & GR-15; Narrow Platform, USA, Canada	1
6B	229078GT	WORKSTATION TRAY ASSY, ANSI SYM GR-12 & GR-15; Narrow Platform, Asia, South America	

Go to Discount-Equipment.com to order your parts



601.2 Workstation Tray (from SN GRP-60000 & SN GRR-10001)



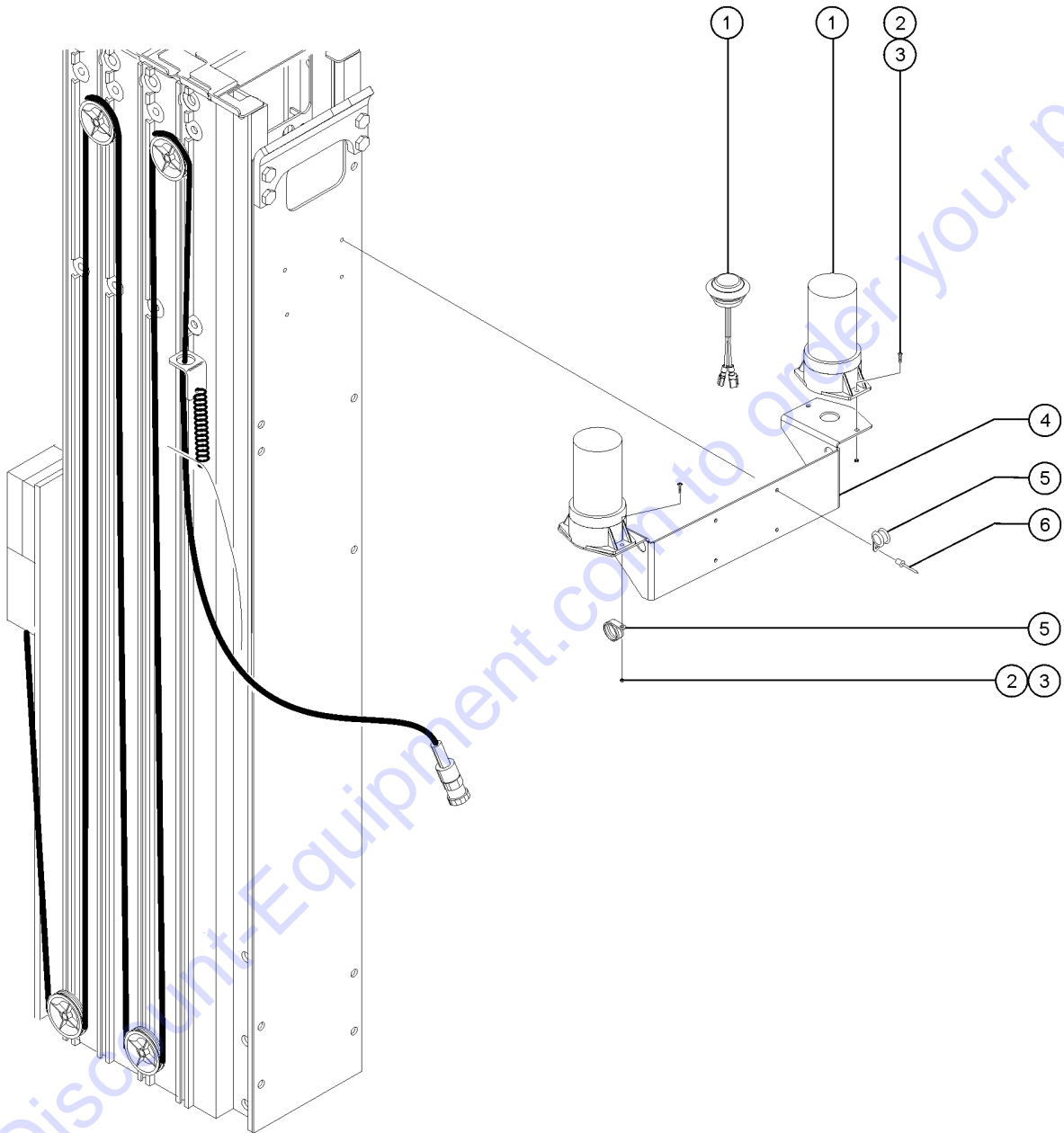
601.2 Workstation Tray (from SN GRP-60000 & SN GRR-10001)

Item	Part No.	Description	Qty.
1	1292944GT	TOOL TRAY, SLAB SCISSORS, GR	1
2	5224GT	SCREW,HHC,3/8-16 X 2	4
3	6097GT	WASHER,FLAT,USS,3/8",Y	2
4	4828GT	NUT,NYLOCK,3/8-16	4
5	230000GT	SCREW,FILLISTER PHIL,10-32X.50	4
6	1292946GT	FORMING, MOUNT, GR, TOOL TRAY	1
7	1296821GT	DECAL, WARNING, TOOL TRAY	1

Go to Discount-Equipment.com to order your parts



602.1 Flashing Beacon



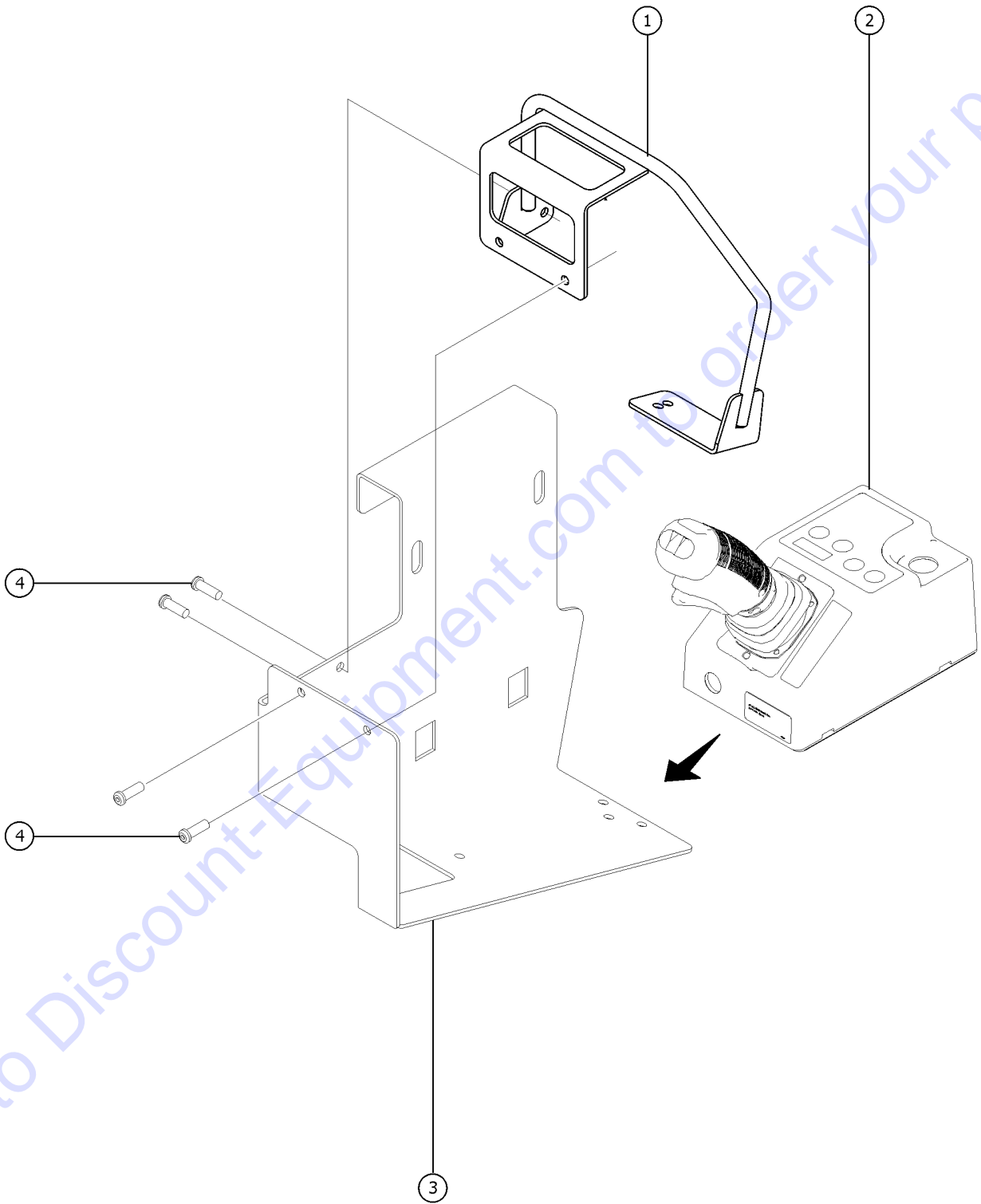
602.1 Flashing Beacon

Item	Part No.	Description	Qty.
A	100696-SGT	ACCESSORY,BEACON,GR from SN 20000 to 41929	1
B	230645GT	GUARD,BEACON,NARROW EE option only	
1A	231931GT	STROBE,BEACON, AC COMP 12-80V from SN 20000 to 41929	2
1A-	105557GT	BULB,FLASHING BEACON for 231931	
1A-	105556GT	LENS,FLASHING BEACON for 231931	
1B	1271092GT	BEACON, LED, ASSEMBLY, 21" from SN 41930	1
1B	1271093GT	BEACON, LED, ASSEMBLY, 38" from SN 41930	1
2	49816GT	SCREW,PHILLIPS,PHM,10-32 X .75	4
3	6178GT	NUT,NYLOCK,10-32	4
4	80085-SGT	BRACKET,BEACON MOUNT,GR,PTD,BL	1
5	45470GT	CLAMP,0.31,#5 X 1/4,RUB CUSH	2
6	38600GT	RIVET,STL,STL,.156 X .50	

Go to Discount-Equipment.com to order your parts



603.1 PCON Guard



Go to Discount-Equipment.com to order your parts

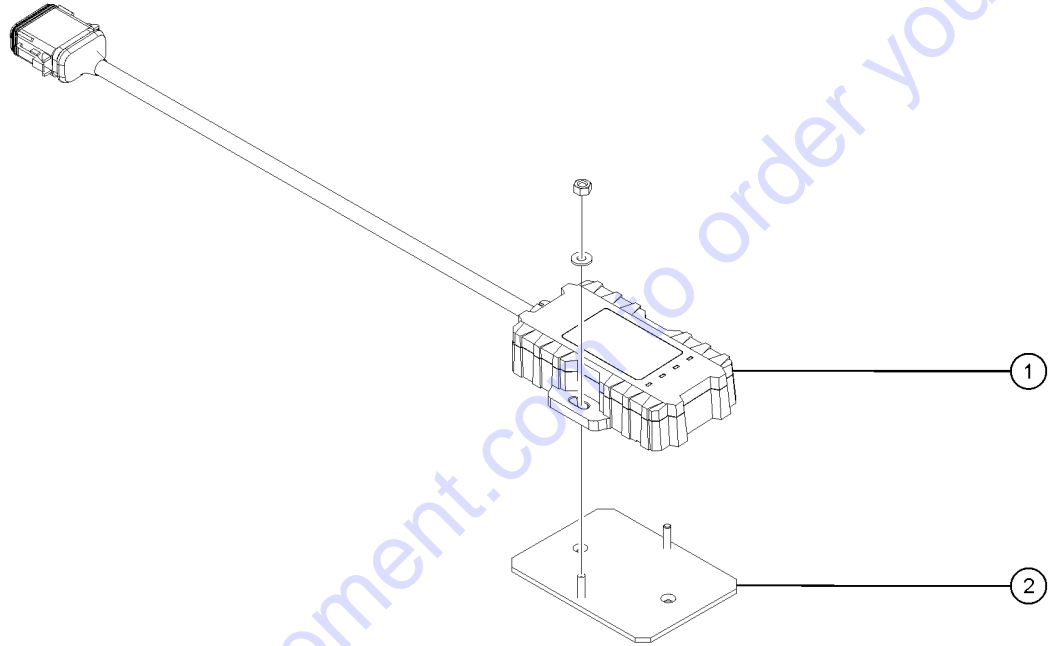
603.1 PCON Guard

Item	Part No.	Description	Qty.
1	1283768GT	KIT,PCON GUARD,SLAB/GR includes installation instructions	
1-	1279627GT	WELDMENT, PCON GUARD	1
2		Ref. PCON, GR/GRC/GS refer to 505.1 or 506.1	1
3		Ref. FORMING, PLAT CONTROL, GR/GRC refer to 505.1 or 506.1 (holes drilled for PCON Guard option from SN 49026)	4
4	7265GT	RIVET,STEEL,P, .25 X .375	4

Go to Discount-Equipment.com to order your parts



604.1 Telematics Option (from SN GR14-30931)



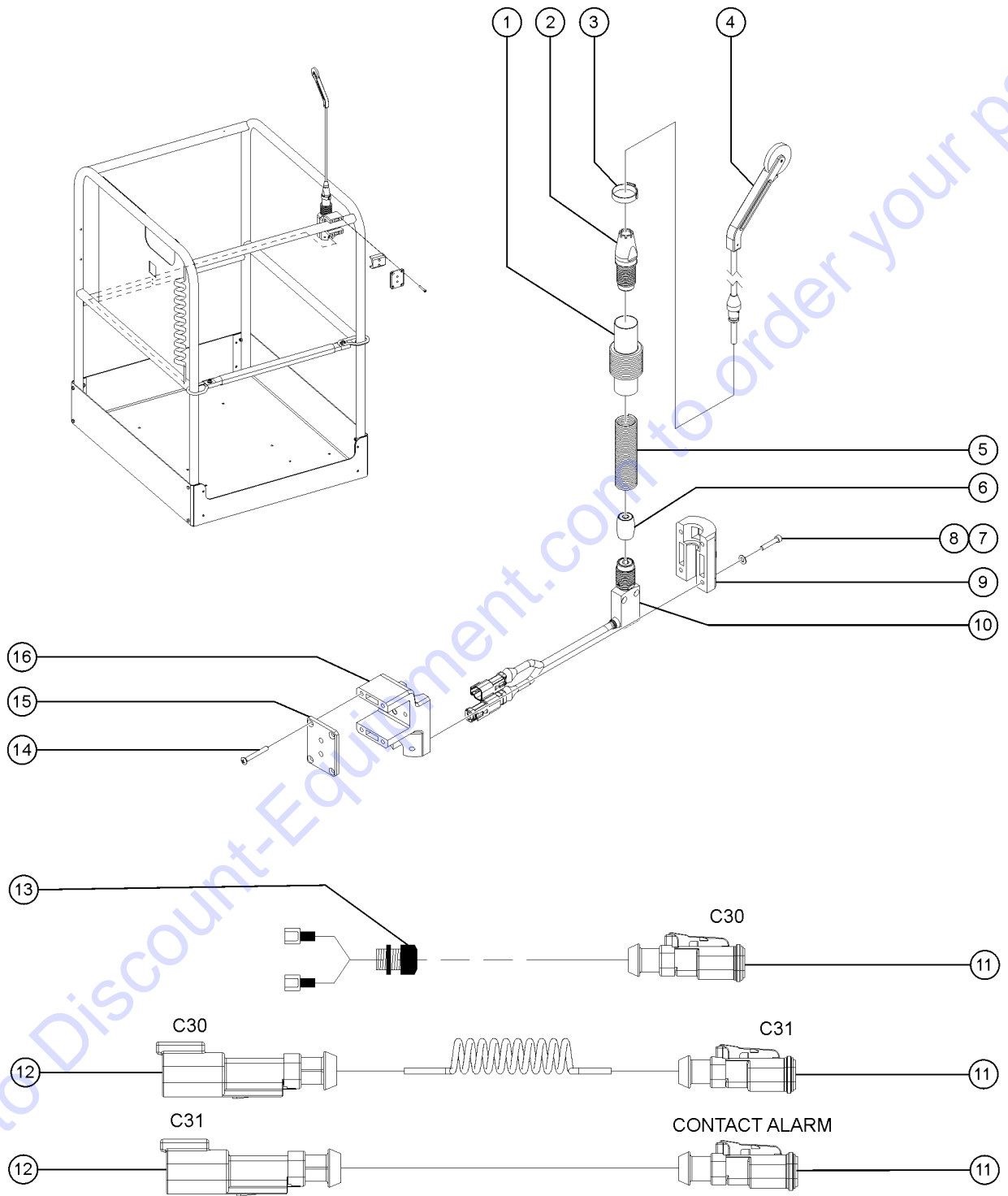
604.1 Telematics Option (from SN GR14-30931)

Item	Part No.	Description	Qty.
-	1289899GT	HARNESS, GATEWAY, GS for units after SN GR14-30931 for first time insulation, must order this Harness with one of the models 1289520GT, 1289521GT, 1289522GT, or 1289523GT	1
1	1289520GT	MODULE, TELEMATICS, ZTR, M7, NORTH AMERICA North America	1
1B	1289521GT	MODULE, TELEMATICS, ZTR, M7, EMEA/APAC EMEA/APAC	
1C	1289522GT	MODULE, TELEMATICS, ZTR, M7, APAC/ANZ APAC/ANZ	
1D	1289523GT	MODULE, TELEMATICS, ZTR, M7, JAPAN Japan	
2	1289561GT	BRACKET, TELEMATICS	1

Go to Discount-Equipment.com to order your parts



605.1 Lift Guard Contact Alarm (from SN GR14-35000)



605.1 Lift Guard Contact Alarm (from SN GR14-35000)

Item	Part No.	Description	Qty.
-	1293888GT	KIT, CONTACT ALARM, GR-12 CE (GR-12) CE	1
-	1293889GT	KIT, CONTACT ALARM,GR-12 ANSI (GR-12) ANSI	1
-	1294048GT	KIT, CONTACT ALARM, GR-15 CE (GR-15) CE	1
-	1294049GT	KIT, CONTACT ALARM, GR-15 ANSI (GR-15) ANSI	1
-	1294050GT	KIT, CONTACT ALARM, GR-20 CE (GR-20) CE	1
-	1294051GT	KIT, CONTACT ALARM, GR-20 ANSI (GR-20) ANSI	1
-	1287673GT	ASSEMBLY, LIFTGUARD CONTACT ALARM (Includes items 1-10 & 14-16)	1
-	1293397GT	HARNESS, CONTACT ALARM, GR PLATFORM (Includes items 11-13)	1
-	1293399GT	CONN, SQZ, 1/2HPT .45-.71	1
-	1294071GT	WIRE ASSY, CONTACT ALARM JUMPER, POWER HARNESS	1
1	1287687GT	BELLOW, LIFTGUARD CONTACT ALARM	1
2	1287678GT	ASSEMBLY, UPPER WHISKER MOUNTING	1
3	1298716GT	CLAMP, STEPLESS, ONE EAR	1
4	1287674GT	ASSEMBLY, WHISKER	1
5	1287691GT	SPRING, TENSION, CONTACT ALARM	1
6	1287680GT	ASSEMBLY, MAGNETIC SNAP BARREL	1
7	1288435GT	SCREW,SHC,10-24X1,F837,18.8,NYL,SS	4
8	1288438GT	WASHER,FLAT,0.219X0.437X0.031,SS	4
9	1289608GT	BRACKET, RT LIFTGUARD, PART 2/2	1
10	1287682GT	ASSEMBLY, LIMIT SWITCH MOUNT	1
11	1288351GT	CONN,PLUG,2 WAY,DT,14-18GA,CE13	3
11-	60425GT	LOCK,PLUG 2 WAY, 14-18GA	
12	1288352GT	CONN,RECEP,2 WAY,DT,14-18GA,CE09	2
12-	60439GT	LOCK,RECEP 2 WAY, 14-18GA	
13	7056GT	CONN,SQUEEZE,1/2NPT .38-.50,SM	1
14	1288437GT	SCREW,OHPM,10-24X1.5,NYL,SS	4
15	1287689GT	PLATE, LIFTGUARD BRACKET	1
16	1289603GT	BRACKET, RT LIFTGUARD, PART 1/2	1

<u>Part no.</u>	<u>Page Number</u>	<u>Part no.</u>	<u>Page Number</u>	<u>Part no.</u>	<u>Page Number</u>
2095GT	231, 235, 239, 253	7713GT	85, 89, 93, 97, 139, 143...	23394GT	137, 141, 145, 197, 199, 201
4266GT	231, 235, 239, 253	8177GT	89, 93, 97	23396GT	89, 93, 95, 97, 99, 201
4828GT	13, 17, 101, 107, 145, 159...	8179GT	107	24537GT	221, 223, 227, 233, 237, 241...
5224GT	97, 275, 277	8255GT	73, 77, 169, 171, 203	25388GT	119, 269, 273
5361GT	73, 77, 81, 83	8352GT	267	25926GT	137, 141, 145, 181, 165, 197...
5397GT	101, 107, 137, 141, 145, 159, 163, 145, 227,	8516GT	139, 143, 147, 197, 199, 203	26780GT	231, 235, 239
6019GT	245, 251, 113, 137, 141, 145,	8849GT	185, 187, 189	26785GT	233, 237, 239
6021GT	137, 141, 227, 231,	8915GT	103, 111, 137, 141, 145, 161...	26787GT	231, 235, 239, 253
6022GT	235, 239...	8920GT	169, 171	28174GT	11, 15, 19, 23, 27, 31...
6035GT	245, 251	9116GT	101, 111, 115	28175GT	11, 15, 19, 23, 27, 31
6052GT	139, 143, 155, 181, 169, 173, 145, 173,	9145GT	73, 77	28235GT	11, 15, 19, 23, 27, 31...
6086GT	179, 169, 173, 145, 173,	10775GT	271	28236GT	11, 15, 19, 23, 27, 31...
6090GT	173, 189, 177, 189, 93, 97,	10777GT	269, 271	28373GT	11, 15, 19, 23, 27, 31...
6091GT	101...	11805GT	221, 225, 229	29868GT	265
6095GT	173, 183	11808GT	143, 147, 149, 151, 153, 185...	31146GT	221, 225, 229
6097GT	13, 17, 85, 97, 137, 141, 107, 113, 137,	11890GT	173, 179, 181	31508GT	11, 15, 19, 23, 27, 31...
6175GT	141, 145...	11906GT	245, 251	31788GT	11, 15, 19, 23, 27, 31...
6178GT	103, 111, 279	12013GT	231, 235, 239, 245, 249, 253	32317GT	205, 209
6198GT	73, 77, 81, 83, 89, 93...	12016GT	85, 157	33720GT	245, 251
6271GT	203	12343GT	73, 77	33759GT	269
6356GT	113, 185, 187, 189, 265	12344GT	103, 109, 113, 189, 171	34742GT	85
6534GT	173, 177, 181	12906GT	185, 187, 189	35461GT	265
6545GT	73, 77	13002GT	265	35695GT	173, 177, 181
6550GT	229, 231, 235, 239	13585GT	271, 273	35697GT	173, 177, 181
6595GT	119, 269, 273	13918GT	219, 223, 227	35698GT	173, 179, 181
6605GT	223	13921GT	217	35699GT	173, 177, 181
6607GT	139, 143, 147, 265	15086GT	93	35703-6063GT	177
6626GT	269	15513GT	85, 139, 143, 147, 265	35703-6813GT	181
6637GT	101, 107, 155, 219, 223, 227, 73, 77, 113, 115, 155,	18396GT	73, 77	35704-6063GT	173, 177
6638GT	169...	18503GT	89, 93, 97, 103, 111	35704-6813GT	181
6782GT	103, 111, 265	18504GT	103, 109, 121	35705GT	173, 179, 181
6833GT	197, 199	19436GT	109	35706GT	139, 143, 149, 151, 155, 161, 155, 161, 155, 161,
6873GT	103	19491GT	85, 139, 143, 147	35707GT	159, 163...
6878GT	89, 93, 97, 107, 113, 121, 231, 235, 239,	20224GT	213	35709GT	137, 141, 155
6884GT	243, 249, 87, 89, 109, 111, 185, 187...	21018GT	271, 273	35710GT	149, 151
6888GT	187...	21121GT	217	35711GT	155, 159, 163, 167
6889GT	103, 109, 113, 253	21279GT	245, 251	35712GT	173, 179, 181
6935GT	269, 273	21280GT	245, 251	35714GT	137, 141, 145, 155, 163, 167...
7056GT	139, 143, 147, 269, 273, 285	22261GT	85	35715GT	159, 163, 167
7057GT	269, 273	22664GT	217	35722GT	155, 159, 163, 167
7265GT	103, 111, 113, 219, 223, 227, 159, 163, 187,	22699GT	137, 141, 145, 181, 165, 197...	35725GT	205, 209
7339GT	197, 199...	22832GT	219, 231, 235	35726GT	205, 209

<u>Part no.</u>	<u>Page Number</u>	<u>Part no.</u>	<u>Page Number</u>	<u>Part no.</u>	<u>Page Number</u>
35733GT	185, 187, 189	40434GT	11, 15, 19, 23, 27, 31...	45470GT	279
35734GT	189, 171, 185, 187, 189	40550GT	173, 177	45546GT	103, 109, 113
35991GT	137, 141, 145, 149, 151, 153...	40735GT	157, 141, 145, 151, 165, 197...	46216GT	213
37384GT	181	40833GT	127, 129, 133	47218GT	221, 225, 229, 249
37385GT	181	40945GT	173, 177, 181	47225GT	243, 249
37386GT	181	40946GT	137, 141, 245, 251	47548GT	73, 77
37387GT	181	41055GT	159, 145, 147, 159, 163, 167...	47569GT	89, 93, 97
37686GT	159, 163, 167	41224GT	177, 181	48282GT	121, 269, 273
37719GT	231, 235, 239, 253	41246GT	173, 177	48880GT	213
37732GT	231, 235, 239, 253	41247GT	173, 177	48905GT	205, 209
37947GT	101, 107	41248GT	173, 177	48997GT	213
38005GT	169, 171	41249GT	177	49373GT	111
38011GT	137, 141, 149, 151, 245, 251	41250GT	177	49612GT	213
38013GT	137, 141, 245, 251	41292GT	221, 225, 229	49613GT	213
38016GT	137, 141	42360GT	81, 83	49816GT	279
38028GT	139, 143, 145	43136GT	109	51063GT	85, 139, 143, 147
38068GT	205, 209	43137GT	103	52475GT	11, 15, 19, 23, 27, 31...
38122GT	11, 15, 19, 23, 27, 31...	43658GT	11, 15, 19, 23, 27, 31...	52865GT	11, 15, 19, 23, 27, 31...
38149GT	11, 15, 19, 23, 27, 31...	43685GT	205, 209	52913GT	205, 209
38187GT	175, 177, 181	44168GT	213	52914GT	205, 209
38234GT	185, 187, 189	44169GT	213	52915GT	205, 209
38316GT	155, 159, 163	44172GT	213	52943GT	205, 209
38338GT	231, 235, 239, 253	44174GT	213	52996GT	11, 15, 19, 35, 39, 43
38447GT	149, 151, 155, 159, 163, 223, 227, 235, 237, 241	44207GT	113	54239GT	85
38586GT	221, 225, 229, 279	44226GT	213	55010GT	119
38600GT	221, 225, 229, 279	44227GT	213	55018GT	121
38601GT	139, 143, 145	44229GT	213	55019GT	119
38709GT	149, 151, 155, 159, 163, 167, 145, 159, 163, 167...	44230GT	213	55021GT	121
38730GT	163, 191...	44263-SGT	203	56912GT	81, 85, 101, 107, 109, 171...
38979GT	139, 189	44264-SGT	203	57116GT	231, 235, 239, 253
38980GT	177, 181	44372GT	203	57138GT	233, 237, 239, 253
38986GT	177, 181	44736GT	11, 15, 19, 23, 27, 31...	57147GT	185, 187, 189
39469GT	101, 107	44750GT	205, 209	57195GT	169, 171
39540GT	103, 111, 255, 259	44751GT	205, 209	57264GT	159, 163, 167
39581GT	265	44752GT	205, 209	57809GT	149, 151
39873GT	217	44777GT	205, 209	57881GT	103, 109, 113
39876GT	217	44778GT	205, 209	57996GT	73, 77
39877GT	215, 217	44788GT	113	57998GT	73, 77, 81, 83
39878GT	217	44980GT	11, 15, 19, 23, 27, 31...	58381GT	189
39881GT	217	45374GT	217	58382GT	185, 187
40004GT	139, 143, 147, 151, 159, 161...	45425GT	149, 151, 155, 159, 159, 163...	58934GT	205, 209
40265GT	231, 235, 239, 253	45437GT	271	60425GT	285

<u>Part no.</u>	<u>Page Number</u>	<u>Part no.</u>	<u>Page Number</u>	<u>Part no.</u>	<u>Page Number</u>
60439GT	285	72171GT	11, 15, 19	84386GT	213
60440GT	101, 107	72182GT	23, 27, 31	84422GT	205, 209
60441GT	101, 107	72184GT	11, 15, 19, 23, 27, 31...	84739GT	215
60444GT	255	72188GT	11, 15, 19, 23, 27, 31...	84740GT	215
60445GT	257	72326GT	105, 111, 255, 259	84742GT	215
60746GT	201	72832GT	11, 15, 19, 23, 27, 31...	84743GT	215
60757GT	257	72850GT	11, 15, 23, 27	84746GT	215
61264GT	217	72970GT	11, 15, 19, 23, 27, 31...	84748GT	215
61974GT	265	72999GT	59	85197GT	207, 211
61975GT	265	75041GT	103, 265	85239GT	101, 107
62819GT	221, 223, 229, 243, 249	75067GT	169, 171	87561GT	87, 139, 143, 147
64154GT	85	75144GT	85, 203	87747GT	125, 127
65616GT	73, 77	76502GT	89, 93, 97	90337GT	137, 141, 145
65737GT	269, 273	77677GT	109	91734GT	217
65874GT	231, 235, 239, 253	77709GT	213	91739GT	217
65962GT	213	78060GT	85	96008-SGT	101, 107
66094GT	103, 111	78086GT	87	96009GT	101, 107
66204GT	115	78546GT	115	96010GT	101, 107
66353GT	269, 273	78622GT	113	96135GT	85
66355GT	269	78736GT	73, 77	96193GT	209
66356GT	269, 273	80085-SGT	279	96236GT	269
66397GT	109	80306GT	253	96398GT	217
66465GT	205, 209	80941GT	209	96422GT	85
66717GT	103, 111	80943GT	205	96423GT	73, 77, 85
66770GT	73, 77	80949GT	209	96452GT	101, 107
66812GT	101, 107, 255, 259	81579GT	105, 111	96541GT	85
66817GT	101, 109, 255, 259	82366GT	11, 15, 19, 23, 27, 31...	96642GT	85
66818GT	101, 109	82473GT	35, 39, 43, 47, 51, 55	96699GT	89, 91, 93, 95, 99, 115
69384-SGT	203	82481GT	35, 39, 43, 47, 51, 55...	96709GT	115
69397GT	245, 251	82487GT	35, 39, 43, 47, 51, 55...	96855GT	115
69466GT	245, 251	82495GT	35, 39, 43, 47, 51, 55...	96905GT	113
69529GT	201	82614GT	35, 39, 43, 47, 51, 55...	96907GT	73, 77
69547GT	73, 77, 81, 83	82666GT	35, 39, 43, 47, 51, 55...	96948GT	85, 139, 143, 147
69548GT	73, 77, 81, 83	82830GT	47, 51, 55	96950GT	103, 109
69575GT	139, 143, 147	82835GT	35, 39, 43	97059GT	119
69855GT	169, 171	82836GT	35, 39, 43, 47, 51, 55...	97128GT	87, 139, 143, 147
69919GT	269, 271	82966GT	35, 39, 43	97810GT	13, 23, 35, 47, 59, 61...
71315GT	243, 249	82975GT	11, 15, 19, 23, 27, 31...	97811GT	17, 27, 43, 55, 59, 61...
71706GT	119	83093GT	101, 107	97812GT	31, 39, 51, 59, 61, 67...
72086GT	11, 15, 19, 23, 27, 31...	83131GT	101	97815GT	13, 17, 21, 23, 27, 31...
72155GT	11, 15, 19	84384GT	213	97828GT	19, 31
72159GT	11, 15, 19, 23, 27, 31...	84385GT	213	97832GT	35, 43

<u>Part no.</u>	<u>Page Number</u>	<u>Part no.</u>	<u>Page Number</u>	<u>Part no.</u>	<u>Page Number</u>
97873GT	35, 39, 43, 47, 51, 55	100769GT	191, 193, 195	105565GT	73, 77
97899GT	35, 39, 43, 47, 51, 55...	100770GT	191, 193, 195	105573GT	103, 109, 113
100352GT	93, 97	100777GT	169, 171	105739GT	119
100379GT	137, 141, 145, 149, 151, 153...	100778GT	137, 141, 145	105812GT	269
100380GT	145	100801GT	123, 125, 127	106924GT	75, 79
100381GT	149, 151, 153	100805GT	217	107023GT	137, 141, 145, 197, 199
100382GT	155	100808GT	83	107126GT	275
100383GT	163	100809GT	97	107131GT	139, 143
100384GT	167	100824GT	265	107132GT	145
100386GT	167, 185, 187, 189	100825GT	265	107133GT	97
100400GT	205	100826GT	267	107134GT	99
100409GT	189	100827GT	219, 227	107262GT	219, 223, 227
100483GT	139, 143, 145	100834GT	85	107263GT	227
100484GT	115	100858GT	149, 151, 153	107272GT	219, 223, 227
100486GT	217	100883GT	221, 223, 227	107350GT	275
100488GT	85	100905GT	185, 187, 189	107351GT	275
100489GT	85	100913GT	89, 93, 97	107359GT	75, 79
100492GT	85	100942GT	155	107370GT	85
100510GT	115, 217	100952GT	219	109500GT	159, 163, 167
100530GT	265	100957GT	219	109504GT	253
100550GT	267	100958GT	219	109505GT	253
100655GT	245, 251	100960GT	219	109517GT	253
100673GT	157	100986GT	89, 93, 95, 97, 99	109581GT	75, 79
100696-SGT	279	101718GT	155	109758GT	123, 125, 127, 129, 133
100711GT	137, 141	105060GT	85	109833GT	243, 249
100712GT	149, 151	105067GT	215	109834GT	243, 249
100713GT	155	105092GT	73, 77	109836GT	217
100714GT	157	105117GT	269, 273	109837GT	217
100715GT	161	105118GT	269, 273	109838GT	217
100719GT	217	105142GT	101, 107	109839GT	97
100720GT	217	105150GT	89, 93, 97	109840GT	93
100721GT	217	105273GT	111	114325GT	13, 17, 21, 25, 29, 33...
100722GT	217	105334GT	119	114334GT	35, 39, 43, 47, 51, 55...
100723GT	217	105387GT	205, 209	114338GT	35, 39, 43, 47, 51, 55...
100724GT	217	105440GT	81, 83	115419GT	221, 223, 227
100725GT	217	105448GT	269, 273	124020GT	245, 251
100726GT	217	105462GT	213	124081GT	185, 187
100744GT	169	105483-SGT	269, 273	124105GT	93
100745GT	171	105547GT	73, 77	124122GT	73, 77
100752GT	169, 171	105550GT	73, 77	124151GT	93, 97
100767GT	191, 193, 195	105556GT	279	124152GT	93, 97
100768GT	193, 195	105557GT	279	124166GT	197, 199

<u>Part no.</u>	<u>Page Number</u>	<u>Part no.</u>	<u>Page Number</u>	<u>Part no.</u>	<u>Page Number</u>
124232GT	103, 109	137668GT	117	215550GT	81, 83
124233GT	113	137673GT	117	218073GT	121
124449GT	103, 107	137692GT	117	219205GT	255
124555GT	245, 249	137697GT	257	219384GT	111
124576GT	219, 223, 221, 243, 249	137699GT	257, 261	219480GT	119
124580GT	245, 251	137726GT	123, 125, 121, 129, 133	220001GT	11, 15, 19
124624GT	219, 223, 221, 243, 251	137727GT	125, 129	220002GT	35, 39, 43, 47, 51, 55
124625GT	245, 251	137728GT	123, 125, 121, 131, 133	220283GT	61
124626GT	265	137729GT	123, 125, 127, 129	226432GT	81, 83
124680GT	265	137731GT	123, 125, 121, 131, 133	226778GT	219, 223
124728GT	113	137732GT	123, 125, 127, 131	226779GT	221, 225
124949GT	271	137737GT	123, 129	226780GT	227
124962GT	91, 95, 99	137738GT	127, 129	226781GT	229
128135GT	103, 109	137755GT	123, 125, 127, 131	226782GT	243
133013GT	13, 17, 21, 25, 29, 33...	137759GT	131, 133	226795GT	243
133014GT	13, 17, 21	137760GT	131, 133	226796GT	249
133015GT	35, 39, 43, 47, 51, 55...	137761GT	123, 129	226797GT	249
133092GT	13, 17, 21, 25, 29, 33...	137762GT	125, 129	226798GT	243
133144GT	13, 17, 21, 25, 29, 33...	137763GT	127, 129	226799GT	249
133146GT	37, 41, 45, 47, 51, 55...	137769GT	89, 93, 97	226800GT	231, 235, 239
133147GT	37, 41, 45, 47, 51, 55...	137770GT	89, 93, 97	226801GT	233, 237, 241
133277GT	13, 17, 21, 25, 29, 33	139318GT	119	226802GT	231, 235, 239, 253
133298GT	25, 29, 33	139644GT	169, 171	227120GT	233, 237, 241
133585GT	13, 17, 21	144161GT	119, 269, 273	227391GT	25, 29, 33
133586GT	13, 17, 21, 25, 29, 33...	144180GT	119	227765GT	13, 17, 21, 25, 29, 33...
133596GT	13, 17, 21, 25, 29, 33	145083GT	75	228406GT	101, 107
137522GT	255	145084GT	73	229076GT	233, 237, 239
137562GT	117	145085GT	79	229077GT	275
137587GT	255, 259	145086GT	77	229078GT	275
137604GT	117	145177GT	231, 235, 239	229086GT	263
137605GT	13, 17, 21, 25, 29, 33...	145189GT	253	229087GT	263
137607GT	123, 125, 127	145193GT	253	229088GT	263
137608GT	123, 125, 121, 129, 133	145266GT	231, 235, 239	229089GT	263
137609GT	123, 125, 127, 131	145279GT	103, 109	229090GT	263
137633GT	255	145280GT	101, 109	229091GT	263
137634GT	263	145284GT	103, 111	229092GT	263
137635GT	13, 17, 21, 25, 29, 33...	145286GT	101, 107	229093GT	263
137636GT	13, 17, 21, 25, 29, 33...	145344GT	255, 259	229094GT	263
137637GT	117, 255, 259	161001GT	113	229212GT	89, 93
137640GT	255, 259	162273GT	111	229213GT	89, 93
137642GT	255	214544GT	263	229214GT	89, 95, 99
137656GT	13, 17, 21, 25, 29, 33...	215485GT	59, 61, 67, 69	229215GT	109

<u>Part no.</u>	<u>Page Number</u>	<u>Part no.</u>	<u>Page Number</u>	<u>Part no.</u>	<u>Page Number</u>
229216GT	109	1257203GT	105, 111	1278706GT	119
229217GT	111	1257714GT	157	1279428GT	119
229453GT	205, 209	1257923GT	13, 17, 21, 25, 29, 33...	1279627GT	281
229845GT	257, 261	1258335GT	255	1280665GT	119, 269, 273
230000GT	277	1258336GT	255	1280819GT	13, 17, 21, 61
230645GT	279	1258340GT	255	1281175GT	65, 71
231191GT	91, 95, 99	1258517GT	255	1283227GT	109
231572GT	205	1258731GT	259	1283228GT	13, 17, 21, 25, 29, 33...
231921GT	257, 259	1259993GT	85	1283768GT	281
231922GT	257, 261	1260030GT	85	1283790GT	259
231931GT	279	1260031GT	87	1283792GT	259
232535GT	105, 111	1260045GT	85	1283810GT	65, 71, 259
232573GT	105, 111	1260891GT	157	1283811GT	259
232580GT	111	1261228GT	223, 231, 235	1283878GT	61, 69
232848GT	105, 111	1261888GT	213	1284285GT	117
233641GT	205, 209	1263397GT	131	1284287GT	117
235340GT	157	1263398GT	131	1287673GT	285
235463GT	263	1263542GT	67	1287674GT	285
235464GT	255, 259	1263543GT	59	1287678GT	285
822586GT	81, 83	1264278GT	223, 231, 235	1287680GT	285
822587GT	81, 83	1264298GT	109	1287682GT	285
822685GT	81, 83	1264372GT	119	1287687GT	285
823368GT	107	1268235GT	139, 143, 145	1287689GT	285
823408GT	105, 111	1270456GT	111	1287691GT	285
824457GT	231, 235, 239	1270489GT	13, 17, 21, 25, 29, 33...	1288351GT	285
824458GT	253	1271092GT	279	1288352GT	285
824461GT	231, 235, 239	1271093GT	279	1288435GT	285
825020GT	265	1272242GT	13, 17, 21, 25, 29, 33...	1288437GT	285
826935GT	129, 133	1272844GT	119	1288438GT	285
1251910GT	131, 133	1272975GT	109, 121	1289428GT	169, 171
1254350GT	265	1273576GT	119	1289429GT	167
1254351GT	265	1275663GT	109	1289520GT	107, 283
1256656GT	259	1278183GT	119, 121	1289521GT	107, 283
1256702GT	13, 17, 21, 25, 29, 33...	1278184GT	119	1289522GT	283
1256703GT	13, 17, 21, 25, 29, 33...	1278185GT	121	1289523GT	283
1256719GT	117	1278186GT	121	1289528GT	253
1256721GT	117	1278187GT	119, 121	1289561GT	107, 283
1256725GT	259	1278188GT	119	1289603GT	285
1256727GT	259	1278189GT	119	1289608GT	285
1256915GT	13, 17, 21, 25, 33	1278191GT	119	1289899GT	283
1256916GT	29	1278386GT	109	1291624GT	61, 69
1257035GT	105	1278705GT	119	1292446GT	129, 133

<u>Part no.</u>	<u>Page Number</u>	<u>Part no.</u>	<u>Page Number</u>	<u>Part no.</u>	<u>Page Number</u>
1292447GT	129, 133	1296619GT	65	T106366GT	117
1292448GT	129, 133	1296620GT	71	T106368GT	255, 259
1292449GT	129, 133	1296621GT	65	T106370GT	255, 259
1292450GT	129, 133	1296622GT	71	T106372GT	117
1292451GT	129, 133	1296810GT	219, 223, 227	T106373GT	255, 259
1292452GT	129, 133	1296821GT	59, 277	T106788GT	103, 109, 121
1292453GT	129, 133	1296910GT	139, 143	T107029GT	13, 17, 21, 25, 29, 33...
1292512GT	61, 69	1297332GT	157	T107890GT	123, 125, 127, 129, 133
1292513GT	61, 69	1297333GT	161	T107891GT	123, 125, 127, 129, 133
1292514GT	61, 69	1297622GT	135	T107892GT	123, 125, 127, 131, 133
1292515GT	61, 69	1297623GT	135	T107894GT	13, 17, 21, 25, 29, 33...
1292944GT	277	1297735GT	59, 67	T108736GT	13, 17
1292946GT	277	1297738GT	133	T108737GT	49, 57
1293165GT	65	1297740GT	133	T108738GT	53
1293166GT	71	1297800GT	133	T108739GT	25, 29
1293324GT	61	1297801GT	133	T108740GT	33
1293390GT	129	1297802GT	133	T110712GT	103
1293391GT	129	1297894GT	133	T110713GT	103
1293392GT	129	1298026GT	173, 177	T110714GT	113
1293394GT	129	1298027GT	173, 177	T110715GT	113
1293395GT	129	1298028GT	173, 177	T110723GT	103, 109
1293396GT	129	1298029GT	177	T112560GT	269, 271
1293397GT	131, 133, 285	1298467GT	67	T112561GT	269, 271
1293399GT	273, 285	1298551GT	203	T112563GT	269, 273
1293888GT	285	1298552GT	203	T114174GT	233, 237, 241
1293889GT	285	1298716GT	285	T114175GT	233, 237, 241
1293893GT	209	1301747GT	273	T114176GT	233, 237, 241
1293974GT	137, 141	1301748GT	273	T114178GT	255, 259
1293975GT	149, 151	1301750GT	273	T115403GT	103
1293976GT	155	1301751GT	273	T115404GT	113
1293977GT	157	1302181GT	197	T115616GT	219, 223
1293978GT	161	1303920GT	273	T115617GT	221, 225
1294048GT	285	1305749GT	59	T115618GT	219, 223
1294049GT	285	1305750GT	59	T115619GT	221, 225
1294050GT	285	1305751GT	65	T115620GT	219, 223
1294051GT	285	1305752GT	65	T115621GT	221, 225
1294071GT	285	1305753GT	67	T115622GT	219, 223
1294398GT	59, 67	1305754GT	67	T115623GT	221, 225
1294635GT	65	1305755GT	71	T115624GT	243
1294688GT	71	1305756GT	71	T115625GT	243
1296034GT	59, 65, 67, 71	T106362GT	117	T115626GT	231, 235, 239
1296295GT	65	T106363GT	117	T115627GT	233, 237, 241

<u>Part no.</u>	<u>Page Number</u>	<u>Part no.</u>	<u>Page Number</u>	<u>Part no.</u>	<u>Page Number</u>
T115628GT	231, 235, 239				
T115629GT	233, 237, 241				
T115634GT	227				
T115635GT	229				
T115636GT	243				
T115637GT	243				
T115638GT	243				
T115639GT	243				
T115640GT	243				
T115641GT	243				
T115642GT	243				
T115643GT	243				
T115644GT	243				
T115645GT	243				
T115646GT	227				
T115647GT	229				
T115648GT	227				
T115649GT	229				
T115650GT	227				
T115651GT	229				
T115652GT	249				
T115653GT	249				
T115654GT	249				
T115655GT	249				
T115662GT	249				
T115663GT	249				
T115664GT	249				
T115665GT	249				
T115666GT	249				
T115667GT	249				
T115668GT	249				
T115669GT	249				

Go to Discount-Equipment.com to order your parts

California Proposition 65

 **WARNING**

Operating, servicing and maintaining this equipment, passenger vehicle or off-highway motor vehicle can expose you to chemicals including engine exhaust, carbon monoxide, phthalates, and lead, which are known to the State of California to cause cancer and birth defects or other reproductive harm. These chemicals can be emitted from or contained in other various parts and systems, fluids and some component wear by-products. To minimize exposure, avoid breathing exhaust, do not idle the engine except as necessary, service your equipment and vehicle in a well-ventilated area and wear gloves or wash your hands frequently when servicing your equipment or vehicle and after operation. For more information go to www.P65Warnings.ca.gov/passenger-vehicle.

Breathing diesel engine exhaust exposes you to chemicals known to the State of California to cause cancer and birth defects or other reproductive harm.

- Always start and operate the engine in a well-ventilated area.
- If in an enclosed area, vent the exhaust to the outside.
- Do not modify or tamper with the exhaust system.
- Do not idle the engine except as necessary.

For more information go to www.P65warnings.ca.gov/diesel.

Distributed By:

www.GeePart.com to order your parts

PARTS FINDER

**Search Website
by Part Number**



**Search Manual
Library For Parts
Manual & Lookup Part
Numbers – Purchase
or Request Quote**

Search Manuals

Enter your information to help us find the right parts manual for your machine.

* Brand:

* Model:

* Serial:

* Part Number:

SEARCH

**Can't Find Part or
Manual? Request Help
by Manufacturer,
Model & Description**

Parts Order Form

Please fill in the following information to help us find the right part for your machine.

Manufacturer:	<input type="text"/>
Model:	<input type="text"/>
Description:	<input type="text"/>
Part Number:	<input type="text"/>
Quantity:	<input type="text"/>
Notes:	<input type="text"/>

Discount-Equipment.com is your online resource for quality parts & equipment.

Florida: **561-964-4949** Outside Florida TOLL FREE: **877-690-3101**

Need parts?

Click on this link: <http://www.discount-equipment.com/category/5443-parts/> and choose one of the options to help get the right parts and equipment you are looking for. Please have the machine model and serial number available in order to help us get you the correct parts. If you don't find the part on the website or on one of the online manuals, please fill out the request form and one of our experienced staff members will get back to you with a quote for the right part that your machine needs.

We sell worldwide for the brands: Genie, Terex, JLG, MultiQuip, Mikasa, Essick, Whiteman, Mayco, Toro Stone, Diamond Products, Generac Magnum, Airman, Haulotte, Barreto, Power Blanket, Nifty Lift, Atlas Copco, Chicago Pneumatic, Allmand, Miller Curber, Skyjack, Lull, Skytrak, Tsurumi, Husquvarna Target, Stow, Wacker, Sakai, Mi-T-M, Sullair, Basic, Dynapac, MBW, Weber, Bartell, Bennar Newman, Haulotte, Ditch Runner, Menegotti, Morrison, Contec, Buddy, Crown, Edco, Wyco, Bomag, Laymor, EZ Trench, Bil-Jax, F.S. Curtis, Gehl Pavers, Heli, Honda, ICS/PowerGrit, IHI, Partner, Imer, Clipper, MMD, Koshin, Rice, CH&E, General Equipment, Amida, Coleman, NAC, Gradall, Square Shooter, Kent, Stanley, Tamco, Toku, Hatz, Kohler, Robin, Wisconsin, Northrock, Oztec, Toker TK, Rol-Air, APT, Wylie, Ingersoll Rand / Doosan, Innovatech, Con X, Ammann, Mecalac, Makinex, Smith Surface Prep, Small Line, Wanco, Yanmar