



A TEREX BRAND



Parts Manual

Serial Number Range

QS-12R

from SN QS11-1000 to QS16-2429

QS-15R

from SN QS16P-2430 to QS16P-4499

QS-20R

from QSP-4500

QS-12W

QS-15W

QS-20W

Part No. 230067
Rev: C
September 2020

Go to Discount-Equipment.com to order your parts

PARTS FINDER

**Search Website
by Part Number**



**Search Manual
Library For Parts
Manual & Lookup Part
Numbers – Purchase
or Request Quote**

Search Manuals

Enter your information to help us find the right parts manual for your machine.

* Brand:

* Model:

* Serial:

* Part Number:

SEARCH

**Can't Find Part or
Manual? Request Help
by Manufacturer,
Model & Description**

Parts Order Form

Please fill in the following information to help us find the right part for your machine.

Manufacturer:	<input type="text"/>
Model:	<input type="text"/>
Description:	<input type="text"/>
Part Number:	<input type="text"/>
Quantity:	<input type="text"/>
Notes:	<input type="text"/>

Submit

Discount-Equipment.com is your online resource for quality parts & equipment.

Florida: **561-964-4949** Outside Florida TOLL FREE: **877-690-3101**

Need parts?

Click on this link: <http://www.discount-equipment.com/category/5443-parts/> and choose one of the options to help get the right parts and equipment you are looking for. Please have the machine model and serial number available in order to help us get you the correct parts. If you don't find the part on the website or on one of the online manuals, please fill out the request form and one of our experienced staff members will get back to you with a quote for the right part that your machine needs.

We sell worldwide for the brands: Genie, Terex, JLG, MultiQuip, Mikasa, Essick, Whiteman, Mayco, Toro Stone, Diamond Products, Generac Magnum, Airman, Haulotte, Barreto, Power Blanket, Nifty Lift, Atlas Copco, Chicago Pneumatic, Allmand, Miller Curber, Skyjack, Lull, Skytrak, Tsurumi, Husquvarna Target, Stow, Wacker, Sakai, Mi-T-M, Sullair, Basic, Dynapac, MBW, Weber, Bartell, Bennar Newman, Haulotte, Ditch Runner, Menegotti, Morrison, Contec, Buddy, Crown, Edco, Wyco, Bomag, Laymor, EZ Trench, Bil-Jax, F.S. Curtis, Gehl Pavers, Heli, Honda, ICS/PowerGrit, IHI, Partner, Imer, Clipper, MMD, Koshin, Rice, CH&E, General Equipment, Amida, Coleman, NAC, Gradall, Square Shooter, Kent, Stanley, Tamco, Toku, Hatz, Kohler, Robin, Wisconsin, Northrock, Oztec, Toker TK, Rol-Air, APT, Wylie, Ingersoll Rand / Doosan, Innovatech, Con X, Ammann, Mecalac, Makinex, Smith Surface Prep, Small Line, Wanco, Yanmar

Required Parts

The following parts are required to perform maintenance procedures as outlined in the Genie QuickStock Service Manual.

Description	Part No.
Filter Element	44788
Resistor, 10 ohm, 25W	27287
Dielectric Grease	66399
Boe-Lube Silicone Wax	90337

Manuals

Genie Industries offers the following support documents for these models:

Title	Part No.
EMI Safety Manual	27581
Manual of Responsibilities	
ANSI A92.5 (to SN QSP-4741).....	44163
ANSI A92.20 (from SN QSP-4742)	1298933

Recommended Parts

Description	Part No.
Genie Blue Paint, 1 Gallon	32150
Genie Blue Paint, 12 Ounce Aerosol.....	1484
Genie Gray Paint, 1 Gallon.....	32151
Genie Gray Paint, 12 Ounce Aerosol	1268

Go to Discount-Equipment.com to order your parts



Description	Page
100 Decals	10
101.1 Decals with Words, QS-12R; ANSI, CSA (to SN QSP-5999)	10
101.2 Decals with Words, QS-12W; ANSI, CSA (to SN QSP-5999)	14
101.3 Decals with Words, QS-15R; ANSI, CSA (to SN QSP-5999)	18
101.4 Decals with Words, QS-15W; ANSI, CSA (to SN QSP-5999)	22
101.5 Decals with Words, QS-20R; ANSI, CSA (to SN QSP-5999)	26
101.6 Decals with Words, QS-20W; ANSI, CSA (to SN QSP-5999)	30
102.1 Decals with Symbols, QS-12R; ANSI (to SN QSP-5999)	34
102.2 Decals with Symbols, QS-12W; ANSI (to SN QSP-5999)	38
102.3 Decals with Symbols, QS-15R; ANSI (to SN QSP-5999)	42
102.4 Decals with Symbols, QS-15W; ANSI (to SN QSP-5999)	46
102.5 Decals with Symbols, QS-20R; ANSI (to SN QSP-5999)	50
102.6 Decals with Symbols, QS-20W; ANSI (to SN QSP-5999)	54
103.1 Decals with Words, QS-12R; Australia (to SN QSP-5999)	58
103.2 Decals with Words, QS-12W; Australia (to SN QSP-5999)	62
103.3 Decals with Words, QS-15R; Australia (to SN QSP-5999)	66
103.4 Decals with Words, QS-15W; Australia (to SN QSP-5999)	70
103.5 Decals with Words, QS-20R; Australia (to SN QSP-5999)	74
103.6 Decals with Words, QS-20W; Australia (to SN QSP-5999)	78
104.1 Decals with Symbols, QS-12R; CE (to SN QSP-5999)	82
104.2 Decals with Symbols, QS-12W; CE (to SN QSP-5999)	86
104.3 Decals with Symbols, QS-15R; CE (to SN QSP-5999)	90
104.4 Decals with Symbols, QS-15W; CE (to SN QSP-5999)	94
104.5 Decals with Symbols, QS-20R; CE (to SN QSP-5999)	98
104.6 Decals with Symbols, QS-20W; CE (to SN QSP-5999)	102
105.1 Decals with Word, Hydraulic Tank Side (from SN QSP-6000)	106
106.1 Decals with Word, Battery Charger Side / Non-Steer End (from SN QSP-6000)	110
107.1 Decals with Word, Platform (from SN QSP-6000)	114
108.1 Decals with Symbol, Hydraulic Tank Side (from SN QSP-6000)	116
109.1 Decals with Symbol, Battery Charger Side / Non-Steer End (from SN QSP-6000)	118
110.1 Decals with Symbol, Platform (from SN QSP-6000)	120
200 Base Components	122
201.1 Steer Axle Linkage and Wheels	122
201.2 Steer Axle Linkage and Wheels	126
202.1 Non-steer Axle	130
202.2 Non-steer Axle	132
203.1 Pothole Protection Assembly	134
204.1 Battery Pack and Counterweight Brackets	138
204.2 Battery Pack and Counterweight Brackets	140
204.3 Battery Pack and Counterweight Brackets	142

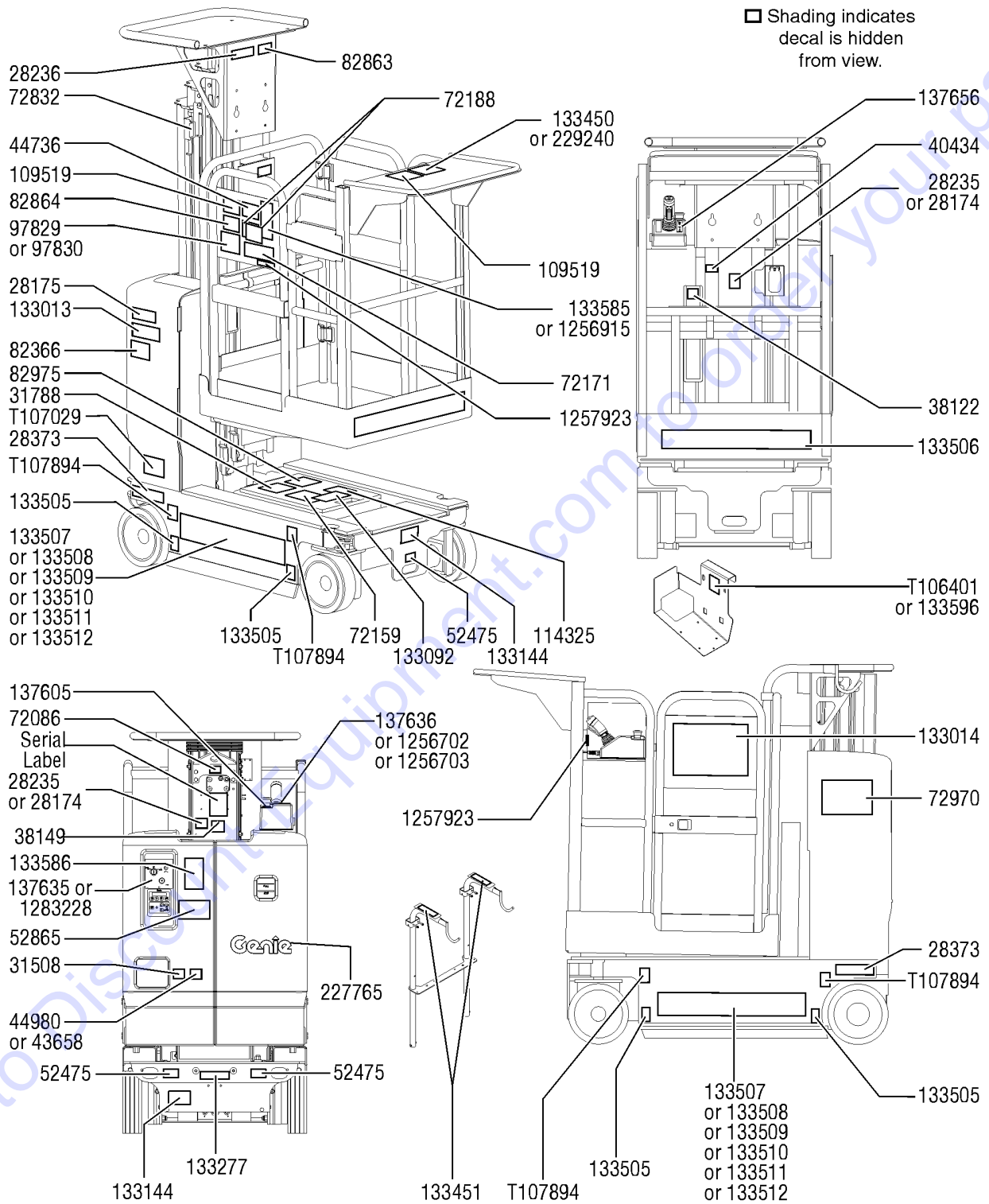
Table of Contents

Description	Page
204.4 Battery Pack and Counterweight Brackets	146
204.5 Battery Pack and Counterweight Brackets	148
204.6 Battery Pack and Counterweight Brackets	152
205.1 Ground Control Module Components (to serial number QS14-1537)	156
205.2 Ground Control Module Components (from serial number QS14-1538)	162
206.1 Power Unit Components	168
207.1 Ground Control Panel	172
208.1 Battery Charger	174
209.1 Electrical Wiring (to SN QS14-1550)	178
209.2 Electrical Wiring (to SN QS14-1550)	180
210.1 Electrical Wiring (from SN QS14-1551 to SN QSP-5999)	182
211.1 Electrical Wiring (from SN QSP-6000)	186
300 Mast Components	190
301.1 Number 1 Column Assembly, QS-12	190
301.2 Number 1 Column Assembly, QS-15	194
301.3 Number 1 Column Assembly, QS-20	198
302.1 Number 2 Column Assembly, QS-12	202
302.2 Number 2 Column Assembly, QS-15	204
302.3 Number 2 Column Assembly, QS-20	206
303.1 Number 3 Column Assembly	208
304.1 Number 4 Column Assembly; QS-15, QS-20	212
304.2 Number 4 Column Assembly; QS-15, QS-20	216
305.1 Number 5 Column Assembly, QS-20	220
306.1 Carriage Assembly	222
306.2 Carriage Assembly	224
306.3 Carriage Assembly	226
307.1 Lifting Chain Assembly, QS-12	228
308.1 Lifting Chain Assembly, QS-15	232
309.1 Lifting Chain Assembly, QS-20	236
310.1 Sequencing Cable	238
310.2 Sequencing Cable	240
310.3 Sequencing Cable	242
311.1 Mast Covers	244
311.2 Mast Covers	246
311.3 Mast Covers	248
312.1 Control Cable Assembly; QS-12, QS-20	250
312.2 Control Cable Assembly; QS-12, QS-20	252
313.1 Control Cable Assembly, QS-15	254
314.1 Bellows, CE & Australia Models	256
400 Hydraulic Components	258

Description	Page
401.1 Hydraulic Power Unit and Lift Cylinder	258
402.1 Function Manifold	262
403.1 Brake Release Manifold	264
404.1 Hydraulic Hoses and Fittings	266
500 Platform Components	268
501.1 Platform Assembly	268
501.2 Platform Assembly	272
502.1 Platform Controls, 2 Speed Lift	276
503.1 Platform Controls, Proportional Lift	280
504.1 Joystick Controller	284
505.1 Platform Overload Assembly	286
600 Accessories	288
601.1 Bike Rack	288
602.1 Flashing Beacon	290
603.1 Parcel and Work Station Tray	292
603.2 Workstation Tray (from SN QSP-6000)	294
604.1 Adjustable Work Tray	296
605.1 Telematics Option (from SN QS-1653)	298
Part Number Index	300

Go to Discount-Equipment.com to order your parts

101.1 Decals with Words, QS-12R; ANSI, CSA (to SN QSP-5999)

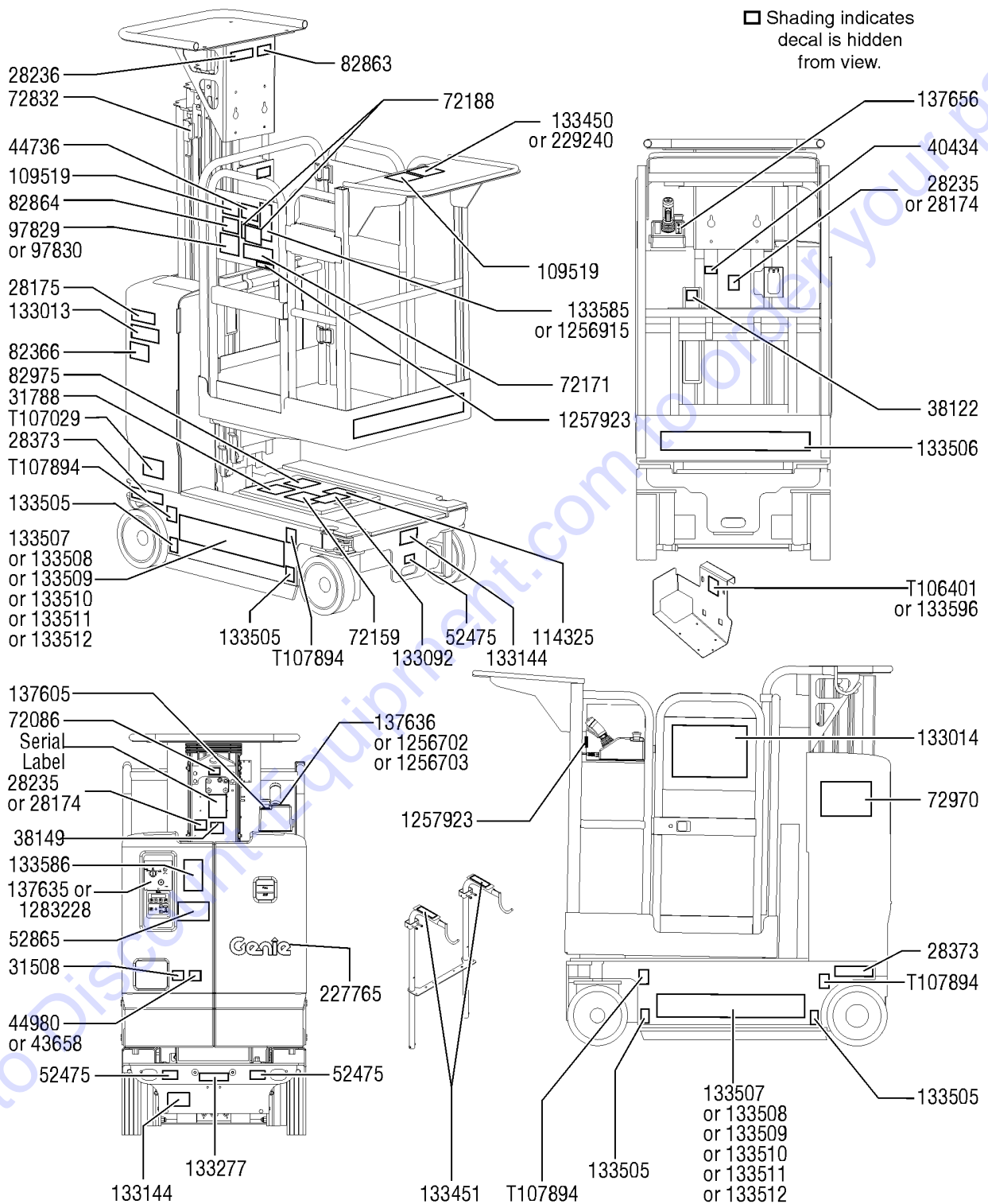


101.1 Decals with Words, QS-12R; ANSI, CSA (to SN QSP-5999)

Item	Part No.	Description	Qty.
	230744GT	DECAL KIT,SAFETY/INSTR,WORDS (for models with 2 speed controller) to SN 1999	
1	28174GT	DECAL,POWER TO PLATFORM 230V	2
2	28175GT	DECAL,WARNING-COMPART ACCESS	1
3	28235GT	DECAL,POWER TO PLATFORM 115V	2
4	28236GT	DECAL,WARN,IMPROPER OPERATION	1
5	28373GT	DECAL,FORK LIFT POCKET	2
6	31508GT	DECAL,DANGER,ELECT HAZARD,PLUG	1
7	31788GT	DECAL,DANGER,BATTERY SAFETY***	1
8	38122GT	DECAL,LABEL, OM STORAGE	1
9	38149GT	DECAL,LABEL,PATENTS	1
10	40434GT	DECAL,LANYARD ANCHORAGE POINT	1
11	43658GT	DECAL,LABEL,PWR TO CHARGR 230V	1
12	44736GT	DECAL,DANGER,TIP-OVER,TILT	1
13	44980GT	DECAL,LABEL,PWR TO CHARGER 115UK	1
14	52475GT	DECAL LABEL TRANSPORT TIE DOWN*	3
15	52865GT	DECAL,ANNUAL INSP***	1
16	72086GT	DECAL,LABEL,LIFTING EYE	1
17	72159GT	DECAL,TIP-OVER,BATTERIES,GR	1
18	72171GT	DECAL,SIDE FORCE,100,GR,ANSI ANSI & CSA	1
19	72188GT	DECAL,DIRECTIONAL ARROWS,GR	2
20	72832GT	DECAL,DANGER,DO NOT ALTER SWTC	1
21	72970GT	DECAL,INSTRUCTIONS-CHARGER OP	1
22	82366GT	DECAL,LABEL-CHEVRON RANDO	1
23	82863GT	DECAL,DANGER,MAX CAP PARCEL WD QS-12, QS-15	1
24	82864GT	DECAL,DANGER,MAX CAP BIKE RACK	1
25	82975GT	DECAL,DANGER,COLLISION HAZARD	1
26	97829GT	DECAL-NOTICE,MAX CAP 500# SP** QS-12, QS-15	1
28	109519GT	DECAL,DANGER,MAX CAP ADJ TRAY*	2



101.1 Decals with Words, QS-12R; ANSI, CSA (to SN QSP-5999)

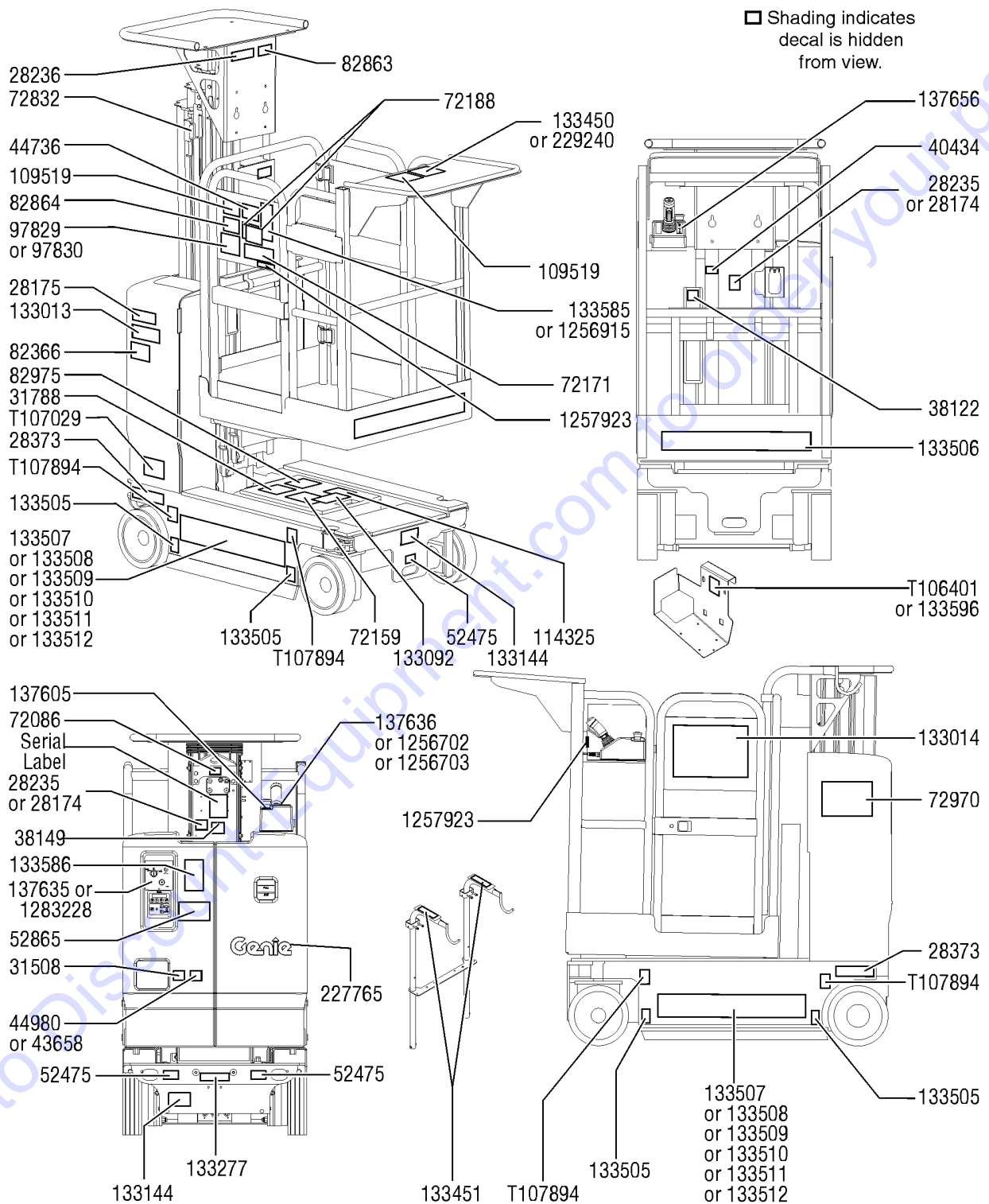


101.1 Decals with Words, QS-12R; ANSI, CSA (to SN QSP-5999)

Item	Part No.	Description	Qty.
29	114325GT	DECAL,BATTERY CONN DIAG,GR	1
30	133013GT	DECAL,DANGER,ELECTROCUTION,GR	1
31	133014GT	DECAL,GENERAL SAFETY,RUNABOUT*	1
32	133092GT	DECAL,CRUSH HAZARD,USE SAFETY	1
33	133144GT	DECAL,LABEL-TRANSPORT DIGRAM	2
34	133277GT	DECAL,LABEL,EMERGENCY LOWERING	1
35	133450GT	DECAL,INSTRUCTIONS,WORK TRAY	1
36	133451GT	DECAL,INSTR,MAX CAP BIKE RACK	2
37	133505GT	DECAL,LABEL,WHEEL LOAD	4
38	133506GT	DECAL,GENIE QUICKSTOCK	1
39	133507GT	DECAL,GENIE,QS-12R	2
		QS-12R	
45	133585GT	OPERATING INST,PLAT,GR (models with 2 speed controller) to SN 1999	1
46	133586GT	DECAL,INSTRUCTIONS-OPER,GCP	1
48	137605GT	DECAL,E-STOP,GR/GRC/GS PCON	1
49	137635GT	E-STOP, GR/GRC/GS GCON	1
		to SN QSP-4636	
50	137636GT	DECAL, UI, GR/GRC/GS PCON	1
		(models with 2 speed controller) to SN 1999	
51	137656GT	DECAL,PROPEL,GR/GRC/GS,PCON	1
52	229240GT	DECAL,INSTRUCTIONS,ADJ TRAY*	1
53	T106401GT	DECAL,LABEL,FAULT CODES	1
		QS-12R, QS-15R, QS-20R	
54	T107029GT	DECAL DANGER BRAKE REL SAFETY	1
55	T107894GT	DECAL,LABEL,TIRE SPEC,GR/GRC	4
56	227765GT	DECAL,COSMETIC,GENIE,GR/QS	1
57	1256702GT	DECAL, UI, GS/GR, PROP LIFT	1
		(models with proportional speed controller) from SN 2000	
58	1256703GT	DECAL, STD, PROP LIFT, UI, SVC	1
		(models converted from 2 speed to proportional speed controller)	
59	1256915GT	OPERATING INST,PLAT,GR	1
		(models with proportional speed controller)	
60	1257923GT	DECAL, SMARTLINK PROPORTIONAL LIFT IDENTIFIER	2
		(models with proportional speed controller)	
61	1283228GT	DECAL,GR GCON, TECH PRO	1
		from SN QSP-4637	



101.2 Decals with Words, QS-12W; ANSI, CSA (to SN QSP-5999)

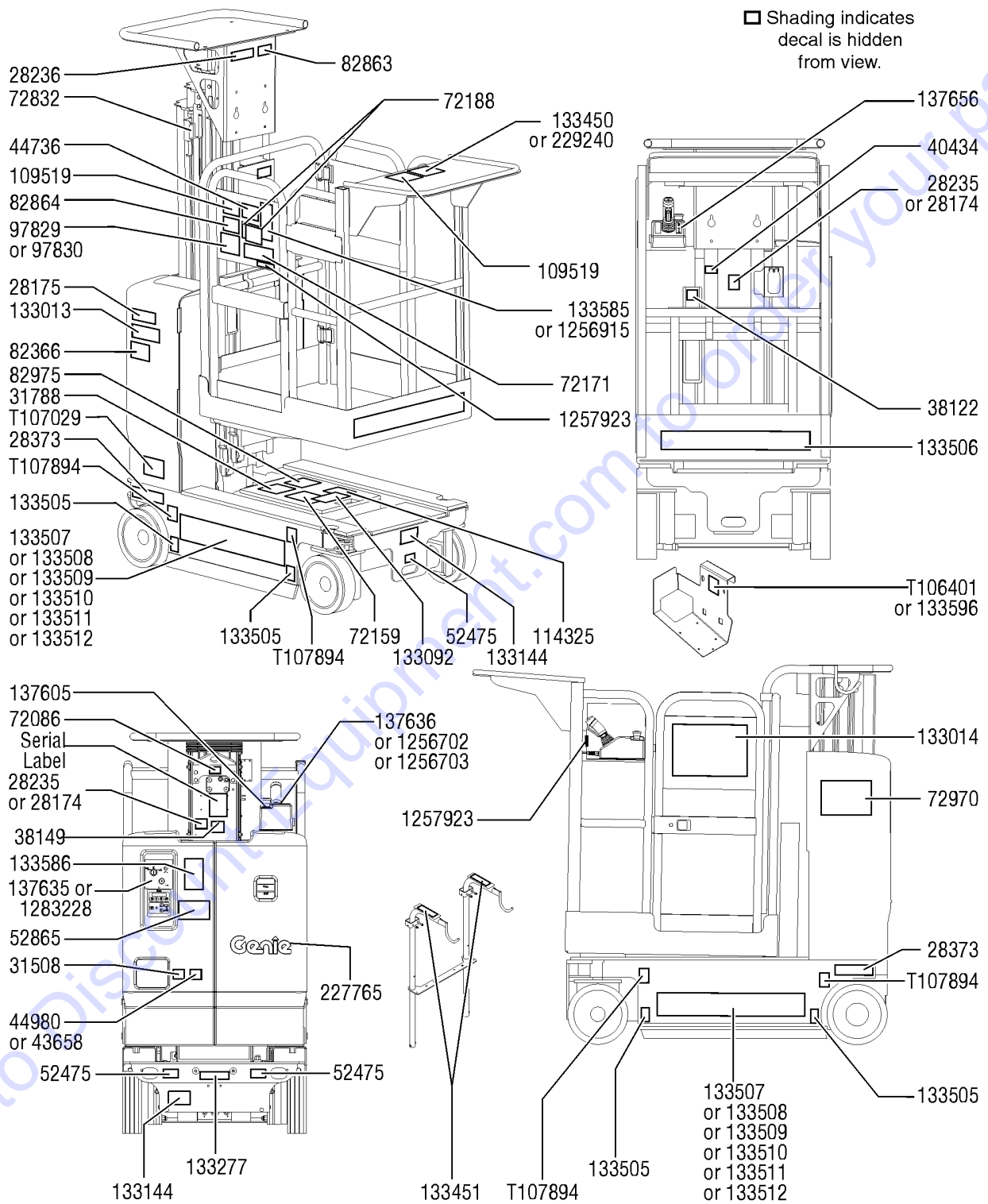


101.2 Decals with Words, QS-12W; ANSI, CSA (to SN QSP-5999)

Item	Part No.	Description	Qty.
	230744GT	DECAL KIT,SAFETY/INSTR,WORDS (for models with 2 speed controller) to SN 1999	
1	28174GT	DECAL,POWER TO PLATFORM 230V	2
2	28175GT	DECAL,WARNING-COMPART ACCESS	1
3	28235GT	DECAL,POWER TO PLATFORM 115V	2
4	28236GT	DECAL,WARN,IMPROPER OPERATION	1
5	28373GT	DECAL,FORK LIFT POCKET	2
6	31508GT	DECAL,DANGER,ELECT HAZARD,PLUG	1
7	31788GT	DECAL,DANGER,BATTERY SAFETY***	1
8	38122GT	DECAL,LABEL, OM STORAGE	1
9	38149GT	DECAL,LABEL,PATENTS	1
10	40434GT	DECAL,LANYARD ANCHORAGE POINT	1
11	43658GT	DECAL,LABEL,PWR TO CHARGR 230V	1
12	44736GT	DECAL,DANGER,TIP-OVER,TILT	1
13	44980GT	DECAL,LABEL,PWR TO CHARGER 115UK	1
14	52475GT	DECAL LABEL TRANSPORT TIE DOWN*	3
15	52865GT	DECAL,ANNUAL INSP***	1
16	72086GT	DECAL,LABEL,LIFTING EYE	1
17	72159GT	DECAL,TIP-OVER,BATTERIES,GR	1
18	72171GT	DECAL,SIDE FORCE,100,GR,ANSI ANSI & CSA	1
19	72188GT	DECAL,DIRECTIONAL ARROWS,GR	2
20	72832GT	DECAL,DANGER,DO NOT ALTER SWTC	1
21	72970GT	DECAL,INSTRUCTIONS-CHARGER OP	1
22	82366GT	DECAL,LABEL-CHEVRON RANDO	1
23	82863GT	DECAL,DANGER,MAX CAP PARCEL WD QS-12, QS-15	1
24	82864GT	DECAL,DANGER,MAX CAP BIKE RACK	1
25	82975GT	DECAL,DANGER,COLLISION HAZARD	1
26	97829GT	DECAL-NOTICE,MAX CAP 500# SP** QS-12, QS-15	1
28	109519GT	DECAL,DANGER,MAX CAP ADJ TRAY*	2



101.2 Decals with Words, QS-12W; ANSI, CSA (to SN QSP-5999)

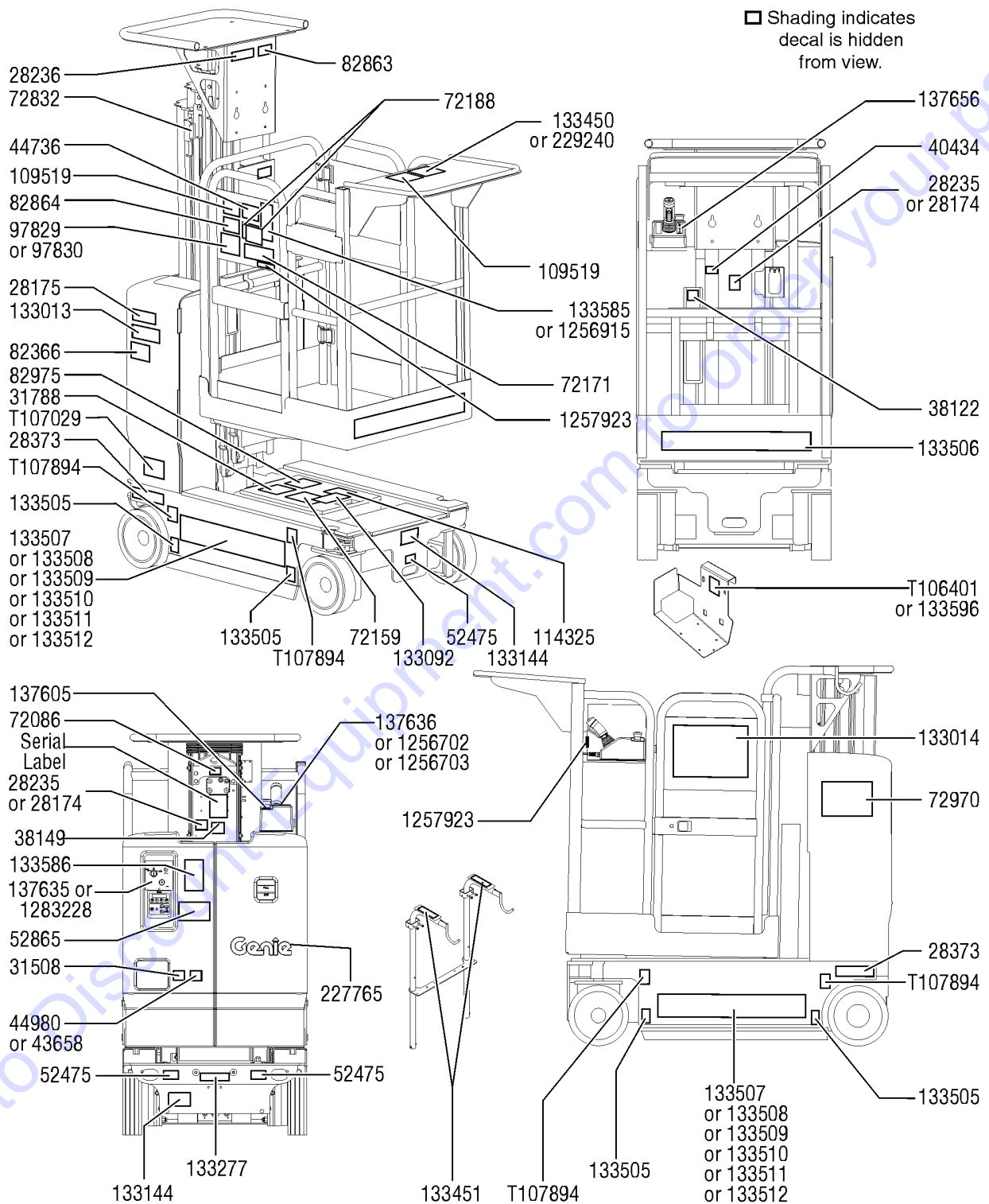


101.2 Decals with Words, QS-12W; ANSI, CSA (to SN QSP-5999)

Item	Part No.	Description	Qty.
29	114325GT	DECAL,BATTERY CONN DIAG,GR	1
30	133013GT	DECAL,DANGER,ELECTROCUTION,GR	1
31	133014GT	DECAL,GENERAL SAFETY,RUNABOUT*	1
32	133092GT	DECAL,CRUSH HAZARD,USE SAFETY	1
33	133144GT	DECAL,LABEL-TRANSPORT DIGRAM	2
34	133277GT	DECAL,LABEL,EMERGENCY LOWERING	1
35	133450GT	DECAL,INSTRUCTIONS,WORK TRAY	1
36	133451GT	DECAL,INSTR,MAX CAP BIKE RACK	2
37	133505GT	DECAL,LABEL,WHEEL LOAD	4
38	133506GT	DECAL,GENIE QUICKSTOCK	1
42	133510GT	DECAL,GENIE,QS-12W QS-12W	2
45	133585GT	OPERATING INST,PLAT,GR (models with 2 speed controller) to SN 1999	1
46	133586GT	DECAL,INSTRUCTIONS-OPER,GCP	1
47	133596GT	DECAL,LABEL,FAULT CODES QS-12W, QS-15W, QS-20W	1
48	137605GT	DECAL,E-STOP,GR/GRC/GS PCON	1
49	137635GT	E-STOP, GR/GRC/GS GCON to SN QSP-4636	1
50	137636GT	DECAL, UI, GR/GRC/GS PCON (models with 2 speed controller) to SN 1999	1
51	137656GT	DECAL,PROPEL,GR/GRC/GS,PCON	1
52	229240GT	DECAL,INSTRUCTIONS,ADJ TRAY*	1
54	T107029GT	DECAL DANGER BRAKE REL SAFETY	1
55	T107894GT	DECAL,LABEL,TIRE SPEC,GR/GRC	4
56	227765GT	DECAL,COSMETIC,GENIE,GR/QS	1
57	1256702GT	DECAL, UI, GS/GR, PROP LIFT (models with proportional speed controller) from SN 2000	1
58	1256703GT	DECAL, STD, PROP LIFT, UI, SVC (models converted from 2 speed to proportional speed controller)	1
59	1256915GT	OPERATING INST,PLAT,GR (models with proportional speed controller)	1
60	1257923GT	DECAL, SMARTLINK PROPORTIONAL LIFT IDENTIFIER (models with proportional speed controller)	2
61	1283228GT	DECAL,GR GCON, TECH PRO from SN QSP-4637	1



101.3 Decals with Words, QS-15R; ANSI, CSA (to SN QSP-5999)

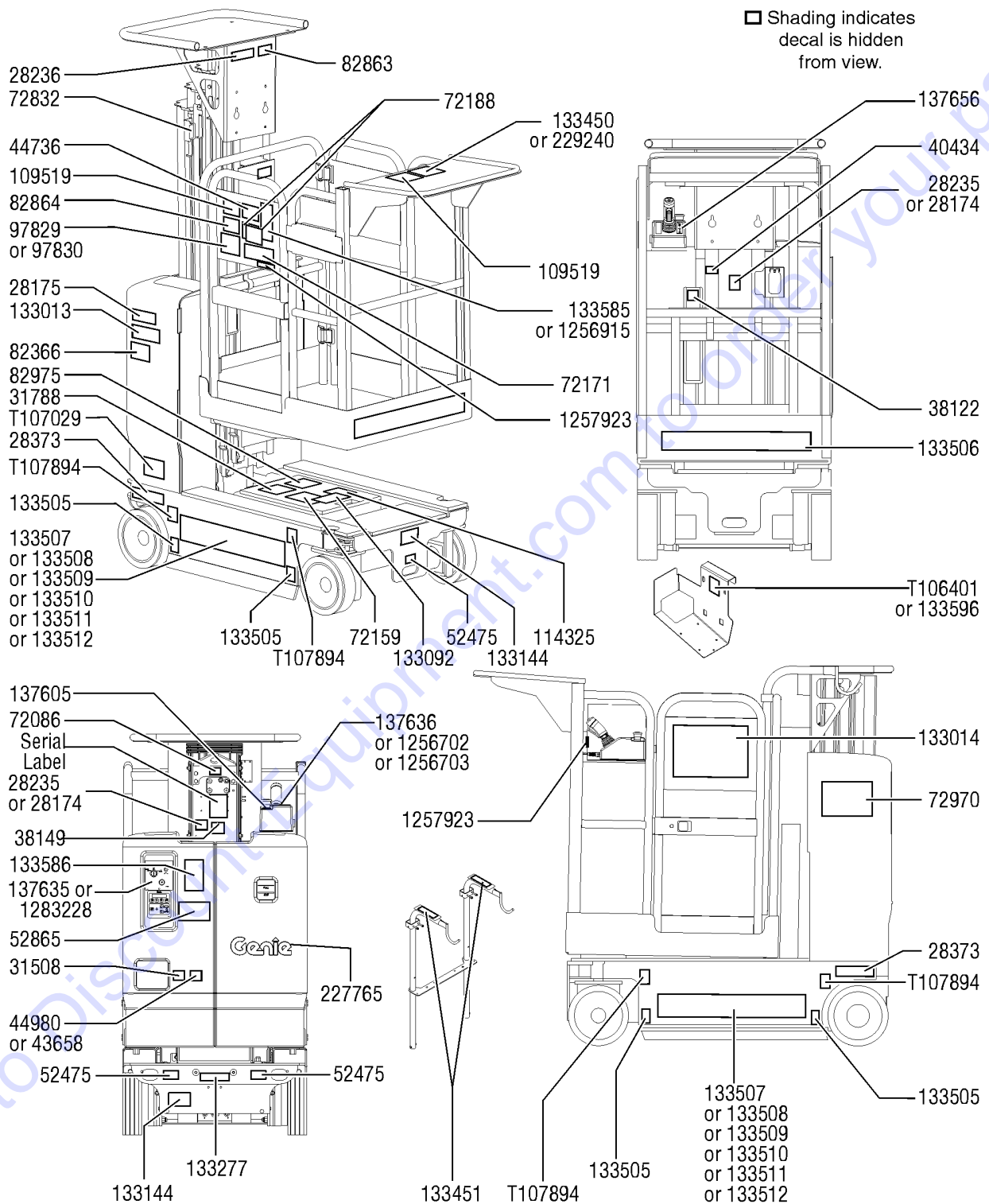


101.3 Decals with Words, QS-15R; ANSI, CSA (to SN QSP-5999)

Item	Part No.	Description	Qty.
	230744GT	DECAL KIT,SAFETY/INSTR,WORDS (for models with 2 speed controller) to SN 1999	
1	28174GT	DECAL,POWER TO PLATFORM 230V	2
2	28175GT	DECAL,WARNING-COMPART ACCESS	1
3	28235GT	DECAL,POWER TO PLATFORM 115V	2
4	28236GT	DECAL,WARN,IMPROPER OPERATION	1
5	28373GT	DECAL,FORK LIFT POCKET	2
6	31508GT	DECAL,DANGER,ELECT HAZARD,PLUG	1
7	31788GT	DECAL,DANGER,BATTERY SAFETY***	1
8	38122GT	DECAL,LABEL, OM STORAGE	1
9	38149GT	DECAL,LABEL,PATENTS	1
10	40434GT	DECAL,LANYARD ANCHORAGE POINT	1
11	43658GT	DECAL,LABEL,PWR TO CHARGR 230V	1
12	44736GT	DECAL,DANGER,TIP-OVER,TILT	1
13	44980GT	DECAL,LABEL,PWR TO CHARGER 115UK	1
14	52475GT	DECAL LABEL TRANSPORT TIE DOWN*	3
15	52865GT	DECAL,ANNUAL INSP***	1
16	72086GT	DECAL,LABEL,LIFTING EYE	1
17	72159GT	DECAL,TIP-OVER,BATTERIES,GR	1
18	72171GT	DECAL,SIDE FORCE,100,GR,ANSI ANSI & CSA	1
19	72188GT	DECAL,DIRECTIONAL ARROWS,GR	2
20	72832GT	DECAL,DANGER,DO NOT ALTER SWTC	1
21	72970GT	DECAL,INSTRUCTIONS-CHARGER OP	1
22	82366GT	DECAL,LABEL-CHEVRON RANDO	1
23	82863GT	DECAL,DANGER,MAX CAP PARCEL WD QS-12, QS-15	1
24	82864GT	DECAL,DANGER,MAX CAP BIKE RACK	1
25	82975GT	DECAL,DANGER,COLLISION HAZARD	1
26	97829GT	DECAL-NOTICE,MAX CAP 500# SP** QS-12, QS-15	1
28	109519GT	DECAL,DANGER,MAX CAP ADJ TRAY*	2



101.3 Decals with Words, QS-15R; ANSI, CSA (to SN QSP-5999)

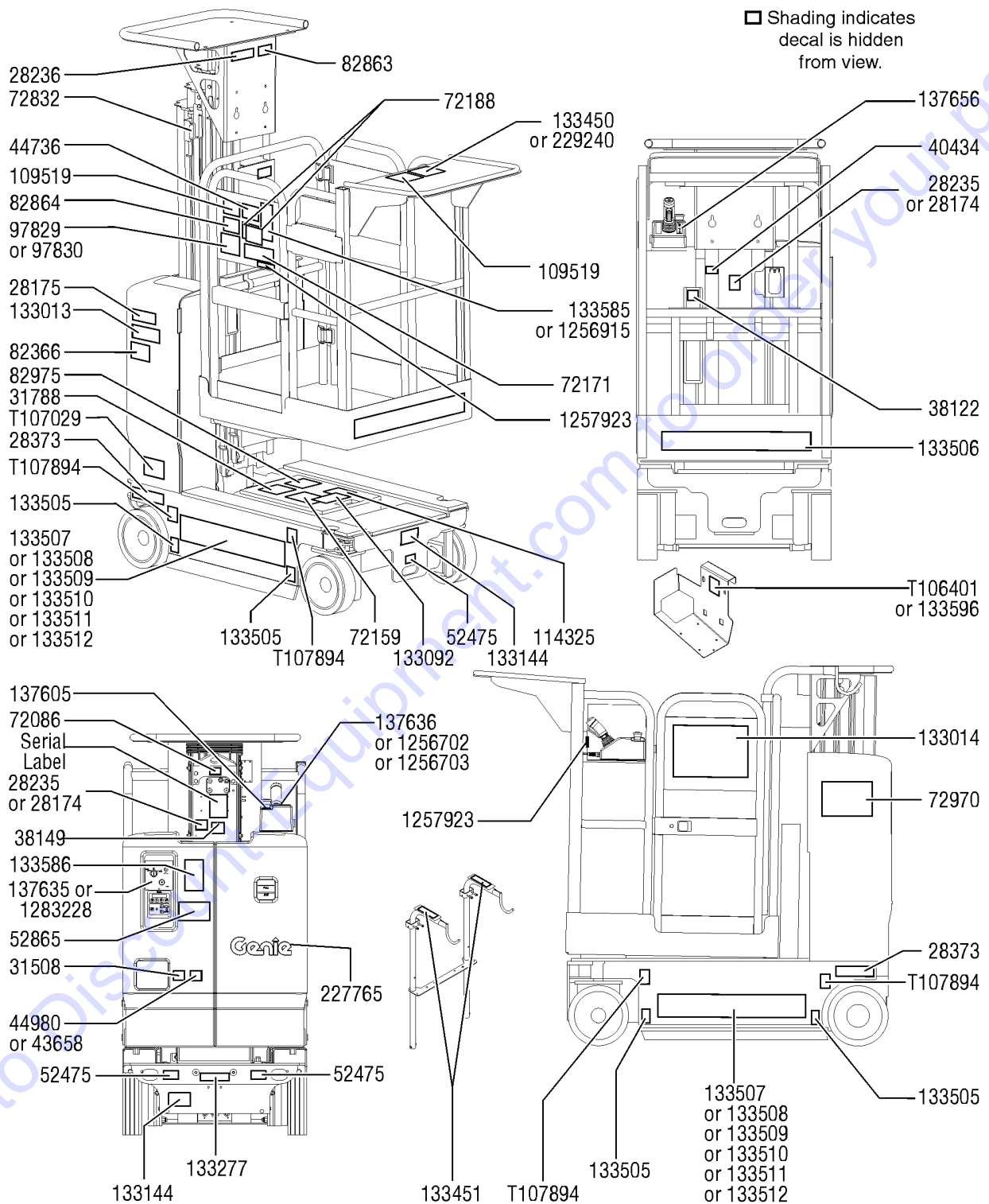


101.3 Decals with Words, QS-15R; ANSI, CSA (to SN QSP-5999)

Item	Part No.	Description	Qty.
29	114325GT	DECAL,BATTERY CONN DIAG,GR	1
30	133013GT	DECAL,DANGER,ELECTROCUTION,GR	1
31	133014GT	DECAL,GENERAL SAFETY,RUNABOUT*	1
32	133092GT	DECAL,CRUSH HAZARD,USE SAFETY	1
33	133144GT	DECAL,LABEL-TRANSPORT DIGRAM	2
34	133277GT	DECAL,LABEL,EMERGENCY LOWERING	1
35	133450GT	DECAL,INSTRUCTIONS,WORK TRAY	1
36	133451GT	DECAL,INSTR,MAX CAP BIKE RACK	2
37	133505GT	DECAL,LABEL,WHEEL LOAD	4
38	133506GT	DECAL,GENIE QUICKSTOCK	1
40	133508GT	DECAL,GENIE,QS-15R	2
		QS-15R	
45	133585GT	OPERATING INST,PLAT,GR (models with 2 speed controller) to SN 1999	1
46	133586GT	DECAL,INSTRUCTIONS-OPER,GCP	1
48	137605GT	DECAL,E-STOP,GR/GRC/GS PCON	1
49	137635GT	E-STOP, GR/GRC/GS GCON	1
		to SN QSP-4636	
50	137636GT	DECAL, UI, GR/GRC/GS PCON	1
		(models with 2 speed controller) to SN 1999	
51	137656GT	DECAL,PROPEL,GR/GRC/GS,PCON	1
52	229240GT	DECAL,INSTRUCTIONS,ADJ TRAY*	1
53	T106401GT	DECAL,LABEL,FAULT CODES	1
		QS-12R, QS-15R, QS-20R	
54	T107029GT	DECAL DANGER BRAKE REL SAFETY	1
55	T107894GT	DECAL,LABEL,TIRE SPEC,GR/GRC	4
56	227765GT	DECAL,COSMETIC,GENIE,GR/QS	1
57	1256702GT	DECAL, UI, GS/GR, PROP LIFT	1
		(models with proportional speed controller) from SN 2000	
58	1256703GT	DECAL, STD, PROP LIFT, UI, SVC	1
		(models converted from 2 speed to proportional speed controller)	
59	1256915GT	OPERATING INST,PLAT,GR	1
		(models with proportional speed controller)	
60	1257923GT	DECAL, SMARTLINK PROPORTIONAL LIFT IDENTIFIER	2
		(models with proportional speed controller)	
61	1283228GT	DECAL,GR GCON, TECH PRO	1
		from SN QSP-4637	



101.4 Decals with Words, QS-15W; ANSI, CSA (to SN QSP-5999)

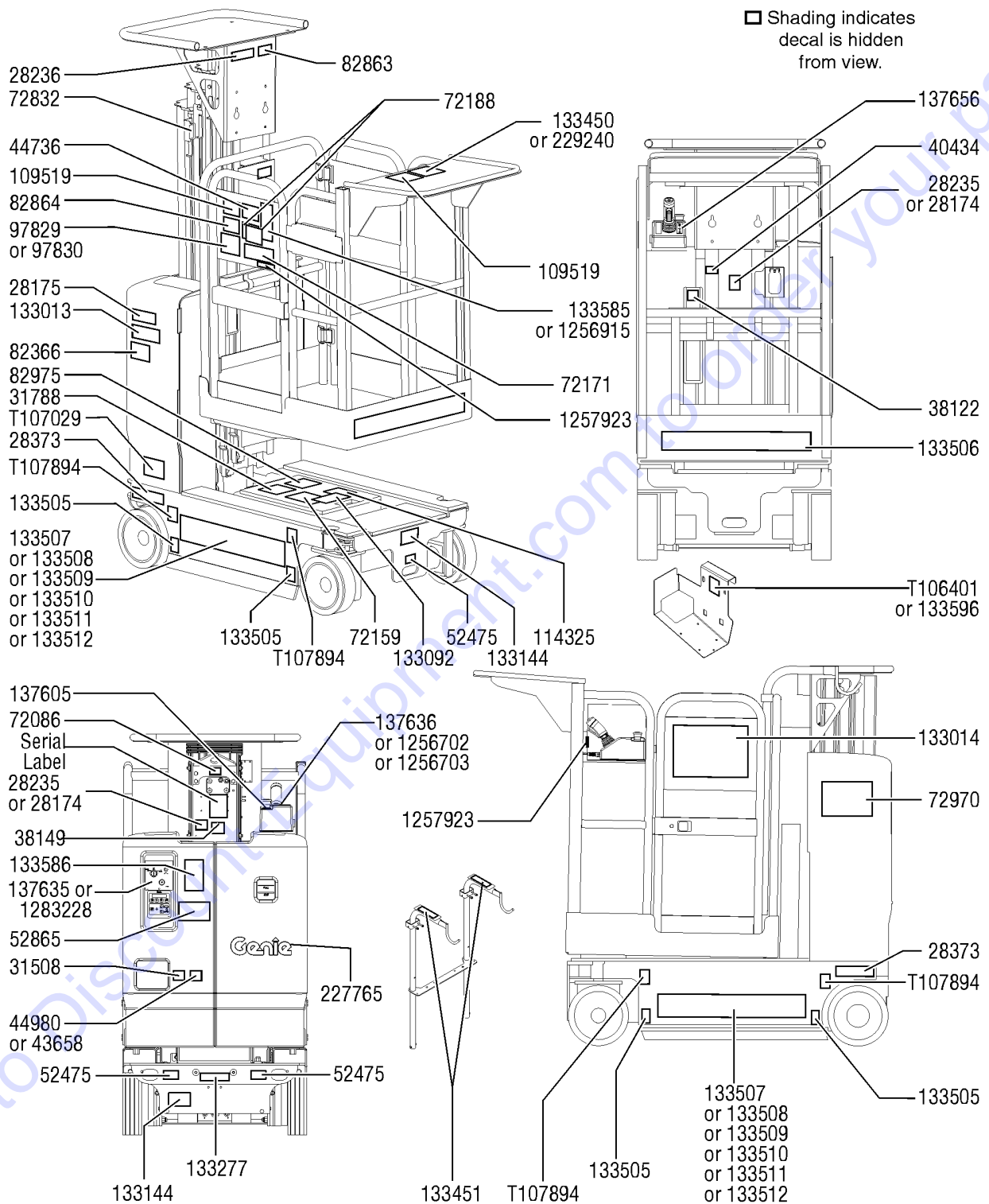


101.4 Decals with Words, QS-15W; ANSI, CSA (to SN QSP-5999)

Item	Part No.	Description	Qty.
	230744GT	DECAL KIT,SAFETY/INSTR,WORDS (for models with 2 speed controller) to SN 1999	
1	28174GT	DECAL,POWER TO PLATFORM 230V	2
2	28175GT	DECAL,WARNING-COMPART ACCESS	1
3	28235GT	DECAL,POWER TO PLATFORM 115V	2
4	28236GT	DECAL,WARN,IMPROPER OPERATION	1
5	28373GT	DECAL,FORK LIFT POCKET	2
6	31508GT	DECAL,DANGER,ELECT HAZARD,PLUG	1
7	31788GT	DECAL,DANGER,BATTERY SAFETY***	1
8	38122GT	DECAL,LABEL, OM STORAGE	1
9	38149GT	DECAL,LABEL,PATENTS	1
10	40434GT	DECAL,LANYARD ANCHORAGE POINT	1
11	43658GT	DECAL,LABEL,PWR TO CHARGR 230V	1
12	44736GT	DECAL,DANGER,TIP-OVER,TILT	1
13	44980GT	DECAL,LABEL,PWR TO CHARGER 115UK	1
14	52475GT	DECAL LABEL TRANSPORT TIE DOWN*	3
15	52865GT	DECAL,ANNUAL INSP***	1
16	72086GT	DECAL,LABEL,LIFTING EYE	1
17	72159GT	DECAL,TIP-OVER,BATTERIES,GR	1
18	72171GT	DECAL,SIDE FORCE,100,GR,ANSI ANSI & CSA	1
19	72188GT	DECAL,DIRECTIONAL ARROWS,GR	2
20	72832GT	DECAL,DANGER,DO NOT ALTER SWTC	1
21	72970GT	DECAL,INSTRUCTIONS-CHARGER OP	1
22	82366GT	DECAL,LABEL-CHEVRON RANDO	1
23	82863GT	DECAL,DANGER,MAX CAP PARCEL WD QS-12, QS-15	1
24	82864GT	DECAL,DANGER,MAX CAP BIKE RACK	1
25	82975GT	DECAL,DANGER,COLLISION HAZARD	1
26	97829GT	DECAL-NOTICE,MAX CAP 500# SP** QS-12, QS-15	1
28	109519GT	DECAL,DANGER,MAX CAP ADJ TRAY*	2



101.4 Decals with Words, QS-15W; ANSI, CSA (to SN QSP-5999)

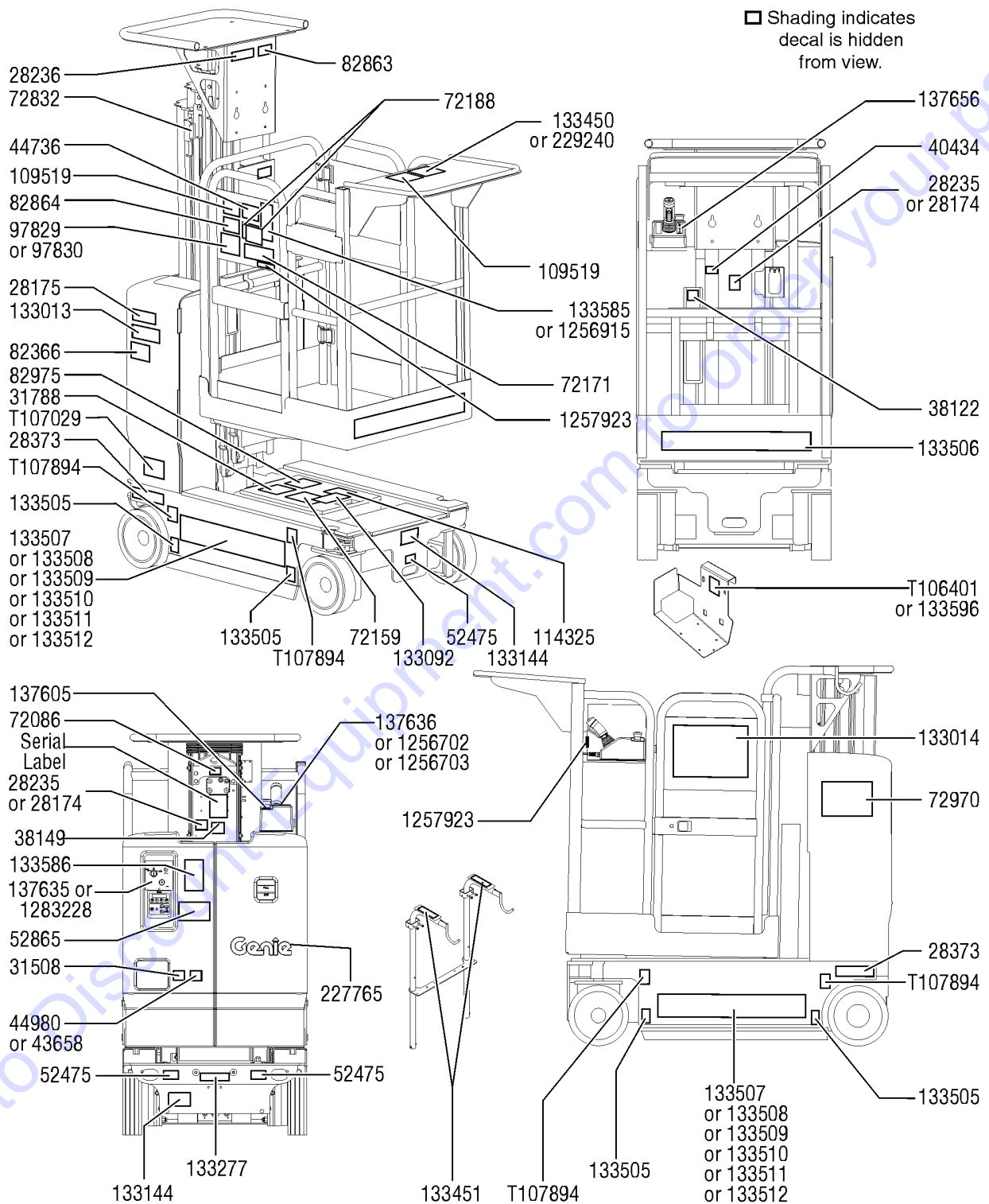


101.4 Decals with Words, QS-15W; ANSI, CSA (to SN QSP-5999)

Item	Part No.	Description	Qty.
29	114325GT	DECAL,BATTERY CONN DIAG,GR	1
30	133013GT	DECAL,DANGER,ELECTROCUTION,GR	1
31	133014GT	DECAL,GENERAL SAFETY,RUNABOUT*	1
32	133092GT	DECAL,CRUSH HAZARD,USE SAFETY	1
33	133144GT	DECAL,LABEL-TRANSPORT DIGRAM	2
34	133277GT	DECAL,LABEL,EMERGENCY LOWERING	1
35	133450GT	DECAL,INSTRUCTIONS,WORK TRAY	1
36	133451GT	DECAL,INSTR,MAX CAP BIKE RACK	2
37	133505GT	DECAL,LABEL,WHEEL LOAD	4
38	133506GT	DECAL,GENIE QUICKSTOCK	1
43	133511GT	DECAL,GENIE,QS-15W	2
		QS-15W	
45	133585GT	OPERATING INST,PLAT,GR (models with 2 speed controller) to SN 1999	1
46	133586GT	DECAL,INSTRUCTIONS-OPER,GCP	1
47	133596GT	DECAL,LABEL,FAULT CODES	1
		QS-12W, QS-15W, QS-20W	
48	137605GT	DECAL,E-STOP,GR/GRC/GS PCON	1
49	137635GT	E-STOP, GR/GRC/GS GCON	1
		to SN QSP-4636	
50	137636GT	DECAL, UI, GR/GRC/GS PCON	1
		(models with 2 speed controller) to SN 1999	
51	137656GT	DECAL,PROPEL,GR/GRC/GS,PCON	1
52	229240GT	DECAL,INSTRUCTIONS,ADJ TRAY*	1
54	T107029GT	DECAL DANGER BRAKE REL SAFETY	1
55	T107894GT	DECAL,LABEL,TIRE SPEC,GR/GRC	4
56	227765GT	DECAL,COSMETIC,GENIE,GR/QS	1
57	1256702GT	DECAL, UI, GS/GR, PROP LIFT	1
		(models with proportional speed controller) from SN 2000	
58	1256703GT	DECAL, STD, PROP LIFT, UI, SVC	1
		(models converted from 2 speed to proportional speed controller)	
59	1256915GT	OPERATING INST,PLAT,GR	1
		(models with proportional speed controller)	
60	1257923GT	DECAL, SMARTLINK PROPORTIONAL LIFT IDENTIFIER	2
		(models with proportional speed controller)	
61	1283228GT	DECAL,GR GCON, TECH PRO	1
		from SN QSP-4637	



101.5 Decals with Words, QS-20R; ANSI, CSA (to SN QSP-5999)

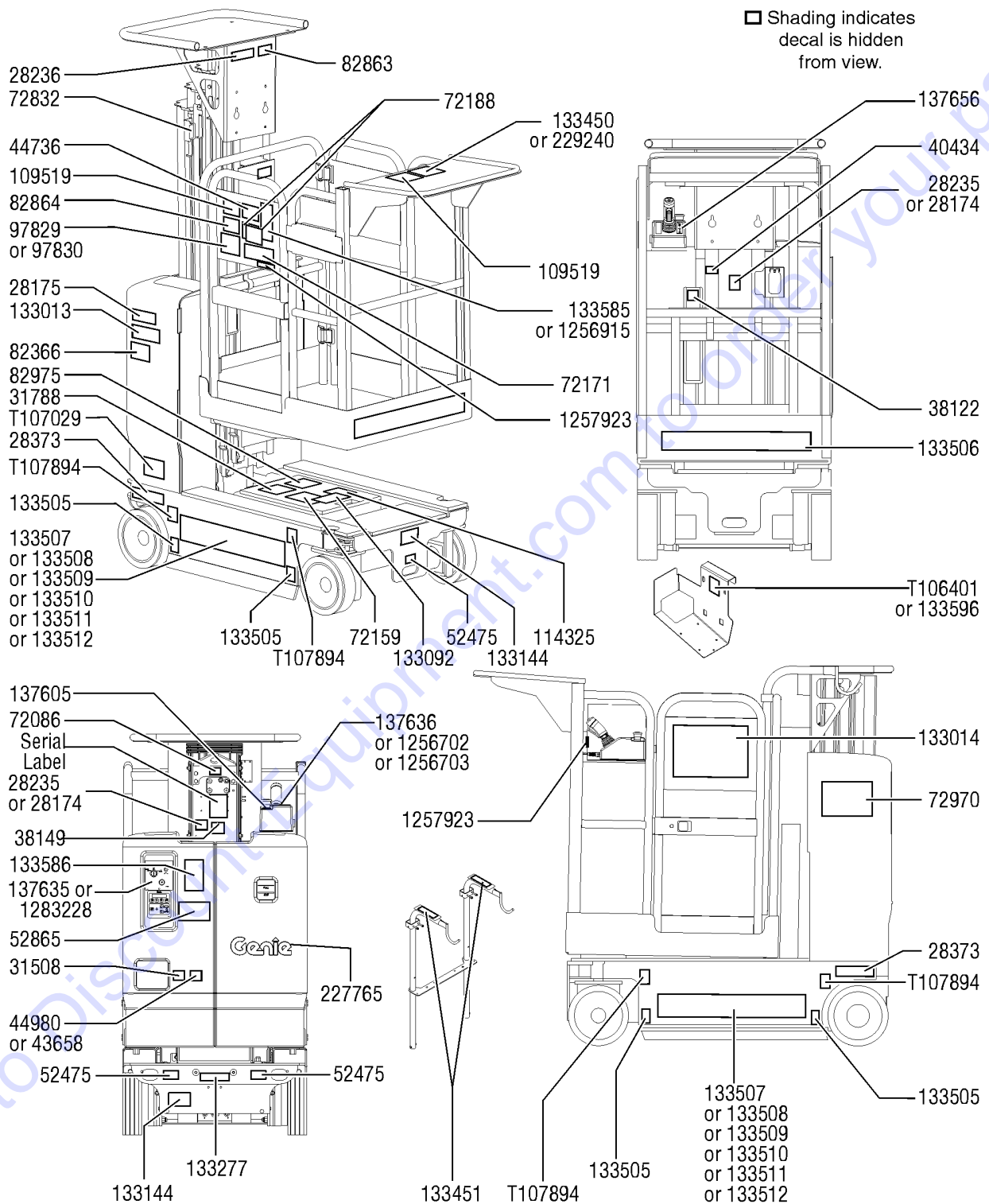


101.5 Decals with Words, QS-20R; ANSI, CSA (to SN QSP-5999)

Item	Part No.	Description	Qty.
	230744GT	DECAL KIT,SAFETY/INSTR,WORDS (for models with 2 speed controller) to SN 1999	
1	28174GT	DECAL,POWER TO PLATFORM 230V	2
2	28175GT	DECAL,WARNING-COMPART ACCESS	1
3	28235GT	DECAL,POWER TO PLATFORM 115V	2
4	28236GT	DECAL,WARN,IMPROPER OPERATION	1
5	28373GT	DECAL,FORK LIFT POCKET	2
6	31508GT	DECAL,DANGER,ELECT HAZARD,PLUG	1
7	31788GT	DECAL,DANGER,BATTERY SAFETY***	1
8	38122GT	DECAL,LABEL, OM STORAGE	1
9	38149GT	DECAL,LABEL,PATENTS	1
10	40434GT	DECAL,LANYARD ANCHORAGE POINT	1
11	43658GT	DECAL,LABEL,PWR TO CHARGR 230V	1
12	44736GT	DECAL,DANGER,TIP-OVER,TILT	1
13	44980GT	DECAL,LABEL,PWR TO CHARGER 115UK	1
14	52475GT	DECAL LABEL TRANSPORT TIE DOWN*	3
15	52865GT	DECAL,ANNUAL INSP***	1
16	72086GT	DECAL,LABEL,LIFTING EYE	1
17	72159GT	DECAL,TIP-OVER,BATTERIES,GR	1
18	72171GT	DECAL,SIDE FORCE,100,GR,ANSI ANSI & CSA	1
19	72188GT	DECAL,DIRECTIONAL ARROWS,GR	2
20	72832GT	DECAL,DANGER,DO NOT ALTER SWTC	1
21	72970GT	DECAL,INSTRUCTIONS-CHARGER OP	1
22	82366GT	DECAL,LABEL-CHEVRON RANDO	1
24	82864GT	DECAL,DANGER,MAX CAP BIKE RACK	1
25	82975GT	DECAL,DANGER,COLLISION HAZARD	1
27	97830GT	DECAL-NOTICE,MAX CAP-350#,SP** QS-20	1
28	109519GT	DECAL,DANGER,MAX CAP ADJ TRAY*	2
29	114325GT	DECAL,BATTERY CONN DIAG,GR	1



101.5 Decals with Words, QS-20R; ANSI, CSA (to SN QSP-5999)

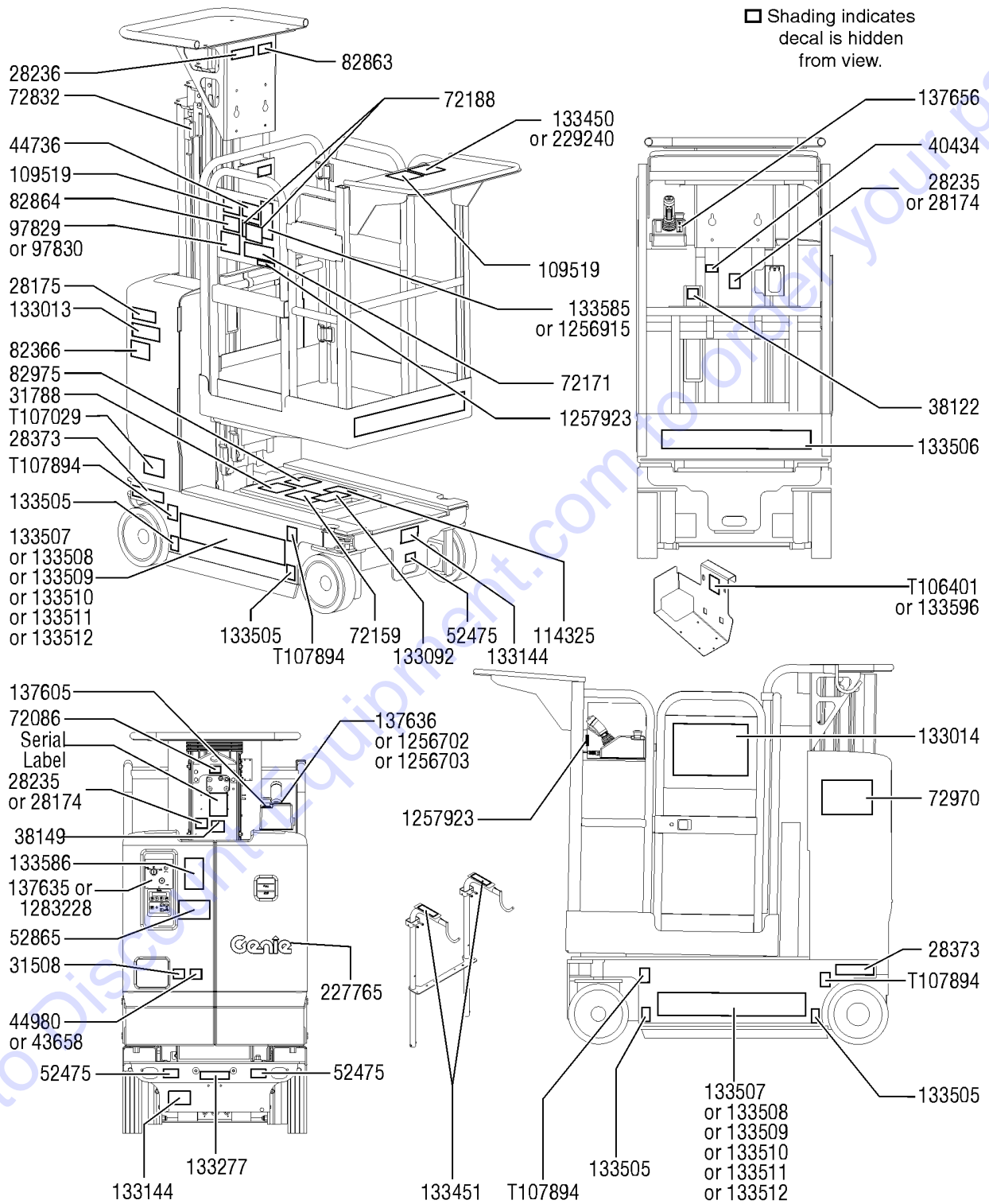


101.5 Decals with Words, QS-20R; ANSI, CSA (to SN QSP-5999)

Item	Part No.	Description	Qty.
30	133013GT	DECAL,DANGER,ELECTROCUTION,GR	1
31	133014GT	DECAL,GENERAL SAFETY,RUNABOUT*	1
32	133092GT	DECAL,CRUSH HAZARD,USE SAFETY	1
33	133144GT	DECAL,LABEL-TRANSPORT DIGRAM	2
34	133277GT	DECAL,LABEL,EMERGENCY LOWERING	1
35	133450GT	DECAL,INSTRUCTIONS,WORK TRAY	1
36	133451GT	DECAL,INSTR,MAX CAP BIKE RACK	2
37	133505GT	DECAL,LABEL,WHEEL LOAD	4
38	133506GT	DECAL,GENIE QUICKSTOCK	1
41	133509GT	DECAL,GENIE,QS-20R QS-20R	2
45	133585GT	OPERATING INST,PLAT,GR (models with 2 speed controller) to SN 1999	1
46	133586GT	DECAL,INSTRUCTIONS-OPER,GCP	1
48	137605GT	DECAL,E-STOP,GR/GRC/GS PCON	1
49	137635GT	E-STOP, GR/GRC/GS GCON to SN QSP-4636	1
50	137636GT	DECAL, UI, GR/GRC/GS PCON (models with 2 speed controller) to SN 1999	1
51	137656GT	DECAL,PROPEL,GR/GRC/GS,PCON	1
52	229240GT	DECAL,INSTRUCTIONS,ADJ TRAY*	1
53	T106401GT	DECAL,LABEL,FAULT CODES QS-12R, QS-15R, QS-20R	1
54	T107029GT	DECAL DANGER BRAKE REL SAFETY	1
55	T107894GT	DECAL,LABEL,TIRE SPEC,GR/GRC	4
56	227765GT	DECAL,COSMETIC,GENIE,GR/QS	1
57	1256702GT	DECAL, UI, GS/GR, PROP LIFT (models with proportional speed controller) from SN 2000	1
58	1256703GT	DECAL, STD, PROP LIFT, UI, SVC (models converted from 2 speed to proportional speed controller)	1
59	1256915GT	OPERATING INST,PLAT,GR (models with proportional speed controller)	1
60	1257923GT	DECAL, SMARTLINK PROPORTIONAL LIFT IDENTIFIER (models with proportional speed controller)	2
61	1283228GT	DECAL,GR GCON, TECH PRO from SN QSP-4637	1



101.6 Decals with Words, QS-20W; ANSI, CSA (to SN QSP-5999)

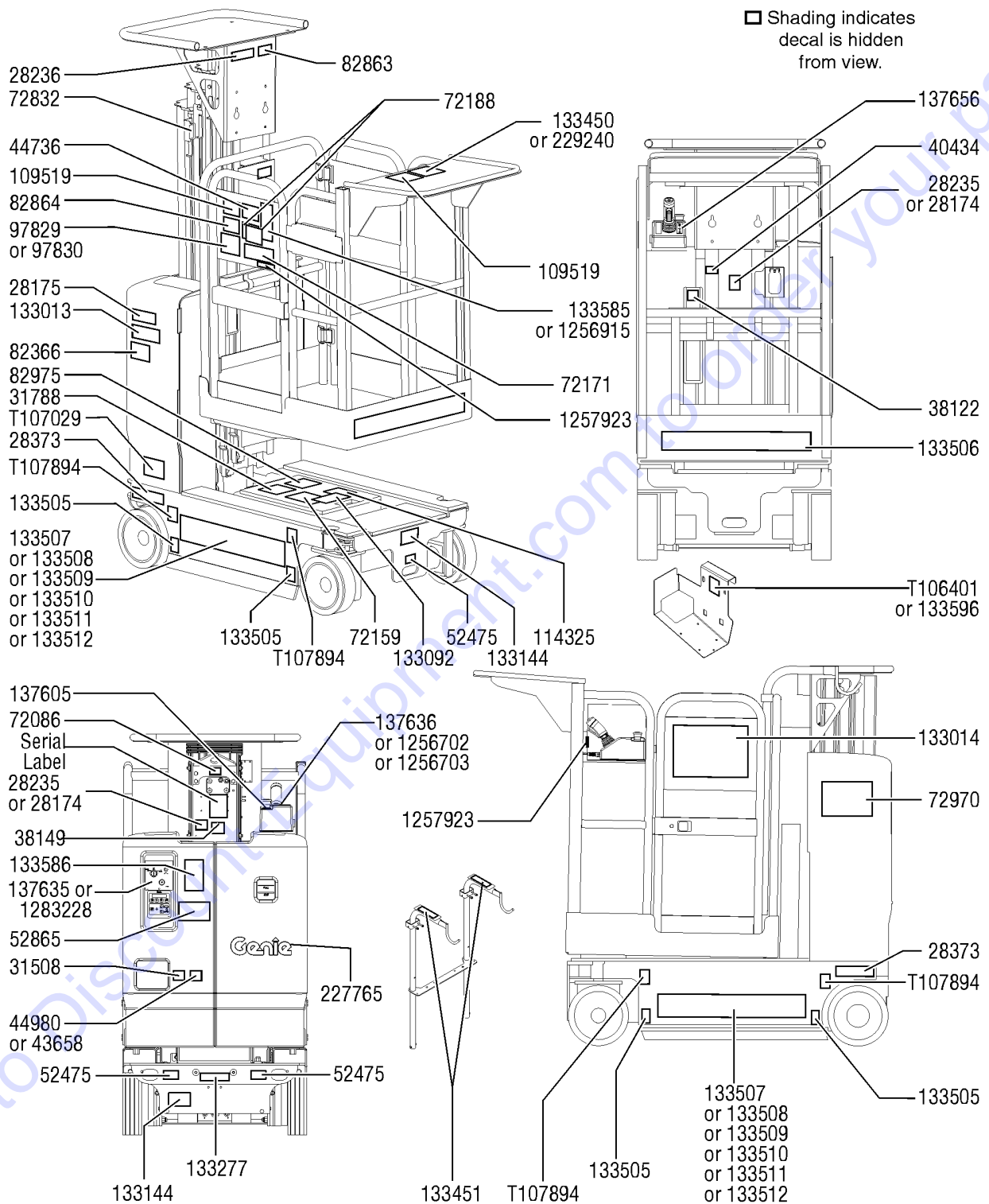


101.6 Decals with Words, QS-20W; ANSI, CSA (to SN QSP-5999)

Item	Part No.	Description	Qty.
	230744GT	DECAL KIT,SAFETY/INSTR,WORDS (for models with 2 speed controller) to SN 1999	
1	28174GT	DECAL,POWER TO PLATFORM 230V	2
2	28175GT	DECAL,WARNING-COMPART ACCESS	1
3	28235GT	DECAL,POWER TO PLATFORM 115V	2
4	28236GT	DECAL,WARN,IMPROPER OPERATION	1
5	28373GT	DECAL,FORK LIFT POCKET	2
6	31508GT	DECAL,DANGER,ELECT HAZARD,PLUG	1
7	31788GT	DECAL,DANGER,BATTERY SAFETY***	1
8	38122GT	DECAL,LABEL, OM STORAGE	1
9	38149GT	DECAL,LABEL,PATENTS	1
10	40434GT	DECAL,LANYARD ANCHORAGE POINT	1
11	43658GT	DECAL,LABEL,PWR TO CHARGR 230V	1
12	44736GT	DECAL,DANGER,TIP-OVER,TILT	1
13	44980GT	DECAL,LABEL,PWR TO CHARGER 115UK	1
14	52475GT	DECAL LABEL TRANSPORT TIE DOWN*	3
15	52865GT	DECAL,ANNUAL INSP***	1
16	72086GT	DECAL,LABEL,LIFTING EYE	1
17	72159GT	DECAL,TIP-OVER,BATTERIES,GR	1
18	72171GT	DECAL,SIDE FORCE,100,GR,ANSI ANSI & CSA	1
19	72188GT	DECAL,DIRECTIONAL ARROWS,GR	2
20	72832GT	DECAL,DANGER,DO NOT ALTER SWTC	1
21	72970GT	DECAL,INSTRUCTIONS-CHARGER OP	1
22	82366GT	DECAL,LABEL-CHEVRON RANDO	1
24	82864GT	DECAL,DANGER,MAX CAP BIKE RACK	1
25	82975GT	DECAL,DANGER,COLLISION HAZARD	1
27	97830GT	DECAL-NOTICE,MAX CAP-350#,SP** QS-20	1
28	109519GT	DECAL,DANGER,MAX CAP ADJ TRAY*	2
29	114325GT	DECAL,BATTERY CONN DIAG,GR	1



101.6 Decals with Words, QS-20W; ANSI, CSA (to SN QSP-5999)

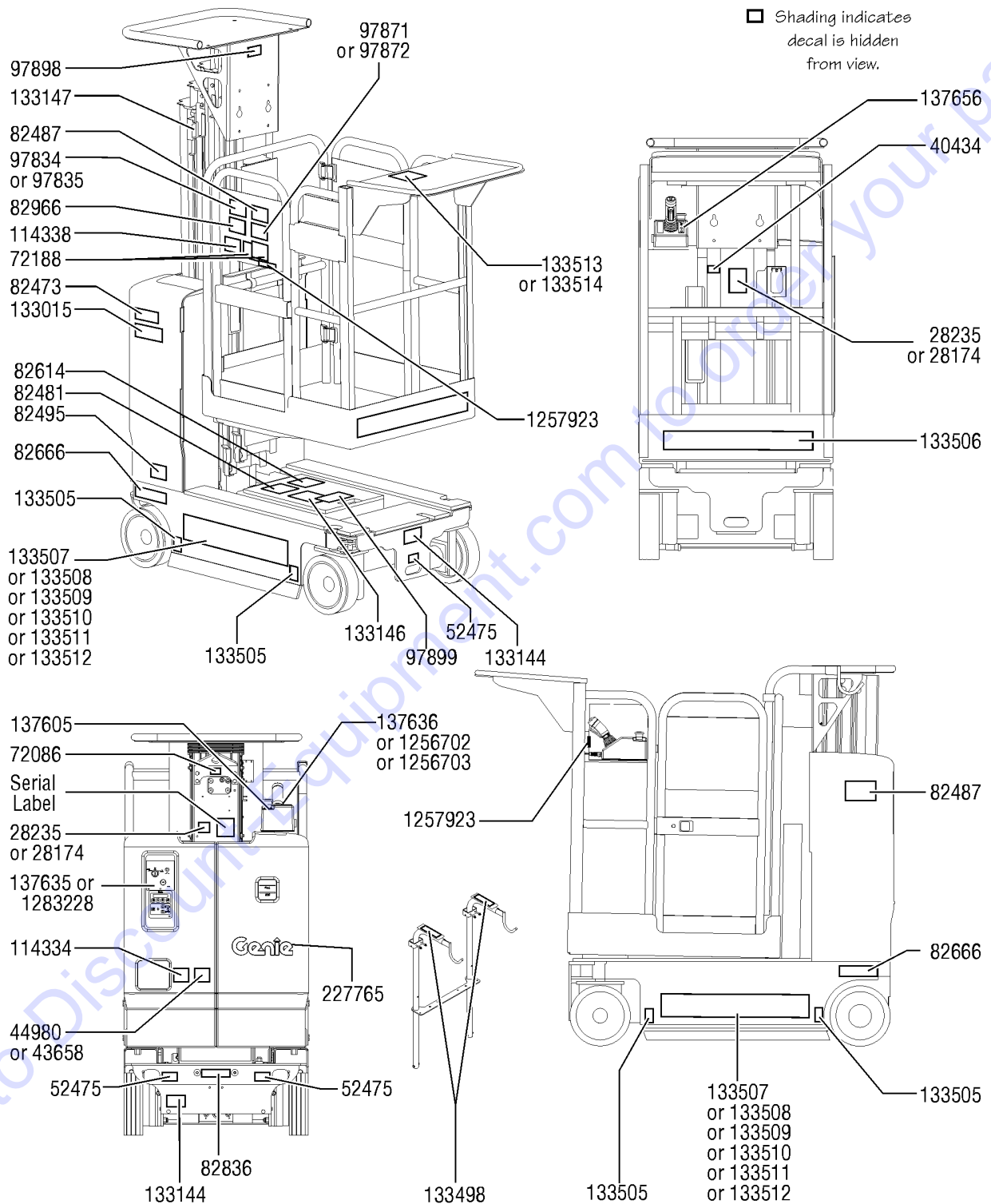


101.6 Decals with Words, QS-20W; ANSI, CSA (to SN QSP-5999)

Item	Part No.	Description	Qty.
30	133013GT	DECAL,DANGER,ELECTROCUTION,GR	1
31	133014GT	DECAL,GENERAL SAFETY,RUNABOUT*	1
32	133092GT	DECAL,CRUSH HAZARD,USE SAFETY	1
33	133144GT	DECAL,LABEL-TRANSPORT DIGRAM	2
34	133277GT	DECAL,LABEL,EMERGENCY LOWERING	1
35	133450GT	DECAL,INSTRUCTIONS,WORK TRAY	1
36	133451GT	DECAL,INSTR,MAX CAP BIKE RACK	2
37	133505GT	DECAL,LABEL,WHEEL LOAD	4
38	133506GT	DECAL,GENIE QUICKSTOCK	1
44	133512GT	DECAL,GENIE,QS-20W	2
		QS-20W	
45	133585GT	OPERATING INST,PLAT,GR	1
		(models with 2 speed controller) to SN 1999	
46	133586GT	DECAL,INSTRUCTIONS-OPER,GCP	1
47	133596GT	DECAL,LABEL,FAULT CODES	1
		QS-12W, QS-15W, QS-20W	
48	137605GT	DECAL,E-STOP,GR/GRC/GS PCON	1
49	137635GT	E-STOP, GR/GRC/GS GCON	1
		to SN QSP-4636	
50	137636GT	DECAL, UI, GR/GRC/GS PCON	1
		(models with 2 speed controller) to SN 1999	
51	137656GT	DECAL,PROPEL,GR/GRC/GS,PCON	1
52	229240GT	DECAL,INSTRUCTIONS,ADJ TRAY*	1
54	T107029GT	DECAL DANGER BRAKE REL SAFETY	1
55	T107894GT	DECAL,LABEL,TIRE SPEC,GR/GRC	4
56	227765GT	DECAL,COSMETIC,GENIE,GR/QS	1
57	1256702GT	DECAL, UI, GS/GR, PROP LIFT	1
		(models with proportional speed controller) from SN 2000	
58	1256703GT	DECAL, STD, PROP LIFT, UI, SVC	1
		(models converted from 2 speed to proportional speed controller)	
59	1256915GT	OPERATING INST,PLAT,GR	1
		(models with proportional speed controller)	
60	1257923GT	DECAL, SMARTLINK PROPORTIONAL LIFT IDENTIFIER	2
		(models with proportional speed controller)	
61	1283228GT	DECAL,GR GCON, TECH PRO	1
		from SN QSP-4637	



102.1 Decals with Symbols, QS-12R; ANSI (to SN QSP-5999)

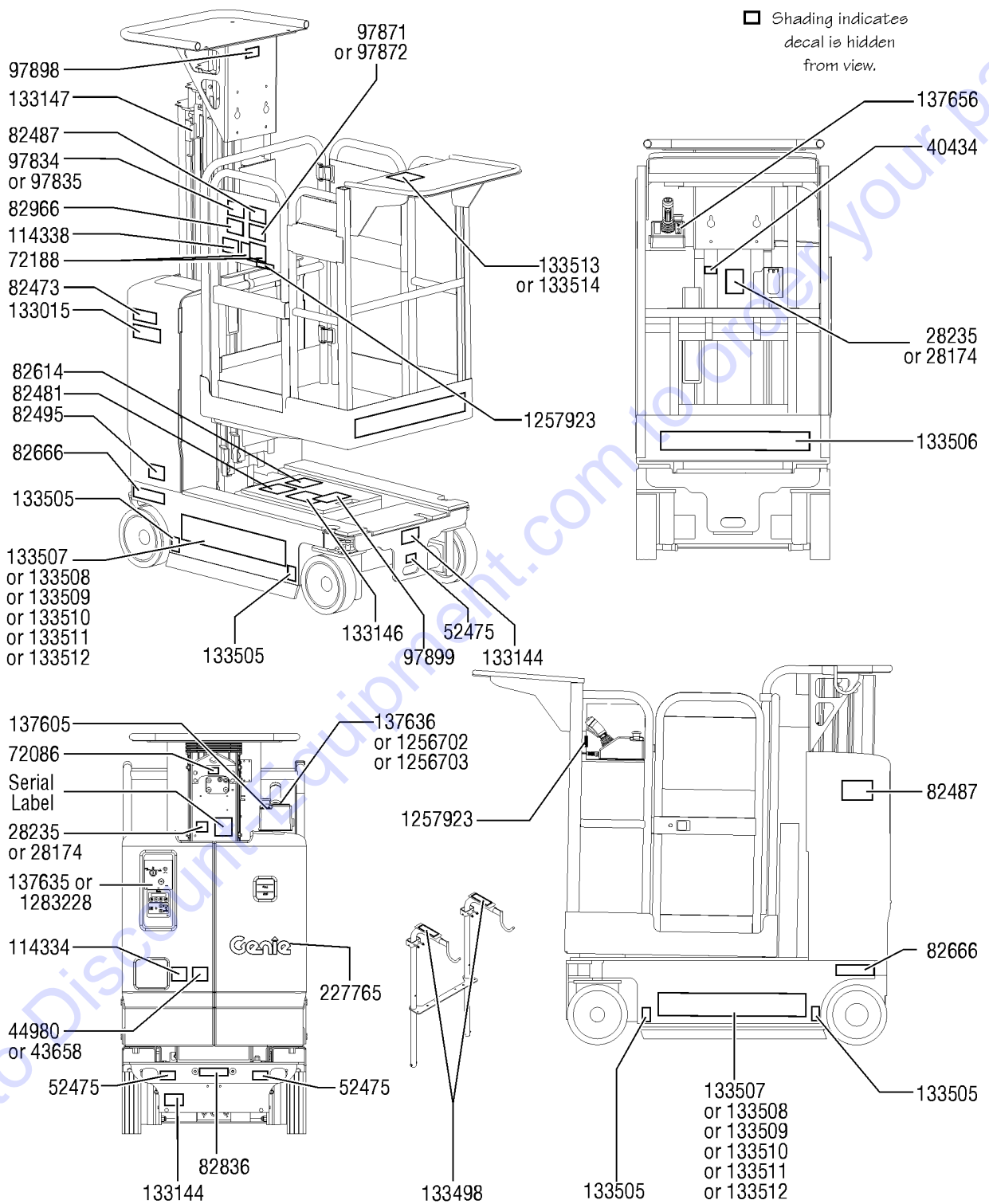


102.1 Decals with Symbols, QS-12R; ANSI (to SN QSP-5999)

Item	Part No.	Description	Qty.
	230745GT	DECAL KIT,SAFETY/INSTR,SYMB (for models with 2 speed controller) to SN 1999	
1	28174GT	DECAL,POWER TO PLATFORM 230V	2
2	28235GT	DECAL,POWER TO PLATFORM 115V	2
3	40434GT	DECAL,LANYARD ANCHORAGE POINT	1
4	43658GT	DECAL,LABEL,PWR TO CHARGR 230V	1
5	44980GT	DECAL,LABEL,PWR TO CHARGER 115UK	1
6	52475GT	DECAL LABEL TRANSPORT TIE DOWN*	3
7	72086GT	DECAL,LABEL,LIFTING EYE	1
8	72188GT	DECAL,DIRECTIONAL ARROWS,GR	2
9	82473GT	DECAL,SYMBOL-COMP ACCESS	1
10	82481GT	DECAL,SYMBOL-BATTERY SAFETY	1
11	82487GT	DECAL,SYMBOL-READ THE MANUAL	2
12	82495GT	DECAL SYMBOL BRAKE REL SAFETY	1
13	82614GT	DECAL,DANGER,COLLISION HAZARD	1
14	82666GT	DECAL,LABEL,FORKLIFT POCKET	2
15	82836GT	LABEL,AUXILIARY LOWERING	1
16	82966GT	DECAL,SIDE FORCE,GR - ANSI,SYM	1
17	97834GT	DECAL-DANGER,MAX CAP-227 KG SP QS-12, QS-15	1
19	97871GT	DANGER-MAX CAP,BIKE RACK-SYM** QS-12, QS-15	1
21	97898GT	DECAL-DANGER,MAX CAP-PARCEL SY QS-12, QS-15	1
22	97899GT	DECAL,WARN,SAFETY CHOCK***	1
23	114334GT	DECAL SYMBOL ELECTRIC HAZARD PLUG	1
24	114338GT	DECAL,SYM-TIP-OVR,TILT ALARM	1
25	133015GT	DECAL,DANGER,ELEC.HAZ SYMB	1
26	133144GT	DECAL,LABEL-TRANSPORT DIGRAM	2
27	133146GT	DECAL,SYM-TIPOVER,BATTERIES,GR	1
28	133147GT	DECAL,SYM-TIPOVER,LIMIT SWITCH	1
29	133498GT	DECAL,LABEL,MAX CAP BK RACK	2



102.1 Decals with Symbols, QS-12R; ANSI (to SN QSP-5999)



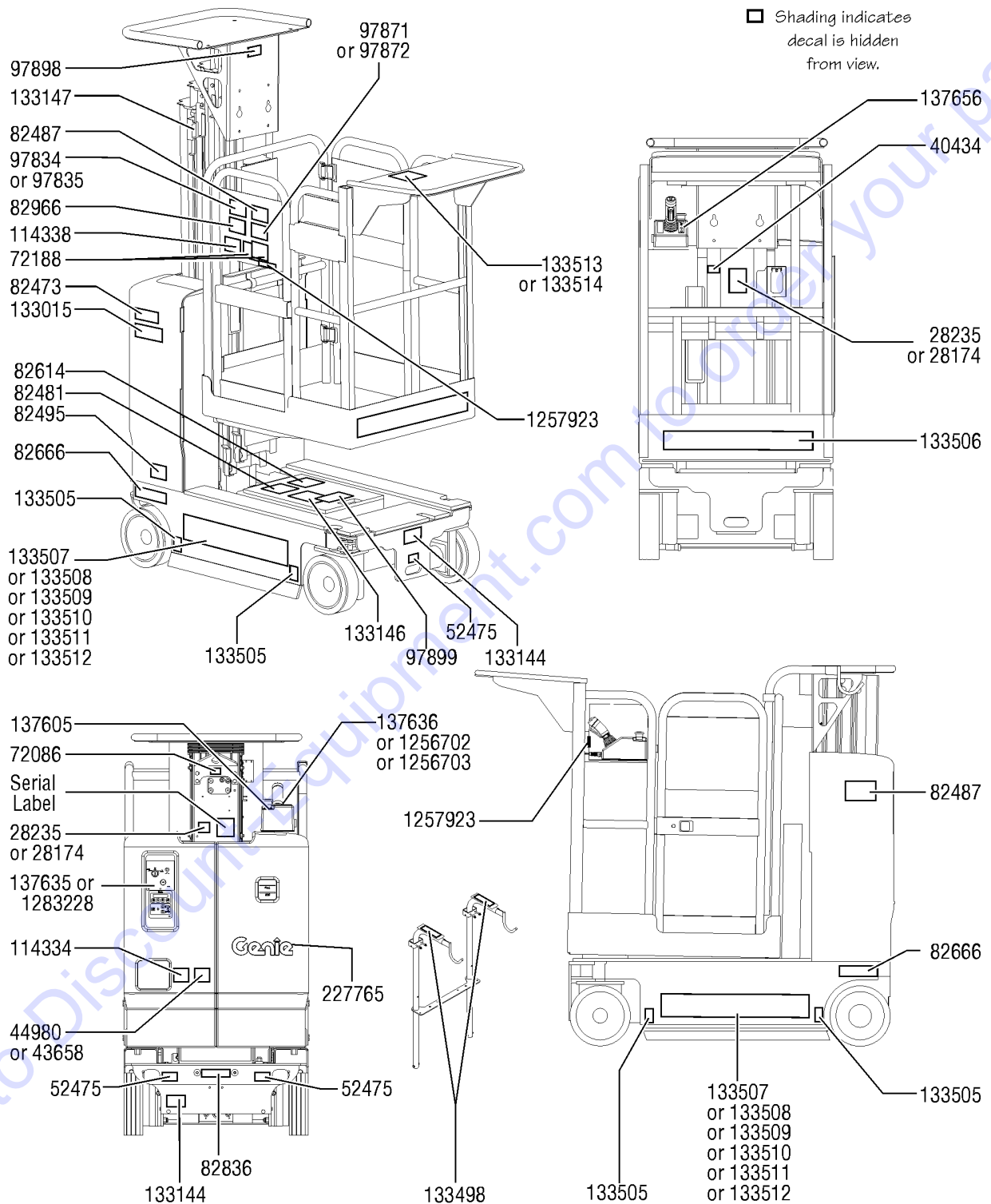
102.1 Decals with Symbols, QS-12R; ANSI (to SN QSP-5999)

Item	Part No.	Description	Qty.
30	133505GT	DECAL,LABEL,WHEEL LOAD	4
31	133506GT	DECAL,GENIE QUICKSTOCK	1
32	133507GT	DECAL,GENIE,QS-12R	2
		QS-12R	
38	133514GT	DECAL,LABEL,MAX CAP,TRAY,227KG	1
		QS-12, QS-15	
40	137605GT	DECAL,E-STOP,GR/GRC/GS PCON	1
41	137635GT	E-STOP, GR/GRC/GS GCON	1
		to SN QSP-4636	
42	137636GT	DECAL, UI, GR/GRC/GS PCON	1
		(models with 2 speed controller) to SN 1999	
43	137656GT	DECAL,PROPEL,GR/GRC/GS,PCON	1
44	227765GT	DECAL,COSMETIC,GENIE,GR/QS	1
45	1256702GT	DECAL, UI, GS/GR, PROP LIFT	1
		(models with proportional speed controller) from SN 2000	
46	1256703GT	DECAL, STD, PROP LIFT, UI, SVC	1
		(models converted from 2 speed to proportional speed controller)	
47	1257923GT	DECAL, SMARTLINK PROPORTIONAL LIFT IDENTIFIER	2
		(models with proportional speed controller)	
48	1283228GT	DECAL,GR GCON, TECH PRO	1
		from SN QSP-4637	

Go to Discount-Equipment.com to order your parts



102.2 Decals with Symbols, QS-12W; ANSI (to SN QSP-5999)

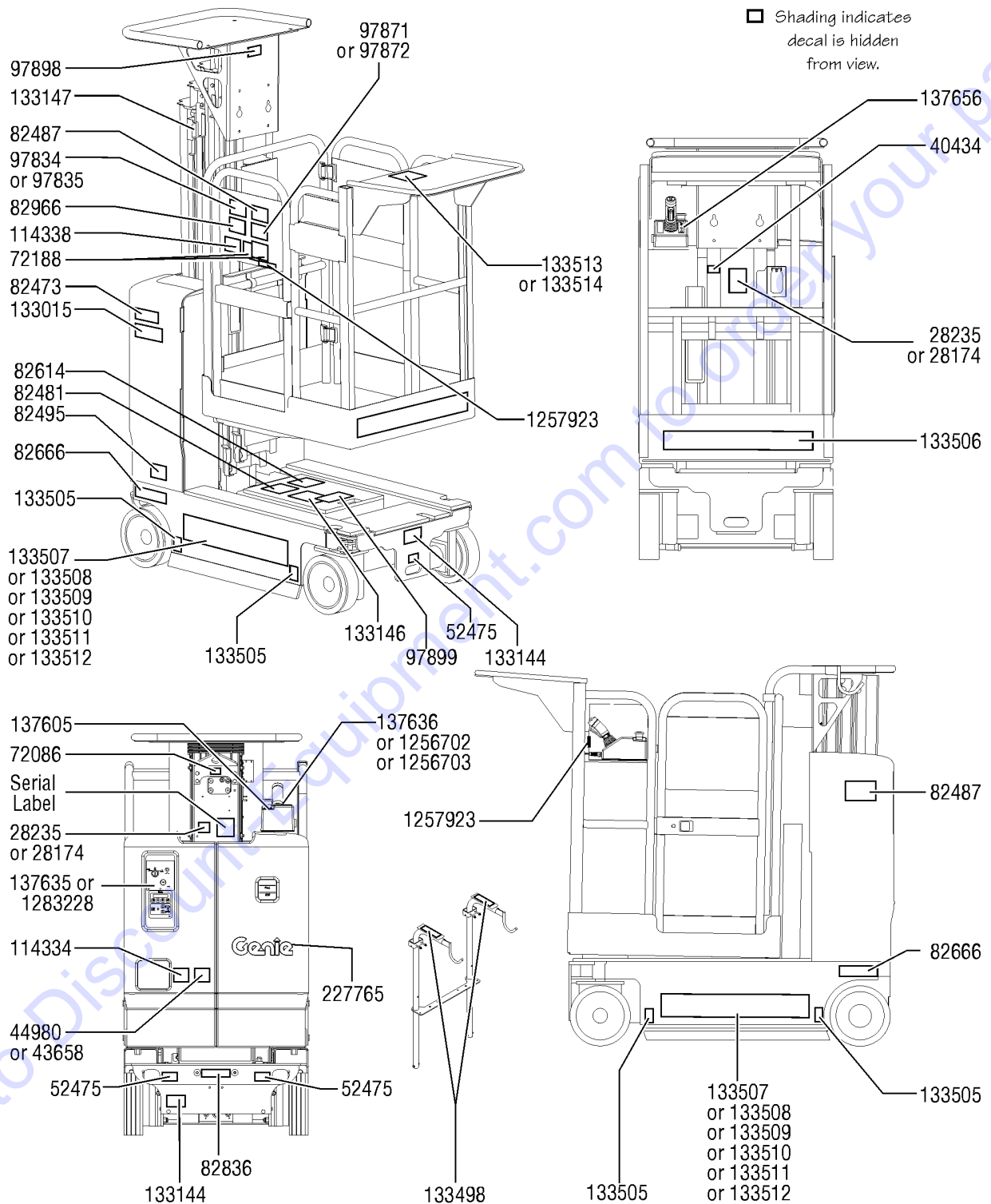


102.2 Decals with Symbols, QS-12W; ANSI (to SN QSP-5999)

Item	Part No.	Description	Qty.
	230745GT	DECAL KIT,SAFETY/INSTR,SYMB (for models with 2 speed controller) to SN 1999	
1	28174GT	DECAL,POWER TO PLATFORM 230V	2
2	28235GT	DECAL,POWER TO PLATFORM 115V	2
3	40434GT	DECAL,LANYARD ANCHORAGE POINT	1
4	43658GT	DECAL,LABEL,PWR TO CHARGR 230V	1
5	44980GT	DECAL,LABEL,PWR TO CHARGER 115UK	1
6	52475GT	DECAL LABEL TRANSPORT TIE DOWN*	3
7	72086GT	DECAL,LABEL,LIFTING EYE	1
8	72188GT	DECAL,DIRECTIONAL ARROWS,GR	2
9	82473GT	DECAL,SYMBOL-COMP ACCESS	1
10	82481GT	DECAL,SYMBOL-BATTERY SAFETY	1
11	82487GT	DECAL,SYMBOL-READ THE MANUAL	2
12	82495GT	DECAL SYMBOL BRAKE REL SAFETY	1
13	82614GT	DECAL,DANGER,COLLISION HAZARD	1
14	82666GT	DECAL,LABEL,FORKLIFT POCKET	2
15	82836GT	LABEL,AUXILIARY LOWERING	1
16	82966GT	DECAL,SIDE FORCE,GR - ANSI,SYM	1
17	97834GT	DECAL-DANGER,MAX CAP-227 KG SP QS-12, QS-15	1
19	97871GT	DANGER-MAX CAP,BIKE RACK-SYM** QS-12, QS-15	1
21	97898GT	DECAL-DANGER,MAX CAP-PARCEL SY QS-12, QS-15	1
22	97899GT	DECAL,WARN,SAFETY CHOCK***	1
23	114334GT	DECAL SYMBOL ELECTRIC HAZARD PLUG	1
24	114338GT	DECAL,SYM-TIP-OVR,TILT ALARM	1
25	133015GT	DECAL,DANGER,ELEC.HAZ SYMB	1
26	133144GT	DECAL,LABEL-TRANSPORT DIGRAM	2
27	133146GT	DECAL,SYM-TIPOVER,BATTERIES,GR	1
28	133147GT	DECAL,SYM-TIPOVER,LIMIT SWITCH	1
29	133498GT	DECAL,LABEL,MAX CAP BK RACK	2



102.2 Decals with Symbols, QS-12W; ANSI (to SN QSP-5999)



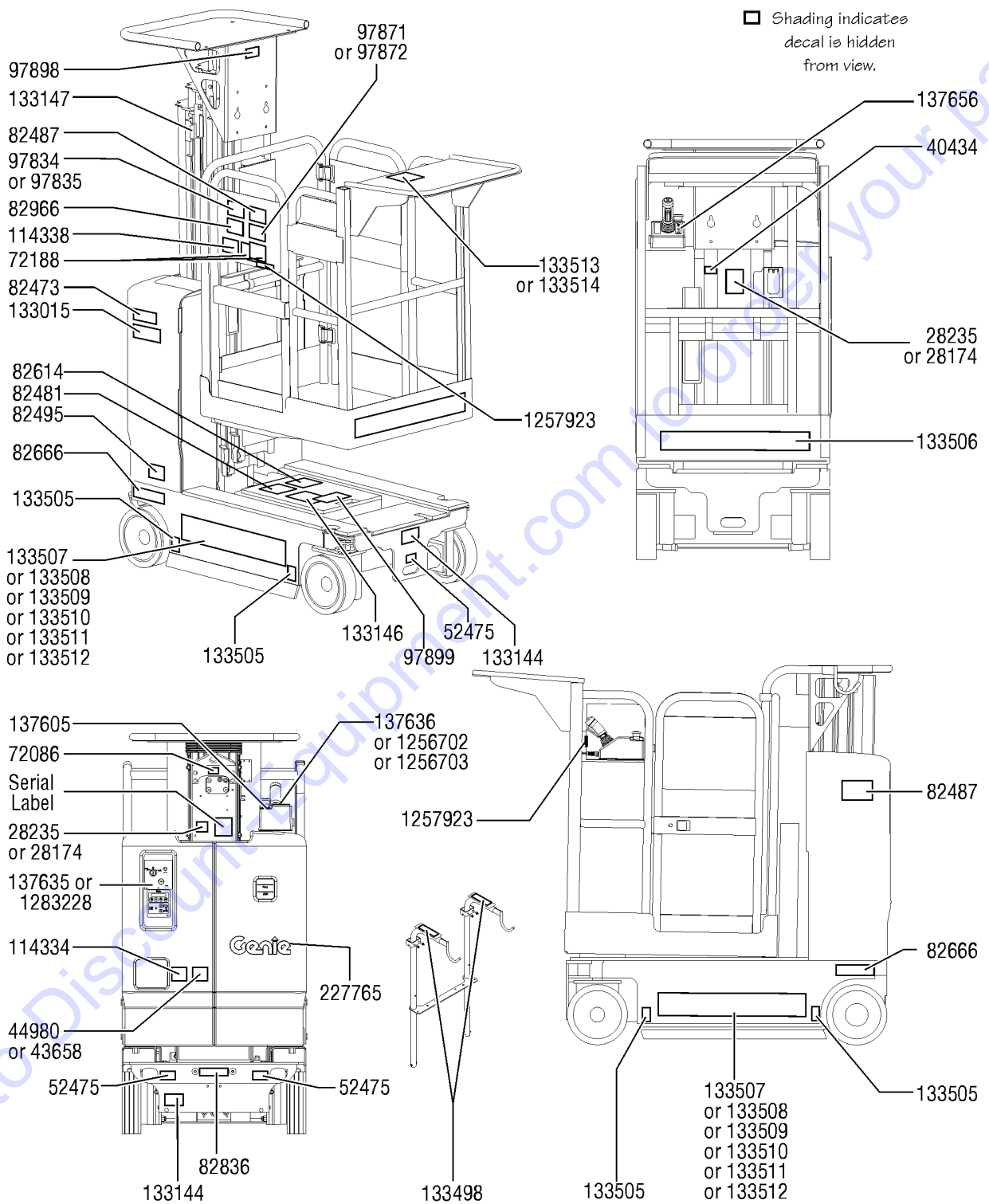
102.2 Decals with Symbols, QS-12W; ANSI (to SN QSP-5999)

Item	Part No.	Description	Qty.
30	133505GT	DECAL,LABEL,WHEEL LOAD	4
31	133506GT	DECAL,GENIE QUICKSTOCK	1
35	133510GT	DECAL,GENIE,QS-12W	2
		QS-12W	
38	133514GT	DECAL,LABEL,MAX CAP,TRAY,227KG	1
		QS-12, QS-15	
40	137605GT	DECAL,E-STOP,GR/GRC/GS PCON	1
41	137635GT	E-STOP, GR/GRC/GS GCON	1
		to SN QSP-4636	
42	137636GT	DECAL, UI, GR/GRC/GS PCON	1
		(models with 2 speed controller) to SN 1999	
43	137656GT	DECAL,PROPEL,GR/GRC/GS,PCON	1
44	227765GT	DECAL,COSMETIC,GENIE,GR/QS	1
45	1256702GT	DECAL, UI, GS/GR, PROP LIFT	1
		(models with proportional speed controller) from SN 2000	
46	1256703GT	DECAL, STD, PROP LIFT, UI, SVC	1
		(models converted from 2 speed to proportional speed controller)	
47	1257923GT	DECAL, SMARTLINK PROPORTIONAL LIFT IDENTIFIER	2
		(models with proportional speed controller)	
48	1283228GT	DECAL,GR GCON, TECH PRO	1
		from SN QSP-4637	

Go to Discount-Equipment.com to order your parts



102.3 Decals with Symbols, QS-15R; ANSI (to SN QSP-5999)

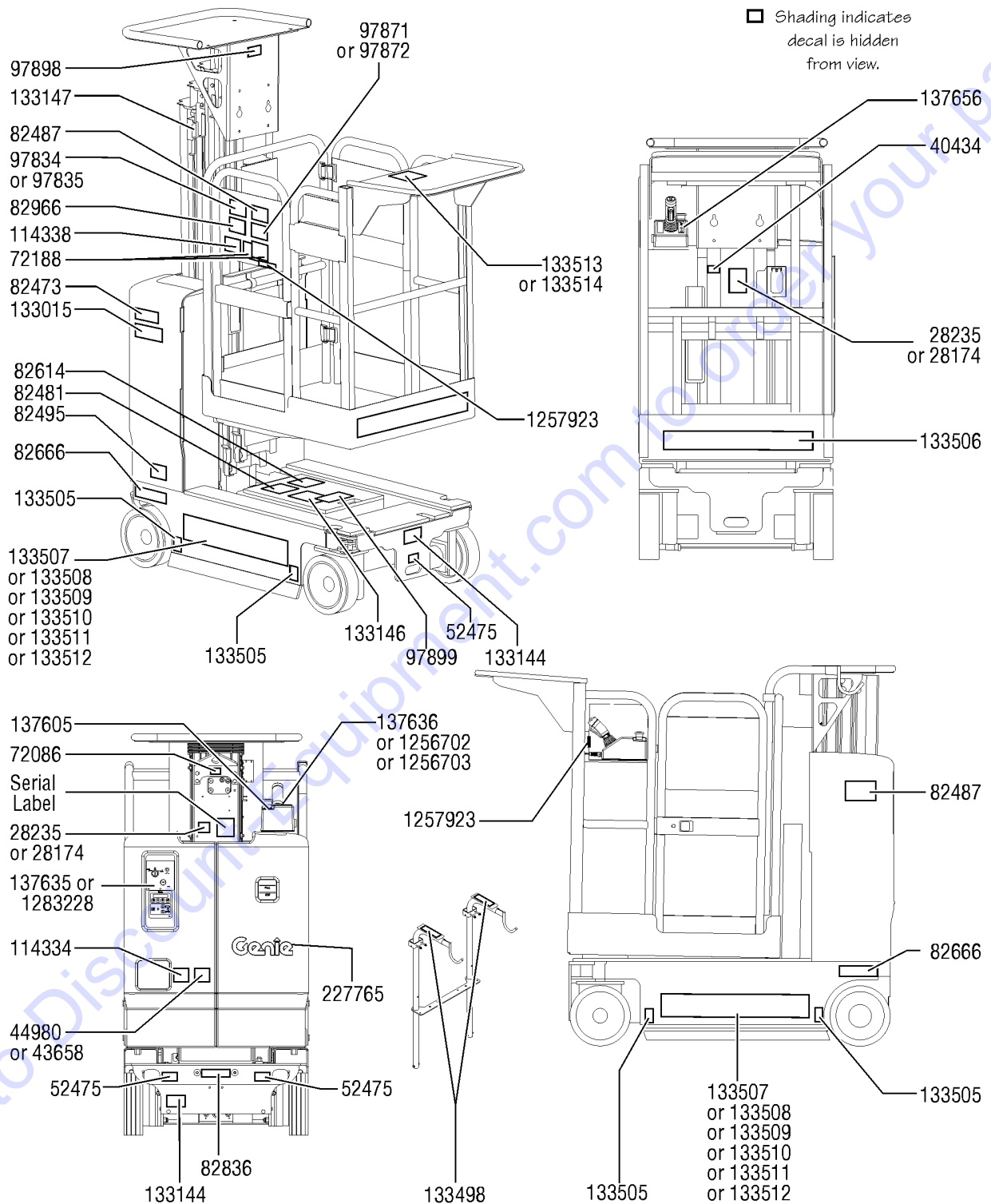


102.3 Decals with Symbols, QS-15R; ANSI (to SN QSP-5999)

Item	Part No.	Description	Qty.
	230745GT	DECAL KIT,SAFETY/INSTR,SYMB (for models with 2 speed controller) to SN 1999	
1	28174GT	DECAL,POWER TO PLATFORM 230V	2
2	28235GT	DECAL,POWER TO PLATFORM 115V	2
3	40434GT	DECAL,LANYARD ANCHORAGE POINT	1
4	43658GT	DECAL,LABEL,PWR TO CHARGR 230V	1
5	44980GT	DECAL,LABEL,PWR TO CHARGER 115UK	1
6	52475GT	DECAL LABEL TRANSPORT TIE DOWN*	3
7	72086GT	DECAL,LABEL,LIFTING EYE	1
8	72188GT	DECAL,DIRECTIONAL ARROWS,GR	2
9	82473GT	DECAL,SYMBOL-COMP ACCESS	1
10	82481GT	DECAL,SYMBOL-BATTERY SAFETY	1
11	82487GT	DECAL,SYMBOL-READ THE MANUAL	2
12	82495GT	DECAL SYMBOL BRAKE REL SAFETY	1
13	82614GT	DECAL,DANGER,COLLISION HAZARD	1
14	82666GT	DECAL,LABEL,FORKLIFT POCKET	2
15	82836GT	LABEL,AUXILIARY LOWERING	1
16	82966GT	DECAL,SIDE FORCE,GR - ANSI,SYM	1
17	97834GT	DECAL-DANGER,MAX CAP-227 KG SP QS-12, QS-15	1
19	97871GT	DANGER-MAX CAP,BIKE RACK-SYM** QS-12, QS-15	1
21	97898GT	DECAL-DANGER,MAX CAP-PARCEL SY QS-12, QS-15	1
22	97899GT	DECAL,WARN,SAFETY CHOCK***	1
23	114334GT	DECAL SYMBOL ELECTRIC HAZARD PLUG	1
24	114338GT	DECAL,SYM-TIP-OVR,TILT ALARM	1
25	133015GT	DECAL,DANGER,ELEC.HAZ SYMB	1
26	133144GT	DECAL,LABEL-TRANSPORT DIGRAM	2
27	133146GT	DECAL,SYM-TIPOVER,BATTERIES,GR	1
28	133147GT	DECAL,SYM-TIPOVER,LIMIT SWITCH	1
29	133498GT	DECAL,LABEL,MAX CAP BK RACK	2



102.3 Decals with Symbols, QS-15R; ANSI (to SN QSP-5999)



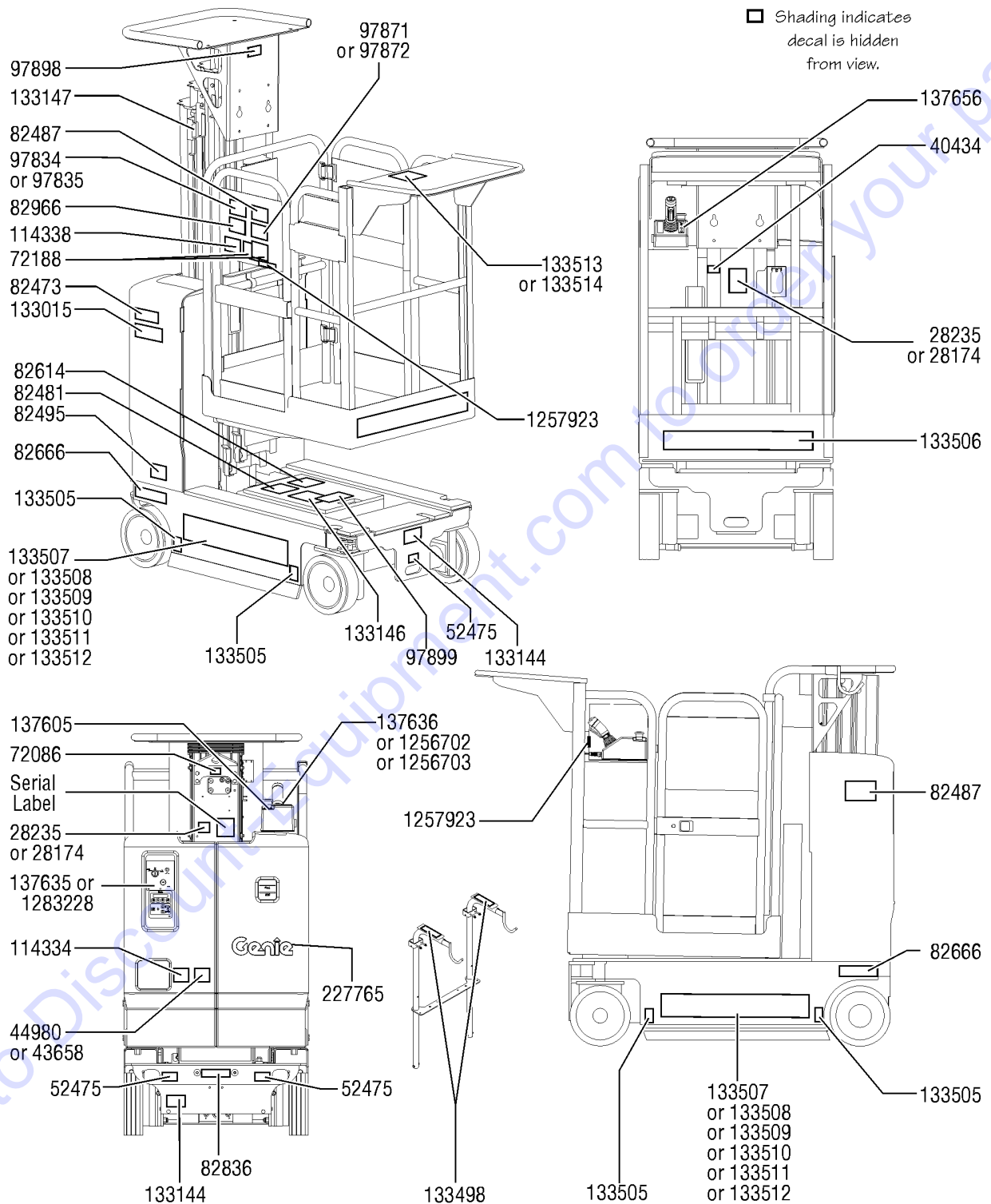
102.3 Decals with Symbols, QS-15R; ANSI (to SN QSP-5999)

Item	Part No.	Description	Qty.
30	133505GT	DECAL,LABEL,WHEEL LOAD	4
31	133506GT	DECAL,GENIE QUICKSTOCK	1
33	133508GT	DECAL,GENIE,QS-15R	2
		QS-15R	
38	133514GT	DECAL,LABEL,MAX CAP,TRAY,227KG	1
		QS-12, QS-15	
40	137605GT	DECAL,E-STOP,GR/GRC/GS PCON	1
41	137635GT	E-STOP, GR/GRC/GS GCON	1
		to SN QSP-4636	
42	137636GT	DECAL, UI, GR/GRC/GS PCON	1
		(models with 2 speed controller) to SN 1999	
43	137656GT	DECAL,PROPEL,GR/GRC/GS,PCON	1
44	227765GT	DECAL,COSMETIC,GENIE,GR/QS	1
45	1256702GT	DECAL, UI, GS/GR, PROP LIFT	1
		(models with proportional speed controller) from SN 2000	
46	1256703GT	DECAL, STD, PROP LIFT, UI, SVC	1
		(models converted from 2 speed to proportional speed controller)	
47	1257923GT	DECAL, SMARTLINK PROPORTIONAL LIFT IDENTIFIER	2
		(models with proportional speed controller)	
48	1283228GT	DECAL,GR GCON, TECH PRO	1
		from SN QSP-4637	

Go to Discount-Equipment.com to order your parts



102.4 Decals with Symbols. QS-15W; ANSI (to SN QSP-5999)

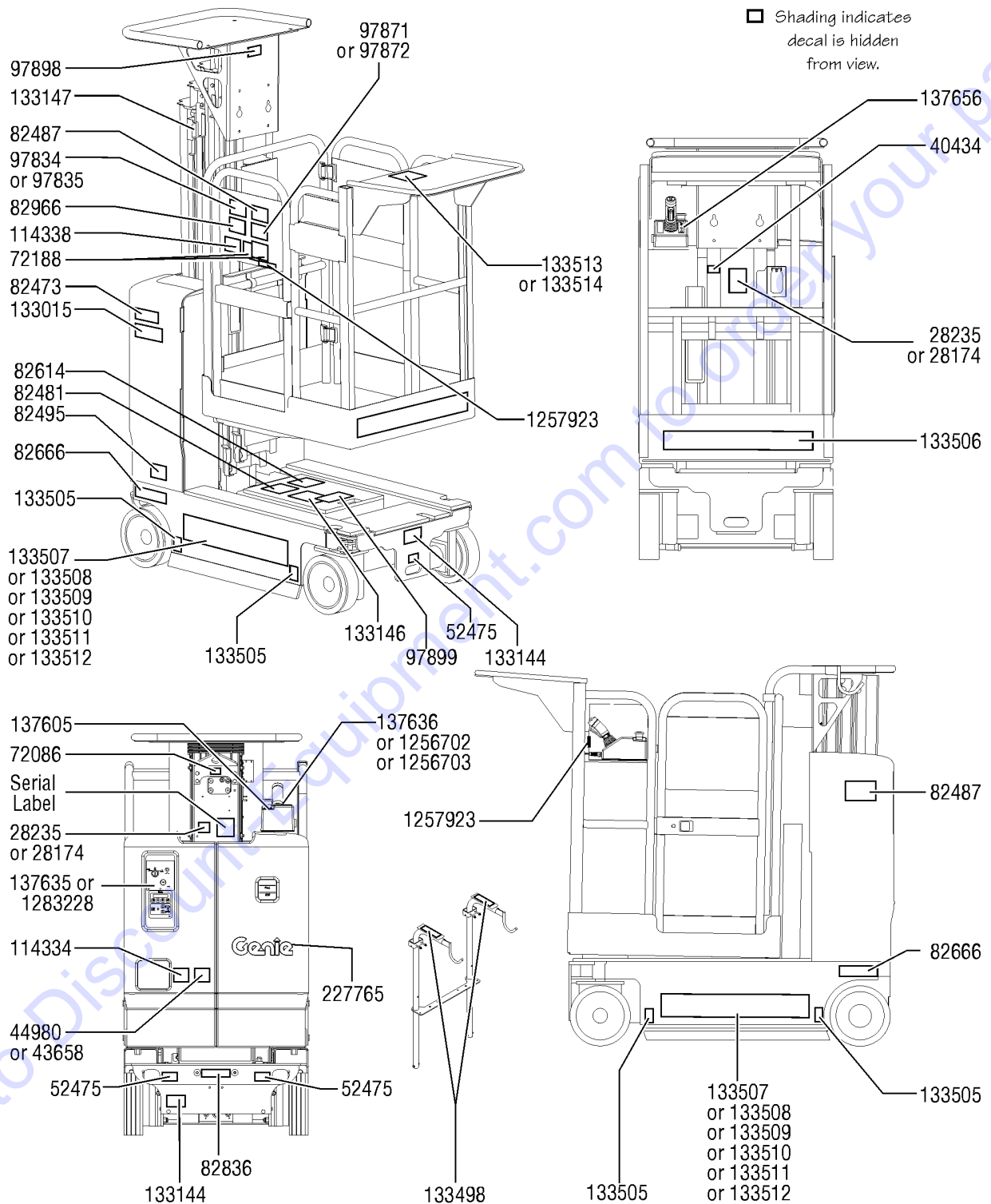


102.4 Decals with Symbols. QS-15W; ANSI (to SN QSP-5999)

Item	Part No.	Description	Qty.
	230745GT	DECAL KIT,SAFETY/INSTR,SYMB (for models with 2 speed controller) to SN 1999	
1	28174GT	DECAL,POWER TO PLATFORM 230V	2
2	28235GT	DECAL,POWER TO PLATFORM 115V	2
3	40434GT	DECAL,LANYARD ANCHORAGE POINT	1
4	43658GT	DECAL,LABEL,PWR TO CHARGR 230V	1
5	44980GT	DECAL,LABEL,PWR TO CHARGER 115UK	1
6	52475GT	DECAL LABEL TRANSPORT TIE DOWN*	3
7	72086GT	DECAL,LABEL,LIFTING EYE	1
8	72188GT	DECAL,DIRECTIONAL ARROWS,GR	2
9	82473GT	DECAL,SYMBOL-COMP ACCESS	1
10	82481GT	DECAL,SYMBOL-BATTERY SAFETY	1
11	82487GT	DECAL,SYMBOL-READ THE MANUAL	2
12	82495GT	DECAL SYMBOL BRAKE REL SAFETY	1
13	82614GT	DECAL,DANGER,COLLISION HAZARD	1
14	82666GT	DECAL,LABEL,FORKLIFT POCKET	2
15	82836GT	LABEL,AUXILIARY LOWERING	1
16	82966GT	DECAL,SIDE FORCE,GR - ANSI,SYM	1
17	97834GT	DECAL-DANGER,MAX CAP-227 KG SP QS-12, QS-15	1
19	97871GT	DANGER-MAX CAP,BIKE RACK-SYM** QS-12, QS-15	1
21	97898GT	DECAL-DANGER,MAX CAP-PARCEL SY QS-12, QS-15	1
22	97899GT	DECAL,WARN,SAFETY CHOCK***	1
23	114334GT	DECAL SYMBOL ELECTRIC HAZARD PLUG	1
24	114338GT	DECAL,SYM-TIP-OVR,TILT ALARM	1
25	133015GT	DECAL,DANGER,ELEC.HAZ SYMB	1
26	133144GT	DECAL,LABEL-TRANSPORT DIGRAM	2
27	133146GT	DECAL,SYM-TIPOVER,BATTERIES,GR	1
28	133147GT	DECAL,SYM-TIPOVER,LIMIT SWITCH	1
29	133498GT	DECAL,LABEL,MAX CAP BK RACK	2



102.4 Decals with Symbols. QS-15W; ANSI (to SN QSP-5999)



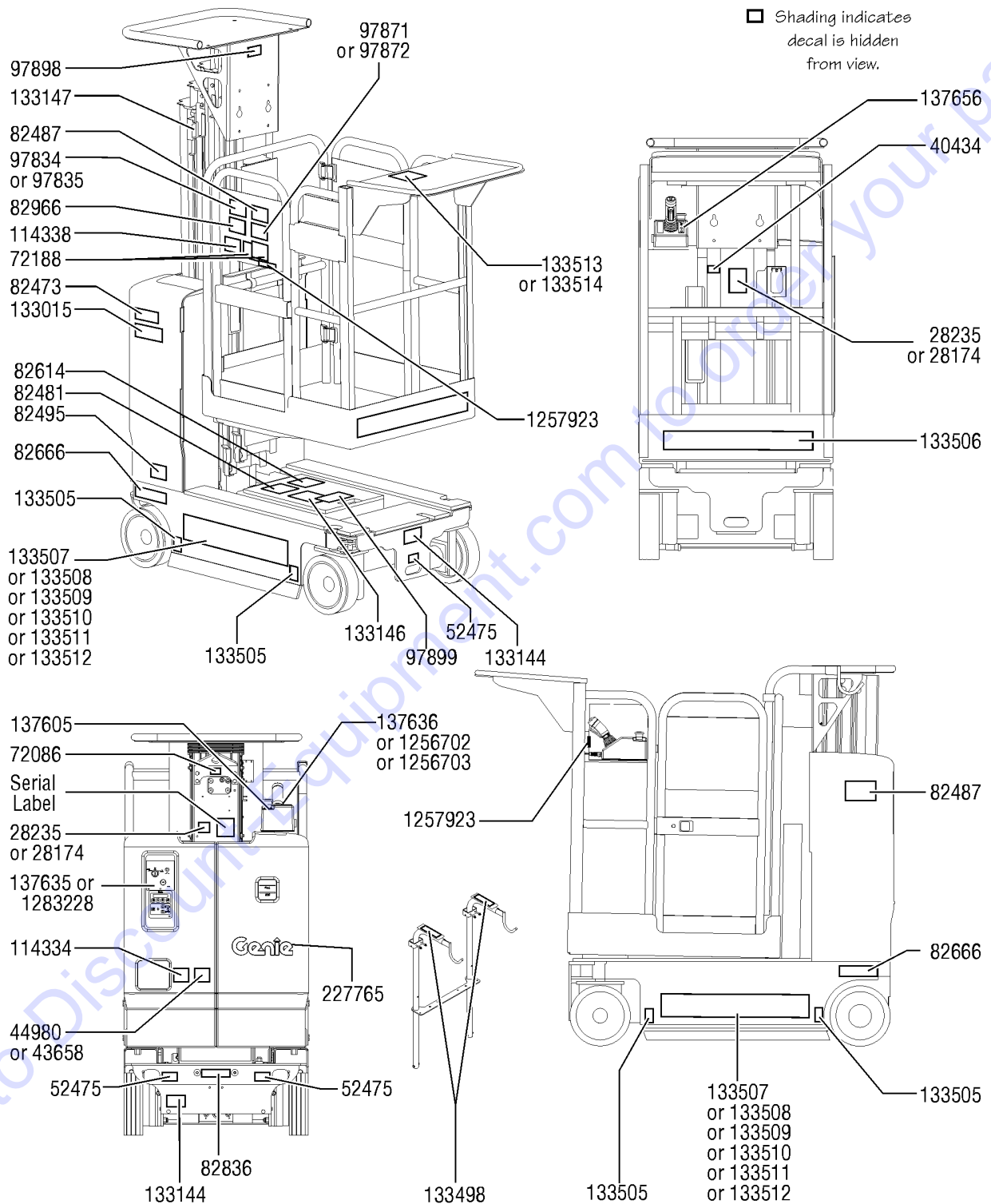
102.4 Decals with Symbols. QS-15W; ANSI (to SN QSP-5999)

Item	Part No.	Description	Qty.
30	133505GT	DECAL,LABEL,WHEEL LOAD	4
31	133506GT	DECAL,GENIE QUICKSTOCK	1
36	133511GT	DECAL,GENIE,QS-15W	2
		QS-15W	
38	133514GT	DECAL,LABEL,MAX CAP,TRAY,227KG	1
		QS-12, QS-15	
40	137605GT	DECAL,E-STOP,GR/GRC/GS PCON	1
41	137635GT	E-STOP, GR/GRC/GS GCON	1
		to SN QSP-4636	
42	137636GT	DECAL, UI, GR/GRC/GS PCON	1
		(models with 2 speed controller) to SN 1999	
43	137656GT	DECAL,PROPEL,GR/GRC/GS,PCON	1
44	227765GT	DECAL,COSMETIC,GENIE,GR/QS	1
45	1256702GT	DECAL, UI, GS/GR, PROP LIFT	1
		(models with proportional speed controller) from SN 2000	
46	1256703GT	DECAL, STD, PROP LIFT, UI, SVC	1
		(models converted from 2 speed to proportional speed controller)	
47	1257923GT	DECAL, SMARTLINK PROPORTIONAL LIFT IDENTIFIER	2
		(models with proportional speed controller)	
48	1283228GT	DECAL,GR GCON, TECH PRO	1
		from SN QSP-4637	

Go to Discount-Equipment.com to order your parts



102.5 Decals with Symbols, QS-20R; ANSI (to SN QSP-5999)

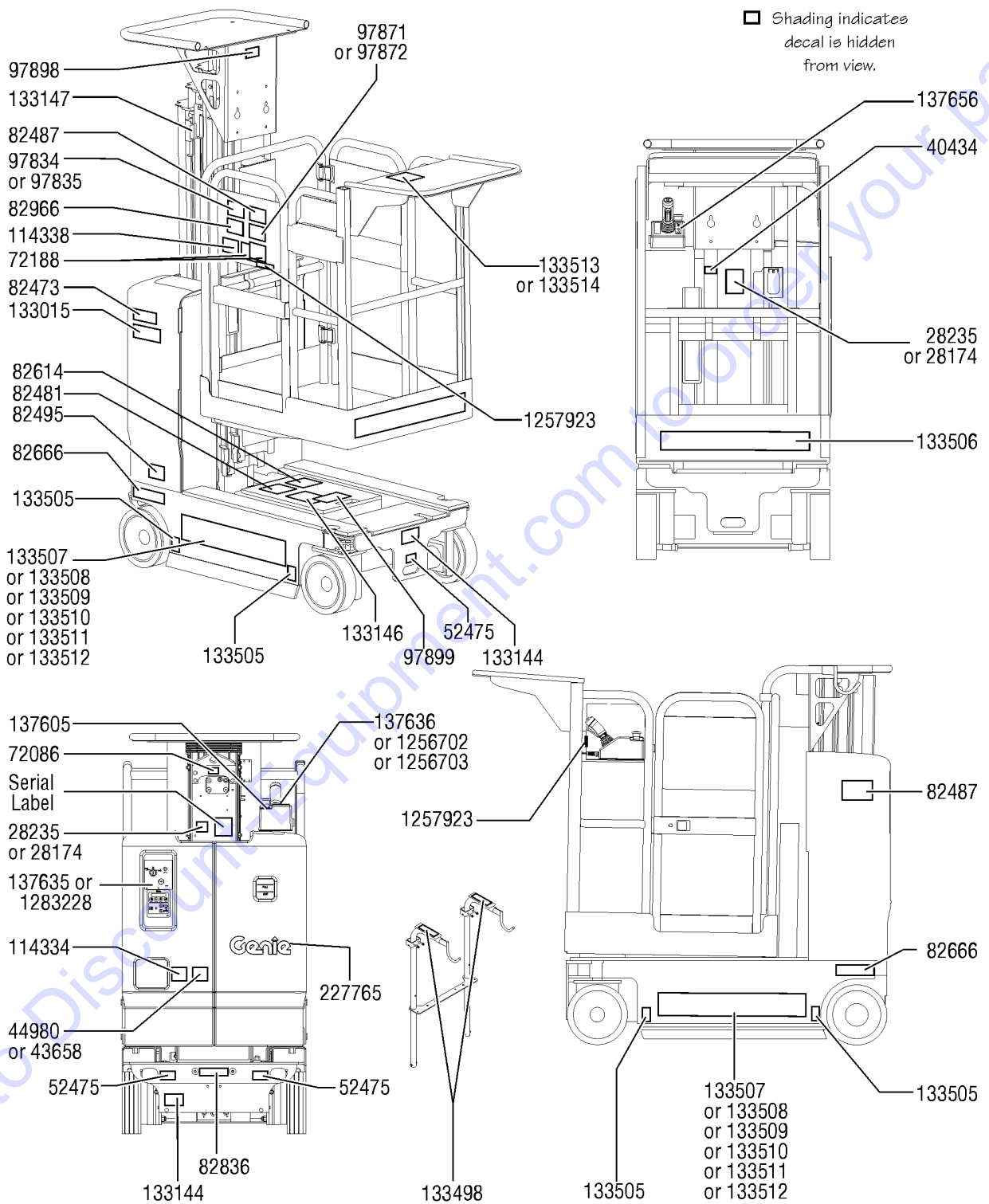


102.5 Decals with Symbols, QS-20R; ANSI (to SN QSP-5999)

Item	Part No.	Description	Qty.
	230745GT	DECAL KIT,SAFETY/INSTR,SYMB (for models with 2 speed controller) to SN 1999	
1	28174GT	DECAL,POWER TO PLATFORM 230V	2
2	28235GT	DECAL,POWER TO PLATFORM 115V	2
3	40434GT	DECAL,LANYARD ANCHORAGE POINT	1
4	43658GT	DECAL,LABEL,PWR TO CHARGR 230V	1
5	44980GT	DECAL,LABEL,PWR TO CHARGER 115UK	1
6	52475GT	DECAL LABEL TRANSPORT TIE DOWN*	3
7	72086GT	DECAL,LABEL,LIFTING EYE	1
8	72188GT	DECAL,DIRECTIONAL ARROWS,GR	2
9	82473GT	DECAL,SYMBOL-COMP ACCESS	1
10	82481GT	DECAL,SYMBOL-BATTERY SAFETY	1
11	82487GT	DECAL,SYMBOL-READ THE MANUAL	2
12	82495GT	DECAL SYMBOL BRAKE REL SAFETY	1
13	82614GT	DECAL,DANGER,COLLISION HAZARD	1
14	82666GT	DECAL,LABEL,FORKLIFT POCKET	2
15	82836GT	LABEL,AUXILIARY LOWERING	1
16	82966GT	DECAL,SIDE FORCE,GR - ANSI,SYM	1
18	97835GT	DECAL-DANGER,MAX CAP-159 KG SP QS-20	1
20	97872GT	DANGER-MAX CAP,BIKE RACK-SYM** QS-20	1
22	97899GT	DECAL,WARN,SAFETY CHOCK***	1
23	114334GT	DECAL SYMBOL ELECTRIC HAZARD PLUG	1
24	114338GT	DECAL,SYM-TIP-OVR,TILT ALARM	1
25	133015GT	DECAL,DANGER,ELEC.HAZ SYMB	1
26	133144GT	DECAL,LABEL-TRANSPORT DIGRAM	2
27	133146GT	DECAL,SYM-TIPOVER,BATTERIES,GR	1
28	133147GT	DECAL,SYM-TIPOVER,LIMIT SWITCH	1
29	133498GT	DECAL,LABEL,MAX CAP BK RACK	2
30	133505GT	DECAL,LABEL,WHEEL LOAD	4



102.5 Decals with Symbols, QS-20R; ANSI (to SN QSP-5999)



102.5 Decals with Symbols, QS-20R; ANSI (to SN QSP-5999)

Item	Part No.	Description	Qty.
31	133506GT	DECAL,GENIE QUICKSTOCK	1
34	133509GT	DECAL,GENIE,QS-20R	2
39	133513GT	DECAL,LABEL,MAX CAP,TRAY,159KG	1
40	137605GT	DECAL,E-STOP,GR/GRC/GS PCON	1
41	137635GT	E-STOP, GR/GRC/GS GCON	1
		to SN QSP-4636	
42	137636GT	DECAL, UI, GR/GRC/GS PCON	1
		(models with 2 speed controller) to SN 1999	
43	137656GT	DECAL,PROPEL,GR/GRC/GS,PCON	1
44	227765GT	DECAL,COSMETIC,GENIE,GR/QS	1
45	1256702GT	DECAL, UI, GS/GR, PROP LIFT	1
		(models with proportional speed controller) from SN 2000	
46	1256703GT	DECAL, STD, PROP LIFT, UI, SVC	1
		(models converted from 2 speed to proportional speed controller)	
47	1257923GT	DECAL, SMARTLINK PROPORTIONAL LIFT IDENTIFIER	2
		(models with proportional speed controller)	

Go to Discount-Equipment.com to order your parts

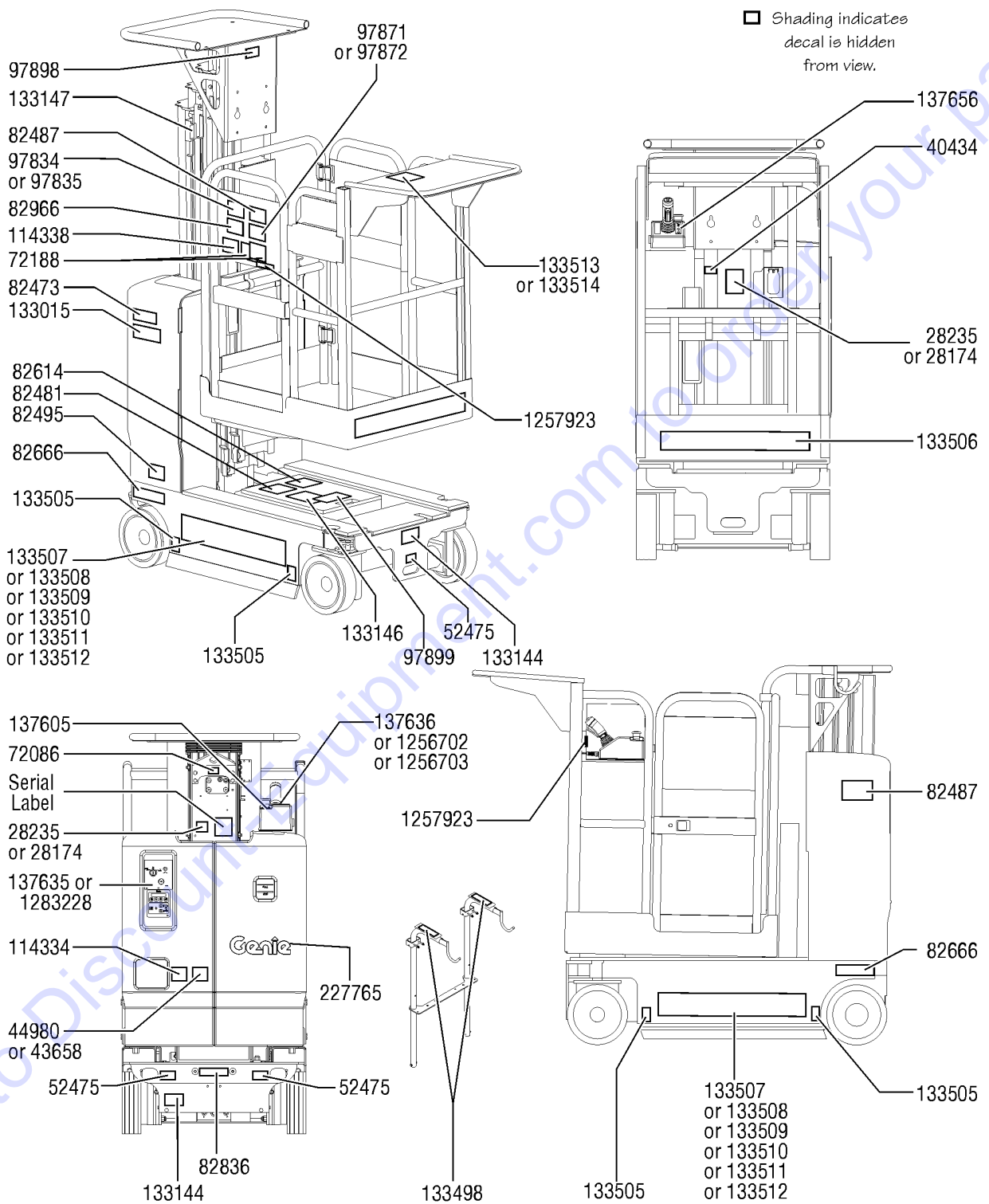


102.6 Decals with Symbols, QS-20W; ANSI (to SN QSP-5999)

Item	Part No.	Description	Qty.
	230745GT	DECAL KIT,SAFETY/INSTR,SYMB (for models with 2 speed controller) to SN 1999	
1	28174GT	DECAL,POWER TO PLATFORM 230V	2
2	28235GT	DECAL,POWER TO PLATFORM 115V	2
3	40434GT	DECAL,LANYARD ANCHORAGE POINT	1
4	43658GT	DECAL,LABEL,PWR TO CHARGR 230V	1
5	44980GT	DECAL,LABEL,PWR TO CHARGER 115UK	1
6	52475GT	DECAL LABEL TRANSPORT TIE DOWN*	3
7	72086GT	DECAL,LABEL,LIFTING EYE	1
8	72188GT	DECAL,DIRECTIONAL ARROWS,GR	2
9	82473GT	DECAL,SYMBOL-COMP ACCESS	1
10	82481GT	DECAL,SYMBOL-BATTERY SAFETY	1
11	82487GT	DECAL,SYMBOL-READ THE MANUAL	2
12	82495GT	DECAL SYMBOL BRAKE REL SAFETY	1
13	82614GT	DECAL,DANGER,COLLISION HAZARD	1
14	82666GT	DECAL,LABEL,FORKLIFT POCKET	2
15	82836GT	LABEL,AUXILIARY LOWERING	1
16	82966GT	DECAL,SIDE FORCE,GR - ANSI,SYM	1
18	97835GT	DECAL-DANGER,MAX CAP-159 KG SP QS-20	1
20	97872GT	DANGER-MAX CAP,BIKE RACK-SYM** QS-20	1
22	97899GT	DECAL,WARN,SAFETY CHOCK***	1
23	114334GT	DECAL SYMBOL ELECTRIC HAZARD PLUG	1
24	114338GT	DECAL,SYM-TIP-OVR,TILT ALARM	1
25	133015GT	DECAL,DANGER,ELEC.HAZ SYMB	1
26	133144GT	DECAL,LABEL-TRANSPORT DIGRAM	2
27	133146GT	DECAL,SYM-TIPOVER,BATTERIES,GR	1
28	133147GT	DECAL,SYM-TIPOVER,LIMIT SWITCH	1
29	133498GT	DECAL,LABEL,MAX CAP BK RACK	2
30	133505GT	DECAL,LABEL,WHEEL LOAD	4



102.6 Decals with Symbols, QS-20W; ANSI (to SN QSP-5999)



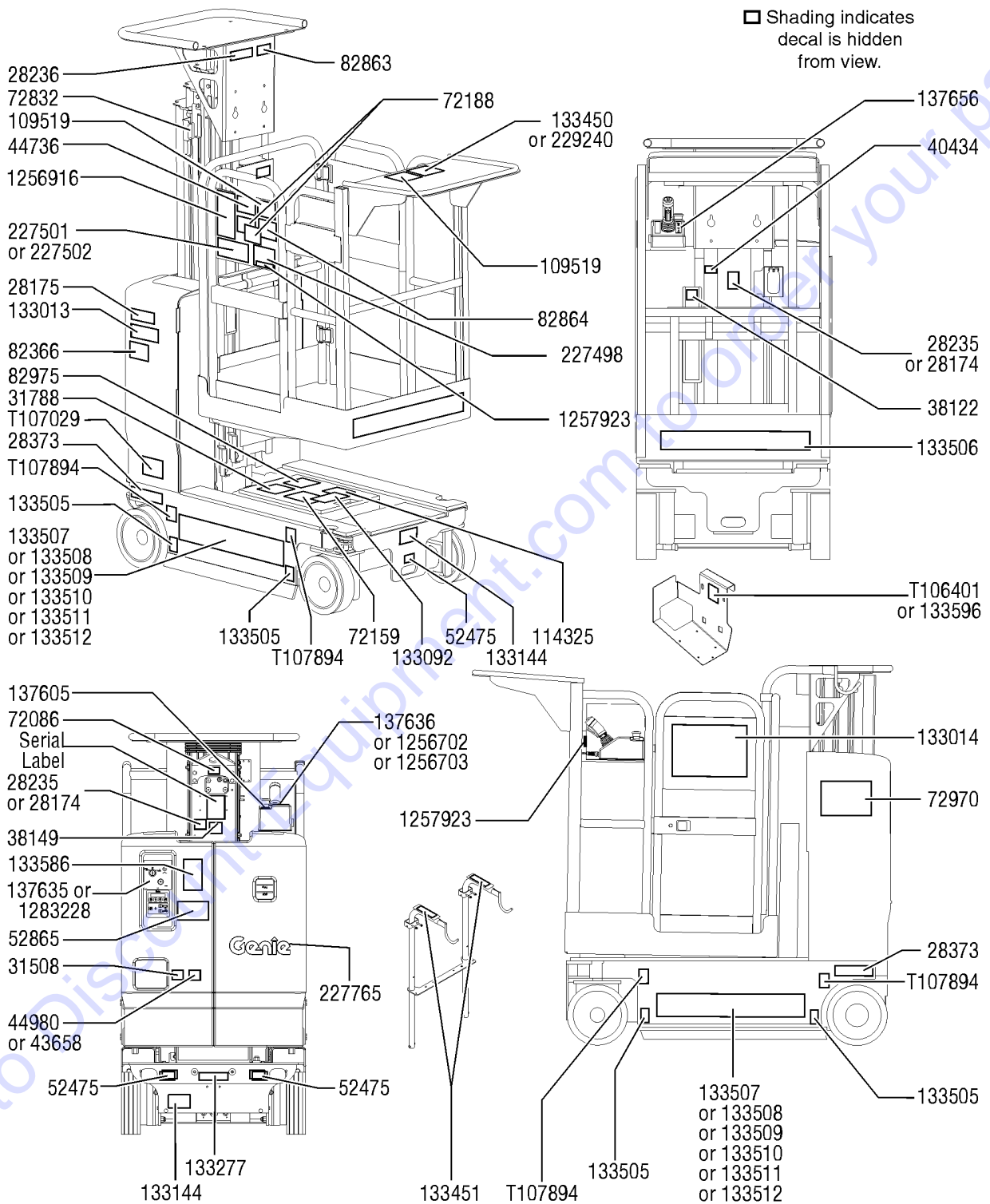
102.6 Decals with Symbols, QS-20W; ANSI (to SN QSP-5999)

Item	Part No.	Description	Qty.
31	133506GT	DECAL,GENIE QUICKSTOCK	1
37	133512GT	DECAL,GENIE,QS-20W	2
39	133513GT	DECAL,LABEL,MAX CAP,TRAY,159KG	1
40	137605GT	DECAL,E-STOP,GR/GRC/GS PCON	1
41	137635GT	E-STOP, GR/GRC/GS GCON	1
		to SN QSP-4636	
42	137636GT	DECAL, UI, GR/GRC/GS PCON	1
		(models with 2 speed controller) to SN 1999	
43	137656GT	DECAL,PROPEL,GR/GRC/GS,PCON	1
44	227765GT	DECAL,COSMETIC,GENIE,GR/QS	1
45	1256702GT	DECAL, UI, GS/GR, PROP LIFT	1
		(models with proportional speed controller) from SN 2000	
46	1256703GT	DECAL, STD, PROP LIFT, UI, SVC	1
		(models converted from 2 speed to proportional speed controller)	
47	1257923GT	DECAL, SMARTLINK PROPORTIONAL LIFT IDENTIFIER	2
		(models with proportional speed controller)	
48	1283228GT	DECAL,GR GCON, TECH PRO	1
		from SN QSP-4637	

Go to Discount-Equipment.com to order your parts



103.1 Decals with Words, QS-12R; Australia (to SN QSP-5999)

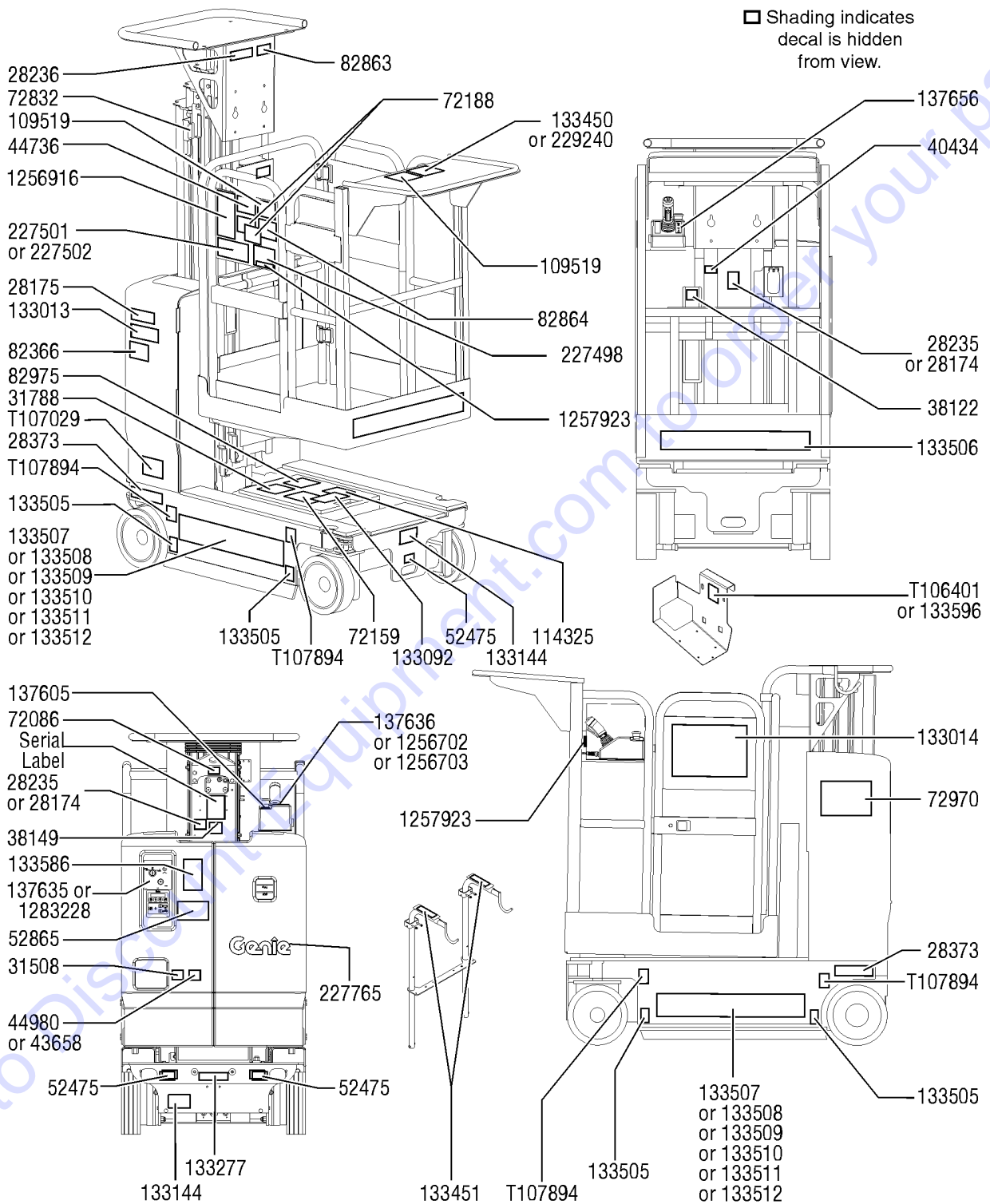


103.1 Decals with Words, QS-12R; Australia (to SN QSP-5999)

Item	Part No.	Description	Qty.
	230744GT	DECAL KIT,SAFETY/INSTR,WORDS (for models with 2 speed controller) to SN 1999	
1	28174GT	DECAL,POWER TO PLATFORM 230V	2
2	28175GT	DECAL,WARNING-COMPART ACCESS	1
3	28235GT	DECAL,POWER TO PLATFORM 115V	2
4	28236GT	DECAL,WARN,IMPROPER OPERATION	1
5	28373GT	DECAL,FORK LIFT POCKET	2
6	31508GT	DECAL,DANGER,ELECT HAZARD,PLUG	1
7	31788GT	DECAL,DANGER,BATTERY SAFETY***	1
8	38122GT	DECAL,LABEL, OM STORAGE	1
9	38149GT	DECAL,LABEL,PATENTS	1
10	40434GT	DECAL,LANYARD ANCHORAGE POINT	1
11	43658GT	DECAL,LABEL,PWR TO CHARGR 230V	1
12	44736GT	DECAL,DANGER,TIP-OVER,TILT	1
13	44980GT	DECAL,LABEL,PWR TO CHARGER 115UK	1
14	52475GT	DECAL LABEL TRANSPORT TIE DOWN*	3
15	52865GT	DECAL,ANNUAL INSP***	1
16	72086GT	DECAL,LABEL,LIFTING EYE	1
17	72159GT	DECAL,TIP-OVER,BATTERIES,GR	1
18	72188GT	DECAL,DIRECTIONAL ARROWS,GR	2
19	72832GT	DECAL,DANGER,DO NOT ALTER SWTC	1
20	72970GT	DECAL,INSTRUCTIONS-CHARGER OP	1
21	82366GT	DECAL,LABEL-CHEVRON RANDO	1
22	82863GT	DECAL,DANGER,MAX CAP PARCEL WD QS-12, QS-15	1
23	82864GT	DECAL,DANGER,MAX CAP BIKE RACK	1
24	82975GT	DECAL,DANGER,COLLISION HAZARD	1
25	109519GT	DECAL,DANGER,MAX CAP ADJ TRAY*	2
26	114325GT	DECAL,BATTERY CONN DIAG,GR	1
27	133013GT	DECAL,DANGER,ELECTROCUTION,GR	1



103.1 Decals with Words, QS-12R; Australia (to SN QSP-5999)

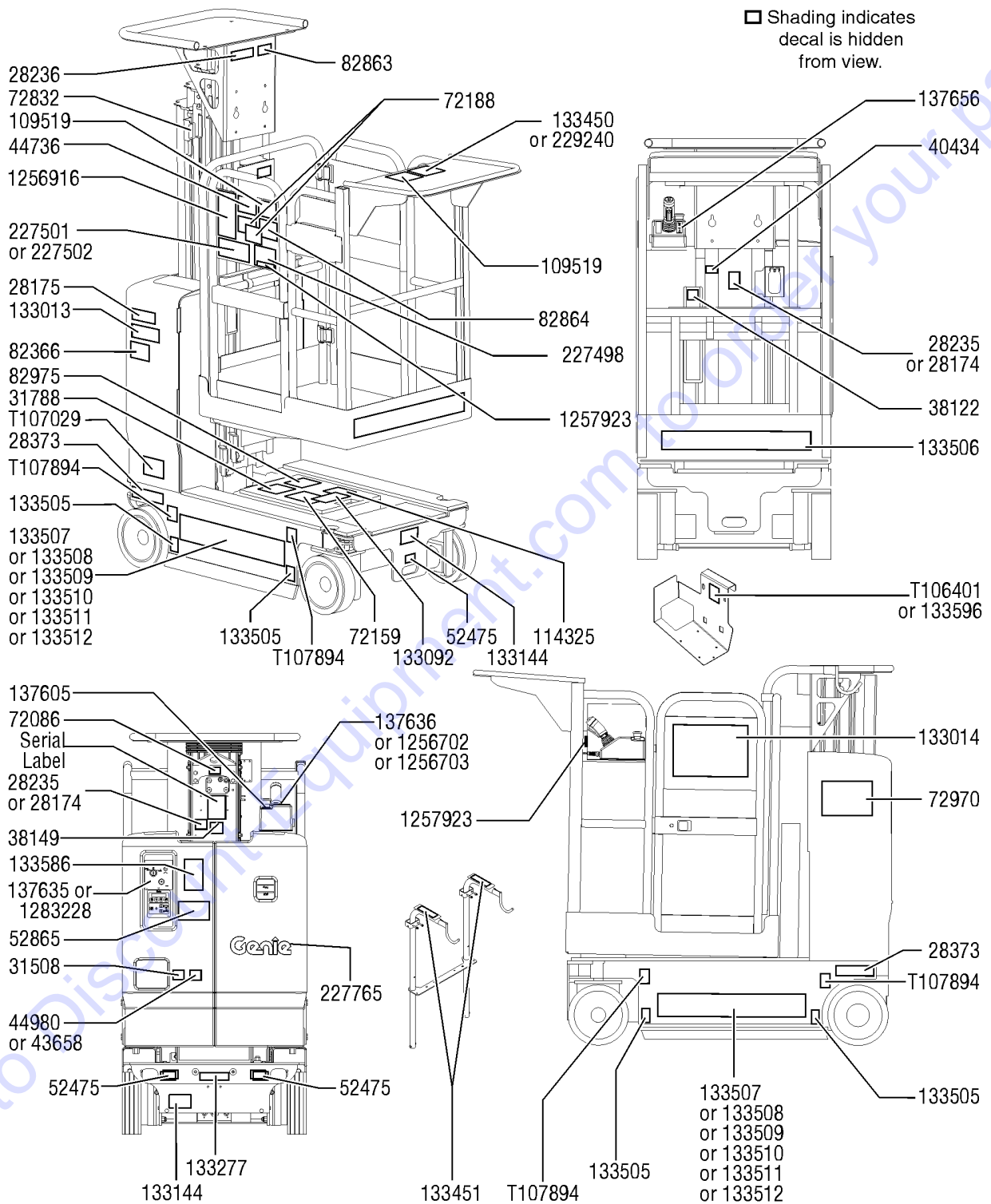


103.1 Decals with Words, QS-12R; Australia (to SN QSP-5999)

Item	Part No.	Description	Qty.
28	133014GT	DECAL,GENERAL SAFETY,RUNABOUT*	1
29	133092GT	DECAL,CRUSH HAZARD,USE SAFETY	1
30	133144GT	DECAL,LABEL-TRANSPORT DIGRAM	2
31	133277GT	DECAL,LABEL,EMERGENCY LOWERING	1
32	133450GT	DECAL,INSTRUCTIONS,WORK TRAY	1
33	133451GT	DECAL,INSTR,MAX CAP BIKE RACK	2
34	133505GT	DECAL,LABEL,WHEEL LOAD	4
35	133506GT	DECAL,GENIE QUICKSTOCK	1
36	133507GT	DECAL,GENIE,QS-12R QS-12R	2
42	133586GT	DECAL,INSTRUCTIONS-OPER,GCP	1
44	137605GT	DECAL,E-STOP,GR/GRC/GS PCON	1
45	137635GT	E-STOP, GR/GRC/GS GCON to SN QSP-4636	1
46	137636GT	DECAL, UI, GR/GRC/GS PCON (models with 2 speed controller) to SN 1999	1
47	137656GT	DECAL,PROPEL,GR/GRC/GS,PCON	1
48	227391GT	DECAL,INST,OP,PLAT,GR,AUS (models with 2 speed controller) to SN 1999	1
49	227498GT	DECAL,INST,SIDE FORCE,QS,AUS	1
50	227501GT	DECAL,MAX CAP 227 KG,QS,AUS QS-12, QS-15	1
52	229240GT	DECAL,INSTRUCTIONS,ADJ TRAY*	1
53	T106401GT	DECAL,LABEL,FAULT CODES QS-12R, QS-15R, QS-20R	1
54	T107029GT	DECAL DANGER BRAKE REL SAFETY	1
55	T107894GT	DECAL,LABEL,TIRE SPEC,GR/GRC	4
56	227765GT	DECAL,COSMETIC,GENIE,GR/QS	1
57	1256702GT	DECAL, UI, GS/GR, PROP LIFT (models with proportional speed controller) from SN 2000	1
58	1256703GT	DECAL, STD, PROP LIFT, UI, SVC (models converted from 2 speed to proportional speed controller)	1
59	1256916GT	OPERATING INST,PLAT,GR,AUS (models with proportional speed controller)	1
60	1257923GT	DECAL, SMARTLINK PROPORTIONAL LIFT IDENTIFIER (models with proportional speed controller)	2
61	1283228GT	DECAL,GR GCON, TECH PRO from SN QSP-4637	1



103.2 Decals with Words, QS-12W; Australia (to SN QSP-5999)

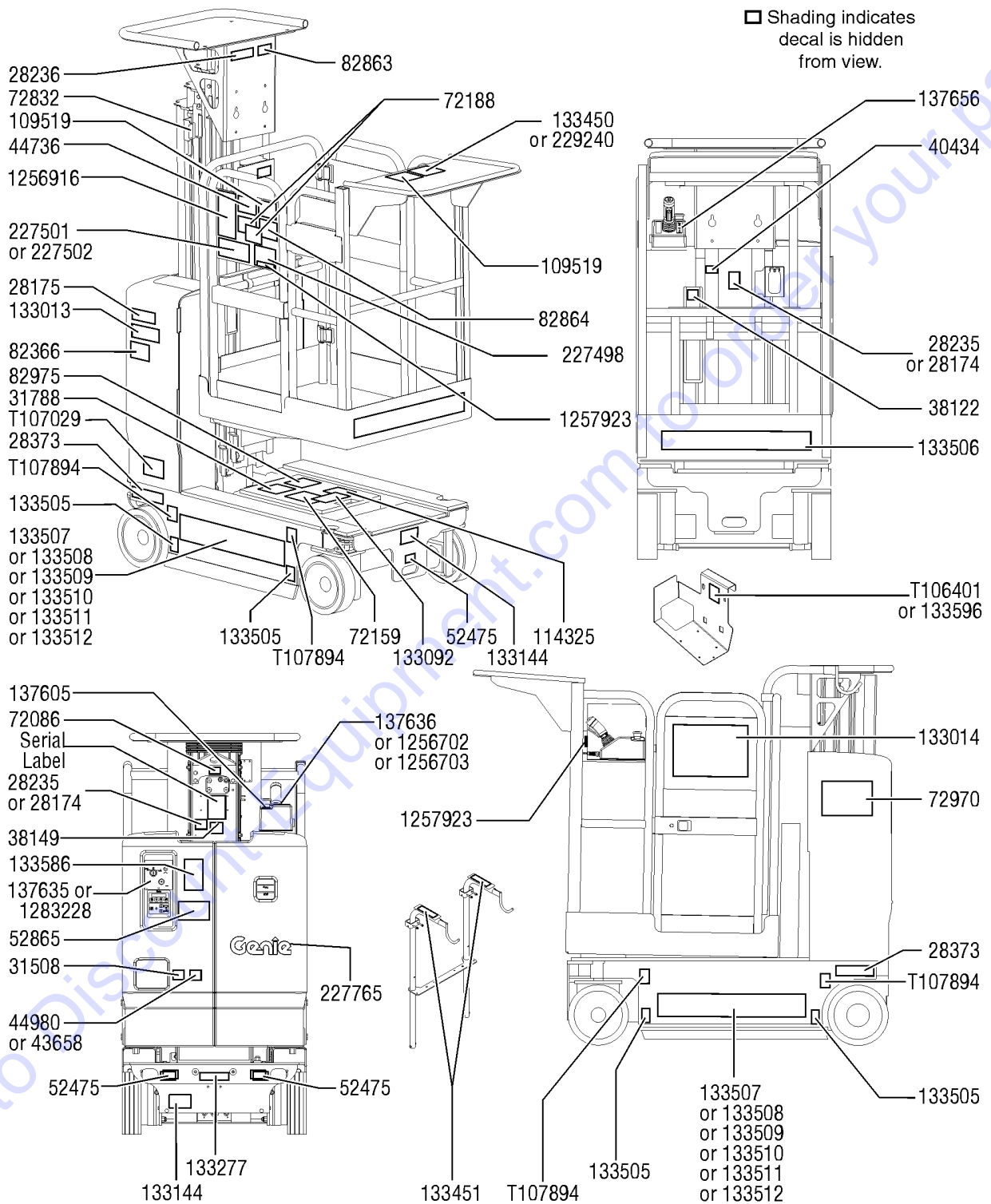


103.2 Decals with Words, QS-12W; Australia (to SN QSP-5999)

Item	Part No.	Description	Qty.
	230744GT	DECAL KIT,SAFETY/INSTR,WORDS (for models with 2 speed controller) to SN 1999	
1	28174GT	DECAL,POWER TO PLATFORM 230V	2
2	28175GT	DECAL,WARNING-COMPART ACCESS	1
3	28235GT	DECAL,POWER TO PLATFORM 115V	2
4	28236GT	DECAL,WARN,IMPROPER OPERATION	1
5	28373GT	DECAL,FORK LIFT POCKET	2
6	31508GT	DECAL,DANGER,ELECT HAZARD,PLUG	1
7	31788GT	DECAL,DANGER,BATTERY SAFETY***	1
8	38122GT	DECAL,LABEL, OM STORAGE	1
9	38149GT	DECAL,LABEL,PATENTS	1
10	40434GT	DECAL,LANYARD ANCHORAGE POINT	1
11	43658GT	DECAL,LABEL,PWR TO CHARGR 230V	1
12	44736GT	DECAL,DANGER,TIP-OVER,TILT	1
13	44980GT	DECAL,LABEL,PWR TO CHARGER 115UK	1
14	52475GT	DECAL LABEL TRANSPORT TIE DOWN*	3
15	52865GT	DECAL,ANNUAL INSP***	1
16	72086GT	DECAL,LABEL,LIFTING EYE	1
17	72159GT	DECAL,TIP-OVER,BATTERIES,GR	1
18	72188GT	DECAL,DIRECTIONAL ARROWS,GR	2
19	72832GT	DECAL,DANGER,DO NOT ALTER SWTC	1
20	72970GT	DECAL,INSTRUCTIONS-CHARGER OP	1
21	82366GT	DECAL,LABEL-CHEVRON RANDO	1
22	82863GT	DECAL,DANGER,MAX CAP PARCEL WD QS-12, QS-15	1
23	82864GT	DECAL,DANGER,MAX CAP BIKE RACK	1
24	82975GT	DECAL,DANGER,COLLISION HAZARD	1
25	109519GT	DECAL,DANGER,MAX CAP ADJ TRAY*	2
26	114325GT	DECAL,BATTERY CONN DIAG,GR	1
27	133013GT	DECAL,DANGER,ELECTROCUTION,GR	1



103.2 Decals with Words, QS-12W; Australia (to SN QSP-5999)

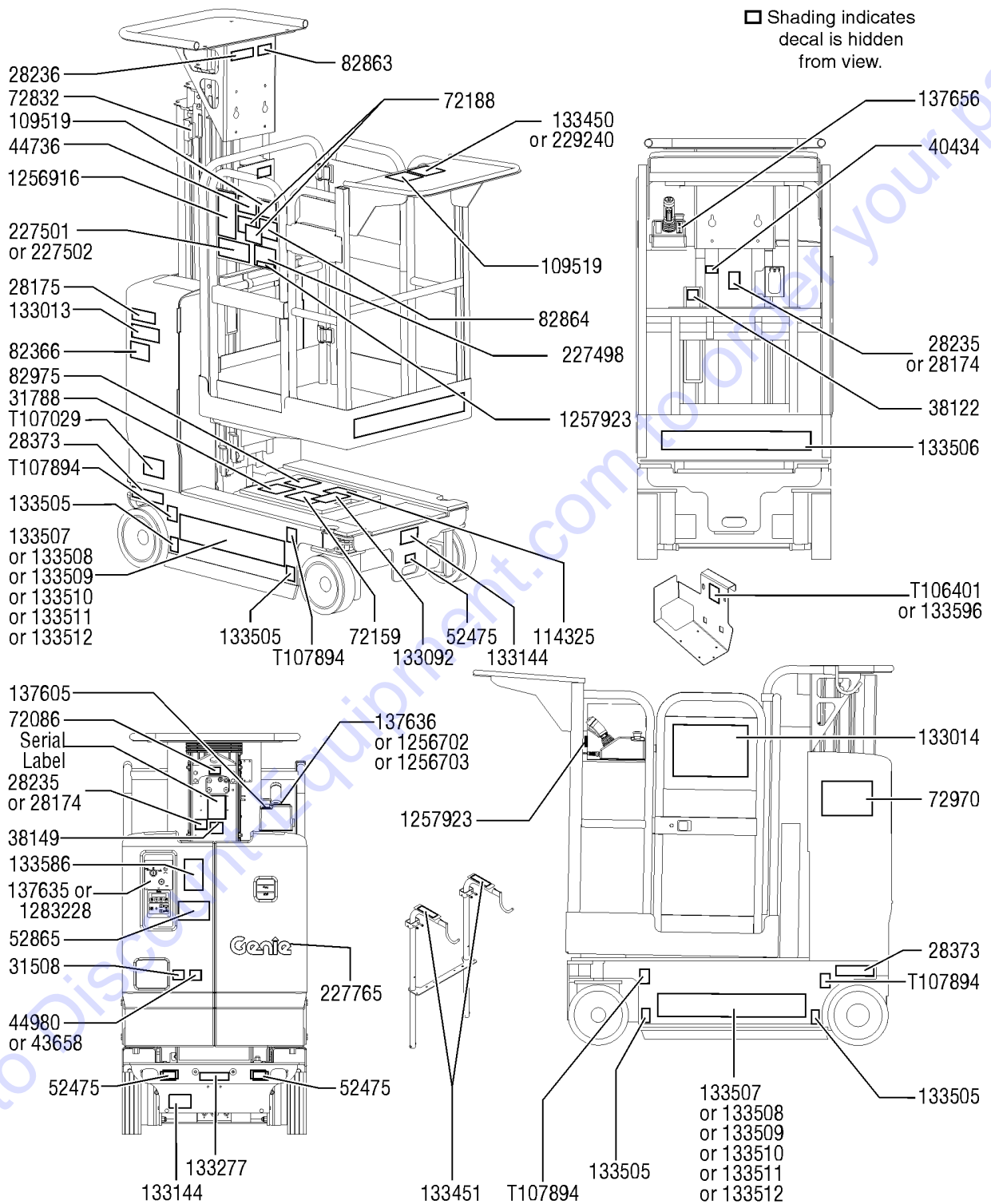


103.2 Decals with Words, QS-12W; Australia (to SN QSP-5999)

Item	Part No.	Description	Qty.
28	133014GT	DECAL,GENERAL SAFETY,RUNABOUT*	1
29	133092GT	DECAL,CRUSH HAZARD,USE SAFETY	1
30	133144GT	DECAL,LABEL-TRANSPORT DIGRAM	2
31	133277GT	DECAL,LABEL,EMERGENCY LOWERING	1
32	133450GT	DECAL,INSTRUCTIONS,WORK TRAY	1
33	133451GT	DECAL,INSTR,MAX CAP BIKE RACK	2
34	133505GT	DECAL,LABEL,WHEEL LOAD	4
35	133506GT	DECAL,GENIE QUICKSTOCK	1
39	133510GT	DECAL,GENIE,QS-12W QS-12W	2
42	133586GT	DECAL,INSTRUCTIONS-OPER,GCP	1
43	133596GT	DECAL,LABEL,FAULT CODES QS-12W, QS-15W, QS-20W	1
44	137605GT	DECAL,E-STOP,GR/GRC/GS PCON	1
45	137635GT	E-STOP, GR/GRC/GS GCON to SN QSP-4636	1
46	137636GT	DECAL, UI, GR/GRC/GS PCON (models with 2 speed controller) to SN 1999	1
47	137656GT	DECAL,PROPEL,GR/GRC/GS,PCON	1
48	227391GT	DECAL,INST,OP,PLAT,GR,AUS (models with 2 speed controller) to SN 1999	1
49	227498GT	DECAL,INST,SIDE FORCE,QS,AUS	1
50	227501GT	DECAL,MAX CAP 227 KG,QS,AUS QS-12, QS-15	1
52	229240GT	DECAL,INSTRUCTIONS,ADJ TRAY*	1
54	T107029GT	DECAL DANGER BRAKE REL SAFETY	1
55	T107894GT	DECAL,LABEL,TIRE SPEC,GR/GRC	4
56	227765GT	DECAL,COSMETIC,GENIE,GR/QS	1
57	1256702GT	DECAL, UI, GS/GR, PROP LIFT (models with proportional speed controller) from SN 2000	1
58	1256703GT	DECAL, STD, PROP LIFT, UI, SVC (models converted from 2 speed to proportional speed controller)	1
59	1256916GT	OPERATING INST,PLAT,GR,AUS (models with proportional speed controller)	1
60	1257923GT	DECAL, SMARTLINK PROPORTIONAL LIFT IDENTIFIER (models with proportional speed controller)	2
61	1283228GT	DECAL,GR GCON, TECH PRO from SN QSP-4637	1



103.3 Decals with Words, QS-15R; Australia (to SN QSP-5999)

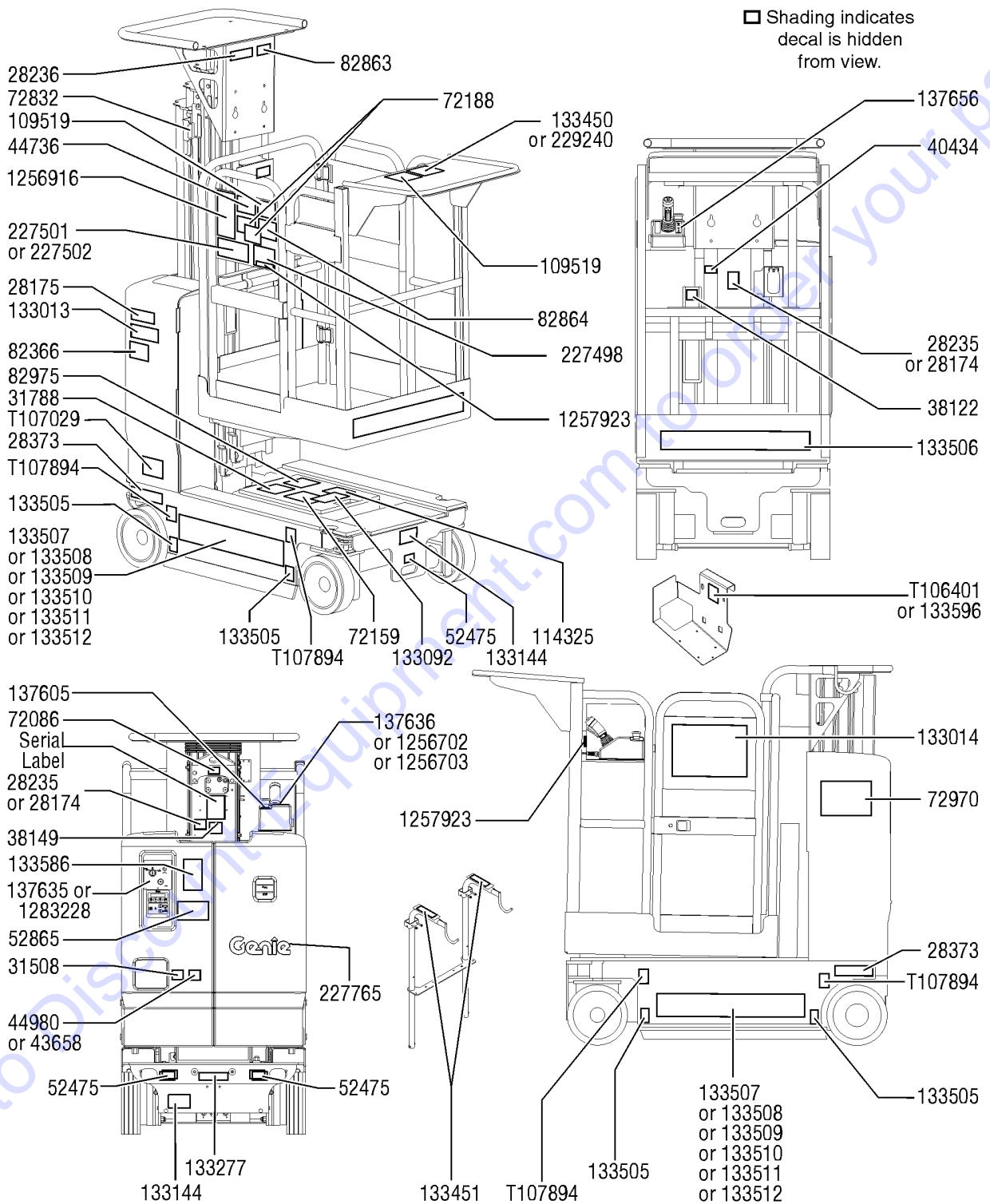


103.3 Decals with Words, QS-15R; Australia (to SN QSP-5999)

Item	Part No.	Description	Qty.
	230744GT	DECAL KIT,SAFETY/INSTR,WORDS (for models with 2 speed controller) to SN 1999	
1	28174GT	DECAL,POWER TO PLATFORM 230V	2
2	28175GT	DECAL,WARNING-COMPART ACCESS	1
3	28235GT	DECAL,POWER TO PLATFORM 115V	2
4	28236GT	DECAL,WARN,IMPROPER OPERATION	1
5	28373GT	DECAL,FORK LIFT POCKET	2
6	31508GT	DECAL,DANGER,ELECT HAZARD,PLUG	1
7	31788GT	DECAL,DANGER,BATTERY SAFETY***	1
8	38122GT	DECAL,LABEL, OM STORAGE	1
9	38149GT	DECAL,LABEL,PATENTS	1
10	40434GT	DECAL,LANYARD ANCHORAGE POINT	1
11	43658GT	DECAL,LABEL,PWR TO CHARGR 230V	1
12	44736GT	DECAL,DANGER,TIP-OVER,TILT	1
13	44980GT	DECAL,LABEL,PWR TO CHARGER 115UK	1
14	52475GT	DECAL LABEL TRANSPORT TIE DOWN*	3
15	52865GT	DECAL,ANNUAL INSP***	1
16	72086GT	DECAL,LABEL,LIFTING EYE	1
17	72159GT	DECAL,TIP-OVER,BATTERIES,GR	1
18	72188GT	DECAL,DIRECTIONAL ARROWS,GR	2
19	72832GT	DECAL,DANGER,DO NOT ALTER SWTC	1
20	72970GT	DECAL,INSTRUCTIONS-CHARGER OP	1
21	82366GT	DECAL,LABEL-CHEVRON RANDO	1
22	82863GT	DECAL,DANGER,MAX CAP PARCEL WD QS-12, QS-15	1
23	82864GT	DECAL,DANGER,MAX CAP BIKE RACK	1
24	82975GT	DECAL,DANGER,COLLISION HAZARD	1
25	109519GT	DECAL,DANGER,MAX CAP ADJ TRAY*	2
26	114325GT	DECAL,BATTERY CONN DIAG,GR	1
27	133013GT	DECAL,DANGER,ELECTROCUTION,GR	1



103.3 Decals with Words, QS-15R; Australia (to SN QSP-5999)

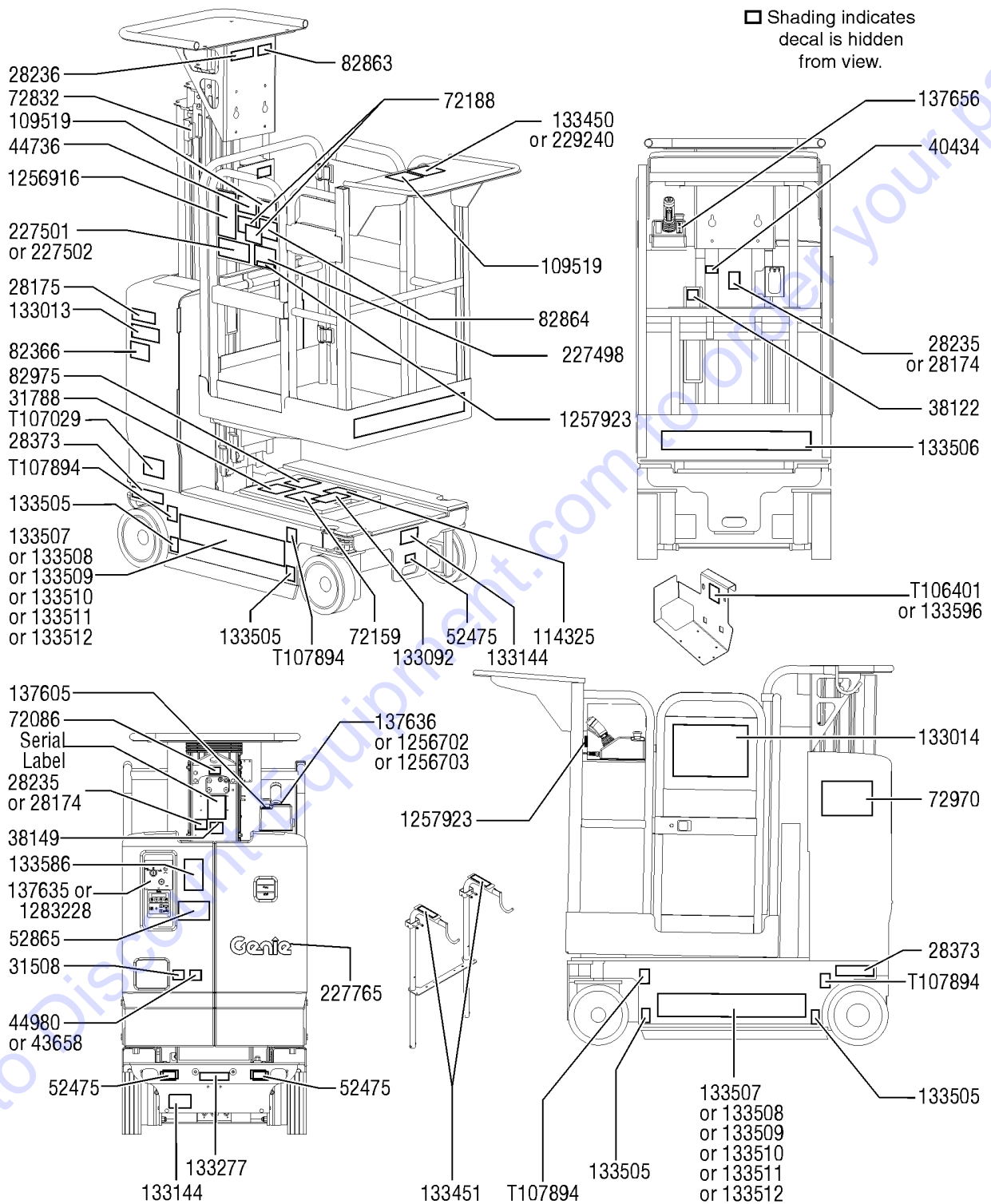


103.3 Decals with Words, QS-15R; Australia (to SN QSP-5999)

Item	Part No.	Description	Qty.
28	133014GT	DECAL,GENERAL SAFETY,RUNABOUT*	1
29	133092GT	DECAL,CRUSH HAZARD,USE SAFETY	1
30	133144GT	DECAL,LABEL-TRANSPORT DIGRAM	2
31	133277GT	DECAL,LABEL,EMERGENCY LOWERING	1
32	133450GT	DECAL,INSTRUCTIONS,WORK TRAY	1
33	133451GT	DECAL,INSTR,MAX CAP BIKE RACK	2
34	133505GT	DECAL,LABEL,WHEEL LOAD	4
35	133506GT	DECAL,GENIE QUICKSTOCK	1
37	133508GT	DECAL,GENIE,QS-15R QS-15R	2
42	133586GT	DECAL,INSTRUCTIONS-OPER,GCP	1
44	137605GT	DECAL,E-STOP,GR/GRC/GS PCON	1
45	137635GT	E-STOP, GR/GRC/GS GCON to SN QSP-4636	1
46	137636GT	DECAL, UI, GR/GRC/GS PCON (models with 2 speed controller) to SN 1999	1
47	137656GT	DECAL,PROPEL,GR/GRC/GS,PCON	1
48	227391GT	DECAL,INST,OP,PLAT,GR,AUS (models with 2 speed controller) to SN 1999	1
49	227498GT	DECAL,INST,SIDE FORCE,QS,AUS	1
50	227501GT	DECAL,MAX CAP 227 KG,QS,AUS QS-12, QS-15	1
52	229240GT	DECAL,INSTRUCTIONS,ADJ TRAY*	1
53	T106401GT	DECAL,LABEL,FAULT CODES QS-12R, QS-15R, QS-20R	1
54	T107029GT	DECAL DANGER BRAKE REL SAFETY	1
55	T107894GT	DECAL,LABEL,TIRE SPEC,GR/GRC	4
56	227765GT	DECAL,COSMETIC,GENIE,GR/QS	1
57	1256702GT	DECAL, UI, GS/GR, PROP LIFT (models with proportional speed controller) from SN 2000	1
58	1256703GT	DECAL, STD, PROP LIFT, UI, SVC (models converted from 2 speed to proportional speed controller)	1
59	1256916GT	OPERATING INST,PLAT,GR,AUS (models with proportional speed controller)	1
60	1257923GT	DECAL, SMARTLINK PROPORTIONAL LIFT IDENTIFIER (models with proportional speed controller)	2
61	1283228GT	DECAL,GR GCON, TECH PRO from SN QSP-4637	1



103.4 Decals with Words, QS-15W; Australia (to SN QSP-5999)

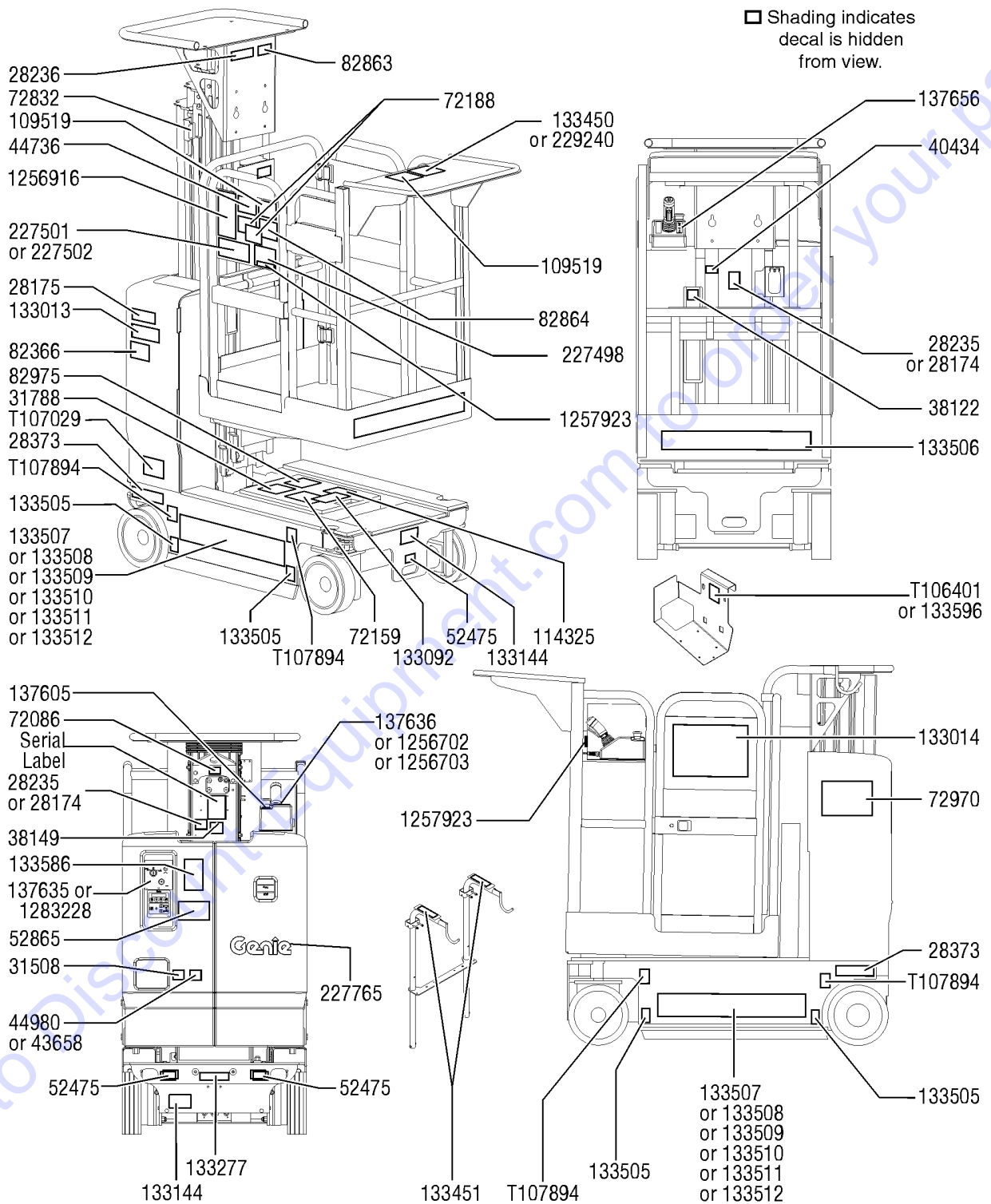


103.4 Decals with Words, QS-15W; Australia (to SN QSP-5999)

Item	Part No.	Description	Qty.
	230744GT	DECAL KIT,SAFETY/INSTR,WORDS (for models with 2 speed controller) to SN 1999	
1	28174GT	DECAL,POWER TO PLATFORM 230V	2
2	28175GT	DECAL,WARNING-COMPART ACCESS	1
3	28235GT	DECAL,POWER TO PLATFORM 115V	2
4	28236GT	DECAL,WARN,IMPROPER OPERATION	1
5	28373GT	DECAL,FORK LIFT POCKET	2
6	31508GT	DECAL,DANGER,ELECT HAZARD,PLUG	1
7	31788GT	DECAL,DANGER,BATTERY SAFETY***	1
8	38122GT	DECAL,LABEL, OM STORAGE	1
9	38149GT	DECAL,LABEL,PATENTS	1
10	40434GT	DECAL,LANYARD ANCHORAGE POINT	1
11	43658GT	DECAL,LABEL,PWR TO CHARGR 230V	1
12	44736GT	DECAL,DANGER,TIP-OVER,TILT	1
13	44980GT	DECAL,LABEL,PWR TO CHARGER 115UK	1
14	52475GT	DECAL LABEL TRANSPORT TIE DOWN*	3
15	52865GT	DECAL,ANNUAL INSP***	1
16	72086GT	DECAL,LABEL,LIFTING EYE	1
17	72159GT	DECAL,TIP-OVER,BATTERIES,GR	1
18	72188GT	DECAL,DIRECTIONAL ARROWS,GR	2
19	72832GT	DECAL,DANGER,DO NOT ALTER SWTC	1
20	72970GT	DECAL,INSTRUCTIONS-CHARGER OP	1
21	82366GT	DECAL,LABEL-CHEVRON RANDO	1
22	82863GT	DECAL,DANGER,MAX CAP PARCEL WD QS-12, QS-15	1
23	82864GT	DECAL,DANGER,MAX CAP BIKE RACK	1
24	82975GT	DECAL,DANGER,COLLISION HAZARD	1
25	109519GT	DECAL,DANGER,MAX CAP ADJ TRAY*	2
26	114325GT	DECAL,BATTERY CONN DIAG,GR	1
27	133013GT	DECAL,DANGER,ELECTROCUTION,GR	1



103.4 Decals with Words, QS-15W; Australia (to SN QSP-5999)



103.4 Decals with Words, QS-15W; Australia (to SN QSP-5999)

Item	Part No.	Description	Qty.
28	133014GT	DECAL,GENERAL SAFETY,RUNABOUT*	1
29	133092GT	DECAL,CRUSH HAZARD,USE SAFETY	1
30	133144GT	DECAL,LABEL-TRANSPORT DIGRAM	2
31	133277GT	DECAL,LABEL,EMERGENCY LOWERING	1
32	133450GT	DECAL,INSTRUCTIONS,WORK TRAY	1
33	133451GT	DECAL,INSTR,MAX CAP BIKE RACK	2
34	133505GT	DECAL,LABEL,WHEEL LOAD	4
35	133506GT	DECAL,GENIE QUICKSTOCK	1
40	133511GT	DECAL,GENIE,QS-15W QS-15W	2
42	133586GT	DECAL,INSTRUCTIONS-OPER,GCP	1
43	133596GT	DECAL,LABEL,FAULT CODES QS-12W, QS-15W, QS-20W	1
44	137605GT	DECAL,E-STOP,GR/GRC/GS PCON	1
45	137635GT	E-STOP, GR/GRC/GS GCON to SN QSP-4636	1
46	137636GT	DECAL, UI, GR/GRC/GS PCON (models with 2 speed controller) to SN 1999	1
47	137656GT	DECAL,PROPEL,GR/GRC/GS,PCON	1
48	227391GT	DECAL,INST,OP,PLAT,GR,AUS (models with 2 speed controller) to SN 1999	1
49	227498GT	DECAL,INST,SIDE FORCE,QS,AUS	1
50	227501GT	DECAL,MAX CAP 227 KG,QS,AUS QS-12, QS-15	1
52	229240GT	DECAL,INSTRUCTIONS,ADJ TRAY*	1
54	T107029GT	DECAL DANGER BRAKE REL SAFETY	1
55	T107894GT	DECAL,LABEL,TIRE SPEC,GR/GRC	4
56	227765GT	DECAL,COSMETIC,GENIE,GR/QS	1
57	1256702GT	DECAL, UI, GS/GR, PROP LIFT (models with proportional speed controller) from SN 2000	1
58	1256703GT	DECAL, STD, PROP LIFT, UI, SVC (models converted from 2 speed to proportional speed controller)	1
59	1256916GT	OPERATING INST,PLAT,GR,AUS (models with proportional speed controller)	1
60	1257923GT	DECAL, SMARTLINK PROPORTIONAL LIFT IDENTIFIER (models with proportional speed controller)	2
61	1283228GT	DECAL,GR GCON, TECH PRO from SN QSP-4637	1

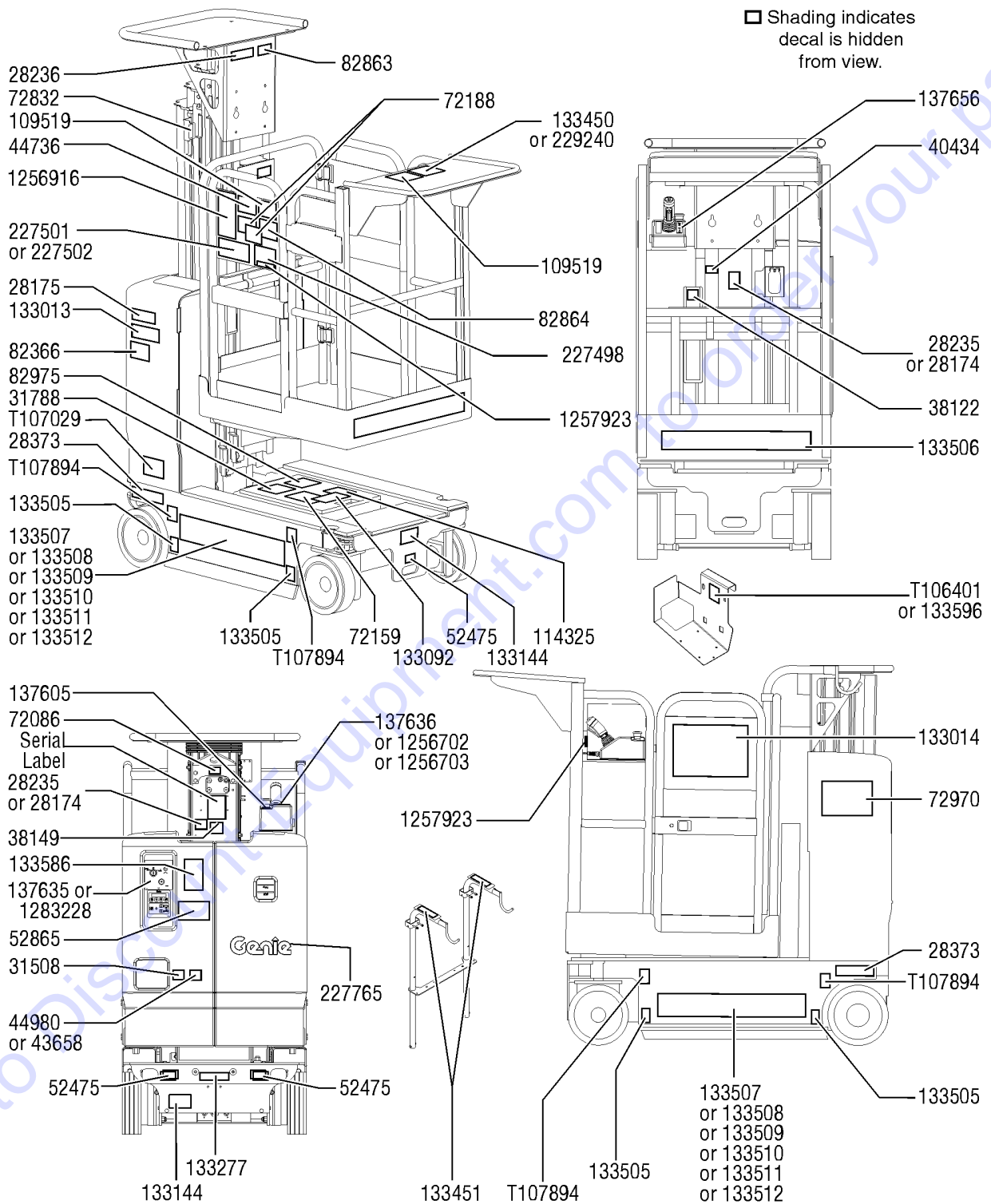


103.5 Decals with Words, QS-20R; Australia (to SN QSP-5999)

Item	Part No.	Description	Qty.
	230744GT	DECAL KIT,SAFETY/INSTR,WORDS (for models with 2 speed controller) to SN 1999	
1	28174GT	DECAL,POWER TO PLATFORM 230V	2
2	28175GT	DECAL,WARNING-COMPART ACCESS	1
3	28235GT	DECAL,POWER TO PLATFORM 115V	2
4	28236GT	DECAL,WARN,IMPROPER OPERATION	1
5	28373GT	DECAL,FORK LIFT POCKET	2
6	31508GT	DECAL,DANGER,ELECT HAZARD,PLUG	1
7	31788GT	DECAL,DANGER,BATTERY SAFETY***	1
8	38122GT	DECAL,LABEL, OM STORAGE	1
9	38149GT	DECAL,LABEL,PATENTS	1
10	40434GT	DECAL,LANYARD ANCHORAGE POINT	1
11	43658GT	DECAL,LABEL,PWR TO CHARGR 230V	1
12	44736GT	DECAL,DANGER,TIP-OVER,TILT	1
13	44980GT	DECAL,LABEL,PWR TO CHARGER 115UK	1
14	52475GT	DECAL LABEL TRANSPORT TIE DOWN*	3
15	52865GT	DECAL,ANNUAL INSP***	1
16	72086GT	DECAL,LABEL,LIFTING EYE	1
17	72159GT	DECAL,TIP-OVER,BATTERIES,GR	1
18	72188GT	DECAL,DIRECTIONAL ARROWS,GR	2
19	72832GT	DECAL,DANGER,DO NOT ALTER SWTC	1
20	72970GT	DECAL,INSTRUCTIONS-CHARGER OP	1
21	82366GT	DECAL,LABEL-CHEVRON RANDO	1
23	82864GT	DECAL,DANGER,MAX CAP BIKE RACK	1
24	82975GT	DECAL,DANGER,COLLISION HAZARD	1
25	109519GT	DECAL,DANGER,MAX CAP ADJ TRAY*	2
26	114325GT	DECAL,BATTERY CONN DIAG,GR	1
27	133013GT	DECAL,DANGER,ELECTROCUTION,GR	1
28	133014GT	DECAL,GENERAL SAFETY,RUNABOUT*	1



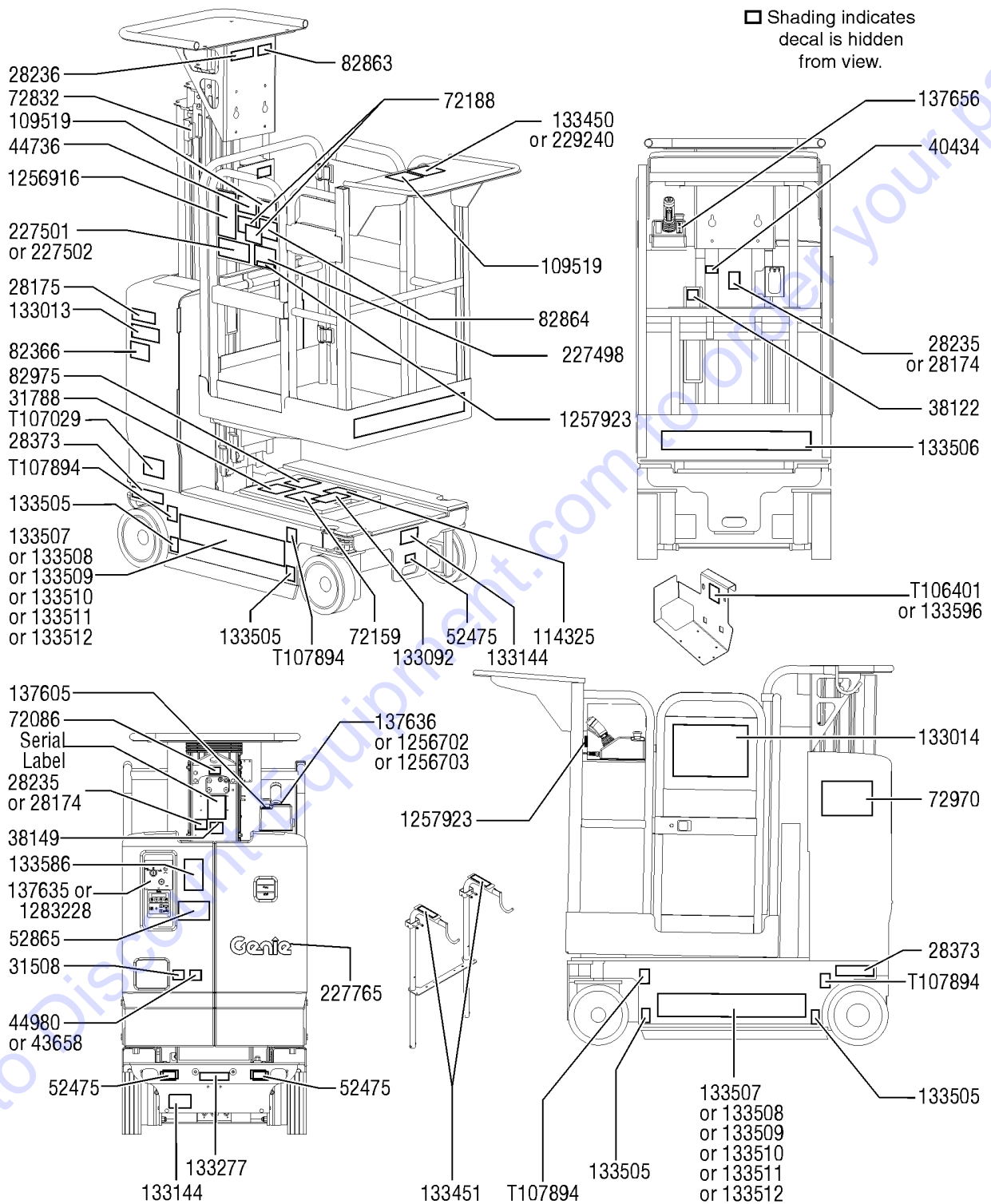
103.5 Decals with Words, QS-20R; Australia (to SN QSP-5999)



103.5 Decals with Words, QS-20R; Australia (to SN QSP-5999)

Item	Part No.	Description	Qty.
29	133092GT	DECAL,CRUSH HAZARD,USE SAFETY	1
30	133144GT	DECAL,LABEL-TRANSPORT DIGRAM	2
31	133277GT	DECAL,LABEL,EMERGENCY LOWERING	1
32	133450GT	DECAL,INSTRUCTIONS,WORK TRAY	1
33	133451GT	DECAL,INSTR,MAX CAP BIKE RACK	2
34	133505GT	DECAL,LABEL,WHEEL LOAD	4
35	133506GT	DECAL,GENIE QUICKSTOCK	1
38	133509GT	DECAL,GENIE,QS-20R	2
		QS-20R	
42	133586GT	DECAL,INSTRUCTIONS-OPER,GCP	1
44	137605GT	DECAL,E-STOP,GR/GRC/GS PCON	1
45	137635GT	E-STOP, GR/GRC/GS GCON	1
		to SN QSP-4636	
46	137636GT	DECAL, UI, GR/GRC/GS PCON	1
		(models with 2 speed controller) to SN 1999	
47	137656GT	DECAL,PROPEL,GR/GRC/GS,PCON	1
48	227391GT	DECAL,INST,OP,PLAT,GR,AUS	1
		(models with 2 speed controller) to SN 1999	
49	227498GT	DECAL,INST,SIDE FORCE,QS,AUS	1
51	227502GT	DECAL,MAX CAP 159 KG,QS,AUS	1
		QS-20	
52	229240GT	DECAL,INSTRUCTIONS,ADJ TRAY*	1
53	T106401GT	DECAL,LABEL,FAULT CODES	1
		QS-12R, QS-15R, QS-20R	
54	T107029GT	DECAL DANGER BRAKE REL SAFETY	1
55	T107894GT	DECAL,LABEL,TIRE SPEC,GR/GRC	4
56	227765GT	DECAL,COSMETIC,GENIE,GR/QS	1
57	1256702GT	DECAL, UI, GS/GR, PROP LIFT	1
		(models with proportional speed controller) from SN 2000	
58	1256703GT	DECAL, STD, PROP LIFT, UI, SVC	1
		(models converted from 2 speed to proportional speed controller)	
59	1256916GT	OPERATING INST,PLAT,GR,AUS	1
		(models with proportional speed controller)	
60	1257923GT	DECAL, SMARTLINK PROPORTIONAL LIFT IDENTIFIER	2
		(models with proportional speed controller)	
61	1283228GT	DECAL,GR GCON, TECH PRO	1
		from SN QSP-4637	

103.6 Decals with Words, QS-20W; Australia (to SN QSP-5999)

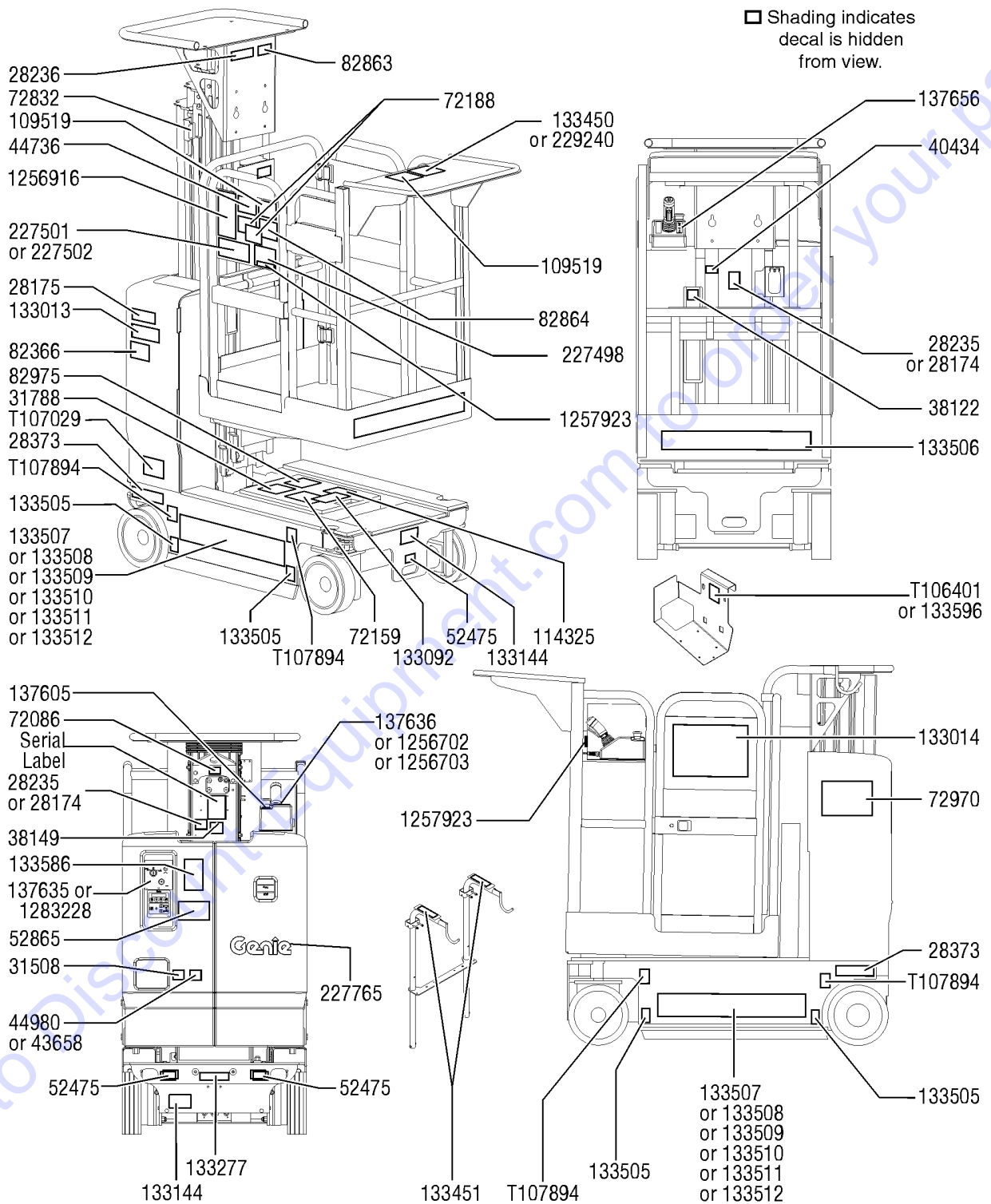


103.6 Decals with Words, QS-20W; Australia (to SN QSP-5999)

Item	Part No.	Description	Qty.
	230744GT	DECAL KIT,SAFETY/INSTR,WORDS (for models with 2 speed controller) to SN 1999	
1	28174GT	DECAL,POWER TO PLATFORM 230V	2
2	28175GT	DECAL,WARNING-COMPART ACCESS	1
3	28235GT	DECAL,POWER TO PLATFORM 115V	2
4	28236GT	DECAL,WARN,IMPROPER OPERATION	1
5	28373GT	DECAL,FORK LIFT POCKET	2
6	31508GT	DECAL,DANGER,ELECT HAZARD,PLUG	1
7	31788GT	DECAL,DANGER,BATTERY SAFETY***	1
8	38122GT	DECAL,LABEL, OM STORAGE	1
9	38149GT	DECAL,LABEL,PATENTS	1
10	40434GT	DECAL,LANYARD ANCHORAGE POINT	1
11	43658GT	DECAL,LABEL,PWR TO CHARGR 230V	1
12	44736GT	DECAL,DANGER,TIP-OVER,TILT	1
13	44980GT	DECAL,LABEL,PWR TO CHARGER 115UK	1
14	52475GT	DECAL LABEL TRANSPORT TIE DOWN*	3
15	52865GT	DECAL,ANNUAL INSP***	1
16	72086GT	DECAL,LABEL,LIFTING EYE	1
17	72159GT	DECAL,TIP-OVER,BATTERIES,GR	1
18	72188GT	DECAL,DIRECTIONAL ARROWS,GR	2
19	72832GT	DECAL,DANGER,DO NOT ALTER SWTC	1
20	72970GT	DECAL,INSTRUCTIONS-CHARGER OP	1
21	82366GT	DECAL,LABEL-CHEVRON RANDO	1
23	82864GT	DECAL,DANGER,MAX CAP BIKE RACK	1
24	82975GT	DECAL,DANGER,COLLISION HAZARD	1
25	109519GT	DECAL,DANGER,MAX CAP ADJ TRAY*	2
26	114325GT	DECAL,BATTERY CONN DIAG,GR	1
27	133013GT	DECAL,DANGER,ELECTROCUTION,GR	1
28	133014GT	DECAL,GENERAL SAFETY,RUNABOUT*	1



103.6 Decals with Words, QS-20W; Australia (to SN QSP-5999)

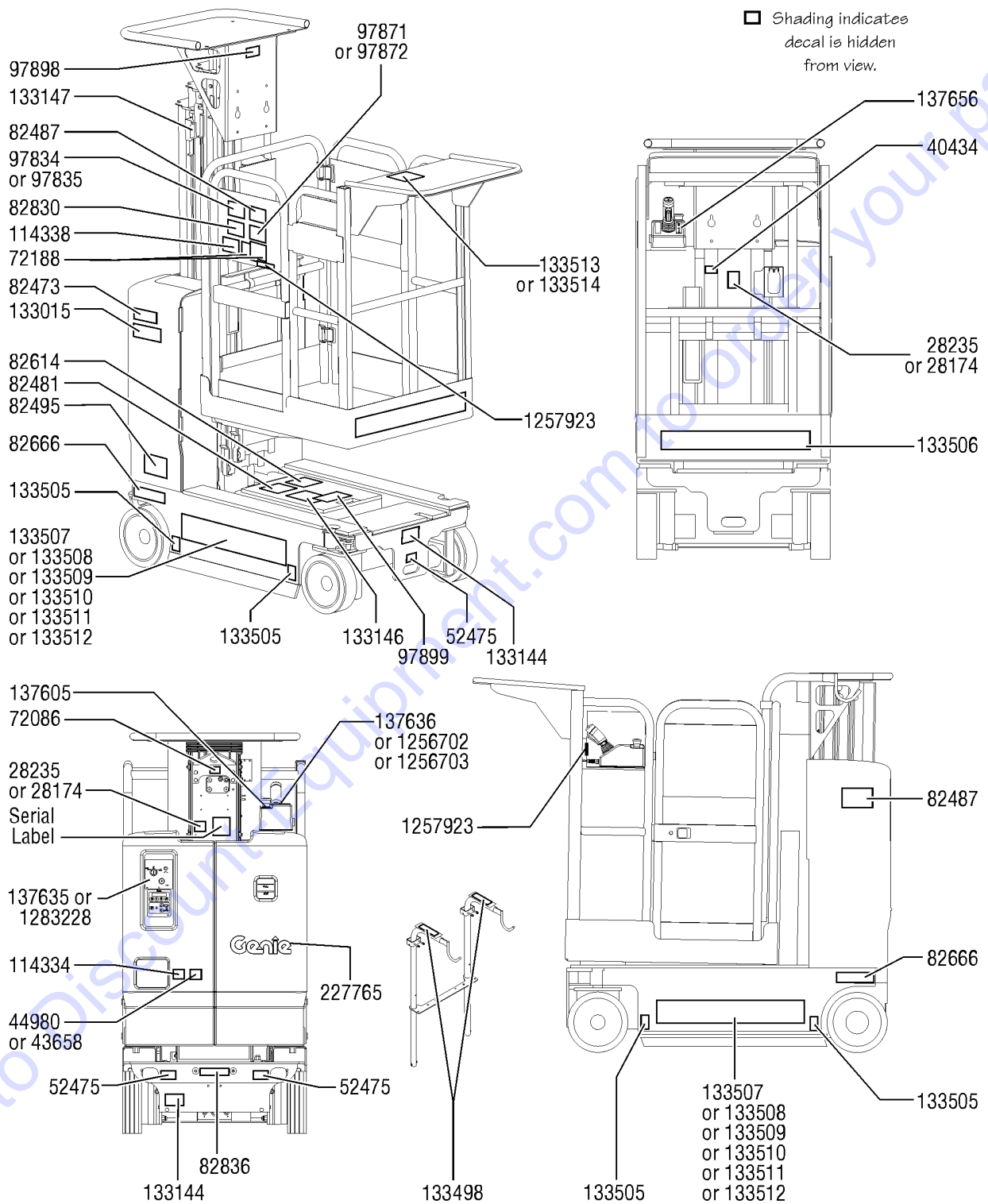


103.6 Decals with Words, QS-20W; Australia (to SN QSP-5999)

Item	Part No.	Description	Qty.
29	133092GT	DECAL,CRUSH HAZARD,USE SAFETY	1
30	133144GT	DECAL,LABEL-TRANSPORT DIGRAM	2
31	133277GT	DECAL,LABEL,EMERGENCY LOWERING	1
32	133450GT	DECAL,INSTRUCTIONS,WORK TRAY	1
33	133451GT	DECAL,INSTR,MAX CAP BIKE RACK	2
34	133505GT	DECAL,LABEL,WHEEL LOAD	4
35	133506GT	DECAL,GENIE QUICKSTOCK	1
41	133512GT	DECAL,GENIE,QS-20W	3
		QS-20W	
42	133586GT	DECAL,INSTRUCTIONS-OPER,GCP	1
43	133596GT	DECAL,LABEL,FAULT CODES	1
		QS-12W, QS-15W, QS-20W	
44	137605GT	DECAL,E-STOP,GR/GRC/GS PCON	1
45	137635GT	E-STOP, GR/GRC/GS GCON	1
		to SN QSP-4636	
46	137636GT	DECAL, UI, GR/GRC/GS PCON	1
		(models with 2 speed controller) to SN 1999	
47	137656GT	DECAL,PROPEL,GR/GRC/GS,PCON	1
48	227391GT	DECAL,INST,OP,PLAT,GR,AUS	1
		(models with 2 speed controller) to SN 1999	
49	227498GT	DECAL,INST,SIDE FORCE,QS,AUS	1
51	227502GT	DECAL,MAX CAP 159 KG,QS,AUS	1
		QS-20	
52	229240GT	DECAL,INSTRUCTIONS,ADJ TRAY*	1
54	T107029GT	DECAL DANGER BRAKE REL SAFETY	1
55	T107894GT	DECAL,LABEL,TIRE SPEC,GR/GRC	4
56	227765GT	DECAL,COSMETIC,GENIE,GR/QS	1
57	1256702GT	DECAL, UI, GS/GR, PROP LIFT	1
		(models with proportional speed controller) from SN 2000	
58	1256703GT	DECAL, STD, PROP LIFT, UI, SVC	1
		(models converted from 2 speed to proportional speed controller)	
59	1256916GT	OPERATING INST,PLAT,GR,AUS	1
		(models with proportional speed controller)	
60	1257923GT	DECAL, SMARTLINK PROPORTIONAL LIFT IDENTIFIER	2
		(models with proportional speed controller)	
61	1283228GT	DECAL,GR GCON, TECH PRO	1
		from SN QSP-4637	



104.1 Decals with Symbols, QS-12R; CE (to SN QSP-5999)

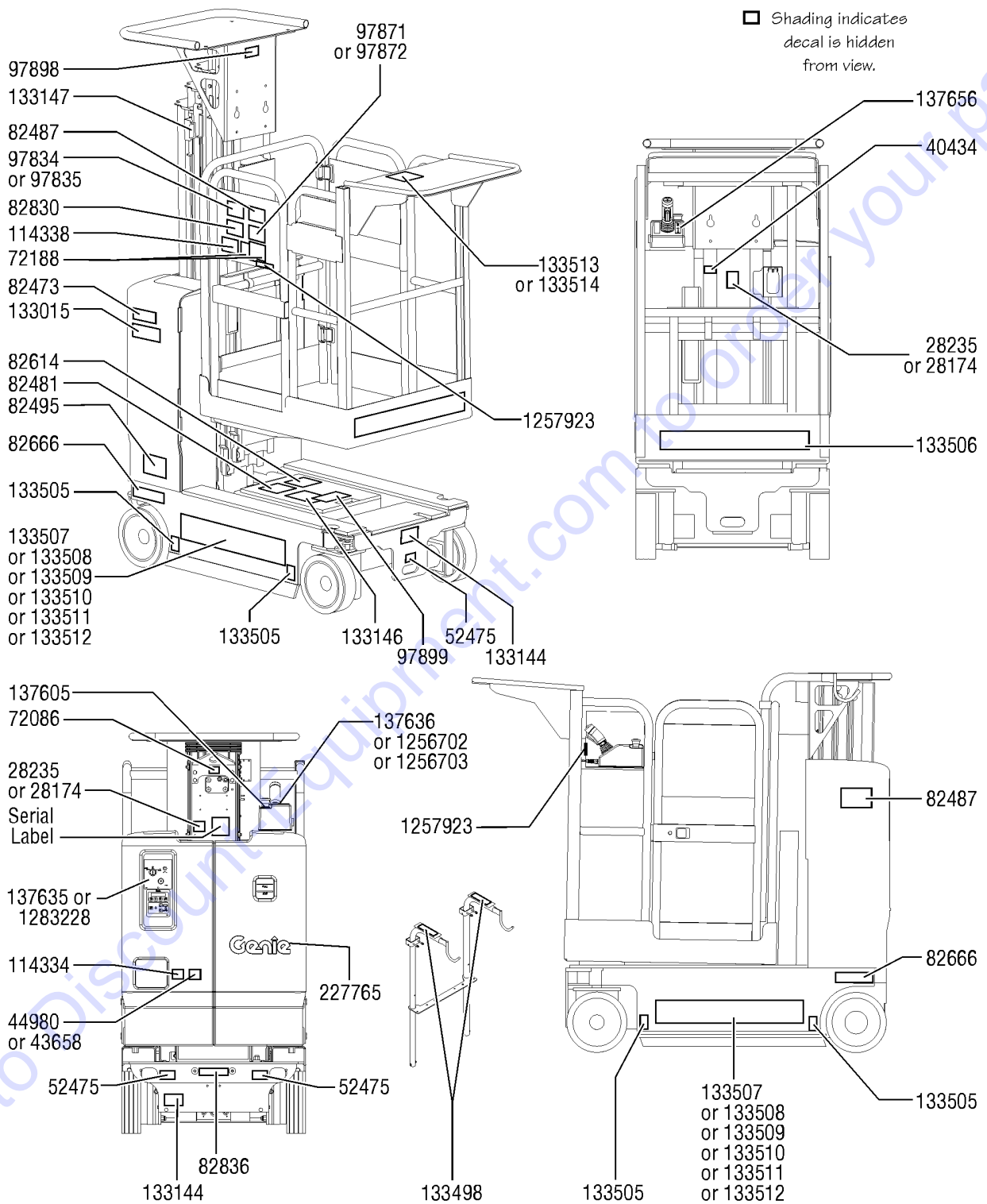


104.1 Decals with Symbols, QS-12R; CE (to SN QSP-5999)

Item	Part No.	Description	Qty.
	230745GT	DECAL KIT,SAFETY/INSTR,SYMB (for models with 2 speed controller) to SN 1999	
1	28174GT	DECAL,POWER TO PLATFORM 230V	2
2	28235GT	DECAL,POWER TO PLATFORM 115V	2
3	40434GT	DECAL,LANYARD ANCHORAGE POINT	1
4	43658GT	DECAL,LABEL,PWR TO CHARGR 230V	1
5	44980GT	DECAL,LABEL,PWR TO CHARGER 115UK	1
6	52475GT	DECAL LABEL TRANSPORT TIE DOWN*	3
7	72086GT	DECAL,LABEL,LIFTING EYE	1
8	72188GT	DECAL,DIRECTIONAL ARROWS,GR	2
9	82473GT	DECAL,SYMBOL-COMP ACCESS	1
10	82481GT	DECAL,SYMBOL-BATTERY SAFETY	1
11	82487GT	DECAL,SYMBOL-READ THE MANUAL	2
12	82495GT	DECAL SYMBOL BRAKE REL SAFETY	1
13	82614GT	DECAL,DANGER,COLLISION HAZARD	1
14	82666GT	DECAL,LABEL,FORKLIFT POCKET	2
15	82830GT	DECAL,DANGER,SIDE FORCE CE GR	1
16	82836GT	LABEL,AUXILIARY LOWERING	1
17	97834GT	DECAL-DANGER,MAX CAP-227 KG SP QS-12, QS-15	1
19	97871GT	DANGER-MAX CAP,BIKE RACK-SYM** QS-12, QS-15	1
21	97898GT	DECAL-DANGER,MAX CAP-PARCEL SY QS-12, QS-15	1
22	97899GT	DECAL,WARN,SAFETY CHOCK***	1
23	114334GT	DECAL SYMBOL ELECTRIC HAZARD PLUG	1
24	114338GT	DECAL,SYM-TIP-OVR,TILT ALARM	1
25	133015GT	DECAL,DANGER,ELEC.HAZ SYMB	1
26	133144GT	DECAL,LABEL-TRANSPORT DIGRAM	2
27	133146GT	DECAL,SYM-TIPOVER,BATTERIES,GR	1
28	133147GT	DECAL,SYM-TIPOVER,LIMIT SWITCH	1
29	133498GT	DECAL,LABEL,MAX CAP BK RACK	2



104.1 Decals with Symbols, QS-12R; CE (to SN QSP-5999)



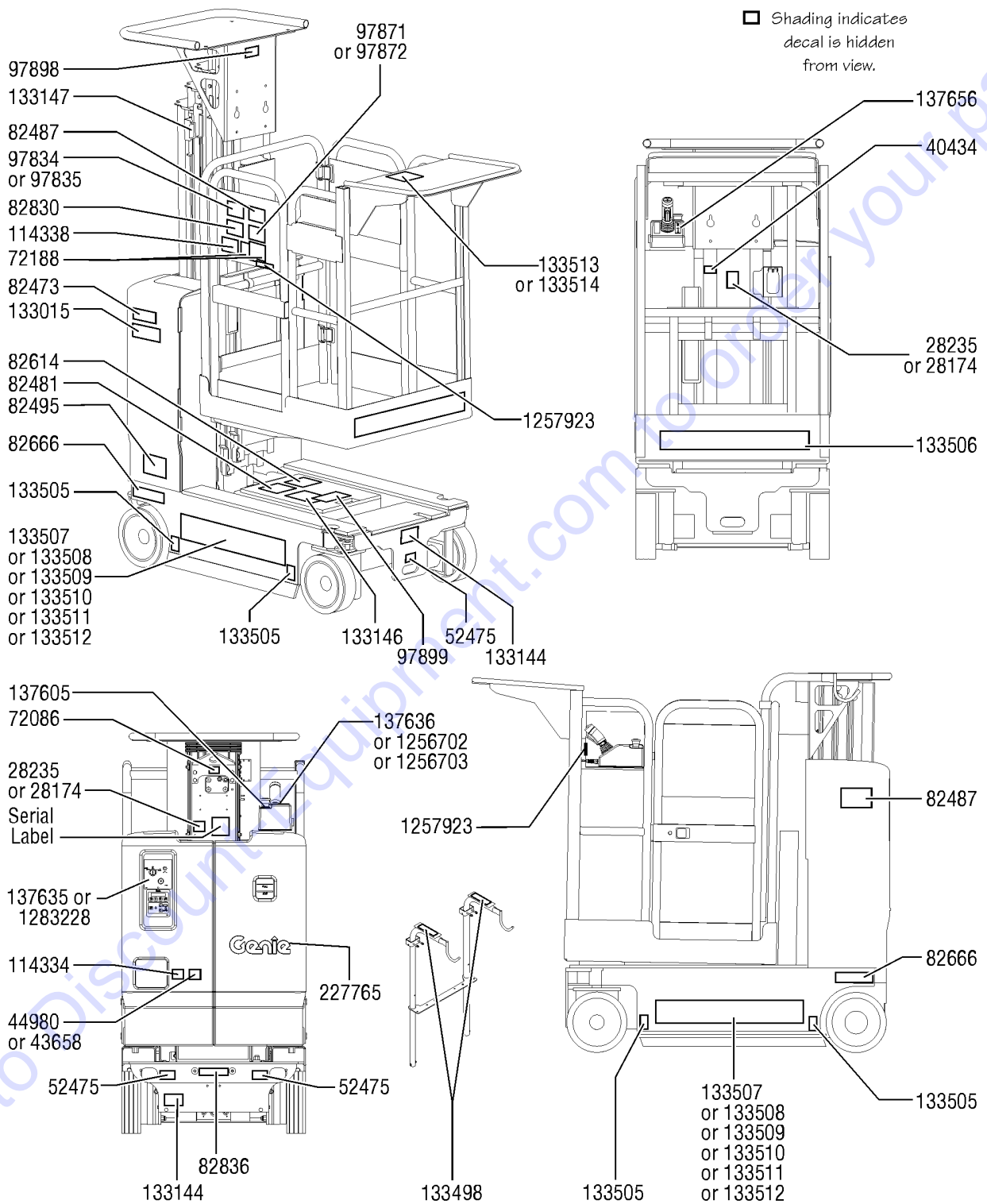
104.1 Decals with Symbols, QS-12R; CE (to SN QSP-5999)

Item	Part No.	Description	Qty.
30	133505GT	DECAL,LABEL,WHEEL LOAD	4
31	133506GT	DECAL,GENIE QUICKSTOCK	1
32	133507GT	DECAL,GENIE,QS-12R	2
		QS-12R	
38	133514GT	DECAL,LABEL,MAX CAP,TRAY,227KG	1
		QS-12, QS-15	
40	137605GT	DECAL,E-STOP,GR/GRC/GS PCON	1
41	137635GT	E-STOP, GR/GRC/GS GCON	1
		to SN QSP-4636	
42	137636GT	DECAL, UI, GR/GRC/GS PCON	1
		(models with 2 speed controller) to SN 1999	
43	137656GT	DECAL,PROPEL,GR/GRC/GS,PCON	1
44	227765GT	DECAL,COSMETIC,GENIE,GR/QS	1
45	1256702GT	DECAL, UI, GS/GR, PROP LIFT	1
		(models with proportional speed controller) from SN 2000	
46	1256703GT	DECAL, STD, PROP LIFT, UI, SVC	1
		(models converted from 2 speed to proportional speed controller)	
47	1257923GT	DECAL, SMARTLINK PROPORTIONAL LIFT IDENTIFIER	2
		(models with proportional speed controller)	
48	1283228GT	DECAL,GR GCON, TECH PRO	1
		from SN QSP-4637	

Go to Discount-Equipment.com to order your parts



104.2 Decals with Symbols, QS-12W; CE (to SN QSP-5999)

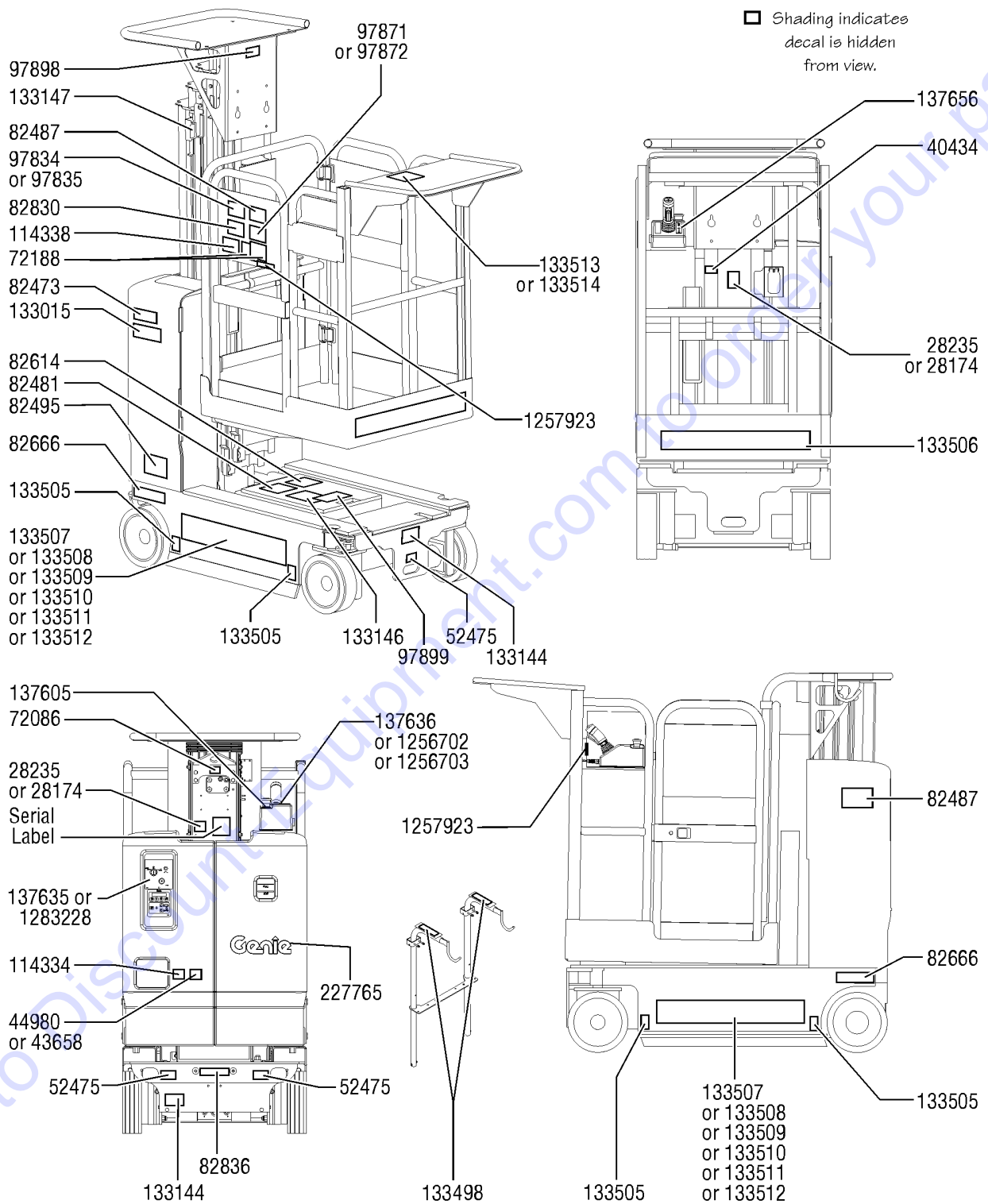


104.2 Decals with Symbols, QS-12W; CE (to SN QSP-5999)

Item	Part No.	Description	Qty.
	230745GT	DECAL KIT,SAFETY/INSTR,SYMB (for models with 2 speed controller) to SN 1999	
1	28174GT	DECAL,POWER TO PLATFORM 230V	2
2	28235GT	DECAL,POWER TO PLATFORM 115V	2
3	40434GT	DECAL,LANYARD ANCHORAGE POINT	1
4	43658GT	DECAL,LABEL,PWR TO CHARGR 230V	1
5	44980GT	DECAL,LABEL,PWR TO CHARGER 115UK	1
6	52475GT	DECAL LABEL TRANSPORT TIE DOWN*	3
7	72086GT	DECAL,LABEL,LIFTING EYE	1
8	72188GT	DECAL,DIRECTIONAL ARROWS,GR	2
9	82473GT	DECAL,SYMBOL-COMP ACCESS	1
10	82481GT	DECAL,SYMBOL-BATTERY SAFETY	1
11	82487GT	DECAL,SYMBOL-READ THE MANUAL	2
12	82495GT	DECAL SYMBOL BRAKE REL SAFETY	1
13	82614GT	DECAL,DANGER,COLLISION HAZARD	1
14	82666GT	DECAL,LABEL,FORKLIFT POCKET	2
15	82830GT	DECAL,DANGER,SIDE FORCE CE GR	1
16	82836GT	LABEL,AUXILIARY LOWERING	1
17	97834GT	DECAL-DANGER,MAX CAP-227 KG SP QS-12, QS-15	1
19	97871GT	DANGER-MAX CAP,BIKE RACK-SYM** QS-12, QS-15	1
21	97898GT	DECAL-DANGER,MAX CAP-PARCEL SY QS-12, QS-15	1
22	97899GT	DECAL,WARN,SAFETY CHOCK***	1
23	114334GT	DECAL SYMBOL ELECTRIC HAZARD PLUG	1
24	114338GT	DECAL,SYM-TIP-OVR,TILT ALARM	1
25	133015GT	DECAL,DANGER,ELEC.HAZ SYMB	1
26	133144GT	DECAL,LABEL-TRANSPORT DIGRAM	2
27	133146GT	DECAL,SYM-TIPOVER,BATTERIES,GR	1
28	133147GT	DECAL,SYM-TIPOVER,LIMIT SWITCH	1
29	133498GT	DECAL,LABEL,MAX CAP BK RACK	2



104.2 Decals with Symbols, QS-12W; CE (to SN QSP-5999)



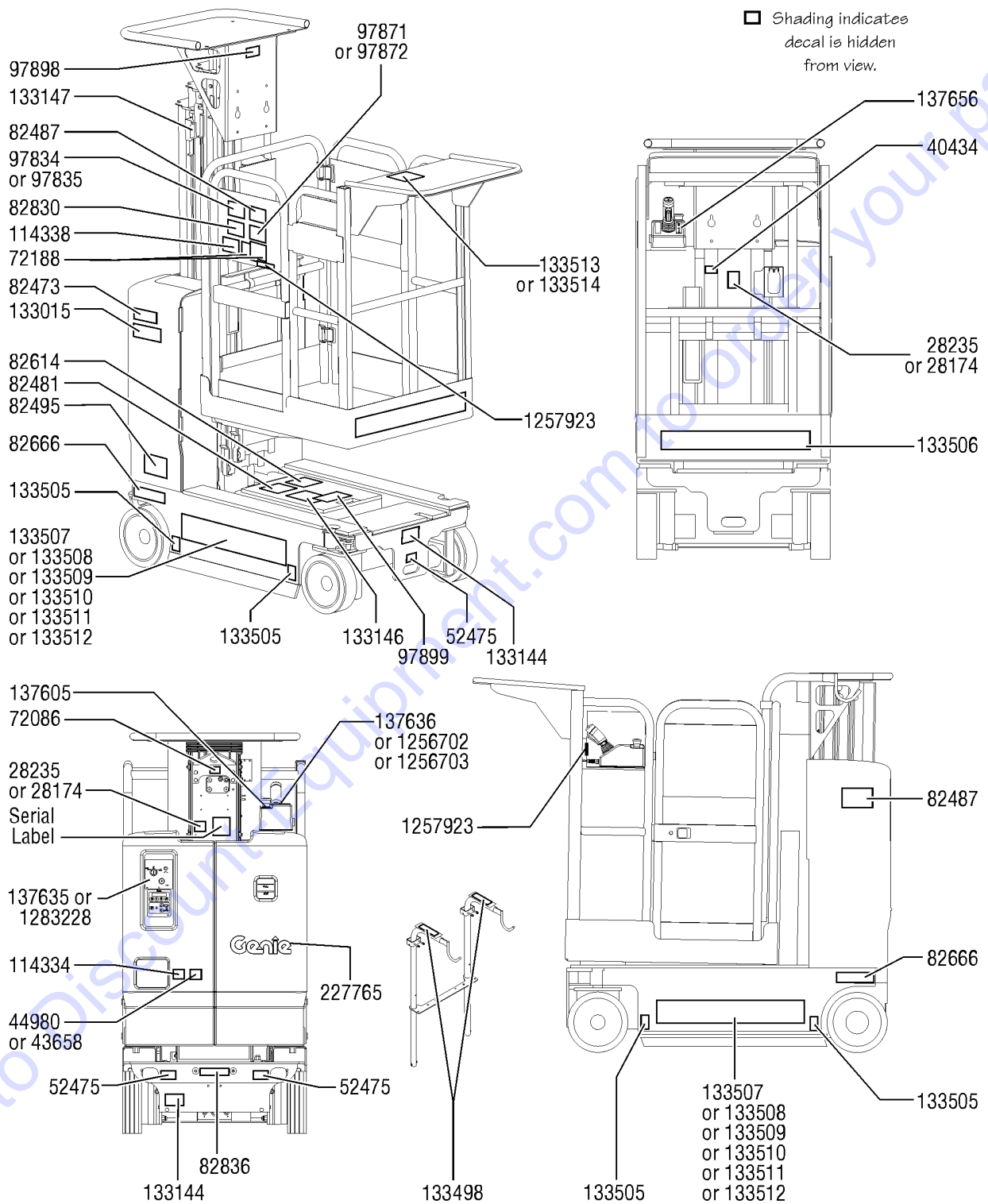
104.2 Decals with Symbols, QS-12W; CE (to SN QSP-5999)

Item	Part No.	Description	Qty.
30	133505GT	DECAL,LABEL,WHEEL LOAD	4
31	133506GT	DECAL,GENIE QUICKSTOCK	1
35	133510GT	DECAL,GENIE,QS-12W	2
		QS-12W	
38	133514GT	DECAL,LABEL,MAX CAP,TRAY,227KG	1
		QS-12, QS-15	
40	137605GT	DECAL,E-STOP,GR/GRC/GS PCON	1
41	137635GT	E-STOP, GR/GRC/GS GCON	1
		to SN QSP-4636	
42	137636GT	DECAL, UI, GR/GRC/GS PCON	1
		(models with 2 speed controller) to SN 1999	
43	137656GT	DECAL,PROPEL,GR/GRC/GS,PCON	1
44	227765GT	DECAL,COSMETIC,GENIE,GR/QS	1
45	1256702GT	DECAL, UI, GS/GR, PROP LIFT	1
		(models with proportional speed controller) from SN 2000	
46	1256703GT	DECAL, STD, PROP LIFT, UI, SVC	1
		(models converted from 2 speed to proportional speed controller)	
47	1257923GT	DECAL, SMARTLINK PROPORTIONAL LIFT IDENTIFIER	2
		(models with proportional speed controller)	
48	1283228GT	DECAL,GR GCON, TECH PRO	1
		from SN QSP-4637	

Go to Discount-Equipment.com to order your parts



104.3 Decals with Symbols, QS-15R; CE (to SN QSP-5999)

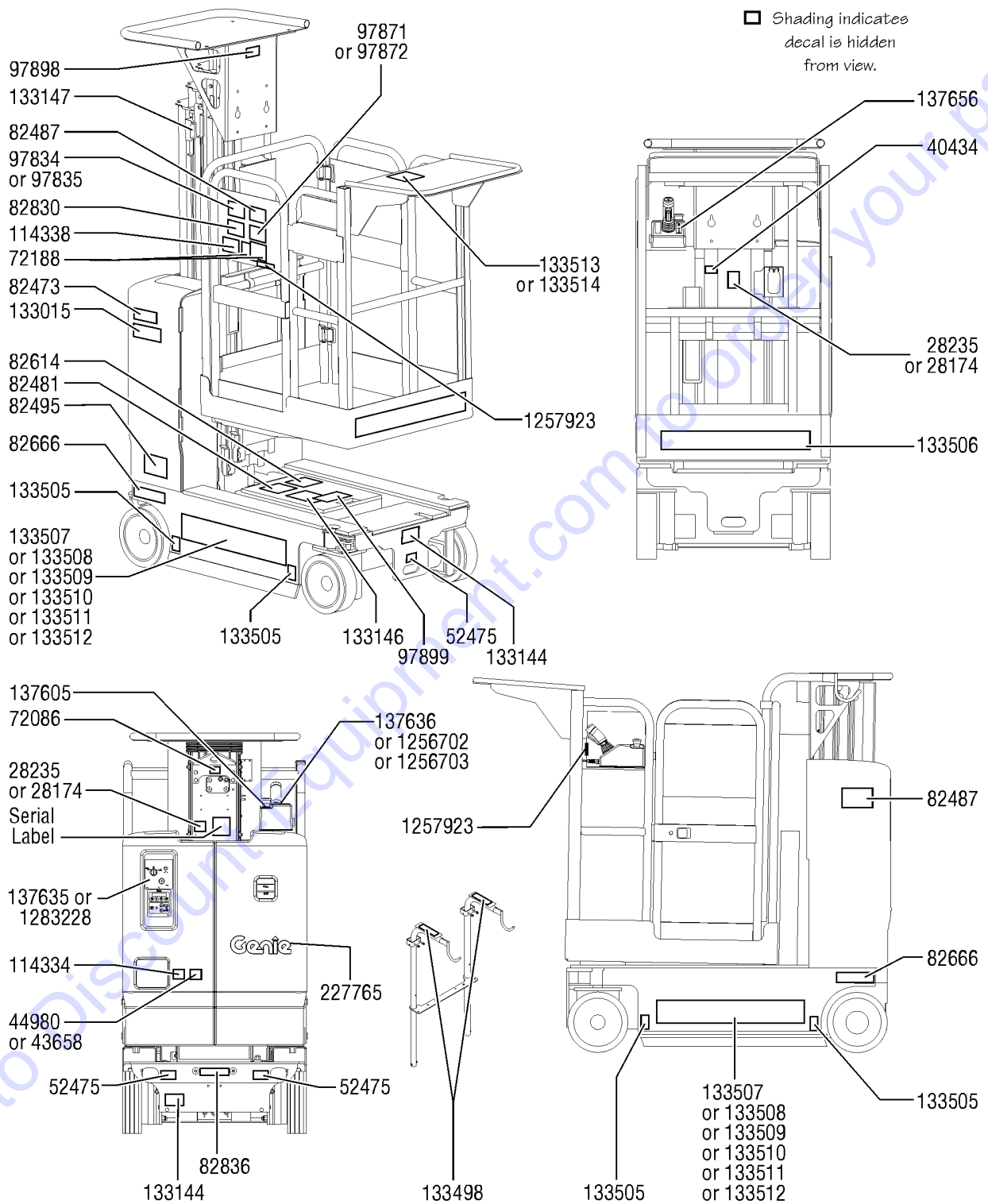


104.3 Decals with Symbols, QS-15R; CE (to SN QSP-5999)

Item	Part No.	Description	Qty.
	230745GT	DECAL KIT,SAFETY/INSTR,SYMB (for models with 2 speed controller) to SN 1999	
1	28174GT	DECAL,POWER TO PLATFORM 230V	2
2	28235GT	DECAL,POWER TO PLATFORM 115V	2
3	40434GT	DECAL,LANYARD ANCHORAGE POINT	1
4	43658GT	DECAL,LABEL,PWR TO CHARGR 230V	1
5	44980GT	DECAL,LABEL,PWR TO CHARGER 115UK	1
6	52475GT	DECAL LABEL TRANSPORT TIE DOWN*	3
7	72086GT	DECAL,LABEL,LIFTING EYE	1
8	72188GT	DECAL,DIRECTIONAL ARROWS,GR	2
9	82473GT	DECAL,SYMBOL-COMP ACCESS	1
10	82481GT	DECAL,SYMBOL-BATTERY SAFETY	1
11	82487GT	DECAL,SYMBOL-READ THE MANUAL	2
12	82495GT	DECAL SYMBOL BRAKE REL SAFETY	1
13	82614GT	DECAL,DANGER,COLLISION HAZARD	1
14	82666GT	DECAL,LABEL,FORKLIFT POCKET	2
15	82830GT	DECAL,DANGER,SIDE FORCE CE GR	1
16	82836GT	LABEL,AUXILIARY LOWERING	1
17	97834GT	DECAL-DANGER,MAX CAP-227 KG SP QS-12, QS-15	1
19	97871GT	DANGER-MAX CAP,BIKE RACK-SYM** QS-12, QS-15	1
21	97898GT	DECAL-DANGER,MAX CAP-PARCEL SY QS-12, QS-15	1
22	97899GT	DECAL,WARN,SAFETY CHOCK***	1
23	114334GT	DECAL SYMBOL ELECTRIC HAZARD PLUG	1
24	114338GT	DECAL,SYM-TIP-OVR,TILT ALARM	1
25	133015GT	DECAL,DANGER,ELEC.HAZ SYMB	1
26	133144GT	DECAL,LABEL-TRANSPORT DIGRAM	2
27	133146GT	DECAL,SYM-TIPOVER,BATTERIES,GR	1
28	133147GT	DECAL,SYM-TIPOVER,LIMIT SWITCH	1
29	133498GT	DECAL,LABEL,MAX CAP BK RACK	2



104.3 Decals with Symbols, QS-15R; CE (to SN QSP-5999)



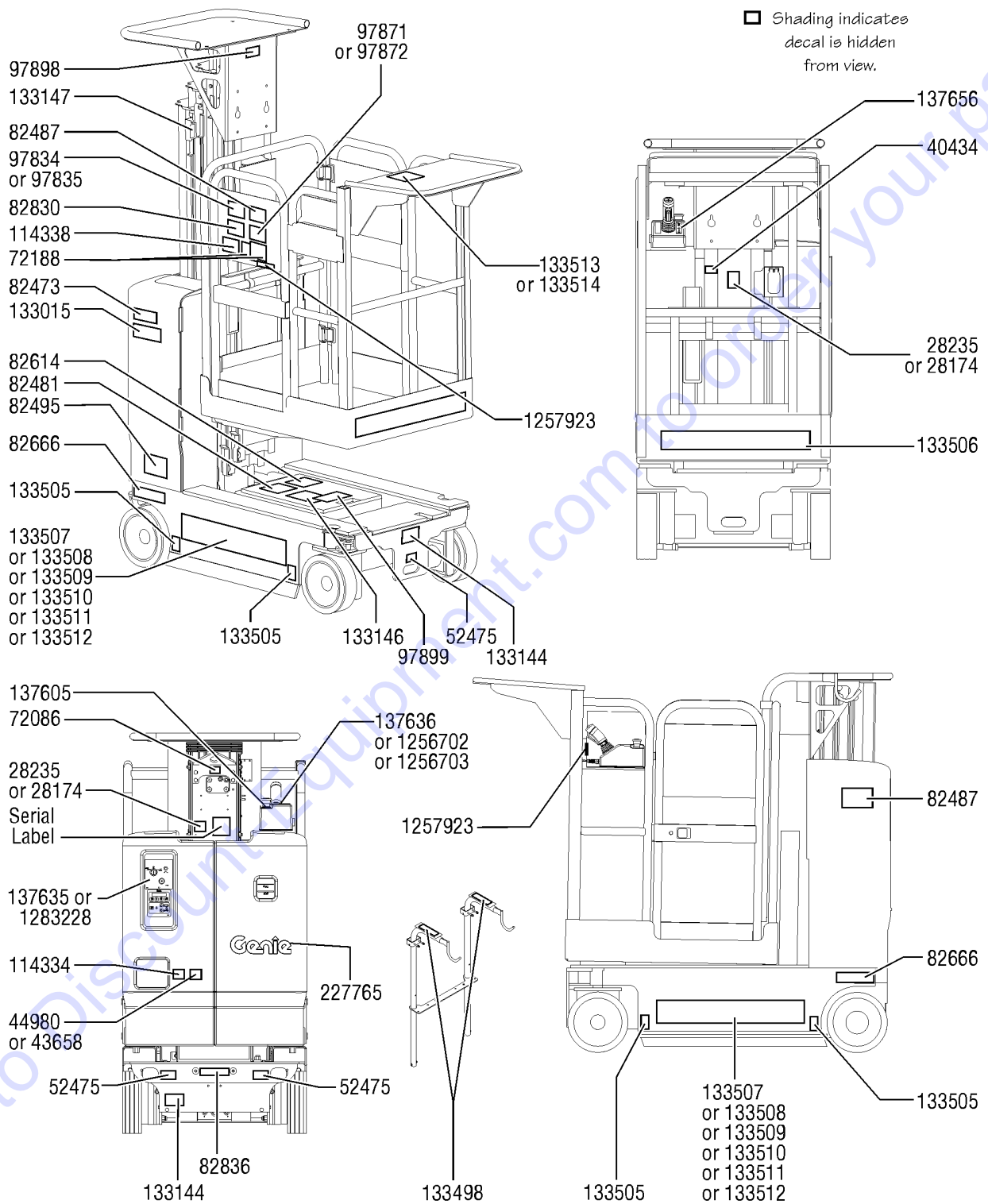
104.3 Decals with Symbols, QS-15R; CE (to SN QSP-5999)

Item	Part No.	Description	Qty.
30	133505GT	DECAL,LABEL,WHEEL LOAD	4
31	133506GT	DECAL,GENIE QUICKSTOCK	1
33	133508GT	DECAL,GENIE,QS-15R	1
38	133514GT	DECAL,LABEL,MAX CAP,TRAY,227KG QS-12, QS-15	1
40	137605GT	DECAL,E-STOP,GR/GRC/GS PCON	1
41	137635GT	E-STOP, GR/GRC/GS GCON	1
		to SN QSP-4636	
42	137636GT	DECAL, UI, GR/GRC/GS PCON	1
		(models with 2 speed controller) to SN 1999	
43	137656GT	DECAL,PROPEL,GR/GRC/GS,PCON	1
44	227765GT	DECAL,COSMETIC,GENIE,GR/QS	1
45	1256702GT	DECAL, UI, GS/GR, PROP LIFT	1
		(models with proportional speed controller) from SN 2000	
46	1256703GT	DECAL, STD, PROP LIFT, UI, SVC	1
		(models converted from 2 speed to proportional speed controller)	
47	1257923GT	DECAL, SMARTLINK PROPORTIONAL LIFT IDENTIFIER	2
		(models with proportional speed controller)	
48	1283228GT	DECAL,GR GCON, TECH PRO	1
		from SN QSP-4637	

Go to Discount-Equipment.com to order your parts



104.4 Decals with Symbols, QS-15W; CE (to SN QSP-5999)

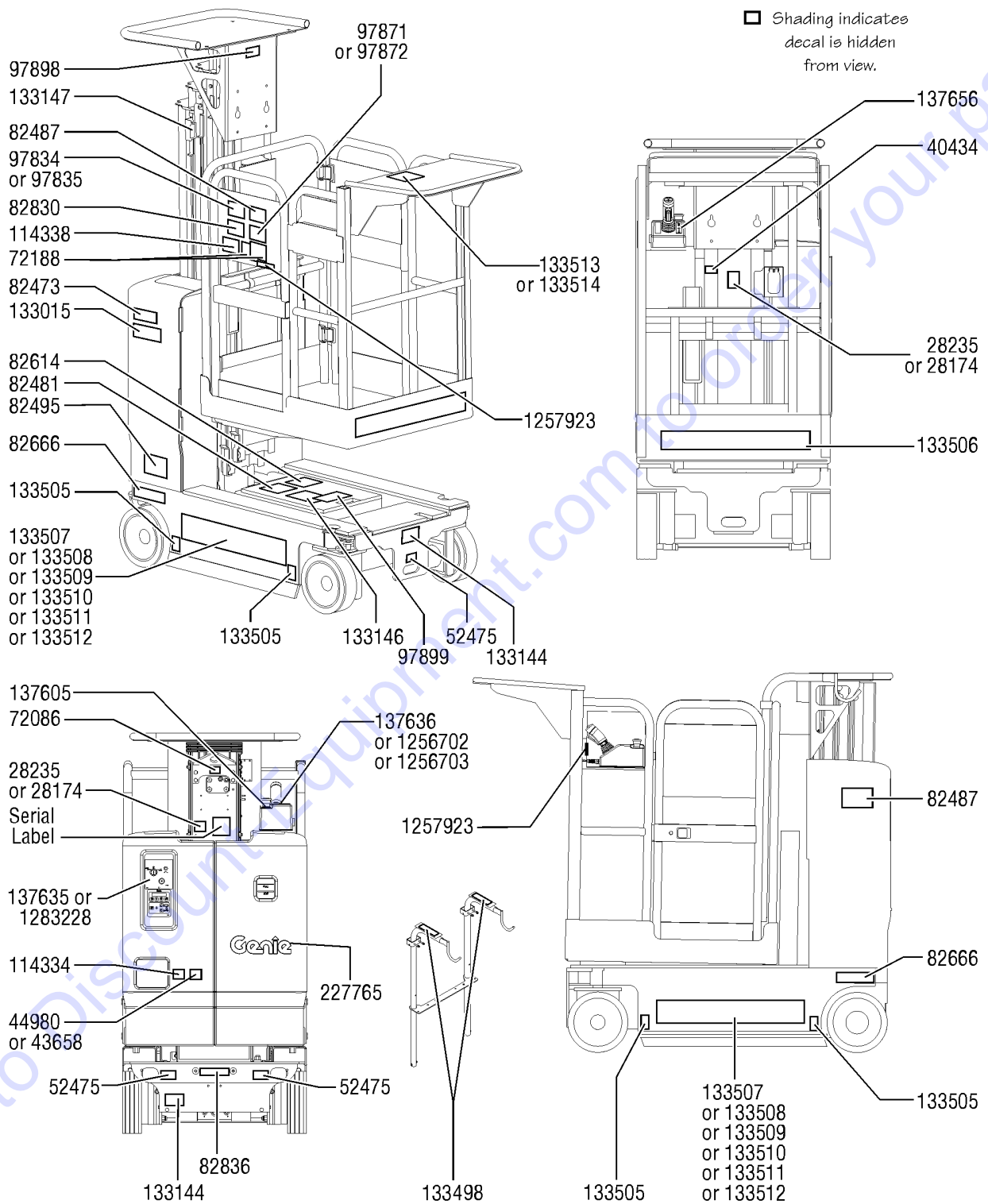


104.4 Decals with Symbols, QS-15W; CE (to SN QSP-5999)

Item	Part No.	Description	Qty.
	230745GT	DECAL KIT,SAFETY/INSTR,SYMB (for models with 2 speed controller) to SN 1999	
1	28174GT	DECAL,POWER TO PLATFORM 230V	2
2	28235GT	DECAL,POWER TO PLATFORM 115V	2
3	40434GT	DECAL,LANYARD ANCHORAGE POINT	1
4	43658GT	DECAL,LABEL,PWR TO CHARGR 230V	1
5	44980GT	DECAL,LABEL,PWR TO CHARGER 115UK	1
6	52475GT	DECAL LABEL TRANSPORT TIE DOWN*	3
7	72086GT	DECAL,LABEL,LIFTING EYE	1
8	72188GT	DECAL,DIRECTIONAL ARROWS,GR	2
9	82473GT	DECAL,SYMBOL-COMP ACCESS	1
10	82481GT	DECAL,SYMBOL-BATTERY SAFETY	1
11	82487GT	DECAL,SYMBOL-READ THE MANUAL	2
12	82495GT	DECAL SYMBOL BRAKE REL SAFETY	1
13	82614GT	DECAL,DANGER,COLLISION HAZARD	1
14	82666GT	DECAL,LABEL,FORKLIFT POCKET	2
15	82830GT	DECAL,DANGER,SIDE FORCE CE GR	1
16	82836GT	LABEL,AUXILIARY LOWERING	1
17	97834GT	DECAL-DANGER,MAX CAP-227 KG SP QS-12, QS-15	1
19	97871GT	DANGER-MAX CAP,BIKE RACK-SYM** QS-12, QS-15	1
21	97898GT	DECAL-DANGER,MAX CAP-PARCEL SY QS-12, QS-15	1
22	97899GT	DECAL,WARN,SAFETY CHOCK***	1
23	114334GT	DECAL SYMBOL ELECTRIC HAZARD PLUG	1
24	114338GT	DECAL,SYM-TIP-OVR,TILT ALARM	1
25	133015GT	DECAL,DANGER,ELEC.HAZ SYMB	1
26	133144GT	DECAL,LABEL-TRANSPORT DIGRAM	2
27	133146GT	DECAL,SYM-TIPOVER,BATTERIES,GR	1
28	133147GT	DECAL,SYM-TIPOVER,LIMIT SWITCH	1
29	133498GT	DECAL,LABEL,MAX CAP BK RACK	2



104.4 Decals with Symbols, QS-15W; CE (to SN QSP-5999)



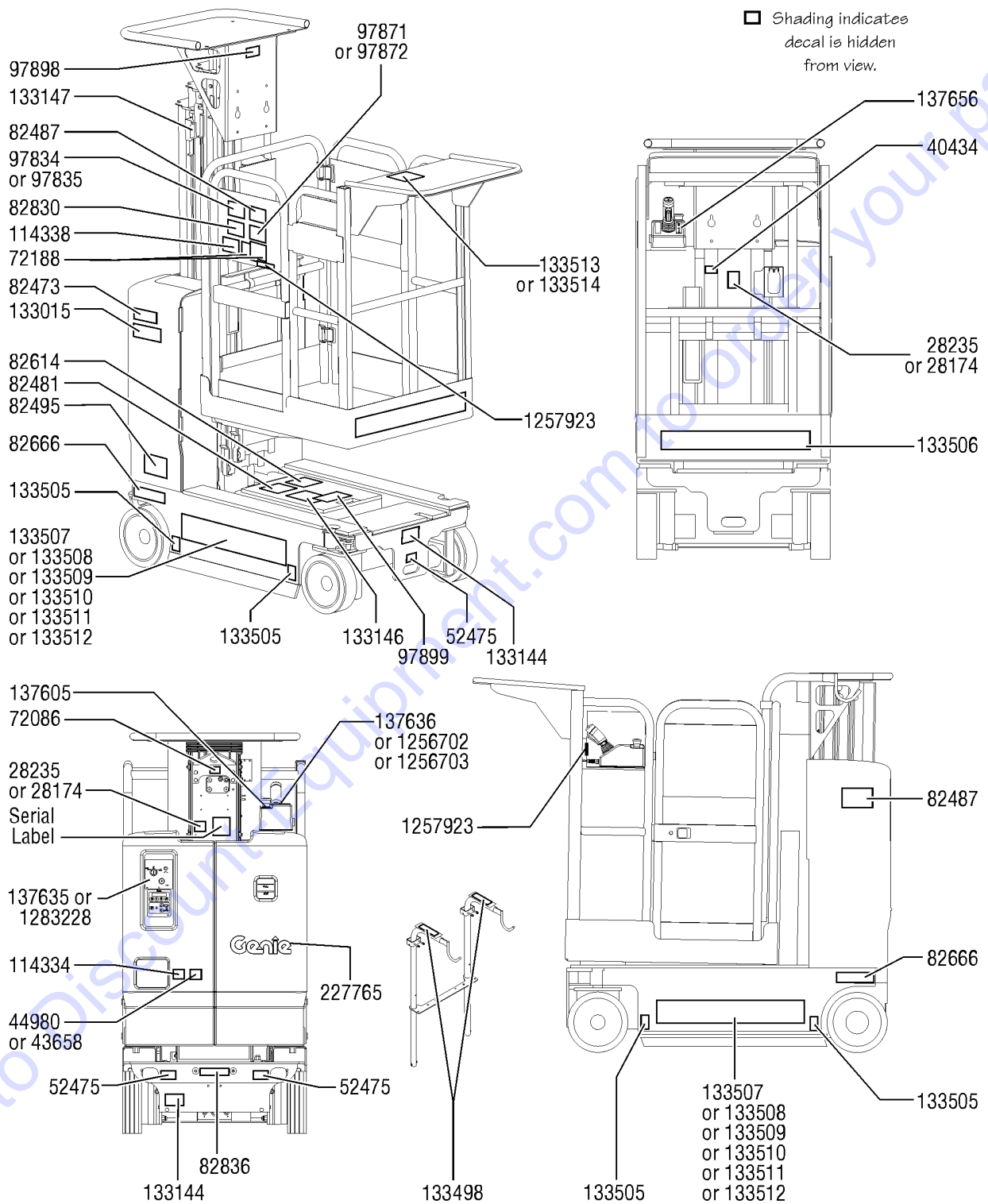
104.4 Decals with Symbols, QS-15W; CE (to SN QSP-5999)

Item	Part No.	Description	Qty.
30	133505GT	DECAL,LABEL,WHEEL LOAD	4
31	133506GT	DECAL,GENIE QUICKSTOCK	1
36	133511GT	DECAL,GENIE,QS-15W	2
		QS-15W	
38	133514GT	DECAL,LABEL,MAX CAP,TRAY,227KG	1
		QS-12, QS-15	
40	137605GT	DECAL,E-STOP,GR/GRC/GS PCON	1
41	137635GT	E-STOP, GR/GRC/GS GCON	1
		to SN QSP-4636	
42	137636GT	DECAL, UI, GR/GRC/GS PCON	1
		(models with 2 speed controller) to SN 1999	
43	137656GT	DECAL,PROPEL,GR/GRC/GS,PCON	1
44	227765GT	DECAL,COSMETIC,GENIE,GR/QS	1
45	1256702GT	DECAL, UI, GS/GR, PROP LIFT	1
		(models with proportional speed controller) from SN 2000	
46	1256703GT	DECAL, STD, PROP LIFT, UI, SVC	1
		(models converted from 2 speed to proportional speed controller)	
47	1257923GT	DECAL, SMARTLINK PROPORTIONAL LIFT IDENTIFIER	2
		(models with proportional speed controller)	
48	1283228GT	DECAL,GR GCON, TECH PRO	1
		from SN QSP-4637	

Go to Discount-Equipment.com to order your parts



104.5 Decals with Symbols, QS-20R; CE (to SN QSP-5999)

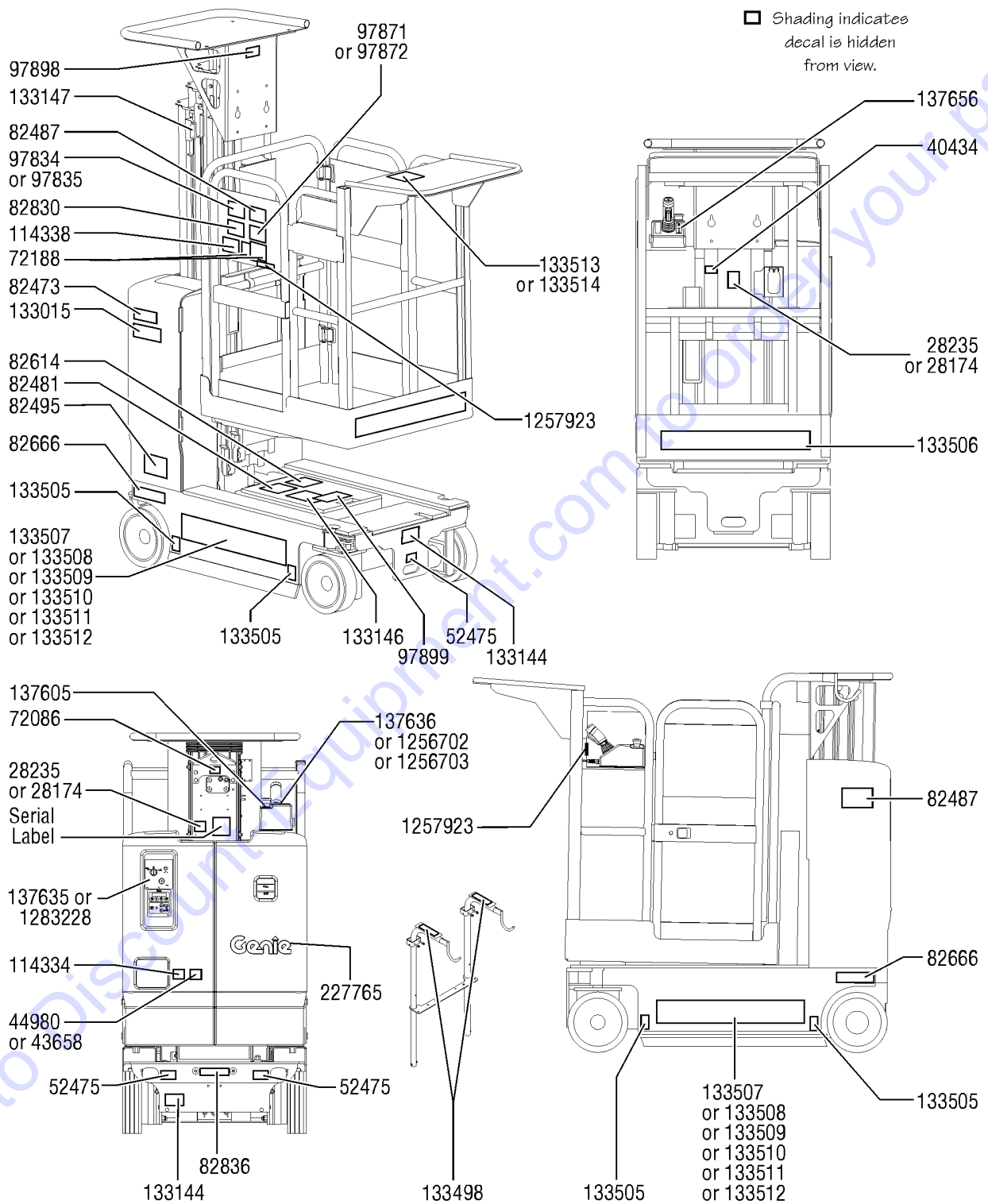


104.5 Decals with Symbols, QS-20R; CE (to SN QSP-5999)

Item	Part No.	Description	Qty.
	230745GT	DECAL KIT,SAFETY/INSTR,SYMB (for models with 2 speed controller) to SN 1999	
1	28174GT	DECAL,POWER TO PLATFORM 230V	2
2	28235GT	DECAL,POWER TO PLATFORM 115V	2
3	40434GT	DECAL,LANYARD ANCHORAGE POINT	1
4	43658GT	DECAL,LABEL,PWR TO CHARGR 230V	1
5	44980GT	DECAL,LABEL,PWR TO CHARGER 115UK	1
6	52475GT	DECAL LABEL TRANSPORT TIE DOWN*	3
7	72086GT	DECAL,LABEL,LIFTING EYE	1
8	72188GT	DECAL,DIRECTIONAL ARROWS,GR	2
9	82473GT	DECAL,SYMBOL-COMP ACCESS	1
10	82481GT	DECAL,SYMBOL-BATTERY SAFETY	1
11	82487GT	DECAL,SYMBOL-READ THE MANUAL	2
12	82495GT	DECAL SYMBOL BRAKE REL SAFETY	1
13	82614GT	DECAL,DANGER,COLLISION HAZARD	1
14	82666GT	DECAL,LABEL,FORKLIFT POCKET	2
15	82830GT	DECAL,DANGER,SIDE FORCE CE GR	1
16	82836GT	LABEL,AUXILIARY LOWERING	1
18	97835GT	DECAL-DANGER,MAX CAP-159 KG SP QS-20	1
20	97872GT	DANGER-MAX CAP,BIKE RACK-SYM** QS-20	1
22	97899GT	DECAL,WARN,SAFETY CHOCK***	1
23	114334GT	DECAL SYMBOL ELECTRIC HAZARD PLUG	1
24	114338GT	DECAL,SYM-TIP-OVR,TILT ALARM	1
25	133015GT	DECAL,DANGER,ELEC.HAZ SYMB	1
26	133144GT	DECAL,LABEL-TRANSPORT DIGRAM	2
27	133146GT	DECAL,SYM-TIPOVER,BATTERIES,GR	1
28	133147GT	DECAL,SYM-TIPOVER,LIMIT SWITCH	1
29	133498GT	DECAL,LABEL,MAX CAP BK RACK	2
30	133505GT	DECAL,LABEL,WHEEL LOAD	4



104.5 Decals with Symbols, QS-20R; CE (to SN QSP-5999)



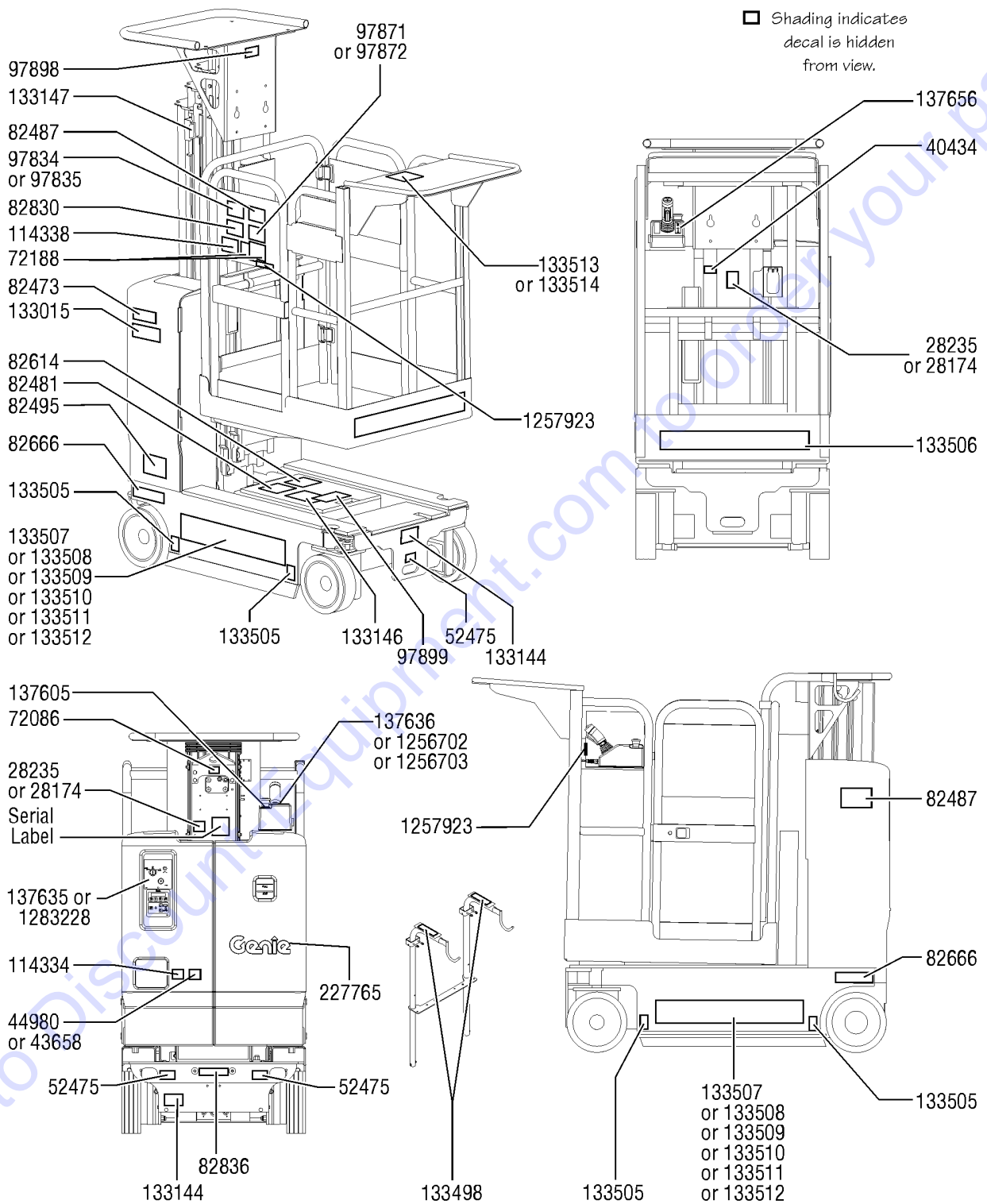
104.5 Decals with Symbols, QS-20R; CE (to SN QSP-5999)

Item	Part No.	Description	Qty.
31	133506GT	DECAL,GENIE QUICKSTOCK	1
34	133509GT	DECAL,GENIE,QS-20R	2
39	133513GT	DECAL,LABEL,MAX CAP,TRAY,159KG	1
40	137605GT	DECAL,E-STOP,GR/GRC/GS PCON	1
41	137635GT	E-STOP, GR/GRC/GS GCON	1
		to SN QSP-4636	
42	137636GT	DECAL, UI, GR/GRC/GS PCON	1
		(models with 2 speed controller) to SN 1999	
43	137656GT	DECAL,PROPEL,GR/GRC/GS,PCON	1
44	227765GT	DECAL,COSMETIC,GENIE,GR/QS	1
45	1256702GT	DECAL, UI, GS/GR, PROP LIFT	1
		(models with proportional speed controller) from SN 2000	
46	1256703GT	DECAL, STD, PROP LIFT, UI, SVC	1
		(models converted from 2 speed to proportional speed controller)	
47	1257923GT	DECAL, SMARTLINK PROPORTIONAL LIFT IDENTIFIER	2
		(models with proportional speed controller)	
48	1283228GT	DECAL,GR GCON, TECH PRO	1
		from SN QSP-4637	

Go to Discount-Equipment.com to order your parts



104.6 Decals with Symbols, QS-20W; CE (to SN QSP-5999)



PARTS FINDER

**Search Website
by Part Number**



**Search Manual
Library For Parts
Manual & Lookup Part
Numbers – Purchase
or Request Quote**

Search Manuals

Enter your information to help us find the right parts manual for your machine.

* Brand:

* Model:

* Serial:

* Part Number:

SEARCH

**Can't Find Part or
Manual? Request Help
by Manufacturer,
Model & Description**

Parts Order Form

Please fill in the following information to help us find the right part for your machine.

Manufacturer:	<input type="text"/>
Model:	<input type="text"/>
Description:	<input type="text"/>
Part Number:	<input type="text"/>
Quantity:	<input type="text"/>
Notes:	<input type="text"/>

Submit

Discount-Equipment.com is your online resource for quality parts & equipment.

Florida: **561-964-4949** Outside Florida TOLL FREE: **877-690-3101**

Need parts?

Click on this link: <http://www.discount-equipment.com/category/5443-parts/> and choose one of the options to help get the right parts and equipment you are looking for. Please have the machine model and serial number available in order to help us get you the correct parts. If you don't find the part on the website or on one of the online manuals, please fill out the request form and one of our experienced staff members will get back to you with a quote for the right part that your machine needs.

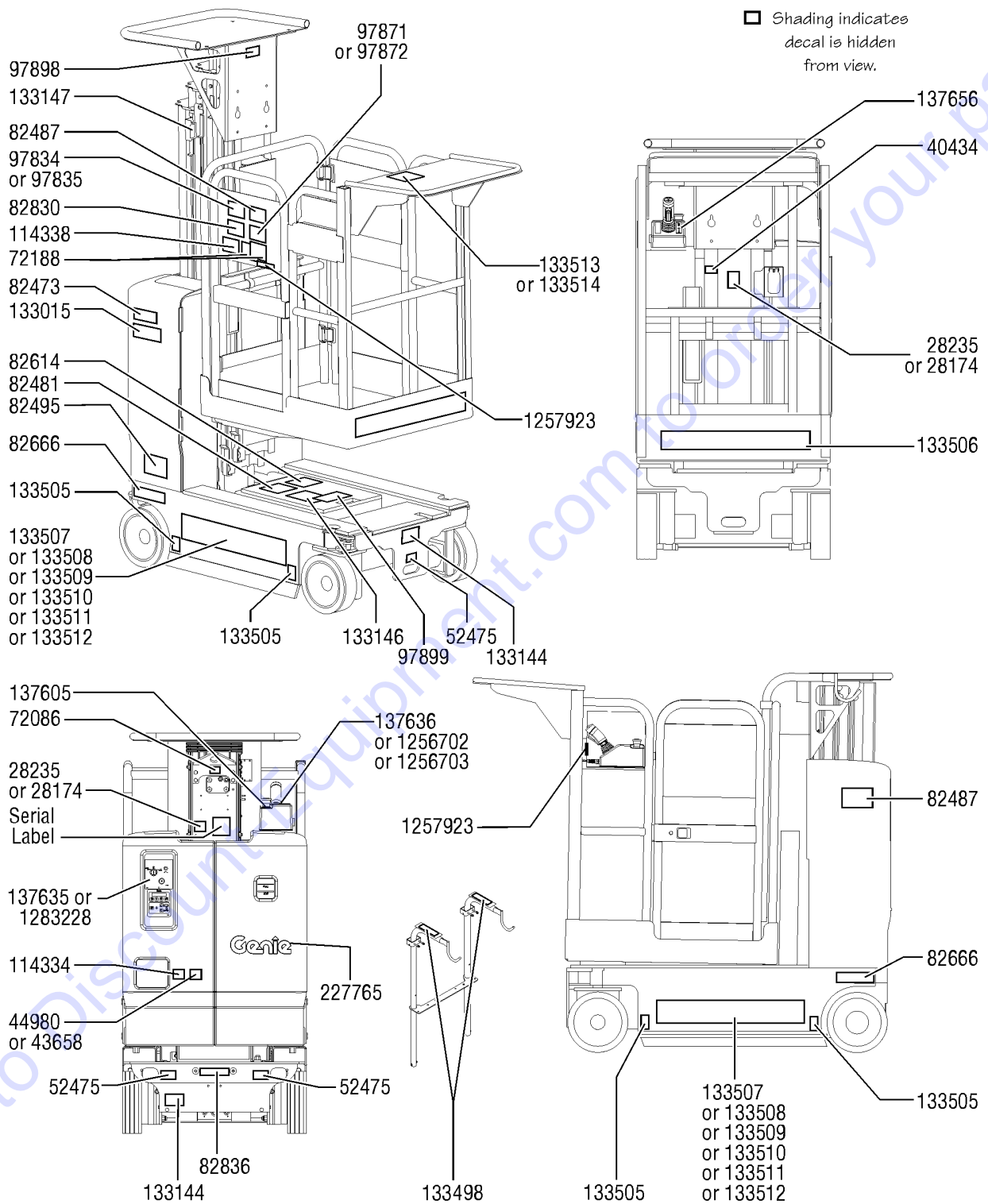
We sell worldwide for the brands: Genie, Terex, JLG, MultiQuip, Mikasa, Essick, Whiteman, Mayco, Toro Stone, Diamond Products, Generac Magnum, Airman, Haulotte, Barreto, Power Blanket, Nifty Lift, Atlas Copco, Chicago Pneumatic, Allmand, Miller Curber, Skyjack, Lull, Skytrak, Tsurumi, Husquvarna Target, Stow, Wacker, Sakai, Mi-T-M, Sullair, Basic, Dynapac, MBW, Weber, Bartell, Bennar Newman, Haulotte, Ditch Runner, Menegotti, Morrison, Contec, Buddy, Crown, Edco, Wyco, Bomag, Laymor, EZ Trench, Bil-Jax, F.S. Curtis, Gehl Pavers, Heli, Honda, ICS/PowerGrit, IHI, Partner, Imer, Clipper, MMD, Koshin, Rice, CH&E, General Equipment, Amida, Coleman, NAC, Gradall, Square Shooter, Kent, Stanley, Tamco, Toku, Hatz, Kohler, Robin, Wisconsin, Northrock, Oztec, Toker TK, Rol-Air, APT, Wylie, Ingersoll Rand / Doosan, Innovatech, Con X, Ammann, Mecalac, Makinex, Smith Surface Prep, Small Line, Wanco, Yanmar

104.6 Decals with Symbols, QS-20W; CE (to SN QSP-5999)

Item	Part No.	Description	Qty.
	230745GT	DECAL KIT,SAFETY/INSTR,SYMB (for models with 2 speed controller) to SN 1999	
1	28174GT	DECAL,POWER TO PLATFORM 230V	2
2	28235GT	DECAL,POWER TO PLATFORM 115V	2
3	40434GT	DECAL,LANYARD ANCHORAGE POINT	1
4	43658GT	DECAL,LABEL,PWR TO CHARGR 230V	1
5	44980GT	DECAL,LABEL,PWR TO CHARGER 115UK	1
6	52475GT	DECAL LABEL TRANSPORT TIE DOWN*	3
7	72086GT	DECAL,LABEL,LIFTING EYE	1
8	72188GT	DECAL,DIRECTIONAL ARROWS,GR	2
9	82473GT	DECAL,SYMBOL-COMP ACCESS	1
10	82481GT	DECAL,SYMBOL-BATTERY SAFETY	1
11	82487GT	DECAL,SYMBOL-READ THE MANUAL	2
12	82495GT	DECAL SYMBOL BRAKE REL SAFETY	1
13	82614GT	DECAL,DANGER,COLLISION HAZARD	1
14	82666GT	DECAL,LABEL,FORKLIFT POCKET	2
15	82830GT	DECAL,DANGER,SIDE FORCE CE GR	1
16	82836GT	LABEL,AUXILIARY LOWERING	1
18	97835GT	DECAL-DANGER,MAX CAP-159 KG SP QS-20	1
20	97872GT	DANGER-MAX CAP,BIKE RACK-SYM** QS-20	1
22	97899GT	DECAL,WARN,SAFETY CHOCK***	1
23	114334GT	DECAL SYMBOL ELECTRIC HAZARD PLUG	1
24	114338GT	DECAL,SYM-TIP-OVR,TILT ALARM	1
25	133015GT	DECAL,DANGER,ELEC.HAZ SYMB	1
26	133144GT	DECAL,LABEL-TRANSPORT DIGRAM	2
27	133146GT	DECAL,SYM-TIPOVER,BATTERIES,GR	1
28	133147GT	DECAL,SYM-TIPOVER,LIMIT SWITCH	1
29	133498GT	DECAL,LABEL,MAX CAP BK RACK	2
30	133505GT	DECAL,LABEL,WHEEL LOAD	4



104.6 Decals with Symbols, QS-20W; CE (to SN QSP-5999)



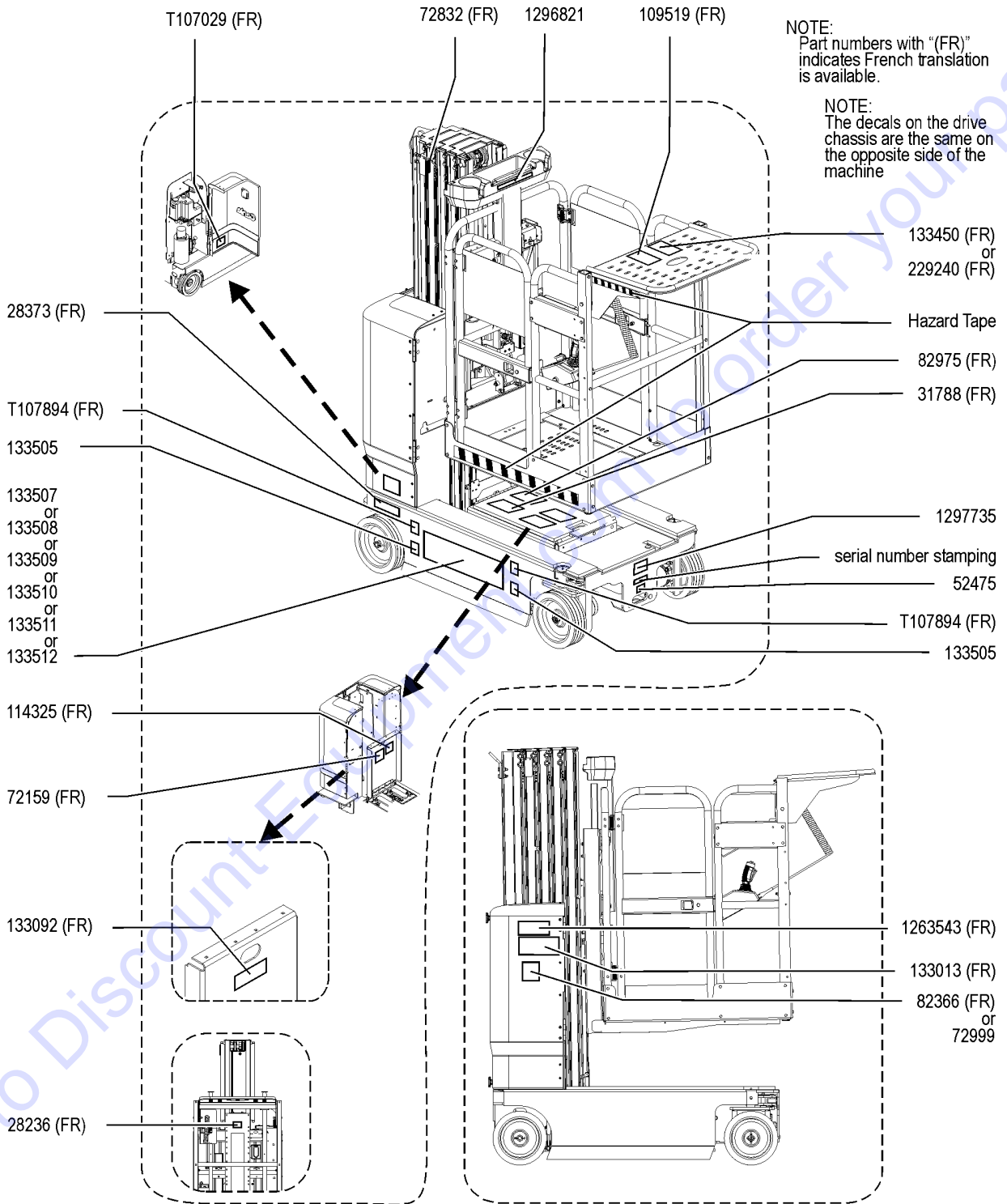
104.6 Decals with Symbols, QS-20W; CE (to SN QSP-5999)

Item	Part No.	Description	Qty.
31	133506GT	DECAL,GENIE QUICKSTOCK	1
37	133512GT	DECAL,GENIE,QS-20W	2
		QS-20W	
39	133513GT	DECAL,LABEL,MAX CAP,TRAY,159KG	1
		QS-20	
40	137605GT	DECAL,E-STOP,GR/GRC/GS PCON	1
41	137635GT	E-STOP, GR/GRC/GS GCON	1
		to SN QSP-4636	
42	137636GT	DECAL, UI, GR/GRC/GS PCON	1
		(models with 2 speed controller) to SN 1999	
43	137656GT	DECAL,PROPEL,GR/GRC/GS,PCON	1
44	227765GT	DECAL,COSMETIC,GENIE,GR/QS	1
45	1256702GT	DECAL, UI, GS/GR, PROP LIFT	1
		(models with proportional speed controller) from SN 2000	
46	1256703GT	DECAL, STD, PROP LIFT, UI, SVC	1
		(models converted from 2 speed to proportional speed controller)	
47	1257923GT	DECAL, SMARTLINK PROPORTIONAL LIFT IDENTIFIER	2
		(models with proportional speed controller)	
48	1283228GT	DECAL,GR GCON, TECH PRO	1
		from SN QSP-4637	

Go to Discount-Equipment.com to order your parts



105.1 Decals with Word, Hydraulic Tank Side (from SN QSP-6000)

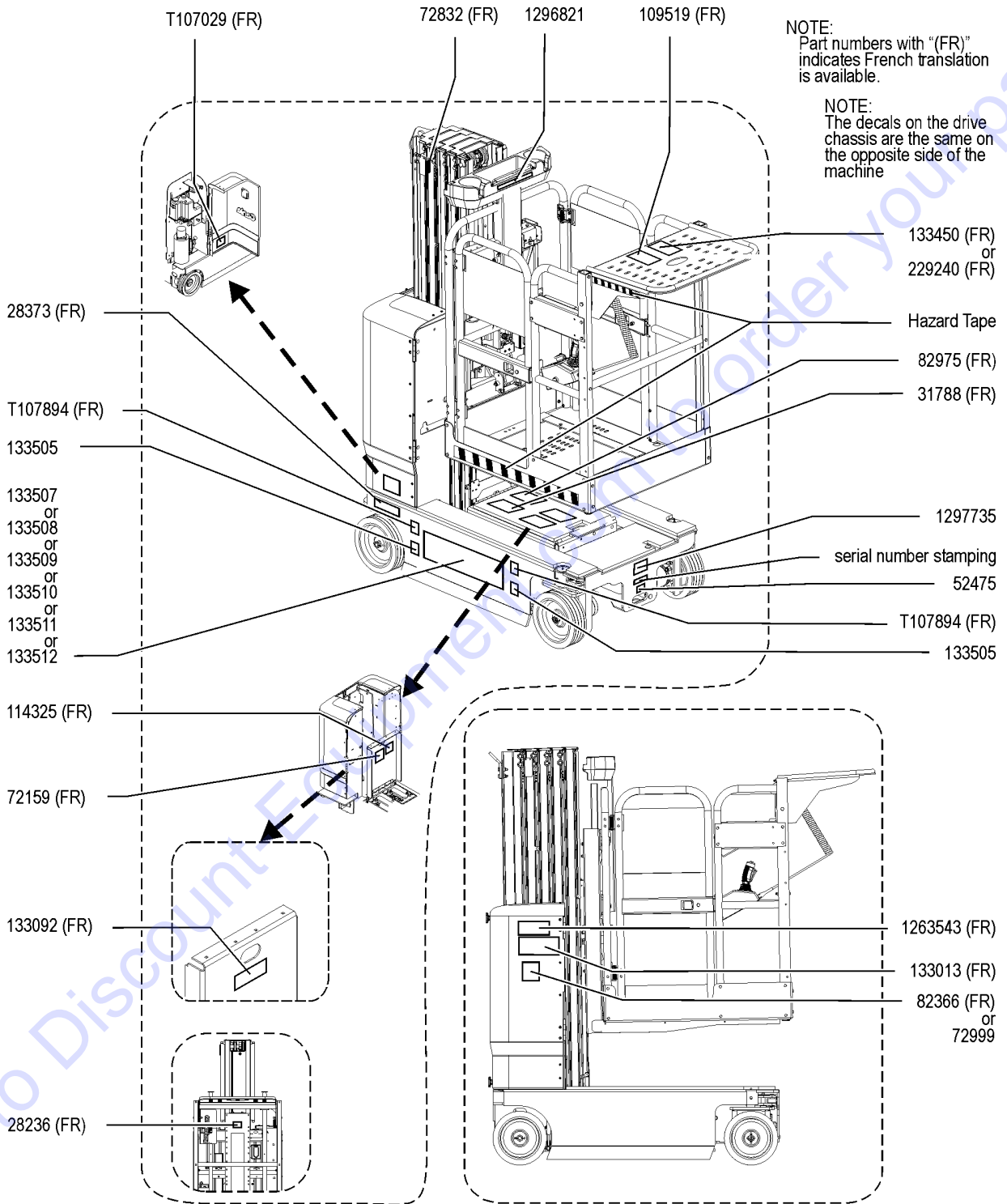


105.1 Decals with Word, Hydraulic Tank Side (from SN QSP-6000)

Item	Part No.	Description	Qty.
-	1305841GT	INSTRUCTIONS,INSTALL,COMP,WORD, QS	1
-	1305842GT	DECAL KIT, QS,COMP,WORD,ANSI & AUS	1
1	28236GT	DECAL,WARN,IMPROPER OPERATION	1
2	28373GT	DECAL,FORK LIFT POCKET	1
3	31788GT	DECAL,DANGER,BATTERY SAFETY***	1
4	52475GT	DECAL LABEL TRANSPORT TIE DOWN*	1
5	72159GT	DECAL,TIP-OVER,BATTERIES,GR	1
6	72832GT	DECAL,DANGER,DO NOT ALTER SWTC	1
7	72999GT	DECAL,LABEL,PETRO CANADA***	1
8	82366GT	DECAL,LABEL-CHEVRON RANDO	1
9	82975GT	DECAL,DANGER,COLLISION HAZARD	1
10	109519GT	DECAL,DANGER,MAX CAP ADJ TRAY*	1
11	114325GT	DECAL,BATTERY CONN DIAG,GR	1
12	133013GT	DECAL,DANGER,ELECTROCUTION,GR	1
13	133092GT	DECAL,CRUSH HAZARD,USE SAFETY	1
14	133450GT	DECAL,INSTRUCTIONS,WORK TRAY	1
15	133505GT	DECAL,LABEL,WHEEL LOAD	2
16	133507GT	DECAL,GENIE,QS-12R	1
17	133508GT	DECAL,GENIE,QS-15R	1
18	133509GT	DECAL,GENIE,QS-20R	1
19	133510GT	DECAL,GENIE,QS-12W	1
20	133511GT	DECAL,GENIE,QS-15W	1
21	133512GT	DECAL,GENIE,QS-20W	1
22	229240GT	DECAL,INSTRUCTIONS,ADJ TRAY*	1
23	1263543GT	DECAL,WARNING-COMPART ACCESS	1
24	1296821GT	DECAL, WARNING, TOOL TRAY	1
25	1297735GT	DECAL,LABEL-TRANSPORT DIAGRAM,GR	1
26	T107029GT	DECAL DANGER BRAKE REL SAFETY	1



105.1 Decals with Word, Hydraulic Tank Side (from SN QSP-6000)



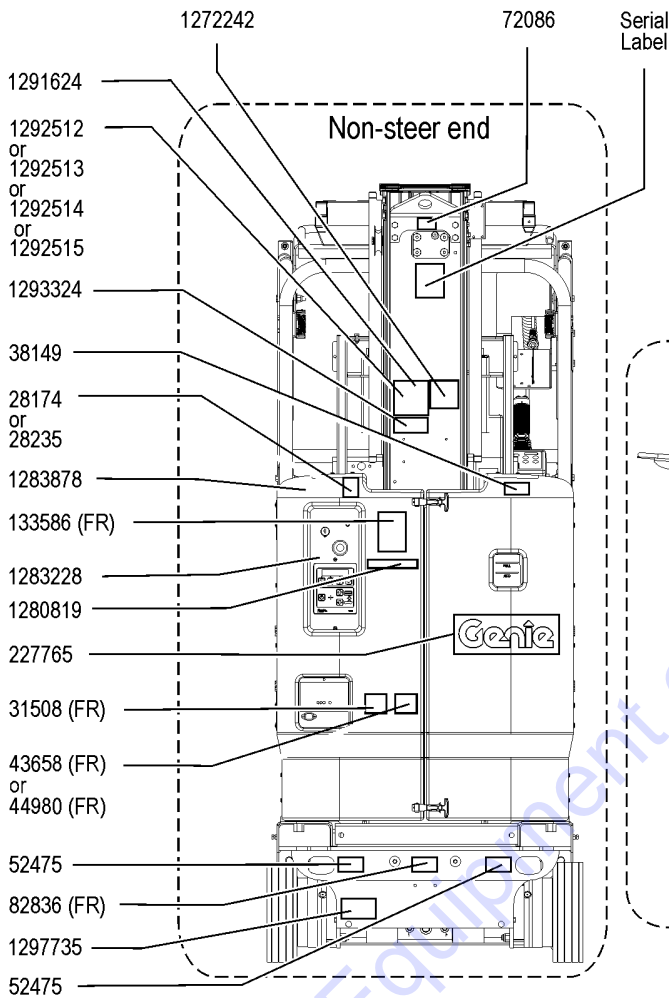
105.1 Decals with Word, Hydraulic Tank Side (from SN QSP-6000)

<i>Item</i>	<i>Part No.</i>	<i>Description</i>	<i>Qty.</i>
27	T107894GT	DECAL,LABEL,TIRE SPEC,GR/GRC	2

Go to Discount-Equipment.com to order your parts

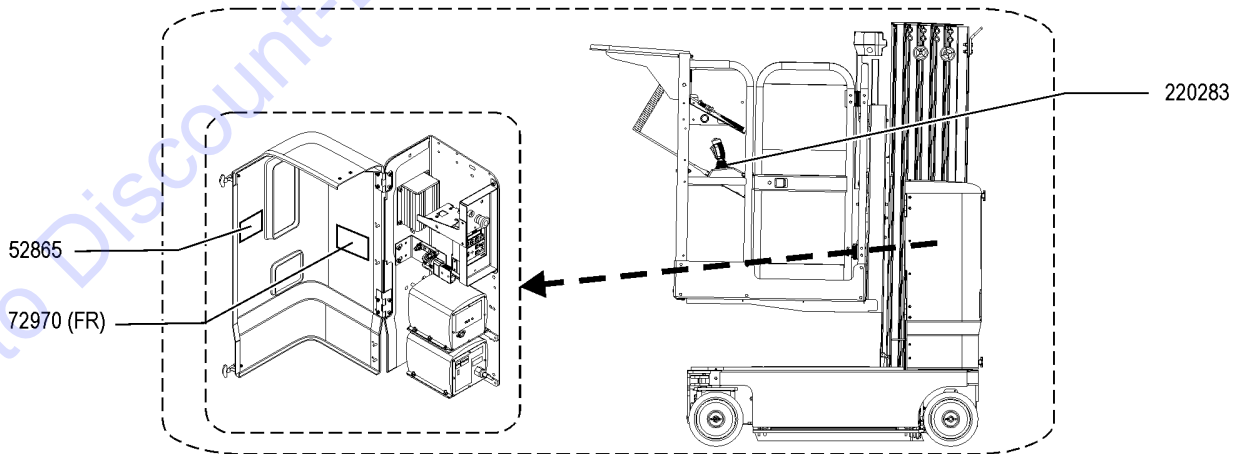
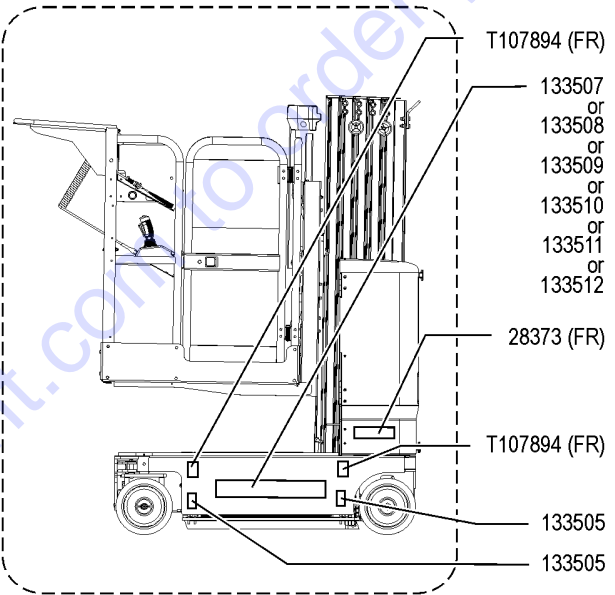


106.1 Decals with Word, Battery Charger Side / Non-Steer End (from SN QSP-6000)



NOTE:
Part numbers with "(FR)" indicates
French translation is available.

NOTE:
The decals on the drive chassi are
the same on the opposite side of
the machine

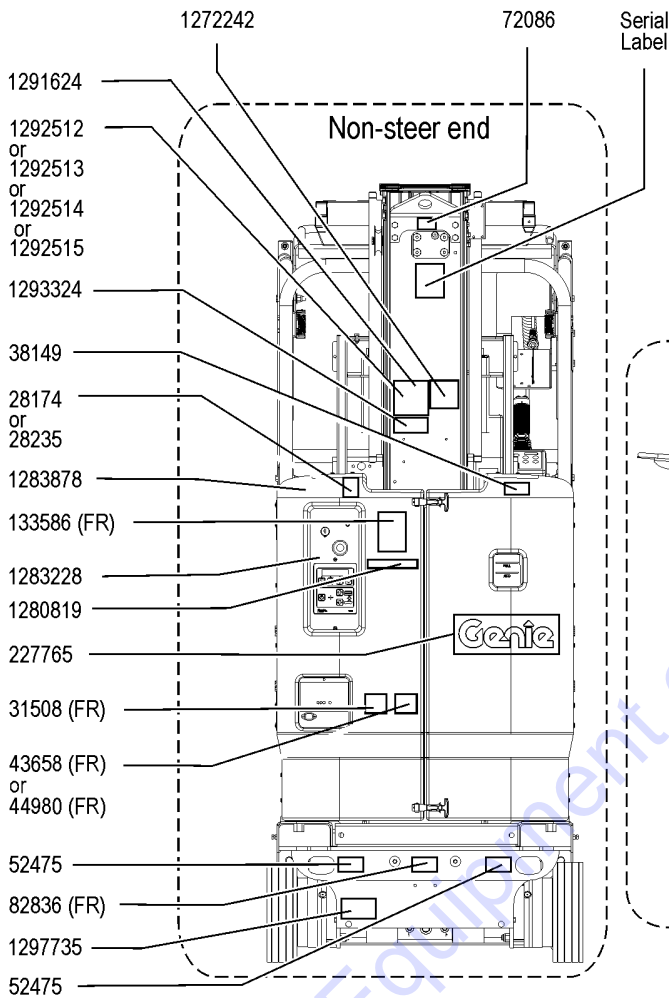


106.1 Decals with Word, Battery Charger Side / Non-Steer End (from SN QSP-6000)

Item	Part No.	Description	Qty.
1	28174GT	DECAL,POWER TO PLATFORM 230V	1
2	28235GT	DECAL,POWER TO PLATFORM 115V	1
3	28373GT	DECAL,FORK LIFT POCKET	1
4	31508GT	DECAL,DANGER,ELECT HAZARD,PLUG	1
5	38149GT	DECAL,LABEL,PATENTS US Only	1
6	43658GT	DECAL,LABEL,PWR TO CHARGR 230V Option, Power to charger	1
7	44980GT	DECAL,LABEL,PWR TO CHARGER 115UK Option, Power to charger	1
8	52475GT	DECAL LABEL TRANSPORT TIE DOWN*	2
9	52865GT	DECAL,ANNUAL INSP***	1
10	72086GT	DECAL,LABEL,LIFTING EYE	1
11	72970GT	DECAL,INSTRUCTIONS-CHARGER OP	1
12	82836GT	LABEL,AUXILIARY LOWERING	1
13	133505GT	DECAL,LABEL,WHEEL LOAD	2
14	133507GT	DECAL,GENIE,QS-12R	1
15	133508GT	DECAL,GENIE,QS-15R	1
16	133509GT	DECAL,GENIE,QS-20R	1
17	133510GT	DECAL,GENIE,QS-12W	1
18	133511GT	DECAL,GENIE,QS-15W	1
19	133512GT	DECAL,GENIE,QS-20W	1
20	133586GT	DECAL,INSTRUCTIONS-OPER,GCP	1
21	220283GT	TAG,WARNING,UNAUTH USE	1
22	227765GT	DECAL,COSMETIC,GENIE,GR/QS	1
23	1272242GT	DECAL,MACHINE REGISTRATION/OWNER TRANSFER	1
24	1280819GT	DECAL,WARNING,CANCER AND REPRODUCTIVE HARM, PROP 65	1
25	1283228GT	DECAL,GR GCON, TECH PRO	1
26	1283878GT	DECAL,TECH PRO LINK	1
27	1291624GT	DECAL COSM,GENIE UFT,CONNECT LEXAN COVER	1
28	1292512GT	DECAL COSM,GENIE LIFT CONNECT,ESN,SKU4-1	1

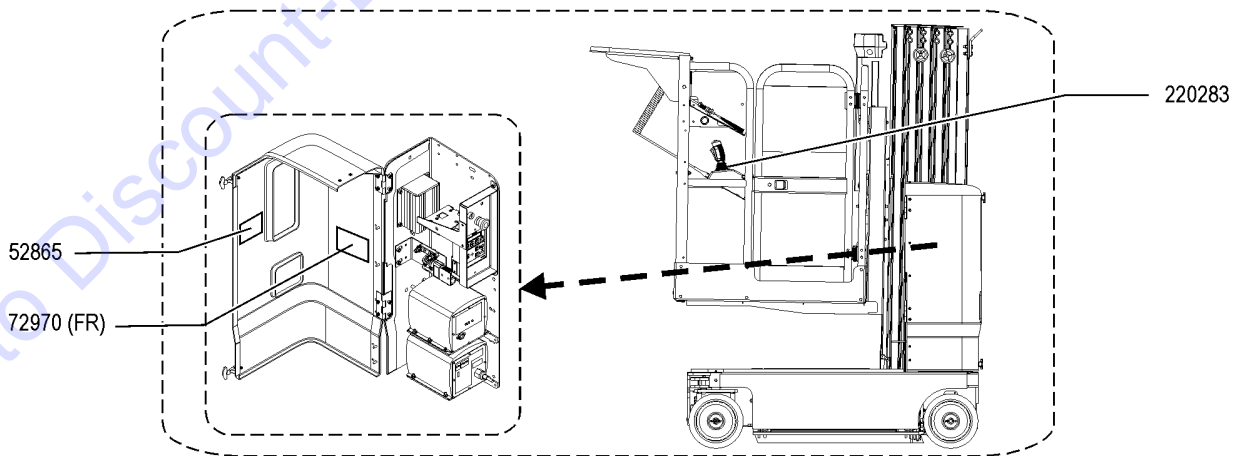
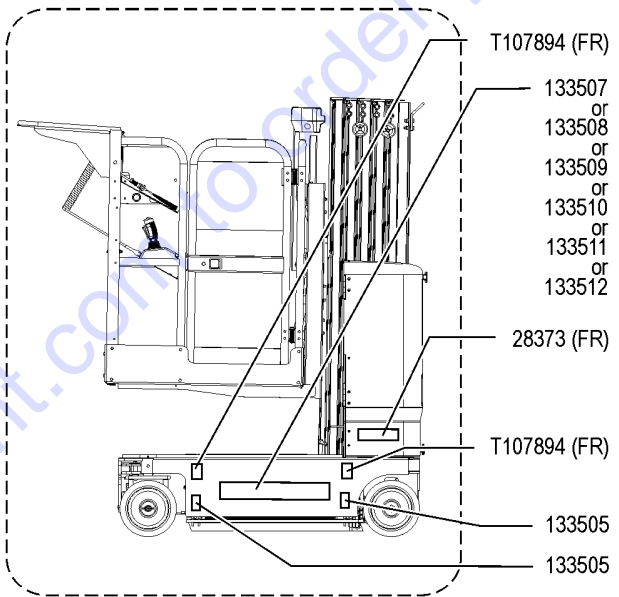


106.1 Decals with Word, Battery Charger Side / Non-Steer End (from SN QSP-6000)



NOTE:
Part numbers with "(FR)" indicates
French translation is available.

NOTE:
The decals on the drive chassi are
the same on the opposite side of
the machine



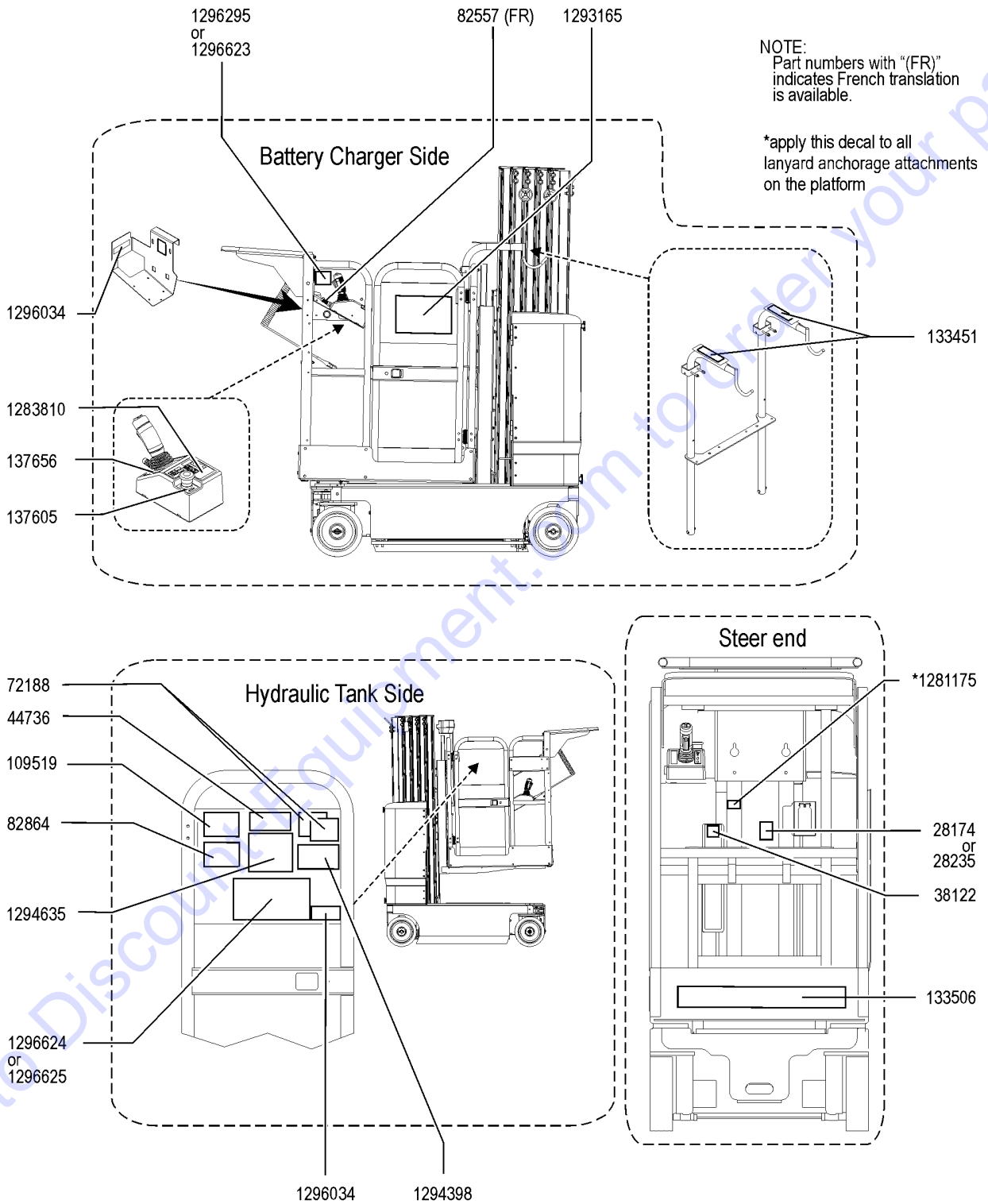
106.1 Decals with Word, Battery Charger Side / Non-Steer End (from SN QSP-6000)

Item	Part No.	Description	Qty.
29	1292513GT	DECAL COSM,GENIE LIFT CONNECT,ESN,SKU4-2	1
30	1292514GT	DECAL COSM,GENIE LIFT CONNECT,ESN,SKU4-3	1
31	1292515GT	DECAL COSM,GENIE LIFT CONNECT,ESN,SKU4-4	1
32	1293324GT	DECAL,ICES-2/CAN-2 COMPLIANCE	1
33	1297735GT	DECAL,LABEL-TRANSPORT DIAGRAM,GR	1
34	T107894GT	DECAL,LABEL,TIRE SPEC,GR/GRC	2

Go to Discount-Equipment.com to order your parts



107.1 Decals with Word, Platform (from SN QSP-6000)

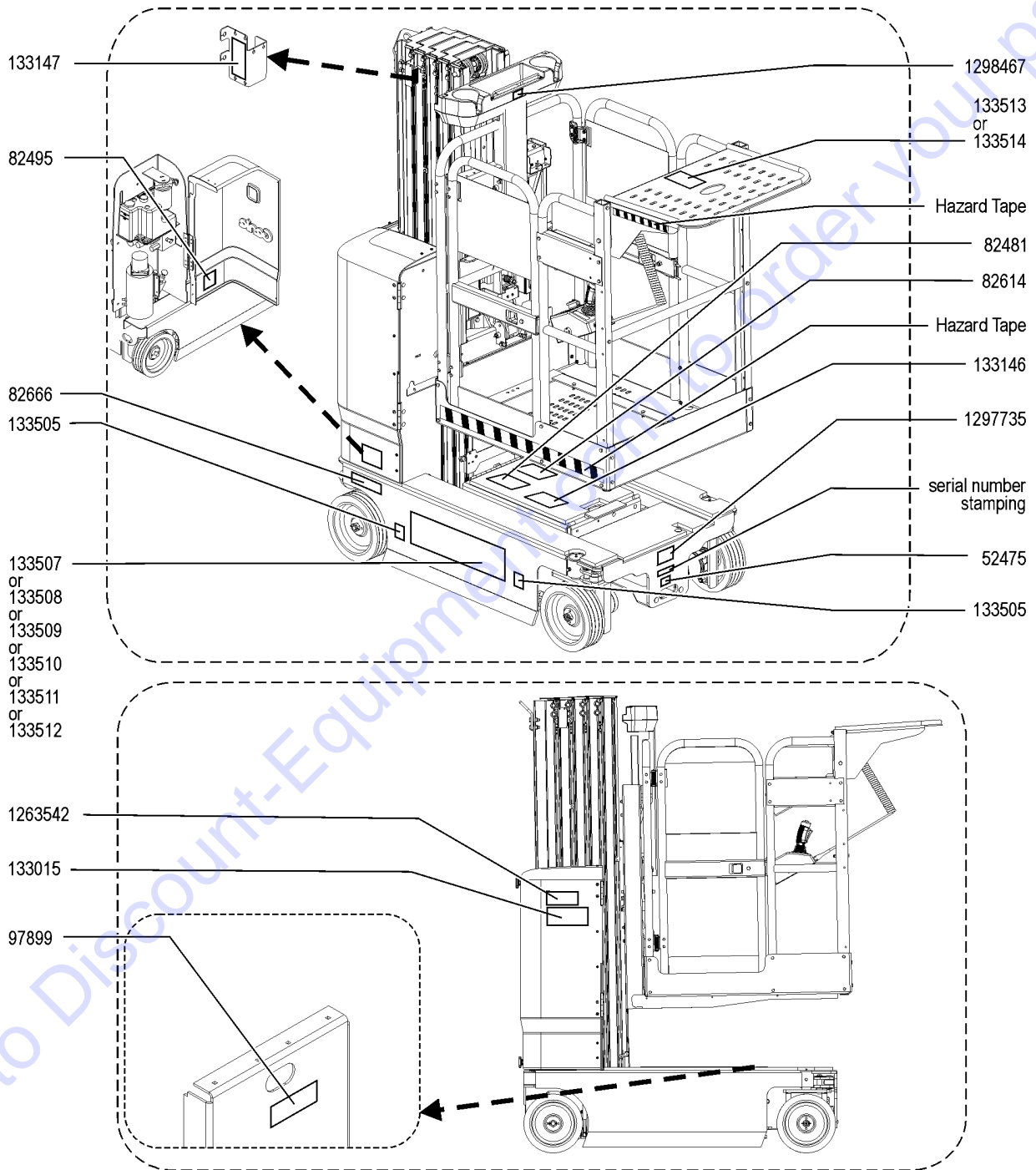


107.1 Decals with Word, Platform (from SN QSP-6000)

Item	Part No.	Description	Qty.
-	1305843GT	INSTRUCTIONS,INSTALL,PLAT,WORD, QS	1
-	1305844GT	DECAL KIT, QS,PLAT,WORD,ANSI & AUS	1
1	28174GT	DECAL,POWER TO PLATFORM 230V	1
2	28235GT	DECAL,POWER TO PLATFORM 115V	1
3	38122GT	DECAL,LABEL, OM STORAGE	1
4	44736GT	DECAL,DANGER,TIP-OVER,TILT	1
5	72188GT	DECAL,DIRECTIONAL ARROWS,GR	2
6	82557GT	DECAL,LABEL,PLAT CONT LOCATION	1
7	82864GT	DECAL,DANGER,MAX CAP BIKE RACK Option, Bike Rack	1
8	109519GT	DECAL,DANGER,MAX CAP ADJ TRAY*	1
9	133451GT	DECAL,INSTR,MAX CAP BIKE RACK Option, Bike Rack	2
10	133506GT	DECAL,GENIE QUICKSTOCK	1
11	137605GT	DECAL,E-STOP,GR/GRC/GS PCON	1
12	137656GT	DECAL,PROPEL,GR/GRC/GS,PCON	1
13	1281175GT	DECAL,LANYARD,FALL RESTRAINED	1
14	1283810GT	DECAL,STD,DUAL ZONE,GR/GS,UI	1
15	1293165GT	DECAL,DANGER/WARNING COMBO,GS-1330m	1
16	1294398GT	NEW ANSI CHECK MASK	1
17	1294635GT	DECAL,PLATFORM OVERLOAD LED INDICATOR LIGHT	1
18	1296034GT	DECAL, SMARTLINK, DUAL ZONE	2
19	1296295GT	DECAL,LABEL,FAULT CODES	1
20	1296623GT	DECAL,LABEL,FAULT CODES	1
21	1296624GT	DECAL, DANGER, MAX CAPACITY 350LBS, SIDE FORCE 45LBS QS-20	1
22	1296625GT	DECAL, DANGER, MAX CAPACITY 500LBS, SIDE FORCE 45LBS QS-12, QS-15	1



108.1 Decals with Symbol, Hydraulic Tank Side (from SN QSP-6000)



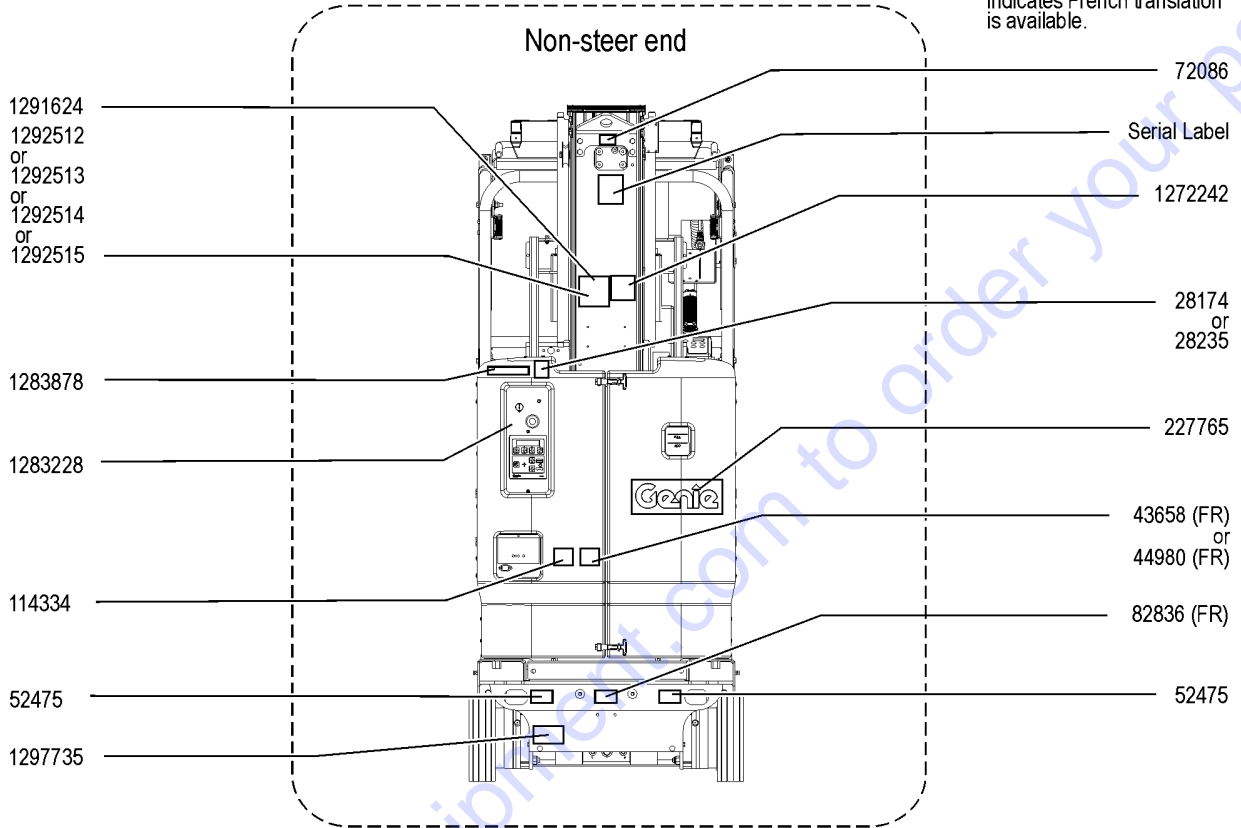
108.1 Decals with Symbol, Hydraulic Tank Side (from SN QSP-6000)

Item	Part No.	Description	Qty.
-	1305845GT	INSTRUCTIONS,INSTALL,COMP,SYMBOL, QS	1
-	1305846GT	DECAL KIT, QS,COMP,SYMBOL,ANSI & CE	1
1	52475GT	DECAL LABEL TRANSPORT TIE DOWN*	1
2	82481GT	DECAL,SYMBOL-BATTERY SAFETY	1
3	82495GT	DECAL SYMBOL BRAKE REL SAFETY	1
4	82614GT	DECAL,DANGER,COLLISION HAZARD	1
5	82666GT	DECAL,LABEL,FORKLIFT POCKET	1
6	97899GT	DECAL,WARN,SAFETY CHOCK***	1
7	133015GT	DECAL,DANGER,ELEC.HAZ SYMB	1
8	133146GT	DECAL,SYM-TIPOVER,BATTERIES,GR	1
9	133147GT	DECAL,SYM-TIPOVER,LIMIT SWITCH	1
10	133505GT	DECAL,LABEL,WHEEL LOAD	2
11	133507GT	DECAL,GENIE,QS-12R	1
12	133508GT	DECAL,GENIE,QS-15R	1
13	133509GT	DECAL,GENIE,QS-20R	1
14	133510GT	DECAL,GENIE,QS-12W	1
15	133511GT	DECAL,GENIE,QS-15W	1
16	133512GT	DECAL,GENIE,QS-20W	1
17	133513GT	DECAL,LABEL,MAX CAP,TRAY,159KG	1
18	133514GT	DECAL,LABEL,MAX CAP,TRAY,227KG	1
19	1263542GT	DECAL,SYMBOL-COMP ACCESS	1
20	1297735GT	DECAL,LABEL-TRANSPORT DIAGRAM,GR	1
21	1298467GT	DECAL, SYMBOL, READ THE MANUAL, 2.38x1.25	1

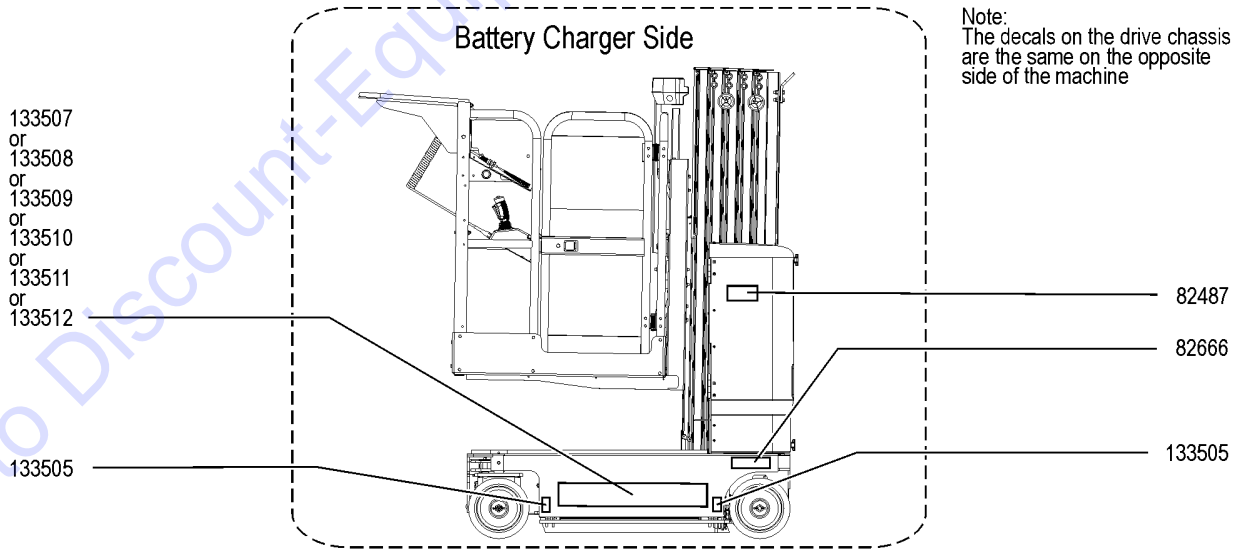


109.1 Decals with Symbol, Battery Charger Side / Non-Steer End (from SN QSP-6000)

NOTE:
Part numbers with "(FR)"
indicates French translation
is available.



Note:
The decals on the drive chassis
are the same on the opposite
side of the machine

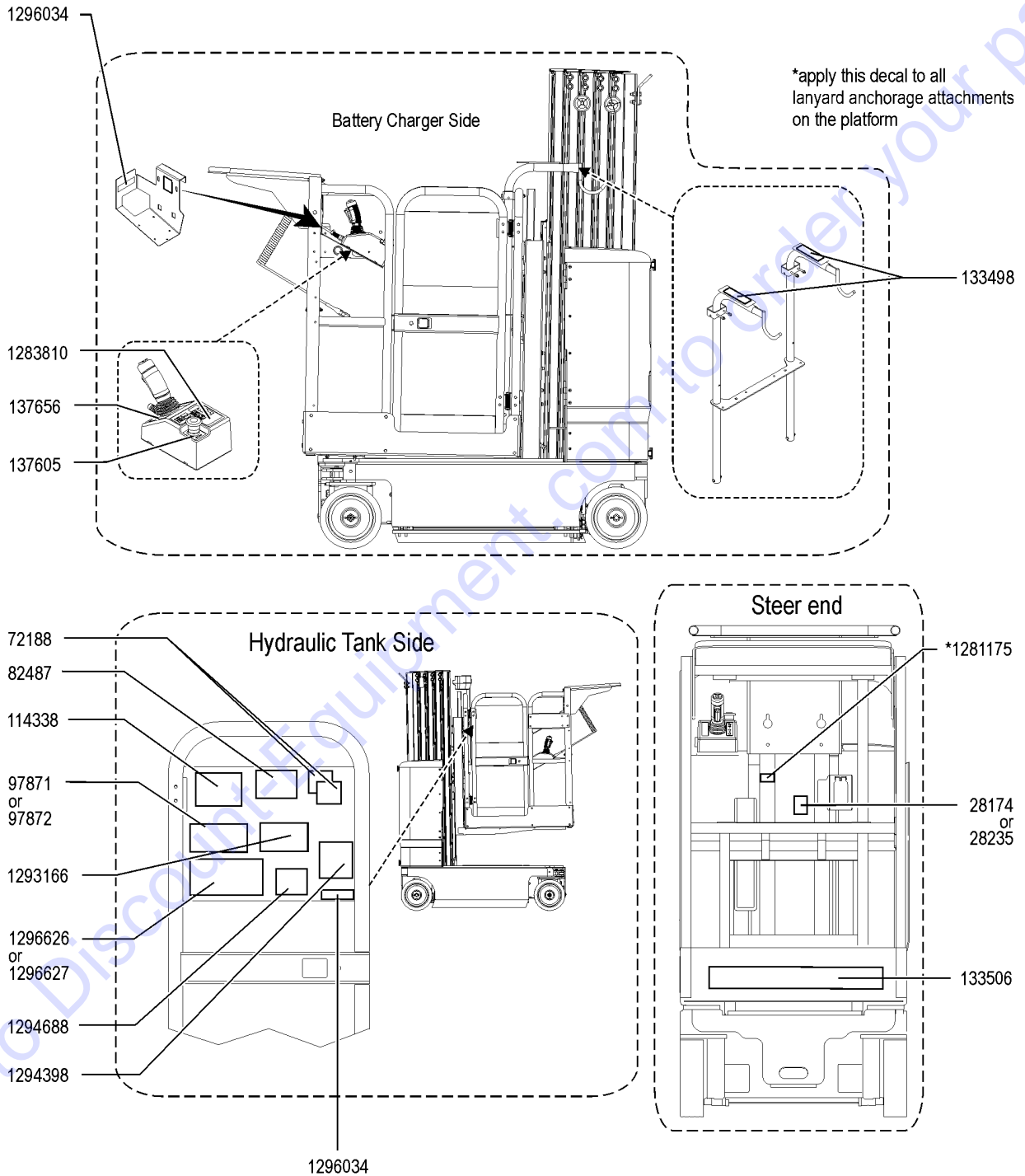


109.1 Decals with Symbol, Battery Charger Side / Non-Steer End (from SN QSP-6000)

Item	Part No.	Description	Qty.
1	28174GT	DECAL,POWER TO PLATFORM 230V	1
2	28235GT	DECAL,POWER TO PLATFORM 115V	1
3	43658GT	DECAL,LABEL,PWR TO CHARGR 230V Option, Power to charger	1
4	44980GT	DECAL,LABEL,PWR TO CHARGER 115UK Option, Power to charger	1
5	52475GT	DECAL LABEL TRANSPORT TIE DOWN*	2
6	72086GT	DECAL,LABEL,LIFTING EYE	1
7	82487GT	DECAL,SYMBOL-READ THE MANUAL	1
8	82666GT	DECAL,LABEL,FORKLIFT POCKET	1
9	82836GT	LABEL,AUXILIARY LOWERING	1
10	114334GT	DECAL SYMBOL ELECTRIC HAZARD PLUG	1
11	133505GT	DECAL,LABEL,WHEEL LOAD	2
12	133507GT	DECAL,GENIE,QS-12R	1
13	133508GT	DECAL,GENIE,QS-15R	1
14	133509GT	DECAL,GENIE,QS-20R	1
15	133510GT	DECAL,GENIE,QS-12W	1
16	133511GT	DECAL,GENIE,QS-15W	1
17	133512GT	DECAL,GENIE,QS-20W	1
18	227765GT	DECAL,COSMETIC,GENIE,GR/QS	1
19	1272242GT	DECAL,MACHINE REGISTRATION/OWNER TRANSFER	1
20	1283228GT	DECAL,GR GCON, TECH PRO	1
21	1283878GT	DECAL,TECH PRO LINK	1
22	1291624GT	DECAL COSM,GENIE UFT,CONNECT LEXAN COVER	1
23	1292512GT	DECAL COSM,GENIE LIFT CONNECT,ESN,SKU4-1	1
24	1292513GT	DECAL COSM,GENIE LIFT CONNECT,ESN,SKU4-2	1
25	1292514GT	DECAL COSM,GENIE LIFT CONNECT,ESN,SKU4-3	1
26	1292515GT	DECAL COSM,GENIE LIFT CONNECT,ESN,SKU4-4	1
27	1297735GT	DECAL,LABEL-TRANSPORT DIAGRAM,GR	1



110.1 Decals with Symbol, Platform (from SN QSP-6000)

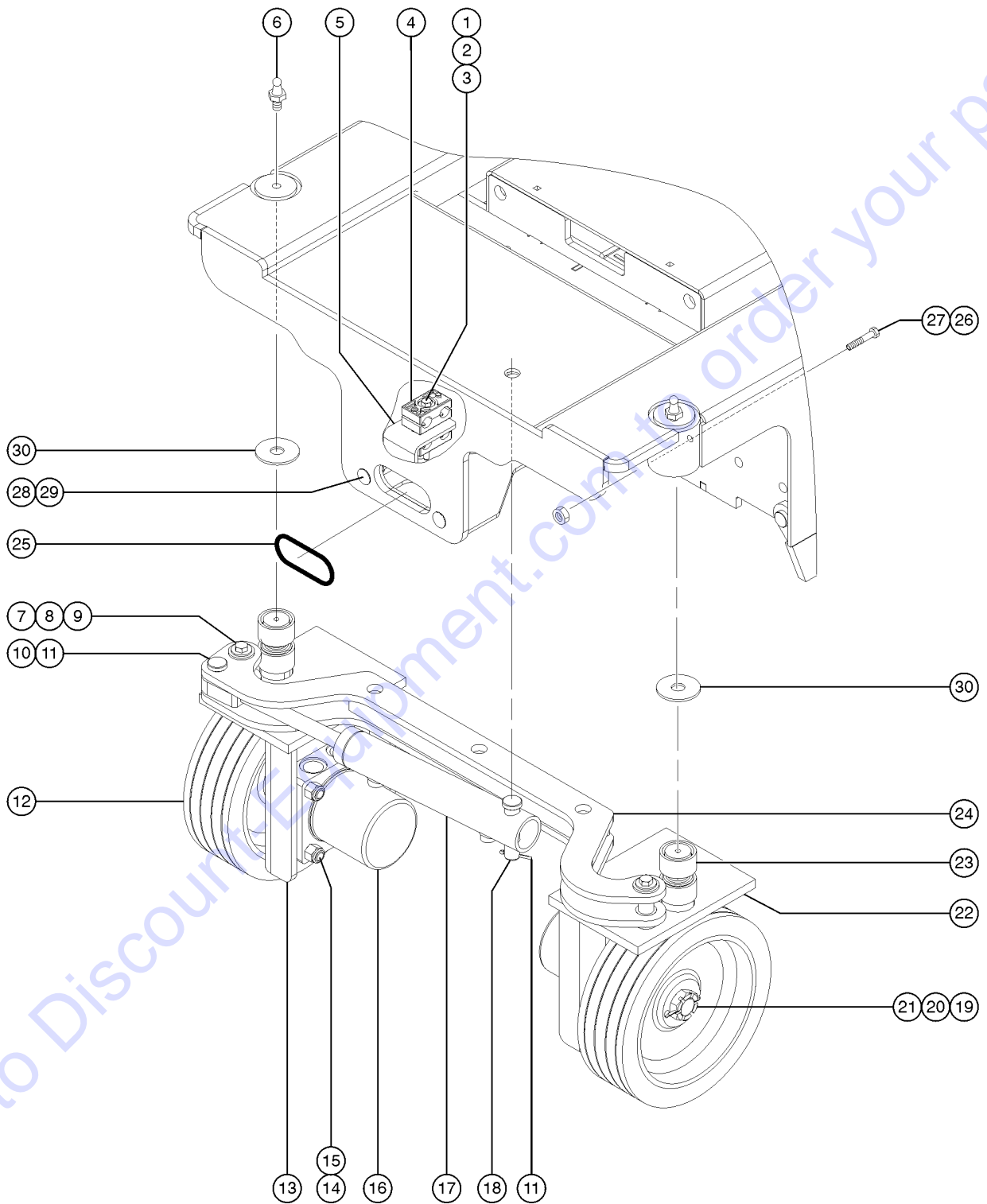


110.1 Decals with Symbol, Platform (from SN QSP-6000)

Item	Part No.	Description	Qty.
-	1305847GT	INSTRUCTIONS,INSTALL,PLAT,SYMBOL, QS	1
-	1305848GT	DECAL KIT, QS,PLAT,SYMBOL,ANSI & CE	1
1	28174GT	DECAL,POWER TO PLATFORM 230V	1
2	28235GT	DECAL,POWER TO PLATFORM 115V	1
3	72188GT	DECAL,DIRECTIONAL ARROWS,GR	2
4	82487GT	DECAL,SYMBOL-READ THE MANUAL	1
5	97871GT	DANGER-MAX CAP,BIKE RACK-SYM** Option, Bike Rack, QS-12, 15	1
6	97872GT	DANGER-MAX CAP,BIKE RACK-SYM** Option, Bike Rack, QS-20	1
7	114338GT	DECAL,SYM-TIP-OVR,TILT ALARM	1
8	133498GT	DECAL,LABEL,MAX CAP BK RACK Option, Bike Rack	2
9	133506GT	DECAL,GENIE QUICKSTOCK	1
10	137605GT	DECAL,E-STOP,GR/GRC/GS PCON	1
11	137656GT	DECAL,PROPEL,GR/GRC/GS,PCON	1
12	1281175GT	DECAL,LANYARD,FALL RESTRAINED	1
13	1283810GT	DECAL,STD,DUAL ZONE,GR/GS,UI	1
14	1293166GT	DECAL,TIP-OVER,CRUSH, GS-1330m	1
15	1294398GT	NEW ANSI CHECK MASK	1
16	1294688GT	DECAL,PLATFORM OVERLOAD, MINI	1
17	1296034GT	DECAL, SMARTLINK, DUAL ZONE	2
18	1296626GT	DECAL, DANGER, MAX CAPACITY 159KG, SIDE FORCE 200N QS-20	1
19	1296627GT	DECAL, DANGER, MAX CAPACITY 272KG, SIDE FORCE 200N QS-12, 15	1



201.1 Steer Axle Linkage and Wheels

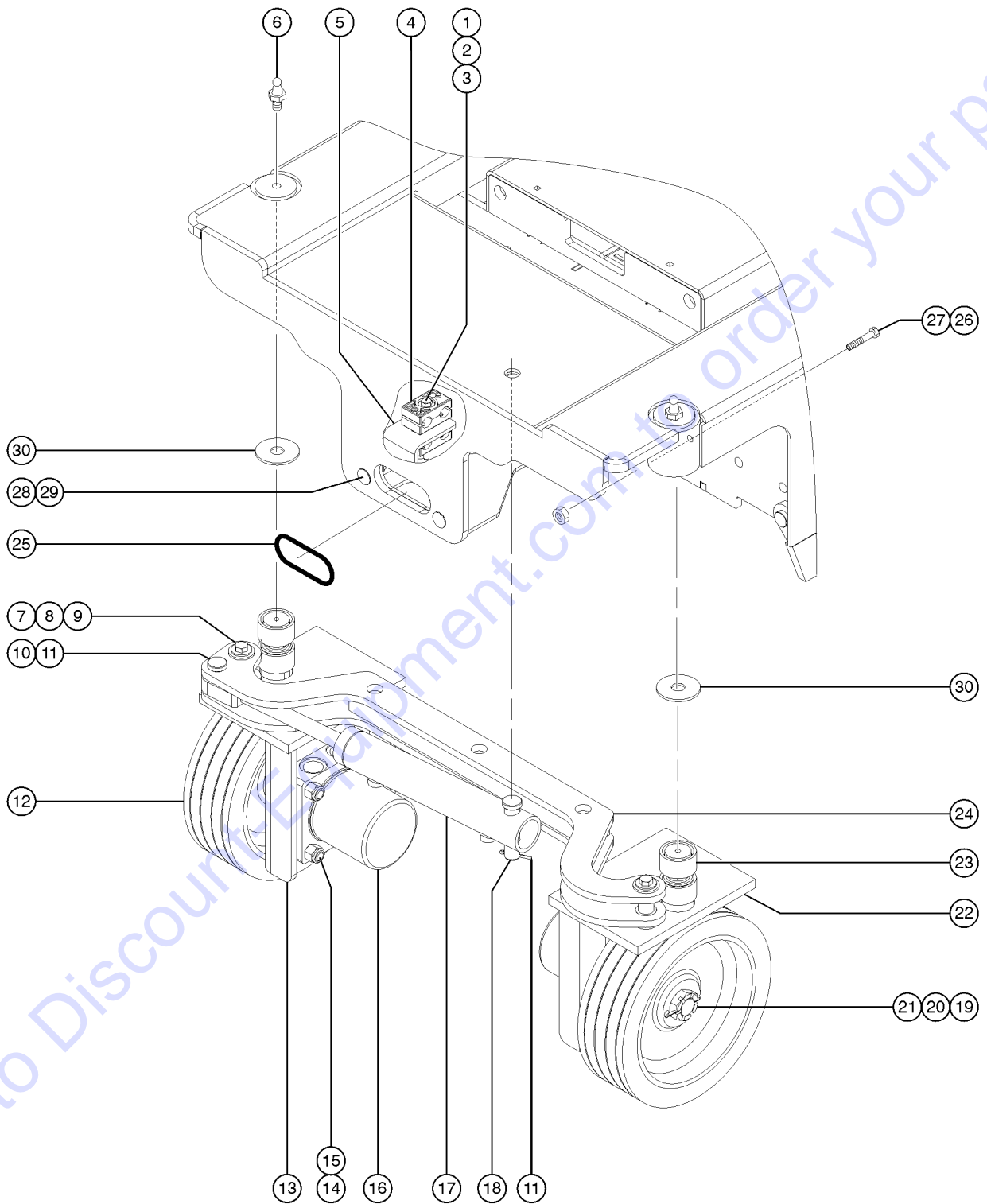


201.1 Steer Axle Linkage and Wheels

Item	Part No.	Description	Qty.
1	12343GT	SCREW,HHC,1/4-20 X 3	
2	6638GT	WASHER,FLAT,USS,1/4"Y	
3	6091GT	NUT,NYLOCK,1/4-20	
4	78736GT	CLAMP,2 HOSE,PLASTIC	4
5	124122GT	FORMING, DRIVE HOSE GUARD	1
6	66770GT	FITTING,STRAIGHT DRIVE-IN ZERK	
7	8255GT	SCREW,HHC,3/8-16 X .75	
8	6097GT	WASHER,FLAT,USS,3/8",Y	
9	47548GT	BEARING,FL,0.75ID X 1 OD X .49	4
10	6545GT	PIN,CLEVIS,.75 X 2	
11	96423GT	RUE RING,3/4 PIN	2
12	57998GT	WHEEL&TIRE ASSEMBLY,10" grey, non-marking	2
13A	145083GT	WELDMENT, STEER YOKE, RH, GR QS-12, QS-15 (power unit side)	1
13B	145085GT	WELDMENT, STEER YOKE, RT, GR20 QS-20 (power unit side)	1
14	6198GT	NUT,NYLOCK,1/2-13	
15	9145GT	SCREW,HHC,1/2-13 X 2.5,GR5	
16	57996GT	MOTOR, 10.0 CU IN/REV DRIVE	2
16-	65616GT	SEAL KIT PWR WHL MOTOR	
17	105547GT	CYLINDER,GS/GR STEER***	1
17-	105550GT	KIT,STEER CYL SEAL	
18	96907GT	PIN,CLEVIS,0.75 X 3.25"	
19	5361GT	PIN,COTTER,.125 X 1.5	
20	69548GT	NUT, 3/4-16, UNF, 2B, SLOTTED	
21	69547GT	KEY,DRIVE MOTOR(57996)	
22A	145084GT	WELDMENT, STEER YOKE, LH, GR QS-12, QS-15 (ground controls side)	
22B	145086GT	WELDMENT, STEER YOKE, LH, GR20 QS-20 (ground controls side)	
23	18396GT	BEARING,1.5IDX1.75ODX1.0L	4
24	107359GT	TIE ROD ASSY W/BRNGS,GR2 (includes item 9)	1



201.1 Steer Axle Linkage and Wheels



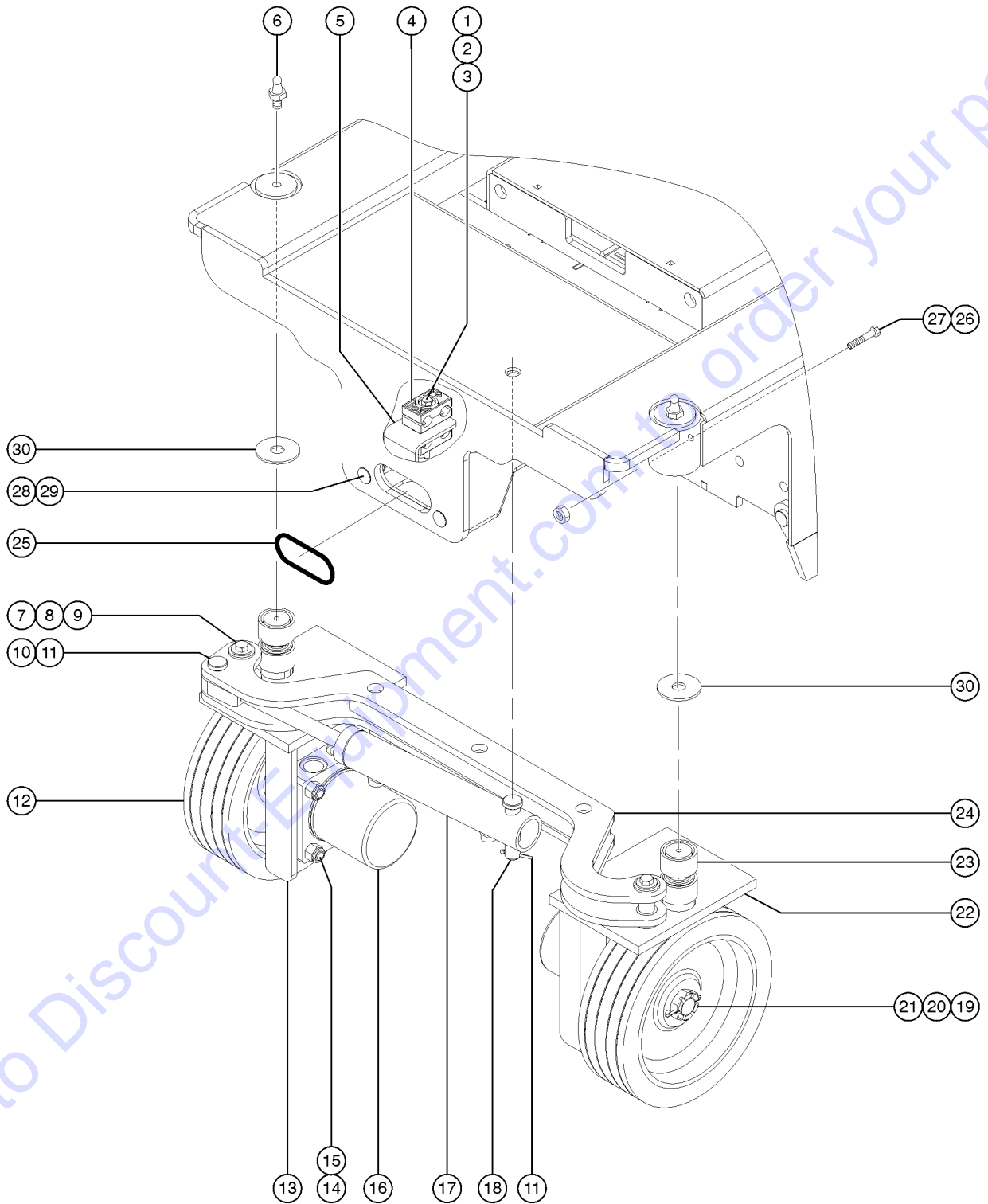
201.1 Steer Axle Linkage and Wheels

Item	Part No.	Description	Qty.
25	106924GT	GROMMET,RUBBER .38X.2X1.75	
26	109581GT	SCREW,SET,HS1/4-20X.625W/PATCH	
27	6357GT	NUT,HEX,1/4-20	
28	105092GT	BOLT,CARRIAGE,3/8-16X1.25,GR5	
29	4828GT	NUT,NYLOCK,3/8-16	
30	105565GT	WASHER,THRUST, GS	

Go to Discount-Equipment.com to order your parts



201.2 Steer Axle Linkage and Wheels

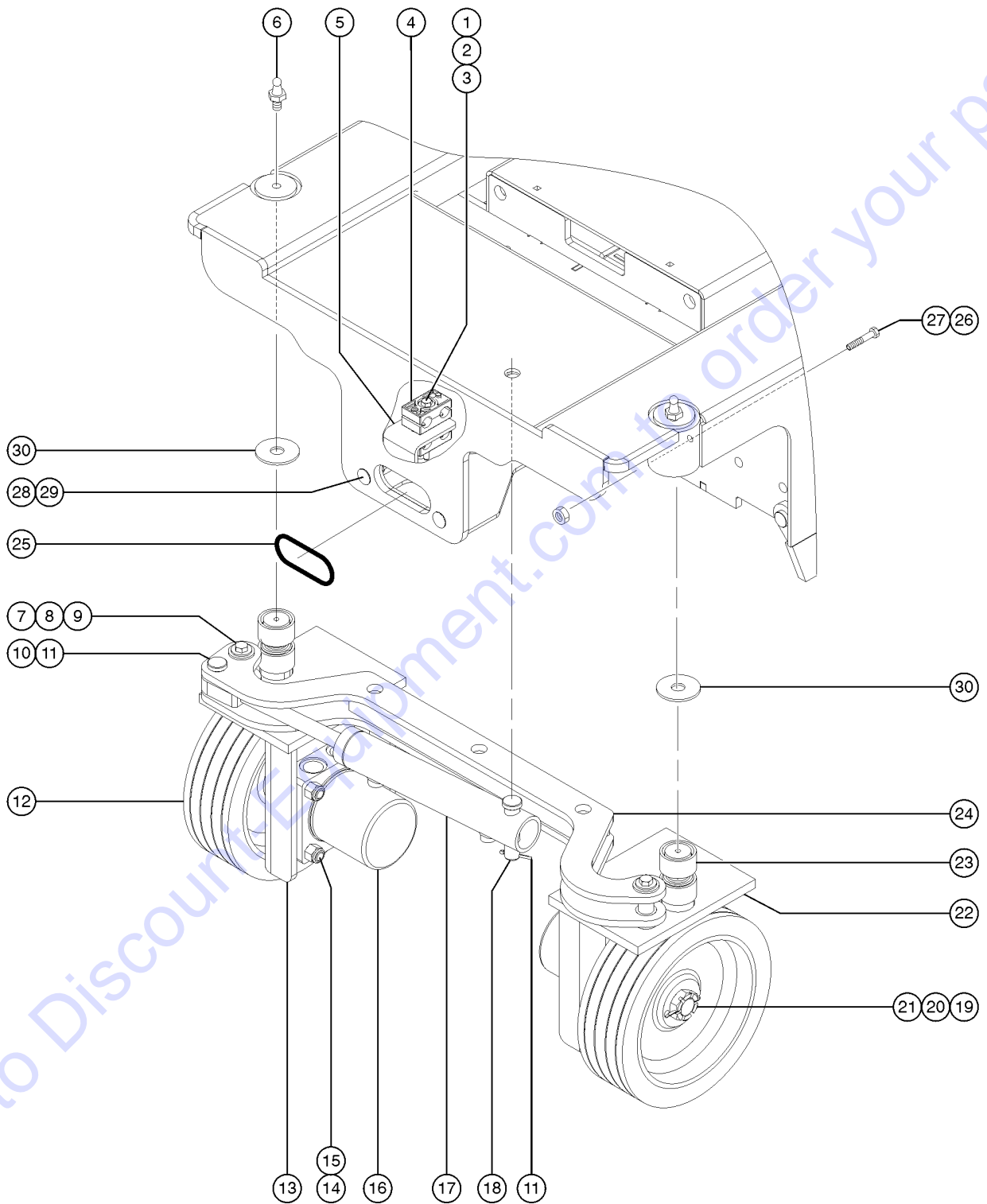


201.2 Steer Axle Linkage and Wheels

Item	Part No.	Description	Qty.
1	12343GT	SCREW,HHC,1/4-20 X 3	
2	6638GT	WASHER,FLAT,USS,1/4"Y	
3	6091GT	NUT,NYLOCK,1/4-20	
4	78736GT	CLAMP,2 HOSE,PLASTIC	4
5	124122GT	FORMING, DRIVE HOSE GUARD	1
6	66770GT	FITTING,STRAIGHT DRIVE-IN ZERK	
7	8255GT	SCREW,HHC,3/8-16 X .75	
8	6097GT	WASHER,FLAT,USS,3/8",Y	
9	47548GT	BEARING,FL,0.75ID X 1 OD X .49	4
10	6545GT	PIN,CLEVIS,.75 X 2	
11	96423GT	RUE RING,3/4 PIN	2
12	57998GT	WHEEL&TIRE ASSEMBLY,10" grey, non-marking	2
13B	145085GT	WELDMENT, STEER YOKE, RT, GR20 QS-20 (power unit side)	1
14	6198GT	NUT,NYLOCK,1/2-13	
15	9145GT	SCREW,HHC,1/2-13 X 2.5,GR5	
16	57996GT	MOTOR, 10.0 CU IN/REV DRIVE	2
16-	65616GT	SEAL KIT PWR WHL MOTOR	
17	105547GT	CYLINDER,GS/GR STEER***	1
17-	105550GT	KIT,STEER CYL SEAL	
18	96907GT	PIN,CLEVIS,0.75 X 3.25"	
19	5361GT	PIN,COTTER,.125 X 1.5	
20	69548GT	NUT, 3/4-16, UNF, 2B, SLOTTED	
21	69547GT	KEY,DRIVE MOTOR(57996)	
22B	145086GT	WELDMENT, STEER YOKE, LH, GR20 QS-20 (ground controls side)	
23	18396GT	BEARING,1.5IDX1.75ODX1.0L	4
24	107359GT	TIE ROD ASSY W/BRNGS,GR2 (includes item 9)	1
25	106924GT	GROMMET,RUBBER .38X.2X1.75	
26	109581GT	SCREW,SET,HS1/4-20X.625W/PATCH	



201.2 Steer Axle Linkage and Wheels



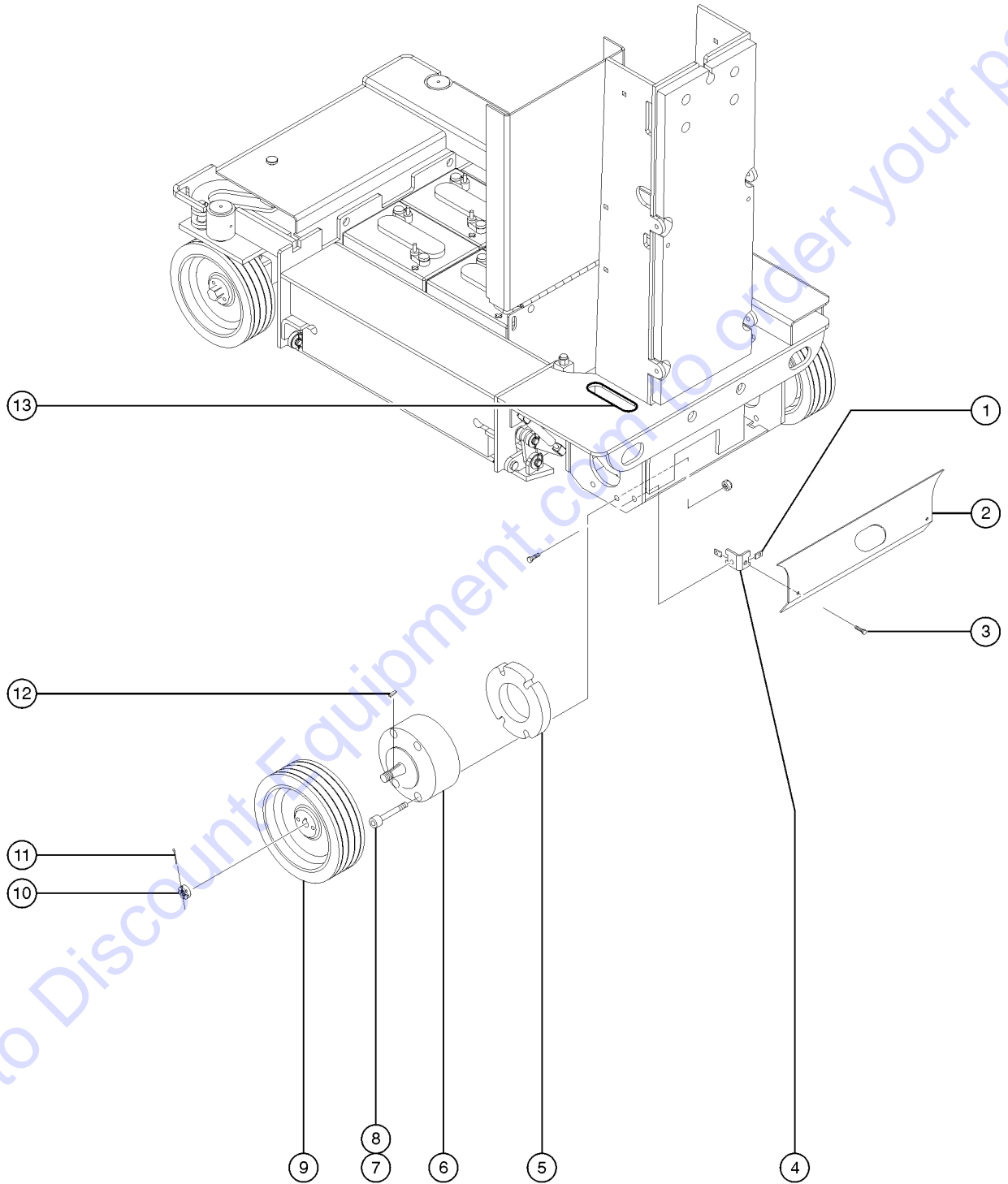
201.2 Steer Axle Linkage and Wheels

<i>Item</i>	<i>Part No.</i>	<i>Description</i>	<i>Qty.</i>
27	6357GT	NUT,HEX,1/4-20	
28	105092GT	BOLT,CARRIAGE,3/8-16X1.25,GR5	
29	4828GT	NUT,NYLOCK,3/8-16	
30	105565GT	WASHER,THRUST, GS	

Go to Discount-Equipment.com to order your parts



202.1 Non-steer Axle

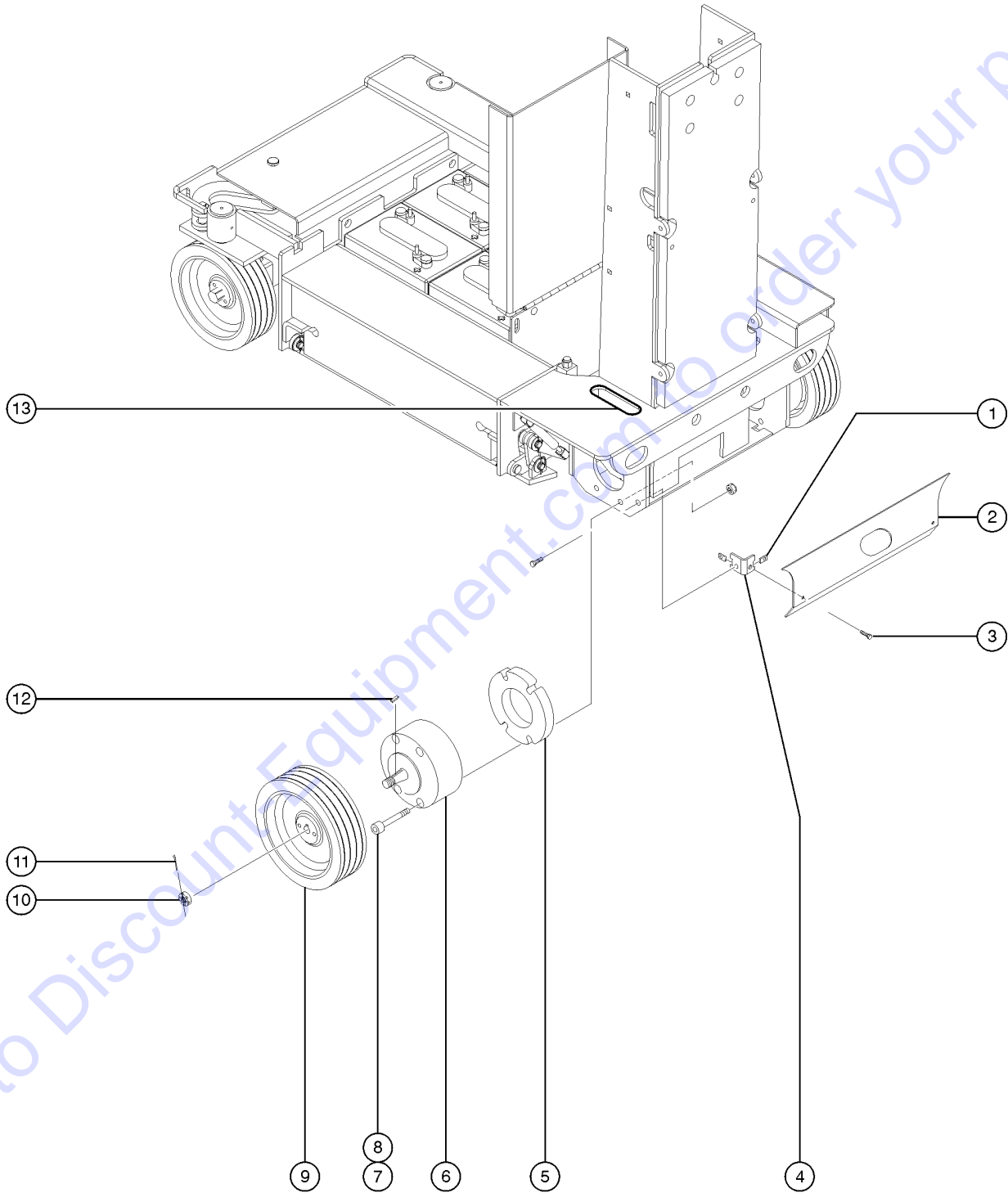


Item	Part No.	Description	Qty.
1	56912GT	SPRING CLIP,1/4-20,.025-.15X.54,ZAG	
2A	822685GT	FIELD KIT,REAR COVER,GR (original PN 100914 no longer available) (use kit 822685 for first time replacement, kit includes mounting hardware) to SN 1602	
2B	822586GT	FORMING,REAR COVER,GR	1
3	6888GT	SCREW,HHC,1/4-20 X 1	
4A	822685GT	FIELD KIT,REAR COVER,GR (original PN 96113 no longer available) (use kit 822685 for first time replacement, kit includes mounting hardware) to SN 1602	2
4B	822587GT	BRACKET,REAR COVER,GR	
6A	215550GT	BRAKE,1.5IN/FT SHAFT,W/ORIFICE	1
6B-	226432GT	ORIFICE,0.025 DISK,.375 OD	1
7	42360GT	SCREW,SHC,1/2-13 X 4 ZINC	
8	6198GT	NUT,NYLOCK,1/2-13	
9	57998GT	WHEEL&TIRE ASSEMBLY,10" grey, non-marking	2
10	69548GT	NUT, 3/4-16, UNF, 2B, SLOTTED	2
11	5361GT	PIN,COTTER,.125 X 1.5	2
12	69547GT	KEY,DRIVE MOTOR(57996)	2
13	105440GT	GROMMET, RUBBER 2.5 X 3.0	2

Go to Discount-Equipment.com to order your parts



202.2 Non-steer Axle

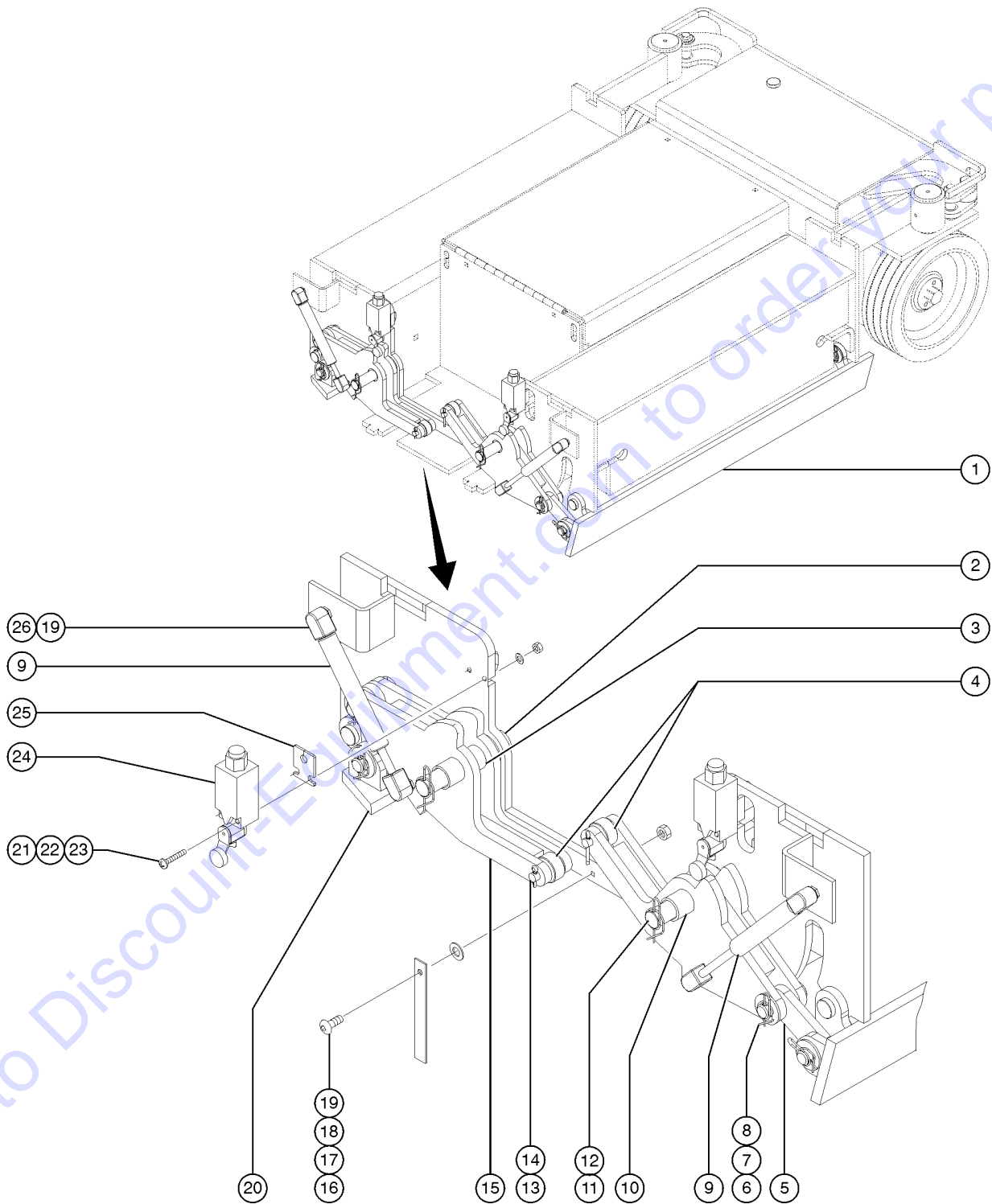


Item	Part No.	Description	Qty.
1	56912GT	SPRING CLIP,1/4-20,.025-.15X.54,ZAG	
2A	822685GT	FIELD KIT,REAR COVER,GR (original PN 100914 no longer available) (use kit 822685 for first time replacement, kit includes mounting hardware) to SN 1602	
2B	822586GT	FORMING,REAR COVER,GR	1
3	6888GT	SCREW,HHC,1/4-20 X 1	
4A	822685GT	FIELD KIT,REAR COVER,GR (original PN 96113 no longer available) (use kit 822685 for first time replacement, kit includes mounting hardware) to SN 1602	2
4B	822587GT	BRACKET,REAR COVER,GR	
5	100808GT	PLATE, BRAKE SPACER, GR20	2
6A	215550GT	BRAKE,1.5IN/FT SHAFT,W/ORIFICE	1
6B-	226432GT	ORIFICE,0.025 DISK,.375 OD	1
7	42360GT	SCREW,SHC,1/2-13 X 4 ZINC	
8	6198GT	NUT,NYLOCK,1/2-13	
9	57998GT	WHEEL&TIRE ASSEMBLY,10" grey, non-marking	2
10	69548GT	NUT, 3/4-16, UNF, 2B, SLOTTED	2
11	5361GT	PIN,COTTER,.125 X 1.5	2
12	69547GT	KEY,DRIVE MOTOR(57996)	2
13	105440GT	GROMMET, RUBBER 2.5 X 3.0	2

Go to Discount-Equipment.com to order your parts



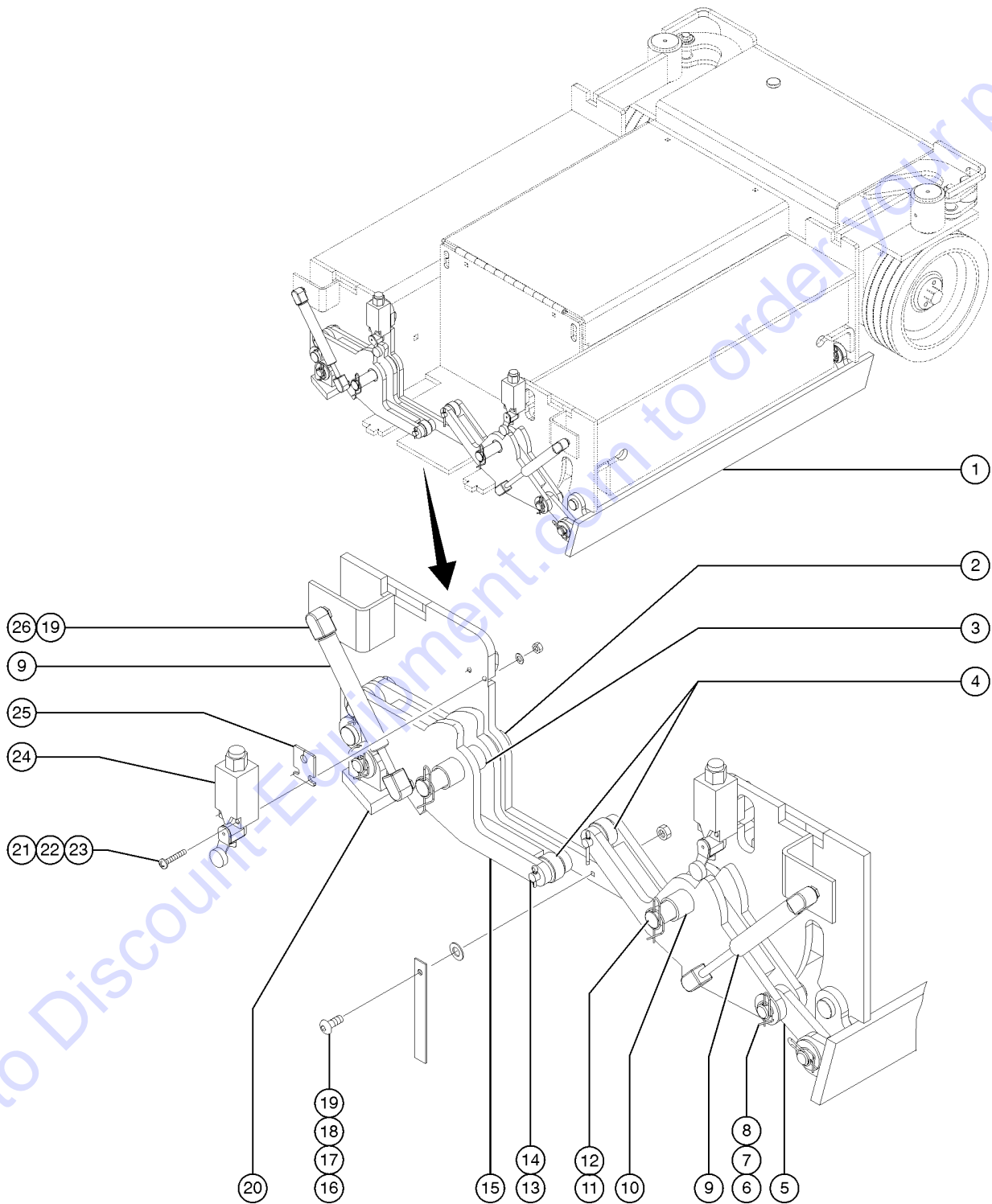
203.1 Pothole Protection Assembly



203.1 Pothole Protection Assembly

Item	Part No.	Description	Qty.
1	100489GT	WELDMENT, POTHOLE GUARD, RT (power unit side)	1
2A	1260045GT	KIT, GR PHG SPACER UPDATE (to SN QS15-2199)	2
2B	1259993GT	SPACER,.781IDX1.5ODX.375THK (replaced 55355) (from SN QS15-2200)	
3	96642GT	BEARING,.75ID X 1.0OD X 1.38LG	2
4	96541GT	CAM FOLLOWER, 1.125 X .375, DELRIN	2
5	100492GT	PLATE, POTHOLE LOWER LINK	2
6	96422GT	RUE RING,5/8 PIN	8
7	96135GT	PIN,CLEVIS,.625 X 1.88,ZINC PL	8
8	22261GT	WASHER,FLAT,.650 X 1.312 X.095	
9	100834GT	GAS SPRING, GR	2
10A	1260045GT	KIT, GR PHG SPACER UPDATE (to SN QS15-2199)	2
10B	1260030GT	SPACER, .82IDX1.0 ODX1.00 LG (replaced 100915) (from SN QS15-2200)	
11	96423GT	RUE RING,3/4 PIN	2
12	78060GT	PIN,CLEVIS,.75 DIA. X 4.00	2
13	12016GT	PIN,COTTER,.125 X .75	2
14	34742GT	PIN,CLEVIS,.375 X 1.75 LG.	2
15	107370GT	UPPER POTHOLE LINK ASSY W/BRNG (includes item 3)	2
16	64154GT	BOLT,CARRIAGE,3/8-16 X1.00,G5	
17	105060GT	GROUND STRAP, 8"LG	2
18	6097GT	WASHER,FLAT,USS,3/8",Y	
19	7713GT	NUT, LP NYLOCK, 3/8-16	
20	100488GT	WELDMENT, POTHOLE GUARD, LT (ground controls side)	1
21A	51063GT	SCREW,PHILLIPS,RHM,10-32 X 1.5 (to SN QS15-2199)	4
21B	54239GT	SCREW,PHILLIPS,PHM,10-32 X 2.0 (from SN GR15-36989) (from SN QS15-2200)	
22	75144GT	WASHER,FLAT,SAE 1/4",ZINC	4
23	15513GT	NUT,HEX,10-32	4
24A	96948GT	SWITCH,LIMIT,W/ROLLER ARM***	2
24A-	19491GT	CONTACTOR,LIMIT SWITCH	

203.1 Pothole Protection Assembly



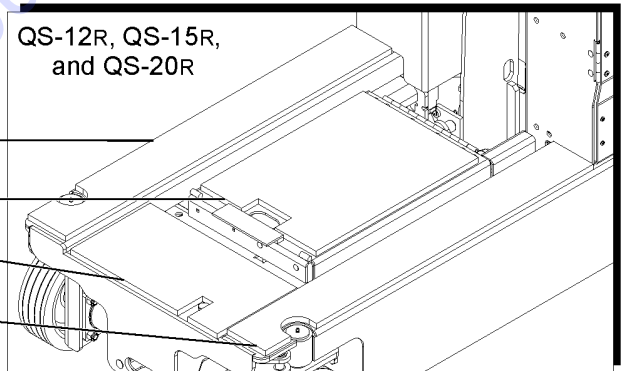
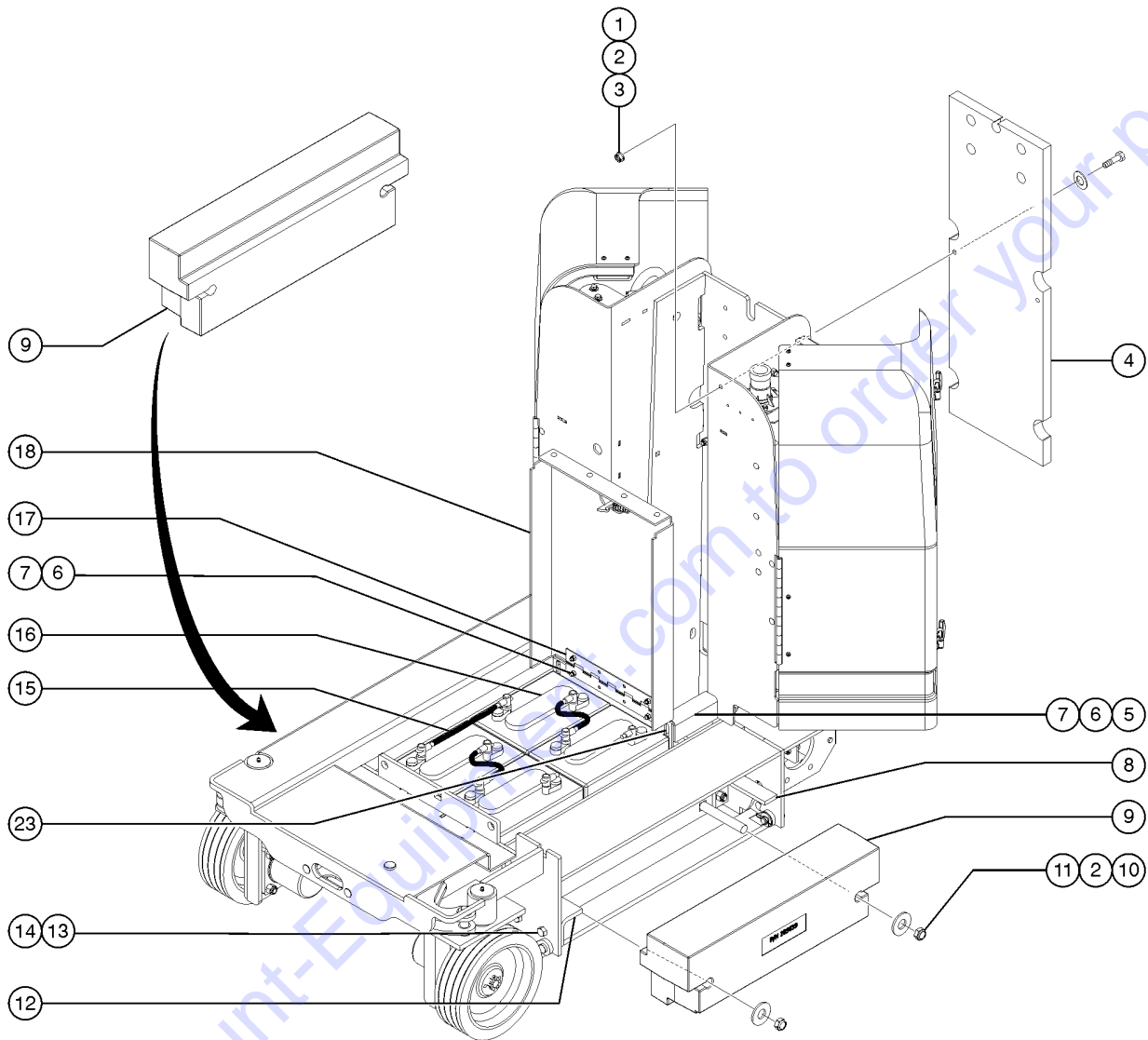
203.1 Pothole Protection Assembly

Item	Part No.	Description	Qty.
24A-	97128GT	ROLLER ARM,LIMIT SWITCH***	
24B	87561GT	CABLE SQUEEZE CONN 2 WIRE	
25	1260031GT	SPACER, LIMIT SWITCH	
		(from SN QS15-2200)	
26	78086GT	BALL STUD, GAS STRUT, 3/8-16	4

Go to Discount-Equipment.com to order your parts



204.1 Battery Pack and Counterweight Brackets

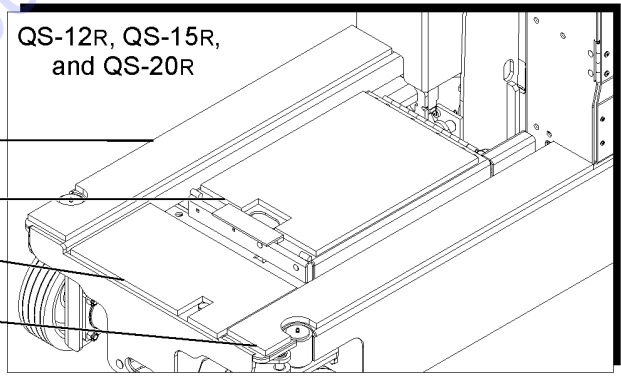
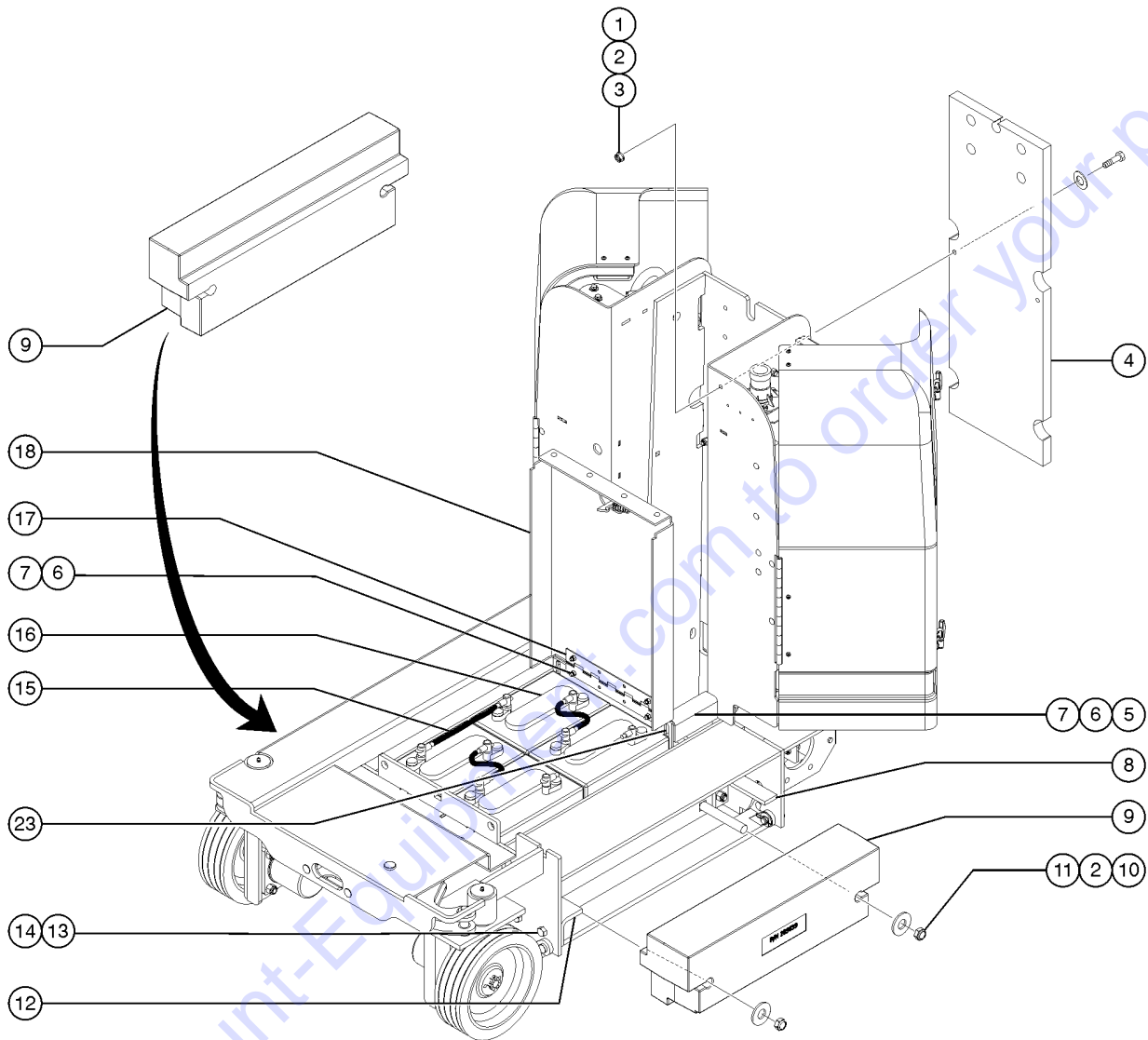


204.1 Battery Pack and Counterweight Brackets

Item	Part No.	Description	Qty.
5	100913GT	FORMING, CABLE BRIDGE	1
6	6878GT	BOLT,CARRIAGE,1/4-20 X .75,G2	
7	6091GT	NUT,NYLOCK,1/4-20	
10	7713GT	NUT, LP NYLOCK, 3/8-16	
13	8177GT	SCREW,HHC,1/2-13 X 1.5	
14	6198GT	NUT,NYLOCK,1/2-13	
15		Ref. Battery Cables (refer to 208.1)	
16A	76502GT	BATTERY,T105 W/LPT,3 CAP,DRY**	4
16A	145329GT	SPACER,QS BATTERY TRAY .75 x .375 x 6.5 inches	1
16A-	18503GT	NUT,LOCKING-LG.FLANGE,5/16-18	
16B	105150GT	BATTERY, AGM, 6V, (TROJAN) ***	
16B-	145329GT	SPACER,QS BATTERY TRAY .75 x .375 x 6.5 inches	1
16B-	18503GT	NUT,LOCKING-LG.FLANGE,5/16-18	
17	47569GT	HINGE,11"X 2.5"X.44"	1
18B	115433GT	BATTERY COVER ASSY,WORDS QS-R (USA, Canada, Australia)	1
18B-	100986GT	PLATE,BATT. TRAY LATCH HANDLE	
18B-	23396GT	SPRING,CONTROL CABLE, AWP	
18B-	96699GT	SLEEVE,TANK SUPPORT (bushing)	
18D	115434GT	BATTERY COVER ASSY,SYM,QS-R QS-R (Europe, Asia, South America)	1
18D-	100986GT	PLATE,BATT. TRAY LATCH HANDLE	
18D-	23396GT	SPRING,CONTROL CABLE, AWP	
18D-	96699GT	SLEEVE,TANK SUPPORT (bushing)	
19	145013GT	PAD, OBSTACLE SENSE G.C. SIDE QS-R (for wire cable, refer to 209.1)	1
20	145016GT	PAD, OBSTACLE SENSING FRONT,GR QS-R (for wire cable, refer to 209.1)	1
21	115438GT	PAD,OBSTACLE SENSE, WORD QS-R (for wire cable, refer to 209.1)	1
21A	115439GT	PAD,OBSTACLE SENSE, SYMBOL QS-R (for wire cable, refer to 209.1)	
22	145014GT	PAD,OBSTACLE SENSE TANK SIDE QS-R (for wire cable, refer to 209.1)	1
23	124962GT	GROMMET,RUBBER,1.0 X 1.25X1.5	



204.2 Battery Pack and Counterweight Brackets

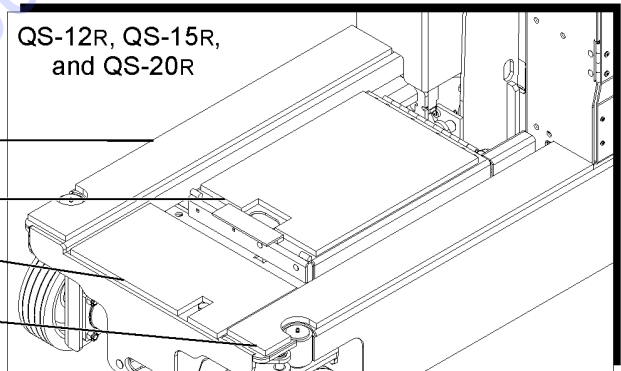
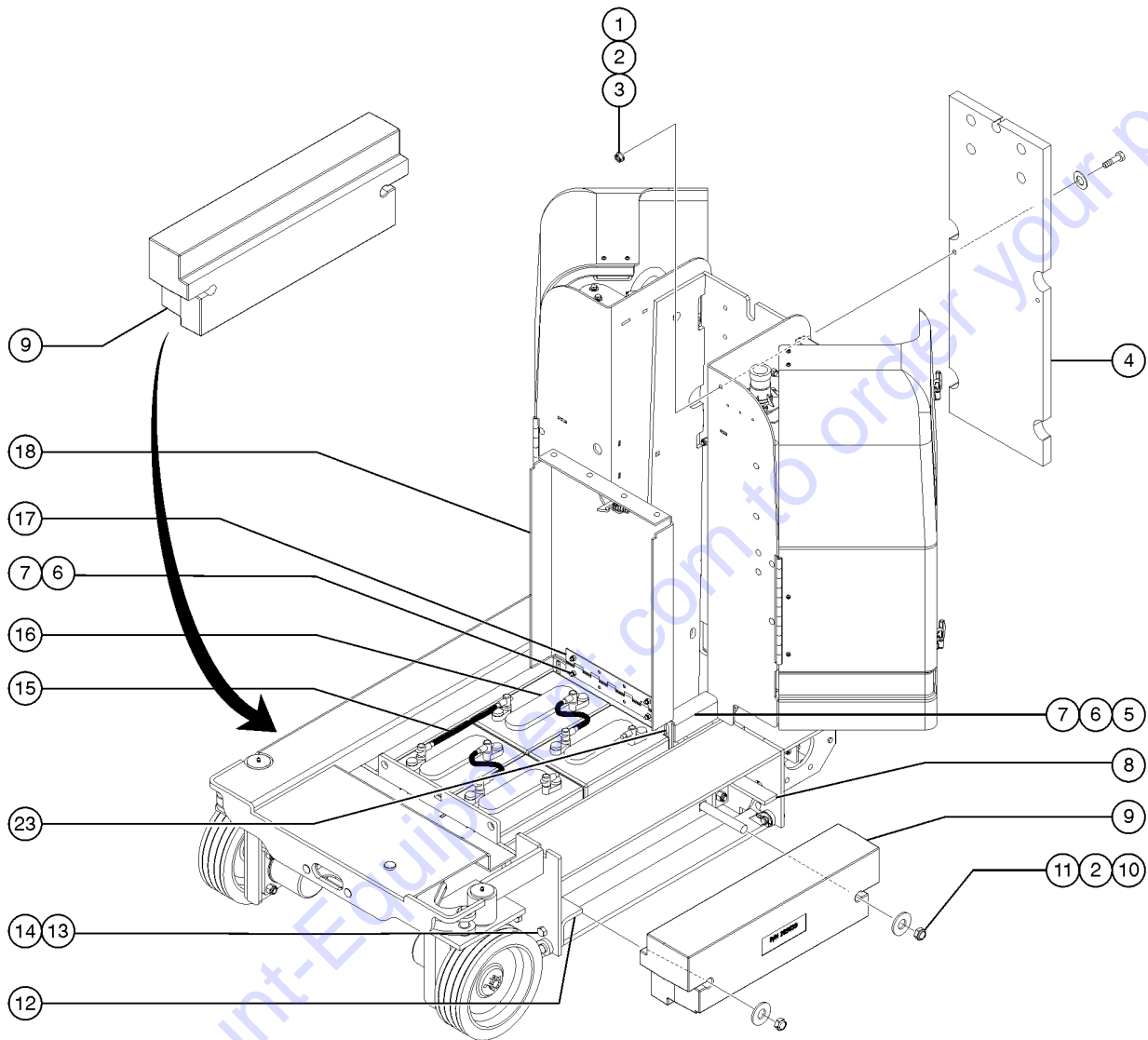


204.2 Battery Pack and Counterweight Brackets

Item	Part No.	Description	Qty.
5	100913GT	FORMING, CABLE BRIDGE	1
6	6878GT	BOLT,CARRIAGE,1/4-20 X .75,G2	
7	6091GT	NUT,NYLOCK,1/4-20	
10	7713GT	NUT, LP NYLOCK, 3/8-16	
13	8177GT	SCREW,HHC,1/2-13 X 1.5	
14	6198GT	NUT,NYLOCK,1/2-13	
15		Ref. Battery Cables (refer to 208.1)	
16A	76502GT	BATTERY,T105 W/LPT,3 CAP,DRY**	4
16A-	18503GT	NUT,LOCKING-LG.FLANGE,5/16-18	
16B	105150GT	BATTERY, AGM, 6V, (TROJAN) ***	
16B-	145329GT	SPACER,QS BATTERY TRAY	1
		.75 x .375 x 6.5 inches	
16B-	18503GT	NUT,LOCKING-LG.FLANGE,5/16-18	
17	47569GT	HINGE,11"X 2.5"X.44"	1
18A	107133GT	BATTERY COVER ASSY,WORDS	1
		QS-W (USA, Canada, Australia)	
18A-	100986GT	PLATE,BATT. TRAY LATCH HANDLE	
18A-	23396GT	SPRING,CONTROL CABLE, AWP	
18A-	96699GT	SLEEVE,TANK SUPPORT	
		(bushing)	
18C	107134GT	BATTERY COVER ASSY,SYMBOLS	1
		QS-W (Europe, Asia, South America)	
18C-	100986GT	PLATE,BATT. TRAY LATCH HANDLE	
18C-	23396GT	SPRING,CONTROL CABLE, AWP	
18C-	96699GT	SLEEVE,TANK SUPPORT	
		(bushing)	
18D	231191GT	ASSY, BATTERY COVER, EE	
		EE option	
23	124962GT	GROMMET,RUBBER,1.0 X 1.25X1.5	



204.3 Battery Pack and Counterweight Brackets

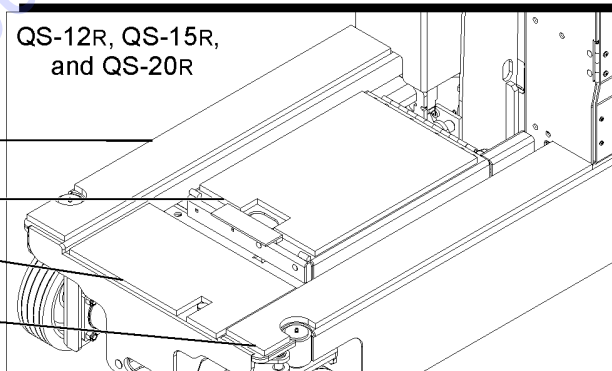
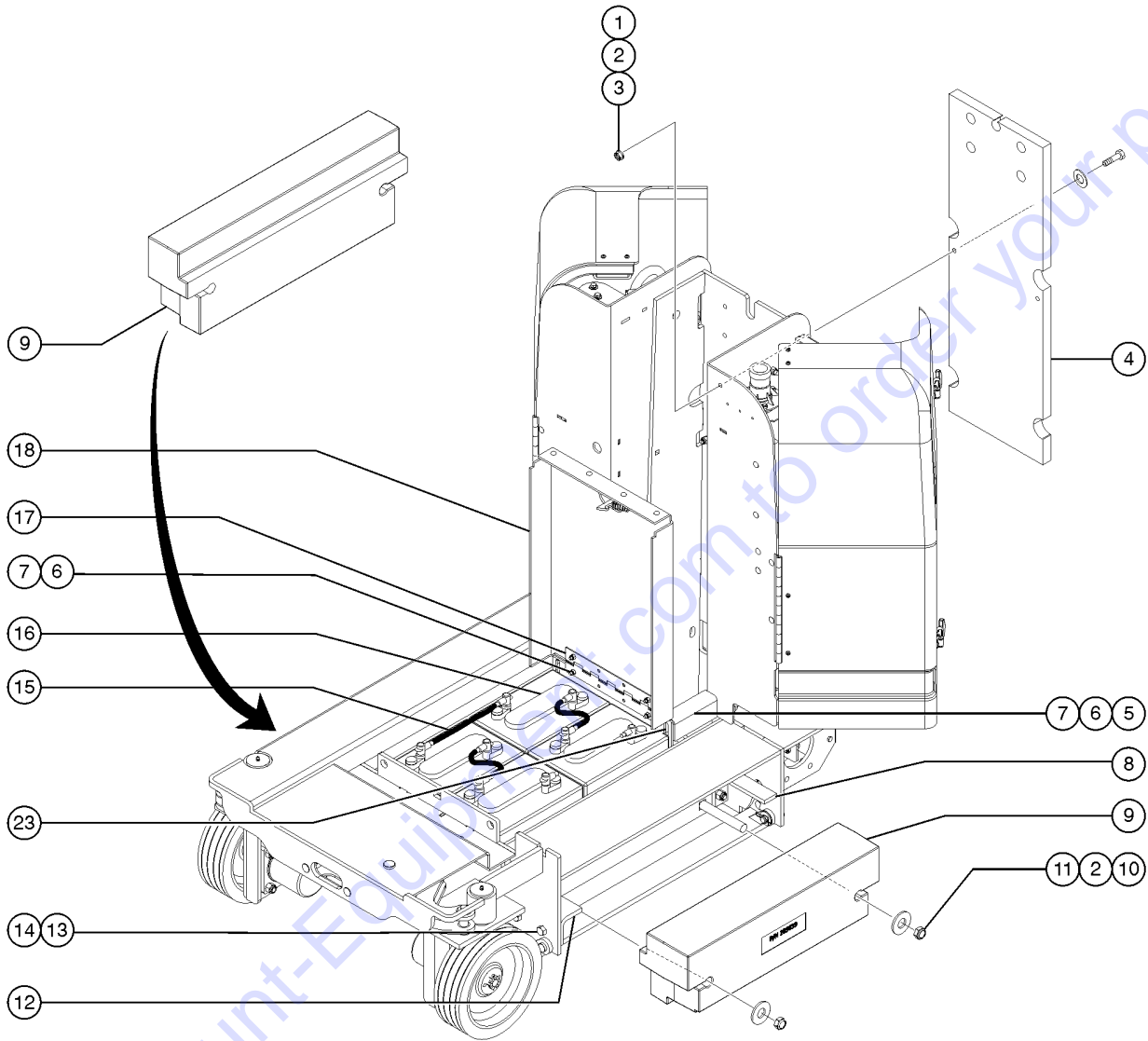


204.3 Battery Pack and Counterweight Brackets

Item	Part No.	Description	Qty.
2A	15086GT	WASHER,FLAT,.375 X 1.5 X .125 QS-15	
5	100913GT	FORMING, CABLE BRIDGE	1
6	6878GT	BOLT,CARRIAGE,1/4-20 X .75,G2	
7	6091GT	NUT,NYLOCK,1/4-20	
8	124151GT	WLDMT,CW SUPPORT,LT QS-15, QS-20 (non-steer end, ground controls side)	2
8-	124152GT	WLDMT,CW SUPPORT,RT QS-15, QS-20 (non-steer end, power unit side)	1
9A	109840GT	COUNTERWEIGHT,CAST,GR15 QS-15	2
10	7713GT	NUT, LP NYLOCK, 3/8-16	
11	124105GT	BOLT,CARRIAGE,3/8-16 X 6.00,G2 QS-15	
13	8177GT	SCREW,HHC,1/2-13 X 1.5	
14	6198GT	NUT,NYLOCK,1/2-13	
15		Ref. Battery Cables (refer to 208.1)	
16A	76502GT	BATTERY,T105 W/LPT,3 CAP,DRY**	4
16A-	18503GT	NUT,LOCKING-LG.FLANGE,5/16-18	
16B	105150GT	BATTERY, AGM, 6V, (TROJAN) ***	
16B-	145329GT	SPACER,QS BATTERY TRAY .75 x .375 x 6.5 inches	1
16B-	18503GT	NUT,LOCKING-LG.FLANGE,5/16-18	
17	47569GT	HINGE,11"X 2.5"X.44"	1
18B	115433GT	BATTERY COVER ASSY,WORDS QS-R (USA, Canada, Australia)	1
18B-	100986GT	PLATE,BATT. TRAY LATCH HANDLE	
18B-	23396GT	SPRING,CONTROL CABLE, AWP	
18B-	96699GT	SLEEVE,TANK SUPPORT (bushing)	
18D	115434GT	BATTERY COVER ASSY,SYM,QS-R QS-R (Europe, Asia, South America)	1
18D-	100986GT	PLATE,BATT. TRAY LATCH HANDLE	
18D-	23396GT	SPRING,CONTROL CABLE, AWP	
18D-	96699GT	SLEEVE,TANK SUPPORT (bushing)	
19	145013GT	PAD, OBSTACLE SENSE G.C. SIDE QS-R (for wire cable, refer to 209.1)	1
20	145016GT	PAD, OBSTACLE SENSING FRONT,GR QS-R (for wire cable, refer to 209.1)	1



204.3 Battery Pack and Counterweight Brackets



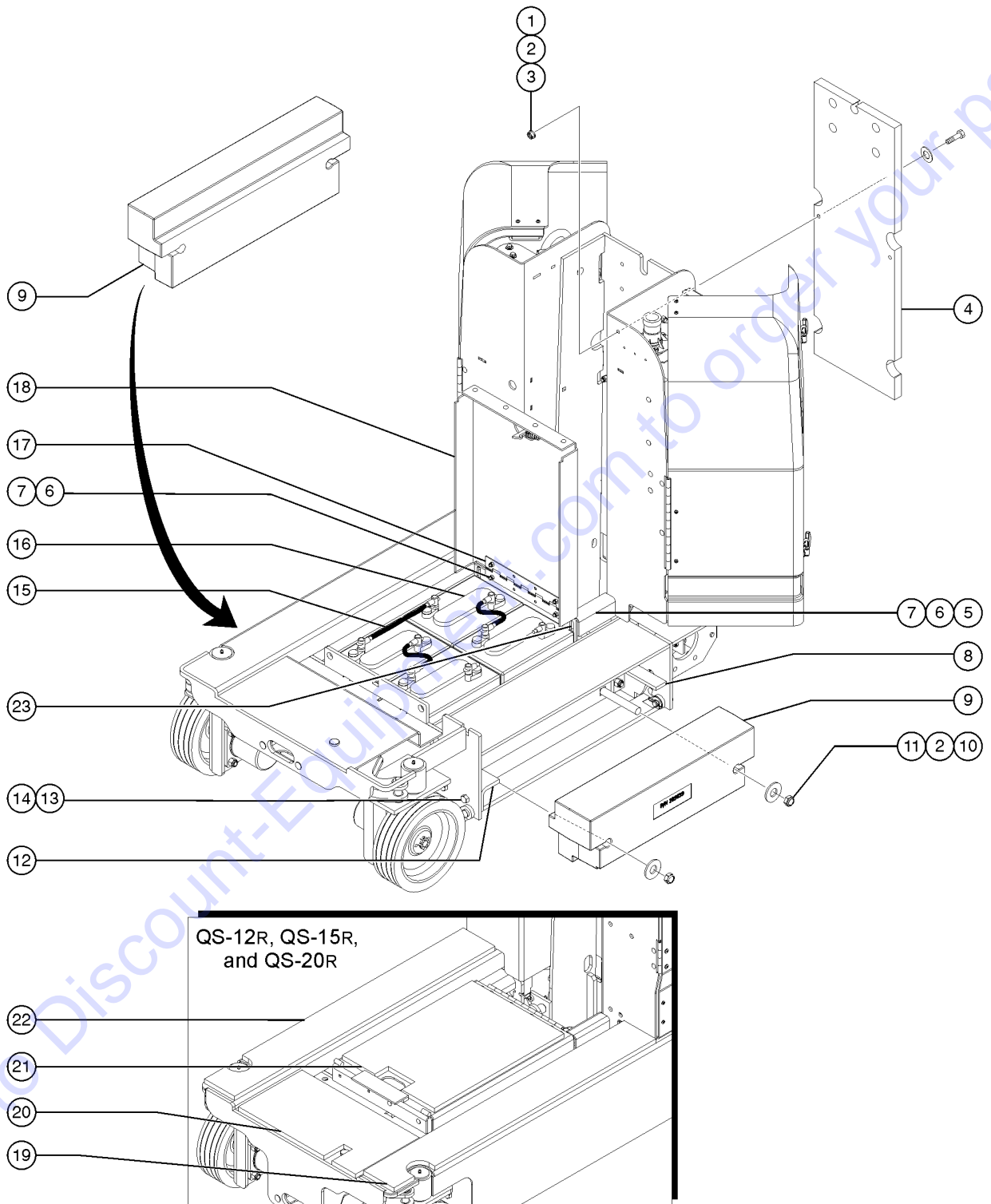
204.3 Battery Pack and Counterweight Brackets

<i>Item</i>	<i>Part No.</i>	<i>Description</i>	<i>Qty.</i>
21	115438GT	PAD,OBSTACLE SENSE, WORD QS-R (for wire cable, refer to 209.1)	1
21A	115439GT	PAD,OBSTACLE SENSE, SYMBOL QS-R (for wire cable, refer to 209.1)	
22	145014GT	PAD,OBSTACLE SENSE TANK SIDE QS-R (for wire cable, refer to 209.1)	1
23	124962GT	GROMMET,RUBBER,1.0 X 1.25X1.5	

Go to Discount-Equipment.com to order your parts



204.4 Battery Pack and Counterweight Brackets

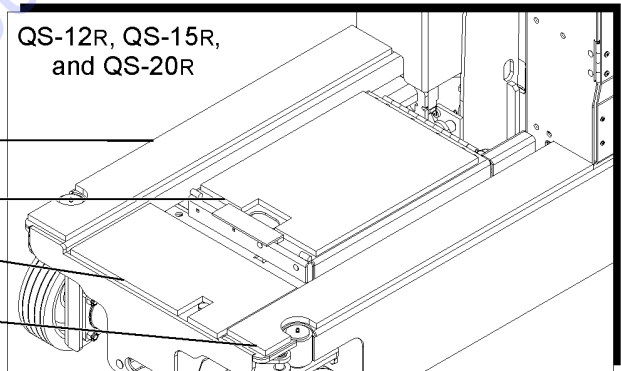
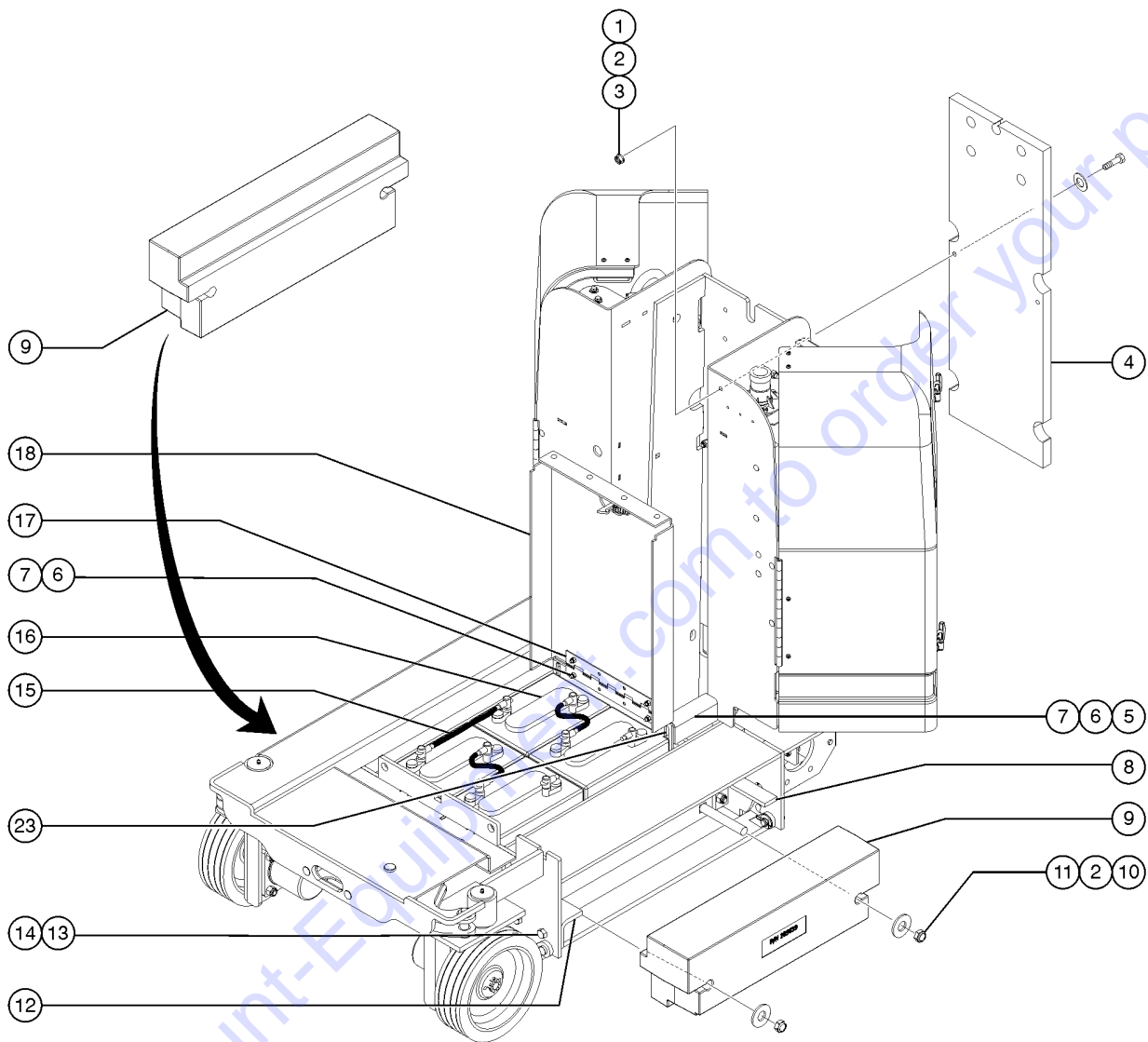


204.4 Battery Pack and Counterweight Brackets

Item	Part No.	Description	Qty.
2A	15086GT	WASHER,FLAT,.375 X 1.5 X .125 QS-15	
5	100913GT	FORMING, CABLE BRIDGE	1
6	6878GT	BOLT,CARRIAGE,1/4-20 X .75,G2	
7	6091GT	NUT,NYLOCK,1/4-20	
8	124151GT	WLDMT,CW SUPPORT,LT QS-15, QS-20 (non-steer end, ground controls side)	2
8-	124152GT	WLDMT,CW SUPPORT,RT QS-15, QS-20 (non-steer end, power unit side)	1
9A	109840GT	COUNTERWEIGHT,CAST,GR15 QS-15	2
10	7713GT	NUT, LP NYLOCK, 3/8-16	
11	124105GT	BOLT,CARRIAGE,3/8-16 X 6.00,G2 QS-15	
13	8177GT	SCREW,HHC,1/2-13 X 1.5	
14	6198GT	NUT,NYLOCK,1/2-13	
15		Ref. Battery Cables (refer to 208.1)	
16A	76502GT	BATTERY,T105 W/LPT,3 CAP,DRY**	4
16A-	18503GT	NUT,LOCKING-LG.FLANGE,5/16-18	
16B	105150GT	BATTERY, AGM, 6V, (TROJAN) ***	
16B-	145329GT	SPACER,QS BATTERY TRAY .75 x .375 x 6.5 inches	1
16B-	18503GT	NUT,LOCKING-LG.FLANGE,5/16-18	
17	47569GT	HINGE,11"X 2.5"X.44"	1
18A	107133GT	BATTERY COVER ASSY,WORDS QS-W (USA, Canada, Australia)	1
18A-	100986GT	PLATE,BATT. TRAY LATCH HANDLE	
18A-	23396GT	SPRING,CONTROL CABLE, AWP	
18A-	96699GT	SLEEVE,TANK SUPPORT (bushing)	
18C	107134GT	BATTERY COVER ASSY,SYMBOLS QS-W (Europe, Asia, South America)	1
18C-	100986GT	PLATE,BATT. TRAY LATCH HANDLE	
18C-	23396GT	SPRING,CONTROL CABLE, AWP	
18C-	96699GT	SLEEVE,TANK SUPPORT (bushing)	
18D	231191GT	ASSY, BATTERY COVER, EE EE option	
23	124962GT	GROMMET,RUBBER,1.0 X 1.25X1.5	



204.5 Battery Pack and Counterweight Brackets

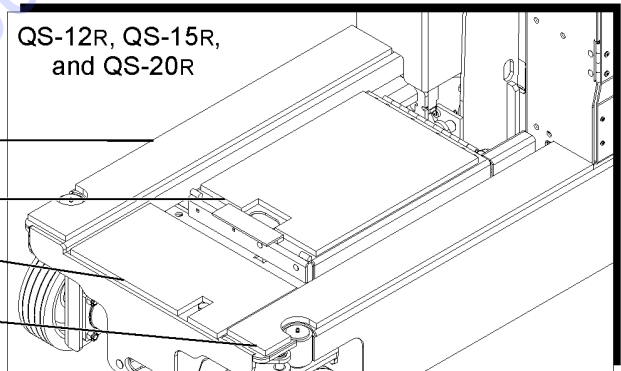
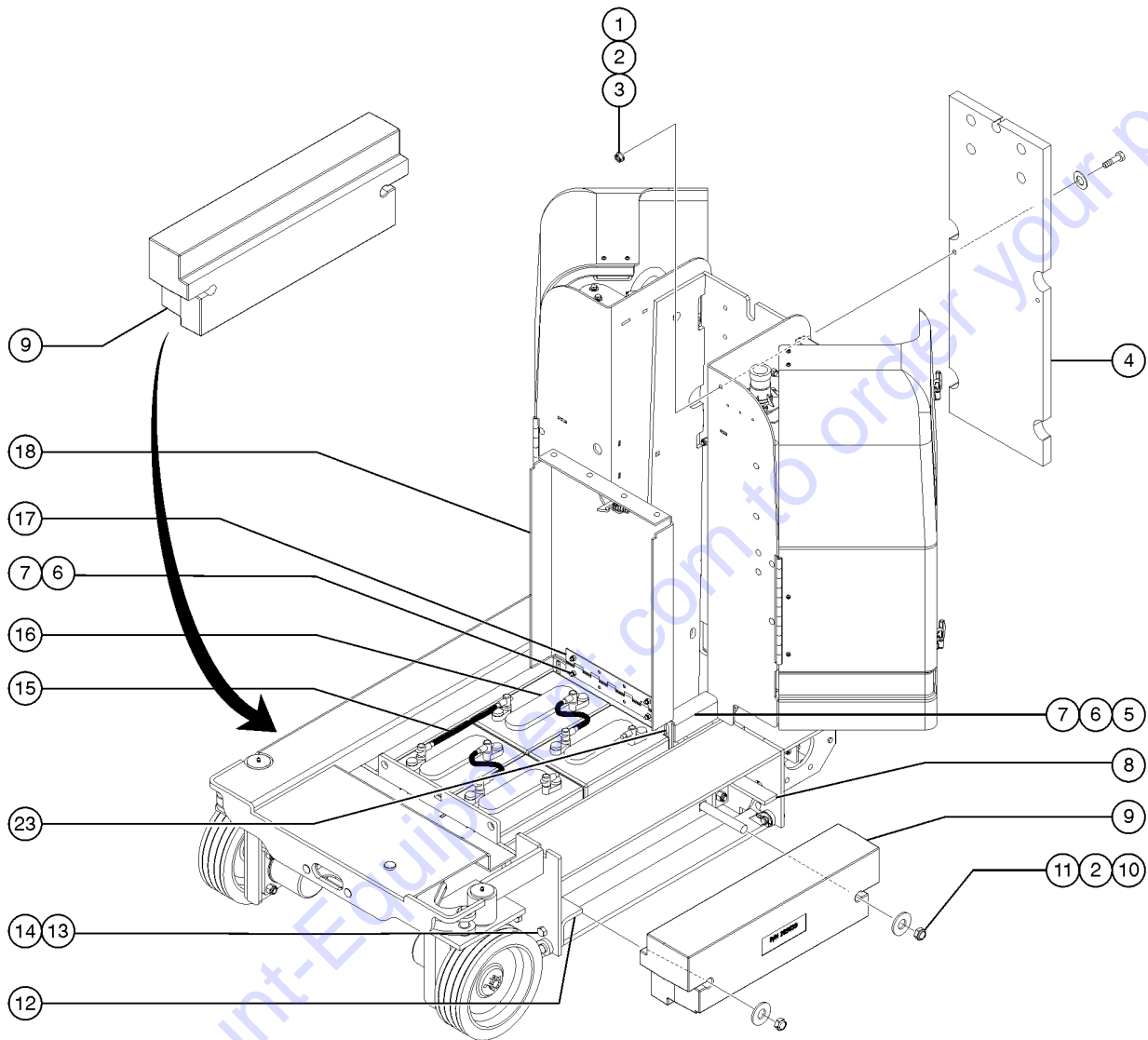


204.5 Battery Pack and Counterweight Brackets

Item	Part No.	Description	Qty.
1	7713GT	NUT, LP NYLOCK, 3/8-16 QS-20	2
2B	6097GT	WASHER, FLAT, USS, 3/8", Y QS-20	
3	5224GT	SCREW, HHC, 3/8-16 X 2 QS-20	
4	100809GT	CAST, CWT, MAST QS-20	
5	100913GT	FORMING, CABLE BRIDGE	1
6	6878GT	BOLT, CARRIAGE, 1/4-20 X .75, G2	
7	6091GT	NUT, NYLOCK, 1/4-20	
8	124151GT	WLDMT, CW SUPPORT, LT QS-15, QS-20 (non-steer end, ground controls side)	2
8-	124152GT	WLDMT, CW SUPPORT, RT QS-15, QS-20 (non-steer end, power unit side)	1
9B	109839GT	COUNTERWEIGHT, CAST, GR20 QS-20	2
10	7713GT	NUT, LP NYLOCK, 3/8-16	
12	100352GT	FORMING, CWT BRACKET GR-20 (non-steer end)	2
13	8177GT	SCREW, HHC, 1/2-13 X 1.5	
14	6198GT	NUT, NYLOCK, 1/2-13	
15		Ref. Battery Cables (refer to 208.1)	
16A	76502GT	BATTERY, T105 W/LPT, 3 CAP, DRY**	4
16A-	18503GT	NUT, LOCKING-LG. FLANGE, 5/16-18	
16B	105150GT	BATTERY, AGM, 6V, (TROJAN) ***	
16B-	145329GT	SPACER, QS BATTERY TRAY .75 x .375 x 6.5 inches	1
16B-	18503GT	NUT, LOCKING-LG. FLANGE, 5/16-18	
17	47569GT	HINGE, 11" X 2.5" X .44"	1
18B	115433GT	BATTERY COVER ASSY, WORDS QS-R (USA, Canada, Australia)	1
18B-	100986GT	PLATE, BATT. TRAY LATCH HANDLE	
18B-	23396GT	SPRING, CONTROL CABLE, AWP	
18B-	96699GT	SLEEVE, TANK SUPPORT (bushing)	
18D	115434GT	BATTERY COVER ASSY, SYM, QS-R QS-R (Europe, Asia, South America)	1
18D-	100986GT	PLATE, BATT. TRAY LATCH HANDLE	
18D-	23396GT	SPRING, CONTROL CABLE, AWP	



204.5 Battery Pack and Counterweight Brackets



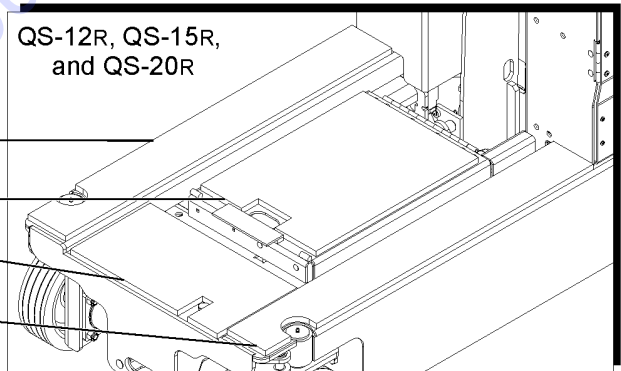
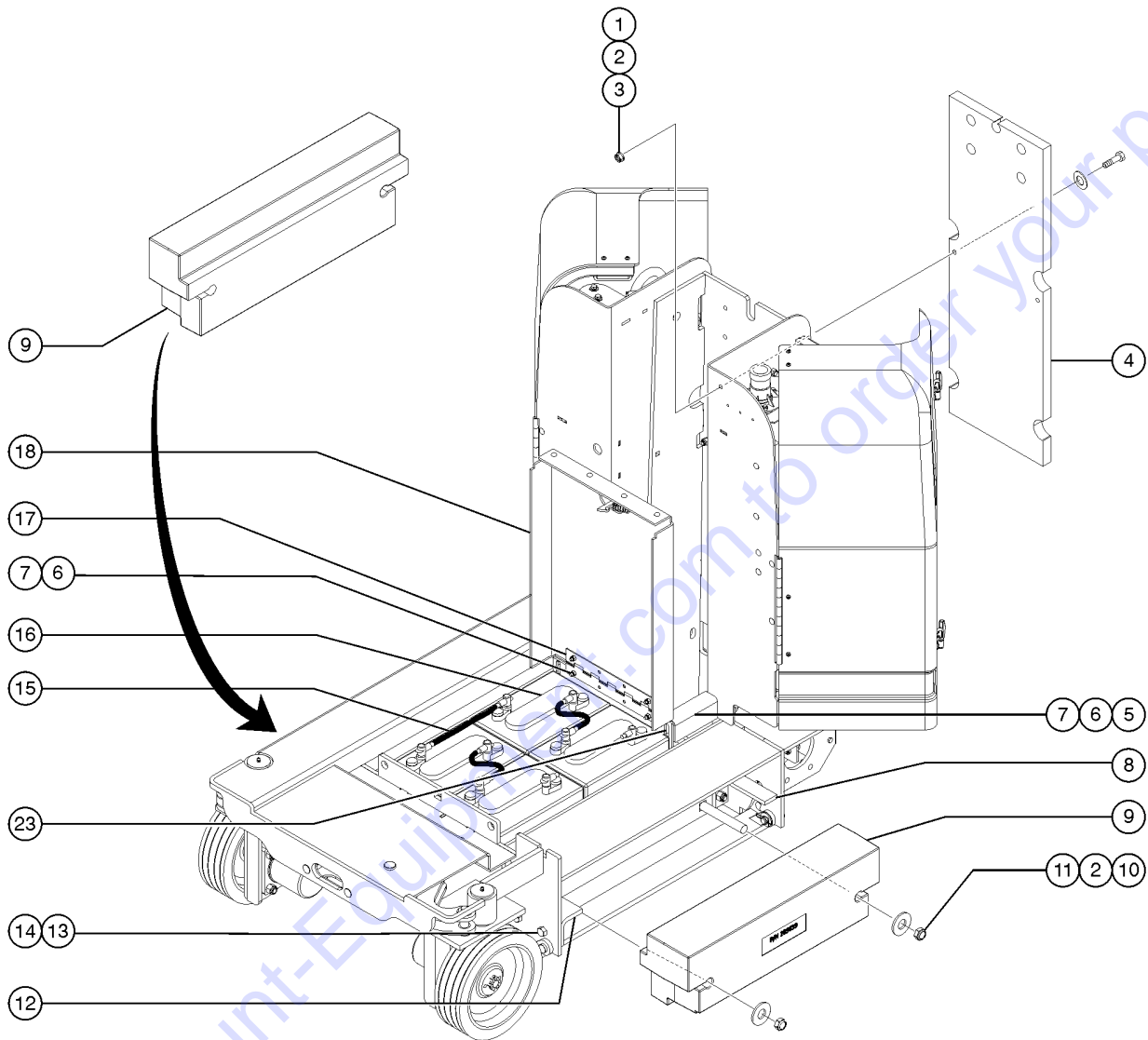
204.5 Battery Pack and Counterweight Brackets

Item	Part No.	Description	Qty.
18D-	96699GT	SLEEVE,TANK SUPPORT (bushing)	
19	145013GT	PAD, OBSTACLE SENSE G.C. SIDE QS-R (for wire cable, refer to 209.1)	1
20	145016GT	PAD, OBSTACLE SENSING FRONT,GR QS-R (for wire cable, refer to 209.1)	1
21	115438GT	PAD,OBSTACLE SENSE, WORD QS-R (for wire cable, refer to 209.1)	1
21A	115439GT	PAD,OBSTACLE SENSE, SYMBOL QS-R (for wire cable, refer to 209.1)	
22	145014GT	PAD,OBSTACLE SENSE TANK SIDE QS-R (for wire cable, refer to 209.1)	1
23	124962GT	GROMMET,RUBBER,1.0 X 1.25X1.5	

Go to Discount-Equipment.com to order your parts



204.6 Battery Pack and Counterweight Brackets

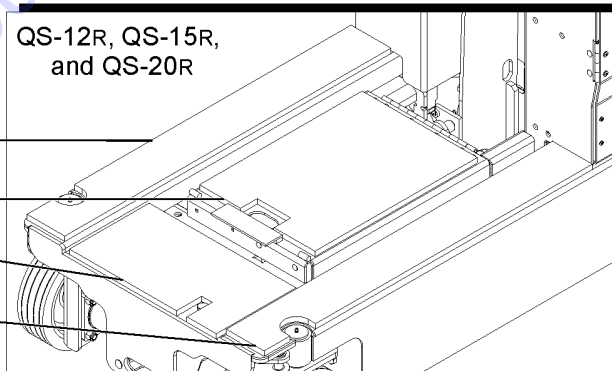
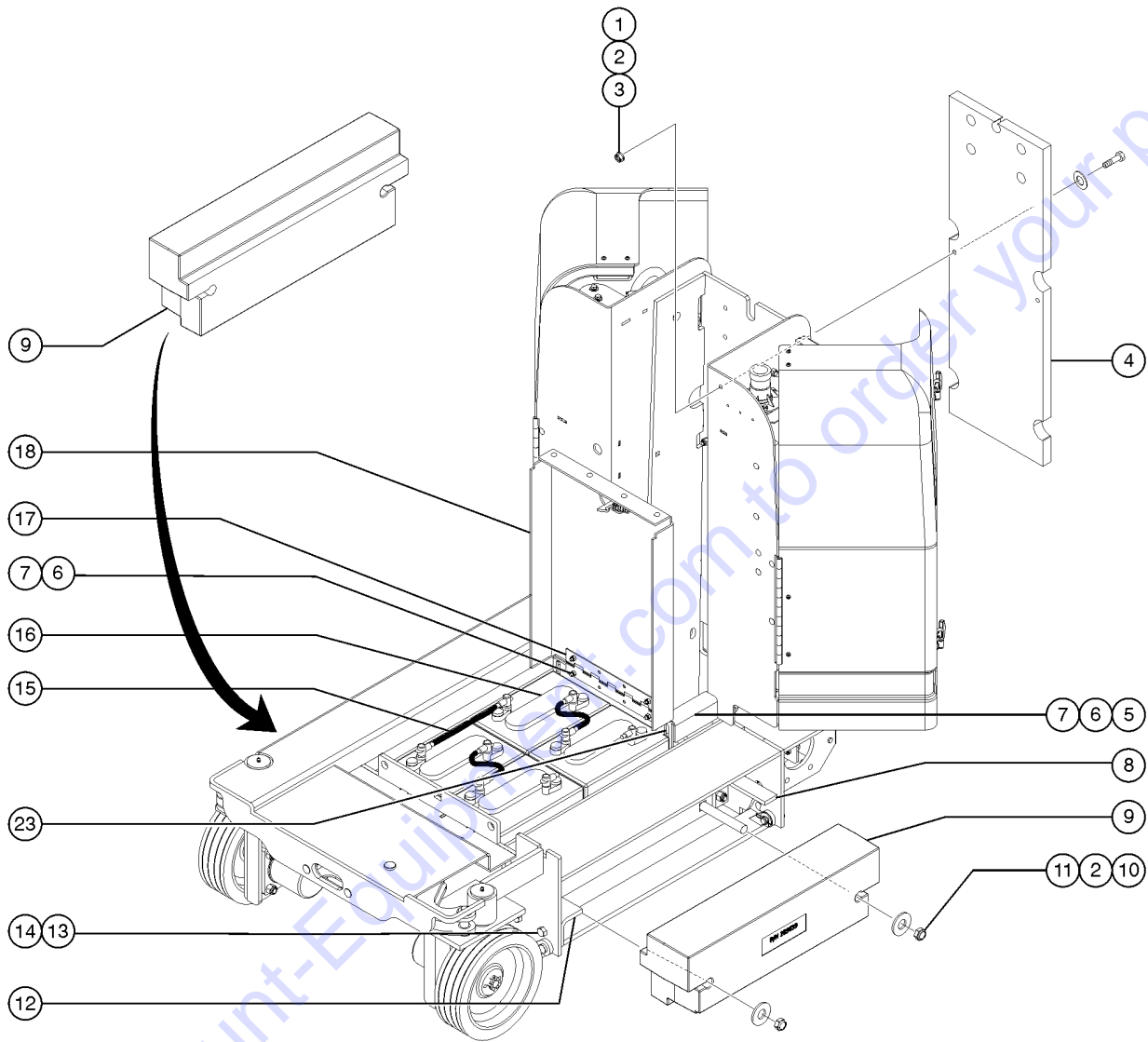


204.6 Battery Pack and Counterweight Brackets

Item	Part No.	Description	Qty.
1	7713GT	NUT, LP NYLOCK, 3/8-16 QS-20	2
2B	6097GT	WASHER, FLAT, USS, 3/8", Y QS-20	
3	5224GT	SCREW, HHC, 3/8-16 X 2 QS-20	
4	100809GT	CAST, CWT, MAST QS-20	
5	100913GT	FORMING, CABLE BRIDGE	1
6	6878GT	BOLT, CARRIAGE, 1/4-20 X .75, G2	
7	6091GT	NUT, NYLOCK, 1/4-20	
8	124151GT	WLDMT, CW SUPPORT, LT QS-15, QS-20 (non-steer end, ground controls side)	2
8-	124152GT	WLDMT, CW SUPPORT, RT QS-15, QS-20 (non-steer end, power unit side)	1
9B	109839GT	COUNTERWEIGHT, CAST, GR20 QS-20	2
10	7713GT	NUT, LP NYLOCK, 3/8-16	
12	100352GT	FORMING, CWT BRACKET GR-20 (non-steer end)	2
13	8177GT	SCREW, HHC, 1/2-13 X 1.5	
14	6198GT	NUT, NYLOCK, 1/2-13	
15		Ref. Battery Cables (refer to 208.1)	
16A	76502GT	BATTERY, T105 W/LPT, 3 CAP, DRY**	4
16A-	18503GT	NUT, LOCKING-LG. FLANGE, 5/16-18	
16B	105150GT	BATTERY, AGM, 6V, (TROJAN) ***	
16B-	145329GT	SPACER, QS BATTERY TRAY .75 x .375 x 6.5 inches	1
16B-	18503GT	NUT, LOCKING-LG. FLANGE, 5/16-18	
17	47569GT	HINGE, 11" X 2.5" X .44"	1
18A	107133GT	BATTERY COVER ASSY, WORDS QS-W (USA, Canada, Australia)	1
18A-	100986GT	PLATE, BATT. TRAY LATCH HANDLE	
18A-	23396GT	SPRING, CONTROL CABLE, AWP	
18A-	96699GT	SLEEVE, TANK SUPPORT (bushing)	
18C	107134GT	BATTERY COVER ASSY, SYMBOLS QS-W (Europe, Asia, South America)	1
18C-	100986GT	PLATE, BATT. TRAY LATCH HANDLE	
18C-	23396GT	SPRING, CONTROL CABLE, AWP	



204.6 Battery Pack and Counterweight Brackets



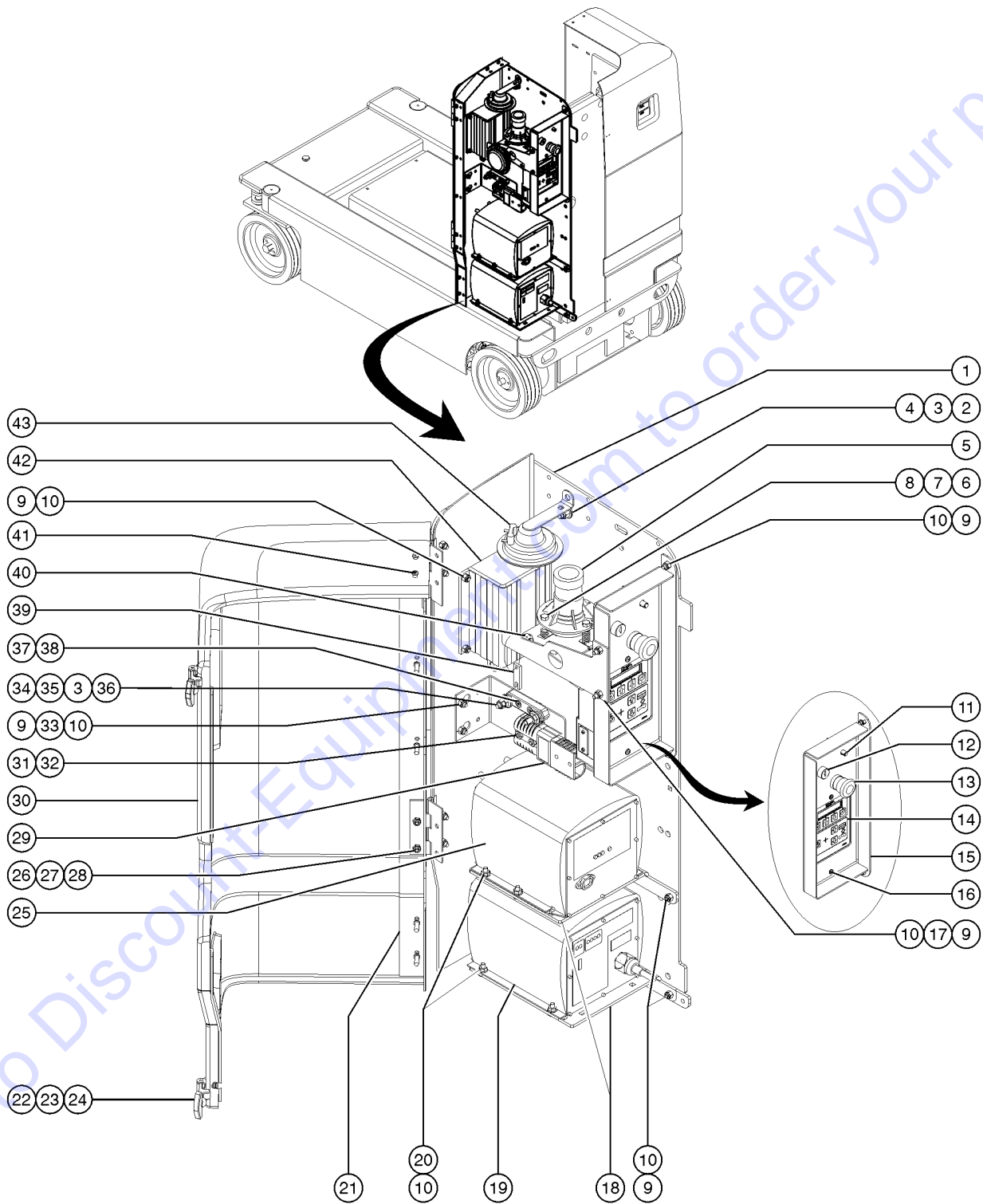
204.6 Battery Pack and Counterweight Brackets

Item	Part No.	Description	Qty.
18C-	96699GT	SLEEVE,TANK SUPPORT (bushing)	
18D	231191GT	ASSY, BATTERY COVER, EE EE option	
23	124962GT	GROMMET,RUBBER,1.0 X 1.25X1.5	

Go to Discount-Equipment.com to order your parts



205.1 Ground Control Module Components (to serial number QS14-1537)

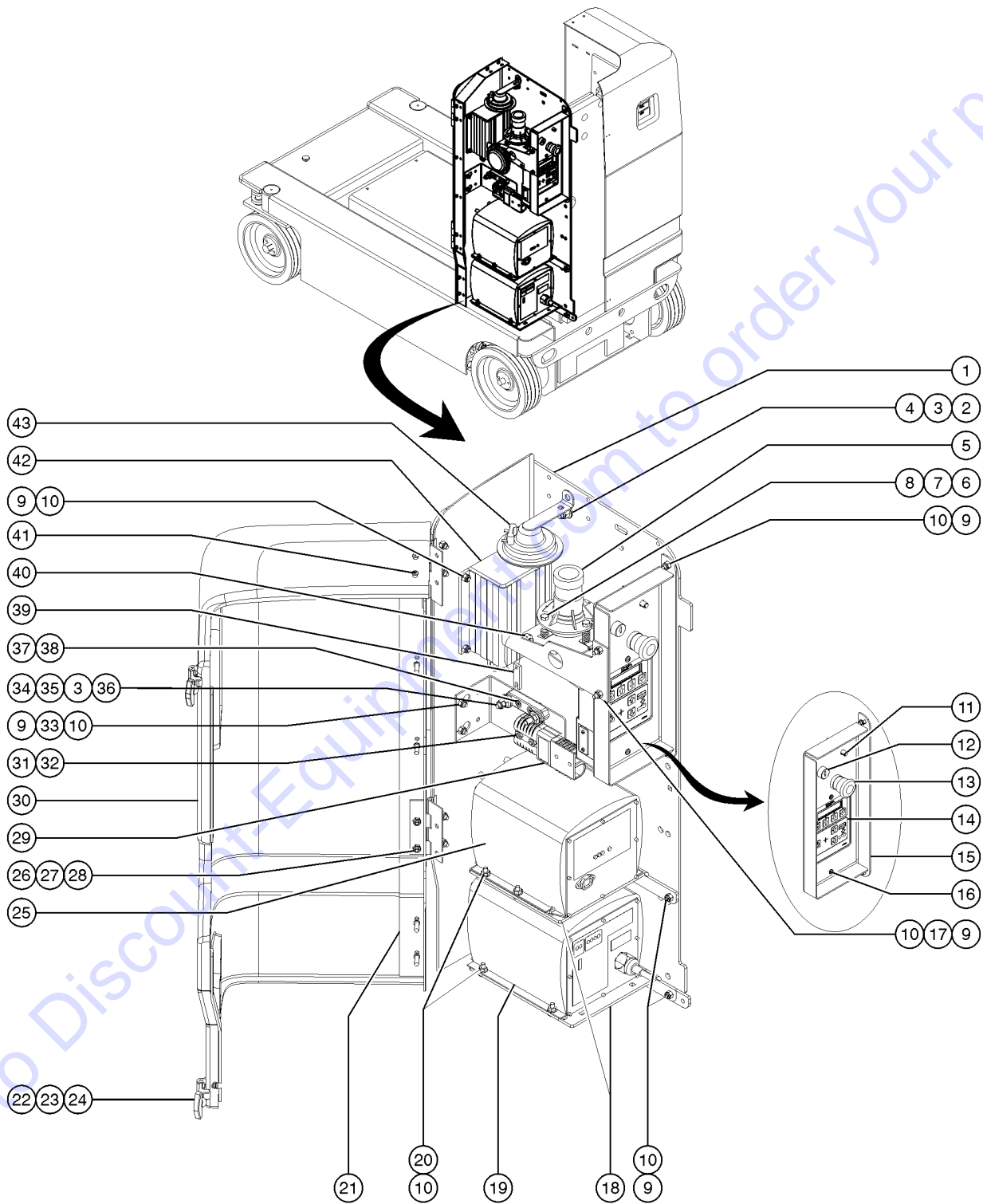


205.1 Ground Control Module Components (to serial number QS14-1537)

Item	Part No.	Description	Qty.
1	145286GT	FORMING,GROUND CONTROLS TRAY	1
2	4828GT	NUT,NYLOCK,3/8-16	
3	5397GT	WASHER,FLAT,USS,5/16",Y	
4	6175GT	SCREW,HHC,3/8-16 X 1	
5	228406GT	ASSY,LVL SNSR W/ CONNECTOR	1
5-	105142GT	LEVEL SENSOR,LS60,RED,1.5 DIA	
6	6637GT	SCREW,HHC,1/4-20 X 1.75	
7	39469GT	SPRING,COMPRESSION.485 X1.75**	
8	56912GT	SPRING CLIP,1/4-20,.025-.15X.54,ZAG	
9	6091GT	NUT,NYLOCK,1/4-20	
10	9116GT	BOLT, CARRIAGE, 1/4-20 X 1.25, G2	
11	96452GT	CIRCUIT BREAKER,7.0 AMP***	1
12	96008-SGT	KEYSWITCH,3 POS. W/KEYS***	1
12-	37947GT	KEYS,10 PACK***	
12-	83093GT	KEY SINGLE***	
12-	85239GT	NUT,RETAINER (96008)	
12-	96009GT	WASHER,NITRILE	
12-	96010GT	SCREW,PHILLIPS,PHM,8-32 X.25**	
13	66812GT	BUTTON,PUSH,RED MUSHROOM HEAD	1
13-	66817GT	BASE WITH 1 NC CONTACT, E-STOP	
13-	66818GT	CONTACT,NC	
14		Ref. GROUND CONTROL PANEL	
		(refer to 207.1)	
15A	145280GT	FORMING, CONTROL PANEL, GR	1
		to SN QSP-4636	
15B	1283227GT	FORMING, GR CONTROL PANEL,TECH PRO	1
		from SN QSP-4637	
16	77677GT	SCREW,PHILLIPS,PHM,10-24 X 1	
17	145279GT	FORMING,LEVEL SENSOR MOUNT, GR	1
18	T106788GT	FORMING, CHARGER MOUNT BRACKET	2
18-	T110723GT	FORMING, CHARGER MOUNT, GR	
		(power to platform receptacle plug option)	



205.1 Ground Control Module Components (to serial number QS14-1537)

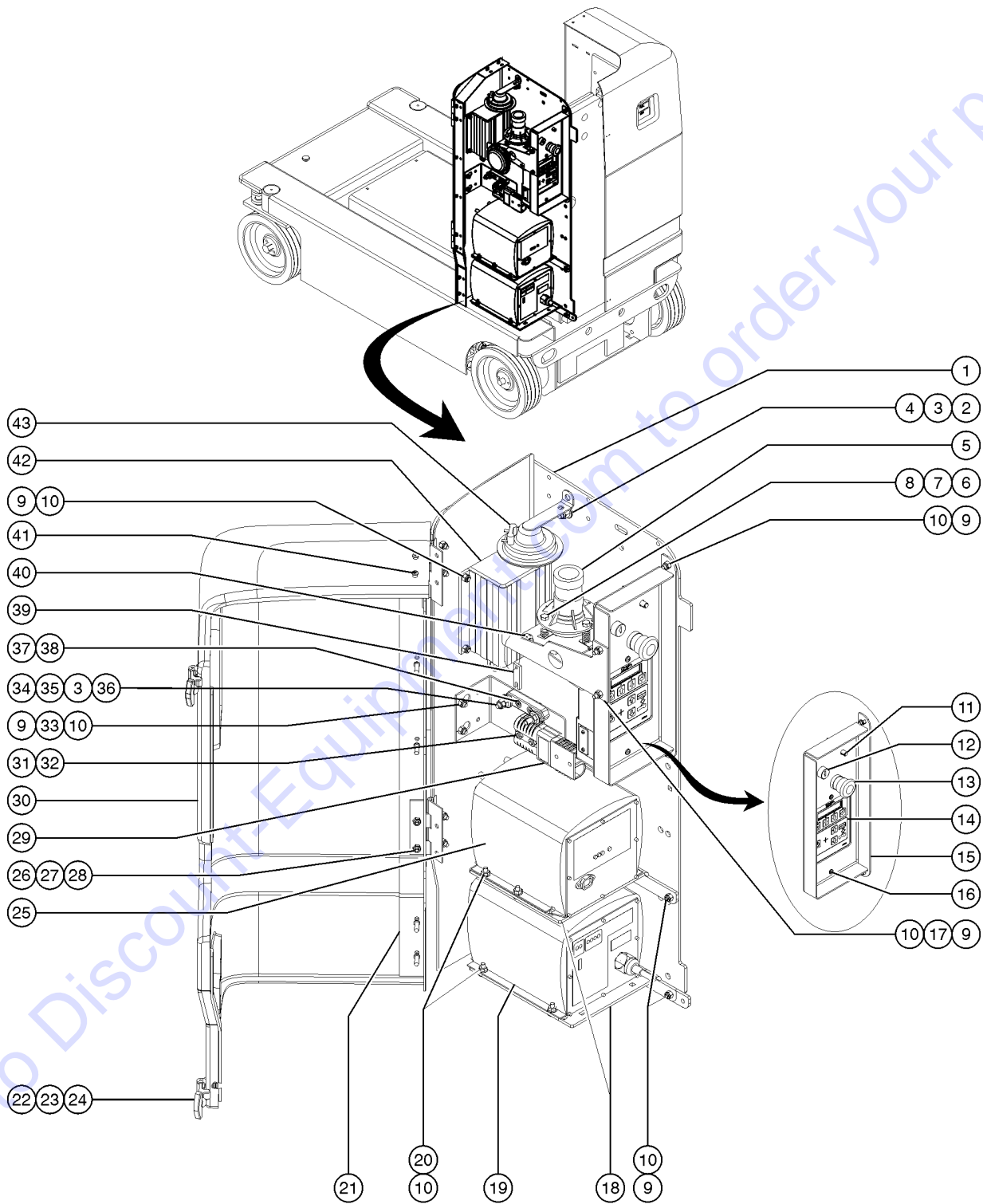


205.1 Ground Control Module Components (to serial number QS14-1537)

Item	Part No.	Description	Qty.
19	96950GT	INVERTER,24VDC,110/230 VAC***	1
20	18504GT	NUT,LOCKING-LG.FLANGE,1/4-20	
21	124232GT	WELDMENT,COVER SUP.CONT	1
22	57881GT	LATCH, RUBBER, 3-13/32 X 1-7/8	2
23	45546GT	SCREW,RHM,6-32 X .5	
24	12344GT	NUT,NYLOCK,6-32	
25		Ref. BATTERY CHARGER (refer to 208.1)	
26	6889GT	NUT,LP NYLOCK,1/4-20	
27	105573GT	HINGE,ACCESS DOOR***	2
28	43137GT	SCREW,PHM,1/4-20 X .75	
29	128135GT	TERM CONTACTS #2GA SB175 BATT	2
30	T110712GT	GRND CNTRL COVR,WORDS ANSI,EN USA and Canada models with word decals, English	1
30-	T115403GT	GRND CNTRL COVR,WORDS ANSI,FR Canada models with word decals; French	
30-	T110713GT	GRND CONTROL COVER ASSY, SYMB Europe, Asia and S. America models with symbol decals	
31	66094GT	NUT-THIN HEAVY HEX, 1/4-20	
32	8915GT	SCREW,HHC,1/4-20 X 1.25	
33	145284GT	FORMING,FUSE BRACKET	1
34	6782GT	NUT,NYLOCK,5/16-18	
35	18503GT	NUT,LOCKING-LG.FLANGE,5/16-18	
36	66717GT	FUSE BLOCK, ANN & ANL FUSE	1
37	6873GT	SCREW,FHM,10-32 X 1	
38	6178GT	NUT,NYLOCK,10-32	
39	124449GT	TILT SENSOR TEST TOOL	1
40	39540GT	ALARM,STEADY TONE*** order 72326 mounting ring separately	1
40-	72326GT	NUT - PLASTIC,RING FOR ALARMS for 39540	
41	7265GT	RIVET,STEEL,P, .25 X .375	
42A	1257203GT	KIT,MTR CNTRLR REPLACEMENT,GR% kit includes installation instructions, new motor controller (PN 823408), harness, battery cables, and new fasteners.	1



205.1 Ground Control Module Components (to serial number QS14-1537)



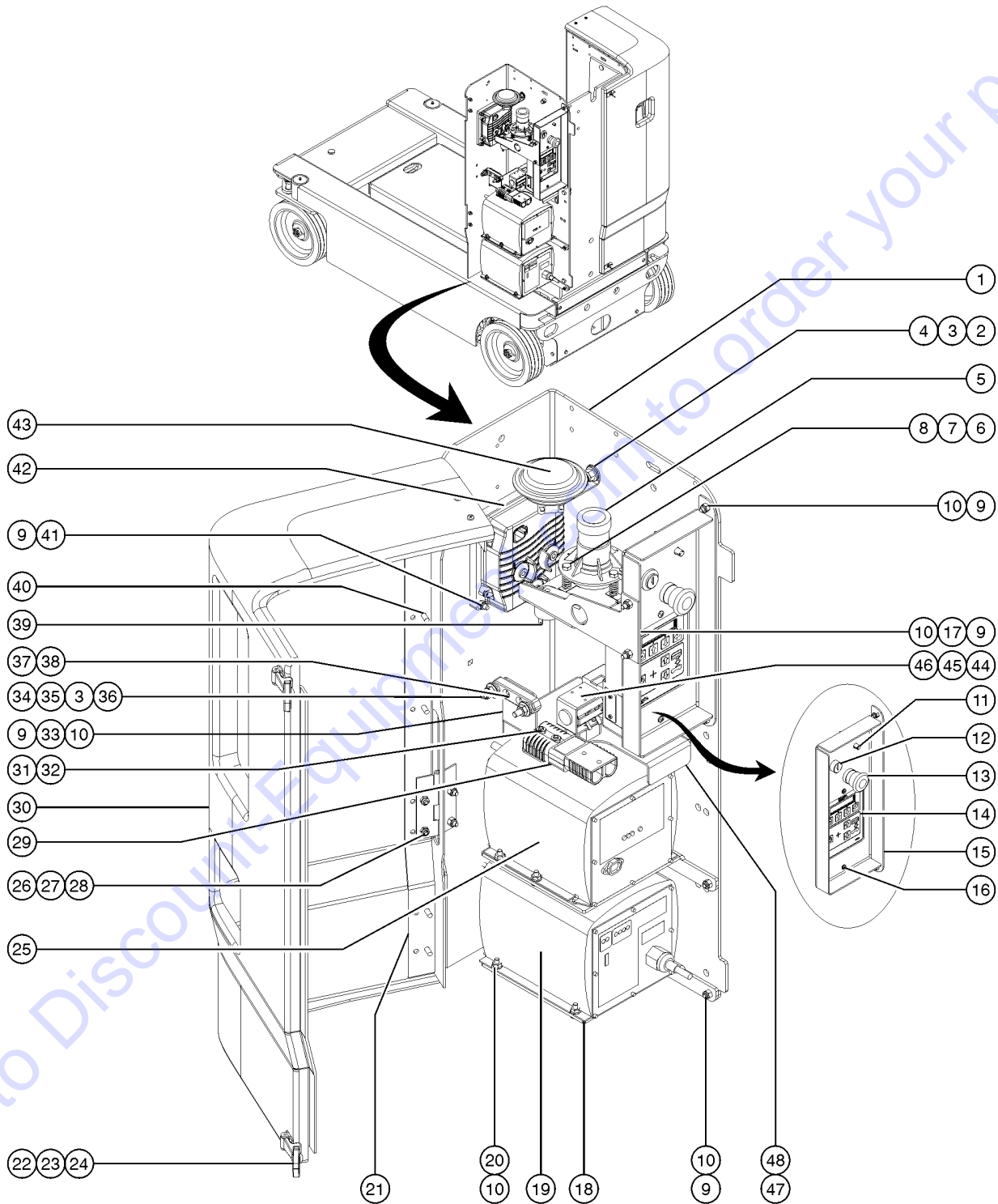
205.1 Ground Control Module Components (to serial number QS14-1537)

Item	Part No.	Description	Qty.
42B	823408GT	MOTOR CONTROLLER, DC,24V,300A motor controllers sold separately only in cases where upgrade kits are N/A or an upgrade kit has been previously installed	
42C	232580GT	HARNESS,DIODE JUMPER	
42D	232573GT	RESISTOR, 200 OHM 10 WATT	
42E	232535GT	KIT,CONTACTOR,GR All machines must have a contactor installed regardless of serial number. If no contactor is present order the this contactor kit.	
42E-	232848GT	CONTACTOR ASSY,GR	
42F	1257035GT	KIT,BATT. CABLE ASSY., GR	
43	81579GT	HORN,24VDC,SPADE TERMINALS***	1

Go to Discount-Equipment.com to order your parts



205.2 Ground Control Module Components (from serial number QS14-1538)

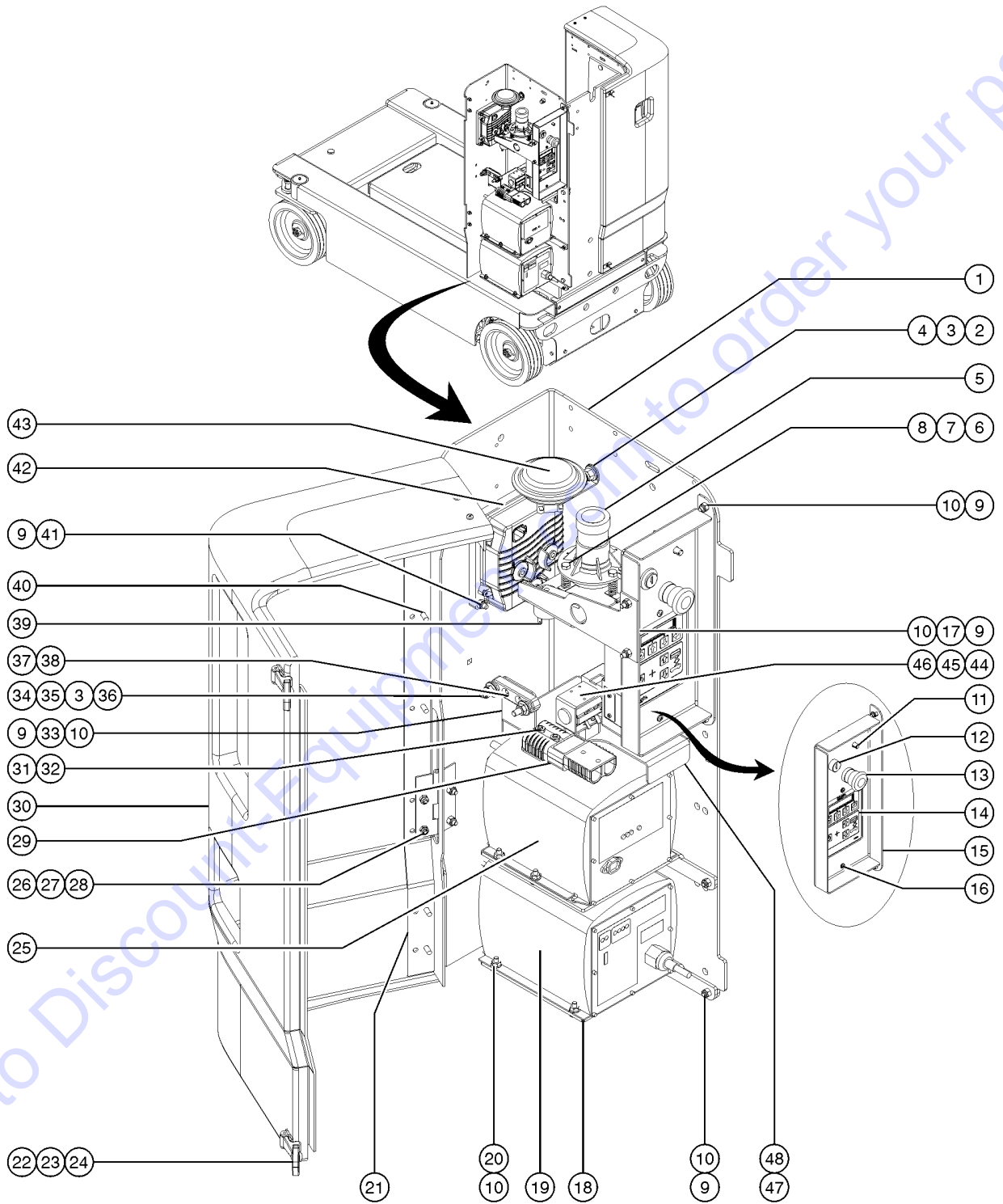


205.2 Ground Control Module Components (from serial number QS14-1538)

Item	Part No.	Description	Qty.
A	124449GT	TILT SENSOR TEST TOOL	1
B	1289561GT	BRACKET, TELEMATICS	
B	1289520GT	MODULE, TELEMATICS, ZTR, M7, NORTH AMERICA	
B	1289521GT	MODULE, TELEMATICS, ZTR, M7, EMEA/APAC	
1	145286GT	FORMING,GROUND CONTROLS TRAY	1
2	4828GT	NUT,NYLOCK,3/8-16	
3	5397GT	WASHER,FLAT,USS,5/16",Y	
4	6175GT	SCREW,HHC,3/8-16 X 1	
5	228406GT	ASSY,LVL SNSR W/ CONNECTOR	1
5-	105142GT	LEVEL SENSOR,LS60,RED,1.5 DIA	
5-	60440GT	CONN,RECEP 3 WAY, 14-18GA	
5-	60441GT	LOCK,RECEP 3 WAY,14-18GA	
6	6637GT	SCREW,HHC,1/4-20 X 1.75	
7	39469GT	SPRING,COMPRESSION.485 X1.75**	
8	56912GT	SPRING CLIP,1/4-20,.025-.15X.54,ZAG	
9	6091GT	NUT,NYLOCK,1/4-20	
10	6878GT	BOLT,CARRIAGE,1/4-20 X .75,G2	
11	96452GT	CIRCUIT BREAKER,7.0 AMP***	1
12	96008-SGT	KEYSWITCH,3 POS. W/KEYS***	1
12-	37947GT	KEYS,10 PACK***	
12-	83093GT	KEY SINGLE***	
12-	85239GT	NUT,RETAINER (96008)	
12-	96009GT	WASHER,NITRILE	
12-	96010GT	SCREW,PHILLIPS,PHM,8-32 X.25**	
13	66812GT	BUTTON,PUSH,RED MUSHROOM HEAD	1
13-	66817GT	BASE WITH 1 NC CONTACT, E-STOP	
13-	66818GT	CONTACT,NC	
14		Ref. GROUND CONTROL PANEL	
		(refer to 207.1)	



205.2 Ground Control Module Components (from serial number QS14-1538)

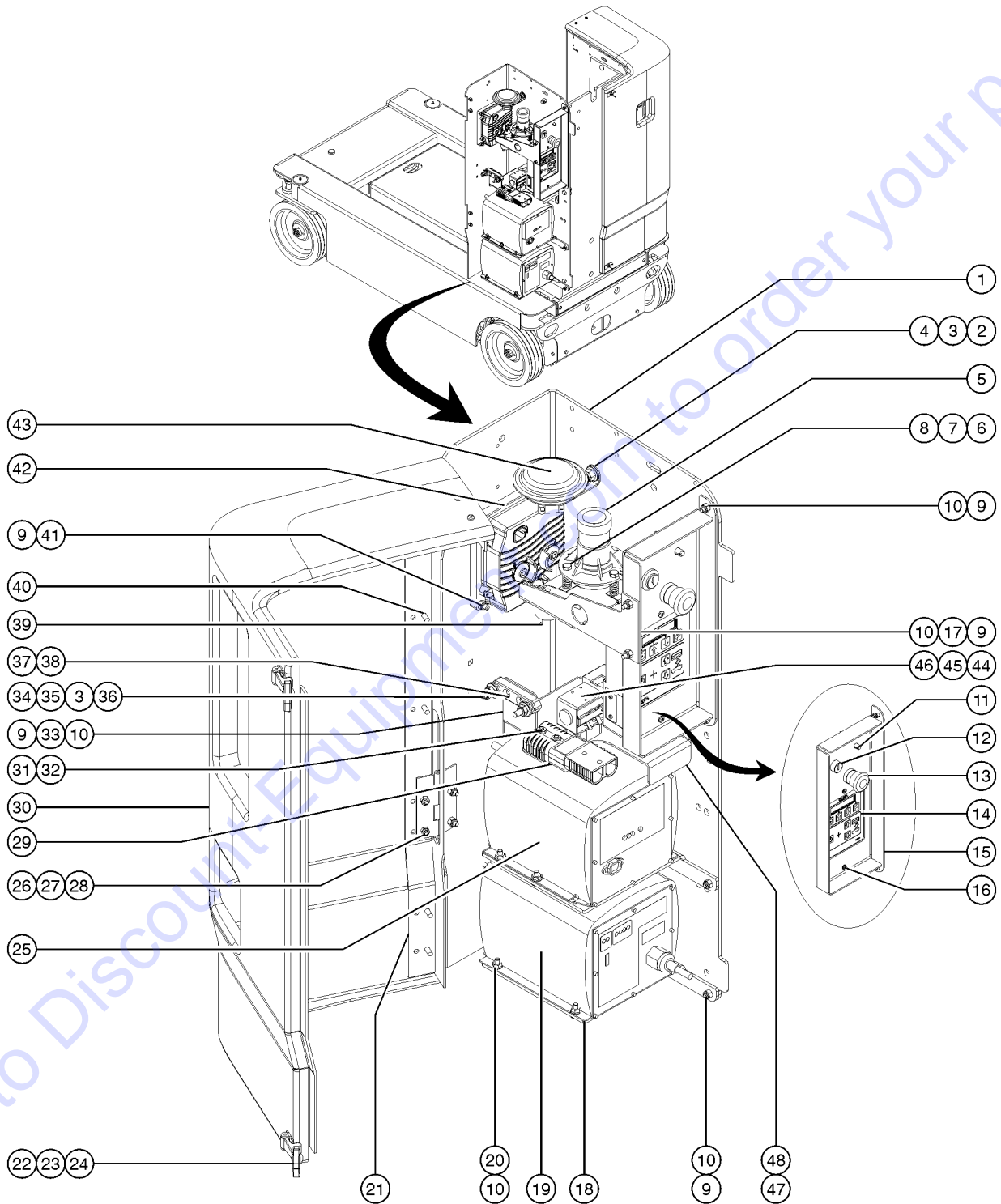


205.2 Ground Control Module Components (from serial number QS14-1538)

Item	Part No.	Description	Qty.
15	229218GT	GRND CONTROL PANEL ASSY,GR/GRC to SN QSP-4653	1
15B	1283227GT	FORMING, GR CONTROL PANEL,TECH PRO from SN QSP-4654	1
16	77677GT	SCREW,PHILLIPS,PHM,10-24 X 1	
17	145279GT	FORMING,LEVEL SENSOR MOUNT, GR	1
18A	T106788GT	FORMING, CHARGER MOUNT BRACKET	2
18A-	T110723GT	FORMING, CHARGER MOUNT, GR (power to platform recepticle plug option)	
18B	1272975GT	FORMING, CHARGER MOUNT (EE units option, from SN QS16P-2429)	
18C	1275663GT	FORMING, BATT CHARGER MOUNT (from SN QS16P-2429)	
19	96950GT	INVERTER,24VDC,110/230 VAC***	1
20	18504GT	NUT,LOCKING-LG.FLANGE,1/4-20	
21A	124232GT	WELDMENT,COVER SUP.CONT	1
21B	1278386GT	WELDMENT,COVER SUPPORT, GND CNTRL from 2469	1
22	57881GT	LATCH, RUBBER, 3-13/32 X 1-7/8	2
23	45546GT	SCREW,RHM,6-32 X .5	
24	12344GT	NUT,NYLOCK,6-32	
25		Ref. BATTERY CHARGER (refer to 208.1)	
26	6889GT	NUT,LP NYLOCK,1/4-20	
27	105573GT	HINGE,ACCESS DOOR***	2
28	43136GT	SCREW,PHM,1/4-20 X .625	4
29	19436GT	CONNECTOR,ANDERSON SB 175,1/0G	2
29-	66397GT	QUICK DISCONNECT CASING,BATT**	4
29-	128135GT	TERM CONTACTS #2GA SB175 BATT	4
30	229215GT	GRND CNTRL COVR,WORDS ANSI,EN USA and Canada models with word decals, English	1
30-	229216GT	GRND CNTRL COVR,WORDS ANSI,FR Canada models with word decals; French	
30-	229217GT	GRND CONTROL COVER ASSY, SYMB Europe, Asia and S. America models with symbol decals	
31	66094GT	NUT-THIN HEAVY HEX, 1/4-20	
32	8915GT	SCREW,HHC,1/4-20 X 1.25	
33	145284GT	FORMING,FUSE BRACKET	1



205.2 Ground Control Module Components (from serial number QS14-1538)

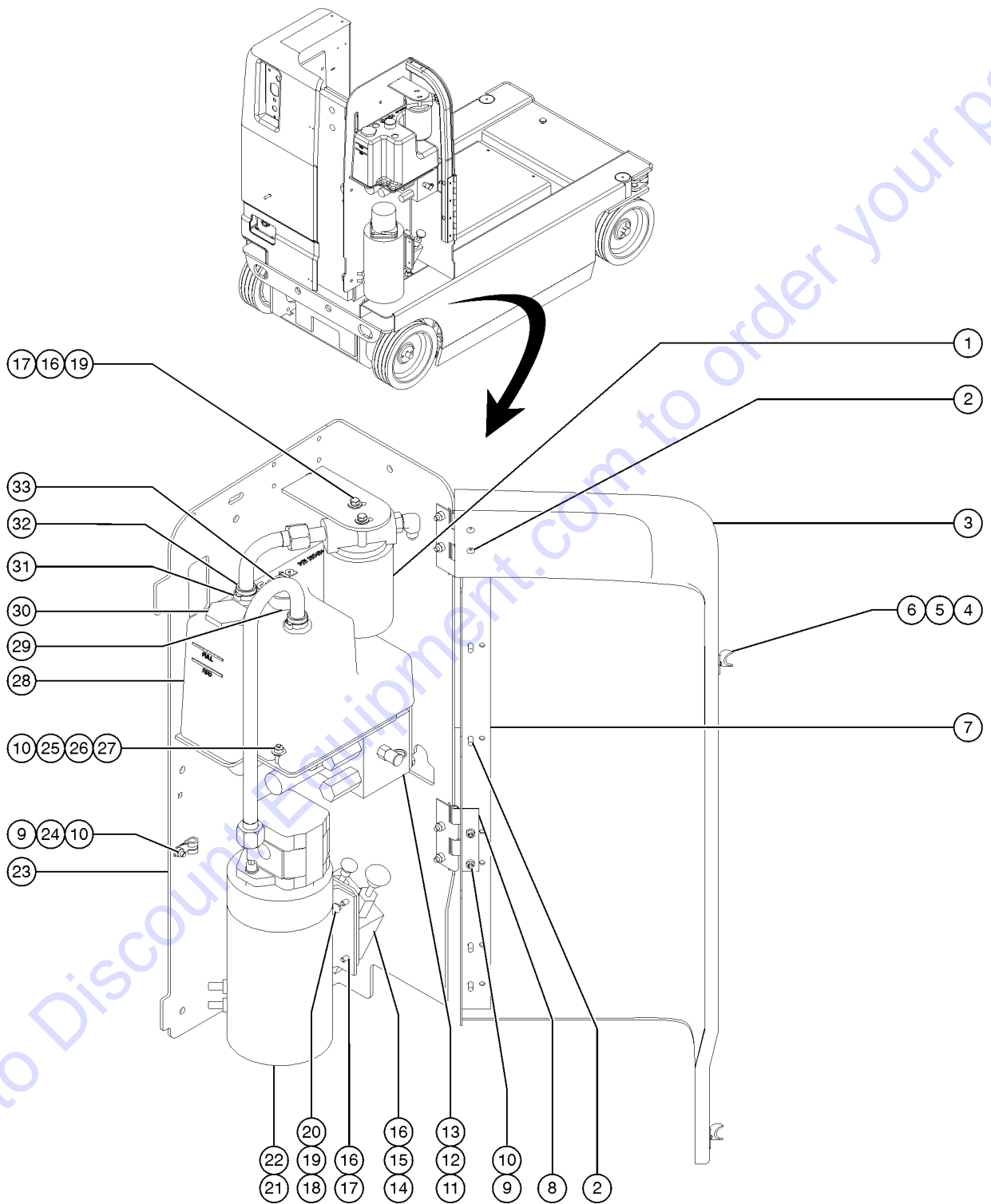


205.2 Ground Control Module Components (from serial number QS14-1538)

Item	Part No.	Description	Qty.
34	6782GT	NUT,NYLOCK,5/16-18	
35	18503GT	NUT,LOCKING-LG.FLANGE,5/16-18	
36	66717GT	FUSE BLOCK, ANN & ANL FUSE	1
37	105273GT	SCREW,HEX HD,NO SLOT,#14X.50	
38	6178GT	NUT,NYLOCK,10-32	
39	39540GT	ALARM,STEADY TONE*** (to SN QS16P-2450) (72326 plastic nut not included, order separately)	1
39A	72326GT	NUT - PLASTIC,RING FOR ALARMS for 39540	
40	7265GT	RIVET,STEEL,P, .25 X .375	
41	9116GT	BOLT, CARRIAGE, 1/4-20 X 1.25, G2	
42A	1257203GT	KIT,MTR CNTRLR REPLACEMENT,GR% kit includes installation instructions, new motor controller (PN 823408), harness, battery cables, and new fasteners.	1
42B	823408GT	MOTOR CONTROLLER, DC,24V,300A motor controllers sold separately only in cases where upgrade kits are N/A or an upgrade kit has been previously installed	
42C	232580GT	HARNESS,DIODE JUMPER	
42D	232573GT	RESISTOR, 200 OHM 10 WATT	
42E	232535GT	KIT,CONTACTOR,GR All machines must have a contactor installed regardless of serial number. If no contactor is present order the this contactor kit.	
42E-	232848GT	CONTACTOR ASSY,GR	
42F	1257035GT	KIT,BATT. CABLE ASSY., GR	
43	81579GT	HORN,24VDC,SPADE TERMINALS***	1
44	74267GT	CONTACTOR,DRIVE,24V,180A***	1
45	162273GT	SPACER,MOUNTING	1
46	49373GT	SCREW,PHILLIPS,PHM,M5X.8X25	2
47	219384GT	FORMING,GR CONTACTOR MOUNT	1
48	39540GT	ALARM,STEADY TONE*** not shown (from SN QS16P-2451) (72326 plastic nut not included, order separately)	1
48A	72326GT	NUT - PLASTIC,RING FOR ALARMS for 39540	



206.1 Power Unit Components

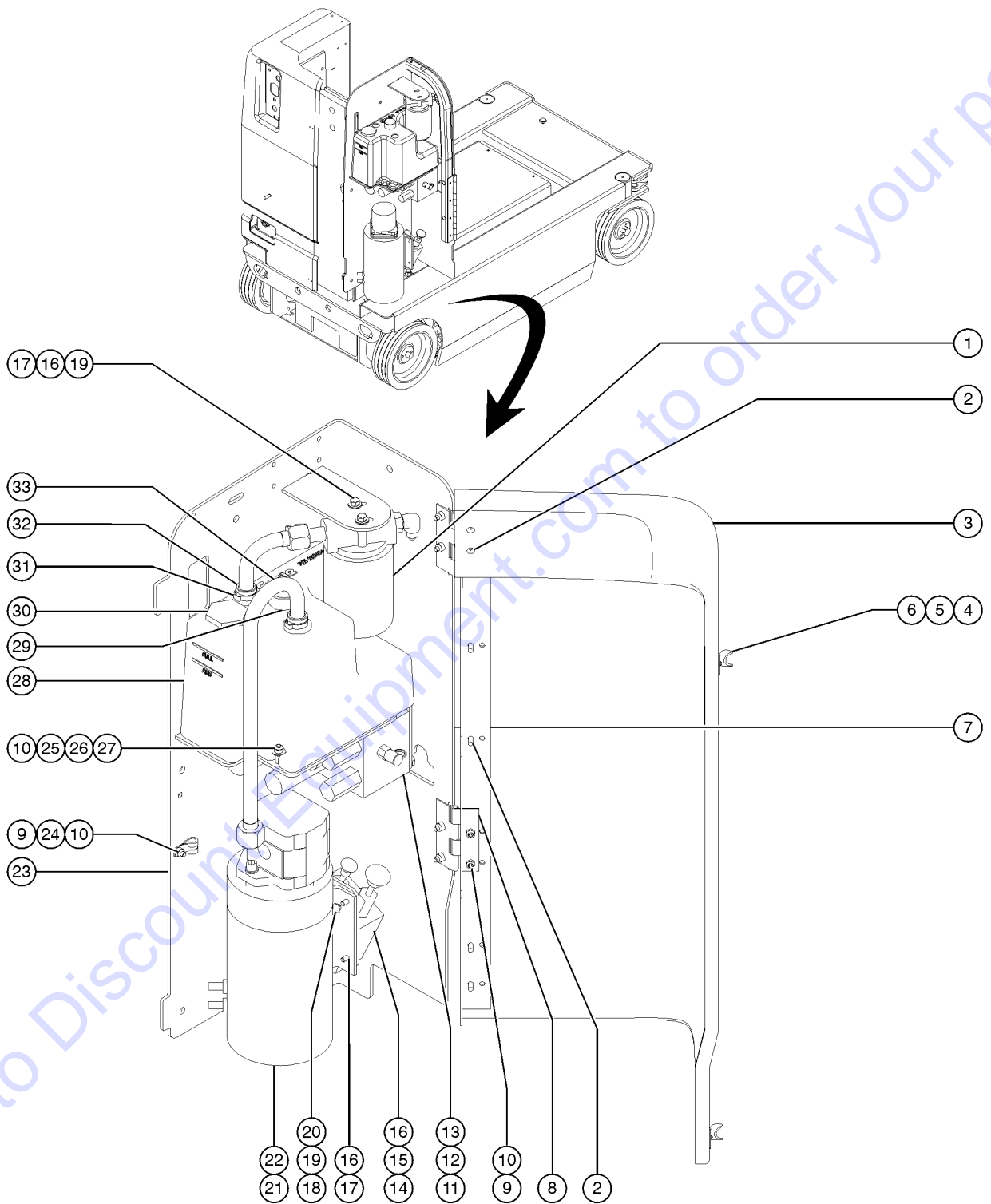


206.1 Power Unit Components

Item	Part No.	Description	Qty.
1	78622GT	FILTER ASSY,SAE8,10 MIC,PAPR**	1
1-	44207GT	FILTER ELEMENT,BETA(10)=200 (fiberglass, optional upgrade)	
1-	44788GT	FILTER ELEMENT,10MICRON,PAPER* (paper, standard)	
2	7265GT	RIVET,STEEL,P, .25 X .375	
3	T110714GT	POWER UNIT CVR ASSY, WORDS EN USA and Canada models with word decals; English (to SN QSP-5999)	1
3-	T115404GT	POWER UNIT CVR ASSY, WORDS FR Canada models with word decals; French (to SN QSP-5999)	
3-	T110715GT	POWER UNIT COVER ASSY, SYMB Europe, Asia and S. America models with symbol decals (to SN QSP-5999)	
4	57881GT	LATCH, RUBBER, 3-13/32 X 1-7/8	2
5	45546GT	SCREW,RHM,6-32 X .5	
6	12344GT	NUT,NYLOCK,6-32	
7	124233GT	WELDMENT,COVER SUP.HYD	1
8	105573GT	HINGE,ACCESS DOOR***	2
9	6878GT	BOLT,CARRIAGE,1/4-20 X .75,G2	
10	6091GT	NUT,NYLOCK,1/4-20	
11		Ref. MANIFOLD,FUNCTION (refer to 402.1)	
12	6021GT	WASHER,LOCK,.375	
13	6175GT	SCREW,HHC,3/8-16 X 1	
14		Ref. MANIFOLD,BRAKE RELEASE (refer to 403.1)	
15	6884GT	SCREW,HHC,1/4-20 X 2.5	
16	6356GT	WASHER,LOCK,.25	
17	6090GT	SCREW,HHC,1/4-20 X .75	
18	96905GT	BOLT,CARRIAGE,1/4-20 X 2.5,G2	
19	6638GT	WASHER,FLAT,USS,1/4"Y	
20	6889GT	NUT,LP NYLOCK,1/4-20	
21		Ref. Motor (refer to 401.1)	
22		Ref. Pump (refer to 401.1)	
23	161001GT	WELDMENT, HYD TRAY	1
24	124728GT	CLAMP,0.44,#7X1/4,RUB CUSH	1



206.1 Power Unit Components



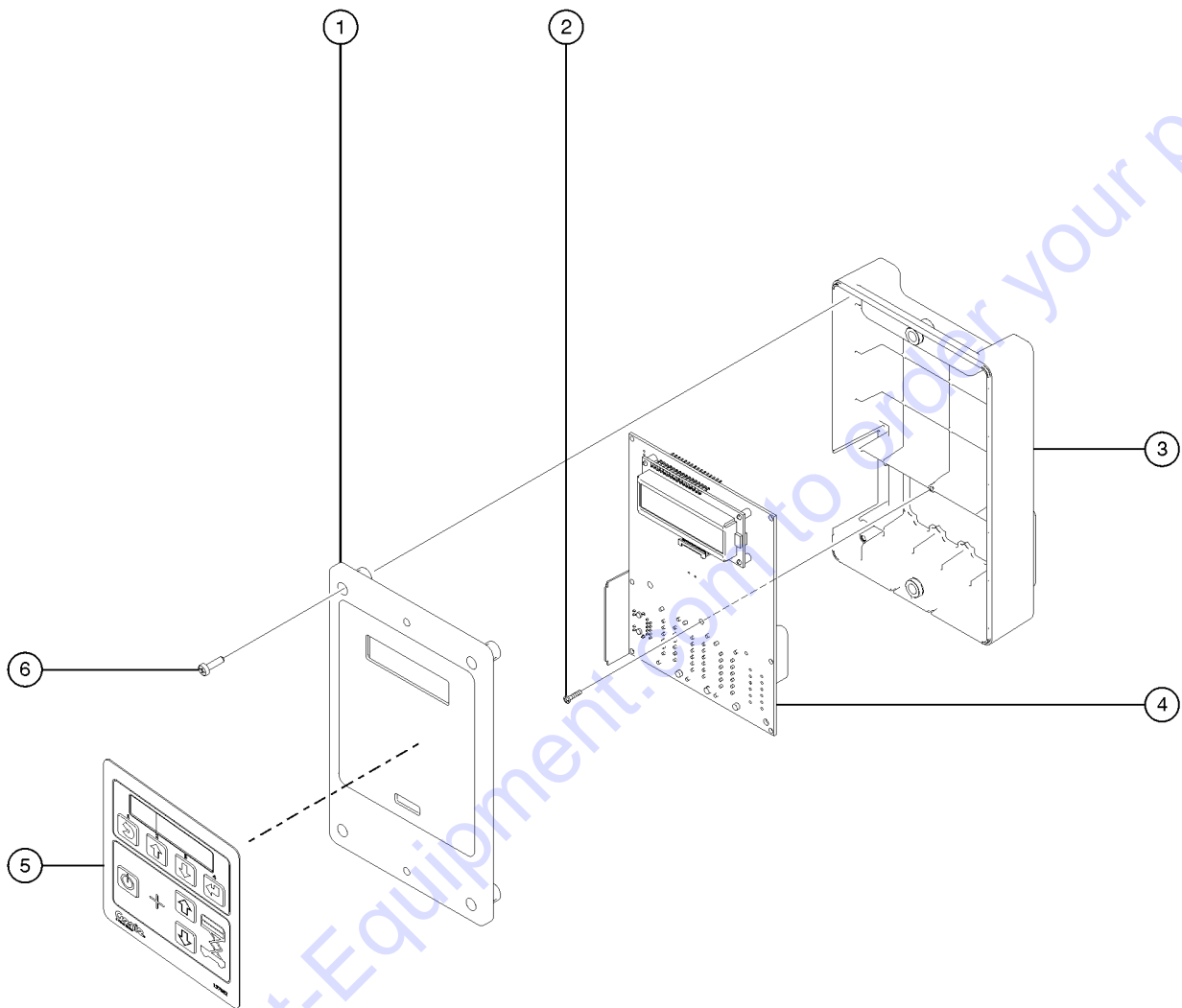
206.1 Power Unit Components

Item	Part No.	Description	Qty.
25	6638GT	WASHER,FLAT,USS,1/4"Y	
26	96699GT	SLEEVE,TANK SUPPORT	2
27	9116GT	BOLT, CARRIAGE, 1/4-20 X 1.25, G2	
28	100484GT	HYD. TANK, POLYETHELENE	1
29	78546GT	BREATHER CAP,HYD. TANK,1/4 NPT	1
30	66204GT	PLUG, 1-1/2" NPT HEX HEAD	
31	96855GT	CLAMP,HOSE,1 EAR,1-1/16***	
32	96709GT	GROMMET,SLAB HYD TANK***	
33	100510GT	TUBE ASSY, DRAW	1

Go to Discount-Equipment.com to order your parts



207.1 Ground Control Panel



Go to Discount-Equipment.com to order your parts

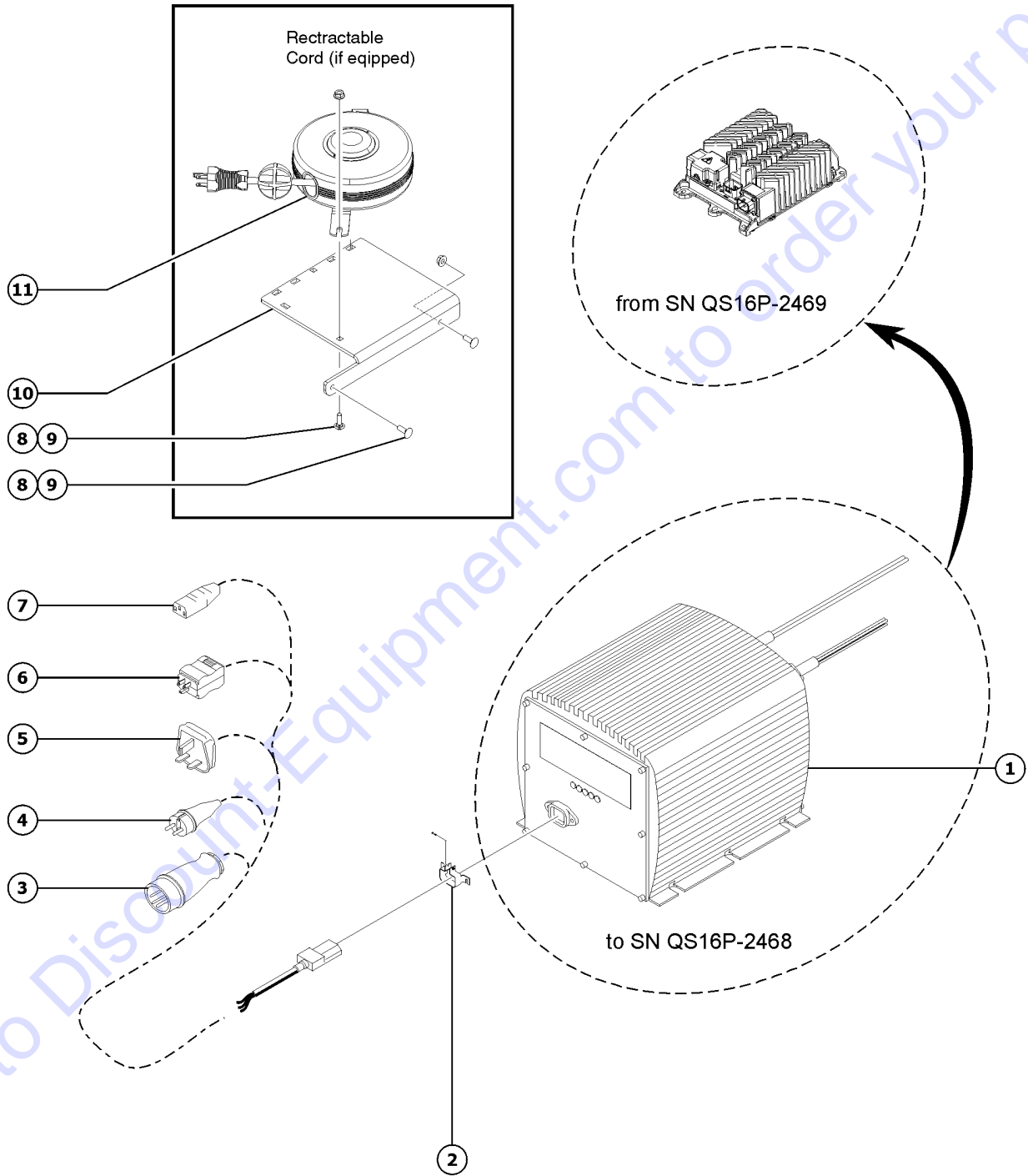
207.1 Ground Control Panel

Item	Part No.	Description	Qty.
A	137692GT	GCON, GR/GRC/GS Complete (models with 2 speed controller) to SN 1999	1
A-	137673GT	LABEL, SERIAL, GC21-19	1
B	1256721GT	GCON,STD,PROP LIFT. (models with proportional speed controller) to SN QSP-5999	1
C	1284285GT	GCON,STD,DUAL ZONE from SN QSP-6000	1
1	T106366GT	ENCLOSURE,GC27-25/GC21-19,FRNT	1
2	137637GT	SCREW,PHM,4-20X.5, 48-2 TRI-L	
3	T106372GT	ENCLOSURE, GC21-19, BK	1
4	137604GT	PCBA, GC21-19 Complete (models with 2 speed controller) to SN 1999	1
4A-	T106362GT	COVER, RJ45, GC27-25/GC21-19 replaced 137584	
4B	1256719GT	PCBA,GCON STD,PROP LIFT (models with proportional speed controller) to SN QSP-5999	1
4C	1284287GT	PCBA,GCON,STD,DUAL ZONE from SN QSP-6000	1
5	137562GT	DECAL,MEMBRANE, GR/GRC/GS GCON	1
6	137668GT	SCREW,PHM,6-19X.75, 48-2 TRI-L	

Go to Discount-Equipment.com to order your parts



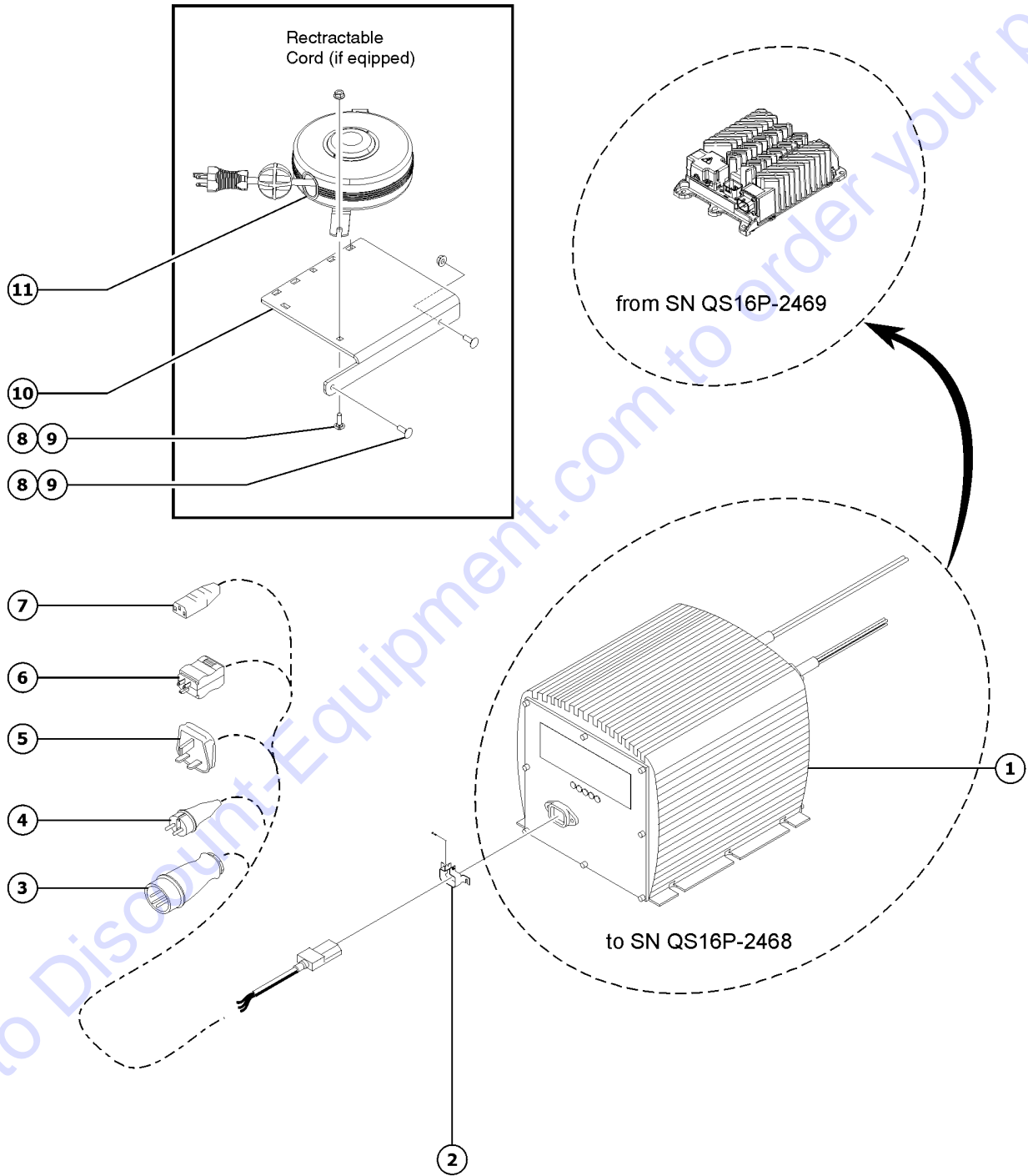
208.1 Battery Charger



Item	Part No.	Description	Qty.
A	144161GT	PLUG,PWR,UK,16AMP,3PIN,BLK	
B	25388GT	PLUG,FUSED,250V,13AMP,U.K.**	
C	6595GT	PLUG,ELECTRICAL,DOMESTIC	
D	1280665GT	PLUG, TYPE F, 230A, 50HZ, 16A, IP44	
E	97059GT	FUSE,BATTERY CHARGER***	
F	1278183GT	CABLE ASSY,CHARGER,US110 includes US 110V plug (from SN QS16P-2469)	
F	1278187GT	CABLE ASSY,CHARGER,UNTERM without plug (from SN QS16P-2469)	
G	139318GT	BUSHING,STRAIN RELIEF, .875/.30 from SN QS16P-2469	
1	105739GT	CHARGER,BAT,24VDC,H/LO GEN2 to SN QS16P-2468	1
1-	105334GT	CONNECTOR, IEC CHARGER CORD	
1-	144180GT	MANUAL,OWNERS,CHARGER,105739	
1-	219480GT	KIT,BATTERY CHARGER,24V (includes 105739 charger, fasteners, ring terminals and instructions for field installation)	
1B	1278188GT	KIT,650W CHARGER,FLA,GR for standard 'flooded' batteries (to SN 2468)	
1B	1278189GT	KIT,650W CHARGER,AGM,GR for AGM 'maintenance-free' batteries (to SN 2468)	
1B	1278705GT	KIT,650W CHARGER,FLA,GR,EE EE Rated - for standard 'flooded' batteries (to SN 2468)	
1B	1278706GT	KIT,650W CHARGER,AGM,GR,EE EE Rated - for AGM 'maintenance-free' batteries (to SN 2468)	
1B-	1264372GT	CHARGER,24V,650W,USB for 1278188, 1278189, 1278705, 1278706; charge cord is not included	
1B-	1278191GT	HARNESS,CHARGER INTERLOCK for 1264372	
1C	1264372GT	CHARGER,24V,650W,USB	1
		from SN QS16P-2469	
1C-	1273576GT	CABLE ASSY,CHARGER/BATTERY for standard 'flooded' batteries	
1C-	1272844GT	CABLE,CHARGER, DC, W/ BTS for AGM 'maintenance free' batteries	
1C-	1279428GT	KIT,DC BLOCK ASSEMBLY	
1C-	1278183GT	CABLE ASSY,CHARGER,US110 power supply cord (ANSI/CSA models)	
1C-	1278187GT	CABLE ASSY,CHARGER,UNTERM power supply cord; wall terminal not included, order separately	
2	55010GT	LOCK, CONNECTOR	1
		to SN QS16P-2468	
3	71706GT	POWER CORD, UK 110, 115"	1
		to SN QS16P-2468	
3B	1278184GT	CABLE ASSY,CHARGER,UK110V for 1264372	
4	55019GT	POWER CORD,NOVON, 8"	1
		to SN QS16P-2468	



208.1 Battery Charger



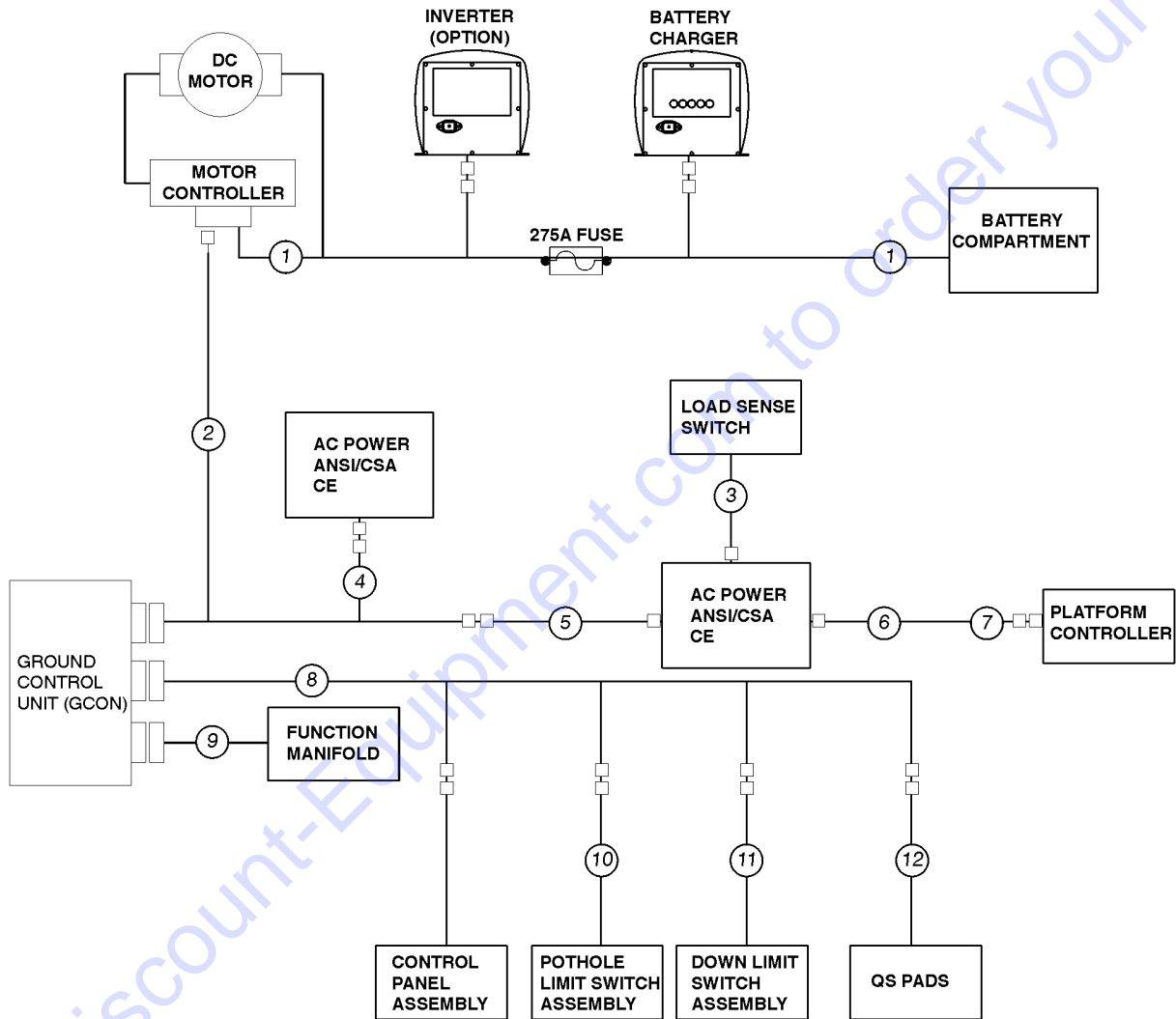
208.1 Battery Charger

Item	Part No.	Description	Qty.
4B	1278186GT	CABLE ASSY,CHARGER,NOVON for 1264372	
5	55018GT	POWER CORD,UK-HIGH VOLTAGE, 8" to SN QS16P-2468	1
5B	1278185GT	CABLE ASSY,CHARGER,UK220V for 1264372	
6	55021GT	POWER CORD,US 110, 8" to SN QS16P-2468	1
6B	1278183GT	CABLE ASSY,CHARGER,US110 for 1264372	
7	48282GT	POWER CORD, IEC 320 BLANK, 79" to SN QS16P-2468	1
7B	1278187GT	CABLE ASSY,CHARGER,UNTERM for 1264372	
8	6878GT	BOLT,CARRIAGE,1/4-20 X .75,G2 to SN QS16P-2468	4
9	18504GT	NUT,LOCKING-LG.FLANGE,1/4-20 to SN QS16P-2468	4
10A	T106788GT	FORMING, CHARGER MOUNT BRACKET to SN QS16P-2468	1
10B	1272975GT	FORMING, CHARGER MOUNT from SN QS16P-2469	1
11	218073GT	CORD REEL,SPRING REWIND to SN QS16P-2468	1

Go to Discount-Equipment.com to order your parts

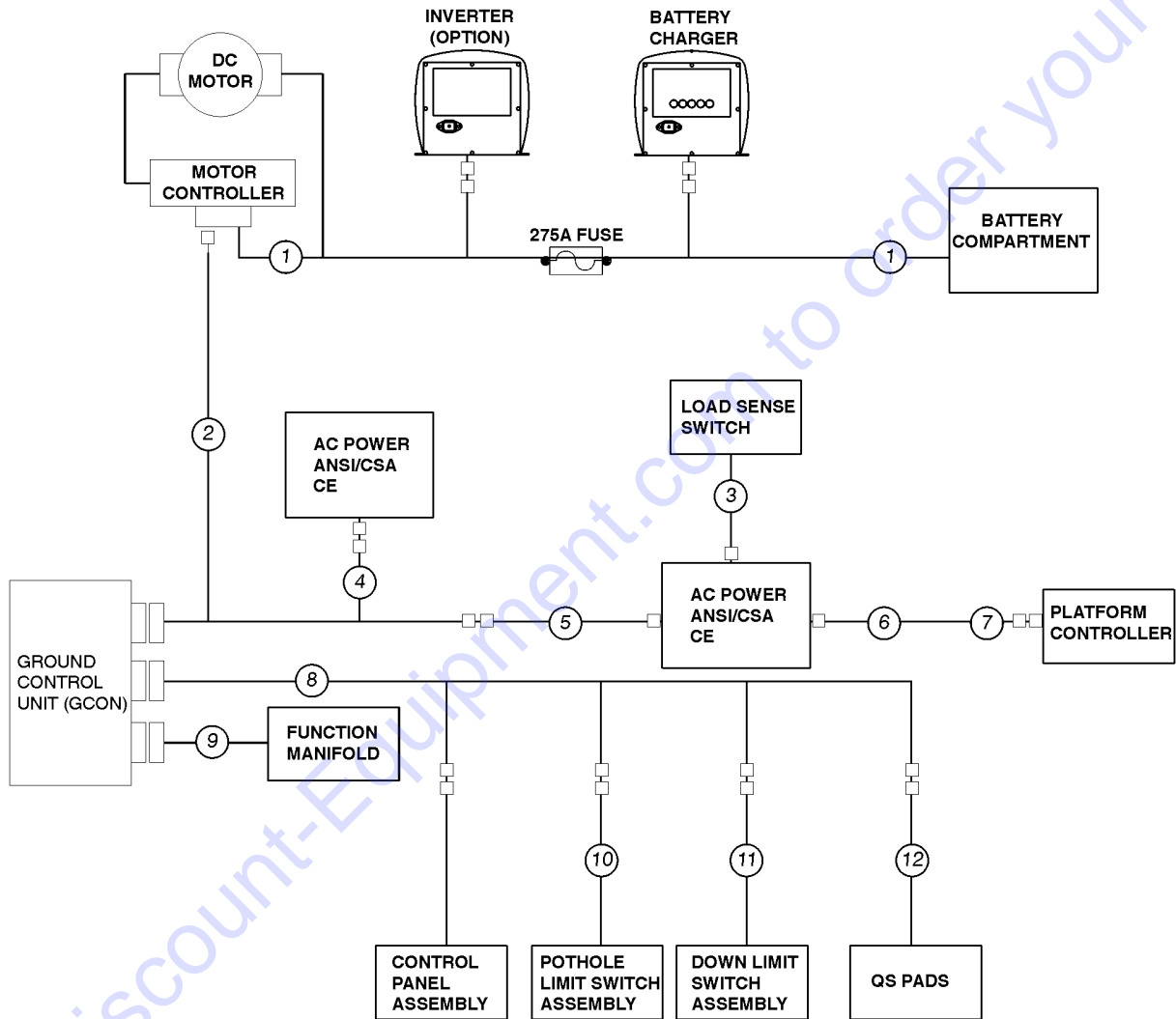


209.1 Electrical Wiring (to SN QS14-1550)



Item	Part No.	Description	Qty.
1	100801GT	BATTERY CABLE ASSY, GR to SN 1550	1
2	137608GT	HARNESS, GR POWER CONTROL	1
3	137726GT	SWITCH ASSY, LIMIT, LOAD SENSE	1
		models with load sense	
4	T107890GT	POWER CABLE, GR BASE, DOMESTIC	1
		ANSI & CSA	
4-	T107891GT	POWER CABLE,GR BASE,INTRNATION	
		CE & AUS	
5A	137761GT	HARNESS, GR-12 MAST ANSI	1
		QS-12R & QS-12W; ANSI & CSA	
5A-	137762GT	HARNESS, GR-15 MAST ANSI	
		QS-15R & QS-15W; ANSI & CSA	
5A-	137763GT	HARNESS, GR-20 MAST ANSI	
		QS-20R & QS-20W; ANSI & CSA	
5B	137737GT	HARNESS, GR-12 MAST CE	1
		QS-12R & QS-12W; CE & AUS	
5B-	137727GT	HARNESS, GR-15 MAST CE	
		QS-15R & QS-15W; CE & AUS	
5B-	137763GT	HARNESS, GR-20 MAST ANSI	
		QS-20R & QS-20W; CE & AUS	
6	137729GT	ASSY, DOM J-BOX, PLAT GR	1
		ANSI & CSA	
6-	137732GT	ASSY, CE J-BOX, GR	
		CE & AUS	
7	137730GT	WIRE ASSY, PLAT, QS	1
8	137755GT	HARNESS, GR, SW SNSRS W/O LS	
		QS-W without load sense	
8-	137609GT	HARNESS,GR, SW SNSRS W/ LS	1
		QS-W with load sense	
8-	137758GT	HARNESS, GR SW SNSRS QS	
		QS-R without load sense	
8-	T114166GT	HARNESS, QS SW SNSRS, W/LS	
		QS-R with load sense	
9	137607GT	HARNESS, GR FUNCTION MANIFOLD	1
		to SN 1550	
9-	87747GT	CONN, RECEP 8 WAY BLK, 1 BUSS	
		to SN 25914	
10	T107892GT	ASSY, POTHOLE HARNESS, GR	1
11	137728GT	WIRE ASSY, DOWN LIMIT SW.	1
12	137760GT	HARNESS, GR QS PAD EXT	
		QS-W	
12A	145334GT	CABLE, EXT, M-FM M8, 60IN	3

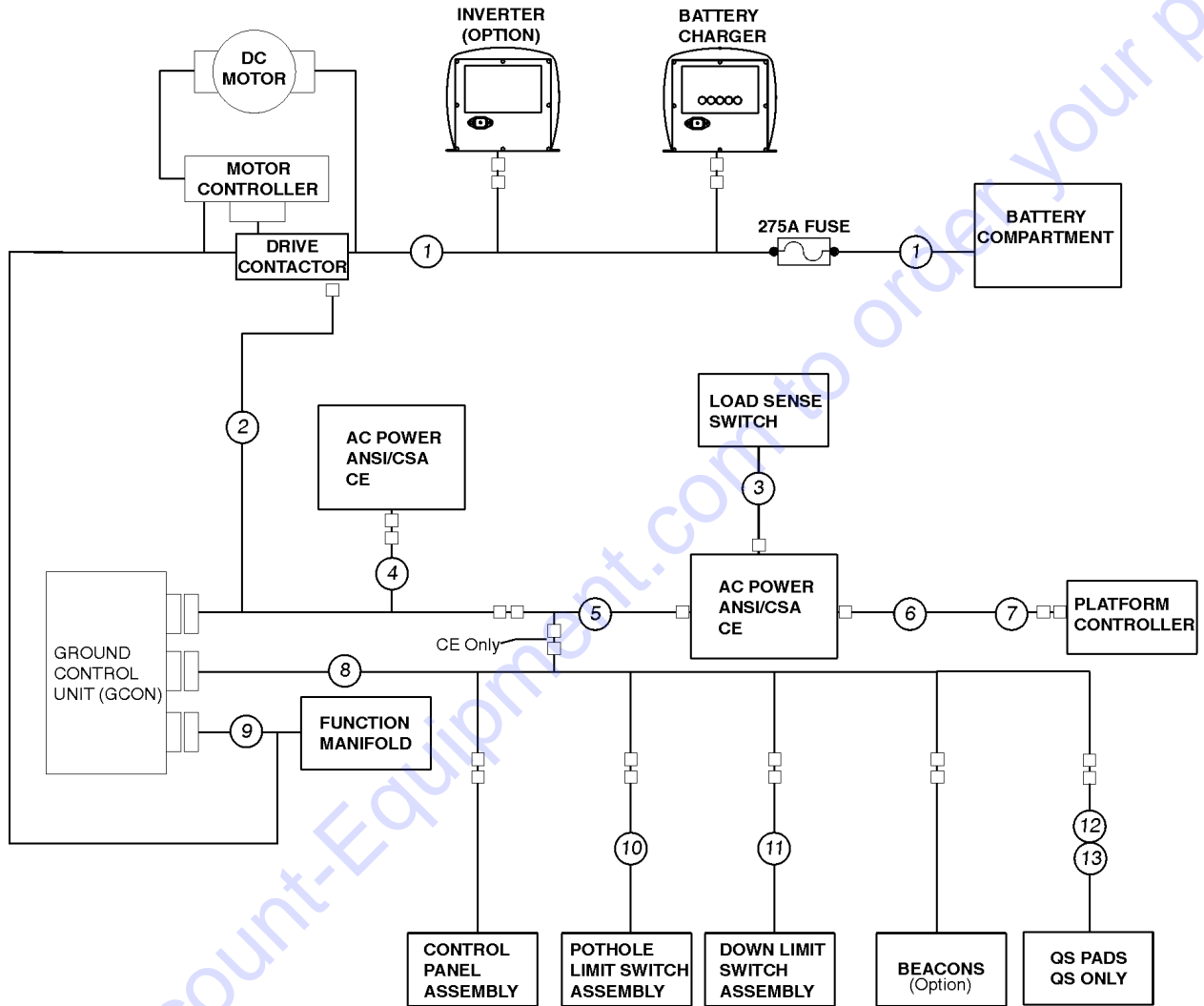
209.2 Electrical Wiring (to SN QS14-1550)



Item	Part No.	Description	Qty.
1	100801GT	BATTERY CABLE ASSY, GR to SN 1550	1
2	137608GT	HARNESS, GR POWER CONTROL	1
3	137726GT	SWITCH ASSY, LIMIT, LOAD SENSE	1
		models with load sense	
4	T107890GT	POWER CABLE, GR BASE, DOMESTIC	1
		ANSI & CSA	
4-	T107891GT	POWER CABLE,GR BASE,INTRNATION	
		CE & AUS	
5A	137761GT	HARNESS, GR-12 MAST ANSI	1
		QS-12R & QS-12W; ANSI & CSA	
5A-	137762GT	HARNESS, GR-15 MAST ANSI	
		QS-15R & QS-15W; ANSI & CSA	
5A-	137763GT	HARNESS, GR-20 MAST ANSI	
		QS-20R & QS-20W; ANSI & CSA	
5B	137737GT	HARNESS, GR-12 MAST CE	1
		QS-12R & QS-12W; CE & AUS	
5B-	137727GT	HARNESS, GR-15 MAST CE	
		QS-15R & QS-15W; CE & AUS	
5B-	137763GT	HARNESS, GR-20 MAST ANSI	
		QS-20R & QS-20W; CE & AUS	
6	137729GT	ASSY, DOM J-BOX, PLAT GR	1
		ANSI & CSA	
6-	137732GT	ASSY, CE J-BOX, GR	
		CE & AUS	
7	137730GT	WIRE ASSY, PLAT, QS	1
8	137755GT	HARNESS, GR, SW SNSRS W/O LS	
		QS-W without load sense	
8-	137609GT	HARNESS,GR, SW SNSRS W/ LS	1
		QS-W with load sense	
8-	137758GT	HARNESS, GR SW SNSRS QS	
		QS-R without load sense	
8-	T114166GT	HARNESS,QS SW SNSRS,W/LS	
		QS-R with load sense	
9	137607GT	HARNESS, GR FUNCTION MANIFOLD	1
10	T107892GT	ASSY, POTHOLE HARNESS, GR	1
11	137728GT	WIRE ASSY, DOWN LIMIT SW.	1
12	137760GT	HARNESS, GR QS PAD EXT	
		QS-W	
12A	145334GT	CABLE,EXT,M-FM M8,60IN	3



210.1 Electrical Wiring (from SN QS14-1551 to SN QSP-5999)

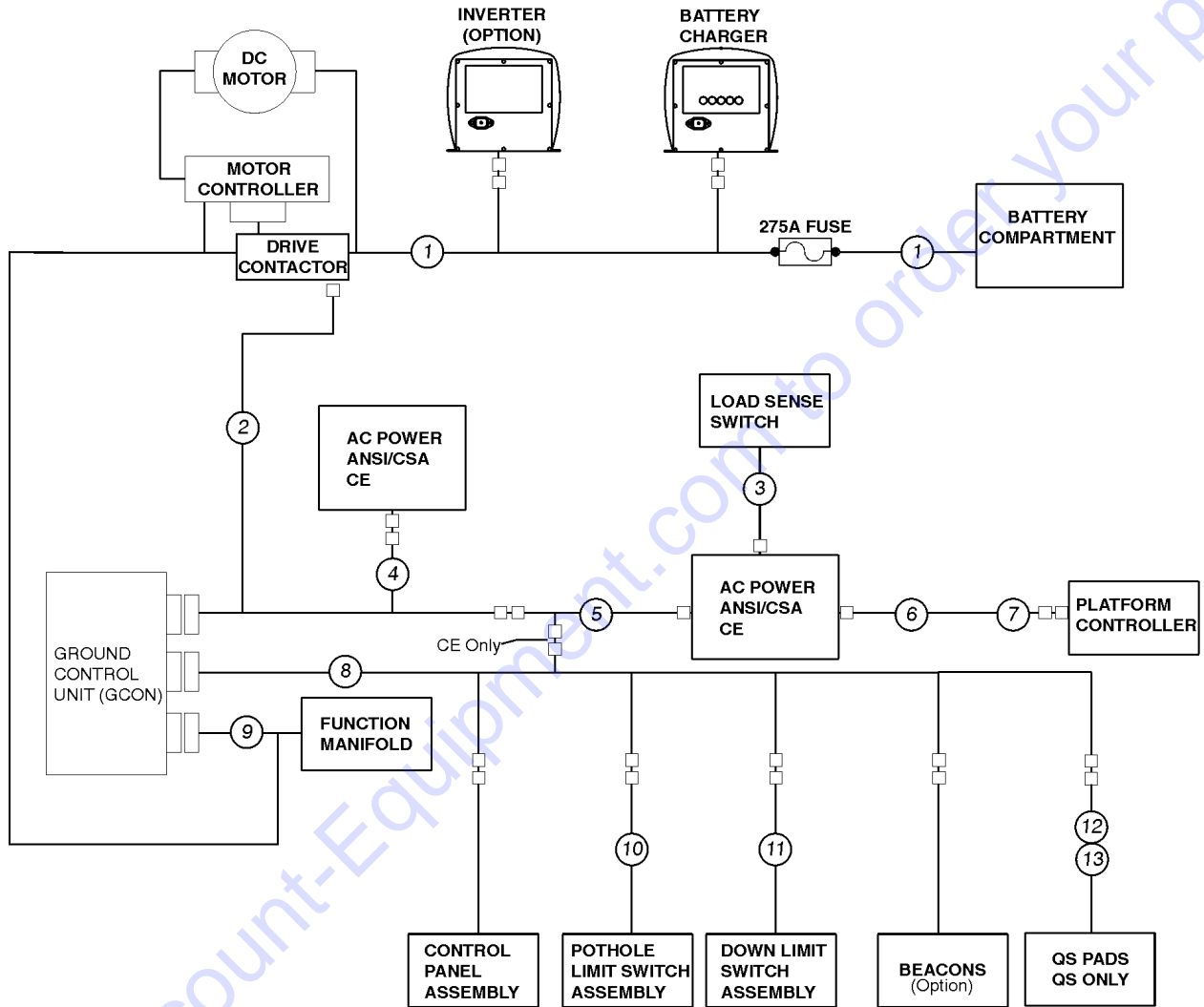


210.1 Electrical Wiring (from SN QS14-1551 to SN QSP-5999)

Item	Part No.	Description	Qty.
-	109758GT	HARNESS, REC PLUG	
1	826935GT	BATTERY CABLE ASSY, GR complete cable kit (9 cables)	1
1B	1292446GT	CABLE ASSY,BAT1+ TO BAT2-,RED	2
1B	1292447GT	CABLE ASSY,BAT2+ TO BAT3-,RED	1
1B	1292448GT	CABLE ASSY,BAT POS TO FUSE,RED	1
1B	1292449GT	CABLE ASSY,BAT NEG/FUSE TO PLUG	1
1B	1292450GT	CABLE ASSY,CONTACTOR TO MC+,RED	1
1B	1292451GT	CABLE ASSY,MTR CNTLR TO MOTOR,RED	1
1B	1292452GT	CABLE ASSY,MTR CNTLR TO MOTOR,BLK	1
1B	1292453GT	CABLE ASSY,PLUG TO MTR CNTLR	1
2	137608GT	HARNESS, GR POWER CONTROL	1
3	137726GT	SWITCH ASSY, LIMIT, LOAD SENSE	1
4	T107890GT	POWER CABLE, GR BASE, DOMESTIC ANSI	1
4-	T107891GT	POWER CABLE,GR BASE,INTRNATION CE	
5A	137761GT	HARNESS, GR-12 MAST ANSI for QS-12, ANSI	1
5A-	137737GT	HARNESS, GR-12 MAST CE for QS-12, CE	
5B	137762GT	HARNESS, GR-15 MAST ANSI for QS-15, ANSI	1
5B-	137727GT	HARNESS, GR-15 MAST CE for QS-15, CE	
5C	137763GT	HARNESS, GR-20 MAST ANSI for QS-20, ANSI	1
5C-	137738GT	HARNESS, GR-20 MAST CE for QS-20,CE	
6	137729GT	ASSY, DOM J-BOX, PLAT GR ANSI	1
6-	137732GT	ASSY, CE J-BOX, GR CE	
7	137731GT	WIRE ASSY, STD/EXT PLAT. GR	1
8	1263396GT	HARNESS, GR SW SNSRS QS W/O LS (QSR - ANSI)	1
8-	1263399GT	HARNESS, GR SW SNSRS QS W/LS (QSR - CE)	
8B	1263397GT	HARNESS, GR/GRC SW SNSRS (QSW - ANSI)	
8B-	1263398GT	HARNESS, GR/GRC SW SNSRS W/LS (QSW - CE)	
9	1251910GT	HARNESS, GR FUNC. MANIFOLD	



210.1 Electrical Wiring (from SN QS14-1551 to SN QSP-5999)



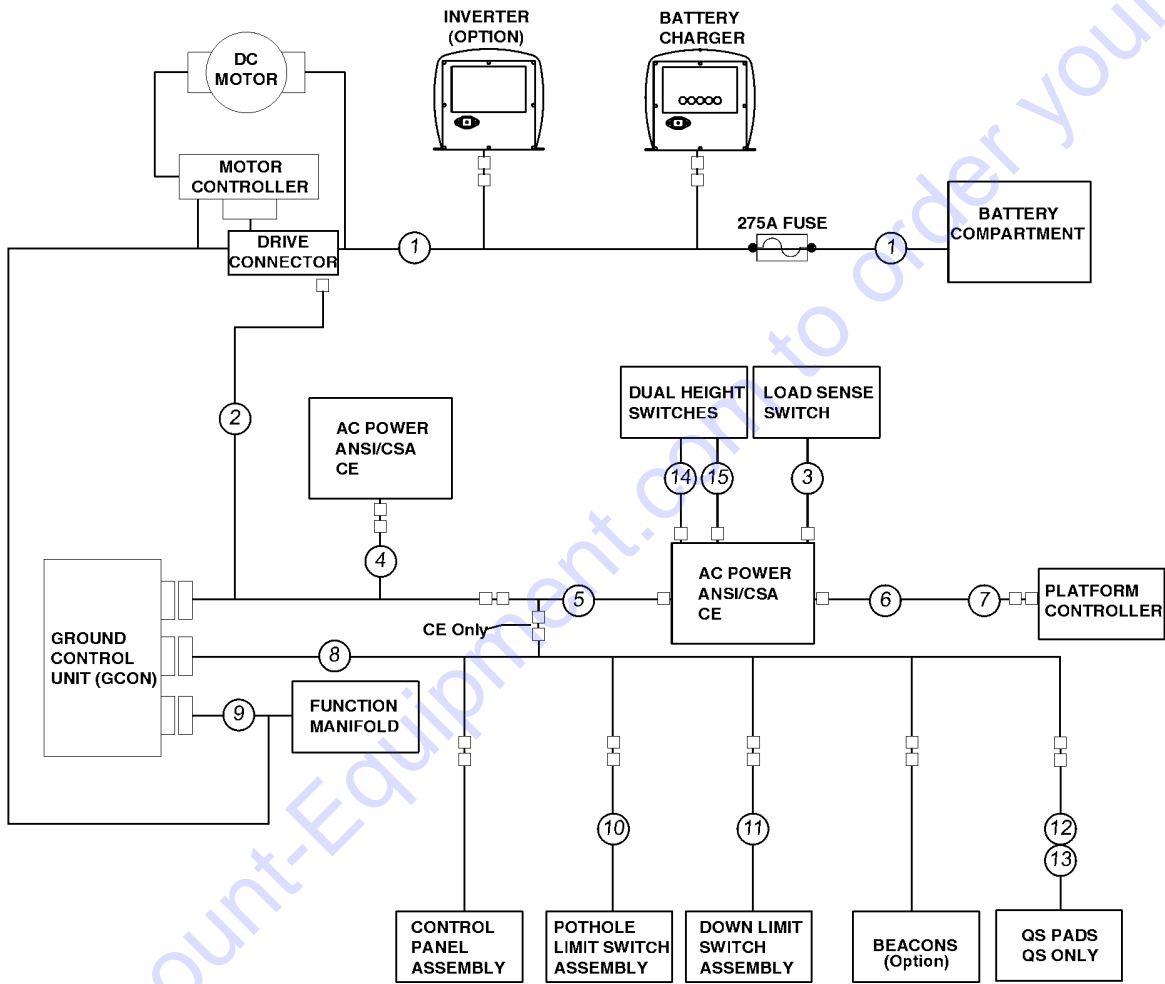
210.1 Electrical Wiring (from SN QS14-1551 to SN QSP-5999)

<i>Item</i>	<i>Part No.</i>	<i>Description</i>	<i>Qty.</i>
10	T107892GT	ASSY, POTHOLE HARNESS, GR	1
11	137728GT	WIRE ASSY, DOWN LIMIT SW.	1
12	137759GT	HARNESS, GR SQS PADS	1
		QS Models only	
13	137760GT	HARNESS, GR QS PAD EXT	1
		QS Models only	

Go to Discount-Equipment.com to order your parts



211.1 Electrical Wiring (from SN QSP-6000)

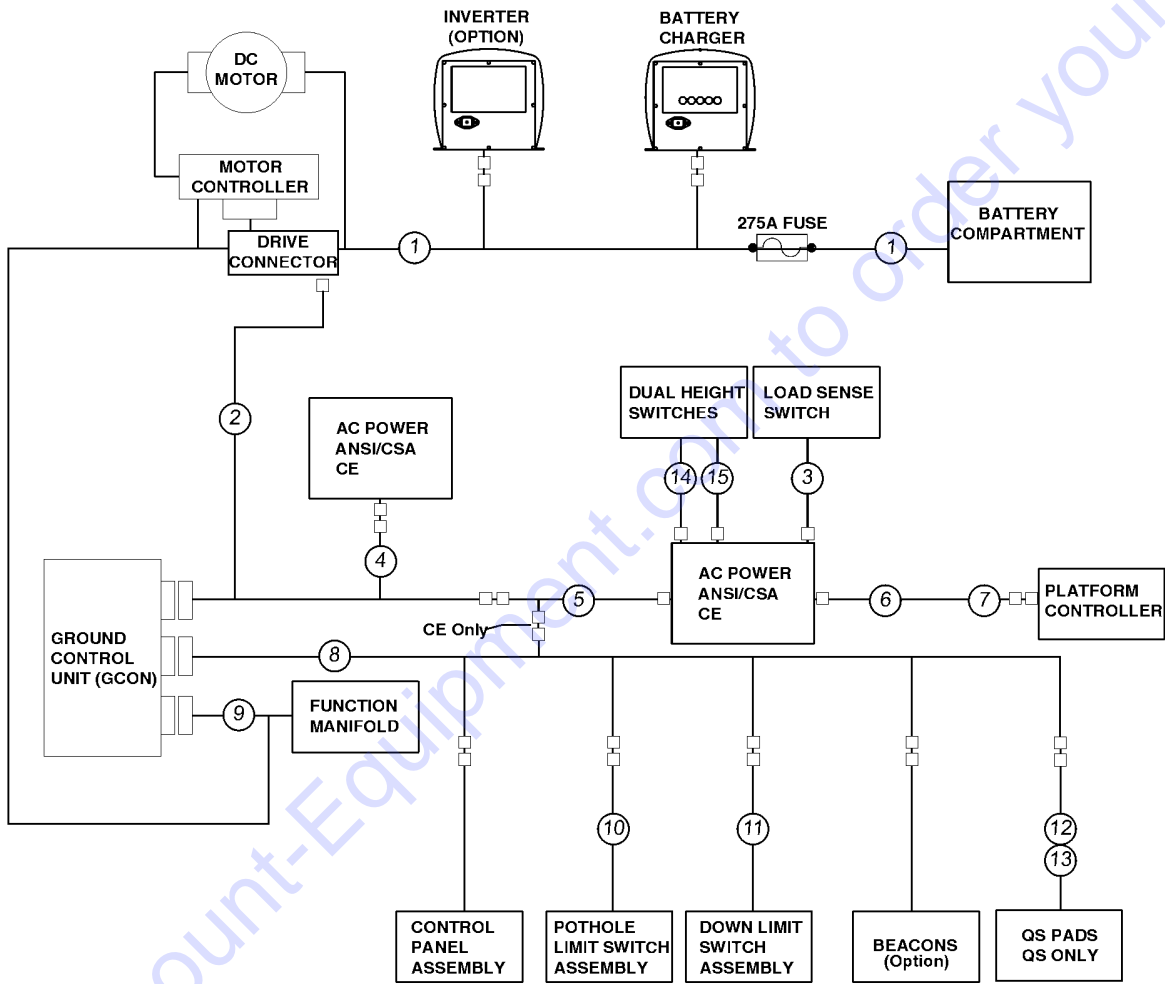


211.1 Electrical Wiring (from SN QSP-6000)

Item	Part No.	Description	Qty.
-	109758GT	HARNESS, REC PLUG	
1	826935GT	BATTERY CABLE ASSY, GR complete cable kit (9 cables)	1
1B	1292446GT	CABLE ASSY,BAT1+ TO BAT2-,RED	2
1B	1292447GT	CABLE ASSY,BAT2+ TO BAT3-,RED	1
1B	1292448GT	CABLE ASSY,BAT POS TO FUSE,RED	1
1B	1292449GT	CABLE ASSY,BAT NEG/FUSE TO PLUG	1
1B	1292450GT	CABLE ASSY,CONTACTOR TO MC+,RED	1
1B	1292451GT	CABLE ASSY,MTR CNTLR TO MOTOR,RED	1
1B	1292452GT	CABLE ASSY,MTR CNTLR TO MOTOR,BLK	1
1B	1292453GT	CABLE ASSY,PLUG TO MTR CNTLR	1
2	137608GT	HARNESS, GR POWER CONTROL	1
3	137726GT	SWITCH ASSY, LIMIT, LOAD SENSE	1
4	T107890GT	POWER CABLE, GR BASE, DOMESTIC ANSI	1
4-	T107891GT	POWER CABLE,GR BASE,INTRNATION CE	
5	1297800GT	CABLE,MAST,GR12	
5B	1297801GT	CABLE,MAST,GR15	
5C	1297802GT	CABLE,MAST,GR20	
6	1297738GT	ASSY,ANSI,PLAT E-BOXES ANSI	
6B	1297740GT	ASSY,CE,PLAT E-BOXES CE	
7	137731GT	WIRE ASSY, STD/EXT PLAT. GR	1
8	1298402GT	HARNESS,SENSOR,QS,DUAL ZONE QSR	
8B	1297894GT	HARNESS,SENSOR,GR,DUAL ZONE QSW	
9	1251910GT	HARNESS, GR FUNC. MANIFOLD	
10	T107892GT	ASSY, POTHOLE HARNESS, GR	1
11	137728GT	WIRE ASSY, DOWN LIMIT SW.	1
12	137759GT	HARNESS, GR SQS PADS	1
13	137760GT	HARNESS, GR QS PAD EXT	1
14	1297622GT	LIMIT SW, DUAL ZONE, GR, CNTRL	1



211.1 Electrical Wiring (from SN QSP-6000)



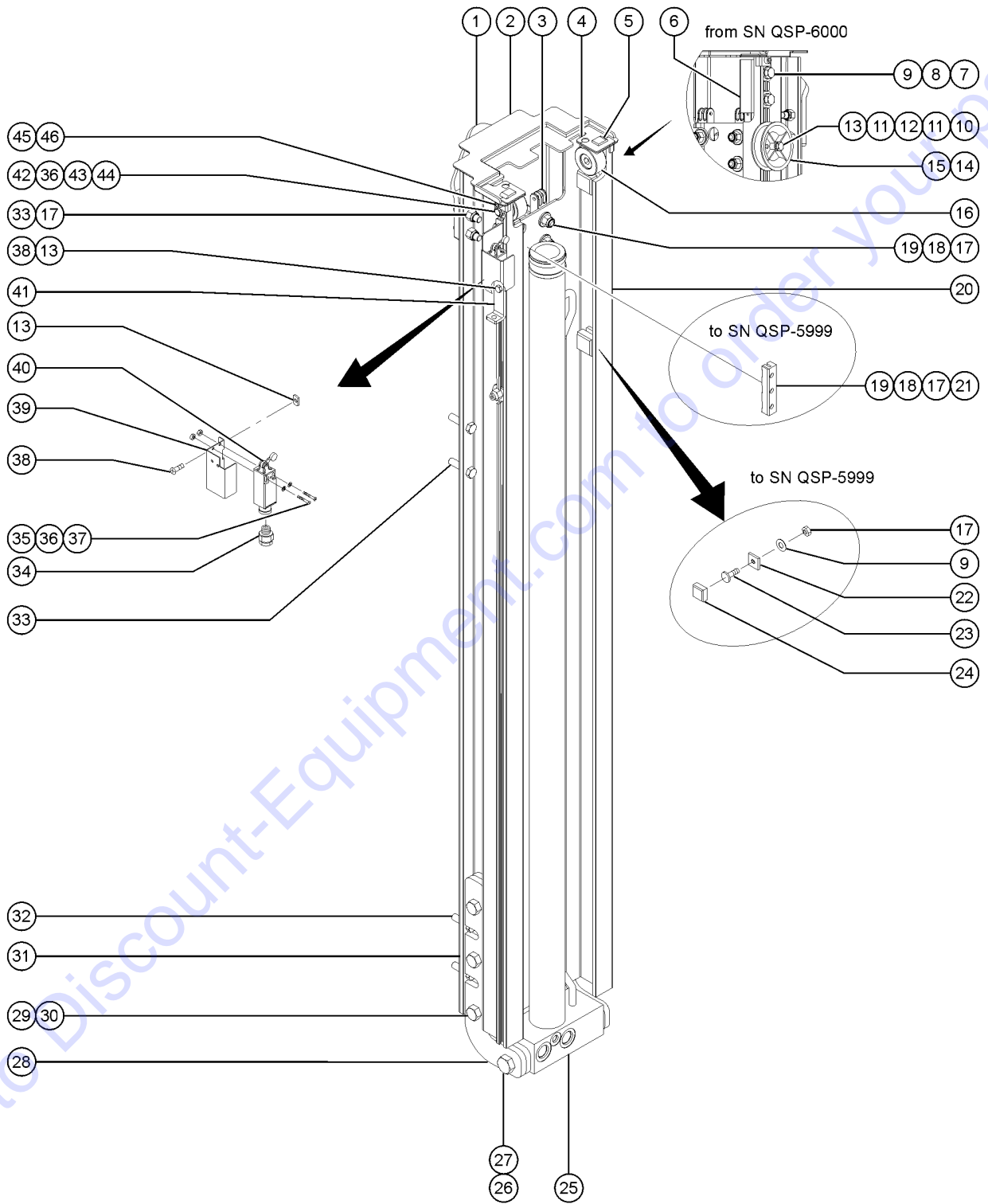
211.1 Electrical Wiring (from SN QSP-6000)

<i>Item</i>	<i>Part No.</i>	<i>Description</i>	<i>Qty.</i>
15	1297623GT	LIMIT SW, DUAL ZONE, GR, HYD	1

Go to Discount-Equipment.com to order your parts



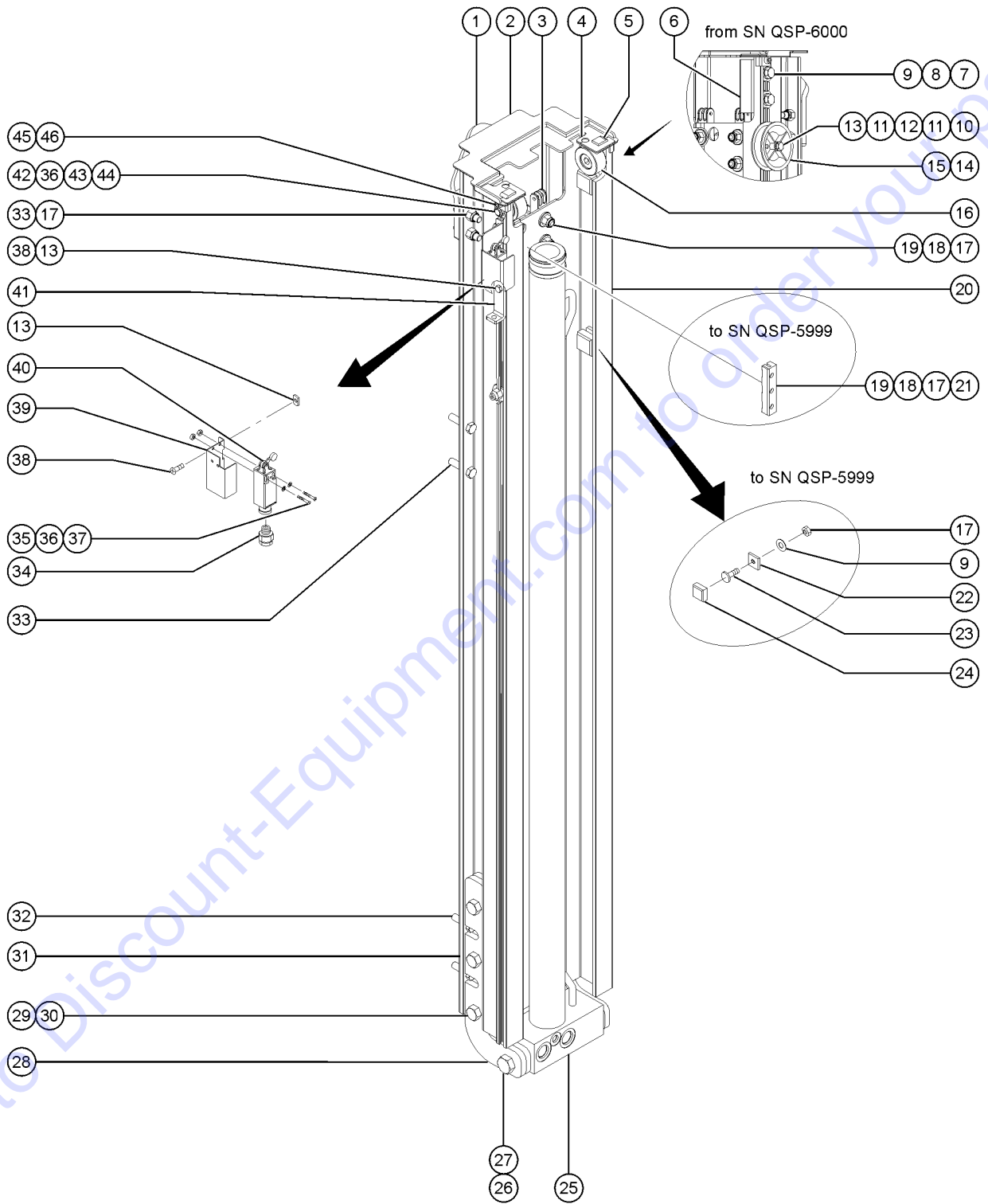
301.1 Number 1 Column Assembly, QS-12



Item	Part No.	Description	Qty.
-	90337GT	BOE LUBE lubricant	1
1	107023GT	LIFTING EYE ASSEMBLY	1
2		Ref. Mast Cover, Number 1 Column (refer to 311.1)	
3		Ref. Upper Chain Terminal, Number 1 Column (refer to 307.1, 308.1 and 309.1)	
4	100778GT	PLATE, MAST FLAP CLAMP	4
5	38730GT	NUT,WELD,ANGLE,1/4" T-SLOT	4
6	100379GT	BLOCK, MAST SLIDER, GR20 from SN QSP-6000	2
7	6175GT	SCREW,HHC,3/8-16 X 1 from SN QSP-6000	
8	6021GT	WASHER,LOCK,,375 from SN QSP-6000	
9	6097GT	WASHER,FLAT,USS,3/8",Y	
10	8915GT	SCREW,HHC,1/4-20 X 1.25 from SN QSP-6000	
11	25926GT	WASHER,FLAT,M6 PLTD. from SN QSP-6000	
12	22699GT	WASHER,FLAT,M10,ZINC PLTD. from SN QSP-6000	
13	35991GT	NUT,WELD 1/4-20, PLATED L.L.**	
14	23394GT	PULLEY,ELEC.CNTRL.CABLE,AWP	3
15	40735GT	SPACER, 1/4ID3/8OD, .875LG from SN QSP-6000	
16	38016GT	ROLLER,PLASTIC,AWP96** to SN QSP-5999	16
16B	38016GT	ROLLER,PLASTIC,AWP96** from SN QSP-6000	4
17	4828GT	NUT,NYLOCK,3/8-16	
18	5397GT	WASHER,FLAT,USS,5/16",Y	
19	35714GT	SCREW,FHS,3/8-16 X 2.25	
20	100711GT	COLUMN #1 MACHINED, 57 to SN QSP-5999	1
20B	1293974GT	COLUMN #1 MACHINED, 65 from SN QSP-6000	
21	35709GT	BLOCK,SLIDE,UPPER to SN QSP-5999	2
22	38013GT	SHIM NUT,ADJUSTER to SN QSP-5999	4
23	40946GT	BOLT,SHIM to SN QSP-5999	4
24	38011GT	SHIM,SIDE PAD to SN QSP-5999	4
25		Ref. Lift Cylinder (refer to 401.1)	



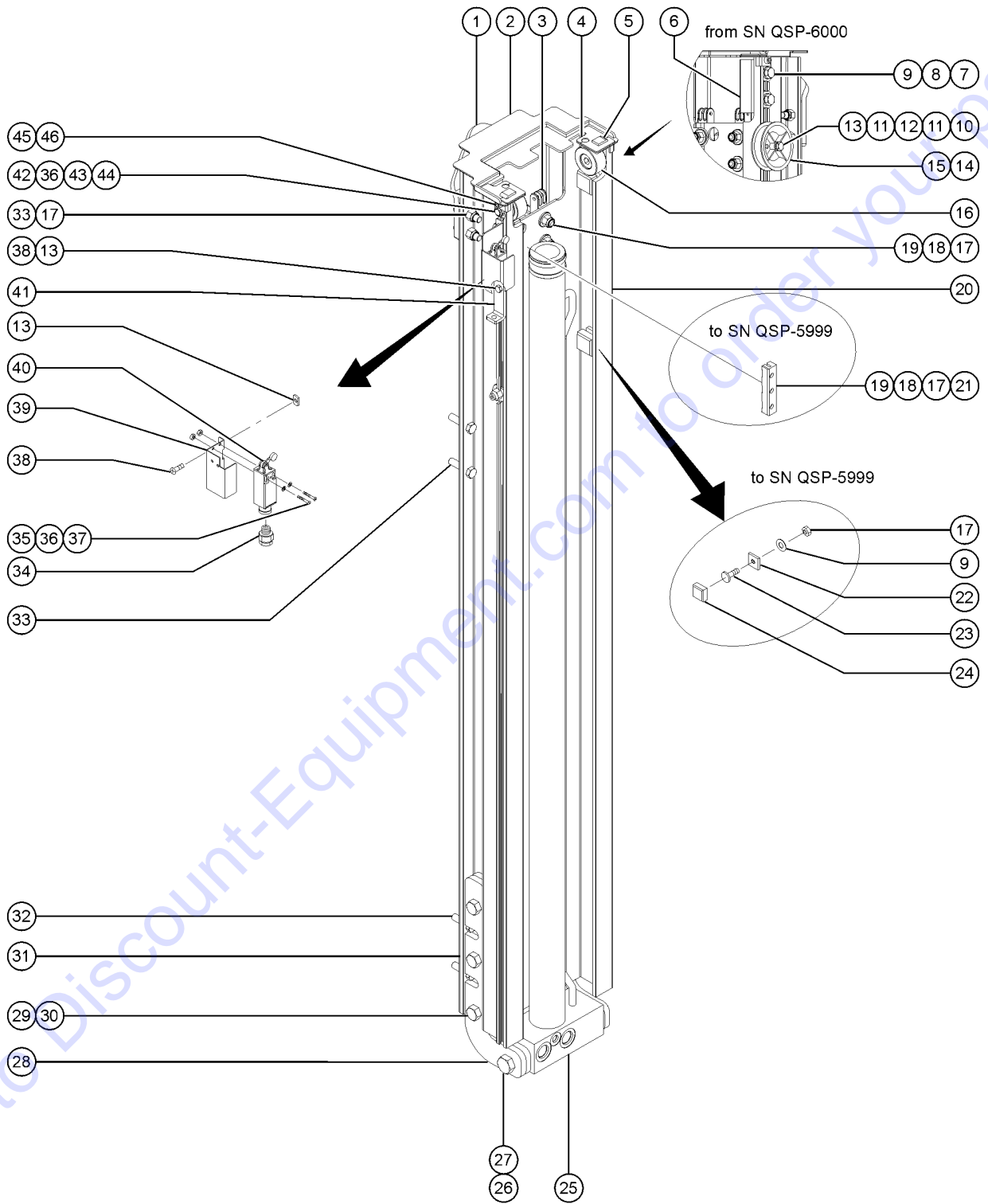
301.1 Number 1 Column Assembly, QS-12



Item	Part No.	Description	Qty.
26	1268235GT	SCREW,HHC,5/8-11 X 8.00	
27	38028GT	NUT,LP NYLOCK,5/8-11	
28	100483GT	PLATE, CYLINDER MOUNT	4
29	38601GT	SCREW,HHC,1/2-13 X 7.5	
30	6086GT	NUT,LP NYLOCK,1/2-13	
31	107131GT	MAST STIFFENER ASSY, GR12/15 to SN QSP-5999	1
31B	1296910GT	PLATE, REINFORCEMENT, GR12 , GR15 from SN QSP-6000	
32	6019GT	SCREW,HHC,3/8-16 X 1.25 GRD 5	
33	8516GT	SCREW, HCC, 3/8-16 X 1.50	
34	7056GT	CONN,SQUEEZE,1/2NPT .38-.50,SM	
35	51063GT	SCREW,PHILLIPS,RHM,10-32 X 1.5	
36	6607GT	WASHER,LOCK,#10 PLTD	
37	15513GT	NUT,HEX,10-32	
38	11808GT	SCREW,HHC,1/4-20 X .375	
39	69575GT	COVER,LIMIT SWITCH W/DECAL GR	1
40	96948GT	SWITCH,LIMIT,W/ROLLER ARM***	1
40-	19491GT	CONTACTOR,LIMIT SWITCH	
40-	97128GT	ROLLER ARM,LIMIT SWITCH***	
41		Ref. Upper Sequencing Cable Bracket (refer to 310.1)	
42	7713GT	NUT, LP NYLOCK, 3/8-16 to SN QSP-5999	
43	6052GT	WASHER,SHIM,.5 X .875 X .063 to SN QSP-5999	
44	35706GT	BOLT,ROLLER,.470"(SHORT) to SN QSP-5999	
45	40004GT	SCREW,SHC,1/4-20 X .375 BLK	
46	41055GT	WASHER,T-SLOT	



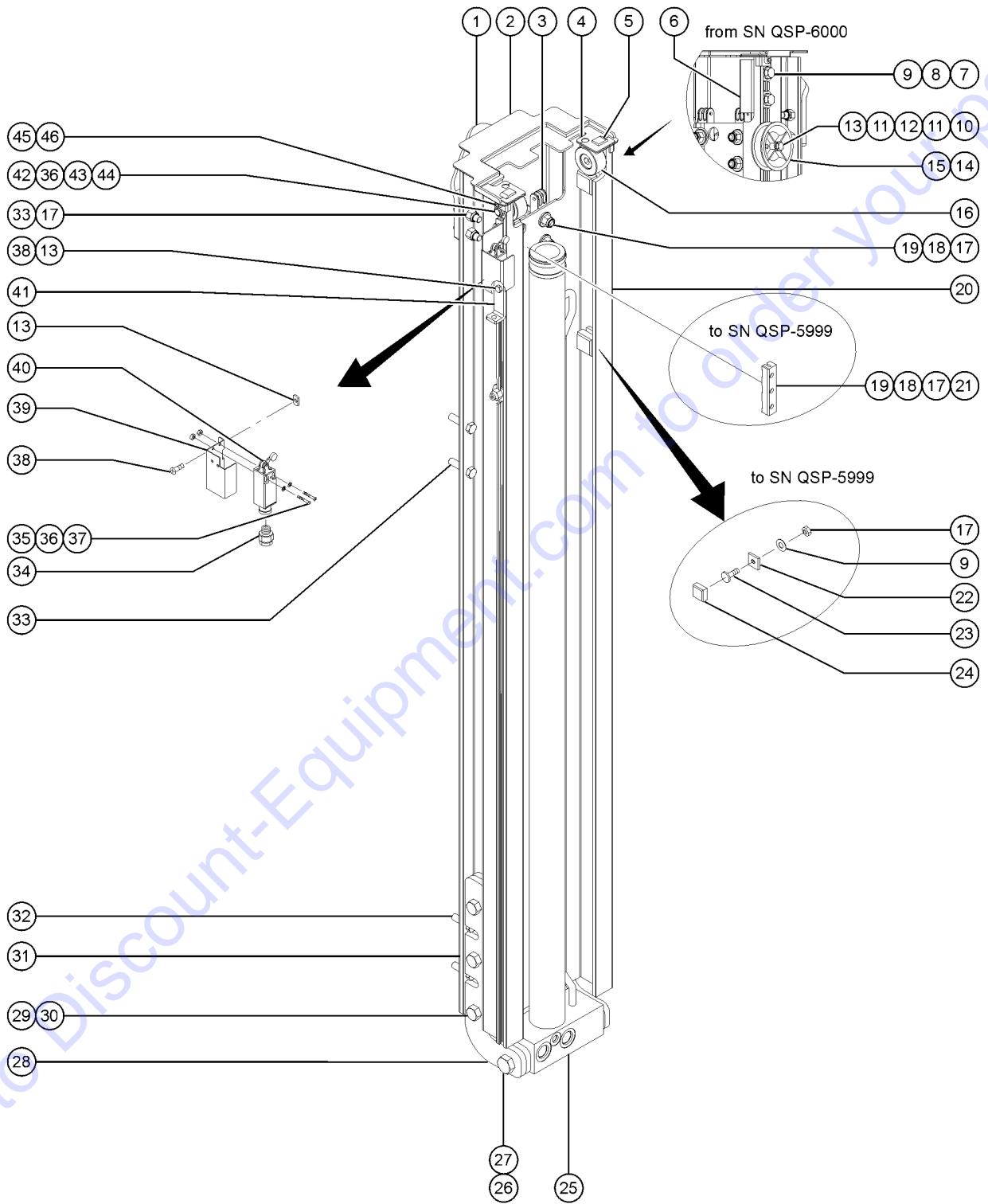
301.2 Number 1 Column Assembly, QS-15



Item	Part No.	Description	Qty.
-	90337GT	BOE LUBE lubricant	1
1	107023GT	LIFTING EYE ASSEMBLY	1
2		Ref. Mast Cover, Number 1 Column (refer to 311.1)	
3		Ref. Upper Chain Terminal, Number 1 Column (refer to 307.1, 308.1 and 309.1)	
4	100778GT	PLATE, MAST FLAP CLAMP	6
5	38730GT	NUT,WELD,ANGLE,1/4" T-SLOT	6
6	100379GT	BLOCK, MAST SLIDER, GR20 from SN QSP-6000	2
7	6175GT	SCREW,HHC,3/8-16 X 1 from SN QSP-6000	
8	6021GT	WASHER,LOCK,,375 from SN QSP-6000	
9	6097GT	WASHER,FLAT,USS,3/8",Y	
10	8915GT	SCREW,HHC,1/4-20 X 1.25 from SN QSP-6000	
11	25926GT	WASHER,FLAT,M6 PLTD. from SN QSP-6000	
12	22699GT	WASHER,FLAT,M10,ZINC PLTD. from SN QSP-6000	
13	35991GT	NUT,WELD 1/4-20, PLATED L.L.**	
14	23394GT	PULLEY,ELEC.CNTRL.CABLE,AWP	4
15	40735GT	SPACER, 1/4ID3/8OD, .875LG from SN QSP-6000	
16	38016GT	ROLLER,PLASTIC,AWP96** to SN QSP-5999	12
16B	38016GT	ROLLER,PLASTIC,AWP96** from SN QSP-6000	4
17	4828GT	NUT,NYLOCK,3/8-16	
18	5397GT	WASHER,FLAT,USS,5/16",Y	
19	35714GT	SCREW,FHS,3/8-16 X 2.25	
20	100711GT	COLUMN #1 MACHINED, 57 to SN QSP-5999	1
20B	1293974GT	COLUMN #1 MACHINED, 65 from SN QSP-6000	
21	35709GT	BLOCK,SLIDE,UPPER to SN QSP-5999	3
22	38013GT	SHIM NUT,ADJUSTER to SN QSP-5999	4
23	40946GT	BOLT,SHIM ?	4
24	38011GT	SHIM,SIDE PAD to SN QSP-5999	4
25		Ref. Lift Cylinder (refer to 401.1)	



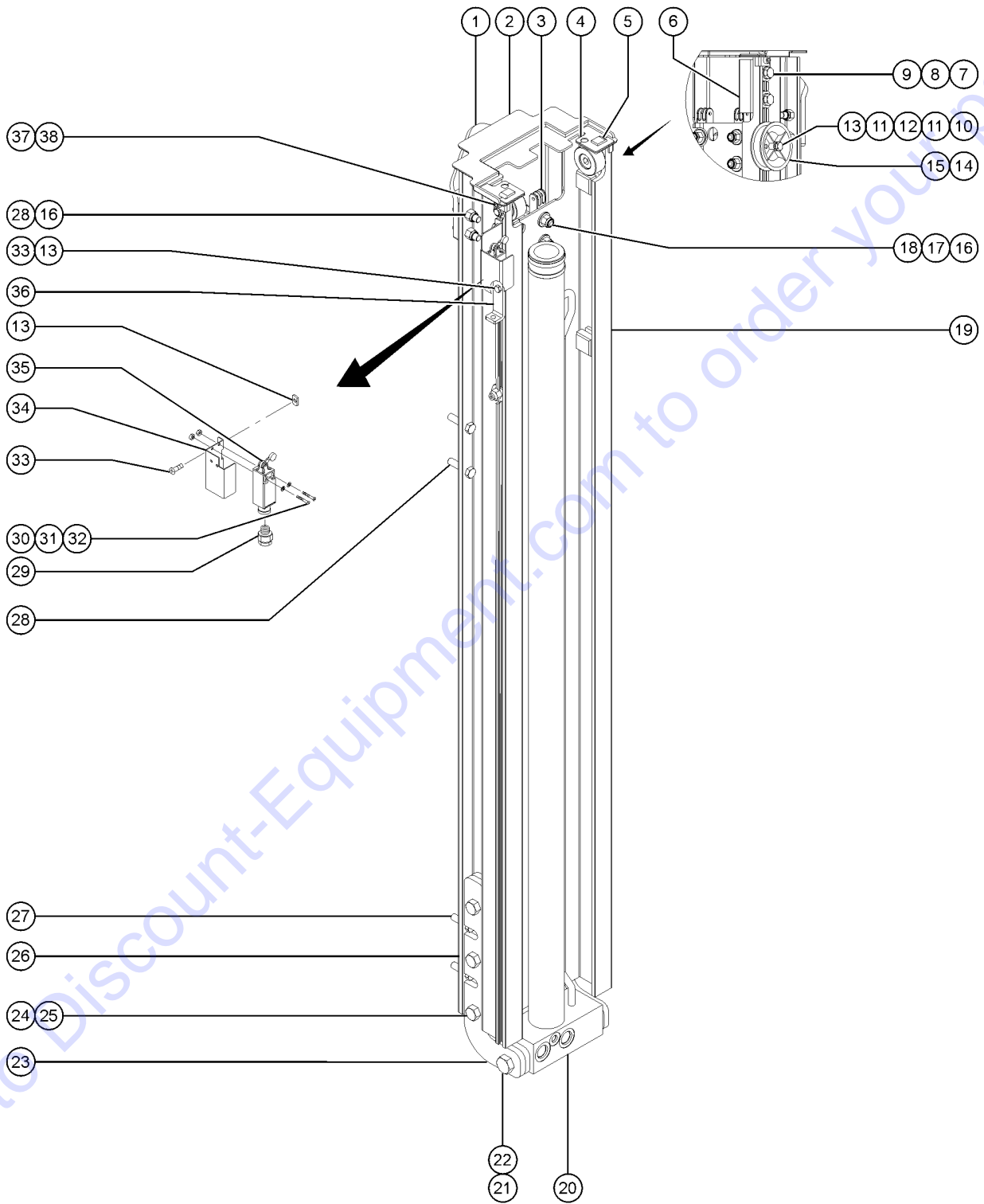
301.2 Number 1 Column Assembly, QS-15



Item	Part No.	Description	Qty.
26	1268235GT	SCREW,HHC,5/8-11 X 8.00	
27	38028GT	NUT,LP NYLOCK,5/8-11	
28	100483GT	PLATE, CYLINDER MOUNT	4
29	38601GT	SCREW,HHC,1/2-13 X 7.5	
30	6086GT	NUT,LP NYLOCK,1/2-13	
31	107131GT	MAST STIFFENER ASSY, GR12/15 to SN QSP-5999	1
31B	1296910GT	PLATE, REINFORCEMENT, GR12 , GR15 from SN QSP-6000	
32	6019GT	SCREW,HHC,3/8-16 X 1.25 GRD 5	
33	8516GT	SCREW, HCC, 3/8-16 X 1.50	
34	7056GT	CONN,SQUEEZE,1/2NPT .38-.50,SM	
35	51063GT	SCREW,PHILLIPS,RHM,10-32 X 1.5	
36	6607GT	WASHER,LOCK,#10 PLTD	
37	15513GT	NUT,HEX,10-32	
38	11808GT	SCREW,HHC,1/4-20 X .375	
39	69575GT	COVER,LIMIT SWITCH W/DECAL GR	1
40	96948GT	SWITCH,LIMIT,W/ROLLER ARM***	1
40-	19491GT	CONTACTOR,LIMIT SWITCH	
40-	97128GT	ROLLER ARM,LIMIT SWITCH***	
41		Ref. Upper Sequencing Cable Bracket (refer to 310.1)	
42	7713GT	NUT, LP NYLOCK, 3/8-16 to SN QSP-5999	
43	6052GT	WASHER,SHIM,.5 X .875 X .063 to SN QSP-5999	
44	35706GT	BOLT,ROLLER,.470"(SHORT) to SN QSP-5999	
45	40004GT	SCREW,SHC,1/4-20 X .375 BLK	
46	41055GT	WASHER,T-SLOT	



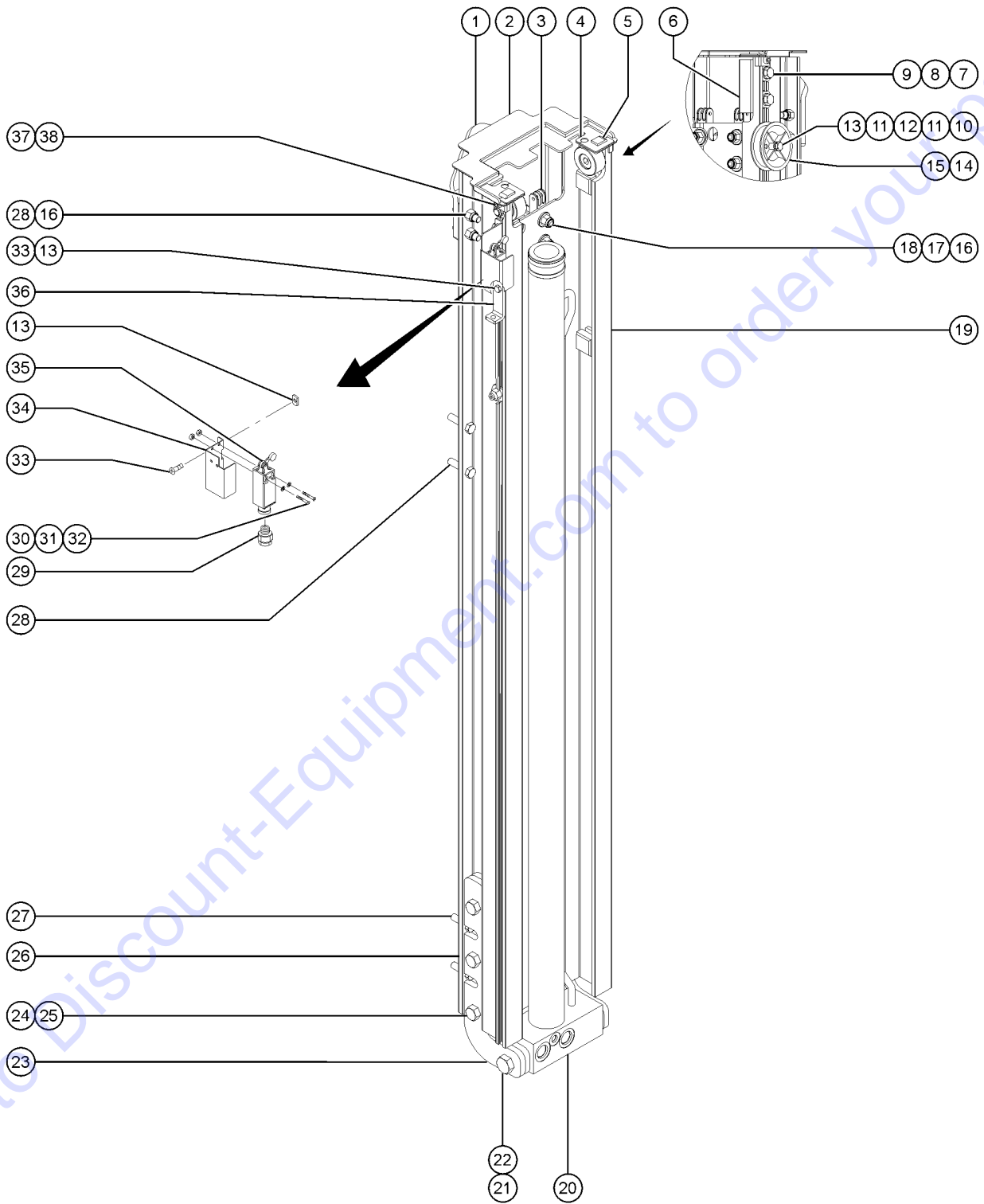
301.3 Number 1 Column Assembly, QS-20



Item	Part No.	Description	Qty.
-	90337GT	BOE LUBE lubricant	1
1	107023GT	LIFTING EYE ASSEMBLY	1
2		Ref. Mast Cover, Number 1 Column (refer to 311.1)	
3		Ref. Upper Chain Terminal, Number 1 Column (refer to 307.1, 308.1 and 309.1)	
4	100778GT	PLATE, MAST FLAP CLAMP	8
5	38730GT	NUT,WELD,ANGLE,1/4" T-SLOT	8
6	100379GT	BLOCK, MAST SLIDER, GR20	2
7	6175GT	SCREW,HHC,3/8-16 X 1	
8	6021GT	WASHER,LOCK, .375	
9	6097GT	WASHER,FLAT,USS,3/8",Y	
10	8915GT	SCREW,HHC,1/4-20 X 1.25	
11	25926GT	WASHER,FLAT,M6 PLTD.	
12	22699GT	WASHER,FLAT,M10,ZINC PLTD.	
13	35991GT	NUT,WELD 1/4-20, PLATED L.L.**	
14	23394GT	PULLEY,ELEC.CNTRL.CABLE,AWP	5
15	40735GT	SPACER, 1/4ID3/8OD, .875LG	
16	4828GT	NUT,NYLOCK,3/8-16	
17	5397GT	WASHER,FLAT,USS,5/16",Y	
18	35714GT	SCREW,FHS,3/8-16 X 2.25	
19	100380GT	COL 1 MACHINED, 72.5	
20		Ref. Lift Cylinder (refer to 401.1)	
21	1268235GT	SCREW,HHC,5/8-11 X 8.00	
22	38028GT	NUT,LP NYLOCK,5/8-11	
23	100483GT	PLATE, CYLINDER MOUNT	4
24	38601GT	SCREW,HHC,1/2-13 X 7.5	
25	6086GT	NUT,LP NYLOCK,1/2-13	
26	107132GT	MAST STIFFENER ASSY,GR20	
27	6019GT	SCREW,HHC,3/8-16 X 1.25 GRD 5	



301.3 Number 1 Column Assembly, QS-20



Item	Part No.	Description	Qty.
28	8516GT	SCREW, HCC, 3/8-16 X 1.50	
29	7056GT	CONN,SQUEEZE,1/2NPT .38-.50,SM	
30	51063GT	SCREW,PHILLIPS,RHM,10-32 X 1.5	
31	6607GT	WASHER,LOCK,#10 PLTD	
32	15513GT	NUT,HEX,10-32	
33	38979GT	SCREW,PHM,1/4-20X.5 PHIL	
		replaced 11808	
34	69575GT	COVER,LIMIT SWITCH W/DECAL GR	1
35	96948GT	SWITCH,LIMIT,W/ROLLER ARM***	1
35-	19491GT	CONTACTOR,LIMIT SWITCH	
35-	97128GT	ROLLER ARM,LIMIT SWITCH***	
36		Ref. Upper Sequencing Cable Bracket	
		(refer to 310.1)	
37	40004GT	SCREW,SHC,1/4-20 X .375 BLK	
38	41055GT	WASHER,T-SLOT	

Go to Discount-Equipment.com to order your parts



PARTS FINDER

**Search Website
by Part Number**



**Search Manual
Library For Parts
Manual & Lookup Part
Numbers – Purchase
or Request Quote**

Search Manuals

Enter your information to help us find the right parts manual for your machine.

* Brand:

* Model:

* Serial:

* Part Number:

SEARCH

**Can't Find Part or
Manual? Request Help
by Manufacturer,
Model & Description**

Parts Order Form

Please fill in the following information to help us find the right part for your machine.

MANUFACTURER:

MODEL:

DESCRIPTION:

DATE:

NAME:

PHONE:

EMAIL:

ADDRESS:

CITY:

STATE:

ZIP:

REQUEST FOR QUOTE

Discount-Equipment.com is your online resource for quality parts & equipment.

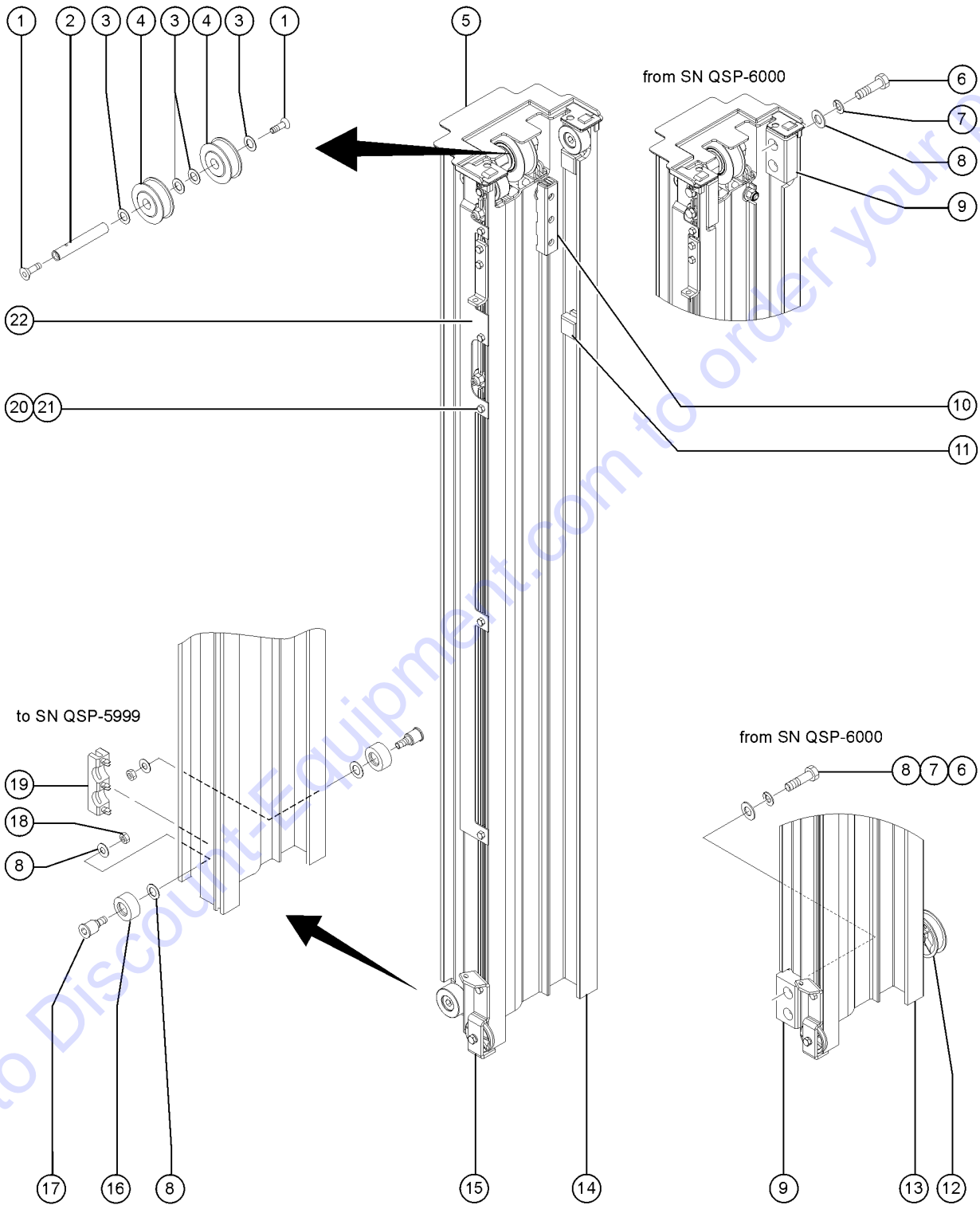
Florida: **561-964-4949** Outside Florida TOLL FREE: **877-690-3101**

Need parts?

Click on this link: <http://www.discount-equipment.com/category/5443-parts/> and choose one of the options to help get the right parts and equipment you are looking for. Please have the machine model and serial number available in order to help us get you the correct parts. If you don't find the part on the website or on one of the online manuals, please fill out the request form and one of our experienced staff members will get back to you with a quote for the right part that your machine needs.

We sell worldwide for the brands: Genie, Terex, JLG, MultiQuip, Mikasa, Essick, Whiteman, Mayco, Toro Stone, Diamond Products, Generac Magnum, Airman, Haulotte, Barreto, Power Blanket, Nifty Lift, Atlas Copco, Chicago Pneumatic, Allmand, Miller Curber, Skyjack, Lull, Skytrak, Tsurumi, Husquvarna Target, Stow, Wacker, Sakai, Mi-T-M, Sullair, Basic, Dynapac, MBW, Weber, Bartell, Bennar Newman, Haulotte, Ditch Runner, Menegotti, Morrison, Contec, Buddy, Crown, Edco, Wyco, Bomag, Laymor, EZ Trench, Bil-Jax, F.S. Curtis, Gehl Pavers, Heli, Honda, ICS/PowerGrit, IHI, Partner, Imer, Clipper, MMD, Koshin, Rice, CH&E, General Equipment, Amida, Coleman, NAC, Gradall, Square Shooter, Kent, Stanley, Tamco, Toku, Hatz, Kohler, Robin, Wisconsin, Northrock, Oztec, Toker TK, Rol-Air, APT, Wylie, Ingersoll Rand / Doosan, Innovatech, Con X, Ammann, Mecalac, Makinex, Smith Surface Prep, Small Line, Wanco, Yanmar

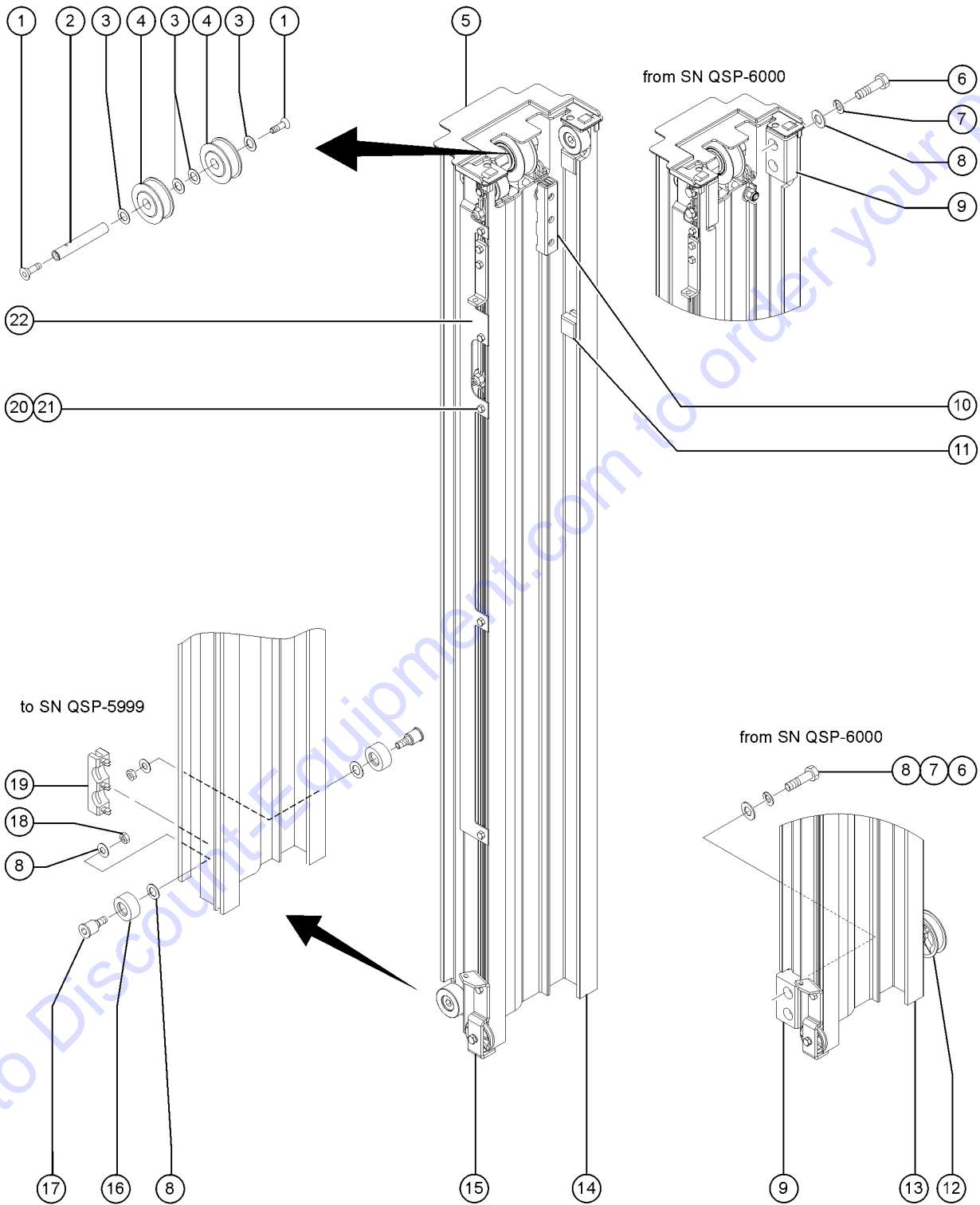
302.1 Number 2 Column Assembly, QS-12



Item	Part No.	Description	Qty.
1	45425GT	SCREW,FHS,3/8-16 X .75	
2	35707GT	SHAFT,LIFTING CHAINS,20MM DIA.	2
3	38709GT	WASHER,SHIM,.938 X 1.37 X .048	
4	38447GT	PULLEY W/BEARINGS	2
5		Ref. Mast Cover, Column Number 2	
		(refer to 311.1)	
6	6175GT	SCREW,HHC,3/8-16 X 1	
		from SN QSP-6000	
7	6021GT	WASHER,LOCK,.375	
		from SN QSP-6000	
8	6097GT	WASHER,FLAT,USS,3/8",Y	
		to SN QSP-5999	
9	100379GT	BLOCK, MAST SLIDER, GR20	16
		from SN QSP-6000	
10		Ref. Upper Slider Block	
		(refer to 301.1) to SN QSP-5999	
11	38011GT	SHIM,SIDE PAD	4
		to SN QSP-5999	
12		Ref. Control Cable Pulley	
		(refer to 312.1 & 313.1) from SN QSP-6000	
13	100381GT	COL 2 MACHINED, 72.5	1
		from SN QSP-6000	
14	100712GT	COLUMN #2 MACHINED, 57	1
		to SN QSP-5999	
14B	1293975GT	COLUMN #2 MACHINED, 65	
		from SN QSP-6000	
15		Ref. Pulley Bracket	
		(refer to 310.1)	
16		Ref. Roller	
		(refer to 301.1) to SN QSP-5999	
17	35706GT	BOLT,ROLLER,.470"(SHORT)	
		to SN QSP-5999	
18	7713GT	NUT, LP NYLOCK, 3/8-16	
		to SN QSP-5999	
19	35710GT	BLOCK,SLIDE,LOWER	2
		to SN QSP-5999	
20	11808GT	SCREW,HHC,1/4-20 X .375	
21	35991GT	NUT,WELD 1/4-20, PLATED L.L.**	
22	57809GT	PLATE, LIMIT SWITCH ROLL GR	1
		to SN QSP-5999	
22B	100858GT	FORMING, LIMIT SWITCH ROLL	1
		from SN QSP-6000	



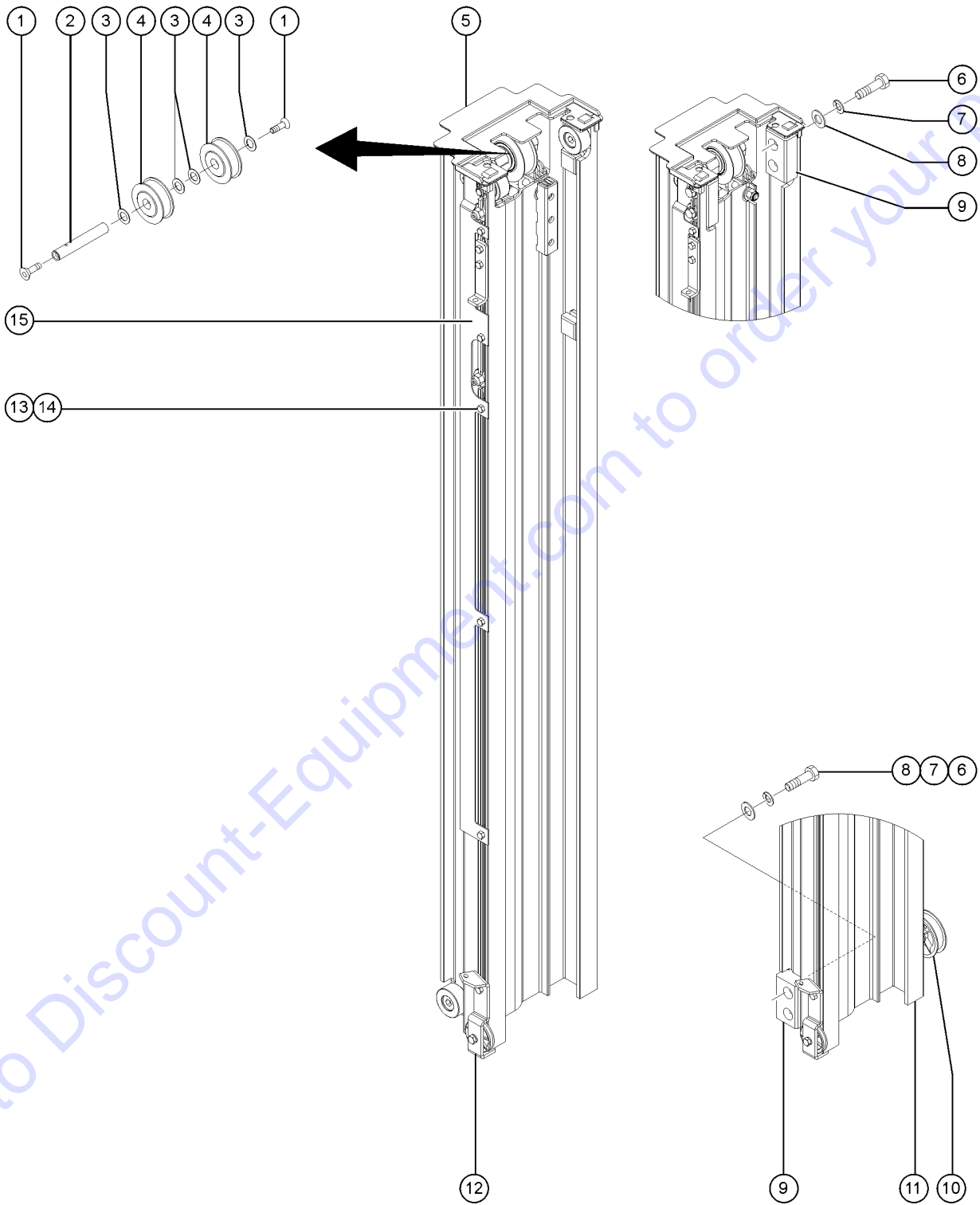
302.2 Number 2 Column Assembly, QS-15



Item	Part No.	Description	Qty.
1	45425GT	SCREW,FHS,3/8-16 X .75	
2	35707GT	SHAFT,LIFTING CHAINS,20MM DIA.	3
3	38709GT	WASHER,SHIM,.938 X 1.37 X .048	
4	38447GT	PULLEY W/BEARINGS	2
5		Ref. Mast Cover, Column Number 2	
		(refer to 311.1)	
6	6175GT	SCREW,HHC,3/8-16 X 1	
		from SN QSP-6000	
7	6021GT	WASHER,LOCK,.375	
		from SN QSP-6000	
8	6097GT	WASHER,FLAT,USS,3/8",Y	
		to SN QSP-5999	
9	100379GT	BLOCK, MAST SLIDER, GR20	16
		from SN QSP-6000	
10		Ref. Upper Slider Block	
		(refer to 301.1) to SN QSP-5999	
11	38011GT	SHIM,SIDE PAD	4
		to SN QSP-5999	
12		Ref. Control Cable Pulley	
		(refer to 312.1 & 313.1) from SN QSP-6000	
13	100381GT	COL 2 MACHINED, 72.5	1
		from SN QSP-6000	
14	100712GT	COLUMN #2 MACHINED, 57	1
		to SN QSP-5999	
14B	1293975GT	COLUMN #2 MACHINED, 65	
		from SN QSP-6000	
15		Ref. Pulley Bracket	
		(refer to 310.1)	
16		Ref. Roller	
		(refer to 301.1) to SN QSP-5999	
17	35706GT	BOLT,ROLLER,.470"(SHORT)	
		to SN QSP-5999	
18	7713GT	NUT, LP NYLOCK, 3/8-16	
		to SN QSP-5999	
19	35710GT	BLOCK,SLIDE,LOWER	3
		to SN QSP-5999	
20	11808GT	SCREW,HHC,1/4-20 X .375	
21	35991GT	NUT,WELD 1/4-20, PLATED L.L.**	
22	57809GT	PLATE, LIMIT SWITCH ROLL GR	1
		to SN QSP-5999	
22B	100858GT	FORMING, LIMIT SWITCH ROLL	1
		from SN QSP-6000	



302.3 Number 2 Column Assembly, QS-20

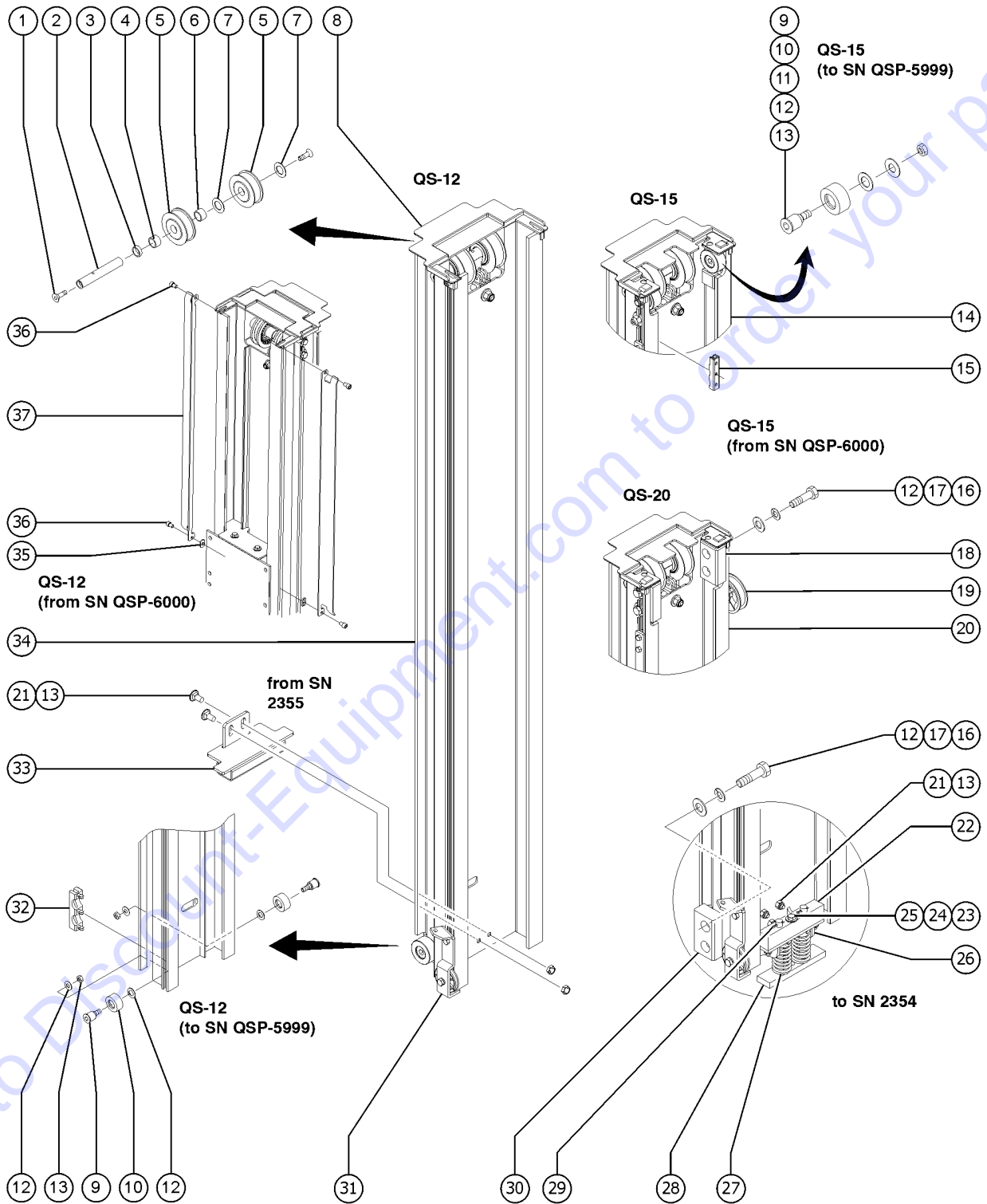


Item	Part No.	Description	Qty.
1	45425GT	SCREW,FHS,3/8-16 X .75	
2	35707GT	SHAFT,LIFTING CHAINS,20MM DIA.	4
3	38709GT	WASHER,SHIM,.938 X 1.37 X .048	
4	38447GT	PULLEY W/BEARINGS	2
5		Ref. Mast Cover, Column Number 2	
		(refer to 311.1)	
6	6175GT	SCREW,HHC,3/8-16 X 1	
7	6021GT	WASHER,LOCK,.375	
8	6097GT	WASHER,FLAT,USS,3/8",Y	
9	100379GT	BLOCK, MAST SLIDER, GR20	16
10		Ref. Control Cable Pulley	
		(refer to 312.1 & 313.1)	
11	100381GT	COL 2 MACHINED, 72.5	1
12		Ref. Pulley Bracket	
		(refer to 310.1)	
13	11808GT	SCREW,HHC,1/4-20 X .375	
14	35991GT	NUT,WELD 1/4-20, PLATED L.L.**	
15	100858GT	FORMING, LIMIT SWITCH ROLL	1

Go to Discount-Equipment.com to order your parts



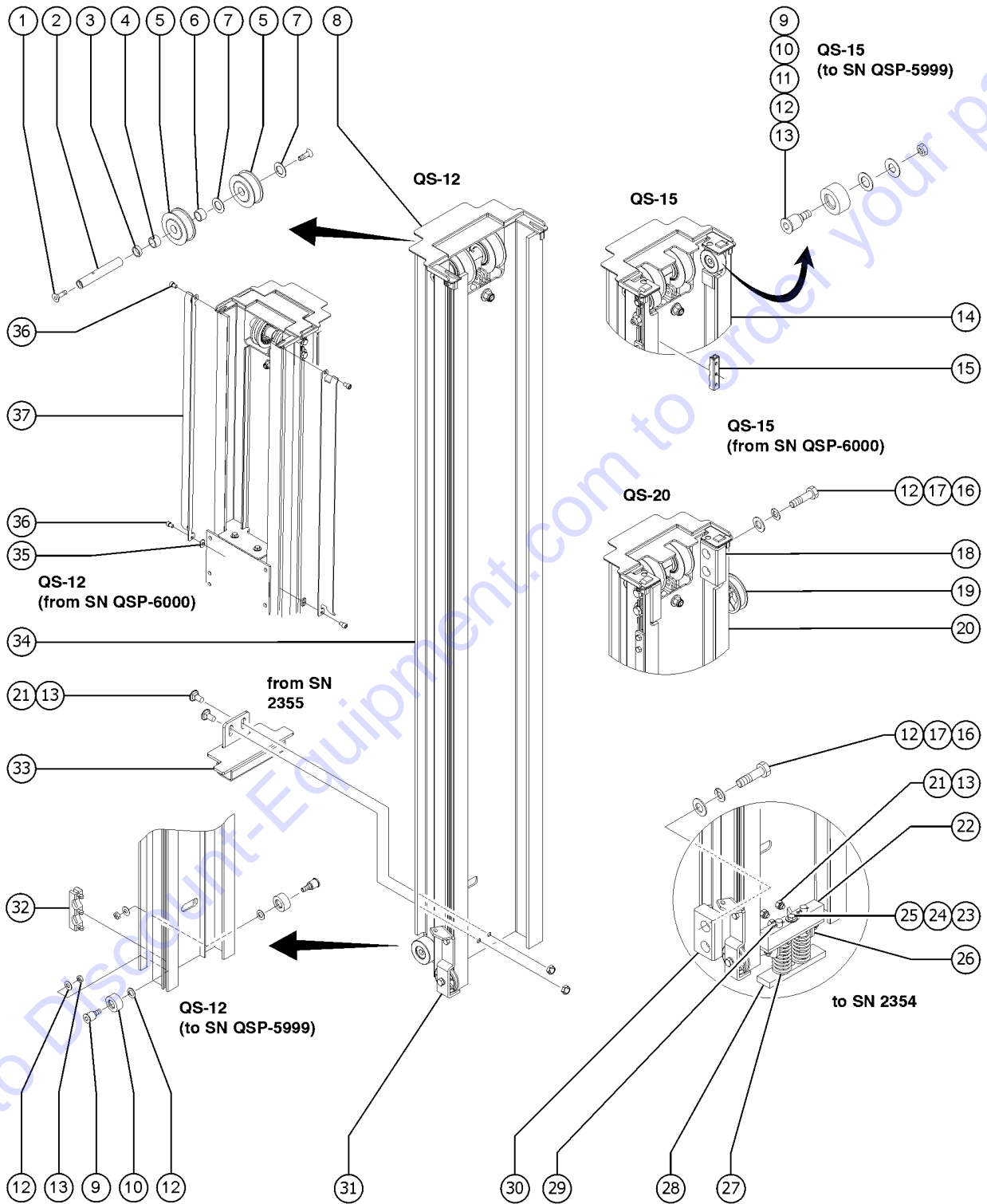
303.1 Number 3 Column Assembly



Item	Part No.	Description	Qty.
1	45425GT	SCREW,FHS,3/8-16 X .75	
2	35707GT	SHAFT,LIFTING CHAINS,20MM DIA. QS-12	2
2B	35707GT	SHAFT,LIFTING CHAINS,20MM DIA. QS-15	3
2C	35709GT	BLOCK,SLIDE,UPPER QS-20	4
3	35722GT	SPACER,SHAFT,,310 QS-12	1
3B	35722GT	SPACER,SHAFT,,310 QS-15 & QS-20	2
4	35711GT	SPACER,SHAFT,,840"LG QS-12 & QS-15	2
5	38447GT	PULLEY W/BEARINGS	2
6	38316GT	SPACER,,560 AWP MAST	1
7	38709GT	WASHER,SHIM,,938 X 1.37 X .048	
8		Ref. Mast Cover, Column Number 3 (refer to 311.1)	
9	35706GT	BOLT,ROLLER,,470"(SHORT)	
10		Ref. Roller (refer to 301.1)	
11	6052GT	WASHER,SHIM,,5 X .875 X .063	
12	6097GT	WASHER,FLAT,USS,3/8",Y	
13	7713GT	NUT, LP NYLOCK, 3/8-16	
14	100713GT	COLUMN #3 MACHINED, 57 (to SN QSP-5999)	1
14B	1293976GT	COLUMN #3 MACHINED, 65 (from SN QSP-6000)	1
15		Ref. Upper Slide Block (refer to 301.1) (to SN QSP-5999)	
16	6175GT	SCREW,HHC,3/8-16 X 1	
17	6021GT	WASHER,LOCK,,375	
18		Ref. Mast Slider Block (refer to 302.1)	
19		Ref. Control Cable Pulley (refer to 312.1 & 313.1)	
20	100382GT	COL 3 MACHINED, 72.5 QS-20	1
21	101718GT	BOLT,CARRIAGE,3/8-16 X .75,G2	
22	100942GT	BLOCK, PH ACTUATOR GUIDE (to SN QS15-2354)	1
23	6637GT	SCREW,HHC,1/4-20 X 1.75 (to SN QS15-2354)	
24	6638GT	WASHER,FLAT,USS,1/4"Y (to SN QS15-2354)	



303.1 Number 3 Column Assembly

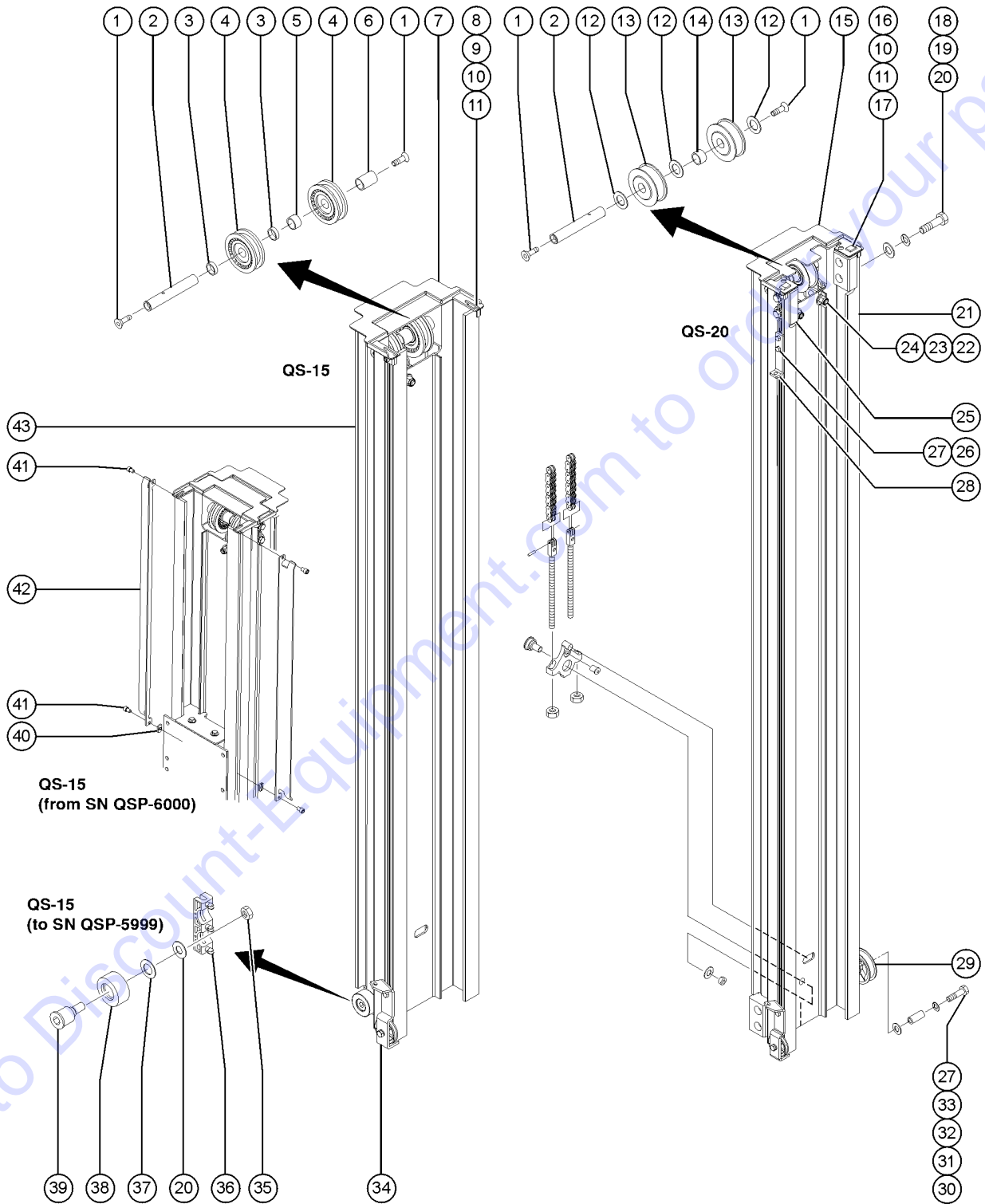


Item	Part No.	Description	Qty.
25	6091GT	NUT,NYLOCK,1/4-20 (to SN QS15-2354)	
26	1257714GT	WELDMENT, PHG ACTUATOR (to SN QS15-2354)	1
27	235340GT	SPRING,COMPRESSION (to SN QS15-2354)	2
28	100673GT	WELDMENT, PH ACTUATOR (to SN QS15-2354)	1
29	12016GT	PIN,COTTER,.125 X .75 (to SN QS15-2354)	
30		Ref. Mast Slider Block (refer to 302.1)	
31		Ref. Pulley Bracket (refer to 310.1)	
32		Ref. Lower Slide Block (refer to 302.1) (to SN QSP-5999)	
32B		Ref. Block Mast Slider QS-12 (refer to 305.1) (from SN QSP-6000)	
33	1260891GT	KIT,GR PHG REPLACEMENT (to SN QS15-2354) (update kit)	1
33B	1257714GT	WELDMENT, PHG ACTUATOR (from SN QS15-2355)	1
34	100714GT	COLUMN #5 MACHINED, 57 QS-12 (to SN QSP-5999)	1
34B	1293977GT	COLUMN #5 MACHINED, 65 QS-12 (from SN QSP-6000)	1
35	35991GT	NUT,WELD 1/4-20, PLATED L.L.** (from SN QSP-6000)	4
36	40004GT	SCREW,SHC,1/4-20 X .375 BLK (from SN QSP-6000)	4
37	1297332GT	FORMING, HEIGHT RESTRICTOR, RAMP, GR12 (from SN QSP-6000)	2

Go to Discount-Equipment.com to order your parts



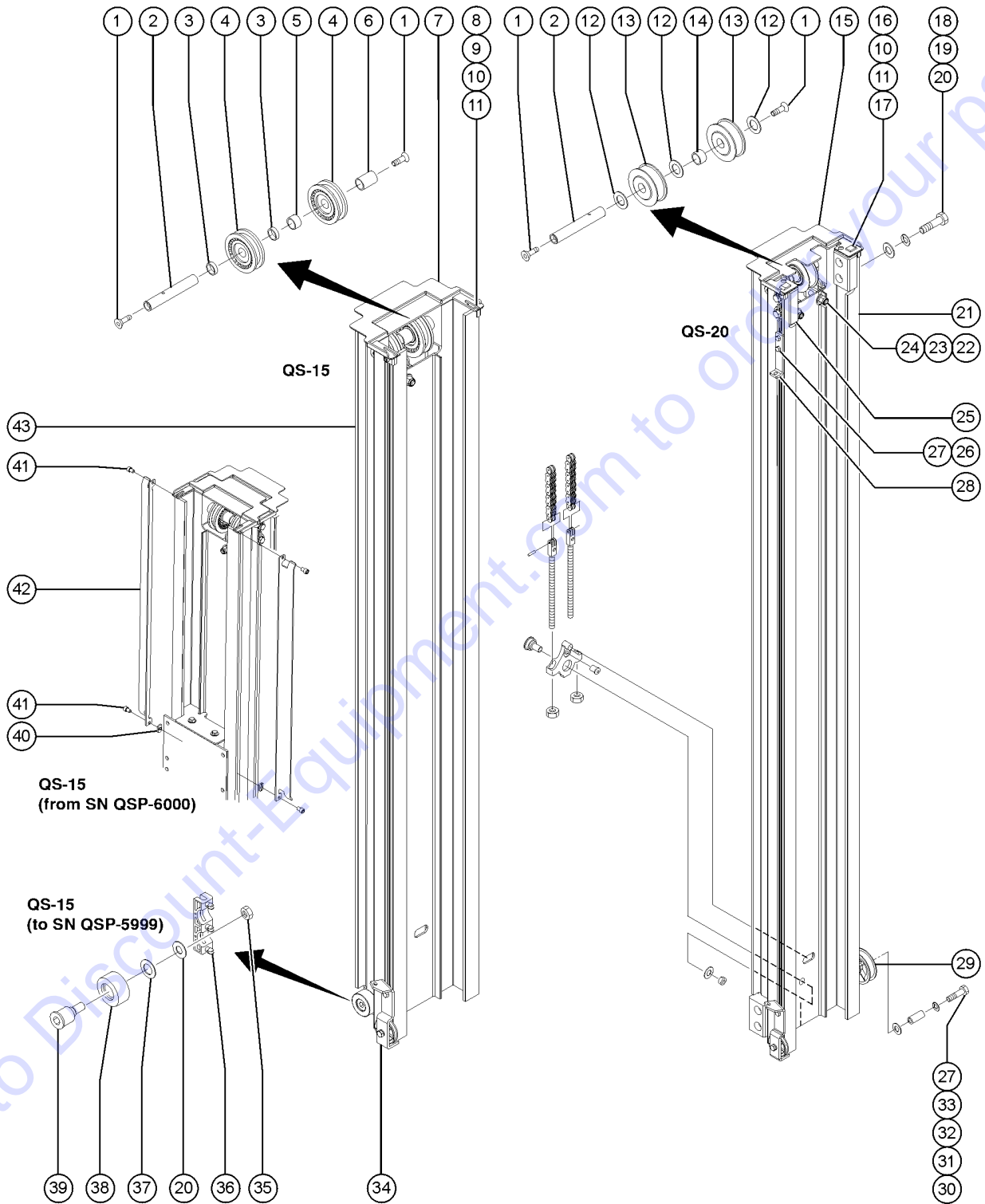
304.1 Number 4 Column Assembly; QS-15, QS-20



Item	Part No.	Description	Qty.
1	45425GT	SCREW,FHS,3/8-16 X .75	
2	35707GT	SHAFT,LIFTING CHAINS,20MM DIA.	1
3	35722GT	SPACER,SHAFT,.310	
4	35715GT	PULLEY,SMALL CHAIN	2
5	35711GT	SPACER,SHAFT,.840"LG	
6	37686GT	SPACER,SHAFT,1.400	
7		Ref. Mast Cover, Number 4 Column (refer to 311.1)	
8	57264GT	NUT, 1/4-20 T	
9	109500GT	PLATE, MAST FLAP CLAMP, 5-6	2
10	40004GT	SCREW,SHC,1/4-20 X .375 BLK	
11	41055GT	WASHER,T-SLOT	
12	38709GT	WASHER,SHIM,.938 X 1.37 X .048	
13	38447GT	PULLEY W/BEARINGS	2
14	38316GT	SPACER,.560 AWP MAST	
15		Ref. Mast Cover, Number 4 Column (refer to 311.1)	
16		Ref. Mast Flap Clamp (refer to 301.1)	
17	38730GT	NUT,WELD,ANGLE,1/4" T-SLOT	2
18	6175GT	SCREW,HHC,3/8-16 X 1	
19	6021GT	WASHER,LOCK,.375	
20	6097GT	WASHER,FLAT,USS,3/8",Y	
21		REF. COL4 MACHINED QS-20 (Refer to 304.2)	
22	4828GT	NUT,NYLOCK,3/8-16	
23	5397GT	WASHER,FLAT,USS,5/16",Y	
24	35714GT	SCREW,FHS,3/8-16 X 2.25	
25		Ref. Mast Slider Block (refer to 303.1)	
26	7339GT	SCREW,HHC,1/4-20 X .5	
27	35991GT	NUT,WELD 1/4-20, PLATED L.L.**	
28		Ref. Upper Sequencing Bracket (refer to 301.1)	



304.1 Number 4 Column Assembly; QS-15, QS-20

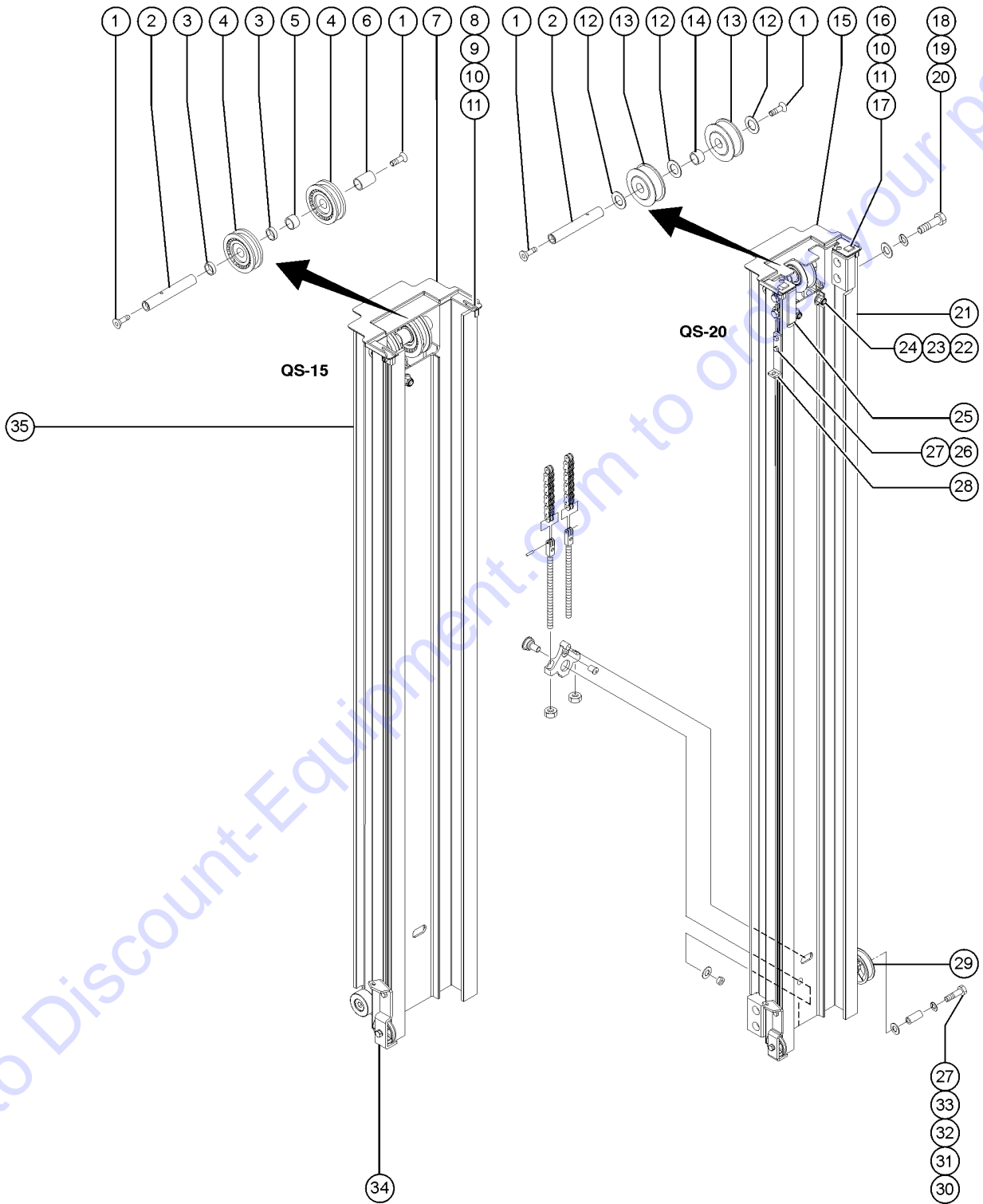


Item	Part No.	Description	Qty.
29		Ref. Control Cable Pulley (refer to 312.1 & 313.1)	
30	8915GT	SCREW,HHC,1/4-20 X 1.25	
31	25926GT	WASHER,FLAT,M6 PLTD.	
32	40735GT	SPACER, 1/4ID3/8OD, .875LG	
33	22699GT	WASHER,FLAT,M10,ZINC PLTD.	
34		Ref. Pulley Bracket (refer to 310.1)	
35	7713GT	NUT, LP NYLOCK, 3/8-16 (to SN QSP-5999)	
36		Ref. Lower Slide Block (refer to 302.1) (to SN QSP-5999)	
36B		Ref. Block Mast Slider QS-15 (refer to 305.1) (from SN QSP-6000)	
37	6052GT	WASHER,SHIM, 5 X .875 X .063 (to SN QSP-5999)	
38		Ref. Roller, GR-15 (refer to 301.1) (to SN QSP-5999)	
39	35706GT	BOLT,ROLLER,.470"(SHORT) (to SN QSP-5999)	
40	35991GT	NUT,WELD 1/4-20, PLATED L.L.** (from SN QSP-6000)	4
41	40004GT	SCREW,SHC,1/4-20 X .375 BLK (from SN QSP-6000)	4
42	1297333GT	FORMING, HEIGHT RESTRICTOR, RAMP, GR15 (from SN QSP-6000)	2
43	100715GT	COLUMN #6 MACHINED, 57 (to SN QSP-5999)	
43B	1293978GT	COLUMN #6 MACHINED, 65 (from SN QSP-6000)	

Go to Discount-Equipment.com to order your parts



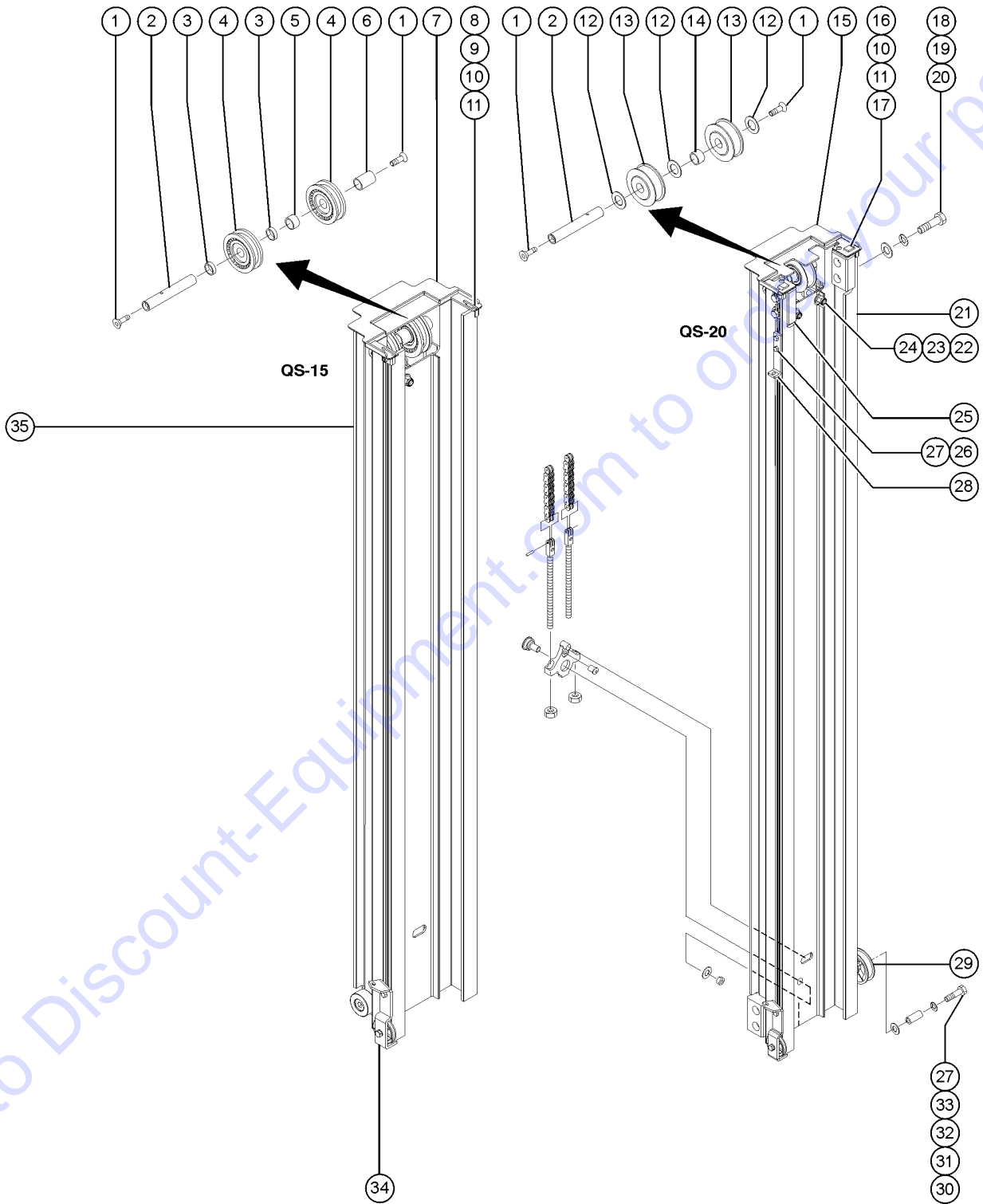
304.2 Number 4 Column Assembly; QS-15, QS-20



Item	Part No.	Description	Qty.
1	45425GT	SCREW,FHS,3/8-16 X .75	
2	35707GT	SHAFT,LIFTING CHAINS,20MM DIA.	1
3	35722GT	SPACER,SHAFT,.310	
4	35715GT	PULLEY,SMALL CHAIN	2
5	35711GT	SPACER,SHAFT,.840"LG	
6	37686GT	SPACER,SHAFT,1.400	
7		Ref. Mast Cover, Number 4 Column (refer to 311.1)	
8	57264GT	NUT, 1/4-20 T	
9	109500GT	PLATE, MAST FLAP CLAMP, 5-6	2
10	40004GT	SCREW,SHC,1/4-20 X .375 BLK	
11	41055GT	WASHER,T-SLOT	
12	38709GT	WASHER,SHIM,.938 X 1.37 X .048	
13	38447GT	PULLEY W/BEARINGS	2
14	38316GT	SPACER,.560 AWP MAST	
15		Ref. Mast Cover, Number 4 Column (refer to 311.1)	
16		Ref. Mast Flap Clamp (refer to 301.1)	
17	38730GT	NUT,WELD,ANGLE,1/4" T-SLOT	2
18	6175GT	SCREW,HHC,3/8-16 X 1	
19	6021GT	WASHER,LOCK,.375	
20	6097GT	WASHER,FLAT,USS,3/8",Y	
21	100383GT	COL 4 MACHINED, 72.5	1
22	4828GT	NUT,NYLOCK,3/8-16	
23	5397GT	WASHER,FLAT,USS,5/16",Y	
24	35714GT	SCREW,FHS,3/8-16 X 2.25	
25		Ref. Mast Slider Block (refer to 303.1)	
26	7339GT	SCREW,HHC,1/4-20 X .5	
27	35991GT	NUT,WELD 1/4-20, PLATED L.L.**	
28		Ref. Upper Sequencing Bracket (refer to 301.1)	



304.2 Number 4 Column Assembly; QS-15, QS-20



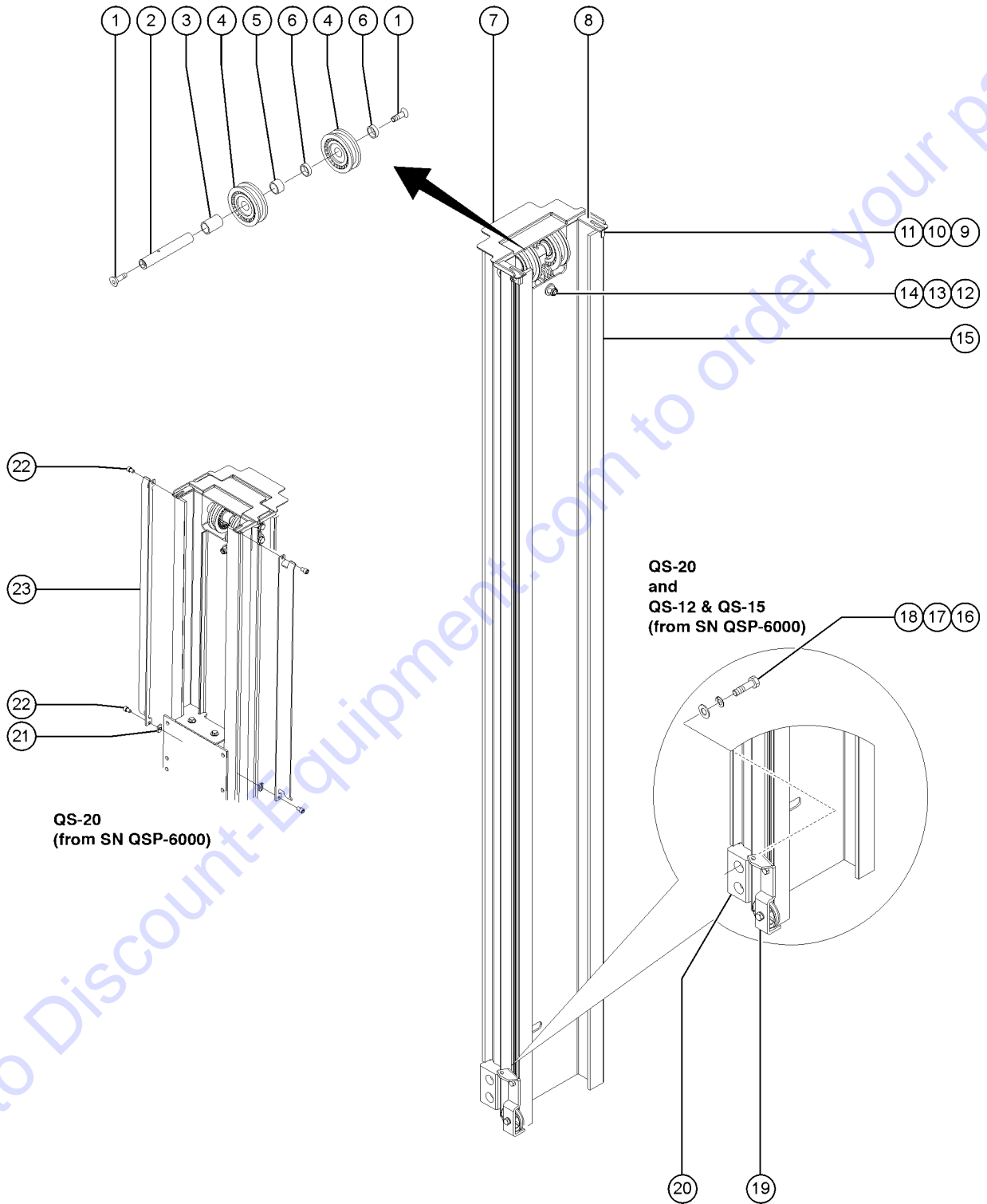
304.2 Number 4 Column Assembly; QS-15, QS-20

Item	Part No.	Description	Qty.
29		Ref. Control Cable Pulley (refer to 312.1 & 313.1)	
30	8915GT	SCREW,HHC,1/4-20 X 1.25	
31	25926GT	WASHER,FLAT,M6 PLTD.	
32	40735GT	SPACER, 1/4ID3/8OD, .875LG	
33	22699GT	WASHER,FLAT,M10,ZINC PLTD.	
34		Ref. Pulley Bracket (refer to 310.1)	
35		Ref. Column #6 QS-15 (refer to 304.1)	

Go to Discount-Equipment.com to order your parts



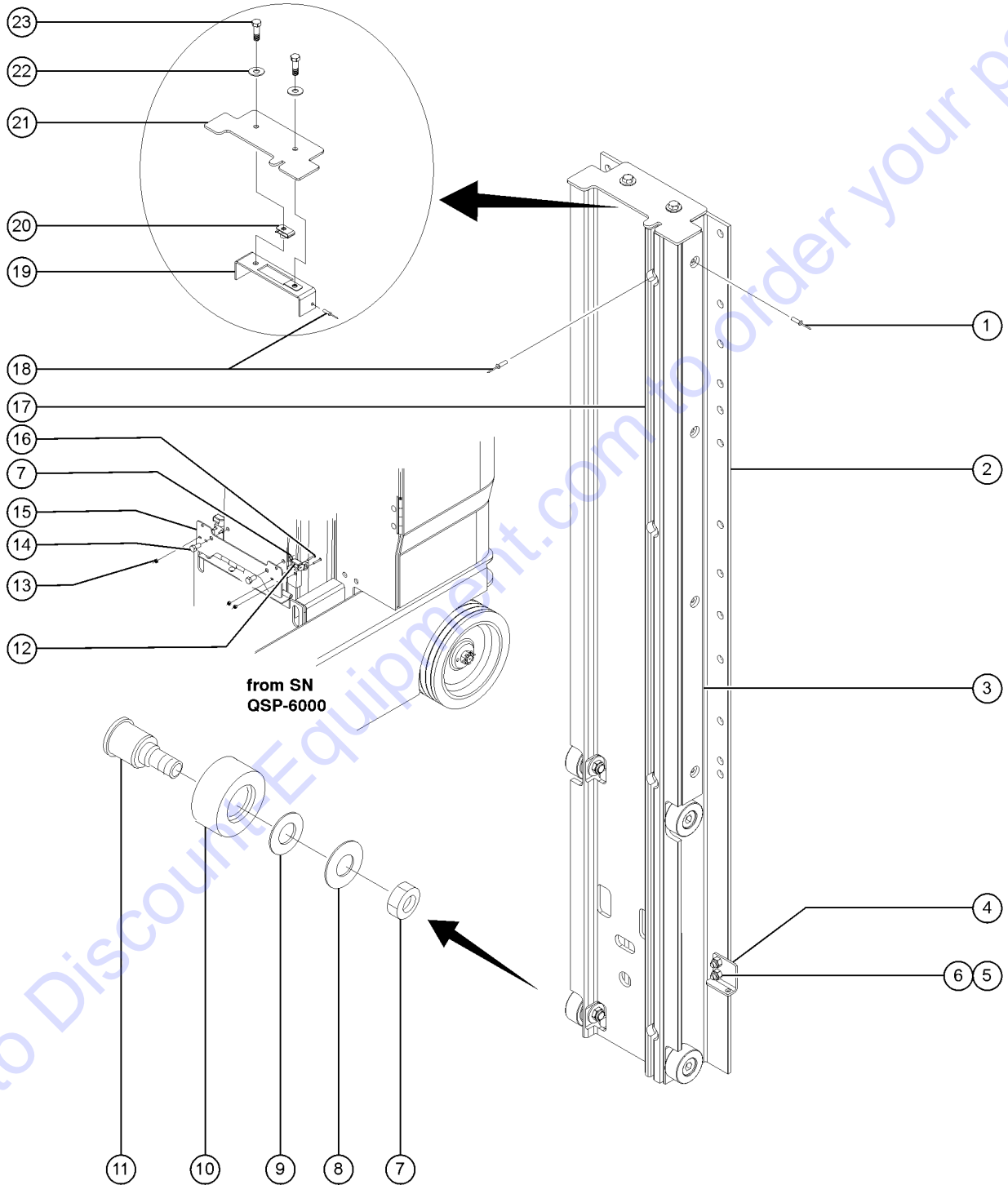
305.1 Number 5 Column Assembly, QS-20



Item	Part No.	Description	Qty.
1	45425GT	SCREW,FHS,3/8-16 X .75	
2	35707GT	SHAFT,LIFTING CHAINS,20MM DIA.	1
3	37686GT	SPACER,SHAFT,1.400	
4	35715GT	PULLEY,SMALL CHAIN	2
5	35711GT	SPACER,SHAFT,.840"LG	
6	35722GT	SPACER,SHAFT,.310	
7		Ref. Mast Cover, Column Number 5 (refer to 311.1)	
8	109500GT	PLATE, MAST FLAP CLAMP, 5-6	2
9	40004GT	SCREW,SHC,1/4-20 X .375 BLK	
10	41055GT	WASHER,T-SLOT	
11	57264GT	NUT, 1/4-20 T	
12	4828GT	NUT,NYLOCK,3/8-16	
13	5397GT	WASHER,FLAT,USS,5/16",Y	
14	35714GT	SCREW,FHS,3/8-16 X 2.25	
15	100384GT	COL 5 MACHINED, 72.5	1
		QS-20	
16	6175GT	SCREW,HHC,3/8-16 X 1	
17	6021GT	WASHER,LOCK,.375	
18	6097GT	WASHER,FLAT,USS,3/8",Y	
19	100386GT	FORMING, PULLEY BRKT	
20	100379GT	BLOCK, MAST SLIDER, GR20	
21	35991GT	NUT,WELD 1/4-20, PLATED L.L.**	4
		(from SN QSP-6000)	
22	40004GT	SCREW,SHC,1/4-20 X .375 BLK	4
		(from SN QSP-6000)	
23	1289429GT	FORMING, HEIGHT RESTRICTOR, RAMP, GR20	2
		(from SN QSP-6000)	



306.1 Carriage Assembly

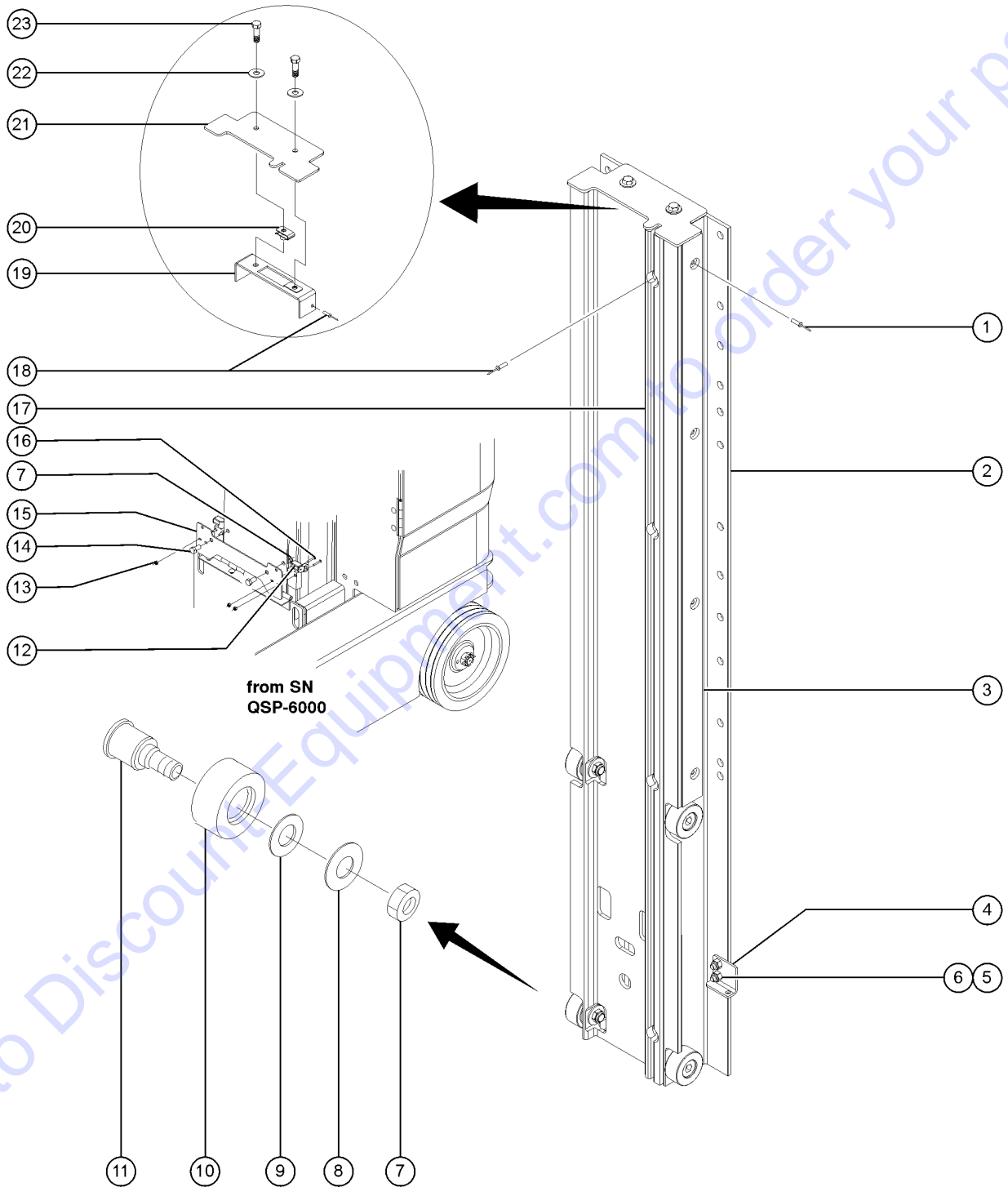


306.1 Carriage Assembly

Item	Part No.	Description	Qty.
	8920GT	RIVET,ALUM,ALUM,P,.156 X .375	
1	69855GT	RIVET,ALUM,ALUM,.25 X 1.125 AL	
2	100744GT	CARRIAGE, 3 & 5 COLUMN	1
2A-		Ref. Carriage Sequencing Cable Assembly (refer to 310.1)	
3	57195GT	GUIDE, SLIDER CARRIAGE	2
4	35734GT	FORMING, SEQUENCING, CARR, ZN	1
5	6091GT	NUT,NYLOCK,1/4-20	
6	6090GT	SCREW,HHC,1/4-20 X .75	
7	7713GT	NUT, LP NYLOCK, 3/8-16	
8	6097GT	WASHER,FLAT,USS,3/8",Y	
9	6052GT	WASHER,SHIM,.5 X .875 X .063	
10		Ref. Roller (refer to 301.1)	
11	35706GT	BOLT,ROLLER,.470"(SHORT)	
12	139644GT	LIMIT SWITCH,TAB,BLUE,MICRO	
13	12344GT	NUT,NYLOCK,6-32 (from SN QSP-6000)	
14	8255GT	SCREW,HHC,3/8-16 X .75 (from SN QSP-6000)	
15	1289428GT	PLATE, HEIGHT RESTRICTOR, MOUNT, GR	1
16	75067GT	SCREW,6-32 X 7/8 PPMS ZINC (from SN QSP-6000)	
17	38005GT	SLIDE BLOCK,CARRIAGE%%	1
18	8920GT	RIVET,ALUM,ALUM,P,.156 X .375	
19	100777GT	FORMING, CARRIAGE FLAP MOUNT	1
20	56912GT	SPRING CLIP,1/4-20,.025-.15X.54,ZAG	
21	100752GT	COVER, CARRIAGE	1
22	6638GT	WASHER,FLAT,USS,1/4"Y	
23	6888GT	SCREW,HHC,1/4-20 X 1	



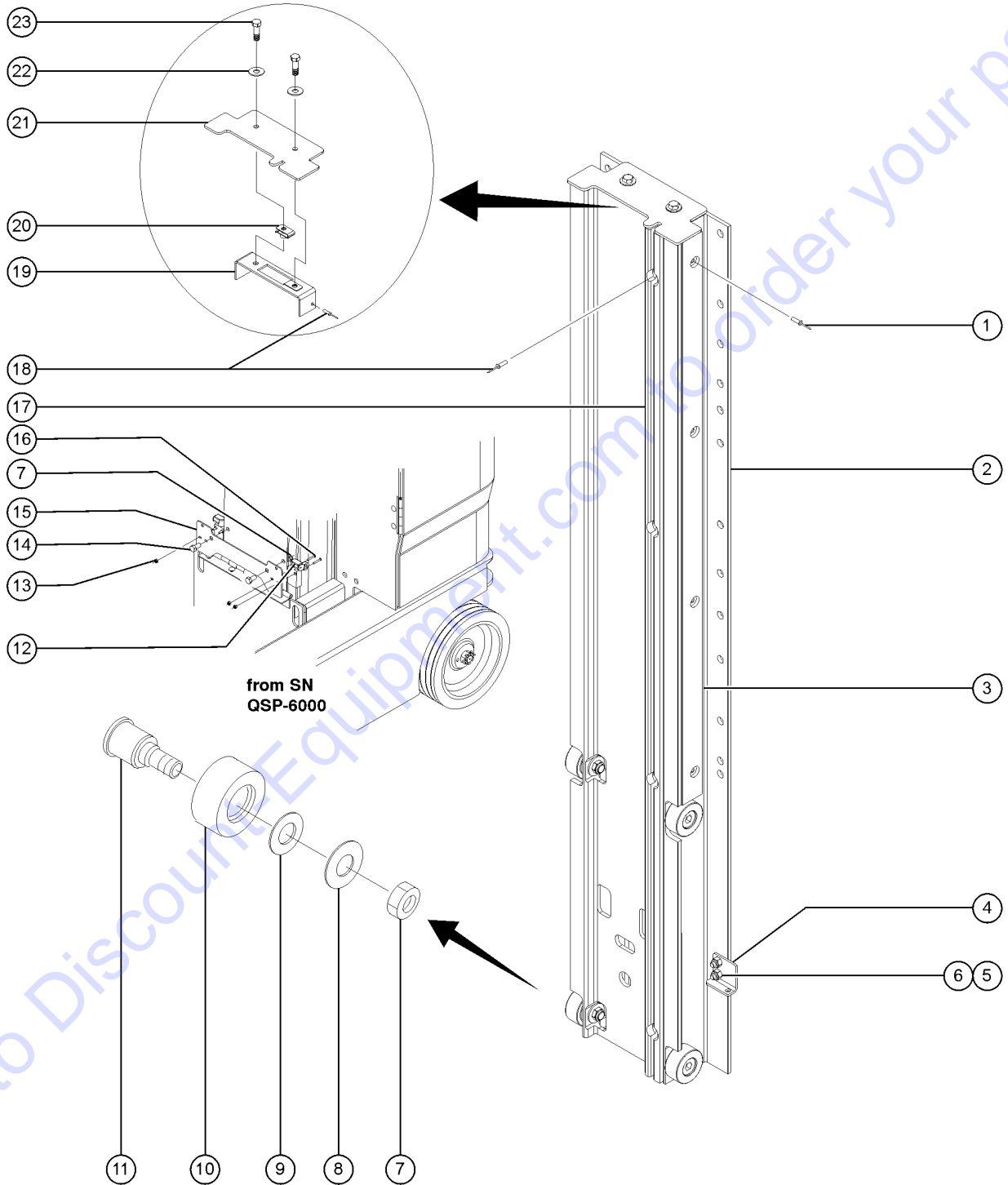
306.2 Carriage Assembly



Item	Part No.	Description	Qty.
	8920GT	RIVET,ALUM,ALUM,P,.156 X .375	
1	69855GT	RIVET,ALUM,ALUM,.25 X 1.125 AL	
2	100745GT	CARRIAGE, 4 & 6 COLUMN	1
2A-		Ref. Carriage Sequencing Cable Assembly (refer to 310.1)	
3	57195GT	GUIDE, SLIDER CARRIAGE	2
4	35734GT	FORMING, SEQUENCING, CARR, ZN	1
5	6091GT	NUT,NYLOCK,1/4-20	
6	6090GT	SCREW,HHC,1/4-20 X .75	
7	7713GT	NUT, LP NYLOCK, 3/8-16	
8	6097GT	WASHER,FLAT,USS,3/8",Y	
9	6052GT	WASHER,SHIM,.5 X .875 X .063	
10		Ref. Roller (refer to 301.1)	
11	35706GT	BOLT,ROLLER,.470"(SHORT)	
12	139644GT	LIMIT SWITCH,TAB,BLUE,MICRO	
13	12344GT	NUT,NYLOCK,6-32	
14	8255GT	SCREW,HHC,3/8-16 X .75	
15	1289428GT	PLATE, HEIGHT RESTRICTOR, MOUNT, GR	1
16	75067GT	SCREW,6-32 X 7/8 PPMS ZINC	
17	38005GT	SLIDE BLOCK,CARRIAGE%%	1
18	8920GT	RIVET,ALUM,ALUM,P,.156 X .375	
19	100777GT	FORMING, CARRIAGE FLAP MOUNT	1
20	56912GT	SPRING CLIP,1/4-20,.025-.15X.54,ZAG	
21	100752GT	COVER, CARRIAGE	1
22	6638GT	WASHER,FLAT,USS,1/4"Y	
23	6888GT	SCREW,HHC,1/4-20 X 1	



306.3 Carriage Assembly

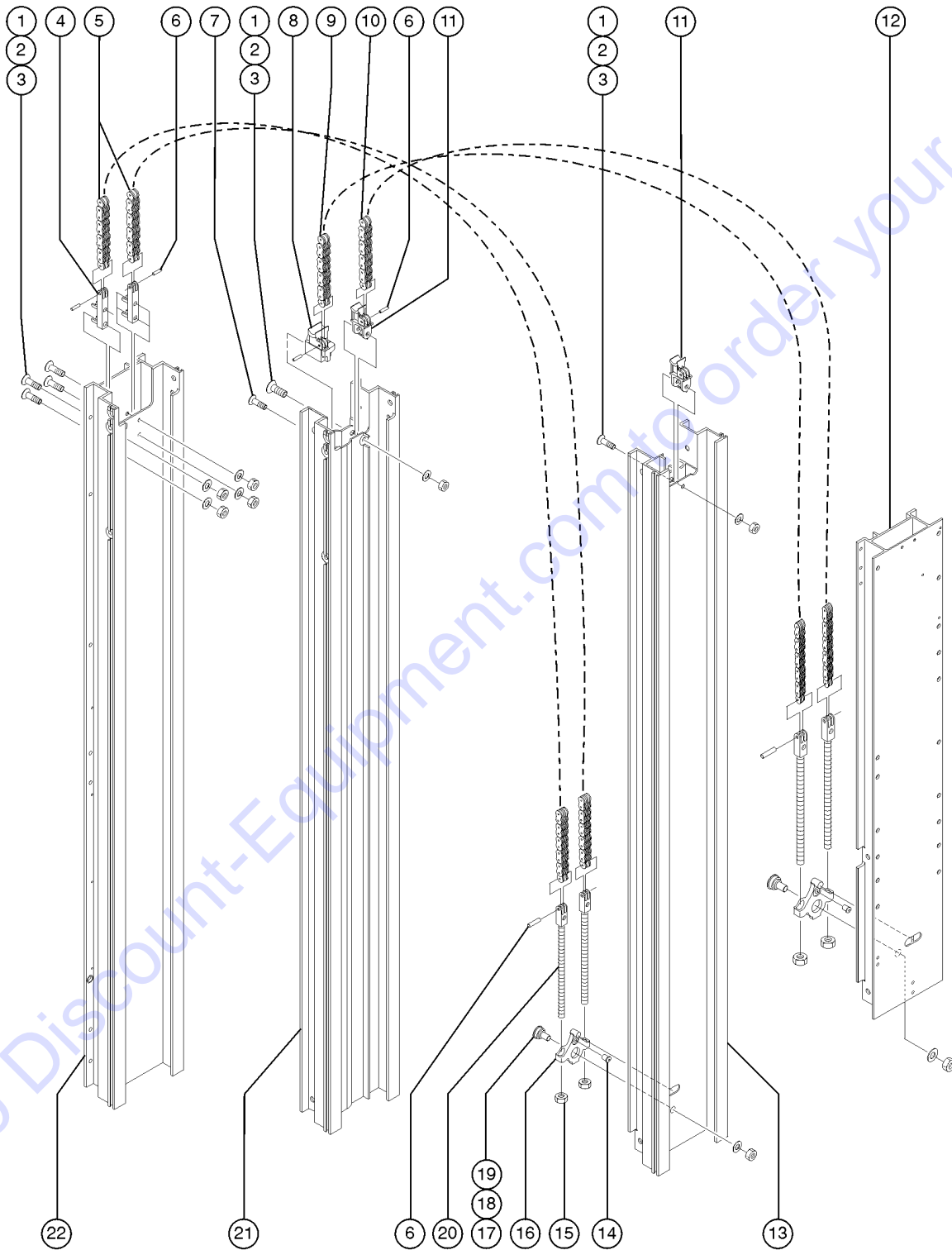


306.3 Carriage Assembly

Item	Part No.	Description	Qty.
	8920GT	RIVET,ALUM,ALUM,P,.156 X .375	
1	69855GT	RIVET,ALUM,ALUM,.25 X 1.125 AL	
2	100744GT	CARRIAGE, 3 & 5 COLUMN	1
2A-		QS-12, QS-20 Ref. Carriage Sequencing Cable Assembly (refer to 310.1)	
3	57195GT	GUIDE, SLIDER CARRIAGE	2
4	35734GT	FORMING, SEQUENCING, CARR, ZN	1
5	6091GT	NUT,NYLOCK,1/4-20	
6	6090GT	SCREW,HHC,1/4-20 X .75	
7	7713GT	NUT, LP NYLOCK, 3/8-16	
8	6097GT	WASHER,FLAT,USS,3/8",Y	
9	6052GT	WASHER,SHIM,.5 X .875 X .063	
10		Ref. Roller (refer to 301.1)	
11	35706GT	BOLT,ROLLER,.470"(SHORT)	
12	139644GT	LIMIT SWITCH,TAB,BLUE,MICRO	
13	12344GT	(from SN QSP-6000) NUT,NYLOCK,6-32	
14	8255GT	(from SN QSP-6000) SCREW,HHC,3/8-16 X .75	
15	1289428GT	(from SN QSP-6000) PLATE, HEIGHT RESTRICTOR, MOUNT, GR	1
16	75067GT	SCREW,6-32 X 7/8 PPMS ZINC	
17	38005GT	(from SN QSP-6000) SLIDE BLOCK,CARRIAGE%%	1
18	8920GT	RIVET,ALUM,ALUM,P,.156 X .375	
19	100777GT	FORMING, CARRIAGE FLAP MOUNT	1
20	56912GT	SPRING CLIP,1/4-20,.025-.15X.54,ZAG	
21	100752GT	COVER, CARRIAGE	1
21-	T108409GT	FORMING, MAST COVER	
22	6638GT	QS-20 WASHER,FLAT,USS,1/4"Y	
23	6888GT	SCREW,HHC,1/4-20 X 1	



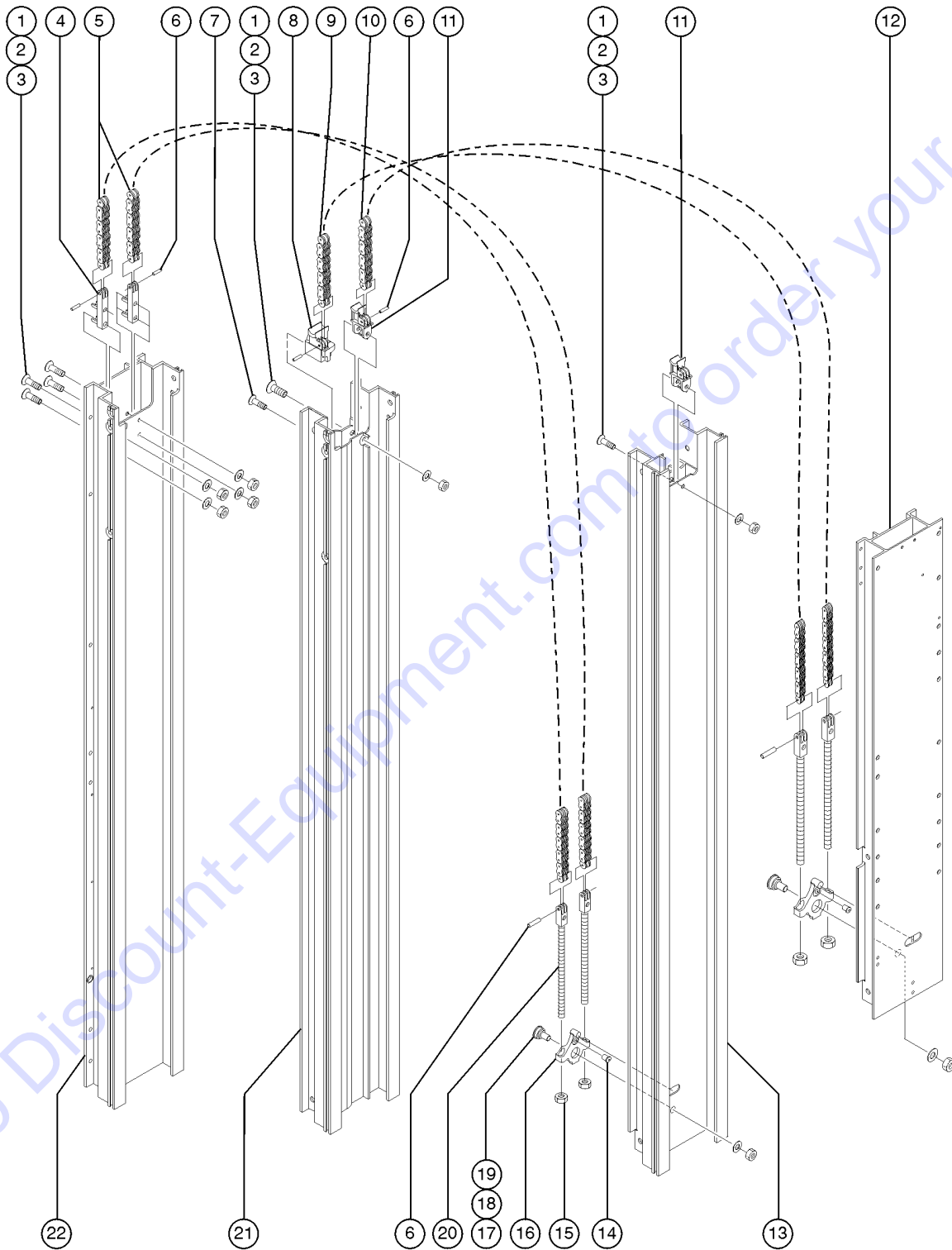
307.1 Lifting Chain Assembly, QS-12



Item	Part No.	Description	Qty.
1	35714GT	SCREW,FHS,3/8-16 X 2.25	
2	5397GT	WASHER,FLAT,USS,5/16",Y	
3	4828GT	NUT,NYLOCK,3/8-16	
4	35699GT	CHAIN TERMINAL CASTING,#1	2
5	40550GT	CHAIN ASSY,#1,57"COL. S-SERIES (includes items 4 and 20) to SN QSP-5999	2
5-	41247GT	CHAIN,STD.LEAF(LG)53.5"S-SERIE 53.5 inches	
5B	1298027GT	CHAIN ASSY,#1,65" COL. S-SERIES (includes items 4 and 20) from SN QSP-6000	
5B-	35704-6063GT	CHAIN,STD.LEAF AL544,60.63" 60.63 inches	
6	6534GT	PIN,GROOVED- .200 X .75*	8
7	40945GT	SCREW,FHS,1/4-20 X 2.25	
8	35697GT	CHAIN TERM,CLEVIS CYL.,ZINC	1
9	41246GT	CHAIN ASSY.#2 COL. (CYLINDER) (includes items 8 and 20) to SN QSP-5999	1
9-	41247GT	CHAIN,STD.LEAF(LG)53.5"S-SERIE 53.5 inches	
9B	1298026GT	CHAIN ASSY,#2,65" COL. S-SERIES (includes items 8 and 20) from SN QSP-6000	1
9B-	35704-6063GT	CHAIN,STD.LEAF AL544,60.63" 60.63 inches	
10	41248GT	CHAIN ASSY. #2 COL.CWP/SP (includes items 11 and 20) to SN QSP-5999	1
10-	41247GT	CHAIN,STD.LEAF(LG)53.5"S-SERIE 53.5 inches	
10B	1298028GT	CHAIN ASSY,#2,65" COL. S-SERIES (includes items 11 and 20) from SN QSP-6000	
10B-	35704-6063GT	CHAIN,STD.LEAF AL544,60.63" 60.63 inches	
11	35695GT	CHAIN TERM,PULLEY SUPORT-ZINC (double slot)	2
12		Ref. Carriage (refer to 306.1)	
13		Ref. Number 3 Column (refer to 303.1)	
14	11890GT	GLIDE BUTTON,SIDE,GLL.,100 TK	2
15	35712GT	NUT,NYLOCK,3/8-24	
16	35698GT	CHAIN TENSION ROCKER CAST.ZINC	2
17	35705GT	BOLT-ROCKER, S-SERIES	
18	6095GT	WASHER,FLAT,USS,1/2",Y	
19	6086GT	NUT,LP NYLOCK,1/2-13	



307.1 Lifting Chain Assembly, QS-12



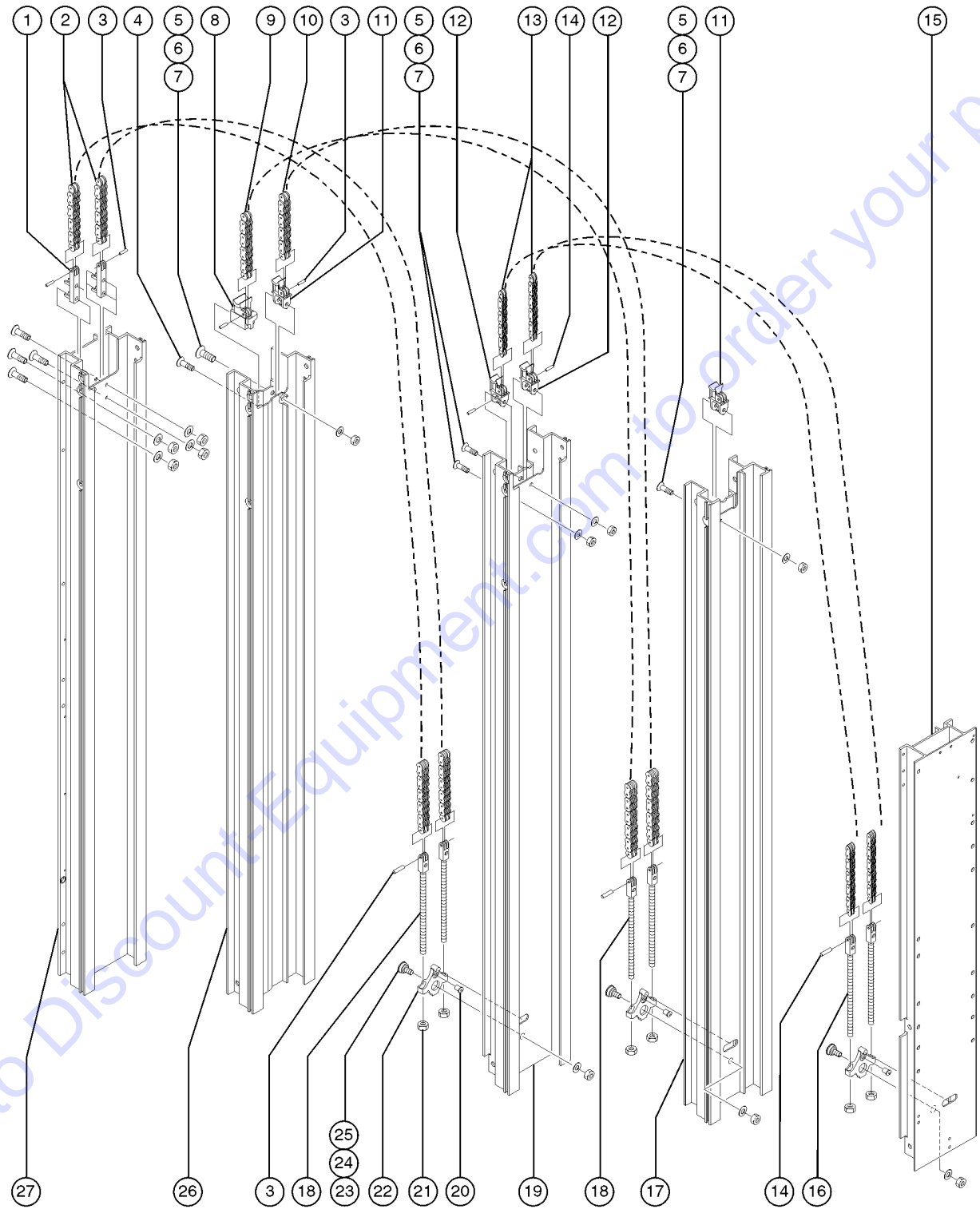
307.1 Lifting Chain Assembly, QS-12

<i>Item</i>	<i>Part No.</i>	<i>Description</i>	<i>Qty.</i>
20	38187GT	CHAIN TERM.LWR.SS(2 SLOT)* (includes item 6)	4
21		Ref. Number 2 Column (refer to 302.1)	
22		Ref. Number 1 Column (refer to 301.1)	

Go to Discount-Equipment.com to order your parts



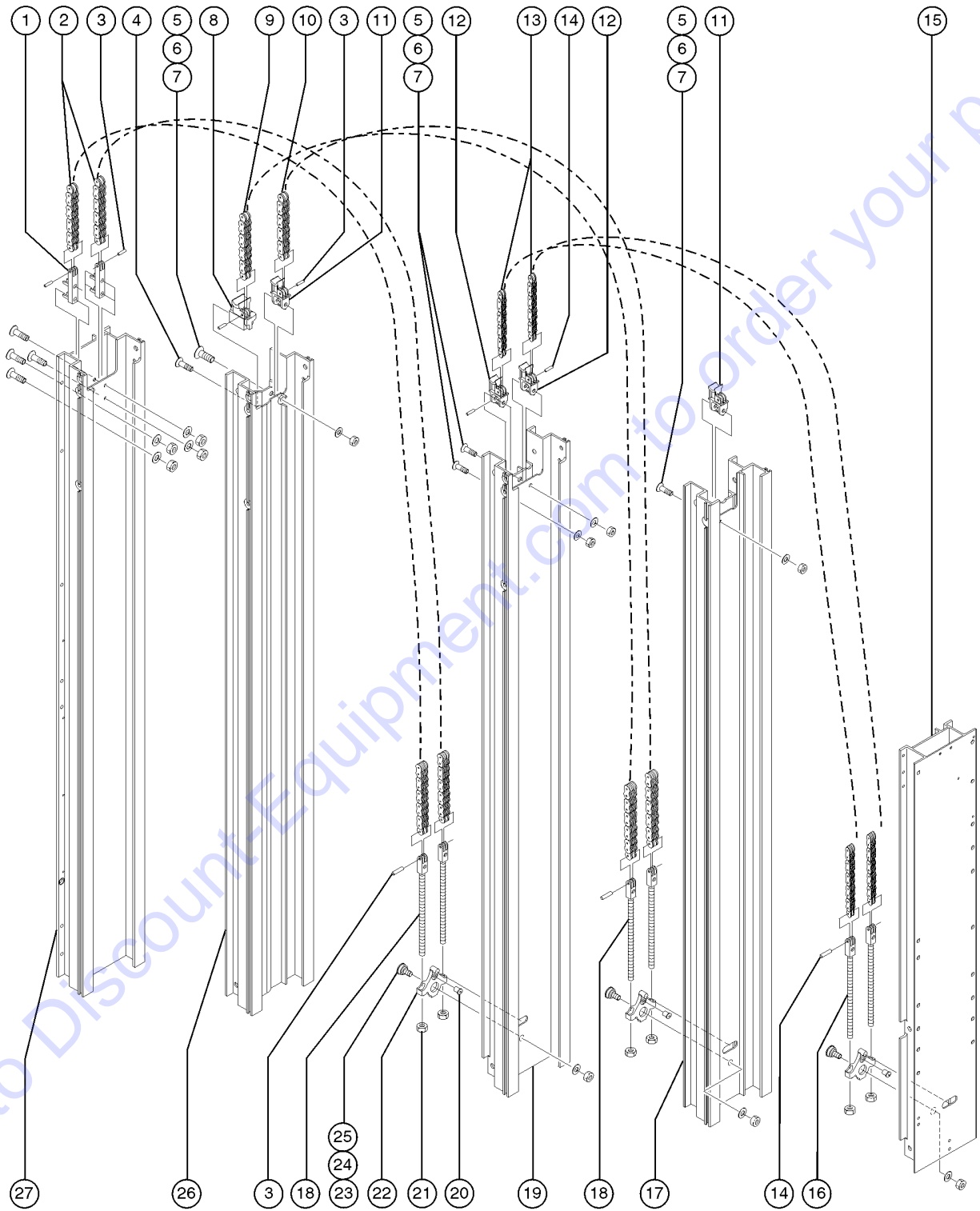
308.1 Lifting Chain Assembly, QS-15



Item	Part No.	Description	Qty.
1	35699GT	CHAIN TERMINAL CASTING,#1	2
2	40550GT	CHAIN ASSY#1,57"COL. S-SERIES (includes items 1 and 18) to SN QSP-5999	2
2B	1298027GT	CHAIN ASSY,#1,65" COL. S-SERIES (includes items 1 and 18) from SN QSP-6000	2
2B-	35704-6063GT	CHAIN,STD.LEAF AL544,60.63"	
		60.63 inches	
3	6534GT	PIN,GROOVED-.200 X .75*	8
4	40945GT	SCREW,FHS,1/4-20 X 2.25	
5	35714GT	SCREW,FHS,3/8-16 X 2.25	
6	5397GT	WASHER,FLAT,USS,5/16",Y	
7	4828GT	NUT,NYLOCK,3/8-16	
8	35697GT	CHAIN TERM,CLEVIS CYL.,ZINC	1
9	41246GT	CHAIN ASSY.#2 COL. (CYLINDER) (includes items 8 and 18) to SN QSP-5999	1
9B	1298026GT	CHAIN ASSY,#2,65" COL. S-SERIES (includes items 8 and 18) from SN QSP-6000	1
9B-	35704-6063GT	CHAIN,STD.LEAF AL544,60.63"	
		60.63 inches	
10	41248GT	CHAIN ASSY.#2 COL.CWP/SP (includes items 11 and 18) to SN QSP-5999	1
10B	1298028GT	CHAIN ASSY,#2,65" COL. S-SERIES (includes items 11 and 18) from SN QSP-6000	1
10B-	35704-6063GT	CHAIN,STD.LEAF AL544,60.63"	
		60.63 inches	
11	35695GT	CHAIN TERM,PULLEY SUPORT-ZINC (double slot)	2
12	38980GT	CHAIN TERM,PULLEY SUPPORT-ZNC (single slot)	2
13	41250GT	CHAIN ASSY.SMALL CHAIN CWP/SP (includes items 12 and 14) to SN QSP-5999	2
13B	1298029GT	CHAIN ASSY,#2,65" COL.(SM) S-SERIES (includes items 12 and 14) from SN QSP-6000	2
13B-	35703-6063GT	CHAIN,STD.LEAF AL522,60.63"	
		60.63 inches	
14	38986GT	PIN,GROOVED,.200 X .50*	4
15		Ref. Carriage	
		(refer to 306.1)	
16	41224GT	CHAIN TERM.LWR.SS(1 SLOT)	2
		(includes item 14)	
17		COLUMN #6, 57" SUPER SERIES**	
		(refer to 304.1) to SN QSP-5999	
18	38187GT	CHAIN TERM.LWR.SS(2 SLOT)*	4
		(includes item 3)	
19		Ref. Number 3 Column	
		(refer to 303.1)	
20	11890GT	GLIDE BUTTON,SIDE,GLL.,100 TK	3



308.1 Lifting Chain Assembly, QS-15



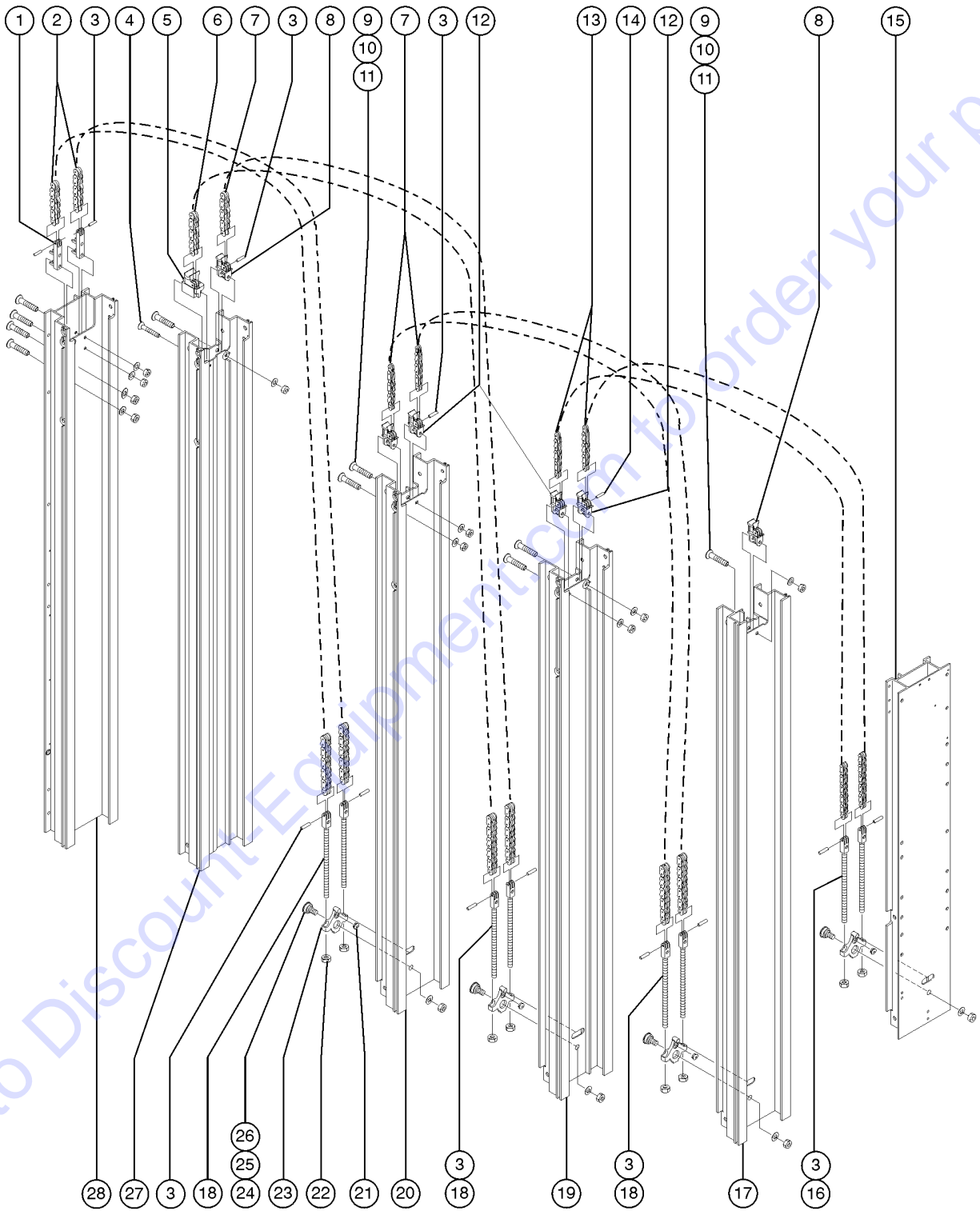
308.1 Lifting Chain Assembly, QS-15

Item	Part No.	Description	Qty.
21	35712GT	NUT,NYLOCK,3/8-24	
22	35698GT	CHAIN TENSION ROCKER CAST.ZINC	3
23	35705GT	BOLT-ROCKER, S-SERIES	3
24	6097GT	WASHER,FLAT,USS,3/8",Y	
25	6086GT	NUT,LP NYLOCK,1/2-13	
26		Ref. Number 2 Column (refer to 302.1)	
27		Ref. Number 1 Column (refer to 301.1)	

Go to Discount-Equipment.com to order your parts



309.1 Lifting Chain Assembly, QS-20

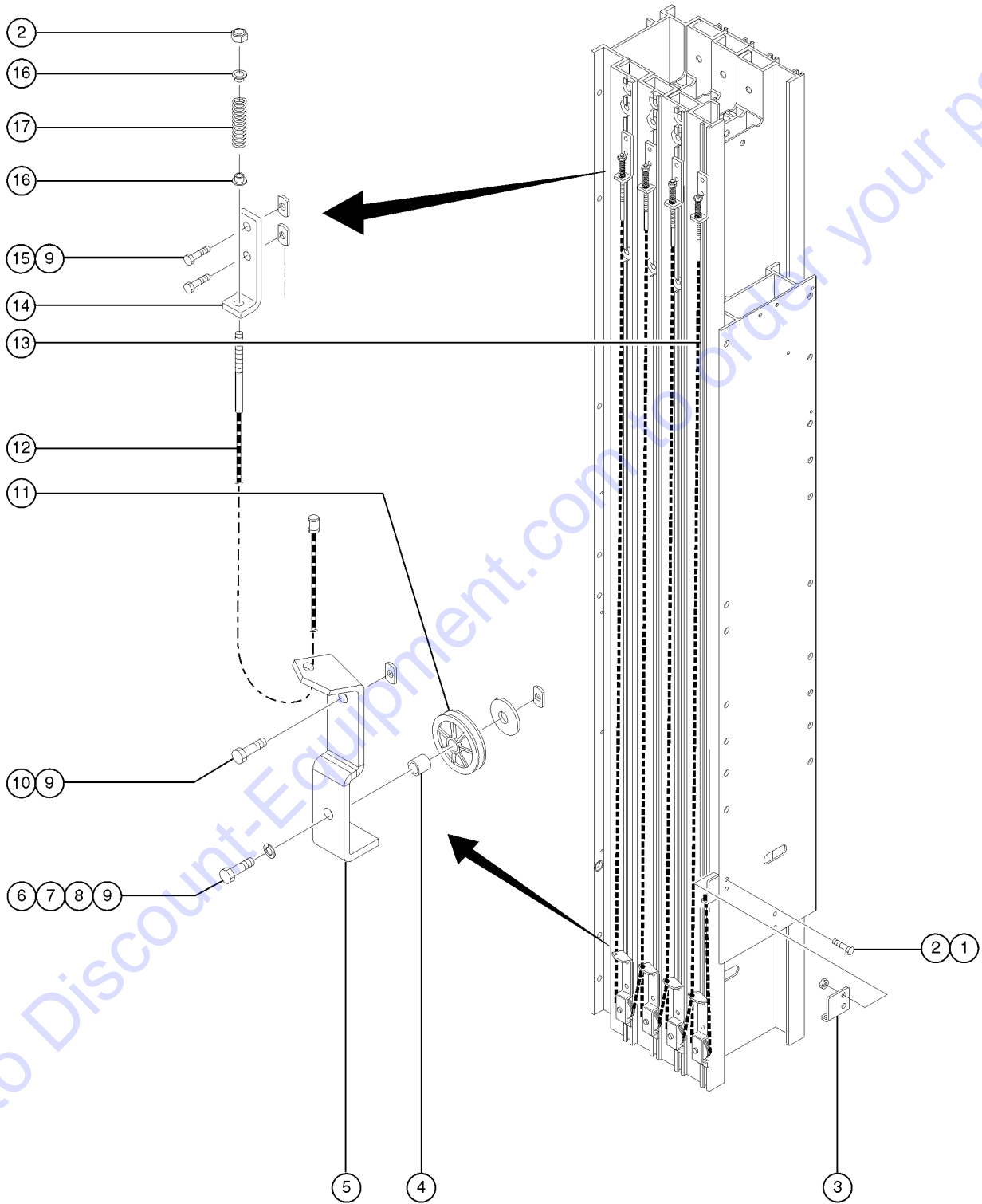


309.1 Lifting Chain Assembly, QS-20

Item	Part No.	Description	Qty.
1	35699GT	CHAIN TERMINAL CASTING,#1	2
2	37385GT	CHAIN ASSY#1,72.5"COL.S-SERIES (includes items 1 and 18)	2
3	6534GT	PIN,GROOVED-.200 X .75*	12
4	40945GT	SCREW,FHS,1/4-20 X 2.25	1
5	35697GT	CHAIN TERM,CLEVIS CYL.,ZINC	1
6	37384GT	CHAIN ASSY#2,72.5"COL.S-SERIES (includes items 5 and 18)	1
7	37386GT	CHAIN ASSY,72.5"COL. S-SERIES (includes items 8 and 18)	3
8	35695GT	CHAIN TERM,PULLEY SUPORT-ZINC (double slot)	3
9	35714GT	SCREW,FHS,3/8-16 X 2.25	
10	5397GT	WASHER,FLAT,USS,5/16",Y	
11	4828GT	NUT,NYLOCK,3/8-16	10
12	38980GT	CHAIN TERM,PULLEY SUPPORT-ZNC (single slot)	2
13	37387GT	CHAIN ASSY,72.5COL.(SM)S-SERIE (includes items 12 and 16)	2
14	38986GT	PIN,GROOVED,.200 X .50*	4
15		Ref. Carriage (refer to 306.1)	
16	41224GT	CHAIN TERM.LWR.SS(1 SLOT) (includes item 14)	1
17		Ref. Number 5 Column (refer to 305.1)	
18	38187GT	CHAIN TERM.LWR.SS(2 SLOT)* (includes item 3)	8
19		Ref. Number 4 Column (refer to 304.1)	
20		Ref. Number 3 Column (refer to 303.1)	
21	11890GT	GLIDE BUTTON,SIDE,GLL,.100 TK	4
22	35712GT	NUT,NYLOCK,3/8-24	
23	35698GT	CHAIN TENSION ROCKER CAST.ZINC	4
24	35705GT	BOLT-ROCKER, S-SERIES	
25	6095GT	WASHER,FLAT,USS,1/2",Y	
26	6198GT	NUT,NYLOCK,1/2-13	
27		Ref. Number 2 Column (refer to 302.1)	
28		Ref. Number 1 Column (refer to 301.1)	



310.1 Sequencing Cable



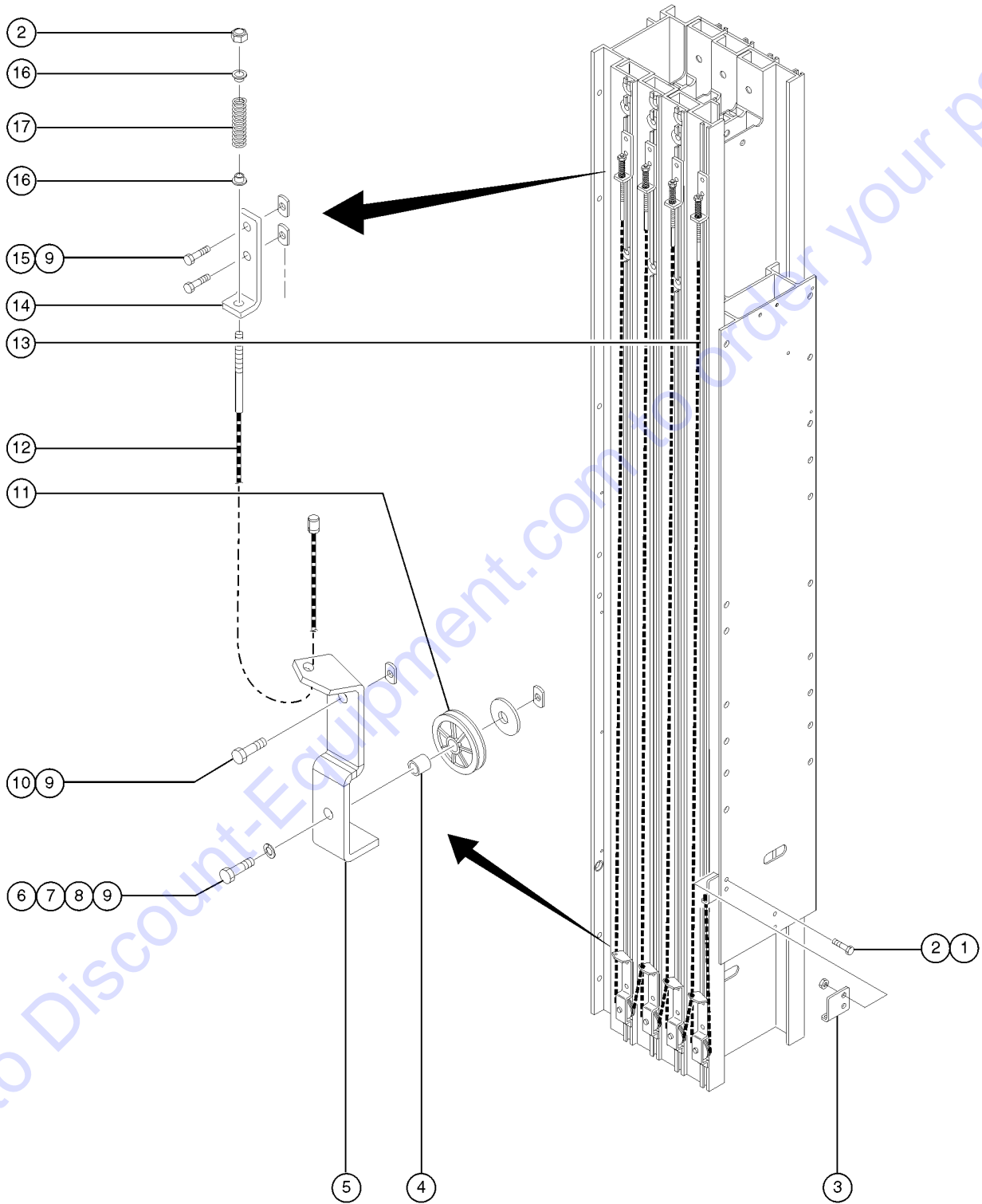
310.1 Sequencing Cable

Item	Part No.	Description	Qty.
1	6090GT	SCREW,HHC,1/4-20 X .75	
2	6091GT	NUT,NYLOCK,1/4-20	
3	35734GT	FORMING, SEQUENCING, CARR, ZN	1
4A	100905GT	SPACER,TUBE,1/4X3/8X.40" LG	2
		QS-12	
5	100386GT	FORMING, PULLEY BRKT	1
6	6888GT	SCREW,HHC,1/4-20 X 1	
7	6356GT	WASHER,LOCK,.25	
8	12906GT	WASHER,FENDER,.25 X 1.25 X.062	
9	35991GT	NUT,WELD 1/4-20, PLATED L.L.**	
10	11808GT	SCREW,HHC,1/4-20 X .375	
11A	35733GT	PULLEY,SEQUENCING,NYLATRON	2
		QS-12	
12A	124081GT	CABLE ASSY,SEQ,MAST,GR12&15	1
		QS-12 (includes item 13)	
13A	58382GT	CABLE ASSY,SEQ,CARRIAG,GR12/15	1
		QS-12 & GR-15 (includes item 3)	
14A	57147GT	BRACKET,SEQUENCING,UPPER,ZI***	2
		QS-12	
15	7339GT	SCREW,HHC,1/4-20 X .5	
16A	38234GT	BUSHING,FLANGE,3/8 OD X 1/4 ID	4
		QS-12	
17A	8849GT	SPRING, TENSION CABLE	2
		QS-12	

Go to Discount-Equipment.com to order your parts



310.2 Sequencing Cable



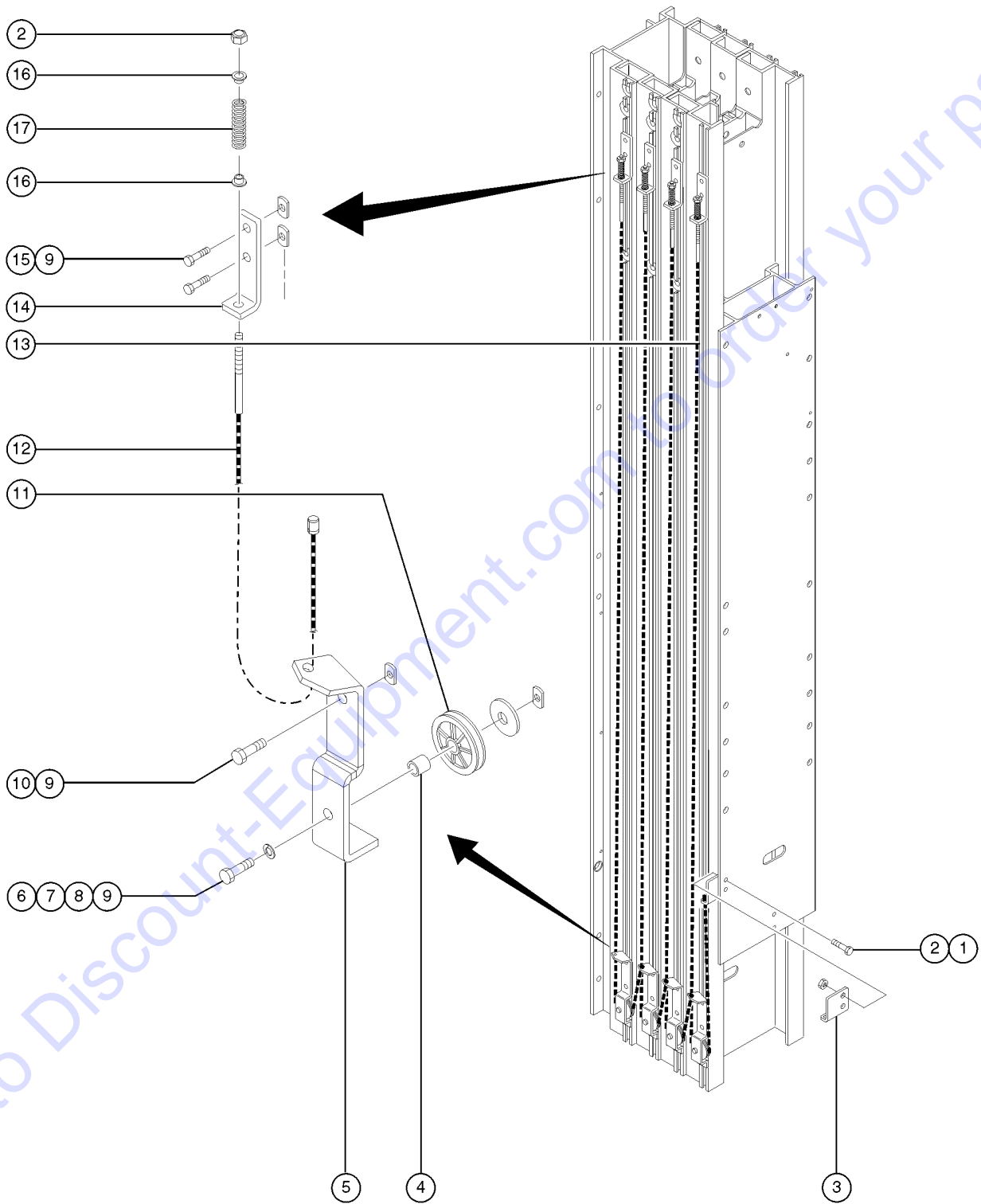
310.2 Sequencing Cable

Item	Part No.	Description	Qty.
1	6090GT	SCREW,HHC,1/4-20 X .75	
2	6091GT	NUT,NYLOCK,1/4-20	
3	35734GT	FORMING, SEQUENCING, CARR, ZN	1
4	100905GT	SPACER,TUBE,1/4X3/8X.40" LG	3
		QS-15	
5	100386GT	FORMING, PULLEY BRKT	1
6	6888GT	SCREW,HHC,1/4-20 X 1	
7	6356GT	WASHER,LOCK,.25	
8	12906GT	WASHER,FENDER,.25 X 1.25 X.062	
9	35991GT	NUT,WELD 1/4-20, PLATED L.L.**	
10	11808GT	SCREW,HHC,1/4-20 X .375	
11B	35733GT	PULLEY,SEQUENCING,NYLATRON	3
		QS-15	
12C-	124081GT	CABLE ASSY,SEQ,MAST,GR12&15	2
		QS-15 (includes item 13)	
13A	58382GT	CABLE ASSY,SEQ,CARRIAG,GR12/15	1
		QS-12 & GR-15 (includes item 3)	
14B	57147GT	BRACKET,SEQUENCING,UPPER,ZI***	3
		QS-15	
15	7339GT	SCREW,HHC,1/4-20 X .5	
16B	38234GT	BUSHING,FLANGE,3/8 OD X 1/4 ID	6
		QS-15	
17B	8849GT	SPRING, TENSION CABLE	2
		QS-15	

Go to Discount-Equipment.com to order your parts



310.3 Sequencing Cable



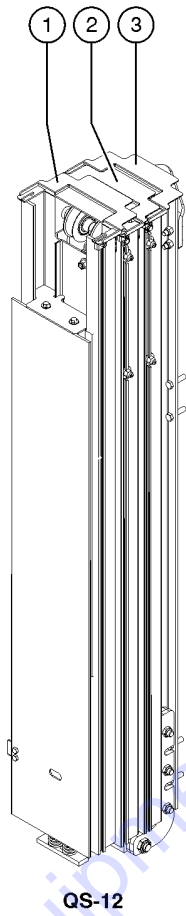
310.3 Sequencing Cable

Item	Part No.	Description	Qty.
1	6090GT	SCREW,HHC,1/4-20 X .75	
2	6091GT	NUT,NYLOCK,1/4-20	
3	35734GT	FORMING, SEQUENCING, CARR, ZN	1
4	100905GT	SPACER,TUBE,1/4X3/8X.40" LG	4
		QS-20	
5	100386GT	FORMING, PULLEY BRKT	1
6	6888GT	SCREW,HHC,1/4-20 X 1	
7	6356GT	WASHER,LOCK,.25	
8	12906GT	WASHER,FENDER,.25 X 1.25 X.062	
9	35991GT	NUT,WELD 1/4-20, PLATED L.L.**	
10	11808GT	SCREW,HHC,1/4-20 X .375	
11	35733GT	PULLEY,SEQUENCING,NYLATRON	4
		QS-20	
12	100409GT	CABLE ASSY,SEQ,MAST,GR20	3
		QS-20 (includes item 13)	
13	58381GT	CABLE ASSY,SEQ,CARRIAGE,GR20	1
		QS-20 (includes item 3)	
14	57147GT	BRACKET,SEQUENCING,UPPER,ZI***	4
		QS-20	
15	38979GT	SCREW,PHM,1/4-20X.5 PHIL	
		replaced 7339	
16	38234GT	BUSHING,FLANGE,3/8 OD X 1/4 ID	8
		QS-20	
17	8849GT	SPRING, TENSION CABLE	2
		QS-20	

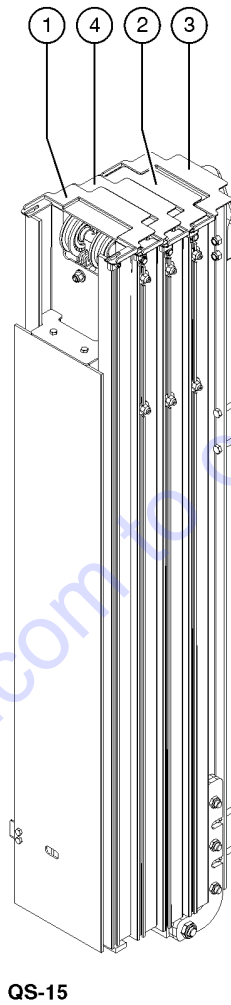
Go to Discount-Equipment.com to order your parts



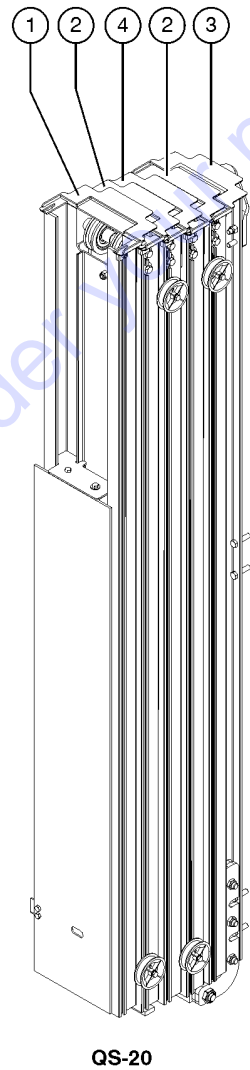
311.1 Mast Covers



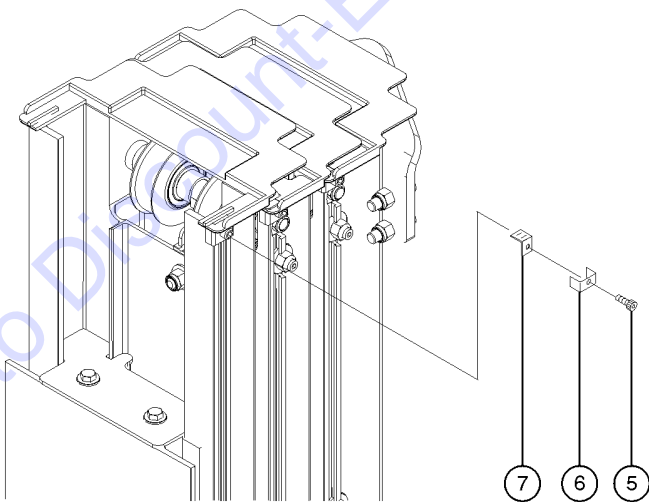
QS-12



QS-15



QS-20



7 6 5

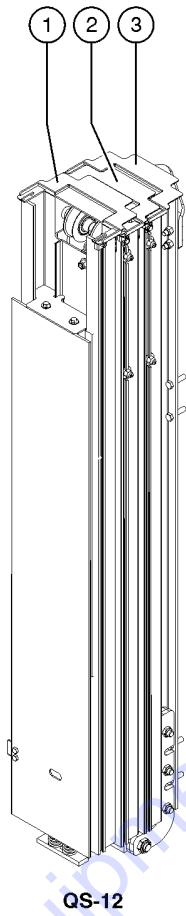
311.1 Mast Covers

Item	Part No.	Description	Qty.
1A	100770GT	FLAP, MAST COVER #5,#6 QS-12 (column #3)	1
2A	100769GT	FLAP, MAST COVER #2, #4 QS-12 (column #2)	1
3A	100767GT	FLAP, MAST COVER #1 QS-12 (column #1)	1
5A	40004GT	SCREW,SHC,1/4-20 X .375 BLK QS-12	6
6A	41055GT	WASHER,T-SLOT QS-12	6
7A	38730GT	NUT,WELD,ANGLE,1/4" T-SLOT QS-12	6

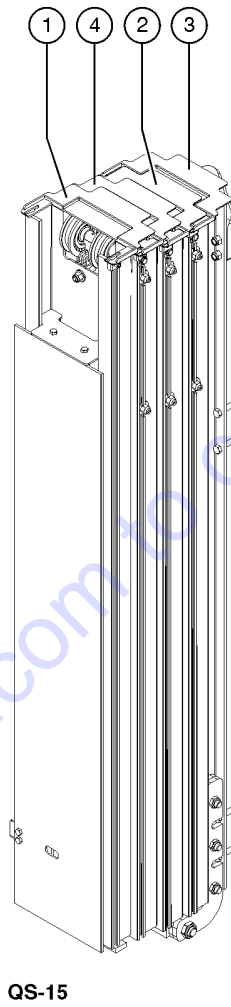
Go to Discount-Equipment.com to order your parts



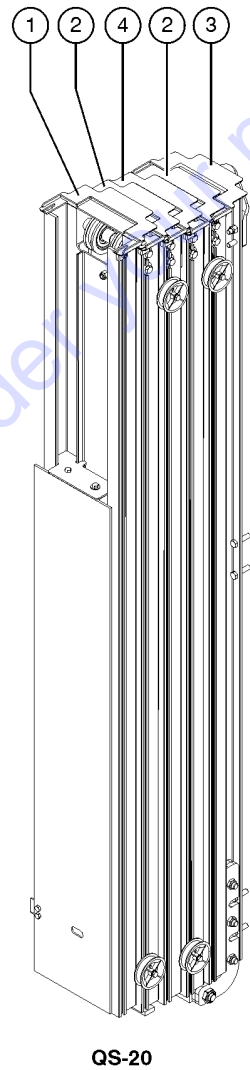
311.2 Mast Covers



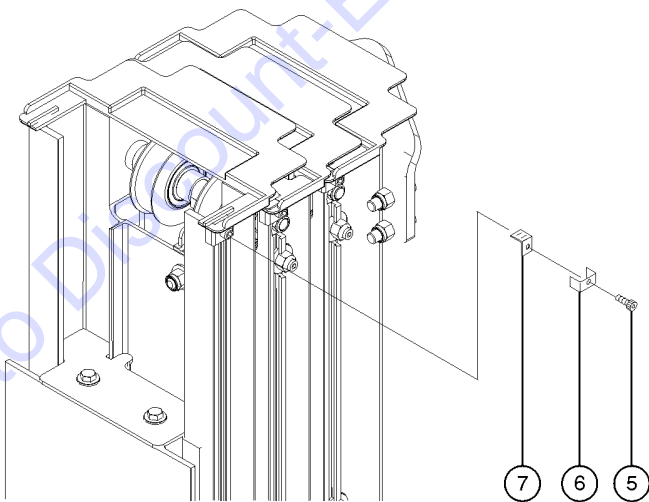
QS-12



QS-15



QS-20



7 6 5



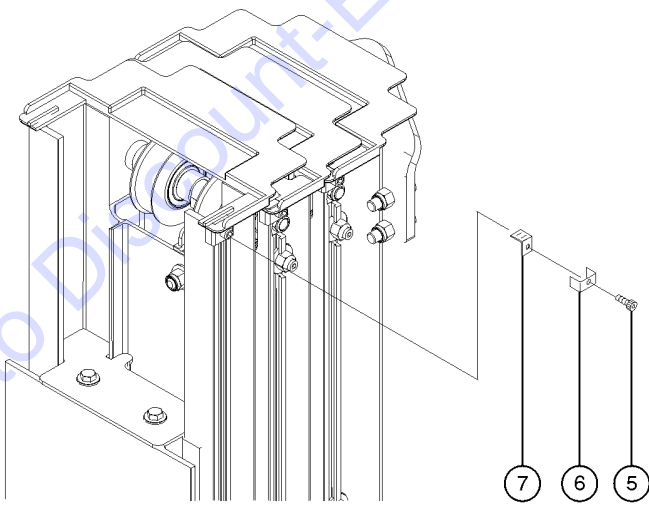
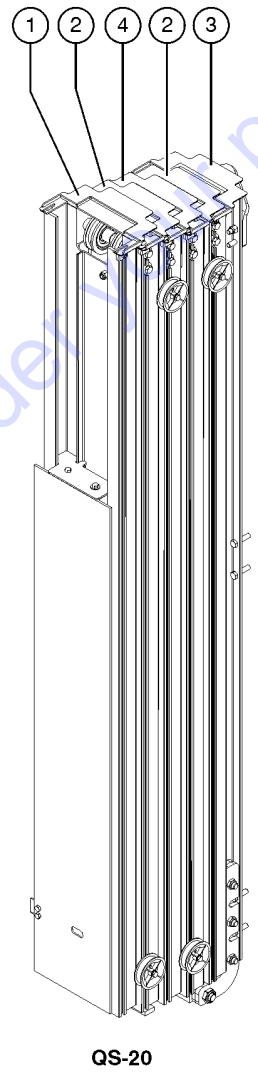
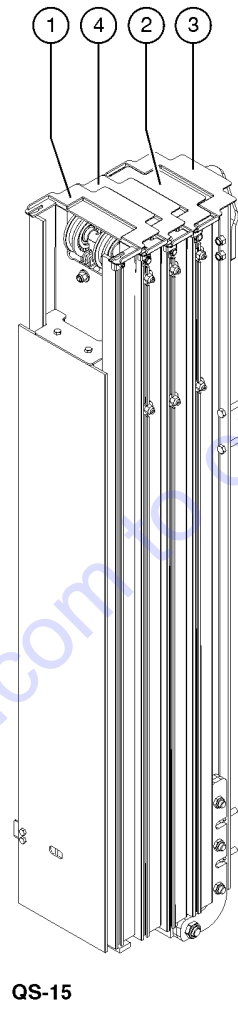
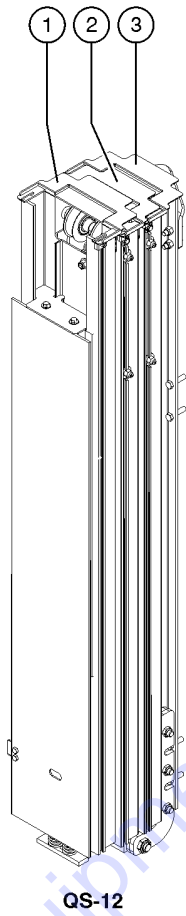
311.2 Mast Covers

Item	Part No.	Description	Qty.
1B	100770GT	FLAP, MAST COVER #5,#6 QS-15 (column 4)	1
2B	100769GT	FLAP, MAST COVER #2, #4 QS-15 (column 2)	1
3B	100767GT	FLAP, MAST COVER #1 QS-15 (column 1)	1
4A	100768GT	FLAP, MAST COVER #3 QS-15 (column 3)	1
5B	40004GT	SCREW,SHC,1/4-20 X .375 BLK QS-15	8
6B	41055GT	WASHER,T-SLOT QS-15	8
7B	38730GT	NUT,WELD,ANGLE,1/4" T-SLOT QS-15	8

Go to Discount-Equipment.com to order your parts



311.3 Mast Covers



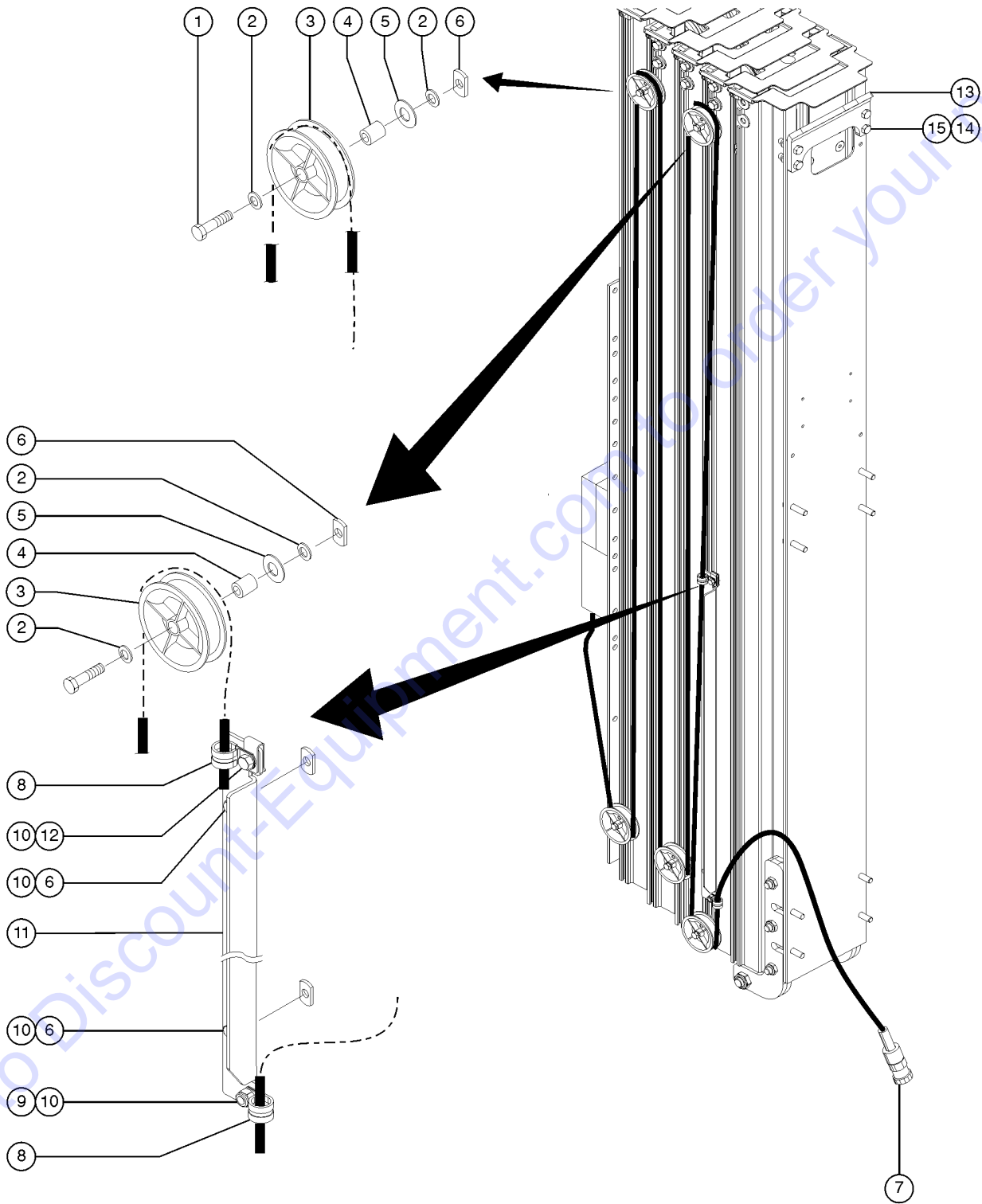
311.3 Mast Covers

Item	Part No.	Description	Qty.
1C	100770GT	FLAP, MAST COVER #5,#6 QS-20 (column # 5)	1
2C	100769GT	FLAP, MAST COVER #2, #4 QS-20 (column # 2 and # 4)	2
3C	100767GT	FLAP, MAST COVER #1 QS-20 (column # 1)	1
4B	100768GT	FLAP, MAST COVER #3 QS-20 (column # 3)	1
5C	40004GT	SCREW,SHC,1/4-20 X .375 BLK QS-20	10
6C	41055GT	WASHER,T-SLOT QS-20	10
7C	38730GT	NUT,WELD,ANGLE,1/4" T-SLOT QS-20	10

Go to Discount-Equipment.com to order your parts



312.1 Control Cable Assembly; QS-12, QS-20



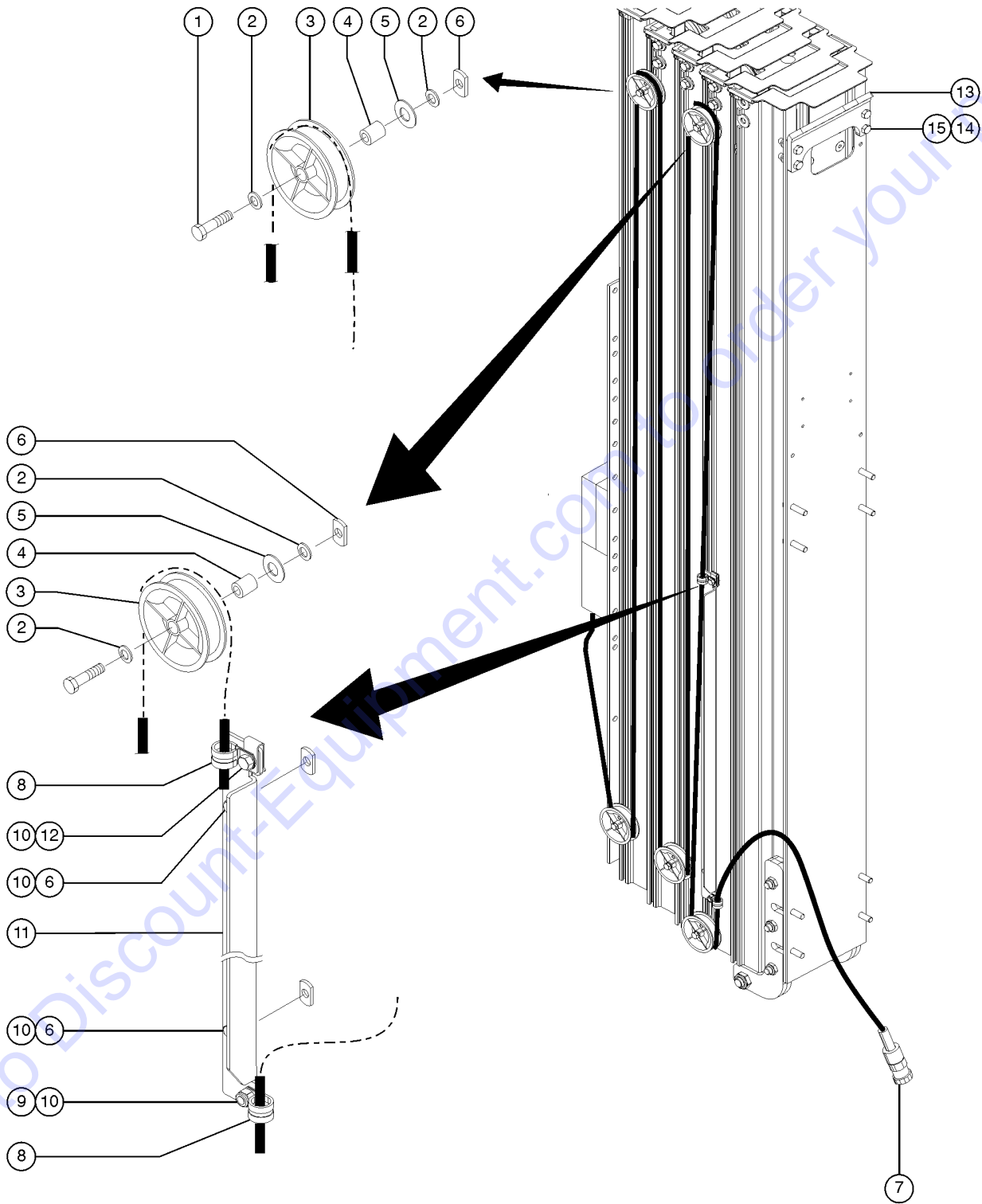
312.1 Control Cable Assembly; QS-12, QS-20

Item	Part No.	Description	Qty.
1	8915GT	SCREW,HHC,1/4-20 X 1.25	
2	25926GT	WASHER,FLAT,M6 PLTD.	
3	23394GT	PULLEY,ELEC.CNTRL.CABLE,AWP QS-12	4
4	40735GT	SPACER, 1/4ID3/8OD, .875LG	
5	22699GT	WASHER,FLAT,M10,ZINC PLTD.	
6	35991GT	NUT,WELD 1/4-20, PLATED L.L.**	
7		Ref. Control Cable Assembly (refer to 209.1)	
8	6833GT	CLAMP,0.50,#8 X 1/4,RUB CUSH to SN QSP-5999	2
8B	1302181GT	CLAMP,0.5625 #9 X 1/4,RUB CUSH from SN QSP-6000	2
9	6091GT	NUT,NYLOCK,1/4-20	
10	7339GT	SCREW,HHC,1/4-20 X .5	
11	124166GT	FORMING,CABLE BRKT,GR	1
12	56912GT	SPRING CLIP,1/4-20,.025-.15X.54,ZAG	1
13	107023GT	LIFTING EYE ASSEMBLY	1
14	8516GT	SCREW, HCC, 3/8-16 X 1.50	
15	4828GT	NUT,NYLOCK,3/8-16	

Go to Discount-Equipment.com to order your parts



312.2 Control Cable Assembly; QS-12, QS-20



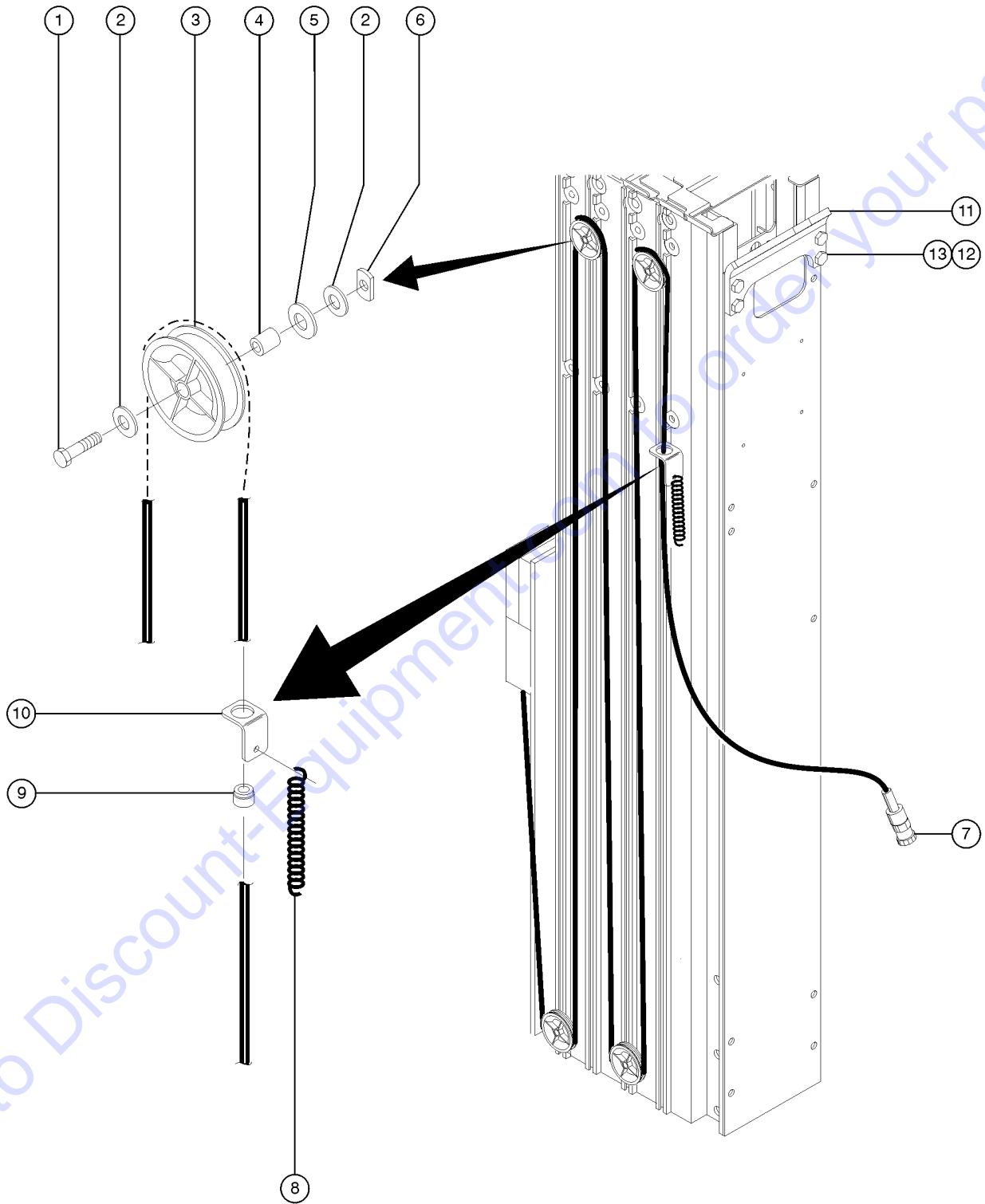
312.2 Control Cable Assembly; QS-12, QS-20

Item	Part No.	Description	Qty.
1	8915GT	SCREW,HHC,1/4-20 X 1.25	
2	25926GT	WASHER,FLAT,M6 PLTD.	
3	23394GT	PULLEY,ELEC.CNTRL.CABLE,AWP QS-20	5
4	40735GT	SPACER, 1/4ID3/8OD, .875LG	
5	22699GT	WASHER,FLAT,M10,ZINC PLTD.	
6	35991GT	NUT,WELD 1/4-20, PLATED L.L.**	
7		Ref. Control Cable Assembly (refer to 209.1)	
8	6833GT	CLAMP,0.50,#8 X 1/4,RUB CUSH to SN QSP-5999	2
8B	1302181GT	CLAMP,0.5625 #9 X 1/4,RUB CUSH from SN QSP-6000	2
9	6091GT	NUT,NYLOCK,1/4-20	
10	7339GT	SCREW,HHC,1/4-20 X .5	
11	124166GT	FORMING,CABLE BRKT,GR	1
12	56912GT	SPRING CLIP,1/4-20,.025-.15X.54,ZAG	1
13	107023GT	LIFTING EYE ASSEMBLY	1
14	8516GT	SCREW, HCC, 3/8-16 X 1.50	
15	4828GT	NUT,NYLOCK,3/8-16	

Go to Discount-Equipment.com to order your parts



313.1 Control Cable Assembly, QS-15



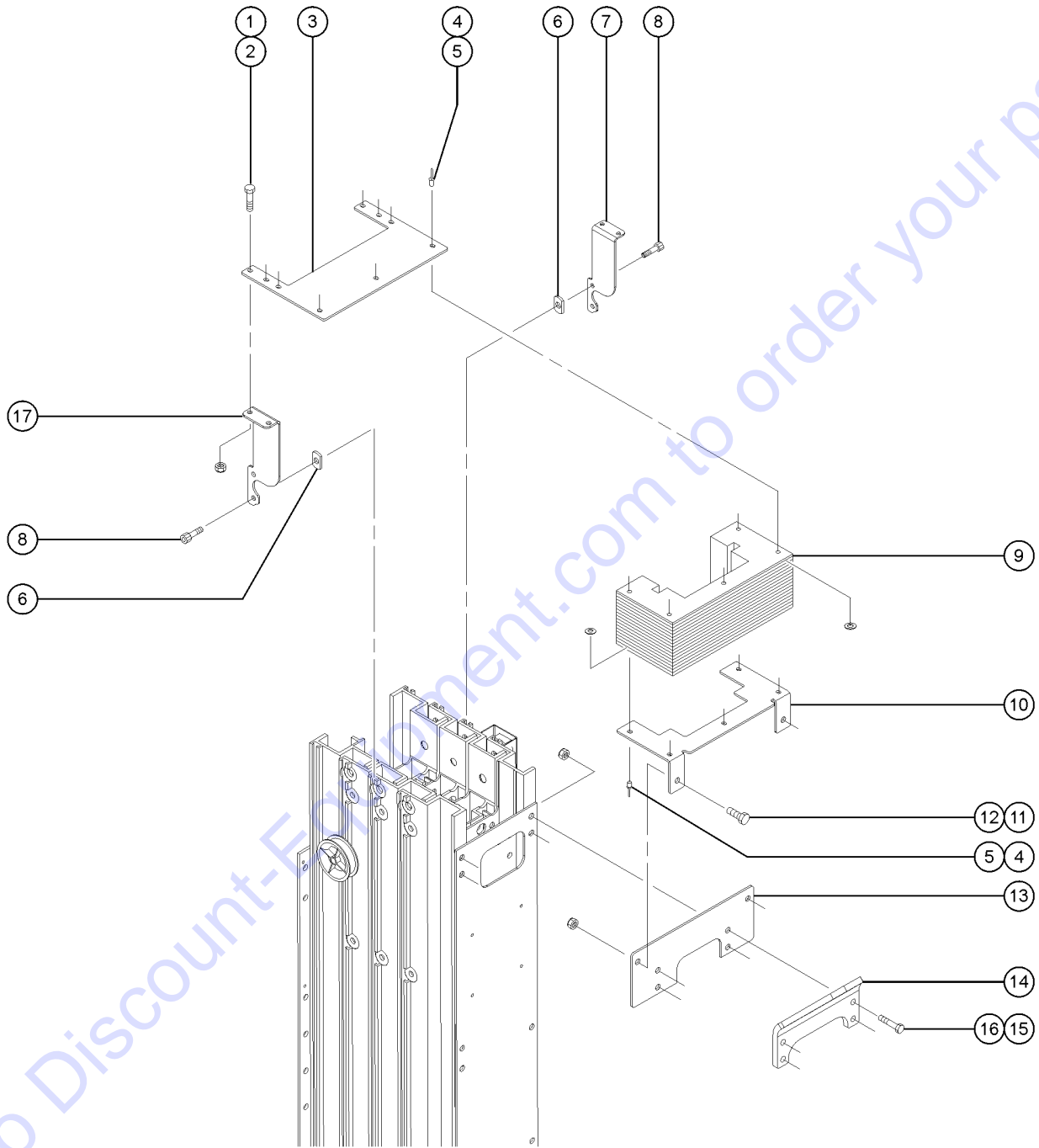
313.1 Control Cable Assembly, QS-15

Item	Part No.	Description	Qty.
1	8915GT	SCREW,HHC,1/4-20 X 1.25	
2	25926GT	WASHER,FLAT,M6 PLTD.	
3	23394GT	PULLEY,ELEC.CNTRL.CABLE,AWP	4
4	40735GT	SPACER, 1/4ID3/8OD, .875LG	
5	22699GT	WASHER,FLAT,M10,ZINC PLTD.	
6	35991GT	NUT,WELD 1/4-20, PLATED L.L.**	
7		Ref. Control Cable Assembly	
		(refer to 209.1)	
8	23396GT	SPRING,CONTROL CABLE, AWP	1
9	60746GT	BUSHING, STRAIN RELIEF, 1"	1
10	69529GT	BRACKET,CONTROL CABLE W/BUSHIN	1
		includes item 9	
11	107023GT	LIFTING EYE ASSEMBLY	1
12	8516GT	SCREW, HCC, 3/8-16 X 1.50	
13	4828GT	NUT,NYLOCK,3/8-16	

Go to Discount-Equipment.com to order your parts



314.1 Bellows, CE & Australia Models

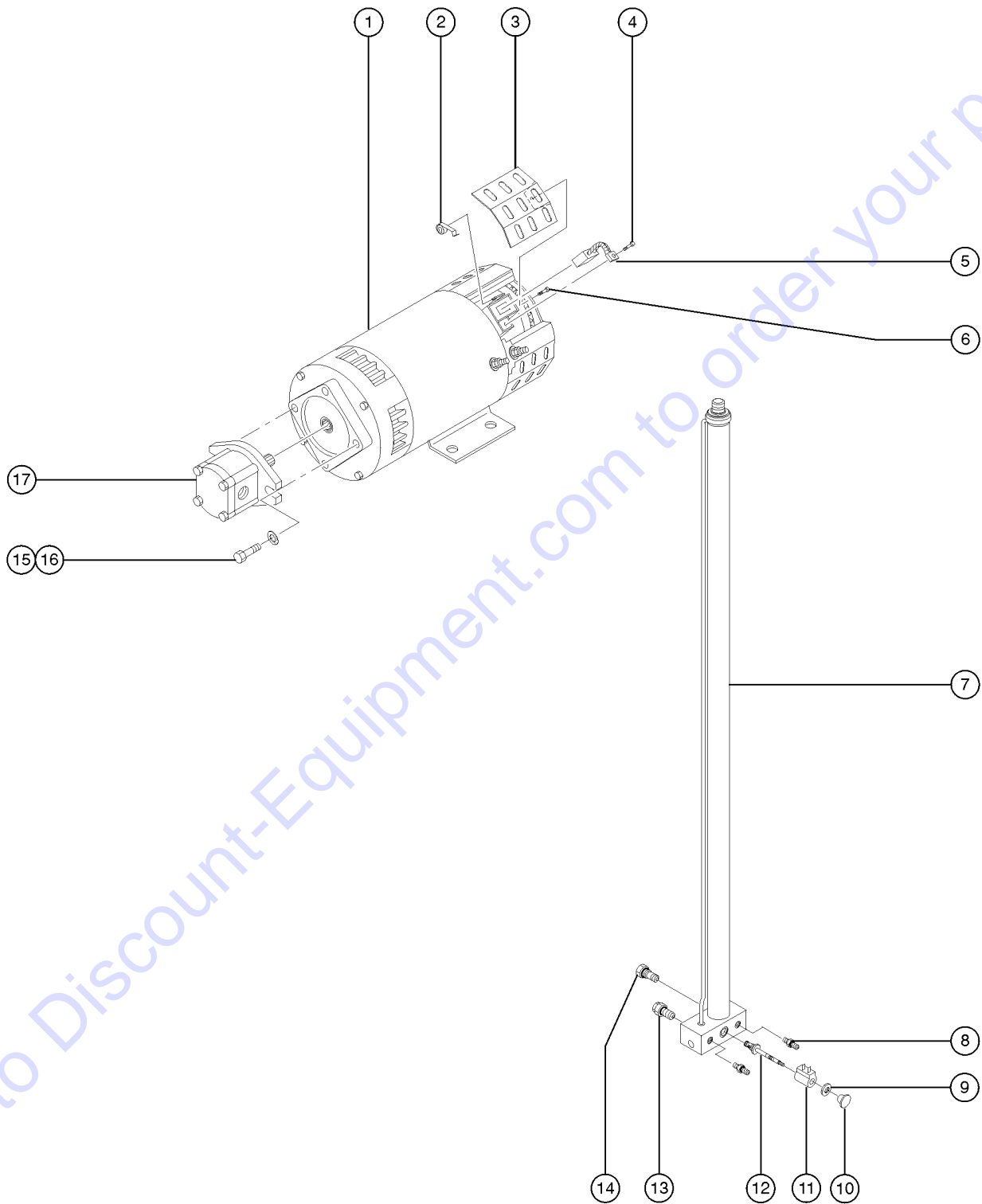


Item	Part No.	Description	Qty.
1	6090GT	SCREW,HHC,1/4-20 X .75	
2	6091GT	NUT,NYLOCK,1/4-20	
3	44264-SGT	PLATE, UPPER BELLOW MNT, CE	1
4	6271GT	RIVET, ALUM, ALUM, P, .25 x .375	
5	75144GT	WASHER,FLAT,SAE 1/4",ZINC	
6	35991GT	NUT,WELD 1/4-20, PLATED L.L.**	
7	1298552GT	FORMING, BELLOW MOUNT RH, GR/GRC	1
8	40004GT	SCREW,SHC,1/4-20 X .375 BLK	
9	44372GT	BELLOW, CE	1
10	44263-SGT	FORMING, LOWER BELLOW MNT,CE	1
11	8255GT	SCREW,HHC,3/8-16 X .75	
12	7713GT	NUT, LP NYLOCK, 3/8-16	
13	69384-SGT	MOUNT,LOWER BELLOW,CE,RUNABOUT	1
14		Ref., Lifting Eye Plate (refer to 301.1)	
15	8516GT	SCREW, HCC, 3/8-16 X 1.50	
16	4828GT	NUT,NYLOCK,3/8-16	
17	1298551GT	FORMING, BELLOW MOUNT LH, GR/GRC	1

Go to Discount-Equipment.com to order your parts



401.1 Hydraulic Power Unit and Lift Cylinder



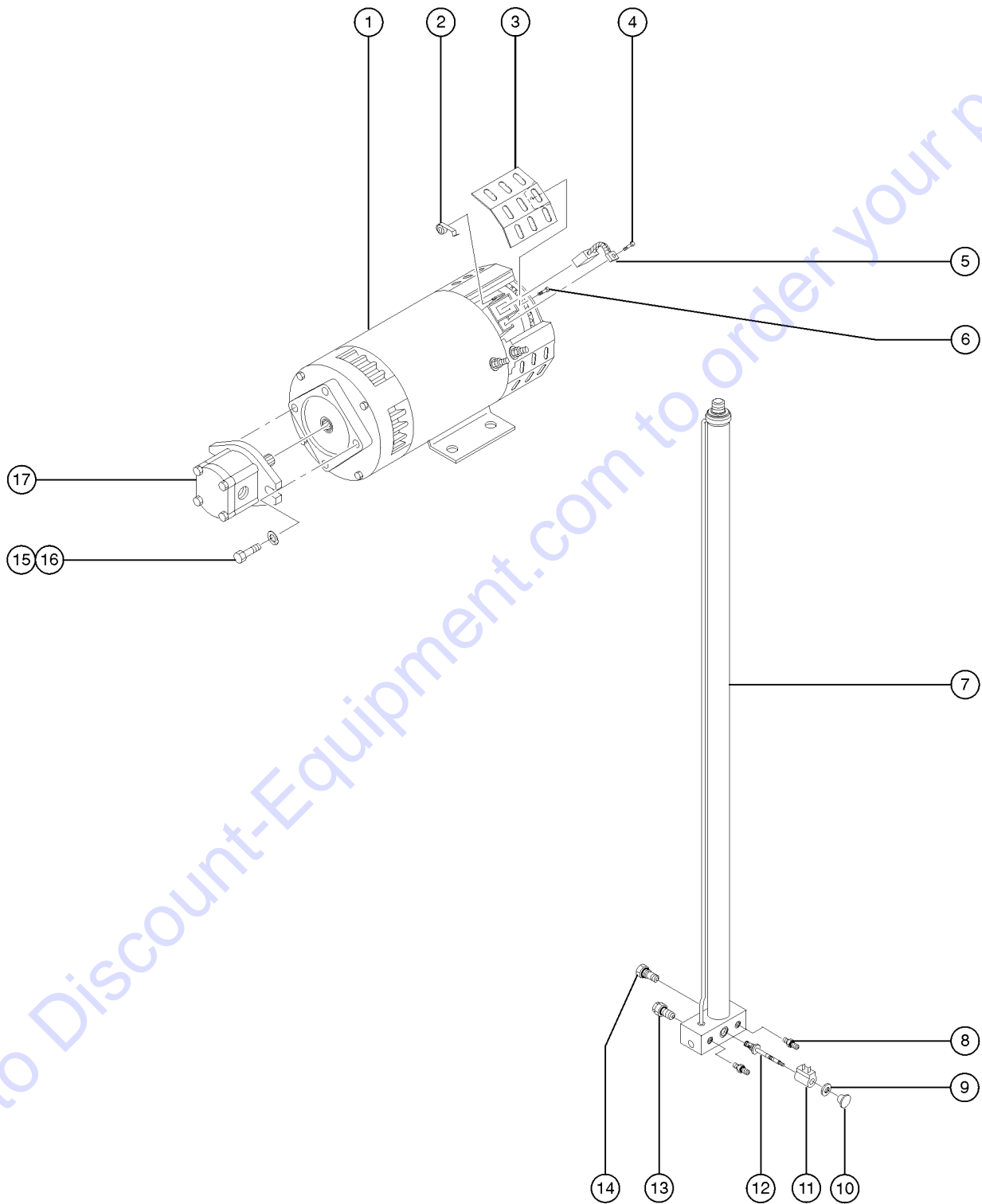
Go to Discount-Equipment.com to order your parts

401.1 Hydraulic Power Unit and Lift Cylinder

Item	Part No.	Description	Qty.
1	105387GT	MOTOR,24DC,ADV (includes items 2-6)	1
1-	44777GT	BEARING,MOTOR	
1-	44778GT	BEARING,MOTOR,36843,BRUSH END*	
1-	43685GT	SEAL KIT,LIFT PUMP,BARNES**	
1-	58934GT	BRUSH BOX ASSEMBLY	
1-	52915GT	BRUSH LEAD ASSEMBLY KIT(48504)	
2	44750GT	SPRING-BRUSH,40844, SCISSORS	4
3	44752GT	COVER-BRUSH INSPEC.40844,SCISS	4
4	52913GT	SCREW,HH TAPETITE THRD8-32X.50	
5	44751GT	BRUSH,PWR UNIT (40844)**	4
6	52914GT	SCREW,HHTAPTITE THREAD8-32X.38	
7	80949GT	CYLINDER, LIFT 41" STROKE, DY* QS-12, QS-15 (to SN QSP-5999)	1
7-	80941GT	SEAL KIT,DONYANG CYL	
7-	1293893GT	CYLINDER, LIFT, 41" STROKE QS-12, QS-15 (from SN QSP-6000)	
7-	80941GT	SEAL KIT,DONYANG CYL	
7B	100400GT	CYLINDER,LIFT, 70" STROKE QS-20	1
7B-	80943GT	SEAL KIT,DONYANG CYL (35737)*	
8	48905GT	CONN,520120-4***	2
9	52943GT	NUT SOLENOID VALVE COIL	1
10	38068GT	KNOB,PUSH/PULL,RED	1
11	84422GT	COIL-SOLENOID VALVE,20V DC***	1
12	66465GT	VALVE,W/20V NC SOLENOID,MANUAL (includes items 9 and 11)	1
13	35725GT	VALVE,FLOW CONTROL PREAS.COMP. 1 gpm, L/min	1
14	35726GT	VALVE,HYDRAULIC CHECK	1
15	32317GT	SCREW,HHC,3/8-24 X 1 GR 8 YEL	2
16	6021GT	WASHER,LOCK,.375	
17		PUMP,4CC GEAR,CCW 228192 Parker (component no longer available)	
17A-	229453GT	SEAL KIT,PUMP,PARKER (228192) for Parker pump 228192	



401.1 Hydraulic Power Unit and Lift Cylinder



Go to Discount-Equipment.com to order your parts

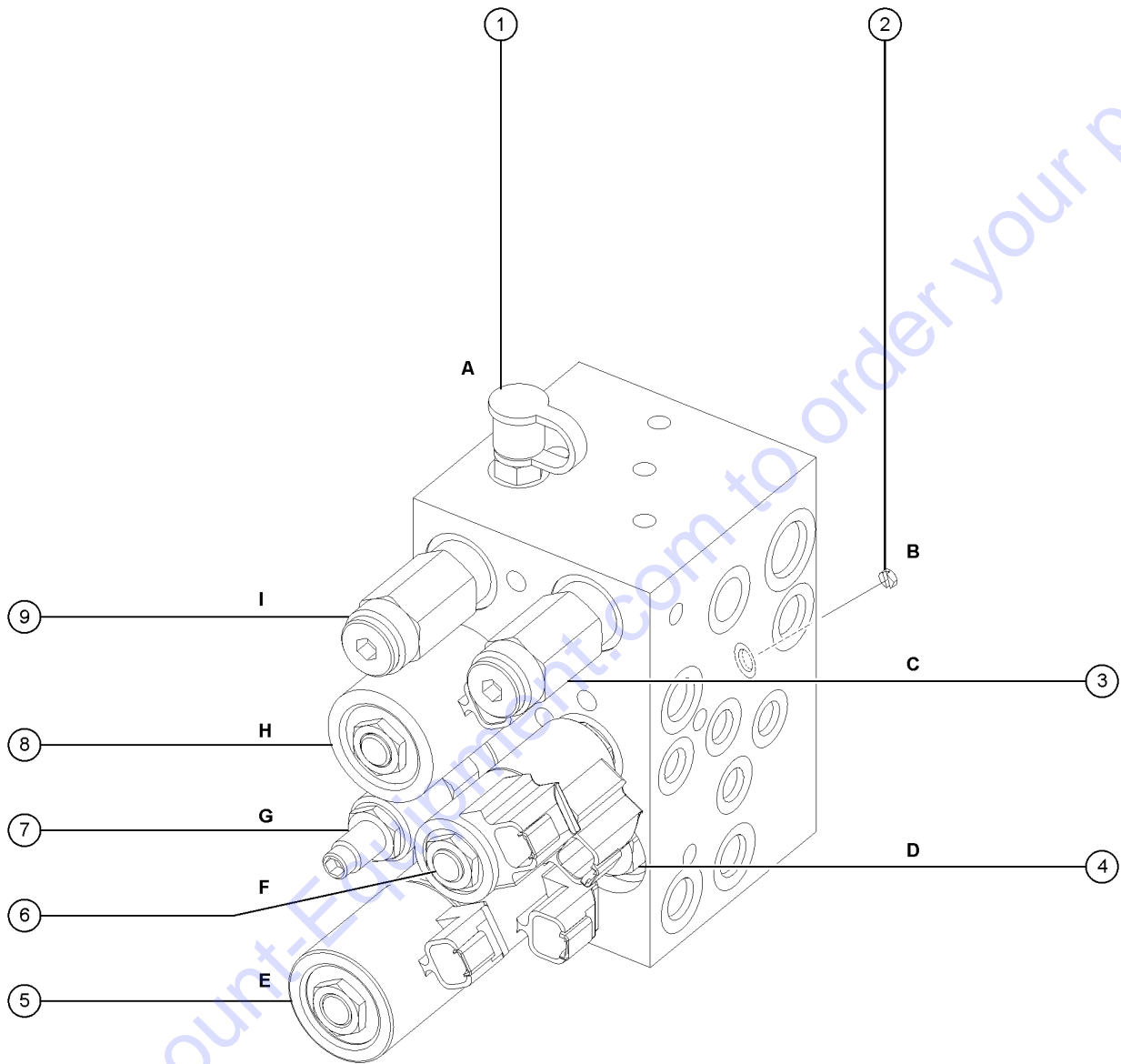
401.1 Hydraulic Power Unit and Lift Cylinder

Item	Part No.	Description	Qty.
17B	231572GT	PUMP,4CC,GEAR,CCW	1
17B-	233641GT	SEAL KIT,BOSCH PUMP For 96193 w/Bosch PN 9510090001	
17B-	85197GT	SEAL KIT,BOSCH PUMP*** For 96193 w/Bosch PN 9510290001	

Go to Discount-Equipment.com to order your parts



402.1 Function Manifold

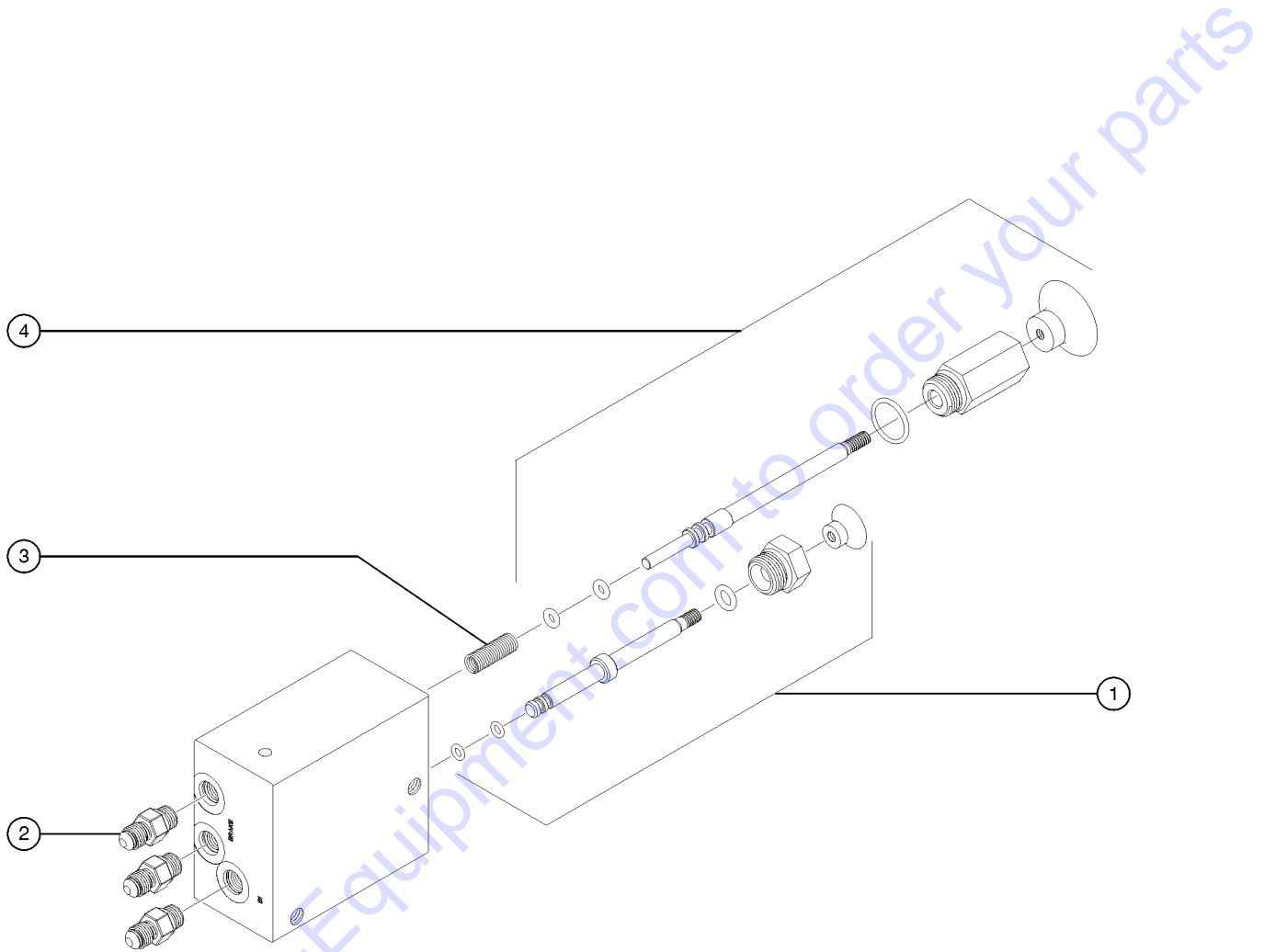


Go to Discount-Furniture.com to order your parts

Item	Part No.	Description	Qty.
	105304GT	MANIFOLD,FUNCTION*** Use the letter callouts to cross-reference with the Service Manual; replaced 105062
	49612GT	O-RING KIT (ORFS FITTINGS)
	49613GT	PLUG AND CAP KIT-SERVICE,ORFS*
1	48997GT	NIPPLE,DIAGNOSTIC,#4 PORT*** (A, Testing)	1
1-	48880GT	CAP,DIAGNOSTIC NIPPLE
1-	20224GT	DIAGNOSTIC FEMALE Q-DSCNT (pressure gauge not included)
2	84386GT	CHECK DISK, NO SPRING (B, Steer circuit)	1
3	65962GT	VALVE-RELIEF, 3700 PSI #8** (C, Lift relief)	1
3-	44226GT	SEAL KIT-FOR P.N.44167
4	46216GT	VALVE,CHECK,IWP-S/CWP PWR ASSI (D, Drive circuit)	1
4-	44227GT	SEAL KIT, VALVE
5	105303GT	VALVE, DYN. BRAKING, GS30** (E, Drive forward/reverse); replaced 44172	1
5-	84385GT	COIL,20VDC DEUTCSH W/DIODE (sold separately)
5-	44174GT	NUT-COIL SHORT
5-	44230GT	SEAL KIT-P.N.44169,44172,44171
6	44168GT	VALVE,SOLENOID,3POS 4WAY (F, Steer left/right)	1
6-	77709GT	COIL,#8 20VDC,DEUTSCH W/DIOD (sold separately)
6-	44174GT	NUT-COIL SHORT
6-	44229GT	SEAL KIT, VALVE
7	84384GT	PRTY,FLOW CNTRL VALVE,.75 GPM (G, Steer Circui)t (0.75 gpm / 2.8 L/min, 1500 psi / 103.4 bar)	1
7-	1261888GT	SEAL KIT (84384) for 84384
8	44169GT	VALVE-SOLENOID, 2POS 4 WAY (H, Platform up)	1
8-	84385GT	COIL,20VDC DEUTCSH W/DIODE (sold separately)
8-	44174GT	NUT-COIL SHORT
8-	44230GT	SEAL KIT-P.N.44169,44172,44171
9	65962GT	VALVE-RELIEF, 3700 PSI #8** (I, System relief)	1
9-	44226GT	SEAL KIT-FOR P.N.44167



403.1 Brake Release Manifold



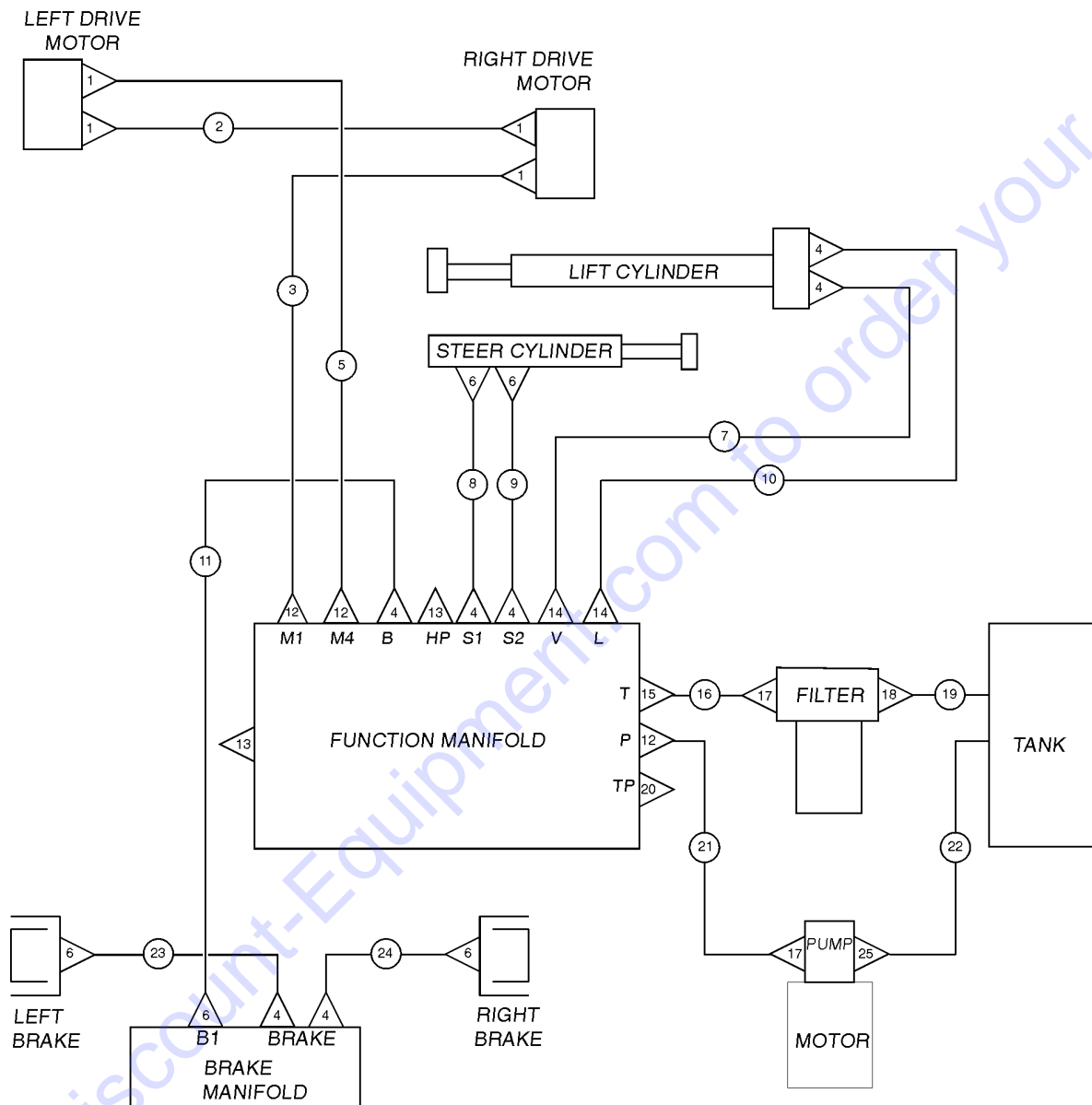
403.1 Brake Release Manifold

Item	Part No.	Description	Qty.
	105067GT	MANIFOLD,BRAKE RELEASE (includes items 1, 3 and 4)	
1	84743GT	VALVE,PILOT OPERATED ASSEMBLY*	1
1-	84740GT	SEAL KIT,HAND PUMP***	
1-	84746GT	KNOB,PILOT OP VALVE (BLACK)***	
2	39877GT	CONNECTOR, 070120-4-4	3
3	84748GT	SPRING,HAND PUMP ROD	1
4	84739GT	VALVE,HAND PUMP ASSEMBLY***	1
4-	84740GT	SEAL KIT,HAND PUMP***	
4-	84742GT	KNOB,HAND PUMP (RED)***	

Go to Discount-Equipment.com to order your parts



404.1 Hydraulic Hoses and Fittings



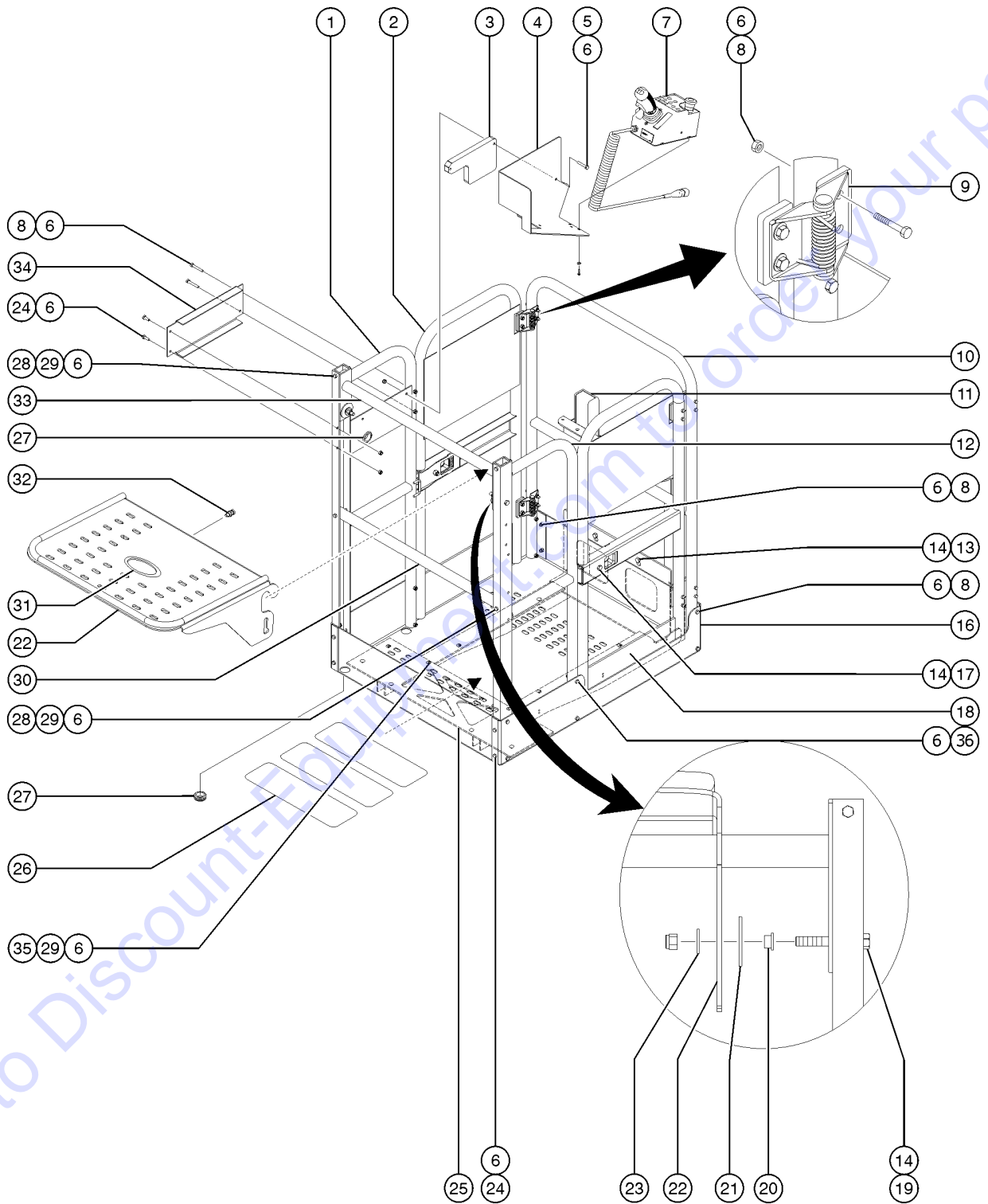
LEGEND	
	ADAPTER
	HOSE ASSEMBLY
	UNION

404.1 Hydraulic Hoses and Fittings

Item	Part No.	Description	Qty.
1	61264GT	ELBOW,90D,520220,6-10	4
2	109836GT	HOSE,ASSY,MOTOR CROSSOVER (components: 48812, 48812 and 56776 @ 38 inches)	1
3	109837GT	HOSE,ASSY,RT DRIVE MOTOR (components: 39890, 48812 and 56776 @ 88 inches)	1
4	39877GT	CONNECTOR, 070120-4-4	7
5	109838GT	HOSE,ASSY,LT DRIVE MOTOR (components: 39890, 48812 and 56776 @ 92 inches)	1
6	13921GT	ELBOW,070220-4-4	5
7	100805GT	HOSE,ASSY,LC. TO MAN, VENT (components: 78855, 78855 and 78852 @ 37 inches)	1
8	100720GT	HOSE, ASSY, RT STEER (components: 78855, 78855 and 78852 @ 65 inches)	1
9	100719GT	HOSE, ASSY, LT STEER (components: 78855, 78855 and 78852 @ 69 inches)	1
10	100724GT	HOSE, ASSY, LIFT CYL. TO MAN. (components: 78855, 78855 and 78852 @ 33 inches)	1
11	100723GT	HOSE, ASSY, BRAKE (components: 48805, 48806 and 48751 @ 9.5 inches)	1
12	39878GT	CONNECTOR, 070120-6-6	3
13	45374GT	PLUG,HEX HEAD,090109A-4	2
14	39881GT	CONNECTOR,070120-4-6	2
15	39873GT	ELBOW,070220-6-6	1
16	100726GT	HOSE, ASSY, MAN TO FILTER (components: 96406, 105045 and 75631 @ 15 inches)	1
17	39876GT	ELBOW,070220-6-8	2
18	96398GT	CONNECTOR, 070120-12-8	1
19	100486GT	TUBE ASSY,RETURN	1
20		Ref. Diagnostic Nipple (refer to 402.1)	
21	100725GT	HOSE, ASSY, PRESSURE (components: 39890, 39890 and 56776 @ 33 inches)	1
22	100510GT	TUBE ASSY, DRAW	1
23	100721GT	HOSE, ASSY, LT BRAKE (components: 48805, 48805 and 48751 @ 32 inches)	1
24	100722GT	HOSE, ASSY, RT BRAKE (components: 48805, 48805 and 48751 @ 14.5 inches)	1
25	22664GT	ELBOW,070220-12-10	1



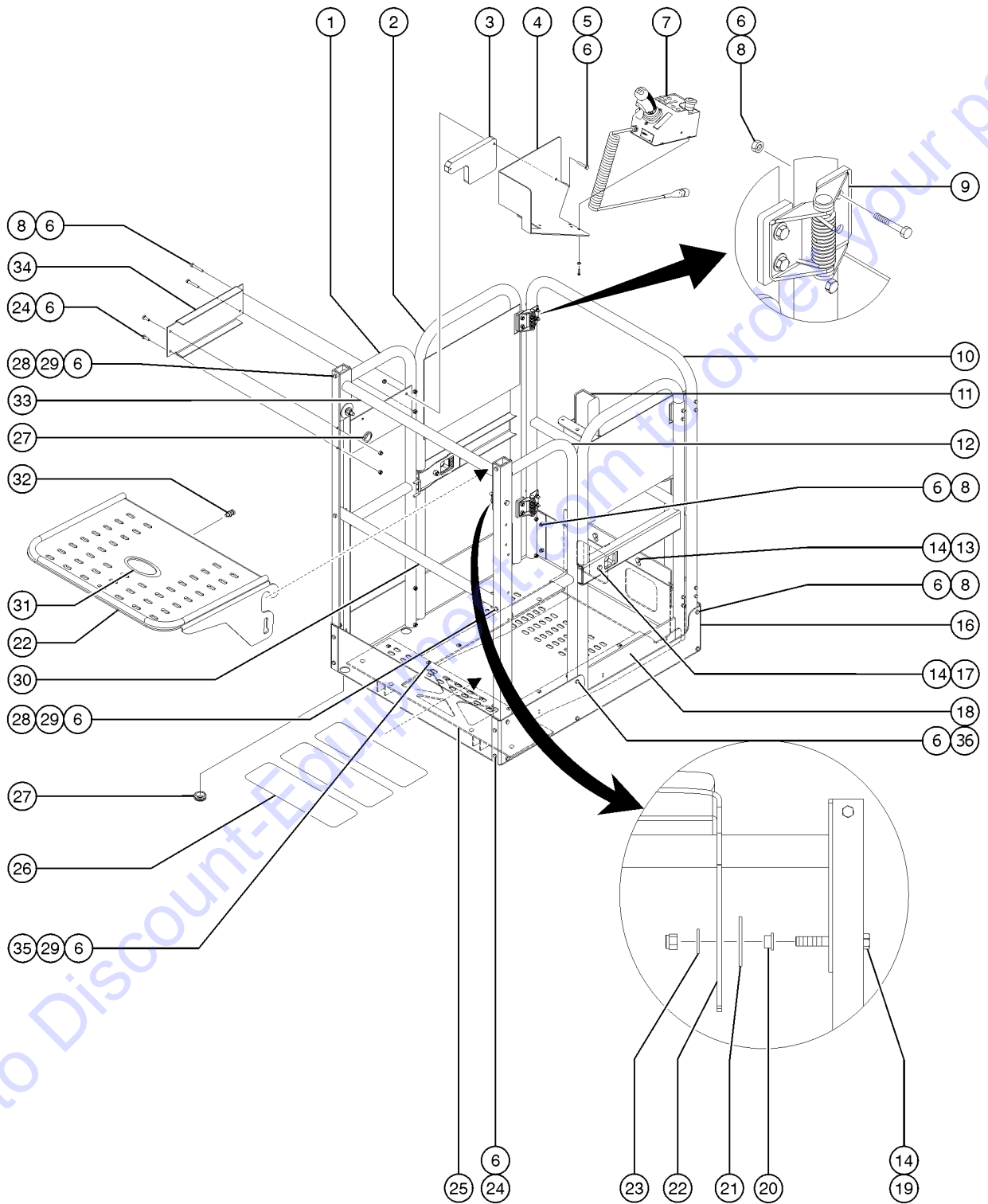
501.1 Platform Assembly



Item	Part No.	Description	Qty.
-	227846GT	PLAT ASSY, QS12/15, ANSI/CSA EN QS12/15, ANSI/CSA EN (to SN QSP-5999)	
-	227848GT	PLAT ASSY, QS12/15, ANSI/CSA FR QS12/15, ANSI/CSA FR (to SN QSP-5999)	
-	227850GT	PLAT ASSY, QS12/15, SYM, CE QS12/15, SYM, Europe (to SN QSP-5999)	
-	227852GT	PLAT ASSY, QS12/15, AUS QS12/15, Australia (to SN QSP-5999)	
-	230728GT	PLAT ASSY, QS12/15, SYM, ANSI QS12/15, SYM, Asia & S. America (to SN QSP-5999)	
-		PLATFORM, ADJUSTABLE TRAY (available soon) (does not include decals, please refer to Figures 101.1, 102.1, 103.1 or 104.1 to order decals)	
1	115448GT	RAILING ASSY, POWER UNIT SIDE	1
1B	228728GT	WLDMNT, RAIL, RH, LOCKING (models with adjustable tray)	
2	109622GT	WELDMENT, GATE, RH, STKPKR (refer to 101.1, 102.1, 103.1 or 104.1 for list of decals)	1
3	145019GT	SHIM, PLTFRM CNTRL BOX, STKPKR	1
4		Ref. ASSEMBLY, PLAT CONTROL (refer to 502.1)	
5	6145GT	SCREW, HHC, 1/4-20 X 1.5	
6	6091GT	NUT, NYLOCK, 1/4-20	
7		ref. Platform Control Box (refer to 502.1)	
8	8179GT	SCREW, HHC, 1/4-20 X 2.25	
9	104804GT	HINGE, SPRING, LONG LEG	4
10	100802GT	WELDMENT, ENDRAIL MOUNT, STKPKR	1
11	1296810GT	INSTRUCTION TUBE, GR/QS	1
12	124992GT	WLDMNT, RAIL, LH, STKPKR FLUSH	1
12B	228727GT	WLDMNT, RAIL, LH, LOCKING (models with adjustable tray)	
13	6175GT	SCREW, HHC, 3/8-16 X 1	
14	4828GT	NUT, NYLOCK, 3/8-16	
15	6637GT	SCREW, HHC, 1/4-20 X 1.75	
16	124158GT	FORMING, STOCKPICKER PLAT TOEBD (refer to 101.1, 102.1, 103.1 or 104.1 for list of decals)	1
17	5224GT	SCREW, HHC, 3/8-16 X 2	
18	109621GT	WELDMENT, GATE, LH, STKPKR (refer to 101.1, 102.1, 103.1 or 104.1 for list of decals)	1
18-	22446GT	SPRING, COMPRESSION .835 X 2	
18-	6654GT	122317 BUSHING- PIPE -1.250	



501.1 Platform Assembly

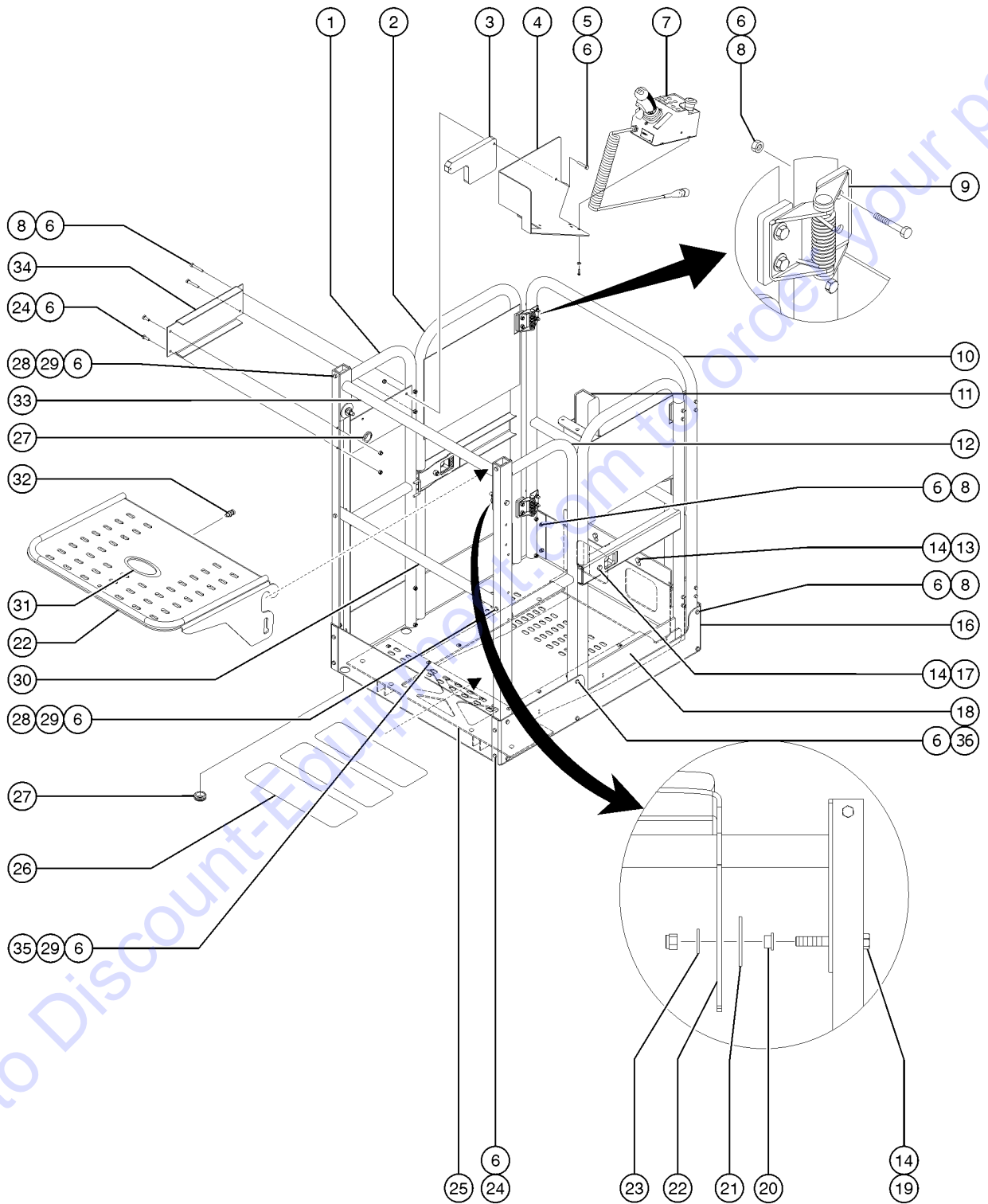


Item	Part No.	Description	Qty.
19	14033GT	SCREW,HHC,3/8-16 X 2.75	
20	33720GT	BEARING,FLANGE,3/8 (AWP & ST)	2
21	145062GT	WASHER,HDPE, .125X.720ID X 2OD	
22	124989GT	WELDMENT, WORK TRAY, FLUSH MOU (refer to 101.1, 102.1, 103.1 or 104.1 for list of decals)	1
23	6097GT	WASHER,FLAT,USS,3/8",Y	
24	6090GT	SCREW,HHC,1/4-20 X .75	
25	124571GT	WELDMENT,PLAT SUPPORT (to SN QSP-5999)	1
25B	124626GT	PLATFORM SUPPORT ASSY,CE SYM (from SN QSP-6000) refer to 505.1	
26	47231GT	TAPE,NON-SKID,DIE CUT,4"X 16"	3
27	124962GT	GROMMET,RUBBER,1.0 X 1.25X1.5	2
28	6884GT	SCREW,HHC,1/4-20 X 2.5	
29	6638GT	WASHER,FLAT,USS,1/4"Y	
30	145050GT	TUBE, FLUSH TRAY GUARD	1
31	55067GT	GROMMET,RUBBER 3 X .19 X 3.5	1
32	33674GT	PIN,LOCK,SHORT***	1
33	124995GT	WELDMENT, FLUSH TRAY MOUNT	1
34	124462GT	FORMING, GR COIL COVER	1
35	124576GT	BOLT,CARRIAGE,1/4-20X1.00 G5	
36	4266GT	SCREW,HHC,1/4-20 X 2	

Go to Discount-Equipment.com to order your parts



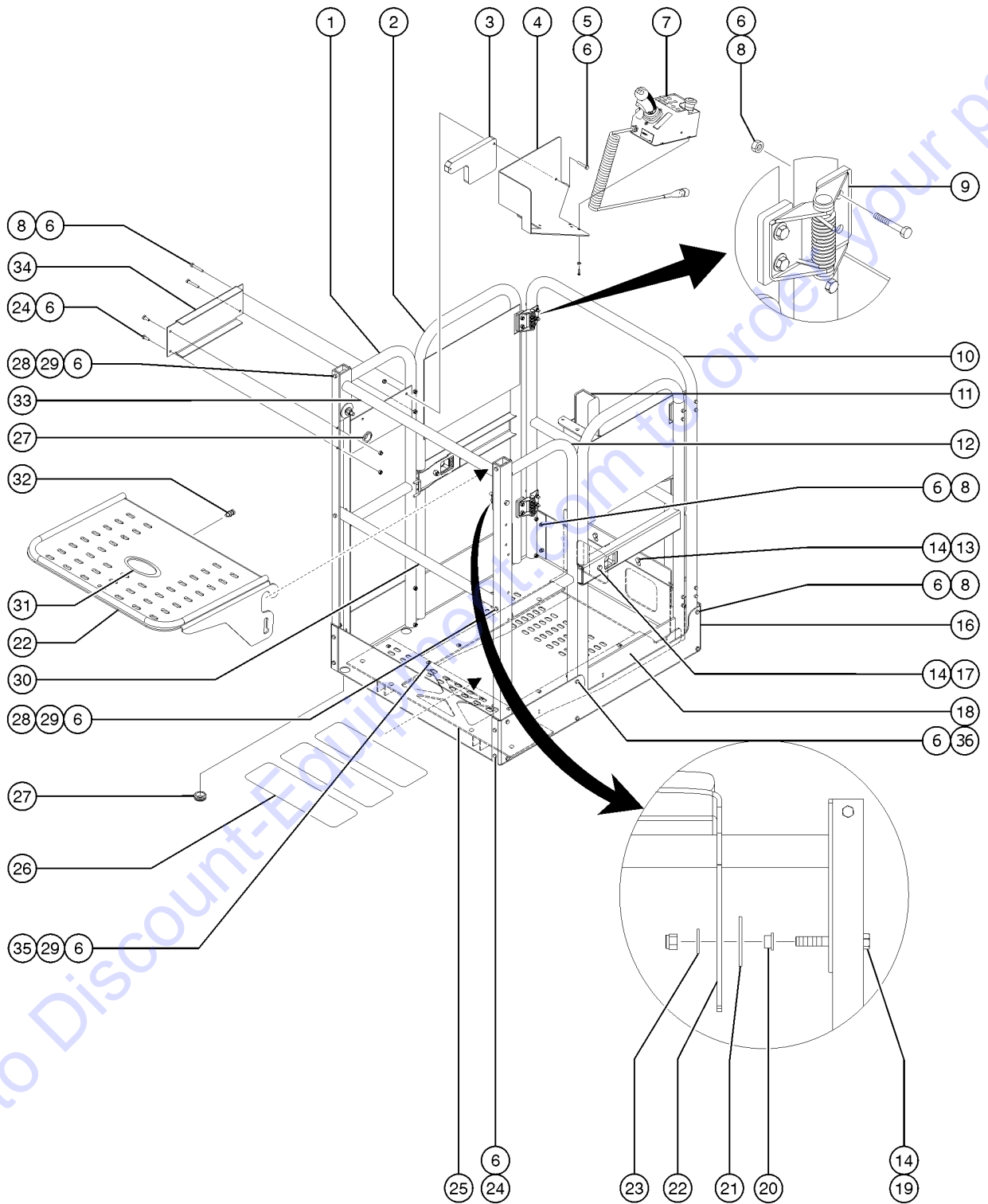
501.2 Platform Assembly



Item	Part No.	Description	Qty.
-	227847GT	PLAT ASSY, QS-20, ANSI/CSA EN QS-20, ANSI/CSA EN (to SN QSP-5999)	
-	227849GT	PLAT ASSY, QS-20, ANSI/CSA FR QS-20, ANSI/CSA FR (to SN QSP-5999)	
-	227851GT	PLAT ASSY, QS-20, SYM, CE QS-20, SYM, Europe (to SN QSP-5999)	
-	227853GT	PLAT ASSY, QS-20, AUS QS-20, Australia (to SN QSP-5999)	
-	230729GT	PLAT ASSY, QS-20, SYM, ANSI QS-20, SYM, Asia & S. America (to SN QSP-5999)	
-	216283GT	PLATFORM ASSY, ADJUSTABLE TRAY (does not include decals, please refer to Figures 101.1, 102.1, 103.1 or 104.1 to order decals)	
1A	115448GT	RAILING ASSY, POWER UNIT SIDE	1
1B	228728GT	WLDMNT, RAIL, RH, LOCKING (models with adjustable tray)	
2	109622GT	WELDMENT, GATE, RH, STKPKR (refer to 101.1, 102.1, 103.1 or 104.1 for list of decals)	1
3	145019GT	SHIM, PLTFRM CNTRL BOX, STKPKR	1
4		Ref. ASSEMBLY, PLAT CONTROL (refer to 502.1 or 503.1)	
5	6145GT	SCREW, HHC, 1/4-20 X 1.5	
6	6091GT	NUT, NYLOCK, 1/4-20	
7		ref. Platform Control Box (refer to 502.1 or 503.1)	
8	4266GT	SCREW, HHC, 1/4-20 X 2	
9	104804GT	HINGE, SPRING, LONG LEG	4
10	100802GT	WELDMENT, ENDRAIL MOUNT, STKPKR	1
11	1296810GT	INSTRUCTION TUBE, GR/QS	1
12A	124992GT	WLDMNT, RAIL, LH, STKPKR FLUSH	1
12B	228727GT	WLDMNT, RAIL, LH, LOCKING (models with adjustable tray)	
13	6175GT	SCREW, HHC, 3/8-16 X 1	
14	4828GT	NUT, NYLOCK, 3/8-16	
15	6637GT	SCREW, HHC, 1/4-20 X 1.75	
16	124158GT	FORMING, STOCKPICKER PLAT TOEBD (refer to 101.1, 102.1, 103.1 or 104.1 for list of decals)	1
17	5224GT	SCREW, HHC, 3/8-16 X 2	
18	109621GT	WELDMENT, GATE, LH, STKPKR (refer to 101.1, 102.1, 103.1 or 104.1 for list of decals)	1
18-	22446GT	SPRING, COMPRESSION .835 X 2	
18-	6654GT	122317 BUSHING- PIPE -1.250	



501.2 Platform Assembly

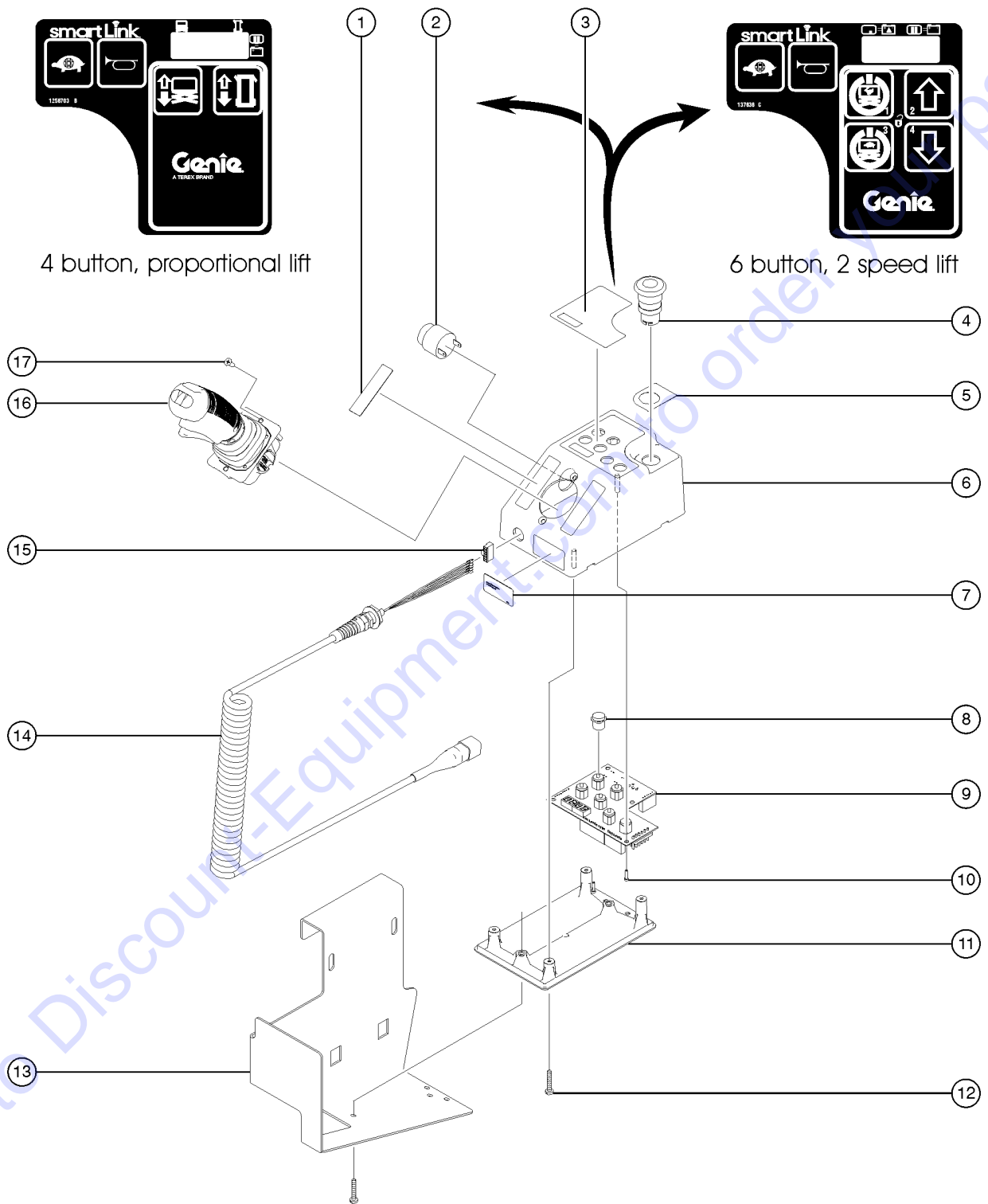


Item	Part No.	Description	Qty.
19	14033GT	SCREW,HHC,3/8-16 X 2.75	
20	33720GT	BEARING,FLANGE,3/8 (AWP & ST)	2
21	145062GT	WASHER,HDPE, .125X.720ID X 2OD	
22	124989GT	WELDMENT, WORK TRAY, FLUSH MOU (refer to 101.1, 102.1, 103.1 or 104.1 for list of decals)	1
23	6097GT	WASHER,FLAT,USS,3/8",Y	
24	6090GT	SCREW,HHC,1/4-20 X .75	
25	124571GT	WELDMENT,PLAT SUPPORT (to SN QSP-5999)	1
25B	124626GT	PLATFORM SUPPORT ASSY,CE SYM (from SN QSP-6000) refer to 505.1	
26	47231GT	TAPE,NON-SKID,DIE CUT,4"X 16"	3
27	124962GT	GROMMET,RUBBER,1.0 X 1.25X1.5	2
28	6884GT	SCREW,HHC,1/4-20 X 2.5	
29	6638GT	WASHER,FLAT,USS,1/4"Y	
30	145050GT	TUBE, FLUSH TRAY GUARD	1
31	55067GT	GROMMET,RUBBER 3 X .19 X 3.5	1
32	33674GT	PIN,LOCK,SHORT***	1
33	124995GT	WELDMENT, FLUSH TRAY MOUNT	1
34	124462GT	FORMING, GR COIL COVER	1
35	124576GT	BOLT,CARRIAGE,1/4-20X1.00 G5	

Go to Discount-Equipment.com to order your parts

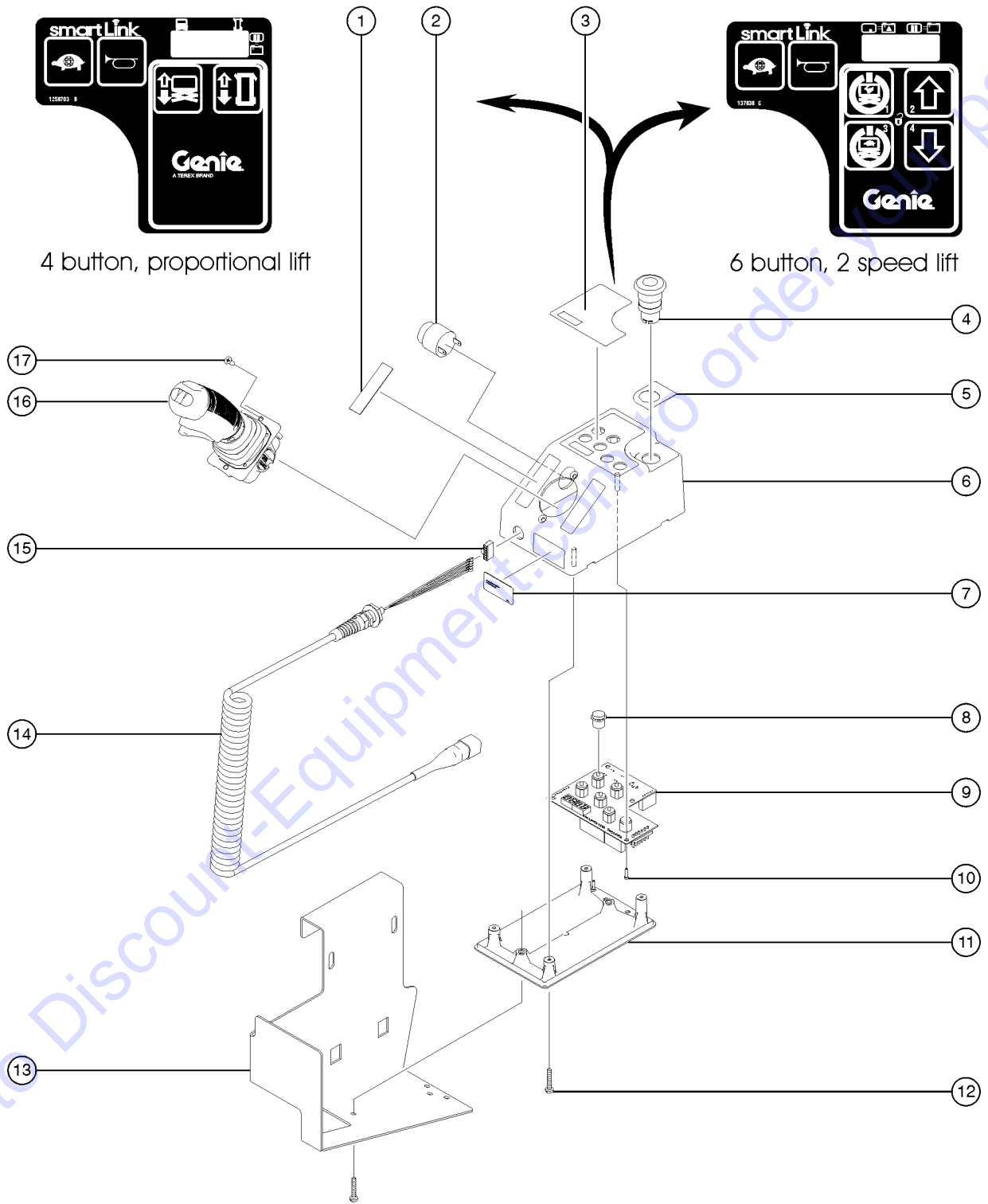


502.1 Platform Controls, 2 Speed Lift



Item	Part No.	Description	Qty.
A	1258345GT	KIT, SL PROP UPGRD, ANSI, QSR (For 2 speed to proportional lift conversion. Software upgrade is required and available on-line or refer to 503.1 for USB flash drive) to SN QS14-1999
B	1258346GT	KIT, SL PROP UPGRD, AUS, QSR (For 2 speed to proportional lift conversion. Software upgrade is required and available on-line or refer to 503.1 for USB flash drive) to SN QS14-1999
C	1258350GT	KIT, SL PROP UPGRD, CE, QSR (For 2 speed to proportional lift conversion. Software upgrade is required and available on-line or refer to 503.1 for USB flash drive) to SN QS14-1999
D	1258519GT	KIT, SL PROP UPGRD, ANSI SYM Q (QS-R models) (For 2 speed to proportional lift conversion. Software upgrade is required and available on-line or refer to 503.1 for USB flash drive) to SN QS14-1999	..
E	1258351GT	KIT, SL PROP UPGRD, ANSI, QSW (For 2 speed to proportional lift conversion. Software upgrade is required and available on-line or refer to 503.1 for USB flash drive) to SN QS14-1999
F	1258355GT	KIT, SL PROP UPGRD, AUS, QSW (For 2 speed to proportional lift conversion. Software upgrade is required and available on-line or refer to 503.1 for USB flash drive) to SN QS14-1999
G	1258356GT	KIT, SL PROP UPGRD, CE, QSW (For 2 speed to proportional lift conversion. Software upgrade is required and available on-line or refer to 503.1 for USB flash drive) to SN QS14-1999
H	1258520GT	KIT, SL PROP UPGRD, ANSI SYM Q (QS-W models) (For 2 speed to proportional lift conversion. Software upgrade is required and available on-line or refer to 503.1 for USB flash drive) to SN QS14-1999	..
J	137633GT	PCON, GR/GRC/GS (models with 6 button, 2 speed controller) (complete platform control box with coil cord, bracket not included) to SN QS14-1999
J-	219205GT	FLASH DRIVE,SL1K1.0 SOFTWARE (models with 6 button, 2 speed controller) to SN QS14-1999
K	137587GT	HARNES, ESTOP, GR/GRC/GS PCON
1	137656GT	DECAL,PROPEL,GR/GRC/GS,PCON 1
2A	39540GT	ALARM,STEADY TONE*** order 72326 mounting ring separately 1
2B	72326GT	NUT - PLASTIC,RING FOR ALARMS for 39540
3A	137636GT	DECAL, UI, GR/GRC/GS PCON (models with 6 button, 2 speed controller) to SN QS14-1999 1
3B	1256703GT	DECAL, STD, PROP LIFT, UI, SVC (units converted from 6 button, 2 speed lift to 4 button, proportional controller) 1
4	66812GT	BUTTON,PUSH,RED MUSHROOM HEAD 1
4-	66817GT	BASE WITH 1 NC CONTACT, E-STOP
5	137605GT	DECAL,E-STOP,GR/GRC/GS PCON 1
6	T106368GT	ENCLOSURE,GC14-1,TOP 1
7	137642GT	LABEL, GR/GRC/GS PCON 1
8	T106373GT	CAP,BUTTON,K12 6
9	137522GT	PCBA, GC14-1 1
10	137637GT	SCREW,PHM,4-20X.5, 48-2 TRI-L
11	T106370GT	ENCLOSURE,GC14-1/GC16-1, BOT 1
12	137640GT	SCREW,PHM,8-16X.75, 48-2 TRI-L

502.1 Platform Controls, 2 Speed Lift



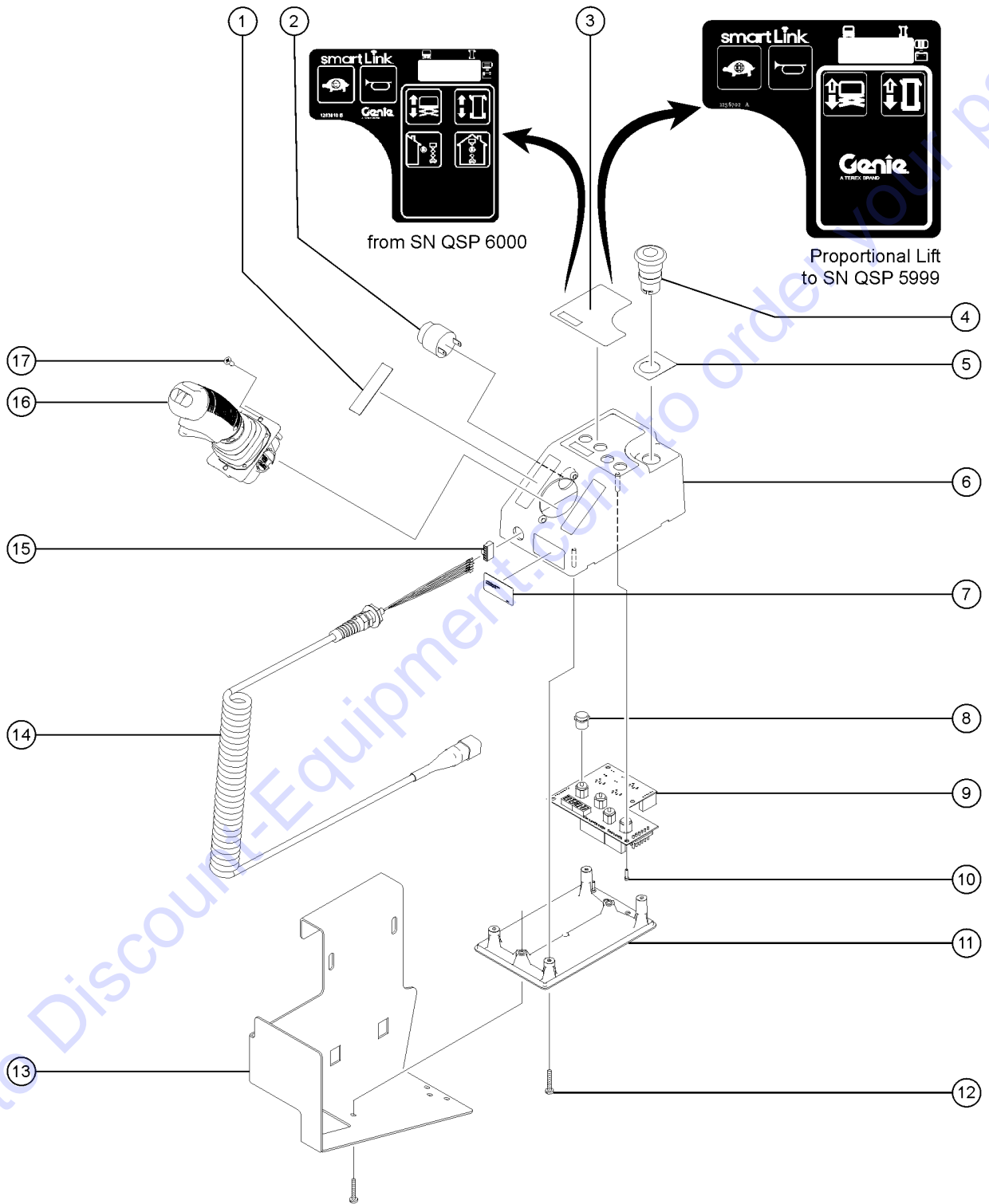
502.1 Platform Controls, 2 Speed Lift

Item	Part No.	Description	Qty.
13A	227854GT	ASSEMBLY,PLAT CONTROL,QS,RTL (QS-R ANSI & CSA models)	1
13B	227855GT	ASSEMBLY,PLAT CONTROL,QS,WHSE (QS-W ANSI & CSA models)	
13C	227659GT	PLTFRM CNTRL BOX, GR FLUSH TRA (QS-R & QS-W CE models)	
14	235464GT	KIT,COIL CORD,CONTRLR,SL1000 includes item 15	1
14-	231921GT	KIT,CONN,RECEPT W/PIN AND LOCK	
14-	231922GT	KIT,CONN,PLUG W/SCKT AND LOCK	
15	137699GT	PLUG, 6POS ECO PWR	1
16		Ref., JOYSTICK refer to 504.1	
17	229845GT	SCREW,BHSCS,M5X10,SS apply Loctite 243 or equivalent before installation	

Go to Discount-Equipment.com to order your parts



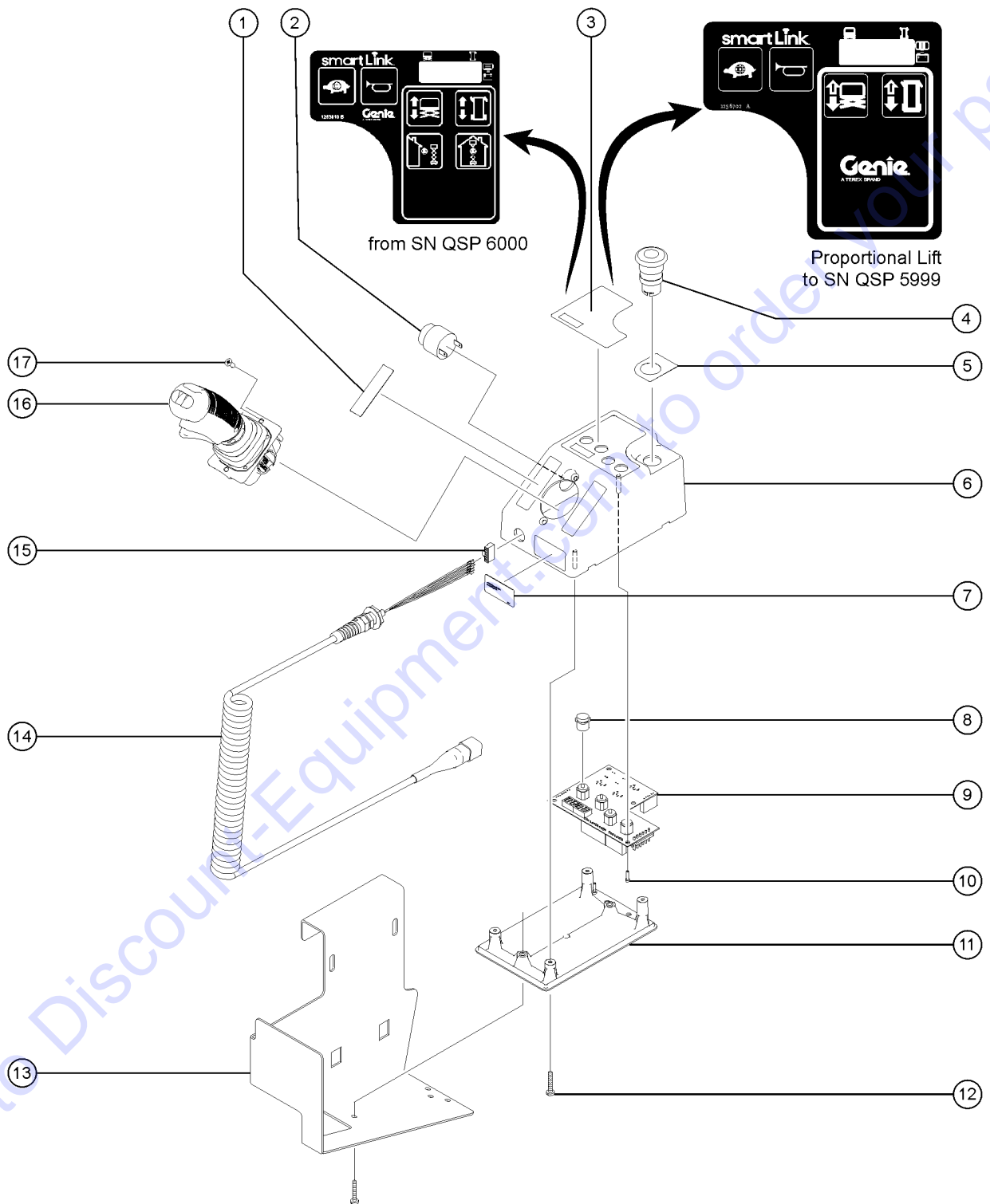
503.1 Platform Controls, Proportional Lift



Item	Part No.	Description	Qty.
A	1256727GT	PCON,STD,PROP LIFT,GR/GS complete platform control box with coil cord, bracket not included to SN QSP-5999	1
A-	137587GT	HARNESS, ESTOP, GR/GRC/GS PCON	1
A-	1258731GT	FLASH DRIVE,SL1K2.0 SOFTWARE (models with 4 button, proportional controller) to SN QSP-5999	1
B	1283792GT	PCON,STD,DUAL ZONE,GS/GR from SN QSP-6000	1
B-	1283811GT	SOFTWARE,PCON,DUAL ZONE from SN QSP-6000	1
1	137656GT	DECAL,PROPEL,GR/GRC/GS,PCON	1
2	39540GT	ALARM,STEADY TONE*** order 72326 mounting ring separately	1
2B	72326GT	NUT - PLASTIC,RING FOR ALARMS for 39540	1
3	1256702GT	DECAL, UI, GS/GR, PROP LIFT (models with 4 button, proportional controller) to SN QSP-5999	1
3B		REF:DECAL,STD,PROP LIFT,UI,SVC (units converted from 6 button, 2 speed lift to 4 button, proportional controller, refer to 502.1) to SN QSP-5999	1
3C	1283810GT	DECAL,STD,DUAL ZONE,GR/GS,UI from SN QSP-6000	1
4	66812GT	BUTTON,PUSH,RED MUSHROOM HEAD	1
4-	66817GT	BASE WITH 1 NC CONTACT, E-STOP	1
5	137605GT	DECAL,E-STOP,GR/GRC/GS PCON	1
6	1256656GT	ENCLOSURE,STD 4-BUTTON, TOP to SN QSP-5999	1
6B	T106368GT	ENCLOSURE,GC14-1, TOP from SN QSP-6000	1
7		(component no longer available)	1
8	T106373GT	CAP,BUTTON,K12	6
9	1256725GT	PCBA,PCON STD,PROP LIFT to SN QSP-5999	1
9B	1283790GT	PCBA,PCON,STD,DUAL ZONE from SN QSP-6000	1
10	137637GT	SCREW,PHM,4-20X.5, 48-2 TRI-L	1
11	T106370GT	ENCLOSURE,GC14-1/GC16-1, BOT	1
12	137640GT	SCREW,PHM,8-16X.75, 48-2 TRI-L	1
13	227854GT	ASSEMBLY,PLAT CONTROL,QS,RTL QS-R (ANSI & CSA models)	1
13B	227855GT	ASSEMBLY,PLAT CONTROL,QS,WHSE QS-W (ANSI & CSA models)	1
13C	227659GT	PLTFRM CNTRL BOX, GR FLUSH TRA QS-R & QS-W (CE models)	1
14	235464GT	KIT,COIL CORD,CONTRLR,SL1000 includes item 15	1
14-	60444GT	CONN,RECEP 6 WAY,14-18GA	1



503.1 Platform Controls, Proportional Lift



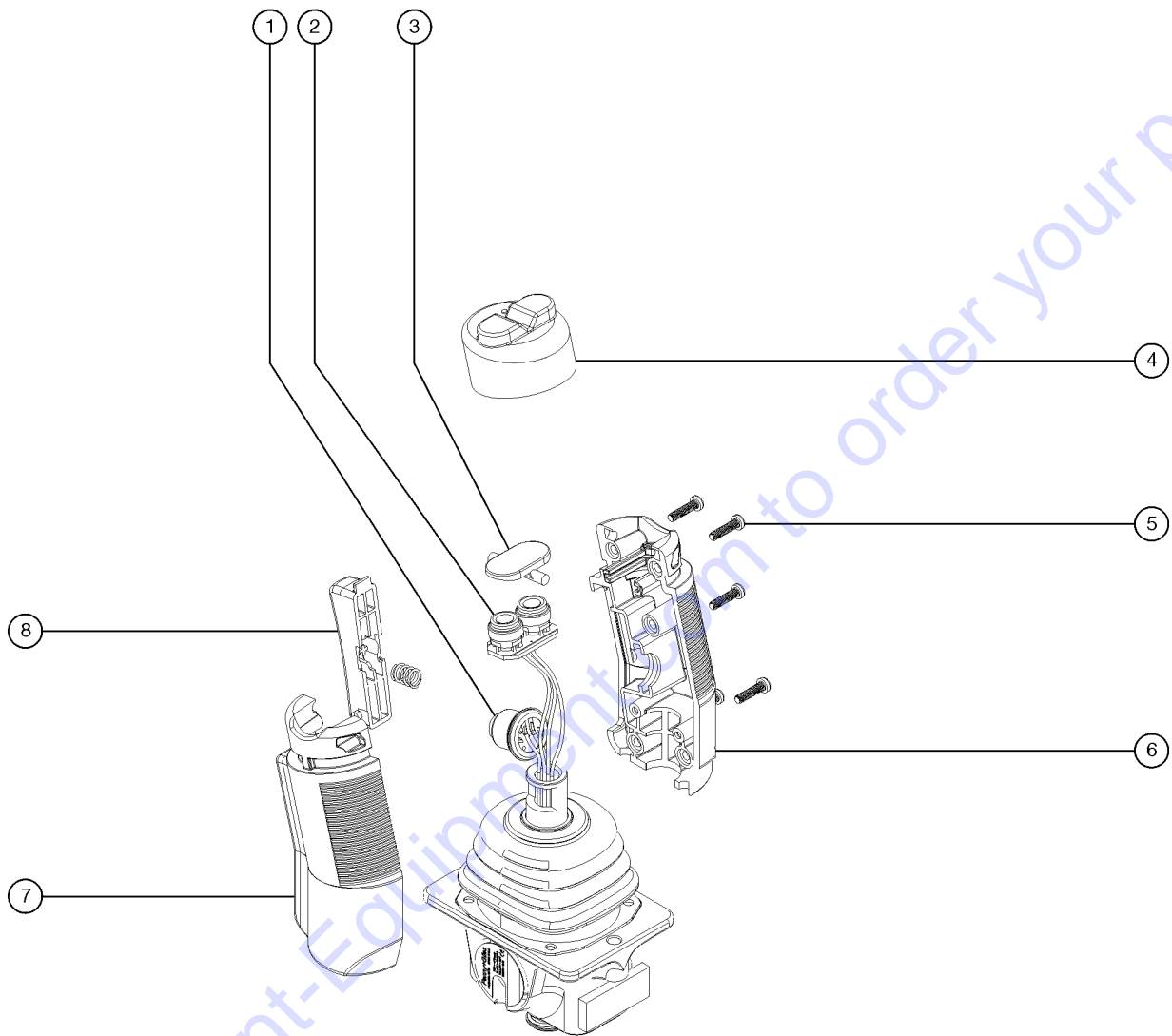
503.1 Platform Controls, Proportional Lift

Item	Part No.	Description	Qty.
14-	60757GT	PLUG,SEAL,12-18 GA	
14-	60445GT	LOCK,RECEP 6 WAY,14-18GA	
14-	137697GT	TERMINAL, PIN, AU, 18-20GA	
14-	231921GT	KIT,CONN,RECEPT W/PIN AND LOCK	
14-	231922GT	KIT,CONN,PLUG W/SCKT AND LOCK	
15	137699GT	PLUG, 6POS ECO PWR	1
16		Ref., JOYSTICK	
		refer to 504.1	
17	229845GT	SCREW,BHSCS,M5X10,SS	
		apply Loctite 243 or equivalent before installation	

Go to Discount-Equipment.com to order your parts



504.1 Joystick Controller



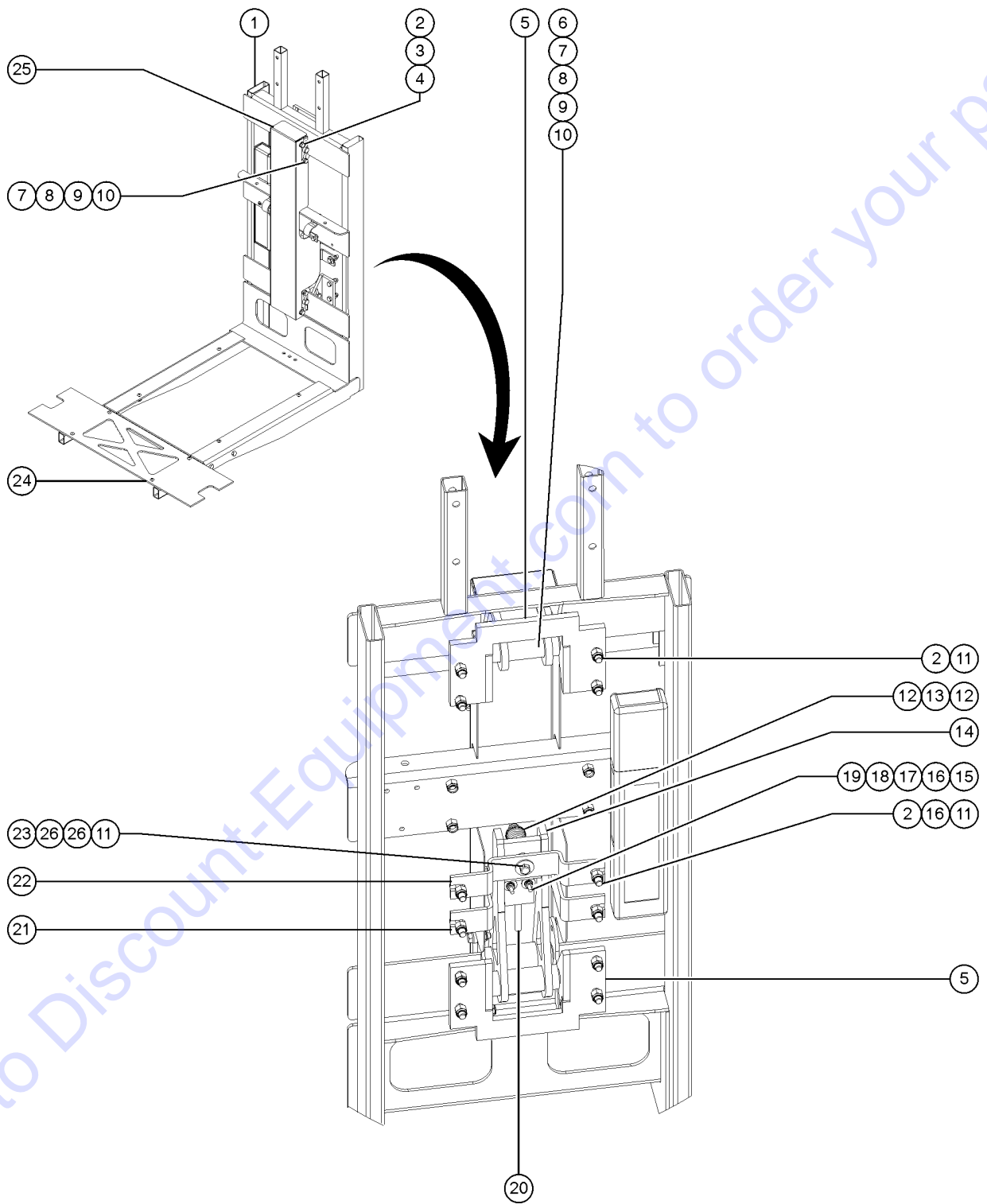
504.1 Joystick Controller

Item	Part No.	Description	Qty.
A-	137634GT	JOYSTICK, HALL EFFECT, SINGLE	
B-	214544GT	KIT,BOOT,JOYSTICK,SL1000	
		joystick boot	
1	235463GT	KIT,SWITCH,JYSTK,SL1000	1
		function enable and steer switches	
2	235463GT	KIT,SWITCH,JYSTK,SL1000	1
		function enable and steer switches	
3	229092GT	ROCKER,2 SWITCH	1
4	229093GT	BOOT, 2 SWITCH, SILICON	1
5	229086GT	SCREW, SELF TAP	5
6	229087GT	HANDLE HALF,RIGHT,W/TOP SWITCH	1
6A	229091GT	SCREW,GRUB,M5X8MM,HLF DOG,BZP	
		for 229087	
7	229088GT	HANDLE HALF,LEFT,W/TOP SWITCH	1
7A	229090GT	SCREW,GRUB,M5X8MM CUP(BLK)	
		for 229088	
8	229089GT	TRIGGER, EXTENDED	1
		squeeze handle	
8A	229094GT	SPRING, HANDLE TRIGGER	1

Go to Discount-Equipment.com to order your parts

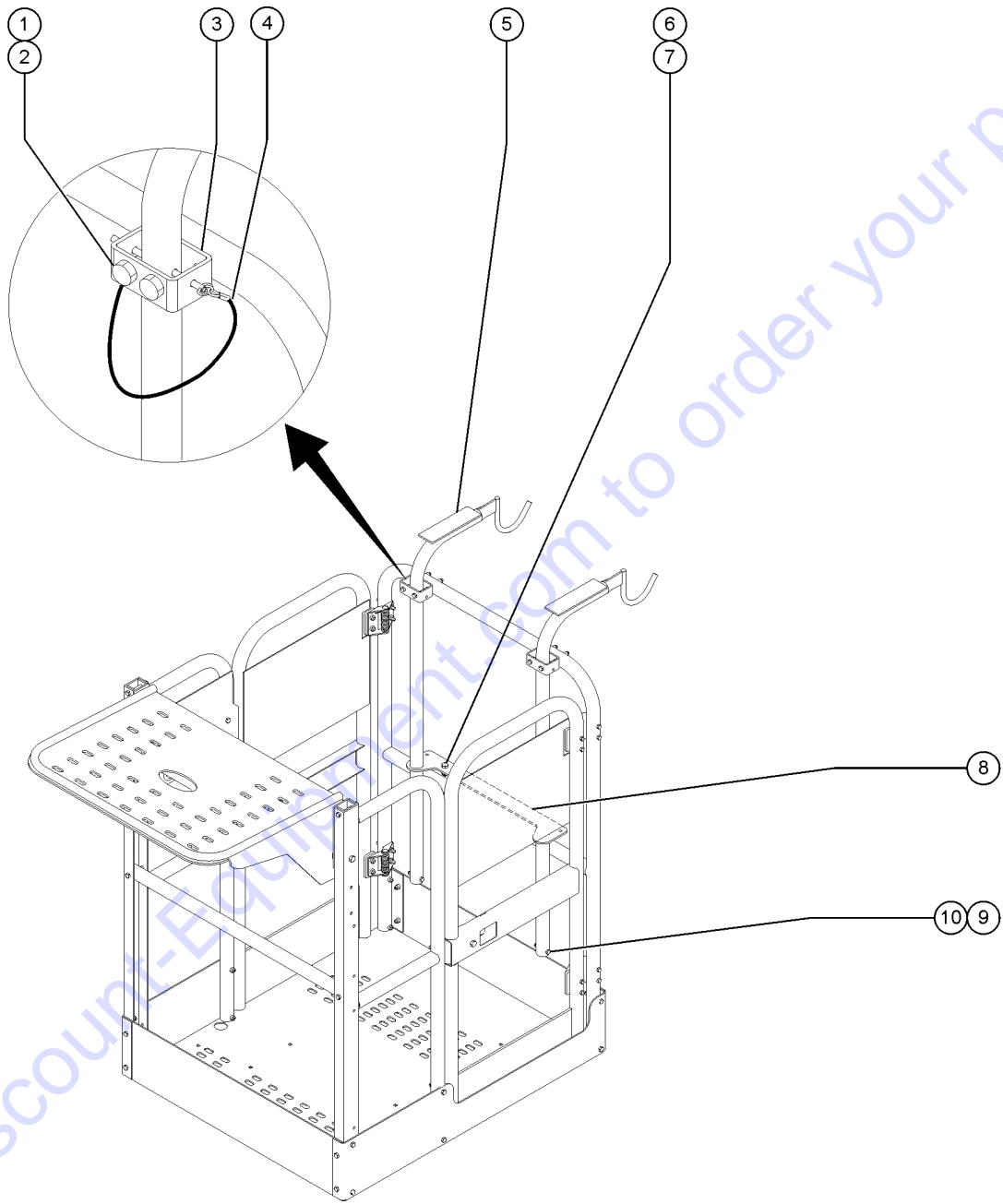


505.1 Platform Overload Assembly



Item	Part No.	Description	Qty.
1	124626GT	PLATFORM SUPPORT ASSY,CE SYM Europe and Australia to SN QSP-5999.	1
1-	124626GT	PLATFORM SUPPORT ASSY,CE SYM Applicable to all Markets from SN QSP-6000.	1
2	6019GT	SCREW,HHC,3/8-16 X 1.25 GRD 5	
3	6021GT	WASHER,LOCK,.375	
4	29868GT	SPRING CLIP,3/8-16,.05-.20X.73,ZAG	
5	100530GT	WELDMENT, LOAD SENSE CARRIAGE	2
6	1254350GT	ASSY,LOWER LINK,GR (includes bearings, 39581)	1
6-	39581GT	BEARING,0.75IDX1.00ODX0.50L	4
8	825020GT	ROD END, .25 X 2.75, ZAG	
9	124680GT	PIN,0.75DIAX5.13LG,CHAMFER	4
10	6782GT	NUT,NYLOCK,5/16-18	
11	4828GT	NUT,NYLOCK,3/8-16	
12	61975GT	RETAINER,SPRING,1.21 X .375	2
13	61974GT	SPRING,COMP,1" OD,232 LB/IN	1
14	1254351GT	ASSY,PIVOT LINK,GR (includes bearings, 39581)	1
14-	39581GT	BEARING,0.75IDX1.00ODX0.50L	4
15	15513GT	NUT,HEX,10-32	
16	6607GT	WASHER,LOCK,#10 PLTD	
17	35461GT	WASHER,FLAT,MS,#8,Y	
18	6638GT	WASHER,FLAT,USS,1/4"Y	
19	75041GT	SCREW,PHILLIPS,PHM,10-32 X 1	
20		SWITCH, ROLLER PLUNGER LIMIT	1
21	100825GT	FORMING, LIMIT SWITCH CARRIER	1
22	100824GT	FORMING, SPRING CARRIER	1
23	8352GT	SCREW,HHC,3/8-16 X 3.75 GD 5	
24	100550GT	WELDMENT, PLAT SUPPORT EXT	1
25	100826GT	FORMING, LOADSENSE COVER	1
26	6097GT	WASHER,FLAT,USS,3/8",Y	

601.1 Bike Rack



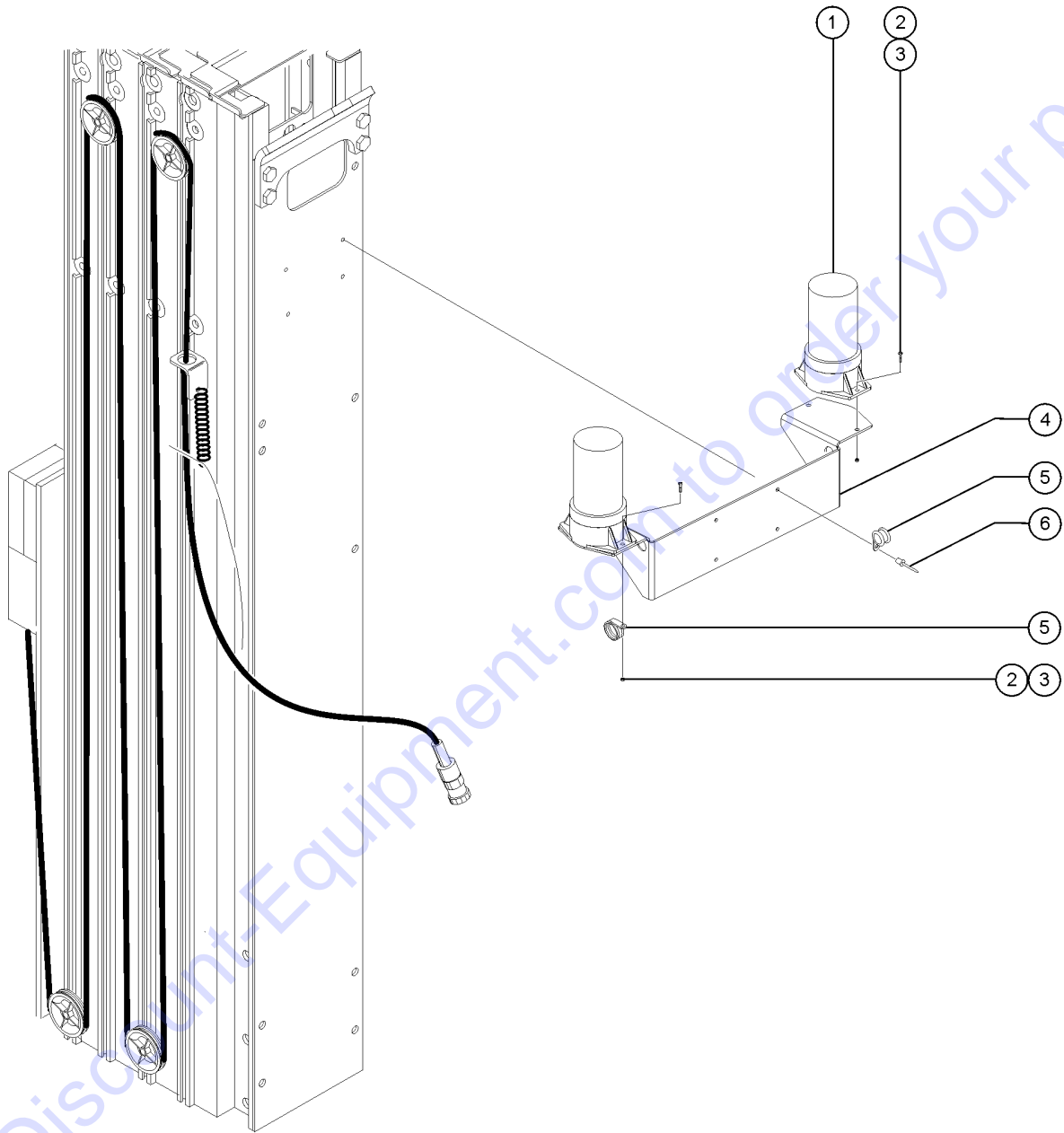
601.1 Bike Rack

Item	Part No.	Description	Qty.
	115432GT	BIKE RACK, STOCKPICKER, GR	
1	50160GT	SCREW,HHC,1/4-20 X 3.75	
2	6019GT	SCREW,HHC,3/8-16 X 1.25 GRD 5	
3	100028GT	TUBE, BIKE RACK SOCKET	2
4	6114GT	PIN,BALL RET.-.25 X 3.5	1
5	145309GT	ASM, BIKE HOOK, WORD DECALS USA, Canada & Australia	2
5-	145310GT	ASM, BIKE HOOK, SYMBOL DECALS Europe, Asia and S. America	
6	6175GT	SCREW,HHC,3/8-16 X 1	
7	4828GT	NUT,NYLOCK,3/8-16	
8	100926GT	PLATE, BIKE RACK SUPPORT	
9	6637GT	SCREW,HHC,1/4-20 X 1.75	

Go to Discount-Equipment.com to order your parts



602.1 Flashing Beacon



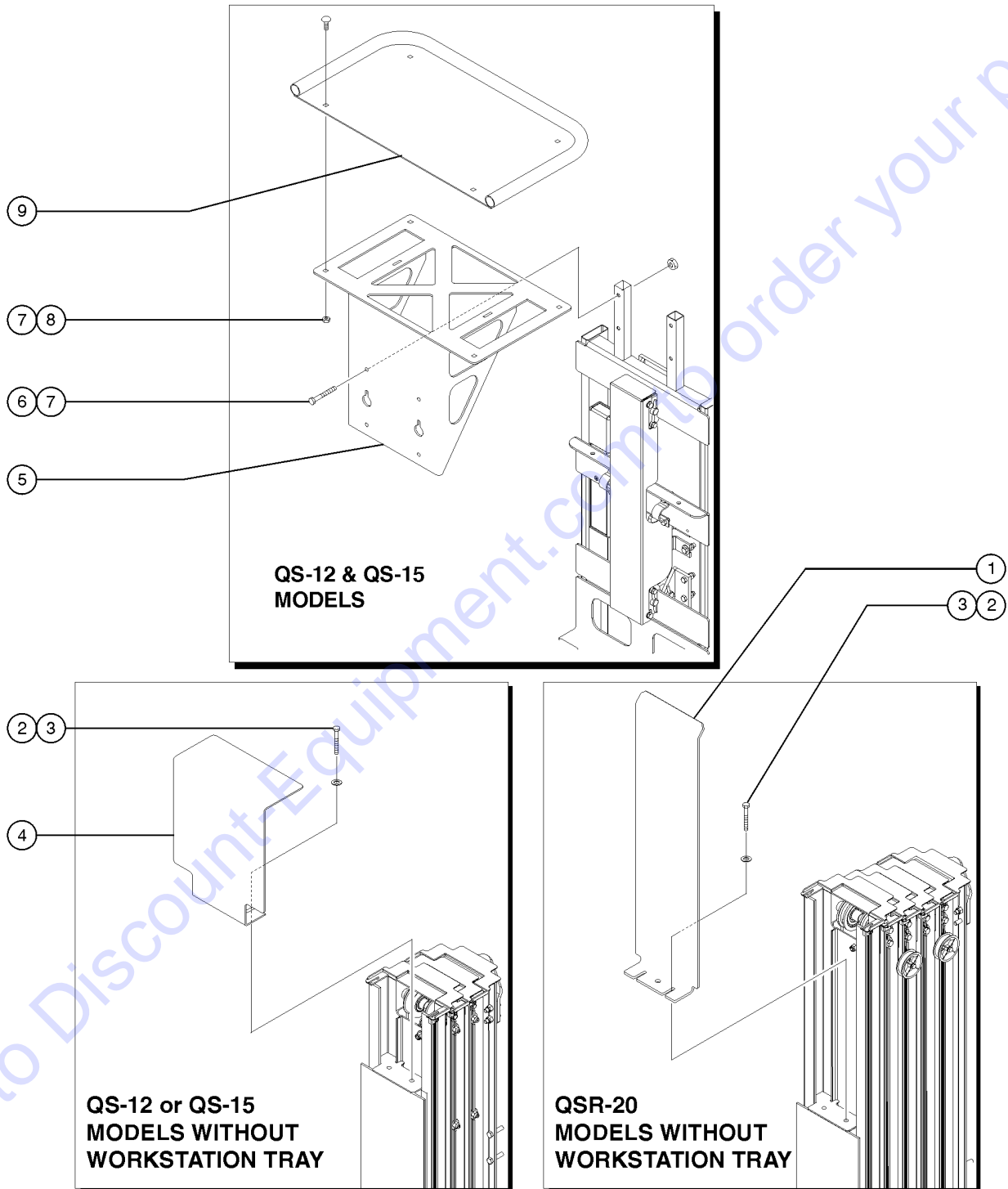
602.1 Flashing Beacon

Item	Part No.	Description	Qty.
	230645GT	GUARD,BEACON,NARROW EE option	
1A	231931GT	STROBE,BEACON, AC COMP 12-80V from SN 1000 to 2451	2
1A-	105557GT	BULB,FLASHING BEACON for 231931	
1A-	105556GT	LENS,FLASHING BEACON for 231931	
1B	1271092GT	BEACON, LED, ASSEMBLY, 21" from SN 2452	1
1B	1271093GT	BEACON, LED, ASSEMBLY, 38" from SN 2452	1
2	49816GT	SCREW,PHILLIPS,PHM,10-32 X .75	
3	6178GT	NUT,NYLOCK,10-32	
4	115462GT	BRACKET,BEACON MOUNT,110V	1
4-	145311GT	BRACKET,BEACON MOUNT,220V	
5	45470GT	CLAMP,0.31,#5 X 1/4,RUB CUSH	2
6	38600GT	RIVET,STL,STL,.156 X .50	

Go to Discount-Equipment.com to order your parts



603.1 Parcel and Work Station Tray



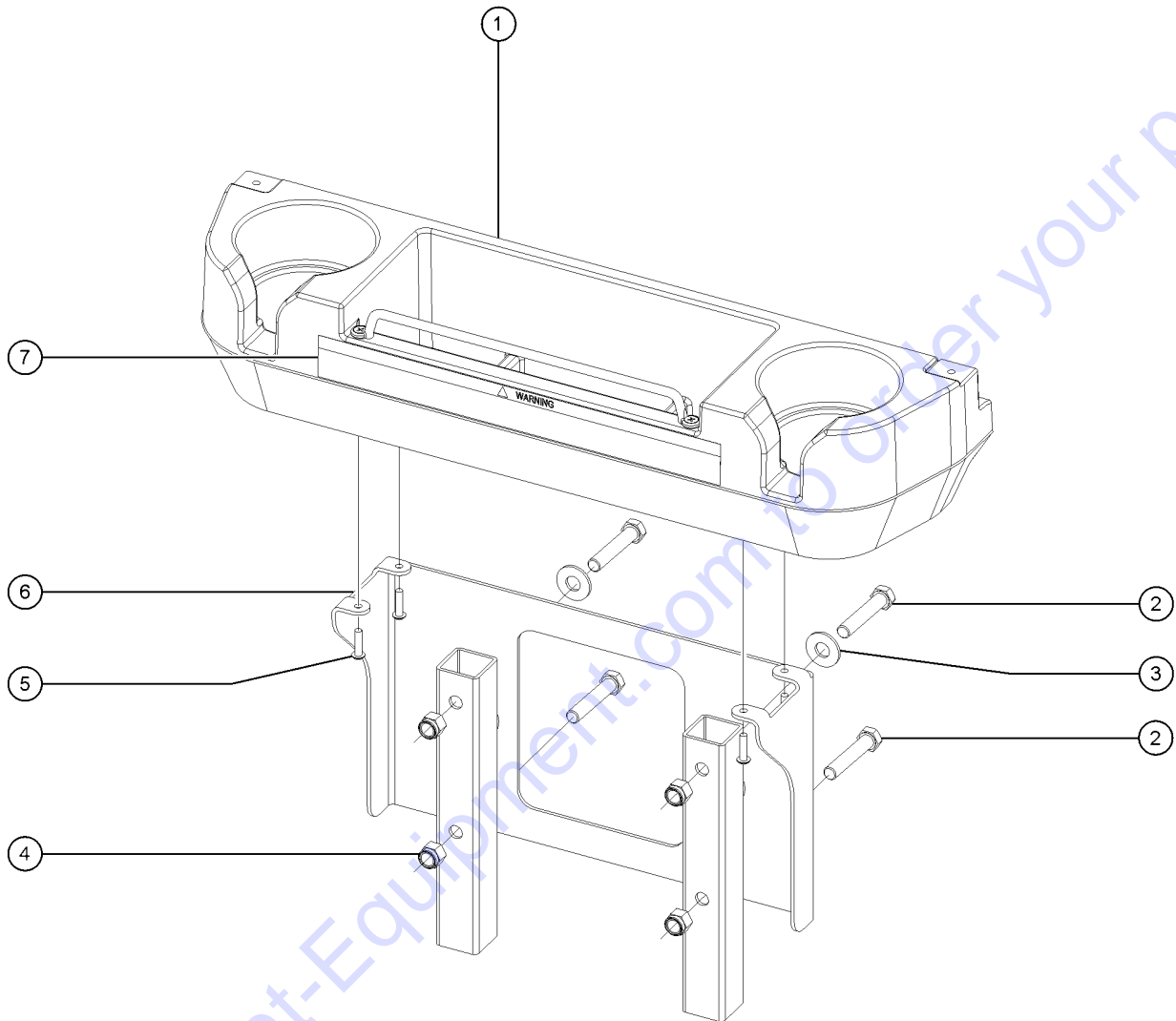
603.1 Parcel and Work Station Tray

Item	Part No.	Description	Qty.
1	T108409GT	FORMING, MAST COVER QSR-20 (this part will also fit the GR-20, from SN GR05-5001)	1
2	6090GT	SCREW,HHC,1/4-20 X .75	1
3	6638GT	WASHER,FLAT,USS,1/4"Y	
4	109528GT	FORMING,MAST COVER,NO TRAY OPT QSR-12 and QSR-15 (this part will also fit the GR-12 and GR-15) to SN QSP-5999	
4B	1302619GT	FORMING, MAST COVER, QS12/QS15 from SN QSP-6000	
5	100922GT	WELDMENT, UPPER TRAY to SN QSP-5999	1
6	6019GT	SCREW,HHC,3/8-16 X 1.25 GRD 5 to SN QSP-5999	
7	4828GT	NUT,NYLOCK,3/8-16 to SN QSP-5999	
8	64154GT	BOLT,CARRIAGE,3/8-16 X1.00,G5 to SN QSP-5999	
9	124086GT	WELDMENT,UPPER TRAY TOP to SN QSP-5999	1

Go to Discount-Equipment.com to order your parts



603.2 Workstation Tray (from SN QSP-6000)



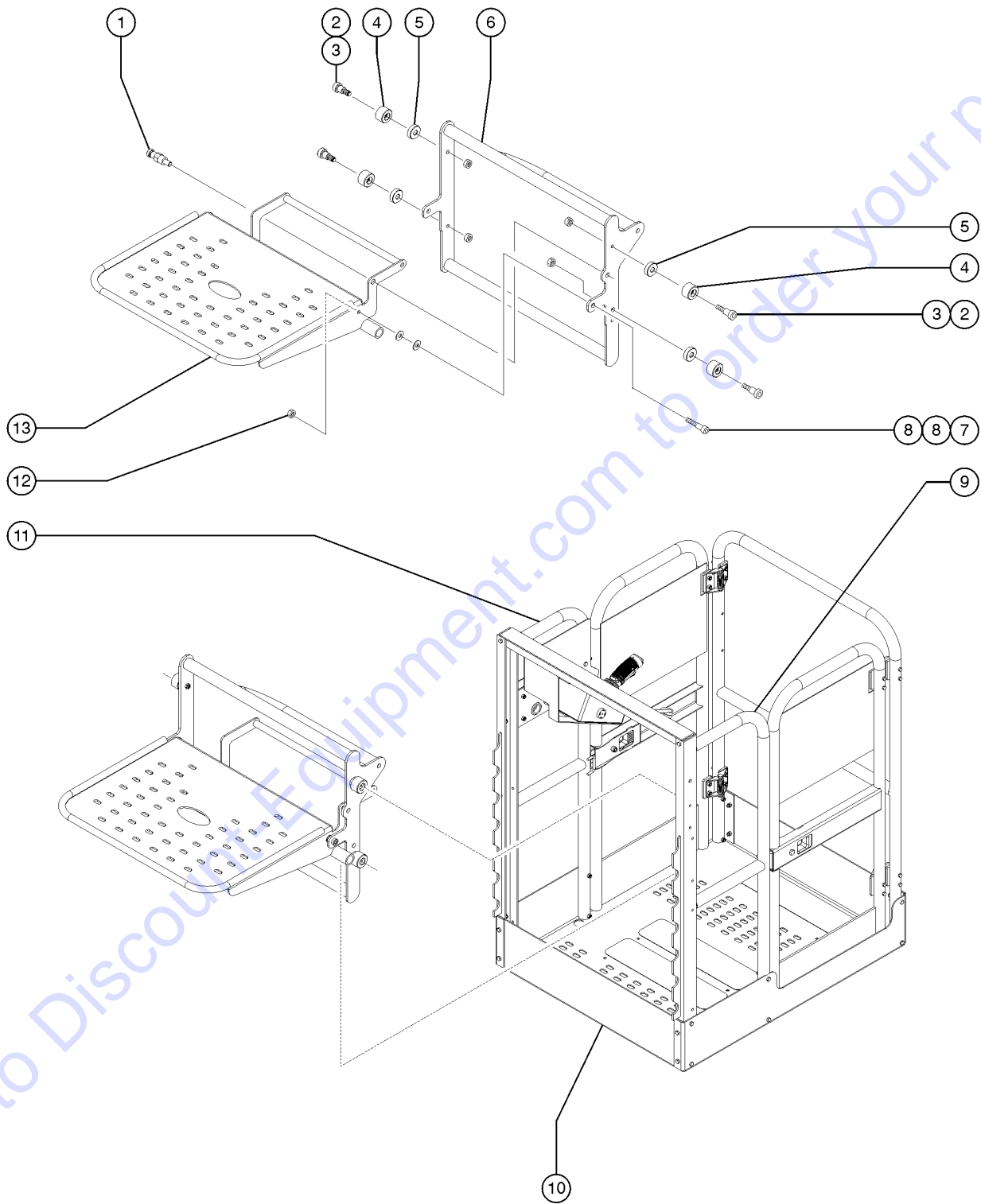
603.2 Workstation Tray (from SN QSP-6000)

Item	Part No.	Description	Qty.
1	1292944GT	TOOL TRAY, SLAB SCISSORS, GR	1
2	5224GT	SCREW,HHC,3/8-16 X 2	4
3	6097GT	WASHER,FLAT,USS,3/8",Y	2
4	4828GT	NUT,NYLOCK,3/8-16	4
5	230000GT	SCREW,FILLISTER PHIL,10-32X.50	4
6	1292946GT	FORMING, MOUNT, GR, TOOL TRAY	1
7	1296821GT	DECAL, WARNING, TOOL TRAY	1

Go to Discount-Equipment.com to order your parts



604.1 Adjustable Work Tray



604.1 Adjustable Work Tray

Item	Part No.	Description	Qty.
1	32375GT	PIN,LOCK,LONG***	1
2	21280GT	BOLT-ROLLER,3/8-24 X 1.69-ZINC	4
3	5408GT	NUT,LP NYLOCK,3/8-24	4
4	11906GT	ROLLER-NYLATRON, 1.625" O.D.	4
5	109949GT	ROLLER,LATCH RELEASE	4
6	228731GT	WELDMENT,QS ADJ CARRIAGE	1
7	11335GT	SCREW,SHS,3/8-16 X .5	2
8	5397GT	WASHER,FLAT,USS,5/16",Y	4
9	228727GT	WLDMNT,RAIL,LH,LOCKING	1
10		Ref. Platform Assembly (refer to 501.1)	
11	228728GT	WLDMNT,RAIL,RH,LOCKING	1
12	7713GT	NUT, LP NYLOCK, 3/8-16	2
13	228730GT	WELDMENT,QS ADJ TRAY (decals not included, please refer to section 1 to order decals)	1

Go to Discount-Equipment.com to order your parts



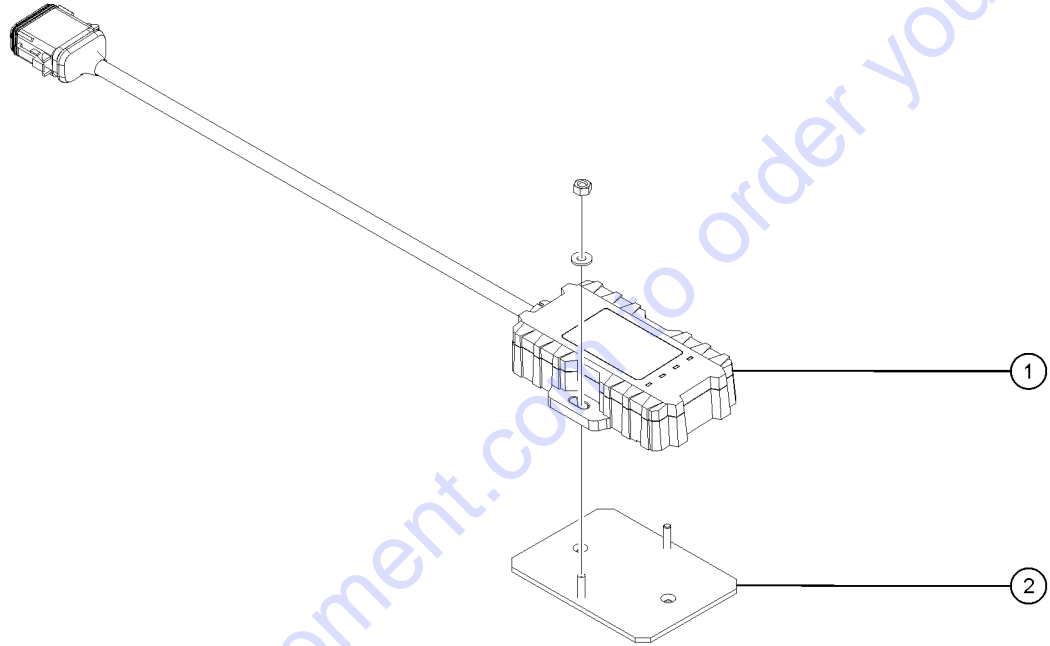
605.1 Telematics Option (from SN QS-1653)

Item	Part No.	Description	Qty.
-	1289899GT	HARNESS, GATEWAY, GS for units after SN QS-1653 for first time insulation, must order this Harness with one of the models 1289520GT, 1289521GT, 1289522GT, or 1289523GT	1
1	1289520GT	MODULE, TELEMATICS, ZTR, M7, NORTH AMERICA	1
1B	1289521GT	MODULE, TELEMATICS, ZTR, M7, EMEA/APAC	
1C	1289522GT	MODULE, TELEMATICS, ZTR, M7, APAC/ANZ	
1D	1289523GT	MODULE, TELEMATICS, ZTR, M7, JAPAN	
2	1289561GT	BRACKET, TELEMATICS	1

Go to Discount-Equipment.com to order your parts



605.1 Telematics Option (from SN QS-1653)



Go to Discount-Equipment.com to order your parts

<u>Part no.</u>	<u>Page Number</u>	<u>Part no.</u>	<u>Page Number</u>	<u>Part no.</u>	<u>Page Number</u>
4266GT	271, 273	8255GT	123, 121, 223, 223, 227, 257	31788GT	11, 15, 19, 23, 27, 31...
4828GT	123, 129, 131, 133, 191, 195, 209, 215, 295	8352GT	287	32317GT	259
5224GT	295	8516GT	193, 191, 201, 201, 253, 255...	32375GT	297
5361GT	123, 127, 131, 133	8849GT	239, 241, 243	33674GT	271, 275
5397GT	131, 133, 191, 193, 199, 213...	8915GT	139, 133, 191, 193, 199, 215...	33720GT	271, 275
5408GT	297	8920GT	223, 225, 227	34742GT	135
6019GT	193, 191, 199, 201, 289, 293	9116GT	157, 167, 171	35461GT	287
6021GT	169, 191, 193, 199, 203, 205	9145GT	123, 127	35695GT	229, 233, 237
6052GT	193, 197, 209, 213, 223, 225, 199, 229, 225, 225	11335GT	297	35697GT	229, 233, 237
6086GT	235	11808GT	193, 191, 203, 203, 207, 239...	35698GT	229, 235, 237
6090GT	169, 223, 223, 221, 239, 241, 139, 141, 143, 147...	11890GT	229, 233, 237	35699GT	229, 233, 237
6091GT	143, 147...	11906GT	297	35703-6063GT	233
6095GT	229, 237	12016GT	135, 211	35704-6063GT	229, 233
6097GT	123, 121, 133, 149, 153, 191...	12343GT	123, 127	35705GT	229, 235, 237
6114GT	289	12344GT	139, 133, 139, 223, 225, 227	35706GT	193, 191, 203, 203, 209, 215, 203, 203, 201, 209, 213, 217...
6145GT	269, 273	12906GT	239, 241, 243	35707GT	191, 195, 209
6175GT	131, 133, 139, 191, 195, 199...	13921GT	267	35709GT	203, 205
6178GT	159, 167, 291	14033GT	271, 275	35710GT	203, 205
6198GT	123, 121, 131, 133, 139, 141...	15086GT	143, 147	35711GT	209, 213, 217, 221
6271GT	257	15513GT	133, 193, 191, 201, 287	35712GT	229, 235, 237
6356GT	169, 239, 241, 243	18396GT	123, 127	35714GT	191, 193, 199, 213, 217, 221...
6357GT	125, 129	18503GT	139, 141, 143, 141, 149, 153...	35715GT	213, 217, 221
6534GT	229, 233, 237	18504GT	159, 165, 177	35722GT	209, 213, 217, 221
6545GT	123, 127	19436GT	165	35725GT	259
6595GT	175	19491GT	135, 193, 197, 201	35726GT	259
6607GT	193, 197, 201, 287	20224GT	263	35733GT	239, 241, 243
6637GT	131, 133, 209, 209, 273, 289	21280GT	297	35734GT	223, 223, 221, 239, 241, 243
6638GT	123, 127, 139, 141, 209, 223...	22261GT	135	35991GT	241, 243, 199, 203, 205, 207...
6654GT	269, 273	22446GT	269, 273	37384GT	237
6782GT	159, 167, 287	22664GT	267	37385GT	237
6833GT	251, 253	22699GT	191, 193, 199, 213, 219, 251	37386GT	237
6873GT	159	23394GT	191, 193, 199, 201, 253, 255	37387GT	237
6878GT	139, 141, 143, 141, 149, 153...	23396GT	139, 141, 143, 141, 149, 153...	37686GT	213, 217, 221
6884GT	169, 271, 275	25388GT	175	37947GT	157, 163
6888GT	131, 133, 223, 223, 227, 239...	25926GT	191, 193, 199, 213, 219, 251...	38005GT	223, 225, 227
6889GT	159, 165, 169	28174GT	11, 15, 19, 23, 27, 31...	38011GT	191, 195, 203, 205
7056GT	193, 197, 201	28175GT	11, 15, 19, 23, 27, 31...	38013GT	191, 195
7265GT	159, 167, 169	28235GT	11, 15, 19, 23, 27, 31...	38016GT	191, 195
7339GT	213, 211, 239, 241, 251, 253	28236GT	11, 15, 19, 23, 27, 31...	38028GT	193, 197, 199
7713GT	133, 139, 141, 143, 147, 149	28373GT	11, 15, 19, 23, 27, 31...	38068GT	259
8177GT	139, 141, 143, 141, 149, 153	29868GT	287	38122GT	11, 15, 19, 23, 27, 31...
8179GT	269	31508GT	11, 15, 19, 23, 27, 31...	38149GT	11, 15, 19, 23, 27, 31...

<u>Part no.</u>	<u>Page Number</u>	<u>Part no.</u>	<u>Page Number</u>	<u>Part no.</u>	<u>Page Number</u>
38187GT	231, 233, 237	44229GT	263	55067GT	271, 275
38234GT	239, 241, 243	44230GT	263	56912GT	131, 133, 137, 139, 223, 225...
38316GT	209, 213, 217	44263-SGT	257	57147GT	239, 241, 243
38447GT	203, 205, 207, 209, 213, 217	44264-SGT	257	57195GT	223, 225, 227
38600GT	291	44372GT	257	57264GT	213, 217, 221
38601GT	193, 197, 199	44736GT	11, 15, 19, 23, 27, 31...	57809GT	203, 205
38709GT	203, 205, 207, 209, 213, 217	44750GT	259	57881GT	159, 165, 169
38730GT	191, 193, 199, 213, 217, 245...	44751GT	259	57996GT	123, 127
38979GT	201, 243	44752GT	259	57998GT	123, 127, 131, 133
38980GT	233, 237	44777GT	259	58381GT	243
38986GT	233, 237	44778GT	259	58382GT	239, 241
39469GT	157, 163	44788GT	169	58934GT	259
39540GT	159, 167, 277, 281	44980GT	11, 15, 19, 23, 27, 31...	60440GT	163
39581GT	287	45374GT	267	60441GT	163
39873GT	267	45425GT	203, 205, 207, 209, 213, 217...	60444GT	281
39876GT	267	45470GT	291	60445GT	283
39877GT	265, 267	45546GT	159, 165, 169	60746GT	255
39878GT	267	46216GT	263	60757GT	283
39881GT	267	47231GT	271, 275	61264GT	267
40004GT	193, 197, 201, 211, 213, 215...	47548GT	123, 127	61974GT	287
40434GT	11, 15, 19, 23, 27, 31...	47569GT	139, 141, 143, 147, 149, 153	61975GT	287
40550GT	229, 233	48282GT	177	64154GT	135, 293
40735GT	191, 193, 199, 213, 219, 251...	48880GT	263	65616GT	123, 127
40945GT	229, 233, 237	48905GT	259	65962GT	263
40946GT	191, 195	48997GT	263	66094GT	159, 165
41055GT	193, 197, 201, 213, 217, 221...	49373GT	167	66204GT	171
41224GT	233, 237	49612GT	263	66397GT	165
41246GT	229, 233	49613GT	263	66465GT	259
41247GT	229	49816GT	291	66717GT	159, 167
41248GT	229, 233	50160GT	289	66770GT	123, 127
41250GT	233	51063GT	135, 193, 197, 201	66812GT	157, 163, 277, 281
42360GT	131, 133	52475GT	11, 15, 19, 23, 27, 31...	66817GT	157, 163, 277, 281
43136GT	165	52865GT	11, 15, 19, 23, 27, 31...	66818GT	157, 163
43137GT	159	52913GT	259	69384-SGT	257
43658GT	11, 15, 19, 23, 27, 31...	52914GT	259	69529GT	255
43685GT	259	52915GT	259	69547GT	123, 127, 131, 133
44168GT	263	52943GT	259	69548GT	123, 127, 131, 133
44169GT	263	54239GT	135	69575GT	193, 197, 201
44174GT	263	55010GT	175	69855GT	223, 225, 227
44207GT	169	55018GT	177	71706GT	175
44226GT	263	55019GT	175	72086GT	11, 15, 19, 23, 27, 31...
44227GT	263	55021GT	177	72159GT	11, 15, 19, 23, 27, 31...

<u>Part no.</u>	<u>Page Number</u>	<u>Part no.</u>	<u>Page Number</u>	<u>Part no.</u>	<u>Page Number</u>
72171GT	11, 15, 19, 23, 27, 31	84740GT	265	100382GT	209
72188GT	11, 15, 19, 23, 27, 31...	84742GT	265	100383GT	217
72326GT	159, 167, 277, 281	84743GT	265	100384GT	221
72832GT	11, 15, 19, 23, 27, 31...	84746GT	265	100386GT	221, 239, 241, 243
72970GT	11, 15, 19, 23, 27, 31...	84748GT	265	100400GT	259
72999GT	107	85197GT	261	100409GT	243
74267GT	167	85239GT	157, 163	100483GT	193, 197, 199
75041GT	287	87561GT	137	100484GT	171
75067GT	223, 225, 227	87747GT	179	100486GT	267
75144GT	135, 257	90337GT	191, 195, 199	100488GT	135
76502GT	139, 141, 143, 147, 149, 153	96008-SGT	157, 163	100489GT	135
77677GT	157, 165	96009GT	157, 163	100492GT	135
77709GT	263	96010GT	157, 163	100510GT	171, 267
78060GT	135	96135GT	135	100530GT	287
78086GT	137	96398GT	267	100550GT	287
78546GT	171	96422GT	135	100673GT	211
78622GT	169	96423GT	123, 127, 135	100711GT	191, 195
78736GT	123, 127	96452GT	157, 163	100712GT	203, 205
80941GT	259	96541GT	135	100713GT	209
80943GT	259	96642GT	135	100714GT	211
80949GT	259	96699GT	139, 141, 143, 147, 149, 151...	100715GT	215
81579GT	161, 167	96709GT	171	100719GT	267
82366GT	11, 15, 19, 23, 27, 31...	96855GT	171	100720GT	267
82473GT	35, 39, 43, 47, 51, 55...	96905GT	169	100721GT	267
82481GT	35, 39, 43, 47, 51, 55...	96907GT	123, 127	100722GT	267
82487GT	35, 39, 43, 47, 51, 55...	96948GT	135, 193, 197, 201	100723GT	267
82495GT	35, 39, 43, 47, 51, 55...	96950GT	159, 165	100724GT	267
82557GT	115	97059GT	175	100725GT	267
82614GT	35, 39, 43, 47, 51, 55...	97128GT	137, 193, 197, 201	100726GT	267
82666GT	35, 39, 43, 47, 51, 55...	97829GT	11, 15, 19, 23	100744GT	223, 227
82830GT	83, 87, 91, 95, 99, 103	97830GT	27, 31	100745GT	225
82836GT	35, 39, 43, 47, 51, 55...	97834GT	35, 39, 43, 47, 83, 87...	100752GT	223, 225, 227
82863GT	11, 15, 19, 23, 59, 63...	97835GT	51, 55, 99, 103	100767GT	245, 247, 249
82864GT	11, 15, 19, 23, 27, 31...	97871GT	35, 39, 43, 47, 83, 87...	100768GT	247, 249
82966GT	35, 39, 43, 47, 51, 55	97872GT	51, 55, 99, 103, 121	100769GT	245, 247, 249
82975GT	11, 15, 19, 23, 27, 31...	97898GT	35, 39, 43, 47, 83, 87...	100770GT	245, 247, 249
83093GT	157, 163	97899GT	35, 39, 43, 47, 51, 55...	100777GT	223, 225, 227
84384GT	263	100028GT	289	100778GT	191, 195, 199
84385GT	263	100352GT	149, 153	100801GT	179, 181
84386GT	263	100379GT	191, 195, 199, 203, 205, 207...	100802GT	269, 273
84422GT	259	100380GT	199	100805GT	267
84739GT	265	100381GT	203, 205, 207	100808GT	133

<u>Part no.</u>	<u>Page Number</u>	<u>Part no.</u>	<u>Page Number</u>	<u>Part no.</u>	<u>Page Number</u>
100809GT	149, 153	109528GT	293	128135GT	159, 165
100824GT	287	109581GT	125, 127	133013GT	13, 17, 21, 25, 29, 33...
100825GT	287	109621GT	269, 273	133014GT	13, 17, 21, 25, 29, 33...
100826GT	287	109622GT	269, 273	133015GT	35, 39, 43, 47, 51, 55...
100834GT	135	109758GT	183, 187	133092GT	13, 17, 21, 25, 29, 33...
100858GT	203, 205, 207	109836GT	267	133144GT	13, 17, 21, 25, 29, 33...
100905GT	239, 241, 243	109837GT	267	133146GT	35, 39, 43, 47, 51, 55...
100913GT	139, 141, 143, 147, 149, 153	109838GT	267	133147GT	35, 39, 43, 47, 51, 55...
100922GT	293	109839GT	149, 153	133277GT	13, 17, 21, 25, 29, 33...
100926GT	289	109840GT	143, 147	133450GT	13, 17, 21, 25, 29, 33...
100942GT	209	109949GT	297	133451GT	13, 17, 21, 25, 29, 33...
100986GT	139, 141, 143, 147, 149, 153	114325GT	13, 17, 21, 25, 27, 31...	133498GT	35, 39, 43, 47, 51, 55...
101718GT	209	114334GT	35, 39, 43, 47, 51, 55...	133505GT	13, 17, 21, 25, 29, 33...
104804GT	269, 273	114338GT	35, 39, 43, 47, 51, 55...	133506GT	13, 17, 21, 25, 29, 33...
105060GT	135	115432GT	289	133507GT	13, 37, 41, 45, 49, 53, 57, 101, 105, 117
105067GT	265	115433GT	139, 143, 149	133508GT	111, 43, 69, 93, 107, 111
105092GT	125, 129	115434GT	139, 143, 149	133509GT	111, 53, 77, 101, 107, 111
105142GT	157, 163	115438GT	139, 145, 151	133510GT	111, 41, 65, 89, 107, 111
105150GT	139, 141, 143, 147, 149, 153	115439GT	139, 145, 151	133511GT	111, 49, 73, 97, 107, 111
105273GT	167	115448GT	269, 273	133512GT	111, 33, 57, 81, 105, 107, 111...
105303GT	263	115462GT	291	133513GT	53, 57, 101, 105, 117
105304GT	263	124081GT	239, 241	133514GT	37, 41, 45, 49, 85, 89...
105334GT	175	124086GT	293	133585GT	13, 17, 21, 25, 29, 33
105387GT	259	124105GT	143, 147	133586GT	13, 17, 21, 25, 29, 33...
105440GT	131, 133	124122GT	123, 127	133596GT	17, 25, 33, 65, 73, 81
105547GT	123, 127	124151GT	143, 147, 149, 153	137522GT	277
105550GT	123, 127	124152GT	143, 147, 149, 153	137562GT	173
105556GT	291	124158GT	269, 273	137587GT	277, 281
105557GT	291	124166GT	251, 253	137604GT	173
105565GT	125, 129	124232GT	159, 165	137605GT	13, 17, 21, 25, 29, 33...
105573GT	159, 165, 169	124233GT	169	137607GT	179, 181
105739GT	175	124449GT	159, 163	137608GT	179, 181, 183, 187
106924GT	125, 127	124462GT	271, 275	137609GT	179, 181
107023GT	191, 193, 199, 201, 253, 255	124571GT	271, 275	137633GT	277
107131GT	193, 197	124576GT	271, 275	137634GT	285
107132GT	199	124626GT	271, 275, 287	137635GT	13, 17, 21, 25, 29, 33...
107133GT	141, 147, 153	124680GT	287	137636GT	13, 17, 21, 25, 29, 33...
107134GT	141, 147, 153	124728GT	169	137637GT	173, 277, 281
107359GT	123, 127	124962GT	139, 141, 143, 147, 151, 155...	137640GT	277, 281
107370GT	135	124989GT	271, 275	137642GT	277
109500GT	213, 217, 221	124992GT	269, 273	137656GT	13, 17, 21, 25, 29, 33...
109519GT	11, 15, 19, 23, 27, 31...	124995GT	271, 275	137668GT	173

<u>Part no.</u>	<u>Page Number</u>	<u>Part no.</u>	<u>Page Number</u>	<u>Part no.</u>	<u>Page Number</u>
137673GT	173	145334GT	179, 181	229215GT	165
137692GT	173	161001GT	169	229216GT	165
137697GT	283	162273GT	167	229217GT	165
137699GT	279, 283	214544GT	285	229218GT	165
137726GT	179, 181, 183, 187	215550GT	131, 133	229240GT	13, 17, 21, 25, 29, 33...
137727GT	179, 181, 183	216283GT	273	229453GT	259
137728GT	179, 181, 185, 187	218073GT	177	229845GT	279, 283
137729GT	179, 181, 183	219205GT	277	230000GT	295
137730GT	179, 181	219384GT	167	230645GT	291
137731GT	183, 187	219480GT	175	230728GT	269
137732GT	179, 181, 183	220283GT	111	230729GT	273
137737GT	179, 181, 183	226432GT	131, 133	230744GT	11, 15, 19, 23, 27, 31...
137738GT	183	227391GT	61, 65, 69, 73, 77, 81	230745GT	35, 39, 43, 47, 51, 55...
137755GT	179, 181	227498GT	61, 65, 69, 73, 77, 81	231191GT	141, 147, 155
137758GT	179, 181	227501GT	61, 65, 69, 73	231572GT	261
137759GT	185, 187	227502GT	77, 81	231921GT	279, 283
137760GT	179, 181, 185, 187	227659GT	279, 281	231922GT	279, 283
137761GT	179, 181, 183	227765GT	13, 17, 21, 25, 29, 33...	231931GT	291
137762GT	179, 181, 183	227846GT	269	232535GT	161, 167
137763GT	179, 181, 183	227847GT	273	232573GT	161, 167
139318GT	175	227848GT	269	232580GT	161, 167
139644GT	223, 225, 227	227849GT	273	232848GT	161, 167
144161GT	175	227850GT	269	233641GT	261
144180GT	175	227851GT	273	235340GT	211
145013GT	139, 143, 151	227852GT	269	235463GT	285
145014GT	139, 145, 151	227853GT	273	235464GT	279, 281
145016GT	139, 143, 151	227854GT	279, 281	822586GT	131, 133
145019GT	269, 273	227855GT	279, 281	822587GT	131, 133
145050GT	271, 275	228406GT	157, 163	822685GT	131, 133
145062GT	271, 275	228727GT	269, 273, 297	823408GT	161, 167
145083GT	123	228728GT	269, 273, 297	825020GT	287
145084GT	123	228730GT	297	826935GT	183, 187
145085GT	123, 127	228731GT	297	1251910GT	183, 187
145086GT	123, 127	229086GT	285	1254350GT	287
145279GT	157, 165	229087GT	285	1254351GT	287
145280GT	157	229088GT	285	1256656GT	281
145284GT	159, 165	229089GT	285	1256702GT	13, 17, 21, 25, 29, 33...
145286GT	157, 163	229090GT	285	1256703GT	13, 17, 21, 25, 29, 33...
145309GT	289	229091GT	285	1256719GT	173
145310GT	289	229092GT	285	1256721GT	173
145311GT	291	229093GT	285	1256725GT	281
145329GT	139, 141, 143, 147, 149, 153	229094GT	285	1256727GT	281

<u>Part no.</u>	<u>Page Number</u>	<u>Part no.</u>	<u>Page Number</u>	<u>Part no.</u>	<u>Page Number</u>
1256915GT	13, 17, 21, 25, 29, 33	1278189GT	175	1293166GT	121
1256916GT	61, 65, 69, 73, 77, 81	1278191GT	175	1293324GT	113
1257035GT	161, 167	1278386GT	165	1293893GT	259
1257203GT	159, 167	1278705GT	175	1293974GT	191, 195
1257714GT	211	1278706GT	175	1293975GT	203, 205
1257923GT	13, 17, 21, 25, 29, 33...	1279428GT	175	1293976GT	209
1258345GT	277	1280665GT	175	1293977GT	211
1258346GT	277	1280819GT	111	1293978GT	215
1258350GT	277	1281175GT	115, 121	1294398GT	115, 121
1258351GT	277	1283227GT	157, 165	1294635GT	115
1258355GT	277	1283228GT	13, 17, 21, 25, 29, 33...	1294688GT	121
1258356GT	277	1283790GT	281	1296034GT	115, 121
1258519GT	277	1283792GT	281	1296295GT	115
1258520GT	277	1283810GT	115, 121, 281	1296623GT	115
1258731GT	281	1283811GT	281	1296624GT	115
1259993GT	135	1283878GT	111, 119	1296625GT	115
1260030GT	135	1284285GT	173	1296626GT	121
1260031GT	137	1284287GT	173	1296627GT	121
1260045GT	135	1289428GT	223, 225, 227	1296810GT	269, 273
1260891GT	211	1289429GT	221	1296821GT	107, 295
1261888GT	263	1289520GT	163, 299	1296910GT	193, 197
1263396GT	183	1289521GT	163, 299	1297332GT	211
1263397GT	183	1289522GT	299	1297333GT	215
1263398GT	183	1289523GT	299	1297622GT	187
1263399GT	183	1289561GT	163, 299	1297623GT	189
1263542GT	117	1289899GT	299	1297735GT	107, 113, 117, 119
1263543GT	107	1291624GT	111, 119	1297738GT	187
1264372GT	175	1292446GT	183, 187	1297740GT	187
1268235GT	193, 197, 199	1292447GT	183, 187	1297800GT	187
1271092GT	291	1292448GT	183, 187	1297801GT	187
1271093GT	291	1292449GT	183, 187	1297802GT	187
1272242GT	111, 119	1292450GT	183, 187	1297894GT	187
1272844GT	175	1292451GT	183, 187	1298026GT	229, 233
1272975GT	165, 177	1292452GT	183, 187	1298027GT	229, 233
1273576GT	175	1292453GT	183, 187	1298028GT	229, 233
1275663GT	165	1292512GT	111, 119	1298029GT	233
1278183GT	175, 177	1292513GT	113, 119	1298402GT	187
1278184GT	175	1292514GT	113, 119	1298467GT	117
1278185GT	177	1292515GT	113, 119	1298551GT	257
1278186GT	177	1292944GT	295	1298552GT	257
1278187GT	175, 177	1292946GT	295	1302181GT	251, 253
1278188GT	175	1293165GT	115	1302619GT	293

<u>Part no.</u>	<u>Page Number</u>	<u>Part no.</u>	<u>Page Number</u>	<u>Part no.</u>	<u>Page Number</u>
1305841GT	107				
1305842GT	107				
1305843GT	115				
1305844GT	115				
1305845GT	117				
1305846GT	117				
1305847GT	121				
1305848GT	121				
T106362GT	173				
T106366GT	173				
T106368GT	277, 281				
T106370GT	277, 281				
T106372GT	173				
T106373GT	277, 281				
T106401GT	13, 21, 29, 61, 69, 77				
T106788GT	157, 165, 177				
T107029GT	13, 17, 21, 25, 29, 33...				
T107890GT	179, 181, 183, 187				
T107891GT	179, 181, 183, 187				
T107892GT	179, 181, 185, 187				
T107894GT	13, 17, 21, 25, 29, 33...				
T108409GT	227, 293				
T110712GT	159				
T110713GT	159				
T110714GT	169				
T110715GT	169				
T110723GT	157, 165				
T114166GT	179, 181				
T115403GT	159				
T115404GT	169				

Go to Discount-Equipment.com to order your parts

California Proposition 65

 **WARNING**

Operating, servicing and maintaining this equipment, passenger vehicle or off-highway motor vehicle can expose you to chemicals including engine exhaust, carbon monoxide, phthalates, and lead, which are known to the State of California to cause cancer and birth defects or other reproductive harm. These chemicals can be emitted from or contained in other various parts and systems, fluids and some component wear by-products. To minimize exposure, avoid breathing exhaust, do not idle the engine except as necessary, service your equipment and vehicle in a well-ventilated area and wear gloves or wash your hands frequently when servicing your equipment or vehicle and after operation. For more information go to www.P65Warnings.ca.gov/passenger-vehicle.

Breathing diesel engine exhaust exposes you to chemicals known to the State of California to cause cancer and birth defects or other reproductive harm.

- Always start and operate the engine in a well-ventilated area.
- If in an enclosed area, vent the exhaust to the outside.
- Do not modify or tamper with the exhaust system.
- Do not idle the engine except as necessary.

For more information go to www.P65warnings.ca.gov/diesel.

Distributed By:

www.GeePart.com to order your parts

PARTS FINDER

**Search Website
by Part Number**



**Search Manual
Library For Parts
Manual & Lookup Part
Numbers – Purchase
or Request Quote**

Search Manuals

Enter your information to help us find the right parts manual for your machine.

* Brand:

* Model:

* Serial:

* Part Number:

SEARCH

**Can't Find Part or
Manual? Request Help
by Manufacturer,
Model & Description**

Parts Order Form

Please fill in the following information to help us find the right part for your machine.

Manufacturer:	<input type="text"/>
Model:	<input type="text"/>
Description:	<input type="text"/>
Part Number:	<input type="text"/>
Quantity:	<input type="text"/>
Notes:	<input type="text"/>

Submit

Discount-Equipment.com is your online resource for quality parts & equipment.

Florida: **561-964-4949** Outside Florida TOLL FREE: **877-690-3101**

Need parts?

Click on this link: <http://www.discount-equipment.com/category/5443-parts/> and choose one of the options to help get the right parts and equipment you are looking for. Please have the machine model and serial number available in order to help us get you the correct parts. If you don't find the part on the website or on one of the online manuals, please fill out the request form and one of our experienced staff members will get back to you with a quote for the right part that your machine needs.

We sell worldwide for the brands: Genie, Terex, JLG, MultiQuip, Mikasa, Essick, Whiteman, Mayco, Toro Stone, Diamond Products, Generac Magnum, Airman, Haulotte, Barreto, Power Blanket, Nifty Lift, Atlas Copco, Chicago Pneumatic, Allmand, Miller Curber, Skyjack, Lull, Skytrak, Tsurumi, Husquvarna Target, Stow, Wacker, Sakai, Mi-T-M, Sullair, Basic, Dynapac, MBW, Weber, Bartell, Bennar Newman, Haulotte, Ditch Runner, Menegotti, Morrison, Contec, Buddy, Crown, Edco, Wyco, Bomag, Laymor, EZ Trench, Bil-Jax, F.S. Curtis, Gehl Pavers, Heli, Honda, ICS/PowerGrit, IHI, Partner, Imer, Clipper, MMD, Koshin, Rice, CH&E, General Equipment, Amida, Coleman, NAC, Gradall, Square Shooter, Kent, Stanley, Tamco, Toku, Hatz, Kohler, Robin, Wisconsin, Northrock, Oztec, Toker TK, Rol-Air, APT, Wylie, Ingersoll Rand / Doosan, Innovatech, Con X, Ammann, Mecalac, Makinex, Smith Surface Prep, Small Line, Wanco, Yanmar