



www.Discount-Equipment.com

SPARE PARTS LIST

POWER PACKS

PP 325 E, 2008-10

Go to Discount-Equipment.com to order your parts

PARTS FINDER

**Search Website
by Part Number**



**Search Manual
Library For Parts
Manual & Lookup Part
Numbers – Purchase
or Request Quote**

Search Manuals

Enter the brand and model of the equipment you are looking for to search for parts.

* Brand:

* Model:

* Serial:

* Part Number:

* Quantity:

**Can't Find Part or
Manual? Request Help
by Manufacturer,
Model & Description**

Parts Order Form

Please fill in the following information to request help finding a part or manual.

Brand:

Model:

Serial:

Part Number:

Quantity:

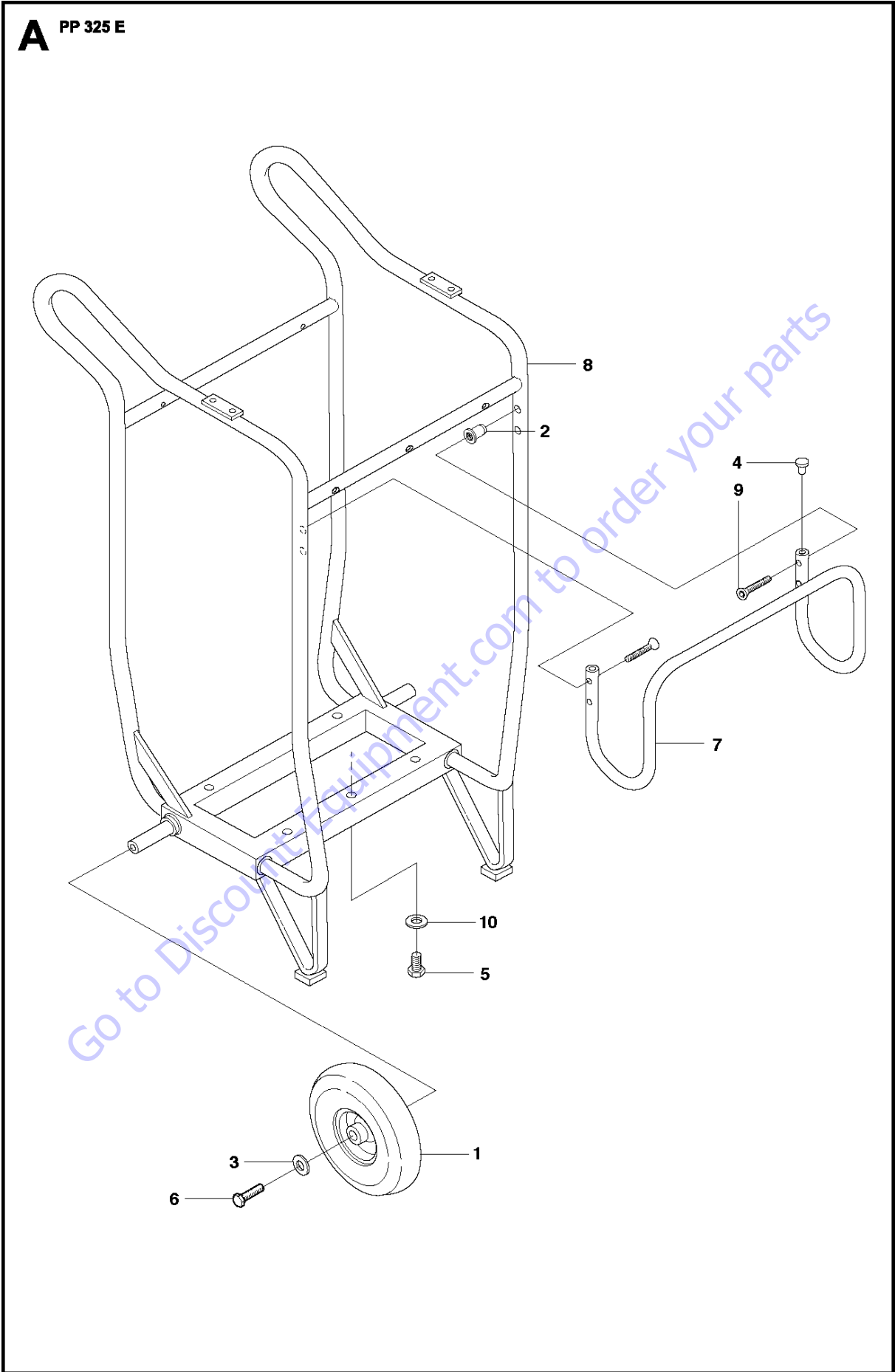
Discount-Equipment.com is your online resource for quality parts & equipment.

Florida: **561-964-4949** Outside Florida TOLL FREE: **877-690-3101**

Need parts?

Click on this link: <http://www.discount-equipment.com/category/5443-parts/> and choose one of the options to help get the right parts and equipment you are looking for. Please have the machine model and serial number available in order to help us get you the correct parts. If you don't find the part on the website or on once of the online manuals, please fill out the request form and one of our experienced staff members will get back to you with a quote for the right part that your machine needs.

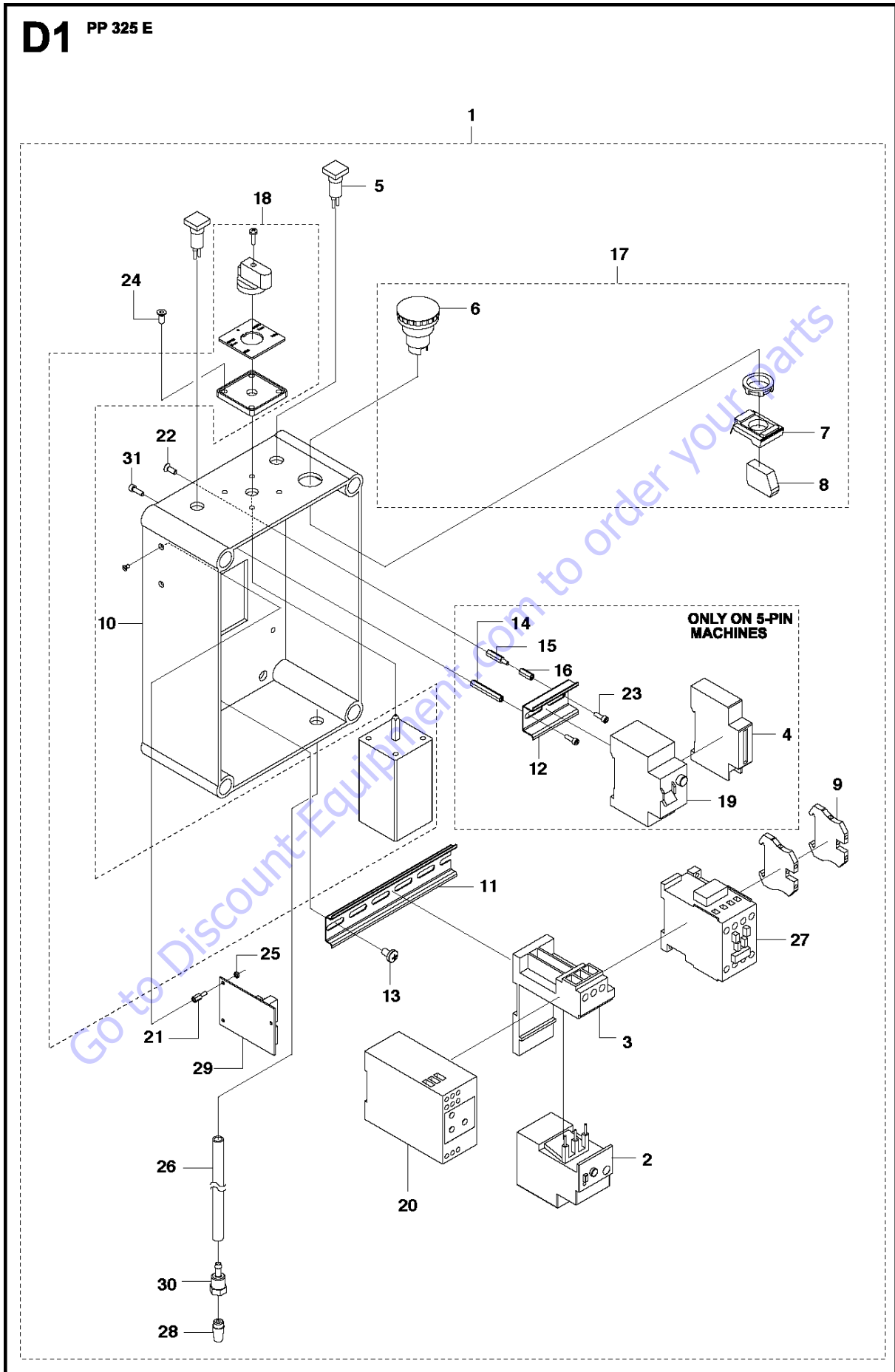
We sell worldwide for the brands: Genie, Terex, JLG, MultiQuip, Mikasa, Essick, Whiteman, Mayco, Toro Stone, Diamond Products, Generac Magnum, Airman, Haulotte, Barreto, Power Blanket, Nifty Lift, Atlas Copco, Chicago Pneumatic, Allmand, Miller Curber, Skyjack, Lull, Skytrak, Tsurumi, Husquvarna Target, , Stow, Wacker, Sakai, Mi-T- M, Sullair, Basic, Dynapac, MBW, Weber, Bartell, Bennar Newman, Haulotte, Ditch Runner, Menegotti, Morrison, Contec, Buddy, Crown, Edco, Wyco, Bomag, Laymor, Barreto, EZ Trench, Bil-Jax, F.S. Curtis, Gehl Pavers, Heli, Honda, ICS/PowerGrit, IHI, Partner, Imer, Clipper, MMD, Koshin, Rice, CH&E, General Equipment, ,AMida, Coleman, NAC, Gradall, Square Shooter, Kent, Stanley, Tamco, Toku, Hatz, Kohler, Robin, Wisconsin, Northrock, Oztec, Toker TK, Rol-Air, Small Line, Wanco, Yanmar



Ref	Part No	Description	Remark	QTY KIT
1	531 11 90-07	WHEEL		2
2	531 11 90-16	POP-NUT		4
3	531 11 90-31	WASHER		2
4	531 11 91-53	RUBBER PLUG		2
5	531 11 91-97	SCREW		5
6	531 11 92-02	SCREW		2
7	531 14 11-33	HOSE HOLDER		1
8	531 14 11-37	CARRIAGE		1
9	725 63 78-51	SCREW IHCSFM		4
10	531 11 91-81	WASHER		5

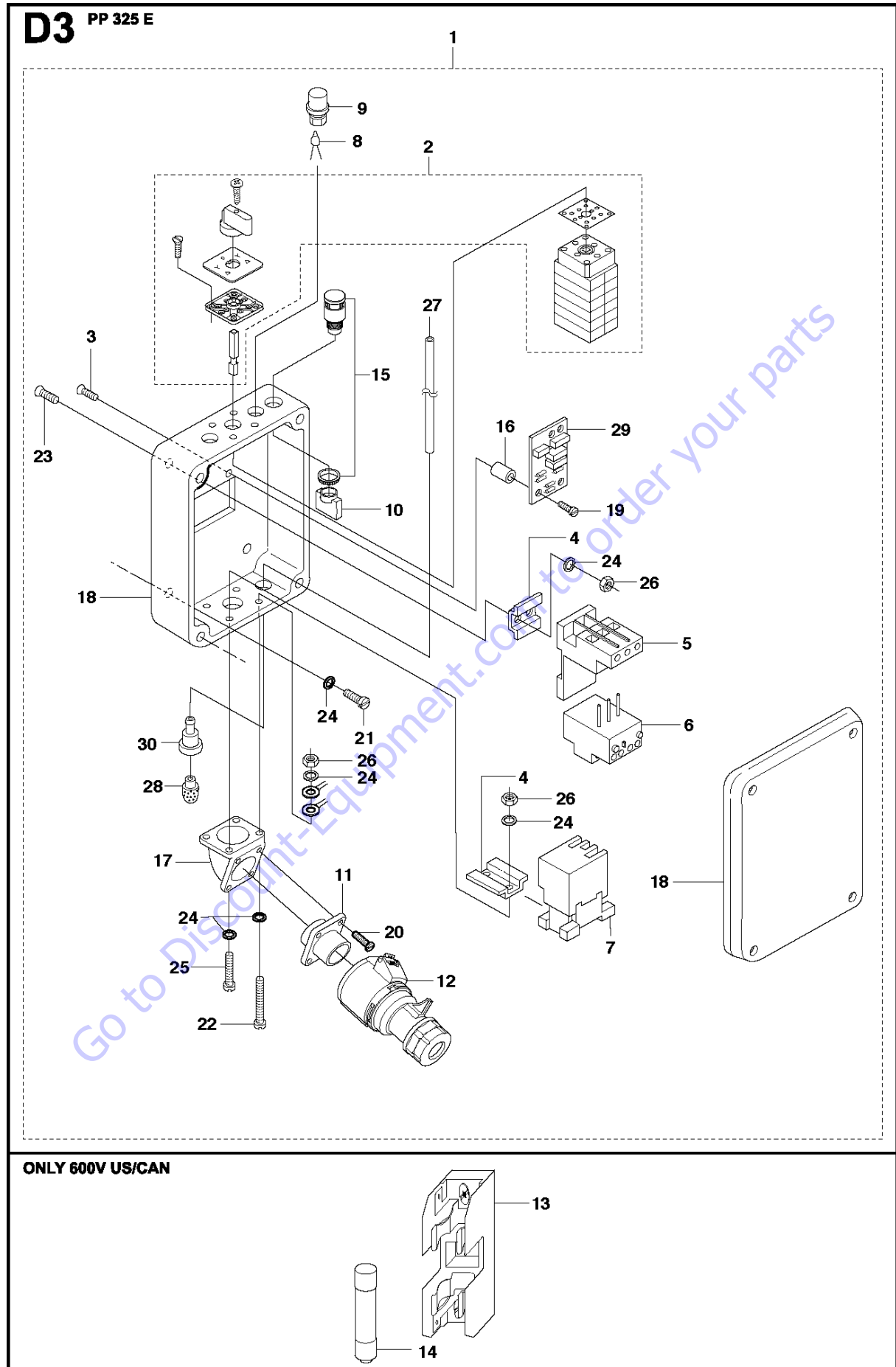
Go to Discount-Equipment.com to order your parts

D1 PP 325 E



Ref	Part No	Description	Remark	QTY	KIT
1	505 40 06-01	ELECTRIC BOX	400 V, 5-pin	1	
1	505 40 06-02	ELECTRIC BOX	400 V, 4-pin	1	
1	505 40 06-04	ELECTRIC BOX	480 V, 4-pin	1	
2	504 69 48-02	ENGINE PROTECTION		1	
3	504 69 51-02	ATTACHING BASE		1	
4	505 40 09-01	HOUR METER	Only 5-pin machines	1	
5	505 46 10-01	LAMP		2	
6	505 46 11-01	SWITCH		1	17
7	505 46 12-01	ADAPTER		1	17
8	505 46 13-01	CONTACT		1	17
9	505 46 14-01	CONNECTION PLATE		2	
10	505 46 15-01	BOX		1	
11	505 46 16-01	BAR		1	
12	505 46 17-01	BAR		1	
13	505 46 18-01	SCREW		2	
14	505 46 19-01	NUT	Only 5-pin machines	1	
15	505 46 20-01	NUT	Only 5-pin machines	1	
16	505 46 21-01	NUT	Only 5-pin machines	1	
17	505 52 03-01	SWITCH		1	
18	510 24 98-01	SWITCH		1	
19	531 11 72-08	PERSONAL SAFETY GUARD	Only 5-pin machines	1	
20	531 11 72-16	SOFTSTART/PP 325		1	
20	531 11 73-42	SOFTSTART 480V		1	
21	531 11 93-85	SPACER MAINBOARD		2	
22	723 53 29-01	SCREW SLCSFM		1	
23	725 53 23-01	SCREW IHSCM	Only 5-pin machines	2	
24	725 62 89-01	SCREW IHCSFM		4	
25	731 23 10-01	HEXAGON NUT		2	
26	531 11 90-08	VENTILATION HOSE 4X7		1	
27	531 11 72-35	CONTACT		1	
28	531 11 90-30	AIR FILTER		1	
29	531 14 10-99	PHASE SEQUENCE INDICATOR		1	
30	531 14 11-68	VENTILATION NIPPLE		1	
31	723 52 22-01	SCREW SLCSFM		2	

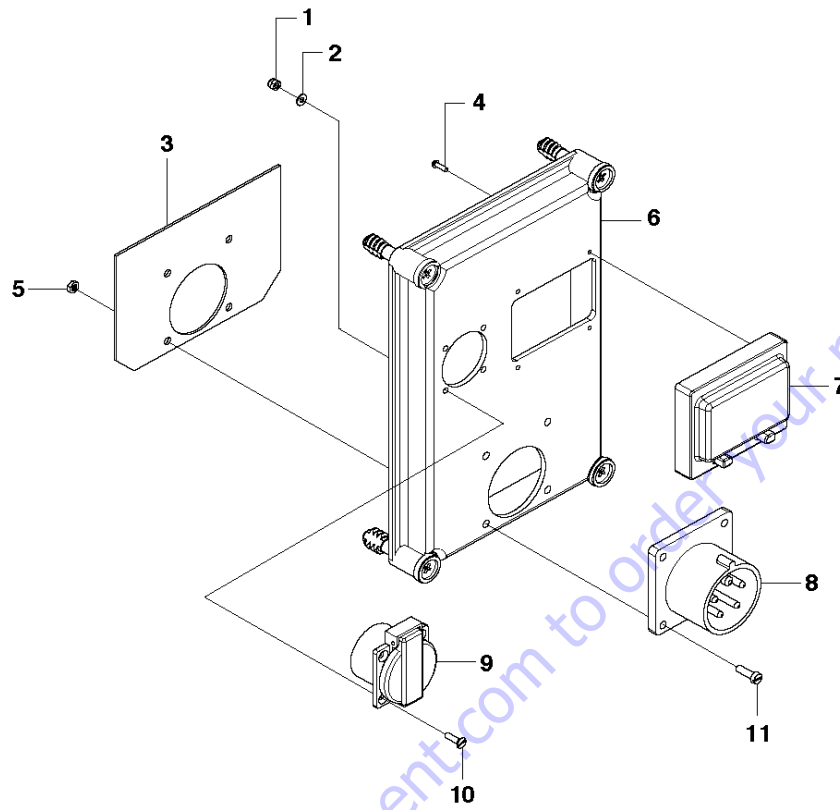
Go to Discount-Equipment.com to order your parts



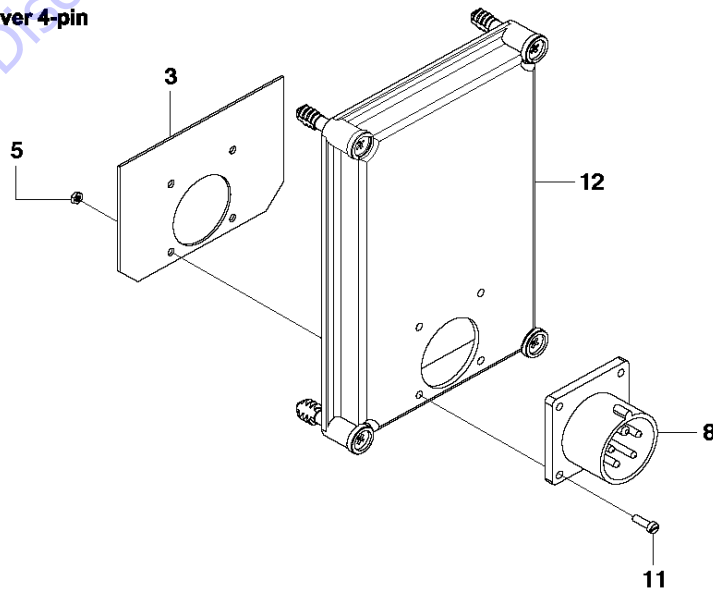
Ref	Part No	Description	Remark	QTY KIT
1	531 11 50-66	/PP325E	230/400 V, NOR	1
1	531 11 51-74	ELECTRIC BOX	200 V, JAP	1
1	531 11 51-11	ELECTRIC BOX	600 V,US/CAN	1
2	531 11 70-08	SWITCH	400Ð600 V	1
2	531 11 71-38	SWITCH PP 345 E 400V	200Ð230 V	1
3	723 52 22-01	SCREW SLCSFM		3
4	531 11 70-36	DIN CONNECTOR WITH HOLE		1
5	531 11 70-73	ASSEMBLY SOCKET 193 EAÀ		1
5	504 69 51-02	ATTACHING BASE	230/400 V, NOR	1
6	531 11 70-74	RELAY		1
6	504 69 48-02	ENGINE PROTECTION	230/400 V, NOR	1
7	531 11 71-84	CONTACTOR	200 V	1
7	531 11 70-68	CONTACTOR	230/400 V	1
7	531 11 70-23	CONTACTOR	230 V	1
7	531 11 72-35	CONTACT	400-440 V	1
7	531 11 72-34	CONTACTOR	600 V	1
8	531 11 71-86	INDICATOR		2
9	531 11 71-87	LENS CLEAR		2
10	531 11 72-05	CIRCUIT BREAKER		1
11	531 11 72-36	ELECTRIC INLET 575V/20A CAN	600 V	1
11	531 11 71-48	MAINS INLET 16A 400V	400Ð440 V	1
11	531 11 71-50	MAINS INLET 32A 230V (N	200Ð230 V	1
12	531 11 72-37	EXTENSION SOCKET	600 V	1
12	531 11 71-99	EXTENSION SOCKET 220V 32 PP325	400Ð440 V	1
12	531 11 70-10	EXTENSION SOCKET 220V,	200Ð230 V	1
13	531 11 72-38	FUSE HOLDER		2
14	531 11 72-39	POTENTIONMETER		2
15	531 11 73-68	EMERGENCY BUTTON		1
16	531 11 90-18	SPACER M3050X15		3
17	531 14 11-71	ELECTRIC INLET BRACKET		1
18	531 14 12-00	ELECTRIC BOX		1
19	723 12 20-01	SCREW SLCHM		3
20	723 12 93-01	SCREW SLCHM		4
21	723 13 25-01	SCREW SLCHM		4
22	723 13 31-01	SCREW SLCHM		1
23	723 53 25-01	SCREW SLCSFM		2
24	734 11 46-01	WASHER		14
25	723 13 29-01	SCREW SLCHM		3
26	731 23 14-01	HEXAGON NUT		6
27	531 11 90-08	VENTILATION HOSE 4X7		1
28	531 11 90-30	AIR FILTER		1
29	531 14 10-99	PHASE SEQUENCE INDICATO		1
30	531 14 11-68	VENTILATION NIPPLE		1

Go to DiscountEquipment.com to order your parts

D2 PP 325 E
Electric box cover 5-pin



Electric box cover 4-pin



Ref	Part No	Description	Remark	QTY KIT
1	731 23 12-01	HEXAGON NUT		4
2	734 11 35-71	WASHER		4
3	505 46 23-01	REINFORCEMENT PLATE		1
4	723 12 24-01	SCREW SLCHM		4
5	731 23 14-01	HEXAGON NUT		4
6	505 46 24-01	LID		1
7	505 46 22-01	COVER		1
8	505 46 32-01	CONTACT		1
9	531 11 71-55	SOCKET 230V SINGLE		1
10	723 52 92-01	SCREW SLCSFM		4
11	723 13 29-01	SCREW SLCHM		4
12	505 46 24-02	LID		1

Go to Discount-Equipment.com to order your parts

E PP 325 E

B

Dränera kylaren vid frysrisk!
 Drain the radiator to avoid freezing!
 Bei Frostgefahr unbedingt das Wasser aus dem Ölkühler ablassen!

C

Husqvarna
 Gothenburg, Sweden

Type

No Max L/min

CE Max Bar

A

3 x 380-420V
 16A
 50Hz

Husqvarna

PP 325 E

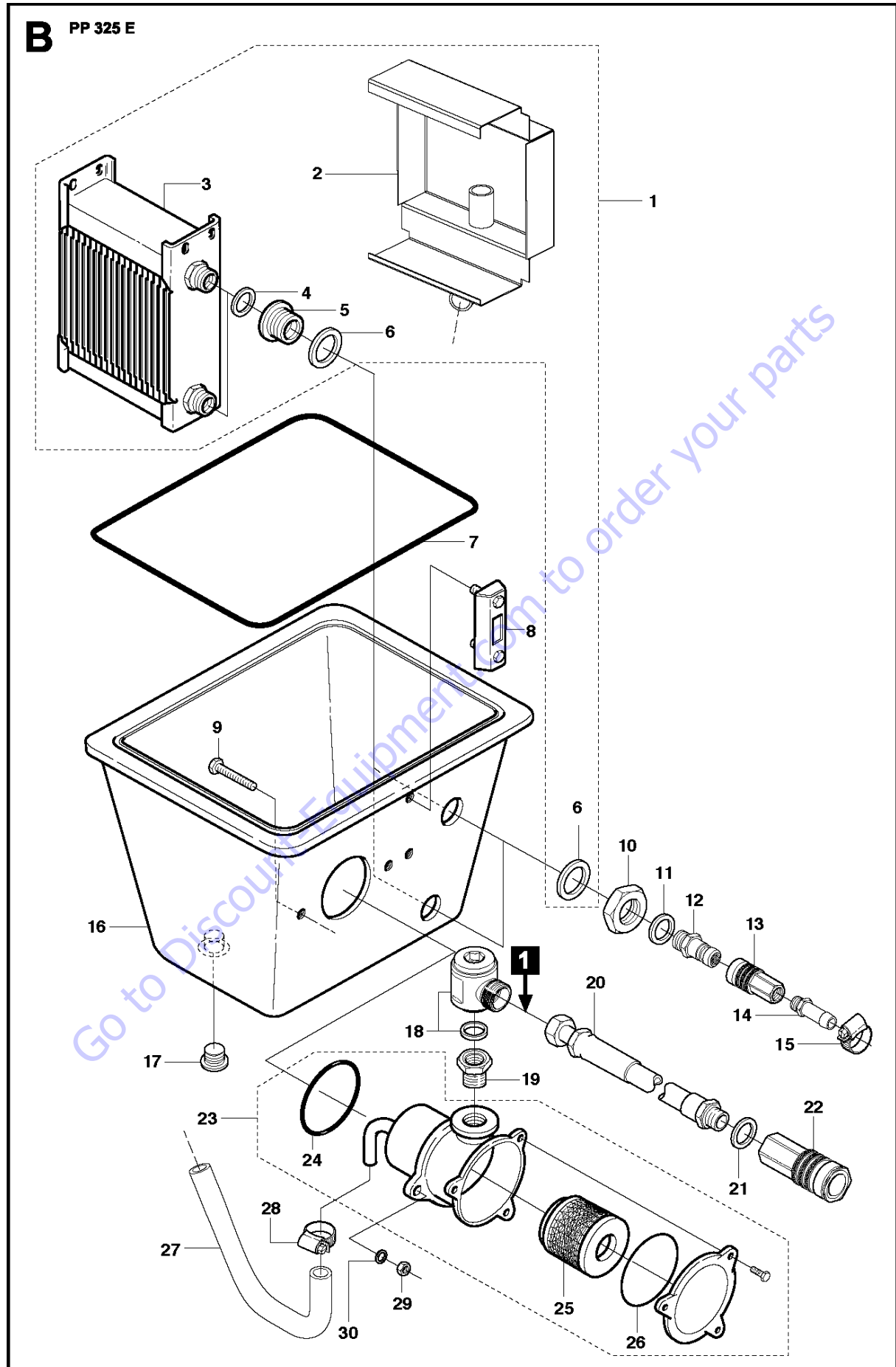
1 Only US/CAN/JAP

2 Only US/CAN/JAP

Only US/CAN/JAP

Ref	Part No	Description	Remark	QTY	KIT
1	531 14 11-85	ELECTRIC PLATE 53X25 MM	STD	1	
1	531 14 11-86	ELECTRIC PLATE 53X25 MM	N	1	
1	531 14 12-20	TBD	JAP, 50 Hz	1	
1	531 14 12-21	TBD	JAP, 60 Hz	1	
2	531 14 12-11	/PP325E		1	
3	504 00 39-01	TYPE PLATE		1	
4	531 14 12-05	LABEL FLASH 24X40 MM		1	
5	504 02 99-04	LABEL		1	
6	531 11 80-30	SWIVEL DVWE 15R	Only US/CAN/JAP	1	
7	531 11 80-34	CLUTCH	Only US/CAN/JAP	1	
8	531 11 91-85	SEALING RING	Only US/CAN/JAP	1	
9	531 11 80-49	QUICK COUPLING	Only US/CAN/JAP	1	
10	531 11 80-50	QUICK COUPLING	Only US/CAN/JAP	1	
11	531 11 51-70	Hose set PP 325 E with coupl.	Only US/CAN/JAP	1	
12	531 11 82-72	Hose set without couplings		1	11
13	740 38 34-01	SEALING WASHER		2	11
14	531 11 80-03	HYDRAULIC COUPLING FEMA		2	11
15	531 11 80-49	QUICK COUPLING		2	11
16	531 11 80-50	QUICK COUPLING		2	11
17	531 11 91-85	SEALING RING		4	11

Go to Discount-Equipment.com to order your parts



HYDRAULIC FRAME

PP 325 E, 2008-10

Ref	Part No	Description	Remark	QTY KIT	
1	531 11 50-18	COOLER		1	
2	531 14 11-63	COOLER CARTRIDGE 19 KW		1	1
3	531 11 90-02	/PP345E		1	1
4	740 38 34-01	SEALING WASHER		2	1
5	531 14 10-68	BULKHEAD COUPLING		2	1
6	531 11 95-25	SEALING RING		2	1
7	531 11 90-17	O-RING		1	
8	531 11 80-51	LEVEL GAUGE		1	
9	531 11 92-19	SCREW		2	
10	531 11 81-76	NUT		2	
11	740 38 34-01	SEALING WASHER		2	
12	531 11 83-55	NIPPLE		2	
13	531 11 80-03	HYDRAULIC COUPLING FEMA		2	
14	531 11 80-05	NIPPLE		2	
15	531 11 90-14	HOSE CLAMP		2	
16	501 36 58-01	HYDRAULIC TANK		1	
17	531 11 93-40	PLUG		1	
18	531 11 80-28	HYDRAULIC COUPLING DSVW		1	
19	531 11 81-61	SLEEVE		1	
20	531 11 81-63	HYDRAULIC HOSE		1	
21	531 11 91-85	SEALING RING		1	
22	531 11 80-49	QUICK COUPLING		1	
23	531 11 81-49	FILTER HOUSING		1	
24	531 11 92-94	O-RING		1	23
25	531 11 82-49	INSERT		1	23
26	531 11 92-95	O-RING		1	23
27	531 11 51-66	FILTER		1	
28	531 11 96-00	HOSE CLAMP		1	
29	731 23 18-01	HEXAGON NUT		2	
30	734 11 63-01	WASHER		2	

Go to Discount-Equipment.com to order your parts

Ref	Part No	Description	Remark	QTY KIT
1	501 36 56-01	ELECTRIC MOTOR	400D440 V	1
1	501 36 56-02	ELECTRIC MOTOR	230 V	1
1	501 36 56-03	MOTOR	600 V	1
1	501 36 56-04	MOTOR	200V	1
2	501 36 62-01	TANK		1
3	531 11 51-69	SHAFT COUPLING COMPL.PP325/345		1
4	531 11 51-84	PRESSURE PIPE	50 Hz	1
4	531 11 51-86	PRESSURE PIPE	60 Hz	1
5	531 11 80-35	TUBE COUPLING EVL 15 L		1
6	531 11 80-56	QUICK COUPLING		1
7	531 11 80-65	TUBE COUPLING KOR 15/12		1
8	531 11 80-70	TUBE COUPLING MAV EV 12		1
9	531 11 80-82	VALVE		1
10	531 11 80-91	MANOMETER SD PG 451-250		1
11	531 11 80-98	TUBE COUPLING WSV 15 L		1
12	531 11 82-78	PUMP	60 Hz	1
12	531 11 82-79	HYDRAULIC PUMP	50 Hz	1
13	531 11 91-83	WASHER		4
14	531 11 91-86	SEALING RING		2
15	531 11 91-99	SCREW		2
16	531 11 92-07	SCREW		4
17	531 11 92-10	SCREW		1
18	531 11 92-24	SCREW		8
19	531 11 92-93	O-RING		1
20	531 14 11-59	PRESSURE LIMITING BLOCK		1
21	531 14 11-67	HOSE NIPPLE		1
22	531 14 11-79	BLOCK SEAL		1
23	504 05 51-01	LABEL		1
24	725 23 80-51	SCREW EHHM		3
25	731 23 20-01	HEXAGON NUT		2
26	731 23 22-01	HEXAGON NUT		4
27	734 11 52-01	WASHER		3
28	740 38 08-01	SEALING WASHER		2
29	740 38 18-01	SEALING WASHER		2
30	740 43 14-00	O-RING		1
31	531 11 80-50	QUICK COUPLING		1
32	531 11 91-81	WASHER		2
33	531 11 81-63	HYDRAULIC HOSE		1
34	531 11 93-40	PLUG		1
35	531 11 91-85	SEALING RING		1
36	531 11 72-01	ABDECKUNG F. LUEFTERRAD		1

Go to Discount-Equipment.com to order your parts



